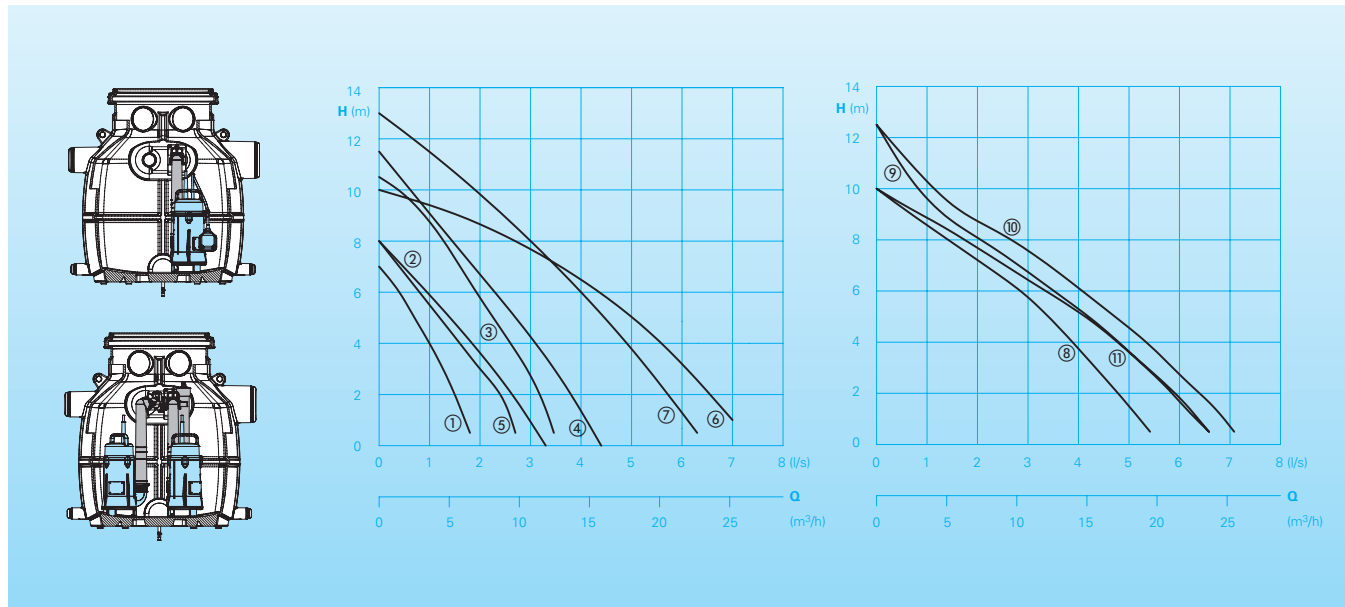




Drainage water-lifting unit with above-floor-collection tank.

Saniquick B200 / BT200

Conveying capacities



Application

Automatic drainage water disposal below the sewer backflow level, for basement drainage. For connection of wash basins and washing machine. Installation in cellars, basement and bathroom.

DIN EN 12050-2: Design tested and monitored.

Installation: Collection tank for above-floor installation.

Pumped medium: Clear- and drainage water. Max. temperature of pumped medium: 35°C, for brief periods up to 60°C.

Design

Single- or twin lifting unit with drainage water collection tank consisting of:

Collection tank: Plastic tank, tank volume 200 l, useful volume 130l, with 2 inlets DN 100/DN 50, 1 inlet DN 150. Inlet DN 70 for venting and cable entry. 2x DN 50 inlets for emergency draining. Odor-proof container lid with quick-release fastener.

Pumps/Motors: One or two single stage drainage water submersible pumps, open multi channel impeller, open single channel impeller (TP28M) or Vortex impeller (TP 28 V / H328) free passage 10- 28 mm Ø. Fully submersible motor. Insulation class B/F, protection rating IPX8.

Pump selection: The single unit (B) is switched on and off by means of a float switch, a WA/DA version is required.

Technical data

Curve No.	Pump type	Motor input		Nominal current (A)	Weight (kg)
		P ₁ (kW)	P ₂ (kW)		
①	C140 WA	0,32	0,17	1,4	4,1
①	CH140 WA	0,32	0,17	1,4	4,1
②	C250 W(A)	0,55	0,26	2,5	5,1
②	CH250 W(A)	0,55	0,26	2,5	5,1
②	C150 WA	0,75	0,38	3,5	6,0
③	CH150 WA	0,75	0,38	3,5	6,0
④	C260 W(A)	0,90	0,48	4,0	6,1
④	CH260 W(A)	0,90	0,48	4,0	6,1
⑤	CR253 W(A)	0,53	0,34	2,1	5,0
⑥	TP28 V W(A)	1,10	0,90	5,6	22,0
⑥	TP28 V 11/2 W(A)	1,10	0,90	5,6	22,0
⑥	TP28 V 11/2 D(A)	1,10	0,90	2,2	22,0
⑦	TP28 M 10/2 W(A)	1,00	0,70	4,7	22,0
⑦	TP28 M 10/2 D(A)	1,00	0,70	1,8	22,0
⑧	H307 W(A)	0,80	0,50	3,4	18,0
⑧	H307 D(A)	0,70	0,50	1,3	18,0
⑨	H313 W(A)	1,00	0,70	4,3	18,0
⑩	H313 D(A)	1,20	0,90	2,2	20,0
⑪	H328 V W(A)	1,20	0,90	5,2	20,0
⑪	H328 VD(A)	1,20	0,90	2,2	20,0

Rotational speed: 2850 / 2900 rpm | **Model W:** 230V/1Ph 50Hz | **Model D:** 400V/3Ph 50Hz

Discharge: G1 1/4 | **Model A:** with automatic float switch HOMA-Nivomatik

The double unit (BT) is switched by control and requires a WL/DL version.

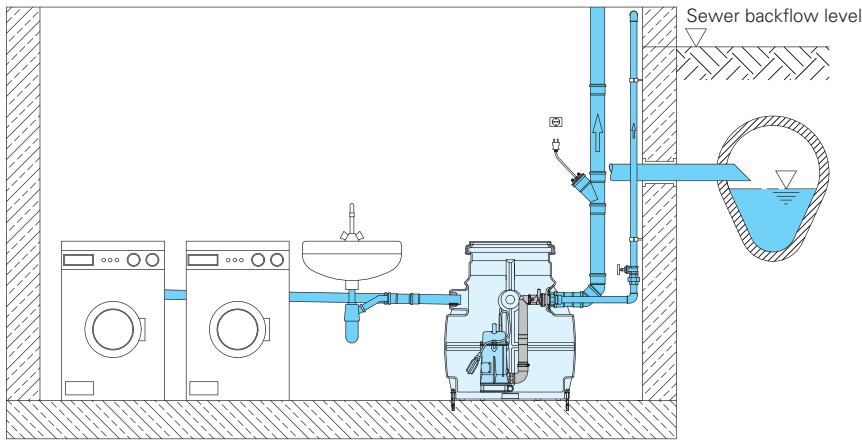
Control box (only BT): Electronic control box PCM for control and monitoring of all important functions. Pneumatic level control with pressure operation. Auto-change over after each pump cycle. Operation of both pumps at high flow. In the event of failure automatic change over to the second pump. Motor protection relay. Optical failure alarm. Acoustic alarm by buzzer.

Volt free contact for remote signal Configuration possible via free HOMApp. Communication between smartphone and control box via Bluetooth.

Materials

Collection tank	Polyethylen
Installation Kit	PP GF
Elastomers	NBR

Installation example (Saniquick B200)

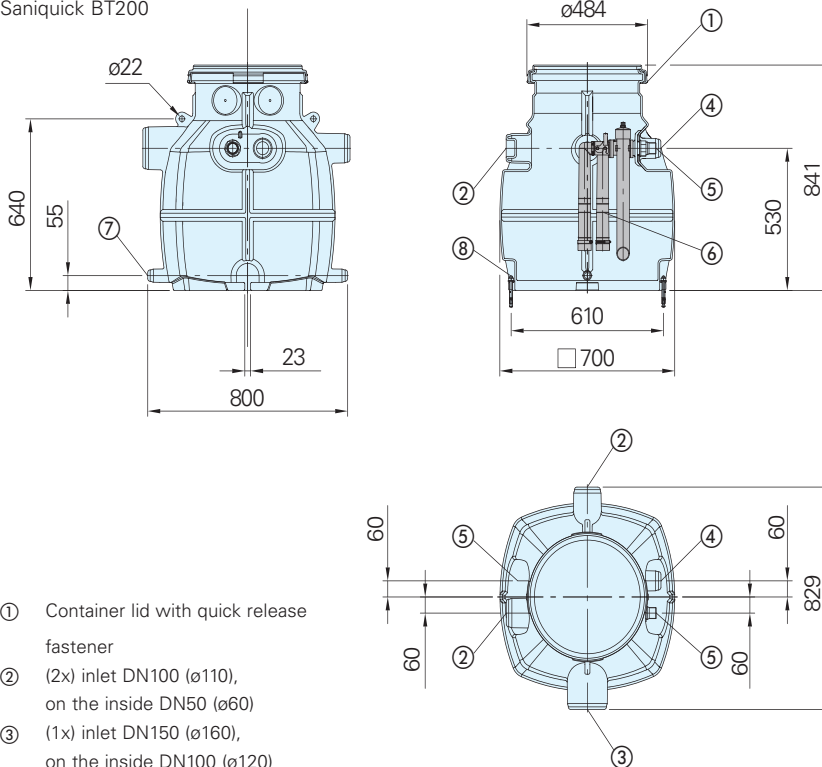


Assignment control boxes / pumps

PCM25H-W	Bully C(H)140- C(H)150 Chromatic C(H)250- C(H)260 TP28 M 10/2 WL TP28VW TP28 V 11/2 WL CR253W	PCM25H-D-0	TP28 M 10/2 DL TP28V 11/2 DL H307 DL H313 DL H328 V DL
		PCM25H-W+K20	H307 WL
		PCM25H-W+K25	H313 WL H328 V WL

Dimensions (all dimensions in mm)

Saniquick BT200



- ① Container lid with quick release fastener
- ② (2x) inlet DN100 (ø110), on the inside DN50 (ø60)
- ③ (1x) inlet DN150 (ø160), on the inside DN100 (ø120)
- ④ Air vent and cable inlet DN70 (ø75)
- ⑤ Connection for pressure pipe G1 1/4 (right or left mountable)
- ⑥ Installation kit with connection lock
- ⑦ (2x) Emergency draining DN50 (ø50)
- ⑧ Buoyancy protection

Scope of supply

Saniquick B(T)200

Plastic collection tank, container lid with quick release fastener, rubber cable entry (without pumps/installation kit/control box - please order separately)

Saniquick B(T) 200 floor mounted collection tank	9804101
Installation kit Saniquick UF200+B200 single unit	9804047
Installation kit Saniquick UFT200+BT200 twin unit	9804048

Drainage water pumps for Saniquick B(T)200

Pump type	B200	BT200
C140WA	9110219	9110219
CH140WA	9110220	9110220
C150WA	9110229	9110229
CH150WA	9110230	9110230
C250W	9110365	9010365
C260W	9110390	9010390
CH250W	9240398	9240397
CH260W	9240392	9240390
TP28VW	9500127	9500126
TP28V 11/2 W	9211283.02	9211282.11
TP28V 11/2 D	9211293.02	9211292.11
TP28M 10/2 W	9211281.02	9211280.10
TP28M 10/2 D	9211291.02	9211290.11
H307W	9230611.02	9230610.11
H307D	9230661.02	9230660.11
H313W	9231211.02	9231210.11
H313D	9231261.02	9231260.11
H328VW	9232811.02	9232810.11
H328VD	9232861.02	9232860.11
CR253W	9110211.02	9110210.02

Control boxes Saniquick BT200

Description	Part no.
PCM25H-W-Saniquick UFT+BT200	1990327
PCM25H-D-Saniquick UFT+BT200	1990326
PCM25H-W+K20-Saniquick UFT+BT200	1990329
PCM25H-W+K25-Saniquick UFT+BT200	1990331

Accessories Saniquick B(T)200

Description	Part no.
AL3 float switch with alarm unit and holder	1586148
ALWS alarm unit	1586214
Pipe aerator with filter cartridge DN70 / DN 100	8001010



We reserve the right to alter our specifications without notice!