

**Flat suction submersible drainage pump with automatic level sensor for flood protection**

**Chromatic C240 WF Sensoflat, C270 WF Sensoflat**

**Application**

Pump for conveying clean or lightly soiled water.  
 Automatic extraction from water levels of just 5 mm to prevent severe flooding in rooms without pump sump or floor drain, e.g. through flooding cloud-burst, burst pipes or defective washing machines. Emergency deployment for flooding. A cooling jacket with discharge connector at the top ensures sufficient motor cooling even at low water level (sip operation). The sensor switch automatically switches the pump on at a water level of just 5 mm. Residual water is pumped off down to 2 mm.

**Installation:** Stationary or mobile.

**Pumped medium:** Clear- or drainage water containing solids up to 3 mm particle size. Max. temperature of pumped medium: 35°C, for brief periods up to 60°C.

**Operating mode:** C240: Continuous operation (S1), at medium temperature 36- 60°C: Intermittent operation (S3 30%).

C270: Intermittent operation.

**Design**

Submersible pump, consisting of:

**Pump:** Single-stage centrifugal pump with vertical discharge.

**Impeller:** Open multi-blade impeller, free passage C240: 3 mm, C270: 2 mm

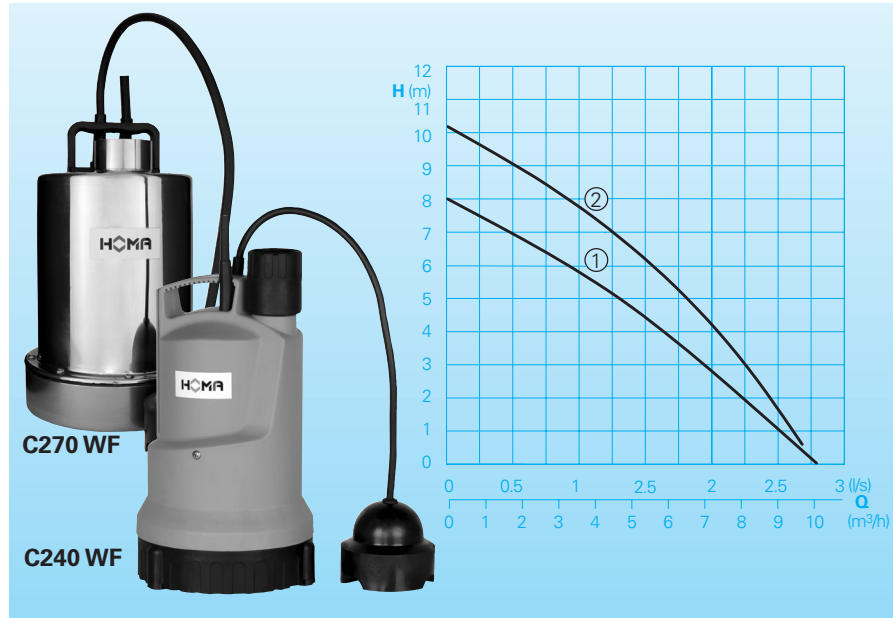
**Motor:** Pressure watertight, medium-immersed motor. Stainless steel motor housing. Insulation class B, Protection rating IPX8. Thermal sensor for temperature monitoring in the winding.

**Shaft/bearing:** strongly dimensioned chrome steel motor shaft, lifetime-lubricated roller bearings.

**Seal:** C240: Shaft seal with triple radial shaft seal and ceramic-coated sealing surfaces.

C270: Combination of axial shaft seal and radial shaft seal.

**Conveying capacities**



**Technical data**

Curve No.	Pumptype	Motor input P <sub>1</sub> (kW)	Motor input P <sub>2</sub> (kW)	Voltage 50 Hz (V)	Nominal current (A)	Connecting cable type	Weight (kg)
①	C240 WF	0,50	0,25	230/1Ph	2,2	H07RN8-F3G1	5,4
②	C270 WF	0,70	0,45	230/1Ph	3,2	H07RN-F3G1	7,0

**Rotational speed:** 2850 rpm

**Discharge:** G1 1/4

**Materials**

Motor housing, motor shaft, screws	Stainless steel
Suction sieve, outer housing C240	impact-resistant plastic
C270	Stainless steel
Impeller, pressurized lid	impact-resistant plastic
Elastomers	NBR

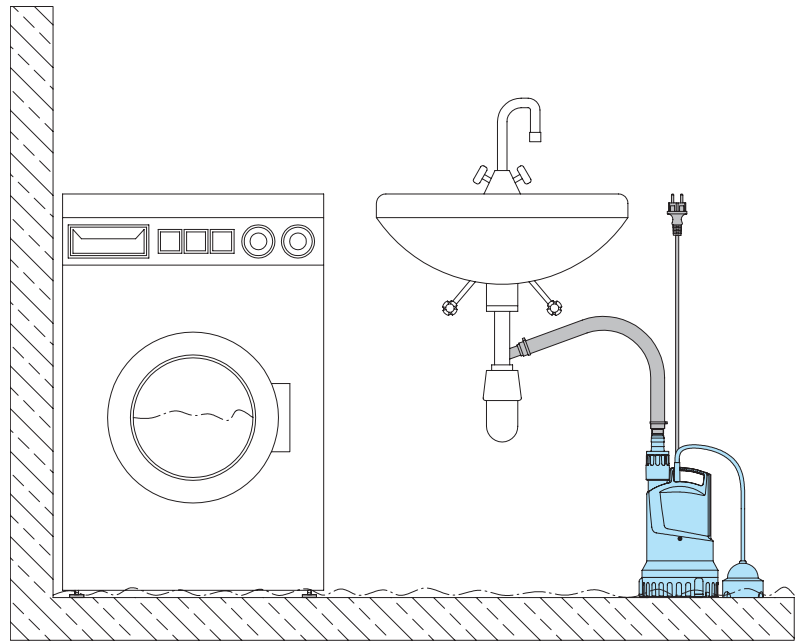
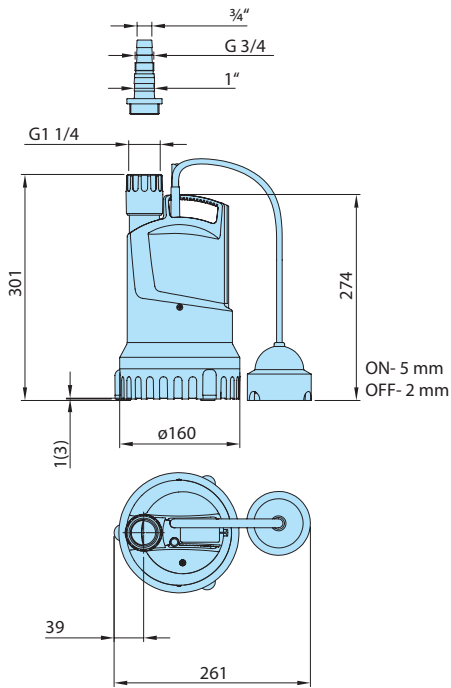
**Scope of supply**

C270: Pump with sensor switch, 10 m of connecting cable and mains plug.

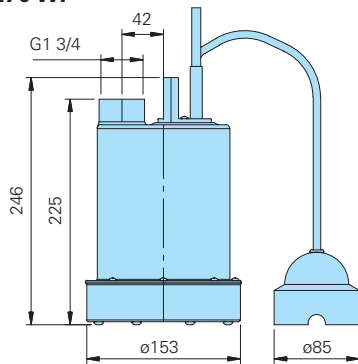
C240: Pump with sensor switch, twin box G 1¼ inc. washers and hose connection, 10 m of connecting cable and mains plug.

**Dimensions and installation example** (all dimensions in mm)

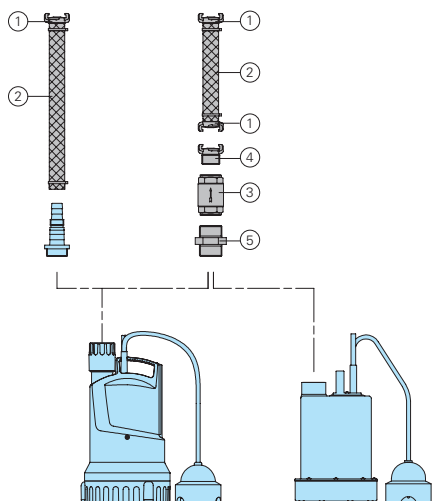
**C240 WF**



**C270 WF**



**Accessories**



Description	Size	Part no.
① Hose coupling, brass	1"	2003313
	3/4"	2003213
② PVC-hose, per m	1" Ø 25 mm	2621000
	3/4" Ø 19 mm	2620700
Plastic spiral hose, per m	1" Ø 25 mm	2632025
	3/4" Ø 19 mm	2632019
Hose clamp	3/4" - 1"	2302330
③ Check valve, brass	BSP1 1/4"	2009027
④ Fixed coupling, brass	BSP1 1/4"	2005413
⑤ Double nipple, brass	BSP1 1/4"	2009019
○ Fault-current circuit breaker 2-pin, Fi 16/0.03 A		1561160

We reserve the right to alter our specifications without notice!