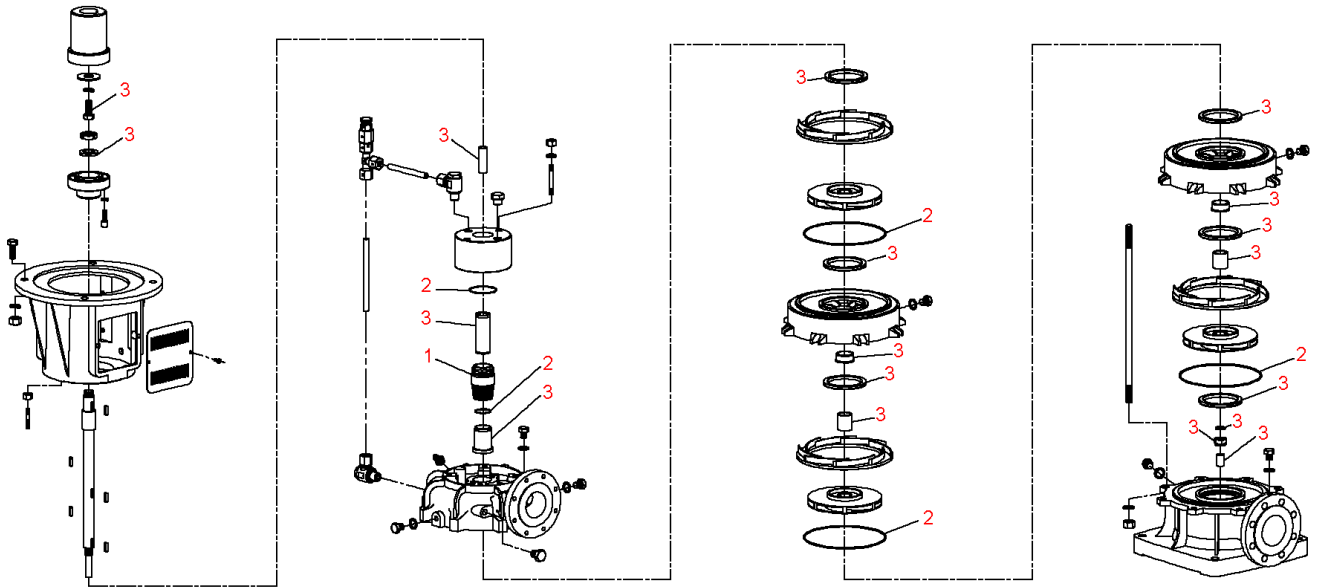


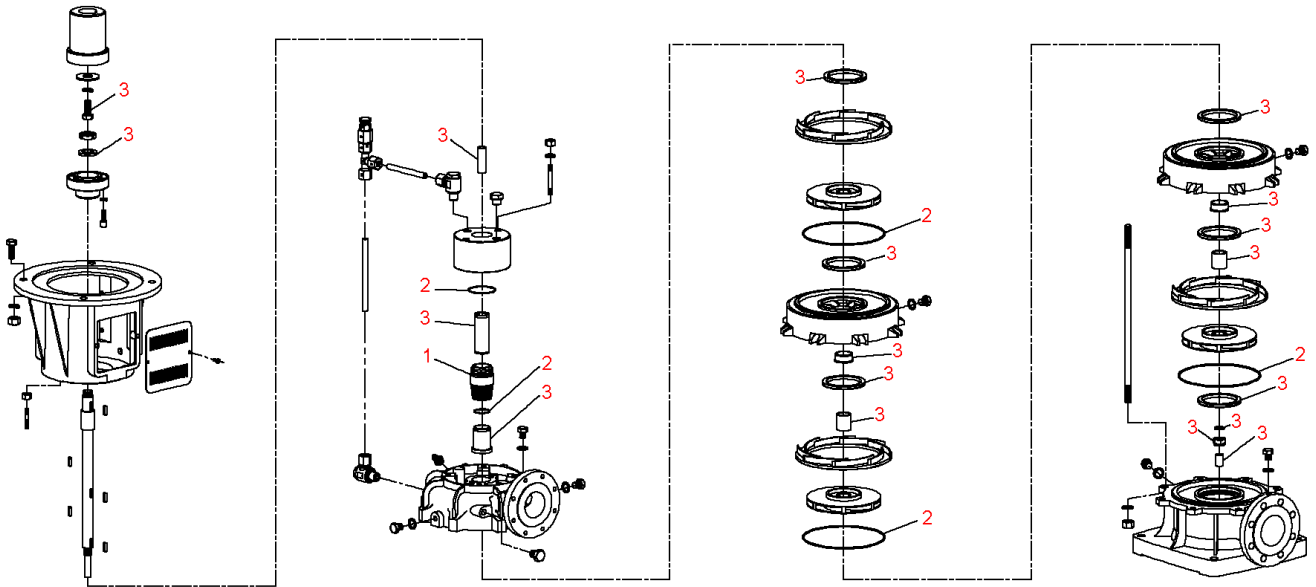
## Zeox First V

Article no.	Description
4191940	Zeox-First-V6003/A-30-2
4191942	Zeox-First-V6003/A-37-2
4191943	Zeox-First-V6003/A-45-2
4191939	Zeox-First-V6003/B-30-2
4191941	Zeox-First-V6003/B-37-2
4191946	Zeox-First-V6004/A-55-2
4191944	Zeox-First-V6004/B-45-2
4191945	Zeox-First-V6004/B-55-2
4191947	Zeox-First-V6005/A-55-2
4192962	Zeox-First-V6005/A-75-2
4191948	Zeox-First-V9003/A-45-2
4191949	Zeox-First-V9003/B-45-2
4191950	Zeox-First-V9003/B-55-2
4191951	Zeox-First-V9004/A-75-2
4191952	Zeox-First-V12002-45-2
4191953	Zeox-First-V12002-55-2
4191954	Zeox-First-V12002-75-2
4191955	Zeox-First-V12003-90-2
4191956	Zeox-First-V12003-110-2
4191957	Zeox-First-V12004-110-2
4191958	Zeox-First-V16001-37-2
4191959	Zeox-First-V16001-45-2
4191960	Zeox-First-V16002-55-2
4191961	Zeox-First-V16002-75-2
4191962	Zeox-First-V16002-90-2
4191963	Zeox-First-V16003-110-2



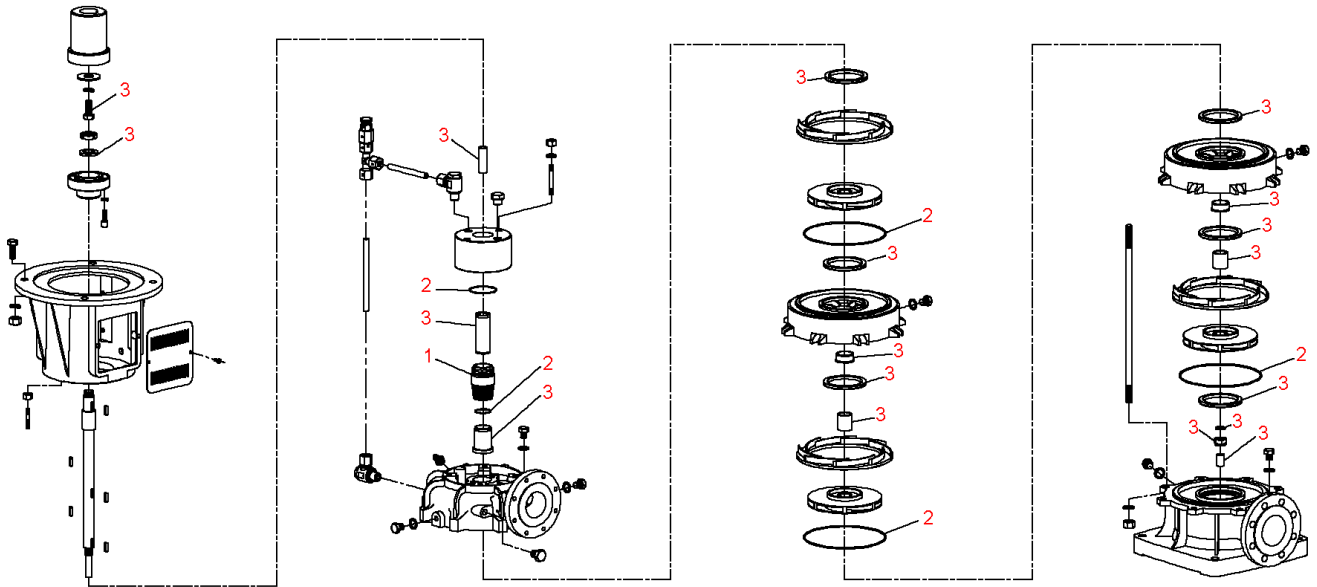
**Zeox-First-V6003/B-30-2 (4191939)**

<b>Item</b>	<b>Article no.</b>	<b>Description</b>	<b>Quantity</b>
1	4216701	Mechanical seals Zeox-V60-90 KIT	1
2	4216702	Seals Zeox-V60(90)03 KIT	1
3	4216705	Wear parts Zeox-V6003 KIT	1



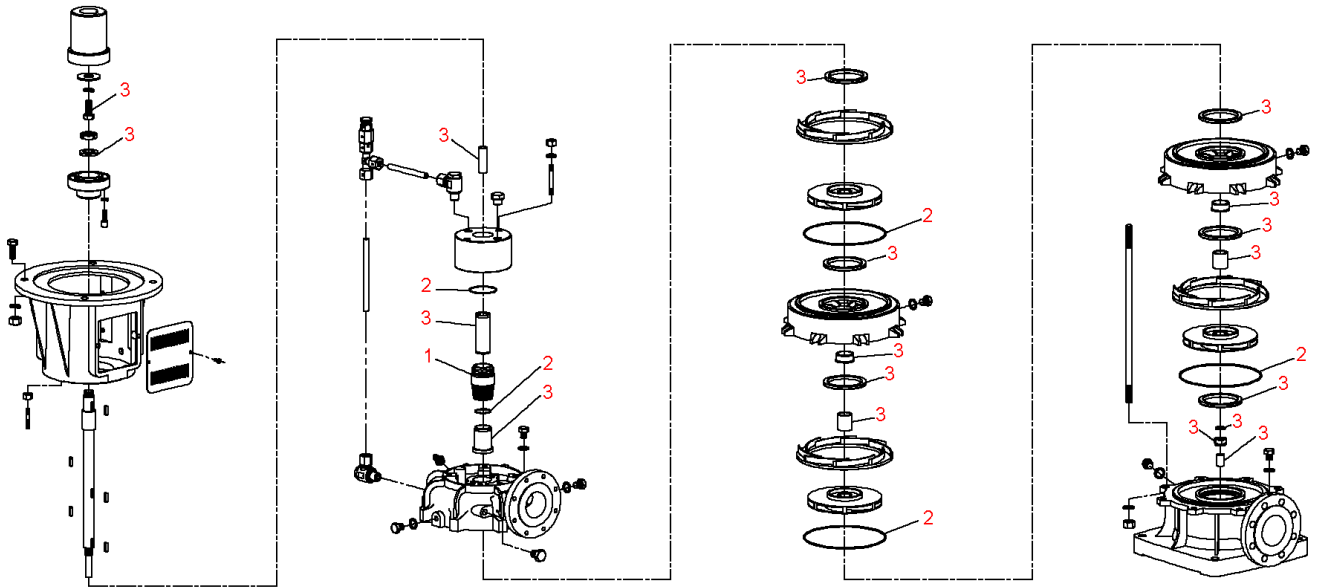
**Zeox-First-V6003/A-30-2 (4191940)**

<b>Item</b>	<b>Article no.</b>	<b>Description</b>	<b>Quantity</b>
1	4216701	Mechanical seals Zeox-V60-90 KIT	1
2	4216702	Seals Zeox-V60(90)03 KIT	1
3	4216705	Wear parts Zeox-V6003 KIT	1



**Zeox-First-V6003/B-37-2 (4191941)**

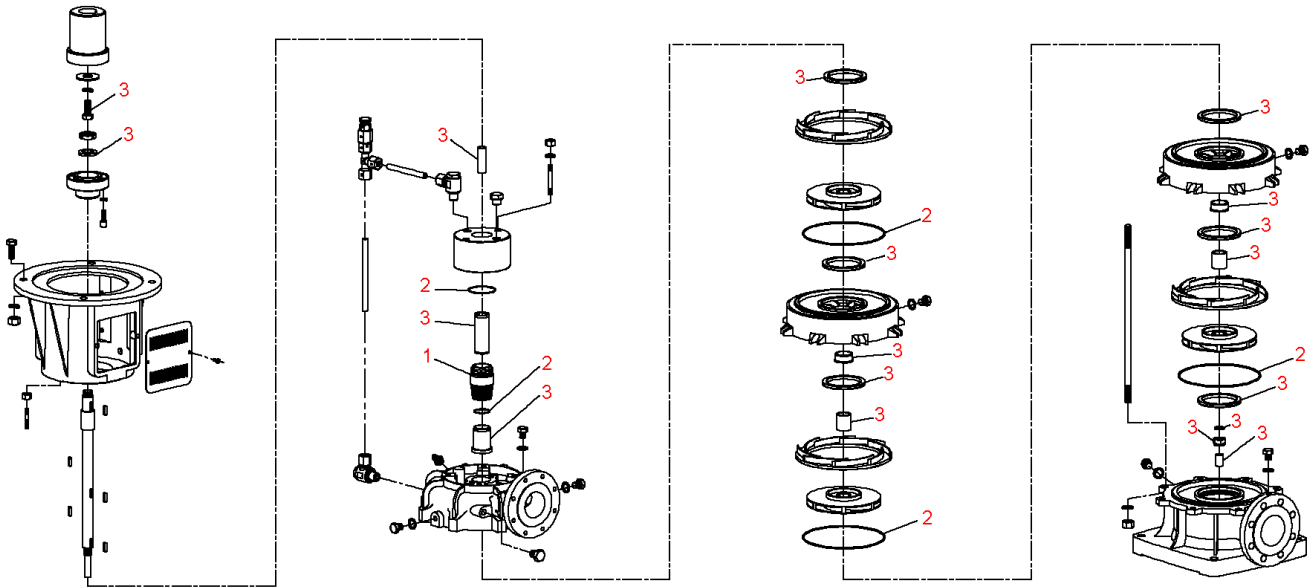
<b>Item</b>	<b>Article no.</b>	<b>Description</b>	<b>Quantity</b>
1	4216701	Mechanical seals Zeox-V60-90 KIT	1
2	4216702	Seals Zeox-V60(90)03 KIT	1
3	4216705	Wear parts Zeox-V6003 KIT	1





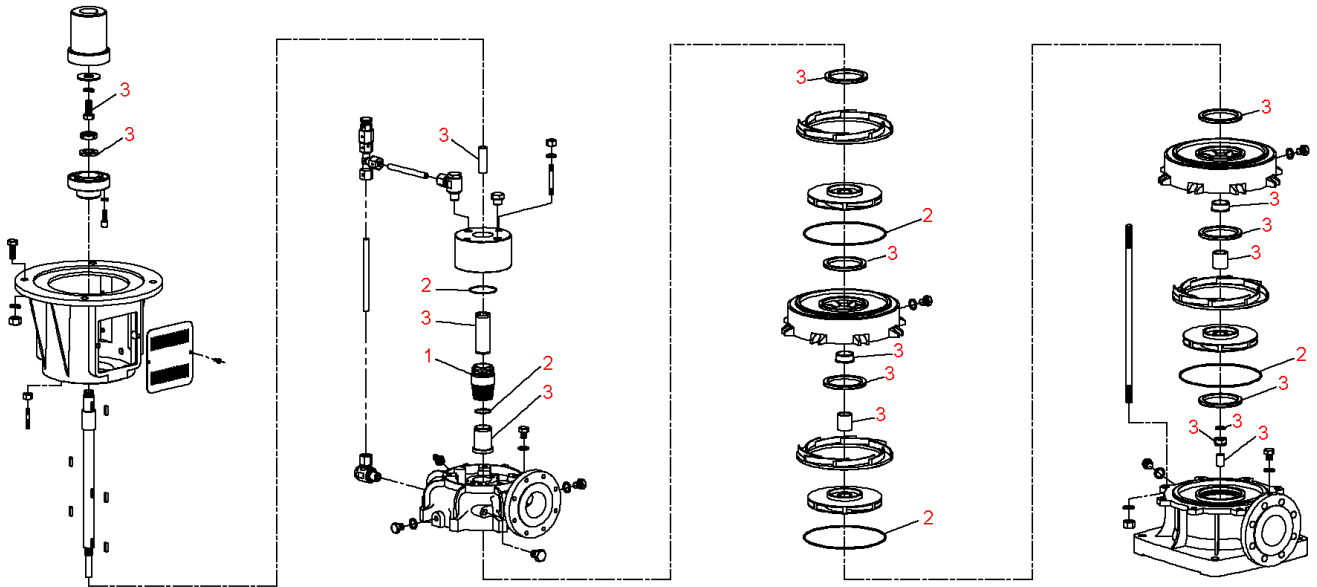
**Zeox-First-V6003/A-37-2 (4191942)**

<b>Item</b>	<b>Article no.</b>	<b>Description</b>	<b>Quantity</b>
1	4216701	Mechanical seals Zeox-V60-90 KIT	1
2	4216702	Seals Zeox-V60(90)03 KIT	1
3	4216705	Wear parts Zeox-V6003 KIT	1



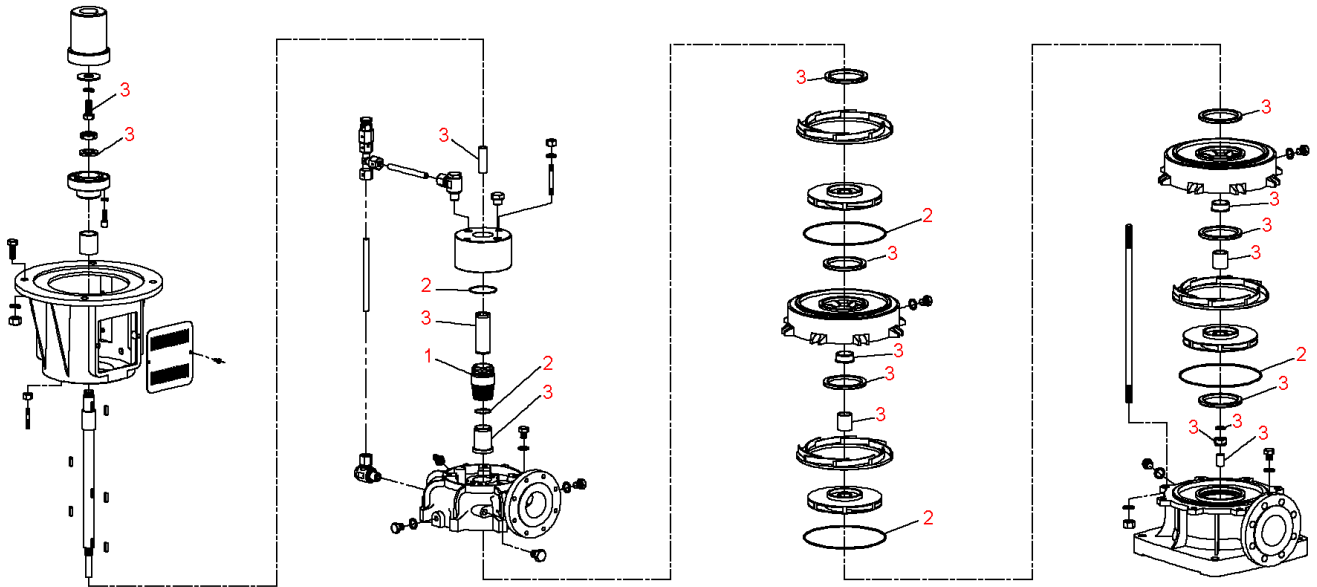
**Zeox-First-V6003/A-45-2 (4191943)**

<b>Item</b>	<b>Article no.</b>	<b>Description</b>	<b>Quantity</b>
1	4216701	Mechanical seals Zeox-V60-90 KIT	1
2	4216702	Seals Zeox-V60(90)03 KIT	1
3	4216705	Wear parts Zeox-V6003 KIT	1



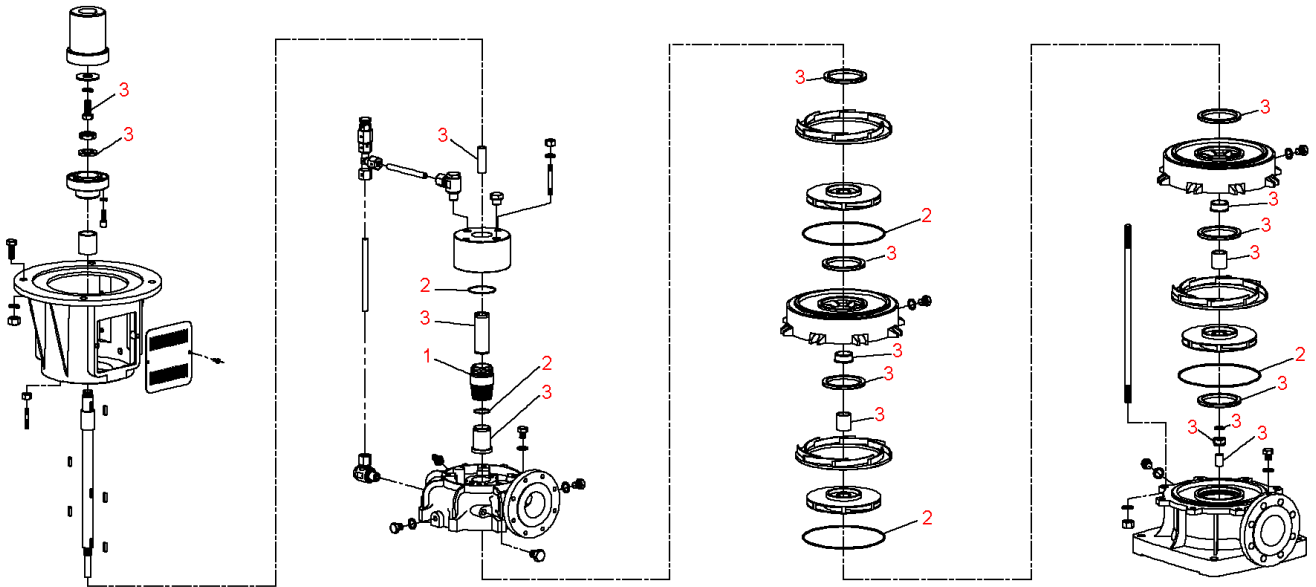
**Zeox-First-V6004/B-45-2 (4191944)**

<b>Item</b>	<b>Article no.</b>	<b>Description</b>	<b>Quantity</b>
1	4216701	Mechanical seals Zeox-V60-90 KIT	1
2	4216703	Seals Zeox-V60(90)04 KIT	1
3	4216706	Wear parts Zeox-V6004 KIT	1



**Zeox-First-V6004/B-55-2 (4191945)**

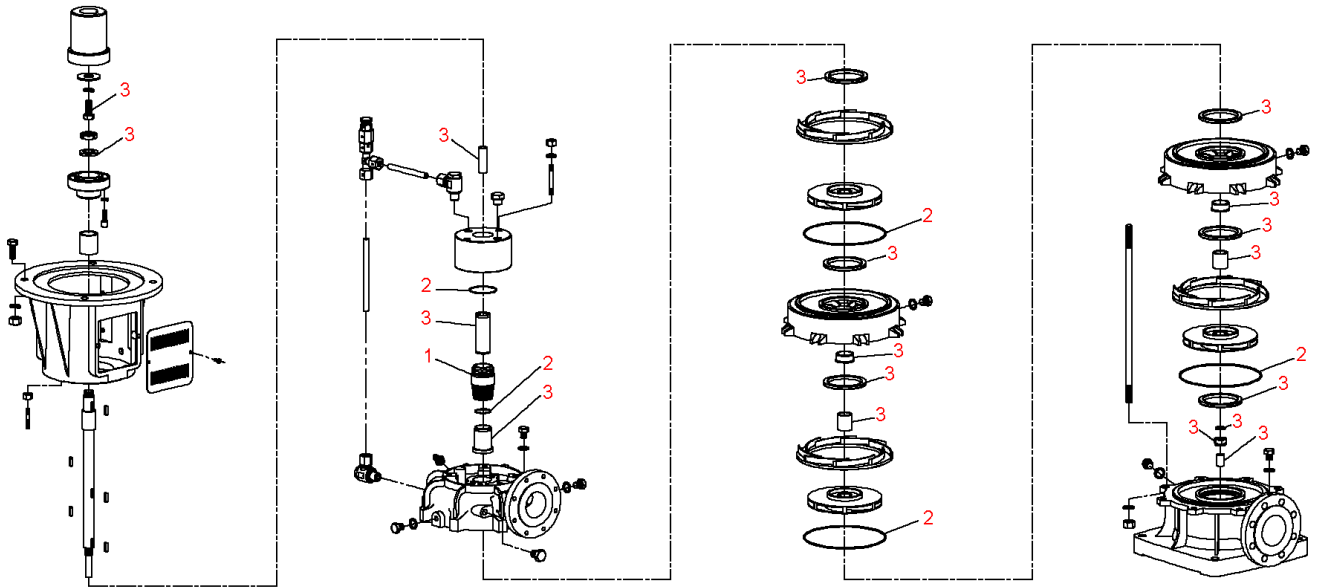
<b>Item</b>	<b>Article no.</b>	<b>Description</b>	<b>Quantity</b>
1	4216701	Mechanical seals Zeox-V60-90 KIT	1
2	4216703	Seals Zeox-V60(90)04 KIT	1
3	4216706	Wear parts Zeox-V6004 KIT	1





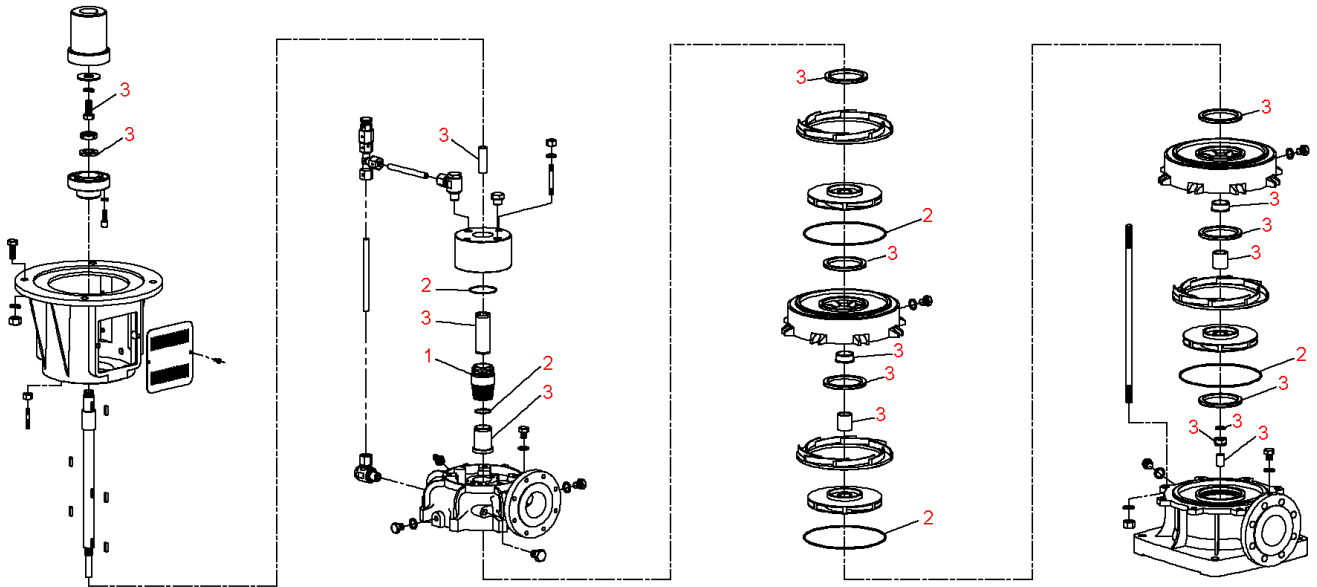
**Zeox-First-V6004/A-55-2 (4191946)**

<b>Item</b>	<b>Article no.</b>	<b>Description</b>	<b>Quantity</b>
1	4216701	Mechanical seals Zeox-V60-90 KIT	1
2	4216703	Seals Zeox-V60(90)04 KIT	1
3	4216706	Wear parts Zeox-V6004 KIT	1



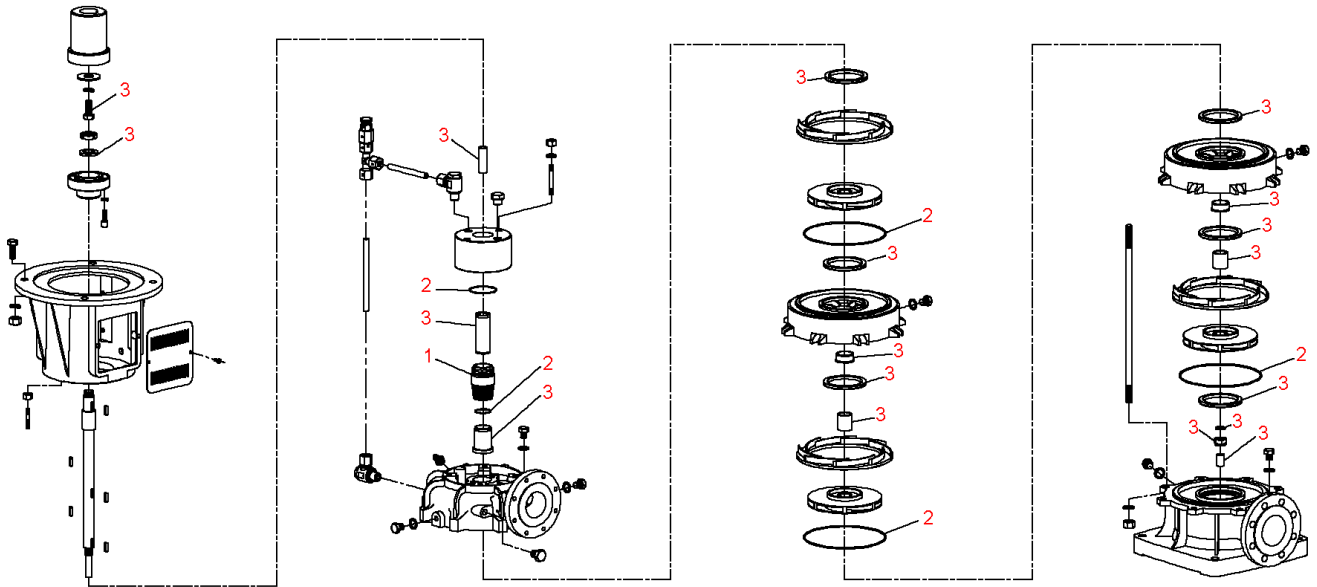
**Zeox-First-V6005/A-55-2 (4191947)**

<b>Item</b>	<b>Article no.</b>	<b>Description</b>	<b>Quantity</b>
1	4216701	Mechanical seals Zeox-V60-90 KIT	1
2	4216704	Seals Zeox-V6005 KIT	1
3	4216707	Wear parts Zeox-V6005 KIT	1



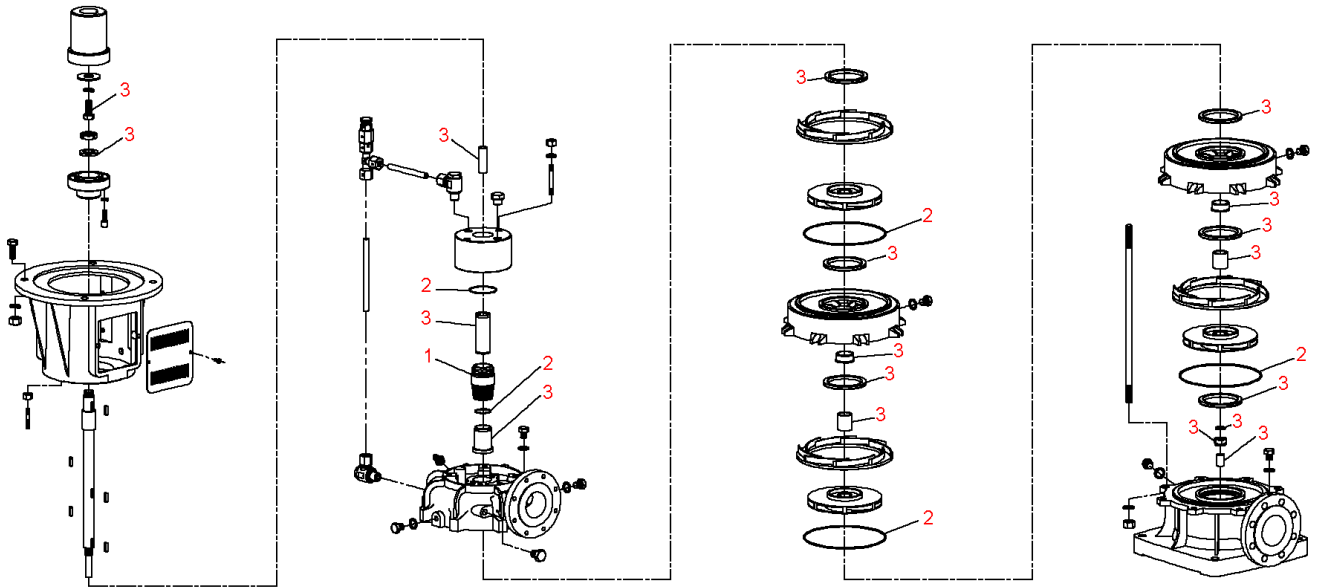
**Zeox-First-V6005/A-75-2 (4192962)**

<b>Item</b>	<b>Article no.</b>	<b>Description</b>	<b>Quantity</b>
1	4216701	Mechanical seals Zeox-V60-90 KIT	1
2	4216704	Seals Zeox-V6005 KIT	1
3	4216707	Wear parts Zeox-V6005 KIT	1



**Zeox-First-V9003/A-45-2 (4191948)**

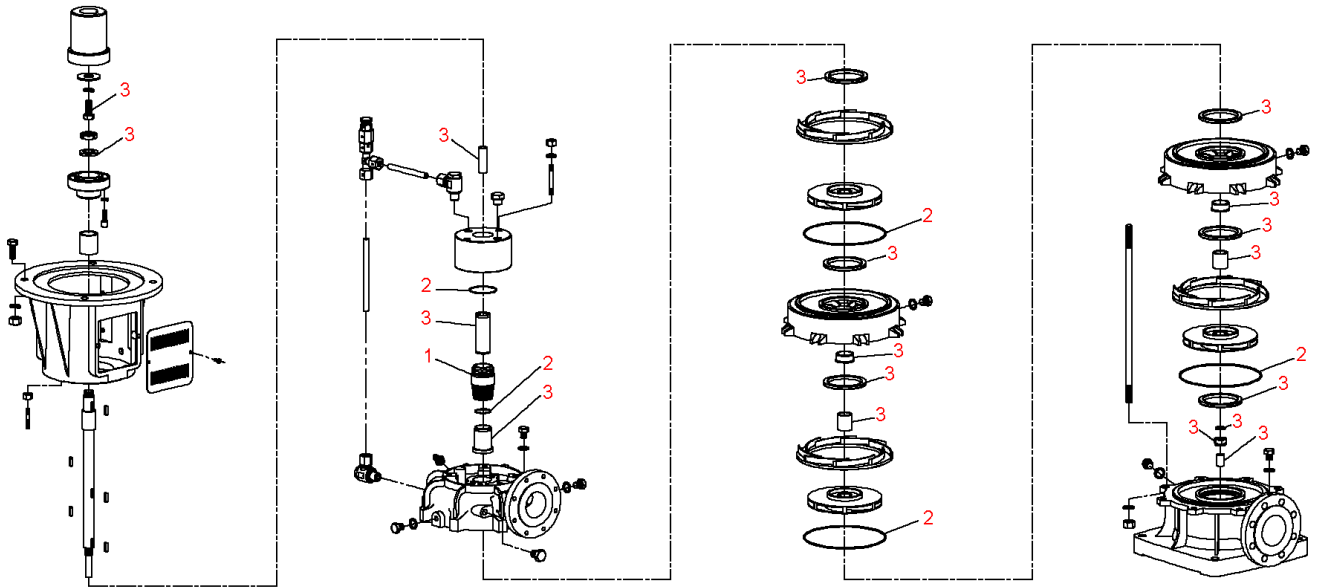
<b>Item</b>	<b>Article no.</b>	<b>Description</b>	<b>Quantity</b>
1	4216701	Mechanical seals Zeox-V60-90 KIT	1
2	4216702	Seals Zeox-V60(90)03 KIT	1
3	4216708	Wear parts Zeox-V9003 KIT	1





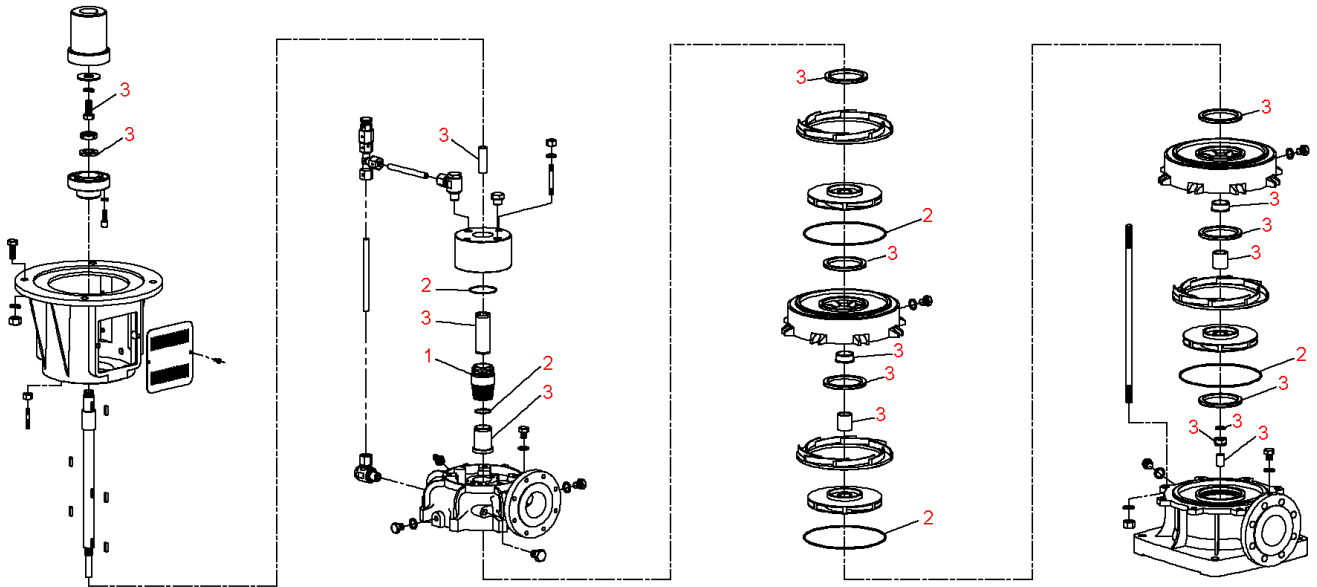
**Zeox-First-V9003/B-45-2 (4191949)**

<b>Item</b>	<b>Article no.</b>	<b>Description</b>	<b>Quantity</b>
1	4216701	Mechanical seals Zeox-V60-90 KIT	1
2	4216702	Seals Zeox-V60(90)03 KIT	1
3	4216708	Wear parts Zeox-V9003 KIT	1



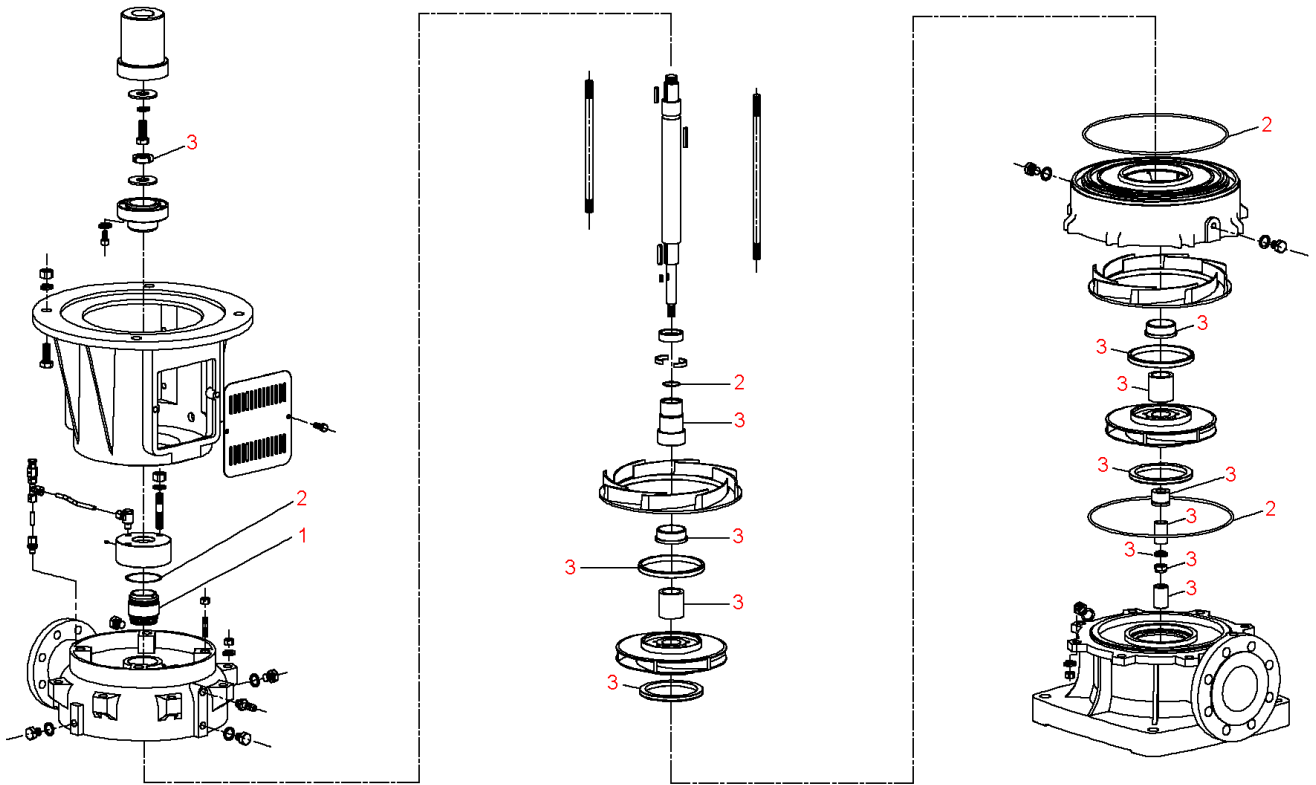
**Zeox-First-V9003/B-55-2 (4191950)**

<b>Item</b>	<b>Article no.</b>	<b>Description</b>	<b>Quantity</b>
1	4216701	Mechanical seals Zeox-V60-90 KIT	1
2	4216702	Seals Zeox-V60(90)03 KIT	1
3	4216708	Wear parts Zeox-V9003 KIT	1



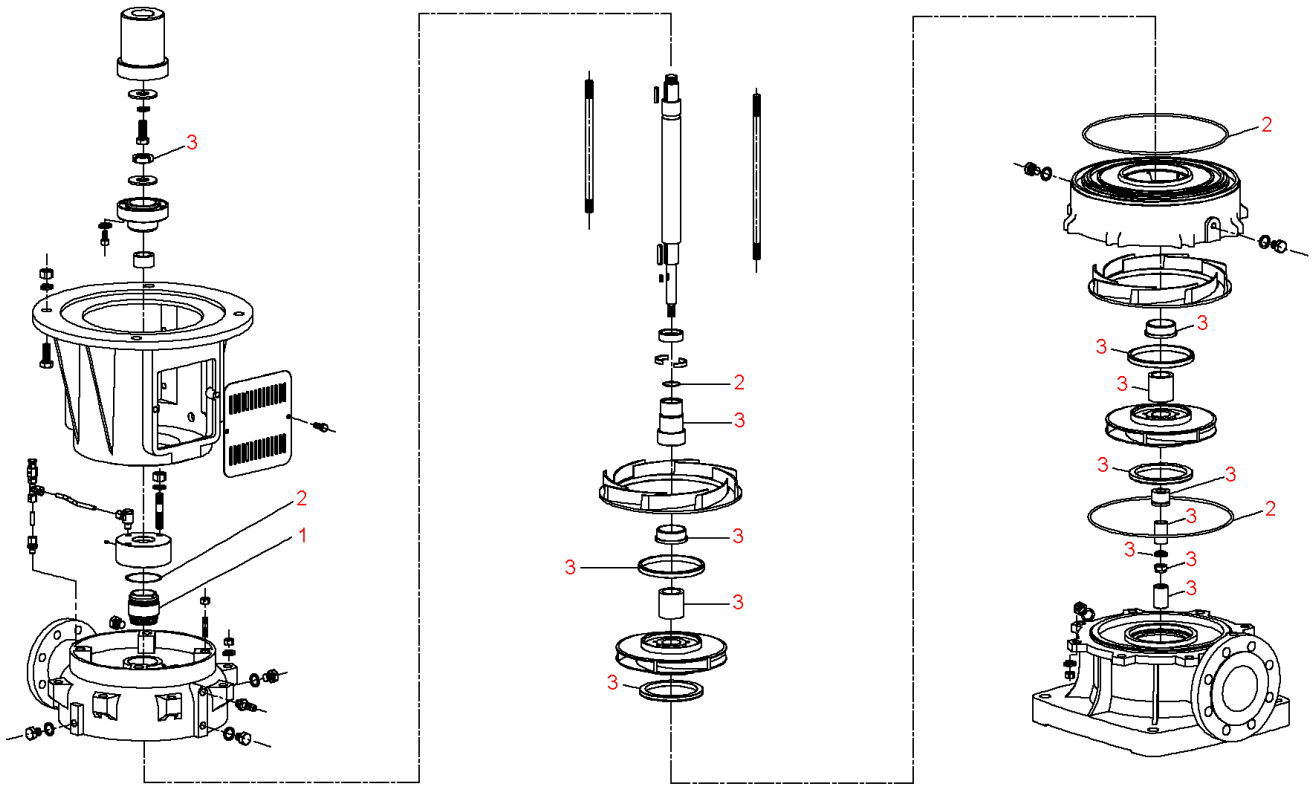
**Zeox-First-V9004/A-75-2 (4191951)**

<b>Item</b>	<b>Article no.</b>	<b>Description</b>	<b>Quantity</b>
1	4216701	Mechanical seals Zeox-V60-90 KIT	1
2	4216703	Seals Zeox-V60(90)04 KIT	1
3	4216709	Wear parts Zeox-V9004 KIT	1



**Zeox-First-V12002-45-2 (4191952)**

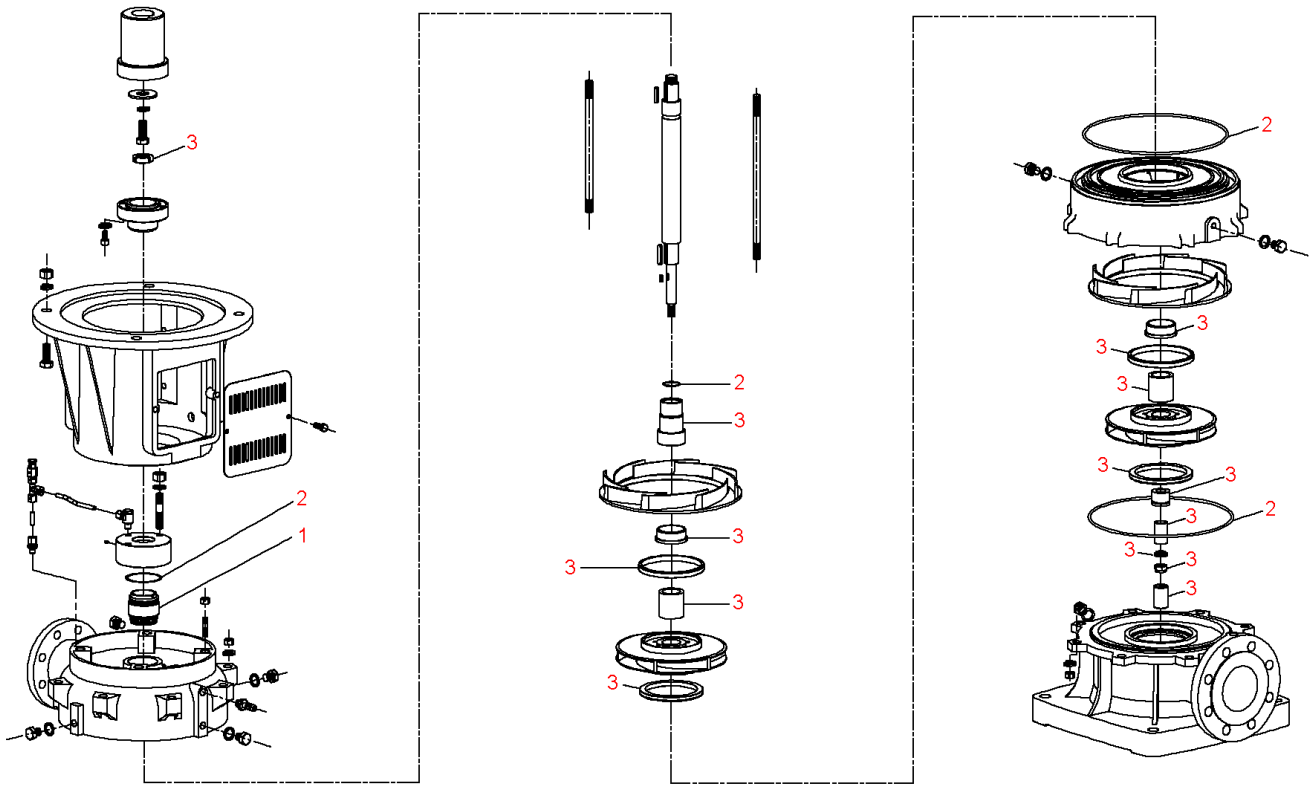
<b>Item</b>	<b>Article no.</b>	<b>Description</b>	<b>Quantity</b>
1	4216710	Mechanical seals Zeox-V120-160 KIT	1
2	4216712	Seals Zeox-V120(160)02 KIT	1
3	4216715	Wear parts Zeox-V12002 45-55Kw KIT	1





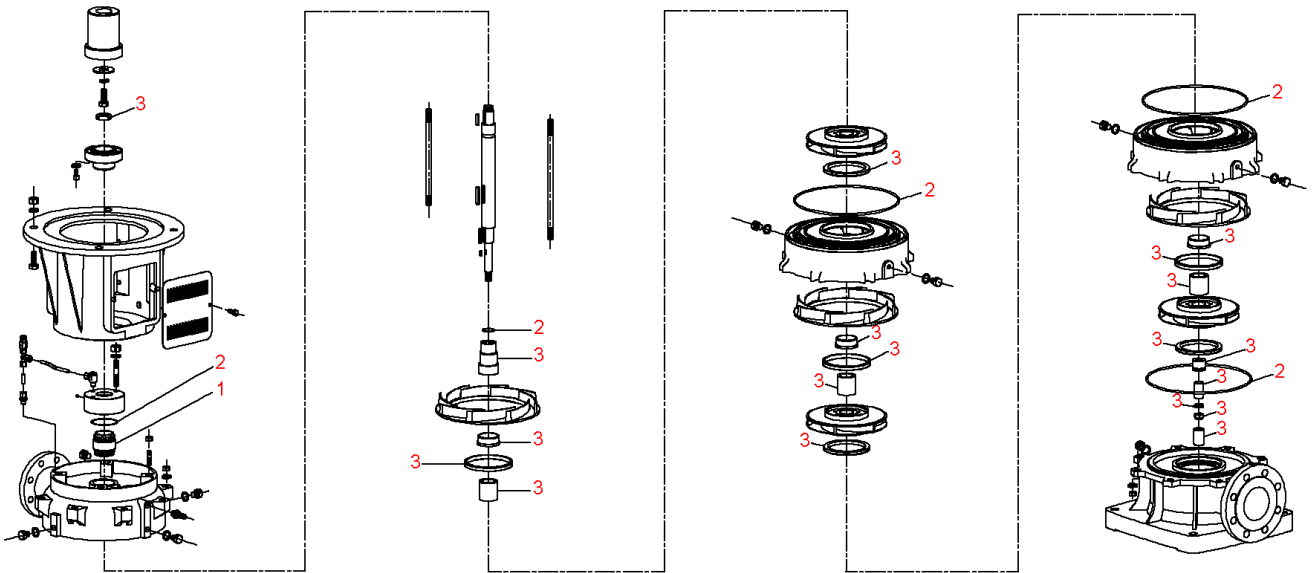
**Zeox-First-V12002-55-2 (4191953)**

<b>Item</b>	<b>Article no.</b>	<b>Description</b>	<b>Quantity</b>
1	4216710	Mechanical seals Zeox-V120-160 KIT	1
2	4216712	Seals Zeox-V120(160)02 KIT	1
3	4216715	Wear parts Zeox-V12002 45-55Kw KIT	1



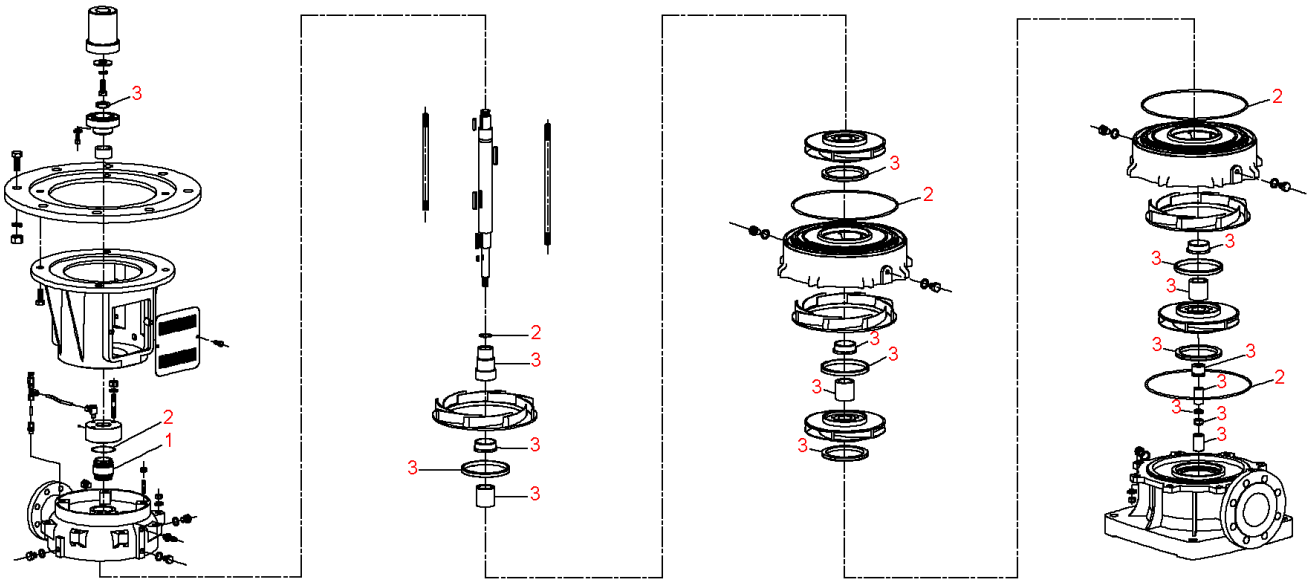
**Zeox-First-V12002-75-2 (4191954)**

<b>Item</b>	<b>Article no.</b>	<b>Description</b>	<b>Quantity</b>
1	4216710	Mechanical seals Zeox-V120-160 KIT	1
2	4216712	Seals Zeox-V120(160)02 KIT	1
3	4216716	Wear parts Zeox-V12002 75Kw KIT	1



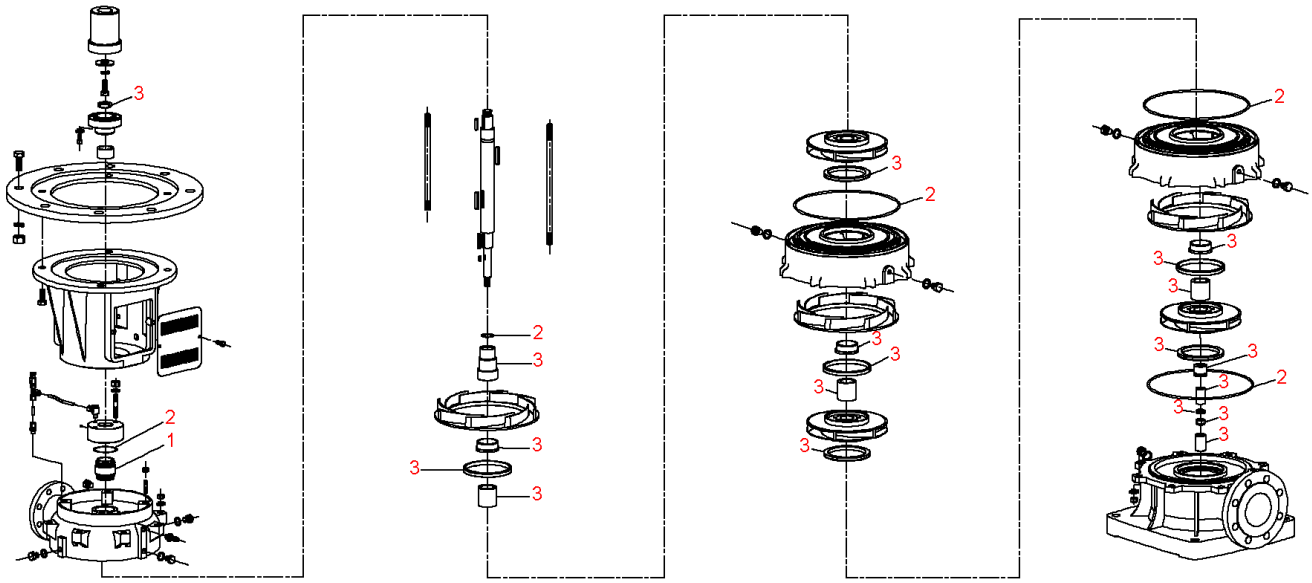
**Zeox-First-V12003-90-2 (4191955)**

<b>Item</b>	<b>Article no.</b>	<b>Description</b>	<b>Quantity</b>
1	4216710	Mechanical seals Zeox-V120-160 KIT	1
2	4216713	Seals Zeox-V120(160)03 KIT	1
3	4216717	Wear parts Zeox-V12003 KIT	1



**Zeox-First-V12003-110-2 (4191956)**

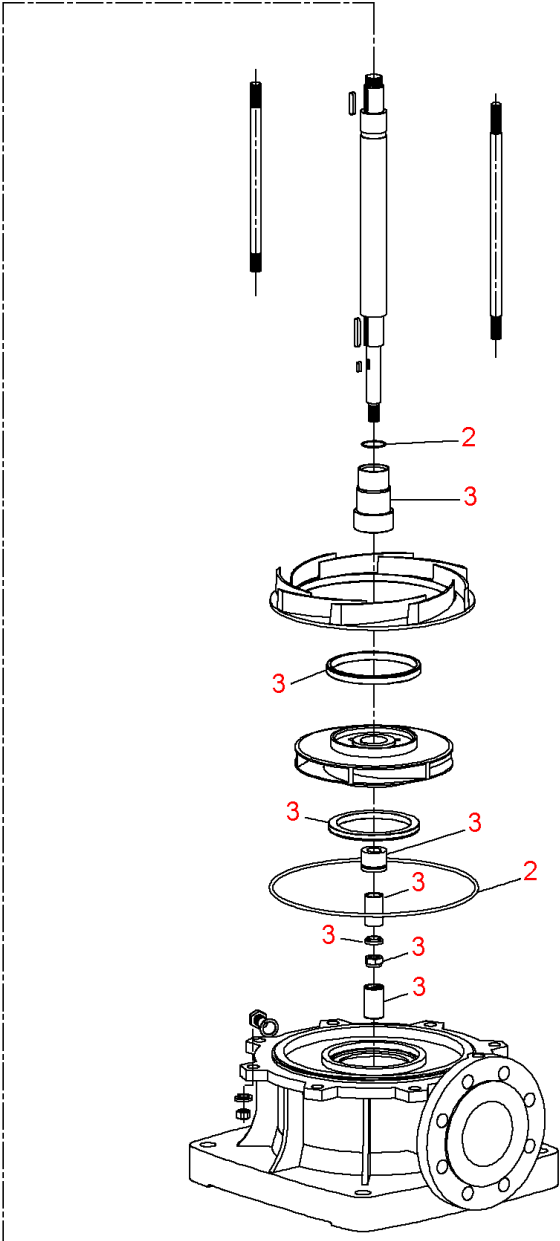
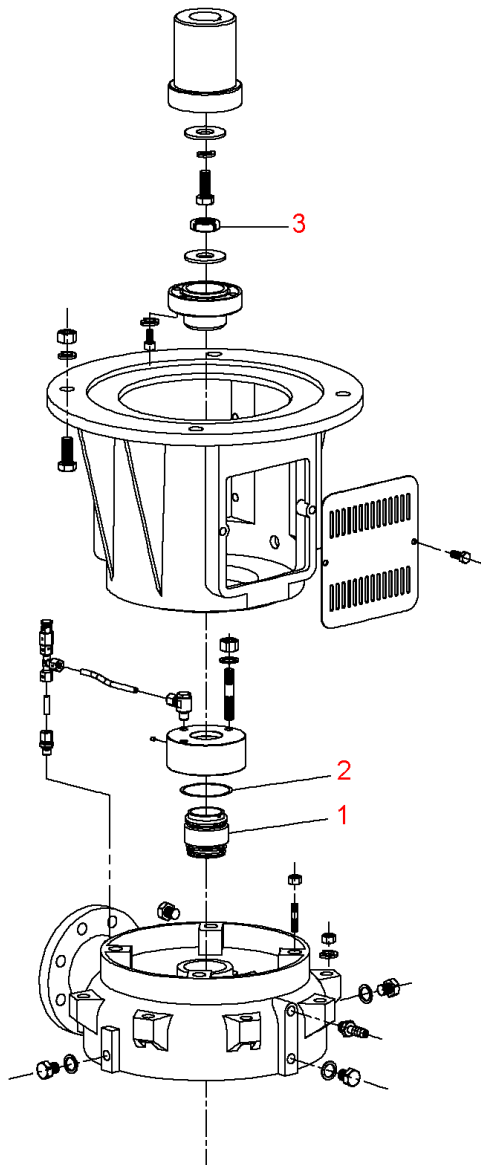
<b>Item</b>	<b>Article no.</b>	<b>Description</b>	<b>Quantity</b>
1	4216710	Mechanical seals Zeox-V120-160 KIT	1
2	4216713	Seals Zeox-V120(160)03 KIT	1
3	4216717	Wear parts Zeox-V12003 KIT	1





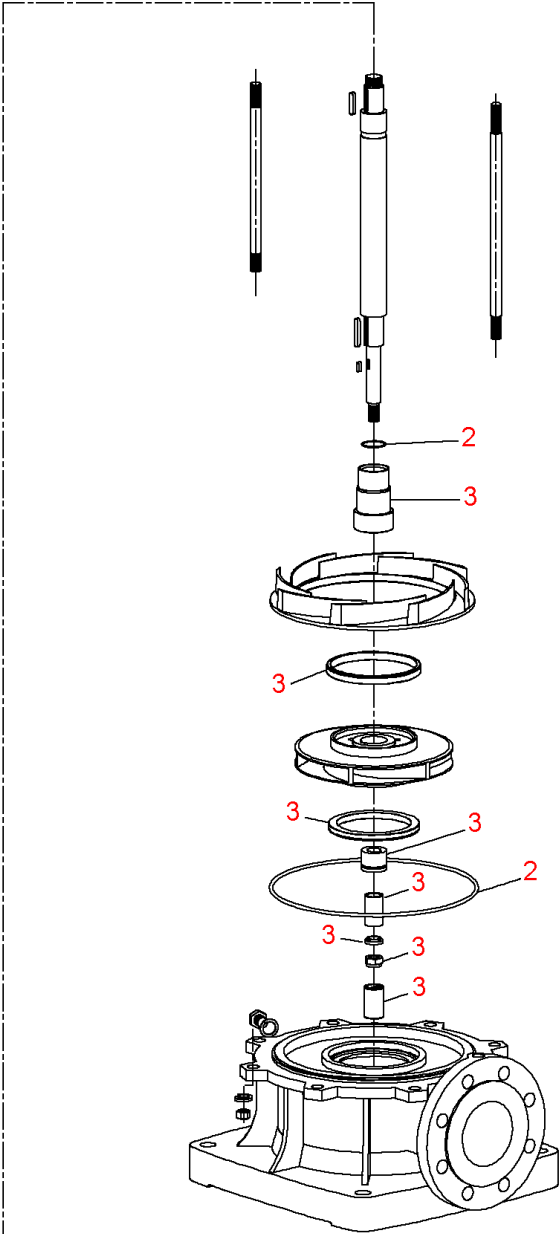
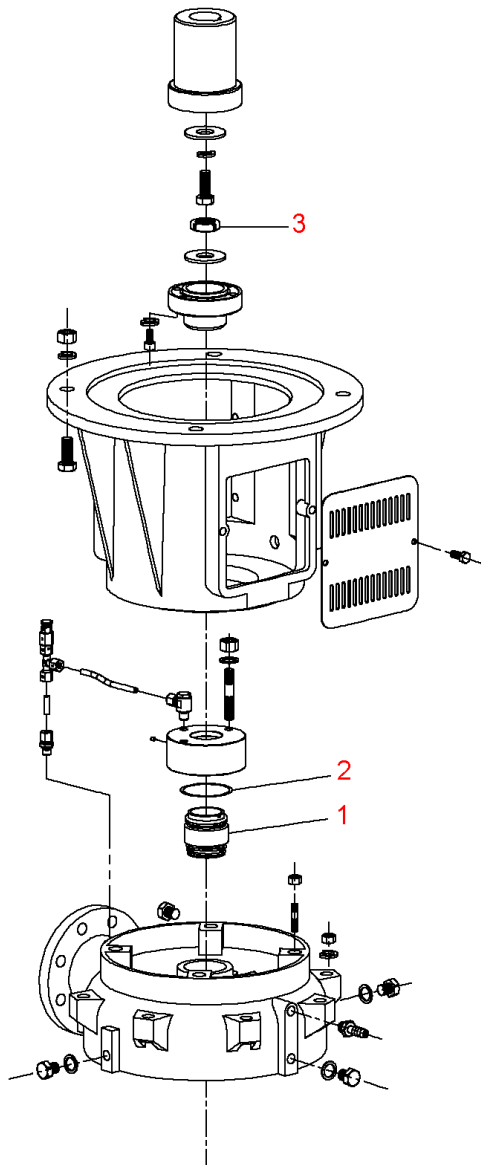
**Zeox-First-V12004-110-2 (4191957)**

<b>Item</b>	<b>Article no.</b>	<b>Description</b>	<b>Quantity</b>
1	4216710	Mechanical seals Zeox-V120-160 KIT	1
2	4216714	Seals Zeox-V12004 KIT	1
3	4216718	Wear parts Zeox-V12004 KIT	1



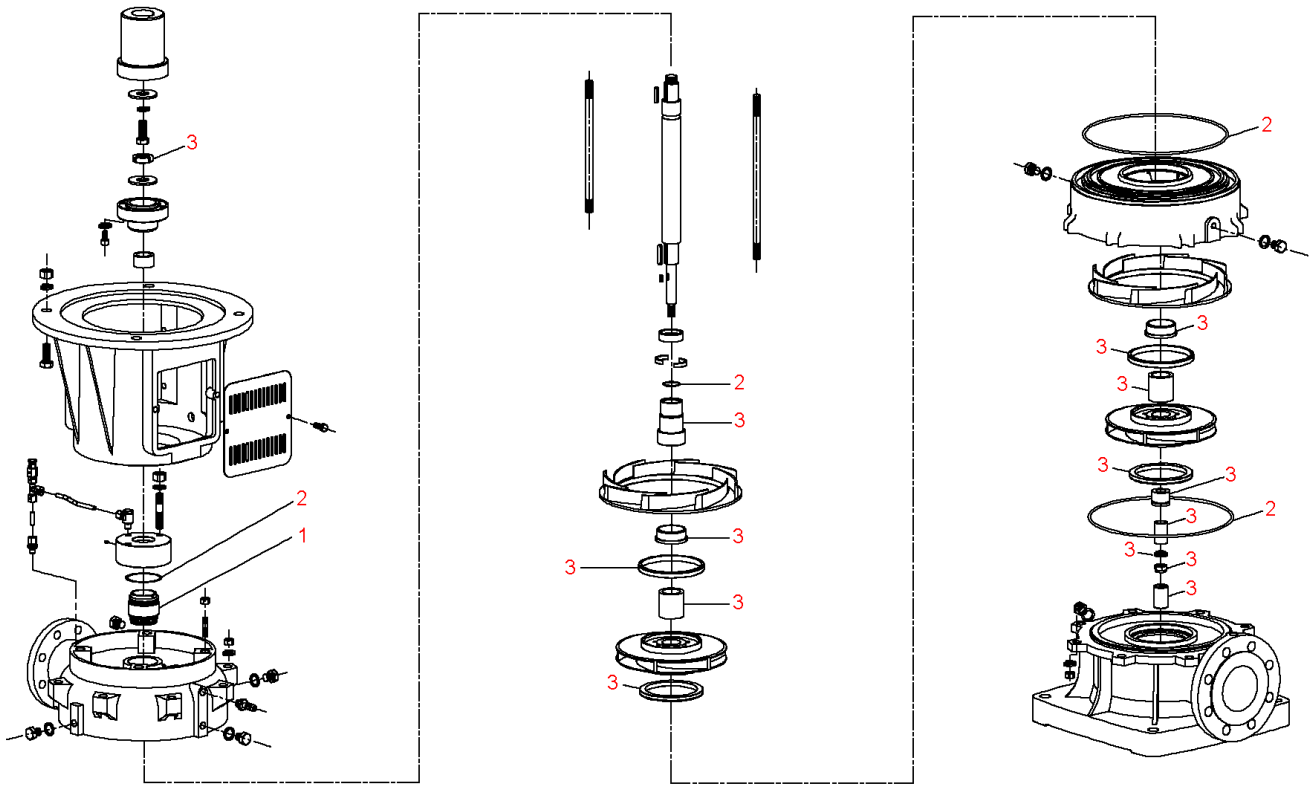
**Zeox-First-V16001-37-2 (4191958)**

<b>Item</b>	<b>Article no.</b>	<b>Description</b>	<b>Quantity</b>
1	4216710	Mechanical seals Zeox-V120-160 KIT	1
2	4216711	Seals Zeox-V16001 KIT	1
3	4216719	Wear parts Zeox-V16001 KIT	1



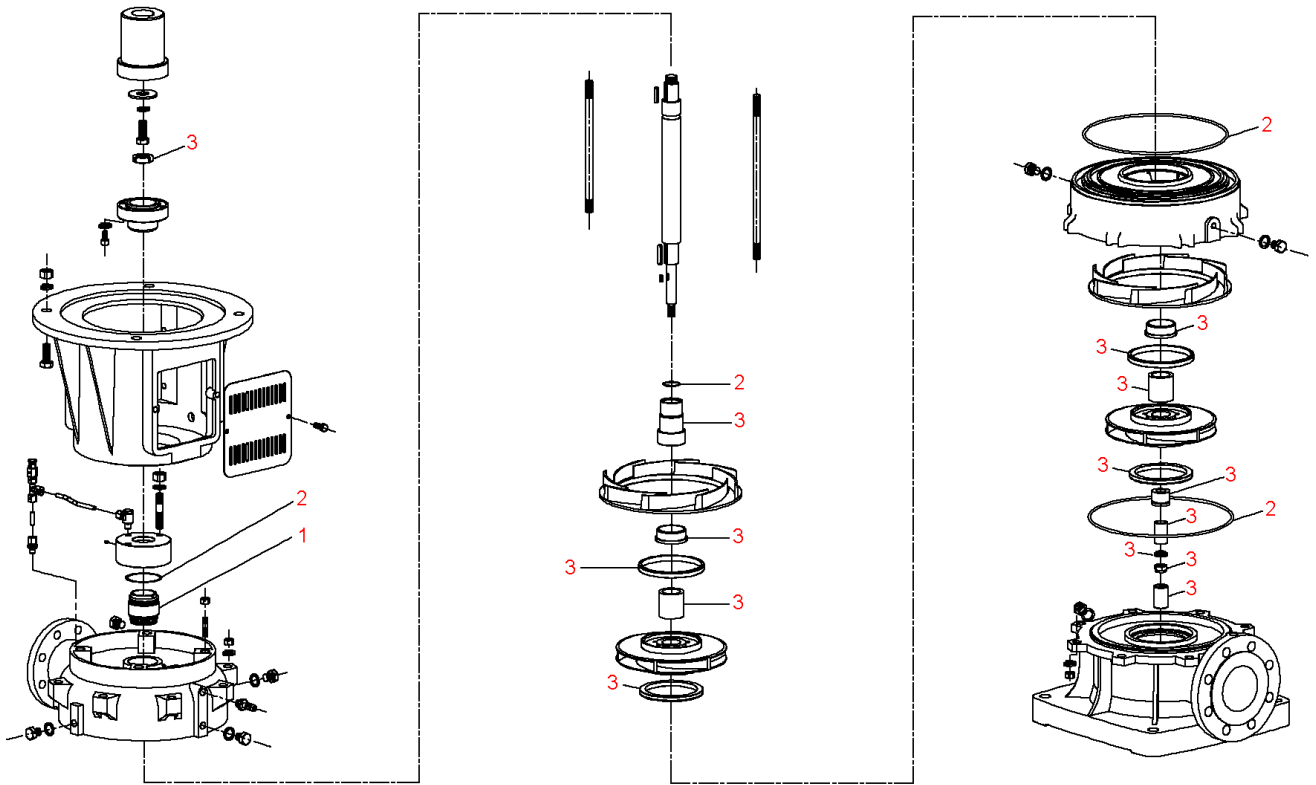
**Zeox-First-V16001-45-2 (4191959)**

<b>Item</b>	<b>Article no.</b>	<b>Description</b>	<b>Quantity</b>
1	4216710	Mechanical seals Zeox-V120-160 KIT	1
2	4216711	Seals Zeox-V16001 KIT	1
3	4216719	Wear parts Zeox-V16001 KIT	1



**Zeox-First-V16002-55-2 (4191960)**

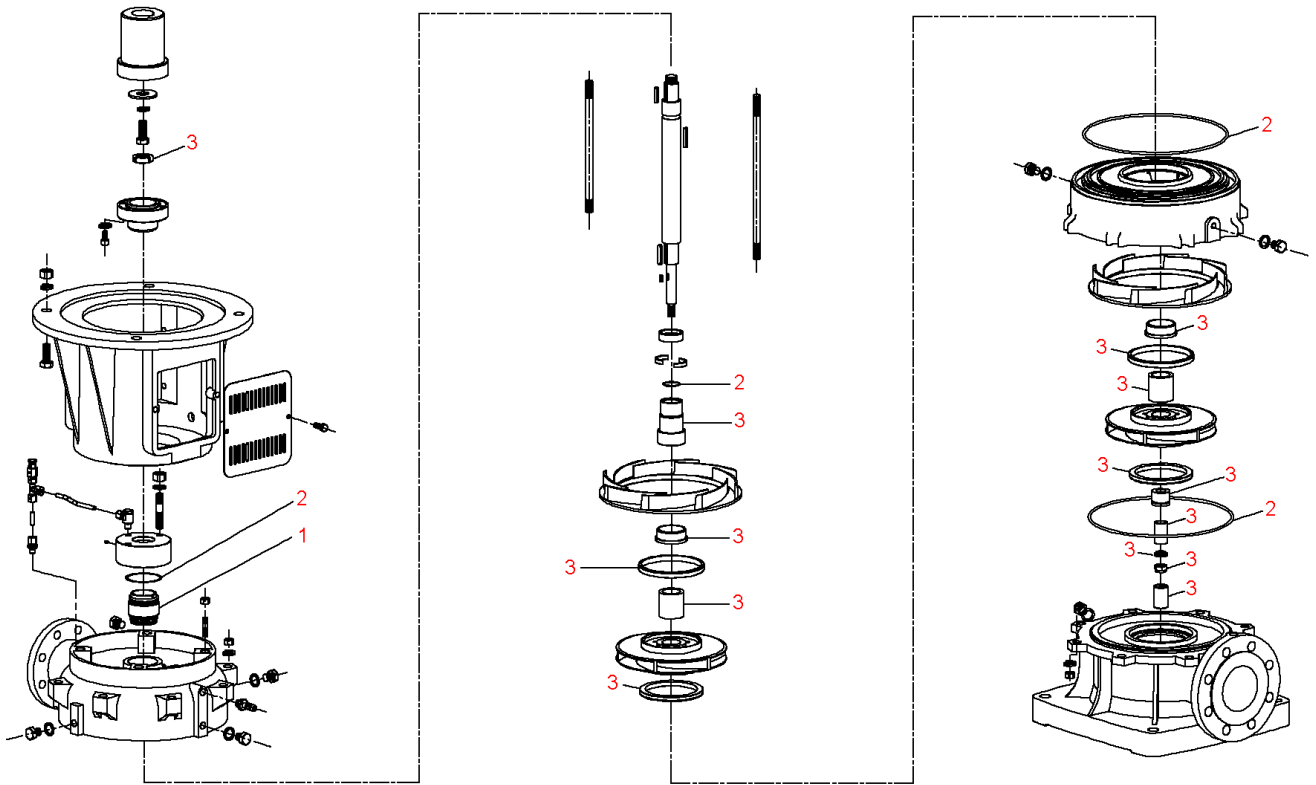
<b>Item</b>	<b>Article no.</b>	<b>Description</b>	<b>Quantity</b>
1	4216710	Mechanical seals Zeox-V120-160 KIT	1
2	4216712	Seals Zeox-V120(160)02 KIT	1
3	4216720	Wear parts Zeox-V16002 55Kw KIT	1





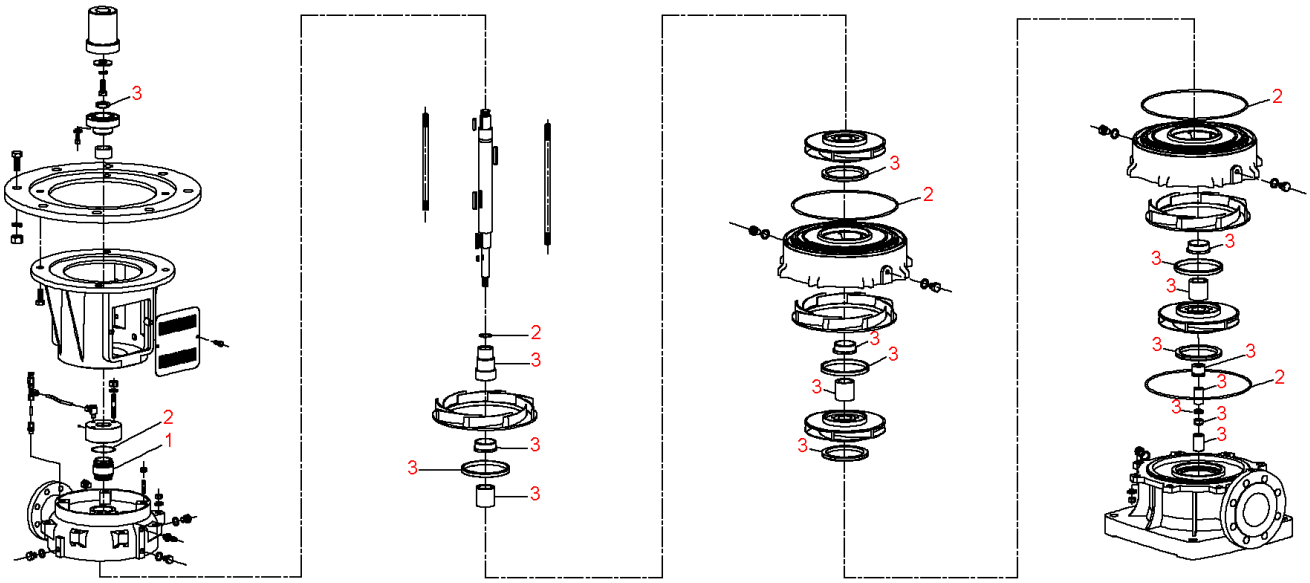
**Zeox-First-V16002-75-2 (4191961)**

<b>Item</b>	<b>Article no.</b>	<b>Description</b>	<b>Quantity</b>
1	4216710	Mechanical seals Zeox-V120-160 KIT	1
2	4216712	Seals Zeox-V120(160)02 KIT	1
3	4216721	Wear parts Zeox-V16002 75-90Kw KIT	1



**Zeox-First-V16002-90-2 (4191962)**

<b>Item</b>	<b>Article no.</b>	<b>Description</b>	<b>Quantity</b>
1	4216710	Mechanical seals Zeox-V120-160 KIT	1
2	4216712	Seals Zeox-V120(160)02 KIT	1
3	4216721	Wear parts Zeox-V16002 75-90Kw KIT	1



**Zeox-First-V16003-110-2 (4191963)**

<b>Item</b>	<b>Article no.</b>	<b>Description</b>	<b>Quantity</b>
1	4216710	Mechanical seals Zeox-V120-160 KIT	1
2	4216713	Seals Zeox-V120(160)03 KIT	1
3	4216722	Wear parts Zeox-V16003 KIT	1