

# JUNG PUMPEN WCFIX 260 SEWAGE LIFTING STATION



WCFix 260

## APPLICATION

With the WCFix 260 it is possible to install an additional WC or an additional bathroom almost anywhere within the context of renovation or conversion works. When installed below the backup level, the device also provides anti-flooding protection.

The compact design of this pumping system for restricted use allows the direct connection of a standing toilet with a minimum flush volume of 6 l.

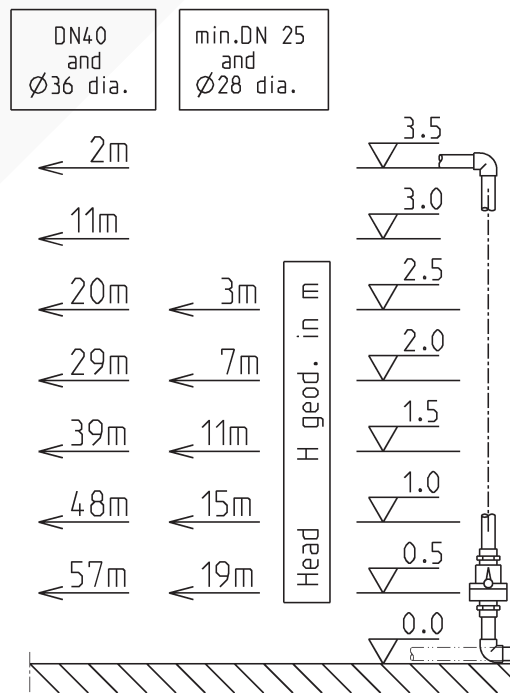
The pumping is carried out particularly quietly by the flow-optimized open centrifugal impeller. Due to this design, regular cleaning is not necessary and servicing works are significantly reduced.

Due to the restricted use, the installation is only permitted if the number of users is small and an additional WC above the backup level is available to them. A washbasin, a shower and a bidet can also be connected in the same room. According to DIN EN 12050 part 3, further drainage facilities such as washing machines or bath-tubs may not be connected. We recommend the additional connection of a Hebefix sump. For entire apartments a compli pumping system should be used.

The appliance is fully pre-assembled, ready for connection and operate fully automatically as soon as the flush is actuated. When installed in bath and shower rooms, the applicable electrical regulations must be observed.

- Quiet
- Ready to connect
- Easy to maintain
- Protection against overflow
- Activated carbon filter
- Vortex impeller

Max. horizontal length of pressure pipe incl. 2 elbows and swing-type check valve 1 1/4"



21552-04

# JUNG PUMPEN WCFIX 260

## SEWAGE LIFTING STATION

### WCFIX 260

| Type                           | Height x Width x Depth | Weight approx. | Code No.       |
|--------------------------------|------------------------|----------------|----------------|
| WCfix 260                      | 265 x 430 x 270 mm     | 6 kg           | <b>JP09268</b> |
| Accessories:<br>Stop valve 1¼" |                        |                | <b>JP44785</b> |

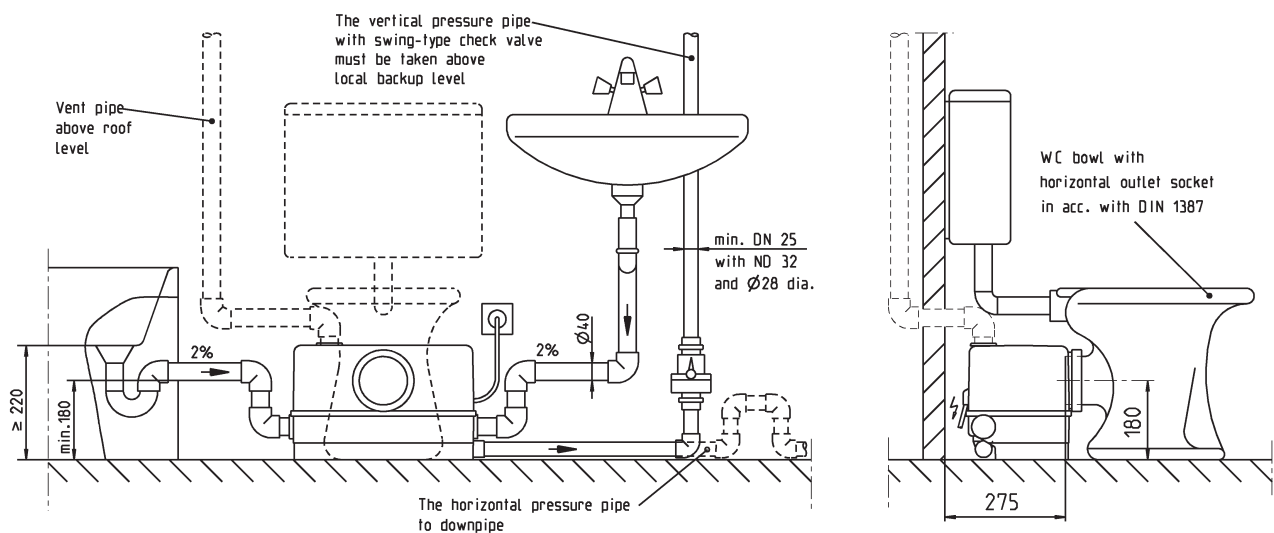
### PERFORMANCE

| Type      | Delivery head H [m] | 1   | 2   | 3  | 3,5 | 4  |
|-----------|---------------------|-----|-----|----|-----|----|
| WCfix 260 | Flow rate Q [l/min] | 133 | 111 | 87 | 75  | 61 |

### ELECTRICAL DATA

| Type      | Type of current | Voltage Volt | Motor rating kW |                | RPM min <sup>-1</sup> | Current Ampere | Cable quality | Cable length | Plug    |
|-----------|-----------------|--------------|-----------------|----------------|-----------------------|----------------|---------------|--------------|---------|
|           |                 |              | P <sub>1</sub>  | P <sub>2</sub> |                       |                |               |              |         |
| WCfix 260 | 1-phase         | 1/N/PE~230   | 0.40            | 0.25           | 2610                  | 1.75           | H05VV-F-3G1.5 | 1.5 m        | Safety- |

### Example of installation

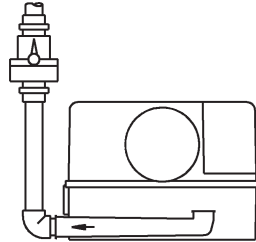
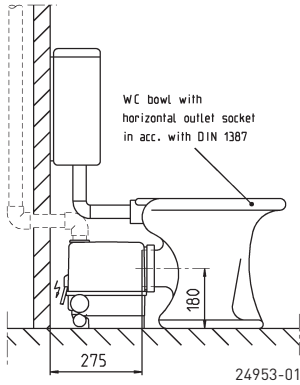


24953-03

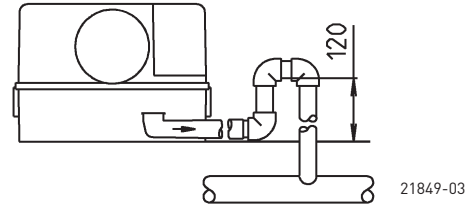
# JUNG PUMPEN WCFIX 260

## SEWAGE LIFTING STATION

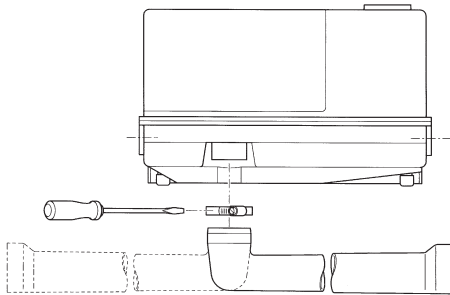
### Installation instructions



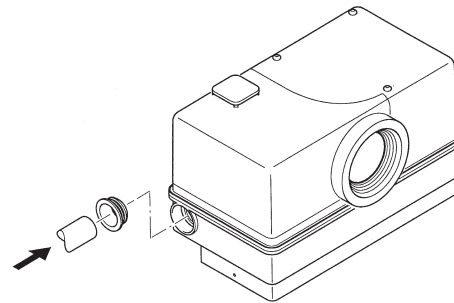
Pressure pipe vertical upwards. Fit with swing-type check valve and loop via the local backup level.



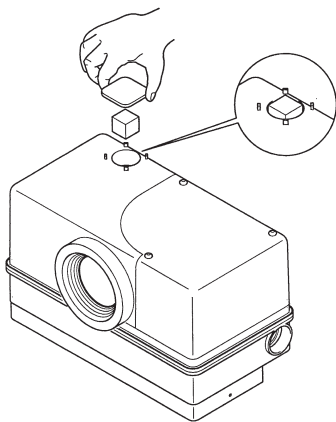
If the pressure pipe is installed entirely horizontally to the main pipe, a stagnation loop must be installed in the discharge line. If the pressure pipe is installed with the transition point of the pressure point situated below the installation of the system, the pressure pipe must be enlarged at its highest point by a pipe at least one ND larger. This prevents syphoning of the pressure pipe and vessel.



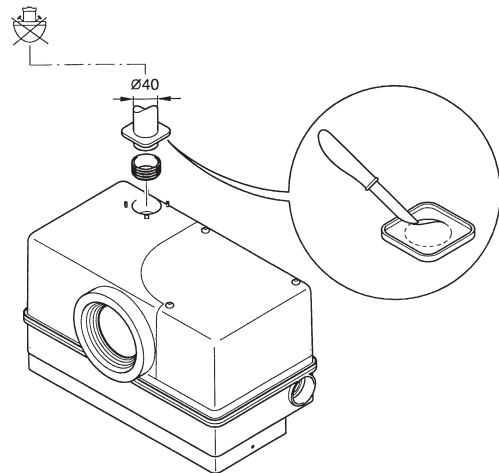
Stepped reducing elbow prepared for the connection of PVC-, PP- or PE-pressure outlet pipe with a rating of at least DN 25 with 32 ND and an ID of 28 mm or with a rating of DN 32 with 40 mm ND and an ID of 36 mm.



Connection of additional outlet points, e.g. wash basin, shower and bidet via drain pipes with size DN 40 with an ED of 40 mm.



Fitting replacement of the activated carbon filter.



If odor is a problem there is a facility of connecting a vent pipe that leads above the roof level with size DN 40 with 40 mm ND and an ED of 40 mm.

Methods of installation others than those described could lead to malfunctions and invalidate the guarantee.

# JUNG PUMPEN WCFIX 260

## SEWAGE LIFTING STATION

### TECHNICAL DATA

#### Construction

Splash-proof motor (protection category IP 24) in plastic housing on common shaft with impeller. Connection to toilet with rubber collar; flexible outlet hose bend for delivery connection (PVC-, PP- or PE) DN 25 with nominal diameter 32 or DN 32 with nominal diameter 40. Additional inlet (pipe diameter DN 40 with ND 40 and outer diameter of 40 mm).

#### Motor

Low-maintenance short-circuit rotor for intermittent service (3 min. operation, 7 min. interval) with operating capacitor and built-in thermal motor protection for overload release.

#### Control

With dynamic pressure level control. If additional facilities are connected, unit will automatically cope with increased input.

#### Materials

Motor housing and shaft made of stainless steel, tank, pump housing and impeller in synthetic material, plastic hose pipe.

#### Seal

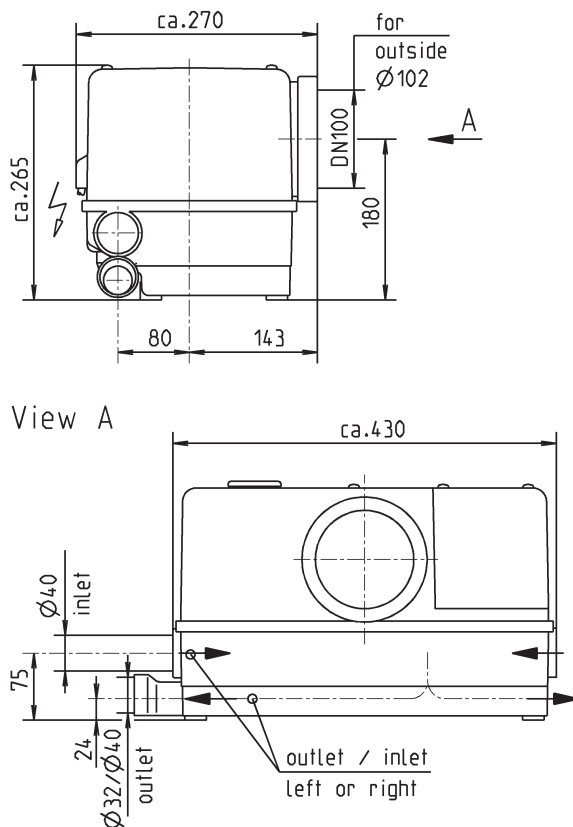
Shaft sealed with rotary shaft seals and intermediate oil reservoir, safe to run dry.

#### Scope of supply

Device complies with DIN EN 12050, ready for connection with cable and plug, built-in vent valve, complete with inlet plug-in seal, discharge elbow, swing-type check valve 1¼", activated carbon filter, clips and fixing material.



Dimensions of WCFix 260 (mm)



25274-01