



- Mark of conformity
- Single- or duplex units suitable for traffic to class B 125
- Easy to install
- Smooth benched deposit free
- Valves can be operated from above
- Single unit retrofittable as duplex unit
- collection chamber

DESCRIPTION

The buoyancy proof sumps are supplied for the house and estate drainage. They can be equipped with one or two pumps.

The sumps are suitable for accessible areas (class A 15) or for traffic areas (class B 125).

Preformed transport handles provide easy transport and placing into its final position.

Wastewater and drainage water can vary widely. Therefore we have a range of different pumps to suit the various grades of impurities.

Buoyancy-proof plastic sump of high grade polyethylene approved by the German Institute for Construction Engineering (DIBt), with socket for inlet and venting, prefabricated discharge connection DN 32 (1¼") or DN 50 (2") and ball valve.

For a comfortable installation of the pumps and for an easy pump removal the sump is equipped with an guide rail system. Depending on the sump version the proven guide rail system GR 32 or GR 50 can be used.

Depending on the used extension it is possible to extend the sump to a total height of 2.75 metres. The required type of loading class depends on the site.

The installation depth with a concrete ring cl. A 15 is 1.70 m. The total volume is 740 litres. The storage volume up to the lower edge of the inlet is 190 litres and the residual volume is 90 litres.

SKS 800

POLY-SUMPS FOR DRAINAGE WATER

SCOPE OF SUPPLY

SKS 800 (Single unit)

Plastic sump, assembled with guide rail system DN 32 or DN 50, PP-pipe, vertically closing swing-type check valve, ball valve, stainless steel delivery piping with 1¼ or 2" external thread, 1 sleeve DN 150 (KG-pipe) for the inlet, 3 ports for connecting DN 100 for cable and venting (KG-pipe).

SKS 800 (Duplex unit)

Plastic sump, assembled with 2 guide rail systems DN 32 or DN 50, PP-pipe, 2 vertically closing swing-type check valves, ball valve, stainless steel delivery piping with 1¼ or 2" external thread, 1 sleeve DN 150 (KG-pipe) for the inlet, 3 ports for connecting DN 100 for cable and venting (KG-pipe)

SKS 800

Type	Code No.	Weight
SKS-B 800-32	JP47346	84 kg
SKS-B 800-D32	JP47347	85 kg
SKS-B 800-50	JP47348	95 kg
SKS-B 800-D50	JP47349	109 kg

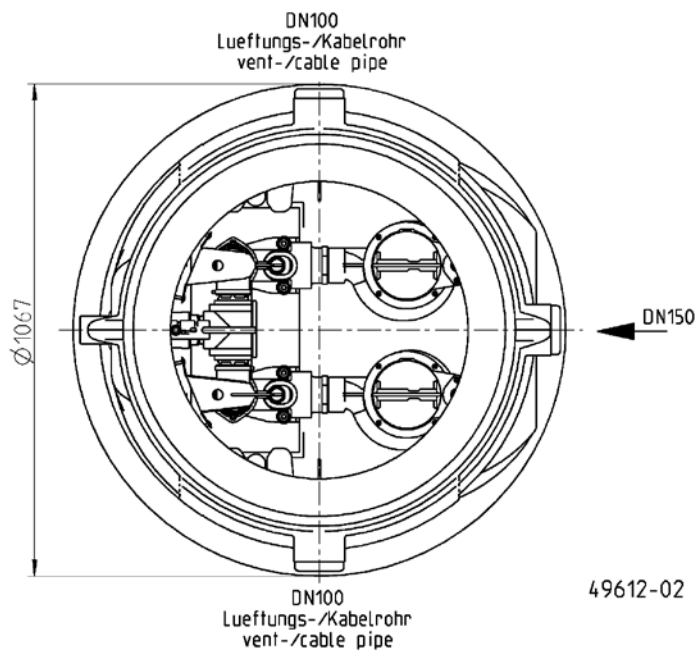
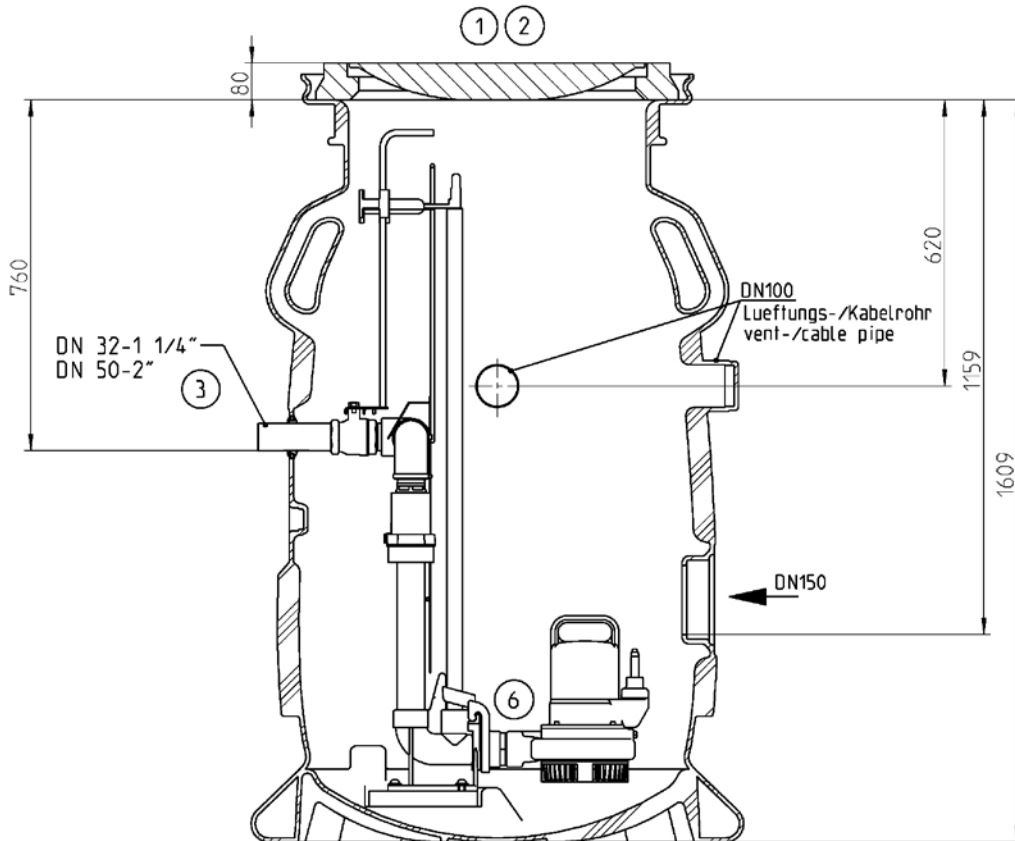
POSSIBLE PUMPS

SKS-B 800-32	US 151 ES/DS	US 152 E/D
U3KS	US 251 DS	US 151 E
U5KS	US 73 ES/DS	US 152 D
U6K ES/DS	US 103 ES/DS	US 251 D
SKS-B 800-D32	US 153 ES/DS	US 73 E/D
U3K	US 253 DS	US 103 E/D
U5K	US 75 ES/DS	US 153 E/D
U6K E/D	US 105 ES/DS	US 253 D
SKS-B 800-50	US 155 ES/DS	US 75 E/D
US 62 ES/DS	SKS-B 800-D50	US 105 E/D
US 102 ES/DS	US 62 E/D	US 155 E/D
US 152 ES/DS	US 102 E/D	

SKS 800

POLY-SUMPS FOR DRAINAGE WATER

SKS-B 800-32/SKS-B 800-D32/SKS-B 800-50/SKS-B 800-D50



SKS 800

POLY-SUMPS FOR DRAINAGE WATER

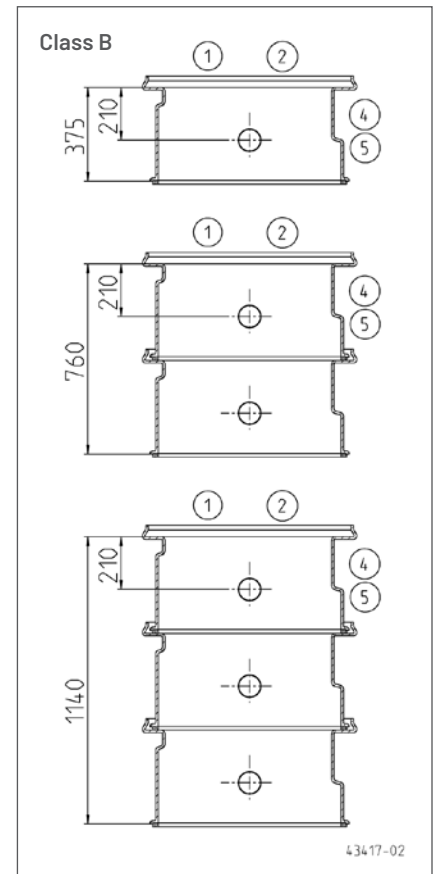
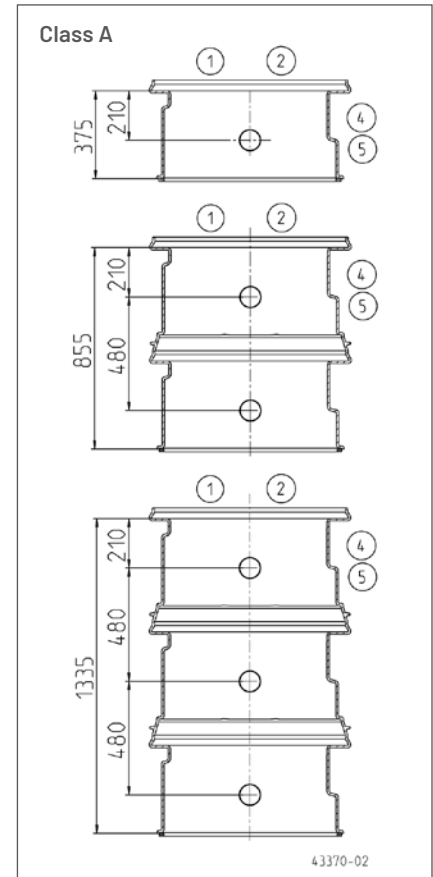
Dimensions sump extensions

Single- and duplex units SKS-B 800

Dimensions (without cover) mm	Height	Inlet	Pressure outlet	Buoyancy proof depth
Sump	1609	1159	761	1609
Class A				
Sump + 1 x PSV-A/B 375	1984	1534	1136	1984
Sump + 1 x PSV-A 855	2464	2014	1616	2464
Sump + 1 x PSV-A 1335	2944	2494	2096	2944
Class B				
Sump + 1 x PSV-A/B 375	1984	1534	1136	1984
Sump + 2 x PSV-A/B 375	2369	1919	1531	2369
Sump + 3 x PSV-A/B 375	2749	2299	1901	2749

Volume	Sump	Extension	Switching point			
			PSV	Off	On	Alarm / peak load
SKS-B 800	740 l	159 l	90 l	135 l	170 l/190 l	190 l








Volume	Sump	Extension	Switching point			
			PSV	Off	On	Alarm / peak load
PKS-B 800-D32	740 l	159 l	85 l	140 l	190 l	190 l



SKS 800

POLY-SUMPS FOR DRAINAGE WATER

SUMP ACCESSORIES

			Code No.
	① Concrete cover		
	Cover cl. A	cl. A15, Ø 600, h=125, D 785	90 kg JP46437
	Cover cl. B	without ventilation, Ø 610, h=125, D 750	110 kg JP44972
	Lifting device	for cl. A	JP44969
	② Concrete ring (max. 1)	625 x 100 mm, Ø 785	32 kg JP44975
	③ Screwed joint		
	1 1/4" to Ø 40 mm (DN 32)		JP44796
	1 1/4" to Ø 50 mm (DN 40)		JP44797
	1 1/4" to Ø 63 mm (DN 50)		JP44798
	2" to Ø 63 mm (DN 50)		JP45950
	④ Sump extension	PSV-A/B 375	25 kg JP46429
		PSV-A 855	40 kg JP46430
		PSV-A 1335	54 kg JP46431
	Guide rail extension	SKS-32	for single units JP48067
		SKS-50	for single units JP48065
	SKS-D32	for duplex units JP48068	
	SKS-D50	for duplex units JP48066	
	⑤ Operating handle T-Key	for extension, stainless steel, with 1.5 m chain	JP46438
	⑥ Reducing socket	1 1/2"-2" for mounting pumps with 1 1/2" discharge	JP48069
	⑦ Ventilation pipe	DN 100 stainless steel, , 700 mm	JP44858
	⑧ Chain	certified, 2.5 m, 320 kg, 5 rings (EN 818 mod.)	JP45901
		certified, 5.0 m, 320 kg, 8 rings (EN 818 mod.)	JP45902
	Webbing	with shackle	JP45168
	⑨ Securing levers	for US 75, US 105, US 155, Vacubox, stainless steel	JP41024