

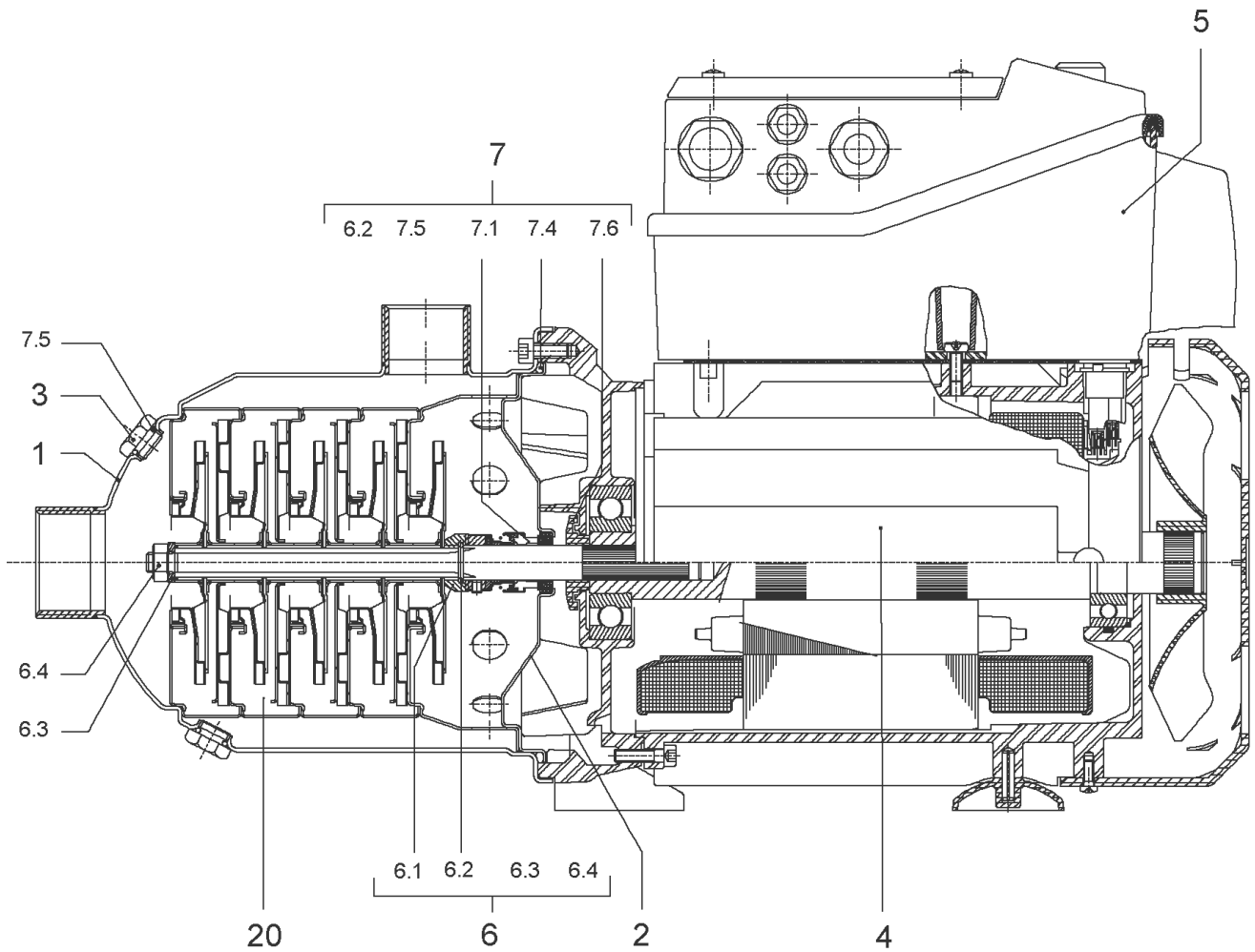


Economy MHIE

Article no.	Description
4040130	MHIE203-1/E/3-2
4040138	MHIE203-2/V/3-2
4171764	MHIE203N-1/E/3-2-2G
4171765	MHIE203N-2/V/3-2-2G
4073101	MHIE205-1/E/1-2/M2
4073100	MHIE205-1/E/1-2/M13
4077397	MHIE205-1/E/3-2-2G
4073105	MHIE205-2/V/1-2/M2
4073104	MHIE205-2/V/1-2/M13
4077402	MHIE205-2/V/3-2-2G
4148406	MHIE205N-1/E/3-2-2G
4148407	MHIE205N-2/V/3-2-2G
4171770	MHIE206N-1/E/3-2-2G
4171771	MHIE206N-2/V/3-2-2G
4040131	MHIE402-1/E/3-2
4040139	MHIE402-2/V/3-2
4171776	MHIE402N-1/E/3-2-2G
4171777	MHIE402N-2/V/3-2-2G
4073103	MHIE403-1/E/1-2/M2
4073102	MHIE403-1/E/1-2/M13
4077398	MHIE403-1/E/3-2-2G
4073107	MHIE403-2/V/1-2/M2
4073106	MHIE403-2/V/1-2/M13
4077403	MHIE403-2/V/3-2-2G
4148412	MHIE403N-1/E/3-2-2G
4148413	MHIE403N-2/V/3-2-2G
4171782	MHIE404N-1/E/3-2-2G
4171783	MHIE404N-2/V/3-2-2G
4040132	MHIE405-1/E/3-2
4040140	MHIE405-2/V/3-2
4077399	MHIE406-1/E/3-2-2G
4077404	MHIE406-2/V/3-2-2G
4148418	MHIE406N-1/E/3-2-2G
4148419	MHIE406N-2/V/3-2-2G

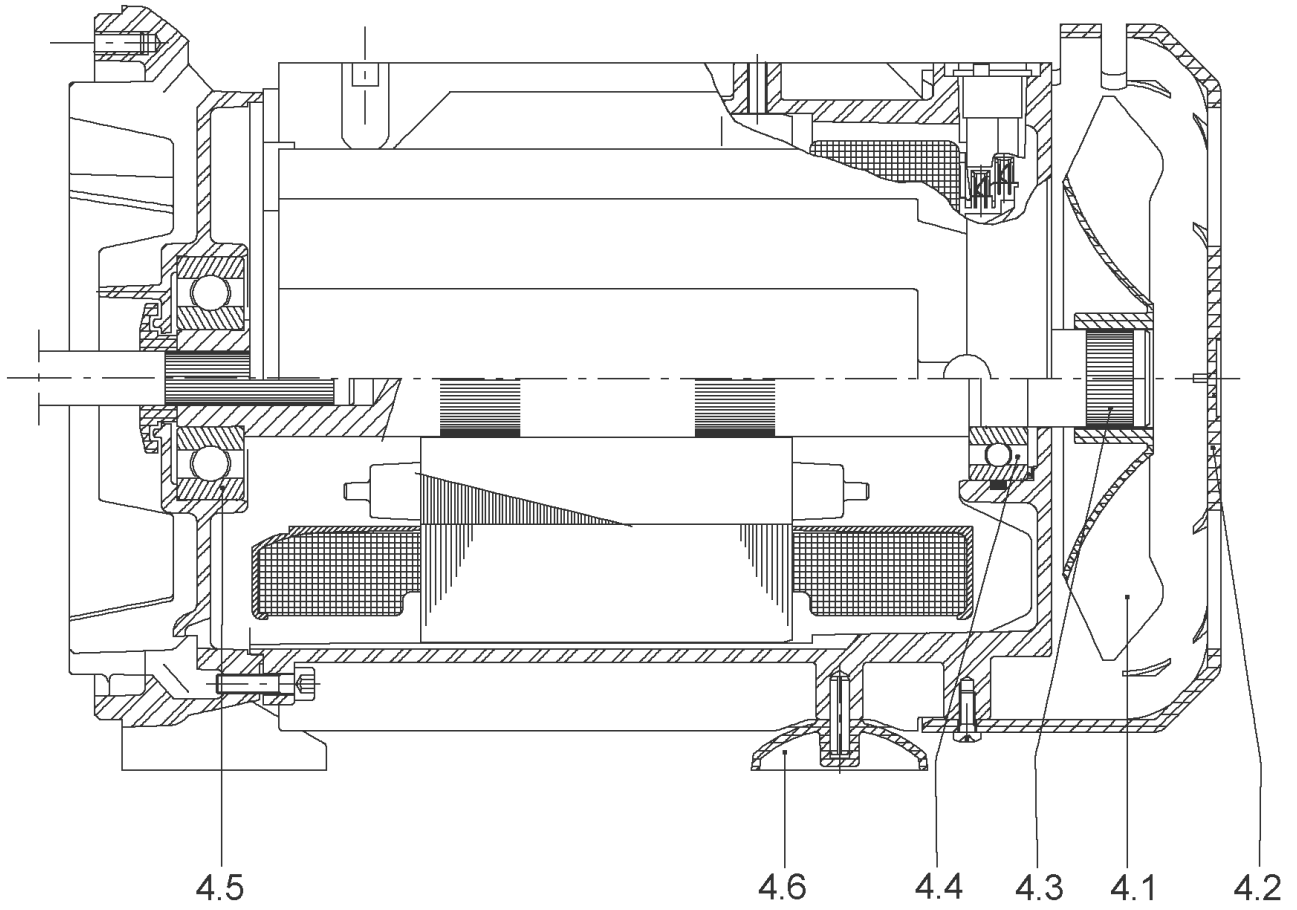
Economy MHIE

Article no.	Description
4171788	MHIE802N-1/E/3-2-2G
4171789	MHIE802N-2/V/3-2-2G
4040133	MHIE803-1/E/3-2
4077400	MHIE803-1/E/3-2-2G
4040141	MHIE803-2/V/3-2
4077405	MHIE803-2/V/3-2-2G
4148424	MHIE803N-1/E/3-2-2G
4148425	MHIE803N-2/V/3-2-2G
4057595	MHIE1602-1/E/3-2
4077401	MHIE1602-1/E/3-2-2G
4148430	MHIE1602N-1/E/3-2-2G



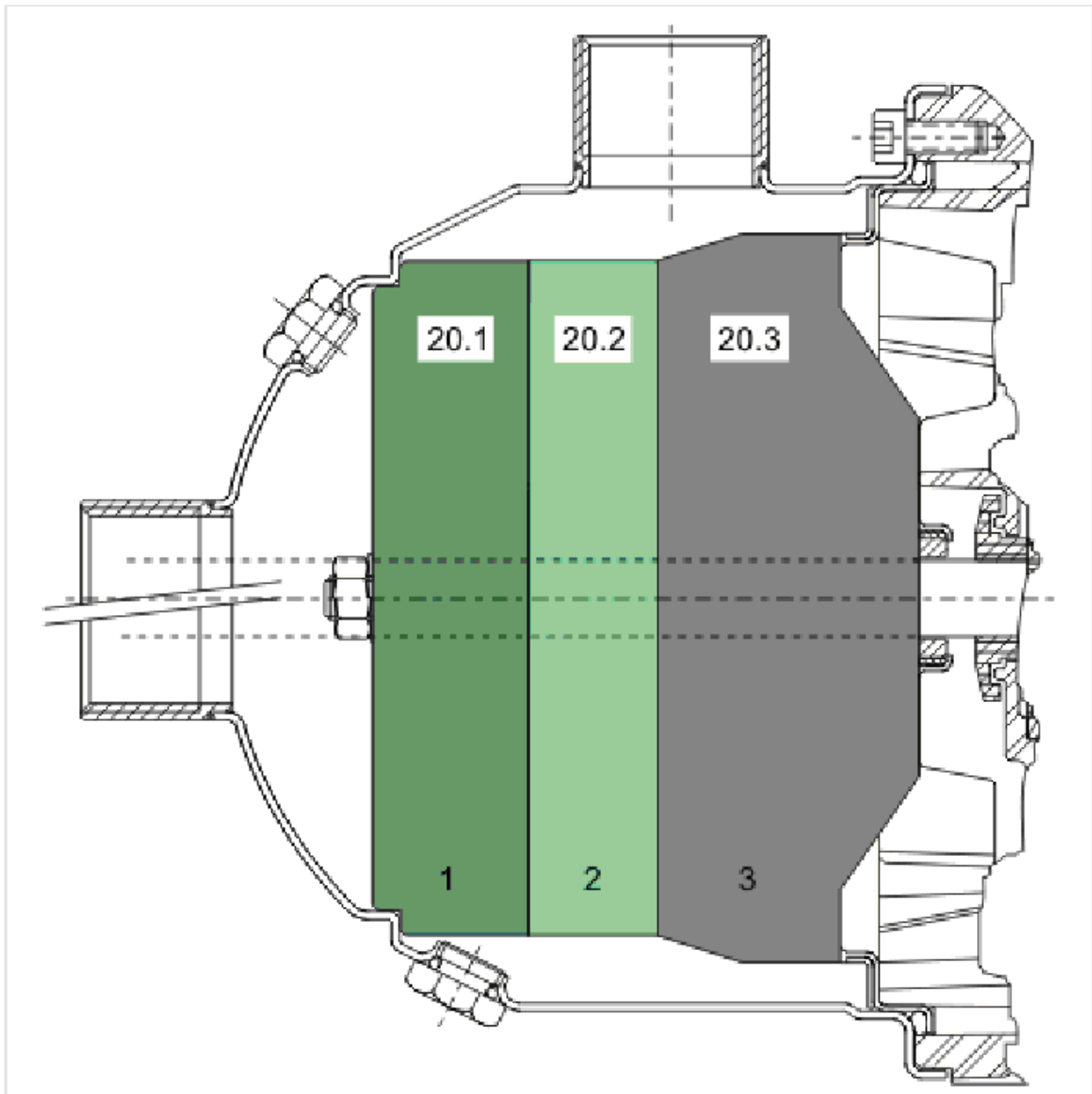
MHIE203-1/E/3-2 (4040130)

Item	Article no.	Description	Quantity
1	4202808	PUMP HOUSING MHI202/203 1.4301 VP.	1
2	2120000	STATIONARY RING HOLD.ANTI-VORTEX 1.4307	1
3	4191450	PRIMING/DRAIN PLUG G1/4"-MHI-1.4301 VP.	1
4		MOT-MULTI-HE/MHIE-2/4-2,2KW-TRI-T3N-2/3E	1
Note: no longer available / nicht mehrlieferbar / ne plus disponible			
		SPARE PARTS MOTOR MHE/MHIE2/4/8 2,2	1
5		MODULE MVIE/MHIE203/402 1,1KW >07/01	1
Note: no longer available / nicht mehrlieferbar / ne plus disponible			
6	4058527	SHAFT FIXING MHIE2 KIT	1
6.1		> STOP COLLAR OF IMPELLER L=8.7-Ø14-316L	1
6.2	2090148	> CIRCLIP D14 MVI/MHI 316L (2 PIECES) VP.	1
6.3		> WASHER D.16/13,8x3 1.4401	1
6.4		> NUT-H-M8-STAINLESS-STEEL A4-70	1
7	4027347	MECHANICAL SEAL MHI KIT	1
6.2	2090148	> CIRCLIP D14 MVI/MHI 316L (2 PIECES) VP.	1
7.1	2127448	> MECH.SEAL MHI-MHIL-MVIL VP.	1
7.4	4235548	> O-RING ID.145 EPDM VP.	1
7.5	4235549	> O-RING I9X2 EPDM VP.	2
7.6		> THROWER-RUBBER-SH65/70	1
20		SPARE PARTS HYDRAULICS MHI/MHIE 1.4301	1



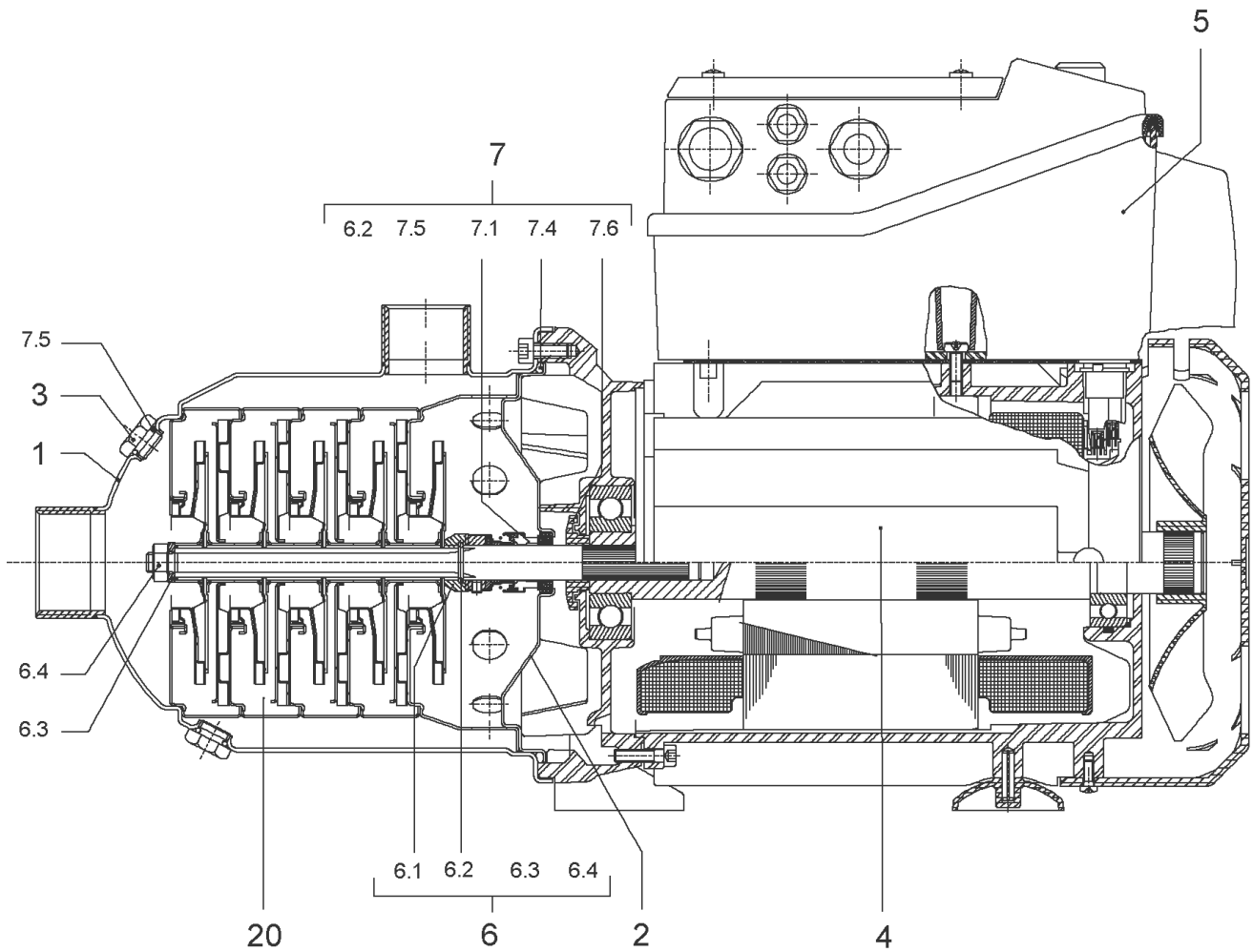
SPARE PARTS MOTOR MHE/MHIE2/4/8 2,2

Item	Article no.	Description	Quantity
4.1	2047017	FAN WHEEL AF90 2POL.ATB VP.	1
4.2		FAN HOOD TL4/3N NEUTRAL	1
Note: no longer available / nicht mehr lieferbar / ne plus disponible			
4.3	2047016	CORRUGATED SLEEVE RING BG90/100 ATB VP.	1
4.4	121083998	BALL BEARING 6205/2Z-C3 (HT) VP.	1
4.5	121466896	BALL BEARING 6305/2Z-C3 (HT) VP.	1
4.6	4008243	MOTOR-FOOT-SIZE-80	1



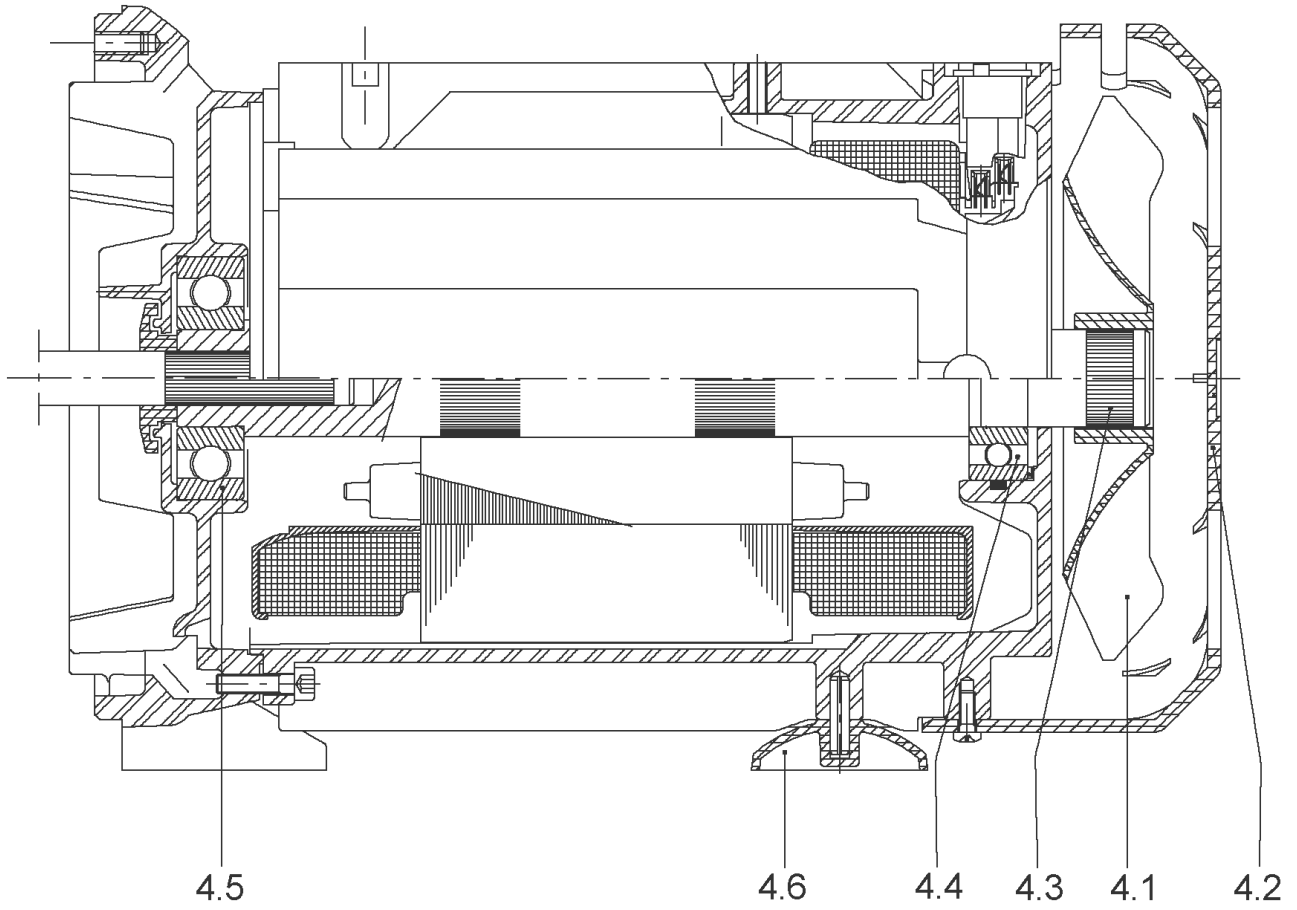
SPARE PARTS HYDRAULICS MHI/MHIE 1.4301

Item	Article no.	Description	Quantity
20.1	4015439	STAGE MHI202/5MVI204 KIT	1
		> IMPELLER MVI2 D.98x2 1.4301	1
		> STAGE HOUSING O.RFK MVI2/4 1.4301	1
		> SPACER IMPELLER MVI2/4 1.4435	1
20.2	4015441	STAGE MHI2,MVI205-14 1.4301 KIT	1
		> IMPELLER MVI2 D.98x2 1.4301	1
		> SPACER IMPELLER MVI2/4 1.4435	1
		> STAGE HOUSING RFK.MVI2/4 1.4301	1
20.3	4015460	CENTER.HOUSING/LR.MHI203/05/06 1.4301KIT	1
		> IMPELLER MVI2 D.98x2 1.4301	1
		> SPACER IMPELLER MVI2/4 1.4435	1
		> UPPER STAGE-AV-C/R-JR-2/4M3-304	1
		> WASHER D.24/14x1,5 1.4401	1



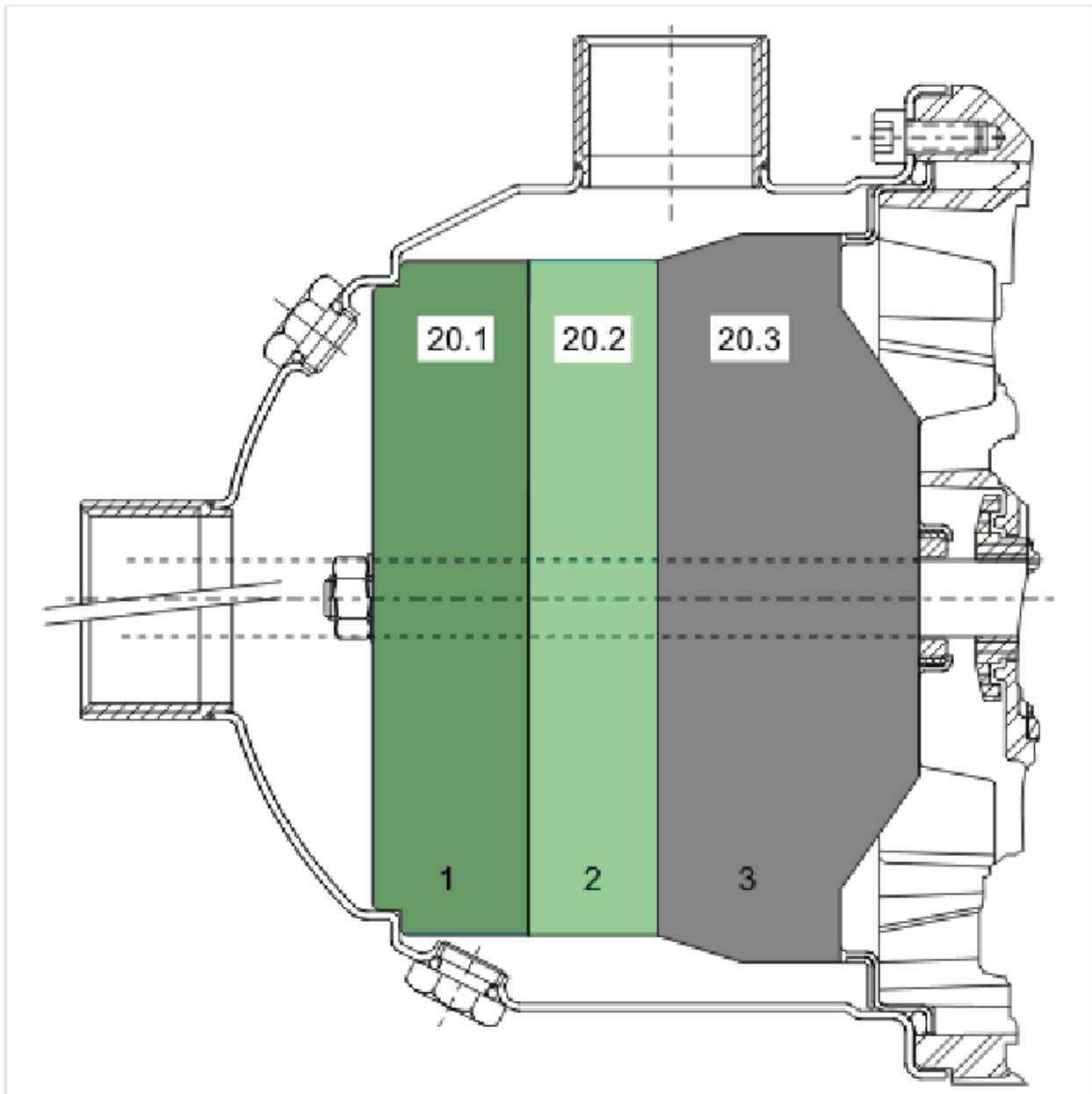
MHIE203-2/V/3-2 (4040138)

Item	Article no.	Description	Quantity
1	4202817	PUMP HOUSING MHI202/203 1.4404 VP.	1
2	2120001	STATIONARY RING HOLD.ANTI-VORTEX 1.4404	1
3	4202825	PRIMING/DRAIN PLUG G1/4"-MHI-1.4404 VP.	1
4		MOT-MULTI-HE/MHIE-2/4-2,2KW-TRI-T3N-2/3E	1
Note: no longer available / nicht mehrlieferbar / ne plus disponible			
		SPARE PARTS MOTOR MHE/MHIE2/4/8 2,2	1
5		MODULE MVIE/MHIE203/402 1,1KW >07/01	1
Note: no longer available / nicht mehrlieferbar / ne plus disponible			
6	4058527	SHAFT FIXING MHIE2 KIT	1
6.1		> STOP COLLAR OF IMPELLER L=8.7-Ø14-316L	1
6.2	2090148	> CIRCLIP D14 MVI/MHI 316L (2 PIECES) VP.	1
6.3		> WASHER D.16/13,8x3 1.4401	1
6.4		> NUT-H-M8-STAINLESS-STEEL A4-70	1
7	4027348	ASSEMBLY GRD.MHI2../4../8.. VITON VP.	1
6.2	2090148	> CIRCLIP D14 MVI/MHI 316L (2 PIECES) VP.	1
7.1	2127451	> MECH.SEAL MG12/14-G606-Q1BVGG-BU.VP.	1
7.4	4233953	> O-RING ID.145 VITON VP.	1
7.5	4234238	> O-RING 9X2 VITON VP.	1
7.6		> THROWER-RUBBER-SH65/70	1
20		SPARE PARTS HYDRAULICS MHI/MHIE 1.4404	1



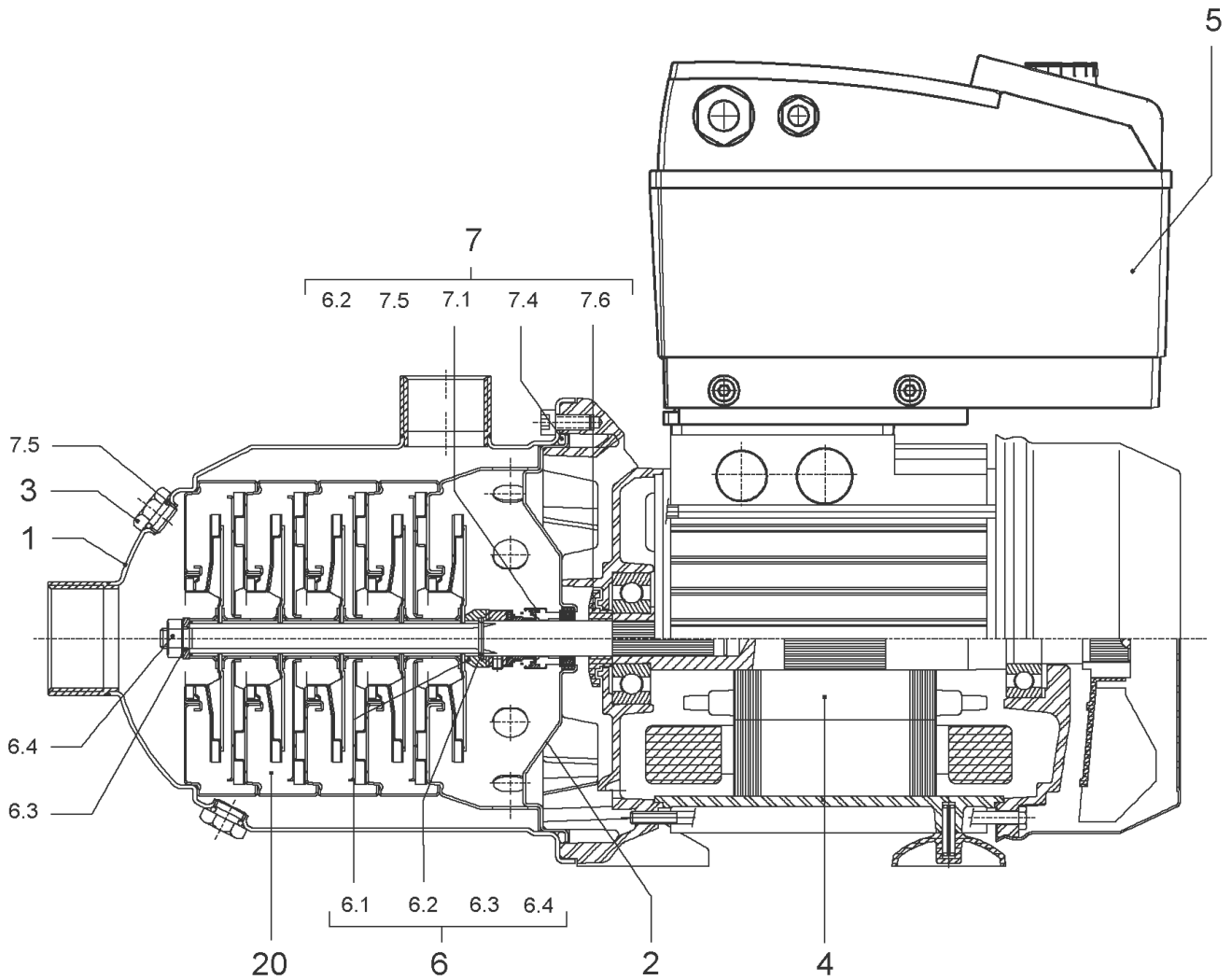
SPARE PARTS MOTOR MHE/MHIE2/4/8 2,2

Item	Article no.	Description	Quantity
4.1	2047017	FAN WHEEL AF90 2POL.ATB VP.	1
4.2		FAN HOOD TL4/3N NEUTRAL	1
Note: no longer available / nicht mehr lieferbar / ne plus disponible			
4.3	2047016	CORRUGATED SLEEVE RING BG90/100 ATB VP.	1
4.4	121083998	BALL BEARING 6205/2Z-C3 (HT) VP.	1
4.5	121466896	BALL BEARING 6305/2Z-C3 (HT) VP.	1
4.6	4008243	MOTOR-FOOT-SIZE-80	1



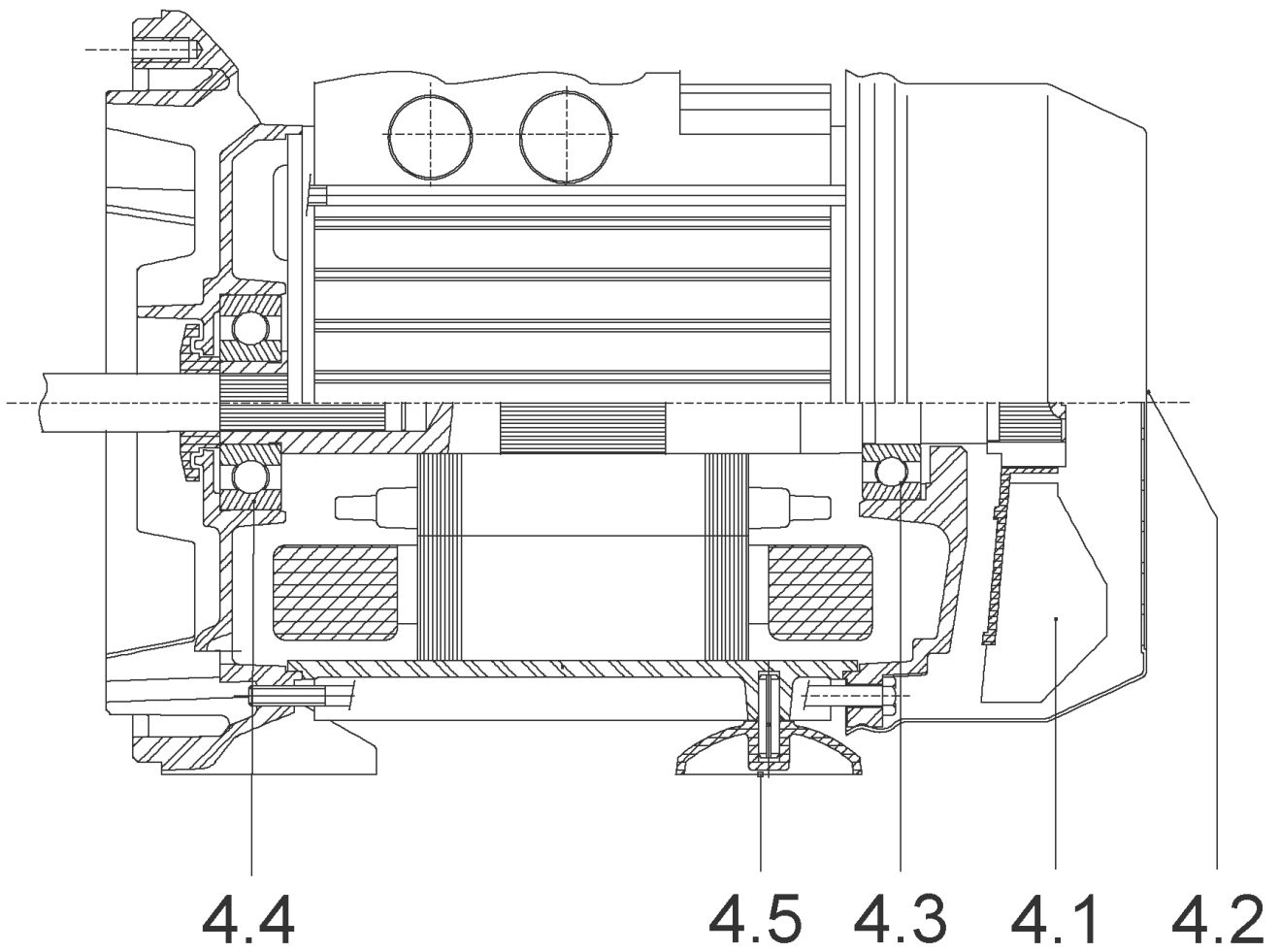
SPARE PARTS HYDRAULICS MHI/MHIE 1.4404

Item	Article no.	Description	Quantity
20.1	4026330	ASSEMBLY LR.STF.GH.MHI202-205MVI204-20 1	1
		> IMPELLER-VMI/HMI-SERIE.2-316L	1
		> STAGE CASING WITHOUT-R/G-2/4M3-316L	1
		> SPACER IMPELLER MVI2/4 1.4435	1
20.2	4026333	ASSEMBLY LR.STF.GH.RFK.MHI2,MVI205-220 1	1
		> IMPELLER-VMI/HMI-SERIE.2-316L	1
		> SPACER IMPELLER MVI2/4 1.4435	1
		> STAGE CASING-AV-C/R-2/4M3-316L	1
20.3	4026404	ASSEMBLY ZENTRIER-GH.+LR.MHI203/5/6 1.44	1
		> IMPELLER-VMI/HMI-SERIE.2-316L	1
		> SPACER IMPELLER MVI2/4 1.4435	1
		> UPPER STAGE-AV-C/R-JR-2/4M3-316L	1
		> WASHER D.24/14x1,5 1.4401	1



MHIE203N-1/E/3-2-2G (4171764)

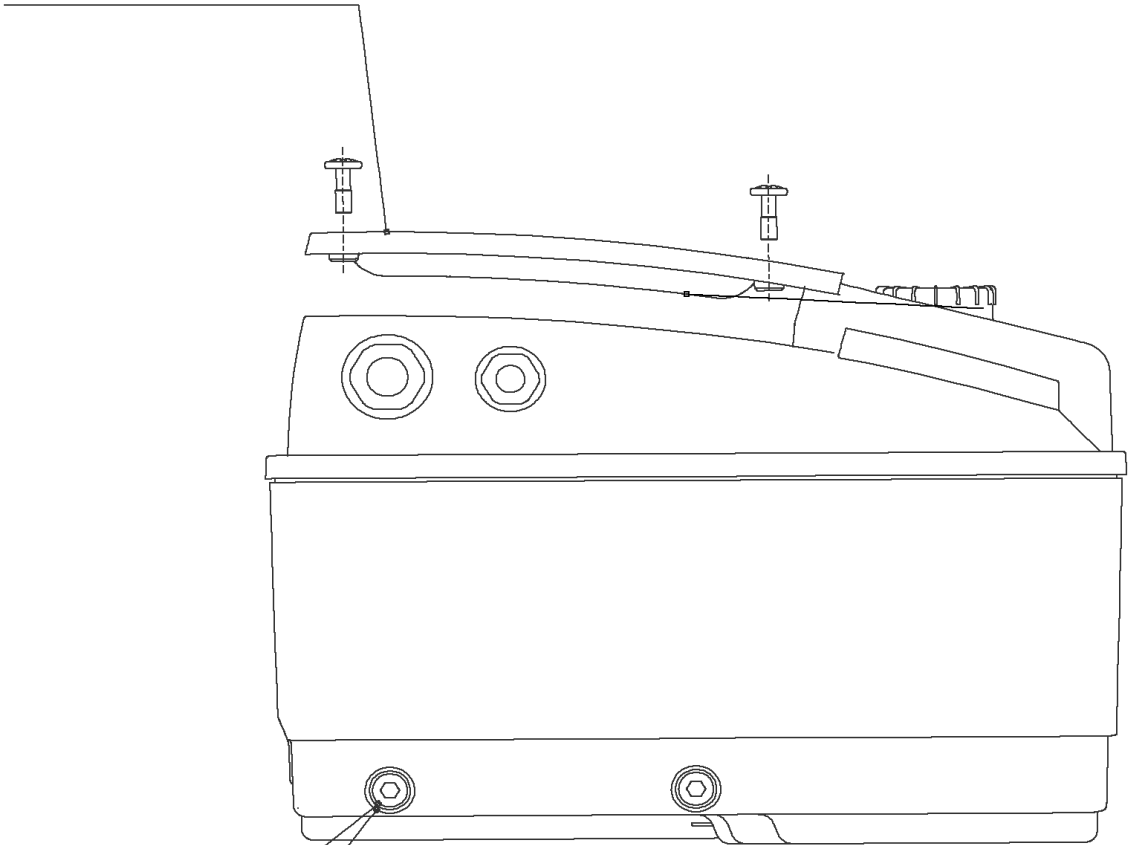
Item	Article no.	Description	Quantity
1	4202808	PUMP HOUSING MHI202/203 1.4301 VP.	1
2	2120000	STATIONARY RING HOLD.ANTI-VORTEX 1.4307	1
3	4191450	PRIMING/DRAIN PLUG G1/4"-MHI-1.4301 VP.	1
4	4234197	COMPL MOTOR MHIE203N-1/E/3-2-2G WE VP.	1
		SPARE PARTS MOTOR MHIE 2/4/8	1
5	4207950	MODULE MHIE203N-IE2-WE-KIT	1
6	4058529	SHAFT FIXING MHIE4 KIT	1
6.1		> STOP COLLAR OF IMPELLER L=8.7-Ø14-316L	1
6.2	2090148	> CIRCLIP D14 MVI/MHI 316L (2 PIECES) VP.	1
6.3		> FLAT WASHER-D8xD16x2.5-316L	1
6.4		> NUT-H-M8-STAINLESS-STEEL A4-70	1
7	4027347	MECHANICAL SEAL MHI KIT	1
6.2	2090148	> CIRCLIP D14 MVI/MHI 316L (2 PIECES) VP.	1
7.1	2127448	> MECH.SEAL MHI-MHIL-MVIL VP.	1
7.4	4235548	> O-RING ID.145 EPDM VP.	1
7.5	4235549	> O-RING I9X2 EPDM VP.	2
7.6		> THROWER-RUBBER-SH65/70	1
20		SPARE PARTS HYDRAULICS MHI/MHIE 1.4301	1



SPARE PARTS MOTOR MHIE 2/4/8

Item	Article no.	Description	Quantity
4.1	4230651	FAN MOTOR WE 0,75 KW VP.	1
4.2	2107779	FAN HOOD BG80 ELEC KIT	1
2.13A		> FAN COVER IEC80 KTL ST14 T0.8 H60	1
2.13B	2111323	> SCREW M4X6 (4 PIECES)	1
Note: Please give the data from type plate of the motor			
4.3	4179326	BALL-BEARING-6204-C3-DDU-E-EA6 VP.	1
4.4	4185236	BALL-BEARING-6304-C3-DDU-E-EA6 VP.	1
4.5	4234216	MOTOR FOOT WILO ELEC IEC80 KIT	1

5.1



5.2

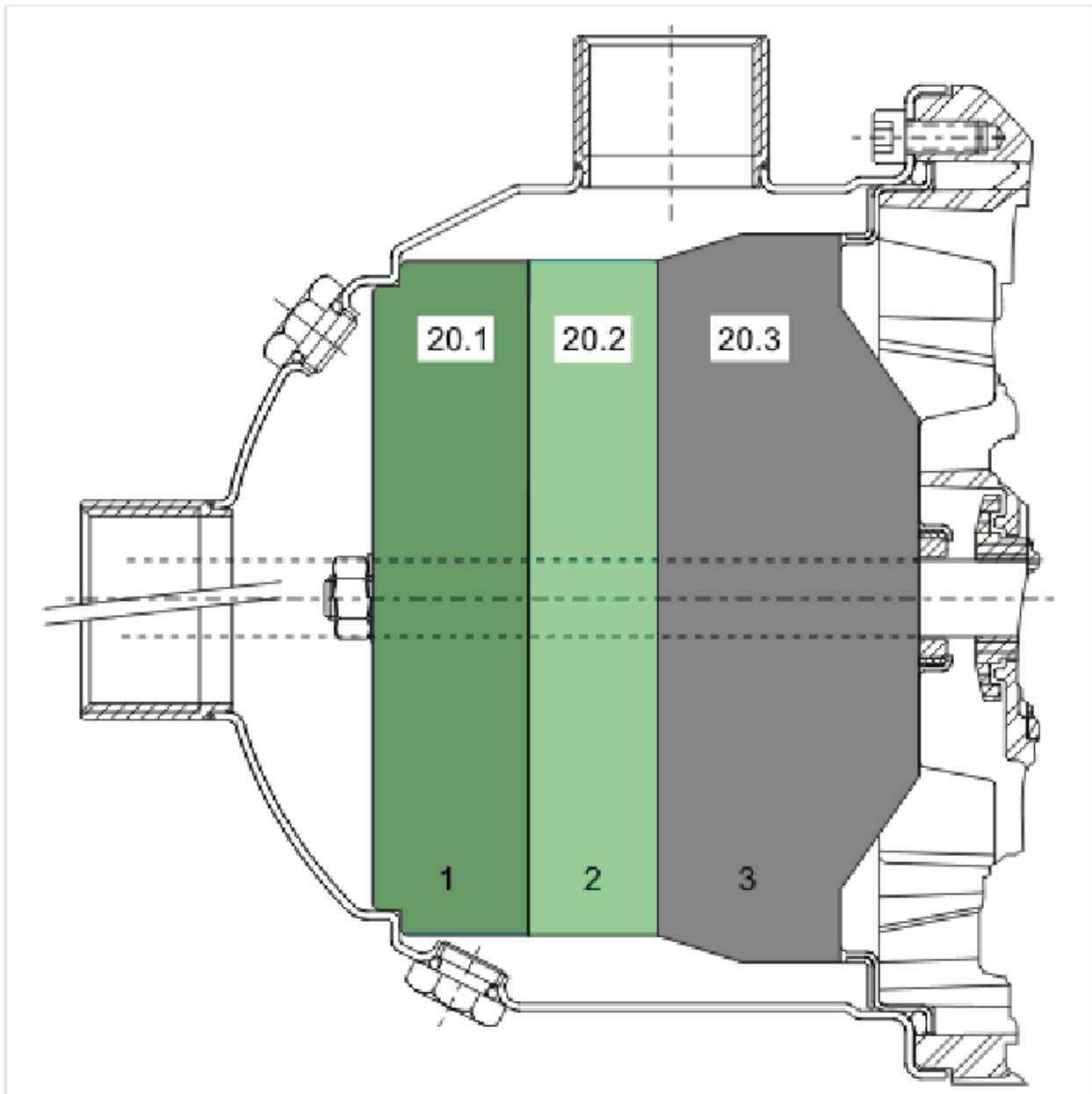


5.3



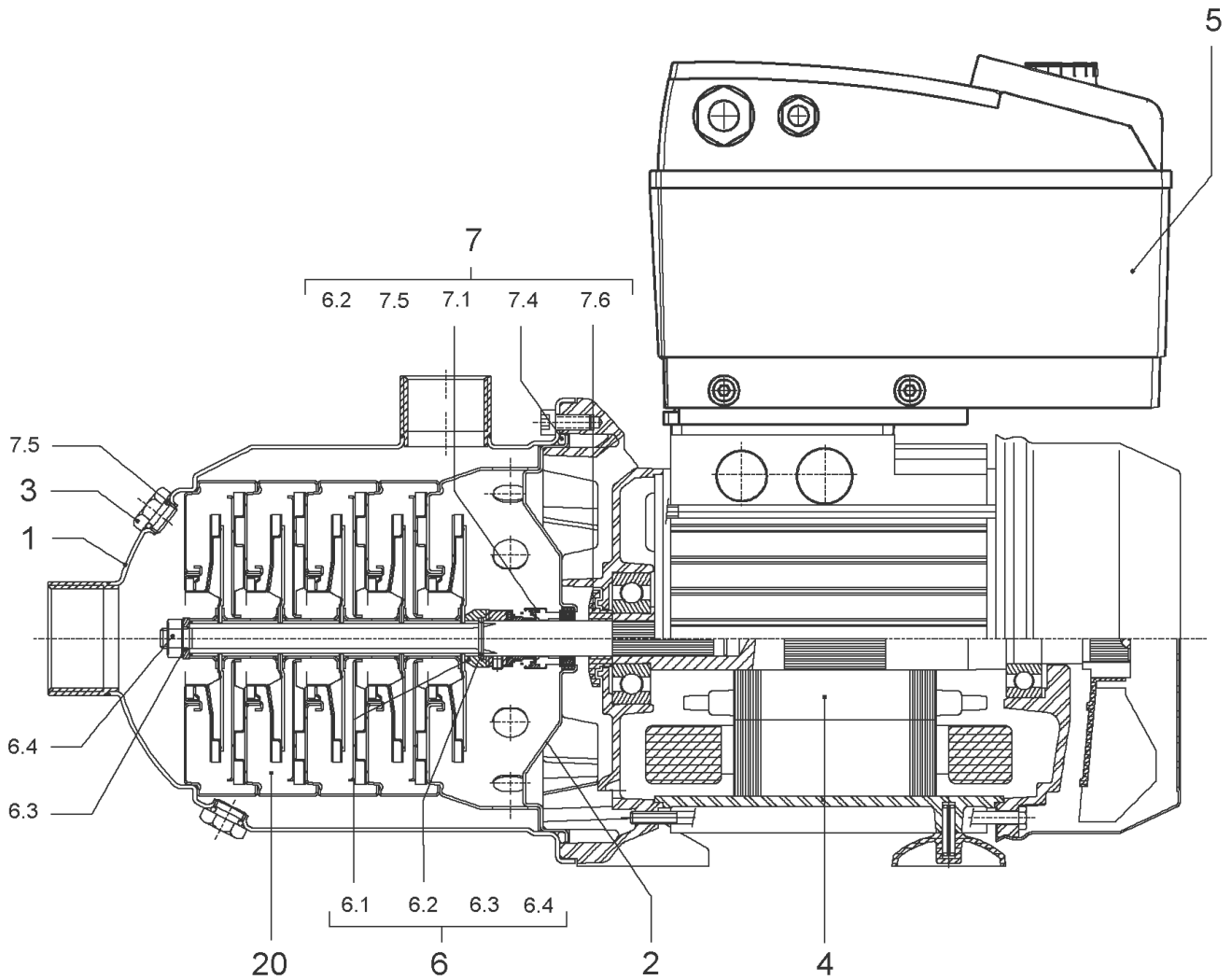
MODULE MHIE203N-IE2-WE-KIT (4207950)

Item	Article no.	Description	Quantity
5.1	2054372	MODULE COVER TL1,TL2+GASKET KIT	1
5.2	4215716	SCREW M5X16 DIN912 8.8 A2A (4pieces) VP.	1
5.3	2057978	RONDELLE A5,3 DIN6797 FST ZN (4 PIECES)	1



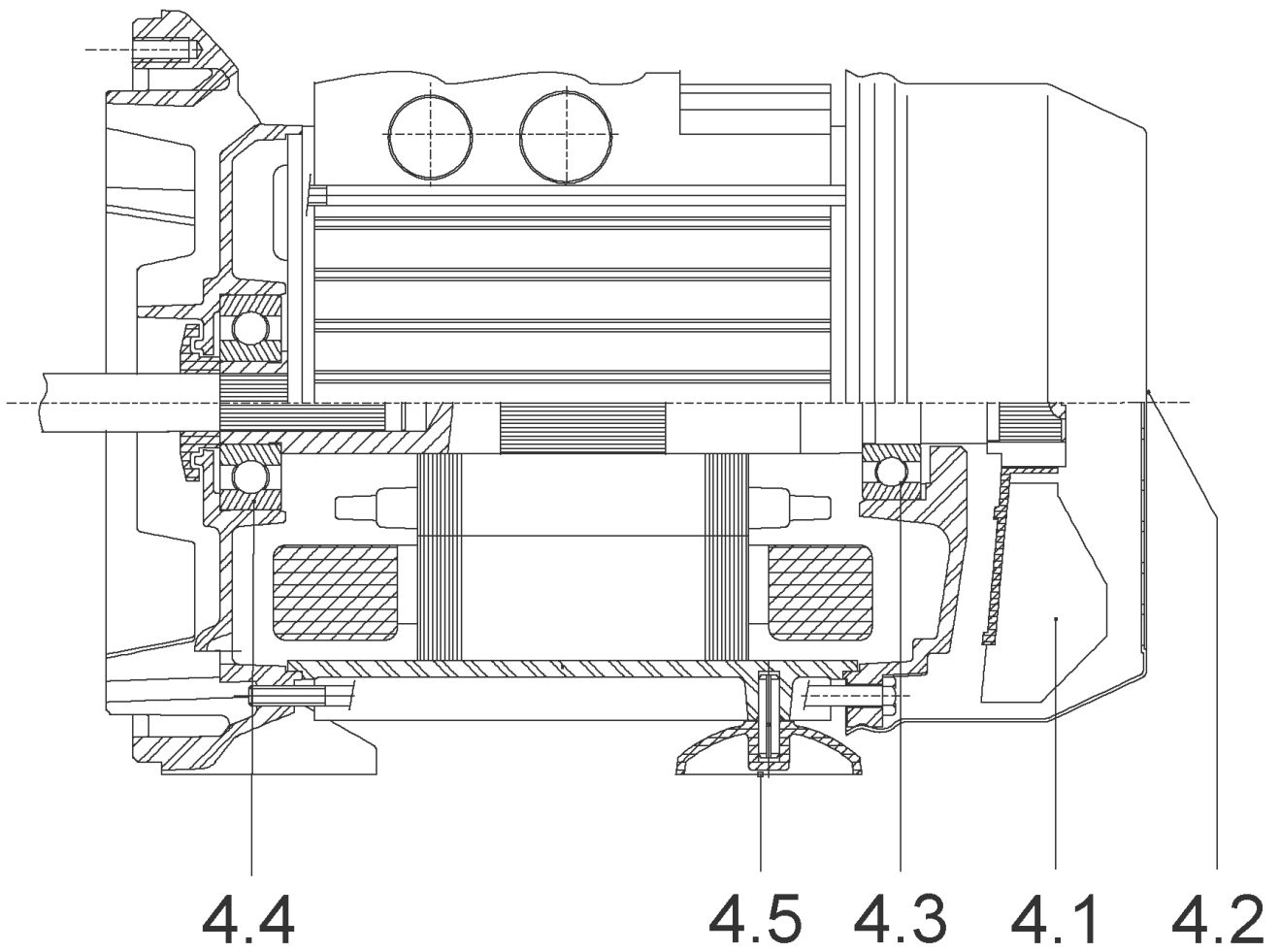
SPARE PARTS HYDRAULICS MHI/MHIE 1.4301

Item	Article no.	Description	Quantity
20.1	4015439	STAGE MHI202/5MVI204 KIT	1
		> IMPELLER MVI2 D.98x2 1.4301	1
		> STAGE HOUSING O.RFK MVI2/4 1.4301	1
		> SPACER IMPELLER MVI2/4 1.4301	1
20.2	4015441	STAGE MHI2,MVI205-14 1.4301 KIT	1
		> IMPELLER MVI2 D.98x2 1.4301	1
		> STAGE HOUSING RFK.MVI2/4 1.4301	1
		> SPACER IMPELLER MVI2/4 1.4301	1
20.3	4015460	CENTER.HOUSING/LR.MHI203/05/06 1.4301KIT	1
		> IMPELLER MVI2 D.98x2 1.4301	1
		> SPACER IMPELLER MVI2/4 1.4301	1
		> UPPER STAGE-AV-C/R-JR-2/4M3-304	1
		> WASHER D.24/14x1,5 1.4401	1



MHIE203N-2/V/3-2-2G (4171765)

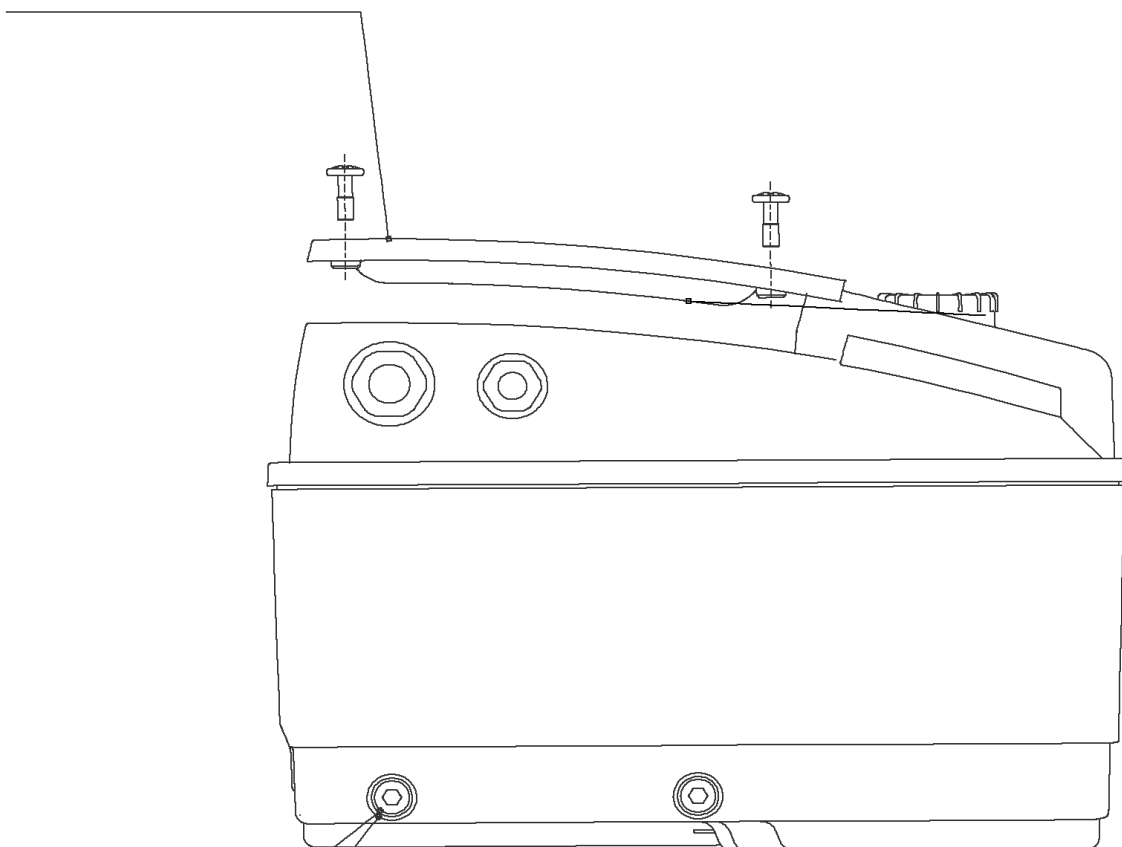
Item	Article no.	Description	Quantity
1	4202817	PUMP HOUSING MHI202/203 1.4404 VP.	1
2	2120001	STATIONARY RING HOLD.ANTI-VORTEX 1.4404	1
3	4202825	PRIMING/DRAIN PLUG G1/4"-MHI-1.4404 VP.	1
4	4234198	COMPL MOTOR MHIE203N-2/V/3-2-2G WE VP.	1
		SPARE PARTS MOTOR MHIE 2/4/8	1
5	4207950	MODULE MHIE203N-IE2-WE-KIT	1
6	4058529	SHAFT FIXING MHIE4 KIT	1
6.1		> STOP COLLAR OF IMPELLER L=8.7-Ø14-316L	1
6.2	2090148	> CIRCLIP D14 MVI/MHI 316L (2 PIECES) VP.	1
6.3		> FLAT WASHER-D8xD16x2.5-316L	1
6.4		> NUT-H-M8-STAINLESS-STEEL A4-70	1
7	4027348	ASSEMBLY GRD.MHI2../4../8.. VITON VP.	1
6.2	2090148	> CIRCLIP D14 MVI/MHI 316L (2 PIECES) VP.	1
7.1	2127451	> MECH.SEAL MG12/14-G606-Q1BVGG-BU.VP.	1
7.4	4233953	> O-RING ID.145 VITON VP.	1
7.5	4234238	> O-RING 9X2 VITON VP.	1
7.6		> THROWER-RUBBER-SH65/70	1
20		SPARE PARTS HYDRAULICS MHI/MHIE 1.4404	1



SPARE PARTS MOTOR MHIE 2/4/8

Item	Article no.	Description	Quantity
4.1	4230651	FAN MOTOR WE 0,75 KW VP.	1
4.2	2107779	FAN HOOD BG80 ELEC KIT	1
2.13A		> FAN COVER IEC80 KTL ST14 T0.8 H60	1
2.13B	2111323	> SCREW M4X6 (4 PIECES)	1
Note: Please give the data from type plate of the motor			
4.3	4179326	BALL-BEARING-6204-C3-DDU-E-EA6 VP.	1
4.4	4185236	BALL-BEARING-6304-C3-DDU-E-EA6 VP.	1
4.5	4234216	MOTOR FOOT WILO ELEC IEC80 KIT	1

5.1



5.2

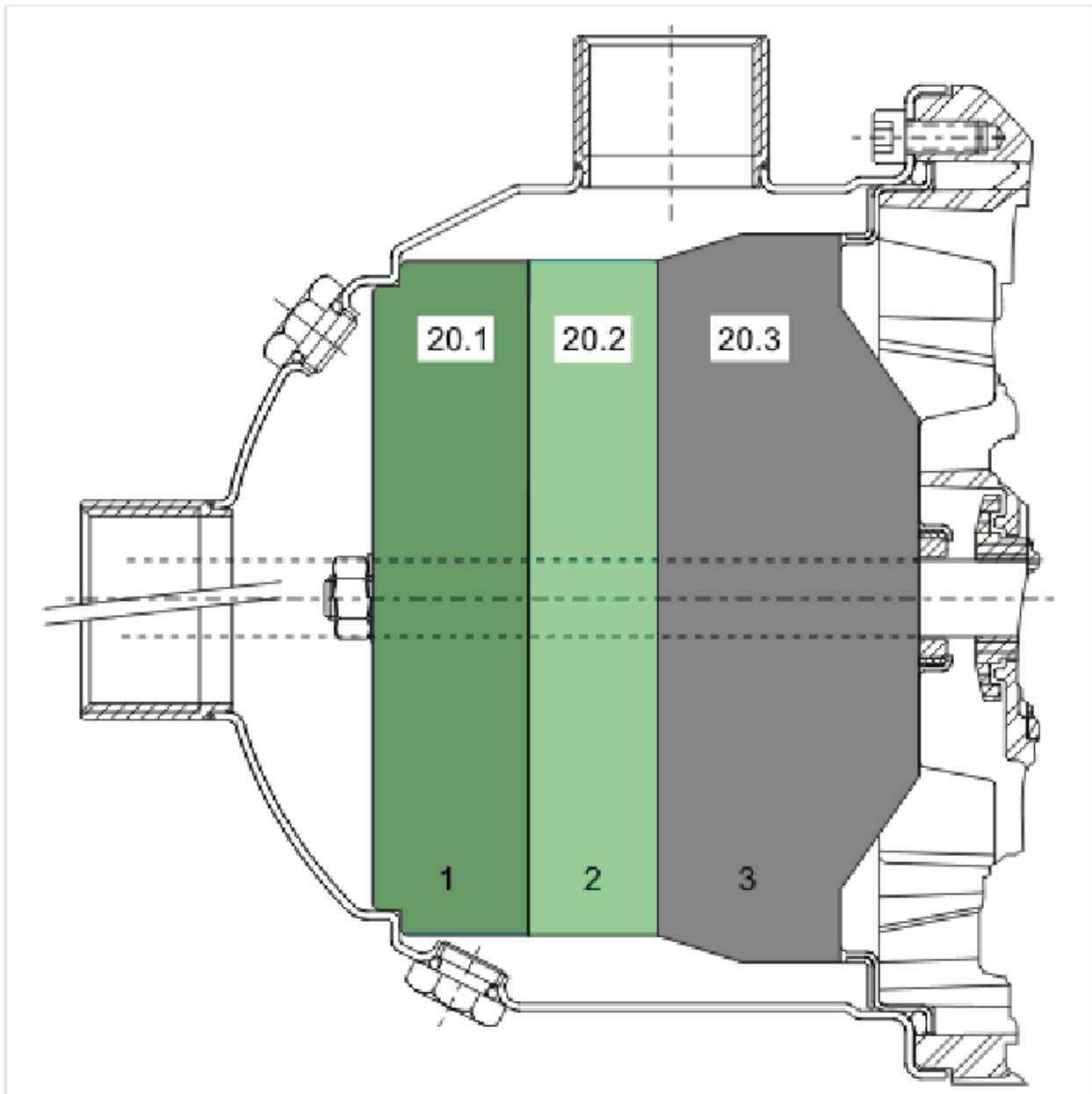


5.3



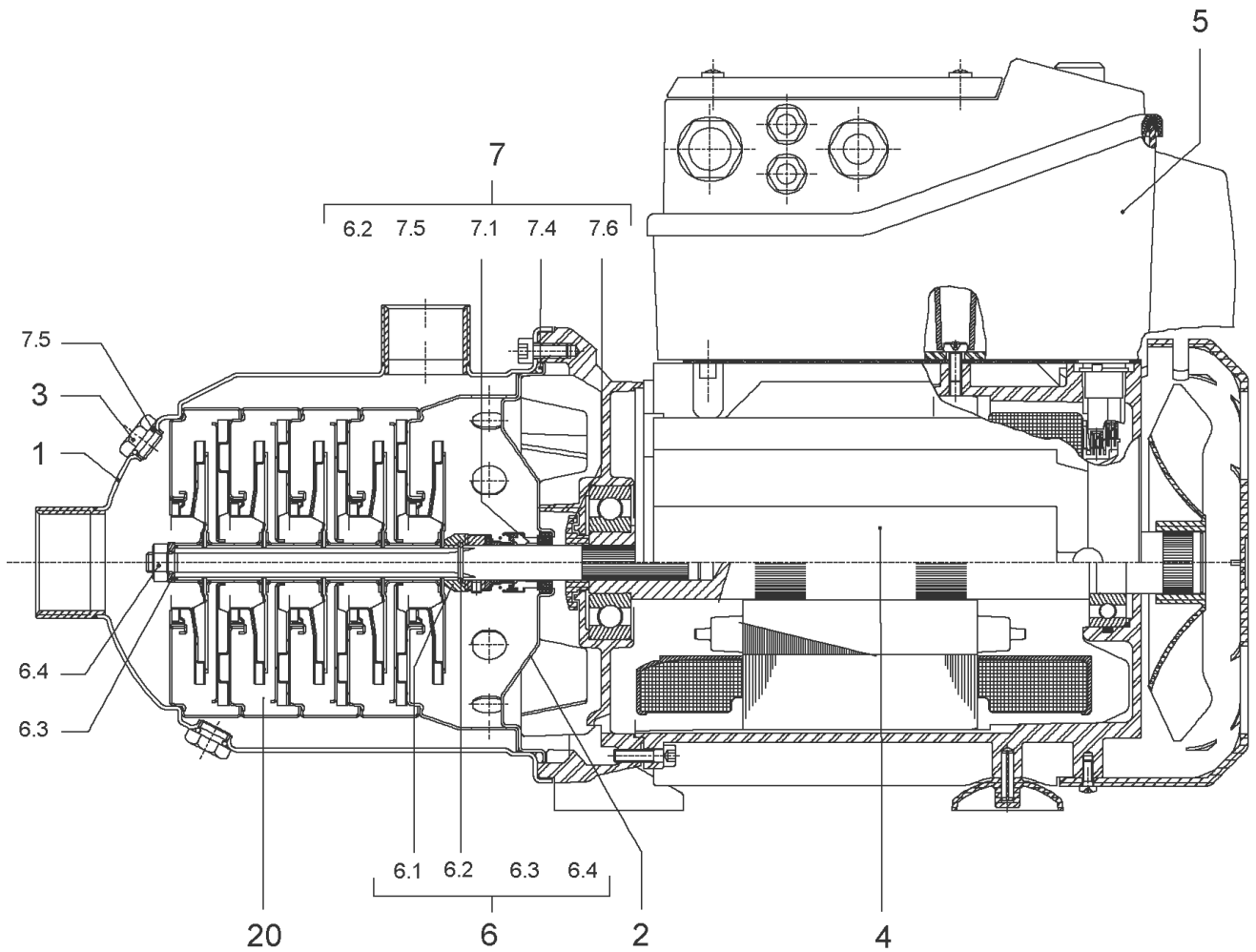
MODULE MHIE203N-IE2-WE-KIT (4207950)

Item	Article no.	Description	Quantity
5.1	2054372	MODULE COVER TL1,TL2+GASKET KIT	1
5.2	4215716	SCREW M5X16 DIN912 8.8 A2A (4pieces) VP.	1
5.3	2057978	RONDELLE A5,3 DIN6797 FST ZN (4 PIECES)	1



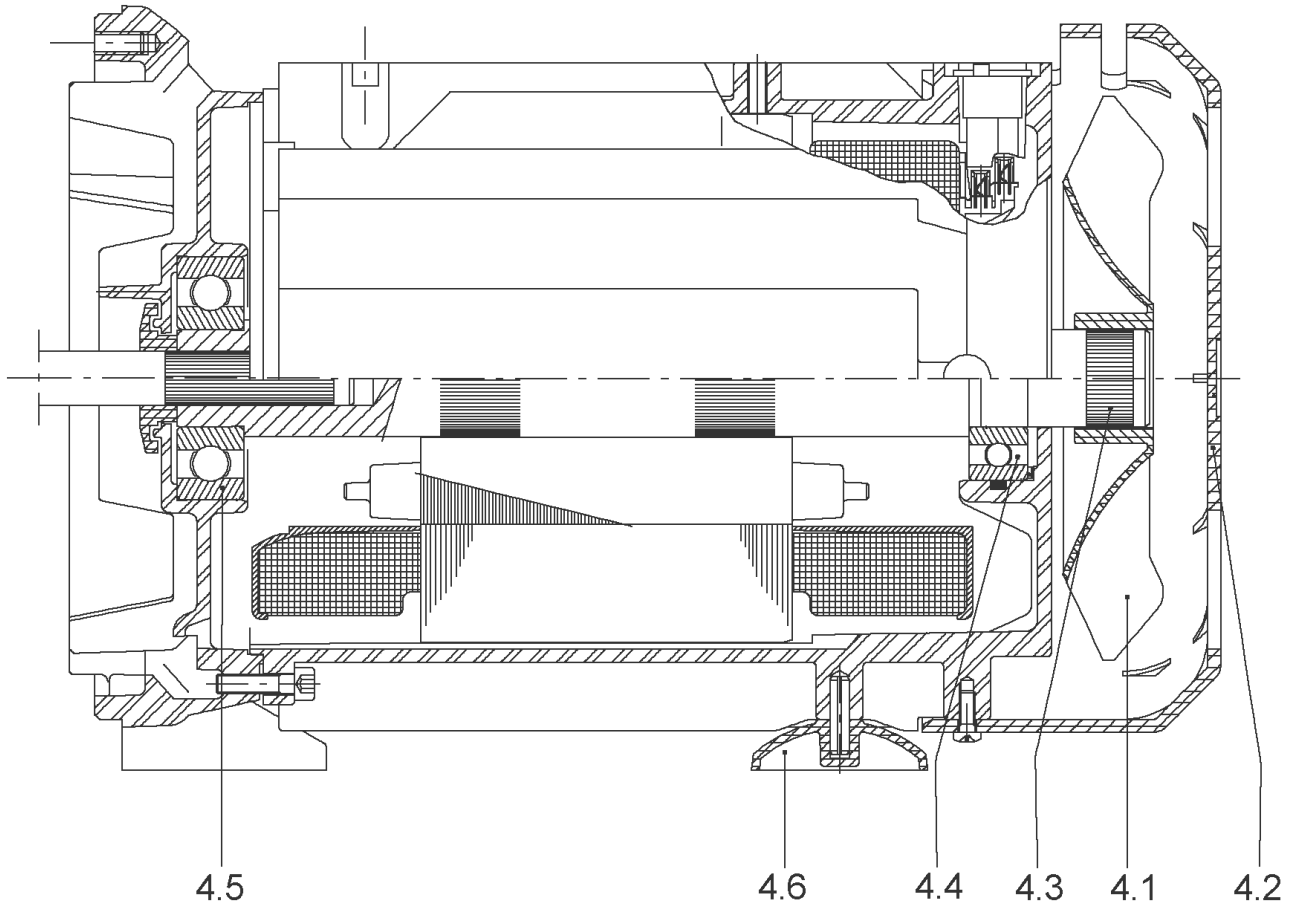
SPARE PARTS HYDRAULICS MHI/MHIE 1.4404

Item	Article no.	Description	Quantity
20.1	4026330	ASSEMBLY LR.STF.GH.MHI202-205MVI204-20 1	1
		> IMPELLER-VMI/HMI-SERIE.2-316L	1
		> STAGE CASING WITHOUT-R/G-2/4M3-316L	1
		> SPACER IMPELLER MVI2/4 1.4435	1
20.2	4026333	ASSEMBLY LR.STF.GH.RFK.MHI2,MVI205-220 1	1
		> IMPELLER-VMI/HMI-SERIE.2-316L	1
		> SPACER IMPELLER MVI2/4 1.4435	1
		> STAGE CASING-AV-C/R-2/4M3-316L	1
20.3	4026404	ASSEMBLY ZENTRIER-GH.+LR.MHI203/5/6 1.44	1
		> IMPELLER-VMI/HMI-SERIE.2-316L	1
		> SPACER IMPELLER MVI2/4 1.4435	1
		> UPPER STAGE-AV-C/R-JR-2/4M3-316L	1
		> WASHER D.24/14x1,5 1.4401	1



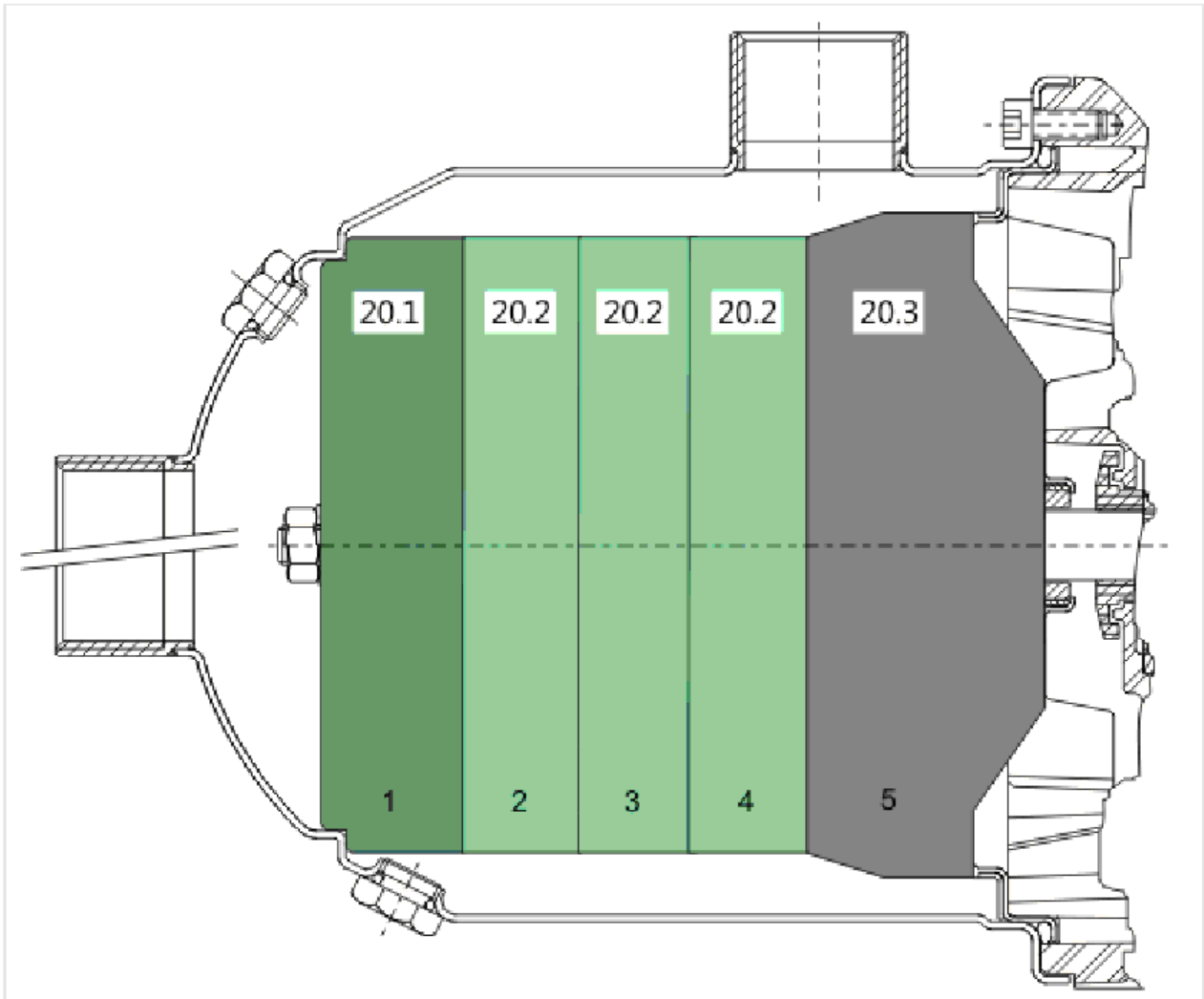
MHIE205-1/E/3-2-2G (4077397)

Item	Article no.	Description	Quantity
1	4202809	PUMP HOUSING MHI204/205 1.4301 VP.	1
2	2120000	STATIONARY RING HOLD.ANTI-VORTEX 1.4307	1
3	4191450	PRIMING/DRAIN PLUG G1/4"-MHI-1.4301 VP.	1
4		COMPLETE-MOTOR-MHIE 205-1/E/3-2-2G	1
Note: no longer available/nicht mehrlieferbar/n'est plus disponible			
		SPARE PARTS MOTOR MHIE205/403-2G	1
5		MODULE MVIE/MHIE-1,1KW TL1/2	1
Note: no longer available/nicht mehrlieferbar/n'est plus disponible			
6	4058527	SHAFT FIXING MHIE2 KIT	1
6.1		> STOP COLLAR OF IMPELLER L=8.7-Ø14-316L	1
6.2	2090148	> CIRCLIP D14 MVI/MHI 316L (2 PIECES) VP.	1
6.3		> WASHER D.16/13,8x3 1.4401	1
6.4		> NUT-H-M8-STAINLESS-STEEL A4-70	1
7	4027347	MECHANICAL SEAL MHI KIT	1
6.2	2090148	> CIRCLIP D14 MVI/MHI 316L (2 PIECES) VP.	1
7.1	2127448	> MECH.SEAL MHI-MHIL-MVIL VP.	1
7.4	4235548	> O-RING ID.145 EPDM VP.	1
7.5	4235549	> O-RING I9X2 EPDM VP.	2
7.6		> THROWER-RUBBER-SH65/70	1
20		SPARE PARTS HYDRAULICS MHI/MHIE 1.4301	1



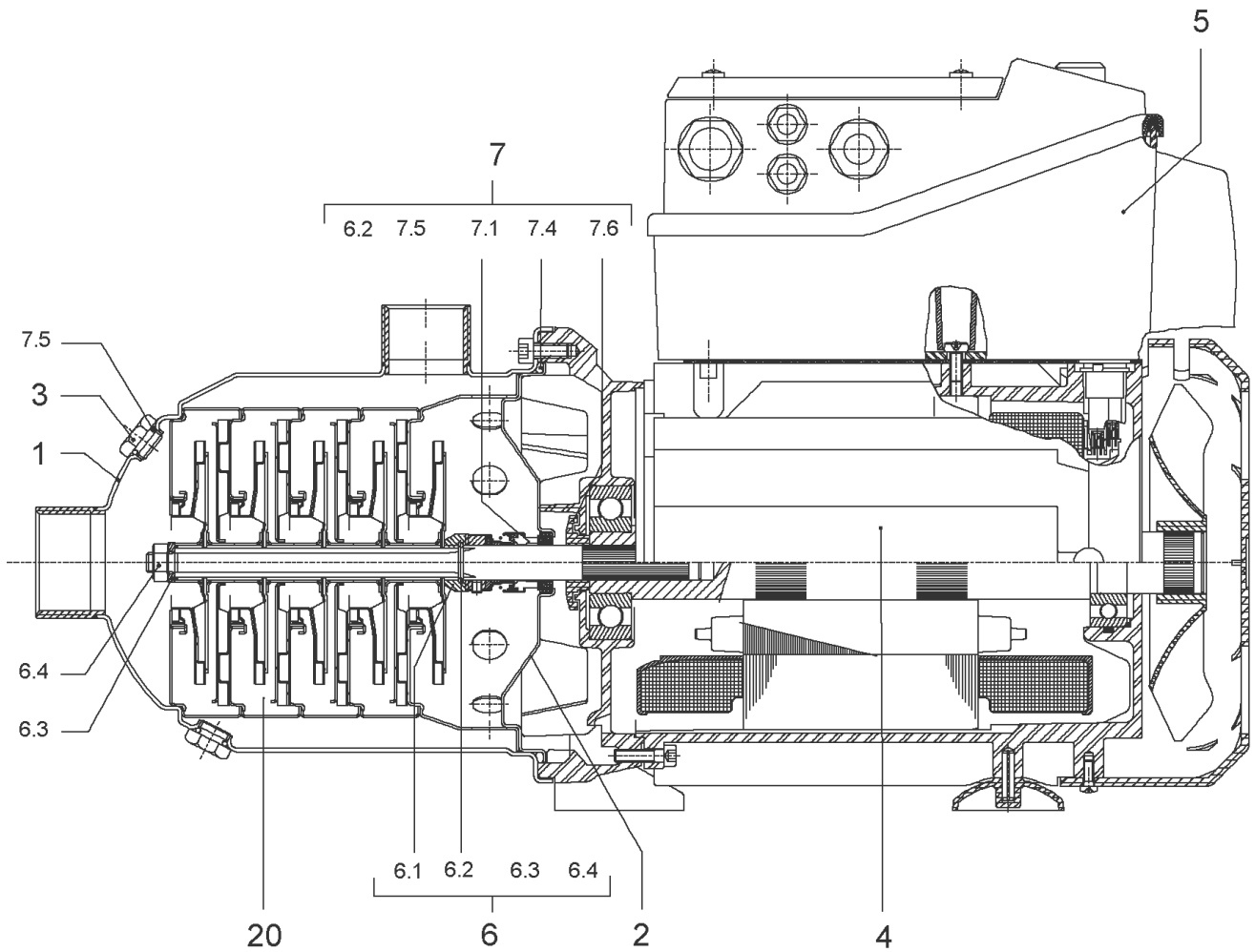
SPARE PARTS MOTOR MHIE205/403-2G

Item	Article no.	Description	Quantity
4.1	4007267	MOTOR-FAN-80-MHI Ø143	1
4.2	4038084	FAN-COVER-MOTOR80-D125-LOCKING	1
4.4	121084499	BALL BEARING 6204/2Z-C3 (HT) VP.	1
4.5	2021067	BALL BEARING 6304/2Z-C3 (HT) VP.	1



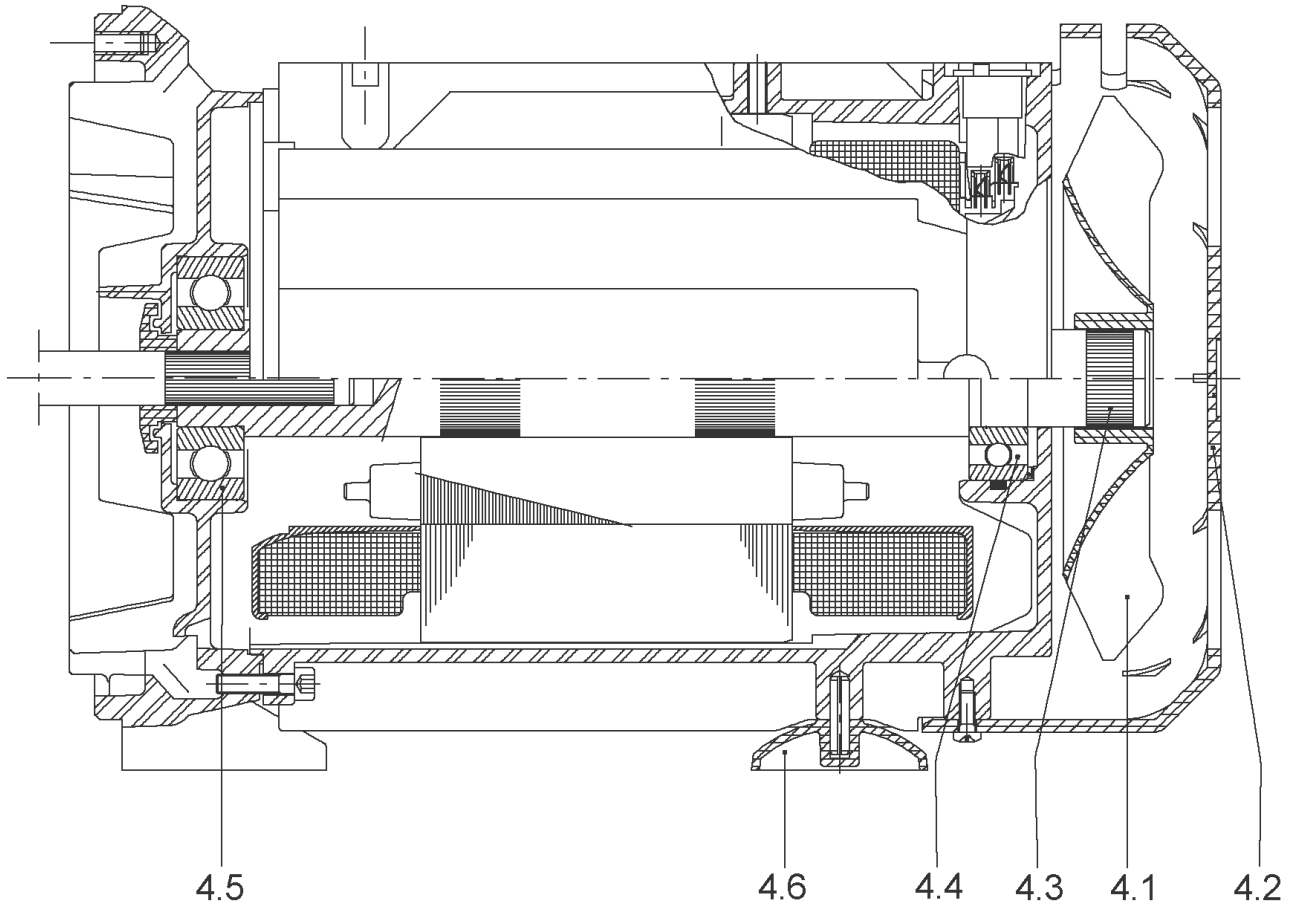
SPARE PARTS HYDRAULICS MHI/MHIE 1.4301

Item	Article no.	Description	Quantity
20.1	4015439	STAGE MHI202/5MVI204 KIT	1
		> IMPELLER MVI2 D.98x2 1.4301	1
		> STAGE HOUSING O.RFK MVI2/4 1.4301	1
		> SPACER IMPELLER MVI2/4 1.4435	1
20.2	4015441	STAGE MHI2,MVI205-14 1.4301 KIT	1
		> IMPELLER MVI2 D.98x2 1.4301	1
		> SPACER IMPELLER MVI2/4 1.4435	1
		> STAGE HOUSING RFK.MVI2/4 1.4301	1
20.3	4015460	CENTER.HOUSING/LR.MHI203/05/06 1.4301KIT	1
		> IMPELLER MVI2 D.98x2 1.4301	1
		> SPACER IMPELLER MVI2/4 1.4435	1
		> UPPER STAGE-AV-C/R-JR-2/4M3-304	1
		> WASHER D.24/14x1,5 1.4401	1



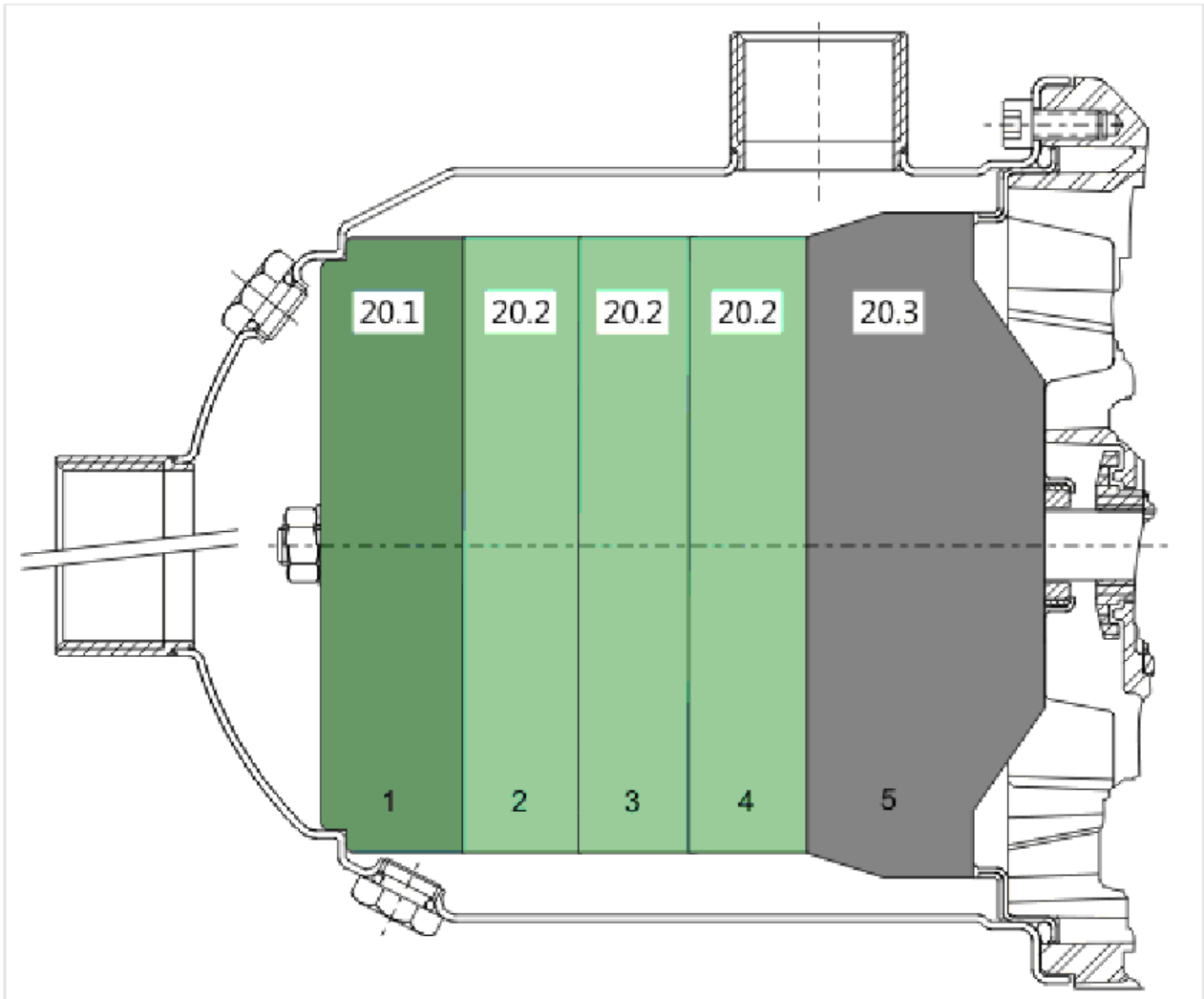
MHIE205-1/E/1-2/M13 (4073100)

Item	Article no.	Description	Quantity
1	4202809	PUMP HOUSING MHI204/205 1.4301 VP.	1
2	2120000	STATIONARY RING HOLD.ANTI-VORTEX 1.4307	1
3	4191450	PRIMING/DRAIN PLUG G1/4"-MHI-1.4301 VP.	1
4	4144272	COMPLETE-MOTOR-MHIE 205-1/E/1-2/M13/B	1
		SPARE PARTS MOTOR MHIE205/403 1~230V	1
5	4207596	Module MHIE-1,1KW-M13 KIT	1
6	4058527	SHAFT FIXING MHIE2 KIT	1
6.1		> STOP COLLAR OF IMPELLER L=8.7-Ø14-316L	1
6.2	2090148	> CIRCLIP D14 MVI/MHI 316L (2 PIECES) VP.	1
6.3		> WASHER D.16/13,8x3 1.4401	1
6.4		> NUT-H-M8-STAINLESS-STEEL A4-70	1
7	4027347	MECHANICAL SEAL MHI KIT	1
6.2	2090148	> CIRCLIP D14 MVI/MHI 316L (2 PIECES) VP.	1
7.1	2127448	> MECH.SEAL MHI-MHIL-MVIL VP.	1
7.4	4235548	> O-RING ID.145 EPDM VP.	1
7.5	4235549	> O-RING I9X2 EPDM VP.	2
7.6		> THROWER-RUBBER-SH65/70	1
20		SPARE PARTS HYDRAULICS MHI/MHIE 1.4301	1



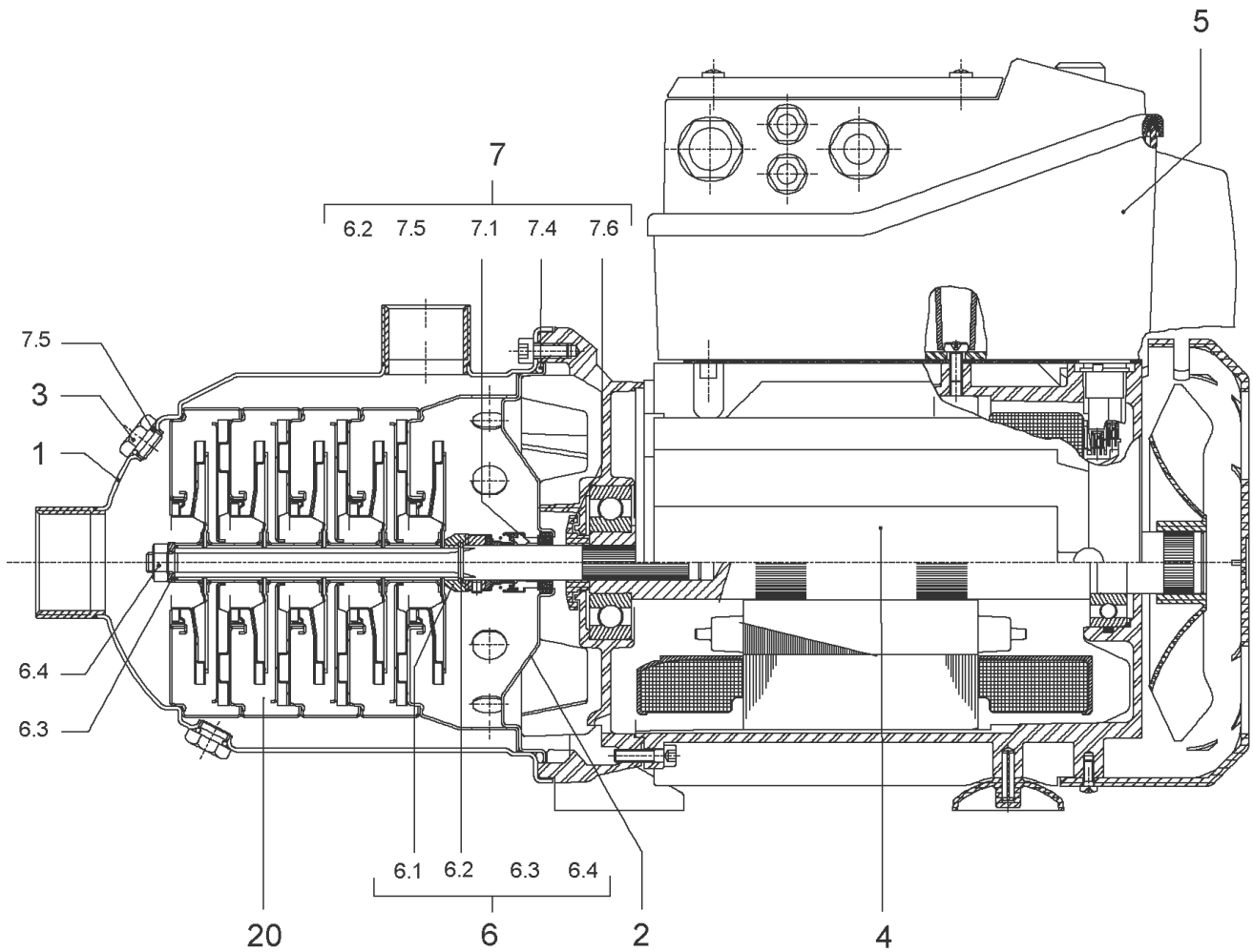
SPARE PARTS MOTOR MHIE205/403 1~230V

Item	Article no.	Description	Quantity
4.1	4210072	Motor-fan-71-MHI Ø128 VP.	1
4.2	4202863	FAN-COVER-MOTOR71-D110-LOCKING VP.	1
4.4	122097891	BALL BEARING 6202/2Z-C3 (HT) VP.	1
7.6	4185162	BALL-BEARING-6302-C3-DDU-E-EA6 VP.	1
4.6	4008242	MOTOR-SUPPORT-71	1



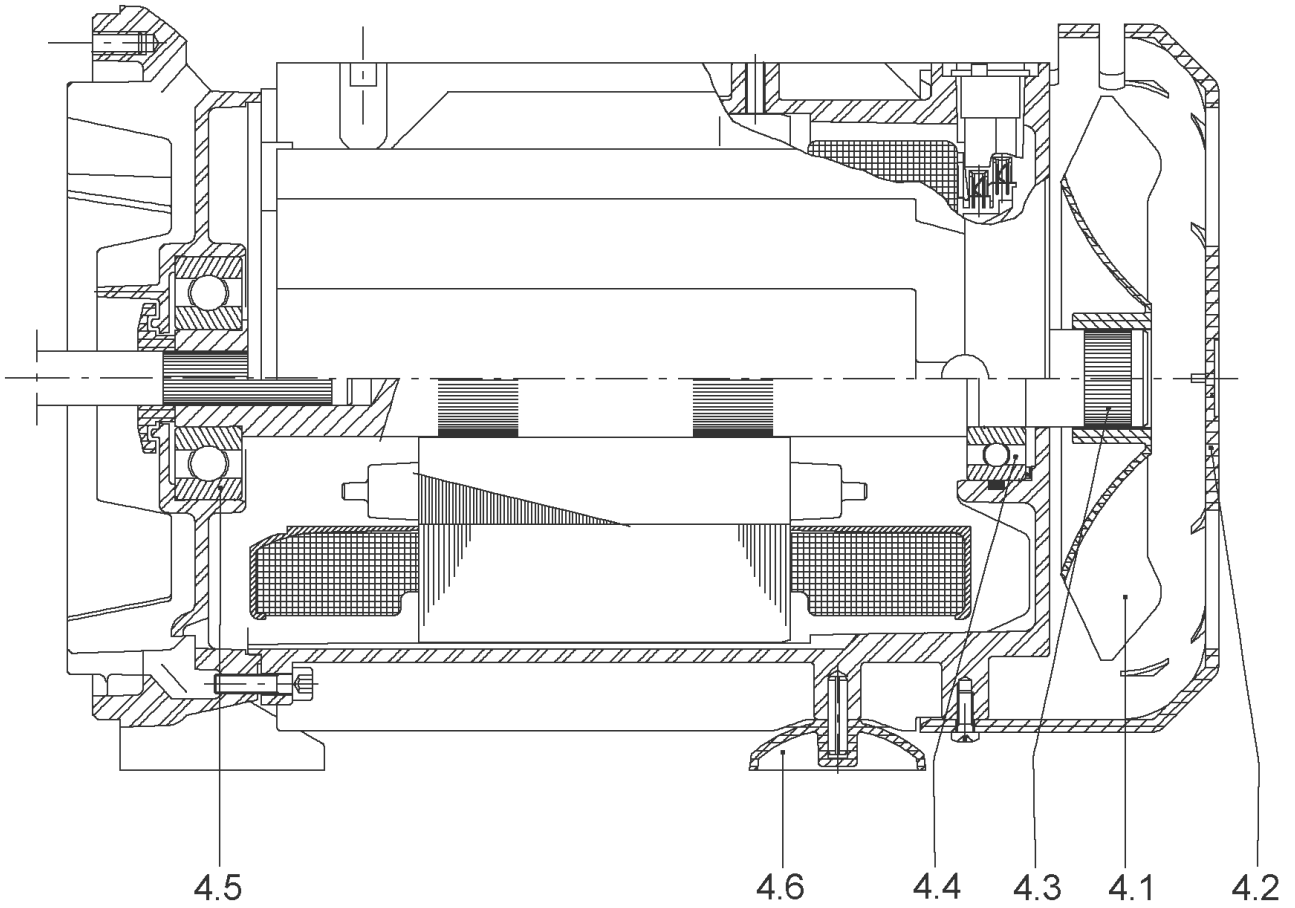
SPARE PARTS HYDRAULICS MHI/MHIE 1.4301

Item	Article no.	Description	Quantity
20.1	4015439	STAGE MHI202/5MVI204 KIT	1
		> IMPELLER MVI2 D.98x2 1.4301	1
		> STAGE HOUSING O.RFK MVI2/4 1.4301	1
		> SPACER IMPELLER MVI2/4 1.4435	1
20.2	4015441	STAGE MHI2,MVI205-14 1.4301 KIT	1
		> IMPELLER MVI2 D.98x2 1.4301	1
		> SPACER IMPELLER MVI2/4 1.4435	1
		> STAGE HOUSING RFK.MVI2/4 1.4301	1
20.3	4015460	CENTER.HOUSING/LR.MHI203/05/06 1.4301KIT	1
		> IMPELLER MVI2 D.98x2 1.4301	1
		> SPACER IMPELLER MVI2/4 1.4435	1
		> UPPER STAGE-AV-C/R-JR-2/4M3-304	1
		> WASHER D.24/14x1,5 1.4401	1



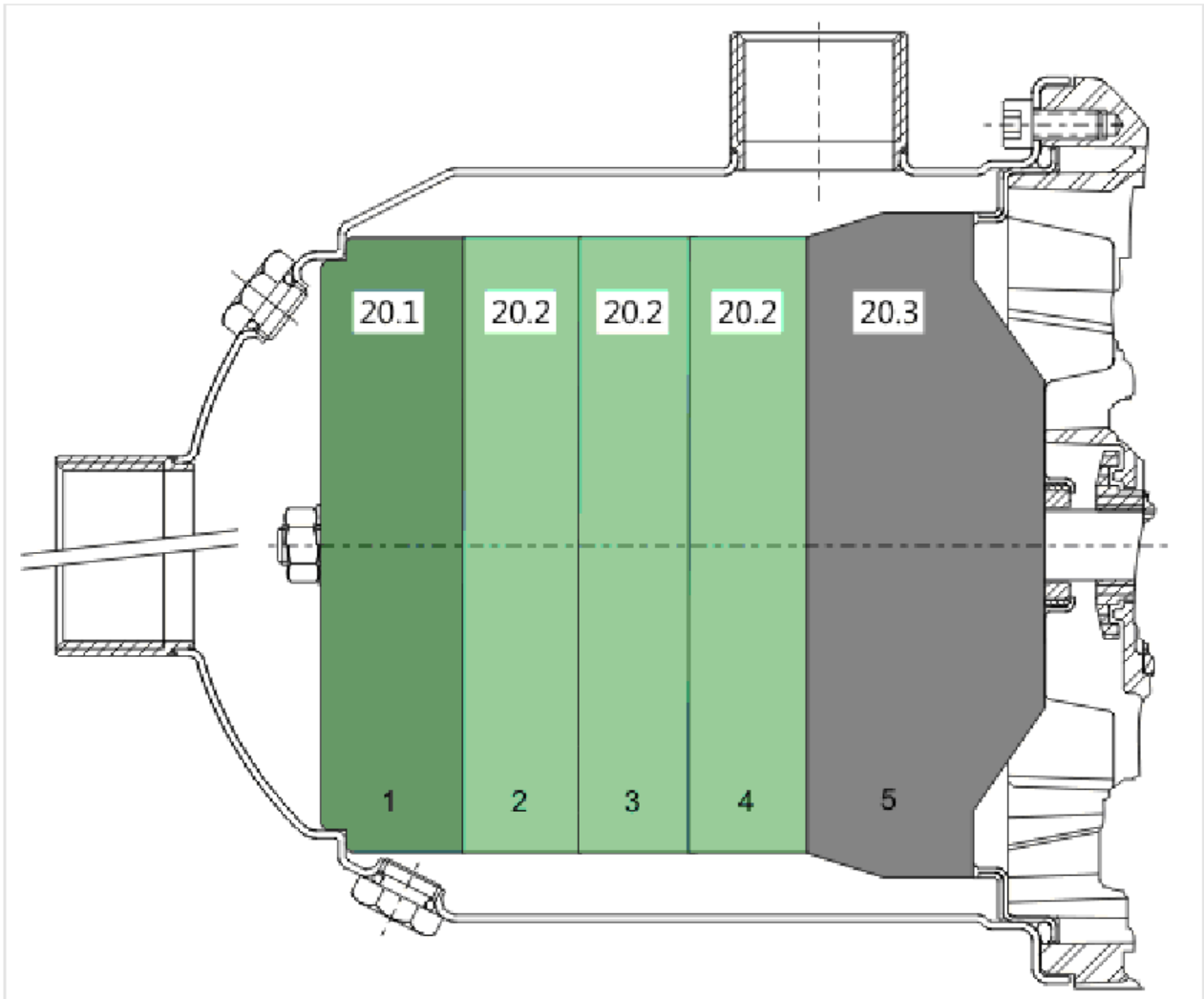
MHIE205-1/E/1-2/M2 (4073101)

Item	Article no.	Description	Quantity
1	4202809	PUMP HOUSING MHI204/205 1.4301 VP.	1
2	2120000	STATIONARY RING HOLD.ANTI-VORTEX 1.4307	1
3	4191450	PRIMING/DRAIN PLUG G1/4"-MHI-1.4301 VP.	1
4	4144272	COMPLETE-MOTOR-MHIE 205-1/E/1-2/M13/B	1
		SPARE PARTS MOTOR MHIE205/403 1~230V	1
5	4178796	Module MHIE-1,1KW-M2 KIT	1
6	4058527	SHAFT FIXING MHIE2 KIT	1
6.1		> STOP COLLAR OF IMPELLER L=8.7-Ø14-316L	1
6.2	2090148	> CIRCLIP D14 MVI/MHI 316L (2 PIECES) VP.	1
6.3		> WASHER D.16/13,8x3 1.4401	1
6.4		> NUT-H-M8-STAINLESS-STEEL A4-70	1
7	4027347	MECHANICAL SEAL MHI KIT	1
6.2	2090148	> CIRCLIP D14 MVI/MHI 316L (2 PIECES) VP.	1
7.1	2127448	> MECH.SEAL MHI-MHIL-MVIL VP.	1
7.4	4235548	> O-RING ID.145 EPDM VP.	1
7.5	4235549	> O-RING I9X2 EPDM VP.	2
7.6		> THROWER-RUBBER-SH65/70	1
20		SPARE PARTS HYDRAULICS MHI/MHIE 1.4301	1



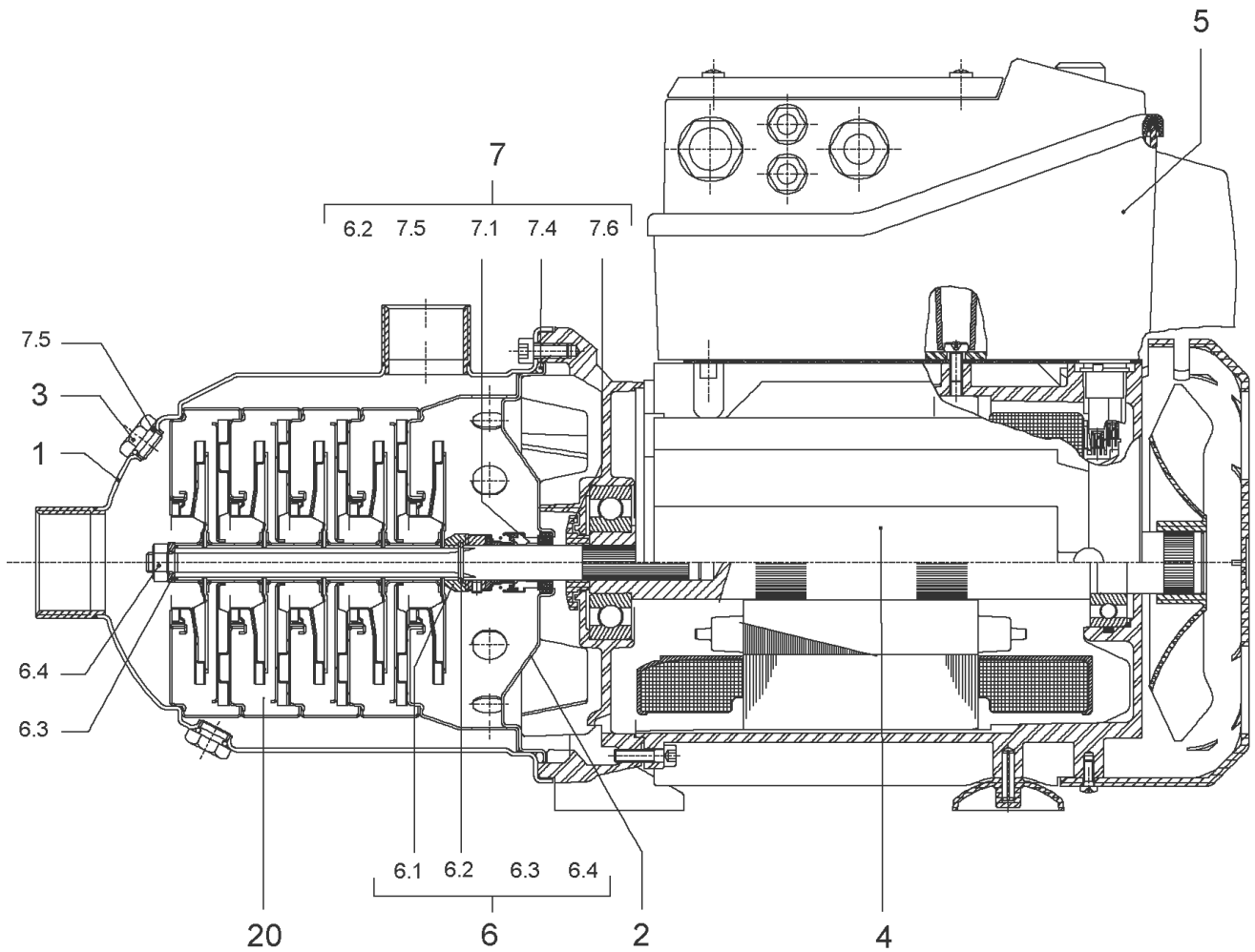
SPARE PARTS MOTOR MHIE205/403 1~230V

Item	Article no.	Description	Quantity
4.1	4210072	Motor-fan-71-MHI Ø128 VP.	1
4.2	4202863	FAN-COVER-MOTOR71-D110-LOCKING VP.	1
4.4	122097891	BALL BEARING 6202/2Z-C3 (HT) VP.	1
7.6	4185162	BALL-BEARING-6302-C3-DDU-E-EA6 VP.	1
4.6	4008242	MOTOR-SUPPORT-71	1



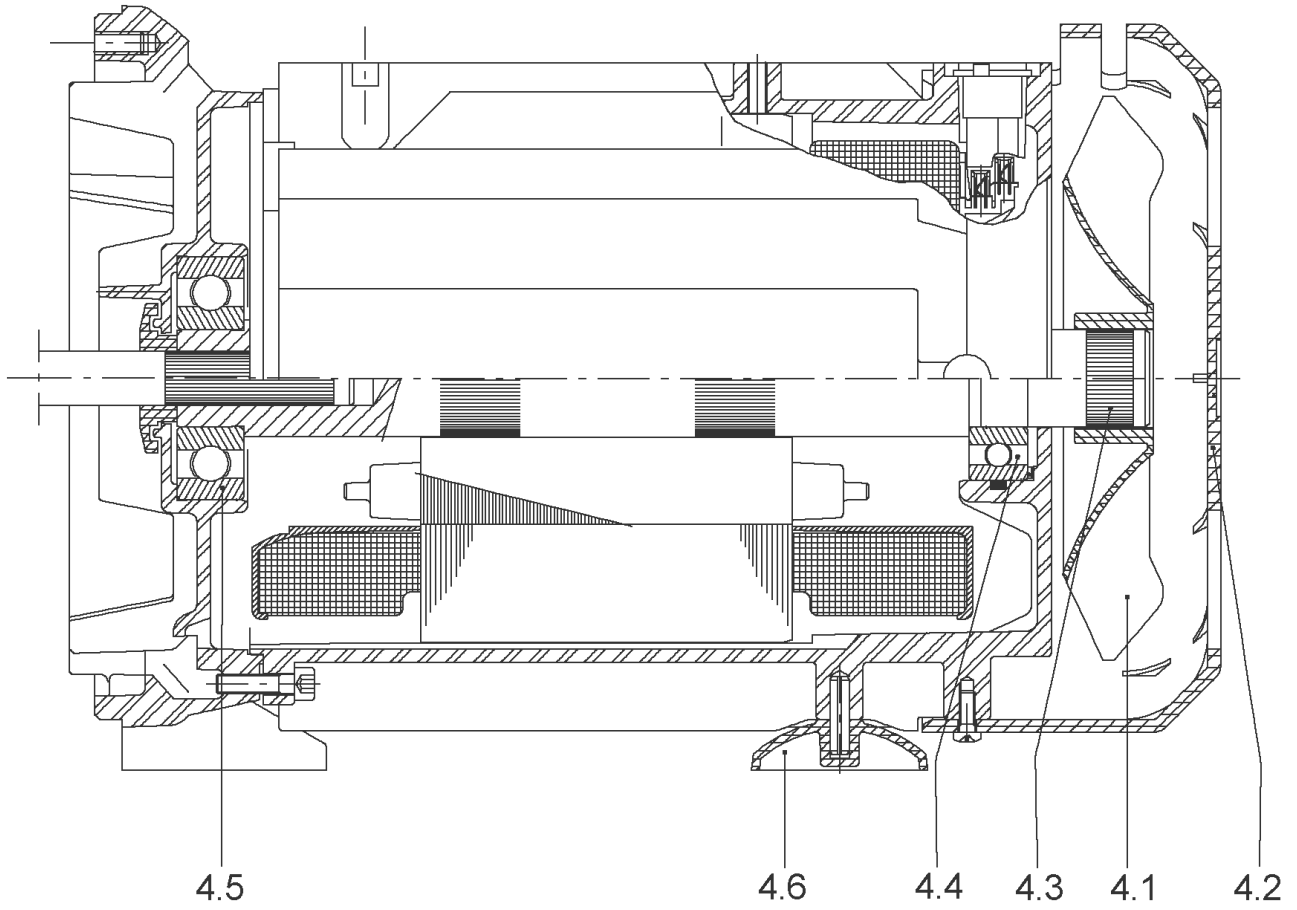
SPARE PARTS HYDRAULICS MHI/MHIE 1.4301

Item	Article no.	Description	Quantity
20.1	4015439	STAGE MHI202/5MVI204 KIT	1
		> IMPELLER MVI2 D.98x2 1.4301	1
		> STAGE HOUSING O.RFK MVI2/4 1.4301	1
		> SPACER IMPELLER MVI2/4 1.4435	1
20.2	4015441	STAGE MHI2,MVI205-14 1.4301 KIT	1
		> IMPELLER MVI2 D.98x2 1.4301	1
		> SPACER IMPELLER MVI2/4 1.4435	1
		> STAGE HOUSING RFK.MVI2/4 1.4301	1
20.3	4015460	CENTER.HOUSING/LR.MHI203/05/06 1.4301KIT	1
		> IMPELLER MVI2 D.98x2 1.4301	1
		> SPACER IMPELLER MVI2/4 1.4435	1
		> UPPER STAGE-AV-C/R-JR-2/4M3-304	1
		> WASHER D.24/14x1,5 1.4401	1



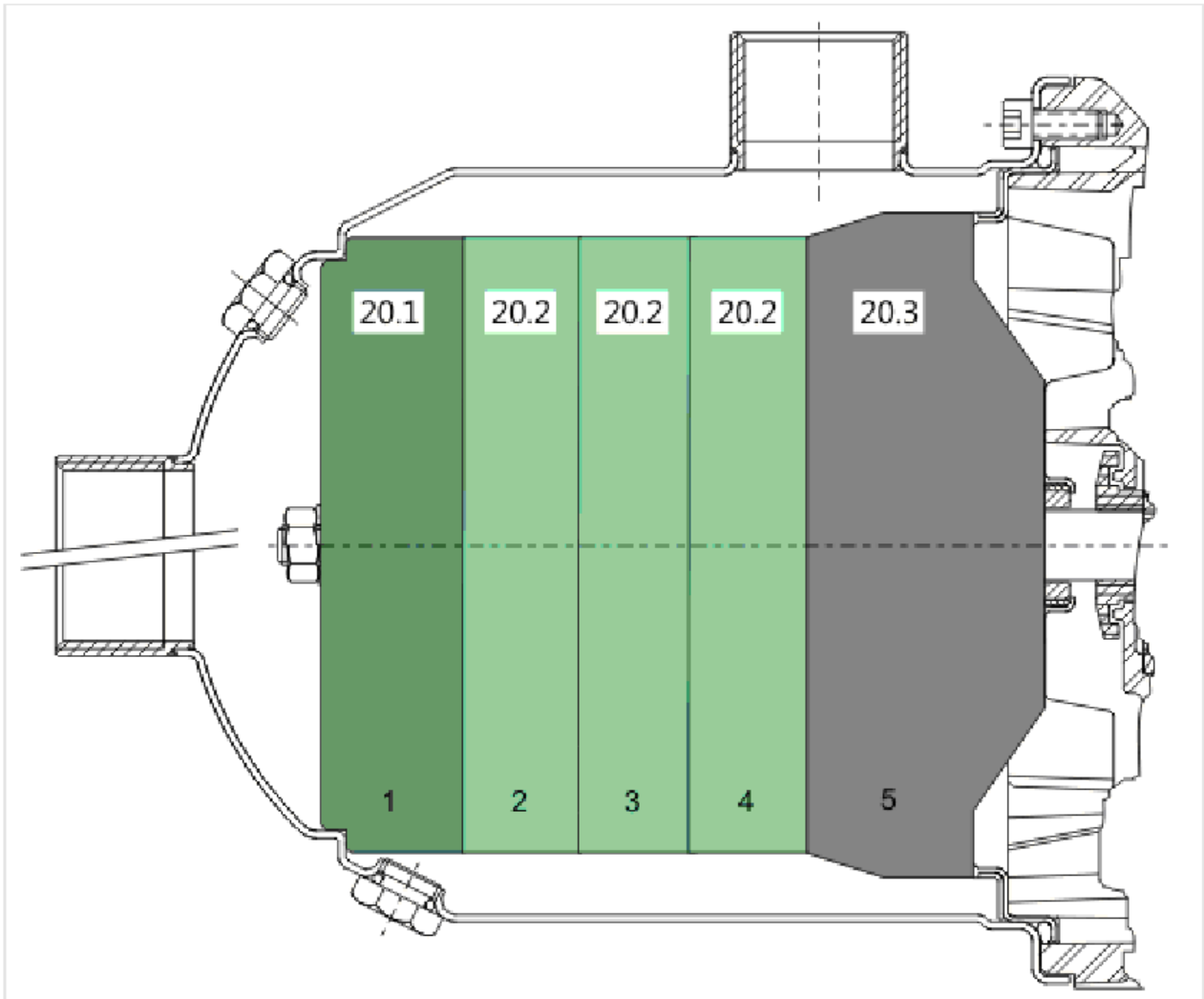
MHIE205-2/V/3-2-2G (4077402)

Item	Article no.	Description	Quantity
1	4202818	PUMP HOUSING MHI204/205 1.4404 VP.	1
2	2120001	STATIONARY RING HOLD.ANTI-VORTEX 1.4404	1
3	4202825	PRIMING/DRAIN PLUG G1/4"-MHI-1.4404 VP.	1
4		SPARE PARTS MOTOR MHIE205/403-2G	1
5		MODULE MVIE/MHIE-1,1KW TL1/2	1
Note: no longer available/nicht mehrlieferbar/n'est plus disponible			
6	4058527	SHAFT FIXING MHIE2 KIT	1
6.1		> STOP COLLAR OF IMPELLER L=8.7-Ø14-316L	1
6.2	2090148	> CIRCLIP D14 MVI/MHI 316L (2 PIECES) VP.	1
6.3		> WASHER D.16/13,8x3 1.4401	1
6.4		> NUT-H-M8-STAINLESS-STEEL A4-70	1
7	4027348	ASSEMBLY GRD.MHI2../4../8.. VITON VP.	1
6.2	2090148	> CIRCLIP D14 MVI/MHI 316L (2 PIECES) VP.	1
7.1	2127451	> MECH.SEAL MG12/14-G606-Q1BVGG-BU.VP.	1
7.4	4233953	> O-RING ID.145 VITON VP.	1
7.5	4234238	> O-RING 9X2 VITON VP.	1
7.6		> THROWER-RUBBER-SH65/70	1
20		SPARE PARTS HYDRAULICS MHI/MHIE 1.4404	1



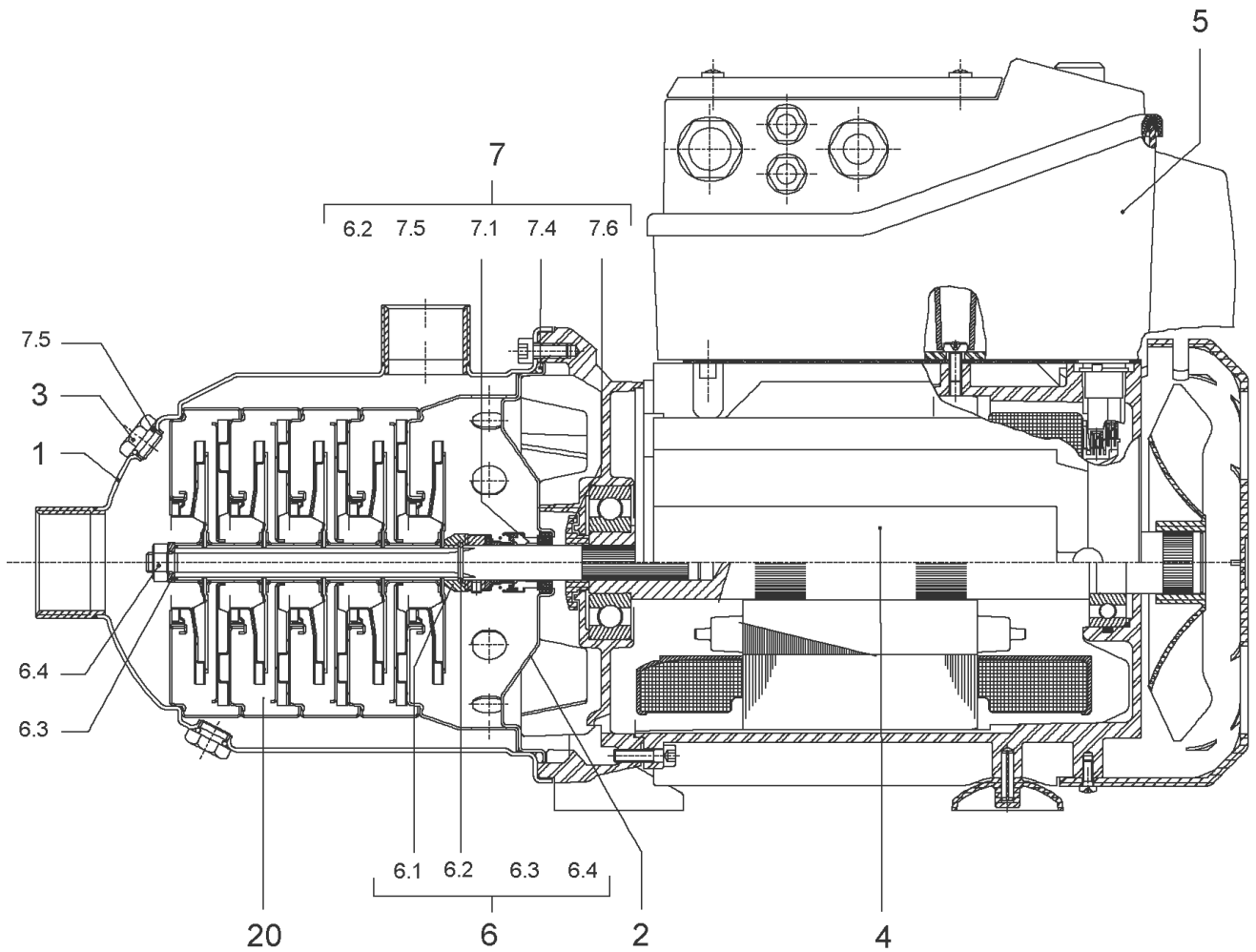
SPARE PARTS MOTOR MHIE205/403-2G

Item	Article no.	Description	Quantity
4.1	4007267	MOTOR-FAN-80-MHI Ø143	1
4.2	4038084	FAN-COVER-MOTOR80-D125-LOCKING	1
4.4	121084499	BALL BEARING 6204/2Z-C3 (HT) VP.	1
4.5	2021067	BALL BEARING 6304/2Z-C3 (HT) VP.	1



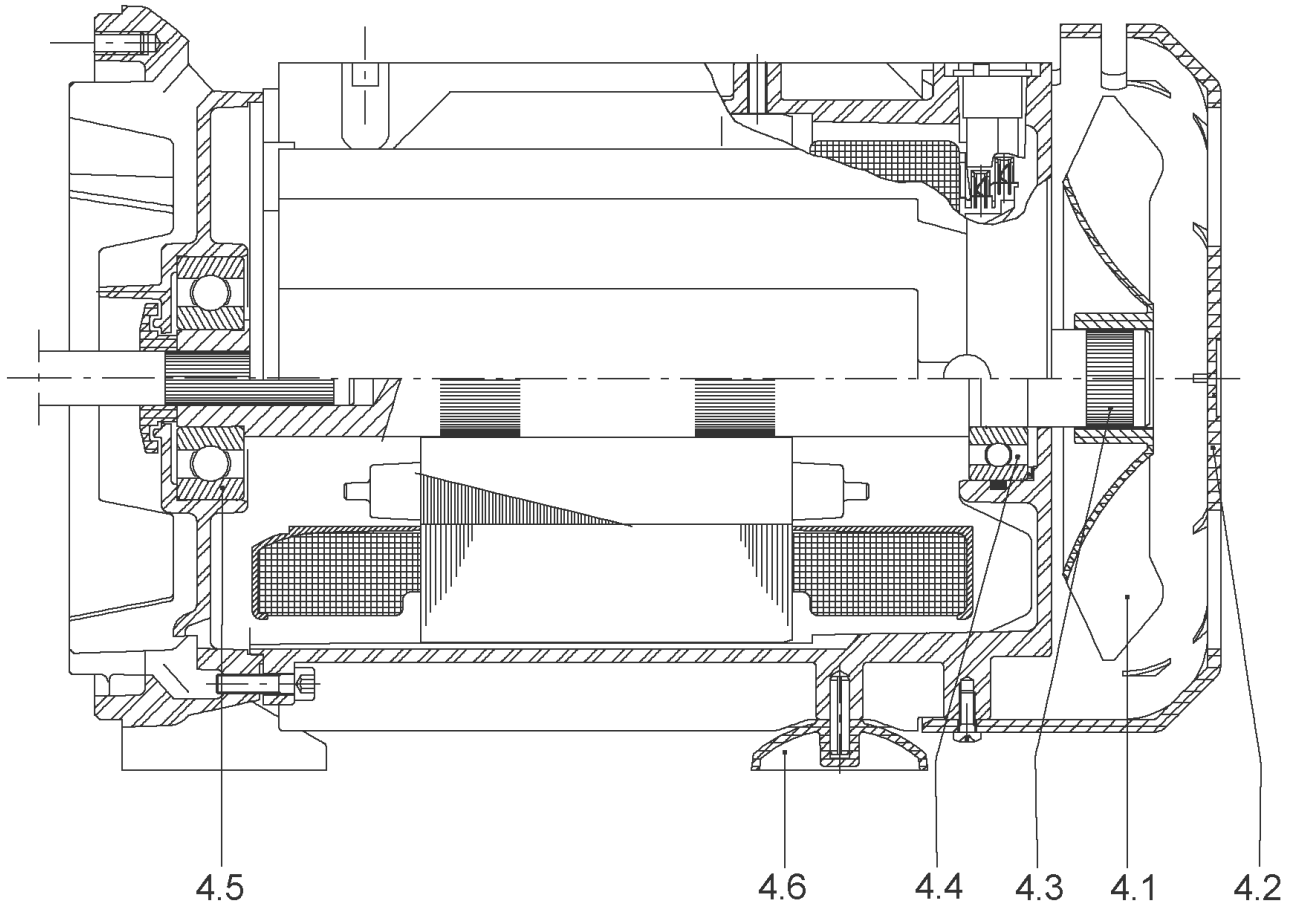
SPARE PARTS HYDRAULICS MHI/MHIE 1.4404

Item	Article no.	Description	Quantity
20.1	4026330	ASSEMBLY LR.STF.GH.MHI202-205MVI204-20 1	1
		> IMPELLER-VMI/HMI-SERIE.2-316L	1
		> STAGE CASING WITHOUT-R/G-2/4M3-316L	1
		> SPACER IMPELLER MVI2/4 1.4435	1
20.2	4026333	ASSEMBLY LR.STF.GH.RFK.MHI2,MVI205-220 1	1
		> IMPELLER-VMI/HMI-SERIE.2-316L	1
		> SPACER IMPELLER MVI2/4 1.4435	1
		> STAGE CASING-AV-C/R-2/4M3-316L	1
20.3	4026404	ASSEMBLY ZENTRIER-GH.+LR.MHI203/5/6 1.44	1
		> IMPELLER-VMI/HMI-SERIE.2-316L	1
		> SPACER IMPELLER MVI2/4 1.4435	1
		> UPPER STAGE-AV-C/R-JR-2/4M3-316L	1
		> WASHER D.24/14x1,5 1.4401	1



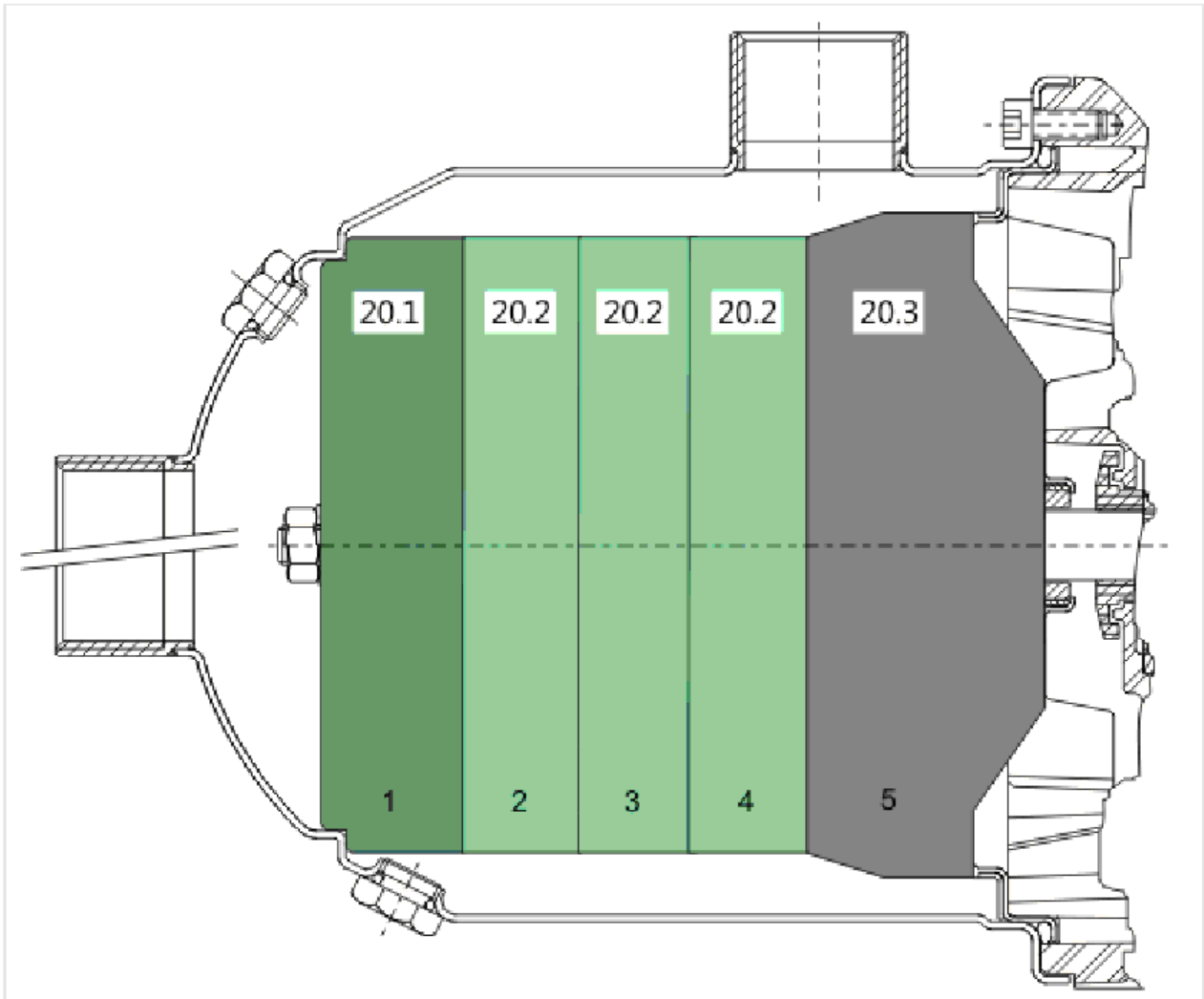
MHIE205-2/V/1-2/M13 (4073104)

Item	Article no.	Description	Quantity
1	4202818	PUMP HOUSING MHI204/205 1.4404 VP.	1
2	2120001	STATIONARY RING HOLD.ANTI-VORTEX 1.4404	1
3	4202825	PRIMING/DRAIN PLUG G1/4"-MHI-1.4404 VP.	1
4	4124087	COMPLETE-MOTOR-MHIE 205-2/V/1-2/M2	1
		SPARE PARTS MOTOR MHIE205/403 1~230V	1
5	4207596	Module MHIE-1,1KW-M13 KIT	1
6	4058527	SHAFT FIXING MHIE2 KIT	1
6.1		> STOP COLLAR OF IMPELLER L=8.7-Ø14-316L	1
6.2	2090148	> CIRCLIP D14 MVI/MHI 316L (2 PIECES) VP.	1
6.3		> WASHER D.16/13,8x3 1.4401	1
6.4		> NUT-H-M8-STAINLESS-STEEL A4-70	1
7	4027348	ASSEMBLY GRD.MHI2../4../8.. VITON VP.	1
6.2	2090148	> CIRCLIP D14 MVI/MHI 316L (2 PIECES) VP.	1
7.1	2127451	> MECH.SEAL MG12/14-G606-Q1BVGG-BU.VP.	1
7.4	4233953	> O-RING ID.145 VITON VP.	1
7.5	4234238	> O-RING 9X2 VITON VP.	1
7.6		> THROWER-RUBBER-SH65/70	1
20		SPARE PARTS HYDRAULICS MHI/MHIE 1.4404	1



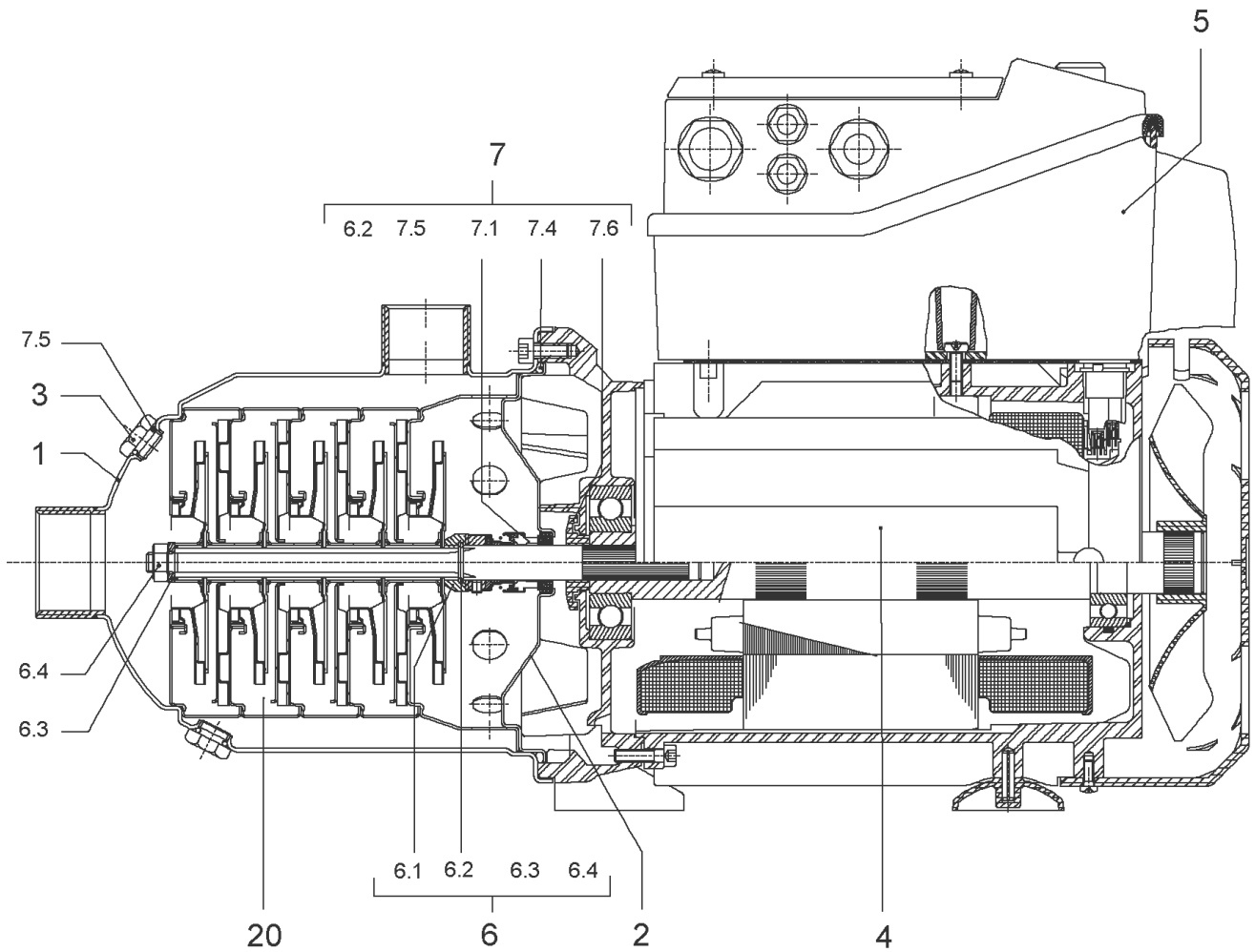
SPARE PARTS MOTOR MHIE205/403 1~230V

Item	Article no.	Description	Quantity
4.1	4210072	Motor-fan-71-MHI Ø128 VP.	1
4.2	4202863	FAN-COVER-MOTOR71-D110-LOCKING VP.	1
4.4	122097891	BALL BEARING 6202/2Z-C3 (HT) VP.	1
7.6	4185162	BALL-BEARING-6302-C3-DDU-E-EA6 VP.	1
4.6	4008242	MOTOR-SUPPORT-71	1



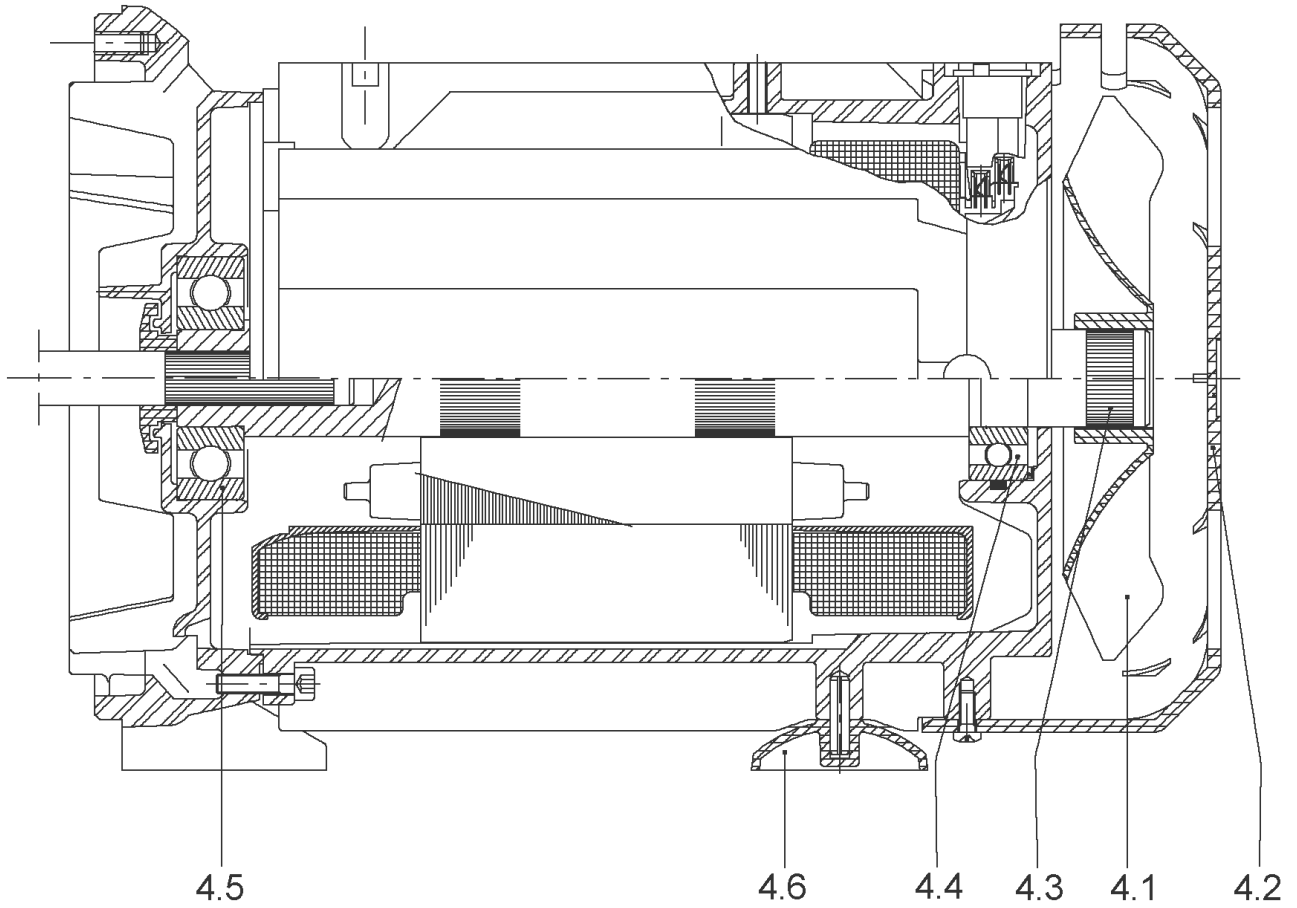
SPARE PARTS HYDRAULICS MHI/MHIE 1.4404

Item	Article no.	Description	Quantity
20.1	4026330	ASSEMBLY LR.STF.GH.MHI202-205MVI204-20 1	1
		> IMPELLER-VMI/HMI-SERIE.2-316L	1
		> STAGE CASING WITHOUT-R/G-2/4M3-316L	1
		> SPACER IMPELLER MVI2/4 1.4435	1
20.2	4026333	ASSEMBLY LR.STF.GH.RFK.MHI2,MVI205-220 1	1
		> IMPELLER-VMI/HMI-SERIE.2-316L	1
		> SPACER IMPELLER MVI2/4 1.4435	1
		> STAGE CASING-AV-C/R-2/4M3-316L	1
20.3	4026404	ASSEMBLY ZENTRIER-GH.+LR.MHI203/5/6 1.44	1
		> IMPELLER-VMI/HMI-SERIE.2-316L	1
		> SPACER IMPELLER MVI2/4 1.4435	1
		> UPPER STAGE-AV-C/R-JR-2/4M3-316L	1
		> WASHER D.24/14x1,5 1.4401	1



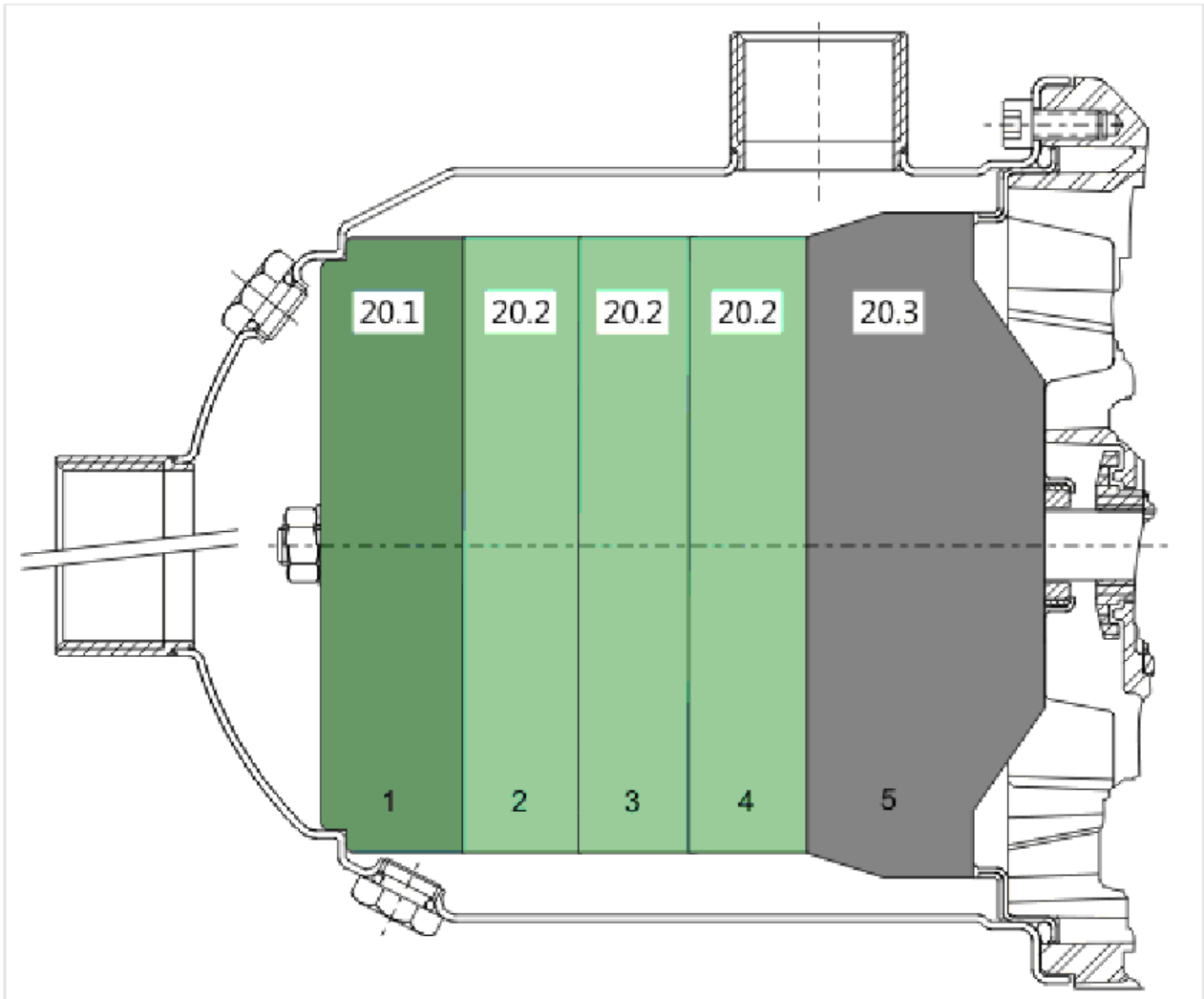
MHIE205-2/V/1-2/M2 (4073105)

Item	Article no.	Description	Quantity
1	4202818	PUMP HOUSING MHI204/205 1.4404 VP.	1
2	2120001	STATIONARY RING HOLD.ANTI-VORTEX 1.4404	1
3	4202825	PRIMING/DRAIN PLUG G1/4"-MHI-1.4404 VP.	1
4	4124087	COMPLETE-MOTOR-MHIE 205-2/V/1-2/M2	1
		SPARE PARTS MOTOR MHIE205/403 1~230V	1
5	4178796	Module MHIE-1,1KW-M2 KIT	1
6	4058527	SHAFT FIXING MHIE2 KIT	1
6.1		> STOP COLLAR OF IMPELLER L=8.7-Ø14-316L	1
6.2	2090148	> CIRCLIP D14 MVI/MHI 316L (2 PIECES) VP.	1
6.3		> WASHER D.16/13,8x3 1.4401	1
6.4		> NUT-H-M8-STAINLESS-STEEL A4-70	1
7	4027348	ASSEMBLY GRD.MHI2../4../8.. VITON VP.	1
6.2	2090148	> CIRCLIP D14 MVI/MHI 316L (2 PIECES) VP.	1
7.1	2127451	> MECH.SEAL MG12/14-G606-Q1BVGG-BU.VP.	1
7.4	4233953	> O-RING ID.145 VITON VP.	1
7.5	4234238	> O-RING 9X2 VITON VP.	1
7.6		> THROWER-RUBBER-SH65/70	1
20		SPARE PARTS HYDRAULICS MHI/MHIE 1.4404	1



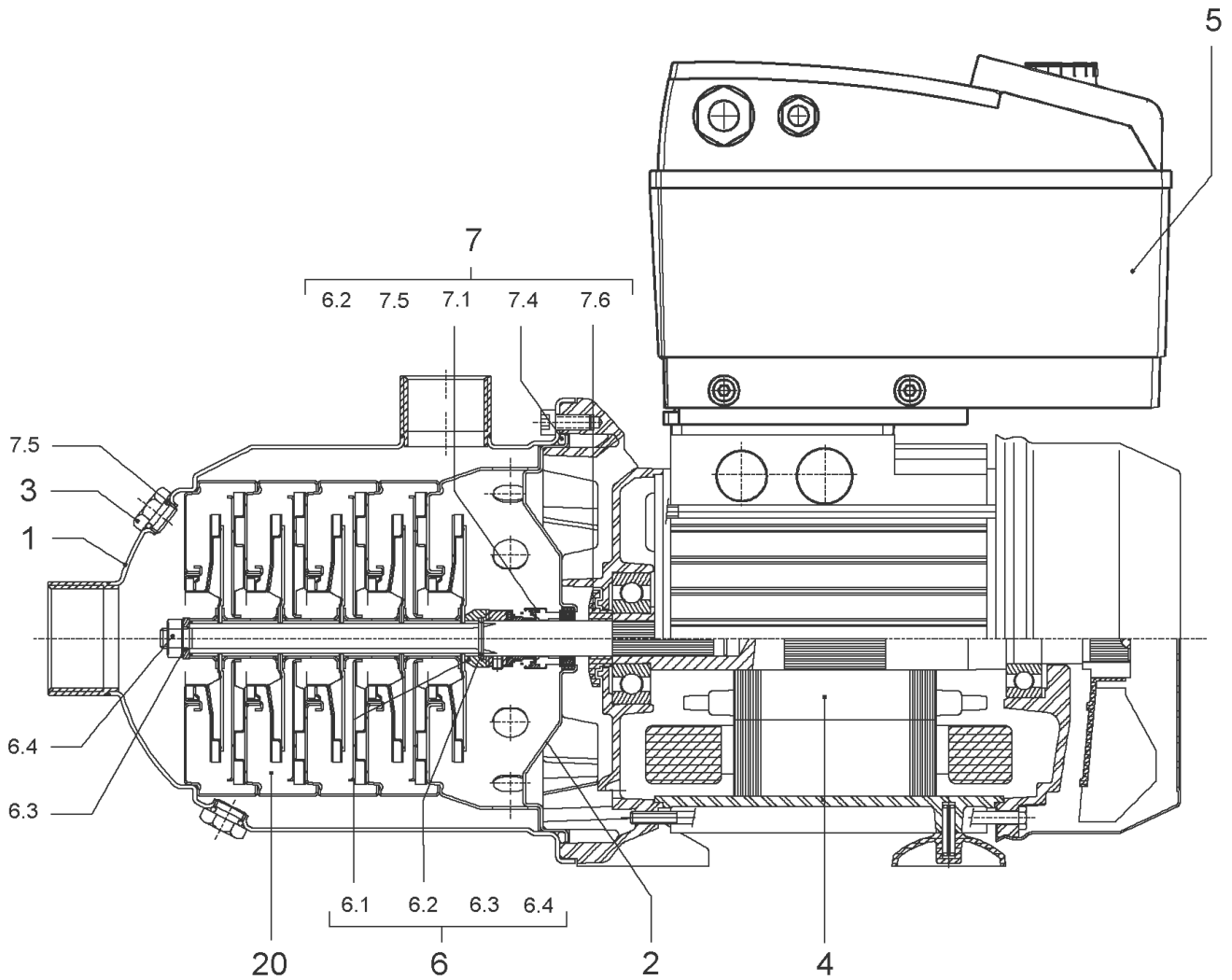
SPARE PARTS MOTOR MHIE205/403 1~230V

Item	Article no.	Description	Quantity
4.1	4210072	Motor-fan-71-MHI Ø128 VP.	1
4.2	4202863	FAN-COVER-MOTOR71-D110-LOCKING VP.	1
4.4	122097891	BALL BEARING 6202/2Z-C3 (HT) VP.	1
7.6	4185162	BALL-BEARING-6302-C3-DDU-E-EA6 VP.	1
4.6	4008242	MOTOR-SUPPORT-71	1



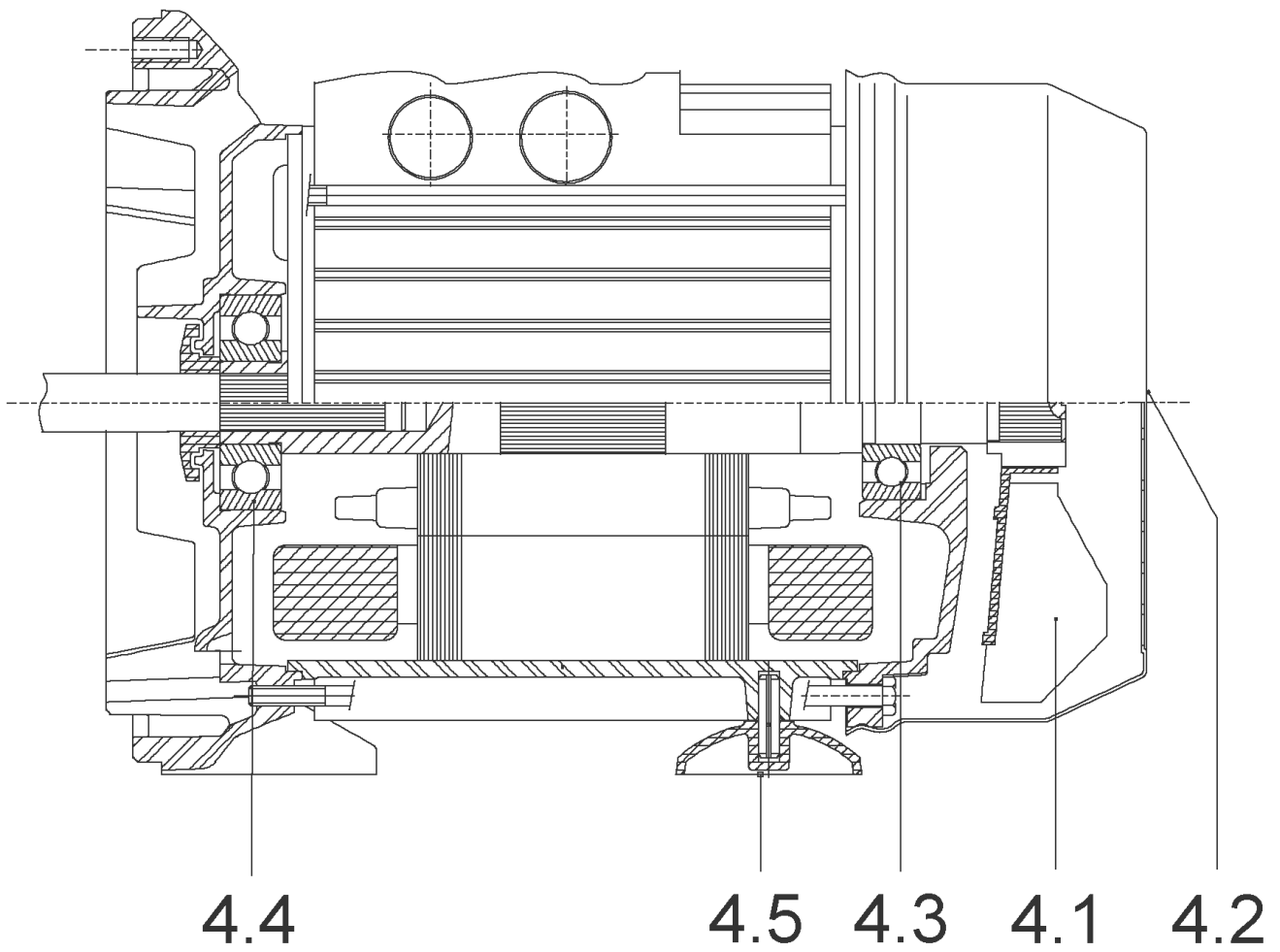
SPARE PARTS HYDRAULICS MHI/MHIE 1.4404

Item	Article no.	Description	Quantity
20.1	4026330	ASSEMBLY LR.STF.GH.MHI202-205MVI204-20 1	1
		> IMPELLER-VMI/HMI-SERIE.2-316L	1
		> STAGE CASING WITHOUT-R/G-2/4M3-316L	1
		> SPACER IMPELLER MVI2/4 1.4435	1
20.2	4026333	ASSEMBLY LR.STF.GH.RFK.MHI2,MVI205-220 1	1
		> IMPELLER-VMI/HMI-SERIE.2-316L	1
		> SPACER IMPELLER MVI2/4 1.4435	1
		> STAGE CASING-AV-C/R-2/4M3-316L	1
20.3	4026404	ASSEMBLY ZENTRIER-GH.+LR.MHI203/5/6 1.44	1
		> IMPELLER-VMI/HMI-SERIE.2-316L	1
		> SPACER IMPELLER MVI2/4 1.4435	1
		> UPPER STAGE-AV-C/R-JR-2/4M3-316L	1
		> WASHER D.24/14x1,5 1.4401	1



MHIE205N-1/E/3-2-2G (4148406)

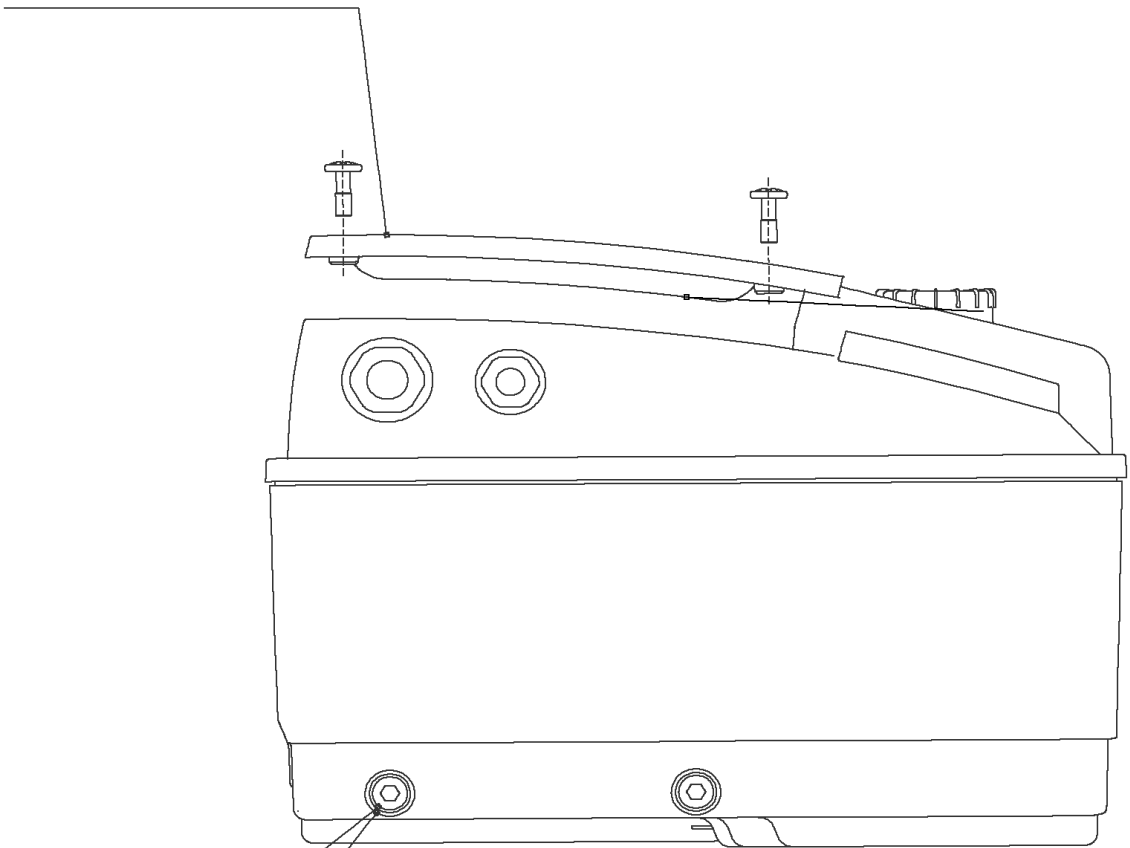
Item	Article no.	Description	Quantity
1	4202809	PUMP HOUSING MHI204/205 1.4301 VP.	1
2	2120000	STATIONARY RING HOLD.ANTI-VORTEX 1.4307	1
3	4191450	PRIMING/DRAIN PLUG G1/4"-MHI-1.4301 VP.	1
4	4175245	COMPLETE MOTOR MHIE205N-1/E/3-2-2G VP.	1
		SPARE PARTS MOTOR MHIE 2/4/8	1
5	4167744	MODULE MHIE205N-IE2-WE-KIT	1
6	4058529	SHAFT FIXING MHIE4 KIT	1
6.1		> STOP COLLAR OF IMPELLER L=8.7-Ø14-316L	1
6.2	2090148	> CIRCLIP D14 MVI/MHI 316L (2 PIECES) VP.	1
6.3		> FLAT WASHER-D8xD16x2.5-316L	1
6.4		> NUT-H-M8-STAINLESS-STEEL A4-70	1
7	4027347	MECHANICAL SEAL MHI KIT	1
6.2	2090148	> CIRCLIP D14 MVI/MHI 316L (2 PIECES) VP.	1
7.1	2127448	> MECH.SEAL MHI-MHIL-MVIL VP.	1
7.4	4235548	> O-RING ID.145 EPDM VP.	1
7.5	4235549	> O-RING I9X2 EPDM VP.	2
7.6		> THROWER-RUBBER-SH65/70	1
20		SPARE PARTS HYDRAULICS MHI/MHIE 1.4301	1



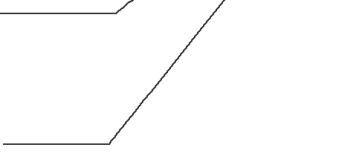
SPARE PARTS MOTOR MHIE 2/4/8

Item	Article no.	Description	Quantity
4.1	4230651	FAN MOTOR WE 0,75 KW VP.	1
4.2	2107779	FAN HOOD BG80 ELEC KIT	1
2.13A		> FAN COVER IEC80 KTL ST14 T0.8 H60	1
2.13B	2111323	> SCREW M4X6 (4 PIECES)	1
Note: Please give the data from type plate of the motor			
4.3	4179326	BALL-BEARING-6204-C3-DDU-E-EA6 VP.	1
4.4	4185236	BALL-BEARING-6304-C3-DDU-E-EA6 VP.	1
4.5	4234216	MOTOR FOOT WILO ELEC IEC80 KIT	1

5.1



5.2

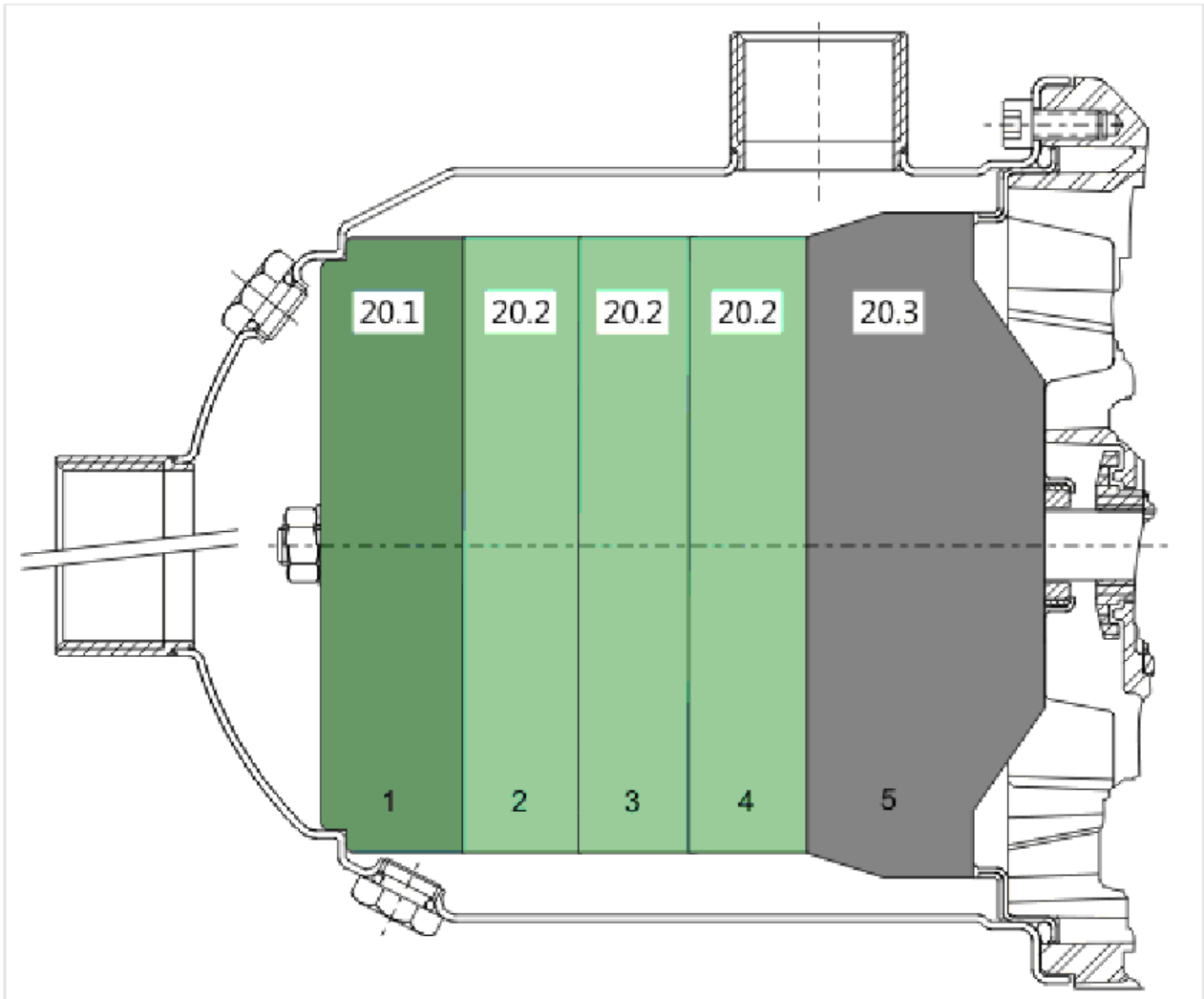


5.3



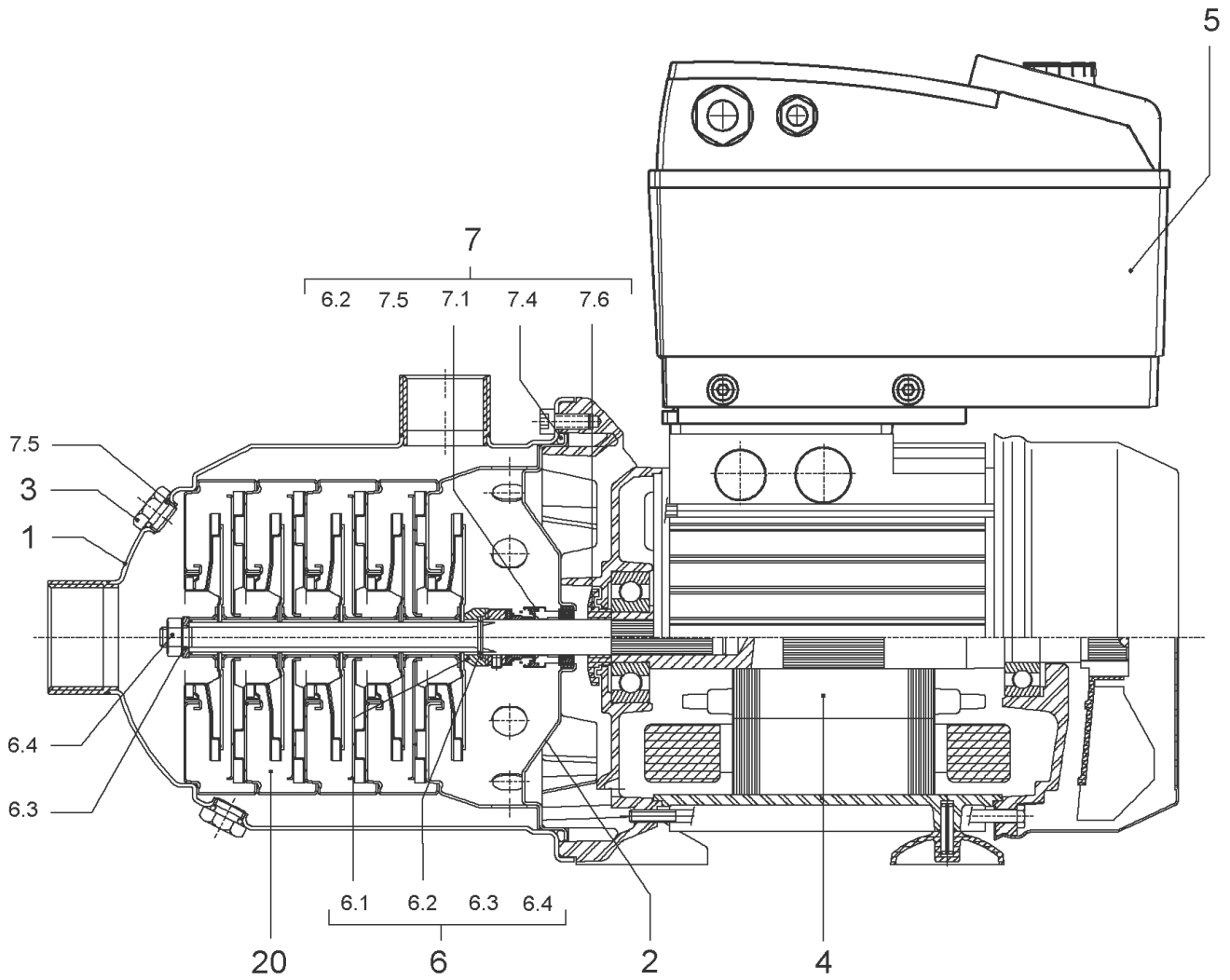
MODULE MHIE205N-IE2-WE-KIT (4167744)

Item	Article no.	Description	Quantity
5.1	2054372	MODULE COVER TL1,TL2+GASKET KIT	1
5.2	4215716	SCREW M5X16 DIN912 8.8 A2A (4pieces) VP.	1
5.3	2057978	RONDELLE A5,3 DIN6797 FST ZN (4 PIECES)	1



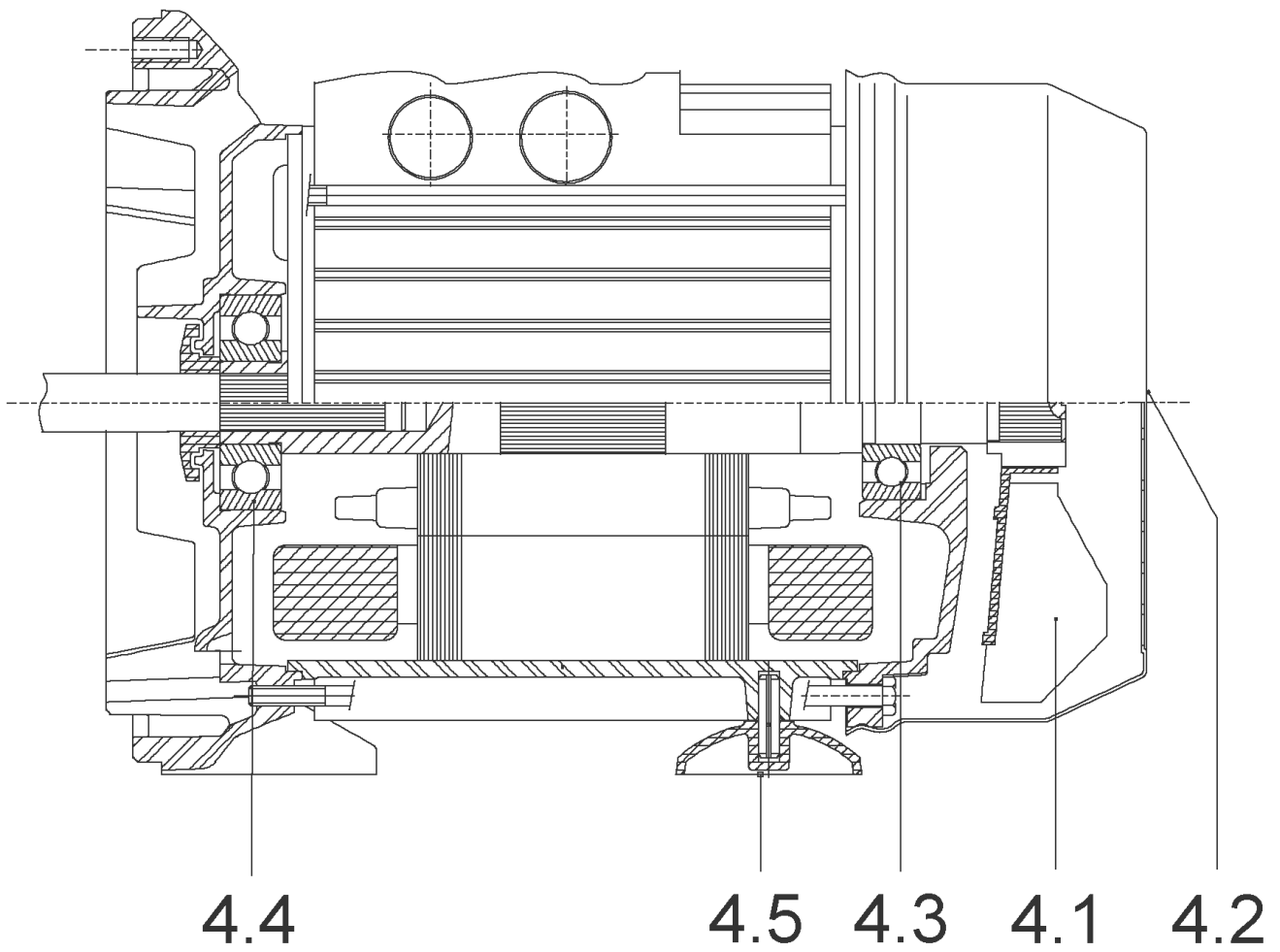
SPARE PARTS HYDRAULICS MHI/MHIE 1.4301

Item	Article no.	Description	Quantity
20.1	4015439	STAGE MHI202/5MVI204 KIT	1
		> IMPELLER MVI2 D.98x2 1.4301	1
		> STAGE HOUSING O.RFK MVI2/4 1.4301	1
		> SPACER IMPELLER MVI2/4 1.4301	1
20.2	4015441	STAGE MHI2,MVI205-14 1.4301 KIT	1
		> IMPELLER MVI2 D.98x2 1.4301	1
		> STAGE HOUSING RFK.MVI2/4 1.4301	1
		> SPACER IMPELLER MVI2/4 1.4301	1
20.3	4015460	CENTER.HOUSING/LR.MHI203/05/06 1.4301KIT	1
		> IMPELLER MVI2 D.98x2 1.4301	1
		> SPACER IMPELLER MVI2/4 1.4301	1
		> UPPER STAGE-AV-C/R-JR-2/4M3-304	1
		> WASHER D.24/14x1,5 1.4401	1



MHIE205N-2/V/3-2-2G (4148407)

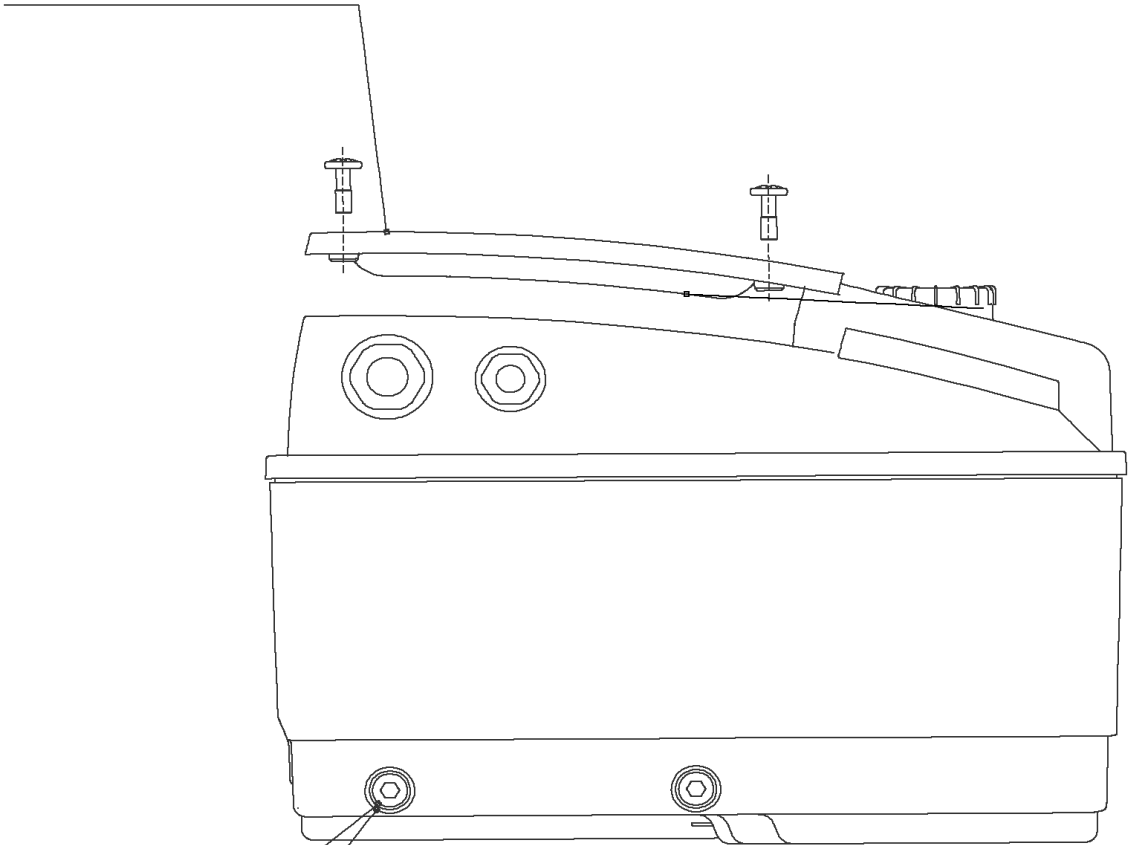
Item	Article no.	Description	Quantity
1	4202818	PUMP HOUSING MHI204/205 1.4404 VP.	1
2	2120001	STATIONARY RING HOLD.ANTI-VORTEX 1.4404	1
3	4202825	PRIMING/DRAIN PLUG G1/4"-MHI-1.4404 VP.	1
4	4234199	COMPL MOTOR MHIE205N-2/V/3-2-2G WE VP.	1
		SPARE PARTS MOTOR MHIE 2/4/8	1
5	4167744	MODULE MHIE205N-IE2-WE-KIT	1
6	4058529	SHAFT FIXING MHIE4 KIT	1
6.1		> STOP COLLAR OF IMPELLER L=8.7-Ø14-316L	1
6.2	2090148	> CIRCLIP D14 MVI/MHI 316L (2 PIECES) VP.	1
6.3		> FLAT WASHER-D8xD16x2.5-316L	1
6.4		> NUT-H-M8-STAINLESS-STEEL A4-70	1
7	4027348	ASSEMBLY GRD.MHI2../4../8.. VITON VP.	1
6.2	2090148	> CIRCLIP D14 MVI/MHI 316L (2 PIECES) VP.	1
7.1	2127451	> MECH.SEAL MG12/14-G606-Q1BVGG-BU.VP.	1
7.4	4233953	> O-RING ID.145 VITON VP.	1
7.5	4234238	> O-RING 9X2 VITON VP.	1
7.6		> THROWER-RUBBER-SH65/70	1
20		SPARE PARTS HYDRAULICS MHI/MHIE 1.4404	1



SPARE PARTS MOTOR MHIE 2/4/8

Item	Article no.	Description	Quantity
4.1	4230651	FAN MOTOR WE 0,75 KW VP.	1
4.2	2107779	FAN HOOD BG80 ELEC KIT	1
2.13A		> FAN COVER IEC80 KTL ST14 T0.8 H60	1
2.13B	2111323	> SCREW M4X6 (4 PIECES)	1
Note: Please give the data from type plate of the motor			
4.3	4179326	BALL-BEARING-6204-C3-DDU-E-EA6 VP.	1
4.4	4185236	BALL-BEARING-6304-C3-DDU-E-EA6 VP.	1
4.5	4234216	MOTOR FOOT WILO ELEC IEC80 KIT	1

5.1

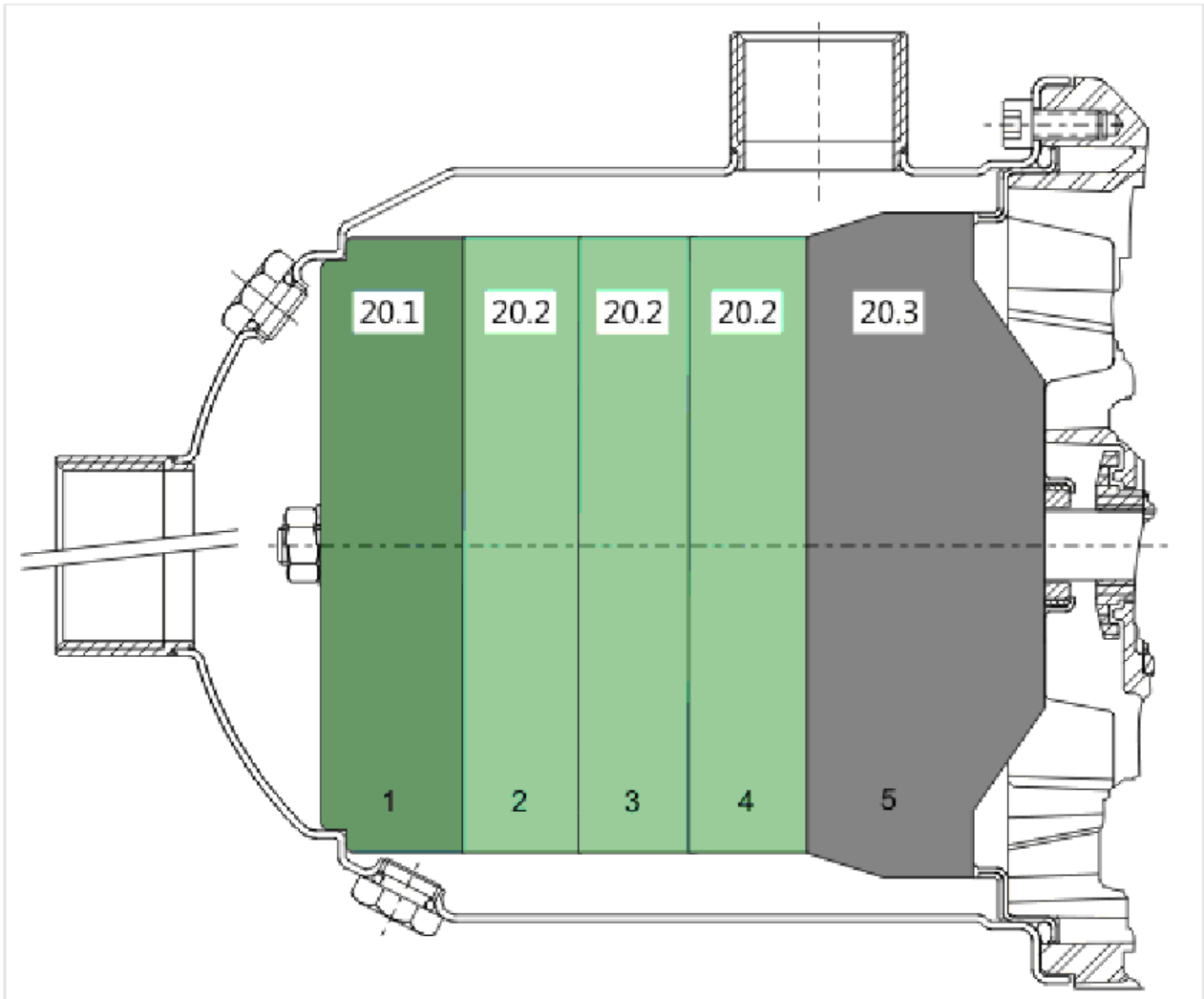


5.2

5.3

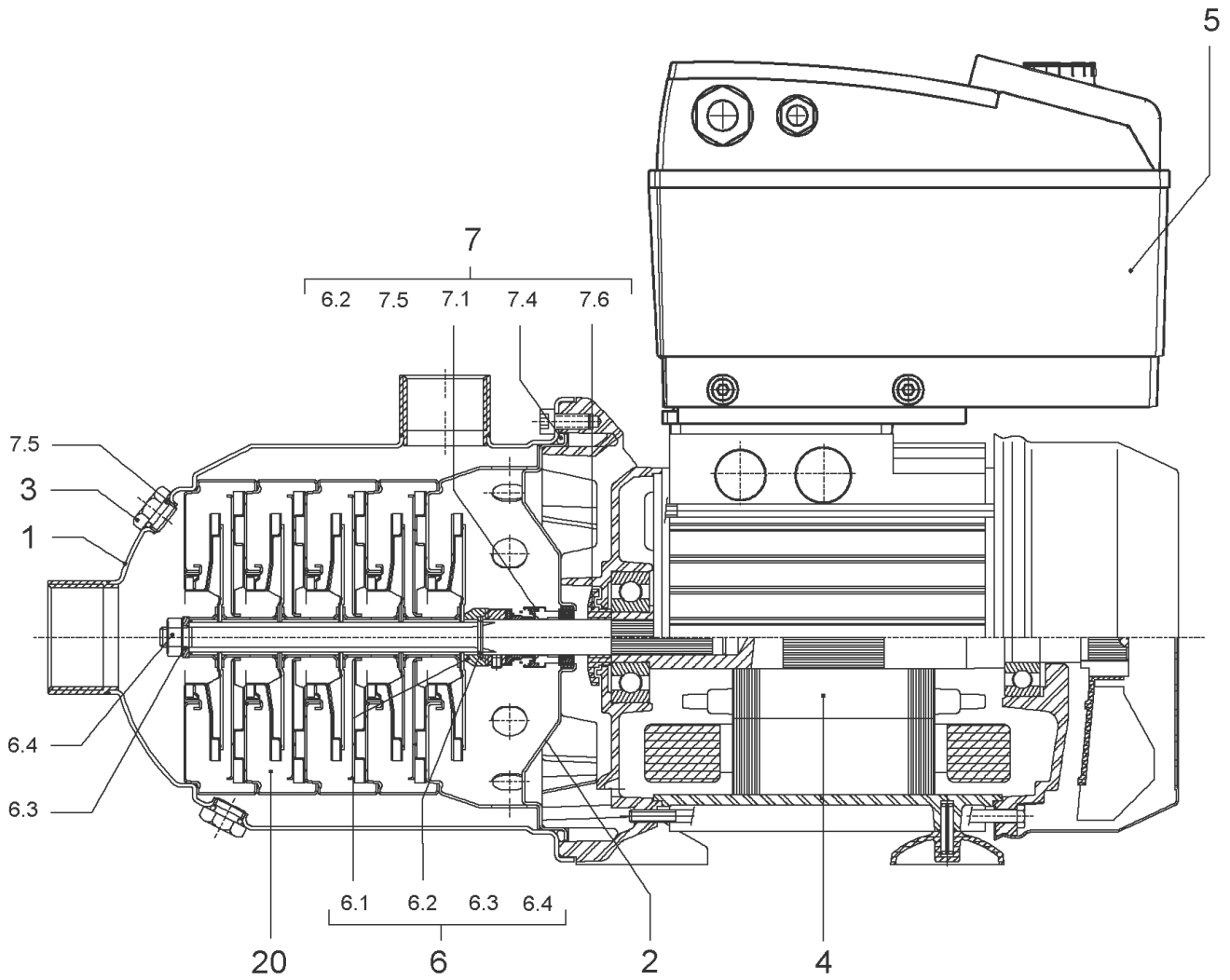
MODULE MHIE205N-IE2-WE-KIT (4167744)

Item	Article no.	Description	Quantity
5.1	2054372	MODULE COVER TL1,TL2+GASKET KIT	1
5.2	4215716	SCREW M5X16 DIN912 8.8 A2A (4pieces) VP.	1
5.3	2057978	RONDELLE A5,3 DIN6797 FST ZN (4 PIECES)	1



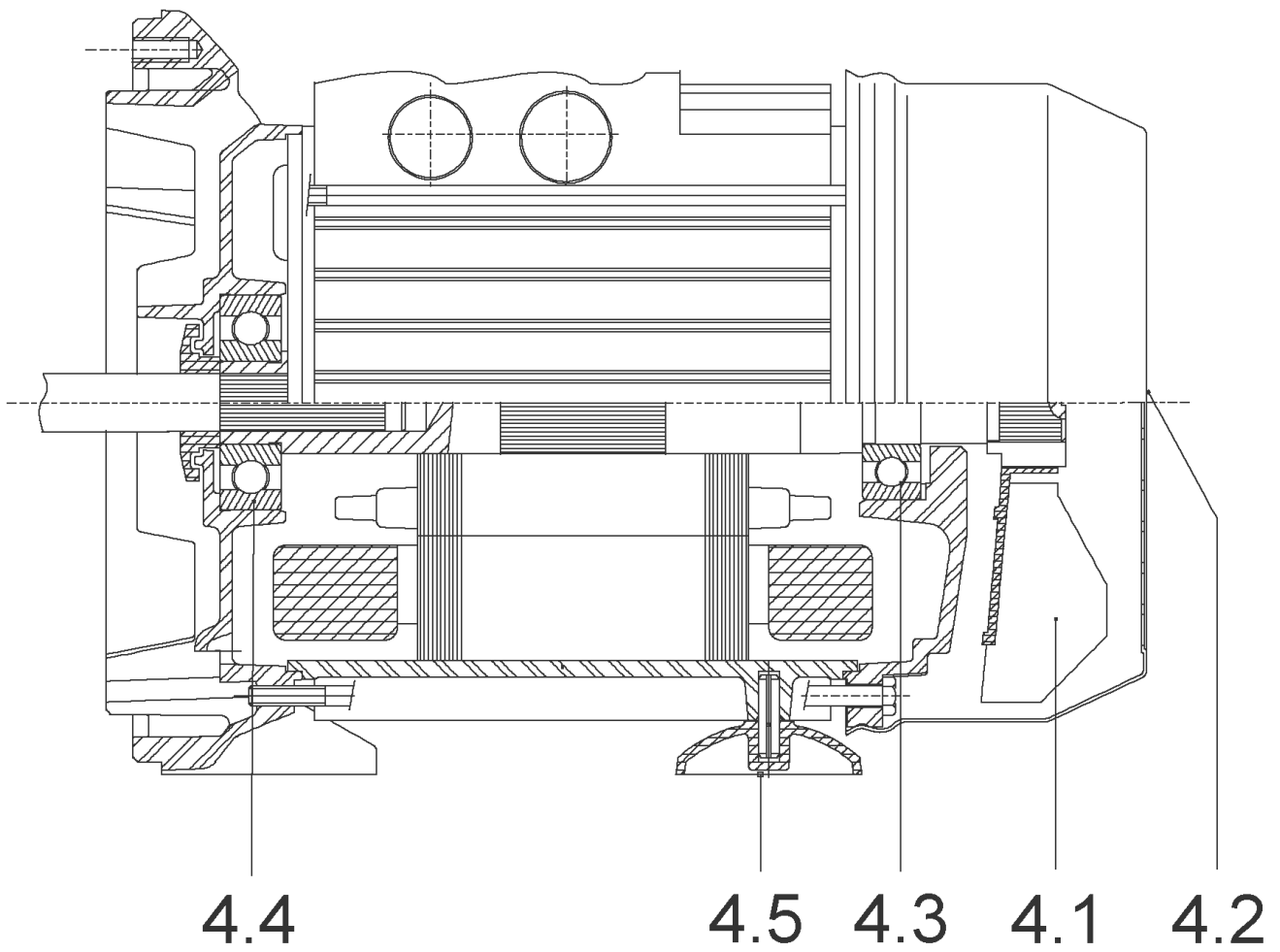
SPARE PARTS HYDRAULICS MHI/MHIE 1.4404

Item	Article no.	Description	Quantity
20.1	4026330	ASSEMBLY LR.STF.GH.MHI202-205MVI204-20 1	1
		> IMPELLER-VMI/HMI-SERIE.2-316L	1
		> STAGE CASING WITHOUT-R/G-2/4M3-316L	1
		> SPACER IMPELLER MVI2/4 1.4435	1
20.2	4026333	ASSEMBLY LR.STF.GH.RFK.MHI2,MVI205-220 1	1
		> IMPELLER-VMI/HMI-SERIE.2-316L	1
		> SPACER IMPELLER MVI2/4 1.4435	1
		> STAGE CASING-AV-C/R-2/4M3-316L	1
20.3	4026404	ASSEMBLY ZENTRIER-GH.+LR.MHI203/5/6 1.44	1
		> IMPELLER-VMI/HMI-SERIE.2-316L	1
		> SPACER IMPELLER MVI2/4 1.4435	1
		> UPPER STAGE-AV-C/R-JR-2/4M3-316L	1
		> WASHER D.24/14x1,5 1.4401	1



MHIE206N-1/E/3-2-2G (4171770)

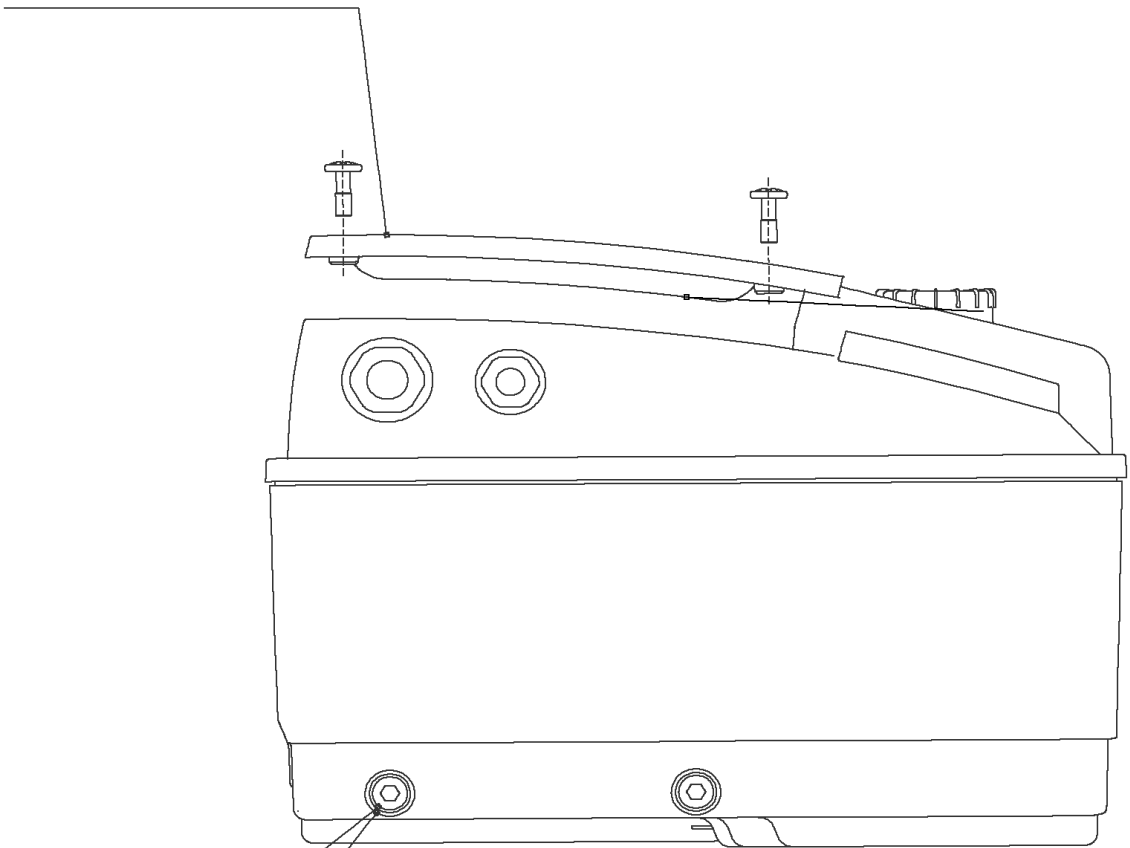
Item	Article no.	Description	Quantity
1	4202810	PUMP HOUSING MHI206 1.4301	1
2	2120000	STATIONARY RING HOLD.ANTI-VORTEX 1.4307	1
3	4191450	PRIMING/DRAIN PLUG G1/4"-MHI-1.4301 VP.	1
4	4217865	COMPL MOTOR MHIE206N-1/E/3-2-2G WE VP.	1
		SPARE PARTS MOTOR MHIE 2/4/8/16	1
5	4234209	MODULE MHIE 206N-IE2-WE KIT	1
6	4058529	SHAFT FIXING MHIE4 KIT	1
6.1		> STOP COLLAR OF IMPELLER L=8.7-Ø14-316L	1
6.2	2090148	> CIRCLIP D14 MVI/MHI 316L (2 PIECES) VP.	1
6.3		> FLAT WASHER-D8xD16x2.5-316L	1
6.4		> NUT-H-M8-STAINLESS-STEEL A4-70	1
7	4027347	MECHANICAL SEAL MHI KIT	1
6.2	2090148	> CIRCLIP D14 MVI/MHI 316L (2 PIECES) VP.	1
7.1	2127448	> MECH.SEAL MHI-MHIL-MVIL VP.	1
7.4	4235548	> O-RING ID.145 EPDM VP.	1
7.5	4235549	> O-RING I9X2 EPDM VP.	2
7.6		> THROWER-RUBBER-SH65/70	1
20		SPARE PARTS HYDRAULICS MHI 1.4301	1



SPARE PARTS MOTOR MHIE 2/4/8/16

Item	Article no.	Description	Quantity
4.1	4230667	Fan for motor T90 MHIE Ø122 VP.	1
4.2	2111322	FAN HOOD BG90 ELEC KIT	1
2.13A		> FAN COVER IEC90 KTL ST14 T0.8 H70	1
2.13B	2111323	> SCREW M4X6 (4 PIECES)	1
Note: Please give the data from type plate of the motor			
4.3	4221774	Ball bearing 6204VV-C3(Ø20xØ47x14)EA6 VP	1
4.4	4180822	BALL BEARING 6305-C3-DDU-E-EA6 VP.	1
4.5	4234217	MOTOR FOOT WILO ELEC IE90 KIT	1

5.1

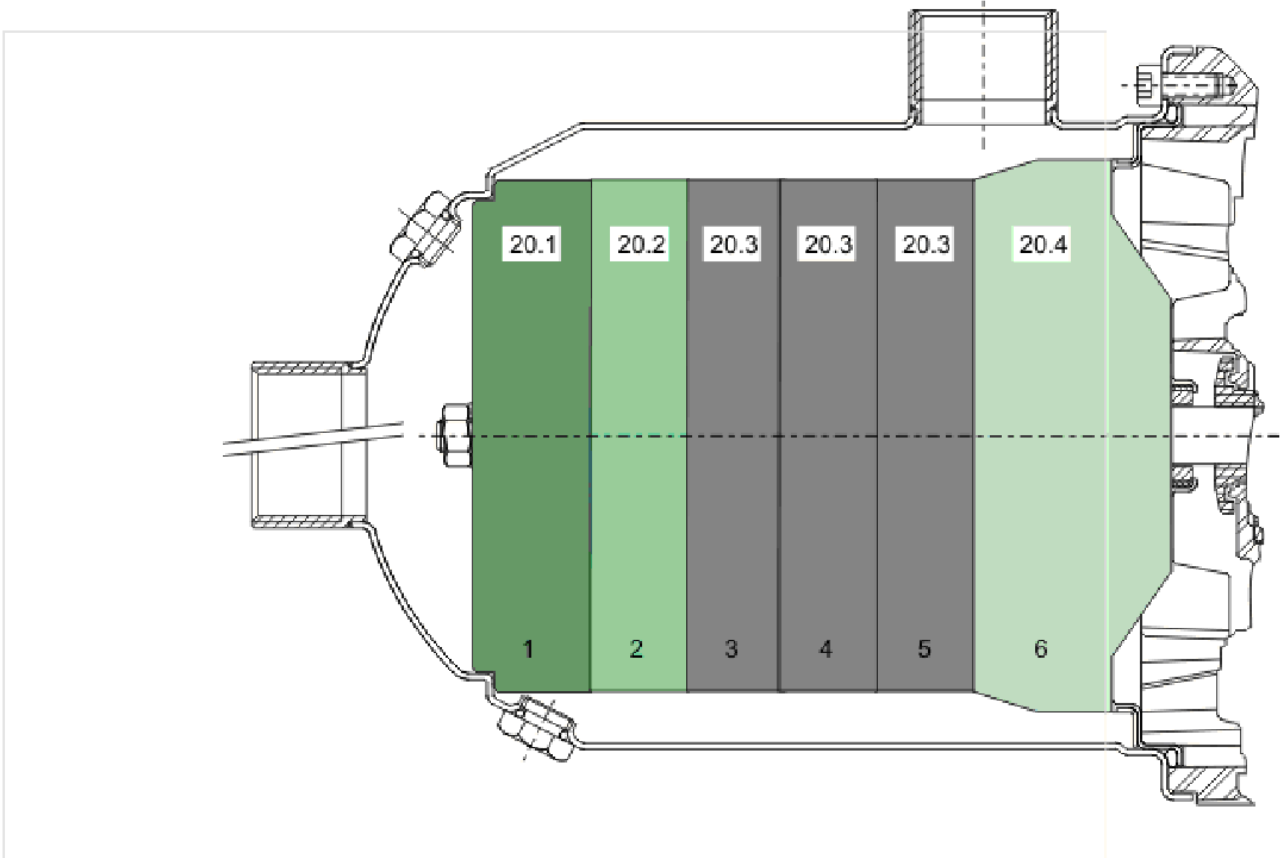


5.2

5.3

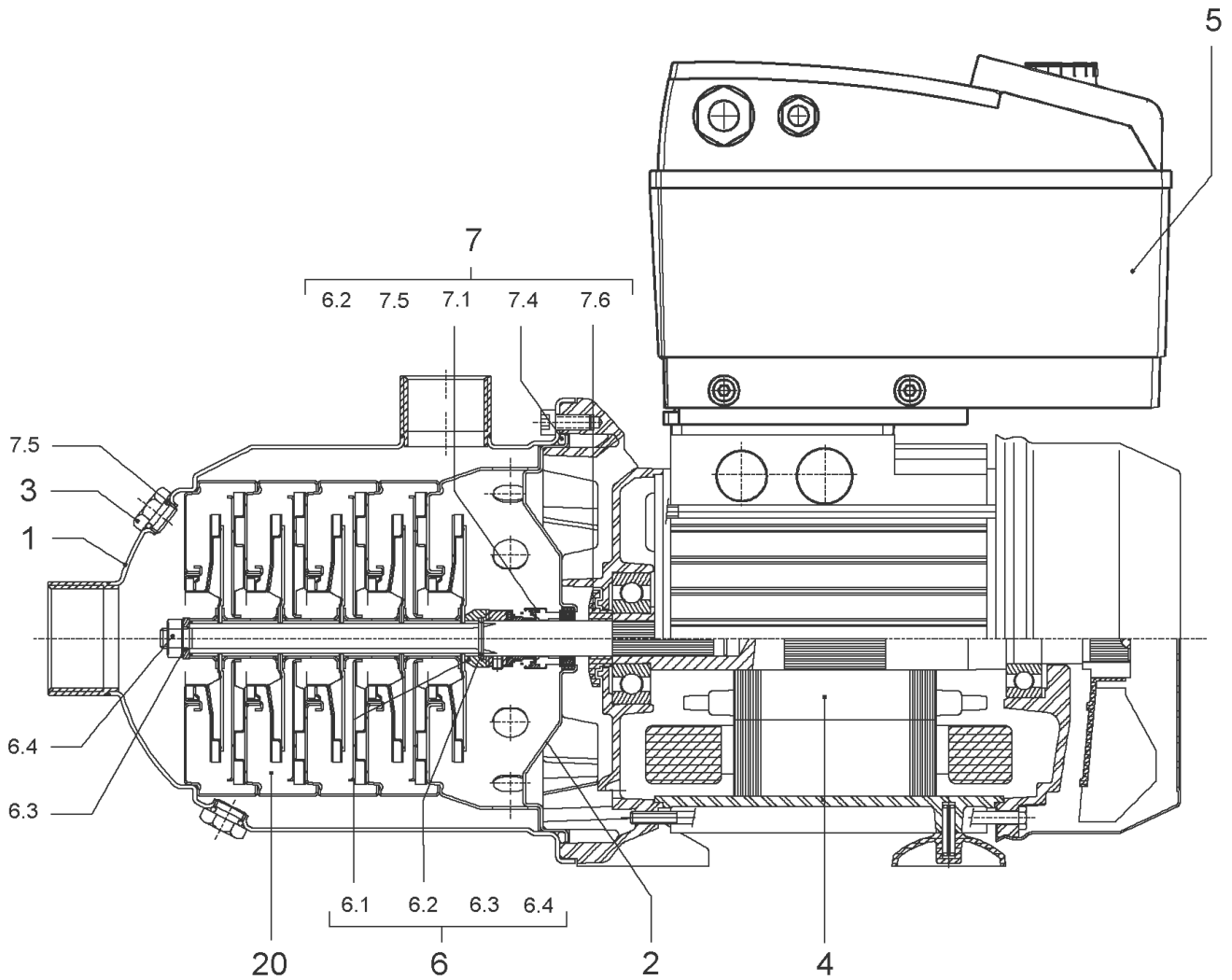
MODULE MHIE 206N-IE2-WE KIT (4234209)

Item	Article no.	Description	Quantity
5.1	2054227	MODULE COVER/GASKET TL3/4 KIT	1
5.2	4215716	SCREW M5X16 DIN912 8.8 A2A (4pieces) VP.	1
5.3	2057978	RONDELLE A5,3 DIN6797 FST ZN (4 PIECES)	1



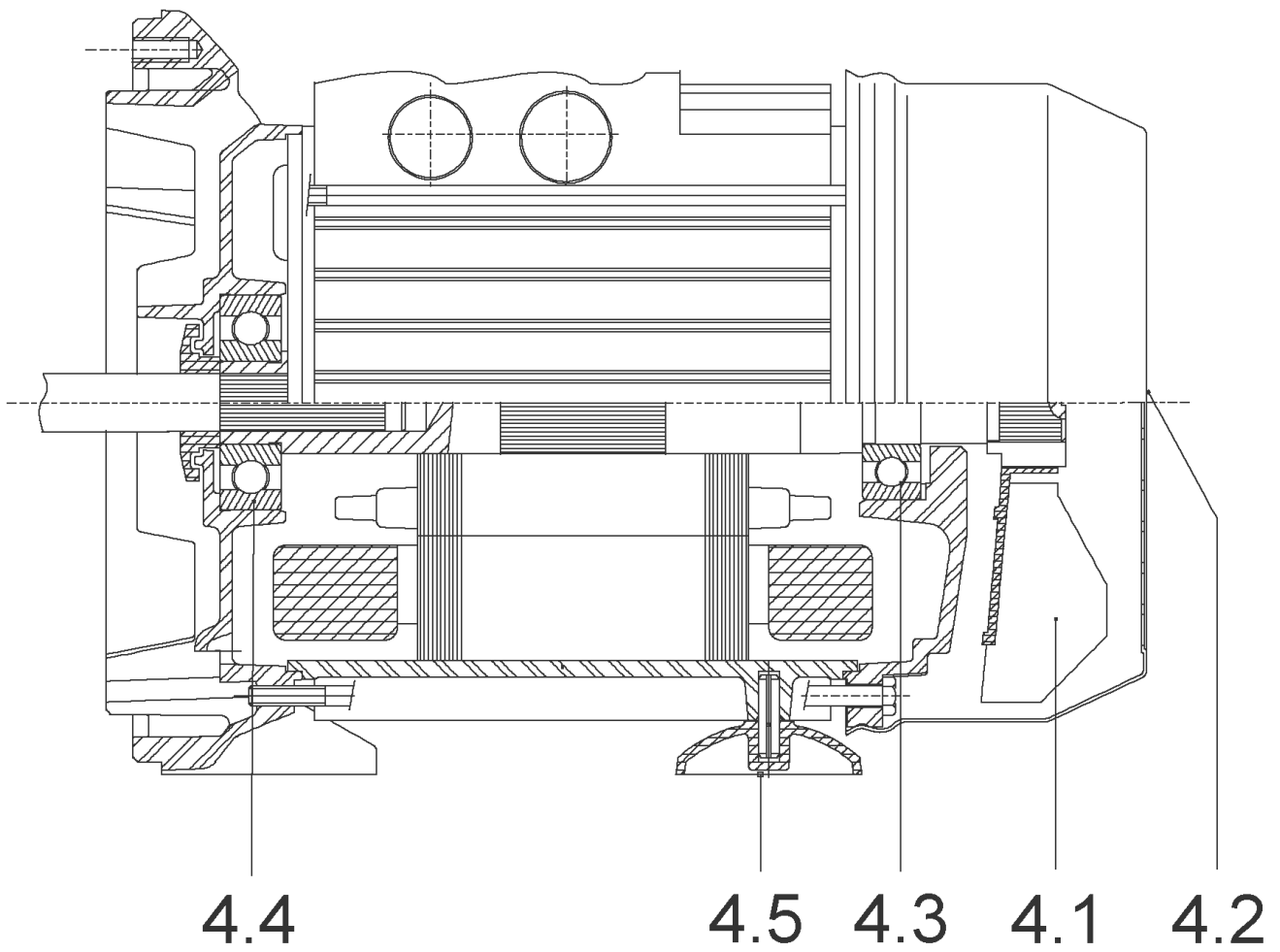
SPARE PARTS HYDRAULICS MHI 1.4301

Item	Article no.	Description	Quantity
20.1	4015434	STAGE MHI206,MVI202 1.4301 KIT	1
		> IMPELLER MVI2 D.98x2 1.4301	1
		> STAGE HOUSING O.RFK MVI2/4 1.4301	1
		> SPACER IMPELLER MVI2/4 1.4301	1
		> SPACER SHAFT SLEEVE MVI2/4 1.4435	1
20.2	4015437	STAGE MHI206,MVI203-20 1.4301 KIT	1
		> IMPELLER MVI2 D.98x2 1.4301	1
		> SPACER IMPELLER MVI2/4 1.4301	1
		> SPACER SHAFT SLEEVE MVI2/4 1.4435	1
		> STAGE-CASING-WITH-R/C+BEARING-2/4M3-304	1
		> SLEEVE-D14L13,8-VMI	1
20.3	4015441	STAGE MHI2,MVI205-14 1.4301 KIT	1
		> IMPELLER MVI2 D.98x2 1.4301	1
		> STAGE HOUSING RFK.MVI2/4 1.4301	1
		> SPACER IMPELLER MVI2/4 1.4301	1
20.4	4015460	CENTER.HOUSING/LR.MHI203/05/06 1.4301KIT	1
		> IMPELLER MVI2 D.98x2 1.4301	1
		> SPACER IMPELLER MVI2/4 1.4301	1
		> UPPER STAGE-AV-C/R-JR-2/4M3-304	1
		> WASHER D.24/14x1,5 1.4401	1



MHIE206N-2/V/3-2-2G (4171771)

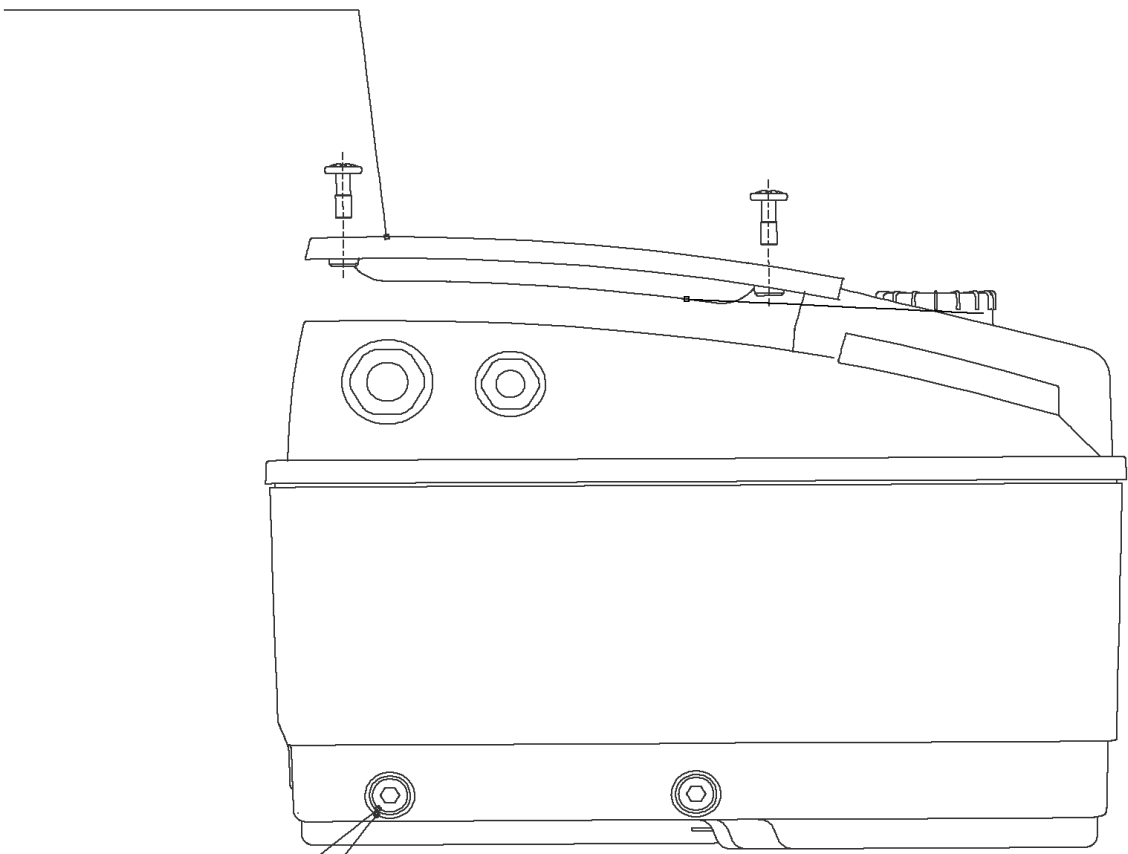
Item	Article no.	Description	Quantity
1	4202819	PUMP HOUSING MHI206 1.4404	1
2	2120001	STATIONARY RING HOLD.ANTI-VORTEX 1.4404	1
3	4202825	PRIMING/DRAIN PLUG G1/4"-MHI-1.4404 VP.	1
4	4234200	COMPL MOTOR MHIE206N-2/V/3-2-2G WE VP.	1
		SPARE PARTS MOTOR MHIE 2/4/8/16	1
5	4234209	MODULE MHIE 206N-IE2-WE KIT	1
6	4058529	SHAFT FIXING MHIE4 KIT	1
6.1		> STOP COLLAR OF IMPELLER L=8.7-Ø14-316L	1
6.2	2090148	> CIRCLIP D14 MVI/MHI 316L (2 PIECES) VP.	1
6.3		> FLAT WASHER-D8xD16x2.5-316L	1
6.4		> NUT-H-M8-STAINLESS-STEEL A4-70	1
7	4027348	ASSEMBLY GRD.MHI2../4../8.. VITON VP.	1
6.2	2090148	> CIRCLIP D14 MVI/MHI 316L (2 PIECES) VP.	1
7.1	2127451	> MECH.SEAL MG12/14-G606-Q1BVGG-BU.VP.	1
7.4	4233953	> O-RING ID.145 VITON VP.	1
7.5	4234238	> O-RING 9X2 VITON VP.	1
7.6		> THROWER-RUBBER-SH65/70	1
20		SPARE PARTS HYDRAULICS MHI 1.4404	1



SPARE PARTS MOTOR MHIE 2/4/8/16

Item	Article no.	Description	Quantity
4.1	4230667	Fan for motor T90 MHIE Ø122 VP.	1
4.2	2111322	FAN HOOD BG90 ELEC KIT	1
2.13A		> FAN COVER IEC90 KTL ST14 T0.8 H70	1
2.13B	2111323	> SCREW M4X6 (4 PIECES)	1
Note: Please give the data from type plate of the motor			
4.3	4221774	Ball bearing 6204VV-C3(Ø20xØ47x14)EA6 VP	1
4.4	4180822	BALL BEARING 6305-C3-DDU-E-EA6 VP.	1
4.5	4234217	MOTOR FOOT WILO ELEC IE90 KIT	1

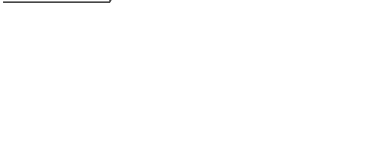
5.1



5.2

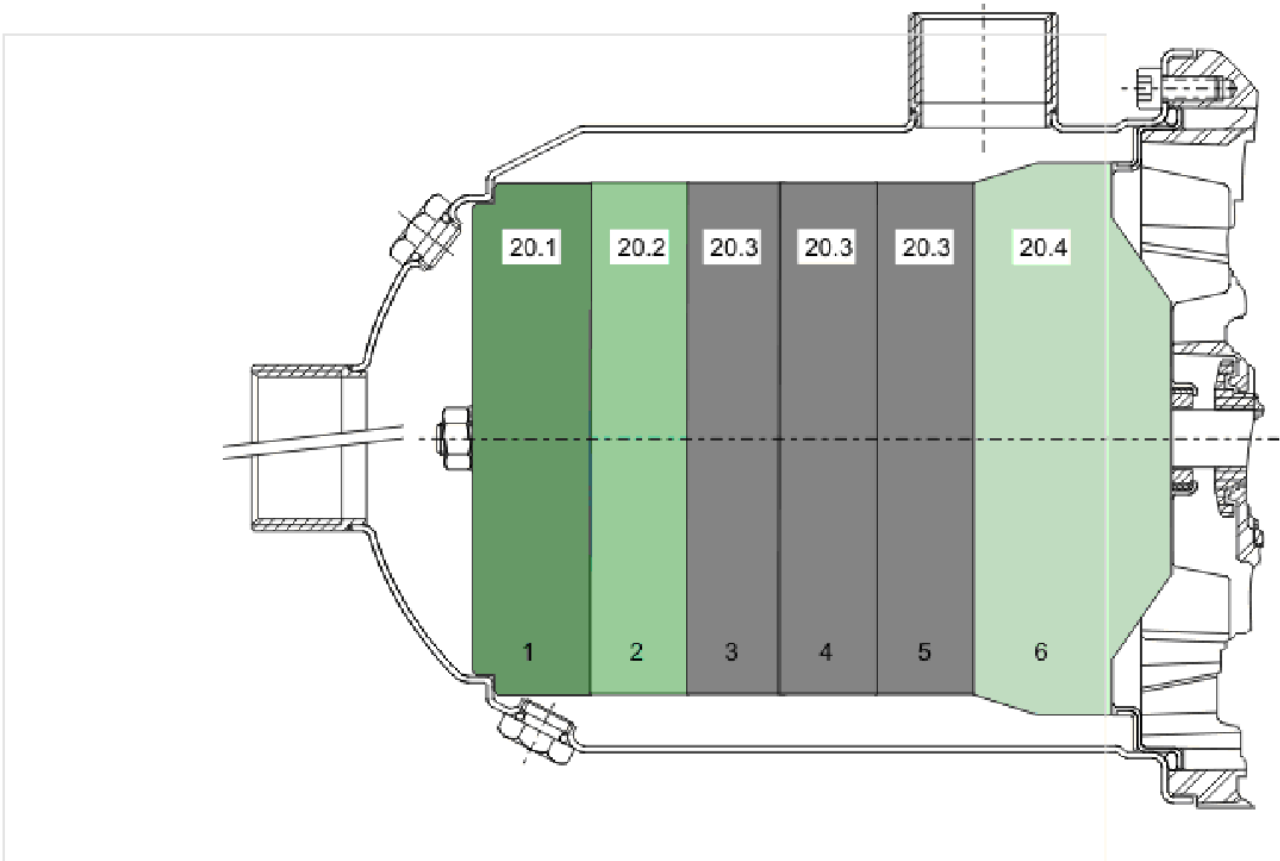


5.3



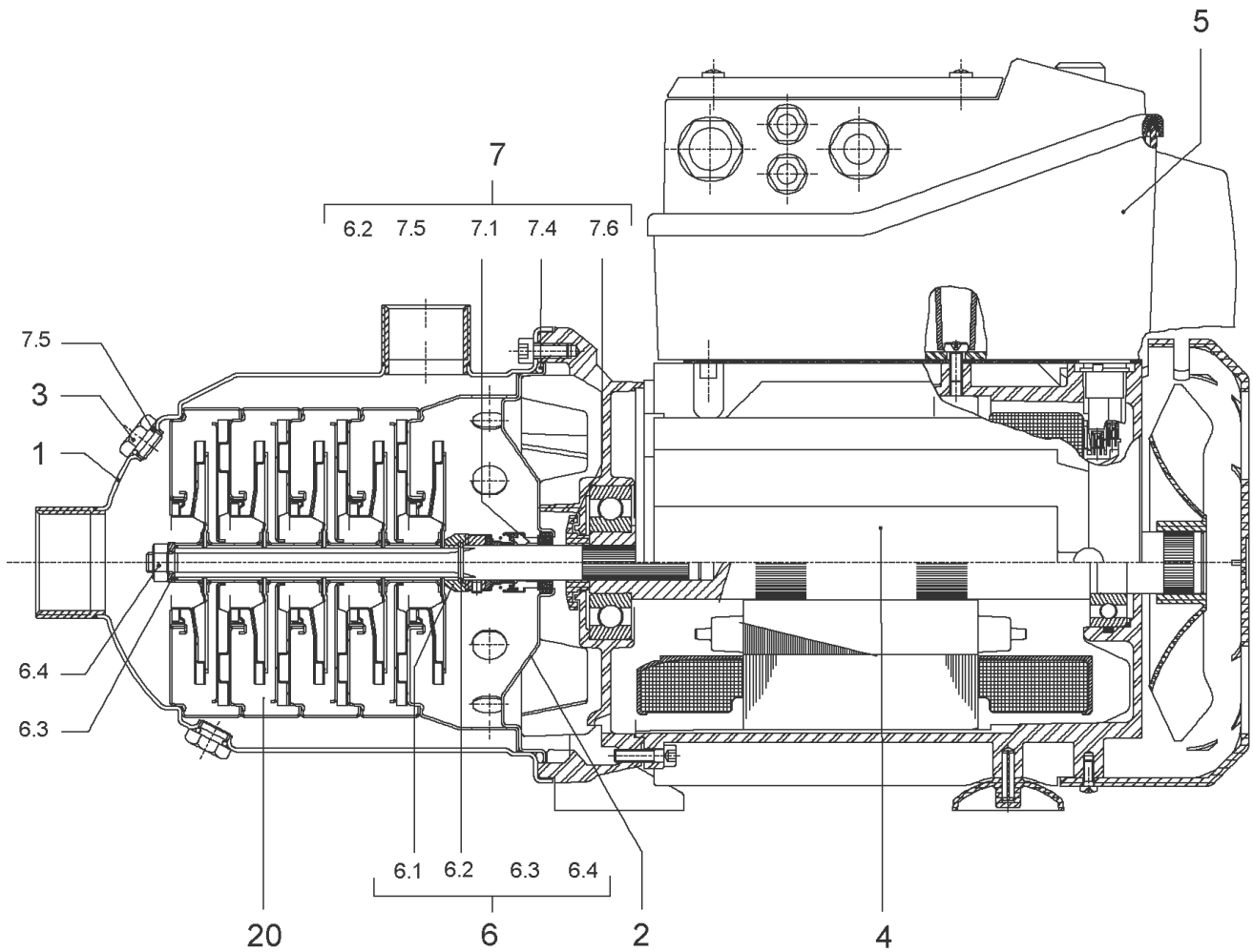
MODULE MHIE 206N-IE2-WE KIT (4234209)

Item	Article no.	Description	Quantity
5.1	2054227	MODULE COVER/GASKET TL3/4 KIT	1
5.2	4215716	SCREW M5X16 DIN912 8.8 A2A (4pieces) VP.	1
5.3	2057978	RONDELLE A5,3 DIN6797 FST ZN (4 PIECES)	1



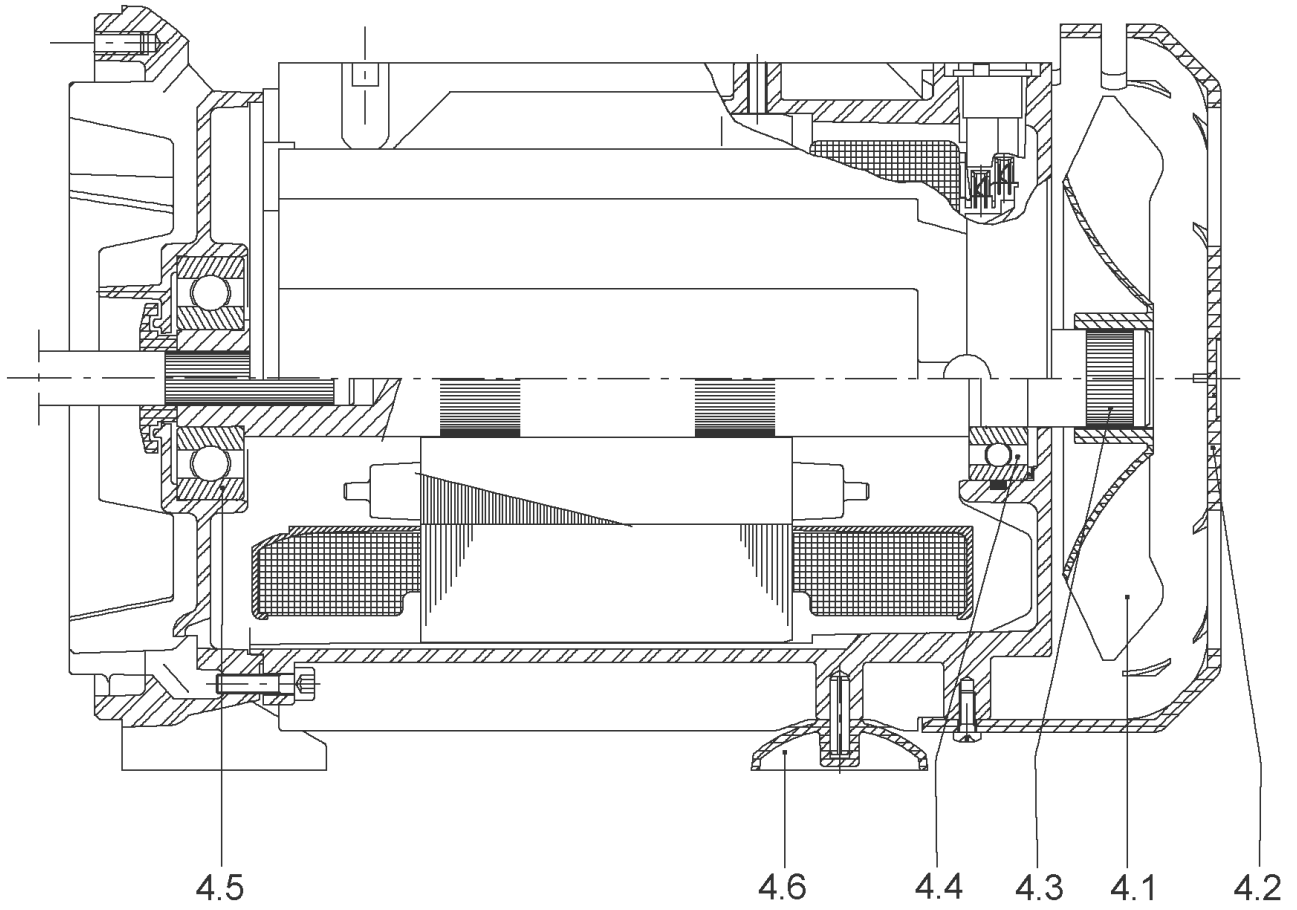
SPARE PARTS HYDRAULICS MHI 1.4404

Item	Article no.	Description	Quantity
20.1	4026324	ASSEMBLY LR./STF.GH.MHI206,MVI202/203 1.	1
		> IMPELLER-VMI/HMI-SERIE.2-316L	1
		> STAGE CASING WITHOUT-R/G-2/4M3-316L	1
		> SPACER IMPELLER MVI2/4 1.4435	1
		> SPACER SHAFT SLEEVE MVI2/4 1.4435	1
20.2	4026328	ASSEMBLY LR./LAG.BU.MHI206,MVI203-220 1.	1
		> IMPELLER-VMI/HMI-SERIE.2-316L	1
		> STAGE CASING-AV-C/R-BEARING-2/4M3-L	1
		> SPACER SHAFT SLEEVE MVI2/4 1.4435	1
		> SLEEVE-D14L13,8-VMI	1
		> SPACER IMPELLER MVI2/4 1.4435	1
20.3	4026333	ASSEMBLY LR.STF.GH.RFK.MHI2,MVI205-220 1	1
		> IMPELLER-VMI/HMI-SERIE.2-316L	1
		> SPACER IMPELLER MVI2/4 1.4435	1
		> STAGE CASING-AV-C/R-2/4M3-316L	1
20.4	4026404	ASSEMBLY ZENTRIER-GH.+LR.MHI203/5/6 1.44	1
		> IMPELLER-VMI/HMI-SERIE.2-316L	1
		> SPACER IMPELLER MVI2/4 1.4435	1
		> UPPER STAGE-AV-C/R-JR-2/4M3-316L	1
		> WASHER D.24/14x1,5 1.4401	1



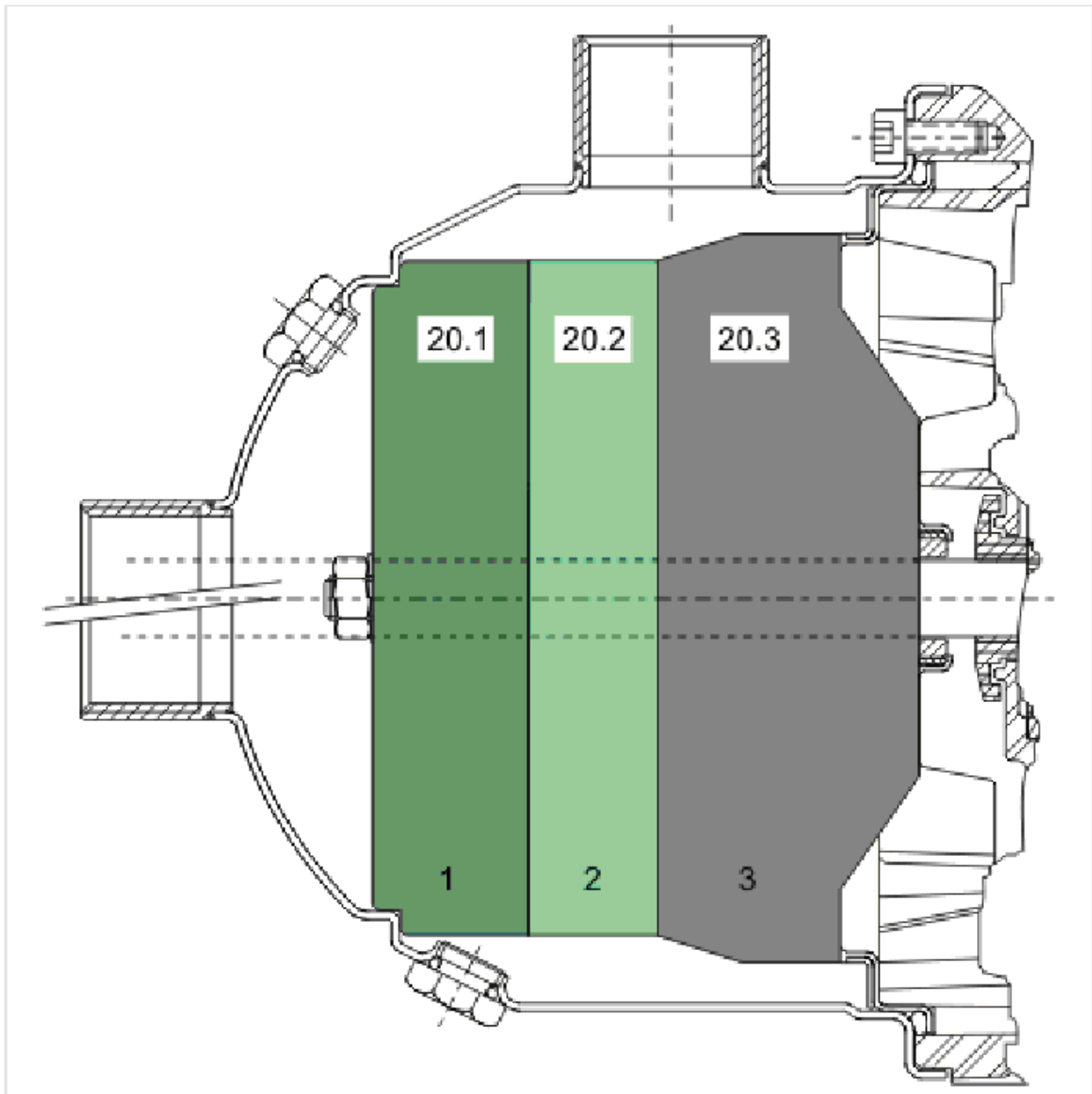
MHIE402-1/E/3-2 (4040131)

Item	Article no.	Description	Quantity
1	4202811	PUMP HOUSING MHI402/403 1.4301 VP.	1
2	2120000	STATIONARY RING HOLD.ANTI-VORTEX 1.4307	1
3	4191450	PRIMING/DRAIN PLUG G1/4"-MHI-1.4301 VP.	1
4		MOT-MULTI-HE/MHIE-2/4-2,2KW-TRI-T3N-2/3E	1
Note: no longer available / nicht mehrlieferbar / ne plus disponible			
		SPARE PARTS MOTOR MHE/MHIE2/4/8 2,2	1
5		MODULE MVIE/MHIE203/402 1,1KW >07/01	1
Note: no longer available / nicht mehrlieferbar / ne plus disponible			
6	4058529	SHAFT FIXING MHIE4 KIT	1
6.1		> STOP COLLAR OF IMPELLER L=8.7-Ø14-316L	1
6.2	2090148	> CIRCLIP D14 MVI/MHI 316L (2 PIECES) VP.	1
6.3		> FLAT WASHER-D8xD16x2.5-316L	1
6.4		> NUT-H-M8-STAINLESS-STEEL A4-70	1
7	4027347	MECHANICAL SEAL MHI KIT	1
6.2	2090148	> CIRCLIP D14 MVI/MHI 316L (2 PIECES) VP.	1
7.1	2127448	> MECH.SEAL MHI-MHIL-MVIL VP.	1
7.4	4235548	> O-RING ID.145 EPDM VP.	1
7.5	4235549	> O-RING I9X2 EPDM VP.	2
7.6		> THROWER-RUBBER-SH65/70	1
20		SPARE PARTS HYDRAULICS MHI/MHIE 1.4301	1



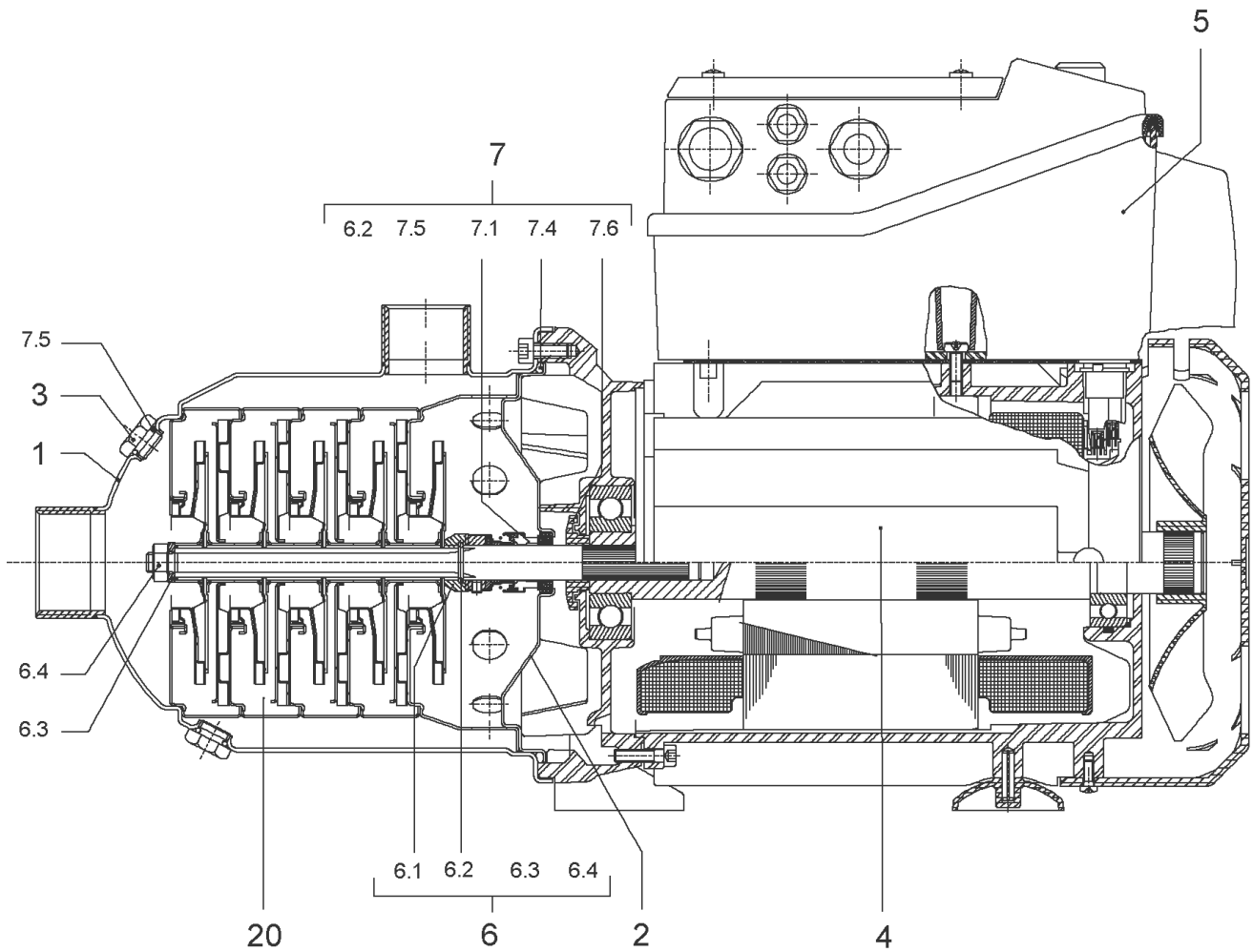
SPARE PARTS MOTOR MHE/MHIE2/4/8 2,2

Item	Article no.	Description	Quantity
4.1	2047017	FAN WHEEL AF90 2POL.ATB VP.	1
4.2		FAN HOOD TL4/3N NEUTRAL	1
Note: no longer available / nicht mehr lieferbar / ne plus disponible			
4.3	2047016	CORRUGATED SLEEVE RING BG90/100 ATB VP.	1
4.4	121083998	BALL BEARING 6205/2Z-C3 (HT) VP.	1
4.5	121466896	BALL BEARING 6305/2Z-C3 (HT) VP.	1
4.6	4008243	MOTOR-FOOT-SIZE-80	1



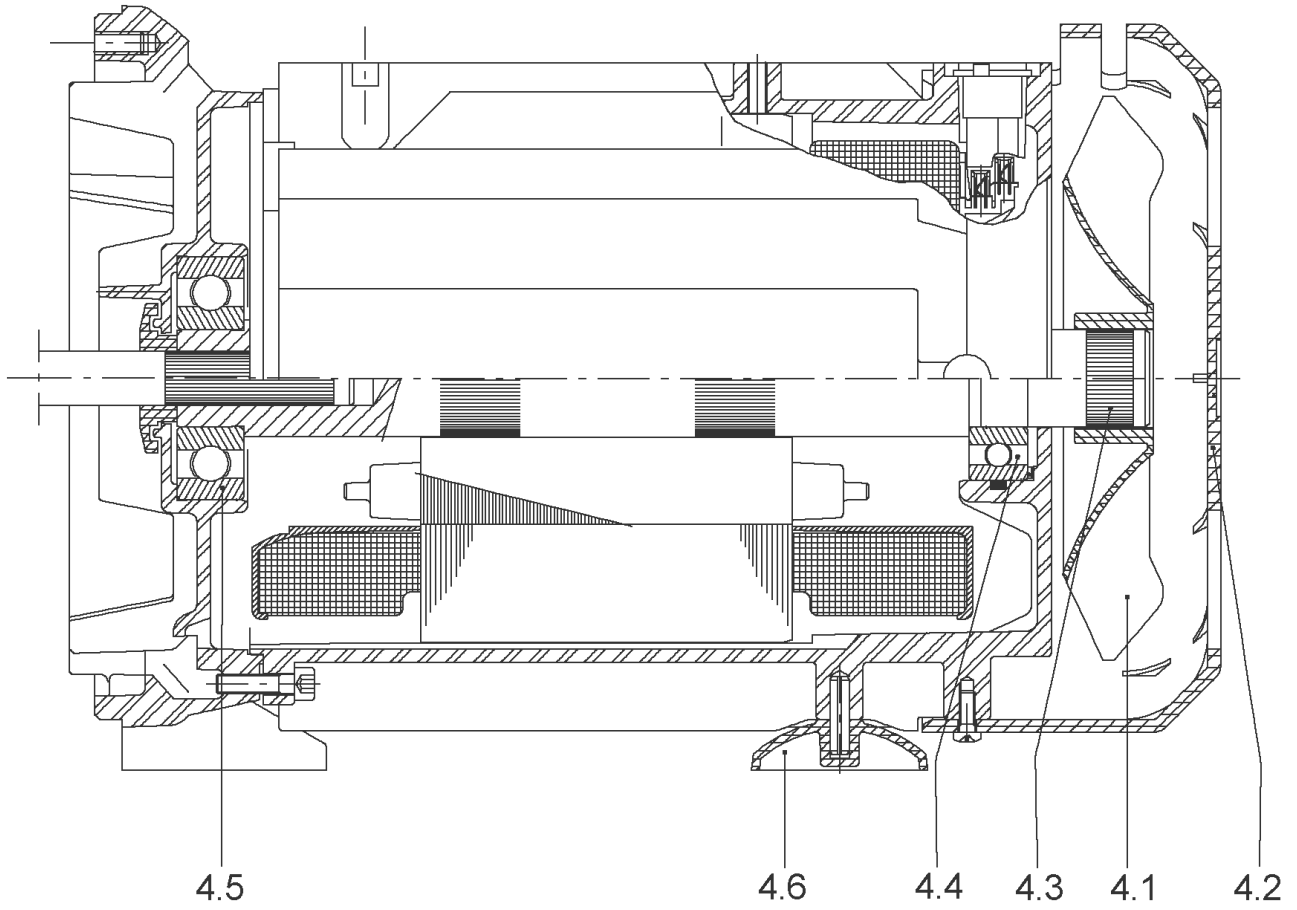
SPARE PARTS HYDRAULICS MHI/MHIE 1.4301

Item	Article no.	Description	Quantity
20.1	4015444	STAGE MHI402-405,MVI KIT	1
		> IMPELLER MVI4 D.98,5x3,1 1.4301	1
		> STAGE HOUSING O.RFK MVI2/4 1.4301	1
		> SPACER IMPELLER MVI2/4 1.4435	1
20.2	4015446	STAGE MHI4,MVI403-19 1.4301 KIT	1
		> IMPELLER MVI4 D.98,5x3,1 1.4301	1
		> SPACER IMPELLER MVI2/4 1.4435	1
		> STAGE HOUSING RFK.MVI2/4 1.4301	1
20.3	4015463	CENTER.HOUSING O.LR.MHI402/404 1.4301KIT	1
		> SPACER IMPELLER MVI2/4 1.4435	1
	4234236	> UPPER STAGE RFK.MVI2/4 1.4301 VP.	1
		> WASHER D.24/14x1,5 1.4401	2



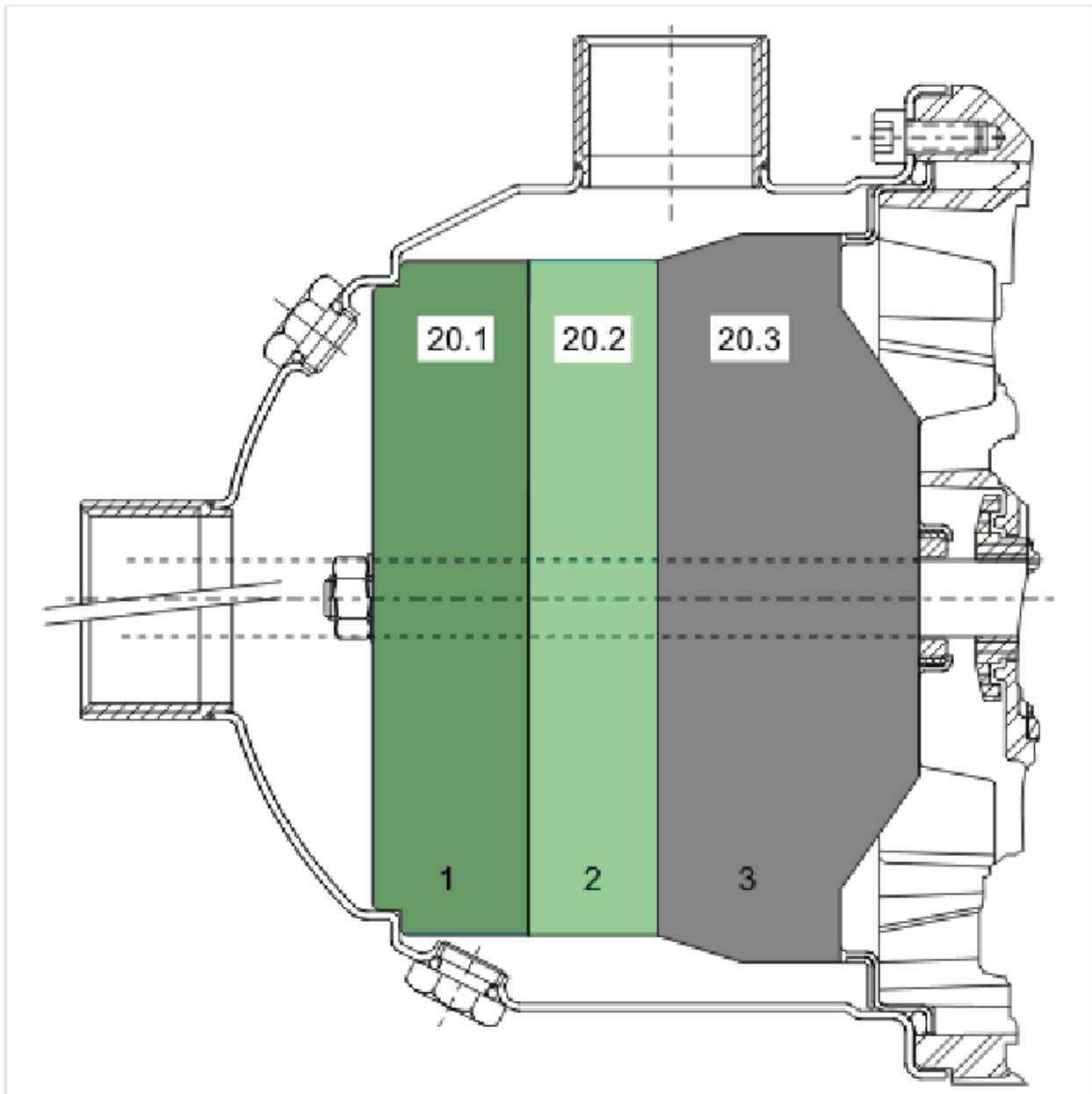
MHIE402-2/V/3-2 (4040139)

Item	Article no.	Description	Quantity
1	4202820	PUMP HOUSING MHI402/403 1.4404 VP.	1
2	2120001	STATIONARY RING HOLD.ANTI-VORTEX 1.4404	1
3	4202825	PRIMING/DRAIN PLUG G1/4"-MHI-1.4404 VP.	1
4		MOT-MULTI-HE/MHIE-2/4-2,2KW-TRI-T3N-2/3E	1
Note: no longer available / nicht mehrlieferbar / ne plus disponible			
		SPARE PARTS MOTOR MHE/MHIE2/4/8 2,2	1
5		MODULE MVIE/MHIE203/402 1,1KW >07/01	1
Note: no longer available / nicht mehrlieferbar / ne plus disponible			
6	4058529	SHAFT FIXING MHIE4 KIT	1
6.1		> STOP COLLAR OF IMPELLER L=8.7-Ø14-316L	1
6.2	2090148	> CIRCLIP D14 MVI/MHI 316L (2 PIECES) VP.	1
6.3		> FLAT WASHER-D8xD16x2.5-316L	1
6.4		> NUT-H-M8-STAINLESS-STEEL A4-70	1
7	4027348	ASSEMBLY GRD.MHI2../4../8.. VITON VP.	1
6.2	2090148	> CIRCLIP D14 MVI/MHI 316L (2 PIECES) VP.	1
7.1	2127451	> MECH.SEAL MG12/14-G606-Q1BVGG-BU.VP.	1
7.4	4233953	> O-RING ID.145 VITON VP.	1
7.5	4234238	> O-RING 9X2 VITON VP.	1
7.6		> THROWER-RUBBER-SH65/70	1
20		SPARE PARTS HYDRAULICS MHI/MHIE 1.4404	1



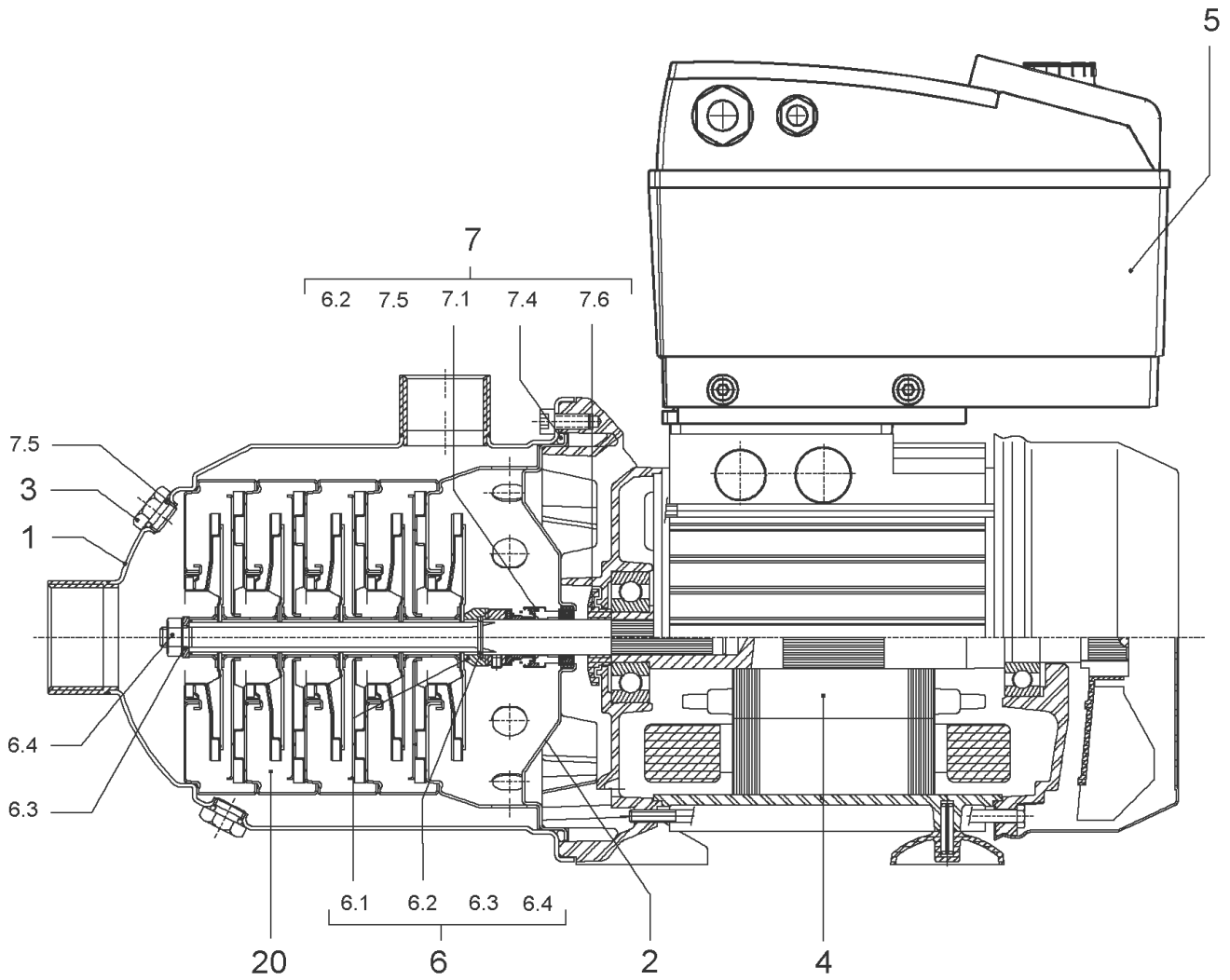
SPARE PARTS MOTOR MHE/MHIE2/4/8 2,2

Item	Article no.	Description	Quantity
4.1	2047017	FAN WHEEL AF90 2POL.ATB VP.	1
4.2		FAN HOOD TL4/3N NEUTRAL	1
Note: no longer available / nicht mehrlieferbar / ne plus disponible			
4.3	2047016	CORRUGATED SLEEVE RING BG90/100 ATB VP.	1
4.4	121083998	BALL BEARING 6205/2Z-C3 (HT) VP.	1
4.5	121466896	BALL BEARING 6305/2Z-C3 (HT) VP.	1
4.6	4008243	MOTOR-FOOT-SIZE-80	1



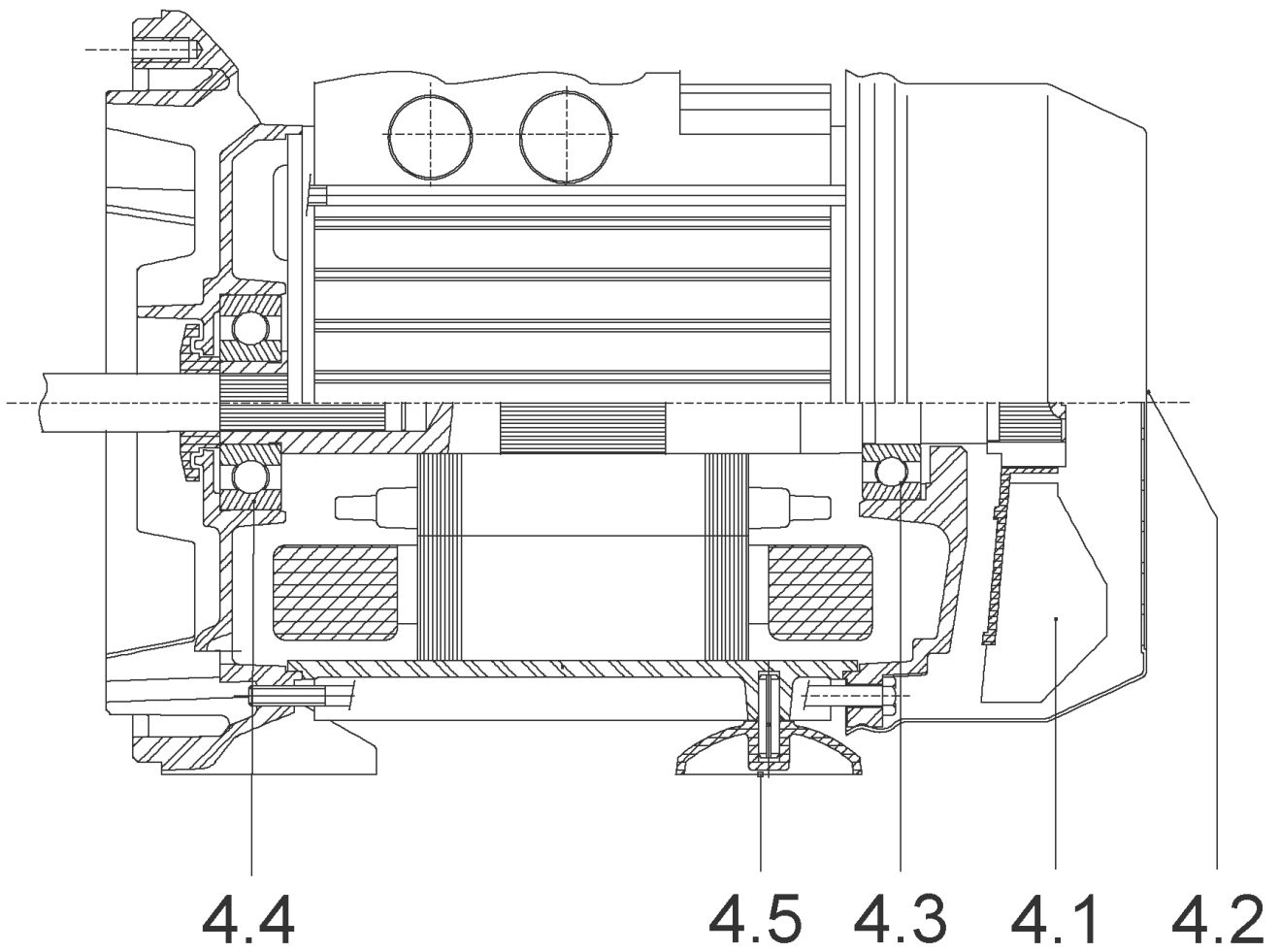
SPARE PARTS HYDRAULICS MHI/MHIE 1.4404

Item	Article no.	Description	Quantity
20.1	4026335	ASSEMBLY LR./STF.GH.MHI402-405,MVI402 1.	1
		> IMPELLER-VMI/HMI-SERIE.4-316L	1
		> STAGE CASING WITHOUT-R/G-2/4M3-316L	1
		> SPACER IMPELLER MVI2/4 1.4435	1
20.2	4026337	ASSEMBLY LR.STF.GH.RFK.MHI4,MVI403-419 1	1
		> IMPELLER-VMI/HMI-SERIE.4-316L	1
		> SPACER IMPELLER MVI2/4 1.4435	1
		> STAGE CASING-AV-C/R-2/4M3-316L	1
20.3	4026407	ASSEMBLY ZENTRIER-GH.O.LR.MHI402/404 1.4	1
		> SPACER IMPELLER MVI2/4 1.4435	1
		> UPPER STAGE RFK.MVI2../4.. 1.4435 +V	1
		> WASHER D.24/14x1,5 1.4401	2



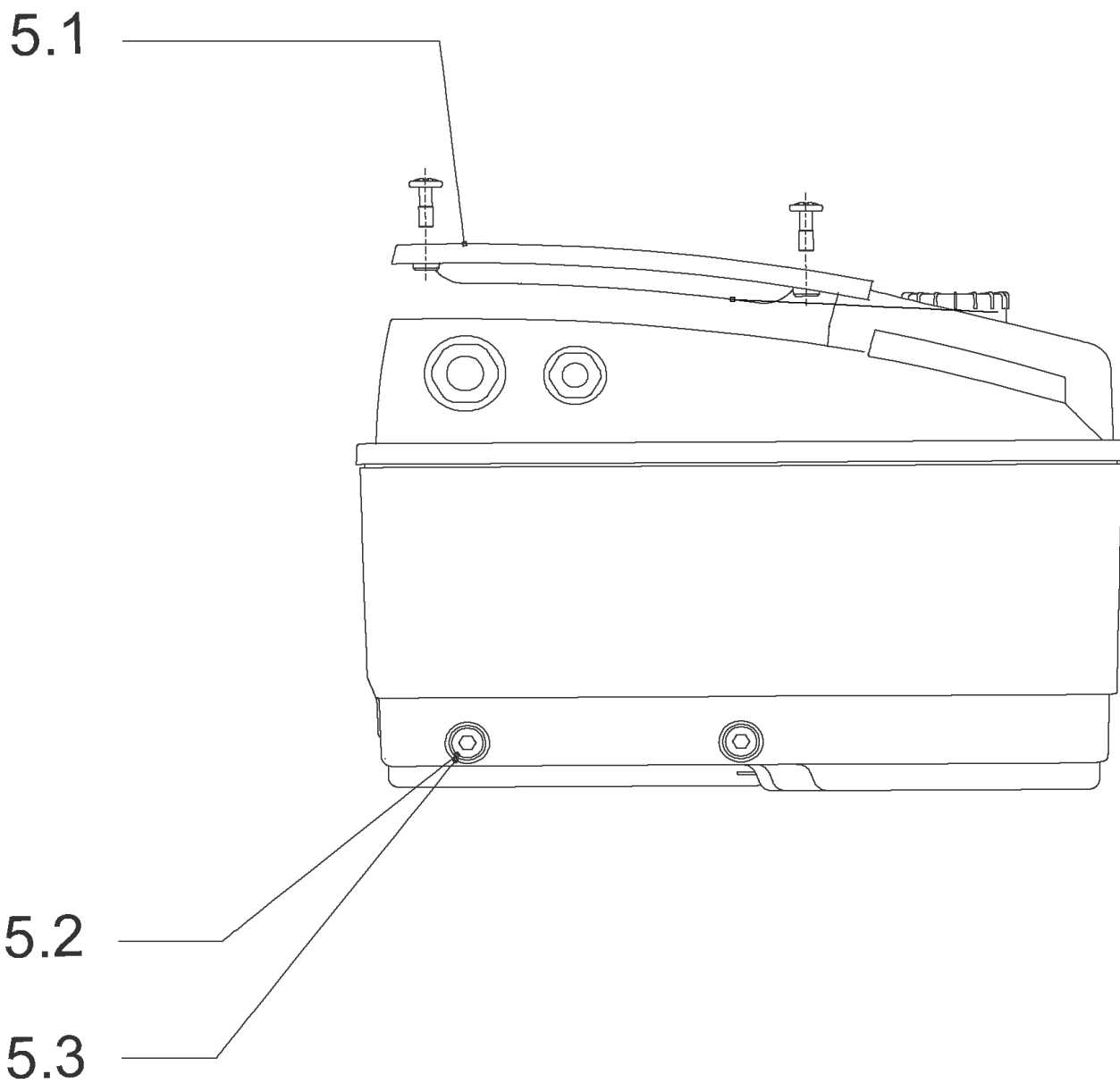
MHIE402N-1/E/3-2-2G (4171776)

Item	Article no.	Description	Quantity
1	4202811	PUMP HOUSING MHI402/403 1.4301 VP.	1
2	2120000	STATIONARY RING HOLD.ANTI-VORTEX 1.4307	1
3	4191450	PRIMING/DRAIN PLUG G1/4"-MHI-1.4301 VP.	1
4	4234201	COMPL MOTOR MHIE402N-1/E/3-2-2G WE VP.	1
		SPARE PARTS MOTOR MHIE 2/4/8	1
5	4234210	MODULE MHIE 402N-IE2-WE KIT	1
6	4058529	SHAFT FIXING MHIE4 KIT	1
6.1		> STOP COLLAR OF IMPELLER L=8.7-Ø14-316L	1
6.2	2090148	> CIRCLIP D14 MVI/MHI 316L (2 PIECES) VP.	1
6.3		> FLAT WASHER-D8xD16x2.5-316L	1
6.4		> NUT-H-M8-STAINLESS-STEEL A4-70	1
7	4027347	MECHANICAL SEAL MHI KIT	1
6.2	2090148	> CIRCLIP D14 MVI/MHI 316L (2 PIECES) VP.	1
7.1	2127448	> MECH.SEAL MHI-MHIL-MVIL VP.	1
7.4	4235548	> O-RING ID.145 EPDM VP.	1
7.5	4235549	> O-RING I9X2 EPDM VP.	2
7.6		> THROWER-RUBBER-SH65/70	1
20		SPARE PARTS HYDRAULICS MHI/MHIE 1.4301	1



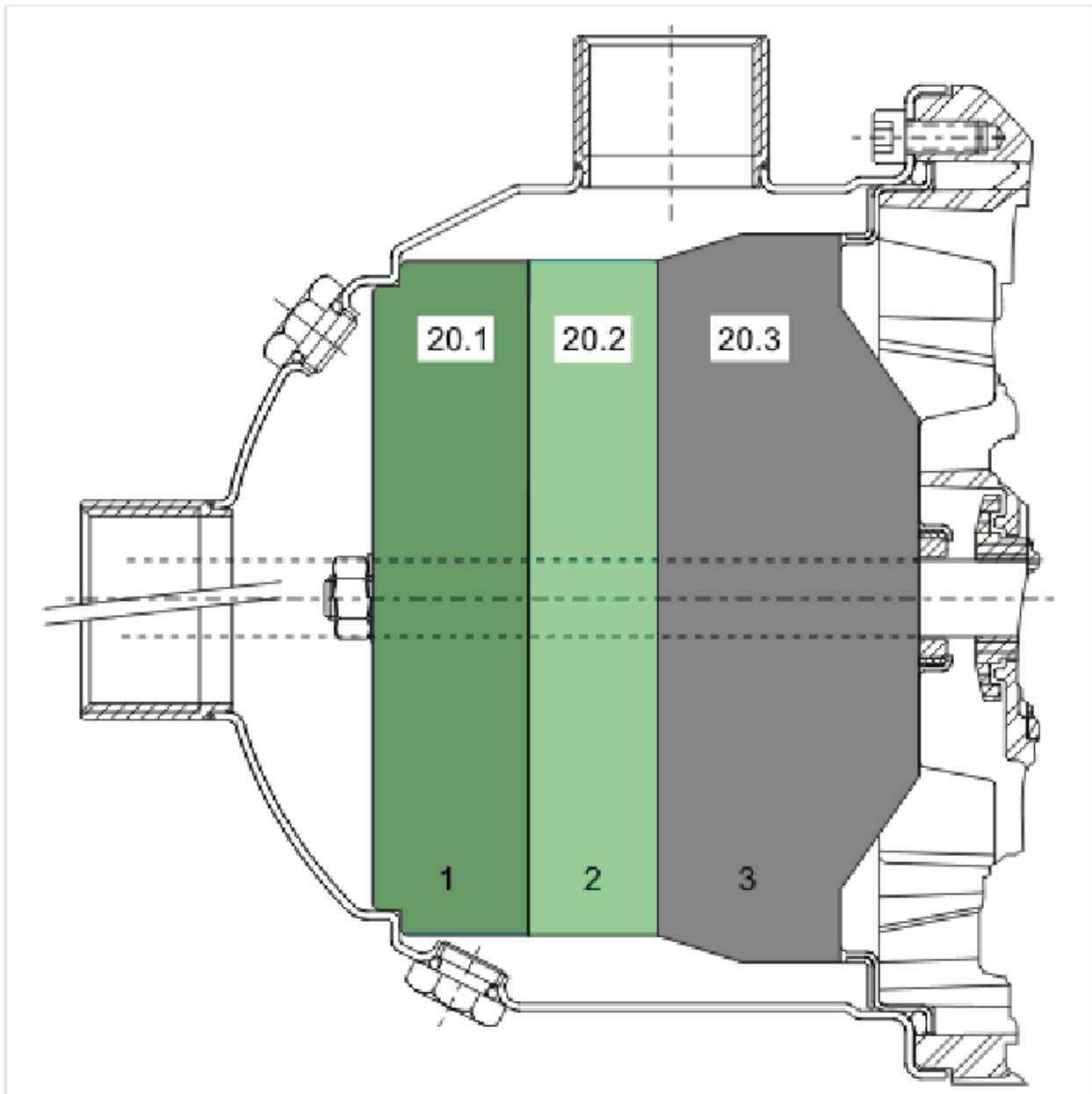
SPARE PARTS MOTOR MHIE 2/4/8

Item	Article no.	Description	Quantity
4.1	4230651	FAN MOTOR WE 0,75 KW VP.	1
4.2	2107779	FAN HOOD BG80 ELEC KIT	1
2.13A		> FAN COVER IEC80 KTL ST14 T0.8 H60	1
2.13B	2111323	> SCREW M4X6 (4 PIECES)	1
Note: Please give the data from type plate of the motor			
4.3	4179326	BALL-BEARING-6204-C3-DDU-E-EA6 VP.	1
4.4	4185236	BALL-BEARING-6304-C3-DDU-E-EA6 VP.	1
4.5	4234216	MOTOR FOOT WILO ELEC IEC80 KIT	1



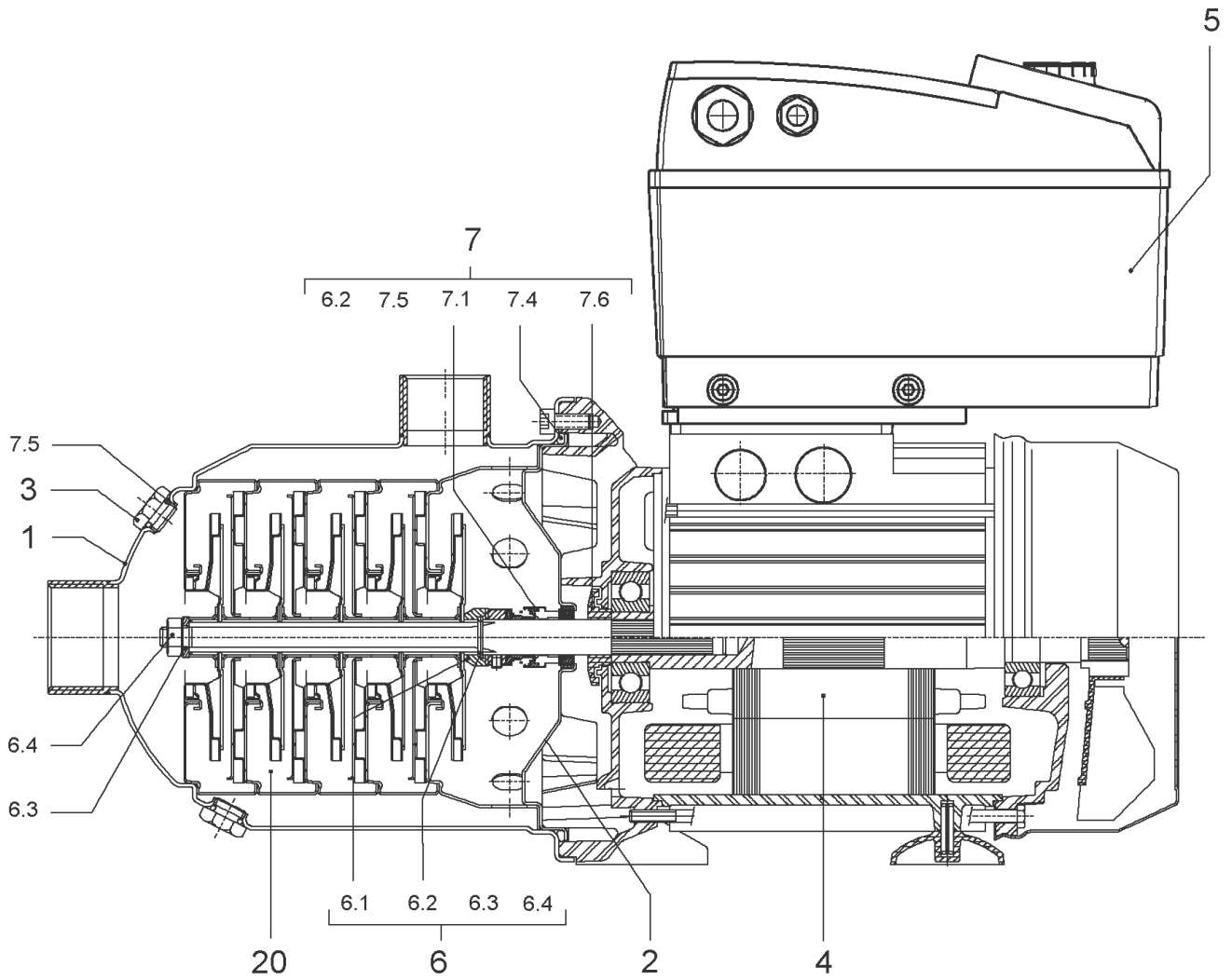
MODULE MHIE 402N-IE2-WE KIT (4234210)

Item	Article no.	Description	Quantity
5.1	2054372	MODULE COVER TL1,TL2+GASKET KIT	1
5.2	4215716	SCREW M5X16 DIN912 8.8 A2A (4pieces) VP.	1
5.3	2057978	RONDELLE A5,3 DIN6797 FST ZN (4 PIECES)	1



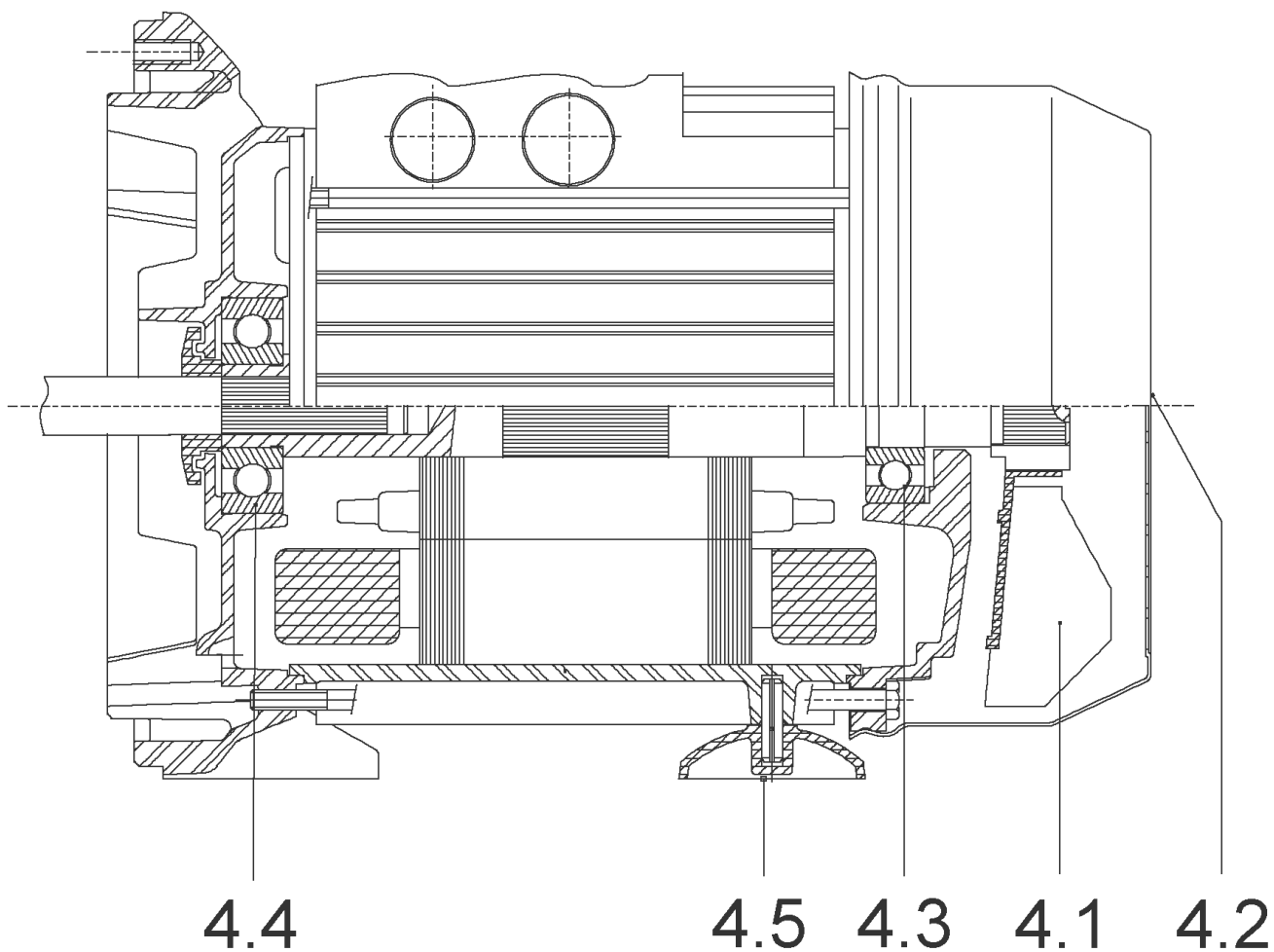
SPARE PARTS HYDRAULICS MHI/MHIE 1.4301

Article no.	Description	Quantity
4015444	STAGE MHI402-405,MVI KIT	1
	> IMPELLER MVI4 D.98,5x3,1 1.4301	1
	> STAGE HOUSING O.RFK MVI2/4 1.4301	1
	> SPACER IMPELLER MVI2/4 1.4301	1
4015446	STAGE MHI4,MVI403-19 1.4301 KIT	1
	> IMPELLER MVI4 D.98,5x3,1 1.4301	1
	> SPACER IMPELLER MVI2/4 1.4301	1
	> STAGE HOUSING RFK.MVI2/4 1.4301	1
4015463	CENTER.HOUSING O.LR.MHI402/404 1.4301KIT	1
	> SPACER IMPELLER MVI2/4 1.4301	1
4234236	> UPPER STAGE RFK.MVI2/4 1.4301 VP.	1
	> WASHER D.24/14x1,5 1.4401	2



MHIE402N-2/V/3-2-2G (4171777)

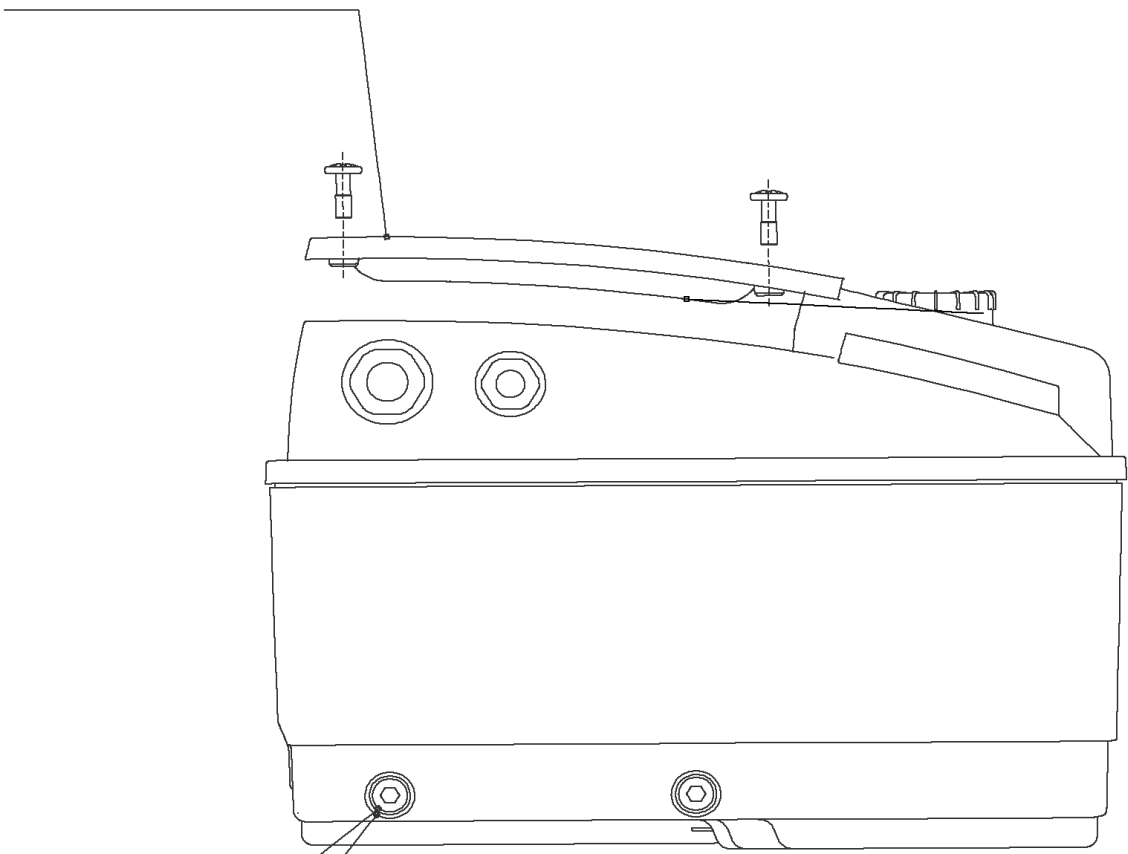
Item	Article no.	Description	Quantity
1	4202820	PUMP HOUSING MHI402/403 1.4404 VP.	1
2	2120001	STATIONARY RING HOLD.ANTI-VORTEX 1.4404	1
3	4202825	PRIMING/DRAIN PLUG G1/4"-MHI-1.4404 VP.	1
4	4234202	COMPL MOTOR MHIE402N-2/V/3-2-2G WE VP.	1
		SPARE PARTS MOTOR MHIE 2/4/8	1
5	4234210	MODULE MHIE 402N-IE2-WE KIT	1
6	4058529	SHAFT FIXING MHIE4 KIT	1
6.1		> STOP COLLAR OF IMPELLER L=8.7-Ø14-316L	1
6.2	2090148	> CIRCLIP D14 MVI/MHI 316L (2 PIECES) VP.	1
6.3		> FLAT WASHER-D8xD16x2.5-316L	1
6.4		> NUT-H-M8-STAINLESS-STEEL A4-70	1
7	4027348	ASSEMBLY GRD.MHI2../4../8.. VITON VP.	1
6.2	2090148	> CIRCLIP D14 MVI/MHI 316L (2 PIECES) VP.	1
7.1	2127451	> MECH.SEAL MG12/14-G606-Q1BVGG-BU.VP.	1
7.4	4233953	> O-RING ID.145 VITON VP.	1
7.5	4234238	> O-RING 9X2 VITON VP.	1
7.6		> THROWER-RUBBER-SH65/70	1
20		SPARE PARTS HYDRAULICS MHI/MHIE 1.4404	1



SPARE PARTS MOTOR MHIE 2/4/8

Item	Article no.	Description	Quantity
4.1	4230651	FAN MOTOR WE 0,75 KW VP.	1
4.2	2107779	FAN HOOD BG80 ELEC KIT	1
2.13A		> FAN COVER IEC80 KTL ST14 T0.8 H60	1
2.13B	2111323	> SCREW M4X6 (4 PIECES)	1
Note: Please give the data from type plate of the motor			
4.3	4179326	BALL-BEARING-6204-C3-DDU-E-EA6 VP.	1
4.4	4185236	BALL-BEARING-6304-C3-DDU-E-EA6 VP.	1
4.5	4234216	MOTOR FOOT WILO ELEC IEC80 KIT	1

5.1

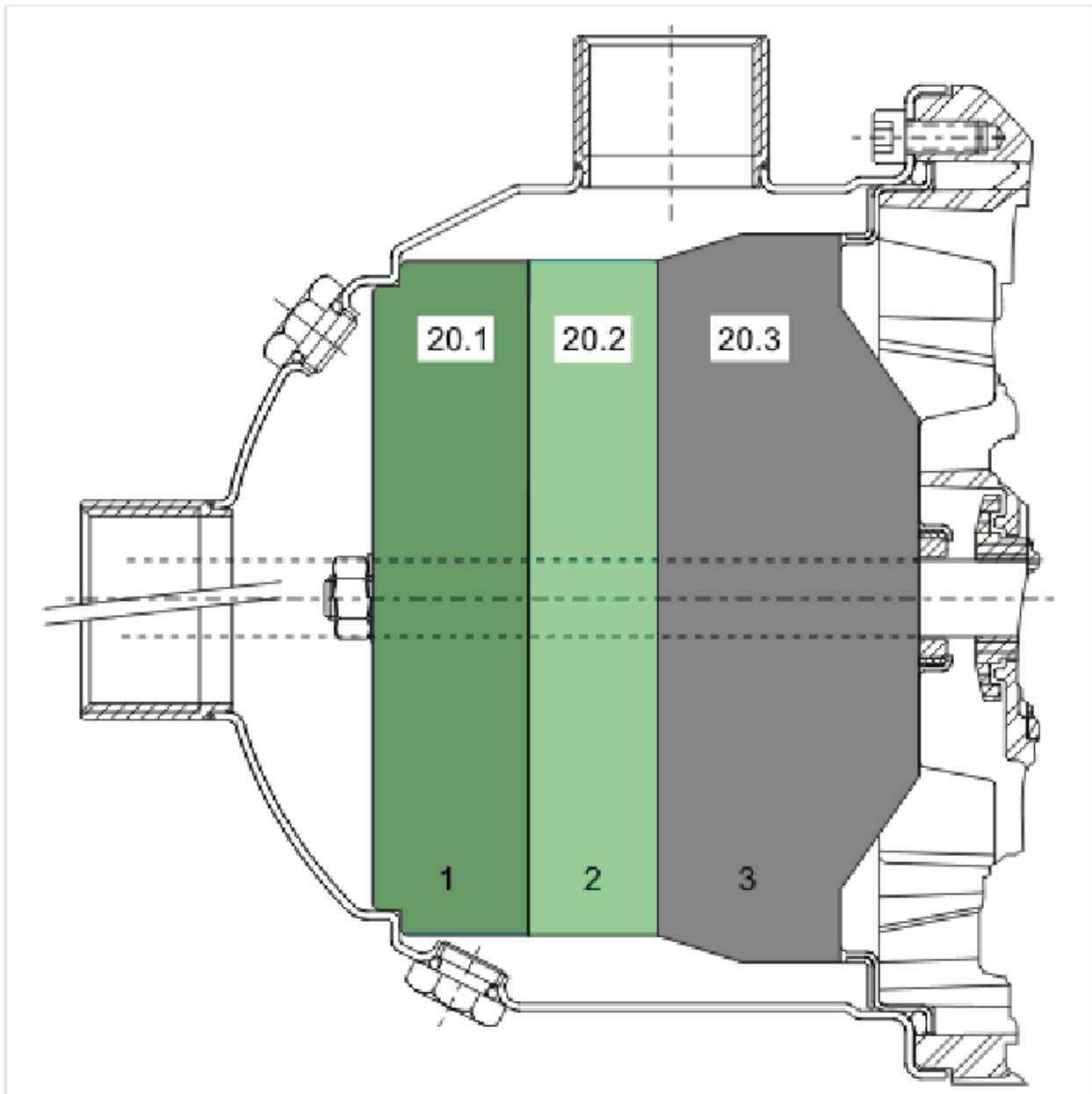


5.2

5.3

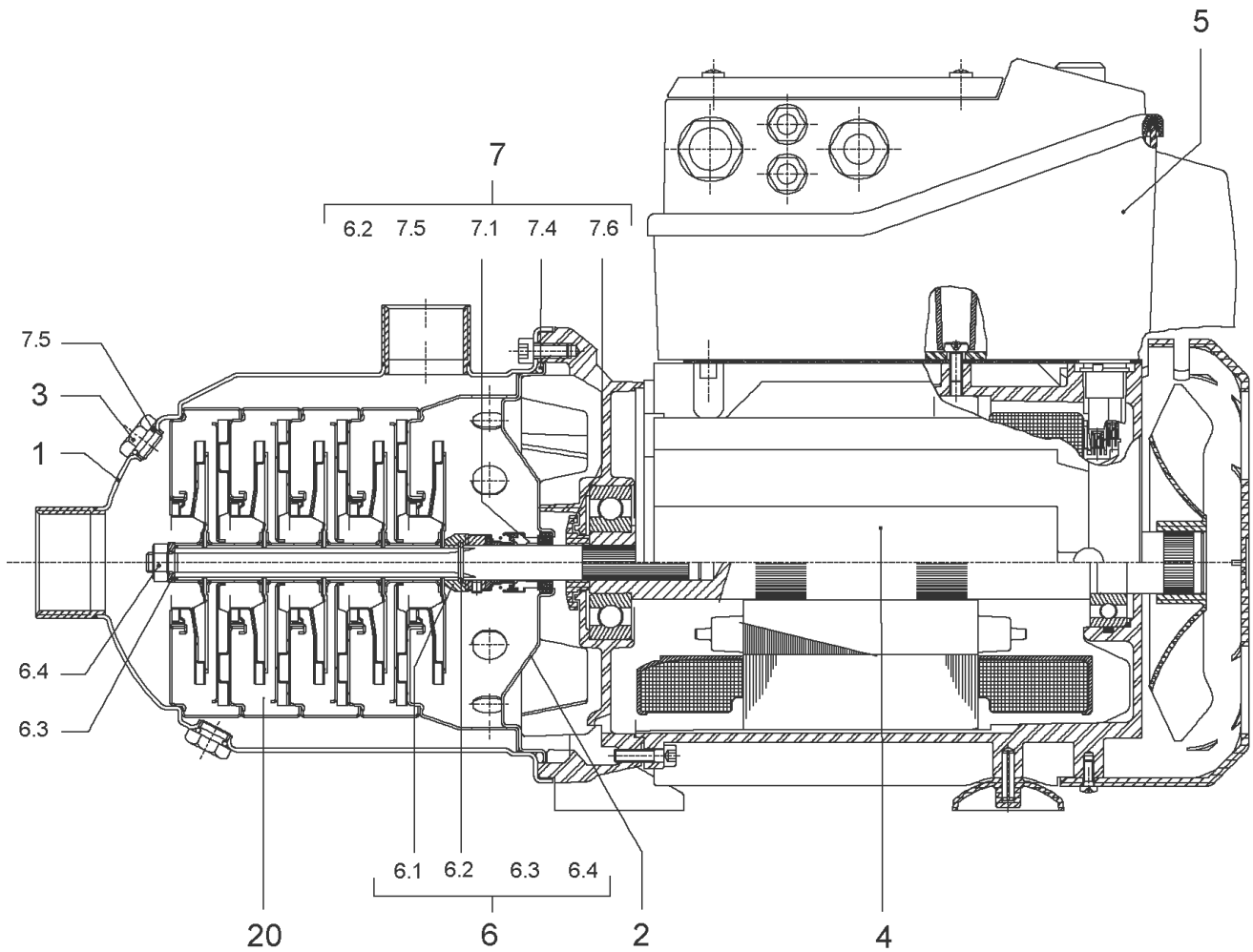
MODULE MHIE 402N-IE2-WE KIT (4234210)

Item	Article no.	Description	Quantity
5.1	2054372	MODULE COVER TL1,TL2+GASKET KIT	1
5.2	4215716	SCREW M5X16 DIN912 8.8 A2A (4pieces) VP.	1
5.3	2057978	RONDELLE A5,3 DIN6797 FST ZN (4 PIECES)	1



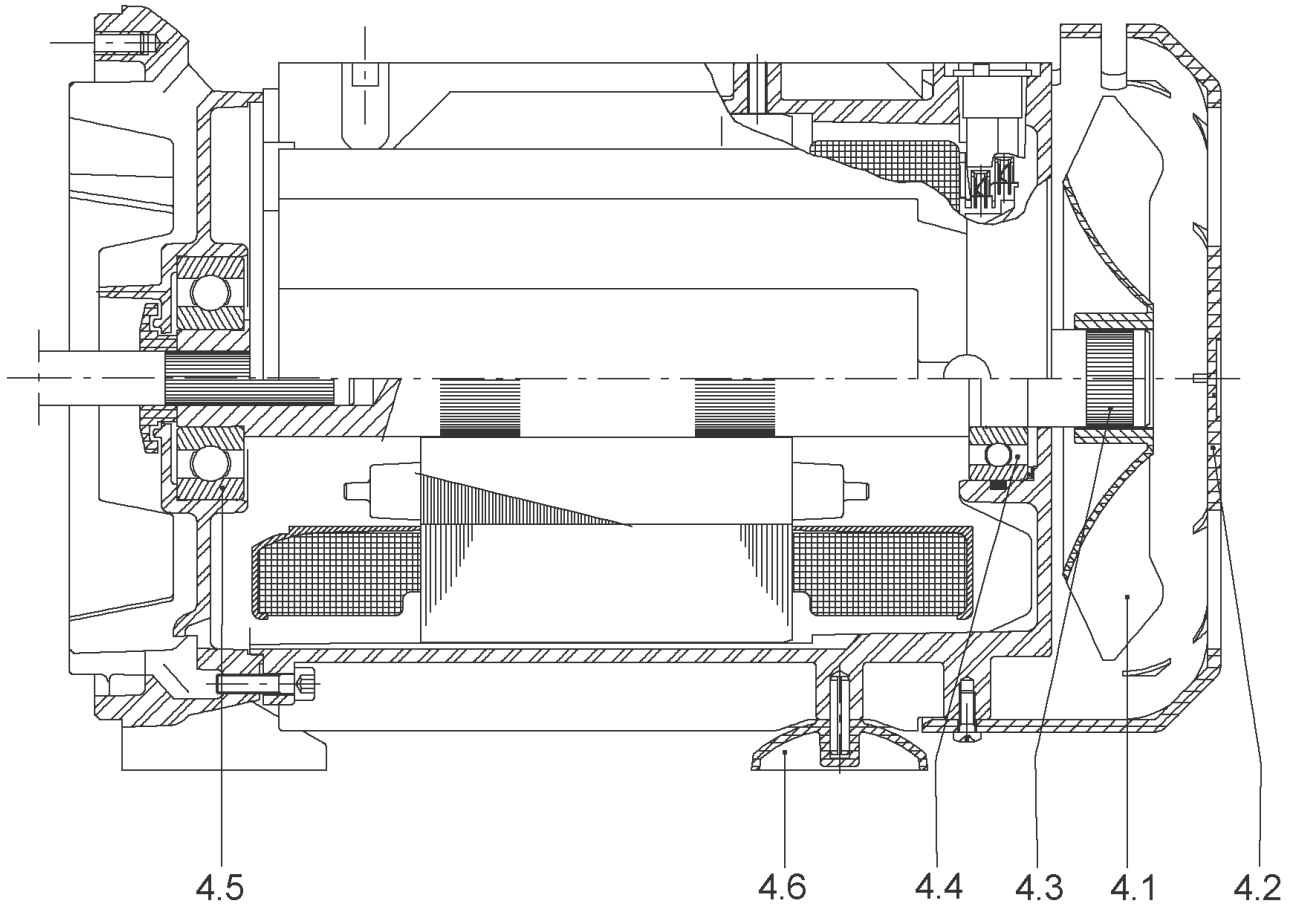
SPARE PARTS HYDRAULICS MHI/MHIE 1.4404

Item	Article no.	Description	Quantity
20.1	4026335	ASSEMBLY LR./STF.GH.MHI402-405,MVI402 1.	1
		> IMPELLER-VMI/HMI-SERIE.4-316L	1
		> STAGE CASING WITHOUT-R/G-2/4M3-316L	1
		> SPACER IMPELLER MVI2/4 1.4435	1
20.2	4026337	ASSEMBLY LR.STF.GH.RFK.MHI4,MVI403-419 1	1
		> IMPELLER-VMI/HMI-SERIE.4-316L	1
		> STAGE CASING-AV-C/R-2/4M3-316L	1
		> SPACER IMPELLER MVI2/4 1.4435	1
20.3	4026407	ASSEMBLY ZENTRIER-GH.O.LR.MHI402/404 1.4	1
		> UPPER STAGE RFK.MVI2../4.. 1.4435 +V	1
		> SPACER IMPELLER MVI2/4 1.4435	1
		> WASHER D.24/14x1,5 1.4401	2



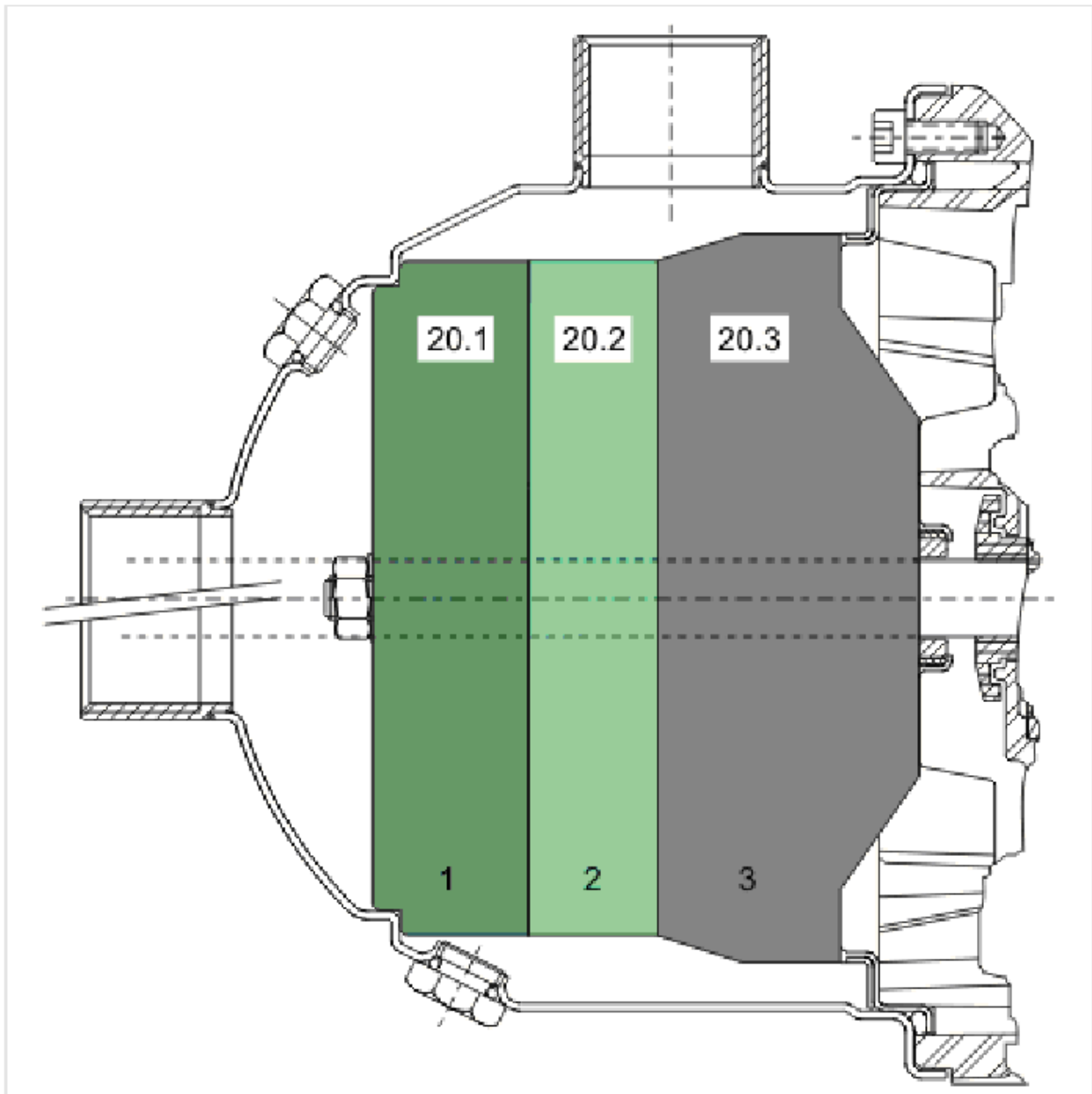
MHIE403-1/E/3-2-2G (4077398)

Item	Article no.	Description	Quantity
1	4202811	PUMP HOUSING MHI402/403 1.4301 VP.	1
2	2120000	STATIONARY RING HOLD.ANTI-VORTEX 1.4307	1
3	4191450	PRIMING/DRAIN PLUG G1/4"-MHI-1.4301 VP.	1
4		MO.MHIE 1,1/2/80N 3~400V IE1 VP.	1
Note: no longer available/nicht mehrlieferbar/n'est plus disponible			
		SPARE PARTS MOTOR MHIE205/403-2G	1
5		MODULE MVIE/MHIE-1,1KW TL1/2	1
Note: no longer available/nicht mehrlieferbar/n'est plus disponible			
6	4058529	SHAFT FIXING MHIE4 KIT	1
6.1		> STOP COLLAR OF IMPELLER L=8.7-Ø14-316L	1
6.2	2090148	> CIRCLIP D14 MVI/MHI 316L (2 PIECES) VP.	1
6.3		> FLAT WASHER-D8xD16x2.5-316L	1
6.4		> NUT-H-M8-STAINLESS-STEEL A4-70	1
7	4027347	MECHANICAL SEAL MHI KIT	1
6.2	2090148	> CIRCLIP D14 MVI/MHI 316L (2 PIECES) VP.	1
7.1	2127448	> MECH.SEAL MHI-MHIL-MVIL VP.	1
7.4	4235548	> O-RING ID.145 EPDM VP.	1
7.5	4235549	> O-RING I9X2 EPDM VP.	2
7.6		> THROWER-RUBBER-SH65/70	1
20		SPARE PARTS HYDRAULICS MHI/MHIE 1.4301	1



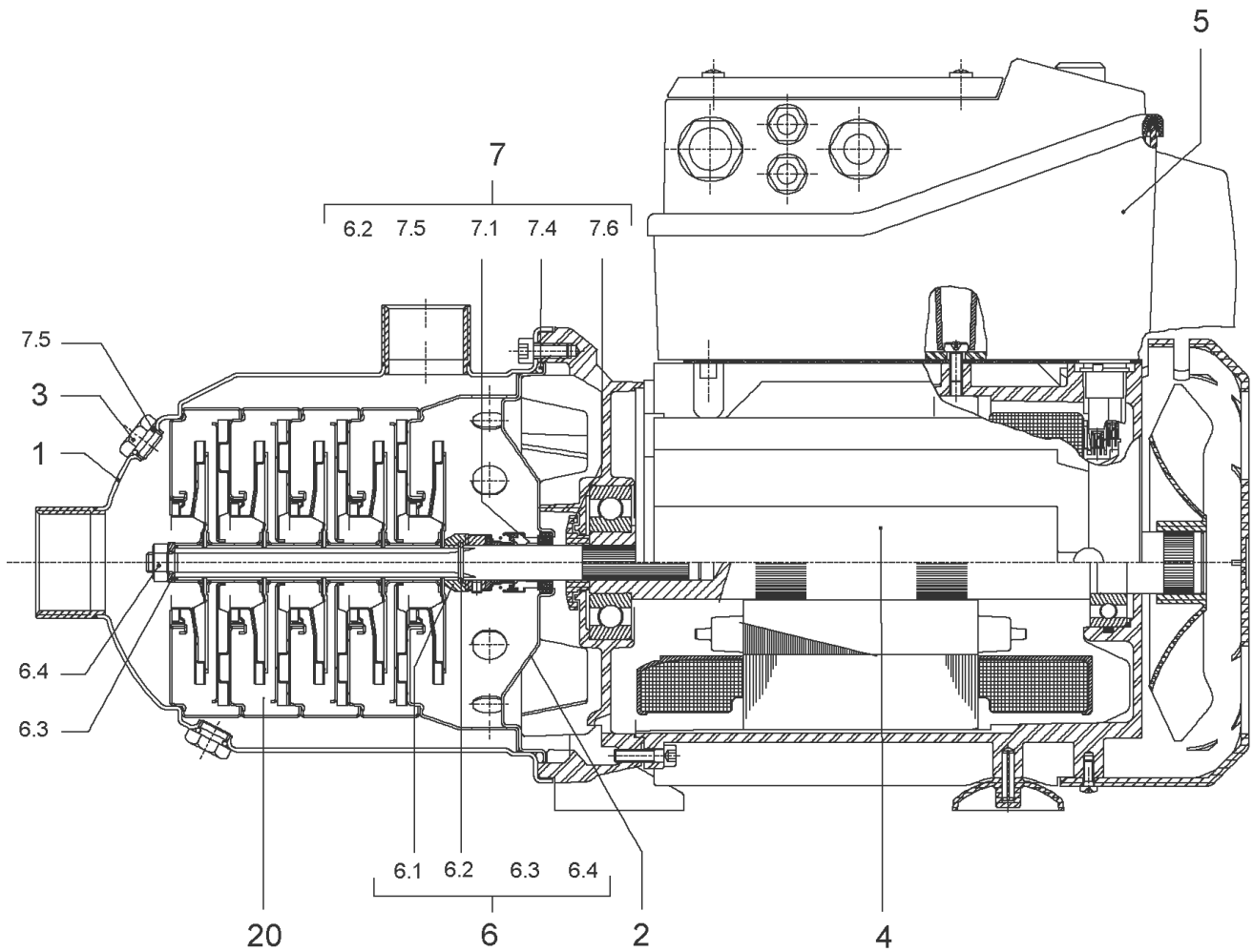
SPARE PARTS MOTOR MHIE205/403-2G

Item	Article no.	Description	Quantity
4.1	4007267	MOTOR-FAN-80-MHI Ø143	1
4.2	4038084	FAN-COVER-MOTOR80-D125-LOCKING	1
4.4	121084499	BALL BEARING 6204/2Z-C3 (HT) VP.	1
4.5	2021067	BALL BEARING 6304/2Z-C3 (HT) VP.	1



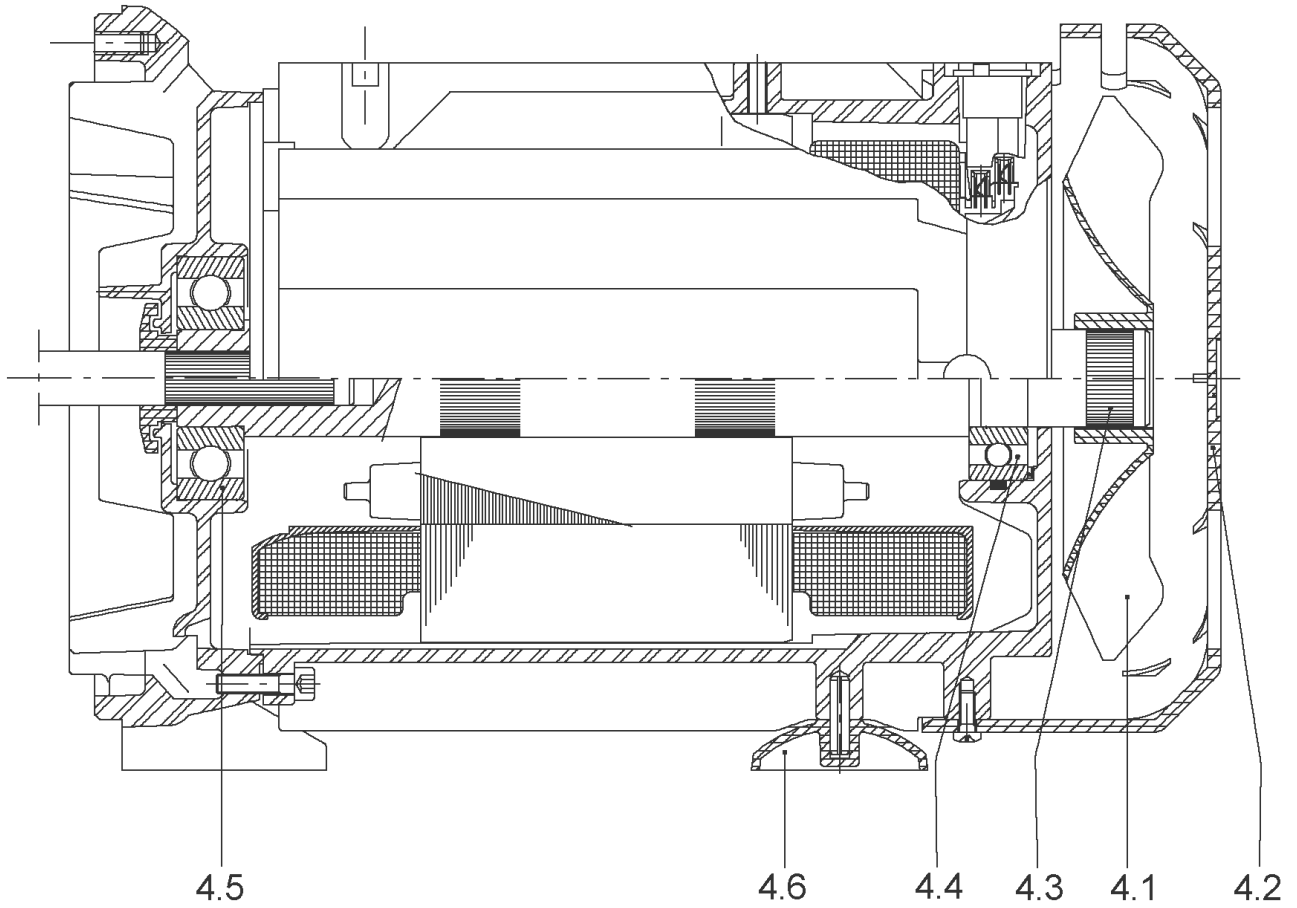
SPARE PARTS HYDRAULICS MHI/MHIE 1.4301

Item	Article no.	Description	Quantity
20.1	4015444	STAGE MHI402-405,MVI KIT	1
		> IMPELLER MVI4 D.98,5x3,1 1.4301	1
		> STAGE HOUSING O.RFK MVI2/4 1.4301	1
		> SPACER IMPELLER MVI2/4 1.4435	1
20.2	4015446	STAGE MHI4,MVI403-19 1.4301 KIT	1
		> IMPELLER MVI4 D.98,5x3,1 1.4301	1
		> SPACER IMPELLER MVI2/4 1.4435	1
		> STAGE HOUSING RFK.MVI2/4 1.4301	1
20.3	4015464	STAGE MHI403/05/06 1.4301KIT	1
		> IMPELLER MVI4 D.98,5x3,1 1.4301	1
		> SPACER IMPELLER MVI2/4 1.4435	1
		> UPPER STAGE-AV-C/R-JR-2/4M3-304	1



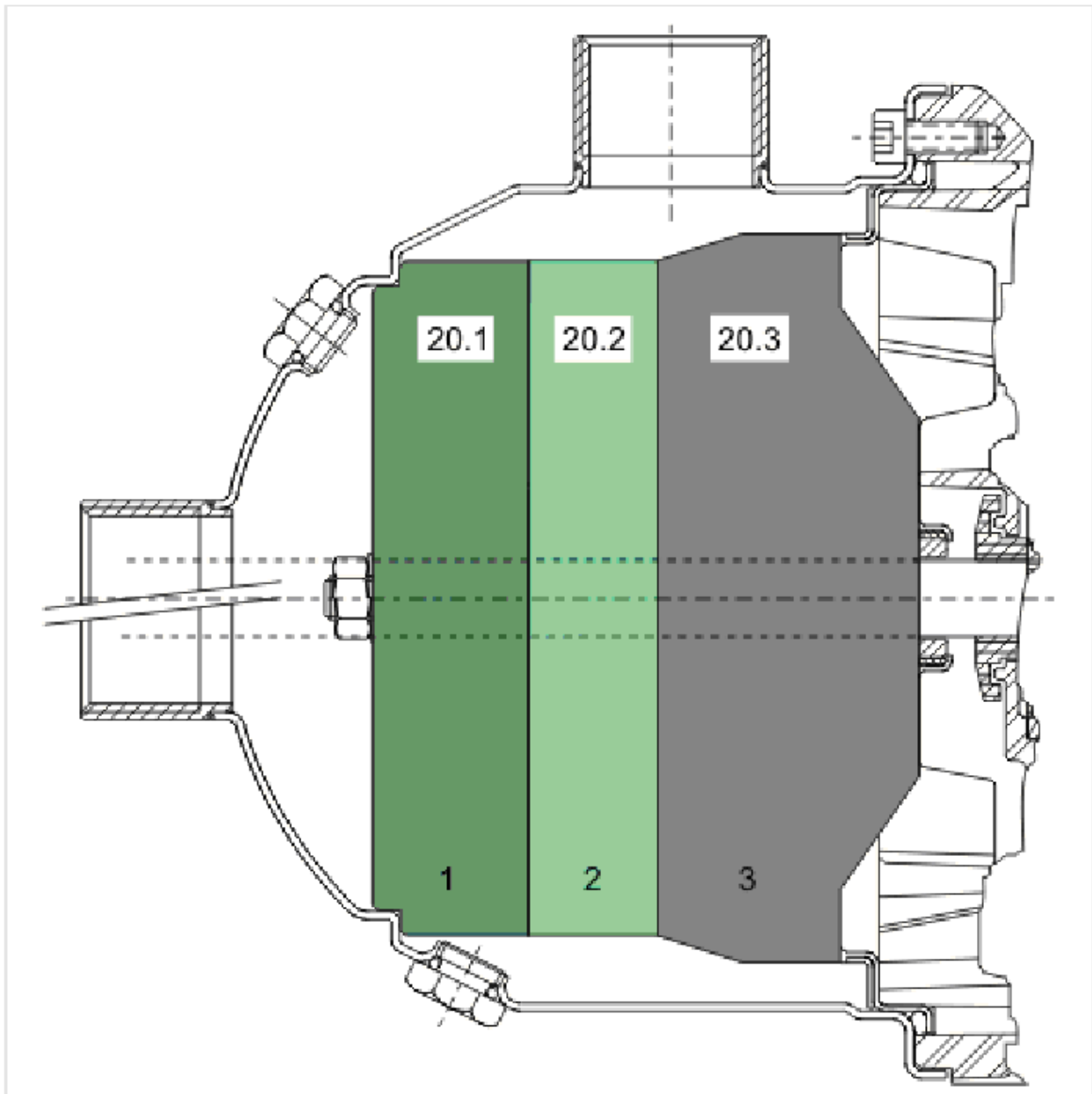
MHIE403-1/E/1-2/M13 (4073102)

Item	Article no.	Description	Quantity
1	4202811	PUMP HOUSING MHI402/403 1.4301 VP.	1
2	2120000	STATIONARY RING HOLD.ANTI-VORTEX 1.4307	1
3	4191450	PRIMING/DRAIN PLUG G1/4"-MHI-1.4301 VP.	1
4	4103201	COMPLETE-MOTOR-MHIE403-1	1
		SPARE PARTS MOTOR MHIE205/403 1~230V	1
5	4207596	Module MHIE-1,1KW-M13 KIT	1
6	4058529	SHAFT FIXING MHIE4 KIT	1
6.1		> STOP COLLAR OF IMPELLER L=8.7-Ø14-316L	1
6.2	2090148	> CIRCLIP D14 MVI/MHI 316L (2 PIECES) VP.	1
6.3		> FLAT WASHER-D8xD16x2.5-316L	1
6.4		> NUT-H-M8-STAINLESS-STEEL A4-70	1
7	4027347	MECHANICAL SEAL MHI KIT	1
6.2	2090148	> CIRCLIP D14 MVI/MHI 316L (2 PIECES) VP.	1
7.1	2127448	> MECH.SEAL MHI-MHIL-MVIL VP.	1
7.4	4235548	> O-RING ID.145 EPDM VP.	1
7.5	4235549	> O-RING I9X2 EPDM VP.	2
7.6		> THROWER-RUBBER-SH65/70	1
20		SPARE PARTS HYDRAULICS MHI/MHIE 1.4301	1



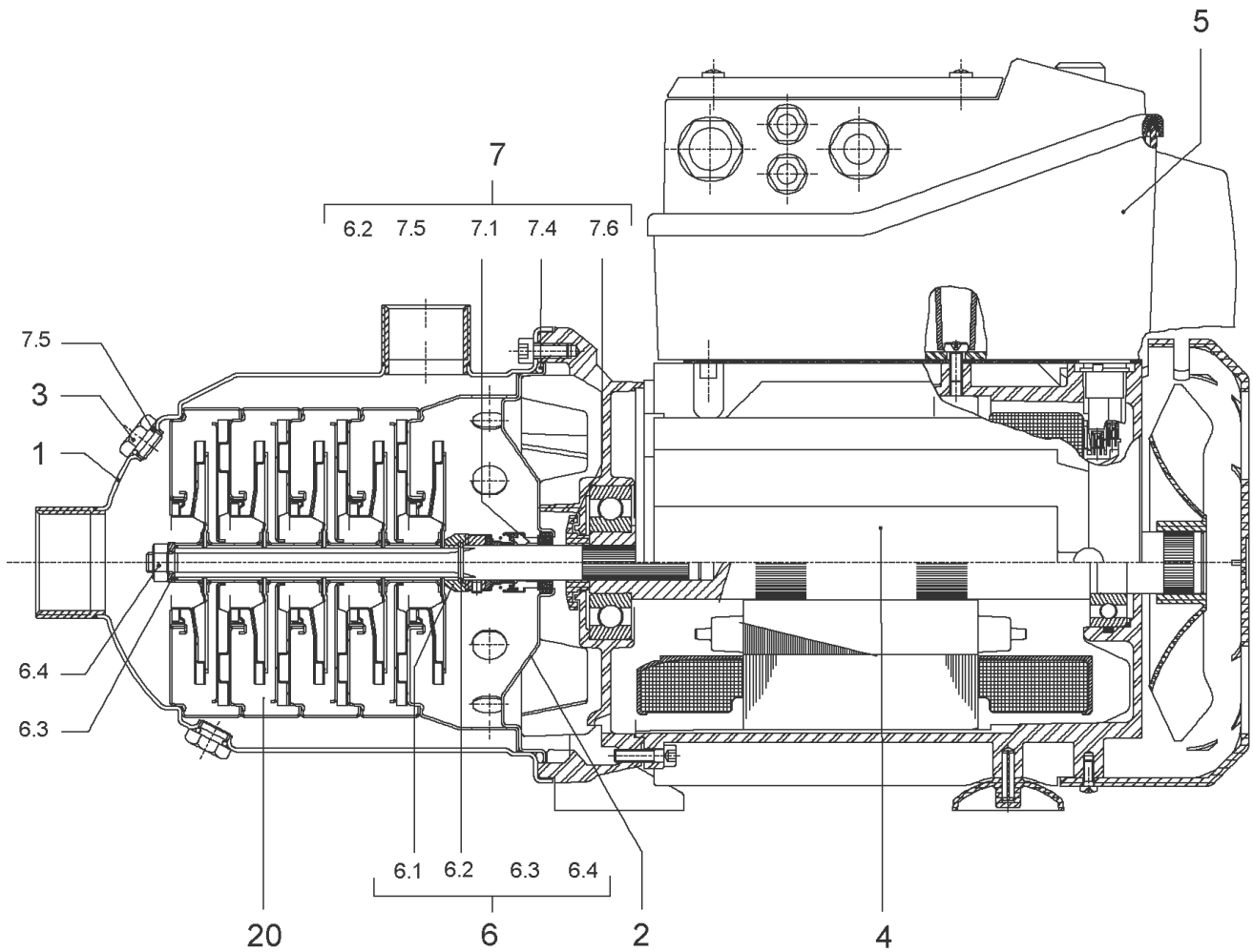
SPARE PARTS MOTOR MHIE205/403 1~230V

Item	Article no.	Description	Quantity
4.1	4210072	Motor-fan-71-MHI Ø128 VP.	1
4.2	4202863	FAN-COVER-MOTOR71-D110-LOCKING VP.	1
4.4	122097891	BALL BEARING 6202/2Z-C3 (HT) VP.	1
7.6	4185162	BALL-BEARING-6302-C3-DDU-E-EA6 VP.	1
4.6	4008242	MOTOR-SUPPORT-71	1



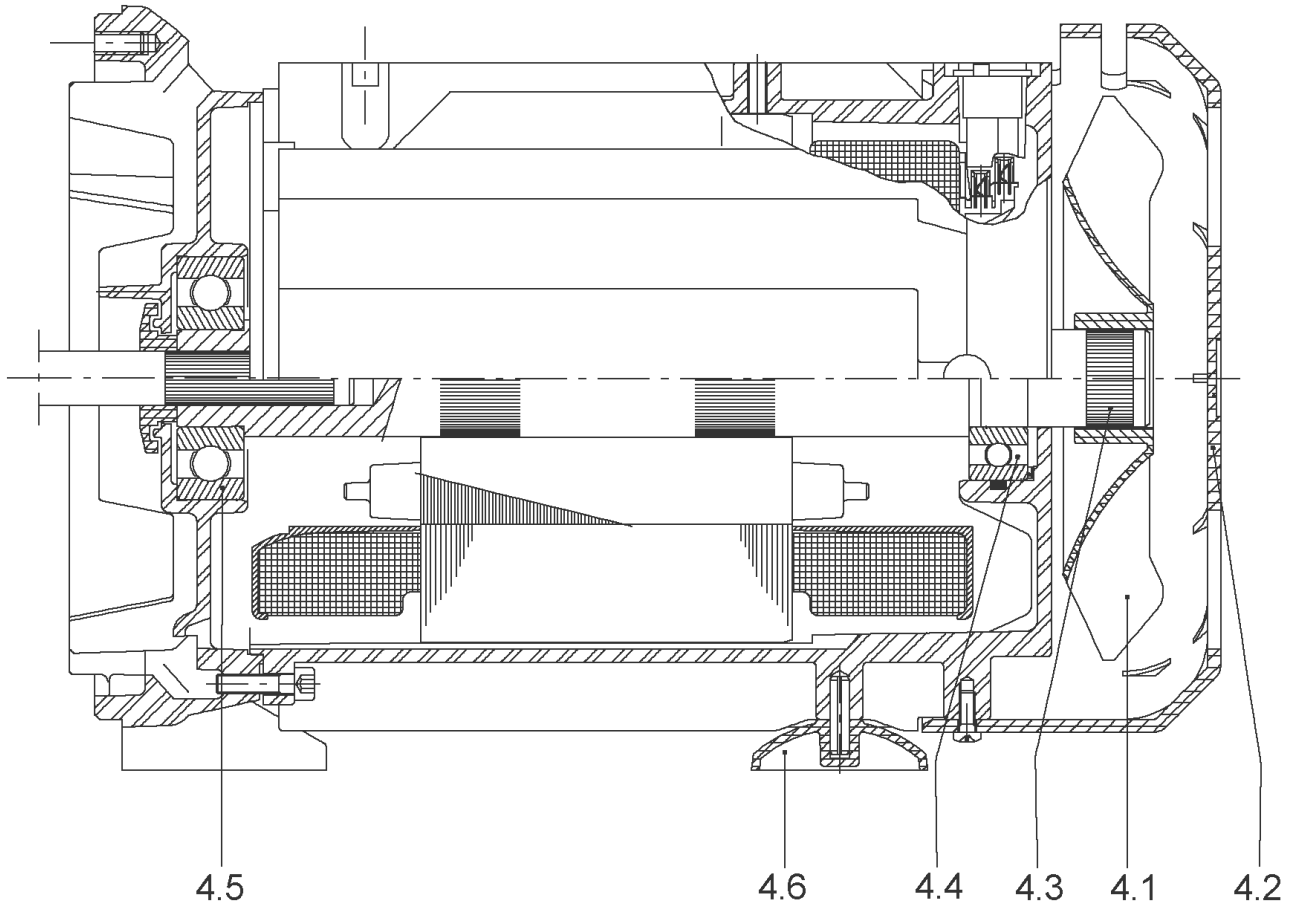
SPARE PARTS HYDRAULICS MHI/MHIE 1.4301

Item	Article no.	Description	Quantity
20.1	4015444	STAGE MHI402-405,MVI KIT	1
		> IMPELLER MVI4 D.98,5x3,1 1.4301	1
		> STAGE HOUSING O.RFK MVI2/4 1.4301	1
		> SPACER IMPELLER MVI2/4 1.4435	1
20.2	4015446	STAGE MHI4,MVI403-19 1.4301 KIT	1
		> IMPELLER MVI4 D.98,5x3,1 1.4301	1
		> SPACER IMPELLER MVI2/4 1.4435	1
		> STAGE HOUSING RFK.MVI2/4 1.4301	1
20.3	4015464	STAGE MHI403/05/06 1.4301KIT	1
		> IMPELLER MVI4 D.98,5x3,1 1.4301	1
		> SPACER IMPELLER MVI2/4 1.4435	1
		> UPPER STAGE-AV-C/R-JR-2/4M3-304	1



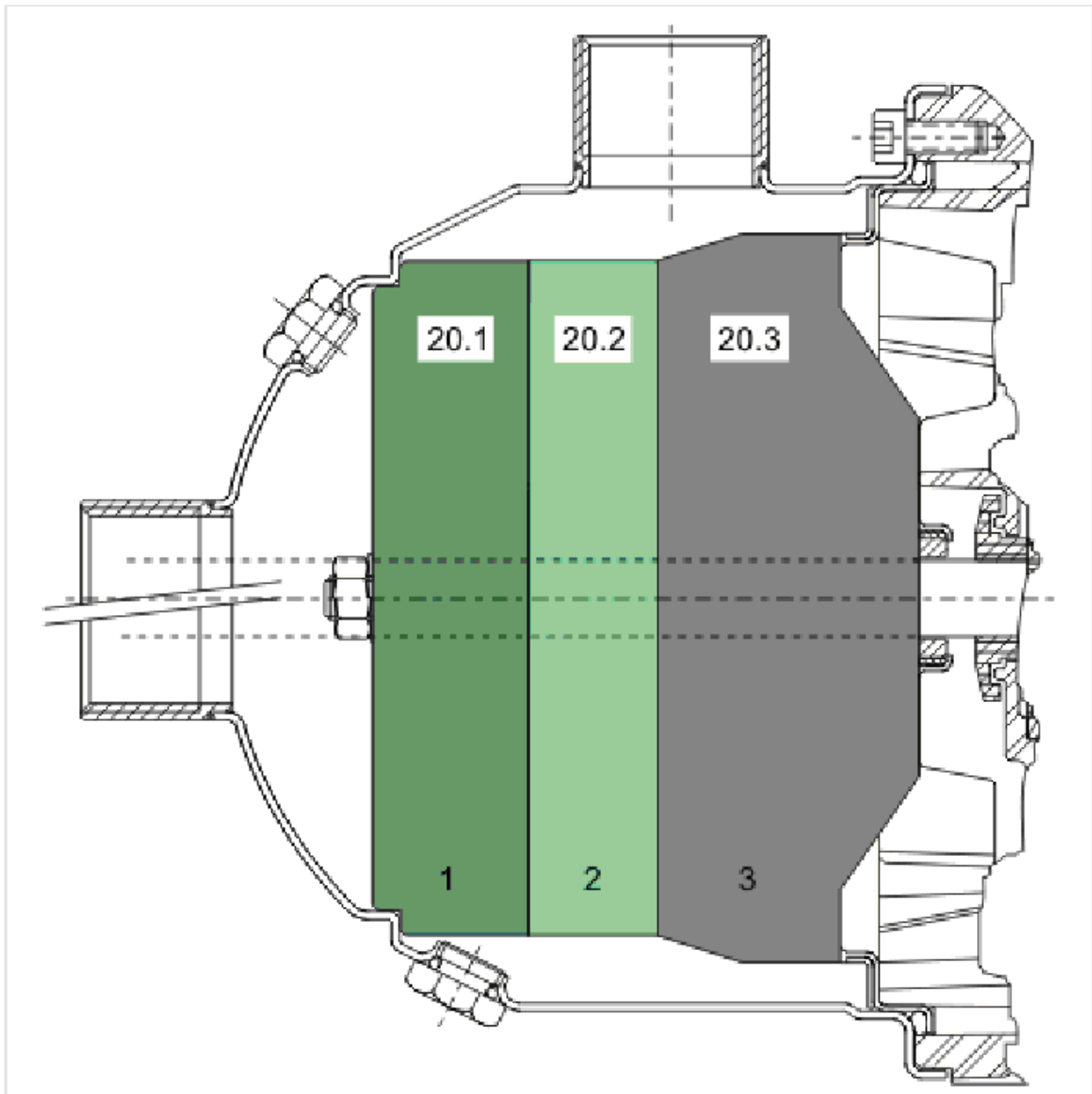
MHIE403-1/E/1-2/M2 (4073103)

Item	Article no.	Description	Quantity
1	4202811	PUMP HOUSING MHI402/403 1.4301 VP.	1
2	2120000	STATIONARY RING HOLD.ANTI-VORTEX 1.4307	1
3	4191450	PRIMING/DRAIN PLUG G1/4"-MHI-1.4301 VP.	1
4	4103201	COMPLETE-MOTOR-MHIE403-1	1
		SPARE PARTS MOTOR MHIE205/403 1~230V	1
5	4178796	Module MHIE-1,1KW-M2 KIT	1
6	4058529	SHAFT FIXING MHIE4 KIT	1
6.1		> STOP COLLAR OF IMPELLER L=8.7-Ø14-316L	1
6.2	2090148	> CIRCLIP D14 MVI/MHI 316L (2 PIECES) VP.	1
6.3		> FLAT WASHER-D8xD16x2.5-316L	1
6.4		> NUT-H-M8-STAINLESS-STEEL A4-70	1
7	4027347	MECHANICAL SEAL MHI KIT	1
6.2	2090148	> CIRCLIP D14 MVI/MHI 316L (2 PIECES) VP.	1
7.1	2127448	> MECH.SEAL MHI-MHIL-MVIL VP.	1
7.4	4235548	> O-RING ID.145 EPDM VP.	1
7.5	4235549	> O-RING I9X2 EPDM VP.	2
7.6		> THROWER-RUBBER-SH65/70	1
20		SPARE PARTS HYDRAULICS MHI/MHIE 1.4301	1



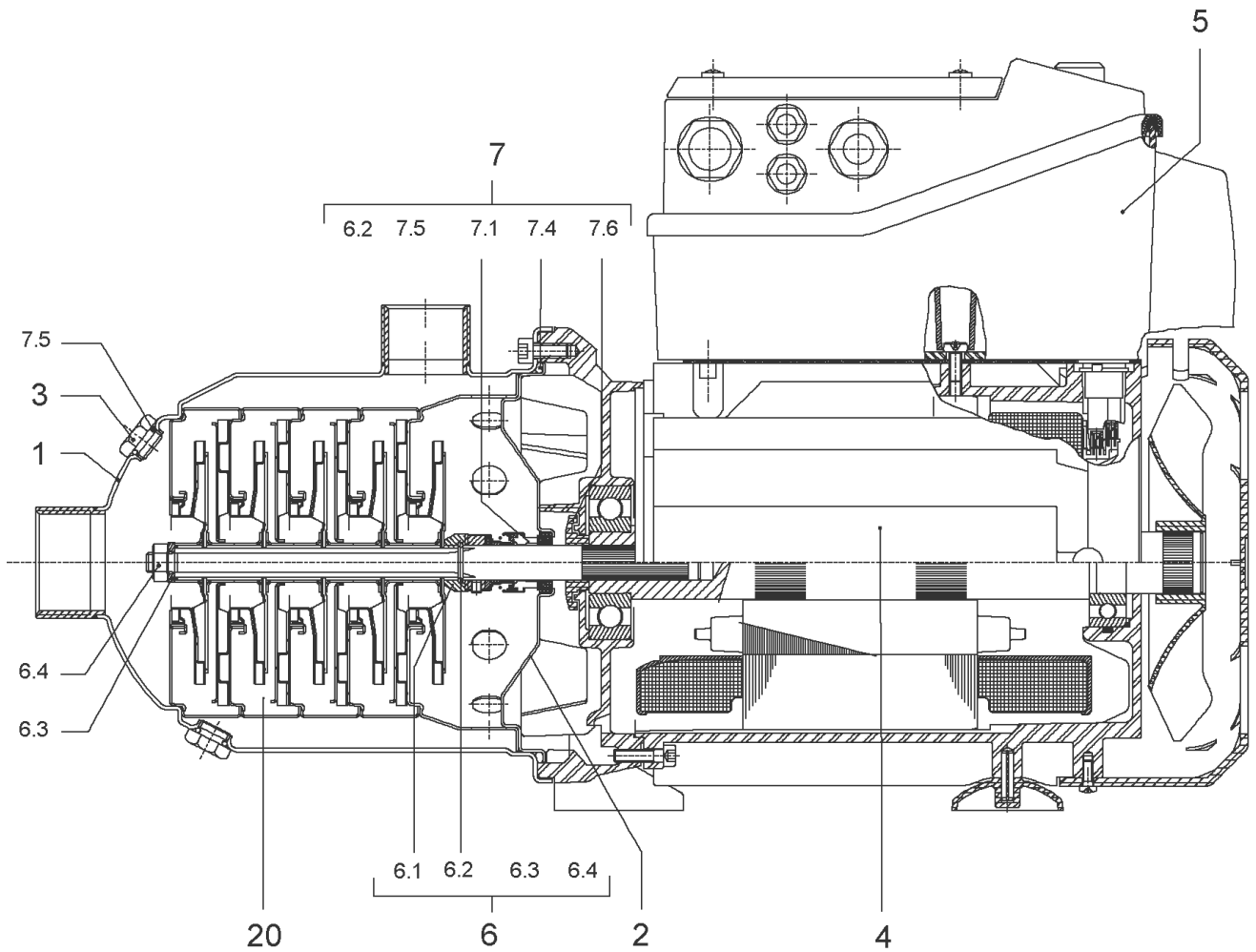
SPARE PARTS MOTOR MHIE205/403 1~230V

Item	Article no.	Description	Quantity
4.1	4210072	Motor-fan-71-MHI Ø128 VP.	1
4.2	4202863	FAN-COVER-MOTOR71-D110-LOCKING VP.	1
4.4	122097891	BALL BEARING 6202/2Z-C3 (HT) VP.	1
7.6	4185162	BALL-BEARING-6302-C3-DDU-E-EA6 VP.	1
4.6	4008242	MOTOR-SUPPORT-71	1



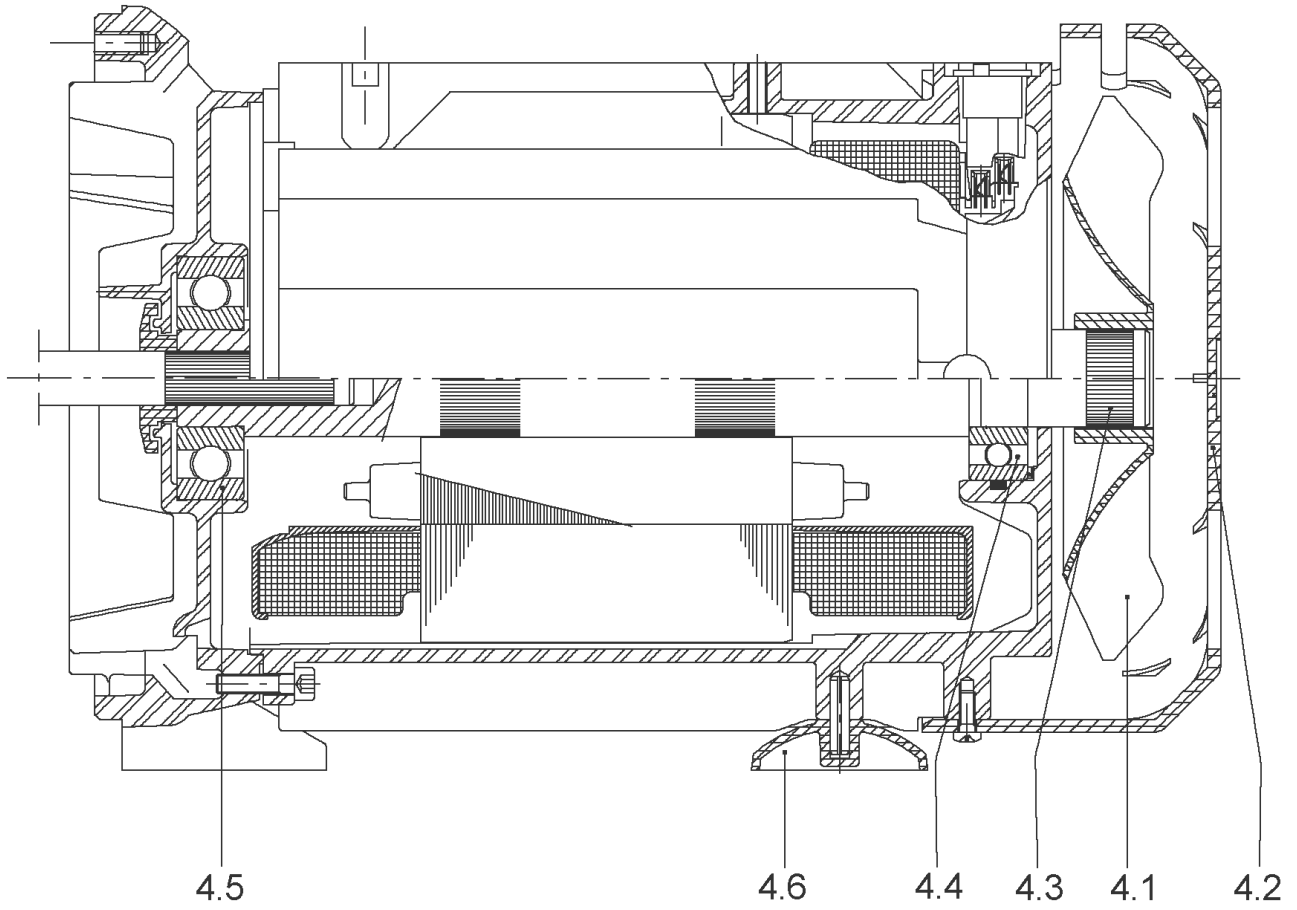
SPARE PARTS HYDRAULICS MHI/MHIE 1.4301

Item	Article no.	Description	Quantity
20.1	4015444	STAGE MHI402-405,MVI KIT	1
		> IMPELLER MVI4 D.98,5x3,1 1.4301	1
		> STAGE HOUSING O.RFK MVI2/4 1.4301	1
		> SPACER IMPELLER MVI2/4 1.4435	1
20.2	4015446	STAGE MHI4,MVI403-19 1.4301 KIT	1
		> IMPELLER MVI4 D.98,5x3,1 1.4301	1
		> SPACER IMPELLER MVI2/4 1.4435	1
		> STAGE HOUSING RFK.MVI2/4 1.4301	1
20.3	4015464	STAGE MHI403/05/06 1.4301KIT	1
		> IMPELLER MVI4 D.98,5x3,1 1.4301	1
		> SPACER IMPELLER MVI2/4 1.4435	1
		> UPPER STAGE-AV-C/R-JR-2/4M3-304	1



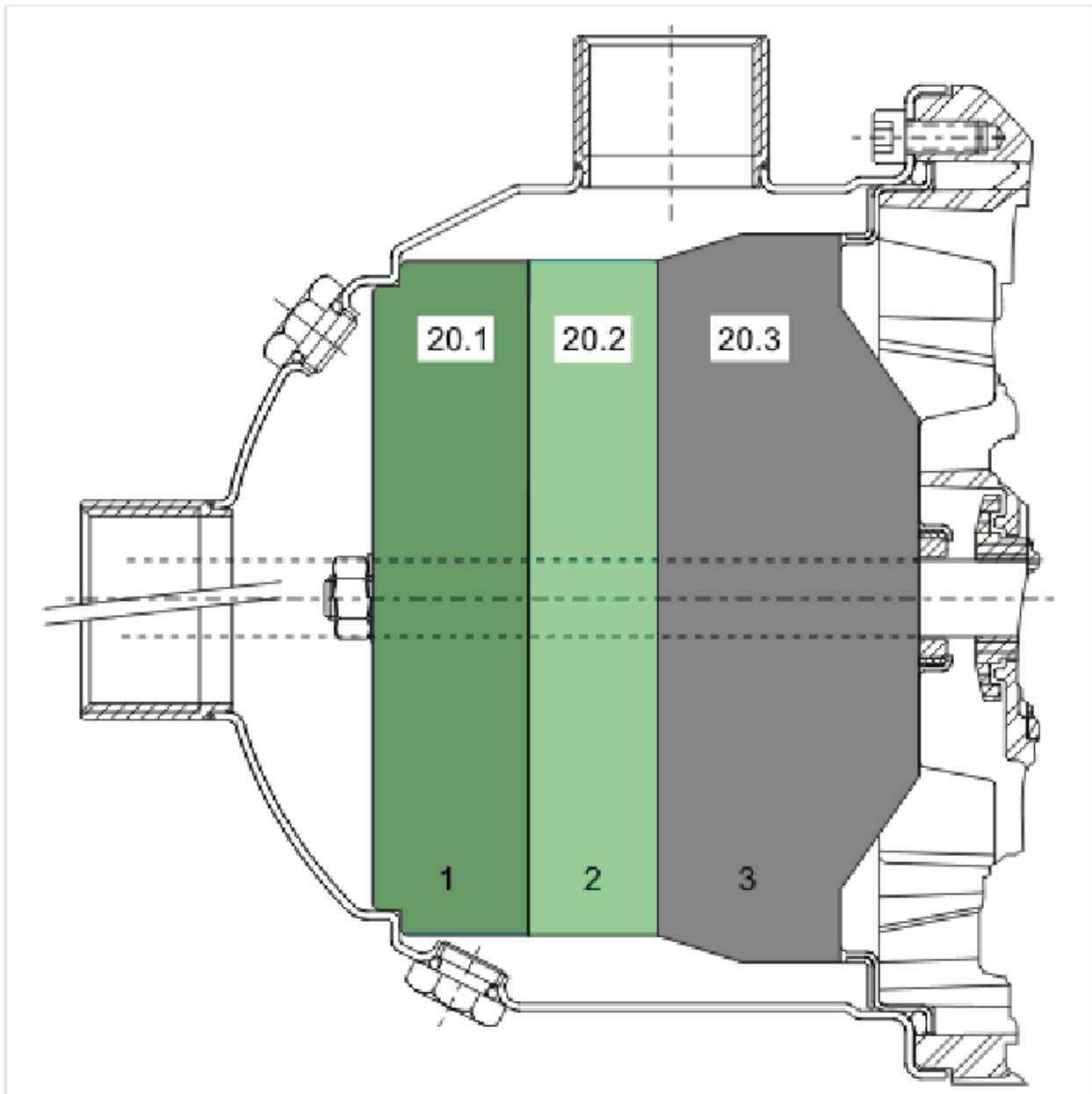
MHIE403-2/V/3-2-2G (4077403)

Item	Article no.	Description	Quantity
1	4202820	PUMP HOUSING MHI402/403 1.4404 VP.	1
2	2120001	STATIONARY RING HOLD.ANTI-VORTEX 1.4404	1
3	4202825	PRIMING/DRAIN PLUG G1/4"-MHI-1.4404 VP.	1
4		MO.MHIE 1,1/2/80N 3~400V IE1 VP.	1
Note: no longer available/nicht mehrlieferbar/n'est plus disponible			
		SPARE PARTS MOTOR MHIE205/403-2G	1
5		MODULE MVIE/MHIE-1,1KW TL1/2	1
Note: no longer available/nicht mehrlieferbar/n'est plus disponible			
6	4058529	SHAFT FIXING MHIE4 KIT	1
6.1		> STOP COLLAR OF IMPELLER L=8.7-Ø14-316L	1
6.2	2090148	> CIRCLIP D14 MVI/MHI 316L (2 PIECES) VP.	1
6.3		> FLAT WASHER-D8xD16x2.5-316L	1
6.4		> NUT-H-M8-STAINLESS-STEEL A4-70	1
7.5	4027348	ASSEMBLY GRD.MHI2../4../8.. VITON VP.	1
6.2	2090148	> CIRCLIP D14 MVI/MHI 316L (2 PIECES) VP.	1
7.1	2127451	> MECH.SEAL MG12/14-G606-Q1BVGG-BU.VP.	1
7.4	4233953	> O-RING ID.145 VITON VP.	1
7.5	4234238	> O-RING 9X2 VITON VP.	1
7.6		> THROWER-RUBBER-SH65/70	1
20		SPARE PARTS HYDRAULICS MHI/MHIE 1.4404	1



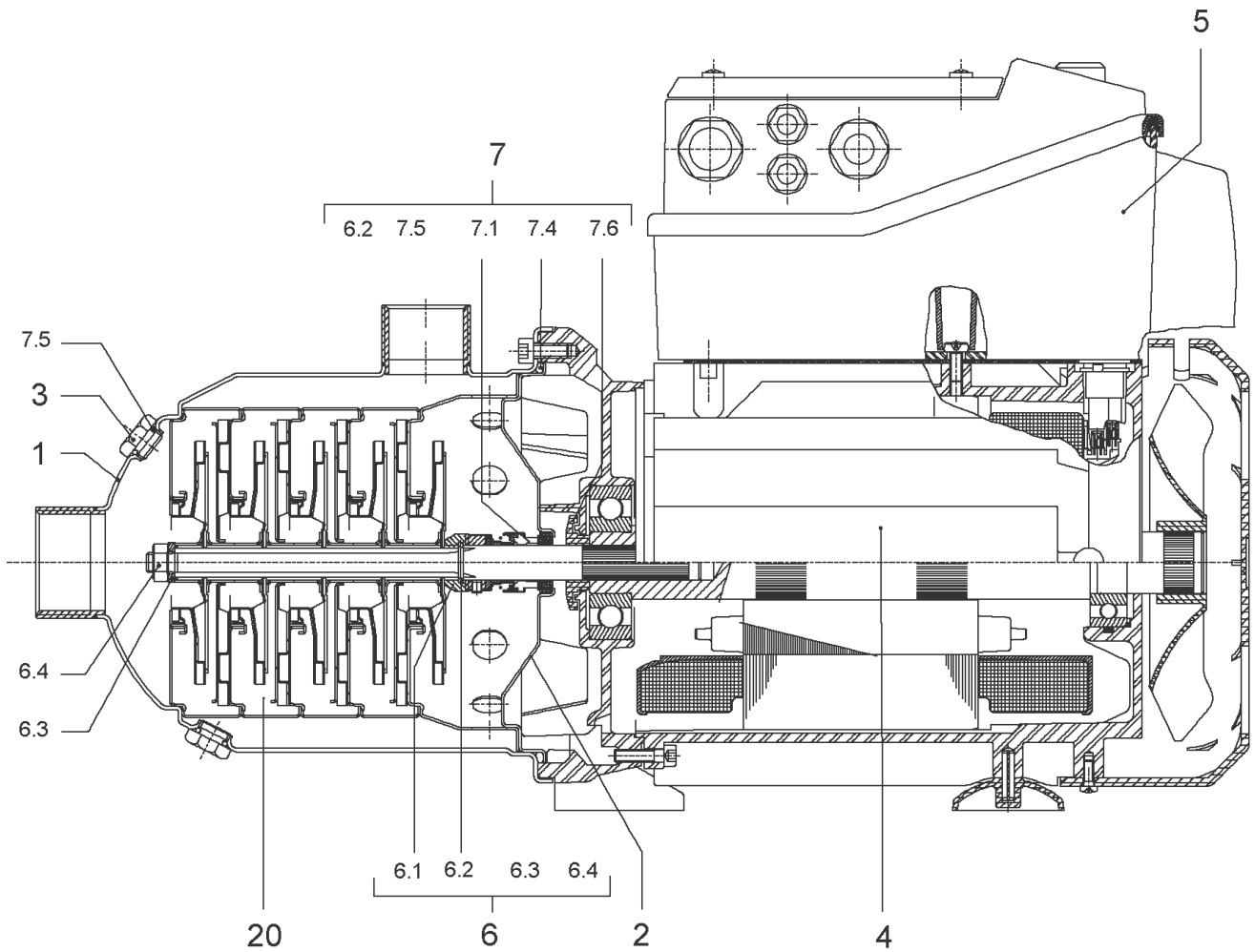
SPARE PARTS MOTOR MHIE205/403-2G

Item	Article no.	Description	Quantity
4.1	4007267	MOTOR-FAN-80-MHI Ø143	1
4.2	4038084	FAN-COVER-MOTOR80-D125-LOCKING	1
4.4	121084499	BALL BEARING 6204/2Z-C3 (HT) VP.	1
4.5	2021067	BALL BEARING 6304/2Z-C3 (HT) VP.	1



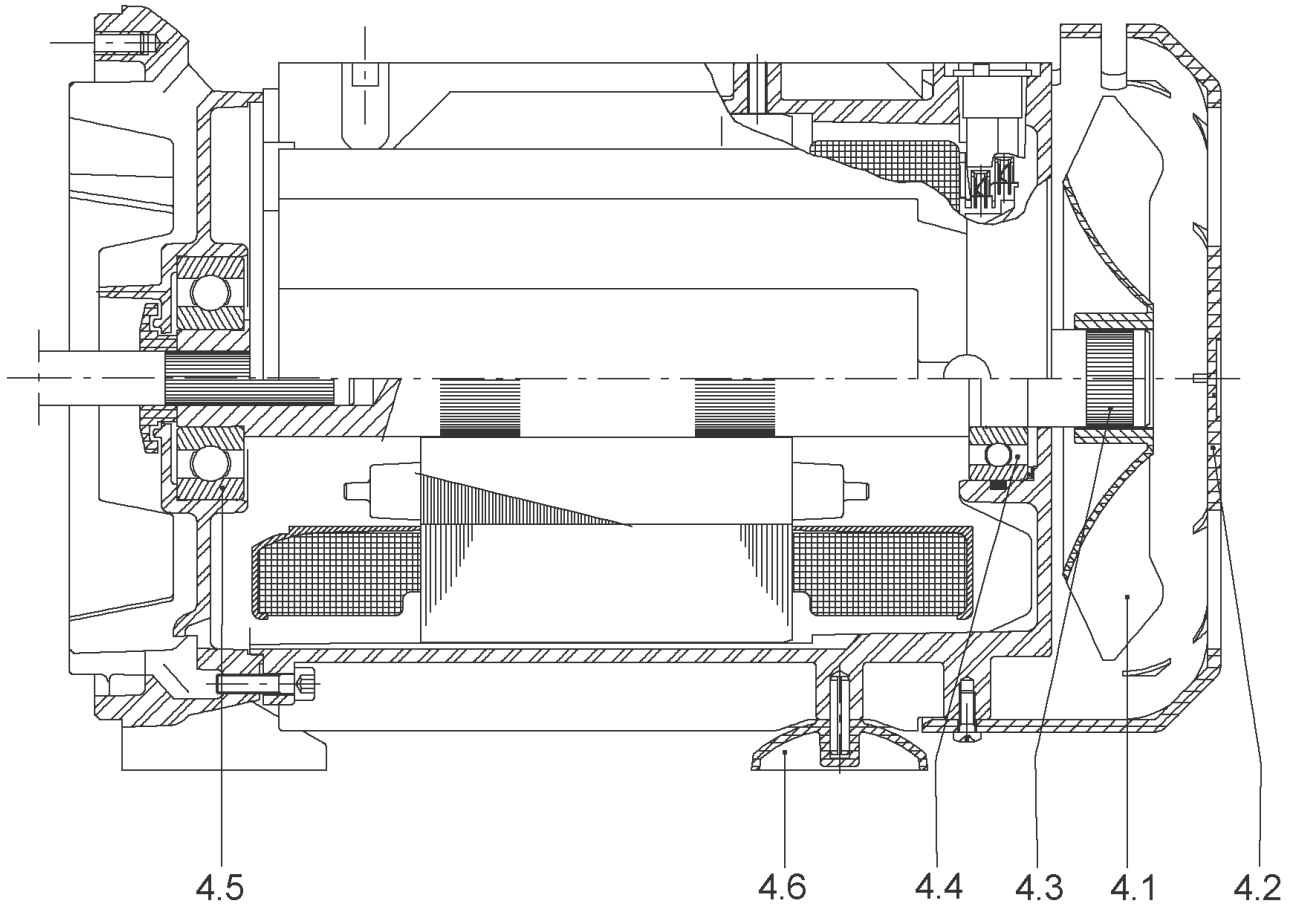
SPARE PARTS HYDRAULICS MHI/MHIE 1.4404

Item	Article no.	Description	Quantity
20.1	4026335	ASSEMBLY LR./STF.GH.MHI402-405,MVI402 1.	1
		> IMPELLER-VMI/HMI-SERIE.4-316L	1
		> STAGE CASING WITHOUT-R/G-2/4M3-316L	1
		> SPACER IMPELLER MVI2/4 1.4435	1
20.2	4026337	ASSEMBLY LR.STF.GH.RFK.MHI4,MVI403-419 1	1
		> IMPELLER-VMI/HMI-SERIE.4-316L	1
		> SPACER IMPELLER MVI2/4 1.4435	1
		> STAGE CASING-AV-C/R-2/4M3-316L	1
20.3	4026408	ASSEMBLY ZENTRIER-GH.+LR.MHI403/5/6 1.44	1
		> IMPELLER-VMI/HMI-SERIE.4-316L	1
		> SPACER IMPELLER MVI2/4 1.4435	1
		> UPPER STAGE-AV-C/R-JR-2/4M3-316L	1



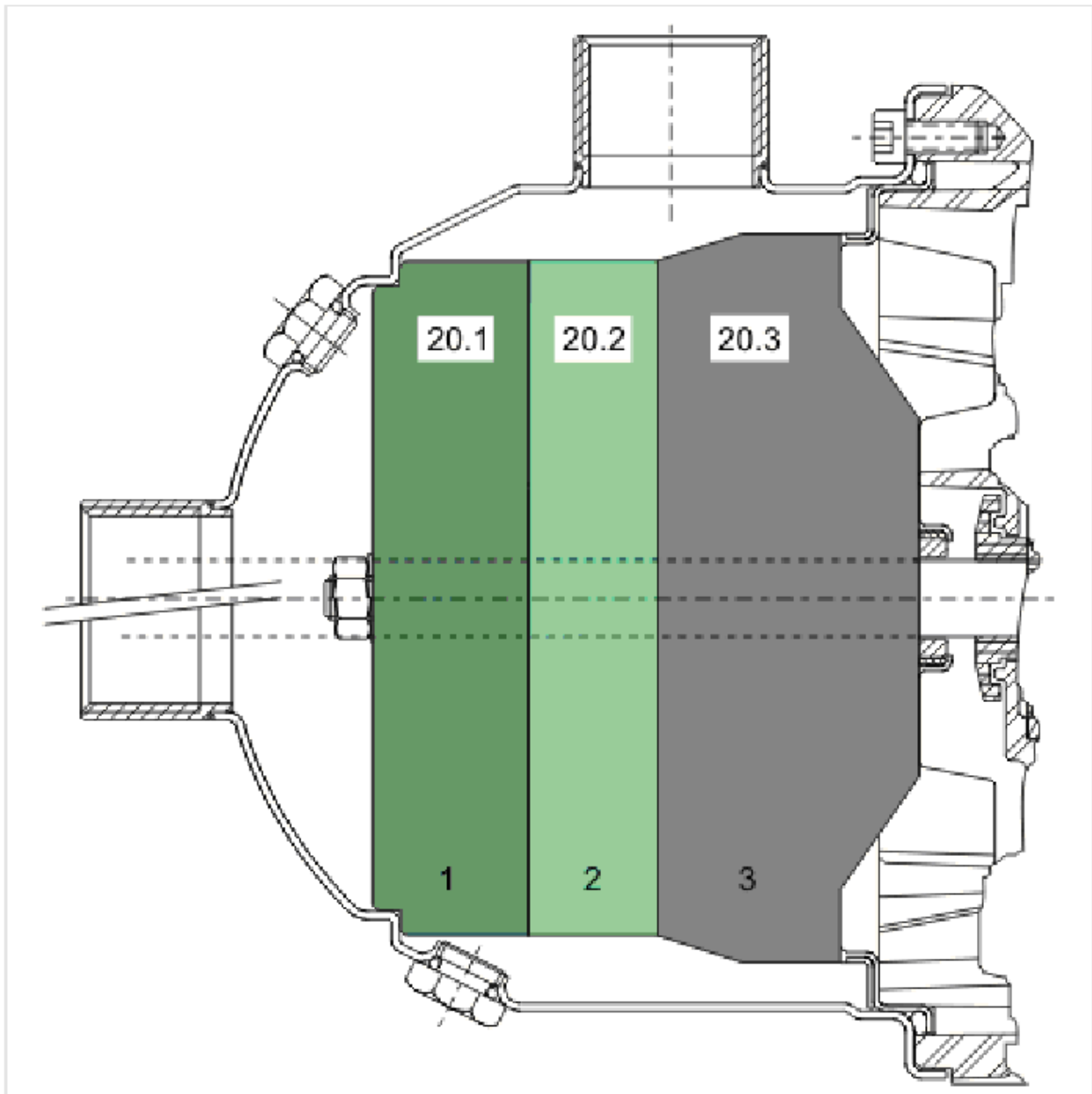
MHIE403-2/V/1-2/M13 (4073106)

Item	Article no.	Description	Quantity
1	4202820	PUMP HOUSING MHI402/403 1.4404 VP.	1
2	2120001	STATIONARY RING HOLD.ANTI-VORTEX 1.4404	1
3	4202825	PRIMING/DRAIN PLUG G1/4"-MHI-1.4404 VP.	1
4	4144273	COMPLETE-MOTOR-MHIE 403-2/V/1-2/M13/B	1
		SPARE PARTS MOTOR MHIE205/403 1~230V	1
5	4207596	Module MHIE-1,1KW-M13 KIT	1
6	4058529	SHAFT FIXING MHIE4 KIT	1
6.1		> STOP COLLAR OF IMPELLER L=8.7-Ø14-316L	1
6.2	2090148	> CIRCLIP D14 MVI/MHI 316L (2 PIECES) VP.	1
6.3		> FLAT WASHER-D8xD16x2.5-316L	1
6.4		> NUT-H-M8-STAINLESS-STEEL A4-70	1
7.5	4027348	ASSEMBLY GRD.MHI2../4../8.. VITON VP.	1
6.2	2090148	> CIRCLIP D14 MVI/MHI 316L (2 PIECES) VP.	1
7.1	2127451	> MECH.SEAL MG12/14-G606-Q1BVGG-BU.VP.	1
7.4	4233953	> O-RING ID.145 VITON VP.	1
7.5	4234238	> O-RING 9X2 VITON VP.	1
7.6		> THROWER-RUBBER-SH65/70	1
20		SPARE PARTS HYDRAULICS MHI/MHIE 1.4404	1



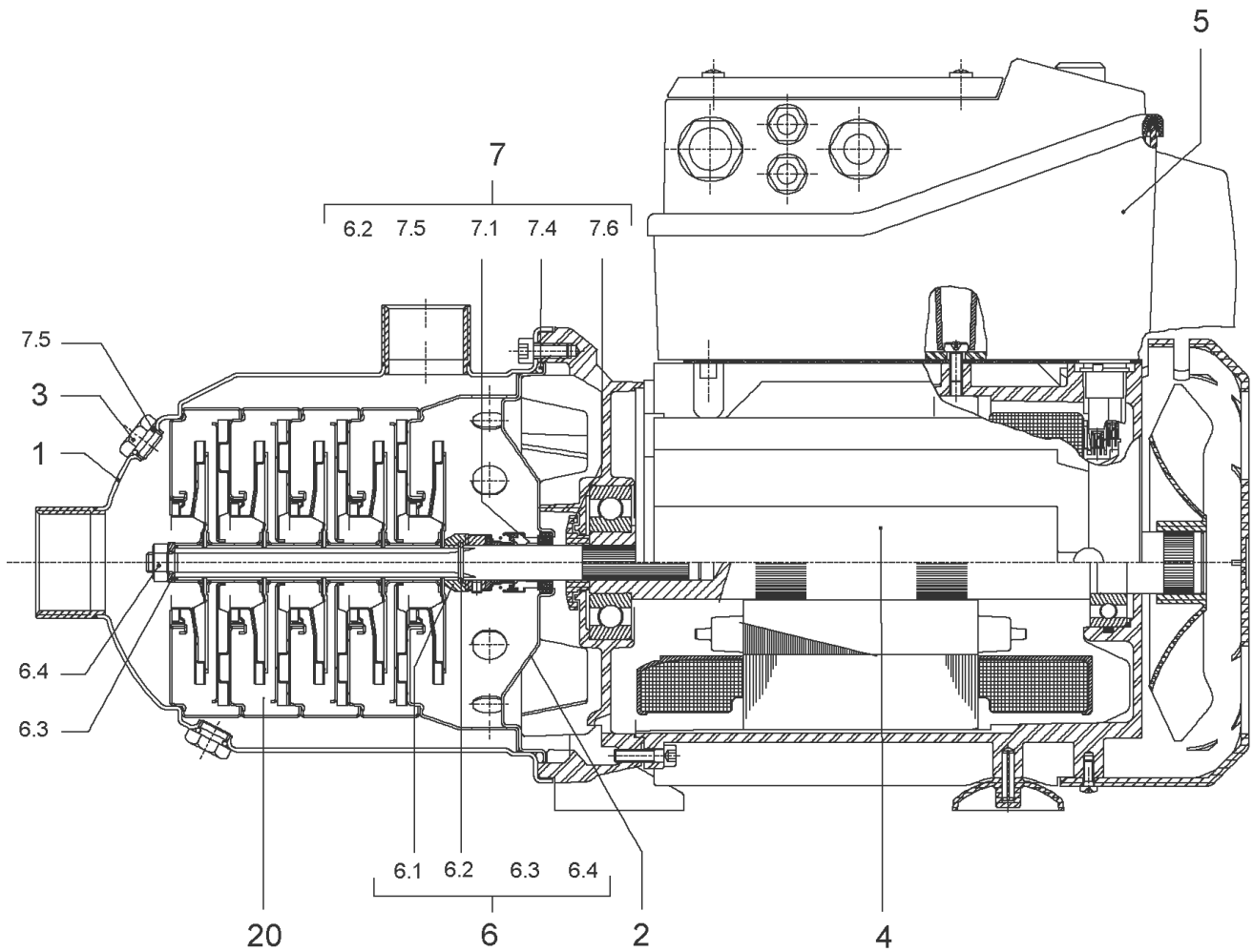
SPARE PARTS MOTOR MHIE205/403 1~230V

Item	Article no.	Description	Quantity
4.1	4210072	Motor-fan-71-MHI Ø128 VP.	1
4.2	4202863	FAN-COVER-MOTOR71-D110-LOCKING VP.	1
4.4	122097891	BALL BEARING 6202/2Z-C3 (HT) VP.	1
7.6	4185162	BALL-BEARING-6302-C3-DDU-E-EA6 VP.	1
4.6	4008242	MOTOR-SUPPORT-71	1



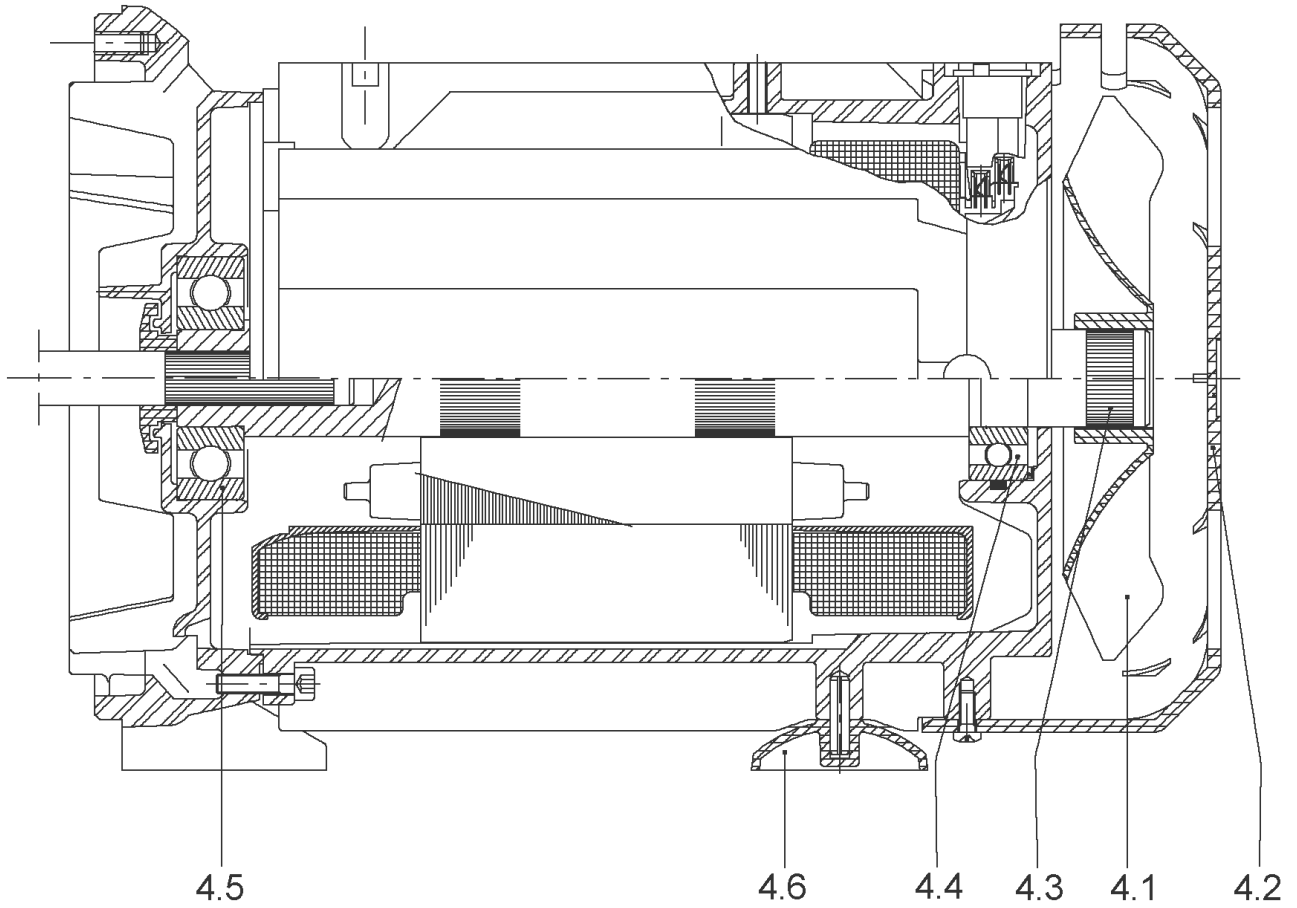
SPARE PARTS HYDRAULICS MHI/MHIE 1.4404

Item	Article no.	Description	Quantity
20.1	4026335	ASSEMBLY LR./STF.GH.MHI402-405,MVI402 1.	1
		> IMPELLER-VMI/HMI-SERIE.4-316L	1
		> STAGE CASING WITHOUT-R/G-2/4M3-316L	1
		> SPACER IMPELLER MVI2/4 1.4435	1
20.2	4026337	ASSEMBLY LR.STF.GH.RFK.MHI4,MVI403-419 1	1
		> IMPELLER-VMI/HMI-SERIE.4-316L	1
		> SPACER IMPELLER MVI2/4 1.4435	1
		> STAGE CASING-AV-C/R-2/4M3-316L	1
20.3	4026408	ASSEMBLY ZENTRIER-GH.+LR.MHI403/5/6 1.44	1
		> IMPELLER-VMI/HMI-SERIE.4-316L	1
		> SPACER IMPELLER MVI2/4 1.4435	1
		> UPPER STAGE-AV-C/R-JR-2/4M3-316L	1



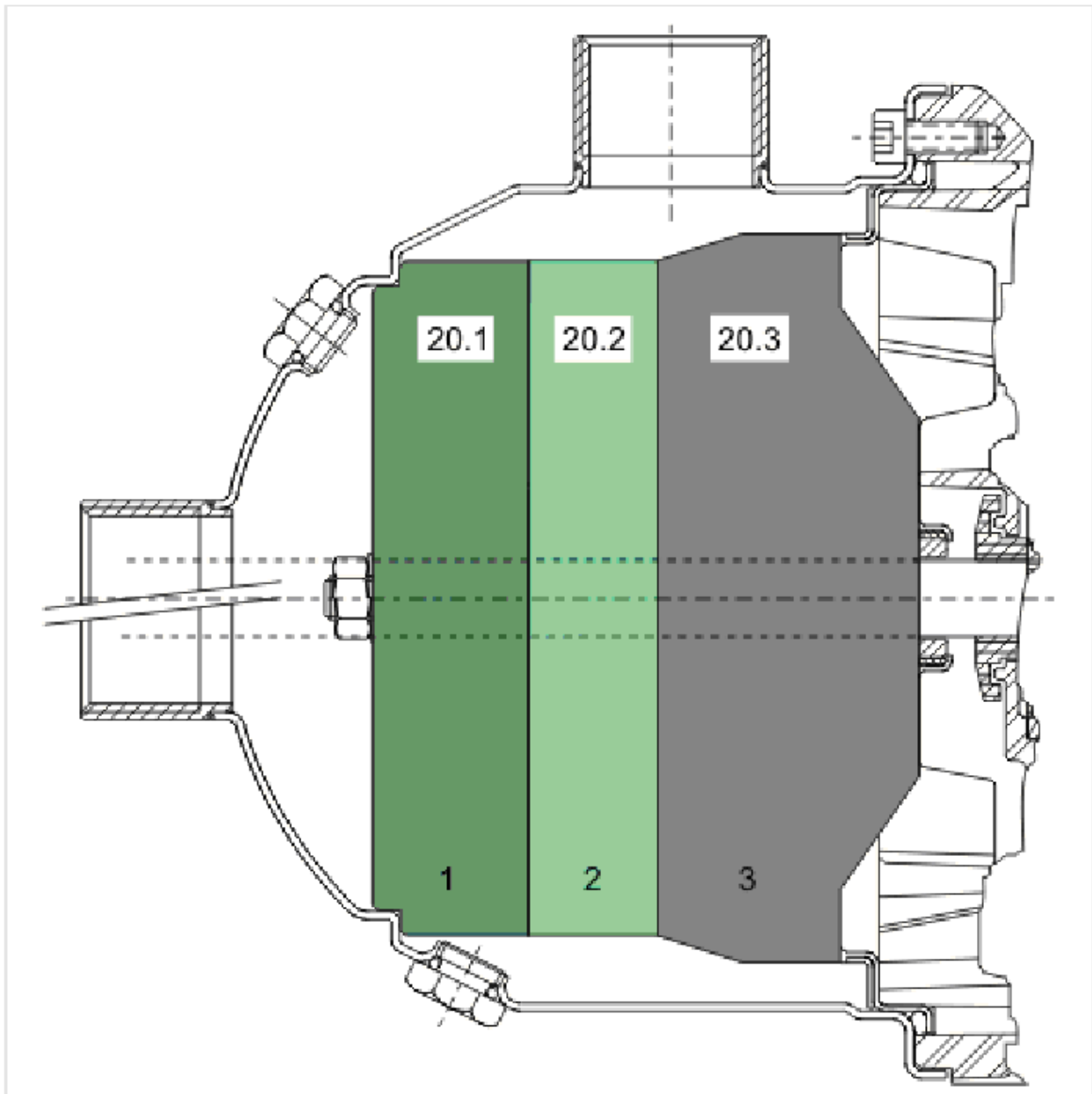
MHIE403-2/V/1-2/M2 (4073107)

Item	Article no.	Description	Quantity
1	4202820	PUMP HOUSING MHI402/403 1.4404 VP.	1
2	2120001	STATIONARY RING HOLD.ANTI-VORTEX 1.4404	1
3	4202825	PRIMING/DRAIN PLUG G1/4"-MHI-1.4404 VP.	1
4	4144273	COMPLETE-MOTOR-MHIE 403-2/V/1-2/M13/B	1
		SPARE PARTS MOTOR MHIE205/403 1~230V	1
5	4178796	Module MHIE-1,1KW-M2 KIT	1
6	4058529	SHAFT FIXING MHIE4 KIT	1
6.1		> STOP COLLAR OF IMPELLER L=8.7-Ø14-316L	1
6.2	2090148	> CIRCLIP D14 MVI/MHI 316L (2 PIECES) VP.	1
6.3		> FLAT WASHER-D8xD16x2.5-316L	1
6.4		> NUT-H-M8-STAINLESS-STEEL A4-70	1
7.5	4027348	ASSEMBLY GRD.MHI2../4../8.. VITON VP.	1
6.2	2090148	> CIRCLIP D14 MVI/MHI 316L (2 PIECES) VP.	1
7.1	2127451	> MECH.SEAL MG12/14-G606-Q1BVGG-BU.VP.	1
7.4	4233953	> O-RING ID.145 VITON VP.	1
7.5	4234238	> O-RING 9X2 VITON VP.	1
7.6		> THROWER-RUBBER-SH65/70	1
20		SPARE PARTS HYDRAULICS MHI/MHIE 1.4404	1



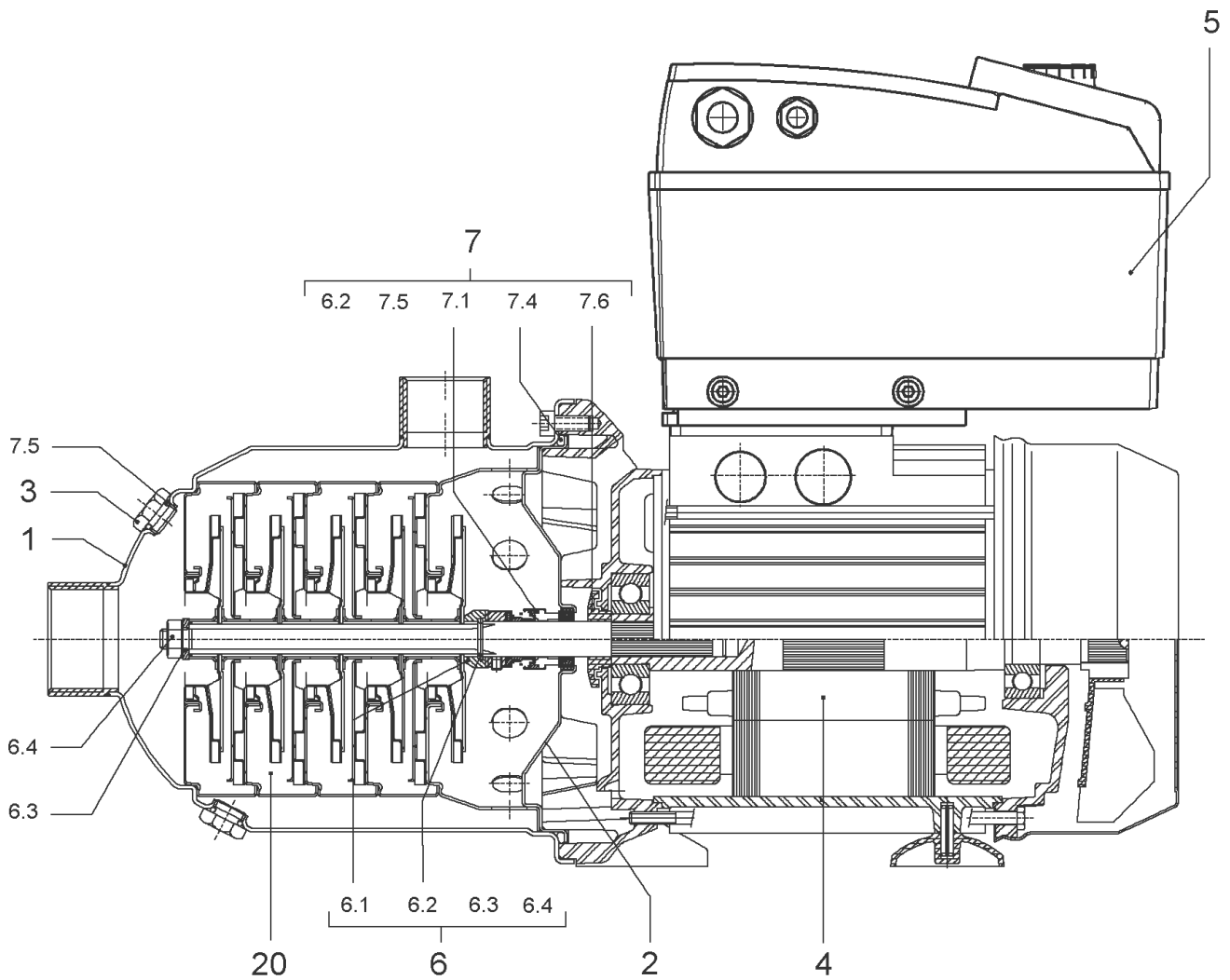
SPARE PARTS MOTOR MHIE205/403 1~230V

Item	Article no.	Description	Quantity
4.1	4210072	Motor-fan-71-MHI Ø128 VP.	1
4.2	4202863	FAN-COVER-MOTOR71-D110-LOCKING VP.	1
4.4	122097891	BALL BEARING 6202/2Z-C3 (HT) VP.	1
7.6	4185162	BALL-BEARING-6302-C3-DDU-E-EA6 VP.	1
4.6	4008242	MOTOR-SUPPORT-71	1



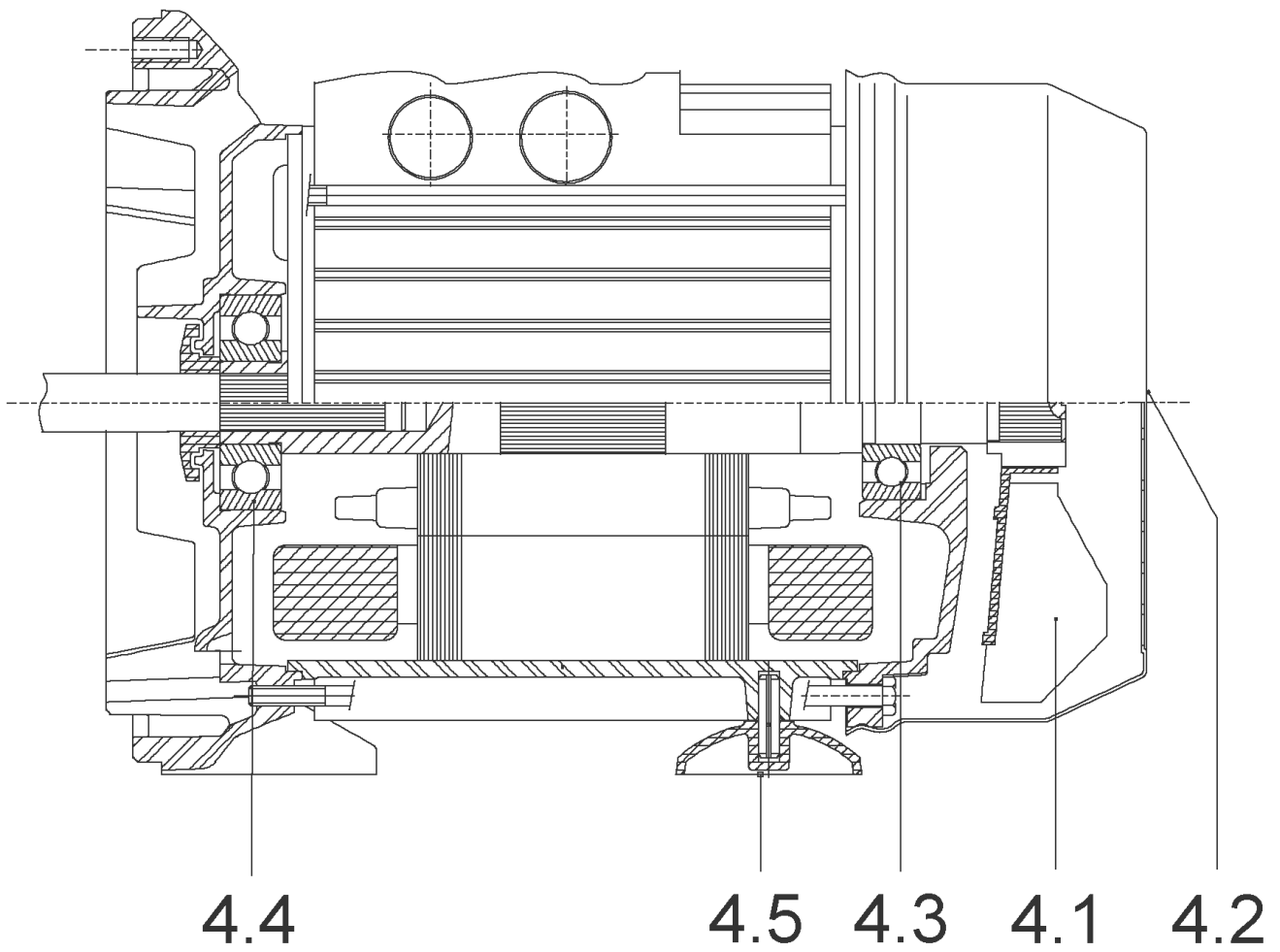
SPARE PARTS HYDRAULICS MHI/MHIE 1.4404

Item	Article no.	Description	Quantity
20.1	4026335	ASSEMBLY LR./STF.GH.MHI402-405,MVI402 1.	1
		> IMPELLER-VMI/HMI-SERIE.4-316L	1
		> STAGE CASING WITHOUT-R/G-2/4M3-316L	1
		> SPACER IMPELLER MVI2/4 1.4435	1
20.2	4026337	ASSEMBLY LR.STF.GH.RFK.MHI4,MVI403-419 1	1
		> IMPELLER-VMI/HMI-SERIE.4-316L	1
		> SPACER IMPELLER MVI2/4 1.4435	1
		> STAGE CASING-AV-C/R-2/4M3-316L	1
20.3	4026408	ASSEMBLY ZENTRIER-GH.+LR.MHI403/5/6 1.44	1
		> IMPELLER-VMI/HMI-SERIE.4-316L	1
		> SPACER IMPELLER MVI2/4 1.4435	1
		> UPPER STAGE-AV-C/R-JR-2/4M3-316L	1



MHIE403N-1/E/3-2-2G (4148412)

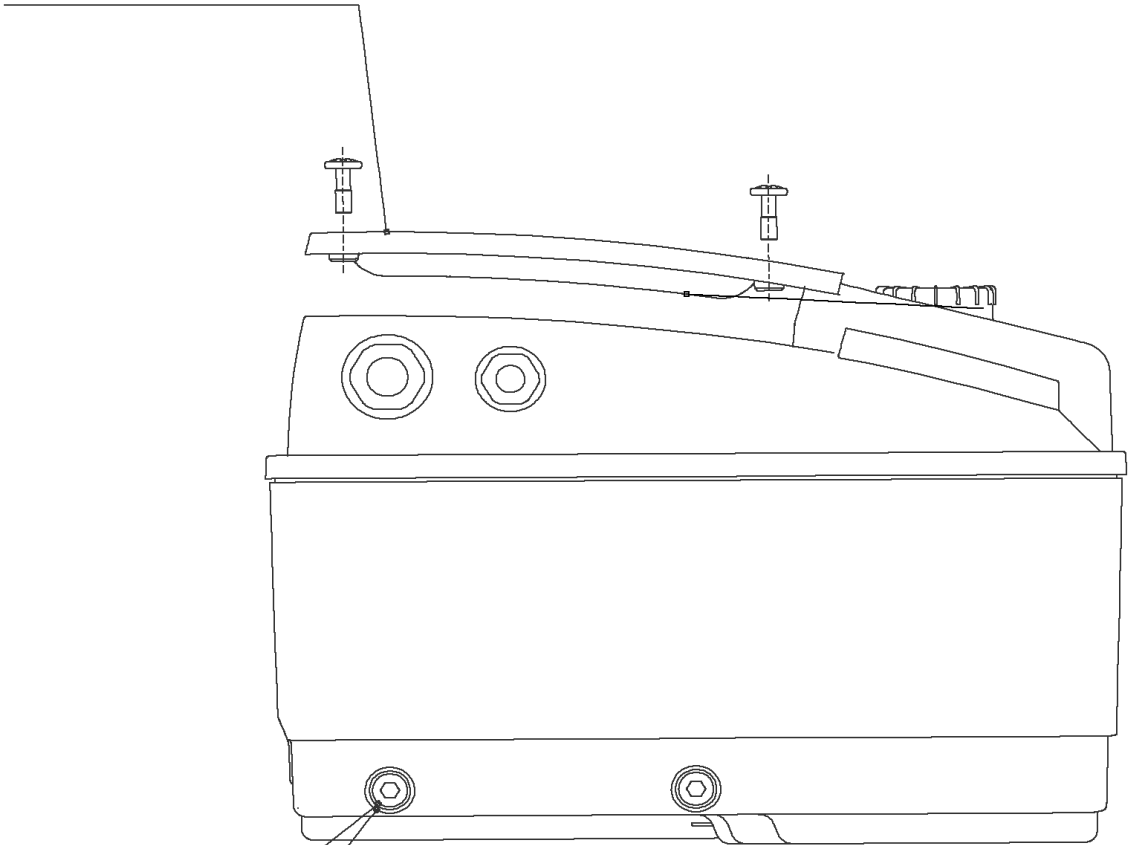
Item	Article no.	Description	Quantity
1	4202811	PUMP HOUSING MHI402/403 1.4301 VP.	1
2	2120000	STATIONARY RING HOLD.ANTI-VORTEX 1.4307	1
3	4191450	PRIMING/DRAIN PLUG G1/4"-MHI-1.4301 VP.	1
4	4166969	COMPLETE MOTOR MHIE403N-1/E/3-2-2G VP.	1
		SPARE PARTS MOTOR MHIE 2/4/8	1
5	4167748	MODULE MHIE403N-IE2-WE KIT	1
6	4058529	SHAFT FIXING MHIE4 KIT	1
6.1		> STOP COLLAR OF IMPELLER L=8.7-Ø14-316L	1
6.2	2090148	> CIRCLIP D14 MVI/MHI 316L (2 PIECES) VP.	1
6.3		> FLAT WASHER-D8xD16x2.5-316L	1
6.4		> NUT-H-M8-STAINLESS-STEEL A4-70	1
7	4027347	MECHANICAL SEAL MHI KIT	1
6.2	2090148	> CIRCLIP D14 MVI/MHI 316L (2 PIECES) VP.	1
7.1	2127448	> MECH.SEAL MHI-MHIL-MVIL VP.	1
7.4	4235548	> O-RING ID.145 EPDM VP.	1
7.5	4235549	> O-RING I9X2 EPDM VP.	2
7.6		> THROWER-RUBBER-SH65/70	1
20		SPARE PARTS HYDRAULICS MHI/MHIE 1.4301	1



SPARE PARTS MOTOR MHIE 2/4/8

Item	Article no.	Description	Quantity
4.1	4230651	FAN MOTOR WE 0,75 KW VP.	1
4.2	2107779	FAN HOOD BG80 ELEC KIT	1
2.13A		> FAN COVER IEC80 KTL ST14 T0.8 H60	1
2.13B	2111323	> SCREW M4X6 (4 PIECES)	1
Note: Please give the data from type plate of the motor			
4.3	4179326	BALL-BEARING-6204-C3-DDU-E-EA6 VP.	1
4.4	4185236	BALL-BEARING-6304-C3-DDU-E-EA6 VP.	1
4.5	4234216	MOTOR FOOT WILO ELEC IEC80 KIT	1

5.1



5.2

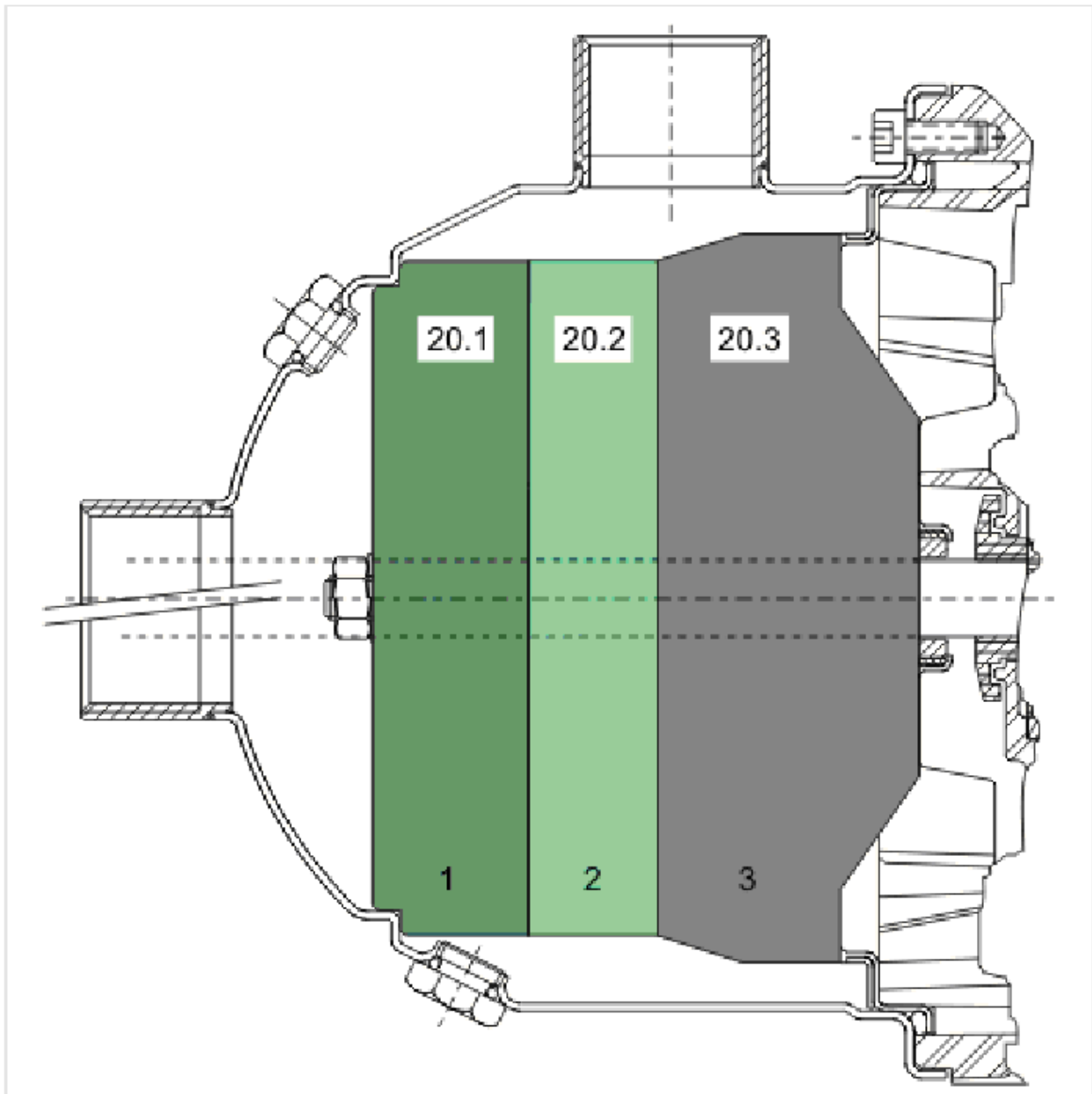


5.3



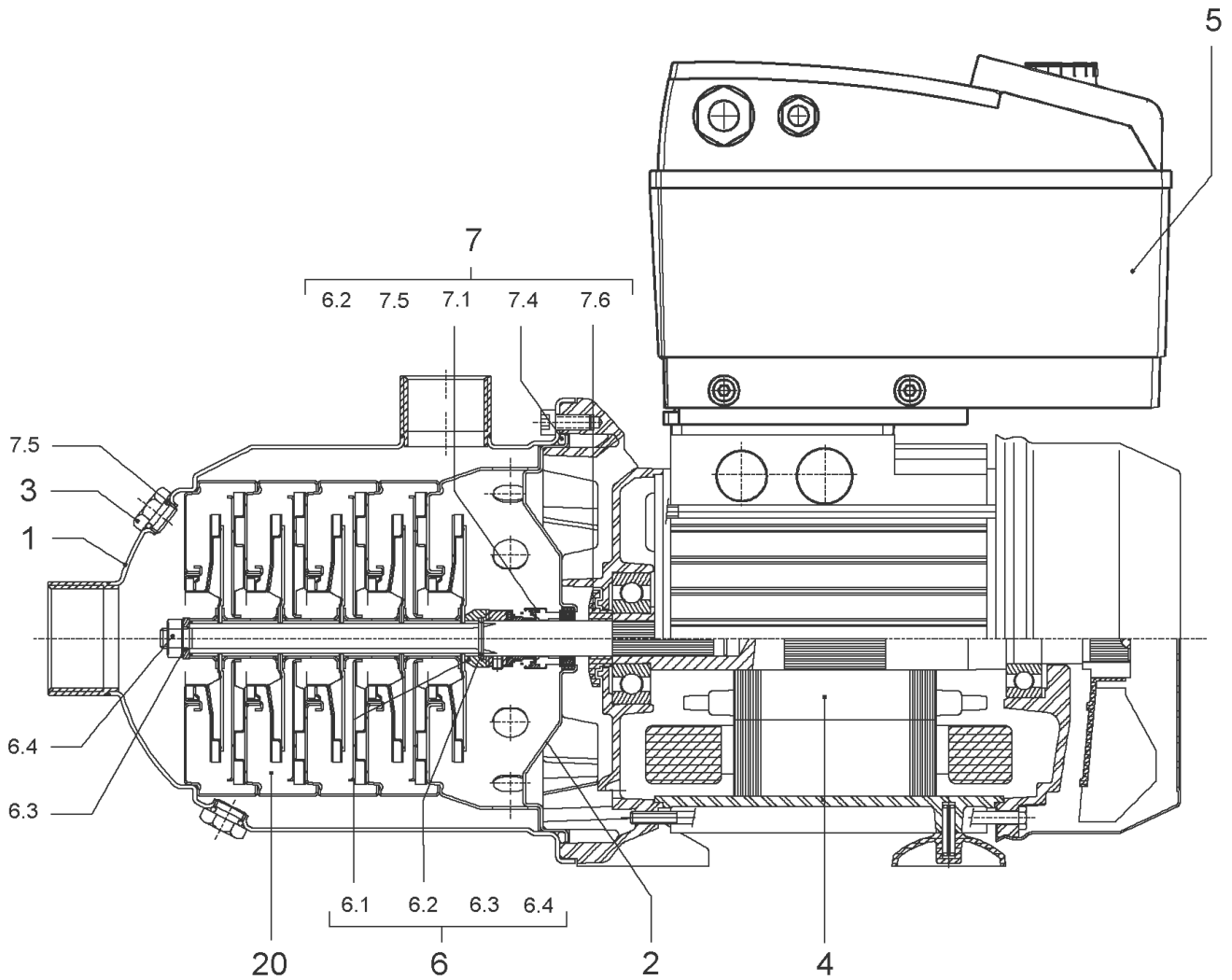
MODULE MHIE403N-IE2-WE KIT (4167748)

Item	Article no.	Description	Quantity
5.1	2054372	MODULE COVER TL1,TL2+GASKET KIT	1
5.2	4215716	SCREW M5X16 DIN912 8.8 A2A (4pieces) VP.	1
5.3	2057978	RONDELLE A5,3 DIN6797 FST ZN (4 PIECES)	1



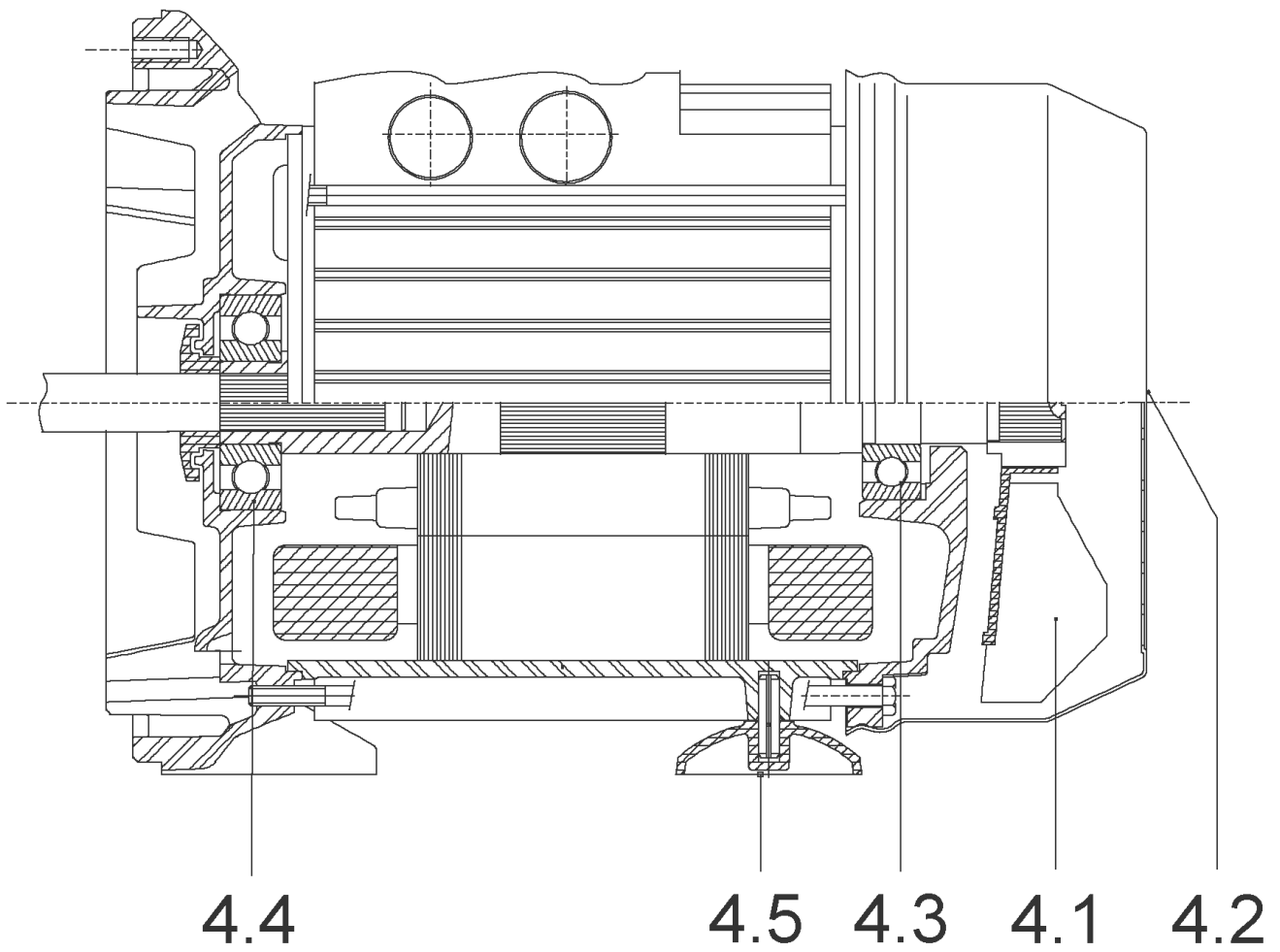
SPARE PARTS HYDRAULICS MHI/MHIE 1.4301

Article no.	Description	Quantity
4015444	STAGE MHI402-405,MVI KIT	1
	> IMPELLER MVI4 D.98,5x3,1 1.4301	1
	> STAGE HOUSING O.RFK MVI2/4 1.4301	1
	> SPACER IMPELLER MVI2/4 1.4301	1
4015446	STAGE MHI4,MVI403-19 1.4301 KIT	1
	> IMPELLER MVI4 D.98,5x3,1 1.4301	1
	> SPACER IMPELLER MVI2/4 1.4301	1
	> STAGE HOUSING RFK.MVI2/4 1.4301	1
4015464	STAGE MHI403/05/06 1.4301KIT	1
	> IMPELLER MVI4 D.98,5x3,1 1.4301	1
	> SPACER IMPELLER MVI2/4 1.4301	1
	> UPPER STAGE-AV-C/R-JR-2/4M3-304	1



MHIE403N-2/V/3-2-2G (4148413)

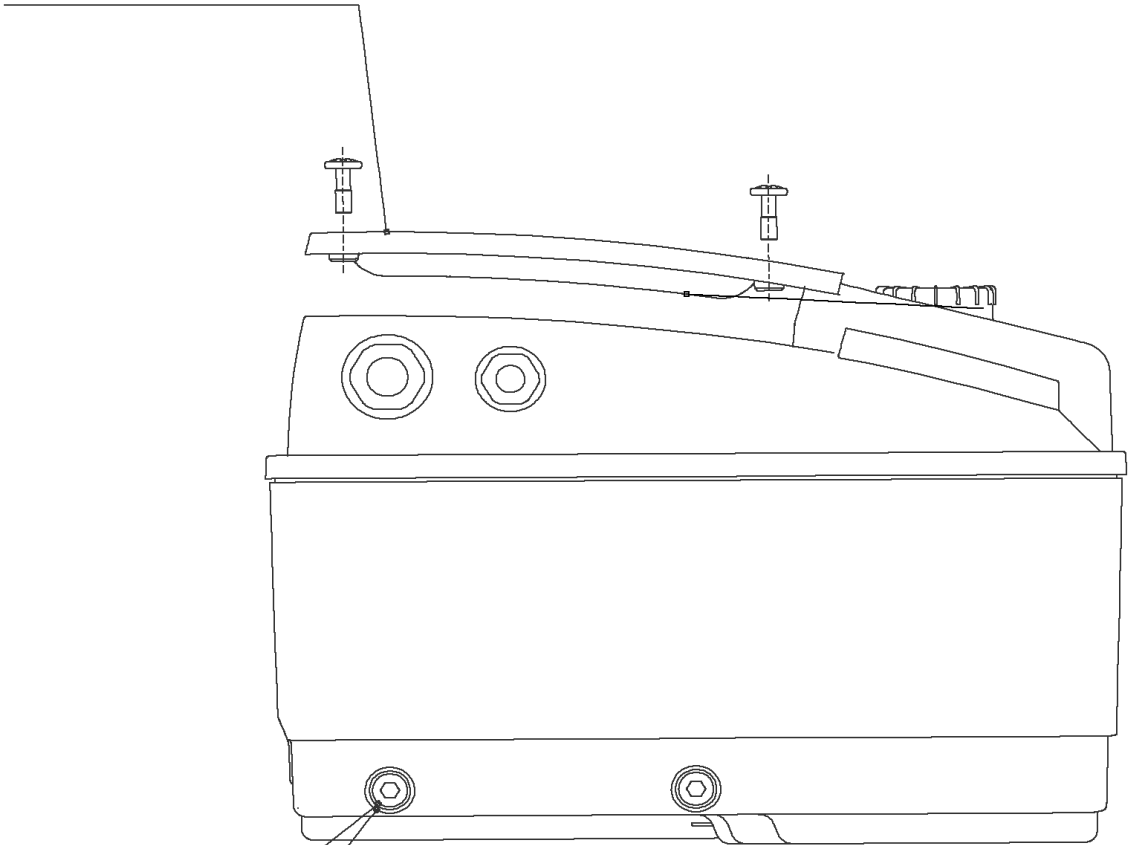
Item	Article no.	Description	Quantity
1	4202820	PUMP HOUSING MHI402/403 1.4404 VP.	1
2	2120001	STATIONARY RING HOLD.ANTI-VORTEX 1.4404	1
3	4202825	PRIMING/DRAIN PLUG G1/4"-MHI-1.4404 VP.	1
4	4234203	COMPL MOTOR MHIE403N-2/V/3-2-2G WE VP.	1
		SPARE PARTS MOTOR MHIE 2/4/8	1
5	4167748	MODULE MHIE403N-IE2-WE KIT	1
6	4058529	SHAFT FIXING MHIE4 KIT	1
6.1		> STOP COLLAR OF IMPELLER L=8.7-Ø14-316L	1
6.2	2090148	> CIRCLIP D14 MVI/MHI 316L (2 PIECES) VP.	1
6.3		> FLAT WASHER-D8xD16x2.5-316L	1
6.4		> NUT-H-M8-STAINLESS-STEEL A4-70	1
7	4027348	ASSEMBLY GRD.MHI2../4../8.. VITON VP.	1
6.2	2090148	> CIRCLIP D14 MVI/MHI 316L (2 PIECES) VP.	1
7.1	2127451	> MECH.SEAL MG12/14-G606-Q1BVGG-BU.VP.	1
7.4	4233953	> O-RING ID.145 VITON VP.	1
7.5	4234238	> O-RING 9X2 VITON VP.	1
7.6		> THROWER-RUBBER-SH65/70	1
20		SPARE PARTS HYDRAULICS MHI/MHIE 1.4404	1



SPARE PARTS MOTOR MHIE 2/4/8

Item	Article no.	Description	Quantity
4.1	4230651	FAN MOTOR WE 0,75 KW VP.	1
4.2	2107779	FAN HOOD BG80 ELEC KIT	1
2.13A		> FAN COVER IEC80 KTL ST14 T0.8 H60	1
2.13B	2111323	> SCREW M4X6 (4 PIECES)	1
Note: Please give the data from type plate of the motor			
4.3	4179326	BALL-BEARING-6204-C3-DDU-E-EA6 VP.	1
4.4	4185236	BALL-BEARING-6304-C3-DDU-E-EA6 VP.	1
4.5	4234216	MOTOR FOOT WILO ELEC IEC80 KIT	1

5.1



5.2

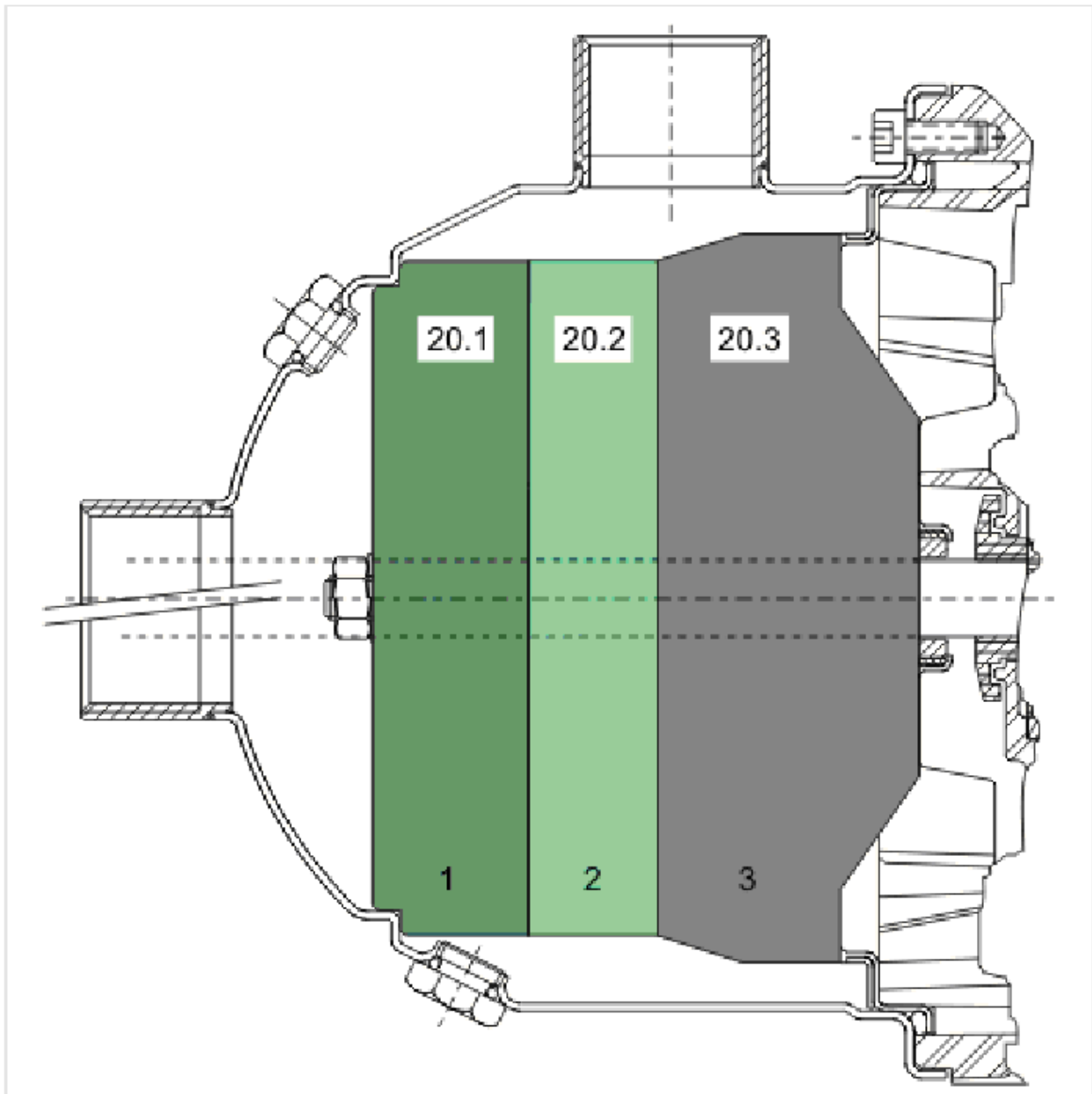


5.3



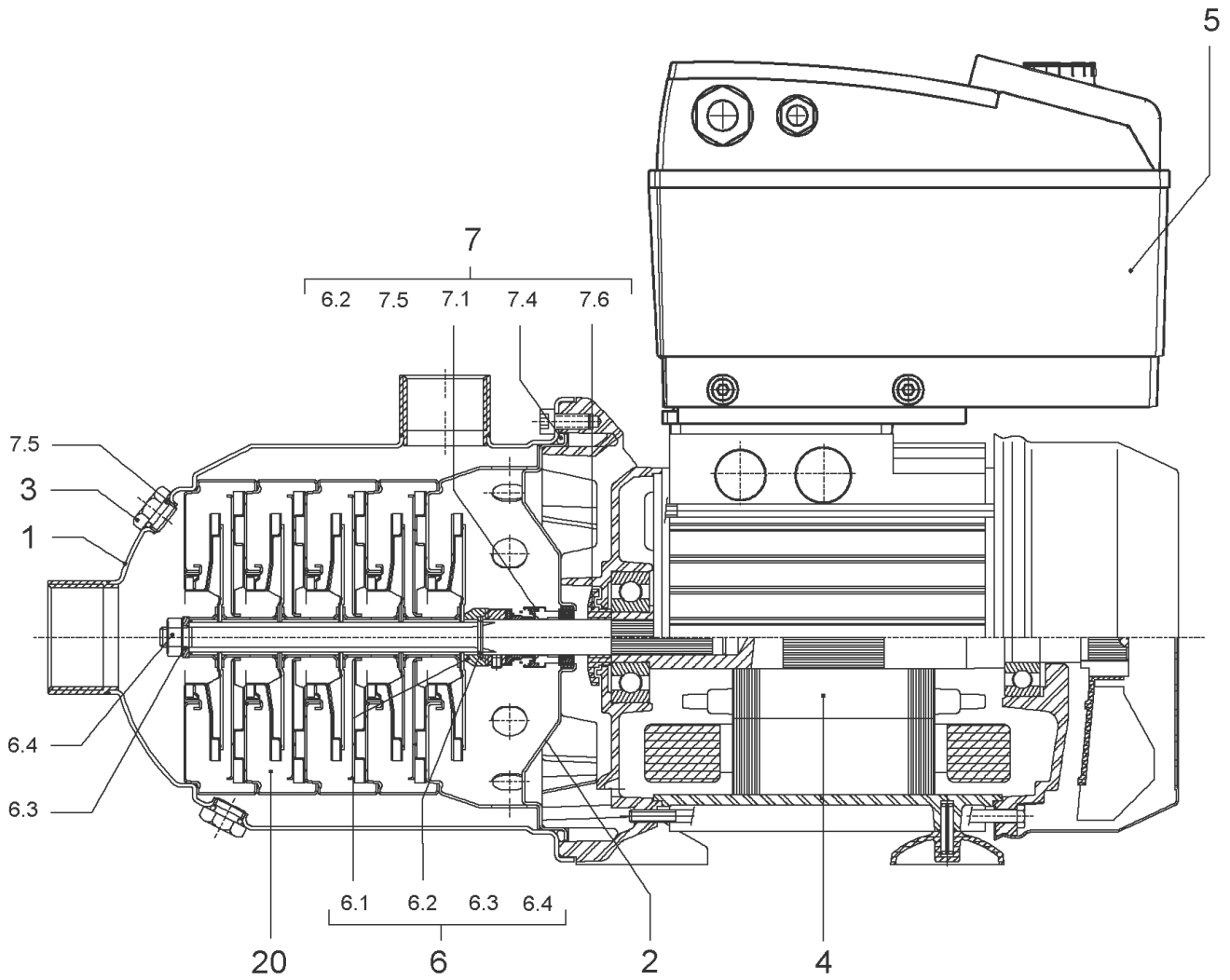
MODULE MHIE403N-IE2-WE KIT (4167748)

Item	Article no.	Description	Quantity
5.1	2054372	MODULE COVER TL1,TL2+GASKET KIT	1
5.2	4215716	SCREW M5X16 DIN912 8.8 A2A (4pieces) VP.	1
5.3	2057978	RONDELLE A5,3 DIN6797 FST ZN (4 PIECES)	1



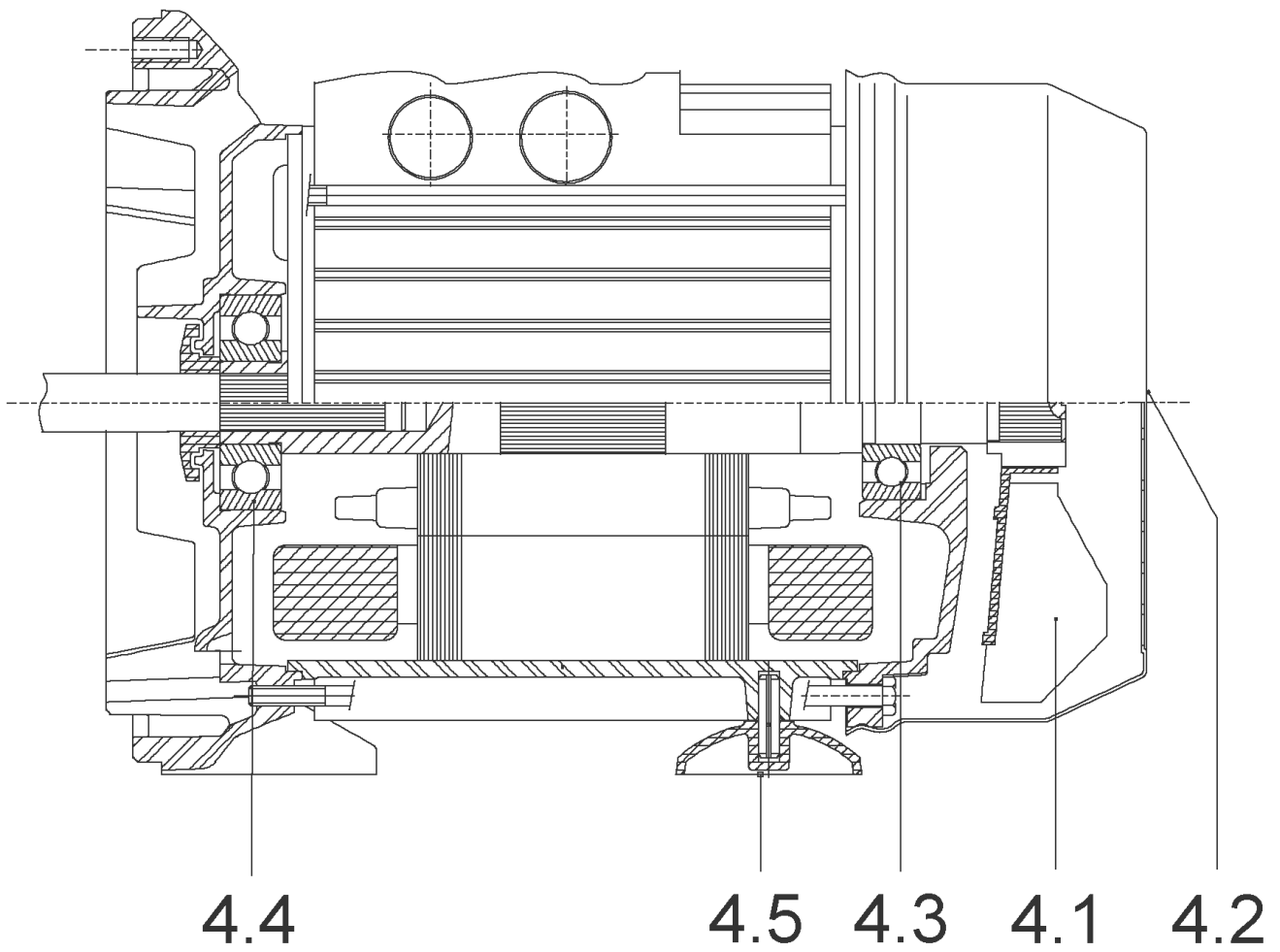
SPARE PARTS HYDRAULICS MHI/MHIE 1.4404

Item	Article no.	Description	Quantity
20.1	4026335	ASSEMBLY LR./STF.GH.MHI402-405,MVI402 1.	1
		> IMPELLER-VMI/HMI-SERIE.4-316L	1
		> STAGE CASING WITHOUT-R/G-2/4M3-316L	1
		> SPACER IMPELLER MVI2/4 1.4435	1
20.2	4026337	ASSEMBLY LR.STF.GH.RFK.MHI4,MVI403-419 1	1
		> IMPELLER-VMI/HMI-SERIE.4-316L	1
		> STAGE CASING-AV-C/R-2/4M3-316L	1
		> SPACER IMPELLER MVI2/4 1.4435	1
20.3	4026408	ASSEMBLY ZENTRIER-GH.+LR.MHI403/5/6 1.44	1
		> UPPER STAGE-AV-C/R-JR-2/4M3-316L	1
		> IMPELLER-VMI/HMI-SERIE.4-316L	1
		> SPACER IMPELLER MVI2/4 1.4435	1



MHIE404N-1/E/3-2-2G (4171782)

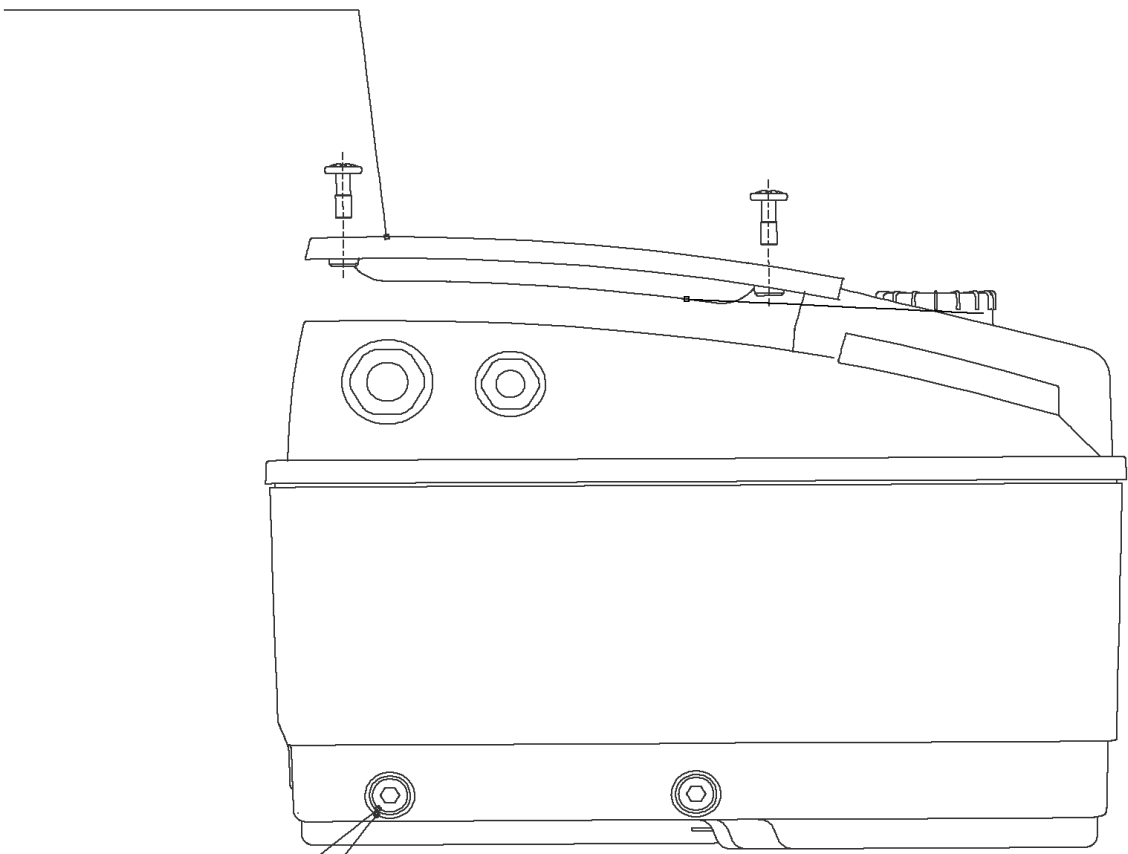
Item	Article no.	Description	Quantity
1	4202812	PUMP HOUSING MHI404/405 1.4301 VP.	1
2	2120000	STATIONARY RING HOLD.ANTI-VORTEX 1.4307	1
3	4191450	PRIMING/DRAIN PLUG G1/4"-MHI-1.4301 VP.	1
4	4215116	COMP MOTOR MHIE404N-1/E/3-2-2G WE VP.	1
		SPARE PARTS MOTOR MHIE 2/4/8/16	1
5	4234211	MODULE MHIE 404N-IE2-WE KIT	1
6	4058529	SHAFT FIXING MHIE4 KIT	1
6.1		> STOP COLLAR OF IMPELLER L=8.7-Ø14-316L	1
6.2	2090148	> CIRCLIP D14 MVI/MHI 316L (2 PIECES) VP.	1
6.3		> FLAT WASHER-D8xD16x2.5-316L	1
6.4		> NUT-H-M8-STAINLESS-STEEL A4-70	1
7	4027347	MECHANICAL SEAL MHI KIT	1
6.2	2090148	> CIRCLIP D14 MVI/MHI 316L (2 PIECES) VP.	1
7.1	2127448	> MECH.SEAL MHI-MHIL-MVIL VP.	1
7.4	4235548	> O-RING ID.145 EPDM VP.	1
7.5	4235549	> O-RING I9X2 EPDM VP.	2
7.6		> THROWER-RUBBER-SH65/70	1
20		SPARE PARTS HYDRAULICS MHI 1.4301	1



SPARE PARTS MOTOR MHIE 2/4/8/16

Item	Article no.	Description	Quantity
4.1	4230667	Fan for motor T90 MHIE Ø122 VP.	1
4.2	2111322	FAN HOOD BG90 ELEC KIT	1
2.13A		> FAN COVER IEC90 KTL ST14 T0.8 H70	1
2.13B	2111323	> SCREW M4X6 (4 PIECES)	1
Note: Please give the data from type plate of the motor			
4.3	4221774	Ball bearing 6204VV-C3(Ø20xØ47x14)EA6 VP	1
4.4	4180822	BALL BEARING 6305-C3-DDU-E-EA6 VP.	1
4.5	4234217	MOTOR FOOT WILO ELEC IE90 KIT	1

5.1

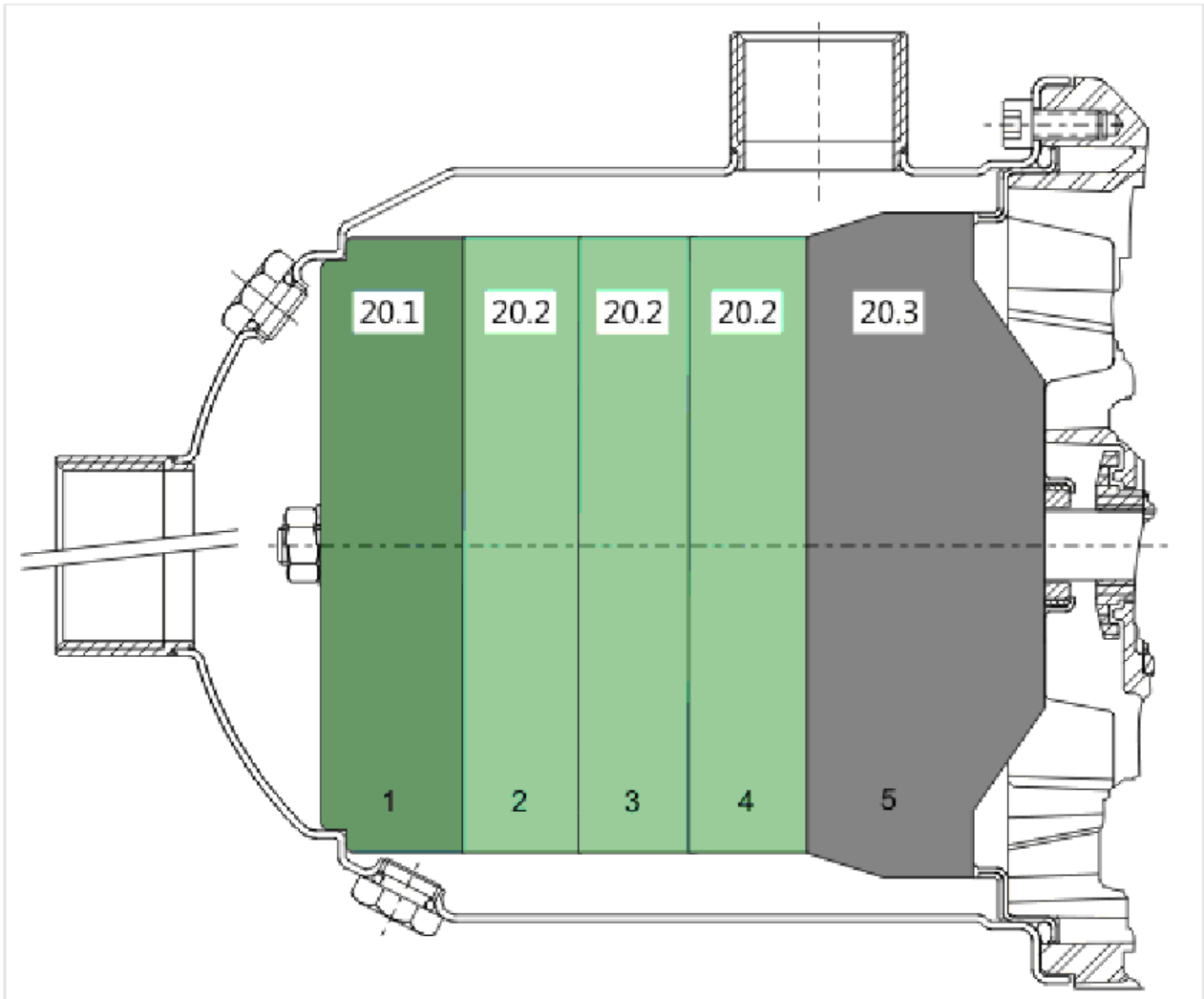


5.2

5.3

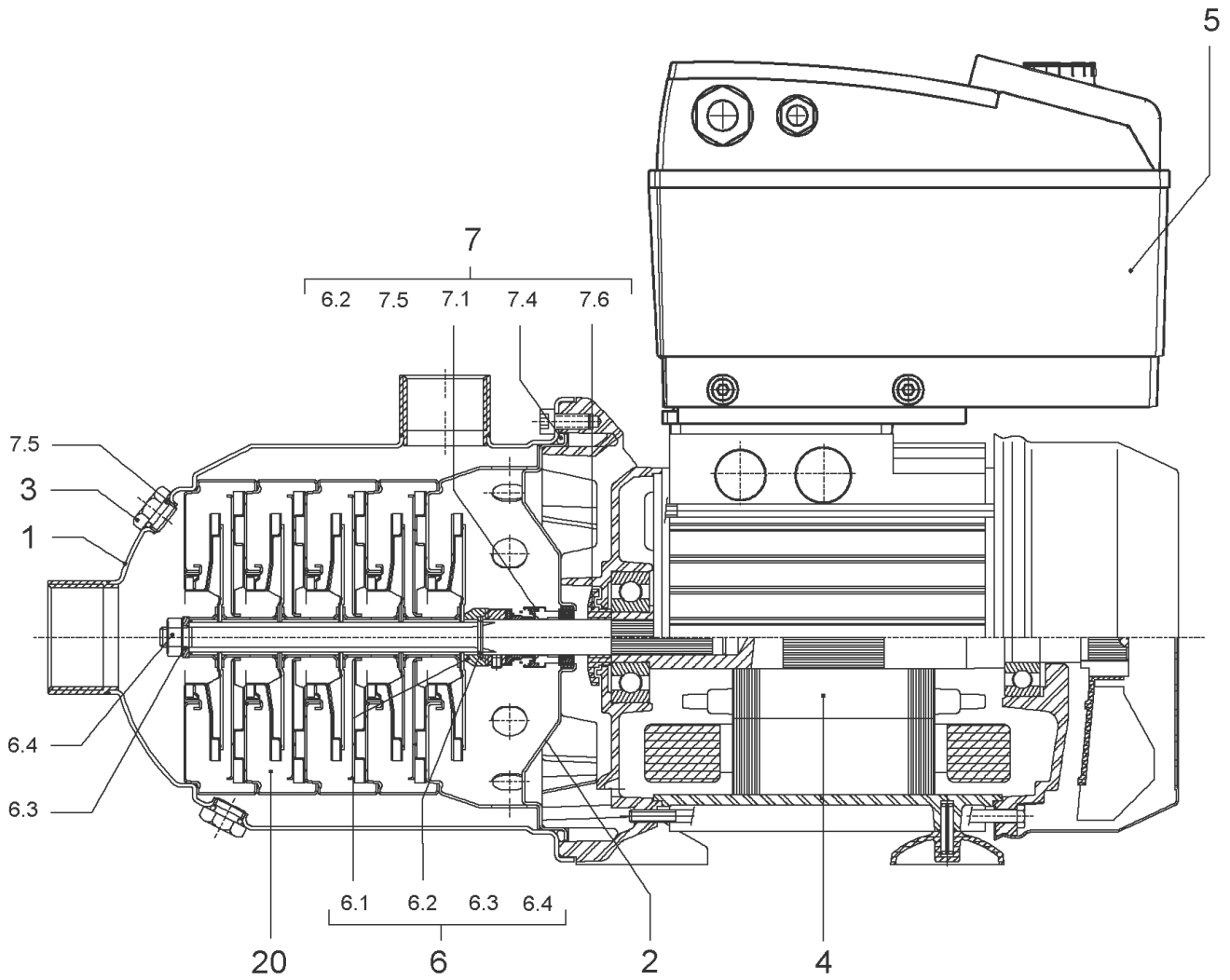
MODULE MHIE 404N-IE2-WE KIT (4234211)

Item	Article no.	Description	Quantity
5.1	2054227	MODULE COVER/GASKET TL3/4 KIT	1
5.2	4215716	SCREW M5X16 DIN912 8.8 A2A (4pieces) VP.	1
5.3	2057978	RONDELLE A5,3 DIN6797 FST ZN (4 PIECES)	1



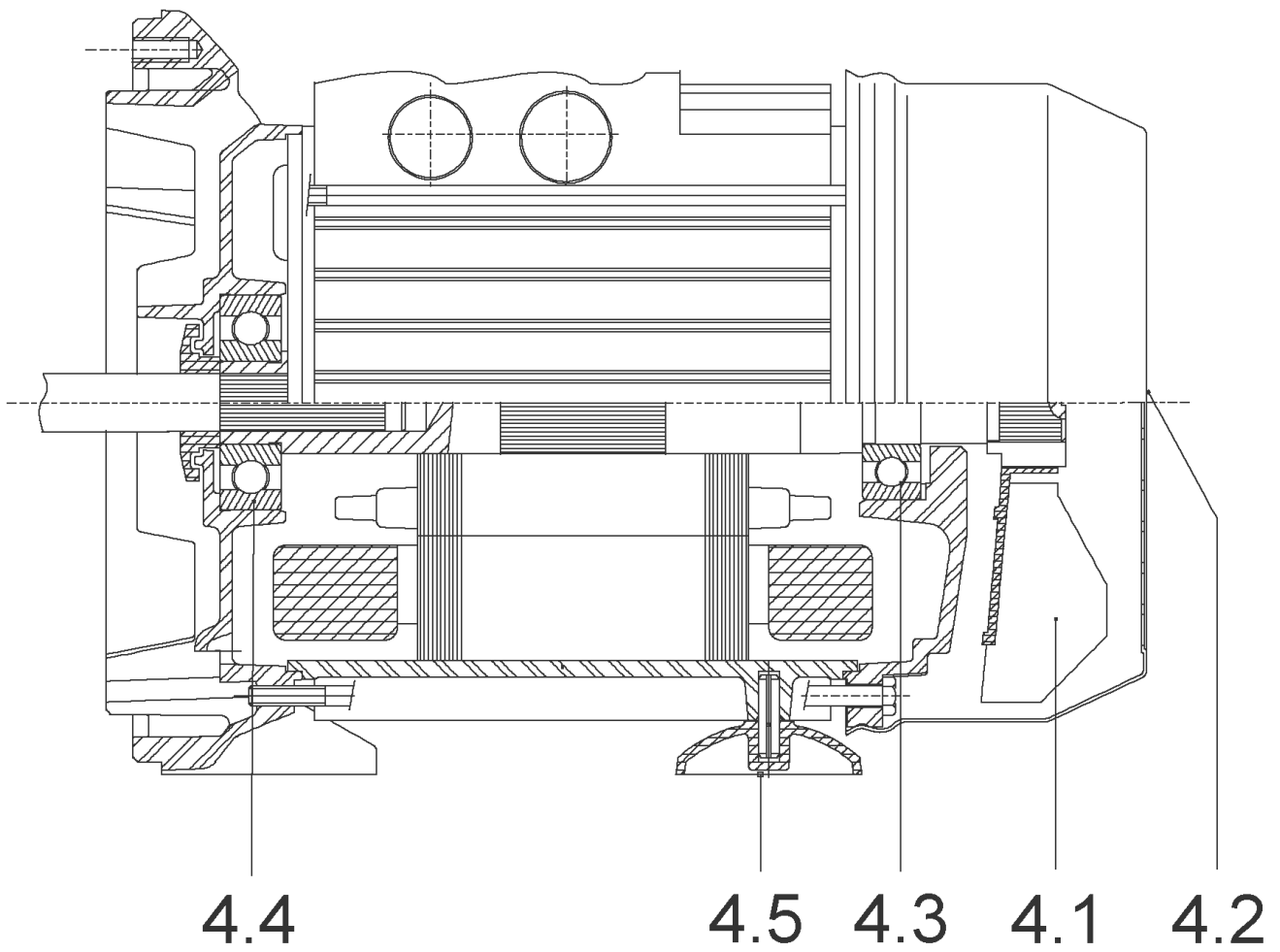
SPARE PARTS HYDRAULICS MHI 1.4301

Item	Article no.	Description	Quantity
20.1	4015444	STAGE MHI402-405,MVI KIT	1
		> IMPELLER MVI4 D.98,5x3,1 1.4301	1
		> STAGE HOUSING O.RFK MVI2/4 1.4301	1
		> SPACER IMPELLER MVI2/4 1.4301	1
20.2	4015446	STAGE MHI4,MVI403-19 1.4301 KIT	1
		> IMPELLER MVI4 D.98,5x3,1 1.4301	1
		> SPACER IMPELLER MVI2/4 1.4301	1
		> STAGE HOUSING RFK.MVI2/4 1.4301	1
20.3	4015463	CENTER.HOUSING O.LR.MHI402/404 1.4301KIT	1
		> SPACER IMPELLER MVI2/4 1.4301	1
	4234236	> UPPER STAGE RFK.MVI2/4 1.4301 VP.	1
		> WASHER D.24/14x1,5 1.4401	2



MHIE404N-2/V/3-2-2G (4171783)

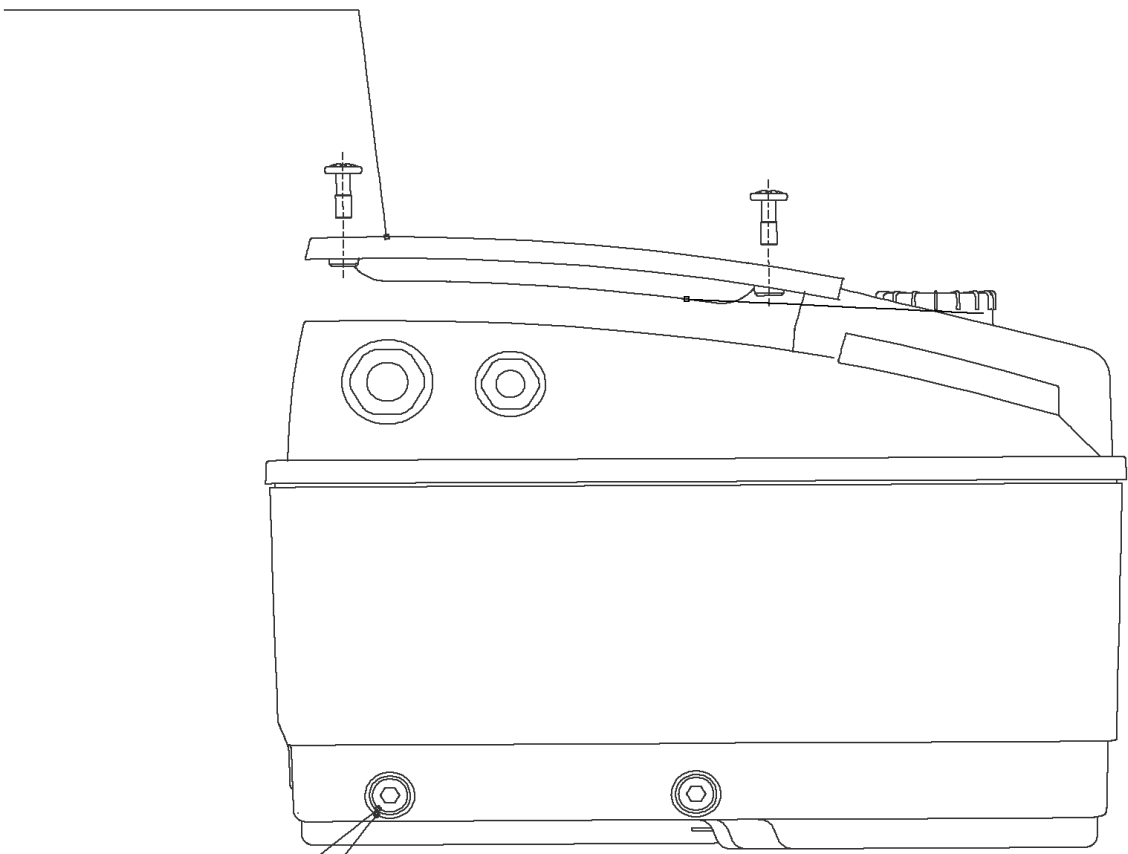
Item	Article no.	Description	Quantity
1	4202821	PUMP HOUSING MHI404/405 1.4404 VP.	1
2	2120001	STATIONARY RING HOLD.ANTI-VORTEX 1.4404	1
3	4202825	PRIMING/DRAIN PLUG G1/4"-MHI-1.4404 VP.	1
4	4234204	COMPL MOTOR MHIE404N-2/V/3-2-2G WE VP.	1
		SPARE PARTS MOTOR MHIE 2/4/8/16	1
5	4234211	MODULE MHIE 404N-IE2-WE KIT	1
6	4058529	SHAFT FIXING MHIE4 KIT	1
6.1		> STOP COLLAR OF IMPELLER L=8.7-Ø14-316L	1
6.2	2090148	> CIRCLIP D14 MVI/MHI 316L (2 PIECES) VP.	1
6.3		> FLAT WASHER-D8xD16x2.5-316L	1
6.4		> NUT-H-M8-STAINLESS-STEEL A4-70	1
7	4027348	ASSEMBLY GRD.MHI2../4../8.. VITON VP.	1
6.2	2090148	> CIRCLIP D14 MVI/MHI 316L (2 PIECES) VP.	1
7.1	2127451	> MECH.SEAL MG12/14-G606-Q1BVGG-BU.VP.	1
7.4	4233953	> O-RING ID.145 VITON VP.	1
7.5	4234238	> O-RING 9X2 VITON VP.	1
7.6		> THROWER-RUBBER-SH65/70	1
20		SPARE PARTS HYDRAULICS MHI 1.4404	1



SPARE PARTS MOTOR MHIE 2/4/8/16

Item	Article no.	Description	Quantity
4.1	4230667	Fan for motor T90 MHIE Ø122 VP.	1
4.2	2111322	FAN HOOD BG90 ELEC KIT	1
2.13A		> FAN COVER IEC90 KTL ST14 T0.8 H70	1
2.13B	2111323	> SCREW M4X6 (4 PIECES)	1
Note: Please give the data from type plate of the motor			
4.3	4221774	Ball bearing 6204VV-C3(Ø20xØ47x14)EA6 VP	1
4.4	4180822	BALL BEARING 6305-C3-DDU-E-EA6 VP.	1
4.5	4234217	MOTOR FOOT WILO ELEC IE90 KIT	1

5.1



5.2

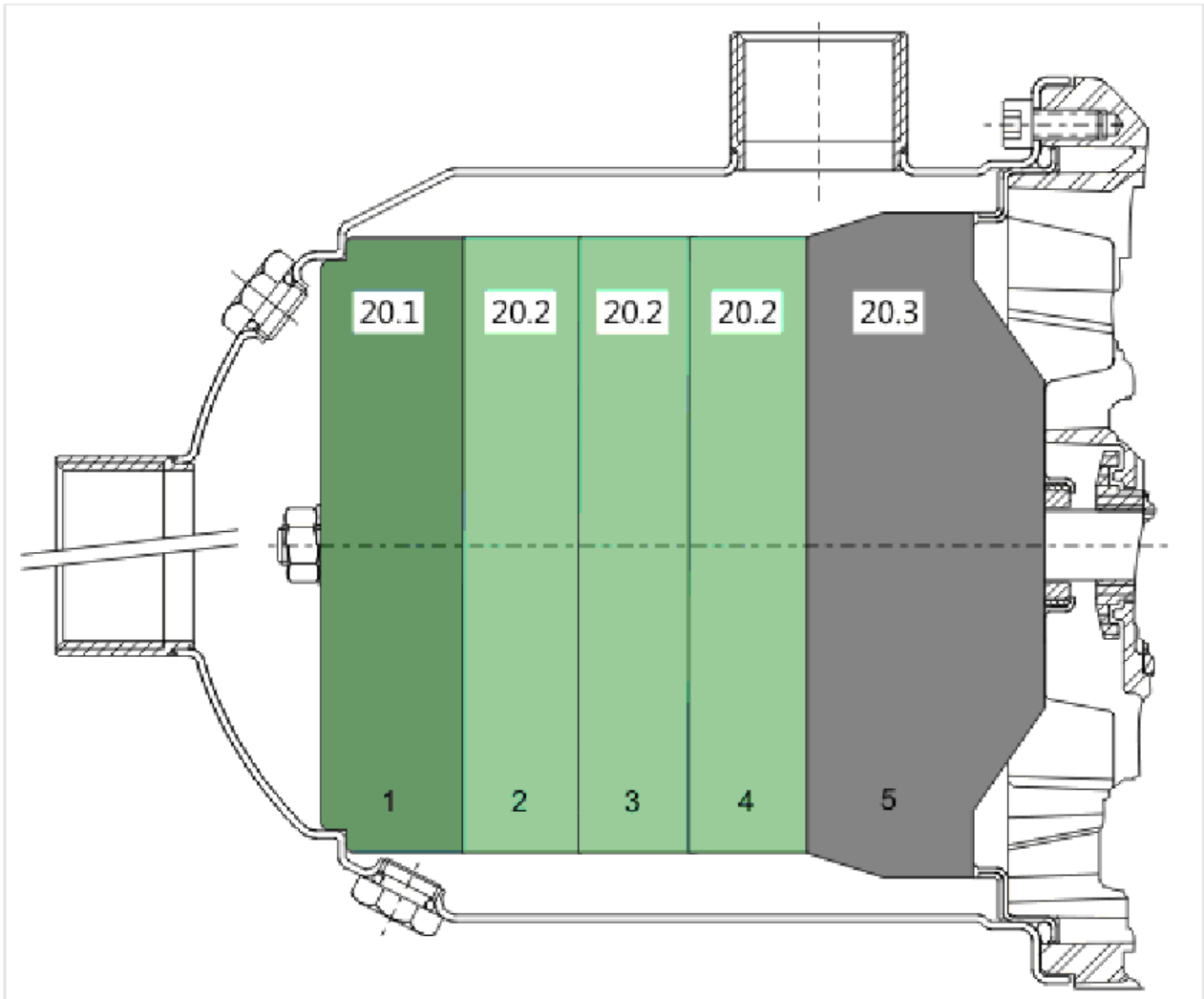


5.3



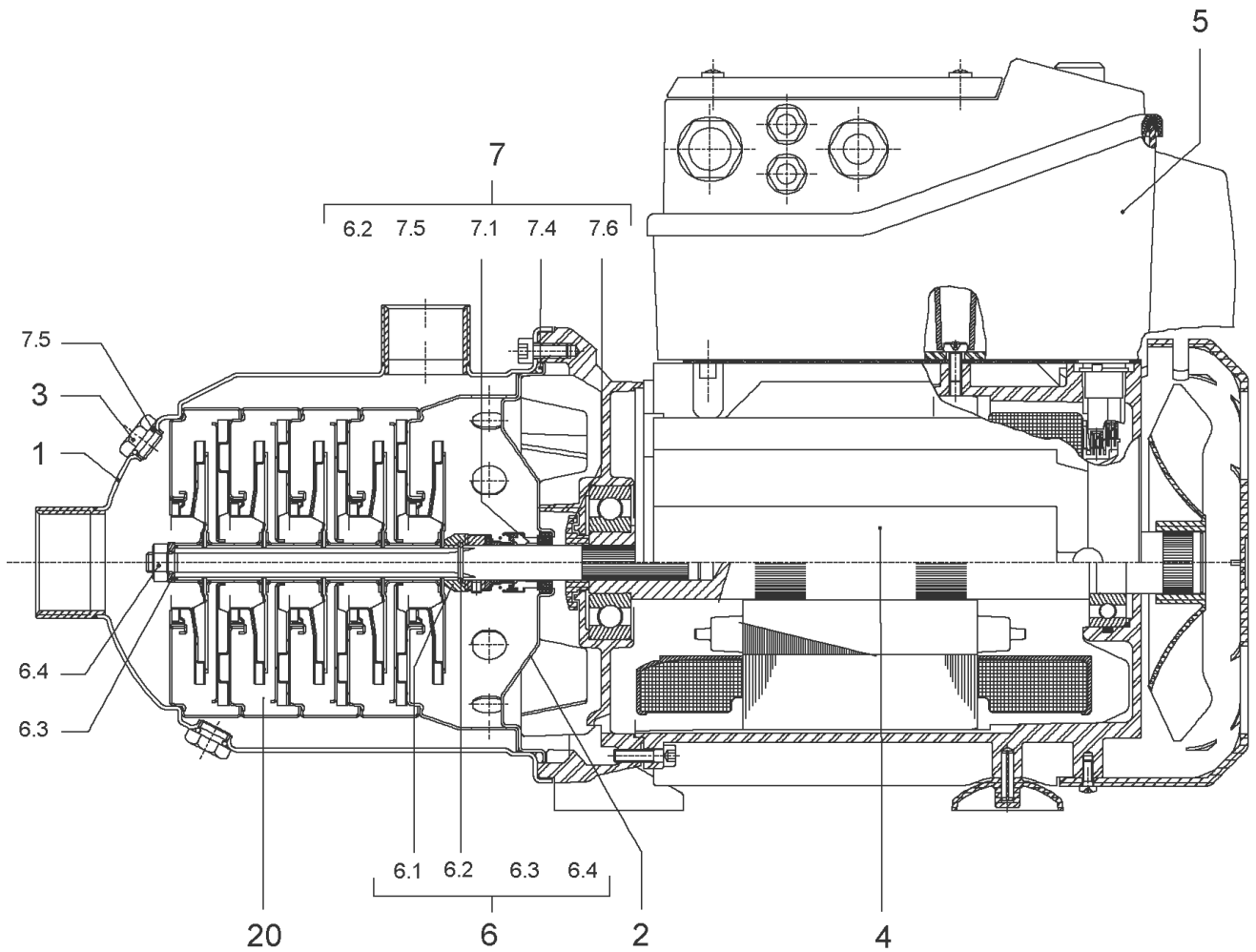
MODULE MHIE 404N-IE2-WE KIT (4234211)

Item	Article no.	Description	Quantity
5.1	2054227	MODULE COVER/GASKET TL3/4 KIT	1
5.2	4215716	SCREW M5X16 DIN912 8.8 A2A (4pieces) VP.	1
5.3	2057978	RONDELLE A5,3 DIN6797 FST ZN (4 PIECES)	1



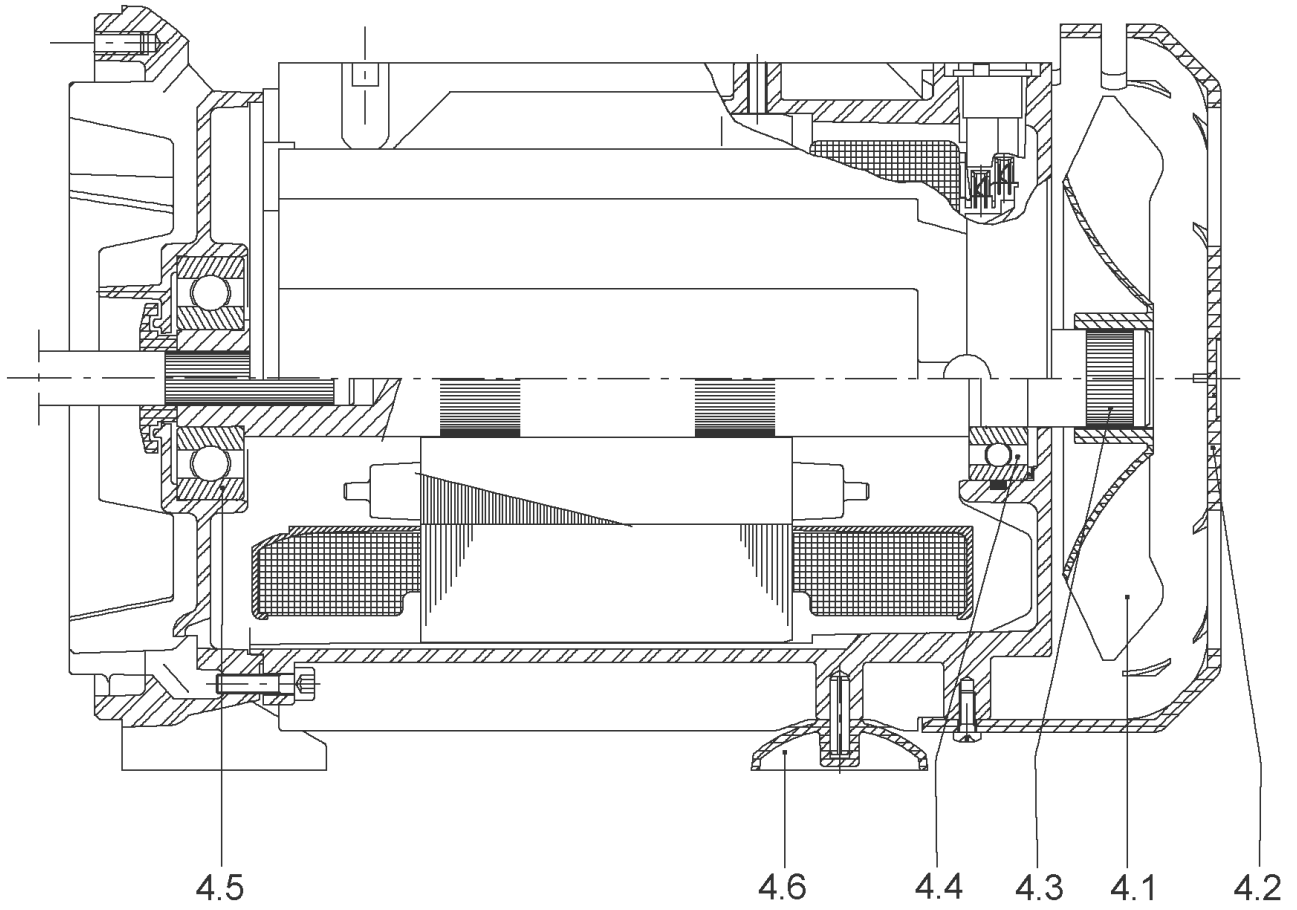
SPARE PARTS HYDRAULICS MHI 1.4404

Item	Article no.	Description	Quantity
20.1	4026335	ASSEMBLY LR./STF.GH.MHI402-405,MVI402 1.	1
		> IMPELLER-VMI/HMI-SERIE.4-316L	1
		> STAGE CASING WITHOUT-R/G-2/4M3-316L	1
		> SPACER IMPELLER MVI2/4 1.4435	1
20.2	4026337	ASSEMBLY LR.STF.GH.RFK.MHI4,MVI403-419 1	1
		> IMPELLER-VMI/HMI-SERIE.4-316L	1
		> STAGE CASING-AV-C/R-2/4M3-316L	1
		> SPACER IMPELLER MVI2/4 1.4435	1
20.3	4026407	ASSEMBLY ZENTRIER-GH.O.LR.MHI402/404 1.4	1
		> UPPER STAGE RFK.MVI2../4.. 1.4435 +V	1
		> SPACER IMPELLER MVI2/4 1.4435	1
		> WASHER D.24/14x1,5 1.4401	2



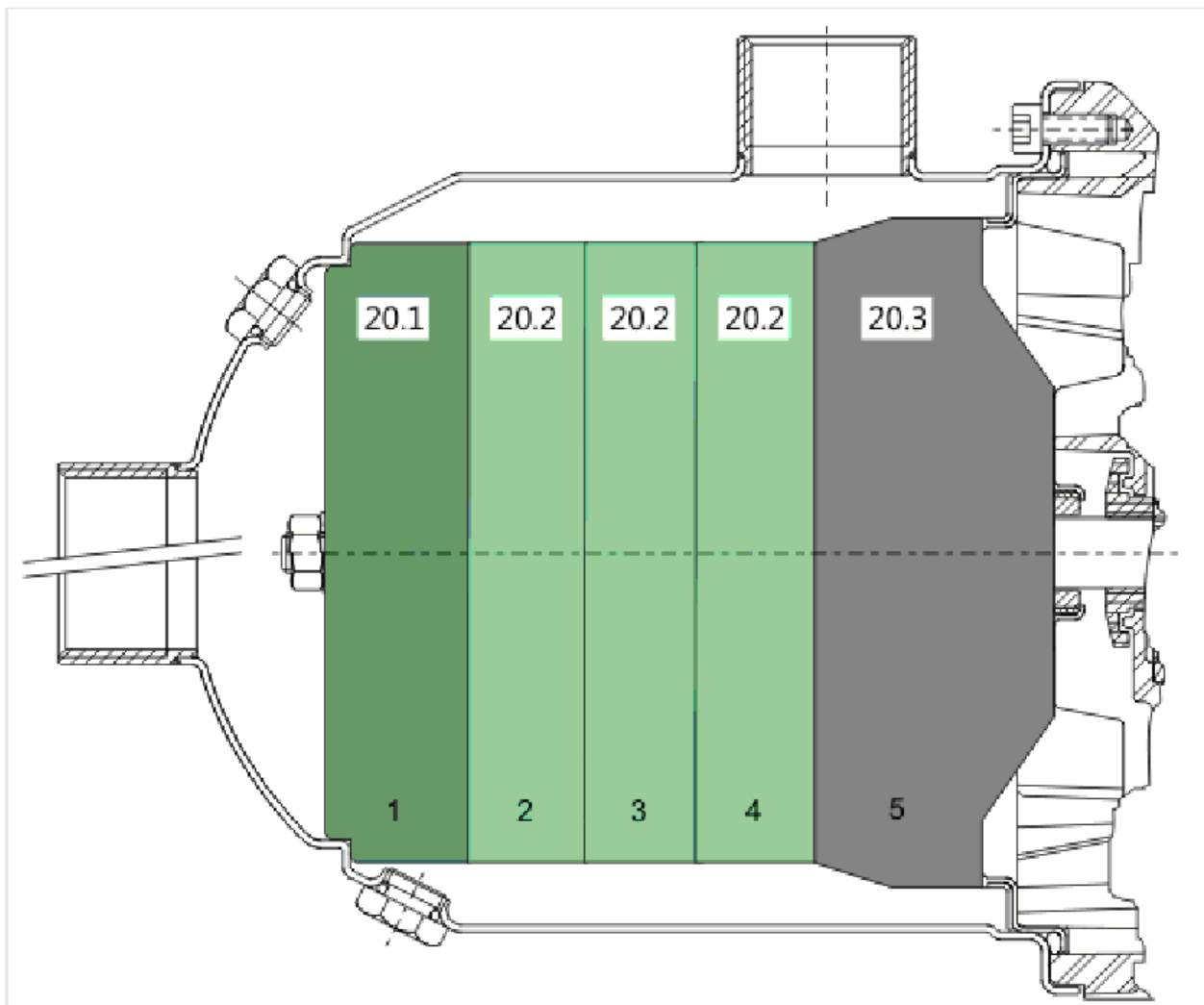
MHIE405-1/E/3-2 (4040132)

Item	Article no.	Description	Quantity
1	4202812	PUMP HOUSING MHI404/405 1.4301 VP.	1
2	2120000	STATIONARY RING HOLD.ANTI-VORTEX 1.4307	1
3	4191450	PRIMING/DRAIN PLUG G1/4"-MHI-1.4301 VP.	1
4		COMPLETE-MOTOR-MHIE405-T/WITHOUT VARIATO	1
Note: no longer available / nicht mehrlieferbar / ne plus disponible			
		SPARE PARTS MOTOR MHE/MHIE2/4/8 2,2	1
5		MODULE MVIE206 MVIE/MHIE405/803 2,2>7/01	1
Note: no longer available / nicht mehrlieferbar / ne plus disponible			
6	4058529	SHAFT FIXING MHIE4 KIT	1
6.1		> STOP COLLAR OF IMPELLER L=8.7-Ø14-316L	1
6.2	2090148	> CIRCLIP D14 MVI/MHI 316L (2 PIECES) VP.	1
6.3		> FLAT WASHER-D8xD16x2.5-316L	1
6.4		> NUT-H-M8-STAINLESS-STEEL A4-70	1
7	4027347	MECHANICAL SEAL MHI KIT	1
6.2	2090148	> CIRCLIP D14 MVI/MHI 316L (2 PIECES) VP.	1
7.1	2127448	> MECH.SEAL MHI-MHIL-MVIL VP.	1
7.4	4235548	> O-RING ID.145 EPDM VP.	1
7.5	4235549	> O-RING I9X2 EPDM VP.	2
7.6		> THROWER-RUBBER-SH65/70	1
20		SPARE PARTS HYDRAULICS MHI/MHIE 1.4301	1



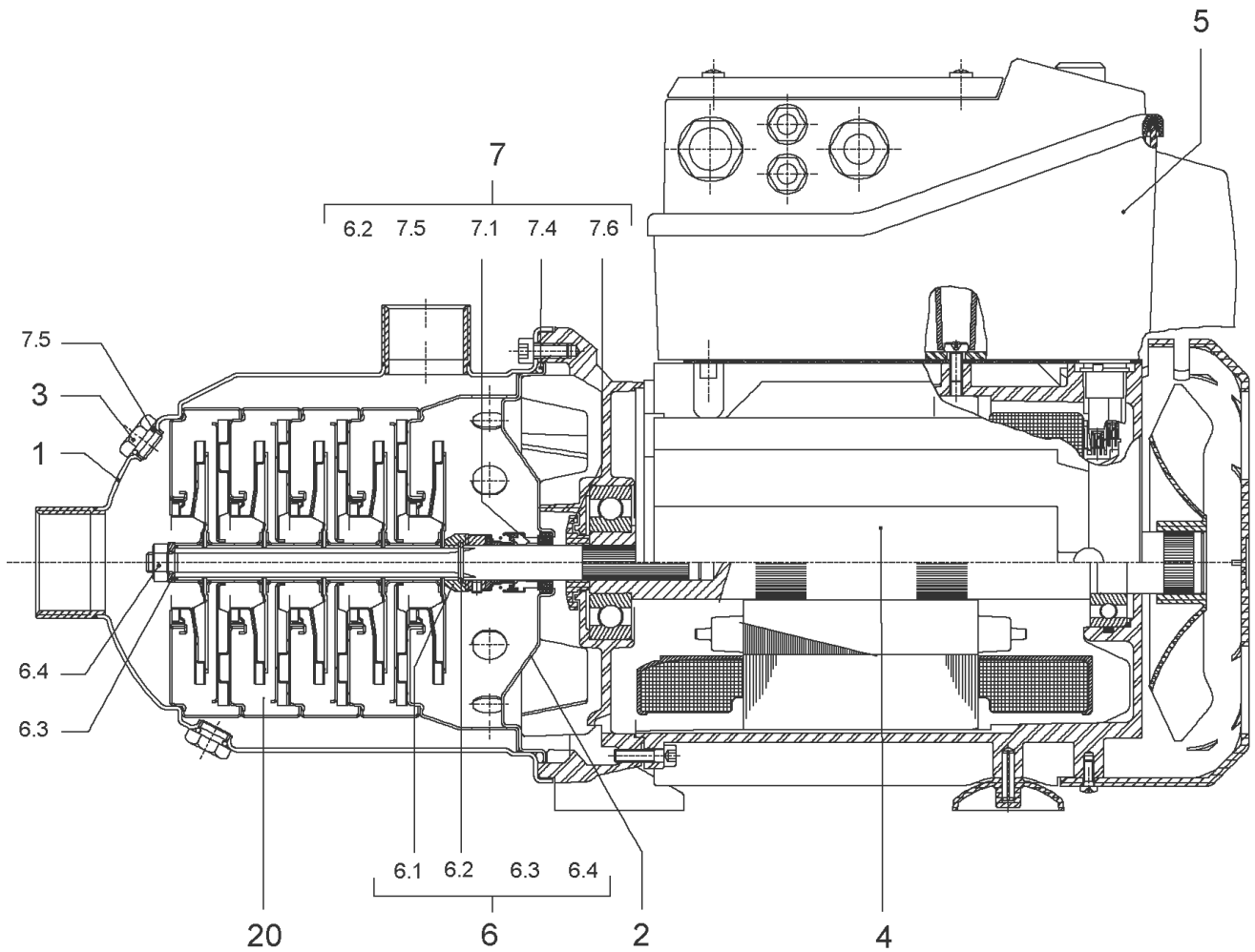
SPARE PARTS MOTOR MHE/MHIE2/4/8 2,2

Item	Article no.	Description	Quantity
4.1	2047017	FAN WHEEL AF90 2POL.ATB VP.	1
4.2		FAN HOOD TL4/3N NEUTRAL	1
Note: no longer available / nicht mehr lieferbar / ne plus disponible			
4.3	2047016	CORRUGATED SLEEVE RING BG90/100 ATB VP.	1
4.4	121083998	BALL BEARING 6205/2Z-C3 (HT) VP.	1
4.5	121466896	BALL BEARING 6305/2Z-C3 (HT) VP.	1
4.6	4008243	MOTOR-FOOT-SIZE-80	1



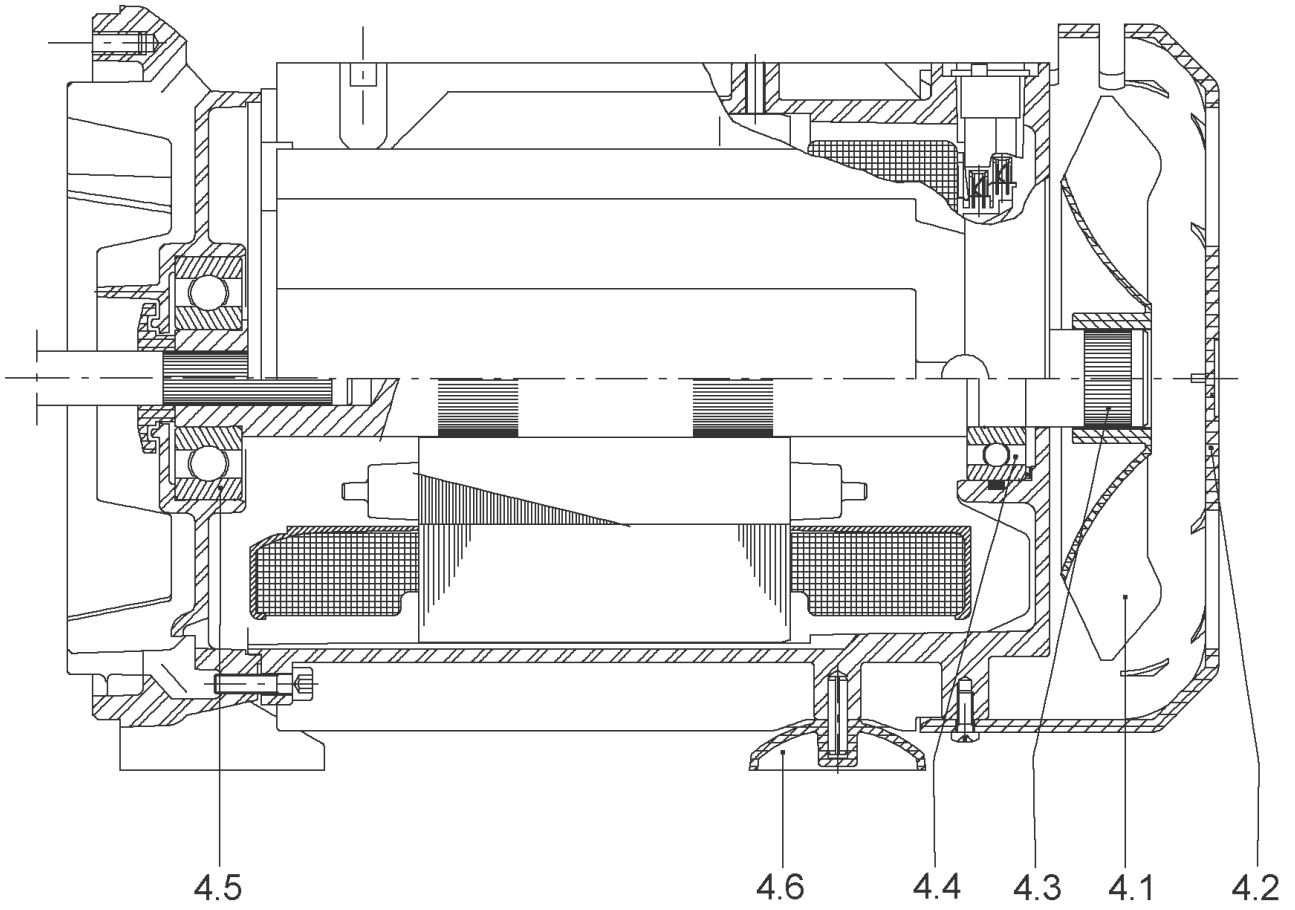
SPARE PARTS HYDRAULICS MHI/MHIE 1.4301

Item	Article no.	Description	Quantity
20.1	4015444	STAGE MHI402-405,MVI KIT	1
		> IMPELLER MVI4 D.98,5x3,1 1.4301	1
		> STAGE HOUSING O.RFK MVI2/4 1.4301	1
		> SPACER IMPELLER MVI2/4 1.4435	1
20.2	4015446	STAGE MHI4,MVI403-19 1.4301 KIT	1
		> IMPELLER MVI4 D.98,5x3,1 1.4301	1
		> SPACER IMPELLER MVI2/4 1.4435	1
		> STAGE HOUSING RFK.MVI2/4 1.4301	1
20.3	4015464	STAGE MHI403/05/06 1.4301KIT	1
		> IMPELLER MVI4 D.98,5x3,1 1.4301	1
		> SPACER IMPELLER MVI2/4 1.4435	1
		> UPPER STAGE-AV-C/R-JR-2/4M3-304	1



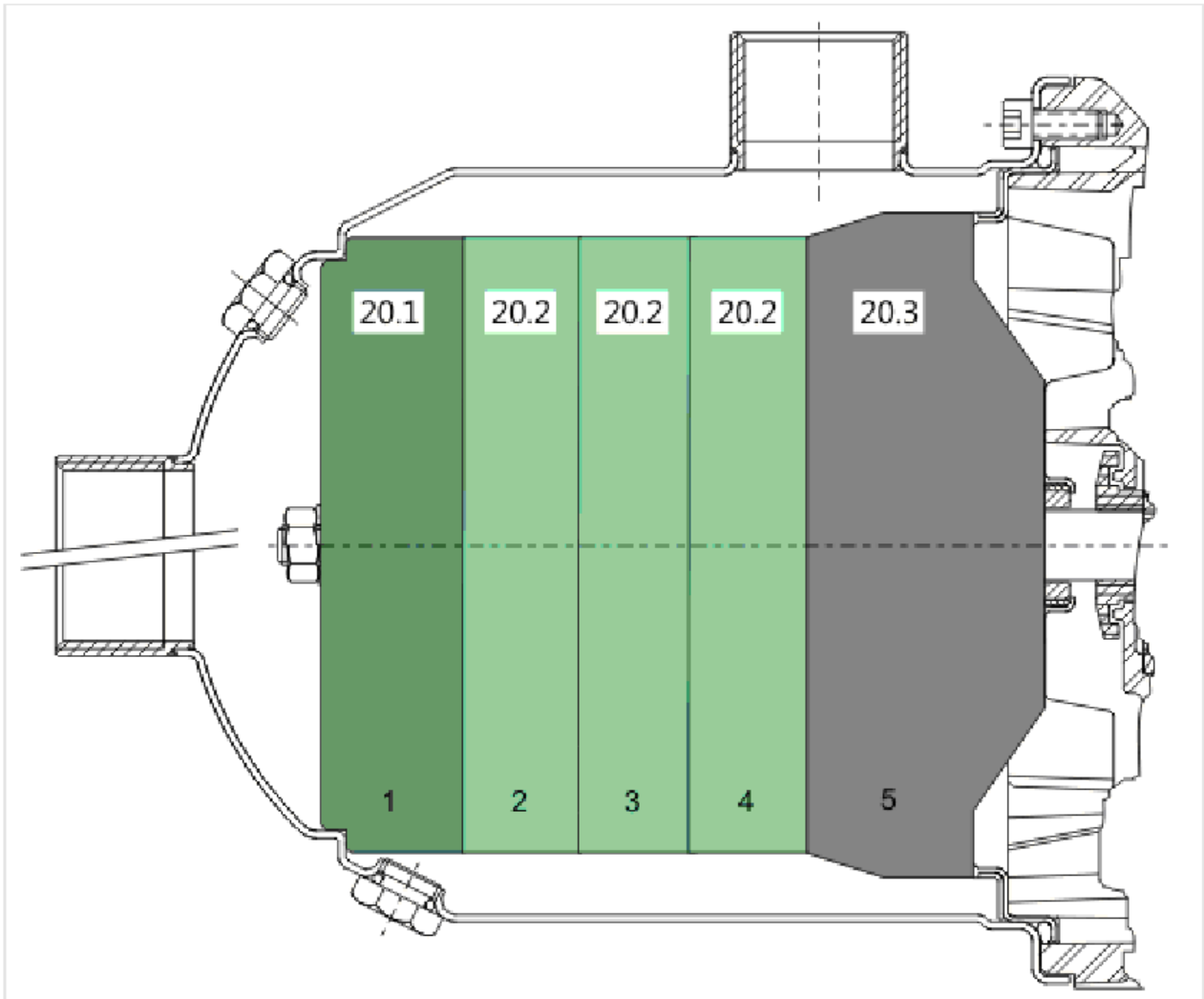
MHIE405-2/V/3-2 (4040140)

Item	Article no.	Description	Quantity
1	4202821	PUMP HOUSING MHI404/405 1.4404 VP.	1
2	2120001	STATIONARY RING HOLD.ANTI-VORTEX 1.4404	1
3	4202825	PRIMING/DRAIN PLUG G1/4"-MHI-1.4404 VP.	1
4		COMPLETE-MOTOR-MHIE405-T/WITHOUT VARIATO	1
Note: no longer available / nicht mehrlieferbar / ne plus disponible			
		SPARE PARTS MOTOR MHE/MHIE2/4/8 2,2	1
5		MODULE MVIE206 MVIE/MHIE405/803 2,2>7/01	1
Note: no longer available / nicht mehrlieferbar / ne plus disponible			
6	4058529	SHAFT FIXING MHIE4 KIT	1
6.1		> STOP COLLAR OF IMPELLER L=8.7-Ø14-316L	1
6.2	2090148	> CIRCLIP D14 MVI/MHI 316L (2 PIECES) VP.	1
6.3		> FLAT WASHER-D8xD16x2.5-316L	1
6.4		> NUT-H-M8-STAINLESS-STEEL A4-70	1
7	4027348	ASSEMBLY GRD.MHI2../4../8.. VITON VP.	1
6.2	2090148	> CIRCLIP D14 MVI/MHI 316L (2 PIECES) VP.	1
7.1	2127451	> MECH.SEAL MG12/14-G606-Q1BVGG-BU.VP.	1
7.4	4233953	> O-RING ID.145 VITON VP.	1
7.5	4234238	> O-RING 9X2 VITON VP.	1
7.6		> THROWER-RUBBER-SH65/70	1
20		SPARE PARTS HYDRAULICS MHI/MHIE 1.4404	1



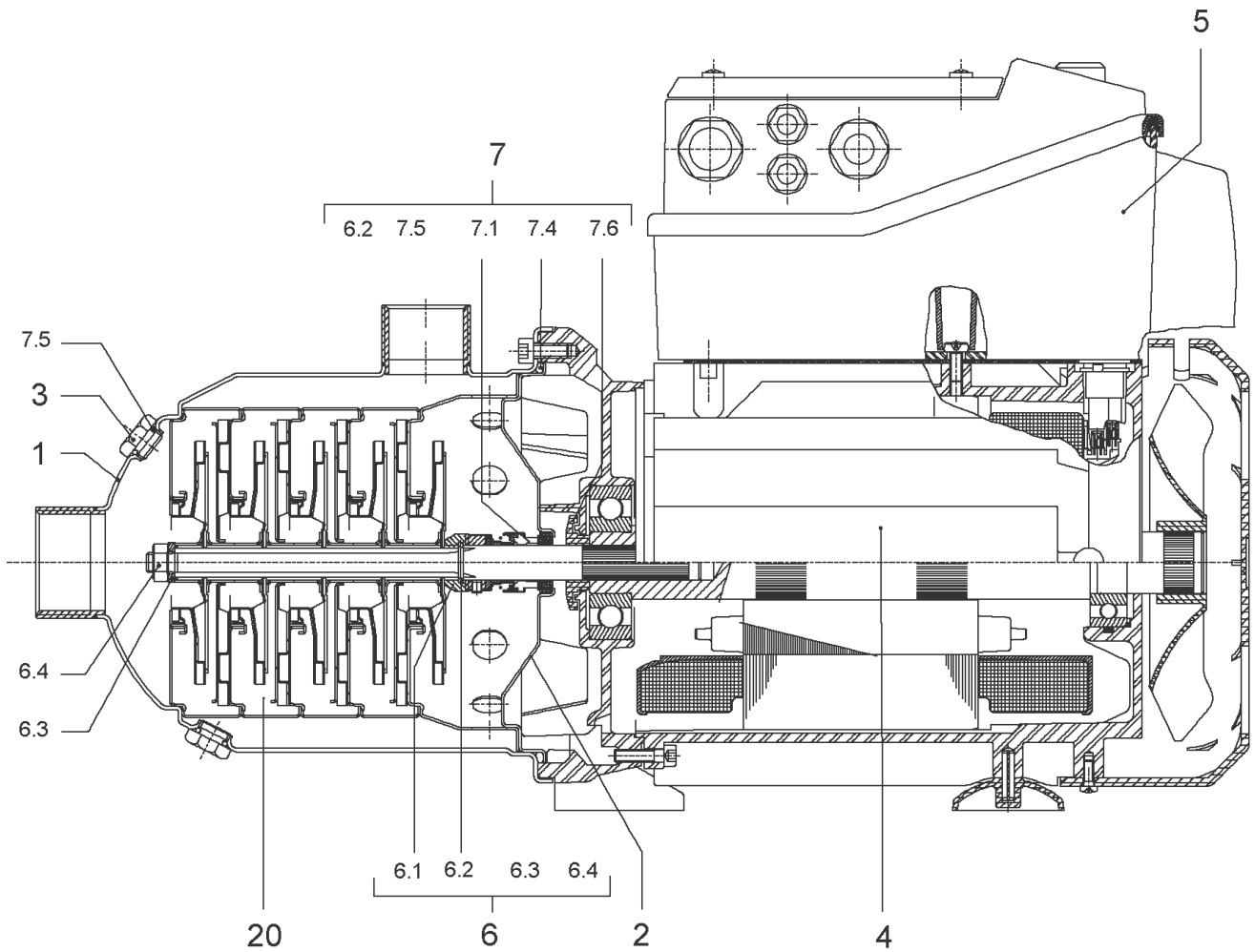
SPARE PARTS MOTOR MHE/MHIE2/4/8 2,2

Item	Article no.	Description	Quantity
4.1	2047017	FAN WHEEL AF90 2POL.ATB VP.	1
4.2		FAN HOOD TL4/3N NEUTRAL	1
Note: no longer available / nicht mehr lieferbar / ne plus disponible			
4.3	2047016	CORRUGATED SLEEVE RING BG90/100 ATB VP.	1
4.4	121083998	BALL BEARING 6205/2Z-C3 (HT) VP.	1
4.5	121466896	BALL BEARING 6305/2Z-C3 (HT) VP.	1
4.6	4008243	MOTOR-FOOT-SIZE-80	1



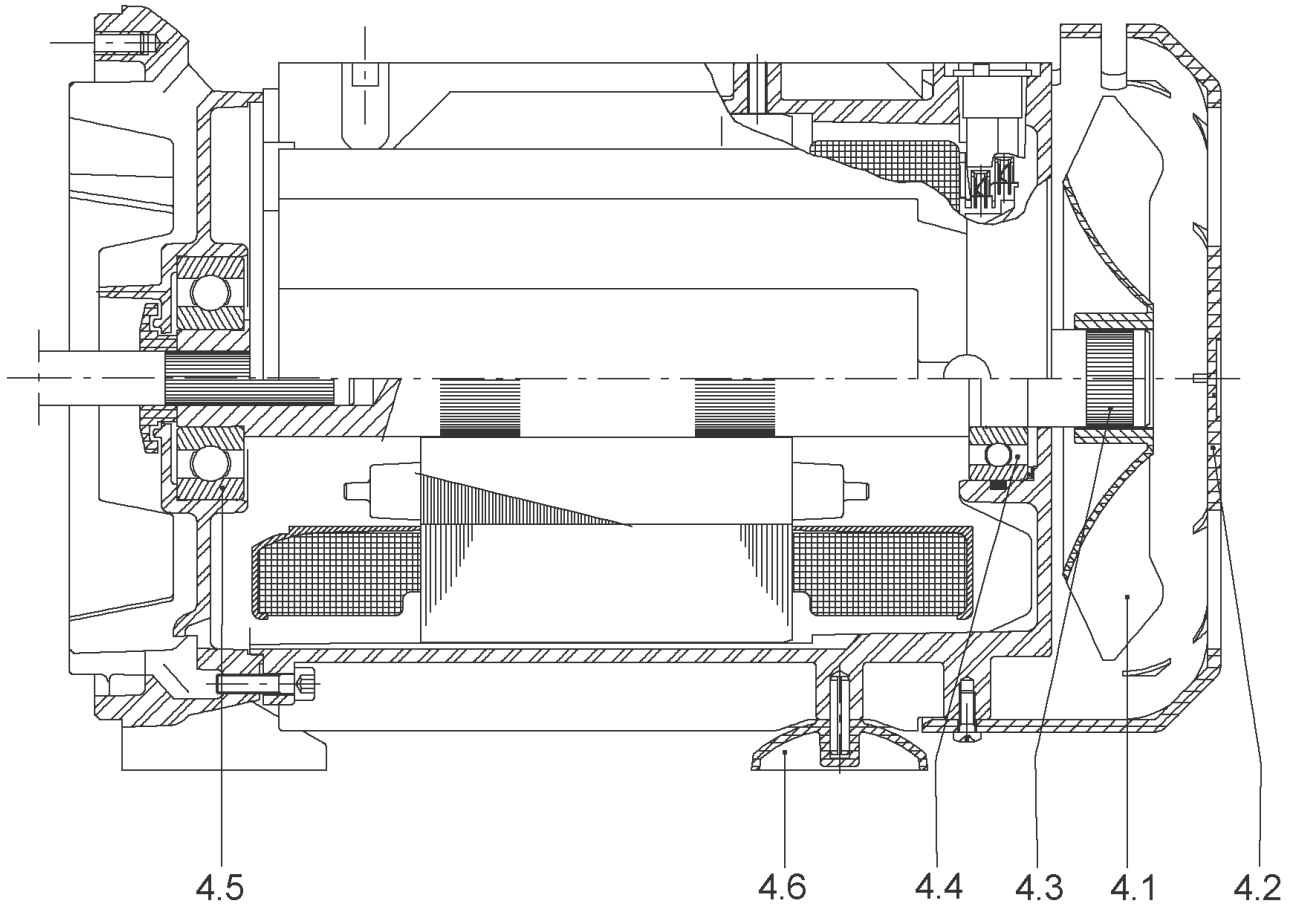
SPARE PARTS HYDRAULICS MHI/MHIE 1.4404

Item	Article no.	Description	Quantity
20.1	4026335	ASSEMBLY LR./STF.GH.MHI402-405,MVI402 1.	1
		> IMPELLER-VMI/HMI-SERIE.4-316L	1
		> STAGE CASING WITHOUT-R/G-2/4M3-316L	1
		> SPACER IMPELLER MVI2/4 1.4435	1
20.2	4026337	ASSEMBLY LR.STF.GH.RFK.MHI4,MVI403-419 1	1
		> IMPELLER-VMI/HMI-SERIE.4-316L	1
		> SPACER IMPELLER MVI2/4 1.4435	1
		> STAGE CASING-AV-C/R-2/4M3-316L	1
20.3	4026408	ASSEMBLY ZENTRIER-GH.+LR.MHI403/5/6 1.44	1
		> IMPELLER-VMI/HMI-SERIE.4-316L	1
		> SPACER IMPELLER MVI2/4 1.4435	1
		> UPPER STAGE-AV-C/R-JR-2/4M3-316L	1



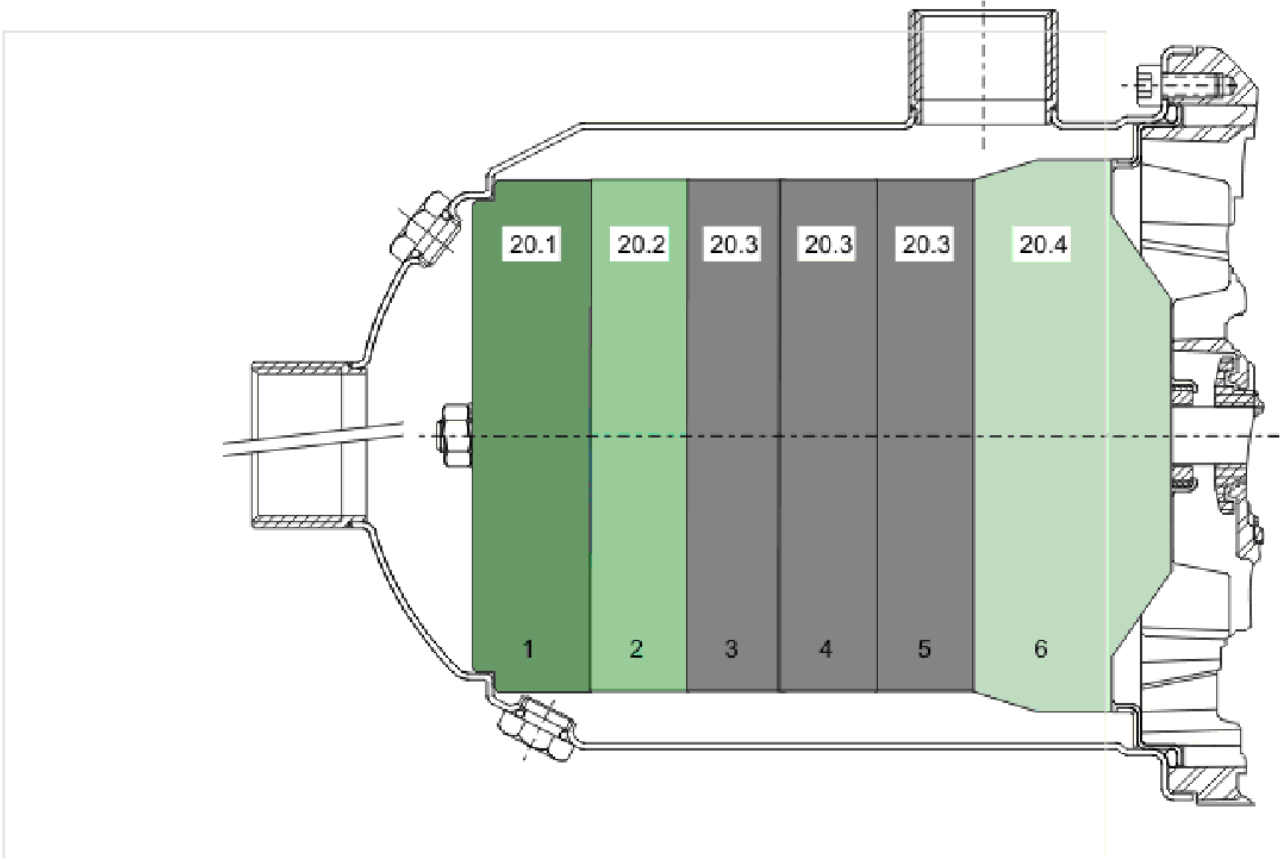
MHIE406-1/E/3-2-2G (4077399)

Item	Article no.	Description	Quantity
1	4202813	PUMP HOUSING MHI406 1.4301	1
2	2120000	STATIONARY RING HOLD.ANTI-VORTEX 1.4307	1
3	4191450	PRIMING/DRAIN PLUG G1/4"-MHI-1.4301 VP.	1
4		MO.MHIE 2,2/2/90N 3~400V IE1 VP.	1
Note: no longer available/nicht mehrlieferbar/n'est plus disponible			
		SPARE PARTS MOTOR MHIE406-2G	1
5		MODULE MVIE/MHIE-2,2KW IE1	1
Note: no longer available/nicht mehrlieferbar/n'est plus disponible			
6	4058529	SHAFT FIXING MHIE4 KIT	1
6.1		> STOP COLLAR OF IMPELLER L=8.7-Ø14-316L	1
6.2	2090148	> CIRCLIP D14 MVI/MHI 316L (2 PIECES) VP.	1
6.3		> FLAT WASHER-D8xD16x2.5-316L	1
6.4		> NUT-H-M8-STAINLESS-STEEL A4-70	1
7	4027347	MECHANICAL SEAL MHI KIT	1
6.2	2090148	> CIRCLIP D14 MVI/MHI 316L (2 PIECES) VP.	1
7.1	2127448	> MECH.SEAL MHI-MHIL-MVIL VP.	1
7.4	4235548	> O-RING ID.145 EPDM VP.	1
7.5	4235549	> O-RING I9X2 EPDM VP.	2
7.6		> THROWER-RUBBER-SH65/70	1
20		SPARE PARTS HYDRAULICS MHI/MHIE 1.4301	1



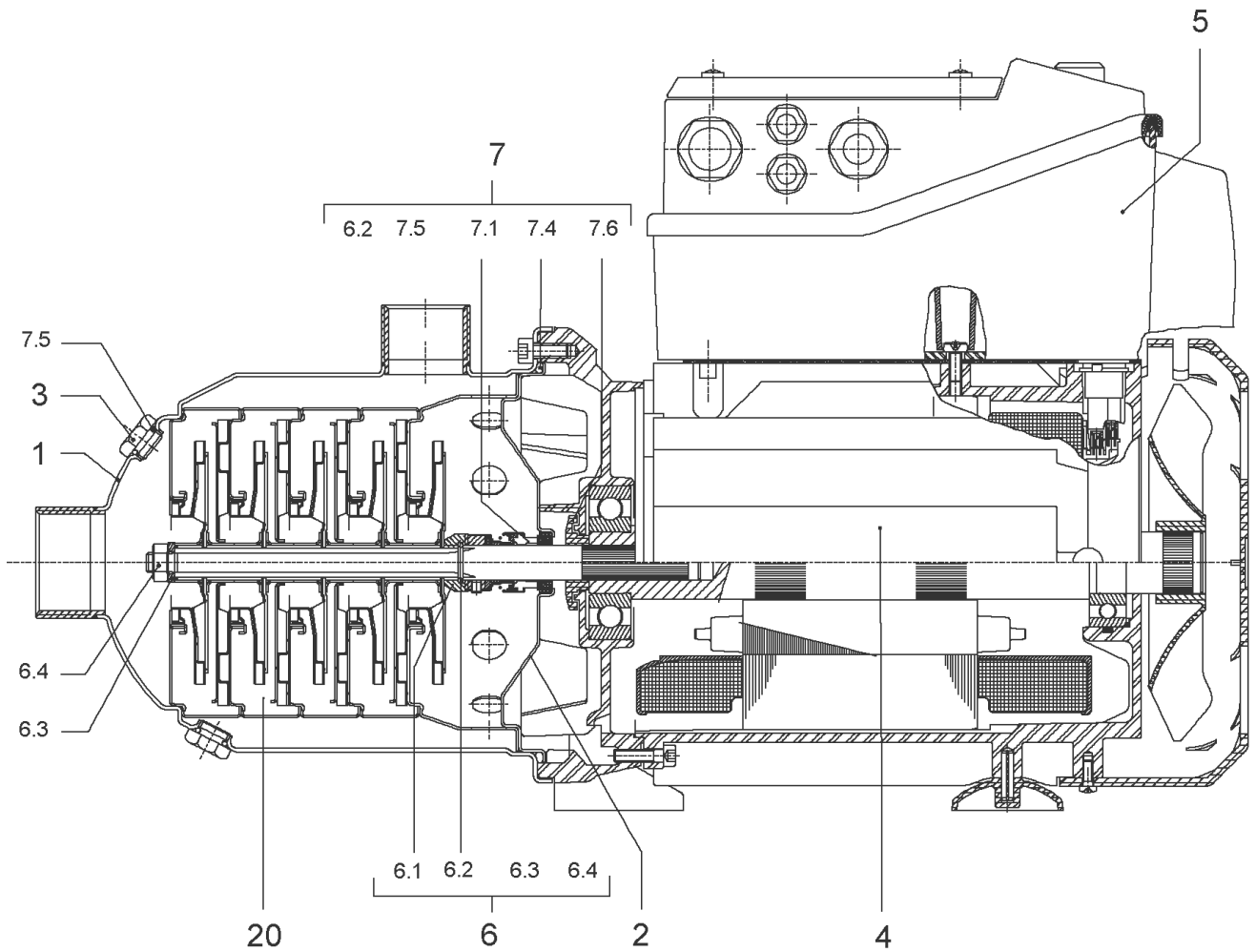
SPARE PARTS MOTOR MHIE406-2G

Item	Article no.	Description	Quantity
4.1	4179229	MOTOR-FAN-90-MHI Ø154-APPROVE_UL VP.	1
4.2	4007271	FAN-COVER BG90 D.135	1
4.4	121083998	BALL BEARING 6205/2Z-C3 (HT) VP.	1
4.5	121466896	BALL BEARING 6305/2Z-C3 (HT) VP.	1



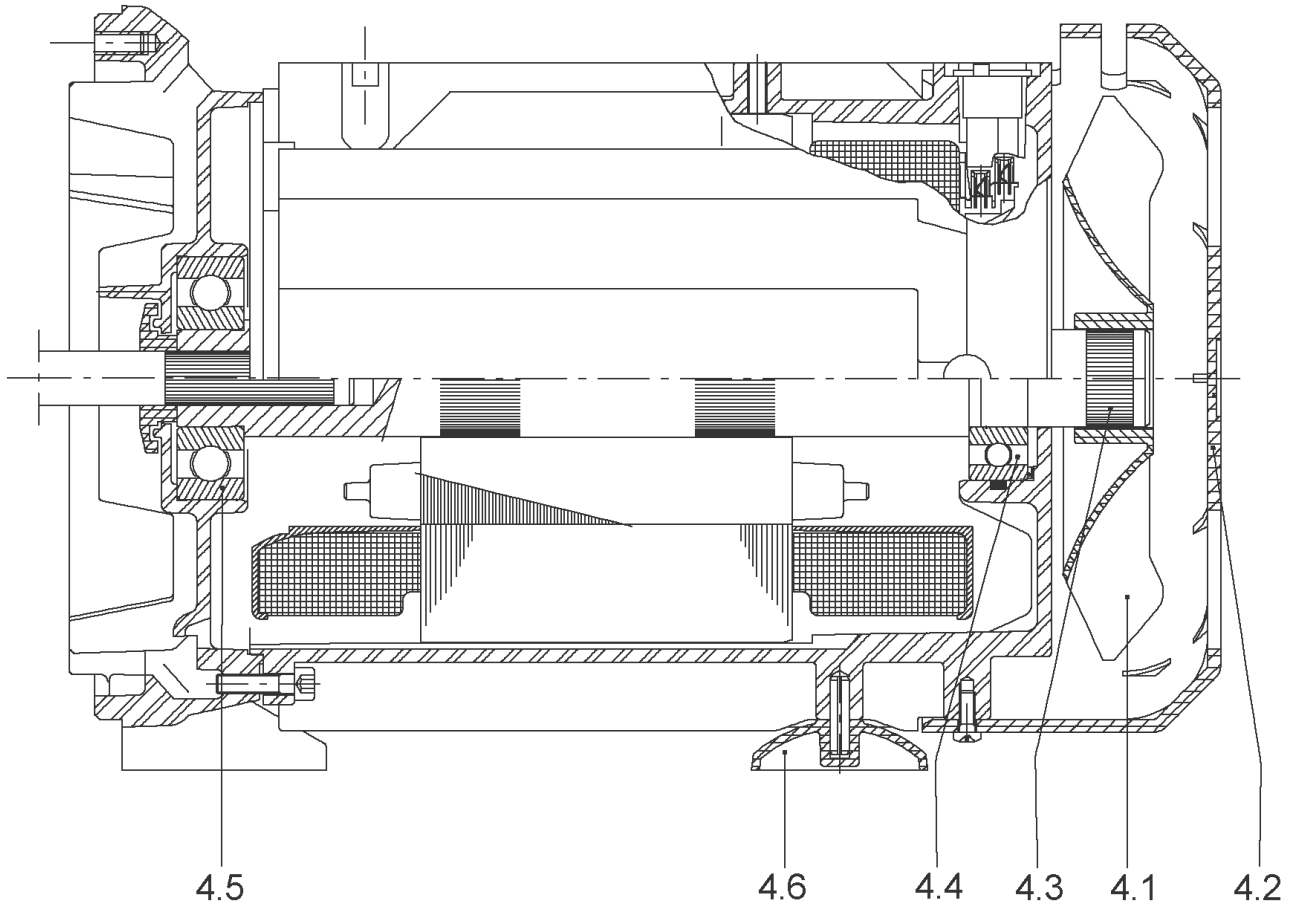
SPARE PARTS HYDRAULICS MHI/MHIE 1.4301

Item	Article no.	Description	Quantity
20.1	4015443	STAGE MHI406,MVI402 KIT	1
		> IMPELLER MVI4 D.98,5x3,1 1.4301	1
		> STAGE HOUSING O.RFK MVI2/4 1.4301	1
		> SPACER IMPELLER MVI2/4 1.4435	1
		> SPACER SHAFT SLEEVE MVI2/4 1.4435	1
20.2	4015445	STAGE-KIT-MVI-MHI	1
		> IMPELLER MVI4 D.98,5x3,1 1.4301	1
		> SPACER IMPELLER MVI2/4 1.4435	1
		> SPACER SHAFT SLEEVE MVI2/4 1.4435	1
		> STAGE-CASING-WITH-R/C+BEARING-2/4M3-304	1
		> SLEEVE-D14L13,8-VMI	1
20.3	4015446	STAGE MHI4,MVI403-19 1.4301 KIT	1
		> IMPELLER MVI4 D.98,5x3,1 1.4301	1
		> SPACER IMPELLER MVI2/4 1.4435	1
		> STAGE HOUSING RFK.MVI2/4 1.4301	1
20.4	4015464	STAGE MHI403/05/06 1.4301KIT	1
		> IMPELLER MVI4 D.98,5x3,1 1.4301	1
		> SPACER IMPELLER MVI2/4 1.4435	1
		> UPPER STAGE-AV-C/R-JR-2/4M3-304	1



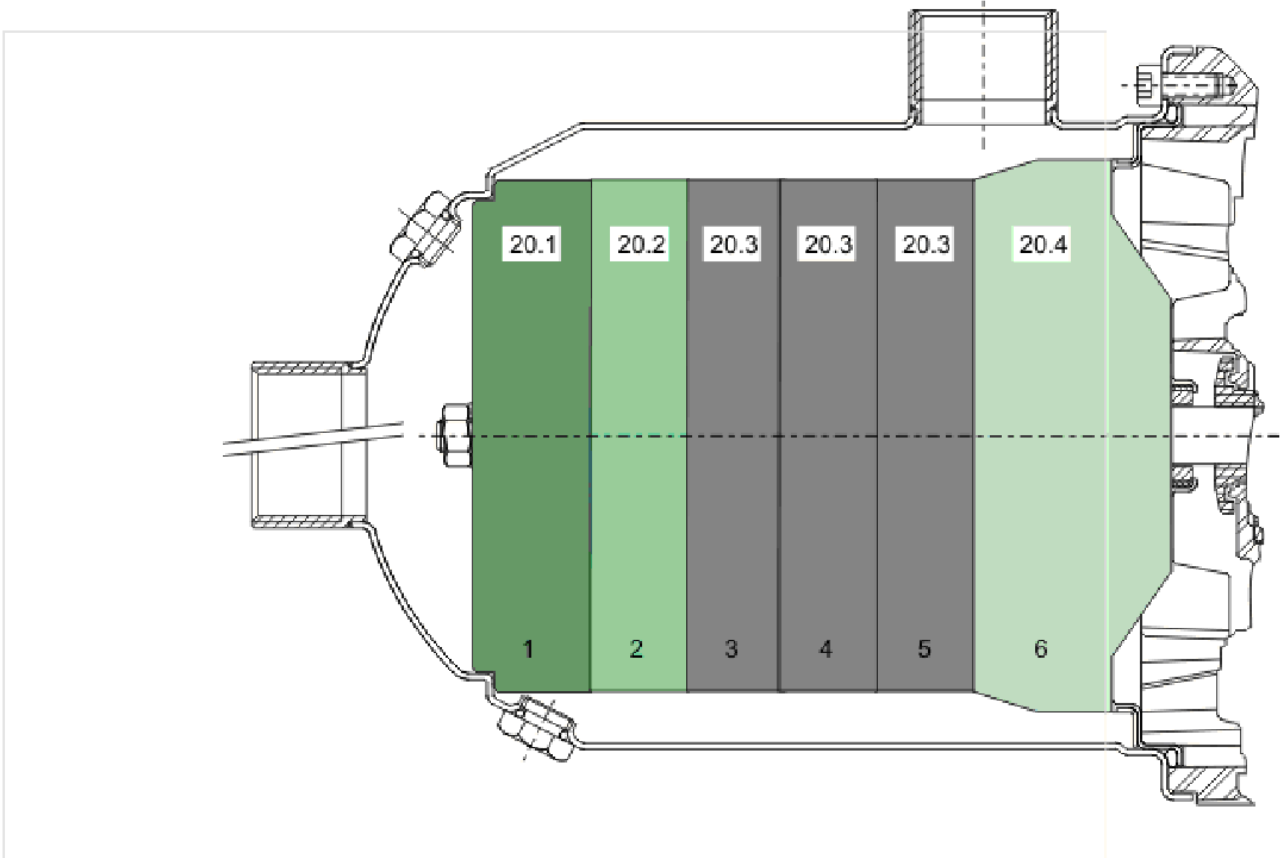
MHIE406-2/V/3-2-2G (4077404)

Item	Article no.	Description	Quantity
1	4202821	PUMP HOUSING MHI404/405 1.4404 VP.	1
2	2120001	STATIONARY RING HOLD.ANTI-VORTEX 1.4404	1
3	4202825	PRIMING/DRAIN PLUG G1/4"-MHI-1.4404 VP.	1
4		SPARE PARTS MOTOR MHIE406-2G	1
5		MODULE MVIE/MHIE-2,2KW IE1	1
Note: no longer available/nicht mehrlieferbar/n'est plus disponible			
6	4058529	SHAFT FIXING MHIE4 KIT	1
6.1		> STOP COLLAR OF IMPELLER L=8.7-Ø14-316L	1
6.2	2090148	> CIRCLIP D14 MVI/MHI 316L (2 PIECES) VP.	1
6.3		> FLAT WASHER-D8xD16x2.5-316L	1
6.4		> NUT-H-M8-STAINLESS-STEEL A4-70	1
7.5	4027348	ASSEMBLY GRD.MHI2../4../8.. VITON VP.	1
6.2	2090148	> CIRCLIP D14 MVI/MHI 316L (2 PIECES) VP.	1
7.1	2127451	> MECH.SEAL MG12/14-G606-Q1BVGG-BU.VP.	1
7.4	4233953	> O-RING ID.145 VITON VP.	1
7.5	4234238	> O-RING 9X2 VITON VP.	1
7.6		> THROWER-RUBBER-SH65/70	1
20		SPARE PARTS HYDRAULICS MHI/MHIE 1.4404	1



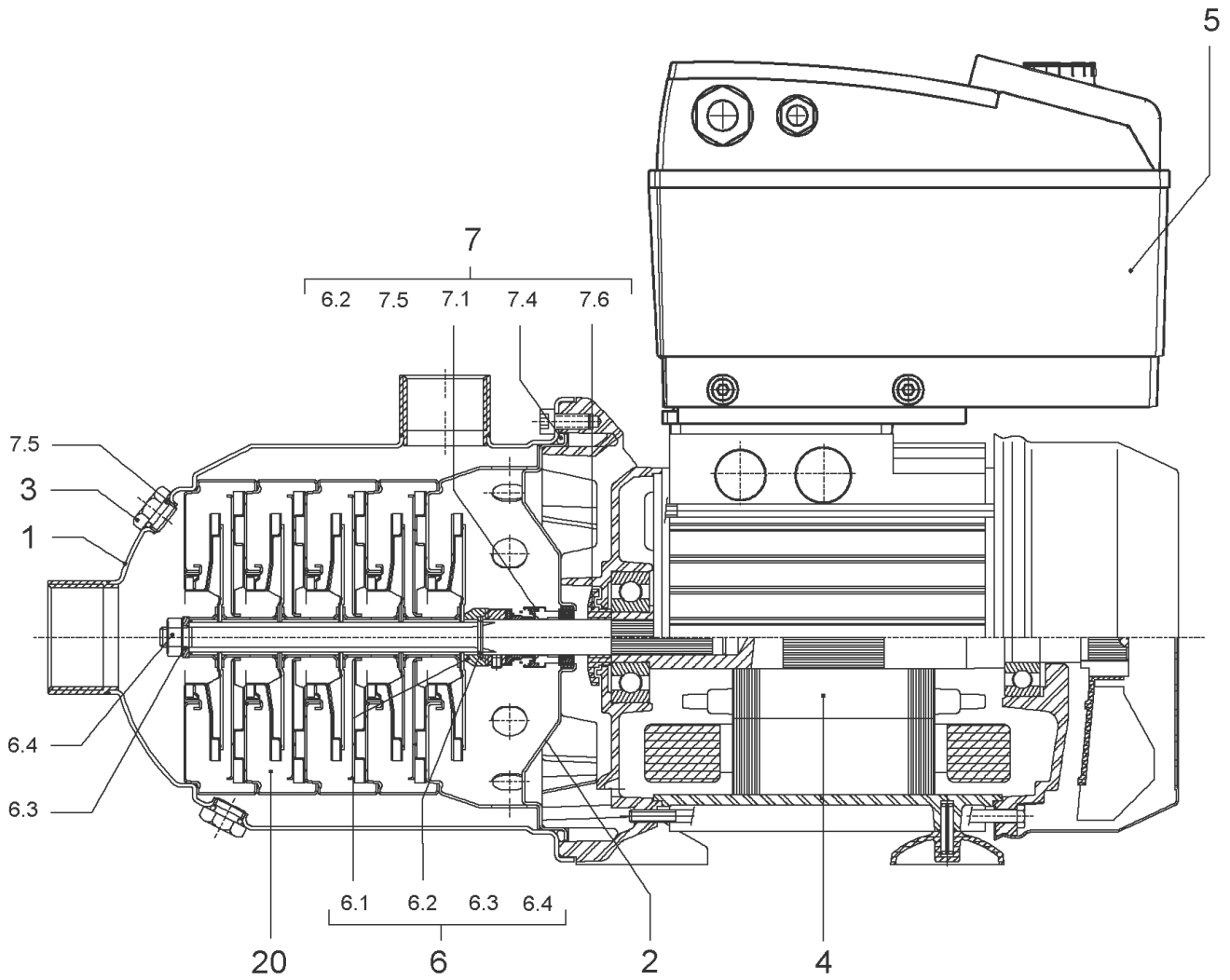
SPARE PARTS MOTOR MHIE406-2G

Item	Article no.	Description	Quantity
4.1	4179229	MOTOR-FAN-90-MHI Ø154-APPROVE_UL VP.	1
4.2	4007271	FAN-COVER BG90 D.135	1
4.4	121083998	BALL BEARING 6205/2Z-C3 (HT) VP.	1
4.5	121466896	BALL BEARING 6305/2Z-C3 (HT) VP.	1



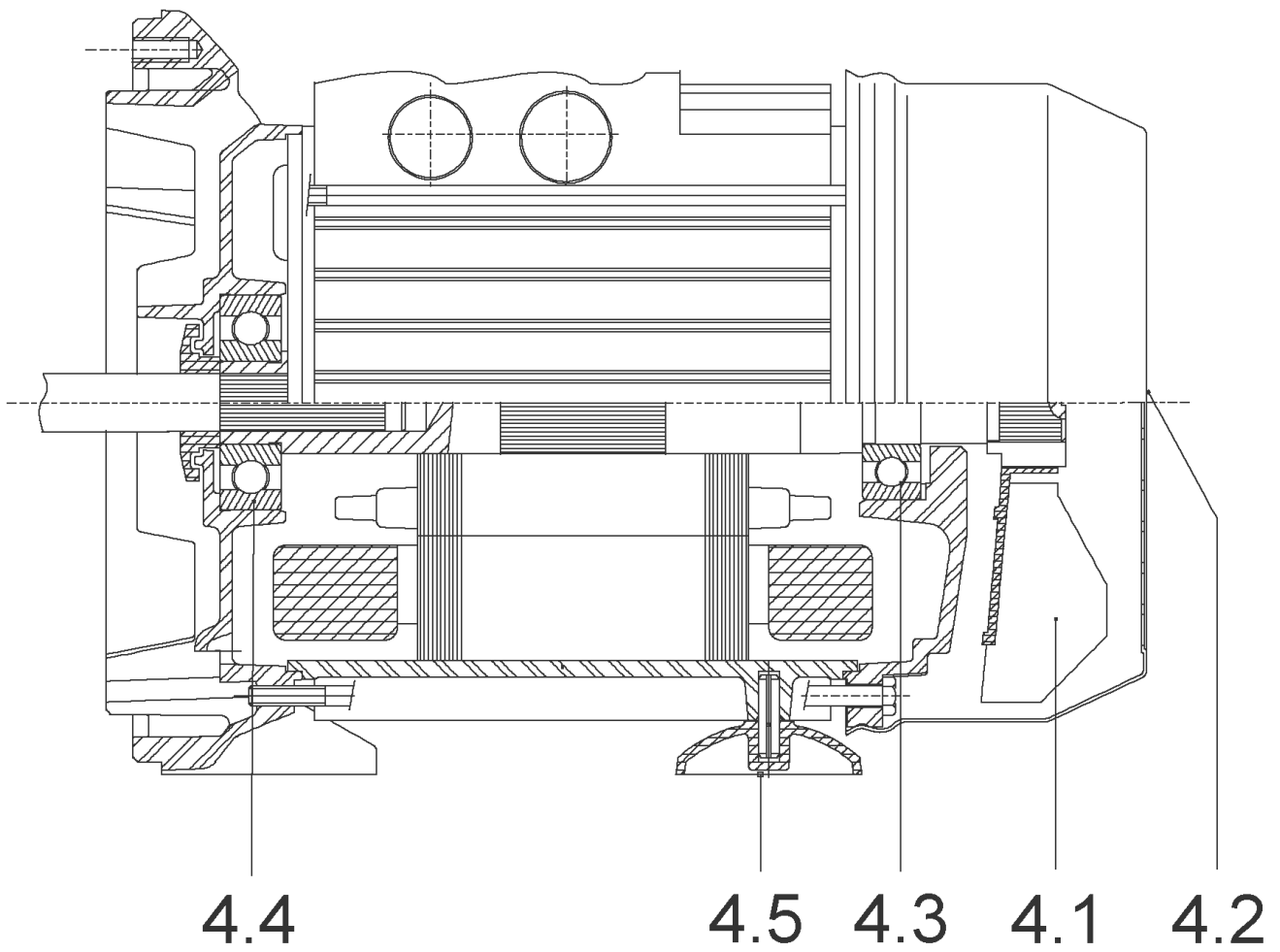
SPARE PARTS HYDRAULICS MHI/MHIE 1.4404

Item	Article no.	Description	Quantity
20.1	4026334	ASSEMBLY LR./STF.GH.MHI406,MVI402/403 1.	1
		> IMPELLER-VMI/HMI-SERIE.4-316L	1
		> STAGE CASING WITHOUT-R/G-2/4M3-316L	1
		> SPACER IMPELLER MVI2/4 1.4435	1
		> SPACER SHAFT SLEEVE MVI2/4 1.4435	1
20.2	4026336	ASSEMBLY LR./LAG.BU.RFK.MHI406,MVI403-19	1
		> IMPELLER-VMI/HMI-SERIE.4-316L	1
		> SPACER IMPELLER MVI2/4 1.4435	1
		> SPACER SHAFT SLEEVE MVI2/4 1.4435	1
		> STAGE CASING-AV-C/R-BEARING-2/4M3-L	1
		> SLEEVE-D14L13,8-VMI	1
20.3	4026337	ASSEMBLY LR.STF.GH.RFK.MHI4,MVI403-419 1	1
		> IMPELLER-VMI/HMI-SERIE.4-316L	1
		> SPACER IMPELLER MVI2/4 1.4435	1
		> STAGE CASING-AV-C/R-2/4M3-316L	1
20.4	4026408	ASSEMBLY ZENTRIER-GH.+LR.MHI403/5/6 1.44	1
		> IMPELLER-VMI/HMI-SERIE.4-316L	1
		> SPACER IMPELLER MVI2/4 1.4435	1
		> UPPER STAGE-AV-C/R-JR-2/4M3-316L	1



MHIE406N-1/E/3-2-2G (4148418)

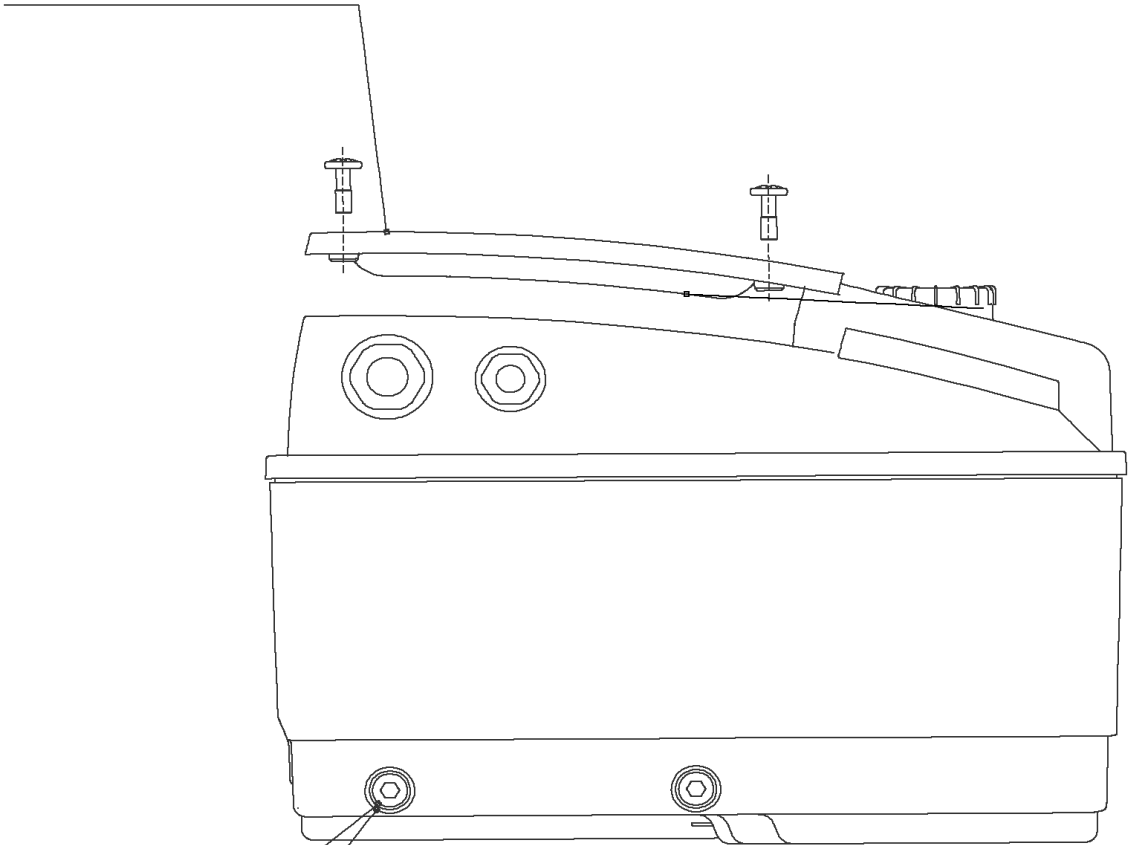
Item	Article no.	Description	Quantity
1	4202813	PUMP HOUSING MHI406 1.4301	1
2	2120000	STATIONARY RING HOLD.ANTI-VORTEX 1.4307	1
3	4191450	PRIMING/DRAIN PLUG G1/4"-MHI-1.4301 VP.	1
4	4176862	COMPL MOTOR MHIE 406N-1/E/3-2-2G VP.	1
		SPARE PARTS MOTOR MHIE 2/4/8/16	1
5	4167752	MODULE MHIE406N-IE2-WE KIT	1
6	4058529	SHAFT FIXING MHIE4 KIT	1
6.1		> STOP COLLAR OF IMPELLER L=8.7-Ø14-316L	1
6.2	2090148	> CIRCLIP D14 MVI/MHI 316L (2 PIECES) VP.	1
6.3		> FLAT WASHER-D8xD16x2.5-316L	1
6.4		> NUT-H-M8-STAINLESS-STEEL A4-70	1
7	4027347	MECHANICAL SEAL MHI KIT	1
6.2	2090148	> CIRCLIP D14 MVI/MHI 316L (2 PIECES) VP.	1
7.1	2127448	> MECH.SEAL MHI-MHIL-MVIL VP.	1
7.4	4235548	> O-RING ID.145 EPDM VP.	1
7.5	4235549	> O-RING I9X2 EPDM VP.	2
7.6		> THROWER-RUBBER-SH65/70	1
20		SPARE PARTS HYDRAULICS MHI/MHIE 1.4301	1



SPARE PARTS MOTOR MHIE 2/4/8/16

Item	Article no.	Description	Quantity
4.1	4230667	Fan for motor T90 MHIE Ø122 VP.	1
4.2	2111322	FAN HOOD BG90 ELEC KIT	1
2.13A		> FAN COVER IEC90 KTL ST14 T0.8 H70	1
2.13B	2111323	> SCREW M4X6 (4 PIECES)	1
Note: Please give the data from type plate of the motor			
4.3	4221774	Ball bearing 6204VV-C3(Ø20xØ47x14)EA6 VP	1
4.4	4180822	BALL BEARING 6305-C3-DDU-E-EA6 VP.	1
4.5	4234217	MOTOR FOOT WILO ELEC IE90 KIT	1

5.1



5.2

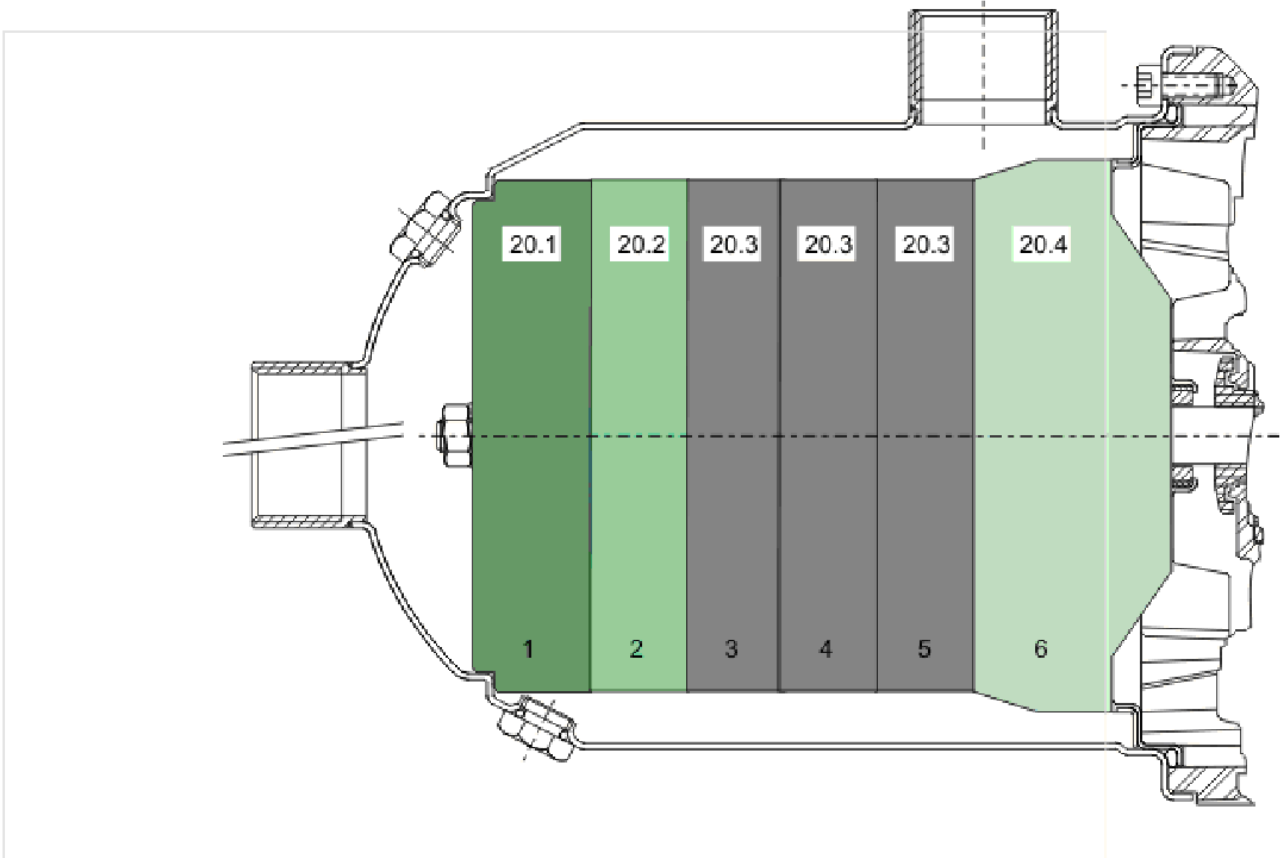


5.3



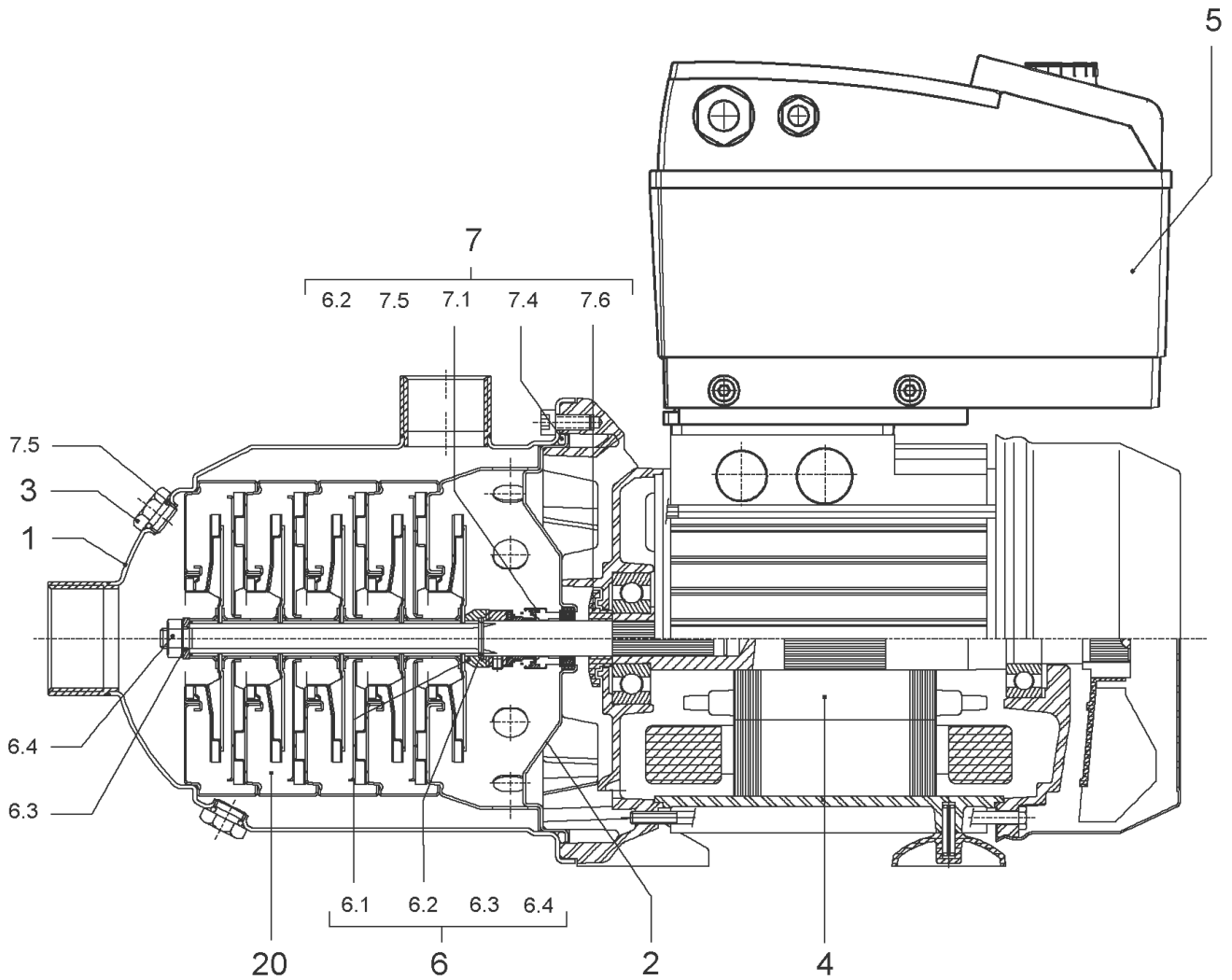
MODULE MHIE406N-IE2-WE KIT (4167752)

Item	Article no.	Description	Quantity
5.1	2054227	MODULE COVER/GASKET TL3/4 KIT	1
5.2	4215716	SCREW M5X16 DIN912 8.8 A2A (4pieces) VP.	1
5.3	2057978	RONDELLE A5,3 DIN6797 FST ZN (4 PIECES)	1



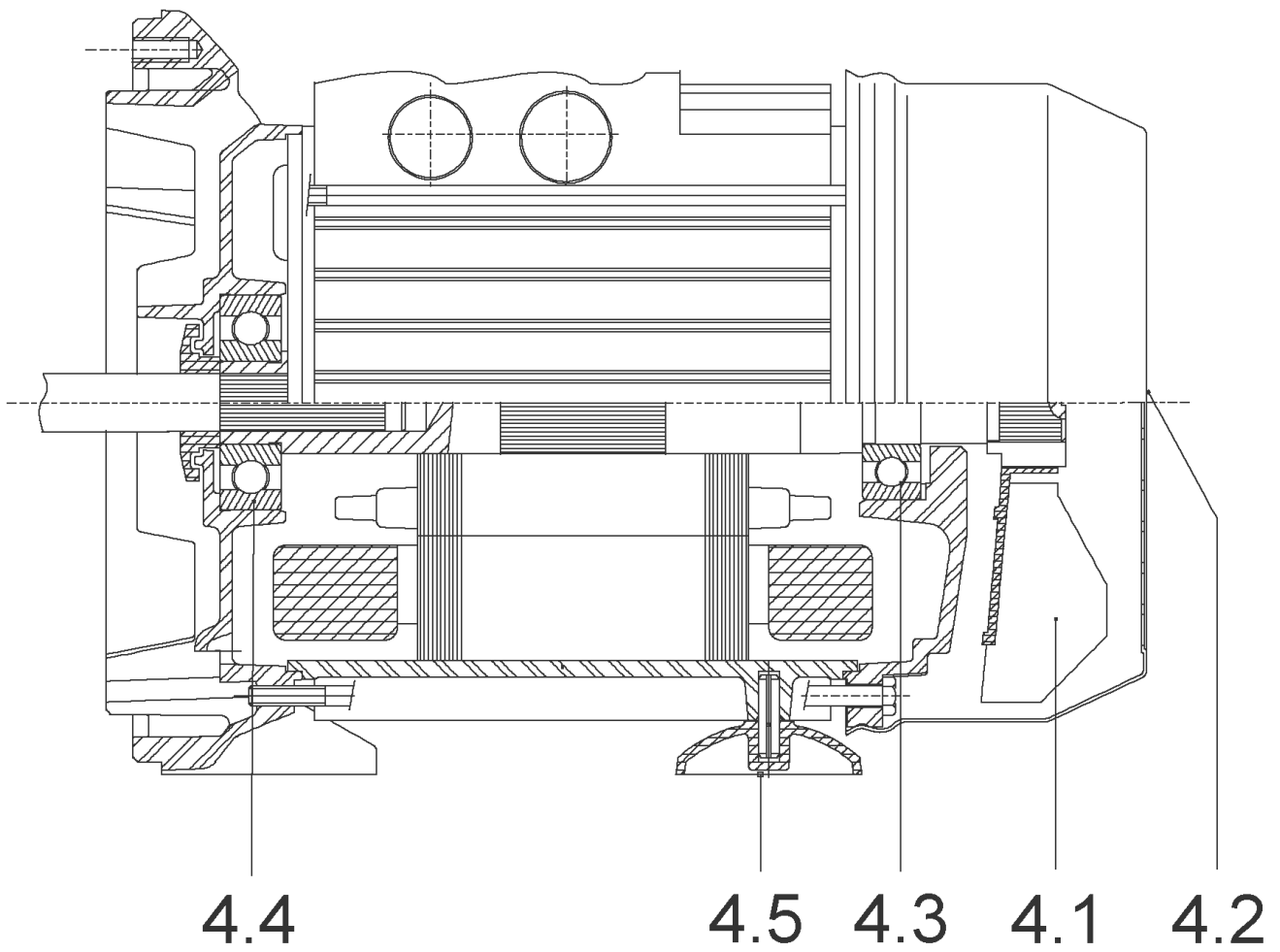
SPARE PARTS HYDRAULICS MHI/MHIE 1.4301

Item	Article no.	Description	Quantity
20.1	4015443	STAGE MHI406,MVI402 KIT	1
		> IMPELLER MVI4 D.98,5x3,1 1.4301	1
		> STAGE HOUSING O.RFK MVI2/4 1.4301	1
		> SPACER IMPELLER MVI2/4 1.4301	1
		> SPACER SHAFT SLEEVE MVI2/4 1.4435	1
20.2	4015445	STAGE-KIT-MVI-MHI	1
		> IMPELLER MVI4 D.98,5x3,1 1.4301	1
		> STAGE-CASING-WITH-R/C+BEARING-2/4M3-304	1
		> SPACER IMPELLER MVI2/4 1.4301	1
		> SLEEVE-D14L13,8-VM1	1
		> SPACER SHAFT SLEEVE MVI2/4 1.4435	1
20.3	4015446	STAGE MHI4,MVI403-19 1.4301 KIT	1
		> IMPELLER MVI4 D.98,5x3,1 1.4301	1
		> SPACER IMPELLER MVI2/4 1.4301	1
		> STAGE HOUSING RFK.MVI2/4 1.4301	1
20.4	4015464	STAGE MHI403/05/06 1.4301KIT	1
		> IMPELLER MVI4 D.98,5x3,1 1.4301	1
		> SPACER IMPELLER MVI2/4 1.4301	1
		> UPPER STAGE-AV-C/R-JR-2/4M3-304	1



MHIE406N-2/V/3-2-2G (4148419)

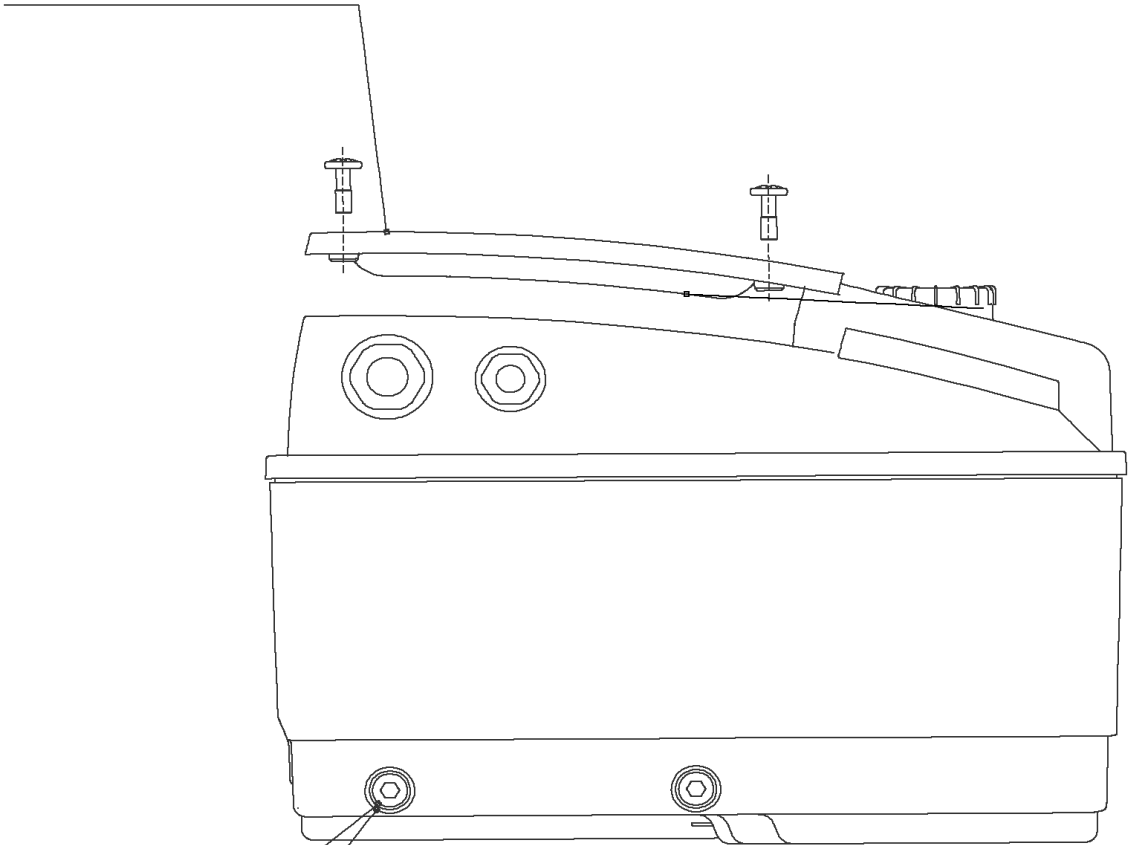
Item	Article no.	Description	Quantity
1	4202822	PUMP HOUSING MHI406 1.4404	1
2	2120001	STATIONARY RING HOLD.ANTI-VORTEX 1.4404	1
3	4202825	PRIMING/DRAIN PLUG G1/4"-MHI-1.4404 VP.	1
4	4234205	COMPL MOTOR MHIE406N-2/V/3-2-2G WE VP.	1
		SPARE PARTS MOTOR MHIE 2/4/8/16	1
5	4167752	MODULE MHIE406N-IE2-WE KIT	1
6	4058529	SHAFT FIXING MHIE4 KIT	1
6.1		> STOP COLLAR OF IMPELLER L=8.7-Ø14-316L	1
6.2	2090148	> CIRCLIP D14 MVI/MHI 316L (2 PIECES) VP.	1
6.3		> FLAT WASHER-D8xD16x2.5-316L	1
6.4		> NUT-H-M8-STAINLESS-STEEL A4-70	1
7	4027348	ASSEMBLY GRD.MHI2../4../8.. VITON VP.	1
6.2	2090148	> CIRCLIP D14 MVI/MHI 316L (2 PIECES) VP.	1
7.1	2127451	> MECH.SEAL MG12/14-G606-Q1BVGG-BU.VP.	1
7.4	4233953	> O-RING ID.145 VITON VP.	1
7.5	4234238	> O-RING 9X2 VITON VP.	1
7.6		> THROWER-RUBBER-SH65/70	1
20		SPARE PARTS HYDRAULICS MHI/MHIE 1.4404	1



SPARE PARTS MOTOR MHIE 2/4/8/16

Item	Article no.	Description	Quantity
4.1	4230667	Fan for motor T90 MHIE Ø122 VP.	1
4.2	2111322	FAN HOOD BG90 ELEC KIT	1
2.13A		> FAN COVER IEC90 KTL ST14 T0.8 H70	1
2.13B	2111323	> SCREW M4X6 (4 PIECES)	1
Note: Please give the data from type plate of the motor			
4.3	4221774	Ball bearing 6204VV-C3(Ø20xØ47x14)EA6 VP	1
4.4	4180822	BALL BEARING 6305-C3-DDU-E-EA6 VP.	1
4.5	4234217	MOTOR FOOT WILO ELEC IE90 KIT	1

5.1



5.2

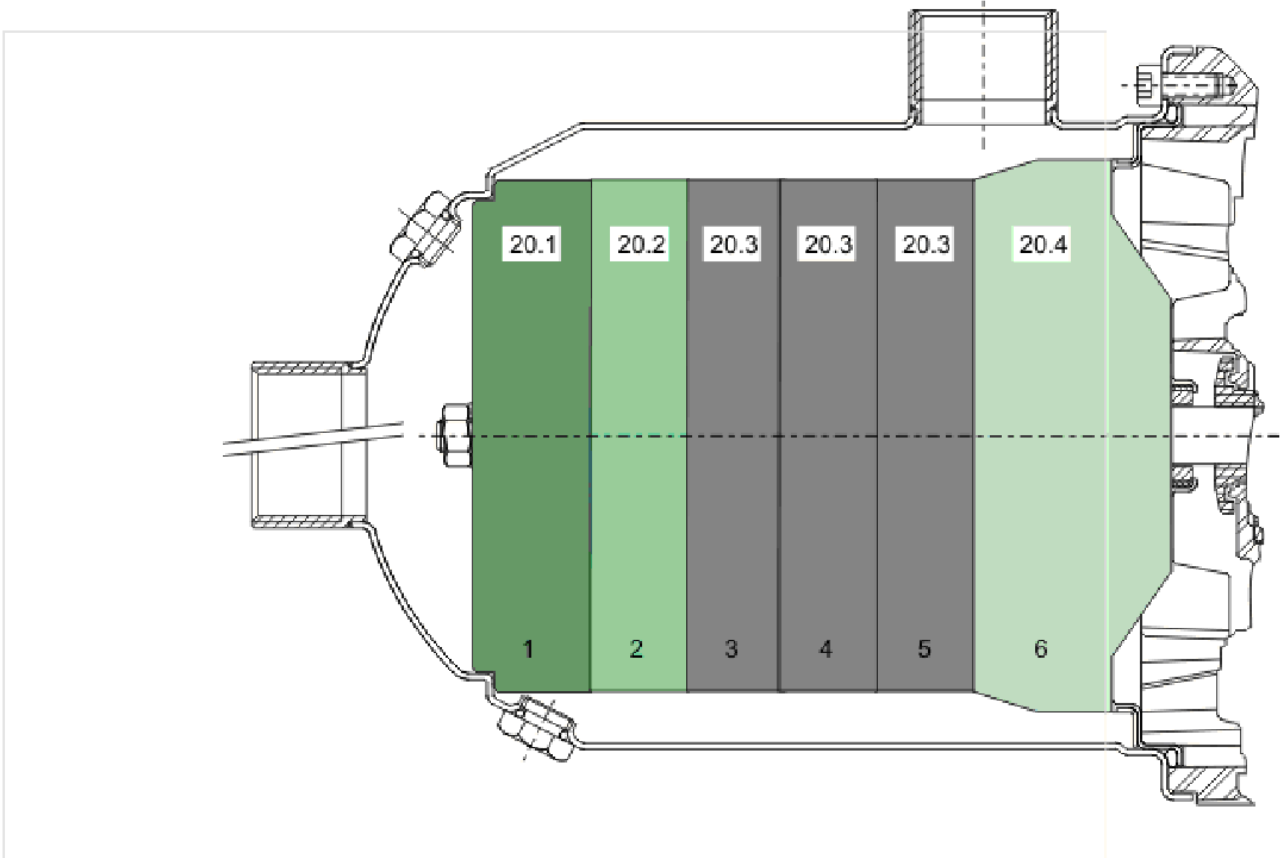


5.3



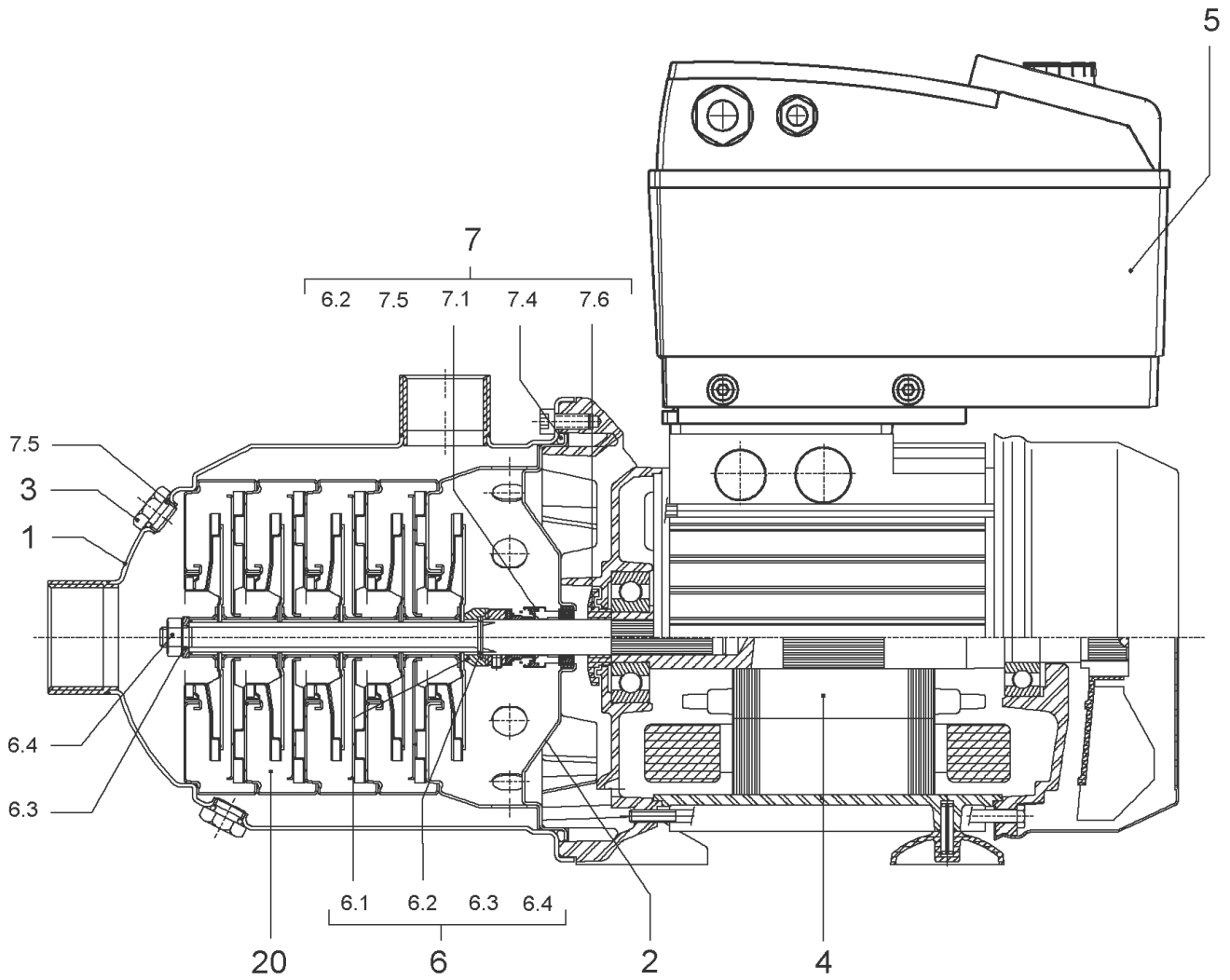
MODULE MHIE406N-IE2-WE KIT (4167752)

Item	Article no.	Description	Quantity
5.1	2054227	MODULE COVER/GASKET TL3/4 KIT	1
5.2	4215716	SCREW M5X16 DIN912 8.8 A2A (4pieces) VP.	1
5.3	2057978	RONDELLE A5,3 DIN6797 FST ZN (4 PIECES)	1



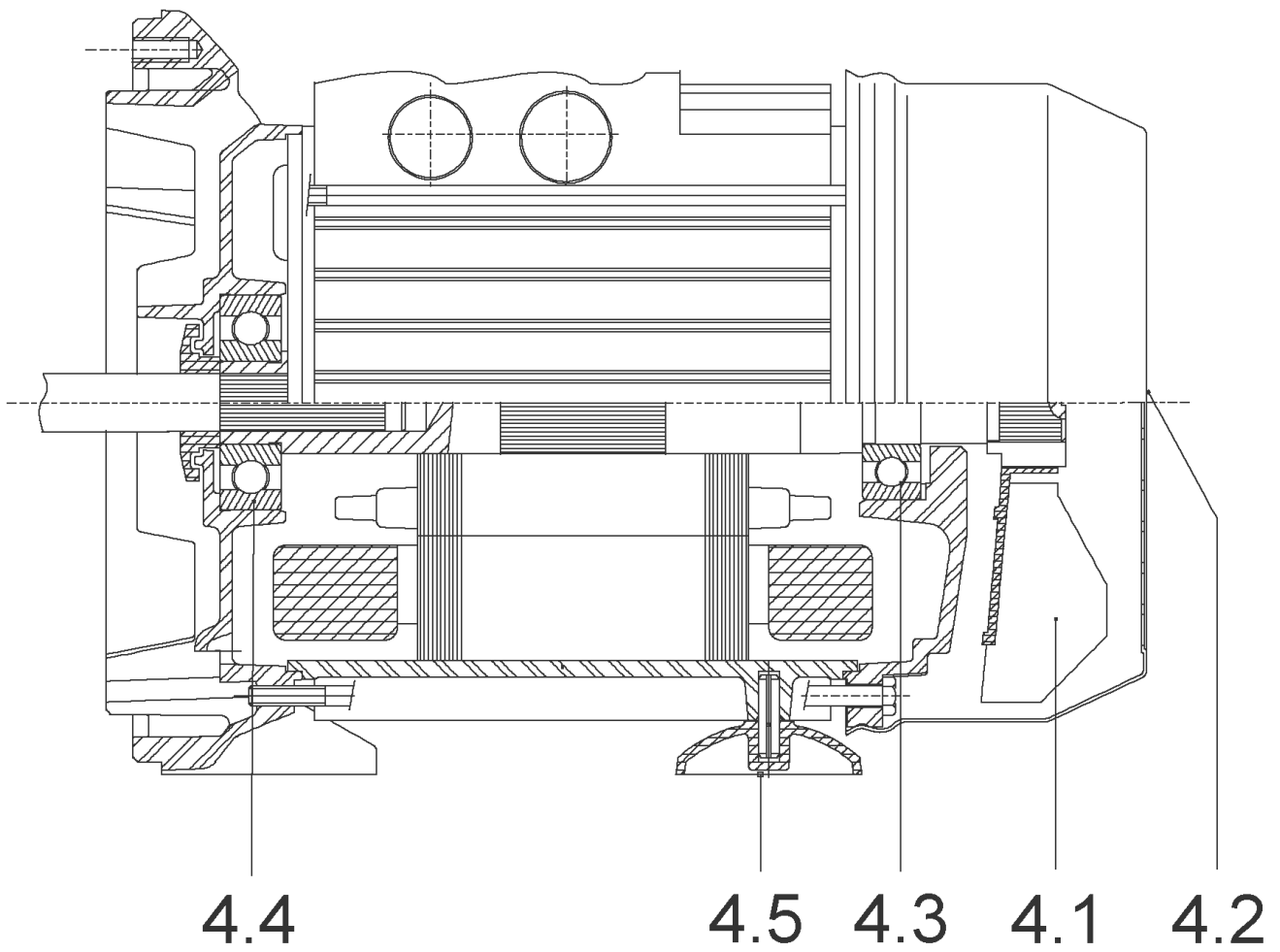
SPARE PARTS HYDRAULICS MHI/MHIE 1.4404

Item	Article no.	Description	Quantity
20.1	4026334	ASSEMBLY LR./STF.GH.MHI406,MVI402/403 1.	1
		> IMPELLER-VMI/HMI-SERIE.4-316L	1
		> STAGE CASING WITHOUT-R/G-2/4M3-316L	1
		> SPACER IMPELLER MVI2/4 1.4435	1
		> SPACER SHAFT SLEEVE MVI2/4 1.4435	1
20.2	4026336	ASSEMBLY LR./LAG.BU.RFK.MHI406,MVI403-19	1
		> IMPELLER-VMI/HMI-SERIE.4-316L	1
		> STAGE CASING-AV-C/R-BEARING-2/4M3-L	1
		> SPACER SHAFT SLEEVE MVI2/4 1.4435	1
		> SLEEVE-D14L13,8-VMI	1
		> SPACER IMPELLER MVI2/4 1.4435	1
20.3	4026337	ASSEMBLY LR.STF.GH.RFK.MHI4,MVI403-419 1	1
		> IMPELLER-VMI/HMI-SERIE.4-316L	1
		> STAGE CASING-AV-C/R-2/4M3-316L	1
		> SPACER IMPELLER MVI2/4 1.4435	1
20.4	4026408	ASSEMBLY ZENTRIER-GH.+LR.MHI403/5/6 1.44	1
		> UPPER STAGE-AV-C/R-JR-2/4M3-316L	1
		> IMPELLER-VMI/HMI-SERIE.4-316L	1
		> SPACER IMPELLER MVI2/4 1.4435	1



MHIE802N-1/E/3-2-2G (4171788)

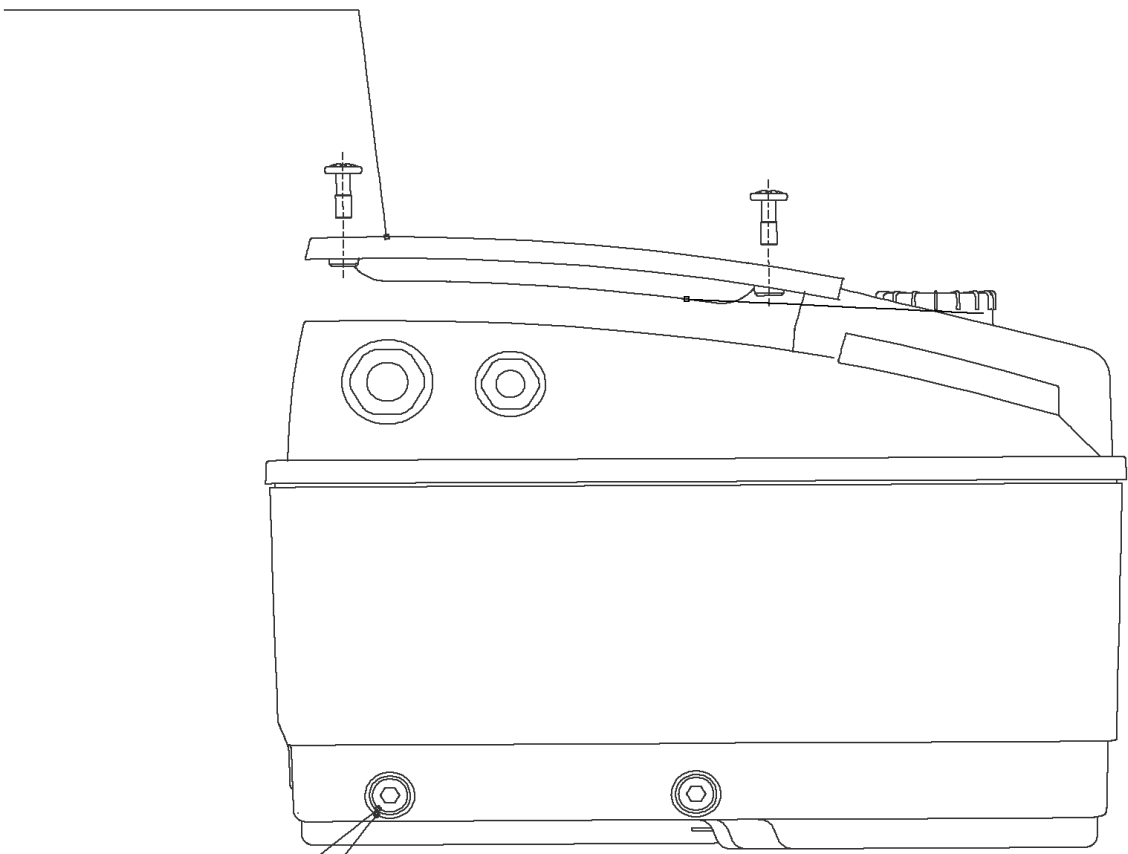
Item	Article no.	Description	Quantity
1	4191449	PUMP HOUSING MHI802/803 1.4301 VP.	1
2	2120000	STATIONARY RING HOLD.ANTI-VORTEX 1.4307	1
3	4191450	PRIMING/DRAIN PLUG G1/4"-MHI-1.4301 VP.	1
4	4234206	COMPL MOTOR MHIE802N-1/E/3-2-2G WE VP.	1
		SPARE PARTS MOTOR MHIE 2/4/8/16	1
5	4234212	MODULE MHIE 802N-IE2-WE KIT	1
6	4058533	SHAFT FIXING MHIE8 KIT	1
6.1		> IMPELLER THRUST RING/KEEPER-D14L5,5-316L	1
6.2	2090148	> CIRCLIP D14 MVI/MHI 316L (2 PIECES) VP.	1
6.3		> FLAT WASHER-D8xD16x2.5-316L	1
6.4		> NUT-H-M8-STAINLESS-STEEL A4-70	1
7	4027347	MECHANICAL SEAL MHI KIT	1
6.2	2090148	> CIRCLIP D14 MVI/MHI 316L (2 PIECES) VP.	1
7.1	2127448	> MECH.SEAL MHI-MHIL-MVIL VP.	1
7.4	4235548	> O-RING ID.145 EPDM VP.	1
7.5	4235549	> O-RING I9X2 EPDM VP.	2
7.6		> THROWER-RUBBER-SH65/70	1
20		SPARE PARTS HYDRAULICS MHI 1.4301	1



SPARE PARTS MOTOR MHIE 2/4/8/16

Item	Article no.	Description	Quantity
4.1	4230667	Fan for motor T90 MHIE Ø122 VP.	1
4.2	2111322	FAN HOOD BG90 ELEC KIT	1
2.13A		> FAN COVER IEC90 KTL ST14 T0.8 H70	1
2.13B	2111323	> SCREW M4X6 (4 PIECES)	1
Note: Please give the data from type plate of the motor			
4.3	4221774	Ball bearing 6204VV-C3(Ø20xØ47x14)EA6 VP	1
4.4	4180822	BALL BEARING 6305-C3-DDU-E-EA6 VP.	1
4.5	4234217	MOTOR FOOT WILO ELEC IE90 KIT	1

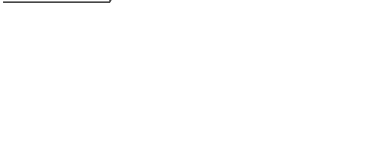
5.1



5.2

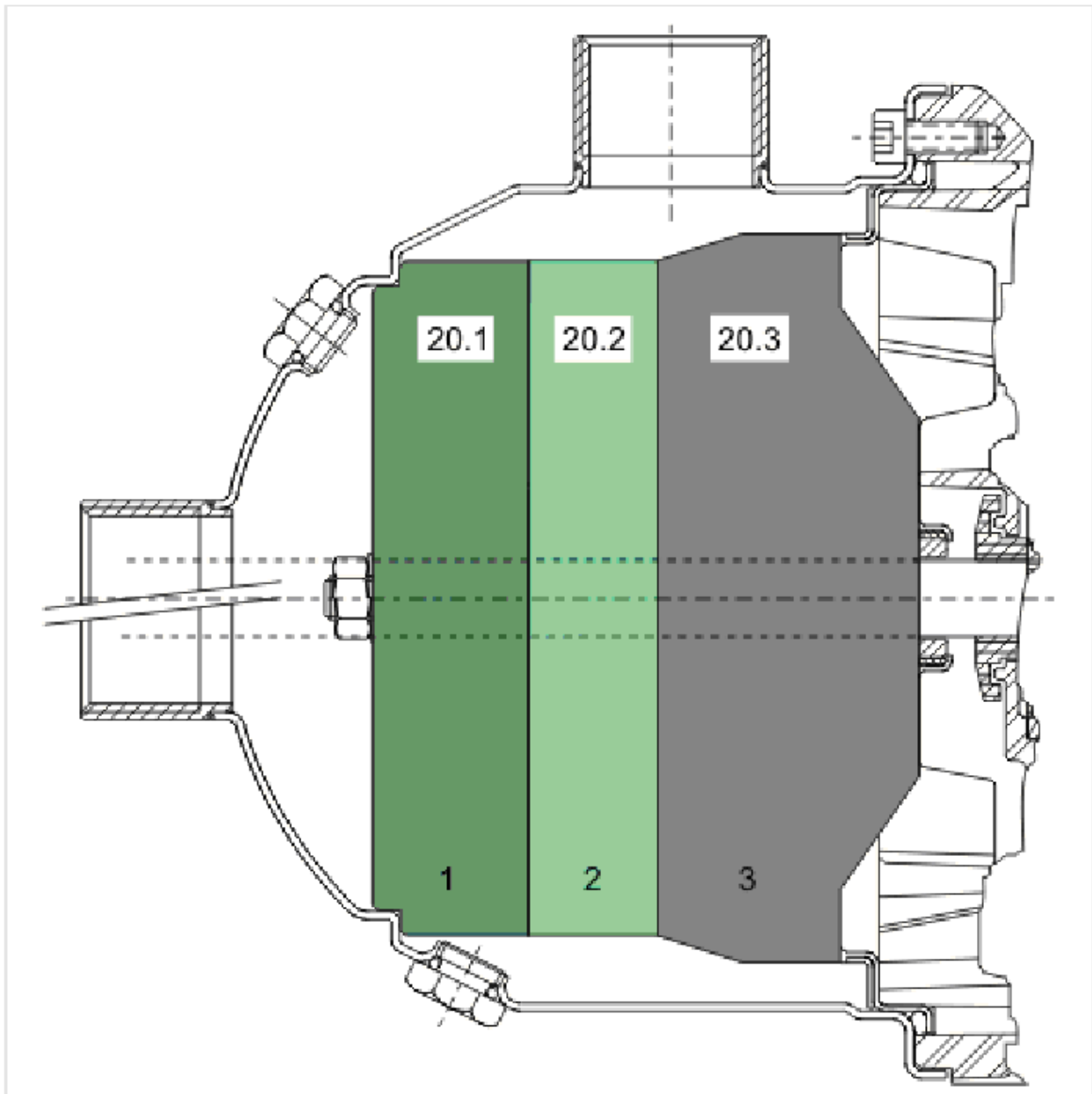


5.3



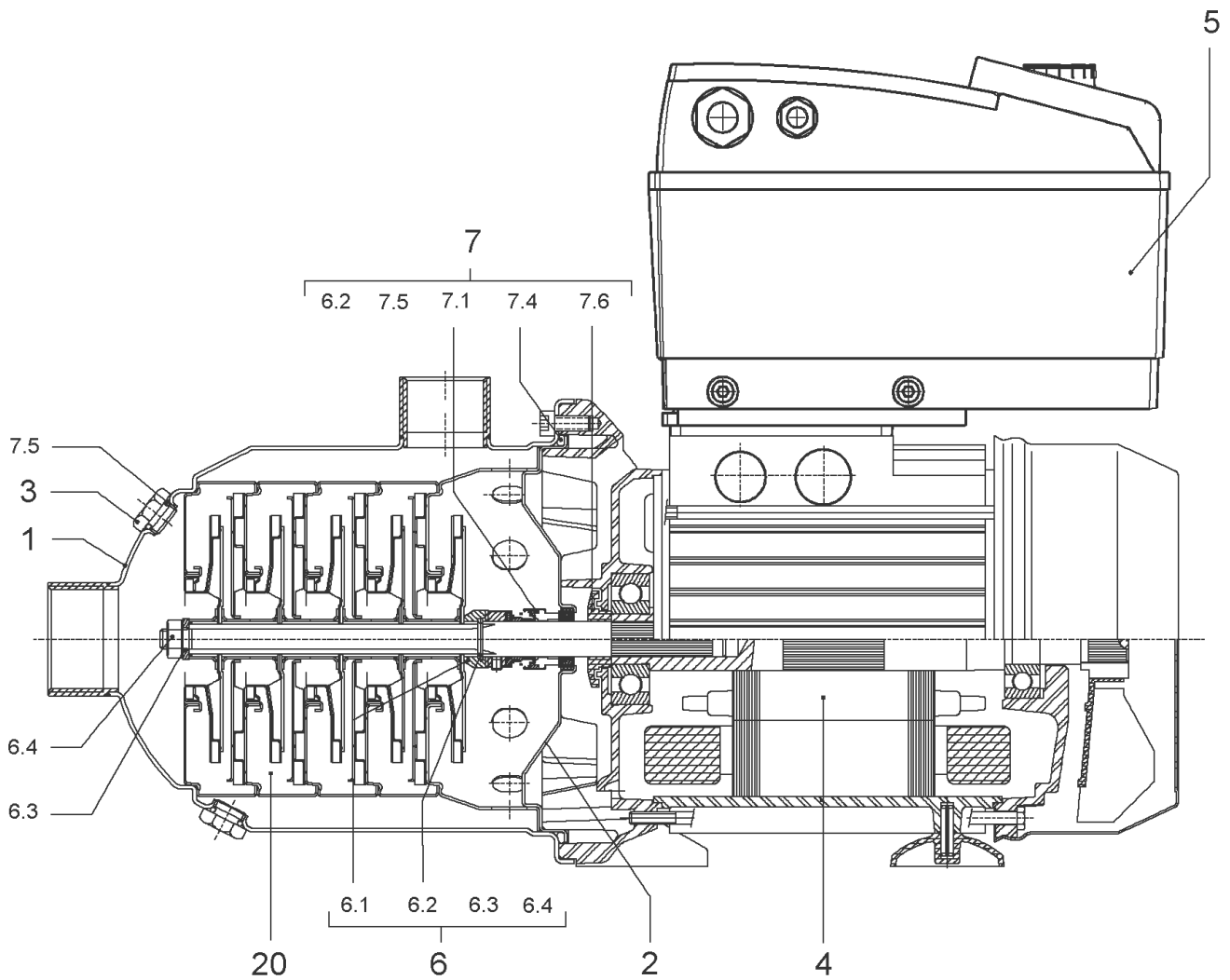
MODULE MHIE 802N-IE2-WE KIT (4234212)

Item	Article no.	Description	Quantity
5.1	2054227	MODULE COVER/GASKET TL3/4 KIT	1
5.2	4215716	SCREW M5X16 DIN912 8.8 A2A (4pieces) VP.	1
5.3	2057978	RONDELLE A5,3 DIN6797 FST ZN (4 PIECES)	1



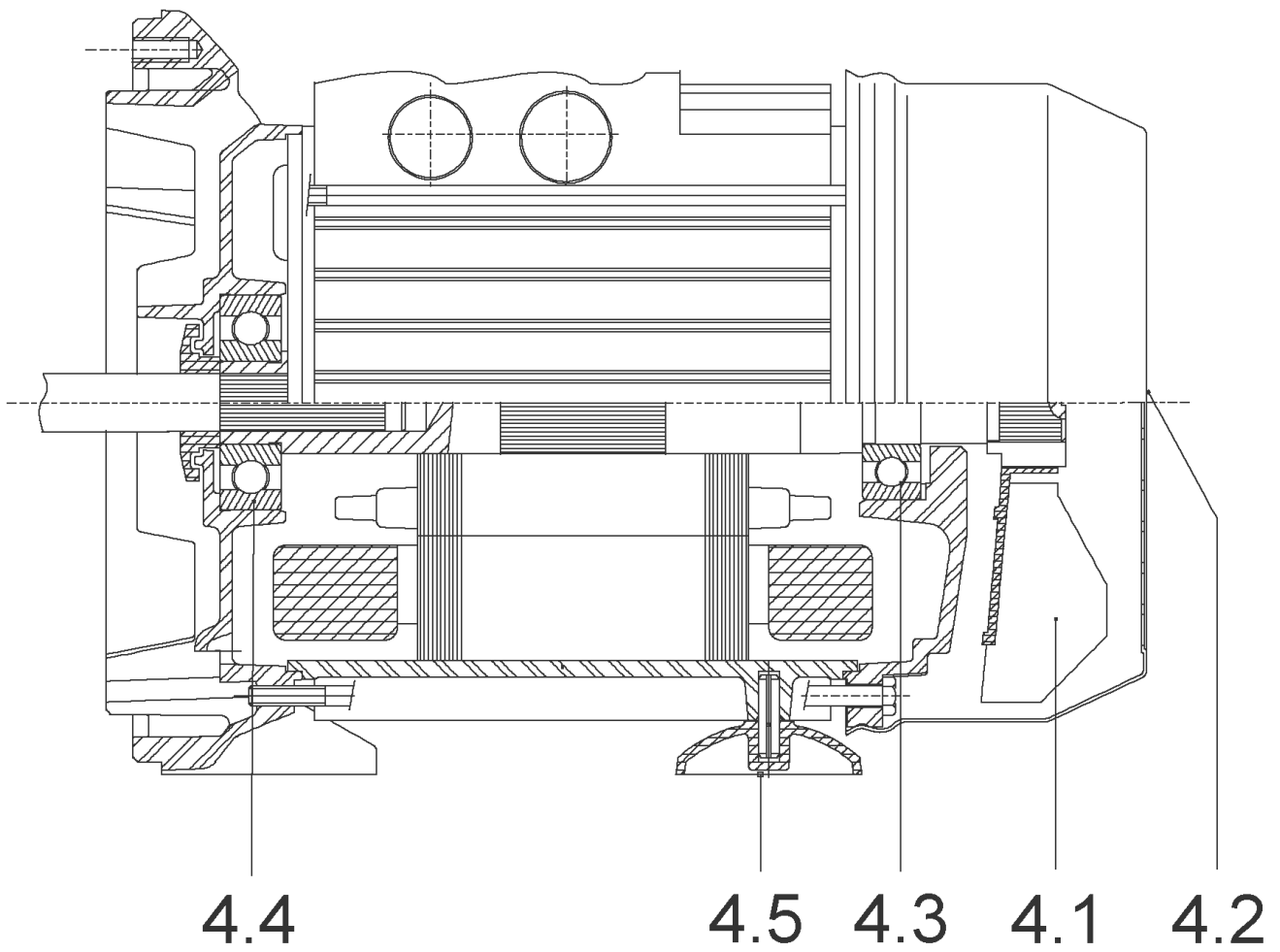
SPARE PARTS HYDRAULICS MHI 1.4301

Item	Article no.	Description	Quantity
20.1	4015453	STAGE MHI802/03,MVI804-19 1.4301 KIT	1
		> IMPELLER MVI8 D.100,5x5,5 1.4301	1
		> STAGE HOUSING O.RFK.MVI8 1.4301	1
		> SPACER IMPELLER MVI8 1.4301	1
20.2	4015452	STAGE MHI8,MVI802-19 1.4301 KIT	1
		> IMPELLER MVI8 D.100,5x5,5 1.4301	1
		> SPACER IMPELLER MVI8 1.4301	1
		> STAGE HOUSING RFK.MVI8 1.4301	1
20.3	4015468	CENTER.HOUSING O.LR.MHI802/804 1.4301KIT	1
		> SPACER IMPELLER MVI8 1.4301	1
	4234241	> UPPER STAGE RFK.MVI8 1.4301 VP.	1
		> WASHER IMPELLER E2,0-316	2



MHIE802N-2/V/3-2-2G (4171789)

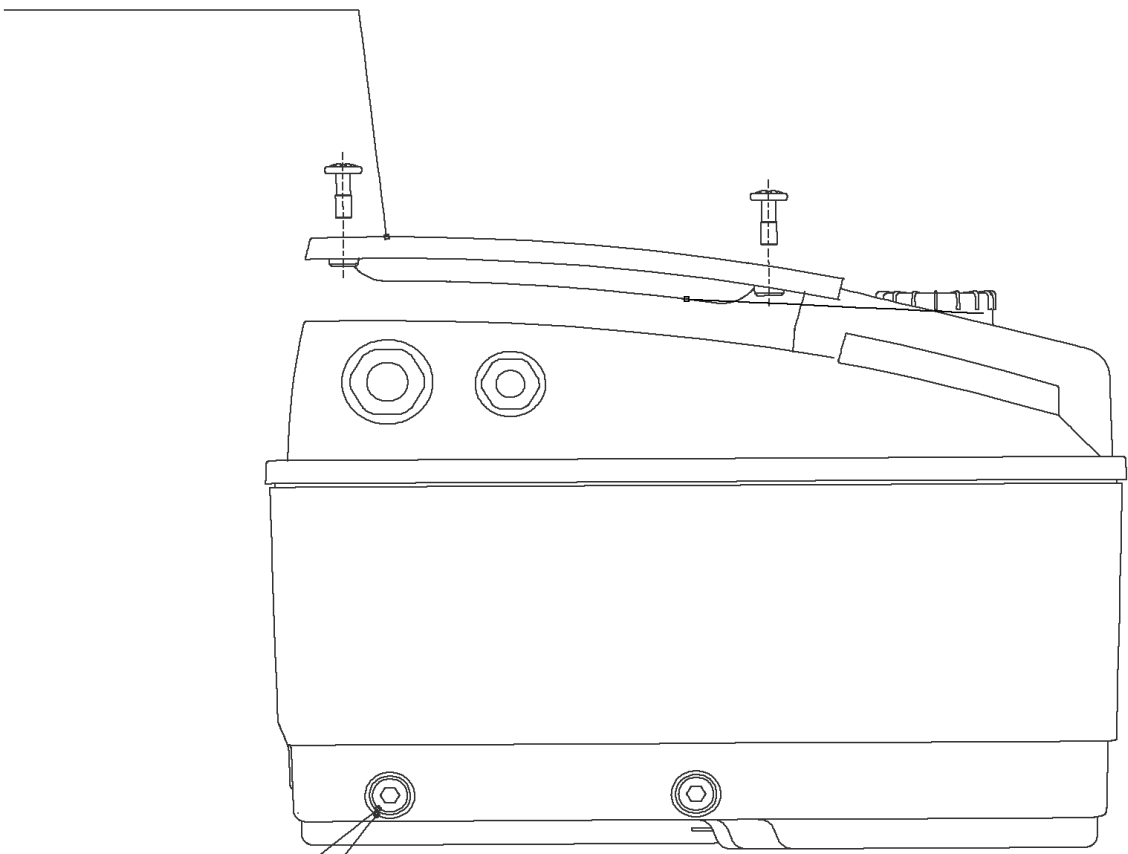
Item	Article no.	Description	Quantity
1	4202823	PUMP HOUSING MHI802/803 1.4404 VP.	1
2	2120001	STATIONARY RING HOLD.ANTI-VORTEX 1.4404	1
3	4202825	PRIMING/DRAIN PLUG G1/4"-MHI-1.4404 VP.	1
4	4234207	COMPL MOTOR MHIE802N-2/V/3-2-2G WE VP.	1
		SPARE PARTS MOTOR MHIE 2/4/8/16	1
5	4234212	MODULE MHIE 802N-IE2-WE KIT	1
6	4058533	SHAFT FIXING MHIE8 KIT	1
6.1		> IMPELLER THRUST RING/KEEPER-D14L5,5-316L	1
6.2	2090148	> CIRCLIP D14 MVI/MHI 316L (2 PIECES) VP.	1
6.3		> FLAT WASHER-D8xD16x2.5-316L	1
6.4		> NUT-H-M8-STAINLESS-STEEL A4-70	1
7	4027348	ASSEMBLY GRD.MHI2../4../8.. VITON VP.	1
6.2	2090148	> CIRCLIP D14 MVI/MHI 316L (2 PIECES) VP.	1
7.1	2127451	> MECH.SEAL MG12/14-G606-Q1BVGG-BU.VP.	1
7.4	4233953	> O-RING ID.145 VITON VP.	1
7.5	4234238	> O-RING 9X2 VITON VP.	1
7.6		> THROWER-RUBBER-SH65/70	1
20		SPARE PARTS HYDRAULICS MHI 1.4404	1



SPARE PARTS MOTOR MHIE 2/4/8/16

Item	Article no.	Description	Quantity
4.1	4230667	Fan for motor T90 MHIE Ø122 VP.	1
4.2	2111322	FAN HOOD BG90 ELEC KIT	1
2.13A		> FAN COVER IEC90 KTL ST14 T0.8 H70	1
2.13B	2111323	> SCREW M4X6 (4 PIECES)	1
Note: Please give the data from type plate of the motor			
4.3	4221774	Ball bearing 6204VV-C3(Ø20xØ47x14)EA6 VP	1
4.4	4180822	BALL BEARING 6305-C3-DDU-E-EA6 VP.	1
4.5	4234217	MOTOR FOOT WILO ELEC IE90 KIT	1

5.1

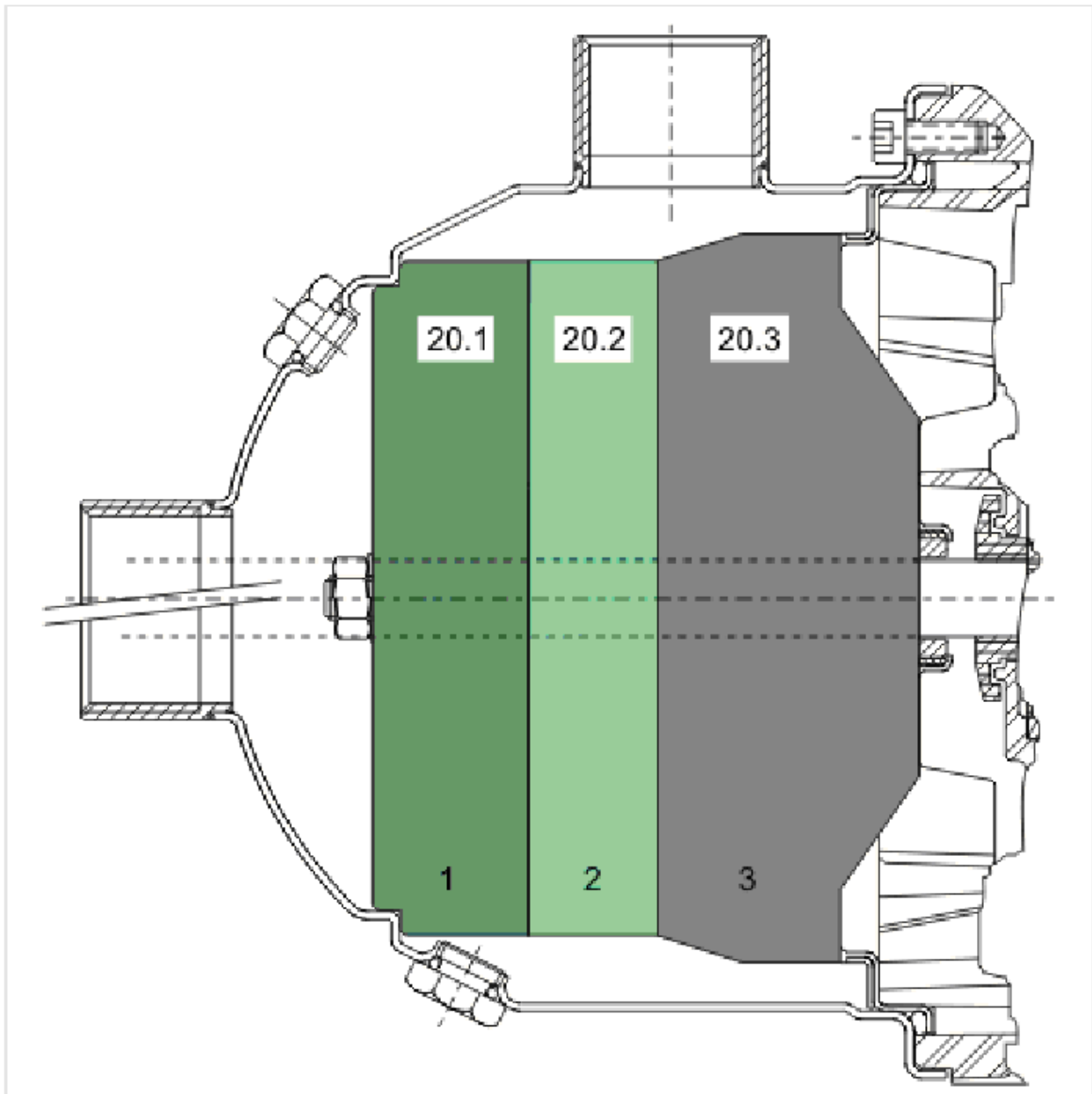


5.2

5.3

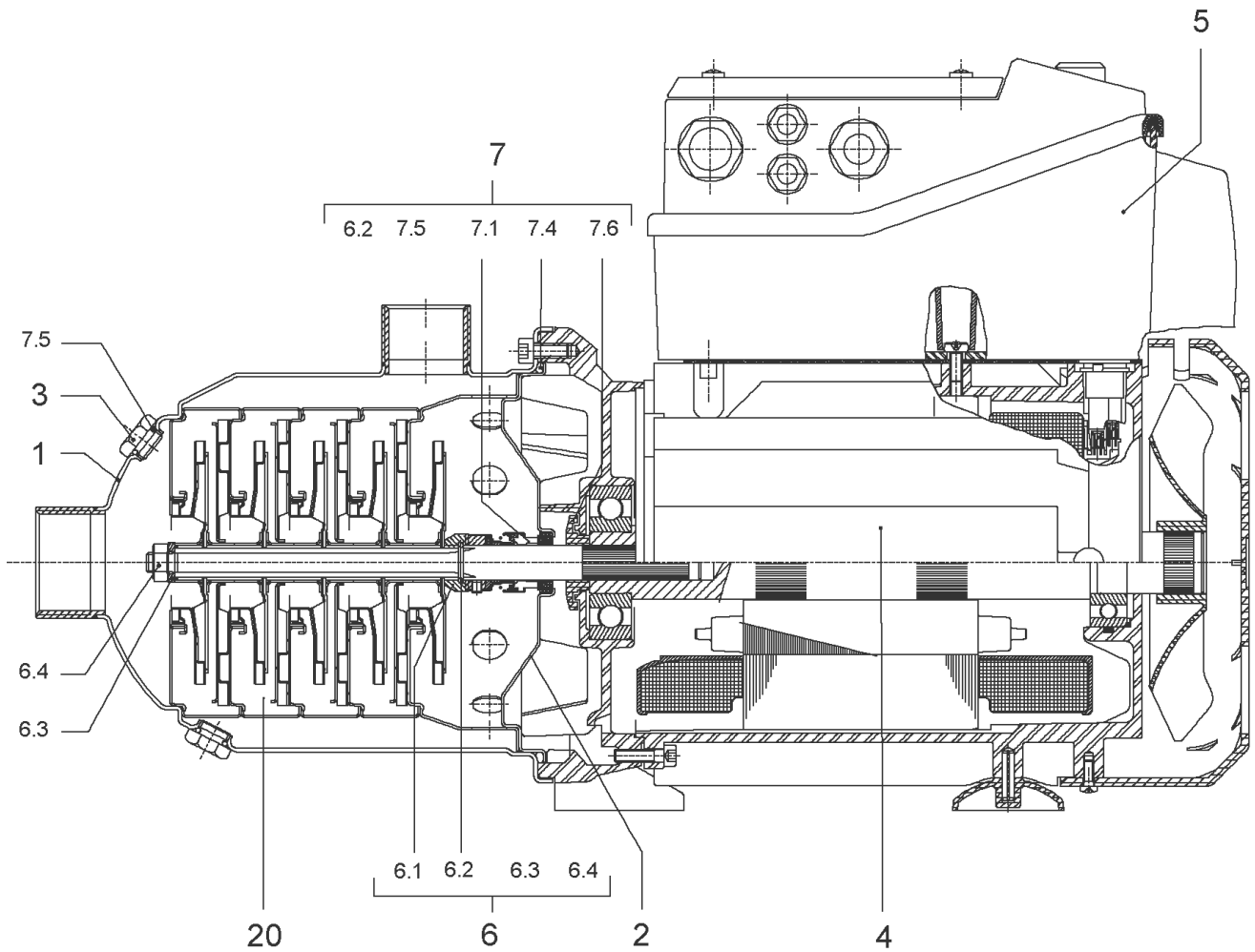
MODULE MHIE 802N-IE2-WE KIT (4234212)

Item	Article no.	Description	Quantity
5.1	2054227	MODULE COVER/GASKET TL3/4 KIT	1
5.2	4215716	SCREW M5X16 DIN912 8.8 A2A (4pieces) VP.	1
5.3	2057978	RONDELLE A5,3 DIN6797 FST ZN (4 PIECES)	1



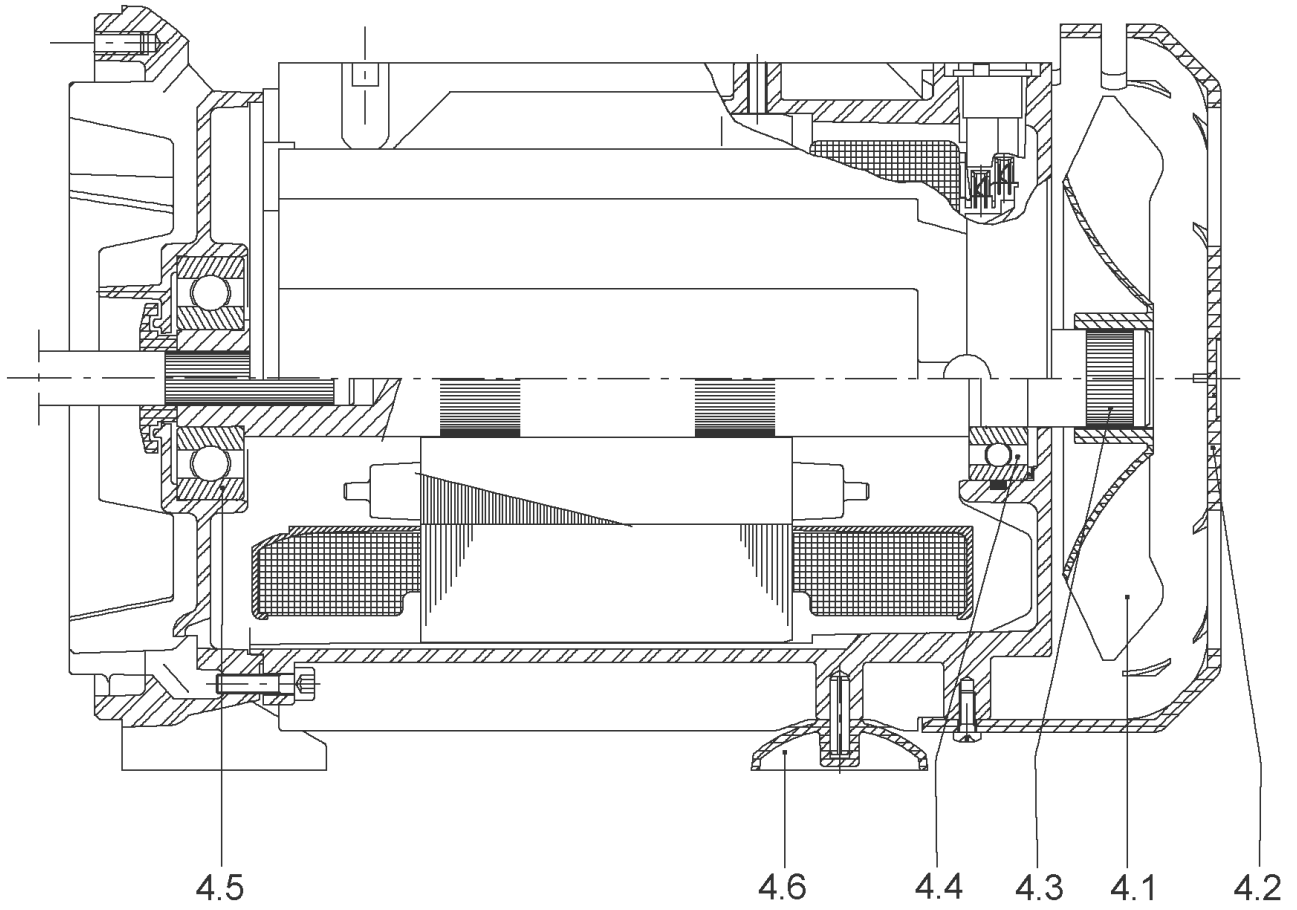
SPARE PARTS HYDRAULICS MHI 1.4404

Item	Article no.	Description	Quantity
20.1	4026344	STAGE-KIT-MVI-MHI-316L	1
		> IMPELLER-VMI/HMI-SERIE.8-316L	1
		> STAGE CASING-WITHOUT-C/R-8M3-316L	1
		> SPACER IMPELLER MVI8 1.4435	1
20.2	4026343	ASSEMBLY LR./STF.GH.RFK.MHI8,MVI803-19 1	1
		> IMPELLER-VMI/HMI-SERIE.8-316L	1
		> STAGE CASING-AV-C/R-8M3-316L	1
		> SPACER IMPELLER MVI8 1.4435	1
20.3	4026411	ASSEMBLY ZENTRIER-GH.O.LR.MHI802/804 1.4	1
		> UPPER STAGE RFK.MVI8.. 1.4435 +VP.	1
		> SPACER IMPELLER MVI8 1.4435	1
		> WASHER IMPELLER E2,0-316	2



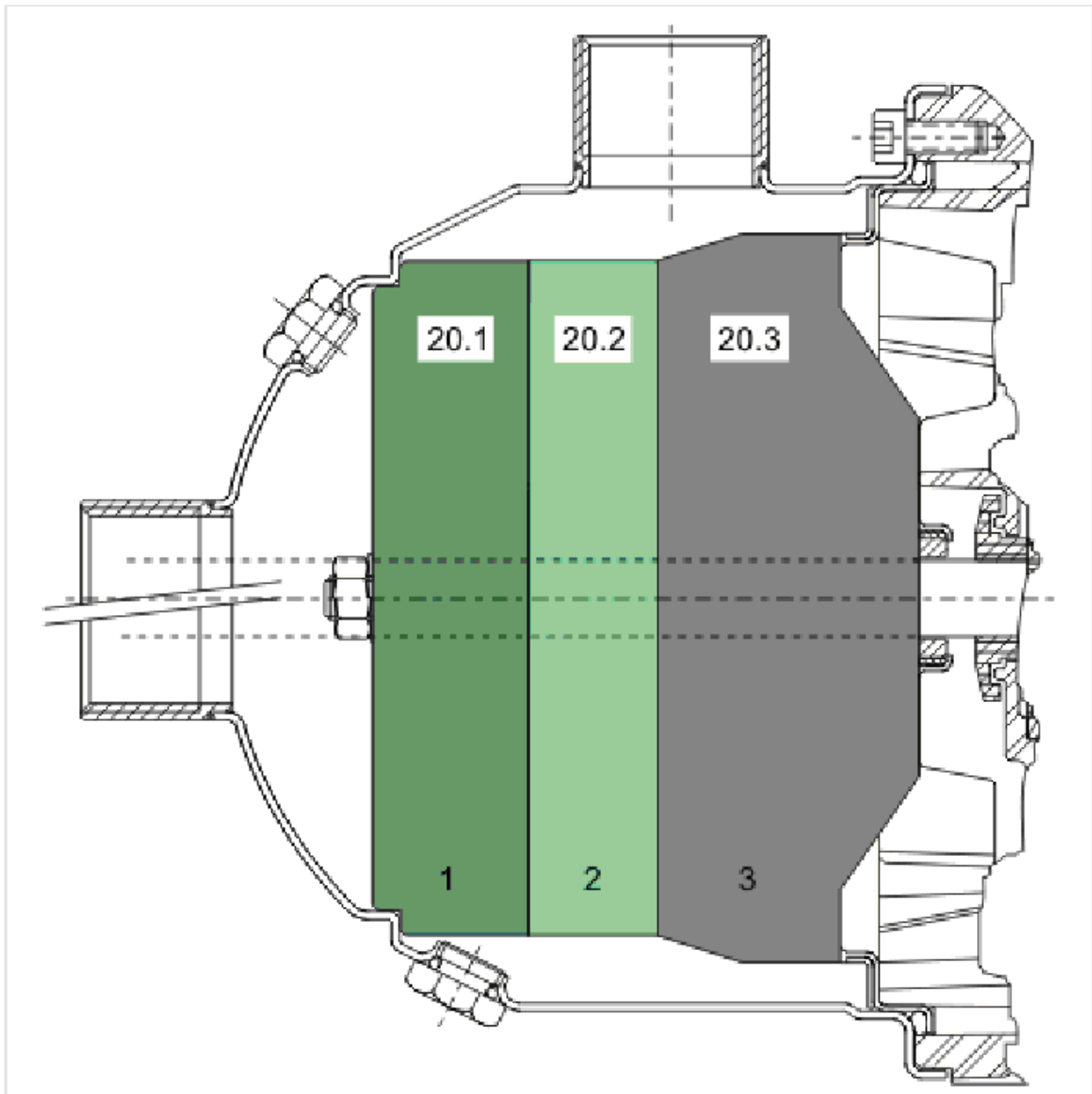
MHIE803-1/E/3-2 (4040133)

Item	Article no.	Description	Quantity
1	4191449	PUMP HOUSING MHI802/803 1.4301 VP.	1
2	2120000	STATIONARY RING HOLD.ANTI-VORTEX 1.4307	1
3	4191450	PRIMING/DRAIN PLUG G1/4"-MHI-1.4301 VP.	1
4		MOT-MULTI-HE/MHIE-8-2,2KW-TRI-T3N-3E	1
Note: no longer available / nicht mehrlieferbar / ne plus disponible			
		SPARE PARTS MOTOR MHE/MHIE2/4/8 2,2	1
5		MODULE MVIE206 MVIE/MHIE405/803 2,2>7/01	1
Note: no longer available / nicht mehrlieferbar / ne plus disponible			
6	4058533	SHAFT FIXING MHIE8 KIT	1
6.1		> IMPELLER THRUST RING/KEEPER-D14L5,5-316L	1
6.2	2090148	> CIRCLIP D14 MVI/MHI 316L (2 PIECES) VP.	1
6.3		> FLAT WASHER-D8xD16x2.5-316L	1
6.4		> NUT-H-M8-STAINLESS-STEEL A4-70	1
7	4027347	MECHANICAL SEAL MHI KIT	1
6.2	2090148	> CIRCLIP D14 MVI/MHI 316L (2 PIECES) VP.	1
7.1	2127448	> MECH.SEAL MHI-MHIL-MVIL VP.	1
7.4	4235548	> O-RING ID.145 EPDM VP.	1
7.5	4235549	> O-RING I9X2 EPDM VP.	2
7.6		> THROWER-RUBBER-SH65/70	1
20		SPARE PARTS HYDRAULICS MHI/MHIE 1.4301	1



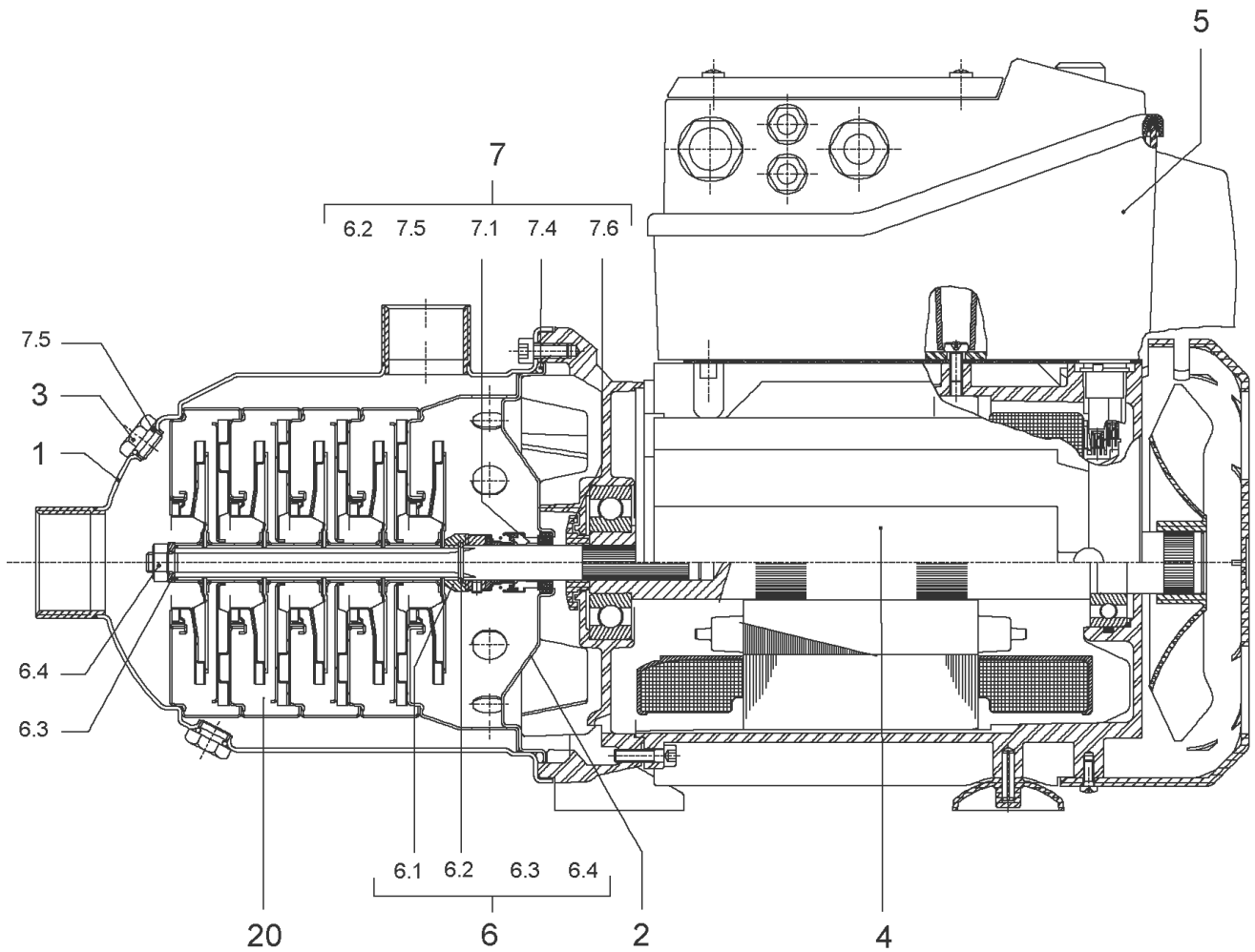
SPARE PARTS MOTOR MHE/MHIE2/4/8 2,2

Item	Article no.	Description	Quantity
4.1	2047017	FAN WHEEL AF90 2POL.ATB VP.	1
4.2		FAN HOOD TL4/3N NEUTRAL	1
Note: no longer available / nicht mehr lieferbar / ne plus disponible			
4.3	2047016	CORRUGATED SLEEVE RING BG90/100 ATB VP.	1
4.4	121083998	BALL BEARING 6205/2Z-C3 (HT) VP.	1
4.5	121466896	BALL BEARING 6305/2Z-C3 (HT) VP.	1
4.6	4008243	MOTOR-FOOT-SIZE-80	1



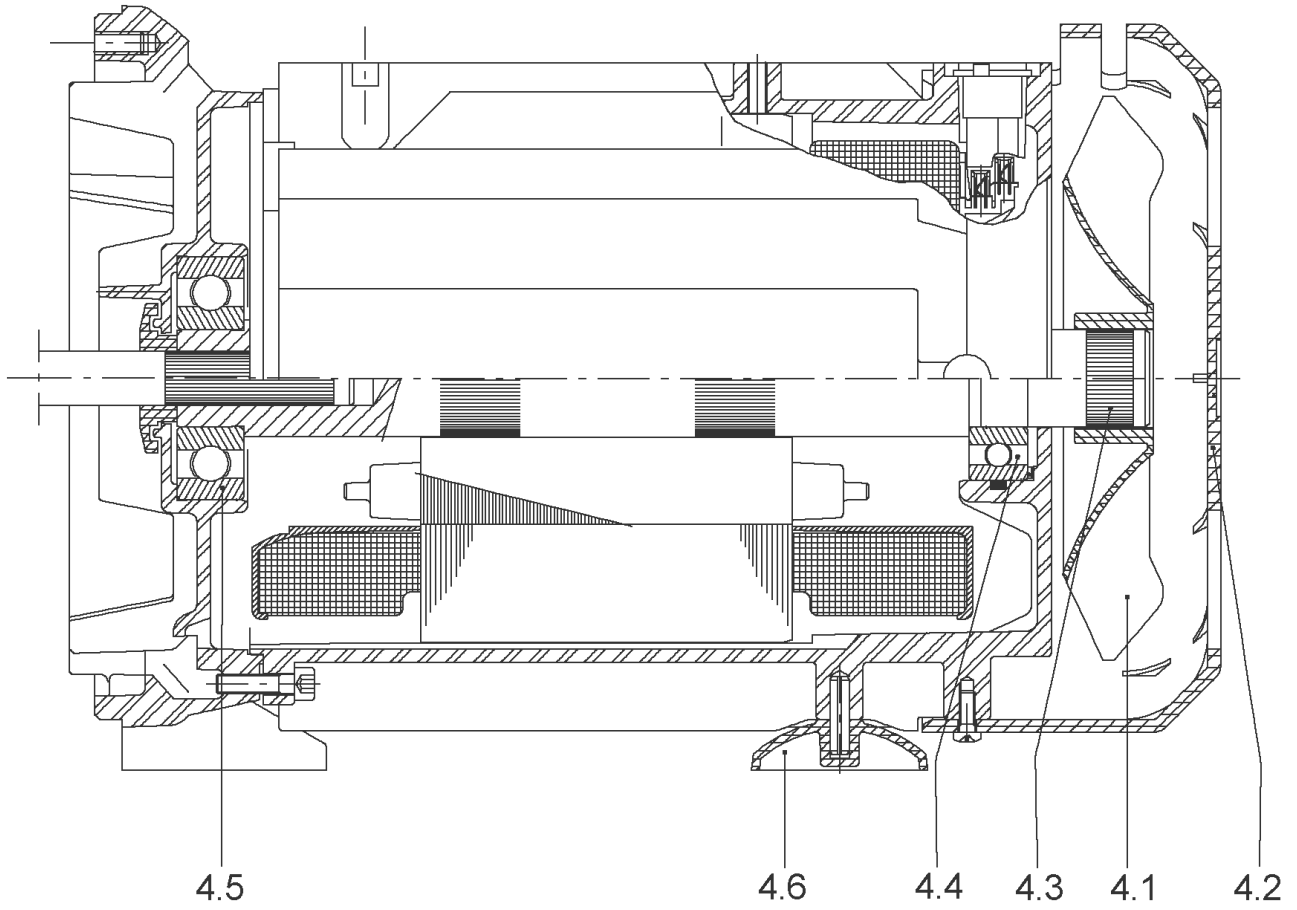
SPARE PARTS HYDRAULICS MHI/MHIE 1.4301

Item	Article no.	Description	Quantity
20.1	4015453	STAGE MHI802/03,MVI804-19 1.4301 KIT	1
		> IMPELLER MVI8 D.100,5x5,5 1.4301	1
		> STAGE HOUSING O.RFK.MVI8 1.4301	1
		> SPACER IMPELLER MVI8 1.4435	1
20.2	4015452	STAGE MHI8,MVI802-19 1.4301 KIT	1
		> IMPELLER MVI8 D.100,5x5,5 1.4301	1
		> SPACER IMPELLER MVI8 1.4435	1
		> STAGE HOUSING RFK.MVI8 1.4301	1
20.3	4015469	CENTER.HOUSING/LR.MHI803/805 1.4301 KIT	1
		> IMPELLER MVI8 D.100,5x5,5 1.4301	1
		> SPACER IMPELLER MVI8 1.4435	1
		> UPPER STAGE AV-C/R-JR-8M3-304	1



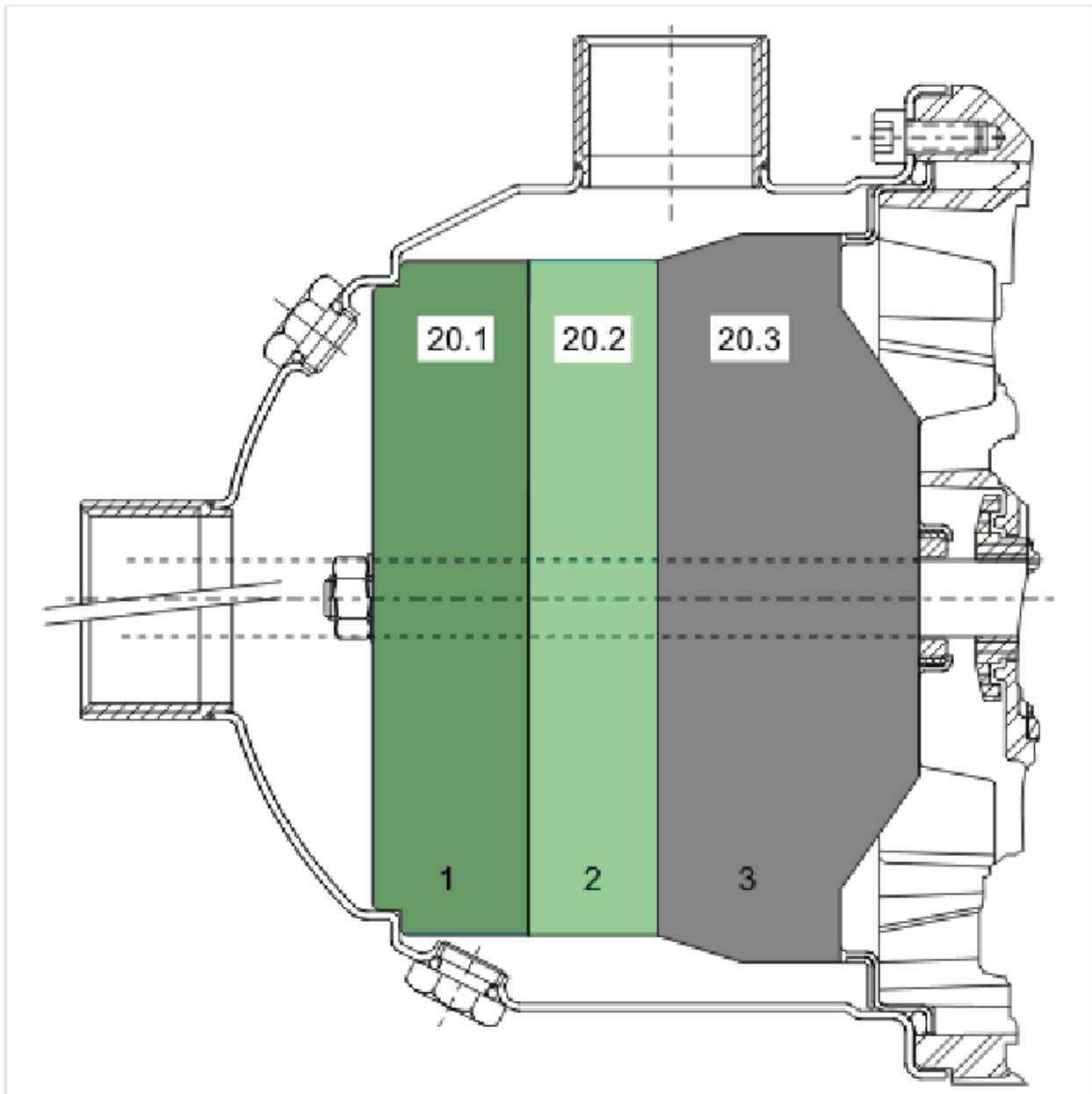
MHIE803-2/V/3-2 (4040141)

Item	Article no.	Description	Quantity
1	4202823	PUMP HOUSING MHI802/803 1.4404 VP.	1
2	2120001	STATIONARY RING HOLD.ANTI-VORTEX 1.4404	1
3	4202825	PRIMING/DRAIN PLUG G1/4"-MHI-1.4404 VP.	1
4		MOT-MULTI-HE/MHIE-8-2,2KW-TRI-T3N-3E	1
Note: no longer available / nicht mehrlieferbar / ne plus disponible			
		SPARE PARTS MOTOR MHE/MHIE2/4/8 2,2	1
5		MODULE MVIE206 MVIE/MHIE405/803 2,2>7/01	1
Note: no longer available / nicht mehrlieferbar / ne plus disponible			
6	4058533	SHAFT FIXING MHIE8 KIT	1
6.1		> IMPELLER THRUST RING/KEEPER-D14L5,5-316L	1
6.2	2090148	> CIRCLIP D14 MVI/MHI 316L (2 PIECES) VP.	1
6.3		> FLAT WASHER-D8xD16x2.5-316L	1
6.4		> NUT-H-M8-STAINLESS-STEEL A4-70	1
7	4027348	ASSEMBLY GRD.MHI2../4../8.. VITON VP.	1
6.2	2090148	> CIRCLIP D14 MVI/MHI 316L (2 PIECES) VP.	1
7.1	2127451	> MECH.SEAL MG12/14-G606-Q1BVGG-BU.VP.	1
7.4	4233953	> O-RING ID.145 VITON VP.	1
7.5	4234238	> O-RING 9X2 VITON VP.	1
7.6		> THROWER-RUBBER-SH65/70	1
20		SPARE PARTS HYDRAULICS MHI/MHIE 1.4404	1



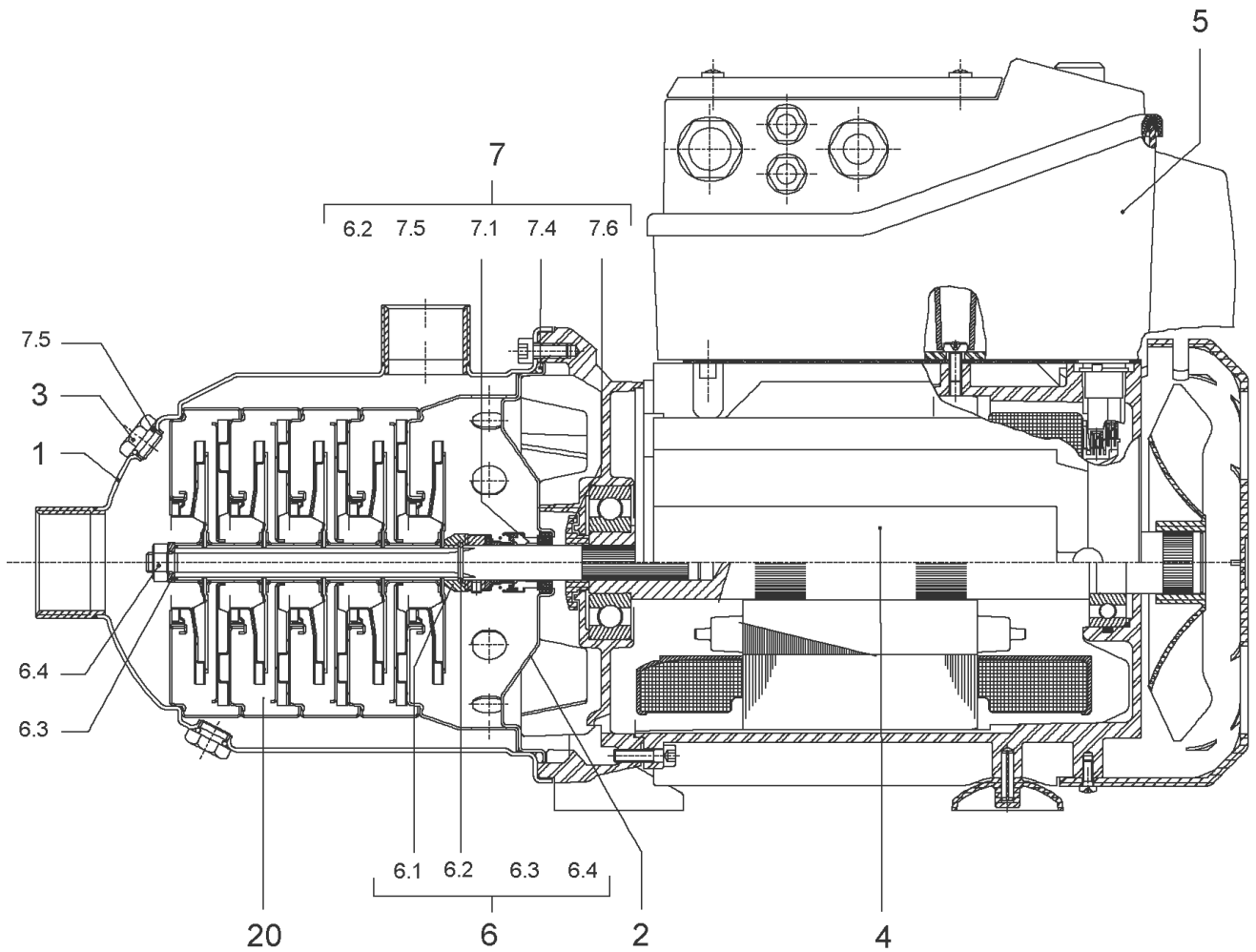
SPARE PARTS MOTOR MHE/MHIE2/4/8 2,2

Item	Article no.	Description	Quantity
4.1	2047017	FAN WHEEL AF90 2POL.ATB VP.	1
4.2		FAN HOOD TL4/3N NEUTRAL	1
Note: no longer available / nicht mehrlieferbar / ne plus disponible			
4.3	2047016	CORRUGATED SLEEVE RING BG90/100 ATB VP.	1
4.4	121083998	BALL BEARING 6205/2Z-C3 (HT) VP.	1
4.5	121466896	BALL BEARING 6305/2Z-C3 (HT) VP.	1
4.6	4008243	MOTOR-FOOT-SIZE-80	1



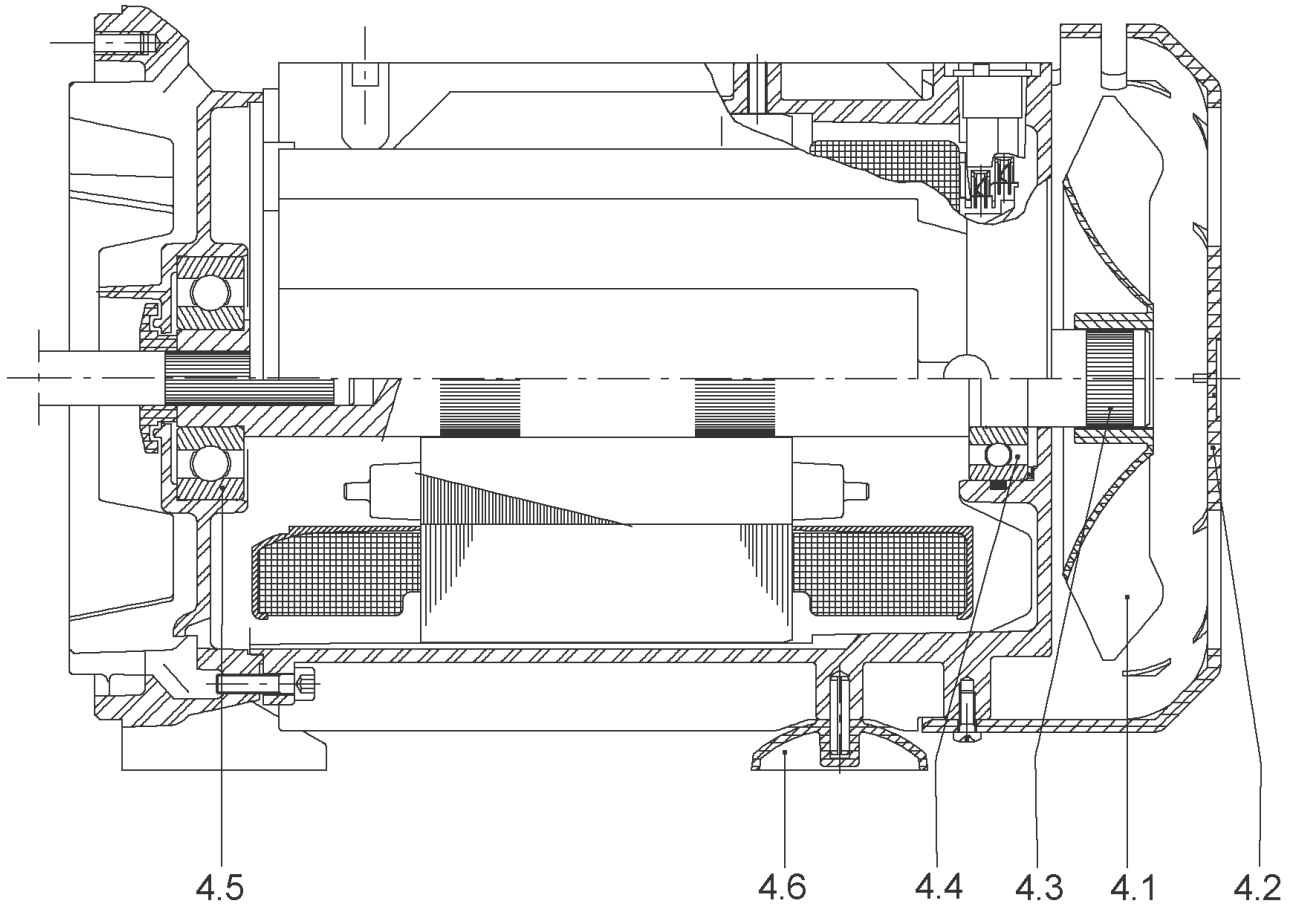
SPARE PARTS HYDRAULICS MHI/MHIE 1.4404

Item	Article no.	Description	Quantity
20.1	4026344	STAGE-KIT-MVI-MHI-316L	1
		> IMPELLER-VMI/HMI-SERIE.8-316L	1
		> STAGE CASING-WITHOUT-C/R-8M3-316L	1
		> SPACER IMPELLER MVI8 1.4435	1
20.2	4026343	ASSEMBLY LR./STF.GH.RFK.MHI8,MVI803-19 1	1
		> IMPELLER-VMI/HMI-SERIE.8-316L	1
		> SPACER IMPELLER MVI8 1.4435	1
		> STAGE CASING-AV-C/R-8M3-316L	1
20.3	4026412	ASSEMBLY ZENTRIER-GH.+LR.MHI803/805 1.44	1
		> IMPELLER-VMI/HMI-SERIE.8-316L	1
		> SPACER IMPELLER MVI8 1.4435	1
		> UPPER STAGE-AV-C/R-JR-8M3-316L	1



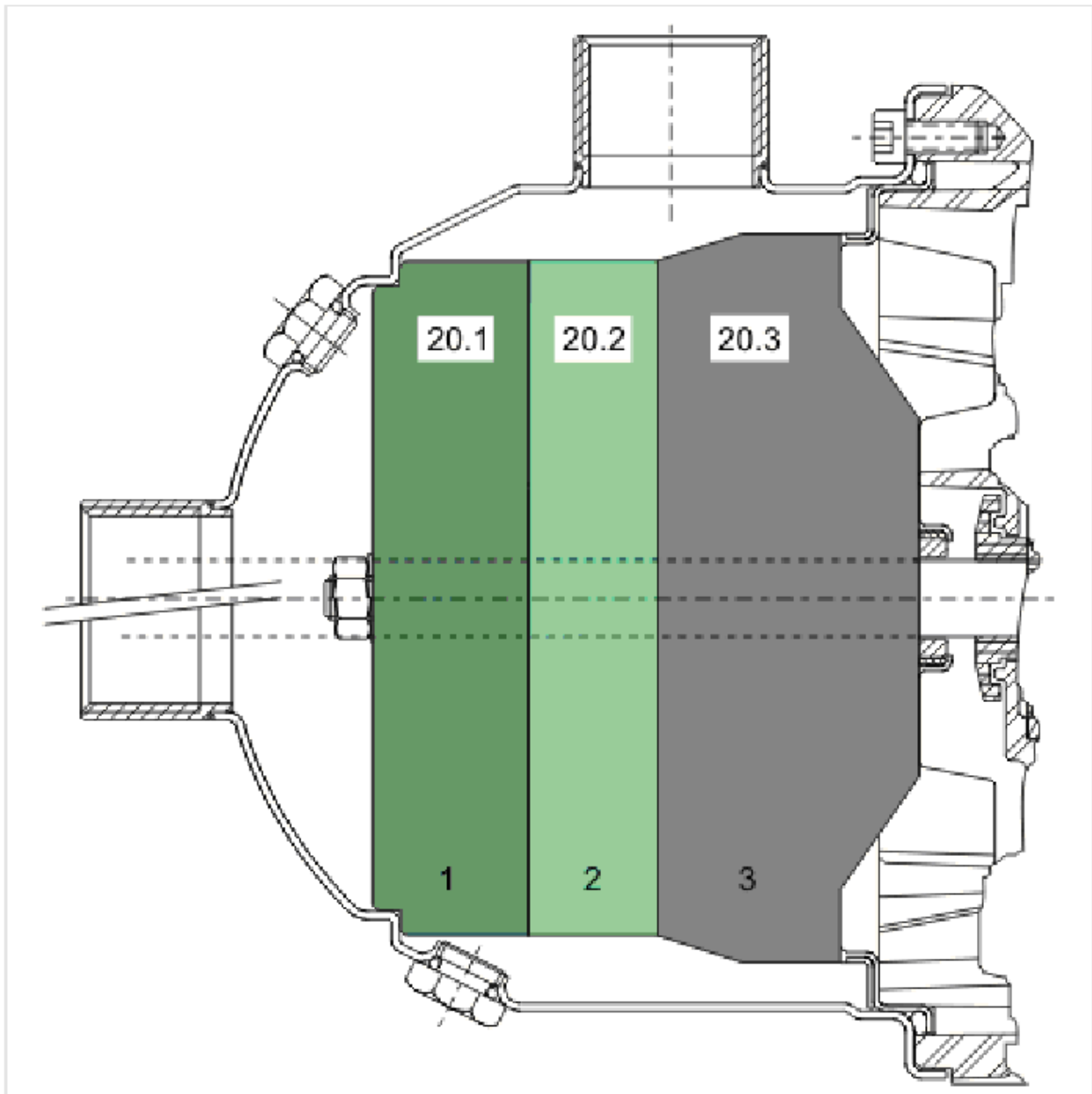
MHIE803-1/E/3-2-2G (4077400)

Item	Article no.	Description	Quantity
1	4191449	PUMP HOUSING MHI802/803 1.4301 VP.	1
2	2120000	STATIONARY RING HOLD.ANTI-VORTEX 1.4307	1
3	4191450	PRIMING/DRAIN PLUG G1/4"-MHI-1.4301 VP.	1
4		MO.MHIE 2,2/2/90N 3~400V IE1 VP.	1
Note: no longer available/nicht mehrlieferbar/n'est plus disponible			
		SPARE PARTS MOTOR MHIE803-2G	1
5		MODULE MVIE/MHIE-2,2KW IE1	1
Note: no longer available/nicht mehrlieferbar/n'est plus disponible			
6	4058533	SHAFT FIXING MHIE8 KIT	1
6.1		> IMPELLER THRUST RING/KEEPER-D14L5,5-316L	1
6.2	2090148	> CIRCLIP D14 MVI/MHI 316L (2 PIECES) VP.	1
6.3		> FLAT WASHER-D8xD16x2.5-316L	1
6.4		> NUT-H-M8-STAINLESS-STEEL A4-70	1
7	4027347	MECHANICAL SEAL MHI KIT	1
6.2	2090148	> CIRCLIP D14 MVI/MHI 316L (2 PIECES) VP.	1
7.1	2127448	> MECH.SEAL MHI-MHIL-MVIL VP.	1
7.4	4235548	> O-RING ID.145 EPDM VP.	1
7.5	4235549	> O-RING I9X2 EPDM VP.	2
7.6		> THROWER-RUBBER-SH65/70	1
20		SPARE PARTS HYDRAULICS MHI/MHIE 1.4301	1



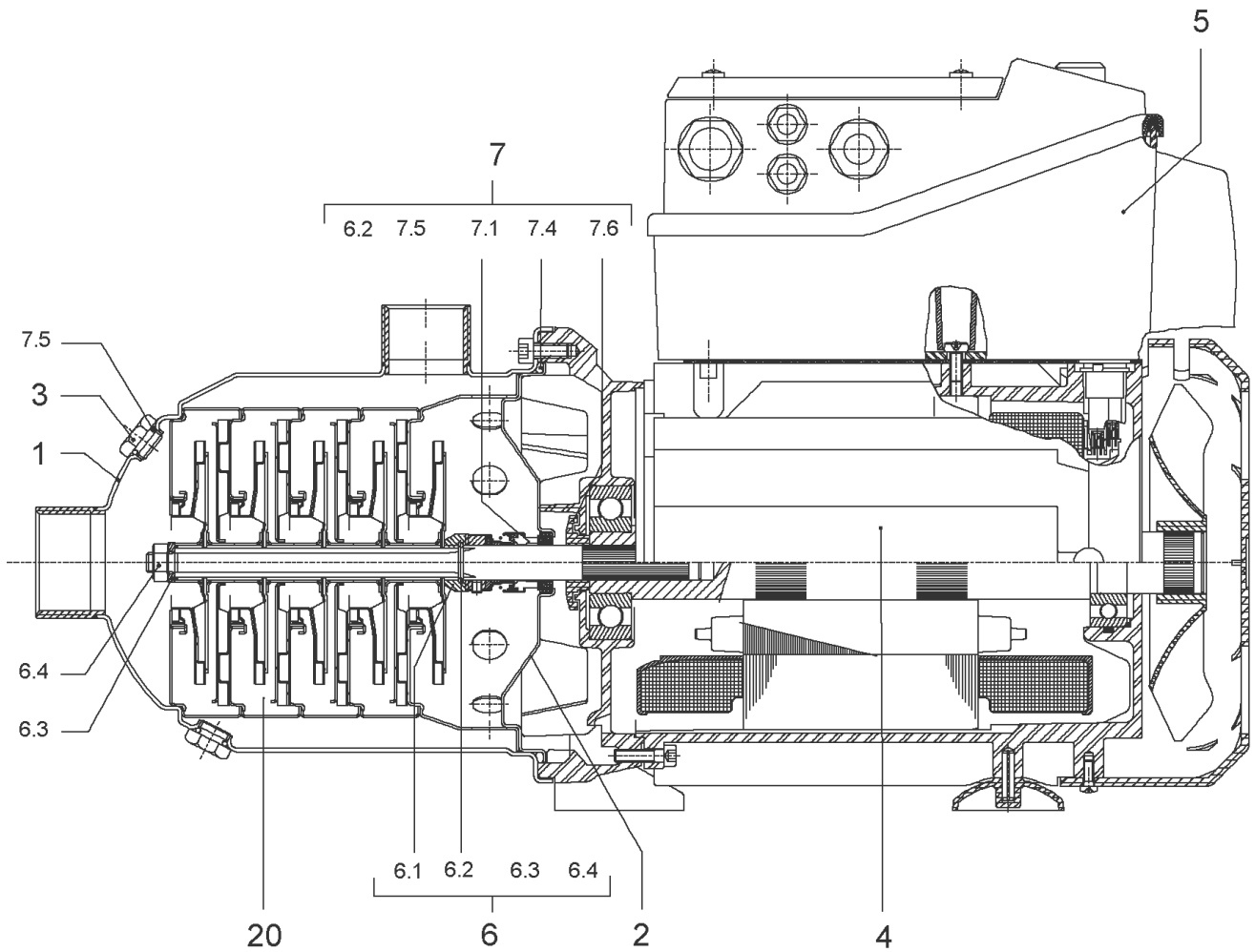
SPARE PARTS MOTOR MHIE803-2G

Item	Article no.	Description	Quantity
4.1	4179229	MOTOR-FAN-90-MHI Ø154-APPROVE_UL VP.	1
4.2	4007271	FAN-COVER BG90 D.135	1
4.4	121083998	BALL BEARING 6205/2Z-C3 (HT) VP.	1
4.5	121466896	BALL BEARING 6305/2Z-C3 (HT) VP.	1



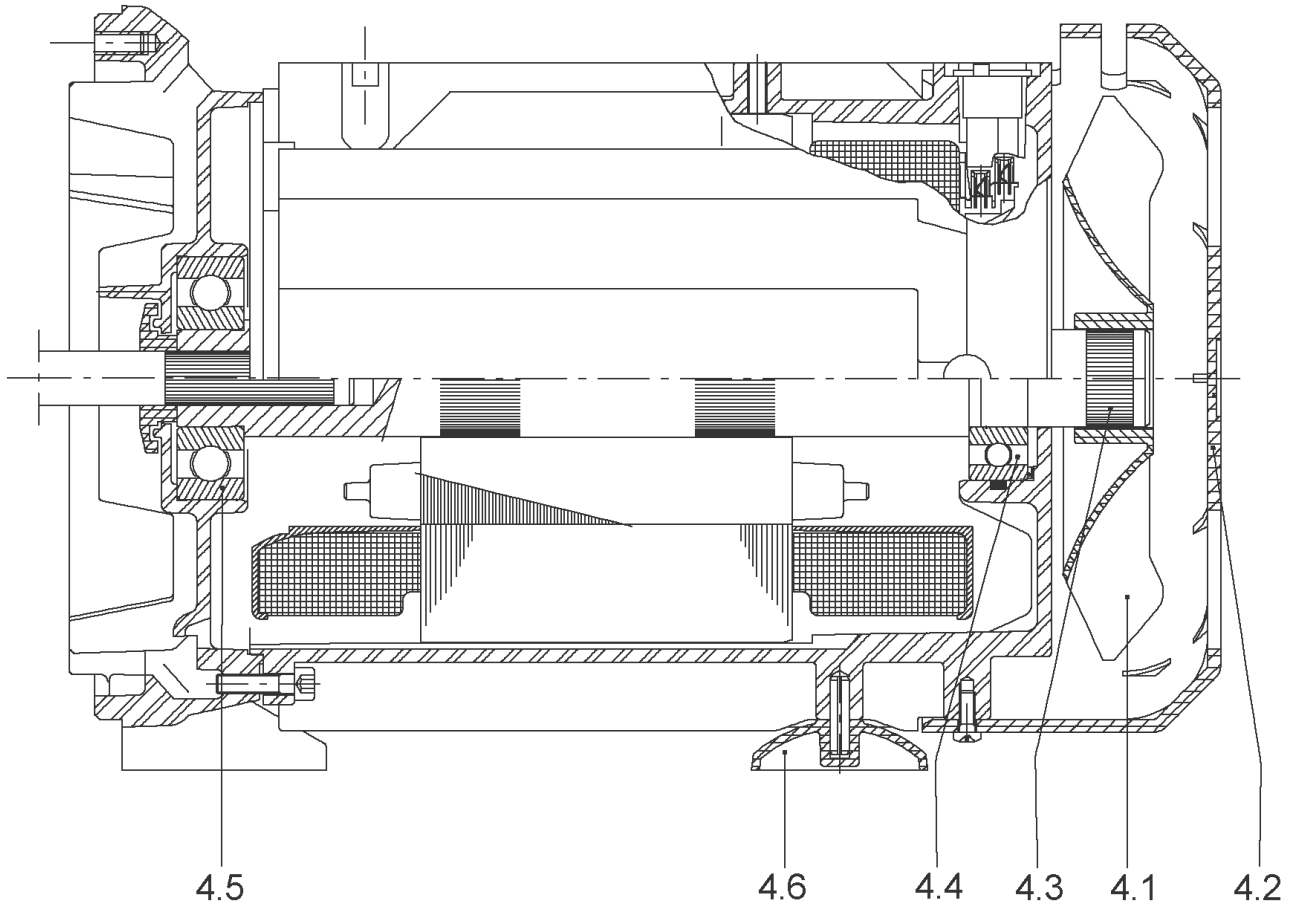
SPARE PARTS HYDRAULICS MHI/MHIE 1.4301

Item	Article no.	Description	Quantity
20.1	4015453	STAGE MHI802/03,MVI804-19 1.4301 KIT	1
		> IMPELLER MVI8 D.100,5x5,5 1.4301	1
		> STAGE HOUSING O.RFK.MVI8 1.4301	1
		> SPACER IMPELLER MVI8 1.4435	1
20.2	4015452	STAGE MHI8,MVI802-19 1.4301 KIT	1
		> IMPELLER MVI8 D.100,5x5,5 1.4301	1
		> SPACER IMPELLER MVI8 1.4435	1
		> STAGE HOUSING RFK.MVI8 1.4301	1
20.3	4015469	CENTER.HOUSING/LR.MHI803/805 1.4301 KIT	1
		> IMPELLER MVI8 D.100,5x5,5 1.4301	1
		> SPACER IMPELLER MVI8 1.4435	1
		> UPPER STAGE AV-C/R-JR-8M3-304	1



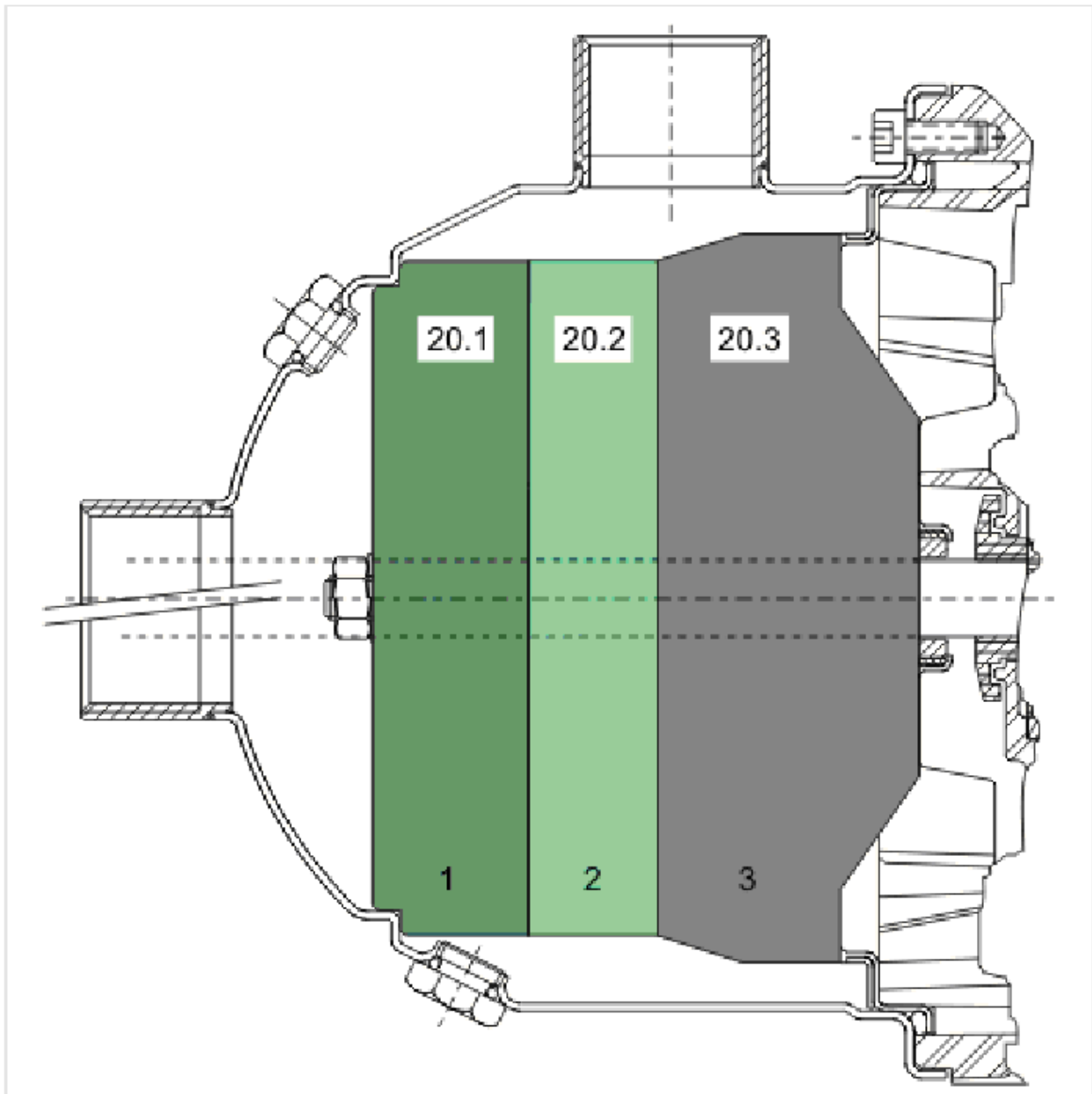
MHIE803-2/V/3-2-2G (4077405)

Item	Article no.	Description	Quantity
1	4202823	PUMP HOUSING MHI802/803 1.4404 VP.	1
2	2120001	STATIONARY RING HOLD.ANTI-VORTEX 1.4404	1
3	4202825	PRIMING/DRAIN PLUG G1/4"-MHI-1.4404 VP.	1
4		SPARE PARTS MOTOR MHIE803-2G	1
5		MODULE MVIE/MHIE-2,2KW IE1	1
Note: no longer available/nicht mehrlieferbar/n'est plus disponible			
6	4058533	SHAFT FIXING MHIE8 KIT	1
6.1		> IMPELLER THRUST RING/KEEPER-D14L5,5-316L	1
6.2	2090148	> CIRCLIP D14 MVI/MHI 316L (2 PIECES) VP.	1
6.3		> FLAT WASHER-D8xD16x2.5-316L	1
6.4		> NUT-H-M8-STAINLESS-STEEL A4-70	1
7	4027348	ASSEMBLY GRD.MHI2../4../8.. VITON VP.	1
6.2	2090148	> CIRCLIP D14 MVI/MHI 316L (2 PIECES) VP.	1
7.1	2127451	> MECH.SEAL MG12/14-G606-Q1BVGG-BU.VP.	1
7.4	4233953	> O-RING ID.145 VITON VP.	1
7.5	4234238	> O-RING 9X2 VITON VP.	1
7.6		> THROWER-RUBBER-SH65/70	1
20		SPARE PARTS HYDRAULICS MHI/MHIE 1.4404	1



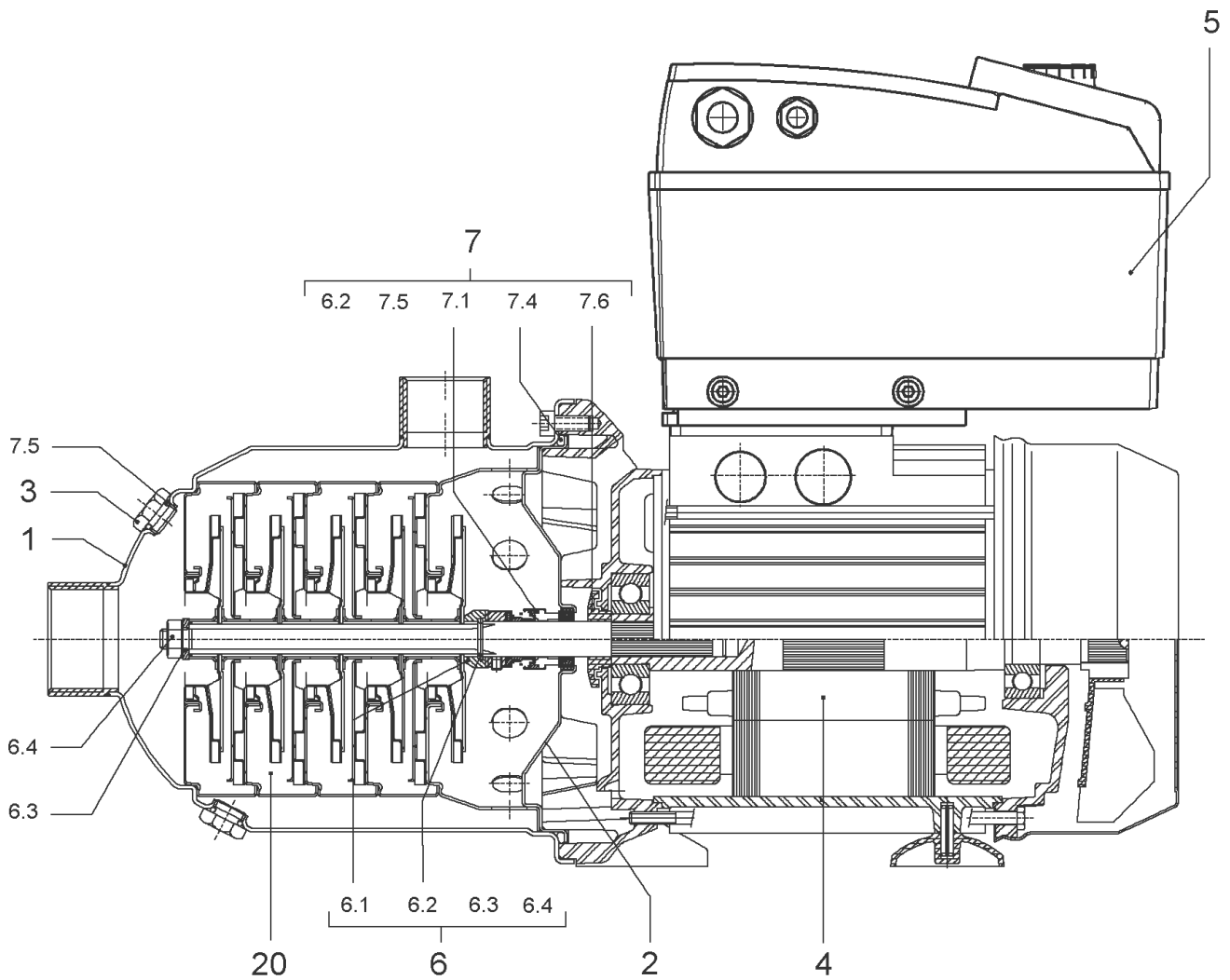
SPARE PARTS MOTOR MHIE803-2G

Item	Article no.	Description	Quantity
4.1	4179229	MOTOR-FAN-90-MHI Ø154-APPROVE_UL VP.	1
4.2	4007271	FAN-COVER BG90 D.135	1
4.4	121083998	BALL BEARING 6205/2Z-C3 (HT) VP.	1
4.5	121466896	BALL BEARING 6305/2Z-C3 (HT) VP.	1



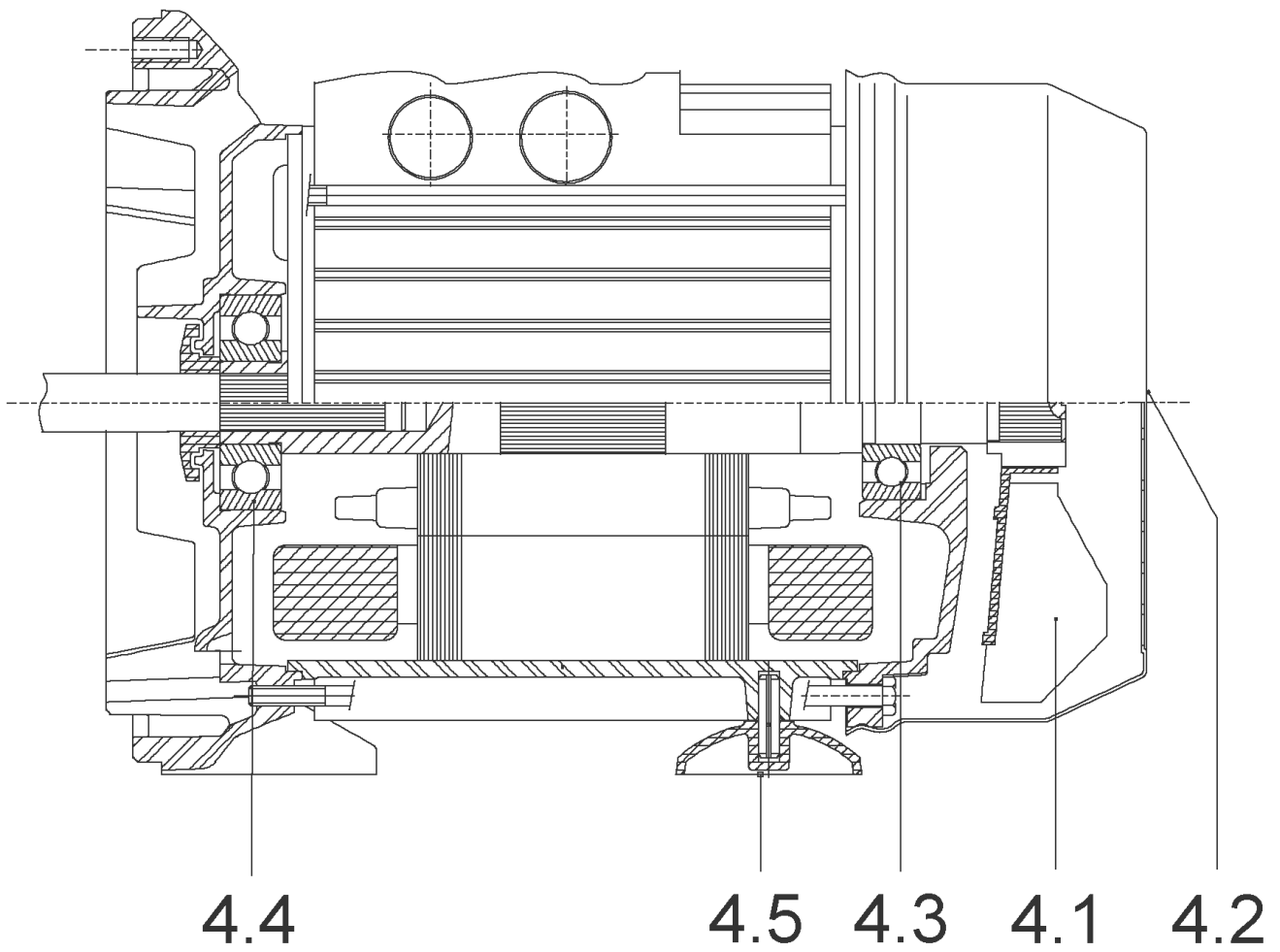
SPARE PARTS HYDRAULICS MHI/MHIE 1.4404

Item	Article no.	Description	Quantity
20.1	4026344	STAGE-KIT-MVI-MHI-316L	1
		> IMPELLER-VMI/HMI-SERIE.8-316L	1
		> STAGE CASING-WITHOUT-C/R-8M3-316L	1
		> SPACER IMPELLER MVI8 1.4435	1
20.2	4026343	ASSEMBLY LR./STF.GH.RFK.MHI8,MVI803-19 1	1
		> IMPELLER-VMI/HMI-SERIE.8-316L	1
		> SPACER IMPELLER MVI8 1.4435	1
		> STAGE CASING-AV-C/R-8M3-316L	1
20.3	4026412	ASSEMBLY ZENTRIER-GH.+LR.MHI803/805 1.44	1
		> IMPELLER-VMI/HMI-SERIE.8-316L	1
		> SPACER IMPELLER MVI8 1.4435	1
		> UPPER STAGE-AV-C/R-JR-8M3-316L	1



MHIE803N-1/E/3-2-2G (4148424)

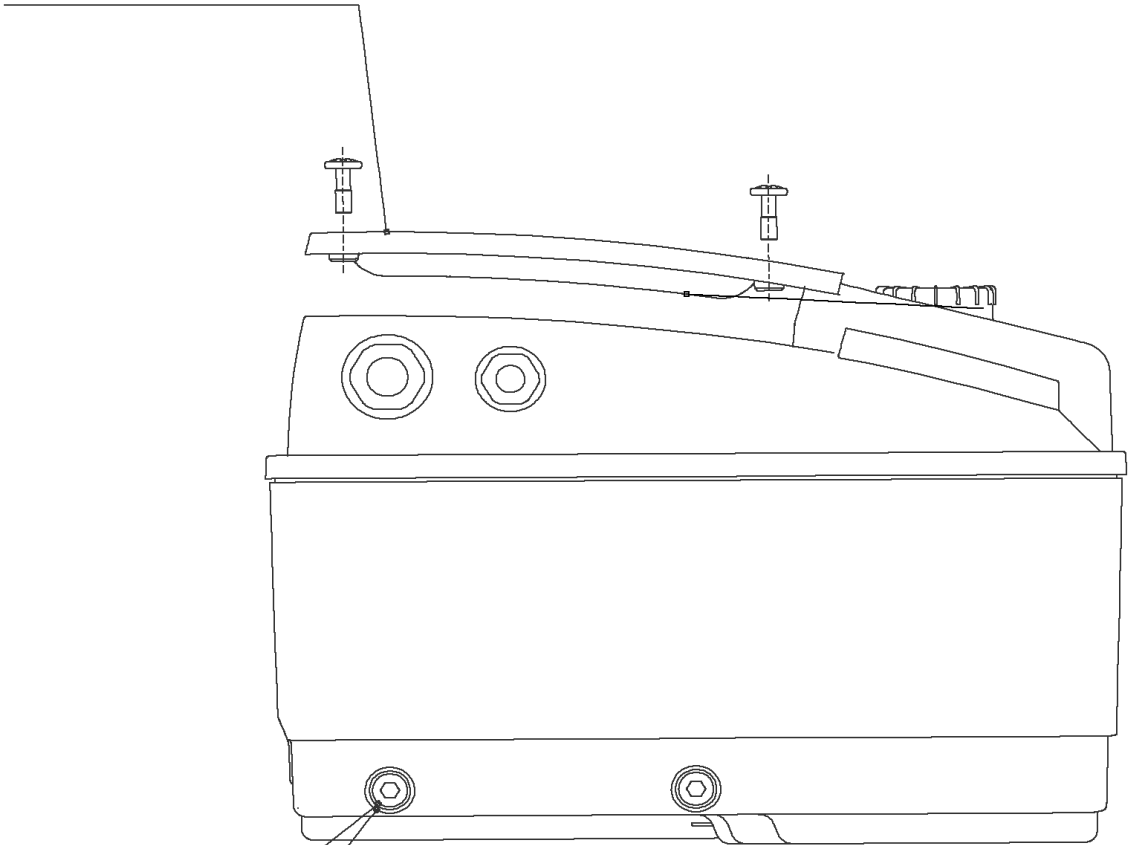
Item	Article no.	Description	Quantity
1	4191449	PUMP HOUSING MHI802/803 1.4301 VP.	1
2	2120000	STATIONARY RING HOLD.ANTI-VORTEX 1.4307	1
3	4191450	PRIMING/DRAIN PLUG G1/4"-MHI-1.4301 VP.	1
4	4168079	COMPLET MOTOR MHIE803N-1/E/3-2-2G VP.	1
		SPARE PARTS MOTOR MHIE 2/4/8/16	1
5	4167756	MODULE MHIE803N-IE2-WE KIT	1
6	4058533	SHAFT FIXING MHIE8 KIT	1
6.1		> IMPELLER THRUST RING/KEEPER-D14L5,5-316L	1
6.2	2090148	> CIRCLIP D14 MVI/MHI 316L (2 PIECES) VP.	1
6.3		> FLAT WASHER-D8xD16x2.5-316L	1
6.4		> NUT-H-M8-STAINLESS-STEEL A4-70	1
7	4027347	MECHANICAL SEAL MHI KIT	1
6.2	2090148	> CIRCLIP D14 MVI/MHI 316L (2 PIECES) VP.	1
7.1	2127448	> MECH.SEAL MHI-MHIL-MVIL VP.	1
7.4	4235548	> O-RING ID.145 EPDM VP.	1
7.5	4235549	> O-RING I9X2 EPDM VP.	2
7.6		> THROWER-RUBBER-SH65/70	1
20		SPARE PARTS HYDRAULICS MHI/MHIE 1.4301	1



SPARE PARTS MOTOR MHIE 2/4/8/16

Item	Article no.	Description	Quantity
4.1	4230667	Fan for motor T90 MHIE Ø122 VP.	1
4.2	2111322	FAN HOOD BG90 ELEC KIT	1
2.13A		> FAN COVER IEC90 KTL ST14 T0.8 H70	1
2.13B	2111323	> SCREW M4X6 (4 PIECES)	1
Note: Please give the data from type plate of the motor			
4.3	4221774	Ball bearing 6204VV-C3(Ø20xØ47x14)EA6 VP	1
4.4	4180822	BALL BEARING 6305-C3-DDU-E-EA6 VP.	1
4.5	4234217	MOTOR FOOT WILO ELEC IE90 KIT	1

5.1

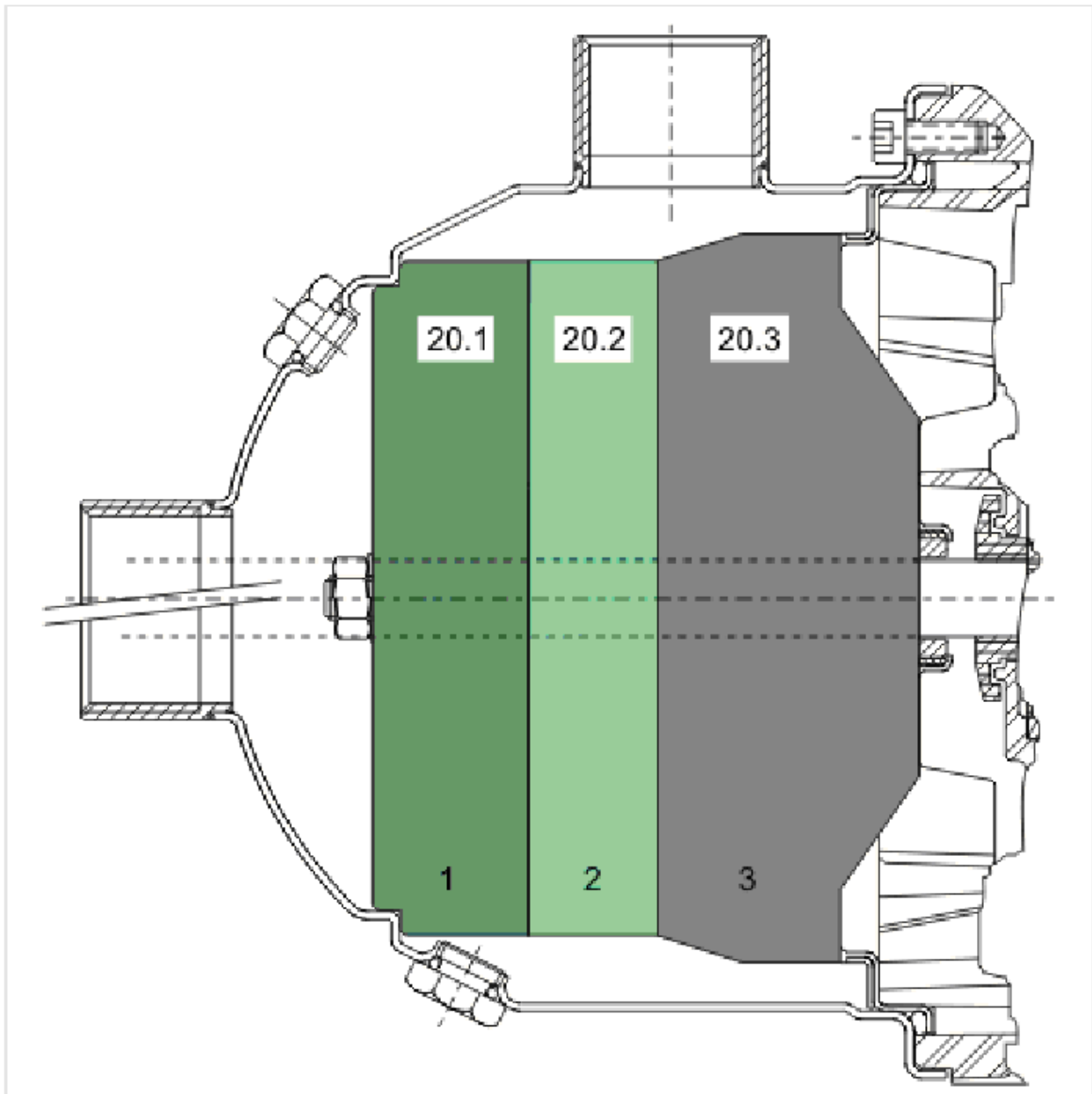


5.2

5.3

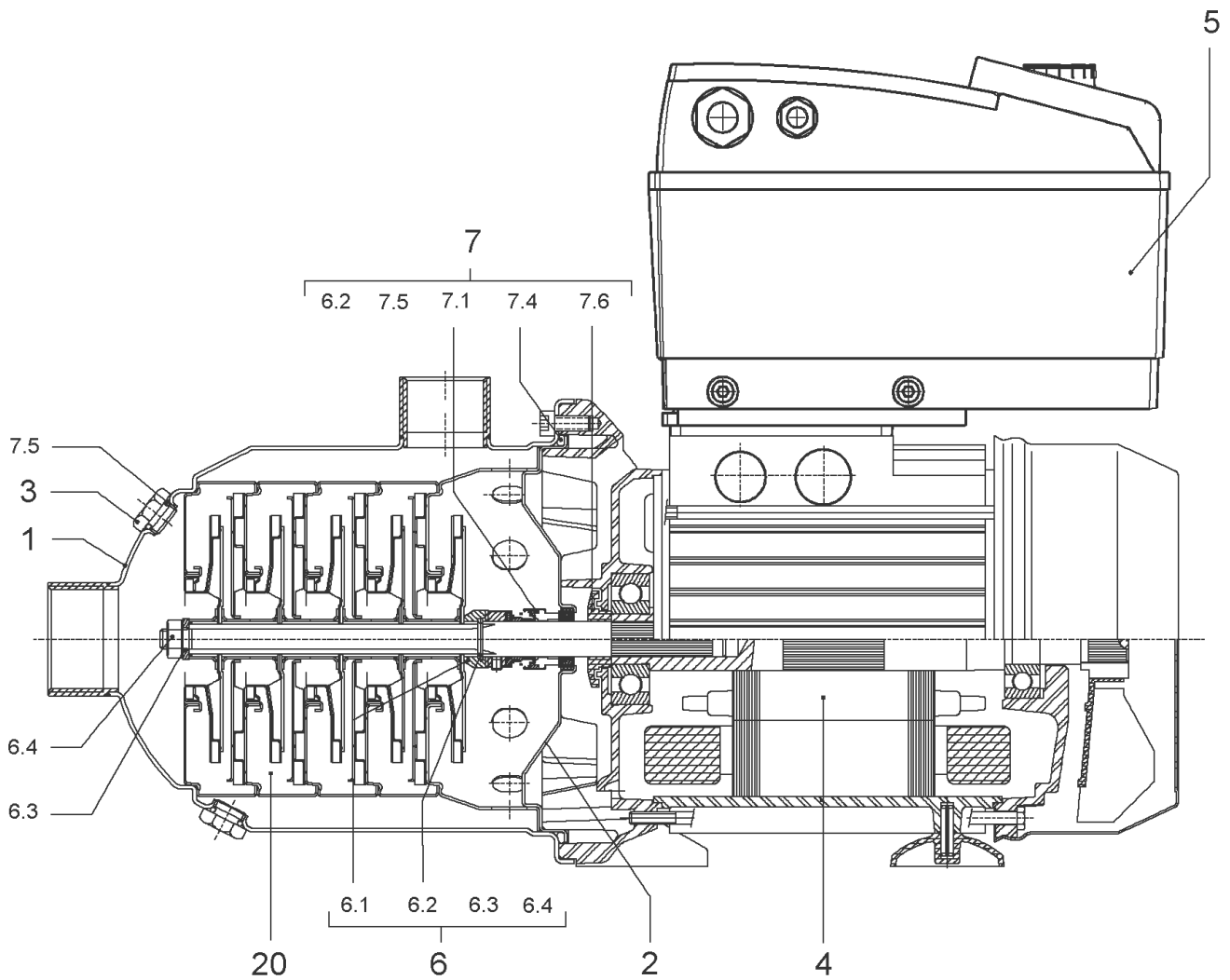
MODULE MHIE803N-IE2-WE KIT (4167756)

Item	Article no.	Description	Quantity
5.1	2054227	MODULE COVER/GASKET TL3/4 KIT	1
5.2	4215716	SCREW M5X16 DIN912 8.8 A2A (4pieces) VP.	1
5.3	2057978	RONDELLE A5,3 DIN6797 FST ZN (4 PIECES)	1



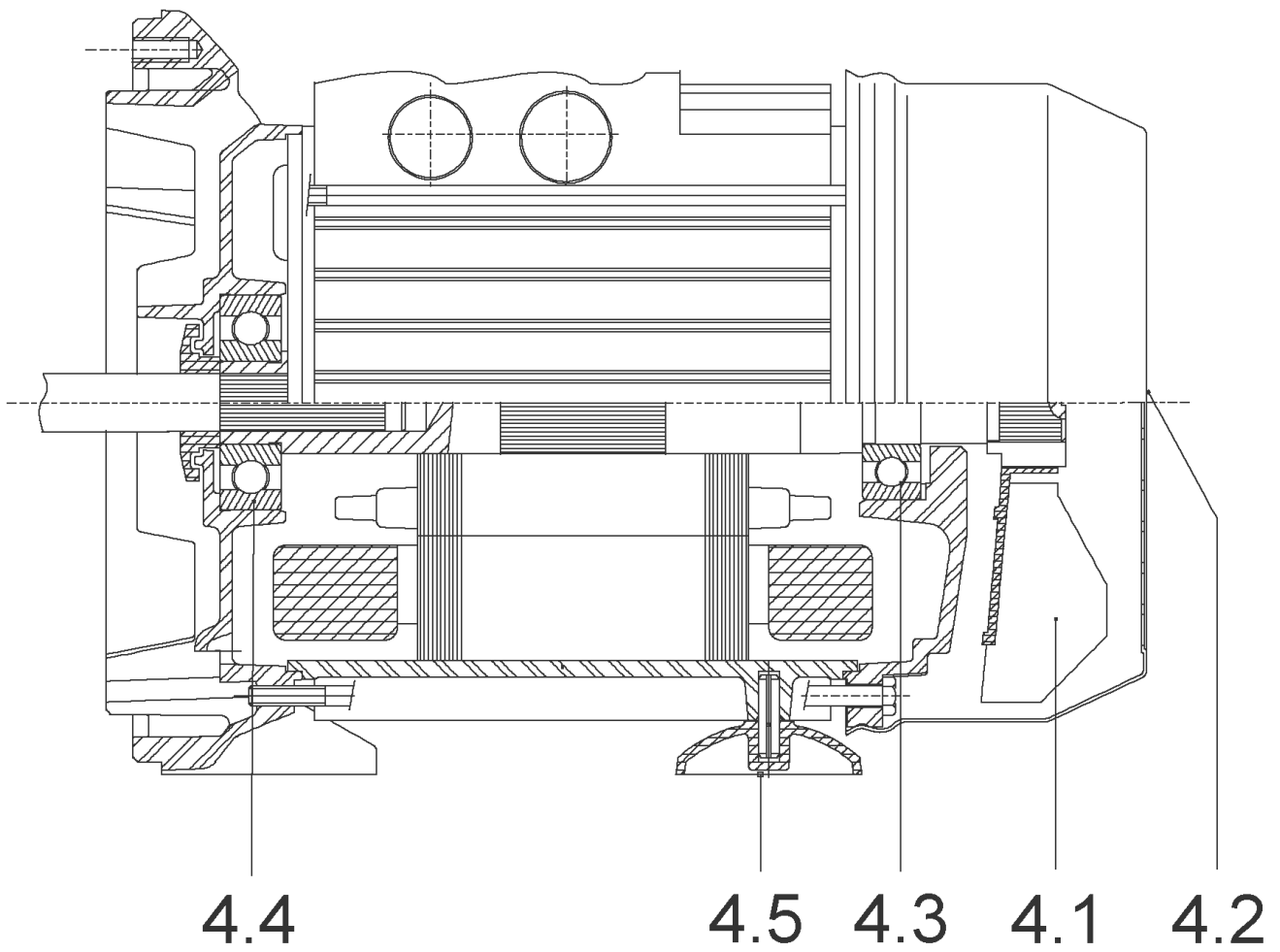
SPARE PARTS HYDRAULICS MHI/MHIE 1.4301

Item	Article no.	Description	Quantity
20.1	4015453	STAGE MHI802/03,MVI804-19 1.4301 KIT	1
		> IMPELLER MVI8 D.100,5x5,5 1.4301	1
		> STAGE HOUSING O.RFK.MVI8 1.4301	1
		> SPACER IMPELLER MVI8 1.4301	1
20.2	4015452	STAGE MHI8,MVI802-19 1.4301 KIT	1
		> IMPELLER MVI8 D.100,5x5,5 1.4301	1
		> SPACER IMPELLER MVI8 1.4301	1
		> STAGE HOUSING RFK.MVI8 1.4301	1
20.3	4015469	CENTER.HOUSING/LR.MHI803/805 1.4301 KIT	1
		> IMPELLER MVI8 D.100,5x5,5 1.4301	1
		> SPACER IMPELLER MVI8 1.4301	1
		> UPPER STAGE AV-C/R-JR-8M3-304	1



MHIE803N-2/V/3-2-2G (4148425)

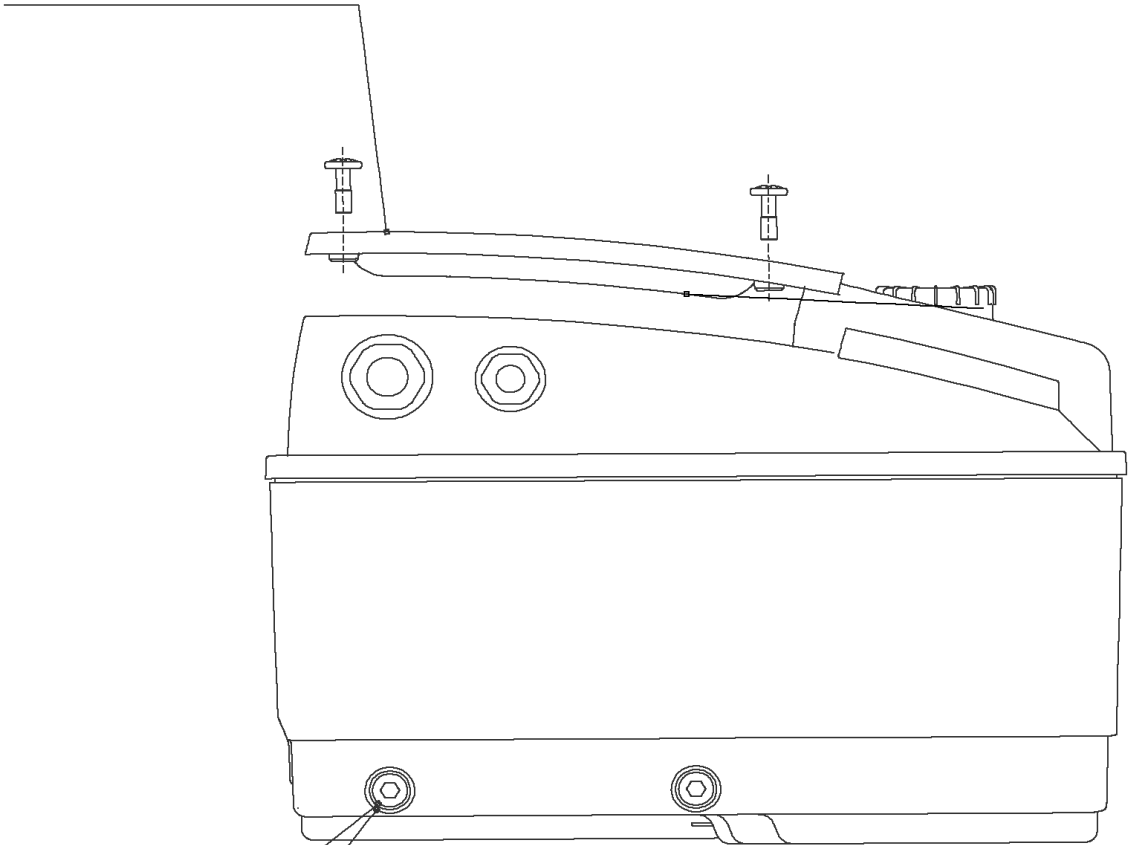
Item	Article no.	Description	Quantity
1	4202823	PUMP HOUSING MHI802/803 1.4404 VP.	1
2	2120001	STATIONARY RING HOLD.ANTI-VORTEX 1.4404	1
3	4202825	PRIMING/DRAIN PLUG G1/4"-MHI-1.4404 VP.	1
4	4234208	COMPL MOTOR MHIE803N-2/V/3-2-2G WE VP.	1
		SPARE PARTS MOTOR MHIE 2/4/8/16	1
5	4167756	MODULE MHIE803N-IE2-WE KIT	1
6	4058533	SHAFT FIXING MHIE8 KIT	1
6.1		> IMPELLER THRUST RING/KEEPER-D14L5,5-316L	1
6.2	2090148	> CIRCLIP D14 MVI/MHI 316L (2 PIECES) VP.	1
6.3		> FLAT WASHER-D8xD16x2.5-316L	1
6.4		> NUT-H-M8-STAINLESS-STEEL A4-70	1
7	4027348	ASSEMBLY GRD.MHI2../4../8.. VITON VP.	1
6.2	2090148	> CIRCLIP D14 MVI/MHI 316L (2 PIECES) VP.	1
7.1	2127451	> MECH.SEAL MG12/14-G606-Q1BVGG-BU.VP.	1
7.4	4233953	> O-RING ID.145 VITON VP.	1
7.5	4234238	> O-RING 9X2 VITON VP.	1
7.6		> THROWER-RUBBER-SH65/70	1
20		SPARE PARTS HYDRAULICS MHI/MHIE 1.4404	1



SPARE PARTS MOTOR MHIE 2/4/8/16

Item	Article no.	Description	Quantity
4.1	4230667	Fan for motor T90 MHIE Ø122 VP.	1
4.2	2111322	FAN HOOD BG90 ELEC KIT	1
2.13A		> FAN COVER IEC90 KTL ST14 T0.8 H70	1
2.13B	2111323	> SCREW M4X6 (4 PIECES)	1
Note: Please give the data from type plate of the motor			
4.3	4221774	Ball bearing 6204VV-C3(Ø20xØ47x14)EA6 VP	1
4.4	4180822	BALL BEARING 6305-C3-DDU-E-EA6 VP.	1
4.5	4234217	MOTOR FOOT WILO ELEC IE90 KIT	1

5.1



5.2

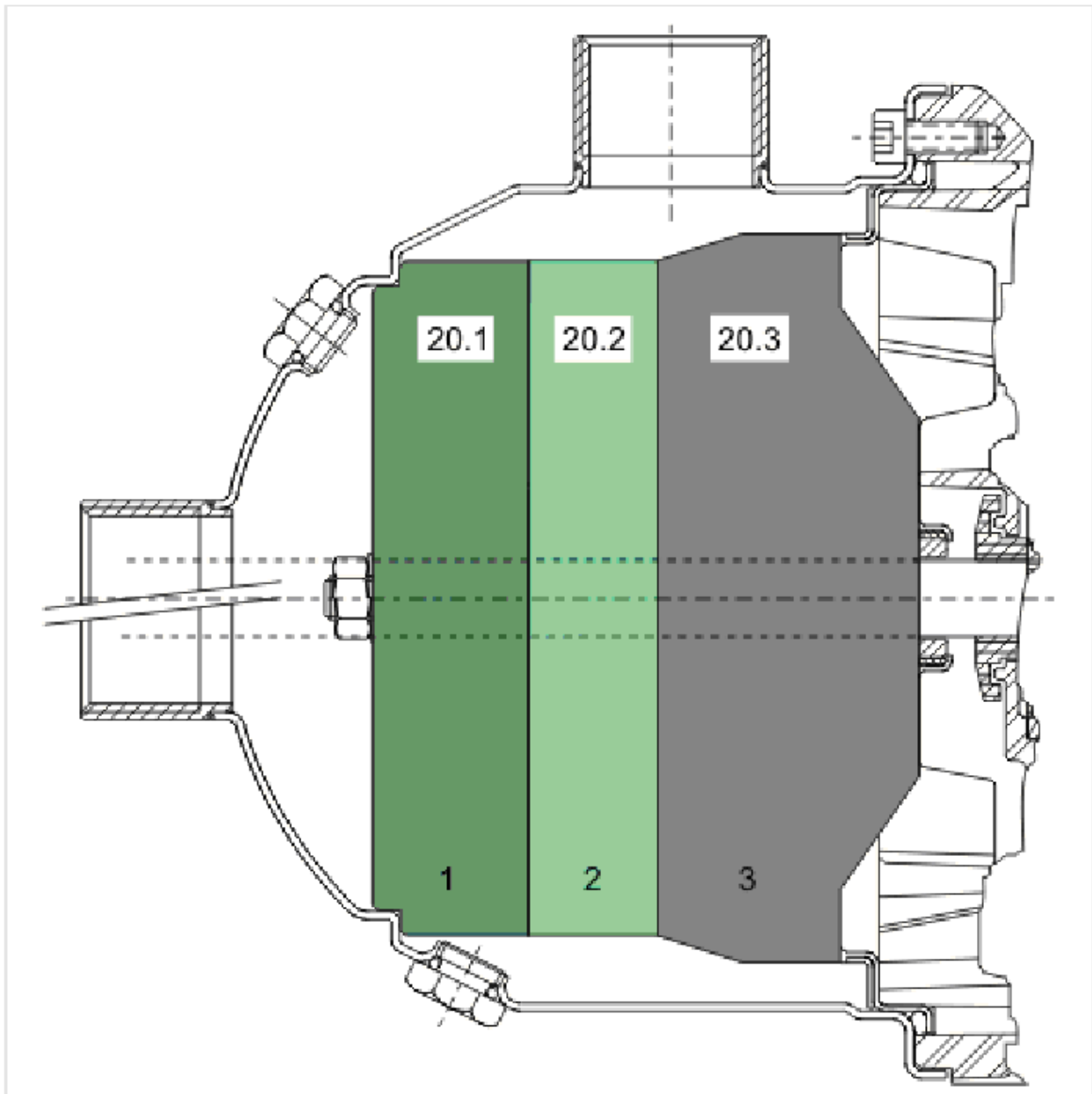


5.3



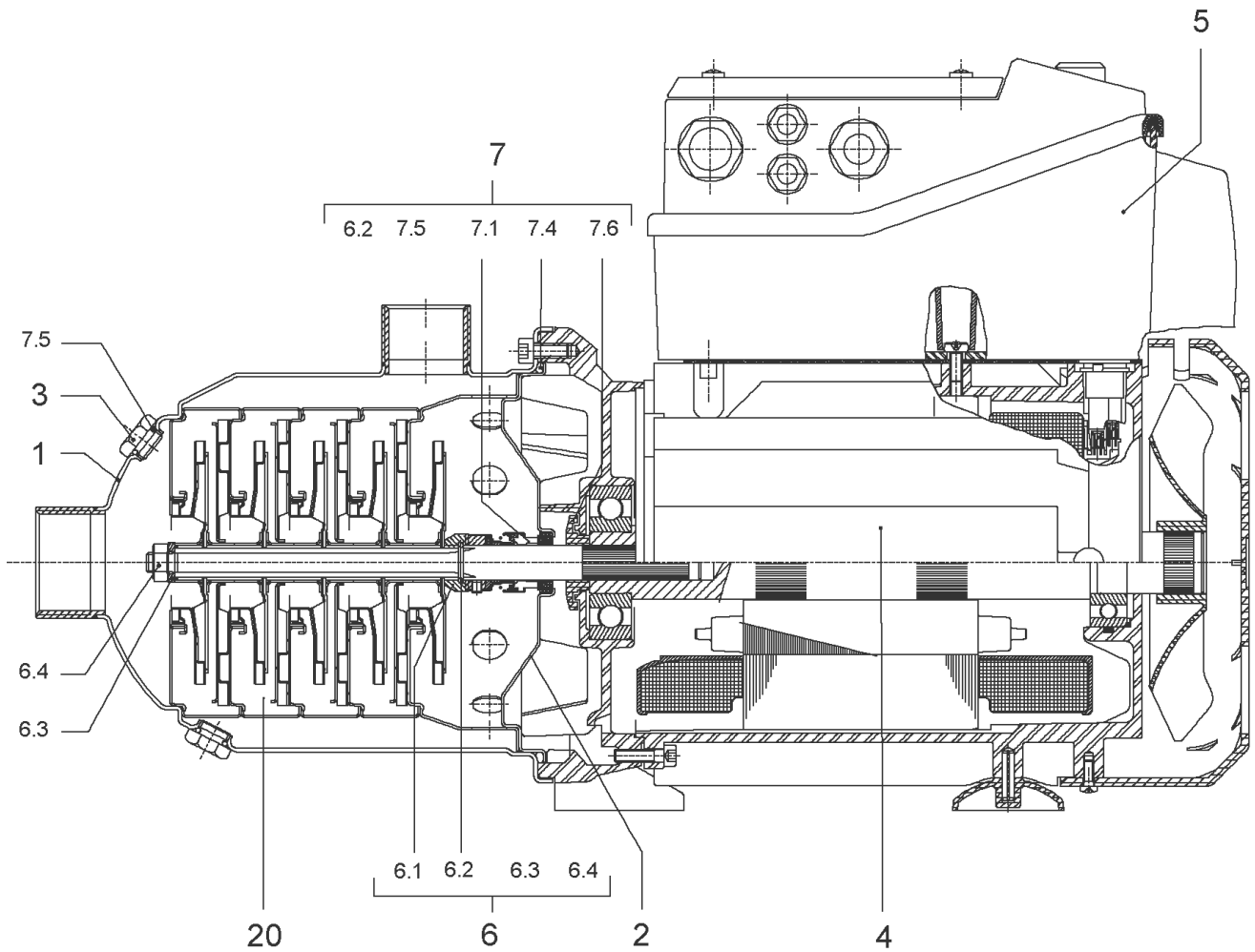
MODULE MHIE803N-IE2-WE KIT (4167756)

Item	Article no.	Description	Quantity
5.1	2054227	MODULE COVER/GASKET TL3/4 KIT	1
5.2	4215716	SCREW M5X16 DIN912 8.8 A2A (4pieces) VP.	1
5.3	2057978	RONDELLE A5,3 DIN6797 FST ZN (4 PIECES)	1



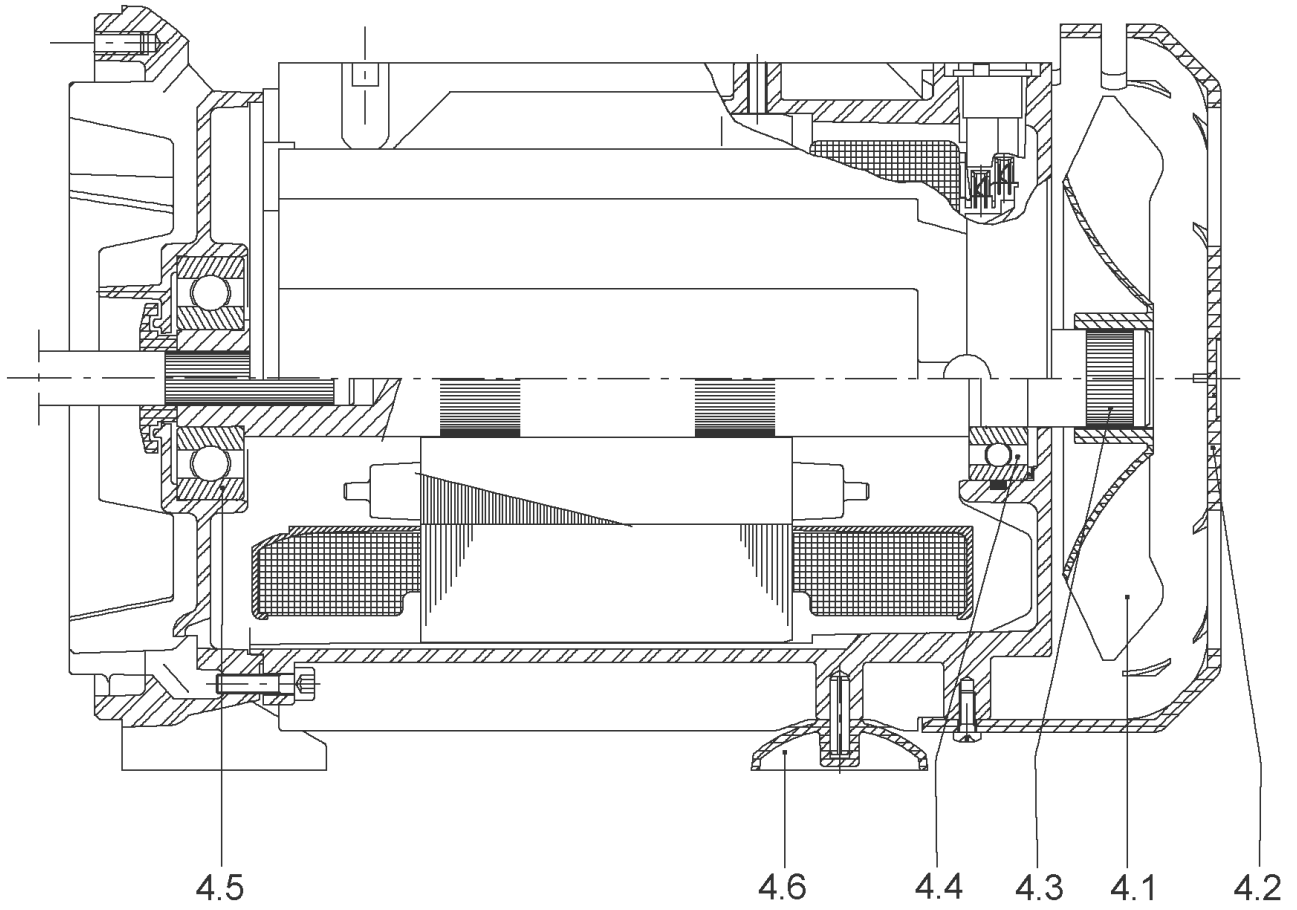
SPARE PARTS HYDRAULICS MHI/MHIE 1.4404

Item	Article no.	Description	Quantity
20.1	4026344	STAGE-KIT-MVI-MHI-316L	1
		> IMPELLER-VMI/HMI-SERIE.8-316L	1
		> STAGE CASING-WITHOUT-C/R-8M3-316L	1
		> SPACER IMPELLER MVI8 1.4435	1
20.2	4026343	ASSEMBLY LR./STF.GH.RFK.MHI8,MVI803-19 1	1
		> IMPELLER-VMI/HMI-SERIE.8-316L	1
		> STAGE CASING-AV-C/R-8M3-316L	1
		> SPACER IMPELLER MVI8 1.4435	1
20.3	4026412	ASSEMBLY ZENTRIER-GH.+LR.MHI803/805 1.44	1
		> UPPER STAGE-AV-C/R-JR-8M3-316L	1
		> IMPELLER-VMI/HMI-SERIE.8-316L	1
		> SPACER IMPELLER MVI8 1.4435	1



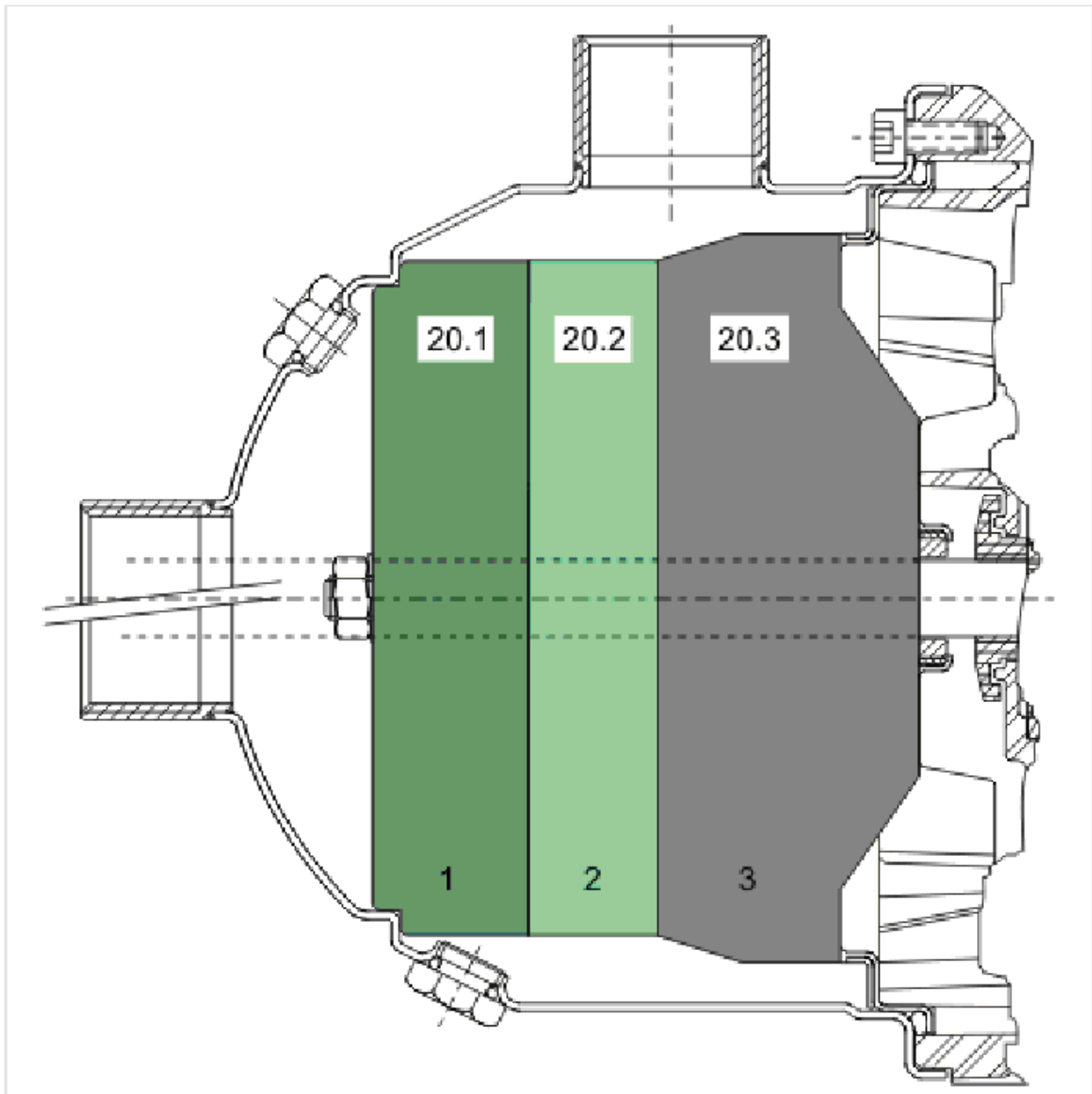
MHIE1602-1/E/3-2 (4057595)

Item	Article no.	Description	Quantity
1	4202815	PUMP HOUSING MHI1602/1603 1.4301 VP.	1
2	2120000	STATIONARY RING HOLD.ANTI-VORTEX 1.4307	1
3	4191450	PRIMING/DRAIN PLUG G1/4"-MHI-1.4301 VP.	1
4	4083391	COMPLETE-MOTOR-MHIE1602	1
		SPARE PARTS MOTOR MHIE1602	1
5		MODULE MVIE206 MVIE/MHIE405/803 2,2>7/01	1
Note: no longer available / nicht mehr lieferbar / ne plus disponible			
6	4060277	SHAFT-EQUIPMENT-KIT-MHi 1602/1603	1
6.1		> IMPELLER THRUST RING/KEEPER-D14L5,5-316L	1
6.2	2090148	> CIRCLIP D14 MVI/MHI 316L (2 PIECES) VP.	1
6.3		> NUT M8 INOX 1.4404	1
7	4027347	MECHANICAL SEAL MHI KIT	1
6.2	2090148	> CIRCLIP D14 MVI/MHI 316L (2 PIECES) VP.	1
7.1	2127448	> MECH.SEAL MHI-MHIL-MVIL VP.	1
7.4	4235548	> O-RING ID.145 EPDM VP.	1
7.5	4235549	> O-RING I9X2 EPDM VP.	2
7.6		> THROWER-RUBBER-SH65/70	1
20		SPARE PARTS HYDRAULICS MHIE 1.4301	1



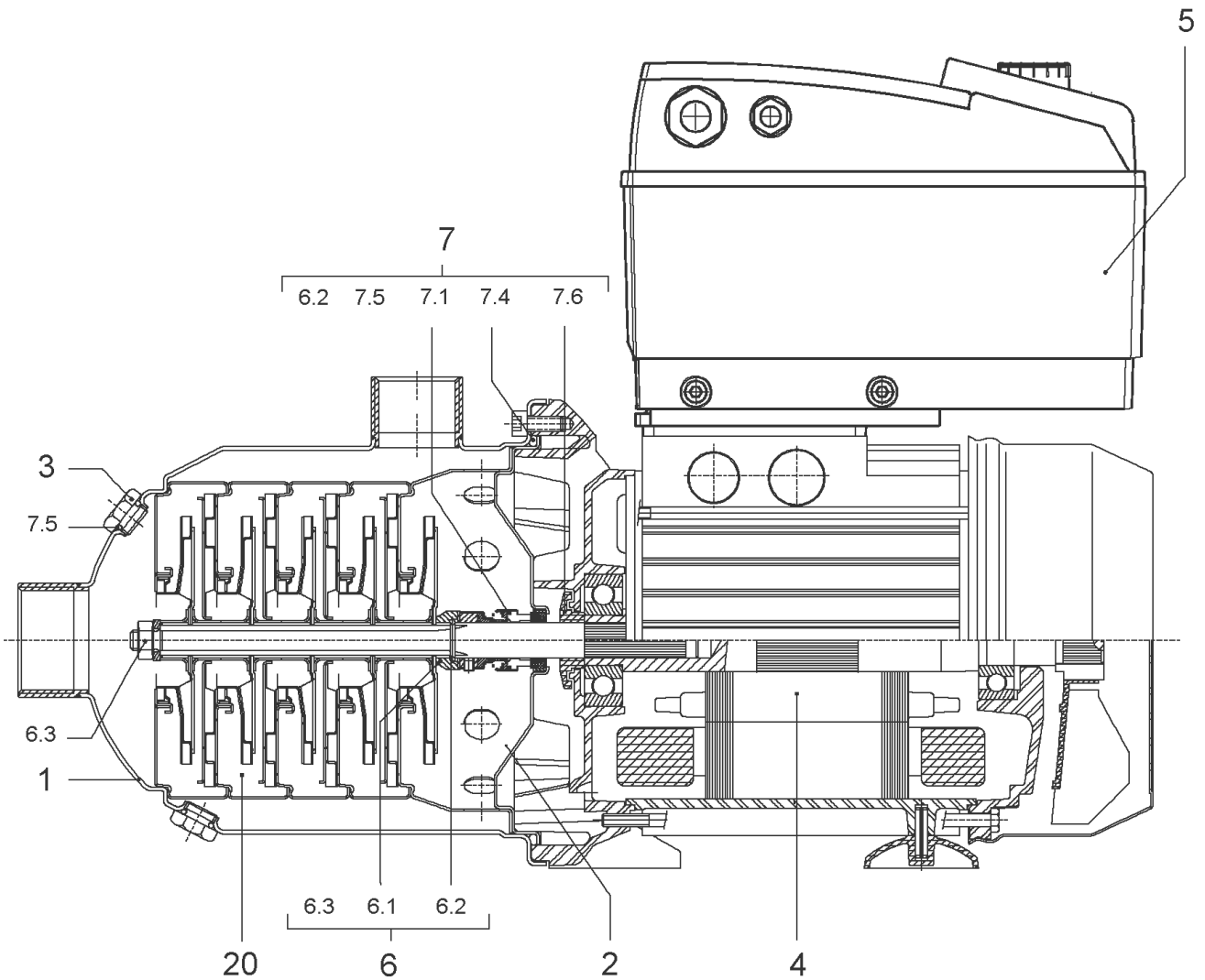
SPARE PARTS MOTOR MHIE1602

Item	Article no.	Description	Quantity
4.3	121479094	FAN WHEEL BG90/100 ATB KIT	1
2.8A		> FAN WHEEL BG90/100 721383 ATB	1
2.8B	2047016	> CORRUGATED SLEEVE RING BG90/100 ATB VP.	1
Note: Please give the data from type plate of the motor			
4.2		FAN HOOD TL4/3N NEUTRAL	1
Note: no longer available / nicht mehr lieferbar / ne plus disponible			
4.4	121083998	BALL BEARING 6205/2Z-C3 (HT) VP.	1
4.5	121466896	BALL BEARING 6305/2Z-C3 (HT) VP.	1
4.6	4008243	MOTOR-FOOT-SIZE-80	1
	4005218	LANTERN-MHI-P171-M156	1
	502681793	SCREW M4X8 ISO7045 4.8-H ZN	3



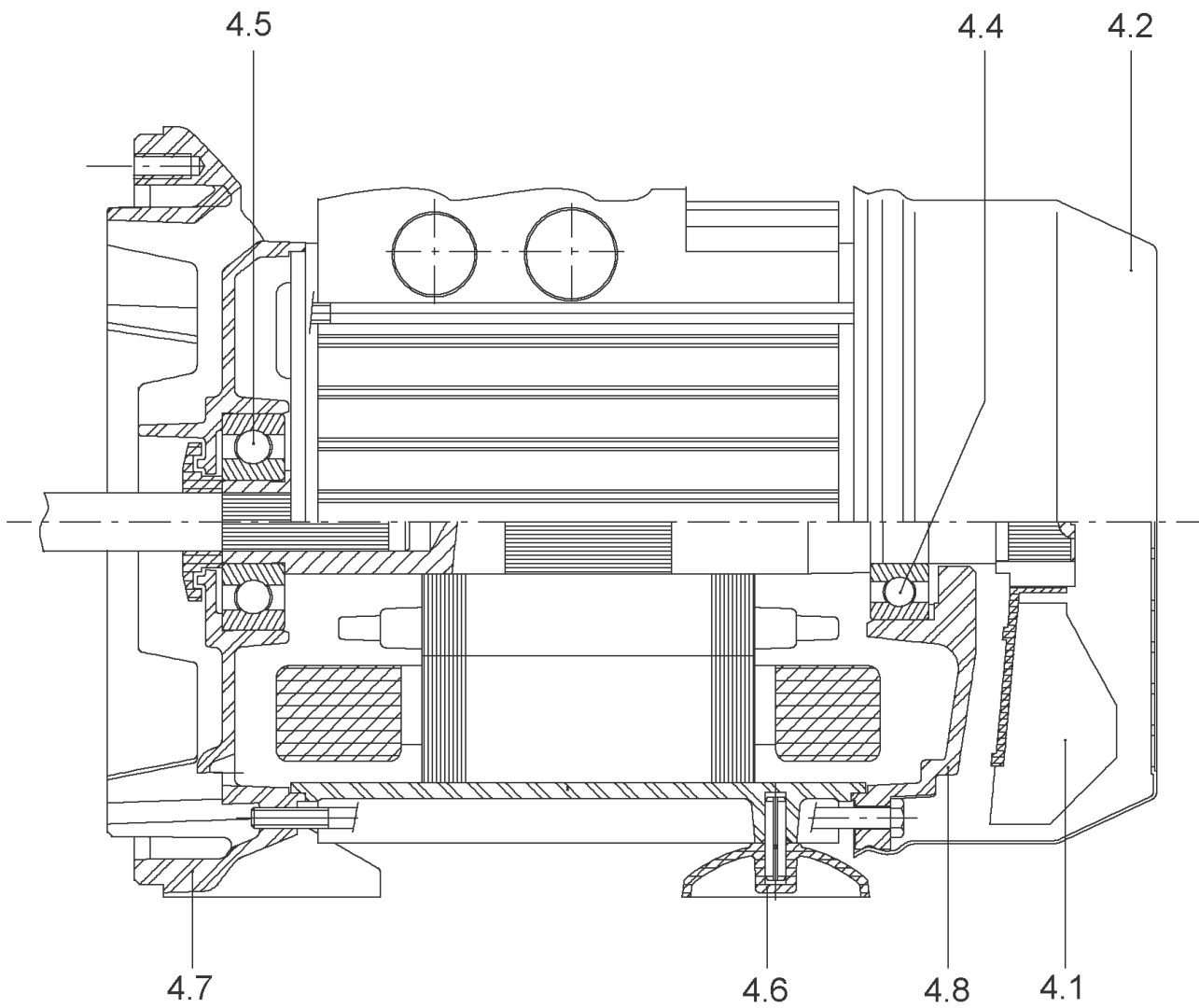
SPARE PARTS HYDRAULICS MHIE 1.4301

Item	Article no.	Description	Quantity
20.1	4060282	STAGE-KIT-MHi 16	1
		> STAGE CASING W/O RGV-MVI16M3/6"-1.4301	1
		> IMPELLER MVI/MHI 16M3/6"-1.4301	1
		> SPACER L=36-304	1
20.2	4060283	STAGE-KIT-MHi 16	1
		> IMPELLER MVI/MHI 16M3/6"-1.4301	1
		> SPACER L=36-304	1
		> STAGE CASING W RGV-MVI/MHI16M3-6"-1.4301	1
20.3	4212656	UPPER STAGEW/ORING MVI16M3-6"-1.4301 VP.	1



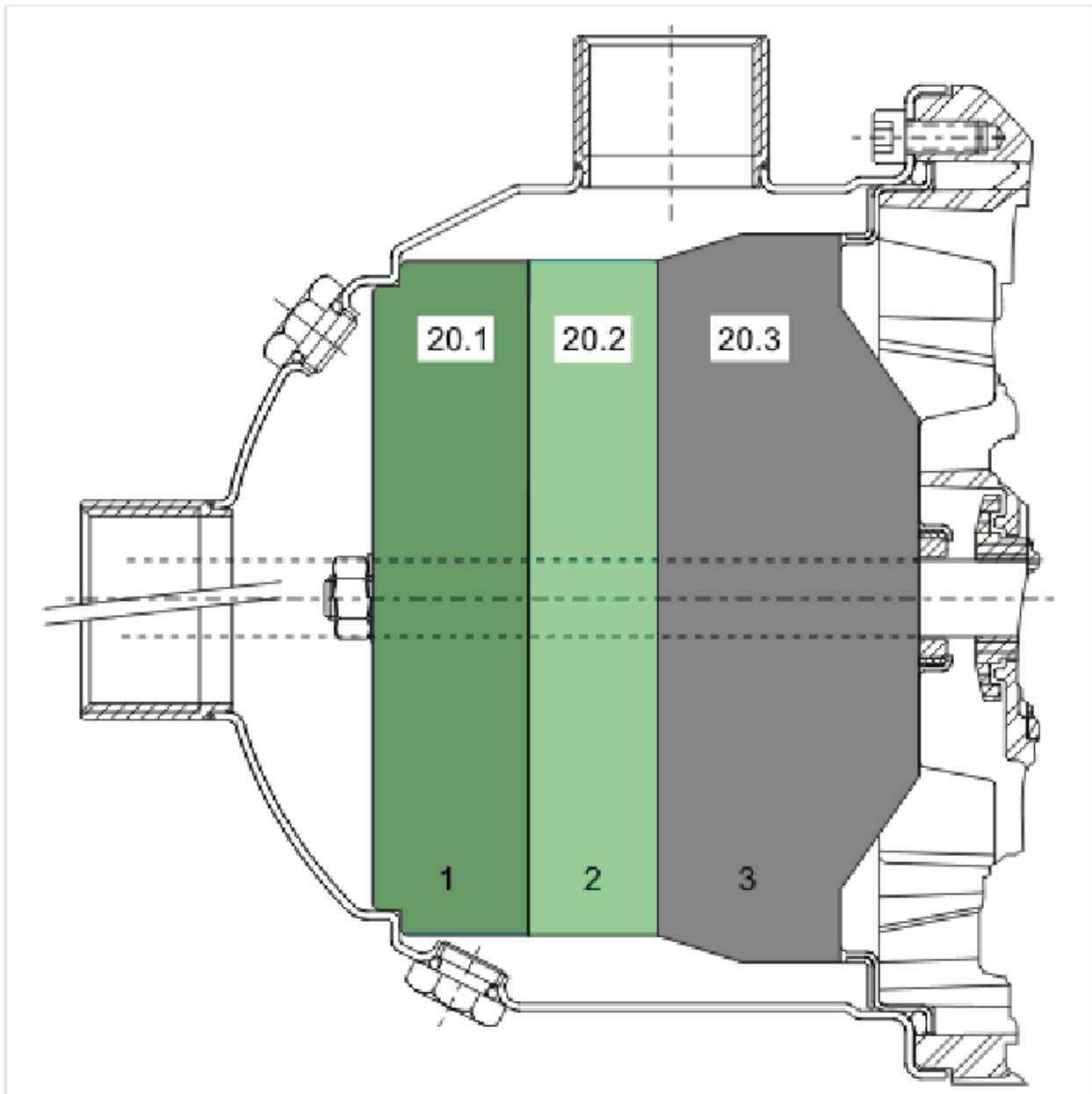
MHIE1602-1/E/3-2-2G (4077401)

Item	Article no.	Description	Quantity
1	4202815	PUMP HOUSING MHI1602/1603 1.4301 VP.	1
2	2120000	STATIONARY RING HOLD.ANTI-VORTEX 1.4307	1
3	4191450	PRIMING/DRAIN PLUG G1/4"-MHI-1.4301 VP.	1
4		COMPLETE-MOTOR-MHIE 1602-1	1
Note: no longer available/nicht mehrlieferbar/n'est plus disponible			
		SPARE PARTS MOTOR MHIE1602-2G	1
5		MODULE MVIE/MHIE-2,2KW IE1	1
Note: no longer available/nicht mehrlieferbar/n'est plus disponible			
6	4060277	SHAFT-EQUIPMENT-KIT-MHi 1602/1603	1
6.1		> IMPELLER THRUST RING/KEEPER-D14L5,5-316L	1
6.2	2090148	> CIRCLIP D14 MVI/MHI 316L (2 PIECES) VP.	1
6.3		> NUT M8 INOX 1.4404	1
7	4027347	MECHANICAL SEAL MHI KIT	1
6.2	2090148	> CIRCLIP D14 MVI/MHI 316L (2 PIECES) VP.	1
7.1	2127448	> MECH.SEAL MHI-MHIL-MVIL VP.	1
7.4	4235548	> O-RING ID.145 EPDM VP.	1
7.5	4235549	> O-RING I9X2 EPDM VP.	2
7.6		> THROWER-RUBBER-SH65/70	1
20		SPARE PARTS HYDRAULICS MHIE 1.4301	1



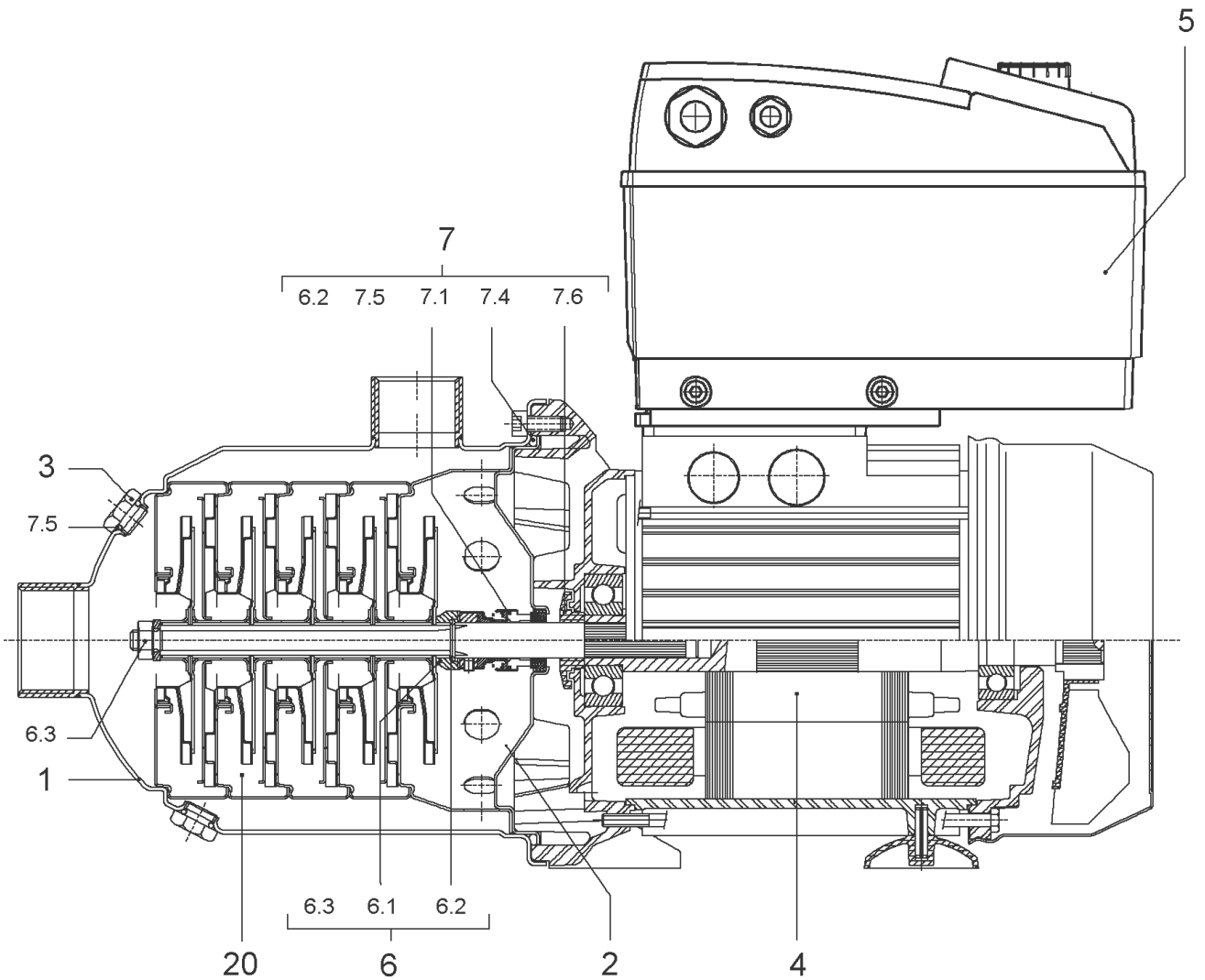
SPARE PARTS MOTOR MHIE1602-2G

Item	Article no.	Description	Quantity
4.1	4179229	MOTOR-FAN-90-MHI Ø154-APPROVE_UL VP.	1
4.2	4007271	FAN-COVER BG90 D.135	1
4.4	121083998	BALL BEARING 6205/2Z-C3 (HT) VP.	1
4.5	121466896	BALL BEARING 6305/2Z-C3 (HT) VP.	1
4.6	4008243	MOTOR-FOOT-SIZE-80	1
4.7	4005218	LANTERN-MHI-P171-M156	1
4.8	4233963	BEARING REAR MOTOR90-MHI	1



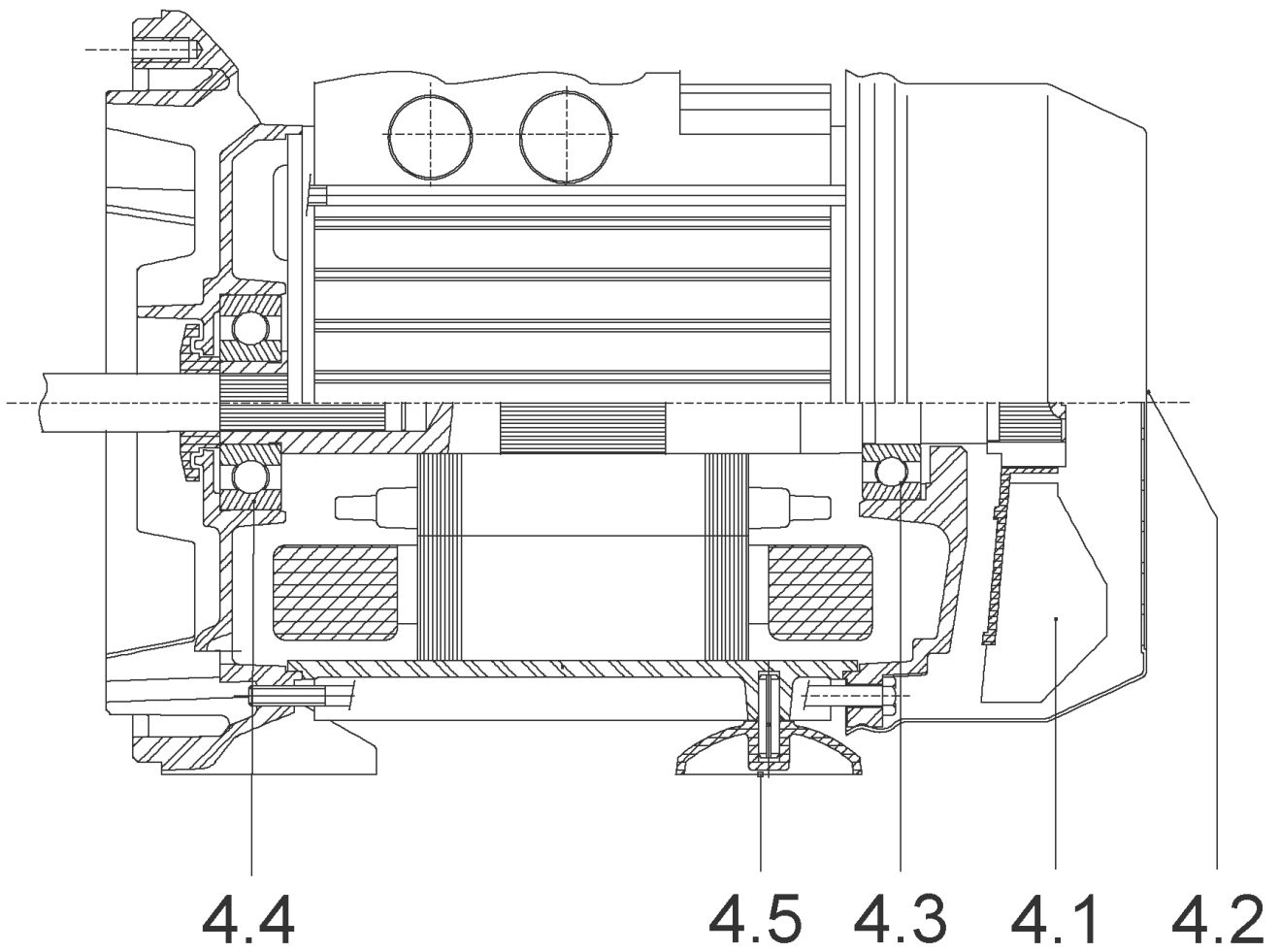
SPARE PARTS HYDRAULICS MHIE 1.4301

Item	Article no.	Description	Quantity
20.1	4060282	STAGE-KIT-MHi 16	1
		> STAGE CASING W/O RGV-MVI16M3/6"-1.4301	1
		> IMPELLER MVI/MHI 16M3/6"-1.4301	1
		> SPACER L=36-304	1
20.2	4060283	STAGE-KIT-MHi 16	1
		> IMPELLER MVI/MHI 16M3/6"-1.4301	1
		> SPACER L=36-304	1
		> STAGE CASING W RGV-MVI/MHI16M3-6"-1.4301	1
20.3	4212656	UPPER STAGEW/ORING MVI16M3-6"-1.4301 VP.	1



MHIE1602N-1/E/3-2-2G (4148430)

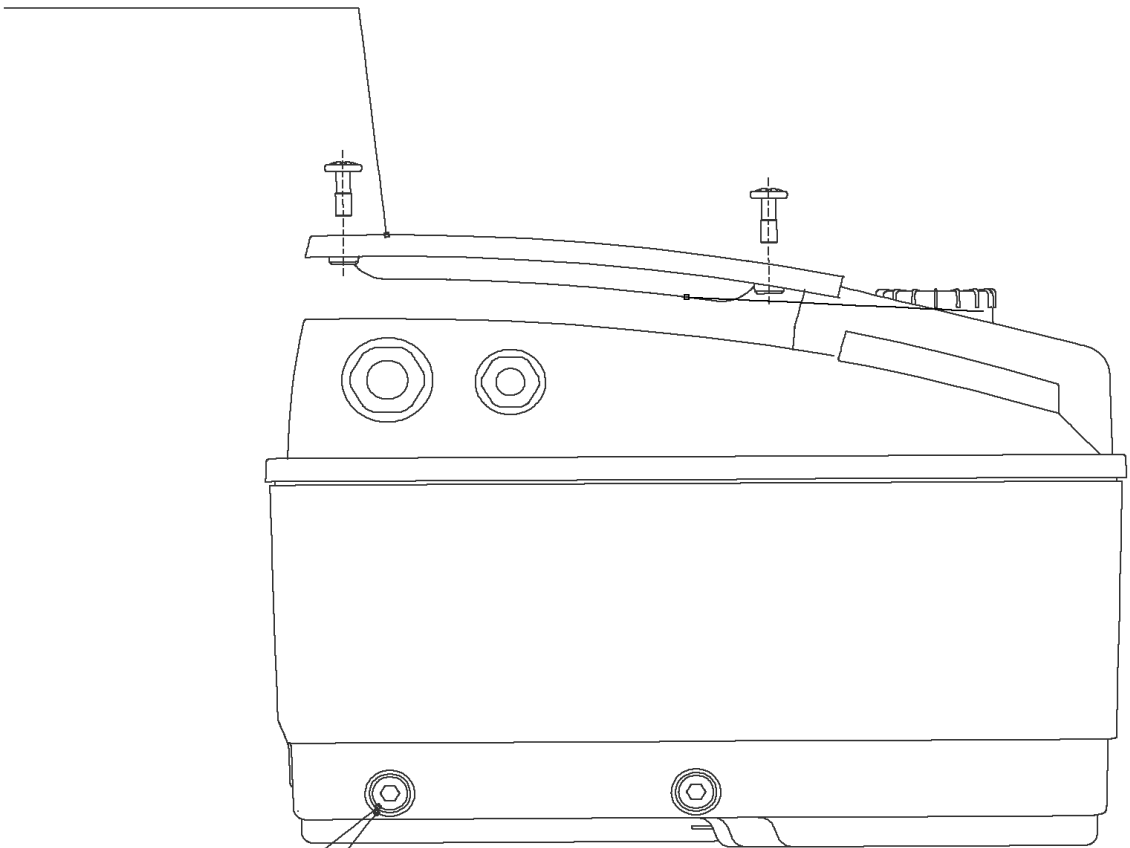
Item	Article no.	Description	Quantity
1	4202815	PUMP HOUSING MHI1602/1603 1.4301 VP.	1
2	2120000	STATIONARY RING HOLD.ANTI-VORTEX 1.4307	1
3	4191450	PRIMING/DRAIN PLUG G1/4"-MHI-1.4301 VP.	1
4	4228500	COMPL MOTOR MHIE1602N-1/E/3-2-2G WE VP.	1
		SPARE PARTS MOTOR MHIE 2/4/8/16	1
5	4167760	MODULE MHIE1602N-IE2-WE KIT	1
6	4060277	SHAFT-EQUIPMENT-KIT-MHi 1602/1603	1
6.1		> IMPELLER THRUST RING/KEEPER-D14L5,5-316L	1
6.2	2090148	> CIRCLIP D14 MVI/MHI 316L (2 PIECES) VP.	1
6.3		> NUT M8 INOX 1.4404	1
7	4027347	MECHANICAL SEAL MHI KIT	1
6.2	2090148	> CIRCLIP D14 MVI/MHI 316L (2 PIECES) VP.	1
7.1	2127448	> MECH.SEAL MHI-MHIL-MVIL VP.	1
7.4	4235548	> O-RING ID.145 EPDM VP.	1
7.5	4235549	> O-RING I9X2 EPDM VP.	2
7.6		> THROWER-RUBBER-SH65/70	1
20		SPARE PARTS HYDRAULICS MHIE 1.4301	1



SPARE PARTS MOTOR MHIE 2/4/8/16

Item	Article no.	Description	Quantity
4.1	4230667	Fan for motor T90 MHIE Ø122 VP.	1
4.2	2111322	FAN HOOD BG90 ELEC KIT	1
2.13A		> FAN COVER IEC90 KTL ST14 T0.8 H70	1
2.13B	2111323	> SCREW M4X6 (4 PIECES)	1
Note: Please give the data from type plate of the motor			
4.3	4221774	Ball bearing 6204VV-C3(Ø20xØ47x14)EA6 VP	1
4.4	4180822	BALL BEARING 6305-C3-DDU-E-EA6 VP.	1
4.5	4234217	MOTOR FOOT WILO ELEC IE90 KIT	1

5.1

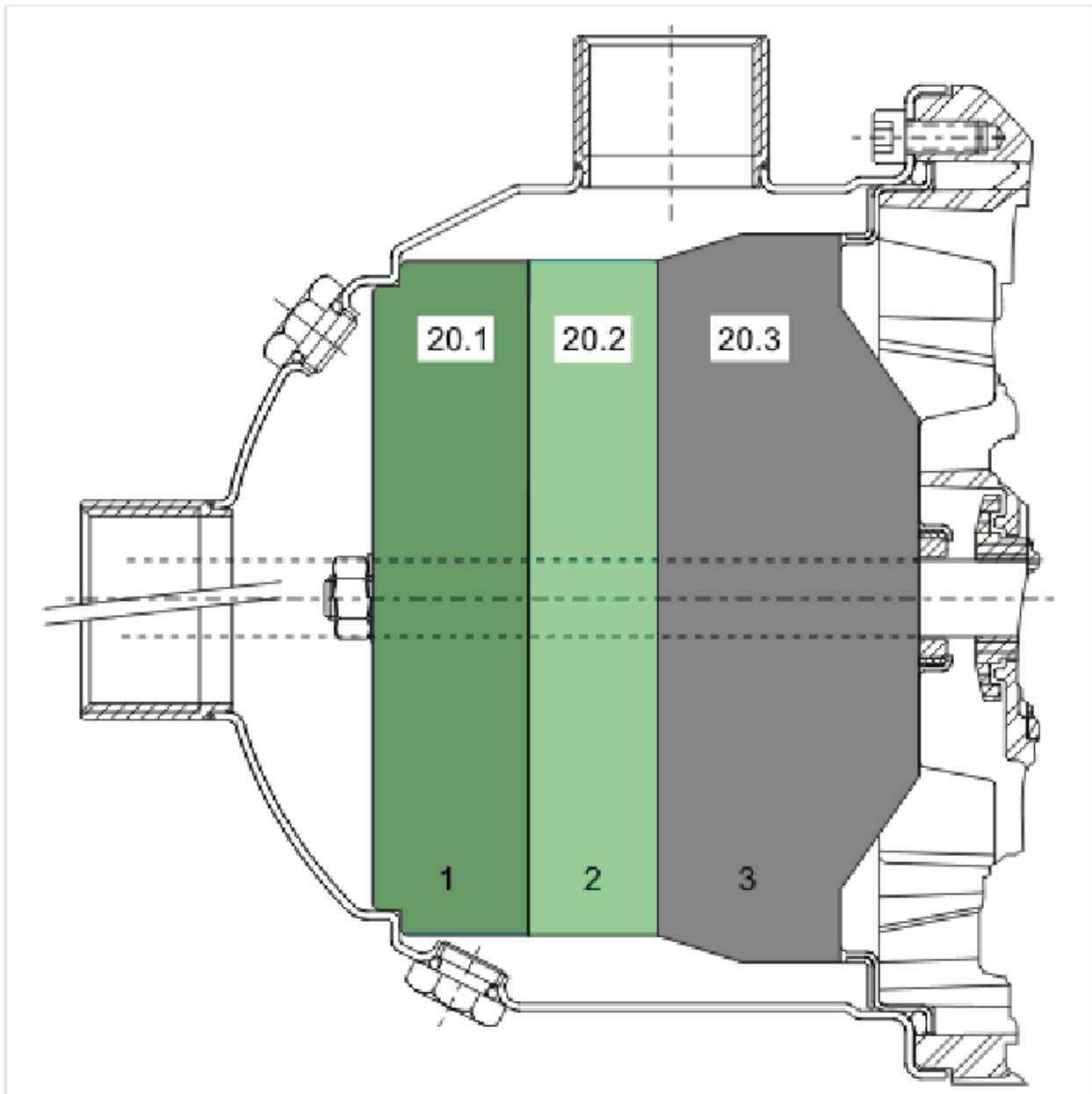


5.2

5.3

MODULE MHIE1602N-IE2-WE KIT (4167760)

Item	Article no.	Description	Quantity
5.1	2054227	MODULE COVER/GASKET TL3/4 KIT	1
5.2	4215716	SCREW M5X16 DIN912 8.8 A2A (4pieces) VP.	1
5.3	2057978	RONDELLE A5,3 DIN6797 FST ZN (4 PIECES)	1



SPARE PARTS HYDRAULICS MHIE 1.4301

Item	Article no.	Description	Quantity
20.1	4060282	STAGE-KIT-MHi 16	1
		> STAGE CASING W/O RGV-MVI16M3/6"-1.4301	1
		> IMPELLER MVI/MHI 16M3/6"-1.4301	1
		> SPACER L=36-304	1
20.2	4060283	STAGE-KIT-MHi 16	1
		> STAGE CASING W RGV-MVI/MHI16M3-6"-1.4301	1
		> IMPELLER MVI/MHI 16M3/6"-1.4301	1
		> SPACER L=36-304	1
20.3	4212656	UPPER STAGEW/ORING MVI16M3-6"-1.4301 VP.	1