



**TSURUMI PUMP**

**BZ** 3-phase  
50Hz

Sewage pump with non-clogging impeller - Solid passage 80mm

Non-clog impeller allows large diameter of foreign matter with respect to discharge bore. This ensures that waste water and sewage are efficiently transferred. The impeller comes out with the motor when the motor is removed from the pump casing (a back-pull-out design, upto 3, 7kW).





## Non-clog impeller



80mm solid passage. A non-clog impeller allows large diameter of foreign matter with respect to discharge bore. This ensures that waste water and sewage are efficiently transferred.

## Optional Accessories:

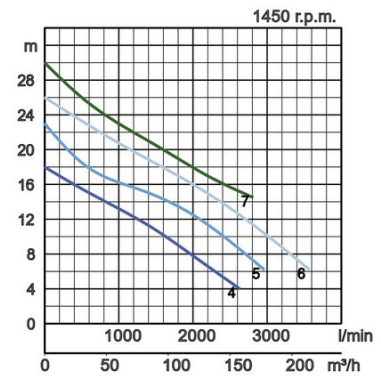
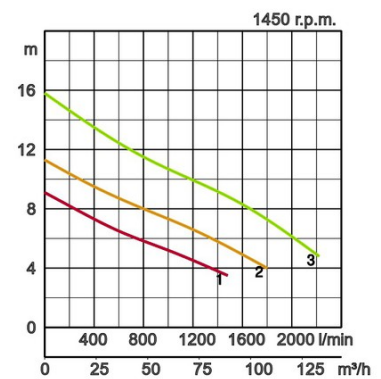
- Guide rail fitting consisting of:
  - Guide support / Guide hook
  - Duck foot bend
  - Lifting chain
- Discharge bend
- Stand for free standing type (5,5kW or over)



## Specifications:

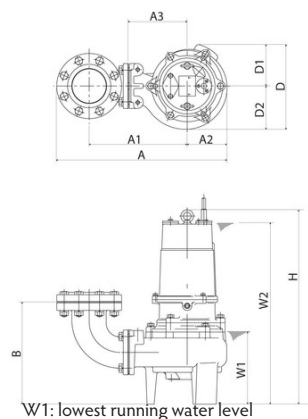
Model		Colour code curve	Bore mm	Power output kW	Phases	r.p.m.	Head max. m	Capacity max. l/min	Starting method	Dry weight kg without cable		Impeller passage mm
free standing	with guide rail fitting									free standing	with guide rail fitting	
80BZ41.5	TOS80BZ41.5	1	80	1,5	3	1450	8,5	1400	direct	78,0	74,0	80
100BZ42.2	TOS100BZ42.2	2	100	2,2	3	1450	11,3	1800	direct	80,0	74,0	80
100BZ43.7	TOS100BZ43.7	3	100	3,7	3	1450	14,7	2100	direct	100,0	94,0	80
100BZ45.5	TOS100BZ45.5	4	100	5,5	3	1450	19,0	2085	direct	175,0	168,0	80
100BZ47.5	TOS100BZ47.5	5	100	7,5	3	1450	23,6	2100	direct	194,0	187,0	80
100BZ411	TOS100BZ411	6	100	11	3	1450	26,0	3575	star/delta	219,0	212,0	80
100BZ411H	TOS100BZ411H	7	100	11	3	1450	30,0	2810	star/delta	219,0	212,0	80

ø Discharge bore mm		80mm,100mm	
Pumping Fluid	Temperature	0-40°C	
	Type of Fluid	Municipal sewage	
Pump	Components	Impeller	Non-clog impeller
		Shaft Seal	Double mechanical seal
		Bearings	Shielded ball bearings
	Material	Impeller	Grey iron casting EN-GJL-200
		Casing	Grey iron casting EN-GJL-200
		Suction Plate	Grey iron casting EN-GJL-200
Shaft Seal	Silicon carbide in oil bath		
Motor	Type, Poles	Induction motor, 4 poles, IP68	
	Lubrication	Turbine oil (ISO VG32)	
	Insulation	Insulation class F	
	Motor Protector (built-in)	Circle thermal cut-out, Miniature protector	
	Phase / Voltage	3-phase / 400V / 50Hz / d.o.l., 3-phase / 400V / 50Hz / s.d.	
	Material	Casing	Grey iron casting EN-GJL-150
Shaft		Stainless steel EN-X30Cr13	
Cable		Rubber, 10m H07RN-F	
Discharge Connection		Inside thread, JIS10K flange	
Optional Accessories		Guide rail fitting "TOS" (guide support, duck foot bend, lifting chain) / Bend and stand set for free standing types	



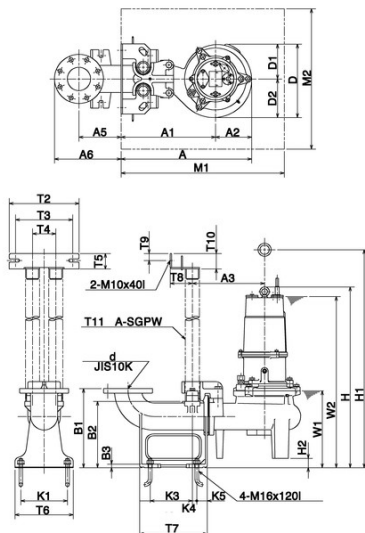
## Dimensions in mm:

Model	A	A1	A2	A3	B	D	D1	D2	H	W1	W2
80BZ41.5	523	302	129	190	303	273	133	140	631	235	590
100BZ42.2	551	317	129	190	328	273	133	140	631	235	590
100BZ43.7	584	327	153	200	328	289	139	150	681	235	640
100BZ45.5	716	407	204	280	380	421	205	216	925	305	790
100BZ47.5	716	407	204	280	380	421	205	216	946	305	820
100BZ411	727	407	215	280	377	431	205	226	1023	330	865
100BZ411H	727	407	215	280	377	431	205	226	1023	330	865



## Dimensions - guide rail fitting type in mm:

Model	A	A1	A2	A3	A5	A6	D	D1	D2	H	H1	H2	M1	M2	W1	W2
80BZ41.5	439	310	129	250	165	258	273	133	140	646	805	15	600	500	250	605
100BZ42.2	439	310	129	250	165	270	273	133	140	646	805	15	600	500	250	605
100BZ43.7	473	320	153	260	165	270	289	139	150	696	855	15	600	500	250	655
100BZ45.5	649	445	204	330	181	286	407	191	216	914	1210	112	950	700	295	780
100BZ47.5	649	445	204	330	181	286	407	191	216	935	1248	112	950	700	295	805
100BZ411	660	445	215	350	181	286	428	202	226	1016	1312	113	950	700	330	860
100BZ411H	660	445	215	350	181	286	428	202	226	1016	1312	113	950	700	330	860



W1: lowest running water level



Discharge bore mmd	T2	T3	T4	T5	T6	T7	T8	T9	T10	T11	K1	K3	K4	K5	B1	B2	B3	
80mm	80	230	195	80	50	220	250	60	25	28	50	170	155	15	40	290	237	15
100mm	100	230	195	80	50	220	250	60	25	28	32	170	155	15	40	290	237	15

## Tsurumi (Europe) GmbH

Wahlerstr. 10  
D-40472 Düsseldorf  
Tel.: +49 (0)211-4179373  
Fax: +49 (0)211-417937-480  
Email: sales@tsurumi.eu  
www.tsurumi.eu

We reserve the right to change specifications and designs herein for improvement without prior notice. Our pumps are for professional use only. In the event that Tsurumi (Europe) GmbH have, in exceptional cases taken over, a manufacturer's warranty, this entitles the enduser to assert remedy free of charge against Tsurumi (Europe) GmbH due to any defect to the product occurring during the guarantee period (see below), also then when the warranty claims against the seller do not or no longer exist. In the event of malfunction, which is attributable to the improper handling by the enduser, no guarantee claim shall arise. Further claims shall not result from the warranty, unless if something to the contrary has explicitly been determined. The decision as to whether remedy is effected by way of replacement or repair shall be at the choice of Tsurumi (Europe) GmbH. The claims shall be time barred after a period of three months after expiry of the guarantee period, however, not before expiry of the warranty period which is valid towards the seller. In the event of doubt, the warranty period shall correspond with the warranty period which is valid between the end-user and his seller.

sew-BZ-EN

