

TECHNICAL DESCRIPTION



ATEX
100a Directive
94/9/EC

The HTS is a single stage peripheral turbine pump, magnetic driven, in a close-coupled execution, suitable for low flow and high pressure applications.

The AISI 316L stainless steel components are investment casted, while the magnets are in Neodymium-Iron-Boron, ensuring coupling efficiency even when processing heavy liquids. Graphite bushings offer a technically advanced design while maintaining competitiveness.

Silicon carbide bushings allow the use of these pumps even with "difficult" and aggressive liquids.

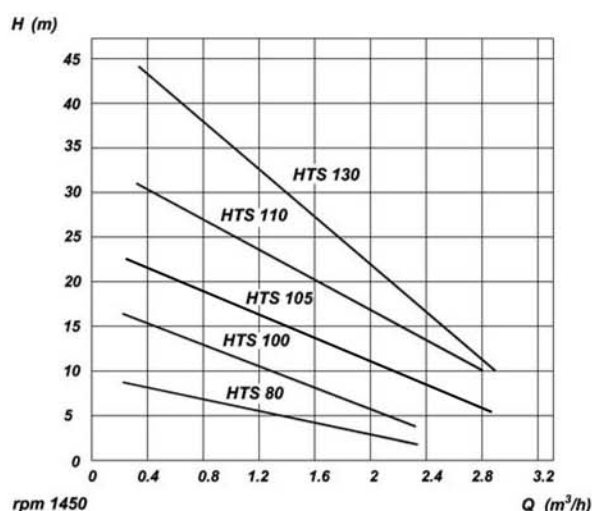
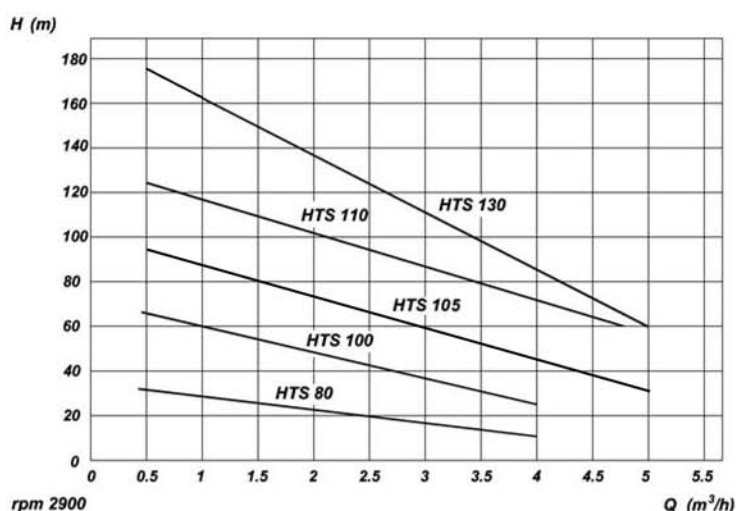
The power transmission is delivered through a magnetic coupling without any mechanical connection between impeller and drive shaft.

This system ensures zero leakage, operator safety and eliminates emissions of odorous and dangerous liquids to the atmosphere. The close coupled execution makes the HTS an extremely compact, silent and safe pump that can be safely used even by unexperienced operators.

They can handle clean liquids, containing up to 20% entrained gases and can be ideal for tank stripping where vortexing or cavitation can occur or whenever the need of high discharge pressures combined with low flow-rates would not recommend the use of a standard centrifugal pump.

The HTS pumps are ideal choice for OEM applications and offer a perfect alternative to standard centrifugal pumps.

HYDRAULIC PERFORMANCES



C.D.R. POMPE S.p.A. Via P. Togliatti 26/A 20030- Senago (MI)

Tel. :+39 02 9901941 Fax: +39 02 9980606 Web:www.cdrpompe.com e-mail: exportsales@cdrpompe.com

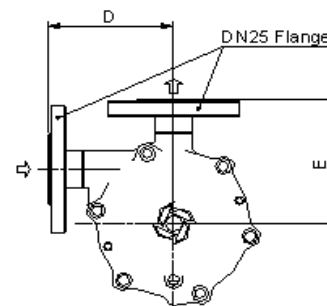
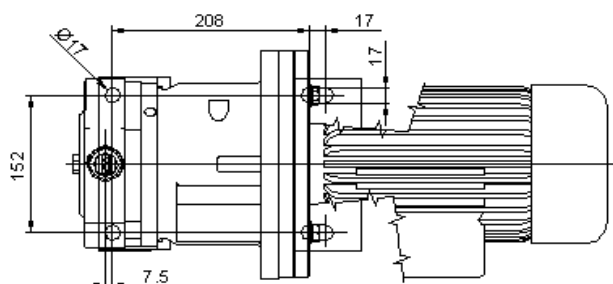
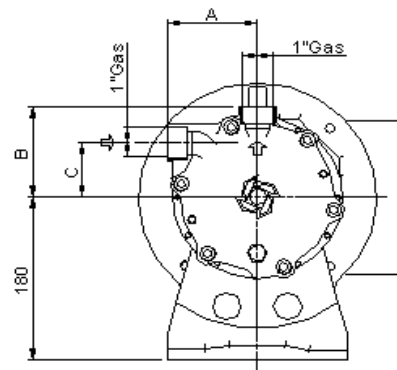
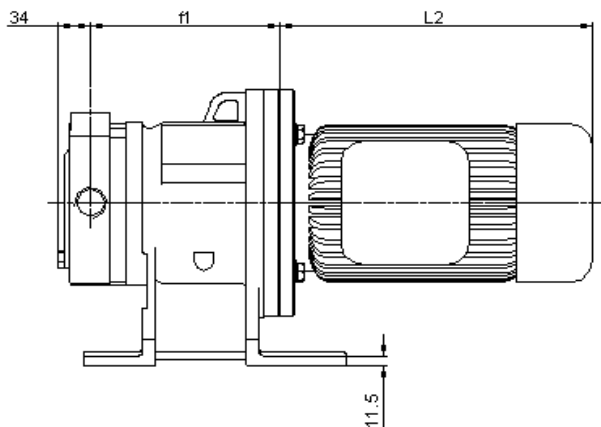
This document is exclusive property of C.D.R. Pompe S.p.A. The same cannot be transferred to any third part without prior C.D.R. Pompe S.p.A. Improvements and/or changes to this document may be made by C.D.R. Pompe S.p.A. at any time without notice

Features and applications	Description
<i>Pump type</i>	Close coupled peripheral pump with B5 motor frame
<i>Materials</i>	AISI 316L (standard) -Hastelloy C (optional)
<i>Handled liquids</i>	Corrosive and toxic liquids
<i>Hydraulic performances</i>	Q max = 5 m³/h -> H max = 160 mcl
<i>Drives</i>	0,75 Kw (gr. 80) -> 7,5 Kw (gr. 132)
<i>Temperature range</i>	-30°C -> +140°C
<i>Max. pressure</i>	24bar
<i>Solids</i>	No solids are allowed

C.D.R. POMPE S.p.A. Via P. Togliatti 26/A 20030- Senago (MI)

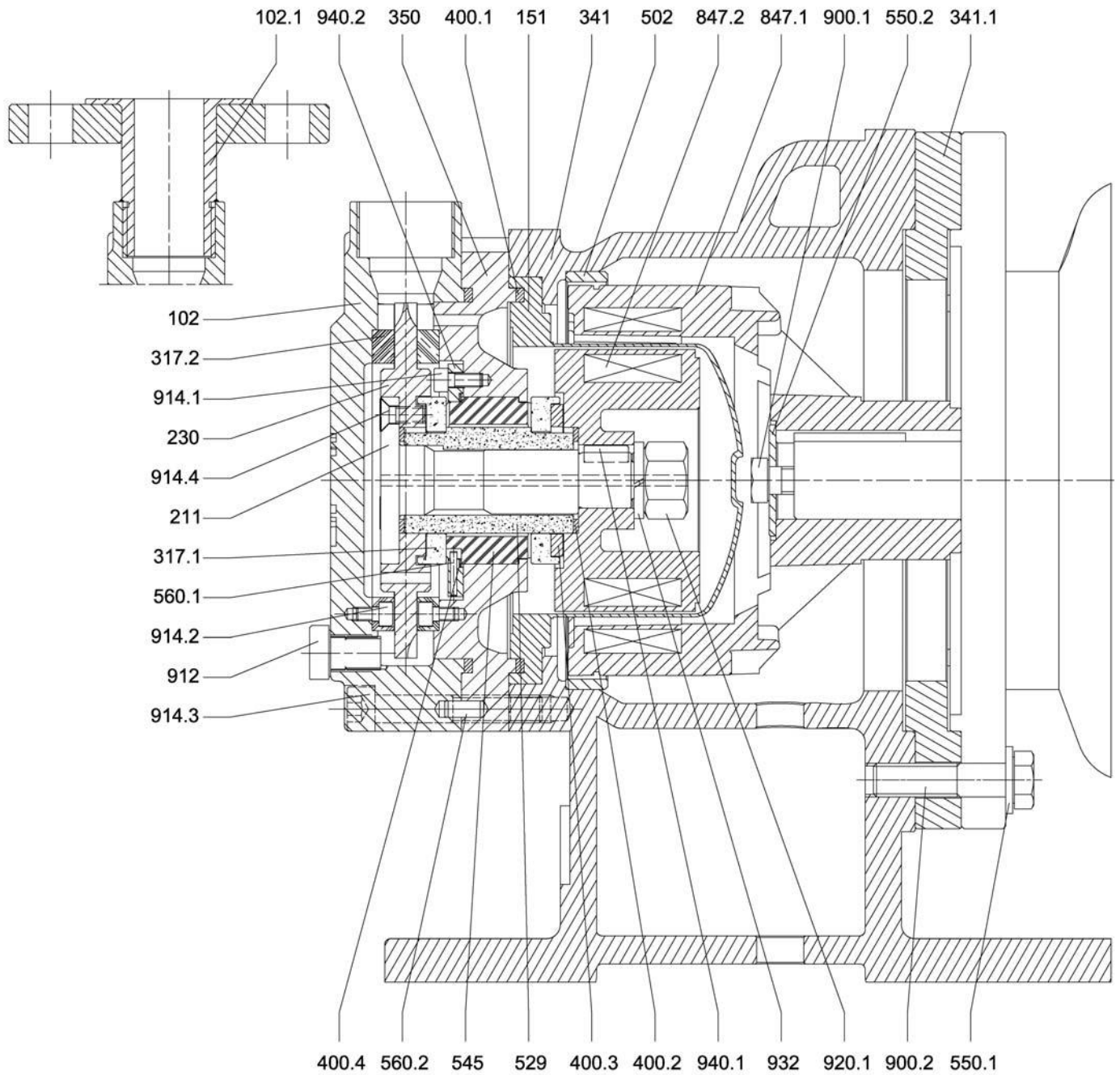
Tel. :+39 02 9901941 Fax: +39 02 9980606 Web:www.cdrpompe.com e-mail: exportsales@cdrpompe.com

This document is exclusive property of C.D.R. Pompe S.p.A. The same cannot be transferred to any third part without prior C.D.R. Pompe S.p.A. Improvements and/or changes to this document may be made by C.D.R. Pompe S.p.A. at any time without notice



Tipo pompa Pump model	Grandezza motore - Frame Motor size - Frame					Ingombro motore Overall dimensions					
	A	B	C	D	E	f1	TEFC	L2	ADPE		L2
HTS 80	90	90	50	125	125	Mot.80 - B5	183	Mot.80	233	Mot.80	290
HTS 100						Mot.90 - B5	183	Mot.90	256	Mot.90	336
HTS 105	95	100	60	130	135	Mot.100 - B5	200	Mot.100	314	Mot.100	386
HTS 110						Mot.112 - B5	200	Mot.112	323	Mot.112	415
HTS 130						Mot.132 - B5	218	Mot.132	400	Mot.132	503

SECTION DRAWING HTS 130-110-105



C.D.R. POMPE S.p.A. Via P. Togliatti 26/A 20030- Senago (MI)

Tel. : +39 02 9901941 Fax: +39 02 9980606 Web: www.cdrpompe.com e-mail: exportsales@cdrpompe.com

*This document is exclusive property of C.D.R. Pompe S.p.A. The same cannot be transferred to any third part without prior C.D.R. Pompe S.p.A.
Improvements and/or changes to this document may be made by C.D.R. Pompe S.p.A. at any time without notice*

PART LIST HTS 130-110-105

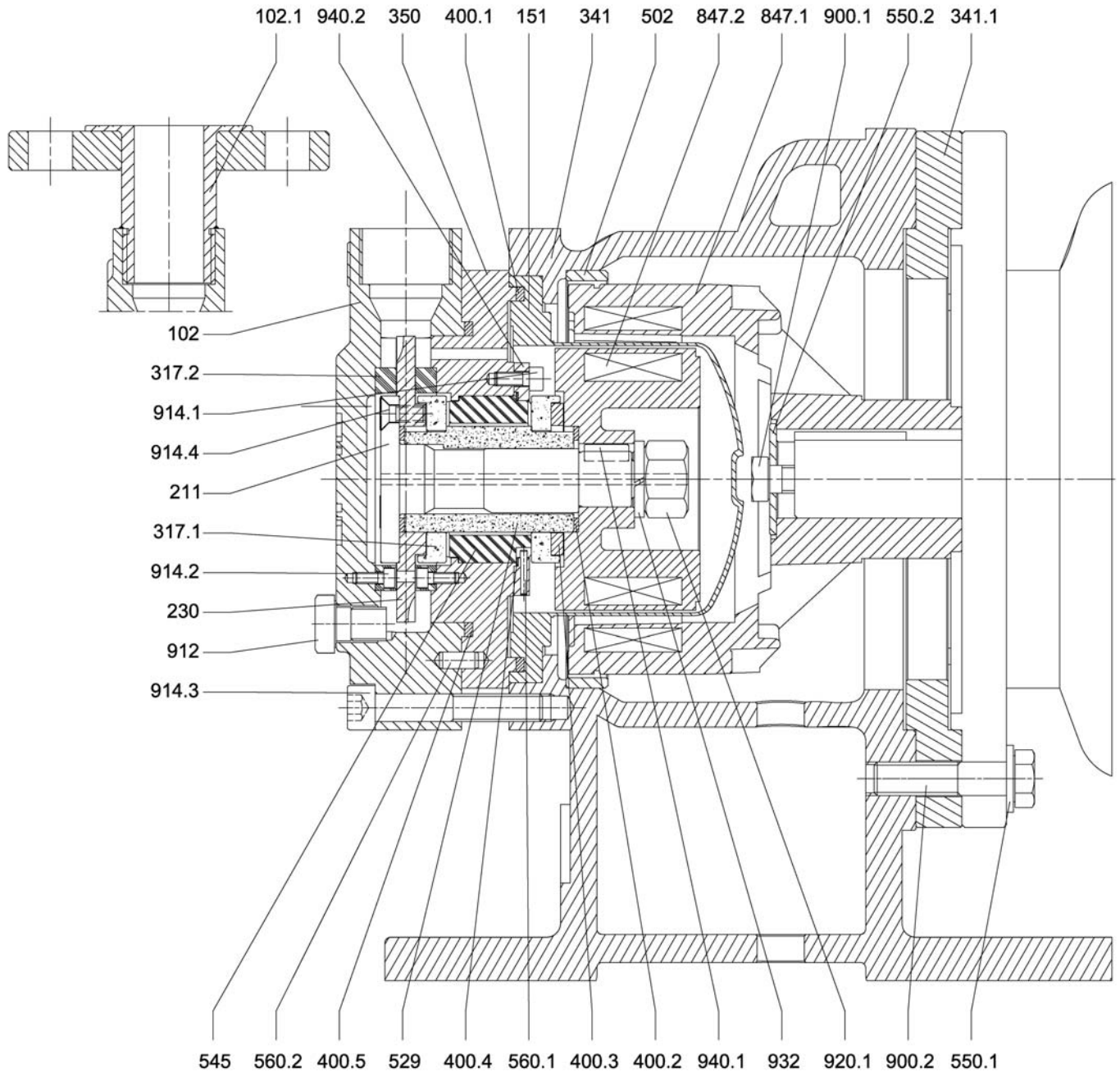
RifDin	Qta	Descrizione	Materiali
102	1	Pump casing	Aisi 316L / Hastelloy-C
102.1	1	Flanged casing	Aisi 316L / Hastelloy-C
151	1	Isolation shell	Aisi 316L / Hastelloy-C
211	1	Shaft	Aisi 316L / Hastelloy-C
230	1	Impeller	Aisi 316L / Hastelloy-C
317.1	2	Axial thrust shoe	SIC
317.2	2	Axial impeller bushing	PEEK
341	1	Lantern	GS400-12 / Aisi 304
341.1	1	Motor flange	Carbon steel
350	1	Bearing support	Aisi 316L / Hastelloy-C
400.1	2	Gasket	PTFE
400.2	2	Bushing gasket	PTFE
400.3	1	Bushing gasket	PTFE
400.4	1	Gasket	PTFE
502	1	Safety ring	Bronze
529	1	Rotating bushing	SIC
545	1	Static bushing	SIC / Grafite
550.1	4	Washer	Aisi 304
550.2	1	Washer	Aisi 304
560.1	1	Pin	Aisi 316 / Hastelloy-C
560.2	1	Pin	Aisi 316 / Hastelloy-C
847.1	1	Outer magnetic core	NdFeB
847.2	1	Internal magnetic core	NdFeB + Aisi 316L / Hastelloy-C
900.1	1	Screw	Aisi 304
900.2	4	Screw	Aisi 304
912	1	Plug	Aisi 316 / Hastelloy-C
914.1	3	Screw	Aisi 316 / Hastelloy-C
914.2	6	Screw	Aisi 316 / Hastelloy-C
914.3	6	Screw	Aisi 304
914.4	3	Screw	Aisi 316 / Hastelloy-C
920.1	1	Nut	Aisi 316 / Hastelloy-C
932	1	Spring washer	Aisi 316 / Hastelloy-C
940.1	1	Key	Aisi 316 / Hastelloy-C
940.2	1	Bushing flange	Aisi 316L / Hastelloy-C

C.D.R. POMPE S.p.A. Via P. Togliatti 26/A 20030- Senago (MI)

Tel. : +39 02 9901941 Fax: +39 02 9980606 Web: www.cdrpompe.com e-mail: exportsales@cdrpompe.com

This document is exclusive property of C.D.R. Pompe S.p.A. The same cannot be transferred to any third part without prior C.D.R. Pompe S.p.A.
Improvements and/or changes to this document may be made by C.D.R. Pompe S.p.A. at any time without notice

SECTION DRAWING HTS 100-80



C.D.R. POMPE S.p.A. Via P. Togliatti 26/A 20030- Senago (MI)

Tel. : +39 02 9901941 Fax: +39 02 9980606 Web: www.cdrpompe.com e-mail: exportsales@cdrpompe.com

This document is exclusive property of C.D.R. Pompe S.p.A. The same cannot be transferred to any third part without prior C.D.R. Pompe S.p.A.

Improvements and/or changes to this document may be made by C.D.R. Pompe S.p.A. at any time without notice

PART LIST HTS 100-80

RifDin	Qta	Descrizione	Materiali
102	1	Pump casing	Aisi 316L / Hastelloy-C
102,1	1	Flanged casing	Aisi 316L / Hastelloy-C
151	1	Isolation shell	Aisi 316L / Hastelloy-C
211	1	Shaft	Aisi 316L / Hastelloy-C
230	1	Impeller	Aisi 316L / Hastelloy-C
317.1	2	Axial thrust shoe	SIC
317.2	2	Axial impeller bushing	PEEK
341	1	Lantern	GS400-12 / Aisi 304
341,1	1	Motor flange	Carbon steel
350	1	Bearing support	Aisi 316L / Hastelloy-C
400,1	1	Gasket	PTFE
400,2	2	Bushing gasket	PTFE
400,3	1	Bushing gasket	PTFE
400,4	1	Gasket	PTFE
400,5	1	Gasket	PTFE
502	1	Safety ring	Bronze
529	1	Rotating bushing	SIC
545	1	Static bushing	SIC / Grafite
550,1	4	Washer	Aisi 304
550,2	1	Washer	Aisi 304
560,1	1	Pin	Aisi 316 / Hastelloy-C
560,2	1	Pin	Aisi 316 / Hastelloy-C
847,1	1	Outer magnetic core	NdFeB
847,2	1	Internal magnetic core	NdFeB + Aisi 316L / Hastelloy-C
900,1	1	Screw	Aisi 304
900,2	4	Screw	Aisi 304
912	1	Plug	Aisi 316 / Hastelloy-C
914,1	3	Screw	Aisi 316 / Hastelloy-C
914,2	6	Screw	Aisi 316 / Hastelloy-C
914,3	6	Screw	Aisi 304
914,4	3	Screw	Aisi 316 / Hastelloy-C
920,1	1	Nut	Aisi 316 / Hastelloy-C
932	1	Spring washer	Aisi 316 / Hastelloy-C
940,1	1	Key	Aisi 316 / Hastelloy-C
940,2	1	Bushing flange	Aisi 316L / Hastelloy-C

C.D.R. POMPE S.p.A. Via P. Togliatti 26/A 20030- Senago (MI)

Tel. : +39 02 9901941 Fax: +39 02 9980606 Web: www.cdrpompe.com e-mail: exportsales@cdrpompe.com

This document is exclusive property of C.D.R. Pompe S.p.A. The same cannot be transferred to any third part without prior C.D.R. Pompe S.p.A. Improvements and/or changes to this document may be made by C.D.R. Pompe S.p.A. at any time without notice