



Article no.	Description
2012590	IP-E32/5-28-IE1
2069656	IP-E32/100-0,55/2-IE1
2109759	IP-E32/100-0,55/2-IE2-X1
2069677	IP-E32/100-0,55/2-R1-IE1
2109795	IP-E32/100-0,55/2-R1-IE2-X1
2069658	IP-E32/110-0,75/2-IE1
2109760	IP-E32/110-0,75/2-IE2-X1
2069678	IP-E32/110-0,75/2-R1-IE1
2109796	IP-E32/110-0,75/2-R1-IE2-X1
2139880	IP-E32/130-1,1/2-IE2-X1
2139881	IP-E32/130-1,1/2-IE2-X1
2158814	IP-E32/135-1,5/2-IE4
2158877	IP-E32/135-1,5/2-R1
2053088	IP-E32/160-1,1/2-IE1
2109761	IP-E32/160-1,1/2-IE2-X1
2053106	IP-E32/160-1,1/2-R1-IE1
2109797	IP-E32/160-1,1/2-R1-IE2-X1
2012586	IP-E40/2-12-IE1
2012591	IP-E40/5-28-IE1
2053086	IP-E40/115-0,55/2-IE1
2109762	IP-E40/115-0,55/2-IE2
2131252	IP-E40/115-0,55/2-IE2
2053104	IP-E40/115-0,55/2-R1-IE1
2109798	IP-E40/115-0,55/2-R1-IE2
2131261	IP-E40/115-0,55/2-R1-IE2
2158816	IP-E40/120-1,5/2
2069659	IP-E40/120-1,5/2-IE1
2109763	IP-E40/120-1,5/2-IE2
2158879	IP-E40/120-1,5/2-R1
2069679	IP-E40/120-1,5/2-R1-IE1
2109799	IP-E40/120-1,5/2-R1-IE2
2158817	IP-E40/130-2,2/2
2069657	IP-E40/130-2,2/2-IE1
2109764	IP-E40/130-2,2/2-IE2

**VeroLine-IP-E**

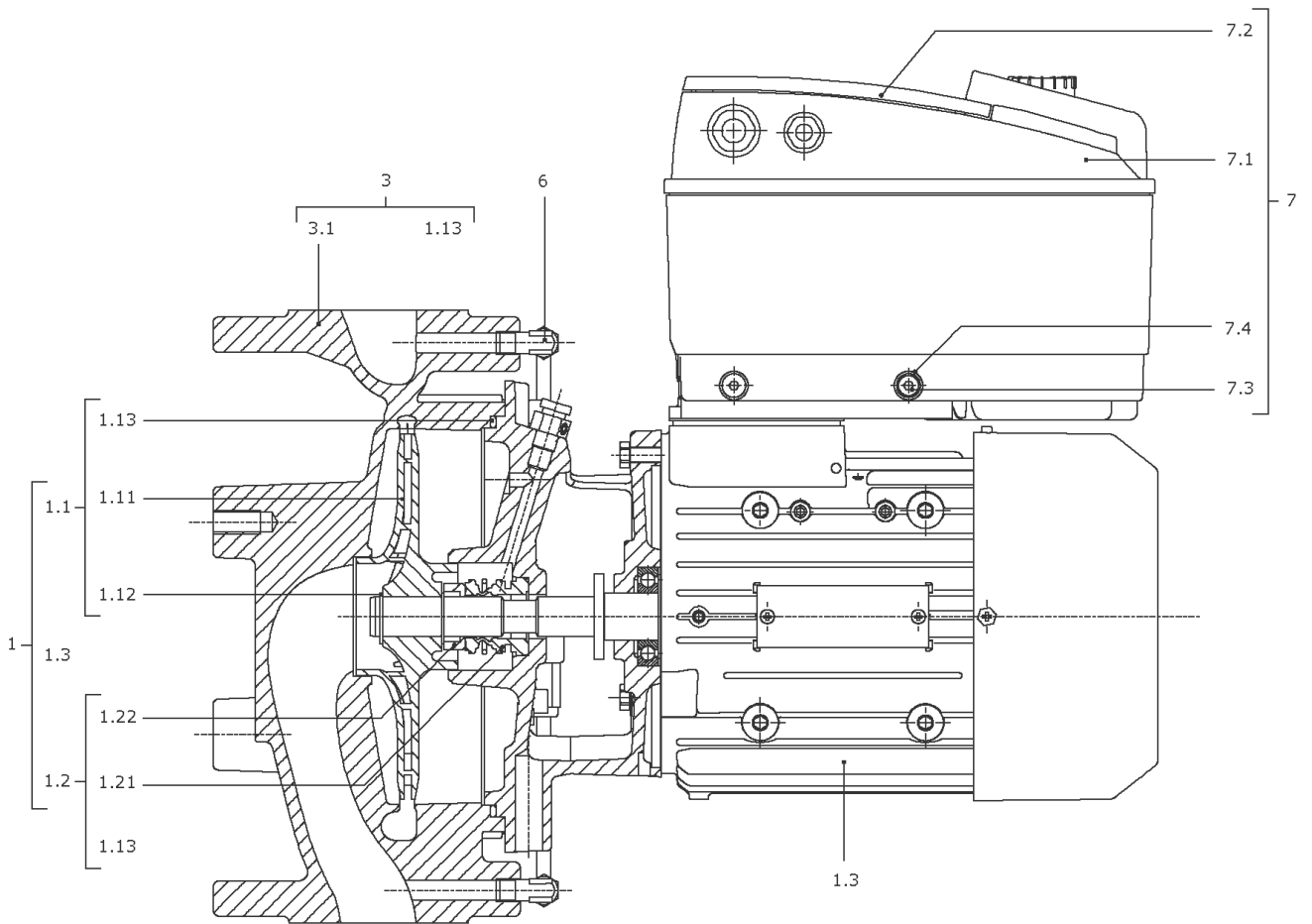
Article no.	Description
2158880	IP-E40/130-2,2/2-R1
2069680	IP-E40/130-2,2/2-R1-IE1
2109800	IP-E40/130-2,2/2-R1-IE2
2158818	IP-E40/150-3/2
2053091	IP-E40/150-3/2-IE1
2109765	IP-E40/150-3/2-IE2
2158881	IP-E40/150-3/2-R1
2053109	IP-E40/150-3/2-R1-IE1
2109801	IP-E40/150-3/2-R1-IE2
2158819	IP-E40/160-4/2
2061240	IP-E40/160-4/2-IE1
2109766	IP-E40/160-4/2-IE2
2158882	IP-E40/160-4/2-R1
2061248	IP-E40/160-4/2-R1-IE1
2109802	IP-E40/160-4/2-R1-IE2
2012587	IP-E50/2-12-IE1
2012592	IP-E50/5-28-IE1
2109767	IP-E50/115-0,75/2(UNGÜLTIG)
2053087	IP-E50/115-0,75/2-IE1
2129110	IP-E50/115-0,75/2-IE2-X1
2109803	IP-E50/115-0,75/2-R1(UNGÜLTIG)
2053105	IP-E50/115-0,75/2-R1-IE1
2129119	IP-E50/115-0,75/2-R1-IE2-X1
2158821	IP-E50/130-2,2/2
2069660	IP-E50/130-2,2/2-IE1
2109768	IP-E50/130-2,2/2-IE2-X1
2158884	IP-E50/130-2,2/2-R1
2069681	IP-E50/130-2,2/2-R1-IE1
2109804	IP-E50/130-2,2/2-R1-IE2-X1
2158822	IP-E50/140-3/2
2061241	IP-E50/140-3/2-IE1
2109769	IP-E50/140-3/2-IE2-X1
2158885	IP-E50/140-3/2-R1
2061249	IP-E50/140-3/2-R1-IE1

**VeroLine-IP-E**

Article no.	Description
2109805	IP-E50/140-3/2-R1-IE2-X1
2158823	IP-E50/150-4/2
2053093	IP-E50/150-4/2-IE1
2109770	IP-E50/150-4/2-IE2-X1
2158886	IP-E50/150-4/2-R1
2053111	IP-E50/150-4/2-R1-IE1
2109806	IP-E50/150-4/2-R1-IE2-X1
2012588	IP-E65/2-15-IE1
2015597	IP-E65/4-20-IE1
2158825	IP-E65/110-2,2/2
2144210	IP-E65/110-2,2/2-IE2
2144211	IP-E65/110-2,2/2-R1-IE2
2158888	IP-E65/110-2,2/2-R1-IE4
2158824	IP-E65/115-1,5/2
2053089	IP-E65/115-1,5/2-IE1
2109771	IP-E65/115-1,5/2-IE2-X1
2158887	IP-E65/115-1,5/2-R1
2053107	IP-E65/115-1,5/2-R1-IE1
2109807	IP-E65/115-1,5/2-R1-IE2-X1
2158826	IP-E65/120-3/2
2133261	IP-E65/120-3/2-IE2
2158889	IP-E65/120-3/2-R1
2133269	IP-E65/120-3/2-R1-IE2
2053092	IP-E65/130-3/2-IE1
2109772	IP-E65/130-3/2-IE2-X1
2053110	IP-E65/130-3/2-R1-IE1
2109808	IP-E65/130-3/2-R1-IE2-X1
2158827	IP-E65/130-4/2
2133262	IP-E65/130-4/2-IE2
2158890	IP-E65/130-4/2-R1
2133270	IP-E65/130-4/2-R1-IE2
2061242	IP-E65/140-4/2-IE1
2109773	IP-E65/140-4/2-IE2-X1
2061250	IP-E65/140-4/2-R1-IE1

## VeroLine-IP-E

Article no.	Description
2109809	IP-E65/140-4/2-R1-IE2-X1
2012589	IP-E80/2-15-IE1
2012593	IP-E80/4-20-IE1
2158829	IP-E80/105-3/2
2133263	IP-E80/105-3/2-IE2-X1
2158892	IP-E80/105-3/2-R1
2133271	IP-E80/105-3/2-R1-IE2-X1
2158830	IP-E80/110-4/2
2133264	IP-E80/110-4/2-IE2-X1
2158893	IP-E80/110-4/2-R1
2133272	IP-E80/110-4/2-R1-IE2-X1
2158828	IP-E80/115-2,2/2
2053090	IP-E80/115-2,2/2-IE1
2109774	IP-E80/115-2,2/2-IE2
2158891	IP-E80/115-2,2/2-R1
2053108	IP-E80/115-2,2/2-R1-IE1
2109810	IP-E80/115-2,2/2-R1-IE2
2061243	IP-E80/130-3/2-IE1
2109775	IP-E80/130-3/2-IE2-X1
2061251	IP-E80/130-3/2-R1-IE1
2109811	IP-E80/130-3/2-R1-IE2-X1
2053094	IP-E80/140-4/2-IE1
2109776	IP-E80/140-4/2-IE2-X1
2053112	IP-E80/140-4/2-R1-IE1
2109812	IP-E80/140-4/2-R1-IE2-X1



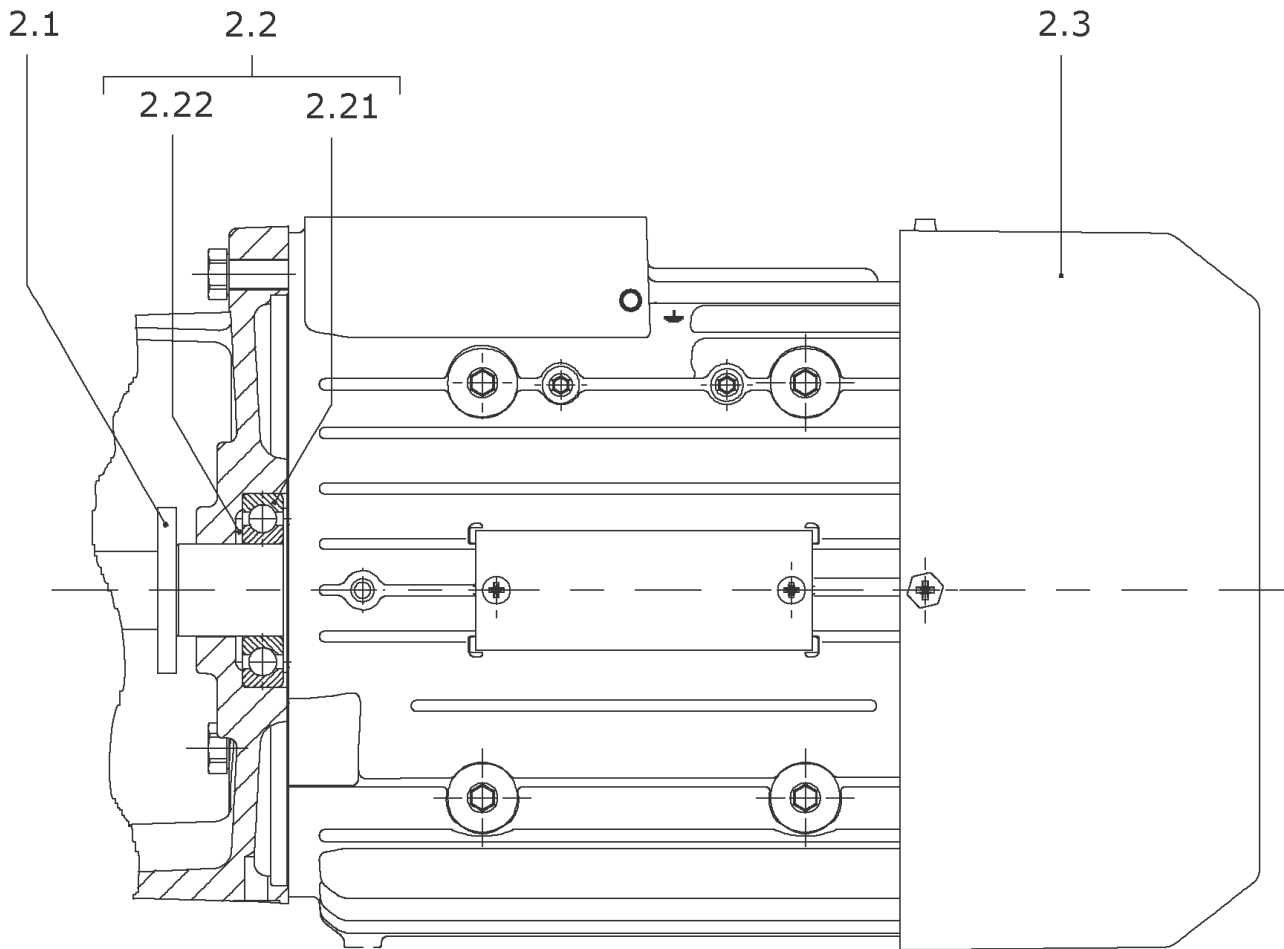
**IP-E32/100-0,55/2-IE1 (2069656)**

Item	Article no.	Description	Quantity
1	2085354	SERVICE MOTOR IP-E/DP-E32/100-0,55/2 KIT	1
1.1	2023912	> IMPELLER D.45/102/17X3 PX1786G KIT	1
1.11		>> IMPELLER D.45/102/17X3 PPO	1
1.12	2123932	>> CIRCLIP 17X1 DIN471 A2 1.4122 VP.	1
1.13	2046358	>> O-RING ID.164,7X3,53 E7518 VP.	1
1.2	122097593	> Mechanical seal ID.17 AQ1EGG KIT	1
1.12	2123932	>> CIRCLIP 17X1 DIN471 A2 1.4122 VP.	1
1.13	2010300	>> O-RING ID.107,54X3,53	1
1.13	2010301	>> O-RING ID.117,07X3,53	1
1.13	2054183	>> O-RING ID.158,34X3,53 E7518	1
Note: TO/ BIS/ JUSQU'À: 03/03			
1.13	2046358	>> O-RING ID.164,7X3,53 E7518 VP.	1
Note: FROM/ AB/ À PARTIR: 04/03			
1.21		>> MECHANICAL SEAL ID.17 AQ1EGG	1
1.22		>> Distance ring D.17/30X9 PPO FE1630	1
1.3		> MOTOR 0,55/2/71 F188 SM.IE1 PTC	1
		SPARE PARTS MOTOR 0,55/2/71	1
3	2016512	PUMP HOUSING IPL32/160/IP-E32/5 KIT	1
1.13	2046358	> O-RING ID.164,7X3,53 E7518 VP.	1
3.1		> PUMP HOUSING IP-E32/152 CPL.WILO	1
6	2104479	DPS20-1(0-10V) KIT	1
6.1	2106113	> DIFFERENTIAL PRESSURE SENSOR 20 KIT	1
Note: FROM/ AB/ À PARTIR: 09/2009			
		>> DPS20 spiral TZ.3mm Volt 2G	1
	2196657	>> Cable DPS 3x0,34x650 short bared 2G VP.	1
Note: from/ab/de 01.10.2013			
6.2	2106120	> CONNECTION SENSOR IP-E SPIRAL M6 KIT	1
Note: FROM/ AB/ À PARTIR: 09/2009			
6.21		>> CAPILLARY COIL 1000	2
6.22		>> Fixation ring pipe union R1/8" 90GD.Ni	1
6.23		>> HANDLE DDG M6	1
6.24		>> Screw M4x10 EE DIN7500 ZN	2
	2168862	>> Nut/Ferrule M6 D.3MM MS Ni (2 Pieces)	1
	2168860	>> Nut/Ferrule M8 D.5MM MS Ni (2 Pieces)	1

**IP-E32/100-0,55/2-IE1 (2069656)**

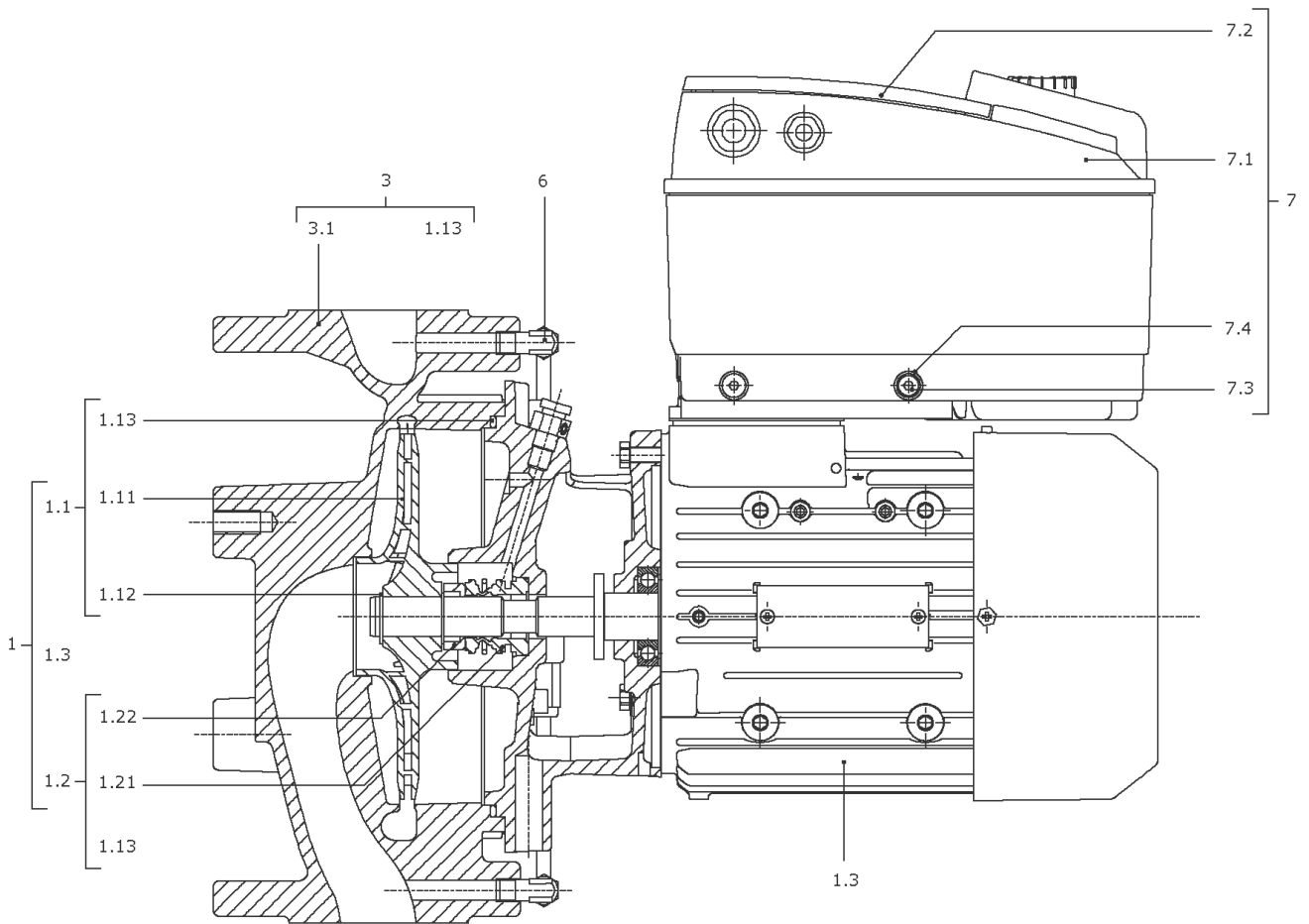
<b>Item</b>	<b>Article no.</b>	<b>Description</b>	<b>Quantity</b>
7	2082958	MODULE IP-E/DP-E32/100-0,55TL1N-IE1 KIT	1
7.1		> MODULE IP/DP-E32/100-0,55/2TL1 N WILO/EM	1
7.2	2054372	> MODULE COVER TL1,TL2+GASKET KIT	1
7.3		> SCREW M5X16 ISO4762 8.8 ZnNi	1
7.4		> WASHER TOOTHED LOCK A5,3 DIN6797 FST ZN	1
	2061236	> O-RING ID.38X3 EPDM 70SR.A BUS.	1
	2054224	SCREW M6X22/20 ISO4762 8.8 (8 PIECES)	1





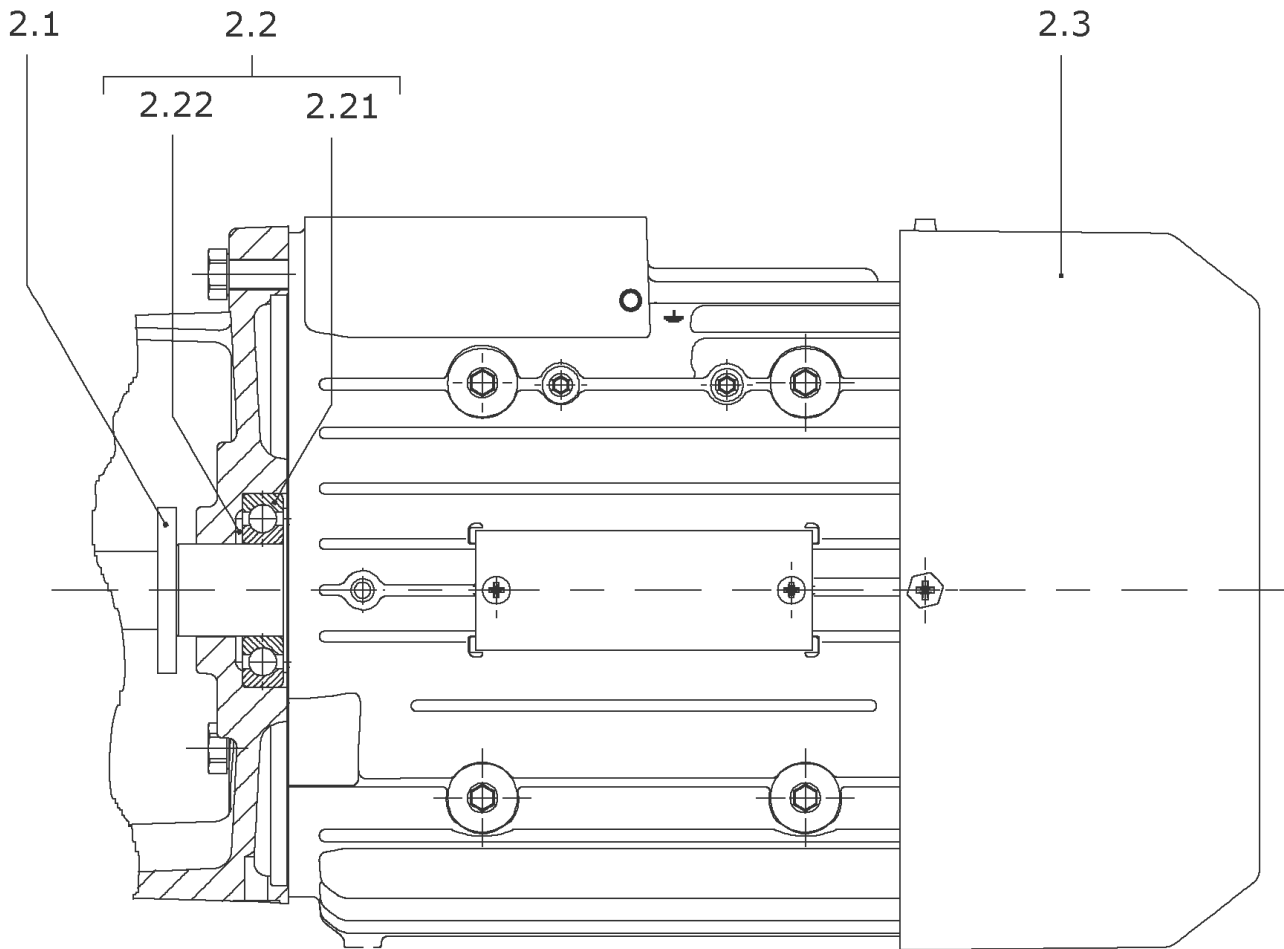
## SPARE PARTS MOTOR 0,55/2/71

Item	Article no.	Description	Quantity
2.1	2054288	SHAFT SEAL RING 1LA7 BG71 SM.	1
2.2	2083790	BALL BEARING 6004/2RS-C3 (HT) VP.	1
	122097891	BALL BEARING 6202/2Z-C3 (HT) VP.	1
2.3	2054298	FAN HOOD 1LA7 BG71 SM.	1
	2054293	FAN WHEEL 1LA7 BG71 SM.VP.	1



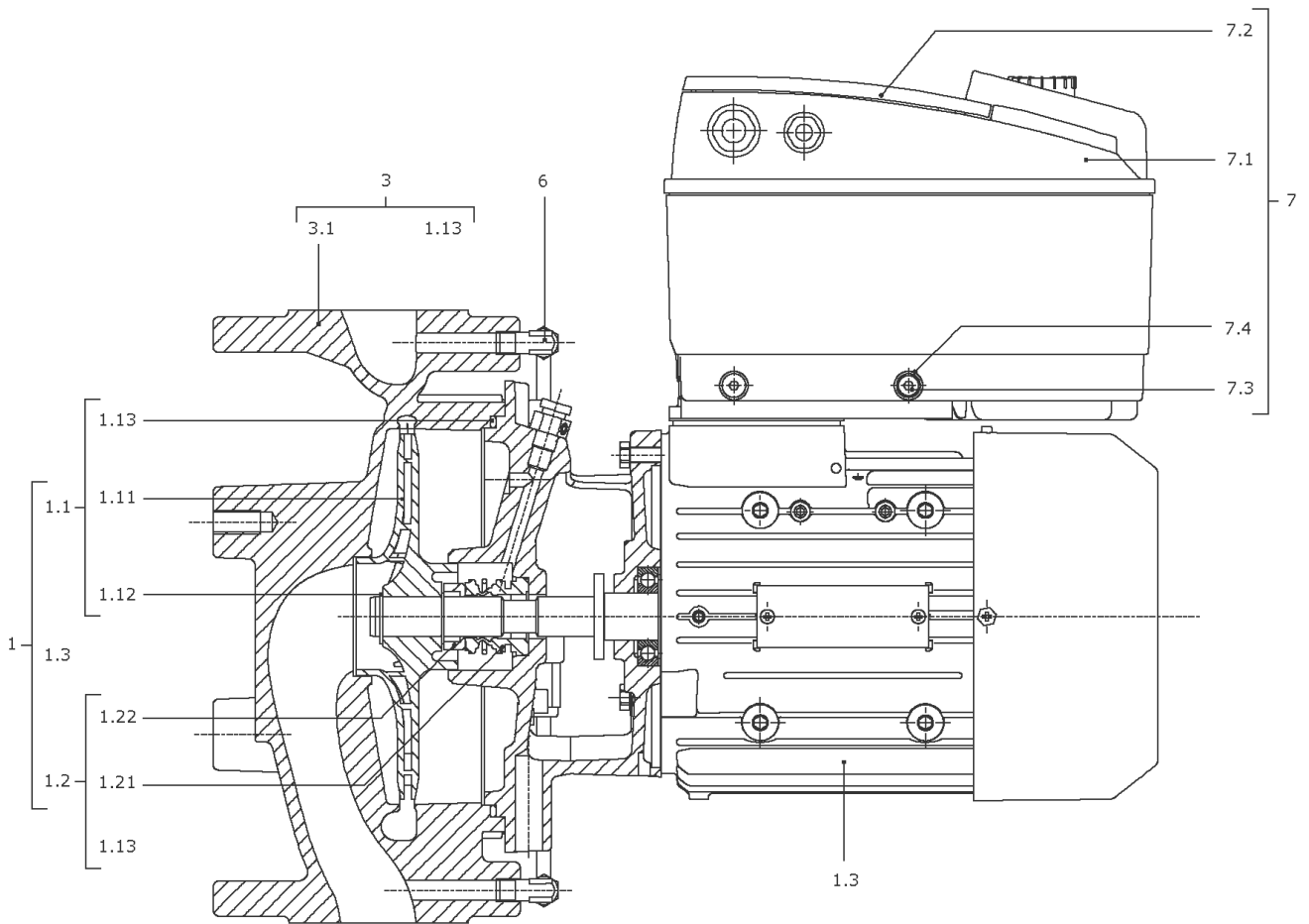
**IP-E32/100-0,55/2-R1-IE1 (2069677)**

Item	Article no.	Description	Quantity
1	2085354	SERVICE MOTOR IP-E/DP-E32/100-0,55/2 KIT	1
1.1	2023912	> IMPELLER D.45/102/17X3 PX1786G KIT	1
1.11		>> IMPELLER D.45/102/17X3 PPO	1
1.12	2123932	>> CIRCLIP 17X1 DIN471 A2 1.4122 VP.	1
1.13	2046358	>> O-RING ID.164,7X3,53 E7518 VP.	1
1.2	122097593	> Mechanical seal ID.17 AQ1EGG KIT	1
1.12	2123932	>> CIRCLIP 17X1 DIN471 A2 1.4122 VP.	1
1.13	2010300	>> O-RING ID.107,54X3,53	1
1.13	2010301	>> O-RING ID.117,07X3,53	1
1.13	2054183	>> O-RING ID.158,34X3,53 E7518	1
Note: TO/ BIS/ JUSQU'À: 03/03			
1.13	2046358	>> O-RING ID.164,7X3,53 E7518 VP.	1
Note: FROM/ AB/ À PARTIR: 04/03			
1.21		>> MECHANICAL SEAL ID.17 AQ1EGG	1
1.22		>> Distance ring D.17/30X9 PPO FE1630	1
1.3		> MOTOR 0,55/2/71 F188 SM.IE1 PTC	1
		SPARE PARTS MOTOR 0,55/2/71	1
3	2016512	PUMP HOUSING IPL32/160/IP-E32/5 KIT	1
1.13	2046358	> O-RING ID.164,7X3,53 E7518 VP.	1
3.1		> PUMP HOUSING IP-E32/152 CPL.WILO	1
7	2082958	MODULE IP-E/DP-E32/100-0,55TL1N-IE1 KIT	1
7.1		> MODULE IP/DP-E32/100-0,55/2TL1 N WILO/EM	1
7.2	2054372	> MODULE COVER TL1,TL2+GASKET KIT	1
7.3		> SCREW M5X16 ISO4762 8.8 ZnNi	1
7.4		> WASHER TOOTHED LOCK A5,3 DIN6797 FST ZN	1
	2061236	> O-RING ID.38X3 EPDM 70SR.A BUS.	1
	2054224	SCREW M6X22/20 ISO4762 8.8 (8 PIECES)	1



## SPARE PARTS MOTOR 0,55/2/71

Item	Article no.	Description	Quantity
2.1	2054288	SHAFT SEAL RING 1LA7 BG71 SM.	1
2.2	2083790	BALL BEARING 6004/2RS-C3 (HT) VP.	1
	122097891	BALL BEARING 6202/2Z-C3 (HT) VP.	1
2.3	2054298	FAN HOOD 1LA7 BG71 SM.	1
	2054293	FAN WHEEL 1LA7 BG71 SM.VP.	1



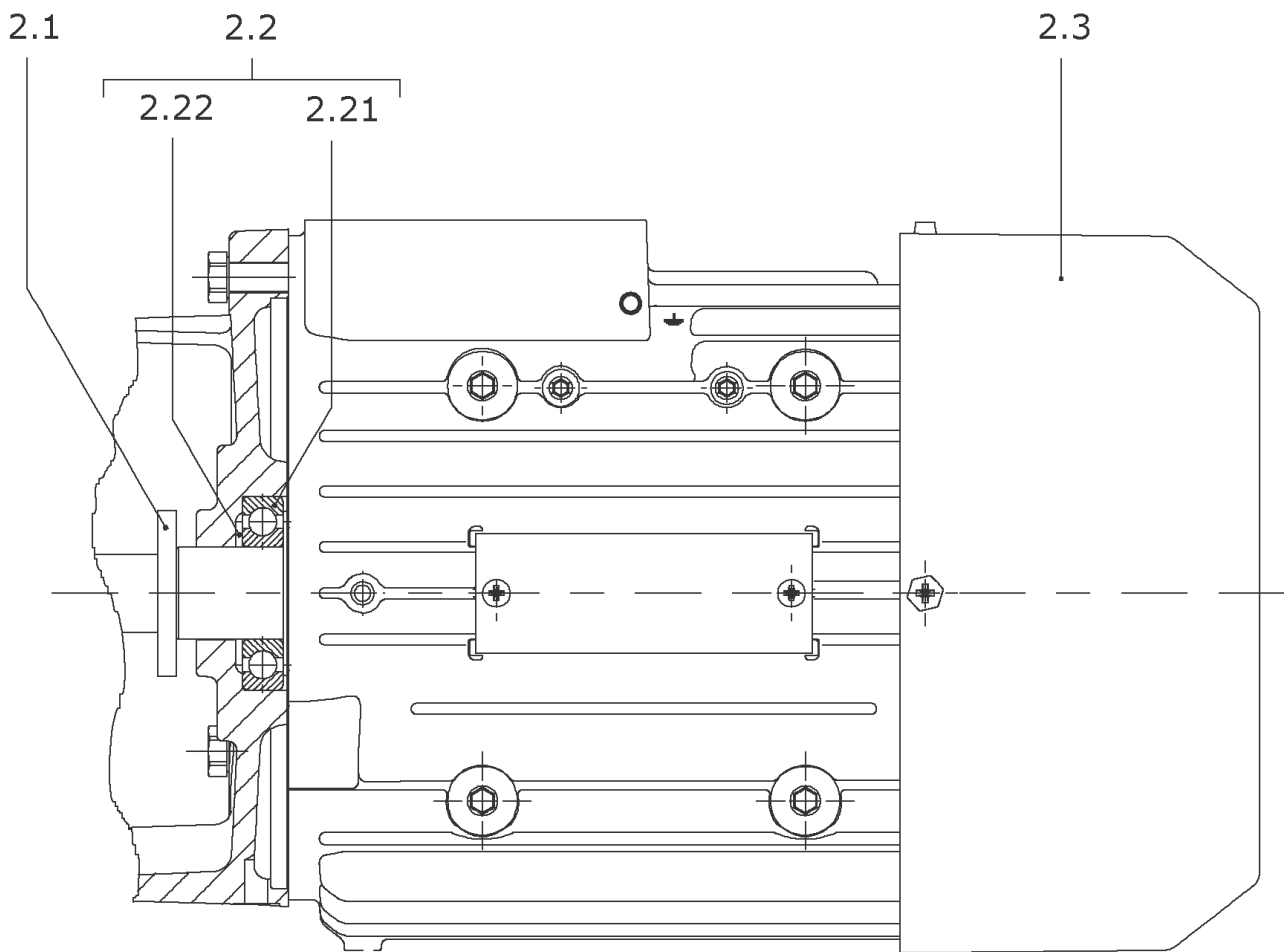
**IP-E32/110-0,75/2-IE1 (2069658)**

Item	Article no.	Description	Quantity
1		SERVICE MOTOR IP-E/DP-E32/110-0,75/2 KIT	1
Note: no longer available / nicht mehr lieferbar / ne plus disponible			
1.1	2019602	> IMPELLER D.45/114/17X3 PX1786G KIT	1
1.11		>> IMPELLER D.45/114/17X3 PPO	1
1.12	2123932	>> CIRCLIP 17X1 DIN471 A2 1.4122 VP.	1
1.13	2046358	>> O-RING ID.164,7X3,53 E7518 VP.	1
1.2	122097593	> Mechanical seal ID.17 AQ1EGG KIT	1
1.12	2123932	>> CIRCLIP 17X1 DIN471 A2 1.4122 VP.	1
1.13	2010300	>> O-RING ID.107,54X3,53	1
1.13	2010301	>> O-RING ID.117,07X3,53	1
1.13	2054183	>> O-RING ID.158,34X3,53 E7518	1
Note: TO/ BIS/ JUSQU'À: 03/03			
1.13	2046358	>> O-RING ID.164,7X3,53 E7518 VP.	1
Note: FROM/ AB/ À PARTIR: 04/03			
1.21		>> MECHANICAL SEAL ID.17 AQ1EGG	1
1.22		>> Distance ring D.17/30X9 PPO FE1630	1
1.3		> MOTOR 0,75/2/80 F188 SM.IE1 PTC	1
		SPARE PARTS MOTOR 0,75/2/80	1
3	2016512	PUMP HOUSING IPL32/160/IP-E32/5 KIT	1
1.13	2046358	> O-RING ID.164,7X3,53 E7518 VP.	1
3.1		> PUMP HOUSING IP-E32/152 CPL.WILO	1
6	2104479	DPS20-1(0-10V) KIT	1
6.1	2106113	> DIFFERENTIAL PRESSURE SENSOR 20 KIT	1
Note: FROM/ AB/ À PARTIR: 09/2009			
		>> DPS20 spiral TZ.3mm Volt 2G	1
	2196657	>> Cable DPS 3x0,34x650 short bared 2G VP.	1
Note: from/ab/de 01.10.2013			
6.2	2106120	> CONNECTION SENSOR IP-E SPIRAL M6 KIT	1
Note: FROM/ AB/ À PARTIR: 09/2009			
6.21		>> CAPILLARY COIL 1000	2
6.22		>> Fixation ring pipe union R1/8" 90GD.Ni	1
6.23		>> HANDLE DDG M6	1
6.24		>> Screw M4x10 EE DIN7500 ZN	2
	2168862	>> Nut/Ferrule M6 D.3MM MS Ni (2 Pieces)	1



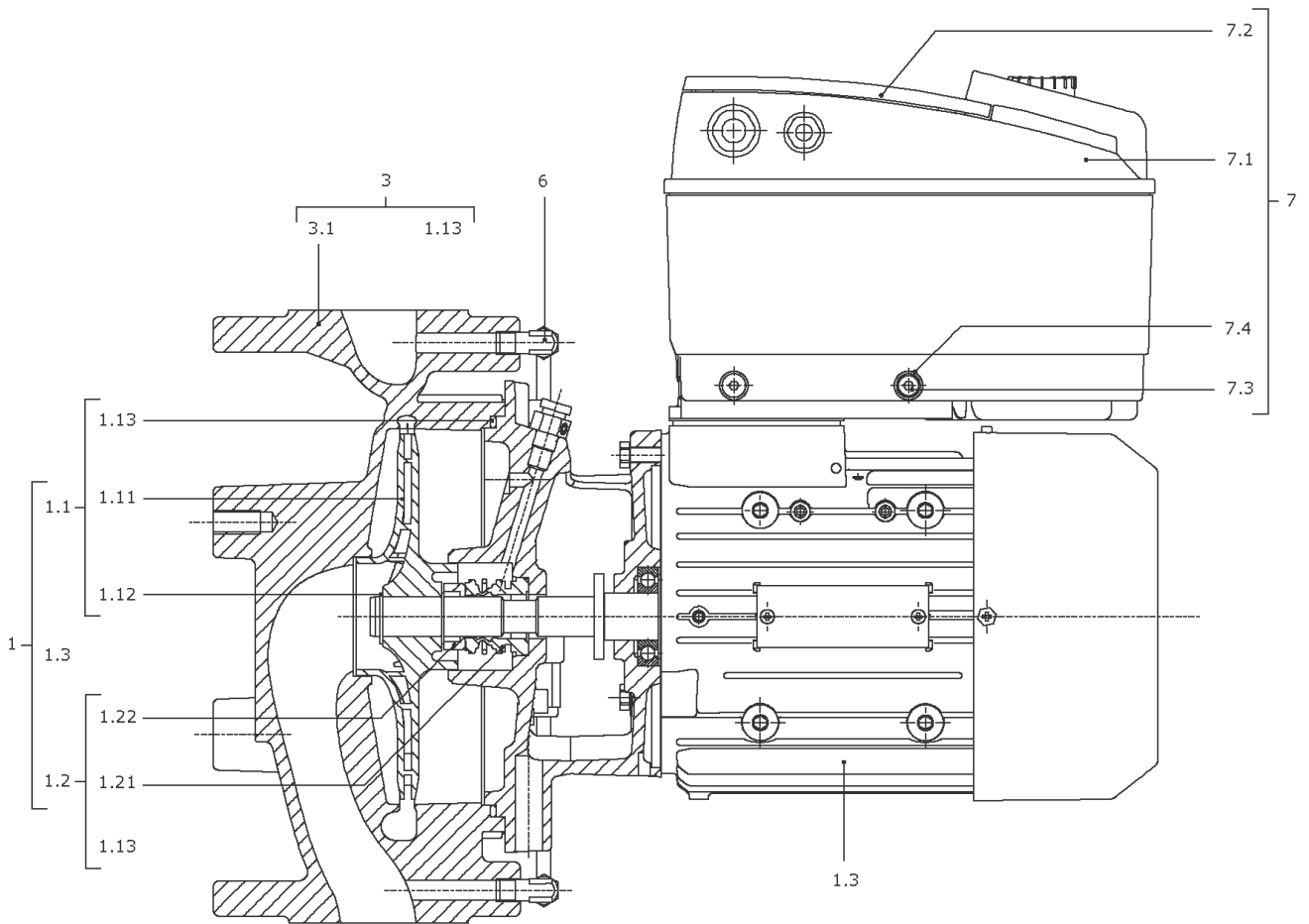
**IP-E32/110-0,75/2-IE1 (2069658)**

Item	Article no.	Description	Quantity
	2168860	>> Nut/Ferrule M8 D.5MM MS Ni (2 Pieces)	1
7	2082959	MODULE IP-E/DP-E32/110-0,75 TL2N-IE1 KIT	1
7.1		> MODULE IP/DP-E32/110-0,75/2TL2 N WILO/EM	1
7.2	2054372	> MODULE COVER TL1,TL2+GASKET KIT	1
7.3		> SCREW M5X16 ISO4762 8.8 ZnNi	1
7.4		> WASHER TOOTHED LOCK A5,3 DIN6797 FST ZN	1
	2061236	> O-RING ID.38X3 EPDM 70SR.A BUS.	1
	2054224	SCREW M6X22/20 ISO4762 8.8 (8 PIECES)	1



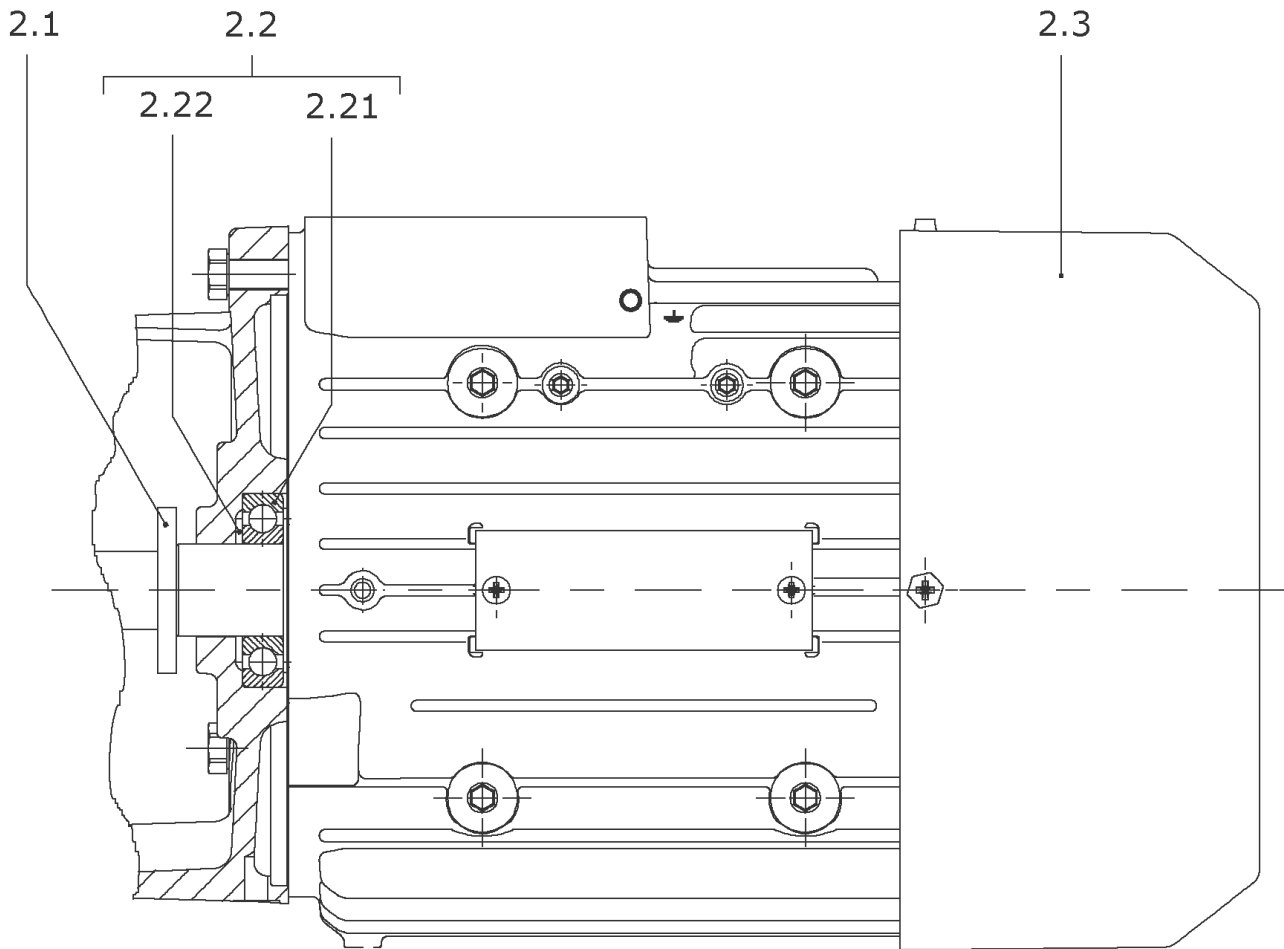
**SPARE PARTS MOTOR 0,75/2/80**

<b>Item</b>	<b>Article no.</b>	<b>Description</b>	<b>Quantity</b>
2.1	2054289	SHAFT SEAL RING 1LA7 BG80-90 SM.	1
2.2	2083790	BALL BEARING 6004/2RS-C3 (HT) VP.	1
	2044940	BALL BEARING 6004/2Z-C3 (HT) VP.	1
2.3	2029714	FAN HOOD 1LA7 BG80 SM.VP.	1
	2029730	FAN WHEEL 1LA7 BG80 SM.VP.	1



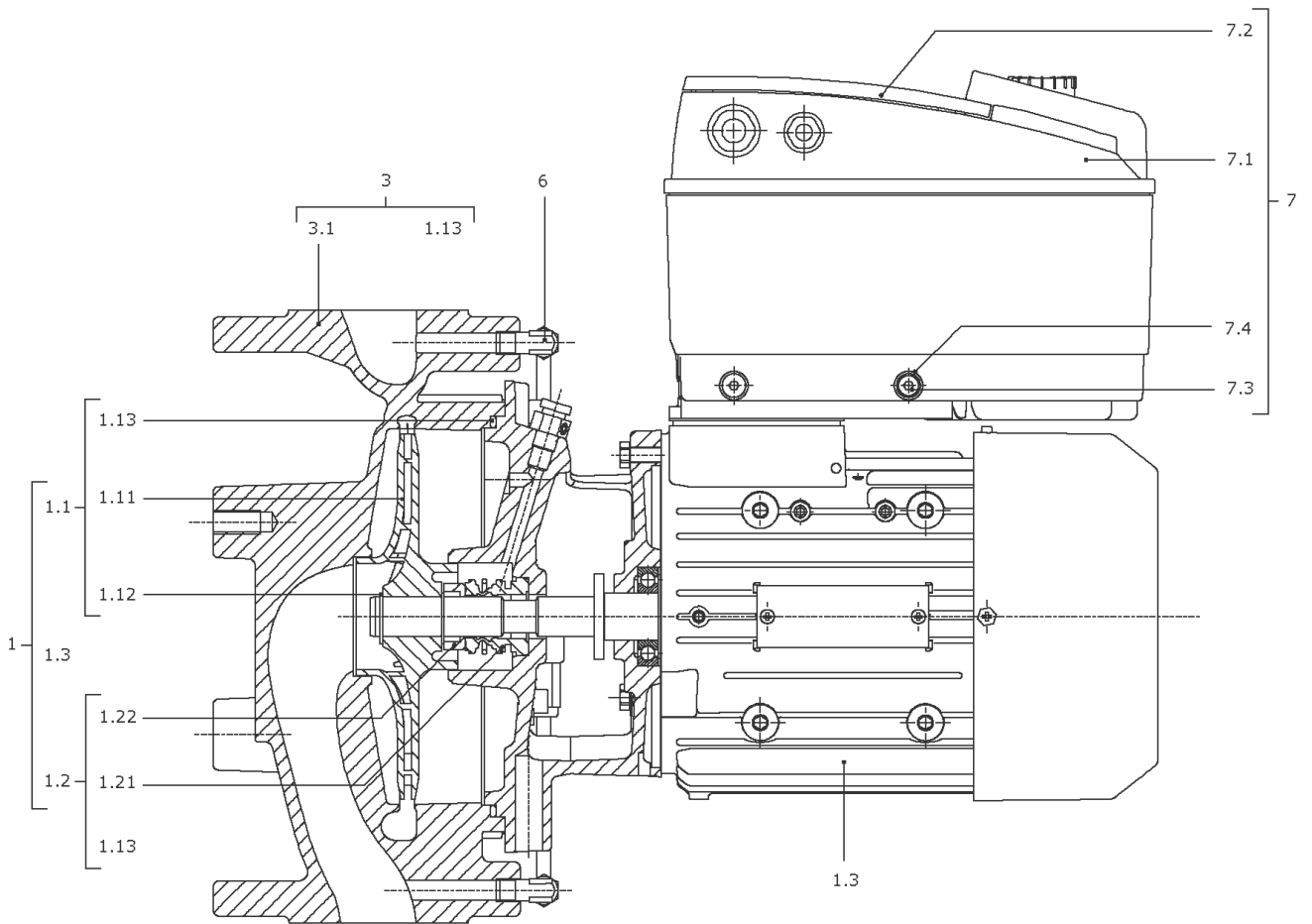
**IP-E32/110-0,75/2-R1-IE1 (2069678)**

Item	Article no.	Description	Quantity
1		SERVICE MOTOR IP-E/DP-E32/110-0,75/2 KIT	1
Note: no longer available / nicht mehr lieferbar / ne plus disponible			
1.1	2019602	> IMPELLER D.45/114/17X3 PX1786G KIT	1
1.11		>> IMPELLER D.45/114/17X3 PPO	1
1.12	2123932	>> CIRCLIP 17X1 DIN471 A2 1.4122 VP.	1
1.13	2046358	>> O-RING ID.164,7X3,53 E7518 VP.	1
1.2	122097593	> Mechanical seal ID.17 AQ1EGG KIT	1
1.12	2123932	>> CIRCLIP 17X1 DIN471 A2 1.4122 VP.	1
1.13	2010300	>> O-RING ID.107,54X3,53	1
1.13	2010301	>> O-RING ID.117,07X3,53	1
1.13	2054183	>> O-RING ID.158,34X3,53 E7518	1
Note: TO/ BIS/ JUSQU'À: 03/03			
1.13	2046358	>> O-RING ID.164,7X3,53 E7518 VP.	1
Note: FROM/ AB/ À PARTIR: 04/03			
1.21		>> MECHANICAL SEAL ID.17 AQ1EGG	1
1.22		>> Distance ring D.17/30X9 PPO FE1630	1
1.3		> MOTOR 0,75/2/80 F188 SM.IE1 PTC	1
		SPARE PARTS MOTOR 0,75/2/80	1
3	2016512	PUMP HOUSING IPL32/160/IP-E32/5 KIT	1
1.13	2046358	> O-RING ID.164,7X3,53 E7518 VP.	1
3.1		> PUMP HOUSING IP-E32/152 CPL.WILO	1
7	2082959	MODULE IP-E/DP-E32/110-0,75 TL2N-IE1 KIT	1
7.1		> MODULE IP/DP-E32/110-0,75/2TL2 N WILO/EM	1
7.2	2054372	> MODULE COVER TL1,TL2+GASKET KIT	1
7.3		> SCREW M5X16 ISO4762 8.8 ZnNi	1
7.4		> WASHER TOOTHED LOCK A5,3 DIN6797 FST ZN	1
	2061236	> O-RING ID.38X3 EPDM 70SR.A BUS.	1
	2054224	SCREW M6X22/20 ISO4762 8.8 (8 PIECES)	1



**SPARE PARTS MOTOR 0,75/2/80**

<b>Item</b>	<b>Article no.</b>	<b>Description</b>	<b>Quantity</b>
2.1	2054289	SHAFT SEAL RING 1LA7 BG80-90 SM.	1
2.2	2083790	BALL BEARING 6004/2RS-C3 (HT) VP.	1
	2044940	BALL BEARING 6004/2Z-C3 (HT) VP.	1
2.3	2029714	FAN HOOD 1LA7 BG80 SM.VP.	1
	2029730	FAN WHEEL 1LA7 BG80 SM.VP.	1



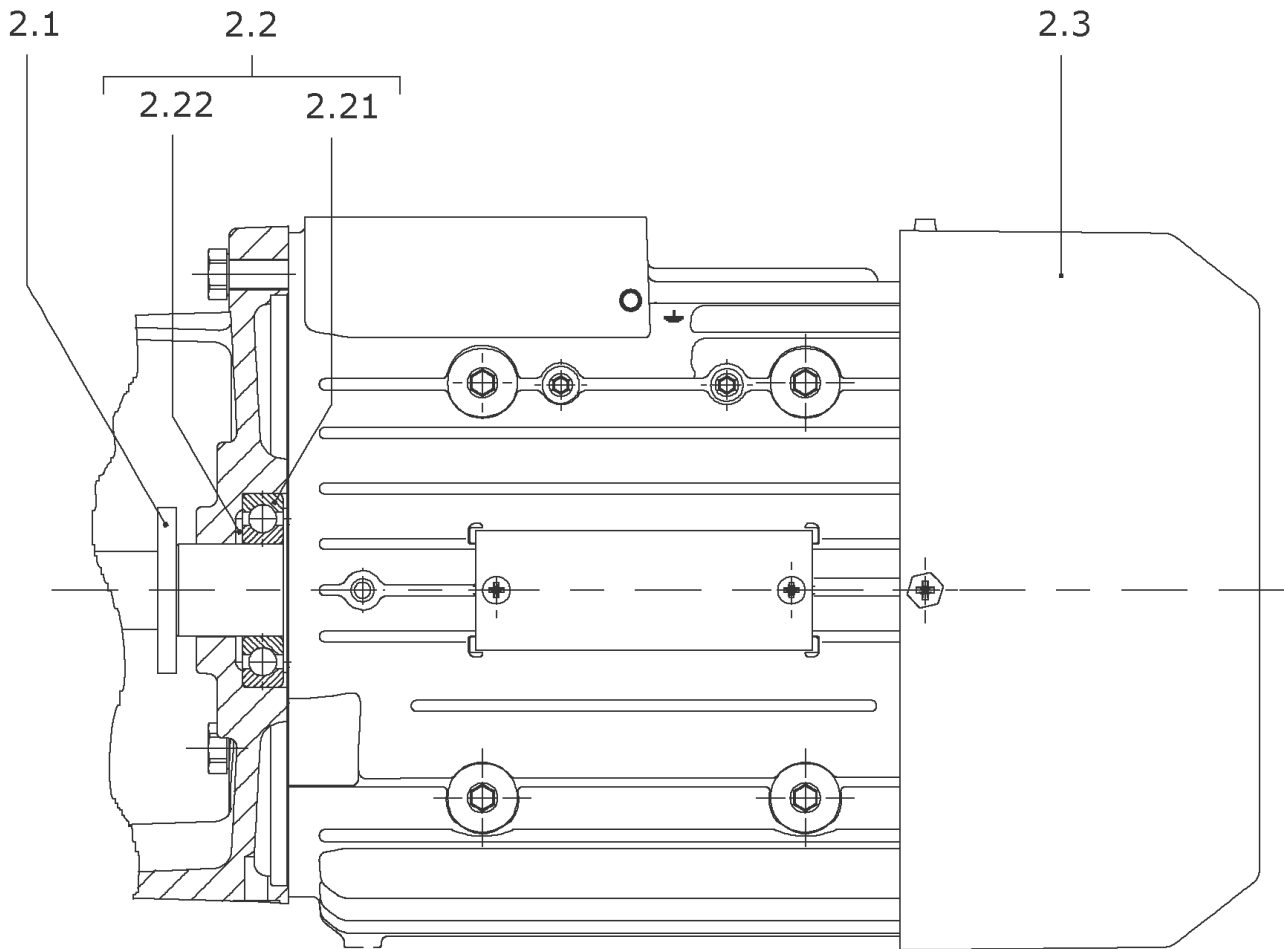


**IP-E32/160-1,1/2-IE1 (2053088)**

Item	Article no.	Description	Quantity
1		SERVICE MOTOR IP-E/DP-E32/160-1,1/2 KIT	1
Note: no longer available / nicht mehr lieferbar / ne plus disponible			
1.1	2023987	> IMPELLER D45/155/17X3 PX1786G KIT	1
1.11		>> Impeller D.45/155/17X3 PPO FE1630	1
1.12	2123932	>> CIRCLIP 17X1 DIN471 A2 1.4122 VP.	1
1.13	2046358	>> O-RING ID.164,7X3,53 E7518 VP.	1
1.2	122097593	> Mechanical seal ID.17 AQ1EGG KIT	1
1.12	2123932	>> CIRCLIP 17X1 DIN471 A2 1.4122 VP.	1
1.13	2010300	>> O-RING ID.107,54X3,53	1
1.13	2010301	>> O-RING ID.117,07X3,53	1
1.13	2054183	>> O-RING ID.158,34X3,53 E7518	1
Note: TO/ BIS/ JUSQU'À: 03/03			
1.13	2046358	>> O-RING ID.164,7X3,53 E7518 VP.	1
Note: FROM/ AB/ À PARTIR: 04/03			
1.21		>> MECHANICAL SEAL ID.17 AQ1EGG	1
1.22		>> Distance ring D.17/30X9 PPO FE1630	1
1.3		> MOTOR 1,1/2/80 F188 SM.IE1 PTC	1
		SPARE PARTS MOTOR 1,1/2/80	1
3	2016512	PUMP HOUSING IPL32/160/IP-E32/5 KIT	1
1.13	2046358	> O-RING ID.164,7X3,53 E7518 VP.	1
3.1		> PUMP HOUSING IP-E32/152 CPL.WILO	1
6	2104485	DPS40-1(0-10V) KIT	1
6.1	2106115	> DIFFERENTIAL PRESSURE SENSOR 40 KIT	1
Note: FROM/ AB/ À PARTIR: 09/2009			
		>> DPS40 spiral TZ.3mm Volt 2G	1
	2196657	>> Cable DPS 3x0,34x650 short bared 2G VP.	1
Note: from/ab/de 01.10.2013			
6.2	2106120	> CONNECTION SENSOR IP-E SPIRAL M6 KIT	1
Note: FROM/ AB/ À PARTIR: 09/2009			
6.21		>> CAPILLARY COIL 1000	2
6.22		>> Fixation ring pipe union R1/8" 90GD.Ni	1
6.23		>> HANDLE DDG M6	1
6.24		>> Screw M4x10 EE DIN7500 ZN	2
	2168862	>> Nut/Ferrule M6 D.3MM MS Ni (2 Pieces)	1

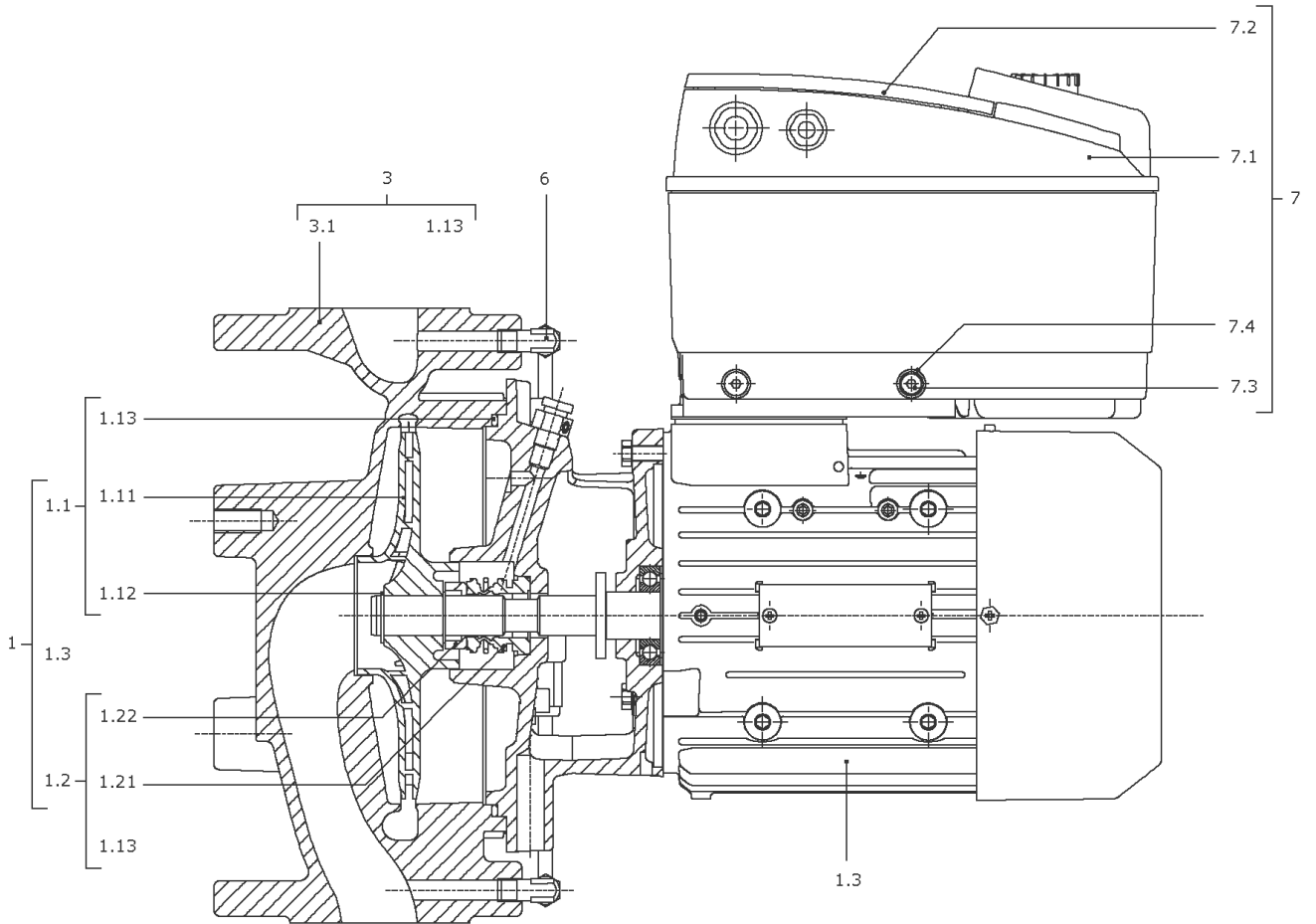
**IP-E32/160-1,1/2-IE1 (2053088)**

Item	Article no.	Description	Quantity
	2168860	>> Nut/Ferrule M8 D.5MM MS Ni (2 Pieces)	1
7	2057859	MODULE IP-E/DP-E32/160-1,1/2-IE1 KIT	1
7.1		> MODULE IP/DP-E32/160-1,1/2 TL2 WILO/EMB	1
7.2	2054372	> MODULE COVER TL1,TL2+GASKET KIT	1
7.3		> SCREW M5X16 ISO4762 8.8 ZnNi	1
7.4		> WASHER TOOTHED LOCK A5,3 DIN6797 FST ZN	1
	2061236	> O-RING ID.38X3 EPDM 70SR.A BUS.	1
	2054224	SCREW M6X22/20 ISO4762 8.8 (8 PIECES)	1



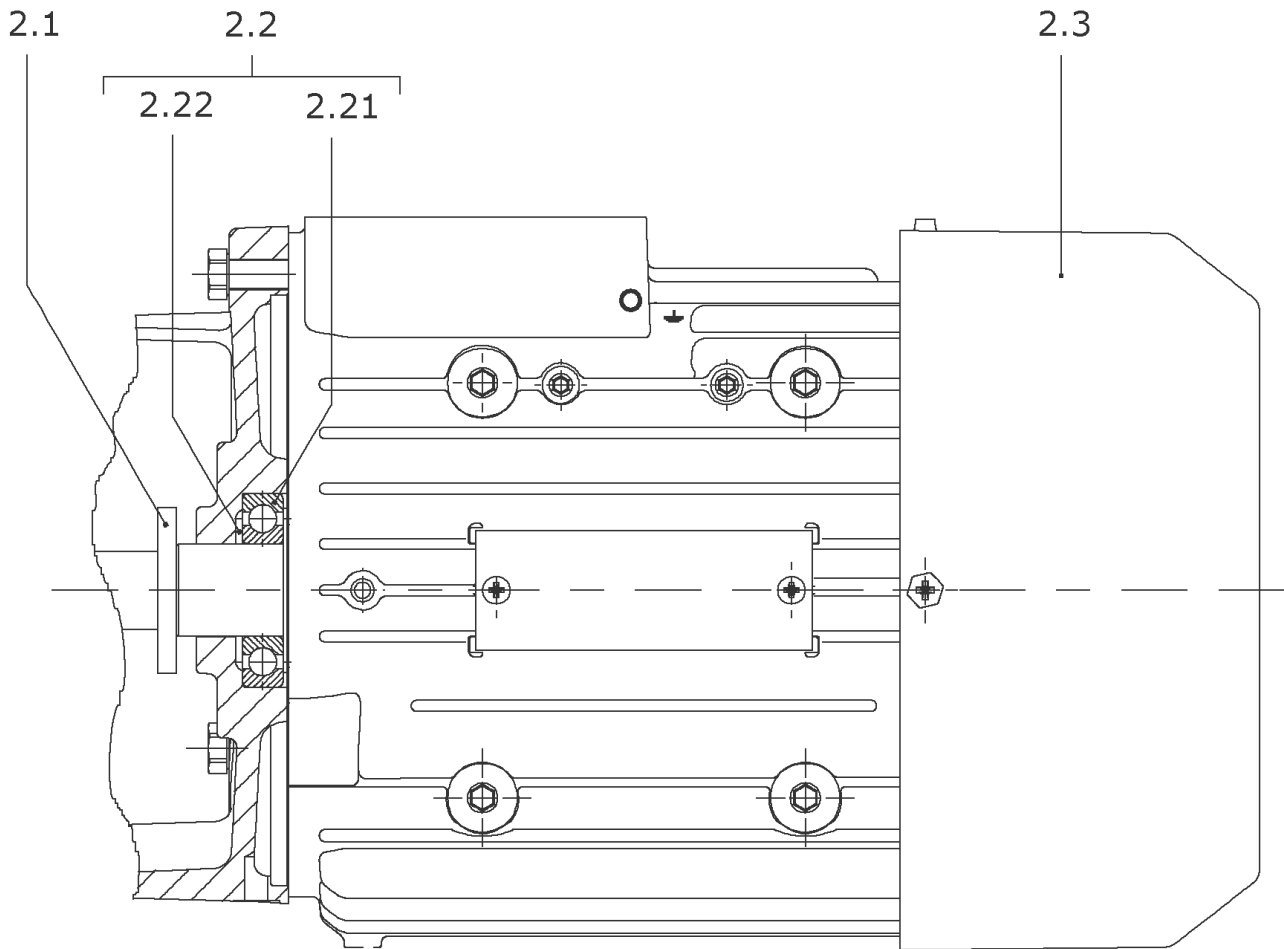
**SPARE PARTS MOTOR 1,1/2/80**

<b>Item</b>	<b>Article no.</b>	<b>Description</b>	<b>Quantity</b>
2.1	2054289	SHAFT SEAL RING 1LA7 BG80-90 SM.	1
2.2	2083790	BALL BEARING 6004/2RS-C3 (HT) VP.	1
	2044940	BALL BEARING 6004/2Z-C3 (HT) VP.	1
2.3	2029714	FAN HOOD 1LA7 BG80 SM.VP.	1
	2029730	FAN WHEEL 1LA7 BG80 SM.VP.	1



**IP-E32/160-1,1/2-R1-IE1 (2053106)**

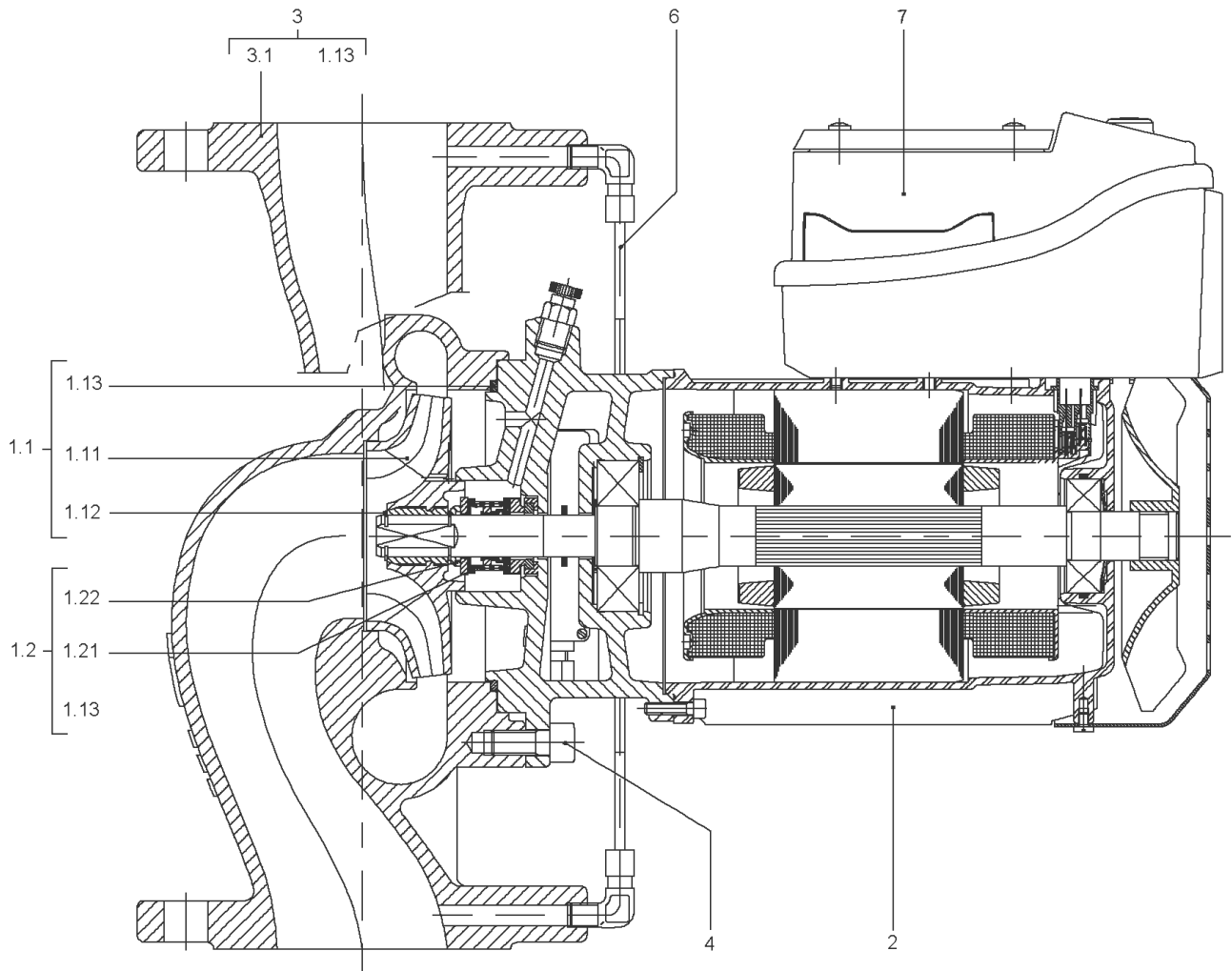
Item	Article no.	Description	Quantity
1		SERVICE MOTOR IP-E/DP-E32/160-1,1/2 KIT	1
Note: no longer available / nicht mehr lieferbar / ne plus disponible			
1.1	2023987	> IMPELLER D45/155/17X3 PX1786G KIT	1
1.11		>> Impeller D.45/155/17X3 PPO FE1630	1
1.12	2123932	>> CIRCLIP 17X1 DIN471 A2 1.4122 VP.	1
1.13	2046358	>> O-RING ID.164,7X3,53 E7518 VP.	1
1.2	122097593	> Mechanical seal ID.17 AQ1EGG KIT	1
1.12	2123932	>> CIRCLIP 17X1 DIN471 A2 1.4122 VP.	1
1.13	2010300	>> O-RING ID.107,54X3,53	1
1.13	2010301	>> O-RING ID.117,07X3,53	1
1.13	2054183	>> O-RING ID.158,34X3,53 E7518	1
Note: TO/ BIS/ JUSQU'À: 03/03			
1.13	2046358	>> O-RING ID.164,7X3,53 E7518 VP.	1
Note: FROM/ AB/ À PARTIR: 04/03			
1.21		>> MECHANICAL SEAL ID.17 AQ1EGG	1
1.22		>> Distance ring D.17/30X9 PPO FE1630	1
1.3		> MOTOR 1,1/2/80 F188 SM.IE1 PTC	1
		SPARE PARTS MOTOR 1,1/2/80	1
3	2016512	PUMP HOUSING IPL32/160/IP-E32/5 KIT	1
1.13	2046358	> O-RING ID.164,7X3,53 E7518 VP.	1
3.1		> PUMP HOUSING IP-E32/152 CPL.WILO	1
7	2057859	MODULE IP-E/DP-E32/160-1,1/2-IE1 KIT	1
7.1		> MODULE IP/DP-E32/160-1,1/2 TL2 WILO/EMB	1
7.2	2054372	> MODULE COVER TL1,TL2+GASKET KIT	1
7.3		> SCREW M5X16 ISO4762 8.8 ZnNi	1
7.4		> WASHER TOOTHED LOCK A5,3 DIN6797 FST ZN	1
	2061236	> O-RING ID.38X3 EPDM 70SR.A BUS.	1
	2054224	SCREW M6X22/20 ISO4762 8.8 (8 PIECES)	1



**SPARE PARTS MOTOR 1,1/2/80**

<b>Item</b>	<b>Article no.</b>	<b>Description</b>	<b>Quantity</b>
2.1	2054289	SHAFT SEAL RING 1LA7 BG80-90 SM.	1
2.2	2083790	BALL BEARING 6004/2RS-C3 (HT) VP.	1
	2044940	BALL BEARING 6004/2Z-C3 (HT) VP.	1
2.3	2029714	FAN HOOD 1LA7 BG80 SM.VP.	1
	2029730	FAN WHEEL 1LA7 BG80 SM.VP.	1





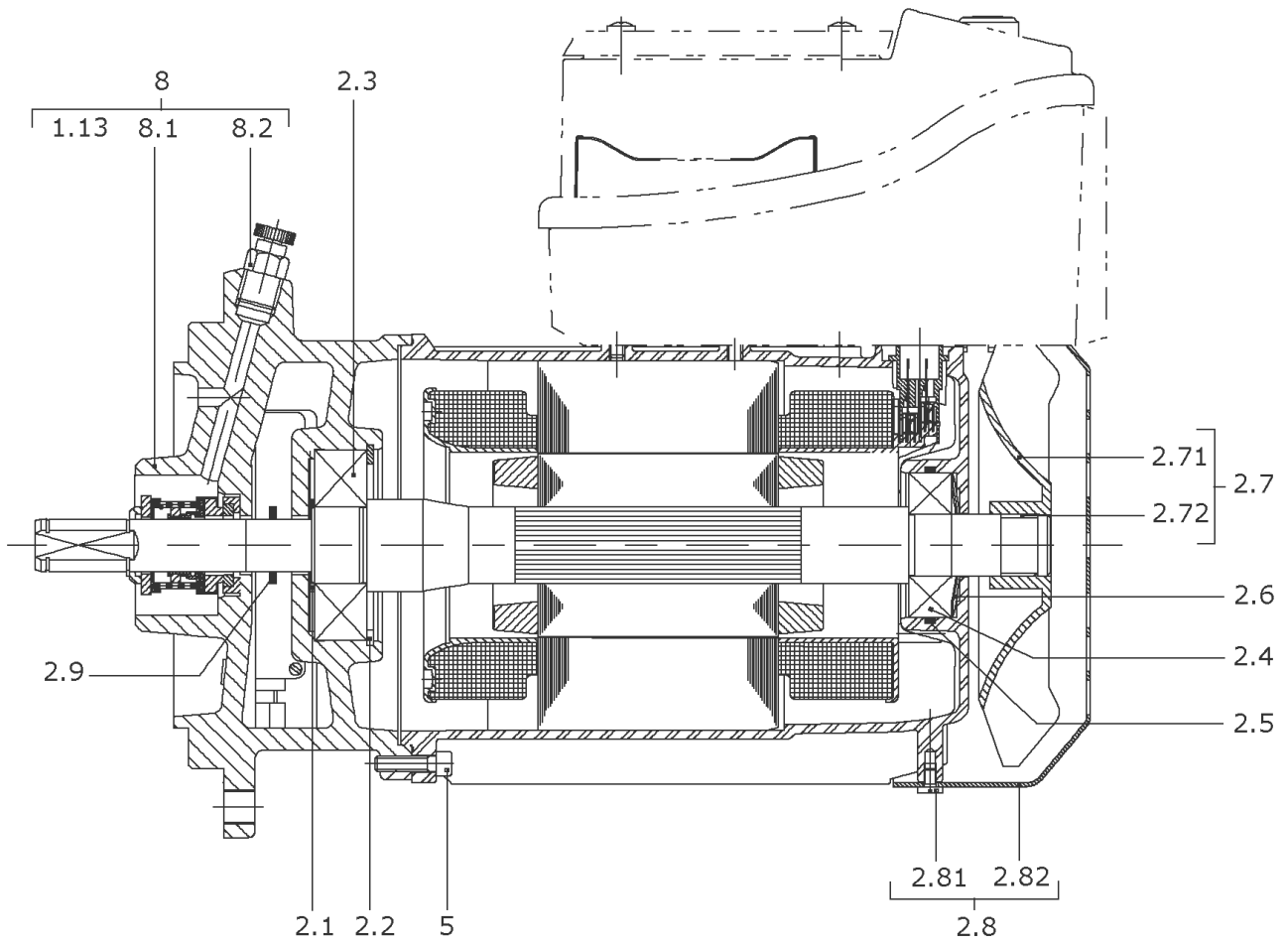
**IP-E32/5-28-IE1 (2012590)**

Item	Article no.	Description	Quantity
1.1	2023987	IMPELLER D45/155/17X3 PX1786G KIT	1
1.11		> Impeller D.45/155/17X3 PPO FE1630	1
1.12	2123932	> CIRCLIP 17X1 DIN471 A2 1.4122 VP.	1
1.13	2046358	> O-RING ID.164,7X3,53 E7518 VP.	1
1.2	122097593	Mechanical seal ID.17 AQ1EGG KIT	1
1.12	2123932	> CIRCLIP 17X1 DIN471 A2 1.4122 VP.	1
1.13	2010300	> O-RING ID.107,54X3,53	1
1.13	2010301	> O-RING ID.117,07X3,53	1
1.13	2054183	> O-RING ID.158,34X3,53 E7518	1
Note: TO/ BIS/ JUSQU'À: 03/03			
1.13	2046358	> O-RING ID.164,7X3,53 E7518 VP.	1
Note: FROM/ AB/ À PARTIR: 04/03			
1.21		> MECHANICAL SEAL ID.17 AQ1EGG	1
1.22		> Distance ring D.17/30X9 PPO FE1630	1
2		MOTOR IP-E32/5-28	1
Note: no longer available / nicht mehr lieferbar / ne plus disponible			
		SPARE PARTS MOTOR TL2/1100/2	1
3	2016512	PUMP HOUSING IPL32/160/IP-E32/5 KIT	1
1.13	2046358	> O-RING ID.164,7X3,53 E7518 VP.	1
3.1		> PUMP HOUSING IP-E32/152 CPL.WILO	1
4	2046362	SCREW M6X20 ISO4762 8.8 ZN(8STÜCK)	1
6	2104485	DPS40-1(0-10V) KIT	1
6.1	2106115	> DIFFERENTIAL PRESSURE SENSOR 40 KIT	1
Note: FROM/ AB/ À PARTIR: 09/2009			
		>> DPS40 spiral TZ.3mm Volt 2G	1
	2196657	>> Cable DPS 3x0,34x650 short bared 2G VP.	1
Note: from/ab/de 01.10.2013			
6.2	2106120	> CONNECTION SENSOR IP-E SPIRAL M6 KIT	1
Note: FROM/ AB/ À PARTIR: 09/2009			
6.21		>> CAPILLARY COIL 1000	2
6.22		>> Fixation ring pipe union R1/8" 90GD.Ni	1
6.23		>> HANDLE DDG M6	1
6.24		>> Screw M4x10 EE DIN7500 ZN	2
	2168862	>> Nut/Ferrule M6 D.3MM MS Ni (2 Pieces)	1

**IP-E32/5-28-IE1 (2012590)**

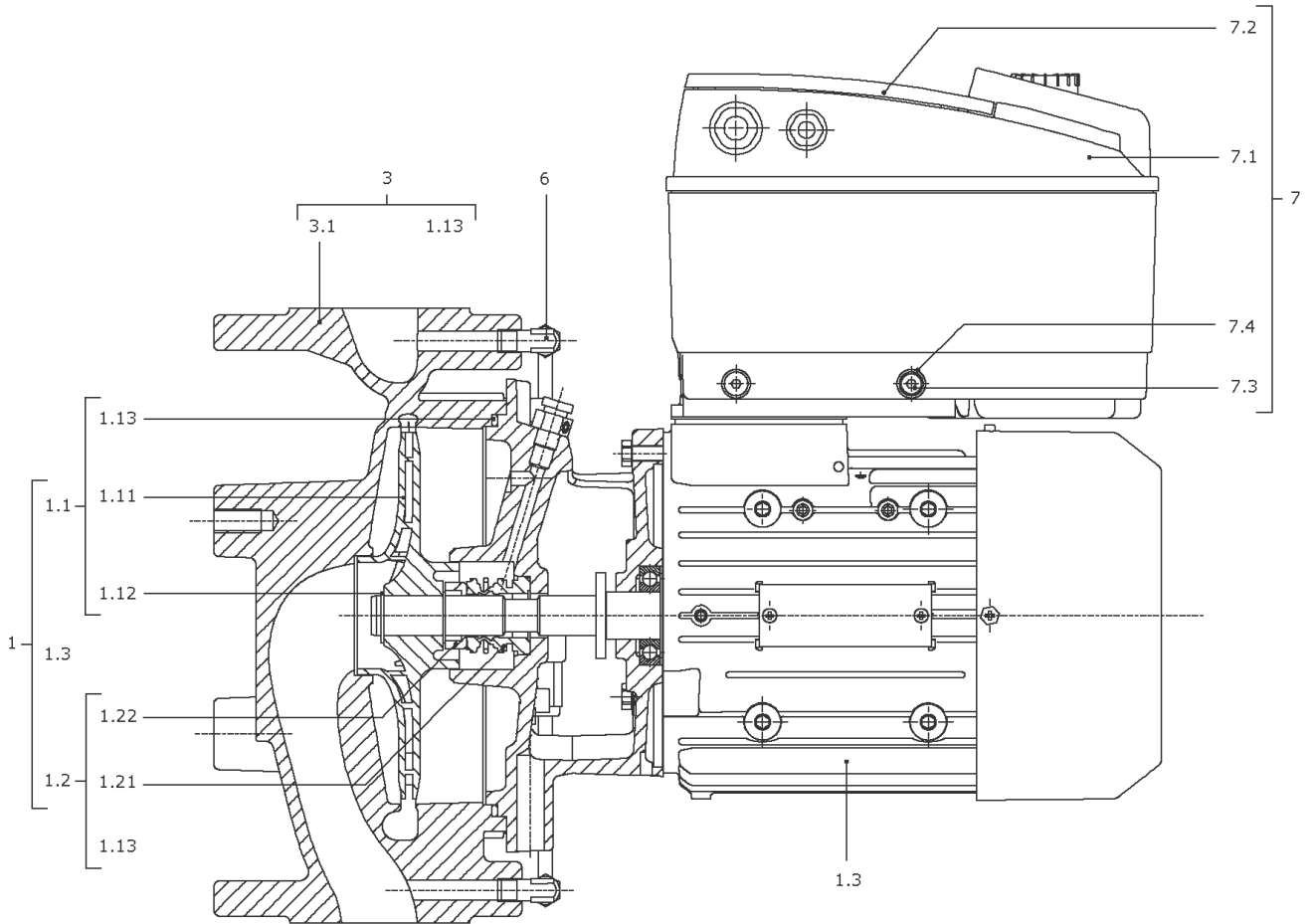
<b>Item</b>	<b>Article no.</b>	<b>Description</b>	<b>Quantity</b>
	2168860	>> Nut/Ferrule M8 D.5MM MS Ni (2 Pieces)	1
7		MODULE IP-E/DP-E32/5-28 1,1KW	1

Note: no longer available / nicht mehr lieferbar / ne plus disponible



**SPARE PARTS MOTOR TL2/1100/2**

Item	Article no.	Description	Quantity
2.2	2046384	CIRCLIPS 47X1,75 DIN472 A2 VP.	1
Note: Please give the data from type plate of the motor			
2.3	2046960	BALL BEARING 6204/2RS-C3 (HT) VP.	1
Note: Please give the data from type plate of the motor			
2.4	121084499	BALL BEARING 6204/2Z-C3 (HT) VP.	1
Note: Please give the data from type plate of the motor			
2.5	2046407	O-RING ID.47X2 FPM 80SHORE	1
Note: Please give the data from type plate of the motor			
2.6		WASHER 40X46,5X0,4 K3	1
Note: no longer available / nicht mehr lieferbar / ne plus disponible			
2.7	120631193	FAN WHEEL RF80 4/6POL.ATB KIT	1
Note: Please give the data from type plate of the motor			
2.8A		> FAN WHEEL RF80 4/6POL.120.800.15 ATB	1
2.8B	2123666	> CORRUGATED SLEEVE RING BG80 ATB VP.	1
Note: Please give the data from type plate of the motor			
2.8		FAN HOUSING TL2N D.165 KIT	1
2.81		> SCREW M4X8 ISO7045 4.8-H ZN	1
Note: no longer available / nicht mehr lieferbar / ne plus disponible			
2.82		> FAN HOUSING TL2N D.165 PA6 GREEN	1
2.9	2046393	GUMMI THROWER SYN D16/35 EP4	1
Note: Please give the data from type plate of the motor			
5	2046406	SCREW M5X20 DIN912 8.8 ZN (4 PIECES)	1
Note: Please give the data from type plate of the motor			
8		LANTERN TL2/1100 KIT	1
Note: no longer available / nicht mehr lieferbar / ne plus disponible			
Note: Please give the data from type plate of the motor			
1.13	2046358	> O-RING ID.164,7X3,53 E7518 VP.	1
8.1		> LANTERN IP-E32/5 CPL.WILO	1
8.2	2027201	> BLOWGUN R1/8" VP.	1



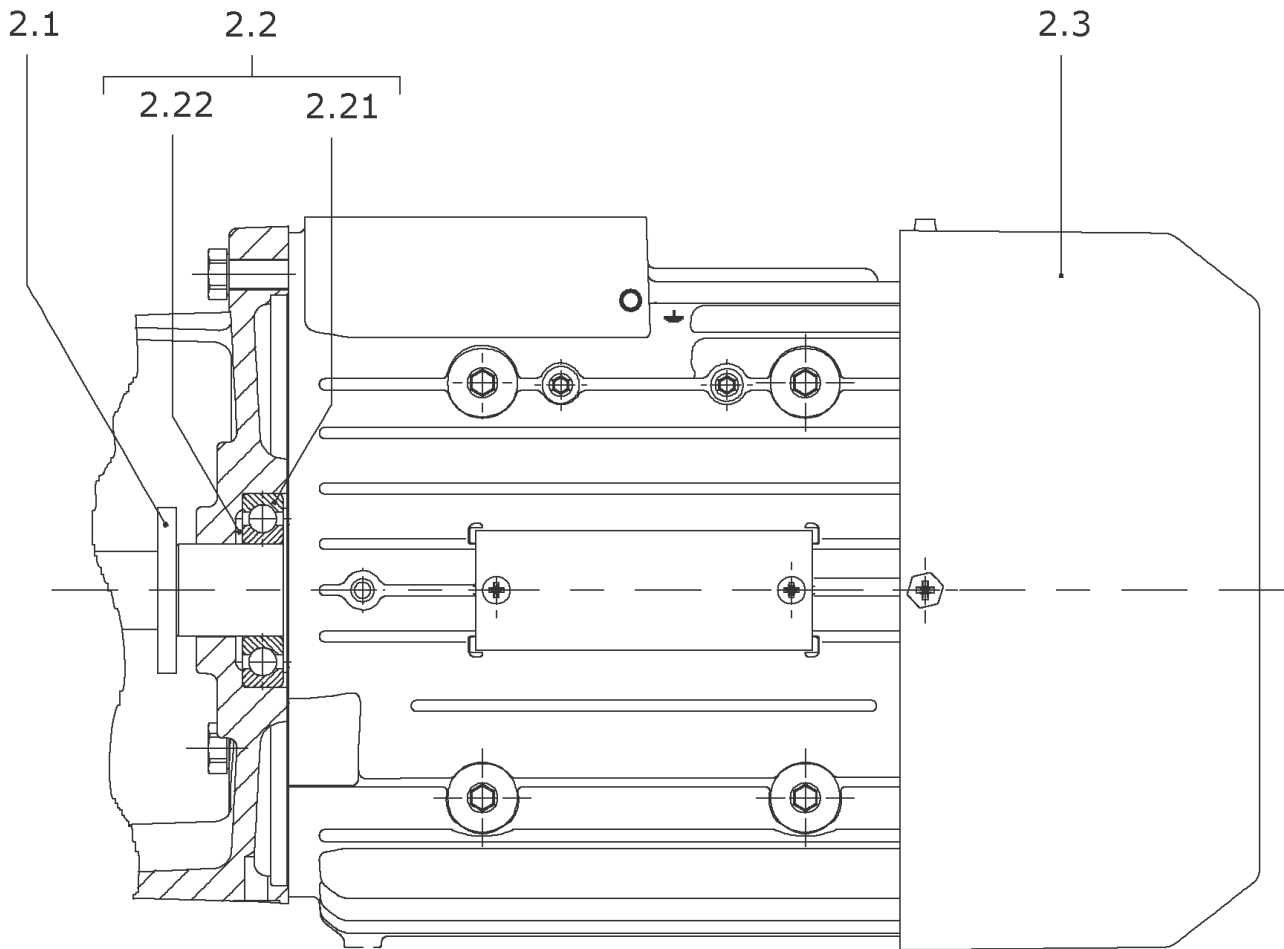
**IP-E40/115-0,55/2-IE1 (2053086)**

Item	Article no.	Description	Quantity
1	2067085	SERVICE MOTOR IP-E/DP-E40/115-0,55/2 KIT	1
1.1	122092498	> IMPELLER D.48/105,5/17 KIT	1
1.11		>> Impeller D.48/105,5/17X5,4 PPO FE1630	1
1.12	2123932	>> CIRCLIP 17X1 DIN471 A2 1.4122 VP.	1
1.13	2010300	>> O-RING ID.107,54X3,53	1
1.2	122097593	> Mechanical seal ID.17 AQ1EGG KIT	1
1.12	2123932	>> CIRCLIP 17X1 DIN471 A2 1.4122 VP.	1
1.13	2010300	>> O-RING ID.107,54X3,53	1
1.13	2010301	>> O-RING ID.117,07X3,53	1
1.13	2054183	>> O-RING ID.158,34X3,53 E7518	1
Note: TO/ BIS/ JUSQU'À: 03/03			
1.13	2046358	>> O-RING ID.164,7X3,53 E7518 VP.	1
Note: FROM/ AB/ À PARTIR: 04/03			
1.21		>> MECHANICAL SEAL ID.17 AQ1EGG	1
1.22		>> Distance ring D.17/30X9 PPO FE1630	1
1.3		> MOTOR 0,55/2/71 F154 SM.IE1 PTC	1
		SPARE PARTS MOTOR 0,55/2/71	1
3	2016513	PUMP HOUSING IPL40/115/IP-E40/2 KIT	1
1.13	2010300	> O-RING ID.107,54X3,53	1
3.1		> PUMP HOUSING IP-E40/108,5 CPL.WILO	1
6	2104479	DPS20-1(0-10V) KIT	1
6.1	2106113	> DIFFERENTIAL PRESSURE SENSOR 20 KIT	1
Note: FROM/ AB/ À PARTIR: 09/2009			
		>> DPS20 spiral TZ.3mm Volt 2G	1
	2196657	>> Cable DPS 3x0,34x650 short bared 2G VP.	1
Note: from/ab/de 01.10.2013			
6.2	2106120	> CONNECTION SENSOR IP-E SPIRAL M6 KIT	1
Note: FROM/ AB/ À PARTIR: 09/2009			
6.21		>> CAPILLARY COIL 1000	2
6.22		>> Fixation ring pipe union R1/8" 90GD.Ni	1
6.23		>> HANDLE DDG M6	1
6.24		>> Screw M4x10 EE DIN7500 ZN	2
	2168862	>> Nut/Ferrule M6 D.3MM MS Ni (2 Pieces)	1
	2168860	>> Nut/Ferrule M8 D.5MM MS Ni (2 Pieces)	1

**IP-E40/115-0,55/2-IE1 (2053086)**

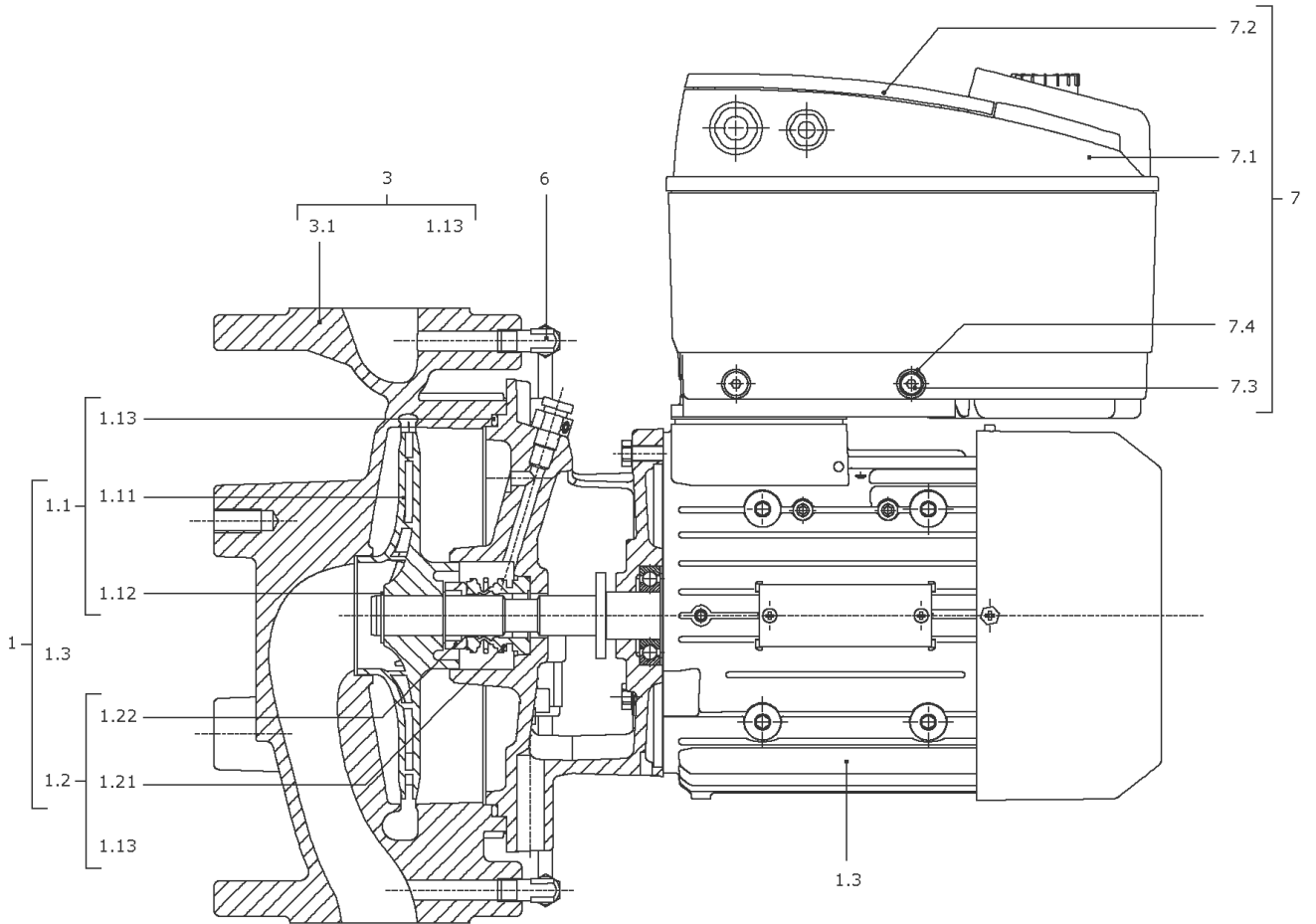
Item	Article no.	Description	Quantity
7		MODULE IP-E/DP-E40/115-0,55/2-IE1 KIT	1
Note: no longer available			
7.1		> MODULE IP/DP-E40/115-0,55/2 TL1 WILO/EMB	1
7.2	2054372	> MODULE COVER TL1,TL2+GASKET KIT	1
7.3		> SCREW M5X16 ISO4762 8.8 ZnNi	1
7.4		> WASHER TOOTHED LOCK A5,3 DIN6797 FST ZN	1
	2061236	> O-RING ID.38X3 EPDM 70SR.A BUS.	1
	2054224	SCREW M6X22/20 ISO4762 8.8 (8 PIECES)	1





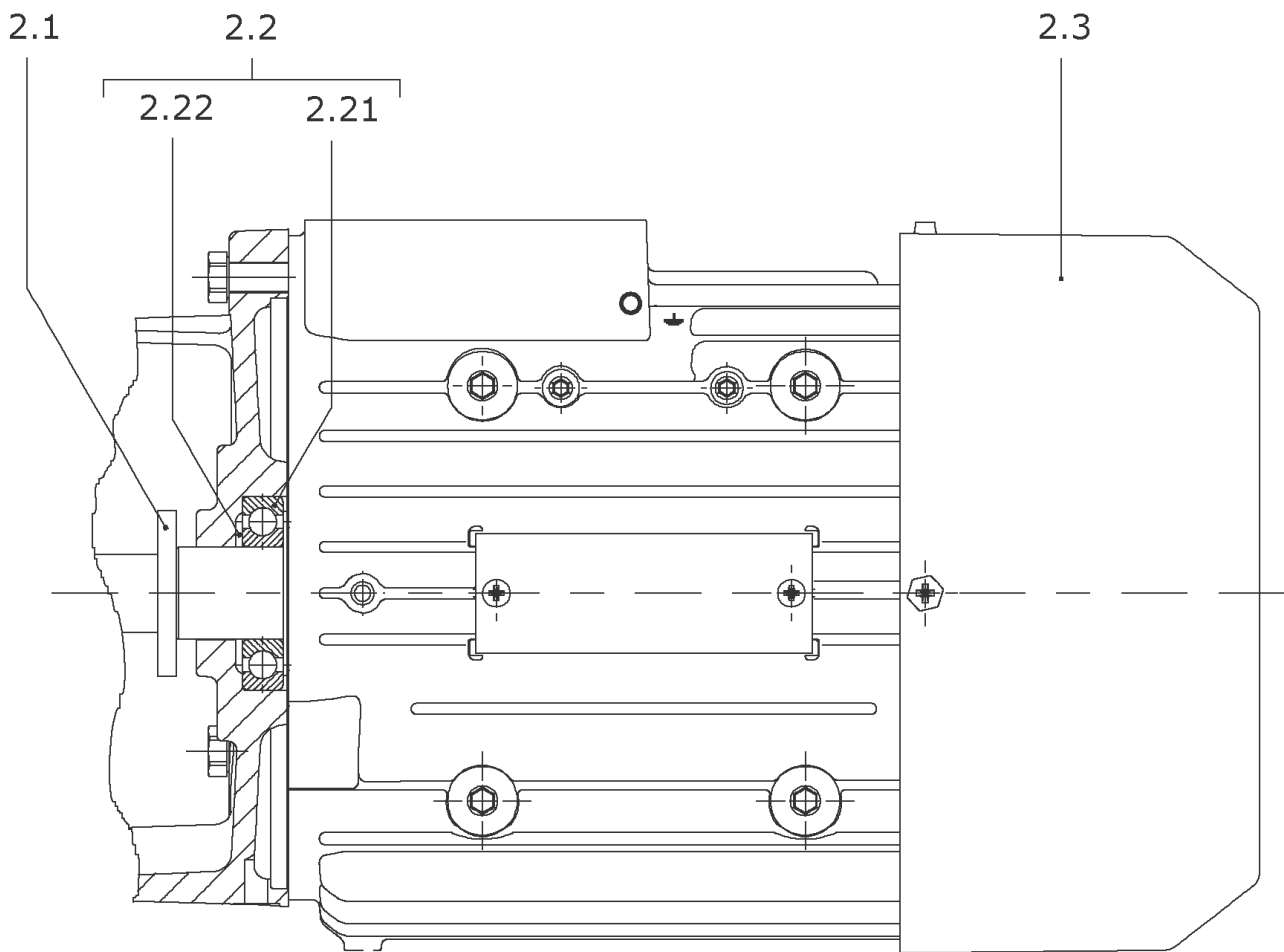
**SPARE PARTS MOTOR 0,55/2/71**

<b>Item</b>	<b>Article no.</b>	<b>Description</b>	<b>Quantity</b>
2.1	2054288	SHAFT SEAL RING 1LA7 BG71 SM.	1
2.2	2083790	BALL BEARING 6004/2RS-C3 (HT) VP.	1
	122097891	BALL BEARING 6202/2Z-C3 (HT) VP.	1
2.3	2054298	FAN HOOD 1LA7 BG71 SM.	1
	2054293	FAN WHEEL 1LA7 BG71 SM.VP.	1



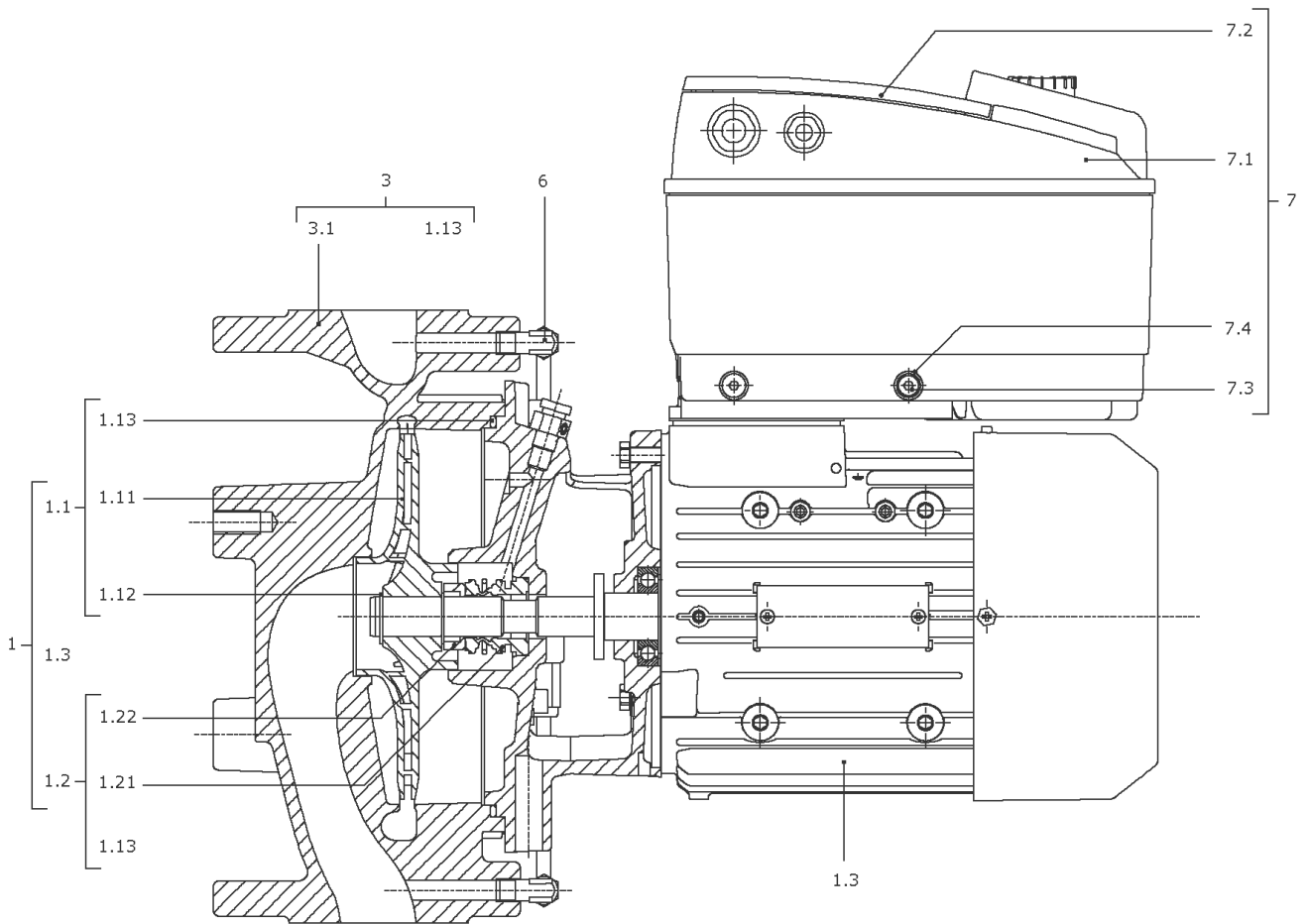
**IP-E40/115-0,55/2-R1-IE1 (2053104)**

Item	Article no.	Description	Quantity
1	2067085	SERVICE MOTOR IP-E/DP-E40/115-0,55/2 KIT	1
1.1	122092498	> IMPELLER D.48/105,5/17 KIT	1
1.11		>> Impeller D.48/105,5/17X5,4 PPO FE1630	1
1.12	2123932	>> CIRCLIP 17X1 DIN471 A2 1.4122 VP.	1
1.13	2010300	>> O-RING ID.107,54X3,53	1
1.2	122097593	> Mechanical seal ID.17 AQ1EGG KIT	1
1.12	2123932	>> CIRCLIP 17X1 DIN471 A2 1.4122 VP.	1
1.13	2010300	>> O-RING ID.107,54X3,53	1
1.13	2010301	>> O-RING ID.117,07X3,53	1
1.13	2054183	>> O-RING ID.158,34X3,53 E7518	1
Note: TO/ BIS/ JUSQU'À: 03/03			
1.13	2046358	>> O-RING ID.164,7X3,53 E7518 VP.	1
Note: FROM/ AB/ À PARTIR: 04/03			
1.21		>> MECHANICAL SEAL ID.17 AQ1EGG	1
1.22		>> Distance ring D.17/30X9 PPO FE1630	1
1.3		> MOTOR 0,55/2/71 F154 SM.IE1 PTC	1
		SPARE PARTS MOTOR 0,55/2/71	1
3	2016513	PUMP HOUSING IPL40/115/IP-E40/2 KIT	1
1.13	2010300	> O-RING ID.107,54X3,53	1
3.1		> PUMP HOUSING IP-E40/108,5 CPL.WILO	1
7		MODULE IP-E/DP-E40/115-0,55/2-IE1 KIT	1
Note: no longer available			
7.1		> MODULE IP/DP-E40/115-0,55/2 TL1 WILO/EMB	1
7.2	2054372	> MODULE COVER TL1,TL2+GASKET KIT	1
7.3		> SCREW M5X16 ISO4762 8.8 ZnNi	1
7.4		> WASHER TOOTHED LOCK A5,3 DIN6797 FST ZN	1
	2061236	> O-RING ID.38X3 EPDM 70SR.A BUS.	1
	2054224	SCREW M6X22/20 ISO4762 8.8 (8 PIECES)	1



**SPARE PARTS MOTOR 0,55/2/71**

<b>Item</b>	<b>Article no.</b>	<b>Description</b>	<b>Quantity</b>
2.1	2054288	SHAFT SEAL RING 1LA7 BG71 SM.	1
2.2	2083790	BALL BEARING 6004/2RS-C3 (HT) VP.	1
	122097891	BALL BEARING 6202/2Z-C3 (HT) VP.	1
2.3	2054298	FAN HOOD 1LA7 BG71 SM.	1
	2054293	FAN WHEEL 1LA7 BG71 SM.VP.	1



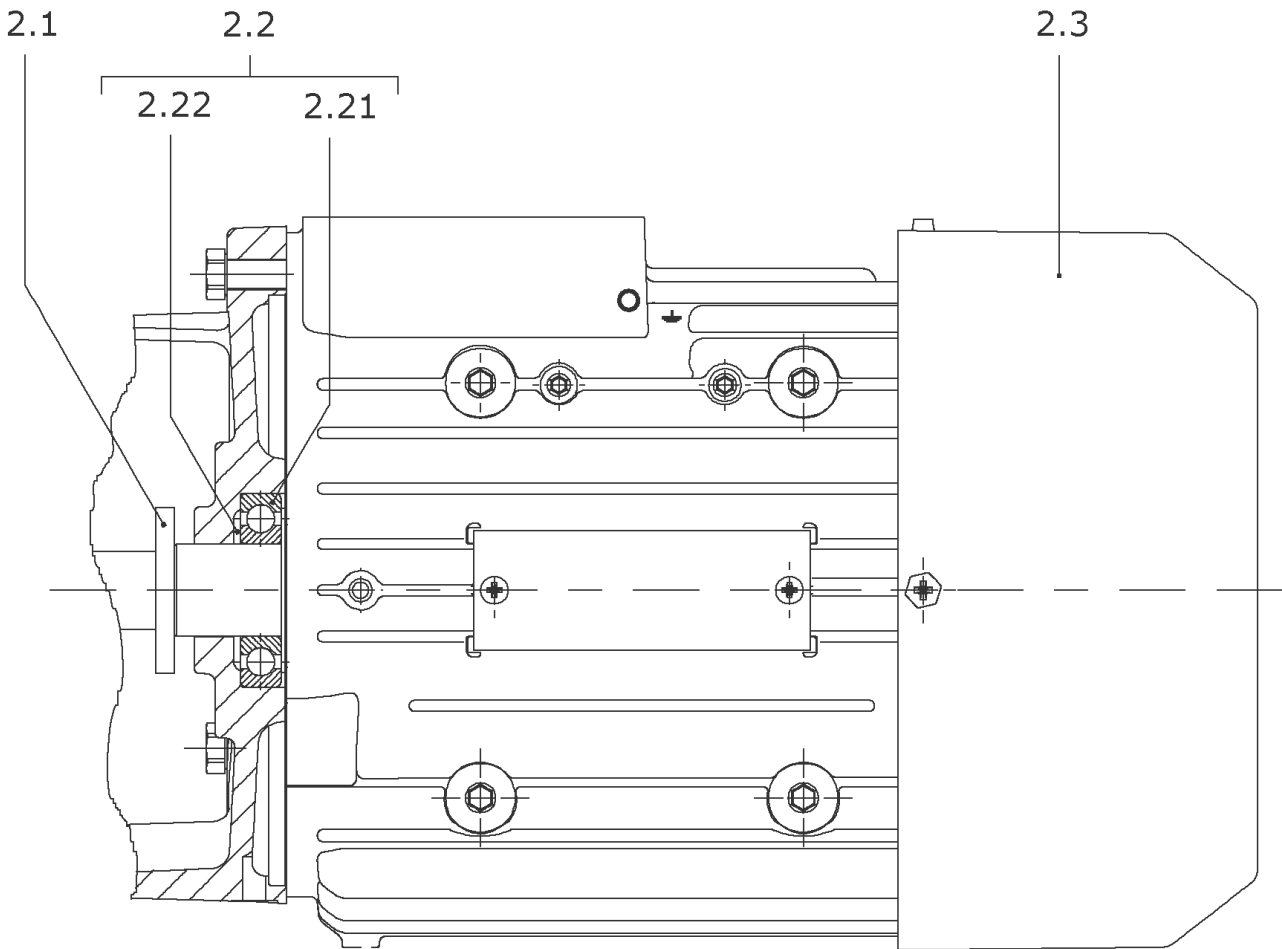
**IP-E40/120-1,5/2-IE1 (2069659)**

Item	Article no.	Description	Quantity
1		SERVICE MOTOR IP-E/DP-E40/120-1,5/2 KIT	1
Note: no longer available / nicht mehr lieferbar / ne plus disponible			
1.1	2023918	> IMPELLER D.55/124/17X8,2 KIT	1
1.11		>> IMPELLER D.55/124/17X8,2 PPO BEARB.	1
1.12	2123932	>> CIRCLIP 17X1 DIN471 A2 1.4122 VP.	1
1.13	2046358	>> O-RING ID.164,7X3,53 E7518 VP.	1
1.2	122097593	> Mechanical seal ID.17 AQ1EGG KIT	1
1.12	2123932	>> CIRCLIP 17X1 DIN471 A2 1.4122 VP.	1
1.13	2010300	>> O-RING ID.107,54X3,53	1
1.13	2010301	>> O-RING ID.117,07X3,53	1
1.13	2054183	>> O-RING ID.158,34X3,53 E7518	1
Note: TO/ BIS/ JUSQU'À: 03/03			
1.13	2046358	>> O-RING ID.164,7X3,53 E7518 VP.	1
Note: FROM/ AB/ À PARTIR: 04/03			
1.21		>> MECHANICAL SEAL ID.17 AQ1EGG	1
1.22		>> Distance ring D.17/30X9 PPO FE1630	1
1.3		> MOTOR 1,5/2/90 F188 SM.IE1 PTC	1
		SPARE PARTS MOTOR 1,5/2/90	1
3	2016517	PUMP HOUSING IPL40/160/IP-E40/5 KIT	1
1.13	2046358	> O-RING ID.164,7X3,53 E7518 VP.	1
3.1		> PUMP HOUSING IP-E40/160 CPL.WILO	1
6	2104479	DPS20-1(0-10V) KIT	1
6.1	2106113	> DIFFERENTIAL PRESSURE SENSOR 20 KIT	1
Note: FROM/ AB/ À PARTIR: 09/2009			
		>> DPS20 spiral TZ.3mm Volt 2G	1
	2196657	>> Cable DPS 3x0,34x650 short bared 2G VP.	1
Note: from/ab/de 01.10.2013			
6.2	2106120	> CONNECTION SENSOR IP-E SPIRAL M6 KIT	1
Note: FROM/ AB/ À PARTIR: 09/2009			
6.21		>> CAPILLARY COIL 1000	2
6.22		>> Fixation ring pipe union R1/8" 90GD.Ni	1
6.23		>> HANDLE DDG M6	1
6.24		>> Screw M4x10 EE DIN7500 ZN	2
	2168862	>> Nut/Ferrule M6 D.3MM MS Ni (2 Pieces)	1



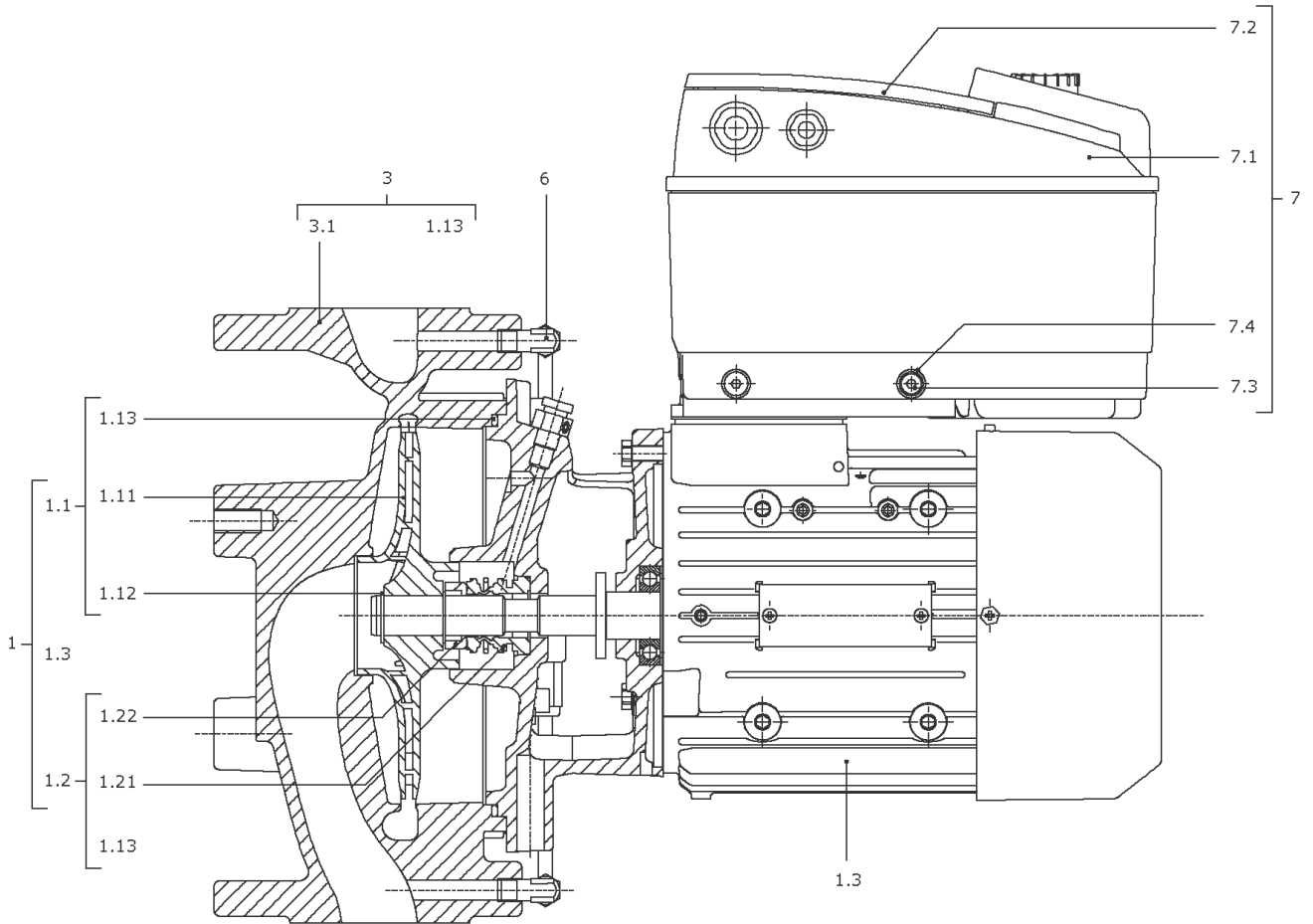
**IP-E40/120-1,5/2-IE1 (2069659)**

Item	Article no.	Description	Quantity
	2168860	>> Nut/Ferrule M8 D.5MM MS Ni (2 Pieces)	1
7	2082960	MODULE IP-E/DP-E40/120-1,5 TL3N-IE1 KIT	1
7.1		> MODULE IP/DP-E40/120-1,5/2TL3 N WILO/EMB	1
7.3	2054227	> MODULE COVER/GASKET TL3/4 KIT	1
7.4		> SCREW M5X16 ISO4762 8.8 ZnNi	1
7.5		> WASHER TOOTHED LOCK A5,3 DIN6797 FST ZN	1
	2061236	> O-RING ID.38X3 EPDM 70SR.A BUS.	1
	2054224	SCREW M6X22/20 ISO4762 8.8 (8 PIECES)	1



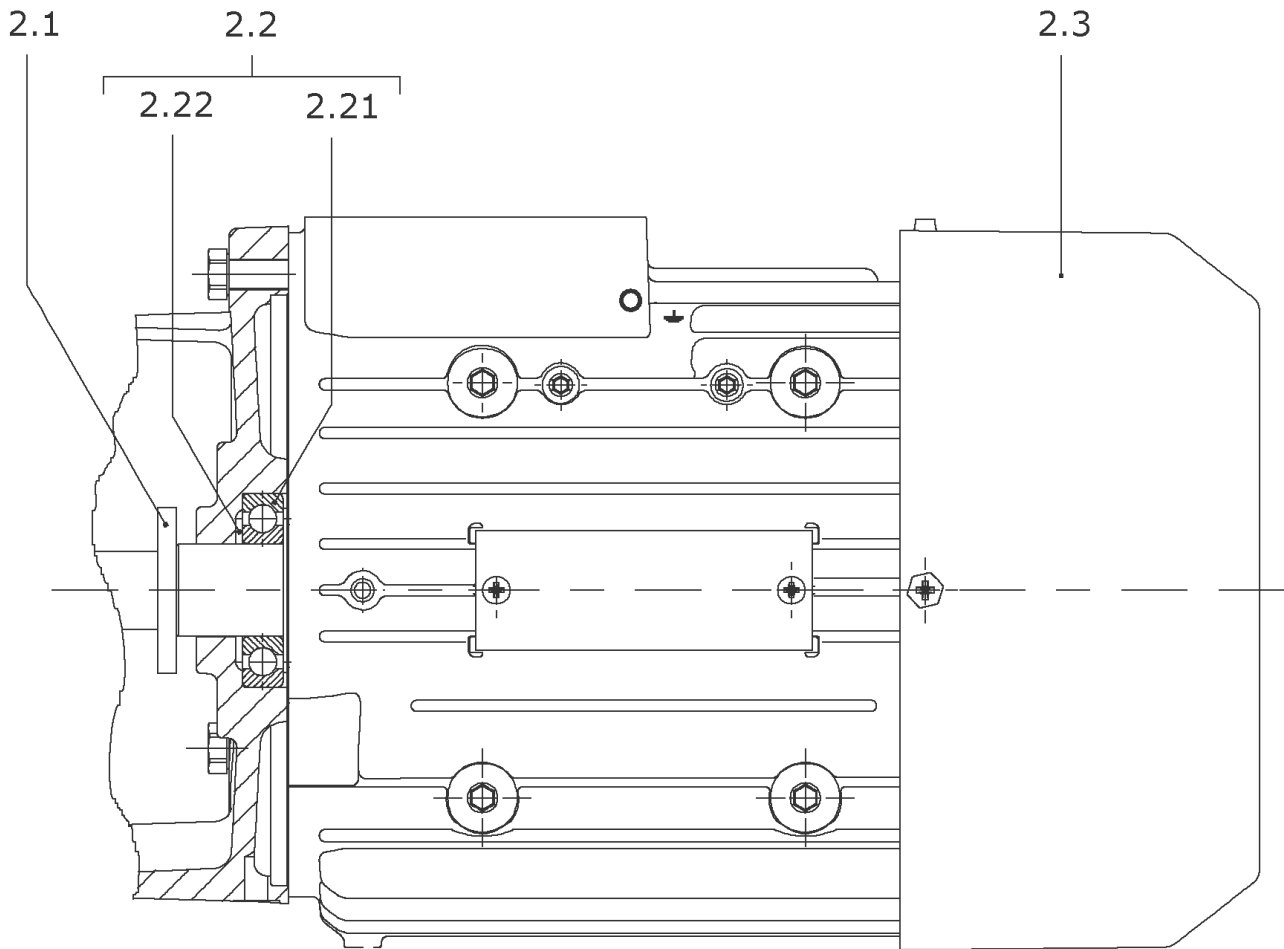
## SPARE PARTS MOTOR 1,5/2/90

Item	Article no.	Description	Quantity
2.1	2054289	SHAFT SEAL RING 1LA7 BG80-90 SM.	1
2.2	2046941	BALL BEARING 6305/2RS-C3 (HT) VP.	1
	2044940	BALL BEARING 6004/2Z-C3 (HT) VP.	1
2.3	2162655	Fan hood 1LA7 BG90 SM.VP.	1
	2150967	Fan wheel 1LA7 BG90 SM.VP.	1



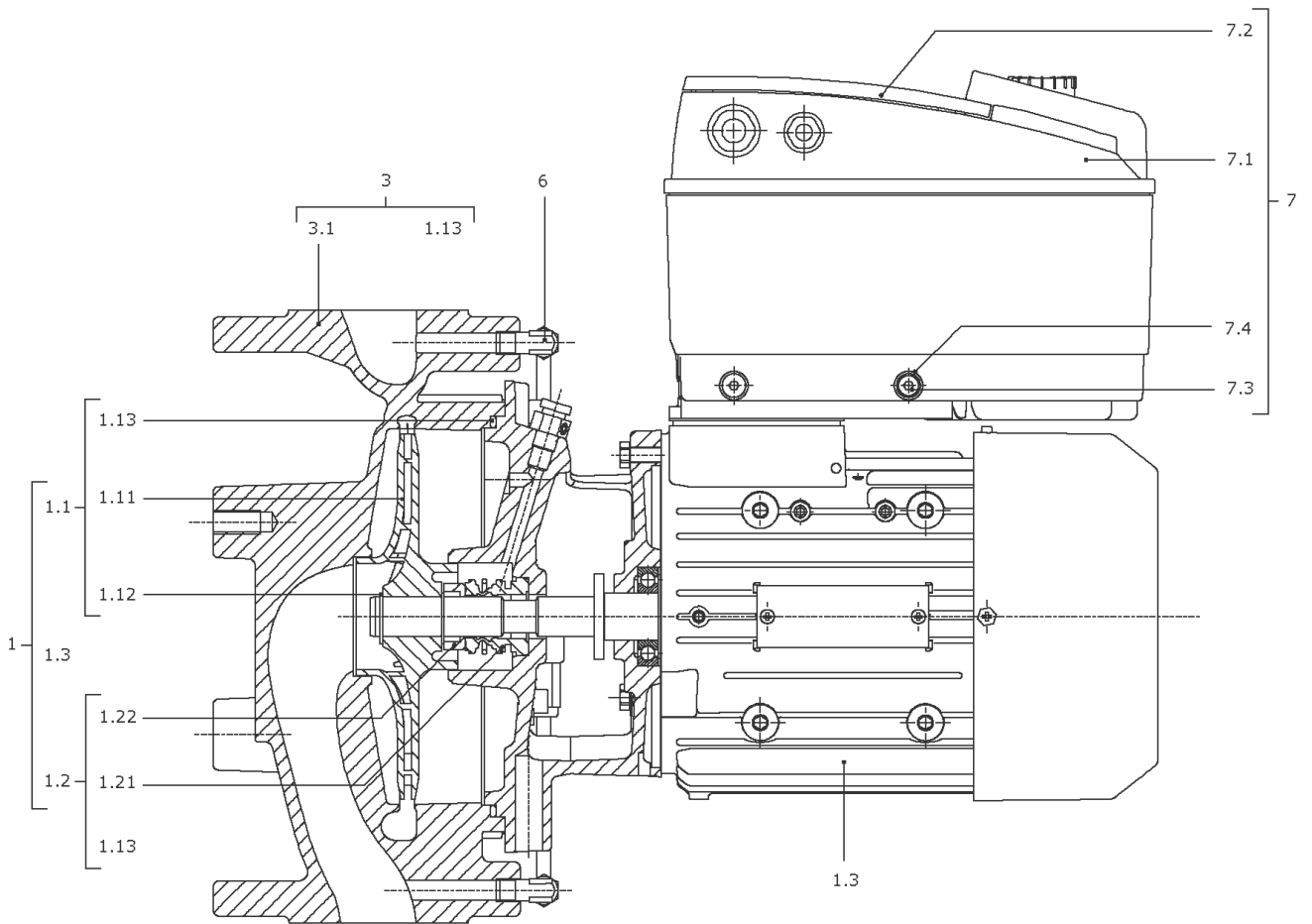
**IP-E40/120-1,5/2-R1-IE1 (2069679)**

Item	Article no.	Description	Quantity
1		SERVICE MOTOR IP-E/DP-E40/120-1,5/2 KIT	1
Note: no longer available / nicht mehr lieferbar / ne plus disponible			
1.1	2023918	> IMPELLER D.55/124/17X8,2 KIT	1
1.11		>> IMPELLER D.55/124/17X8,2 PPO BEARB.	1
1.12	2123932	>> CIRCLIP 17X1 DIN471 A2 1.4122 VP.	1
1.13	2046358	>> O-RING ID.164,7X3,53 E7518 VP.	1
1.2	122097593	> Mechanical seal ID.17 AQ1EGG KIT	1
1.12	2123932	>> CIRCLIP 17X1 DIN471 A2 1.4122 VP.	1
1.13	2010300	>> O-RING ID.107,54X3,53	1
1.13	2010301	>> O-RING ID.117,07X3,53	1
1.13	2054183	>> O-RING ID.158,34X3,53 E7518	1
Note: TO/ BIS/ JUSQU'À: 03/03			
1.13	2046358	>> O-RING ID.164,7X3,53 E7518 VP.	1
Note: FROM/ AB/ À PARTIR: 04/03			
1.21		>> MECHANICAL SEAL ID.17 AQ1EGG	1
1.22		>> Distance ring D.17/30X9 PPO FE1630	1
1.3		> MOTOR 1,5/2/90 F188 SM.IE1 PTC	1
		SPARE PARTS MOTOR 1,5/2/90	1
3	2016517	PUMP HOUSING IPL40/160/IP-E40/5 KIT	1
1.13	2046358	> O-RING ID.164,7X3,53 E7518 VP.	1
3.1		> PUMP HOUSING IP-E40/160 CPL.WILO	1
7	2082960	MODULE IP-E/DP-E40/120-1,5 TL3N-IE1 KIT	1
7.1		> MODULE IP/DP-E40/120-1,5/2TL3 N WILO/EMB	1
7.3	2054227	> MODULE COVER/GASKET TL3/4 KIT	1
7.4		> SCREW M5X16 ISO4762 8.8 ZnNi	1
7.5		> WASHER TOOTHED LOCK A5,3 DIN6797 FST ZN	1
	2061236	> O-RING ID.38X3 EPDM 70SR.A BUS.	1
	2054224	SCREW M6X22/20 ISO4762 8.8 (8 PIECES)	1



## SPARE PARTS MOTOR 1,5/2/90

Item	Article no.	Description	Quantity
2.1	2054289	SHAFT SEAL RING 1LA7 BG80-90 SM.	1
2.2	2046941	BALL BEARING 6305/2RS-C3 (HT) VP.	1
	2044940	BALL BEARING 6004/2Z-C3 (HT) VP.	1
2.3	2162655	Fan hood 1LA7 BG90 SM.VP.	1
	2150967	Fan wheel 1LA7 BG90 SM.VP.	1



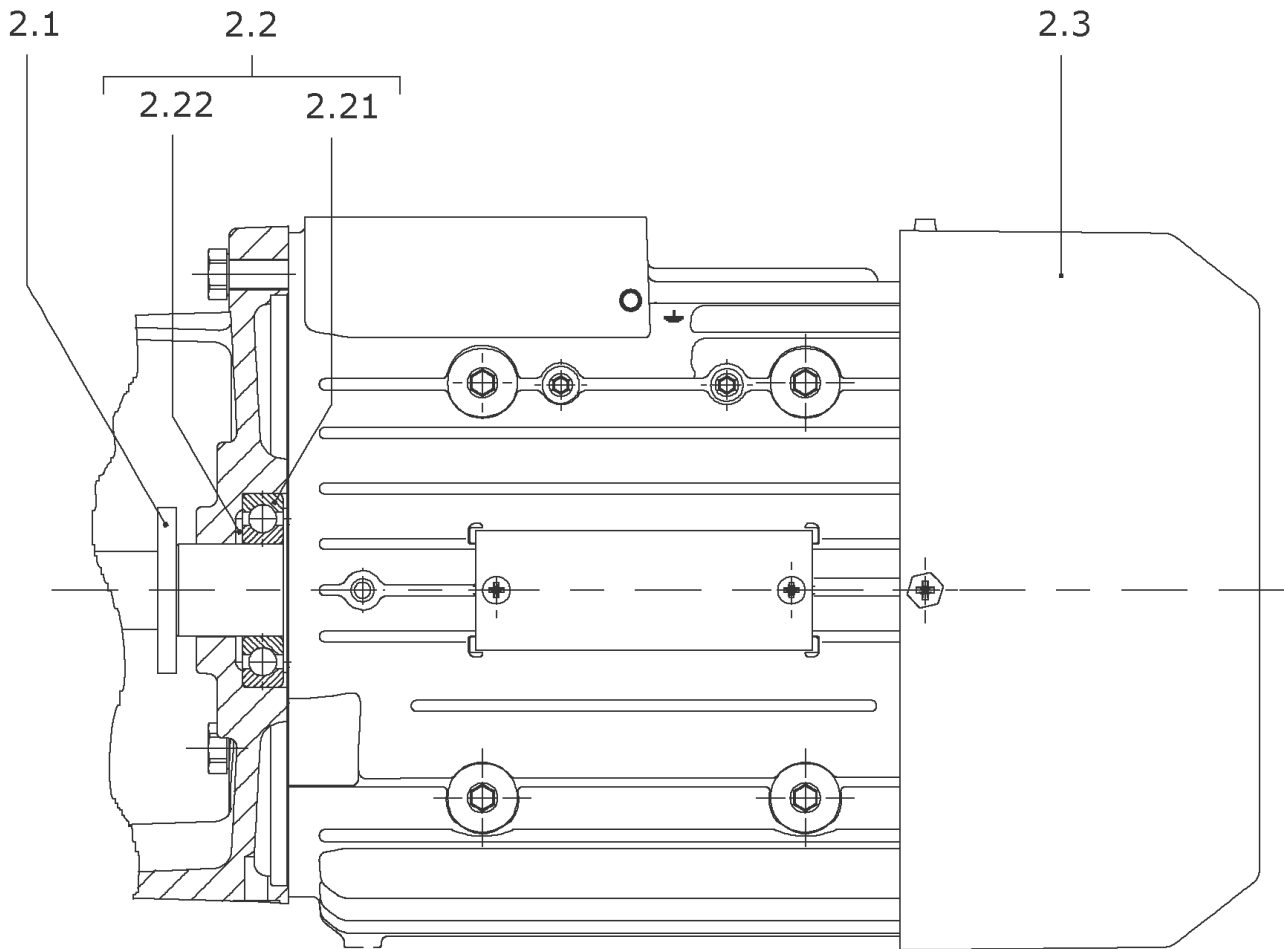


**IP-E40/130-2,2/2-IE1 (2069657)**

Item	Article no.	Description	Quantity
1	2085351	SERVICE MOTOR IP-E/DP-E40/130-2,2/2 KIT	1
1.1	2008783	> IMPELLER D.55/133/17X8,1 KIT	1
1.11		>> IMPELLER D.55/133/17X8,1 PPO BEARB.	1
1.12	2123932	>> CIRCLIP 17X1 DIN471 A2 1.4122 VP.	1
1.13	2046358	>> O-RING ID.164,7X3,53 E7518 VP.	1
1.2	122097593	> Mechanical seal ID.17 AQ1EGG KIT	1
1.12	2123932	>> CIRCLIP 17X1 DIN471 A2 1.4122 VP.	1
1.13	2010300	>> O-RING ID.107,54X3,53	1
1.13	2010301	>> O-RING ID.117,07X3,53	1
1.13	2054183	>> O-RING ID.158,34X3,53 E7518	1
Note: TO/ BIS/ JUSQU'À: 03/03			
1.13	2046358	>> O-RING ID.164,7X3,53 E7518 VP.	1
Note: FROM/ AB/ À PARTIR: 04/03			
1.21		>> MECHANICAL SEAL ID.17 AQ1EGG	1
1.22		>> Distance ring D.17/30X9 PPO FE1630	1
1.3		> MOTOR 2,2/2/90 F188 SM.IE1 PTC	1
		SPARE PARTS MOTOR 2,2/2/90	1
3	2016517	PUMP HOUSING IPL40/160/IP-E40/5 KIT	1
1.13	2046358	> O-RING ID.164,7X3,53 E7518 VP.	1
3.1		> PUMP HOUSING IP-E40/160 CPL.WILO	1
6	2104485	DPS40-1(0-10V) KIT	1
6.1	2106115	> DIFFERENTIAL PRESSURE SENSOR 40 KIT	1
Note: FROM/ AB/ À PARTIR: 09/2009			
		>> DPS40 spiral TZ.3mm Volt 2G	1
	2196657	>> Cable DPS 3x0,34x650 short bared 2G VP.	1
Note: from/ab/de 01.10.2013			
6.2	2106120	> CONNECTION SENSOR IP-E SPIRAL M6 KIT	1
Note: FROM/ AB/ À PARTIR: 09/2009			
6.21		>> CAPILLARY COIL 1000	2
6.22		>> Fixation ring pipe union R1/8" 90GD.Ni	1
6.23		>> HANDLE DDG M6	1
6.24		>> Screw M4x10 EE DIN7500 ZN	2
	2168862	>> Nut/Ferrule M6 D.3MM MS Ni (2 Pieces)	1
	2168860	>> Nut/Ferrule M8 D.5MM MS Ni (2 Pieces)	1

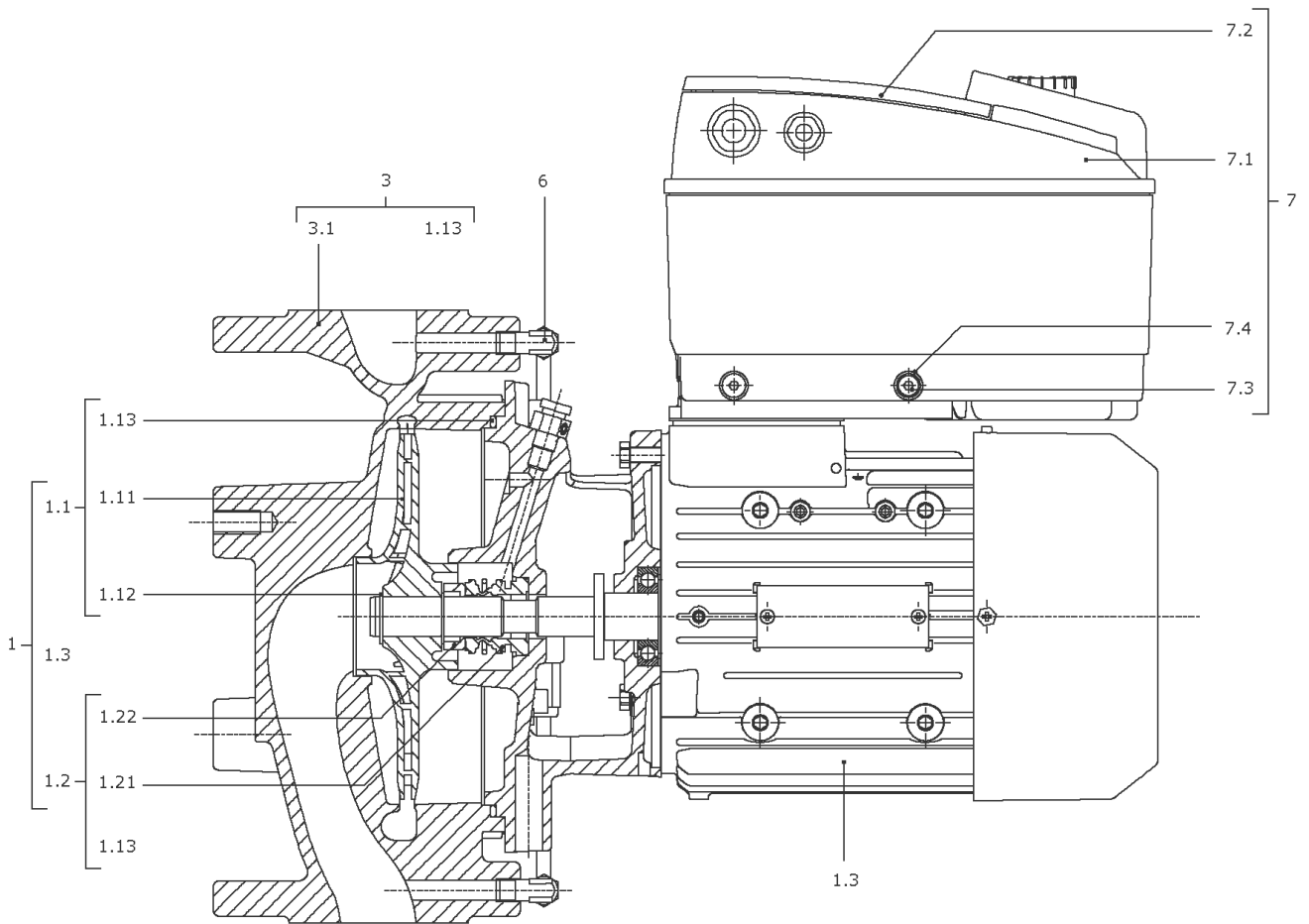
**IP-E40/130-2,2/2-IE1 (2069657)**

Item	Article no.	Description	Quantity
7	2082961	MODULE IP-E/DP-E40/130-2,2 TL3N-IE1 KIT	1
7.1		> MODULE IP/DP-E40/130-2,2/2TL3 N WILO/EMB	1
7.2	2054227	> MODULE COVER/GASKET TL3/4 KIT	1
7.3		> SCREW M5X16 ISO4762 8.8 ZnNi	1
7.4		> WASHER TOOTHED LOCK A5,3 DIN6797 FST ZN	1
	2061236	> O-RING ID.38X3 EPDM 70SR.A BUS.	1
	2054224	SCREW M6X22/20 ISO4762 8.8 (8 PIECES)	1



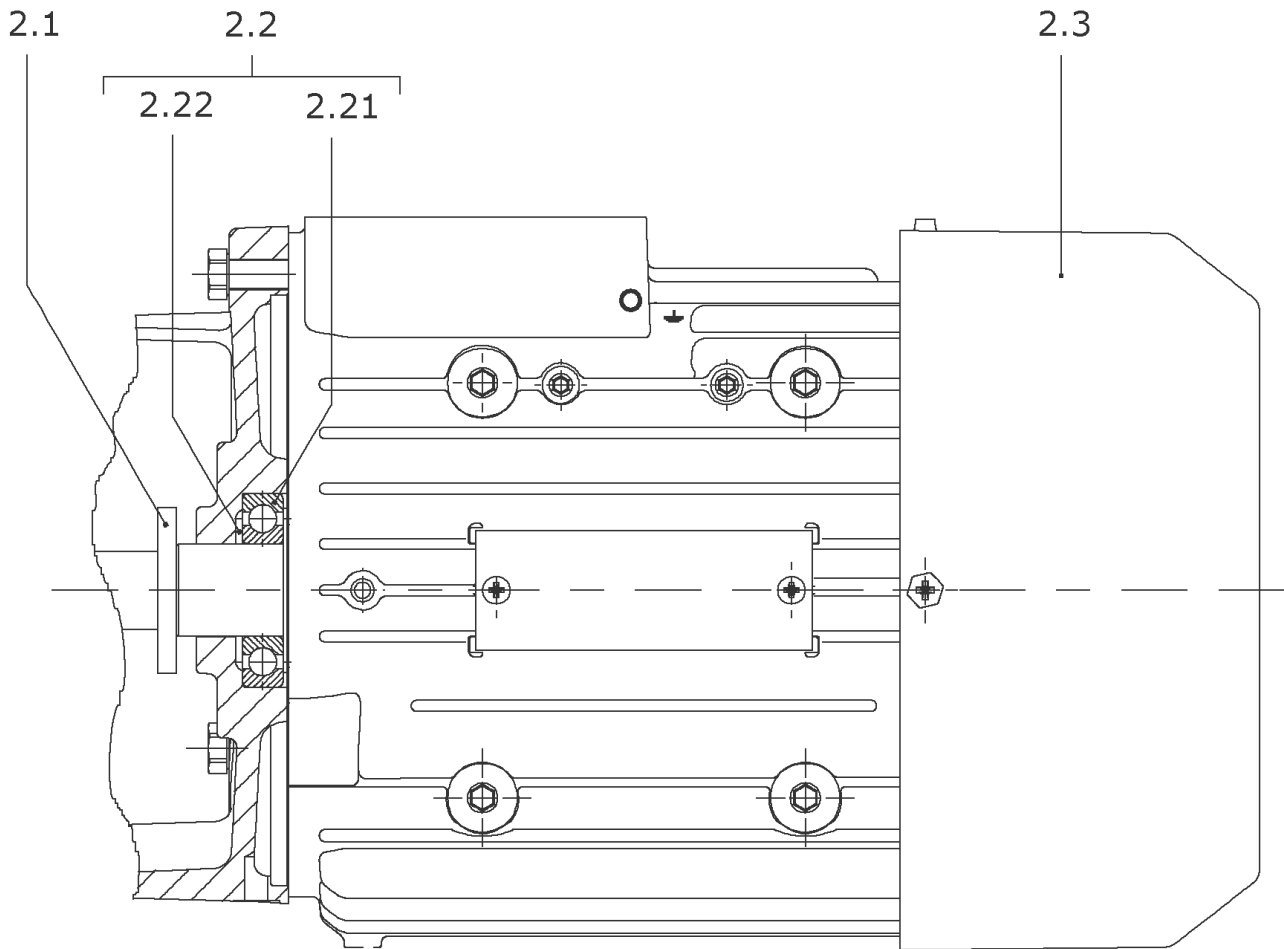
## SPARE PARTS MOTOR 2,2/2/90

Item	Article no.	Description	Quantity
2.1	2054289	SHAFT SEAL RING 1LA7 BG80-90 SM.	1
2.2	2046941	BALL BEARING 6305/2RS-C3 (HT) VP.	1
	2044940	BALL BEARING 6004/2Z-C3 (HT) VP.	1
2.3	2162655	Fan hood 1LA7 BG90 SM.VP.	1
	2150967	Fan wheel 1LA7 BG90 SM.VP.	1



**IP-E40/130-2,2/2-R1-IE1 (2069680)**

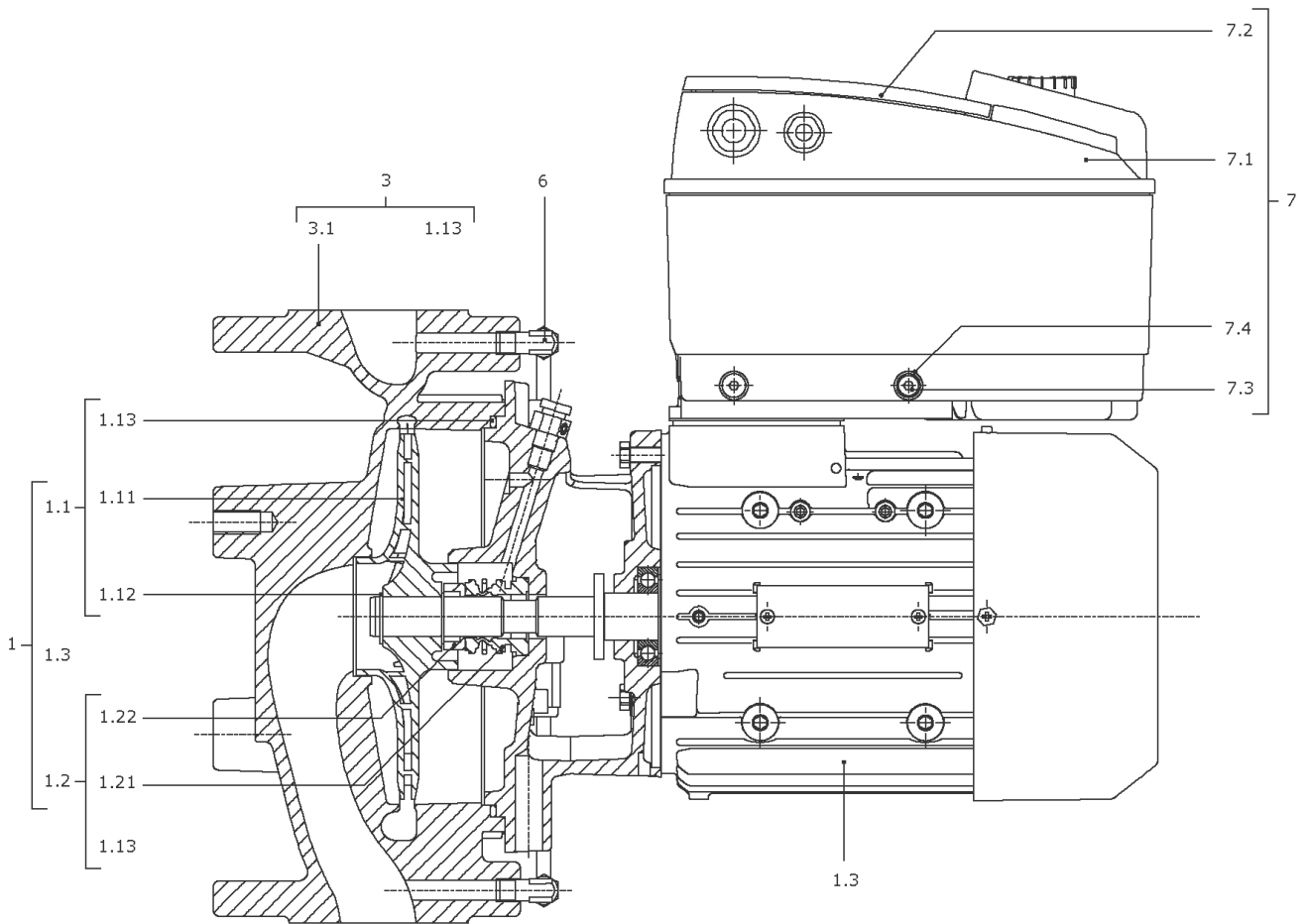
Item	Article no.	Description	Quantity
1	2085351	SERVICE MOTOR IP-E/DP-E40/130-2,2/2 KIT	1
1.1	2008783	> IMPELLER D.55/133/17X8,1 KIT	1
1.11		>> IMPELLER D.55/133/17X8,1 PPO BEARB.	1
1.12	2123932	>> CIRCLIP 17X1 DIN471 A2 1.4122 VP.	1
1.13	2046358	>> O-RING ID.164,7X3,53 E7518 VP.	1
1.2	122097593	> Mechanical seal ID.17 AQ1EGG KIT	1
1.12	2123932	>> CIRCLIP 17X1 DIN471 A2 1.4122 VP.	1
1.13	2010300	>> O-RING ID.107,54X3,53	1
1.13	2010301	>> O-RING ID.117,07X3,53	1
1.13	2054183	>> O-RING ID.158,34X3,53 E7518	1
Note: TO/ BIS/ JUSQU'À: 03/03			
1.13	2046358	>> O-RING ID.164,7X3,53 E7518 VP.	1
Note: FROM/ AB/ À PARTIR: 04/03			
1.21		>> MECHANICAL SEAL ID.17 AQ1EGG	1
1.22		>> Distance ring D.17/30X9 PPO FE1630	1
1.3		> MOTOR 2,2/2/90 F188 SM.IE1 PTC	1
		SPARE PARTS MOTOR 2,2/2/90	1
3	2016517	PUMP HOUSING IPL40/160/IP-E40/5 KIT	1
1.13	2046358	> O-RING ID.164,7X3,53 E7518 VP.	1
3.1		> PUMP HOUSING IP-E40/160 CPL.WILO	1
7	2082961	MODULE IP-E/DP-E40/130-2,2 TL3N-IE1 KIT	1
7.1		> MODULE IP/DP-E40/130-2,2/2TL3 N WILO/EMB	1
7.2	2054227	> MODULE COVER/GASKET TL3/4 KIT	1
7.3		> SCREW M5X16 ISO4762 8.8 ZnNi	1
7.4		> WASHER TOOTHED LOCK A5,3 DIN6797 FST ZN	1
	2061236	> O-RING ID.38X3 EPDM 70SR.A BUS.	1
	2054224	SCREW M6X22/20 ISO4762 8.8 (8 PIECES)	1



**SPARE PARTS MOTOR 2,2/2/90**

<b>Item</b>	<b>Article no.</b>	<b>Description</b>	<b>Quantity</b>
2.1	2054289	SHAFT SEAL RING 1LA7 BG80-90 SM.	1
2.2	2046941	BALL BEARING 6305/2RS-C3 (HT) VP.	1
	2044940	BALL BEARING 6004/2Z-C3 (HT) VP.	1
2.3	2162655	Fan hood 1LA7 BG90 SM.VP.	1
	2150967	Fan wheel 1LA7 BG90 SM.VP.	1



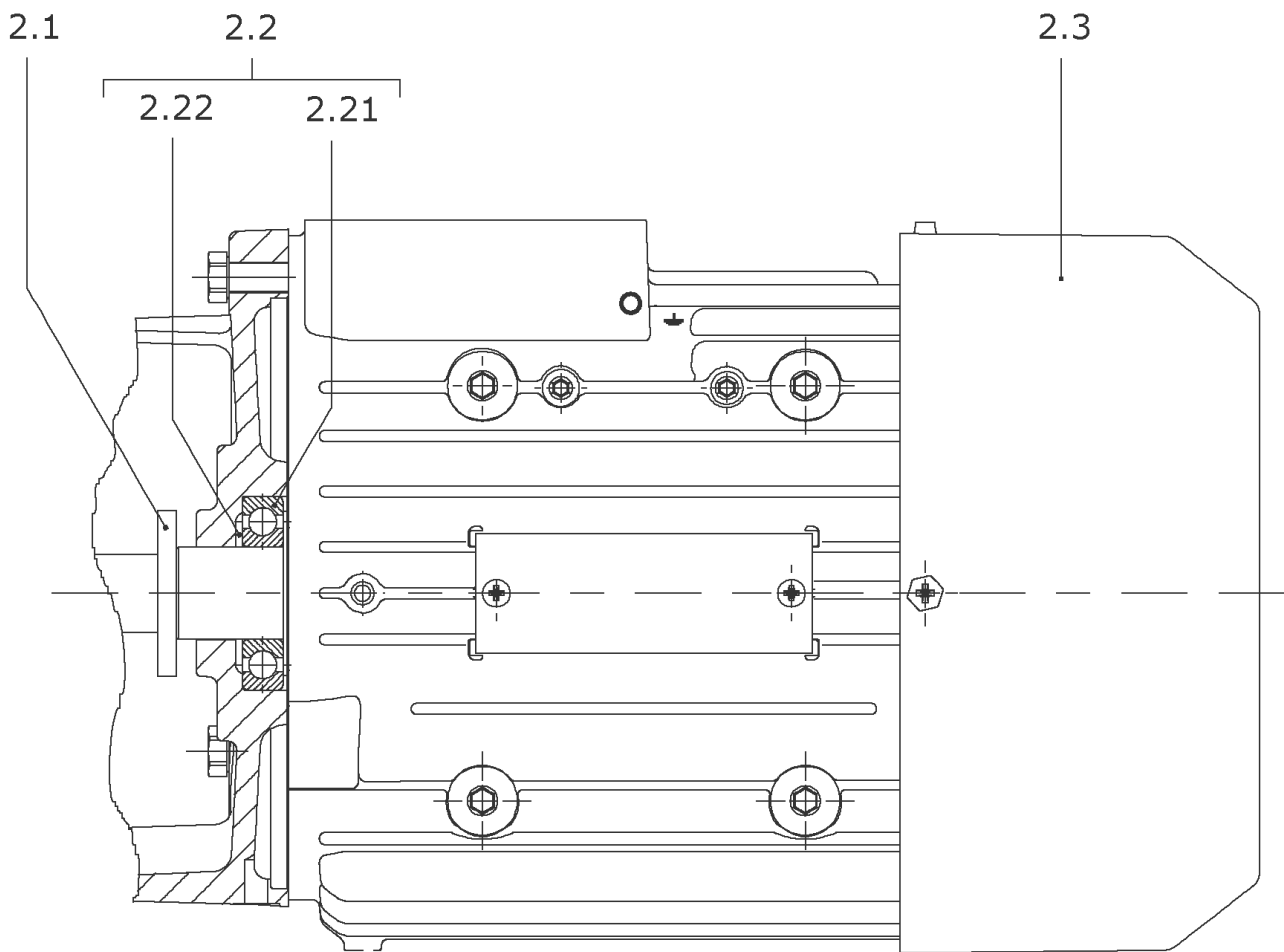


**IP-E40/150-3/2-IE1 (2053091)**

Item	Article no.	Description	Quantity
1		SERVICE MOTOR IP-E/DP-E40/150-3/2 KIT	1
Note: no longer available / nicht mehr lieferbar / ne plus disponible			
1.1	2052523	> IMPELLER D.55/147/17X7,8 KIT	1
1.11		>> IMPELLER D.55/147/17X7,8 PPO BEARB.	1
1.12	2123932	>> CIRCLIP 17X1 DIN471 A2 1.4122 VP.	1
1.13	2046358	>> O-RING ID.164,7X3,53 E7518 VP.	1
1.2	122097593	> Mechanical seal ID.17 AQ1EGG KIT	1
1.12	2123932	>> CIRCLIP 17X1 DIN471 A2 1.4122 VP.	1
1.13	2010300	>> O-RING ID.107,54X3,53	1
1.13	2010301	>> O-RING ID.117,07X3,53	1
1.13	2054183	>> O-RING ID.158,34X3,53 E7518	1
Note: TO/ BIS/ JUSQU'À: 03/03			
1.13	2046358	>> O-RING ID.164,7X3,53 E7518 VP.	1
Note: FROM/ AB/ À PARTIR: 04/03			
1.21		>> MECHANICAL SEAL ID.17 AQ1EGG	1
1.22		>> Distance ring D.17/30X9 PPO FE1630	1
1.3		> MOTOR 3/2/100 F188 SM.IE1 PTC	1
		SPARE PARTS MOTOR 3/2/100	1
3	2016517	PUMP HOUSING IPL40/160/IP-E40/5 KIT	1
1.13	2046358	> O-RING ID.164,7X3,53 E7518 VP.	1
3.1		> PUMP HOUSING IP-E40/160 CPL.WILO	1
6	2104485	DPS40-1(0-10V) KIT	1
6.1	2106115	> DIFFERENTIAL PRESSURE SENSOR 40 KIT	1
Note: FROM/ AB/ À PARTIR: 09/2009			
		>> DPS40 spiral TZ.3mm Volt 2G	1
	2196657	>> Cable DPS 3x0,34x650 short bared 2G VP.	1
Note: from/ab/de 01.10.2013			
6.2	2106120	> CONNECTION SENSOR IP-E SPIRAL M6 KIT	1
Note: FROM/ AB/ À PARTIR: 09/2009			
6.21		>> CAPILLARY COIL 1000	2
6.22		>> Fixation ring pipe union R1/8" 90GD.Ni	1
6.23		>> HANDLE DDG M6	1
6.24		>> Screw M4x10 EE DIN7500 ZN	2
	2168862	>> Nut/Ferrule M6 D.3MM MS Ni (2 Pieces)	1

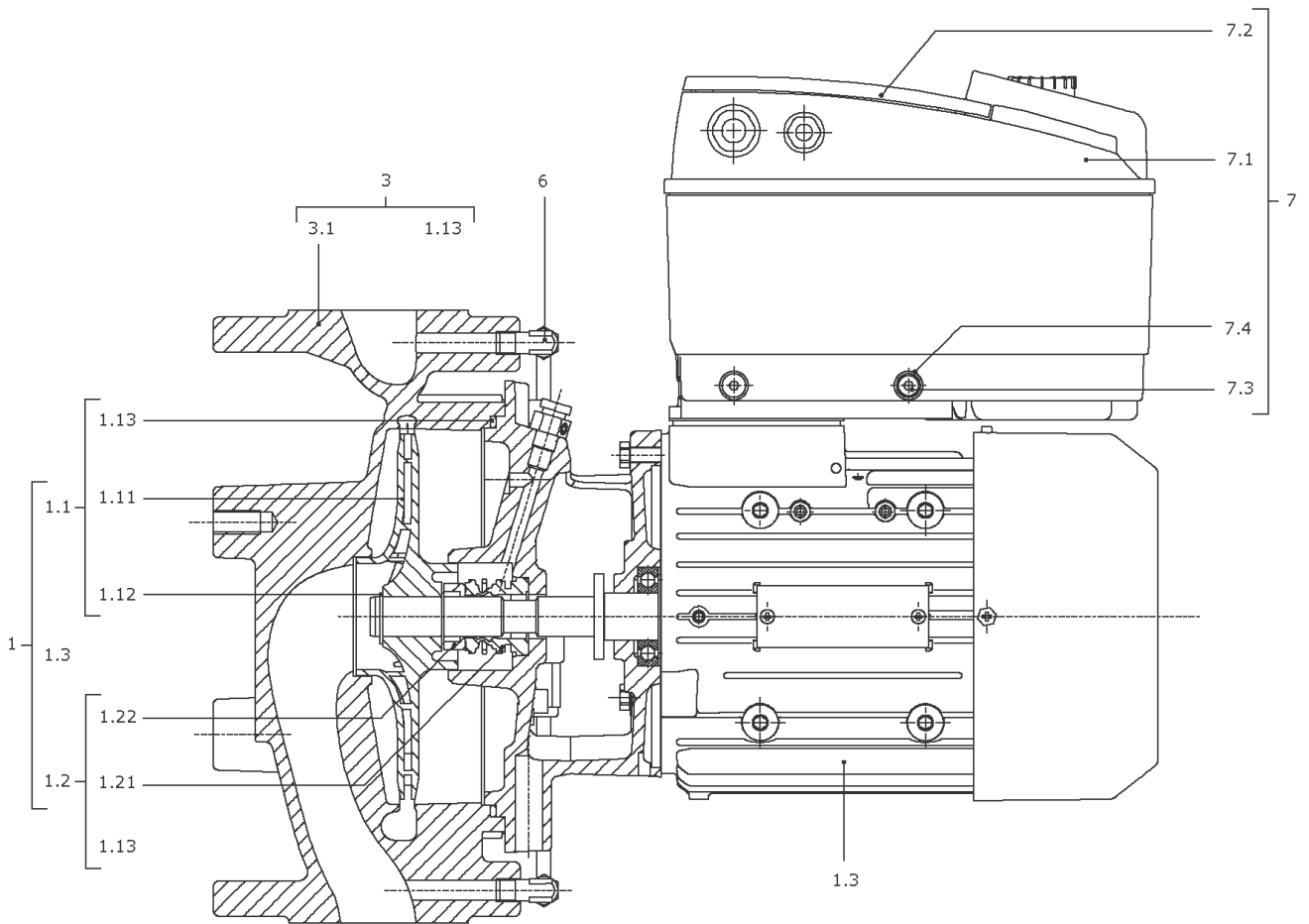
**IP-E40/150-3/2-IE1 (2053091)**

Item	Article no.	Description	Quantity
	2168860	>> Nut/Ferrule M8 D.5MM MS Ni (2 Pieces)	1
7		MODULE IP-E/DP-E40/150-3/2-IE1 KIT	1
Note: no longer available / nicht mehr lieferbar / ne plus disponible			
7.1		> MODULE IP/DP-E40/150-3/2 TL4 WILO/EMB	1
7.2	2054227	> MODULE COVER/GASKET TL3/4 KIT	1
7.3		> SCREW M5X16 ISO4762 8.8 ZnNi	1
7.4		> WASHER TOOTHED LOCK A5,3 DIN6797 FST ZN	1
	2061236	> O-RING ID.38X3 EPDM 70SR.A BUS.	1
	2054224	SCREW M6X22/20 ISO4762 8.8 (8 PIECES)	1



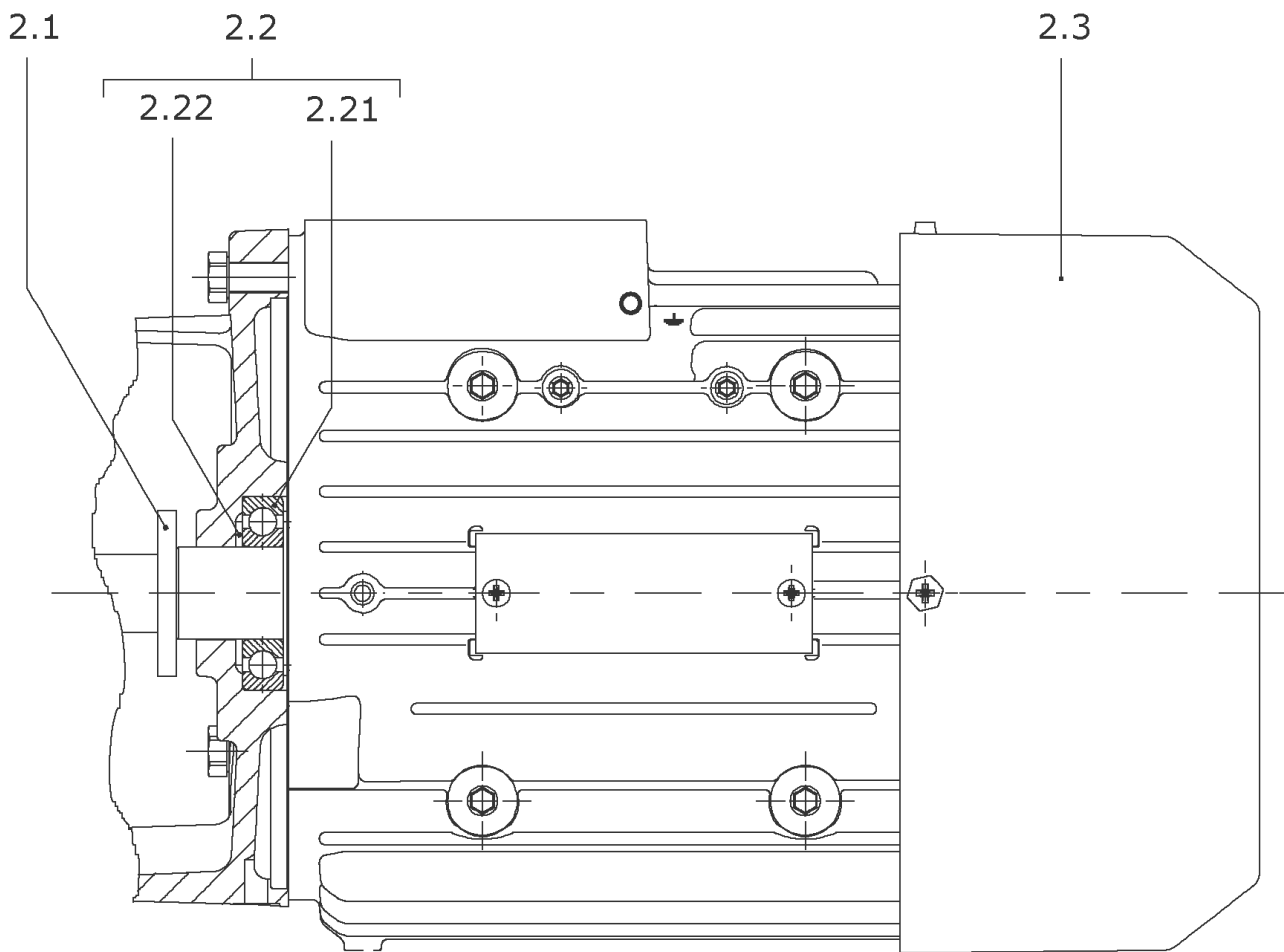
**SPARE PARTS MOTOR 3/2/100**

<b>Item</b>	<b>Article no.</b>	<b>Description</b>	<b>Quantity</b>
2.1	2054287	SHAFT SEAL RING 1LA7 BG100-112 SM.	1
2.2	2046966	BALL BEARING 6206/2RS-C3 (HT) VP.	1
	121083998	BALL BEARING 6205/2Z-C3 (HT) VP.	1
2.3	2029716	FAN HOOD 1LA7 BG100 SM.VP.	1
	2164007	Fan wheel 1LA7 BG100-112 SM.VP.	1



**IP-E40/150-3/2-R1-IE1 (2053109)**

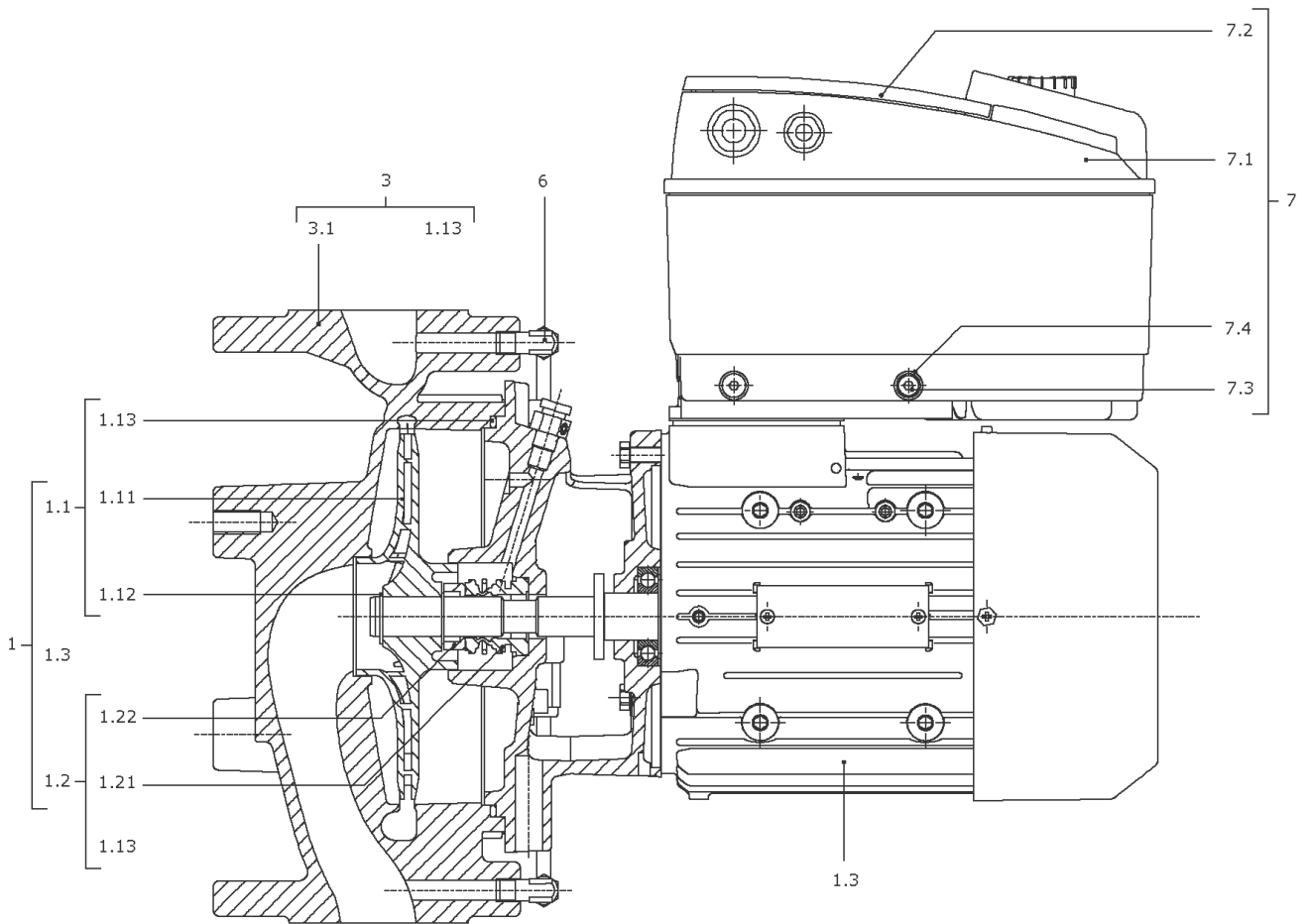
Item	Article no.	Description	Quantity
1		SERVICE MOTOR IP-E/DP-E40/150-3/2 KIT	1
Note: no longer available / nicht mehr lieferbar / ne plus disponible			
1.1	2052523	> IMPELLER D.55/147/17X7,8 KIT	1
1.11		>> IMPELLER D.55/147/17X7,8 PPO BEARB.	1
1.12	2123932	>> CIRCLIP 17X1 DIN471 A2 1.4122 VP.	1
1.13	2046358	>> O-RING ID.164,7X3,53 E7518 VP.	1
1.2	122097593	> Mechanical seal ID.17 AQ1EGG KIT	1
1.12	2123932	>> CIRCLIP 17X1 DIN471 A2 1.4122 VP.	1
1.13	2010300	>> O-RING ID.107,54X3,53	1
1.13	2010301	>> O-RING ID.117,07X3,53	1
1.13	2054183	>> O-RING ID.158,34X3,53 E7518	1
Note: TO/ BIS/ JUSQU'À: 03/03			
1.13	2046358	>> O-RING ID.164,7X3,53 E7518 VP.	1
Note: FROM/ AB/ À PARTIR: 04/03			
1.21		>> MECHANICAL SEAL ID.17 AQ1EGG	1
1.22		>> Distance ring D.17/30X9 PPO FE1630	1
1.3		> MOTOR 3/2/100 F188 SM.IE1 PTC	1
		SPARE PARTS MOTOR 3/2/100	1
3	2016517	PUMP HOUSING IPL40/160/IP-E40/5 KIT	1
1.13	2046358	> O-RING ID.164,7X3,53 E7518 VP.	1
3.1		> PUMP HOUSING IP-E40/160 CPL.WILO	1
7		MODULE IP-E/DP-E40/150-3/2-IE1 KIT	1
Note: no longer available / nicht mehr lieferbar / ne plus disponible			
7.1		> MODULE IP/DP-E40/150-3/2 TL4 WILO/EMB	1
7.2	2054227	> MODULE COVER/GASKET TL3/4 KIT	1
7.3		> SCREW M5X16 ISO4762 8.8 ZnNi	1
7.4		> WASHER TOOTHED LOCK A5,3 DIN6797 FST ZN	1
	2061236	> O-RING ID.38X3 EPDM 70SR.A BUS.	1
	2054224	SCREW M6X22/20 ISO4762 8.8 (8 PIECES)	1





**SPARE PARTS MOTOR 3/2/100**

<b>Item</b>	<b>Article no.</b>	<b>Description</b>	<b>Quantity</b>
2.1	2054287	SHAFT SEAL RING 1LA7 BG100-112 SM.	1
2.2	2046966	BALL BEARING 6206/2RS-C3 (HT) VP.	1
	121083998	BALL BEARING 6205/2Z-C3 (HT) VP.	1
2.3	2029716	FAN HOOD 1LA7 BG100 SM.VP.	1
	2164007	Fan wheel 1LA7 BG100-112 SM.VP.	1

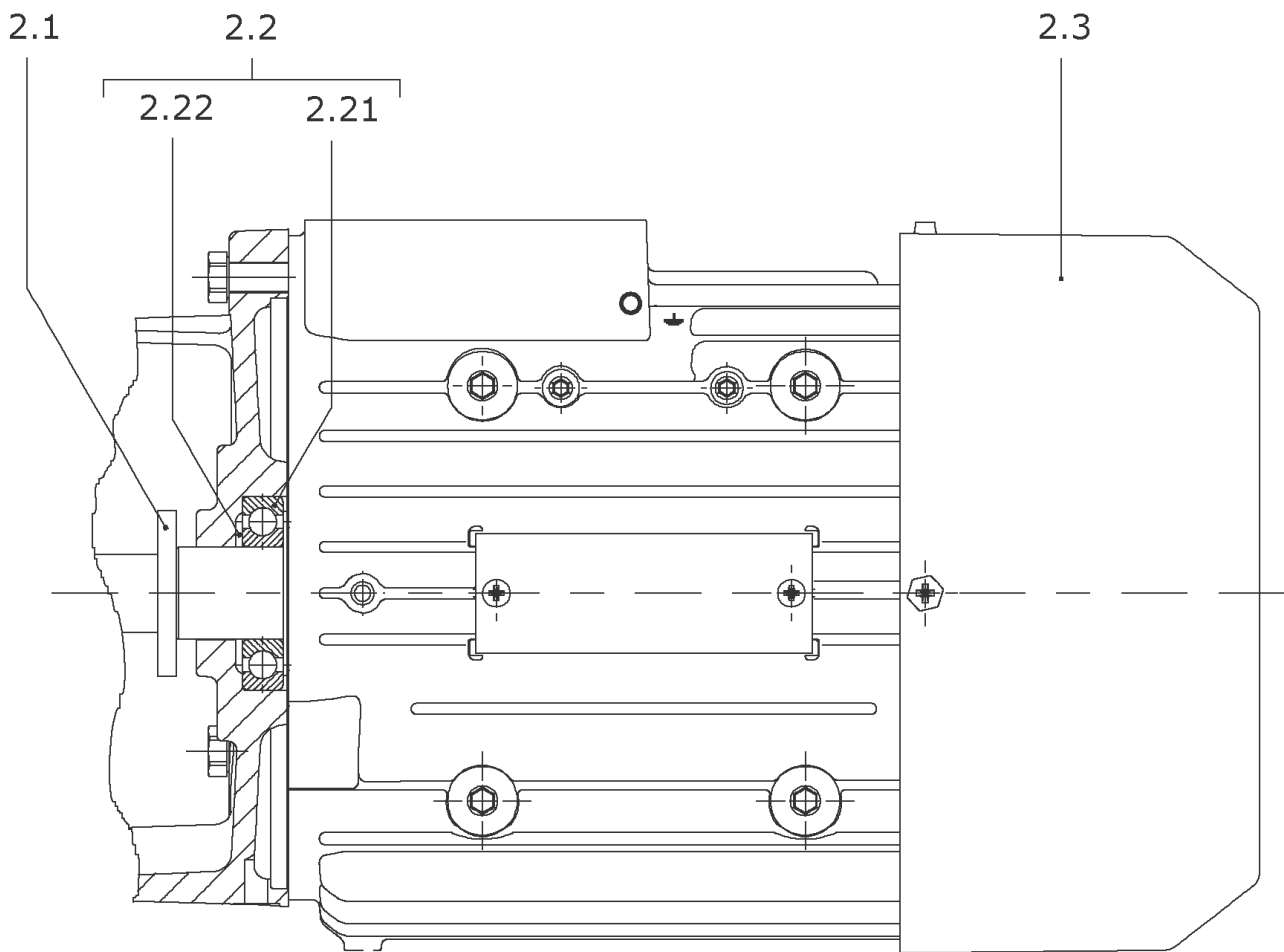


**IP-E40/160-4/2-IE1 (2061240)**

Item	Article no.	Description	Quantity
1		SERVICE MOTOR IP-E/DP-E40/160-4/2 KIT	1
Note: no longer available / nicht mehr lieferbar / ne plus disponible			
1.1	2052524	> IMPELLER D.62/156/17 KIT	1
1.11		>> Impeller D.55/156/6°/17 PPO FE1630	1
1.12	2123932	>> CIRCLIP 17X1 DIN471 A2 1.4122 VP.	1
1.13	2046358	>> O-RING ID.164,7X3,53 E7518 VP.	1
1.2	122097593	> Mechanical seal ID.17 AQ1EGG KIT	1
1.12	2123932	>> CIRCLIP 17X1 DIN471 A2 1.4122 VP.	1
1.13	2010300	>> O-RING ID.107,54X3,53	1
1.13	2010301	>> O-RING ID.117,07X3,53	1
1.13	2054183	>> O-RING ID.158,34X3,53 E7518	1
Note: TO/ BIS/ JUSQU'À: 03/03			
1.13	2046358	>> O-RING ID.164,7X3,53 E7518 VP.	1
Note: FROM/ AB/ À PARTIR: 04/03			
1.21		>> MECHANICAL SEAL ID.17 AQ1EGG	1
1.22		>> Distance ring D.17/30X9 PPO FE1630	1
1.3		> MOTOR 4/2/112 F188 SM.IE1 PTC	1
		SPARE PARTS MOTOR 4/2/112	1
3	2016517	PUMP HOUSING IPL40/160/IP-E40/5 KIT	1
1.13	2046358	> O-RING ID.164,7X3,53 E7518 VP.	1
3.1		> PUMP HOUSING IP-E40/160 CPL.WILO	1
6	2104485	DPS40-1(0-10V) KIT	1
6.1	2106115	> DIFFERENTIAL PRESSURE SENSOR 40 KIT	1
Note: FROM/ AB/ À PARTIR: 09/2009			
		>> DPS40 spiral TZ.3mm Volt 2G	1
	2196657	>> Cable DPS 3x0,34x650 short bared 2G VP.	1
Note: from/ab/de 01.10.2013			
6.2	2106120	> CONNECTION SENSOR IP-E SPIRAL M6 KIT	1
Note: FROM/ AB/ À PARTIR: 09/2009			
6.21		>> CAPILLARY COIL 1000	2
6.22		>> Fixation ring pipe union R1/8" 90GD.Ni	1
6.23		>> HANDLE DDG M6	1
6.24		>> Screw M4x10 EE DIN7500 ZN	2
	2168862	>> Nut/Ferrule M6 D.3MM MS Ni (2 Pieces)	1

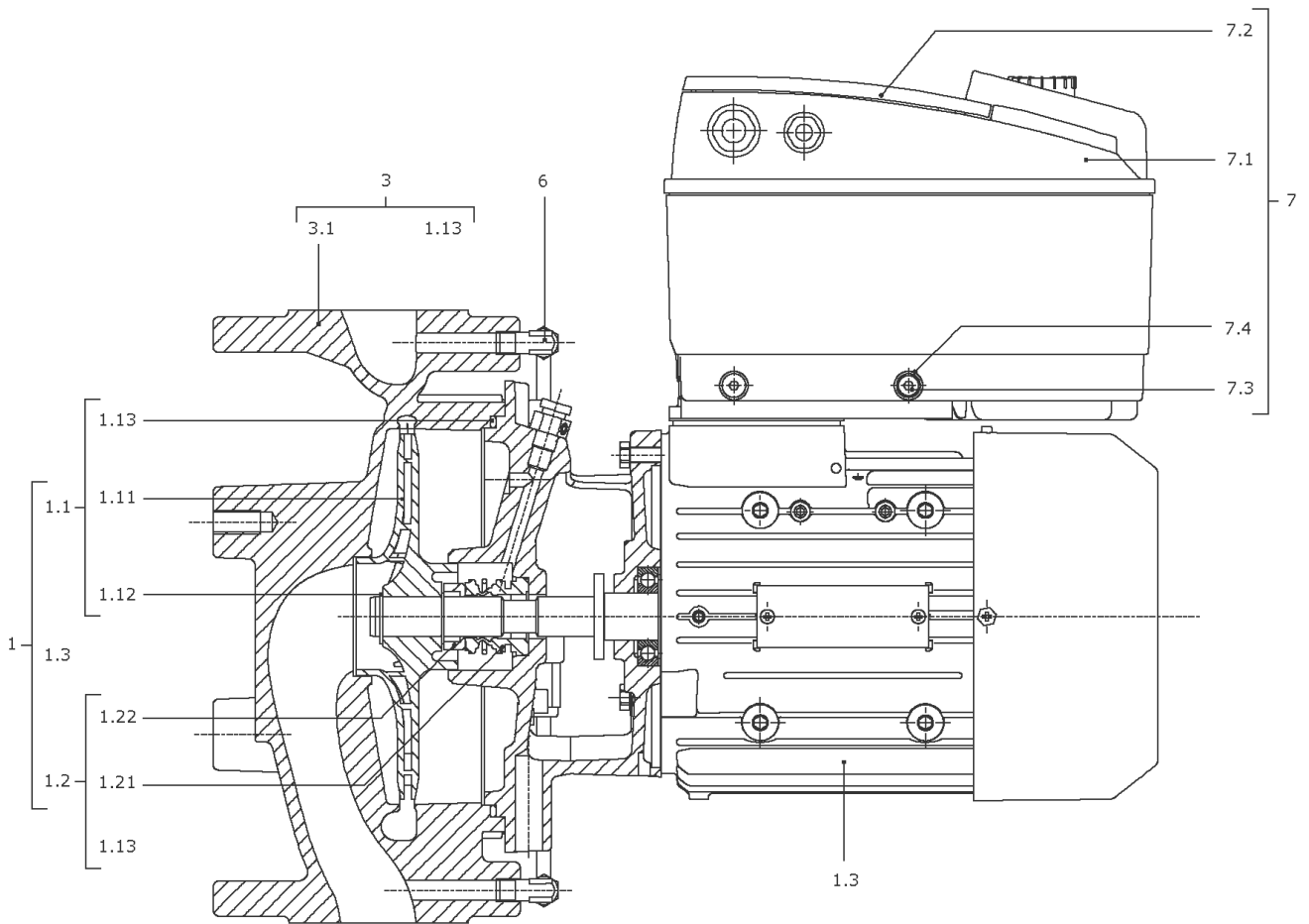
**IP-E40/160-4/2-IE1 (2061240)**

<b>Item</b>	<b>Article no.</b>	<b>Description</b>	<b>Quantity</b>
	2168860	>> Nut/Ferrule M8 D.5MM MS Ni (2 Pieces)	1
7	2064353	MODULE IP-E/DP-E40/160-4/2-IE1 KIT	1
7.1		> MODULE IP/DP-E40/160-4/2 TL4 N WILO/EMB	1
7.2	2054227	> MODULE COVER/GASKET TL3/4 KIT	1
7.3		> SCREW M5X16 ISO4762 8.8 ZnNi	1
7.4		> WASHER TOOTHED LOCK A5,3 DIN6797 FST ZN	1
	2061236	> O-RING ID.38X3 EPDM 70SR.A BUS.	1
	2054224	SCREW M6X22/20 ISO4762 8.8 (8 PIECES)	1



**SPARE PARTS MOTOR 4/2/112**

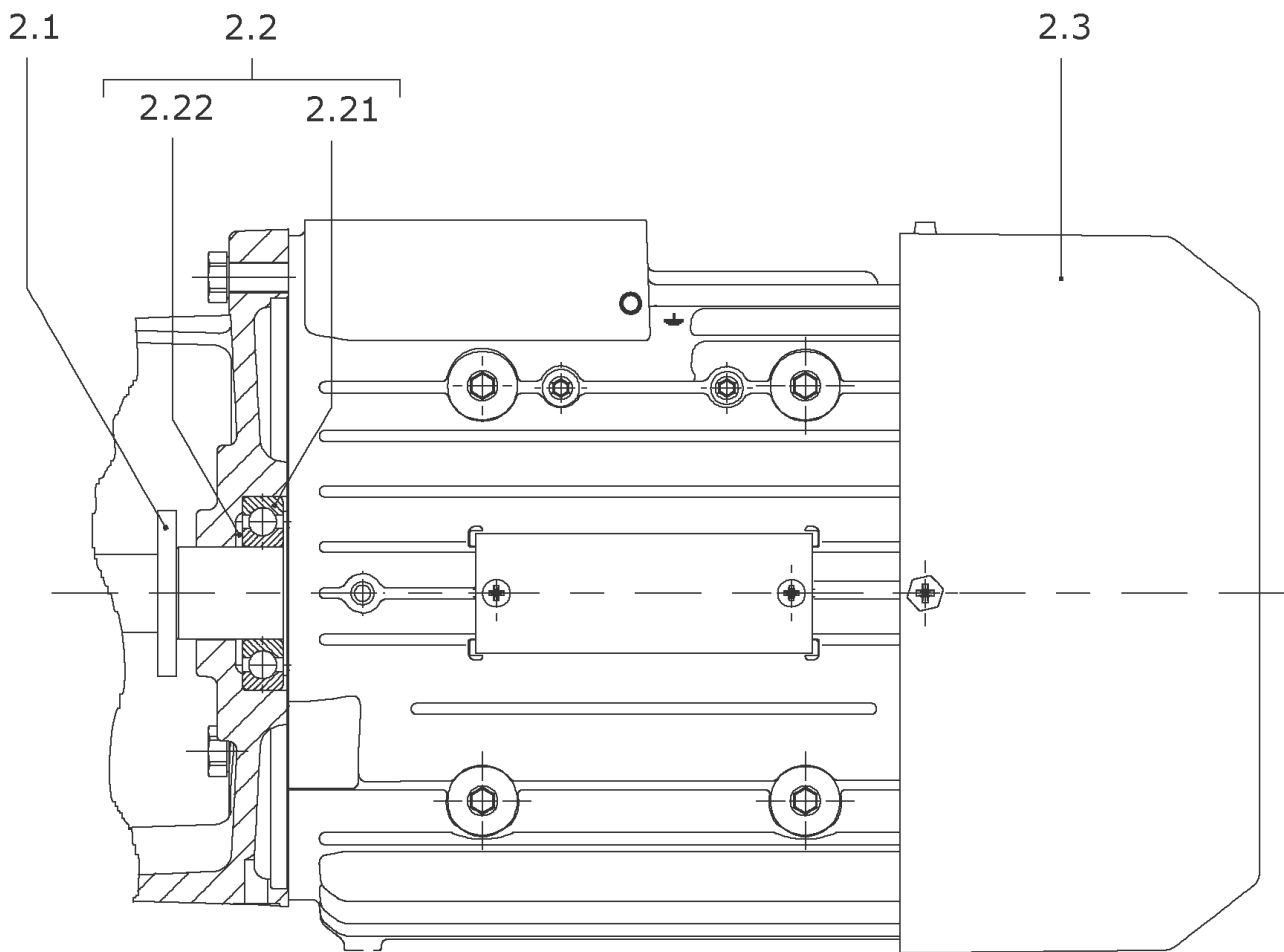
<b>Item</b>	<b>Article no.</b>	<b>Description</b>	<b>Quantity</b>
2.1	2054287	SHAFT SEAL RING 1LA7 BG100-112 SM.	1
2.2	2046961	BALL BEARING 6306/2RS-C3 (HT) VP.	1
	121083998	BALL BEARING 6205/2Z-C3 (HT) VP.	1
2.3	2162676	Fan hood 1LA7 BG112 SM.VP.	1
	2164007	Fan wheel 1LA7 BG100-112 SM.VP.	1



**IP-E40/160-4/2-R1-IE1 (2061248)**

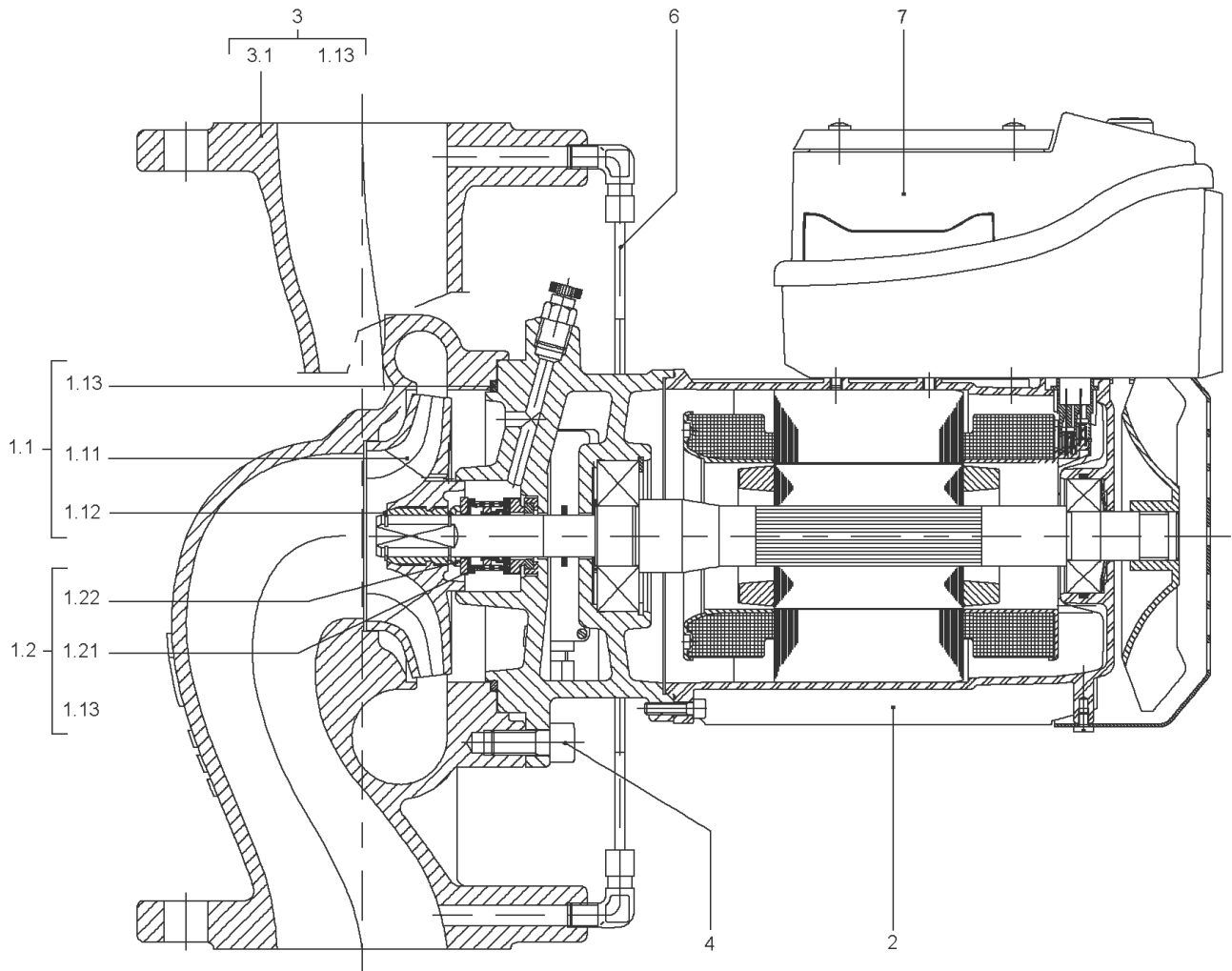
Item	Article no.	Description	Quantity
1		SERVICE MOTOR IP-E/DP-E40/160-4/2 KIT	1
Note: no longer available / nicht mehr lieferbar / ne plus disponible			
1.1	2052524	> IMPELLER D.62/156/17 KIT	1
1.11		>> Impeller D.55/156/6°/17 PPO FE1630	1
1.12	2123932	>> CIRCLIP 17X1 DIN471 A2 1.4122 VP.	1
1.13	2046358	>> O-RING ID.164,7X3,53 E7518 VP.	1
1.2	122097593	> Mechanical seal ID.17 AQ1EGG KIT	1
1.12	2123932	>> CIRCLIP 17X1 DIN471 A2 1.4122 VP.	1
1.13	2010300	>> O-RING ID.107,54X3,53	1
1.13	2010301	>> O-RING ID.117,07X3,53	1
1.13	2054183	>> O-RING ID.158,34X3,53 E7518	1
Note: TO/ BIS/ JUSQU'À: 03/03			
1.13	2046358	>> O-RING ID.164,7X3,53 E7518 VP.	1
Note: FROM/ AB/ À PARTIR: 04/03			
1.21		>> MECHANICAL SEAL ID.17 AQ1EGG	1
1.22		>> Distance ring D.17/30X9 PPO FE1630	1
1.3		> MOTOR 4/2/112 F188 SM.IE1 PTC	1
		SPARE PARTS MOTOR 4/2/112	1
3	2016517	PUMP HOUSING IPL40/160/IP-E40/5 KIT	1
1.13	2046358	> O-RING ID.164,7X3,53 E7518 VP.	1
3.1		> PUMP HOUSING IP-E40/160 CPL.WILO	1
7	2064353	MODULE IP-E/DP-E40/160-4/2-IE1 KIT	1
7.1		> MODULE IP/DP-E40/160-4/2 TL4 N WILO/EMB	1
7.2	2054227	> MODULE COVER/GASKET TL3/4 KIT	1
7.3		> SCREW M5X16 ISO4762 8.8 ZnNi	1
7.4		> WASHER TOOTHED LOCK A5,3 DIN6797 FST ZN	1
	2061236	> O-RING ID.38X3 EPDM 70SR.A BUS.	1
	2054224	SCREW M6X22/20 ISO4762 8.8 (8 PIECES)	1





**SPARE PARTS MOTOR 4/2/112**

<b>Item</b>	<b>Article no.</b>	<b>Description</b>	<b>Quantity</b>
2.1	2054287	SHAFT SEAL RING 1LA7 BG100-112 SM.	1
2.2	2046961	BALL BEARING 6306/2RS-C3 (HT) VP.	1
	121083998	BALL BEARING 6205/2Z-C3 (HT) VP.	1
2.3	2162676	Fan hood 1LA7 BG112 SM.VP.	1
	2164007	Fan wheel 1LA7 BG100-112 SM.VP.	1

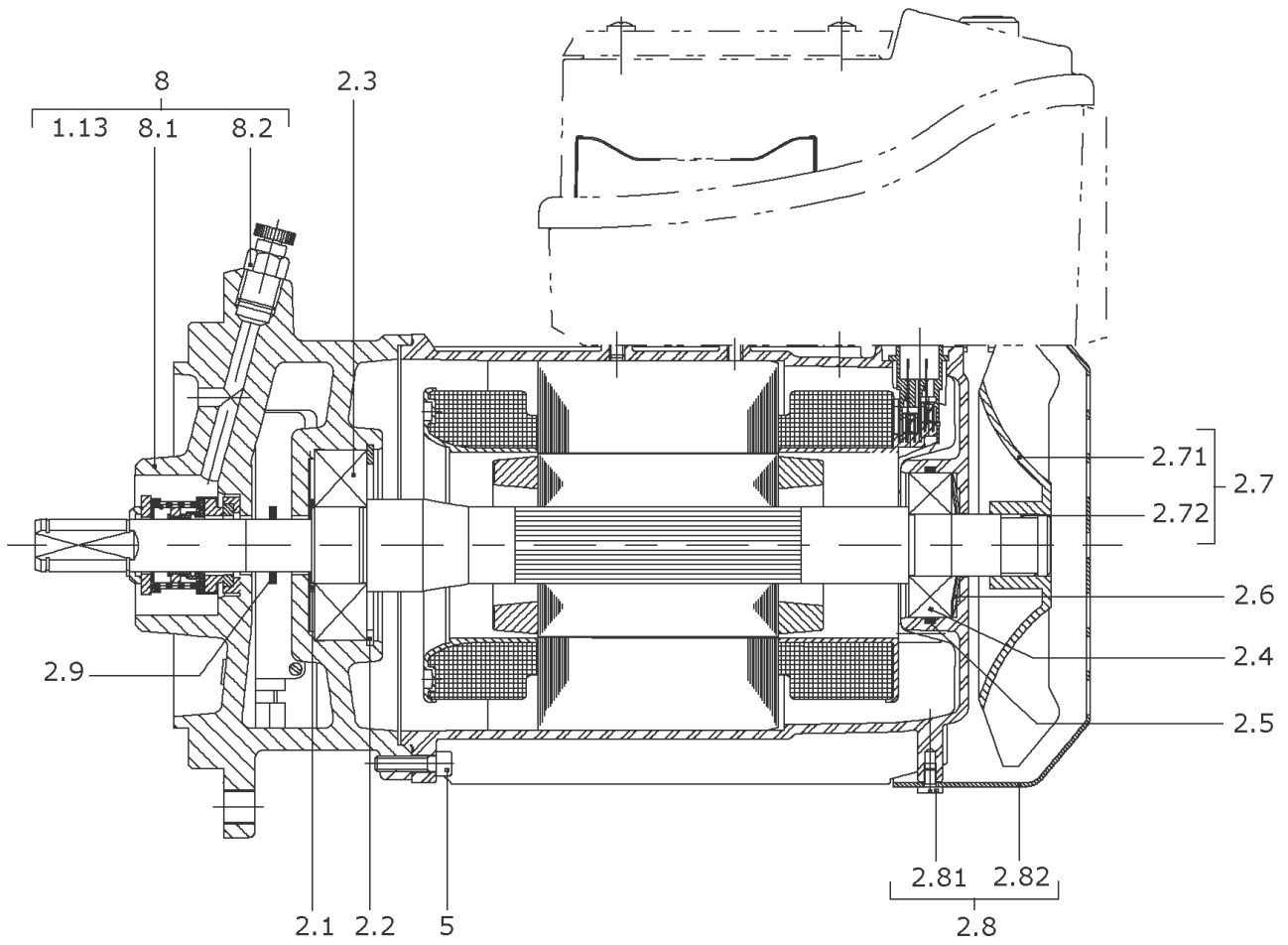


**IP-E40/2-12-IE1 (2012586)**

Item	Article no.	Description	Quantity
1.1	122092498	IMPELLER D.48/105,5/17 KIT	1
1.11		> Impeller D.48/105,5/17X5,4 PPO FE1630	1
1.12	2123932	> CIRCLIP 17X1 DIN471 A2 1.4122 VP.	1
1.13	2010300	> O-RING ID.107,54X3,53	1
1.2	122097593	Mechanical seal ID.17 AQ1EGG KIT	1
1.12	2123932	> CIRCLIP 17X1 DIN471 A2 1.4122 VP.	1
1.13	2010300	> O-RING ID.107,54X3,53	1
1.13	2010301	> O-RING ID.117,07X3,53	1
1.13	2054183	> O-RING ID.158,34X3,53 E7518	1
Note: TO/ BIS/ JUSQU'À: 03/03			
1.13	2046358	> O-RING ID.164,7X3,53 E7518 VP.	1
Note: FROM/ AB/ À PARTIR: 04/03			
1.21		> MECHANICAL SEAL ID.17 AQ1EGG	1
1.22		> Distance ring D.17/30X9 PPO FE1630	1
2		MOTOR IP-E40/2-12	1
Note: no longer available / nicht mehrlieferbar / ne plus disponible			
		SPARE PARTS MOTOR TL1/550/2	1
3	2016513	PUMP HOUSING IPL40/115/IP-E40/2 KIT	1
1.13	2010300	> O-RING ID.107,54X3,53	1
3.1		> PUMP HOUSING IP-E40/108,5 CPL.WILO	1
4	2046362	SCREW M6X20 ISO4762 8.8 ZN(8STÜCK)	1
6	2104479	DPS20-1(0-10V) KIT	1
6.1	2106113	> DIFFERENTIAL PRESSURE SENSOR 20 KIT	1
Note: FROM/ AB/ À PARTIR: 09/2009			
		>> DPS20 spiral TZ.3mm Volt 2G	1
	2196657	>> Cable DPS 3x0,34x650 short bared 2G VP.	1
Note: from/ab/de 01.10.2013			
6.2	2106120	> CONNECTION SENSOR IP-E SPIRAL M6 KIT	1
Note: FROM/ AB/ À PARTIR: 09/2009			
6.21		>> CAPILLARY COIL 1000	2
6.22		>> Fixation ring pipe union R1/8" 90GD.Ni	1
6.23		>> HANDLE DDG M6	1
6.24		>> Screw M4x10 EE DIN7500 ZN	2
	2168862	>> Nut/Ferrule M6 D.3MM MS Ni (2 Pieces)	1

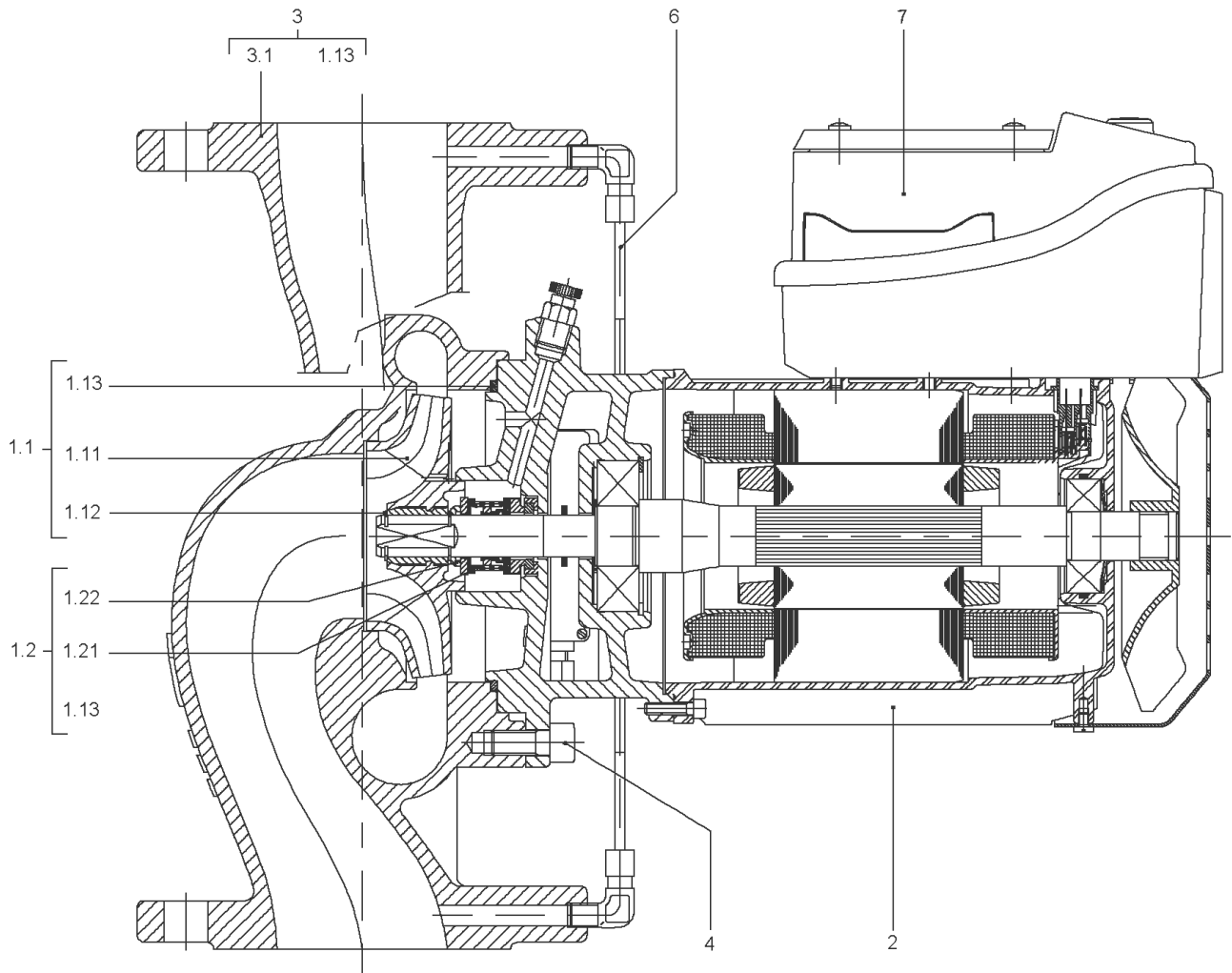
**IP-E40/2-12-IE1 (2012586)**

<b>Item</b>	<b>Article no.</b>	<b>Description</b>	<b>Quantity</b>
	2168860	>> Nut/Ferrule M8 D.5MM MS Ni (2 Pieces)	1
7	2016539	MODULE IP-E/DP-E40/2-12 0,55KW	1



## SPARE PARTS MOTOR TL1/550/2

Item	Article no.	Description	Quantity
2.1	2046120	CIRCLIP 40X1,75 DIN472 A2	1
Note: Please give the data from type plate of the motor			
2.3	2046959	BALL BEARING 6202/2RS-C3 (HT) VP.	1
Note: Please give the data from type plate of the motor			
2.4	121001494	BALL BEARING 6203/2Z-C3 (HT) VP.	1
Note: Please give the data from type plate of the motor			
2.5		O-RING ID.35X2 FPM 80SHORE	1
Note: no longer available / nicht mehr lieferbar / ne plus disponible			
2.6	2046116	WASHER 28X34,5X0,4 K3	1
Note: Please give the data from type plate of the motor			
2.7	122093297	FAN WHEEL BG71 ATB KIT	1
Note: Please give the data from type plate of the motor			
2.8A		> FAN WHEEL BG71/80 106152 ATB	1
2.8B	2123923	> CORRUGATED SLEEVE RING BG71 ATB VP.	1
Note: Please give the data from type plate of the motor			
2.8	2026495	FAN HOUSING TL1N D.152 KIT	1
Note: Please give the data from type plate of the motor			
2.81		> SCREW M4X8 ISO7045 4.8-H ZN	1
Note: no longer available / nicht mehr lieferbar / ne plus disponible			
2.82		> FAN HOUSING TL1N D.152 PA6 GREEN	1
2.9	2046393	GUMMI THROWER SYN D16/35 EP4	1
Note: Please give the data from type plate of the motor			
5	2046119	SCREW M5X16 DIN912 8.8 ZN (4 PIECES)	1
Note: Please give the data from type plate of the motor			
8		LANTERN TL1/550 KIT	1
Note: no longer available / nicht mehr lieferbar / ne plus disponible			
Note: Please give the data from type plate of the motor			
1.13	2010300	> O-RING ID.107,54X3,53	1
8.1		> LANTERN IP-E40/2 CPL.WILO	1
8.2	2027201	> BLOWGUN R1/8" VP.	1





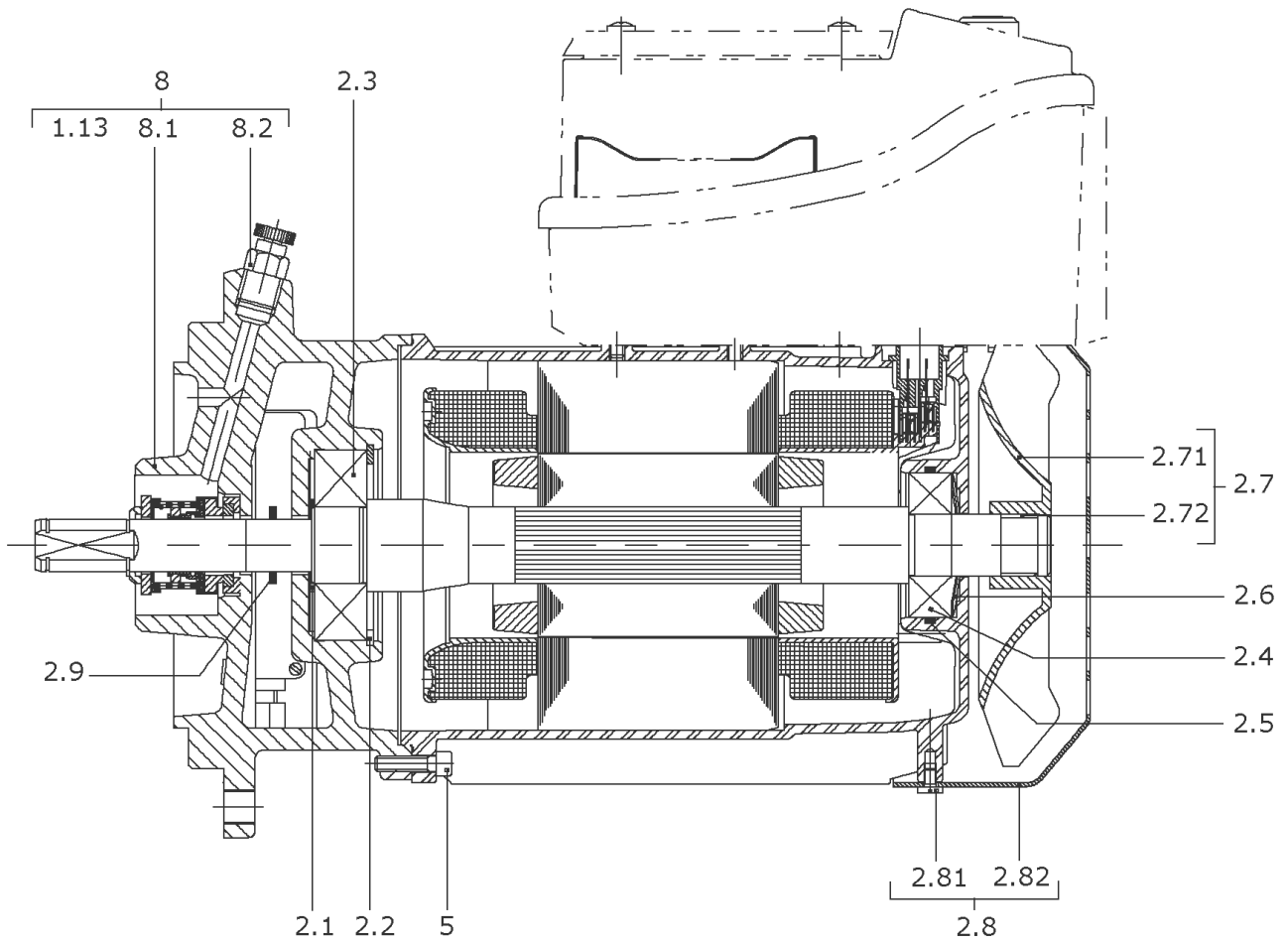
**IP-E40/5-28-IE1 (2012591)**

Item	Article no.	Description	Quantity
1.1	2052523	IMPELLER D.55/147/17X7,8 KIT	1
1.11		> IMPELLER D.55/147/17X7,8 PPO BEARB.	1
1.12	2123932	> CIRCLIP 17X1 DIN471 A2 1.4122 VP.	1
1.13	2046358	> O-RING ID.164,7X3,53 E7518 VP.	1
1.2	122097593	Mechanical seal ID.17 AQ1EGG KIT	1
1.12	2123932	> CIRCLIP 17X1 DIN471 A2 1.4122 VP.	1
1.13	2010300	> O-RING ID.107,54X3,53	1
1.13	2010301	> O-RING ID.117,07X3,53	1
1.13	2054183	> O-RING ID.158,34X3,53 E7518	1
Note: TO/ BIS/ JUSQU'À: 03/03			
1.13	2046358	> O-RING ID.164,7X3,53 E7518 VP.	1
Note: FROM/ AB/ À PARTIR: 04/03			
1.21		> MECHANICAL SEAL ID.17 AQ1EGG	1
1.22		> Distance ring D.17/30X9 PPO FE1630	1
2		MOTOR IP-E40/5-28, 65/4-20	1
Note: no longer available / nicht mehrlieferbar / ne plus disponible			
		SPARE PARTS MOTOR TL4/3000/2	1
3	2016517	PUMP HOUSING IPL40/160/IP-E40/5 KIT	1
1.13	2046358	> O-RING ID.164,7X3,53 E7518 VP.	1
3.1		> PUMP HOUSING IP-E40/160 CPL.WILO	1
4	2046362	SCREW M6X20 ISO4762 8.8 ZN(8STÜCK)	1
6	2104485	DPS40-1(0-10V) KIT	1
6.1	2106115	> DIFFERENTIAL PRESSURE SENSOR 40 KIT	1
Note: FROM/ AB/ À PARTIR: 09/2009			
		>> DPS40 spiral TZ.3mm Volt 2G	1
	2196657	>> Cable DPS 3x0,34x650 short bared 2G VP.	1
Note: from/ab/de 01.10.2013			
6.2	2106120	> CONNECTION SENSOR IP-E SPIRAL M6 KIT	1
Note: FROM/ AB/ À PARTIR: 09/2009			
6.21		>> CAPILLARY COIL 1000	2
6.22		>> Fixation ring pipe union R1/8" 90GD.Ni	1
6.23		>> HANDLE DDG M6	1
6.24		>> Screw M4x10 EE DIN7500 ZN	2
	2168862	>> Nut/Ferrule M6 D.3MM MS Ni (2 Pieces)	1

**IP-E40/5-28-IE1 (2012591)**

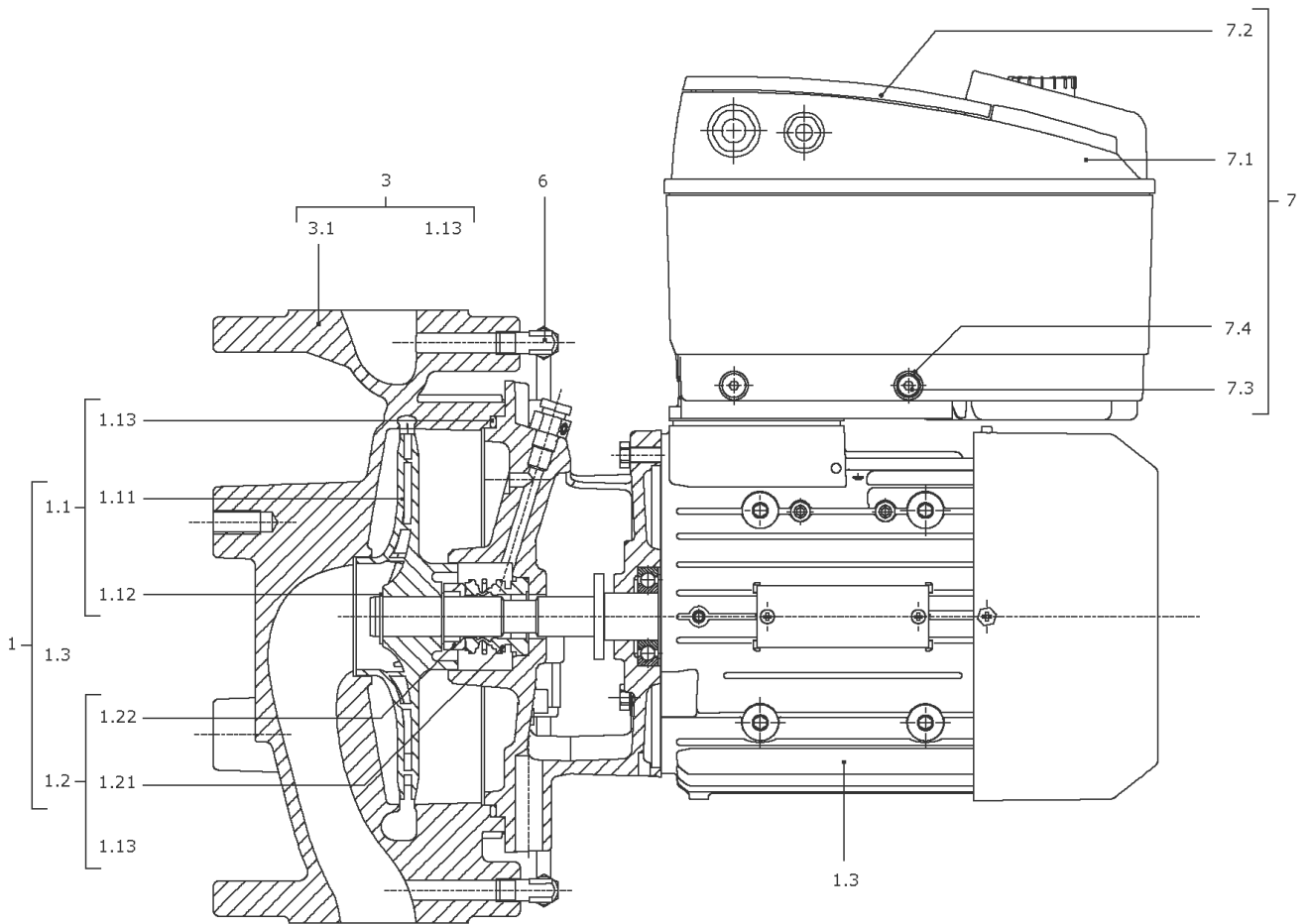
<b>Item</b>	<b>Article no.</b>	<b>Description</b>	<b>Quantity</b>
	2168860	>> Nut/Ferrule M8 D.5MM MS Ni (2 Pieces)	1
7		MODULE IP-E/DP-E40/5-28 3,0KW	1

Note: no longer available / nicht mehr lieferbar / ne plus disponible



**SPARE PARTS MOTOR TL4/3000/2**

Item	Article no.	Description	Quantity
2.1	2046408	CIRCLIP 30X1,5 DIN471 FST	1
Note: Please give the data from type plate of the motor			
2.2	2046117	CIRCLIP 72X2,5 DIN472 FST	1
Note: Please give the data from type plate of the motor			
2.3	2046961	BALL BEARING 6306/2RS-C3 (HT) VP.	1
Note: Please give the data from type plate of the motor			
2.4	121084190	BALL BEARING 6206/2Z-C3 (HT) VP.	1
Note: Please give the data from type plate of the motor			
2.5	2046410	O-RING ID.62X3 FPM 80SSHORE	1
Note: Please give the data from type plate of the motor			
2.6	2046409	WASHER 51X61X0,4 MENKE	1
Note: Please give the data from type plate of the motor			
2.7	121479197	FAN WHEEL BG100-132 ATB KIT	1
Note: Please give the data from type plate of the motor			
2.8A		> FAN WHEEL BG100-132 721186 ATB	1
2.8B	2123672	> CORRU. SLEEVE RING BG90-132 ATB VP.	1
Note: Please give the data from type plate of the motor			
2.8	2026498	FAN HOUSING TL4N D.195 KIT	1
Note: Please give the data from type plate of the motor			
2.81		> SCREW M4X8 ISO7045 4.8-H ZN	1
Note: no longer available / nicht mehr lieferbar / ne plus disponible			
2.82		> FAN HOUSING TL4N D.195 PA6 GREEN	1
5	2045839	SCREW M10X25 DIN-EN24014 8.8 (4 PIECES)	1
Note: Please give the data from type plate of the motor			
8		LANTERN TL4 KIT	1
Note: no longer available / nicht mehr lieferbar / ne plus disponible			
Note: Please give the data from type plate of the motor			
1.13	2046358	> O-RING ID.164,7X3,53 E7518 VP.	1
8.1		> LANTERN IP-E40/5-65/4-50/5-80/4 CPL.WILO	1
8.2	2027201	> BLOWGUN R1/8" VP.	1

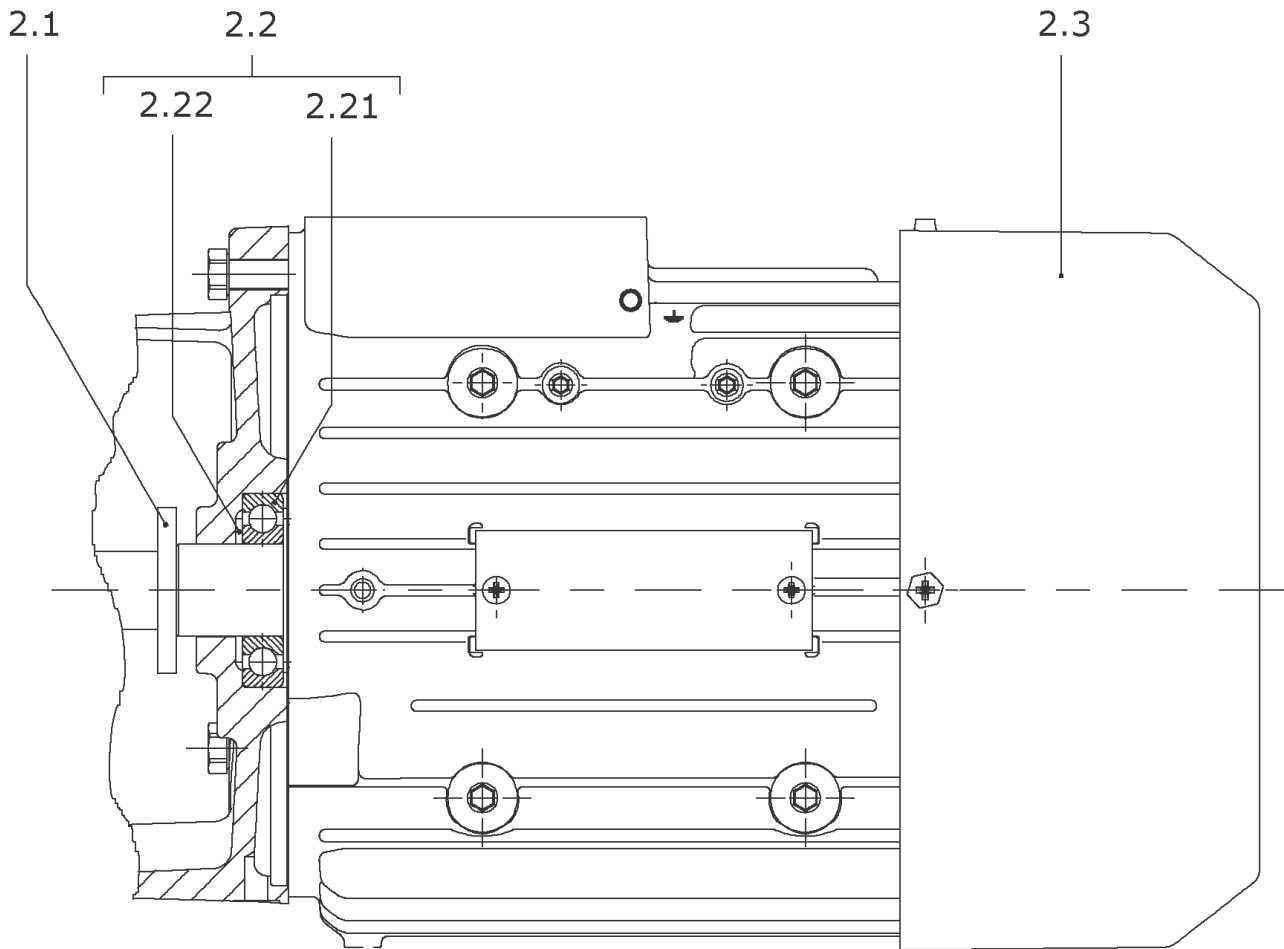


**IP-E50/115-0,75/2-IE1 (2053087)**

Item	Article no.	Description	Quantity
1		SERVICE MOTOR IP-E/DP-E50/115-0,75/2 KIT	1
Note: no longer available / nicht mehr lieferbar / ne plus disponible			
1.1	122092693	> IMPELLER D.56/107/17X7,47 KIT	1
1.11		>> Impeller D.56/107/17X7,47 PPO FE1630	1
1.12	2123932	>> CIRCLIP 17X1 DIN471 A2 1.4122 VP.	1
1.13	2010300	>> O-RING ID.107,54X3,53	1
1.2	122097593	> Mechanical seal ID.17 AQ1EGG KIT	1
1.12	2123932	>> CIRCLIP 17X1 DIN471 A2 1.4122 VP.	1
1.13	2010300	>> O-RING ID.107,54X3,53	1
1.13	2010301	>> O-RING ID.117,07X3,53	1
1.13	2054183	>> O-RING ID.158,34X3,53 E7518	1
Note: TO/ BIS/ JUSQU'À: 03/03			
1.13	2046358	>> O-RING ID.164,7X3,53 E7518 VP.	1
Note: FROM/ AB/ À PARTIR: 04/03			
1.21		>> MECHANICAL SEAL ID.17 AQ1EGG	1
1.22		>> Distance ring D.17/30X9 PPO FE1630	1
1.3		> MOTOR 0,75/2/80 F154 SM.IE1 PTC	1
		SPARE PARTS MOTOR 0,75/2/80	1
3	2016514	PUMP HOUSING IPL50/115/IP-E50/2 KIT	1
1.13	2010300	> O-RING ID.107,54X3,53	1
3.1		> PUMP HOUSING IP-E50/108,5 CPL.WILO	1
6	2104479	DPS20-1(0-10V) KIT	1
6.1	2106113	> DIFFERENTIAL PRESSURE SENSOR 20 KIT	1
Note: FROM/ AB/ À PARTIR: 09/2009			
		>> DPS20 spiral TZ.3mm Volt 2G	1
	2196657	>> Cable DPS 3x0,34x650 short bared 2G VP.	1
Note: from/ab/de 01.10.2013			
6.2	2106120	> CONNECTION SENSOR IP-E SPIRAL M6 KIT	1
Note: FROM/ AB/ À PARTIR: 09/2009			
6.21		>> CAPILLARY COIL 1000	2
6.22		>> Fixation ring pipe union R1/8" 90GD.Ni	1
6.23		>> HANDLE DDG M6	1
6.24		>> Screw M4x10 EE DIN7500 ZN	2
	2168862	>> Nut/Ferrule M6 D.3MM MS Ni (2 Pieces)	1

**IP-E50/115-0,75/2-IE1 (2053087)**

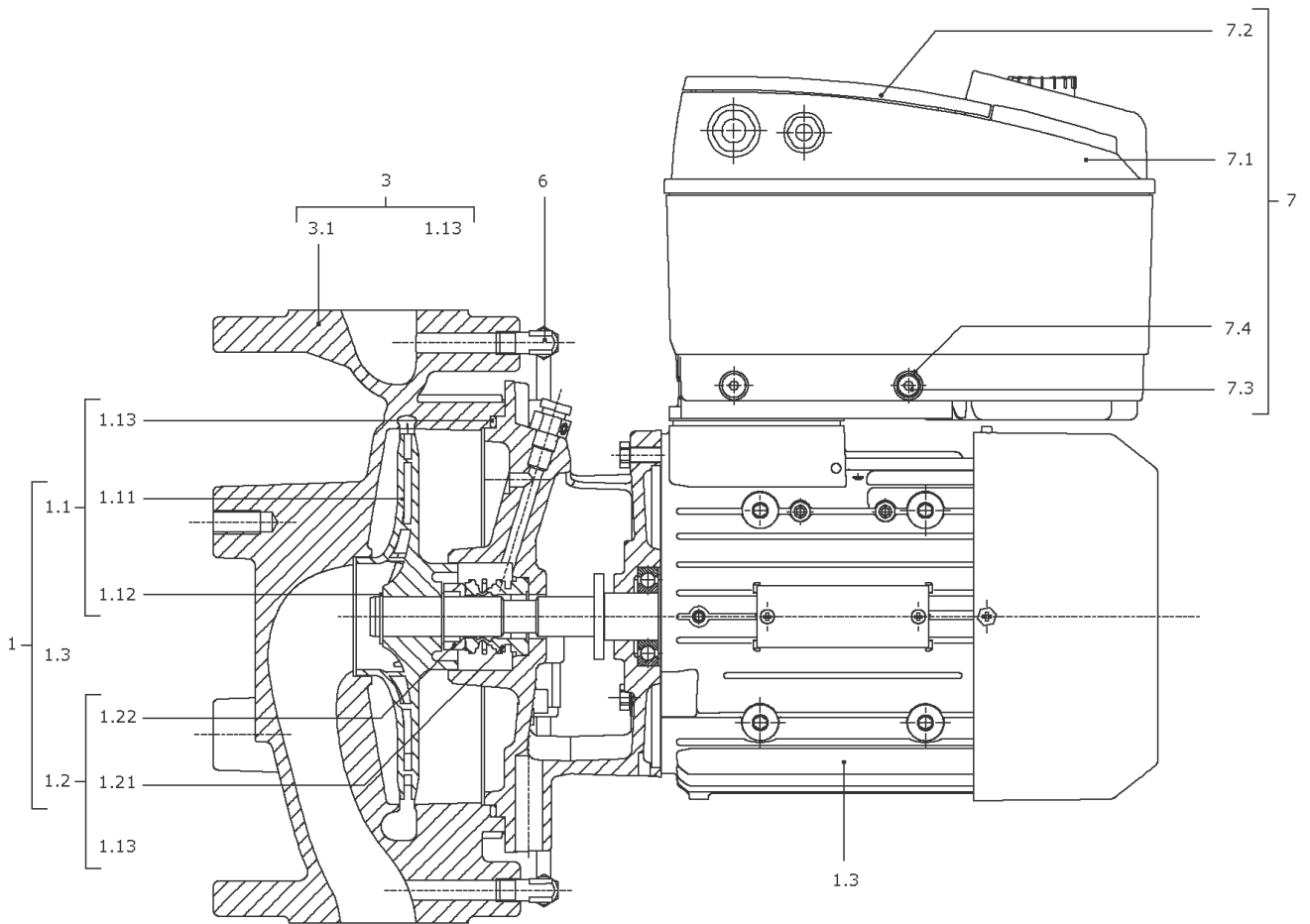
Item	Article no.	Description	Quantity
	2168860	>> Nut/Ferrule M8 D.5MM MS Ni (2 Pieces)	1
7	2057860	MODULE IP-E/DP-E50/115-0,75/2-IE1 KIT	1
7.1		> MODULE IP/DP-E50/115-0,75/2 TL2 WILO/EMB	1
7.2	2054372	> MODULE COVER TL1,TL2+GASKET KIT	1
7.3		> SCREW M5X16 ISO4762 8.8 ZnNi	1
7.4		> WASHER TOOTHED LOCK A5,3 DIN6797 FST ZN	1
	2061236	> O-RING ID.38X3 EPDM 70SR.A BUS.	1
	2054224	SCREW M6X22/20 ISO4762 8.8 (8 PIECES)	1





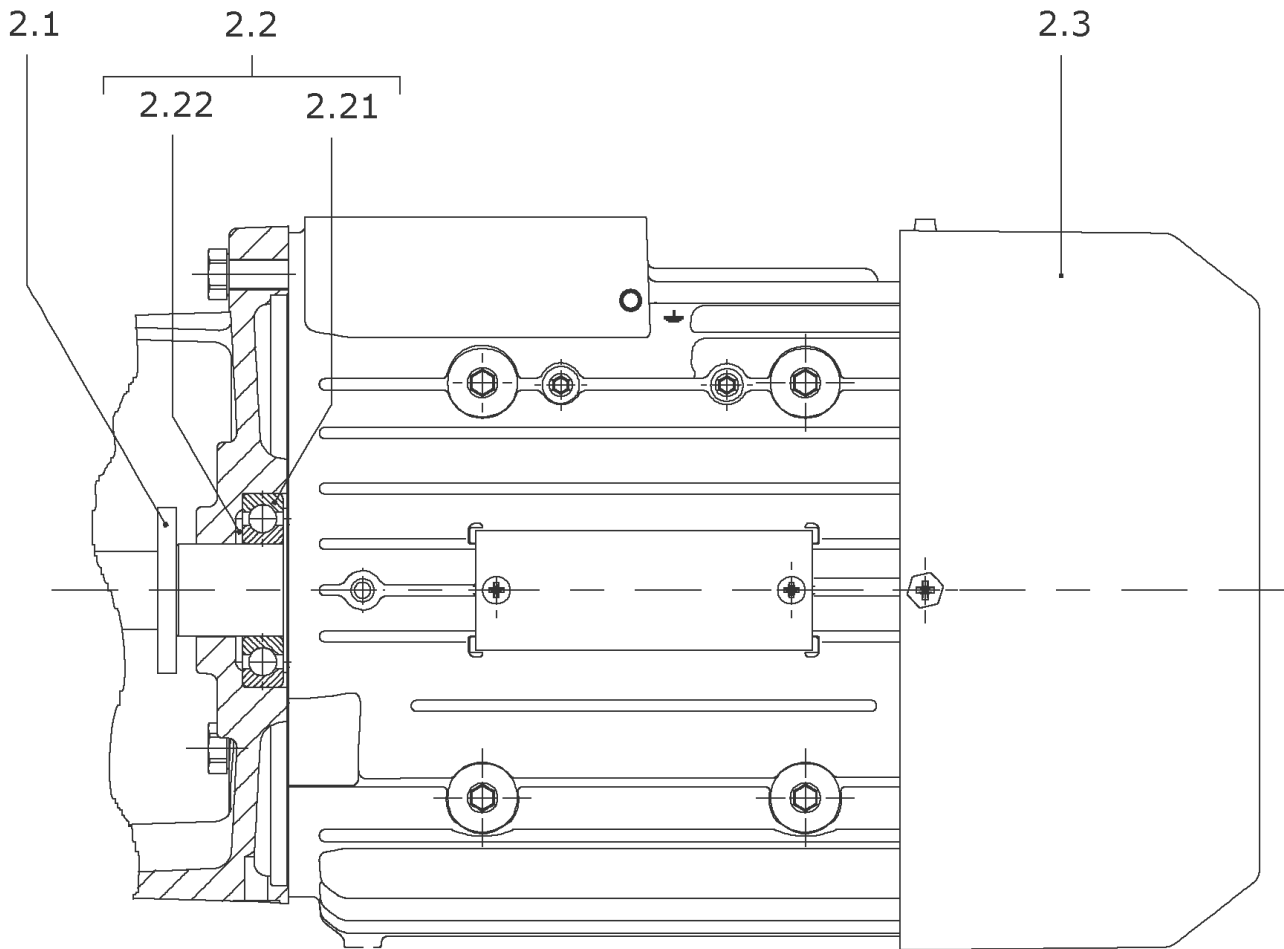
**SPARE PARTS MOTOR 0,75/2/80**

<b>Item</b>	<b>Article no.</b>	<b>Description</b>	<b>Quantity</b>
2.1	2054289	SHAFT SEAL RING 1LA7 BG80-90 SM.	1
2.2	2083790	BALL BEARING 6004/2RS-C3 (HT) VP.	1
	2044940	BALL BEARING 6004/2Z-C3 (HT) VP.	1
2.3	2029714	FAN HOOD 1LA7 BG80 SM.VP.	1
	2029730	FAN WHEEL 1LA7 BG80 SM.VP.	1



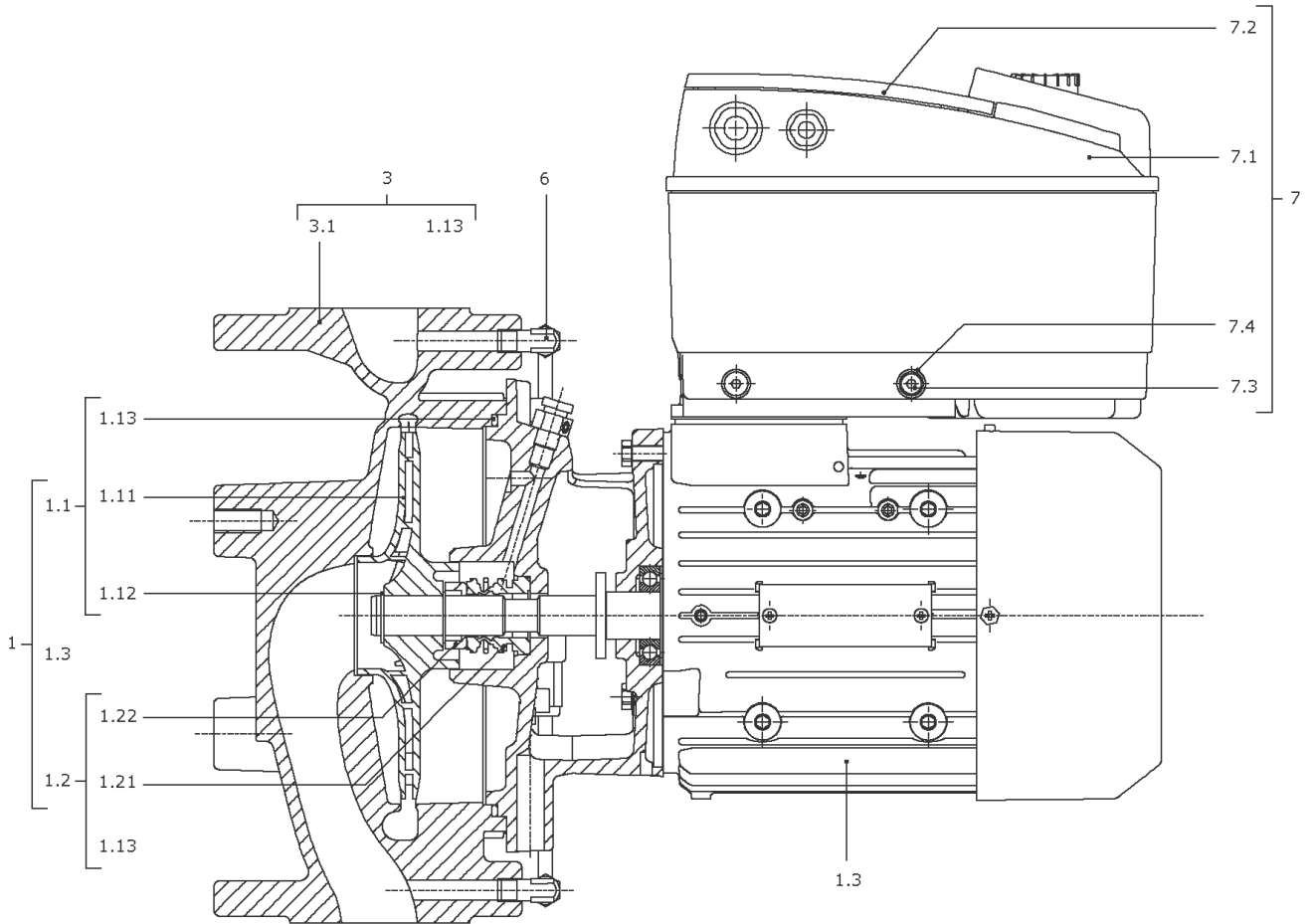
**IP-E50/115-0,75/2-R1-IE1 (2053105)**

Item	Article no.	Description	Quantity
1		SERVICE MOTOR IP-E/DP-E50/115-0,75/2 KIT	1
Note: no longer available / nicht mehr lieferbar / ne plus disponible			
1.1	122092693	> IMPELLER D.56/107/17X7,47 KIT	1
1.11		>> Impeller D.56/107/17X7,47 PPO FE1630	1
1.12	2123932	>> CIRCLIP 17X1 DIN471 A2 1.4122 VP.	1
1.13	2010300	>> O-RING ID.107,54X3,53	1
1.2	122097593	> Mechanical seal ID.17 AQ1EGG KIT	1
1.12	2123932	>> CIRCLIP 17X1 DIN471 A2 1.4122 VP.	1
1.13	2010300	>> O-RING ID.107,54X3,53	1
1.13	2010301	>> O-RING ID.117,07X3,53	1
1.13	2054183	>> O-RING ID.158,34X3,53 E7518	1
Note: TO/ BIS/ JUSQU'À: 03/03			
1.13	2046358	>> O-RING ID.164,7X3,53 E7518 VP.	1
Note: FROM/ AB/ À PARTIR: 04/03			
1.21		>> MECHANICAL SEAL ID.17 AQ1EGG	1
1.22		>> Distance ring D.17/30X9 PPO FE1630	1
1.3		> MOTOR 0,75/2/80 F154 SM.IE1 PTC	1
		SPARE PARTS MOTOR 0,75/2/80	1
3	2016514	PUMP HOUSING IPL50/115/IP-E50/2 KIT	1
1.13	2010300	> O-RING ID.107,54X3,53	1
3.1		> PUMP HOUSING IP-E50/108,5 CPL.WILO	1
7	2057860	MODULE IP-E/DP-E50/115-0,75/2-IE1 KIT	1
7.1		> MODULE IP/DP-E50/115-0,75/2 TL2 WILO/EMB	1
7.2	2054372	> MODULE COVER TL1,TL2+GASKET KIT	1
7.3		> SCREW M5X16 ISO4762 8.8 ZnNi	1
7.4		> WASHER TOOTHED LOCK A5,3 DIN6797 FST ZN	1
	2061236	> O-RING ID.38X3 EPDM 70SR.A BUS.	1
	2054224	SCREW M6X22/20 ISO4762 8.8 (8 PIECES)	1



**SPARE PARTS MOTOR 0,75/2/80**

<b>Item</b>	<b>Article no.</b>	<b>Description</b>	<b>Quantity</b>
2.1	2054289	SHAFT SEAL RING 1LA7 BG80-90 SM.	1
2.2	2083790	BALL BEARING 6004/2RS-C3 (HT) VP.	1
	2044940	BALL BEARING 6004/2Z-C3 (HT) VP.	1
2.3	2029714	FAN HOOD 1LA7 BG80 SM.VP.	1
	2029730	FAN WHEEL 1LA7 BG80 SM.VP.	1



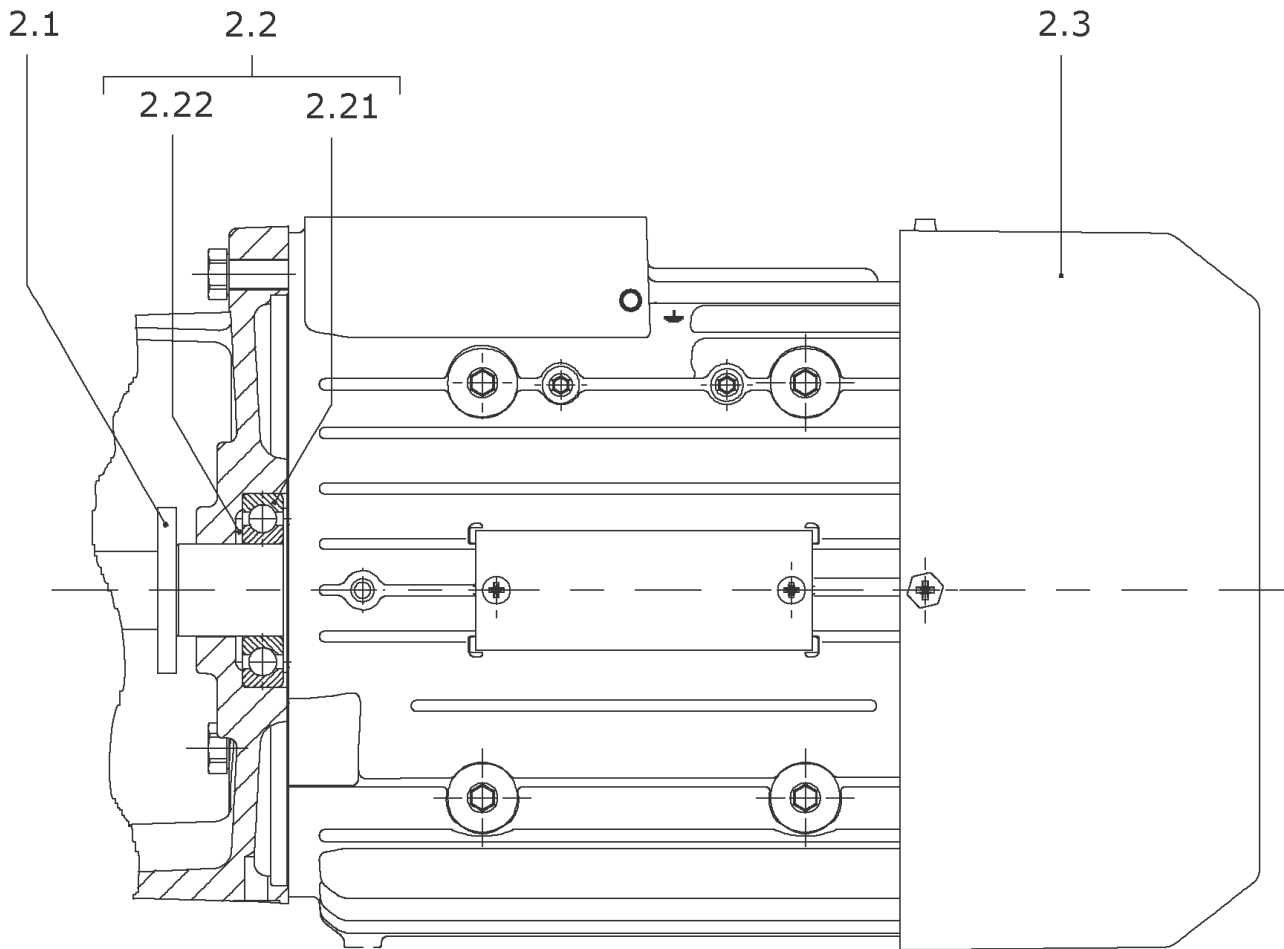
**IP-E50/130-2,2/2-IE1 (2069660)**

Item	Article no.	Description	Quantity
1	2085350	SERVICE MOTOR IP-E/DP-E50/130-2,2/2 KIT	1
1.1	2153162	> Impeller 50/160-123/17 PPO KIT	1
1.11		>> Impeller 50/160-123/17 PPO FE1630 fin	1
1.12	2123932	>> CIRCLIP 17X1 DIN471 A2 1.4122 VP.	1
1.13	2046358	>> O-RING ID.164,7X3,53 E7518 VP.	1
1.2	122097593	> Mechanical seal ID.17 AQ1EGG KIT	1
1.12	2123932	>> CIRCLIP 17X1 DIN471 A2 1.4122 VP.	1
1.13	2010300	>> O-RING ID.107,54X3,53	1
1.13	2010301	>> O-RING ID.117,07X3,53	1
1.13	2054183	>> O-RING ID.158,34X3,53 E7518	1
Note: TO/ BIS/ JUSQU'À: 03/03			
1.13	2046358	>> O-RING ID.164,7X3,53 E7518 VP.	1
Note: FROM/ AB/ À PARTIR: 04/03			
1.21		>> MECHANICAL SEAL ID.17 AQ1EGG	1
1.22		>> Distance ring D.17/30X9 PPO FE1630	1
1.3		> MOTOR 2,2/2/90 F188 SM.IE1 PTC	1
		SPARE PARTS MOTOR 2,2/2/90	1
3	2016519	PUMP HOUSING IPL50/160/IP-E50/5 KIT	1
1.13	2046358	> O-RING ID.164,7X3,53 E7518 VP.	1
3.1		> PUMP HOUSING IP-E50/160 CPL.WILO	1
6	2104479	DPS20-1(0-10V) KIT	1
6.1	2106113	> DIFFERENTIAL PRESSURE SENSOR 20 KIT	1
Note: FROM/ AB/ À PARTIR: 09/2009			
		>> DPS20 spiral TZ.3mm Volt 2G	1
	2196657	>> Cable DPS 3x0,34x650 short bared 2G VP.	1
Note: from/ab/de 01.10.2013			
6.2	2106120	> CONNECTION SENSOR IP-E SPIRAL M6 KIT	1
Note: FROM/ AB/ À PARTIR: 09/2009			
6.21		>> CAPILLARY COIL 1000	2
6.22		>> Fixation ring pipe union R1/8" 90GD.Ni	1
6.23		>> HANDLE DDG M6	1
6.24		>> Screw M4x10 EE DIN7500 ZN	2
	2168862	>> Nut/Ferrule M6 D.3MM MS Ni (2 Pieces)	1
	2168860	>> Nut/Ferrule M8 D.5MM MS Ni (2 Pieces)	1

**IP-E50/130-2,2/2-IE1 (2069660)**

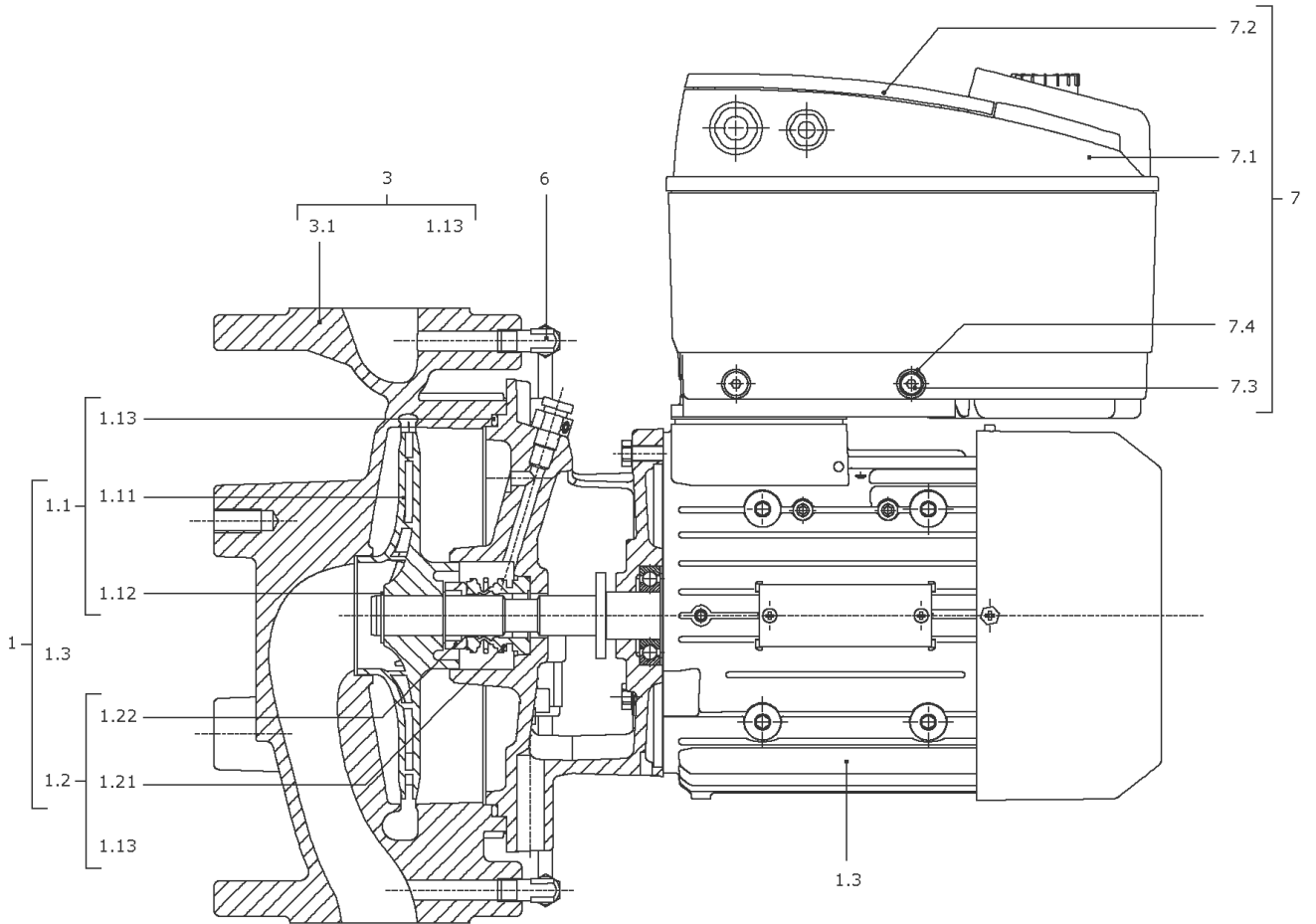
Item	Article no.	Description	Quantity
7	2082962	MODULE IP-E/DP-E50/130-2,2 TL3N-IE1 KIT	1
7.1		> MODULE IP/DP-E50/130-2,2/2TL3 N WILO/EMB	1
7.2	2054227	> MODULE COVER/GASKET TL3/4 KIT	1
7.3		> SCREW M5X16 ISO4762 8.8 ZnNi	1
7.4		> WASHER TOOTHED LOCK A5,3 DIN6797 FST ZN	1
	2061236	> O-RING ID.38X3 EPDM 70SR.A BUS.	1
	2054224	SCREW M6X22/20 ISO4762 8.8 (8 PIECES)	1





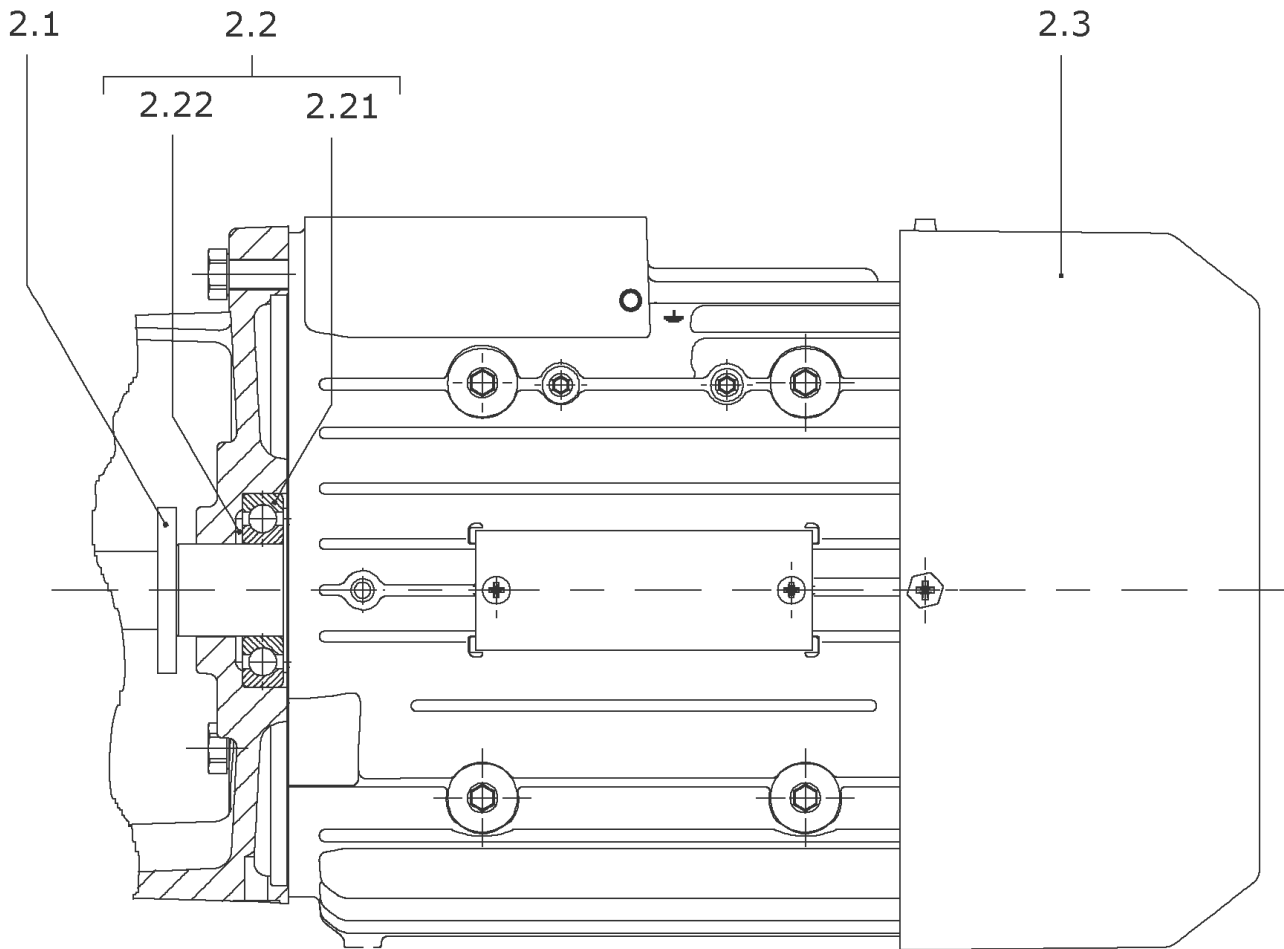
## SPARE PARTS MOTOR 2,2/2/90

Item	Article no.	Description	Quantity
2.1	2054289	SHAFT SEAL RING 1LA7 BG80-90 SM.	1
2.2	2046941	BALL BEARING 6305/2RS-C3 (HT) VP.	1
	2044940	BALL BEARING 6004/2Z-C3 (HT) VP.	1
2.3	2162655	Fan hood 1LA7 BG90 SM.VP.	1
	2150967	Fan wheel 1LA7 BG90 SM.VP.	1



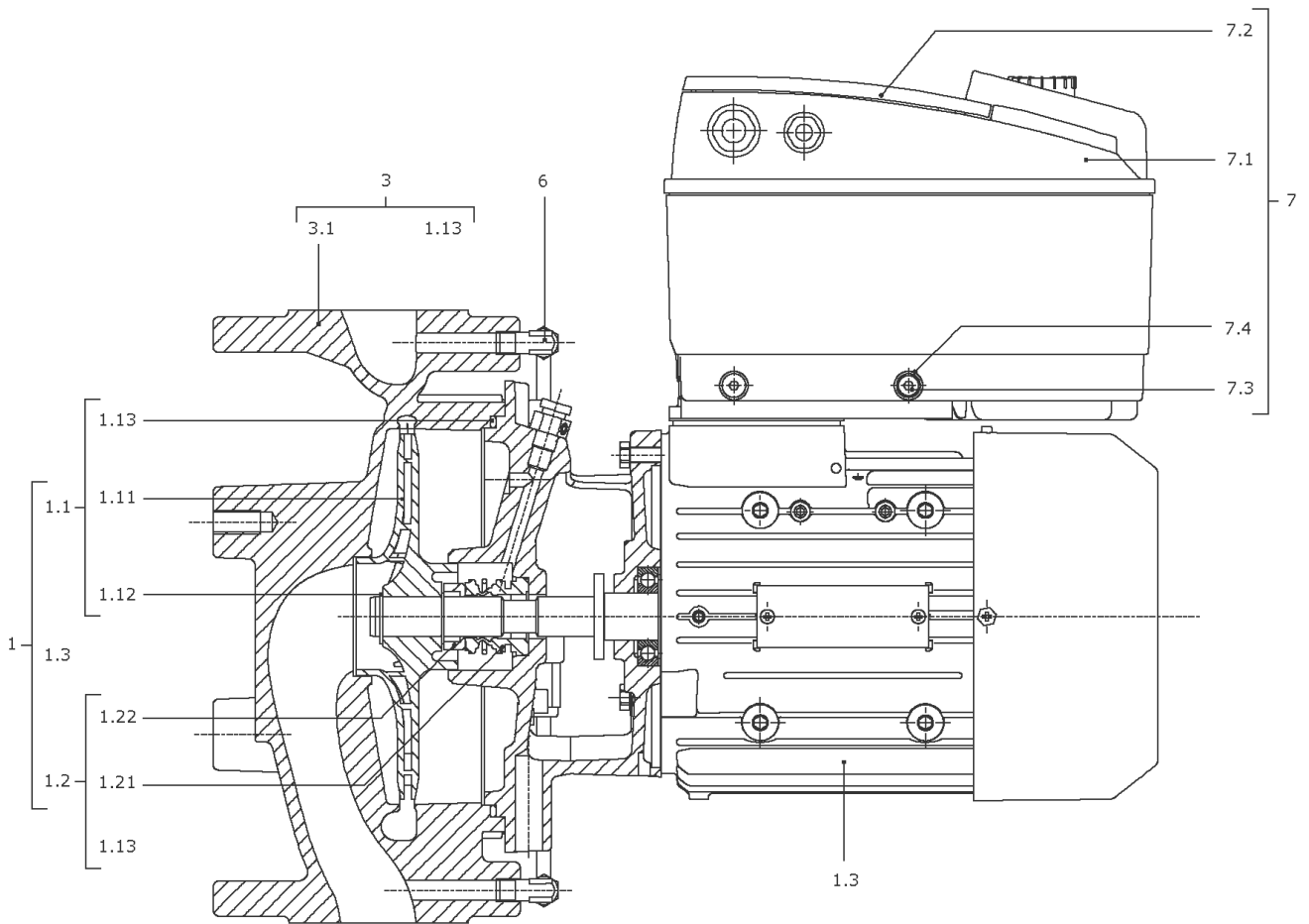
**IP-E50/130-2,2/2-R1-IE1 (2069681)**

Item	Article no.	Description	Quantity
1	2085350	SERVICE MOTOR IP-E/DP-E50/130-2,2/2 KIT	1
1.1	2153162	> Impeller 50/160-123/17 PPO KIT	1
1.11		>> Impeller 50/160-123/17 PPO FE1630 fin	1
1.12	2123932	>> CIRCLIP 17X1 DIN471 A2 1.4122 VP.	1
1.13	2046358	>> O-RING ID.164,7X3,53 E7518 VP.	1
1.2	122097593	> Mechanical seal ID.17 AQ1EGG KIT	1
1.12	2123932	>> CIRCLIP 17X1 DIN471 A2 1.4122 VP.	1
1.13	2010300	>> O-RING ID.107,54X3,53	1
1.13	2010301	>> O-RING ID.117,07X3,53	1
1.13	2054183	>> O-RING ID.158,34X3,53 E7518	1
Note: TO/ BIS/ JUSQU'À: 03/03			
1.13	2046358	>> O-RING ID.164,7X3,53 E7518 VP.	1
Note: FROM/ AB/ À PARTIR: 04/03			
1.21		>> MECHANICAL SEAL ID.17 AQ1EGG	1
1.22		>> Distance ring D.17/30X9 PPO FE1630	1
1.3		> MOTOR 2,2/2/90 F188 SM.IE1 PTC	1
		SPARE PARTS MOTOR 2,2/2/90	1
3	2016519	PUMP HOUSING IPL50/160/IP-E50/5 KIT	1
1.13	2046358	> O-RING ID.164,7X3,53 E7518 VP.	1
3.1		> PUMP HOUSING IP-E50/160 CPL.WILO	1
7	2082962	MODULE IP-E/DP-E50/130-2,2 TL3N-IE1 KIT	1
7.1		> MODULE IP/DP-E50/130-2,2/2TL3 N WILO/EMB	1
7.2	2054227	> MODULE COVER/GASKET TL3/4 KIT	1
7.3		> SCREW M5X16 ISO4762 8.8 ZnNi	1
7.4		> WASHER TOOTHED LOCK A5,3 DIN6797 FST ZN	1
	2061236	> O-RING ID.38X3 EPDM 70SR.A BUS.	1
	2054224	SCREW M6X22/20 ISO4762 8.8 (8 PIECES)	1



**SPARE PARTS MOTOR 2,2/2/90**

<b>Item</b>	<b>Article no.</b>	<b>Description</b>	<b>Quantity</b>
2.1	2054289	SHAFT SEAL RING 1LA7 BG80-90 SM.	1
2.2	2046941	BALL BEARING 6305/2RS-C3 (HT) VP.	1
	2044940	BALL BEARING 6004/2Z-C3 (HT) VP.	1
2.3	2162655	Fan hood 1LA7 BG90 SM.VP.	1
	2150967	Fan wheel 1LA7 BG90 SM.VP.	1



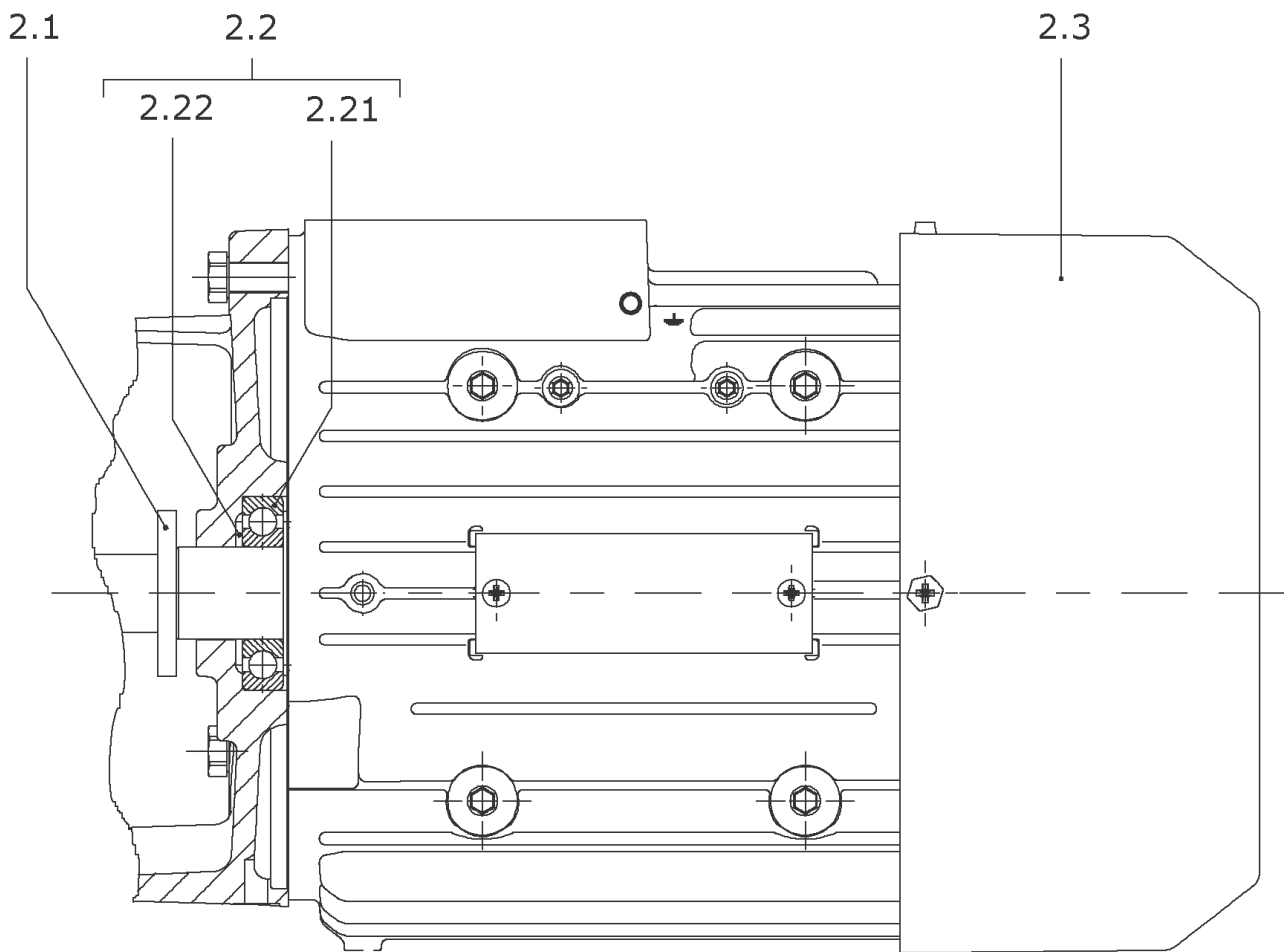
**IP-E50/140-3/2-IE1 (2061241)**

Item	Article no.	Description	Quantity
1		SERVICE MOTOR IP-E/DP-E50/140-3/2 KIT	1
Note: no longer available / nicht mehr lieferbar / ne plus disponible			
1.1	2153161	> Impeller 50/160-134/17 PPO KIT	1
1.11		>> Impeller 50/160-134/17 PPO FE1630 fin	1
1.12	2123932	>> CIRCLIP 17X1 DIN471 A2 1.4122 VP.	1
1.13	2046358	>> O-RING ID.164,7X3,53 E7518 VP.	1
1.2	122097593	> Mechanical seal ID.17 AQ1EGG KIT	1
1.12	2123932	>> CIRCLIP 17X1 DIN471 A2 1.4122 VP.	1
1.13	2010300	>> O-RING ID.107,54X3,53	1
1.13	2010301	>> O-RING ID.117,07X3,53	1
1.13	2054183	>> O-RING ID.158,34X3,53 E7518	1
Note: TO/ BIS/ JUSQU'À: 03/03			
1.13	2046358	>> O-RING ID.164,7X3,53 E7518 VP.	1
Note: FROM/ AB/ À PARTIR: 04/03			
1.21		>> MECHANICAL SEAL ID.17 AQ1EGG	1
1.22		>> Distance ring D.17/30X9 PPO FE1630	1
1.3		> MOTOR 3/2/100 F188 SM.IE1 PTC	1
		SPARE PARTS MOTOR 3/2/100	1
3	2016519	PUMP HOUSING IPL50/160/IP-E50/5 KIT	1
1.13	2046358	> O-RING ID.164,7X3,53 E7518 VP.	1
3.1		> PUMP HOUSING IP-E50/160 CPL.WILO	1
6	2104485	DPS40-1(0-10V) KIT	1
6.1	2106115	> DIFFERENTIAL PRESSURE SENSOR 40 KIT	1
Note: FROM/ AB/ À PARTIR: 09/2009			
		>> DPS40 spiral TZ.3mm Volt 2G	1
	2196657	>> Cable DPS 3x0,34x650 short bared 2G VP.	1
Note: from/ab/de 01.10.2013			
6.2	2106120	> CONNECTION SENSOR IP-E SPIRAL M6 KIT	1
Note: FROM/ AB/ À PARTIR: 09/2009			
6.21		>> CAPILLARY COIL 1000	2
6.22		>> Fixation ring pipe union R1/8" 90GD.Ni	1
6.23		>> HANDLE DDG M6	1
6.24		>> Screw M4x10 EE DIN7500 ZN	2
	2168862	>> Nut/Ferrule M6 D.3MM MS Ni (2 Pieces)	1



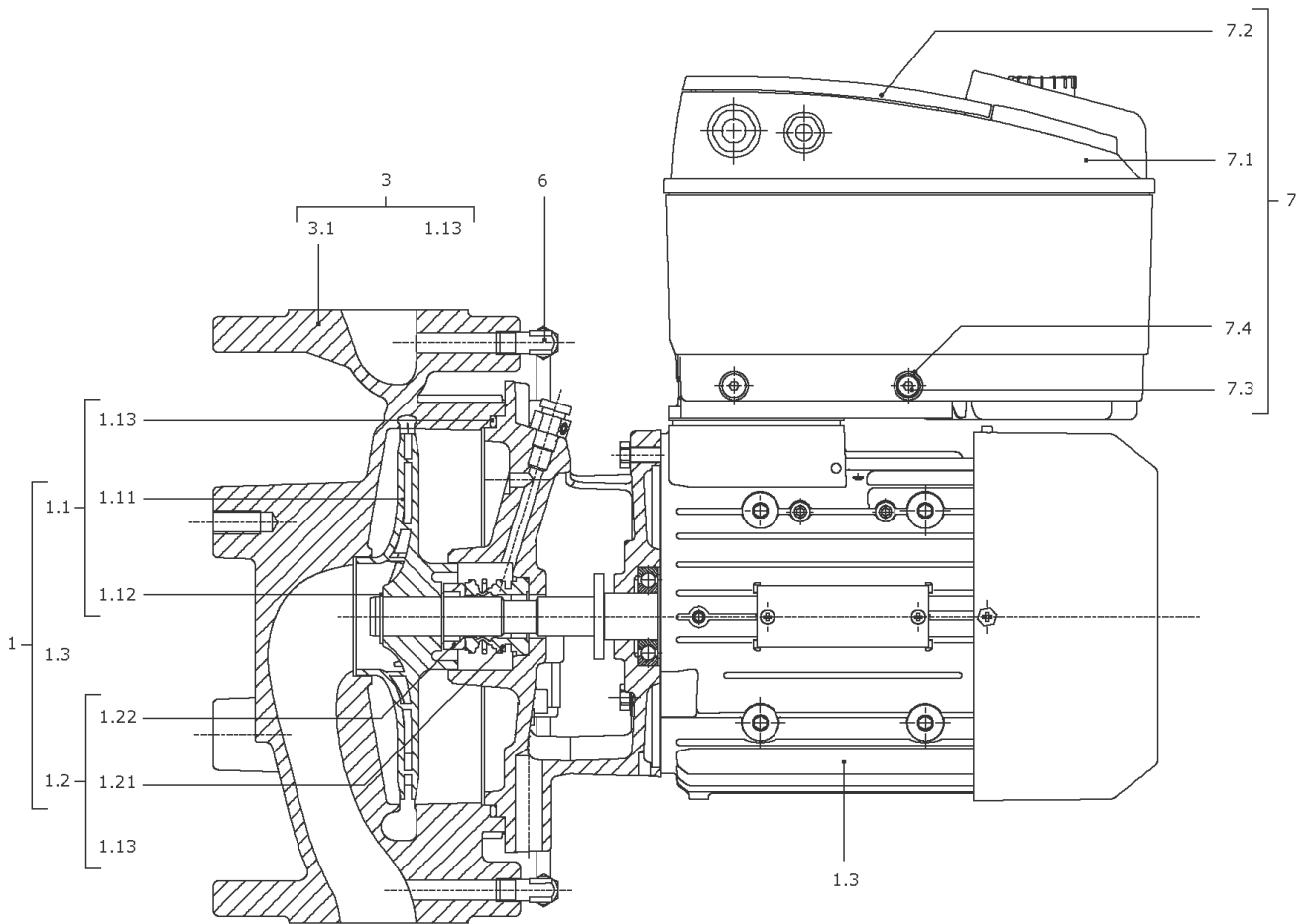
**IP-E50/140-3/2-IE1 (2061241)**

Item	Article no.	Description	Quantity
	2168860	>> Nut/Ferrule M8 D.5MM MS Ni (2 Pieces)	1
7	2064354	MODULE IP-E/DP-E50/140-3/2-IE1 KIT	1
7.1		> MODULE IP/DP-E50/140-3/2 TL4 N WILO/EMB	1
7.2	2054227	> MODULE COVER/GASKET TL3/4 KIT	1
7.3		> SCREW M5X16 ISO4762 8.8 ZnNi	1
7.4		> WASHER TOOTHED LOCK A5,3 DIN6797 FST ZN	1
	2061236	> O-RING ID.38X3 EPDM 70SR.A BUS.	1
	2054224	SCREW M6X22/20 ISO4762 8.8 (8 PIECES)	1



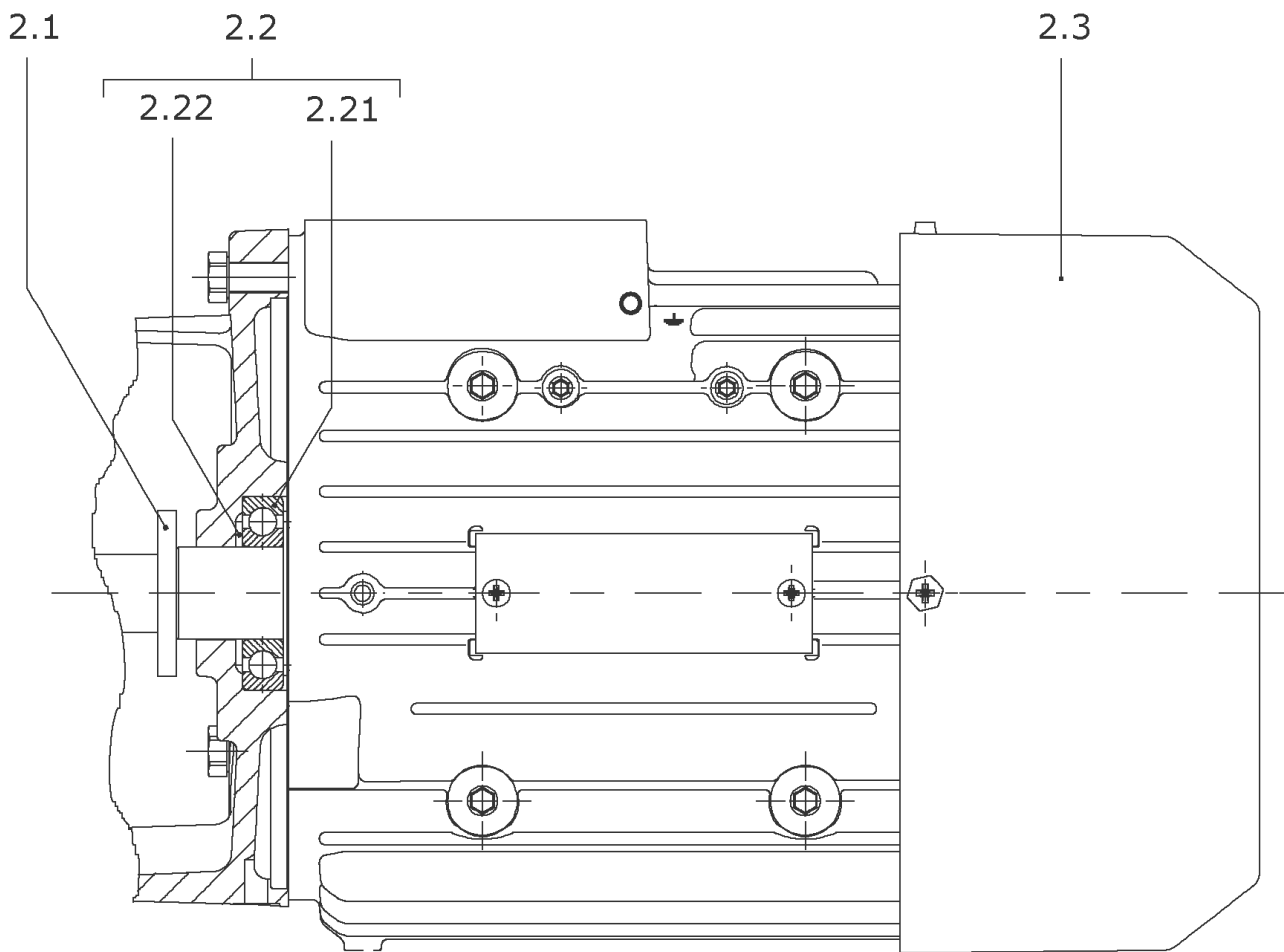
## SPARE PARTS MOTOR 3/2/100

Item	Article no.	Description	Quantity
2.1	2054287	SHAFT SEAL RING 1LA7 BG100-112 SM.	1
2.2	2046966	BALL BEARING 6206/2RS-C3 (HT) VP.	1
	121083998	BALL BEARING 6205/2Z-C3 (HT) VP.	1
2.3	2029716	FAN HOOD 1LA7 BG100 SM.VP.	1
	2164007	Fan wheel 1LA7 BG100-112 SM.VP.	1



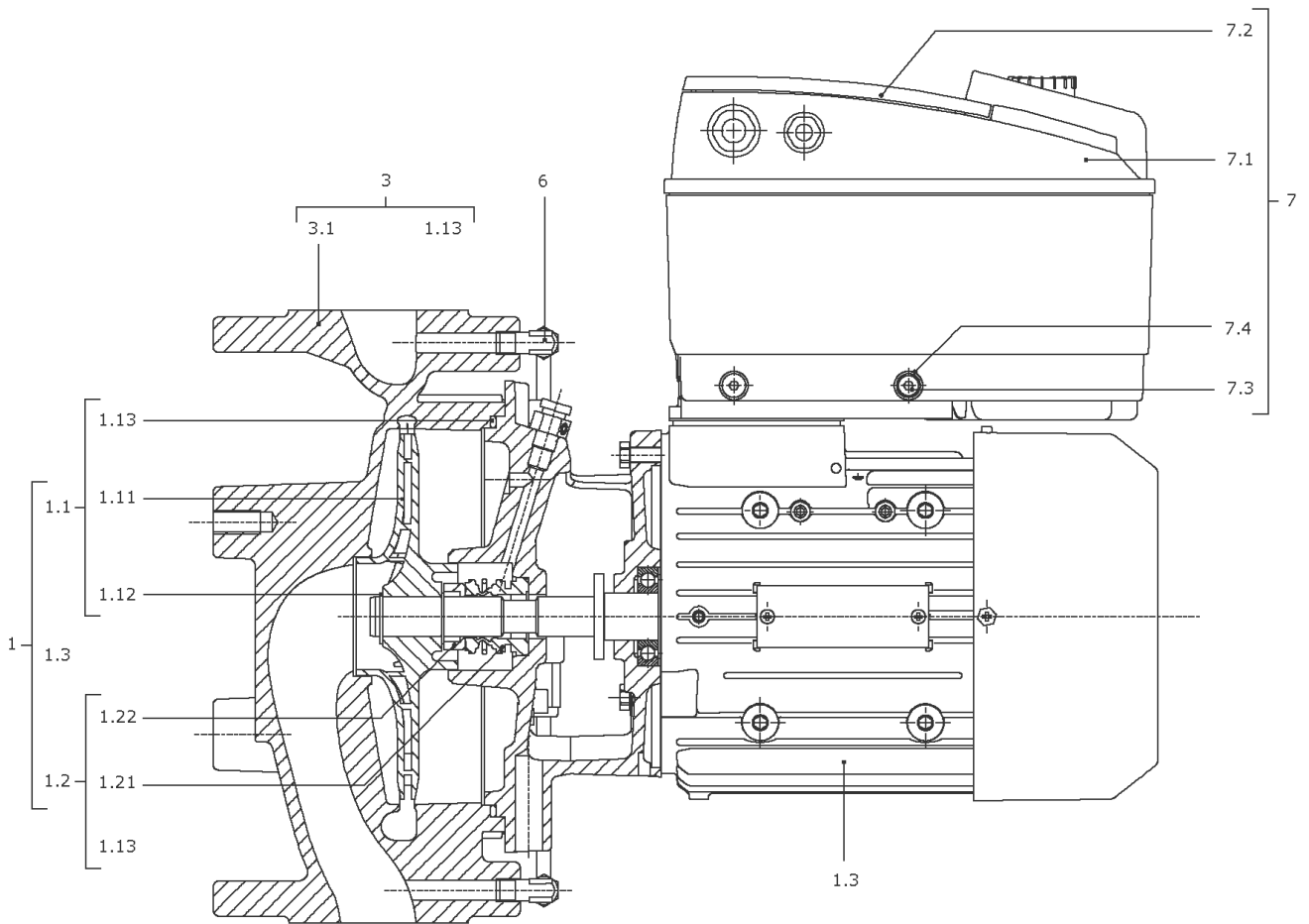
**IP-E50/140-3/2-R1-IE1 (2061249)**

Item	Article no.	Description	Quantity
1		SERVICE MOTOR IP-E/DP-E50/140-3/2 KIT	1
Note: no longer available / nicht mehr lieferbar / ne plus disponible			
1.1	2153161	> Impeller 50/160-134/17 PPO KIT	1
1.11		>> Impeller 50/160-134/17 PPO FE1630 fin	1
1.12	2123932	>> CIRCLIP 17X1 DIN471 A2 1.4122 VP.	1
1.13	2046358	>> O-RING ID.164,7X3,53 E7518 VP.	1
1.2	122097593	> Mechanical seal ID.17 AQ1EGG KIT	1
1.12	2123932	>> CIRCLIP 17X1 DIN471 A2 1.4122 VP.	1
1.13	2010300	>> O-RING ID.107,54X3,53	1
1.13	2010301	>> O-RING ID.117,07X3,53	1
1.13	2054183	>> O-RING ID.158,34X3,53 E7518	1
Note: TO/ BIS/ JUSQU'À: 03/03			
1.13	2046358	>> O-RING ID.164,7X3,53 E7518 VP.	1
Note: FROM/ AB/ À PARTIR: 04/03			
1.21		>> MECHANICAL SEAL ID.17 AQ1EGG	1
1.22		>> Distance ring D.17/30X9 PPO FE1630	1
1.3		> MOTOR 3/2/100 F188 SM.IE1 PTC	1
		SPARE PARTS MOTOR 3/2/100	1
3	2016519	PUMP HOUSING IPL50/160/IP-E50/5 KIT	1
1.13	2046358	> O-RING ID.164,7X3,53 E7518 VP.	1
3.1		> PUMP HOUSING IP-E50/160 CPL.WILO	1
7	2064354	MODULE IP-E/DP-E50/140-3/2-IE1 KIT	1
7.1		> MODULE IP/DP-E50/140-3/2 TL4 N WILO/EMB	1
7.2	2054227	> MODULE COVER/GASKET TL3/4 KIT	1
7.3		> SCREW M5X16 ISO4762 8.8 ZnNi	1
7.4		> WASHER TOOTHED LOCK A5,3 DIN6797 FST ZN	1
	2061236	> O-RING ID.38X3 EPDM 70SR.A BUS.	1
	2054224	SCREW M6X22/20 ISO4762 8.8 (8 PIECES)	1



**SPARE PARTS MOTOR 3/2/100**

<b>Item</b>	<b>Article no.</b>	<b>Description</b>	<b>Quantity</b>
2.1	2054287	SHAFT SEAL RING 1LA7 BG100-112 SM.	1
2.2	2046966	BALL BEARING 6206/2RS-C3 (HT) VP.	1
	121083998	BALL BEARING 6205/2Z-C3 (HT) VP.	1
2.3	2029716	FAN HOOD 1LA7 BG100 SM.VP.	1
	2164007	Fan wheel 1LA7 BG100-112 SM.VP.	1



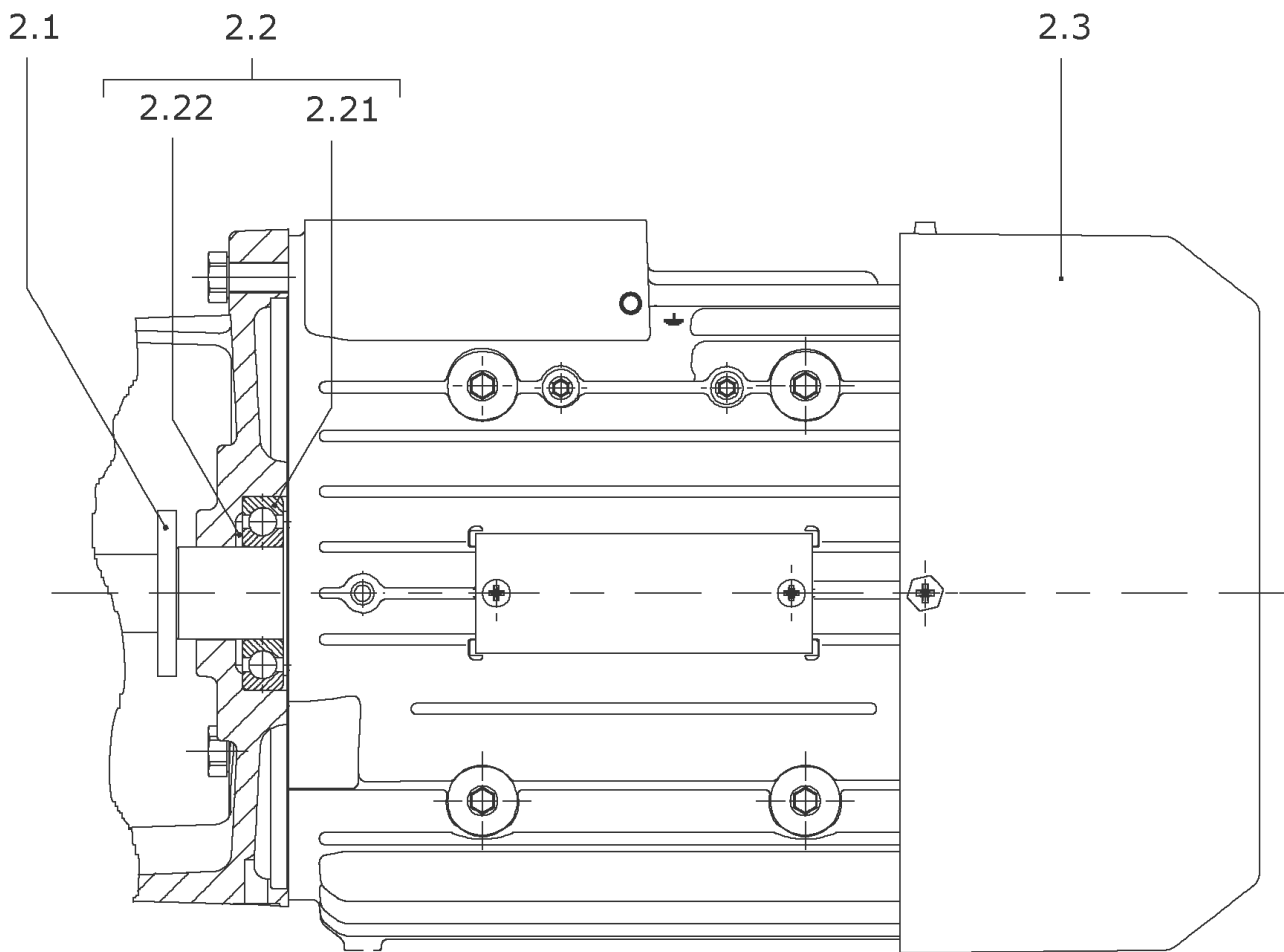


**IP-E50/150-4/2-IE1 (2053093)**

Item	Article no.	Description	Quantity
1		SERVICE MOTOR IP-E/DP-E50/150-4/2 KIT	1
Note: no longer available / nicht mehr lieferbar / ne plus disponible			
1.1	2048833	> IMPELLER D.69/151/17 PPN KIT	1
1.11		>> Impeller 50/160-151/A22/17 PPO FE1630 fi	1
1.12	2123932	>> CIRCLIP 17X1 DIN471 A2 1.4122 VP.	1
1.13	2046358	>> O-RING ID.164,7X3,53 E7518 VP.	1
1.2	122097593	> Mechanical seal ID.17 AQ1EGG KIT	1
1.12	2123932	>> CIRCLIP 17X1 DIN471 A2 1.4122 VP.	1
1.13	2010300	>> O-RING ID.107,54X3,53	1
1.13	2010301	>> O-RING ID.117,07X3,53	1
1.13	2054183	>> O-RING ID.158,34X3,53 E7518	1
Note: TO/ BIS/ JUSQU'À: 03/03			
1.13	2046358	>> O-RING ID.164,7X3,53 E7518 VP.	1
Note: FROM/ AB/ À PARTIR: 04/03			
1.21		>> MECHANICAL SEAL ID.17 AQ1EGG	1
1.22		>> Distance ring D.17/30X9 PPO FE1630	1
1.3		> MOTOR 4/2/112 F188 SM.IE1 PTC	1
		SPARE PARTS MOTOR 4/2/112	1
3	2016519	PUMP HOUSING IPL50/160/IP-E50/5 KIT	1
1.13	2046358	> O-RING ID.164,7X3,53 E7518 VP.	1
3.1		> PUMP HOUSING IP-E50/160 CPL.WILO	1
6	2104485	DPS40-1(0-10V) KIT	1
6.1	2106115	> DIFFERENTIAL PRESSURE SENSOR 40 KIT	1
Note: FROM/ AB/ À PARTIR: 09/2009			
		>> DPS40 spiral TZ.3mm Volt 2G	1
	2196657	>> Cable DPS 3x0,34x650 short bared 2G VP.	1
Note: from/ab/de 01.10.2013			
6.2	2106120	> CONNECTION SENSOR IP-E SPIRAL M6 KIT	1
Note: FROM/ AB/ À PARTIR: 09/2009			
6.21		>> CAPILLARY COIL 1000	2
6.22		>> Fixation ring pipe union R1/8" 90GD.Ni	1
6.23		>> HANDLE DDG M6	1
6.24		>> Screw M4x10 EE DIN7500 ZN	2
	2168862	>> Nut/Ferrule M6 D.3MM MS Ni (2 Pieces)	1

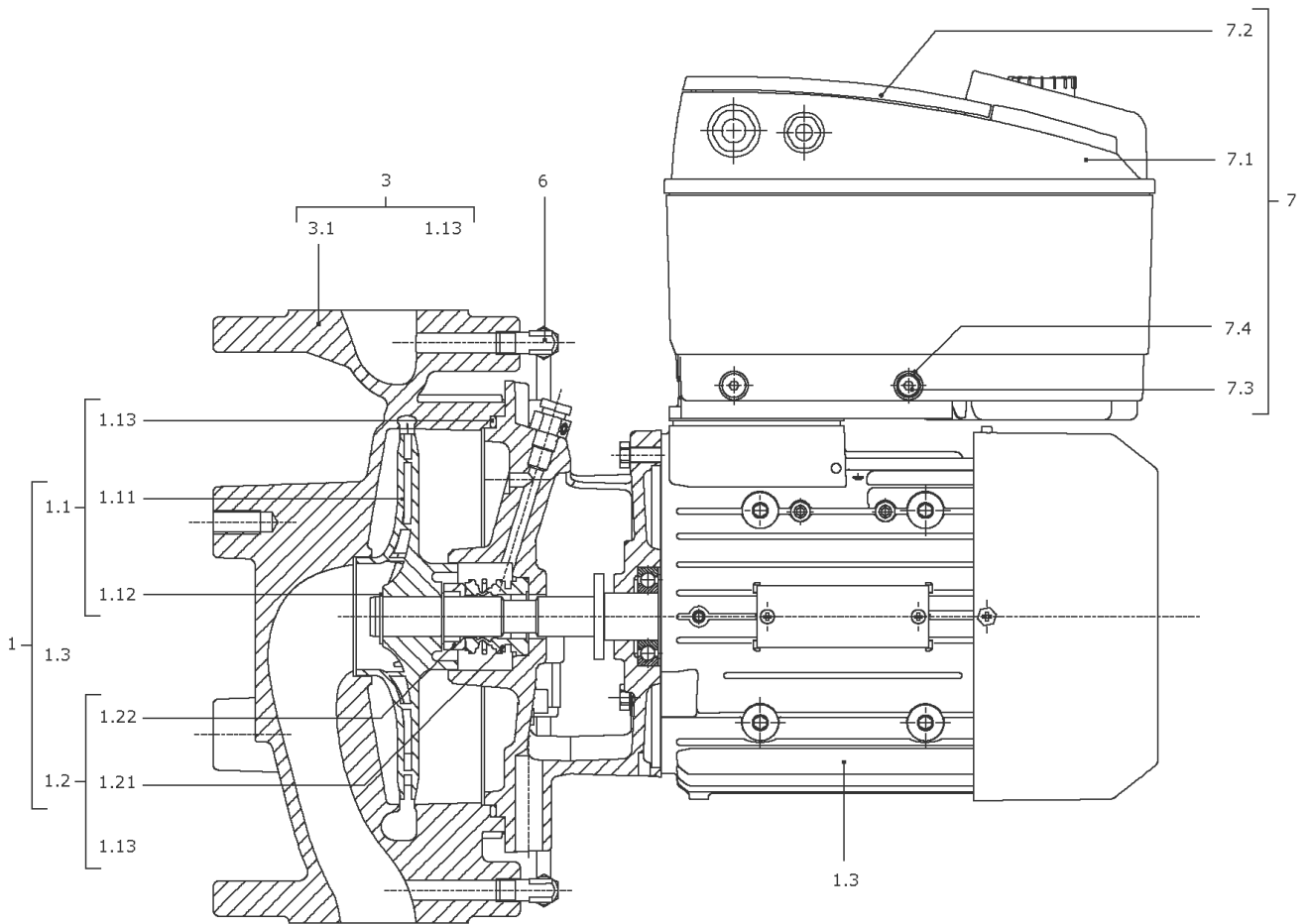
**IP-E50/150-4/2-IE1 (2053093)**

Item	Article no.	Description	Quantity
	2168860	>> Nut/Ferrule M8 D.5MM MS Ni (2 Pieces)	1
7		MODULE IP-E/DP-E50/150-4/2-IE1 KIT	1
Note: no longer available / nicht mehr lieferbar / ne plus disponible			
7.1		> MODULE IP/DP-E50/150-4/2 TL4 WILO/EMB	1
7.2	2054227	> MODULE COVER/GASKET TL3/4 KIT	1
7.3		> SCREW M5X16 ISO4762 8.8 ZnNi	1
7.4		> WASHER TOOTHED LOCK A5,3 DIN6797 FST ZN	1
	2061236	> O-RING ID.38X3 EPDM 70SR.A BUS.	1
	2054224	SCREW M6X22/20 ISO4762 8.8 (8 PIECES)	1



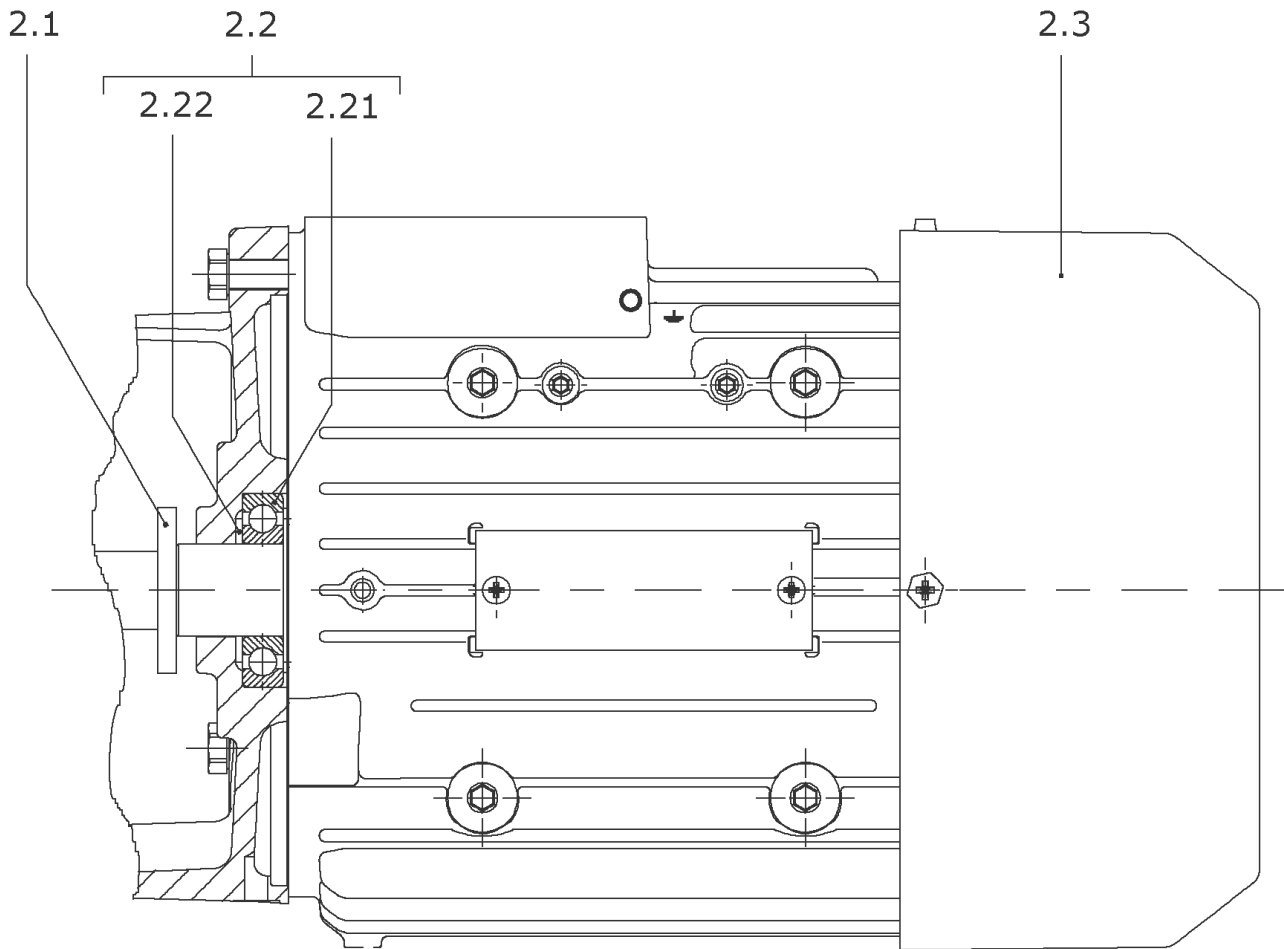
## SPARE PARTS MOTOR 4/2/112

Item	Article no.	Description	Quantity
2.1	2054287	SHAFT SEAL RING 1LA7 BG100-112 SM.	1
2.2	2046961	BALL BEARING 6306/2RS-C3 (HT) VP.	1
	121083998	BALL BEARING 6205/2Z-C3 (HT) VP.	1
2.3	2162676	Fan hood 1LA7 BG112 SM.VP.	1
	2164007	Fan wheel 1LA7 BG100-112 SM.VP.	1



**IP-E50/150-4/2-R1-IE1 (2053111)**

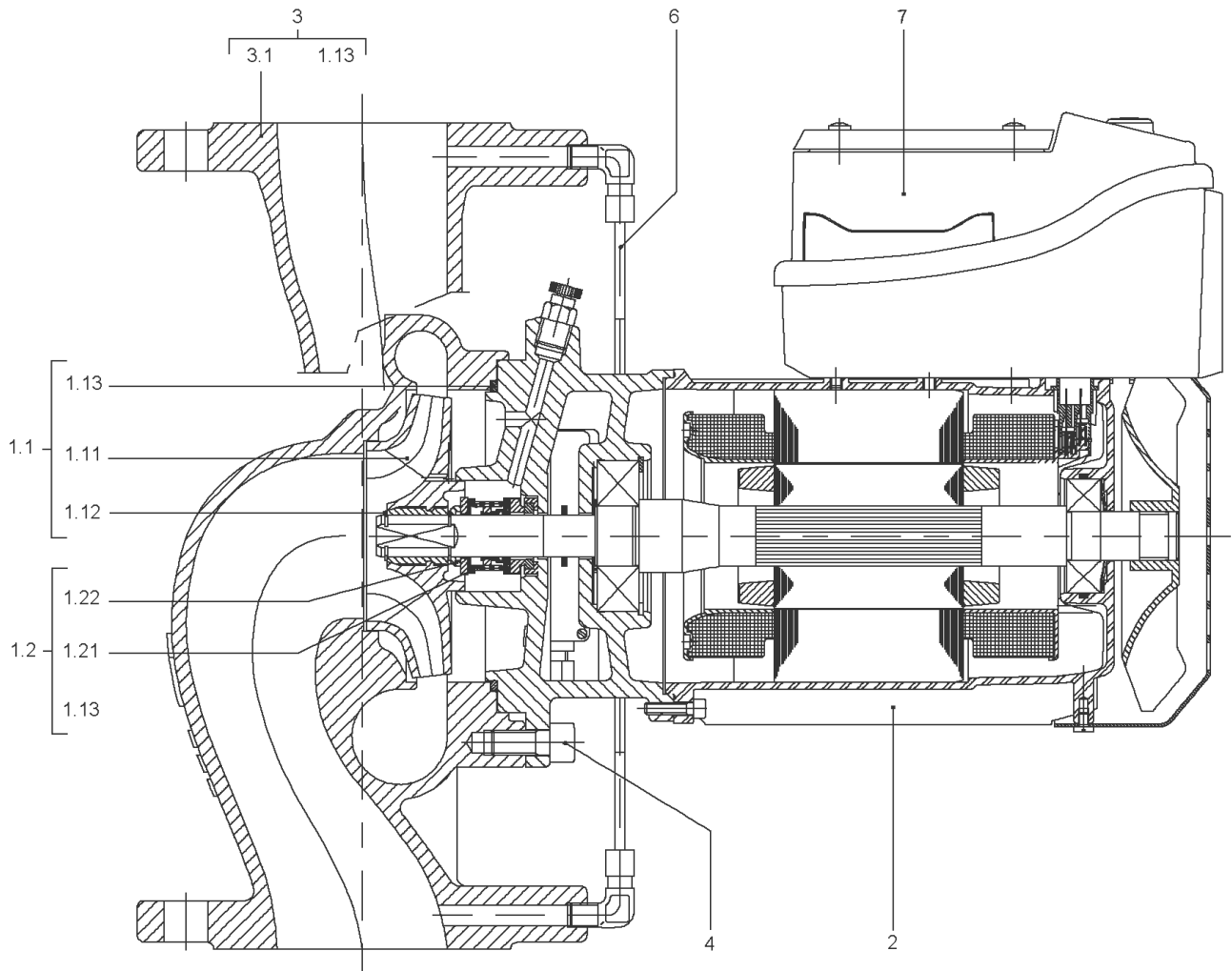
Item	Article no.	Description	Quantity
1		SERVICE MOTOR IP-E/DP-E50/150-4/2 KIT	1
Note: no longer available / nicht mehr lieferbar / ne plus disponible			
1.1	2048833	> IMPELLER D.69/151/17 PPN KIT	1
1.11		>> Impeller 50/160-151/A22/17 PPO FE1630 fi	1
1.12	2123932	>> CIRCLIP 17X1 DIN471 A2 1.4122 VP.	1
1.13	2046358	>> O-RING ID.164,7X3,53 E7518 VP.	1
1.2	122097593	> Mechanical seal ID.17 AQ1EGG KIT	1
1.12	2123932	>> CIRCLIP 17X1 DIN471 A2 1.4122 VP.	1
1.13	2010300	>> O-RING ID.107,54X3,53	1
1.13	2010301	>> O-RING ID.117,07X3,53	1
1.13	2054183	>> O-RING ID.158,34X3,53 E7518	1
Note: TO/ BIS/ JUSQU'À: 03/03			
1.13	2046358	>> O-RING ID.164,7X3,53 E7518 VP.	1
Note: FROM/ AB/ À PARTIR: 04/03			
1.21		>> MECHANICAL SEAL ID.17 AQ1EGG	1
1.22		>> Distance ring D.17/30X9 PPO FE1630	1
1.3		> MOTOR 4/2/112 F188 SM.IE1 PTC	1
		SPARE PARTS MOTOR 4/2/112	1
3	2016519	PUMP HOUSING IPL50/160/IP-E50/5 KIT	1
1.13	2046358	> O-RING ID.164,7X3,53 E7518 VP.	1
3.1		> PUMP HOUSING IP-E50/160 CPL.WILO	1
7		MODULE IP-E/DP-E50/150-4/2-IE1 KIT	1
Note: no longer available / nicht mehr lieferbar / ne plus disponible			
7.1		> MODULE IP/DP-E50/150-4/2 TL4 WILO/EMB	1
7.2	2054227	> MODULE COVER/GASKET TL3/4 KIT	1
7.3		> SCREW M5X16 ISO4762 8.8 ZnNi	1
7.4		> WASHER TOOTHED LOCK A5,3 DIN6797 FST ZN	1
	2061236	> O-RING ID.38X3 EPDM 70SR.A BUS.	1
	2054224	SCREW M6X22/20 ISO4762 8.8 (8 PIECES)	1



**SPARE PARTS MOTOR 4/2/112**

<b>Item</b>	<b>Article no.</b>	<b>Description</b>	<b>Quantity</b>
2.1	2054287	SHAFT SEAL RING 1LA7 BG100-112 SM.	1
2.2	2046961	BALL BEARING 6306/2RS-C3 (HT) VP.	1
	121083998	BALL BEARING 6205/2Z-C3 (HT) VP.	1
2.3	2162676	Fan hood 1LA7 BG112 SM.VP.	1
	2164007	Fan wheel 1LA7 BG100-112 SM.VP.	1



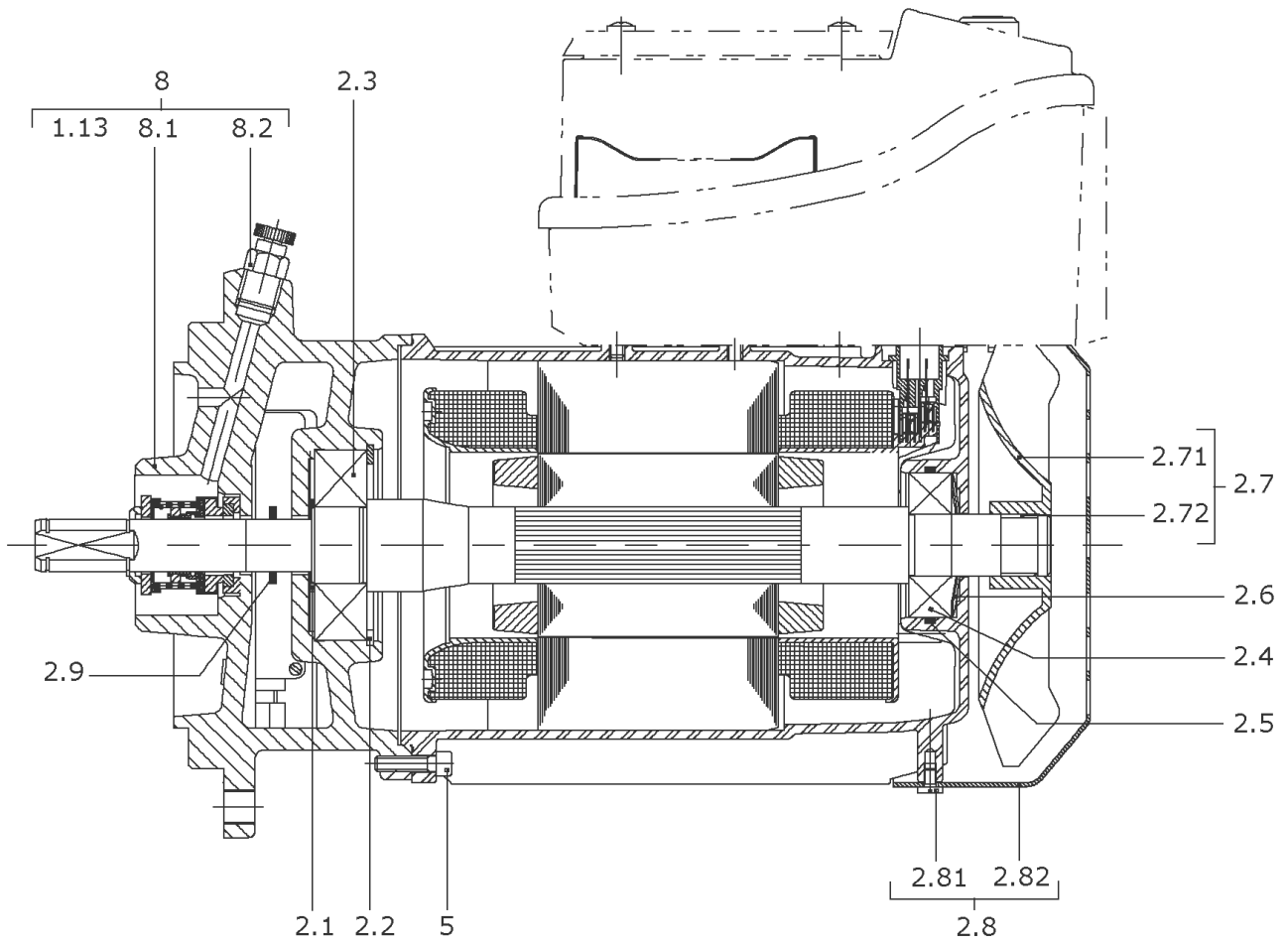


**IP-E50/2-12-IE1 (2012587)**

Item	Article no.	Description	Quantity
1.1	122092693	IMPELLER D.56/107/17X7,47 KIT	1
1.11		> Impeller D.56/107/17X7,47 PPO FE1630	1
1.12	2123932	> CIRCLIP 17X1 DIN471 A2 1.4122 VP.	1
1.13	2010300	> O-RING ID.107,54X3,53	1
1.2	122097593	Mechanical seal ID.17 AQ1EGG KIT	1
1.12	2123932	> CIRCLIP 17X1 DIN471 A2 1.4122 VP.	1
1.13	2010300	> O-RING ID.107,54X3,53	1
1.13	2010301	> O-RING ID.117,07X3,53	1
1.13	2054183	> O-RING ID.158,34X3,53 E7518	1
Note: TO/ BIS/ JUSQU'À: 03/03			
1.13	2046358	> O-RING ID.164,7X3,53 E7518 VP.	1
Note: FROM/ AB/ À PARTIR: 04/03			
1.21		> MECHANICAL SEAL ID.17 AQ1EGG	1
1.22		> Distance ring D.17/30X9 PPO FE1630	1
2		MOTOR IP-E50/2-12	1
2		No longer available	1
		SPARE PARTS MOTOR TL2/750/2	1
3	2016514	PUMP HOUSING IPL50/115/IP-E50/2 KIT	1
1.13	2010300	> O-RING ID.107,54X3,53	1
3.1		> PUMP HOUSING IP-E50/108,5 CPL.WILO	1
4	2046362	SCREW M6X20 ISO4762 8.8 ZN(8STÜCK)	1
6	2104479	DPS20-1(0-10V) KIT	1
6.1	2106113	> DIFFERENTIAL PRESSURE SENSOR 20 KIT	1
Note: FROM/ AB/ À PARTIR: 09/2009			
		>> DPS20 spiral TZ.3mm Volt 2G	1
	2196657	>> Cable DPS 3x0,34x650 short bared 2G VP.	1
Note: from/ab/de 01.10.2013			
6.2	2106120	> CONNECTION SENSOR IP-E SPIRAL M6 KIT	1
Note: FROM/ AB/ À PARTIR: 09/2009			
6.21		>> CAPILLARY COIL 1000	2
6.22		>> Fixation ring pipe union R1/8" 90GD.Ni	1
6.23		>> HANDLE DDG M6	1
6.24		>> Screw M4x10 EE DIN7500 ZN	2
	2168862	>> Nut/Ferrule M6 D.3MM MS Ni (2 Pieces)	1

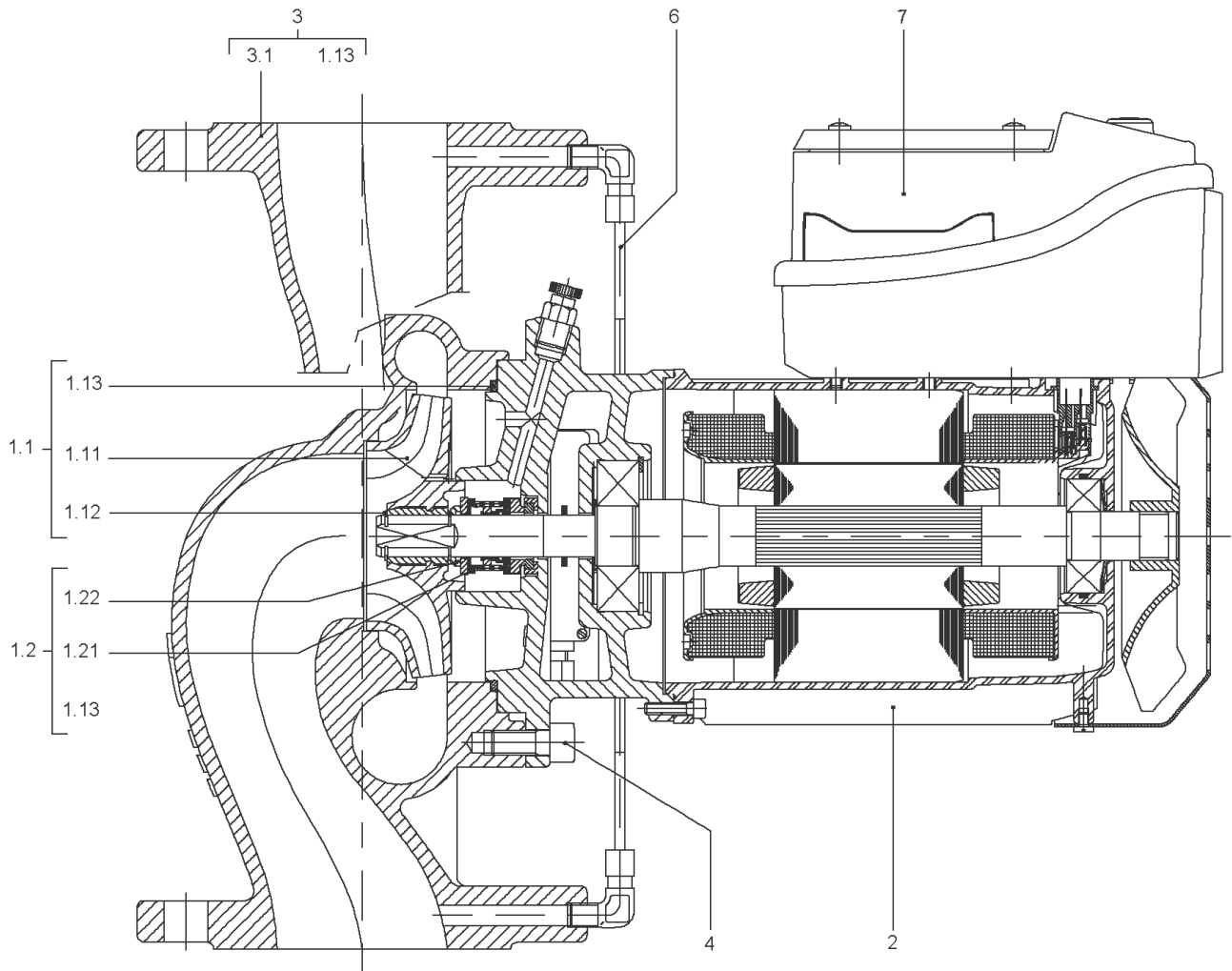
**IP-E50/2-12-IE1 (2012587)**

<b>Item</b>	<b>Article no.</b>	<b>Description</b>	<b>Quantity</b>
	2168860	>> Nut/Ferrule M8 D.5MM MS Ni (2 Pieces)	1
7	2016540	MODULE IP-E/DP-E50/2-12 0,75KW	1



## SPARE PARTS MOTOR TL2/750/2

Item	Article no.	Description	Quantity
2.2	2046411	CIRCLIP 62X2 DIN472 FST	1
Note: Please give the data from type plate of the motor			
2.3	2046941	BALL BEARING 6305/2RS-C3 (HT) VP.	1
Note: Please give the data from type plate of the motor			
2.4	121084499	BALL BEARING 6204/2Z-C3 (HT) VP.	1
Note: Please give the data from type plate of the motor			
2.5	2046407	O-RING ID.47X2 FPM 80SHORE	1
Note: Please give the data from type plate of the motor			
2.6		WASHER 40X46,5X0,4 K3	1
Note: no longer available / nicht mehr lieferbar / ne plus disponible			
2.7	120631193	FAN WHEEL RF80 4/6POL.ATB KIT	1
Note: Please give the data from type plate of the motor			
2.8A		> FAN WHEEL RF80 4/6POL.120.800.15 ATB	1
2.8B	2123666	> CORRUGATED SLEEVE RING BG80 ATB VP.	1
Note: Please give the data from type plate of the motor			
2.8		FAN HOUSING TL2N D.165 KIT	1
Note: no longer available / nicht mehr lieferbar / ne plus disponible			
2.81		> SCREW M4X8 ISO7045 4.8-H ZN	1
Note: no longer available / nicht mehr lieferbar / ne plus disponible			
2.82		> FAN HOUSING TL2N D.165 PA6 GREEN	1
2.9	2046393	GUMMI THROWER SYN D16/35 EP4	1
Note: Please give the data from type plate of the motor			
5	2046406	SCREW M5X20 DIN912 8.8 ZN (4 PIECES)	1
Note: Please give the data from type plate of the motor			
8		LANTERN TL2/750 KIT	1
Note: no longer available / nicht mehr lieferbar / ne plus disponible			
Note: Please give the data from type plate of the motor			
1.13	2010300	> O-RING ID.107,54X3,53	1
8.1		> LANTERN IP-E50/2 CPL.WILO	1
8.2	2027201	> BLOWGUN R1/8" VP.	1



**IP-E50/5-28-IE1 (2012592)**

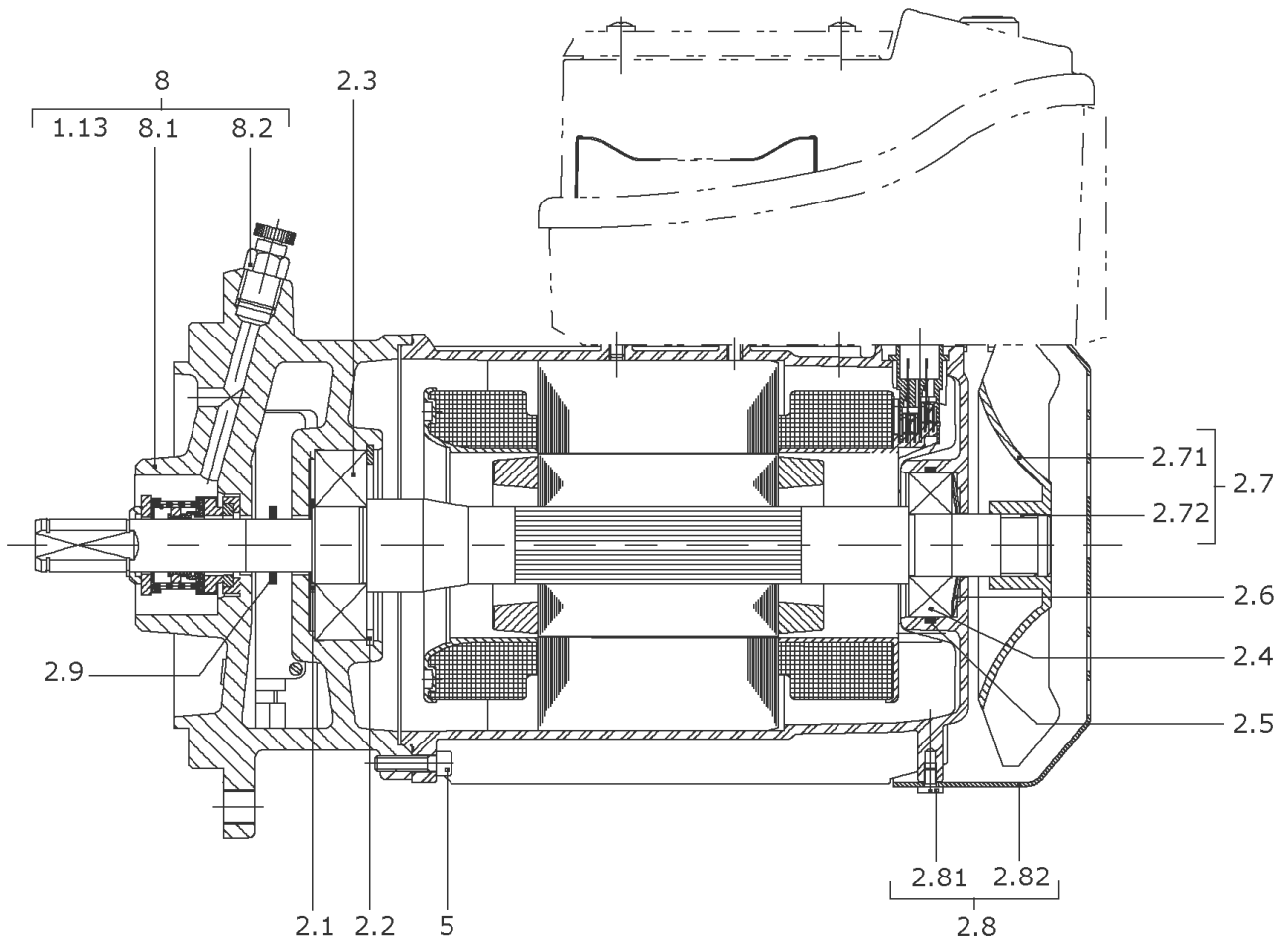
Item	Article no.	Description	Quantity
1.1	2048833	IMPELLER D.69/151/17 PPN KIT	1
1.11		> Impeller 50/160-151/A22/17 PPO FE1630 fi	1
1.12	2123932	> CIRCLIP 17X1 DIN471 A2 1.4122 VP.	1
1.13	2046358	> O-RING ID.164,7X3,53 E7518 VP.	1
1.2	122097593	Mechanical seal ID.17 AQ1EGG KIT	1
1.12	2123932	> CIRCLIP 17X1 DIN471 A2 1.4122 VP.	1
1.13	2010300	> O-RING ID.107,54X3,53	1
1.13	2010301	> O-RING ID.117,07X3,53	1
1.13	2054183	> O-RING ID.158,34X3,53 E7518	1
Note: TO/ BIS/ JUSQU'À: 03/03			
1.13	2046358	> O-RING ID.164,7X3,53 E7518 VP.	1
Note: FROM/ AB/ À PARTIR: 04/03			
1.21		> MECHANICAL SEAL ID.17 AQ1EGG	1
1.22		> Distance ring D.17/30X9 PPO FE1630	1
2		MOTOR IP-E50/5-28	1
Note: no longer available / nicht mehrlieferbar / ne plus disponible			
		SPARE PARTS MOTOR TL4/4000/2	1
3	2016519	PUMP HOUSING IPL50/160/IP-E50/5 KIT	1
1.13	2046358	> O-RING ID.164,7X3,53 E7518 VP.	1
3.1		> PUMP HOUSING IP-E50/160 CPL.WILO	1
4	2046362	SCREW M6X20 ISO4762 8.8 ZN(8STÜCK)	1
6	2104485	DPS40-1(0-10V) KIT	1
6.1	2106115	> DIFFERENTIAL PRESSURE SENSOR 40 KIT	1
Note: FROM/ AB/ À PARTIR: 09/2009			
		>> DPS40 spiral TZ.3mm Volt 2G	1
	2196657	>> Cable DPS 3x0,34x650 short bared 2G VP.	1
Note: from/ab/de 01.10.2013			
6.2	2106120	> CONNECTION SENSOR IP-E SPIRAL M6 KIT	1
Note: FROM/ AB/ À PARTIR: 09/2009			
6.21		>> CAPILLARY COIL 1000	2
6.22		>> Fixation ring pipe union R1/8" 90GD.Ni	1
6.23		>> HANDLE DDG M6	1
6.24		>> Screw M4x10 EE DIN7500 ZN	2
	2168862	>> Nut/Ferrule M6 D.3MM MS Ni (2 Pieces)	1

**IP-E50/5-28-IE1 (2012592)**

<b>Item</b>	<b>Article no.</b>	<b>Description</b>	<b>Quantity</b>
	2168860	>> Nut/Ferrule M8 D.5MM MS Ni (2 Pieces)	1
7		MODULE IP-E/DP-E50/5-28 4KW	1

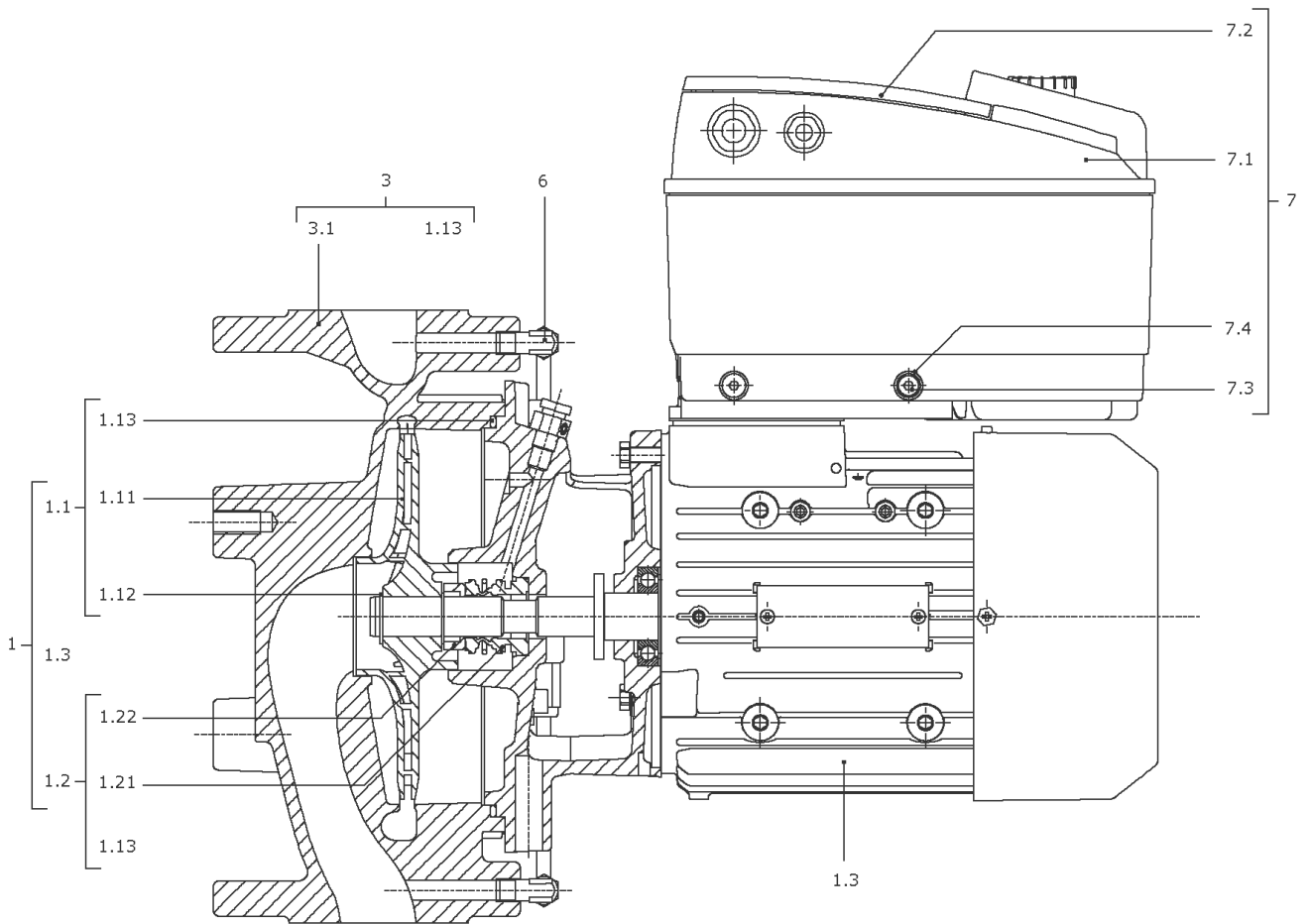
Note: no longer available / nicht mehr lieferbar / ne plus disponible





## SPARE PARTS MOTOR TL4/4000/2

Item	Article no.	Description	Quantity
2.1	2046117	CIRCLIP 72X2,5 DIN472 FST	1
Note: Please give the data from type plate of the motor			
2.2	2046408	CIRCLIP 30X1,5 DIN471 FST	1
Note: Please give the data from type plate of the motor			
2.3	2046961	BALL BEARING 6306/2RS-C3 (HT) VP.	1
Note: Please give the data from type plate of the motor			
2.4	121084190	BALL BEARING 6206/2Z-C3 (HT) VP.	1
Note: Please give the data from type plate of the motor			
2.5	2046410	O-RING ID.62X3 FPM 80SSHORE	1
Note: Please give the data from type plate of the motor			
2.6	2046409	WASHER 51X61X0,4 MENKE	1
Note: Please give the data from type plate of the motor			
2.7	121479197	FAN WHEEL BG100-132 ATB KIT	1
Note: Please give the data from type plate of the motor			
2.8A		> FAN WHEEL BG100-132 721186 ATB	1
2.8B	2123672	> CORRU. SLEEVE RING BG90-132 ATB VP.	1
Note: Please give the data from type plate of the motor			
2.8	2026498	FAN HOUSING TL4N D.195 KIT	1
Note: Please give the data from type plate of the motor			
2.81		> SCREW M4X8 ISO7045 4.8-H ZN	1
Note: no longer available / nicht mehr lieferbar / ne plus disponible			
2.82		> FAN HOUSING TL4N D.195 PA6 GREEN	1
5	2045839	SCREW M10X25 DIN-EN24014 8.8 (4 PIECES)	1
Note: Please give the data from type plate of the motor			
8		LANTERN TL4 KIT	1
Note: no longer available / nicht mehrlieferbar / ne plus disponible			
Note: Please give the data from type plate of the motor			
1.13	2046358	> O-RING ID.164,7X3,53 E7518 VP.	1
8.1		> LANTERN IP-E40/5-65/4-50/5-80/4 CPL.WILO	1
8.2	2027201	> BLOWGUN R1/8" VP.	1

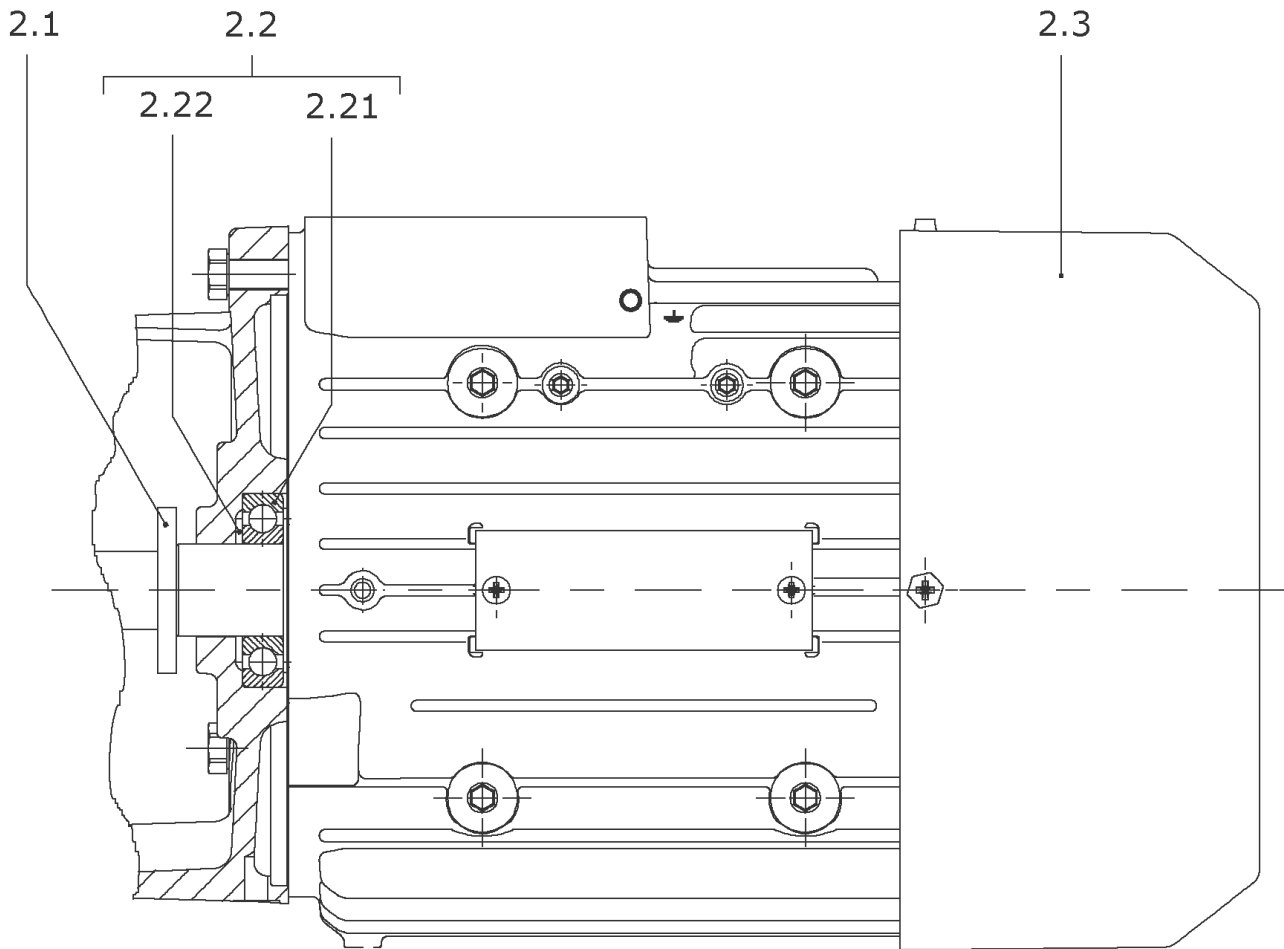


**IP-E65/115-1,5/2-IE1 (2053089)**

Item	Article no.	Description	Quantity
1		SERVICE MOTOR IP-E/DP-E65/115-1,5/2 KIT	1
Note: no longer available / nicht mehr lieferbar / ne plus disponible			
1.1	2153163	> Impeller 65/115-116 PPO KIT	1
1.11		>> Impeller 65/115-116 PPO FE1630 fin	1
1.12	2123932	>> CIRCLIP 17X1 DIN471 A2 1.4122 VP.	1
1.13	2010301	>> O-RING ID.117,07X3,53	1
1.2	122097593	> Mechanical seal ID.17 AQ1EGG KIT	1
1.12	2123932	>> CIRCLIP 17X1 DIN471 A2 1.4122 VP.	1
1.13	2010300	>> O-RING ID.107,54X3,53	1
1.13	2010301	>> O-RING ID.117,07X3,53	1
1.13	2054183	>> O-RING ID.158,34X3,53 E7518	1
Note: TO/ BIS/ JUSQU'À: 03/03			
1.13	2046358	>> O-RING ID.164,7X3,53 E7518 VP.	1
Note: FROM/ AB/ À PARTIR: 04/03			
1.21		>> MECHANICAL SEAL ID.17 AQ1EGG	1
1.22		>> Distance ring D.17/30X9 PPO FE1630	1
1.3		> MOTOR 1,5/2/90 F170 SM.IE1 PTC	1
		SPARE PARTS MOTOR 1,5/2/90	1
3	2016515	PUMP HOUSING IPL65/115/IP-E65/2 KIT	1
1.13	2010301	> O-RING ID.117,07X3,53	1
3.1		> PUMP HOUSING IP-E65/120 PN16 CPL.WILO	1
6	2104480	DPS20-2(0-10V) KIT	1
6.1	2106113	> DIFFERENTIAL PRESSURE SENSOR 20 KIT	1
Note: FROM/ AB/ À PARTIR: 09/2009			
		>> DPS20 spiral TZ.3mm Volt 2G	1
	2196657	>> Cable DPS 3x0,34x650 short bared 2G VP.	1
Note: from/ab/de 01.10.2013			
6.2	2106121	> CONNECTION SENSOR IP-E SPIRAL M10 KIT	1
Note: FROM/ AB/ À PARTIR: 09/2009			
6.21		>> CAPILLARY COIL 1000	2
6.22		>> Fixation ring pipe union R1/8" 90GD.Ni	1
6.23		>> HANDLE DDG M10	1
6.24		>> Screw M4x10 EE DIN7500 ZN	2
	2168862	>> Nut/Ferrule M6 D.3MM MS Ni (2 Pieces)	1

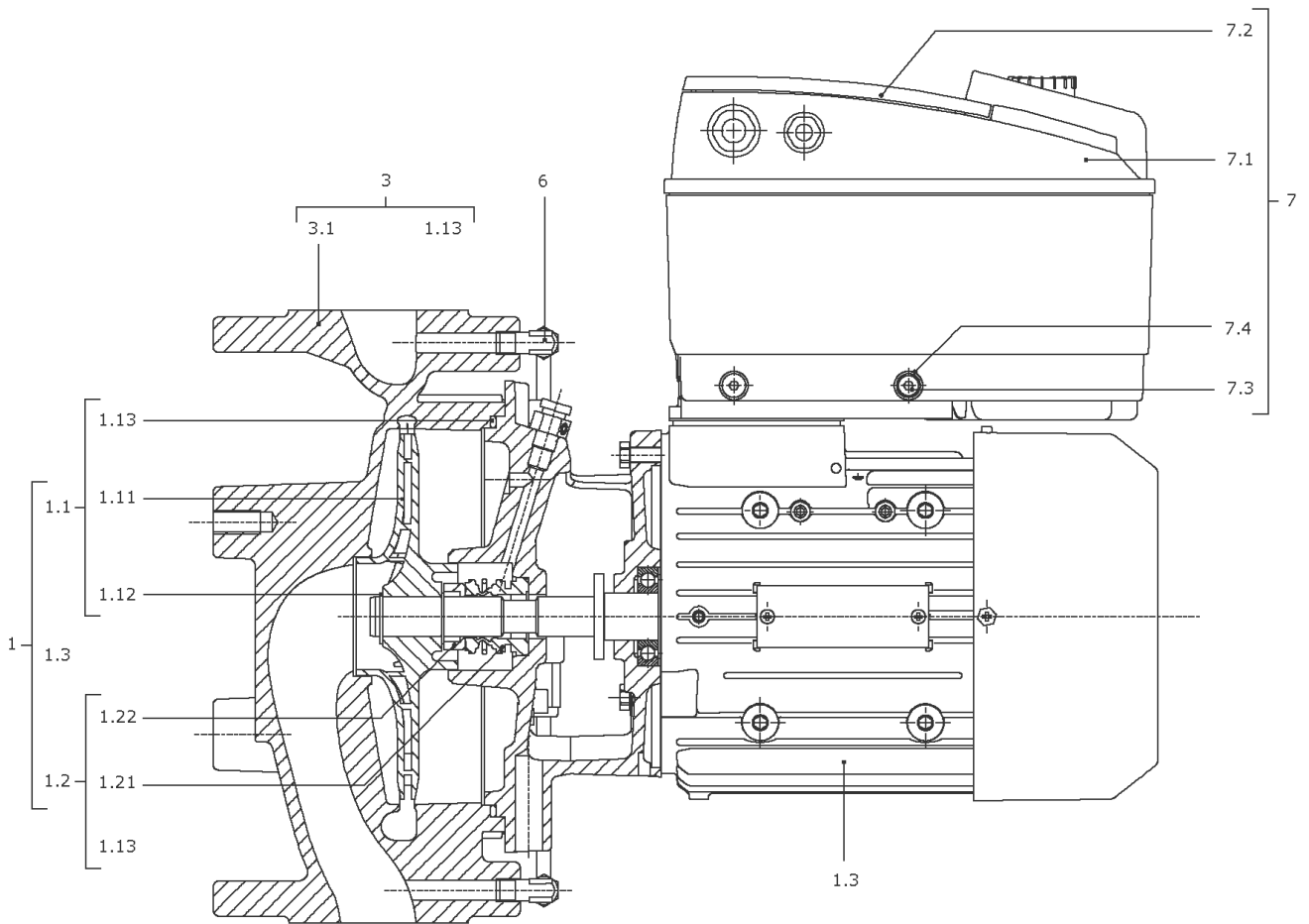
**IP-E65/115-1,5/2-IE1 (2053089)**

<b>Item</b>	<b>Article no.</b>	<b>Description</b>	<b>Quantity</b>
	2168860	>> Nut/Ferrule M8 D.5MM MS Ni (2 Pieces)	1
7	2057858	MODULE IP-E/DP-E65/115-1,5/2-IE1 KIT	1
7.1		> MODULE IP/DP-E65/115-1,5/2 TL3 WILO/EMB	1
7.2	2054227	> MODULE COVER/GASKET TL3/4 KIT	1
7.3		> SCREW M5X16 ISO4762 8.8 ZnNi	1
7.4		> WASHER TOOTHED LOCK A5,3 DIN6797 FST ZN	1
	2061236	> O-RING ID.38X3 EPDM 70SR.A BUS.	1
	2037242	SCREW M10X25 ISO4762 8.8 (4 PIECES)	1



**SPARE PARTS MOTOR 1,5/2/90**

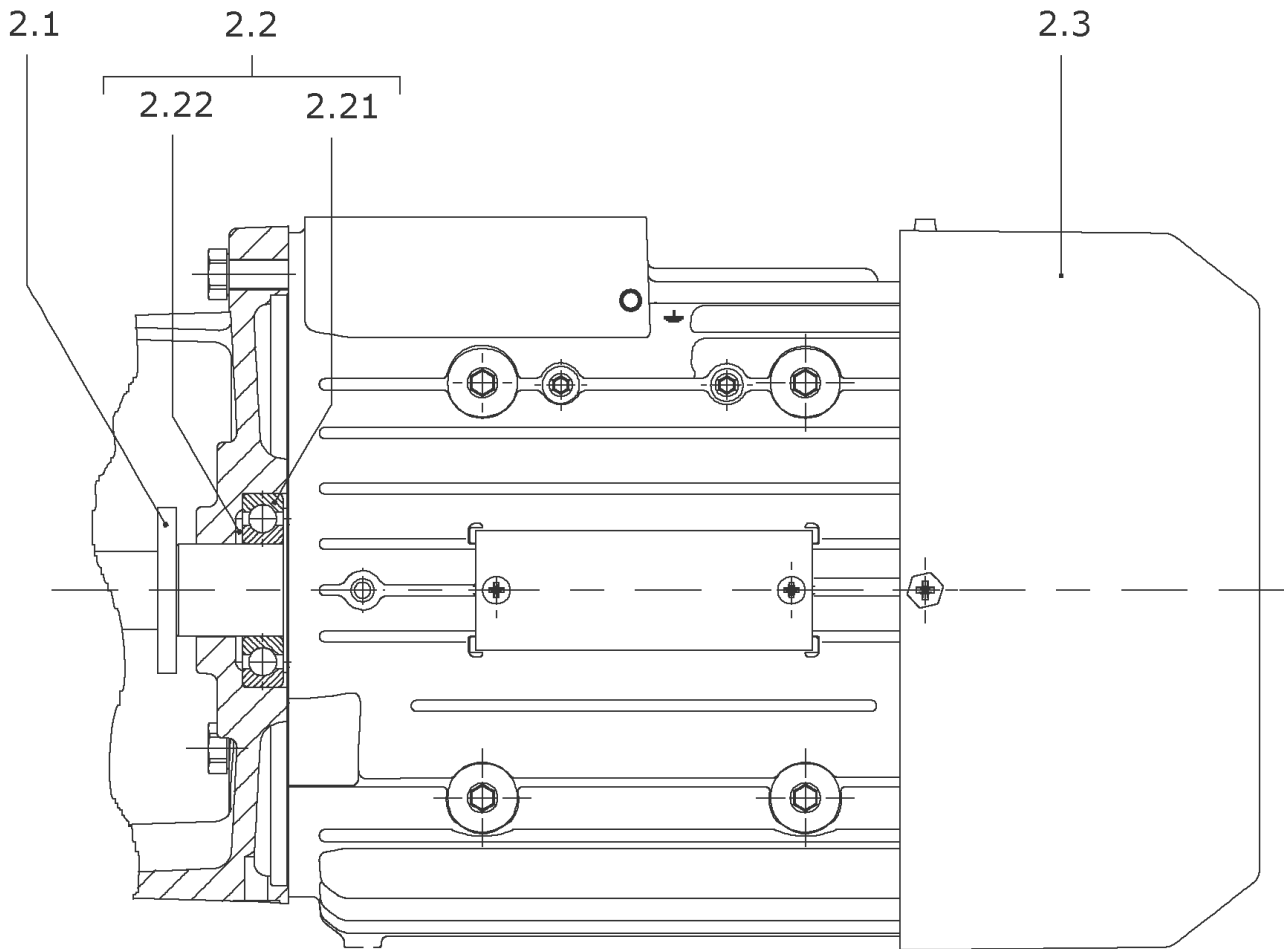
<b>Item</b>	<b>Article no.</b>	<b>Description</b>	<b>Quantity</b>
2.1	2054289	SHAFT SEAL RING 1LA7 BG80-90 SM.	1
2.2	2046941	BALL BEARING 6305/2RS-C3 (HT) VP.	1
	2044940	BALL BEARING 6004/2Z-C3 (HT) VP.	1
2.3	2162655	Fan hood 1LA7 BG90 SM.VP.	1
	2150967	Fan wheel 1LA7 BG90 SM.VP.	1





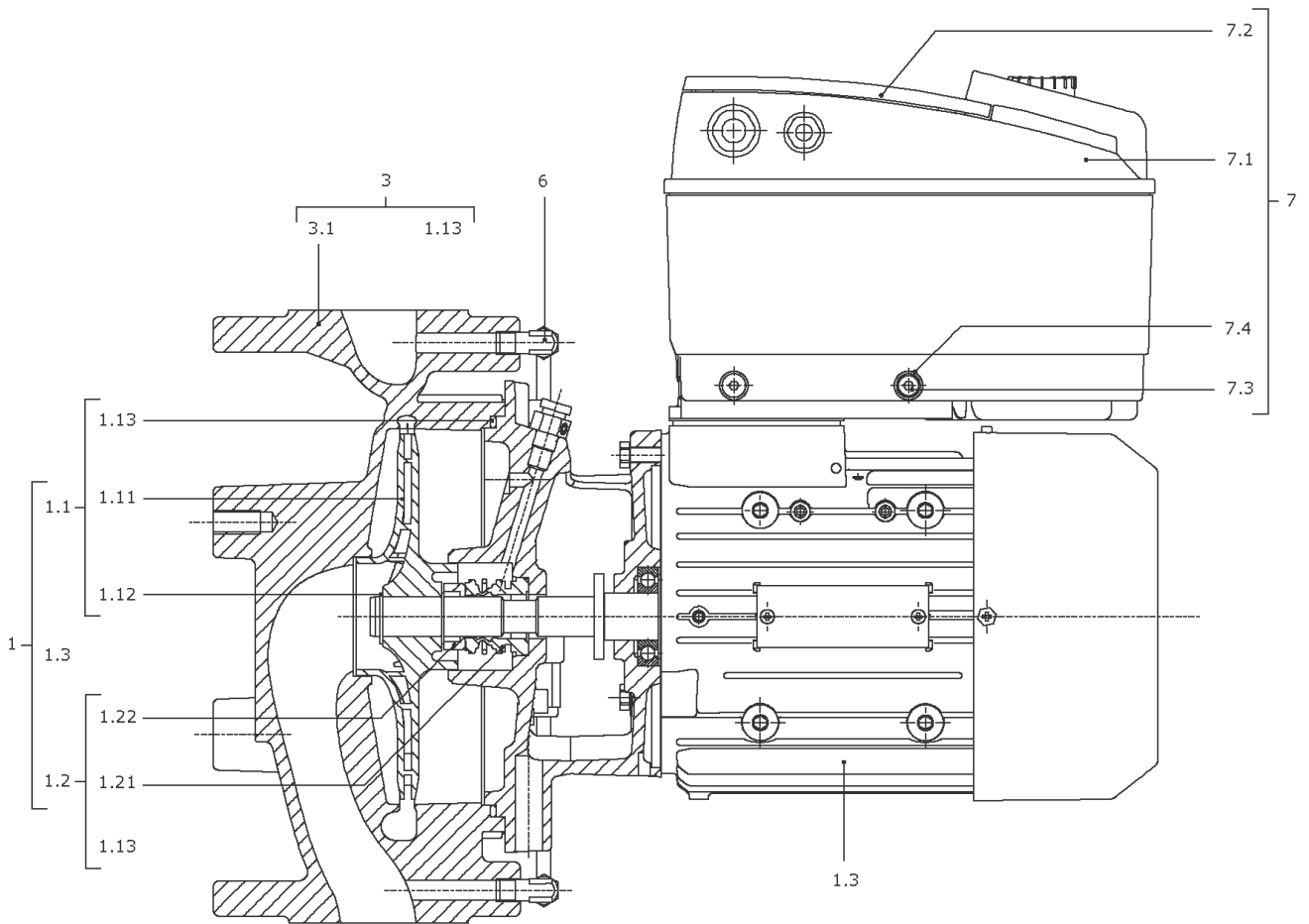
**IP-E65/115-1,5/2-R1-IE1 (2053107)**

Item	Article no.	Description	Quantity
1		SERVICE MOTOR IP-E/DP-E65/115-1,5/2 KIT	1
Note: no longer available / nicht mehr lieferbar / ne plus disponible			
1.1	2153163	> Impeller 65/115-116 PPO KIT	1
1.11		>> Impeller 65/115-116 PPO FE1630 fin	1
1.12	2123932	>> CIRCLIP 17X1 DIN471 A2 1.4122 VP.	1
1.13	2010301	>> O-RING ID.117,07X3,53	1
1.2	122097593	> Mechanical seal ID.17 AQ1EGG KIT	1
1.12	2123932	>> CIRCLIP 17X1 DIN471 A2 1.4122 VP.	1
1.13	2010300	>> O-RING ID.107,54X3,53	1
1.13	2010301	>> O-RING ID.117,07X3,53	1
1.13	2054183	>> O-RING ID.158,34X3,53 E7518	1
Note: TO/ BIS/ JUSQU'À: 03/03			
1.13	2046358	>> O-RING ID.164,7X3,53 E7518 VP.	1
Note: FROM/ AB/ À PARTIR: 04/03			
1.21		>> MECHANICAL SEAL ID.17 AQ1EGG	1
1.22		>> Distance ring D.17/30X9 PPO FE1630	1
1.3		> MOTOR 1,5/2/90 F170 SM.IE1 PTC	1
		SPARE PARTS MOTOR 1,5/2/90	1
3	2016515	PUMP HOUSING IPL65/115/IP-E65/2 KIT	1
1.13	2010301	> O-RING ID.117,07X3,53	1
3.1		> PUMP HOUSING IP-E65/120 PN16 CPL.WILO	1
7	2057858	MODULE IP-E/DP-E65/115-1,5/2-IE1 KIT	1
7.1		> MODULE IP/DP-E65/115-1,5/2 TL3 WILO/EMB	1
7.2	2054227	> MODULE COVER/GASKET TL3/4 KIT	1
7.3		> SCREW M5X16 ISO4762 8.8 ZnNi	1
7.4		> WASHER TOOTHED LOCK A5,3 DIN6797 FST ZN	1
	2061236	> O-RING ID.38X3 EPDM 70SR.A BUS.	1
	2037242	SCREW M10X25 ISO4762 8.8 (4 PIECES)	1



## SPARE PARTS MOTOR 1,5/2/90

Item	Article no.	Description	Quantity
2.1	2054289	SHAFT SEAL RING 1LA7 BG80-90 SM.	1
2.2	2046941	BALL BEARING 6305/2RS-C3 (HT) VP.	1
	2044940	BALL BEARING 6004/2Z-C3 (HT) VP.	1
2.3	2162655	Fan hood 1LA7 BG90 SM.VP.	1
	2150967	Fan wheel 1LA7 BG90 SM.VP.	1

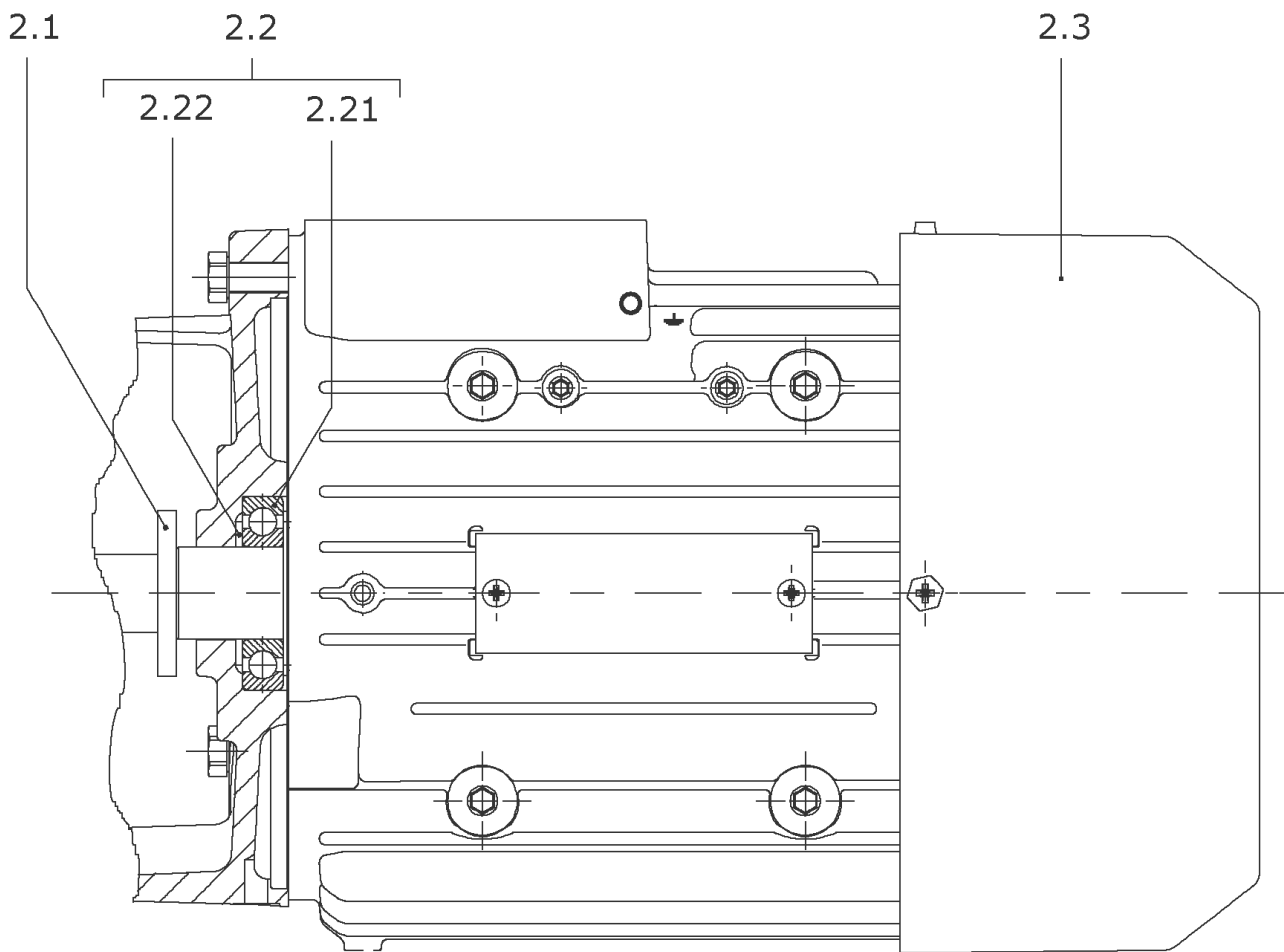


**IP-E65/130-3/2-IE1 (2053092)**

Item	Article no.	Description	Quantity
1		SERVICE MOTOR IP-E/DP-E65/130-3/2 KIT	1
Note: no longer available / nicht mehr lieferbar / ne plus disponible			
1.1	2016533	> IMPELLER D.82/125/17 KIT	1
1.11		>> Impeller D.82/125/17X16,25 KU.	1
1.12	2123932	>> CIRCLIP 17X1 DIN471 A2 1.4122 VP.	1
1.13	2046358	>> O-RING ID.164,7X3,53 E7518 VP.	1
1.2	122097593	> Mechanical seal ID.17 AQ1EGG KIT	1
1.12	2123932	>> CIRCLIP 17X1 DIN471 A2 1.4122 VP.	1
1.13	2010300	>> O-RING ID.107,54X3,53	1
1.13	2010301	>> O-RING ID.117,07X3,53	1
1.13	2054183	>> O-RING ID.158,34X3,53 E7518	1
Note: TO/ BIS/ JUSQU'À: 03/03			
1.13	2046358	>> O-RING ID.164,7X3,53 E7518 VP.	1
Note: FROM/ AB/ À PARTIR: 04/03			
1.21		>> MECHANICAL SEAL ID.17 AQ1EGG	1
1.22		>> Distance ring D.17/30X9 PPO FE1630	1
		> MOTOR 3/2/100 F188 SM.IE1 PTC	1
		SPARE PARTS MOTOR 3/2/100	1
3		PUMP HOUSING IPL65/160/IP-E65/4 KIT	1
Note: no longer available/ nicht mehr lieferbar/ ne plus disponible			
1.13	2046358	> O-RING ID.164,7X3,53 E7518 VP.	1
3.1		> PUMP HOUSING IP-E65/156 CPL.WILO	1
6	2104479	DPS20-1(0-10V) KIT	1
6.1	2106113	> DIFFERENTIAL PRESSURE SENSOR 20 KIT	1
Note: FROM/ AB/ À PARTIR: 09/2009			
		>> DPS20 spiral TZ.3mm Volt 2G	1
	2196657	>> Cable DPS 3x0,34x650 short bared 2G VP.	1
Note: from/ab/de 01.10.2013			
6.2	2106120	> CONNECTION SENSOR IP-E SPIRAL M6 KIT	1
Note: FROM/ AB/ À PARTIR: 09/2009			
6.21		>> CAPILLARY COIL 1000	2
6.22		>> Fixation ring pipe union R1/8" 90GD.Ni	1
6.23		>> HANDLE DDG M6	1
6.24		>> Screw M4x10 EE DIN7500 ZN	2

**IP-E65/130-3/2-IE1 (2053092)**

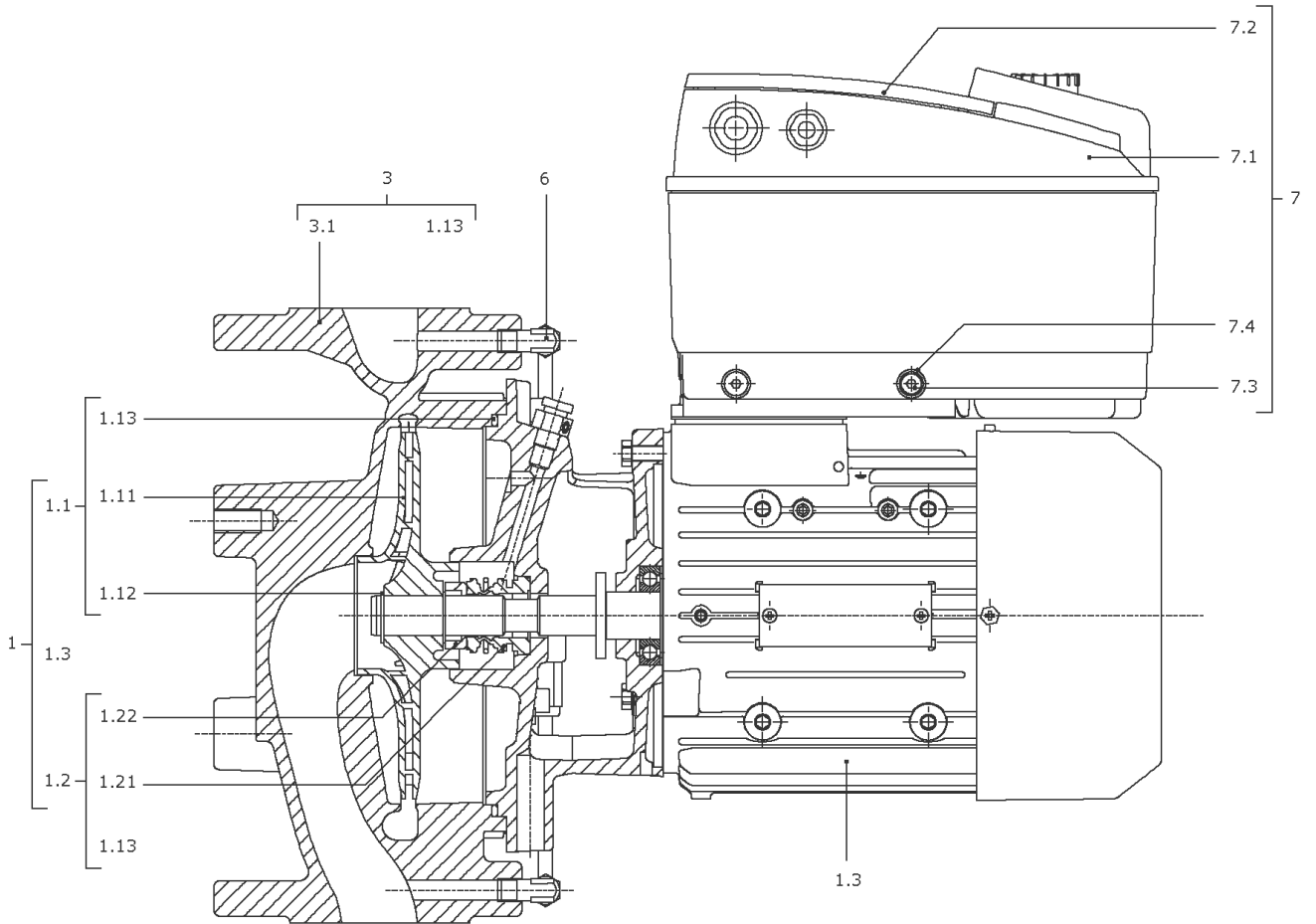
Item	Article no.	Description	Quantity
	2168862	>> Nut/Ferrule M6 D.3MM MS Ni (2 Pieces)	1
	2168860	>> Nut/Ferrule M8 D.5MM MS Ni (2 Pieces)	1
7		MODULE TL4 IP-E65/130-3/2-IE1 KIT	1
Note: no longer available / nicht mehr lieferbar / ne plus disponible			
7.1		> MODULE IP/DP-E65/130-3/2 TL4 WILO/EMB	1
7.2	2054227	> MODULE COVER/GASKET TL3/4 KIT	1
7.3		> SCREW M5X16 ISO4762 8.8 ZnNi	1
7.4		> WASHER TOOTHED LOCK A5,3 DIN6797 FST ZN	1
	2061236	> O-RING ID.38X3 EPDM 70SR.A BUS.	1
	2054224	SCREW M6X22/20 ISO4762 8.8 (8 PIECES)	1



## SPARE PARTS MOTOR 3/2/100

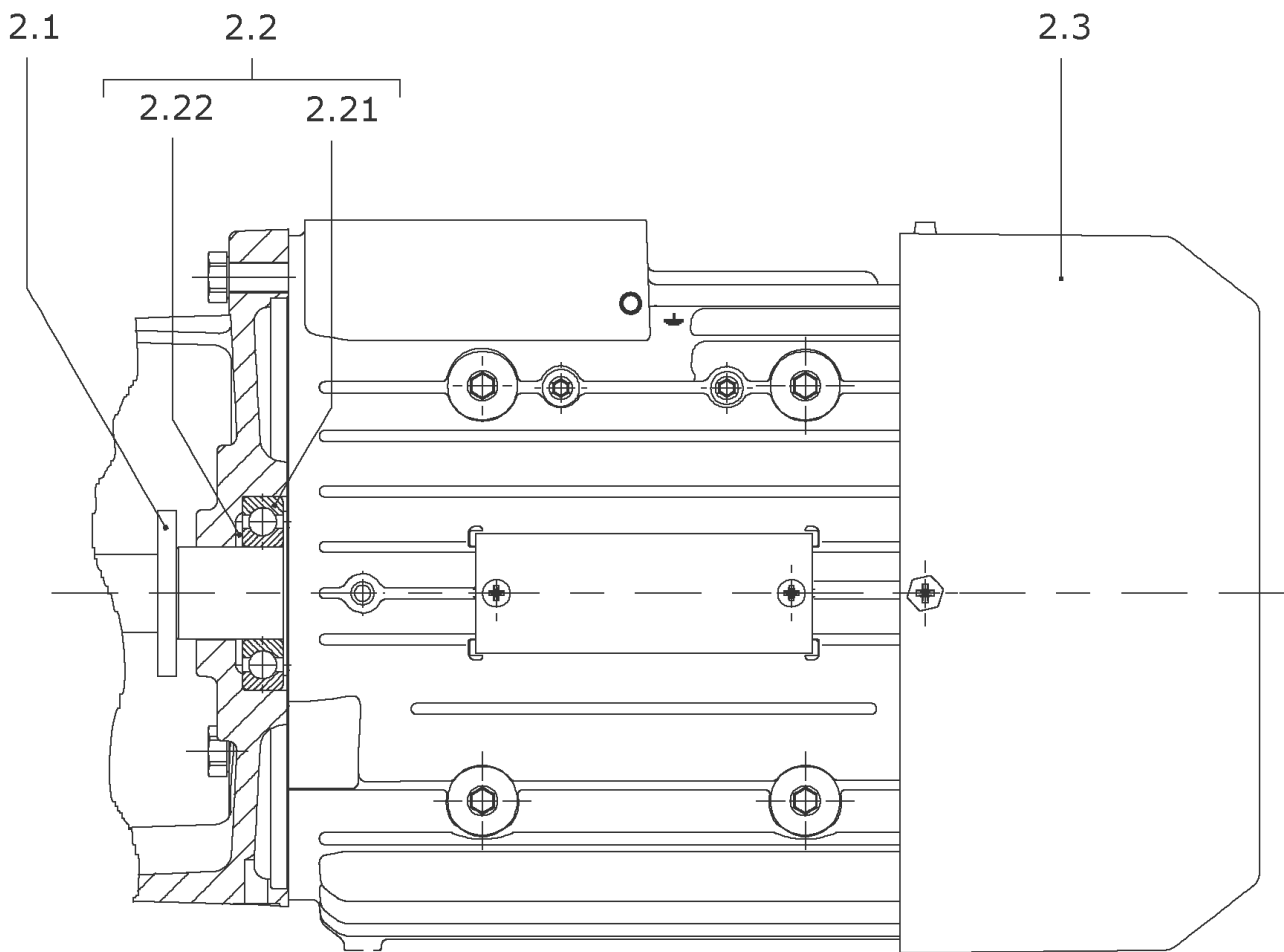
Item	Article no.	Description	Quantity
2.1	2054287	SHAFT SEAL RING 1LA7 BG100-112 SM.	1
2.2	2046966	BALL BEARING 6206/2RS-C3 (HT) VP.	1
	121083998	BALL BEARING 6205/2Z-C3 (HT) VP.	1
2.3	2029716	FAN HOOD 1LA7 BG100 SM.VP.	1
	2164007	Fan wheel 1LA7 BG100-112 SM.VP.	1





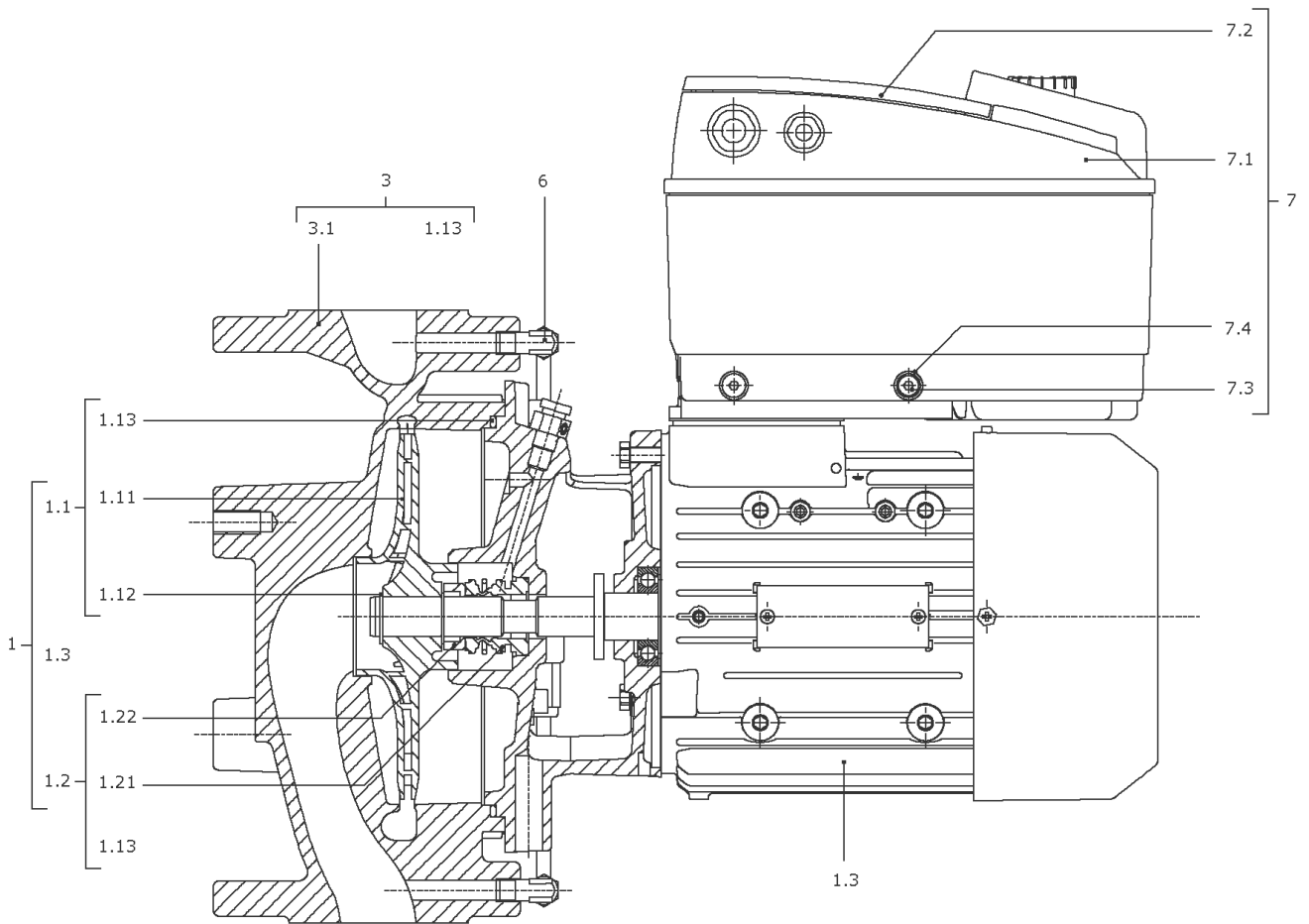
**IP-E65/130-3/2-R1-IE1 (2053110)**

Item	Article no.	Description	Quantity
1		SERVICE MOTOR IP-E/DP-E65/130-3/2 KIT	1
Note: no longer available / nicht mehr lieferbar / ne plus disponible			
1.1	2016533	> IMPELLER D.82/125/17 KIT	1
1.11		>> Impeller D.82/125/17X16,25 KU.	1
1.12	2123932	>> CIRCLIP 17X1 DIN471 A2 1.4122 VP.	1
1.13	2046358	>> O-RING ID.164,7X3,53 E7518 VP.	1
1.2	122097593	> Mechanical seal ID.17 AQ1EGG KIT	1
1.12	2123932	>> CIRCLIP 17X1 DIN471 A2 1.4122 VP.	1
1.13	2010300	>> O-RING ID.107,54X3,53	1
1.13	2010301	>> O-RING ID.117,07X3,53	1
1.13	2054183	>> O-RING ID.158,34X3,53 E7518	1
Note: TO/ BIS/ JUSQU'À: 03/03			
1.13	2046358	>> O-RING ID.164,7X3,53 E7518 VP.	1
Note: FROM/ AB/ À PARTIR: 04/03			
1.21		>> MECHANICAL SEAL ID.17 AQ1EGG	1
1.22		>> Distance ring D.17/30X9 PPO FE1630	1
		> MOTOR 3/2/100 F188 SM.IE1 PTC	1
		SPARE PARTS MOTOR 3/2/100	1
3		PUMP HOUSING IPL65/160/IP-E65/4 KIT	1
Note: no longer available/ nicht mehr lieferbar/ ne plus disponible			
1.13	2046358	> O-RING ID.164,7X3,53 E7518 VP.	1
3.1		> PUMP HOUSING IP-E65/156 CPL.WILO	1
7		MODULE TL4 IP-E65/130-3/2-IE1 KIT	1
Note: no longer available / nicht mehr lieferbar / ne plus disponible			
7.1		> MODULE IP/DP-E65/130-3/2 TL4 WILO/EMB	1
7.2	2054227	> MODULE COVER/GASKET TL3/4 KIT	1
7.3		> SCREW M5X16 ISO4762 8.8 ZnNi	1
7.4		> WASHER TOOTHED LOCK A5,3 DIN6797 FST ZN	1
	2061236	> O-RING ID.38X3 EPDM 70SR.A BUS.	1
	2054224	SCREW M6X22/20 ISO4762 8.8 (8 PIECES)	1



## SPARE PARTS MOTOR 3/2/100

Item	Article no.	Description	Quantity
2.1	2054287	SHAFT SEAL RING 1LA7 BG100-112 SM.	1
2.2	2046966	BALL BEARING 6206/2RS-C3 (HT) VP.	1
	121083998	BALL BEARING 6205/2Z-C3 (HT) VP.	1
2.3	2029716	FAN HOOD 1LA7 BG100 SM.VP.	1
	2164007	Fan wheel 1LA7 BG100-112 SM.VP.	1

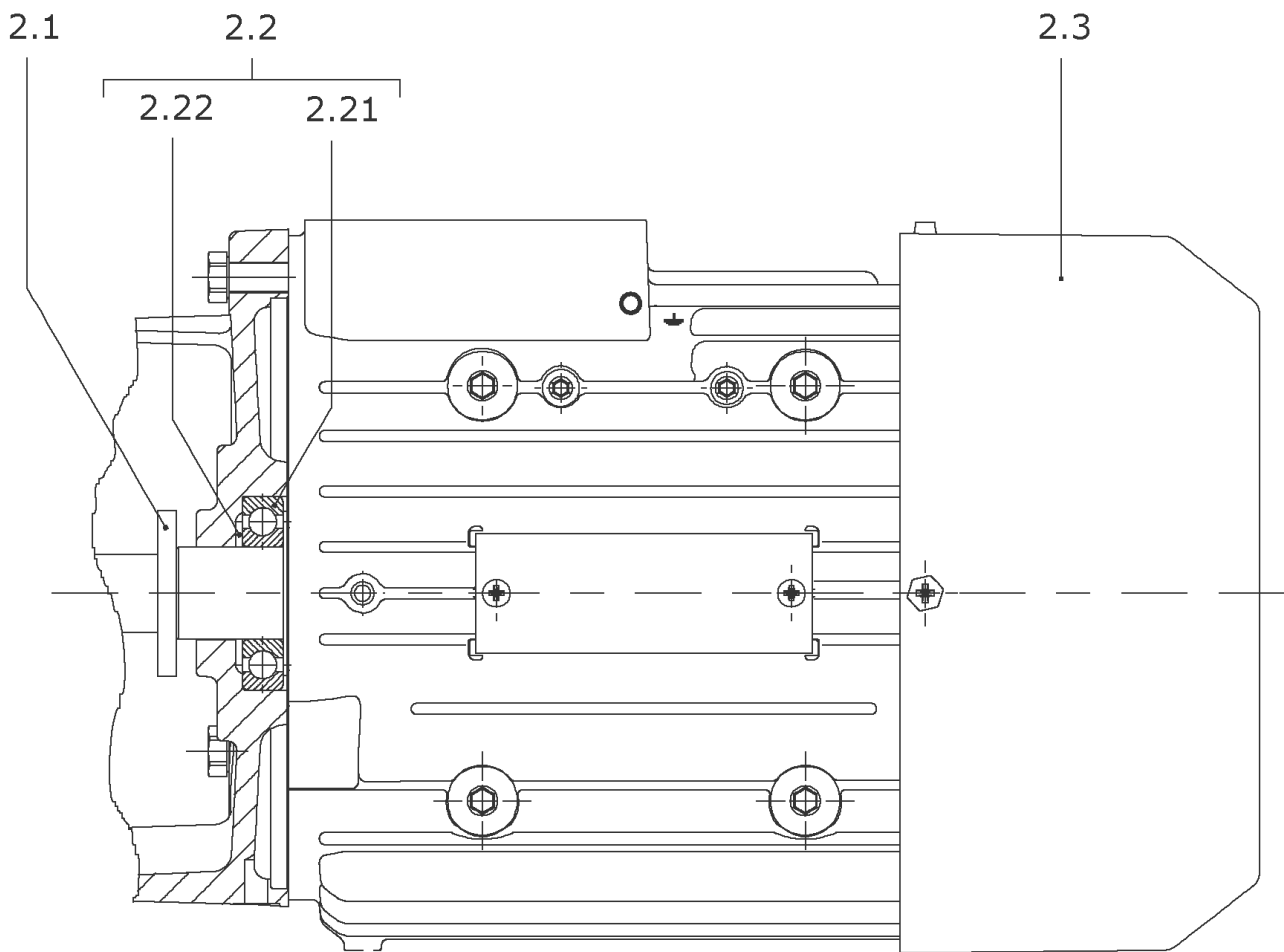


**IP-E65/140-4/2-IE1 (2061242)**

Item	Article no.	Description	Quantity
1		SERVICE MOTOR IP-E/DP-E65/140-4/2 KIT	1
Note: no longer available / nicht mehr lieferbar / ne plus disponible			
1.1	2052530	> IMPELLER D.82/135/17 KIT	1
1.11		>> Impeller D.82/135/17X14 KU.	1
1.12	2123932	>> CIRCLIP 17X1 DIN471 A2 1.4122 VP.	1
1.13	2046358	>> O-RING ID.164,7X3,53 E7518 VP.	1
1.2	122097593	> Mechanical seal ID.17 AQ1EGG KIT	1
1.12	2123932	>> CIRCLIP 17X1 DIN471 A2 1.4122 VP.	1
1.13	2010300	>> O-RING ID.107,54X3,53	1
1.13	2010301	>> O-RING ID.117,07X3,53	1
1.13	2054183	>> O-RING ID.158,34X3,53 E7518	1
Note: TO/ BIS/ JUSQU'À: 03/03			
1.13	2046358	>> O-RING ID.164,7X3,53 E7518 VP.	1
Note: FROM/ AB/ À PARTIR: 04/03			
1.21		>> MECHANICAL SEAL ID.17 AQ1EGG	1
1.22		>> Distance ring D.17/30X9 PPO FE1630	1
1.3		> MOTOR 4/2/112 F188 SM.IE1 PTC	1
		SPARE PARTS MOTOR 4/2/112	1
3		PUMP HOUSING IPL65/160/IP-E65/4 KIT	1
Note: no longer available/ nicht mehr lieferbar/ ne plus disponible			
1.13	2046358	> O-RING ID.164,7X3,53 E7518 VP.	1
3.1		> PUMP HOUSING IP-E65/156 CPL.WILO	1
6	2104485	DPS40-1(0-10V) KIT	1
6.1	2106115	> DIFFERENTIAL PRESSURE SENSOR 40 KIT	1
Note: FROM/ AB/ À PARTIR: 09/2009			
		>> DPS40 spiral TZ.3mm Volt 2G	1
	2196657	>> Cable DPS 3x0,34x650 short bared 2G VP.	1
Note: from/ab/de 01.10.2013			
6.2	2106120	> CONNECTION SENSOR IP-E SPIRAL M6 KIT	1
Note: FROM/ AB/ À PARTIR: 09/2009			
6.21		>> CAPILLARY COIL 1000	2
6.22		>> Fixation ring pipe union R1/8" 90GD.Ni	1
6.23		>> HANDLE DDG M6	1
6.24		>> Screw M4x10 EE DIN7500 ZN	2

**IP-E65/140-4/2-IE1 (2061242)**

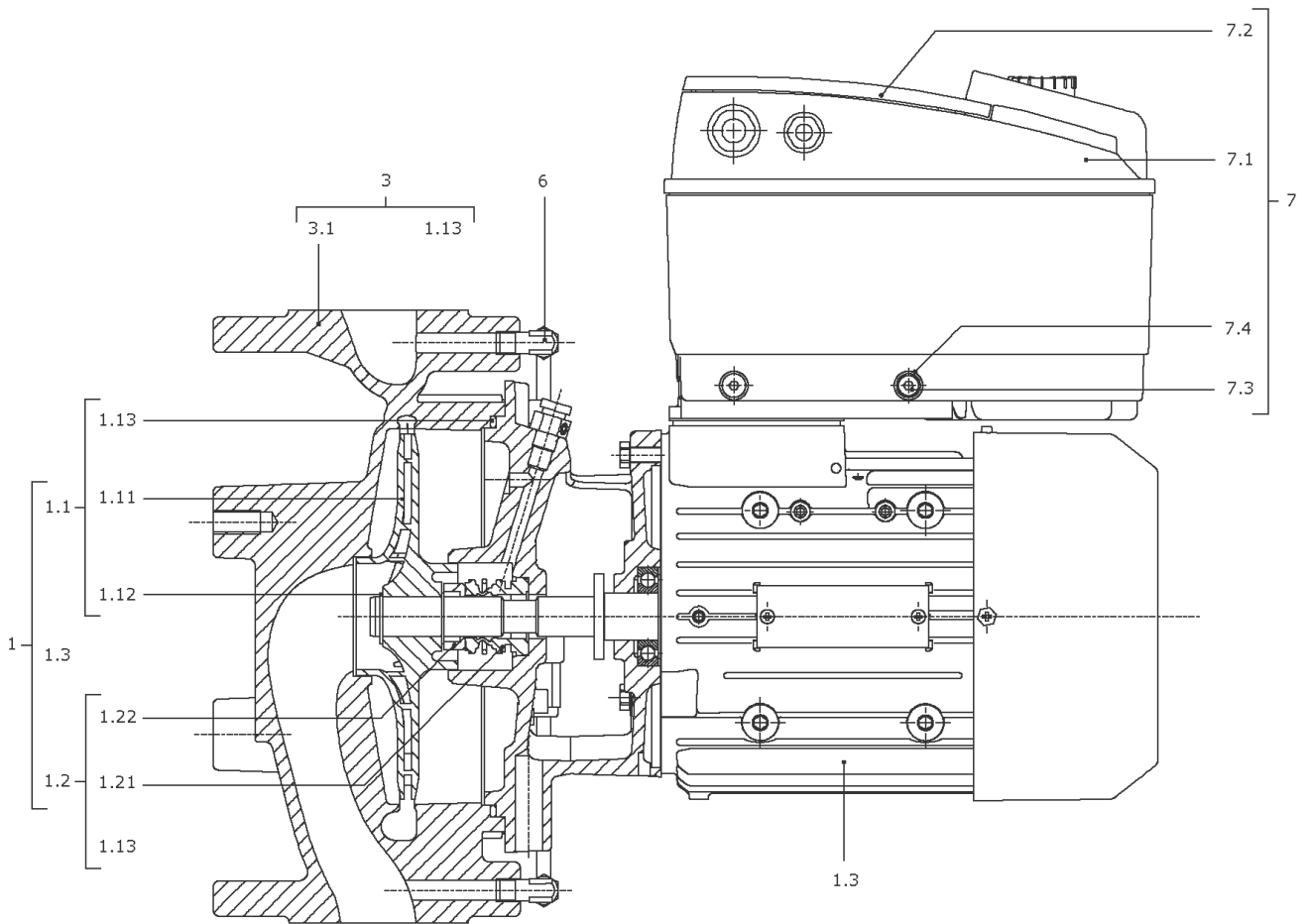
Item	Article no.	Description	Quantity
	2168862	>> Nut/Ferrule M6 D.3MM MS Ni (2 Pieces)	1
	2168860	>> Nut/Ferrule M8 D.5MM MS Ni (2 Pieces)	1
7	2064355	MODULE IP-E/DP-E65/140-4/2-IE1 KIT	1
7.1		> MODULE IP/DP-E65/140-4/2 TL4 N WILO/EMB	1
7.2	2054227	> MODULE COVER/GASKET TL3/4 KIT	1
7.3		> SCREW M5X16 ISO4762 8.8 ZnNi	1
7.4		> WASHER TOOTHED LOCK A5,3 DIN6797 FST ZN	1
	2061236	> O-RING ID.38X3 EPDM 70SR.A BUS.	1
	2054224	SCREW M6X22/20 ISO4762 8.8 (8 PIECES)	1





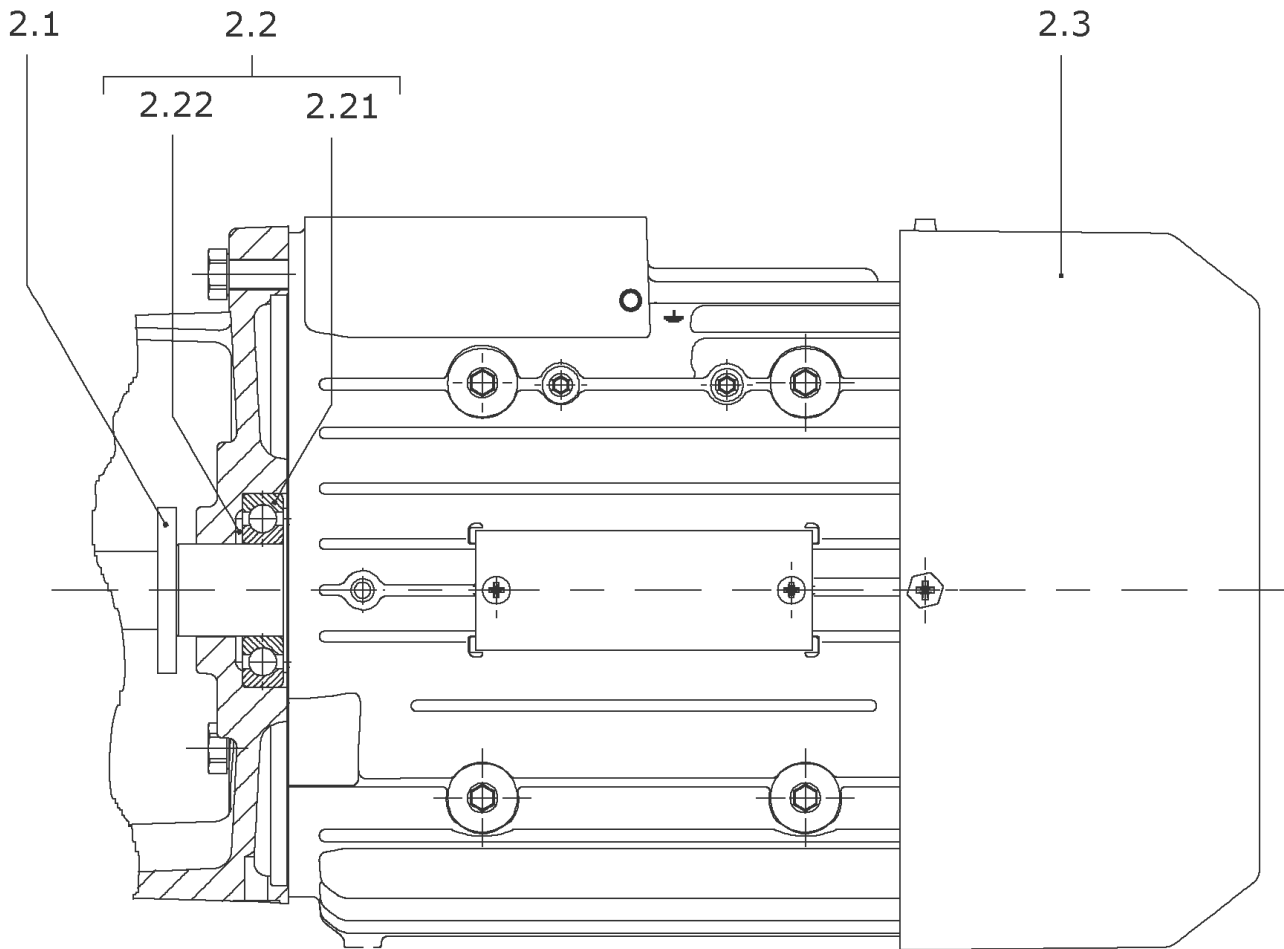
**SPARE PARTS MOTOR 4/2/112**

<b>Item</b>	<b>Article no.</b>	<b>Description</b>	<b>Quantity</b>
2.1	2054287	SHAFT SEAL RING 1LA7 BG100-112 SM.	1
2.2	2046961	BALL BEARING 6306/2RS-C3 (HT) VP.	1
	121083998	BALL BEARING 6205/2Z-C3 (HT) VP.	1
2.3	2162676	Fan hood 1LA7 BG112 SM.VP.	1
	2164007	Fan wheel 1LA7 BG100-112 SM.VP.	1



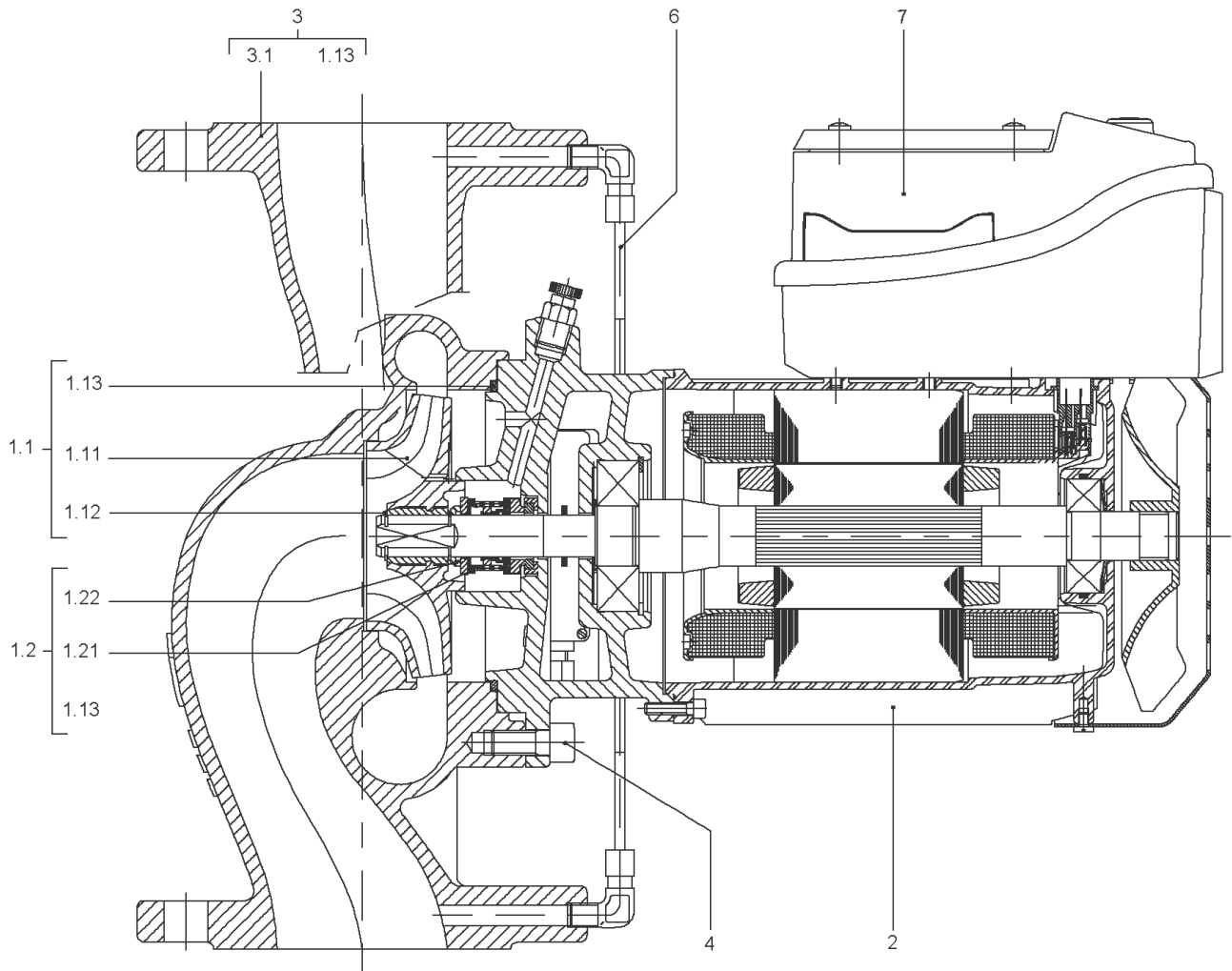
**IP-E65/140-4/2-R1-IE1 (2061250)**

Item	Article no.	Description	Quantity
1		SERVICE MOTOR IP-E/DP-E65/140-4/2 KIT	1
Note: no longer available / nicht mehr lieferbar / ne plus disponible			
1.1	2052530	> IMPELLER D.82/135/17 KIT	1
1.11		>> Impeller D.82/135/17X14 KU.	1
1.12	2123932	>> CIRCLIP 17X1 DIN471 A2 1.4122 VP.	1
1.13	2046358	>> O-RING ID.164,7X3,53 E7518 VP.	1
1.2	122097593	> Mechanical seal ID.17 AQ1EGG KIT	1
1.12	2123932	>> CIRCLIP 17X1 DIN471 A2 1.4122 VP.	1
1.13	2010300	>> O-RING ID.107,54X3,53	1
1.13	2010301	>> O-RING ID.117,07X3,53	1
1.13	2054183	>> O-RING ID.158,34X3,53 E7518	1
Note: TO/ BIS/ JUSQU'À: 03/03			
1.13	2046358	>> O-RING ID.164,7X3,53 E7518 VP.	1
Note: FROM/ AB/ À PARTIR: 04/03			
1.21		>> MECHANICAL SEAL ID.17 AQ1EGG	1
1.22		>> Distance ring D.17/30X9 PPO FE1630	1
1.3		> MOTOR 4/2/112 F188 SM.IE1 PTC	1
		SPARE PARTS MOTOR 4/2/112	1
3		PUMP HOUSING IPL65/160/IP-E65/4 KIT	1
Note: no longer available/ nicht mehr lieferbar/ ne plus disponible			
1.13	2046358	> O-RING ID.164,7X3,53 E7518 VP.	1
3.1		> PUMP HOUSING IP-E65/156 CPL.WILO	1
7	2064355	MODULE IP-E/DP-E65/140-4/2-IE1 KIT	1
7.1		> MODULE IP/DP-E65/140-4/2 TL4 N WILO/EMB	1
7.2	2054227	> MODULE COVER/GASKET TL3/4 KIT	1
7.3		> SCREW M5X16 ISO4762 8.8 ZnNi	1
7.4		> WASHER TOOTHED LOCK A5,3 DIN6797 FST ZN	1
	2061236	> O-RING ID.38X3 EPDM 70SR.A BUS.	1
	2054224	SCREW M6X22/20 ISO4762 8.8 (8 PIECES)	1



## SPARE PARTS MOTOR 4/2/112

Item	Article no.	Description	Quantity
2.1	2054287	SHAFT SEAL RING 1LA7 BG100-112 SM.	1
2.2	2046961	BALL BEARING 6306/2RS-C3 (HT) VP.	1
	121083998	BALL BEARING 6205/2Z-C3 (HT) VP.	1
2.3	2162676	Fan hood 1LA7 BG112 SM.VP.	1
	2164007	Fan wheel 1LA7 BG100-112 SM.VP.	1



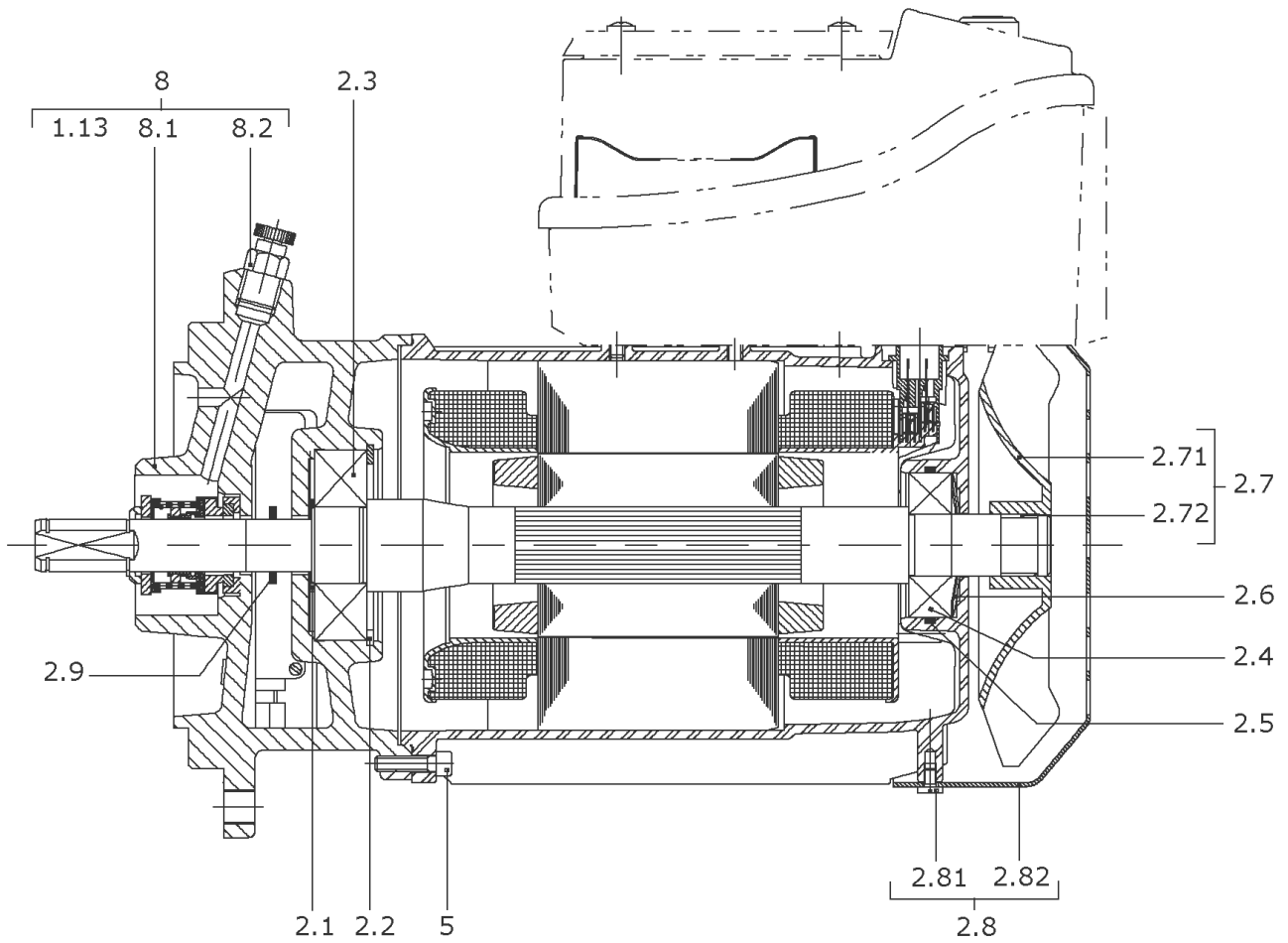
**IP-E65/2-15-IE1 (2012588)**

Item	Article no.	Description	Quantity
1.1	2153163	Impeller 65/115-116 PPO KIT	1
1.11		> Impeller 65/115-116 PPO FE1630 fin	1
1.12	2123932	> CIRCLIP 17X1 DIN471 A2 1.4122 VP.	1
1.13	2010301	> O-RING ID.117,07X3,53	1
1.2	122097593	Mechanical seal ID.17 AQ1EGG KIT	1
1.12	2123932	> CIRCLIP 17X1 DIN471 A2 1.4122 VP.	1
1.13	2010300	> O-RING ID.107,54X3,53	1
1.13	2010301	> O-RING ID.117,07X3,53	1
1.13	2054183	> O-RING ID.158,34X3,53 E7518	1
Note: TO/ BIS/ JUSQU'À: 03/03			
1.13	2046358	> O-RING ID.164,7X3,53 E7518 VP.	1
Note: FROM/ AB/ À PARTIR: 04/03			
1.21		> MECHANICAL SEAL ID.17 AQ1EGG	1
1.22		> Distance ring D.17/30X9 PPO FE1630	1
2		MOTOR IP-E65/2-15	1
Note: no longer available / nicht mehrlieferbar / ne plus disponible			
		SPARE PARTS MOTOR TL3/1500/2	1
3	2016515	PUMP HOUSING IPL65/115/IP-E65/2 KIT	1
1.13	2010301	> O-RING ID.117,07X3,53	1
3.1		> PUMP HOUSING IP-E65/120 PN16 CPL.WILO	1
4	2046362	SCREW M6X20 ISO4762 8.8 ZN(8STÜCK)	1
6	2104480	DPS20-2(0-10V) KIT	1
6.1	2106113	> DIFFERENTIAL PRESSURE SENSOR 20 KIT	1
Note: FROM/ AB/ À PARTIR: 09/2009			
		>> DPS20 spiral TZ.3mm Volt 2G	1
	2196657	>> Cable DPS 3x0,34x650 short bared 2G VP.	1
Note: from/ab/de 01.10.2013			
6.2	2106121	> CONNECTION SENSOR IP-E SPIRAL M10 KIT	1
Note: FROM/ AB/ À PARTIR: 09/2009			
6.21		>> CAPILLARY COIL 1000	2
6.22		>> Fixation ring pipe union R1/8" 90GD.Ni	1
6.23		>> HANDLE DDG M10	1
6.24		>> Screw M4x10 EE DIN7500 ZN	2
	2168862	>> Nut/Ferrule M6 D.3MM MS Ni (2 Pieces)	1

**IP-E65/2-15-IE1 (2012588)**

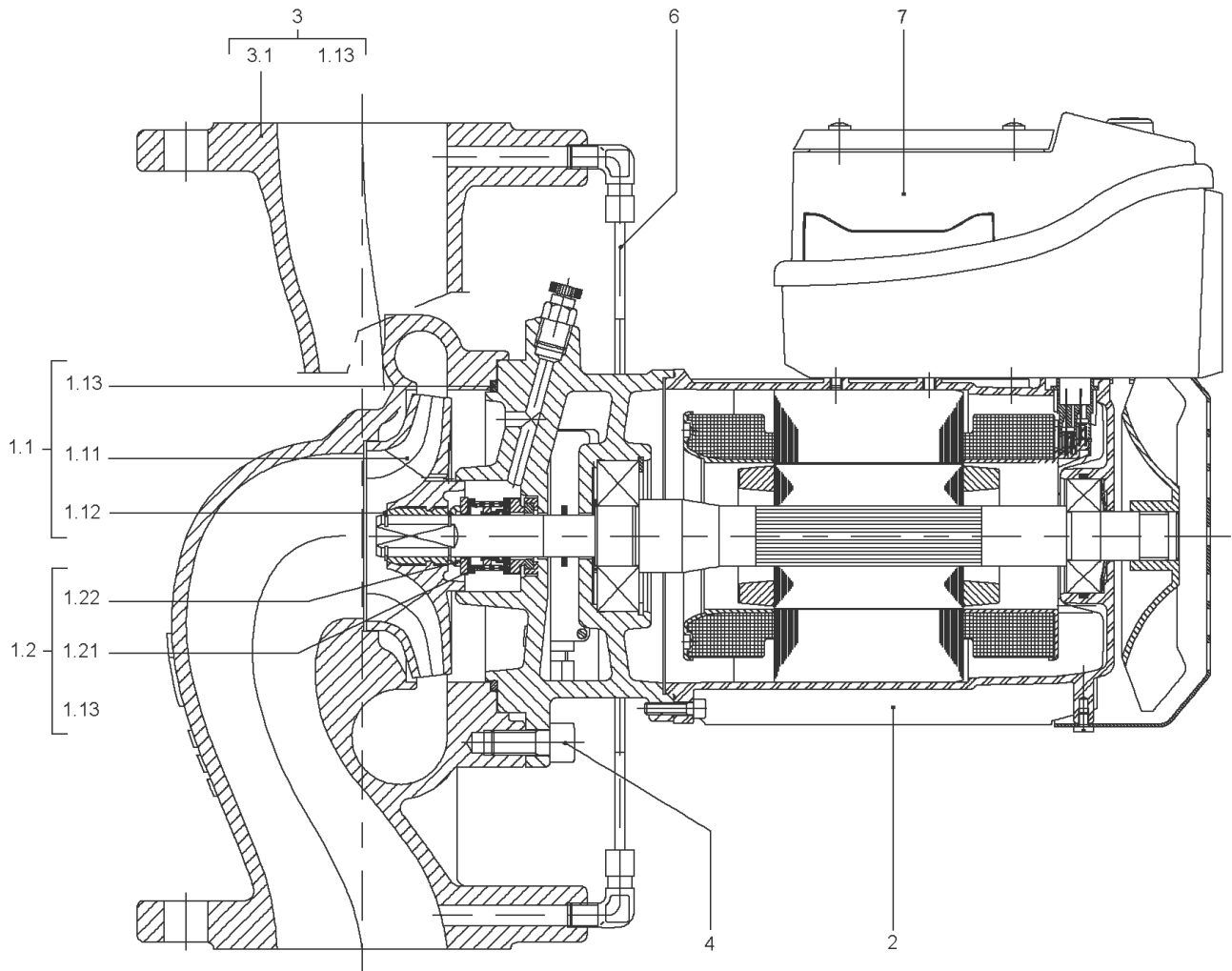
<b>Item</b>	<b>Article no.</b>	<b>Description</b>	<b>Quantity</b>
	2168860	>> Nut/Ferrule M8 D.5MM MS Ni (2 Pieces)	1
7	2016542	MODULE IP-E/DP-E65/2-15 1,5KW	1





**SPARE PARTS MOTOR TL3/1500/2**

Item	Article no.	Description	Quantity
2.2	2046384	CIRCLIPS 47X1,75 DIN472 A2 VP.	1
Note: Please give the data from type plate of the motor			
2.3	2046941	BALL BEARING 6305/2RS-C3 (HT) VP.	1
Note: Please give the data from type plate of the motor			
2.4	121083998	BALL BEARING 6205/2Z-C3 (HT) VP.	1
Note: Please give the data from type plate of the motor			
2.5	2046412	O-RING ID.52X3 FPM 80SHORE	1
Note: Please give the data from type plate of the motor			
2.6	2046413	WASHER 44X51X0,4 MENKE	1
Note: Please give the data from type plate of the motor			
2.7	121479094	FAN WHEEL BG90/100 ATB KIT	1
Note: Please give the data from type plate of the motor			
2.8A		> FAN WHEEL BG90/100 721383 ATB	1
2.8B	2047016	> CORRUGATED SLEEVE RING BG90/100 ATB VP.	1
Note: Please give the data from type plate of the motor			
2.8		FAN HOUSING TL3N D.180 KIT	1
Note: no longer available / nicht mehr lieferbar / ne plus disponible			
2.81		> SCREW M4X8 ISO7045 4.8-H ZN	1
Note: no longer available / nicht mehr lieferbar / ne plus disponible			
2.82		> FAN HOUSING TL3N D.180 PA6 GREEN	1
2.9	2046393	GUMMI THROWER SYN D16/35 EP4	1
Note: Please give the data from type plate of the motor			
5	2046406	SCREW M5X20 DIN912 8.8 ZN (4 PIECES)	1
Note: Please give the data from type plate of the motor			
8		LANTERN TL3 KIT	1
Note: no longer available / nicht mehrlieferbar / ne plus disponible			
Note: Please give the data from type plate of the motor			
1.13	2010301	> O-RING ID.117,07X3,53	1
8.1		> LANTERN TL3 FINISHED SERIE 2002 KTL	1
8.2	2027201	> BLOWGUN R1/8" VP.	1



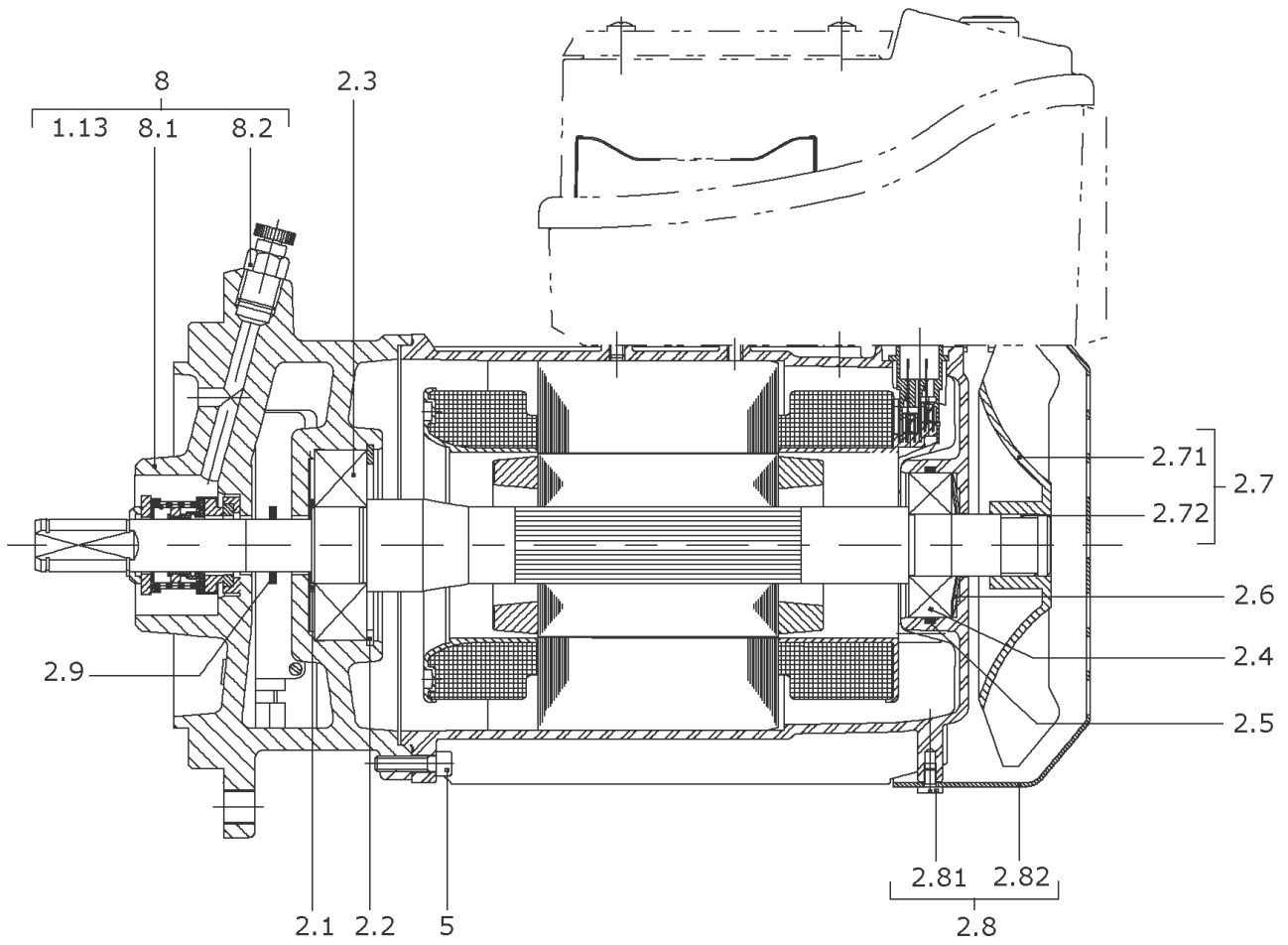
**IP-E65/4-20-IE1 (2015597)**

Item	Article no.	Description	Quantity
1.1	2016533	IMPELLER D.82/125/17 KIT	1
1.11		> Impeller D.82/125/17X16,25 KU.	1
1.12	2123932	> CIRCLIP 17X1 DIN471 A2 1.4122 VP.	1
1.13	2046358	> O-RING ID.164,7X3,53 E7518 VP.	1
1.2	122097593	Mechanical seal ID.17 AQ1EGG KIT	1
1.12	2123932	> CIRCLIP 17X1 DIN471 A2 1.4122 VP.	1
1.13	2010300	> O-RING ID.107,54X3,53	1
1.13	2010301	> O-RING ID.117,07X3,53	1
1.13	2054183	> O-RING ID.158,34X3,53 E7518	1
Note: TO/ BIS/ JUSQU'À: 03/03			
1.13	2046358	> O-RING ID.164,7X3,53 E7518 VP.	1
Note: FROM/ AB/ À PARTIR: 04/03			
1.21		> MECHANICAL SEAL ID.17 AQ1EGG	1
1.22		> Distance ring D.17/30X9 PPO FE1630	1
2		MOTOR IP-E40/5-28, 65/4-20	1
Note: no longer available / nicht mehrlieferbar / ne plus disponible			
		SPARE PARTS MOTOR TL4/3000/2	1
3		PUMP HOUSING IPL65/160/IP-E65/4 KIT	1
Note: no longer available/ nicht mehrlieferbar/ ne plus disponible			
1.13	2046358	> O-RING ID.164,7X3,53 E7518 VP.	1
3.1		> PUMP HOUSING IP-E65/156 CPL.WILO	1
4	2046362	SCREW M6X20 ISO4762 8.8 ZN(8STÜCK)	1
6	2104479	DPS20-1(0-10V) KIT	1
6.1	2106113	> DIFFERENTIAL PRESSURE SENSOR 20 KIT	1
Note: FROM/ AB/ À PARTIR: 09/2009			
		>> DPS20 spiral TZ.3mm Volt 2G	1
	2196657	>> Cable DPS 3x0,34x650 short bared 2G VP.	1
Note: from/ab/de 01.10.2013			
6.2	2106120	> CONNECTION SENSOR IP-E SPIRAL M6 KIT	1
Note: FROM/ AB/ À PARTIR: 09/2009			
6.21		>> CAPILLARY COIL 1000	2
6.22		>> Fixation ring pipe union R1/8" 90GD.Ni	1
6.23		>> HANDLE DDG M6	1
6.24		>> Screw M4x10 EE DIN7500 ZN	2

**IP-E65/4-20-IE1 (2015597)**

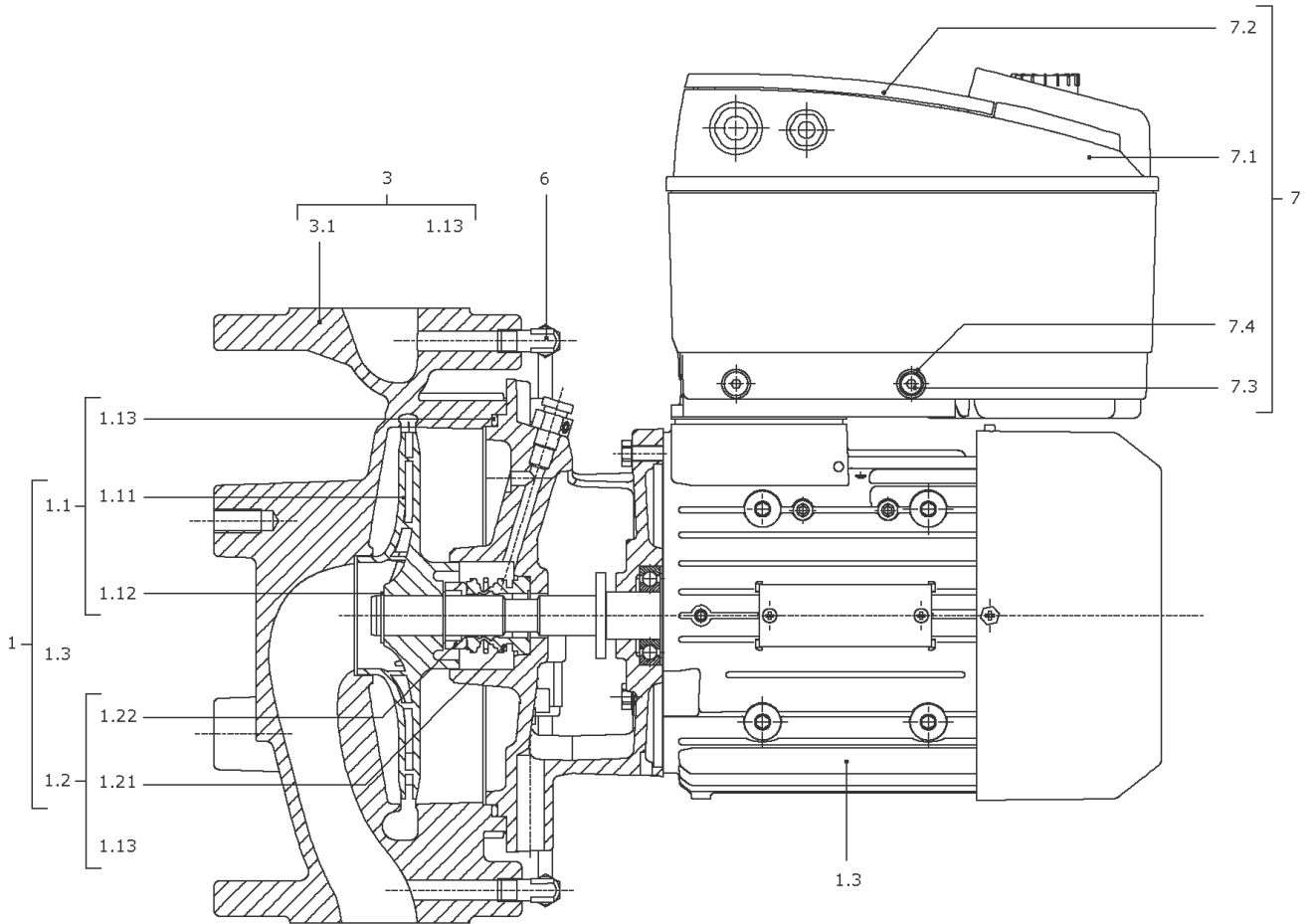
<b>Item</b>	<b>Article no.</b>	<b>Description</b>	<b>Quantity</b>
	2168862	>> Nut/Ferrule M6 D.3MM MS Ni (2 Pieces)	1
	2168860	>> Nut/Ferrule M8 D.5MM MS Ni (2 Pieces)	1
7		MODULE IP-E/DP-E65/4-20 3,0KW	1

Note: no longer available / nicht mehr lieferbar / ne plus disponible



## SPARE PARTS MOTOR TL4/3000/2

Item	Article no.	Description	Quantity
2.1	2046408	CIRCLIP 30X1,5 DIN471 FST	1
Note: Please give the data from type plate of the motor			
2.2	2046117	CIRCLIP 72X2,5 DIN472 FST	1
Note: Please give the data from type plate of the motor			
2.3	2046961	BALL BEARING 6306/2RS-C3 (HT) VP.	1
Note: Please give the data from type plate of the motor			
2.4	121084190	BALL BEARING 6206/2Z-C3 (HT) VP.	1
Note: Please give the data from type plate of the motor			
2.5	2046410	O-RING ID.62X3 FPM 80SSHORE	1
Note: Please give the data from type plate of the motor			
2.6	2046409	WASHER 51X61X0,4 MENKE	1
Note: Please give the data from type plate of the motor			
2.7	121479197	FAN WHEEL BG100-132 ATB KIT	1
Note: Please give the data from type plate of the motor			
2.8A		> FAN WHEEL BG100-132 721186 ATB	1
2.8B	2123672	> CORRU. SLEEVE RING BG90-132 ATB VP.	1
Note: Please give the data from type plate of the motor			
2.8	2026498	FAN HOUSING TL4N D.195 KIT	1
Note: Please give the data from type plate of the motor			
2.81		> SCREW M4X8 ISO7045 4.8-H ZN	1
Note: no longer available / nicht mehr lieferbar / ne plus disponible			
2.82		> FAN HOUSING TL4N D.195 PA6 GREEN	1
5	2045839	SCREW M10X25 DIN-EN24014 8.8 (4 PIECES)	1
Note: Please give the data from type plate of the motor			
8		LANTERN TL4 KIT	1
Note: no longer available / nicht mehr lieferbar / ne plus disponible			
Note: Please give the data from type plate of the motor			
1.13	2046358	> O-RING ID.164,7X3,53 E7518 VP.	1
8.1		> LANTERN IP-E40/5-65/4-50/5-80/4 CPL.WILO	1
8.2	2027201	> BLOWGUN R1/8" VP.	1



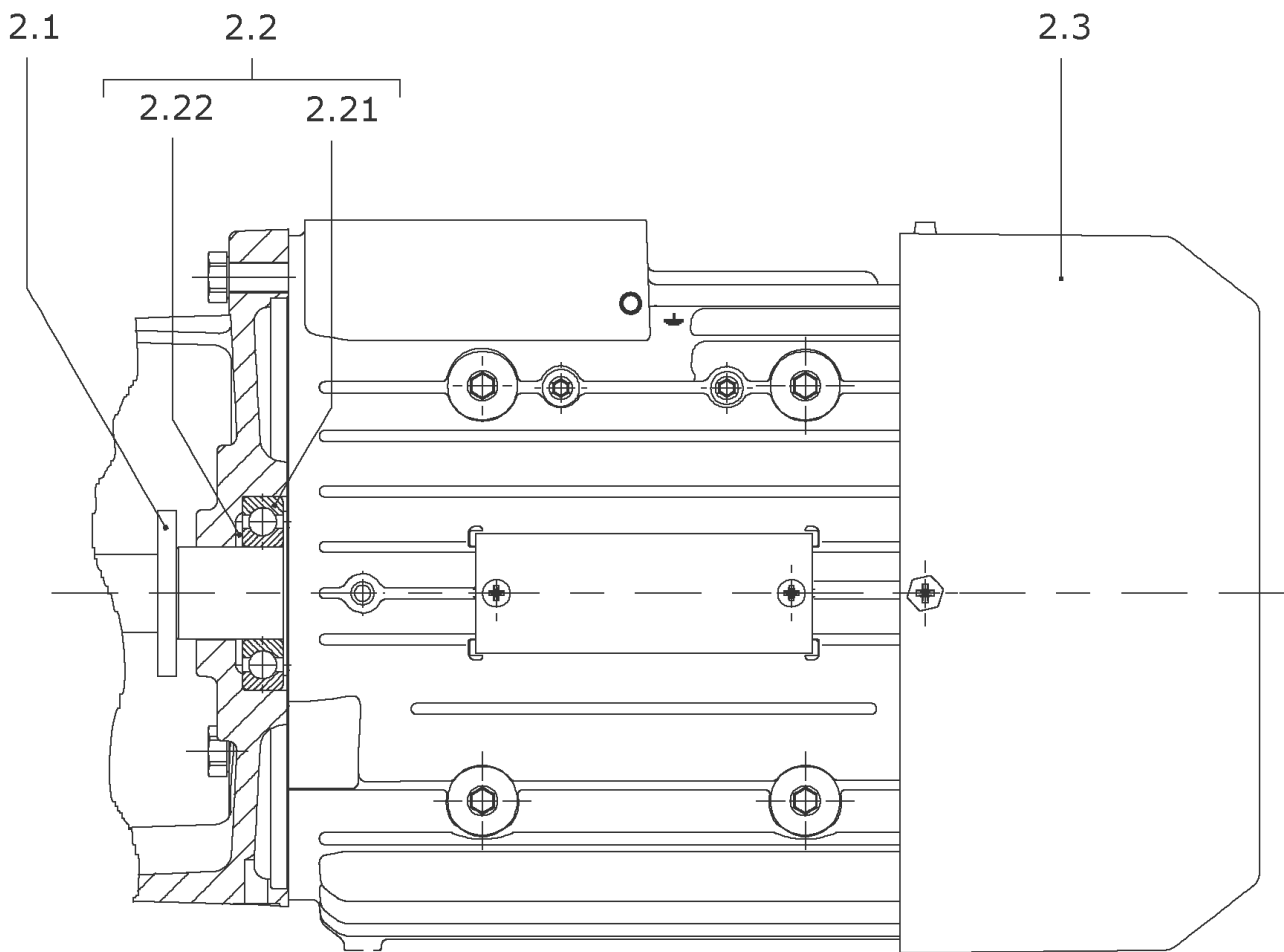


**IP-E80/115-2,2/2-IE1 (2053090)**

Item	Article no.	Description	Quantity
1	2067081	SERVICE MOTOR IP-E/DP-E80/115-2,2/2 KIT	1
1.1	122093091	> IMPELLER D.80/119/17 KIT	1
1.11		>> Impeller D.80/119/17X14,1 PPO FE1630	1
1.12	2123932	>> CIRCLIP 17X1 DIN471 A2 1.4122 VP.	1
1.13	2010301	>> O-RING ID.117,07X3,53	1
1.2	122097593	> Mechanical seal ID.17 AQ1EGG KIT	1
1.12	2123932	>> CIRCLIP 17X1 DIN471 A2 1.4122 VP.	1
1.13	2010300	>> O-RING ID.107,54X3,53	1
1.13	2010301	>> O-RING ID.117,07X3,53	1
1.13	2054183	>> O-RING ID.158,34X3,53 E7518	1
Note: TO/ BIS/ JUSQU'À: 03/03			
1.13	2046358	>> O-RING ID.164,7X3,53 E7518 VP.	1
Note: FROM/ AB/ À PARTIR: 04/03			
1.21		>> MECHANICAL SEAL ID.17 AQ1EGG	1
1.22		>> Distance ring D.17/30X9 PPO FE1630	1
1.3		> MOTOR 2,2/2/90 F170 SSM.IE1 PTC	1
		SPARE PARTS MOTOR 2,2/2/90	1
3	2016516	PUMP HOUSING IPL80/115/IP-E80/2 KIT	1
1.13	2010301	> O-RING ID.117,07X3,53	1
3.1		> PUMP HOUSING IP-E80/120 CPL.WILO	1
6	2104480	DPS20-2(0-10V) KIT	1
6.1	2106113	> DIFFERENTIAL PRESSURE SENSOR 20 KIT	1
Note: FROM/ AB/ À PARTIR: 09/2009			
		>> DPS20 spiral TZ.3mm Volt 2G	1
	2196657	>> Cable DPS 3x0,34x650 short bared 2G VP.	1
Note: from/ab/de 01.10.2013			
6.2	2106121	> CONNECTION SENSOR IP-E SPIRAL M10 KIT	1
Note: FROM/ AB/ À PARTIR: 09/2009			
6.21		>> CAPILLARY COIL 1000	2
6.22		>> Fixation ring pipe union R1/8" 90GD.Ni	1
6.23		>> HANDLE DDG M10	1
6.24		>> Screw M4x10 EE DIN7500 ZN	2
	2168862	>> Nut/Ferrule M6 D.3MM MS Ni (2 Pieces)	1
	2168860	>> Nut/Ferrule M8 D.5MM MS Ni (2 Pieces)	1

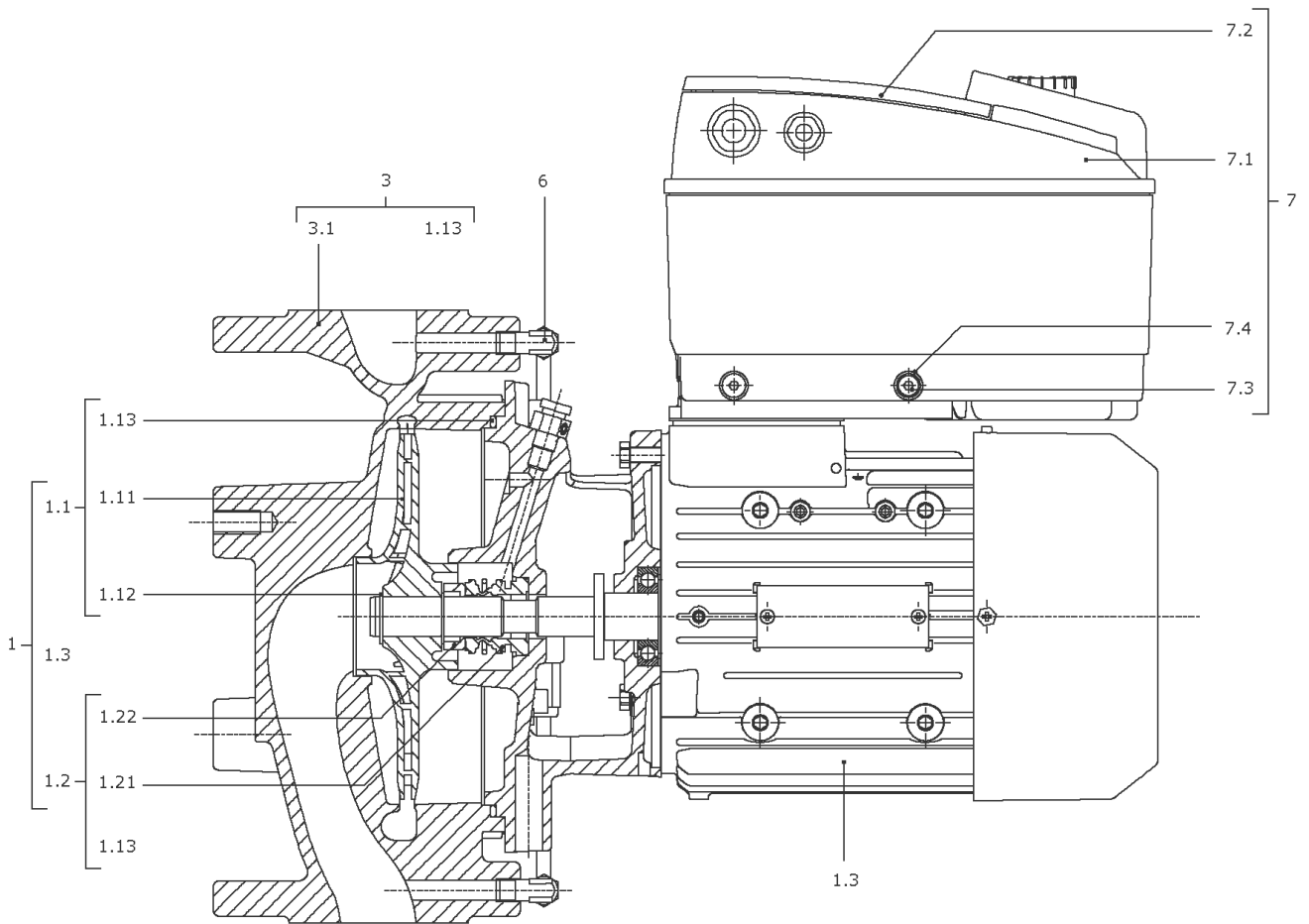
**IP-E80/115-2,2/2-IE1 (2053090)**

Item	Article no.	Description	Quantity
7	2057857	MODULE IP-E/DP-E80/115-2,2/2-IE1 KIT	1
7.1		> MODULE IP/DP-E80/115-2,2/2 TL3 WILO/EMB	1
7.2	2054227	> MODULE COVER/GASKET TL3/4 KIT	1
7.3		> SCREW M5X16 ISO4762 8.8 ZnNi	1
7.4		> WASHER TOOTHED LOCK A5,3 DIN6797 FST ZN	1
	2061236	> O-RING ID.38X3 EPDM 70SR.A BUS.	1
	2037242	SCREW M10X25 ISO4762 8.8 (4 PIECES)	1



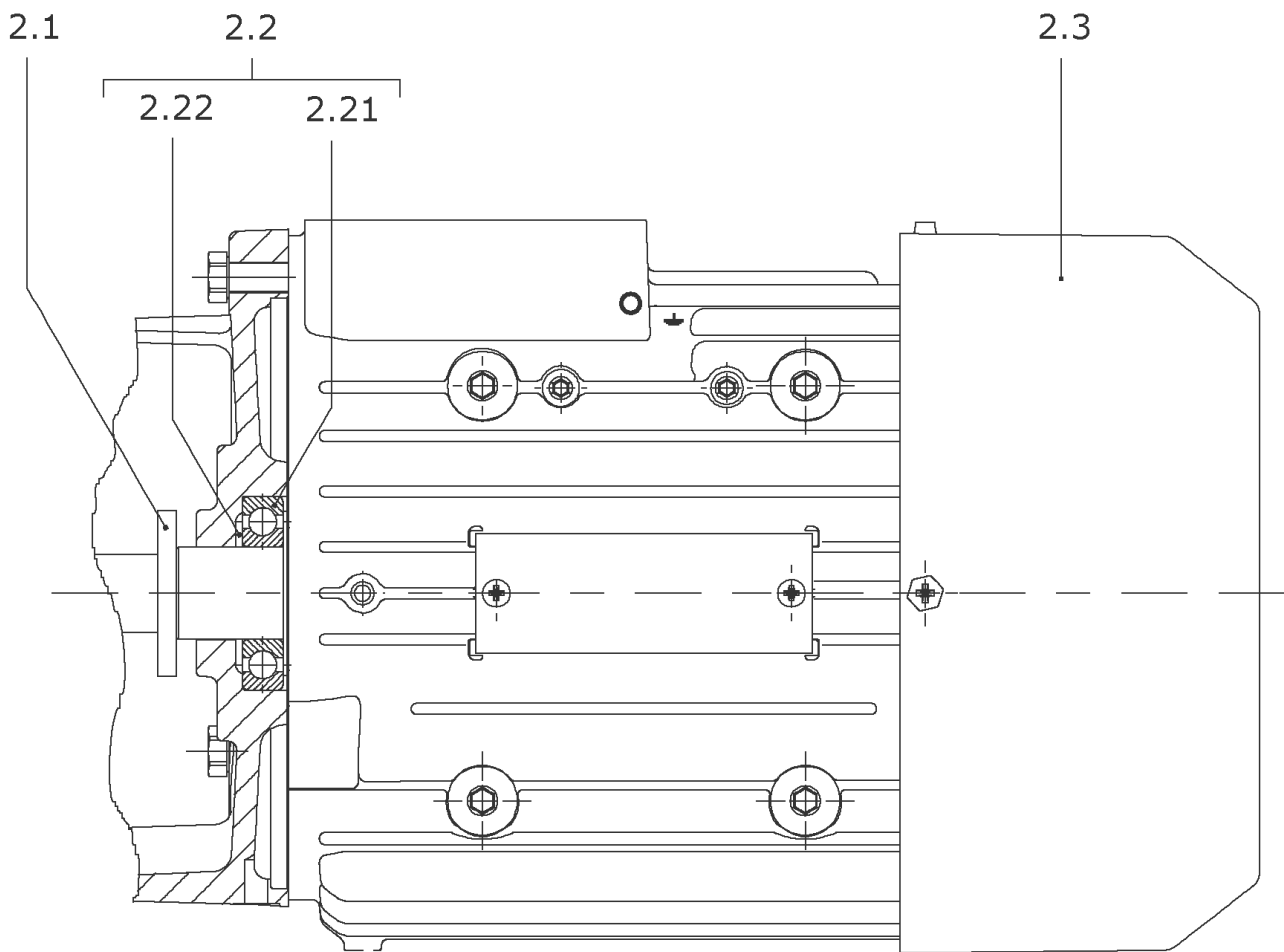
**SPARE PARTS MOTOR 2,2/2/90**

<b>Item</b>	<b>Article no.</b>	<b>Description</b>	<b>Quantity</b>
2.1	2054289	SHAFT SEAL RING 1LA7 BG80-90 SM.	1
2.2	2046941	BALL BEARING 6305/2RS-C3 (HT) VP.	1
	2044940	BALL BEARING 6004/2Z-C3 (HT) VP.	1
2.3	2162655	Fan hood 1LA7 BG90 SM.VP.	1
	2150967	Fan wheel 1LA7 BG90 SM.VP.	1



**IP-E80/115-2,2/2-R1-IE1 (2053108)**

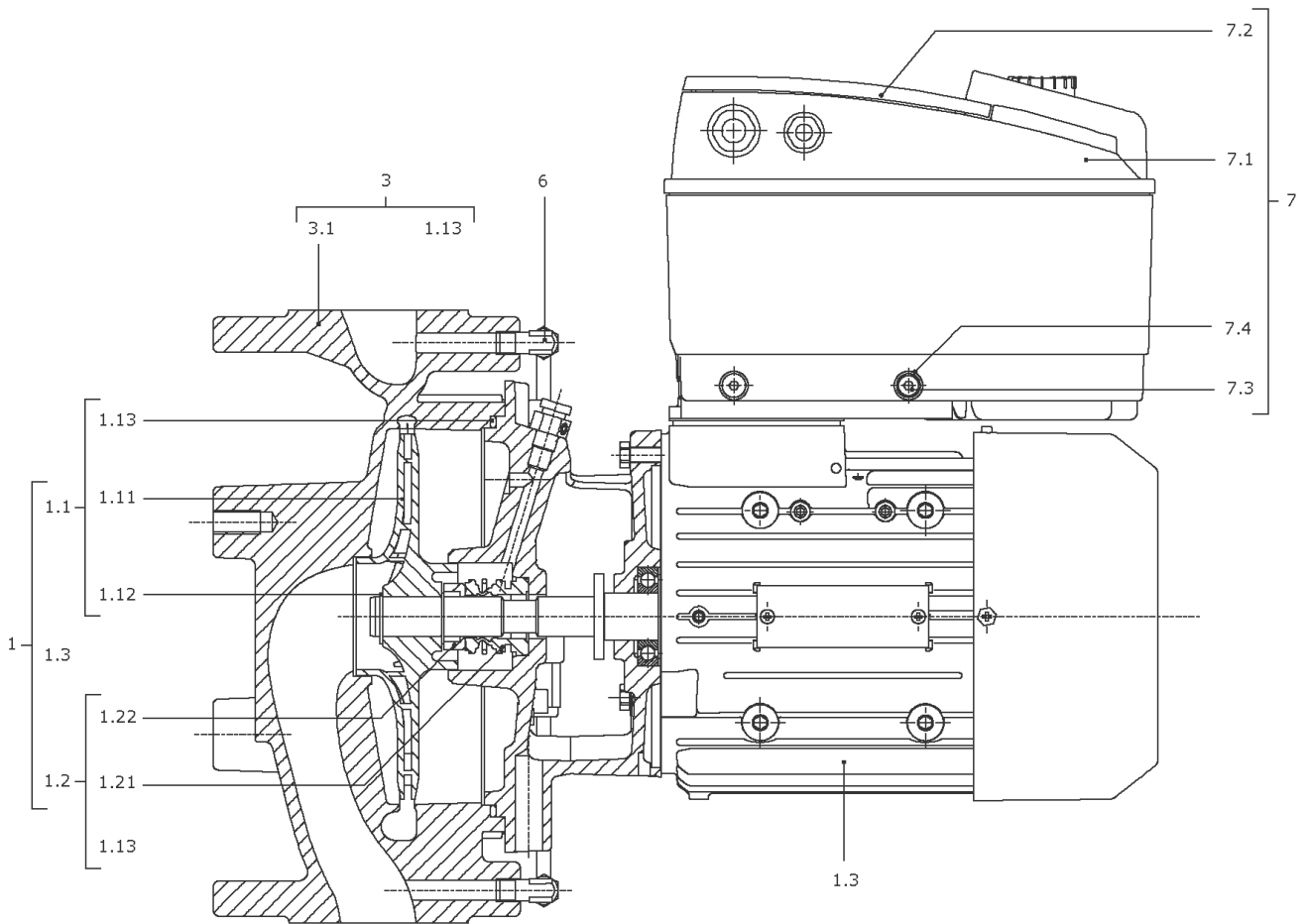
Item	Article no.	Description	Quantity
1	2067081	SERVICE MOTOR IP-E/DP-E80/115-2,2/2 KIT	1
1.1	122093091	> IMPELLER D.80/119/17 KIT	1
1.11		>> Impeller D.80/119/17X14,1 PPO FE1630	1
1.12	2123932	>> CIRCLIP 17X1 DIN471 A2 1.4122 VP.	1
1.13	2010301	>> O-RING ID.117,07X3,53	1
1.2	122097593	> Mechanical seal ID.17 AQ1EGG KIT	1
1.12	2123932	>> CIRCLIP 17X1 DIN471 A2 1.4122 VP.	1
1.13	2010300	>> O-RING ID.107,54X3,53	1
1.13	2010301	>> O-RING ID.117,07X3,53	1
1.13	2054183	>> O-RING ID.158,34X3,53 E7518	1
Note: TO/ BIS/ JUSQU'À: 03/03			
1.13	2046358	>> O-RING ID.164,7X3,53 E7518 VP.	1
Note: FROM/ AB/ À PARTIR: 04/03			
1.21		>> MECHANICAL SEAL ID.17 AQ1EGG	1
1.22		>> Distance ring D.17/30X9 PPO FE1630	1
1.3		> MOTOR 2,2/2/90 F170 SSM.IE1 PTC	1
		SPARE PARTS MOTOR 2,2/2/90	1
3	2016516	PUMP HOUSING IPL80/115/IP-E80/2 KIT	1
1.13	2010301	> O-RING ID.117,07X3,53	1
3.1		> PUMP HOUSING IP-E80/120 CPL.WILO	1
7	2057857	MODULE IP-E/DP-E80/115-2,2/2-IE1 KIT	1
7.1		> MODULE IP/DP-E80/115-2,2/2 TL3 WILO/EMB	1
7.2	2054227	> MODULE COVER/GASKET TL3/4 KIT	1
7.3		> SCREW M5X16 ISO4762 8.8 ZnNi	1
7.4		> WASHER TOOTHED LOCK A5,3 DIN6797 FST ZN	1
	2061236	> O-RING ID.38X3 EPDM 70SR.A BUS.	1
	2037242	SCREW M10X25 ISO4762 8.8 (4 PIECES)	1



## SPARE PARTS MOTOR 2,2/2/90

Item	Article no.	Description	Quantity
2.1	2054289	SHAFT SEAL RING 1LA7 BG80-90 SM.	1
2.2	2046941	BALL BEARING 6305/2RS-C3 (HT) VP.	1
	2044940	BALL BEARING 6004/2Z-C3 (HT) VP.	1
2.3	2162655	Fan hood 1LA7 BG90 SM.VP.	1
	2150967	Fan wheel 1LA7 BG90 SM.VP.	1



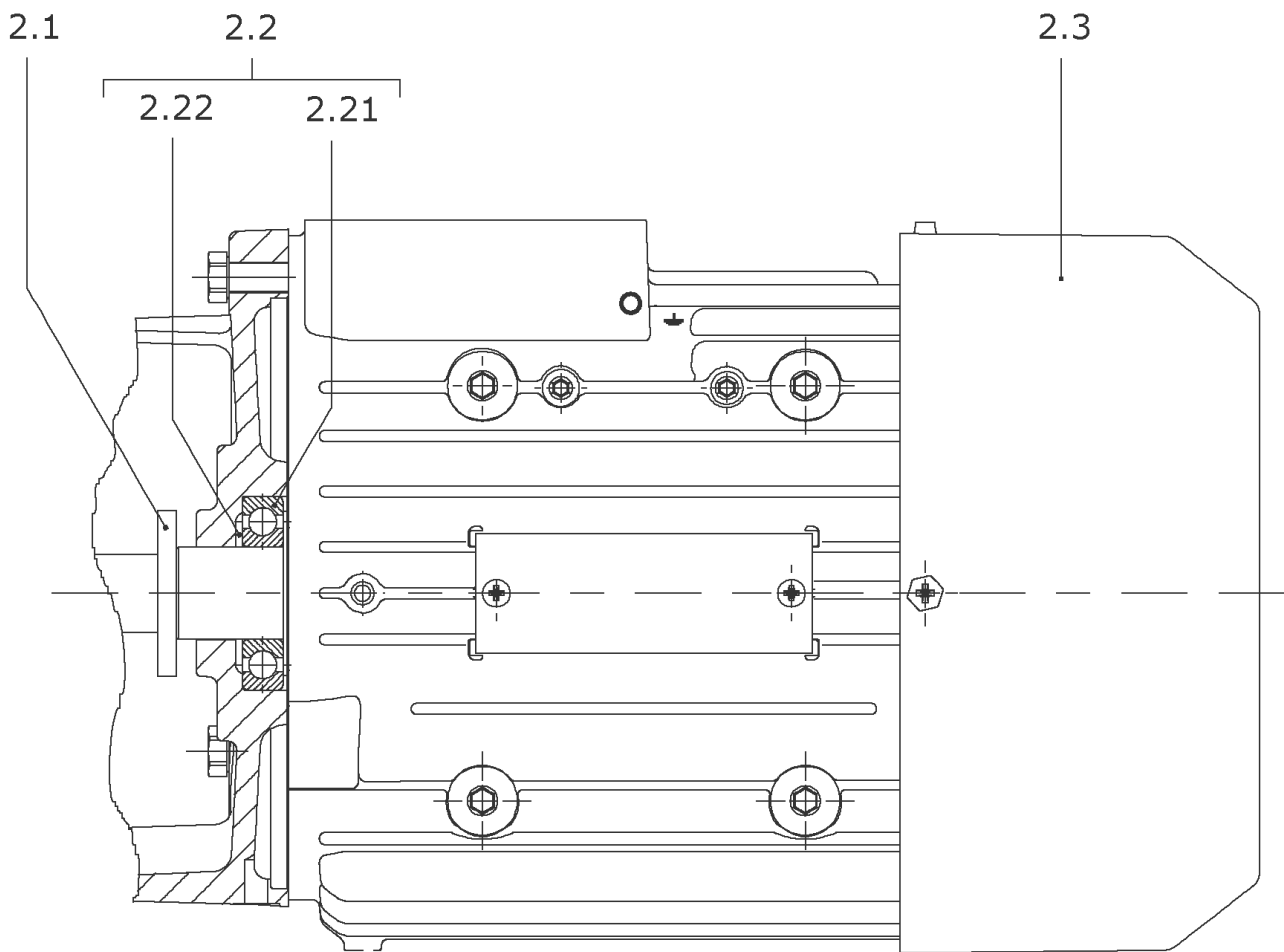


**IP-E80/130-3/2-IE1 (2061243)**

Item	Article no.	Description	Quantity
1		SERVICE MOTOR IP-E/DP-E80/130-3/2 KIT	1
Note: no longer available / nicht mehr lieferbar / ne plus disponible			
1.1	2052531	> IMPELLER D.95/119/17 KIT	1
1.11		>> IMPELLER D.95/119/17 KU.	1
1.12	2123932	>> CIRCLIP 17X1 DIN471 A2 1.4122 VP.	1
1.13	2046358	>> O-RING ID.164,7X3,53 E7518 VP.	1
1.2	122097593	> Mechanical seal ID.17 AQ1EGG KIT	1
1.12	2123932	>> CIRCLIP 17X1 DIN471 A2 1.4122 VP.	1
1.13	2010300	>> O-RING ID.107,54X3,53	1
1.13	2010301	>> O-RING ID.117,07X3,53	1
1.13	2054183	>> O-RING ID.158,34X3,53 E7518	1
Note: TO/ BIS/ JUSQU'À: 03/03			
1.13	2046358	>> O-RING ID.164,7X3,53 E7518 VP.	1
Note: FROM/ AB/ À PARTIR: 04/03			
1.21		>> MECHANICAL SEAL ID.17 AQ1EGG	1
1.22		>> Distance ring D.17/30X9 PPO FE1630	1
1.3		> MOTOR 3/2/100 F188 SM.IE1 PTC	1
		SPARE PARTS MOTOR 3/2/100	1
3	2016520	PUMP HOUSING IPL80/160/IP-E80/4 KIT	1
1.13	2046358	> O-RING ID.164,7X3,53 E7518 VP.	1
3.1		> PUMP HOUSING IP-E80/156 CPL.WILO	1
6	2104479	DPS20-1(0-10V) KIT	1
6.1	2106113	> DIFFERENTIAL PRESSURE SENSOR 20 KIT	1
Note: FROM/ AB/ À PARTIR: 09/2009			
		>> DPS20 spiral TZ.3mm Volt 2G	1
	2196657	>> Cable DPS 3x0,34x650 short bared 2G VP.	1
Note: from/ab/de 01.10.2013			
6.2	2106120	> CONNECTION SENSOR IP-E SPIRAL M6 KIT	1
Note: FROM/ AB/ À PARTIR: 09/2009			
6.21		>> CAPILLARY COIL 1000	2
6.22		>> Fixation ring pipe union R1/8" 90GD.Ni	1
6.23		>> HANDLE DDG M6	1
6.24		>> Screw M4x10 EE DIN7500 ZN	2
	2168862	>> Nut/Ferrule M6 D.3MM MS Ni (2 Pieces)	1

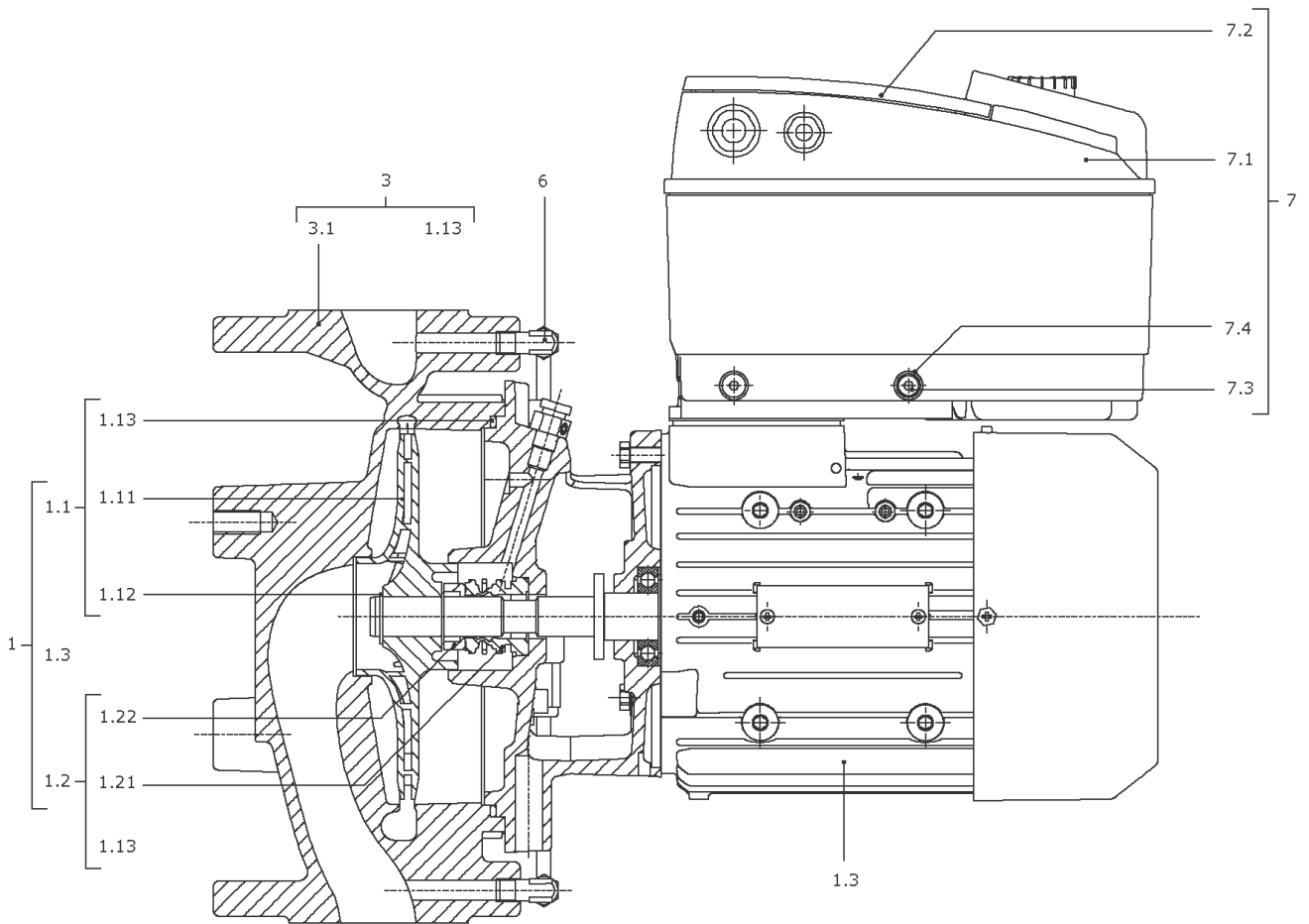
**IP-E80/130-3/2-IE1 (2061243)**

Item	Article no.	Description	Quantity
	2168860	>> Nut/Ferrule M8 D.5MM MS Ni (2 Pieces)	1
7	2064356	MODULE IP-E/DP-E80/130-3/2-IE1 KIT	1
7.1		> MODULE IP/DP-E80/130-3/2 TL4 WILO/EMB	1
7.2	2054227	> MODULE COVER/GASKET TL3/4 KIT	1
7.3		> SCREW M5X16 ISO4762 8.8 ZnNi	1
7.4		> WASHER TOOTHED LOCK A5,3 DIN6797 FST ZN	1
	2061236	> O-RING ID.38X3 EPDM 70SR.A BUS.	1
	2054224	SCREW M6X22/20 ISO4762 8.8 (8 PIECES)	1



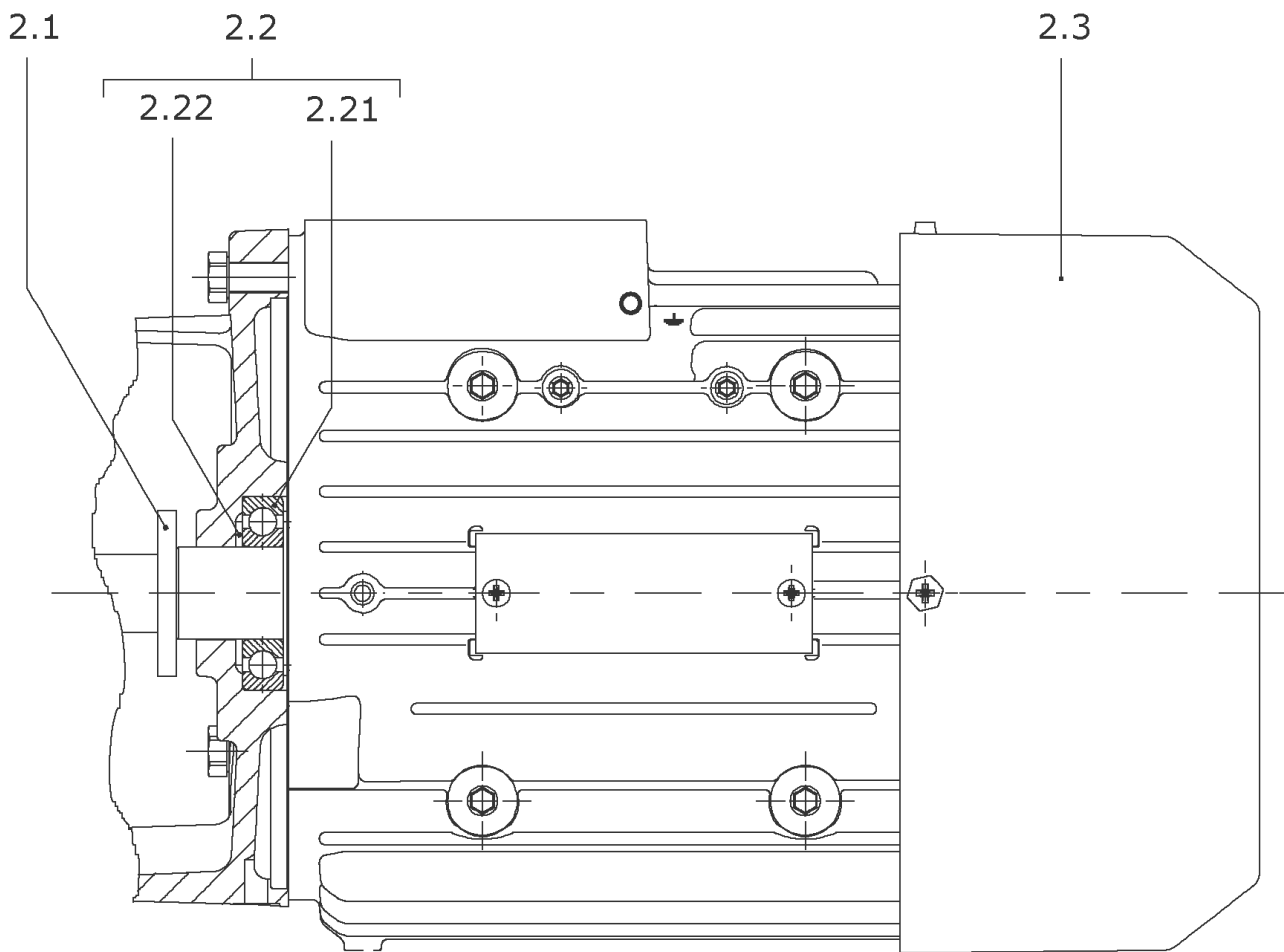
## SPARE PARTS MOTOR 3/2/100

Item	Article no.	Description	Quantity
2.1	2054287	SHAFT SEAL RING 1LA7 BG100-112 SM.	1
2.2	2046966	BALL BEARING 6206/2RS-C3 (HT) VP.	1
	121083998	BALL BEARING 6205/2Z-C3 (HT) VP.	1
2.3	2029716	FAN HOOD 1LA7 BG100 SM.VP.	1
	2164007	Fan wheel 1LA7 BG100-112 SM.VP.	1



**IP-E80/130-3/2-R1-IE1 (2061251)**

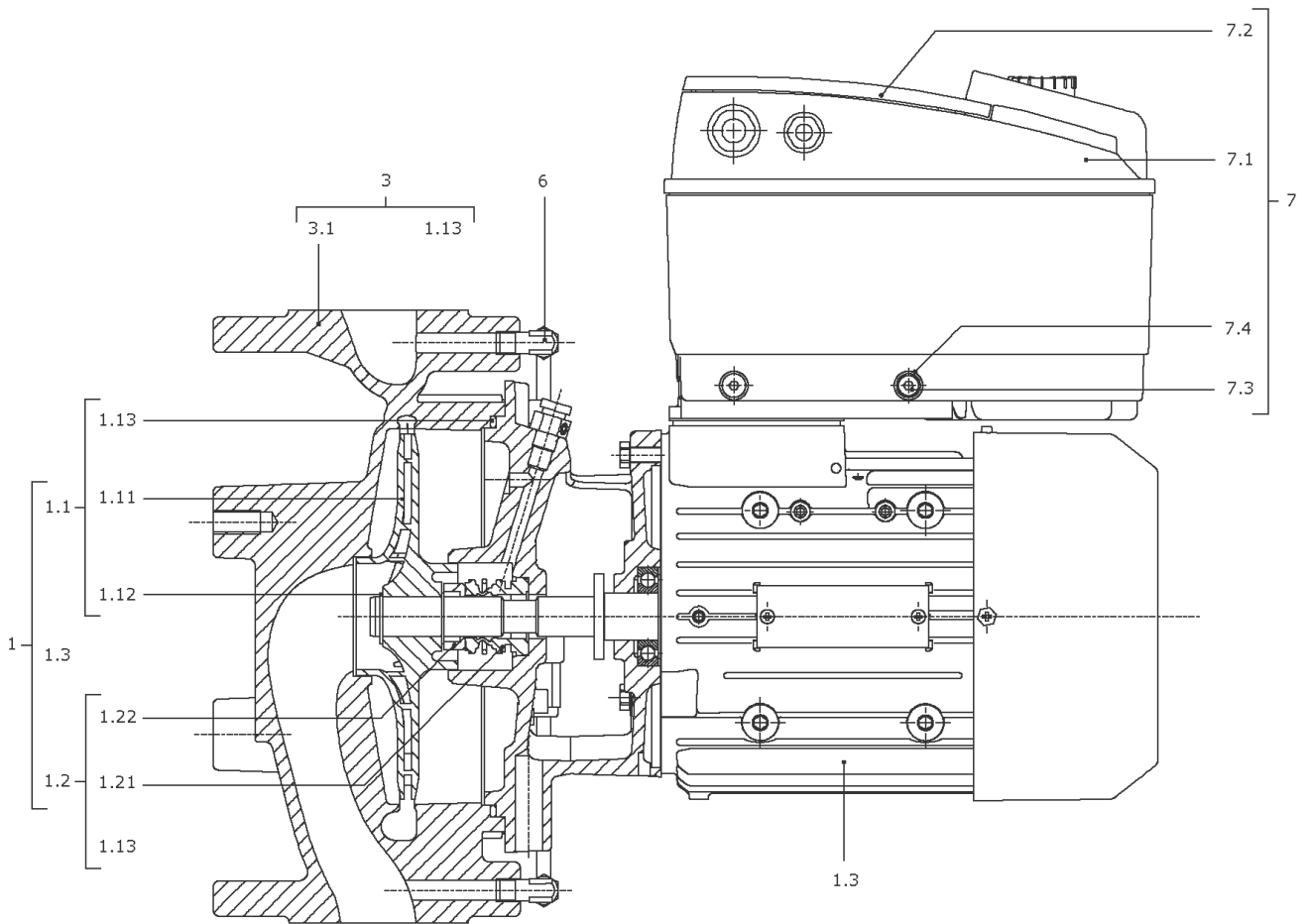
Item	Article no.	Description	Quantity
1		SERVICE MOTOR IP-E/DP-E80/130-3/2 KIT	1
Note: no longer available / nicht mehr lieferbar / ne plus disponible			
1.1	2052531	> IMPELLER D.95/119/17 KIT	1
1.11		>> IMPELLER D.95/119/17 KU.	1
1.12	2123932	>> CIRCLIP 17X1 DIN471 A2 1.4122 VP.	1
1.13	2046358	>> O-RING ID.164,7X3,53 E7518 VP.	1
1.2	122097593	> Mechanical seal ID.17 AQ1EGG KIT	1
1.12	2123932	>> CIRCLIP 17X1 DIN471 A2 1.4122 VP.	1
1.13	2010300	>> O-RING ID.107,54X3,53	1
1.13	2010301	>> O-RING ID.117,07X3,53	1
1.13	2054183	>> O-RING ID.158,34X3,53 E7518	1
Note: TO/ BIS/ JUSQU'À: 03/03			
1.13	2046358	>> O-RING ID.164,7X3,53 E7518 VP.	1
Note: FROM/ AB/ À PARTIR: 04/03			
1.21		>> MECHANICAL SEAL ID.17 AQ1EGG	1
1.22		>> Distance ring D.17/30X9 PPO FE1630	1
1.3		> MOTOR 3/2/100 F188 SM.IE1 PTC	1
		SPARE PARTS MOTOR 3/2/100	1
3	2016520	PUMP HOUSING IPL80/160/IP-E80/4 KIT	1
1.13	2046358	> O-RING ID.164,7X3,53 E7518 VP.	1
3.1		> PUMP HOUSING IP-E80/156 CPL.WILO	1
7	2064356	MODULE IP-E/DP-E80/130-3/2-IE1 KIT	1
7.1		> MODULE IP/DP-E80/130-3/2 TL4 WILO/EMB	1
7.2	2054227	> MODULE COVER/GASKET TL3/4 KIT	1
7.3		> SCREW M5X16 ISO4762 8.8 ZnNi	1
7.4		> WASHER TOOTHED LOCK A5,3 DIN6797 FST ZN	1
	2061236	> O-RING ID.38X3 EPDM 70SR.A BUS.	1
	2054224	SCREW M6X22/20 ISO4762 8.8 (8 PIECES)	1





## SPARE PARTS MOTOR 3/2/100

Item	Article no.	Description	Quantity
2.1	2054287	SHAFT SEAL RING 1LA7 BG100-112 SM.	1
2.2	2046966	BALL BEARING 6206/2RS-C3 (HT) VP.	1
	121083998	BALL BEARING 6205/2Z-C3 (HT) VP.	1
2.3	2029716	FAN HOOD 1LA7 BG100 SM.VP.	1
	2164007	Fan wheel 1LA7 BG100-112 SM.VP.	1

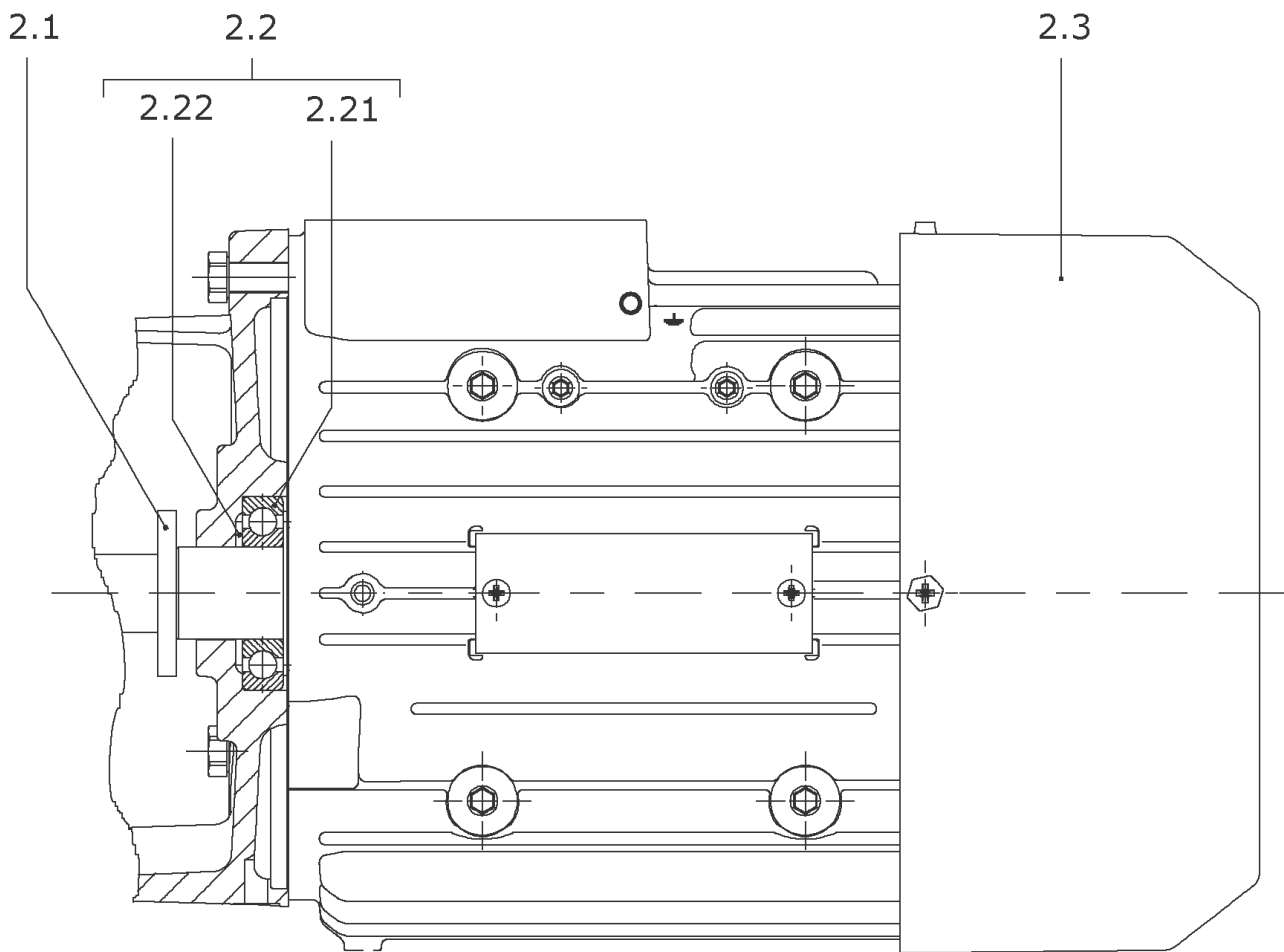


**IP-E80/140-4/2-IE1 (2053094)**

Item	Article no.	Description	Quantity
1		SERVICE MOTOR IP-E/DP-E80/140-4/2 KIT	1
Note: no longer available / nicht mehr lieferbar / ne plus disponible			
1.1	2016535	> IMPELLER D.95/135/17 KIT	1
1.11		>> IMPELLER D.95/135/15/17 KU.	1
1.12	2123932	>> CIRCLIP 17X1 DIN471 A2 1.4122 VP.	1
1.13	2046358	>> O-RING ID.164,7X3,53 E7518 VP.	1
1.2	122097593	> Mechanical seal ID.17 AQ1EGG KIT	1
1.12	2123932	>> CIRCLIP 17X1 DIN471 A2 1.4122 VP.	1
1.13	2010300	>> O-RING ID.107,54X3,53	1
1.13	2010301	>> O-RING ID.117,07X3,53	1
1.13	2054183	>> O-RING ID.158,34X3,53 E7518	1
Note: TO/ BIS/ JUSQU'À: 03/03			
1.13	2046358	>> O-RING ID.164,7X3,53 E7518 VP.	1
Note: FROM/ AB/ À PARTIR: 04/03			
1.21		>> MECHANICAL SEAL ID.17 AQ1EGG	1
1.22		>> Distance ring D.17/30X9 PPO FE1630	1
1.3		> MOTOR 4/2/112 F188 SM.IE1 PTC	1
		SPARE PARTS MOTOR 4/2/112	1
3	2016520	PUMP HOUSING IPL80/160/IP-E80/4 KIT	1
1.13	2046358	> O-RING ID.164,7X3,53 E7518 VP.	1
3.1		> PUMP HOUSING IP-E80/156 CPL.WILO	1
6	2104479	DPS20-1(0-10V) KIT	1
6.1	2106113	> DIFFERENTIAL PRESSURE SENSOR 20 KIT	1
Note: FROM/ AB/ À PARTIR: 09/2009			
		>> DPS20 spiral TZ.3mm Volt 2G	1
	2196657	>> Cable DPS 3x0,34x650 short bared 2G VP.	1
Note: from/ab/de 01.10.2013			
6.2	2106120	> CONNECTION SENSOR IP-E SPIRAL M6 KIT	1
Note: FROM/ AB/ À PARTIR: 09/2009			
6.21		>> CAPILLARY COIL 1000	2
6.22		>> Fixation ring pipe union R1/8" 90GD.Ni	1
6.23		>> HANDLE DDG M6	1
6.24		>> Screw M4x10 EE DIN7500 ZN	2
	2168862	>> Nut/Ferrule M6 D.3MM MS Ni (2 Pieces)	1

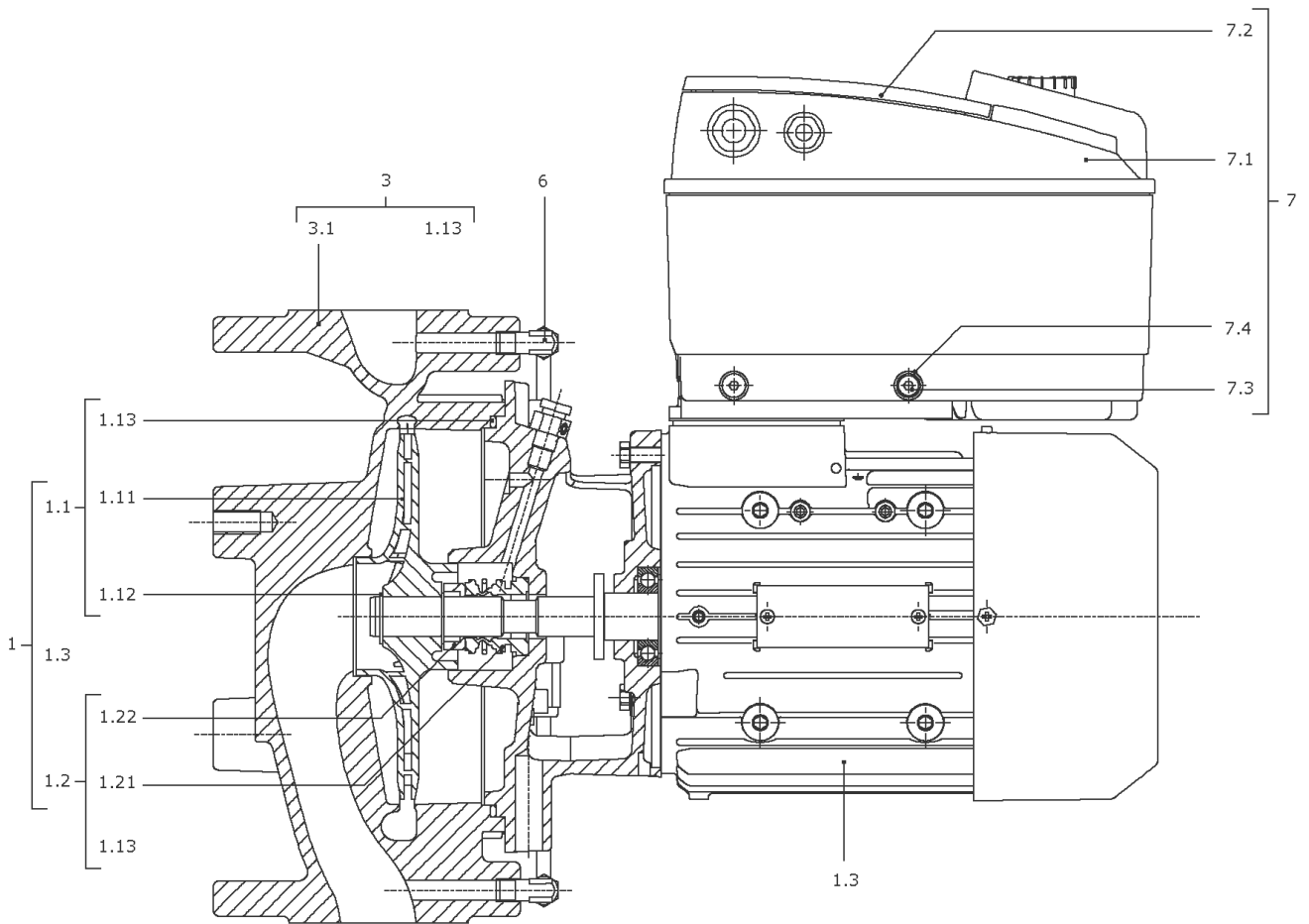
**IP-E80/140-4/2-IE1 (2053094)**

Item	Article no.	Description	Quantity
	2168860	>> Nut/Ferrule M8 D.5MM MS Ni (2 Pieces)	1
		MODULE IP-E/DP-E80/140-4/2-IE1 KIT	1
Note: no longer available / nicht mehr lieferbar / ne plus disponible			
7.1		> MODULE IP/DP-E80/140-4/2 TL4 WILO/EMB	1
7.2	2054227	> MODULE COVER/GASKET TL3/4 KIT	1
7.3		> SCREW M5X16 ISO4762 8.8 ZnNi	1
7.4		> WASHER TOOTHED LOCK A5,3 DIN6797 FST ZN	1
	2061236	> O-RING ID.38X3 EPDM 70SR.A BUS.	1
	2054224	SCREW M6X22/20 ISO4762 8.8 (8 PIECES)	1



**SPARE PARTS MOTOR 4/2/112**

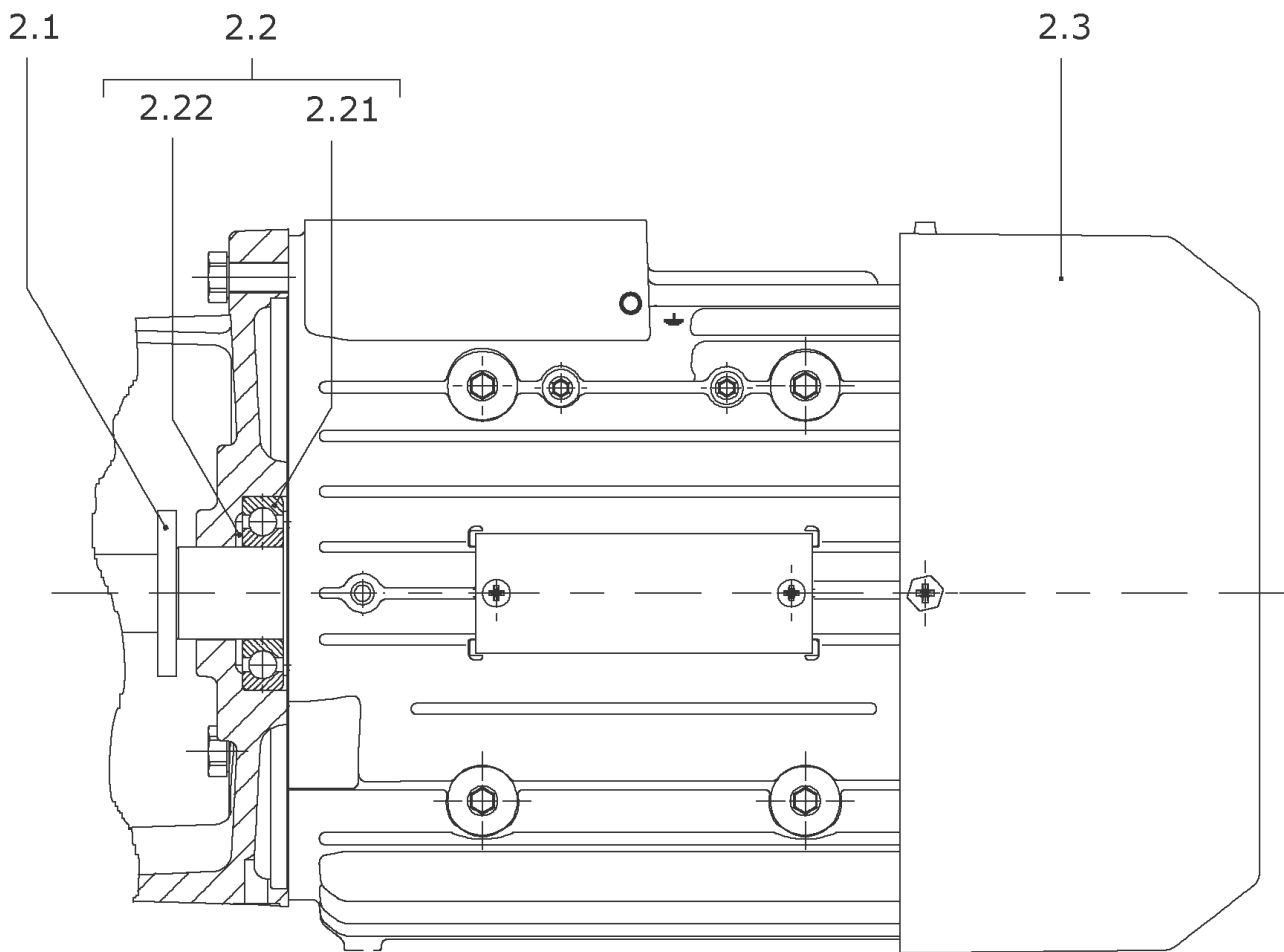
<b>Item</b>	<b>Article no.</b>	<b>Description</b>	<b>Quantity</b>
2.1	2054287	SHAFT SEAL RING 1LA7 BG100-112 SM.	1
2.2	2046961	BALL BEARING 6306/2RS-C3 (HT) VP.	1
	121083998	BALL BEARING 6205/2Z-C3 (HT) VP.	1
2.3	2162676	Fan hood 1LA7 BG112 SM.VP.	1
	2164007	Fan wheel 1LA7 BG100-112 SM.VP.	1



**IP-E80/140-4/2-R1-IE1 (2053112)**

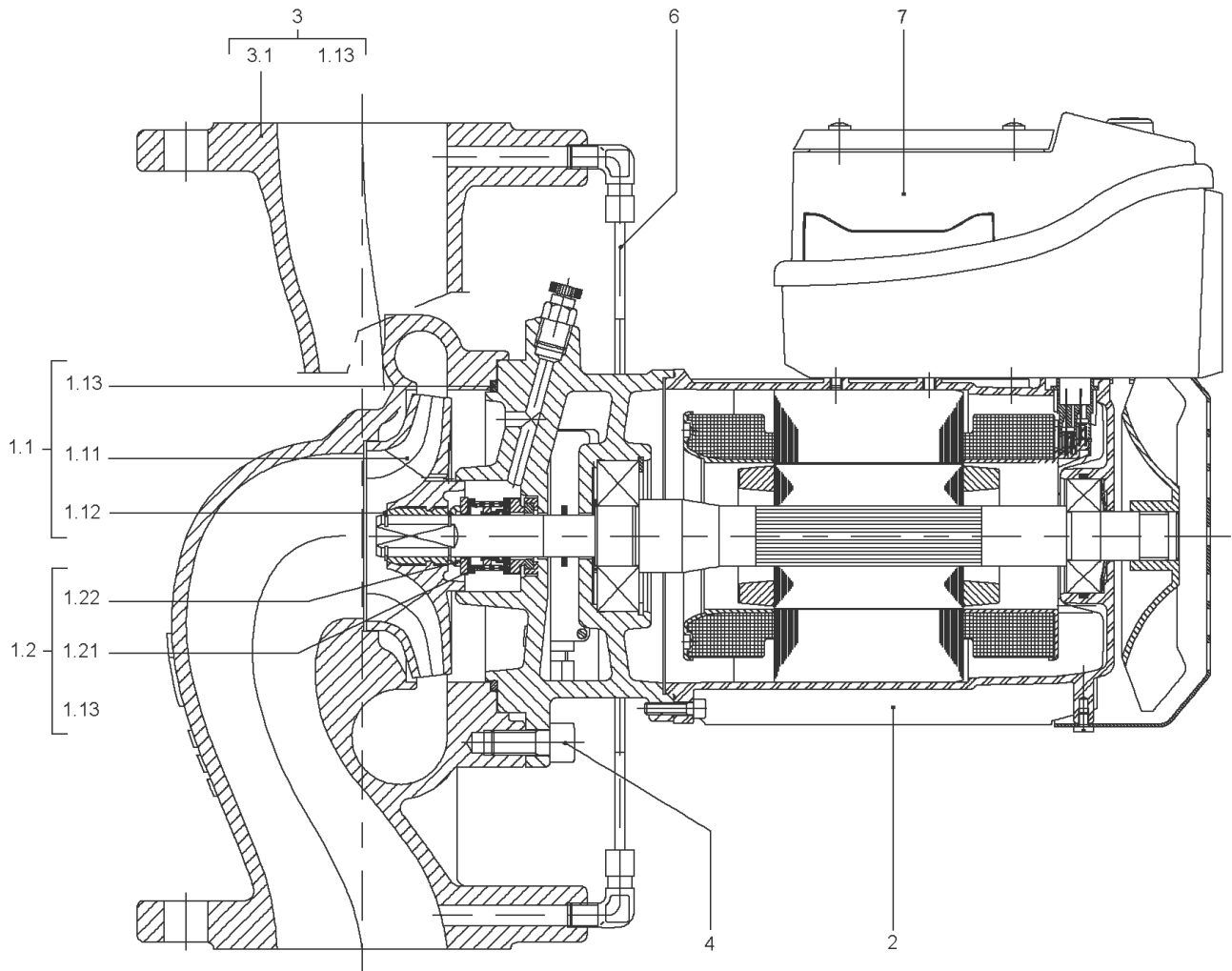
Item	Article no.	Description	Quantity
1		SERVICE MOTOR IP-E/DP-E80/140-4/2 KIT	1
Note: no longer available / nicht mehr lieferbar / ne plus disponible			
1.1	2016535	> IMPELLER D.95/135/17 KIT	1
1.11		>> IMPELLER D.95/135/15/17 KU.	1
1.12	2123932	>> CIRCLIP 17X1 DIN471 A2 1.4122 VP.	1
1.13	2046358	>> O-RING ID.164,7X3,53 E7518 VP.	1
1.2	122097593	> Mechanical seal ID.17 AQ1EGG KIT	1
1.12	2123932	>> CIRCLIP 17X1 DIN471 A2 1.4122 VP.	1
1.13	2010300	>> O-RING ID.107,54X3,53	1
1.13	2010301	>> O-RING ID.117,07X3,53	1
1.13	2054183	>> O-RING ID.158,34X3,53 E7518	1
Note: TO/ BIS/ JUSQU'À: 03/03			
1.13	2046358	>> O-RING ID.164,7X3,53 E7518 VP.	1
Note: FROM/ AB/ À PARTIR: 04/03			
1.21		>> MECHANICAL SEAL ID.17 AQ1EGG	1
1.22		>> Distance ring D.17/30X9 PPO FE1630	1
1.3		> MOTOR 4/2/112 F188 SM.IE1 PTC	1
		SPARE PARTS MOTOR 4/2/112	1
3	2016520	PUMP HOUSING IPL80/160/IP-E80/4 KIT	1
1.13	2046358	> O-RING ID.164,7X3,53 E7518 VP.	1
3.1		> PUMP HOUSING IP-E80/156 CPL.WILO	1
		MODULE IP-E/DP-E80/140-4/2-IE1 KIT	1
Note: no longer available / nicht mehr lieferbar / ne plus disponible			
7.1		> MODULE IP/DP-E80/140-4/2 TL4 WILO/EMB	1
7.2	2054227	> MODULE COVER/GASKET TL3/4 KIT	1
7.3		> SCREW M5X16 ISO4762 8.8 ZnNi	1
7.4		> WASHER TOOTHED LOCK A5,3 DIN6797 FST ZN	1
	2061236	> O-RING ID.38X3 EPDM 70SR.A BUS.	1
	2054224	SCREW M6X22/20 ISO4762 8.8 (8 PIECES)	1





**SPARE PARTS MOTOR 4/2/112**

<b>Item</b>	<b>Article no.</b>	<b>Description</b>	<b>Quantity</b>
2.1	2054287	SHAFT SEAL RING 1LA7 BG100-112 SM.	1
2.2	2046961	BALL BEARING 6306/2RS-C3 (HT) VP.	1
	121083998	BALL BEARING 6205/2Z-C3 (HT) VP.	1
2.3	2162676	Fan hood 1LA7 BG112 SM.VP.	1
	2164007	Fan wheel 1LA7 BG100-112 SM.VP.	1



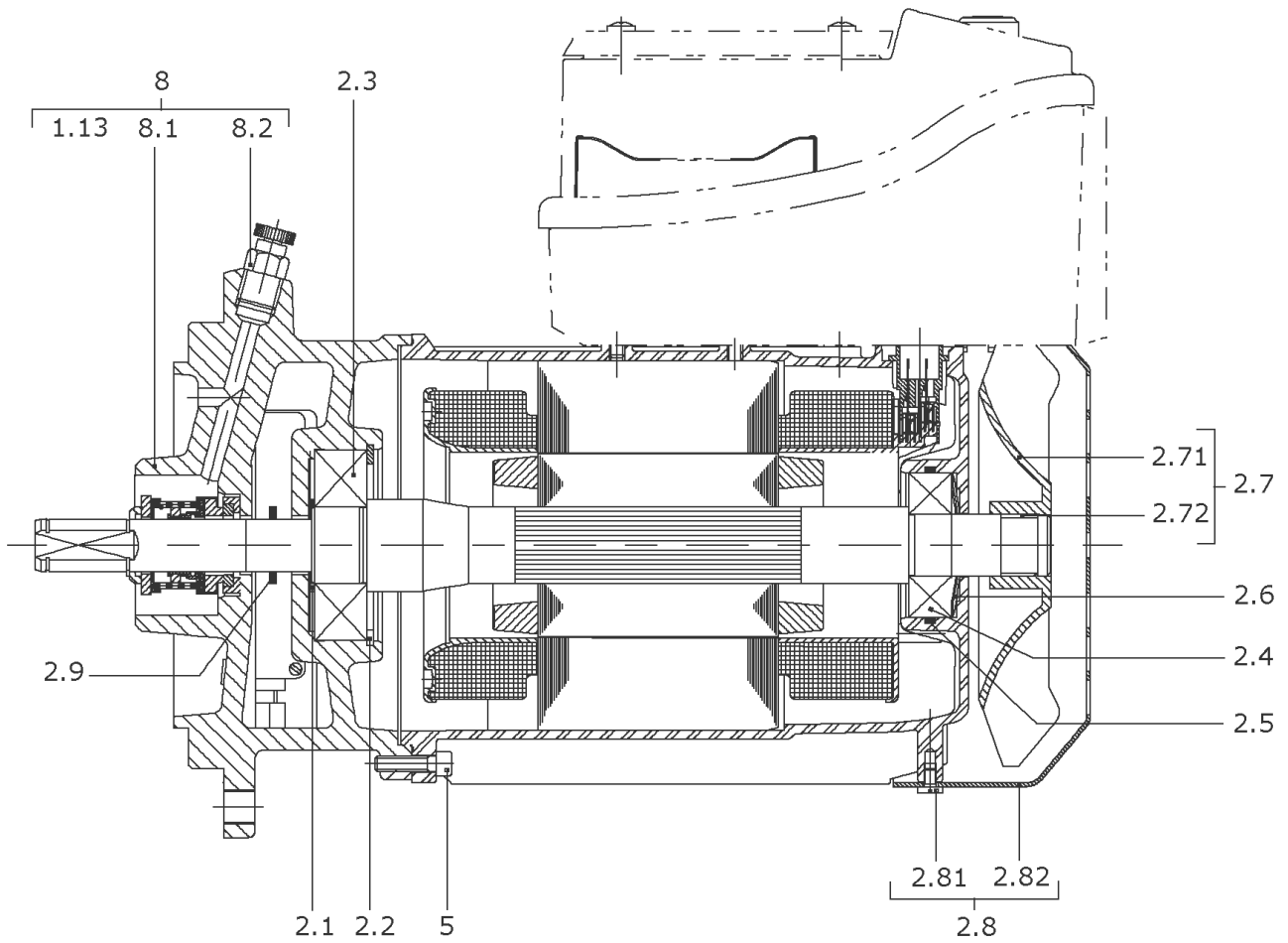
**IP-E80/2-15-IE1 (2012589)**

Item	Article no.	Description	Quantity
1.1	122093091	IMPELLER D.80/119/17 KIT	1
1.11		> Impeller D.80/119/17X14,1 PPO FE1630	1
1.12	2123932	> CIRCLIP 17X1 DIN471 A2 1.4122 VP.	1
1.13	2010301	> O-RING ID.117,07X3,53	1
1.2	122097593	Mechanical seal ID.17 AQ1EGG KIT	1
1.12	2123932	> CIRCLIP 17X1 DIN471 A2 1.4122 VP.	1
1.13	2010300	> O-RING ID.107,54X3,53	1
1.13	2010301	> O-RING ID.117,07X3,53	1
1.13	2054183	> O-RING ID.158,34X3,53 E7518	1
Note: TO/ BIS/ JUSQU'À: 03/03			
1.13	2046358	> O-RING ID.164,7X3,53 E7518 VP.	1
Note: FROM/ AB/ À PARTIR: 04/03			
1.21		> MECHANICAL SEAL ID.17 AQ1EGG	1
1.22		> Distance ring D.17/30X9 PPO FE1630	1
2		MOTOR IP-E80/2-15	1
Note: no longer available / nicht mehrlieferbar / ne plus disponible			
		SPARE PARTS MOTOR TL3/2200/2	1
3	2016516	PUMP HOUSING IPL80/115/IP-E80/2 KIT	1
1.13	2010301	> O-RING ID.117,07X3,53	1
3.1		> PUMP HOUSING IP-E80/120 CPL.WILO	1
4	2046362	SCREW M6X20 ISO4762 8.8 ZN(8STÜCK)	1
6	2104480	DPS20-2(0-10V) KIT	1
6.1	2106113	> DIFFERENTIAL PRESSURE SENSOR 20 KIT	1
Note: FROM/ AB/ À PARTIR: 09/2009			
		>> DPS20 spiral TZ.3mm Volt 2G	1
	2196657	>> Cable DPS 3x0,34x650 short bared 2G VP.	1
Note: from/ab/de 01.10.2013			
6.2	2106121	> CONNECTION SENSOR IP-E SPIRAL M10 KIT	1
Note: FROM/ AB/ À PARTIR: 09/2009			
6.21		>> CAPILLARY COIL 1000	2
6.22		>> Fixation ring pipe union R1/8" 90GD.Ni	1
6.23		>> HANDLE DDG M10	1
6.24		>> Screw M4x10 EE DIN7500 ZN	2
	2168862	>> Nut/Ferrule M6 D.3MM MS Ni (2 Pieces)	1

**IP-E80/2-15-IE1 (2012589)**

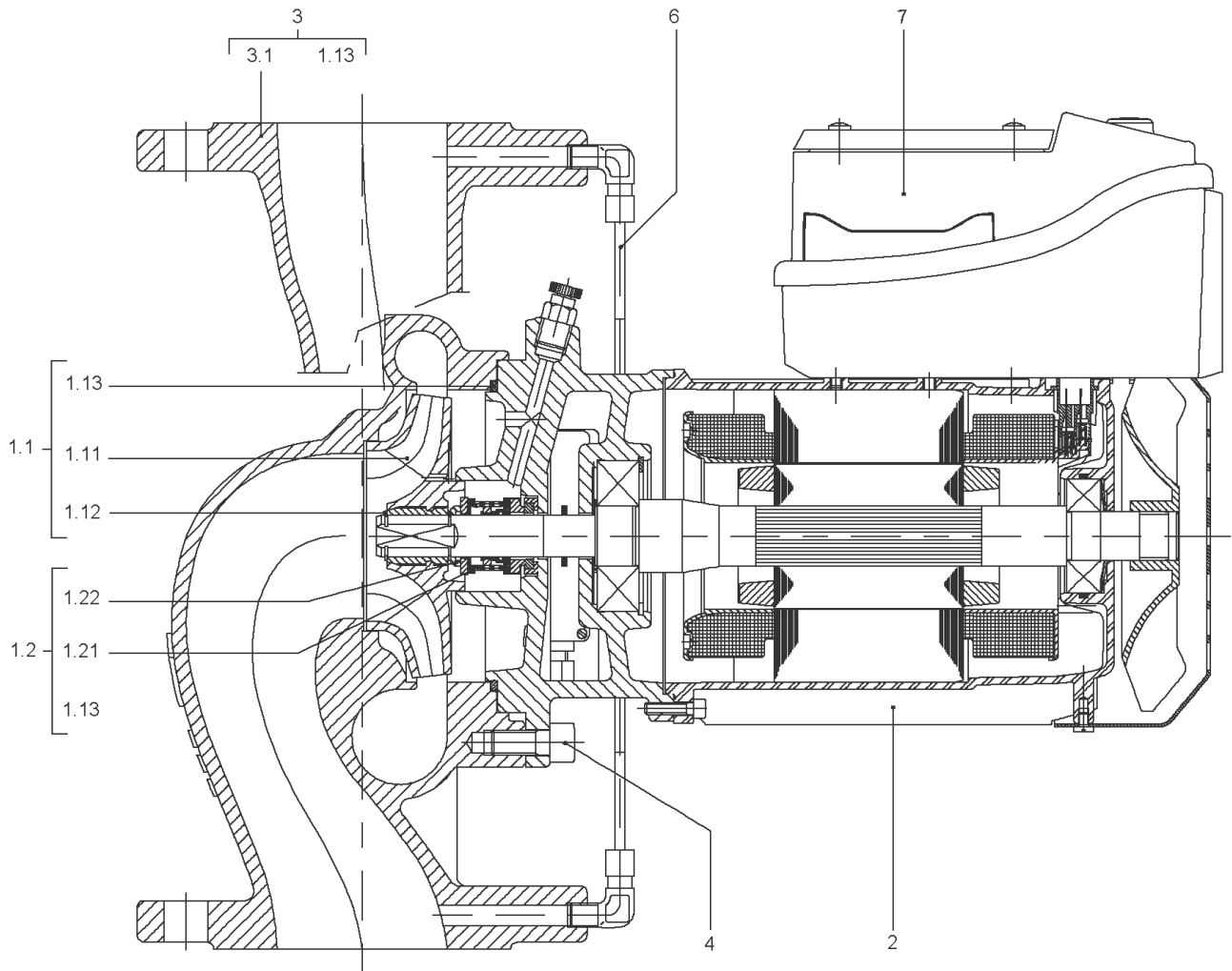
<b>Item</b>	<b>Article no.</b>	<b>Description</b>	<b>Quantity</b>
	2168860	>> Nut/Ferrule M8 D.5MM MS Ni (2 Pieces)	1
7		MODULE IP-E/DP-E80/2-15 2,2KW	1

Note: no longer available / nicht mehr lieferbar / ne plus disponible



## SPARE PARTS MOTOR TL3/2200/2

Item	Article no.	Description	Quantity
2.2	2046384	CIRCLIPS 47X1,75 DIN472 A2 VP.	1
Note: Please give the data from type plate of the motor			
2.3	2046941	BALL BEARING 6305/2RS-C3 (HT) VP.	1
Note: Please give the data from type plate of the motor			
2.4	121083998	BALL BEARING 6205/2Z-C3 (HT) VP.	1
Note: Please give the data from type plate of the motor			
2.5	2046412	O-RING ID.52X3 FPM 80SHORE	1
Note: Please give the data from type plate of the motor			
2.6	2046413	WASHER 44X51X0,4 MENKE	1
Note: Please give the data from type plate of the motor			
2.7	121479094	FAN WHEEL BG90/100 ATB KIT	1
Note: Please give the data from type plate of the motor			
2.8A		> FAN WHEEL BG90/100 721383 ATB	1
2.8B	2047016	> CORRUGATED SLEEVE RING BG90/100 ATB VP.	1
Note: Please give the data from type plate of the motor			
2.8		FAN HOUSING TL3N D.180 KIT	1
Note: no longer available / nicht mehr lieferbar / ne plus disponible			
2.81		> SCREW M4X8 ISO7045 4.8-H ZN	1
Note: no longer available / nicht mehr lieferbar / ne plus disponible			
2.82		> FAN HOUSING TL3N D.180 PA6 GREEN	1
2.9	2046393	GUMMI THROWER SYN D16/35 EP4	1
Note: Please give the data from type plate of the motor			
5	2046406	SCREW M5X20 DIN912 8.8 ZN (4 PIECES)	1
Note: Please give the data from type plate of the motor			
8		LANTERN TL3 KIT	1
Note: no longer available / nicht mehrlieferbar / ne plus disponible			
Note: Please give the data from type plate of the motor			
1.13	2010301	> O-RING ID.117,07X3,53	1
8.1		> LANTERN TL3 FINISHED SERIE 2002 KTL	1
8.2	2027201	> BLOWGUN R1/8" VP.	1





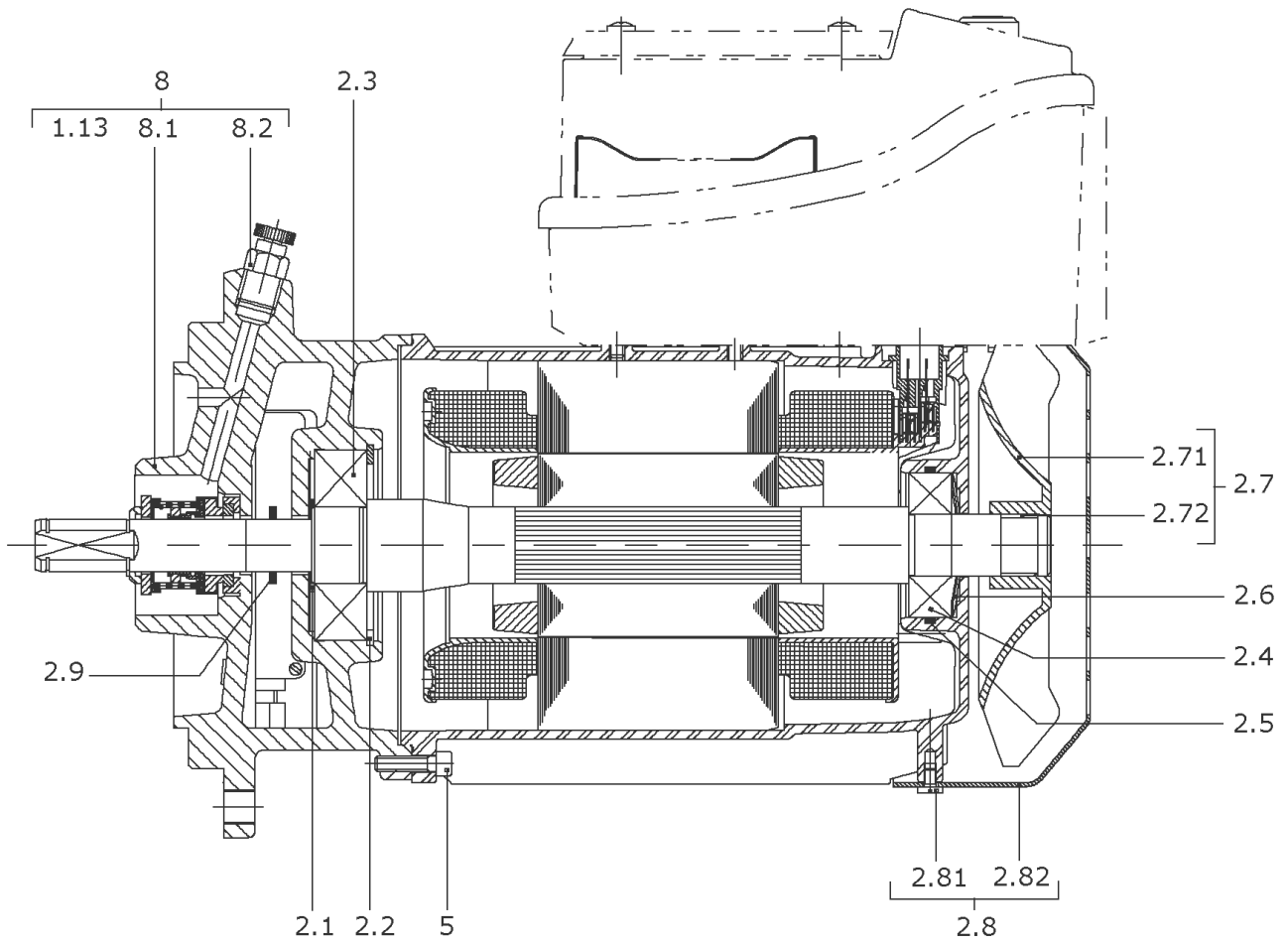
**IP-E80/4-20-IE1 (2012593)**

Item	Article no.	Description	Quantity
1.1	2016535	IMPELLER D.95/135/17 KIT	1
1.11		> IMPELLER D.95/135/15/17 KU.	1
1.12	2123932	> CIRCLIP 17X1 DIN471 A2 1.4122 VP.	1
1.13	2046358	> O-RING ID.164,7X3,53 E7518 VP.	1
1.2	122097593	Mechanical seal ID.17 AQ1EGG KIT	1
1.12	2123932	> CIRCLIP 17X1 DIN471 A2 1.4122 VP.	1
1.13	2010300	> O-RING ID.107,54X3,53	1
1.13	2010301	> O-RING ID.117,07X3,53	1
1.13	2054183	> O-RING ID.158,34X3,53 E7518	1
Note: TO/ BIS/ JUSQU'À: 03/03			
1.13	2046358	> O-RING ID.164,7X3,53 E7518 VP.	1
Note: FROM/ AB/ À PARTIR: 04/03			
1.21		> MECHANICAL SEAL ID.17 AQ1EGG	1
1.22		> Distance ring D.17/30X9 PPO FE1630	1
2		MOTOR IP-E80/4-20	1
Note: no longer available / nicht mehrlieferbar / ne plus disponible			
		SPARE PARTS MOTOR TL4/4000/2	1
3	2016520	PUMP HOUSING IPL80/160/IP-E80/4 KIT	1
1.13	2046358	> O-RING ID.164,7X3,53 E7518 VP.	1
3.1		> PUMP HOUSING IP-E80/156 CPL.WILO	1
4	2046362	SCREW M6X20 ISO4762 8.8 ZN(8STÜCK)	1
6	2104479	DPS20-1(0-10V) KIT	1
6.1	2106113	> DIFFERENTIAL PRESSURE SENSOR 20 KIT	1
Note: FROM/ AB/ À PARTIR: 09/2009			
		>> DPS20 spiral TZ.3mm Volt 2G	1
	2196657	>> Cable DPS 3x0,34x650 short bared 2G VP.	1
Note: from/ab/de 01.10.2013			
6.2	2106120	> CONNECTION SENSOR IP-E SPIRAL M6 KIT	1
Note: FROM/ AB/ À PARTIR: 09/2009			
6.21		>> CAPILLARY COIL 1000	2
6.22		>> Fixation ring pipe union R1/8" 90GD.Ni	1
6.23		>> HANDLE DDG M6	1
6.24		>> Screw M4x10 EE DIN7500 ZN	2
	2168862	>> Nut/Ferrule M6 D.3MM MS Ni (2 Pieces)	1

**IP-E80/4-20-IE1 (2012593)**

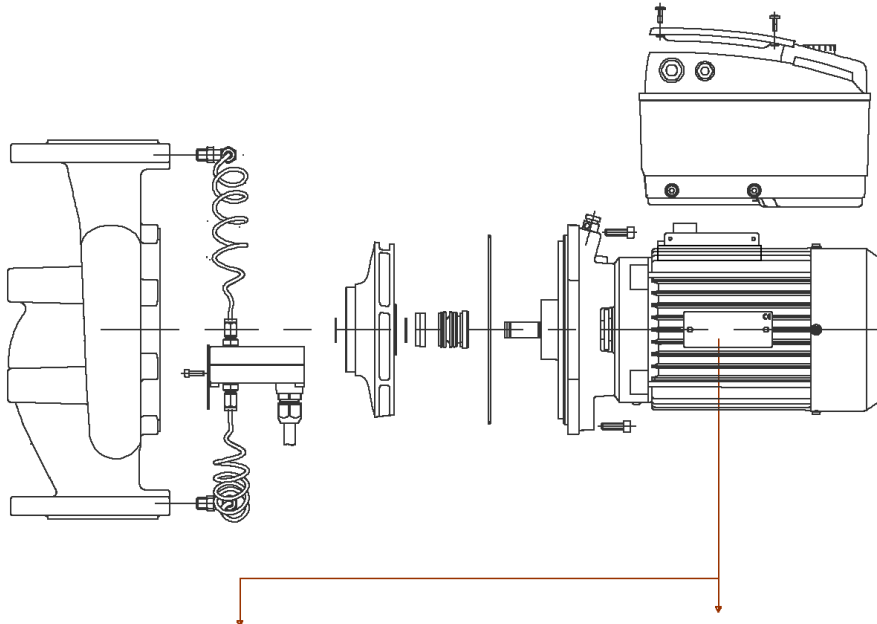
<b>Item</b>	<b>Article no.</b>	<b>Description</b>	<b>Quantity</b>
	2168860	>> Nut/Ferrule M8 D.5MM MS Ni (2 Pieces)	1
7		MODULE IP-E/DP-E80/4-20 4KW	1

Note: no longer available / nicht mehr lieferbar / ne plus disponible



**SPARE PARTS MOTOR TL4/4000/2**

Item	Article no.	Description	Quantity
2.1	2046117	CIRCLIP 72X2,5 DIN472 FST	1
Note: Please give the data from type plate of the motor			
2.2	2046408	CIRCLIP 30X1,5 DIN471 FST	1
Note: Please give the data from type plate of the motor			
2.3	2046961	BALL BEARING 6306/2RS-C3 (HT) VP.	1
Note: Please give the data from type plate of the motor			
2.4	121084190	BALL BEARING 6206/2Z-C3 (HT) VP.	1
Note: Please give the data from type plate of the motor			
2.5	2046410	O-RING ID.62X3 FPM 80SSHORE	1
Note: Please give the data from type plate of the motor			
2.6	2046409	WASHER 51X61X0,4 MENKE	1
Note: Please give the data from type plate of the motor			
2.7	121479197	FAN WHEEL BG100-132 ATB KIT	1
Note: Please give the data from type plate of the motor			
2.8A		> FAN WHEEL BG100-132 721186 ATB	1
2.8B	2123672	> CORRU. SLEEVE RING BG90-132 ATB VP.	1
Note: Please give the data from type plate of the motor			
2.8	2026498	FAN HOUSING TL4N D.195 KIT	1
Note: Please give the data from type plate of the motor			
2.81		> SCREW M4X8 ISO7045 4.8-H ZN	1
Note: no longer available / nicht mehr lieferbar / ne plus disponible			
2.82		> FAN HOUSING TL4N D.195 PA6 GREEN	1
5	2045839	SCREW M10X25 DIN-EN24014 8.8 (4 PIECES)	1
Note: Please give the data from type plate of the motor			
8		LANTERN TL4 KIT	1
Note: no longer available / nicht mehr lieferbar / ne plus disponible			
Note: Please give the data from type plate of the motor			
1.13	2046358	> O-RING ID.164,7X3,53 E7518 VP.	1
8.1		> LANTERN IP-E40/5-65/4-50/5-80/4 CPL.WILO	1
8.2	2027201	> BLOWGUN R1/8" VP.	1



ATB

Motor-Nummer  
motor number  
numéro du moteur

3~Mot.	AF132S/2F-11S+E2/0509	IE2-88,1%			
S1	132S IMV1	224039411-1	522058X		
IP 55	Th. CI.155(F)	SCHWINGGRÖSSENSTUFE B			
WILO NR.2064705					
kW	V	Hz	A	1/min	COS φ
7,5	YΔ 690/400	50	7,9/3,7	2890	0,90
7,5	Δ 460	60	11,8	3510	0,89
Made in Germany		50 kg	EN 60034		

ELEC

Motor-Nummer  
motor number  
numéro du moteur

Made by WILLO Group			
3501437	W080090-2-F188	0902.001	
Class F	S1	IP55	13.5kg EN60034
50Hz	1.10kW	2850min <sup>-1</sup>	60Hz 1.29kW 3435min <sup>-1</sup>
YΔ	230/400V	4.02/2.32A	Y 440-480V 2.40-2.32A
Cos φ =0.82	IE2-81.5%		Cos φ =0.85 IE2-82.5%

**Motor-Typenschild / Motor type plate / Plaque identité moteur**

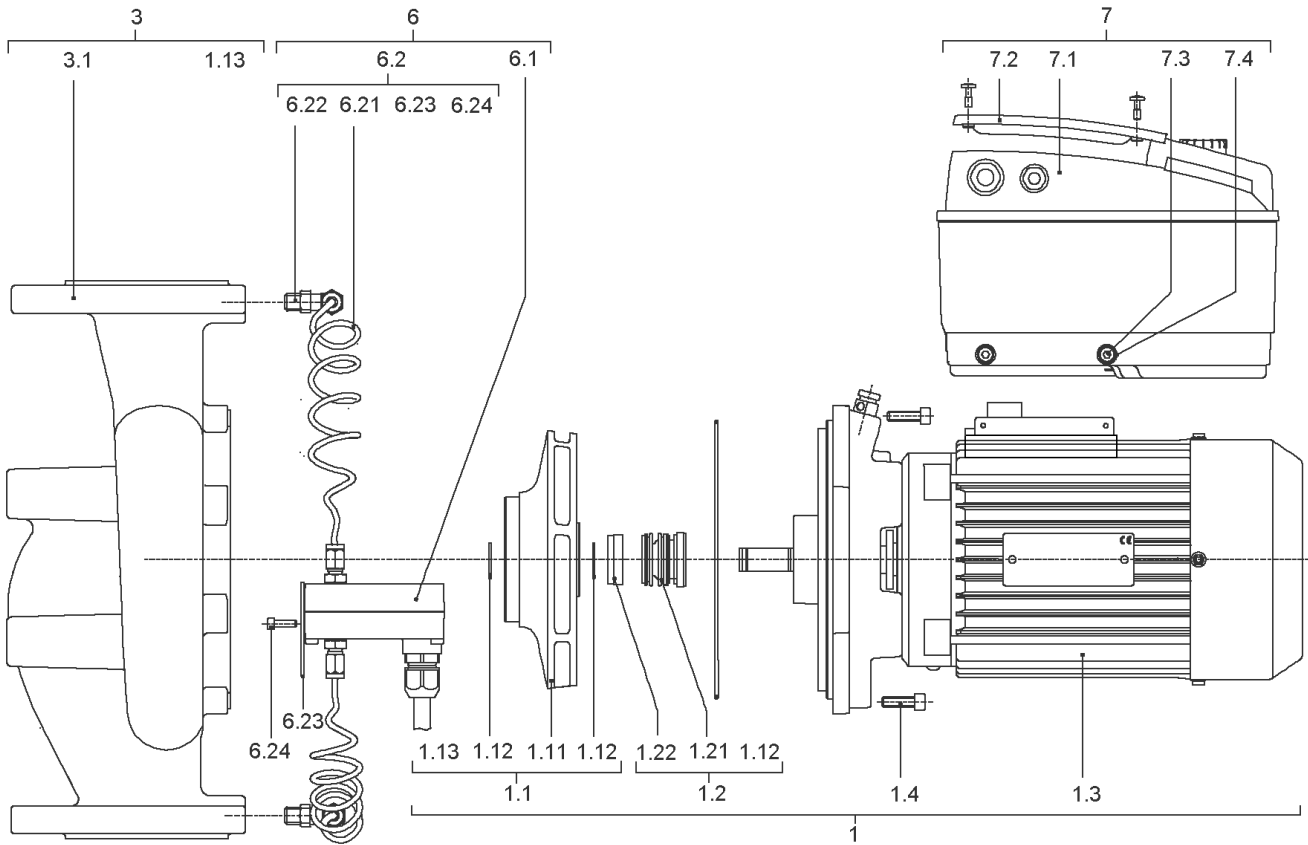
**Bei Ersatzteilbestellung Motor-Nummer angeben!**

**Indicate motor number for order of spare parts!**

**Pour une commande de pièces détachées, donner le numéro du moteur!**

**IP-E32/100-0,55/2-IE2-X1 (2109759)**

<b>Item</b>	<b>Description</b>	<b>Quantity</b>
ATB	Spare parts IP-E32/100-0,55/2-X1 ATB	1
ELEC	Spare parts IP-E32/100-0,55/2-X1 ELEC	1



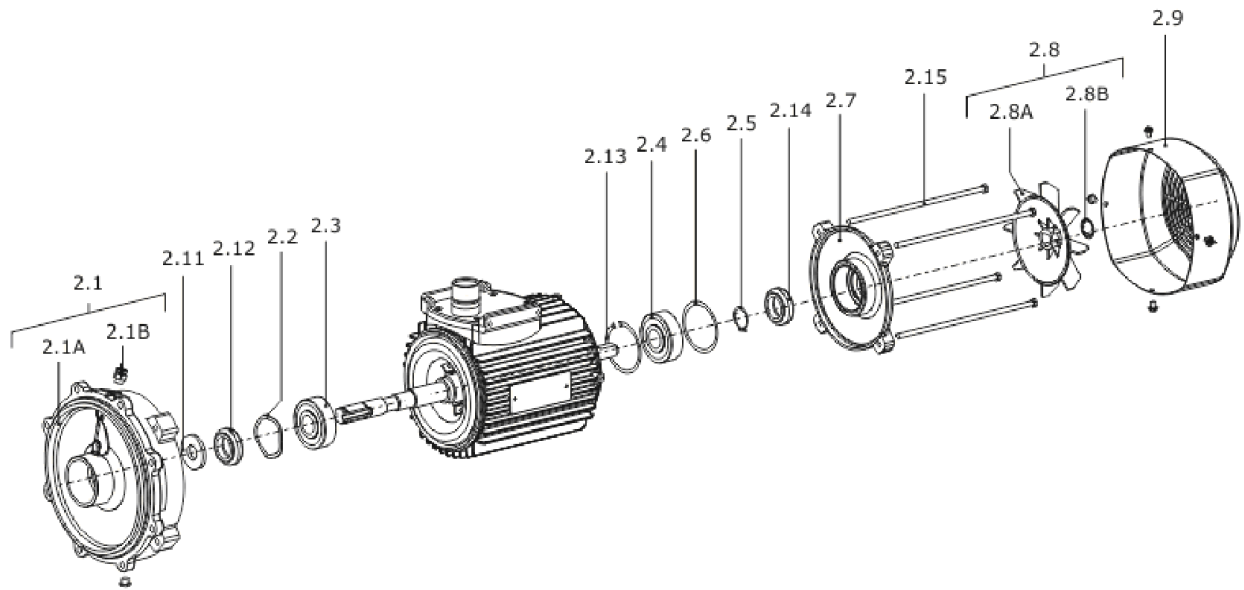
**Spare parts IP-E32/100-0,55/2-X1 ATB**

Item	Article no.	Description	Quantity
1	2139826	Service Motor IP/DP-E32/100-0,55 IE2ATB	1
1.1	2023912	> IMPELLER D.45/102/17X3 PX1786G KIT	1
1.11		>> IMPELLER D.45/102/17X3 PPO	1
1.12	2123932	>> CIRCLIP 17X1 DIN471 A2 1.4122 VP.	1
1.13	2046358	>> O-RING ID.164,7X3,53 E7518 VP.	1
1.2	122097593	> Mechanical seal ID.17 AQ1EGG KIT	1
1.12	2123932	>> CIRCLIP 17X1 DIN471 A2 1.4122 VP.	1
1.13	2010300	>> O-RING ID.107,54X3,53	1
1.13	2010301	>> O-RING ID.117,07X3,53	1
1.13	2054183	>> O-RING ID.158,34X3,53 E7518	1
Note: TO/ BIS/ JUSQU'À: 03/03			
1.13	2046358	>> O-RING ID.164,7X3,53 E7518 VP.	1
Note: FROM/ AB/ À PARTIR: 04/03			
1.21		>> MECHANICAL SEAL ID.17 AQ1EGG	1
1.22		>> Distance ring D.17/30X9 PPO FE1630	1
1.3		> Motor	1
1.4	2052495	> SCREW M6X20 ISO4762 8.8 (8 PIECES)	1
		SPARE PARTS MO.0,55/2/71 F188E ATB IE2	1
3	2016512	PUMP HOUSING IPL32/160/IP-E32/5 KIT	1
1.13	2046358	> O-RING ID.164,7X3,53 E7518 VP.	1
3.1		> PUMP HOUSING IP-E32/152 CPL.WILO	1
6	2104479	DPS20-1(0-10V) KIT	1
6.1	2106113	> DIFFERENTIAL PRESSURE SENSOR 20 KIT	1
Note: FROM/ AB/ À PARTIR: 09/2009			
		>> DPS20 spiral TZ.3mm Volt 2G	1
	2196657	>> Cable DPS 3x0,34x650 short bared 2G VP.	1
Note: from/ab/de 01.10.2013			
6.2	2106120	> CONNECTION SENSOR IP-E SPIRAL M6 KIT	1
Note: FROM/ AB/ À PARTIR: 09/2009			
6.21		>> CAPILLARY COIL 1000	2
6.22		>> Fixation ring pipe union R1/8" 90GD.Ni	1
6.23		>> HANDLE DDG M6	1
6.24		>> Screw M4x10 EE DIN7500 ZN	2
	2168862	>> Nut/Ferrule M6 D.3MM MS Ni (2 Pieces)	1



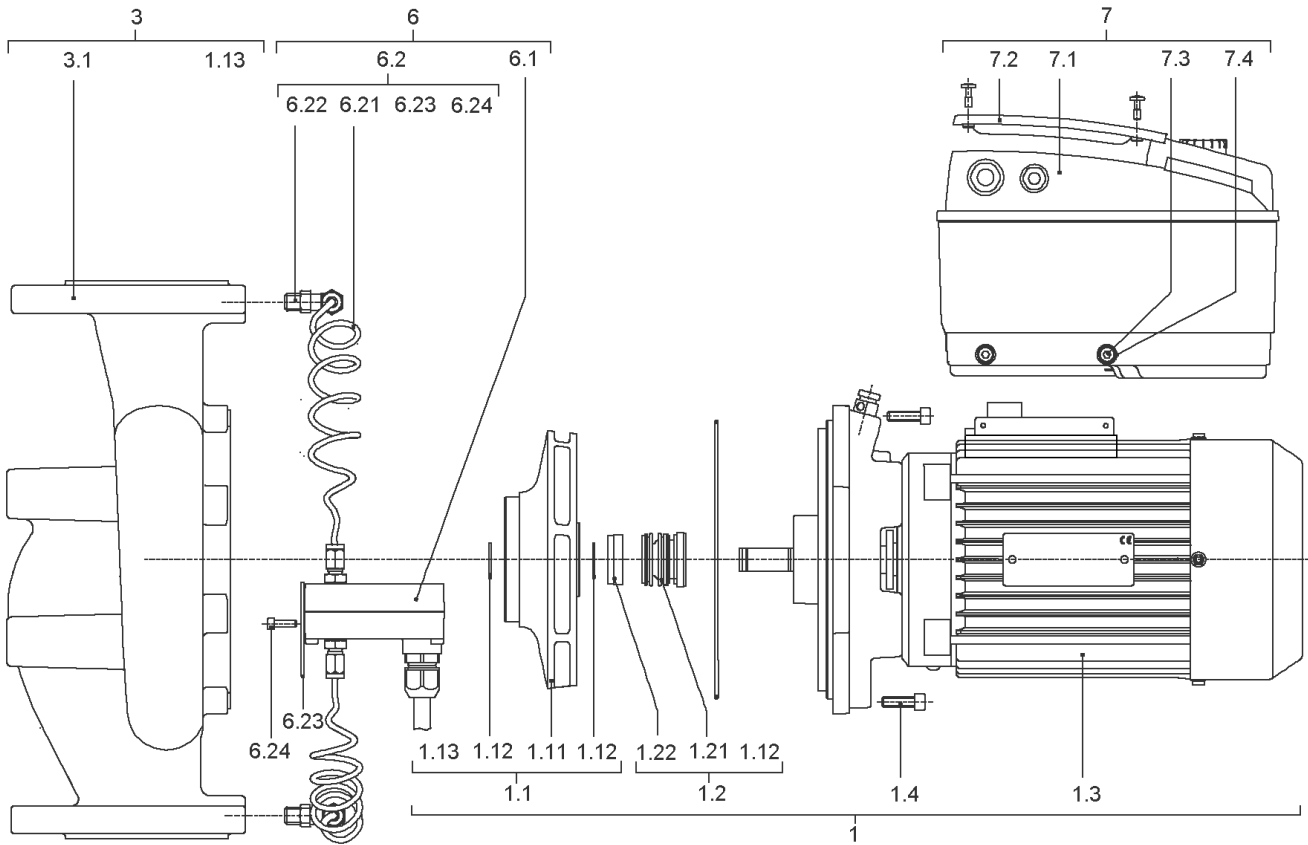
## Spare parts IP-E32/100-0,55/2-X1 ATB

Item	Article no.	Description	Quantity
	2168860	>> Nut/Ferrule M8 D.5MM MS Ni (2 Pieces)	1
7	2143743	MODULE IP/DP-E32/100-0,55/2-IE2 ATB KIT	1
7.1		> Module IP-E/DP-E32/100-0,55/2 IE2 ATB	1
7.2	2054372	> MODULE COVER TL1,TL2+GASKET KIT	1
7.3		> SCREW M5X16 ISO4762 8.8 ZnNi	1
7.4		> WASHER TOOTHED LOCK A5,3 DIN6797 FST ZN	1
	2061236	> O-RING ID.38X3 EPDM 70SR.A BUS.	1



**SPARE PARTS MO.0,55/2/71 F188E ATB IE2**

Item	Article no.	Description	Quantity
2.1	2125448	END SHIELD BG71/80 D.E.ATB KIT	1
2.1A		> END SHIELD LF71/80 D.E.567836 ATB	1
2.1B	2027201	> BLOWGUN R1/8" VP.	1
Note: Please give the data from type plate of the motor			
2.2	2125473	CIRCLIPS 20X1,2 DIN471 FST VP.	1
2.3	121084499	BALL BEARING 6204/2Z-C3 (HT) VP.	1
2.4	122097891	BALL BEARING 6202/2Z-C3 (HT) VP.	1
2.6	2090403	SHIM BALL BEARING BG71 ATB VP.	1
2.7	2125436	END SHIELD BG71/80 N.D.E.ATB VP.	1
2.8	122093297	FAN WHEEL BG71 ATB KIT	1
2.8A		> FAN WHEEL BG71/80 106152 ATB	1
2.8B	2123923	> CORRUGATED SLEEVE RING BG71 ATB VP.	1
Note: Please give the data from type plate of the motor			
2.9	2046448	FAN HOUSING BG71/80 ATB VP.	1
2.12	2144072	Shaft seal ring BG80 ATB VP.	1
2.14	2144070	Shaft seal ring BG71 ATB VP.	1
2.15	2144075	Screw end shield M5X128 ATB(4 Pieces)	1

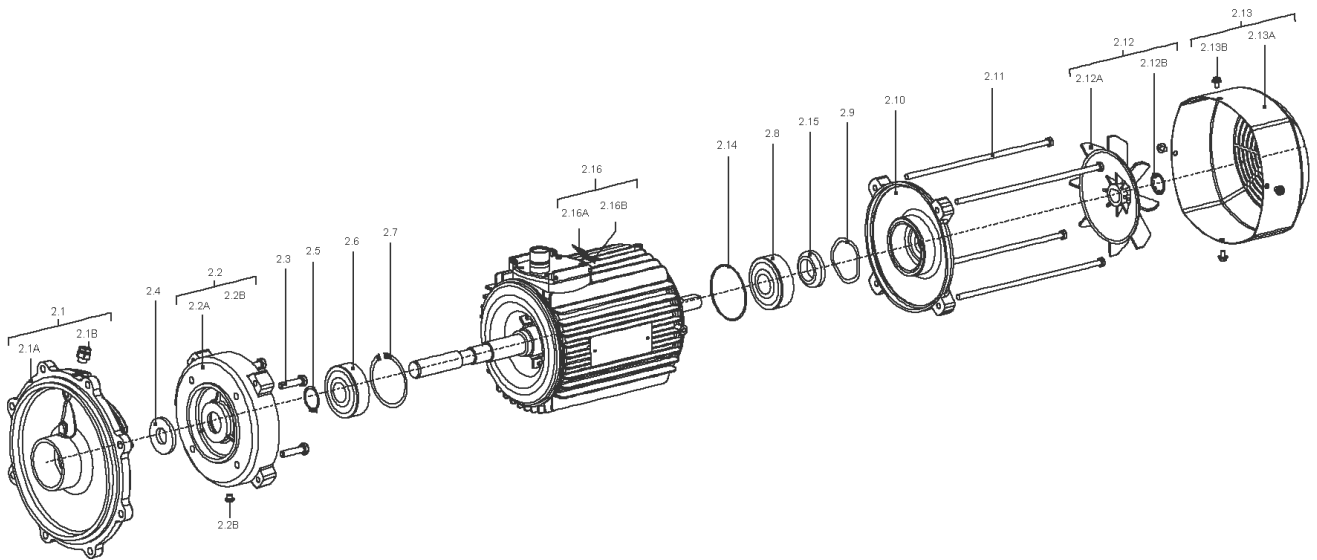


**Spare parts IP-E32/100-0,55/2-X1 ELEC**

Item	Article no.	Description	Quantity
1	2112596	SERVICE MOTOR IP/DP-E32/100-0,55 IE2ELEC	1
1.1	2023912	> IMPELLER D.45/102/17X3 PX1786G KIT	1
1.11		>> IMPELLER D.45/102/17X3 PPO	1
1.12	2123932	>> CIRCLIP 17X1 DIN471 A2 1.4122 VP.	1
1.13	2046358	>> O-RING ID.164,7X3,53 E7518 VP.	1
1.2	122097593	> Mechanical seal ID.17 AQ1EGG KIT	1
1.12	2123932	>> CIRCLIP 17X1 DIN471 A2 1.4122 VP.	1
1.13	2010300	>> O-RING ID.107,54X3,53	1
1.13	2010301	>> O-RING ID.117,07X3,53	1
1.13	2054183	>> O-RING ID.158,34X3,53 E7518	1
Note: TO/ BIS/ JUSQU'À: 03/03			
1.13	2046358	>> O-RING ID.164,7X3,53 E7518 VP.	1
Note: FROM/ AB/ À PARTIR: 04/03			
1.21		>> MECHANICAL SEAL ID.17 AQ1EGG	1
1.22		>> Distance ring D.17/30X9 PPO FE1630	1
1.3		> Motor	1
1.4	2052495	> SCREW M6X20 ISO4762 8.8 (8 PIECES)	1
		SPARE PARTS MO.0,55/2/71 F188E ELEC IE2	1
3	2016512	PUMP HOUSING IPL32/160/IP-E32/5 KIT	1
1.13	2046358	> O-RING ID.164,7X3,53 E7518 VP.	1
3.1		> PUMP HOUSING IP-E32/152 CPL.WILO	1
6	2104479	DPS20-1(0-10V) KIT	1
6.1	2106113	> DIFFERENTIAL PRESSURE SENSOR 20 KIT	1
Note: FROM/ AB/ À PARTIR: 09/2009			
		>> DPS20 spiral TZ.3mm Volt 2G	1
	2196657	>> Cable DPS 3x0,34x650 short bared 2G VP.	1
Note: from/ab/de 01.10.2013			
6.2	2106120	> CONNECTION SENSOR IP-E SPIRAL M6 KIT	1
Note: FROM/ AB/ À PARTIR: 09/2009			
6.21		>> CAPILLARY COIL 1000	2
6.22		>> Fixation ring pipe union R1/8" 90GD.Ni	1
6.23		>> HANDLE DDG M6	1
6.24		>> Screw M4x10 EE DIN7500 ZN	2
	2168862	>> Nut/Ferrule M6 D.3MM MS Ni (2 Pieces)	1

## Spare parts IP-E32/100-0,55/2-X1 ELEC

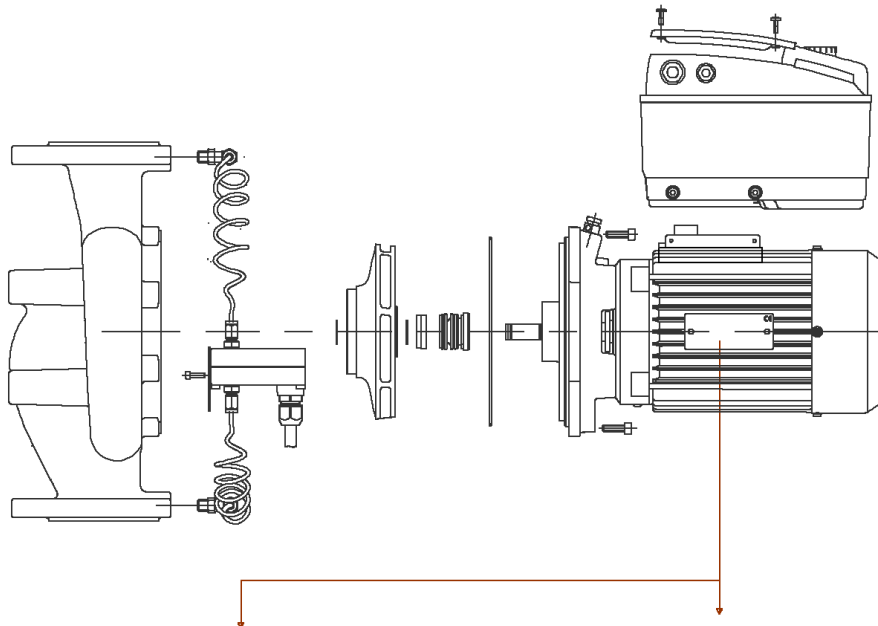
Item	Article no.	Description	Quantity
	2168860	>> Nut/Ferrule M8 D.5MM MS Ni (2 Pieces)	1
7	2111416	MODULE IP/DP-E32/100-0,55/2-IE2 ELEC KIT	1
7.1		> Module IP-E/DP-E32/100-0,55/2 IE2 ELEC	1
7.2	2054372	> MODULE COVER TL1,TL2+GASKET KIT	1
7.3		> SCREW M5X16 ISO4762 8.8 ZnNi	1
7.4		> WASHER TOOTHED LOCK A5,3 DIN6797 FST ZN	1
	2061236	> O-RING ID.38X3 EPDM 70SR.A BUS.	1



**SPARE PARTS MO.0,55/2/71 F188E ELEC IE2**

Item	Article no.	Description	Quantity
2.1	2111304	FLANGE END SHIELD BG71F188 D.E.ELEC KIT	1
2.1A		> LANTERN V18 M85-F188 KTL	1
2.1B	2027201	> BLOWGUN R1/8" VP.	1
Note: Please give the data from type plate of the motor			
2.2	2111310	END SHIELD BG71 V18 D.E.ELEC KIT	1
2.2A		> Flange IEC71 V18 (w/o thread)	1
2.2B	2111309	> CONDENSATE HOLE GASKET D5 VP.	1
Note: Please give the data from type plate of the motor			
2.3	2111313	SCREW M6X30 6.8 (4 PIECES)	1
2.4	2111324	THROWER D.36X4 VP.	1
2.5	2111332	CIRCLIP D.17 GB894.1 VP.	1
2.6	2111341	BALL BEARING 6203 DDW C3 EA6 VP.	1
2.7	2111335	CIRCLIP D.40 GB893.1 VP.	1
2.8	2111340	BALL BEARING 6202 DDW C3 EA6 VP.	1
2.9	2111338	SPRING RING D.35 VP.	1
2.10	2163997	Flange BG71 N.D.E.Elec KIT	1
		> Flange IEC71 NDS with slot reduce0.5	1
		> O-RING ID35*3 EPDM	1
2.11	2111318	SCREW M5X169 6.8 (4 PIECES)	1
2.12	2107778	FAN WHEEL BG71/80 ELEC KIT	1
2.12A		> FAN 110x15x15.3 GP2200 G/F20%	1
2.12B	2111321	> STOP-RING D.14,8x0,4 VP.	1
Note: Please give the data from type plate of the motor			
2.13	2107783	FAN HOOD BG71 ELEC KIT	1
2.13A		> FAN COVER IEC71 KTL ST14 T0.8 H60	1
2.13B	2111323	> SCREW M4X6 (4 PIECES)	1
Note: Please give the data from type plate of the motor			
2.14	2163998	O-Ring ID35*3 EPDM VP.	1





ATB

Motor-Nummer  
motor number  
numéro du moteur

3~Mot.	AF132S/2F-11S+E2/0509	IE2-88,1%			
S1	132S IMV1	224039411-1	522058X		
IP 55	Th. CI.155(F)	SCHWINGROESSENSTUFE B			
WILO NR.2064705					
kW	V	Hz	A	1/min	COS φ
7,5	YΔ 690/400	50	7,9/3,7	2890	0,90
7,5	Δ 460	60	11,8	3510	0,89
Made in Germany		50 kg	EN 60034		

ELEC

Motor-Nummer  
motor number  
numéro du moteur

<b>3~Induction Motor</b>		Made by WILLO Group			
3501437	W080090-2-F188	0902.001			
Class F	S1	IP55	13.5kg	EN60034	
50Hz	1.10kW	2850min <sup>-1</sup>	60Hz	1.29kW	3435min <sup>-1</sup>
YΔ	230/400V	4.02/2.32A	Y	440-480V	2.40-2.32A
Cos φ =0.82		IE2-81.5%	Cos φ =0.85		IE2-82.5%

### Motor-Typenschild / Motor type plate / Plaque identité moteur

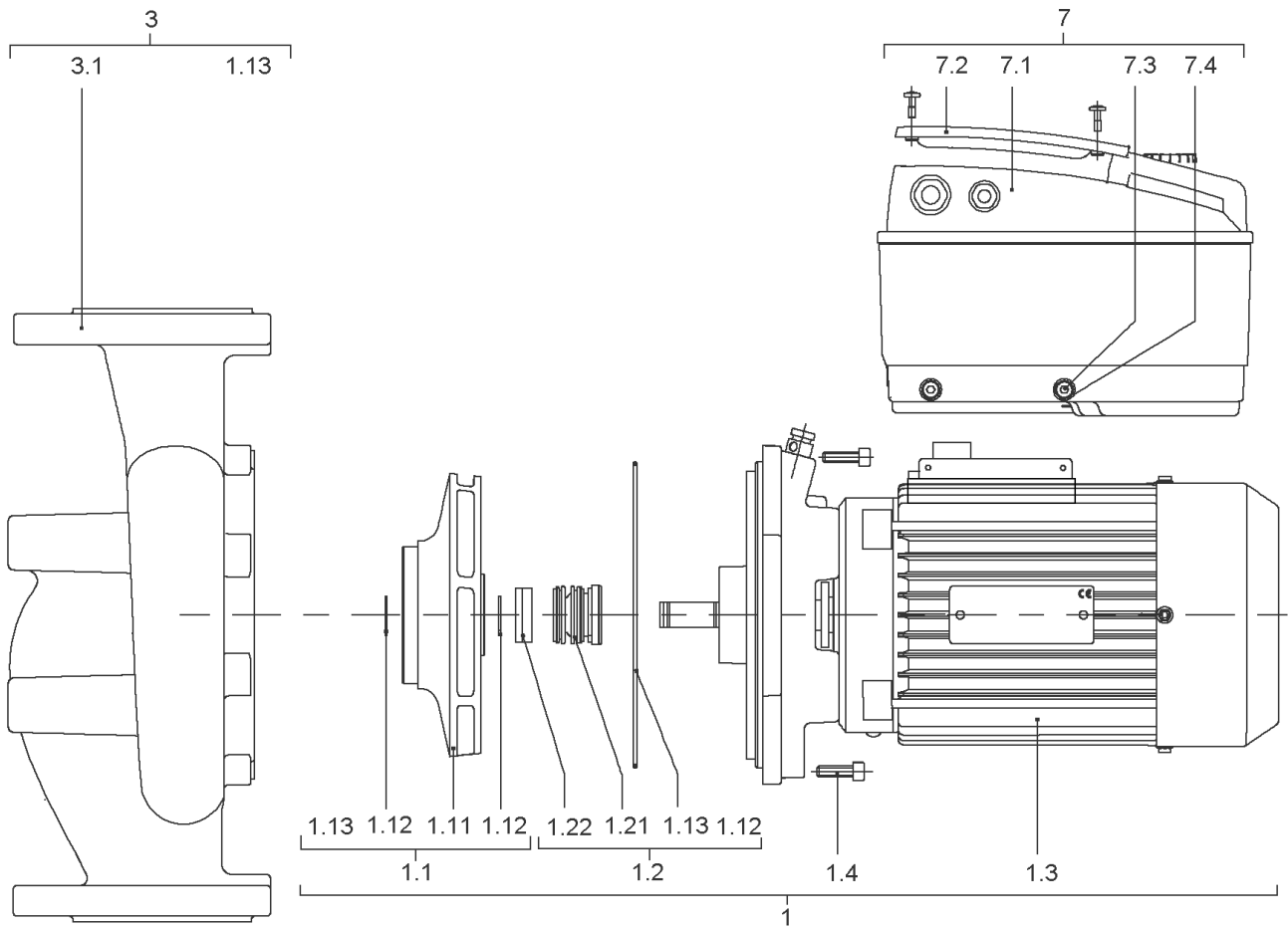
**Bei Ersatzteilbestellung Motor-Nummer angeben!**

**Indicate motor number for order of spare parts!**

**Pour une commande de pièces détachées, donner le numéro du moteur!**

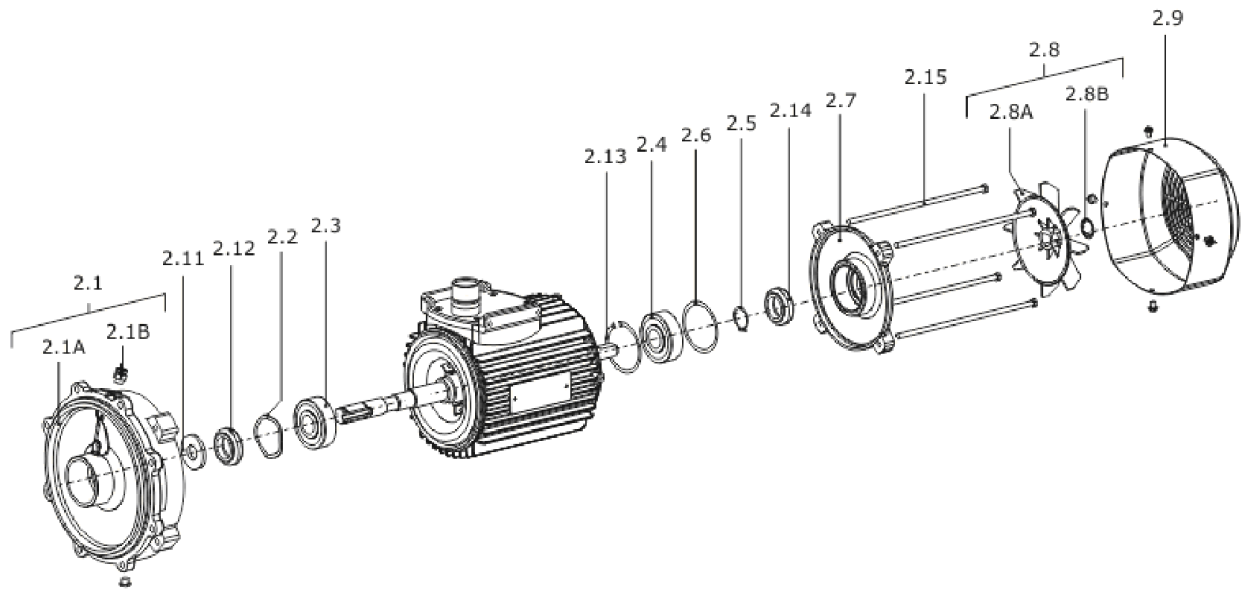
**IP-E32/100-0,55/2-R1-IE2-X1 (2109795)**

<b>Item</b>	<b>Description</b>	<b>Quantity</b>
ATB	Spare parts IP-E32/100-0,55/2-R1-X1 ATB	1
ELEC	Spare parts IP-E32/100-0,55/2-R1-X1 ELEC	1



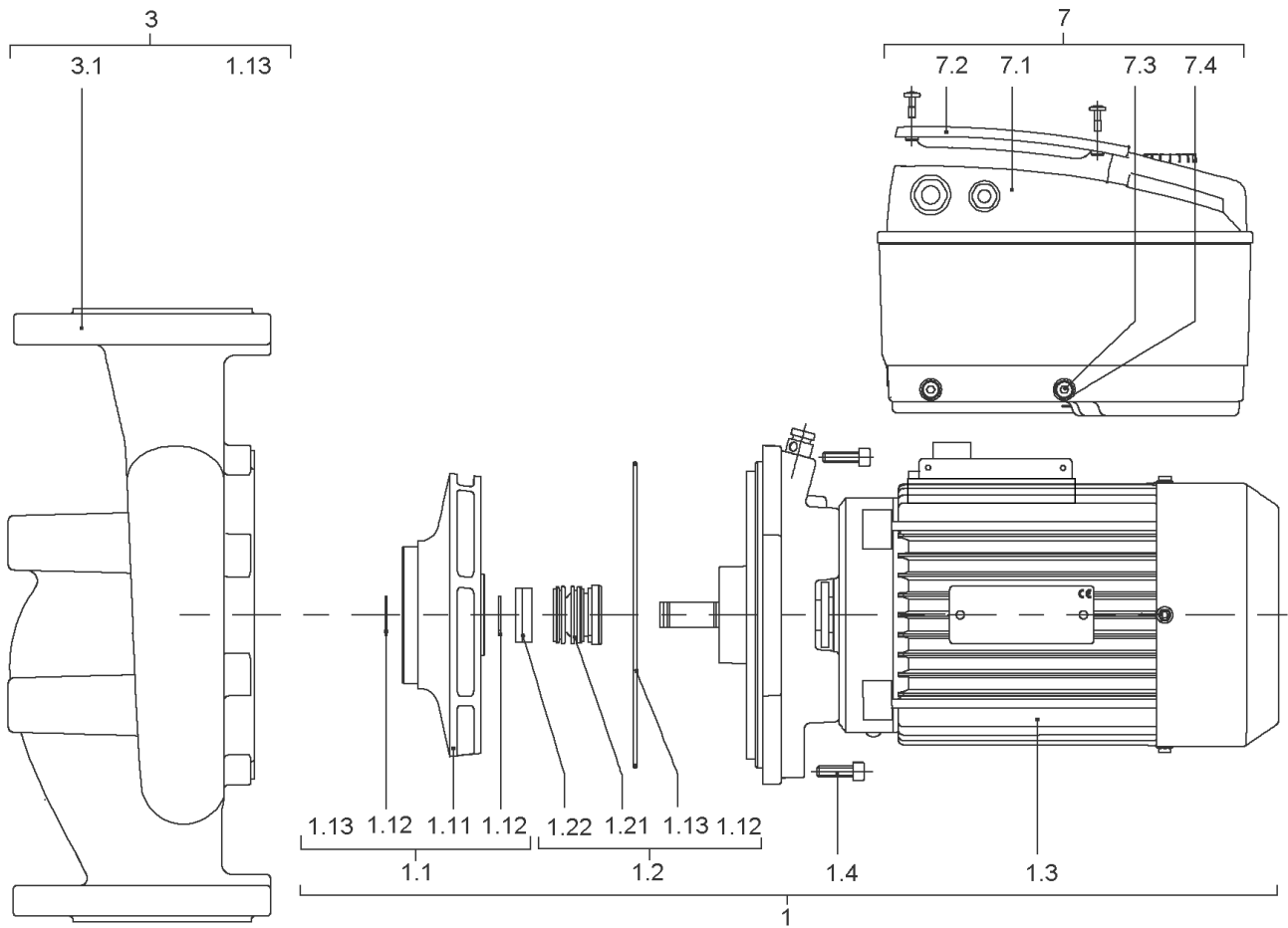
**Spare parts IP-E32/100-0,55/2-R1-X1 ATB**

Item	Article no.	Description	Quantity
1	2139826	Service Motor IP/DP-E32/100-0,55 IE2ATB	1
1.1	2023912	> IMPELLER D.45/102/17X3 PX1786G KIT	1
1.11		>> IMPELLER D.45/102/17X3 PPO	1
1.12	2123932	>> CIRCLIP 17X1 DIN471 A2 1.4122 VP.	1
1.13	2046358	>> O-RING ID.164,7X3,53 E7518 VP.	1
1.2	122097593	> Mechanical seal ID.17 AQ1EGG KIT	1
1.12	2123932	>> CIRCLIP 17X1 DIN471 A2 1.4122 VP.	1
1.13	2010300	>> O-RING ID.107,54X3,53	1
1.13	2010301	>> O-RING ID.117,07X3,53	1
1.13	2054183	>> O-RING ID.158,34X3,53 E7518	1
Note: TO/ BIS/ JUSQU'À: 03/03			
1.13	2046358	>> O-RING ID.164,7X3,53 E7518 VP.	1
Note: FROM/ AB/ À PARTIR: 04/03			
1.21		>> MECHANICAL SEAL ID.17 AQ1EGG	1
1.22		>> Distance ring D.17/30X9 PPO FE1630	1
1.3		> Motor	1
1.4	2052495	> SCREW M6X20 ISO4762 8.8 (8 PIECES)	1
		SPARE PARTS MO.0,55/2/71 F188E ATB IE2	1
3	2016512	PUMP HOUSING IPL32/160/IP-E32/5 KIT	1
1.13	2046358	> O-RING ID.164,7X3,53 E7518 VP.	1
3.1		> PUMP HOUSING IP-E32/152 CPL.WILO	1
7	2143743	MODULE IP/DP-E32/100-0,55/2-IE2 ATB KIT	1
7.1		> Module IP-E/DP-E32/100-0,55/2 IE2 ATB	1
7.2	2054372	> MODULE COVER TL1,TL2+GASKET KIT	1
7.3		> SCREW M5X16 ISO4762 8.8 ZnNi	1
7.4		> WASHER TOOTHED LOCK A5,3 DIN6797 FST ZN	1
	2061236	> O-RING ID.38X3 EPDM 70SR.A BUS.	1



**SPARE PARTS MO.0,55/2/71 F188E ATB IE2**

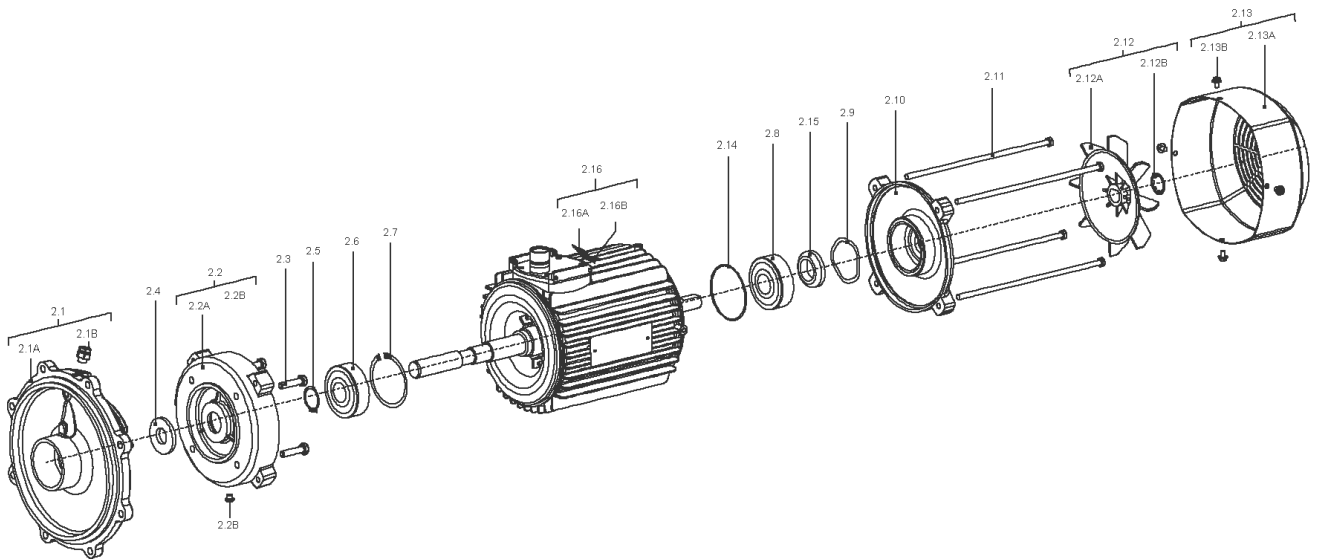
Item	Article no.	Description	Quantity
2.1	2125448	END SHIELD BG71/80 D.E.ATB KIT	1
2.1A		> END SHIELD LF71/80 D.E.567836 ATB	1
2.1B	2027201	> BLOWGUN R1/8" VP.	1
Note: Please give the data from type plate of the motor			
2.2	2125473	CIRCLIPS 20X1,2 DIN471 FST VP.	1
2.3	121084499	BALL BEARING 6204/2Z-C3 (HT) VP.	1
2.4	122097891	BALL BEARING 6202/2Z-C3 (HT) VP.	1
2.6	2090403	SHIM BALL BEARING BG71 ATB VP.	1
2.7	2125436	END SHIELD BG71/80 N.D.E.ATB VP.	1
2.8	122093297	FAN WHEEL BG71 ATB KIT	1
2.8A		> FAN WHEEL BG71/80 106152 ATB	1
2.8B	2123923	> CORRUGATED SLEEVE RING BG71 ATB VP.	1
Note: Please give the data from type plate of the motor			
2.9	2046448	FAN HOUSING BG71/80 ATB VP.	1
2.12	2144072	Shaft seal ring BG80 ATB VP.	1
2.14	2144070	Shaft seal ring BG71 ATB VP.	1
2.15	2144075	Screw end shield M5X128 ATB(4 Pieces)	1



**Spare parts IP-E32/100-0,55/2-R1-X1 ELEC**

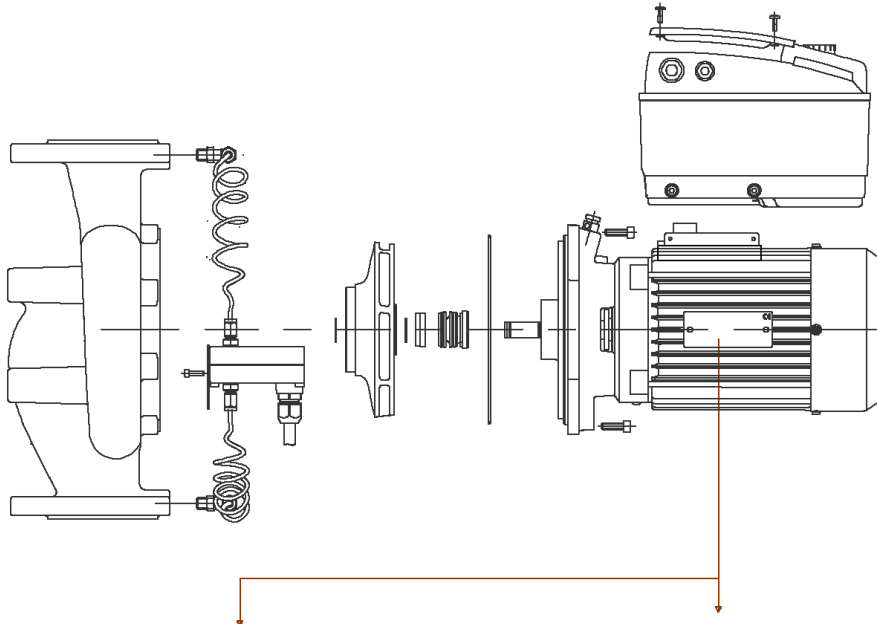
Item	Article no.	Description	Quantity
1	2112596	SERVICE MOTOR IP/DP-E32/100-0,55 IE2ELEC	1
1.1	2023912	> IMPELLER D.45/102/17X3 PX1786G KIT	1
1.11		>> IMPELLER D.45/102/17X3 PPO	1
1.12	2123932	>> CIRCLIP 17X1 DIN471 A2 1.4122 VP.	1
1.13	2046358	>> O-RING ID.164,7X3,53 E7518 VP.	1
1.2	122097593	> Mechanical seal ID.17 AQ1EGG KIT	1
1.12	2123932	>> CIRCLIP 17X1 DIN471 A2 1.4122 VP.	1
1.13	2010300	>> O-RING ID.107,54X3,53	1
1.13	2010301	>> O-RING ID.117,07X3,53	1
1.13	2054183	>> O-RING ID.158,34X3,53 E7518	1
Note: TO/ BIS/ JUSQU'À: 03/03			
1.13	2046358	>> O-RING ID.164,7X3,53 E7518 VP.	1
Note: FROM/ AB/ À PARTIR: 04/03			
1.21		>> MECHANICAL SEAL ID.17 AQ1EGG	1
1.22		>> Distance ring D.17/30X9 PPO FE1630	1
1.3		> Motor	1
1.4	2052495	> SCREW M6X20 ISO4762 8.8 (8 PIECES)	1
		SPARE PARTS MO.0,55/2/71 F188E ELEC IE2	1
3	2016512	PUMP HOUSING IPL32/160/IP-E32/5 KIT	1
1.13	2046358	> O-RING ID.164,7X3,53 E7518 VP.	1
3.1		> PUMP HOUSING IP-E32/152 CPL.WILO	1
7	2111416	MODULE IP/DP-E32/100-0,55/2-IE2 ELEC KIT	1
7.1		> Module IP-E/DP-E32/100-0,55/2 IE2 ELEC	1
7.2	2054372	> MODULE COVER TL1,TL2+GASKET KIT	1
7.3		> SCREW M5X16 ISO4762 8.8 ZnNi	1
7.4		> WASHER TOOTHED LOCK A5,3 DIN6797 FST ZN	1
	2061236	> O-RING ID.38X3 EPDM 70SR.A BUS.	1





**SPARE PARTS MO.0,55/2/71 F188E ELEC IE2**

Item	Article no.	Description	Quantity
2.1	2111304	FLANGE END SHIELD BG71F188 D.E.ELEC KIT	1
2.1A		> LANTERN V18 M85-F188 KTL	1
2.1B	2027201	> BLOWGUN R1/8" VP.	1
Note: Please give the data from type plate of the motor			
2.2	2111310	END SHIELD BG71 V18 D.E.ELEC KIT	1
2.2A		> Flange IEC71 V18 (w/o thread)	1
2.2B	2111309	> CONDENSATE HOLE GASKET D5 VP.	1
Note: Please give the data from type plate of the motor			
2.3	2111313	SCREW M6X30 6.8 (4 PIECES)	1
2.4	2111324	THROWER D.36X4 VP.	1
2.5	2111332	CIRCLIP D.17 GB894.1 VP.	1
2.6	2111341	BALL BEARING 6203 DDW C3 EA6 VP.	1
2.7	2111335	CIRCLIP D.40 GB893.1 VP.	1
2.8	2111340	BALL BEARING 6202 DDW C3 EA6 VP.	1
2.9	2111338	SPRING RING D.35 VP.	1
2.10	2163997	Flange BG71 N.D.E.Elec KIT	1
		> Flange IEC71 NDS with slot reduce0.5	1
		> O-RING ID35*3 EPDM	1
2.11	2111318	SCREW M5X169 6.8 (4 PIECES)	1
2.12	2107778	FAN WHEEL BG71/80 ELEC KIT	1
2.12A		> FAN 110x15x15.3 GP2200 G/F20%	1
2.12B	2111321	> STOP-RING D.14,8x0,4 VP.	1
Note: Please give the data from type plate of the motor			
2.13	2107783	FAN HOOD BG71 ELEC KIT	1
2.13A		> FAN COVER IEC71 KTL ST14 T0.8 H60	1
2.13B	2111323	> SCREW M4X6 (4 PIECES)	1
Note: Please give the data from type plate of the motor			
2.14	2163998	O-Ring ID35*3 EPDM VP.	1



ATB

Motor-Nummer  
motor number  
numéro du moteur

3~Mot.	AF132S/2F-11S+E2/0509	IE2-88,1%			
S1	132S IMV1	224039411-1	522058X		
IP 55	Th. CI.155(F)	SCHWINGGROESSENSTUFE B			
WILO NR.2064705					
kW	V	Hz	A	1/min	COS φ
7,5	YΔ 690/400	50	7,9/3,7	2890	0,90
7,5	Δ 460	60	11,8	3510	0,89
Made in Germany		50 kg	EN 60034		

ELEC

Motor-Nummer  
motor number  
numéro du moteur

Made by WILLO Group			
3501437	W080090-2-F188	0902.001	
Class F	S1	IP55	13.5kg EN60034
50Hz	1.10kW	2850min <sup>-1</sup>	60Hz 1.29kW 3435min <sup>-1</sup>
YΔ	230/400V	4.02/2.32A	Y 440-480V 2.40-2.32A
Cos φ =0.82	IE2-81.5%		Cos φ =0.85 IE2-82.5%

### Motor-Typenschild / Motor type plate / Plaque identité moteur

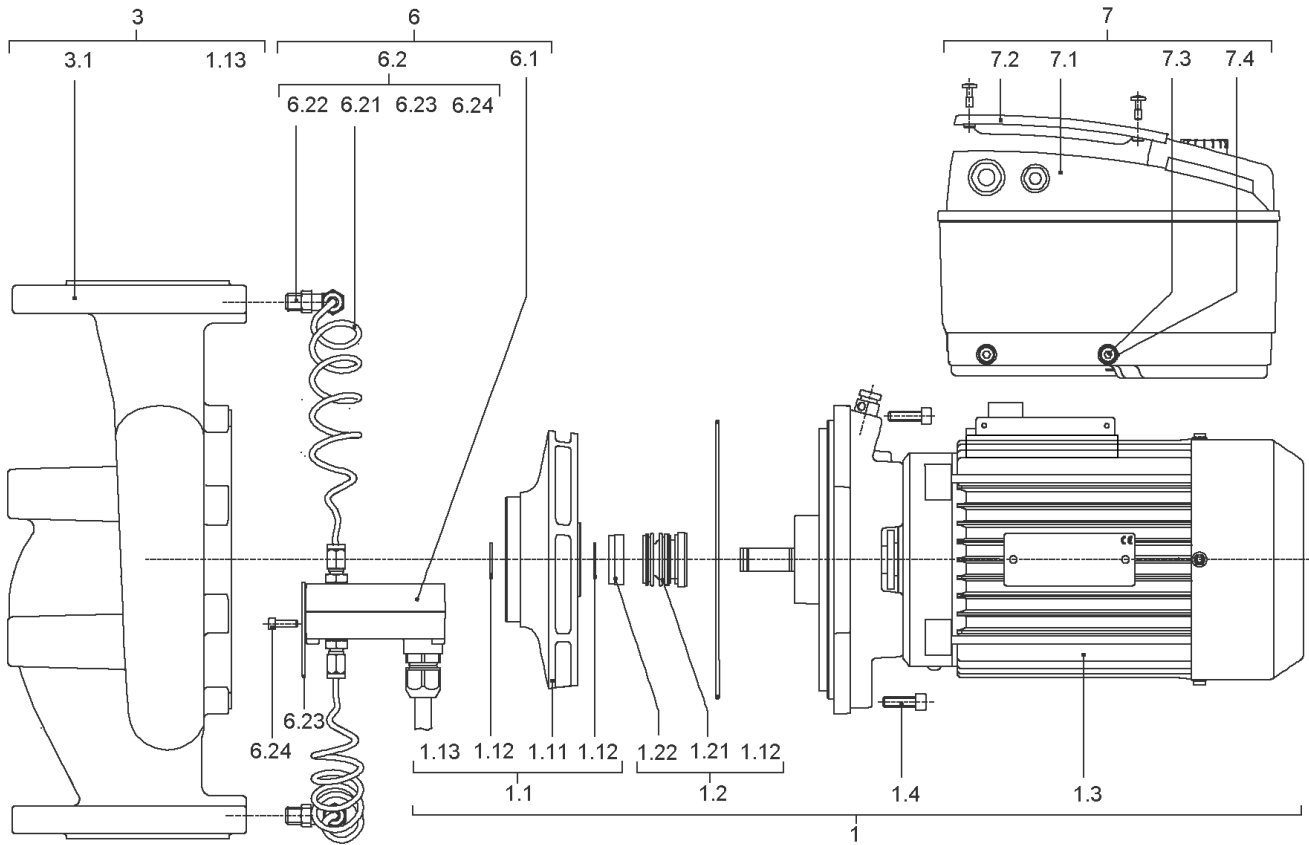
**Bei Ersatzteilbestellung Motor-Nummer angeben!**

**Indicate motor number for order of spare parts!**

**Pour une commande de pièces détachées, donner le numéro du moteur!**

**IP-E32/110-0,75/2-IE2-X1 (2109760)**

<b>Item</b>	<b>Description</b>	<b>Quantity</b>
ATB	Spare parts IP-E32/110-0,75/2-X1 ATB	1
ELEC	Spare parts IP-E32/110-0,75/2-X1 ELEC	1

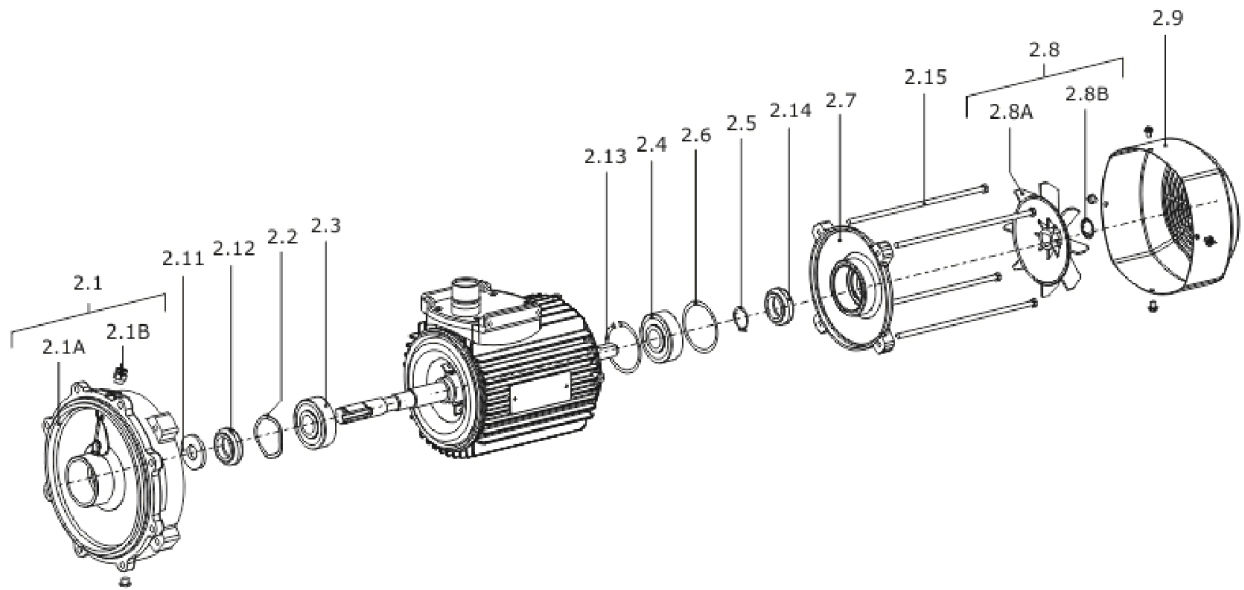


**Spare parts IP-E32/110-0,75/2-X1 ATB**

Item	Article no.	Description	Quantity
1	2139827	Service Motor IP/DP-E32/110-0,75 IE2ATB	1
1.1	2019602	> IMPELLER D.45/114/17X3 PX1786G KIT	1
1.11		>> IMPELLER D.45/114/17X3 PPO	1
1.12	2123932	>> CIRCLIP 17X1 DIN471 A2 1.4122 VP.	1
1.13	2046358	>> O-RING ID.164,7X3,53 E7518 VP.	1
1.2	122097593	> Mechanical seal ID.17 AQ1EGG KIT	1
1.12	2123932	>> CIRCLIP 17X1 DIN471 A2 1.4122 VP.	1
1.13	2010300	>> O-RING ID.107,54X3,53	1
1.13	2010301	>> O-RING ID.117,07X3,53	1
1.13	2054183	>> O-RING ID.158,34X3,53 E7518	1
Note: TO/ BIS/ JUSQU'À: 03/03			
1.13	2046358	>> O-RING ID.164,7X3,53 E7518 VP.	1
Note: FROM/ AB/ À PARTIR: 04/03			
1.21		>> MECHANICAL SEAL ID.17 AQ1EGG	1
1.22		>> Distance ring D.17/30X9 PPO FE1630	1
1.3		> Motor	1
1.4	2052495	> SCREW M6X20 ISO4762 8.8 (8 PIECES)	1
		SPARE PARTS MO.0,75/2/71 F188E ATB IE2	1
3	2016512	PUMP HOUSING IPL32/160/IP-E32/5 KIT	1
1.13	2046358	> O-RING ID.164,7X3,53 E7518 VP.	1
3.1		> PUMP HOUSING IP-E32/152 CPL.WILO	1
6	2104479	DPS20-1(0-10V) KIT	1
6.1	2106113	> DIFFERENTIAL PRESSURE SENSOR 20 KIT	1
Note: FROM/ AB/ À PARTIR: 09/2009			
		>> DPS20 spiral TZ.3mm Volt 2G	1
	2196657	>> Cable DPS 3x0,34x650 short bared 2G VP.	1
Note: from/ab/de 01.10.2013			
6.2	2106120	> CONNECTION SENSOR IP-E SPIRAL M6 KIT	1
Note: FROM/ AB/ À PARTIR: 09/2009			
6.21		>> CAPILLARY COIL 1000	2
6.22		>> Fixation ring pipe union R1/8" 90GD.Ni	1
6.23		>> HANDLE DDG M6	1
6.24		>> Screw M4x10 EE DIN7500 ZN	2
	2168862	>> Nut/Ferrule M6 D.3MM MS Ni (2 Pieces)	1

## Spare parts IP-E32/110-0,75/2-X1 ATB

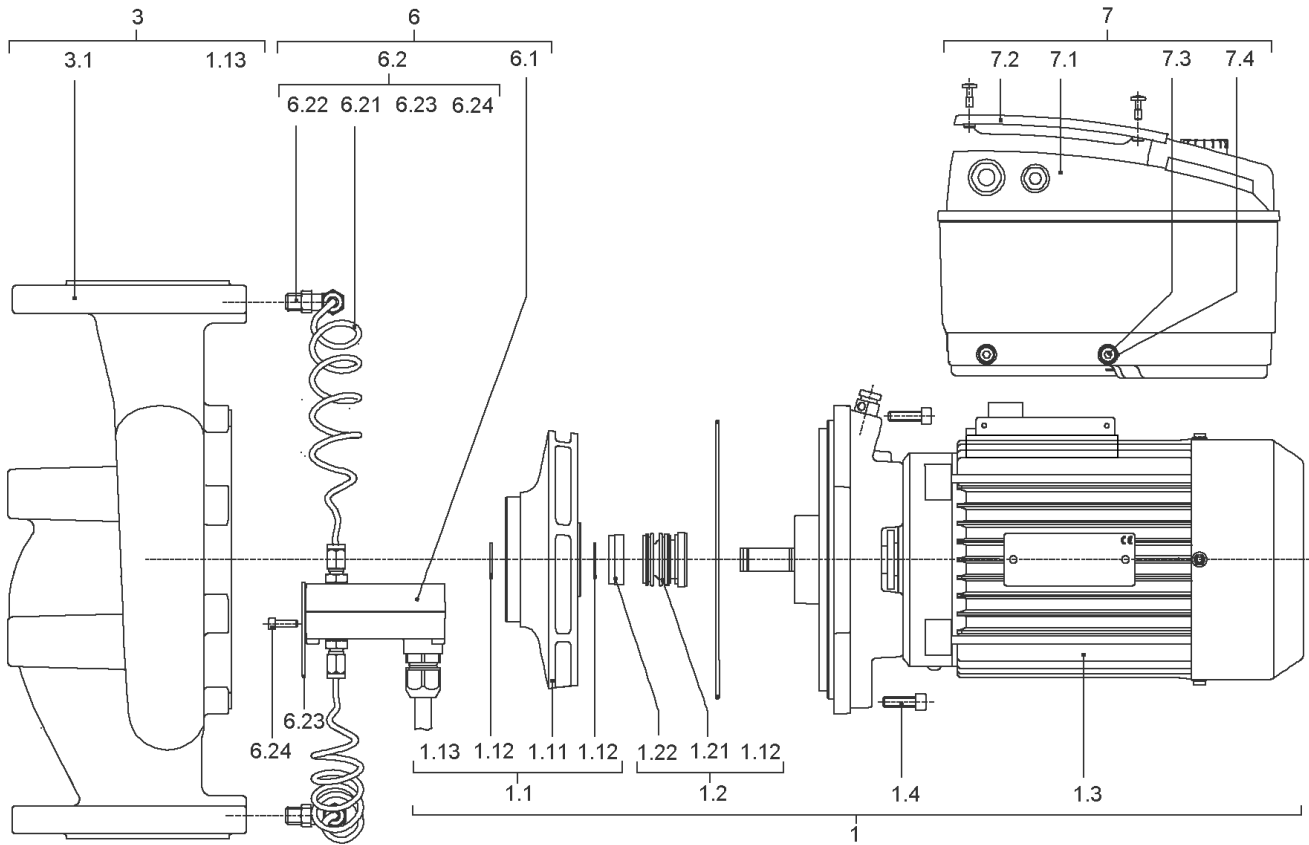
Item	Article no.	Description	Quantity
	2168860	>> Nut/Ferrule M8 D.5MM MS Ni (2 Pieces)	1
7	2143744	MODULE IP/DP-E32/110-0,75/2-IE2 ATB KIT	1
7.1		> Module IP-E/DP-E32/110-0,75/2 IE2 ATB	1
7.2	2054372	> MODULE COVER TL1,TL2+GASKET KIT	1
7.3		> SCREW M5X16 ISO4762 8.8 ZnNi	1
7.4		> WASHER TOOTHED LOCK A5,3 DIN6797 FST ZN	1
	2061236	> O-RING ID.38X3 EPDM 70SR.A BUS.	1





**SPARE PARTS MO.0,75/2/71 F188E ATB IE2**

Item	Article no.	Description	Quantity
2.1	2125448	END SHIELD BG71/80 D.E.ATB KIT	1
2.1A		> END SHIELD LF71/80 D.E.567836 ATB	1
2.1B	2027201	> BLOWGUN R1/8" VP.	1
Note: Please give the data from type plate of the motor			
2.2	2125473	CIRCLIPS 20X1,2 DIN471 FST VP.	1
2.3	121084499	BALL BEARING 6204/2Z-C3 (HT) VP.	1
2.4	122097891	BALL BEARING 6202/2Z-C3 (HT) VP.	1
2.6	2090403	SHIM BALL BEARING BG71 ATB VP.	1
2.7	2125436	END SHIELD BG71/80 N.D.E.ATB VP.	1
2.8	122093297	FAN WHEEL BG71 ATB KIT	1
2.8A		> FAN WHEEL BG71/80 106152 ATB	1
2.8B	2123923	> CORRUGATED SLEEVE RING BG71 ATB VP.	1
Note: Please give the data from type plate of the motor			
2.9	2046448	FAN HOUSING BG71/80 ATB VP.	1
2.12	2144072	Shaft seal ring BG80 ATB VP.	1
2.14	2144070	Shaft seal ring BG71 ATB VP.	1
2.15	2144075	Screw end shield M5X128 ATB(4 Pieces)	1

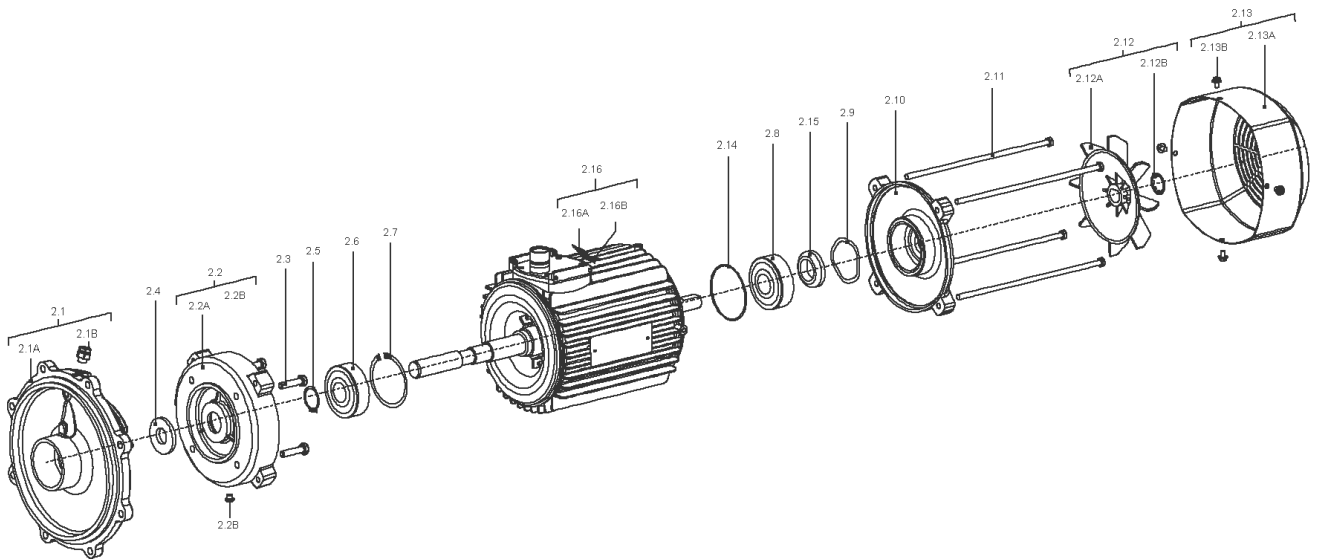


**Spare parts IP-E32/110-0,75/2-X1 ELEC**

Item	Article no.	Description	Quantity
1	2112597	SERVICE MOTOR IP/DP-E32/110-0,75 IE2ELEC	1
1.1	2019602	> IMPELLER D.45/114/17X3 PX1786G KIT	1
1.11		>> IMPELLER D.45/114/17X3 PPO	1
1.12	2123932	>> CIRCLIP 17X1 DIN471 A2 1.4122 VP.	1
1.13	2046358	>> O-RING ID.164,7X3,53 E7518 VP.	1
1.2	122097593	> Mechanical seal ID.17 AQ1EGG KIT	1
1.12	2123932	>> CIRCLIP 17X1 DIN471 A2 1.4122 VP.	1
1.13	2010300	>> O-RING ID.107,54X3,53	1
1.13	2010301	>> O-RING ID.117,07X3,53	1
1.13	2054183	>> O-RING ID.158,34X3,53 E7518	1
Note: TO/ BIS/ JUSQU'À: 03/03			
1.13	2046358	>> O-RING ID.164,7X3,53 E7518 VP.	1
Note: FROM/ AB/ À PARTIR: 04/03			
1.21		>> MECHANICAL SEAL ID.17 AQ1EGG	1
1.22		>> Distance ring D.17/30X9 PPO FE1630	1
1.3		> Motor	1
1.4	2052495	> SCREW M6X20 ISO4762 8.8 (8 PIECES)	1
		SPARE PARTS MO.0,75/2/80 F188E ELEC IE2	1
3	2016512	PUMP HOUSING IPL32/160/IP-E32/5 KIT	1
1.13	2046358	> O-RING ID.164,7X3,53 E7518 VP.	1
3.1		> PUMP HOUSING IP-E32/152 CPL.WILO	1
6	2104479	DPS20-1(0-10V) KIT	1
6.1	2106113	> DIFFERENTIAL PRESSURE SENSOR 20 KIT	1
Note: FROM/ AB/ À PARTIR: 09/2009			
		>> DPS20 spiral TZ.3mm Volt 2G	1
	2196657	>> Cable DPS 3x0,34x650 short bared 2G VP.	1
Note: from/ab/de 01.10.2013			
6.2	2106120	> CONNECTION SENSOR IP-E SPIRAL M6 KIT	1
Note: FROM/ AB/ À PARTIR: 09/2009			
6.21		>> CAPILLARY COIL 1000	2
6.22		>> Fixation ring pipe union R1/8" 90GD.Ni	1
6.23		>> HANDLE DDG M6	1
6.24		>> Screw M4x10 EE DIN7500 ZN	2
	2168862	>> Nut/Ferrule M6 D.3MM MS Ni (2 Pieces)	1

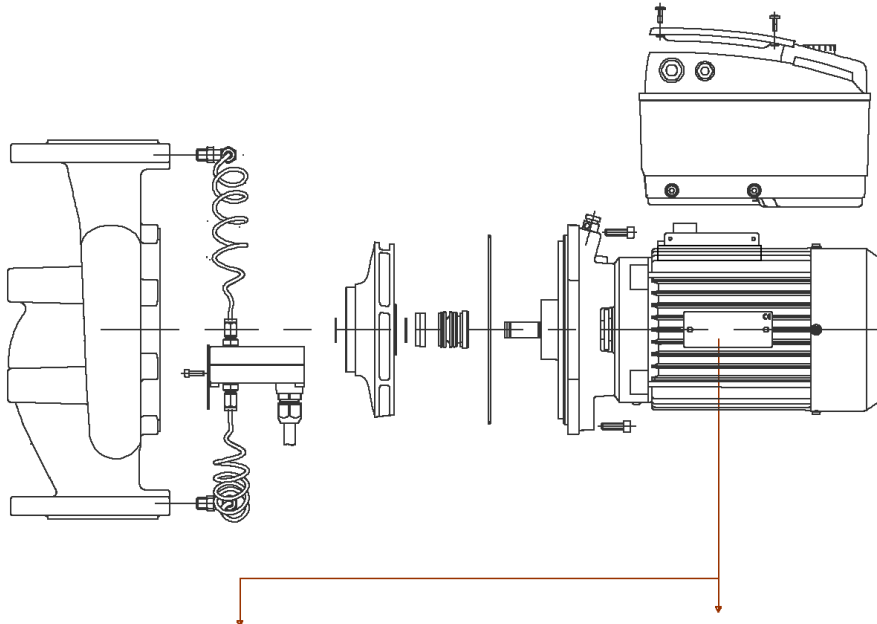
## Spare parts IP-E32/110-0,75/2-X1 ELEC

Item	Article no.	Description	Quantity
	2168860	>> Nut/Ferrule M8 D.5MM MS Ni (2 Pieces)	1
7	2111417	MODULE IP/DP-E32/110-0,75/2-IE2 ELEC KIT	1
7.1		> Module IP-E/DP-E32/110-0,75/2 IE2 ELEC	1
7.2	2054372	> MODULE COVER TL1,TL2+GASKET KIT	1
7.3		> SCREW M5X16 ISO4762 8.8 ZnNi	1
7.4		> WASHER TOOTHED LOCK A5,3 DIN6797 FST ZN	1
	2061236	> O-RING ID.38X3 EPDM 70SR.A BUS.	1



**SPARE PARTS MO.0,75/2/80 F188E ELEC IE2**

Item	Article no.	Description	Quantity
2.1	2111306	FLANGE END SHIELD BG80F188 D.E.ELEC KIT	1
2.1A		> LANTERN V18 M100-F188 KTL	1
2.1B	2027201	> BLOWGUN R1/8" VP.	1
Note: Please give the data from type plate of the motor			
2.2	2111311	End shield BG80 V18 D.E.ELEC KIT	1
2.2A		> Flange IEC80 V18 (w/o thread)	1
2.2B	2111309	> CONDENSATE HOLE GASKET D5 VP.	1
Note: Please give the data from type plate of the motor			
2.3	2111313	SCREW M6X30 6.8 (4 PIECES)	1
2.4	2111324	THROWER D.36X4 VP.	1
2.5	2111333	CIRCLIP D.20 GB894.1 VP.	1
2.6	2111343	BALL BEARING 6304 DDW C3 EA6 VP.	1
2.7	2111336	CIRCLIP D.52 GB893.1 VP.	1
2.8	2111342	BALL BEARING 6204 DDW C3 EA3 VP.	1
2.9	2111339	SPRING RING D.47 JB/T7590 VP.	1
2.10	2162607	End shield BG80 N.D.E.ELEC KIT	1
		> Flange IEC80 NDS with slot new	1
		> O-RING ID47.2*3.53 EPDM	1
2.11	2111319	SCREW M5X183 6.8 (4 PIECES)	1
2.12	2107778	FAN WHEEL BG71/80 ELEC KIT	1
2.12A		> FAN 110x15x15.3 GP2200 G/F20%	1
2.12B	2111321	> STOP-RING D.14,8x0,4 VP.	1
Note: Please give the data from type plate of the motor			
2.13	2107779	FAN HOOD BG80 ELEC KIT	1
2.13A		> FAN COVER IEC80 KTL ST14 T0.8 H60	1
2.13B	2111323	> SCREW M4X6 (4 PIECES)	1
Note: Please give the data from type plate of the motor			
2.14	2164016	O-Ring ID47.2x3.53 EPDM VP.	1



ATB

Motor-Nummer  
motor number  
numéro du moteur

3~Mot.	AF132S/2F-11S+E2/0509	IE2-88,1%			
S1	132S IMV1	224039411-1	522058X		
IP 55	Th. CI.155(F)	SCHWINGROESSENSTUFE B			
WILO NR.2064705					
kW	V	Hz	A	1/min	COS φ
7,5	YΔ 690/400	50	7,9/3,7	2890	0,90
7,5	Δ 460	60	11,8	3510	0,89
Made in Germany		50 kg	EN 60034		

ELEC

Motor-Nummer  
motor number  
numéro du moteur

<b>3~Induction Motor</b>			
<small>Made by WILLO Group</small>			
3501437	W080090-2-F188	0902.001	
Class F	S1	IP55	13.5kg EN60034
50Hz	1.10kW	2850min <sup>-1</sup>	60Hz 1.29kW 3435min <sup>-1</sup>
YΔ	230/400V	4.02/2.32A	Y 440-480V 2.40-2.32A
Cos φ =0.82	IE2-81.5%		Cos φ =0.85 IE2-82.5%

**Motor-Typenschild / Motor type plate / Plaque identité moteur**

**Bei Ersatzteilbestellung Motor-Nummer angeben!**

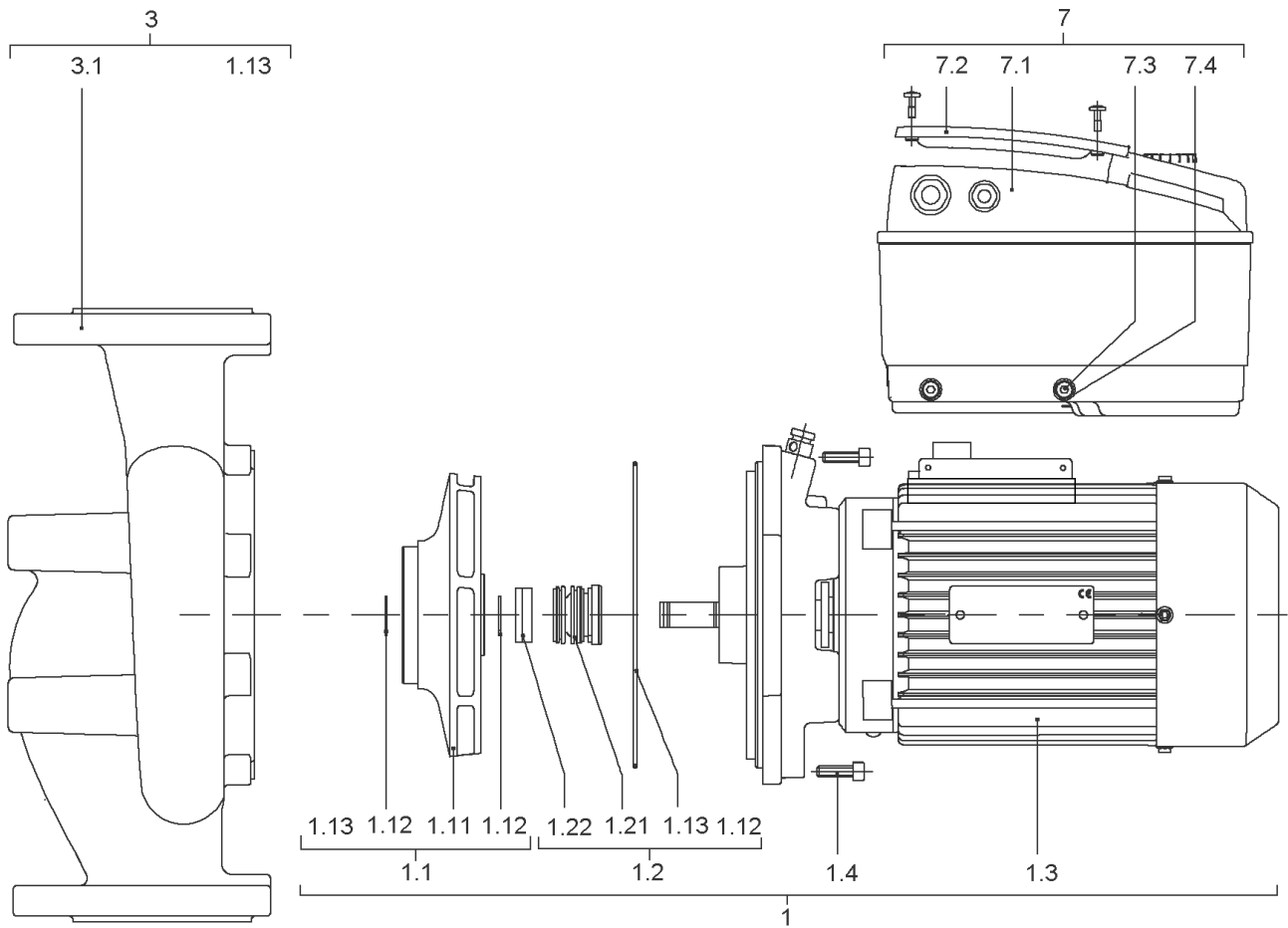
**Indicate motor number for order of spare parts!**

**Pour une commande de pièces détachées, donner le numéro du moteur!**

**IP-E32/110-0,75/2-R1-IE2-X1 (2109796)**

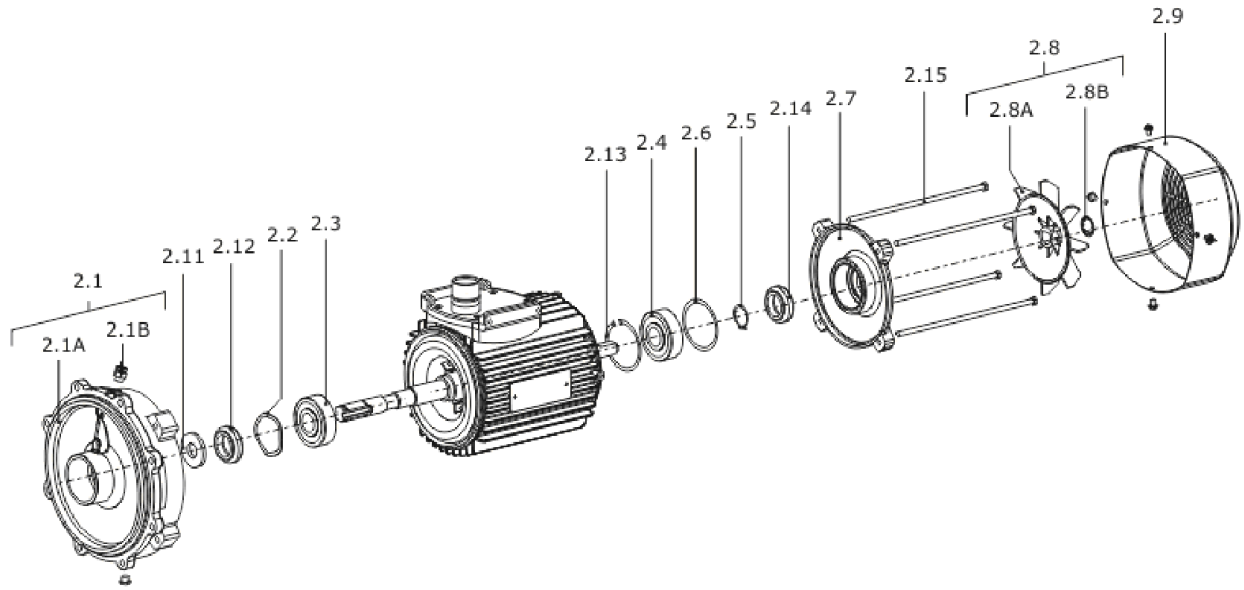
<b>Item</b>	<b>Description</b>	<b>Quantity</b>
ATB	Spare parts IP-E32/110-0,75/2-R1-X1 ATB	1
ELEC	Spare parts IP-E32/110-0,75/2-R1-X1 ELEC	1





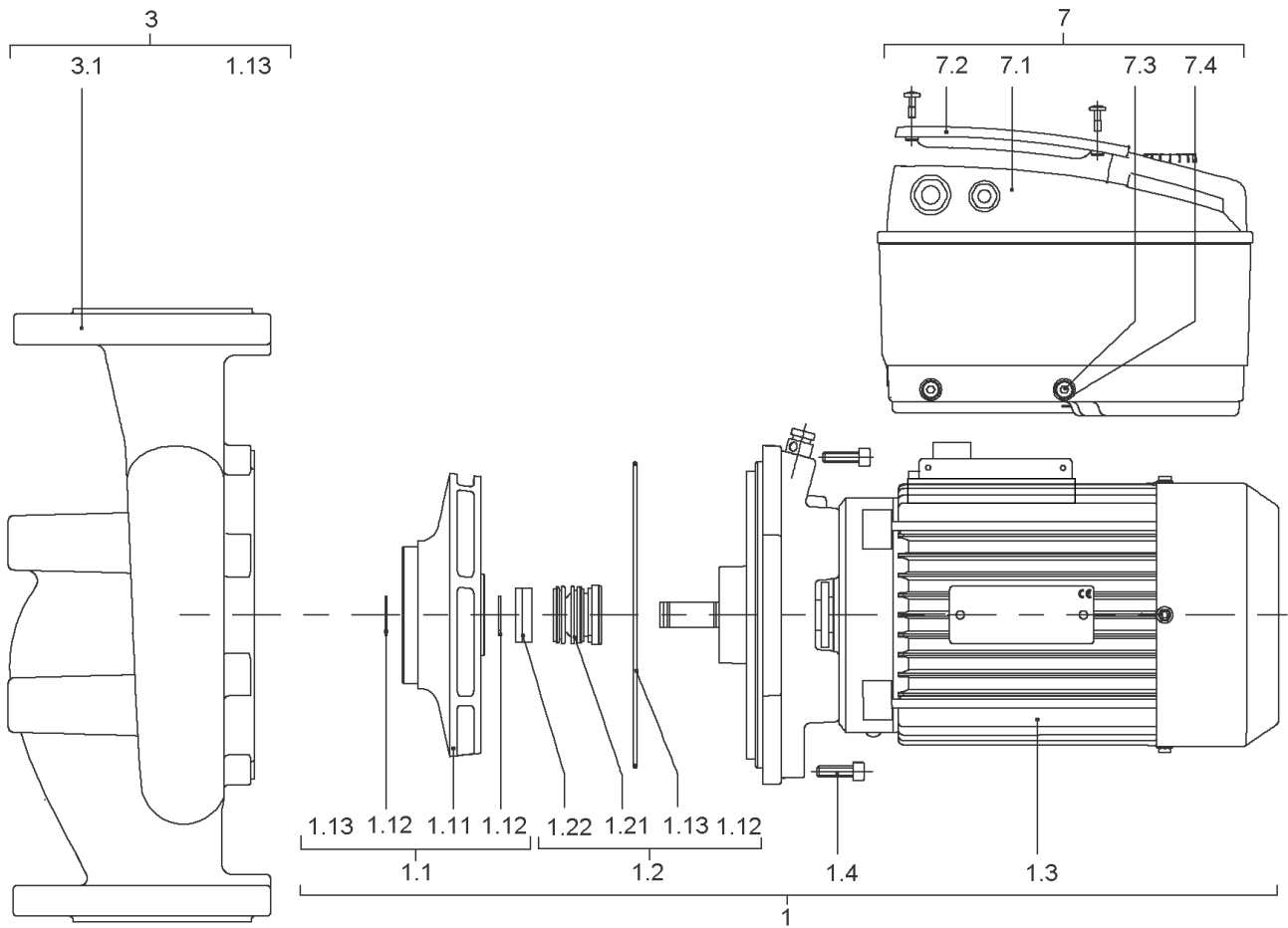
**Spare parts IP-E32/110-0,75/2-R1-X1 ATB**

Item	Article no.	Description	Quantity
1	2139827	Service Motor IP/DP-E32/110-0,75 IE2ATB	1
1.1	2019602	> IMPELLER D.45/114/17X3 PX1786G KIT	1
1.11		>> IMPELLER D.45/114/17X3 PPO	1
1.12	2123932	>> CIRCLIP 17X1 DIN471 A2 1.4122 VP.	1
1.13	2046358	>> O-RING ID.164,7X3,53 E7518 VP.	1
1.2	122097593	> Mechanical seal ID.17 AQ1EGG KIT	1
1.12	2123932	>> CIRCLIP 17X1 DIN471 A2 1.4122 VP.	1
1.13	2010300	>> O-RING ID.107,54X3,53	1
1.13	2010301	>> O-RING ID.117,07X3,53	1
1.13	2054183	>> O-RING ID.158,34X3,53 E7518	1
Note: TO/ BIS/ JUSQU'À: 03/03			
1.13	2046358	>> O-RING ID.164,7X3,53 E7518 VP.	1
Note: FROM/ AB/ À PARTIR: 04/03			
1.21		>> MECHANICAL SEAL ID.17 AQ1EGG	1
1.22		>> Distance ring D.17/30X9 PPO FE1630	1
1.3		> Motor	1
1.4	2052495	> SCREW M6X20 ISO4762 8.8 (8 PIECES)	1
		SPARE PARTS MO.0,75/2/71 F188E ATB IE2	1
3	2016512	PUMP HOUSING IPL32/160/IP-E32/5 KIT	1
1.13	2046358	> O-RING ID.164,7X3,53 E7518 VP.	1
3.1		> PUMP HOUSING IP-E32/152 CPL.WILO	1
7	2143744	MODULE IP/DP-E32/110-0,75/2-IE2 ATB KIT	1
7.1		> Module IP-E/DP-E32/110-0,75/2 IE2 ATB	1
7.2	2054372	> MODULE COVER TL1,TL2+GASKET KIT	1
7.3		> SCREW M5X16 ISO4762 8.8 ZnNi	1
7.4		> WASHER TOOTHED LOCK A5,3 DIN6797 FST ZN	1
	2061236	> O-RING ID.38X3 EPDM 70SR.A BUS.	1



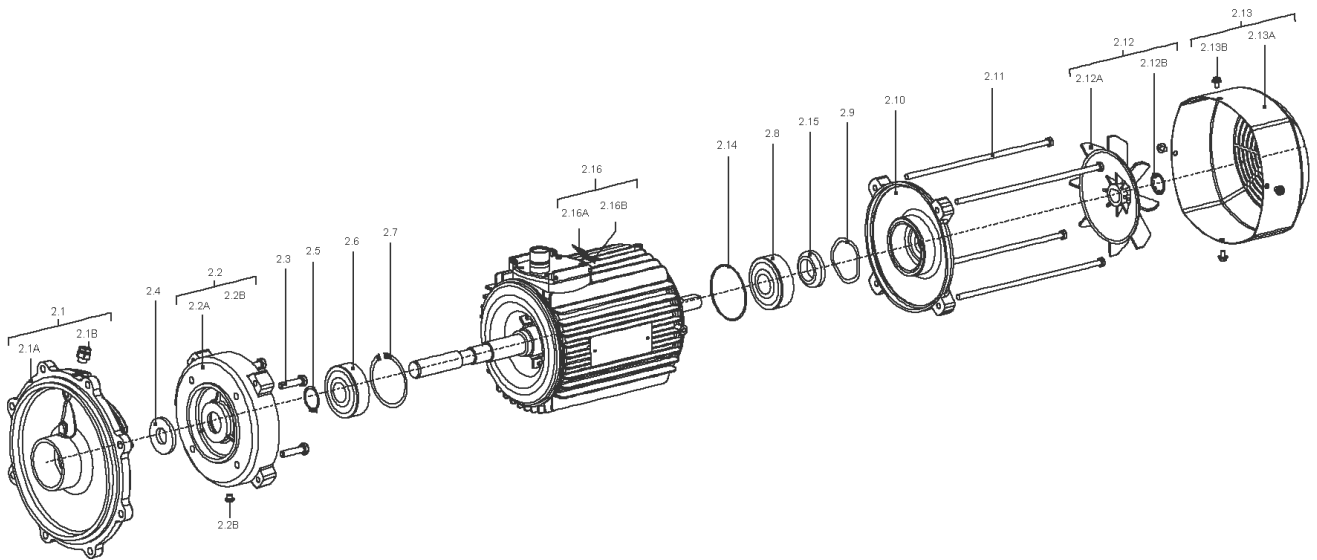
**SPARE PARTS MO.0,75/2/71 F188E ATB IE2**

Item	Article no.	Description	Quantity
2.1	2125448	END SHIELD BG71/80 D.E.ATB KIT	1
2.1A		> END SHIELD LF71/80 D.E.567836 ATB	1
2.1B	2027201	> BLOWGUN R1/8" VP.	1
Note: Please give the data from type plate of the motor			
2.2	2125473	CIRCLIPS 20X1,2 DIN471 FST VP.	1
2.3	121084499	BALL BEARING 6204/2Z-C3 (HT) VP.	1
2.4	122097891	BALL BEARING 6202/2Z-C3 (HT) VP.	1
2.6	2090403	SHIM BALL BEARING BG71 ATB VP.	1
2.7	2125436	END SHIELD BG71/80 N.D.E.ATB VP.	1
2.8	122093297	FAN WHEEL BG71 ATB KIT	1
2.8A		> FAN WHEEL BG71/80 106152 ATB	1
2.8B	2123923	> CORRUGATED SLEEVE RING BG71 ATB VP.	1
Note: Please give the data from type plate of the motor			
2.9	2046448	FAN HOUSING BG71/80 ATB VP.	1
2.12	2144072	Shaft seal ring BG80 ATB VP.	1
2.14	2144070	Shaft seal ring BG71 ATB VP.	1
2.15	2144075	Screw end shield M5X128 ATB(4 Pieces)	1



**Spare parts IP-E32/110-0,75/2-R1-X1 ELEC**

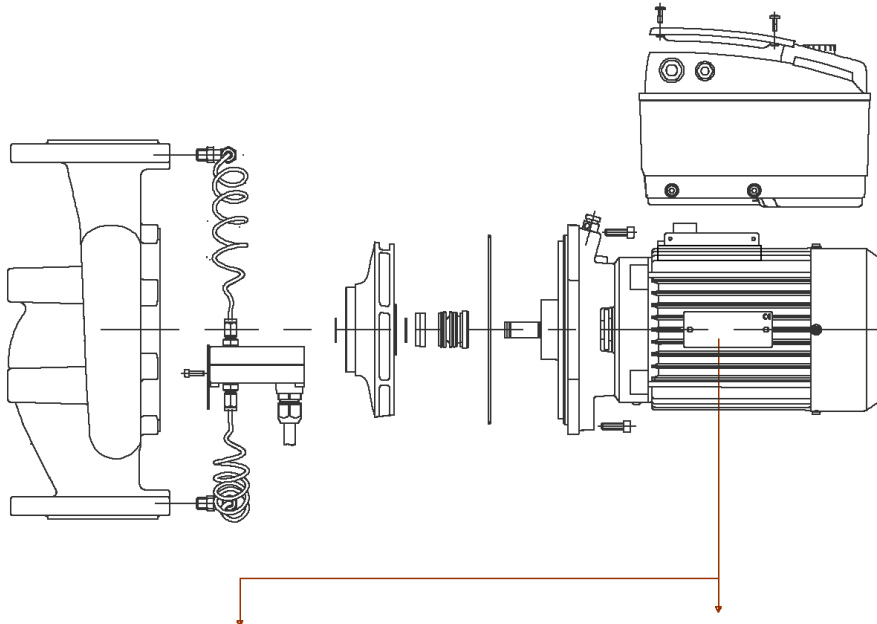
Item	Article no.	Description	Quantity
1	2112597	SERVICE MOTOR IP/DP-E32/110-0,75 IE2ELEC	1
1.1	2019602	> IMPELLER D.45/114/17X3 PX1786G KIT	1
1.11		>> IMPELLER D.45/114/17X3 PPO	1
1.12	2123932	>> CIRCLIP 17X1 DIN471 A2 1.4122 VP.	1
1.13	2046358	>> O-RING ID.164,7X3,53 E7518 VP.	1
1.2	122097593	> Mechanical seal ID.17 AQ1EGG KIT	1
1.12	2123932	>> CIRCLIP 17X1 DIN471 A2 1.4122 VP.	1
1.13	2010300	>> O-RING ID.107,54X3,53	1
1.13	2010301	>> O-RING ID.117,07X3,53	1
1.13	2054183	>> O-RING ID.158,34X3,53 E7518	1
Note: TO/ BIS/ JUSQU'À: 03/03			
1.13	2046358	>> O-RING ID.164,7X3,53 E7518 VP.	1
Note: FROM/ AB/ À PARTIR: 04/03			
1.21		>> MECHANICAL SEAL ID.17 AQ1EGG	1
1.22		>> Distance ring D.17/30X9 PPO FE1630	1
1.3		> Motor	1
1.4	2052495	> SCREW M6X20 ISO4762 8.8 (8 PIECES)	1
		SPARE PARTS MO.0,75/2/80 F188E ELEC IE2	1
3	2016512	PUMP HOUSING IPL32/160/IP-E32/5 KIT	1
1.13	2046358	> O-RING ID.164,7X3,53 E7518 VP.	1
3.1		> PUMP HOUSING IP-E32/152 CPL.WILO	1
7	2111417	MODULE IP/DP-E32/110-0,75/2-IE2 ELEC KIT	1
7.1		> Module IP-E/DP-E32/110-0,75/2 IE2 ELEC	1
7.2	2054372	> MODULE COVER TL1,TL2+GASKET KIT	1
7.3		> SCREW M5X16 ISO4762 8.8 ZnNi	1
7.4		> WASHER TOOTHED LOCK A5,3 DIN6797 FST ZN	1
	2061236	> O-RING ID.38X3 EPDM 70SR.A BUS.	1



**SPARE PARTS MO.0,75/2/80 F188E ELEC IE2**

Item	Article no.	Description	Quantity
2.1	2111306	FLANGE END SHIELD BG80F188 D.E.ELEC KIT	1
2.1A		> LANTERN V18 M100-F188 KTL	1
2.1B	2027201	> BLOWGUN R1/8" VP.	1
Note: Please give the data from type plate of the motor			
2.2	2111311	End shield BG80 V18 D.E.ELEC KIT	1
2.2A		> Flange IEC80 V18 (w/o thread)	1
2.2B	2111309	> CONDENSATE HOLE GASKET D5 VP.	1
Note: Please give the data from type plate of the motor			
2.3	2111313	SCREW M6X30 6.8 (4 PIECES)	1
2.4	2111324	THROWER D.36X4 VP.	1
2.5	2111333	CIRCLIP D.20 GB894.1 VP.	1
2.6	2111343	BALL BEARING 6304 DDW C3 EA6 VP.	1
2.7	2111336	CIRCLIP D.52 GB893.1 VP.	1
2.8	2111342	BALL BEARING 6204 DDW C3 EA3 VP.	1
2.9	2111339	SPRING RING D.47 JB/T7590 VP.	1
2.10	2162607	End shield BG80 N.D.E.ELEC KIT	1
		> Flange IEC80 NDS with slot new	1
		> O-RING ID47.2*3.53 EPDM	1
2.11	2111319	SCREW M5X183 6.8 (4 PIECES)	1
2.12	2107778	FAN WHEEL BG71/80 ELEC KIT	1
2.12A		> FAN 110x15x15.3 GP2200 G/F20%	1
2.12B	2111321	> STOP-RING D.14,8x0,4 VP.	1
Note: Please give the data from type plate of the motor			
2.13	2107779	FAN HOOD BG80 ELEC KIT	1
2.13A		> FAN COVER IEC80 KTL ST14 T0.8 H60	1
2.13B	2111323	> SCREW M4X6 (4 PIECES)	1
Note: Please give the data from type plate of the motor			
2.14	2164016	O-Ring ID47.2x3.53 EPDM VP.	1





ATB

Motor-Nummer  
motor number  
numéro du moteur

3~Mot.	AF132S/2F-11S+E2/0509	IE2-88,1%			
S1	132S IMV1	224039411-1	522058X		
IP 55	Th. CI.155(F)	SCHWINGROESSENSTUFE B			
WILO NR.2064705					
kW	V	Hz	A	1/min	COS φ
7,5	YΔ 690/400	50	7,9/3,7	2890	0,90
7,5	Δ 460	60	11,8	3510	0,89
Made in Germany		50 kg	EN 60034		

ELEC

Motor-Nummer  
motor number  
numéro du moteur

Made by WILLO Group			
3501437	W080090-2-F188	0902.001	
Class F	S1	IP55	13.5kg EN60034
50Hz	1.10kW	2850min <sup>-1</sup>	60Hz 1.29kW 3435min <sup>-1</sup>
YΔ	230/400V	4.02/2.32A	Y 440-480V 2.40-2.32A
Cos φ =0.82	IE2-81.5%		Cos φ =0.85 IE2-82.5%

**Motor-Typenschild / Motor type plate / Plaque identité moteur**

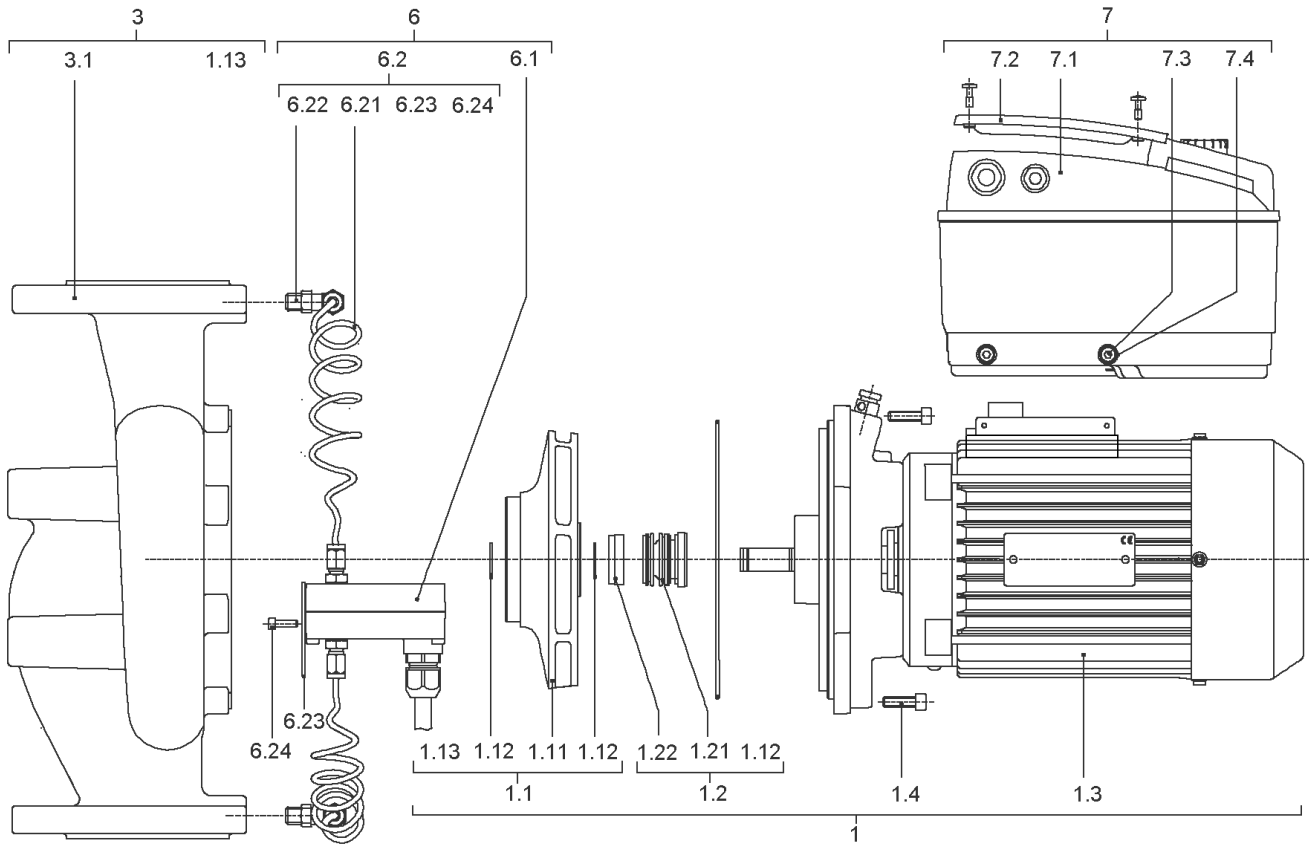
**Bei Ersatzteilbestellung Motor-Nummer angeben!**

**Indicate motor number for order of spare parts!**

**Pour une commande de pièces détachées, donner le numéro du moteur!**

**IP-E32/160-1,1/2-IE2-X1 (2109761)**

<b>Item</b>	<b>Description</b>	<b>Quantity</b>
ATB	Spare parts IP-E32/160-1,1/2-X1 ATB	1
ELEC	Spare parts IP-E32/160-1,1/2-X1 ELEC	1

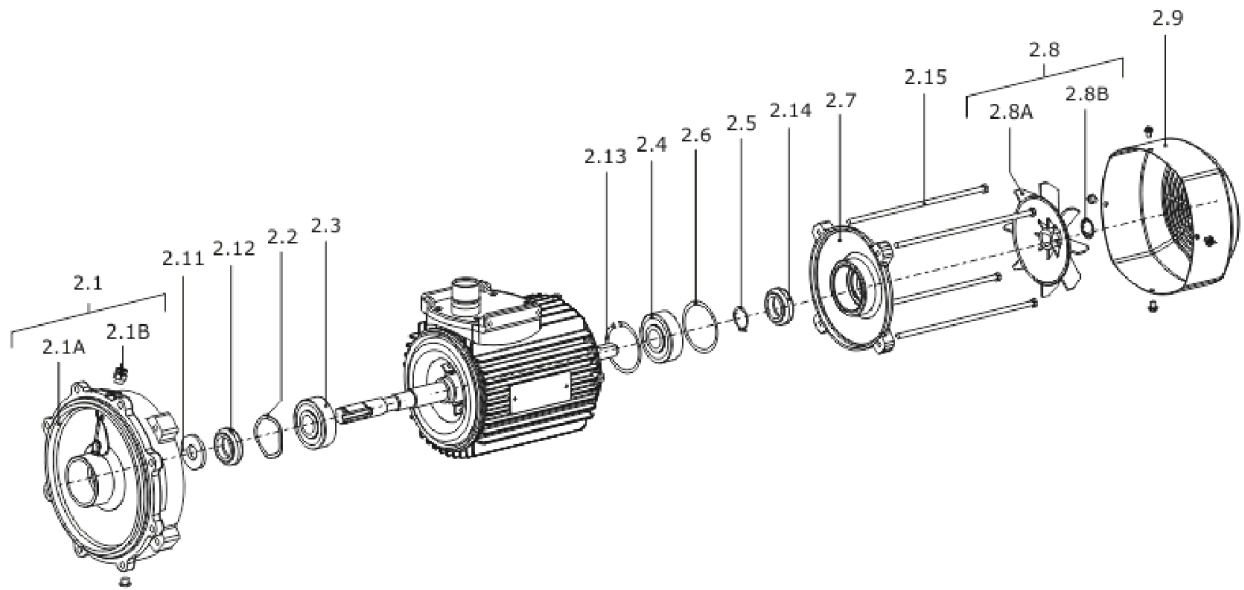


**Spare parts IP-E32/160-1,1/2-X1 ATB**

Item	Article no.	Description	Quantity
1	2139828	Service Motor IP/DP-E32/160-1,1 IE2ATB	1
1.1	2023987	> IMPELLER D45/155/17X3 PX1786G KIT	1
1.11		>> Impeller D.45/155/17X3 PPO FE1630	1
1.12	2123932	>> CIRCLIP 17X1 DIN471 A2 1.4122 VP.	1
1.13	2046358	>> O-RING ID.164,7X3,53 E7518 VP.	1
1.2	122097593	> Mechanical seal ID.17 AQ1EGG KIT	1
1.12	2123932	>> CIRCLIP 17X1 DIN471 A2 1.4122 VP.	1
1.13	2010300	>> O-RING ID.107,54X3,53	1
1.13	2010301	>> O-RING ID.117,07X3,53	1
1.13	2054183	>> O-RING ID.158,34X3,53 E7518	1
Note: TO/ BIS/ JUSQU'À: 03/03			
1.13	2046358	>> O-RING ID.164,7X3,53 E7518 VP.	1
Note: FROM/ AB/ À PARTIR: 04/03			
1.21		>> MECHANICAL SEAL ID.17 AQ1EGG	1
1.22		>> Distance ring D.17/30X9 PPO FE1630	1
1.3		> Motor	1
1.4	2052495	> SCREW M6X20 ISO4762 8.8 (8 PIECES)	1
		SPARE PARTS MO.1,1/2/80 F188E ATB IE2	1
3	2016512	PUMP HOUSING IPL32/160/IP-E32/5 KIT	1
1.13	2046358	> O-RING ID.164,7X3,53 E7518 VP.	1
3.1		> PUMP HOUSING IP-E32/152 CPL.WILO	1
6	2104485	DPS40-1(0-10V) KIT	1
6.1	2106115	> DIFFERENTIAL PRESSURE SENSOR 40 KIT	1
Note: FROM/ AB/ À PARTIR: 09/2009			
		>> DPS40 spiral TZ.3mm Volt 2G	1
	2196657	>> Cable DPS 3x0,34x650 short bared 2G VP.	1
Note: from/ab/de 01.10.2013			
6.2	2106120	> CONNECTION SENSOR IP-E SPIRAL M6 KIT	1
Note: FROM/ AB/ À PARTIR: 09/2009			
6.21		>> CAPILLARY COIL 1000	2
6.22		>> Fixation ring pipe union R1/8" 90GD.Ni	1
6.23		>> HANDLE DDG M6	1
6.24		>> Screw M4x10 EE DIN7500 ZN	2
	2168862	>> Nut/Ferrule M6 D.3MM MS Ni (2 Pieces)	1

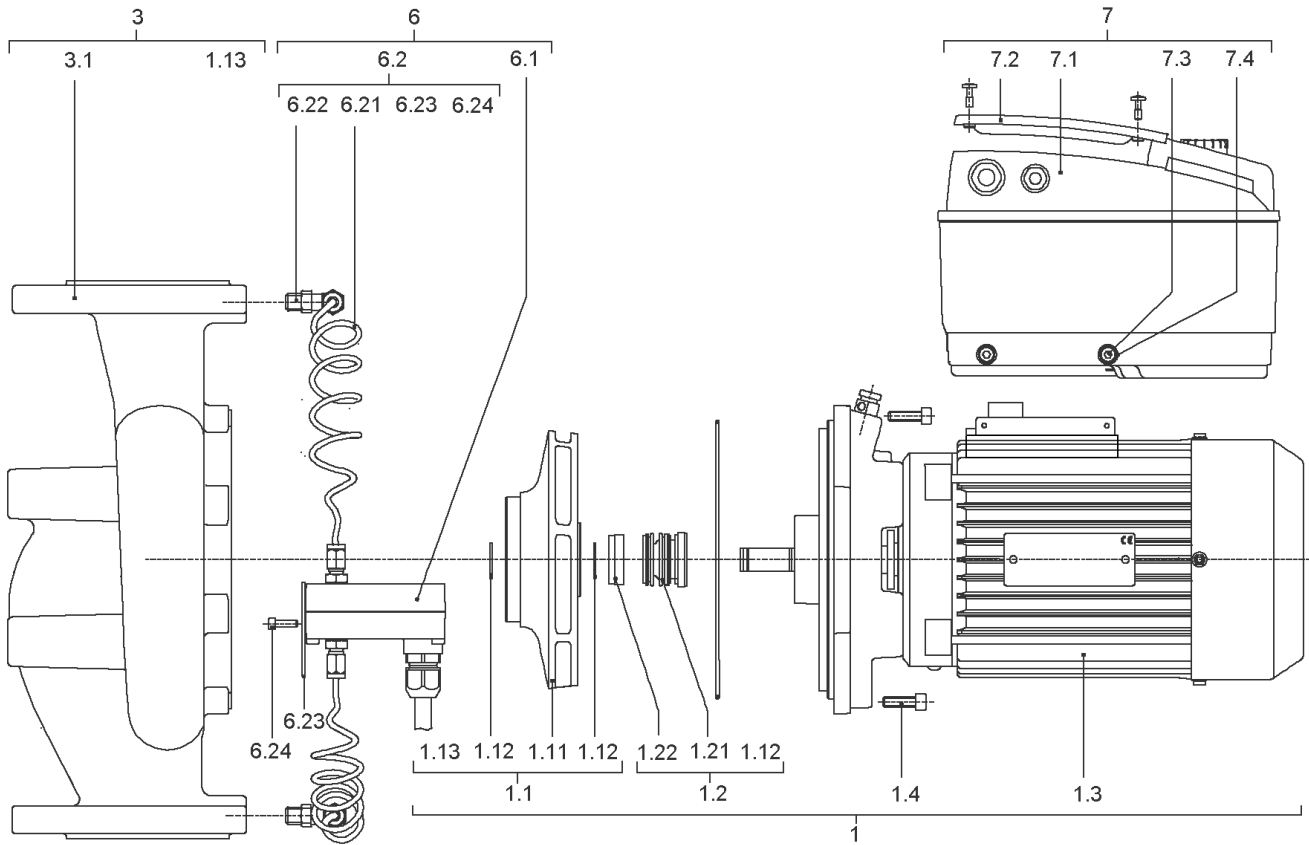
## Spare parts IP-E32/160-1,1/2-X1 ATB

Item	Article no.	Description	Quantity
	2168860	>> Nut/Ferrule M8 D.5MM MS Ni (2 Pieces)	1
7	2143745	MODULE IP/DP-E32/160-1,1/2-IE2 ATB KIT	1
7.1		> Module IP-E/DP-E32/160-1,1/2 IE2 ATB	1
7.2	2054372	> MODULE COVER TL1,TL2+GASKET KIT	1
7.3		> SCREW M5X16 ISO4762 8.8 ZnNi	1
7.4		> WASHER TOOTHED LOCK A5,3 DIN6797 FST ZN	1
	2061236	> O-RING ID.38X3 EPDM 70SR.A BUS.	1



**SPARE PARTS MO.1,1/2/80 F188E ATB IE2**

Item	Article no.	Description	Quantity
2.1	2116718	END SHIELD BG80 D.E.ATB KIT	1
2.1A		> END SHIELD BG80/170 566156 D.E.ATB	1
2.1B	2027201	> BLOWGUN R1/8" VP.	1
Note: Please give the data from type plate of the motor			
		> SCREW PLUG R1/8" DIN906 8.8 BES.	1
2.2	2125473	CIRCLIPS 20X1,2 DIN471 FST VP.	1
2.3	121084499	BALL BEARING 6204/2Z-C3 (HT) VP.	1
2.4	121084499	BALL BEARING 6204/2Z-C3 (HT) VP.	1
2.6	2096254	SHIM BALL BEARING BG80 ATB VP.	1
2.7	2046185	END SHIELD BG80 N.D.E.ATB VP.	1
2.8	2123903	FAN WHEEL BG80 ATB KIT	1
2.8A		> FAN WHEEL BG80 353003 ATB	1
2.8B	2123666	> CORRUGATED SLEEVE RING BG80 ATB VP.	1
Note: Please give the data from type plate of the motor			
2.9	2046179	FAN HOUSING BG80 ATB VP.	1
2.12	2144072	Shaft seal ring BG80 ATB VP.	1
2.15	2144076	Screw end shield BG80 D.E.ATB(4 Pieces)	1



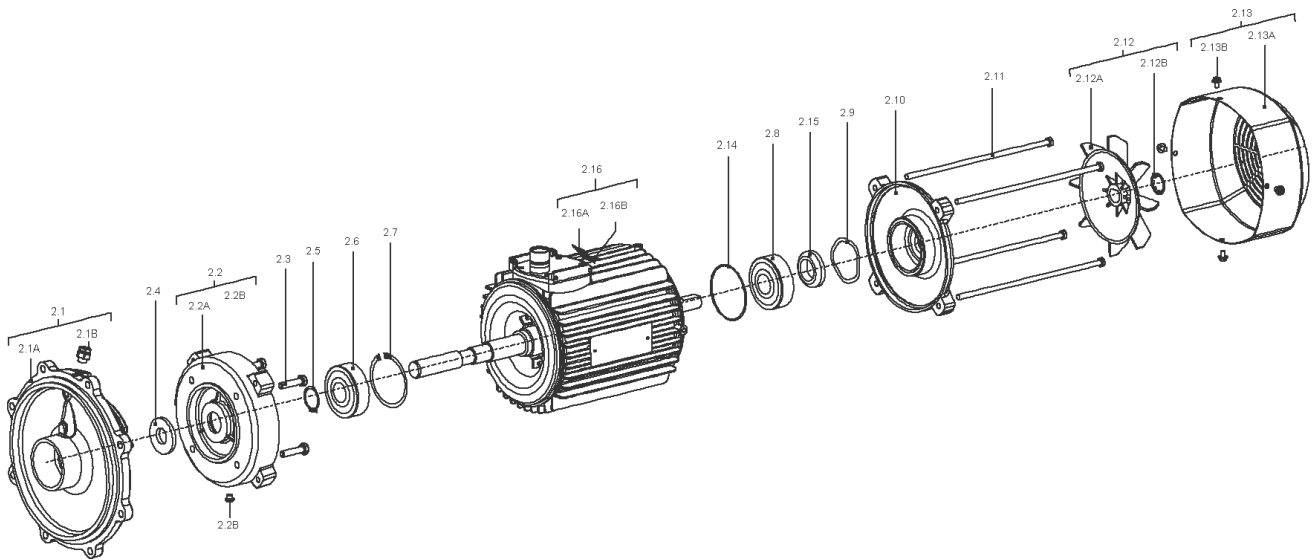


**Spare parts IP-E32/160-1,1/2-X1 ELEC**

Item	Article no.	Description	Quantity
1	2112598	SERVICE MOTOR IP/DP-E32/160-1,1 IE2ELEC	1
1.1	2023987	> IMPELLER D45/155/17X3 PX1786G KIT	1
1.11		>> Impeller D.45/155/17X3 PPO FE1630	1
1.12	2123932	>> CIRCLIP 17X1 DIN471 A2 1.4122 VP.	1
1.13	2046358	>> O-RING ID.164,7X3,53 E7518 VP.	1
1.2	122097593	> Mechanical seal ID.17 AQ1EGG KIT	1
1.12	2123932	>> CIRCLIP 17X1 DIN471 A2 1.4122 VP.	1
1.13	2010300	>> O-RING ID.107,54X3,53	1
1.13	2010301	>> O-RING ID.117,07X3,53	1
1.13	2054183	>> O-RING ID.158,34X3,53 E7518	1
Note: TO/ BIS/ JUSQU'À: 03/03			
1.13	2046358	>> O-RING ID.164,7X3,53 E7518 VP.	1
Note: FROM/ AB/ À PARTIR: 04/03			
1.21		>> MECHANICAL SEAL ID.17 AQ1EGG	1
1.22		>> Distance ring D.17/30X9 PPO FE1630	1
1.3		> Motor	1
1.4	2052495	> SCREW M6X20 ISO4762 8.8 (8 PIECES)	1
		SPARE PARTS MO.1,1/2/80 F188E ELEC IE2	1
3	2016512	PUMP HOUSING IPL32/160/IP-E32/5 KIT	1
1.13	2046358	> O-RING ID.164,7X3,53 E7518 VP.	1
3.1		> PUMP HOUSING IP-E32/152 CPL.WILO	1
6	2104485	DPS40-1(0-10V) KIT	1
6.1	2106115	> DIFFERENTIAL PRESSURE SENSOR 40 KIT	1
Note: FROM/ AB/ À PARTIR: 09/2009			
		>> DPS40 spiral TZ.3mm Volt 2G	1
	2196657	>> Cable DPS 3x0,34x650 short bared 2G VP.	1
Note: from/ab/de 01.10.2013			
6.2	2106120	> CONNECTION SENSOR IP-E SPIRAL M6 KIT	1
Note: FROM/ AB/ À PARTIR: 09/2009			
6.21		>> CAPILLARY COIL 1000	2
6.22		>> Fixation ring pipe union R1/8" 90GD.Ni	1
6.23		>> HANDLE DDG M6	1
6.24		>> Screw M4x10 EE DIN7500 ZN	2
	2168862	>> Nut/Ferrule M6 D.3MM MS Ni (2 Pieces)	1

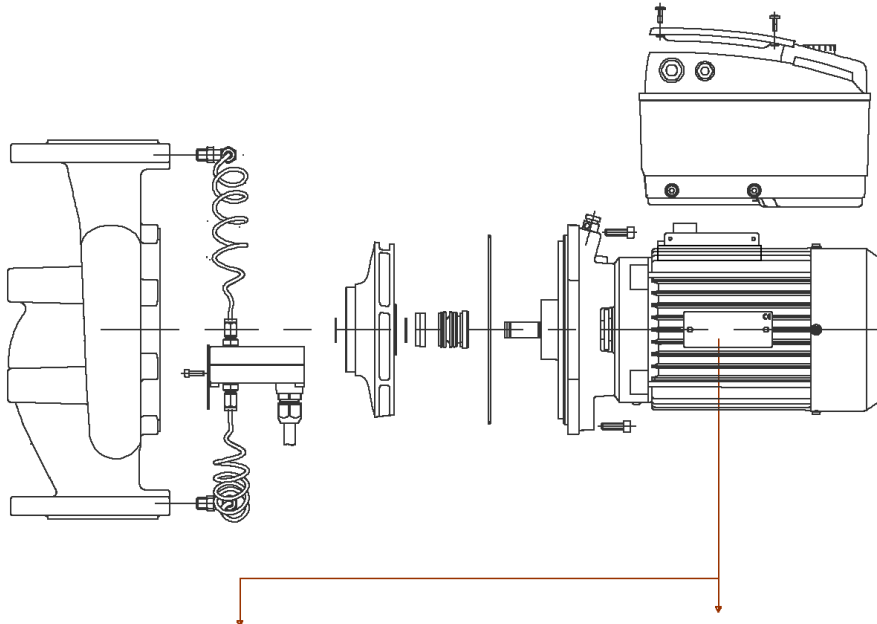
## Spare parts IP-E32/160-1,1/2-X1 ELEC

Item	Article no.	Description	Quantity
	2168860	>> Nut/Ferrule M8 D.5MM MS Ni (2 Pieces)	1
7	2111418	MODULE IP/DP-E32/160-1,1/2-IE2 ELEC KIT	1
7.1		> Module IP-E/DP-E32/160-1,1/2 IE2 ELEC	1
7.2	2054372	> MODULE COVER TL1,TL2+GASKET KIT	1
7.3		> SCREW M5X16 ISO4762 8.8 ZnNi	1
7.4		> WASHER TOOTHED LOCK A5,3 DIN6797 FST ZN	1
	2061236	> O-RING ID.38X3 EPDM 70SR.A BUS.	1



**SPARE PARTS MO.1,1/2/80 F188E ELEC IE2**

Item	Article no.	Description	Quantity
2.1	2111306	FLANGE END SHIELD BG80F188 D.E.ELEC KIT	1
2.1A		> LANTERN V18 M100-F188 KTL	1
2.1B	2027201	> BLOWGUN R1/8" VP.	1
Note: Please give the data from type plate of the motor			
2.2	2111311	End shield BG80 V18 D.E.ELEC KIT	1
2.2A		> Flange IEC80 V18 (w/o thread)	1
2.2B	2111309	> CONDENSATE HOLE GASKET D5 VP.	1
Note: Please give the data from type plate of the motor			
2.3	2111313	SCREW M6X30 6.8 (4 PIECES)	1
2.4	2111324	THROWER D.36X4 VP.	1
2.5	2111333	CIRCLIP D.20 GB894.1 VP.	1
2.6	2111343	BALL BEARING 6304 DDW C3 EA6 VP.	1
2.7	2111336	CIRCLIP D.52 GB893.1 VP.	1
2.8	2111342	BALL BEARING 6204 DDW C3 EA3 VP.	1
2.9	2111339	SPRING RING D.47 JB/T7590 VP.	1
2.10	2162607	End shield BG80 N.D.E.ELEC KIT	1
		> Flange IEC80 NDS with slot new	1
		> O-RING ID47.2*3.53 EPDM	1
2.11	2111319	SCREW M5X183 6.8 (4 PIECES)	1
2.12	2107778	FAN WHEEL BG71/80 ELEC KIT	1
2.12A		> FAN 110x15x15.3 GP2200 G/F20%	1
2.12B	2111321	> STOP-RING D.14,8x0,4 VP.	1
Note: Please give the data from type plate of the motor			
2.13	2107779	FAN HOOD BG80 ELEC KIT	1
2.13A		> FAN COVER IEC80 KTL ST14 T0.8 H60	1
2.13B	2111323	> SCREW M4X6 (4 PIECES)	1
Note: Please give the data from type plate of the motor			
2.14	2164016	O-Ring ID47.2x3.53 EPDM VP.	1



ATB

Motor-Nummer  
motor number  
numéro du moteur

3~Mot.	AF132S/2F-11S+E2/0509	IE2-88,1%			
S1	132S IMV1	224039411-1	522058X		
IP 55	Th. CI.155(F)	SCHWINGGROESSENSTUFE B			
WILO NR.2064705					
kW	V	Hz	A	1/min	COS φ
7,5	YΔ 690/400	50	7,9/3,7	2890	0,90
7,5	Δ 460	60	11,8	3510	0,89
Made in Germany		50 kg	EN 60034		

ELEC

Motor-Nummer  
motor number  
numéro du moteur

<b>3~Induction Motor</b>			
<small>Made by WILLO Group</small>			
<b>3501437</b>	W080090-2-F188	0902.001	
Class F	S1	IP55	13.5kg EN60034
50Hz	1.10kW	2850min <sup>-1</sup>	60Hz 1.29kW 3435min <sup>-1</sup>
YΔ	230/400V	4.02/2.32A	Y 440-480V 2.40-2.32A
Cos φ =0.82	IE2-81.5%		Cos φ =0.85 IE2-82.5%

**Motor-Typenschild / Motor type plate / Plaque identité moteur**

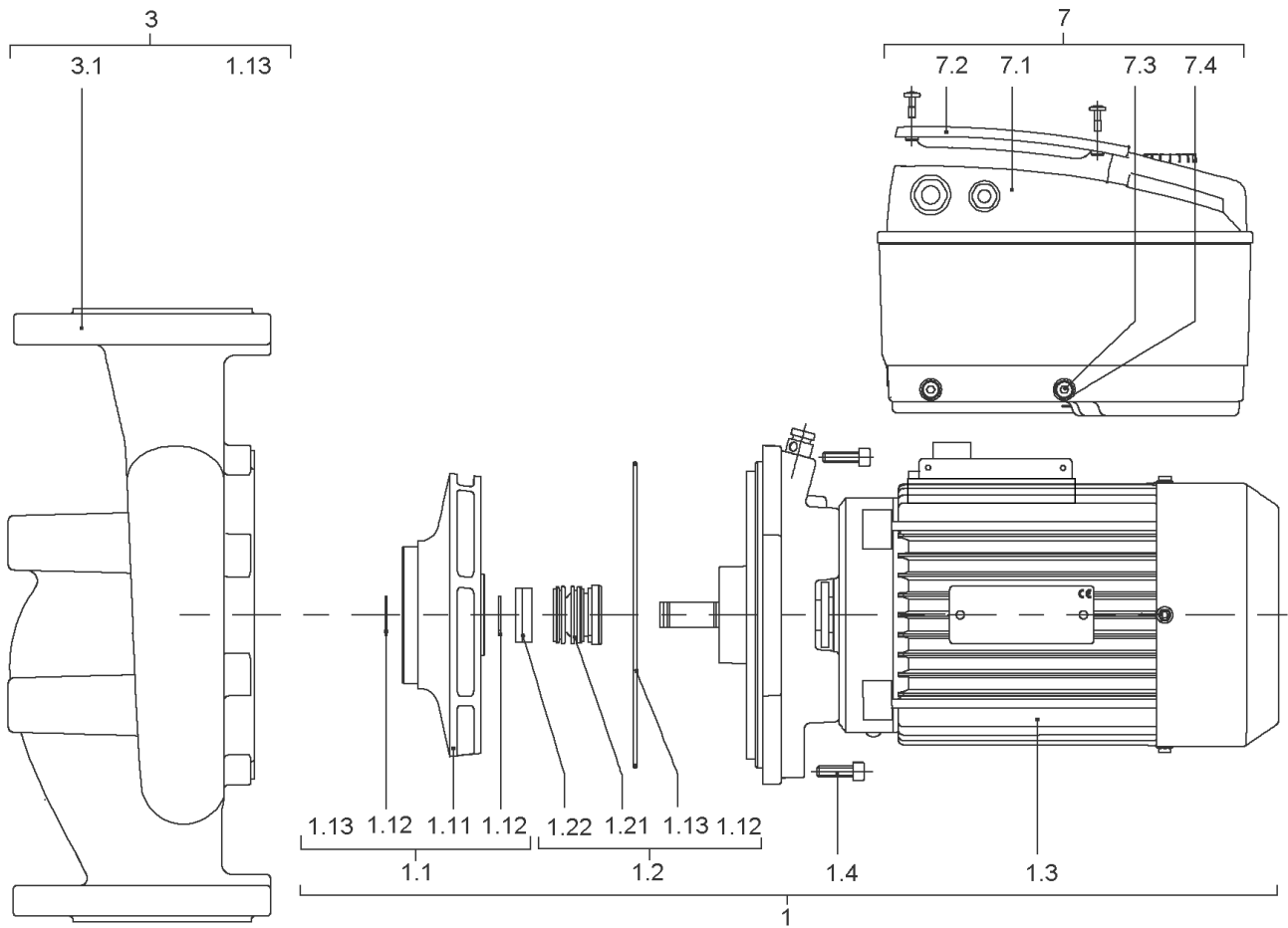
**Bei Ersatzteilbestellung Motor-Nummer angeben!**

**Indicate motor number for order of spare parts!**

**Pour une commande de pièces détachées, donner le numéro du moteur!**

**IP-E32/160-1,1/2-R1-IE2-X1 (2109797)**

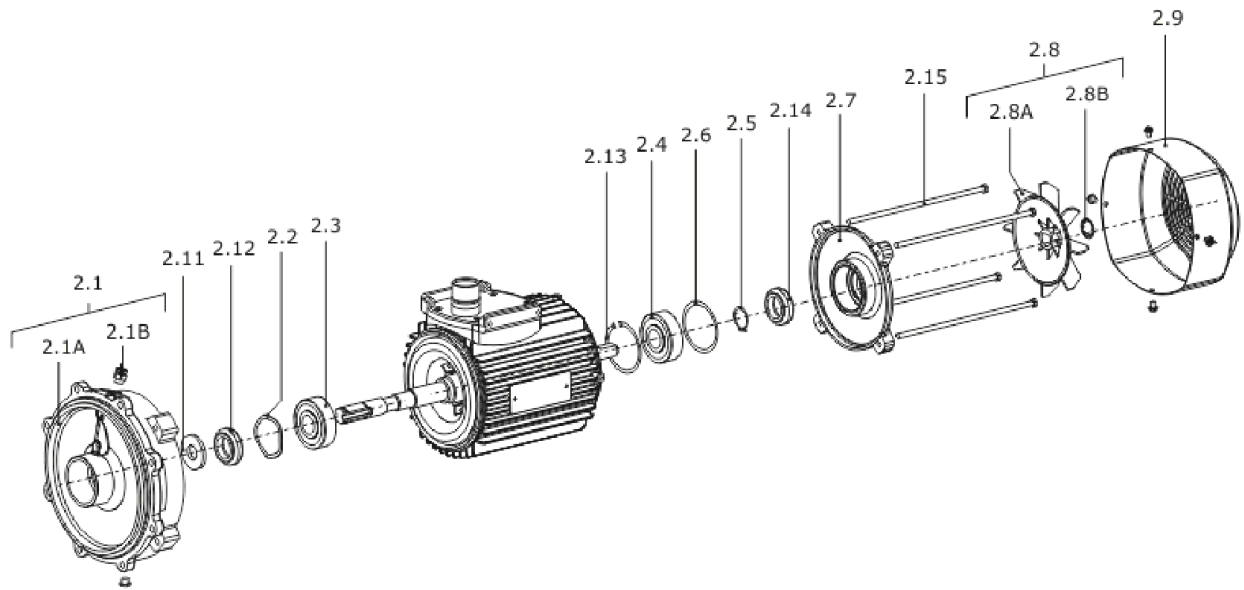
<b>Item</b>	<b>Description</b>	<b>Quantity</b>
ATB	Spare parts IP-E32/160-1,1/2-R1-X1 ATB	1
ELEC	Spare parts IP-E32/160-1,1/2-R1-X1 ELEC	1



**Spare parts IP-E32/160-1,1/2-R1-X1 ATB**

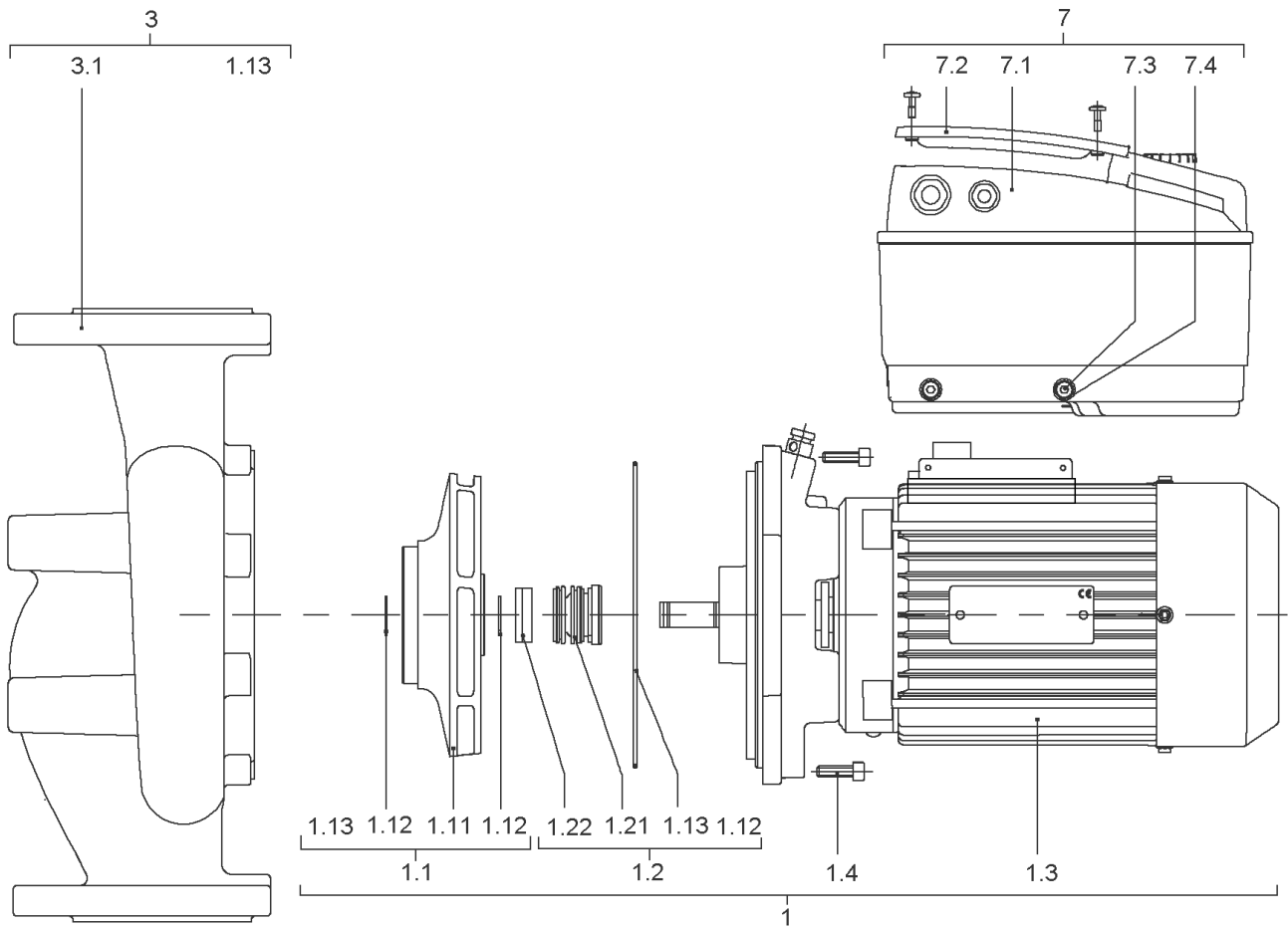
Item	Article no.	Description	Quantity
1	2139828	Service Motor IP/DP-E32/160-1,1 IE2ATB	1
1.1	2023987	> IMPELLER D45/155/17X3 PX1786G KIT	1
1.11		>> Impeller D.45/155/17X3 PPO FE1630	1
1.12	2123932	>> CIRCLIP 17X1 DIN471 A2 1.4122 VP.	1
1.13	2046358	>> O-RING ID.164,7X3,53 E7518 VP.	1
1.2	122097593	> Mechanical seal ID.17 AQ1EGG KIT	1
1.12	2123932	>> CIRCLIP 17X1 DIN471 A2 1.4122 VP.	1
1.13	2010300	>> O-RING ID.107,54X3,53	1
1.13	2010301	>> O-RING ID.117,07X3,53	1
1.13	2054183	>> O-RING ID.158,34X3,53 E7518	1
Note: TO/ BIS/ JUSQU'À: 03/03			
1.13	2046358	>> O-RING ID.164,7X3,53 E7518 VP.	1
Note: FROM/ AB/ À PARTIR: 04/03			
1.21		>> MECHANICAL SEAL ID.17 AQ1EGG	1
1.22		>> Distance ring D.17/30X9 PPO FE1630	1
1.3		> Motor	1
1.4	2052495	> SCREW M6X20 ISO4762 8.8 (8 PIECES)	1
		SPARE PARTS MO.1,1/2/80 F188E ATB IE2	1
3	2016512	PUMP HOUSING IPL32/160/IP-E32/5 KIT	1
1.13	2046358	> O-RING ID.164,7X3,53 E7518 VP.	1
3.1		> PUMP HOUSING IP-E32/152 CPL.WILO	1
7	2143745	MODULE IP/DP-E32/160-1,1/2-IE2 ATB KIT	1
7.1		> Module IP-E/DP-E32/160-1,1/2 IE2 ATB	1
7.2	2054372	> MODULE COVER TL1,TL2+GASKET KIT	1
7.3		> SCREW M5X16 ISO4762 8.8 ZnNi	1
7.4		> WASHER TOOTHED LOCK A5,3 DIN6797 FST ZN	1
	2061236	> O-RING ID.38X3 EPDM 70SR.A BUS.	1





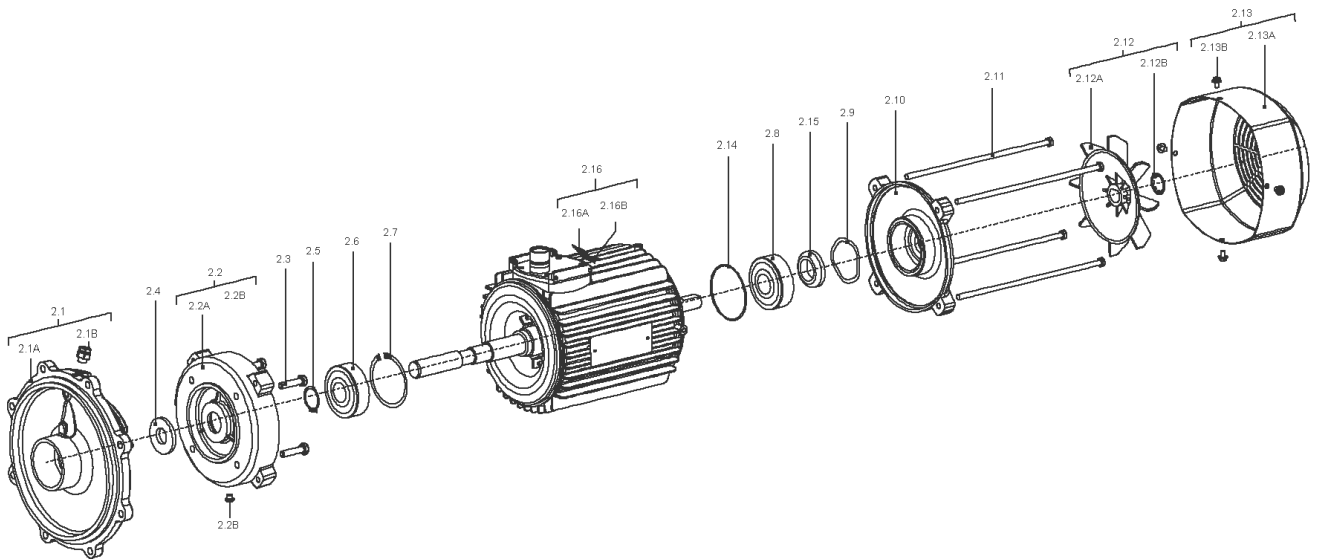
**SPARE PARTS MO.1,1/2/80 F188E ATB IE2**

Item	Article no.	Description	Quantity
2.1	2116718	END SHIELD BG80 D.E.ATB KIT	1
2.1A		> END SHIELD BG80/170 566156 D.E.ATB	1
2.1B	2027201	> BLOWGUN R1/8" VP.	1
Note: Please give the data from type plate of the motor			
		> SCREW PLUG R1/8" DIN906 8.8 BES.	1
2.2	2125473	CIRCLIPS 20X1,2 DIN471 FST VP.	1
2.3	121084499	BALL BEARING 6204/2Z-C3 (HT) VP.	1
2.4	121084499	BALL BEARING 6204/2Z-C3 (HT) VP.	1
2.6	2096254	SHIM BALL BEARING BG80 ATB VP.	1
2.7	2046185	END SHIELD BG80 N.D.E.ATB VP.	1
2.8	2123903	FAN WHEEL BG80 ATB KIT	1
2.8A		> FAN WHEEL BG80 353003 ATB	1
2.8B	2123666	> CORRUGATED SLEEVE RING BG80 ATB VP.	1
Note: Please give the data from type plate of the motor			
2.9	2046179	FAN HOUSING BG80 ATB VP.	1
2.12	2144072	Shaft seal ring BG80 ATB VP.	1
2.15	2144076	Screw end shield BG80 D.E.ATB(4 Pieces)	1



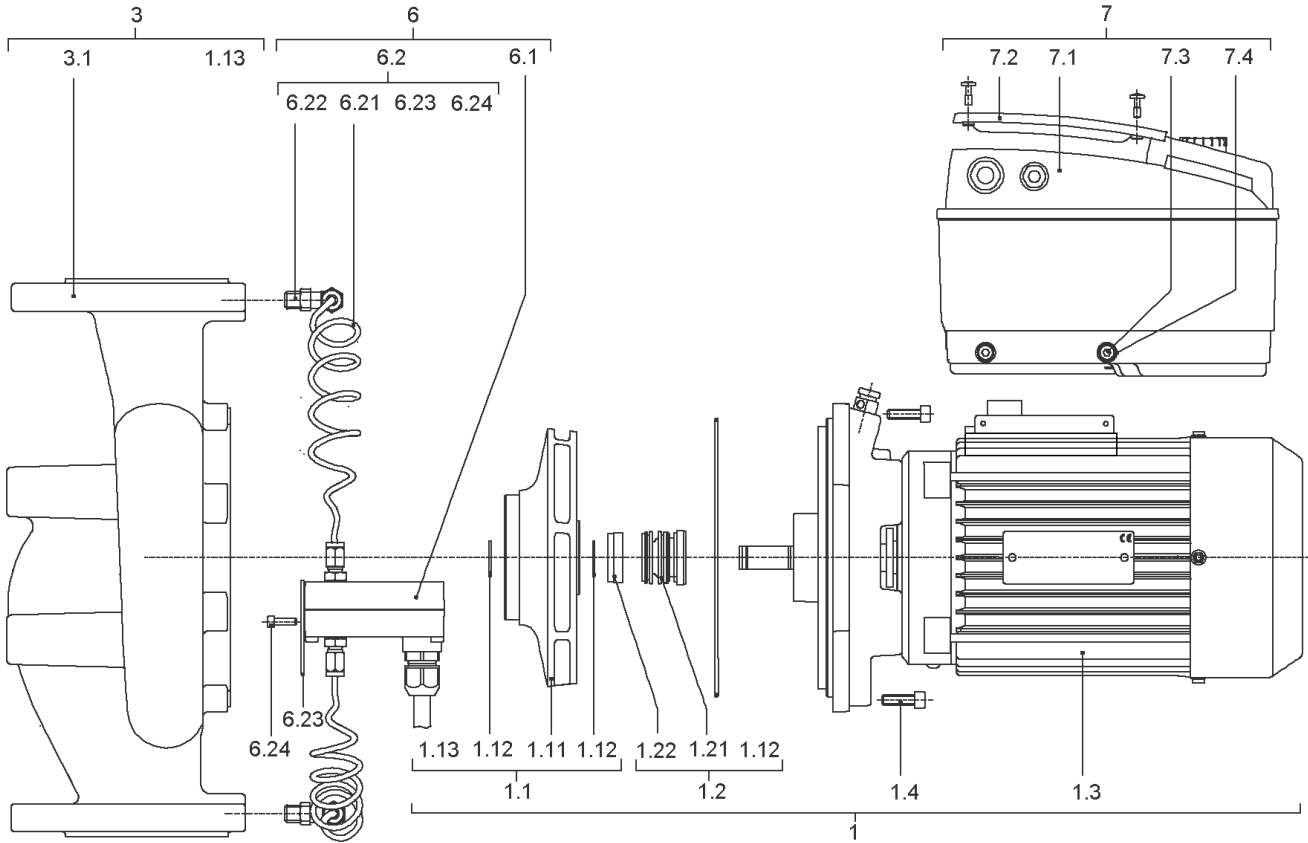
## Spare parts IP-E32/160-1,1/2-R1-X1 ELEC

Item	Article no.	Description	Quantity
1	2112598	SERVICE MOTOR IP/DP-E32/160-1,1 IE2ELEC	1
1.1	2023987	> IMPELLER D45/155/17X3 PX1786G KIT	1
1.11		>> Impeller D.45/155/17X3 PPO FE1630	1
1.12	2123932	>> CIRCLIP 17X1 DIN471 A2 1.4122 VP.	1
1.13	2046358	>> O-RING ID.164,7X3,53 E7518 VP.	1
1.2	122097593	> Mechanical seal ID.17 AQ1EGG KIT	1
1.12	2123932	>> CIRCLIP 17X1 DIN471 A2 1.4122 VP.	1
1.13	2010300	>> O-RING ID.107,54X3,53	1
1.13	2010301	>> O-RING ID.117,07X3,53	1
1.13	2054183	>> O-RING ID.158,34X3,53 E7518	1
Note: TO/ BIS/ JUSQU'À: 03/03			
1.13	2046358	>> O-RING ID.164,7X3,53 E7518 VP.	1
Note: FROM/ AB/ À PARTIR: 04/03			
1.21		>> MECHANICAL SEAL ID.17 AQ1EGG	1
1.22		>> Distance ring D.17/30X9 PPO FE1630	1
1.3		> Motor	1
1.4	2052495	> SCREW M6X20 ISO4762 8.8 (8 PIECES)	1
		SPARE PARTS MO.1,1/2/80 F188E ELEC IE2	1
3	2016512	PUMP HOUSING IPL32/160/IP-E32/5 KIT	1
1.13	2046358	> O-RING ID.164,7X3,53 E7518 VP.	1
3.1		> PUMP HOUSING IP-E32/152 CPL.WILO	1
7	2111418	MODULE IP/DP-E32/160-1,1/2-IE2 ELEC KIT	1
7.1		> Module IP-E/DP-E32/160-1,1/2 IE2 ELEC	1
7.2	2054372	> MODULE COVER TL1,TL2+GASKET KIT	1
7.3		> SCREW M5X16 ISO4762 8.8 ZnNi	1
7.4		> WASHER TOOTHED LOCK A5,3 DIN6797 FST ZN	1
	2061236	> O-RING ID.38X3 EPDM 70SR.A BUS.	1



**SPARE PARTS MO.1,1/2/80 F188E ELEC IE2**

Item	Article no.	Description	Quantity
2.1	2111306	FLANGE END SHIELD BG80F188 D.E.ELEC KIT	1
2.1A		> LANTERN V18 M100-F188 KTL	1
2.1B	2027201	> BLOWGUN R1/8" VP.	1
Note: Please give the data from type plate of the motor			
2.2	2111311	End shield BG80 V18 D.E.ELEC KIT	1
2.2A		> Flange IEC80 V18 (w/o thread)	1
2.2B	2111309	> CONDENSATE HOLE GASKET D5 VP.	1
Note: Please give the data from type plate of the motor			
2.3	2111313	SCREW M6X30 6.8 (4 PIECES)	1
2.4	2111324	THROWER D.36X4 VP.	1
2.5	2111333	CIRCLIP D.20 GB894.1 VP.	1
2.6	2111343	BALL BEARING 6304 DDW C3 EA6 VP.	1
2.7	2111336	CIRCLIP D.52 GB893.1 VP.	1
2.8	2111342	BALL BEARING 6204 DDW C3 EA3 VP.	1
2.9	2111339	SPRING RING D.47 JB/T7590 VP.	1
2.10	2162607	End shield BG80 N.D.E.ELEC KIT	1
		> Flange IEC80 NDS with slot new	1
		> O-RING ID47.2*3.53 EPDM	1
2.11	2111319	SCREW M5X183 6.8 (4 PIECES)	1
2.12	2107778	FAN WHEEL BG71/80 ELEC KIT	1
2.12A		> FAN 110x15x15.3 GP2200 G/F20%	1
2.12B	2111321	> STOP-RING D.14,8x0,4 VP.	1
Note: Please give the data from type plate of the motor			
2.13	2107779	FAN HOOD BG80 ELEC KIT	1
2.13A		> FAN COVER IEC80 KTL ST14 T0.8 H60	1
2.13B	2111323	> SCREW M4X6 (4 PIECES)	1
Note: Please give the data from type plate of the motor			
2.14	2164016	O-Ring ID47.2x3.53 EPDM VP.	1



**IP-E40/115-0,55/2-IE2 (2109762)**

Item	Article no.	Description	Quantity
1	2112599	SERVICE MOTOR IP/DP-E40/115-0,55 IE2ELEC	1
1.1	122092498	> IMPELLER D.48/105,5/17 KIT	1
1.11		>> Impeller D.48/105,5/17X5,4 PPO FE1630	1
1.12	2123932	>> CIRCLIP 17X1 DIN471 A2 1.4122 VP.	1
1.13	2010300	>> O-RING ID.107,54X3,53	1
1.2	122097593	> Mechanical seal ID.17 AQ1EGG KIT	1
1.12	2123932	>> CIRCLIP 17X1 DIN471 A2 1.4122 VP.	1
1.13	2010300	>> O-RING ID.107,54X3,53	1
1.13	2010301	>> O-RING ID.117,07X3,53	1
1.13	2054183	>> O-RING ID.158,34X3,53 E7518	1
Note: TO/ BIS/ JUSQU'À: 03/03			
1.13	2046358	>> O-RING ID.164,7X3,53 E7518 VP.	1
Note: FROM/ AB/ À PARTIR: 04/03			
1.21		>> MECHANICAL SEAL ID.17 AQ1EGG	1
1.22		>> Distance ring D.17/30X9 PPO FE1630	1
1.3		> Motor	1
1.4	2052495	> SCREW M6X20 ISO4762 8.8 (8 PIECES)	1
		SPARE PARTS MOTOR 0,55/2/71 F154E	1
3	2016513	PUMP HOUSING IPL40/115/IP-E40/2 KIT	1
1.13	2010300	> O-RING ID.107,54X3,53	1
3.1		> PUMP HOUSING IP-E40/108,5 CPL.WILO	1
6	2104479	DPS20-1(0-10V) KIT	1
6.1	2106113	> DIFFERENTIAL PRESSURE SENSOR 20 KIT	1
Note: FROM/ AB/ À PARTIR: 09/2009			
		>> DPS20 spiral TZ.3mm Volt 2G	1
	2196657	>> Cable DPS 3x0,34x650 short bared 2G VP.	1
Note: from/ab/de 01.10.2013			
6.2	2106120	> CONNECTION SENSOR IP-E SPIRAL M6 KIT	1
Note: FROM/ AB/ À PARTIR: 09/2009			
6.21		>> CAPILLARY COIL 1000	2
6.22		>> Fixation ring pipe union R1/8" 90GD.Ni	1
6.23		>> HANDLE DDG M6	1
6.24		>> Screw M4x10 EE DIN7500 ZN	2
	2168862	>> Nut/Ferrule M6 D.3MM MS Ni (2 Pieces)	1



**IP-E40/115-0,55/2-IE2 (2109762)**

<b>Item</b>	<b>Article no.</b>	<b>Description</b>	<b>Quantity</b>
	2168860	>> Nut/Ferrule M8 D.5MM MS Ni (2 Pieces)	1
7	2111419	MODULE IP/DP-E40/115-0,55/2-IE2 ELEC KIT	1
7.1		> Module IP-E/DP-E40/115-0,55/2 IE2 ELEC	1
7.2	2054372	> MODULE COVER TL1,TL2+GASKET KIT	1
7.3		> SCREW M5X16 ISO4762 8.8 ZnNi	1
7.4		> WASHER TOOTHED LOCK A5,3 DIN6797 FST ZN	1
	2061236	> O-RING ID.38X3 EPDM 70SR.A BUS.	1

### Motor-Typenschild / Motor type plate / Plaque identité moteur

**Bei Ersatzteilbestellung Motor-Nummer angeben!**

**Indicate motor number for order of spare parts!**

**Pour une commande de pièces détachées, donner le numéro du moteur!**

ATB - AF

Motor-Nummer  
motor number  
numéro du moteur

3-Mot. 90L  
1234567 - 1

AF 90L/2I-12 IMB5 IP 55  
Y/Δ 400/230 V 4.6/8.0 A  
2850 1/min cos φ 0.87 50 Hz  
2.2 kW S1

● Y/Δ 380...420/220...240 V ●  
4.8...4.6/8.3...8.0 A

Th. Cl. F 1. freie Zeile  
2. freie Zeile  
3. freie Zeile

Made in Germany  
T09 463023N 16 kg EN 60034 - IEC 38

WILO ELEC

Motor-Nummer  
motor number  
numéro du moteur

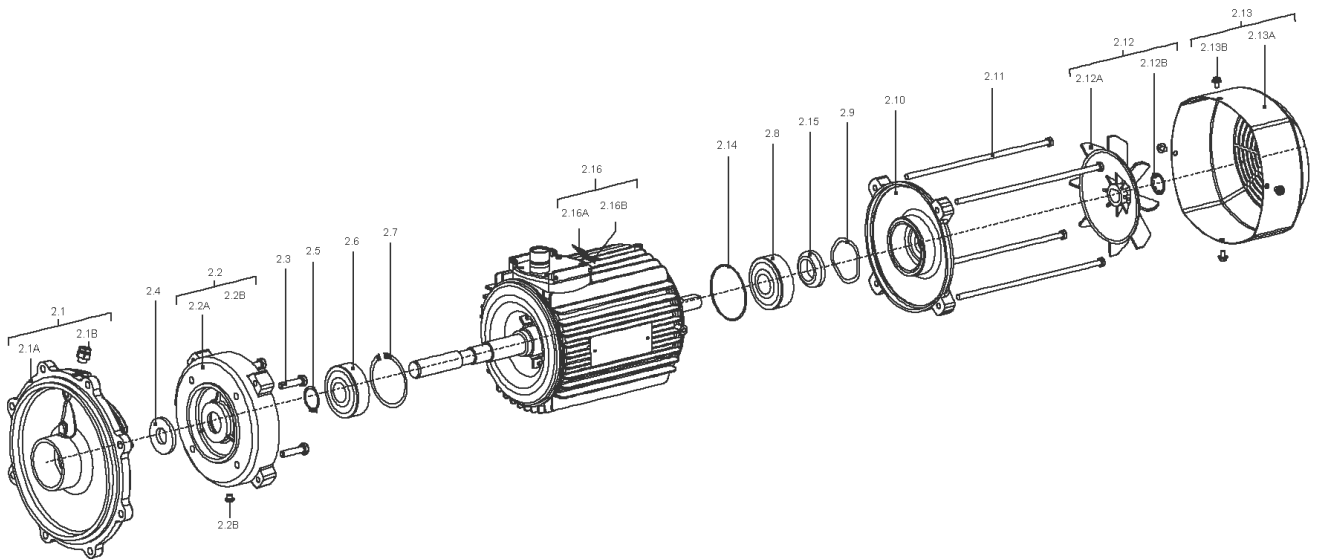
3-Induction Motor  
Made by WILCO Group

3502984 W071080-2-F188E 1001.001  
Class F S1 IP 55 10.4kg EN60034

50Hz	0.55kW	2860min <sup>-1</sup>	60Hz	0.66kW	3450min <sup>-1</sup>
Y	400V	1.33A	Y	440-480V	1.34-1.32A
Cosφ=0.76		Eta=79.0%	Cosφ=0.75		Eta=80.0%

**SPARE PARTS MOTOR 0,55/2/71 F154E**

<b>Item</b>	<b>Description</b>	<b>Quantity</b>
2	MOTOR W071080-2-F154E 400V/50HZ 0.55KW	1

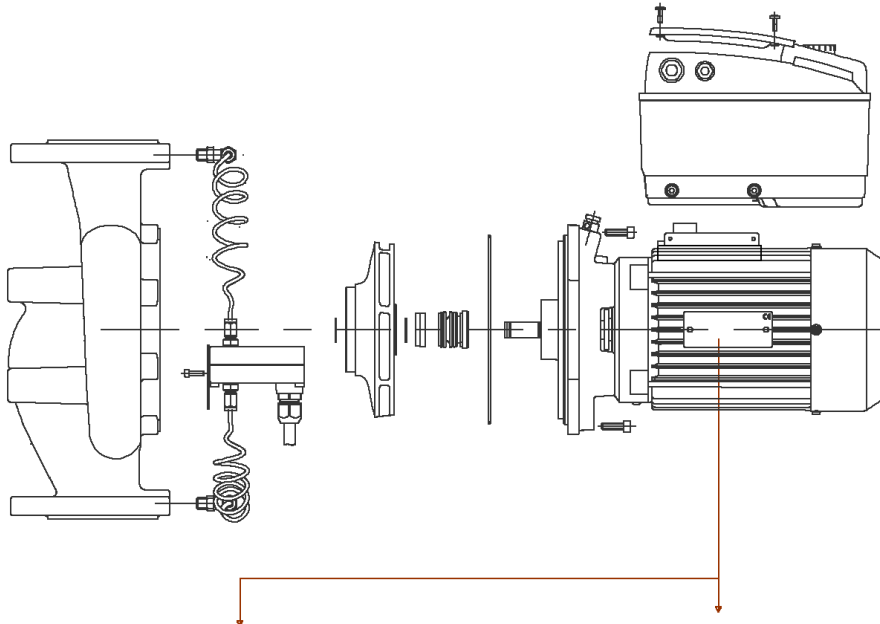


**MOTOR W071080-2-F154E 400V/50HZ 0.55KW**

Item	Article no.	Description	Quantity
2.1	2111303	FLANGE END SHIELD BG71F154 D.E.ELEC KIT	1
Note: Please give the data from type plate of the motor			
2.1A		> LANTERN V18 M85-F154 KTL	1
2.1B	2027201	> BLOWGUN R1/8" VP.	1
Note: Please give the data from type plate of the motor			
2.2	2111310	END SHIELD BG71 V18 D.E.ELEC KIT	1
Note: Please give the data from type plate of the motor			
2.2A		> Flange IEC71 V18 (w/o thread)	1
2.2B	2111309	> CONDENSATE HOLE GASKET D5 VP.	1
Note: Please give the data from type plate of the motor			
2.3	2111313	SCREW M6X30 6.8 (4 PIECES)	1
Note: Please give the data from type plate of the motor			
2.4	2111324	THROWER D.36X4 VP.	1
Note: Please give the data from type plate of the motor			
2.5	2111332	CIRCLIP D.17 GB894.1 VP.	1
Note: Please give the data from type plate of the motor			
2.6	2111341	BALL BEARING 6203 DDW C3 EA6 VP.	1
Note: Please give the data from type plate of the motor			
2.7	2111335	CIRCLIP D.40 GB893.1 VP.	1
Note: Please give the data from type plate of the motor			
2.8	2111340	BALL BEARING 6202 DDW C3 EA6 VP.	1
Note: Please give the data from type plate of the motor			
2.9	2111338	SPRING RING D.35 VP.	1
Note: Please give the data from type plate of the motor			
2.10	2163997	Flange BG71 N.D.E.Elec KIT	1
Note: Please give the data from type plate of the motor			
		> Flange IEC71 NDS with slot reduce0.5	1
		> O-RING ID35*3 EPDM	1
2.11	2111318	SCREW M5X169 6.8 (4 PIECES)	1
Note: Please give the data from type plate of the motor			
2.12	2107778	FAN WHEEL BG71/80 ELEC KIT	1
Note: Please give the data from type plate of the motor			
2.12A		> FAN 110x15x15.3 GP2200 G/F20%	1
2.12B	2111321	> STOP-RING D.14,8x0,4 VP.	1

**MOTOR W071080-2-F154E 400V/50HZ 0.55KW**

Item	Article no.	Description	Quantity
Note: Please give the data from type plate of the motor			
2.13	2107783	FAN HOOD BG71 ELEC KIT	1
Note: Please give the data from type plate of the motor			
2.13A		> FAN COVER IEC71 KTL ST14 T0.8 H60	1
2.13B	2111323	> SCREW M4X6 (4 PIECES)	1
Note: Please give the data from type plate of the motor			
2.14	2163998	O-Ring ID35*3 EPDM VP.	1



ATB

Motor-Nummer  
motor number  
numéro du moteur

		IE2			
3~Mot.	AF132S/2F-11S+E2/0509	IE2-88,1%			
S1	132S IMV1	224039411-1	522058X		
IP 55	Th. CI.155(F)	SCHWINGGROESSENSTUFE B			
WILO NR.2064705					
kW	V	Hz	A	1/min	COS φ
7,5	YΔ 690/400	50	7,9/3,7	2890	0,90
7,5	Δ 460	60	11,8	3510	0,89
Made in Germany		50 kg	EN 60034		

ELEC

Motor-Nummer  
motor number  
numéro du moteur

<b>3~Induction Motor</b>		Made by WILLO Group			
3501437	W080090-2-F188	0902.001			
Class F	S1	IP55	13.5kg	EN60034	
50Hz	1.10kW	2850min <sup>-1</sup>	60Hz	1.29kW	3435min <sup>-1</sup>
YΔ	230/400V	4.02/2.32A	Y	440-480V	2.40-2.32A
Cos φ =0.82		IE2-81.5%	Cos φ =0.85		IE2-82.5%

**Motor-Typenschild / Motor type plate / Plaque identité moteur**

**Bei Ersatzteilbestellung Motor-Nummer angeben!**

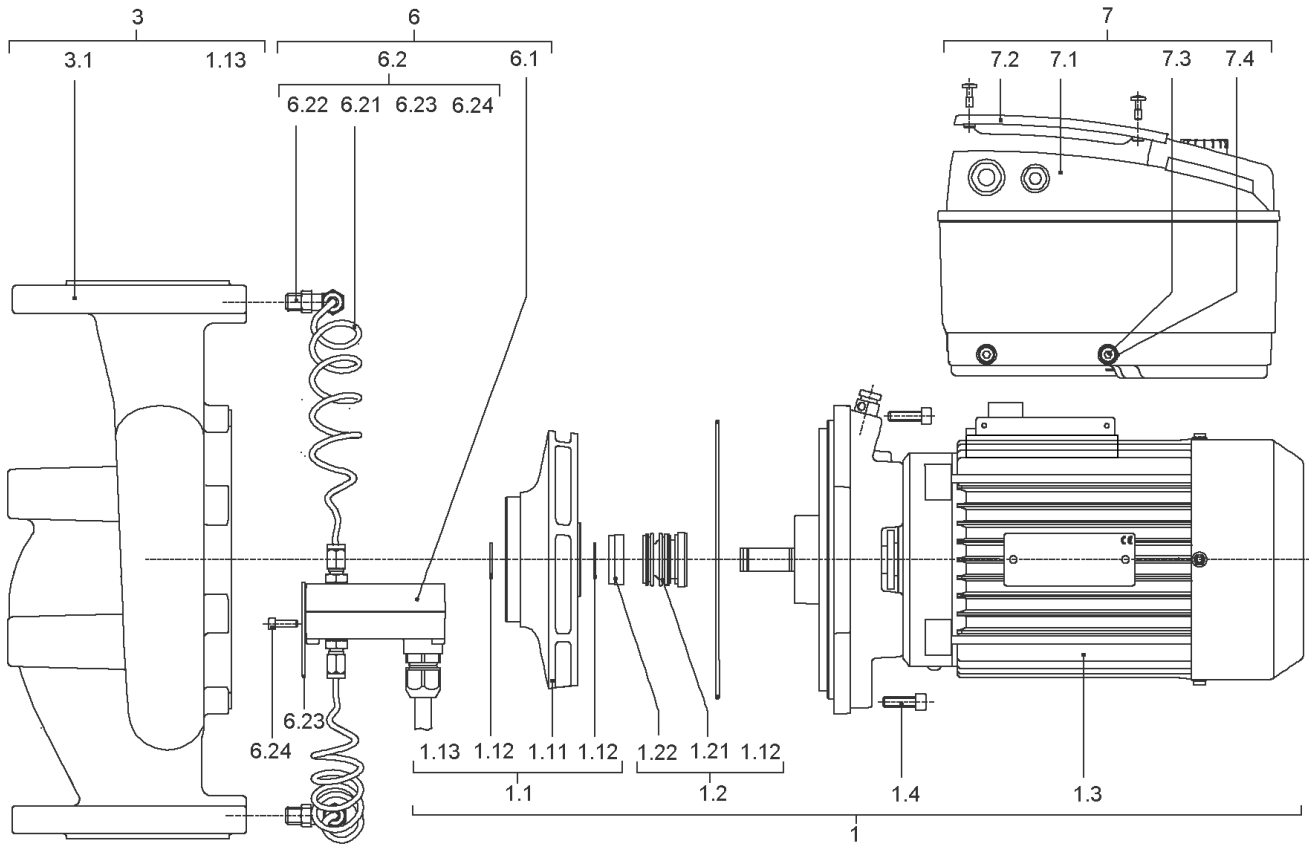
**Indicate motor number for order of spare parts!**

**Pour une commande de pièces détachées, donner le numéro du moteur!**

**IP-E40/115-0,55/2-IE2 (2131252)**

<b>Item</b>	<b>Description</b>	<b>Quantity</b>
ATB	Spare parts IP-E40/115-0,55/2 ATB	1
ELEC	Spare parts IP-E40/115-0,55/2 ELEC	1



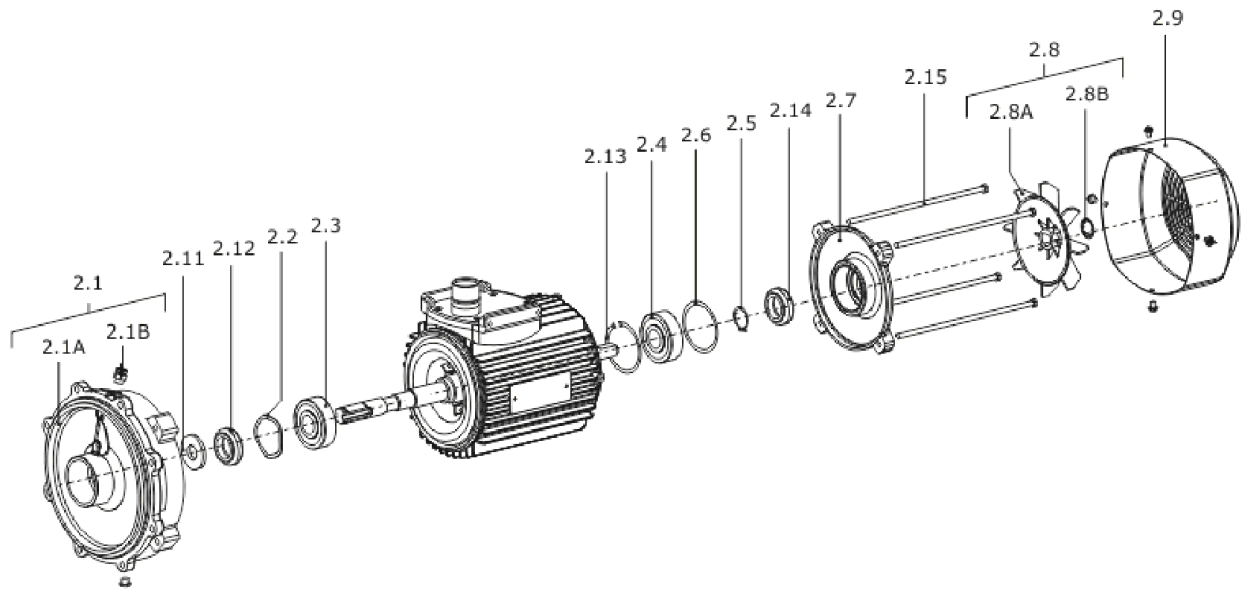


**Spare parts IP-E40/115-0,55/2 ATB**

Item	Article no.	Description	Quantity
1	2139829	Service Motor IP/DP-E40/115-0,55 IE2 ATB	1
1.1	2132593	> IMPELLER D.48/103/17X5,4 KIT	1
1.11		>> Impeller D.48/103/17X5,4 KU.	1
1.12	2123932	>> CIRCLIP 17X1 DIN471 A2 1.4122 VP.	1
1.13	2010300	>> O-RING ID.107,54X3,53	1
1.2	122097593	> Mechanical seal ID.17 AQ1EGG KIT	1
1.12	2123932	>> CIRCLIP 17X1 DIN471 A2 1.4122 VP.	1
1.13	2010300	>> O-RING ID.107,54X3,53	1
1.13	2010301	>> O-RING ID.117,07X3,53	1
1.13	2054183	>> O-RING ID.158,34X3,53 E7518	1
Note: TO/ BIS/ JUSQU'À: 03/03			
1.13	2046358	>> O-RING ID.164,7X3,53 E7518 VP.	1
Note: FROM/ AB/ À PARTIR: 04/03			
1.21		>> MECHANICAL SEAL ID.17 AQ1EGG	1
1.22		>> Distance ring D.17/30X9 PPO FE1630	1
1.3		> Motor	1
1.4	2043006	> SCREW M6X20 ISO4762 8.8 (4 PIECES)	1
		SPARE PARTS MO.0,55/2/71 F154E ATB IE2	1
3	2016513	PUMP HOUSING IPL40/115/IP-E40/2 KIT	1
1.13	2010300	> O-RING ID.107,54X3,53	1
3.1		> PUMP HOUSING IP-E40/108,5 CPL.WILO	1
6	2104479	DPS20-1(0-10V) KIT	1
6.1	2106113	> DIFFERENTIAL PRESSURE SENSOR 20 KIT	1
Note: FROM/ AB/ À PARTIR: 09/2009			
		>> DPS20 spiral TZ.3mm Volt 2G	1
	2196657	>> Cable DPS 3x0,34x650 short bared 2G VP.	1
Note: from/ab/de 01.10.2013			
6.2	2106120	> CONNECTION SENSOR IP-E SPIRAL M6 KIT	1
Note: FROM/ AB/ À PARTIR: 09/2009			
6.21		>> CAPILLARY COIL 1000	2
6.22		>> Fixation ring pipe union R1/8" 90GD.Ni	1
6.23		>> HANDLE DDG M6	1
6.24		>> Screw M4x10 EE DIN7500 ZN	2
	2168862	>> Nut/Ferrule M6 D.3MM MS Ni (2 Pieces)	1

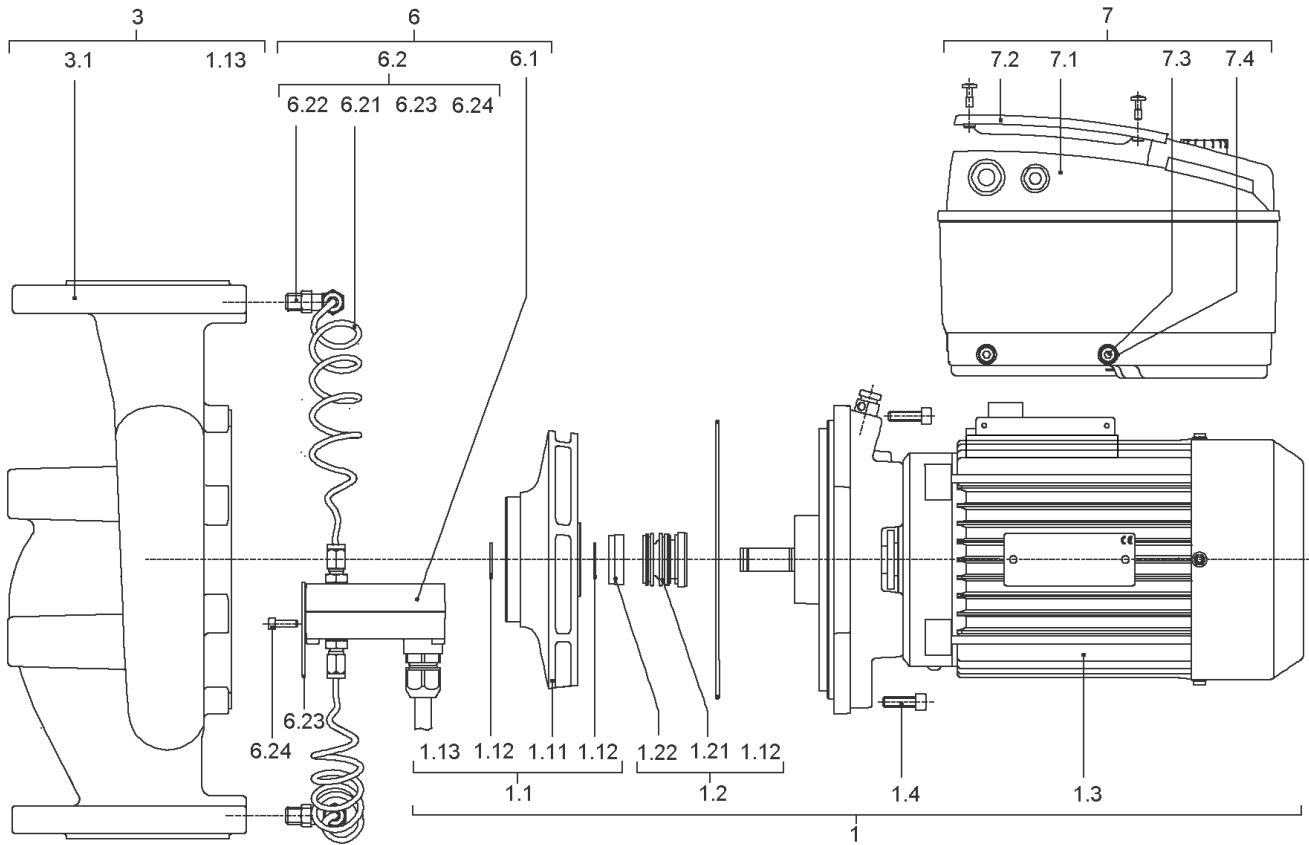
**Spare parts IP-E40/115-0,55/2 ATB**

<b>Item</b>	<b>Article no.</b>	<b>Description</b>	<b>Quantity</b>
	2168860	>> Nut/Ferrule M8 D.5MM MS Ni (2 Pieces)	1
7	2143746	MODULE IP/DP-E40/115-0,55/2-IE2 ATB KIT	1
7.1		> Module IP-E/DP-E40/115-0,55/2 IE2 ATB	1
7.2	2054372	> MODULE COVER TL1,TL2+GASKET KIT	1
7.3		> SCREW M5X16 ISO4762 8.8 ZnNi	1
7.4		> WASHER TOOTHED LOCK A5,3 DIN6797 FST ZN	1
	2061236	> O-RING ID.38X3 EPDM 70SR.A BUS.	1



**SPARE PARTS MO.0,55/2/71 F154E ATB IE2**

Item	Article no.	Description	Quantity
2.1	2125446	END SHIELD BG71 D.E.ATB KIT	1
2.1A		> END SHIELD BG71 D.E.567892 ATB	1
2.1B	2027201	> BLOWGUN R1/8" VP.	1
Note: Please give the data from type plate of the motor			
2.2	2125473	CIRCLIPS 20X1,2 DIN471 FST VP.	1
2.3	121084499	BALL BEARING 6204/2Z-C3 (HT) VP.	1
2.4	122097891	BALL BEARING 6202/2Z-C3 (HT) VP.	1
2.6	2090403	SHIM BALL BEARING BG71 ATB VP.	1
2.7	2125436	END SHIELD BG71/80 N.D.E.ATB VP.	1
2.8	122093297	FAN WHEEL BG71 ATB KIT	1
2.8A		> FAN WHEEL BG71/80 106152 ATB	1
2.8B	2123923	> CORRUGATED SLEEVE RING BG71 ATB VP.	1
Note: Please give the data from type plate of the motor			
2.9	2046448	FAN HOUSING BG71/80 ATB VP.	1
2.12	2144072	Shaft seal ring BG80 ATB VP.	1
2.15	2144075	Screw end shield M5X128 ATB(4 Pieces)	1



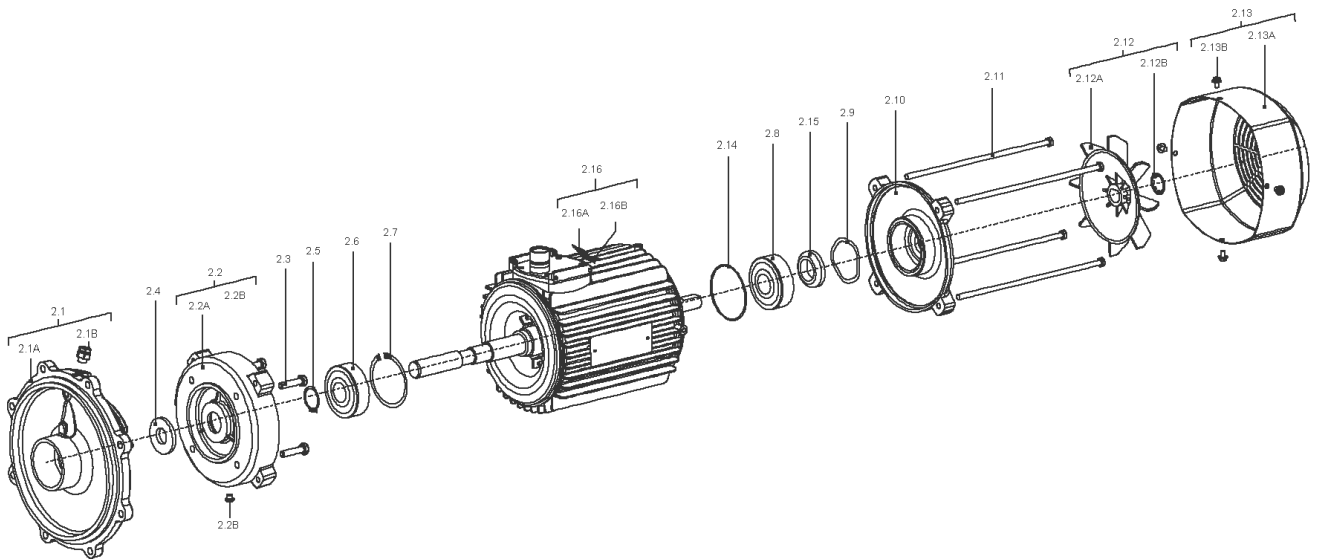
## Spare parts IP-E40/115-0,55/2 ELEC

Item	Article no.	Description	Quantity
1	2129255	SERVICE MOTOR IP/DP-E40/115-0,55 IE2ELEC	1
1.1	2132593	> IMPELLER D.48/103/17X5,4 KIT	1
1.11		>> Impeller D.48/103/17X5,4 KU.	1
1.12	2123932	>> CIRCLIP 17X1 DIN471 A2 1.4122 VP.	1
1.13	2010300	>> O-RING ID.107,54X3,53	1
1.2	122097593	> Mechanical seal ID.17 AQ1EGG KIT	1
1.12	2123932	>> CIRCLIP 17X1 DIN471 A2 1.4122 VP.	1
1.13	2010300	>> O-RING ID.107,54X3,53	1
1.13	2010301	>> O-RING ID.117,07X3,53	1
1.13	2054183	>> O-RING ID.158,34X3,53 E7518	1
Note: TO/ BIS/ JUSQU'À: 03/03			
1.13	2046358	>> O-RING ID.164,7X3,53 E7518 VP.	1
Note: FROM/ AB/ À PARTIR: 04/03			
1.21		>> MECHANICAL SEAL ID.17 AQ1EGG	1
1.22		>> Distance ring D.17/30X9 PPO FE1630	1
1.3		> Motor	1
1.4	2043006	> SCREW M6X20 ISO4762 8.8 (4 PIECES)	1
		SPARE PARTS MO.0,55/2/71 F154E ELEC IE2	1
3	2016513	PUMP HOUSING IPL40/115/IP-E40/2 KIT	1
1.13	2010300	> O-RING ID.107,54X3,53	1
3.1		> PUMP HOUSING IP-E40/108,5 CPL.WILO	1
6	2104479	DPS20-1(0-10V) KIT	1
6.1	2106113	> DIFFERENTIAL PRESSURE SENSOR 20 KIT	1
Note: FROM/ AB/ À PARTIR: 09/2009			
		>> DPS20 spiral TZ.3mm Volt 2G	1
	2196657	>> Cable DPS 3x0,34x650 short bared 2G VP.	1
Note: from/ab/de 01.10.2013			
6.2	2106120	> CONNECTION SENSOR IP-E SPIRAL M6 KIT	1
Note: FROM/ AB/ À PARTIR: 09/2009			
6.21		>> CAPILLARY COIL 1000	2
6.22		>> Fixation ring pipe union R1/8" 90GD.Ni	1
6.23		>> HANDLE DDG M6	1
6.24		>> Screw M4x10 EE DIN7500 ZN	2
	2168862	>> Nut/Ferrule M6 D.3MM MS Ni (2 Pieces)	1

## Spare parts IP-E40/115-0,55/2 ELEC

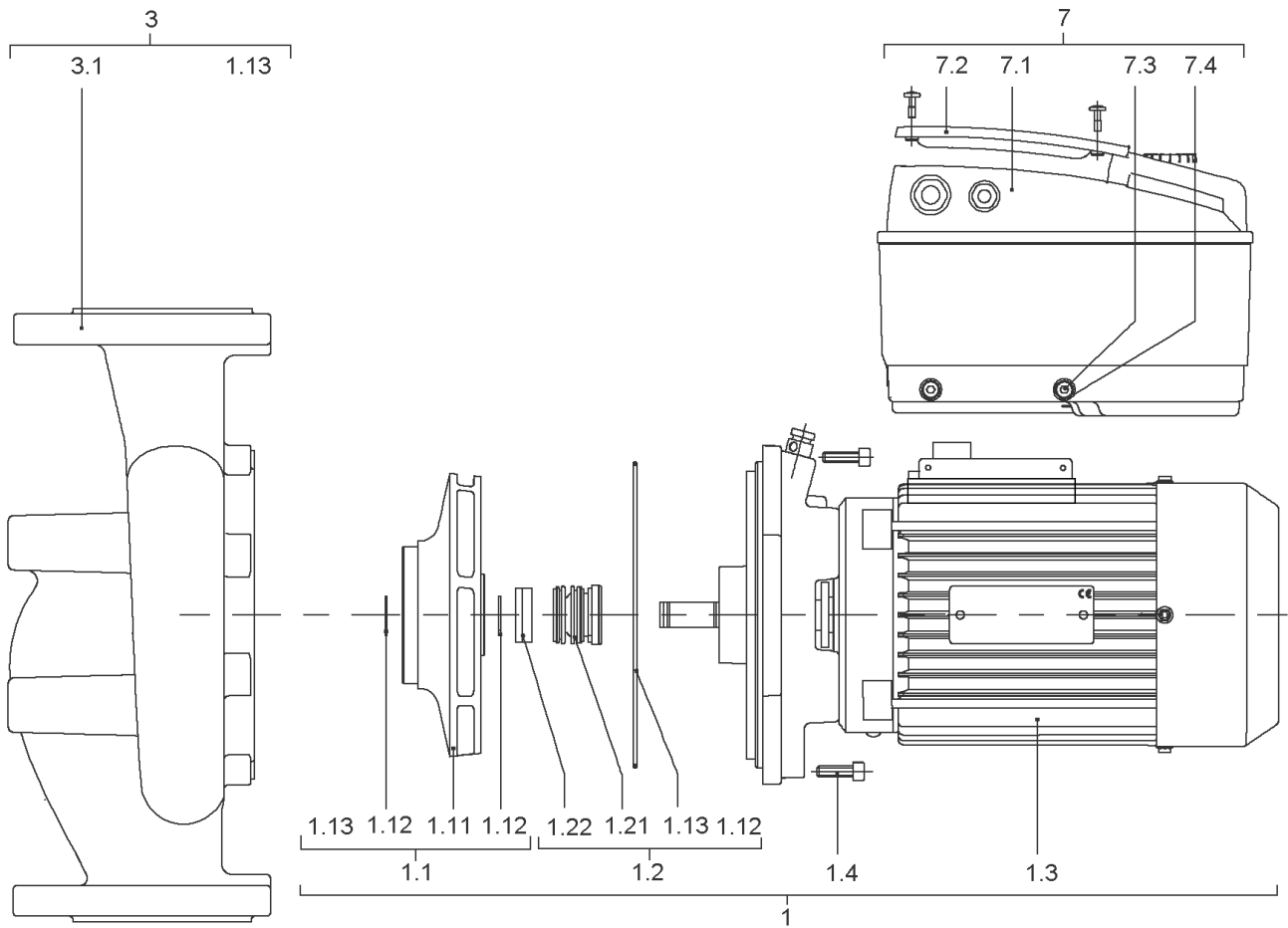
Item	Article no.	Description	Quantity
	2168860	>> Nut/Ferrule M8 D.5MM MS Ni (2 Pieces)	1
7	2132589	MODULE IP/DP-E40/115-0,55/2-IE2 ELEC KIT	1
7.1		> Module IP-E/DP-E40/115-0,55/2 IE2 ELEC	1
7.2	2054372	> MODULE COVER TL1,TL2+GASKET KIT	1
7.3		> SCREW M5X16 ISO4762 8.8 ZnNi	1
7.4		> WASHER TOOTHED LOCK A5,3 DIN6797 FST ZN	1
	2061236	> O-RING ID.38X3 EPDM 70SR.A BUS.	1





**SPARE PARTS MO.0,55/2/71 F154E ELEC IE2**

Item	Article no.	Description	Quantity
2.1	2111303	FLANGE END SHIELD BG71F154 D.E.ELEC KIT	1
2.1A		> LANTERN V18 M85-F154 KTL	1
2.1B	2027201	> BLOWGUN R1/8" VP.	1
Note: Please give the data from type plate of the motor			
2.2	2111310	END SHIELD BG71 V18 D.E.ELEC KIT	1
2.2A		> Flange IEC71 V18 (w/o thread)	1
2.2B	2111309	> CONDENSATE HOLE GASKET D5 VP.	1
Note: Please give the data from type plate of the motor			
2.3	2111313	SCREW M6X30 6.8 (4 PIECES)	1
2.4	2111324	THROWER D.36X4 VP.	1
2.5	2111332	CIRCLIP D.17 GB894.1 VP.	1
2.6	2111341	BALL BEARING 6203 DDW C3 EA6 VP.	1
2.7	2111335	CIRCLIP D.40 GB893.1 VP.	1
2.8	2111340	BALL BEARING 6202 DDW C3 EA6 VP.	1
2.9	2111338	SPRING RING D.35 VP.	1
2.10	2163997	Flange BG71 N.D.E.Elec KIT	1
		> Flange IEC71 NDS with slot reduce0.5	1
		> O-RING ID35*3 EPDM	1
2.11	2111318	SCREW M5X169 6.8 (4 PIECES)	1
2.12	2107778	FAN WHEEL BG71/80 ELEC KIT	1
2.12A		> FAN 110x15x15.3 GP2200 G/F20%	1
2.12B	2111321	> STOP-RING D.14,8x0,4 VP.	1
Note: Please give the data from type plate of the motor			
2.13	2107783	FAN HOOD BG71 ELEC KIT	1
2.13A		> FAN COVER IEC71 KTL ST14 T0.8 H60	1
2.13B	2111323	> SCREW M4X6 (4 PIECES)	1
Note: Please give the data from type plate of the motor			
2.14	2163998	O-Ring ID35*3 EPDM VP.	1



**IP-E40/115-0,55/2-R1-IE2 (2109798)**

Item	Article no.	Description	Quantity
1	2112599	SERVICE MOTOR IP/DP-E40/115-0,55 IE2ELEC	1
1.1	122092498	> IMPELLER D.48/105,5/17 KIT	1
1.11		>> Impeller D.48/105,5/17X5,4 PPO FE1630	1
1.12	2123932	>> CIRCLIP 17X1 DIN471 A2 1.4122 VP.	1
1.13	2010300	>> O-RING ID.107,54X3,53	1
1.2	122097593	> Mechanical seal ID.17 AQ1EGG KIT	1
1.12	2123932	>> CIRCLIP 17X1 DIN471 A2 1.4122 VP.	1
1.13	2010300	>> O-RING ID.107,54X3,53	1
1.13	2010301	>> O-RING ID.117,07X3,53	1
1.13	2054183	>> O-RING ID.158,34X3,53 E7518	1
Note: TO/ BIS/ JUSQU'À: 03/03			
1.13	2046358	>> O-RING ID.164,7X3,53 E7518 VP.	1
Note: FROM/ AB/ À PARTIR: 04/03			
1.21		>> MECHANICAL SEAL ID.17 AQ1EGG	1
1.22		>> Distance ring D.17/30X9 PPO FE1630	1
1.3		> Motor	1
1.4	2052495	> SCREW M6X20 ISO4762 8.8 (8 PIECES)	1
		SPARE PARTS MOTOR 0,55/2/71 F154E	1
3	2016513	PUMP HOUSING IPL40/115/IP-E40/2 KIT	1
1.13	2010300	> O-RING ID.107,54X3,53	1
3.1		> PUMP HOUSING IP-E40/108,5 CPL.WILO	1
7	2111419	MODULE IP/DP-E40/115-0,55/2-IE2 ELEC KIT	1
7.1		> Module IP-E/DP-E40/115-0,55/2 IE2 ELEC	1
7.2	2054372	> MODULE COVER TL1,TL2+GASKET KIT	1
7.3		> SCREW M5X16 ISO4762 8.8 ZnNi	1
7.4		> WASHER TOOTHED LOCK A5,3 DIN6797 FST ZN	1
	2061236	> O-RING ID.38X3 EPDM 70SR.A BUS.	1

### Motor-Typenschild / Motor type plate / Plaque identité moteur

**Bei Ersatzteilbestellung Motor-Nummer angeben!**

**Indicate motor number for order of spare parts!**

**Pour une commande de pièces détachées, donner le numéro du moteur!**

ATB - AF

Motor-Nummer  
motor number  
numéro du moteur

3-Mot. 90L  
 1234567 - 1  
 IMB5 IP 55  
 AF 90L/2I-12  
 Y/Δ 400/230 V 4.6/8.0 A  
 2850 1/min cos φ 0.87 50 Hz  
 2.2 kW S1  
 ● Y/Δ 380...420/220...240 V ●  
 4.8...4.6/8.3...8.0 A  
 Th. Cl. F 1. freie Zeile  
 2. freie Zeile  
 3. freie Zeile Made in Germany  
 T09 463023N 16 kg EN 60034 - IEC 38

WILO ELEC

Motor-Nummer  
motor number  
numéro du moteur

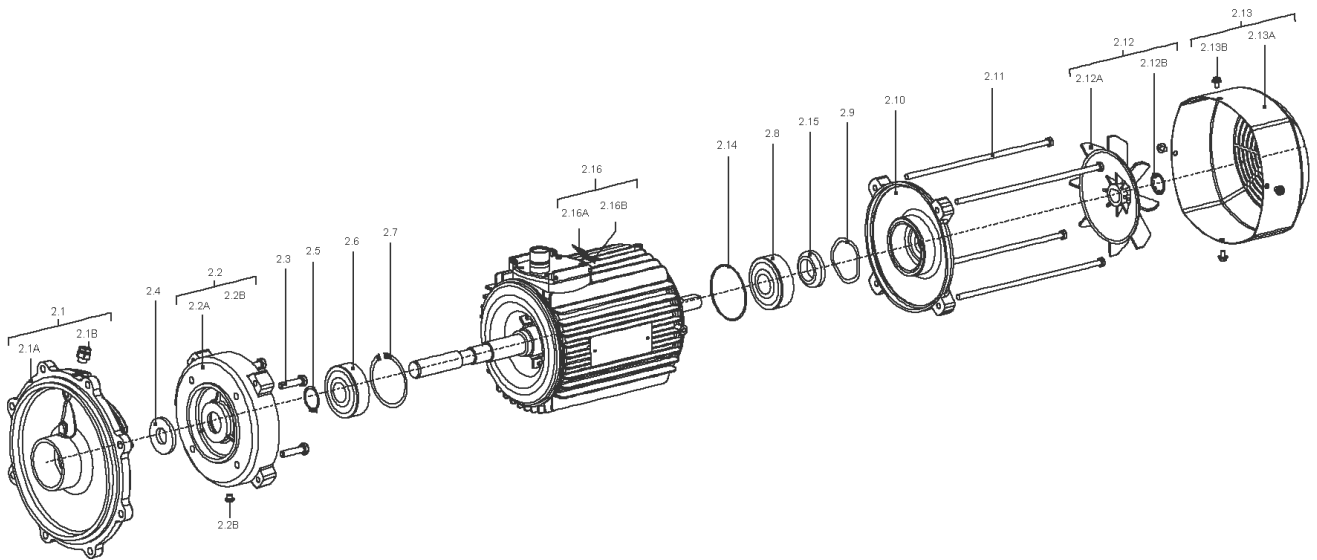
**3-Induction Motor**  
 Made by WILO Group

<b>3502984</b>	W071080-2-F188E		1001.001
Class F	S1	IP 55 10.4kg	EN60034

<b>50Hz</b>	0.55kW	2860min <sup>-1</sup>	<b>60Hz</b>	0.66kW	3450min <sup>-1</sup>
Y	400V	1.33A	Y	440-480V	1.34-1.32A
Cosφ=0.76		Eta=79.0%	Cosφ=0.75		Eta=80.0%

**SPARE PARTS MOTOR 0,55/2/71 F154E**

<b>Item</b>	<b>Description</b>	<b>Quantity</b>
2	MOTOR W071080-2-F154E 400V/50HZ 0.55KW	1



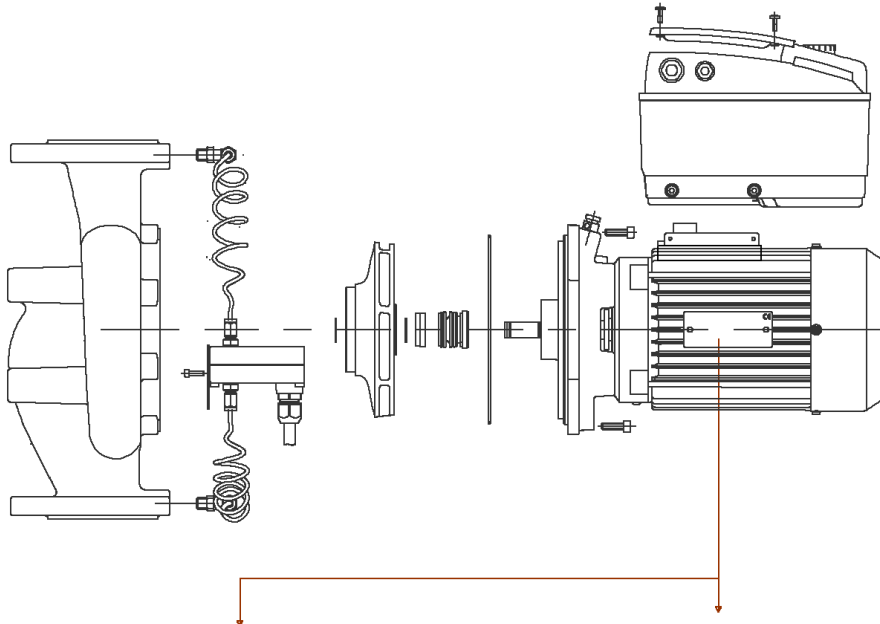
**MOTOR W071080-2-F154E 400V/50HZ 0.55KW**

Item	Article no.	Description	Quantity
2.1	2111303	FLANGE END SHIELD BG71F154 D.E.ELEC KIT	1
Note: Please give the data from type plate of the motor			
2.1A		> LANTERN V18 M85-F154 KTL	1
2.1B	2027201	> BLOWGUN R1/8" VP.	1
Note: Please give the data from type plate of the motor			
2.2	2111310	END SHIELD BG71 V18 D.E.ELEC KIT	1
Note: Please give the data from type plate of the motor			
2.2A		> Flange IEC71 V18 (w/o thread)	1
2.2B	2111309	> CONDENSATE HOLE GASKET D5 VP.	1
Note: Please give the data from type plate of the motor			
2.3	2111313	SCREW M6X30 6.8 (4 PIECES)	1
Note: Please give the data from type plate of the motor			
2.4	2111324	THROWER D.36X4 VP.	1
Note: Please give the data from type plate of the motor			
2.5	2111332	CIRCLIP D.17 GB894.1 VP.	1
Note: Please give the data from type plate of the motor			
2.6	2111341	BALL BEARING 6203 DDW C3 EA6 VP.	1
Note: Please give the data from type plate of the motor			
2.7	2111335	CIRCLIP D.40 GB893.1 VP.	1
Note: Please give the data from type plate of the motor			
2.8	2111340	BALL BEARING 6202 DDW C3 EA6 VP.	1
Note: Please give the data from type plate of the motor			
2.9	2111338	SPRING RING D.35 VP.	1
Note: Please give the data from type plate of the motor			
2.10	2163997	Flange BG71 N.D.E.Elec KIT	1
Note: Please give the data from type plate of the motor			
		> Flange IEC71 NDS with slot reduce0.5	1
		> O-RING ID35*3 EPDM	1
2.11	2111318	SCREW M5X169 6.8 (4 PIECES)	1
Note: Please give the data from type plate of the motor			
2.12	2107778	FAN WHEEL BG71/80 ELEC KIT	1
Note: Please give the data from type plate of the motor			
2.12A		> FAN 110x15x15.3 GP2200 G/F20%	1
2.12B	2111321	> STOP-RING D.14,8x0,4 VP.	1



**MOTOR W071080-2-F154E 400V/50HZ 0.55KW**

Item	Article no.	Description	Quantity
Note: Please give the data from type plate of the motor			
2.13	2107783	FAN HOOD BG71 ELEC KIT	1
Note: Please give the data from type plate of the motor			
2.13A		> FAN COVER IEC71 KTL ST14 T0.8 H60	1
2.13B	2111323	> SCREW M4X6 (4 PIECES)	1
Note: Please give the data from type plate of the motor			
2.14	2163998	O-Ring ID35*3 EPDM VP.	1



ATB

Motor-Nummer  
motor number  
numéro du moteur

		IE2			
3~Mot.	AF132S/2F-11S+E2/0509	IE2-88,1%			
S1	132S IMV1	224039411-1	522058X		
IP 55	Th. CI.155(F)	SCHWINGGROESSENSTUFE B			
WILO NR.2064705					
kW	V	Hz	A	1/min	COS φ
7,5	YΔ 690/400	50	7,9/3,7	2890	0,90
7,5	Δ 460	60	11,8	3510	0,89
Made in Germany		50 kg	EN 60034		

ELEC

Motor-Nummer  
motor number  
numéro du moteur

<b>3~Induction Motor</b>		Made by WILLO Group			
3501437	W080090-2-F188	0902.001			
Class F	S1	IP55	13.5kg	EN60034	
50Hz	1.10kW	2850min <sup>-1</sup>	60Hz	1.29kW	3435min <sup>-1</sup>
YΔ	230/400V	4.02/2.32A	Y	440-480V	2.40-2.32A
Cos φ =0.82		IE2-81.5%	Cos φ =0.85		IE2-82.5%

**Motor-Typenschild / Motor type plate / Plaque identité moteur**

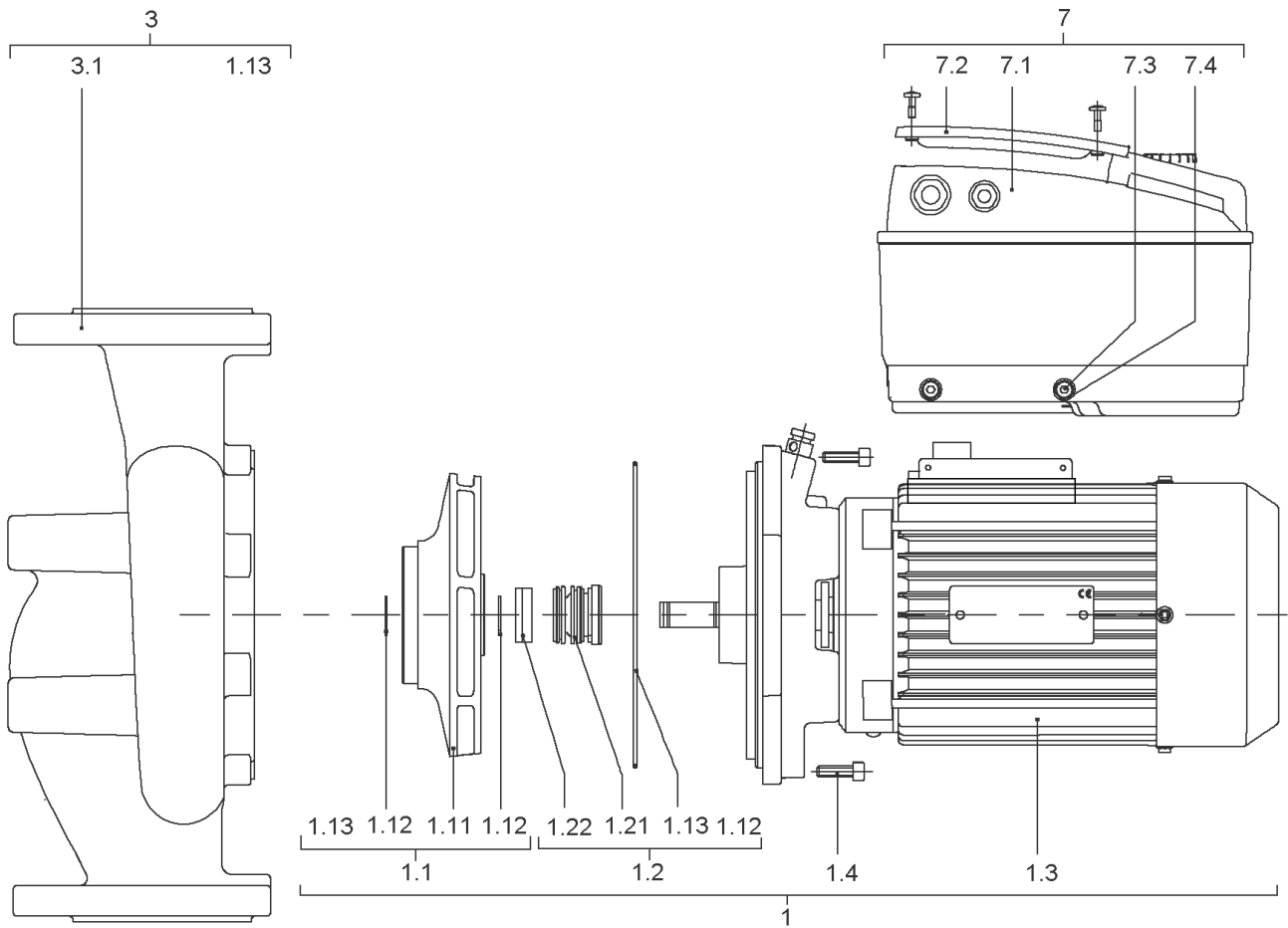
**Bei Ersatzteilbestellung Motor-Nummer angeben!**

**Indicate motor number for order of spare parts!**

**Pour une commande de pièces détachées, donner le numéro du moteur!**

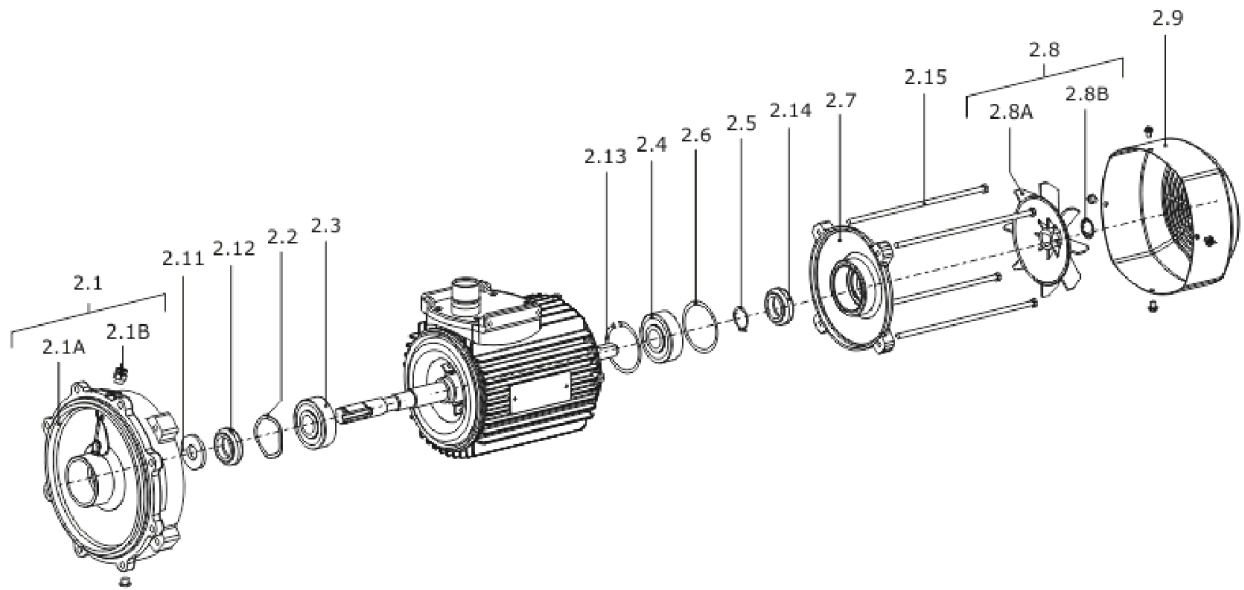
**IP-E40/115-0,55/2-R1-IE2 (2131261)**

<b>Item</b>	<b>Description</b>	<b>Quantity</b>
ATB	Spare parts IP-E40/115-0,55/2-R1 ATB	1
ELEC	Spare parts IP-E40/115-0,55/2-R1 ELEC	1



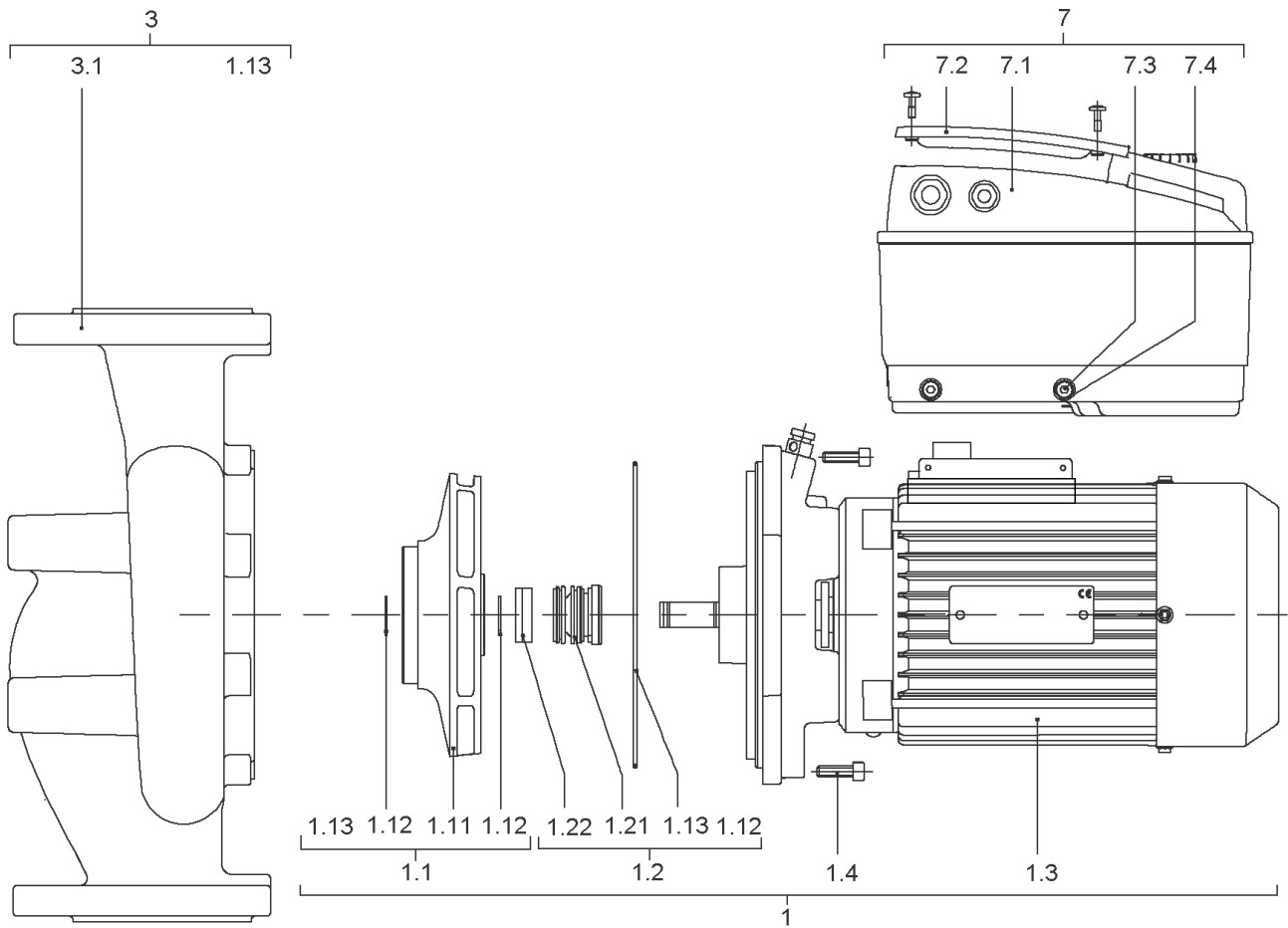
**Spare parts IP-E40/115-0,55/2-R1 ATB**

Item	Article no.	Description	Quantity
1	2139829	Service Motor IP/DP-E40/115-0,55 IE2 ATB	1
1.1	2132593	> IMPELLER D.48/103/17X5,4 KIT	1
1.11		>> Impeller D.48/103/17X5,4 KU.	1
1.12	2123932	>> CIRCLIP 17X1 DIN471 A2 1.4122 VP.	1
1.13	2010300	>> O-RING ID.107,54X3,53	1
1.2	122097593	> Mechanical seal ID.17 AQ1EGG KIT	1
1.12	2123932	>> CIRCLIP 17X1 DIN471 A2 1.4122 VP.	1
1.13	2010300	>> O-RING ID.107,54X3,53	1
1.13	2010301	>> O-RING ID.117,07X3,53	1
1.13	2054183	>> O-RING ID.158,34X3,53 E7518	1
Note: TO/ BIS/ JUSQU'À: 03/03			
1.13	2046358	>> O-RING ID.164,7X3,53 E7518 VP.	1
Note: FROM/ AB/ À PARTIR: 04/03			
1.21		>> MECHANICAL SEAL ID.17 AQ1EGG	1
1.22		>> Distance ring D.17/30X9 PPO FE1630	1
1.3		> Motor	1
1.4	2043006	> SCREW M6X20 ISO4762 8.8 (4 PIECES)	1
		SPARE PARTS MO.0,55/2/71 F154E ATB IE2	1
3	2016513	PUMP HOUSING IPL40/115/IP-E40/2 KIT	1
1.13	2010300	> O-RING ID.107,54X3,53	1
3.1		> PUMP HOUSING IP-E40/108,5 CPL.WILO	1
7	2143746	MODULE IP/DP-E40/115-0,55/2-IE2 ATB KIT	1
7.1		> Module IP-E/DP-E40/115-0,55/2 IE2 ATB	1
7.2	2054372	> MODULE COVER TL1,TL2+GASKET KIT	1
7.3		> SCREW M5X16 ISO4762 8.8 ZnNi	1
7.4		> WASHER TOOTHED LOCK A5,3 DIN6797 FST ZN	1
	2061236	> O-RING ID.38X3 EPDM 70SR.A BUS.	1



**SPARE PARTS MO.0,55/2/71 F154E ATB IE2**

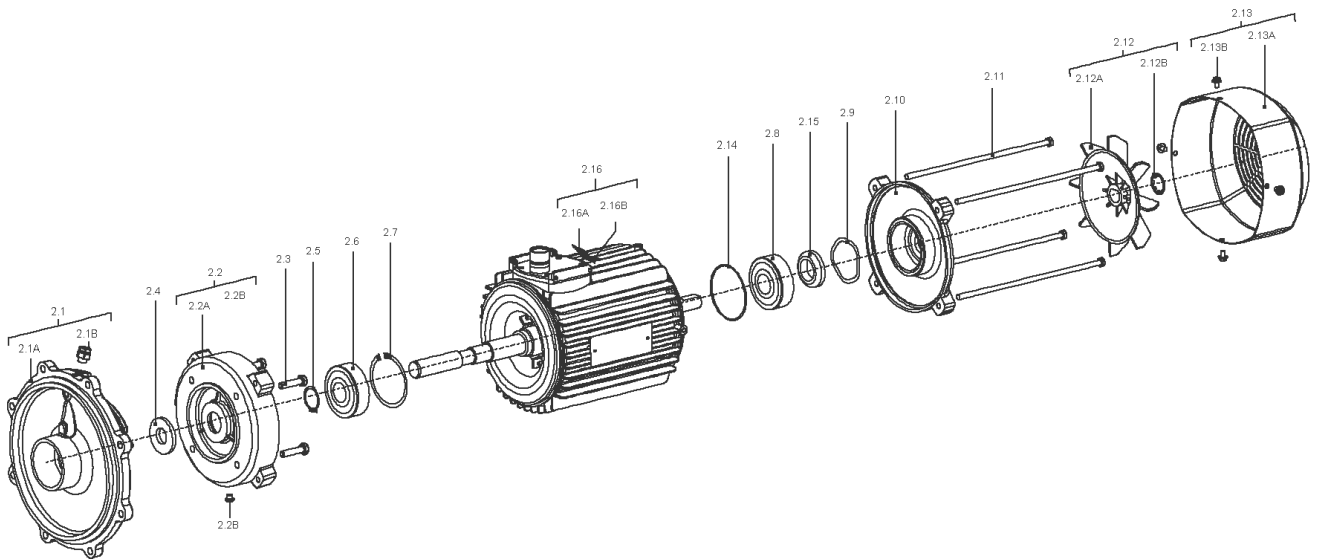
Item	Article no.	Description	Quantity
2.1	2125446	END SHIELD BG71 D.E.ATB KIT	1
2.1A		> END SHIELD BG71 D.E.567892 ATB	1
2.1B	2027201	> BLOWGUN R1/8" VP.	1
Note: Please give the data from type plate of the motor			
2.2	2125473	CIRCLIPS 20X1,2 DIN471 FST VP.	1
2.3	121084499	BALL BEARING 6204/2Z-C3 (HT) VP.	1
2.4	122097891	BALL BEARING 6202/2Z-C3 (HT) VP.	1
2.6	2090403	SHIM BALL BEARING BG71 ATB VP.	1
2.7	2125436	END SHIELD BG71/80 N.D.E.ATB VP.	1
2.8	122093297	FAN WHEEL BG71 ATB KIT	1
2.8A		> FAN WHEEL BG71/80 106152 ATB	1
2.8B	2123923	> CORRUGATED SLEEVE RING BG71 ATB VP.	1
Note: Please give the data from type plate of the motor			
2.9	2046448	FAN HOUSING BG71/80 ATB VP.	1
2.12	2144072	Shaft seal ring BG80 ATB VP.	1
2.15	2144075	Screw end shield M5X128 ATB(4 Pieces)	1





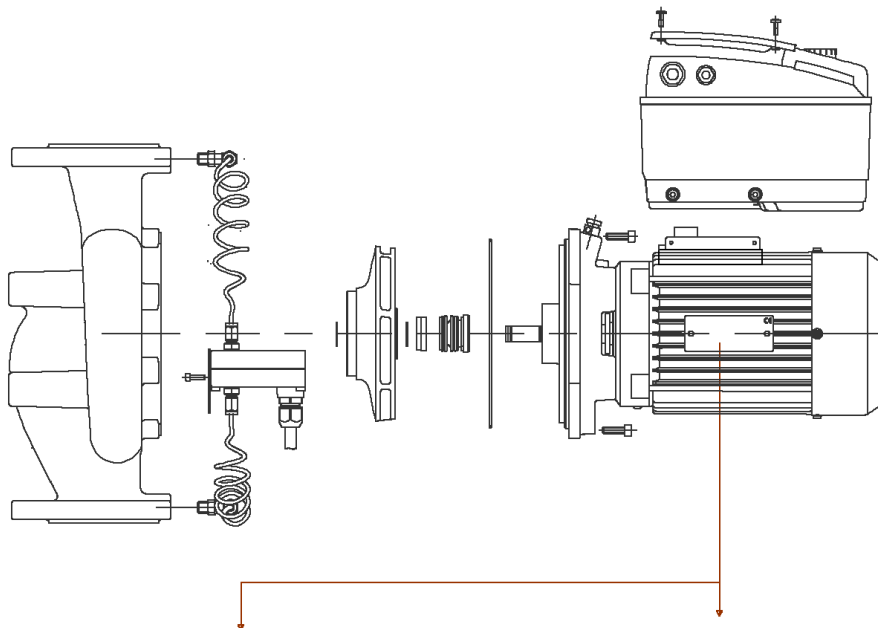
**Spare parts IP-E40/115-0,55/2-R1 ELEC**

Item	Article no.	Description	Quantity
1	2129255	SERVICE MOTOR IP/DP-E40/115-0,55 IE2ELEC	1
1.1	2132593	> IMPELLER D.48/103/17X5,4 KIT	1
1.11		>> Impeller D.48/103/17X5,4 KU.	1
1.12	2123932	>> CIRCLIP 17X1 DIN471 A2 1.4122 VP.	1
1.13	2010300	>> O-RING ID.107,54X3,53	1
1.2	122097593	> Mechanical seal ID.17 AQ1EGG KIT	1
1.12	2123932	>> CIRCLIP 17X1 DIN471 A2 1.4122 VP.	1
1.13	2010300	>> O-RING ID.107,54X3,53	1
1.13	2010301	>> O-RING ID.117,07X3,53	1
1.13	2054183	>> O-RING ID.158,34X3,53 E7518	1
Note: TO/ BIS/ JUSQU'À: 03/03			
1.13	2046358	>> O-RING ID.164,7X3,53 E7518 VP.	1
Note: FROM/ AB/ À PARTIR: 04/03			
1.21		>> MECHANICAL SEAL ID.17 AQ1EGG	1
1.22		>> Distance ring D.17/30X9 PPO FE1630	1
1.3		> Motor	1
1.4	2043006	> SCREW M6X20 ISO4762 8.8 (4 PIECES)	1
		SPARE PARTS MO.0,55/2/71 F154E ELEC IE2	1
3	2016513	PUMP HOUSING IPL40/115/IP-E40/2 KIT	1
1.13	2010300	> O-RING ID.107,54X3,53	1
3.1		> PUMP HOUSING IP-E40/108,5 CPL.WILO	1
7	2132589	MODULE IP/DP-E40/115-0,55/2-IE2 ELEC KIT	1
7.1		> Module IP-E/DP-E40/115-0,55/2 IE2 ELEC	1
7.2	2054372	> MODULE COVER TL1,TL2+GASKET KIT	1
7.3		> SCREW M5X16 ISO4762 8.8 ZnNi	1
7.4		> WASHER TOOTHED LOCK A5,3 DIN6797 FST ZN	1
	2061236	> O-RING ID.38X3 EPDM 70SR.A BUS.	1



**SPARE PARTS MO.0,55/2/71 F154E ELEC IE2**

Item	Article no.	Description	Quantity
2.1	2111303	FLANGE END SHIELD BG71F154 D.E.ELEC KIT	1
2.1A		> LANTERN V18 M85-F154 KTL	1
2.1B	2027201	> BLOWGUN R1/8" VP.	1
Note: Please give the data from type plate of the motor			
2.2	2111310	END SHIELD BG71 V18 D.E.ELEC KIT	1
2.2A		> Flange IEC71 V18 (w/o thread)	1
2.2B	2111309	> CONDENSATE HOLE GASKET D5 VP.	1
Note: Please give the data from type plate of the motor			
2.3	2111313	SCREW M6X30 6.8 (4 PIECES)	1
2.4	2111324	THROWER D.36X4 VP.	1
2.5	2111332	CIRCLIP D.17 GB894.1 VP.	1
2.6	2111341	BALL BEARING 6203 DDW C3 EA6 VP.	1
2.7	2111335	CIRCLIP D.40 GB893.1 VP.	1
2.8	2111340	BALL BEARING 6202 DDW C3 EA6 VP.	1
2.9	2111338	SPRING RING D.35 VP.	1
2.10	2163997	Flange BG71 N.D.E.Elec KIT	1
		> Flange IEC71 NDS with slot reduce0.5	1
		> O-RING ID35*3 EPDM	1
2.11	2111318	SCREW M5X169 6.8 (4 PIECES)	1
2.12	2107778	FAN WHEEL BG71/80 ELEC KIT	1
2.12A		> FAN 110x15x15.3 GP2200 G/F20%	1
2.12B	2111321	> STOP-RING D.14,8x0,4 VP.	1
Note: Please give the data from type plate of the motor			
2.13	2107783	FAN HOOD BG71 ELEC KIT	1
2.13A		> FAN COVER IEC71 KTL ST14 T0.8 H60	1
2.13B	2111323	> SCREW M4X6 (4 PIECES)	1
Note: Please give the data from type plate of the motor			
2.14	2163998	O-Ring ID35*3 EPDM VP.	1



ATB

Motor-Nummer  
motor number  
numéro du moteur

		IE2			
3~Mot.	AF132S/2F-11S+E2/0509	IE2-88,1%			
S1	132S IMV1	224039411-1	522058X		
IP 55	Th. CI.155(F)	SCHWINGGROESSENSTUFE B			
WILO NR.2064705					
kW	V	Hz	A	1/min	COS φ
7,5	YΔ 690/400	50	7,9/3,7	2890	0,90
7,5	Δ 460	60	11,8	3510	0,89
Made in Germany		50 kg	EN 60034		

ELEC

Motor-Nummer  
motor number  
numéro du moteur

<b>3~Induction Motor</b>		Made by WILLO Group			
3501437	W080090-2-F188	0902.001			
Class F	S1	IP55	13.5kg	EN60034	
50Hz	1.10kW	2850min <sup>-1</sup>	60Hz	1.29kW	3435min <sup>-1</sup>
YΔ	230/400V	4.02/2.32A	Y	440-480V	2.40-2.32A
Cos φ =0.82		IE2-81.5%	Cos φ =0.85		IE2-82.5%

**Motor-Typenschild / Motor type plate / Plaque identité moteur**

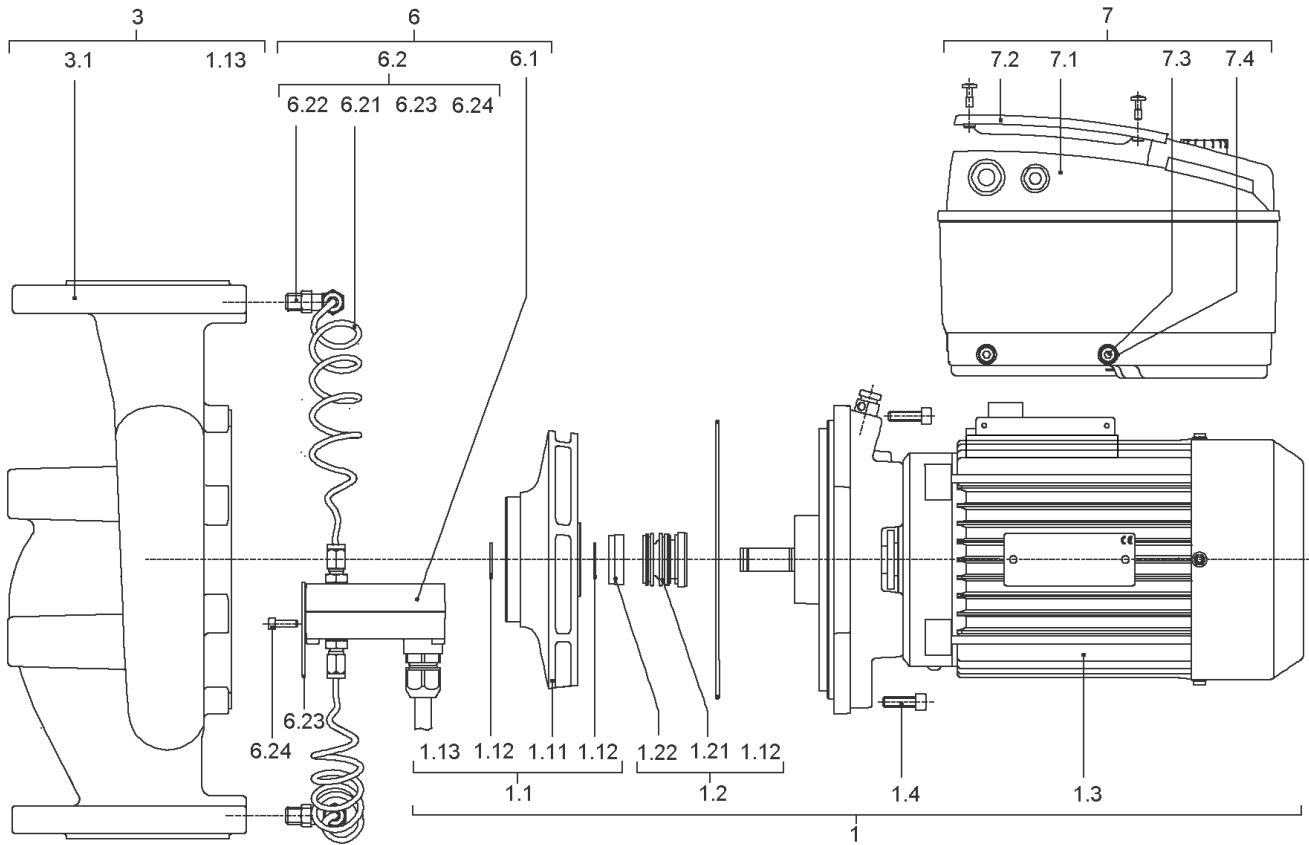
**Bei Ersatzteilbestellung Motor-Nummer angeben!**

**Indicate motor number for order of spare parts!**

**Pour une commande de pièces détachées, donner le numéro du moteur!**

**IP-E40/120-1,5/2-IE2 (2109763)**

<b>Item</b>	<b>Description</b>	<b>Quantity</b>
1	Spare parts IP-E40/120-1,5/2 ATB	1
2	Spare parts IP-E40/120-1,5/2 ELEC	1



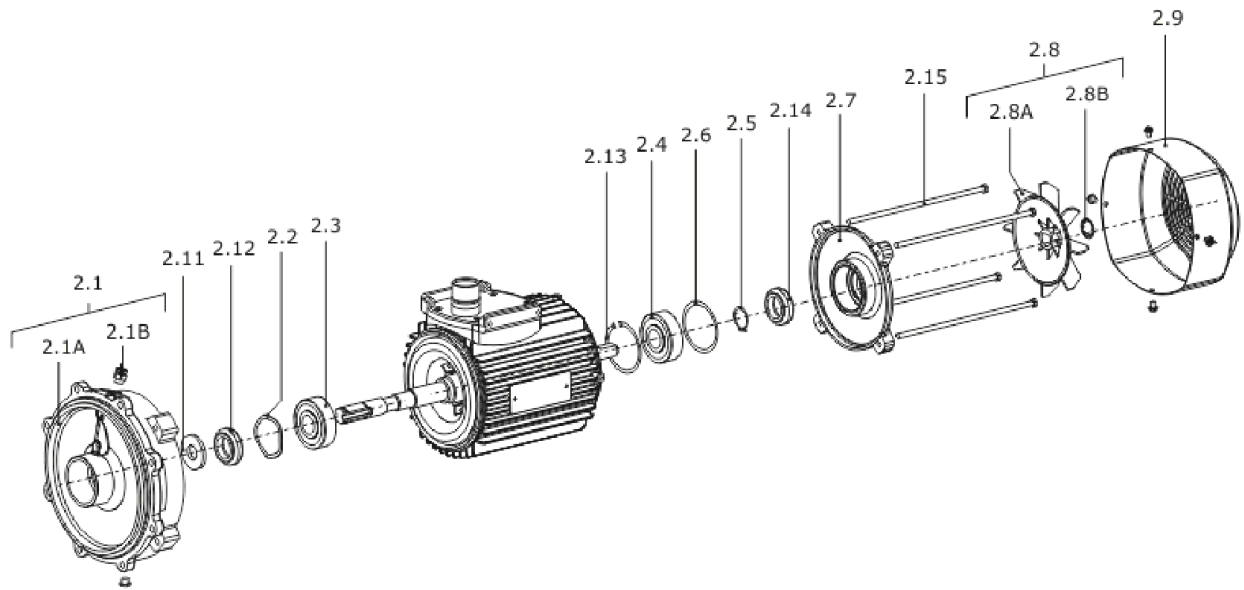
## Spare parts IP-E40/120-1,5/2 ATB

Item	Article no.	Description	Quantity
1	2112600	SERVICE MOTOR IP/DP-E40/120-1,5 IE2ATB	1
1.1	2023918	> IMPELLER D.55/124/17X8,2 KIT	1
1.11		>> IMPELLER D.55/124/17X8,2 PPO BEARB.	1
1.12	2123932	>> CIRCLIP 17X1 DIN471 A2 1.4122 VP.	1
1.13	2046358	>> O-RING ID.164,7X3,53 E7518 VP.	1
1.2	122097593	> Mechanical seal ID.17 AQ1EGG KIT	1
1.12	2123932	>> CIRCLIP 17X1 DIN471 A2 1.4122 VP.	1
1.13	2010300	>> O-RING ID.107,54X3,53	1
1.13	2010301	>> O-RING ID.117,07X3,53	1
1.13	2054183	>> O-RING ID.158,34X3,53 E7518	1
Note: TO/ BIS/ JUSQU'À: 03/03			
1.13	2046358	>> O-RING ID.164,7X3,53 E7518 VP.	1
Note: FROM/ AB/ À PARTIR: 04/03			
1.21		>> MECHANICAL SEAL ID.17 AQ1EGG	1
1.22		>> Distance ring D.17/30X9 PPO FE1630	1
1.3		> Motor	1
1.4	2052495	> SCREW M6X20 ISO4762 8.8 (8 PIECES)	1
		Spare parts motor 1,5/2/90 F188E ATB IE2	1
3	2016517	PUMP HOUSING IPL40/160/IP-E40/5 KIT	1
1.13	2046358	> O-RING ID.164,7X3,53 E7518 VP.	1
3.1		> PUMP HOUSING IP-E40/160 CPL.WILO	1
6	2104479	DPS20-1(0-10V) KIT	1
6.1	2106113	> DIFFERENTIAL PRESSURE SENSOR 20 KIT	1
Note: FROM/ AB/ À PARTIR: 09/2009			
		>> DPS20 spiral TZ.3mm Volt 2G	1
	2196657	>> Cable DPS 3x0,34x650 short bared 2G VP.	1
Note: from/ab/de 01.10.2013			
6.2	2106120	> CONNECTION SENSOR IP-E SPIRAL M6 KIT	1
Note: FROM/ AB/ À PARTIR: 09/2009			
6.21		>> CAPILLARY COIL 1000	2
6.22		>> Fixation ring pipe union R1/8" 90GD.Ni	1
6.23		>> HANDLE DDG M6	1
6.24		>> Screw M4x10 EE DIN7500 ZN	2
	2168862	>> Nut/Ferrule M6 D.3MM MS Ni (2 Pieces)	1

## Spare parts IP-E40/120-1,5/2 ATB

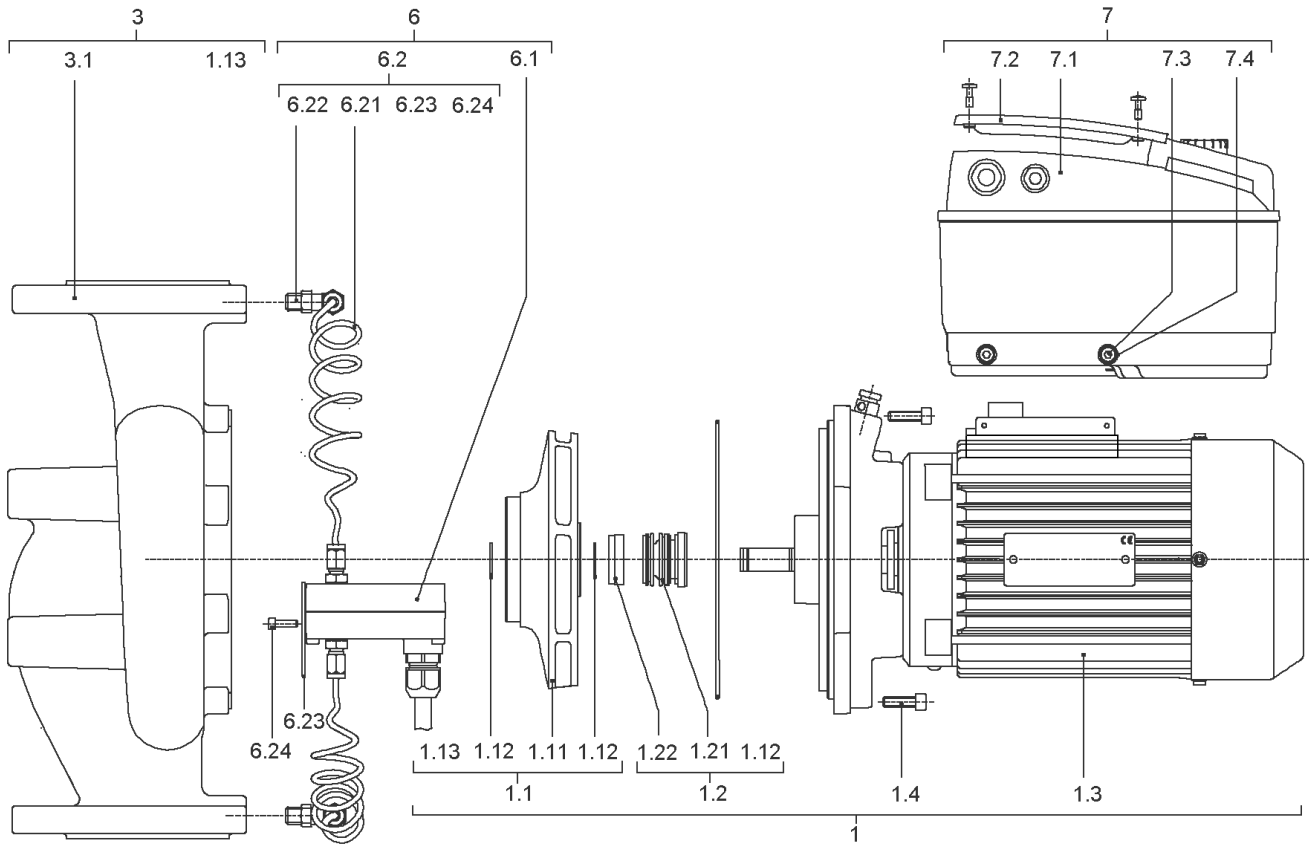
Item	Article no.	Description	Quantity
	2168860	>> Nut/Ferrule M8 D.5MM MS Ni (2 Pieces)	1
7	2111420	MODULE IP/DP-E40/120-1,5/2-IE2 ATB KIT	1
7.1		> Module IP-E/DP-E40/120-1,5/2 IE2 ATB	1
7.2	2054227	> MODULE COVER/GASKET TL3/4 KIT	1
7.3		> SCREW M5X16 ISO4762 8.8 ZnNi	1
7.4		> WASHER TOOTHED LOCK A5,3 DIN6797 FST ZN	1
	2061236	> O-RING ID.38X3 EPDM 70SR.A BUS.	1





## Spare parts motor 1,5/2/90 F188E ATB IE2

Item	Article no.	Description	Quantity
2.1	2125450	END SHIELD BG80/90 D.E.ATB KIT	1
Note: Please give the data from type plate of the motor			
2.1A		> END SHIELD BG/8090 D.E.567955 ATB	1
2.1B	2027201	> BLOWGUN R1/8" VP.	1
Note: Please give the data from type plate of the motor			
2.2	2112677	CIRCLIP 52X2 J ATB VP.	1
Note: Please give the data from type plate of the motor			
2.3	121083998	BALL BEARING 6205/2Z-C3 (HT) VP.	1
Note: Please give the data from type plate of the motor			
2.4	121083998	BALL BEARING 6205/2Z-C3 (HT) VP.	1
Note: Please give the data from type plate of the motor			
2.6	2096272	SPACER DISC BG80-100 ATB VP.	1
Note: Please give the data from type plate of the motor			
2.7	2122264	END SHIELD BG80/90 N.D.E.ATB VP.	1
Note: Please give the data from type plate of the motor			
2.8	121479094	FAN WHEEL BG90/100 ATB KIT	1
Note: Please give the data from type plate of the motor			
2.8A		> FAN WHEEL BG90/100 721383 ATB	1
2.8B	2047016	> CORRUGATED SLEEVE RING BG90/100 ATB VP.	1
Note: Please give the data from type plate of the motor			
2.9	2046449	FAN HOUSING BG90 PLASTIC ATB VP.	1
Note: Please give the data from type plate of the motor			
2.12	2138735	SHAFT SEAL RING BG90 D.E.ATB VP.	1
Note: Please give the data from type plate of the motor			
2.14	2112921	JOINT RING CIRCULAR 25X35X4 ATB VP.	1
2.15	2112674	SCREW END SHIELD M5X190 ATB(4 PIECES)	1
Note: Please give the data from type plate of the motor			
	2111437	GASKET TERMINAL BOX BG90 ATB.VP.	1
Note: Please give the data from type plate of the motor			

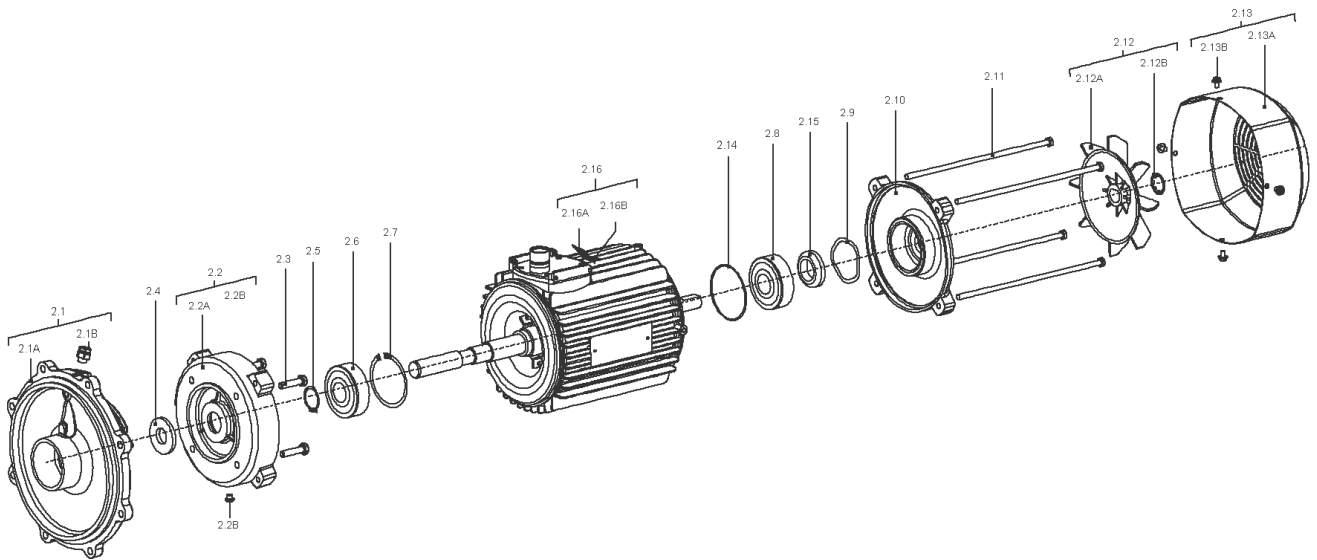


## Spare parts IP-E40/120-1,5/2 ELEC

Item	Article no.	Description	Quantity
1	2139830	Service Motor IP/DP-E40/120-1,5 IE2ELEC	1
1.1	2023918	> IMPELLER D.55/124/17X8,2 KIT	1
1.11		>> IMPELLER D.55/124/17X8,2 PPO BEARB.	1
1.12	2123932	>> CIRCLIP 17X1 DIN471 A2 1.4122 VP.	1
1.13	2046358	>> O-RING ID.164,7X3,53 E7518 VP.	1
1.2	122097593	> Mechanical seal ID.17 AQ1EGG KIT	1
1.12	2123932	>> CIRCLIP 17X1 DIN471 A2 1.4122 VP.	1
1.13	2010300	>> O-RING ID.107,54X3,53	1
1.13	2010301	>> O-RING ID.117,07X3,53	1
1.13	2054183	>> O-RING ID.158,34X3,53 E7518	1
Note: TO/ BIS/ JUSQU'À: 03/03			
1.13	2046358	>> O-RING ID.164,7X3,53 E7518 VP.	1
Note: FROM/ AB/ À PARTIR: 04/03			
1.21		>> MECHANICAL SEAL ID.17 AQ1EGG	1
1.22		>> Distance ring D.17/30X9 PPO FE1630	1
1.3		> Motor	1
1.4	2052495	> SCREW M6X20 ISO4762 8.8 (8 PIECES)	1
		Spare parts motor 1,5/2/90F188E ELEC IE2	1
3	2016517	PUMP HOUSING IPL40/160/IP-E40/5 KIT	1
1.13	2046358	> O-RING ID.164,7X3,53 E7518 VP.	1
3.1		> PUMP HOUSING IP-E40/160 CPL.WILO	1
6	2104479	DPS20-1(0-10V) KIT	1
6.1	2106113	> DIFFERENTIAL PRESSURE SENSOR 20 KIT	1
Note: FROM/ AB/ À PARTIR: 09/2009			
		>> DPS20 spiral TZ.3mm Volt 2G	1
	2196657	>> Cable DPS 3x0,34x650 short bared 2G VP.	1
Note: from/ab/de 01.10.2013			
6.2	2106120	> CONNECTION SENSOR IP-E SPIRAL M6 KIT	1
Note: FROM/ AB/ À PARTIR: 09/2009			
6.21		>> CAPILLARY COIL 1000	2
6.22		>> Fixation ring pipe union R1/8" 90GD.Ni	1
6.23		>> HANDLE DDG M6	1
6.24		>> Screw M4x10 EE DIN7500 ZN	2
	2168862	>> Nut/Ferrule M6 D.3MM MS Ni (2 Pieces)	1

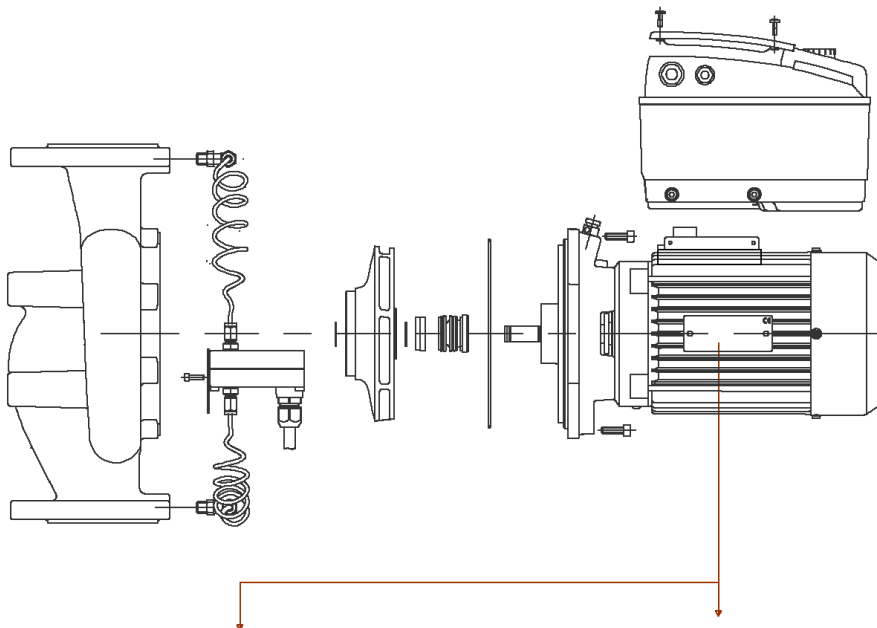
## Spare parts IP-E40/120-1,5/2 ELEC

Item	Article no.	Description	Quantity
	2168860	>> Nut/Ferrule M8 D.5MM MS Ni (2 Pieces)	1
7	2145509	Module IP/DP-E40/120-1,5/2-IE2 ELEC KIT	1
7.1		> Module IP-E/DP-E40/120-1,5/2 IE2 ELEC	1
7.2	2054227	> MODULE COVER/GASKET TL3/4 KIT	1
7.3		> SCREW M5X16 ISO4762 8.8 ZnNi	1
7.4		> WASHER TOOTHED LOCK A5,3 DIN6797 FST ZN	1
	2061236	> O-RING ID.38X3 EPDM 70SR.A BUS.	1



## Spare parts motor 1,5/2/90F188E ELEC IE2

Item	Article no.	Description	Quantity
2.1	2111307	FLANGE END SHIELD BG90F188 D.E.ELEC KIT	1
2.1A		> LANTERN V18 M115-F188 KTL	1
2.1B	2027201	> BLOWGUN R1/8" VP.	1
Note: Please give the data from type plate of the motor			
2.2	2111312	END SHIELD BG90 V18 D.E.ELEC KIT	1
2.2A		> Flange IEC90 V18 (w/o thread)	1
2.2B	2111309	> CONDENSATE HOLE GASKET D5 VP.	1
Note: Please give the data from type plate of the motor			
2.3	2111314	SCREW M8X40 6.8 (4 PIECES)	1
2.4	2111324	THROWER D.36X4 VP.	1
2.5	2111334	CIRCLIP D.30 GB894.1 VP.	1
2.6	2118385	BALL BEARING 6306 DDW C3 EA6 VP.	1
2.7	2111337	CIRCLIP D.72 GB893.1 VP.	1
2.8	2111342	BALL BEARING 6204 DDW C3 EA3 VP.	1
2.9	2111339	SPRING RING D.47 JB/T7590 VP.	1
2.10	2157920	End shield BG90 N.D.E.ELEC KIT	1
		> Flange IEC90 NDS with slot reduce0.5	1
		> O-RING ID47.2*3.53 EPDM	1
2.11	2111320	SCREW M5X211 6.8 (4 PIECES)	1
2.12	2107782	FAN WHEEL BG90 ELEC KIT	1
2.12A		> FAN 122.6X15X17 GP2200 G/F20%	1
2.12B	2111321	> STOP-RING D.14,8x0,4 VP.	1
Note: Please give the data from type plate of the motor			
2.13	2111322	FAN HOOD BG90 ELEC KIT	1
2.13A		> FAN COVER IEC90 KTL ST14 T0.8 H70	1
2.13B	2111323	> SCREW M4X6 (4 PIECES)	1
Note: Please give the data from type plate of the motor			



ATB

Motor-Nummer  
motor number  
numéro du moteur

		IE2			
3~Mot.	AF132S/2F-11S+E2/0509	IE2-88,1%			
S1	132S IMV1	224039411-1	522058X		
IP 55	Th. CI.155(F)	SCHWINGROESSENSTUFE B			
WILO NR.2064705					
kW	V	Hz	A	1/min	COS φ
7,5	YΔ 690/400	50	7,9/3,7	2890	0,90
7,5	Δ 460	60	11,8	3510	0,89
Made in Germany		50 kg	EN 60034		

ELEC

Motor-Nummer  
motor number  
numéro du moteur

<b>3~Induction Motor</b>		Made by WILLO Group			
3501437	W080090-2-F188	0902.001			
Class F	S1	IP55	13.5kg	EN60034	
50Hz	1.10kW	2850min <sup>-1</sup>	60Hz	1.29kW	3435min <sup>-1</sup>
YΔ	230/400V	4.02/2.32A	Y	440-480V	2.40-2.32A
Cos φ =0.82		IE2-81.5%	Cos φ =0.85		IE2-82.5%

**Motor-Typenschild / Motor type plate / Plaque identité moteur**

**Bei Ersatzteilbestellung Motor-Nummer angeben!**

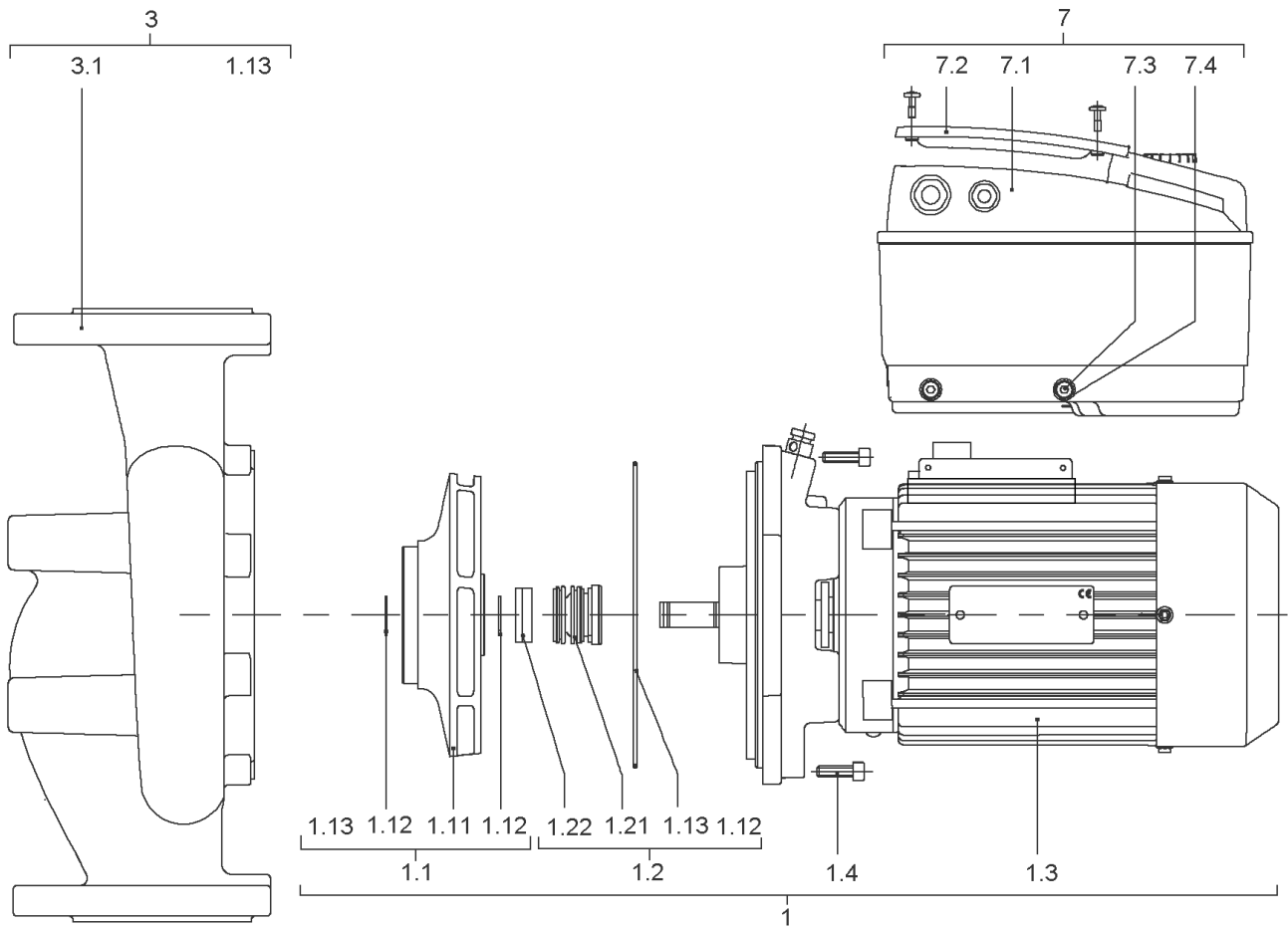
**Indicate motor number for order of spare parts!**

**Pour une commande de pièces détachées, donner le numéro du moteur!**



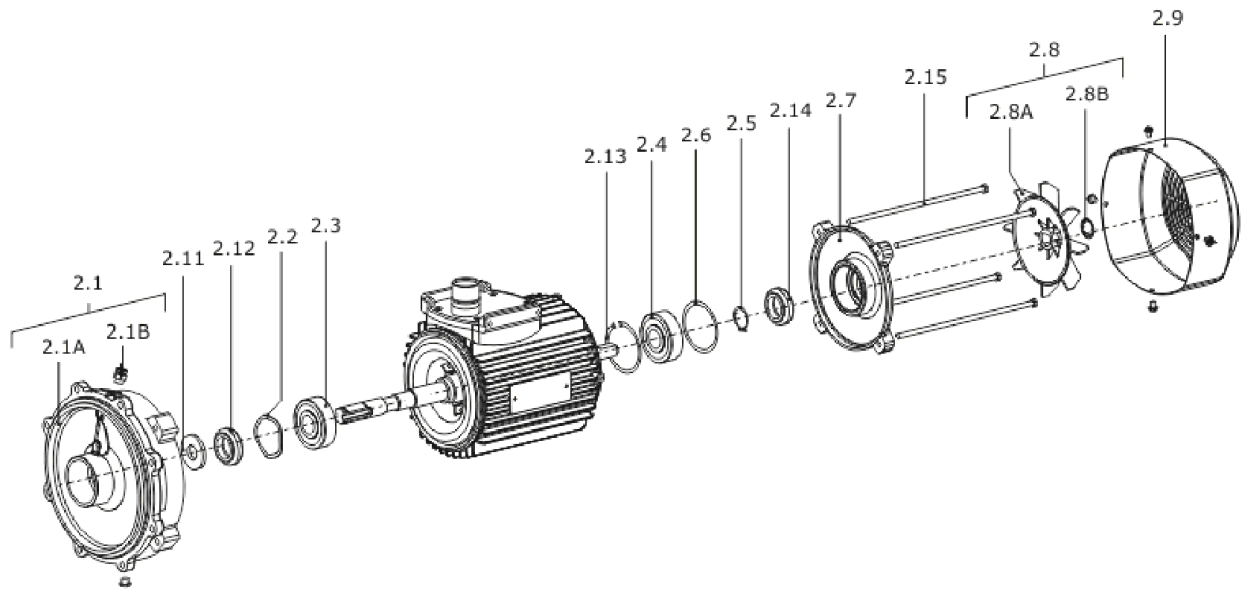
**IP-E40/120-1,5/2-R1-IE2 (2109799)**

<b>Item</b>	<b>Description</b>	<b>Quantity</b>
ATB	Spare parts IP-E40/120-1,5/2-R1 ATB	1
ELEC	Spare parts IP-E40/120-1,5/2-R1 ELEC	1



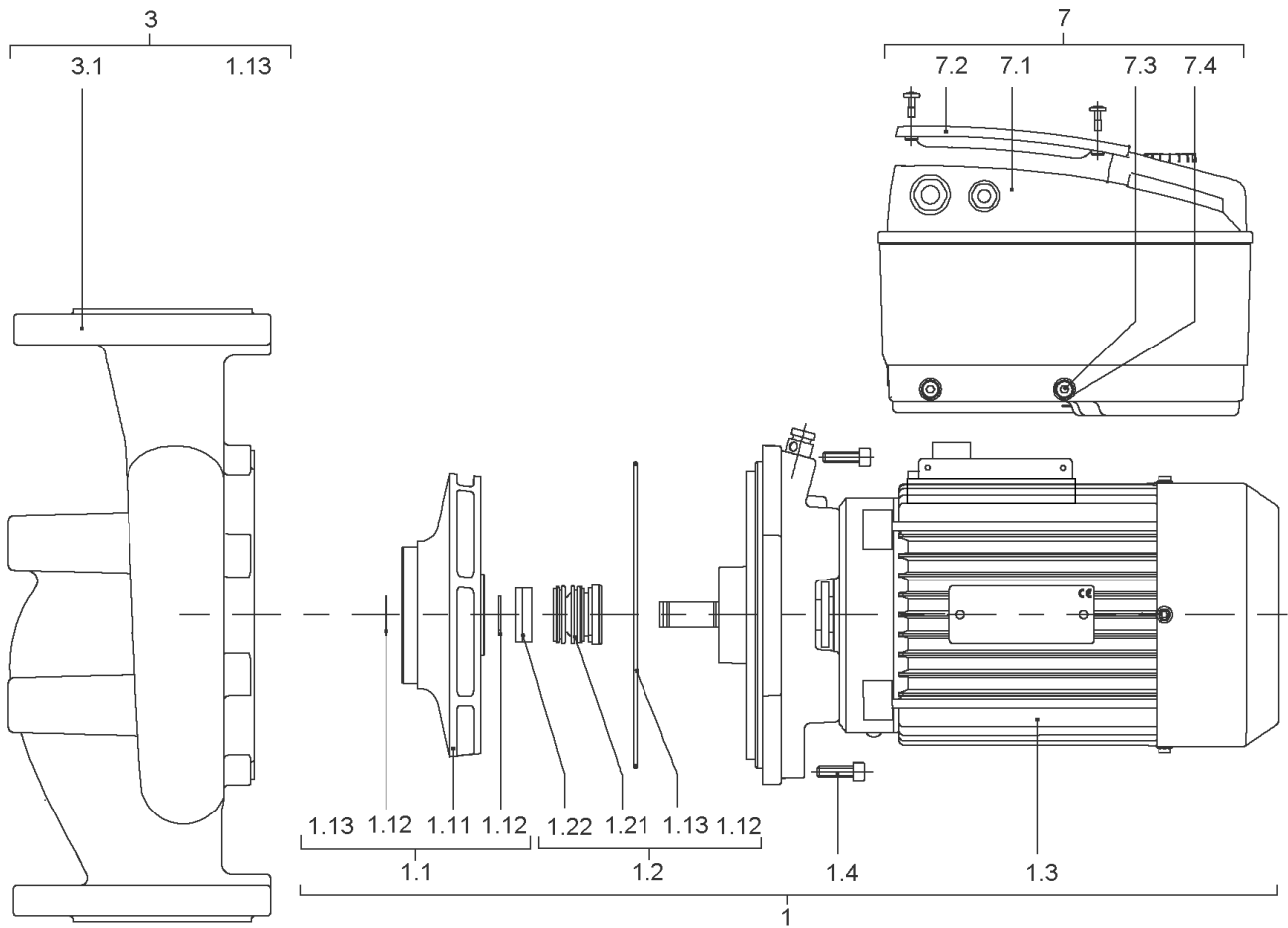
**Spare parts IP-E40/120-1,5/2-R1 ATB**

Item	Article no.	Description	Quantity
1	2112600	SERVICE MOTOR IP/DP-E40/120-1,5 IE2ATB	1
1.1	2023918	> IMPELLER D.55/124/17X8,2 KIT	1
1.11		>> IMPELLER D.55/124/17X8,2 PPO BEARB.	1
1.12	2123932	>> CIRCLIP 17X1 DIN471 A2 1.4122 VP.	1
1.13	2046358	>> O-RING ID.164,7X3,53 E7518 VP.	1
1.2	122097593	> Mechanical seal ID.17 AQ1EGG KIT	1
1.12	2123932	>> CIRCLIP 17X1 DIN471 A2 1.4122 VP.	1
1.13	2010300	>> O-RING ID.107,54X3,53	1
1.13	2010301	>> O-RING ID.117,07X3,53	1
1.13	2054183	>> O-RING ID.158,34X3,53 E7518	1
Note: TO/ BIS/ JUSQU'À: 03/03			
1.13	2046358	>> O-RING ID.164,7X3,53 E7518 VP.	1
Note: FROM/ AB/ À PARTIR: 04/03			
1.21		>> MECHANICAL SEAL ID.17 AQ1EGG	1
1.22		>> Distance ring D.17/30X9 PPO FE1630	1
1.3		> Motor	1
1.4	2052495	> SCREW M6X20 ISO4762 8.8 (8 PIECES)	1
		Spare parts motor 1,5/2/90 F188E ATB IE2	1
3	2016517	PUMP HOUSING IPL40/160/IP-E40/5 KIT	1
1.13	2046358	> O-RING ID.164,7X3,53 E7518 VP.	1
3.1		> PUMP HOUSING IP-E40/160 CPL.WILO	1
7	2111420	MODULE IP/DP-E40/120-1,5/2-IE2 ATB KIT	1
7.1		> Module IP-E/DP-E40/120-1,5/2 IE2 ATB	1
7.2	2054227	> MODULE COVER/GASKET TL3/4 KIT	1
7.3		> SCREW M5X16 ISO4762 8.8 ZnNi	1
7.4		> WASHER TOOTHED LOCK A5,3 DIN6797 FST ZN	1
	2061236	> O-RING ID.38X3 EPDM 70SR.A BUS.	1



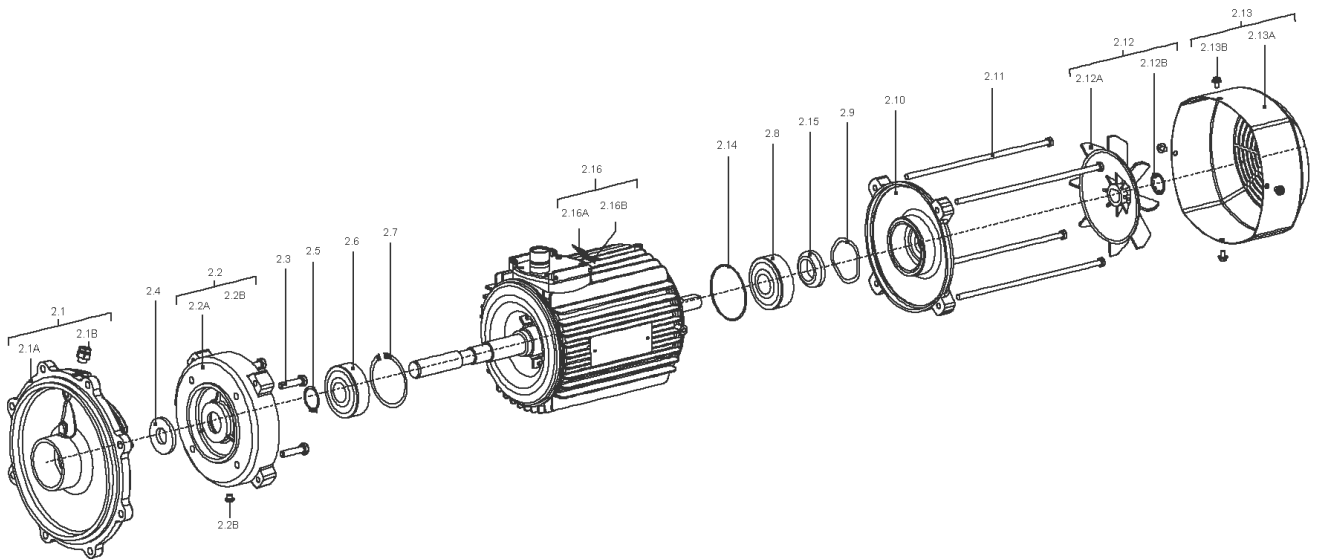
## Spare parts motor 1,5/2/90 F188E ATB IE2

Item	Article no.	Description	Quantity
2.1	2125450	END SHIELD BG80/90 D.E.ATB KIT	1
Note: Please give the data from type plate of the motor			
2.1A		> END SHIELD BG/8090 D.E.567955 ATB	1
2.1B	2027201	> BLOWGUN R1/8" VP.	1
Note: Please give the data from type plate of the motor			
2.2	2112677	CIRCLIP 52X2 J ATB VP.	1
Note: Please give the data from type plate of the motor			
2.3	121083998	BALL BEARING 6205/2Z-C3 (HT) VP.	1
Note: Please give the data from type plate of the motor			
2.4	121083998	BALL BEARING 6205/2Z-C3 (HT) VP.	1
Note: Please give the data from type plate of the motor			
2.6	2096272	SPACER DISC BG80-100 ATB VP.	1
Note: Please give the data from type plate of the motor			
2.7	2122264	END SHIELD BG80/90 N.D.E.ATB VP.	1
Note: Please give the data from type plate of the motor			
2.8	121479094	FAN WHEEL BG90/100 ATB KIT	1
Note: Please give the data from type plate of the motor			
2.8A		> FAN WHEEL BG90/100 721383 ATB	1
2.8B	2047016	> CORRUGATED SLEEVE RING BG90/100 ATB VP.	1
Note: Please give the data from type plate of the motor			
2.9	2046449	FAN HOUSING BG90 PLASTIC ATB VP.	1
Note: Please give the data from type plate of the motor			
2.12	2138735	SHAFT SEAL RING BG90 D.E.ATB VP.	1
Note: Please give the data from type plate of the motor			
2.14	2112921	JOINT RING CIRCULAR 25X35X4 ATB VP.	1
2.15	2112674	SCREW END SHIELD M5X190 ATB(4 PIECES)	1
Note: Please give the data from type plate of the motor			
	2111437	GASKET TERMINAL BOX BG90 ATB.VP.	1
Note: Please give the data from type plate of the motor			



**Spare parts IP-E40/120-1,5/2-R1 ELEC**

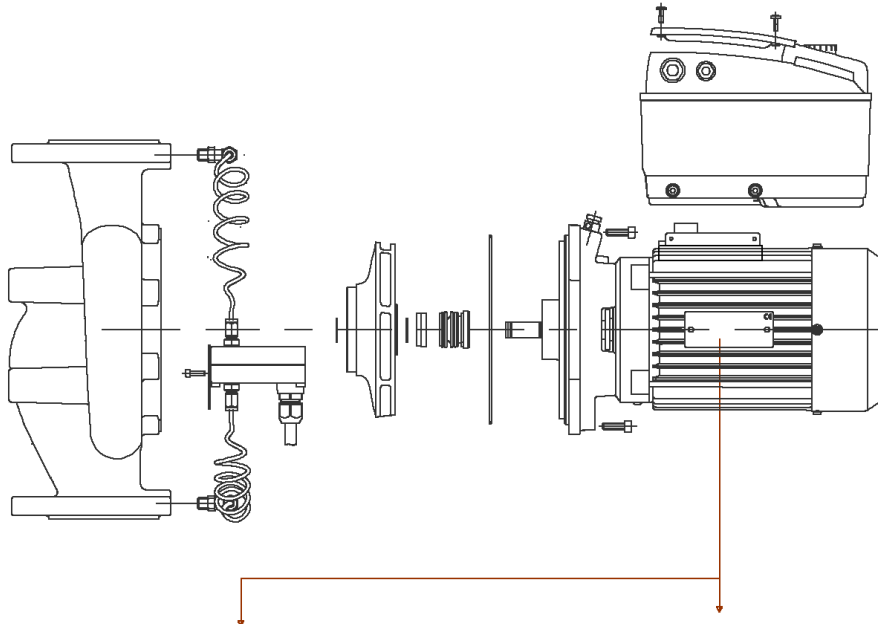
Item	Article no.	Description	Quantity
1	2139830	Service Motor IP/DP-E40/120-1,5 IE2ELEC	1
1.1	2023918	> IMPELLER D.55/124/17X8,2 KIT	1
1.11		>> IMPELLER D.55/124/17X8,2 PPO BEARB.	1
1.12	2123932	>> CIRCLIP 17X1 DIN471 A2 1.4122 VP.	1
1.13	2046358	>> O-RING ID.164,7X3,53 E7518 VP.	1
1.2	122097593	> Mechanical seal ID.17 AQ1EGG KIT	1
1.12	2123932	>> CIRCLIP 17X1 DIN471 A2 1.4122 VP.	1
1.13	2010300	>> O-RING ID.107,54X3,53	1
1.13	2010301	>> O-RING ID.117,07X3,53	1
1.13	2054183	>> O-RING ID.158,34X3,53 E7518	1
Note: TO/ BIS/ JUSQU'À: 03/03			
1.13	2046358	>> O-RING ID.164,7X3,53 E7518 VP.	1
Note: FROM/ AB/ À PARTIR: 04/03			
1.21		>> MECHANICAL SEAL ID.17 AQ1EGG	1
1.22		>> Distance ring D.17/30X9 PPO FE1630	1
1.3		> Motor	1
1.4	2052495	> SCREW M6X20 ISO4762 8.8 (8 PIECES)	1
		Spare parts motor 1,5/2/90F188E ELEC IE2	1
3	2016517	PUMP HOUSING IPL40/160/IP-E40/5 KIT	1
1.13	2046358	> O-RING ID.164,7X3,53 E7518 VP.	1
3.1		> PUMP HOUSING IP-E40/160 CPL.WILO	1
7	2145509	Module IP/DP-E40/120-1,5/2-IE2 ELEC KIT	1
7.1		> Module IP-E/DP-E40/120-1,5/2 IE2 ELEC	1
7.2	2054227	> MODULE COVER/GASKET TL3/4 KIT	1
7.3		> SCREW M5X16 ISO4762 8.8 ZnNi	1
7.4		> WASHER TOOTHED LOCK A5,3 DIN6797 FST ZN	1
	2061236	> O-RING ID.38X3 EPDM 70SR.A BUS.	1





## Spare parts motor 1,5/2/90F188E ELEC IE2

Item	Article no.	Description	Quantity
2.1	2111307	FLANGE END SHIELD BG90F188 D.E.ELEC KIT	1
2.1A		> LANTERN V18 M115-F188 KTL	1
2.1B	2027201	> BLOWGUN R1/8" VP.	1
Note: Please give the data from type plate of the motor			
2.2	2111312	END SHIELD BG90 V18 D.E.ELEC KIT	1
2.2A		> Flange IEC90 V18 (w/o thread)	1
2.2B	2111309	> CONDENSATE HOLE GASKET D5 VP.	1
Note: Please give the data from type plate of the motor			
2.3	2111314	SCREW M8X40 6.8 (4 PIECES)	1
2.4	2111324	THROWER D.36X4 VP.	1
2.5	2111334	CIRCLIP D.30 GB894.1 VP.	1
2.6	2118385	BALL BEARING 6306 DDW C3 EA6 VP.	1
2.7	2111337	CIRCLIP D.72 GB893.1 VP.	1
2.8	2111342	BALL BEARING 6204 DDW C3 EA3 VP.	1
2.9	2111339	SPRING RING D.47 JB/T7590 VP.	1
2.10	2157920	End shield BG90 N.D.E.ELEC KIT	1
		> Flange IEC90 NDS with slot reduce0.5	1
		> O-RING ID47.2*3.53 EPDM	1
2.11	2111320	SCREW M5X211 6.8 (4 PIECES)	1
2.12	2107782	FAN WHEEL BG90 ELEC KIT	1
2.12A		> FAN 122.6X15X17 GP2200 G/F20%	1
2.12B	2111321	> STOP-RING D.14,8x0,4 VP.	1
Note: Please give the data from type plate of the motor			
2.13	2111322	FAN HOOD BG90 ELEC KIT	1
2.13A		> FAN COVER IEC90 KTL ST14 T0.8 H70	1
2.13B	2111323	> SCREW M4X6 (4 PIECES)	1
Note: Please give the data from type plate of the motor			



ATB

Motor-Nummer  
motor number  
numéro du moteur

		IE2			
3~Mot.	AF132S/2F-11S+E2/0509	IE2-88,1%			
S1	132S IMV1	224039411-1	522058X		
IP 55	Th. CI.155(F)	SCHWINGGROESSENSTUFE B			
WILO NR.2064705					
kW	V	Hz	A	1/min	COS φ
7,5	YΔ 690/400	50	7,9/3,7	2890	0,90
7,5	Δ 460	60	11,8	3510	0,89
Made in Germany		50 kg	EN 60034		

ELEC

Motor-Nummer  
motor number  
numéro du moteur

<b>3~Induction Motor</b>		Made by WILLO Group			
3501437	W080090-2-F188	0902.001			
Class F	S1	IP55	13.5kg	EN60034	
50Hz	1.10kW	2850min <sup>-1</sup>	60Hz	1.29kW	3435min <sup>-1</sup>
YΔ	230/400V	4.02/2.32A	Y	440-480V	2.40-2.32A
Cos φ =0.82		IE2-81.5%	Cos φ =0.85		IE2-82.5%

**Motor-Typenschild / Motor type plate / Plaque identité moteur**

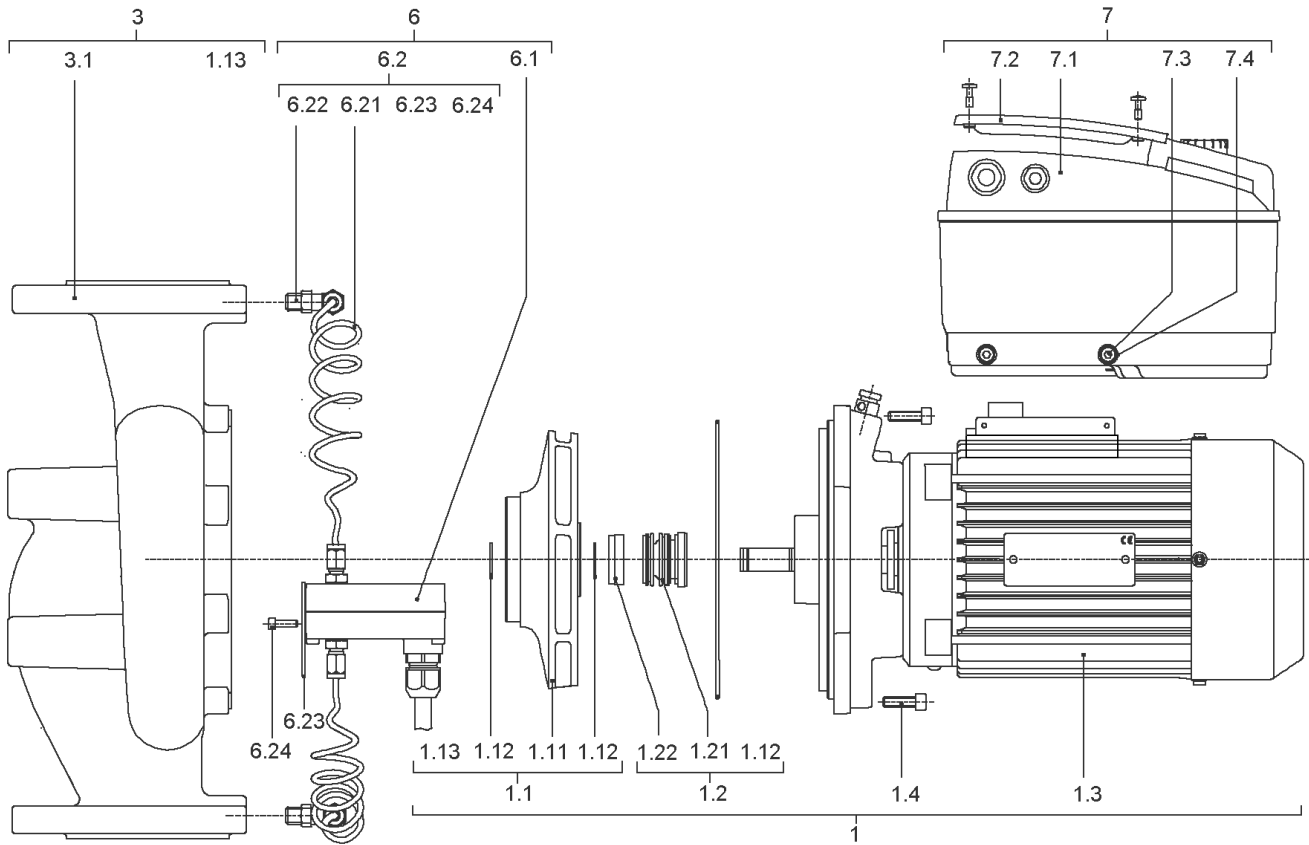
**Bei Ersatzteilbestellung Motor-Nummer angeben!**

**Indicate motor number for order of spare parts!**

**Pour une commande de pièces détachées, donner le numéro du moteur!**

**IP-E40/130-2,2/2-IE2 (2109764)**

<b>Item</b>	<b>Description</b>	<b>Quantity</b>
ATB	Spare parts IP-E40/130-2,2/2 ATB	1
ELEC	Spare parts IP-E40/130-2,2/2 ELEC	1

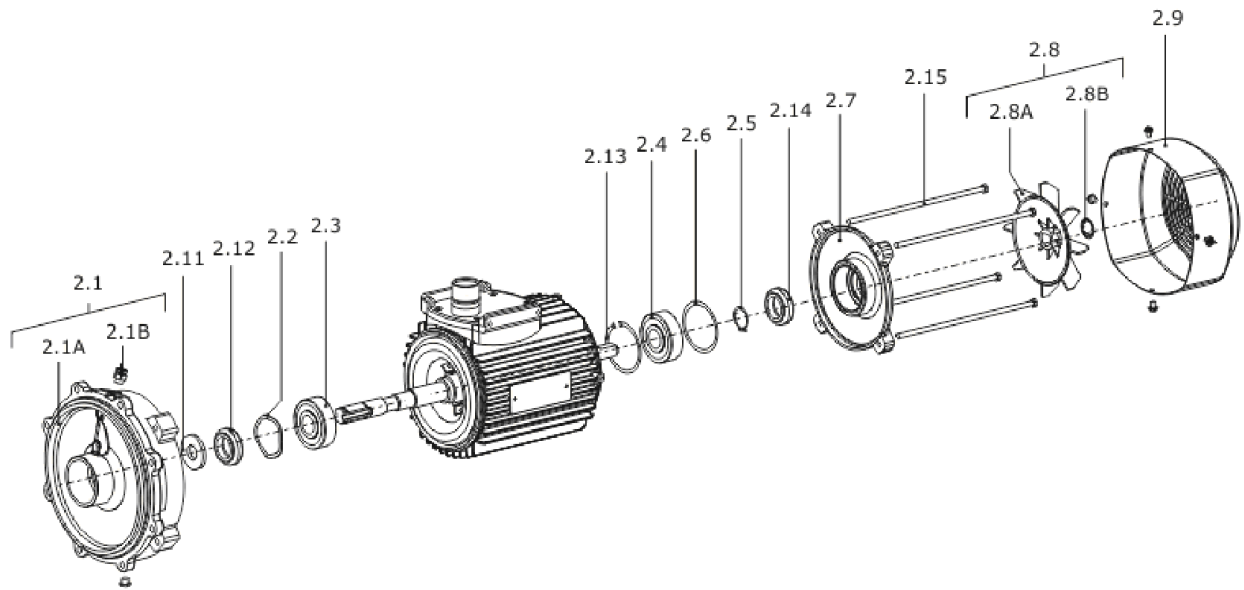


## Spare parts IP-E40/130-2,2/2 ATB

Item	Article no.	Description	Quantity
1	2112601	SERVICE MOTOR IP/DP-E40/130-2,2 IE2ATB	1
1.1	2008783	> IMPELLER D.55/133/17X8,1 KIT	1
1.11		>> IMPELLER D.55/133/17X8,1 PPO BEARB.	1
1.12	2123932	>> CIRCLIP 17X1 DIN471 A2 1.4122 VP.	1
1.13	2046358	>> O-RING ID.164,7X3,53 E7518 VP.	1
1.2	122097593	> Mechanical seal ID.17 AQ1EGG KIT	1
1.12	2123932	>> CIRCLIP 17X1 DIN471 A2 1.4122 VP.	1
1.13	2010300	>> O-RING ID.107,54X3,53	1
1.13	2010301	>> O-RING ID.117,07X3,53	1
1.13	2054183	>> O-RING ID.158,34X3,53 E7518	1
Note: TO/ BIS/ JUSQU'À: 03/03			
1.13	2046358	>> O-RING ID.164,7X3,53 E7518 VP.	1
Note: FROM/ AB/ À PARTIR: 04/03			
1.21		>> MECHANICAL SEAL ID.17 AQ1EGG	1
1.22		>> Distance ring D.17/30X9 PPO FE1630	1
1.3		> Motor	1
1.4	2052495	> SCREW M6X20 ISO4762 8.8 (8 PIECES)	1
		Spare parts motor 2,2/2/90 F188E ATB IE2	1
3	2016517	PUMP HOUSING IPL40/160/IP-E40/5 KIT	1
1.13	2046358	> O-RING ID.164,7X3,53 E7518 VP.	1
3.1		> PUMP HOUSING IP-E40/160 CPL.WILO	1
6	2104485	DPS40-1(0-10V) KIT	1
6.1	2106115	> DIFFERENTIAL PRESSURE SENSOR 40 KIT	1
Note: FROM/ AB/ À PARTIR: 09/2009			
		>> DPS40 spiral TZ.3mm Volt 2G	1
	2196657	>> Cable DPS 3x0,34x650 short bared 2G VP.	1
Note: from/ab/de 01.10.2013			
6.2	2106120	> CONNECTION SENSOR IP-E SPIRAL M6 KIT	1
Note: FROM/ AB/ À PARTIR: 09/2009			
6.21		>> CAPILLARY COIL 1000	2
6.22		>> Fixation ring pipe union R1/8" 90GD.Ni	1
6.23		>> HANDLE DDG M6	1
6.24		>> Screw M4x10 EE DIN7500 ZN	2
	2168862	>> Nut/Ferrule M6 D.3MM MS Ni (2 Pieces)	1

## Spare parts IP-E40/130-2,2/2 ATB

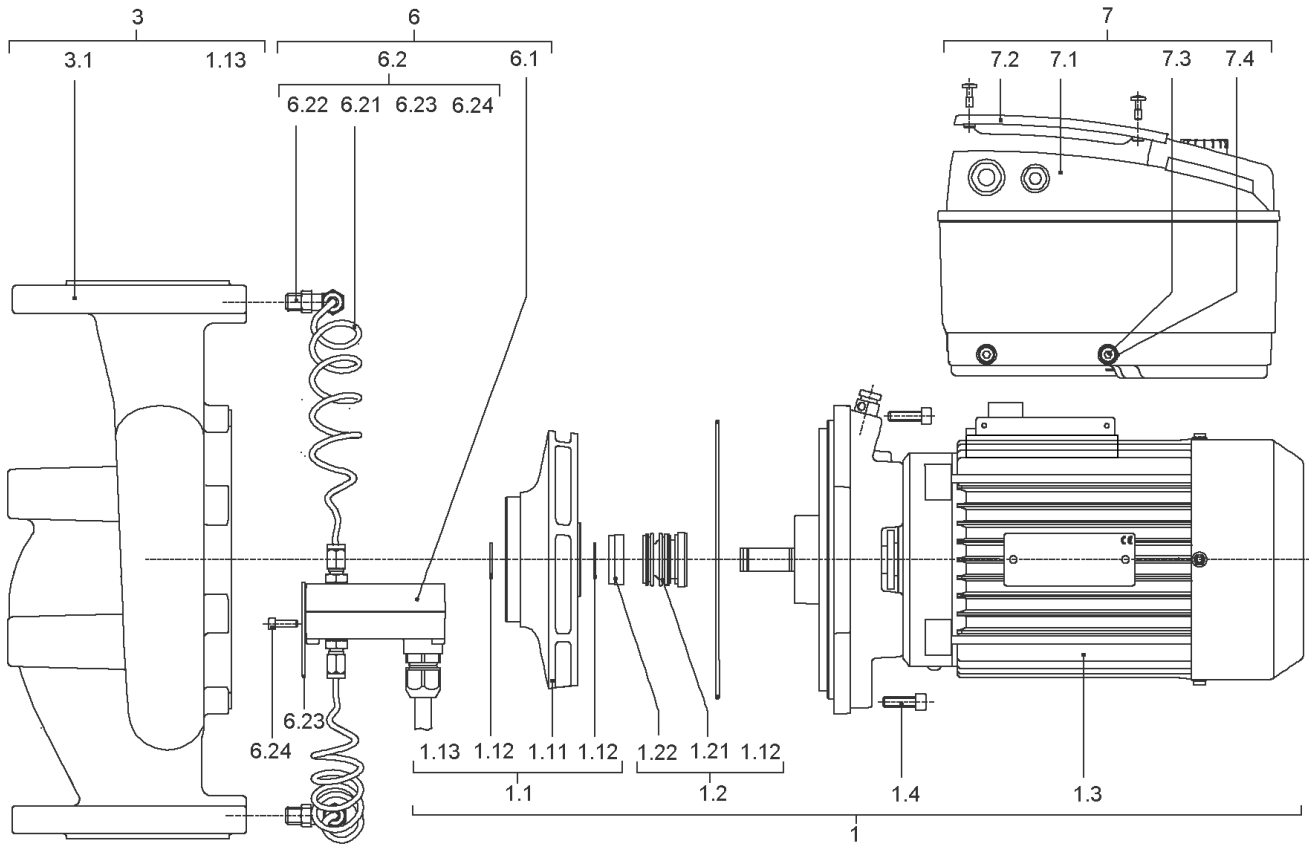
Item	Article no.	Description	Quantity
	2168860	>> Nut/Ferrule M8 D.5MM MS Ni (2 Pieces)	1
7	2111421	MODULE IP/DP-E40/130-2,2/2-IE2 ATB KIT	1
7.1		> Module IP-E/DP-E40/130-2,2/2 IE2 ATB	1
7.2	2054227	> MODULE COVER/GASKET TL3/4 KIT	1
7.3		> SCREW M5X16 ISO4762 8.8 ZnNi	1
7.4		> WASHER TOOTHED LOCK A5,3 DIN6797 FST ZN	1
	2061236	> O-RING ID.38X3 EPDM 70SR.A BUS.	1



## Spare parts motor 2,2/2/90 F188E ATB IE2

Item	Article no.	Description	Quantity
2.1	2125450	END SHIELD BG80/90 D.E.ATB KIT	1
Note: Please give the data from type plate of the motor			
2.1A		> END SHIELD BG/8090 D.E.567955 ATB	1
2.1B	2027201	> BLOWGUN R1/8" VP.	1
Note: Please give the data from type plate of the motor			
2.2	2112677	CIRCLIP 52X2 J ATB VP.	1
Note: Please give the data from type plate of the motor			
2.3	121083998	BALL BEARING 6205/2Z-C3 (HT) VP.	1
Note: Please give the data from type plate of the motor			
2.4	121083998	BALL BEARING 6205/2Z-C3 (HT) VP.	1
Note: Please give the data from type plate of the motor			
2.6	2096272	SPACER DISC BG80-100 ATB VP.	1
Note: Please give the data from type plate of the motor			
2.7	2118607	END SHIELD BG90 N.D.E.ATB VP.	1
Note: Please give the data from type plate of the motor			
2.8	121479094	FAN WHEEL BG90/100 ATB KIT	1
Note: Please give the data from type plate of the motor			
2.8A		> FAN WHEEL BG90/100 721383 ATB	1
2.8B	2047016	> CORRUGATED SLEEVE RING BG90/100 ATB VP.	1
Note: Please give the data from type plate of the motor			
2.9	2096347	FAN HOUSING BG90/100 METAL ATB VP.	1
Note: Please give the data from type plate of the motor			
2.12	2138735	SHAFT SEAL RING BG90 D.E.ATB VP.	1
Note: Please give the data from type plate of the motor			
2.14	2112921	JOINT RING CIRCULAR 25X35X4 ATB VP.	1
2.15	2112674	SCREW END SHIELD M5X190 ATB(4 PIECES)	1
Note: Please give the data from type plate of the motor			
	2111437	GASKET TERMINAL BOX BG90 ATB.VP.	1
Note: Please give the data from type plate of the motor			



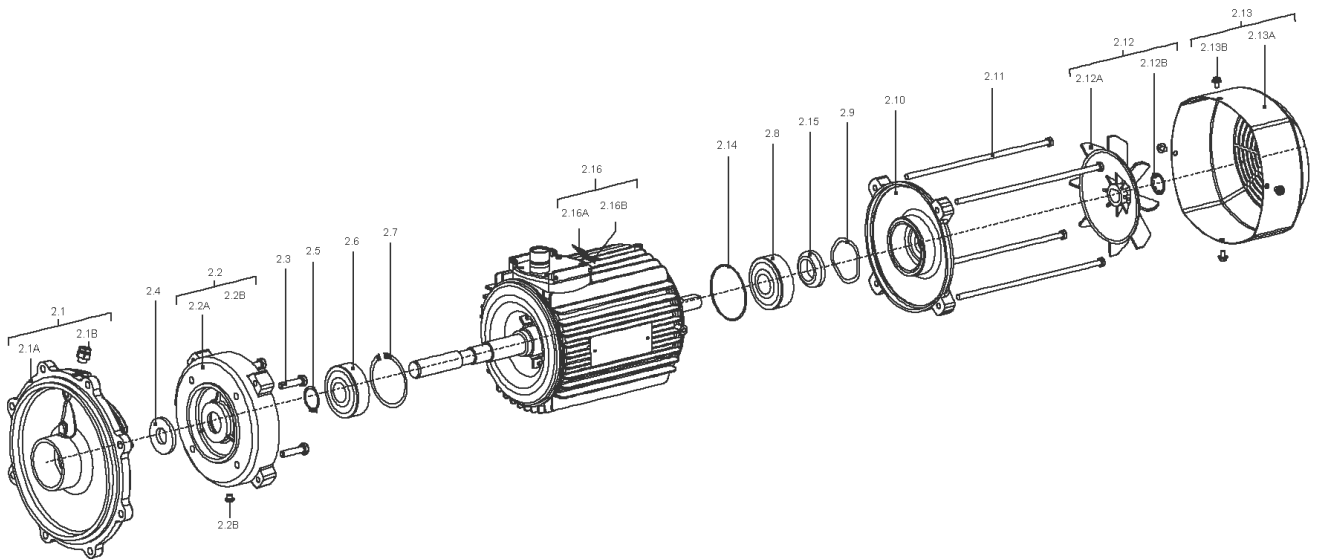


## Spare parts IP-E40/130-2,2/2 ELEC

Item	Article no.	Description	Quantity
1	2139831	Service Motor IP/DP-E40/130-2,2 IE2ELEC	1
1.1	2008783	> IMPELLER D.55/133/17X8,1 KIT	1
1.11		>> IMPELLER D.55/133/17X8,1 PPO BEARB.	1
1.12	2123932	>> CIRCLIP 17X1 DIN471 A2 1.4122 VP.	1
1.13	2046358	>> O-RING ID.164,7X3,53 E7518 VP.	1
1.2	122097593	> Mechanical seal ID.17 AQ1EGG KIT	1
1.12	2123932	>> CIRCLIP 17X1 DIN471 A2 1.4122 VP.	1
1.13	2010300	>> O-RING ID.107,54X3,53	1
1.13	2010301	>> O-RING ID.117,07X3,53	1
1.13	2054183	>> O-RING ID.158,34X3,53 E7518	1
Note: TO/ BIS/ JUSQU'À: 03/03			
1.13	2046358	>> O-RING ID.164,7X3,53 E7518 VP.	1
Note: FROM/ AB/ À PARTIR: 04/03			
1.21		>> MECHANICAL SEAL ID.17 AQ1EGG	1
1.22		>> Distance ring D.17/30X9 PPO FE1630	1
1.3		> Motor	1
1.4	2052495	> SCREW M6X20 ISO4762 8.8 (8 PIECES)	1
		Spare parts motor 2,2/2/90F188E ELEC IE2	1
3	2016517	PUMP HOUSING IPL40/160/IP-E40/5 KIT	1
1.13	2046358	> O-RING ID.164,7X3,53 E7518 VP.	1
3.1		> PUMP HOUSING IP-E40/160 CPL.WILO	1
6	2104485	DPS40-1(0-10V) KIT	1
6.1	2106115	> DIFFERENTIAL PRESSURE SENSOR 40 KIT	1
Note: FROM/ AB/ À PARTIR: 09/2009			
		>> DPS40 spiral TZ.3mm Volt 2G	1
	2196657	>> Cable DPS 3x0,34x650 short bared 2G VP.	1
Note: from/ab/de 01.10.2013			
6.2	2106120	> CONNECTION SENSOR IP-E SPIRAL M6 KIT	1
Note: FROM/ AB/ À PARTIR: 09/2009			
6.21		>> CAPILLARY COIL 1000	2
6.22		>> Fixation ring pipe union R1/8" 90GD.Ni	1
6.23		>> HANDLE DDG M6	1
6.24		>> Screw M4x10 EE DIN7500 ZN	2
	2168862	>> Nut/Ferrule M6 D.3MM MS Ni (2 Pieces)	1

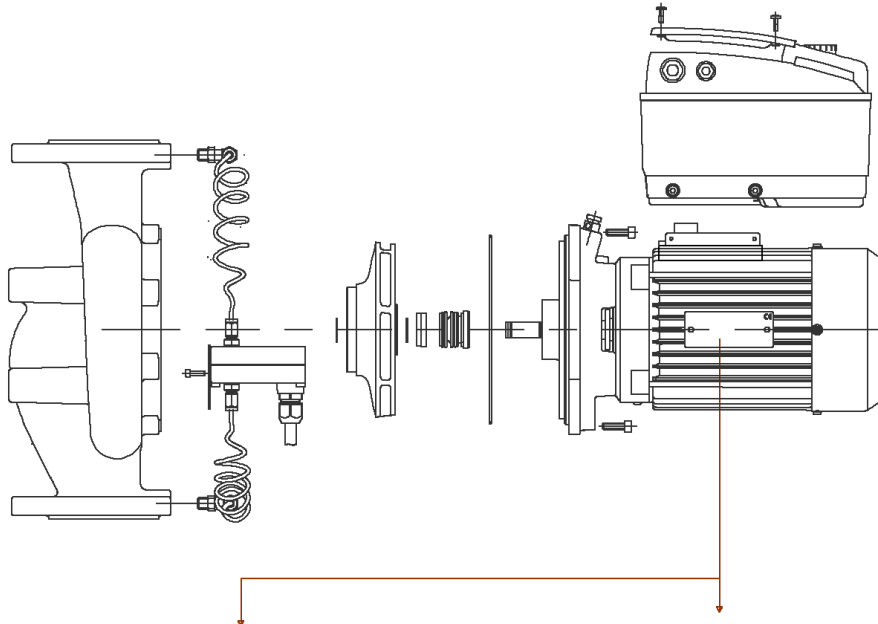
## Spare parts IP-E40/130-2,2/2 ELEC

Item	Article no.	Description	Quantity
	2168860	>> Nut/Ferrule M8 D.5MM MS Ni (2 Pieces)	1
7	2145510	Module IP/DP-E40/130-2,2/2-IE2 ELEC KIT	1
7.1		> Module IP-E/DP-E40/130-2,2/2 IE2 ELEC	1
7.2	2054227	> MODULE COVER/GASKET TL3/4 KIT	1
7.3		> SCREW M5X16 ISO4762 8.8 ZnNi	1
7.4		> WASHER TOOTHED LOCK A5,3 DIN6797 FST ZN	1
	2061236	> O-RING ID.38X3 EPDM 70SR.A BUS.	1



## Spare parts motor 2,2/2/90F188E ELEC IE2

Item	Article no.	Description	Quantity
2.1	2111307	FLANGE END SHIELD BG90F188 D.E.ELEC KIT	1
2.1A		> LANTERN V18 M115-F188 KTL	1
2.1B	2027201	> BLOWGUN R1/8" VP.	1
Note: Please give the data from type plate of the motor			
2.2	2111312	END SHIELD BG90 V18 D.E.ELEC KIT	1
2.2A		> Flange IEC90 V18 (w/o thread)	1
2.2B	2111309	> CONDENSATE HOLE GASKET D5 VP.	1
Note: Please give the data from type plate of the motor			
2.3	2111314	SCREW M8X40 6.8 (4 PIECES)	1
2.4	2111324	THROWER D.36X4 VP.	1
2.5	2111334	CIRCLIP D.30 GB894.1 VP.	1
2.6	2118385	BALL BEARING 6306 DDW C3 EA6 VP.	1
2.7	2111337	CIRCLIP D.72 GB893.1 VP.	1
2.8	2111342	BALL BEARING 6204 DDW C3 EA3 VP.	1
2.9	2111339	SPRING RING D.47 JB/T7590 VP.	1
2.10	2157920	End shield BG90 N.D.E.ELEC KIT	1
		> Flange IEC90 NDS with slot reduce0.5	1
		> O-RING ID47.2*3.53 EPDM	1
2.11	2111320	SCREW M5X211 6.8 (4 PIECES)	1
2.12	2107782	FAN WHEEL BG90 ELEC KIT	1
2.12A		> FAN 122.6X15X17 GP2200 G/F20%	1
2.12B	2111321	> STOP-RING D.14,8x0,4 VP.	1
Note: Please give the data from type plate of the motor			
2.13	2111322	FAN HOOD BG90 ELEC KIT	1
2.13A		> FAN COVER IEC90 KTL ST14 T0.8 H70	1
2.13B	2111323	> SCREW M4X6 (4 PIECES)	1
Note: Please give the data from type plate of the motor			



ATB

Motor-Nummer  
motor number  
numéro du moteur

3~Mot.	AF132S/2F-11S+E2/0509	IE2-88,1%			
S1	132S IMV1	224039411-1	522058X		
IP 55	Th. CI.155(F)	SCHWINGGROESSENSTUFE B			
WILO NR.2064705					
kW	V	Hz	A	1/min	COS φ
7,5	YΔ 690/400	50	7,9/3,7	2890	0,90
7,5	Δ 460	60	11,8	3510	0,89
Made in Germany		50 kg	EN 60034		

ELEC

Motor-Nummer  
motor number  
numéro du moteur

Made by WILLO Group			
3501437	W080090-2-F188	0902.001	
Class F	S1	IP55	13.5kg EN60034
50Hz	1.10kW	2850min <sup>-1</sup>	60Hz 1.29kW 3435min <sup>-1</sup>
YΔ	230/400V	4.02/2.32A	Y 440-480V 2.40-2.32A
Cos φ =0.82	IE2-81.5%		Cos φ =0.85 IE2-82.5%

**Motor-Typenschild / Motor type plate / Plaque identité moteur**

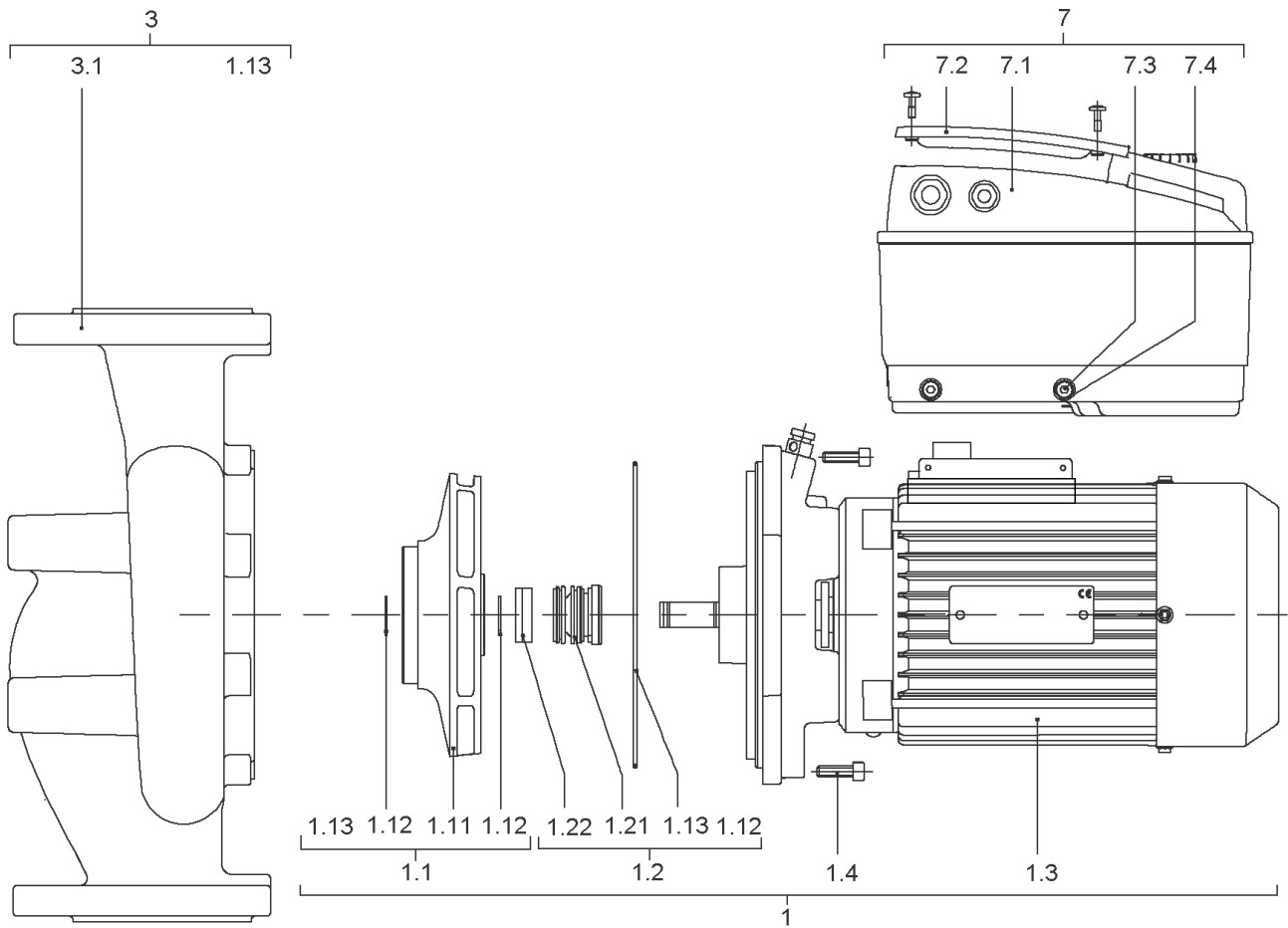
**Bei Ersatzteilbestellung Motor-Nummer angeben!**

**Indicate motor number for order of spare parts!**

**Pour une commande de pièces détachées, donner le numéro du moteur!**

**IP-E40/130-2,2/2-R1-IE2 (2109800)**

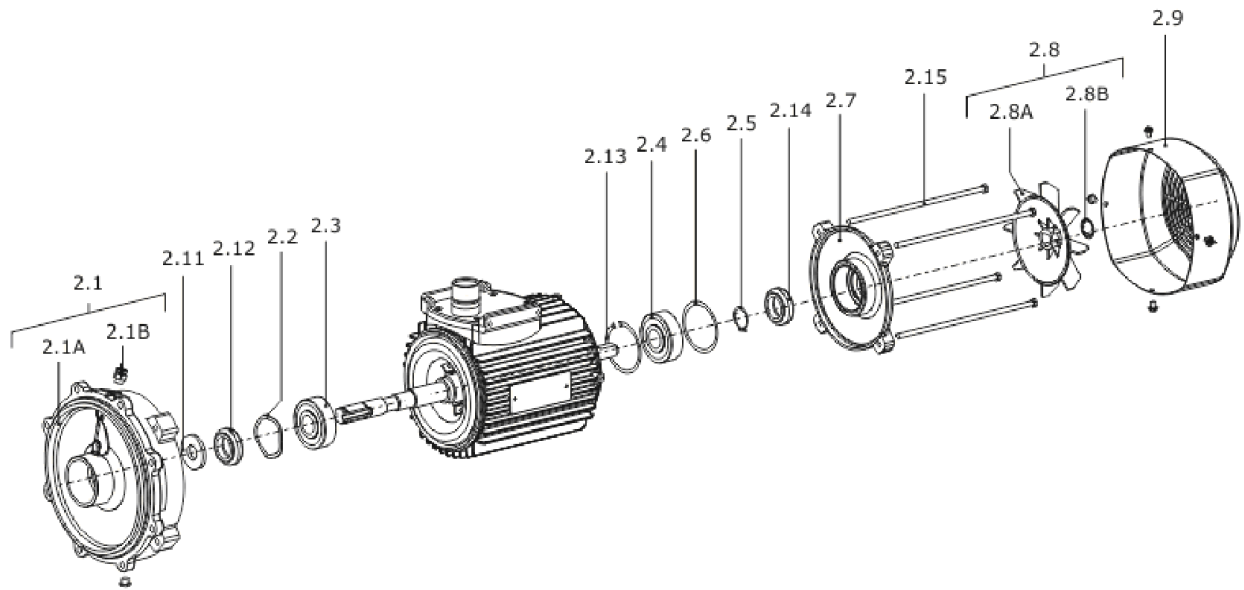
<b>Item</b>	<b>Description</b>	<b>Quantity</b>
ATB	Spare parts IP-E40/130-2,2/2-R1 ATB	1
ELEC	Spare parts IP-E40/130-2,2/2-R1 ELEC	1





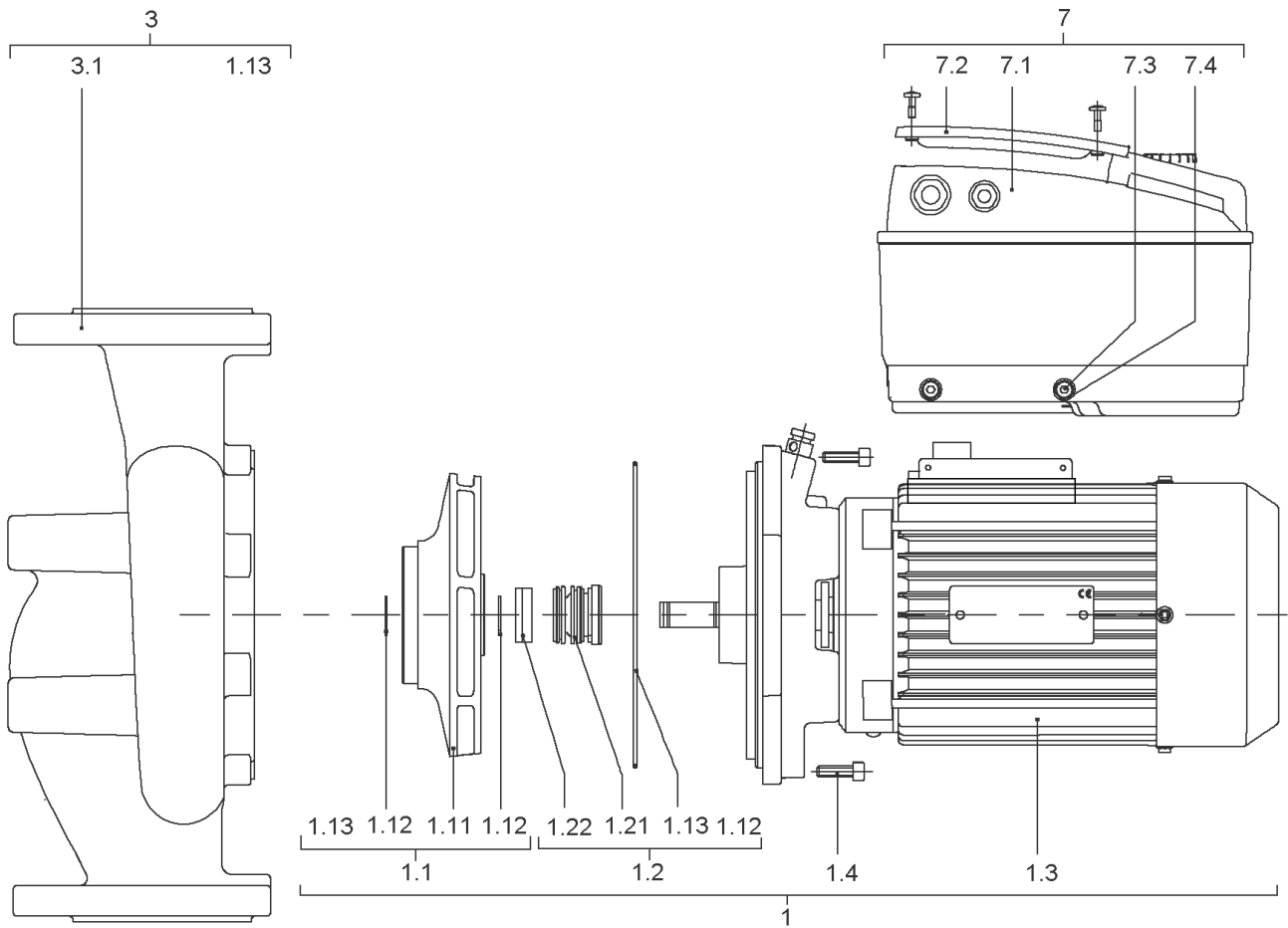
**Spare parts IP-E40/130-2,2/2-R1 ATB**

Item	Article no.	Description	Quantity
1	2112601	SERVICE MOTOR IP/DP-E40/130-2,2 IE2ATB	1
1.1	2008783	> IMPELLER D.55/133/17X8,1 KIT	1
1.11		>> IMPELLER D.55/133/17X8,1 PPO BEARB.	1
1.12	2123932	>> CIRCLIP 17X1 DIN471 A2 1.4122 VP.	1
1.13	2046358	>> O-RING ID.164,7X3,53 E7518 VP.	1
1.2	122097593	> Mechanical seal ID.17 AQ1EGG KIT	1
1.12	2123932	>> CIRCLIP 17X1 DIN471 A2 1.4122 VP.	1
1.13	2010300	>> O-RING ID.107,54X3,53	1
1.13	2010301	>> O-RING ID.117,07X3,53	1
1.13	2054183	>> O-RING ID.158,34X3,53 E7518	1
Note: TO/ BIS/ JUSQU'À: 03/03			
1.13	2046358	>> O-RING ID.164,7X3,53 E7518 VP.	1
Note: FROM/ AB/ À PARTIR: 04/03			
1.21		>> MECHANICAL SEAL ID.17 AQ1EGG	1
1.22		>> Distance ring D.17/30X9 PPO FE1630	1
1.3		> Motor	1
1.4	2052495	> SCREW M6X20 ISO4762 8.8 (8 PIECES)	1
		Spare parts motor 2,2/2/90 F188E ATB IE2	1
3	2016517	PUMP HOUSING IPL40/160/IP-E40/5 KIT	1
1.13	2046358	> O-RING ID.164,7X3,53 E7518 VP.	1
3.1		> PUMP HOUSING IP-E40/160 CPL.WILO	1
7	2111421	MODULE IP/DP-E40/130-2,2/2-IE2 ATB KIT	1
7.1		> Module IP-E/DP-E40/130-2,2/2 IE2 ATB	1
7.2	2054227	> MODULE COVER/GASKET TL3/4 KIT	1
7.3		> SCREW M5X16 ISO4762 8.8 ZnNi	1
7.4		> WASHER TOOTHED LOCK A5,3 DIN6797 FST ZN	1
	2061236	> O-RING ID.38X3 EPDM 70SR.A BUS.	1



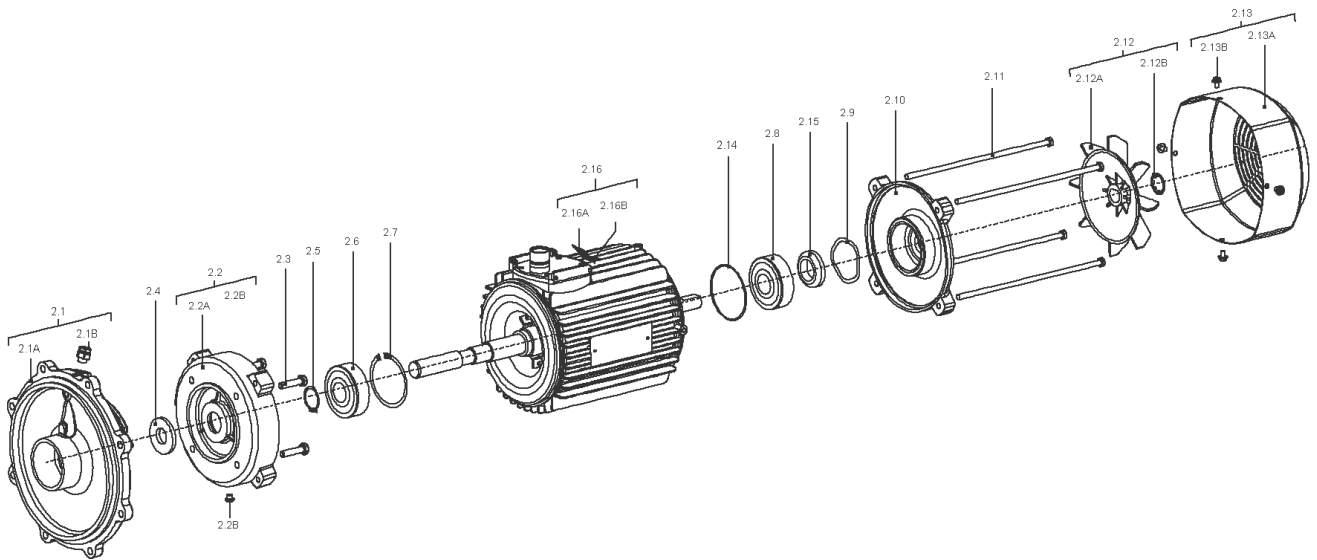
## Spare parts motor 2,2/2/90 F188E ATB IE2

Item	Article no.	Description	Quantity
2.1	2125450	END SHIELD BG80/90 D.E.ATB KIT	1
Note: Please give the data from type plate of the motor			
2.1A		> END SHIELD BG/8090 D.E.567955 ATB	1
2.1B	2027201	> BLOWGUN R1/8" VP.	1
Note: Please give the data from type plate of the motor			
2.2	2112677	CIRCLIP 52X2 J ATB VP.	1
Note: Please give the data from type plate of the motor			
2.3	121083998	BALL BEARING 6205/2Z-C3 (HT) VP.	1
Note: Please give the data from type plate of the motor			
2.4	121083998	BALL BEARING 6205/2Z-C3 (HT) VP.	1
Note: Please give the data from type plate of the motor			
2.6	2096272	SPACER DISC BG80-100 ATB VP.	1
Note: Please give the data from type plate of the motor			
2.7	2118607	END SHIELD BG90 N.D.E.ATB VP.	1
Note: Please give the data from type plate of the motor			
2.8	121479094	FAN WHEEL BG90/100 ATB KIT	1
Note: Please give the data from type plate of the motor			
2.8A		> FAN WHEEL BG90/100 721383 ATB	1
2.8B	2047016	> CORRUGATED SLEEVE RING BG90/100 ATB VP.	1
Note: Please give the data from type plate of the motor			
2.9	2096347	FAN HOUSING BG90/100 METAL ATB VP.	1
Note: Please give the data from type plate of the motor			
2.12	2138735	SHAFT SEAL RING BG90 D.E.ATB VP.	1
Note: Please give the data from type plate of the motor			
2.14	2112921	JOINT RING CIRCULAR 25X35X4 ATB VP.	1
2.15	2112674	SCREW END SHIELD M5X190 ATB(4 PIECES)	1
Note: Please give the data from type plate of the motor			
	2111437	GASKET TERMINAL BOX BG90 ATB.VP.	1
Note: Please give the data from type plate of the motor			



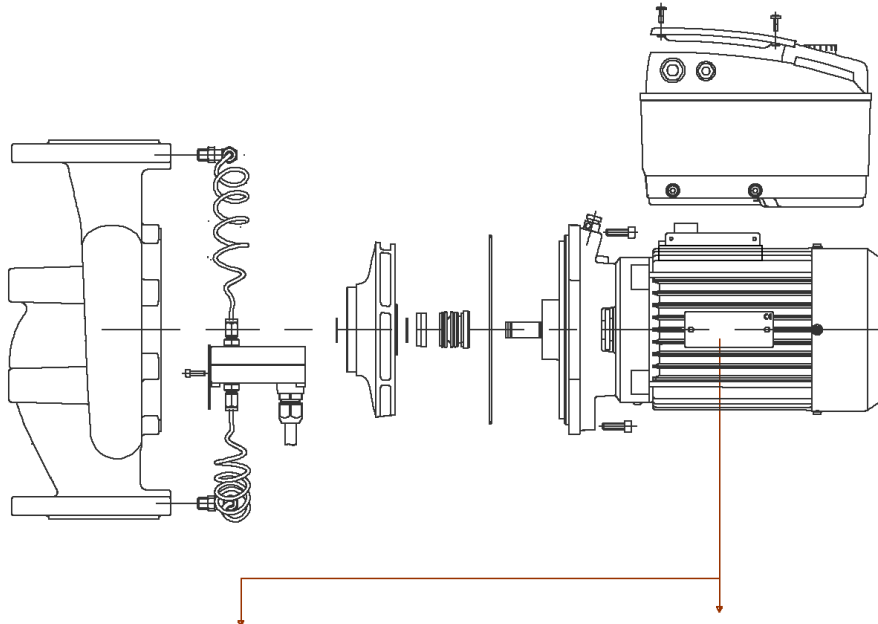
**Spare parts IP-E40/130-2,2/2-R1 ELEC**

Item	Article no.	Description	Quantity
1	2139831	Service Motor IP/DP-E40/130-2,2 IE2ELEC	1
1.1	2008783	> IMPELLER D.55/133/17X8,1 KIT	1
1.11		>> IMPELLER D.55/133/17X8,1 PPO BEARB.	1
1.12	2123932	>> CIRCLIP 17X1 DIN471 A2 1.4122 VP.	1
1.13	2046358	>> O-RING ID.164,7X3,53 E7518 VP.	1
1.2	122097593	> Mechanical seal ID.17 AQ1EGG KIT	1
1.12	2123932	>> CIRCLIP 17X1 DIN471 A2 1.4122 VP.	1
1.13	2010300	>> O-RING ID.107,54X3,53	1
1.13	2010301	>> O-RING ID.117,07X3,53	1
1.13	2054183	>> O-RING ID.158,34X3,53 E7518	1
Note: TO/ BIS/ JUSQU'À: 03/03			
1.13	2046358	>> O-RING ID.164,7X3,53 E7518 VP.	1
Note: FROM/ AB/ À PARTIR: 04/03			
1.21		>> MECHANICAL SEAL ID.17 AQ1EGG	1
1.22		>> Distance ring D.17/30X9 PPO FE1630	1
1.3		> Motor	1
1.4	2052495	> SCREW M6X20 ISO4762 8.8 (8 PIECES)	1
		Spare parts motor 2,2/2/90F188E ELEC IE2	1
3	2016517	PUMP HOUSING IPL40/160/IP-E40/5 KIT	1
1.13	2046358	> O-RING ID.164,7X3,53 E7518 VP.	1
3.1		> PUMP HOUSING IP-E40/160 CPL.WILO	1
7	2145510	Module IP/DP-E40/130-2,2/2-IE2 ELEC KIT	1
7.1		> Module IP-E/DP-E40/130-2,2/2 IE2 ELEC	1
7.2	2054227	> MODULE COVER/GASKET TL3/4 KIT	1
7.3		> SCREW M5X16 ISO4762 8.8 ZnNi	1
7.4		> WASHER TOOTHED LOCK A5,3 DIN6797 FST ZN	1
	2061236	> O-RING ID.38X3 EPDM 70SR.A BUS.	1



## Spare parts motor 2,2/2/90F188E ELEC IE2

Item	Article no.	Description	Quantity
2.1	2111307	FLANGE END SHIELD BG90F188 D.E.ELEC KIT	1
2.1A		> LANTERN V18 M115-F188 KTL	1
2.1B	2027201	> BLOWGUN R1/8" VP.	1
Note: Please give the data from type plate of the motor			
2.2	2111312	END SHIELD BG90 V18 D.E.ELEC KIT	1
2.2A		> Flange IEC90 V18 (w/o thread)	1
2.2B	2111309	> CONDENSATE HOLE GASKET D5 VP.	1
Note: Please give the data from type plate of the motor			
2.3	2111314	SCREW M8X40 6.8 (4 PIECES)	1
2.4	2111324	THROWER D.36X4 VP.	1
2.5	2111334	CIRCLIP D.30 GB894.1 VP.	1
2.6	2118385	BALL BEARING 6306 DDW C3 EA6 VP.	1
2.7	2111337	CIRCLIP D.72 GB893.1 VP.	1
2.8	2111342	BALL BEARING 6204 DDW C3 EA3 VP.	1
2.9	2111339	SPRING RING D.47 JB/T7590 VP.	1
2.10	2157920	End shield BG90 N.D.E.ELEC KIT	1
		> Flange IEC90 NDS with slot reduce0.5	1
		> O-RING ID47.2*3.53 EPDM	1
2.11	2111320	SCREW M5X211 6.8 (4 PIECES)	1
2.12	2107782	FAN WHEEL BG90 ELEC KIT	1
2.12A		> FAN 122.6X15X17 GP2200 G/F20%	1
2.12B	2111321	> STOP-RING D.14,8x0,4 VP.	1
Note: Please give the data from type plate of the motor			
2.13	2111322	FAN HOOD BG90 ELEC KIT	1
2.13A		> FAN COVER IEC90 KTL ST14 T0.8 H70	1
2.13B	2111323	> SCREW M4X6 (4 PIECES)	1
Note: Please give the data from type plate of the motor			



ATB

Motor-Nummer  
motor number  
numéro du moteur

		IE2			
3~Mot.	AF132S/2F-11S+E2/0509	IE2-88,1%			
S1	132S IMV1	224039411-1	522058X		
IP 55	Th. CI.155(F)	SCHWINGROESSENSTUFE B			
WILO NR.2064705					
kW	V	Hz	A	1/min	COS φ
7,5	YΔ 690/400	50	7,9/3,7	2890	0,90
7,5	Δ 460	60	11,8	3510	0,89
Made in Germany		50 kg	EN 60034		

ELEC

Motor-Nummer  
motor number  
numéro du moteur

<b>3~Induction Motor</b>		Made by WILLO Group			
3501437	W080090-2-F188	0902.001			
Class F	S1	IP55	13.5kg	EN60034	
50Hz	1.10kW	2850min <sup>-1</sup>	60Hz	1.29kW	3435min <sup>-1</sup>
YΔ	230/400V	4.02/2.32A	Y	440-480V	2.40-2.32A
Cos φ =0.82		IE2-81.5%	Cos φ =0.85		IE2-82.5%

### Motor-Typenschild / Motor type plate / Plaque identité moteur

**Bei Ersatzteilbestellung Motor-Nummer angeben!**

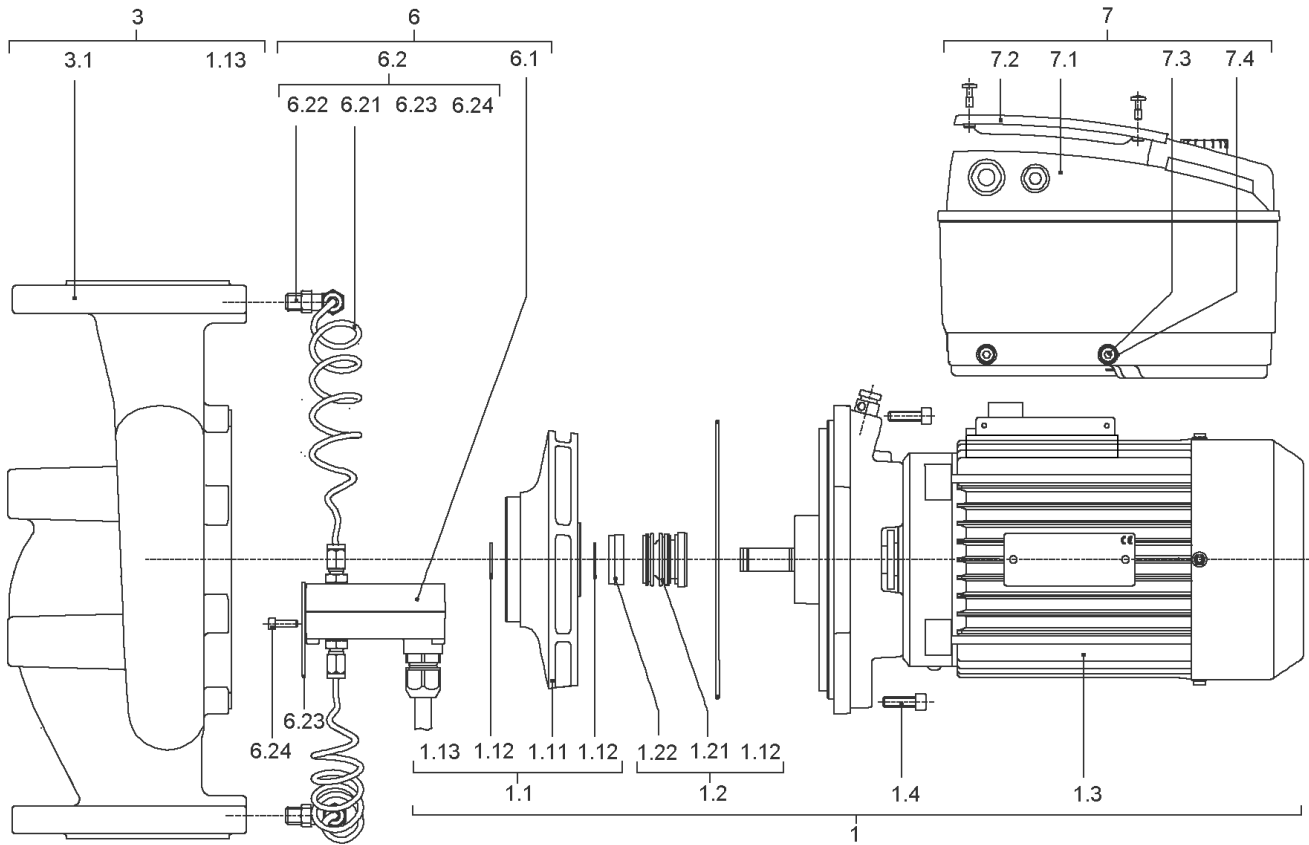
**Indicate motor number for order of spare parts!**

**Pour une commande de pièces détachées, donner le numéro du moteur!**



**IP-E40/150-3/2-IE2 (2109765)**

<b>Item</b>	<b>Description</b>	<b>Quantity</b>
ATB	Spare parts IP-E40/150-3/2 ATB	1
ELEC	Spare parts IP-E40/150-3/2 ELEC	1

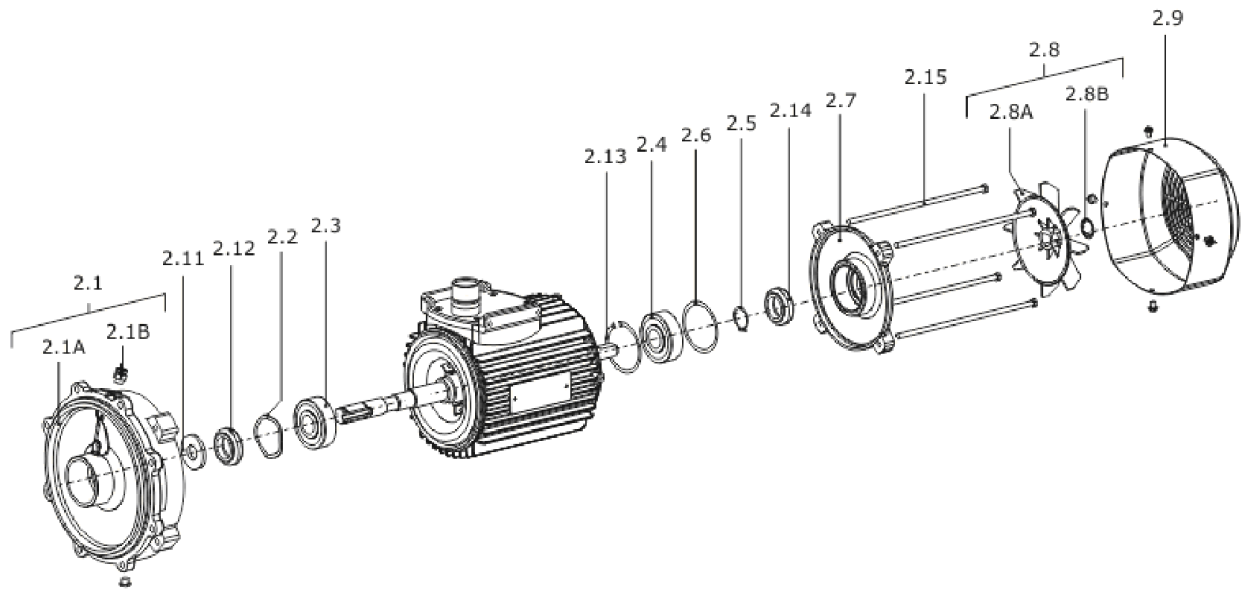


## Spare parts IP-E40/150-3/2 ATB

Item	Article no.	Description	Quantity
1	2112602	SERVICE MOTOR IP/DP-E40/150-3 IE2ATB	1
1.1	2052523	> IMPELLER D.55/147/17X7,8 KIT	1
1.11		>> IMPELLER D.55/147/17X7,8 PPO BEARB.	1
1.12	2123932	>> CIRCLIP 17X1 DIN471 A2 1.4122 VP.	1
1.13	2046358	>> O-RING ID.164,7X3,53 E7518 VP.	1
1.2	122097593	> Mechanical seal ID.17 AQ1EGG KIT	1
1.12	2123932	>> CIRCLIP 17X1 DIN471 A2 1.4122 VP.	1
1.13	2010300	>> O-RING ID.107,54X3,53	1
1.13	2010301	>> O-RING ID.117,07X3,53	1
1.13	2054183	>> O-RING ID.158,34X3,53 E7518	1
Note: TO/ BIS/ JUSQU'À: 03/03			
1.13	2046358	>> O-RING ID.164,7X3,53 E7518 VP.	1
Note: FROM/ AB/ À PARTIR: 04/03			
1.21		>> MECHANICAL SEAL ID.17 AQ1EGG	1
1.22		>> Distance ring D.17/30X9 PPO FE1630	1
1.3		> Motor	1
1.4	2052495	> SCREW M6X20 ISO4762 8.8 (8 PIECES)	1
		Spare parts motor 3/2/100 F188E ATB IE2	1
3	2016517	PUMP HOUSING IPL40/160/IP-E40/5 KIT	1
1.13	2046358	> O-RING ID.164,7X3,53 E7518 VP.	1
3.1		> PUMP HOUSING IP-E40/160 CPL.WILO	1
6	2104485	DPS40-1(0-10V) KIT	1
6.1	2106115	> DIFFERENTIAL PRESSURE SENSOR 40 KIT	1
Note: FROM/ AB/ À PARTIR: 09/2009			
		>> DPS40 spiral TZ.3mm Volt 2G	1
	2196657	>> Cable DPS 3x0,34x650 short bared 2G VP.	1
Note: from/ab/de 01.10.2013			
6.2	2106120	> CONNECTION SENSOR IP-E SPIRAL M6 KIT	1
Note: FROM/ AB/ À PARTIR: 09/2009			
6.21		>> CAPILLARY COIL 1000	2
6.22		>> Fixation ring pipe union R1/8" 90GD.Ni	1
6.23		>> HANDLE DDG M6	1
6.24		>> Screw M4x10 EE DIN7500 ZN	2
	2168862	>> Nut/Ferrule M6 D.3MM MS Ni (2 Pieces)	1

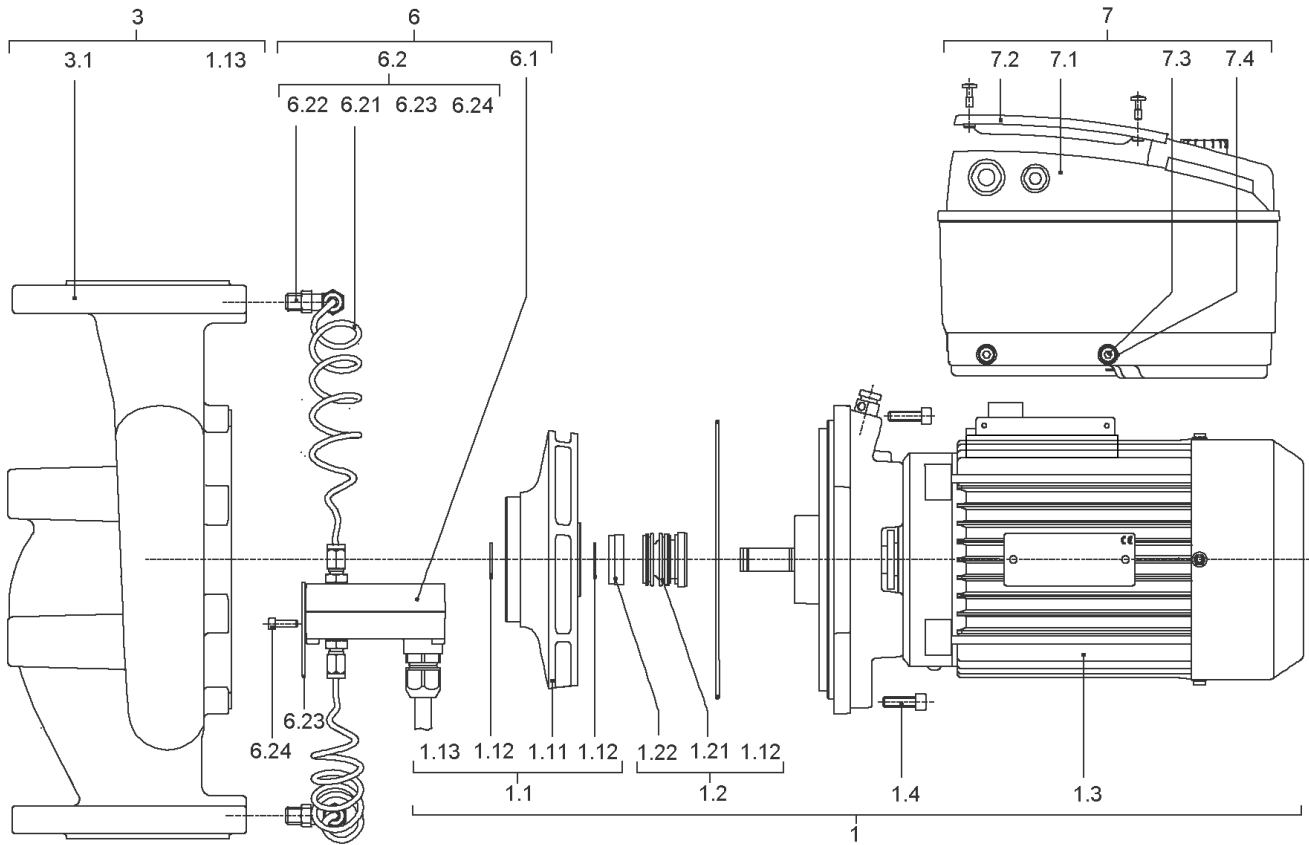
## Spare parts IP-E40/150-3/2 ATB

Item	Article no.	Description	Quantity
	2168860	>> Nut/Ferrule M8 D.5MM MS Ni (2 Pieces)	1
7	2111422	MODULE IP/DP-E40/150-3/2-IE2 ATB KIT	1
7.1		> Module IP-E/DP-E40/150-3/2 IE2 ATB	1
7.2	2054227	> MODULE COVER/GASKET TL3/4 KIT	1
7.3		> SCREW M5X16 ISO4762 8.8 ZnNi	1
7.4		> WASHER TOOTHED LOCK A5,3 DIN6797 FST ZN	1
	2061236	> O-RING ID.38X3 EPDM 70SR.A BUS.	1



## Spare parts motor 3/2/100 F188E ATB IE2

Item	Article no.	Description	Quantity
2.1	2125452	END SHIELD BG100 D.E.ATB KIT	1
Note: Please give the data from type plate of the motor			
2.1A		> END SHIELD BG100 D.E.514725 ATB	1
2.1B	2027201	> BLOWGUN R1/8" VP.	1
Note: Please give the data from type plate of the motor			
2.2	2096258	SHIM BALL BEARING BG90-112 ATB VP.	1
Note: Please give the data from type plate of the motor			
2.3	121084190	BALL BEARING 6206/2Z-C3 (HT) VP.	1
Note: Please give the data from type plate of the motor			
2.4	121084190	BALL BEARING 6206/2Z-C3 (HT) VP.	1
Note: Please give the data from type plate of the motor			
2.5	2111441	CIRCLIP BG100/112 ATB VP.	1
Note: Please give the data from type plate of the motor			
2.6	2096273	SPACER DISC BG90/112 ATB VP.	1
Note: Please give the data from type plate of the motor			
2.7	2087825	END SHIELD BG100/112 457256N.D.E.ATB VP.	1
2.8	121479094	FAN WHEEL BG90/100 ATB KIT	1
Note: Please give the data from type plate of the motor			
2.8A		> FAN WHEEL BG90/100 721383 ATB	1
2.8B	2047016	> CORRUGATED SLEEVE RING BG90/100 ATB VP.	1
Note: Please give the data from type plate of the motor			
2.9	2046109	FAN HOUSING BG100 PLASTIC ATB VP.	1
Note: Please give the data from type plate of the motor			
2.12	2111449	SHAFT SEAL RING BG100/112 ATB VP.	1
Note: Please give the data from type plate of the motor			
2.14	2201024	Shaft seal ring BG100/112 N.D.E.ATB VP.	1
2.15	2111443	SCREW END SHILD BG100 D.E.ATB(4 PIECES)	1
Note: Please give the data from type plate of the motor			
	2147196	Gasket terminal box BG100/112 ATB.VP.	1
Note: Please give the data from type plate of the motor			



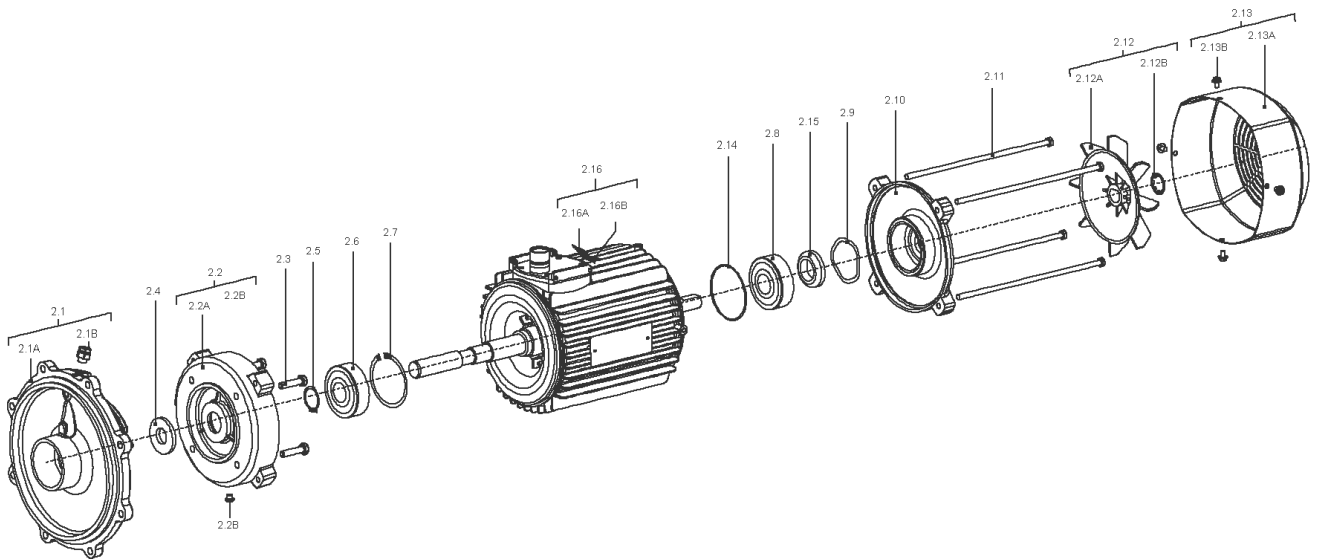
## Spare parts IP-E40/150-3/2 ELEC

Item	Article no.	Description	Quantity
1	2139832	Service Motor IP/DP-E40/150-3 IE2ELEC	1
1.1	2052523	> IMPELLER D.55/147/17X7,8 KIT	1
1.11		>> IMPELLER D.55/147/17X7,8 PPO BEARB.	1
1.12	2123932	>> CIRCLIP 17X1 DIN471 A2 1.4122 VP.	1
1.13	2046358	>> O-RING ID.164,7X3,53 E7518 VP.	1
1.2	122097593	> Mechanical seal ID.17 AQ1EGG KIT	1
1.12	2123932	>> CIRCLIP 17X1 DIN471 A2 1.4122 VP.	1
1.13	2010300	>> O-RING ID.107,54X3,53	1
1.13	2010301	>> O-RING ID.117,07X3,53	1
1.13	2054183	>> O-RING ID.158,34X3,53 E7518	1
Note: TO/ BIS/ JUSQU'À: 03/03			
1.13	2046358	>> O-RING ID.164,7X3,53 E7518 VP.	1
Note: FROM/ AB/ À PARTIR: 04/03			
1.21		>> MECHANICAL SEAL ID.17 AQ1EGG	1
1.22		>> Distance ring D.17/30X9 PPO FE1630	1
1.3		> Motor	1
1.4	2052495	> SCREW M6X20 ISO4762 8.8 (8 PIECES)	1
		Spare parts motor 3/2/100F188E ELEC IE2	1
3	2016517	PUMP HOUSING IPL40/160/IP-E40/5 KIT	1
1.13	2046358	> O-RING ID.164,7X3,53 E7518 VP.	1
3.1		> PUMP HOUSING IP-E40/160 CPL.WILO	1
6	2104485	DPS40-1(0-10V) KIT	1
6.1	2106115	> DIFFERENTIAL PRESSURE SENSOR 40 KIT	1
Note: FROM/ AB/ À PARTIR: 09/2009			
		>> DPS40 spiral TZ.3mm Volt 2G	1
	2196657	>> Cable DPS 3x0,34x650 short bared 2G VP.	1
Note: from/ab/de 01.10.2013			
6.2	2106120	> CONNECTION SENSOR IP-E SPIRAL M6 KIT	1
Note: FROM/ AB/ À PARTIR: 09/2009			
6.21		>> CAPILLARY COIL 1000	2
6.22		>> Fixation ring pipe union R1/8" 90GD.Ni	1
6.23		>> HANDLE DDG M6	1
6.24		>> Screw M4x10 EE DIN7500 ZN	2
	2168862	>> Nut/Ferrule M6 D.3MM MS Ni (2 Pieces)	1



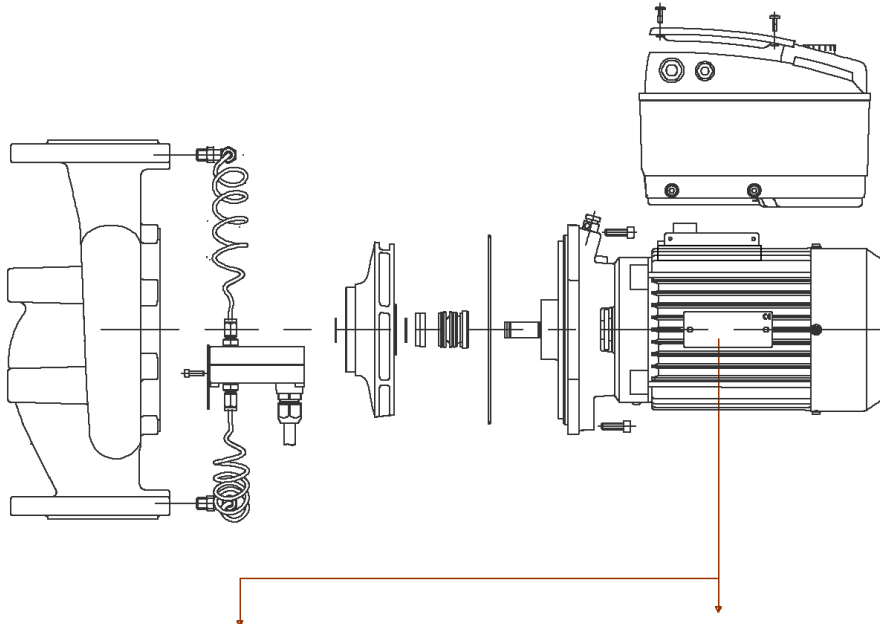
## Spare parts IP-E40/150-3/2 ELEC

Item	Article no.	Description	Quantity
	2168860	>> Nut/Ferrule M8 D.5MM MS Ni (2 Pieces)	1
7	2145511	Module IP/DP-E40/150-3/2-IE2 ELEC KIT	1
7.1		> Module IP-E/DP-E40/150-3/2 IE2 ELEC	1
7.2	2054227	> MODULE COVER/GASKET TL3/4 KIT	1
7.3		> SCREW M5X16 ISO4762 8.8 ZnNi	1
7.4		> WASHER TOOTHED LOCK A5,3 DIN6797 FST ZN	1
	2061236	> O-RING ID.38X3 EPDM 70SR.A BUS.	1



## Spare parts motor 3/2/100F188E ELEC IE2

Item	Article no.	Description	Quantity
2.1	2118386	FLANGE END SHIELD BG100/112 D.E.ELEC KIT	1
2.1A		> LANTERN V18 M130-F188 KTL	1
2.1B	2027201	> BLOWGUN R1/8" VP.	1
Note: Please give the data from type plate of the motor			
2.2	2118387	END SHIELD BG100 V18 D.E.ELEC KIT	1
2.2A		> Flange IEC100 V18 (w/o thread)	1
2.2B	2111309	> CONDENSATE HOLE GASKET D5 VP.	1
Note: Please give the data from type plate of the motor			
2.3	2111314	SCREW M8X40 6.8 (4 PIECES)	1
2.4	2111324	THROWER D.36X4 VP.	1
2.5	2118388	CIRCLIP D.35 GB894.1 VP.	1
2.6	2153172	Ball bearing 6307/VV-C3 VP.	1
2.7	2118390	CIRCLIP D.80 GB893.1 VP.	1
2.8	2118391	BALL BEARING 6205 DDW C3 EA6 VP.	1
2.9	2118392	SPRING RING D.52 JB/T7590 VP.	1
2.10	2164025	End shield BG112 N.D.E.ELEC KIT	1
Note: Please give the data from type plate of the motor			
		> FLANGE IEC112 NDS with slot	1
		> O-RING ID62.4*3.53 EPDM	1
2.11	2118394	SCREW M6X238 6.8 (4 PIECES)	1
2.12	2118395	FAN WHEEL 138X20X17 ELEC KIT	1
2.12A		> FAN 138X20X17 GP2200 G/F20%	1
2.12B	2118396	> Tooth lock washer D.19,8x0,4 VP.	1
Note: Please give the data from type plate of the motor			
2.13	2118397	FAN HOOD BG100 ELEC KIT	1
2.13A		> FAN COVER IEC100 KTL ST14 T0.8 H86	1
2.13B	2111323	> SCREW M4X6 (4 PIECES)	1
Note: Please give the data from type plate of the motor			
2.14	2164027	O-Ring ID62.4x3.53 EPDM VP.	1
Note: Please give the data from type plate of the motor			



ATB

Motor-Nummer  
motor number  
numéro du moteur

		IE2			
3~Mot.	AF132S/2F-11S+E2/0509	IE2-88,1%			
S1	132S IMV1	224039411-1	522058X		
IP 55	Th. CI.155(F)	SCHWINGGROESSENSTUFE B			
WILO NR.2064705					
kW	V	Hz	A	1/min	COS φ
7,5	YΔ 690/400	50	7,9/3,7	2890	0,90
7,5	Δ 460	60	11,8	3510	0,89
Made in Germany		50 kg	EN 60034		

ELEC

Motor-Nummer  
motor number  
numéro du moteur

<b>3~Induction Motor</b>		Made by WILLO Group			
3501437	W080090-2-F188	0902.001			
Class F	S1	IP55	13.5kg	EN60034	
50Hz	1.10kW	2850min <sup>-1</sup>	60Hz	1.29kW	3435min <sup>-1</sup>
YΔ	230/400V	4.02/2.32A	Y	440-480V	2.40-2.32A
Cos φ =0.82		IE2-81.5%	Cos φ =0.85		IE2-82.5%

**Motor-Typenschild / Motor type plate / Plaque identité moteur**

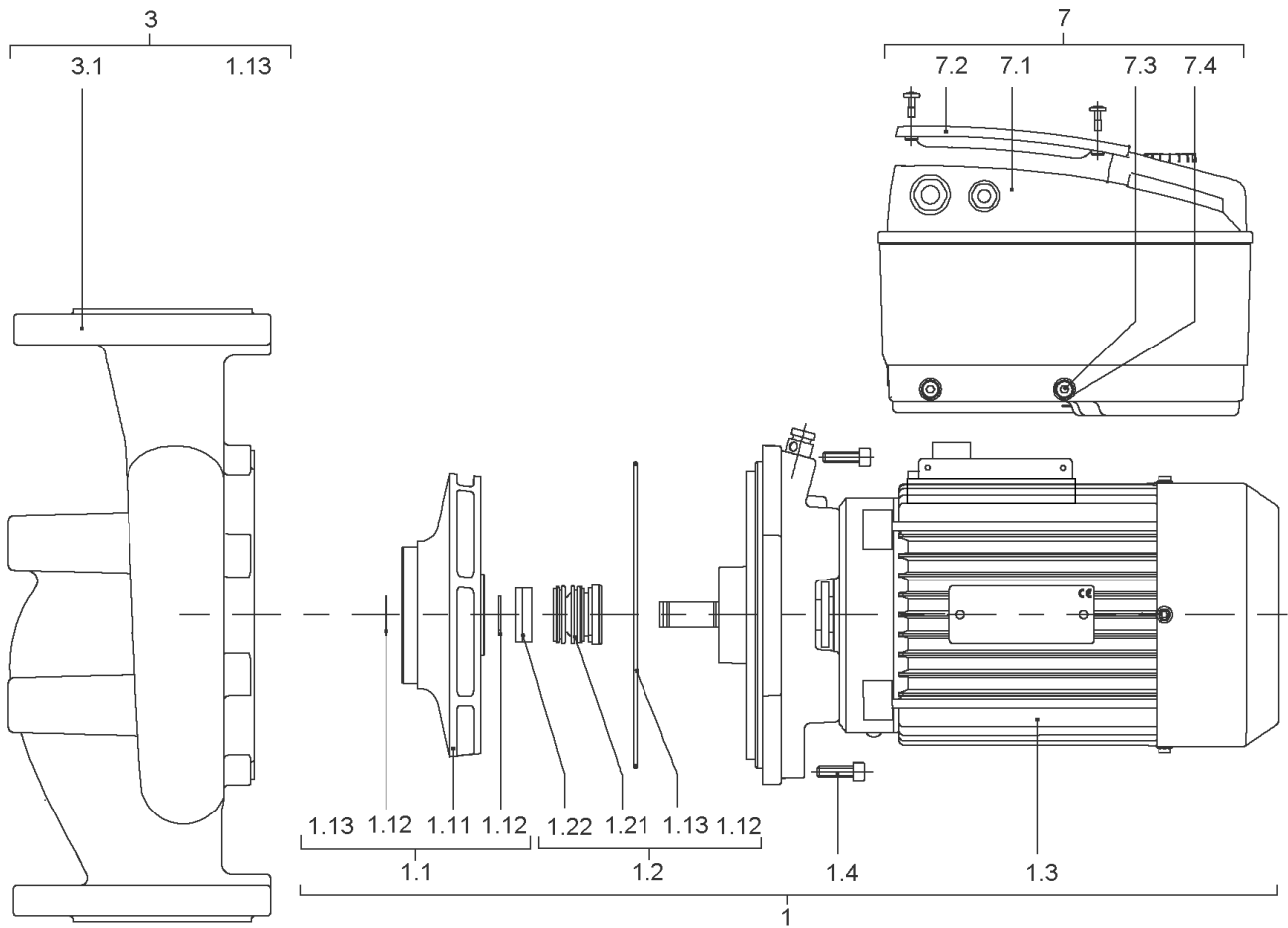
**Bei Ersatzteilbestellung Motor-Nummer angeben!**

**Indicate motor number for order of spare parts!**

**Pour une commande de pièces détachées, donner le numéro du moteur!**

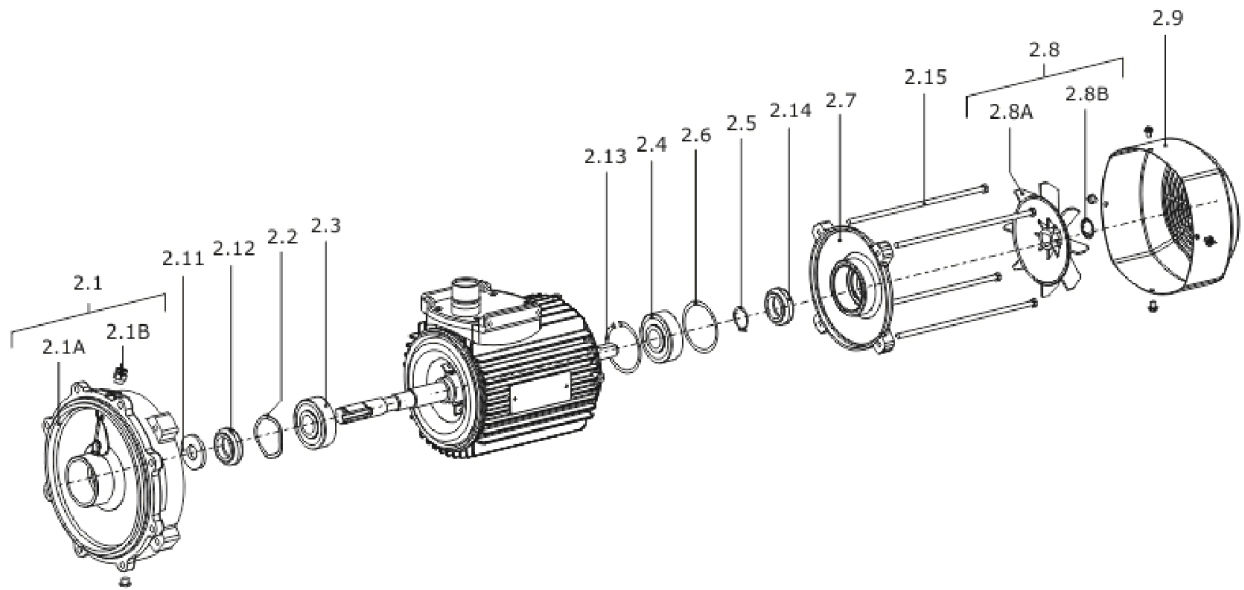
**IP-E40/150-3/2-R1-IE2 (2109801)**

<b>Item</b>	<b>Description</b>	<b>Quantity</b>
ATB	Spare parts IP-E40/150-3/2-R1 ATB	1
ELEC	Spare parts IP-E40/150-3/2-R1 ELEC	1



**Spare parts IP-E40/150-3/2-R1 ATB**

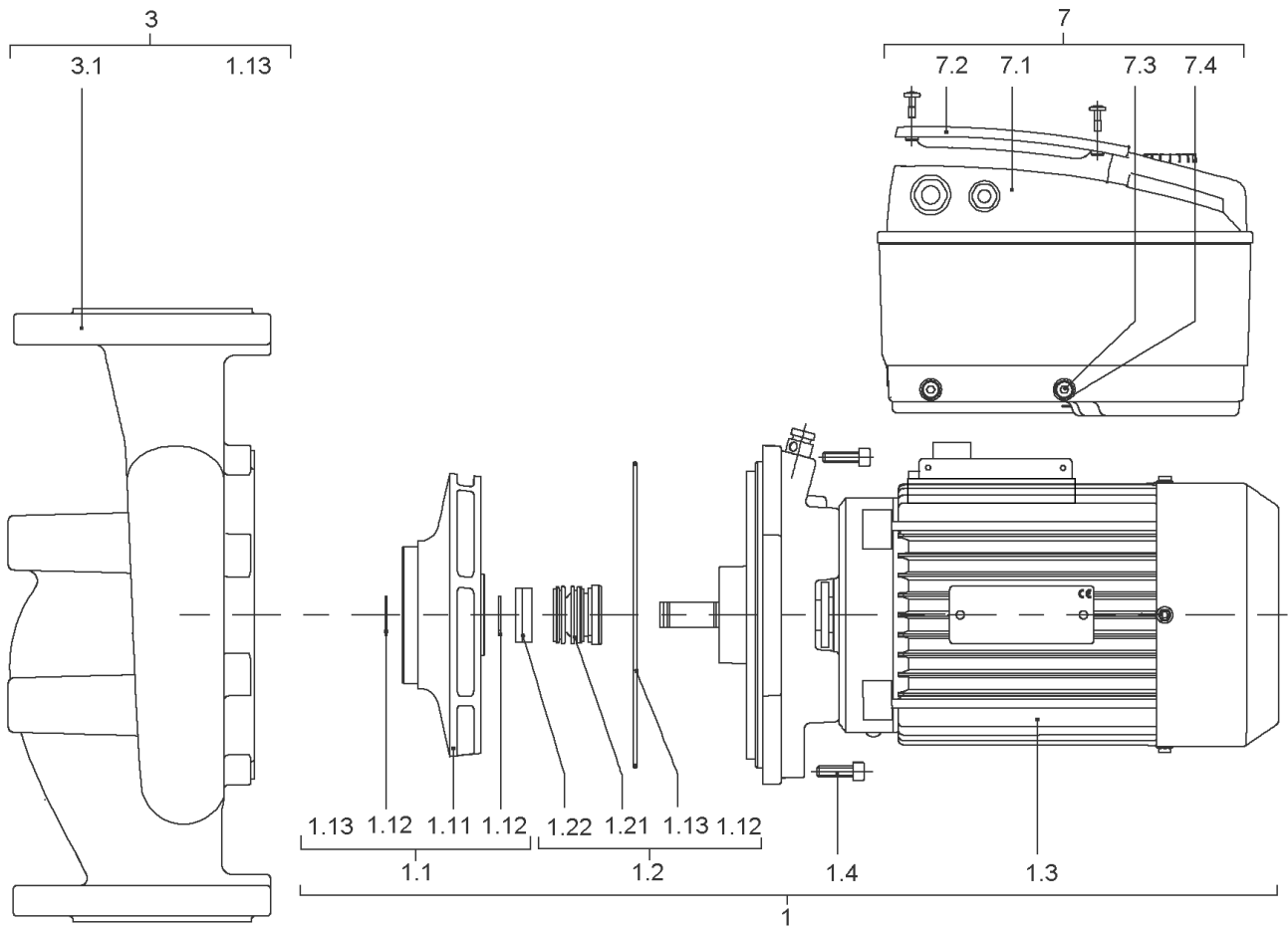
Item	Article no.	Description	Quantity
1	2112602	SERVICE MOTOR IP/DP-E40/150-3 IE2ATB	1
1.1	2052523	> IMPELLER D.55/147/17X7,8 KIT	1
1.11		>> IMPELLER D.55/147/17X7,8 PPO BEARB.	1
1.12	2123932	>> CIRCLIP 17X1 DIN471 A2 1.4122 VP.	1
1.13	2046358	>> O-RING ID.164,7X3,53 E7518 VP.	1
1.2	122097593	> Mechanical seal ID.17 AQ1EGG KIT	1
1.12	2123932	>> CIRCLIP 17X1 DIN471 A2 1.4122 VP.	1
1.13	2010300	>> O-RING ID.107,54X3,53	1
1.13	2010301	>> O-RING ID.117,07X3,53	1
1.13	2054183	>> O-RING ID.158,34X3,53 E7518	1
Note: TO/ BIS/ JUSQU'À: 03/03			
1.13	2046358	>> O-RING ID.164,7X3,53 E7518 VP.	1
Note: FROM/ AB/ À PARTIR: 04/03			
1.21		>> MECHANICAL SEAL ID.17 AQ1EGG	1
1.22		>> Distance ring D.17/30X9 PPO FE1630	1
1.3		> Motor	1
1.4	2052495	> SCREW M6X20 ISO4762 8.8 (8 PIECES)	1
		Spare parts motor 3/2/100 F188E ATB IE2	1
3	2016517	PUMP HOUSING IPL40/160/IP-E40/5 KIT	1
1.13	2046358	> O-RING ID.164,7X3,53 E7518 VP.	1
3.1		> PUMP HOUSING IP-E40/160 CPL.WILO	1
7	2111422	MODULE IP/DP-E40/150-3/2-IE2 ATB KIT	1
7.1		> Module IP-E/DP-E40/150-3/2 IE2 ATB	1
7.2	2054227	> MODULE COVER/GASKET TL3/4 KIT	1
7.3		> SCREW M5X16 ISO4762 8.8 ZnNi	1
7.4		> WASHER TOOTHED LOCK A5,3 DIN6797 FST ZN	1
	2061236	> O-RING ID.38X3 EPDM 70SR.A BUS.	1





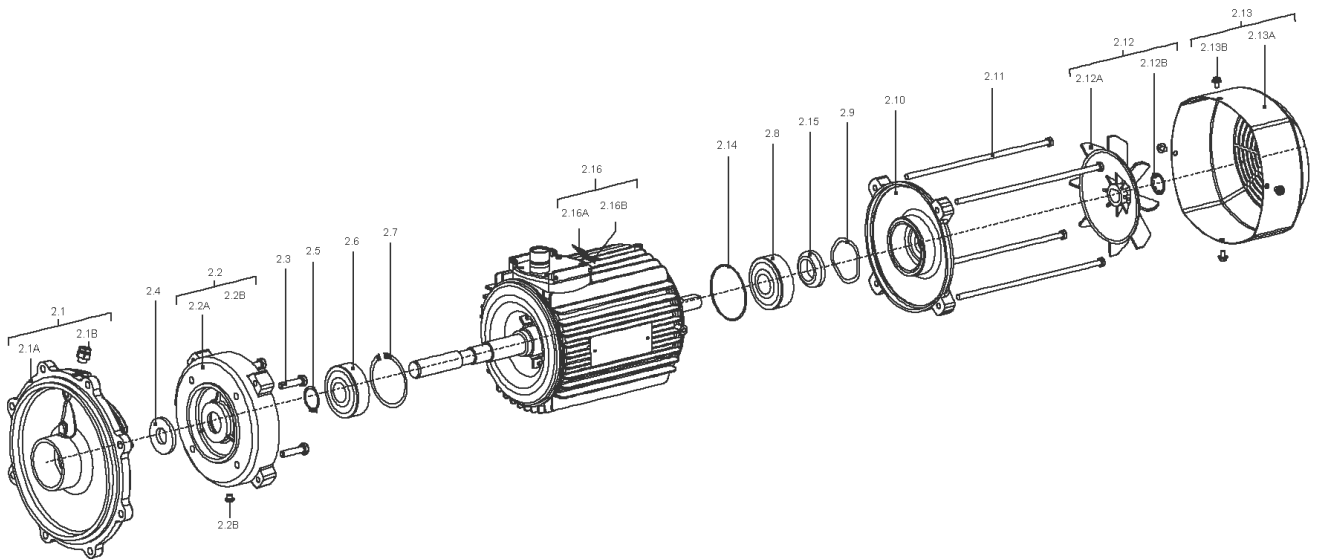
## Spare parts motor 3/2/100 F188E ATB IE2

Item	Article no.	Description	Quantity
2.1	2125452	END SHIELD BG100 D.E.ATB KIT	1
Note: Please give the data from type plate of the motor			
2.1A		> END SHIELD BG100 D.E.514725 ATB	1
2.1B	2027201	> BLOWGUN R1/8" VP.	1
Note: Please give the data from type plate of the motor			
2.2	2096258	SHIM BALL BEARING BG90-112 ATB VP.	1
Note: Please give the data from type plate of the motor			
2.3	121084190	BALL BEARING 6206/2Z-C3 (HT) VP.	1
Note: Please give the data from type plate of the motor			
2.4	121084190	BALL BEARING 6206/2Z-C3 (HT) VP.	1
Note: Please give the data from type plate of the motor			
2.5	2111441	CIRCLIP BG100/112 ATB VP.	1
Note: Please give the data from type plate of the motor			
2.6	2096273	SPACER DISC BG90/112 ATB VP.	1
Note: Please give the data from type plate of the motor			
2.7	2087825	END SHIELD BG100/112 457256N.D.E.ATB VP.	1
2.8	121479094	FAN WHEEL BG90/100 ATB KIT	1
Note: Please give the data from type plate of the motor			
2.8A		> FAN WHEEL BG90/100 721383 ATB	1
2.8B	2047016	> CORRUGATED SLEEVE RING BG90/100 ATB VP.	1
Note: Please give the data from type plate of the motor			
2.9	2046109	FAN HOUSING BG100 PLASTIC ATB VP.	1
Note: Please give the data from type plate of the motor			
2.12	2111449	SHAFT SEAL RING BG100/112 ATB VP.	1
Note: Please give the data from type plate of the motor			
2.14	2201024	Shaft seal ring BG100/112 N.D.E.ATB VP.	1
2.15	2111443	SCREW END SHILD BG100 D.E.ATB(4 PIECES)	1
Note: Please give the data from type plate of the motor			
	2147196	Gasket terminal box BG100/112 ATB.VP.	1
Note: Please give the data from type plate of the motor			



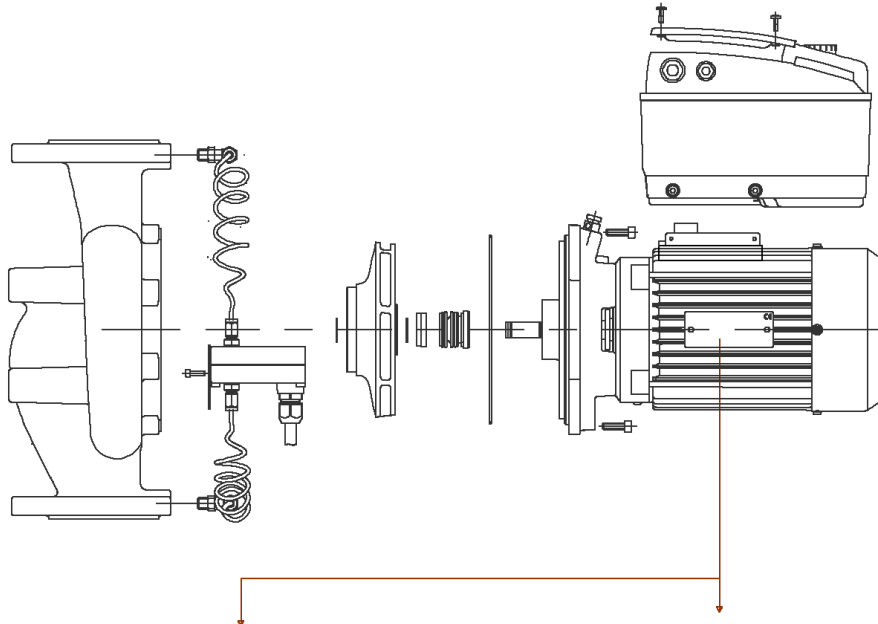
**Spare parts IP-E40/150-3/2-R1 ELEC**

Item	Article no.	Description	Quantity
1	2139832	Service Motor IP/DP-E40/150-3 IE2ELEC	1
1.1	2052523	> IMPELLER D.55/147/17X7,8 KIT	1
1.11		>> IMPELLER D.55/147/17X7,8 PPO BEARB.	1
1.12	2123932	>> CIRCLIP 17X1 DIN471 A2 1.4122 VP.	1
1.13	2046358	>> O-RING ID.164,7X3,53 E7518 VP.	1
1.2	122097593	> Mechanical seal ID.17 AQ1EGG KIT	1
1.12	2123932	>> CIRCLIP 17X1 DIN471 A2 1.4122 VP.	1
1.13	2010300	>> O-RING ID.107,54X3,53	1
1.13	2010301	>> O-RING ID.117,07X3,53	1
1.13	2054183	>> O-RING ID.158,34X3,53 E7518	1
Note: TO/ BIS/ JUSQU'À: 03/03			
1.13	2046358	>> O-RING ID.164,7X3,53 E7518 VP.	1
Note: FROM/ AB/ À PARTIR: 04/03			
1.21		>> MECHANICAL SEAL ID.17 AQ1EGG	1
1.22		>> Distance ring D.17/30X9 PPO FE1630	1
1.3		> Motor	1
1.4	2052495	> SCREW M6X20 ISO4762 8.8 (8 PIECES)	1
		Spare parts motor 3/2/100F188E ELEC IE2	1
3	2016517	PUMP HOUSING IPL40/160/IP-E40/5 KIT	1
1.13	2046358	> O-RING ID.164,7X3,53 E7518 VP.	1
3.1		> PUMP HOUSING IP-E40/160 CPL.WILO	1
7	2145511	Module IP/DP-E40/150-3/2-IE2 ELEC KIT	1
7.1		> Module IP-E/DP-E40/150-3/2 IE2 ELEC	1
7.2	2054227	> MODULE COVER/GASKET TL3/4 KIT	1
7.3		> SCREW M5X16 ISO4762 8.8 ZnNi	1
7.4		> WASHER TOOTHED LOCK A5,3 DIN6797 FST ZN	1
	2061236	> O-RING ID.38X3 EPDM 70SR.A BUS.	1



## Spare parts motor 3/2/100F188E ELEC IE2

Item	Article no.	Description	Quantity
2.1	2118386	FLANGE END SHIELD BG100/112 D.E.ELEC KIT	1
2.1A		> LANTERN V18 M130-F188 KTL	1
2.1B	2027201	> BLOWGUN R1/8" VP.	1
Note: Please give the data from type plate of the motor			
2.2	2118387	END SHIELD BG100 V18 D.E.ELEC KIT	1
2.2A		> Flange IEC100 V18 (w/o thread)	1
2.2B	2111309	> CONDENSATE HOLE GASKET D5 VP.	1
Note: Please give the data from type plate of the motor			
2.3	2111314	SCREW M8X40 6.8 (4 PIECES)	1
2.4	2111324	THROWER D.36X4 VP.	1
2.5	2118388	CIRCLIP D.35 GB894.1 VP.	1
2.6	2153172	Ball bearing 6307/VV-C3 VP.	1
2.7	2118390	CIRCLIP D.80 GB893.1 VP.	1
2.8	2118391	BALL BEARING 6205 DDW C3 EA6 VP.	1
2.9	2118392	SPRING RING D.52 JB/T7590 VP.	1
2.10	2164025	End shield BG112 N.D.E.ELEC KIT	1
Note: Please give the data from type plate of the motor			
		> FLANGE IEC112 NDS with slot	1
		> O-RING ID62.4*3.53 EPDM	1
2.11	2118394	SCREW M6X238 6.8 (4 PIECES)	1
2.12	2118395	FAN WHEEL 138X20X17 ELEC KIT	1
2.12A		> FAN 138X20X17 GP2200 G/F20%	1
2.12B	2118396	> Tooth lock washer D.19,8x0,4 VP.	1
Note: Please give the data from type plate of the motor			
2.13	2118397	FAN HOOD BG100 ELEC KIT	1
2.13A		> FAN COVER IEC100 KTL ST14 T0.8 H86	1
2.13B	2111323	> SCREW M4X6 (4 PIECES)	1
Note: Please give the data from type plate of the motor			
2.14	2164027	O-Ring ID62.4x3.53 EPDM VP.	1
Note: Please give the data from type plate of the motor			



ATB

Motor-Nummer  
motor number  
numéro du moteur

		IE2			
3~Mot.	AF132S/2F-11S+E2/0509	IE2-88,1%			
S1	132S IMV1	224039411-1	522058X		
IP 55	Th. CI.155(F)	SCHWINGGROESSENSTUFE B			
WILO NR.2064705					
kW	V	Hz	A	1/min	COS φ
7,5	YΔ 690/400	50	7,9/3,7	2890	0,90
7,5	Δ 460	60	11,8	3510	0,89
Made in Germany		50 kg	EN 60034		

ELEC

Motor-Nummer  
motor number  
numéro du moteur

<b>3~Induction Motor</b>		Made by WILLO Group		
3501437	W080090-2-F188	0902.001		
Class F	S1	IP55	13.5kg	EN60034
50Hz	1.10kW	2850min <sup>-1</sup>	60Hz	1.29kW 3435min <sup>-1</sup>
YΔ	230/400V	4.02/2.32A	Y	440-480V 2.40-2.32A
Cos φ =0.82	IE2-81.5%		Cos φ =0.85	IE2-82.5%

**Motor-Typenschild / Motor type plate / Plaque identité moteur**

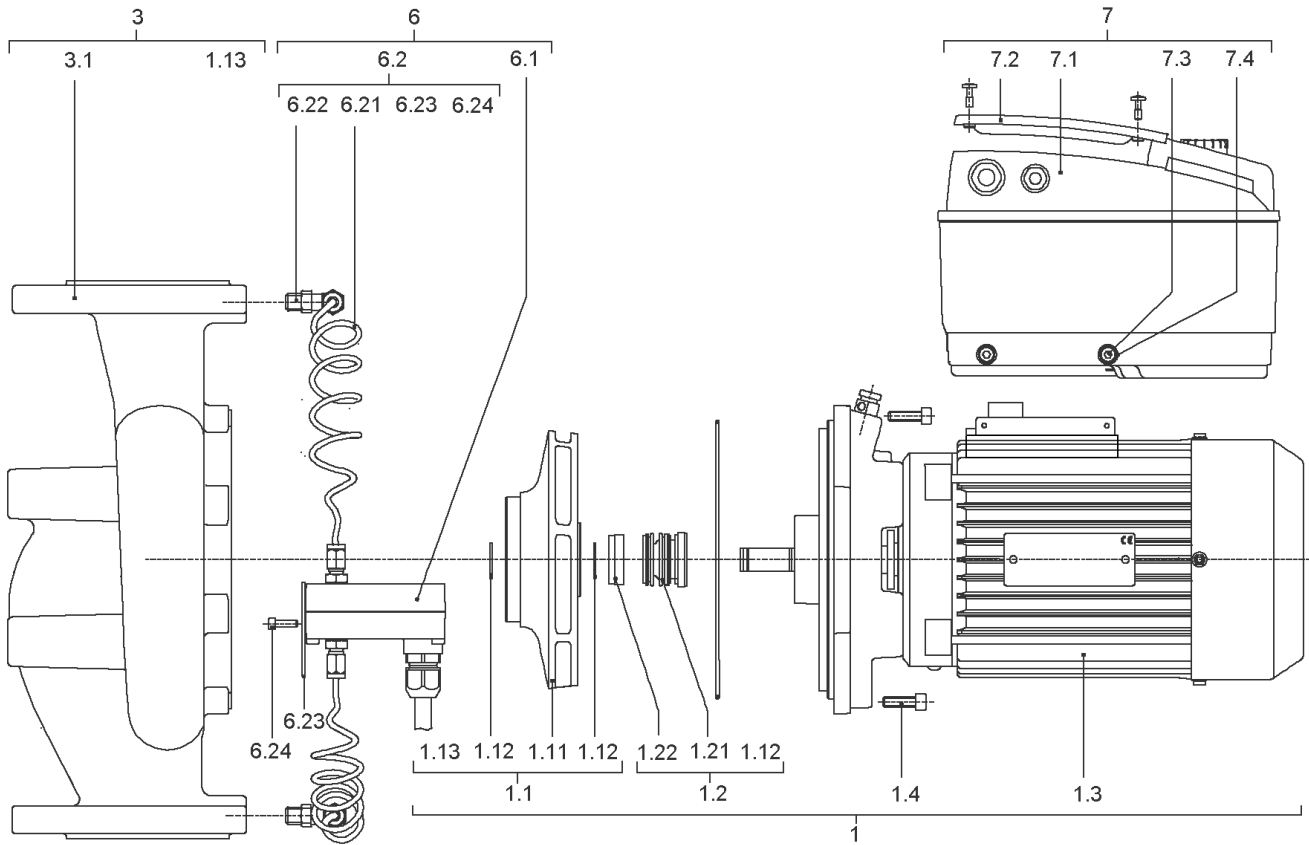
**Bei Ersatzteilbestellung Motor-Nummer angeben!**

**Indicate motor number for order of spare parts!**

**Pour une commande de pièces détachées, donner le numéro du moteur!**

**IP-E40/160-4/2-IE2 (2109766)**

<b>Item</b>	<b>Description</b>	<b>Quantity</b>
ATB	Spare parts IP-E40/160-4/2 ATB	1
ELEC	Spare parts IP-E40/160-4/2 ELEC	1



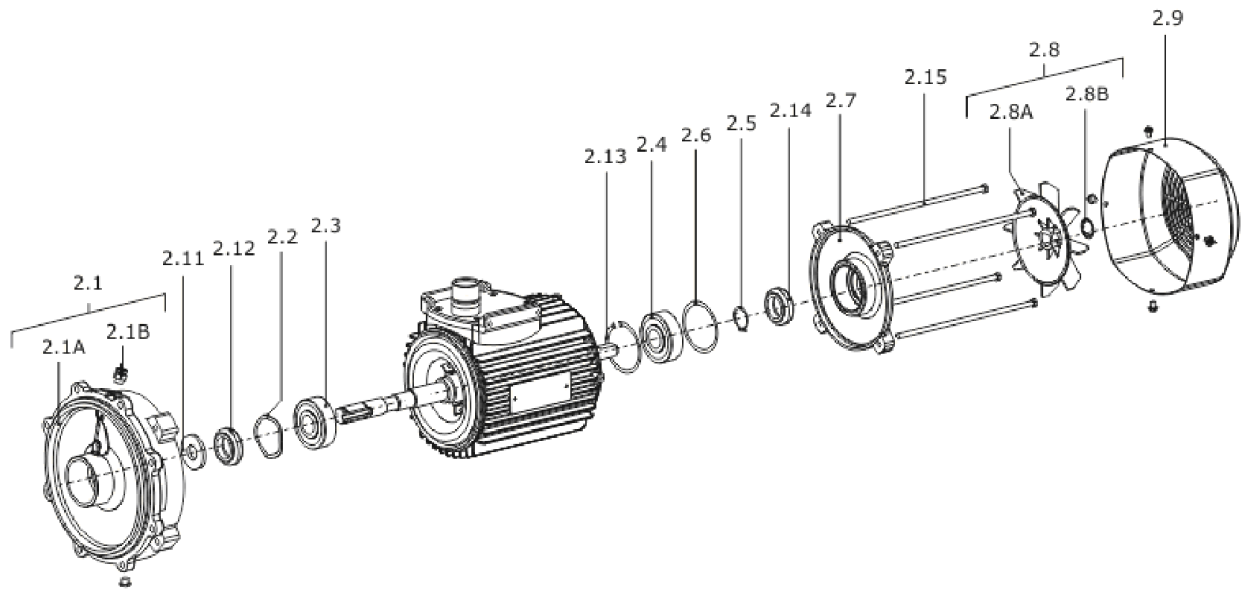


## Spare parts IP-E40/160-4/2 ATB

Item	Article no.	Description	Quantity
1	2112603	SERVICE MOTOR IP/DP-E40/160-4 IE2ATB	1
1.1	2052524	> IMPELLER D.62/156/17 KIT	1
1.11		>> Impeller D.55/156/6°/17 PPO FE1630	1
1.12	2123932	>> CIRCLIP 17X1 DIN471 A2 1.4122 VP.	1
1.13	2046358	>> O-RING ID.164,7X3,53 E7518 VP.	1
1.2	122097593	> Mechanical seal ID.17 AQ1EGG KIT	1
1.12	2123932	>> CIRCLIP 17X1 DIN471 A2 1.4122 VP.	1
1.13	2010300	>> O-RING ID.107,54X3,53	1
1.13	2010301	>> O-RING ID.117,07X3,53	1
1.13	2054183	>> O-RING ID.158,34X3,53 E7518	1
Note: TO/ BIS/ JUSQU'À: 03/03			
1.13	2046358	>> O-RING ID.164,7X3,53 E7518 VP.	1
Note: FROM/ AB/ À PARTIR: 04/03			
1.21		>> MECHANICAL SEAL ID.17 AQ1EGG	1
1.22		>> Distance ring D.17/30X9 PPO FE1630	1
1.3		> Motor	1
1.4	2052495	> SCREW M6X20 ISO4762 8.8 (8 PIECES)	1
		Spare parts motor 4/2/112 F188E ATB	1
3	2016517	PUMP HOUSING IPL40/160/IP-E40/5 KIT	1
1.13	2046358	> O-RING ID.164,7X3,53 E7518 VP.	1
3.1		> PUMP HOUSING IP-E40/160 CPL.WILO	1
6	2104485	DPS40-1(0-10V) KIT	1
6.1	2106115	> DIFFERENTIAL PRESSURE SENSOR 40 KIT	1
Note: FROM/ AB/ À PARTIR: 09/2009			
		>> DPS40 spiral TZ.3mm Volt 2G	1
	2196657	>> Cable DPS 3x0,34x650 short bared 2G VP.	1
Note: from/ab/de 01.10.2013			
6.2	2106120	> CONNECTION SENSOR IP-E SPIRAL M6 KIT	1
Note: FROM/ AB/ À PARTIR: 09/2009			
6.21		>> CAPILLARY COIL 1000	2
6.22		>> Fixation ring pipe union R1/8" 90GD.Ni	1
6.23		>> HANDLE DDG M6	1
6.24		>> Screw M4x10 EE DIN7500 ZN	2
	2168862	>> Nut/Ferrule M6 D.3MM MS Ni (2 Pieces)	1

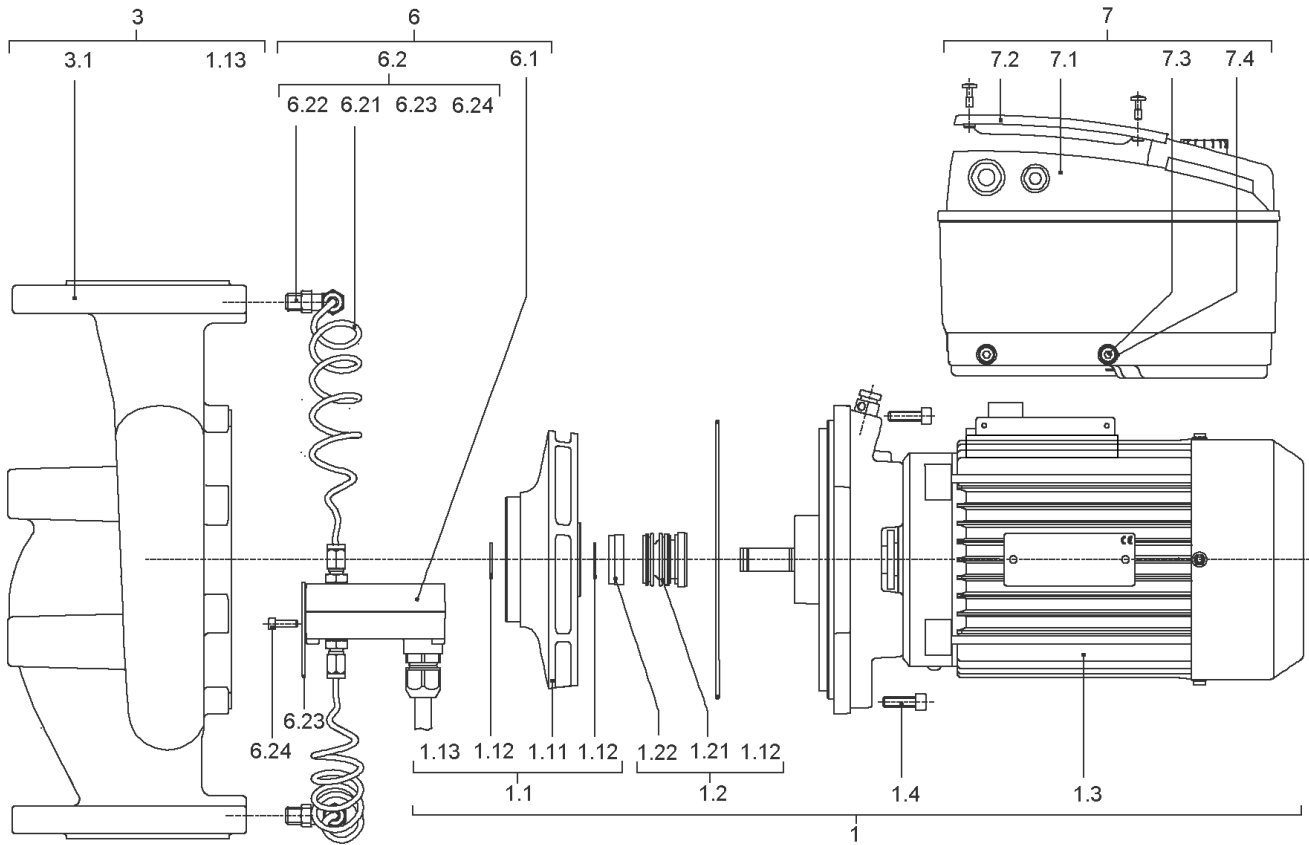
## Spare parts IP-E40/160-4/2 ATB

Item	Article no.	Description	Quantity
	2168860	>> Nut/Ferrule M8 D.5MM MS Ni (2 Pieces)	1
7	2111423	MODULE IP/DP-E40/160-4/2-IE2 ATB KIT	1
7.1		> Module IP-E/DP-E40/160-4/2 IE2 ATB	1
7.2	2054227	> MODULE COVER/GASKET TL3/4 KIT	1
7.3		> SCREW M5X16 ISO4762 8.8 ZnNi	1
7.4		> WASHER TOOTHED LOCK A5,3 DIN6797 FST ZN	1
	2061236	> O-RING ID.38X3 EPDM 70SR.A BUS.	1



## Spare parts motor 4/2/112 F188E ATB

Item	Article no.	Description	Quantity
2.1	2125454	END SHIELD BG112 D.E.ATB KIT	1
Note: Please give the data from type plate of the motor			
2.1A		> END SHIELD BG112 D.E.514768 ATB	1
2.1B	2027201	> BLOWGUN R1/8" VP.	1
Note: Please give the data from type plate of the motor			
2.2	2096258	SHIM BALL BEARING BG90-112 ATB VP.	1
Note: Please give the data from type plate of the motor			
2.3	121084190	BALL BEARING 6206/2Z-C3 (HT) VP.	1
Note: Please give the data from type plate of the motor			
2.4	121084190	BALL BEARING 6206/2Z-C3 (HT) VP.	1
Note: Please give the data from type plate of the motor			
2.5	2111441	CIRCLIP BG100/112 ATB VP.	1
Note: Please give the data from type plate of the motor			
2.6	2096273	SPACER DISC BG90/112 ATB VP.	1
Note: Please give the data from type plate of the motor			
2.7	2045002	END SHIELD BG112 N.D.E.ATB VP.	1
2.8	121479197	FAN WHEEL BG100-132 ATB KIT	1
Note: Please give the data from type plate of the motor			
2.8A		> FAN WHEEL BG100-132 721186 ATB	1
2.8B	2123672	> CORRU. SLEEVE RING BG90-132 ATB VP.	1
Note: Please give the data from type plate of the motor			
2.9	121181190	FAN HOUSING BG112 METAL ATB VP.	1
Note: Please give the data from type plate of the motor			
2.12	2201026	Shaft seal ring BG100/112 D.E.ATB VP.	1
Note: Please give the data from type plate of the motor			
2.14	2201024	Shaft seal ring BG100/112 N.D.E.ATB VP.	1
2.15	2111445	SCREW END SHILD M6X220 ATB(4 PIECES)	1
Note: Please give the data from type plate of the motor			
	2147196	Gasket terminal box BG100/112 ATB.VP.	1
Note: Please give the data from type plate of the motor			

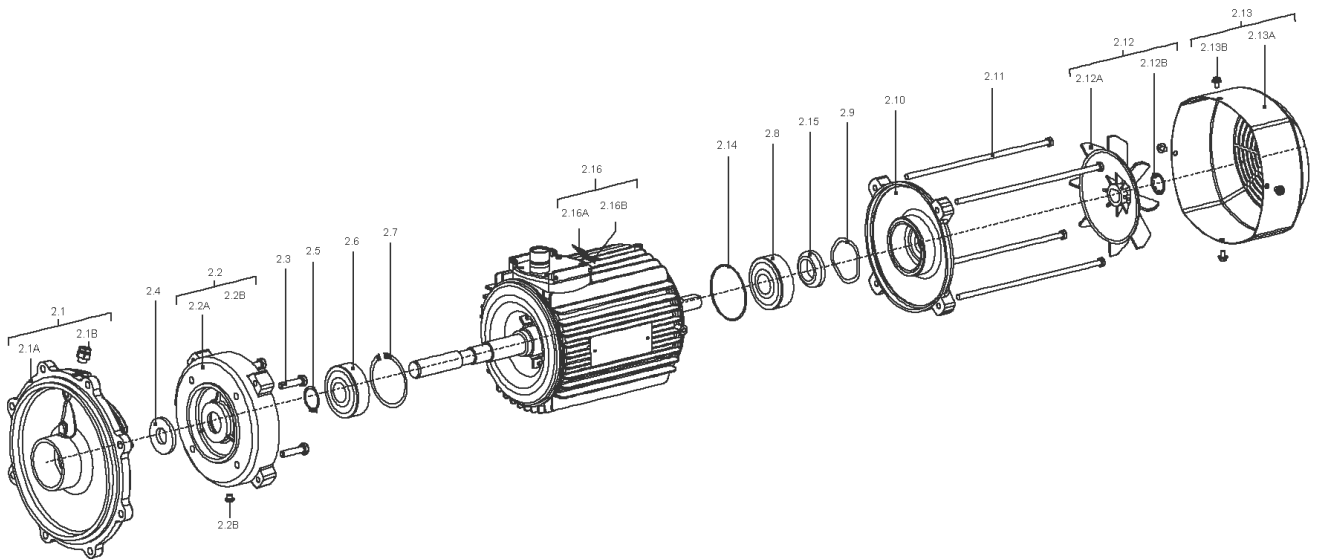


## Spare parts IP-E40/160-4/2 ELEC

Item	Article no.	Description	Quantity
1	2139833	Service Motor IP/DP-E40/160-4 IE2ELEC	1
1.1	2052524	> IMPELLER D.62/156/17 KIT	1
1.11		>> Impeller D.55/156/6°/17 PPO FE1630	1
1.12	2123932	>> CIRCLIP 17X1 DIN471 A2 1.4122 VP.	1
1.13	2046358	>> O-RING ID.164,7X3,53 E7518 VP.	1
1.2	122097593	> Mechanical seal ID.17 AQ1EGG KIT	1
1.12	2123932	>> CIRCLIP 17X1 DIN471 A2 1.4122 VP.	1
1.13	2010300	>> O-RING ID.107,54X3,53	1
1.13	2010301	>> O-RING ID.117,07X3,53	1
1.13	2054183	>> O-RING ID.158,34X3,53 E7518	1
Note: TO/ BIS/ JUSQU'À: 03/03			
1.13	2046358	>> O-RING ID.164,7X3,53 E7518 VP.	1
Note: FROM/ AB/ À PARTIR: 04/03			
1.21		>> MECHANICAL SEAL ID.17 AQ1EGG	1
1.22		>> Distance ring D.17/30X9 PPO FE1630	1
1.3		> Motor	1
1.4	2052495	> SCREW M6X20 ISO4762 8.8 (8 PIECES)	1
		Spare parts motor 4/2/112 F188E Elec IE2	1
3	2016517	PUMP HOUSING IPL40/160/IP-E40/5 KIT	1
1.13	2046358	> O-RING ID.164,7X3,53 E7518 VP.	1
3.1		> PUMP HOUSING IP-E40/160 CPL.WILO	1
6	2104485	DPS40-1(0-10V) KIT	1
6.1	2106115	> DIFFERENTIAL PRESSURE SENSOR 40 KIT	1
Note: FROM/ AB/ À PARTIR: 09/2009			
		>> DPS40 spiral TZ.3mm Volt 2G	1
	2196657	>> Cable DPS 3x0,34x650 short bared 2G VP.	1
Note: from/ab/de 01.10.2013			
6.2	2106120	> CONNECTION SENSOR IP-E SPIRAL M6 KIT	1
Note: FROM/ AB/ À PARTIR: 09/2009			
6.21		>> CAPILLARY COIL 1000	2
6.22		>> Fixation ring pipe union R1/8" 90GD.Ni	1
6.23		>> HANDLE DDG M6	1
6.24		>> Screw M4x10 EE DIN7500 ZN	2
	2168862	>> Nut/Ferrule M6 D.3MM MS Ni (2 Pieces)	1

## Spare parts IP-E40/160-4/2 ELEC

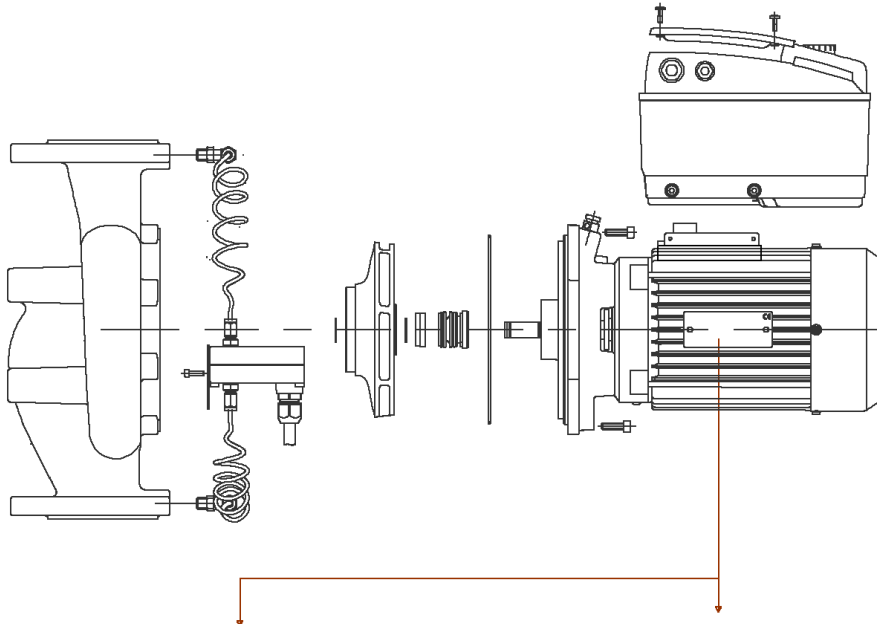
Item	Article no.	Description	Quantity
	2168860	>> Nut/Ferrule M8 D.5MM MS Ni (2 Pieces)	1
7	2178959	Module IP-E/DP-E40/160-4/2 IE2 ELEC KIT	1
7.1		> Module IP-E/DP-E40/160-4/2 IE2 ELEC	1
7.2	2054227	> MODULE COVER/GASKET TL3/4 KIT	1
7.3		> SCREW M5X16 ISO4762 8.8 ZnNi	1
7.4		> WASHER TOOTHED LOCK A5,3 DIN6797 FST ZN	1
	2061236	> O-RING ID.38X3 EPDM 70SR.A BUS.	1





## Spare parts motor 4/2/112 F188E Elec IE2

Item	Article no.	Description	Quantity
2.1	2118386	FLANGE END SHIELD BG100/112 D.E.ELEC KIT	1
2.1A		> LANTERN V18 M130-F188 KTL	1
2.1B	2027201	> BLOWGUN R1/8" VP.	1
Note: Please give the data from type plate of the motor			
2.2	2132465	END SHIELD BG112 V12 D.E.ELEC KIT	1
2.2A		> FLANGE IEC112 V18 (WITHOUT THREAD)	1
2.2B	2111309	> CONDENSATE HOLE GASKET D5 VP.	1
Note: Please give the data from type plate of the motor			
2.3	2111314	SCREW M8X40 6.8 (4 PIECES)	1
2.4	2111324	THROWER D.36X4 VP.	1
2.5	2118388	CIRCLIP D.35 GB894.1 VP.	1
2.6	2149118	Ball bearing 6307/ZZ-C3 E2 VP.	1
2.7	2118390	CIRCLIP D.80 GB893.1 VP.	1
2.8	2153173	Ball bearing 6206/VV-C3 VP.	1
2.9	2132469	SPRING RING D.62 JB/T7590 VP.	1
2.10	2164025	End shield BG112 N.D.E.ELEC KIT	1
Note: Please give the data from type plate of the motor			
		> FLANGE IEC112 NDS with slot	1
		> O-RING ID62.4*3.53 EPDM	1
2.11	2132473	SCREW M8X263,5 6.8 (4 PIECES)	1
2.12	2168254	Fan wheel BG112 ELEC KIT	1
2.12A		> FAN 185X20X17 GP2200 G/F20%	1
2.12B	2118396	> Tooth lock washer D.19,8x0,4 VP.	1
Note: Please give the data from type plate of the motor			
2.13	2168255	Fan hood BG112 ELEC KIT	1
2.13A		> FAN COVER IEC112 KTL ST14 T1.0 H86	1
2.13B	2111323	> SCREW M4X6 (4 PIECES)	1
Note: Please give the data from type plate of the motor			
2.15	2149111	Shaft seal ring 35x55x8 VP.	1
Note: Please give the data from type plate of the motor			



ATB

Motor-Nummer  
motor number  
numéro du moteur

		IE2			
3~Mot.	AF132S/2F-11S+E2/0509	IE2-88,1%			
S1	132S IMV1	224039411-1	522058X		
IP 55	Th. CI.155(F)	SCHWINGGROESSENSTUFE B			
WILO NR.2064705					
kW	V	Hz	A	1/min	COS φ
7,5	YΔ 690/400	50	7,9/3,7	2890	0,90
7,5	Δ 460	60	11,8	3510	0,89
Made in Germany		50 kg	EN 60034		

ELEC

Motor-Nummer  
motor number  
numéro du moteur

<b>3~Induction Motor</b>		Made by WILLO Group			
3501437	W080090-2-F188	0902.001			
Class F	S1	IP55	13.5kg	EN60034	
50Hz	1.10kW	2850min <sup>-1</sup>	60Hz	1.29kW	3435min <sup>-1</sup>
YΔ	230/400V	4.02/2.32A	Y	440-480V	2.40-2.32A
Cos φ =0.82		IE2-81.5%	Cos φ =0.85		IE2-82.5%

**Motor-Typenschild / Motor type plate / Plaque identité moteur**

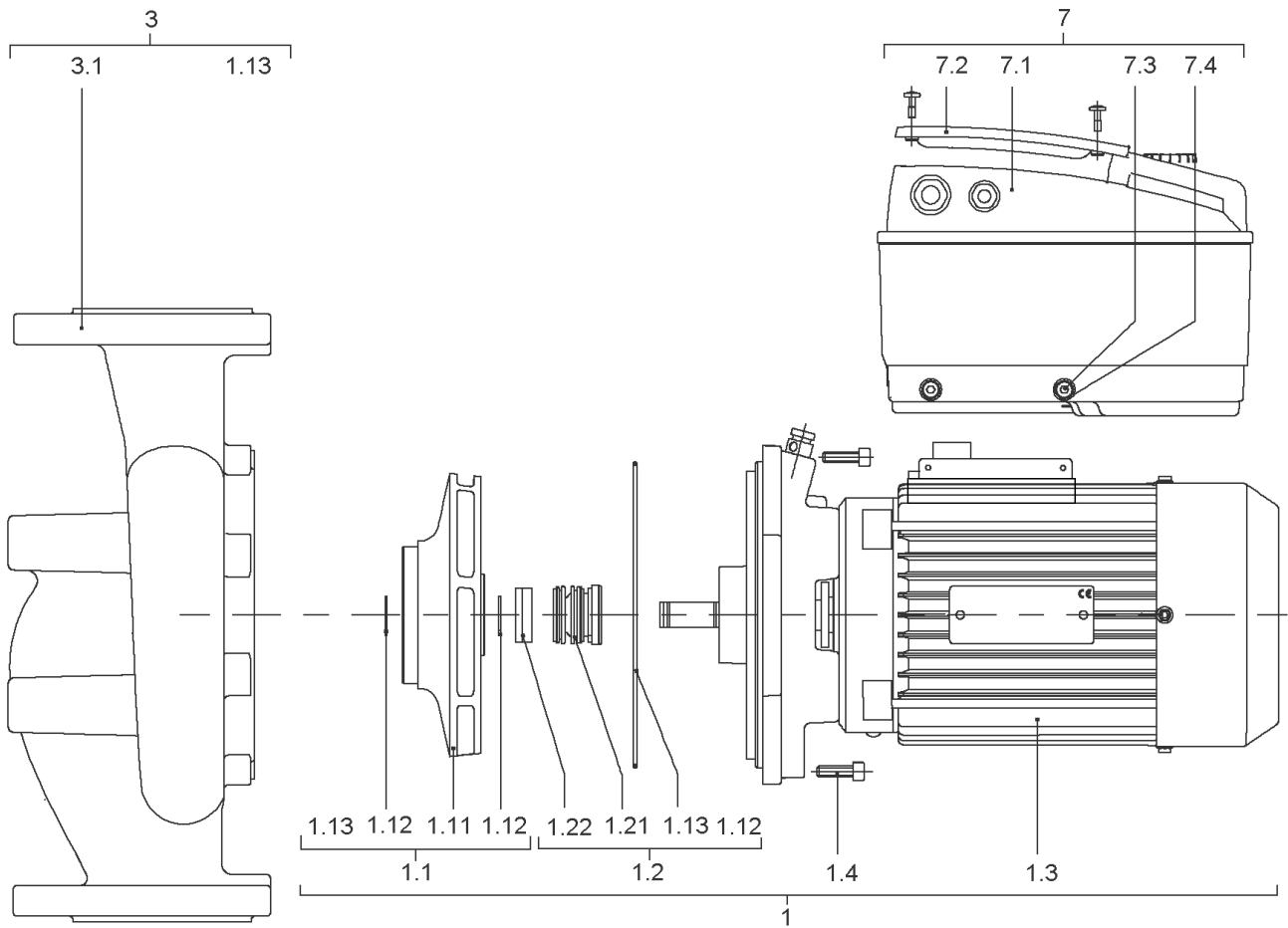
**Bei Ersatzteilbestellung Motor-Nummer angeben!**

**Indicate motor number for order of spare parts!**

**Pour une commande de pièces détachées, donner le numéro du moteur!**

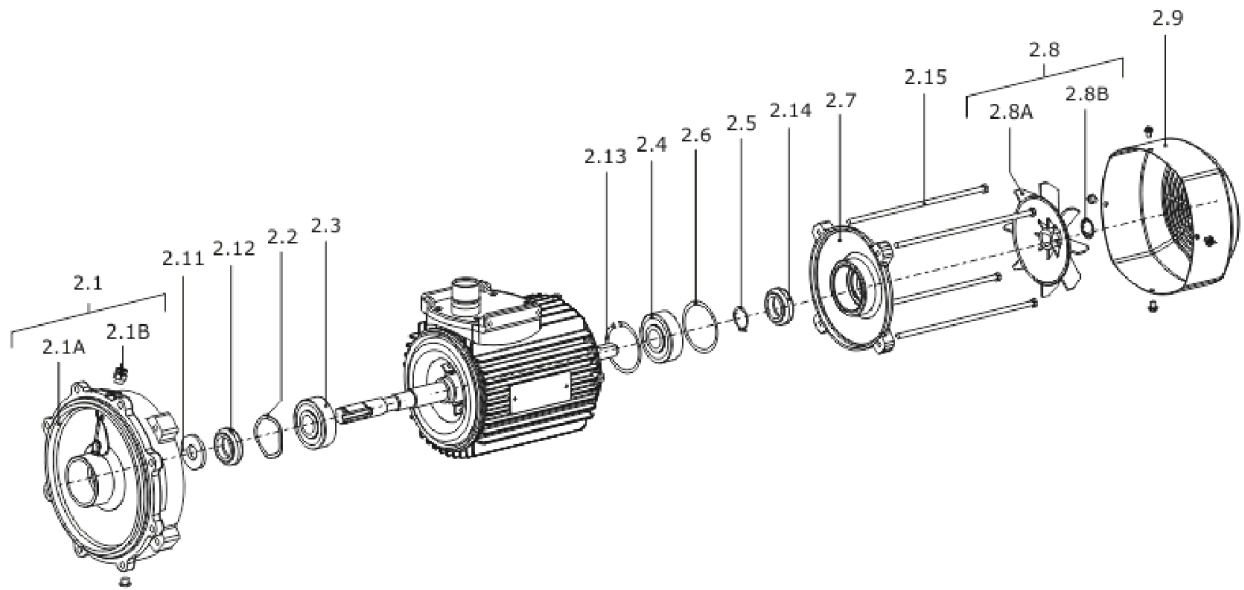
**IP-E40/160-4/2-R1-IE2 (2109802)**

<b>Item</b>	<b>Description</b>	<b>Quantity</b>
ATB	Spare parts IP-E40/160-4/2-R1 ATB	1
ELEC	Spare parts IP-E40/160-4/2-R1 ELEC	1



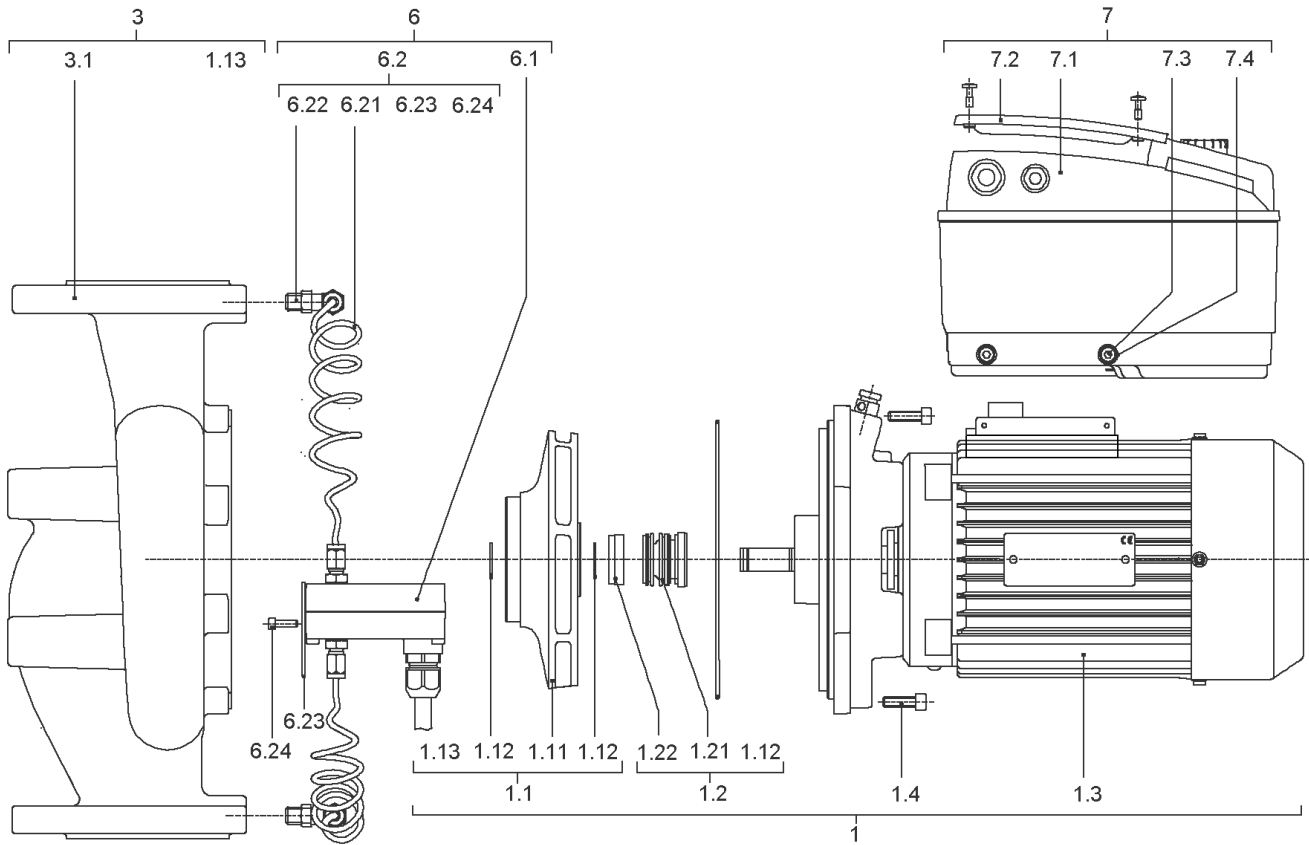
**Spare parts IP-E40/160-4/2-R1 ATB**

Item	Article no.	Description	Quantity
1	2112603	SERVICE MOTOR IP/DP-E40/160-4 IE2ATB	1
1.1	2052524	> IMPELLER D.62/156/17 KIT	1
1.11		>> Impeller D.55/156/6°/17 PPO FE1630	1
1.12	2123932	>> CIRCLIP 17X1 DIN471 A2 1.4122 VP.	1
1.13	2046358	>> O-RING ID.164,7X3,53 E7518 VP.	1
1.2	122097593	> Mechanical seal ID.17 AQ1EGG KIT	1
1.12	2123932	>> CIRCLIP 17X1 DIN471 A2 1.4122 VP.	1
1.13	2010300	>> O-RING ID.107,54X3,53	1
1.13	2010301	>> O-RING ID.117,07X3,53	1
1.13	2054183	>> O-RING ID.158,34X3,53 E7518	1
Note: TO/ BIS/ JUSQU'À: 03/03			
1.13	2046358	>> O-RING ID.164,7X3,53 E7518 VP.	1
Note: FROM/ AB/ À PARTIR: 04/03			
1.21		>> MECHANICAL SEAL ID.17 AQ1EGG	1
1.22		>> Distance ring D.17/30X9 PPO FE1630	1
1.3		> Motor	1
1.4	2052495	> SCREW M6X20 ISO4762 8.8 (8 PIECES)	1
		Spare parts motor 4/2/112 F188E ATB	1
3	2016517	PUMP HOUSING IPL40/160/IP-E40/5 KIT	1
1.13	2046358	> O-RING ID.164,7X3,53 E7518 VP.	1
3.1		> PUMP HOUSING IP-E40/160 CPL.WILO	1
7	2111423	MODULE IP/DP-E40/160-4/2-IE2 ATB KIT	1
7.1		> Module IP-E/DP-E40/160-4/2 IE2 ATB	1
7.2	2054227	> MODULE COVER/GASKET TL3/4 KIT	1
7.3		> SCREW M5X16 ISO4762 8.8 ZnNi	1
7.4		> WASHER TOOTHED LOCK A5,3 DIN6797 FST ZN	1
	2061236	> O-RING ID.38X3 EPDM 70SR.A BUS.	1



## Spare parts motor 4/2/112 F188E ATB

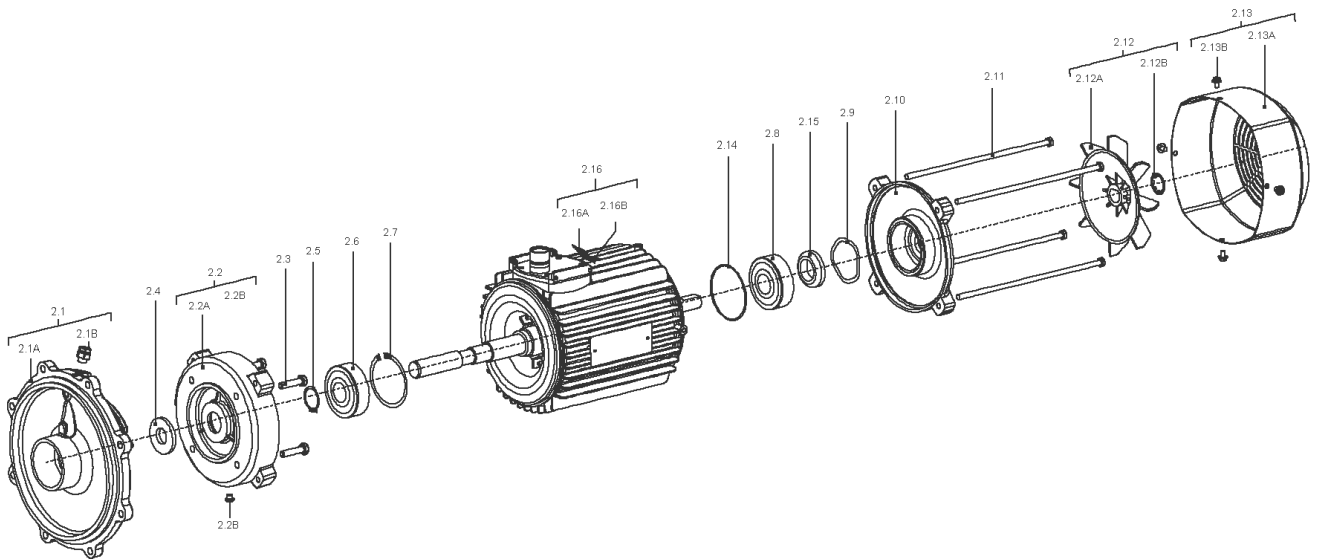
Item	Article no.	Description	Quantity
2.1	2125454	END SHIELD BG112 D.E.ATB KIT	1
Note: Please give the data from type plate of the motor			
2.1A		> END SHIELD BG112 D.E.514768 ATB	1
2.1B	2027201	> BLOWGUN R1/8" VP.	1
Note: Please give the data from type plate of the motor			
2.2	2096258	SHIM BALL BEARING BG90-112 ATB VP.	1
Note: Please give the data from type plate of the motor			
2.3	121084190	BALL BEARING 6206/2Z-C3 (HT) VP.	1
Note: Please give the data from type plate of the motor			
2.4	121084190	BALL BEARING 6206/2Z-C3 (HT) VP.	1
Note: Please give the data from type plate of the motor			
2.5	2111441	CIRCLIP BG100/112 ATB VP.	1
Note: Please give the data from type plate of the motor			
2.6	2096273	SPACER DISC BG90/112 ATB VP.	1
Note: Please give the data from type plate of the motor			
2.7	2045002	END SHIELD BG112 N.D.E.ATB VP.	1
2.8	121479197	FAN WHEEL BG100-132 ATB KIT	1
Note: Please give the data from type plate of the motor			
2.8A		> FAN WHEEL BG100-132 721186 ATB	1
2.8B	2123672	> CORRU. SLEEVE RING BG90-132 ATB VP.	1
Note: Please give the data from type plate of the motor			
2.9	121181190	FAN HOUSING BG112 METAL ATB VP.	1
Note: Please give the data from type plate of the motor			
2.12	2201026	Shaft seal ring BG100/112 D.E.ATB VP.	1
Note: Please give the data from type plate of the motor			
2.14	2201024	Shaft seal ring BG100/112 N.D.E.ATB VP.	1
2.15	2111445	SCREW END SHILD M6X220 ATB(4 PIECES)	1
Note: Please give the data from type plate of the motor			
	2147196	Gasket terminal box BG100/112 ATB.VP.	1
Note: Please give the data from type plate of the motor			





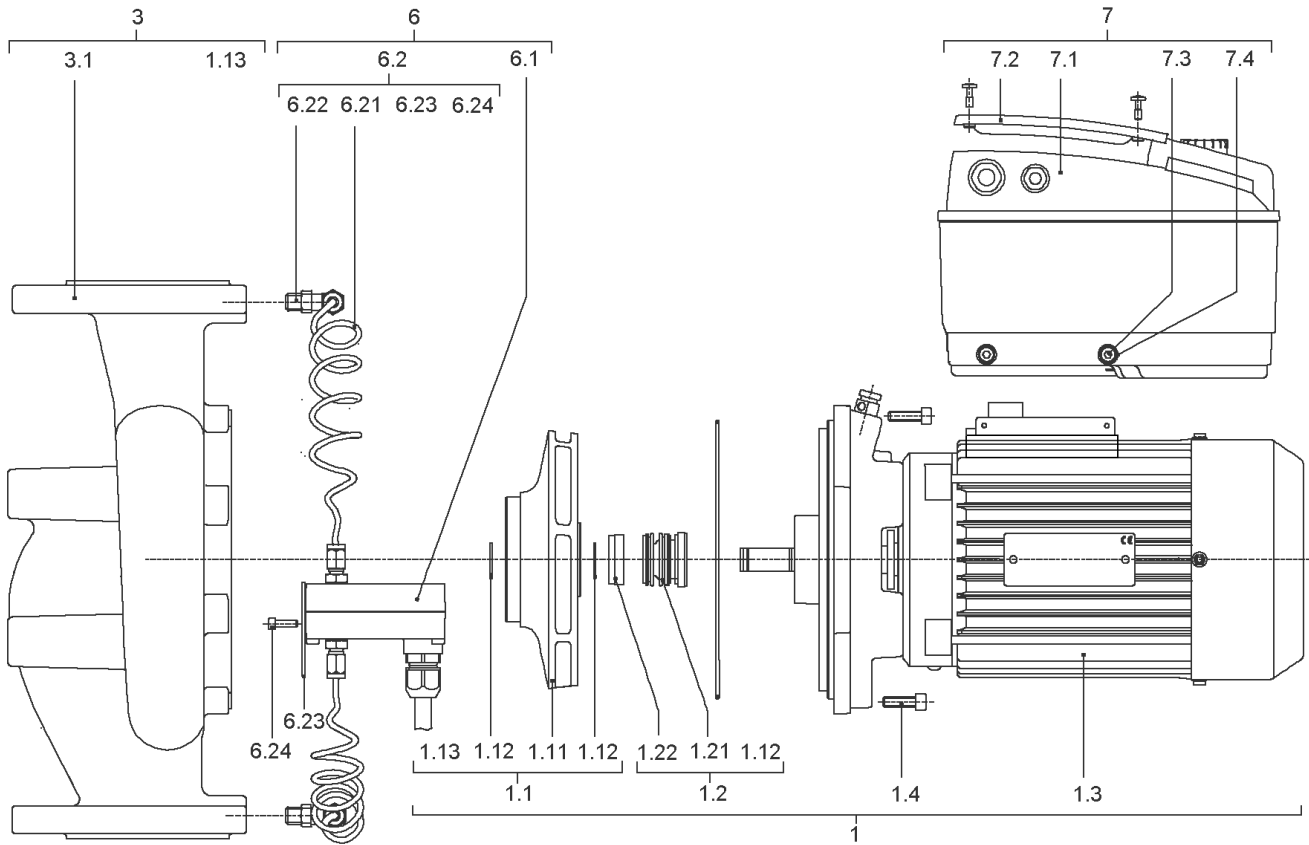
## Spare parts IP-E40/160-4/2-R1 ELEC

Item	Article no.	Description	Quantity
1	2139833	Service Motor IP/DP-E40/160-4 IE2ELEC	1
1.1	2052524	> IMPELLER D.62/156/17 KIT	1
1.11		>> Impeller D.55/156/6°/17 PPO FE1630	1
1.12	2123932	>> CIRCLIP 17X1 DIN471 A2 1.4122 VP.	1
1.13	2046358	>> O-RING ID.164,7X3,53 E7518 VP.	1
1.2	122097593	> Mechanical seal ID.17 AQ1EGG KIT	1
1.12	2123932	>> CIRCLIP 17X1 DIN471 A2 1.4122 VP.	1
1.13	2010300	>> O-RING ID.107,54X3,53	1
1.13	2010301	>> O-RING ID.117,07X3,53	1
1.13	2054183	>> O-RING ID.158,34X3,53 E7518	1
Note: TO/ BIS/ JUSQU'À: 03/03			
1.13	2046358	>> O-RING ID.164,7X3,53 E7518 VP.	1
Note: FROM/ AB/ À PARTIR: 04/03			
1.21		>> MECHANICAL SEAL ID.17 AQ1EGG	1
1.22		>> Distance ring D.17/30X9 PPO FE1630	1
1.3		> Motor	1
1.4	2052495	> SCREW M6X20 ISO4762 8.8 (8 PIECES)	1
		Spare parts motor 4/2/112 F188E Elec IE2	1
3	2016517	PUMP HOUSING IPL40/160/IP-E40/5 KIT	1
1.13	2046358	> O-RING ID.164,7X3,53 E7518 VP.	1
3.1		> PUMP HOUSING IP-E40/160 CPL.WILO	1
7	2178959	Module IP-E/DP-E40/160-4/2 IE2 ELEC KIT	1
7.1		> Module IP-E/DP-E40/160-4/2 IE2 ELEC	1
7.2	2054227	> MODULE COVER/GASKET TL3/4 KIT	1
7.3		> SCREW M5X16 ISO4762 8.8 ZnNi	1
7.4		> WASHER TOOTHED LOCK A5,3 DIN6797 FST ZN	1
	2061236	> O-RING ID.38X3 EPDM 70SR.A BUS.	1



## Spare parts motor 4/2/112 F188E Elec IE2

Item	Article no.	Description	Quantity
2.1	2118386	FLANGE END SHIELD BG100/112 D.E.ELEC KIT	1
2.1A		> LANTERN V18 M130-F188 KTL	1
2.1B	2027201	> BLOWGUN R1/8" VP.	1
Note: Please give the data from type plate of the motor			
2.2	2132465	END SHIELD BG112 V12 D.E.ELEC KIT	1
2.2A		> FLANGE IEC112 V18 (WITHOUT THREAD)	1
2.2B	2111309	> CONDENSATE HOLE GASKET D5 VP.	1
Note: Please give the data from type plate of the motor			
2.3	2111314	SCREW M8X40 6.8 (4 PIECES)	1
2.4	2111324	THROWER D.36X4 VP.	1
2.5	2118388	CIRCLIP D.35 GB894.1 VP.	1
2.6	2149118	Ball bearing 6307/ZZ-C3 E2 VP.	1
2.7	2118390	CIRCLIP D.80 GB893.1 VP.	1
2.8	2153173	Ball bearing 6206/VV-C3 VP.	1
2.9	2132469	SPRING RING D.62 JB/T7590 VP.	1
2.10	2164025	End shield BG112 N.D.E.ELEC KIT	1
Note: Please give the data from type plate of the motor			
		> FLANGE IEC112 NDS with slot	1
		> O-RING ID62.4*3.53 EPDM	1
2.11	2132473	SCREW M8X263,5 6.8 (4 PIECES)	1
2.12	2168254	Fan wheel BG112 ELEC KIT	1
2.12A		> FAN 185X20X17 GP2200 G/F20%	1
2.12B	2118396	> Tooth lock washer D.19,8x0,4 VP.	1
Note: Please give the data from type plate of the motor			
2.13	2168255	Fan hood BG112 ELEC KIT	1
2.13A		> FAN COVER IEC112 KTL ST14 T1.0 H86	1
2.13B	2111323	> SCREW M4X6 (4 PIECES)	1
Note: Please give the data from type plate of the motor			
2.15	2149111	Shaft seal ring 35x55x8 VP.	1
Note: Please give the data from type plate of the motor			



**IP-E50/115-0,75/2(UNGÜLTIG) (2109767)**

Item	Article no.	Description	Quantity
1	2112604	SERVICE MOTOR IP/DP-E50/115-0,75 IE2ELEC	1
1.1	122092693	> IMPELLER D.56/107/17X7,47 KIT	1
1.11		>> Impeller D.56/107/17X7,47 PPO FE1630	1
1.12	2123932	>> CIRCLIP 17X1 DIN471 A2 1.4122 VP.	1
1.13	2010300	>> O-RING ID.107,54X3,53	1
1.2	122097593	> Mechanical seal ID.17 AQ1EGG KIT	1
1.12	2123932	>> CIRCLIP 17X1 DIN471 A2 1.4122 VP.	1
1.13	2010300	>> O-RING ID.107,54X3,53	1
1.13	2010301	>> O-RING ID.117,07X3,53	1
1.13	2054183	>> O-RING ID.158,34X3,53 E7518	1
Note: TO/ BIS/ JUSQU'À: 03/03			
1.13	2046358	>> O-RING ID.164,7X3,53 E7518 VP.	1
Note: FROM/ AB/ À PARTIR: 04/03			
1.21		>> MECHANICAL SEAL ID.17 AQ1EGG	1
1.22		>> Distance ring D.17/30X9 PPO FE1630	1
1.3		> Motor	1
1.4	2043006	> SCREW M6X20 ISO4762 8.8 (4 PIECES)	1
		SPARE PARTS MOTOR 0,75/2/80 F154E	1
3	2016514	PUMP HOUSING IPL50/115/IP-E50/2 KIT	1
1.13	2010300	> O-RING ID.107,54X3,53	1
3.1		> PUMP HOUSING IP-E50/108,5 CPL.WILO	1
6	2104479	DPS20-1(0-10V) KIT	1
6.1	2106113	> DIFFERENTIAL PRESSURE SENSOR 20 KIT	1
Note: FROM/ AB/ À PARTIR: 09/2009			
		>> DPS20 spiral TZ.3mm Volt 2G	1
	2196657	>> Cable DPS 3x0,34x650 short bared 2G VP.	1
Note: from/ab/de 01.10.2013			
6.2	2106120	> CONNECTION SENSOR IP-E SPIRAL M6 KIT	1
Note: FROM/ AB/ À PARTIR: 09/2009			
6.21		>> CAPILLARY COIL 1000	2
6.22		>> Fixation ring pipe union R1/8" 90GD.Ni	1
6.23		>> HANDLE DDG M6	1
6.24		>> Screw M4x10 EE DIN7500 ZN	2
	2168862	>> Nut/Ferrule M6 D.3MM MS Ni (2 Pieces)	1

**IP-E50/115-0,75/2(UNGÜLTIG) (2109767)**

Item	Article no.	Description	Quantity
	2168860	>> Nut/Ferrule M8 D.5MM MS Ni (2 Pieces)	1
7	2111424	MODULE IP/DP-E50/115-0,75/2-IE2 ELEC KIT	1
7.1		> Module IP-E/DP-E50/115-0,75/2 IE2 ELEC	1
7.2	2054372	> MODULE COVER TL1,TL2+GASKET KIT	1
7.3		> SCREW M5X16 ISO4762 8.8 ZnNi	1
7.4		> WASHER TOOTHED LOCK A5,3 DIN6797 FST ZN	1
	2061236	> O-RING ID.38X3 EPDM 70SR.A BUS.	1

### Motor-Typenschild / Motor type plate / Plaque identité moteur

**Bei Ersatzteilbestellung Motor-Nummer angeben!**

**Indicate motor number for order of spare parts!**

**Pour une commande de pièces détachées, donner le numéro du moteur!**

ATB - AF

Motor-Nummer  
motor number  
numéro du moteur

3-Mot. 90L  
 1234567 - 1  
 IMB5 IP 55  
 AF 90L/2I-12  
 Y/Δ 400/230 V 4.6/8.0 A  
 2850 1/min cos φ 0.87 50 Hz  
 2.2 kW S1  
 ● Y/Δ 380...420/220...240 V ●  
 4.8...4.6/8.3...8.0 A  
 Th. Cl. F 1. freie Zeile  
 2. freie Zeile  
 3. freie Zeile Made in Germany  
 T09 463023N 16 kg EN 60034 - IEC 38

WILO ELEC

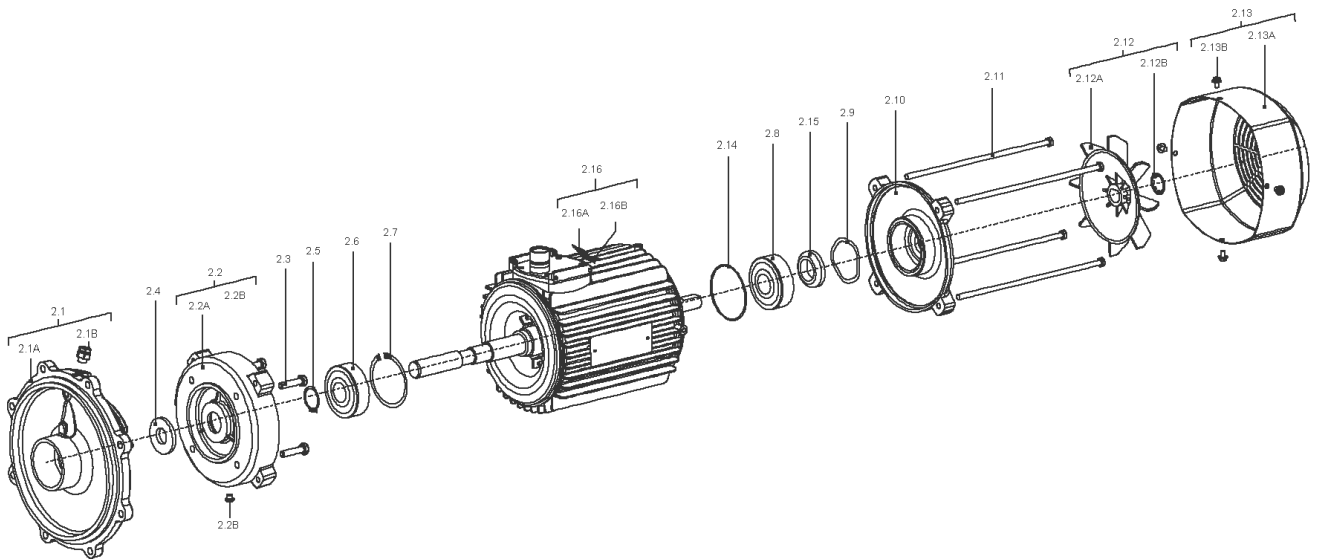
Motor-Nummer  
motor number  
numéro du moteur

**3-Induction Motor**  
 Made by WILCO Group   
 3502984 W071080-2-F188E 1001.001  
 Class F S1 IP 55 10.4kg EN60034  
  
 50Hz 0.55kW 2860min<sup>-1</sup> 60Hz 0.66kW 3450min<sup>-1</sup>  
 Y 400V 1.33A Y 440-480V 1.34-1.32A  
 Cosφ=0.76 Eta=79.0% Cosφ=0.75 Eta=80.0%

**SPARE PARTS MOTOR 0,75/2/80 F154E**

<b>Item</b>	<b>Description</b>	<b>Quantity</b>
2	MOTOR W080070-2-F154E 400V/50HZ 0.75KW S	1



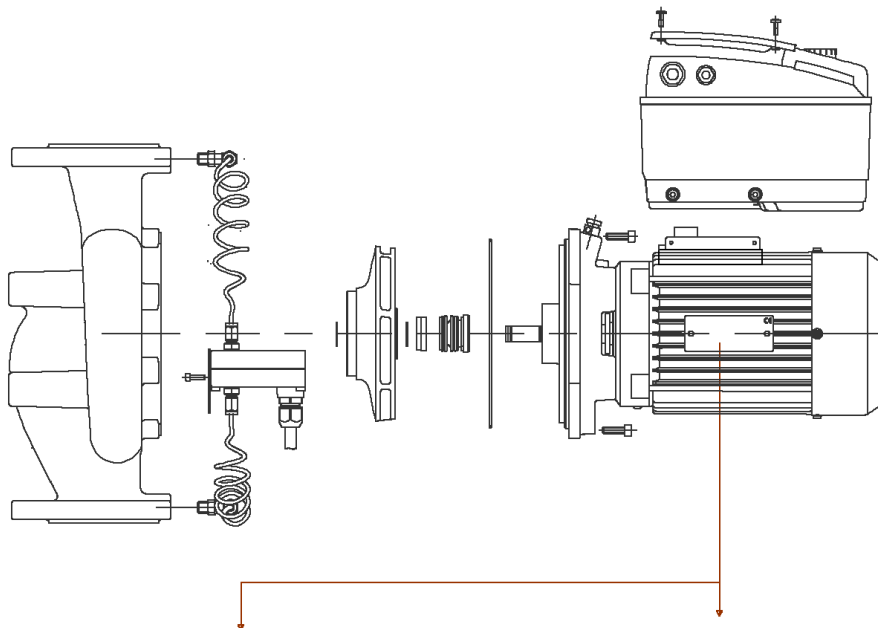


**MOTOR W080070-2-F154E 400V/50HZ 0.75KW S**

Item	Article no.	Description	Quantity
2.1	2111305	FLANGE END SHIELD BG80F154 D.E.ELEC KIT	1
Note: Please give the data from type plate of the motor			
2.1A		> LANTERN V18 M100-F154 KTL	1
2.1B	2027201	> BLOWGUN R1/8" VP.	1
Note: Please give the data from type plate of the motor			
2.2	2111311	End shield BG80 V18 D.E.ELEC KIT	1
Note: Please give the data from type plate of the motor			
2.2A		> Flange IEC80 V18 (w/o thread)	1
2.2B	2111309	> CONDENSATE HOLE GASKET D5 VP.	1
Note: Please give the data from type plate of the motor			
2.3	2111313	SCREW M6X30 6.8 (4 PIECES)	1
Note: Please give the data from type plate of the motor			
2.4	2111324	THROWER D.36X4 VP.	1
Note: Please give the data from type plate of the motor			
2.5	2111333	CIRCLIP D.20 GB894.1 VP.	1
Note: Please give the data from type plate of the motor			
2.6	2111343	BALL BEARING 6304 DDW C3 EA6 VP.	1
Note: Please give the data from type plate of the motor			
2.7	2111336	CIRCLIP D.52 GB893.1 VP.	1
Note: Please give the data from type plate of the motor			
2.8	2111342	BALL BEARING 6204 DDW C3 EA3 VP.	1
Note: Please give the data from type plate of the motor			
2.9	2111339	SPRING RING D.47 JB/T7590 VP.	1
Note: Please give the data from type plate of the motor			
2.10	2162607	End shield BG80 N.D.E.ELEC KIT	1
Note: Please give the data from type plate of the motor			
		> Flange IEC80 NDS with slot new	1
		> O-RING ID47.2*3.53 EPDM	1
2.11	2111319	SCREW M5X183 6.8 (4 PIECES)	1
Note: Please give the data from type plate of the motor			
2.12	2107778	FAN WHEEL BG71/80 ELEC KIT	1
Note: Please give the data from type plate of the motor			
2.12A		> FAN 110x15x15.3 GP2200 G/F20%	1
2.12B	2111321	> STOP-RING D.14,8x0,4 VP.	1

**MOTOR W080070-2-F154E 400V/50HZ 0.75KW S**

Item	Article no.	Description	Quantity
Note: Please give the data from type plate of the motor			
2.13	2107779	FAN HOOD BG80 ELEC KIT	1
Note: Please give the data from type plate of the motor			
2.13A		> FAN COVER IEC80 KTL ST14 T0.8 H60	1
2.13B	2111323	> SCREW M4X6 (4 PIECES)	1
Note: Please give the data from type plate of the motor			
2.14	2164016	O-Ring ID47.2x3.53 EPDM VP.	1



ATB

Motor-Nummer  
motor number  
numéro du moteur

3~Mot.	AF132S/2F-11S+E2/0509	IE2-88,1%			
S1	132S IMV1	224039411-1	522058X		
IP 55	Th. CI.155(F)	SCHWINGGROESSENSTUFE B			
WILO NR.2064705					
kW	V	Hz	A	1/min	COS φ
7,5	YΔ 690/400	50	7,9/3,7	2890	0,90
7,5	Δ 460	60	11,8	3510	0,89
Made in Germany		50 kg	EN 60034		

ELEC

Motor-Nummer  
motor number  
numéro du moteur

<b>3~Induction Motor</b>			
<small>Made by WILLO Group</small>			
3501437	W080090-2-F188	0902.001	
Class F	S1	IP55	13.5kg EN60034
50Hz	1.10kW	2850min <sup>-1</sup>	60Hz 1.29kW 3435min <sup>-1</sup>
YΔ	230/400V	4.02/2.32A	Y 440-480V 2.40-2.32A
Cos φ =0.82	IE2-81.5%		Cos φ =0.85 IE2-82.5%

**Motor-Typenschild / Motor type plate / Plaque identité moteur**

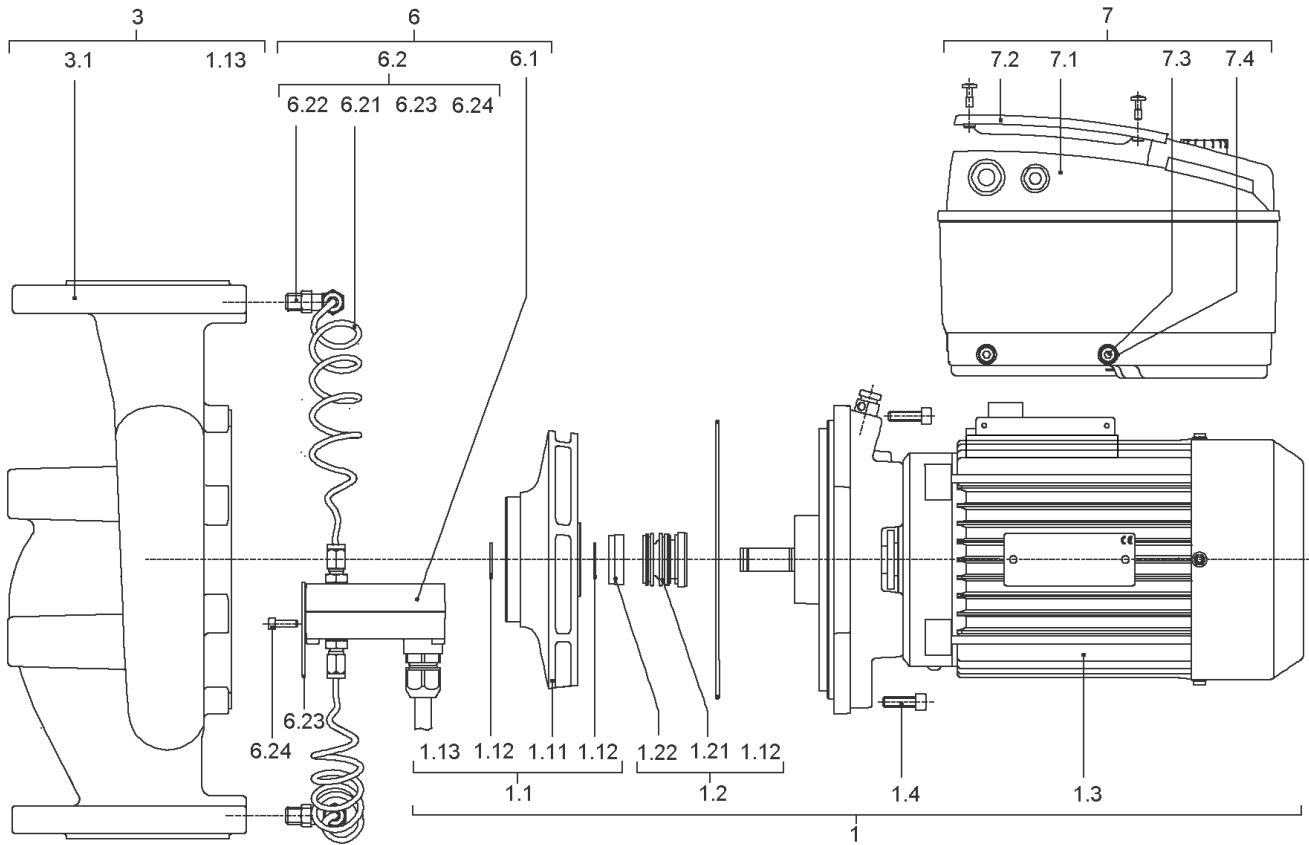
**Bei Ersatzteilbestellung Motor-Nummer angeben!**

**Indicate motor number for order of spare parts!**

**Pour une commande de pièces détachées, donner le numéro du moteur!**

**IP-E50/115-0,75/2-IE2-X1 (2129110)**

<b>Item</b>	<b>Description</b>	<b>Quantity</b>
ATB	Spare parts IP-E50/115-0,75/2-X1 ATB	1
ELEC	Spare parts IP-E50/115-0,75/2-X1 ELEC	1



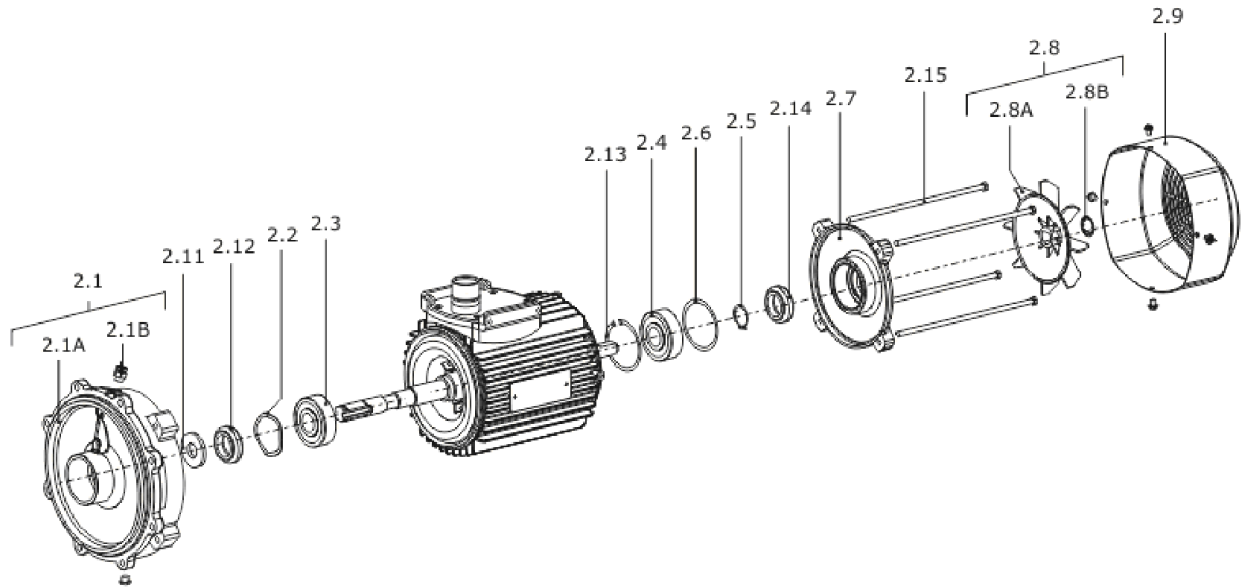
**Spare parts IP-E50/115-0,75/2-X1 ATB**

Item	Article no.	Description	Quantity
1	2139834	Service Motor IP/DP-E50/115-0,75 IE2ATB	1
1.1	2116679	> IMPELLER D.56/103/17 KIT	1
1.11		>> Impeller D.56/103/17 KU.	1
1.12	2123932	>> CIRCLIP 17X1 DIN471 A2 1.4122 VP.	1
1.13	2010300	>> O-RING ID.107,54X3,53	1
1.2	122097593	> Mechanical seal ID.17 AQ1EGG KIT	1
1.12	2123932	>> CIRCLIP 17X1 DIN471 A2 1.4122 VP.	1
1.13	2010300	>> O-RING ID.107,54X3,53	1
1.13	2010301	>> O-RING ID.117,07X3,53	1
1.13	2054183	>> O-RING ID.158,34X3,53 E7518	1
Note: TO/ BIS/ JUSQU'À: 03/03			
1.13	2046358	>> O-RING ID.164,7X3,53 E7518 VP.	1
Note: FROM/ AB/ À PARTIR: 04/03			
1.21		>> MECHANICAL SEAL ID.17 AQ1EGG	1
1.22		>> Distance ring D.17/30X9 PPO FE1630	1
1.3		> Motor	1
1.4	2043006	> SCREW M6X20 ISO4762 8.8 (4 PIECES)	1
		SPARE PARTS MO.0,75/2/71 F154E ATB IE2	1
3	2016514	PUMP HOUSING IPL50/115/IP-E50/2 KIT	1
1.13	2010300	> O-RING ID.107,54X3,53	1
3.1		> PUMP HOUSING IP-E50/108,5 CPL.WILO	1
6	2104479	DPS20-1(0-10V) KIT	1
6.1	2106113	> DIFFERENTIAL PRESSURE SENSOR 20 KIT	1
Note: FROM/ AB/ À PARTIR: 09/2009			
		>> DPS20 spiral TZ.3mm Volt 2G	1
	2196657	>> Cable DPS 3x0,34x650 short bared 2G VP.	1
Note: from/ab/de 01.10.2013			
6.2	2106120	> CONNECTION SENSOR IP-E SPIRAL M6 KIT	1
Note: FROM/ AB/ À PARTIR: 09/2009			
6.21		>> CAPILLARY COIL 1000	2
6.22		>> Fixation ring pipe union R1/8" 90GD.Ni	1
6.23		>> HANDLE DDG M6	1
6.24		>> Screw M4x10 EE DIN7500 ZN	2
	2168862	>> Nut/Ferrule M6 D.3MM MS Ni (2 Pieces)	1

## Spare parts IP-E50/115-0,75/2-X1 ATB

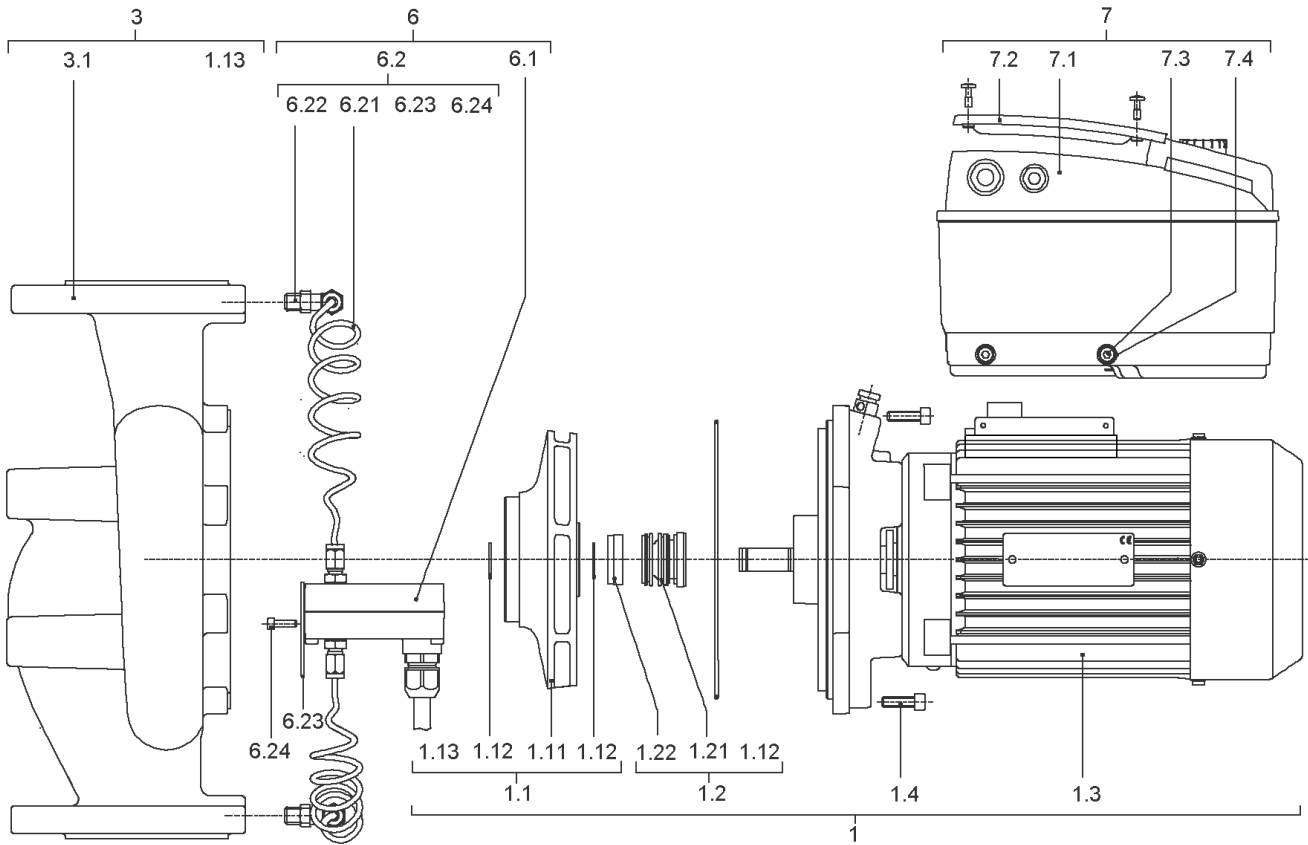
Item	Article no.	Description	Quantity
	2168860	>> Nut/Ferrule M8 D.5MM MS Ni (2 Pieces)	1
7	2143747	MODULE IP/DP-E50/115-0,75/2-IE2 ATB KIT	1
7.1		> Module IP-E/DP-E50/115-0,75/2 IE2 ATB	1
7.2	2054372	> MODULE COVER TL1,TL2+GASKET KIT	1
7.3		> SCREW M5X16 ISO4762 8.8 ZnNi	1
7.4		> WASHER TOOTHED LOCK A5,3 DIN6797 FST ZN	1
	2061236	> O-RING ID.38X3 EPDM 70SR.A BUS.	1





**SPARE PARTS MO.0,75/2/71 F154E ATB IE2**

Item	Article no.	Description	Quantity
2.1	2125446	END SHIELD BG71 D.E.ATB KIT	1
2.1A		> END SHIELD BG71 D.E.567892 ATB	1
2.1B	2027201	> BLOWGUN R1/8" VP.	1
Note: Please give the data from type plate of the motor			
2.2	2125473	CIRCLIPS 20X1,2 DIN471 FST VP.	1
2.3	121084499	BALL BEARING 6204/2Z-C3 (HT) VP.	1
2.4	122097891	BALL BEARING 6202/2Z-C3 (HT) VP.	1
2.6	2090403	SHIM BALL BEARING BG71 ATB VP.	1
2.7	2125436	END SHIELD BG71/80 N.D.E.ATB VP.	1
2.8	122093297	FAN WHEEL BG71 ATB KIT	1
2.8A		> FAN WHEEL BG71/80 106152 ATB	1
2.8B	2123923	> CORRUGATED SLEEVE RING BG71 ATB VP.	1
Note: Please give the data from type plate of the motor			
2.9	2046448	FAN HOUSING BG71/80 ATB VP.	1
2.12	2144072	Shaft seal ring BG80 ATB VP.	1
2.14	2144070	Shaft seal ring BG71 ATB VP.	1
2.15	2144075	Screw end shield M5X128 ATB(4 Pieces)	1

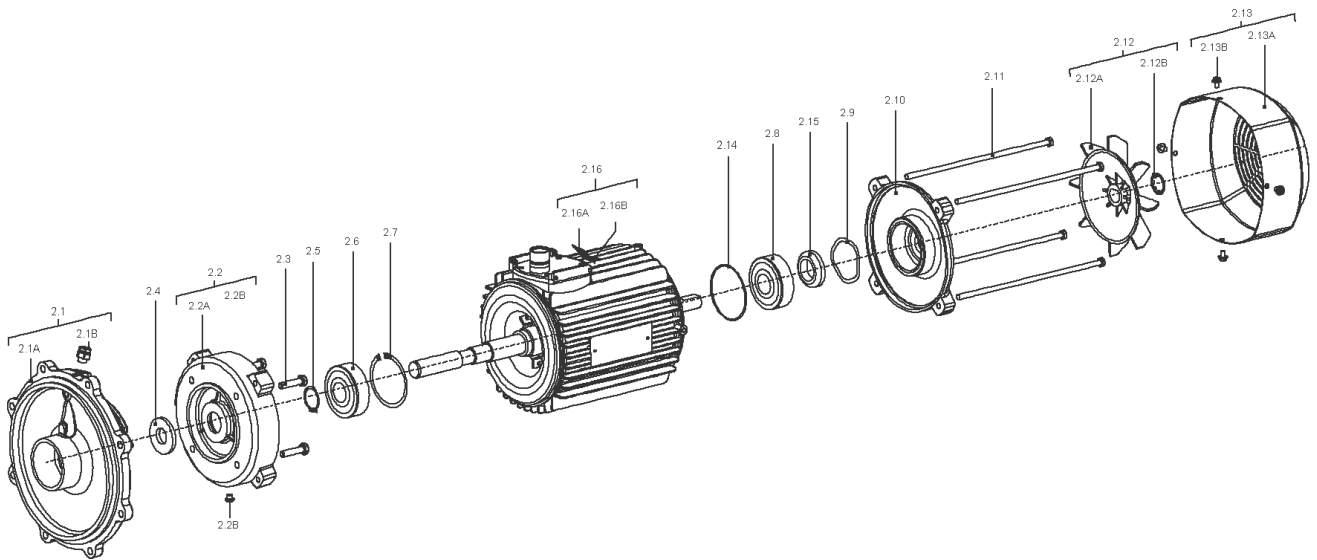


**Spare parts IP-E50/115-0,75/2-X1 ELEC**

Item	Article no.	Description	Quantity
1	2129135	SERVICE MOTOR IP/DP-E50/115-0,75 IE2ELEC	1
1.1	2116679	> IMPELLER D.56/103/17 KIT	1
1.11		>> Impeller D.56/103/17 KU.	1
1.12	2123932	>> CIRCLIP 17X1 DIN471 A2 1.4122 VP.	1
1.13	2010300	>> O-RING ID.107,54X3,53	1
1.2	122097593	> Mechanical seal ID.17 AQ1EGG KIT	1
1.12	2123932	>> CIRCLIP 17X1 DIN471 A2 1.4122 VP.	1
1.13	2010300	>> O-RING ID.107,54X3,53	1
1.13	2010301	>> O-RING ID.117,07X3,53	1
1.13	2054183	>> O-RING ID.158,34X3,53 E7518	1
Note: TO/ BIS/ JUSQU'À: 03/03			
1.13	2046358	>> O-RING ID.164,7X3,53 E7518 VP.	1
Note: FROM/ AB/ À PARTIR: 04/03			
1.21		>> MECHANICAL SEAL ID.17 AQ1EGG	1
1.22		>> Distance ring D.17/30X9 PPO FE1630	1
1.3		> Motor	1
1.4	2043006	> SCREW M6X20 ISO4762 8.8 (4 PIECES)	1
		SPARE PARTS MO.0,75/2/80 F154E ELEC IE2	1
3	2016514	PUMP HOUSING IPL50/115/IP-E50/2 KIT	1
1.13	2010300	> O-RING ID.107,54X3,53	1
3.1		> PUMP HOUSING IP-E50/108,5 CPL.WILO	1
6	2104479	DPS20-1(0-10V) KIT	1
6.1	2106113	> DIFFERENTIAL PRESSURE SENSOR 20 KIT	1
Note: FROM/ AB/ À PARTIR: 09/2009			
		>> DPS20 spiral TZ.3mm Volt 2G	1
	2196657	>> Cable DPS 3x0,34x650 short bared 2G VP.	1
Note: from/ab/de 01.10.2013			
6.2	2106120	> CONNECTION SENSOR IP-E SPIRAL M6 KIT	1
Note: FROM/ AB/ À PARTIR: 09/2009			
6.21		>> CAPILLARY COIL 1000	2
6.22		>> Fixation ring pipe union R1/8" 90GD.Ni	1
6.23		>> HANDLE DDG M6	1
6.24		>> Screw M4x10 EE DIN7500 ZN	2
	2168862	>> Nut/Ferrule M6 D.3MM MS Ni (2 Pieces)	1

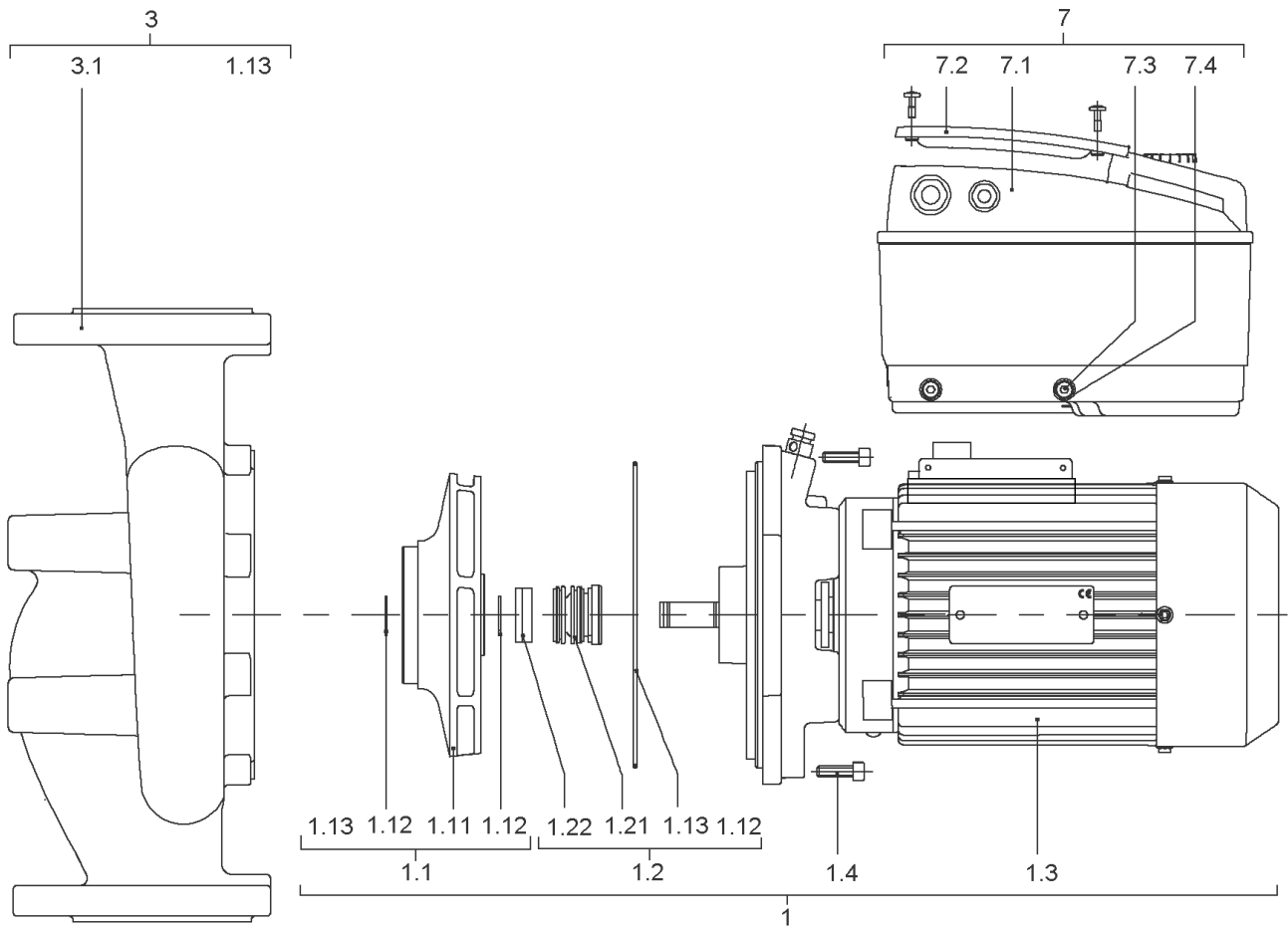
## Spare parts IP-E50/115-0,75/2-X1 ELEC

Item	Article no.	Description	Quantity
	2168860	>> Nut/Ferrule M8 D.5MM MS Ni (2 Pieces)	1
7	2129994	MODULE IP/DP-E50/115-0,75/2-IE2 ELEC KIT	1
7.1		> Module IP-E/DP-E50/115-0,75/2 IE2 ELEC	1
7.2	2054372	> MODULE COVER TL1,TL2+GASKET KIT	1
7.3		> SCREW M5X16 ISO4762 8.8 ZnNi	1
7.4		> WASHER TOOTHED LOCK A5,3 DIN6797 FST ZN	1
	2061236	> O-RING ID.38X3 EPDM 70SR.A BUS.	1



**SPARE PARTS MO.0,75/2/80 F154E ELEC IE2**

Item	Article no.	Description	Quantity
2.1	2111305	FLANGE END SHIELD BG80F154 D.E.ELEC KIT	1
2.1A		> LANTERN V18 M100-F154 KTL	1
2.1B	2027201	> BLOWGUN R1/8" VP.	1
Note: Please give the data from type plate of the motor			
2.2	2111311	End shield BG80 V18 D.E.ELEC KIT	1
2.2A		> Flange IEC80 V18 (w/o thread)	1
2.2B	2111309	> CONDENSATE HOLE GASKET D5 VP.	1
Note: Please give the data from type plate of the motor			
2.3	2111313	SCREW M6X30 6.8 (4 PIECES)	1
2.4	2111324	THROWER D.36X4 VP.	1
2.5	2111333	CIRCLIP D.20 GB894.1 VP.	1
2.6	2111343	BALL BEARING 6304 DDW C3 EA6 VP.	1
2.7	2111336	CIRCLIP D.52 GB893.1 VP.	1
2.8	2111342	BALL BEARING 6204 DDW C3 EA3 VP.	1
2.9	2111339	SPRING RING D.47 JB/T7590 VP.	1
2.10	2162607	End shield BG80 N.D.E.ELEC KIT	1
		> Flange IEC80 NDS with slot new	1
		> O-RING ID47.2*3.53 EPDM	1
2.11	2111319	SCREW M5X183 6.8 (4 PIECES)	1
2.12	2107778	FAN WHEEL BG71/80 ELEC KIT	1
2.12A		> FAN 110x15x15.3 GP2200 G/F20%	1
2.12B	2111321	> STOP-RING D.14,8x0,4 VP.	1
Note: Please give the data from type plate of the motor			
2.13	2107779	FAN HOOD BG80 ELEC KIT	1
2.13A		> FAN COVER IEC80 KTL ST14 T0.8 H60	1
2.13B	2111323	> SCREW M4X6 (4 PIECES)	1
Note: Please give the data from type plate of the motor			
2.14	2164016	O-Ring ID47.2x3.53 EPDM VP.	1





**IP-E50/115-0,75/2-R1(UNGÜLTIG) (2109803)**

Item	Article no.	Description	Quantity
1	2112604	SERVICE MOTOR IP/DP-E50/115-0,75 IE2ELEC	1
1.1	122092693	> IMPELLER D.56/107/17X7,47 KIT	1
1.11		>> Impeller D.56/107/17X7,47 PPO FE1630	1
1.12	2123932	>> CIRCLIP 17X1 DIN471 A2 1.4122 VP.	1
1.13	2010300	>> O-RING ID.107,54X3,53	1
1.2	122097593	> Mechanical seal ID.17 AQ1EGG KIT	1
1.12	2123932	>> CIRCLIP 17X1 DIN471 A2 1.4122 VP.	1
1.13	2010300	>> O-RING ID.107,54X3,53	1
1.13	2010301	>> O-RING ID.117,07X3,53	1
1.13	2054183	>> O-RING ID.158,34X3,53 E7518	1
Note: TO/ BIS/ JUSQU'À: 03/03			
1.13	2046358	>> O-RING ID.164,7X3,53 E7518 VP.	1
Note: FROM/ AB/ À PARTIR: 04/03			
1.21		>> MECHANICAL SEAL ID.17 AQ1EGG	1
1.22		>> Distance ring D.17/30X9 PPO FE1630	1
1.3		> Motor	1
1.4	2043006	> SCREW M6X20 ISO4762 8.8 (4 PIECES)	1
		SPARE PARTS MOTOR 0,75/2/80 F154E	1
3	2016514	PUMP HOUSING IPL50/115/IP-E50/2 KIT	1
1.13	2010300	> O-RING ID.107,54X3,53	1
3.1		> PUMP HOUSING IP-E50/108,5 CPL.WILO	1
7	2111424	MODULE IP/DP-E50/115-0,75/2-IE2 ELEC KIT	1
7.1		> Module IP-E/DP-E50/115-0,75/2 IE2 ELEC	1
7.2	2054372	> MODULE COVER TL1,TL2+GASKET KIT	1
7.3		> SCREW M5X16 ISO4762 8.8 ZnNi	1
7.4		> WASHER TOOTHED LOCK A5,3 DIN6797 FST ZN	1
	2061236	> O-RING ID.38X3 EPDM 70SR.A BUS.	1

**Motor-Typenschild / Motor type plate / Plaque identité moteur**

**Bei Ersatzteilbestellung Motor-Nummer angeben!**

**Indicate motor number for order of spare parts!**

**Pour une commande de pièces détachées, donner le numéro du moteur!**

ATB - AF

Motor-Nummer  
motor number  
numéro du moteur

**ATB**  
 3-Mot. 90L  
 1234567 - 1  
 IMB5 IP 55  
 AF 90L/2I-12  
 Y/Δ 400/230 V 4.6/8.0 A  
 2850 1/min cos φ 0.87 50 Hz  
 2.2 kW S1  
 ● Y/Δ 380...420/220...240 V ●  
 4.8...4.6/8.3...8.0 A  
 Th. Cl. F 1. freie Zeile  
 2. freie Zeile  
 3. freie Zeile  
 Made in Germany  
 T09 463023N 16 kg EN 60034 - IEC 38

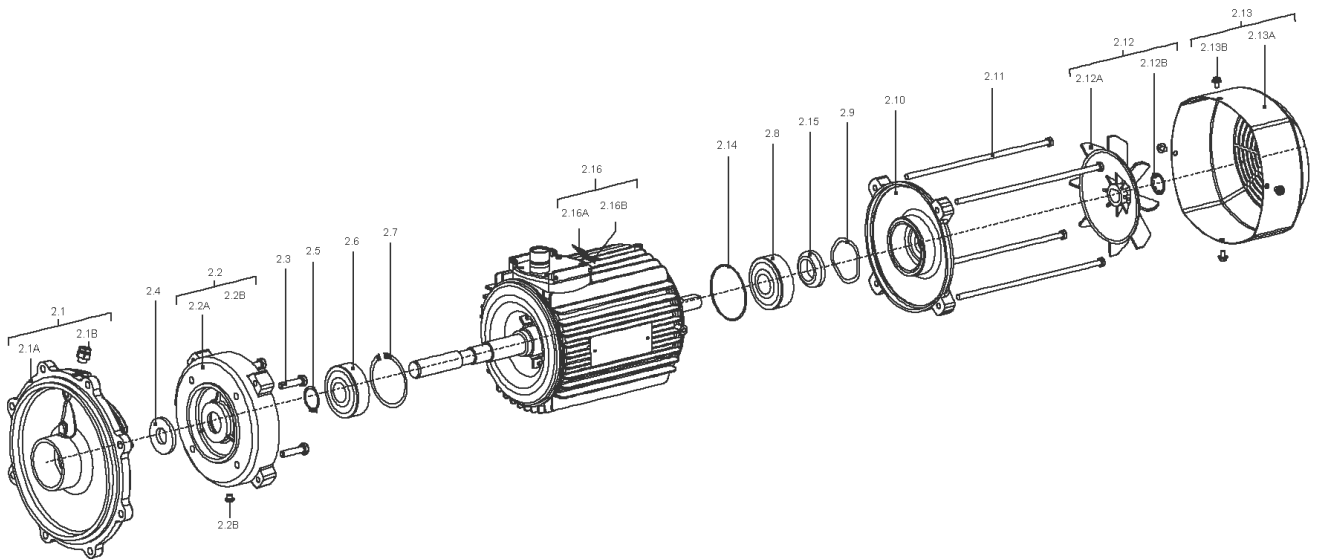
WILO ELEC

Motor-Nummer  
motor number  
numéro du moteur

**3-Induction Motor**  
 Made by WILO Group  
**CE**  
 3502984 W071080-2-F188E 1001.001  
 Class F S1 IP 55 10.4kg EN60034  
  
 50Hz 0.55kW 2860min<sup>-1</sup> 60Hz 0.66kW 3450min<sup>-1</sup>  
 Y 400V 1.33A Y 440-480V 1.34-1.32A  
 Cosφ=0.76 Eta=79.0% Cosφ=0.75 Eta=80.0%

**SPARE PARTS MOTOR 0,75/2/80 F154E**

<b>Item</b>	<b>Description</b>	<b>Quantity</b>
2	MOTOR W080070-2-F154E 400V/50HZ 0.75KW S	1

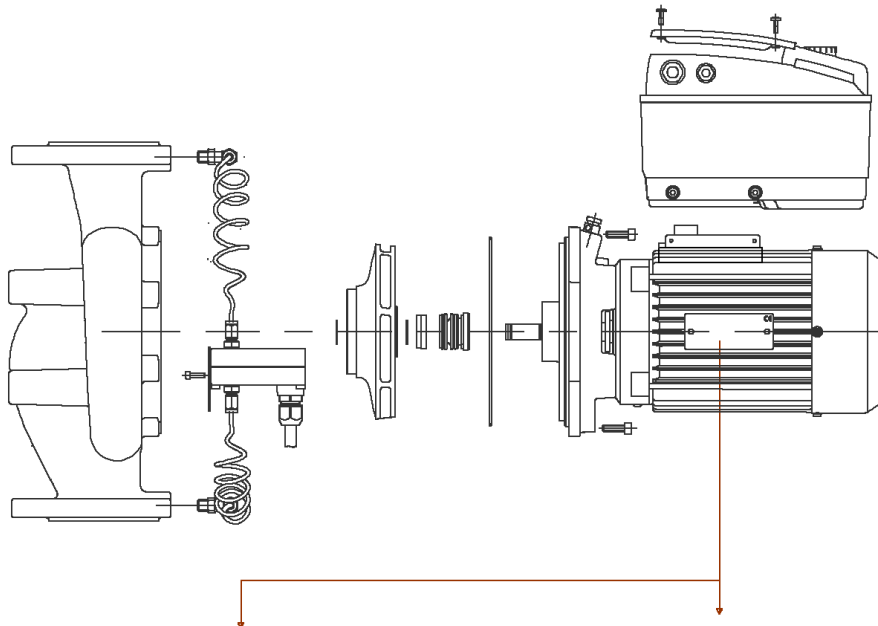


**MOTOR W080070-2-F154E 400V/50HZ 0.75KW S**

Item	Article no.	Description	Quantity
2.1	2111305	FLANGE END SHIELD BG80F154 D.E.ELEC KIT	1
Note: Please give the data from type plate of the motor			
2.1A		> LANTERN V18 M100-F154 KTL	1
2.1B	2027201	> BLOWGUN R1/8" VP.	1
Note: Please give the data from type plate of the motor			
2.2	2111311	End shield BG80 V18 D.E.ELEC KIT	1
Note: Please give the data from type plate of the motor			
2.2A		> Flange IEC80 V18 (w/o thread)	1
2.2B	2111309	> CONDENSATE HOLE GASKET D5 VP.	1
Note: Please give the data from type plate of the motor			
2.3	2111313	SCREW M6X30 6.8 (4 PIECES)	1
Note: Please give the data from type plate of the motor			
2.4	2111324	THROWER D.36X4 VP.	1
Note: Please give the data from type plate of the motor			
2.5	2111333	CIRCLIP D.20 GB894.1 VP.	1
Note: Please give the data from type plate of the motor			
2.6	2111343	BALL BEARING 6304 DDW C3 EA6 VP.	1
Note: Please give the data from type plate of the motor			
2.7	2111336	CIRCLIP D.52 GB893.1 VP.	1
Note: Please give the data from type plate of the motor			
2.8	2111342	BALL BEARING 6204 DDW C3 EA3 VP.	1
Note: Please give the data from type plate of the motor			
2.9	2111339	SPRING RING D.47 JB/T7590 VP.	1
Note: Please give the data from type plate of the motor			
2.10	2162607	End shield BG80 N.D.E.ELEC KIT	1
Note: Please give the data from type plate of the motor			
		> Flange IEC80 NDS with slot new	1
		> O-RING ID47.2*3.53 EPDM	1
2.11	2111319	SCREW M5X183 6.8 (4 PIECES)	1
Note: Please give the data from type plate of the motor			
2.12	2107778	FAN WHEEL BG71/80 ELEC KIT	1
Note: Please give the data from type plate of the motor			
2.12A		> FAN 110x15x15.3 GP2200 G/F20%	1
2.12B	2111321	> STOP-RING D.14,8x0,4 VP.	1

**MOTOR W080070-2-F154E 400V/50HZ 0.75KW S**

Item	Article no.	Description	Quantity
Note: Please give the data from type plate of the motor			
2.13	2107779	FAN HOOD BG80 ELEC KIT	1
Note: Please give the data from type plate of the motor			
2.13A		> FAN COVER IEC80 KTL ST14 T0.8 H60	1
2.13B	2111323	> SCREW M4X6 (4 PIECES)	1
Note: Please give the data from type plate of the motor			
2.14	2164016	O-Ring ID47.2x3.53 EPDM VP.	1



ATB

Motor-Nummer  
motor number  
numéro du moteur

		IE2			
3~Mot.	AF132S/2F-11S+E2/0509	IE2-88,1%			
S1	132S IMV1	224039411-1	522058X		
IP 55	Th. CI.155(F)	SCHWINGROESSENSTUFE B			
WILO NR.2064705					
kW	V	Hz	A	1/min	COS φ
7,5	YΔ 690/400	50	7,9/3,7	2890	0,90
7,5	Δ 460	60	11,8	3510	0,89
Made in Germany		50 kg	EN 60034		

ELEC

Motor-Nummer  
motor number  
numéro du moteur

<b>3~Induction Motor</b>		Made by WILLO Group			
3501437	W080090-2-F188	0902.001			
Class F	S1	IP55	13.5kg	EN60034	
50Hz	1.10kW	2850min <sup>-1</sup>	60Hz	1.29kW	3435min <sup>-1</sup>
YΔ	230/400V	4.02/2.32A	Y	440-480V	2.40-2.32A
Cos φ =0.82		IE2-81.5%	Cos φ =0.85		IE2-82.5%

### Motor-Typenschild / Motor type plate / Plaque identité moteur

**Bei Ersatzteilbestellung Motor-Nummer angeben!**

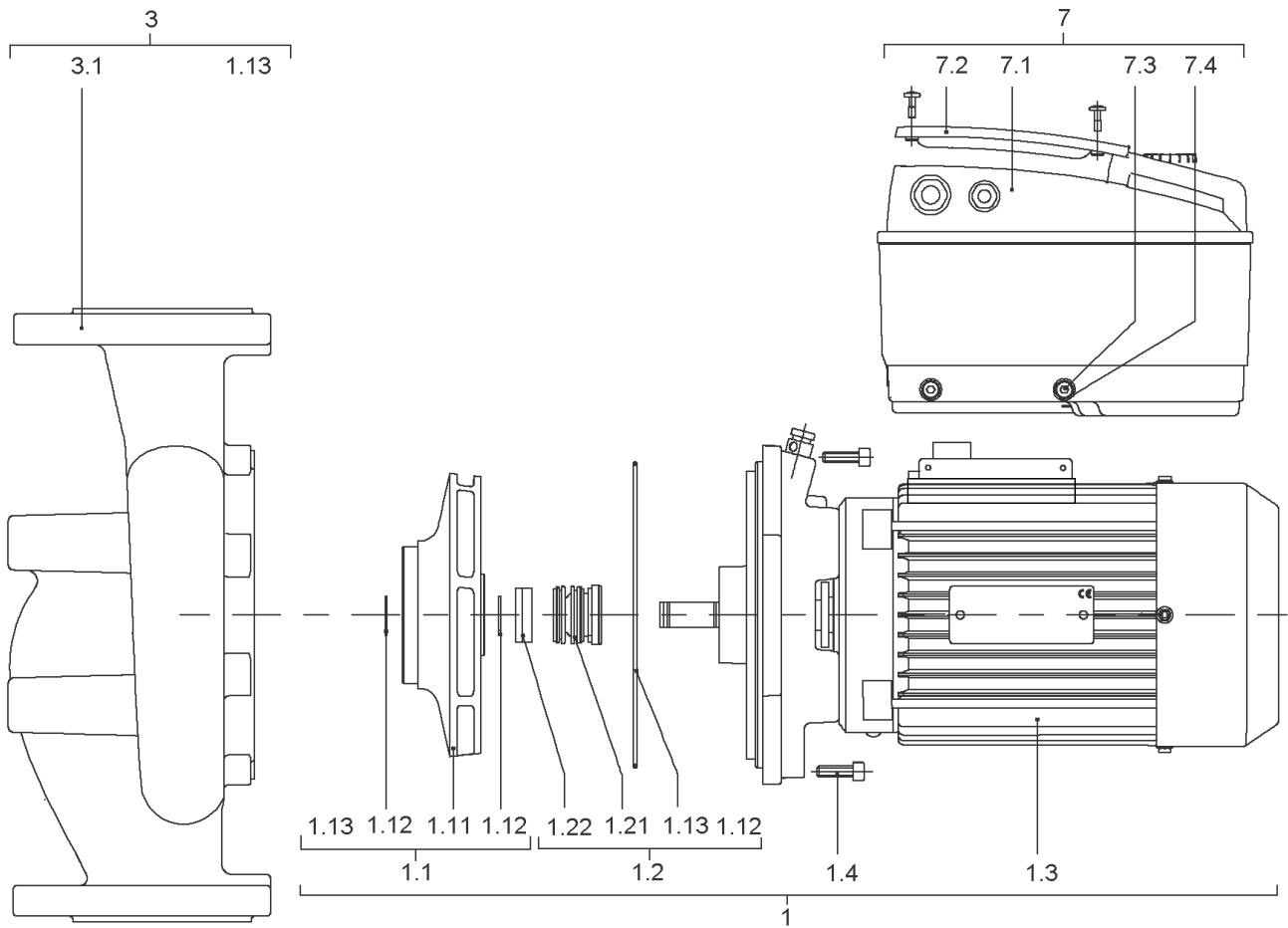
**Indicate motor number for order of spare parts!**

**Pour une commande de pièces détachées, donner le numéro du moteur!**

**IP-E50/115-0,75/2-R1-IE2-X1 (2129119)**

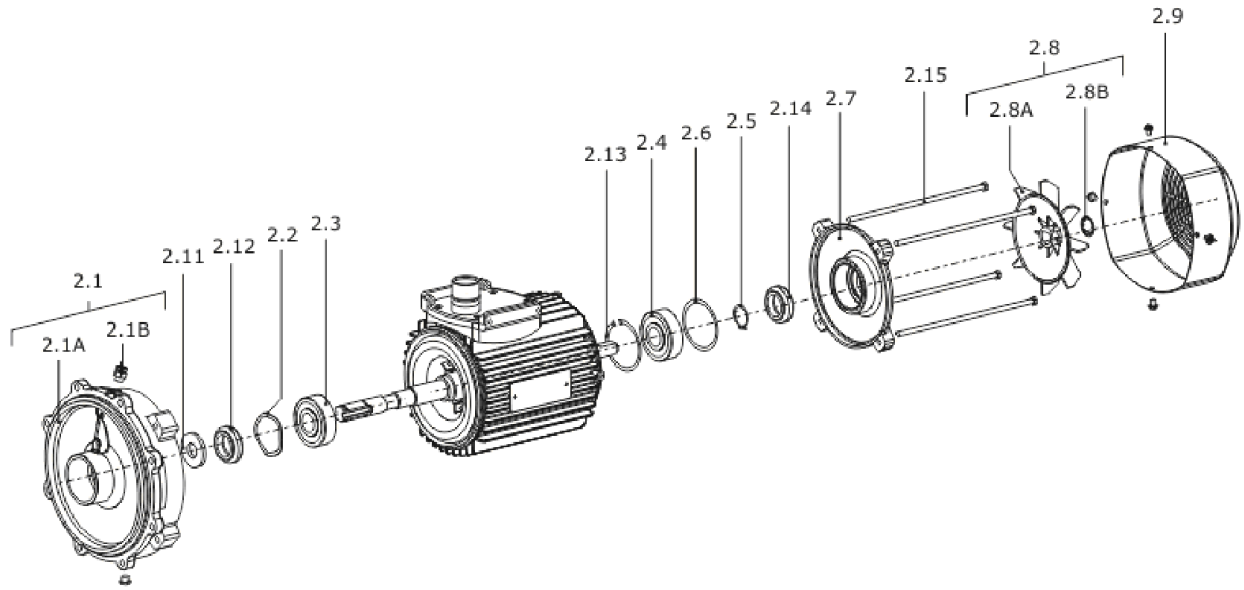
<b>Item</b>	<b>Description</b>	<b>Quantity</b>
ATB	Spare parts IP-E50/115-0,75/2-R1-X1 ATB	1
ELEC	Spare parts IP-E50/115-0,75/2-R1-X1 ELEC	1





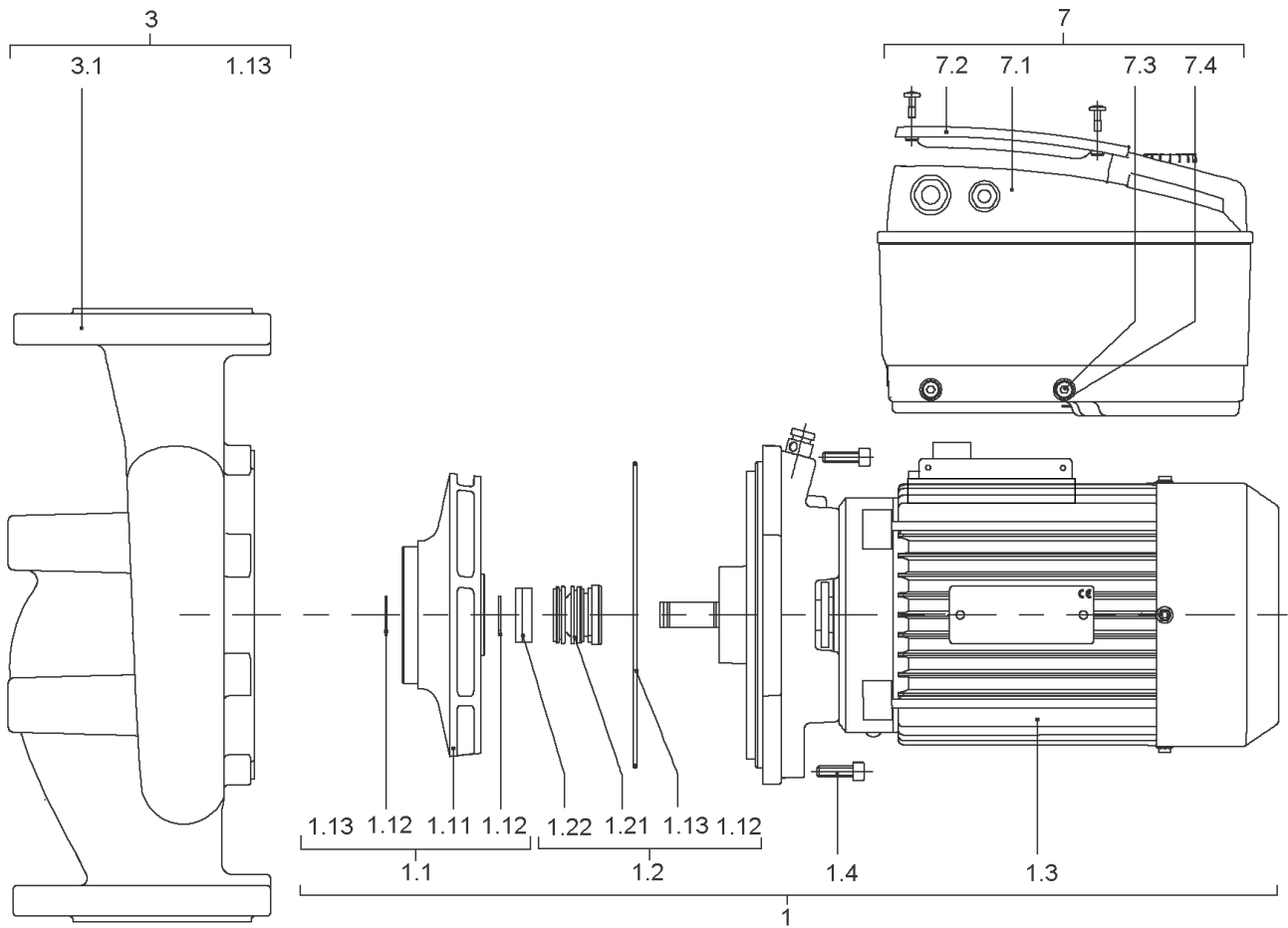
**Spare parts IP-E50/115-0,75/2-R1-X1 ATB**

Item	Article no.	Description	Quantity
1	2139834	Service Motor IP/DP-E50/115-0,75 IE2ATB	1
1.1	2116679	> IMPELLER D.56/103/17 KIT	1
1.11		>> Impeller D.56/103/17 KU.	1
1.12	2123932	>> CIRCLIP 17X1 DIN471 A2 1.4122 VP.	1
1.13	2010300	>> O-RING ID.107,54X3,53	1
1.2	122097593	> Mechanical seal ID.17 AQ1EGG KIT	1
1.12	2123932	>> CIRCLIP 17X1 DIN471 A2 1.4122 VP.	1
1.13	2010300	>> O-RING ID.107,54X3,53	1
1.13	2010301	>> O-RING ID.117,07X3,53	1
1.13	2054183	>> O-RING ID.158,34X3,53 E7518	1
Note: TO/ BIS/ JUSQU'À: 03/03			
1.13	2046358	>> O-RING ID.164,7X3,53 E7518 VP.	1
Note: FROM/ AB/ À PARTIR: 04/03			
1.21		>> MECHANICAL SEAL ID.17 AQ1EGG	1
1.22		>> Distance ring D.17/30X9 PPO FE1630	1
1.3		> Motor	1
1.4	2043006	> SCREW M6X20 ISO4762 8.8 (4 PIECES)	1
		SPARE PARTS MO.0,75/2/71 F154E ATB IE2	1
3	2016514	PUMP HOUSING IPL50/115/IP-E50/2 KIT	1
1.13	2010300	> O-RING ID.107,54X3,53	1
3.1		> PUMP HOUSING IP-E50/108,5 CPL.WILO	1
7	2143747	MODULE IP/DP-E50/115-0,75/2-IE2 ATB KIT	1
7.1		> Module IP-E/DP-E50/115-0,75/2 IE2 ATB	1
7.2	2054372	> MODULE COVER TL1,TL2+GASKET KIT	1
7.3		> SCREW M5X16 ISO4762 8.8 ZnNi	1
7.4		> WASHER TOOTHED LOCK A5,3 DIN6797 FST ZN	1
	2061236	> O-RING ID.38X3 EPDM 70SR.A BUS.	1



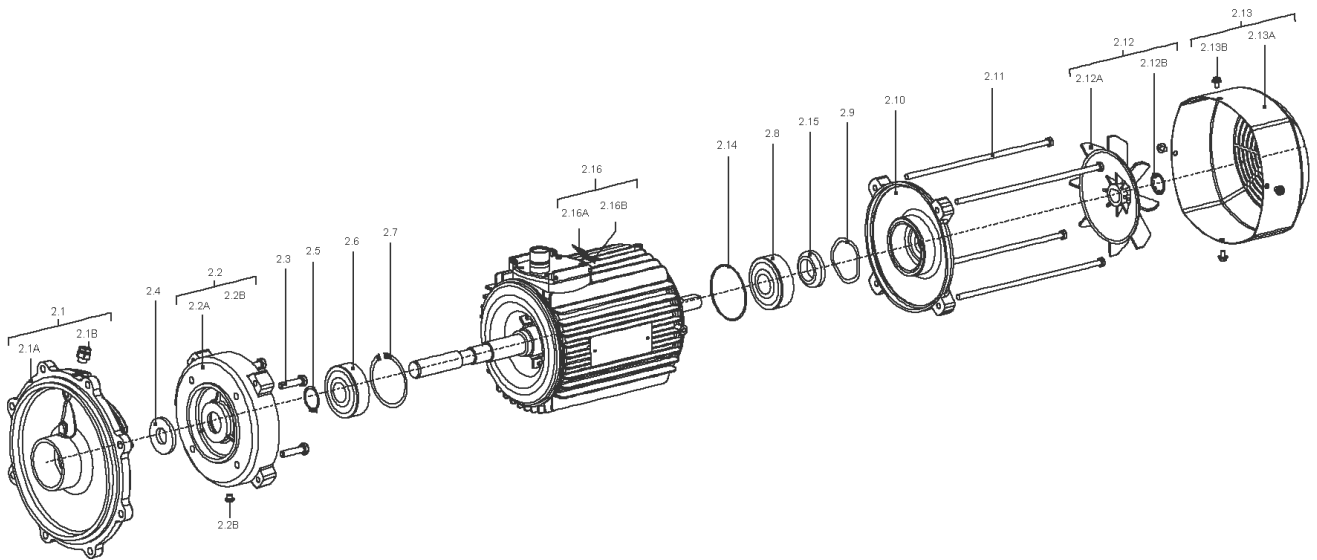
**SPARE PARTS MO.0,75/2/71 F154E ATB IE2**

Item	Article no.	Description	Quantity
2.1	2125446	END SHIELD BG71 D.E.ATB KIT	1
2.1A		> END SHIELD BG71 D.E.567892 ATB	1
2.1B	2027201	> BLOWGUN R1/8" VP.	1
Note: Please give the data from type plate of the motor			
2.2	2125473	CIRCLIPS 20X1,2 DIN471 FST VP.	1
2.3	121084499	BALL BEARING 6204/2Z-C3 (HT) VP.	1
2.4	122097891	BALL BEARING 6202/2Z-C3 (HT) VP.	1
2.6	2090403	SHIM BALL BEARING BG71 ATB VP.	1
2.7	2125436	END SHIELD BG71/80 N.D.E.ATB VP.	1
2.8	122093297	FAN WHEEL BG71 ATB KIT	1
2.8A		> FAN WHEEL BG71/80 106152 ATB	1
2.8B	2123923	> CORRUGATED SLEEVE RING BG71 ATB VP.	1
Note: Please give the data from type plate of the motor			
2.9	2046448	FAN HOUSING BG71/80 ATB VP.	1
2.12	2144072	Shaft seal ring BG80 ATB VP.	1
2.14	2144070	Shaft seal ring BG71 ATB VP.	1
2.15	2144075	Screw end shield M5X128 ATB(4 Pieces)	1



**Spare parts IP-E50/115-0,75/2-R1-X1 ELEC**

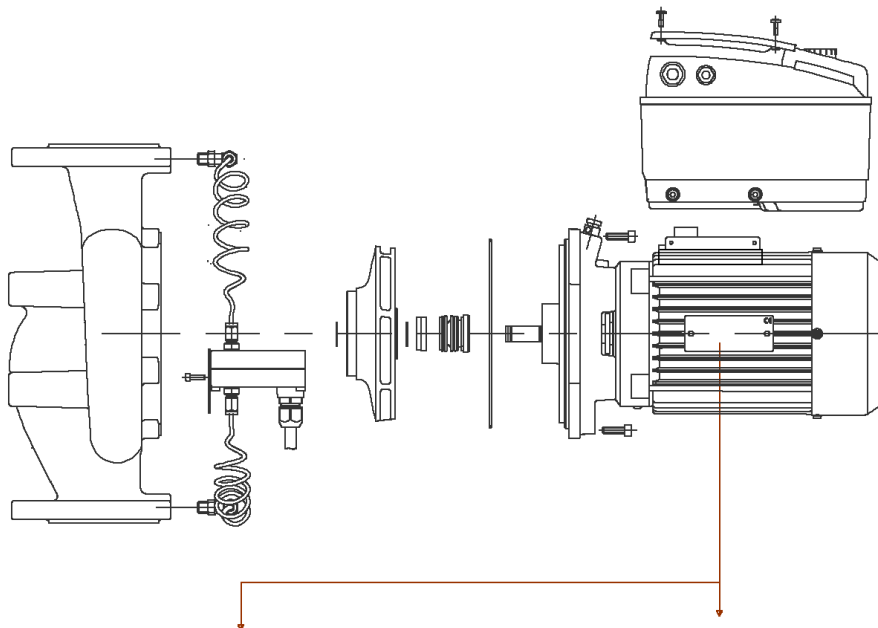
Item	Article no.	Description	Quantity
1	2129135	SERVICE MOTOR IP/DP-E50/115-0,75 IE2ELEC	1
1.1	2116679	> IMPELLER D.56/103/17 KIT	1
1.11		>> Impeller D.56/103/17 KU.	1
1.12	2123932	>> CIRCLIP 17X1 DIN471 A2 1.4122 VP.	1
1.13	2010300	>> O-RING ID.107,54X3,53	1
1.2	122097593	> Mechanical seal ID.17 AQ1EGG KIT	1
1.12	2123932	>> CIRCLIP 17X1 DIN471 A2 1.4122 VP.	1
1.13	2010300	>> O-RING ID.107,54X3,53	1
1.13	2010301	>> O-RING ID.117,07X3,53	1
1.13	2054183	>> O-RING ID.158,34X3,53 E7518	1
Note: TO/ BIS/ JUSQU'À: 03/03			
1.13	2046358	>> O-RING ID.164,7X3,53 E7518 VP.	1
Note: FROM/ AB/ À PARTIR: 04/03			
1.21		>> MECHANICAL SEAL ID.17 AQ1EGG	1
1.22		>> Distance ring D.17/30X9 PPO FE1630	1
1.3		> Motor	1
1.4	2043006	> SCREW M6X20 ISO4762 8.8 (4 PIECES)	1
		SPARE PARTS MO.0,75/2/80 F154E ELEC IE2	1
3	2016514	PUMP HOUSING IPL50/115/IP-E50/2 KIT	1
1.13	2010300	> O-RING ID.107,54X3,53	1
3.1		> PUMP HOUSING IP-E50/108,5 CPL.WILO	1
7	2129994	MODULE IP/DP-E50/115-0,75/2-IE2 ELEC KIT	1
7.1		> Module IP-E/DP-E50/115-0,75/2 IE2 ELEC	1
7.2	2054372	> MODULE COVER TL1,TL2+GASKET KIT	1
7.3		> SCREW M5X16 ISO4762 8.8 ZnNi	1
7.4		> WASHER TOOTHED LOCK A5,3 DIN6797 FST ZN	1
	2061236	> O-RING ID.38X3 EPDM 70SR.A BUS.	1



**SPARE PARTS MO.0,75/2/80 F154E ELEC IE2**

Item	Article no.	Description	Quantity
2.1	2111305	FLANGE END SHIELD BG80F154 D.E.ELEC KIT	1
2.1A		> LANTERN V18 M100-F154 KTL	1
2.1B	2027201	> BLOWGUN R1/8" VP.	1
Note: Please give the data from type plate of the motor			
2.2	2111311	End shield BG80 V18 D.E.ELEC KIT	1
2.2A		> Flange IEC80 V18 (w/o thread)	1
2.2B	2111309	> CONDENSATE HOLE GASKET D5 VP.	1
Note: Please give the data from type plate of the motor			
2.3	2111313	SCREW M6X30 6.8 (4 PIECES)	1
2.4	2111324	THROWER D.36X4 VP.	1
2.5	2111333	CIRCLIP D.20 GB894.1 VP.	1
2.6	2111343	BALL BEARING 6304 DDW C3 EA6 VP.	1
2.7	2111336	CIRCLIP D.52 GB893.1 VP.	1
2.8	2111342	BALL BEARING 6204 DDW C3 EA3 VP.	1
2.9	2111339	SPRING RING D.47 JB/T7590 VP.	1
2.10	2162607	End shield BG80 N.D.E.ELEC KIT	1
		> Flange IEC80 NDS with slot new	1
		> O-RING ID47.2*3.53 EPDM	1
2.11	2111319	SCREW M5X183 6.8 (4 PIECES)	1
2.12	2107778	FAN WHEEL BG71/80 ELEC KIT	1
2.12A		> FAN 110x15x15.3 GP2200 G/F20%	1
2.12B	2111321	> STOP-RING D.14,8x0,4 VP.	1
Note: Please give the data from type plate of the motor			
2.13	2107779	FAN HOOD BG80 ELEC KIT	1
2.13A		> FAN COVER IEC80 KTL ST14 T0.8 H60	1
2.13B	2111323	> SCREW M4X6 (4 PIECES)	1
Note: Please give the data from type plate of the motor			
2.14	2164016	O-Ring ID47.2x3.53 EPDM VP.	1





ATB

Motor-Nummer  
motor number  
numéro du moteur

3~Mot.	AF132S/2F-11S+E2/0509	IE2-88,1%			
S1	132S IMV1	224039411-1	522058X		
IP 55	Th. CI.155(F)	SCHWINGROESSENSTUFE B			
WILO NR.2064705					
kW	V	Hz	A	1/min	COS φ
7,5	YΔ 690/400	50	7,9/3,7	2890	0,90
7,5	Δ 460	60	11,8	3510	0,89
Made in Germany		50 kg	EN 60034		

ELEC

Motor-Nummer  
motor number  
numéro du moteur

Made by WILLO Group			
3501437	W080090-2-F188	0902.001	
Class F	S1	IP55	13.5kg EN60034
50Hz	1.10kW	2850min <sup>-1</sup>	60Hz 1.29kW 3435min <sup>-1</sup>
YΔ	230/400V	4.02/2.32A	Y 440-480V 2.40-2.32A
Cos φ =0.82	IE2-81.5%		Cos φ =0.85 IE2-82.5%

**Motor-Typenschild / Motor type plate / Plaque identité moteur**

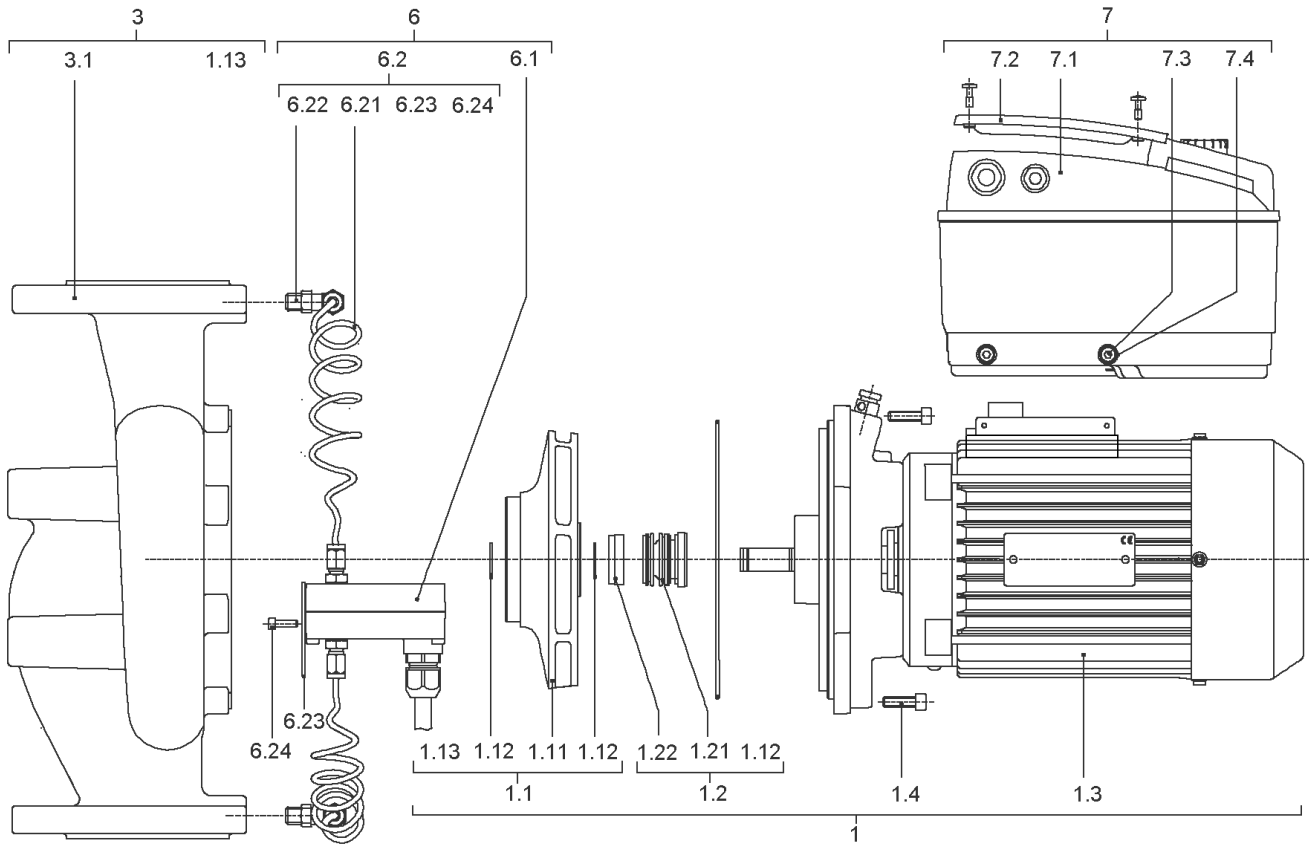
**Bei Ersatzteilbestellung Motor-Nummer angeben!**

**Indicate motor number for order of spare parts!**

**Pour une commande de pièces détachées, donner le numéro du moteur!**

**IP-E50/130-2,2/2-IE2-X1 (2109768)**

<b>Item</b>	<b>Description</b>	<b>Quantity</b>
ATB	Spare parts IP-E50/130-2,2/2-X1 ATB	1
ELEC	Spare parts IP-E50/130-2,2/2-X1 ELEC	1

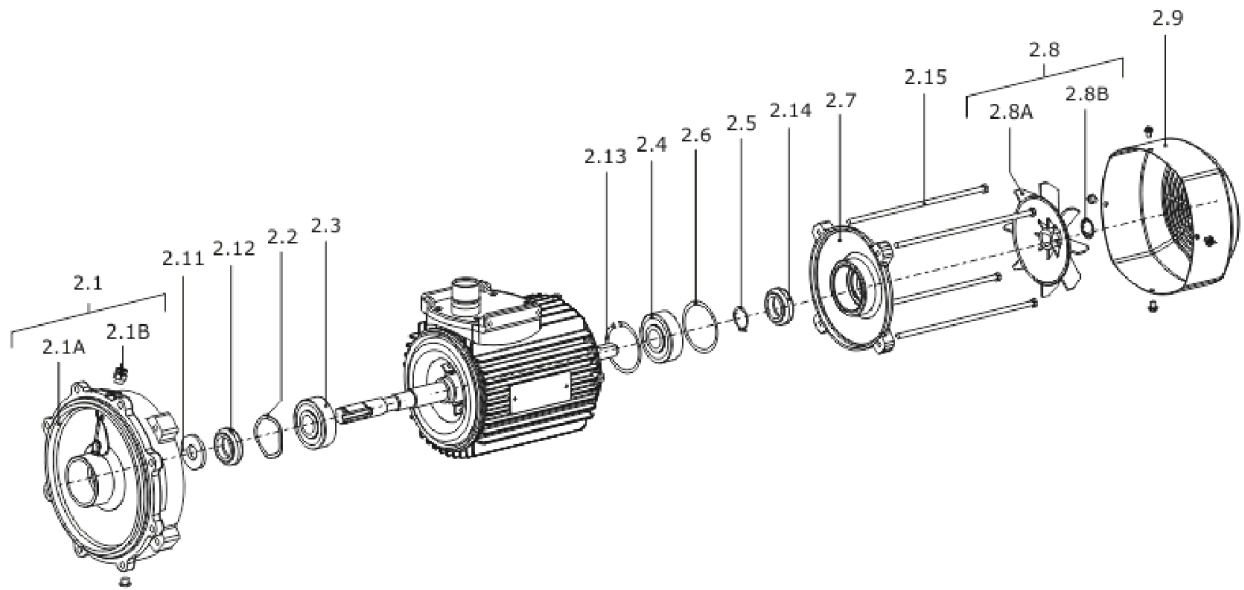


**Spare parts IP-E50/130-2,2/2-X1 ATB**

Item	Article no.	Description	Quantity
1	2112605	SERVICE MOTOR IP/DP-E50/130-2,2 IE2ATB	1
1.1	2153162	> Impeller 50/160-123/17 PPO KIT	1
1.11		>> Impeller 50/160-123/17 PPO FE1630 fin	1
1.12	2123932	>> CIRCLIP 17X1 DIN471 A2 1.4122 VP.	1
1.13	2046358	>> O-RING ID.164,7X3,53 E7518 VP.	1
1.2	122097593	> Mechanical seal ID.17 AQ1EGG KIT	1
1.12	2123932	>> CIRCLIP 17X1 DIN471 A2 1.4122 VP.	1
1.13	2010300	>> O-RING ID.107,54X3,53	1
1.13	2010301	>> O-RING ID.117,07X3,53	1
1.13	2054183	>> O-RING ID.158,34X3,53 E7518	1
Note: TO/ BIS/ JUSQU'À: 03/03			
1.13	2046358	>> O-RING ID.164,7X3,53 E7518 VP.	1
Note: FROM/ AB/ À PARTIR: 04/03			
1.21		>> MECHANICAL SEAL ID.17 AQ1EGG	1
1.22		>> Distance ring D.17/30X9 PPO FE1630	1
1.3		> Motor	1
1.4	2052495	> SCREW M6X20 ISO4762 8.8 (8 PIECES)	1
		Spare parts motor 2,2/2/90 F188E ATB IE2	1
3	2016519	PUMP HOUSING IPL50/160/IP-E50/5 KIT	1
1.13	2046358	> O-RING ID.164,7X3,53 E7518 VP.	1
3.1		> PUMP HOUSING IP-E50/160 CPL.WILO	1
6	2104479	DPS20-1(0-10V) KIT	1
6.1	2106113	> DIFFERENTIAL PRESSURE SENSOR 20 KIT	1
Note: FROM/ AB/ À PARTIR: 09/2009			
		>> DPS20 spiral TZ.3mm Volt 2G	1
	2196657	>> Cable DPS 3x0,34x650 short bared 2G VP.	1
Note: from/ab/de 01.10.2013			
6.2	2106120	> CONNECTION SENSOR IP-E SPIRAL M6 KIT	1
Note: FROM/ AB/ À PARTIR: 09/2009			
6.21		>> CAPILLARY COIL 1000	2
6.22		>> Fixation ring pipe union R1/8" 90GD.Ni	1
6.23		>> HANDLE DDG M6	1
6.24		>> Screw M4x10 EE DIN7500 ZN	2
	2168862	>> Nut/Ferrule M6 D.3MM MS Ni (2 Pieces)	1

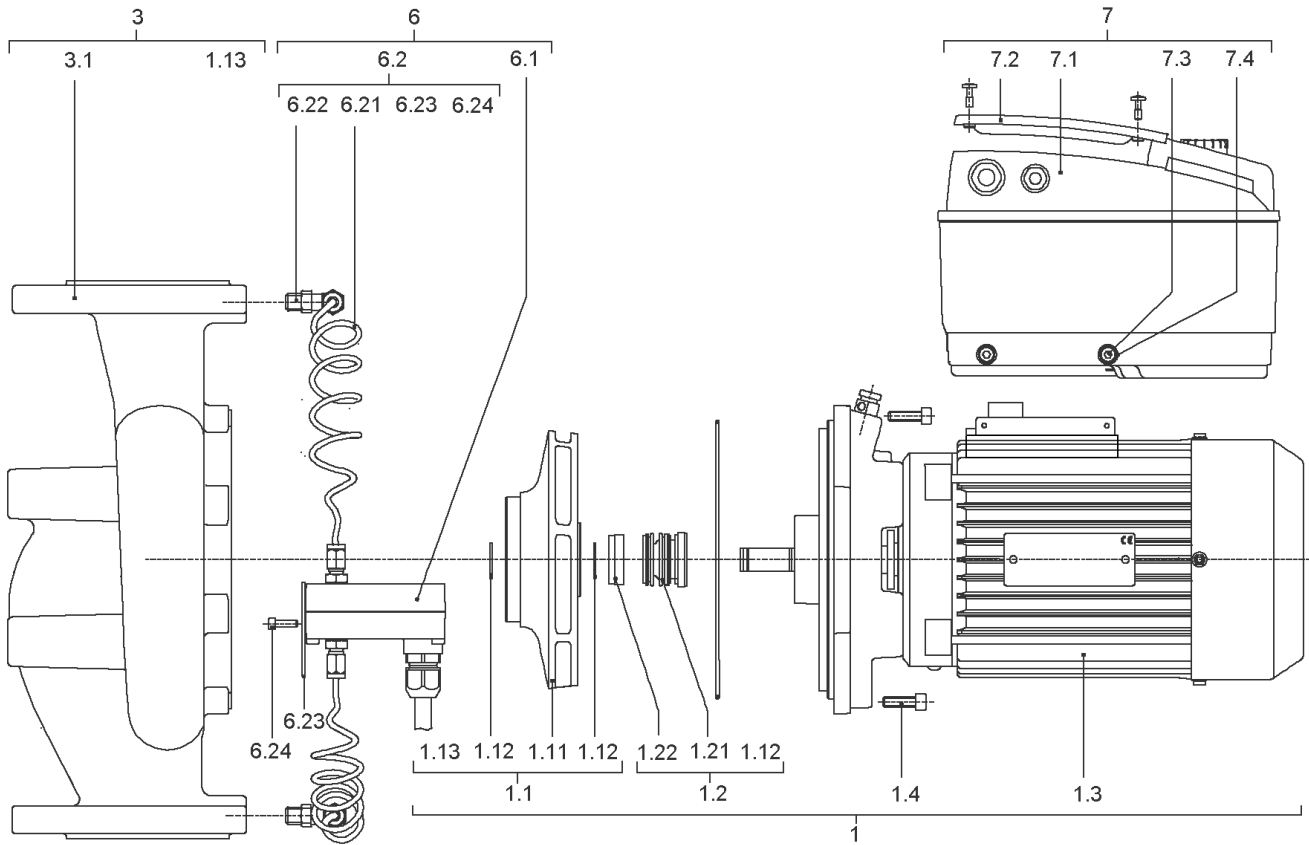
## Spare parts IP-E50/130-2,2/2-X1 ATB

Item	Article no.	Description	Quantity
	2168860	>> Nut/Ferrule M8 D.5MM MS Ni (2 Pieces)	1
7	2111425	MODULE IP/DP-E50/130-2,2/2-IE2 ATB KIT	1
7.1		> Module IP-E/DP-E50/130-2,2/2 IE2 ATB	1
7.2	2054227	> MODULE COVER/GASKET TL3/4 KIT	1
7.3		> SCREW M5X16 ISO4762 8.8 ZnNi	1
7.4		> WASHER TOOTHED LOCK A5,3 DIN6797 FST ZN	1
	2061236	> O-RING ID.38X3 EPDM 70SR.A BUS.	1



## Spare parts motor 2,2/2/90 F188E ATB IE2

Item	Article no.	Description	Quantity
2.1	2125450	END SHIELD BG80/90 D.E.ATB KIT	1
Note: Please give the data from type plate of the motor			
2.1A		> END SHIELD BG/8090 D.E.567955 ATB	1
2.1B	2027201	> BLOWGUN R1/8" VP.	1
Note: Please give the data from type plate of the motor			
2.2	2112677	CIRCLIP 52X2 J ATB VP.	1
Note: Please give the data from type plate of the motor			
2.3	121083998	BALL BEARING 6205/2Z-C3 (HT) VP.	1
Note: Please give the data from type plate of the motor			
2.4	121083998	BALL BEARING 6205/2Z-C3 (HT) VP.	1
Note: Please give the data from type plate of the motor			
2.6	2096272	SPACER DISC BG80-100 ATB VP.	1
Note: Please give the data from type plate of the motor			
2.7	2118607	END SHIELD BG90 N.D.E.ATB VP.	1
Note: Please give the data from type plate of the motor			
2.8	121479094	FAN WHEEL BG90/100 ATB KIT	1
Note: Please give the data from type plate of the motor			
2.8A		> FAN WHEEL BG90/100 721383 ATB	1
2.8B	2047016	> CORRUGATED SLEEVE RING BG90/100 ATB VP.	1
Note: Please give the data from type plate of the motor			
2.9	2096347	FAN HOUSING BG90/100 METAL ATB VP.	1
Note: Please give the data from type plate of the motor			
2.12	2138735	SHAFT SEAL RING BG90 D.E.ATB VP.	1
Note: Please give the data from type plate of the motor			
2.14	2112921	JOINT RING CIRCULAR 25X35X4 ATB VP.	1
2.15	2112674	SCREW END SHIELD M5X190 ATB(4 PIECES)	1
Note: Please give the data from type plate of the motor			
	2111437	GASKET TERMINAL BOX BG90 ATB.VP.	1
Note: Please give the data from type plate of the motor			



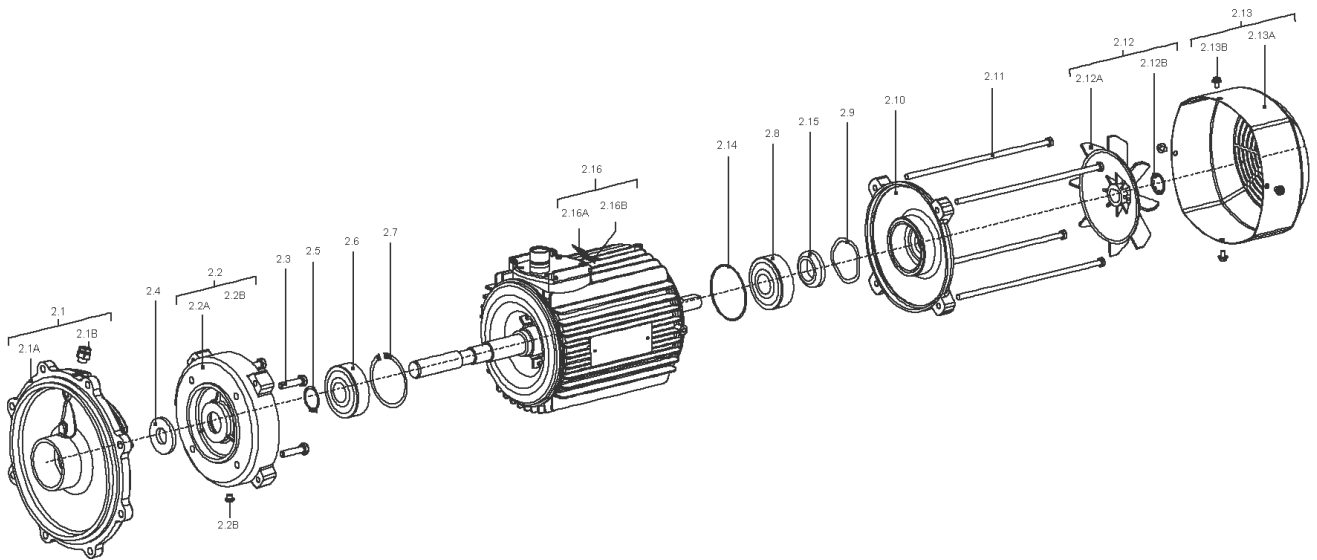


**Spare parts IP-E50/130-2,2/2-X1 ELEC**

Item	Article no.	Description	Quantity
1	2139835	Service Motor IP/DP-E50/130-2,2 IE2ELEC	1
1.1	2153162	> Impeller 50/160-123/17 PPO KIT	1
1.11		>> Impeller 50/160-123/17 PPO FE1630 fin	1
1.12	2123932	>> CIRCLIP 17X1 DIN471 A2 1.4122 VP.	1
1.13	2046358	>> O-RING ID.164,7X3,53 E7518 VP.	1
1.2	122097593	> Mechanical seal ID.17 AQ1EGG KIT	1
1.12	2123932	>> CIRCLIP 17X1 DIN471 A2 1.4122 VP.	1
1.13	2010300	>> O-RING ID.107,54X3,53	1
1.13	2010301	>> O-RING ID.117,07X3,53	1
1.13	2054183	>> O-RING ID.158,34X3,53 E7518	1
Note: TO/ BIS/ JUSQU'À: 03/03			
1.13	2046358	>> O-RING ID.164,7X3,53 E7518 VP.	1
Note: FROM/ AB/ À PARTIR: 04/03			
1.21		>> MECHANICAL SEAL ID.17 AQ1EGG	1
1.22		>> Distance ring D.17/30X9 PPO FE1630	1
1.3		> Motor	1
1.4	2052495	> SCREW M6X20 ISO4762 8.8 (8 PIECES)	1
		Spare parts motor 2,2/2/90F188E ELEC IE2	1
3	2016519	PUMP HOUSING IPL50/160/IP-E50/5 KIT	1
1.13	2046358	> O-RING ID.164,7X3,53 E7518 VP.	1
3.1		> PUMP HOUSING IP-E50/160 CPL.WILO	1
6	2104479	DPS20-1(0-10V) KIT	1
6.1	2106113	> DIFFERENTIAL PRESSURE SENSOR 20 KIT	1
Note: FROM/ AB/ À PARTIR: 09/2009			
		>> DPS20 spiral TZ.3mm Volt 2G	1
	2196657	>> Cable DPS 3x0,34x650 short bared 2G VP.	1
Note: from/ab/de 01.10.2013			
6.2	2106120	> CONNECTION SENSOR IP-E SPIRAL M6 KIT	1
Note: FROM/ AB/ À PARTIR: 09/2009			
6.21		>> CAPILLARY COIL 1000	2
6.22		>> Fixation ring pipe union R1/8" 90GD.Ni	1
6.23		>> HANDLE DDG M6	1
6.24		>> Screw M4x10 EE DIN7500 ZN	2
	2168862	>> Nut/Ferrule M6 D.3MM MS Ni (2 Pieces)	1

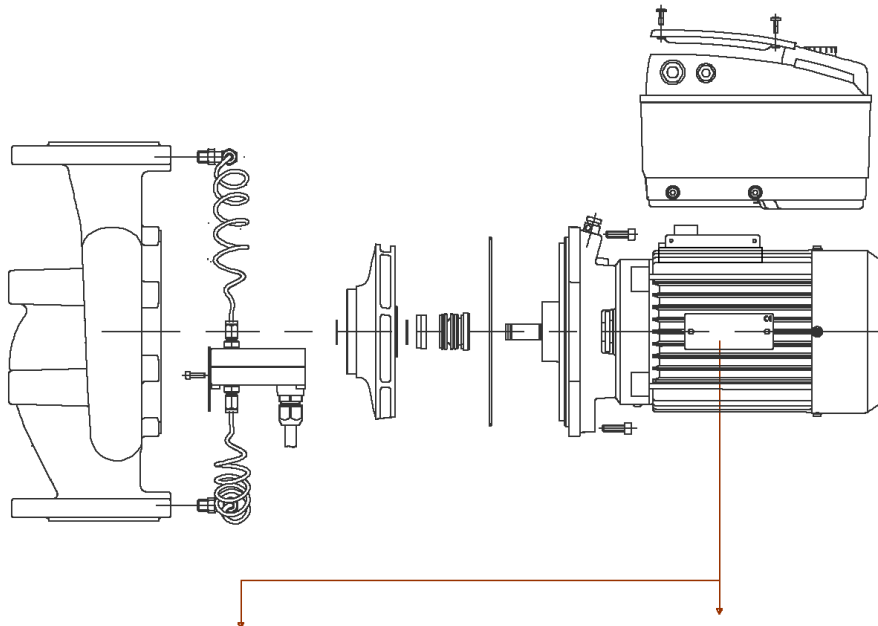
## Spare parts IP-E50/130-2,2/2-X1 ELEC

Item	Article no.	Description	Quantity
	2168860	>> Nut/Ferrule M8 D.5MM MS Ni (2 Pieces)	1
7	2145512	Module IP/DP-E50/130-2,2/2-IE2 ELEC KIT	1
7.1		> Module IP-E/DP-E50/130-2,2/2 IE2 ELEC	1
7.2	2054227	> MODULE COVER/GASKET TL3/4 KIT	1
7.3		> SCREW M5X16 ISO4762 8.8 ZnNi	1
7.4		> WASHER TOOTHED LOCK A5,3 DIN6797 FST ZN	1
	2061236	> O-RING ID.38X3 EPDM 70SR.A BUS.	1



## Spare parts motor 2,2/2/90F188E ELEC IE2

Item	Article no.	Description	Quantity
2.1	2111307	FLANGE END SHIELD BG90F188 D.E.ELEC KIT	1
2.1A		> LANTERN V18 M115-F188 KTL	1
2.1B	2027201	> BLOWGUN R1/8" VP.	1
Note: Please give the data from type plate of the motor			
2.2	2111312	END SHIELD BG90 V18 D.E.ELEC KIT	1
2.2A		> Flange IEC90 V18 (w/o thread)	1
2.2B	2111309	> CONDENSATE HOLE GASKET D5 VP.	1
Note: Please give the data from type plate of the motor			
2.3	2111314	SCREW M8X40 6.8 (4 PIECES)	1
2.4	2111324	THROWER D.36X4 VP.	1
2.5	2111334	CIRCLIP D.30 GB894.1 VP.	1
2.6	2118385	BALL BEARING 6306 DDW C3 EA6 VP.	1
2.7	2111337	CIRCLIP D.72 GB893.1 VP.	1
2.8	2111342	BALL BEARING 6204 DDW C3 EA3 VP.	1
2.9	2111339	SPRING RING D.47 JB/T7590 VP.	1
2.10	2157920	End shield BG90 N.D.E.ELEC KIT	1
		> Flange IEC90 NDS with slot reduce0.5	1
		> O-RING ID47.2*3.53 EPDM	1
2.11	2111320	SCREW M5X211 6.8 (4 PIECES)	1
2.12	2107782	FAN WHEEL BG90 ELEC KIT	1
2.12A		> FAN 122.6X15X17 GP2200 G/F20%	1
2.12B	2111321	> STOP-RING D.14,8x0,4 VP.	1
Note: Please give the data from type plate of the motor			
2.13	2111322	FAN HOOD BG90 ELEC KIT	1
2.13A		> FAN COVER IEC90 KTL ST14 T0.8 H70	1
2.13B	2111323	> SCREW M4X6 (4 PIECES)	1
Note: Please give the data from type plate of the motor			



ATB

Motor-Nummer  
motor number  
numéro du moteur

		IE2			
3~Mot.	AF132S/2F-11S+E2/0509	IE2-88,1%			
S1	132S IMV1	224039411-1	522058X		
IP 55	Th. CI.155(F)	SCHWINGGROESSENSTUFE B			
WILO NR.2064705					
kW	V	Hz	A	1/min	COS φ
7,5	YΔ 690/400	50	7,9/3,7	2890	0,90
7,5	Δ 460	60	11,8	3510	0,89
Made in Germany		50 kg	EN 60034		

ELEC

Motor-Nummer  
motor number  
numéro du moteur

<b>3~Induction Motor</b>		Made by WILLO Group		
3501437	W080090-2-F188	0902.001		
Class F	S1	IP55	13.5kg	EN60034
50Hz	1.10kW	2850min <sup>-1</sup>	60Hz	1.29kW 3435min <sup>-1</sup>
YΔ	230/400V	4.02/2.32A	Y	440-480V 2.40-2.32A
Cos φ =0.82		IE2-81.5%	Cos φ =0.85 IE2-82.5%	

**Motor-Typenschild / Motor type plate / Plaque identité moteur**

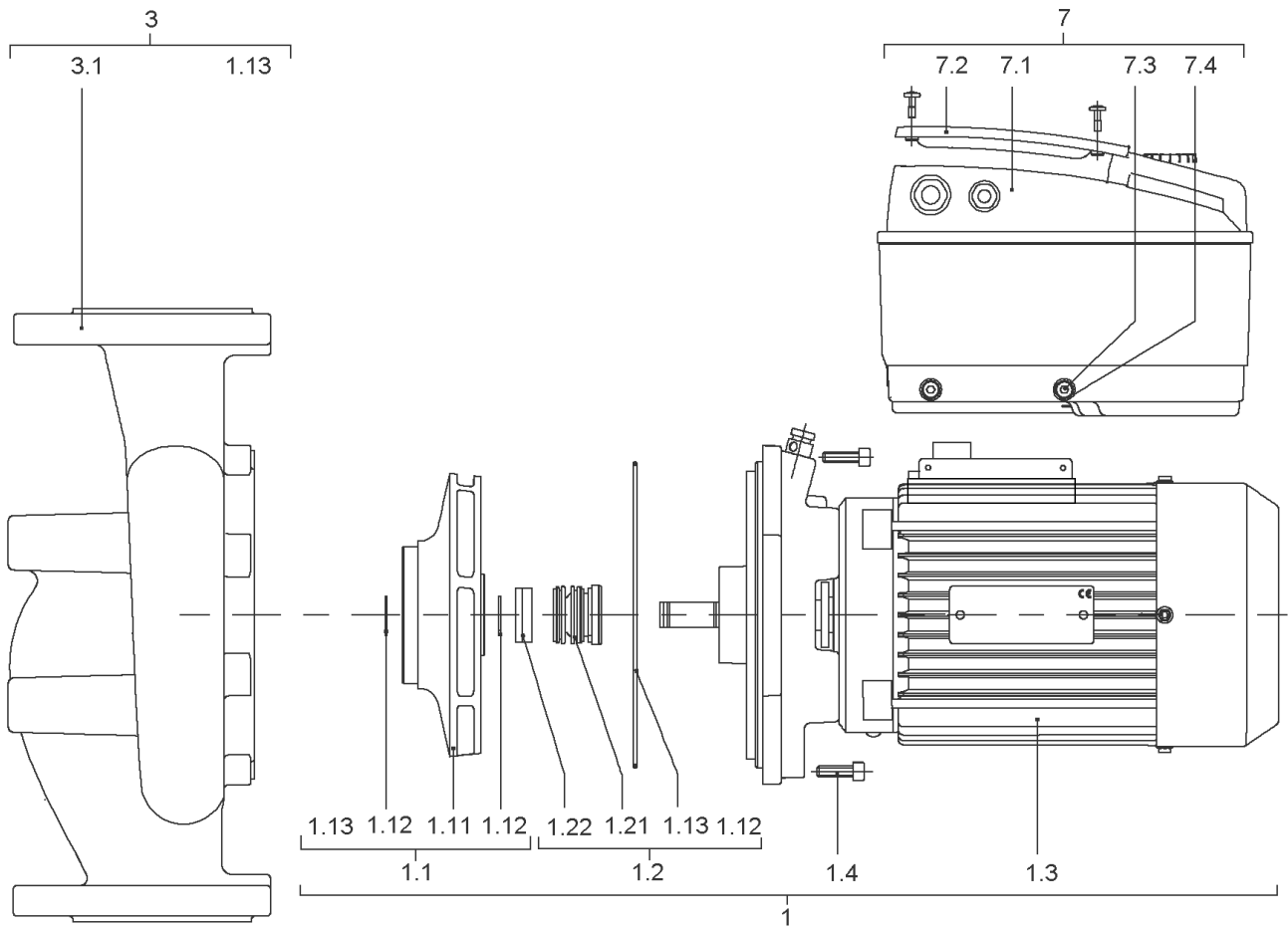
**Bei Ersatzteilbestellung Motor-Nummer angeben!**

**Indicate motor number for order of spare parts!**

**Pour une commande de pièces détachées, donner le numéro du moteur!**

**IP-E50/130-2,2/2-R1-IE2-X1 (2109804)**

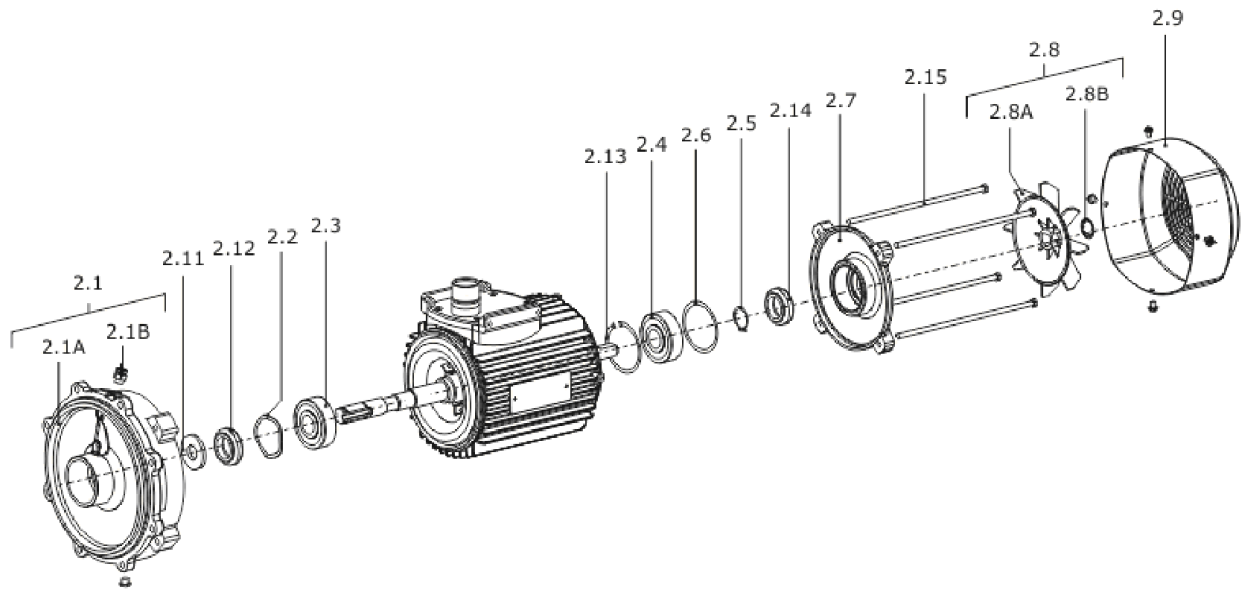
<b>Item</b>	<b>Description</b>	<b>Quantity</b>
ATB	Spare parts IP-E50/130-2,2/2-R1-X1 ATB	1
ELEC	Spare parts IP-E50/130-2,2/2-R1-X1 ELEC	1



**Spare parts IP-E50/130-2,2/2-R1-X1 ATB**

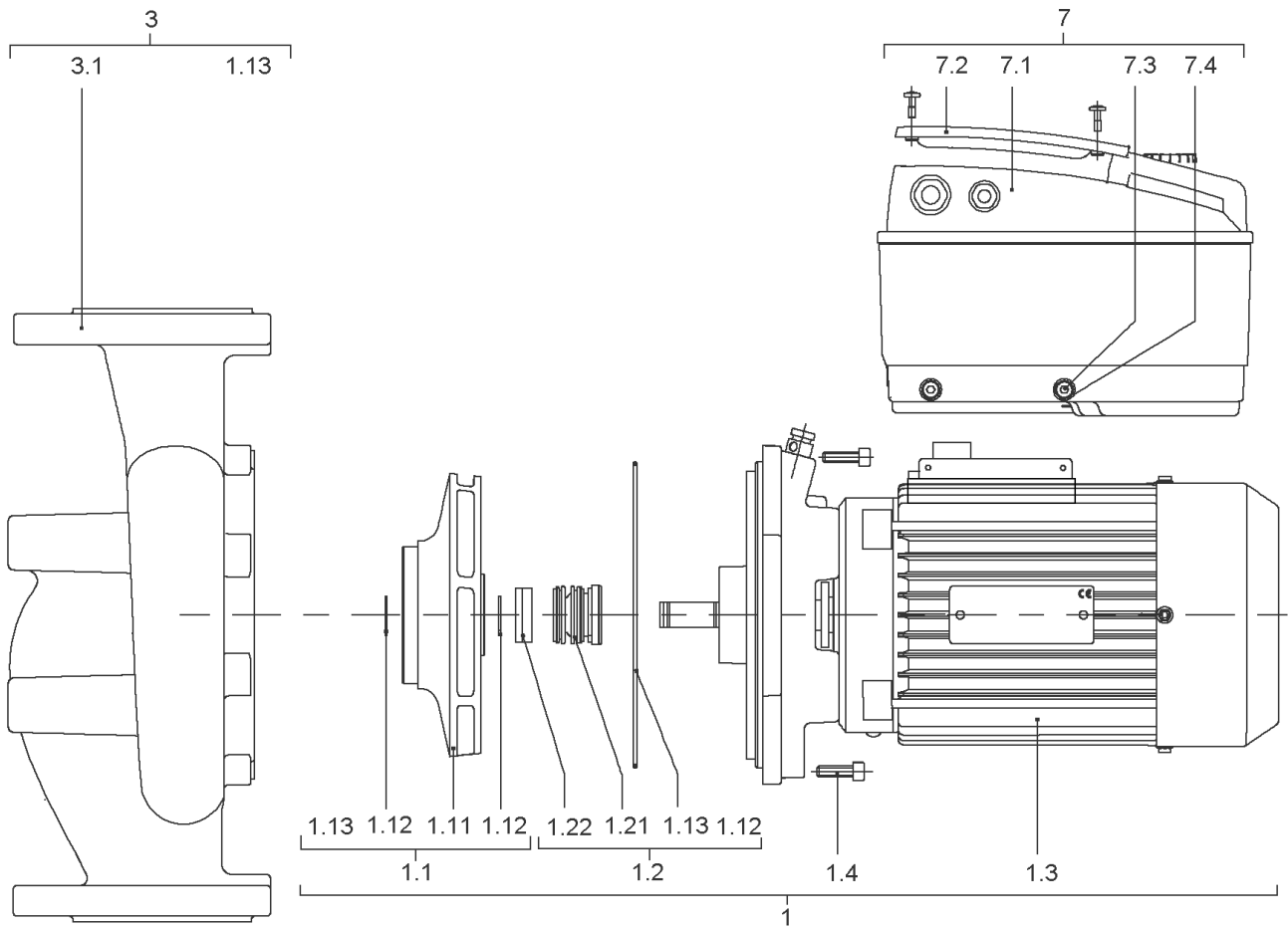
Item	Article no.	Description	Quantity
1	2112605	SERVICE MOTOR IP/DP-E50/130-2,2 IE2ATB	1
1.1	2153162	> Impeller 50/160-123/17 PPO KIT	1
1.11		>> Impeller 50/160-123/17 PPO FE1630 fin	1
1.12	2123932	>> CIRCLIP 17X1 DIN471 A2 1.4122 VP.	1
1.13	2046358	>> O-RING ID.164,7X3,53 E7518 VP.	1
1.2	122097593	> Mechanical seal ID.17 AQ1EGG KIT	1
1.12	2123932	>> CIRCLIP 17X1 DIN471 A2 1.4122 VP.	1
1.13	2010300	>> O-RING ID.107,54X3,53	1
1.13	2010301	>> O-RING ID.117,07X3,53	1
1.13	2054183	>> O-RING ID.158,34X3,53 E7518	1
Note: TO/ BIS/ JUSQU'À: 03/03			
1.13	2046358	>> O-RING ID.164,7X3,53 E7518 VP.	1
Note: FROM/ AB/ À PARTIR: 04/03			
1.21		>> MECHANICAL SEAL ID.17 AQ1EGG	1
1.22		>> Distance ring D.17/30X9 PPO FE1630	1
1.3		> Motor	1
1.4	2052495	> SCREW M6X20 ISO4762 8.8 (8 PIECES)	1
		Spare parts motor 2,2/2/90 F188E ATB IE2	1
3	2016519	PUMP HOUSING IPL50/160/IP-E50/5 KIT	1
1.13	2046358	> O-RING ID.164,7X3,53 E7518 VP.	1
3.1		> PUMP HOUSING IP-E50/160 CPL.WILO	1
7	2111425	MODULE IP/DP-E50/130-2,2/2-IE2 ATB KIT	1
7.1		> Module IP-E/DP-E50/130-2,2/2 IE2 ATB	1
7.2	2054227	> MODULE COVER/GASKET TL3/4 KIT	1
7.3		> SCREW M5X16 ISO4762 8.8 ZnNi	1
7.4		> WASHER TOOTHED LOCK A5,3 DIN6797 FST ZN	1
	2061236	> O-RING ID.38X3 EPDM 70SR.A BUS.	1





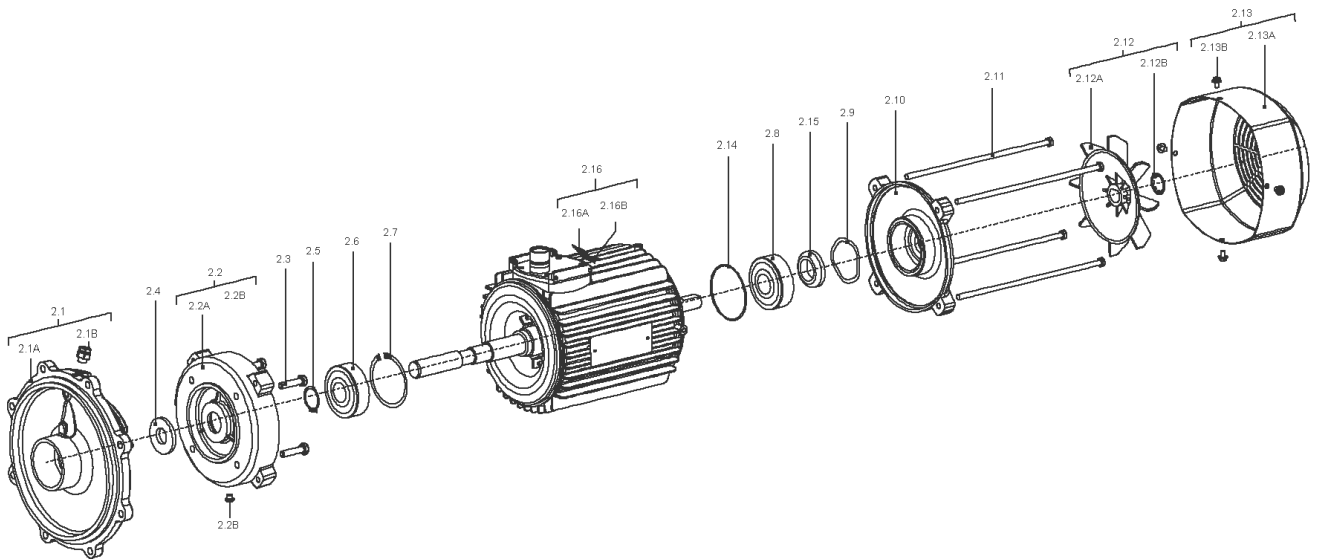
## Spare parts motor 2,2/2/90 F188E ATB IE2

Item	Article no.	Description	Quantity
2.1	2125450	END SHIELD BG80/90 D.E.ATB KIT	1
Note: Please give the data from type plate of the motor			
2.1A		> END SHIELD BG/8090 D.E.567955 ATB	1
2.1B	2027201	> BLOWGUN R1/8" VP.	1
Note: Please give the data from type plate of the motor			
2.2	2112677	CIRCLIP 52X2 J ATB VP.	1
Note: Please give the data from type plate of the motor			
2.3	121083998	BALL BEARING 6205/2Z-C3 (HT) VP.	1
Note: Please give the data from type plate of the motor			
2.4	121083998	BALL BEARING 6205/2Z-C3 (HT) VP.	1
Note: Please give the data from type plate of the motor			
2.6	2096272	SPACER DISC BG80-100 ATB VP.	1
Note: Please give the data from type plate of the motor			
2.7	2118607	END SHIELD BG90 N.D.E.ATB VP.	1
Note: Please give the data from type plate of the motor			
2.8	121479094	FAN WHEEL BG90/100 ATB KIT	1
Note: Please give the data from type plate of the motor			
2.8A		> FAN WHEEL BG90/100 721383 ATB	1
2.8B	2047016	> CORRUGATED SLEEVE RING BG90/100 ATB VP.	1
Note: Please give the data from type plate of the motor			
2.9	2096347	FAN HOUSING BG90/100 METAL ATB VP.	1
Note: Please give the data from type plate of the motor			
2.12	2138735	SHAFT SEAL RING BG90 D.E.ATB VP.	1
Note: Please give the data from type plate of the motor			
2.14	2112921	JOINT RING CIRCULAR 25X35X4 ATB VP.	1
2.15	2112674	SCREW END SHIELD M5X190 ATB(4 PIECES)	1
Note: Please give the data from type plate of the motor			
	2111437	GASKET TERMINAL BOX BG90 ATB.VP.	1
Note: Please give the data from type plate of the motor			



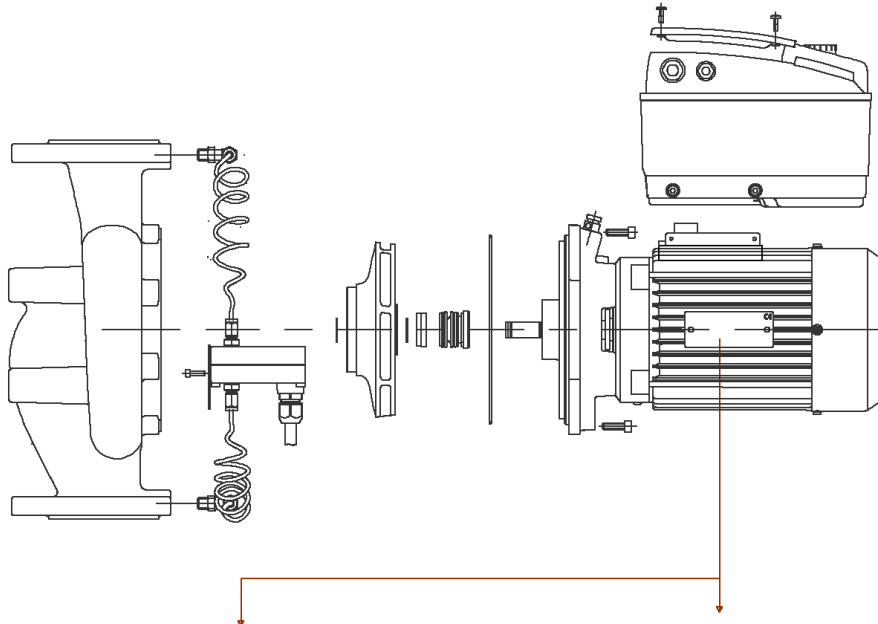
**Spare parts IP-E50/130-2,2/2-R1-X1 ELEC**

Item	Article no.	Description	Quantity
1	2139835	Service Motor IP/DP-E50/130-2,2 IE2ELEC	1
1.1	2153162	> Impeller 50/160-123/17 PPO KIT	1
1.11		>> Impeller 50/160-123/17 PPO FE1630 fin	1
1.12	2123932	>> CIRCLIP 17X1 DIN471 A2 1.4122 VP.	1
1.13	2046358	>> O-RING ID.164,7X3,53 E7518 VP.	1
1.2	122097593	> Mechanical seal ID.17 AQ1EGG KIT	1
1.12	2123932	>> CIRCLIP 17X1 DIN471 A2 1.4122 VP.	1
1.13	2010300	>> O-RING ID.107,54X3,53	1
1.13	2010301	>> O-RING ID.117,07X3,53	1
1.13	2054183	>> O-RING ID.158,34X3,53 E7518	1
Note: TO/ BIS/ JUSQU'À: 03/03			
1.13	2046358	>> O-RING ID.164,7X3,53 E7518 VP.	1
Note: FROM/ AB/ À PARTIR: 04/03			
1.21		>> MECHANICAL SEAL ID.17 AQ1EGG	1
1.22		>> Distance ring D.17/30X9 PPO FE1630	1
1.3		> Motor	1
1.4	2052495	> SCREW M6X20 ISO4762 8.8 (8 PIECES)	1
		Spare parts motor 2,2/2/90F188E ELEC IE2	1
3	2016519	PUMP HOUSING IPL50/160/IP-E50/5 KIT	1
1.13	2046358	> O-RING ID.164,7X3,53 E7518 VP.	1
3.1		> PUMP HOUSING IP-E50/160 CPL.WILO	1
7	2145512	Module IP/DP-E50/130-2,2/2-IE2 ELEC KIT	1
7.1		> Module IP-E/DP-E50/130-2,2/2 IE2 ELEC	1
7.2	2054227	> MODULE COVER/GASKET TL3/4 KIT	1
7.3		> SCREW M5X16 ISO4762 8.8 ZnNi	1
7.4		> WASHER TOOTHED LOCK A5,3 DIN6797 FST ZN	1
	2061236	> O-RING ID.38X3 EPDM 70SR.A BUS.	1



## Spare parts motor 2,2/2/90F188E ELEC IE2

Item	Article no.	Description	Quantity
2.1	2111307	FLANGE END SHIELD BG90F188 D.E.ELEC KIT	1
2.1A		> LANTERN V18 M115-F188 KTL	1
2.1B	2027201	> BLOWGUN R1/8" VP.	1
Note: Please give the data from type plate of the motor			
2.2	2111312	END SHIELD BG90 V18 D.E.ELEC KIT	1
2.2A		> Flange IEC90 V18 (w/o thread)	1
2.2B	2111309	> CONDENSATE HOLE GASKET D5 VP.	1
Note: Please give the data from type plate of the motor			
2.3	2111314	SCREW M8X40 6.8 (4 PIECES)	1
2.4	2111324	THROWER D.36X4 VP.	1
2.5	2111334	CIRCLIP D.30 GB894.1 VP.	1
2.6	2118385	BALL BEARING 6306 DDW C3 EA6 VP.	1
2.7	2111337	CIRCLIP D.72 GB893.1 VP.	1
2.8	2111342	BALL BEARING 6204 DDW C3 EA3 VP.	1
2.9	2111339	SPRING RING D.47 JB/T7590 VP.	1
2.10	2157920	End shield BG90 N.D.E.ELEC KIT	1
		> Flange IEC90 NDS with slot reduce0.5	1
		> O-RING ID47.2*3.53 EPDM	1
2.11	2111320	SCREW M5X211 6.8 (4 PIECES)	1
2.12	2107782	FAN WHEEL BG90 ELEC KIT	1
2.12A		> FAN 122.6X15X17 GP2200 G/F20%	1
2.12B	2111321	> STOP-RING D.14,8x0,4 VP.	1
Note: Please give the data from type plate of the motor			
2.13	2111322	FAN HOOD BG90 ELEC KIT	1
2.13A		> FAN COVER IEC90 KTL ST14 T0.8 H70	1
2.13B	2111323	> SCREW M4X6 (4 PIECES)	1
Note: Please give the data from type plate of the motor			



ATB

Motor-Nummer  
motor number  
numéro du moteur

		IE2			
3~Mot.	AF132S/2F-11S+E2/0509	IE2-88,1%			
S1	132S IMV1	224039411-1	522058X		
IP 55	Th. CI.155(F)	SCHWINGGROESSENSTUFE B			
WILO NR.2064705					
kW	V	Hz	A	1/min	COS φ
7,5	YΔ 690/400	50	7,9/3,7	2890	0,90
7,5	Δ 460	60	11,8	3510	0,89
Made in Germany		50 kg	EN 60034		

ELEC

Motor-Nummer  
motor number  
numéro du moteur

<b>3~Induction Motor</b>		Made by WILLO Group			
3501437	W080090-2-F188	0902.001			
Class F	S1	IP55	13.5kg	EN60034	
50Hz	1.10kW	2850min <sup>-1</sup>	60Hz	1.29kW	3435min <sup>-1</sup>
YΔ	230/400V	4.02/2.32A	Y	440-480V	2.40-2.32A
Cos φ =0.82		IE2-81.5%	Cos φ =0.85		IE2-82.5%

**Motor-Typenschild / Motor type plate / Plaque identité moteur**

**Bei Ersatzteilbestellung Motor-Nummer angeben!**

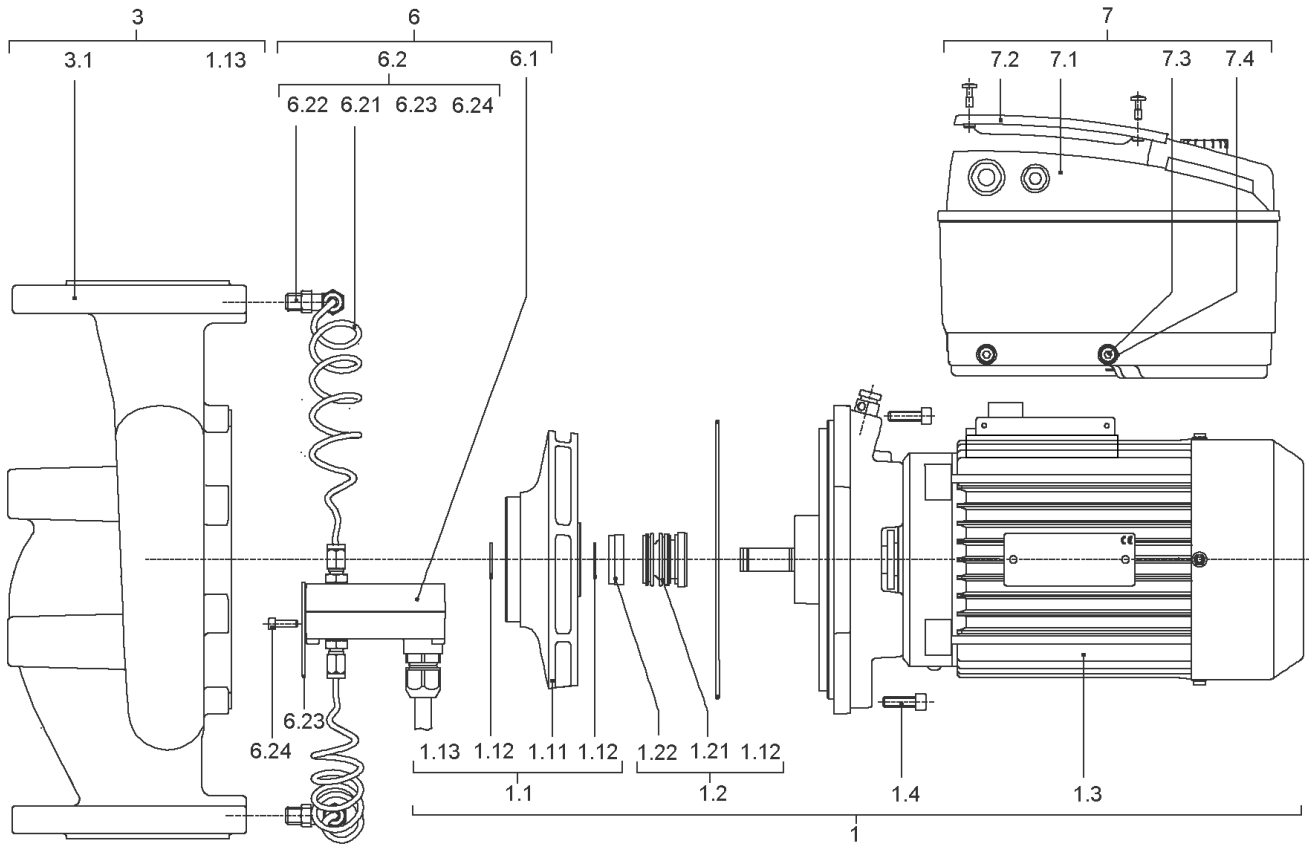
**Indicate motor number for order of spare parts!**

**Pour une commande de pièces détachées, donner le numéro du moteur!**

**IP-E50/140-3/2-IE2-X1 (2109769)**

<b>Item</b>	<b>Description</b>	<b>Quantity</b>
ATB	Spare parts IP-E50/140-3/2-X1 ATB	1
ELEC	Spare parts IP-E50/140-3/2-X1 ELEC	1



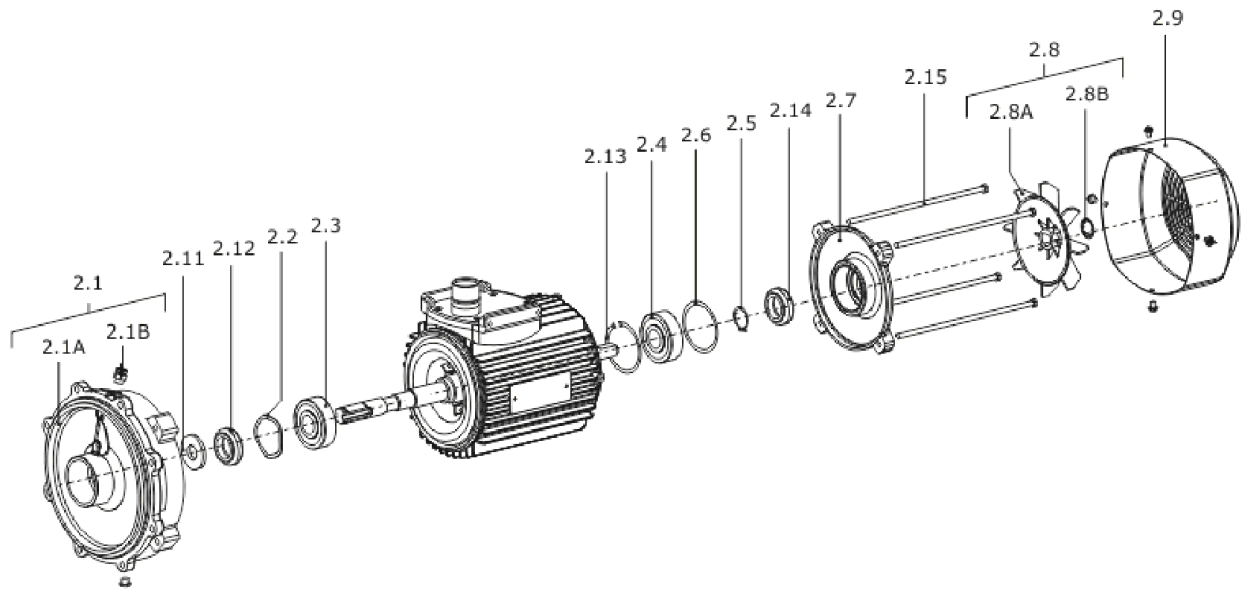


**Spare parts IP-E50/140-3/2-X1 ATB**

Item	Article no.	Description	Quantity
1	2112606	SERVICE MOTOR IP/DP-E50/140-3 IE2ATB	1
1.1	2153161	> Impeller 50/160-134/17 PPO KIT	1
1.11		>> Impeller 50/160-134/17 PPO FE1630 fin	1
1.12	2123932	>> CIRCLIP 17X1 DIN471 A2 1.4122 VP.	1
1.13	2046358	>> O-RING ID.164,7X3,53 E7518 VP.	1
1.2	122097593	> Mechanical seal ID.17 AQ1EGG KIT	1
1.12	2123932	>> CIRCLIP 17X1 DIN471 A2 1.4122 VP.	1
1.13	2010300	>> O-RING ID.107,54X3,53	1
1.13	2010301	>> O-RING ID.117,07X3,53	1
1.13	2054183	>> O-RING ID.158,34X3,53 E7518	1
Note: TO/ BIS/ JUSQU'À: 03/03			
1.13	2046358	>> O-RING ID.164,7X3,53 E7518 VP.	1
Note: FROM/ AB/ À PARTIR: 04/03			
1.21		>> MECHANICAL SEAL ID.17 AQ1EGG	1
1.22		>> Distance ring D.17/30X9 PPO FE1630	1
1.3		> Motor	1
1.4	2052495	> SCREW M6X20 ISO4762 8.8 (8 PIECES)	1
		Spare parts motor 3/2/100 F188E ATB IE2	1
3	2016519	PUMP HOUSING IPL50/160/IP-E50/5 KIT	1
1.13	2046358	> O-RING ID.164,7X3,53 E7518 VP.	1
3.1		> PUMP HOUSING IP-E50/160 CPL.WILO	1
6	2104485	DPS40-1(0-10V) KIT	1
6.1	2106115	> DIFFERENTIAL PRESSURE SENSOR 40 KIT	1
Note: FROM/ AB/ À PARTIR: 09/2009			
		>> DPS40 spiral TZ.3mm Volt 2G	1
	2196657	>> Cable DPS 3x0,34x650 short bared 2G VP.	1
Note: from/ab/de 01.10.2013			
6.2	2106120	> CONNECTION SENSOR IP-E SPIRAL M6 KIT	1
Note: FROM/ AB/ À PARTIR: 09/2009			
6.21		>> CAPILLARY COIL 1000	2
6.22		>> Fixation ring pipe union R1/8" 90GD.Ni	1
6.23		>> HANDLE DDG M6	1
6.24		>> Screw M4x10 EE DIN7500 ZN	2
	2168862	>> Nut/Ferrule M6 D.3MM MS Ni (2 Pieces)	1

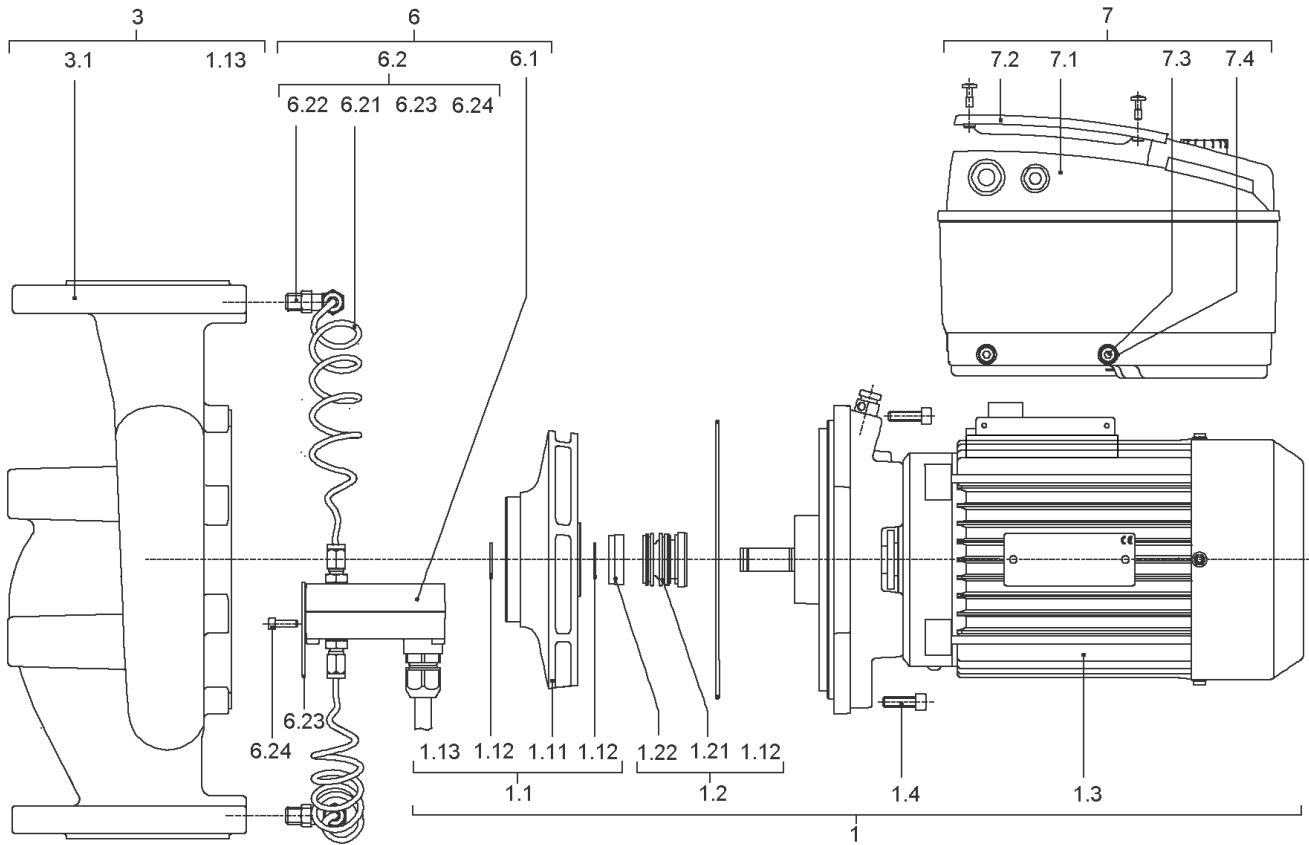
## Spare parts IP-E50/140-3/2-X1 ATB

Item	Article no.	Description	Quantity
	2168860	>> Nut/Ferrule M8 D.5MM MS Ni (2 Pieces)	1
7	2111426	MODULE IP/DP-E50/140-3/2-IE2 ATB KIT	1
7.1		> Module IP-E/DP-E50/140-3/2 IE2 ATB	1
7.2	2054227	> MODULE COVER/GASKET TL3/4 KIT	1
7.3		> SCREW M5X16 ISO4762 8.8 ZnNi	1
7.4		> WASHER TOOTHED LOCK A5,3 DIN6797 FST ZN	1
	2061236	> O-RING ID.38X3 EPDM 70SR.A BUS.	1



## Spare parts motor 3/2/100 F188E ATB IE2

Item	Article no.	Description	Quantity
2.1	2125452	END SHIELD BG100 D.E.ATB KIT	1
Note: Please give the data from type plate of the motor			
2.1A		> END SHIELD BG100 D.E.514725 ATB	1
2.1B	2027201	> BLOWGUN R1/8" VP.	1
Note: Please give the data from type plate of the motor			
2.2	2096258	SHIM BALL BEARING BG90-112 ATB VP.	1
Note: Please give the data from type plate of the motor			
2.3	121084190	BALL BEARING 6206/2Z-C3 (HT) VP.	1
Note: Please give the data from type plate of the motor			
2.4	121084190	BALL BEARING 6206/2Z-C3 (HT) VP.	1
Note: Please give the data from type plate of the motor			
2.5	2111441	CIRCLIP BG100/112 ATB VP.	1
Note: Please give the data from type plate of the motor			
2.6	2096273	SPACER DISC BG90/112 ATB VP.	1
Note: Please give the data from type plate of the motor			
2.7	2087825	END SHIELD BG100/112 457256N.D.E.ATB VP.	1
2.8	121479094	FAN WHEEL BG90/100 ATB KIT	1
Note: Please give the data from type plate of the motor			
2.8A		> FAN WHEEL BG90/100 721383 ATB	1
2.8B	2047016	> CORRUGATED SLEEVE RING BG90/100 ATB VP.	1
Note: Please give the data from type plate of the motor			
2.9	2046109	FAN HOUSING BG100 PLASTIC ATB VP.	1
Note: Please give the data from type plate of the motor			
2.12	2111449	SHAFT SEAL RING BG100/112 ATB VP.	1
Note: Please give the data from type plate of the motor			
2.14	2201024	Shaft seal ring BG100/112 N.D.E.ATB VP.	1
2.15	2111443	SCREW END SHILD BG100 D.E.ATB(4 PIECES)	1
Note: Please give the data from type plate of the motor			
	2147196	Gasket terminal box BG100/112 ATB.VP.	1
Note: Please give the data from type plate of the motor			



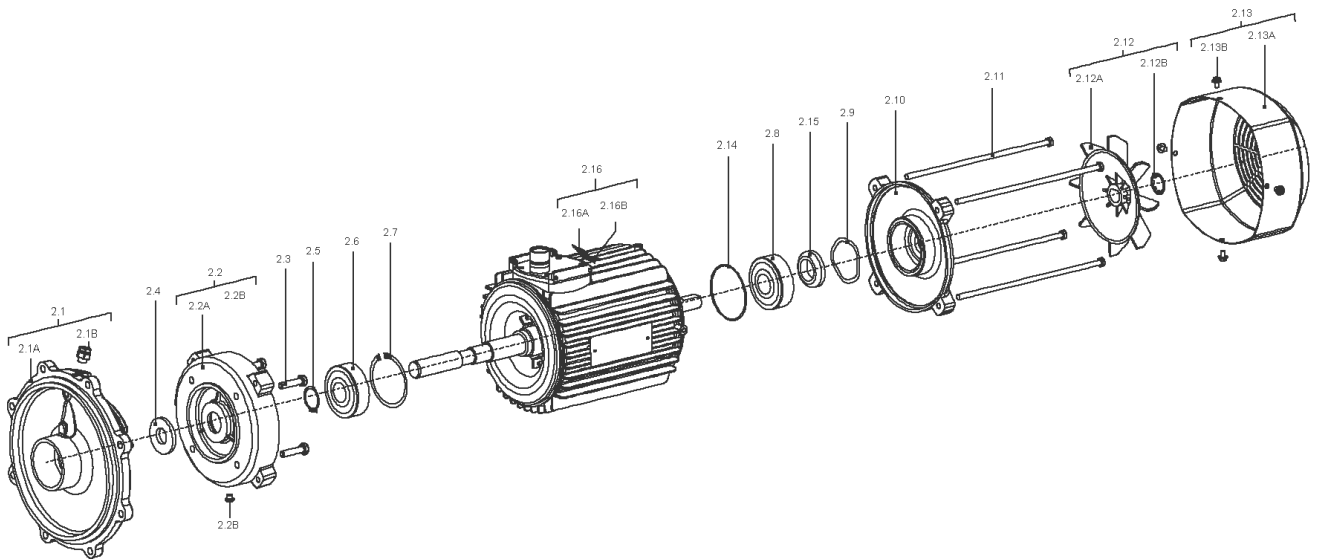
## Spare parts IP-E50/140-3/2-X1 ELEC

Item	Article no.	Description	Quantity
1	2139836	Service Motor IP/DP-E50/140-3 IE2ELEC	1
1.1	2153161	> Impeller 50/160-134/17 PPO KIT	1
1.11		>> Impeller 50/160-134/17 PPO FE1630 fin	1
1.12	2123932	>> CIRCLIP 17X1 DIN471 A2 1.4122 VP.	1
1.13	2046358	>> O-RING ID.164,7X3,53 E7518 VP.	1
1.2	122097593	> Mechanical seal ID.17 AQ1EGG KIT	1
1.12	2123932	>> CIRCLIP 17X1 DIN471 A2 1.4122 VP.	1
1.13	2010300	>> O-RING ID.107,54X3,53	1
1.13	2010301	>> O-RING ID.117,07X3,53	1
1.13	2054183	>> O-RING ID.158,34X3,53 E7518	1
Note: TO/ BIS/ JUSQU'À: 03/03			
1.13	2046358	>> O-RING ID.164,7X3,53 E7518 VP.	1
Note: FROM/ AB/ À PARTIR: 04/03			
1.21		>> MECHANICAL SEAL ID.17 AQ1EGG	1
1.22		>> Distance ring D.17/30X9 PPO FE1630	1
1.3		> Motor	1
1.4	2052495	> SCREW M6X20 ISO4762 8.8 (8 PIECES)	1
		Spare parts motor 3/2/100F188E ELEC IE2	1
3	2016519	PUMP HOUSING IPL50/160/IP-E50/5 KIT	1
1.13	2046358	> O-RING ID.164,7X3,53 E7518 VP.	1
3.1		> PUMP HOUSING IP-E50/160 CPL.WILO	1
6	2104485	DPS40-1(0-10V) KIT	1
6.1	2106115	> DIFFERENTIAL PRESSURE SENSOR 40 KIT	1
Note: FROM/ AB/ À PARTIR: 09/2009			
		>> DPS40 spiral TZ.3mm Volt 2G	1
	2196657	>> Cable DPS 3x0,34x650 short bared 2G VP.	1
Note: from/ab/de 01.10.2013			
6.2	2106120	> CONNECTION SENSOR IP-E SPIRAL M6 KIT	1
Note: FROM/ AB/ À PARTIR: 09/2009			
6.21		>> CAPILLARY COIL 1000	2
6.22		>> Fixation ring pipe union R1/8" 90GD.Ni	1
6.23		>> HANDLE DDG M6	1
6.24		>> Screw M4x10 EE DIN7500 ZN	2
	2168862	>> Nut/Ferrule M6 D.3MM MS Ni (2 Pieces)	1

## Spare parts IP-E50/140-3/2-X1 ELEC

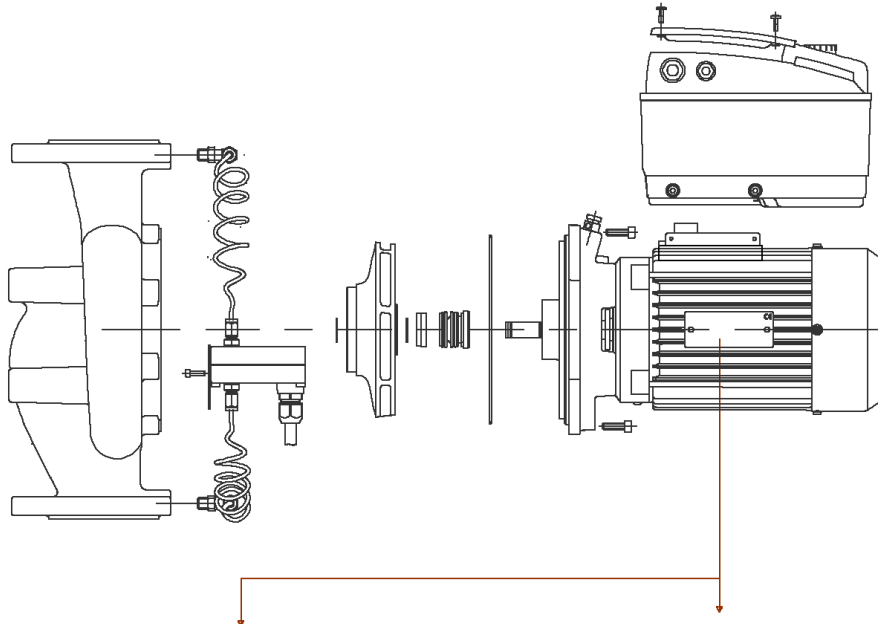
Item	Article no.	Description	Quantity
	2168860	>> Nut/Ferrule M8 D.5MM MS Ni (2 Pieces)	1
7	2145513	Module IP-E/DP-E50/140-3/2-IE2 ELEC KIT	1
7.1		> Module IP-E/DP-E50/130-2,2/2 IE2 ELEC	1
7.2	2054227	> MODULE COVER/GASKET TL3/4 KIT	1
7.3		> SCREW M5X16 ISO4762 8.8 ZnNi	1
7.4		> WASHER TOOTHED LOCK A5,3 DIN6797 FST ZN	1
	2061236	> O-RING ID.38X3 EPDM 70SR.A BUS.	1





## Spare parts motor 3/2/100F188E ELEC IE2

Item	Article no.	Description	Quantity
2.1	2118386	FLANGE END SHIELD BG100/112 D.E.ELEC KIT	1
2.1A		> LANTERN V18 M130-F188 KTL	1
2.1B	2027201	> BLOWGUN R1/8" VP.	1
Note: Please give the data from type plate of the motor			
2.2	2118387	END SHIELD BG100 V18 D.E.ELEC KIT	1
2.2A		> Flange IEC100 V18 (w/o thread)	1
2.2B	2111309	> CONDENSATE HOLE GASKET D5 VP.	1
Note: Please give the data from type plate of the motor			
2.3	2111314	SCREW M8X40 6.8 (4 PIECES)	1
2.4	2111324	THROWER D.36X4 VP.	1
2.5	2118388	CIRCLIP D.35 GB894.1 VP.	1
2.6	2153172	Ball bearing 6307/VV-C3 VP.	1
2.7	2118390	CIRCLIP D.80 GB893.1 VP.	1
2.8	2118391	BALL BEARING 6205 DDW C3 EA6 VP.	1
2.9	2118392	SPRING RING D.52 JB/T7590 VP.	1
2.10	2164025	End shield BG112 N.D.E.ELEC KIT	1
Note: Please give the data from type plate of the motor			
		> FLANGE IEC112 NDS with slot	1
		> O-RING ID62.4*3.53 EPDM	1
2.11	2118394	SCREW M6X238 6.8 (4 PIECES)	1
2.12	2118395	FAN WHEEL 138X20X17 ELEC KIT	1
2.12A		> FAN 138X20X17 GP2200 G/F20%	1
2.12B	2118396	> Tooth lock washer D.19,8x0,4 VP.	1
Note: Please give the data from type plate of the motor			
2.13	2118397	FAN HOOD BG100 ELEC KIT	1
2.13A		> FAN COVER IEC100 KTL ST14 T0.8 H86	1
2.13B	2111323	> SCREW M4X6 (4 PIECES)	1
Note: Please give the data from type plate of the motor			
2.14	2164027	O-Ring ID62.4x3.53 EPDM VP.	1
Note: Please give the data from type plate of the motor			



ATB

Motor-Nummer  
motor number  
numéro du moteur

		IE2			
3~Mot.	AF132S/2F-11S+E2/0509	IE2-88,1%			
S1	132S IMV1	224039411-1	522058X		
IP 55	Th. CI.155(F)	SCHWINGGROESSENSTUFE B			
WILO NR.2064705					
kW	V	Hz	A	1/min	COS φ
7,5	YΔ 690/400	50	7,9/3,7	2890	0,90
7,5	Δ 460	60	11,8	3510	0,89
Made in Germany		50 kg	EN 60034		

ELEC

Motor-Nummer  
motor number  
numéro du moteur

<b>3~Induction Motor</b>		Made by WILLO Group			
3501437	W080090-2-F188	0902.001			
Class F	S1	IP55	13.5kg	EN60034	
50Hz	1.10kW	2850min <sup>-1</sup>	60Hz	1.29kW	3435min <sup>-1</sup>
YΔ	230/400V	4.02/2.32A	Y	440-480V	2.40-2.32A
Cos φ =0.82		IE2-81.5%	Cos φ =0.85		IE2-82.5%

**Motor-Typenschild / Motor type plate / Plaque identité moteur**

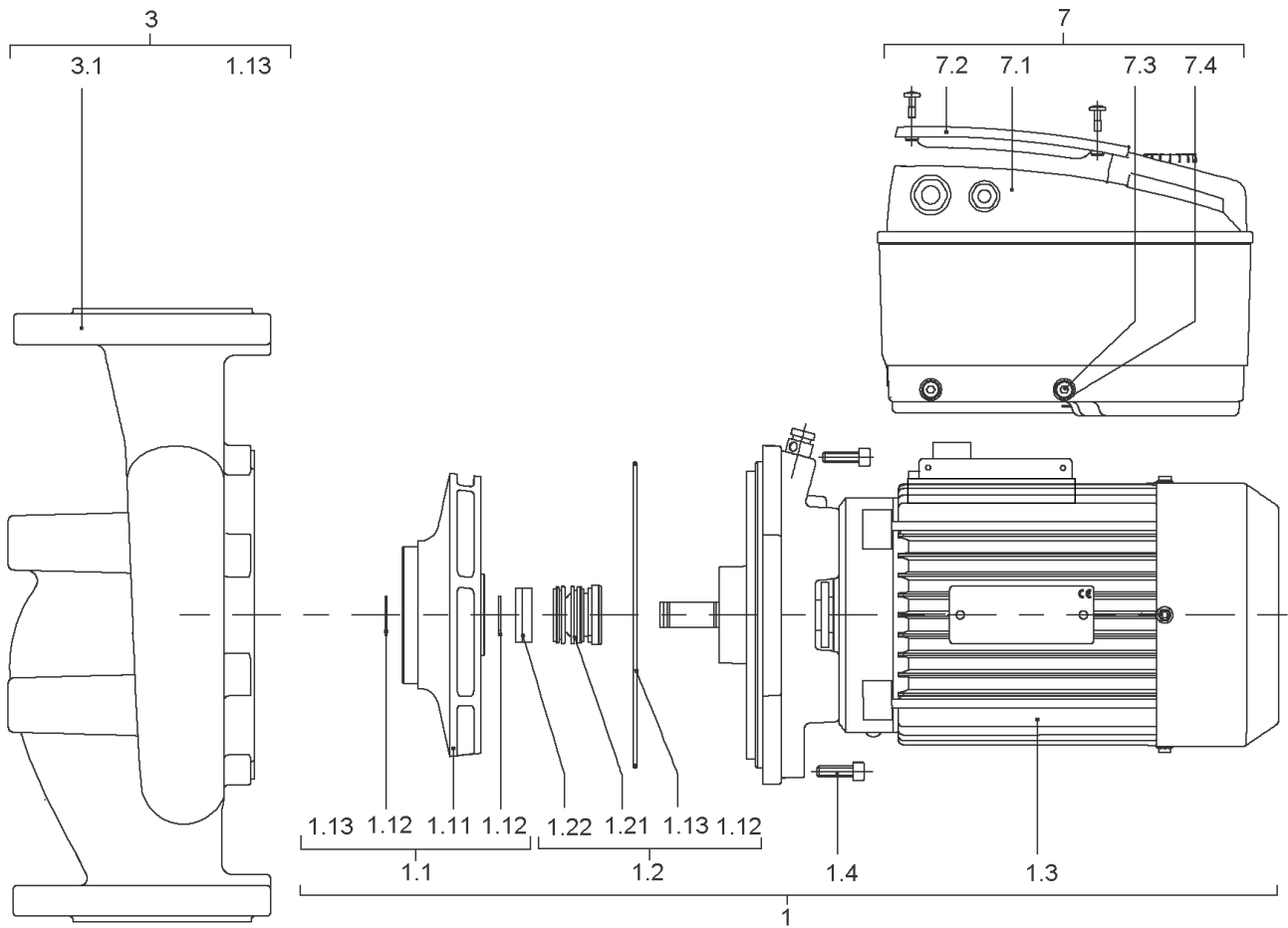
**Bei Ersatzteilbestellung Motor-Nummer angeben!**

**Indicate motor number for order of spare parts!**

**Pour une commande de pièces détachées, donner le numéro du moteur!**

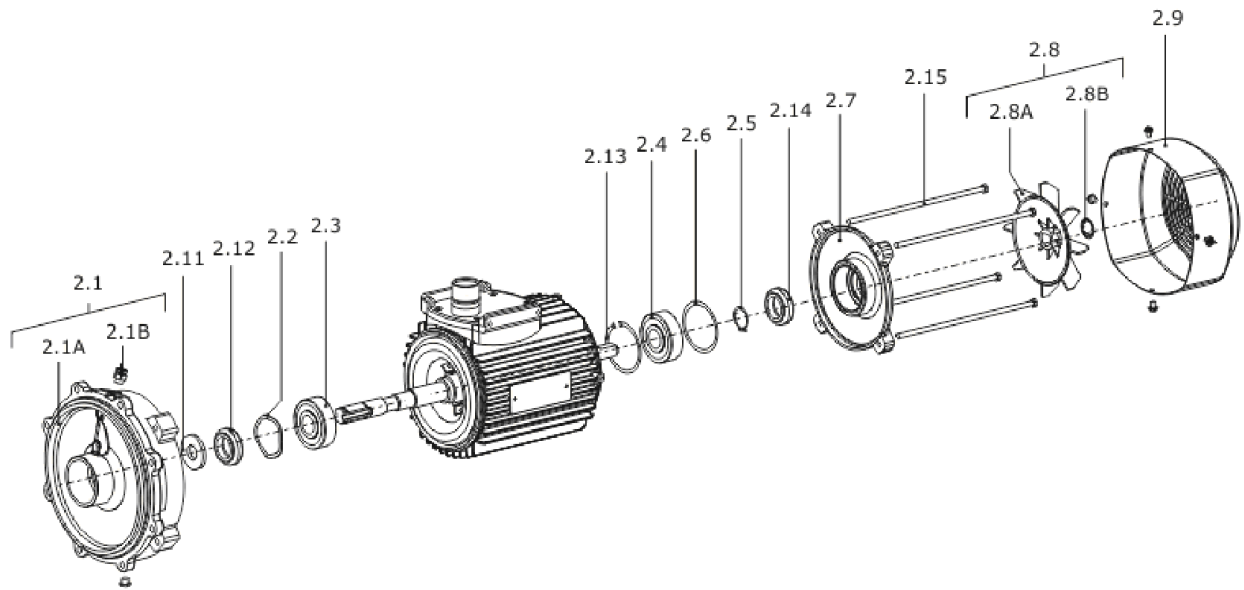
**IP-E50/140-3/2-R1-IE2-X1 (2109805)**

<b>Item</b>	<b>Description</b>	<b>Quantity</b>
ATB	Spare parts IP-E50/140-3/2-R1-X1 ATB	1
ELEC	Spare parts IP-E50/140-3/2-R1-X1 ELEC	1



**Spare parts IP-E50/140-3/2-R1-X1 ATB**

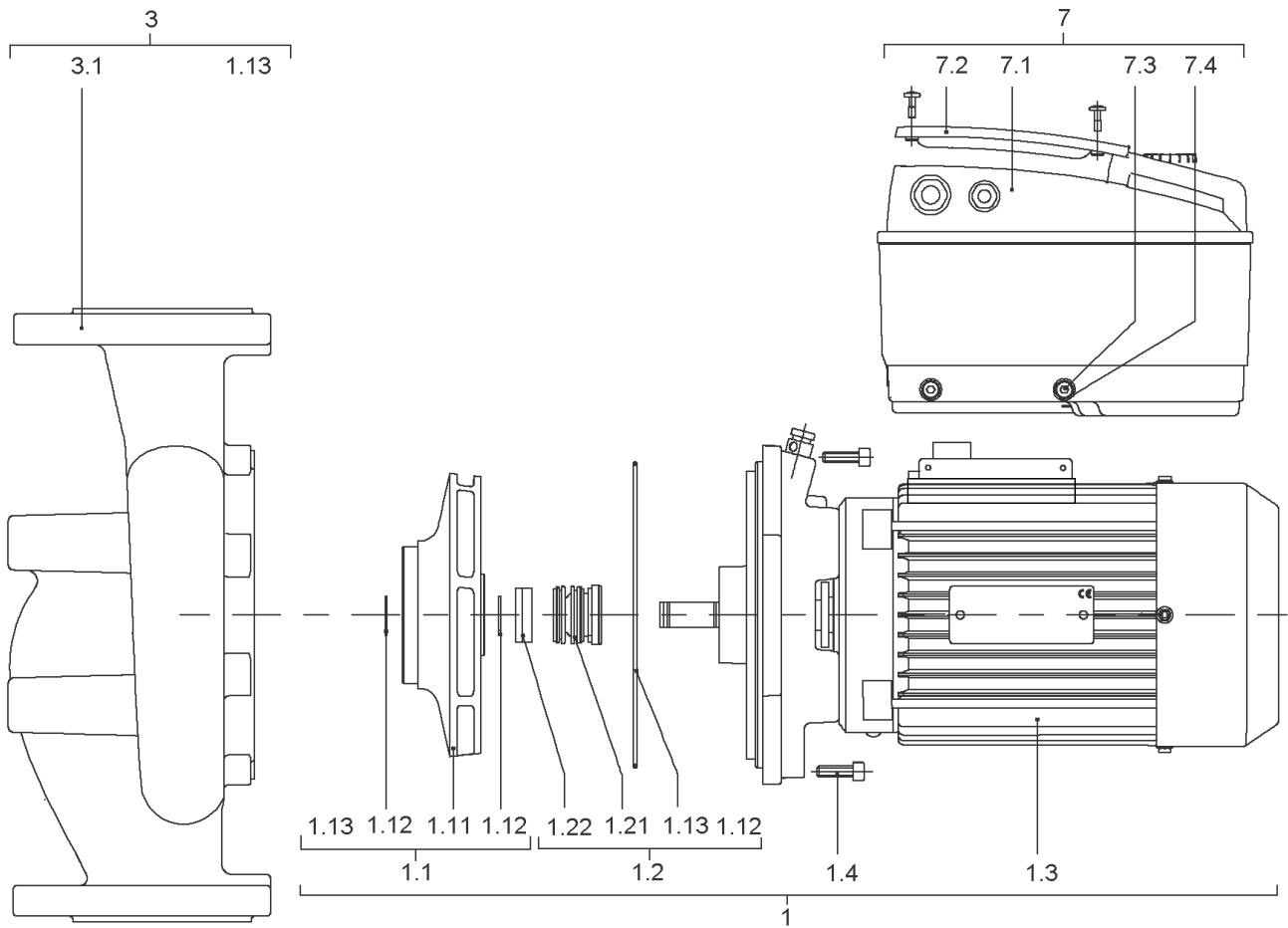
Item	Article no.	Description	Quantity
1	2112606	SERVICE MOTOR IP/DP-E50/140-3 IE2ATB	1
1.1	2153161	> Impeller 50/160-134/17 PPO KIT	1
1.11		>> Impeller 50/160-134/17 PPO FE1630 fin	1
1.12	2123932	>> CIRCLIP 17X1 DIN471 A2 1.4122 VP.	1
1.13	2046358	>> O-RING ID.164,7X3,53 E7518 VP.	1
1.2	122097593	> Mechanical seal ID.17 AQ1EGG KIT	1
1.12	2123932	>> CIRCLIP 17X1 DIN471 A2 1.4122 VP.	1
1.13	2010300	>> O-RING ID.107,54X3,53	1
1.13	2010301	>> O-RING ID.117,07X3,53	1
1.13	2054183	>> O-RING ID.158,34X3,53 E7518	1
Note: TO/ BIS/ JUSQU'À: 03/03			
1.13	2046358	>> O-RING ID.164,7X3,53 E7518 VP.	1
Note: FROM/ AB/ À PARTIR: 04/03			
1.21		>> MECHANICAL SEAL ID.17 AQ1EGG	1
1.22		>> Distance ring D.17/30X9 PPO FE1630	1
1.3		> Motor	1
1.4	2052495	> SCREW M6X20 ISO4762 8.8 (8 PIECES)	1
		Spare parts motor 3/2/100 F188E ATB IE2	1
3	2016519	PUMP HOUSING IPL50/160/IP-E50/5 KIT	1
1.13	2046358	> O-RING ID.164,7X3,53 E7518 VP.	1
3.1		> PUMP HOUSING IP-E50/160 CPL.WILO	1
7	2111426	MODULE IP/DP-E50/140-3/2-IE2 ATB KIT	1
7.1		> Module IP-E/DP-E50/140-3/2 IE2 ATB	1
7.2	2054227	> MODULE COVER/GASKET TL3/4 KIT	1
7.3		> SCREW M5X16 ISO4762 8.8 ZnNi	1
7.4		> WASHER TOOTHED LOCK A5,3 DIN6797 FST ZN	1
	2061236	> O-RING ID.38X3 EPDM 70SR.A BUS.	1



## Spare parts motor 3/2/100 F188E ATB IE2

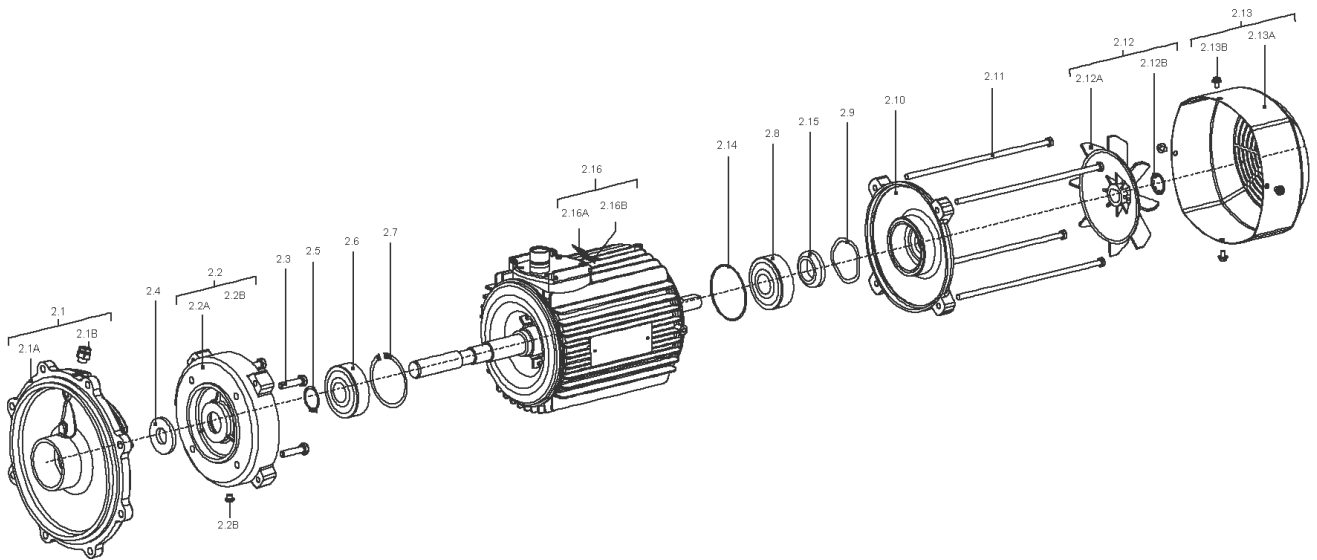
Item	Article no.	Description	Quantity
2.1	2125452	END SHIELD BG100 D.E.ATB KIT	1
Note: Please give the data from type plate of the motor			
2.1A		> END SHIELD BG100 D.E.514725 ATB	1
2.1B	2027201	> BLOWGUN R1/8" VP.	1
Note: Please give the data from type plate of the motor			
2.2	2096258	SHIM BALL BEARING BG90-112 ATB VP.	1
Note: Please give the data from type plate of the motor			
2.3	121084190	BALL BEARING 6206/2Z-C3 (HT) VP.	1
Note: Please give the data from type plate of the motor			
2.4	121084190	BALL BEARING 6206/2Z-C3 (HT) VP.	1
Note: Please give the data from type plate of the motor			
2.5	2111441	CIRCLIP BG100/112 ATB VP.	1
Note: Please give the data from type plate of the motor			
2.6	2096273	SPACER DISC BG90/112 ATB VP.	1
Note: Please give the data from type plate of the motor			
2.7	2087825	END SHIELD BG100/112 457256N.D.E.ATB VP.	1
2.8	121479094	FAN WHEEL BG90/100 ATB KIT	1
Note: Please give the data from type plate of the motor			
2.8A		> FAN WHEEL BG90/100 721383 ATB	1
2.8B	2047016	> CORRUGATED SLEEVE RING BG90/100 ATB VP.	1
Note: Please give the data from type plate of the motor			
2.9	2046109	FAN HOUSING BG100 PLASTIC ATB VP.	1
Note: Please give the data from type plate of the motor			
2.12	2111449	SHAFT SEAL RING BG100/112 ATB VP.	1
Note: Please give the data from type plate of the motor			
2.14	2201024	Shaft seal ring BG100/112 N.D.E.ATB VP.	1
2.15	2111443	SCREW END SHILD BG100 D.E.ATB(4 PIECES)	1
Note: Please give the data from type plate of the motor			
	2147196	Gasket terminal box BG100/112 ATB.VP.	1
Note: Please give the data from type plate of the motor			





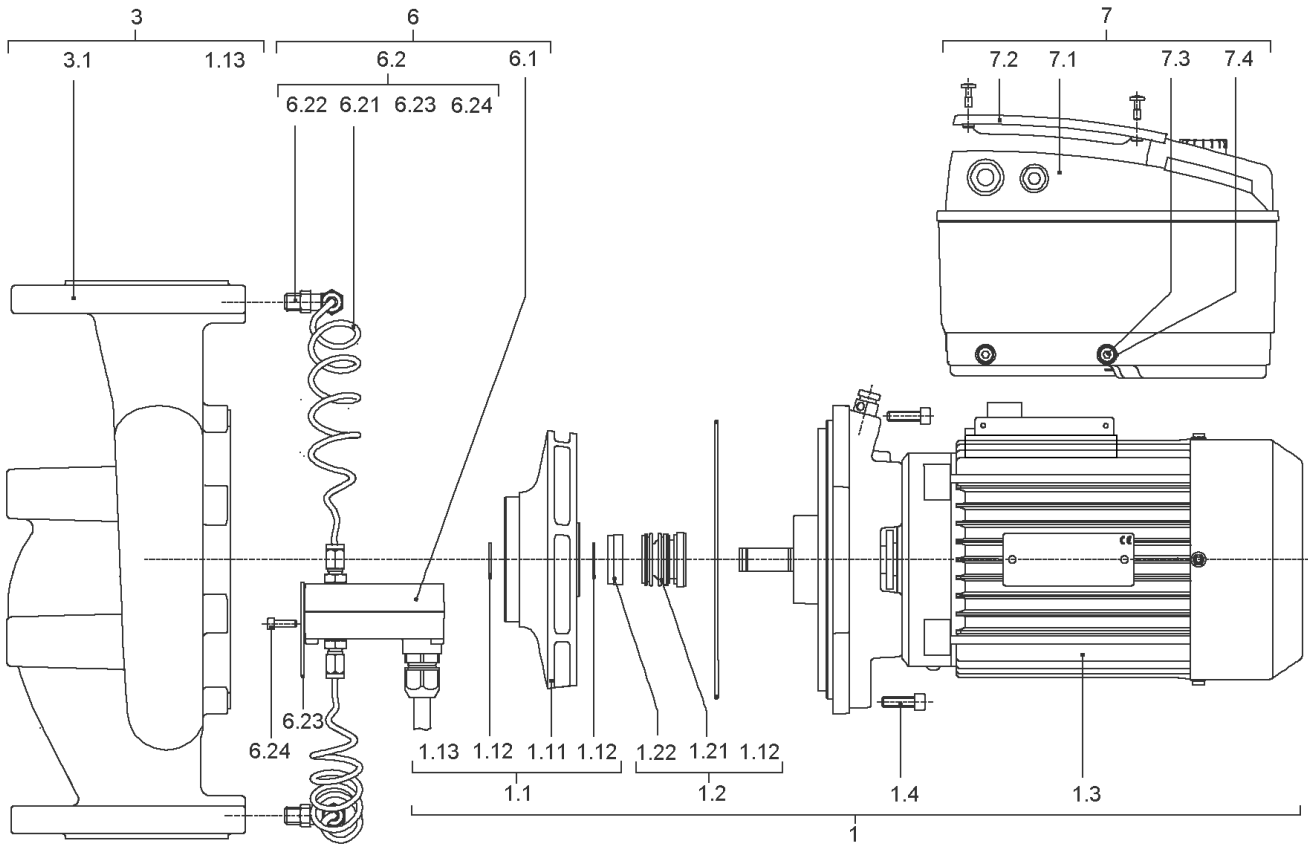
**Spare parts IP-E50/140-3/2-R1-X1 ELEC**

Item	Article no.	Description	Quantity
1	2139836	Service Motor IP/DP-E50/140-3 IE2ELEC	1
1.1	2153161	> Impeller 50/160-134/17 PPO KIT	1
1.11		>> Impeller 50/160-134/17 PPO FE1630 fin	1
1.12	2123932	>> CIRCLIP 17X1 DIN471 A2 1.4122 VP.	1
1.13	2046358	>> O-RING ID.164,7X3,53 E7518 VP.	1
1.2	122097593	> Mechanical seal ID.17 AQ1EGG KIT	1
1.12	2123932	>> CIRCLIP 17X1 DIN471 A2 1.4122 VP.	1
1.13	2010300	>> O-RING ID.107,54X3,53	1
1.13	2010301	>> O-RING ID.117,07X3,53	1
1.13	2054183	>> O-RING ID.158,34X3,53 E7518	1
Note: TO/ BIS/ JUSQU'À: 03/03			
1.13	2046358	>> O-RING ID.164,7X3,53 E7518 VP.	1
Note: FROM/ AB/ À PARTIR: 04/03			
1.21		>> MECHANICAL SEAL ID.17 AQ1EGG	1
1.22		>> Distance ring D.17/30X9 PPO FE1630	1
1.3		> Motor	1
1.4	2052495	> SCREW M6X20 ISO4762 8.8 (8 PIECES)	1
		Spare parts motor 3/2/100F188E ELEC IE2	1
3	2016519	PUMP HOUSING IPL50/160/IP-E50/5 KIT	1
1.13	2046358	> O-RING ID.164,7X3,53 E7518 VP.	1
3.1		> PUMP HOUSING IP-E50/160 CPL.WILO	1
7	2145513	Module IP-E/DP-E50/140-3/2-IE2 ELEC KIT	1
7.1		> Module IP-E/DP-E50/130-2,2/2 IE2 ELEC	1
7.2	2054227	> MODULE COVER/GASKET TL3/4 KIT	1
7.3		> SCREW M5X16 ISO4762 8.8 ZnNi	1
7.4		> WASHER TOOTHED LOCK A5,3 DIN6797 FST ZN	1
	2061236	> O-RING ID.38X3 EPDM 70SR.A BUS.	1



## Spare parts motor 3/2/100F188E ELEC IE2

Item	Article no.	Description	Quantity
2.1	2118386	FLANGE END SHIELD BG100/112 D.E.ELEC KIT	1
2.1A		> LANTERN V18 M130-F188 KTL	1
2.1B	2027201	> BLOWGUN R1/8" VP.	1
Note: Please give the data from type plate of the motor			
2.2	2118387	END SHIELD BG100 V18 D.E.ELEC KIT	1
2.2A		> Flange IEC100 V18 (w/o thread)	1
2.2B	2111309	> CONDENSATE HOLE GASKET D5 VP.	1
Note: Please give the data from type plate of the motor			
2.3	2111314	SCREW M8X40 6.8 (4 PIECES)	1
2.4	2111324	THROWER D.36X4 VP.	1
2.5	2118388	CIRCLIP D.35 GB894.1 VP.	1
2.6	2153172	Ball bearing 6307/VV-C3 VP.	1
2.7	2118390	CIRCLIP D.80 GB893.1 VP.	1
2.8	2118391	BALL BEARING 6205 DDW C3 EA6 VP.	1
2.9	2118392	SPRING RING D.52 JB/T7590 VP.	1
2.10	2164025	End shield BG112 N.D.E.ELEC KIT	1
Note: Please give the data from type plate of the motor			
		> FLANGE IEC112 NDS with slot	1
		> O-RING ID62.4*3.53 EPDM	1
2.11	2118394	SCREW M6X238 6.8 (4 PIECES)	1
2.12	2118395	FAN WHEEL 138X20X17 ELEC KIT	1
2.12A		> FAN 138X20X17 GP2200 G/F20%	1
2.12B	2118396	> Tooth lock washer D.19,8x0,4 VP.	1
Note: Please give the data from type plate of the motor			
2.13	2118397	FAN HOOD BG100 ELEC KIT	1
2.13A		> FAN COVER IEC100 KTL ST14 T0.8 H86	1
2.13B	2111323	> SCREW M4X6 (4 PIECES)	1
Note: Please give the data from type plate of the motor			
2.14	2164027	O-Ring ID62.4x3.53 EPDM VP.	1
Note: Please give the data from type plate of the motor			



**IP-E50/150-4/2-IE2-X1 (2109770)**

Item	Article no.	Description	Quantity
1	2112607	SERVICE MOTOR IP/DP-E50/150-4 IE2ATB	1
1.1	2048833	> IMPELLER D.69/151/17 PPN KIT	1
1.11		>> Impeller 50/160-151/A22/17 PPO FE1630 fi	1
1.12	2123932	>> CIRCLIP 17X1 DIN471 A2 1.4122 VP.	1
1.13	2046358	>> O-RING ID.164,7X3,53 E7518 VP.	1
1.2	122097593	> Mechanical seal ID.17 AQ1EGG KIT	1
1.12	2123932	>> CIRCLIP 17X1 DIN471 A2 1.4122 VP.	1
1.13	2010300	>> O-RING ID.107,54X3,53	1
1.13	2010301	>> O-RING ID.117,07X3,53	1
1.13	2054183	>> O-RING ID.158,34X3,53 E7518	1
Note: TO/ BIS/ JUSQU'À: 03/03			
1.13	2046358	>> O-RING ID.164,7X3,53 E7518 VP.	1
Note: FROM/ AB/ À PARTIR: 04/03			
1.21		>> MECHANICAL SEAL ID.17 AQ1EGG	1
1.22		>> Distance ring D.17/30X9 PPO FE1630	1
1.3		> Motor	1
1.4	2052495	> SCREW M6X20 ISO4762 8.8 (8 PIECES)	1
		SPARE PARTS MOTOR 4/2/112 F188E	1
3	2016519	PUMP HOUSING IPL50/160/IP-E50/5 KIT	1
1.13	2046358	> O-RING ID.164,7X3,53 E7518 VP.	1
3.1		> PUMP HOUSING IP-E50/160 CPL.WILO	1
6	2104485	DPS40-1(0-10V) KIT	1
6.1	2106115	> DIFFERENTIAL PRESSURE SENSOR 40 KIT	1
Note: FROM/ AB/ À PARTIR: 09/2009			
		>> DPS40 spiral TZ.3mm Volt 2G	1
	2196657	>> Cable DPS 3x0,34x650 short bared 2G VP.	1
Note: from/ab/de 01.10.2013			
6.2	2106120	> CONNECTION SENSOR IP-E SPIRAL M6 KIT	1
Note: FROM/ AB/ À PARTIR: 09/2009			
6.21		>> CAPILLARY COIL 1000	2
6.22		>> Fixation ring pipe union R1/8" 90GD.Ni	1
6.23		>> HANDLE DDG M6	1
6.24		>> Screw M4x10 EE DIN7500 ZN	2
	2168862	>> Nut/Ferrule M6 D.3MM MS Ni (2 Pieces)	1

**IP-E50/150-4/2-IE2-X1 (2109770)**

<b>Item</b>	<b>Article no.</b>	<b>Description</b>	<b>Quantity</b>
	2168860	>> Nut/Ferrule M8 D.5MM MS Ni (2 Pieces)	1
7	2111427	MODULE IP/DP-E50/150-4/2-IE2 ATB KIT	1
7.1		> Module IP-E/DP-E50/150-4/2 IE2 ATB	1
7.2	2054227	> MODULE COVER/GASKET TL3/4 KIT	1
7.3		> SCREW M5X16 ISO4762 8.8 ZnNi	1
7.4		> WASHER TOOTHED LOCK A5,3 DIN6797 FST ZN	1
	2061236	> O-RING ID.38X3 EPDM 70SR.A BUS.	1

**Motor-Typenschild / Motor type plate / Plaque identité moteur**

**Bei Ersatzteilbestellung Motor-Nummer angeben!**

**Indicate motor number for order of spare parts!**

**Pour une commande de pièces détachées, donner le numéro du moteur!**

ATB - AF

Motor-Nummer  
motor number  
numéro du moteur

3-Mot. 90L  
 1234567 - 1  
 IMB5 IP 55  
 AF 90L/2I-12  
 Y/Δ 400/230 V 4.6/8.0 A  
 2850 1/min cos φ 0.87 50 Hz  
 2.2 kW S1  
 ● Y/Δ 380...420/220...240 V ●  
 4.8...4.6/8.3...8.0 A  
 Th. Cl. F 1. freie Zeile  
 2. freie Zeile  
 3. freie Zeile Made in Germany  
 T09 463023N 16 kg EN 60034 - IEC 38

WILO ELEC

Motor-Nummer  
motor number  
numéro du moteur

**3-Induction Motor**  
 Made by WILO Group

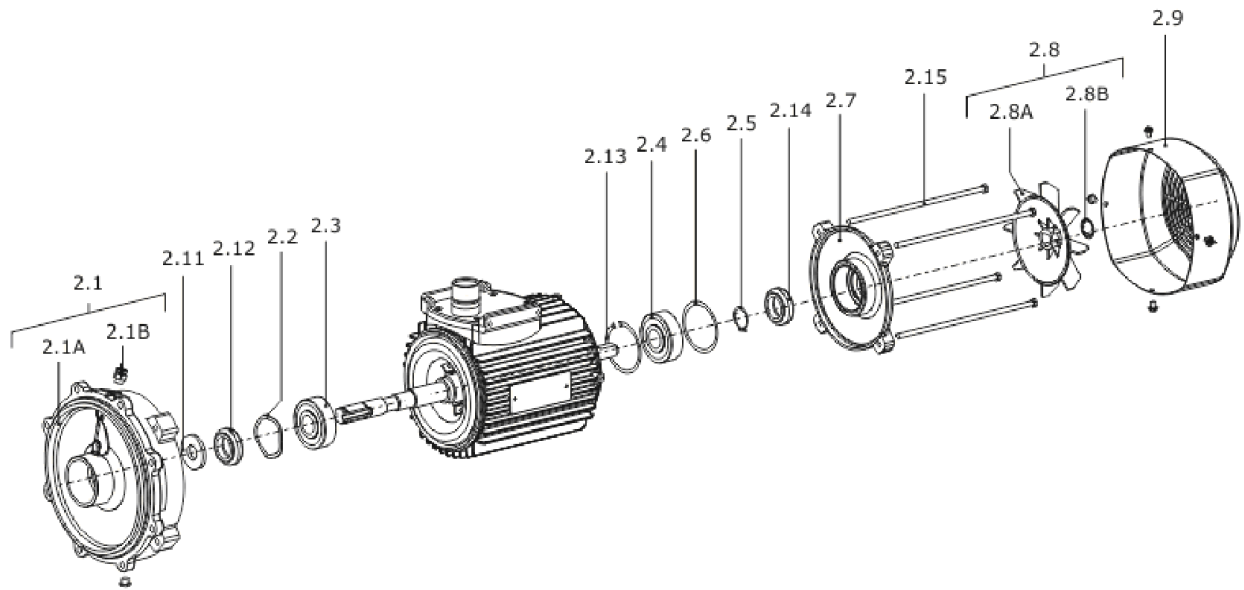
3502984	W071080-2-F188E		1001.001
Class F	S1	IP 55 10.4kg	EN60034

<b>50Hz</b>	0.55kW	2860min <sup>-1</sup>	<b>60Hz</b>	0.66kW	3450min <sup>-1</sup>
Y	400V	1.33A	Y	440-480V	1.34-1.32A
Cosφ=0.76		Eta=79.0%	Cosφ=0.75		Eta=80.0%



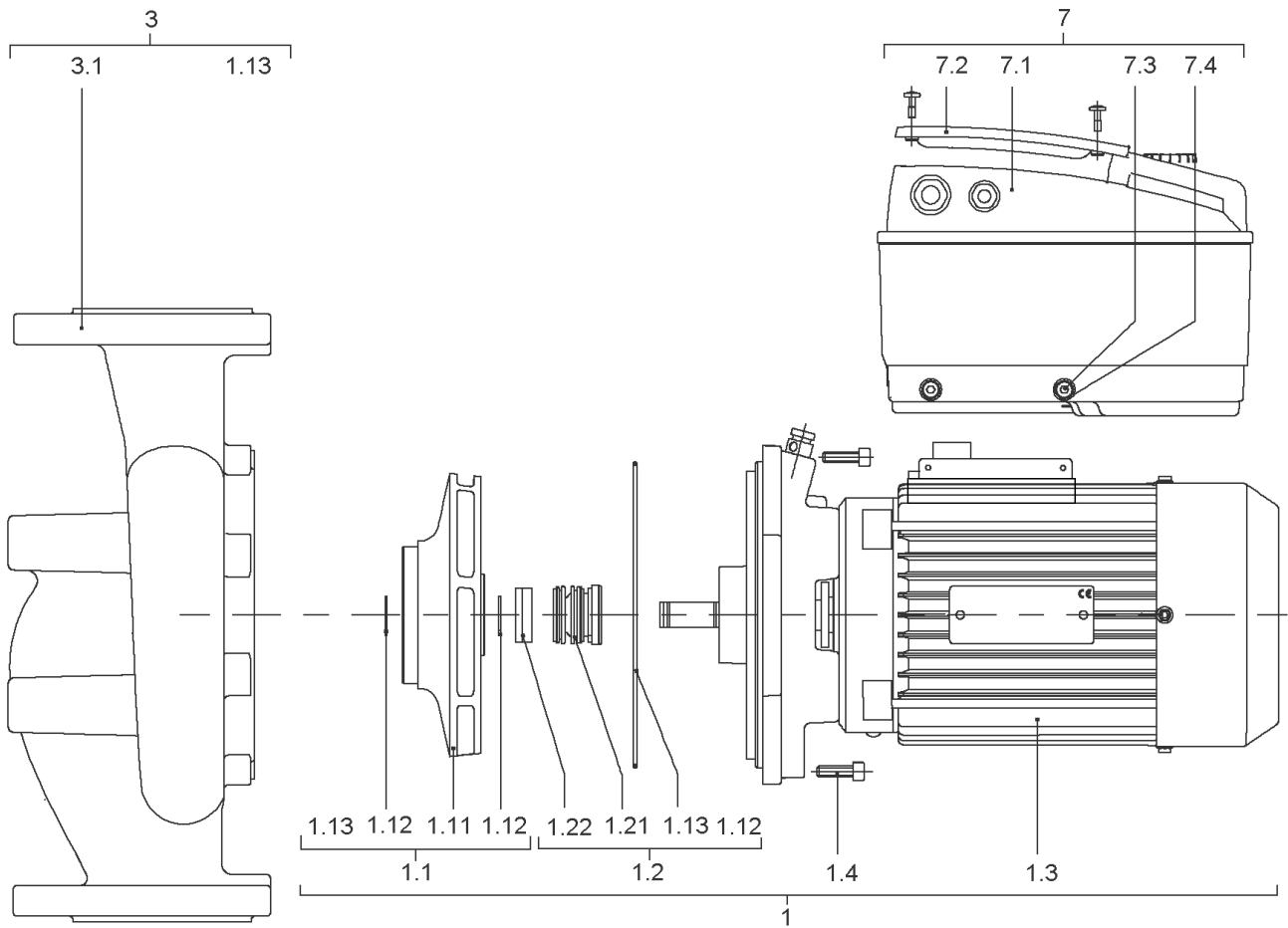
**SPARE PARTS MOTOR 4/2/112 F188E**

<b>Item</b>	<b>Description</b>	<b>Quantity</b>
1	MOTOR 4/2/112 F188E ATB	1



**MOTOR 4/2/112 F188E ATB**

Item	Article no.	Description	Quantity
2.1	2125454	END SHIELD BG112 D.E.ATB KIT	1
Note: Please give the data from type plate of the motor			
2.1A		> END SHIELD BG112 D.E.514768 ATB	1
2.1B	2027201	> BLOWGUN R1/8" VP.	1
Note: Please give the data from type plate of the motor			
2.2	2096258	SHIM BALL BEARING BG90-112 ATB VP.	1
Note: Please give the data from type plate of the motor			
2.3	121084190	BALL BEARING 6206/2Z-C3 (HT) VP.	1
Note: Please give the data from type plate of the motor			
2.4	121084190	BALL BEARING 6206/2Z-C3 (HT) VP.	1
Note: Please give the data from type plate of the motor			
2.5	2111441	CIRCLIP BG100/112 ATB VP.	1
Note: Please give the data from type plate of the motor			
2.6	2096273	SPACER DISC BG90/112 ATB VP.	1
Note: Please give the data from type plate of the motor			
2.7	2045002	END SHIELD BG112 N.D.E.ATB VP.	1
Note: Please give the data from type plate of the motor			
2.8	121479197	FAN WHEEL BG100-132 ATB KIT	1
Note: Please give the data from type plate of the motor			
2.8A		> FAN WHEEL BG100-132 721186 ATB	1
2.8B	2123672	> CORRU. SLEEVE RING BG90-132 ATB VP.	1
Note: Please give the data from type plate of the motor			
2.9	121181190	FAN HOUSING BG112 METAL ATB VP.	1
Note: Please give the data from type plate of the motor			
2.12	2201026	Shaft seal ring BG100/112 D.E.ATB VP.	1
Note: Please give the data from type plate of the motor			
2.14	2201024	Shaft seal ring BG100/112 N.D.E.ATB VP.	1
2.15	2111445	SCREW END SHILD M6X220 ATB(4 PIECES)	1
Note: Please give the data from type plate of the motor			
	2147196	Gasket terminal box BG100/112 ATB.VP.	1
Note: Please give the data from type plate of the motor			



**IP-E50/150-4/2-R1-IE2-X1 (2109806)**

Item	Article no.	Description	Quantity
1	2112607	SERVICE MOTOR IP/DP-E50/150-4 IE2ATB	1
1.1	2048833	> IMPELLER D.69/151/17 PPN KIT	1
1.11		>> Impeller 50/160-151/A22/17 PPO FE1630 fi	1
1.12	2123932	>> CIRCLIP 17X1 DIN471 A2 1.4122 VP.	1
1.13	2046358	>> O-RING ID.164,7X3,53 E7518 VP.	1
1.2	122097593	> Mechanical seal ID.17 AQ1EGG KIT	1
1.12	2123932	>> CIRCLIP 17X1 DIN471 A2 1.4122 VP.	1
1.13	2010300	>> O-RING ID.107,54X3,53	1
1.13	2010301	>> O-RING ID.117,07X3,53	1
1.13	2054183	>> O-RING ID.158,34X3,53 E7518	1
Note: TO/ BIS/ JUSQU'À: 03/03			
1.13	2046358	>> O-RING ID.164,7X3,53 E7518 VP.	1
Note: FROM/ AB/ À PARTIR: 04/03			
1.21		>> MECHANICAL SEAL ID.17 AQ1EGG	1
1.22		>> Distance ring D.17/30X9 PPO FE1630	1
1.3		> Motor	1
1.4	2052495	> SCREW M6X20 ISO4762 8.8 (8 PIECES)	1
		SPARE PARTS MOTOR 4/2/112 F188E	1
3	2016519	PUMP HOUSING IPL50/160/IP-E50/5 KIT	1
1.13	2046358	> O-RING ID.164,7X3,53 E7518 VP.	1
3.1		> PUMP HOUSING IP-E50/160 CPL.WILO	1
7	2111427	MODULE IP/DP-E50/150-4/2-IE2 ATB KIT	1
7.1		> Module IP-E/DP-E50/150-4/2 IE2 ATB	1
7.2	2054227	> MODULE COVER/GASKET TL3/4 KIT	1
7.3		> SCREW M5X16 ISO4762 8.8 ZnNi	1
7.4		> WASHER TOOTHED LOCK A5,3 DIN6797 FST ZN	1
	2061236	> O-RING ID.38X3 EPDM 70SR.A BUS.	1

**Motor-Typenschild / Motor type plate / Plaque identité moteur**


**Bei Ersatzteilbestellung Motor-Nummer angeben!**

**Indicate motor number for order of spare parts!**

**Pour une commande de pièces détachées, donner le numéro du moteur!**

ATB - AF

Motor-Nummer  
motor number  
numéro du moteur


 3-Mot. 90L  
 1234567 - 1  
 IMB5 IP 55  
 AF 90L/2I-12  
 Y/Δ 400/230 V 4.6/8.0 A  
 2850 1/min cos φ 0.87 50 Hz  
 2.2 kW S1  
 ● Y/Δ 380...420/220...240 V ●  
 4.8...4.6/8.3...8.0 A  
 Th. Cl. F 1. freie Zeile  
 2. freie Zeile  
 3. freie Zeile  
 Made in Germany  
 T09 463023N 16 kg EN 60034 - IEC 38

WILO ELEC

Motor-Nummer  
motor number  
numéro du moteur

**3-Induction Motor**  
 Made by WILCO Group

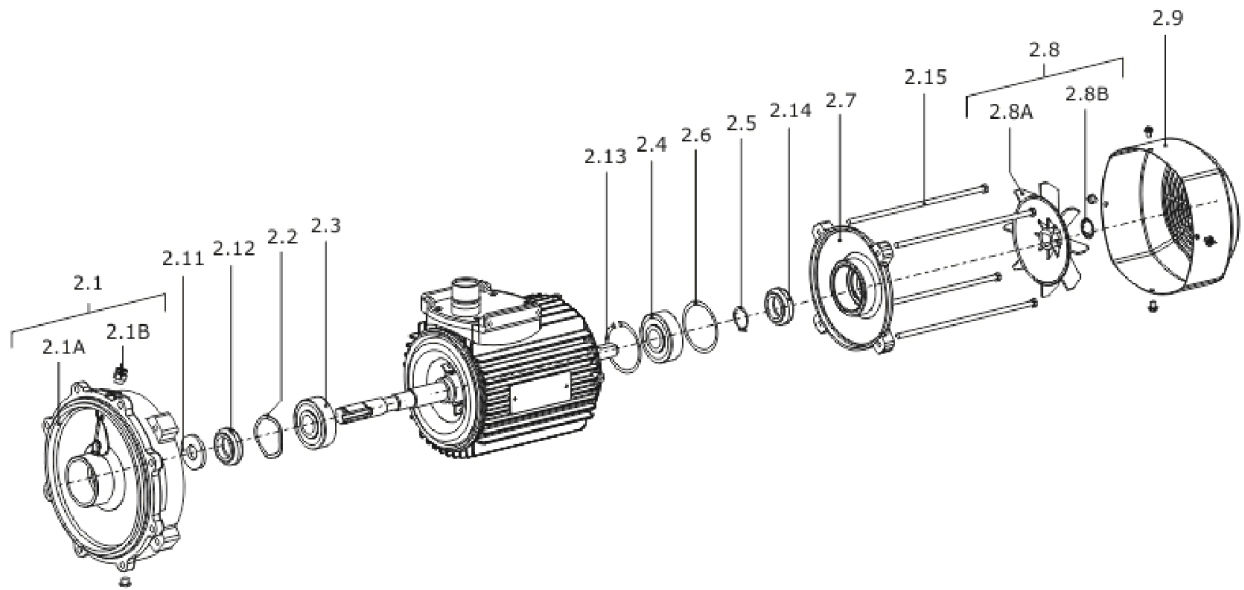
3502984	W071080-2-F188E	1001.001
Class F	S1 IP 55 10.4kg	EN60034

<b>50Hz</b>	0.55kW	2860min <sup>-1</sup>	<b>60Hz</b>	0.66kW	3450min <sup>-1</sup>
Y	400V	1.33A	Y	440-480V	1.34-1.32A
Cosφ=0.76		Eta=79.0%	Cosφ=0.75		Eta=80.0%

CE

**SPARE PARTS MOTOR 4/2/112 F188E**

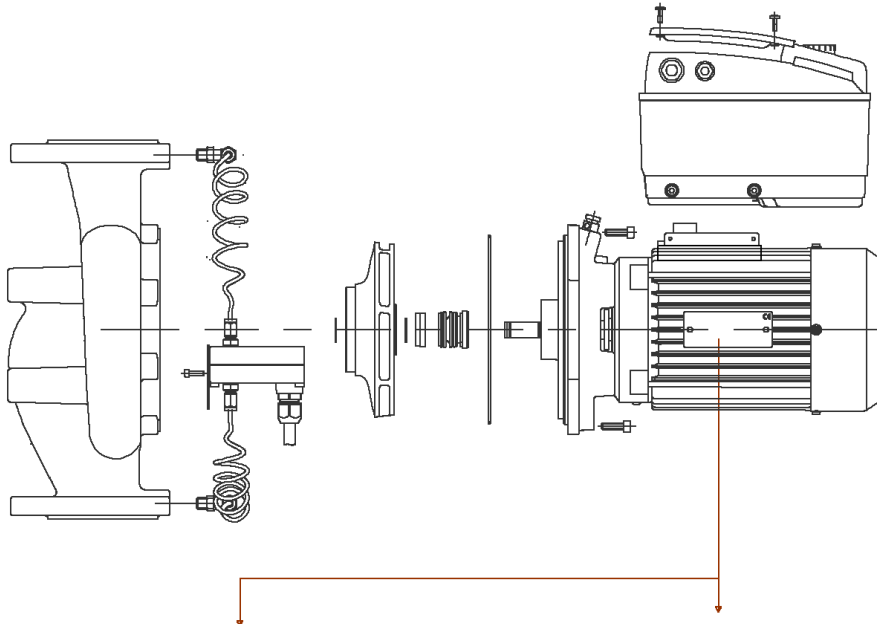
<b>Item</b>	<b>Description</b>	<b>Quantity</b>
1	MOTOR 4/2/112 F188E ATB	1





**MOTOR 4/2/112 F188E ATB**

Item	Article no.	Description	Quantity
2.1	2125454	END SHIELD BG112 D.E.ATB KIT	1
Note: Please give the data from type plate of the motor			
2.1A		> END SHIELD BG112 D.E.514768 ATB	1
2.1B	2027201	> BLOWGUN R1/8" VP.	1
Note: Please give the data from type plate of the motor			
2.2	2096258	SHIM BALL BEARING BG90-112 ATB VP.	1
Note: Please give the data from type plate of the motor			
2.3	121084190	BALL BEARING 6206/2Z-C3 (HT) VP.	1
Note: Please give the data from type plate of the motor			
2.4	121084190	BALL BEARING 6206/2Z-C3 (HT) VP.	1
Note: Please give the data from type plate of the motor			
2.5	2111441	CIRCLIP BG100/112 ATB VP.	1
Note: Please give the data from type plate of the motor			
2.6	2096273	SPACER DISC BG90/112 ATB VP.	1
Note: Please give the data from type plate of the motor			
2.7	2045002	END SHIELD BG112 N.D.E.ATB VP.	1
Note: Please give the data from type plate of the motor			
2.8	121479197	FAN WHEEL BG100-132 ATB KIT	1
Note: Please give the data from type plate of the motor			
2.8A		> FAN WHEEL BG100-132 721186 ATB	1
2.8B	2123672	> CORRU. SLEEVE RING BG90-132 ATB VP.	1
Note: Please give the data from type plate of the motor			
2.9	121181190	FAN HOUSING BG112 METAL ATB VP.	1
Note: Please give the data from type plate of the motor			
2.12	2201026	Shaft seal ring BG100/112 D.E.ATB VP.	1
Note: Please give the data from type plate of the motor			
2.14	2201024	Shaft seal ring BG100/112 N.D.E.ATB VP.	1
2.15	2111445	SCREW END SHILD M6X220 ATB(4 PIECES)	1
Note: Please give the data from type plate of the motor			
	2147196	Gasket terminal box BG100/112 ATB.VP.	1
Note: Please give the data from type plate of the motor			



ATB

Motor-Nummer  
motor number  
numéro du moteur

3~Mot.	AF132S/2F-11S+E2/0509	IE2-88,1%			
S1	132S IMV1	224039411-1	522058X		
IP 55	Th. CI.155(F)	SCHWINGGROESSENSTUFE B			
WILO NR.2064705					
kW	V	Hz	A	1/min	COS φ
7,5	YΔ 690/400	50	7,9/3,7	2890	0,90
7,5	Δ 460	60	11,8	3510	0,89
Made in Germany		50 kg	EN 60034		

ELEC

Motor-Nummer  
motor number  
numéro du moteur

Made by WILLO Group			
3501437	W080090-2-F188	0902.001	
Class F	S1	IP55	13.5kg EN60034
50Hz	1.10kW	2850min <sup>-1</sup>	60Hz 1.29kW 3435min <sup>-1</sup>
YΔ	230/400V	4.02/2.32A	Y 440-480V 2.40-2.32A
Cos φ =0.82	IE2-81.5%		Cos φ =0.85 IE2-82.5%

### Motor-Typenschild / Motor type plate / Plaque identité moteur

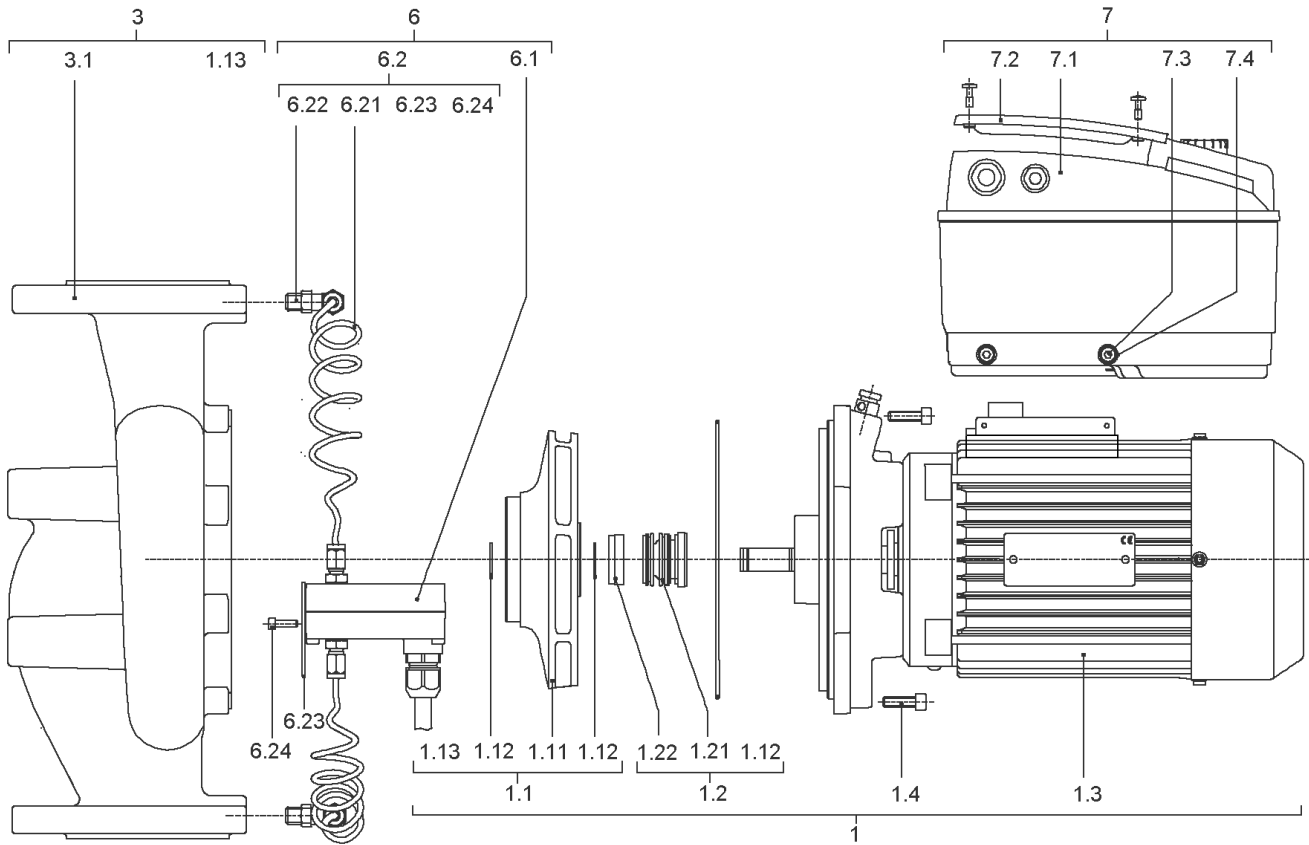
**Bei Ersatzteilbestellung Motor-Nummer angeben!**

**Indicate motor number for order of spare parts!**

**Pour une commande de pièces détachées, donner le numéro du moteur!**

**IP-E65/115-1,5/2-IE2-X1 (2109771)**

<b>Item</b>	<b>Description</b>	<b>Quantity</b>
ATB	Spare parts IP-E65/115-1,5/2-X1 ATB	1
ELEC	Spare parts IP-E65/115-1,5/2-X1 ELEC	1

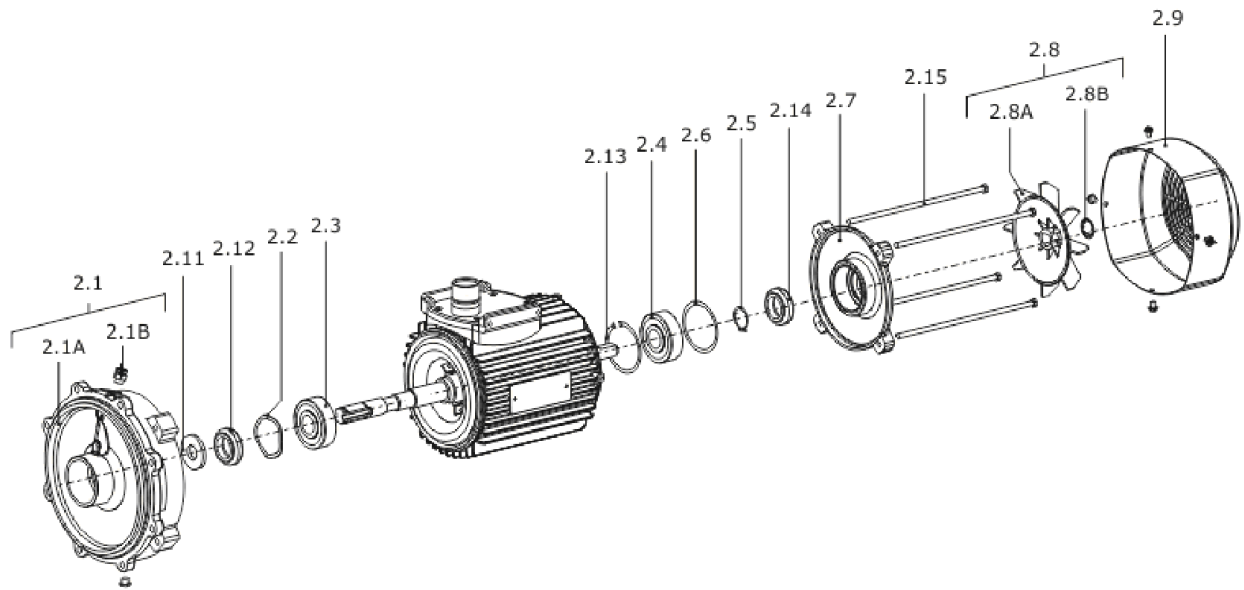


**Spare parts IP-E65/115-1,5/2-X1 ATB**

Item	Article no.	Description	Quantity
1	2112608	SERVICE MOTOR IP/DP-E65/115-1,5 IE2ATB	1
1.1	2153163	> Impeller 65/115-116 PPO KIT	1
1.11		>> Impeller 65/115-116 PPO FE1630 fin	1
1.12	2123932	>> CIRCLIP 17X1 DIN471 A2 1.4122 VP.	1
1.13	2010301	>> O-RING ID.117,07X3,53	1
1.2	122097593	> Mechanical seal ID.17 AQ1EGG KIT	1
1.12	2123932	>> CIRCLIP 17X1 DIN471 A2 1.4122 VP.	1
1.13	2010300	>> O-RING ID.107,54X3,53	1
1.13	2010301	>> O-RING ID.117,07X3,53	1
1.13	2054183	>> O-RING ID.158,34X3,53 E7518	1
Note: TO/ BIS/ JUSQU'À: 03/03			
1.13	2046358	>> O-RING ID.164,7X3,53 E7518 VP.	1
Note: FROM/ AB/ À PARTIR: 04/03			
1.21		>> MECHANICAL SEAL ID.17 AQ1EGG	1
1.22		>> Distance ring D.17/30X9 PPO FE1630	1
1.3		> Motor	1
1.4	2037242	> SCREW M10X25 ISO4762 8.8 (4 PIECES)	1
		Spare parts motor 1,5/2/90 F170E ATB IE2	1
3	2016515	PUMP HOUSING IPL65/115/IP-E65/2 KIT	1
1.13	2010301	> O-RING ID.117,07X3,53	1
3.1		> PUMP HOUSING IP-E65/120 PN16 CPL.WILO	1
6	2104480	DPS20-2(0-10V) KIT	1
6.1	2106113	> DIFFERENTIAL PRESSURE SENSOR 20 KIT	1
Note: FROM/ AB/ À PARTIR: 09/2009			
		>> DPS20 spiral TZ.3mm Volt 2G	1
	2196657	>> Cable DPS 3x0,34x650 short bared 2G VP.	1
Note: from/ab/de 01.10.2013			
6.2	2106121	> CONNECTION SENSOR IP-E SPIRAL M10 KIT	1
Note: FROM/ AB/ À PARTIR: 09/2009			
6.21		>> CAPILLARY COIL 1000	2
6.22		>> Fixation ring pipe union R1/8" 90GD.Ni	1
6.23		>> HANDLE DDG M10	1
6.24		>> Screw M4x10 EE DIN7500 ZN	2
	2168862	>> Nut/Ferrule M6 D.3MM MS Ni (2 Pieces)	1

**Spare parts IP-E65/115-1,5/2-X1 ATB**

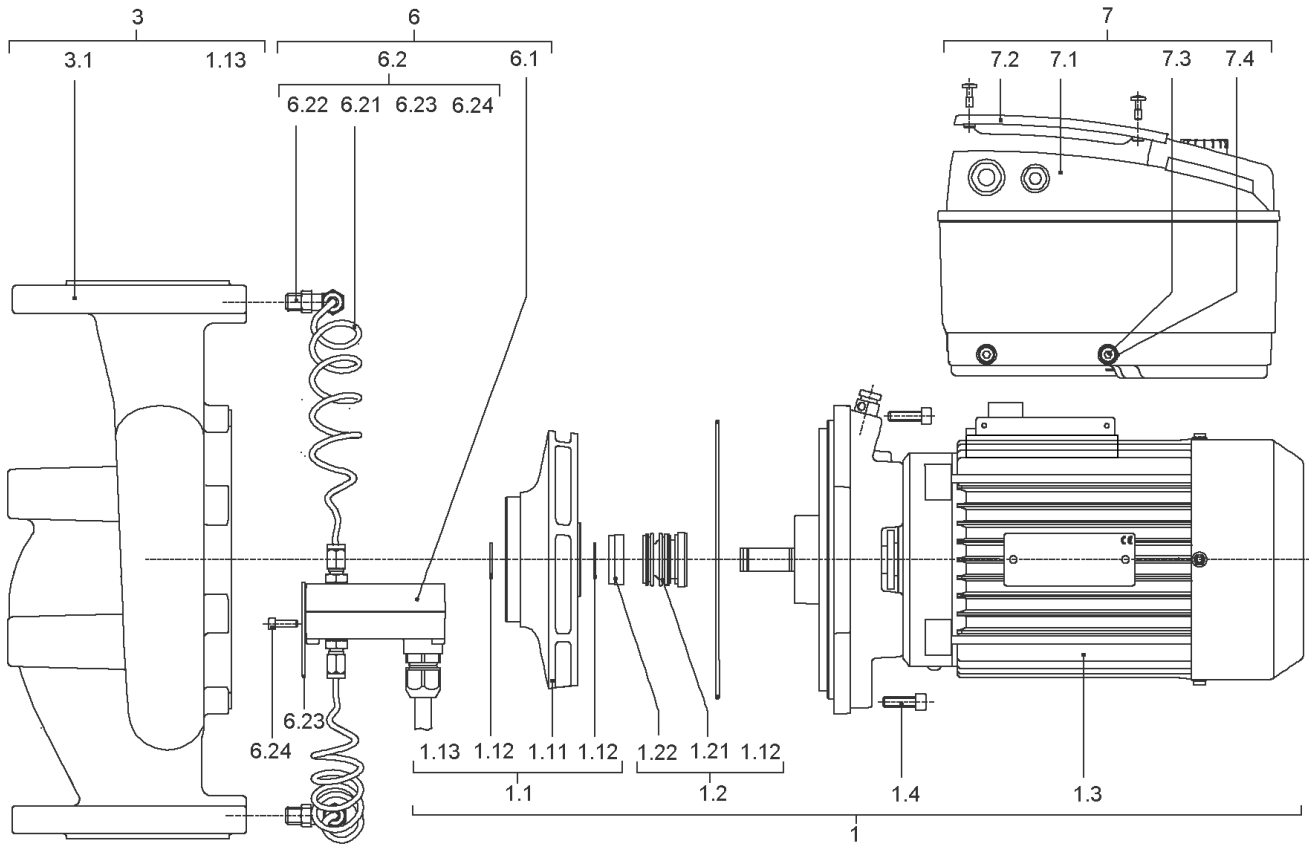
Item	Article no.	Description	Quantity
	2168860	>> Nut/Ferrule M8 D.5MM MS Ni (2 Pieces)	1
7	2111428	MODULE IP/DP-E65/115-1,5/2-IE2 ATB KIT	1
7.1		> Module IP-E/DP-E65/115-1,5/2 IE2 ATB	1
7.2	2054227	> MODULE COVER/GASKET TL3/4 KIT	1
7.3		> SCREW M5X16 ISO4762 8.8 ZnNi	1
7.4		> WASHER TOOTHED LOCK A5,3 DIN6797 FST ZN	1
	2061236	> O-RING ID.38X3 EPDM 70SR.A BUS.	1



## Spare parts motor 1,5/2/90 F170E ATB IE2

Item	Article no.	Description	Quantity
2.1	2118466	END SHIELD BG90-F170 D.E.ATB KIT	1
Note: Please give the data from type plate of the motor			
2.1A		> END SHIELD BG90 F170 567974 N.D.E.ATB	1
Note: Please give the data from type plate of the motor			
2.1B	2027201	> BLOWGUN R1/8" VP.	1
Note: Please give the data from type plate of the motor			
		> SCREW PLUG R1/8" DIN906 8.8 BES.	1
Note: Please give the data from type plate of the motor			
2.2	2112677	CIRCLIP 52X2 J ATB VP.	1
Note: Please give the data from type plate of the motor			
2.3	121083998	BALL BEARING 6205/2Z-C3 (HT) VP.	1
Note: Please give the data from type plate of the motor			
2.4	121083998	BALL BEARING 6205/2Z-C3 (HT) VP.	1
Note: Please give the data from type plate of the motor			
2.6	2096272	SPACER DISC BG80-100 ATB VP.	1
Note: Please give the data from type plate of the motor			
2.7	2122264	END SHIELD BG80/90 N.D.E.ATB VP.	1
Note: Please give the data from type plate of the motor			
2.8	121479094	FAN WHEEL BG90/100 ATB KIT	1
Note: Please give the data from type plate of the motor			
2.8A		> FAN WHEEL BG90/100 721383 ATB	1
2.8B	2047016	> CORRUGATED SLEEVE RING BG90/100 ATB VP.	1
Note: Please give the data from type plate of the motor			
2.9	2046449	FAN HOUSING BG90 PLASTIC ATB VP.	1
Note: Please give the data from type plate of the motor			
2.12	2138735	SHAFT SEAL RING BG90 D.E.ATB VP.	1
Note: Please give the data from type plate of the motor			
2.14	2112921	JOINT RING CIRCULAR 25X35X4 ATB VP.	1
2.15	2112674	SCREW END SHIELD M5X190 ATB(4 PIECES)	1
Note: Please give the data from type plate of the motor			
	2111437	GASKET TERMINAL BOX BG90 ATB.VP.	1
Note: Please give the data from type plate of the motor			



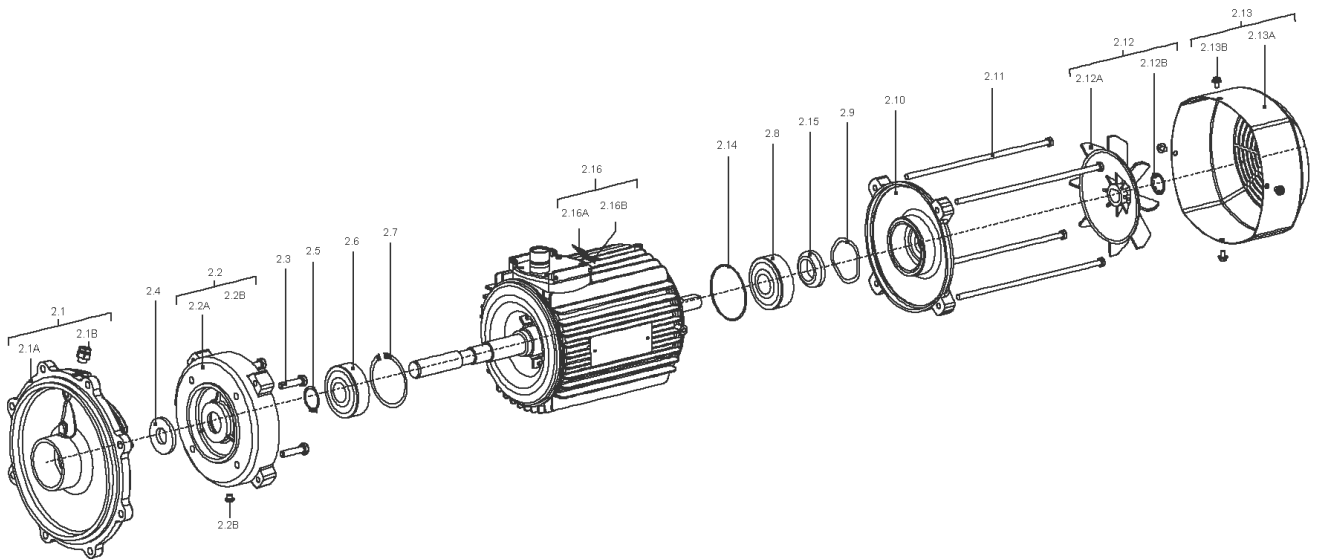


## Spare parts IP-E65/115-1,5/2-X1 ELEC

Item	Article no.	Description	Quantity
1	2139838	Service Motor IP/DP-E65/115-1,5 IE2ELEC	1
1.1	2153163	> Impeller 65/115-116 PPO KIT	1
1.11		>> Impeller 65/115-116 PPO FE1630 fin	1
1.12	2123932	>> CIRCLIP 17X1 DIN471 A2 1.4122 VP.	1
1.13	2010301	>> O-RING ID.117,07X3,53	1
1.2	122097593	> Mechanical seal ID.17 AQ1EGG KIT	1
1.12	2123932	>> CIRCLIP 17X1 DIN471 A2 1.4122 VP.	1
1.13	2010300	>> O-RING ID.107,54X3,53	1
1.13	2010301	>> O-RING ID.117,07X3,53	1
1.13	2054183	>> O-RING ID.158,34X3,53 E7518	1
Note: TO/ BIS/ JUSQU'À: 03/03			
1.13	2046358	>> O-RING ID.164,7X3,53 E7518 VP.	1
Note: FROM/ AB/ À PARTIR: 04/03			
1.21		>> MECHANICAL SEAL ID.17 AQ1EGG	1
1.22		>> Distance ring D.17/30X9 PPO FE1630	1
1.3		> Motor	1
1.4	2037242	> SCREW M10X25 ISO4762 8.8 (4 PIECES)	1
		Spare parts motor 1,5/2/90F170E ELEC IE2	1
3	2016515	PUMP HOUSING IPL65/115/IP-E65/2 KIT	1
1.13	2010301	> O-RING ID.117,07X3,53	1
3.1		> PUMP HOUSING IP-E65/120 PN16 CPL.WILO	1
6	2104480	DPS20-2(0-10V) KIT	1
6.1	2106113	> DIFFERENTIAL PRESSURE SENSOR 20 KIT	1
Note: FROM/ AB/ À PARTIR: 09/2009			
		>> DPS20 spiral TZ.3mm Volt 2G	1
	2196657	>> Cable DPS 3x0,34x650 short bared 2G VP.	1
Note: from/ab/de 01.10.2013			
6.2	2106121	> CONNECTION SENSOR IP-E SPIRAL M10 KIT	1
Note: FROM/ AB/ À PARTIR: 09/2009			
6.21		>> CAPILLARY COIL 1000	2
6.22		>> Fixation ring pipe union R1/8" 90GD.Ni	1
6.23		>> HANDLE DDG M10	1
6.24		>> Screw M4x10 EE DIN7500 ZN	2
	2168862	>> Nut/Ferrule M6 D.3MM MS Ni (2 Pieces)	1

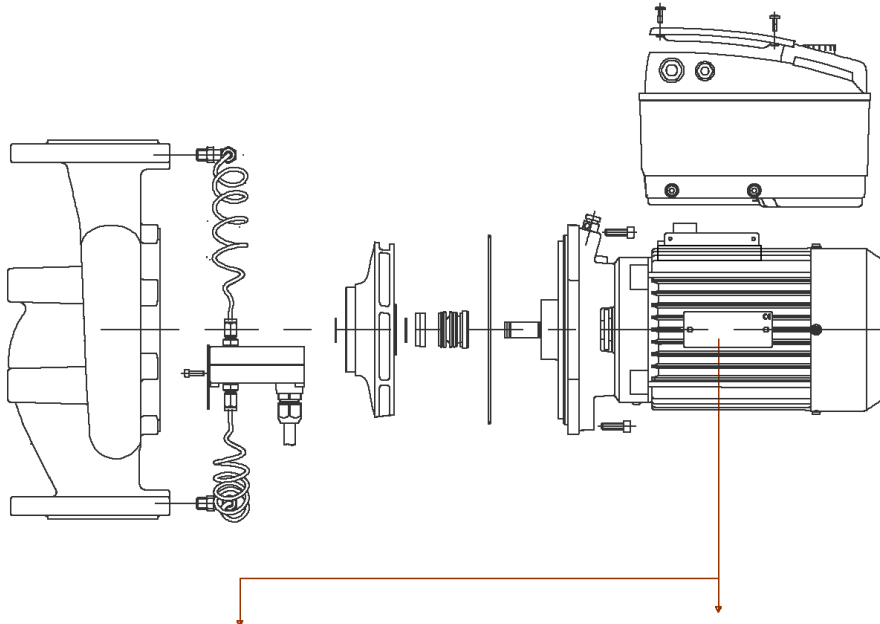
## Spare parts IP-E65/115-1,5/2-X1 ELEC

Item	Article no.	Description	Quantity
	2168860	>> Nut/Ferrule M8 D.5MM MS Ni (2 Pieces)	1
7	2145514	Module IP-E/DP-E65/115-1,5/2-IE2ELEC KIT	1
7.1		> Module IP-E/DP-E65/115-1,5/2 IE2 ELEC	1
7.2	2054227	> MODULE COVER/GASKET TL3/4 KIT	1
7.3		> SCREW M5X16 ISO4762 8.8 ZnNi	1
7.4		> WASHER TOOTHED LOCK A5,3 DIN6797 FST ZN	1
	2061236	> O-RING ID.38X3 EPDM 70SR.A BUS.	1



## Spare parts motor 1,5/2/90F170E ELEC IE2

Item	Article no.	Description	Quantity
2.1	2111308	FLANGE END SHIELD BG90F170 D.E.ELEC KIT	1
2.1A		> LANTERN V18 M115-F170 KTL	1
2.1B	2027201	> BLOWGUN R1/8" VP.	1
Note: Please give the data from type plate of the motor			
2.2	2111312	END SHIELD BG90 V18 D.E.ELEC KIT	1
2.2A		> Flange IEC90 V18 (w/o thread)	1
2.2B	2111309	> CONDENSATE HOLE GASKET D5 VP.	1
Note: Please give the data from type plate of the motor			
2.3	2111314	SCREW M8X40 6.8 (4 PIECES)	1
2.4	2111324	THROWER D.36X4 VP.	1
2.5	2111334	CIRCLIP D.30 GB894.1 VP.	1
2.6	2118385	BALL BEARING 6306 DDW C3 EA6 VP.	1
2.7	2111337	CIRCLIP D.72 GB893.1 VP.	1
2.8	2111342	BALL BEARING 6204 DDW C3 EA3 VP.	1
2.9	2111339	SPRING RING D.47 JB/T7590 VP.	1
2.10	2157920	End shield BG90 N.D.E.ELEC KIT	1
		> Flange IEC90 NDS with slot reduce0.5	1
		> O-RING ID47.2*3.53 EPDM	1
2.11	2111320	SCREW M5X211 6.8 (4 PIECES)	1
2.12	2107782	FAN WHEEL BG90 ELEC KIT	1
2.12A		> FAN 122.6X15X17 GP2200 G/F20%	1
2.12B	2111321	> STOP-RING D.14,8x0,4 VP.	1
Note: Please give the data from type plate of the motor			
2.13	2111322	FAN HOOD BG90 ELEC KIT	1
2.13A		> FAN COVER IEC90 KTL ST14 T0.8 H70	1
2.13B	2111323	> SCREW M4X6 (4 PIECES)	1
Note: Please give the data from type plate of the motor			



ATB

Motor-Nummer  
motor number  
numéro du moteur

3~Mot.	AF132S/2F-11S+E2/0509	IE2-88,1%			
S1	132S IMV1	224039411-1	522058X		
IP 55	Th. CI.155(F)	SCHWINGROESSENSTUFE B			
WILO NR.2064705					
kW	V	Hz	A	1/min	COS φ
7,5	YΔ 690/400	50	7,9/3,7	2890	0,90
7,5	Δ 460	60	11,8	3510	0,89
Made in Germany		50 kg	EN 60034		

ELEC

Motor-Nummer  
motor number  
numéro du moteur

<b>3~Induction Motor</b>			
<small>Made by WILLO Group</small>			
<b>3501437</b>	W080090-2-F188	0902.001	
Class F	S1	IP55	13.5kg EN60034
50Hz	1.10kW	2850min <sup>-1</sup>	60Hz 1.29kW 3435min <sup>-1</sup>
YΔ	230/400V	4.02/2.32A	Y 440-480V 2.40-2.32A
Cos φ =0.82	IE2-81.5%		Cos φ =0.85 IE2-82.5%

**Motor-Typenschild / Motor type plate / Plaque identité moteur**

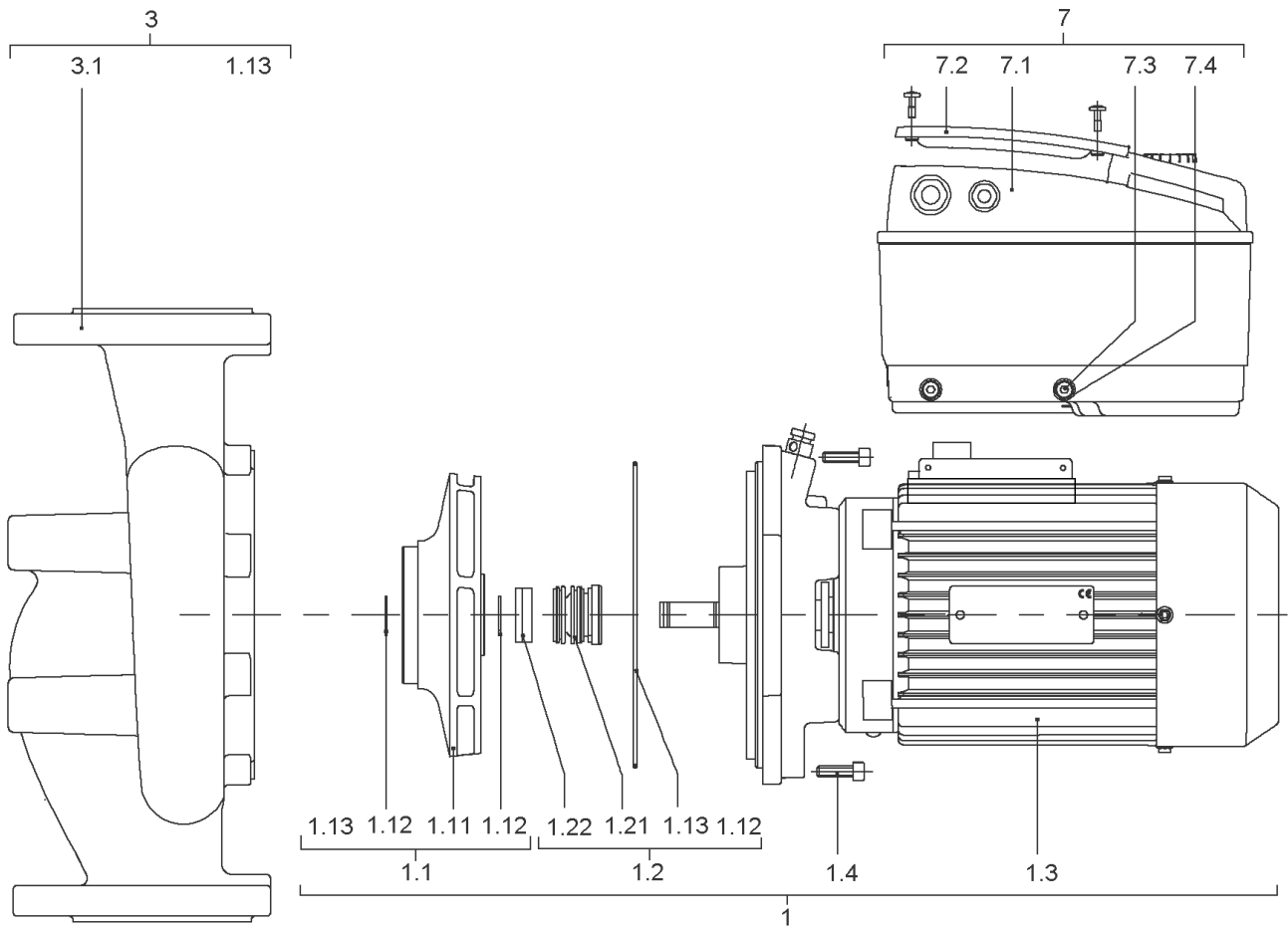
**Bei Ersatzteilbestellung Motor-Nummer angeben!**

**Indicate motor number for order of spare parts!**

**Pour une commande de pièces détachées, donner le numéro du moteur!**

**IP-E65/115-1,5/2-R1-IE2-X1 (2109807)**

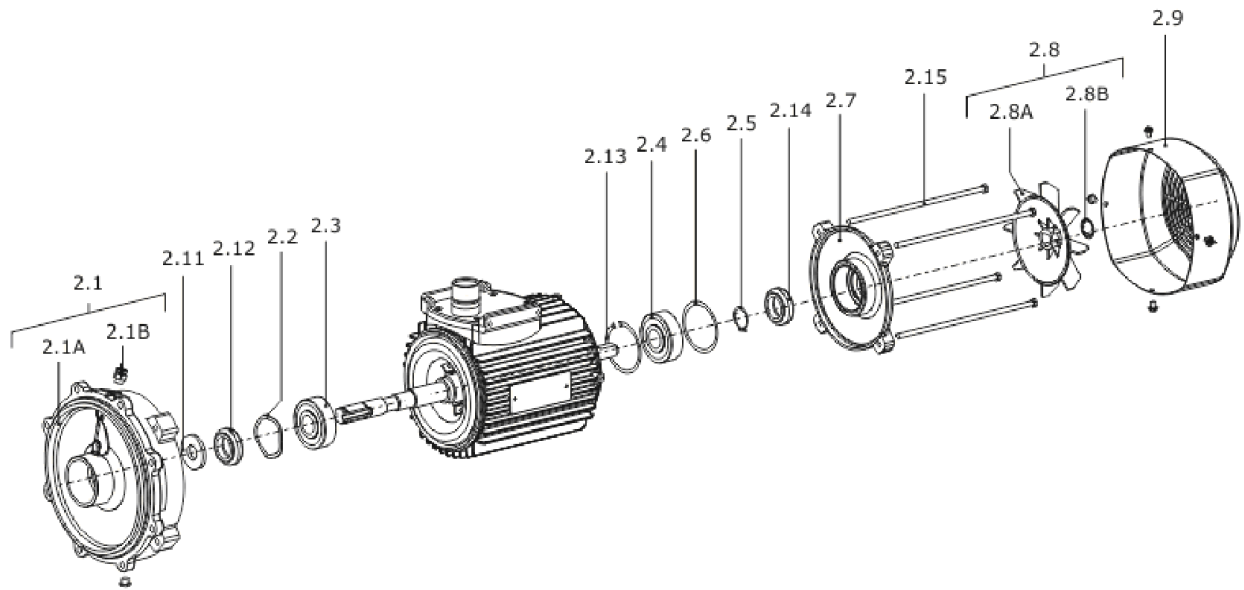
<b>Item</b>	<b>Description</b>	<b>Quantity</b>
ATB	Spare parts IP-E65/115-1,5/2-R1-X1 ATB	1
ELEC	Spare parts IP-E65/115-1,5/2-R1-X1 ELEC	1





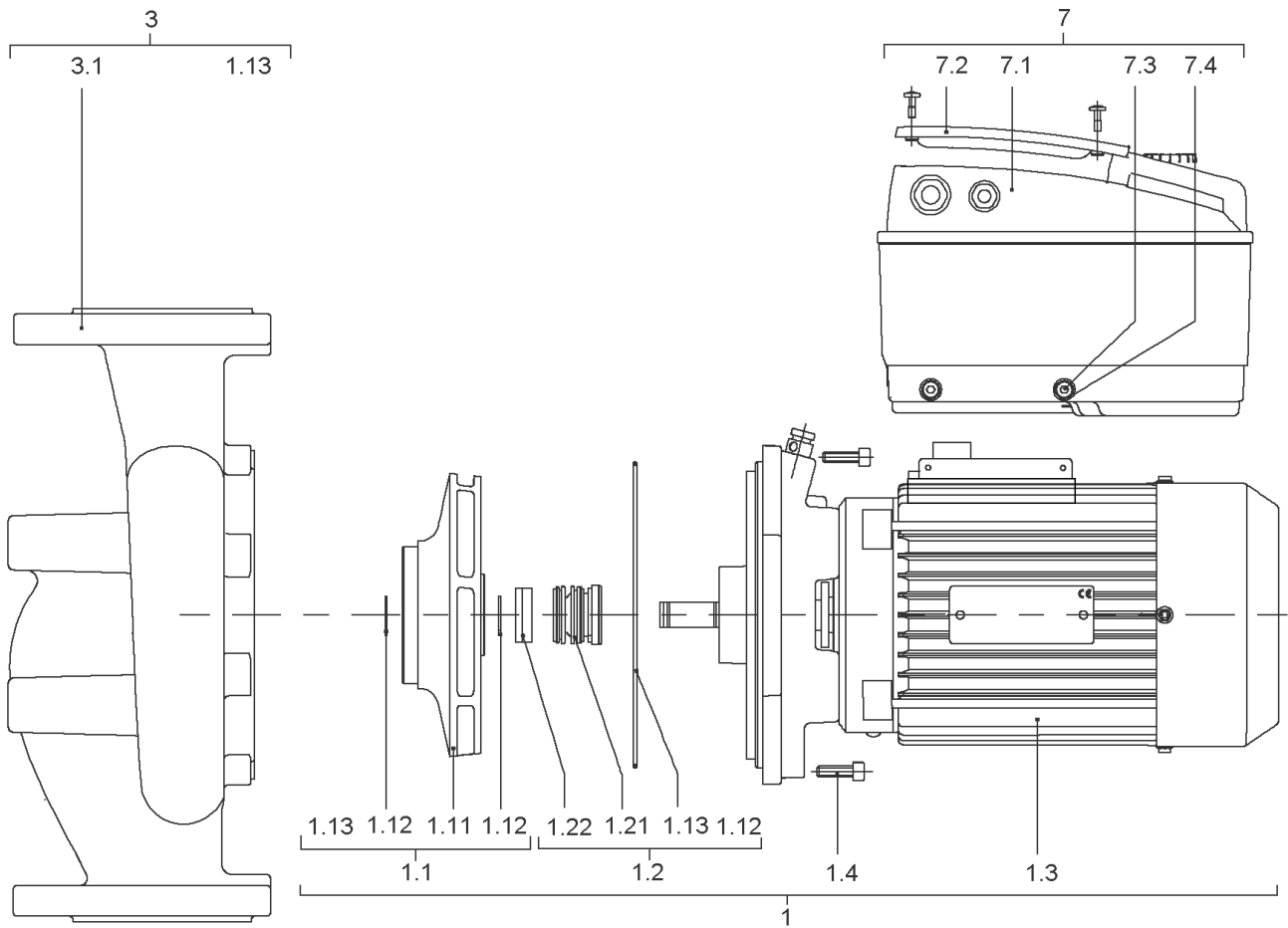
**Spare parts IP-E65/115-1,5/2-R1-X1 ATB**

Item	Article no.	Description	Quantity
1	2112608	SERVICE MOTOR IP/DP-E65/115-1,5 IE2ATB	1
1.1	2153163	> Impeller 65/115-116 PPO KIT	1
1.11		>> Impeller 65/115-116 PPO FE1630 fin	1
1.12	2123932	>> CIRCLIP 17X1 DIN471 A2 1.4122 VP.	1
1.13	2010301	>> O-RING ID.117,07X3,53	1
1.2	122097593	> Mechanical seal ID.17 AQ1EGG KIT	1
1.12	2123932	>> CIRCLIP 17X1 DIN471 A2 1.4122 VP.	1
1.13	2010300	>> O-RING ID.107,54X3,53	1
1.13	2010301	>> O-RING ID.117,07X3,53	1
1.13	2054183	>> O-RING ID.158,34X3,53 E7518	1
Note: TO/ BIS/ JUSQU'À: 03/03			
1.13	2046358	>> O-RING ID.164,7X3,53 E7518 VP.	1
Note: FROM/ AB/ À PARTIR: 04/03			
1.21		>> MECHANICAL SEAL ID.17 AQ1EGG	1
1.22		>> Distance ring D.17/30X9 PPO FE1630	1
1.3		> Motor	1
1.4	2037242	> SCREW M10X25 ISO4762 8.8 (4 PIECES)	1
		Spare parts motor 1,5/2/90 F170E ATB IE2	1
3	2016515	PUMP HOUSING IPL65/115/IP-E65/2 KIT	1
1.13	2010301	> O-RING ID.117,07X3,53	1
3.1		> PUMP HOUSING IP-E65/120 PN16 CPL.WILO	1
7	2111428	MODULE IP/DP-E65/115-1,5/2-IE2 ATB KIT	1
7.1		> Module IP-E/DP-E65/115-1,5/2 IE2 ATB	1
7.2	2054227	> MODULE COVER/GASKET TL3/4 KIT	1
7.3		> SCREW M5X16 ISO4762 8.8 ZnNi	1
7.4		> WASHER TOOTHED LOCK A5,3 DIN6797 FST ZN	1
	2061236	> O-RING ID.38X3 EPDM 70SR.A BUS.	1



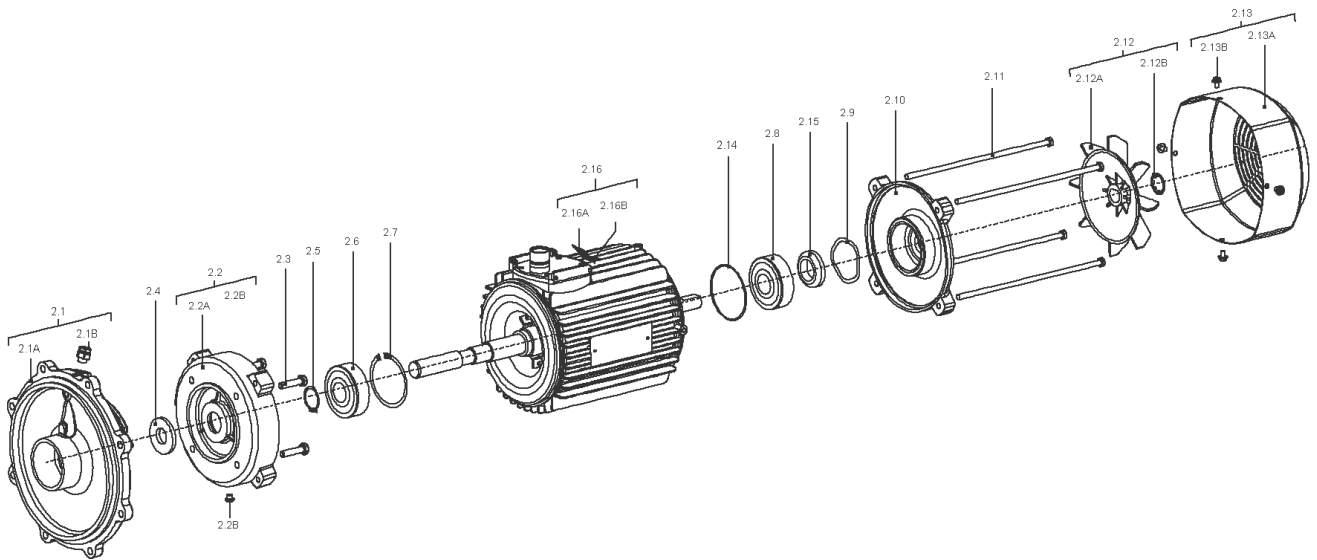
## Spare parts motor 1,5/2/90 F170E ATB IE2

Item	Article no.	Description	Quantity
2.1	2118466	END SHIELD BG90-F170 D.E.ATB KIT	1
Note: Please give the data from type plate of the motor			
2.1A		> END SHIELD BG90 F170 567974 N.D.E.ATB	1
Note: Please give the data from type plate of the motor			
2.1B	2027201	> BLOWGUN R1/8" VP.	1
Note: Please give the data from type plate of the motor			
		> SCREW PLUG R1/8" DIN906 8.8 BES.	1
Note: Please give the data from type plate of the motor			
2.2	2112677	CIRCLIP 52X2 J ATB VP.	1
Note: Please give the data from type plate of the motor			
2.3	121083998	BALL BEARING 6205/2Z-C3 (HT) VP.	1
Note: Please give the data from type plate of the motor			
2.4	121083998	BALL BEARING 6205/2Z-C3 (HT) VP.	1
Note: Please give the data from type plate of the motor			
2.6	2096272	SPACER DISC BG80-100 ATB VP.	1
Note: Please give the data from type plate of the motor			
2.7	2122264	END SHIELD BG80/90 N.D.E.ATB VP.	1
Note: Please give the data from type plate of the motor			
2.8	121479094	FAN WHEEL BG90/100 ATB KIT	1
Note: Please give the data from type plate of the motor			
2.8A		> FAN WHEEL BG90/100 721383 ATB	1
2.8B	2047016	> CORRUGATED SLEEVE RING BG90/100 ATB VP.	1
Note: Please give the data from type plate of the motor			
2.9	2046449	FAN HOUSING BG90 PLASTIC ATB VP.	1
Note: Please give the data from type plate of the motor			
2.12	2138735	SHAFT SEAL RING BG90 D.E.ATB VP.	1
Note: Please give the data from type plate of the motor			
2.14	2112921	JOINT RING CIRCULAR 25X35X4 ATB VP.	1
2.15	2112674	SCREW END SHIELD M5X190 ATB(4 PIECES)	1
Note: Please give the data from type plate of the motor			
	2111437	GASKET TERMINAL BOX BG90 ATB.VP.	1
Note: Please give the data from type plate of the motor			



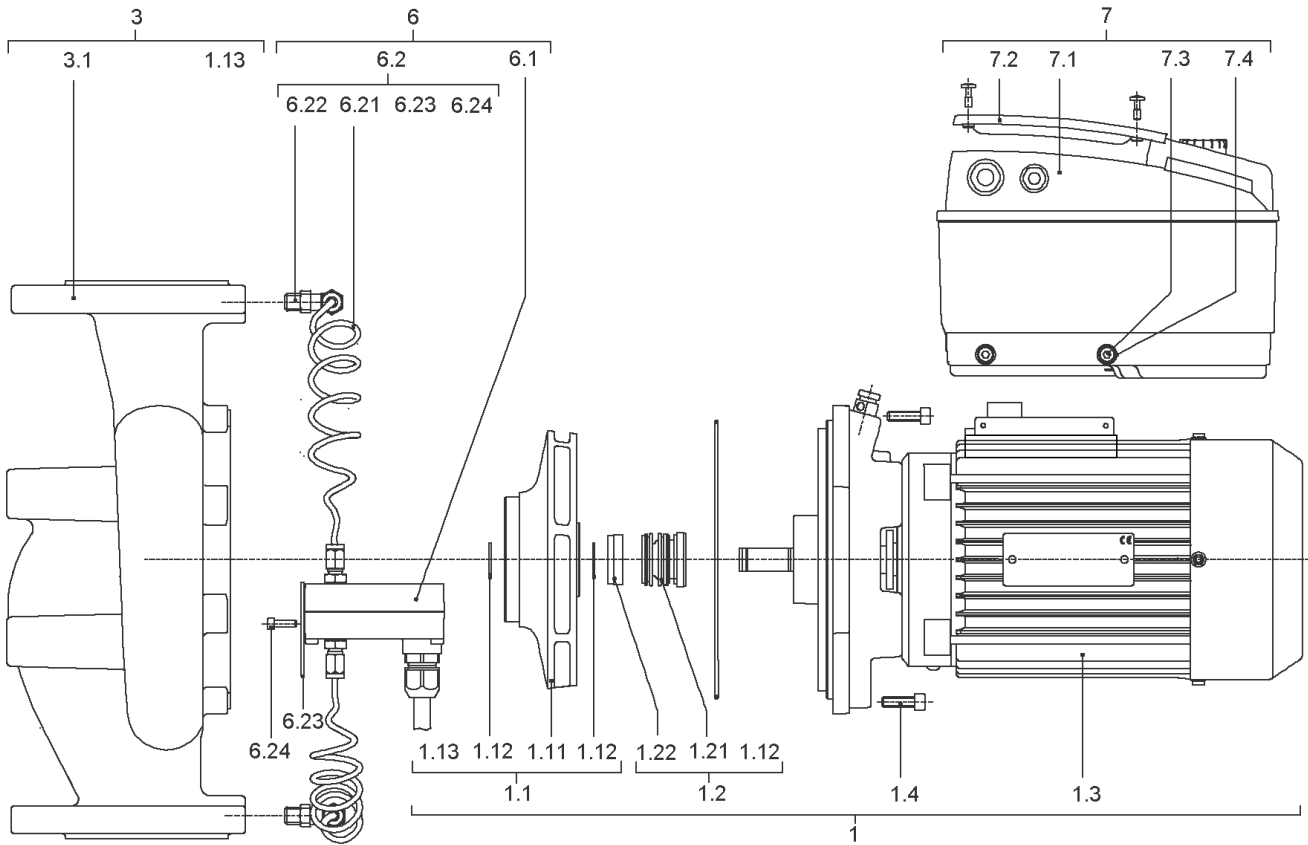
## Spare parts IP-E65/115-1,5/2-R1-X1 ELEC

Item	Article no.	Description	Quantity
1	2139838	Service Motor IP/DP-E65/115-1,5 IE2ELEC	1
1.1	2153163	> Impeller 65/115-116 PPO KIT	1
1.11		>> Impeller 65/115-116 PPO FE1630 fin	1
1.12	2123932	>> CIRCLIP 17X1 DIN471 A2 1.4122 VP.	1
1.13	2010301	>> O-RING ID.117,07X3,53	1
1.2	122097593	> Mechanical seal ID.17 AQ1EGG KIT	1
1.12	2123932	>> CIRCLIP 17X1 DIN471 A2 1.4122 VP.	1
1.13	2010300	>> O-RING ID.107,54X3,53	1
1.13	2010301	>> O-RING ID.117,07X3,53	1
1.13	2054183	>> O-RING ID.158,34X3,53 E7518	1
Note: TO/ BIS/ JUSQU'À: 03/03			
1.13	2046358	>> O-RING ID.164,7X3,53 E7518 VP.	1
Note: FROM/ AB/ À PARTIR: 04/03			
1.21		>> MECHANICAL SEAL ID.17 AQ1EGG	1
1.22		>> Distance ring D.17/30X9 PPO FE1630	1
1.3		> Motor	1
1.4	2037242	> SCREW M10X25 ISO4762 8.8 (4 PIECES)	1
		Spare parts motor 1,5/2/90F170E ELEC IE2	1
3	2016515	PUMP HOUSING IPL65/115/IP-E65/2 KIT	1
1.13	2010301	> O-RING ID.117,07X3,53	1
3.1		> PUMP HOUSING IP-E65/120 PN16 CPL.WILO	1
7	2145514	Module IP-E/DP-E65/115-1,5/2-IE2ELEC KIT	1
7.1		> Module IP-E/DP-E65/115-1,5/2 IE2 ELEC	1
7.2	2054227	> MODULE COVER/GASKET TL3/4 KIT	1
7.3		> SCREW M5X16 ISO4762 8.8 ZnNi	1
7.4		> WASHER TOOTHED LOCK A5,3 DIN6797 FST ZN	1
	2061236	> O-RING ID.38X3 EPDM 70SR.A BUS.	1



## Spare parts motor 1,5/2/90F170E ELEC IE2

Item	Article no.	Description	Quantity
2.1	2111308	FLANGE END SHIELD BG90F170 D.E.ELEC KIT	1
2.1A		> LANTERN V18 M115-F170 KTL	1
2.1B	2027201	> BLOWGUN R1/8" VP.	1
Note: Please give the data from type plate of the motor			
2.2	2111312	END SHIELD BG90 V18 D.E.ELEC KIT	1
2.2A		> Flange IEC90 V18 (w/o thread)	1
2.2B	2111309	> CONDENSATE HOLE GASKET D5 VP.	1
Note: Please give the data from type plate of the motor			
2.3	2111314	SCREW M8X40 6.8 (4 PIECES)	1
2.4	2111324	THROWER D.36X4 VP.	1
2.5	2111334	CIRCLIP D.30 GB894.1 VP.	1
2.6	2118385	BALL BEARING 6306 DDW C3 EA6 VP.	1
2.7	2111337	CIRCLIP D.72 GB893.1 VP.	1
2.8	2111342	BALL BEARING 6204 DDW C3 EA3 VP.	1
2.9	2111339	SPRING RING D.47 JB/T7590 VP.	1
2.10	2157920	End shield BG90 N.D.E.ELEC KIT	1
		> Flange IEC90 NDS with slot reduce0.5	1
		> O-RING ID47.2*3.53 EPDM	1
2.11	2111320	SCREW M5X211 6.8 (4 PIECES)	1
2.12	2107782	FAN WHEEL BG90 ELEC KIT	1
2.12A		> FAN 122.6X15X17 GP2200 G/F20%	1
2.12B	2111321	> STOP-RING D.14,8x0,4 VP.	1
Note: Please give the data from type plate of the motor			
2.13	2111322	FAN HOOD BG90 ELEC KIT	1
2.13A		> FAN COVER IEC90 KTL ST14 T0.8 H70	1
2.13B	2111323	> SCREW M4X6 (4 PIECES)	1
Note: Please give the data from type plate of the motor			





**IP-E65/130-3/2-IE2-X1 (2109772)**

Item	Article no.	Description	Quantity
1	2112609	SERVICE MOTOR IP/DP-E65/130-3 IE2ATB	1
1.1	2016533	> IMPELLER D.82/125/17 KIT	1
1.11		>> Impeller D.82/125/17X16,25 KU.	1
1.12	2123932	>> CIRCLIP 17X1 DIN471 A2 1.4122 VP.	1
1.13	2046358	>> O-RING ID.164,7X3,53 E7518 VP.	1
1.2	122097593	> Mechanical seal ID.17 AQ1EGG KIT	1
1.12	2123932	>> CIRCLIP 17X1 DIN471 A2 1.4122 VP.	1
1.13	2010300	>> O-RING ID.107,54X3,53	1
1.13	2010301	>> O-RING ID.117,07X3,53	1
1.13	2054183	>> O-RING ID.158,34X3,53 E7518	1
Note: TO/ BIS/ JUSQU'À: 03/03			
1.13	2046358	>> O-RING ID.164,7X3,53 E7518 VP.	1
Note: FROM/ AB/ À PARTIR: 04/03			
1.21		>> MECHANICAL SEAL ID.17 AQ1EGG	1
1.22		>> Distance ring D.17/30X9 PPO FE1630	1
1.3		> Motor	1
1.4	2052495	> SCREW M6X20 ISO4762 8.8 (8 PIECES)	1
		SPARE PARTS MOTOR 3/2/100 F188E	1
3		PUMP HOUSING IPL65/160/IP-E65/4 KIT	1
Note: no longer available/ nicht mehr lieferbar/ ne plus disponible			
1.13	2046358	> O-RING ID.164,7X3,53 E7518 VP.	1
3.1		> PUMP HOUSING IP-E65/156 CPL.WILO	1
6	2104479	DPS20-1(0-10V) KIT	1
6.1	2106113	> DIFFERENTIAL PRESSURE SENSOR 20 KIT	1
Note: FROM/ AB/ À PARTIR: 09/2009			
		>> DPS20 spiral TZ.3mm Volt 2G	1
	2196657	>> Cable DPS 3x0,34x650 short bared 2G VP.	1
Note: from/ab/de 01.10.2013			
6.2	2106120	> CONNECTION SENSOR IP-E SPIRAL M6 KIT	1
Note: FROM/ AB/ À PARTIR: 09/2009			
6.21		>> CAPILLARY COIL 1000	2
6.22		>> Fixation ring pipe union R1/8" 90GD.Ni	1
6.23		>> HANDLE DDG M6	1
6.24		>> Screw M4x10 EE DIN7500 ZN	2

**IP-E65/130-3/2-IE2-X1 (2109772)**

Item	Article no.	Description	Quantity
	2168862	>> Nut/Ferrule M6 D.3MM MS Ni (2 Pieces)	1
	2168860	>> Nut/Ferrule M8 D.5MM MS Ni (2 Pieces)	1
7	2111429	MODULE IP/DP-E65/130-3/2-IE2 ATB KIT	1
7.1		> Module IP-E/DP-E65/130-3/2 IE2 ATB	1
7.2	2054227	> MODULE COVER/GASKET TL3/4 KIT	1
7.3		> SCREW M5X16 ISO4762 8.8 ZnNi	1
7.4		> WASHER TOOTHED LOCK A5,3 DIN6797 FST ZN	1
	2061236	> O-RING ID.38X3 EPDM 70SR.A BUS.	1

### Motor-Typenschild / Motor type plate / Plaque identité moteur

**Bei Ersatzteilbestellung Motor-Nummer angeben!**

**Indicate motor number for order of spare parts!**

**Pour une commande de pièces détachées, donner le numéro du moteur!**

ATB - AF

3-Mot. 90L  
 1234567 - 1  
 IMB5 IP 55  
 AF 90L/2I-12  
 Y/Δ 400/230 V 4.6/8.0 A  
 2850 1/min cos φ 0.87 50 Hz  
 2.2 kW S1  
 ● Y/Δ 380...420/220...240 V ●  
 4.8...4.6/8.3...8.0 A  
 Th. Cl. F 1. freie Zeile  
 2. freie Zeile  
 3. freie Zeile  
 Made in Germany  
 T09 463023N 16 kg EN 60034 - IEC 38

Motor-Nummer  
 motor number  
 numéro du moteur

WILO ELEC

3-Induction Motor  
 Made by WILO Group

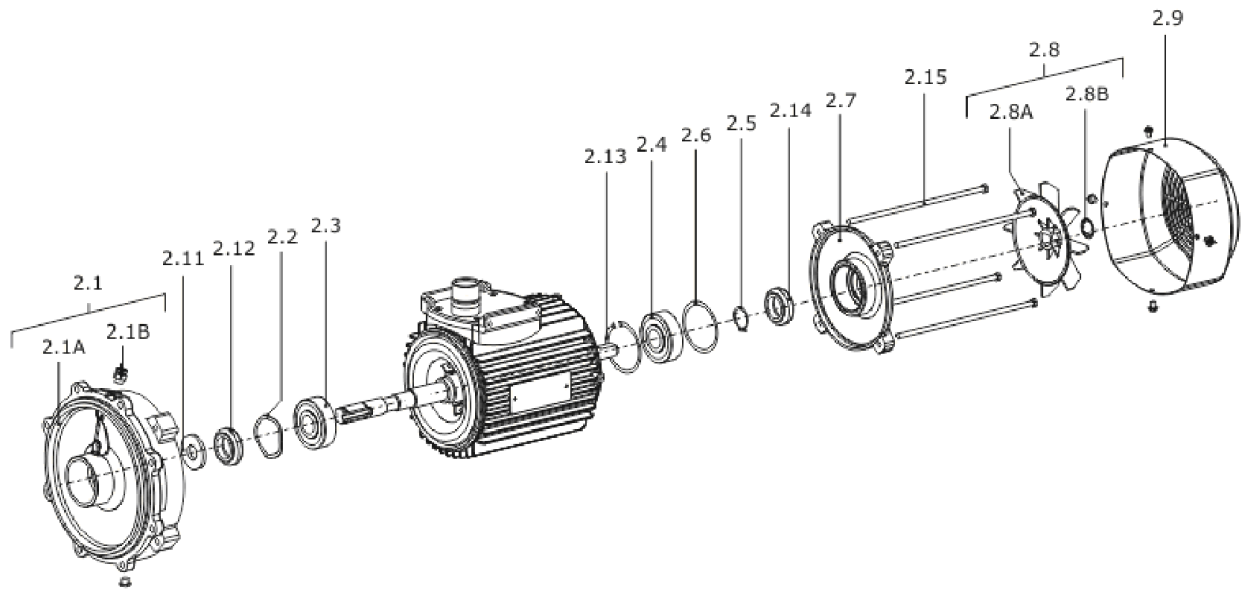
3502984	W071080-2-F188E	1001.001
Class F	S1 IP 55 10.4kg	EN60034

50Hz	0.55kW	2860min <sup>-1</sup>	60Hz	0.66kW	3450min <sup>-1</sup>
Y	400V	1.33A	Y	440-480V	1.34-1.32A
Cosφ=0.76		Eta=79.0%	Cosφ=0.75		Eta=80.0%

Motor-Nummer  
 motor number  
 numéro du moteur

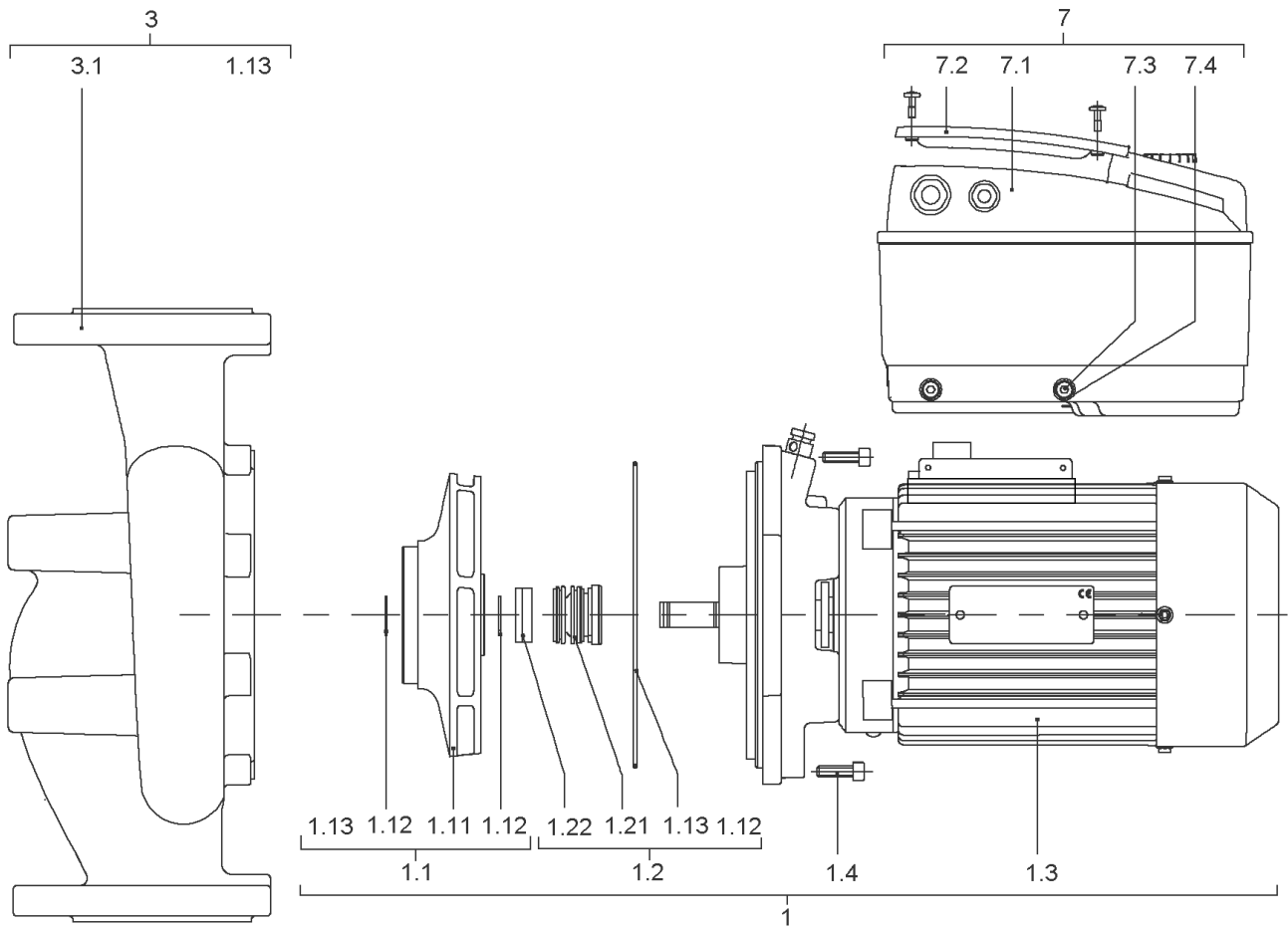
**SPARE PARTS MOTOR 3/2/100 F188E**

<b>Item</b>	<b>Description</b>	<b>Quantity</b>
1	MOTOR 3/2/100 F188E ATB	1



**MOTOR 3/2/100 F188E ATB**

Item	Article no.	Description	Quantity
2.1	2125452	END SHIELD BG100 D.E.ATB KIT	1
Note: Please give the data from type plate of the motor			
2.1A		> END SHIELD BG100 D.E.514725 ATB	1
2.1B	2027201	> BLOWGUN R1/8" VP.	1
Note: Please give the data from type plate of the motor			
2.2	2096258	SHIM BALL BEARING BG90-112 ATB VP.	1
Note: Please give the data from type plate of the motor			
2.3	121084190	BALL BEARING 6206/2Z-C3 (HT) VP.	1
Note: Please give the data from type plate of the motor			
2.4	121084190	BALL BEARING 6206/2Z-C3 (HT) VP.	1
Note: Please give the data from type plate of the motor			
2.5	2111441	CIRCLIP BG100/112 ATB VP.	1
Note: Please give the data from type plate of the motor			
2.6	2096273	SPACER DISC BG90/112 ATB VP.	1
Note: Please give the data from type plate of the motor			
2.7	2087825	END SHIELD BG100/112 457256N.D.E.ATB VP.	1
2.8	121479094	FAN WHEEL BG90/100 ATB KIT	1
Note: Please give the data from type plate of the motor			
2.8A		> FAN WHEEL BG90/100 721383 ATB	1
2.8B	2047016	> CORRUGATED SLEEVE RING BG90/100 ATB VP.	1
Note: Please give the data from type plate of the motor			
2.9	2046109	FAN HOUSING BG100 PLASTIC ATB VP.	1
Note: Please give the data from type plate of the motor			
2.12	2111449	SHAFT SEAL RING BG100/112 ATB VP.	1
Note: Please give the data from type plate of the motor			
2.14	2201024	Shaft seal ring BG100/112 N.D.E.ATB VP.	1
2.15	2111443	SCREW END SHILD BG100 D.E.ATB(4 PIECES)	1
Note: Please give the data from type plate of the motor			
	2147196	Gasket terminal box BG100/112 ATB.VP.	1
Note: Please give the data from type plate of the motor			



**IP-E65/130-3/2-R1-IE2-X1 (2109808)**

Item	Article no.	Description	Quantity
1	2112609	SERVICE MOTOR IP/DP-E65/130-3 IE2ATB	1
1.1	2016533	> IMPELLER D.82/125/17 KIT	1
1.11		>> Impeller D.82/125/17X16,25 KU.	1
1.12	2123932	>> CIRCLIP 17X1 DIN471 A2 1.4122 VP.	1
1.13	2046358	>> O-RING ID.164,7X3,53 E7518 VP.	1
1.2	122097593	> Mechanical seal ID.17 AQ1EGG KIT	1
1.12	2123932	>> CIRCLIP 17X1 DIN471 A2 1.4122 VP.	1
1.13	2010300	>> O-RING ID.107,54X3,53	1
1.13	2010301	>> O-RING ID.117,07X3,53	1
1.13	2054183	>> O-RING ID.158,34X3,53 E7518	1
Note: TO/ BIS/ JUSQU'À: 03/03			
1.13	2046358	>> O-RING ID.164,7X3,53 E7518 VP.	1
Note: FROM/ AB/ À PARTIR: 04/03			
1.21		>> MECHANICAL SEAL ID.17 AQ1EGG	1
1.22		>> Distance ring D.17/30X9 PPO FE1630	1
1.3		> Motor	1
1.4	2052495	> SCREW M6X20 ISO4762 8.8 (8 PIECES)	1
		SPARE PARTS MOTOR 3/2/100 F188E	1
3		PUMP HOUSING IPL65/160/IP-E65/4 KIT	1
Note: no longer available/ nicht mehrlieferbar/ ne plus disponible			
1.13	2046358	> O-RING ID.164,7X3,53 E7518 VP.	1
3.1		> PUMP HOUSING IP-E65/156 CPL.WILO	1
7	2111429	MODULE IP/DP-E65/130-3/2-IE2 ATB KIT	1
7.1		> Module IP-E/DP-E65/130-3/2 IE2 ATB	1
7.2	2054227	> MODULE COVER/GASKET TL3/4 KIT	1
7.3		> SCREW M5X16 ISO4762 8.8 ZnNi	1
7.4		> WASHER TOOTHED LOCK A5,3 DIN6797 FST ZN	1
	2061236	> O-RING ID.38X3 EPDM 70SR.A BUS.	1



### Motor-Typenschild / Motor type plate / Plaque identité moteur

**Bei Ersatzteilbestellung Motor-Nummer angeben!**

**Indicate motor number for order of spare parts!**

**Pour une commande de pièces détachées, donner le numéro du moteur!**

ATB - AF

Motor-Nummer  
motor number  
numéro du moteur

**ATB**  
 3-Mot. 90L  
 1234567 - 1  
 IMB5 IP 55  
 AF 90L/2I-12  
 Y/Δ 400/230 V 4.6/8.0 A  
 2850 1/min cos φ 0.87 50 Hz  
 2.2 kW S1  
 ● Y/Δ 380...420/220...240 V ●  
 4.8...4.6/8.3...8.0 A  
 Th. Cl. F 1. freie Zeile  
 2. freie Zeile  
 3. freie Zeile  
 Made in Germany  
 T09 463023N 16 kg EN 60034 - IEC 38

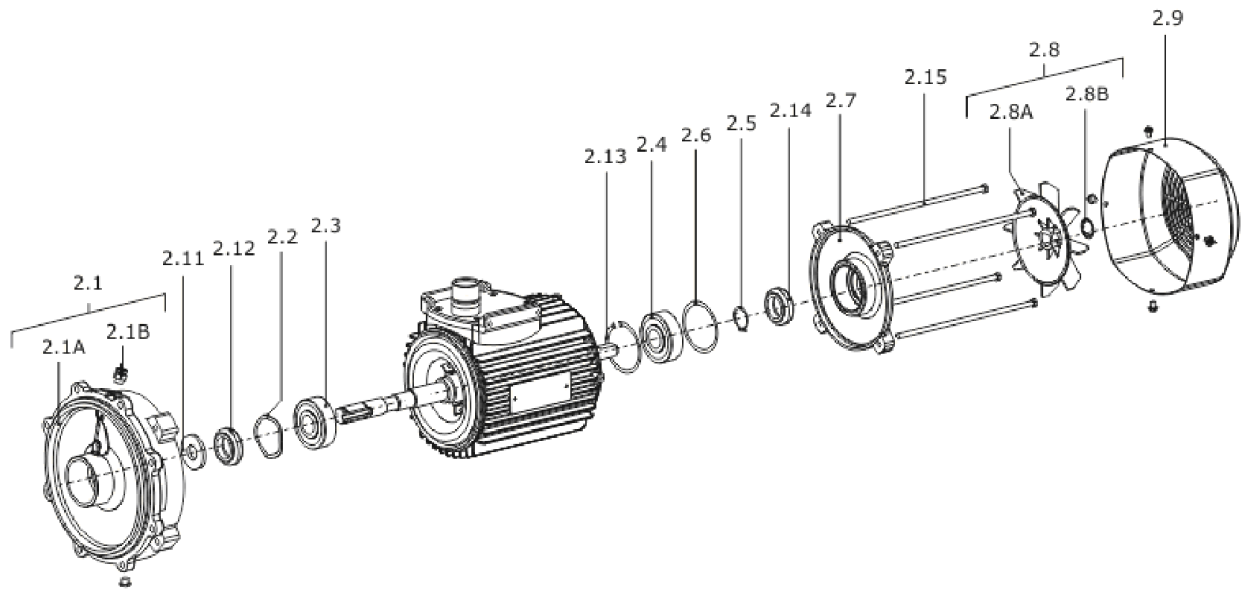
WILO ELEC

Motor-Nummer  
motor number  
numéro du moteur

**3-Induction Motor**  
 Made by WILO Group  
**CE**  
 3502984 W071080-2-F188E 1001.001  
 Class F S1 IP 55 10.4kg EN60034  
  
 50Hz 0.55kW 2860min<sup>-1</sup> 60Hz 0.66kW 3450min<sup>-1</sup>  
 Y 400V 1.33A Y 440-480V 1.34-1.32A  
 Cosφ=0.76 Eta=79.0% Cosφ=0.75 Eta=80.0%

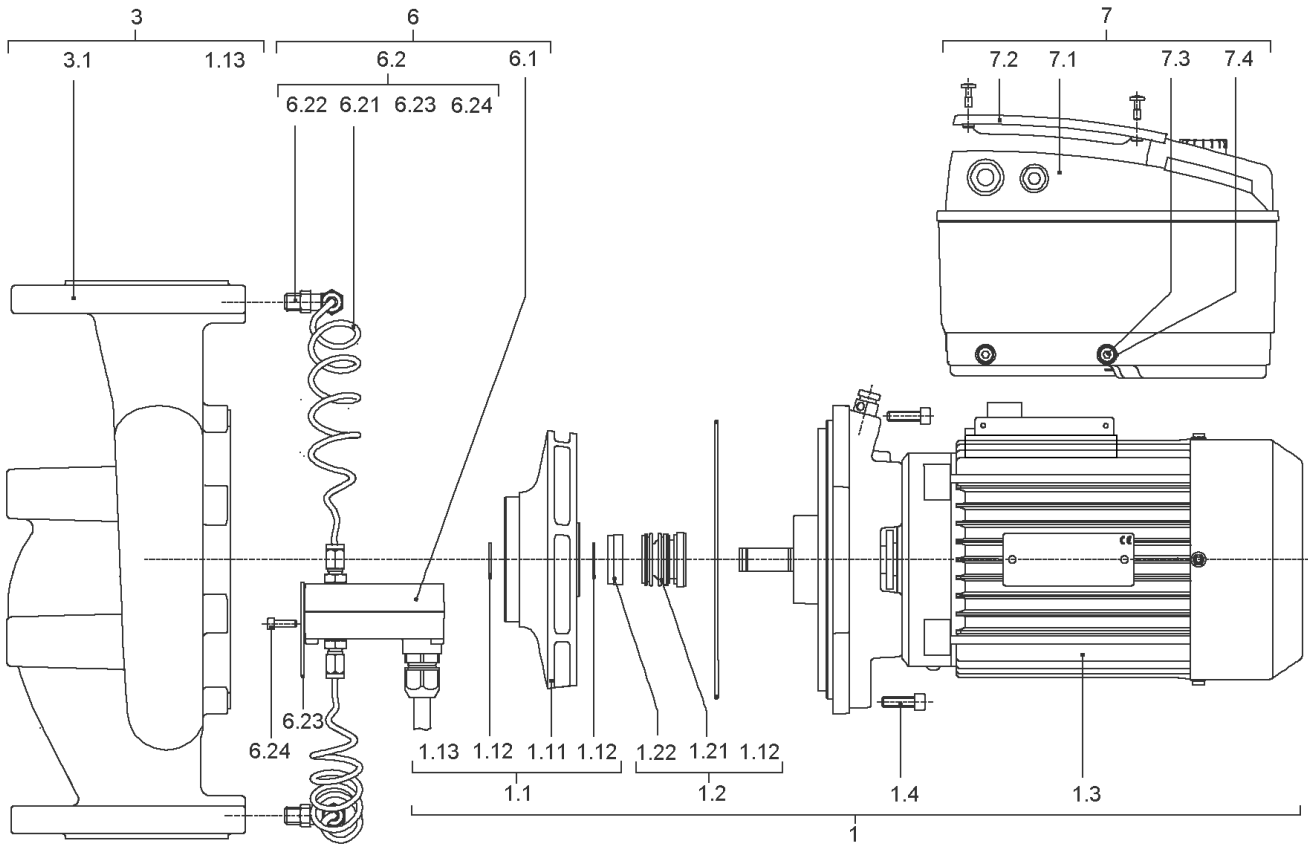
**SPARE PARTS MOTOR 3/2/100 F188E**

<b>Item</b>	<b>Description</b>	<b>Quantity</b>
1	MOTOR 3/2/100 F188E ATB	1



**MOTOR 3/2/100 F188E ATB**

Item	Article no.	Description	Quantity
2.1	2125452	END SHIELD BG100 D.E.ATB KIT	1
Note: Please give the data from type plate of the motor			
2.1A		> END SHIELD BG100 D.E.514725 ATB	1
2.1B	2027201	> BLOWGUN R1/8" VP.	1
Note: Please give the data from type plate of the motor			
2.2	2096258	SHIM BALL BEARING BG90-112 ATB VP.	1
Note: Please give the data from type plate of the motor			
2.3	121084190	BALL BEARING 6206/2Z-C3 (HT) VP.	1
Note: Please give the data from type plate of the motor			
2.4	121084190	BALL BEARING 6206/2Z-C3 (HT) VP.	1
Note: Please give the data from type plate of the motor			
2.5	2111441	CIRCLIP BG100/112 ATB VP.	1
Note: Please give the data from type plate of the motor			
2.6	2096273	SPACER DISC BG90/112 ATB VP.	1
Note: Please give the data from type plate of the motor			
2.7	2087825	END SHIELD BG100/112 457256N.D.E.ATB VP.	1
2.8	121479094	FAN WHEEL BG90/100 ATB KIT	1
Note: Please give the data from type plate of the motor			
2.8A		> FAN WHEEL BG90/100 721383 ATB	1
2.8B	2047016	> CORRUGATED SLEEVE RING BG90/100 ATB VP.	1
Note: Please give the data from type plate of the motor			
2.9	2046109	FAN HOUSING BG100 PLASTIC ATB VP.	1
Note: Please give the data from type plate of the motor			
2.12	2111449	SHAFT SEAL RING BG100/112 ATB VP.	1
Note: Please give the data from type plate of the motor			
2.14	2201024	Shaft seal ring BG100/112 N.D.E.ATB VP.	1
2.15	2111443	SCREW END SHILD BG100 D.E.ATB(4 PIECES)	1
Note: Please give the data from type plate of the motor			
	2147196	Gasket terminal box BG100/112 ATB.VP.	1
Note: Please give the data from type plate of the motor			



**IP-E65/140-4/2-IE2-X1 (2109773)**

Item	Article no.	Description	Quantity
1	2112610	SERVICE MOTOR IP/DP-E65/140-4 IE2ATB	1
1.1	2052530	> IMPELLER D.82/135/17 KIT	1
1.11		>> Impeller D.82/135/17X14 KU.	1
1.12	2123932	>> CIRCLIP 17X1 DIN471 A2 1.4122 VP.	1
1.13	2046358	>> O-RING ID.164,7X3,53 E7518 VP.	1
1.2	122097593	> Mechanical seal ID.17 AQ1EGG KIT	1
1.12	2123932	>> CIRCLIP 17X1 DIN471 A2 1.4122 VP.	1
1.13	2010300	>> O-RING ID.107,54X3,53	1
1.13	2010301	>> O-RING ID.117,07X3,53	1
1.13	2054183	>> O-RING ID.158,34X3,53 E7518	1
Note: TO/ BIS/ JUSQU'À: 03/03			
1.13	2046358	>> O-RING ID.164,7X3,53 E7518 VP.	1
Note: FROM/ AB/ À PARTIR: 04/03			
1.21		>> MECHANICAL SEAL ID.17 AQ1EGG	1
1.22		>> Distance ring D.17/30X9 PPO FE1630	1
1.3		> Motor	1
1.4	2052495	> SCREW M6X20 ISO4762 8.8 (8 PIECES)	1
		SPARE PARTS MOTOR 4/2/112 F188E	1
3		PUMP HOUSING IPL65/160/IP-E65/4 KIT	1
Note: no longer available/ nicht mehr lieferbar/ ne plus disponible			
1.13	2046358	> O-RING ID.164,7X3,53 E7518 VP.	1
3.1		> PUMP HOUSING IP-E65/156 CPL.WILO	1
6	2104485	DPS40-1(0-10V) KIT	1
6.1	2106115	> DIFFERENTIAL PRESSURE SENSOR 40 KIT	1
Note: FROM/ AB/ À PARTIR: 09/2009			
		>> DPS40 spiral TZ.3mm Volt 2G	1
	2196657	>> Cable DPS 3x0,34x650 short bared 2G VP.	1
Note: from/ab/de 01.10.2013			
6.2	2106120	> CONNECTION SENSOR IP-E SPIRAL M6 KIT	1
Note: FROM/ AB/ À PARTIR: 09/2009			
6.21		>> CAPILLARY COIL 1000	2
6.22		>> Fixation ring pipe union R1/8" 90GD.Ni	1
6.23		>> HANDLE DDG M6	1
6.24		>> Screw M4x10 EE DIN7500 ZN	2

**IP-E65/140-4/2-IE2-X1 (2109773)**

Item	Article no.	Description	Quantity
	2168862	>> Nut/Ferrule M6 D.3MM MS Ni (2 Pieces)	1
	2168860	>> Nut/Ferrule M8 D.5MM MS Ni (2 Pieces)	1
7	2111430	MODULE IP/DP-E65/140-4/2-IE2 ATB KIT	1
7.1		> Module IP-E/DP-E65/140-4/2 IE2 ATB	1
7.2	2054227	> MODULE COVER/GASKET TL3/4 KIT	1
7.3		> SCREW M5X16 ISO4762 8.8 ZnNi	1
7.4		> WASHER TOOTHED LOCK A5,3 DIN6797 FST ZN	1
	2061236	> O-RING ID.38X3 EPDM 70SR.A BUS.	1

**Motor-Typenschild / Motor type plate / Plaque identité moteur**

**Bei Ersatzteilbestellung Motor-Nummer angeben!**

**Indicate motor number for order of spare parts!**

**Pour une commande de pièces détachées, donner le numéro du moteur!**

ATB - AF

Motor-Nummer  
motor number  
numéro du moteur

3-Mot. 90L  
 1234567 - 1  
 IMB5 IP 55  
 AF 90L/2I-12  
 Y/Δ 400/230 V 4.6/8.0 A  
 2850 1/min cos φ 0.87 50 Hz  
 2.2 kW S1  
 ● Y/Δ 380...420/220...240 V ●  
 4.8...4.6/8.3...8.0 A  
 Th. Cl. F 1. freie Zeile  
 2. freie Zeile  
 3. freie Zeile Made in Germany  
 T09 463023N 16 kg EN 60034 - IEC 38

WILO ELEC

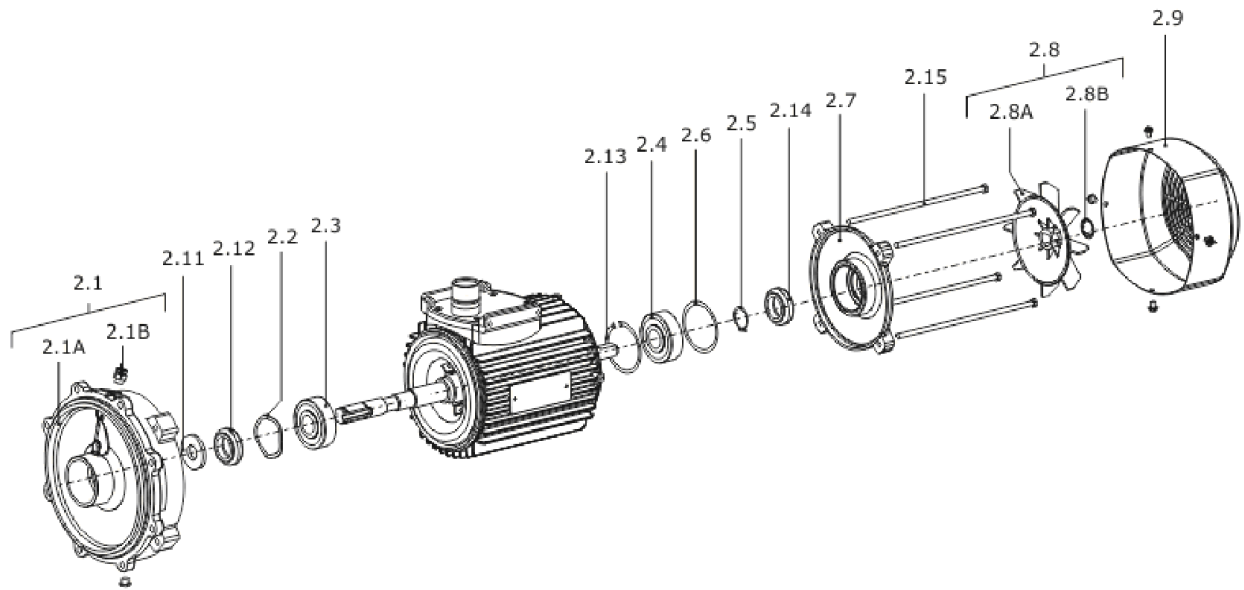
Motor-Nummer  
motor number  
numéro du moteur

**3-Induction Motor**  
 Made by WILCO Group   
 3502984 W071080-2-F188E 1001.001  
 Class F S1 IP 55 10.4kg EN60034  
  
 50Hz 0.55kW 2860min<sup>-1</sup> 60Hz 0.66kW 3450min<sup>-1</sup>  
 Y 400V 1.33A Y 440-480V 1.34-1.32A  
 Cosφ=0.76 Eta=79.0% Cosφ=0.75 Eta=80.0%



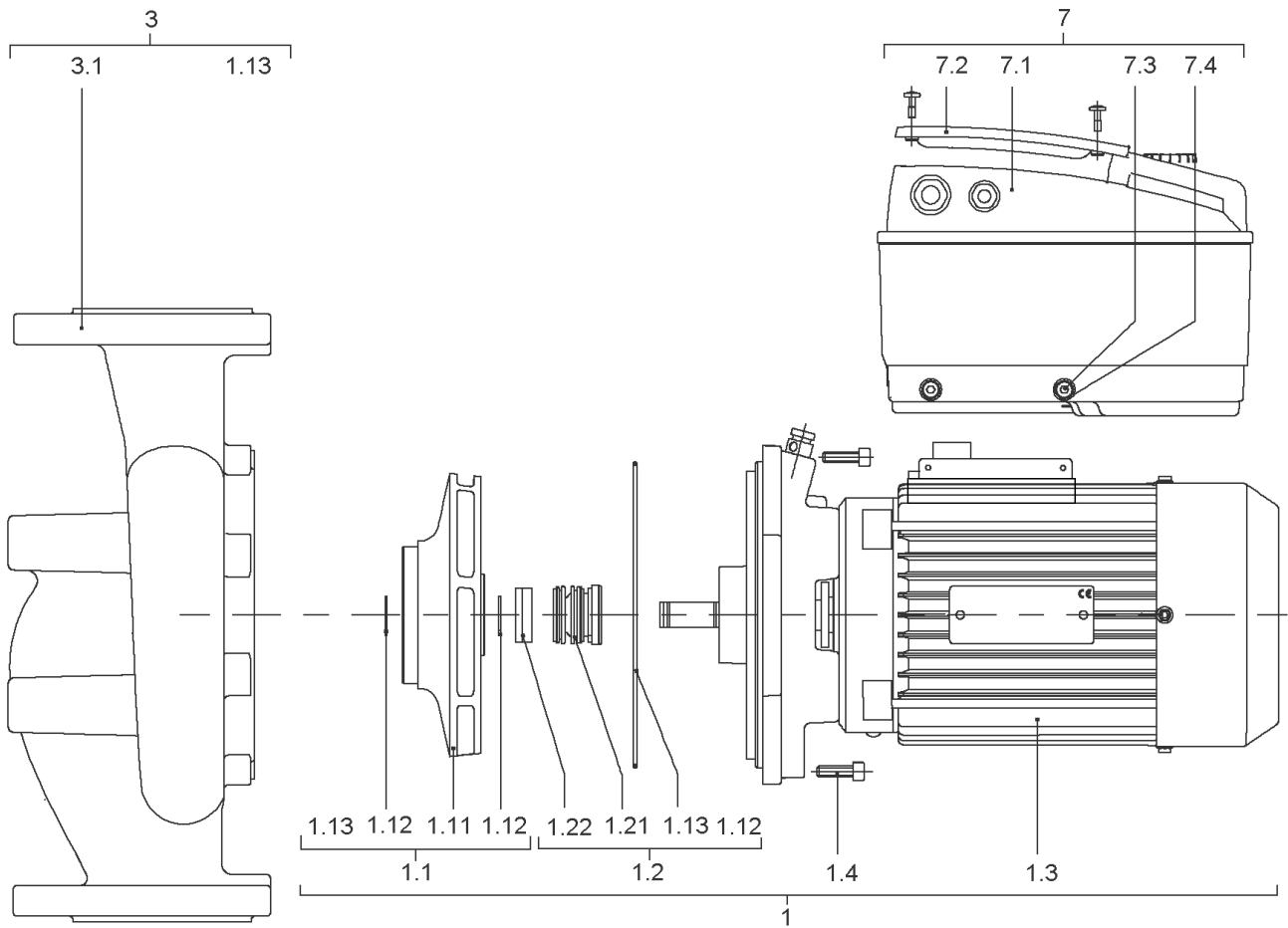
**SPARE PARTS MOTOR 4/2/112 F188E**

<b>Item</b>	<b>Description</b>	<b>Quantity</b>
1	MOTOR 4/2/112 F188E ATB	1



**MOTOR 4/2/112 F188E ATB**

Item	Article no.	Description	Quantity
2.1	2125454	END SHIELD BG112 D.E.ATB KIT	1
Note: Please give the data from type plate of the motor			
2.1A		> END SHIELD BG112 D.E.514768 ATB	1
2.1B	2027201	> BLOWGUN R1/8" VP.	1
Note: Please give the data from type plate of the motor			
2.2	2096258	SHIM BALL BEARING BG90-112 ATB VP.	1
Note: Please give the data from type plate of the motor			
2.3	121084190	BALL BEARING 6206/2Z-C3 (HT) VP.	1
Note: Please give the data from type plate of the motor			
2.4	121084190	BALL BEARING 6206/2Z-C3 (HT) VP.	1
Note: Please give the data from type plate of the motor			
2.5	2111441	CIRCLIP BG100/112 ATB VP.	1
Note: Please give the data from type plate of the motor			
2.6	2096273	SPACER DISC BG90/112 ATB VP.	1
Note: Please give the data from type plate of the motor			
2.7	2045002	END SHIELD BG112 N.D.E.ATB VP.	1
Note: Please give the data from type plate of the motor			
2.8	121479197	FAN WHEEL BG100-132 ATB KIT	1
Note: Please give the data from type plate of the motor			
2.8A		> FAN WHEEL BG100-132 721186 ATB	1
2.8B	2123672	> CORRU. SLEEVE RING BG90-132 ATB VP.	1
Note: Please give the data from type plate of the motor			
2.9	121181190	FAN HOUSING BG112 METAL ATB VP.	1
Note: Please give the data from type plate of the motor			
2.12	2201026	Shaft seal ring BG100/112 D.E.ATB VP.	1
Note: Please give the data from type plate of the motor			
2.14	2201024	Shaft seal ring BG100/112 N.D.E.ATB VP.	1
2.15	2111445	SCREW END SHILD M6X220 ATB(4 PIECES)	1
Note: Please give the data from type plate of the motor			
	2147196	Gasket terminal box BG100/112 ATB.VP.	1
Note: Please give the data from type plate of the motor			



**IP-E65/140-4/2-R1-IE2-X1 (2109809)**

Item	Article no.	Description	Quantity
1	2112610	SERVICE MOTOR IP/DP-E65/140-4 IE2ATB	1
1.1	2052530	> IMPELLER D.82/135/17 KIT	1
1.11		>> Impeller D.82/135/17X14 KU.	1
1.12	2123932	>> CIRCLIP 17X1 DIN471 A2 1.4122 VP.	1
1.13	2046358	>> O-RING ID.164,7X3,53 E7518 VP.	1
1.2	122097593	> Mechanical seal ID.17 AQ1EGG KIT	1
1.12	2123932	>> CIRCLIP 17X1 DIN471 A2 1.4122 VP.	1
1.13	2010300	>> O-RING ID.107,54X3,53	1
1.13	2010301	>> O-RING ID.117,07X3,53	1
1.13	2054183	>> O-RING ID.158,34X3,53 E7518	1
Note: TO/ BIS/ JUSQU'À: 03/03			
1.13	2046358	>> O-RING ID.164,7X3,53 E7518 VP.	1
Note: FROM/ AB/ À PARTIR: 04/03			
1.21		>> MECHANICAL SEAL ID.17 AQ1EGG	1
1.22		>> Distance ring D.17/30X9 PPO FE1630	1
1.3		> Motor	1
1.4	2052495	> SCREW M6X20 ISO4762 8.8 (8 PIECES)	1
		SPARE PARTS MOTOR 4/2/112 F188E	1
3		PUMP HOUSING IPL65/160/IP-E65/4 KIT	1
Note: no longer available/ nicht mehr lieferbar/ ne plus disponible			
1.13	2046358	> O-RING ID.164,7X3,53 E7518 VP.	1
3.1		> PUMP HOUSING IP-E65/156 CPL.WILO	1
7	2111430	MODULE IP/DP-E65/140-4/2-IE2 ATB KIT	1
7.1		> Module IP-E/DP-E65/140-4/2 IE2 ATB	1
7.2	2054227	> MODULE COVER/GASKET TL3/4 KIT	1
7.3		> SCREW M5X16 ISO4762 8.8 ZnNi	1
7.4		> WASHER TOOTHED LOCK A5,3 DIN6797 FST ZN	1
	2061236	> O-RING ID.38X3 EPDM 70SR.A BUS.	1

### Motor-Typenschild / Motor type plate / Plaque identité moteur


**Bei Ersatzteilbestellung Motor-Nummer angeben!**

**Indicate motor number for order of spare parts!**

**Pour une commande de pièces détachées, donner le numéro du moteur!**

ATB - AF

Motor-Nummer  
motor number  
numéro du moteur


 3-Mot. 90L  
 1234567 - 1  
 IMB5 IP 55  
 AF 90L/2I-12  
 Y/Δ 400/230 V 4.6/8.0 A  
 2850 1/min cos φ 0.87 50 Hz  
 2.2 kW S1  
 ● Y/Δ 380...420/220...240 V ●  
 4.8...4.6/8.3...8.0 A  
 Th. Cl. F 1. freie Zeile  
 2. freie Zeile  
 3. freie Zeile  
 Made in Germany  
 T09 463023N 16 kg EN 60034 - IEC 38


WILO ELEC

Motor-Nummer  
motor number  
numéro du moteur

**3-Induction Motor**  
 Made by WILO Group

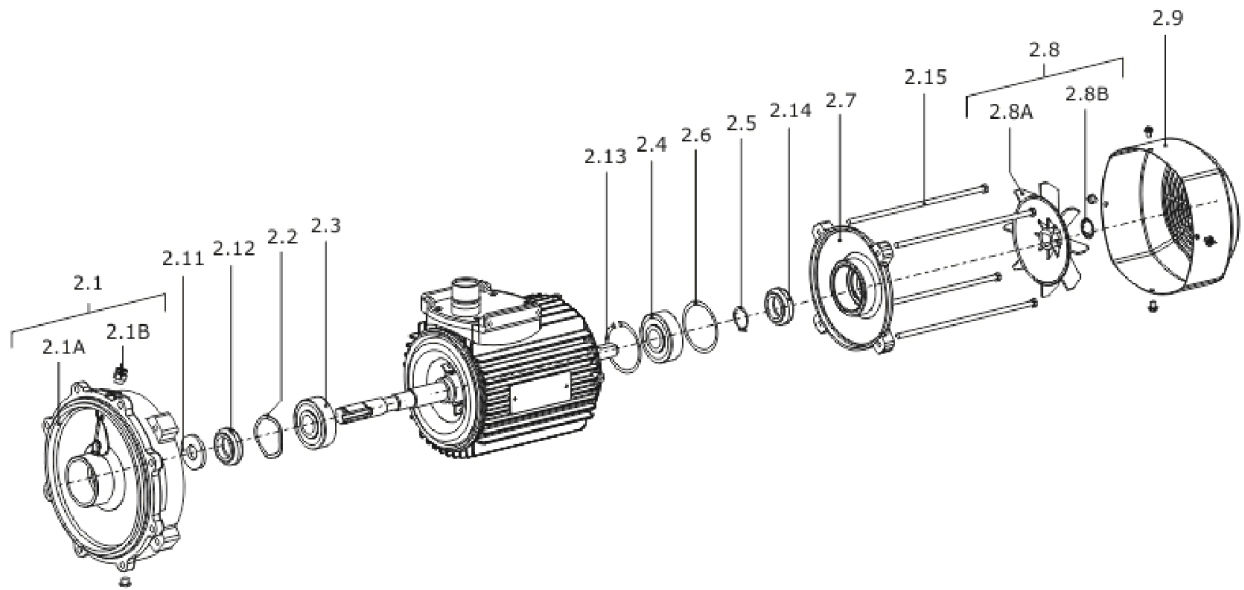
3502984	W071080-2-F188E	1001.001
Class F	S1 IP 55 10.4kg	EN60034

<b>50Hz</b>	0.55kW	2860min <sup>-1</sup>	<b>60Hz</b>	0.66kW	3450min <sup>-1</sup>
Y	400V	1.33A	Y	440-480V	1.34-1.32A
Cosφ=0.76		Eta=79.0%	Cosφ=0.75		Eta=80.0%



**SPARE PARTS MOTOR 4/2/112 F188E**

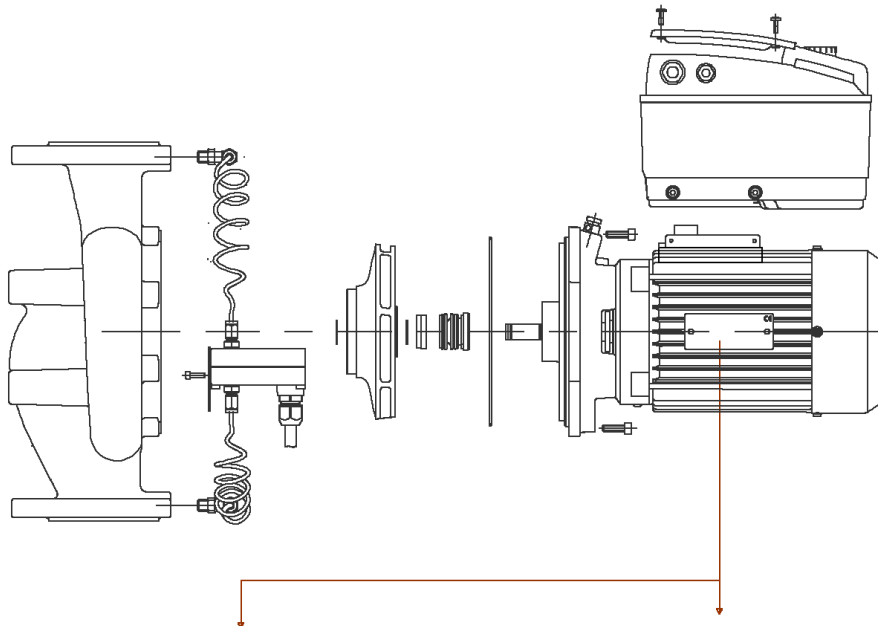
<b>Item</b>	<b>Description</b>	<b>Quantity</b>
1	MOTOR 4/2/112 F188E ATB	1





**MOTOR 4/2/112 F188E ATB**

Item	Article no.	Description	Quantity
2.1	2125454	END SHIELD BG112 D.E.ATB KIT	1
Note: Please give the data from type plate of the motor			
2.1A		> END SHIELD BG112 D.E.514768 ATB	1
2.1B	2027201	> BLOWGUN R1/8" VP.	1
Note: Please give the data from type plate of the motor			
2.2	2096258	SHIM BALL BEARING BG90-112 ATB VP.	1
Note: Please give the data from type plate of the motor			
2.3	121084190	BALL BEARING 6206/2Z-C3 (HT) VP.	1
Note: Please give the data from type plate of the motor			
2.4	121084190	BALL BEARING 6206/2Z-C3 (HT) VP.	1
Note: Please give the data from type plate of the motor			
2.5	2111441	CIRCLIP BG100/112 ATB VP.	1
Note: Please give the data from type plate of the motor			
2.6	2096273	SPACER DISC BG90/112 ATB VP.	1
Note: Please give the data from type plate of the motor			
2.7	2045002	END SHIELD BG112 N.D.E.ATB VP.	1
Note: Please give the data from type plate of the motor			
2.8	121479197	FAN WHEEL BG100-132 ATB KIT	1
Note: Please give the data from type plate of the motor			
2.8A		> FAN WHEEL BG100-132 721186 ATB	1
2.8B	2123672	> CORRU. SLEEVE RING BG90-132 ATB VP.	1
Note: Please give the data from type plate of the motor			
2.9	121181190	FAN HOUSING BG112 METAL ATB VP.	1
Note: Please give the data from type plate of the motor			
2.12	2201026	Shaft seal ring BG100/112 D.E.ATB VP.	1
Note: Please give the data from type plate of the motor			
2.14	2201024	Shaft seal ring BG100/112 N.D.E.ATB VP.	1
2.15	2111445	SCREW END SHILD M6X220 ATB(4 PIECES)	1
Note: Please give the data from type plate of the motor			
	2147196	Gasket terminal box BG100/112 ATB.VP.	1
Note: Please give the data from type plate of the motor			



ATB

Motor-Nummer  
motor number  
numéro du moteur

3~Mot.	AF132S/2F-11S+E2/0509	IE2-88,1%			
S1	132S IMV1	224039411-1	522058X		
IP 55	Th. CI.155(F)	SCHWINGROESSENSTUFE B			
WILO NR.2064705					
kW	V	Hz	A	1/min	COS φ
7,5	YΔ 690/400	50	7,9/3,7	2890	0,90
7,5	Δ 460	60	11,8	3510	0,89
Made in Germany		50 kg	EN 60034		

ELEC

Motor-Nummer  
motor number  
numéro du moteur

Made by WILLO Group			
3501437	W080090-2-F188	0902.001	
Class F	S1	IP55	13.5kg EN60034
50Hz	1.10kW	2850min <sup>-1</sup>	60Hz 1.29kW 3435min <sup>-1</sup>
YΔ	230/400V	4.02/2.32A	Y 440-480V 2.40-2.32A
Cos φ =0.82	IE2-81.5%		Cos φ =0.85 IE2-82.5%

### Motor-Typenschild / Motor type plate / Plaque identité moteur

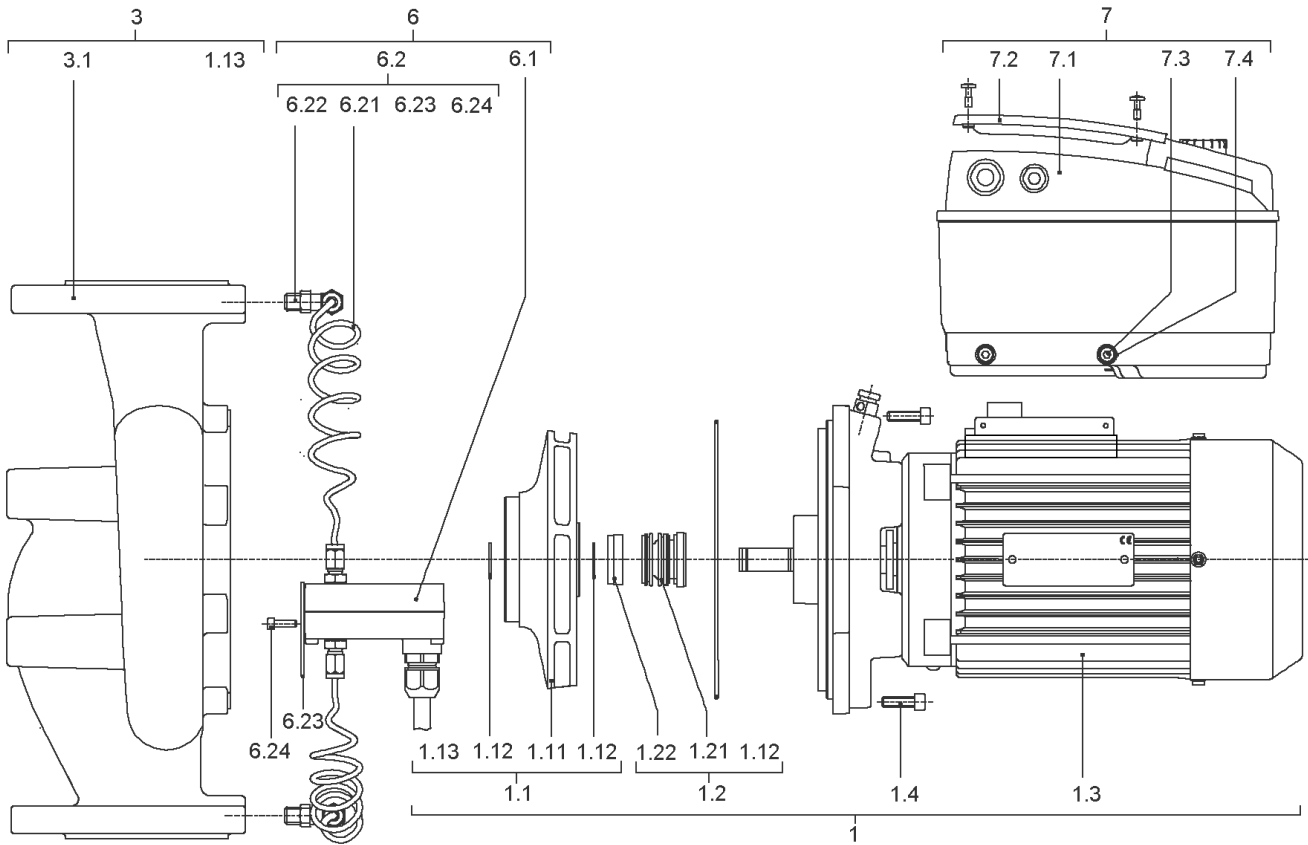
**Bei Ersatzteilbestellung Motor-Nummer angeben!**

**Indicate motor number for order of spare parts!**

**Pour une commande de pièces détachées, donner le numéro du moteur!**

**IP-E80/115-2,2/2-IE2 (2109774)**

<b>Item</b>	<b>Description</b>	<b>Quantity</b>
ATB	Spare parts IP-E80/115-2,2/2 ATB	1
ELEC	Spare parts IP-E80/115-2,2/2 ELEC	1

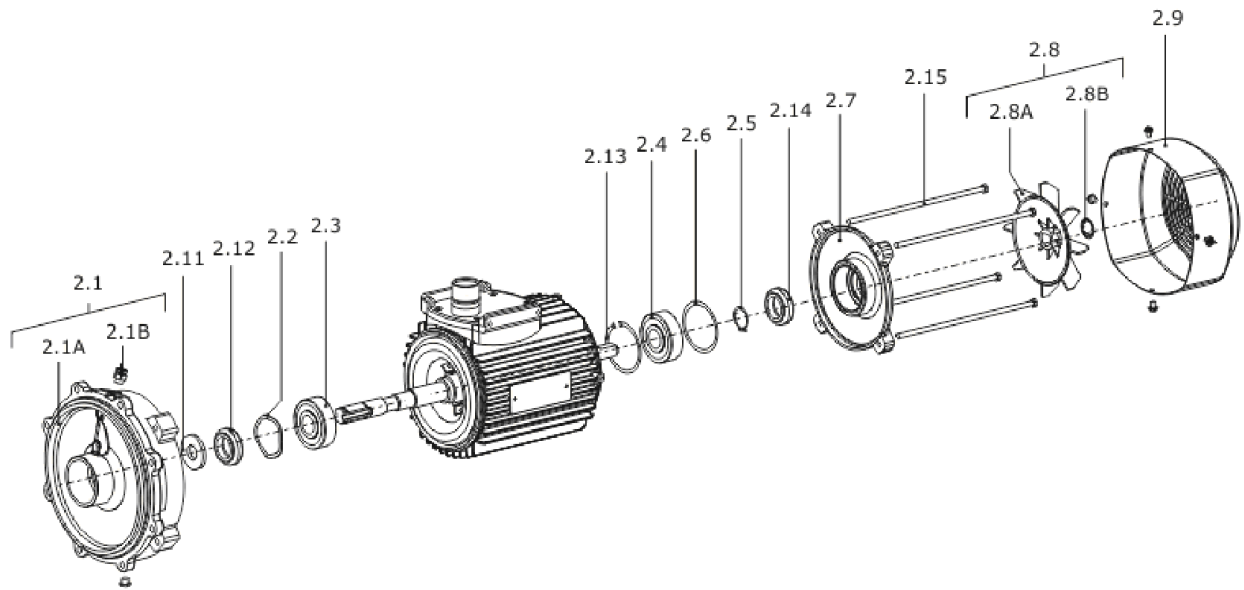


## Spare parts IP-E80/115-2,2/2 ATB

Item	Article no.	Description	Quantity
1	2112611	SERVICE MOTOR IP/DP-E80/115-2,2 IE2ATB	1
1.1	122093091	> IMPELLER D.80/119/17 KIT	1
1.11		>> Impeller D.80/119/17X14,1 PPO FE1630	1
1.12	2123932	>> CIRCLIP 17X1 DIN471 A2 1.4122 VP.	1
1.13	2010301	>> O-RING ID.117,07X3,53	1
1.2	122097593	> Mechanical seal ID.17 AQ1EGG KIT	1
1.12	2123932	>> CIRCLIP 17X1 DIN471 A2 1.4122 VP.	1
1.13	2010300	>> O-RING ID.107,54X3,53	1
1.13	2010301	>> O-RING ID.117,07X3,53	1
1.13	2054183	>> O-RING ID.158,34X3,53 E7518	1
Note: TO/ BIS/ JUSQU'À: 03/03			
1.13	2046358	>> O-RING ID.164,7X3,53 E7518 VP.	1
Note: FROM/ AB/ À PARTIR: 04/03			
1.21		>> MECHANICAL SEAL ID.17 AQ1EGG	1
1.22		>> Distance ring D.17/30X9 PPO FE1630	1
1.3		> Motor	1
1.4	2037242	> SCREW M10X25 ISO4762 8.8 (4 PIECES)	1
		Spare parts motor 2,2/2/90 F170E ATB IE2	1
3	2016516	PUMP HOUSING IPL80/115/IP-E80/2 KIT	1
1.13	2010301	> O-RING ID.117,07X3,53	1
3.1		> PUMP HOUSING IP-E80/120 CPL.WILO	1
6	2104480	DPS20-2(0-10V) KIT	1
6.1	2106113	> DIFFERENTIAL PRESSURE SENSOR 20 KIT	1
Note: FROM/ AB/ À PARTIR: 09/2009			
		>> DPS20 spiral TZ.3mm Volt 2G	1
	2196657	>> Cable DPS 3x0,34x650 short bared 2G VP.	1
Note: from/ab/de 01.10.2013			
6.2	2106121	> CONNECTION SENSOR IP-E SPIRAL M10 KIT	1
Note: FROM/ AB/ À PARTIR: 09/2009			
6.21		>> CAPILLARY COIL 1000	2
6.22		>> Fixation ring pipe union R1/8" 90GD.Ni	1
6.23		>> HANDLE DDG M10	1
6.24		>> Screw M4x10 EE DIN7500 ZN	2
	2168862	>> Nut/Ferrule M6 D.3MM MS Ni (2 Pieces)	1

## Spare parts IP-E80/115-2,2/2 ATB

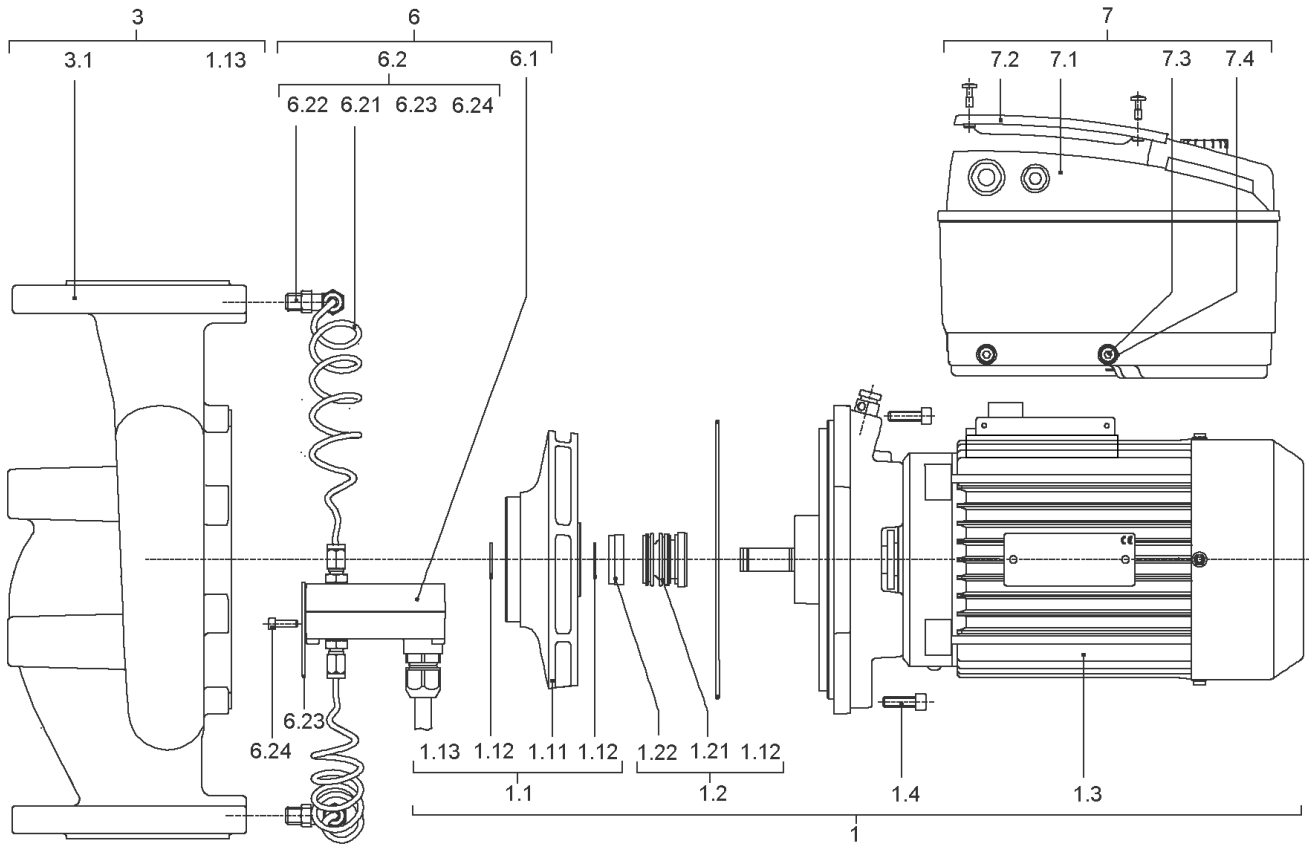
Item	Article no.	Description	Quantity
	2168860	>> Nut/Ferrule M8 D.5MM MS Ni (2 Pieces)	1
7	2111431	MODULE IP/DP-E80/115-2,2/2-IE2 ATB KIT	1
7.1		> Module IP-E/DP-E80/115-2,2/2 IE2 ATB	1
7.2	2054227	> MODULE COVER/GASKET TL3/4 KIT	1
7.3		> SCREW M5X16 ISO4762 8.8 ZnNi	1
7.4		> WASHER TOOTHED LOCK A5,3 DIN6797 FST ZN	1
	2061236	> O-RING ID.38X3 EPDM 70SR.A BUS.	1



## Spare parts motor 2,2/2/90 F170E ATB IE2

Item	Article no.	Description	Quantity
2.1	2118466	END SHIELD BG90-F170 D.E.ATB KIT	1
Note: Please give the data from type plate of the motor			
2.1A		> END SHIELD BG90 F170 567974 N.D.E.ATB	1
Note: Please give the data from type plate of the motor			
2.1B	2027201	> BLOWGUN R1/8" VP.	1
Note: Please give the data from type plate of the motor			
		> SCREW PLUG R1/8" DIN906 8.8 BES.	1
Note: Please give the data from type plate of the motor			
2.2	2112677	CIRCLIP 52X2 J ATB VP.	1
Note: Please give the data from type plate of the motor			
2.3	121083998	BALL BEARING 6205/2Z-C3 (HT) VP.	1
Note: Please give the data from type plate of the motor			
2.4	121083998	BALL BEARING 6205/2Z-C3 (HT) VP.	1
Note: Please give the data from type plate of the motor			
2.6	2096272	SPACER DISC BG80-100 ATB VP.	1
Note: Please give the data from type plate of the motor			
2.7	2118607	END SHIELD BG90 N.D.E.ATB VP.	1
Note: Please give the data from type plate of the motor			
2.8	121479094	FAN WHEEL BG90/100 ATB KIT	1
Note: Please give the data from type plate of the motor			
2.8A		> FAN WHEEL BG90/100 721383 ATB	1
2.8B	2047016	> CORRUGATED SLEEVE RING BG90/100 ATB VP.	1
Note: Please give the data from type plate of the motor			
2.9	2096347	FAN HOUSING BG90/100 METAL ATB VP.	1
Note: Please give the data from type plate of the motor			
2.12	2138735	SHAFT SEAL RING BG90 D.E.ATB VP.	1
Note: Please give the data from type plate of the motor			
2.14	2112921	JOINT RING CIRCULAR 25X35X4 ATB VP.	1
2.15	2112674	SCREW END SHIELD M5X190 ATB(4 PIECES)	1
Note: Please give the data from type plate of the motor			
	2111437	GASKET TERMINAL BOX BG90 ATB.VP.	1
Note: Please give the data from type plate of the motor			



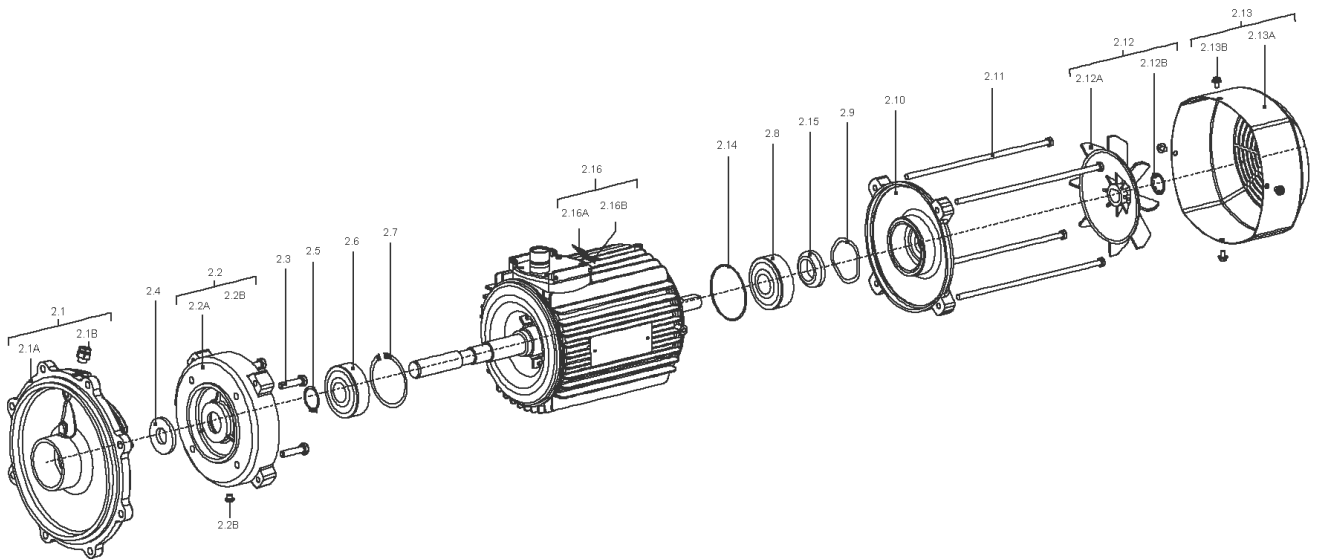


## Spare parts IP-E80/115-2,2/2 ELEC

Item	Article no.	Description	Quantity
1	2139839	Service Motor IP/DP-E80/115-2,2 IE2ELEC	1
1.1	122093091	> IMPELLER D.80/119/17 KIT	1
1.11		>> Impeller D.80/119/17X14,1 PPO FE1630	1
1.12	2123932	>> CIRCLIP 17X1 DIN471 A2 1.4122 VP.	1
1.13	2010301	>> O-RING ID.117,07X3,53	1
1.2	122097593	> Mechanical seal ID.17 AQ1EGG KIT	1
1.12	2123932	>> CIRCLIP 17X1 DIN471 A2 1.4122 VP.	1
1.13	2010300	>> O-RING ID.107,54X3,53	1
1.13	2010301	>> O-RING ID.117,07X3,53	1
1.13	2054183	>> O-RING ID.158,34X3,53 E7518	1
Note: TO/ BIS/ JUSQU'À: 03/03			
1.13	2046358	>> O-RING ID.164,7X3,53 E7518 VP.	1
Note: FROM/ AB/ À PARTIR: 04/03			
1.21		>> MECHANICAL SEAL ID.17 AQ1EGG	1
1.22		>> Distance ring D.17/30X9 PPO FE1630	1
1.3		> Motor	1
1.4	2037242	> SCREW M10X25 ISO4762 8.8 (4 PIECES)	1
		Spare parts motor 2,2/2/90F170E ELEC IE2	1
3	2016516	PUMP HOUSING IPL80/115/IP-E80/2 KIT	1
1.13	2010301	> O-RING ID.117,07X3,53	1
3.1		> PUMP HOUSING IP-E80/120 CPL.WILO	1
6	2104480	DPS20-2(0-10V) KIT	1
6.1	2106113	> DIFFERENTIAL PRESSURE SENSOR 20 KIT	1
Note: FROM/ AB/ À PARTIR: 09/2009			
		>> DPS20 spiral TZ.3mm Volt 2G	1
	2196657	>> Cable DPS 3x0,34x650 short bared 2G VP.	1
Note: from/ab/de 01.10.2013			
6.2	2106121	> CONNECTION SENSOR IP-E SPIRAL M10 KIT	1
Note: FROM/ AB/ À PARTIR: 09/2009			
6.21		>> CAPILLARY COIL 1000	2
6.22		>> Fixation ring pipe union R1/8" 90GD.Ni	1
6.23		>> HANDLE DDG M10	1
6.24		>> Screw M4x10 EE DIN7500 ZN	2
	2168862	>> Nut/Ferrule M6 D.3MM MS Ni (2 Pieces)	1

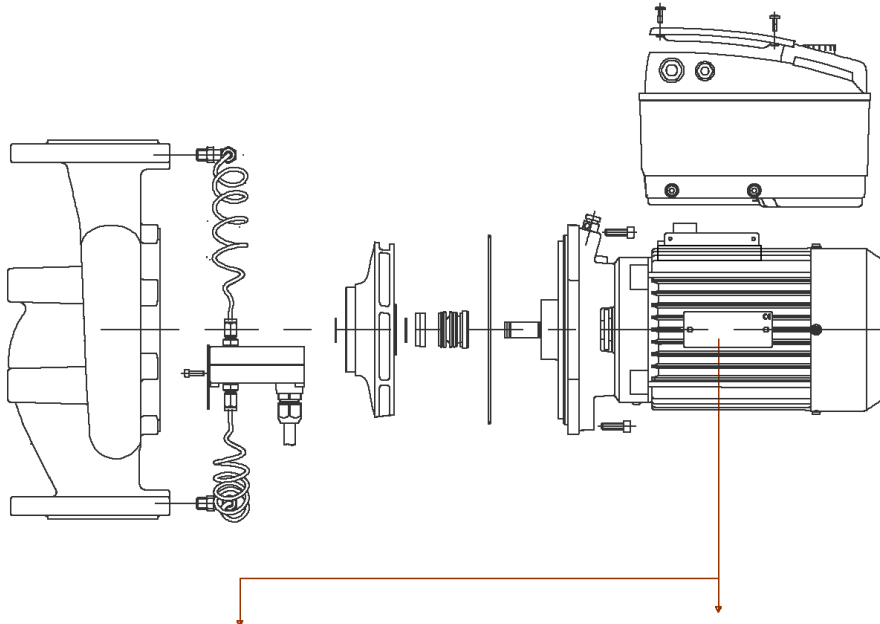
## Spare parts IP-E80/115-2,2/2 ELEC

Item	Article no.	Description	Quantity
	2168860	>> Nut/Ferrule M8 D.5MM MS Ni (2 Pieces)	1
7	2145517	Module IP-E/DP-E80/115-2,2/2-IE2ELEC KIT	1
7.1		> Module IP-E/DP-E80/115-2,2/2 IE2 ELEC	1
7.2	2054227	> MODULE COVER/GASKET TL3/4 KIT	1
7.3		> SCREW M5X16 ISO4762 8.8 ZnNi	1
7.4		> WASHER TOOTHED LOCK A5,3 DIN6797 FST ZN	1
	2061236	> O-RING ID.38X3 EPDM 70SR.A BUS.	1



## Spare parts motor 2,2/2/90F170E ELEC IE2

Item	Article no.	Description	Quantity
2.1	2111308	FLANGE END SHIELD BG90F170 D.E.ELEC KIT	1
2.1A		> LANTERN V18 M115-F170 KTL	1
2.1B	2027201	> BLOWGUN R1/8" VP.	1
Note: Please give the data from type plate of the motor			
2.2	2111312	END SHIELD BG90 V18 D.E.ELEC KIT	1
2.2A		> Flange IEC90 V18 (w/o thread)	1
2.2B	2111309	> CONDENSATE HOLE GASKET D5 VP.	1
Note: Please give the data from type plate of the motor			
2.3	2111314	SCREW M8X40 6.8 (4 PIECES)	1
2.4	2111324	THROWER D.36X4 VP.	1
2.5	2111334	CIRCLIP D.30 GB894.1 VP.	1
2.6	2118385	BALL BEARING 6306 DDW C3 EA6 VP.	1
2.7	2111337	CIRCLIP D.72 GB893.1 VP.	1
2.8	2111342	BALL BEARING 6204 DDW C3 EA3 VP.	1
2.9	2111339	SPRING RING D.47 JB/T7590 VP.	1
2.10	2157920	End shield BG90 N.D.E.ELEC KIT	1
		> Flange IEC90 NDS with slot reduce0.5	1
		> O-RING ID47.2*3.53 EPDM	1
2.11	2111320	SCREW M5X211 6.8 (4 PIECES)	1
2.12	2107782	FAN WHEEL BG90 ELEC KIT	1
2.12A		> FAN 122.6X15X17 GP2200 G/F20%	1
2.12B	2111321	> STOP-RING D.14,8x0,4 VP.	1
Note: Please give the data from type plate of the motor			
2.13	2111322	FAN HOOD BG90 ELEC KIT	1
2.13A		> FAN COVER IEC90 KTL ST14 T0.8 H70	1
2.13B	2111323	> SCREW M4X6 (4 PIECES)	1
Note: Please give the data from type plate of the motor			



ATB

Motor-Nummer  
motor number  
numéro du moteur

		IE2			
3~Mot.	AF132S/2F-11S+E2/0509	IE2-88,1%			
S1	132S IMV1	224039411-1	522058X		
IP 55	Th. CI.155(F)	SCHWINGROESSENSTUFE B			
WILO NR.2064705					
kW	V	Hz	A	1/min	COS φ
7,5	YΔ 690/400	50	7,9/3,7	2890	0,90
7,5	Δ 460	60	11,8	3510	0,89
Made in Germany		50 kg	EN 60034		

ELEC

Motor-Nummer  
motor number  
numéro du moteur

<b>3~Induction Motor</b>		Made by WILLO Group			
3501437	W080090-2-F188	0902.001			
Class F	S1	IP55	13.5kg	EN60034	
50Hz	1.10kW	2850min <sup>-1</sup>	60Hz	1.29kW	3435min <sup>-1</sup>
YΔ	230/400V	4.02/2.32A	Y	440-480V	2.40-2.32A
Cos φ =0.82		IE2-81.5%	Cos φ =0.85		IE2-82.5%

**Motor-Typenschild / Motor type plate / Plaque identité moteur**

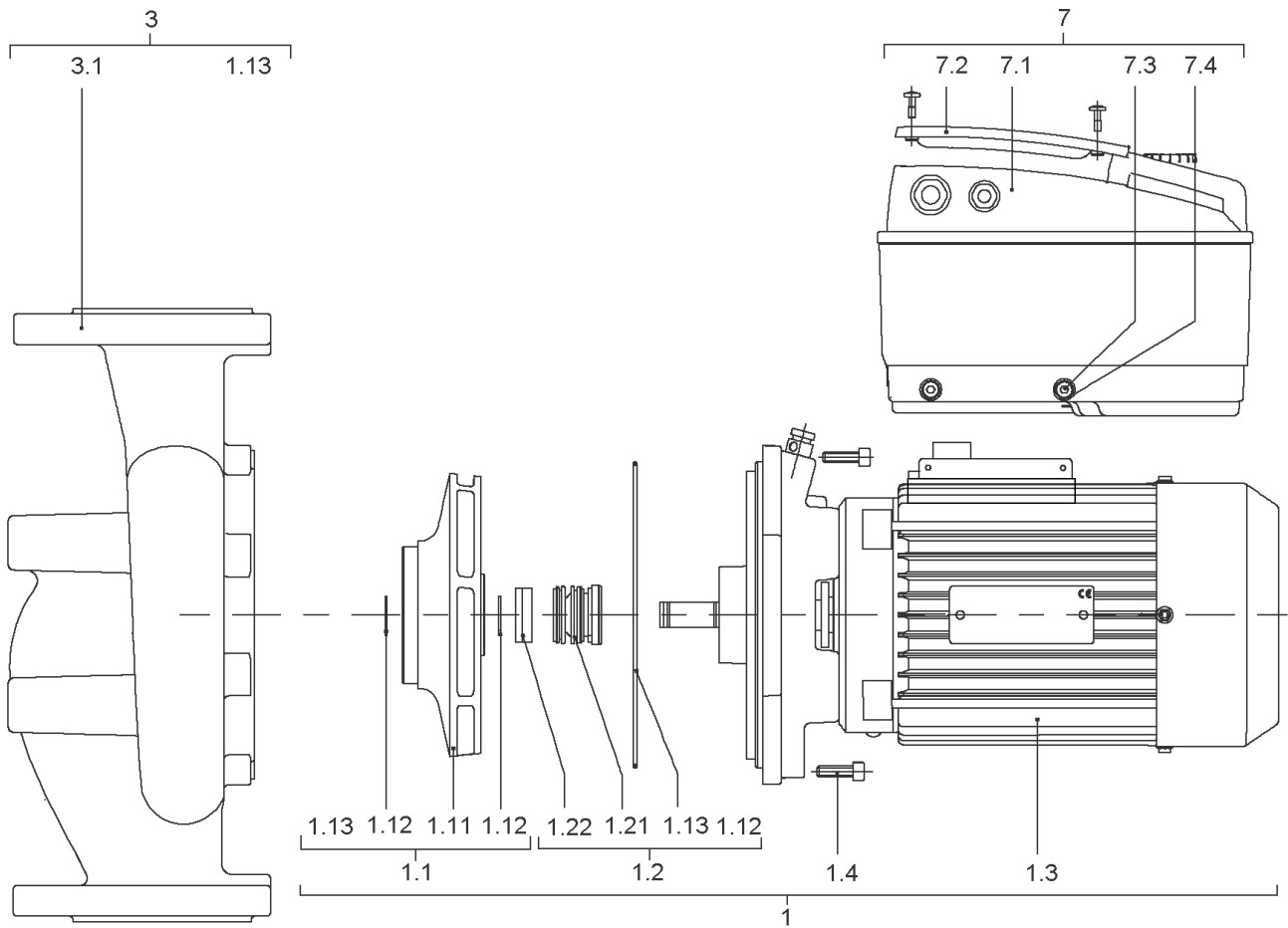
**Bei Ersatzteilbestellung Motor-Nummer angeben!**

**Indicate motor number for order of spare parts!**

**Pour une commande de pièces détachées, donner le numéro du moteur!**

**IP-E80/115-2,2/2-R1-IE2 (2109810)**

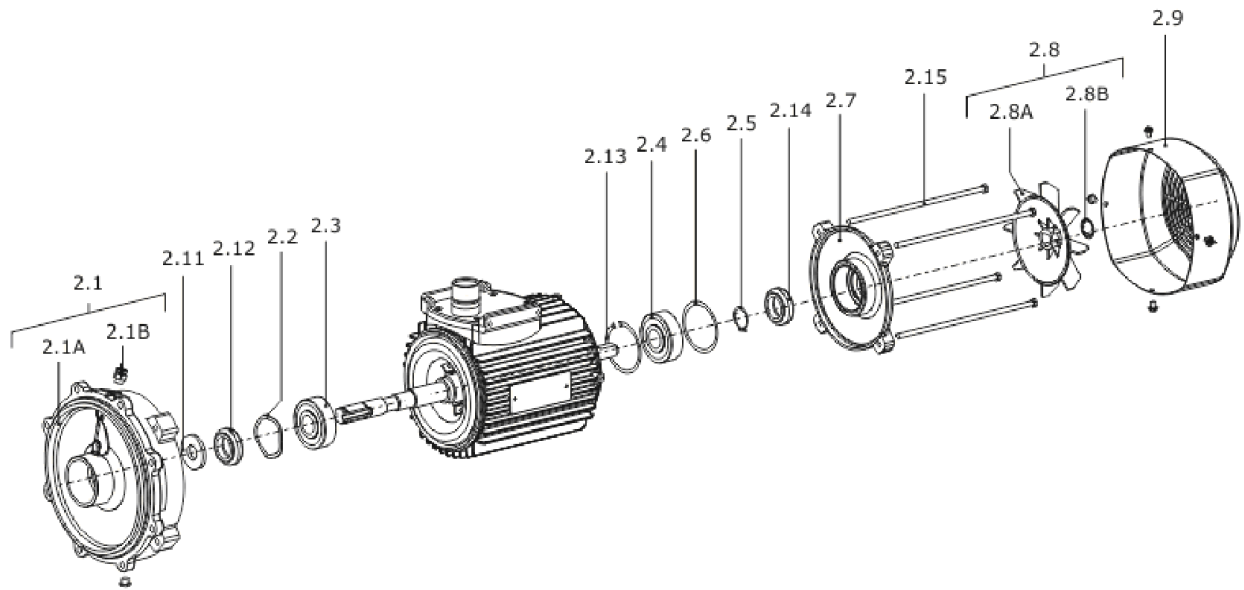
<b>Item</b>	<b>Description</b>	<b>Quantity</b>
ATB	Spare parts IP-E80/115-2,2/2-R1 ATB	1
ELEC	Spare parts IP-E80/115-2,2/2-R1 ELEC	1





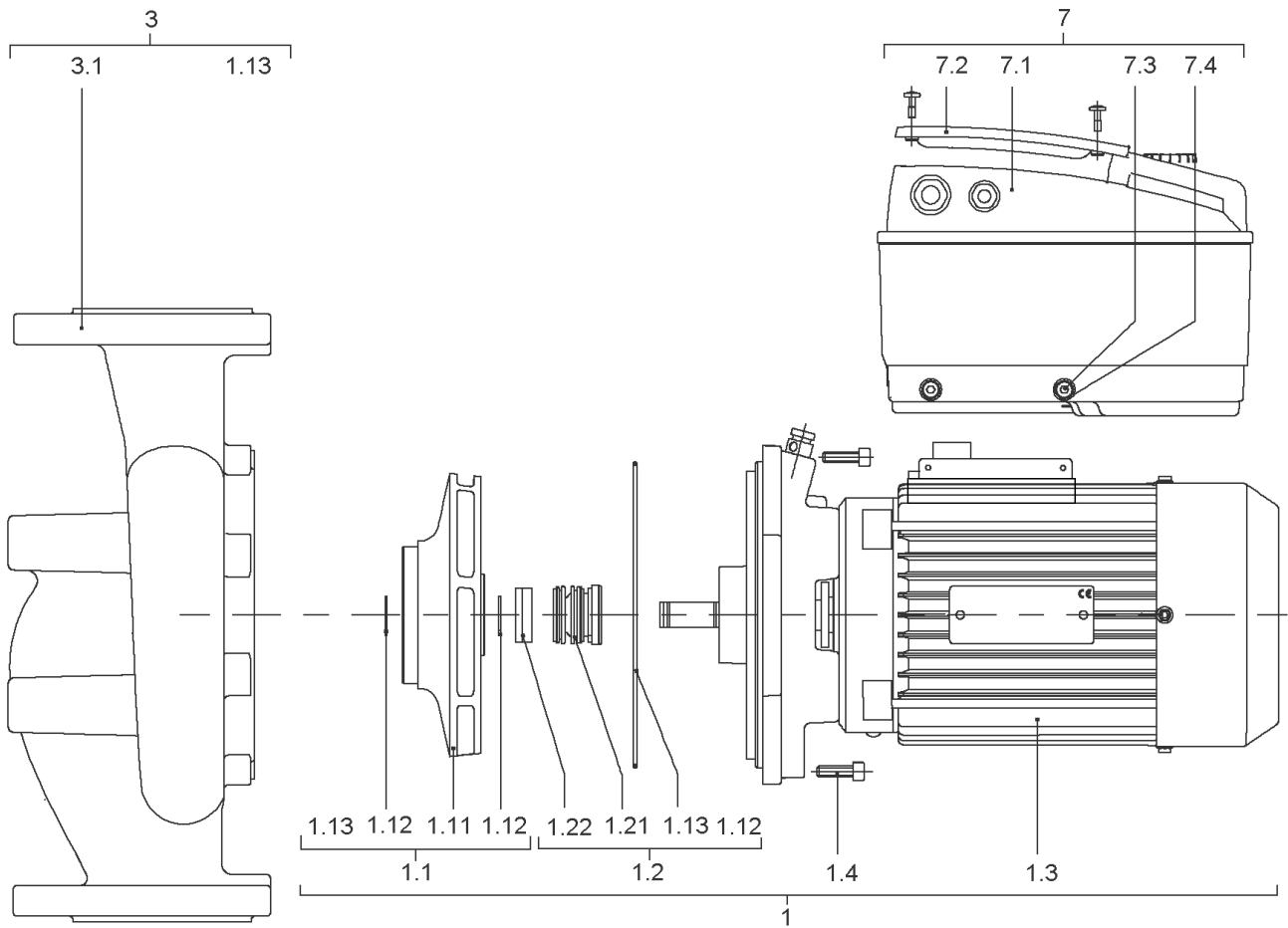
**Spare parts IP-E80/115-2,2/2-R1 ATB**

Item	Article no.	Description	Quantity
1	2112611	SERVICE MOTOR IP/DP-E80/115-2,2 IE2ATB	1
1.1	122093091	> IMPELLER D.80/119/17 KIT	1
1.11		>> Impeller D.80/119/17X14,1 PPO FE1630	1
1.12	2123932	>> CIRCLIP 17X1 DIN471 A2 1.4122 VP.	1
1.13	2010301	>> O-RING ID.117,07X3,53	1
1.2	122097593	> Mechanical seal ID.17 AQ1EGG KIT	1
1.12	2123932	>> CIRCLIP 17X1 DIN471 A2 1.4122 VP.	1
1.13	2010300	>> O-RING ID.107,54X3,53	1
1.13	2010301	>> O-RING ID.117,07X3,53	1
1.13	2054183	>> O-RING ID.158,34X3,53 E7518	1
Note: TO/ BIS/ JUSQU'À: 03/03			
1.13	2046358	>> O-RING ID.164,7X3,53 E7518 VP.	1
Note: FROM/ AB/ À PARTIR: 04/03			
1.21		>> MECHANICAL SEAL ID.17 AQ1EGG	1
1.22		>> Distance ring D.17/30X9 PPO FE1630	1
1.3		> Motor	1
1.4	2037242	> SCREW M10X25 ISO4762 8.8 (4 PIECES)	1
		Spare parts motor 2,2/2/90 F170E ATB IE2	1
3	2016516	PUMP HOUSING IPL80/115/IP-E80/2 KIT	1
1.13	2010301	> O-RING ID.117,07X3,53	1
3.1		> PUMP HOUSING IP-E80/120 CPL.WILO	1
7	2111431	MODULE IP/DP-E80/115-2,2/2-IE2 ATB KIT	1
7.1		> Module IP-E/DP-E80/115-2,2/2 IE2 ATB	1
7.2	2054227	> MODULE COVER/GASKET TL3/4 KIT	1
7.3		> SCREW M5X16 ISO4762 8.8 ZnNi	1
7.4		> WASHER TOOTHED LOCK A5,3 DIN6797 FST ZN	1
	2061236	> O-RING ID.38X3 EPDM 70SR.A BUS.	1



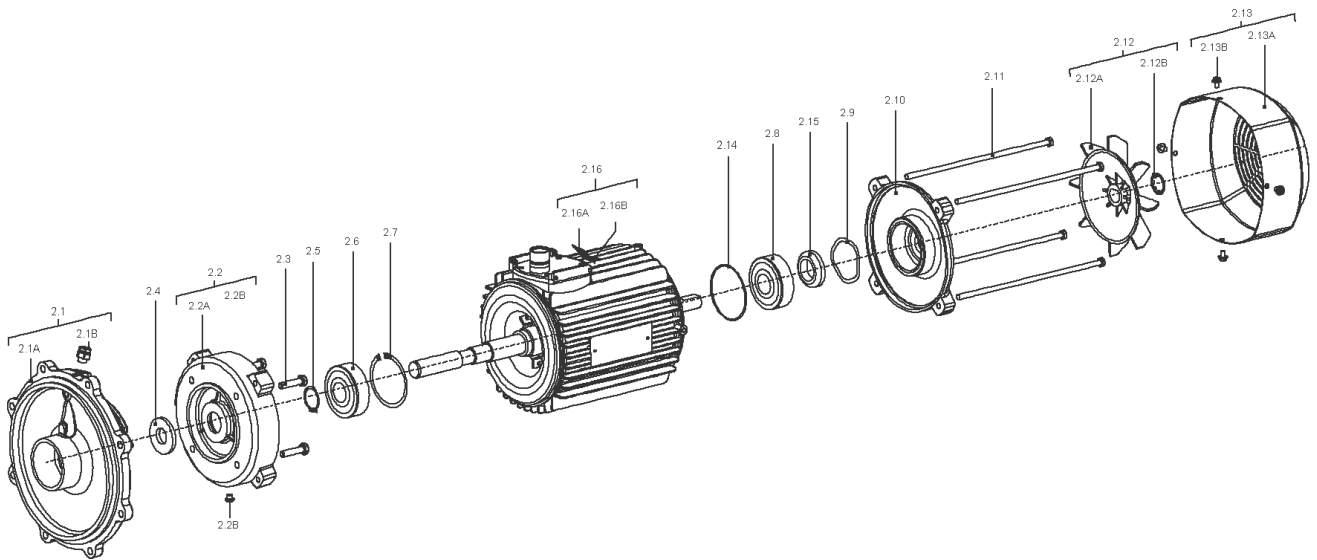
## Spare parts motor 2,2/2/90 F170E ATB IE2

Item	Article no.	Description	Quantity
2.1	2118466	END SHIELD BG90-F170 D.E.ATB KIT	1
Note: Please give the data from type plate of the motor			
2.1A		> END SHIELD BG90 F170 567974 N.D.E.ATB	1
Note: Please give the data from type plate of the motor			
2.1B	2027201	> BLOWGUN R1/8" VP.	1
Note: Please give the data from type plate of the motor			
		> SCREW PLUG R1/8" DIN906 8.8 BES.	1
Note: Please give the data from type plate of the motor			
2.2	2112677	CIRCLIP 52X2 J ATB VP.	1
Note: Please give the data from type plate of the motor			
2.3	121083998	BALL BEARING 6205/2Z-C3 (HT) VP.	1
Note: Please give the data from type plate of the motor			
2.4	121083998	BALL BEARING 6205/2Z-C3 (HT) VP.	1
Note: Please give the data from type plate of the motor			
2.6	2096272	SPACER DISC BG80-100 ATB VP.	1
Note: Please give the data from type plate of the motor			
2.7	2118607	END SHIELD BG90 N.D.E.ATB VP.	1
Note: Please give the data from type plate of the motor			
2.8	121479094	FAN WHEEL BG90/100 ATB KIT	1
Note: Please give the data from type plate of the motor			
2.8A		> FAN WHEEL BG90/100 721383 ATB	1
2.8B	2047016	> CORRUGATED SLEEVE RING BG90/100 ATB VP.	1
Note: Please give the data from type plate of the motor			
2.9	2096347	FAN HOUSING BG90/100 METAL ATB VP.	1
Note: Please give the data from type plate of the motor			
2.12	2138735	SHAFT SEAL RING BG90 D.E.ATB VP.	1
Note: Please give the data from type plate of the motor			
2.14	2112921	JOINT RING CIRCULAR 25X35X4 ATB VP.	1
2.15	2112674	SCREW END SHIELD M5X190 ATB(4 PIECES)	1
Note: Please give the data from type plate of the motor			
	2111437	GASKET TERMINAL BOX BG90 ATB.VP.	1
Note: Please give the data from type plate of the motor			



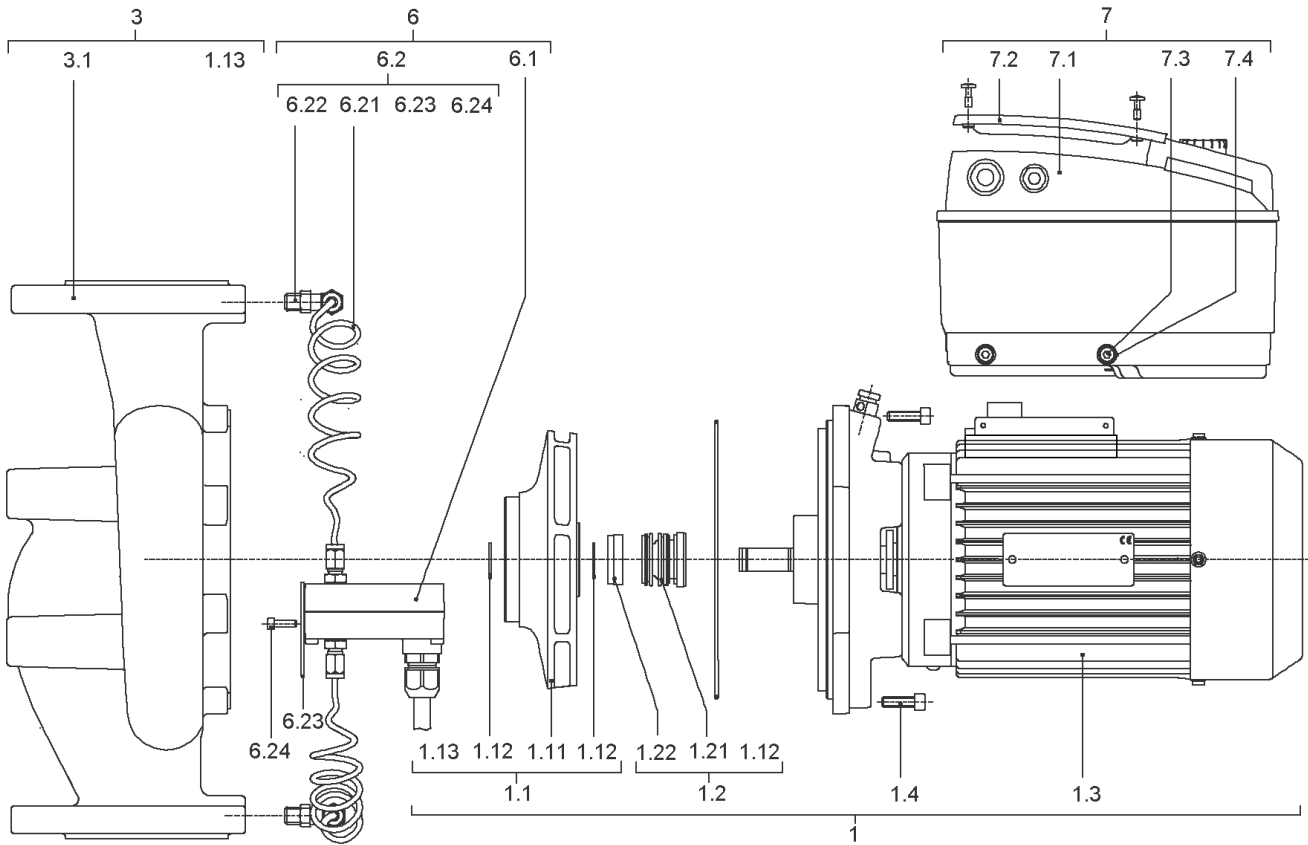
**Spare parts IP-E80/115-2,2/2-R1 ELEC**

Item	Article no.	Description	Quantity
1	2139839	Service Motor IP/DP-E80/115-2,2 IE2ELEC	1
1.1	122093091	> IMPELLER D.80/119/17 KIT	1
1.11		>> Impeller D.80/119/17X14,1 PPO FE1630	1
1.12	2123932	>> CIRCLIP 17X1 DIN471 A2 1.4122 VP.	1
1.13	2010301	>> O-RING ID.117,07X3,53	1
1.2	122097593	> Mechanical seal ID.17 AQ1EGG KIT	1
1.12	2123932	>> CIRCLIP 17X1 DIN471 A2 1.4122 VP.	1
1.13	2010300	>> O-RING ID.107,54X3,53	1
1.13	2010301	>> O-RING ID.117,07X3,53	1
1.13	2054183	>> O-RING ID.158,34X3,53 E7518	1
Note: TO/ BIS/ JUSQU'À: 03/03			
1.13	2046358	>> O-RING ID.164,7X3,53 E7518 VP.	1
Note: FROM/ AB/ À PARTIR: 04/03			
1.21		>> MECHANICAL SEAL ID.17 AQ1EGG	1
1.22		>> Distance ring D.17/30X9 PPO FE1630	1
1.3		> Motor	1
1.4	2037242	> SCREW M10X25 ISO4762 8.8 (4 PIECES)	1
		Spare parts motor 2,2/2/90F170E ELEC IE2	1
3	2016516	PUMP HOUSING IPL80/115/IP-E80/2 KIT	1
1.13	2010301	> O-RING ID.117,07X3,53	1
3.1		> PUMP HOUSING IP-E80/120 CPL.WILO	1
7	2145517	Module IP-E/DP-E80/115-2,2/2-IE2ELEC KIT	1
7.1		> Module IP-E/DP-E80/115-2,2/2 IE2 ELEC	1
7.2	2054227	> MODULE COVER/GASKET TL3/4 KIT	1
7.3		> SCREW M5X16 ISO4762 8.8 ZnNi	1
7.4		> WASHER TOOTHED LOCK A5,3 DIN6797 FST ZN	1
	2061236	> O-RING ID.38X3 EPDM 70SR.A BUS.	1



## Spare parts motor 2,2/2/90F170E ELEC IE2

Item	Article no.	Description	Quantity
2.1	2111308	FLANGE END SHIELD BG90F170 D.E.ELEC KIT	1
2.1A		> LANTERN V18 M115-F170 KTL	1
2.1B	2027201	> BLOWGUN R1/8" VP.	1
Note: Please give the data from type plate of the motor			
2.2	2111312	END SHIELD BG90 V18 D.E.ELEC KIT	1
2.2A		> Flange IEC90 V18 (w/o thread)	1
2.2B	2111309	> CONDENSATE HOLE GASKET D5 VP.	1
Note: Please give the data from type plate of the motor			
2.3	2111314	SCREW M8X40 6.8 (4 PIECES)	1
2.4	2111324	THROWER D.36X4 VP.	1
2.5	2111334	CIRCLIP D.30 GB894.1 VP.	1
2.6	2118385	BALL BEARING 6306 DDW C3 EA6 VP.	1
2.7	2111337	CIRCLIP D.72 GB893.1 VP.	1
2.8	2111342	BALL BEARING 6204 DDW C3 EA3 VP.	1
2.9	2111339	SPRING RING D.47 JB/T7590 VP.	1
2.10	2157920	End shield BG90 N.D.E.ELEC KIT	1
		> Flange IEC90 NDS with slot reduce0.5	1
		> O-RING ID47.2*3.53 EPDM	1
2.11	2111320	SCREW M5X211 6.8 (4 PIECES)	1
2.12	2107782	FAN WHEEL BG90 ELEC KIT	1
2.12A		> FAN 122.6X15X17 GP2200 G/F20%	1
2.12B	2111321	> STOP-RING D.14,8x0,4 VP.	1
Note: Please give the data from type plate of the motor			
2.13	2111322	FAN HOOD BG90 ELEC KIT	1
2.13A		> FAN COVER IEC90 KTL ST14 T0.8 H70	1
2.13B	2111323	> SCREW M4X6 (4 PIECES)	1
Note: Please give the data from type plate of the motor			





**IP-E80/130-3/2-IE2-X1 (2109775)**

Item	Article no.	Description	Quantity
1	2112612	SERVICE MOTOR IP/DP-E80/130-3 IE2ATB	1
1.1	2052531	> IMPELLER D.95/119/17 KIT	1
1.11		>> IMPELLER D.95/119/17 KU.	1
1.12	2123932	>> CIRCLIP 17X1 DIN471 A2 1.4122 VP.	1
1.13	2046358	>> O-RING ID.164,7X3,53 E7518 VP.	1
1.2	122097593	> Mechanical seal ID.17 AQ1EGG KIT	1
1.12	2123932	>> CIRCLIP 17X1 DIN471 A2 1.4122 VP.	1
1.13	2010300	>> O-RING ID.107,54X3,53	1
1.13	2010301	>> O-RING ID.117,07X3,53	1
1.13	2054183	>> O-RING ID.158,34X3,53 E7518	1
Note: TO/ BIS/ JUSQU'À: 03/03			
1.13	2046358	>> O-RING ID.164,7X3,53 E7518 VP.	1
Note: FROM/ AB/ À PARTIR: 04/03			
1.21		>> MECHANICAL SEAL ID.17 AQ1EGG	1
1.22		>> Distance ring D.17/30X9 PPO FE1630	1
1.3		> Motor	1
1.4	2052495	> SCREW M6X20 ISO4762 8.8 (8 PIECES)	1
		SPARE PARTS MOTOR 3/2/100 F188E	1
3	2016520	PUMP HOUSING IPL80/160/IP-E80/4 KIT	1
1.13	2046358	> O-RING ID.164,7X3,53 E7518 VP.	1
3.1		> PUMP HOUSING IP-E80/156 CPL.WILO	1
6	2104479	DPS20-1(0-10V) KIT	1
6.1	2106113	> DIFFERENTIAL PRESSURE SENSOR 20 KIT	1
Note: FROM/ AB/ À PARTIR: 09/2009			
		>> DPS20 spiral TZ.3mm Volt 2G	1
	2196657	>> Cable DPS 3x0,34x650 short bared 2G VP.	1
Note: from/ab/de 01.10.2013			
6.2	2106120	> CONNECTION SENSOR IP-E SPIRAL M6 KIT	1
Note: FROM/ AB/ À PARTIR: 09/2009			
6.21		>> CAPILLARY COIL 1000	2
6.22		>> Fixation ring pipe union R1/8" 90GD.Ni	1
6.23		>> HANDLE DDG M6	1
6.24		>> Screw M4x10 EE DIN7500 ZN	2
	2168862	>> Nut/Ferrule M6 D.3MM MS Ni (2 Pieces)	1

**IP-E80/130-3/2-IE2-X1 (2109775)**

Item	Article no.	Description	Quantity
	2168860	>> Nut/Ferrule M8 D.5MM MS Ni (2 Pieces)	1
7	2111432	MODULE IP/DP-E80/130-3/2-IE2 ATB KIT	1
7.1		> Module IP-E/DP-E80/130-3/2 IE2 ATB	1
7.2	2054227	> MODULE COVER/GASKET TL3/4 KIT	1
7.3		> SCREW M5X16 ISO4762 8.8 ZnNi	1
7.4		> WASHER TOOTHED LOCK A5,3 DIN6797 FST ZN	1
	2061236	> O-RING ID.38X3 EPDM 70SR.A BUS.	1

**Motor-Typenschild / Motor type plate / Plaque identité moteur**

**Bei Ersatzteilbestellung Motor-Nummer angeben!**

**Indicate motor number for order of spare parts!**

**Pour une commande de pièces détachées, donner le numéro du moteur!**

ATB - AF

Motor-Nummer  
motor number  
numéro du moteur

3-Mot. 90L  
1234567 - 1  
IMB5 IP 55

AF 90L/2I-12  
Y/Δ 400/230 V 4.6/8.0 A

2850 1/min cos φ 0.87 50 Hz  
2.2 kW S1

● Y/Δ 380...420/220...240 V ●  
4.8...4.6/8.3...8.0 A

Th. Cl. F 1. freie Zeile  
2. freie Zeile  
3. freie Zeile

Made in Germany  
T09 463023N 16 kg EN 60034 - IEC 38

WILO ELEC

Motor-Nummer  
motor number  
numéro du moteur

3-Induction Motor  
Made by WILO Group

3502984  
Class F

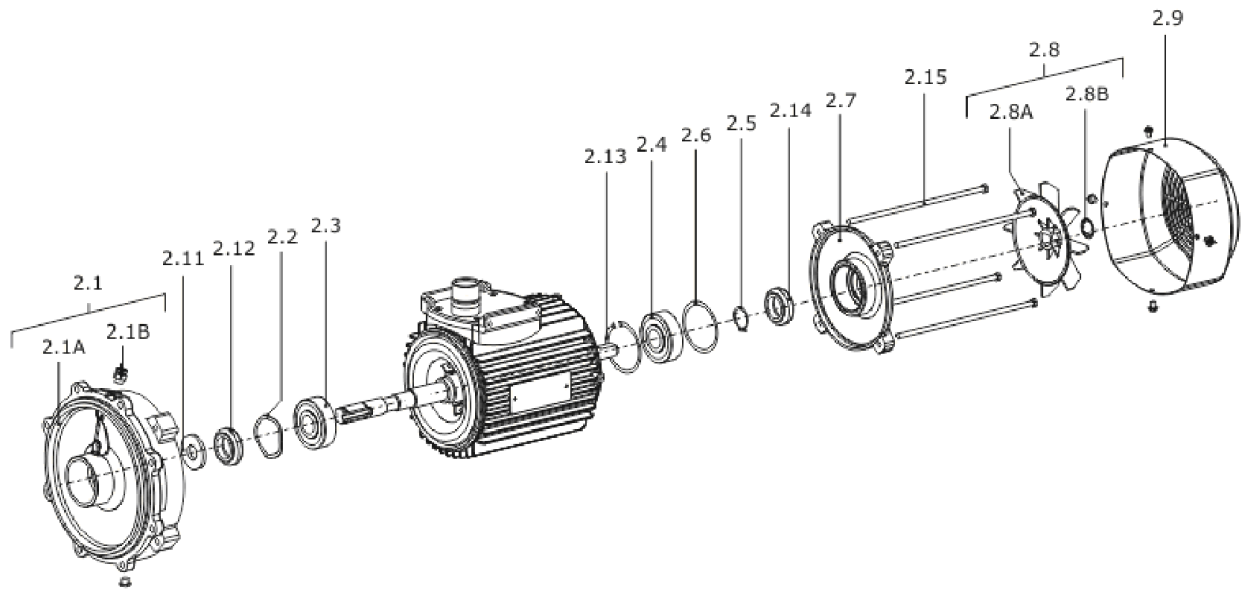
W071080-2-F188E  
S1 IP 55 10.4kg

1001.001  
EN60034

50Hz	0.55kW	2860min <sup>-1</sup>	60Hz	0.66kW	3450min <sup>-1</sup>
Y	400V	1.33A	Y	440-480V	1.34-1.32A
Cosφ=0.76		Eta=79.0%	Cosφ=0.75		Eta=80.0%

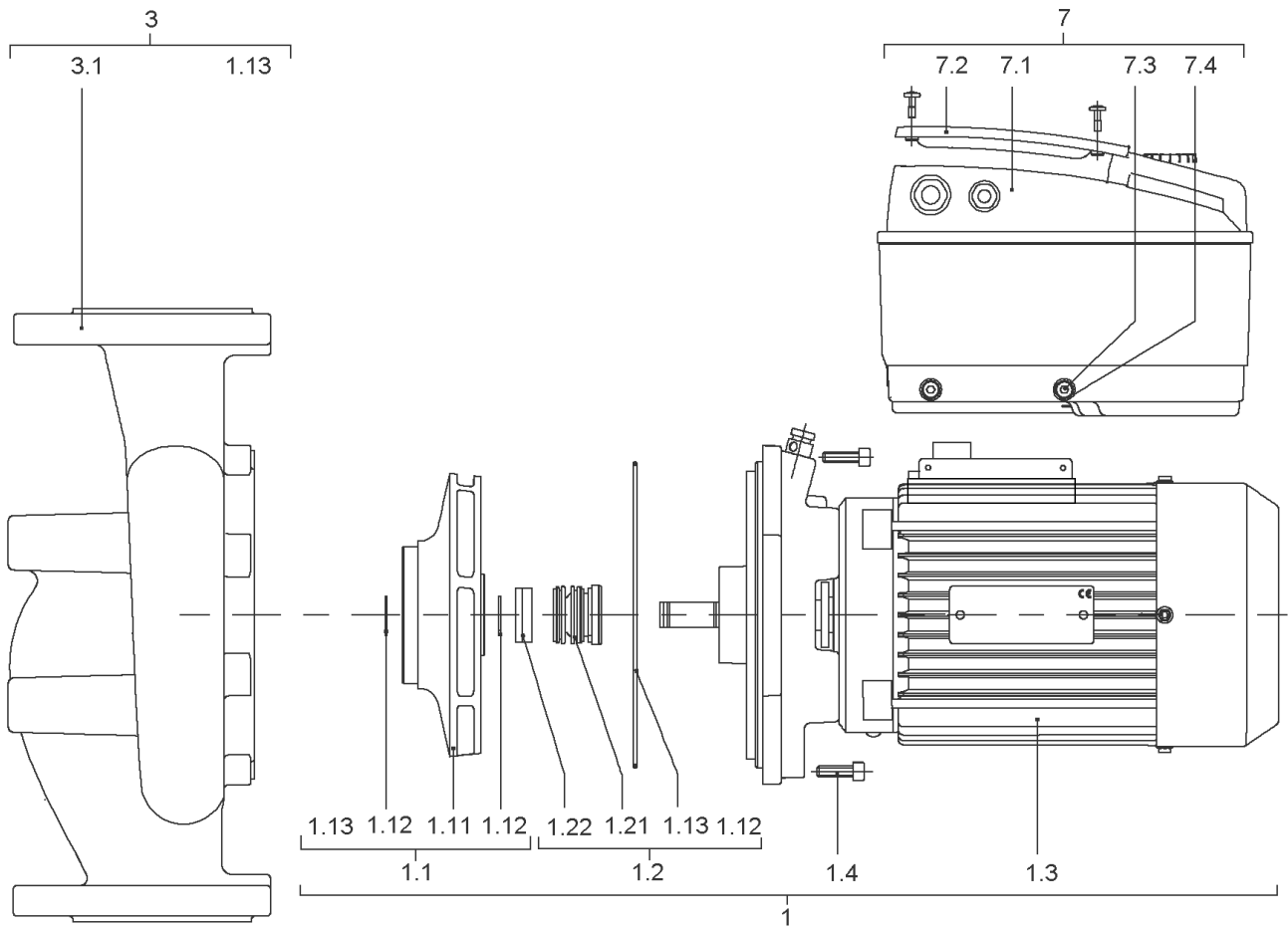
**SPARE PARTS MOTOR 3/2/100 F188E**

<b>Item</b>	<b>Description</b>	<b>Quantity</b>
1	MOTOR 3/2/100 F188E ATB	1



**MOTOR 3/2/100 F188E ATB**

Item	Article no.	Description	Quantity
2.1	2125452	END SHIELD BG100 D.E.ATB KIT	1
Note: Please give the data from type plate of the motor			
2.1A		> END SHIELD BG100 D.E.514725 ATB	1
2.1B	2027201	> BLOWGUN R1/8" VP.	1
Note: Please give the data from type plate of the motor			
2.2	2096258	SHIM BALL BEARING BG90-112 ATB VP.	1
Note: Please give the data from type plate of the motor			
2.3	121084190	BALL BEARING 6206/2Z-C3 (HT) VP.	1
Note: Please give the data from type plate of the motor			
2.4	121084190	BALL BEARING 6206/2Z-C3 (HT) VP.	1
Note: Please give the data from type plate of the motor			
2.5	2111441	CIRCLIP BG100/112 ATB VP.	1
Note: Please give the data from type plate of the motor			
2.6	2096273	SPACER DISC BG90/112 ATB VP.	1
Note: Please give the data from type plate of the motor			
2.7	2087825	END SHIELD BG100/112 457256N.D.E.ATB VP.	1
2.8	121479094	FAN WHEEL BG90/100 ATB KIT	1
Note: Please give the data from type plate of the motor			
2.8A		> FAN WHEEL BG90/100 721383 ATB	1
2.8B	2047016	> CORRUGATED SLEEVE RING BG90/100 ATB VP.	1
Note: Please give the data from type plate of the motor			
2.9	2046109	FAN HOUSING BG100 PLASTIC ATB VP.	1
Note: Please give the data from type plate of the motor			
2.12	2111449	SHAFT SEAL RING BG100/112 ATB VP.	1
Note: Please give the data from type plate of the motor			
2.14	2201024	Shaft seal ring BG100/112 N.D.E.ATB VP.	1
2.15	2111443	SCREW END SHILD BG100 D.E.ATB(4 PIECES)	1
Note: Please give the data from type plate of the motor			
	2147196	Gasket terminal box BG100/112 ATB.VP.	1
Note: Please give the data from type plate of the motor			



**IP-E80/130-3/2-R1-IE2-X1 (2109811)**

Item	Article no.	Description	Quantity
1	2112612	SERVICE MOTOR IP/DP-E80/130-3 IE2ATB	1
1.1	2052531	> IMPELLER D.95/119/17 KIT	1
1.11		>> IMPELLER D.95/119/17 KU.	1
1.12	2123932	>> CIRCLIP 17X1 DIN471 A2 1.4122 VP.	1
1.13	2046358	>> O-RING ID.164,7X3,53 E7518 VP.	1
1.2	122097593	> Mechanical seal ID.17 AQ1EGG KIT	1
1.12	2123932	>> CIRCLIP 17X1 DIN471 A2 1.4122 VP.	1
1.13	2010300	>> O-RING ID.107,54X3,53	1
1.13	2010301	>> O-RING ID.117,07X3,53	1
1.13	2054183	>> O-RING ID.158,34X3,53 E7518	1
Note: TO/ BIS/ JUSQU'À: 03/03			
1.13	2046358	>> O-RING ID.164,7X3,53 E7518 VP.	1
Note: FROM/ AB/ À PARTIR: 04/03			
1.21		>> MECHANICAL SEAL ID.17 AQ1EGG	1
1.22		>> Distance ring D.17/30X9 PPO FE1630	1
1.3		> Motor	1
1.4	2052495	> SCREW M6X20 ISO4762 8.8 (8 PIECES)	1
		SPARE PARTS MOTOR 3/2/100 F188E	1
3	2016520	PUMP HOUSING IPL80/160/IP-E80/4 KIT	1
1.13	2046358	> O-RING ID.164,7X3,53 E7518 VP.	1
3.1		> PUMP HOUSING IP-E80/156 CPL.WILO	1
7	2111432	MODULE IP/DP-E80/130-3/2-IE2 ATB KIT	1
7.1		> Module IP-E/DP-E80/130-3/2 IE2 ATB	1
7.2	2054227	> MODULE COVER/GASKET TL3/4 KIT	1
7.3		> SCREW M5X16 ISO4762 8.8 ZnNi	1
7.4		> WASHER TOOTHED LOCK A5,3 DIN6797 FST ZN	1
	2061236	> O-RING ID.38X3 EPDM 70SR.A BUS.	1



### Motor-Typenschild / Motor type plate / Plaque identité moteur

**Bei Ersatzteilbestellung Motor-Nummer angeben!**

**Indicate motor number for order of spare parts!**

**Pour une commande de pièces détachées, donner le numéro du moteur!**

ATB - AF

Motor-Nummer  
motor number  
numéro du moteur

3-Mot. 90L  
1234567 - 1  
IMB5 IP 55

AF 90L/2I-12  
Y/Δ 400/230 V 4.6/8.0 A

2850 1/min cos φ 0.87 50 Hz  
2.2 kW S1

● Y/Δ 380...420/220...240 V ●  
4.8...4.6/8.3...8.0 A

Th. Cl. F 1. freie Zeile  
2. freie Zeile  
3. freie Zeile

Made in Germany  
T09 463023N 16 kg EN 60034 - IEC 38

WILO ELEC

Motor-Nummer  
motor number  
numéro du moteur

3-Induction Motor  
Made by WILCO Group

3502984  
Class F

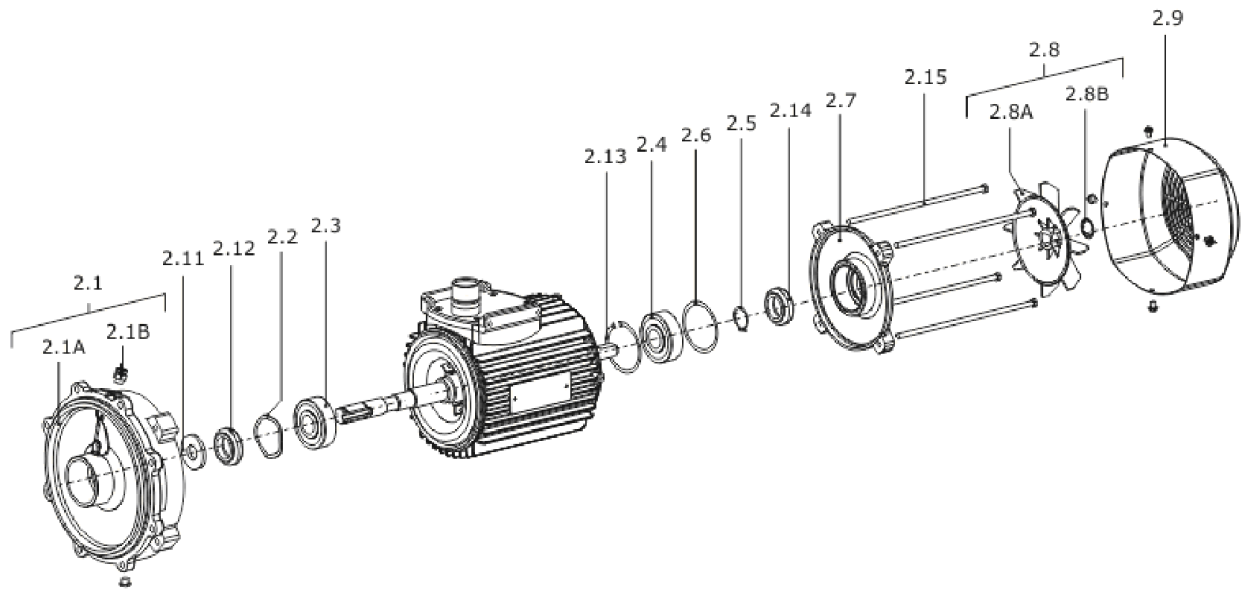
W071080-2-F188E  
S1 IP 55 10.4kg

1001.001  
EN60034

50Hz	0.55kW	2860min <sup>-1</sup>	60Hz	0.66kW	3450min <sup>-1</sup>
Y	400V	1.33A	Y	440-480V	1.34-1.32A
Cosφ=0.76		Eta=79.0%		Cosφ=0.75	
		Eta=80.0%			

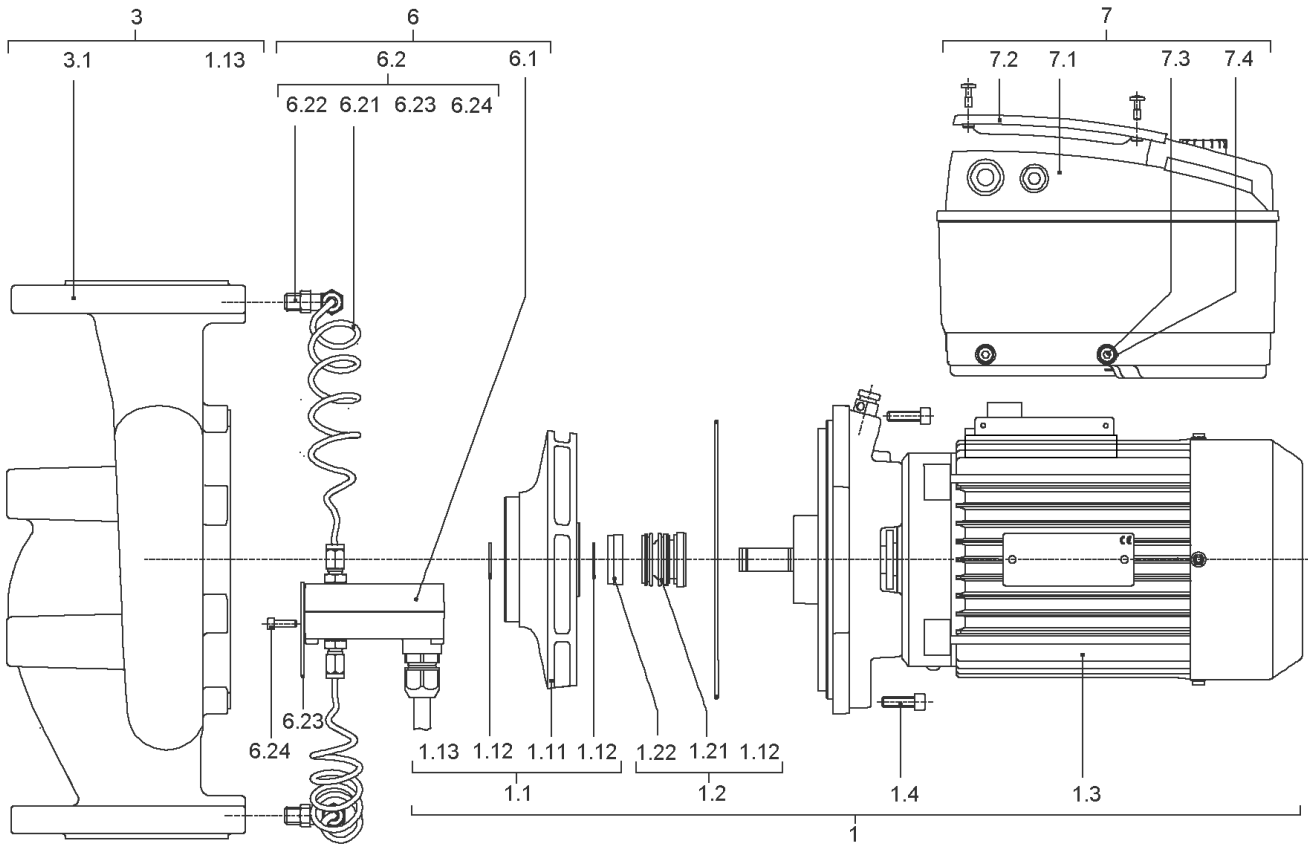
**SPARE PARTS MOTOR 3/2/100 F188E**

<b>Item</b>	<b>Description</b>	<b>Quantity</b>
1	MOTOR 3/2/100 F188E ATB	1



**MOTOR 3/2/100 F188E ATB**

Item	Article no.	Description	Quantity
2.1	2125452	END SHIELD BG100 D.E.ATB KIT	1
Note: Please give the data from type plate of the motor			
2.1A		> END SHIELD BG100 D.E.514725 ATB	1
2.1B	2027201	> BLOWGUN R1/8" VP.	1
Note: Please give the data from type plate of the motor			
2.2	2096258	SHIM BALL BEARING BG90-112 ATB VP.	1
Note: Please give the data from type plate of the motor			
2.3	121084190	BALL BEARING 6206/2Z-C3 (HT) VP.	1
Note: Please give the data from type plate of the motor			
2.4	121084190	BALL BEARING 6206/2Z-C3 (HT) VP.	1
Note: Please give the data from type plate of the motor			
2.5	2111441	CIRCLIP BG100/112 ATB VP.	1
Note: Please give the data from type plate of the motor			
2.6	2096273	SPACER DISC BG90/112 ATB VP.	1
Note: Please give the data from type plate of the motor			
2.7	2087825	END SHIELD BG100/112 457256N.D.E.ATB VP.	1
2.8	121479094	FAN WHEEL BG90/100 ATB KIT	1
Note: Please give the data from type plate of the motor			
2.8A		> FAN WHEEL BG90/100 721383 ATB	1
2.8B	2047016	> CORRUGATED SLEEVE RING BG90/100 ATB VP.	1
Note: Please give the data from type plate of the motor			
2.9	2046109	FAN HOUSING BG100 PLASTIC ATB VP.	1
Note: Please give the data from type plate of the motor			
2.12	2111449	SHAFT SEAL RING BG100/112 ATB VP.	1
Note: Please give the data from type plate of the motor			
2.14	2201024	Shaft seal ring BG100/112 N.D.E.ATB VP.	1
2.15	2111443	SCREW END SHILD BG100 D.E.ATB(4 PIECES)	1
Note: Please give the data from type plate of the motor			
	2147196	Gasket terminal box BG100/112 ATB.VP.	1
Note: Please give the data from type plate of the motor			



**IP-E80/140-4/2-IE2-X1 (2109776)**

Item	Article no.	Description	Quantity
1	2112613	SERVICE MOTOR IP/DP-E80/140-4 IE2ATB	1
1.1	2016535	> IMPELLER D.95/135/17 KIT	1
1.11		>> IMPELLER D.95/135/15/17 KU.	1
1.12	2123932	>> CIRCLIP 17X1 DIN471 A2 1.4122 VP.	1
1.13	2046358	>> O-RING ID.164,7X3,53 E7518 VP.	1
1.2	122097593	> Mechanical seal ID.17 AQ1EGG KIT	1
1.12	2123932	>> CIRCLIP 17X1 DIN471 A2 1.4122 VP.	1
1.13	2010300	>> O-RING ID.107,54X3,53	1
1.13	2010301	>> O-RING ID.117,07X3,53	1
1.13	2054183	>> O-RING ID.158,34X3,53 E7518	1
Note: TO/ BIS/ JUSQU'À: 03/03			
1.13	2046358	>> O-RING ID.164,7X3,53 E7518 VP.	1
Note: FROM/ AB/ À PARTIR: 04/03			
1.21		>> MECHANICAL SEAL ID.17 AQ1EGG	1
1.22		>> Distance ring D.17/30X9 PPO FE1630	1
1.3		> Motor	1
1.4	2052495	> SCREW M6X20 ISO4762 8.8 (8 PIECES)	1
		SPARE PARTS MOTOR 4/2/112 F188E	1
3	2016520	PUMP HOUSING IPL80/160/IP-E80/4 KIT	1
1.13	2046358	> O-RING ID.164,7X3,53 E7518 VP.	1
3.1		> PUMP HOUSING IP-E80/156 CPL.WILO	1
6	2104479	DPS20-1(0-10V) KIT	1
6.1	2106113	> DIFFERENTIAL PRESSURE SENSOR 20 KIT	1
Note: FROM/ AB/ À PARTIR: 09/2009			
		>> DPS20 spiral TZ.3mm Volt 2G	1
	2196657	>> Cable DPS 3x0,34x650 short bared 2G VP.	1
Note: from/ab/de 01.10.2013			
6.2	2106120	> CONNECTION SENSOR IP-E SPIRAL M6 KIT	1
Note: FROM/ AB/ À PARTIR: 09/2009			
6.21		>> CAPILLARY COIL 1000	2
6.22		>> Fixation ring pipe union R1/8" 90GD.Ni	1
6.23		>> HANDLE DDG M6	1
6.24		>> Screw M4x10 EE DIN7500 ZN	2
	2168862	>> Nut/Ferrule M6 D.3MM MS Ni (2 Pieces)	1

**IP-E80/140-4/2-IE2-X1 (2109776)**

Item	Article no.	Description	Quantity
	2168860	>> Nut/Ferrule M8 D.5MM MS Ni (2 Pieces)	1
7	2111433	MODULE IP/DP-E80/140-4/2-IE2 ATB KIT	1
7.1		> Module IP-E/DP-E80/140-4/2 IE2 ATB	1
7.2	2054227	> MODULE COVER/GASKET TL3/4 KIT	1
7.3		> SCREW M5X16 ISO4762 8.8 ZnNi	1
7.4		> WASHER TOOTHED LOCK A5,3 DIN6797 FST ZN	1
	2061236	> O-RING ID.38X3 EPDM 70SR.A BUS.	1

### Motor-Typenschild / Motor type plate / Plaque identité moteur

**Bei Ersatzteilbestellung Motor-Nummer angeben!**

**Indicate motor number for order of spare parts!**

**Pour une commande de pièces détachées, donner le numéro du moteur!**

ATB - AF

Motor-Nummer  
motor number  
numéro du moteur

**ATB**  
 3-Mot. 90L  
 1234567 - 1  
 IMB5 IP 55  
 AF 90L/2I-12  
 Y/Δ 400/230 V 4.6/8.0 A  
 2850 1/min cos φ 0.87 50 Hz  
 2.2 kW S1  
 ● Y/Δ 380...420/220...240 V ●  
 4.8...4.6/8.3...8.0 A  
 Th. Cl. F 1. freie Zeile  
 2. freie Zeile  
 3. freie Zeile  
 Made in Germany  
 T09 463023N 16 kg EN 60034 - IEC 38

WILO ELEC

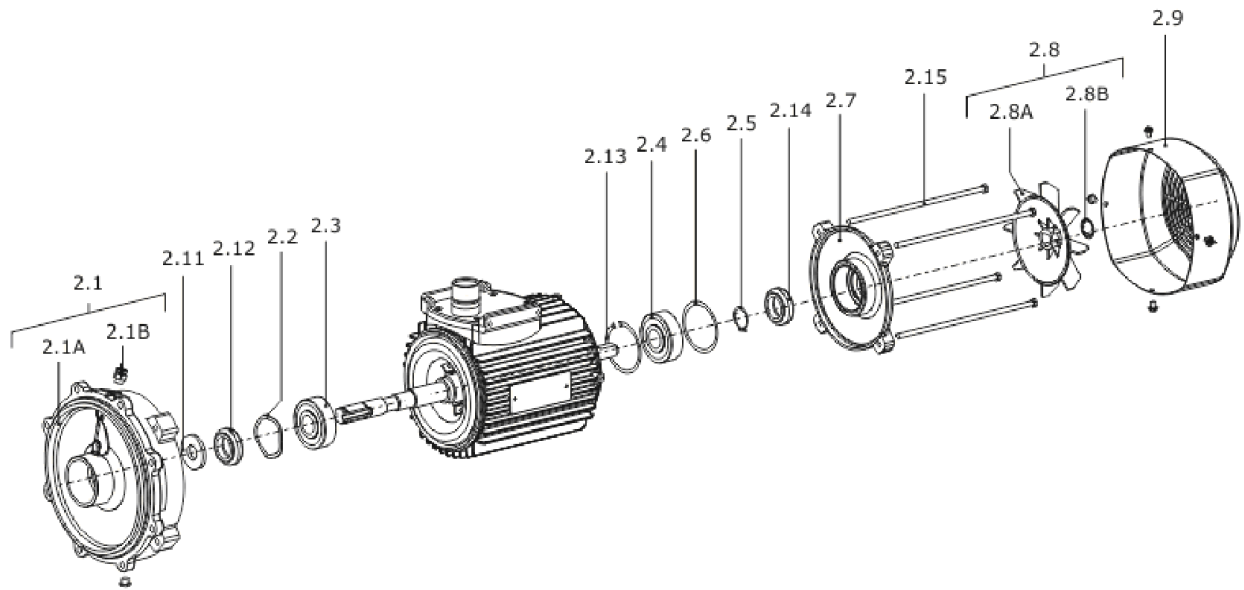
Motor-Nummer  
motor number  
numéro du moteur

**3-Induction Motor**  
 Made by WILO Group  
**CE**  
 3502984 W071080-2-F188E 1001.001  
 Class F S1 IP 55 10.4kg EN60034  
  
 50Hz 0.55kW 2860min<sup>-1</sup> 60Hz 0.66kW 3450min<sup>-1</sup>  
 Y 400V 1.33A Y 440-480V 1.34-1.32A  
 Cosφ=0.76 Eta=79.0% Cosφ=0.75 Eta=80.0%



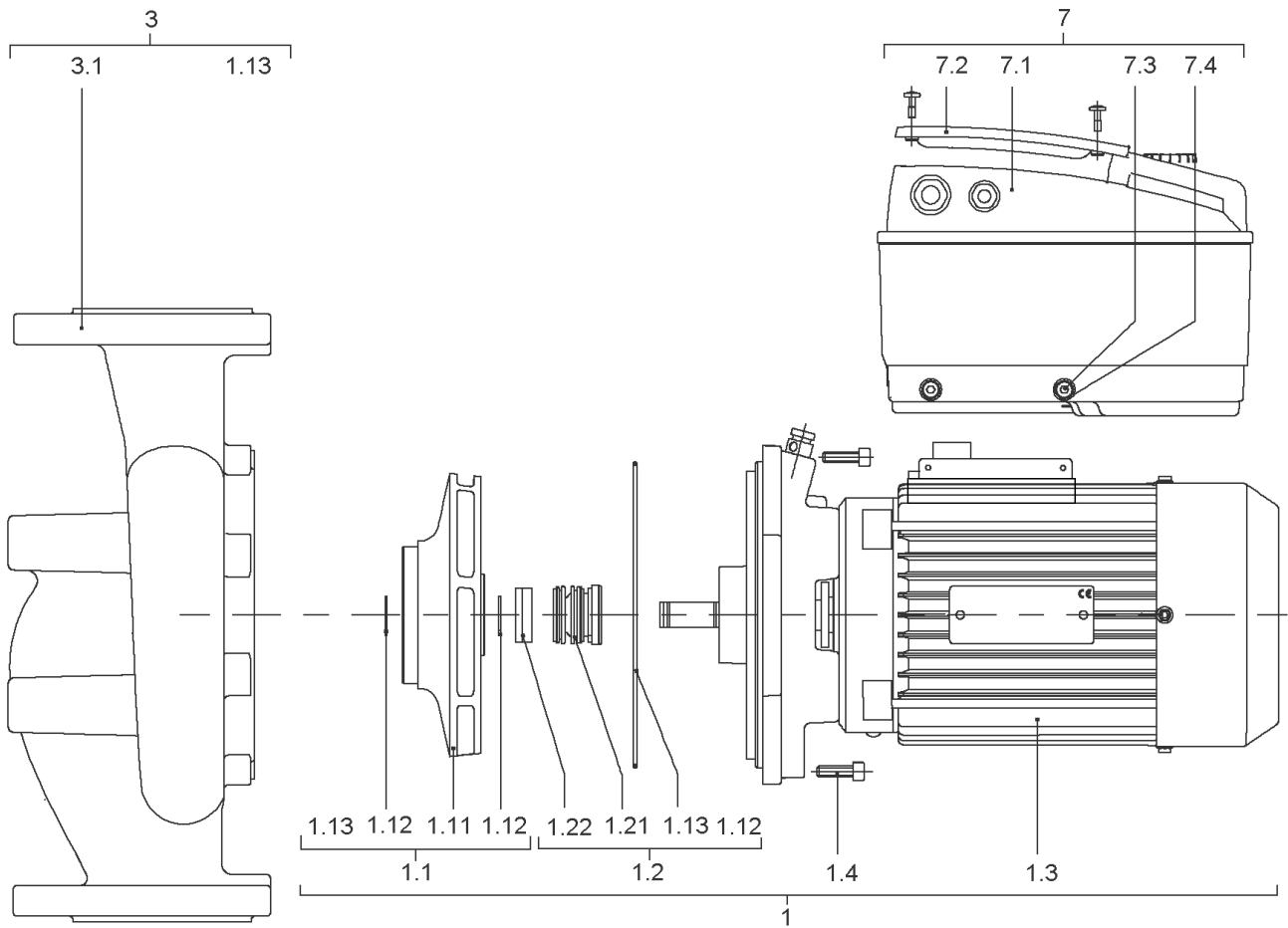
**SPARE PARTS MOTOR 4/2/112 F188E**

<b>Item</b>	<b>Description</b>	<b>Quantity</b>
1	MOTOR 4/2/112 F188E ATB	1



**MOTOR 4/2/112 F188E ATB**

Item	Article no.	Description	Quantity
2.1	2125454	END SHIELD BG112 D.E.ATB KIT	1
Note: Please give the data from type plate of the motor			
2.1A		> END SHIELD BG112 D.E.514768 ATB	1
2.1B	2027201	> BLOWGUN R1/8" VP.	1
Note: Please give the data from type plate of the motor			
2.2	2096258	SHIM BALL BEARING BG90-112 ATB VP.	1
Note: Please give the data from type plate of the motor			
2.3	121084190	BALL BEARING 6206/2Z-C3 (HT) VP.	1
Note: Please give the data from type plate of the motor			
2.4	121084190	BALL BEARING 6206/2Z-C3 (HT) VP.	1
Note: Please give the data from type plate of the motor			
2.5	2111441	CIRCLIP BG100/112 ATB VP.	1
Note: Please give the data from type plate of the motor			
2.6	2096273	SPACER DISC BG90/112 ATB VP.	1
Note: Please give the data from type plate of the motor			
2.7	2045002	END SHIELD BG112 N.D.E.ATB VP.	1
Note: Please give the data from type plate of the motor			
2.8	121479197	FAN WHEEL BG100-132 ATB KIT	1
Note: Please give the data from type plate of the motor			
2.8A		> FAN WHEEL BG100-132 721186 ATB	1
2.8B	2123672	> CORRU. SLEEVE RING BG90-132 ATB VP.	1
Note: Please give the data from type plate of the motor			
2.9	121181190	FAN HOUSING BG112 METAL ATB VP.	1
Note: Please give the data from type plate of the motor			
2.12	2201026	Shaft seal ring BG100/112 D.E.ATB VP.	1
Note: Please give the data from type plate of the motor			
2.14	2201024	Shaft seal ring BG100/112 N.D.E.ATB VP.	1
2.15	2111445	SCREW END SHILD M6X220 ATB(4 PIECES)	1
Note: Please give the data from type plate of the motor			
	2147196	Gasket terminal box BG100/112 ATB.VP.	1
Note: Please give the data from type plate of the motor			



**IP-E80/140-4/2-R1-IE2-X1 (2109812)**

Item	Article no.	Description	Quantity
1	2112613	SERVICE MOTOR IP/DP-E80/140-4 IE2ATB	1
1.1	2016535	> IMPELLER D.95/135/17 KIT	1
1.11		>> IMPELLER D.95/135/15/17 KU.	1
1.12	2123932	>> CIRCLIP 17X1 DIN471 A2 1.4122 VP.	1
1.13	2046358	>> O-RING ID.164,7X3,53 E7518 VP.	1
1.2	122097593	> Mechanical seal ID.17 AQ1EGG KIT	1
1.12	2123932	>> CIRCLIP 17X1 DIN471 A2 1.4122 VP.	1
1.13	2010300	>> O-RING ID.107,54X3,53	1
1.13	2010301	>> O-RING ID.117,07X3,53	1
1.13	2054183	>> O-RING ID.158,34X3,53 E7518	1
Note: TO/ BIS/ JUSQU'À: 03/03			
1.13	2046358	>> O-RING ID.164,7X3,53 E7518 VP.	1
Note: FROM/ AB/ À PARTIR: 04/03			
1.21		>> MECHANICAL SEAL ID.17 AQ1EGG	1
1.22		>> Distance ring D.17/30X9 PPO FE1630	1
1.3		> Motor	1
1.4	2052495	> SCREW M6X20 ISO4762 8.8 (8 PIECES)	1
		SPARE PARTS MOTOR 4/2/112 F188E	1
3	2016520	PUMP HOUSING IPL80/160/IP-E80/4 KIT	1
1.13	2046358	> O-RING ID.164,7X3,53 E7518 VP.	1
3.1		> PUMP HOUSING IP-E80/156 CPL.WILO	1
7	2111433	MODULE IP/DP-E80/140-4/2-IE2 ATB KIT	1
7.1		> Module IP-E/DP-E80/140-4/2 IE2 ATB	1
7.2	2054227	> MODULE COVER/GASKET TL3/4 KIT	1
7.3		> SCREW M5X16 ISO4762 8.8 ZnNi	1
7.4		> WASHER TOOTHED LOCK A5,3 DIN6797 FST ZN	1
	2061236	> O-RING ID.38X3 EPDM 70SR.A BUS.	1

**Motor-Typenschild / Motor type plate / Plaque identité moteur**

**Bei Ersatzteilbestellung Motor-Nummer angeben!**

**Indicate motor number for order of spare parts!**

**Pour une commande de pièces détachées, donner le numéro du moteur!**

ATB - AF

Motor-Nummer  
motor number  
numéro du moteur

3-Mot. 90L  
 1234567 - 1  
 IMB5 IP 55  
 AF 90L/2I-12  
 Y/Δ 400/230 V 4.6/8.0 A  
 2850 1/min cos φ 0.87 50 Hz  
 2.2 kW S1  
 ● Y/Δ 380...420/220...240 V ●  
 4.8...4.6/8.3...8.0 A  
 Th. Cl. F 1. freie Zeile  
 2. freie Zeile  
 3. freie Zeile Made in Germany  
 T09 463023N 16 kg EN 60034 - IEC 38

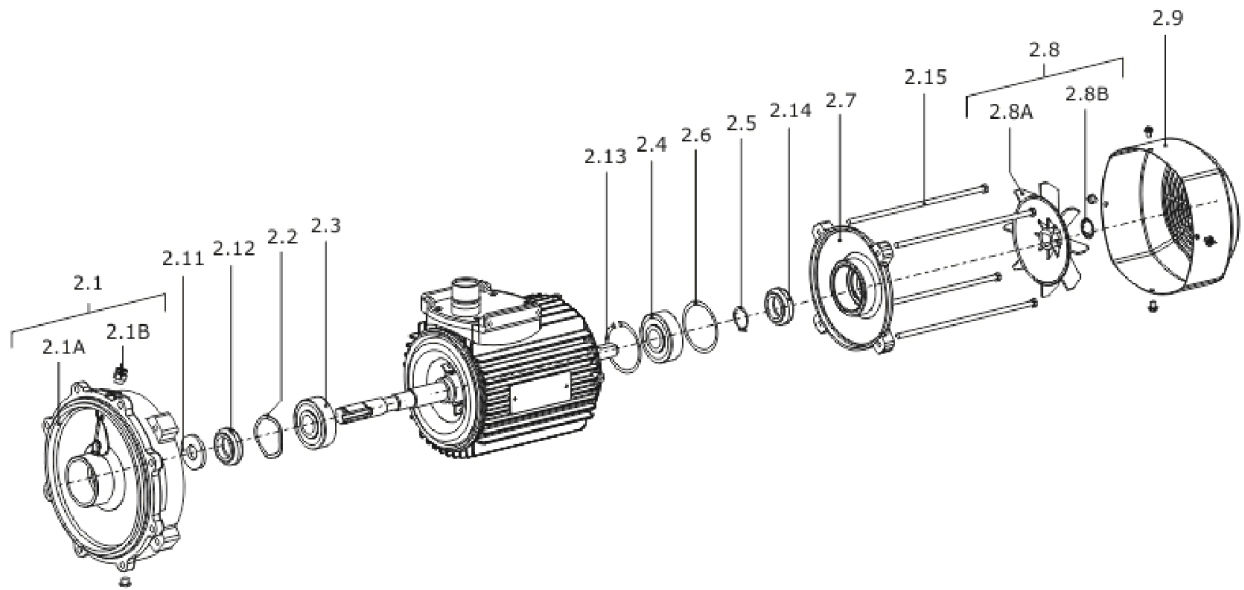
WILO ELEC

Motor-Nummer  
motor number  
numéro du moteur

**3-Induction Motor**  
 Made by WILCO Group   
 3502984 W071080-2-F188E 1001.001  
 Class F S1 IP 55 10.4kg EN60034  
  
 50Hz 0.55kW 2860min<sup>-1</sup> 60Hz 0.66kW 3450min<sup>-1</sup>  
 Y 400V 1.33A Y 440-480V 1.34-1.32A  
 Cosφ=0.76 Eta=79.0% Cosφ=0.75 Eta=80.0%

**SPARE PARTS MOTOR 4/2/112 F188E**

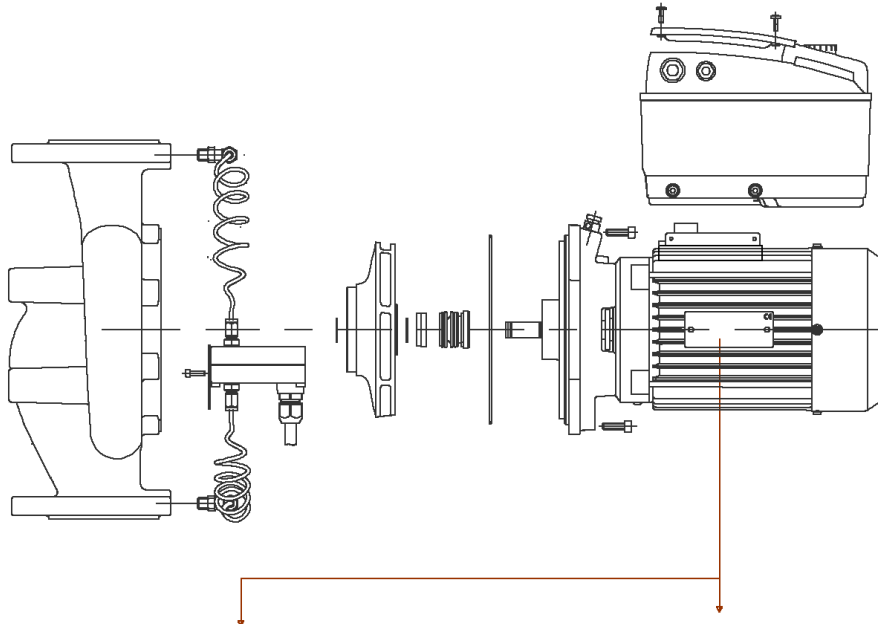
<b>Item</b>	<b>Description</b>	<b>Quantity</b>
1	MOTOR 4/2/112 F188E ATB	1





**MOTOR 4/2/112 F188E ATB**

Item	Article no.	Description	Quantity
2.1	2125454	END SHIELD BG112 D.E.ATB KIT	1
Note: Please give the data from type plate of the motor			
2.1A		> END SHIELD BG112 D.E.514768 ATB	1
2.1B	2027201	> BLOWGUN R1/8" VP.	1
Note: Please give the data from type plate of the motor			
2.2	2096258	SHIM BALL BEARING BG90-112 ATB VP.	1
Note: Please give the data from type plate of the motor			
2.3	121084190	BALL BEARING 6206/2Z-C3 (HT) VP.	1
Note: Please give the data from type plate of the motor			
2.4	121084190	BALL BEARING 6206/2Z-C3 (HT) VP.	1
Note: Please give the data from type plate of the motor			
2.5	2111441	CIRCLIP BG100/112 ATB VP.	1
Note: Please give the data from type plate of the motor			
2.6	2096273	SPACER DISC BG90/112 ATB VP.	1
Note: Please give the data from type plate of the motor			
2.7	2045002	END SHIELD BG112 N.D.E.ATB VP.	1
Note: Please give the data from type plate of the motor			
2.8	121479197	FAN WHEEL BG100-132 ATB KIT	1
Note: Please give the data from type plate of the motor			
2.8A		> FAN WHEEL BG100-132 721186 ATB	1
2.8B	2123672	> CORRU. SLEEVE RING BG90-132 ATB VP.	1
Note: Please give the data from type plate of the motor			
2.9	121181190	FAN HOUSING BG112 METAL ATB VP.	1
Note: Please give the data from type plate of the motor			
2.12	2201026	Shaft seal ring BG100/112 D.E.ATB VP.	1
Note: Please give the data from type plate of the motor			
2.14	2201024	Shaft seal ring BG100/112 N.D.E.ATB VP.	1
2.15	2111445	SCREW END SHILD M6X220 ATB(4 PIECES)	1
Note: Please give the data from type plate of the motor			
	2147196	Gasket terminal box BG100/112 ATB.VP.	1
Note: Please give the data from type plate of the motor			



ATB

Motor-Nummer  
motor number  
numéro du moteur

3~Mot.	AF132S/2F-11S+E2/0509	IE2-88,1%			
S1	132S IMV1	224039411-1	522058X		
IP 55	Th. CI.155(F)	SCHWINGGROESSENSTUFE B			
WILO NR.2064705					
kW	V	Hz	A	1/min	COS φ
7,5	YΔ 690/400	50	7,9/3,7	2890	0,90
7,5	Δ 460	60	11,8	3510	0,89
Made in Germany		50 kg	EN 60034		

ELEC

Motor-Nummer  
motor number  
numéro du moteur

Made by WILLO Group			
3501437	W080090-2-F188	0902.001	
Class F	S1	IP55	13.5kg EN60034
50Hz	1.10kW	2850min <sup>-1</sup>	60Hz 1.29kW 3435min <sup>-1</sup>
YΔ	230/400V	4.02/2.32A	Y 440-480V 2.40-2.32A
Cos φ =0.82	IE2-81.5%		Cos φ =0.85 IE2-82.5%

### Motor-Typenschild / Motor type plate / Plaque identité moteur

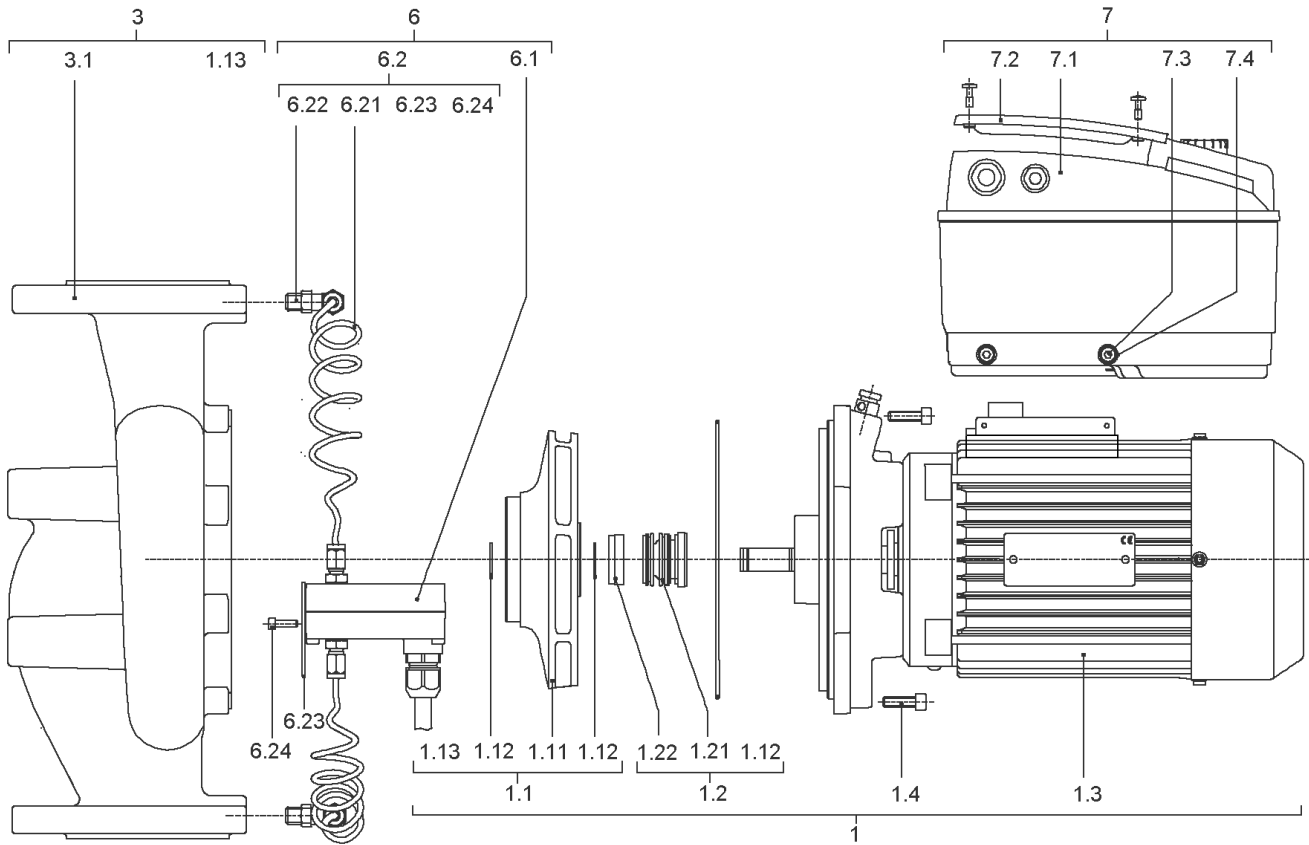
**Bei Ersatzteilbestellung Motor-Nummer angeben!**

**Indicate motor number for order of spare parts!**

**Pour une commande de pièces détachées, donner le numéro du moteur!**

**IP-E65/120-3/2-IE2 (2133261)**

<b>Item</b>	<b>Description</b>	<b>Quantity</b>
ATB	Spare parts IP-E65/120-3/2 ATB	1
ELEC	Spare parts IP-E65/120-3/2 ELEC	1

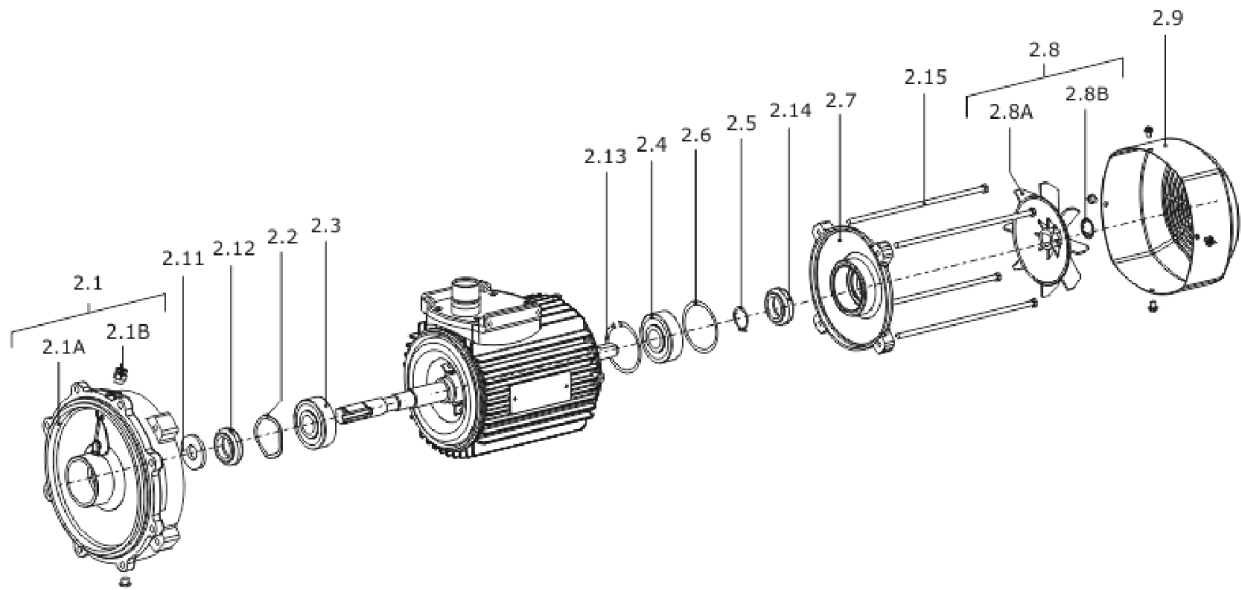


## Spare parts IP-E65/120-3/2 ATB

Item	Article no.	Description	Quantity
1	2131428	Service Motor IP/DP-E65/120-3 IE2ATB	1
1.1	2143562	> Impeller 65/140-119/17 PPO KIT	1
1.11		>> Impeller 65/140-119/17 PPO FE1630 fin	1
1.12	2123932	>> CIRCLIP 17X1 DIN471 A2 1.4122 VP.	1
1.13	2046358	>> O-RING ID.164,7X3,53 E7518 VP.	1
1.2	122097593	> Mechanical seal ID.17 AQ1EGG KIT	1
1.12	2123932	>> CIRCLIP 17X1 DIN471 A2 1.4122 VP.	1
1.13	2010300	>> O-RING ID.107,54X3,53	1
1.13	2010301	>> O-RING ID.117,07X3,53	1
1.13	2054183	>> O-RING ID.158,34X3,53 E7518	1
Note: TO/ BIS/ JUSQU'À: 03/03			
1.13	2046358	>> O-RING ID.164,7X3,53 E7518 VP.	1
Note: FROM/ AB/ À PARTIR: 04/03			
1.21		>> MECHANICAL SEAL ID.17 AQ1EGG	1
1.22		>> Distance ring D.17/30X9 PPO FE1630	1
1.3		> Motor	1
1.4	2052495	> SCREW M6X20 ISO4762 8.8 (8 PIECES)	1
		Spare parts motor 3/2/100 F188E ATB IE2	1
3	2145408	Pump housing IP65/140-F188 16 KIT	1
1.13	2046358	> O-RING ID.164,7X3,53 E7518 VP.	1
3.1		> Pump housing IP65/140-F188 16 cpl.WILO	1
6	2104479	DPS20-1(0-10V) KIT	1
6.1	2106113	> DIFFERENTIAL PRESSURE SENSOR 20 KIT	1
Note: FROM/ AB/ À PARTIR: 09/2009			
		>> DPS20 spiral TZ.3mm Volt 2G	1
	2196657	>> Cable DPS 3x0,34x650 short bared 2G VP.	1
Note: from/ab/de 01.10.2013			
6.2	2106120	> CONNECTION SENSOR IP-E SPIRAL M6 KIT	1
Note: FROM/ AB/ À PARTIR: 09/2009			
6.21		>> CAPILLARY COIL 1000	2
6.22		>> Fixation ring pipe union R1/8" 90GD.Ni	1
6.23		>> HANDLE DDG M6	1
6.24		>> Screw M4x10 EE DIN7500 ZN	2
	2168862	>> Nut/Ferrule M6 D.3MM MS Ni (2 Pieces)	1

## Spare parts IP-E65/120-3/2 ATB

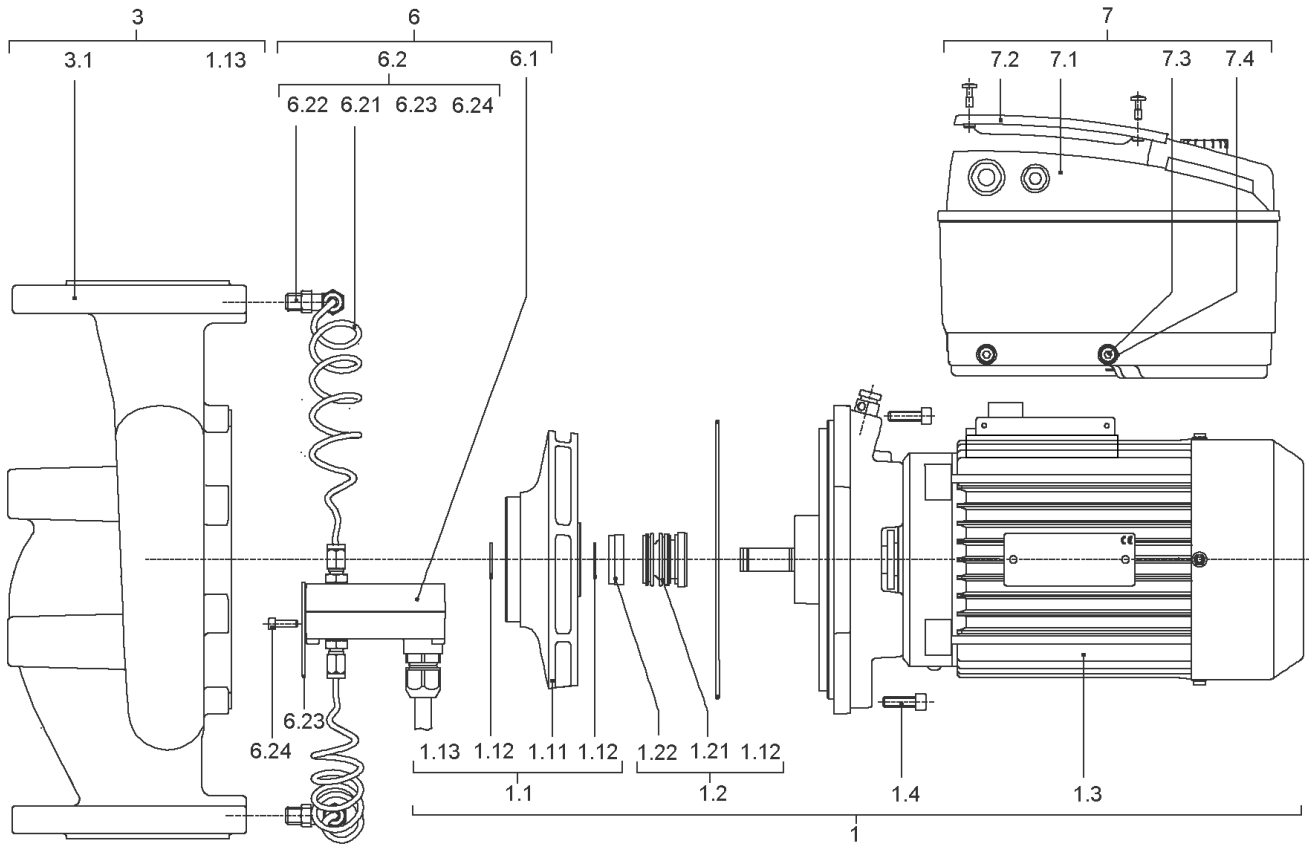
Item	Article no.	Description	Quantity
	2168860	>> Nut/Ferrule M8 D.5MM MS Ni (2 Pieces)	1
7	2145518	Module IP-E/DP-E65/120-3/2 IE2 ATB KIT	1
7.1		> Module IP-E/DP-E65/120-3/2 IE2 ATB	1
7.2	2054227	> MODULE COVER/GASKET TL3/4 KIT	1
7.3		> SCREW M5X16 ISO4762 8.8 ZnNi	1
7.4		> WASHER TOOTHED LOCK A5,3 DIN6797 FST ZN	1
	2061236	> O-RING ID.38X3 EPDM 70SR.A BUS.	1



## Spare parts motor 3/2/100 F188E ATB IE2

Item	Article no.	Description	Quantity
2.1	2125452	END SHIELD BG100 D.E.ATB KIT	1
Note: Please give the data from type plate of the motor			
2.1A		> END SHIELD BG100 D.E.514725 ATB	1
2.1B	2027201	> BLOWGUN R1/8" VP.	1
Note: Please give the data from type plate of the motor			
2.2	2096258	SHIM BALL BEARING BG90-112 ATB VP.	1
Note: Please give the data from type plate of the motor			
2.3	121084190	BALL BEARING 6206/2Z-C3 (HT) VP.	1
Note: Please give the data from type plate of the motor			
2.4	121084190	BALL BEARING 6206/2Z-C3 (HT) VP.	1
Note: Please give the data from type plate of the motor			
2.5	2111441	CIRCLIP BG100/112 ATB VP.	1
Note: Please give the data from type plate of the motor			
2.6	2096273	SPACER DISC BG90/112 ATB VP.	1
Note: Please give the data from type plate of the motor			
2.7	2087825	END SHIELD BG100/112 457256N.D.E.ATB VP.	1
2.8	121479094	FAN WHEEL BG90/100 ATB KIT	1
Note: Please give the data from type plate of the motor			
2.8A		> FAN WHEEL BG90/100 721383 ATB	1
2.8B	2047016	> CORRUGATED SLEEVE RING BG90/100 ATB VP.	1
Note: Please give the data from type plate of the motor			
2.9	2046109	FAN HOUSING BG100 PLASTIC ATB VP.	1
Note: Please give the data from type plate of the motor			
2.12	2111449	SHAFT SEAL RING BG100/112 ATB VP.	1
Note: Please give the data from type plate of the motor			
2.14	2201024	Shaft seal ring BG100/112 N.D.E.ATB VP.	1
2.15	2111443	SCREW END SHILD BG100 D.E.ATB(4 PIECES)	1
Note: Please give the data from type plate of the motor			
	2147196	Gasket terminal box BG100/112 ATB.VP.	1
Note: Please give the data from type plate of the motor			



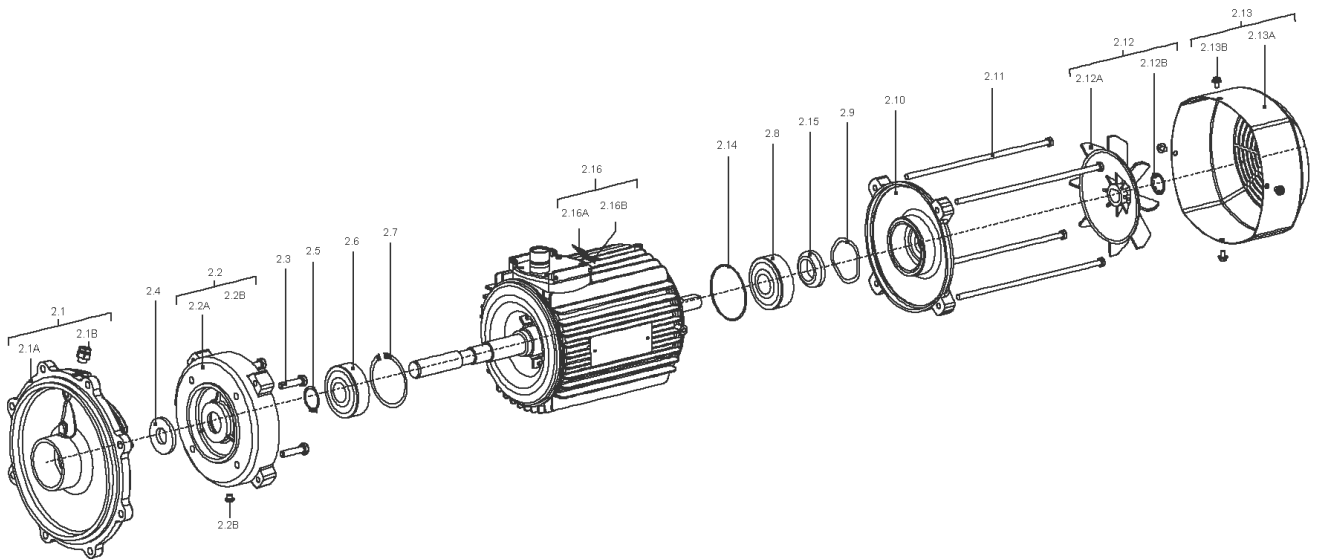


## Spare parts IP-E65/120-3/2 ELEC

Item	Article no.	Description	Quantity
1	2139840	Service Motor IP/DP-E65/120-3 IE2ELEC	1
1.1	2143562	> Impeller 65/140-119/17 PPO KIT	1
1.11		>> Impeller 65/140-119/17 PPO FE1630 fin	1
1.12	2123932	>> CIRCLIP 17X1 DIN471 A2 1.4122 VP.	1
1.13	2046358	>> O-RING ID.164,7X3,53 E7518 VP.	1
1.2	122097593	> Mechanical seal ID.17 AQ1EGG KIT	1
1.12	2123932	>> CIRCLIP 17X1 DIN471 A2 1.4122 VP.	1
1.13	2010300	>> O-RING ID.107,54X3,53	1
1.13	2010301	>> O-RING ID.117,07X3,53	1
1.13	2054183	>> O-RING ID.158,34X3,53 E7518	1
Note: TO/ BIS/ JUSQU'À: 03/03			
1.13	2046358	>> O-RING ID.164,7X3,53 E7518 VP.	1
Note: FROM/ AB/ À PARTIR: 04/03			
1.21		>> MECHANICAL SEAL ID.17 AQ1EGG	1
1.22		>> Distance ring D.17/30X9 PPO FE1630	1
1.3		> Motor	1
1.4	2052495	> SCREW M6X20 ISO4762 8.8 (8 PIECES)	1
		Spare parts motor 3/2/100F188E ELEC IE2	1
3	2145408	Pump housing IP65/140-F188 16 KIT	1
1.13	2046358	> O-RING ID.164,7X3,53 E7518 VP.	1
3.1		> Pump housing IP65/140-F188 16 cpl.WILO	1
6	2104479	DPS20-1(0-10V) KIT	1
6.1	2106113	> DIFFERENTIAL PRESSURE SENSOR 20 KIT	1
Note: FROM/ AB/ À PARTIR: 09/2009			
		>> DPS20 spiral TZ.3mm Volt 2G	1
	2196657	>> Cable DPS 3x0,34x650 short bared 2G VP.	1
Note: from/ab/de 01.10.2013			
6.2	2106120	> CONNECTION SENSOR IP-E SPIRAL M6 KIT	1
Note: FROM/ AB/ À PARTIR: 09/2009			
6.21		>> CAPILLARY COIL 1000	2
6.22		>> Fixation ring pipe union R1/8" 90GD.Ni	1
6.23		>> HANDLE DDG M6	1
6.24		>> Screw M4x10 EE DIN7500 ZN	2
	2168862	>> Nut/Ferrule M6 D.3MM MS Ni (2 Pieces)	1

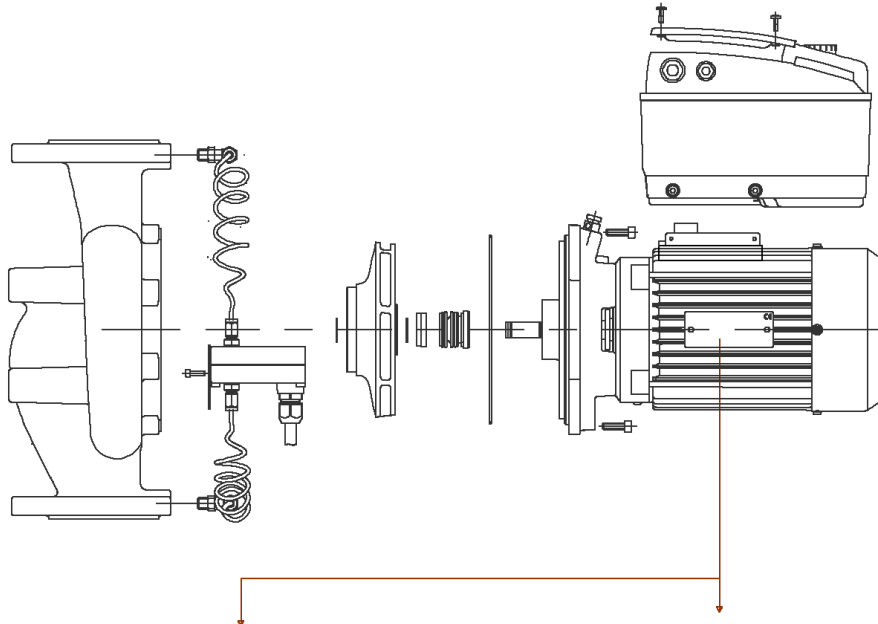
## Spare parts IP-E65/120-3/2 ELEC

Item	Article no.	Description	Quantity
	2168860	>> Nut/Ferrule M8 D.5MM MS Ni (2 Pieces)	1
7	2145515	Module IP-E/DP-E65/120-3/2-IE2 ELEC KIT	1
7.1		> Module IP-E/DP-E65/120-3/2 IE2 ELEC	1
7.2	2054227	> MODULE COVER/GASKET TL3/4 KIT	1
7.3		> SCREW M5X16 ISO4762 8.8 ZnNi	1
7.4		> WASHER TOOTHED LOCK A5,3 DIN6797 FST ZN	1
	2061236	> O-RING ID.38X3 EPDM 70SR.A BUS.	1



## Spare parts motor 3/2/100F188E ELEC IE2

Item	Article no.	Description	Quantity
2.1	2118386	FLANGE END SHIELD BG100/112 D.E.ELEC KIT	1
2.1A		> LANTERN V18 M130-F188 KTL	1
2.1B	2027201	> BLOWGUN R1/8" VP.	1
Note: Please give the data from type plate of the motor			
2.2	2118387	END SHIELD BG100 V18 D.E.ELEC KIT	1
2.2A		> Flange IEC100 V18 (w/o thread)	1
2.2B	2111309	> CONDENSATE HOLE GASKET D5 VP.	1
Note: Please give the data from type plate of the motor			
2.3	2111314	SCREW M8X40 6.8 (4 PIECES)	1
2.4	2111324	THROWER D.36X4 VP.	1
2.5	2118388	CIRCLIP D.35 GB894.1 VP.	1
2.6	2153172	Ball bearing 6307/VV-C3 VP.	1
2.7	2118390	CIRCLIP D.80 GB893.1 VP.	1
2.8	2118391	BALL BEARING 6205 DDW C3 EA6 VP.	1
2.9	2118392	SPRING RING D.52 JB/T7590 VP.	1
2.10	2164025	End shield BG112 N.D.E.ELEC KIT	1
Note: Please give the data from type plate of the motor			
		> FLANGE IEC112 NDS with slot	1
		> O-RING ID62.4*3.53 EPDM	1
2.11	2118394	SCREW M6X238 6.8 (4 PIECES)	1
2.12	2118395	FAN WHEEL 138X20X17 ELEC KIT	1
2.12A		> FAN 138X20X17 GP2200 G/F20%	1
2.12B	2118396	> Tooth lock washer D.19,8x0,4 VP.	1
Note: Please give the data from type plate of the motor			
2.13	2118397	FAN HOOD BG100 ELEC KIT	1
2.13A		> FAN COVER IEC100 KTL ST14 T0.8 H86	1
2.13B	2111323	> SCREW M4X6 (4 PIECES)	1
Note: Please give the data from type plate of the motor			
2.14	2164027	O-Ring ID62.4x3.53 EPDM VP.	1
Note: Please give the data from type plate of the motor			



ATB

Motor-Nummer  
motor number  
numéro du moteur

		IE2			
3~Mot.	AF132S/2F-11S+E2/0509	IE2-88,1%			
S1	132S IMV1	224039411-1	522058X		
IP 55	Th. CI.155(F)	SCHWINGGROESSENSTUFE B			
WILO NR.2064705					
kW	V	Hz	A	1/min	COS φ
7,5	YΔ 690/400	50	7,9/3,7	2890	0,90
7,5	Δ 460	60	11,8	3510	0,89
Made in Germany		50 kg	EN 60034		

ELEC

Motor-Nummer  
motor number  
numéro du moteur

<b>3~Induction Motor</b>		Made by WILLO Group			
3501437	W080090-2-F188	0902.001			
Class F	S1	IP55	13.5kg	EN60034	
50Hz	1.10kW	2850min <sup>-1</sup>	60Hz	1.29kW	3435min <sup>-1</sup>
YΔ	230/400V	4.02/2.32A	Y	440-480V	2.40-2.32A
Cos φ =0.82		IE2-81.5%	Cos φ =0.85		IE2-82.5%

**Motor-Typenschild / Motor type plate / Plaque identité moteur**

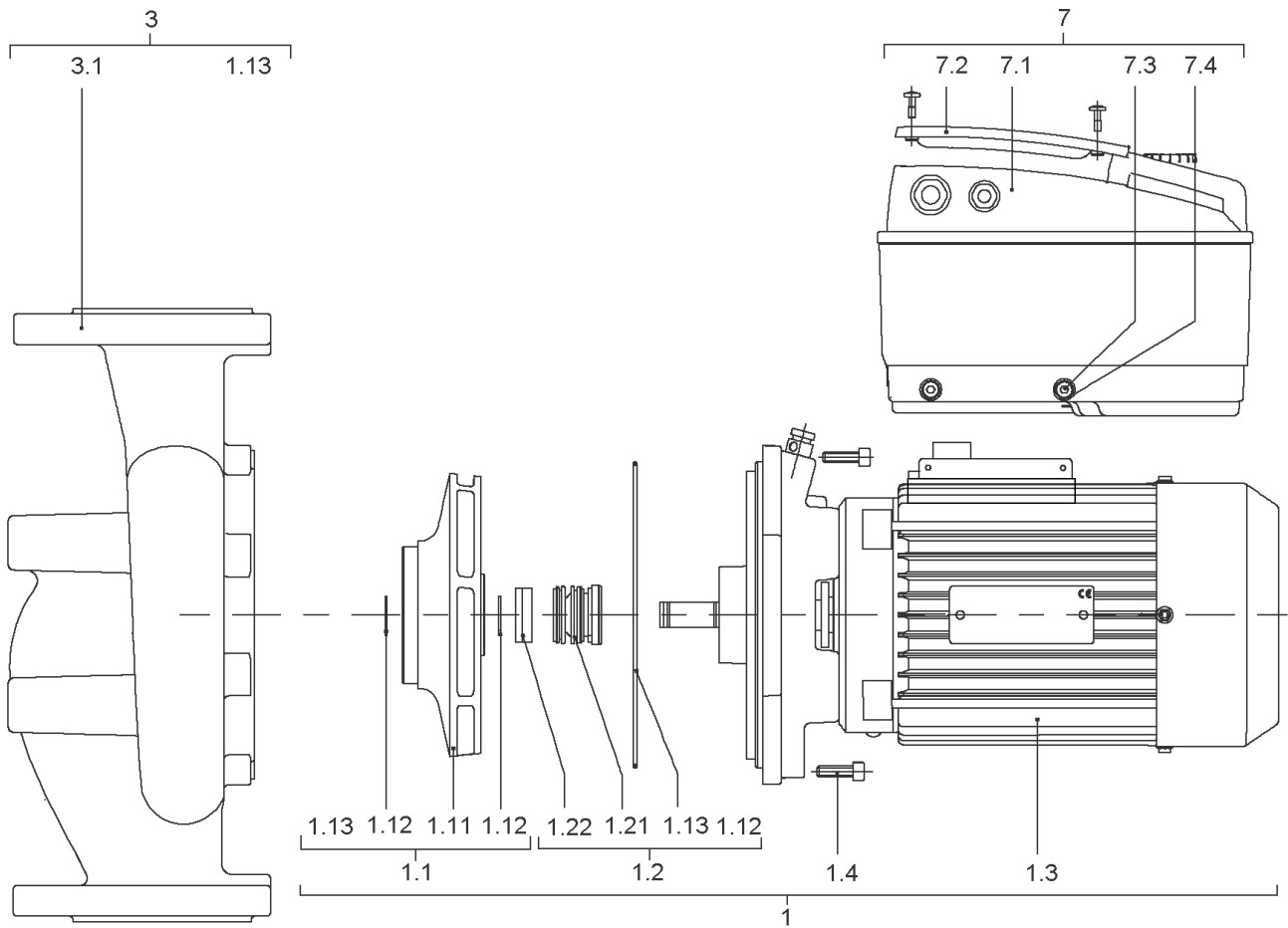
**Bei Ersatzteilbestellung Motor-Nummer angeben!**

**Indicate motor number for order of spare parts!**

**Pour une commande de pièces détachées, donner le numéro du moteur!**

**IP-E65/120-3/2-R1-IE2 (2133269)**

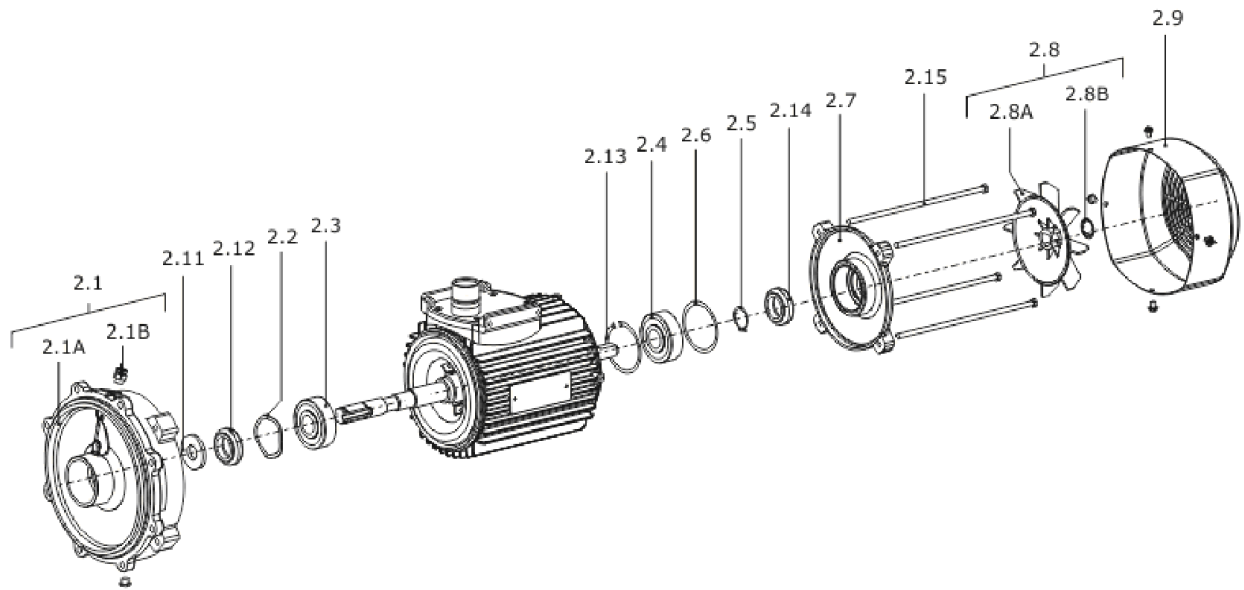
<b>Item</b>	<b>Description</b>	<b>Quantity</b>
ATB	Spare parts IP-E65/120-3/2-R1 ATB	1
ELEC	Spare parts IP-E65/120-3/2-R1 ELEC	1





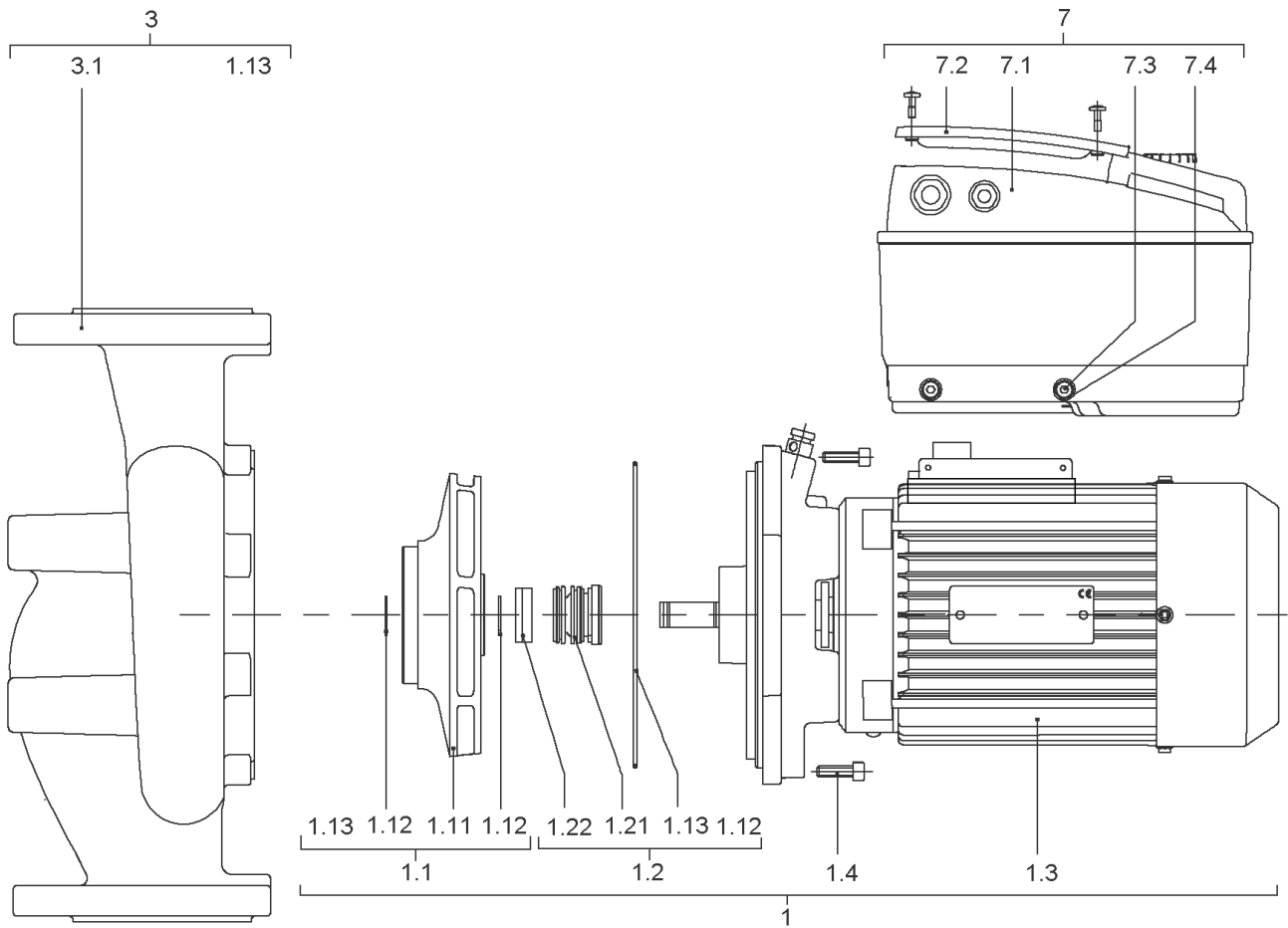
## Spare parts IP-E65/120-3/2-R1 ATB

Item	Article no.	Description	Quantity
1	2131428	Service Motor IP/DP-E65/120-3 IE2ATB	1
1.1	2143562	> Impeller 65/140-119/17 PPO KIT	1
1.11		>> Impeller 65/140-119/17 PPO FE1630 fin	1
1.12	2123932	>> CIRCLIP 17X1 DIN471 A2 1.4122 VP.	1
1.13	2046358	>> O-RING ID.164,7X3,53 E7518 VP.	1
1.2	122097593	> Mechanical seal ID.17 AQ1EGG KIT	1
1.12	2123932	>> CIRCLIP 17X1 DIN471 A2 1.4122 VP.	1
1.13	2010300	>> O-RING ID.107,54X3,53	1
1.13	2010301	>> O-RING ID.117,07X3,53	1
1.13	2054183	>> O-RING ID.158,34X3,53 E7518	1
Note: TO/ BIS/ JUSQU'À: 03/03			
1.13	2046358	>> O-RING ID.164,7X3,53 E7518 VP.	1
Note: FROM/ AB/ À PARTIR: 04/03			
1.21		>> MECHANICAL SEAL ID.17 AQ1EGG	1
1.22		>> Distance ring D.17/30X9 PPO FE1630	1
1.3		> Motor	1
1.4	2052495	> SCREW M6X20 ISO4762 8.8 (8 PIECES)	1
		Spare parts motor 3/2/100 F188E ATB IE2	1
3	2145408	Pump housing IP65/140-F188 16 KIT	1
1.13	2046358	> O-RING ID.164,7X3,53 E7518 VP.	1
3.1		> Pump housing IP65/140-F188 16 cpl.WILO	1
7	2145518	Module IP-E/DP-E65/120-3/2 IE2 ATB KIT	1
7.1		> Module IP-E/DP-E65/120-3/2 IE2 ATB	1
7.2	2054227	> MODULE COVER/GASKET TL3/4 KIT	1
7.3		> SCREW M5X16 ISO4762 8.8 ZnNi	1
7.4		> WASHER TOOTHED LOCK A5,3 DIN6797 FST ZN	1
	2061236	> O-RING ID.38X3 EPDM 70SR.A BUS.	1



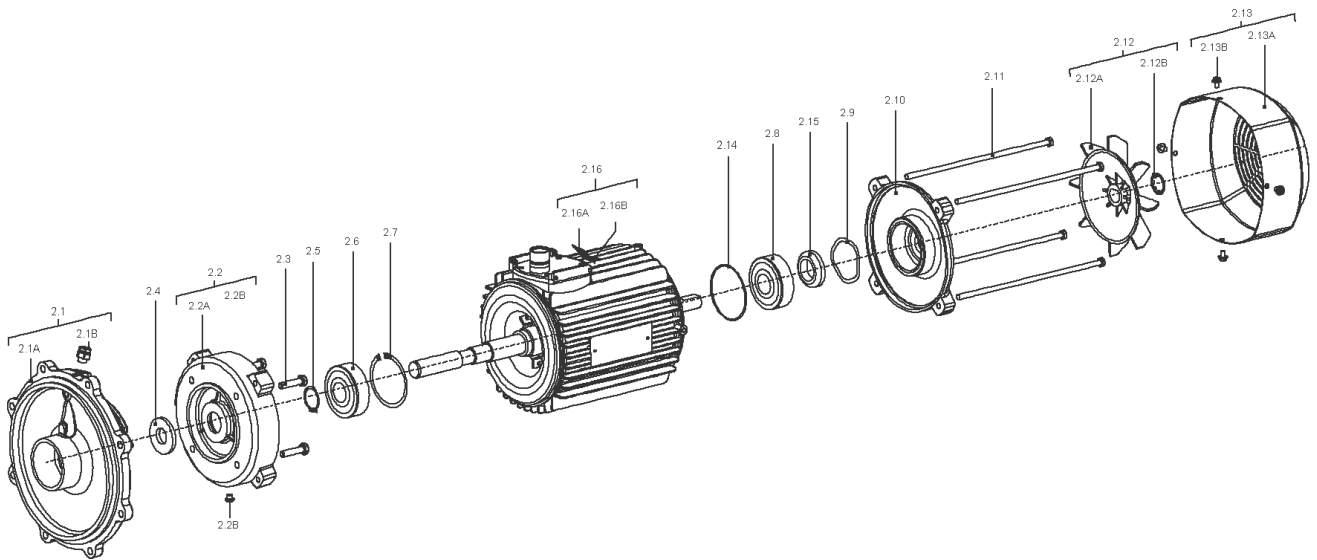
## Spare parts motor 3/2/100 F188E ATB IE2

Item	Article no.	Description	Quantity
2.1	2125452	END SHIELD BG100 D.E.ATB KIT	1
Note: Please give the data from type plate of the motor			
2.1A		> END SHIELD BG100 D.E.514725 ATB	1
2.1B	2027201	> BLOWGUN R1/8" VP.	1
Note: Please give the data from type plate of the motor			
2.2	2096258	SHIM BALL BEARING BG90-112 ATB VP.	1
Note: Please give the data from type plate of the motor			
2.3	121084190	BALL BEARING 6206/2Z-C3 (HT) VP.	1
Note: Please give the data from type plate of the motor			
2.4	121084190	BALL BEARING 6206/2Z-C3 (HT) VP.	1
Note: Please give the data from type plate of the motor			
2.5	2111441	CIRCLIP BG100/112 ATB VP.	1
Note: Please give the data from type plate of the motor			
2.6	2096273	SPACER DISC BG90/112 ATB VP.	1
Note: Please give the data from type plate of the motor			
2.7	2087825	END SHIELD BG100/112 457256N.D.E.ATB VP.	1
2.8	121479094	FAN WHEEL BG90/100 ATB KIT	1
Note: Please give the data from type plate of the motor			
2.8A		> FAN WHEEL BG90/100 721383 ATB	1
2.8B	2047016	> CORRUGATED SLEEVE RING BG90/100 ATB VP.	1
Note: Please give the data from type plate of the motor			
2.9	2046109	FAN HOUSING BG100 PLASTIC ATB VP.	1
Note: Please give the data from type plate of the motor			
2.12	2111449	SHAFT SEAL RING BG100/112 ATB VP.	1
Note: Please give the data from type plate of the motor			
2.14	2201024	Shaft seal ring BG100/112 N.D.E.ATB VP.	1
2.15	2111443	SCREW END SHILD BG100 D.E.ATB(4 PIECES)	1
Note: Please give the data from type plate of the motor			
	2147196	Gasket terminal box BG100/112 ATB.VP.	1
Note: Please give the data from type plate of the motor			



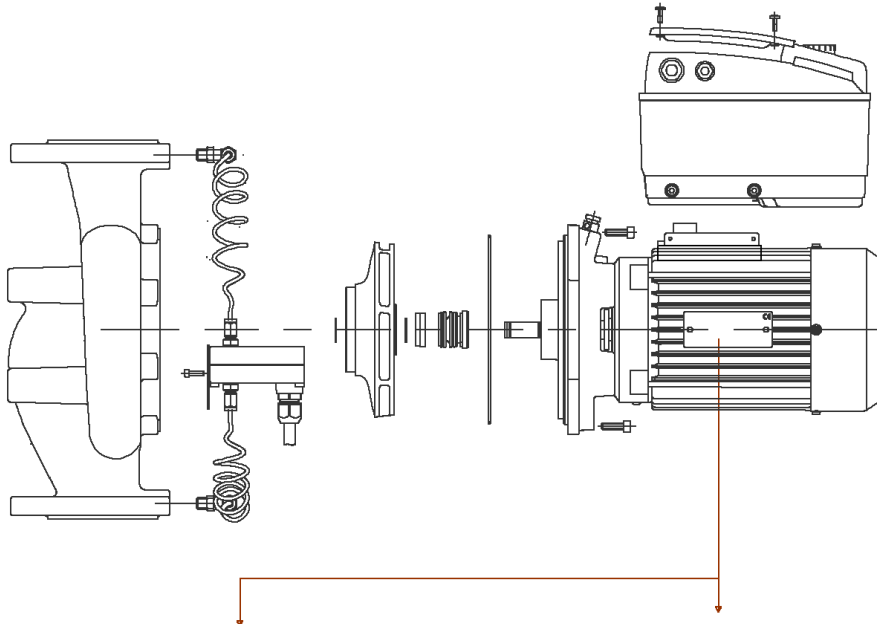
## Spare parts IP-E65/120-3/2-R1 ELEC

Item	Article no.	Description	Quantity
1	2139840	Service Motor IP/DP-E65/120-3 IE2ELEC	1
1.1	2143562	> Impeller 65/140-119/17 PPO KIT	1
1.11		>> Impeller 65/140-119/17 PPO FE1630 fin	1
1.12	2123932	>> CIRCLIP 17X1 DIN471 A2 1.4122 VP.	1
1.13	2046358	>> O-RING ID.164,7X3,53 E7518 VP.	1
1.2	122097593	> Mechanical seal ID.17 AQ1EGG KIT	1
1.12	2123932	>> CIRCLIP 17X1 DIN471 A2 1.4122 VP.	1
1.13	2010300	>> O-RING ID.107,54X3,53	1
1.13	2010301	>> O-RING ID.117,07X3,53	1
1.13	2054183	>> O-RING ID.158,34X3,53 E7518	1
Note: TO/ BIS/ JUSQU'À: 03/03			
1.13	2046358	>> O-RING ID.164,7X3,53 E7518 VP.	1
Note: FROM/ AB/ À PARTIR: 04/03			
1.21		>> MECHANICAL SEAL ID.17 AQ1EGG	1
1.22		>> Distance ring D.17/30X9 PPO FE1630	1
1.3		> Motor	1
1.4	2052495	> SCREW M6X20 ISO4762 8.8 (8 PIECES)	1
		Spare parts motor 3/2/100F188E ELEC IE2	1
3	2145408	Pump housing IP65/140-F188 16 KIT	1
1.13	2046358	> O-RING ID.164,7X3,53 E7518 VP.	1
3.1		> Pump housing IP65/140-F188 16 cpl.WILO	1
7	2145515	Module IP-E/DP-E65/120-3/2-IE2 ELEC KIT	1
7.1		> Module IP-E/DP-E65/120-3/2 IE2 ELEC	1
7.2	2054227	> MODULE COVER/GASKET TL3/4 KIT	1
7.3		> SCREW M5X16 ISO4762 8.8 ZnNi	1
7.4		> WASHER TOOTHED LOCK A5,3 DIN6797 FST ZN	1
	2061236	> O-RING ID.38X3 EPDM 70SR.A BUS.	1



## Spare parts motor 3/2/100F188E ELEC IE2

Item	Article no.	Description	Quantity
2.1	2118386	FLANGE END SHIELD BG100/112 D.E.ELEC KIT	1
2.1A		> LANTERN V18 M130-F188 KTL	1
2.1B	2027201	> BLOWGUN R1/8" VP.	1
Note: Please give the data from type plate of the motor			
2.2	2118387	END SHIELD BG100 V18 D.E.ELEC KIT	1
2.2A		> Flange IEC100 V18 (w/o thread)	1
2.2B	2111309	> CONDENSATE HOLE GASKET D5 VP.	1
Note: Please give the data from type plate of the motor			
2.3	2111314	SCREW M8X40 6.8 (4 PIECES)	1
2.4	2111324	THROWER D.36X4 VP.	1
2.5	2118388	CIRCLIP D.35 GB894.1 VP.	1
2.6	2153172	Ball bearing 6307/VV-C3 VP.	1
2.7	2118390	CIRCLIP D.80 GB893.1 VP.	1
2.8	2118391	BALL BEARING 6205 DDW C3 EA6 VP.	1
2.9	2118392	SPRING RING D.52 JB/T7590 VP.	1
2.10	2164025	End shield BG112 N.D.E.ELEC KIT	1
Note: Please give the data from type plate of the motor			
		> FLANGE IEC112 NDS with slot	1
		> O-RING ID62.4*3.53 EPDM	1
2.11	2118394	SCREW M6X238 6.8 (4 PIECES)	1
2.12	2118395	FAN WHEEL 138X20X17 ELEC KIT	1
2.12A		> FAN 138X20X17 GP2200 G/F20%	1
2.12B	2118396	> Tooth lock washer D.19,8x0,4 VP.	1
Note: Please give the data from type plate of the motor			
2.13	2118397	FAN HOOD BG100 ELEC KIT	1
2.13A		> FAN COVER IEC100 KTL ST14 T0.8 H86	1
2.13B	2111323	> SCREW M4X6 (4 PIECES)	1
Note: Please give the data from type plate of the motor			
2.14	2164027	O-Ring ID62.4x3.53 EPDM VP.	1
Note: Please give the data from type plate of the motor			



ATB

Motor-Nummer  
motor number  
numéro du moteur

3~Mot.	AF132S/2F-11S+E2/0509	IE2-88,1%			
S1	132S IMV1	224039411-1	522058X		
IP 55	Th. CI.155(F)	SCHWINGGROESSENSTUFE B			
WILO NR.2064705					
kW	V	Hz	A	1/min	COS φ
7,5	YΔ 690/400	50	7,9/3,7	2890	0,90
7,5	Δ 460	60	11,8	3510	0,89
Made in Germany		50 kg	EN 60034		

ELEC

Motor-Nummer  
motor number  
numéro du moteur

<b>3~Induction Motor</b>			
<small>Made by WILLO Group</small>			
3501437	W080090-2-F188	0902.001	
Class F	S1	IP55	13.5kg EN60034
50Hz	1.10kW	2850min <sup>-1</sup>	60Hz 1.29kW 3435min <sup>-1</sup>
YΔ	230/400V	4.02/2.32A	Y 440-480V 2.40-2.32A
Cos φ =0.82	IE2-81.5%		Cos φ =0.85 IE2-82.5%

**Motor-Typenschild / Motor type plate / Plaque identité moteur**

**Bei Ersatzteilbestellung Motor-Nummer angeben!**

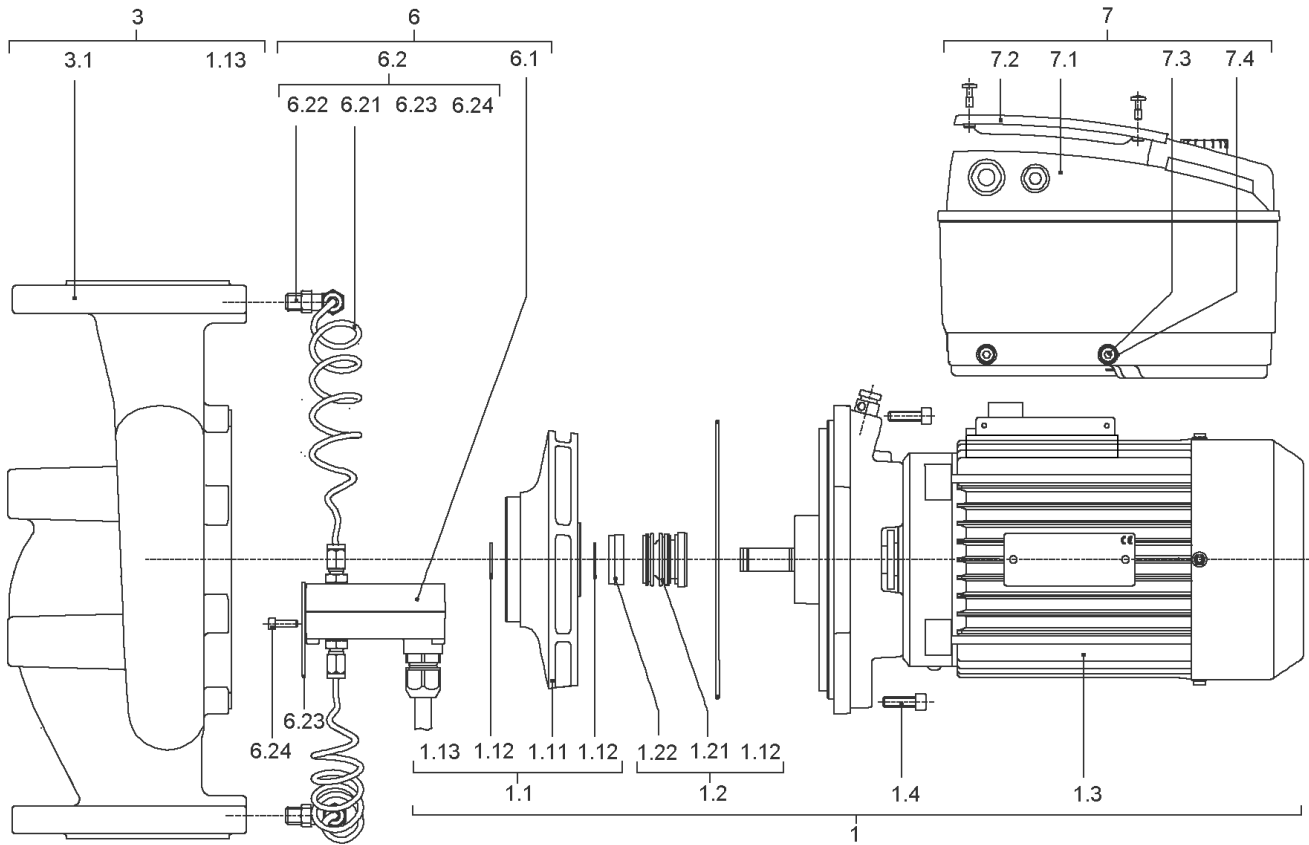
**Indicate motor number for order of spare parts!**

**Pour une commande de pièces détachées, donner le numéro du moteur!**



**IP-E80/105-3/2-IE2-X1 (2133263)**

<b>Item</b>	<b>Description</b>	<b>Quantity</b>
ATB	Spare parts IP-E80/105-3/2 ATB	1
ELEC	Spare parts IP-E80/105-3/2 ELEC	1

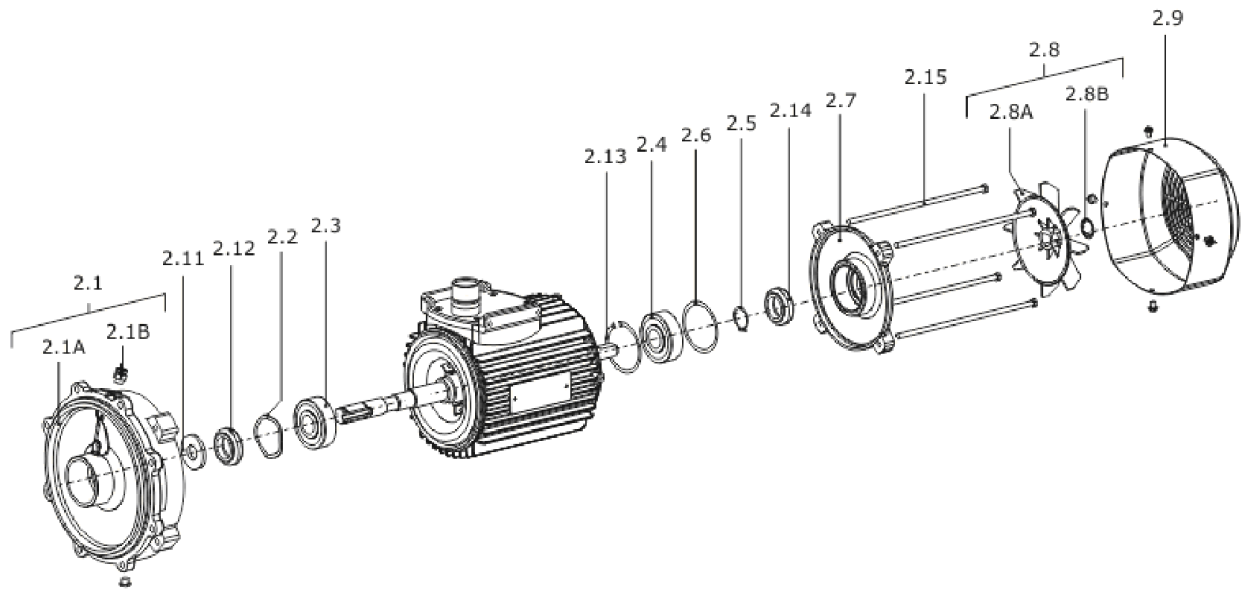


## Spare parts IP-E80/105-3/2 ATB

Item	Article no.	Description	Quantity
1	2131430	Service Motor IP/DP-E80/105-3 IE2ATB	1
1.1	2145326	> Impeller 80/150-108/17 PPO Kit	1
1.11		>> Impeller 80/150-108/17 PPO FE1630 fin	1
1.12	2123932	>> CIRCLIP 17X1 DIN471 A2 1.4122 VP.	1
1.13	2046358	>> O-RING ID.164,7X3,53 E7518 VP.	1
1.2	122097593	> Mechanical seal ID.17 AQ1EGG KIT	1
1.12	2123932	>> CIRCLIP 17X1 DIN471 A2 1.4122 VP.	1
1.13	2010300	>> O-RING ID.107,54X3,53	1
1.13	2010301	>> O-RING ID.117,07X3,53	1
1.13	2054183	>> O-RING ID.158,34X3,53 E7518	1
Note: TO/ BIS/ JUSQU'À: 03/03			
1.13	2046358	>> O-RING ID.164,7X3,53 E7518 VP.	1
Note: FROM/ AB/ À PARTIR: 04/03			
1.21		>> MECHANICAL SEAL ID.17 AQ1EGG	1
1.22		>> Distance ring D.17/30X9 PPO FE1630	1
1.3		> Motor	1
1.4	2052495	> SCREW M6X20 ISO4762 8.8 (8 PIECES)	1
		Spare parts motor 3/2/100 F188E ATB IE2	1
3	2145542	Pump housing I80/150-F188 KIT	1
1.13	2046358	> O-RING ID.164,7X3,53 E7518 VP.	1
3.1		> Pump housing IP80/150-F188 cpl.WILO	1
6	2104479	DPS20-1(0-10V) KIT	1
6.1	2106113	> DIFFERENTIAL PRESSURE SENSOR 20 KIT	1
Note: FROM/ AB/ À PARTIR: 09/2009			
		>> DPS20 spiral TZ.3mm Volt 2G	1
	2196657	>> Cable DPS 3x0,34x650 short bared 2G VP.	1
Note: from/ab/de 01.10.2013			
6.2	2106120	> CONNECTION SENSOR IP-E SPIRAL M6 KIT	1
Note: FROM/ AB/ À PARTIR: 09/2009			
6.21		>> CAPILLARY COIL 1000	2
6.22		>> Fixation ring pipe union R1/8" 90GD.Ni	1
6.23		>> HANDLE DDG M6	1
6.24		>> Screw M4x10 EE DIN7500 ZN	2
	2168862	>> Nut/Ferrule M6 D.3MM MS Ni (2 Pieces)	1

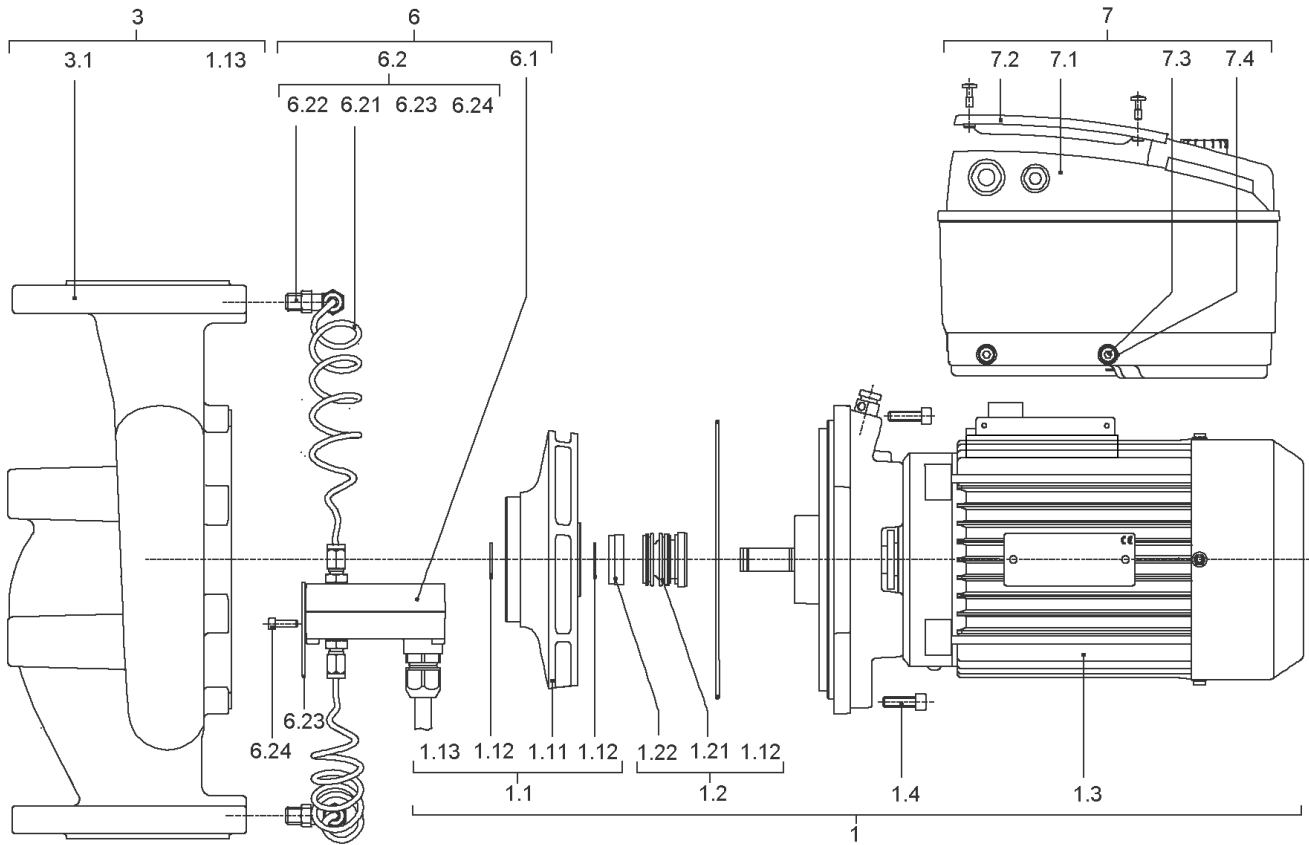
## Spare parts IP-E80/105-3/2 ATB

Item	Article no.	Description	Quantity
	2168860	>> Nut/Ferrule M8 D.5MM MS Ni (2 Pieces)	1
7	2145502	Module IP-E/DP-E80/105-3/2 IE2 ATB KIT	1
7.1		> Module IP-E/DP-E80/105-3/2 IE2 ATB	1
7.2	2054227	> MODULE COVER/GASKET TL3/4 KIT	1
7.3		> SCREW M5X16 ISO4762 8.8 ZnNi	1
7.4		> WASHER TOOTHED LOCK A5,3 DIN6797 FST ZN	1
	2061236	> O-RING ID.38X3 EPDM 70SR.A BUS.	1



## Spare parts motor 3/2/100 F188E ATB IE2

Item	Article no.	Description	Quantity
2.1	2125452	END SHIELD BG100 D.E.ATB KIT	1
Note: Please give the data from type plate of the motor			
2.1A		> END SHIELD BG100 D.E.514725 ATB	1
2.1B	2027201	> BLOWGUN R1/8" VP.	1
Note: Please give the data from type plate of the motor			
2.2	2096258	SHIM BALL BEARING BG90-112 ATB VP.	1
Note: Please give the data from type plate of the motor			
2.3	121084190	BALL BEARING 6206/2Z-C3 (HT) VP.	1
Note: Please give the data from type plate of the motor			
2.4	121084190	BALL BEARING 6206/2Z-C3 (HT) VP.	1
Note: Please give the data from type plate of the motor			
2.5	2111441	CIRCLIP BG100/112 ATB VP.	1
Note: Please give the data from type plate of the motor			
2.6	2096273	SPACER DISC BG90/112 ATB VP.	1
Note: Please give the data from type plate of the motor			
2.7	2087825	END SHIELD BG100/112 457256N.D.E.ATB VP.	1
2.8	121479094	FAN WHEEL BG90/100 ATB KIT	1
Note: Please give the data from type plate of the motor			
2.8A		> FAN WHEEL BG90/100 721383 ATB	1
2.8B	2047016	> CORRUGATED SLEEVE RING BG90/100 ATB VP.	1
Note: Please give the data from type plate of the motor			
2.9	2046109	FAN HOUSING BG100 PLASTIC ATB VP.	1
Note: Please give the data from type plate of the motor			
2.12	2111449	SHAFT SEAL RING BG100/112 ATB VP.	1
Note: Please give the data from type plate of the motor			
2.14	2201024	Shaft seal ring BG100/112 N.D.E.ATB VP.	1
2.15	2111443	SCREW END SHILD BG100 D.E.ATB(4 PIECES)	1
Note: Please give the data from type plate of the motor			
	2147196	Gasket terminal box BG100/112 ATB.VP.	1
Note: Please give the data from type plate of the motor			



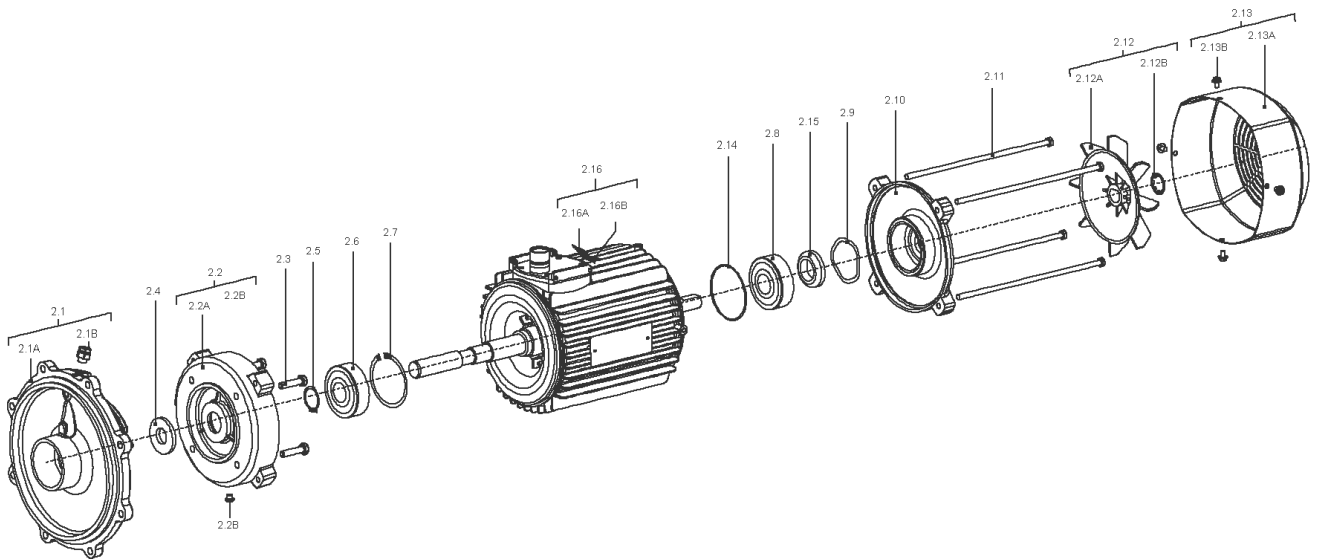
## Spare parts IP-E80/105-3/2 ELEC

Item	Article no.	Description	Quantity
1	2139842	Service Motor IP/DP-E80/105-3 IE2ELEC	1
1.1	2145326	> Impeller 80/150-108/17 PPO Kit	1
1.11		>> Impeller 80/150-108/17 PPO FE1630 fin	1
1.12	2123932	>> CIRCLIP 17X1 DIN471 A2 1.4122 VP.	1
1.13	2046358	>> O-RING ID.164,7X3,53 E7518 VP.	1
1.2	122097593	> Mechanical seal ID.17 AQ1EGG KIT	1
1.12	2123932	>> CIRCLIP 17X1 DIN471 A2 1.4122 VP.	1
1.13	2010300	>> O-RING ID.107,54X3,53	1
1.13	2010301	>> O-RING ID.117,07X3,53	1
1.13	2054183	>> O-RING ID.158,34X3,53 E7518	1
Note: TO/ BIS/ JUSQU'À: 03/03			
1.13	2046358	>> O-RING ID.164,7X3,53 E7518 VP.	1
Note: FROM/ AB/ À PARTIR: 04/03			
1.21		>> MECHANICAL SEAL ID.17 AQ1EGG	1
1.22		>> Distance ring D.17/30X9 PPO FE1630	1
1.3		> Motor	1
1.4	2052495	> SCREW M6X20 ISO4762 8.8 (8 PIECES)	1
		Spare parts motor 3/2/100F188E ELEC IE2	1
3	2145542	Pump housing I80/150-F188 KIT	1
1.13	2046358	> O-RING ID.164,7X3,53 E7518 VP.	1
3.1		> Pump housing IP80/150-F188 cpl.WILO	1
6	2104479	DPS20-1(0-10V) KIT	1
6.1	2106113	> DIFFERENTIAL PRESSURE SENSOR 20 KIT	1
Note: FROM/ AB/ À PARTIR: 09/2009			
		>> DPS20 spiral TZ.3mm Volt 2G	1
	2196657	>> Cable DPS 3x0,34x650 short bared 2G VP.	1
Note: from/ab/de 01.10.2013			
6.2	2106120	> CONNECTION SENSOR IP-E SPIRAL M6 KIT	1
Note: FROM/ AB/ À PARTIR: 09/2009			
6.21		>> CAPILLARY COIL 1000	2
6.22		>> Fixation ring pipe union R1/8" 90GD.Ni	1
6.23		>> HANDLE DDG M6	1
6.24		>> Screw M4x10 EE DIN7500 ZN	2
	2168862	>> Nut/Ferrule M6 D.3MM MS Ni (2 Pieces)	1



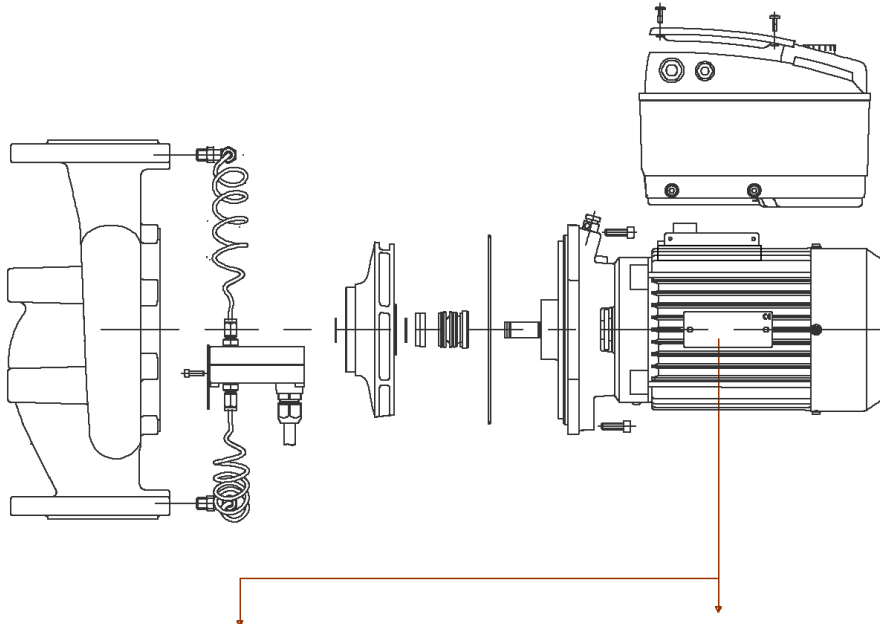
## Spare parts IP-E80/105-3/2 ELEC

Item	Article no.	Description	Quantity
	2168860	>> Nut/Ferrule M8 D.5MM MS Ni (2 Pieces)	1
7	2145516	Module IP-E/DP-E80/105-3/2-IE2 ELEC KIT	1
7.1		> Module IP-E/DP-E80/105-3/2 IE2 ELEC	1
7.2	2054227	> MODULE COVER/GASKET TL3/4 KIT	1
7.3		> SCREW M5X16 ISO4762 8.8 ZnNi	1
7.4		> WASHER TOOTHED LOCK A5,3 DIN6797 FST ZN	1
	2061236	> O-RING ID.38X3 EPDM 70SR.A BUS.	1



## Spare parts motor 3/2/100F188E ELEC IE2

Item	Article no.	Description	Quantity
2.1	2118386	FLANGE END SHIELD BG100/112 D.E.ELEC KIT	1
2.1A		> LANTERN V18 M130-F188 KTL	1
2.1B	2027201	> BLOWGUN R1/8" VP.	1
Note: Please give the data from type plate of the motor			
2.2	2118387	END SHIELD BG100 V18 D.E.ELEC KIT	1
2.2A		> Flange IEC100 V18 (w/o thread)	1
2.2B	2111309	> CONDENSATE HOLE GASKET D5 VP.	1
Note: Please give the data from type plate of the motor			
2.3	2111314	SCREW M8X40 6.8 (4 PIECES)	1
2.4	2111324	THROWER D.36X4 VP.	1
2.5	2118388	CIRCLIP D.35 GB894.1 VP.	1
2.6	2153172	Ball bearing 6307/VV-C3 VP.	1
2.7	2118390	CIRCLIP D.80 GB893.1 VP.	1
2.8	2118391	BALL BEARING 6205 DDW C3 EA6 VP.	1
2.9	2118392	SPRING RING D.52 JB/T7590 VP.	1
2.10	2164025	End shield BG112 N.D.E.ELEC KIT	1
Note: Please give the data from type plate of the motor			
		> FLANGE IEC112 NDS with slot	1
		> O-RING ID62.4*3.53 EPDM	1
2.11	2118394	SCREW M6X238 6.8 (4 PIECES)	1
2.12	2118395	FAN WHEEL 138X20X17 ELEC KIT	1
2.12A		> FAN 138X20X17 GP2200 G/F20%	1
2.12B	2118396	> Tooth lock washer D.19,8x0,4 VP.	1
Note: Please give the data from type plate of the motor			
2.13	2118397	FAN HOOD BG100 ELEC KIT	1
2.13A		> FAN COVER IEC100 KTL ST14 T0.8 H86	1
2.13B	2111323	> SCREW M4X6 (4 PIECES)	1
Note: Please give the data from type plate of the motor			
2.14	2164027	O-Ring ID62.4x3.53 EPDM VP.	1
Note: Please give the data from type plate of the motor			



ATB

Motor-Nummer  
motor number  
numéro du moteur

		IE2			
3~Mot.	AF132S/2F-11S+E2/0509	IE2-88,1%			
S1	132S IMV1	224039411-1	522058X		
IP 55	Th. CI.155(F)	SCHWINGGROESSENSTUFE B			
WILO NR.2064705					
kW	V	Hz	A	1/min	COS φ
7,5	YΔ 690/400	50	7,9/3,7	2890	0,90
7,5	Δ 460	60	11,8	3510	0,89
Made in Germany		50 kg	EN 60034		

ELEC

Motor-Nummer  
motor number  
numéro du moteur

<b>3~Induction Motor</b>		Made by WILLO Group			
3501437	W080090-2-F188	0902.001			
Class F	S1	IP55	13.5kg	EN60034	
50Hz	1.10kW	2850min <sup>-1</sup>	60Hz	1.29kW	3435min <sup>-1</sup>
YΔ	230/400V	4.02/2.32A	Y	440-480V	2.40-2.32A
Cos φ =0.82	IE2-81.5%		Cos φ =0.85	IE2-82.5%	

**Motor-Typenschild / Motor type plate / Plaque identité moteur**

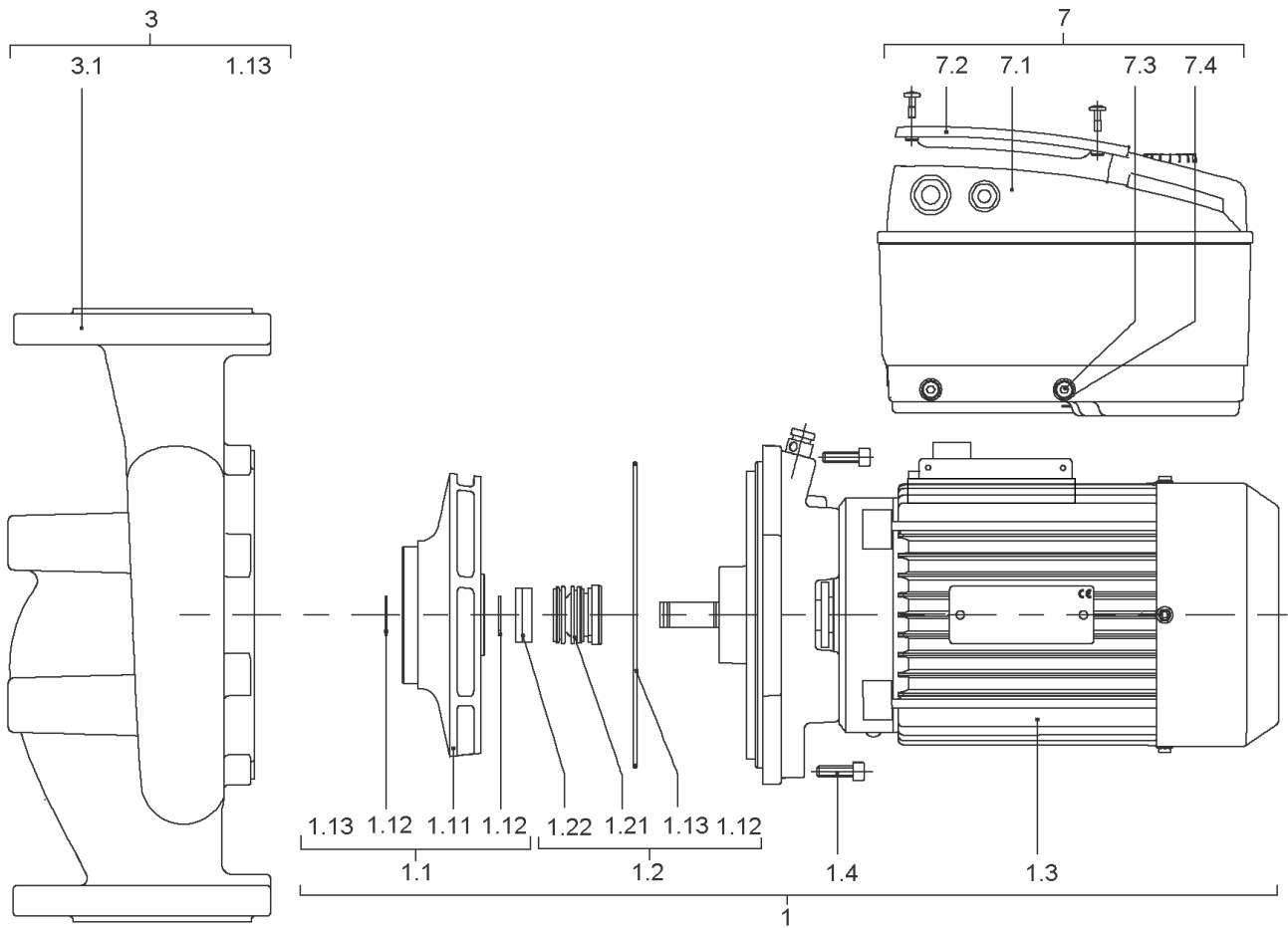
**Bei Ersatzteilbestellung Motor-Nummer angeben!**

**Indicate motor number for order of spare parts!**

**Pour une commande de pièces détachées, donner le numéro du moteur!**

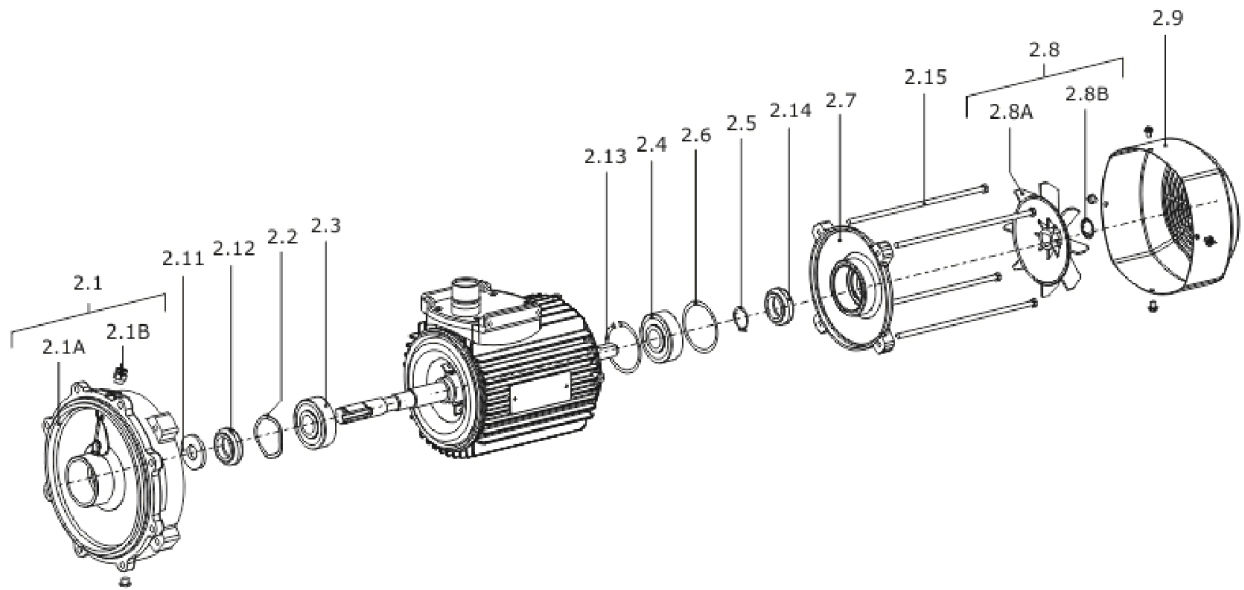
**IP-E80/105-3/2-R1-IE2-X1 (2133271)**

<b>Item</b>	<b>Description</b>	<b>Quantity</b>
ATB	Spare parts IP-E80/105-3/2-R1 ATB	1
ELEC	Spare parts IP-E80/105-3/2-R1 ELEC	1



**Spare parts IP-E80/105-3/2-R1 ATB**

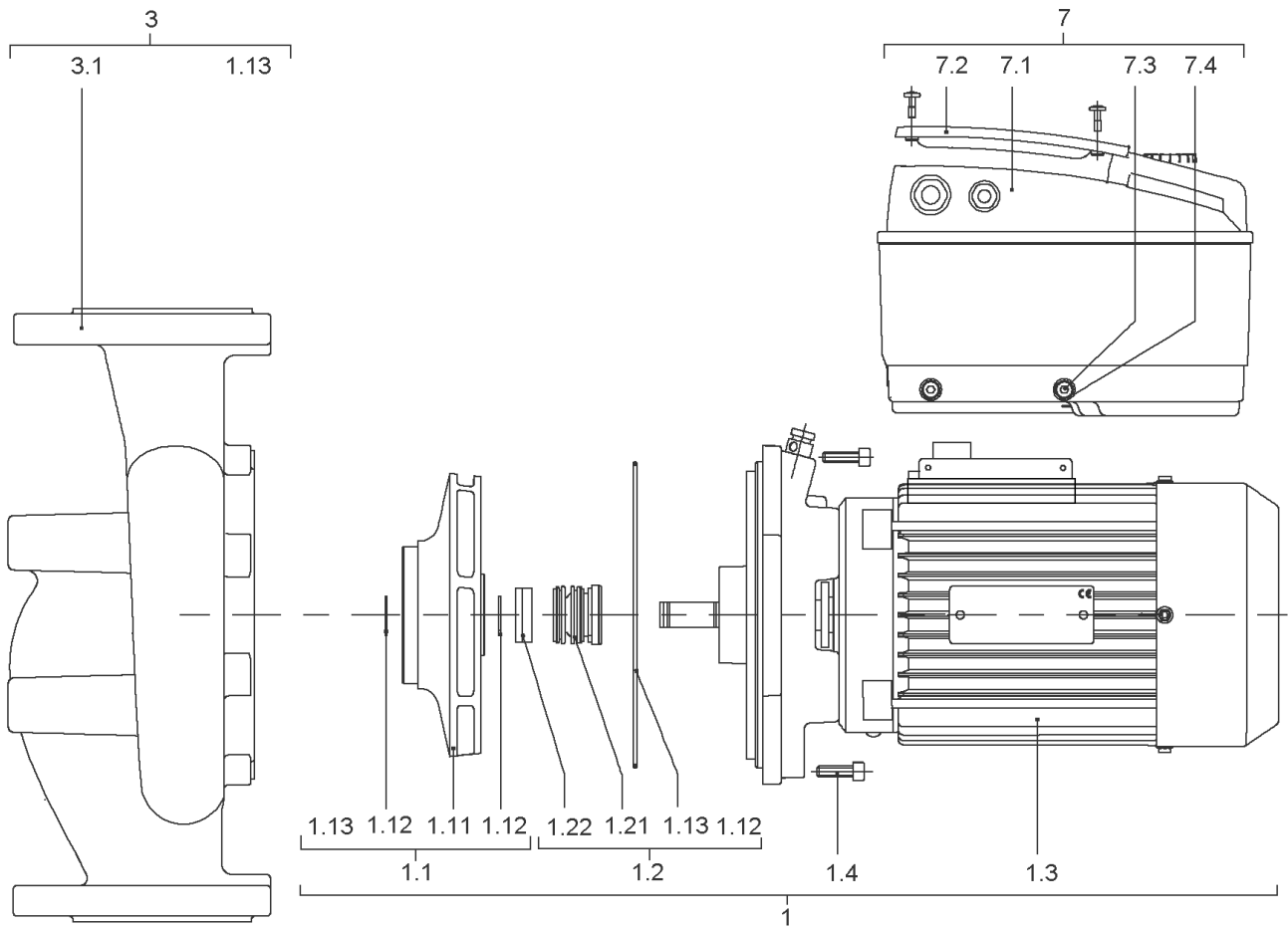
Item	Article no.	Description	Quantity
1	2131430	Service Motor IP/DP-E80/105-3 IE2ATB	1
1.1	2145326	> Impeller 80/150-108/17 PPO Kit	1
1.11		>> Impeller 80/150-108/17 PPO FE1630 fin	1
1.12	2123932	>> CIRCLIP 17X1 DIN471 A2 1.4122 VP.	1
1.13	2046358	>> O-RING ID.164,7X3,53 E7518 VP.	1
1.2	122097593	> Mechanical seal ID.17 AQ1EGG KIT	1
1.12	2123932	>> CIRCLIP 17X1 DIN471 A2 1.4122 VP.	1
1.13	2010300	>> O-RING ID.107,54X3,53	1
1.13	2010301	>> O-RING ID.117,07X3,53	1
1.13	2054183	>> O-RING ID.158,34X3,53 E7518	1
Note: TO/ BIS/ JUSQU'À: 03/03			
1.13	2046358	>> O-RING ID.164,7X3,53 E7518 VP.	1
Note: FROM/ AB/ À PARTIR: 04/03			
1.21		>> MECHANICAL SEAL ID.17 AQ1EGG	1
1.22		>> Distance ring D.17/30X9 PPO FE1630	1
1.3		> Motor	1
1.4	2052495	> SCREW M6X20 ISO4762 8.8 (8 PIECES)	1
		Spare parts motor 3/2/100 F188E ATB IE2	1
3	2145542	Pump housing I80/150-F188 KIT	1
1.13	2046358	> O-RING ID.164,7X3,53 E7518 VP.	1
3.1		> Pump housing IP80/150-F188 cpl.WILO	1
7	2145502	Module IP-E/DP-E80/105-3/2 IE2 ATB KIT	1
7.1		> Module IP-E/DP-E80/105-3/2 IE2 ATB	1
7.2	2054227	> MODULE COVER/GASKET TL3/4 KIT	1
7.3		> SCREW M5X16 ISO4762 8.8 ZnNi	1
7.4		> WASHER TOOTHED LOCK A5,3 DIN6797 FST ZN	1
	2061236	> O-RING ID.38X3 EPDM 70SR.A BUS.	1





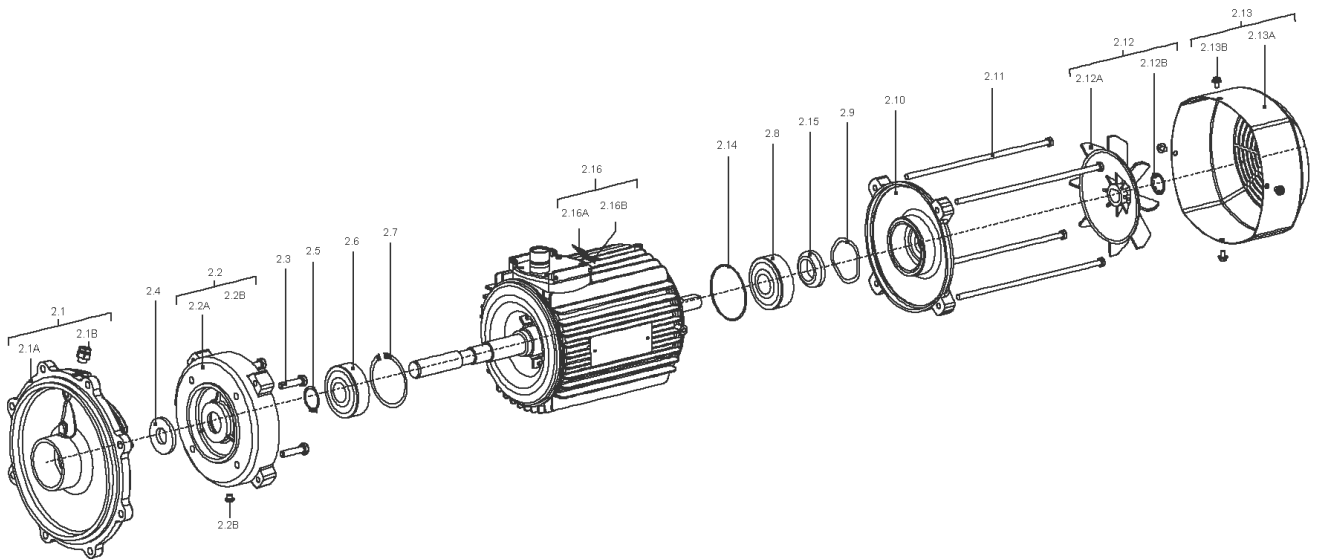
## Spare parts motor 3/2/100 F188E ATB IE2

Item	Article no.	Description	Quantity
2.1	2125452	END SHIELD BG100 D.E.ATB KIT	1
Note: Please give the data from type plate of the motor			
2.1A		> END SHIELD BG100 D.E.514725 ATB	1
2.1B	2027201	> BLOWGUN R1/8" VP.	1
Note: Please give the data from type plate of the motor			
2.2	2096258	SHIM BALL BEARING BG90-112 ATB VP.	1
Note: Please give the data from type plate of the motor			
2.3	121084190	BALL BEARING 6206/2Z-C3 (HT) VP.	1
Note: Please give the data from type plate of the motor			
2.4	121084190	BALL BEARING 6206/2Z-C3 (HT) VP.	1
Note: Please give the data from type plate of the motor			
2.5	2111441	CIRCLIP BG100/112 ATB VP.	1
Note: Please give the data from type plate of the motor			
2.6	2096273	SPACER DISC BG90/112 ATB VP.	1
Note: Please give the data from type plate of the motor			
2.7	2087825	END SHIELD BG100/112 457256N.D.E.ATB VP.	1
2.8	121479094	FAN WHEEL BG90/100 ATB KIT	1
Note: Please give the data from type plate of the motor			
2.8A		> FAN WHEEL BG90/100 721383 ATB	1
2.8B	2047016	> CORRUGATED SLEEVE RING BG90/100 ATB VP.	1
Note: Please give the data from type plate of the motor			
2.9	2046109	FAN HOUSING BG100 PLASTIC ATB VP.	1
Note: Please give the data from type plate of the motor			
2.12	2111449	SHAFT SEAL RING BG100/112 ATB VP.	1
Note: Please give the data from type plate of the motor			
2.14	2201024	Shaft seal ring BG100/112 N.D.E.ATB VP.	1
2.15	2111443	SCREW END SHILD BG100 D.E.ATB(4 PIECES)	1
Note: Please give the data from type plate of the motor			
	2147196	Gasket terminal box BG100/112 ATB.VP.	1
Note: Please give the data from type plate of the motor			



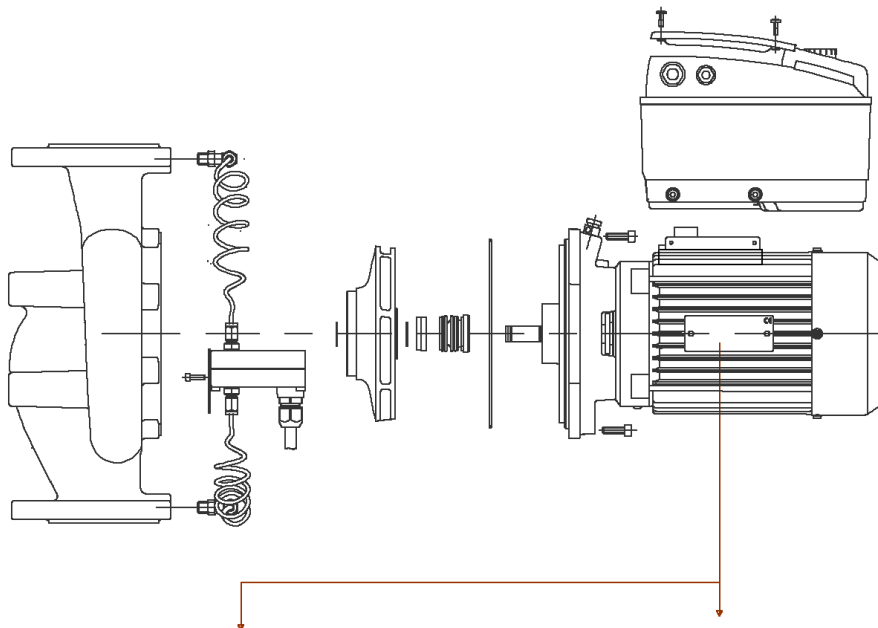
**Spare parts IP-E80/105-3/2-R1 ELEC**

Item	Article no.	Description	Quantity
1	2139842	Service Motor IP/DP-E80/105-3 IE2ELEC	1
1.1	2145326	> Impeller 80/150-108/17 PPO Kit	1
1.11		>> Impeller 80/150-108/17 PPO FE1630 fin	1
1.12	2123932	>> CIRCLIP 17X1 DIN471 A2 1.4122 VP.	1
1.13	2046358	>> O-RING ID.164,7X3,53 E7518 VP.	1
1.2	122097593	> Mechanical seal ID.17 AQ1EGG KIT	1
1.12	2123932	>> CIRCLIP 17X1 DIN471 A2 1.4122 VP.	1
1.13	2010300	>> O-RING ID.107,54X3,53	1
1.13	2010301	>> O-RING ID.117,07X3,53	1
1.13	2054183	>> O-RING ID.158,34X3,53 E7518	1
Note: TO/ BIS/ JUSQU'À: 03/03			
1.13	2046358	>> O-RING ID.164,7X3,53 E7518 VP.	1
Note: FROM/ AB/ À PARTIR: 04/03			
1.21		>> MECHANICAL SEAL ID.17 AQ1EGG	1
1.22		>> Distance ring D.17/30X9 PPO FE1630	1
1.3		> Motor	1
1.4	2052495	> SCREW M6X20 ISO4762 8.8 (8 PIECES)	1
		Spare parts motor 3/2/100F188E ELEC IE2	1
3	2145542	Pump housing I80/150-F188 KIT	1
1.13	2046358	> O-RING ID.164,7X3,53 E7518 VP.	1
3.1		> Pump housing IP80/150-F188 cpl.WILO	1
7	2145516	Module IP-E/DP-E80/105-3/2-IE2 ELEC KIT	1
7.1		> Module IP-E/DP-E80/105-3/2 IE2 ELEC	1
7.2	2054227	> MODULE COVER/GASKET TL3/4 KIT	1
7.3		> SCREW M5X16 ISO4762 8.8 ZnNi	1
7.4		> WASHER TOOTHED LOCK A5,3 DIN6797 FST ZN	1
	2061236	> O-RING ID.38X3 EPDM 70SR.A BUS.	1



## Spare parts motor 3/2/100F188E ELEC IE2

Item	Article no.	Description	Quantity
2.1	2118386	FLANGE END SHIELD BG100/112 D.E.ELEC KIT	1
2.1A		> LANTERN V18 M130-F188 KTL	1
2.1B	2027201	> BLOWGUN R1/8" VP.	1
Note: Please give the data from type plate of the motor			
2.2	2118387	END SHIELD BG100 V18 D.E.ELEC KIT	1
2.2A		> Flange IEC100 V18 (w/o thread)	1
2.2B	2111309	> CONDENSATE HOLE GASKET D5 VP.	1
Note: Please give the data from type plate of the motor			
2.3	2111314	SCREW M8X40 6.8 (4 PIECES)	1
2.4	2111324	THROWER D.36X4 VP.	1
2.5	2118388	CIRCLIP D.35 GB894.1 VP.	1
2.6	2153172	Ball bearing 6307/VV-C3 VP.	1
2.7	2118390	CIRCLIP D.80 GB893.1 VP.	1
2.8	2118391	BALL BEARING 6205 DDW C3 EA6 VP.	1
2.9	2118392	SPRING RING D.52 JB/T7590 VP.	1
2.10	2164025	End shield BG112 N.D.E.ELEC KIT	1
Note: Please give the data from type plate of the motor			
		> FLANGE IEC112 NDS with slot	1
		> O-RING ID62.4*3.53 EPDM	1
2.11	2118394	SCREW M6X238 6.8 (4 PIECES)	1
2.12	2118395	FAN WHEEL 138X20X17 ELEC KIT	1
2.12A		> FAN 138X20X17 GP2200 G/F20%	1
2.12B	2118396	> Tooth lock washer D.19,8x0,4 VP.	1
Note: Please give the data from type plate of the motor			
2.13	2118397	FAN HOOD BG100 ELEC KIT	1
2.13A		> FAN COVER IEC100 KTL ST14 T0.8 H86	1
2.13B	2111323	> SCREW M4X6 (4 PIECES)	1
Note: Please give the data from type plate of the motor			
2.14	2164027	O-Ring ID62.4x3.53 EPDM VP.	1
Note: Please give the data from type plate of the motor			



ATB

Motor-Nummer  
motor number  
numéro du moteur

		IE2			
3~Mot.	AF132S/2F-11S+E2/0509	IE2-88,1%			
S1	132S IMV1	224039411-1	522058X		
IP 55	Th. CI.155(F)	SCHWINGGROESSENSTUFE B			
WILO NR.2064705					
kW	V	Hz	A	1/min	COS φ
7,5	YΔ 690/400	50	7,9/3,7	2890	0,90
7,5	Δ 460	60	11,8	3510	0,89
Made in Germany		50 kg	EN 60034		

ELEC

Motor-Nummer  
motor number  
numéro du moteur

<b>3~Induction Motor</b>		Made by WILLO Group			
3501437	W080090-2-F188	0902.001			
Class F	S1	IP55	13.5kg	EN60034	
50Hz	1.10kW	2850min <sup>-1</sup>	60Hz	1.29kW	3435min <sup>-1</sup>
YΔ	230/400V	4.02/2.32A	Y	440-480V	2.40-2.32A
Cos φ =0.82		IE2-81.5%	Cos φ =0.85		IE2-82.5%

**Motor-Typenschild / Motor type plate / Plaque identité moteur**

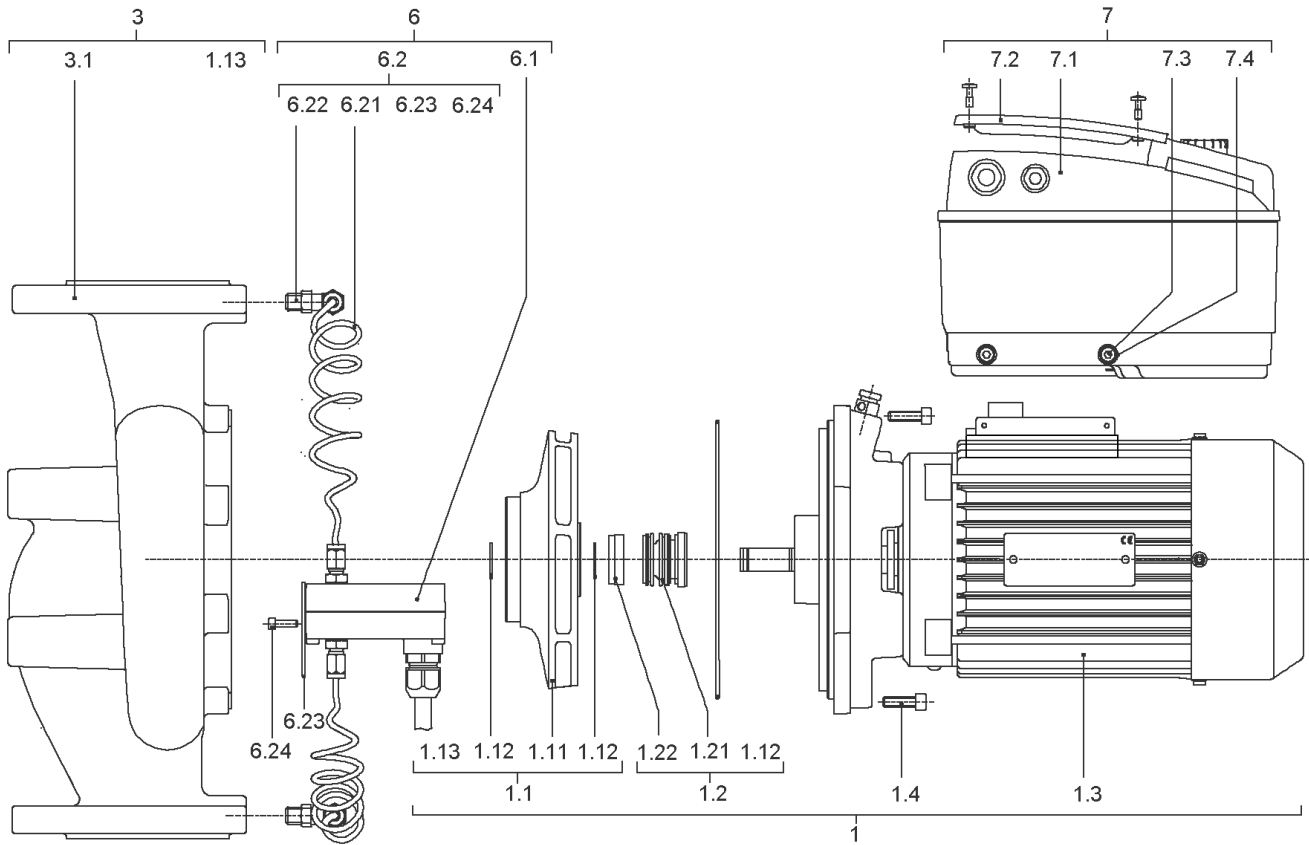
**Bei Ersatzteilbestellung Motor-Nummer angeben!**

**Indicate motor number for order of spare parts!**

**Pour une commande de pièces détachées, donner le numéro du moteur!**

**IP-E65/130-4/2-IE2 (2133262)**

<b>Item</b>	<b>Description</b>	<b>Quantity</b>
ATB	Spare parts IP-E65/130-4/2 ATB	1
ELEC	Spare parts IP-E65/130-4/2 ELEC	1



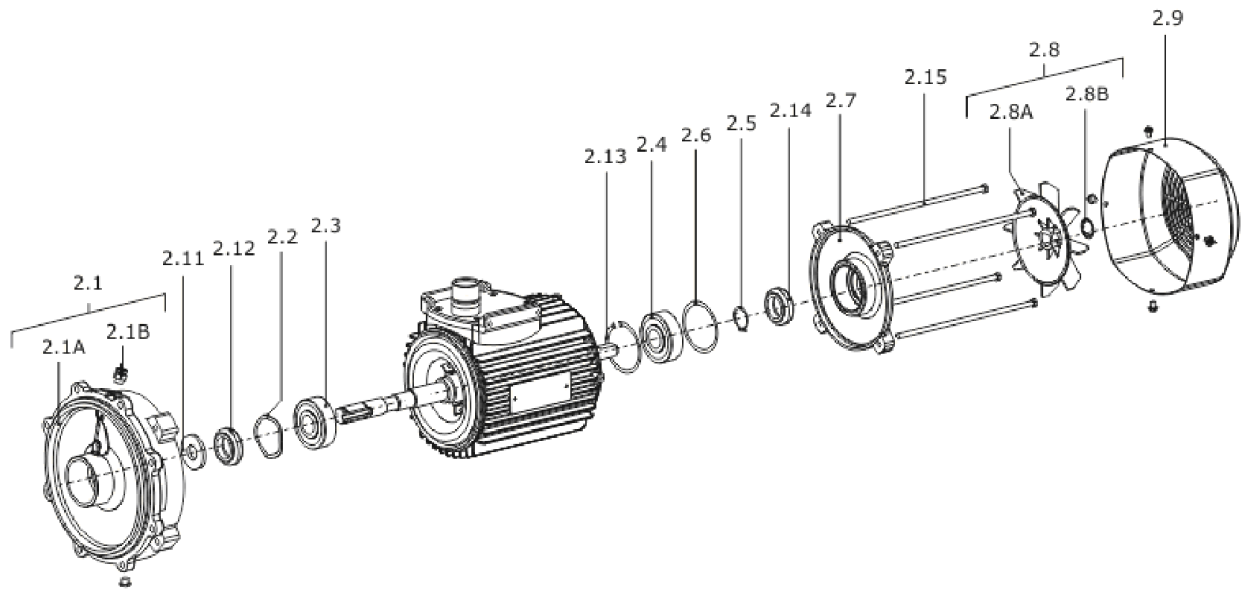


## Spare parts IP-E65/130-4/2 ATB

Item	Article no.	Description	Quantity
1	2131429	Service Motor IP/DP-E65/130-4 IE2ATB	1
1.1	2149133	> Impeller 65/140-130/17 PPO KIT	1
1.11		>> Impeller 65/140-130/17 PPO FE1630 fin	1
1.12	2123932	>> CIRCLIP 17X1 DIN471 A2 1.4122 VP.	1
1.13	2046358	>> O-RING ID.164,7X3,53 E7518 VP.	1
1.2	122097593	> Mechanical seal ID.17 AQ1EGG KIT	1
1.12	2123932	>> CIRCLIP 17X1 DIN471 A2 1.4122 VP.	1
1.13	2010300	>> O-RING ID.107,54X3,53	1
1.13	2010301	>> O-RING ID.117,07X3,53	1
1.13	2054183	>> O-RING ID.158,34X3,53 E7518	1
Note: TO/ BIS/ JUSQU'À: 03/03			
1.13	2046358	>> O-RING ID.164,7X3,53 E7518 VP.	1
Note: FROM/ AB/ À PARTIR: 04/03			
1.21		>> MECHANICAL SEAL ID.17 AQ1EGG	1
1.22		>> Distance ring D.17/30X9 PPO FE1630	1
1.3		> Motor	1
1.4	2052495	> SCREW M6X20 ISO4762 8.8 (8 PIECES)	1
		Spare parts motor 4/2/112 F188E ATB	1
3	2145408	Pump housing IP65/140-F188 16 KIT	1
1.13	2046358	> O-RING ID.164,7X3,53 E7518 VP.	1
3.1		> Pump housing IP65/140-F188 16 cpl.WILO	1
6	2104485	DPS40-1(0-10V) KIT	1
6.1	2106115	> DIFFERENTIAL PRESSURE SENSOR 40 KIT	1
Note: FROM/ AB/ À PARTIR: 09/2009			
		>> DPS40 spiral TZ.3mm Volt 2G	1
	2196657	>> Cable DPS 3x0,34x650 short bared 2G VP.	1
Note: from/ab/de 01.10.2013			
6.2	2106120	> CONNECTION SENSOR IP-E SPIRAL M6 KIT	1
Note: FROM/ AB/ À PARTIR: 09/2009			
6.21		>> CAPILLARY COIL 1000	2
6.22		>> Fixation ring pipe union R1/8" 90GD.Ni	1
6.23		>> HANDLE DDG M6	1
6.24		>> Screw M4x10 EE DIN7500 ZN	2
	2168862	>> Nut/Ferrule M6 D.3MM MS Ni (2 Pieces)	1

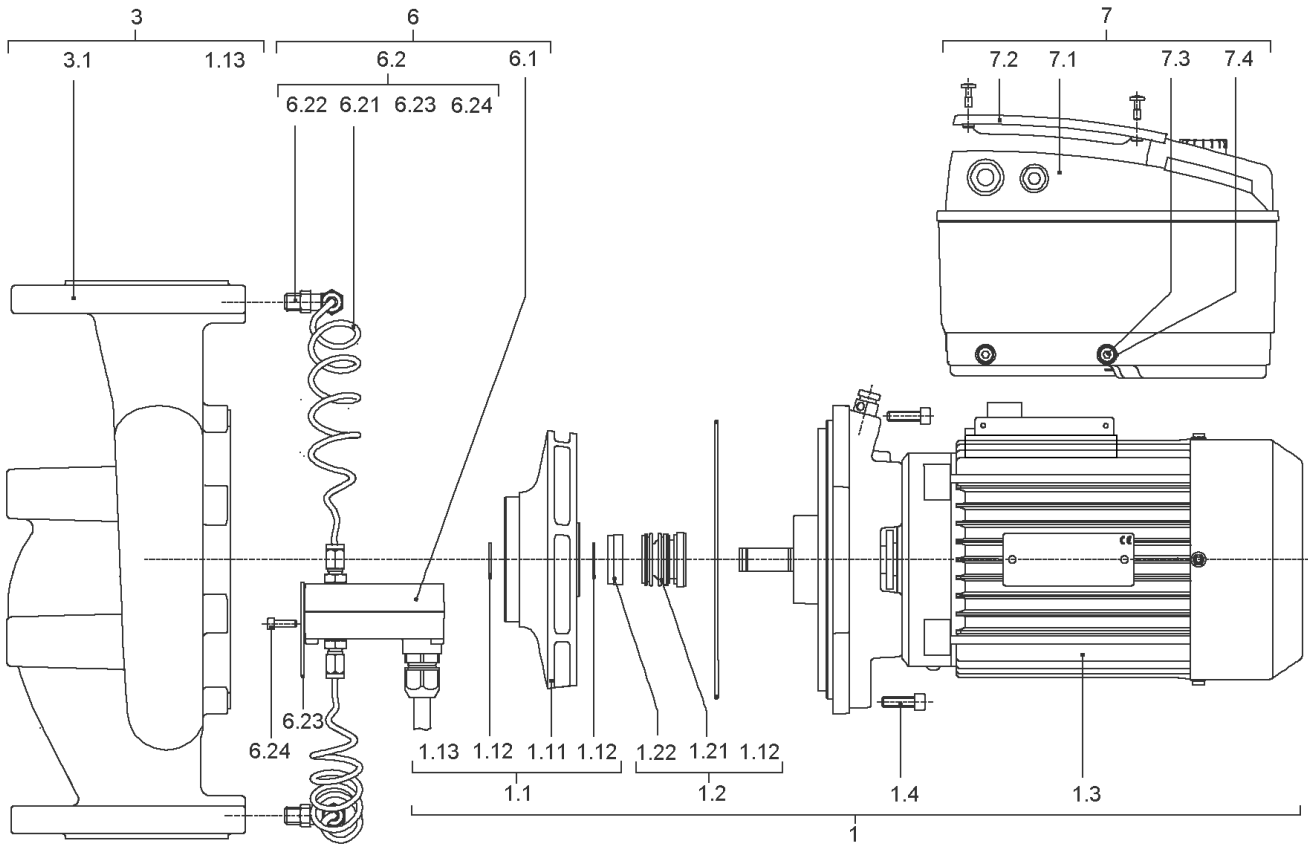
## Spare parts IP-E65/130-4/2 ATB

Item	Article no.	Description	Quantity
	2168860	>> Nut/Ferrule M8 D.5MM MS Ni (2 Pieces)	1
7	2142908	MODULE IP/DP-E65/130-4/2-IE2 ATB KIT	1
7.1		> Module IP-E/DP-E65/130-4/2 IE2 ATB	1
7.2	2054227	> MODULE COVER/GASKET TL3/4 KIT	1
7.3		> SCREW M5X16 ISO4762 8.8 ZnNi	1
7.4		> WASHER TOOTHED LOCK A5,3 DIN6797 FST ZN	1
	2061236	> O-RING ID.38X3 EPDM 70SR.A BUS.	1



## Spare parts motor 4/2/112 F188E ATB

Item	Article no.	Description	Quantity
2.1	2125454	END SHIELD BG112 D.E.ATB KIT	1
Note: Please give the data from type plate of the motor			
2.1A		> END SHIELD BG112 D.E.514768 ATB	1
2.1B	2027201	> BLOWGUN R1/8" VP.	1
Note: Please give the data from type plate of the motor			
2.2	2096258	SHIM BALL BEARING BG90-112 ATB VP.	1
Note: Please give the data from type plate of the motor			
2.3	121084190	BALL BEARING 6206/2Z-C3 (HT) VP.	1
Note: Please give the data from type plate of the motor			
2.4	121084190	BALL BEARING 6206/2Z-C3 (HT) VP.	1
Note: Please give the data from type plate of the motor			
2.5	2111441	CIRCLIP BG100/112 ATB VP.	1
Note: Please give the data from type plate of the motor			
2.6	2096273	SPACER DISC BG90/112 ATB VP.	1
Note: Please give the data from type plate of the motor			
2.7	2045002	END SHIELD BG112 N.D.E.ATB VP.	1
2.8	121479197	FAN WHEEL BG100-132 ATB KIT	1
Note: Please give the data from type plate of the motor			
2.8A		> FAN WHEEL BG100-132 721186 ATB	1
2.8B	2123672	> CORRU. SLEEVE RING BG90-132 ATB VP.	1
Note: Please give the data from type plate of the motor			
2.9	121181190	FAN HOUSING BG112 METAL ATB VP.	1
Note: Please give the data from type plate of the motor			
2.12	2201026	Shaft seal ring BG100/112 D.E.ATB VP.	1
Note: Please give the data from type plate of the motor			
2.14	2201024	Shaft seal ring BG100/112 N.D.E.ATB VP.	1
2.15	2111445	SCREW END SHILD M6X220 ATB(4 PIECES)	1
Note: Please give the data from type plate of the motor			
	2147196	Gasket terminal box BG100/112 ATB.VP.	1
Note: Please give the data from type plate of the motor			

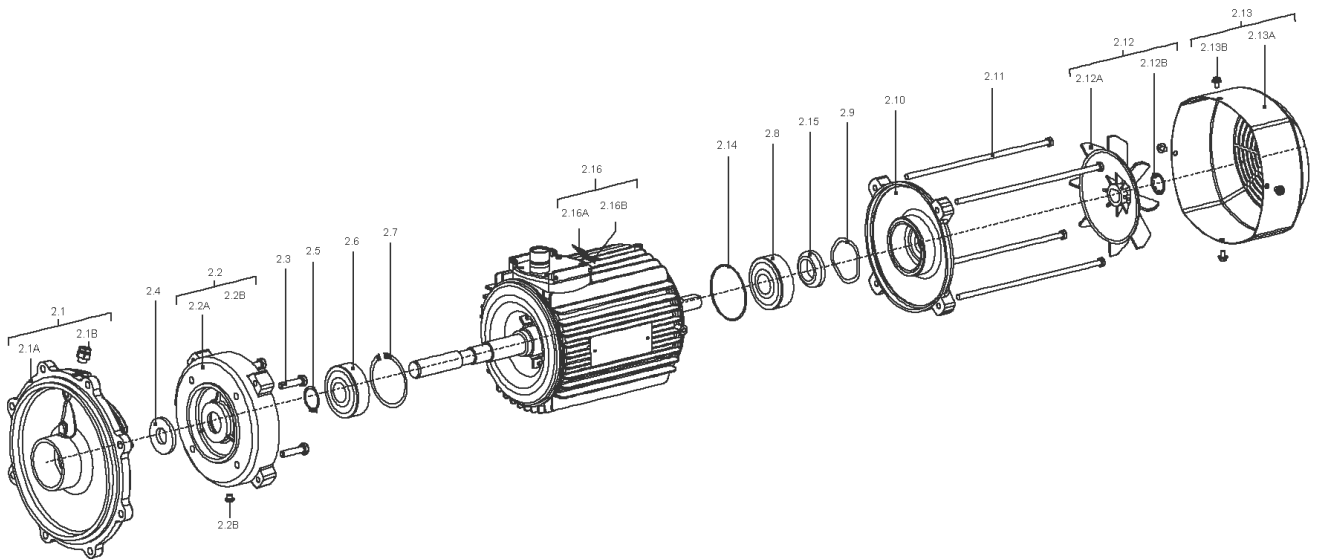


## Spare parts IP-E65/130-4/2 ELEC

Item	Article no.	Description	Quantity
1	2139841	Service Motor IP/DP-E65/130-4 IE2ELEC	1
1.1	2149133	> Impeller 65/140-130/17 PPO KIT	1
1.11		>> Impeller 65/140-130/17 PPO FE1630 fin	1
1.12	2123932	>> CIRCLIP 17X1 DIN471 A2 1.4122 VP.	1
1.13	2046358	>> O-RING ID.164,7X3,53 E7518 VP.	1
1.2	122097593	> Mechanical seal ID.17 AQ1EGG KIT	1
1.12	2123932	>> CIRCLIP 17X1 DIN471 A2 1.4122 VP.	1
1.13	2010300	>> O-RING ID.107,54X3,53	1
1.13	2010301	>> O-RING ID.117,07X3,53	1
1.13	2054183	>> O-RING ID.158,34X3,53 E7518	1
Note: TO/ BIS/ JUSQU'À: 03/03			
1.13	2046358	>> O-RING ID.164,7X3,53 E7518 VP.	1
Note: FROM/ AB/ À PARTIR: 04/03			
1.21		>> MECHANICAL SEAL ID.17 AQ1EGG	1
1.22		>> Distance ring D.17/30X9 PPO FE1630	1
1.3		> Motor	1
1.4	2052495	> SCREW M6X20 ISO4762 8.8 (8 PIECES)	1
		Spare parts motor 4/2/112 F188E Elec IE2	1
3	2145408	Pump housing IP65/140-F188 16 KIT	1
1.13	2046358	> O-RING ID.164,7X3,53 E7518 VP.	1
3.1		> Pump housing IP65/140-F188 16 cpl.WILO	1
6	2104485	DPS40-1(0-10V) KIT	1
6.1	2106115	> DIFFERENTIAL PRESSURE SENSOR 40 KIT	1
Note: FROM/ AB/ À PARTIR: 09/2009			
		>> DPS40 spiral TZ.3mm Volt 2G	1
	2196657	>> Cable DPS 3x0,34x650 short bared 2G VP.	1
Note: from/ab/de 01.10.2013			
6.2	2106120	> CONNECTION SENSOR IP-E SPIRAL M6 KIT	1
Note: FROM/ AB/ À PARTIR: 09/2009			
6.21		>> CAPILLARY COIL 1000	2
6.22		>> Fixation ring pipe union R1/8" 90GD.Ni	1
6.23		>> HANDLE DDG M6	1
6.24		>> Screw M4x10 EE DIN7500 ZN	2
	2168862	>> Nut/Ferrule M6 D.3MM MS Ni (2 Pieces)	1

## Spare parts IP-E65/130-4/2 ELEC

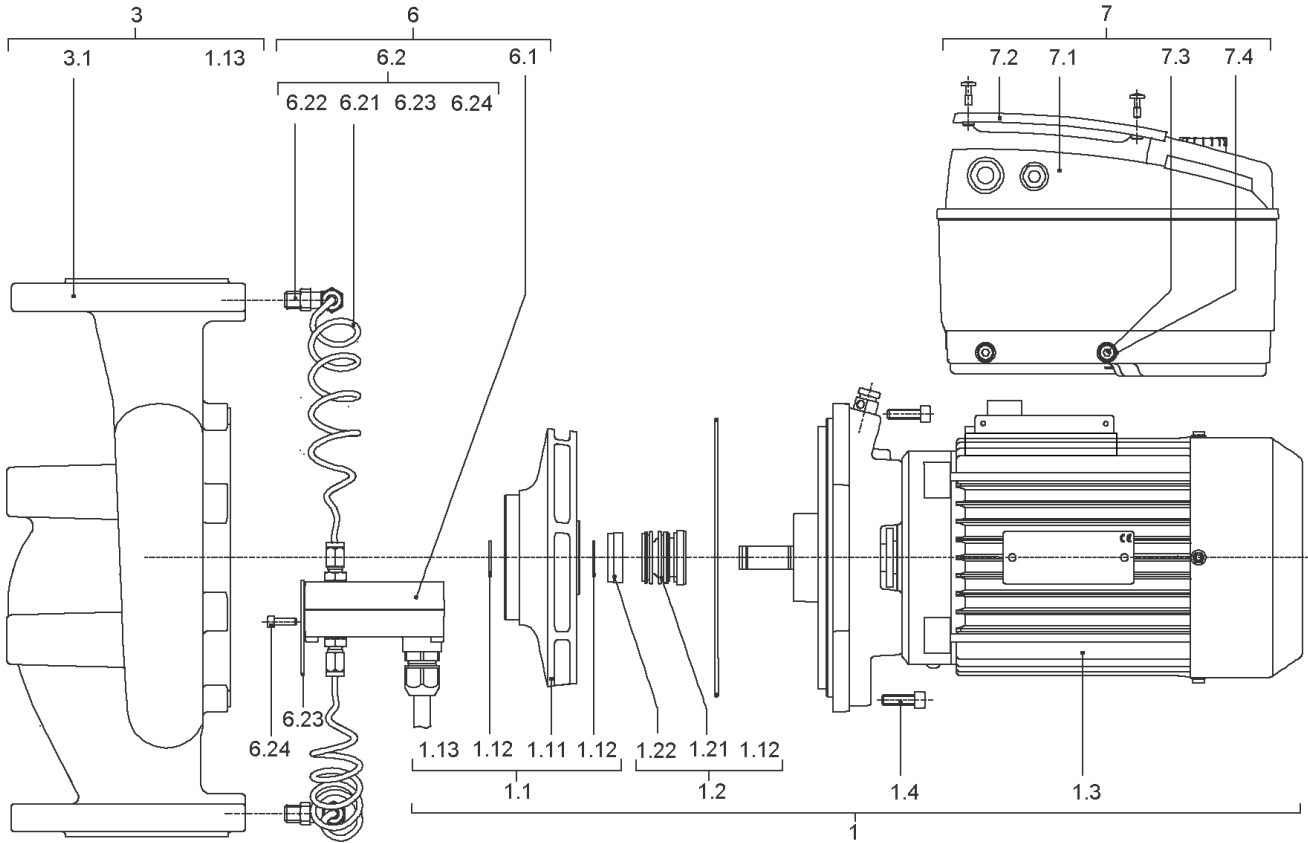
Item	Article no.	Description	Quantity
	2168860	>> Nut/Ferrule M8 D.5MM MS Ni (2 Pieces)	1
7	2174932	Module IP-E/DP-E65/130-4/2-IE2 ELEC KIT	1
7.1		> Modul IP-E/DP-E65/130-4/2-IE2 ELEC	1
7.2	2054227	> MODULE COVER/GASKET TL3/4 KIT	1
7.3		> SCREW M5X16 ISO4762 8.8 ZnNi	1
7.4		> WASHER TOOTHED LOCK A5,3 DIN6797 FST ZN	1
	2061236	> O-RING ID.38X3 EPDM 70SR.A BUS.	1





## Spare parts motor 4/2/112 F188E Elec IE2

Item	Article no.	Description	Quantity
2.1	2118386	FLANGE END SHIELD BG100/112 D.E.ELEC KIT	1
2.1A		> LANTERN V18 M130-F188 KTL	1
2.1B	2027201	> BLOWGUN R1/8" VP.	1
Note: Please give the data from type plate of the motor			
2.2	2132465	END SHIELD BG112 V12 D.E.ELEC KIT	1
2.2A		> FLANGE IEC112 V18 (WITHOUT THREAD)	1
2.2B	2111309	> CONDENSATE HOLE GASKET D5 VP.	1
Note: Please give the data from type plate of the motor			
2.3	2111314	SCREW M8X40 6.8 (4 PIECES)	1
2.4	2111324	THROWER D.36X4 VP.	1
2.5	2118388	CIRCLIP D.35 GB894.1 VP.	1
2.6	2149118	Ball bearing 6307/ZZ-C3 E2 VP.	1
2.7	2118390	CIRCLIP D.80 GB893.1 VP.	1
2.8	2153173	Ball bearing 6206/VV-C3 VP.	1
2.9	2132469	SPRING RING D.62 JB/T7590 VP.	1
2.10	2164025	End shield BG112 N.D.E.ELEC KIT	1
Note: Please give the data from type plate of the motor			
		> FLANGE IEC112 NDS with slot	1
		> O-RING ID62.4*3.53 EPDM	1
2.11	2132473	SCREW M8X263,5 6.8 (4 PIECES)	1
2.12	2168254	Fan wheel BG112 ELEC KIT	1
2.12A		> FAN 185X20X17 GP2200 G/F20%	1
2.12B	2118396	> Tooth lock washer D.19,8x0,4 VP.	1
Note: Please give the data from type plate of the motor			
2.13	2168255	Fan hood BG112 ELEC KIT	1
2.13A		> FAN COVER IEC112 KTL ST14 T1.0 H86	1
2.13B	2111323	> SCREW M4X6 (4 PIECES)	1
Note: Please give the data from type plate of the motor			
2.15	2149111	Shaft seal ring 35x55x8 VP.	1
Note: Please give the data from type plate of the motor			



**IP-E80/110-4/2-IE2-X1 (2133264)**

Item	Article no.	Description	Quantity
1	2131431	Service Motor IP/DP-E80/110-4 IE2ATB	1
1.1	2143974	> IMPELLER 80/150-114/17 PPO KIT	1
1.11		>> Impeller 80/150-114/17 PPO FE1630 fin	1
1.12	2123932	>> CIRCLIP 17X1 DIN471 A2 1.4122 VP.	1
1.13	2046358	>> O-RING ID.164,7X3,53 E7518 VP.	1
1.2	122097593	> Mechanical seal ID.17 AQ1EGG KIT	1
1.12	2123932	>> CIRCLIP 17X1 DIN471 A2 1.4122 VP.	1
1.13	2010300	>> O-RING ID.107,54X3,53	1
1.13	2010301	>> O-RING ID.117,07X3,53	1
1.13	2054183	>> O-RING ID.158,34X3,53 E7518	1
Note: TO/ BIS/ JUSQU'À: 03/03			
1.13	2046358	>> O-RING ID.164,7X3,53 E7518 VP.	1
Note: FROM/ AB/ À PARTIR: 04/03			
1.21		>> MECHANICAL SEAL ID.17 AQ1EGG	1
1.22		>> Distance ring D.17/30X9 PPO FE1630	1
1.3		> Motor	1
1.4	2052495	> SCREW M6X20 ISO4762 8.8 (8 PIECES)	1
		SPARE PARTS MOTOR 4/2/112 F188E	1
3	2145542	Pump housing I80/150-F188 KIT	1
1.13	2046358	> O-RING ID.164,7X3,53 E7518 VP.	1
3.1		> Pump housing IP80/150-F188 cpl.WILO	1
6	2104479	DPS20-1(0-10V) KIT	1
6.1	2106113	> DIFFERENTIAL PRESSURE SENSOR 20 KIT	1
Note: FROM/ AB/ À PARTIR: 09/2009			
		>> DPS20 spiral TZ.3mm Volt 2G	1
	2196657	>> Cable DPS 3x0,34x650 short bared 2G VP.	1
Note: from/ab/de 01.10.2013			
6.2	2106120	> CONNECTION SENSOR IP-E SPIRAL M6 KIT	1
Note: FROM/ AB/ À PARTIR: 09/2009			
6.21		>> CAPILLARY COIL 1000	2
6.22		>> Fixation ring pipe union R1/8" 90GD.Ni	1
6.23		>> HANDLE DDG M6	1
6.24		>> Screw M4x10 EE DIN7500 ZN	2
	2168862	>> Nut/Ferrule M6 D.3MM MS Ni (2 Pieces)	1

**IP-E80/110-4/2-IE2-X1 (2133264)**

Item	Article no.	Description	Quantity
	2168860	>> Nut/Ferrule M8 D.5MM MS Ni (2 Pieces)	1
7	2143905	MODULE IP-E/DP-E80/110-4/2-IE2 ATB KIT	1
7.1		> Module IP-E/DP-E80/110-4/2 IE2 ATB	1
7.2	2054227	> MODULE COVER/GASKET TL3/4 KIT	1
7.3		> SCREW M5X16 ISO4762 8.8 ZnNi	1
7.4		> WASHER TOOTHED LOCK A5,3 DIN6797 FST ZN	1
	2061236	> O-RING ID.38X3 EPDM 70SR.A BUS.	1

### Motor-Typenschild / Motor type plate / Plaque identité moteur


**Bei Ersatzteilbestellung Motor-Nummer angeben!**

**Indicate motor number for order of spare parts!**

**Pour une commande de pièces détachées, donner le numéro du moteur!**

ATB - AF

Motor-Nummer  
motor number  
numéro du moteur


 3-Mot. 90L  
 1234567 - 1  
 IMB5 IP 55  
 AF 90L/2I-12  
 Y/Δ 400/230 V 4.6/8.0 A  
 2850 1/min cos φ 0.87 50 Hz  
 2.2 kW S1  
 ● Y/Δ 380...420/220...240 V ●  
 4.8...4.6/8.3...8.0 A  
 Th. Cl. F 1. freie Zeile  
 2. freie Zeile  
 3. freie Zeile  
 Made in Germany  
 T09 463023N 16 kg EN 60034 - IEC 38


WILO ELEC

Motor-Nummer  
motor number  
numéro du moteur

**3-Induction Motor**  
 Made by WILO Group

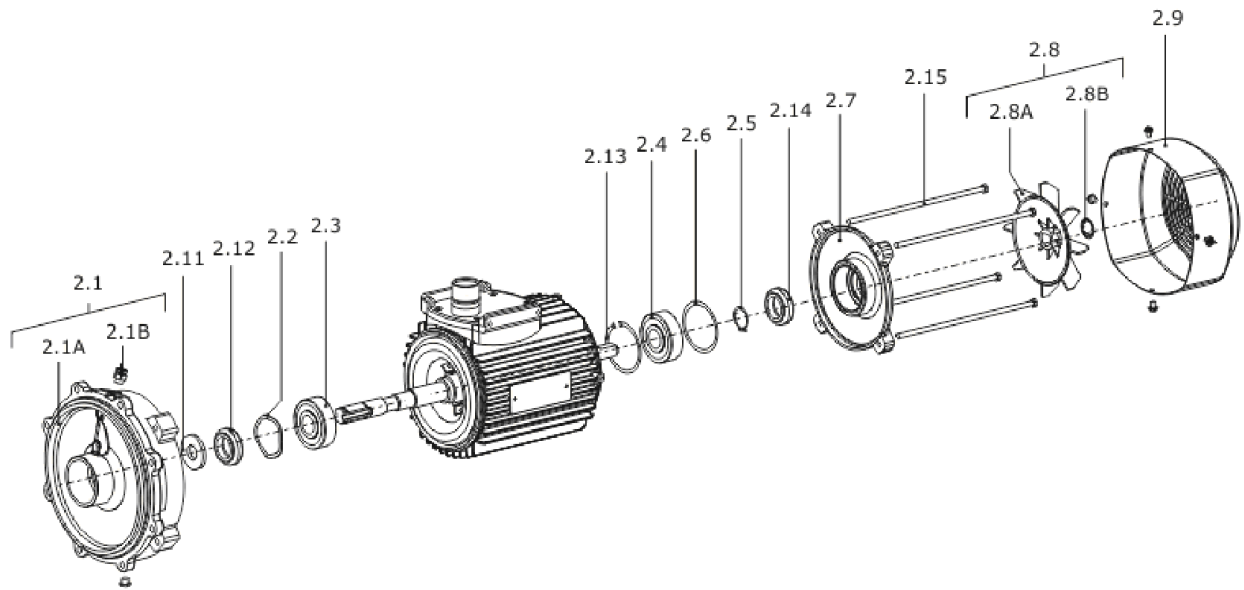
3502984	W071080-2-F188E	1001.001
Class F	S1 IP 55 10.4kg	EN60034

<b>50Hz</b>	0.55kW	2860min <sup>-1</sup>	<b>60Hz</b>	0.66kW	3450min <sup>-1</sup>
Y	400V	1.33A	Y	440-480V	1.34-1.32A
Cosφ=0.76		Eta=79.0%	Cosφ=0.75		Eta=80.0%



**SPARE PARTS MOTOR 4/2/112 F188E**

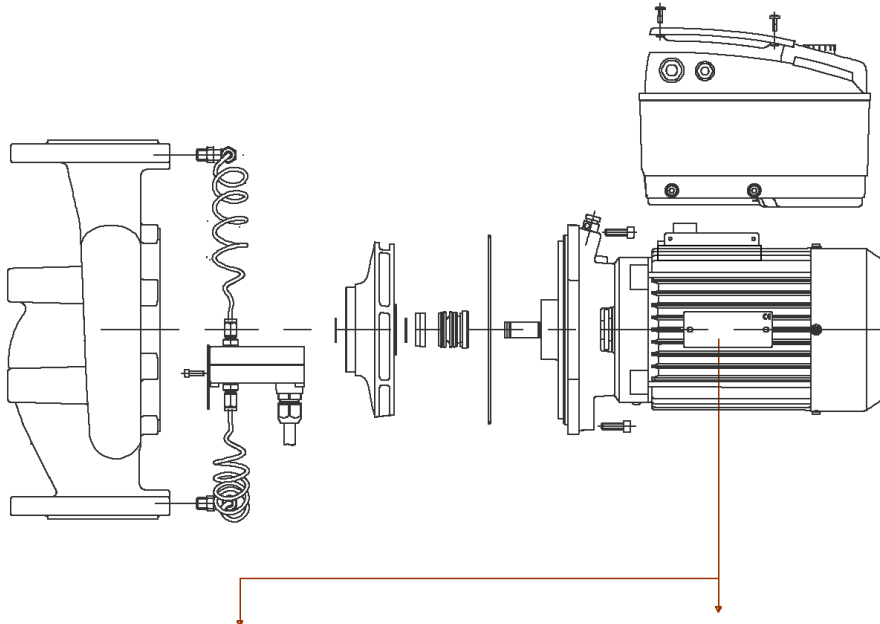
<b>Item</b>	<b>Description</b>	<b>Quantity</b>
1	MOTOR 4/2/112 F188E ATB	1



**MOTOR 4/2/112 F188E ATB**

Item	Article no.	Description	Quantity
2.1	2125454	END SHIELD BG112 D.E.ATB KIT	1
Note: Please give the data from type plate of the motor			
2.1A		> END SHIELD BG112 D.E.514768 ATB	1
2.1B	2027201	> BLOWGUN R1/8" VP.	1
Note: Please give the data from type plate of the motor			
2.2	2096258	SHIM BALL BEARING BG90-112 ATB VP.	1
Note: Please give the data from type plate of the motor			
2.3	121084190	BALL BEARING 6206/2Z-C3 (HT) VP.	1
Note: Please give the data from type plate of the motor			
2.4	121084190	BALL BEARING 6206/2Z-C3 (HT) VP.	1
Note: Please give the data from type plate of the motor			
2.5	2111441	CIRCLIP BG100/112 ATB VP.	1
Note: Please give the data from type plate of the motor			
2.6	2096273	SPACER DISC BG90/112 ATB VP.	1
Note: Please give the data from type plate of the motor			
2.7	2045002	END SHIELD BG112 N.D.E.ATB VP.	1
Note: Please give the data from type plate of the motor			
2.8	121479197	FAN WHEEL BG100-132 ATB KIT	1
Note: Please give the data from type plate of the motor			
2.8A		> FAN WHEEL BG100-132 721186 ATB	1
2.8B	2123672	> CORRU. SLEEVE RING BG90-132 ATB VP.	1
Note: Please give the data from type plate of the motor			
2.9	121181190	FAN HOUSING BG112 METAL ATB VP.	1
Note: Please give the data from type plate of the motor			
2.12	2201026	Shaft seal ring BG100/112 D.E.ATB VP.	1
Note: Please give the data from type plate of the motor			
2.14	2201024	Shaft seal ring BG100/112 N.D.E.ATB VP.	1
2.15	2111445	SCREW END SHILD M6X220 ATB(4 PIECES)	1
Note: Please give the data from type plate of the motor			
	2147196	Gasket terminal box BG100/112 ATB.VP.	1
Note: Please give the data from type plate of the motor			





ATB

Motor-Nummer  
motor number  
numéro du moteur

		IE2			
3~Mot.	AF132S/2F-11S+E2/0509	IE2-88,1%			
S1	132S IMV1	224039411-1	522058X		
IP 55	Th. CI.155(F)	SCHWINGGROESSENSTUFE B			
WILO NR.2064705					
kW	V	Hz	A	1/min	COS φ
7,5	YΔ 690/400	50	7,9/3,7	2890	0,90
7,5	Δ 460	60	11,8	3510	0,89
Made in Germany		50 kg	EN 60034		

ELEC

Motor-Nummer  
motor number  
numéro du moteur

<b>3~Induction Motor</b>		Made by WILLO Group			
3501437	W080090-2-F188	0902.001			
Class F	S1	IP55	13.5kg	EN60034	
50Hz	1.10kW	2850min <sup>-1</sup>	60Hz	1.29kW	3435min <sup>-1</sup>
YΔ	230/400V	4.02/2.32A	Y	440-480V	2.40-2.32A
Cos φ =0.82		IE2-81.5%	Cos φ =0.85		IE2-82.5%

**Motor-Typenschild / Motor type plate / Plaque identité moteur**

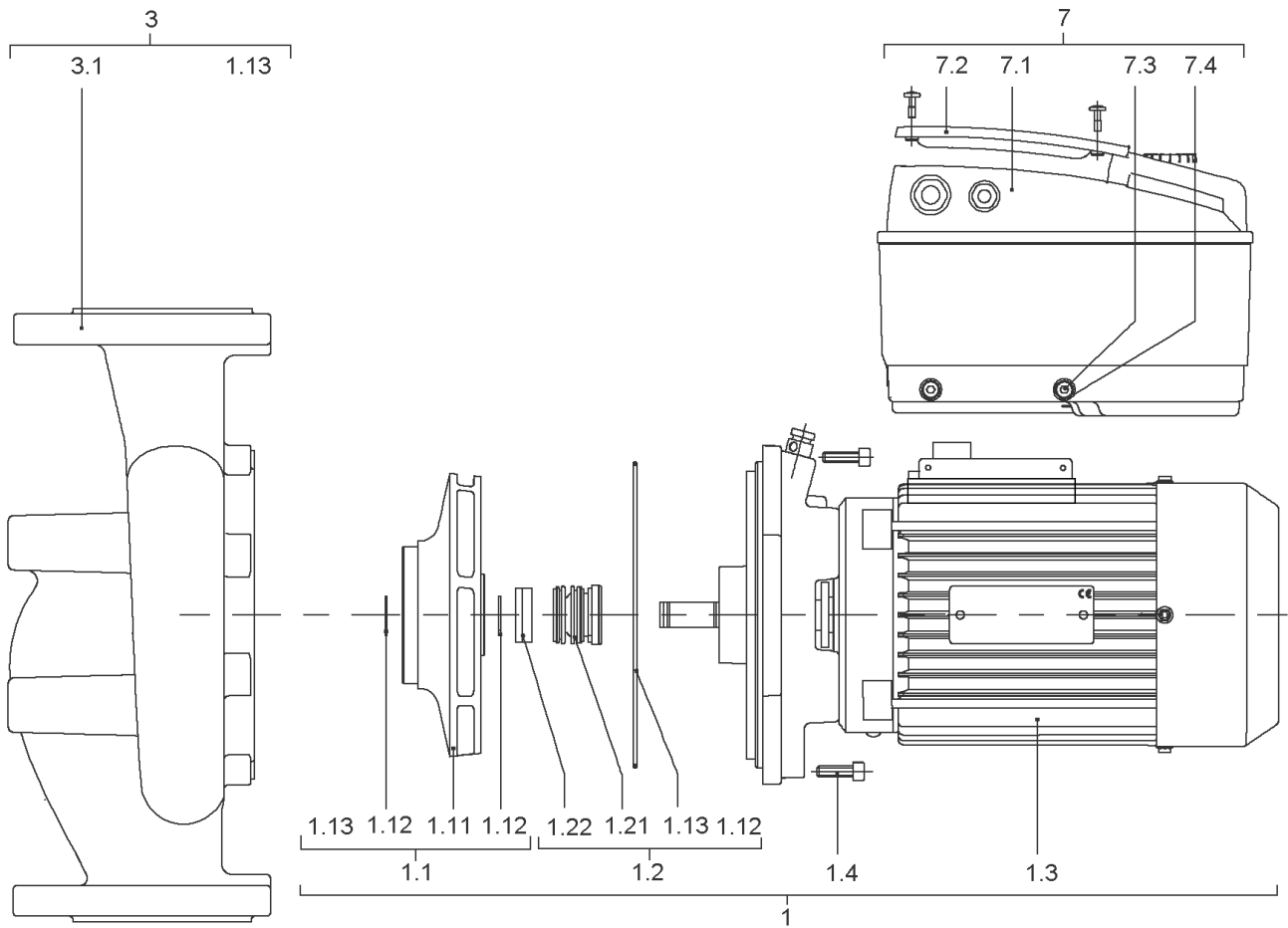
**Bei Ersatzteilbestellung Motor-Nummer angeben!**

**Indicate motor number for order of spare parts!**

**Pour une commande de pièces détachées, donner le numéro du moteur!**

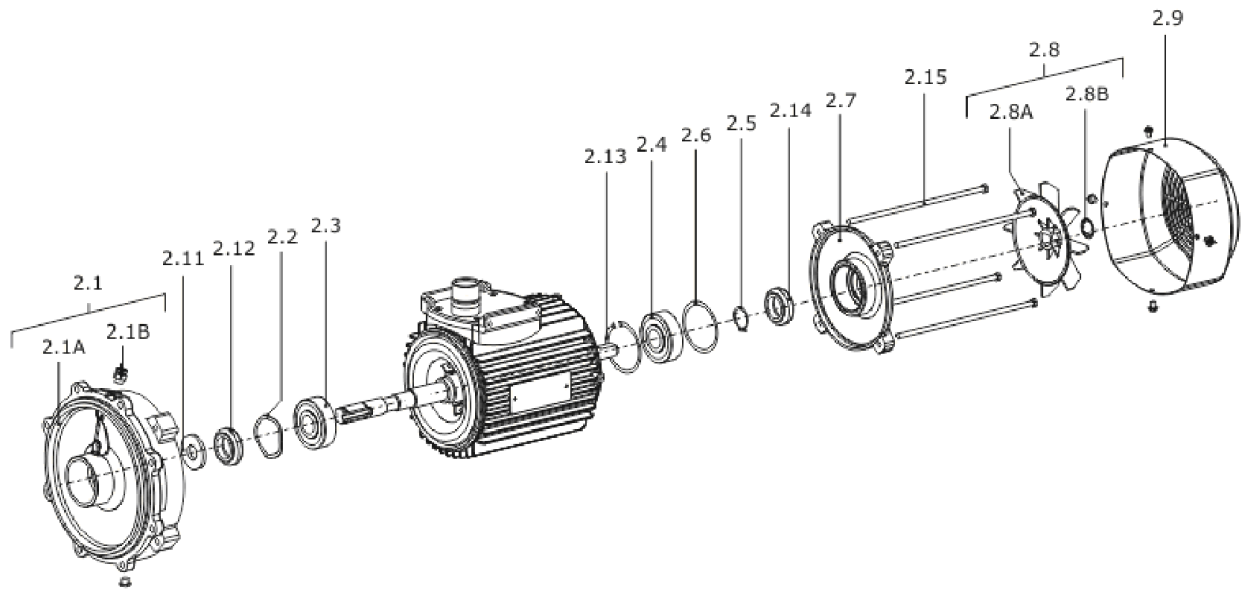
**IP-E65/130-4/2-R1-IE2 (2133270)**

<b>Item</b>	<b>Description</b>	<b>Quantity</b>
ATB	Spare parts IP-E65/130-4/2-R1 ATB	1
ELEC	Spare parts IP-E65/130-4/2-R1 ELEC	1



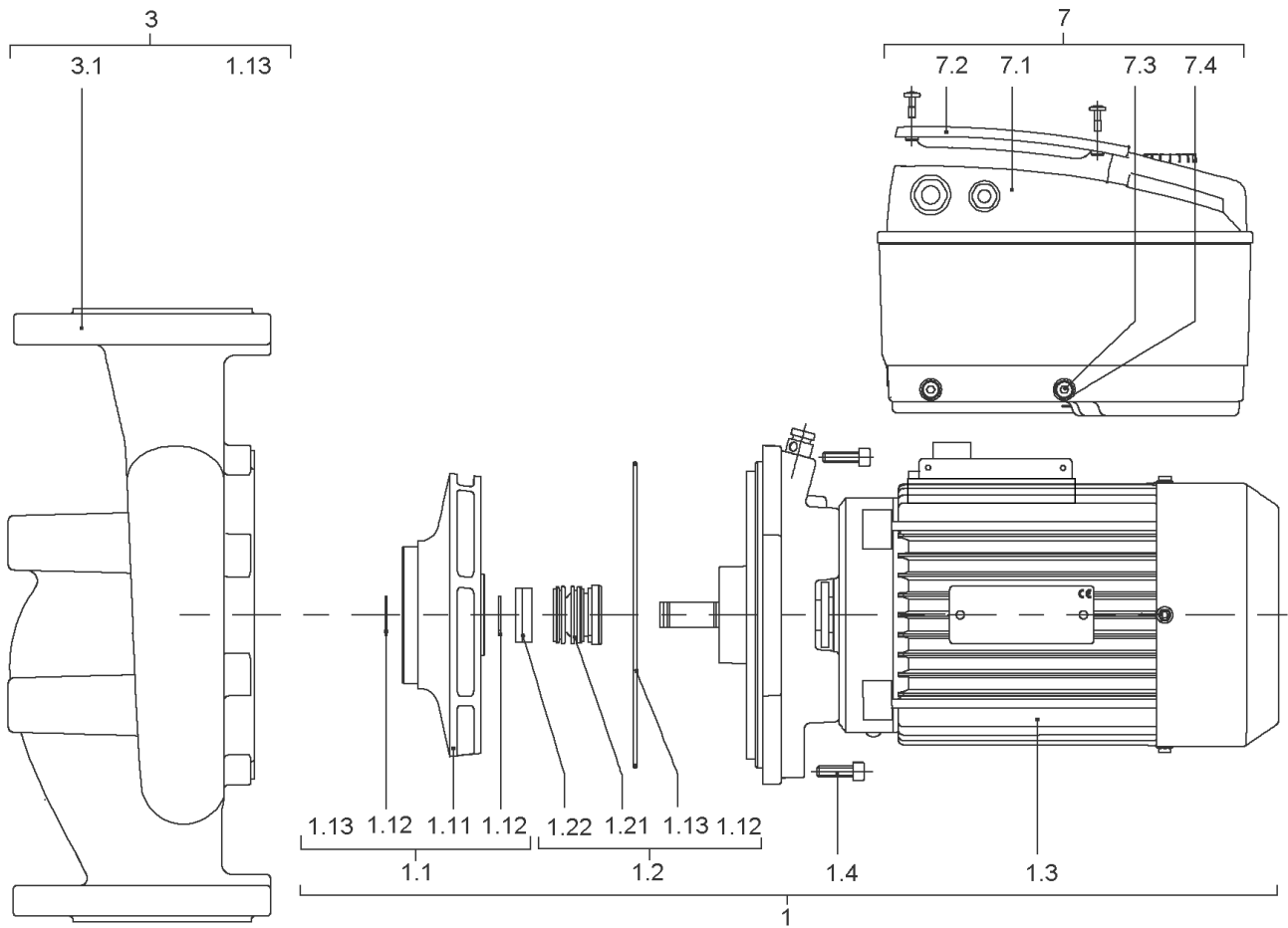
**Spare parts IP-E65/130-4/2-R1 ATB**

Item	Article no.	Description	Quantity
1	2131429	Service Motor IP/DP-E65/130-4 IE2ATB	1
1.1	2149133	> Impeller 65/140-130/17 PPO KIT	1
1.11		>> Impeller 65/140-130/17 PPO FE1630 fin	1
1.12	2123932	>> CIRCLIP 17X1 DIN471 A2 1.4122 VP.	1
1.13	2046358	>> O-RING ID.164,7X3,53 E7518 VP.	1
1.2	122097593	> Mechanical seal ID.17 AQ1EGG KIT	1
1.12	2123932	>> CIRCLIP 17X1 DIN471 A2 1.4122 VP.	1
1.13	2010300	>> O-RING ID.107,54X3,53	1
1.13	2010301	>> O-RING ID.117,07X3,53	1
1.13	2054183	>> O-RING ID.158,34X3,53 E7518	1
Note: TO/ BIS/ JUSQU'À: 03/03			
1.13	2046358	>> O-RING ID.164,7X3,53 E7518 VP.	1
Note: FROM/ AB/ À PARTIR: 04/03			
1.21		>> MECHANICAL SEAL ID.17 AQ1EGG	1
1.22		>> Distance ring D.17/30X9 PPO FE1630	1
1.3		> Motor	1
1.4	2052495	> SCREW M6X20 ISO4762 8.8 (8 PIECES)	1
		Spare parts motor 4/2/112 F188E ATB	1
3	2145408	Pump housing IP65/140-F188 16 KIT	1
1.13	2046358	> O-RING ID.164,7X3,53 E7518 VP.	1
3.1		> Pump housing IP65/140-F188 16 cpl.WILO	1
7	2142908	MODULE IP/DP-E65/130-4/2-IE2 ATB KIT	1
7.1		> Module IP-E/DP-E65/130-4/2 IE2 ATB	1
7.2	2054227	> MODULE COVER/GASKET TL3/4 KIT	1
7.3		> SCREW M5X16 ISO4762 8.8 ZnNi	1
7.4		> WASHER TOOTHED LOCK A5,3 DIN6797 FST ZN	1
	2061236	> O-RING ID.38X3 EPDM 70SR.A BUS.	1



## Spare parts motor 4/2/112 F188E ATB

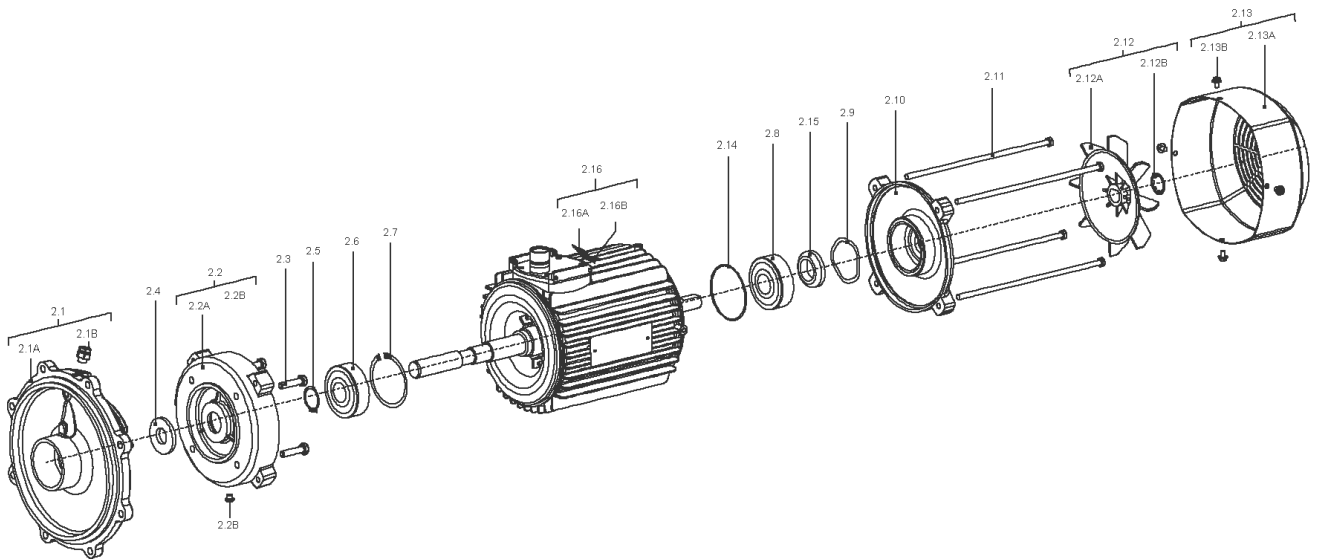
Item	Article no.	Description	Quantity
2.1	2125454	END SHIELD BG112 D.E.ATB KIT	1
Note: Please give the data from type plate of the motor			
2.1A		> END SHIELD BG112 D.E.514768 ATB	1
2.1B	2027201	> BLOWGUN R1/8" VP.	1
Note: Please give the data from type plate of the motor			
2.2	2096258	SHIM BALL BEARING BG90-112 ATB VP.	1
Note: Please give the data from type plate of the motor			
2.3	121084190	BALL BEARING 6206/2Z-C3 (HT) VP.	1
Note: Please give the data from type plate of the motor			
2.4	121084190	BALL BEARING 6206/2Z-C3 (HT) VP.	1
Note: Please give the data from type plate of the motor			
2.5	2111441	CIRCLIP BG100/112 ATB VP.	1
Note: Please give the data from type plate of the motor			
2.6	2096273	SPACER DISC BG90/112 ATB VP.	1
Note: Please give the data from type plate of the motor			
2.7	2045002	END SHIELD BG112 N.D.E.ATB VP.	1
2.8	121479197	FAN WHEEL BG100-132 ATB KIT	1
Note: Please give the data from type plate of the motor			
2.8A		> FAN WHEEL BG100-132 721186 ATB	1
2.8B	2123672	> CORRU. SLEEVE RING BG90-132 ATB VP.	1
Note: Please give the data from type plate of the motor			
2.9	121181190	FAN HOUSING BG112 METAL ATB VP.	1
Note: Please give the data from type plate of the motor			
2.12	2201026	Shaft seal ring BG100/112 D.E.ATB VP.	1
Note: Please give the data from type plate of the motor			
2.14	2201024	Shaft seal ring BG100/112 N.D.E.ATB VP.	1
2.15	2111445	SCREW END SHILD M6X220 ATB(4 PIECES)	1
Note: Please give the data from type plate of the motor			
	2147196	Gasket terminal box BG100/112 ATB.VP.	1
Note: Please give the data from type plate of the motor			



## Spare parts IP-E65/130-4/2-R1 ELEC

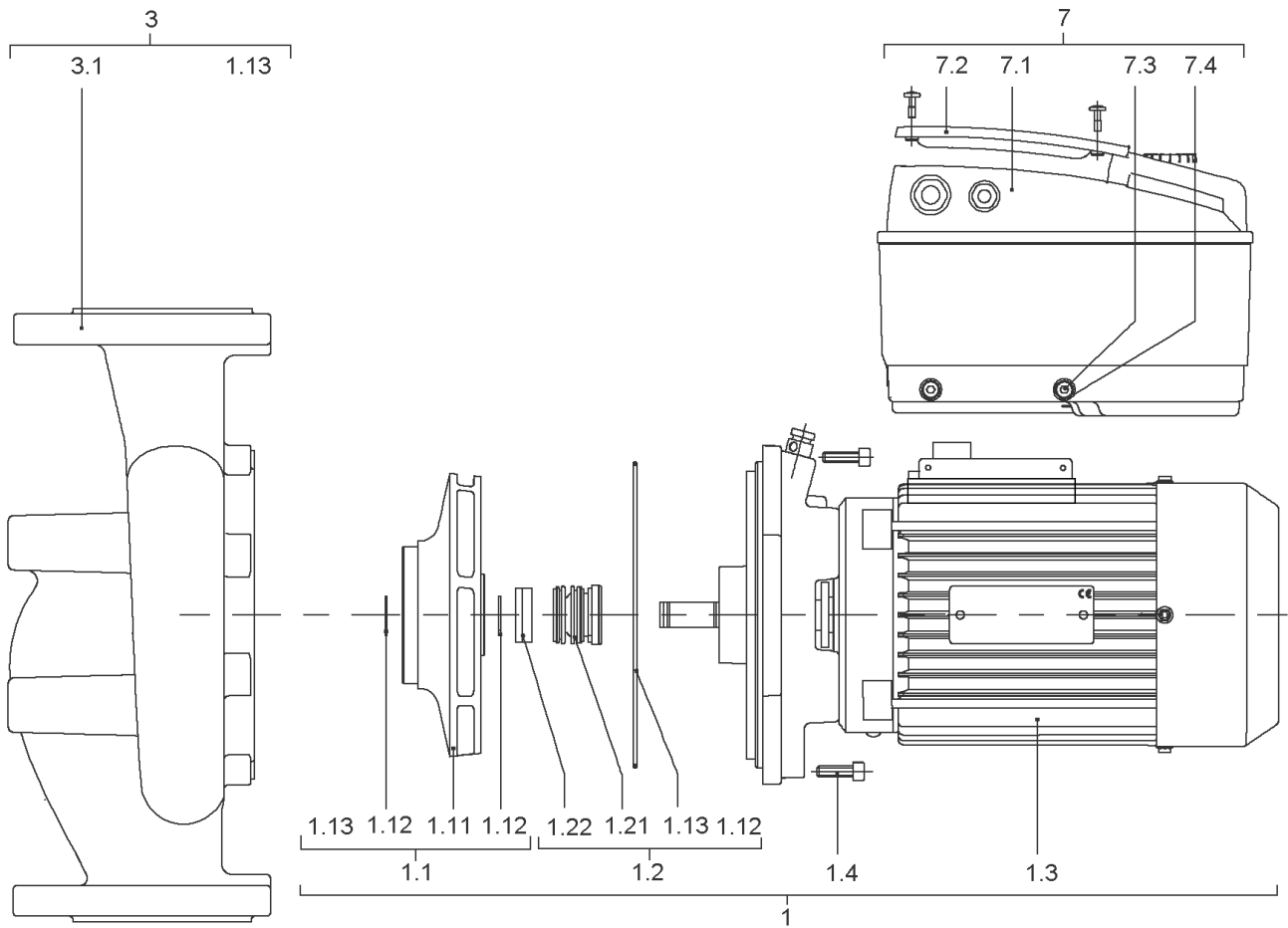
Item	Article no.	Description	Quantity
1	2139841	Service Motor IP/DP-E65/130-4 IE2ELEC	1
1.1	2149133	> Impeller 65/140-130/17 PPO KIT	1
1.11		>> Impeller 65/140-130/17 PPO FE1630 fin	1
1.12	2123932	>> CIRCLIP 17X1 DIN471 A2 1.4122 VP.	1
1.13	2046358	>> O-RING ID.164,7X3,53 E7518 VP.	1
1.2	122097593	> Mechanical seal ID.17 AQ1EGG KIT	1
1.12	2123932	>> CIRCLIP 17X1 DIN471 A2 1.4122 VP.	1
1.13	2010300	>> O-RING ID.107,54X3,53	1
1.13	2010301	>> O-RING ID.117,07X3,53	1
1.13	2054183	>> O-RING ID.158,34X3,53 E7518	1
Note: TO/ BIS/ JUSQU'À: 03/03			
1.13	2046358	>> O-RING ID.164,7X3,53 E7518 VP.	1
Note: FROM/ AB/ À PARTIR: 04/03			
1.21		>> MECHANICAL SEAL ID.17 AQ1EGG	1
1.22		>> Distance ring D.17/30X9 PPO FE1630	1
1.3		> Motor	1
1.4	2052495	> SCREW M6X20 ISO4762 8.8 (8 PIECES)	1
		Spare parts motor 4/2/112 F188E Elec IE2	1
3	2145408	Pump housing IP65/140-F188 16 KIT	1
1.13	2046358	> O-RING ID.164,7X3,53 E7518 VP.	1
3.1		> Pump housing IP65/140-F188 16 cpl.WILO	1
7	2174932	Module IP-E/DP-E65/130-4/2-IE2 ELEC KIT	1
7.1		> Modul IP-E/DP-E65/130-4/2-IE2 ELEC	1
7.2	2054227	> MODULE COVER/GASKET TL3/4 KIT	1
7.3		> SCREW M5X16 ISO4762 8.8 ZnNi	1
7.4		> WASHER TOOTHED LOCK A5,3 DIN6797 FST ZN	1
	2061236	> O-RING ID.38X3 EPDM 70SR.A BUS.	1





## Spare parts motor 4/2/112 F188E Elec IE2

Item	Article no.	Description	Quantity
2.1	2118386	FLANGE END SHIELD BG100/112 D.E.ELEC KIT	1
2.1A		> LANTERN V18 M130-F188 KTL	1
2.1B	2027201	> BLOWGUN R1/8" VP.	1
Note: Please give the data from type plate of the motor			
2.2	2132465	END SHIELD BG112 V12 D.E.ELEC KIT	1
2.2A		> FLANGE IEC112 V18 (WITHOUT THREAD)	1
2.2B	2111309	> CONDENSATE HOLE GASKET D5 VP.	1
Note: Please give the data from type plate of the motor			
2.3	2111314	SCREW M8X40 6.8 (4 PIECES)	1
2.4	2111324	THROWER D.36X4 VP.	1
2.5	2118388	CIRCLIP D.35 GB894.1 VP.	1
2.6	2149118	Ball bearing 6307/ZZ-C3 E2 VP.	1
2.7	2118390	CIRCLIP D.80 GB893.1 VP.	1
2.8	2153173	Ball bearing 6206/VV-C3 VP.	1
2.9	2132469	SPRING RING D.62 JB/T7590 VP.	1
2.10	2164025	End shield BG112 N.D.E.ELEC KIT	1
Note: Please give the data from type plate of the motor			
		> FLANGE IEC112 NDS with slot	1
		> O-RING ID62.4*3.53 EPDM	1
2.11	2132473	SCREW M8X263,5 6.8 (4 PIECES)	1
2.12	2168254	Fan wheel BG112 ELEC KIT	1
2.12A		> FAN 185X20X17 GP2200 G/F20%	1
2.12B	2118396	> Tooth lock washer D.19,8x0,4 VP.	1
Note: Please give the data from type plate of the motor			
2.13	2168255	Fan hood BG112 ELEC KIT	1
2.13A		> FAN COVER IEC112 KTL ST14 T1.0 H86	1
2.13B	2111323	> SCREW M4X6 (4 PIECES)	1
Note: Please give the data from type plate of the motor			
2.15	2149111	Shaft seal ring 35x55x8 VP.	1
Note: Please give the data from type plate of the motor			



**IP-E80/110-4/2-R1-IE2-X1 (2133272)**

Item	Article no.	Description	Quantity
1	2131431	Service Motor IP/DP-E80/110-4 IE2ATB	1
1.1	2143974	> IMPELLER 80/150-114/17 PPO KIT	1
1.11		>> Impeller 80/150-114/17 PPO FE1630 fin	1
1.12	2123932	>> CIRCLIP 17X1 DIN471 A2 1.4122 VP.	1
1.13	2046358	>> O-RING ID.164,7X3,53 E7518 VP.	1
1.2	122097593	> Mechanical seal ID.17 AQ1EGG KIT	1
1.12	2123932	>> CIRCLIP 17X1 DIN471 A2 1.4122 VP.	1
1.13	2010300	>> O-RING ID.107,54X3,53	1
1.13	2010301	>> O-RING ID.117,07X3,53	1
1.13	2054183	>> O-RING ID.158,34X3,53 E7518	1
Note: TO/ BIS/ JUSQU'À: 03/03			
1.13	2046358	>> O-RING ID.164,7X3,53 E7518 VP.	1
Note: FROM/ AB/ À PARTIR: 04/03			
1.21		>> MECHANICAL SEAL ID.17 AQ1EGG	1
1.22		>> Distance ring D.17/30X9 PPO FE1630	1
1.3		> Motor	1
1.4	2052495	> SCREW M6X20 ISO4762 8.8 (8 PIECES)	1
		SPARE PARTS MOTOR 4/2/112 F188E	1
3	2145542	Pump housing I80/150-F188 KIT	1
1.13	2046358	> O-RING ID.164,7X3,53 E7518 VP.	1
3.1		> Pump housing IP80/150-F188 cpl.WILO	1
7	2143905	MODULE IP-E/DP-E80/110-4/2-IE2 ATB KIT	1
7.1		> Module IP-E/DP-E80/110-4/2 IE2 ATB	1
7.2	2054227	> MODULE COVER/GASKET TL3/4 KIT	1
7.3		> SCREW M5X16 ISO4762 8.8 ZnNi	1
7.4		> WASHER TOOTHED LOCK A5,3 DIN6797 FST ZN	1
	2061236	> O-RING ID.38X3 EPDM 70SR.A BUS.	1

**Motor-Typenschild / Motor type plate / Plaque identité moteur**

**Bei Ersatzteilbestellung Motor-Nummer angeben!**

**Indicate motor number for order of spare parts!**

**Pour une commande de pièces détachées, donner le numéro du moteur!**

ATB - AF

Motor-Nummer  
motor number  
numéro du moteur

3-Mot. 90L  
1234567 - 1  
IMB5 IP 55

AF 90L/2I-12  
Y/Δ 400/230 V 4.6/8.0 A

2850 1/min cos φ 0.87 50 Hz  
2.2 kW S1

● Y/Δ 380...420/220...240 V ●  
4.8...4.6/8.3...8.0 A

Th. Cl. F 1. freie Zeile  
2. freie Zeile  
3. freie Zeile

Made in Germany  
T09 463023N 16 kg EN 60034 - IEC 38

WILO ELEC

Motor-Nummer  
motor number  
numéro du moteur

3-Induction Motor  
Made by WILO Group

3502984  
Class F

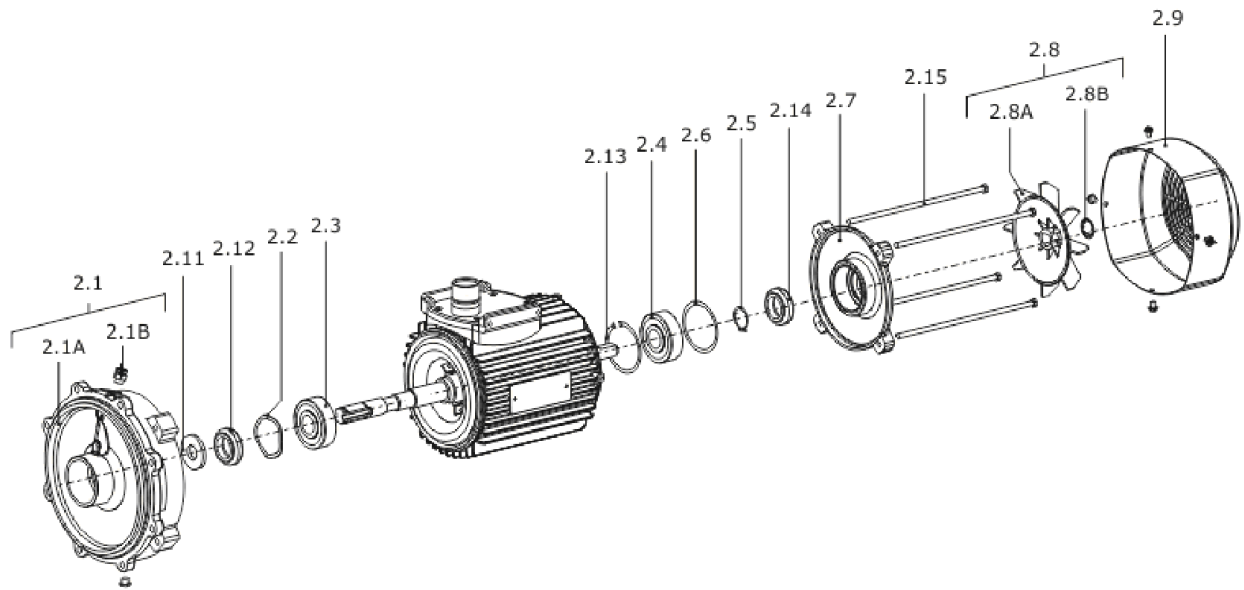
W071080-2-F188E  
S1 IP 55 10.4kg

1001.001  
EN60034

50Hz	0.55kW	2860min <sup>-1</sup>	60Hz	0.66kW	3450min <sup>-1</sup>
Y	400V	1.33A	Y	440-480V	1.34-1.32A
Cosφ=0.76		Eta=79.0%		Cosφ=0.75	
		Eta=80.0%			

**SPARE PARTS MOTOR 4/2/112 F188E**

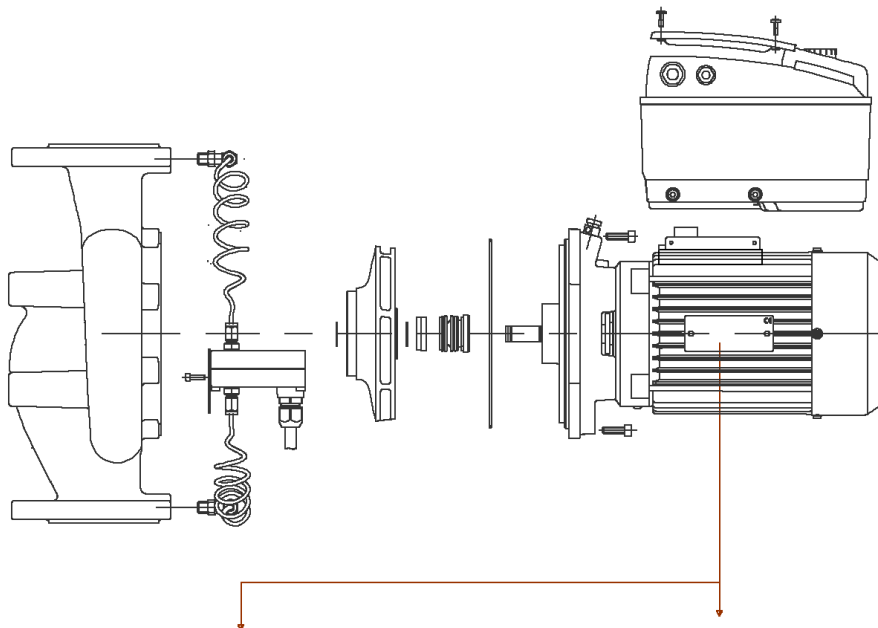
<b>Item</b>	<b>Description</b>	<b>Quantity</b>
1	MOTOR 4/2/112 F188E ATB	1



**MOTOR 4/2/112 F188E ATB**

Item	Article no.	Description	Quantity
2.1	2125454	END SHIELD BG112 D.E.ATB KIT	1
Note: Please give the data from type plate of the motor			
2.1A		> END SHIELD BG112 D.E.514768 ATB	1
2.1B	2027201	> BLOWGUN R1/8" VP.	1
Note: Please give the data from type plate of the motor			
2.2	2096258	SHIM BALL BEARING BG90-112 ATB VP.	1
Note: Please give the data from type plate of the motor			
2.3	121084190	BALL BEARING 6206/2Z-C3 (HT) VP.	1
Note: Please give the data from type plate of the motor			
2.4	121084190	BALL BEARING 6206/2Z-C3 (HT) VP.	1
Note: Please give the data from type plate of the motor			
2.5	2111441	CIRCLIP BG100/112 ATB VP.	1
Note: Please give the data from type plate of the motor			
2.6	2096273	SPACER DISC BG90/112 ATB VP.	1
Note: Please give the data from type plate of the motor			
2.7	2045002	END SHIELD BG112 N.D.E.ATB VP.	1
Note: Please give the data from type plate of the motor			
2.8	121479197	FAN WHEEL BG100-132 ATB KIT	1
Note: Please give the data from type plate of the motor			
2.8A		> FAN WHEEL BG100-132 721186 ATB	1
2.8B	2123672	> CORRU. SLEEVE RING BG90-132 ATB VP.	1
Note: Please give the data from type plate of the motor			
2.9	121181190	FAN HOUSING BG112 METAL ATB VP.	1
Note: Please give the data from type plate of the motor			
2.12	2201026	Shaft seal ring BG100/112 D.E.ATB VP.	1
Note: Please give the data from type plate of the motor			
2.14	2201024	Shaft seal ring BG100/112 N.D.E.ATB VP.	1
2.15	2111445	SCREW END SHILD M6X220 ATB(4 PIECES)	1
Note: Please give the data from type plate of the motor			
	2147196	Gasket terminal box BG100/112 ATB.VP.	1
Note: Please give the data from type plate of the motor			





ATB

Motor-Nummer  
motor number  
numéro du moteur

3~Mot.	AF132S/2F-11S+E2/0509	IE2-88,1%			
S1	132S IMV1	224039411-1	522058X		
IP 55	Th. CI.155(F)	SCHWINGROESSENSTUFE B			
WILO NR.2064705					
kW	V	Hz	A	1/min	COS φ
7,5	YΔ 690/400	50	7,9/3,7	2890	0,90
7,5	Δ 460	60	11,8	3510	0,89
Made in Germany		50 kg	EN 60034		

ELEC

Motor-Nummer  
motor number  
numéro du moteur

Made by WILLO Group			
3501437	W080090-2-F188	0902.001	
Class F	S1	IP55	13.5kg EN60034
50Hz	1.10kW	2850min <sup>-1</sup>	60Hz 1.29kW 3435min <sup>-1</sup>
YΔ	230/400V	4.02/2.32A	Y 440-480V 2.40-2.32A
Cos φ =0.82	IE2-81.5%		Cos φ =0.85 IE2-82.5%

**Motor-Typenschild / Motor type plate / Plaque identité moteur**

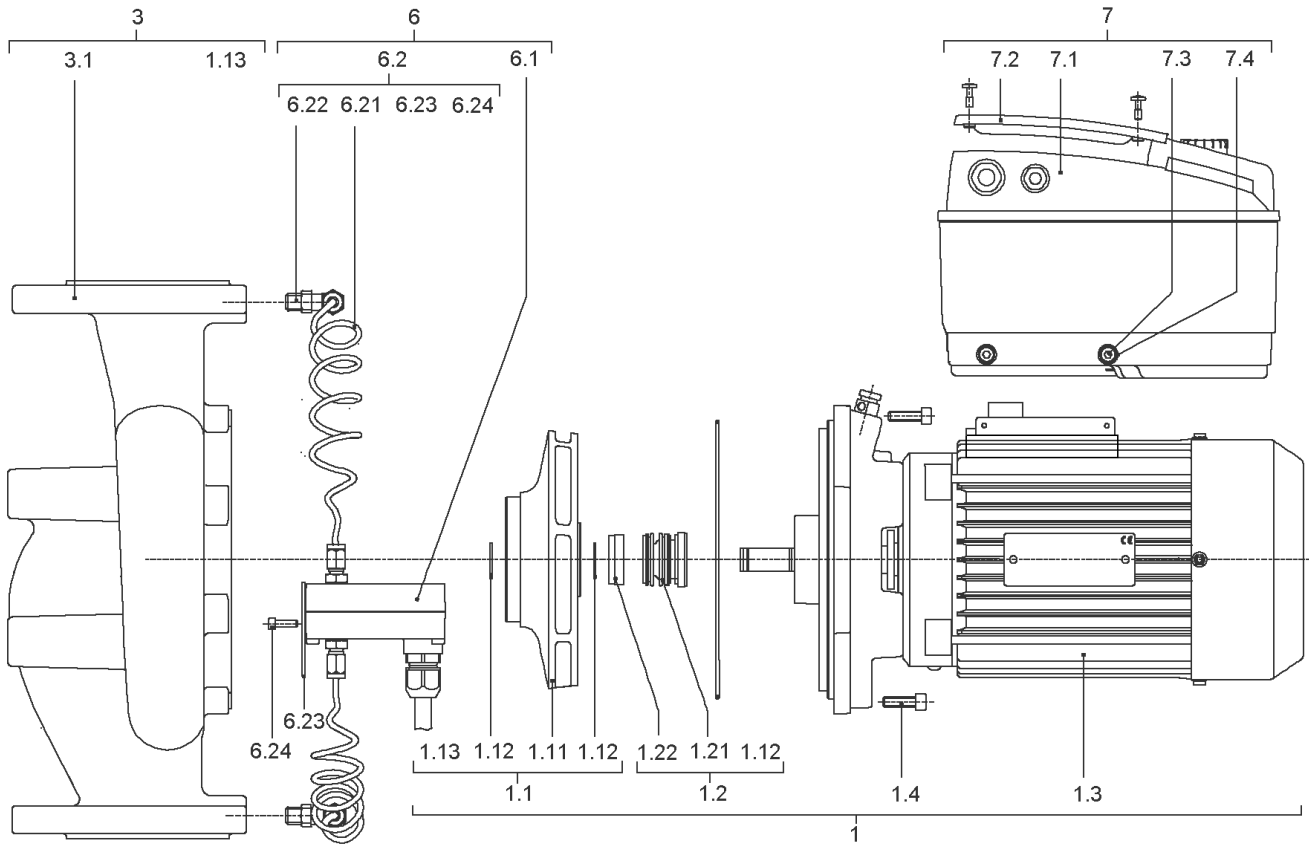
**Bei Ersatzteilbestellung Motor-Nummer angeben!**

**Indicate motor number for order of spare parts!**

**Pour une commande de pièces détachées, donner le numéro du moteur!**

**IP-E32/130-1,1/2-IE2-X1 (2139880)**

<b>Item</b>	<b>Description</b>	<b>Quantity</b>
ATB	Spare parts IP-E32/130-1,1/2-X1 ATB	1
ELEC	Spare parts IP-E32/130-1,1/2-X1 ELEC	1

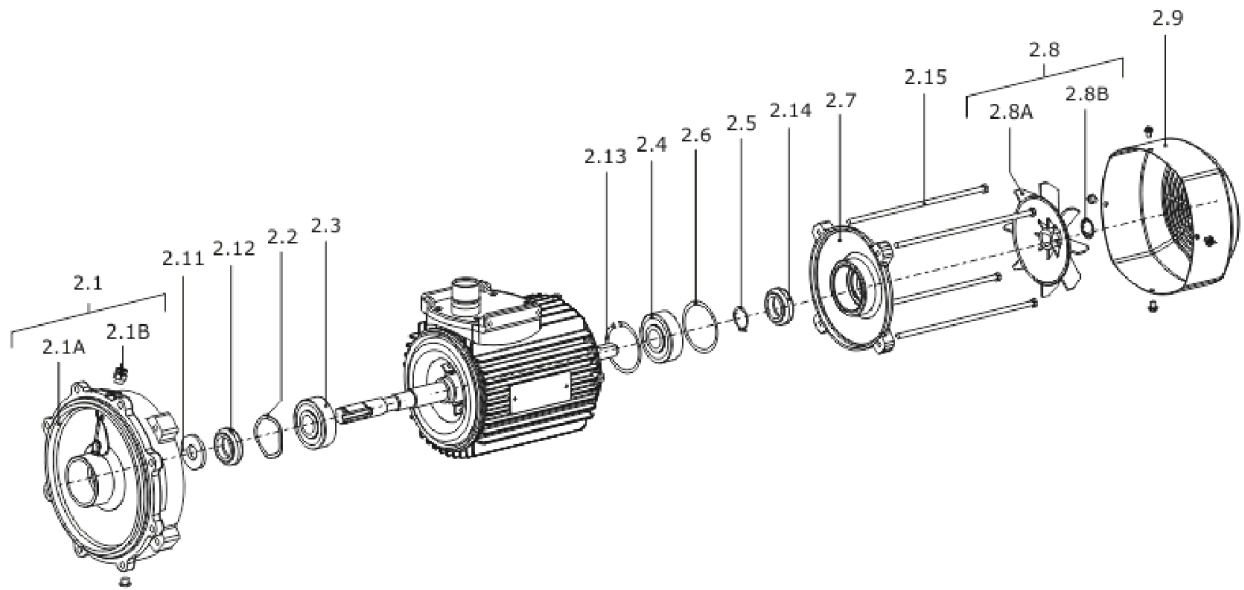


**Spare parts IP-E32/130-1,1/2-X1 ATB**

Item	Article no.	Description	Quantity
1	2139904	Service Motor IP/DP-E32/130-1,1 IE2ATB	1
1.1	2116674	> IMPELLER D.45/126/17 KIT	1
1.11		>> IMPELLER D.45/126/17X3 PPO	1
1.12	2123932	>> CIRCLIP 17X1 DIN471 A2 1.4122 VP.	1
1.13	2046358	>> O-RING ID.164,7X3,53 E7518 VP.	1
1.2	122097593	> Mechanical seal ID.17 AQ1EGG KIT	1
1.12	2123932	>> CIRCLIP 17X1 DIN471 A2 1.4122 VP.	1
1.13	2010300	>> O-RING ID.107,54X3,53	1
1.13	2010301	>> O-RING ID.117,07X3,53	1
1.13	2054183	>> O-RING ID.158,34X3,53 E7518	1
Note: TO/ BIS/ JUSQU'À: 03/03			
1.13	2046358	>> O-RING ID.164,7X3,53 E7518 VP.	1
Note: FROM/ AB/ À PARTIR: 04/03			
1.21		>> MECHANICAL SEAL ID.17 AQ1EGG	1
1.22		>> Distance ring D.17/30X9 PPO FE1630	1
1.3		> Motor	1
1.4	2052495	> SCREW M6X20 ISO4762 8.8 (8 PIECES)	1
		SPARE PARTS MO.1,1/2/80 F188E ATB IE2	1
3	2016512	PUMP HOUSING IPL32/160/IP-E32/5 KIT	1
1.13	2046358	> O-RING ID.164,7X3,53 E7518 VP.	1
3.1		> PUMP HOUSING IP-E32/152 CPL.WILO	1
6	2104479	DPS20-1(0-10V) KIT	1
6.1	2106113	> DIFFERENTIAL PRESSURE SENSOR 20 KIT	1
Note: FROM/ AB/ À PARTIR: 09/2009			
		>> DPS20 spiral TZ.3mm Volt 2G	1
	2196657	>> Cable DPS 3x0,34x650 short bared 2G VP.	1
Note: from/ab/de 01.10.2013			
6.2	2106120	> CONNECTION SENSOR IP-E SPIRAL M6 KIT	1
Note: FROM/ AB/ À PARTIR: 09/2009			
6.21		>> CAPILLARY COIL 1000	2
6.22		>> Fixation ring pipe union R1/8" 90GD.Ni	1
6.23		>> HANDLE DDG M6	1
6.24		>> Screw M4x10 EE DIN7500 ZN	2
	2168862	>> Nut/Ferrule M6 D.3MM MS Ni (2 Pieces)	1

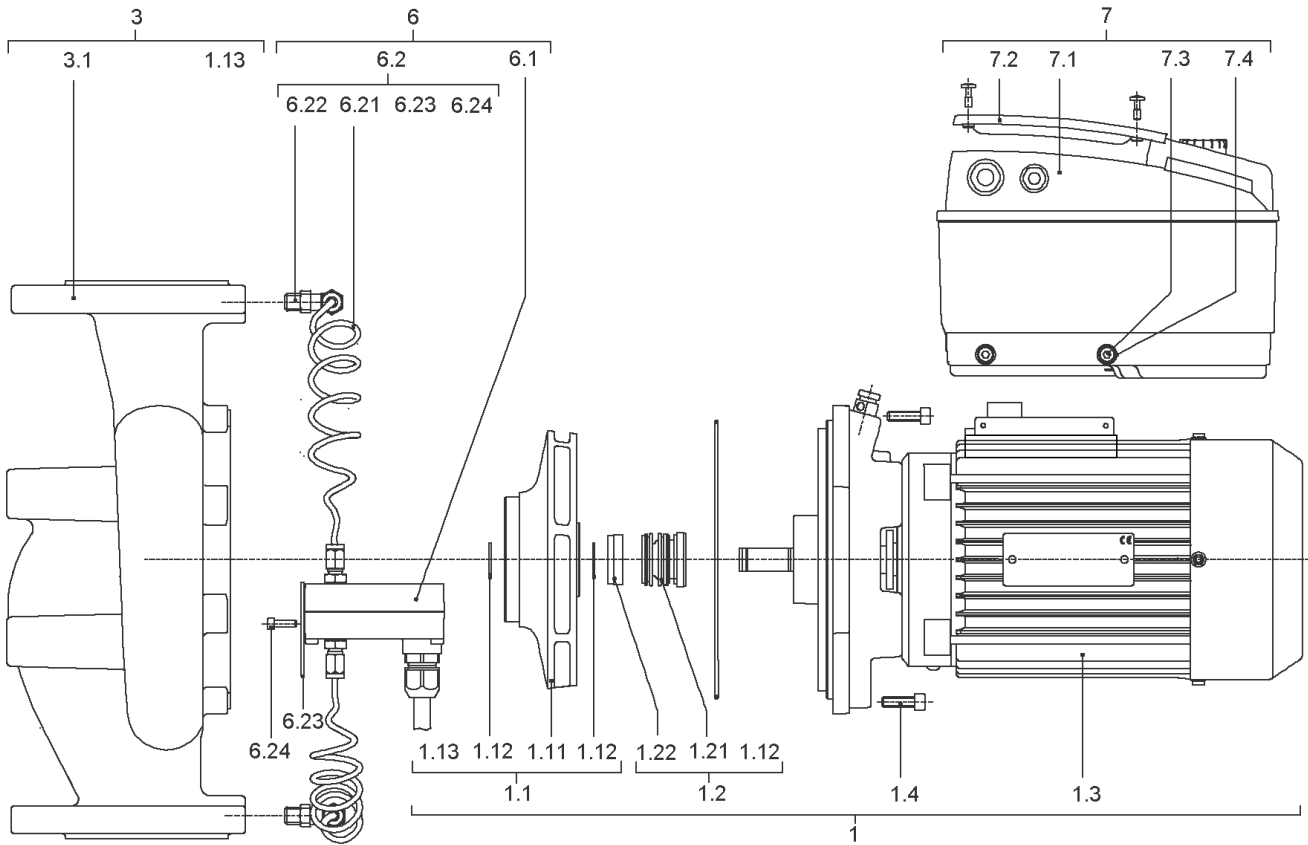
## Spare parts IP-E32/130-1,1/2-X1 ATB

Item	Article no.	Description	Quantity
	2168860	>> Nut/Ferrule M8 D.5MM MS Ni (2 Pieces)	1
7	2149138	Module IP-E/DP-E32/130-1,1/2 IE2 ATB KIT	1
7.1		> Module IP-E/DP-E32/130-1,1/2 IE2 ATB	1
7.2	2054372	> MODULE COVER TL1,TL2+GASKET KIT	1
7.3		> SCREW M5X16 ISO4762 8.8 ZnNi	1
7.4		> WASHER TOOTHED LOCK A5,3 DIN6797 FST ZN	1
	2061236	> O-RING ID.38X3 EPDM 70SR.A BUS.	1



**SPARE PARTS MO.1,1/2/80 F188E ATB IE2**

Item	Article no.	Description	Quantity
2.1	2116718	END SHIELD BG80 D.E.ATB KIT	1
2.1A		> END SHIELD BG80/170 566156 D.E.ATB	1
2.1B	2027201	> BLOWGUN R1/8" VP.	1
Note: Please give the data from type plate of the motor			
		> SCREW PLUG R1/8" DIN906 8.8 BES.	1
2.2	2125473	CIRCLIPS 20X1,2 DIN471 FST VP.	1
2.3	121084499	BALL BEARING 6204/2Z-C3 (HT) VP.	1
2.4	121084499	BALL BEARING 6204/2Z-C3 (HT) VP.	1
2.6	2096254	SHIM BALL BEARING BG80 ATB VP.	1
2.7	2046185	END SHIELD BG80 N.D.E.ATB VP.	1
2.8	2123903	FAN WHEEL BG80 ATB KIT	1
2.8A		> FAN WHEEL BG80 353003 ATB	1
2.8B	2123666	> CORRUGATED SLEEVE RING BG80 ATB VP.	1
Note: Please give the data from type plate of the motor			
2.9	2046179	FAN HOUSING BG80 ATB VP.	1
2.12	2144072	Shaft seal ring BG80 ATB VP.	1
2.15	2144076	Screw end shield BG80 D.E.ATB(4 Pieces)	1



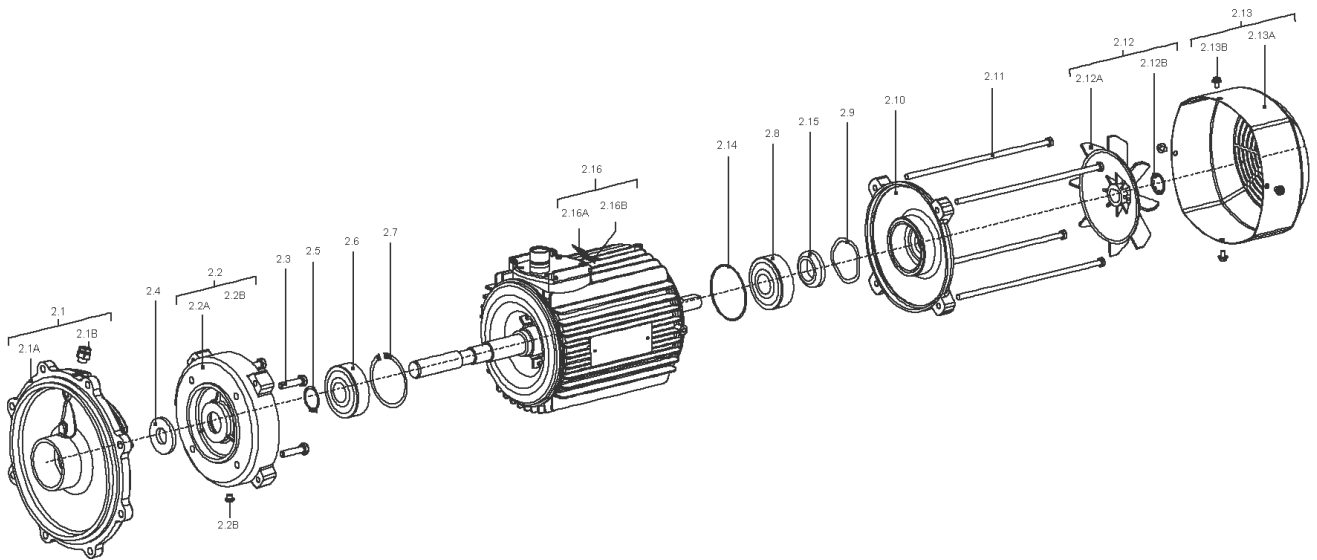


**Spare parts IP-E32/130-1,1/2-X1 ELEC**

Item	Article no.	Description	Quantity
1	2145007	Service Motor IP/DP-E32/130-1,1 IE2ELEC	1
1.1	2116674	> IMPELLER D.45/126/17 KIT	1
1.11		>> IMPELLER D.45/126/17X3 PPO	1
1.12	2123932	>> CIRCLIP 17X1 DIN471 A2 1.4122 VP.	1
1.13	2046358	>> O-RING ID.164,7X3,53 E7518 VP.	1
1.2	122097593	> Mechanical seal ID.17 AQ1EGG KIT	1
1.12	2123932	>> CIRCLIP 17X1 DIN471 A2 1.4122 VP.	1
1.13	2010300	>> O-RING ID.107,54X3,53	1
1.13	2010301	>> O-RING ID.117,07X3,53	1
1.13	2054183	>> O-RING ID.158,34X3,53 E7518	1
Note: TO/ BIS/ JUSQU'À: 03/03			
1.13	2046358	>> O-RING ID.164,7X3,53 E7518 VP.	1
Note: FROM/ AB/ À PARTIR: 04/03			
1.21		>> MECHANICAL SEAL ID.17 AQ1EGG	1
1.22		>> Distance ring D.17/30X9 PPO FE1630	1
1.3		> Motor	1
1.4	2052495	> SCREW M6X20 ISO4762 8.8 (8 PIECES)	1
		SPARE PARTS MO.1,1/2/80 F188E ELEC IE2	1
3	2016512	PUMP HOUSING IPL32/160/IP-E32/5 KIT	1
1.13	2046358	> O-RING ID.164,7X3,53 E7518 VP.	1
3.1		> PUMP HOUSING IP-E32/152 CPL.WILO	1
6	2104479	DPS20-1(0-10V) KIT	1
6.1	2106113	> DIFFERENTIAL PRESSURE SENSOR 20 KIT	1
Note: FROM/ AB/ À PARTIR: 09/2009			
		>> DPS20 spiral TZ.3mm Volt 2G	1
	2196657	>> Cable DPS 3x0,34x650 short bared 2G VP.	1
Note: from/ab/de 01.10.2013			
6.2	2106120	> CONNECTION SENSOR IP-E SPIRAL M6 KIT	1
Note: FROM/ AB/ À PARTIR: 09/2009			
6.21		>> CAPILLARY COIL 1000	2
6.22		>> Fixation ring pipe union R1/8" 90GD.Ni	1
6.23		>> HANDLE DDG M6	1
6.24		>> Screw M4x10 EE DIN7500 ZN	2
	2168862	>> Nut/Ferrule M6 D.3MM MS Ni (2 Pieces)	1

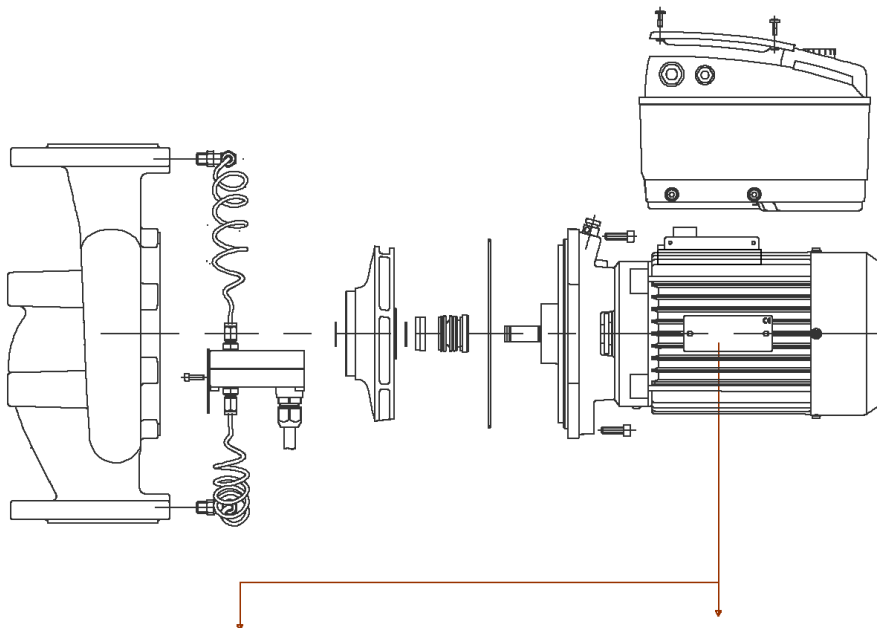
## Spare parts IP-E32/130-1,1/2-X1 ELEC

Item	Article no.	Description	Quantity
	2168860	>> Nut/Ferrule M8 D.5MM MS Ni (2 Pieces)	1
7	2149139	Module IP-E/DP-E32/130-1,1/2 IE2ELEC KIT	1
7.1		> Module IP-E/DP-E32/130-1,1/2 IE2 ELEC	1
7.2	2054372	> MODULE COVER TL1,TL2+GASKET KIT	1
7.3		> SCREW M5X16 ISO4762 8.8 ZnNi	1
7.4		> WASHER TOOTHED LOCK A5,3 DIN6797 FST ZN	1
	2061236	> O-RING ID.38X3 EPDM 70SR.A BUS.	1



**SPARE PARTS MO.1,1/2/80 F188E ELEC IE2**

Item	Article no.	Description	Quantity
2.1	2111306	FLANGE END SHIELD BG80F188 D.E.ELEC KIT	1
2.1A		> LANTERN V18 M100-F188 KTL	1
2.1B	2027201	> BLOWGUN R1/8" VP.	1
Note: Please give the data from type plate of the motor			
2.2	2111311	End shield BG80 V18 D.E.ELEC KIT	1
2.2A		> Flange IEC80 V18 (w/o thread)	1
2.2B	2111309	> CONDENSATE HOLE GASKET D5 VP.	1
Note: Please give the data from type plate of the motor			
2.3	2111313	SCREW M6X30 6.8 (4 PIECES)	1
2.4	2111324	THROWER D.36X4 VP.	1
2.5	2111333	CIRCLIP D.20 GB894.1 VP.	1
2.6	2111343	BALL BEARING 6304 DDW C3 EA6 VP.	1
2.7	2111336	CIRCLIP D.52 GB893.1 VP.	1
2.8	2111342	BALL BEARING 6204 DDW C3 EA3 VP.	1
2.9	2111339	SPRING RING D.47 JB/T7590 VP.	1
2.10	2162607	End shield BG80 N.D.E.ELEC KIT	1
		> Flange IEC80 NDS with slot new	1
		> O-RING ID47.2*3.53 EPDM	1
2.11	2111319	SCREW M5X183 6.8 (4 PIECES)	1
2.12	2107778	FAN WHEEL BG71/80 ELEC KIT	1
2.12A		> FAN 110x15x15.3 GP2200 G/F20%	1
2.12B	2111321	> STOP-RING D.14,8x0,4 VP.	1
Note: Please give the data from type plate of the motor			
2.13	2107779	FAN HOOD BG80 ELEC KIT	1
2.13A		> FAN COVER IEC80 KTL ST14 T0.8 H60	1
2.13B	2111323	> SCREW M4X6 (4 PIECES)	1
Note: Please give the data from type plate of the motor			
2.14	2164016	O-Ring ID47.2x3.53 EPDM VP.	1



ATB

Motor-Nummer  
motor number  
numéro du moteur

3~Mot.	AF132S/2F-11S+E2/0509	IE2-88,1%			
S1	132S IMV1	224039411-1	522058X		
IP 55	Th. CI.155(F)	SCHWINGROESSENSTUFE B			
WILO NR.2064705					
kW	V	Hz	A	1/min	COS φ
7,5	YΔ 690/400	50	7,9/3,7	2890	0,90
7,5	Δ 460	60	11,8	3510	0,89
Made in Germany		50 kg	EN 60034		

ELEC

Motor-Nummer  
motor number  
numéro du moteur

Made by WILLO Group			
3501437	W080090-2-F188	0902.001	
Class F	S1	IP55	13.5kg EN60034
50Hz	1.10kW	2850min <sup>-1</sup>	60Hz 1.29kW 3435min <sup>-1</sup>
YΔ	230/400V	4.02/2.32A	Y 440-480V 2.40-2.32A
Cos φ =0.82	IE2-81.5%		Cos φ =0.85 IE2-82.5%

**Motor-Typenschild / Motor type plate / Plaque identité moteur**

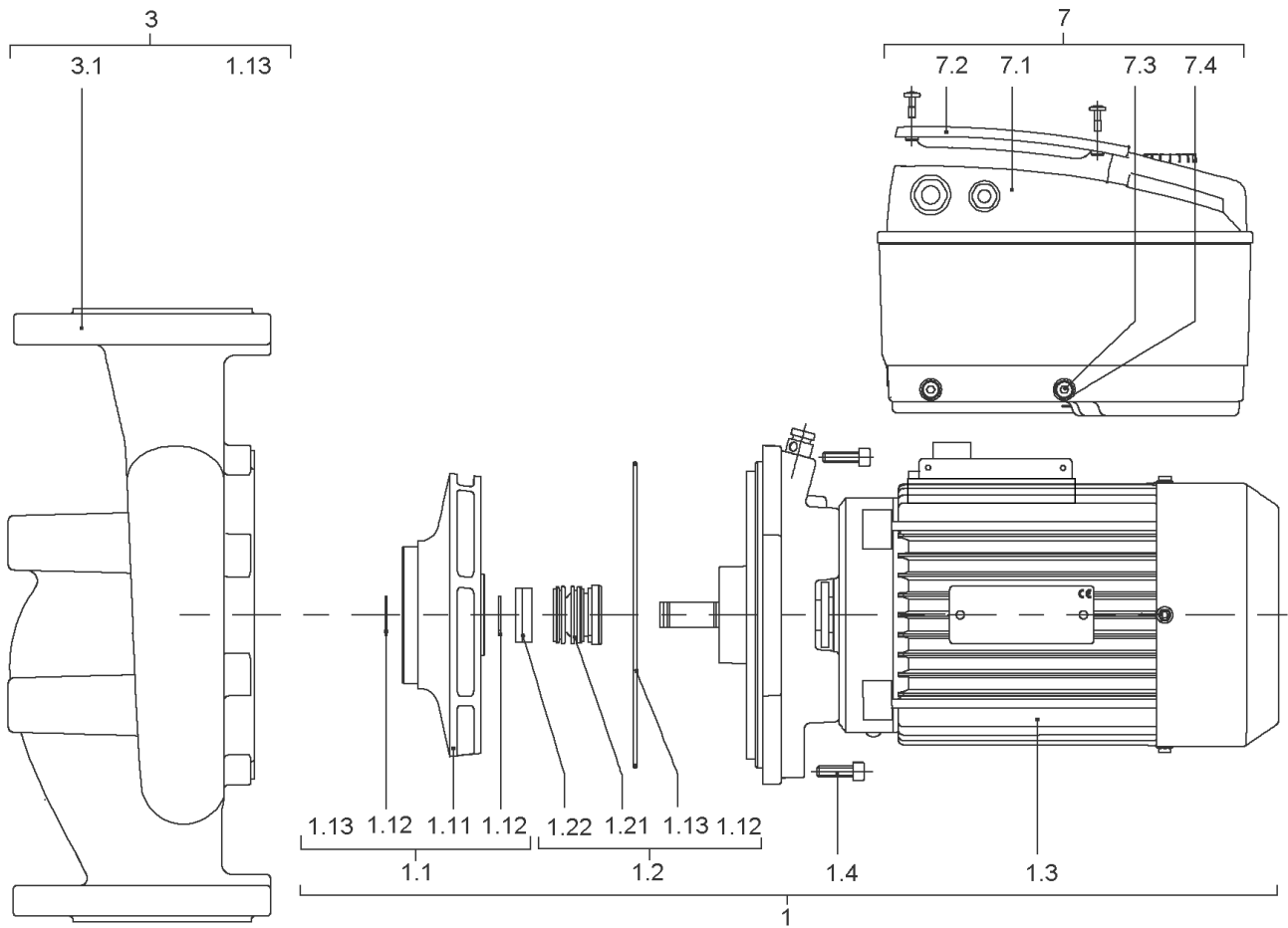
**Bei Ersatzteilbestellung Motor-Nummer angeben!**

**Indicate motor number for order of spare parts!**

**Pour une commande de pièces détachées, donner le numéro du moteur!**

**IP-E32/130-1,1/2-IE2-X1 (2139881)**

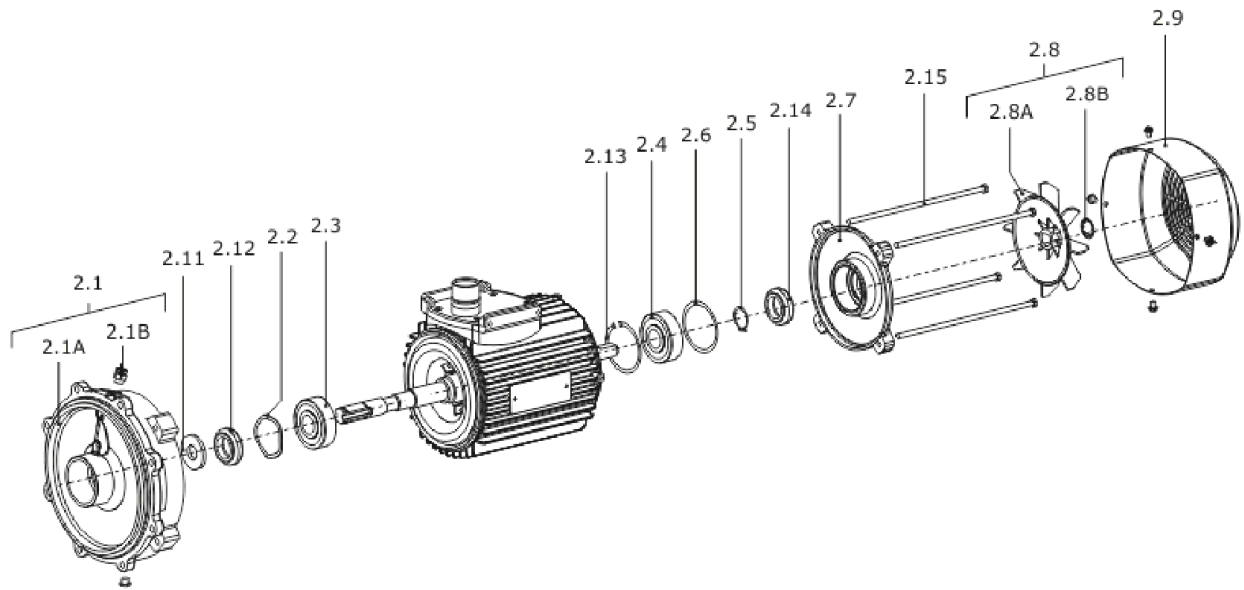
<b>Item</b>	<b>Description</b>	<b>Quantity</b>
ATB	Spare parts IP-E32/130-1,1/2-R1-X1 ATB	1
ELEC	Spare parts IP-E32/130-1,1/2-R1-X1 ELEC	1



**Spare parts IP-E32/130-1,1/2-R1-X1 ATB**

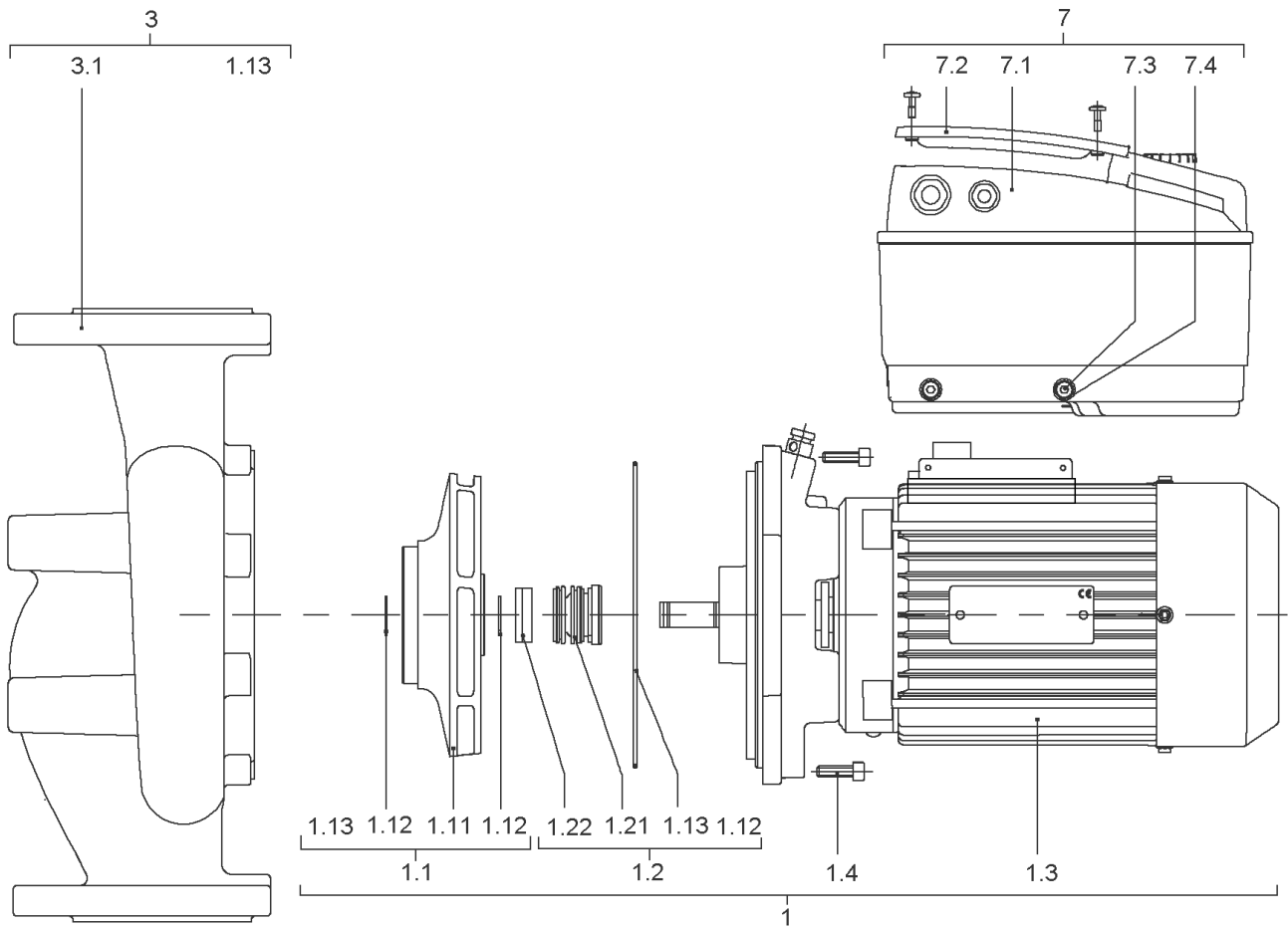
Item	Article no.	Description	Quantity
1	2139904	Service Motor IP/DP-E32/130-1,1 IE2ATB	1
1.1	2116674	> IMPELLER D.45/126/17 KIT	1
1.11		>> IMPELLER D.45/126/17X3 PPO	1
1.12	2123932	>> CIRCLIP 17X1 DIN471 A2 1.4122 VP.	1
1.13	2046358	>> O-RING ID.164,7X3,53 E7518 VP.	1
1.2	122097593	> Mechanical seal ID.17 AQ1EGG KIT	1
1.12	2123932	>> CIRCLIP 17X1 DIN471 A2 1.4122 VP.	1
1.13	2010300	>> O-RING ID.107,54X3,53	1
1.13	2010301	>> O-RING ID.117,07X3,53	1
1.13	2054183	>> O-RING ID.158,34X3,53 E7518	1
Note: TO/ BIS/ JUSQU'À: 03/03			
1.13	2046358	>> O-RING ID.164,7X3,53 E7518 VP.	1
Note: FROM/ AB/ À PARTIR: 04/03			
1.21		>> MECHANICAL SEAL ID.17 AQ1EGG	1
1.22		>> Distance ring D.17/30X9 PPO FE1630	1
1.3		> Motor	1
1.4	2052495	> SCREW M6X20 ISO4762 8.8 (8 PIECES)	1
		SPARE PARTS MO.1,1/2/80 F188E ATB IE2	1
3	2016512	PUMP HOUSING IPL32/160/IP-E32/5 KIT	1
1.13	2046358	> O-RING ID.164,7X3,53 E7518 VP.	1
3.1		> PUMP HOUSING IP-E32/152 CPL.WILO	1
7	2149138	Module IP-E/DP-E32/130-1,1/2 IE2 ATB KIT	1
7.1		> Module IP-E/DP-E32/130-1,1/2 IE2 ATB	1
7.2	2054372	> MODULE COVER TL1,TL2+GASKET KIT	1
7.3		> SCREW M5X16 ISO4762 8.8 ZnNi	1
7.4		> WASHER TOOTHED LOCK A5,3 DIN6797 FST ZN	1
	2061236	> O-RING ID.38X3 EPDM 70SR.A BUS.	1





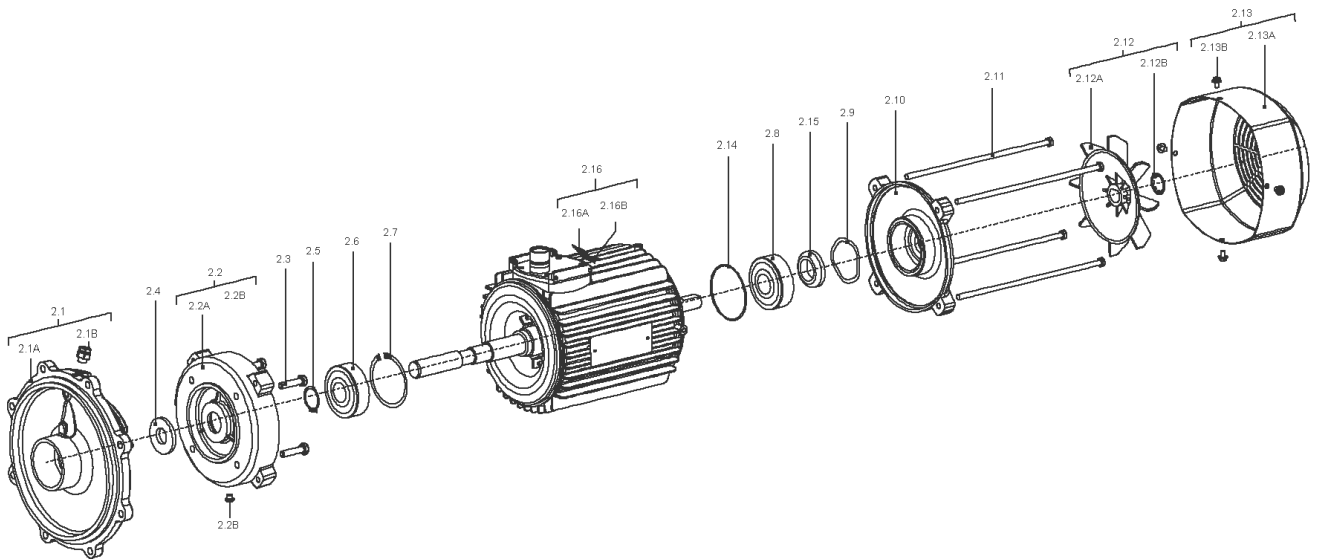
**SPARE PARTS MO.1,1/2/80 F188E ATB IE2**

Item	Article no.	Description	Quantity
2.1	2116718	END SHIELD BG80 D.E.ATB KIT	1
2.1A		> END SHIELD BG80/170 566156 D.E.ATB	1
2.1B	2027201	> BLOWGUN R1/8" VP.	1
Note: Please give the data from type plate of the motor			
		> SCREW PLUG R1/8" DIN906 8.8 BES.	1
2.2	2125473	CIRCLIPS 20X1,2 DIN471 FST VP.	1
2.3	121084499	BALL BEARING 6204/2Z-C3 (HT) VP.	1
2.4	121084499	BALL BEARING 6204/2Z-C3 (HT) VP.	1
2.6	2096254	SHIM BALL BEARING BG80 ATB VP.	1
2.7	2046185	END SHIELD BG80 N.D.E.ATB VP.	1
2.8	2123903	FAN WHEEL BG80 ATB KIT	1
2.8A		> FAN WHEEL BG80 353003 ATB	1
2.8B	2123666	> CORRUGATED SLEEVE RING BG80 ATB VP.	1
Note: Please give the data from type plate of the motor			
2.9	2046179	FAN HOUSING BG80 ATB VP.	1
2.12	2144072	Shaft seal ring BG80 ATB VP.	1
2.15	2144076	Screw end shield BG80 D.E.ATB(4 Pieces)	1



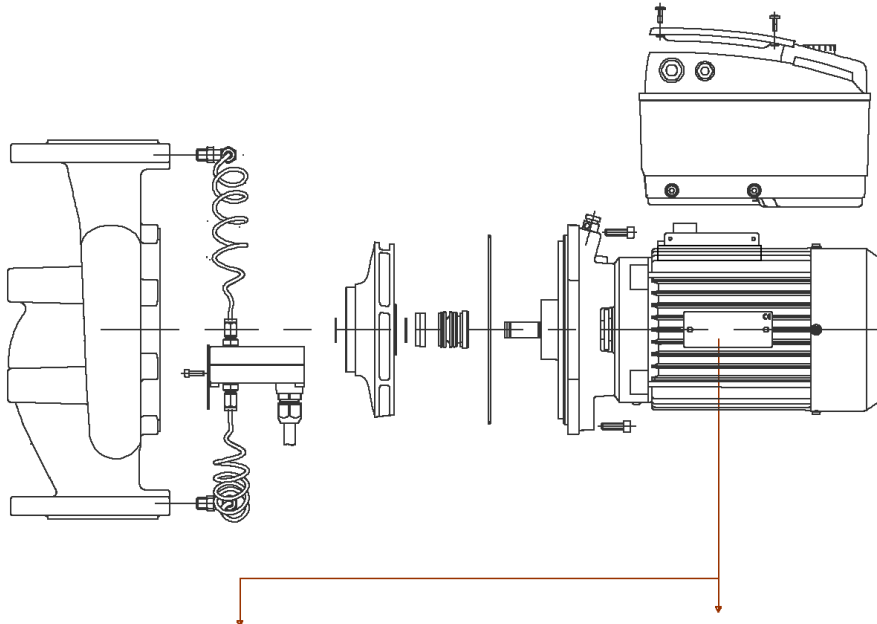
**Spare parts IP-E32/130-1,1/2-R1-X1 ELEC**

Item	Article no.	Description	Quantity
1	2145007	Service Motor IP/DP-E32/130-1,1 IE2ELEC	1
1.1	2116674	> IMPELLER D.45/126/17 KIT	1
1.11		>> IMPELLER D.45/126/17X3 PPO	1
1.12	2123932	>> CIRCLIP 17X1 DIN471 A2 1.4122 VP.	1
1.13	2046358	>> O-RING ID.164,7X3,53 E7518 VP.	1
1.2	122097593	> Mechanical seal ID.17 AQ1EGG KIT	1
1.12	2123932	>> CIRCLIP 17X1 DIN471 A2 1.4122 VP.	1
1.13	2010300	>> O-RING ID.107,54X3,53	1
1.13	2010301	>> O-RING ID.117,07X3,53	1
1.13	2054183	>> O-RING ID.158,34X3,53 E7518	1
Note: TO/ BIS/ JUSQU'À: 03/03			
1.13	2046358	>> O-RING ID.164,7X3,53 E7518 VP.	1
Note: FROM/ AB/ À PARTIR: 04/03			
1.21		>> MECHANICAL SEAL ID.17 AQ1EGG	1
1.22		>> Distance ring D.17/30X9 PPO FE1630	1
1.3		> Motor	1
1.4	2052495	> SCREW M6X20 ISO4762 8.8 (8 PIECES)	1
		SPARE PARTS MO.1,1/2/80 F188E ELEC IE2	1
3	2016512	PUMP HOUSING IPL32/160/IP-E32/5 KIT	1
1.13	2046358	> O-RING ID.164,7X3,53 E7518 VP.	1
3.1		> PUMP HOUSING IP-E32/152 CPL.WILO	1
7	2149139	Module IP-E/DP-E32/130-1,1/2 IE2ELEC KIT	1
7.1		> Module IP-E/DP-E32/130-1,1/2 IE2 ELEC	1
7.2	2054372	> MODULE COVER TL1,TL2+GASKET KIT	1
7.3		> SCREW M5X16 ISO4762 8.8 ZnNi	1
7.4		> WASHER TOOTHED LOCK A5,3 DIN6797 FST ZN	1
	2061236	> O-RING ID.38X3 EPDM 70SR.A BUS.	1



**SPARE PARTS MO.1,1/2/80 F188E ELEC IE2**

Item	Article no.	Description	Quantity
2.1	2111306	FLANGE END SHIELD BG80F188 D.E.ELEC KIT	1
2.1A		> LANTERN V18 M100-F188 KTL	1
2.1B	2027201	> BLOWGUN R1/8" VP.	1
Note: Please give the data from type plate of the motor			
2.2	2111311	End shield BG80 V18 D.E.ELEC KIT	1
2.2A		> Flange IEC80 V18 (w/o thread)	1
2.2B	2111309	> CONDENSATE HOLE GASKET D5 VP.	1
Note: Please give the data from type plate of the motor			
2.3	2111313	SCREW M6X30 6.8 (4 PIECES)	1
2.4	2111324	THROWER D.36X4 VP.	1
2.5	2111333	CIRCLIP D.20 GB894.1 VP.	1
2.6	2111343	BALL BEARING 6304 DDW C3 EA6 VP.	1
2.7	2111336	CIRCLIP D.52 GB893.1 VP.	1
2.8	2111342	BALL BEARING 6204 DDW C3 EA3 VP.	1
2.9	2111339	SPRING RING D.47 JB/T7590 VP.	1
2.10	2162607	End shield BG80 N.D.E.ELEC KIT	1
		> Flange IEC80 NDS with slot new	1
		> O-RING ID47.2*3.53 EPDM	1
2.11	2111319	SCREW M5X183 6.8 (4 PIECES)	1
2.12	2107778	FAN WHEEL BG71/80 ELEC KIT	1
2.12A		> FAN 110x15x15.3 GP2200 G/F20%	1
2.12B	2111321	> STOP-RING D.14,8x0,4 VP.	1
Note: Please give the data from type plate of the motor			
2.13	2107779	FAN HOOD BG80 ELEC KIT	1
2.13A		> FAN COVER IEC80 KTL ST14 T0.8 H60	1
2.13B	2111323	> SCREW M4X6 (4 PIECES)	1
Note: Please give the data from type plate of the motor			
2.14	2164016	O-Ring ID47.2x3.53 EPDM VP.	1



ATB

Motor-Nummer  
motor number  
numéro du moteur

		IE2			
3~Mot.	AF132S/2F-11S+E2/0509	IE2-88,1%			
S1	132S IMV1	224039411-1	522058X		
IP 55	Th. CI.155(F)	SCHWINGGROESSENSTUFE B			
WILO NR.2064705					
kW	V	Hz	A	1/min	COS φ
7,5	YΔ 690/400	50	7,9/3,7	2890	0,90
7,5	Δ 460	60	11,8	3510	0,89
Made in Germany		50 kg	EN 60034		

ELEC

Motor-Nummer  
motor number  
numéro du moteur

<b>3~Induction Motor</b>		Made by WILLO Group			
3501437	W080090-2-F188	0902.001			
Class F	S1	IP55	13.5kg	EN60034	
50Hz	1.10kW	2850min <sup>-1</sup>	60Hz	1.29kW	3435min <sup>-1</sup>
YΔ	230/400V	4.02/2.32A	Y	440-480V	2.40-2.32A
Cos φ =0.82		IE2-81.5%	Cos φ =0.85		IE2-82.5%

**Motor-Typenschild / Motor type plate / Plaque identité moteur**

**Bei Ersatzteilbestellung Motor-Nummer angeben!**

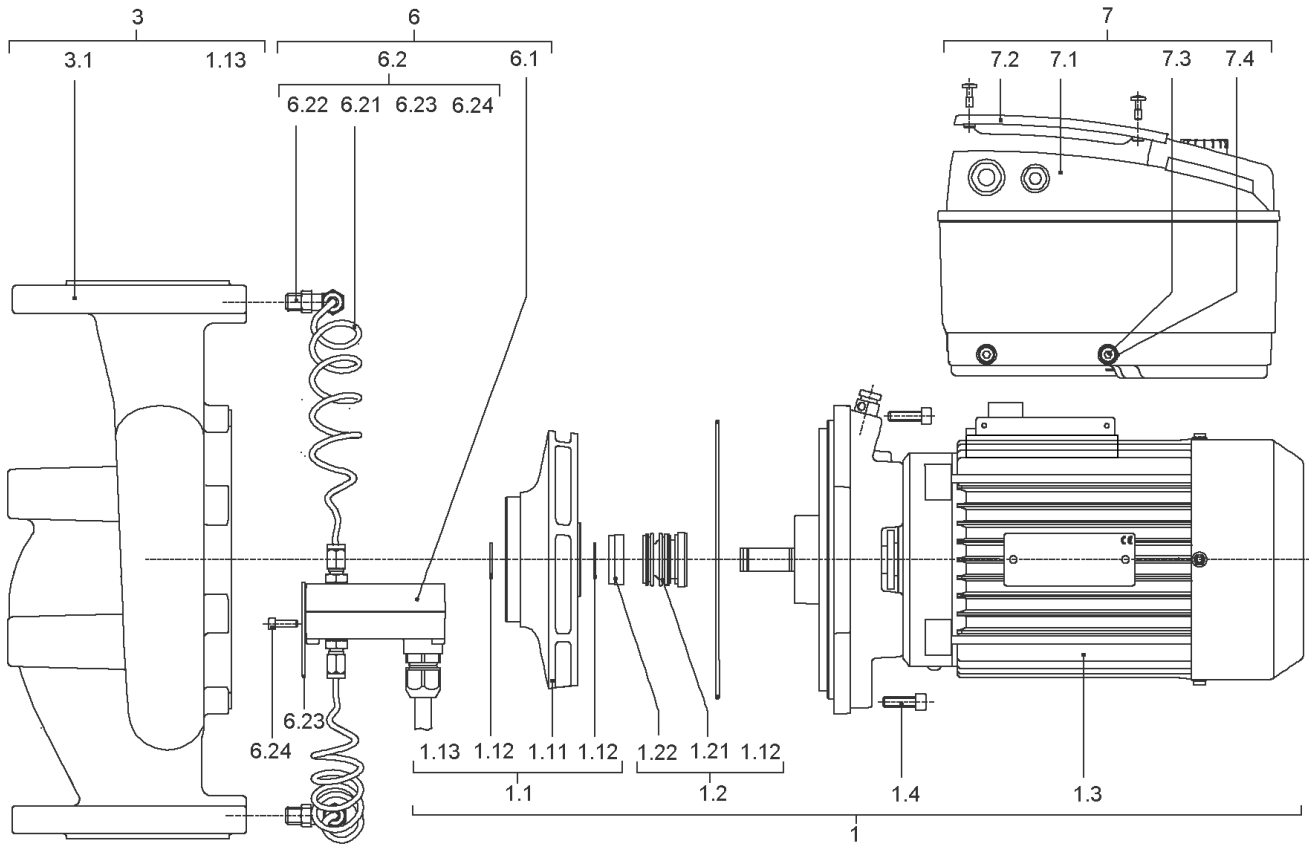
**Indicate motor number for order of spare parts!**

**Pour une commande de pièces détachées, donner le numéro du moteur!**

**IP-E65/110-2,2/2-IE2 (2144210)**

<b>Item</b>	<b>Description</b>	<b>Quantity</b>
ATB	Spare parts IP-E65/110-2,2/2 ATB	1
ELEC	Spare parts IP-E65/110-2,2/2 ELEC	1





## Spare parts IP-E65/110-2,2/2 ATB

Item	Article no.	Description	Quantity
1	2144234	Service Motor IP/DP-E65/110-2,2 IE2ATB	1
1.1	2138971	> Impeller D.65/140-110/17 PPO KIT	1
1.11		>> Impeller 65/140-110/17 PPO FE1630 fin	1
1.12	2123932	>> CIRCLIP 17X1 DIN471 A2 1.4122 VP.	1
1.13	2046358	>> O-RING ID.164,7X3,53 E7518 VP.	1
1.2	122097593	> Mechanical seal ID.17 AQ1EGG KIT	1
1.12	2123932	>> CIRCLIP 17X1 DIN471 A2 1.4122 VP.	1
1.13	2010300	>> O-RING ID.107,54X3,53	1
1.13	2010301	>> O-RING ID.117,07X3,53	1
1.13	2054183	>> O-RING ID.158,34X3,53 E7518	1
Note: TO/ BIS/ JUSQU'À: 03/03			
1.13	2046358	>> O-RING ID.164,7X3,53 E7518 VP.	1
Note: FROM/ AB/ À PARTIR: 04/03			
1.21		>> MECHANICAL SEAL ID.17 AQ1EGG	1
1.22		>> Distance ring D.17/30X9 PPO FE1630	1
1.3		> Motor	1
1.4	2052495	> SCREW M6X20 ISO4762 8.8 (8 PIECES)	1
		SPARE PARTS MOTOR 2,2/2/90 F188E	1
3	2145408	Pump housing IP65/140-F188 16 KIT	1
1.13	2046358	> O-RING ID.164,7X3,53 E7518 VP.	1
3.1		> Pump housing IP65/140-F188 16 cpl.WILO	1
6	2104479	DPS20-1(0-10V) KIT	1
6.1	2106113	> DIFFERENTIAL PRESSURE SENSOR 20 KIT	1
Note: FROM/ AB/ À PARTIR: 09/2009			
		>> DPS20 spiral TZ.3mm Volt 2G	1
	2196657	>> Cable DPS 3x0,34x650 short bared 2G VP.	1
Note: from/ab/de 01.10.2013			
6.2	2106120	> CONNECTION SENSOR IP-E SPIRAL M6 KIT	1
Note: FROM/ AB/ À PARTIR: 09/2009			
6.21		>> CAPILLARY COIL 1000	2
6.22		>> Fixation ring pipe union R1/8" 90GD.Ni	1
6.23		>> HANDLE DDG M6	1
6.24		>> Screw M4x10 EE DIN7500 ZN	2
	2168862	>> Nut/Ferrule M6 D.3MM MS Ni (2 Pieces)	1

## Spare parts IP-E65/110-2,2/2 ATB

Item	Article no.	Description	Quantity
	2168860	>> Nut/Ferrule M8 D.5MM MS Ni (2 Pieces)	1
7	2149140	Module IP-E/DP-E65/110-2,2/2 IE2 ATB KIT	1
7.1		> Module IP-E/DP-E65/110-2,2/2 IE2 ATB	1
7.2	2054227	> MODULE COVER/GASKET TL3/4 KIT	1
7.3		> SCREW M5X16 ISO4762 8.8 ZnNi	1
7.4		> WASHER TOOTHED LOCK A5,3 DIN6797 FST ZN	1
	2061236	> O-RING ID.38X3 EPDM 70SR.A BUS.	1

**Motor-Typenschild / Motor type plate / Plaque identité moteur**

**Bei Ersatzteilbestellung Motor-Nummer angeben!**

**Indicate motor number for order of spare parts!**

**Pour une commande de pièces détachées, donner le numéro du moteur!**

ATB - AF

Motor-Nummer  
motor number  
numéro du moteur

3-Mot. 90L  
 1234567 - 1  
 IMB5 IP 55  
 AF 90L/2I-12  
 Y/Δ 400/230 V 4.6/8.0 A  
 2850 1/min cos φ 0.87 50 Hz  
 2.2 kW S1  
 ● Y/Δ 380...420/220...240 V ●  
 4.8...4.6/8.3...8.0 A  
 Th. Cl. F 1. freie Zeile  
 2. freie Zeile  
 3. freie Zeile Made in Germany  
 T09 463023N 16 kg EN 60034 - IEC 38

WILO ELEC

Motor-Nummer  
motor number  
numéro du moteur

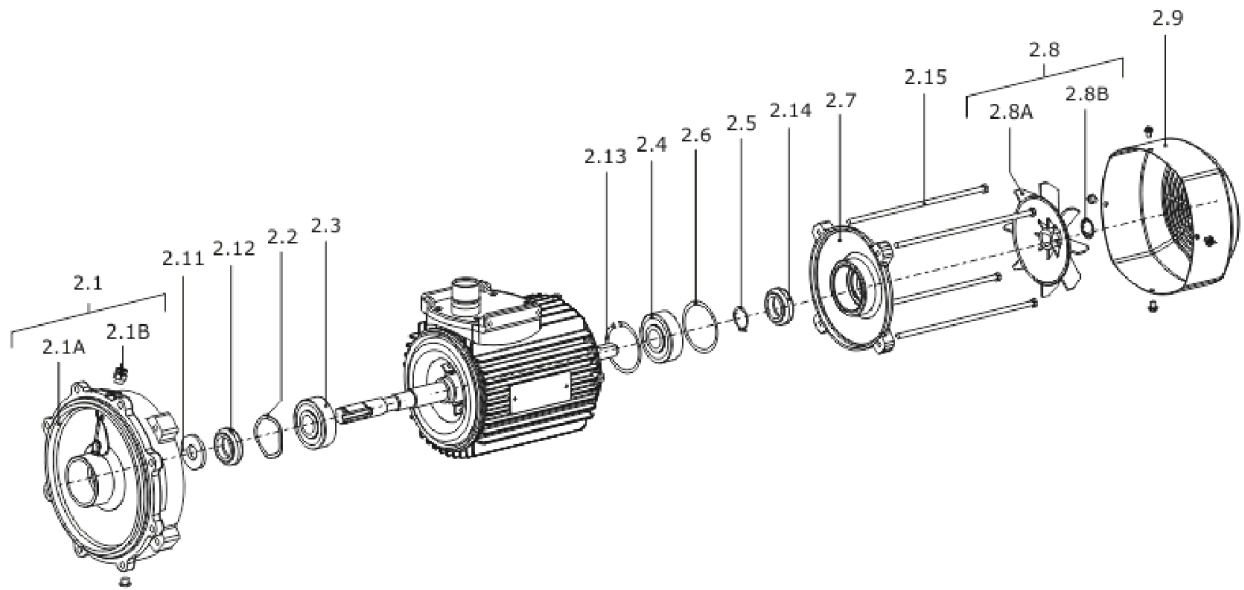
**3-Induction Motor**  
 Made by WILCO Group

3502984	W071080-2-F188E		1001.001
Class F	S1	IP 55 10.4kg	EN60034

<b>50Hz</b>	0.55kW	2860min <sup>-1</sup>	<b>60Hz</b>	0.66kW	3450min <sup>-1</sup>
Y	400V	1.33A	Y	440-480V	1.34-1.32A
Cosφ=0.76		Eta=79.0%	Cosφ=0.75		Eta=80.0%

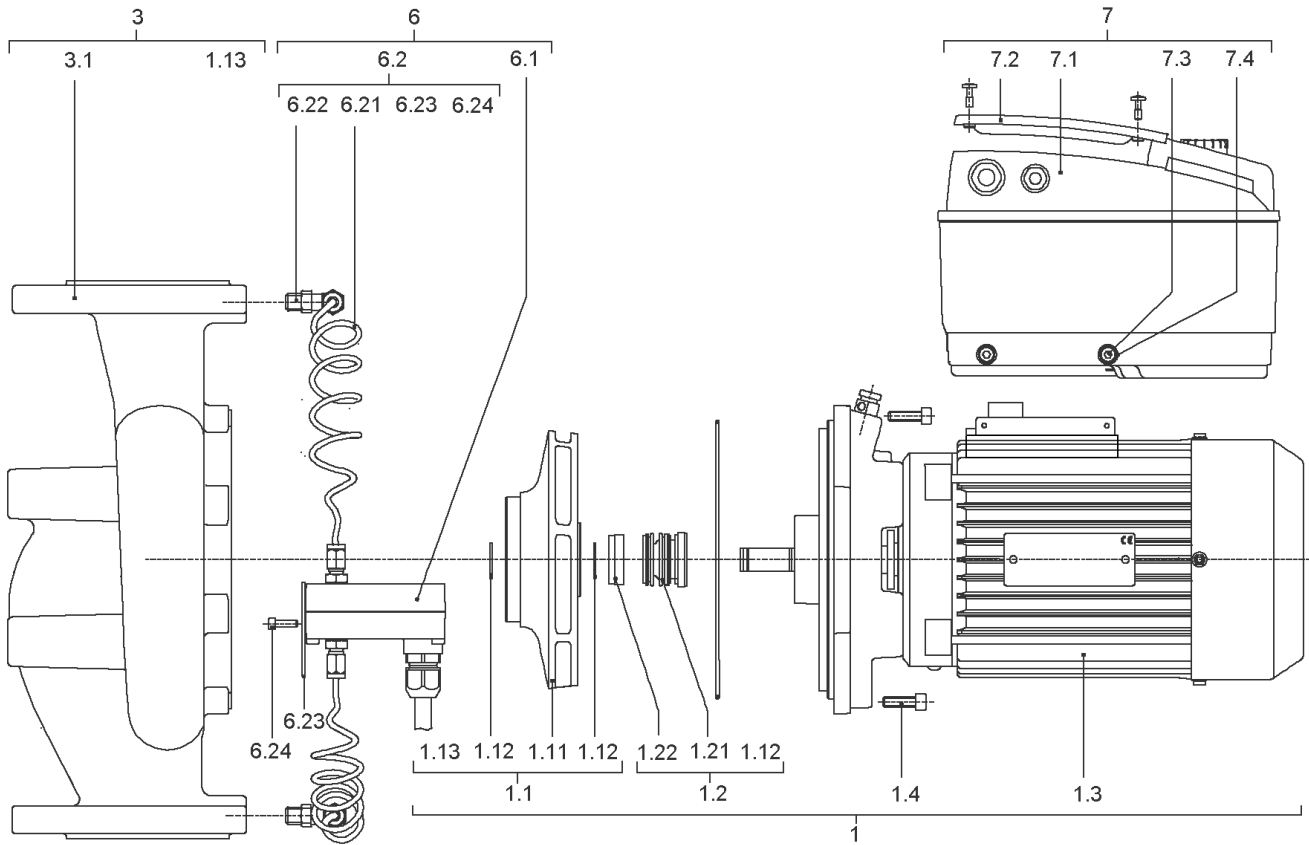
**SPARE PARTS MOTOR 2,2/2/90 F188E**

<b>Item</b>	<b>Description</b>	<b>Quantity</b>
1	MOTOR 2,2/2/90 F188E ATB	1



**MOTOR 2,2/2/90 F188E ATB**

Item	Article no.	Description	Quantity
2.1	2125450	END SHIELD BG80/90 D.E.ATB KIT	1
Note: Please give the data from type plate of the motor			
2.1A		> END SHIELD BG/8090 D.E.567955 ATB	1
2.1B	2027201	> BLOWGUN R1/8" VP.	1
Note: Please give the data from type plate of the motor			
2.2	2112677	CIRCLIP 52X2 J ATB VP.	1
Note: Please give the data from type plate of the motor			
2.3	121083998	BALL BEARING 6205/2Z-C3 (HT) VP.	1
Note: Please give the data from type plate of the motor			
2.4	121083998	BALL BEARING 6205/2Z-C3 (HT) VP.	1
Note: Please give the data from type plate of the motor			
2.6	2096272	SPACER DISC BG80-100 ATB VP.	1
Note: Please give the data from type plate of the motor			
2.7	2118607	END SHIELD BG90 N.D.E.ATB VP.	1
Note: Please give the data from type plate of the motor			
2.8	121479094	FAN WHEEL BG90/100 ATB KIT	1
Note: Please give the data from type plate of the motor			
2.8A		> FAN WHEEL BG90/100 721383 ATB	1
2.8B	2047016	> CORRUGATED SLEEVE RING BG90/100 ATB VP.	1
Note: Please give the data from type plate of the motor			
2.9	2096347	FAN HOUSING BG90/100 METAL ATB VP.	1
Note: Please give the data from type plate of the motor			
2.12	2138735	SHAFT SEAL RING BG90 D.E.ATB VP.	1
Note: Please give the data from type plate of the motor			
2.14	2112921	JOINT RING CIRCULAR 25X35X4 ATB VP.	1
2.15	2112674	SCREW END SHIELD M5X190 ATB(4 PIECES)	1
Note: Please give the data from type plate of the motor			
	2111437	GASKET TERMINAL BOX BG90 ATB.VP.	1
Note: Please give the data from type plate of the motor			



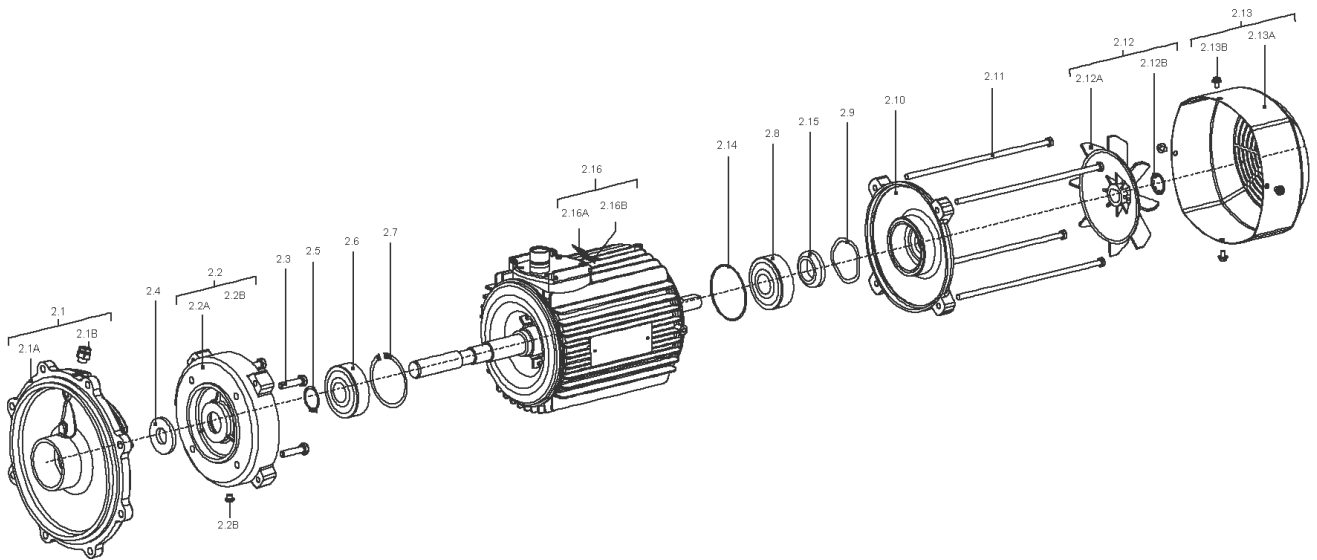


## Spare parts IP-E65/110-2,2/2 ELEC

Item	Article no.	Description	Quantity
1	2144249	Service Motor IP/DP-E65/110-2,2 IE2ELEC	1
1.1	2138971	> Impeller D.65/140-110/17 PPO KIT	1
1.11		>> Impeller 65/140-110/17 PPO FE1630 fin	1
1.12	2123932	>> CIRCLIP 17X1 DIN471 A2 1.4122 VP.	1
1.13	2046358	>> O-RING ID.164,7X3,53 E7518 VP.	1
1.2	122097593	> Mechanical seal ID.17 AQ1EGG KIT	1
1.12	2123932	>> CIRCLIP 17X1 DIN471 A2 1.4122 VP.	1
1.13	2010300	>> O-RING ID.107,54X3,53	1
1.13	2010301	>> O-RING ID.117,07X3,53	1
1.13	2054183	>> O-RING ID.158,34X3,53 E7518	1
Note: TO/ BIS/ JUSQU'À: 03/03			
1.13	2046358	>> O-RING ID.164,7X3,53 E7518 VP.	1
Note: FROM/ AB/ À PARTIR: 04/03			
1.21		>> MECHANICAL SEAL ID.17 AQ1EGG	1
1.22		>> Distance ring D.17/30X9 PPO FE1630	1
1.3		> Motor	1
1.4	2052495	> SCREW M6X20 ISO4762 8.8 (8 PIECES)	1
		Spare parts motor 2,2/2/90F188E ELEC IE2	1
3	2145408	Pump housing IP65/140-F188 16 KIT	1
1.13	2046358	> O-RING ID.164,7X3,53 E7518 VP.	1
3.1		> Pump housing IP65/140-F188 16 cpl.WILO	1
6	2104479	DPS20-1(0-10V) KIT	1
6.1	2106113	> DIFFERENTIAL PRESSURE SENSOR 20 KIT	1
Note: FROM/ AB/ À PARTIR: 09/2009			
		>> DPS20 spiral TZ.3mm Volt 2G	1
	2196657	>> Cable DPS 3x0,34x650 short bared 2G VP.	1
Note: from/ab/de 01.10.2013			
6.2	2106120	> CONNECTION SENSOR IP-E SPIRAL M6 KIT	1
Note: FROM/ AB/ À PARTIR: 09/2009			
6.21		>> CAPILLARY COIL 1000	2
6.22		>> Fixation ring pipe union R1/8" 90GD.Ni	1
6.23		>> HANDLE DDG M6	1
6.24		>> Screw M4x10 EE DIN7500 ZN	2
	2168862	>> Nut/Ferrule M6 D.3MM MS Ni (2 Pieces)	1

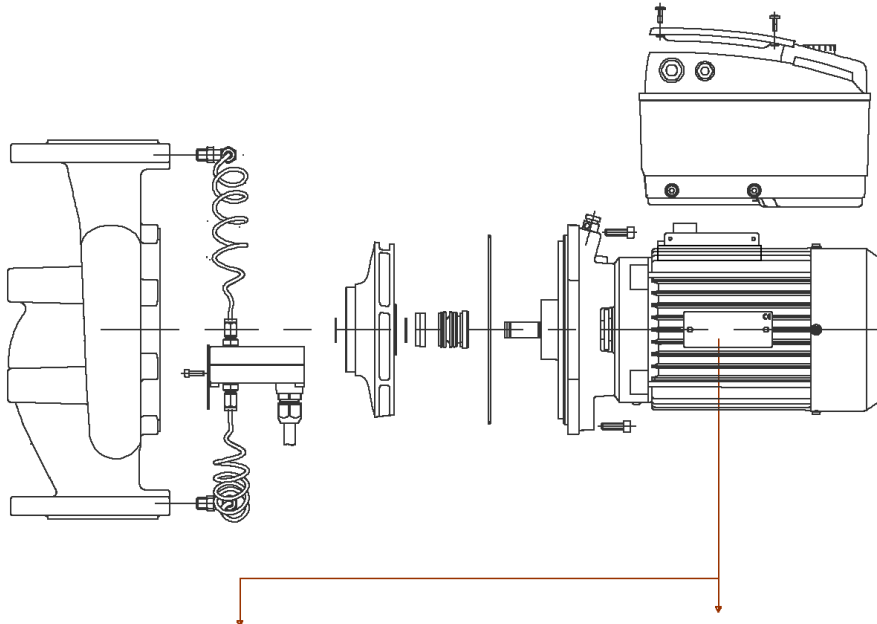
## Spare parts IP-E65/110-2,2/2 ELEC

Item	Article no.	Description	Quantity
	2168860	>> Nut/Ferrule M8 D.5MM MS Ni (2 Pieces)	1
7	2149141	Module IP-E/DP-E65/110-2,2/2 IE2ELEC KIT	1
7.1		> Module IP-E/DP-E65/110-2,2/2 IE2 ELEC	1
7.2	2054227	> MODULE COVER/GASKET TL3/4 KIT	1
7.3		> SCREW M5X16 ISO4762 8.8 ZnNi	1
7.4		> WASHER TOOTHED LOCK A5,3 DIN6797 FST ZN	1
	2061236	> O-RING ID.38X3 EPDM 70SR.A BUS.	1



## Spare parts motor 2,2/2/90F188E ELEC IE2

Item	Article no.	Description	Quantity
2.1	2111307	FLANGE END SHIELD BG90F188 D.E.ELEC KIT	1
2.1A		> LANTERN V18 M115-F188 KTL	1
2.1B	2027201	> BLOWGUN R1/8" VP.	1
Note: Please give the data from type plate of the motor			
2.2	2111312	END SHIELD BG90 V18 D.E.ELEC KIT	1
2.2A		> Flange IEC90 V18 (w/o thread)	1
2.2B	2111309	> CONDENSATE HOLE GASKET D5 VP.	1
Note: Please give the data from type plate of the motor			
2.3	2111314	SCREW M8X40 6.8 (4 PIECES)	1
2.4	2111324	THROWER D.36X4 VP.	1
2.5	2111334	CIRCLIP D.30 GB894.1 VP.	1
2.6	2118385	BALL BEARING 6306 DDW C3 EA6 VP.	1
2.7	2111337	CIRCLIP D.72 GB893.1 VP.	1
2.8	2111342	BALL BEARING 6204 DDW C3 EA3 VP.	1
2.9	2111339	SPRING RING D.47 JB/T7590 VP.	1
2.10	2157920	End shield BG90 N.D.E.ELEC KIT	1
		> Flange IEC90 NDS with slot reduce0.5	1
		> O-RING ID47.2*3.53 EPDM	1
2.11	2111320	SCREW M5X211 6.8 (4 PIECES)	1
2.12	2107782	FAN WHEEL BG90 ELEC KIT	1
2.12A		> FAN 122.6X15X17 GP2200 G/F20%	1
2.12B	2111321	> STOP-RING D.14,8x0,4 VP.	1
Note: Please give the data from type plate of the motor			
2.13	2111322	FAN HOOD BG90 ELEC KIT	1
2.13A		> FAN COVER IEC90 KTL ST14 T0.8 H70	1
2.13B	2111323	> SCREW M4X6 (4 PIECES)	1
Note: Please give the data from type plate of the motor			



ATB

Motor-Nummer  
motor number  
numéro du moteur

		IE2			
3~Mot.	AF132S/2F-11S+E2/0509	IE2-88,1%			
S1	132S IMV1	224039411-1	522058X		
IP 55	Th. CI.155(F)	SCHWINGROESSENSTUFE B			
WILO NR.2064705					
kW	V	Hz	A	1/min	COS φ
7,5	YΔ 690/400	50	7,9/3,7	2890	0,90
7,5	Δ 460	60	11,8	3510	0,89
Made in Germany		50 kg	EN 60034		

ELEC

Motor-Nummer  
motor number  
numéro du moteur

<b>3~Induction Motor</b>		Made by WILLO Group			
3501437	W080090-2-F188	0902.001			
Class F	S1	IP55	13.5kg	EN60034	
50Hz	1.10kW	2850min <sup>-1</sup>	60Hz	1.29kW	3435min <sup>-1</sup>
YΔ	230/400V	4.02/2.32A	Y	440-480V	2.40-2.32A
Cos φ =0.82	IE2-81.5%		Cos φ =0.85	IE2-82.5%	

**Motor-Typenschild / Motor type plate / Plaque identité moteur**

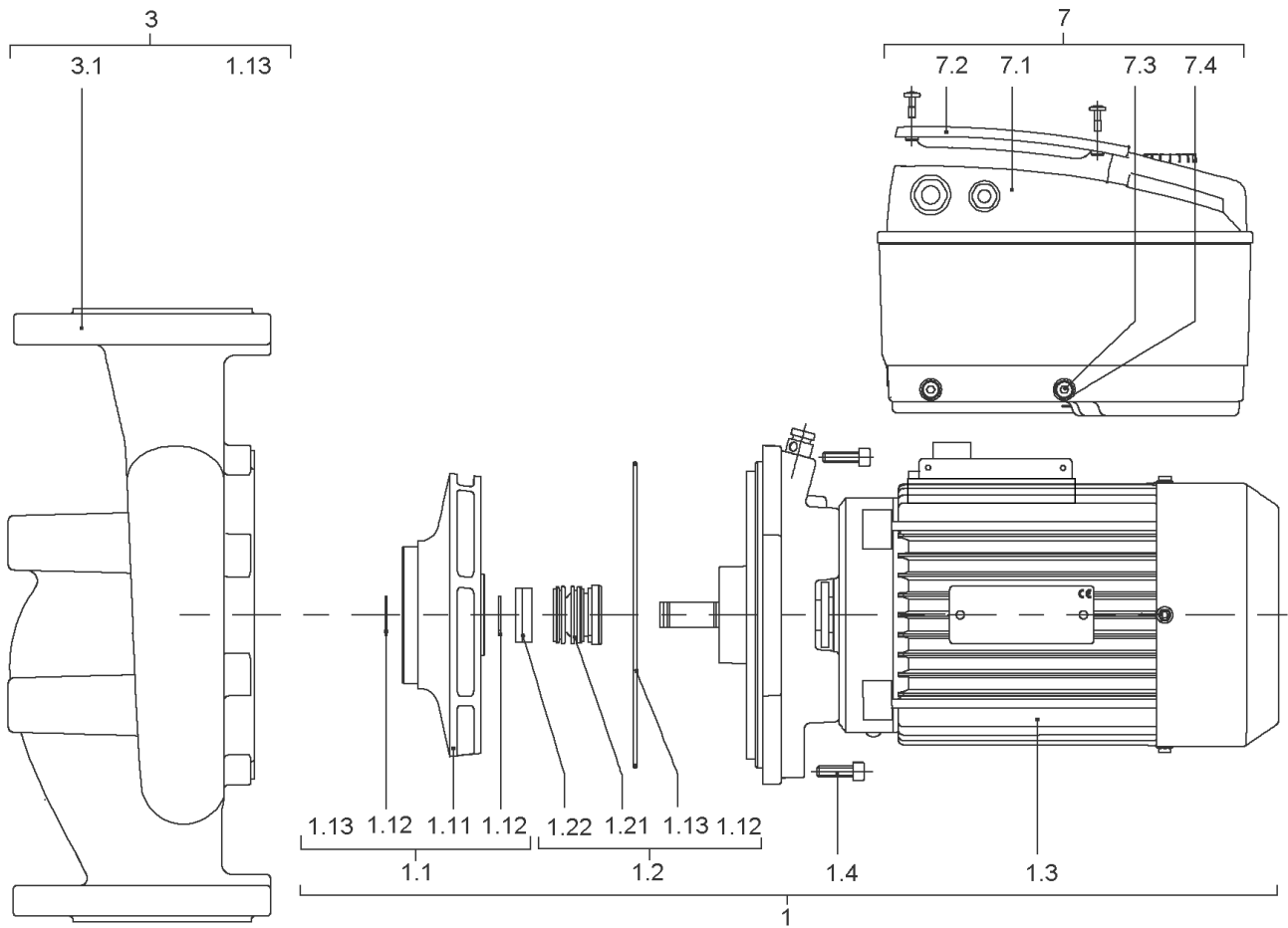
**Bei Ersatzteilbestellung Motor-Nummer angeben!**

**Indicate motor number for order of spare parts!**

**Pour une commande de pièces détachées, donner le numéro du moteur!**

**IP-E65/110-2,2/2-R1-IE2 (2144211)**

<b>Item</b>	<b>Description</b>	<b>Quantity</b>
ATB	Spare parts IP-E65/110-2,2/2-R1 ATB	1
ELEC	Spare parts IP-E65/110-2,2/2-R1 ELEC	1



**Spare parts IP-E65/110-2,2/2-R1 ATB**

Item	Article no.	Description	Quantity
1	2144234	Service Motor IP/DP-E65/110-2,2 IE2ATB	1
1.1	2138971	> Impeller D.65/140-110/17 PPO KIT	1
1.11		>> Impeller 65/140-110/17 PPO FE1630 fin	1
1.12	2123932	>> CIRCLIP 17X1 DIN471 A2 1.4122 VP.	1
1.13	2046358	>> O-RING ID.164,7X3,53 E7518 VP.	1
1.2	122097593	> Mechanical seal ID.17 AQ1EGG KIT	1
1.12	2123932	>> CIRCLIP 17X1 DIN471 A2 1.4122 VP.	1
1.13	2010300	>> O-RING ID.107,54X3,53	1
1.13	2010301	>> O-RING ID.117,07X3,53	1
1.13	2054183	>> O-RING ID.158,34X3,53 E7518	1
Note: TO/ BIS/ JUSQU'À: 03/03			
1.13	2046358	>> O-RING ID.164,7X3,53 E7518 VP.	1
Note: FROM/ AB/ À PARTIR: 04/03			
1.21		>> MECHANICAL SEAL ID.17 AQ1EGG	1
1.22		>> Distance ring D.17/30X9 PPO FE1630	1
1.3		> Motor	1
1.4	2052495	> SCREW M6X20 ISO4762 8.8 (8 PIECES)	1
		SPARE PARTS MOTOR 2,2/2/90 F188E	1
3	2145408	Pump housing IP65/140-F188 16 KIT	1
1.13	2046358	> O-RING ID.164,7X3,53 E7518 VP.	1
3.1		> Pump housing IP65/140-F188 16 cpl.WILO	1
7	2149140	Module IP-E/DP-E65/110-2,2/2 IE2 ATB KIT	1
7.1		> Module IP-E/DP-E65/110-2,2/2 IE2 ATB	1
7.2	2054227	> MODULE COVER/GASKET TL3/4 KIT	1
7.3		> SCREW M5X16 ISO4762 8.8 ZnNi	1
7.4		> WASHER TOOTHED LOCK A5,3 DIN6797 FST ZN	1
	2061236	> O-RING ID.38X3 EPDM 70SR.A BUS.	1



**Motor-Typenschild / Motor type plate / Plaque identité moteur**

**Bei Ersatzteilbestellung Motor-Nummer angeben!**

**Indicate motor number for order of spare parts!**

**Pour une commande de pièces détachées, donner le numéro du moteur!**

ATB - AF

Motor-Nummer  
motor number  
numéro du moteur

3-Mot. 90L  
 1234567 - 1  
 IMB5 IP 55  
 AF 90L/2I-12  
 Y/Δ 400/230 V 4.6/8.0 A  
 2850 1/min cos φ 0.87 50 Hz  
 2.2 kW S1  
 ● Y/Δ 380...420/220...240 V ●  
 4.8...4.6/8.3...8.0 A  
 Th. Cl. F 1. freie Zeile  
 2. freie Zeile  
 3. freie Zeile Made in Germany  
 T09 463023N 16 kg EN 60034 - IEC 38

WILO ELEC

Motor-Nummer  
motor number  
numéro du moteur

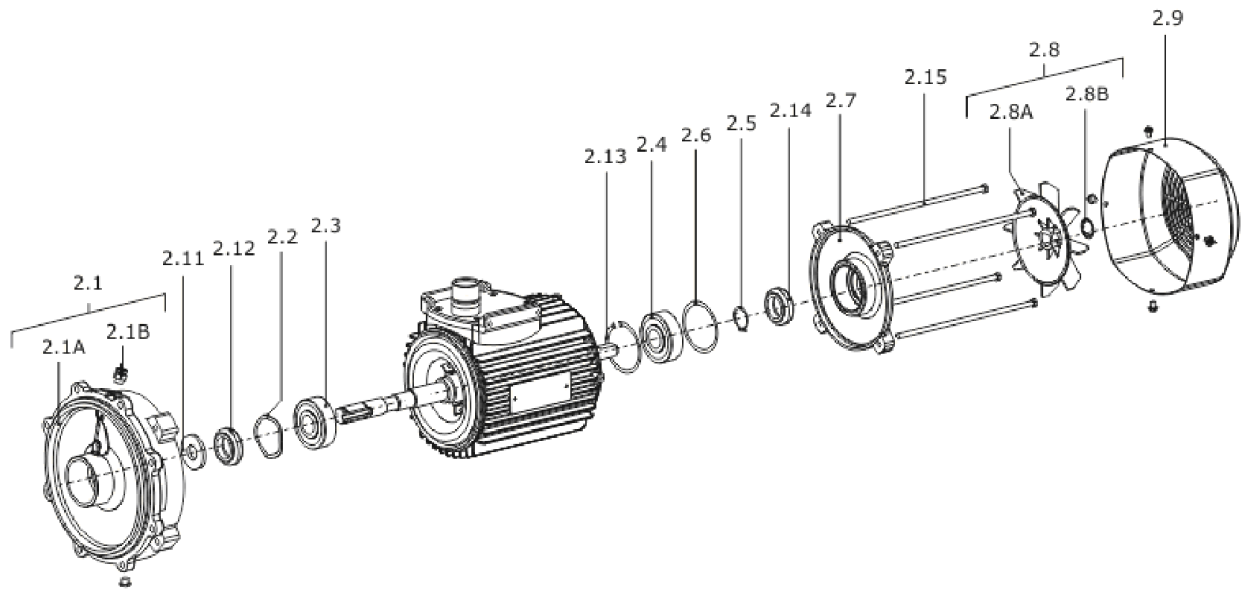
**3-Induction Motor**  
 Made by WILO Group

3502984	W071080-2-F188E	1001.001
Class F	S1 IP 55 10.4kg	EN60034

<b>50Hz</b>	0.55kW	2860min <sup>-1</sup>	<b>60Hz</b>	0.66kW	3450min <sup>-1</sup>
Y	400V	1.33A	Y	440-480V	1.34-1.32A
Cosφ=0.76		Eta=79.0%	Cosφ=0.75		Eta=80.0%

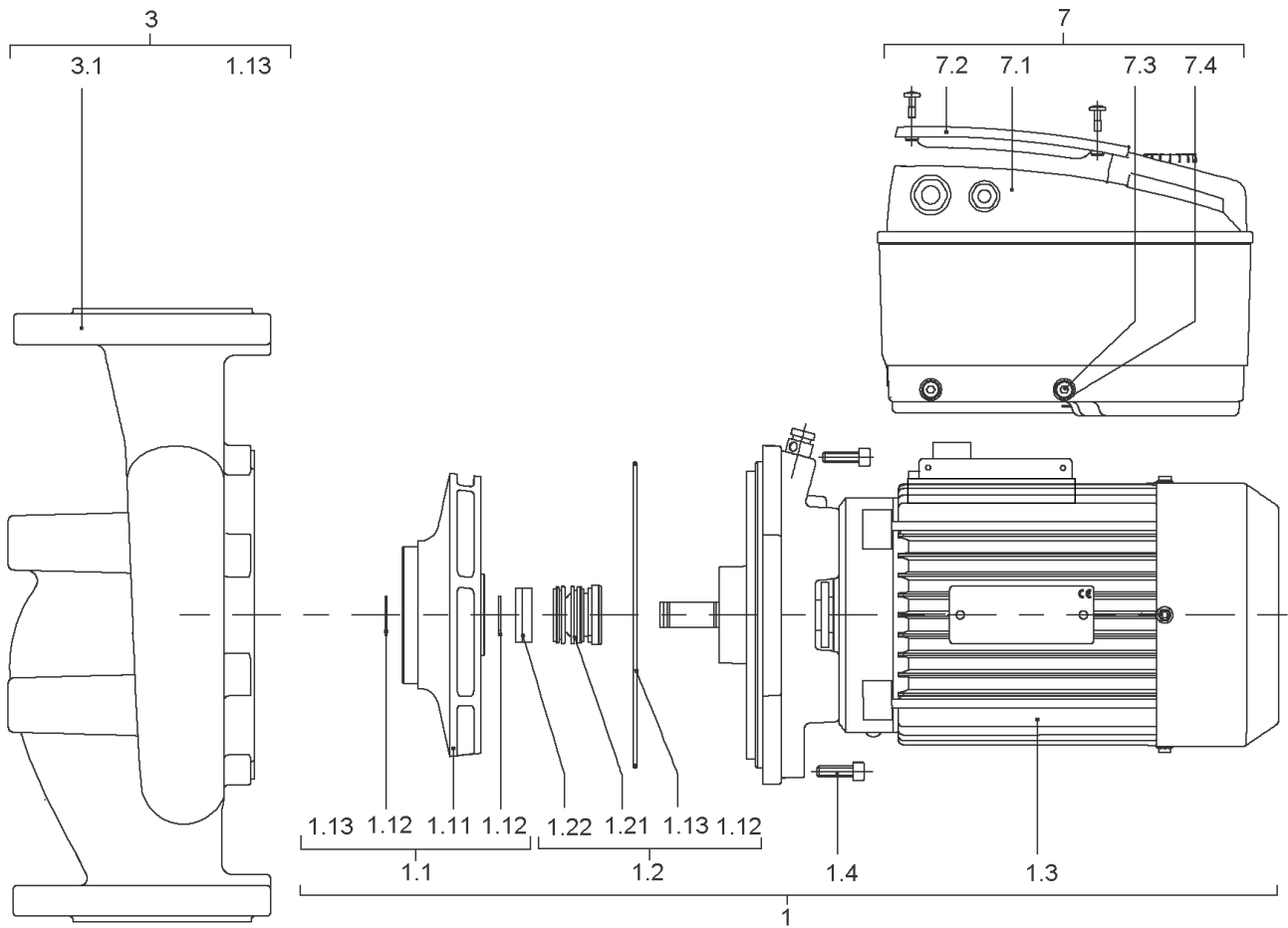
**SPARE PARTS MOTOR 2,2/2/90 F188E**

<b>Item</b>	<b>Description</b>	<b>Quantity</b>
1	MOTOR 2,2/2/90 F188E ATB	1



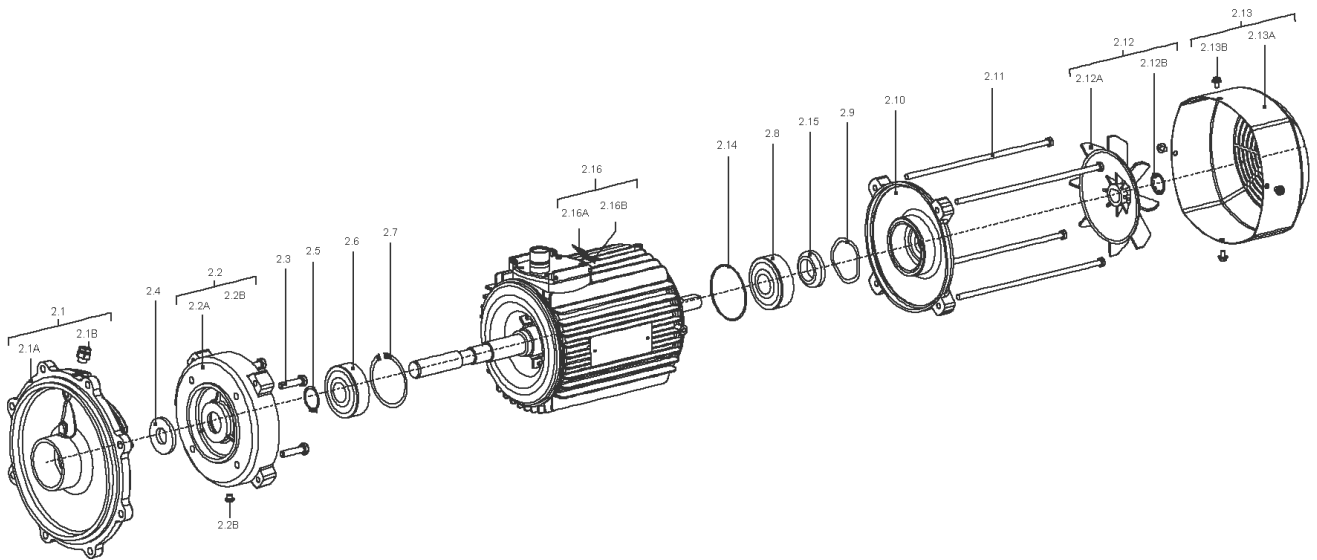
**MOTOR 2,2/2/90 F188E ATB**

Item	Article no.	Description	Quantity
2.1	2125450	END SHIELD BG80/90 D.E.ATB KIT	1
Note: Please give the data from type plate of the motor			
2.1A		> END SHIELD BG/8090 D.E.567955 ATB	1
2.1B	2027201	> BLOWGUN R1/8" VP.	1
Note: Please give the data from type plate of the motor			
2.2	2112677	CIRCLIP 52X2 J ATB VP.	1
Note: Please give the data from type plate of the motor			
2.3	121083998	BALL BEARING 6205/2Z-C3 (HT) VP.	1
Note: Please give the data from type plate of the motor			
2.4	121083998	BALL BEARING 6205/2Z-C3 (HT) VP.	1
Note: Please give the data from type plate of the motor			
2.6	2096272	SPACER DISC BG80-100 ATB VP.	1
Note: Please give the data from type plate of the motor			
2.7	2118607	END SHIELD BG90 N.D.E.ATB VP.	1
Note: Please give the data from type plate of the motor			
2.8	121479094	FAN WHEEL BG90/100 ATB KIT	1
Note: Please give the data from type plate of the motor			
2.8A		> FAN WHEEL BG90/100 721383 ATB	1
2.8B	2047016	> CORRUGATED SLEEVE RING BG90/100 ATB VP.	1
Note: Please give the data from type plate of the motor			
2.9	2096347	FAN HOUSING BG90/100 METAL ATB VP.	1
Note: Please give the data from type plate of the motor			
2.12	2138735	SHAFT SEAL RING BG90 D.E.ATB VP.	1
Note: Please give the data from type plate of the motor			
2.14	2112921	JOINT RING CIRCULAR 25X35X4 ATB VP.	1
2.15	2112674	SCREW END SHIELD M5X190 ATB(4 PIECES)	1
Note: Please give the data from type plate of the motor			
	2111437	GASKET TERMINAL BOX BG90 ATB.VP.	1
Note: Please give the data from type plate of the motor			



**Spare parts IP-E65/110-2,2/2-R1 ELEC**

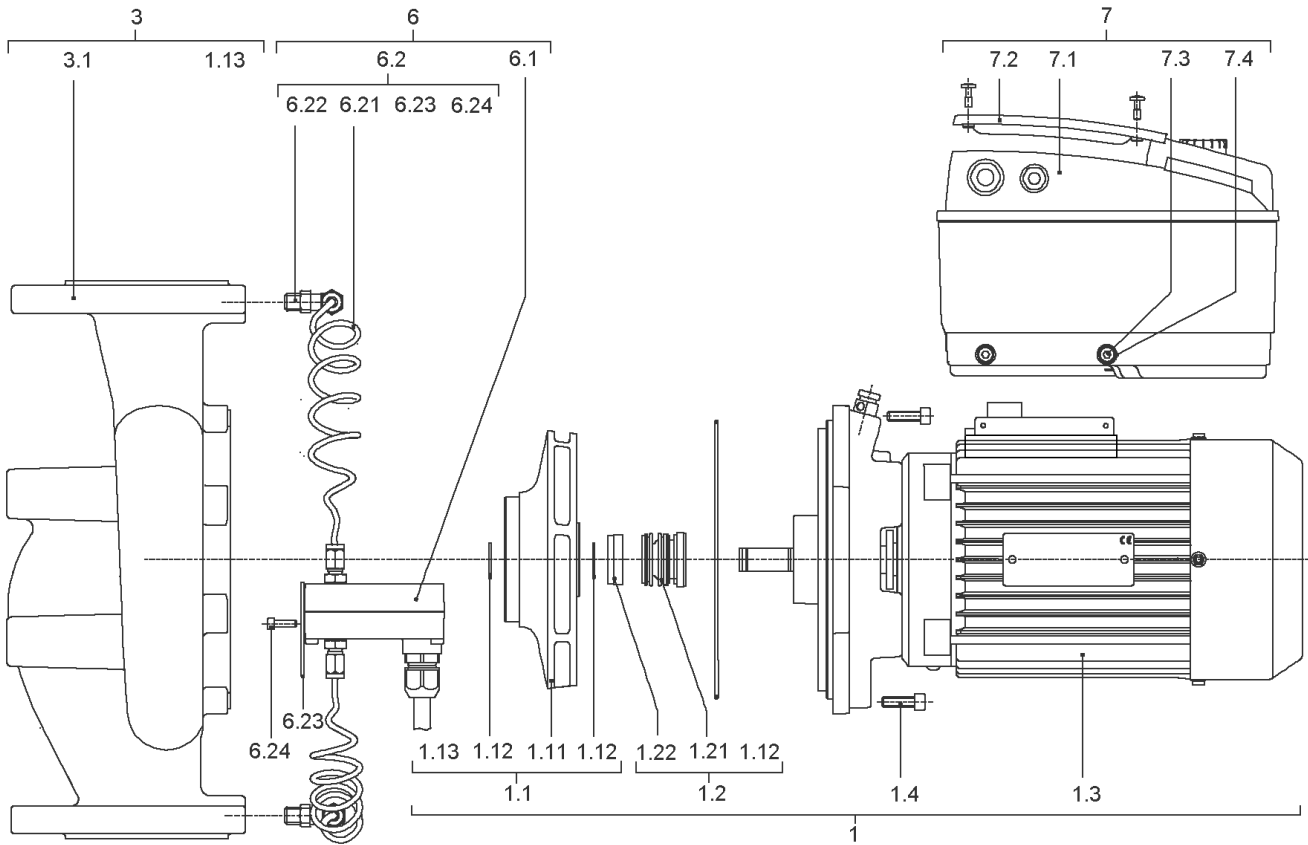
Item	Article no.	Description	Quantity
1	2144249	Service Motor IP/DP-E65/110-2,2 IE2ELEC	1
1.1	2138971	> Impeller D.65/140-110/17 PPO KIT	1
1.11		>> Impeller 65/140-110/17 PPO FE1630 fin	1
1.12	2123932	>> CIRCLIP 17X1 DIN471 A2 1.4122 VP.	1
1.13	2046358	>> O-RING ID.164,7X3,53 E7518 VP.	1
1.2	122097593	> Mechanical seal ID.17 AQ1EGG KIT	1
1.12	2123932	>> CIRCLIP 17X1 DIN471 A2 1.4122 VP.	1
1.13	2010300	>> O-RING ID.107,54X3,53	1
1.13	2010301	>> O-RING ID.117,07X3,53	1
1.13	2054183	>> O-RING ID.158,34X3,53 E7518	1
Note: TO/ BIS/ JUSQU'À: 03/03			
1.13	2046358	>> O-RING ID.164,7X3,53 E7518 VP.	1
Note: FROM/ AB/ À PARTIR: 04/03			
1.21		>> MECHANICAL SEAL ID.17 AQ1EGG	1
1.22		>> Distance ring D.17/30X9 PPO FE1630	1
1.3		> Motor	1
1.4	2052495	> SCREW M6X20 ISO4762 8.8 (8 PIECES)	1
		Spare parts motor 2,2/2/90F188E ELEC IE2	1
3	2145408	Pump housing IP65/140-F188 16 KIT	1
1.13	2046358	> O-RING ID.164,7X3,53 E7518 VP.	1
3.1		> Pump housing IP65/140-F188 16 cpl.WILO	1
7	2149141	Module IP-E/DP-E65/110-2,2/2 IE2ELEC KIT	1
7.1		> Module IP-E/DP-E65/110-2,2/2 IE2 ELEC	1
7.2	2054227	> MODULE COVER/GASKET TL3/4 KIT	1
7.3		> SCREW M5X16 ISO4762 8.8 ZnNi	1
7.4		> WASHER TOOTHED LOCK A5,3 DIN6797 FST ZN	1
	2061236	> O-RING ID.38X3 EPDM 70SR.A BUS.	1



## Spare parts motor 2,2/2/90F188E ELEC IE2

Item	Article no.	Description	Quantity
2.1	2111307	FLANGE END SHIELD BG90F188 D.E.ELEC KIT	1
2.1A		> LANTERN V18 M115-F188 KTL	1
2.1B	2027201	> BLOWGUN R1/8" VP.	1
Note: Please give the data from type plate of the motor			
2.2	2111312	END SHIELD BG90 V18 D.E.ELEC KIT	1
2.2A		> Flange IEC90 V18 (w/o thread)	1
2.2B	2111309	> CONDENSATE HOLE GASKET D5 VP.	1
Note: Please give the data from type plate of the motor			
2.3	2111314	SCREW M8X40 6.8 (4 PIECES)	1
2.4	2111324	THROWER D.36X4 VP.	1
2.5	2111334	CIRCLIP D.30 GB894.1 VP.	1
2.6	2118385	BALL BEARING 6306 DDW C3 EA6 VP.	1
2.7	2111337	CIRCLIP D.72 GB893.1 VP.	1
2.8	2111342	BALL BEARING 6204 DDW C3 EA3 VP.	1
2.9	2111339	SPRING RING D.47 JB/T7590 VP.	1
2.10	2157920	End shield BG90 N.D.E.ELEC KIT	1
		> Flange IEC90 NDS with slot reduce0.5	1
		> O-RING ID47.2*3.53 EPDM	1
2.11	2111320	SCREW M5X211 6.8 (4 PIECES)	1
2.12	2107782	FAN WHEEL BG90 ELEC KIT	1
2.12A		> FAN 122.6X15X17 GP2200 G/F20%	1
2.12B	2111321	> STOP-RING D.14,8x0,4 VP.	1
Note: Please give the data from type plate of the motor			
2.13	2111322	FAN HOOD BG90 ELEC KIT	1
2.13A		> FAN COVER IEC90 KTL ST14 T0.8 H70	1
2.13B	2111323	> SCREW M4X6 (4 PIECES)	1
Note: Please give the data from type plate of the motor			





**IP-E32/135-1,5/2-IE4 (2158814)**

Item	Article no.	Description	Quantity
1	2163649	SERV.MO.IP/DP-E32/135-1,5/2-IE4 ELEC	1
1.1	2162504	> Impeller 32/130-134/17 PPO FE1630 KIT	1
1.11		>> Impeller 32/130-134/17 PPO FE1630 fin	1
1.12	2123932	>> CIRCLIP 17X1 DIN471 A2 1.4122 VP.	1
1.13	2046358	>> O-RING ID.164,7X3,53 E7518 VP.	1
1.2	122097593	> Mechanical seal ID.17 AQ1EGG KIT	1
1.12	2123932	>> CIRCLIP 17X1 DIN471 A2 1.4122 VP.	1
1.13	2010300	>> O-RING ID.107,54X3,53	1
1.13	2010301	>> O-RING ID.117,07X3,53	1
1.13	2054183	>> O-RING ID.158,34X3,53 E7518	1
Note: TO/ BIS/ JUSQU'À: 03/03			
1.13	2046358	>> O-RING ID.164,7X3,53 E7518 VP.	1
Note: FROM/ AB/ À PARTIR: 04/03			
1.21		>> MECHANICAL SEAL ID.17 AQ1EGG	1
1.22		>> Distance ring D.17/30X9 PPO FE1630	1
1.3		> Motor	1
1.4	2052495	> SCREW M6X20 ISO4762 8.8 (8 PIECES)	1
		Spare parts motor 1,5/2/90F188E ELEC IE4	1
3	2161144	Pump housing I32/130-F188 16 GG KIT	1
1.13	2046358	> O-RING ID.164,7X3,53 E7518 VP.	1
3.1		> Pump housing IP32/130-F188 16 GG WILO	1
6	2104485	DPS40-1(0-10V) KIT	1
6.1	2106115	> DIFFERENTIAL PRESSURE SENSOR 40 KIT	1
Note: FROM/ AB/ À PARTIR: 09/2009			
		>> DPS40 spiral TZ.3mm Volt 2G	1
	2196657	>> Cable DPS 3x0,34x650 short bared 2G VP.	1
Note: from/ab/de 01.10.2013			
6.2	2106120	> CONNECTION SENSOR IP-E SPIRAL M6 KIT	1
Note: FROM/ AB/ À PARTIR: 09/2009			
6.21		>> CAPILLARY COIL 1000	2
6.22		>> Fixation ring pipe union R1/8" 90GD.Ni	1
6.23		>> HANDLE DDG M6	1
6.24		>> Screw M4x10 EE DIN7500 ZN	2
	2168862	>> Nut/Ferrule M6 D.3MM MS Ni (2 Pieces)	1

**IP-E32/135-1,5/2-IE4 (2158814)**

<b>Item</b>	<b>Article no.</b>	<b>Description</b>	<b>Quantity</b>
	2168860	>> Nut/Ferrule M8 D.5MM MS Ni (2 Pieces)	1
7	2179057	Module IP/DP-E32/135-1,5/2-IE4 ELEC KIT	1
7.1		> Module IP-E/DP-E32/135-1,5/2-IE4 ELEC	1
7.2	2054227	> MODULE COVER/GASKET TL3/4 KIT	1
7.3		> SCREW M5X16 ISO4762 8.8 ZnNi	1
7.4		> WASHER TOOTHED LOCK A5,3 DIN6797 FST ZN	1
	2061236	> O-RING ID.38X3 EPDM 70SR.A BUS.	1

## Motor-Typenschild / Motor type plate / Plaque identité moteur

**Bei Ersatzteilbestellung Motor-Nummer angeben!**

**Indicate motor number for order of spare parts!**

**Pour une commande de pièces détachées, donner le numéro du moteur!**

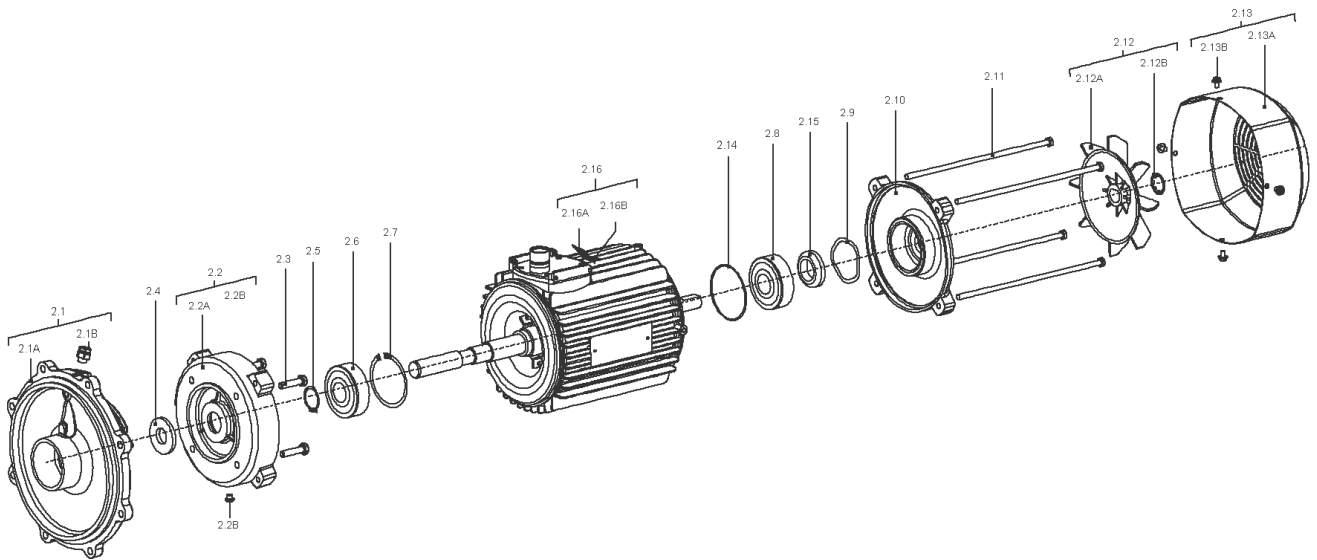
ELEC

Motor-Nummer  
motor number  
numéro du moteur

<b>3~Induction Motor</b>		Made by WILLO Group			
<b>3510436</b>	<b>W080085-2-F188E</b>		<b>0902.001</b>		
Class F	S1	IP55	13,5kg	EN60034	
50Hz	0,75kW	SF=1.15	60Hz	0,90kW	
Y/Δ 230/400V	2,86/1,65A		Y 440-480V	1,75/1,65A	
Cos φ =0.84	2840min <sup>-1</sup>		Cos φ =0.81	3425min <sup>-1</sup>	
IE4-83,5%	83,5%	83%	IE4-83,4%	83,4%	82%

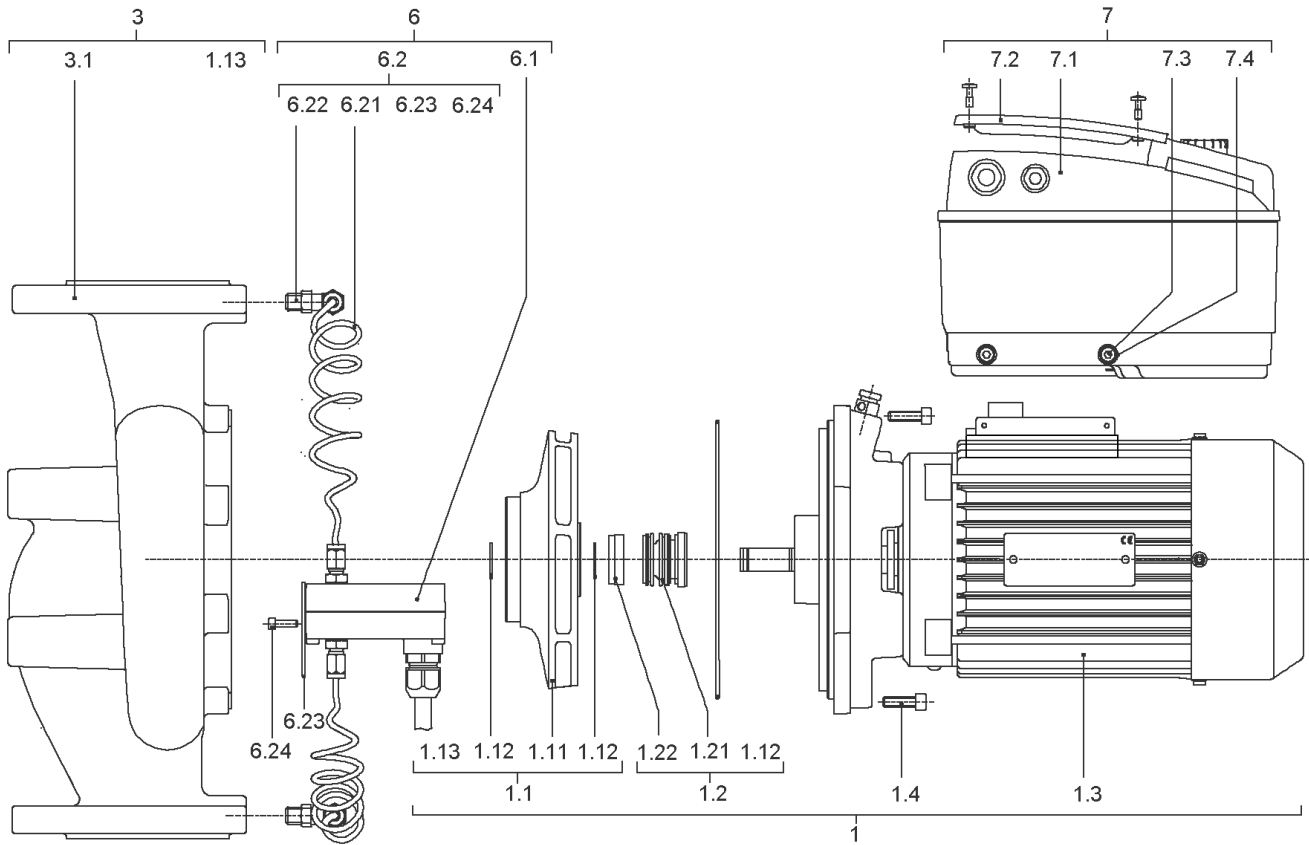
## Spare parts motor 1,5/2/90F188E ELEC IE4

Description	Quantity
W090095-2-F188E 400V/50Hz 1.5kW IE4	1



**W090095-2-F188E 400V/50Hz 1.5kW IE4**

Item	Article no.	Description	Quantity
2.1	2111307	FLANGE END SHIELD BG90F188 D.E.ELEC KIT	1
2.1A		> LANTERN V18 M115-F188 KTL	1
2.1B	2027201	> BLOWGUN R1/8" VP.	1
Note: Please give the data from type plate of the motor			
2.2	2153175	End shield BG90 V18 f.6304 D.E.ELEC KIT	1
2.2A		> Flange IEC90 V18 6304(without thread)	1
2.2B	2111309	> CONDENSATE HOLE GASKET D5 VP.	1
Note: Please give the data from type plate of the motor			
2.3	2175741	Screw M4x14(4 PIECES)	1
2.4	2111324	THROWER D.36X4 VP.	1
2.5	2111333	CIRCLIP D.20 GB894.1 VP.	1
2.6	2153168	Ball bearing 6204/VV-C3 VP.	1
2.7	2111336	CIRCLIP D.52 GB893.1 VP.	1
2.8	2153169	Ball bearing 6304/VV-C3 VP.	1
2.9	2111339	SPRING RING D.47 JB/T7590 VP.	1
2.10	2157920	End shield BG90 N.D.E.ELEC KIT	1
Note: Please give the data from type plate of the motor			
		> Flange IEC90 NDS with slot reduce0.5	1
		> O-RING ID47.2*3.53 EPDM	1
2.11	2111320	SCREW M5X211 6.8 (4 PIECES)	1
2.12	2107782	FAN WHEEL BG90 ELEC KIT	1
2.12A		> FAN 122.6X15X17 GP2200 G/F20%	1
2.12B	2111321	> STOP-RING D.14,8x0,4 VP.	1
Note: Please give the data from type plate of the motor			
2.13	2111322	FAN HOOD BG90 ELEC KIT	1
2.13A		> FAN COVER IEC90 KTL ST14 T0.8 H70	1
2.13B	2111323	> SCREW M4X6 (4 PIECES)	1
Note: Please give the data from type plate of the motor			





**IP-E40/120-1,5/2 (2158816)**

Item	Article no.	Description	Quantity
1	2163651	SERV.MO.IP/DP-E40/120-1,5/2-IE4 ELEC	1
1.1	2164050	> Impeller D.55/123/17X8,2 PPO KIT	1
1.11		>> Impeller D.55/123/17X8,2 PPO BEARB.	1
1.12	2123932	>> CIRCLIP 17X1 DIN471 A2 1.4122 VP.	1
1.13	2046358	>> O-RING ID.164,7X3,53 E7518 VP.	1
1.2	122097593	> Mechanical seal ID.17 AQ1EGG KIT	1
1.12	2123932	>> CIRCLIP 17X1 DIN471 A2 1.4122 VP.	1
1.13	2010300	>> O-RING ID.107,54X3,53	1
1.13	2010301	>> O-RING ID.117,07X3,53	1
1.13	2054183	>> O-RING ID.158,34X3,53 E7518	1
Note: TO/ BIS/ JUSQU'À: 03/03			
1.13	2046358	>> O-RING ID.164,7X3,53 E7518 VP.	1
Note: FROM/ AB/ À PARTIR: 04/03			
1.21		>> MECHANICAL SEAL ID.17 AQ1EGG	1
1.22		>> Distance ring D.17/30X9 PPO FE1630	1
1.3		> Motor	1
1.4	2052495	> SCREW M6X20 ISO4762 8.8 (8 PIECES)	1
		Spare parts motor 1,5/2/90F188E ELEC IE4	1
3	2016517	PUMP HOUSING IPL40/160/IP-E40/5 KIT	1
1.13	2046358	> O-RING ID.164,7X3,53 E7518 VP.	1
3.1		> PUMP HOUSING IP-E40/160 CPL.WILO	1
6	2104479	DPS20-1(0-10V) KIT	1
6.1	2106113	> DIFFERENTIAL PRESSURE SENSOR 20 KIT	1
Note: FROM/ AB/ À PARTIR: 09/2009			
		>> DPS20 spiral TZ.3mm Volt 2G	1
	2196657	>> Cable DPS 3x0,34x650 short bared 2G VP.	1
Note: from/ab/de 01.10.2013			
6.2	2106120	> CONNECTION SENSOR IP-E SPIRAL M6 KIT	1
Note: FROM/ AB/ À PARTIR: 09/2009			
6.21		>> CAPILLARY COIL 1000	2
6.22		>> Fixation ring pipe union R1/8" 90GD.Ni	1
6.23		>> HANDLE DDG M6	1
6.24		>> Screw M4x10 EE DIN7500 ZN	2
	2168862	>> Nut/Ferrule M6 D.3MM MS Ni (2 Pieces)	1

**IP-E40/120-1,5/2 (2158816)**

<b>Item</b>	<b>Article no.</b>	<b>Description</b>	<b>Quantity</b>
	2168860	>> Nut/Ferrule M8 D.5MM MS Ni (2 Pieces)	1
7	2179058	Module IP/DP-E40/120-1,5/2-IE4 ELEC KIT	1
7.1		> Module IP-E/DP-E40/120-1,5/2-IE4 ELEC	1
7.2	2054227	> MODULE COVER/GASKET TL3/4 KIT	1
7.3		> SCREW M5X16 ISO4762 8.8 ZnNi	1
7.4		> WASHER TOOTHED LOCK A5,3 DIN6797 FST ZN	1
	2061236	> O-RING ID.38X3 EPDM 70SR.A BUS.	1

**Motor-Typenschild / Motor type plate / Plaque identité moteur**

**Bei Ersatzteilbestellung Motor-Nummer angeben!**

**Indicate motor number for order of spare parts!**

**Pour une commande de pièces détachées, donner le numéro du moteur!**

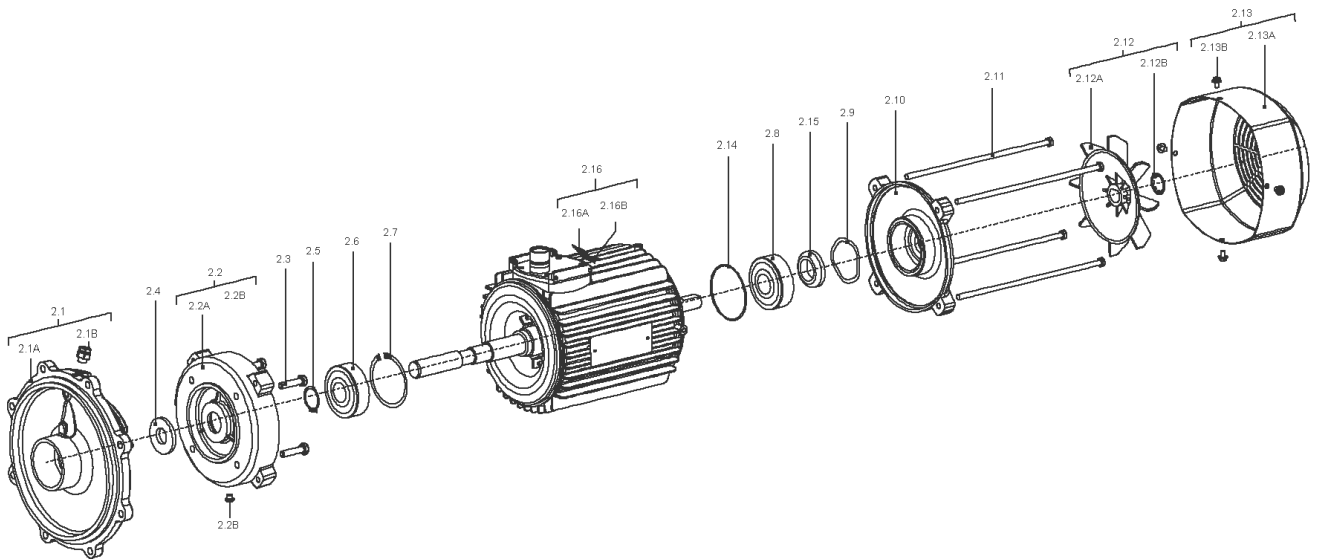
ELEC

Motor-Nummer  
motor number  
numéro du moteur

<b>3~Induction Motor</b>		Made by WILLO Group		
<b>3510436</b>	<b>W080085-2-F188E</b>	<b>0902.001</b>		
<b>Class F</b>	<b>S1</b>	<b>IP55</b>	<b>13,5kg</b>	<b>EN60034</b>
50Hz	0,75kW	SF=1,15	60Hz	0,90kW
YΔ 230/400V	2,86/1,65A	Y 440-480V	1,75/1,65A	
Cos φ =0.84	2840min <sup>-1</sup>	Cos φ =0.81	3425min <sup>-1</sup>	
IE4-83,5%	83,5%	83%	IE4-83,4%	83,4%
			82%	

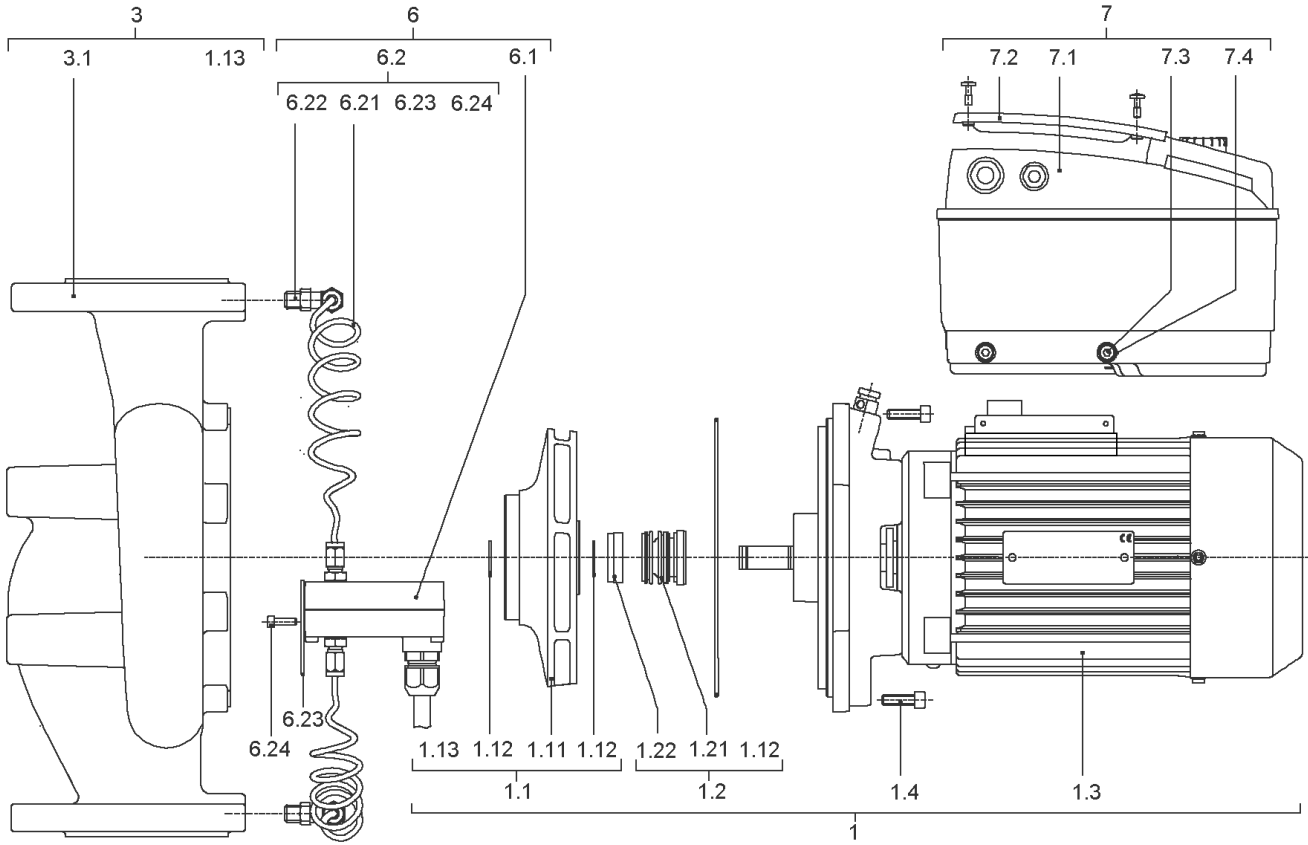
## Spare parts motor 1,5/2/90F188E ELEC IE4

Description	Quantity
W090095-2-F188E 400V/50Hz 1.5kW IE4	1



**W090095-2-F188E 400V/50Hz 1.5kW IE4**

Item	Article no.	Description	Quantity
2.1	2111307	FLANGE END SHIELD BG90F188 D.E.ELEC KIT	1
2.1A		> LANTERN V18 M115-F188 KTL	1
2.1B	2027201	> BLOWGUN R1/8" VP.	1
Note: Please give the data from type plate of the motor			
2.2	2153175	End shield BG90 V18 f.6304 D.E.ELEC KIT	1
2.2A		> Flange IEC90 V18 6304(without thread)	1
2.2B	2111309	> CONDENSATE HOLE GASKET D5 VP.	1
Note: Please give the data from type plate of the motor			
2.3	2175741	Screw M4x14(4 PIECES)	1
2.4	2111324	THROWER D.36X4 VP.	1
2.5	2111333	CIRCLIP D.20 GB894.1 VP.	1
2.6	2153168	Ball bearing 6204/VV-C3 VP.	1
2.7	2111336	CIRCLIP D.52 GB893.1 VP.	1
2.8	2153169	Ball bearing 6304/VV-C3 VP.	1
2.9	2111339	SPRING RING D.47 JB/T7590 VP.	1
2.10	2157920	End shield BG90 N.D.E.ELEC KIT	1
Note: Please give the data from type plate of the motor			
		> Flange IEC90 NDS with slot reduce0.5	1
		> O-RING ID47.2*3.53 EPDM	1
2.11	2111320	SCREW M5X211 6.8 (4 PIECES)	1
2.12	2107782	FAN WHEEL BG90 ELEC KIT	1
2.12A		> FAN 122.6X15X17 GP2200 G/F20%	1
2.12B	2111321	> STOP-RING D.14,8x0,4 VP.	1
Note: Please give the data from type plate of the motor			
2.13	2111322	FAN HOOD BG90 ELEC KIT	1
2.13A		> FAN COVER IEC90 KTL ST14 T0.8 H70	1
2.13B	2111323	> SCREW M4X6 (4 PIECES)	1
Note: Please give the data from type plate of the motor			



**IP-E40/130-2,2/2 (2158817)**

Item	Article no.	Description	Quantity
1	2163652	SERV.MO.IP/DP-E40/130-2,2/2-IE4 ELEC	1
1.1	2008783	> IMPELLER D.55/133/17X8,1 KIT	1
1.11		>> IMPELLER D.55/133/17X8,1 PPO BEARB.	1
1.12	2123932	>> CIRCLIP 17X1 DIN471 A2 1.4122 VP.	1
1.13	2046358	>> O-RING ID.164,7X3,53 E7518 VP.	1
1.2	122097593	> Mechanical seal ID.17 AQ1EGG KIT	1
1.12	2123932	>> CIRCLIP 17X1 DIN471 A2 1.4122 VP.	1
1.13	2010300	>> O-RING ID.107,54X3,53	1
1.13	2010301	>> O-RING ID.117,07X3,53	1
1.13	2054183	>> O-RING ID.158,34X3,53 E7518	1
Note: TO/ BIS/ JUSQU'À: 03/03			
1.13	2046358	>> O-RING ID.164,7X3,53 E7518 VP.	1
Note: FROM/ AB/ À PARTIR: 04/03			
1.21		>> MECHANICAL SEAL ID.17 AQ1EGG	1
1.22		>> Distance ring D.17/30X9 PPO FE1630	1
1.3		> Motor	1
1.4	2052495	> SCREW M6X20 ISO4762 8.8 (8 PIECES)	1
		Spare parts motor 2,2/2/90F188E ELEC IE4	1
3	2016517	PUMP HOUSING IPL40/160/IP-E40/5 KIT	1
1.13	2046358	> O-RING ID.164,7X3,53 E7518 VP.	1
3.1		> PUMP HOUSING IP-E40/160 CPL.WILO	1
6	2104485	DPS40-1(0-10V) KIT	1
6.1	2106115	> DIFFERENTIAL PRESSURE SENSOR 40 KIT	1
Note: FROM/ AB/ À PARTIR: 09/2009			
		>> DPS40 spiral TZ.3mm Volt 2G	1
	2196657	>> Cable DPS 3x0,34x650 short bared 2G VP.	1
Note: from/ab/de 01.10.2013			
6.2	2106120	> CONNECTION SENSOR IP-E SPIRAL M6 KIT	1
Note: FROM/ AB/ À PARTIR: 09/2009			
6.21		>> CAPILLARY COIL 1000	2
6.22		>> Fixation ring pipe union R1/8" 90GD.Ni	1
6.23		>> HANDLE DDG M6	1
6.24		>> Screw M4x10 EE DIN7500 ZN	2
	2168862	>> Nut/Ferrule M6 D.3MM MS Ni (2 Pieces)	1



**IP-E40/130-2,2/2 (2158817)**

<b>Item</b>	<b>Article no.</b>	<b>Description</b>	<b>Quantity</b>
	2168860	>> Nut/Ferrule M8 D.5MM MS Ni (2 Pieces)	1
7	2178963	Module IP/DP-E40/130-2,2/2-IE4 ELEC KIT	1
7.1		> Module IP-E/DP-E40/130-2,2/2-IE4 ELEC	1
7.2	2054227	> MODULE COVER/GASKET TL3/4 KIT	1
7.3		> SCREW M5X16 ISO4762 8.8 ZnNi	1
7.4		> WASHER TOOTHED LOCK A5,3 DIN6797 FST ZN	1
	2061236	> O-RING ID.38X3 EPDM 70SR.A BUS.	1

### Motor-Typenschild / Motor type plate / Plaque identité moteur

**Bei Ersatzteilbestellung Motor-Nummer angeben!**

**Indicate motor number for order of spare parts!**

**Pour une commande de pièces détachées, donner le numéro du moteur!**

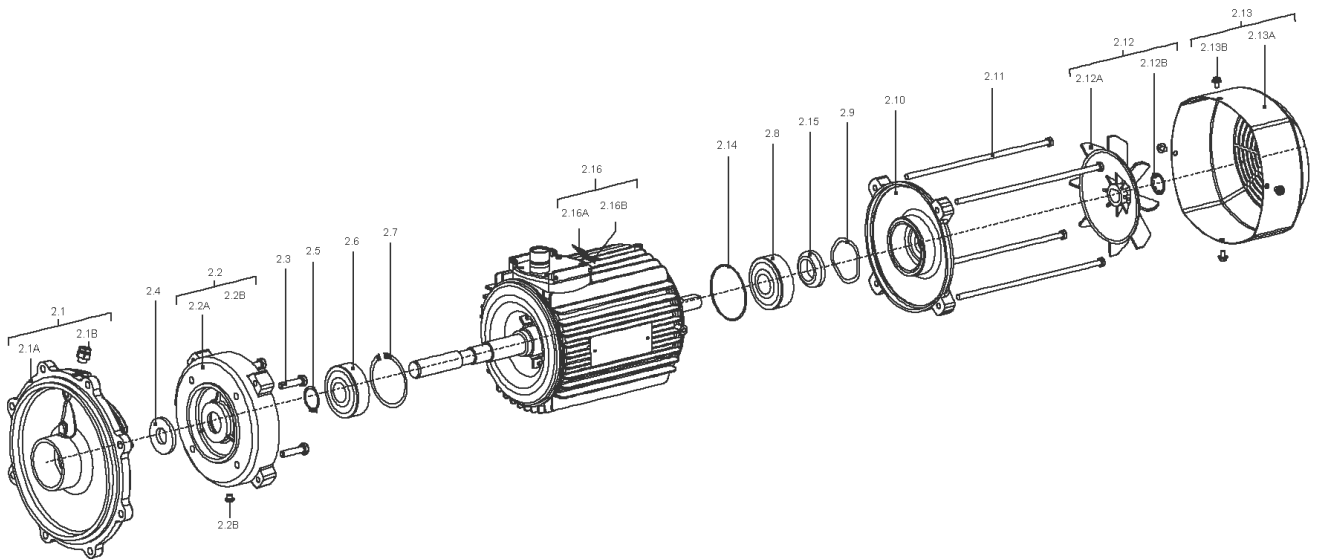
ELEC

Motor-Nummer  
motor number  
numéro du moteur

<b>3~Induction Motor</b>		Made by WILLO Group			
<b>3510436</b>	W080085-2-F188E		0902.001		
Class F	S1	IP55	13,5kg	EN60034	
50Hz	0,75kW	SF=1.15	60Hz	0,90kW	
YΔ 230/400V	2,86/1,65A		Y 440-480V	1,75/1,65A	
Cos φ =0.84	2840min <sup>-1</sup>		Cos φ =0.81	3425min <sup>-1</sup>	
IE4-83,5%	83,5%	83%	IE4-83,4%	83,4%	82%

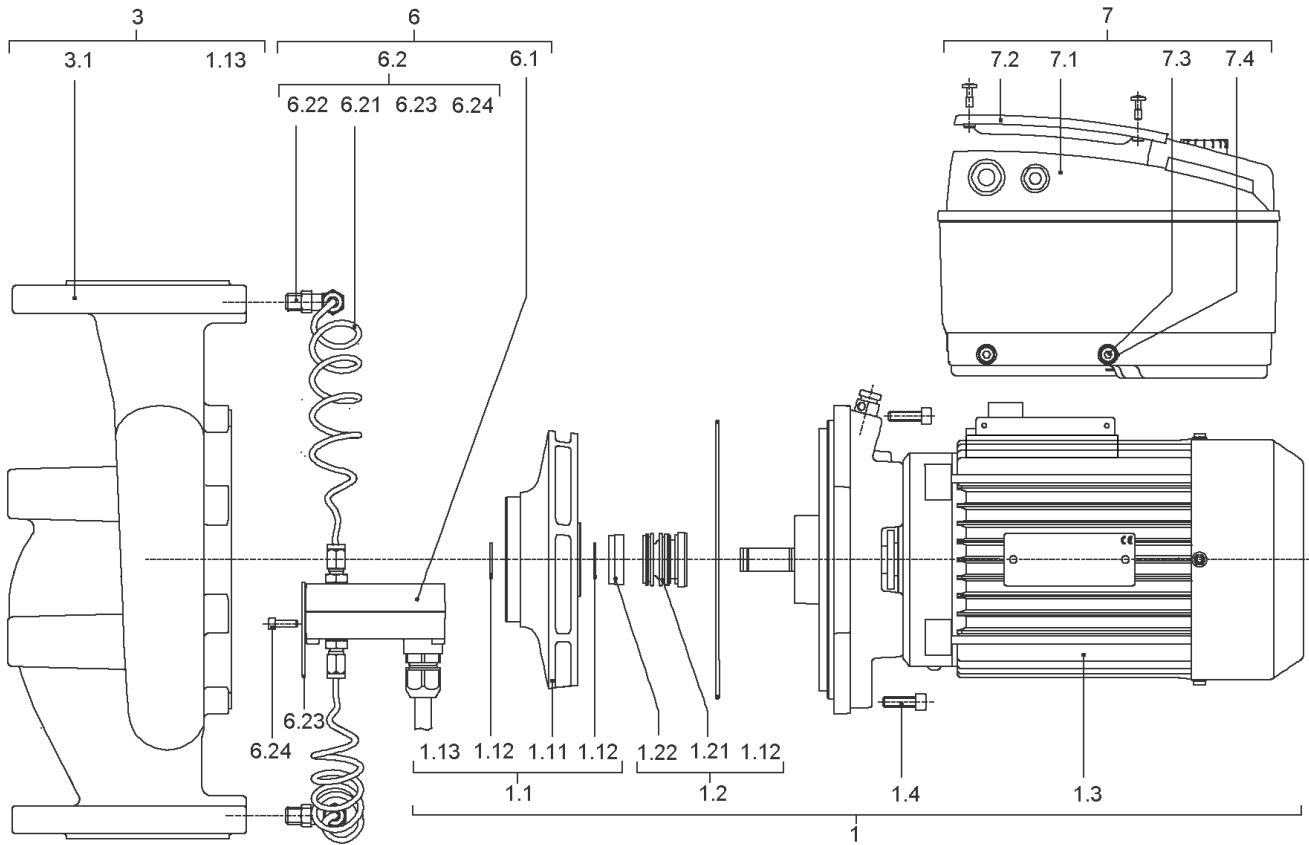
## Spare parts motor 2,2/2/90F188E ELEC IE4

Description	Quantity
W090130-2-F188E 400V/50Hz 2.2kW IE4	1



**W090130-2-F188E 400V/50Hz 2.2kW IE4**

Item	Article no.	Description	Quantity
2.1	2111307	FLANGE END SHIELD BG90F188 D.E.ELEC KIT	1
2.1A		> LANTERN V18 M115-F188 KTL	1
2.1B	2027201	> BLOWGUN R1/8" VP.	1
Note: Please give the data from type plate of the motor			
2.2	2111312	END SHIELD BG90 V18 D.E.ELEC KIT	1
2.2A		> Flange IEC90 V18 (w/o thread)	1
2.2B	2111309	> CONDENSATE HOLE GASKET D5 VP.	1
Note: Please give the data from type plate of the motor			
2.3	2175741	Screw M4x14(4 PIECES)	1
2.4	2111324	THROWER D.36X4 VP.	1
2.5	2111334	CIRCLIP D.30 GB894.1 VP.	1
2.6	2153168	Ball bearing 6204/VV-C3 VP.	1
2.7	2111337	CIRCLIP D.72 GB893.1 VP.	1
2.8	2153170	Ball bearing 6306/VV-C3 VP.	1
2.9	2111339	SPRING RING D.47 JB/T7590 VP.	1
2.10	2157920	End shield BG90 N.D.E.ELEC KIT	1
Note: Please give the data from type plate of the motor			
		> Flange IEC90 NDS with slot reduce0.5	1
		> O-RING ID47.2*3.53 EPDM	1
2.11	2179081	Screw torx Plus / Hex.M5X231(4Pieces)	1
2.12	2107782	FAN WHEEL BG90 ELEC KIT	1
2.12A		> FAN 122.6X15X17 GP2200 G/F20%	1
2.12B	2111321	> STOP-RING D.14,8x0,4 VP.	1
Note: Please give the data from type plate of the motor			
2.13	2111322	FAN HOOD BG90 ELEC KIT	1
2.13A		> FAN COVER IEC90 KTL ST14 T0.8 H70	1
2.13B	2111323	> SCREW M4X6 (4 PIECES)	1
Note: Please give the data from type plate of the motor			



**IP-E40/150-3/2 (2158818)**

Item	Article no.	Description	Quantity
1	2163653	SERV.MO.IP/DP-E40/150-3/2-IE4 ELEC	1
1.1	2116677	> IMPELLER D.55/145/17 KIT	1
1.11		>> IMPELLER D.55/145/17X7,8 PPO BEARB.	1
1.12	2123932	>> CIRCLIP 17X1 DIN471 A2 1.4122 VP.	1
1.13	2046358	>> O-RING ID.164,7X3,53 E7518 VP.	1
1.2	122097593	> Mechanical seal ID.17 AQ1EGG KIT	1
1.12	2123932	>> CIRCLIP 17X1 DIN471 A2 1.4122 VP.	1
1.13	2010300	>> O-RING ID.107,54X3,53	1
1.13	2010301	>> O-RING ID.117,07X3,53	1
1.13	2054183	>> O-RING ID.158,34X3,53 E7518	1
Note: TO/ BIS/ JUSQU'À: 03/03			
1.13	2046358	>> O-RING ID.164,7X3,53 E7518 VP.	1
Note: FROM/ AB/ À PARTIR: 04/03			
1.21		>> MECHANICAL SEAL ID.17 AQ1EGG	1
1.22		>> Distance ring D.17/30X9 PPO FE1630	1
1.3		> Motor	1
1.4	2052495	> SCREW M6X20 ISO4762 8.8 (8 PIECES)	1
		Spare parts motor 3/2/100F188E ELEC IE4	1
3	2016517	PUMP HOUSING IPL40/160/IP-E40/5 KIT	1
1.13	2046358	> O-RING ID.164,7X3,53 E7518 VP.	1
3.1		> PUMP HOUSING IP-E40/160 CPL.WILO	1
6	2104485	DPS40-1(0-10V) KIT	1
6.1	2106115	> DIFFERENTIAL PRESSURE SENSOR 40 KIT	1
Note: FROM/ AB/ À PARTIR: 09/2009			
		>> DPS40 spiral TZ.3mm Volt 2G	1
	2196657	>> Cable DPS 3x0,34x650 short bared 2G VP.	1
Note: from/ab/de 01.10.2013			
6.2	2106120	> CONNECTION SENSOR IP-E SPIRAL M6 KIT	1
Note: FROM/ AB/ À PARTIR: 09/2009			
6.21		>> CAPILLARY COIL 1000	2
6.22		>> Fixation ring pipe union R1/8" 90GD.Ni	1
6.23		>> HANDLE DDG M6	1
6.24		>> Screw M4x10 EE DIN7500 ZN	2
	2168862	>> Nut/Ferrule M6 D.3MM MS Ni (2 Pieces)	1

**IP-E40/150-3/2 (2158818)**

<b>Item</b>	<b>Article no.</b>	<b>Description</b>	<b>Quantity</b>
	2168860	>> Nut/Ferrule M8 D.5MM MS Ni (2 Pieces)	1
7	2179059	Module IP/DP-E40/150-3/2-IE4 ELEC KIT	1
7.1		> Module IP-E/DP-E40/150-3/2-IE4 ELEC	1
7.2	2054227	> MODULE COVER/GASKET TL3/4 KIT	1
7.3		> SCREW M5X16 ISO4762 8.8 ZnNi	1
7.4		> WASHER TOOTHED LOCK A5,3 DIN6797 FST ZN	1
	2061236	> O-RING ID.38X3 EPDM 70SR.A BUS.	1



**Motor-Typenschild / Motor type plate / Plaque identité moteur**

**Bei Ersatzteilbestellung Motor-Nummer angeben!**

**Indicate motor number for order of spare parts!**

**Pour une commande de pièces détachées, donner le numéro du moteur!**

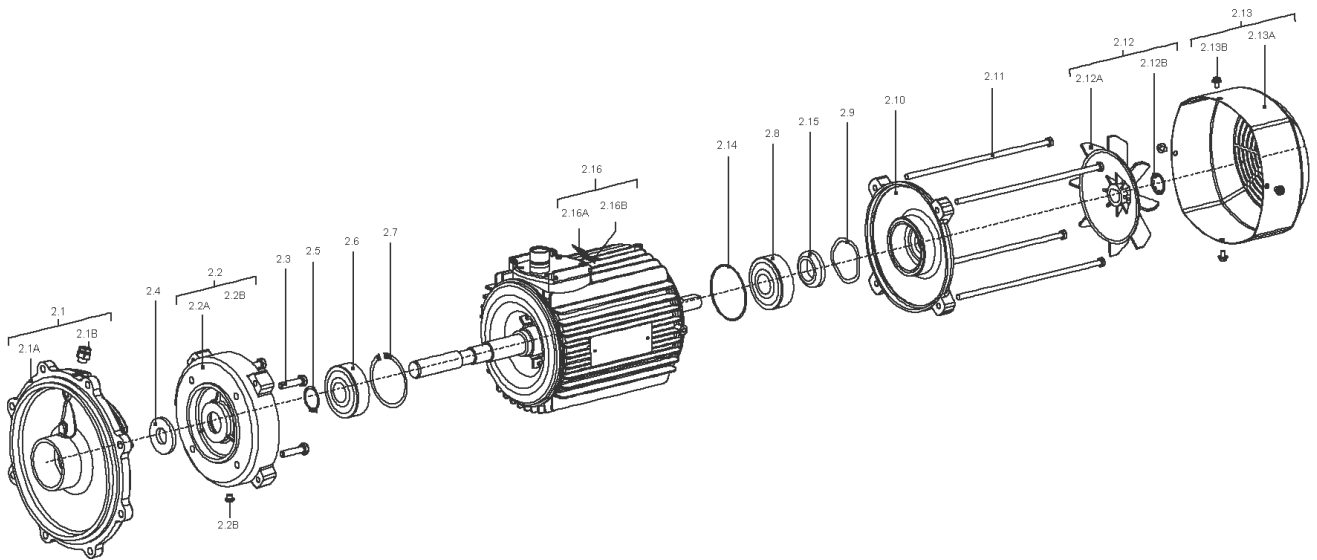
ELEC

Motor-Nummer  
motor number  
numéro du moteur

<b>3~Induction Motor</b>		Made by WILLO Group		
<b>3510436</b>	W080085-2-F188E	0902.001		
Class F	S1	IP55	13,5kg	EN60034
50Hz	0,75kW	SF=1.15	60Hz	0,90kW
YΔ 230/400V	2,86/1,65A	Y 440-480V	1,75/1,65A	
Cos φ =0.84	2840min <sup>-1</sup>	Cos φ =0.81	3425min <sup>-1</sup>	
IE4-83,5%	83,5%	83%	IE4-83,4%	83,4%
			82%	

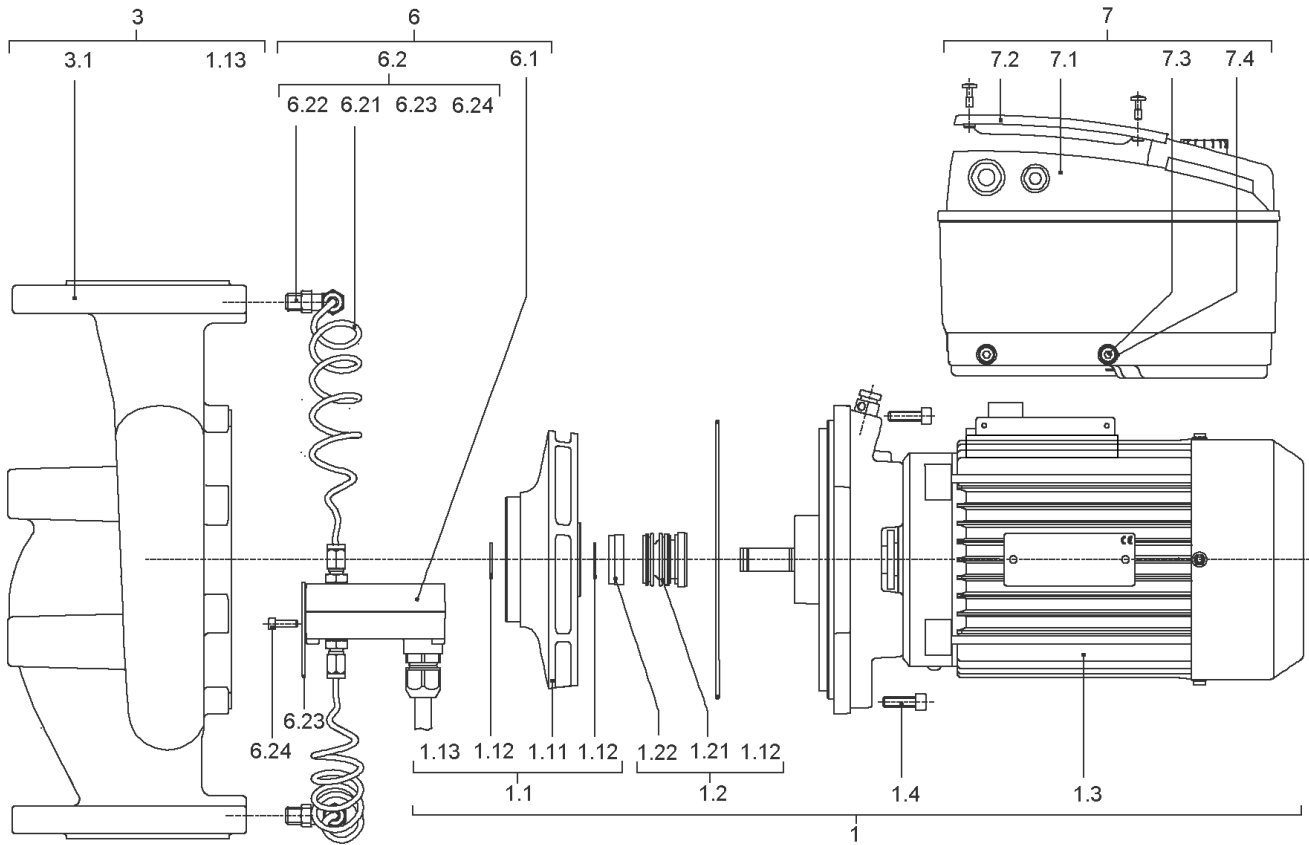
## Spare parts motor 3/2/100F188E ELEC IE4

Description	Quantity
W100130-2-F188E 400V/50Hz 3kW IE4	1



**W100130-2-F188E 400V/50Hz 3kW IE4**

Item	Article no.	Description	Quantity
2.1	2118386	FLANGE END SHIELD BG100/112 D.E.ELEC KIT	1
2.1A		> LANTERN V18 M130-F188 KTL	1
2.1B	2027201	> BLOWGUN R1/8" VP.	1
Note: Please give the data from type plate of the motor			
2.2	2153176	End shield BG100 V18 f.6306 D.E.ELEC KIT	1
2.2A		> Flange IEC100 V18 6306(without thread)	1
2.2B	2111309	> CONDENSATE HOLE GASKET D5 VP.	1
Note: Please give the data from type plate of the motor			
2.3	2175741	Screw M4x14(4 PIECES)	1
2.4	2111324	THROWER D.36X4 VP.	1
2.5	2111334	CIRCLIP D.30 GB894.1 VP.	1
2.6	2153171	Ball bearing 6205/VV-C3 VP.	1
2.7	2111337	CIRCLIP D.72 GB893.1 VP.	1
2.8	2153170	Ball bearing 6306/VV-C3 VP.	1
2.9	2164076	Circlip D52 JB/T7590 VP.	1
2.10	2164074	End shield BG100 N.D.E.ELEC KIT	1
Note: Please give the data from type plate of the motor			
		> FLANGE IEC100 NDS with slot	1
		> O-RING ID52.4*3.53 EPDM	1
2.11	2179082	Screw Torx Plus / Hexagon M6X258(4Pieces)	1
2.12	2179083	Fan wheel BG100 ELEC KIT	1
2.12A		> FAN 150X20X17 GP2200 G/F20%	1
2.12B	2118396	> Tooth lock washer D.19,8x0,4 VP.	1
Note: Please give the data from type plate of the motor			
2.13	2118397	FAN HOOD BG100 ELEC KIT	1
2.13A		> FAN COVER IEC100 KTL ST14 T0.8 H86	1
2.13B	2111323	> SCREW M4X6 (4 PIECES)	1
Note: Please give the data from type plate of the motor			
2.16	2179086	Air guider BG100 Motor KIT	1
2.16A		> AIR GUIDER IEC100 MOTOR	1
2.16B		> Screw Tapping M5X14 trox pan	1



**IP-E40/160-4/2 (2158819)**

Item	Article no.	Description	Quantity
1	2163654	SERV.MO.IP/DP-E40/160-4/2-IE4 ELEC	1
1.1	2052524	> IMPELLER D.62/156/17 KIT	1
1.11		>> Impeller D.55/156/6°/17 PPO FE1630	1
1.12	2123932	>> CIRCLIP 17X1 DIN471 A2 1.4122 VP.	1
1.13	2046358	>> O-RING ID.164,7X3,53 E7518 VP.	1
1.2	122097593	> Mechanical seal ID.17 AQ1EGG KIT	1
1.12	2123932	>> CIRCLIP 17X1 DIN471 A2 1.4122 VP.	1
1.13	2010300	>> O-RING ID.107,54X3,53	1
1.13	2010301	>> O-RING ID.117,07X3,53	1
1.13	2054183	>> O-RING ID.158,34X3,53 E7518	1
Note: TO/ BIS/ JUSQU'À: 03/03			
1.13	2046358	>> O-RING ID.164,7X3,53 E7518 VP.	1
Note: FROM/ AB/ À PARTIR: 04/03			
1.21		>> MECHANICAL SEAL ID.17 AQ1EGG	1
1.22		>> Distance ring D.17/30X9 PPO FE1630	1
1.3		> Motor	1
1.4	2052495	> SCREW M6X20 ISO4762 8.8 (8 PIECES)	1
		Spare parts motor 4/2/112 F188E Elec IE4	1
3	2016517	PUMP HOUSING IPL40/160/IP-E40/5 KIT	1
1.13	2046358	> O-RING ID.164,7X3,53 E7518 VP.	1
3.1		> PUMP HOUSING IP-E40/160 CPL.WILO	1
6	2104485	DPS40-1(0-10V) KIT	1
6.1	2106115	> DIFFERENTIAL PRESSURE SENSOR 40 KIT	1
Note: FROM/ AB/ À PARTIR: 09/2009			
		>> DPS40 spiral TZ.3mm Volt 2G	1
	2196657	>> Cable DPS 3x0,34x650 short bared 2G VP.	1
Note: from/ab/de 01.10.2013			
6.2	2106120	> CONNECTION SENSOR IP-E SPIRAL M6 KIT	1
Note: FROM/ AB/ À PARTIR: 09/2009			
6.21		>> CAPILLARY COIL 1000	2
6.22		>> Fixation ring pipe union R1/8" 90GD.Ni	1
6.23		>> HANDLE DDG M6	1
6.24		>> Screw M4x10 EE DIN7500 ZN	2
	2168862	>> Nut/Ferrule M6 D.3MM MS Ni (2 Pieces)	1

**IP-E40/160-4/2 (2158819)**

<b>Item</b>	<b>Article no.</b>	<b>Description</b>	<b>Quantity</b>
	2168860	>> Nut/Ferrule M8 D.5MM MS Ni (2 Pieces)	1
7	2175740	Module IP-E/DP-E40/160-4/2-IE4 ELEC KIT	1
7.1		> Module IP-E/DP-E40/160-4/2-IE4 ELEC	1
7.2	2054227	> MODULE COVER/GASKET TL3/4 KIT	1
7.3		> SCREW M5X16 ISO4762 8.8 ZnNi	1
7.4		> WASHER TOOTHED LOCK A5,3 DIN6797 FST ZN	1
	2061236	> O-RING ID.38X3 EPDM 70SR.A BUS.	1

### Motor-Typenschild / Motor type plate / Plaque identité moteur

**Bei Ersatzteilbestellung Motor-Nummer angeben!**

**Indicate motor number for order of spare parts!**

**Pour une commande de pièces détachées, donner le numéro du moteur!**

ELEC

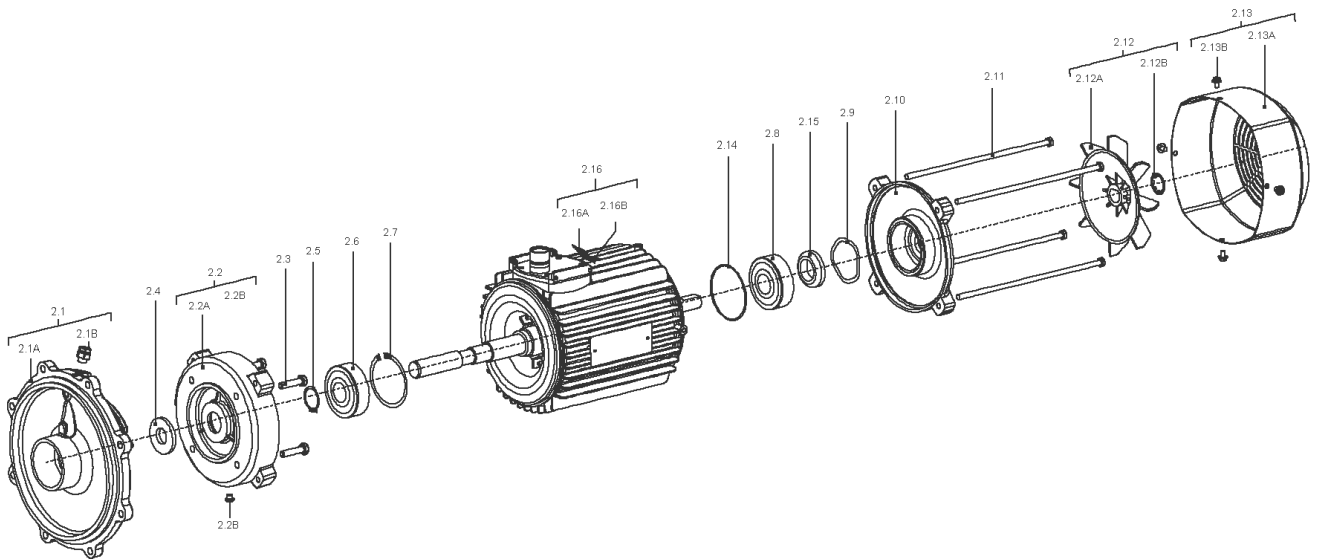
Motor-Nummer  
motor number  
numéro du moteur

<b>3~Induction Motor</b>		Made by WILLO Group			
<b>3510436</b>	<b>W080085-2-F188E</b>		<b>0902.001</b>		
Class F	S1	IP55	13,5kg	EN60034	
50Hz	0,75kW	SF=1.15	60Hz	0,90kW	
YΔ 230/400V	2,86/1,65A		Y 440-480V	1,75/1,65A	
Cos φ =0.84	2840min <sup>-1</sup>		Cos φ =0.81	3425min <sup>-1</sup>	
IE4-83,5%	83,5%	83%	IE4-83,4%	83,4%	82%



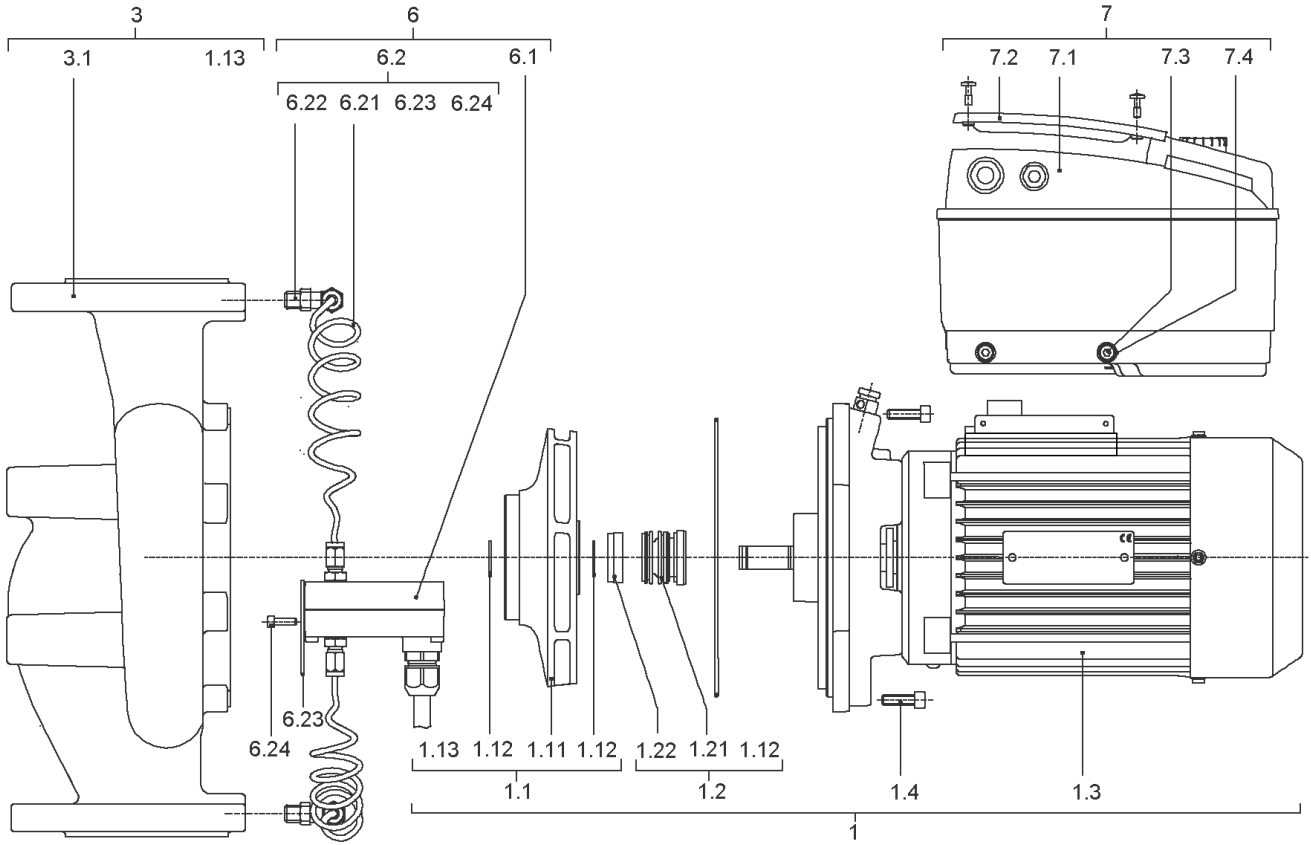
## Spare parts motor 4/2/112 F188E Elec IE4

Description	Quantity
W112140-2-F188E 400V/50Hz 4kW IE4	1



**W112140-2-F188E 400V/50Hz 4kW IE4**

Item	Article no.	Description	Quantity
2.1	2118386	FLANGE END SHIELD BG100/112 D.E.ELEC KIT	1
2.1A		> LANTERN V18 M130-F188 KTL	1
2.1B	2027201	> BLOWGUN R1/8" VP.	1
Note: Please give the data from type plate of the motor			
2.2	2132465	END SHIELD BG112 V12 D.E.ELEC KIT	1
2.2A		> FLANGE IEC112 V18 (WITHOUT THREAD)	1
2.2B	2111309	> CONDENSATE HOLE GASKET D5 VP.	1
Note: Please give the data from type plate of the motor			
2.3	2175741	Screw M4x14(4 PIECES)	1
2.4	2111324	THROWER D.36X4 VP.	1
2.5	2118388	CIRCLIP D.35 GB894.1 VP.	1
2.6	2149118	Ball bearing 6307/ZZ-C3 E2 VP.	1
2.7	2118390	CIRCLIP D.80 GB893.1 VP.	1
2.8	2153173	Ball bearing 6206/VV-C3 VP.	1
2.9	2132469	SPRING RING D.62 JB/T7590 VP.	1
2.10	2164025	End shield BG112 N.D.E.ELEC KIT	1
Note: Please give the data from type plate of the motor			
		> FLANGE IEC112 NDS with slot	1
		> O-RING ID62.4*3.53 EPDM	1
2.11	2132473	SCREW M8X263,5 6.8 (4 PIECES)	1
2.12	2175742	Fan BG112 ELEC KIT	1
2.12A		> FAN 174X20X17 GP2200 G/F20%	1
2.12B	2118396	> Tooth lock washer D.19,8x0,4 VP.	1
Note: Please give the data from type plate of the motor			
2.13	2168255	Fan hood BG112 ELEC KIT	1
2.13A		> FAN COVER IEC112 KTL ST14 T1.0 H86	1
2.13B	2111323	> SCREW M4X6 (4 PIECES)	1
Note: Please give the data from type plate of the motor			
2.16	2179084	Air guider BG 112 Motor KIT	1
2.16A		> AIR GUIDER IEC 112 MOTOR	1
2.16B		> SCREW M8X16 TORX HEX 6.8 GB/T70	1



**IP-E50/130-2,2/2 (2158821)**

Item	Article no.	Description	Quantity
1	2163656	SERV.MO.IP/DP-E50/130-2,2/2-IE4 ELEC	1
1.1	2179050	> Impeller 50/160-121/17 PPO FE1630 KIT	1
1.11		>> Impeller 50/160-121/17 PPO FE1630 fin	1
1.12	2123932	>> CIRCLIP 17X1 DIN471 A2 1.4122 VP.	1
1.13	2046358	>> O-RING ID.164,7X3,53 E7518 VP.	1
1.2	122097593	> Mechanical seal ID.17 AQ1EGG KIT	1
1.12	2123932	>> CIRCLIP 17X1 DIN471 A2 1.4122 VP.	1
1.13	2010300	>> O-RING ID.107,54X3,53	1
1.13	2010301	>> O-RING ID.117,07X3,53	1
1.13	2054183	>> O-RING ID.158,34X3,53 E7518	1
Note: TO/ BIS/ JUSQU'À: 03/03			
1.13	2046358	>> O-RING ID.164,7X3,53 E7518 VP.	1
Note: FROM/ AB/ À PARTIR: 04/03			
1.21		>> MECHANICAL SEAL ID.17 AQ1EGG	1
1.22		>> Distance ring D.17/30X9 PPO FE1630	1
1.3		> Motor	1
1.4	2052495	> SCREW M6X20 ISO4762 8.8 (8 PIECES)	1
		Spare parts motor 2,2/2/90F188E ELEC IE4	1
3	2016519	PUMP HOUSING IPL50/160/IP-E50/5 KIT	1
1.13	2046358	> O-RING ID.164,7X3,53 E7518 VP.	1
3.1		> PUMP HOUSING IP-E50/160 CPL.WILO	1
6	2104479	DPS20-1(0-10V) KIT	1
6.1	2106113	> DIFFERENTIAL PRESSURE SENSOR 20 KIT	1
Note: FROM/ AB/ À PARTIR: 09/2009			
		>> DPS20 spiral TZ.3mm Volt 2G	1
	2196657	>> Cable DPS 3x0,34x650 short bared 2G VP.	1
Note: from/ab/de 01.10.2013			
6.2	2106120	> CONNECTION SENSOR IP-E SPIRAL M6 KIT	1
Note: FROM/ AB/ À PARTIR: 09/2009			
6.21		>> CAPILLARY COIL 1000	2
6.22		>> Fixation ring pipe union R1/8" 90GD.Ni	1
6.23		>> HANDLE DDG M6	1
6.24		>> Screw M4x10 EE DIN7500 ZN	2
	2168862	>> Nut/Ferrule M6 D.3MM MS Ni (2 Pieces)	1

**IP-E50/130-2,2/2 (2158821)**

<b>Item</b>	<b>Article no.</b>	<b>Description</b>	<b>Quantity</b>
	2168860	>> Nut/Ferrule M8 D.5MM MS Ni (2 Pieces)	1
7	2179060	Module IP/DP-E50/130-2,2/2-IE4 ELEC KIT	1
7.1		> Module IP-E/DP-E50/130-2,2/2-IE4 ELEC	1
7.2	2054227	> MODULE COVER/GASKET TL3/4 KIT	1
7.3		> SCREW M5X16 ISO4762 8.8 ZnNi	1
7.4		> WASHER TOOTHED LOCK A5,3 DIN6797 FST ZN	1
	2061236	> O-RING ID.38X3 EPDM 70SR.A BUS.	1

### Motor-Typenschild / Motor type plate / Plaque identité moteur

**Bei Ersatzteilbestellung Motor-Nummer angeben!**

**Indicate motor number for order of spare parts!**

**Pour une commande de pièces détachées, donner le numéro du moteur!**

ELEC

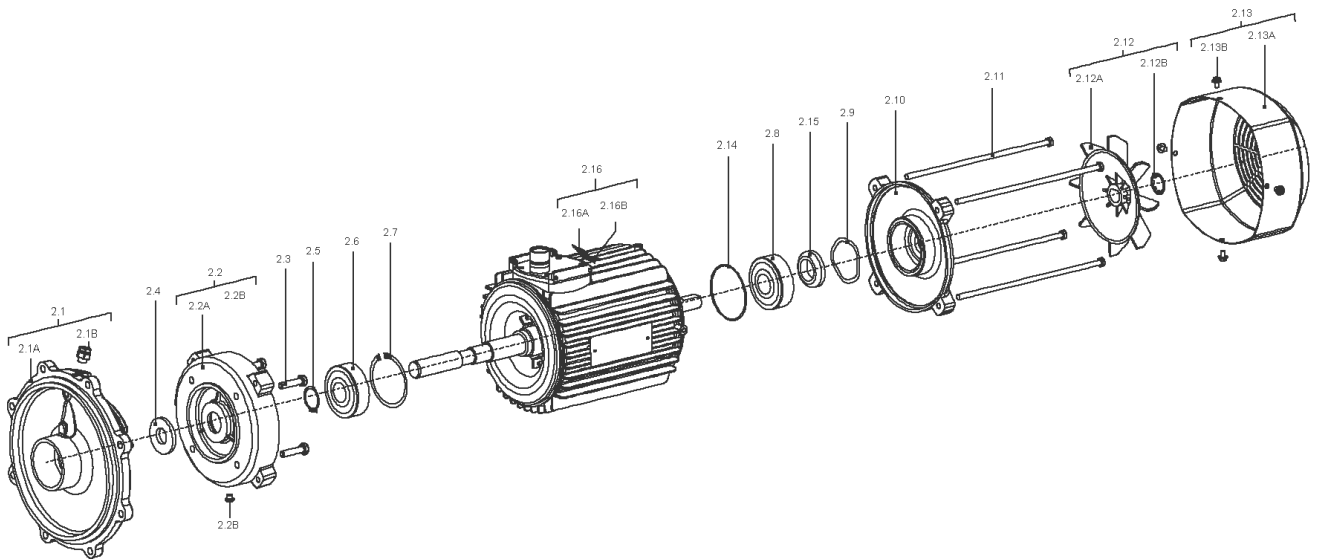
Motor-Nummer  
motor number  
numéro du moteur

<b>3~Induction Motor</b>		Made by WILLO Group			
<b>3510436</b>	W080085-2-F188E		0902.001		
Class F	S1	IP55	13,5kg	EN60034	
50Hz	0,75kW	SF=1.15	60Hz	0,90kW	
YΔ 230/400V	2,86/1,65A		Y 440-480V	1,75/1,65A	
Cos φ =0.84	2840min <sup>-1</sup>		Cos φ =0.81	3425min <sup>-1</sup>	
IE4-83,5%	83,5%	83%	IE4-83,4%	83,4%	82%

## Spare parts motor 2,2/2/90F188E ELEC IE4

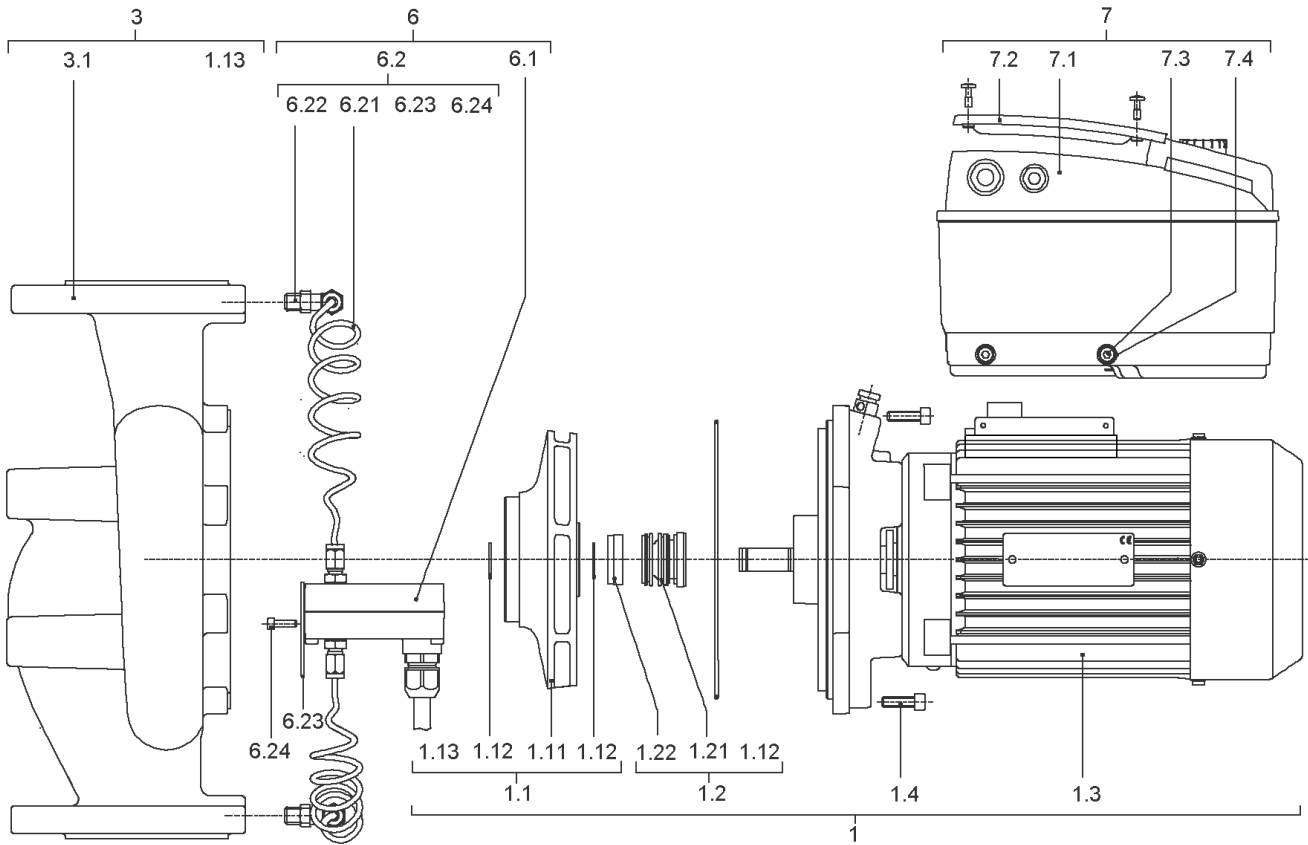
Description	Quantity
W090130-2-F188E 400V/50Hz 2.2kW IE4	1





**W090130-2-F188E 400V/50Hz 2.2kW IE4**

Item	Article no.	Description	Quantity
2.1	2111307	FLANGE END SHIELD BG90F188 D.E.ELEC KIT	1
2.1A		> LANTERN V18 M115-F188 KTL	1
2.1B	2027201	> BLOWGUN R1/8" VP.	1
Note: Please give the data from type plate of the motor			
2.2	2111312	END SHIELD BG90 V18 D.E.ELEC KIT	1
2.2A		> Flange IEC90 V18 (w/o thread)	1
2.2B	2111309	> CONDENSATE HOLE GASKET D5 VP.	1
Note: Please give the data from type plate of the motor			
2.3	2175741	Screw M4x14(4 PIECES)	1
2.4	2111324	THROWER D.36X4 VP.	1
2.5	2111334	CIRCLIP D.30 GB894.1 VP.	1
2.6	2153168	Ball bearing 6204/VV-C3 VP.	1
2.7	2111337	CIRCLIP D.72 GB893.1 VP.	1
2.8	2153170	Ball bearing 6306/VV-C3 VP.	1
2.9	2111339	SPRING RING D.47 JB/T7590 VP.	1
2.10	2157920	End shield BG90 N.D.E.ELEC KIT	1
Note: Please give the data from type plate of the motor			
		> Flange IEC90 NDS with slot reduce0.5	1
		> O-RING ID47.2*3.53 EPDM	1
2.11	2179081	Screw torx Plus / Hex.M5X231(4Pieces)	1
2.12	2107782	FAN WHEEL BG90 ELEC KIT	1
2.12A		> FAN 122.6X15X17 GP2200 G/F20%	1
2.12B	2111321	> STOP-RING D.14,8x0,4 VP.	1
Note: Please give the data from type plate of the motor			
2.13	2111322	FAN HOOD BG90 ELEC KIT	1
2.13A		> FAN COVER IEC90 KTL ST14 T0.8 H70	1
2.13B	2111323	> SCREW M4X6 (4 PIECES)	1
Note: Please give the data from type plate of the motor			



**IP-E50/140-3/2 (2158822)**

Item	Article no.	Description	Quantity
1	2163657	SERV.MO.IP/DP-E50/140-3/2-IE4 ELEC	1
1.1	2153161	> Impeller 50/160-134/17 PPO KIT	1
1.11		>> Impeller 50/160-134/17 PPO FE1630 fin	1
1.12	2123932	>> CIRCLIP 17X1 DIN471 A2 1.4122 VP.	1
1.13	2046358	>> O-RING ID.164,7X3,53 E7518 VP.	1
1.2	122097593	> Mechanical seal ID.17 AQ1EGG KIT	1
1.12	2123932	>> CIRCLIP 17X1 DIN471 A2 1.4122 VP.	1
1.13	2010300	>> O-RING ID.107,54X3,53	1
1.13	2010301	>> O-RING ID.117,07X3,53	1
1.13	2054183	>> O-RING ID.158,34X3,53 E7518	1
Note: TO/ BIS/ JUSQU'À: 03/03			
1.13	2046358	>> O-RING ID.164,7X3,53 E7518 VP.	1
Note: FROM/ AB/ À PARTIR: 04/03			
1.21		>> MECHANICAL SEAL ID.17 AQ1EGG	1
1.22		>> Distance ring D.17/30X9 PPO FE1630	1
1.3		> Motor	1
1.4	2052495	> SCREW M6X20 ISO4762 8.8 (8 PIECES)	1
		Spare parts motor 3/2/100F188E ELEC IE4	1
3	2016519	PUMP HOUSING IPL50/160/IP-E50/5 KIT	1
1.13	2046358	> O-RING ID.164,7X3,53 E7518 VP.	1
3.1		> PUMP HOUSING IP-E50/160 CPL.WILO	1
6	2104485	DPS40-1(0-10V) KIT	1
6.1	2106115	> DIFFERENTIAL PRESSURE SENSOR 40 KIT	1
Note: FROM/ AB/ À PARTIR: 09/2009			
		>> DPS40 spiral TZ.3mm Volt 2G	1
	2196657	>> Cable DPS 3x0,34x650 short bared 2G VP.	1
Note: from/ab/de 01.10.2013			
6.2	2106120	> CONNECTION SENSOR IP-E SPIRAL M6 KIT	1
Note: FROM/ AB/ À PARTIR: 09/2009			
6.21		>> CAPILLARY COIL 1000	2
6.22		>> Fixation ring pipe union R1/8" 90GD.Ni	1
6.23		>> HANDLE DDG M6	1
6.24		>> Screw M4x10 EE DIN7500 ZN	2
	2168862	>> Nut/Ferrule M6 D.3MM MS Ni (2 Pieces)	1

**IP-E50/140-3/2 (2158822)**

<b>Item</b>	<b>Article no.</b>	<b>Description</b>	<b>Quantity</b>
	2168860	>> Nut/Ferrule M8 D.5MM MS Ni (2 Pieces)	1
7	2179061	Module IP/DP-E50/140-3/2-IE4 ELEC KIT	1
7.1		> Module IP-E/DP-E50/140-3/2-IE4 ELEC	1
7.2	2054227	> MODULE COVER/GASKET TL3/4 KIT	1
7.3		> SCREW M5X16 ISO4762 8.8 ZnNi	1
7.4		> WASHER TOOTHED LOCK A5,3 DIN6797 FST ZN	1
	2061236	> O-RING ID.38X3 EPDM 70SR.A BUS.	1

**Motor-Typenschild / Motor type plate / Plaque identité moteur**

**Bei Ersatzteilbestellung Motor-Nummer angeben!**

**Indicate motor number for order of spare parts!**

**Pour une commande de pièces détachées, donner le numéro du moteur!**

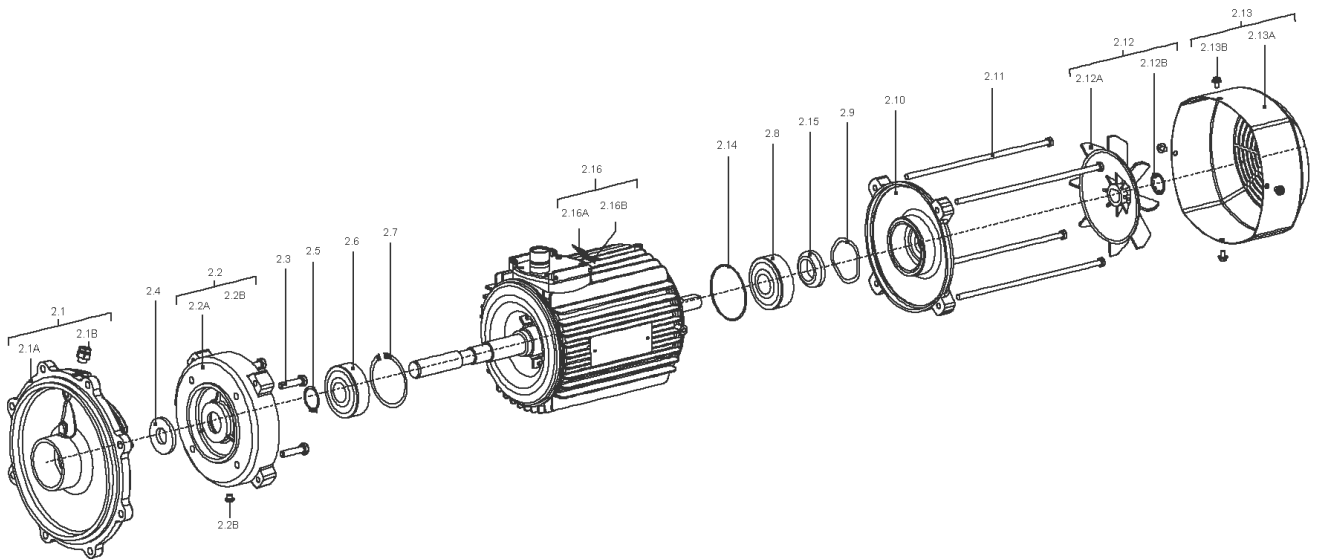
ELEC

Motor-Nummer  
motor number  
numéro du moteur

<b>3~Induction Motor</b>		Made by WILLO Group		
<b>3510436</b>	<b>W080085-2-F188E</b>	<b>0902.001</b>		
<b>Class F</b>	<b>S1</b>	<b>IP55</b>	<b>13,5kg</b>	<b>EN60034</b>
50Hz	0,75kW	SF=1,15	60Hz	0,90kW
YΔ 230/400V	2,86/1,65A	Y 440-480V	1,75/1,65A	
Cos φ =0.84	2840min <sup>-1</sup>	Cos φ =0.81	3425min <sup>-1</sup>	
IE4-83,5%	83,5% 83%	IE4-83,4%	83,4% 82%	

## Spare parts motor 3/2/100F188E ELEC IE4

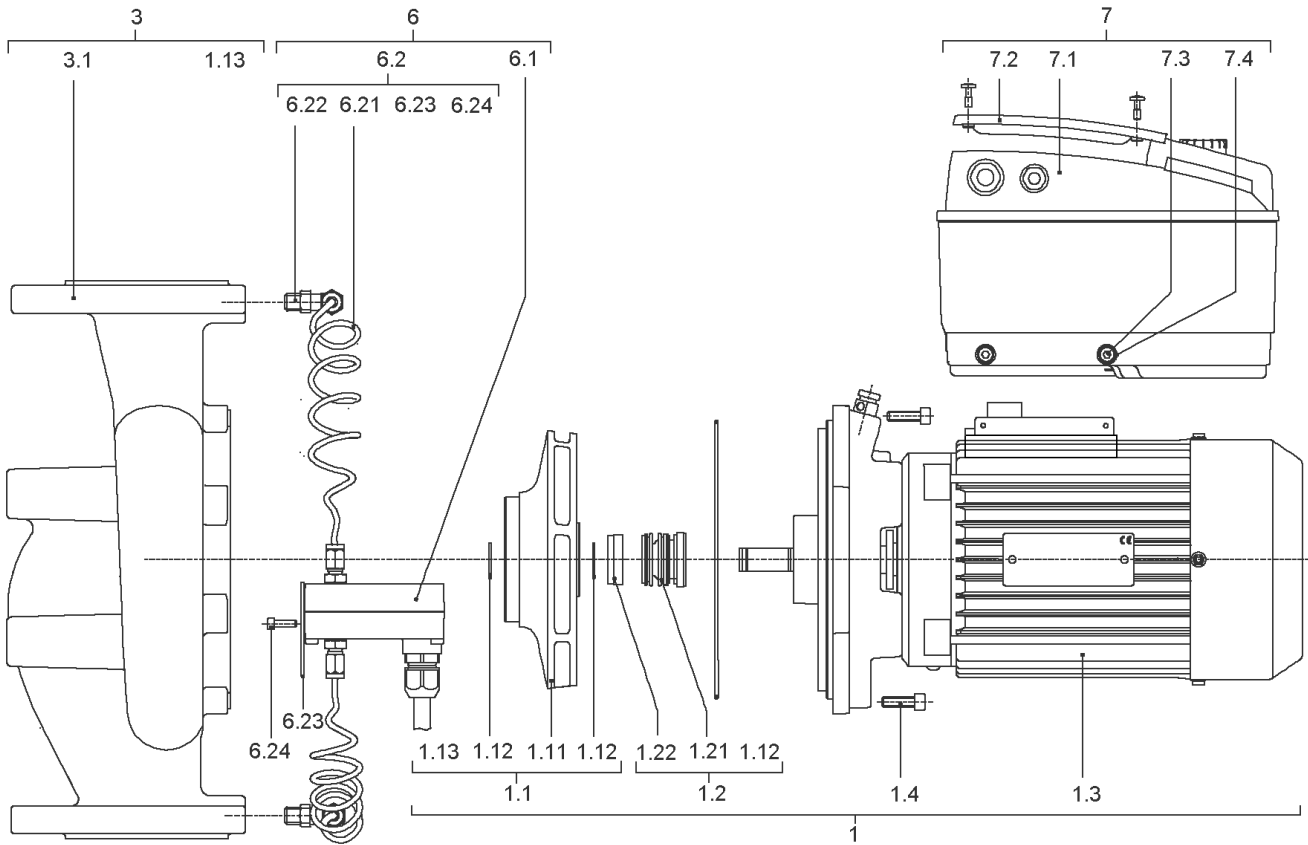
Description	Quantity
W100130-2-F188E 400V/50Hz 3kW IE4	1





**W100130-2-F188E 400V/50Hz 3kW IE4**

Item	Article no.	Description	Quantity
2.1	2118386	FLANGE END SHIELD BG100/112 D.E.ELEC KIT	1
2.1A		> LANTERN V18 M130-F188 KTL	1
2.1B	2027201	> BLOWGUN R1/8" VP.	1
Note: Please give the data from type plate of the motor			
2.2	2153176	End shield BG100 V18 f.6306 D.E.ELEC KIT	1
2.2A		> Flange IEC100 V18 6306(without thread)	1
2.2B	2111309	> CONDENSATE HOLE GASKET D5 VP.	1
Note: Please give the data from type plate of the motor			
2.3	2175741	Screw M4x14(4 PIECES)	1
2.4	2111324	THROWER D.36X4 VP.	1
2.5	2111334	CIRCLIP D.30 GB894.1 VP.	1
2.6	2153171	Ball bearing 6205/VV-C3 VP.	1
2.7	2111337	CIRCLIP D.72 GB893.1 VP.	1
2.8	2153170	Ball bearing 6306/VV-C3 VP.	1
2.9	2164076	Circlip D52 JB/T7590 VP.	1
2.10	2164074	End shield BG100 N.D.E.ELEC KIT	1
Note: Please give the data from type plate of the motor			
		> FLANGE IEC100 NDS with slot	1
		> O-RING ID52.4*3.53 EPDM	1
2.11	2179082	Screw Torx Plus / Hexagon M6X258(4Pieces)	1
2.12	2179083	Fan wheel BG100 ELEC KIT	1
2.12A		> FAN 150X20X17 GP2200 G/F20%	1
2.12B	2118396	> Tooth lock washer D.19,8x0,4 VP.	1
Note: Please give the data from type plate of the motor			
2.13	2118397	FAN HOOD BG100 ELEC KIT	1
2.13A		> FAN COVER IEC100 KTL ST14 T0.8 H86	1
2.13B	2111323	> SCREW M4X6 (4 PIECES)	1
Note: Please give the data from type plate of the motor			
2.16	2179086	Air guider BG100 Motor KIT	1
2.16A		> AIR GUIDER IEC100 MOTOR	1
2.16B		> Screw Tapping M5X14 trox pan	1



**IP-E50/150-4/2 (2158823)**

Item	Article no.	Description	Quantity
1	2163658	SERV.MO.IP/DP-E50/150-4/2-IE4 ELEC	1
1.1	2052528	> Impeller 50/160-145,5/17 PPO FE1630 KIT	1
1.11		>> Impeller 50/160-145,5/17 PPO FE1630 fin	1
1.12	2123932	>> CIRCLIP 17X1 DIN471 A2 1.4122 VP.	1
1.13	2046358	>> O-RING ID.164,7X3,53 E7518 VP.	1
1.2	122097593	> Mechanical seal ID.17 AQ1EGG KIT	1
1.12	2123932	>> CIRCLIP 17X1 DIN471 A2 1.4122 VP.	1
1.13	2010300	>> O-RING ID.107,54X3,53	1
1.13	2010301	>> O-RING ID.117,07X3,53	1
1.13	2054183	>> O-RING ID.158,34X3,53 E7518	1
Note: TO/ BIS/ JUSQU'À: 03/03			
1.13	2046358	>> O-RING ID.164,7X3,53 E7518 VP.	1
Note: FROM/ AB/ À PARTIR: 04/03			
1.21		>> MECHANICAL SEAL ID.17 AQ1EGG	1
1.22		>> Distance ring D.17/30X9 PPO FE1630	1
1.3		> Motor	1
1.4	2052495	> SCREW M6X20 ISO4762 8.8 (8 PIECES)	1
		Spare parts motor 4/2/112 F188E Elec IE4	1
3	2016519	PUMP HOUSING IPL50/160/IP-E50/5 KIT	1
1.13	2046358	> O-RING ID.164,7X3,53 E7518 VP.	1
3.1		> PUMP HOUSING IP-E50/160 CPL.WILO	1
6	2104485	DPS40-1(0-10V) KIT	1
6.1	2106115	> DIFFERENTIAL PRESSURE SENSOR 40 KIT	1
Note: FROM/ AB/ À PARTIR: 09/2009			
		>> DPS40 spiral TZ.3mm Volt 2G	1
	2196657	>> Cable DPS 3x0,34x650 short bared 2G VP.	1
Note: from/ab/de 01.10.2013			
6.2	2106120	> CONNECTION SENSOR IP-E SPIRAL M6 KIT	1
Note: FROM/ AB/ À PARTIR: 09/2009			
6.21		>> CAPILLARY COIL 1000	2
6.22		>> Fixation ring pipe union R1/8" 90GD.Ni	1
6.23		>> HANDLE DDG M6	1
6.24		>> Screw M4x10 EE DIN7500 ZN	2
	2168862	>> Nut/Ferrule M6 D.3MM MS Ni (2 Pieces)	1

**IP-E50/150-4/2 (2158823)**

<b>Item</b>	<b>Article no.</b>	<b>Description</b>	<b>Quantity</b>
	2168860	>> Nut/Ferrule M8 D.5MM MS Ni (2 Pieces)	1
7	2179062	Module IP-E/DP-E50/150-4/2 IE4 ELEC KIT	1
7.1		> Module IP-E/DP-E50/150-4/2-IE4 ELEC	1
7.2	2054227	> MODULE COVER/GASKET TL3/4 KIT	1
7.3		> SCREW M5X16 ISO4762 8.8 ZnNi	1
7.4		> WASHER TOOTHED LOCK A5,3 DIN6797 FST ZN	1
	2061236	> O-RING ID.38X3 EPDM 70SR.A BUS.	1

## Motor-Typenschild / Motor type plate / Plaque identité moteur

**Bei Ersatzteilbestellung Motor-Nummer angeben!**

**Indicate motor number for order of spare parts!**

**Pour une commande de pièces détachées, donner le numéro du moteur!**

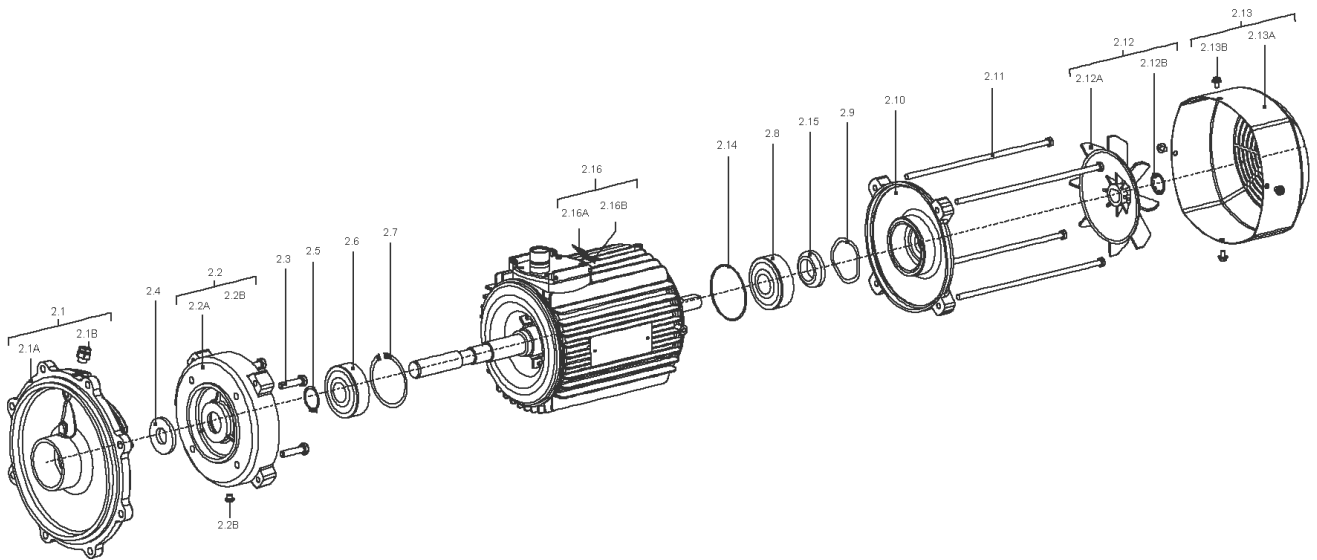
ELEC

Motor-Nummer  
motor number  
numéro du moteur

<b>3~Induction Motor</b>		Made by WILLO Group			
<b>3510436</b>	<b>W080085-2-F188E</b>		<b>0902.001</b>		
<b>Class F</b>	<b>S1</b>	<b>IP55</b>	<b>13,5kg</b>	<b>EN60034</b>	
50Hz	0,75kW	SF=1,15	60Hz	0,90kW	
YΔ 230/400V	2,86/1,65A		Y 440-480V	1,75/1,65A	
Cos φ =0.84	2840min <sup>-1</sup>		Cos φ =0.81	3425min <sup>-1</sup>	
IE4-83,5%	83,5%	83%	IE4-83,4%	83,4%	82%

## Spare parts motor 4/2/112 F188E Elec IE4

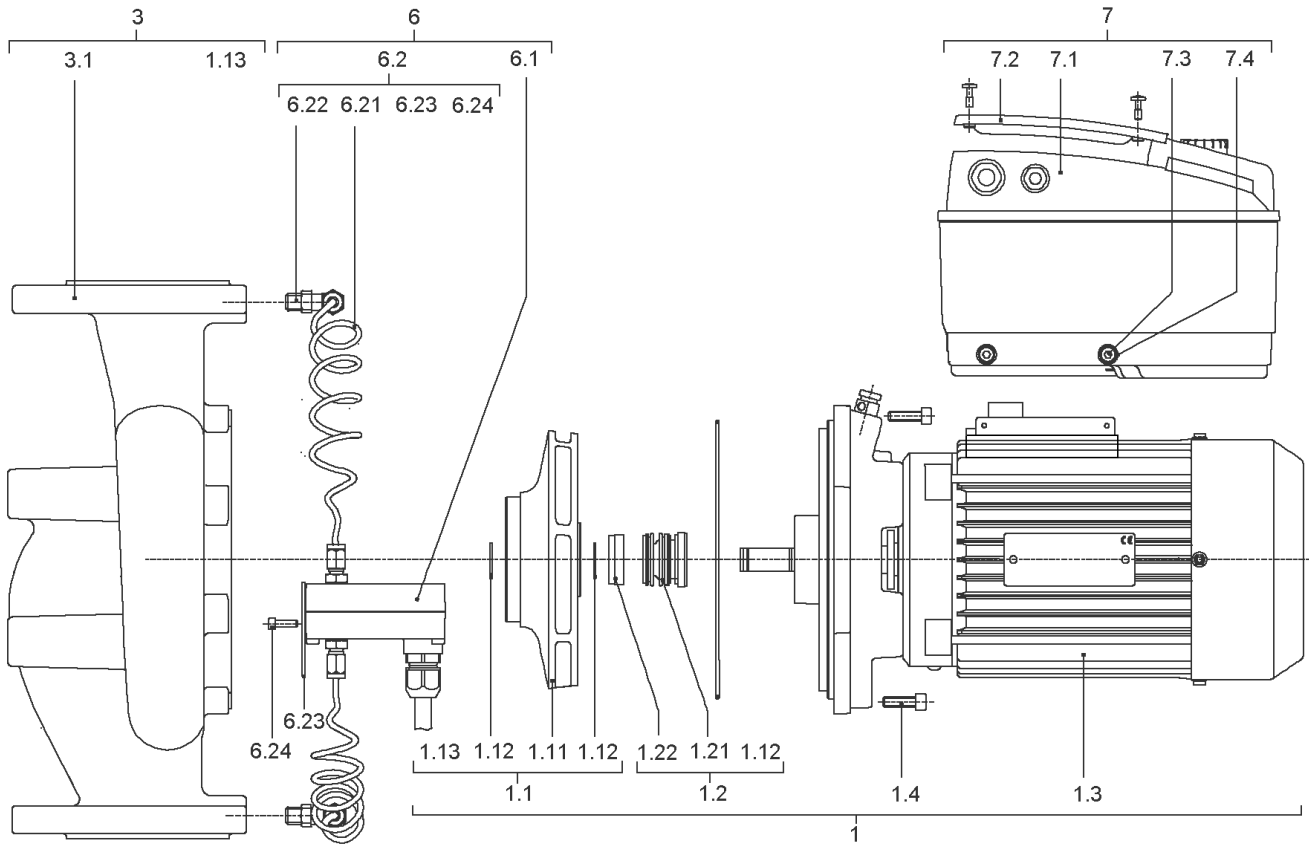
Description	Quantity
W112140-2-F188E 400V/50Hz 4kW IE4	1



**W112140-2-F188E 400V/50Hz 4kW IE4**

Item	Article no.	Description	Quantity
2.1	2118386	FLANGE END SHIELD BG100/112 D.E.ELEC KIT	1
2.1A		> LANTERN V18 M130-F188 KTL	1
2.1B	2027201	> BLOWGUN R1/8" VP.	1
Note: Please give the data from type plate of the motor			
2.2	2132465	END SHIELD BG112 V12 D.E.ELEC KIT	1
2.2A		> FLANGE IEC112 V18 (WITHOUT THREAD)	1
2.2B	2111309	> CONDENSATE HOLE GASKET D5 VP.	1
Note: Please give the data from type plate of the motor			
2.3	2175741	Screw M4x14(4 PIECES)	1
2.4	2111324	THROWER D.36X4 VP.	1
2.5	2118388	CIRCLIP D.35 GB894.1 VP.	1
2.6	2149118	Ball bearing 6307/ZZ-C3 E2 VP.	1
2.7	2118390	CIRCLIP D.80 GB893.1 VP.	1
2.8	2153173	Ball bearing 6206/VV-C3 VP.	1
2.9	2132469	SPRING RING D.62 JB/T7590 VP.	1
2.10	2164025	End shield BG112 N.D.E.ELEC KIT	1
Note: Please give the data from type plate of the motor			
		> FLANGE IEC112 NDS with slot	1
		> O-RING ID62.4*3.53 EPDM	1
2.11	2132473	SCREW M8X263,5 6.8 (4 PIECES)	1
2.12	2175742	Fan BG112 ELEC KIT	1
2.12A		> FAN 174X20X17 GP2200 G/F20%	1
2.12B	2118396	> Tooth lock washer D.19,8x0,4 VP.	1
Note: Please give the data from type plate of the motor			
2.13	2168255	Fan hood BG112 ELEC KIT	1
2.13A		> FAN COVER IEC112 KTL ST14 T1.0 H86	1
2.13B	2111323	> SCREW M4X6 (4 PIECES)	1
Note: Please give the data from type plate of the motor			
2.16	2179084	Air guider BG 112 Motor KIT	1
2.16A		> AIR GUIDER IEC 112 MOTOR	1
2.16B		> SCREW M8X16 TORX HEX 6.8 GB/T70	1





**IP-E65/115-1,5/2 (2158824)**

Item	Article no.	Description	Quantity
1	2163659	SERV.MO.IP/DP-E65/115-1,5/2-IE4 ELEC	1
1.1	2179051	> Impeller D.70/114,5/17X11 KU.KIT	1
1.11		>> Impeller D.70/114,5/17X11 KU.	1
1.12	2123932	>> CIRCLIP 17X1 DIN471 A2 1.4122 VP.	1
1.13	2010301	>> O-RING ID.117,07X3,53	1
1.2	122097593	> Mechanical seal ID.17 AQ1EGG KIT	1
1.12	2123932	>> CIRCLIP 17X1 DIN471 A2 1.4122 VP.	1
1.13	2010300	>> O-RING ID.107,54X3,53	1
1.13	2010301	>> O-RING ID.117,07X3,53	1
1.13	2054183	>> O-RING ID.158,34X3,53 E7518	1
Note: TO/ BIS/ JUSQU'À: 03/03			
1.13	2046358	>> O-RING ID.164,7X3,53 E7518 VP.	1
Note: FROM/ AB/ À PARTIR: 04/03			
1.21		>> MECHANICAL SEAL ID.17 AQ1EGG	1
1.22		>> Distance ring D.17/30X9 PPO FE1630	1
1.3		> Motor	1
1.4	2037242	> SCREW M10X25 ISO4762 8.8 (4 PIECES)	1
		Spare parts motor 1,5/2/90F170E ELEC IE4	1
3	2016515	PUMP HOUSING IPL65/115/IP-E65/2 KIT	1
1.13	2010301	> O-RING ID.117,07X3,53	1
3.1		> PUMP HOUSING IP-E65/120 PN16 CPL.WILO	1
6	2104480	DPS20-2(0-10V) KIT	1
6.1	2106113	> DIFFERENTIAL PRESSURE SENSOR 20 KIT	1
Note: FROM/ AB/ À PARTIR: 09/2009			
		>> DPS20 spiral TZ.3mm Volt 2G	1
	2196657	>> Cable DPS 3x0,34x650 short bared 2G VP.	1
Note: from/ab/de 01.10.2013			
6.2	2106121	> CONNECTION SENSOR IP-E SPIRAL M10 KIT	1
Note: FROM/ AB/ À PARTIR: 09/2009			
6.21		>> CAPILLARY COIL 1000	2
6.22		>> Fixation ring pipe union R1/8" 90GD.Ni	1
6.23		>> HANDLE DDG M10	1
6.24		>> Screw M4x10 EE DIN7500 ZN	2
	2168862	>> Nut/Ferrule M6 D.3MM MS Ni (2 Pieces)	1

**IP-E65/115-1,5/2 (2158824)**

<b>Item</b>	<b>Article no.</b>	<b>Description</b>	<b>Quantity</b>
	2168860	>> Nut/Ferrule M8 D.5MM MS Ni (2 Pieces)	1
7	2174958	Module IP-E/DP-E65/115-1,5/2-IE4ELEC KIT	1
7.1		> Module IP-E/DP-E65/115-1,5/2-IE4 ELEC	1
7.2	2054227	> MODULE COVER/GASKET TL3/4 KIT	1
7.3		> SCREW M5X16 ISO4762 8.8 ZnNi	1
7.4		> WASHER TOOTHED LOCK A5,3 DIN6797 FST ZN	1
	2061236	> O-RING ID.38X3 EPDM 70SR.A BUS.	1

### Motor-Typenschild / Motor type plate / Plaque identité moteur

**Bei Ersatzteilbestellung Motor-Nummer angeben!**

**Indicate motor number for order of spare parts!**

**Pour une commande de pièces détachées, donner le numéro du moteur!**

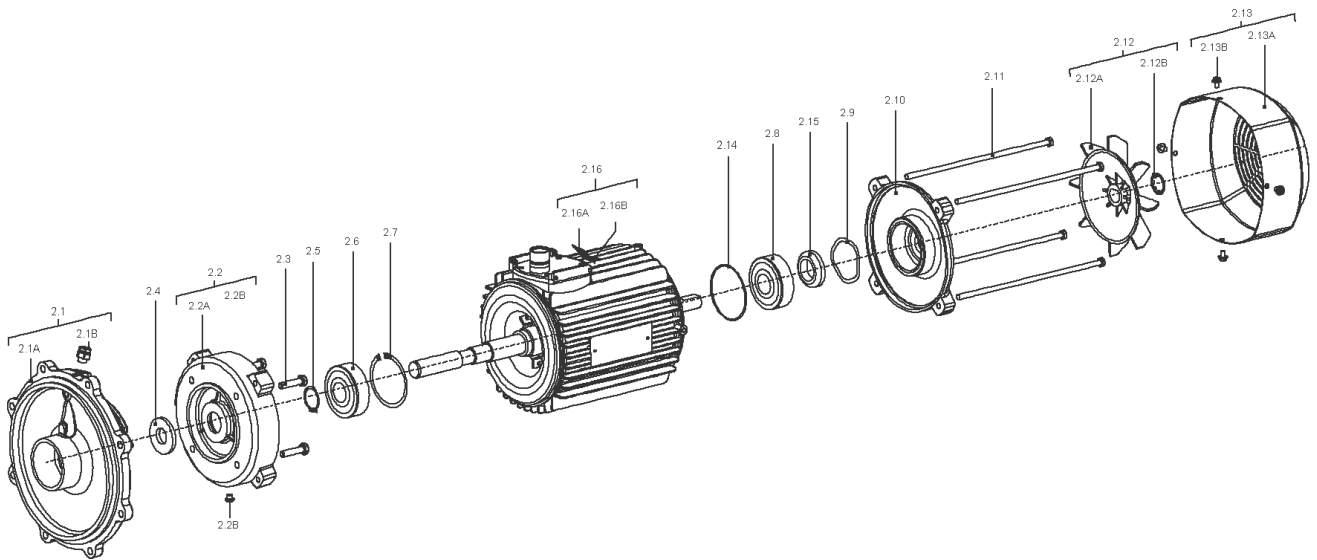
ELEC

Motor-Nummer  
motor number  
numéro du moteur

<b>3~Induction Motor</b>		Made by WILLO Group			
<b>3510436</b>	W080085-2-F188E		0902.001		
Class F	S1	IP55	13,5kg	EN60034	
50Hz	0,75kW	SF=1,15	60Hz	0,90kW	
YΔ 230/400V	2,86/1,65A		Y 440-480V	1,75/1,65A	
Cos φ =0.84	2840min <sup>-1</sup>		Cos φ =0.81	3425min <sup>-1</sup>	
IE4-83,5%	83,5%	83%	IE4-83,4%	83,4%	82%

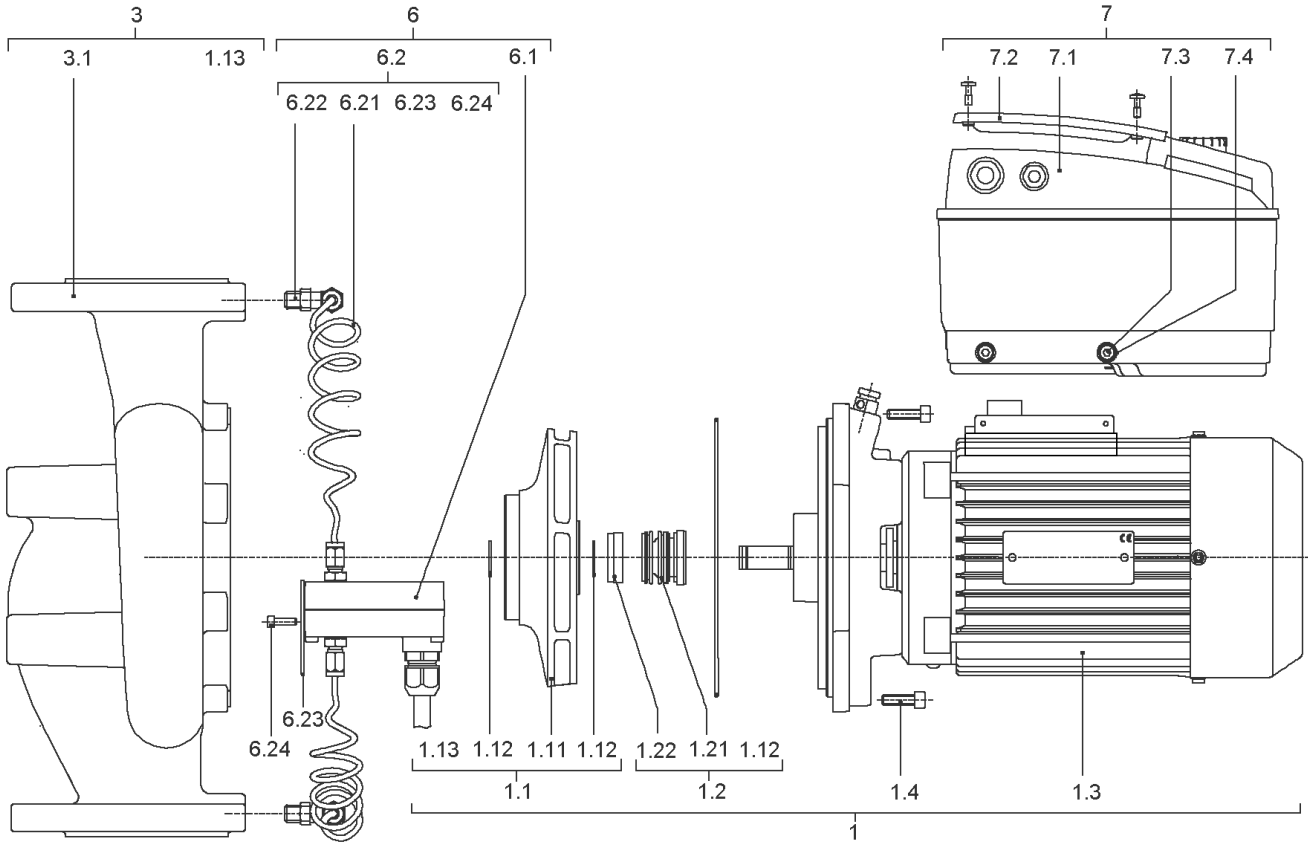
## Spare parts motor 1,5/2/90F170E ELEC IE4

Description	Quantity
W090095-2-F170E 400V/50Hz 1.5kW IE4	1



**W090095-2-F170E 400V/50Hz 1.5kW IE4**

Item	Article no.	Description	Quantity
2.1	2111308	FLANGE END SHIELD BG90F170 D.E.ELEC KIT	1
2.1A		> LANTERN V18 M115-F170 KTL	1
2.1B	2027201	> BLOWGUN R1/8" VP.	1
Note: Please give the data from type plate of the motor			
2.2	2153175	End shield BG90 V18 f.6304 D.E.ELEC KIT	1
2.2A		> Flange IEC90 V18 6304(without thread)	1
2.2B	2111309	> CONDENSATE HOLE GASKET D5 VP.	1
Note: Please give the data from type plate of the motor			
2.3	2175741	Screw M4x14(4 PIECES)	1
2.4	2111324	THROWER D.36X4 VP.	1
2.5	2111333	CIRCLIP D.20 GB894.1 VP.	1
2.6	2153168	Ball bearing 6204/VV-C3 VP.	1
2.7	2111336	CIRCLIP D.52 GB893.1 VP.	1
2.8	2153169	Ball bearing 6304/VV-C3 VP.	1
2.9	2111339	SPRING RING D.47 JB/T7590 VP.	1
2.10	2157920	End shield BG90 N.D.E.ELEC KIT	1
Note: Please give the data from type plate of the motor			
		> Flange IEC90 NDS with slot reduce0.5	1
		> O-RING ID47.2*3.53 EPDM	1
2.11	2111320	SCREW M5X211 6.8 (4 PIECES)	1
2.12	2107782	FAN WHEEL BG90 ELEC KIT	1
2.12A		> FAN 122.6X15X17 GP2200 G/F20%	1
2.12B	2111321	> STOP-RING D.14,8x0,4 VP.	1
Note: Please give the data from type plate of the motor			
2.13	2111322	FAN HOOD BG90 ELEC KIT	1
2.13A		> FAN COVER IEC90 KTL ST14 T0.8 H70	1
2.13B	2111323	> SCREW M4X6 (4 PIECES)	1
Note: Please give the data from type plate of the motor			





**IP-E65/110-2,2/2 (2158825)**

Item	Article no.	Description	Quantity
1	2163660	SERV.MO.IP/DP-E65/110-2,2/2-IE4 ELEC	1
1.1	2138971	> Impeller D.65/140-110/17 PPO KIT	1
1.11		>> Impeller 65/140-110/17 PPO FE1630 fin	1
1.12	2123932	>> CIRCLIP 17X1 DIN471 A2 1.4122 VP.	1
1.13	2046358	>> O-RING ID.164,7X3,53 E7518 VP.	1
1.2	122097593	> Mechanical seal ID.17 AQ1EGG KIT	1
1.12	2123932	>> CIRCLIP 17X1 DIN471 A2 1.4122 VP.	1
1.13	2010300	>> O-RING ID.107,54X3,53	1
1.13	2010301	>> O-RING ID.117,07X3,53	1
1.13	2054183	>> O-RING ID.158,34X3,53 E7518	1
Note: TO/ BIS/ JUSQU'À: 03/03			
1.13	2046358	>> O-RING ID.164,7X3,53 E7518 VP.	1
Note: FROM/ AB/ À PARTIR: 04/03			
1.21		>> MECHANICAL SEAL ID.17 AQ1EGG	1
1.22		>> Distance ring D.17/30X9 PPO FE1630	1
1.3		> Motor	1
1.4	2052495	> SCREW M6X20 ISO4762 8.8 (8 PIECES)	1
		Spare parts motor 2,2/2/90F188E ELEC IE4	1
3	2145408	Pump housing IP65/140-F188 16 KIT	1
1.13	2046358	> O-RING ID.164,7X3,53 E7518 VP.	1
3.1		> Pump housing IP65/140-F188 16 cpl.WILO	1
6	2104479	DPS20-1(0-10V) KIT	1
6.1	2106113	> DIFFERENTIAL PRESSURE SENSOR 20 KIT	1
Note: FROM/ AB/ À PARTIR: 09/2009			
		>> DPS20 spiral TZ.3mm Volt 2G	1
	2196657	>> Cable DPS 3x0,34x650 short bared 2G VP.	1
Note: from/ab/de 01.10.2013			
6.2	2106120	> CONNECTION SENSOR IP-E SPIRAL M6 KIT	1
Note: FROM/ AB/ À PARTIR: 09/2009			
6.21		>> CAPILLARY COIL 1000	2
6.22		>> Fixation ring pipe union R1/8" 90GD.Ni	1
6.23		>> HANDLE DDG M6	1
6.24		>> Screw M4x10 EE DIN7500 ZN	2
	2168862	>> Nut/Ferrule M6 D.3MM MS Ni (2 Pieces)	1

**IP-E65/110-2,2/2 (2158825)**

<b>Item</b>	<b>Article no.</b>	<b>Description</b>	<b>Quantity</b>
	2168860	>> Nut/Ferrule M8 D.5MM MS Ni (2 Pieces)	1
7	2179049	Module IP-E/DP-E65/110-2,2/2 IE4ELEC KIT	1
7.1		> Module IP-E/DP-E65/110-2,2/2-IE4 ELEC	1
7.2	2054227	> MODULE COVER/GASKET TL3/4 KIT	1
7.3		> SCREW M5X16 ISO4762 8.8 ZnNi	1
7.4		> WASHER TOOTHED LOCK A5,3 DIN6797 FST ZN	1
	2061236	> O-RING ID.38X3 EPDM 70SR.A BUS.	1

### Motor-Typenschild / Motor type plate / Plaque identité moteur

**Bei Ersatzteilbestellung Motor-Nummer angeben!**

**Indicate motor number for order of spare parts!**

**Pour une commande de pièces détachées, donner le numéro du moteur!**

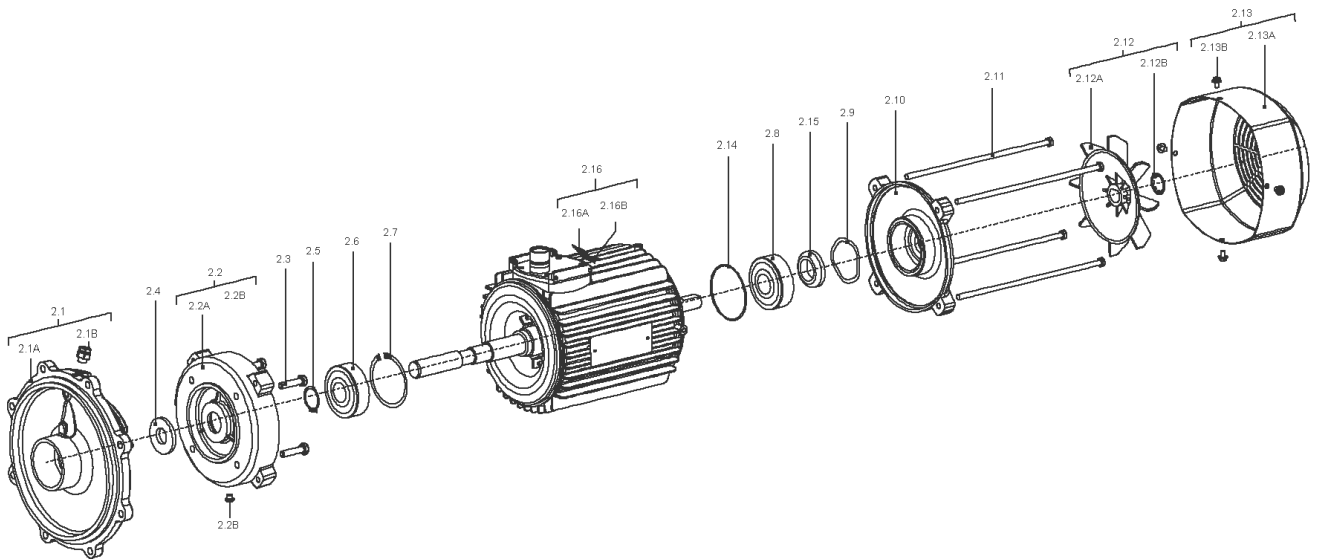
ELEC

Motor-Nummer  
motor number  
numéro du moteur

<b>3~Induction Motor</b>		Made by WILLO Group			
<b>3510436</b>	W080085-2-F188E		0902.001		
Class F	S1	IP55	13,5kg	EN60034	
50Hz	0,75kW	SF=1.15	60Hz	0,90kW	
YΔ 230/400V	2,86/1,65A		Y 440-480V	1,75/1,65A	
Cos φ =0.84	2840min <sup>-1</sup>		Cos φ =0.81	3425min <sup>-1</sup>	
IE4-83,5%	83,5%	83%	IE4-83,4%	83,4%	82%

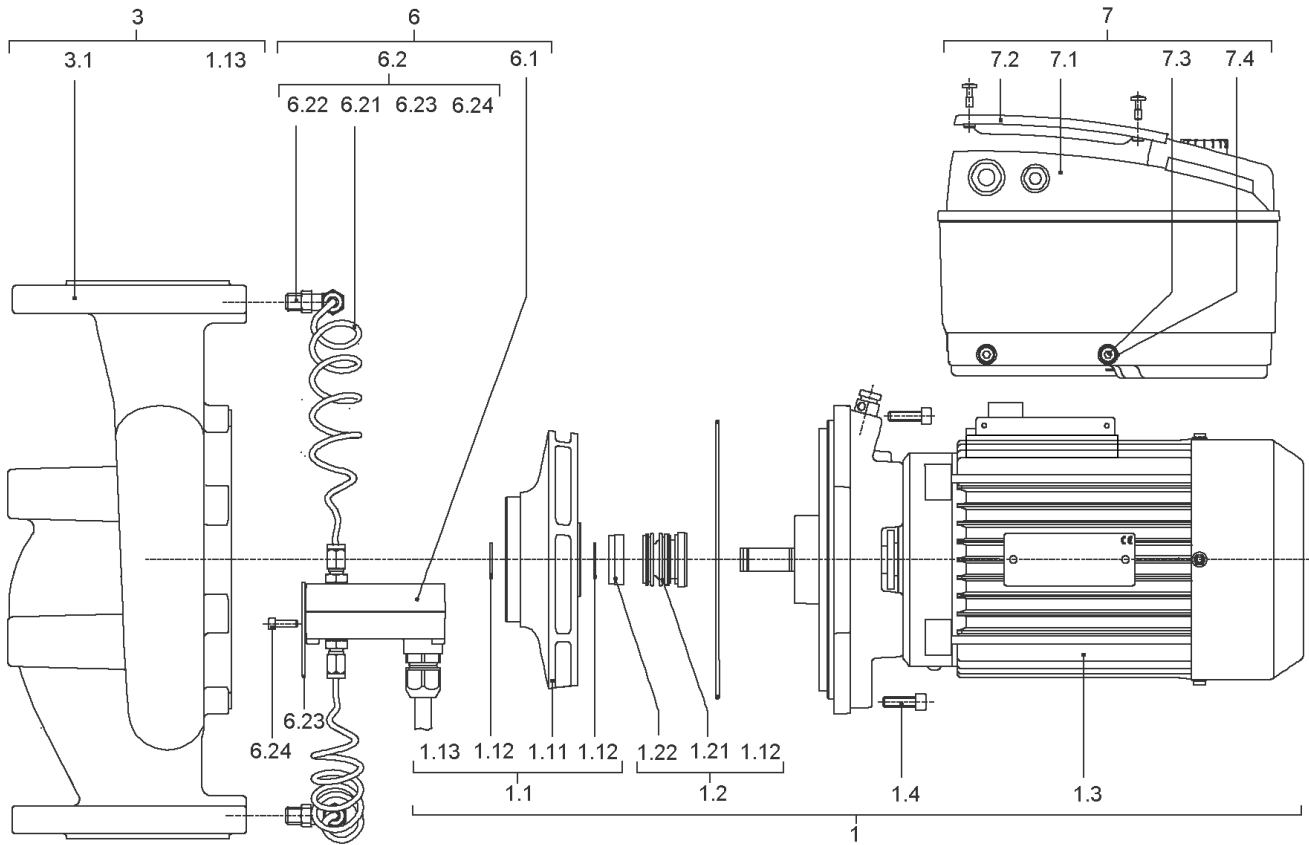
## Spare parts motor 2,2/2/90F188E ELEC IE4

Description	Quantity
W090130-2-F188E 400V/50Hz 2.2kW IE4	1



**W090130-2-F188E 400V/50Hz 2.2kW IE4**

Item	Article no.	Description	Quantity
2.1	2111307	FLANGE END SHIELD BG90F188 D.E.ELEC KIT	1
2.1A		> LANTERN V18 M115-F188 KTL	1
2.1B	2027201	> BLOWGUN R1/8" VP.	1
Note: Please give the data from type plate of the motor			
2.2	2111312	END SHIELD BG90 V18 D.E.ELEC KIT	1
2.2A		> Flange IEC90 V18 (w/o thread)	1
2.2B	2111309	> CONDENSATE HOLE GASKET D5 VP.	1
Note: Please give the data from type plate of the motor			
2.3	2175741	Screw M4x14(4 PIECES)	1
2.4	2111324	THROWER D.36X4 VP.	1
2.5	2111334	CIRCLIP D.30 GB894.1 VP.	1
2.6	2153168	Ball bearing 6204/VV-C3 VP.	1
2.7	2111337	CIRCLIP D.72 GB893.1 VP.	1
2.8	2153170	Ball bearing 6306/VV-C3 VP.	1
2.9	2111339	SPRING RING D.47 JB/T7590 VP.	1
2.10	2157920	End shield BG90 N.D.E.ELEC KIT	1
Note: Please give the data from type plate of the motor			
		> Flange IEC90 NDS with slot reduce0.5	1
		> O-RING ID47.2*3.53 EPDM	1
2.11	2179081	Screw torx Plus / Hex.M5X231(4Pieces)	1
2.12	2107782	FAN WHEEL BG90 ELEC KIT	1
2.12A		> FAN 122.6X15X17 GP2200 G/F20%	1
2.12B	2111321	> STOP-RING D.14,8x0,4 VP.	1
Note: Please give the data from type plate of the motor			
2.13	2111322	FAN HOOD BG90 ELEC KIT	1
2.13A		> FAN COVER IEC90 KTL ST14 T0.8 H70	1
2.13B	2111323	> SCREW M4X6 (4 PIECES)	1
Note: Please give the data from type plate of the motor			



**IP-E65/120-3/2 (2158826)**

Item	Article no.	Description	Quantity
1	2163661	SERV.MO.IP/DP-E65/120-3/2-IE4 ELEC	1
1.1	2143562	> Impeller 65/140-119/17 PPO KIT	1
1.11		>> Impeller 65/140-119/17 PPO FE1630 fin	1
1.12	2123932	>> CIRCLIP 17X1 DIN471 A2 1.4122 VP.	1
1.13	2046358	>> O-RING ID.164,7X3,53 E7518 VP.	1
1.2	122097593	> Mechanical seal ID.17 AQ1EGG KIT	1
1.12	2123932	>> CIRCLIP 17X1 DIN471 A2 1.4122 VP.	1
1.13	2010300	>> O-RING ID.107,54X3,53	1
1.13	2010301	>> O-RING ID.117,07X3,53	1
1.13	2054183	>> O-RING ID.158,34X3,53 E7518	1
Note: TO/ BIS/ JUSQU'À: 03/03			
1.13	2046358	>> O-RING ID.164,7X3,53 E7518 VP.	1
Note: FROM/ AB/ À PARTIR: 04/03			
1.21		>> MECHANICAL SEAL ID.17 AQ1EGG	1
1.22		>> Distance ring D.17/30X9 PPO FE1630	1
1.3		> Motor	1
1.4	2052495	> SCREW M6X20 ISO4762 8.8 (8 PIECES)	1
		Spare parts motor 3/2/100F188E ELEC IE4	1
3	2145408	Pump housing IP65/140-F188 16 KIT	1
1.13	2046358	> O-RING ID.164,7X3,53 E7518 VP.	1
3.1		> Pump housing IP65/140-F188 16 cpl.WILO	1
6	2104479	DPS20-1(0-10V) KIT	1
6.1	2106113	> DIFFERENTIAL PRESSURE SENSOR 20 KIT	1
Note: FROM/ AB/ À PARTIR: 09/2009			
		>> DPS20 spiral TZ.3mm Volt 2G	1
	2196657	>> Cable DPS 3x0,34x650 short bared 2G VP.	1
Note: from/ab/de 01.10.2013			
6.2	2106120	> CONNECTION SENSOR IP-E SPIRAL M6 KIT	1
Note: FROM/ AB/ À PARTIR: 09/2009			
6.21		>> CAPILLARY COIL 1000	2
6.22		>> Fixation ring pipe union R1/8" 90GD.Ni	1
6.23		>> HANDLE DDG M6	1
6.24		>> Screw M4x10 EE DIN7500 ZN	2
	2168862	>> Nut/Ferrule M6 D.3MM MS Ni (2 Pieces)	1



**IP-E65/120-3/2 (2158826)**

<b>Item</b>	<b>Article no.</b>	<b>Description</b>	<b>Quantity</b>
	2168860	>> Nut/Ferrule M8 D.5MM MS Ni (2 Pieces)	1
7	2179063	Module IP-E/DP-E65/120-3/2-IE4 ELEC KIT	1
7.1		> Module IP-E/DP-E65/120-3/2-IE4 ELEC	1
7.2	2054227	> MODULE COVER/GASKET TL3/4 KIT	1
7.3		> SCREW M5X16 ISO4762 8.8 ZnNi	1
7.4		> WASHER TOOTHED LOCK A5,3 DIN6797 FST ZN	1
	2061236	> O-RING ID.38X3 EPDM 70SR.A BUS.	1

**Motor-Typenschild / Motor type plate / Plaque identité moteur**

**Bei Ersatzteilbestellung Motor-Nummer angeben!**

**Indicate motor number for order of spare parts!**

**Pour une commande de pièces détachées, donner le numéro du moteur!**

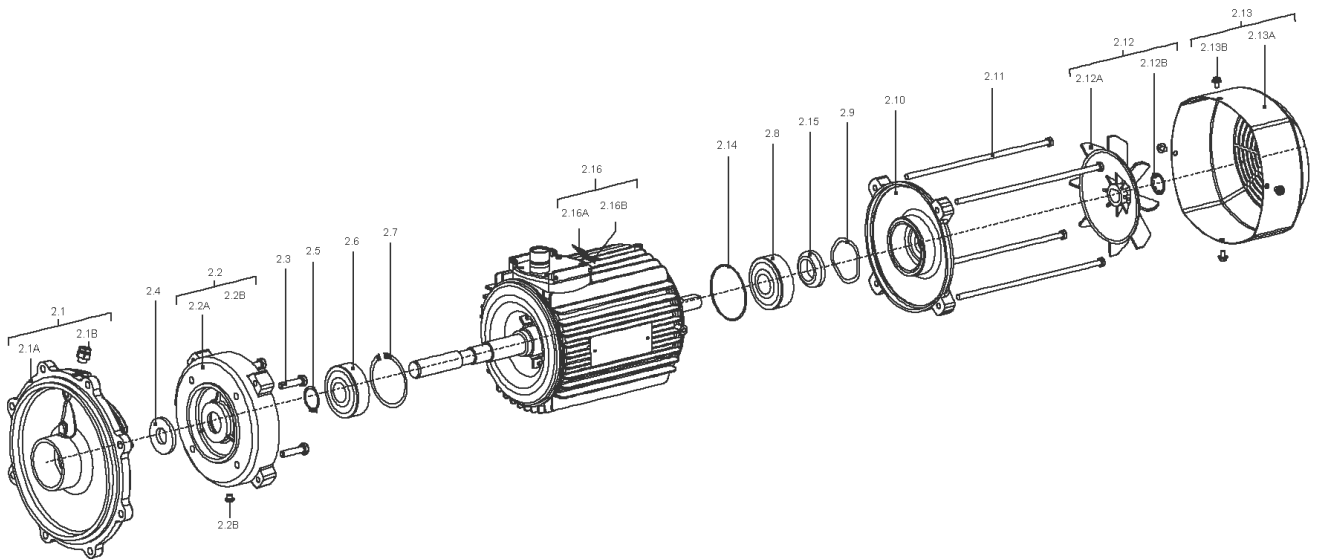
ELEC

Motor-Nummer  
motor number  
numéro du moteur

<b>3~Induction Motor</b>		Made by WILLO Group		
<b>3510436</b>	<b>W080085-2-F188E</b>	<b>0902.001</b>		
<b>Class F</b>	<b>S1</b>	<b>IP55</b>	<b>13,5kg</b>	<b>EN60034</b>
50Hz	0,75kW	SF=1,15	60Hz	0,90kW
YΔ 230/400V	2,86/1,65A	Y 440-480V	1,75/1,65A	
Cos φ =0.84	2840min <sup>-1</sup>	Cos φ =0.81	3425min <sup>-1</sup>	
IE4-83,5%	83,5%	83%	IE4-83,4%	83,4%
			82%	

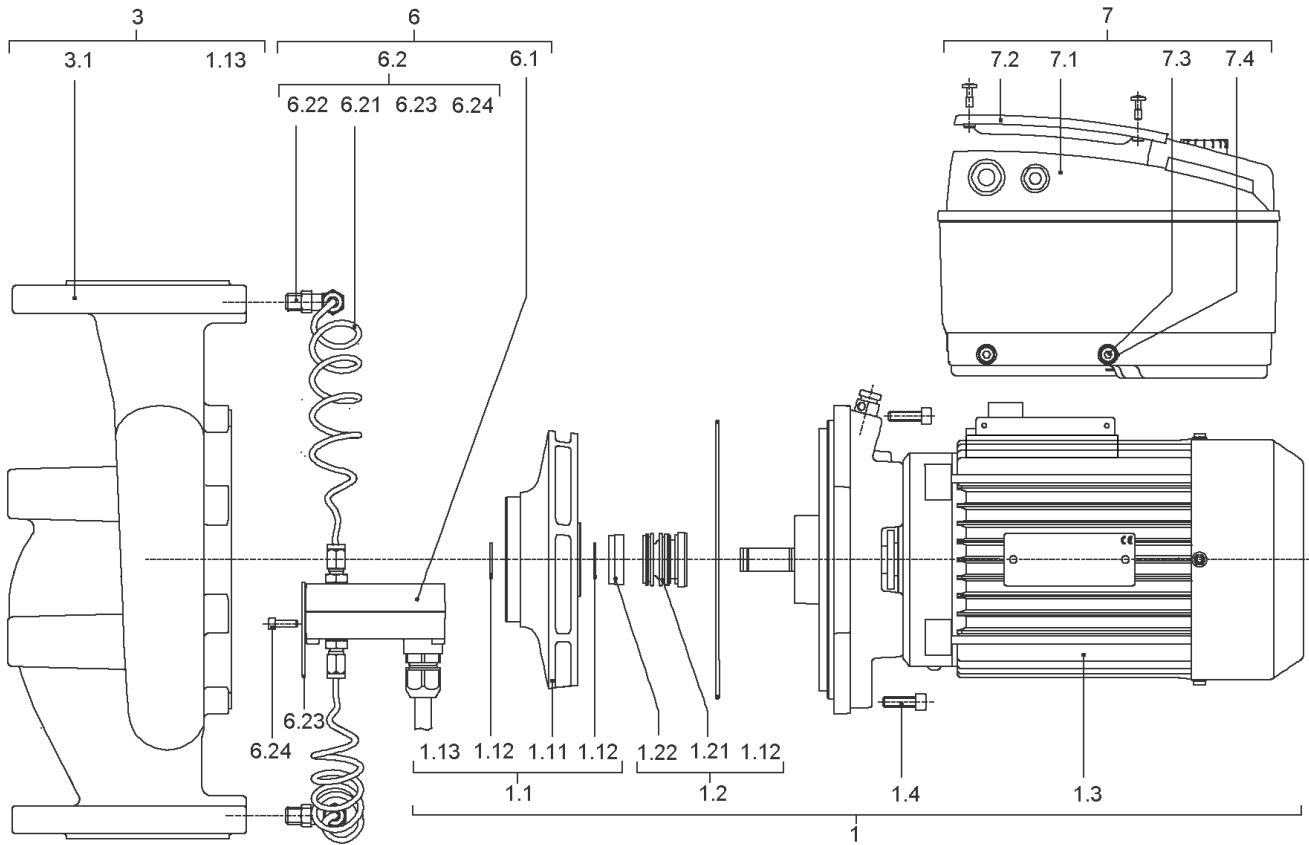
## Spare parts motor 3/2/100F188E ELEC IE4

Description	Quantity
W100130-2-F188E 400V/50Hz 3kW IE4	1



**W100130-2-F188E 400V/50Hz 3kW IE4**

Item	Article no.	Description	Quantity
2.1	2118386	FLANGE END SHIELD BG100/112 D.E.ELEC KIT	1
2.1A		> LANTERN V18 M130-F188 KTL	1
2.1B	2027201	> BLOWGUN R1/8" VP.	1
Note: Please give the data from type plate of the motor			
2.2	2153176	End shield BG100 V18 f.6306 D.E.ELEC KIT	1
2.2A		> Flange IEC100 V18 6306(without thread)	1
2.2B	2111309	> CONDENSATE HOLE GASKET D5 VP.	1
Note: Please give the data from type plate of the motor			
2.3	2175741	Screw M4x14(4 PIECES)	1
2.4	2111324	THROWER D.36X4 VP.	1
2.5	2111334	CIRCLIP D.30 GB894.1 VP.	1
2.6	2153171	Ball bearing 6205/VV-C3 VP.	1
2.7	2111337	CIRCLIP D.72 GB893.1 VP.	1
2.8	2153170	Ball bearing 6306/VV-C3 VP.	1
2.9	2164076	Circlip D52 JB/T7590 VP.	1
2.10	2164074	End shield BG100 N.D.E.ELEC KIT	1
Note: Please give the data from type plate of the motor			
		> FLANGE IEC100 NDS with slot	1
		> O-RING ID52.4*3.53 EPDM	1
2.11	2179082	Screw Torx Plus / Hexagon M6X258(4Pieces	1
2.12	2179083	Fan wheel BG100 ELEC KIT	1
2.12A		> FAN 150X20X17 GP2200 G/F20%	1
2.12B	2118396	> Tooth lock washer D.19,8x0,4 VP.	1
Note: Please give the data from type plate of the motor			
2.13	2118397	FAN HOOD BG100 ELEC KIT	1
2.13A		> FAN COVER IEC100 KTL ST14 T0.8 H86	1
2.13B	2111323	> SCREW M4X6 (4 PIECES)	1
Note: Please give the data from type plate of the motor			
2.16	2179086	Air guider BG100 Motor KIT	1
2.16A		> AIR GUIDER IEC100 MOTOR	1
2.16B		> Screw Tapping M5X14 trox pan	1



**IP-E65/130-4/2 (2158827)**

Item	Article no.	Description	Quantity
1	2163662	SERV.MO.IP/DP-E65/130-4/2-IE4 ELEC	1
1.1	2149133	> Impeller 65/140-130/17 PPO KIT	1
1.11		>> Impeller 65/140-130/17 PPO FE1630 fin	1
1.12	2123932	>> CIRCLIP 17X1 DIN471 A2 1.4122 VP.	1
1.13	2046358	>> O-RING ID.164,7X3,53 E7518 VP.	1
1.2	122097593	> Mechanical seal ID.17 AQ1EGG KIT	1
1.12	2123932	>> CIRCLIP 17X1 DIN471 A2 1.4122 VP.	1
1.13	2010300	>> O-RING ID.107,54X3,53	1
1.13	2010301	>> O-RING ID.117,07X3,53	1
1.13	2054183	>> O-RING ID.158,34X3,53 E7518	1
Note: TO/ BIS/ JUSQU'À: 03/03			
1.13	2046358	>> O-RING ID.164,7X3,53 E7518 VP.	1
Note: FROM/ AB/ À PARTIR: 04/03			
1.21		>> MECHANICAL SEAL ID.17 AQ1EGG	1
1.22		>> Distance ring D.17/30X9 PPO FE1630	1
1.3		> Motor	1
1.4	2052495	> SCREW M6X20 ISO4762 8.8 (8 PIECES)	1
		Spare parts motor 4/2/112 F188E Elec IE4	1
3	2145408	Pump housing IP65/140-F188 16 KIT	1
1.13	2046358	> O-RING ID.164,7X3,53 E7518 VP.	1
3.1		> Pump housing IP65/140-F188 16 cpl.WILO	1
6	2104485	DPS40-1(0-10V) KIT	1
6.1	2106115	> DIFFERENTIAL PRESSURE SENSOR 40 KIT	1
Note: FROM/ AB/ À PARTIR: 09/2009			
		>> DPS40 spiral TZ.3mm Volt 2G	1
	2196657	>> Cable DPS 3x0,34x650 short bared 2G VP.	1
Note: from/ab/de 01.10.2013			
6.2	2106120	> CONNECTION SENSOR IP-E SPIRAL M6 KIT	1
Note: FROM/ AB/ À PARTIR: 09/2009			
6.21		>> CAPILLARY COIL 1000	2
6.22		>> Fixation ring pipe union R1/8" 90GD.Ni	1
6.23		>> HANDLE DDG M6	1
6.24		>> Screw M4x10 EE DIN7500 ZN	2
	2168862	>> Nut/Ferrule M6 D.3MM MS Ni (2 Pieces)	1

**IP-E65/130-4/2 (2158827)**

<b>Item</b>	<b>Article no.</b>	<b>Description</b>	<b>Quantity</b>
	2168860	>> Nut/Ferrule M8 D.5MM MS Ni (2 Pieces)	1
7	2179064	Module IP-E/DP-E65/130-4/2-IE4 ELEC KIT	1
7.1		> Module IP-E/DP-E65/130-4/2-IE4 ELEC	1
7.2	2054227	> MODULE COVER/GASKET TL3/4 KIT	1
7.3		> SCREW M5X16 ISO4762 8.8 ZnNi	1
7.4		> WASHER TOOTHED LOCK A5,3 DIN6797 FST ZN	1
	2061236	> O-RING ID.38X3 EPDM 70SR.A BUS.	1



## Motor-Typenschild / Motor type plate / Plaque identité moteur

**Bei Ersatzteilbestellung Motor-Nummer angeben!**

**Indicate motor number for order of spare parts!**

**Pour une commande de pièces détachées, donner le numéro du moteur!**

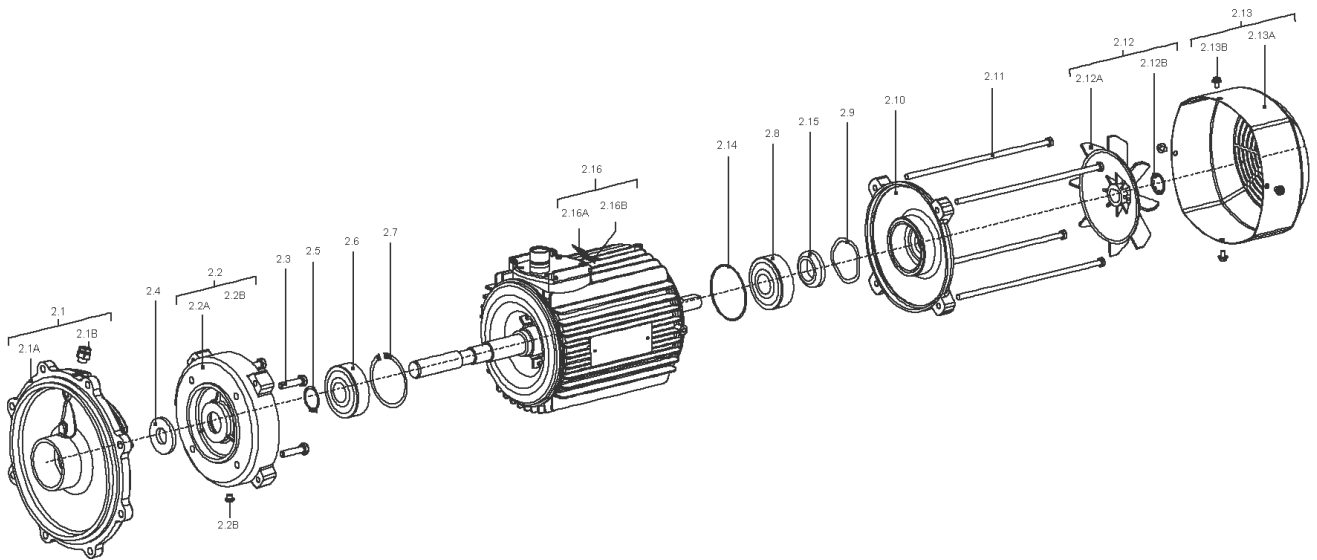
ELEC

Motor-Nummer  
motor number  
numéro du moteur

<b>3~Induction Motor</b>		Made by WILLO Group			
<b>3510436</b>	<b>W080085-2-F188E</b>		<b>0902.001</b>		
<b>Class F</b>	<b>S1</b>	<b>IP55</b>	<b>13,5kg</b>	<b>EN60034</b>	
50Hz	0,75kW	SF=1,15	60Hz	0,90kW	
YΔ 230/400V	2,86/1,65A		Y 440-480V	1,75/1,65A	
Cos φ =0.84	2840min <sup>-1</sup>		Cos φ =0.81	3425min <sup>-1</sup>	
IE4-83,5%	83,5%	83%	IE4-83,4%	83,4%	82%

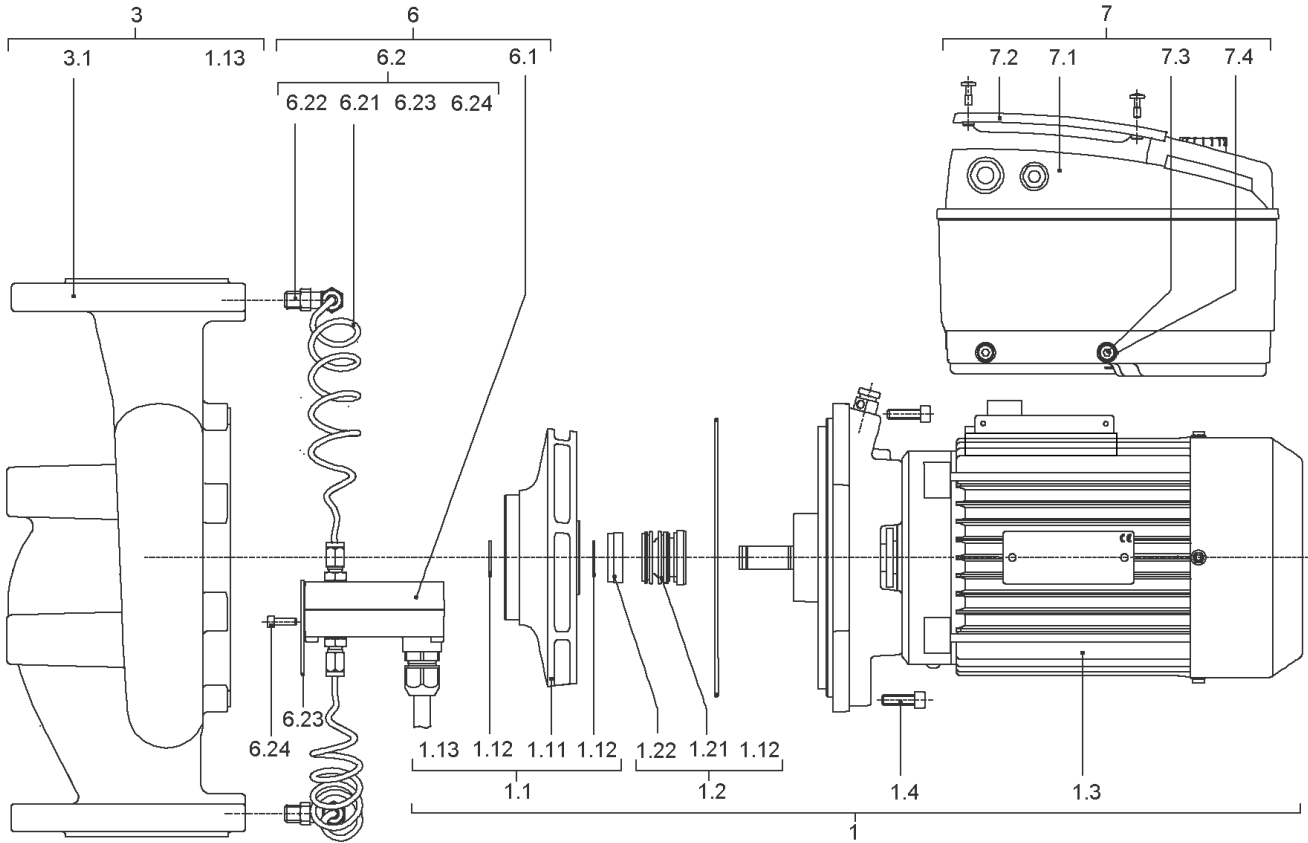
## Spare parts motor 4/2/112 F188E Elec IE4

Description	Quantity
W112140-2-F188E 400V/50Hz 4kW IE4	1



**W112140-2-F188E 400V/50Hz 4kW IE4**

Item	Article no.	Description	Quantity
2.1	2118386	FLANGE END SHIELD BG100/112 D.E.ELEC KIT	1
2.1A		> LANTERN V18 M130-F188 KTL	1
2.1B	2027201	> BLOWGUN R1/8" VP.	1
Note: Please give the data from type plate of the motor			
2.2	2132465	END SHIELD BG112 V12 D.E.ELEC KIT	1
2.2A		> FLANGE IEC112 V18 (WITHOUT THREAD)	1
2.2B	2111309	> CONDENSATE HOLE GASKET D5 VP.	1
Note: Please give the data from type plate of the motor			
2.3	2175741	Screw M4x14(4 PIECES)	1
2.4	2111324	THROWER D.36X4 VP.	1
2.5	2118388	CIRCLIP D.35 GB894.1 VP.	1
2.6	2149118	Ball bearing 6307/ZZ-C3 E2 VP.	1
2.7	2118390	CIRCLIP D.80 GB893.1 VP.	1
2.8	2153173	Ball bearing 6206/VV-C3 VP.	1
2.9	2132469	SPRING RING D.62 JB/T7590 VP.	1
2.10	2164025	End shield BG112 N.D.E.ELEC KIT	1
Note: Please give the data from type plate of the motor			
		> FLANGE IEC112 NDS with slot	1
		> O-RING ID62.4*3.53 EPDM	1
2.11	2132473	SCREW M8X263,5 6.8 (4 PIECES)	1
2.12	2175742	Fan BG112 ELEC KIT	1
2.12A		> FAN 174X20X17 GP2200 G/F20%	1
2.12B	2118396	> Tooth lock washer D.19,8x0,4 VP.	1
Note: Please give the data from type plate of the motor			
2.13	2168255	Fan hood BG112 ELEC KIT	1
2.13A		> FAN COVER IEC112 KTL ST14 T1.0 H86	1
2.13B	2111323	> SCREW M4X6 (4 PIECES)	1
Note: Please give the data from type plate of the motor			
2.16	2179084	Air guider BG 112 Motor KIT	1
2.16A		> AIR GUIDER IEC 112 MOTOR	1
2.16B		> SCREW M8X16 TORX HEX 6.8 GB/T70	1



**IP-E80/115-2,2/2 (2158828)**

Item	Article no.	Description	Quantity
1	2163663	SERV.MO.IP/DP-E80/115-2,2/2-IE4 ELEC	1
1.1	122093091	> IMPELLER D.80/119/17 KIT	1
1.11		>> Impeller D.80/119/17X14,1 PPO FE1630	1
1.12	2123932	>> CIRCLIP 17X1 DIN471 A2 1.4122 VP.	1
1.13	2010301	>> O-RING ID.117,07X3,53	1
1.2	122097593	> Mechanical seal ID.17 AQ1EGG KIT	1
1.12	2123932	>> CIRCLIP 17X1 DIN471 A2 1.4122 VP.	1
1.13	2010300	>> O-RING ID.107,54X3,53	1
1.13	2010301	>> O-RING ID.117,07X3,53	1
1.13	2054183	>> O-RING ID.158,34X3,53 E7518	1
Note: TO/ BIS/ JUSQU'À: 03/03			
1.13	2046358	>> O-RING ID.164,7X3,53 E7518 VP.	1
Note: FROM/ AB/ À PARTIR: 04/03			
1.21		>> MECHANICAL SEAL ID.17 AQ1EGG	1
1.22		>> Distance ring D.17/30X9 PPO FE1630	1
1.3		> Motor	1
1.4	2037242	> SCREW M10X25 ISO4762 8.8 (4 PIECES)	1
		Spare parts motor 2,2/2/90F170E ELEC IE4	1
3	2016516	PUMP HOUSING IPL80/115/IP-E80/2 KIT	1
1.13	2010301	> O-RING ID.117,07X3,53	1
3.1		> PUMP HOUSING IP-E80/120 CPL.WILO	1
6	2104480	DPS20-2(0-10V) KIT	1
6.1	2106113	> DIFFERENTIAL PRESSURE SENSOR 20 KIT	1
Note: FROM/ AB/ À PARTIR: 09/2009			
		>> DPS20 spiral TZ.3mm Volt 2G	1
	2196657	>> Cable DPS 3x0,34x650 short bared 2G VP.	1
Note: from/ab/de 01.10.2013			
6.2	2106121	> CONNECTION SENSOR IP-E SPIRAL M10 KIT	1
Note: FROM/ AB/ À PARTIR: 09/2009			
6.21		>> CAPILLARY COIL 1000	2
6.22		>> Fixation ring pipe union R1/8" 90GD.Ni	1
6.23		>> HANDLE DDG M10	1
6.24		>> Screw M4x10 EE DIN7500 ZN	2
	2168862	>> Nut/Ferrule M6 D.3MM MS Ni (2 Pieces)	1

**IP-E80/115-2,2/2 (2158828)**

<b>Item</b>	<b>Article no.</b>	<b>Description</b>	<b>Quantity</b>
	2168860	>> Nut/Ferrule M8 D.5MM MS Ni (2 Pieces)	1
7	2179065	Module IP/DP-E80/115-2,2/2-IE4 ELEC KIT	1
7.1		> Module IP-E/DP-E80/115-2,2/2-IE4 ELEC	1
7.2	2054227	> MODULE COVER/GASKET TL3/4 KIT	1
7.3		> SCREW M5X16 ISO4762 8.8 ZnNi	1
7.4		> WASHER TOOTHED LOCK A5,3 DIN6797 FST ZN	1
	2061236	> O-RING ID.38X3 EPDM 70SR.A BUS.	1

### Motor-Typenschild / Motor type plate / Plaque identité moteur

**Bei Ersatzteilbestellung Motor-Nummer angeben!**

**Indicate motor number for order of spare parts!**

**Pour une commande de pièces détachées, donner le numéro du moteur!**

ELEC

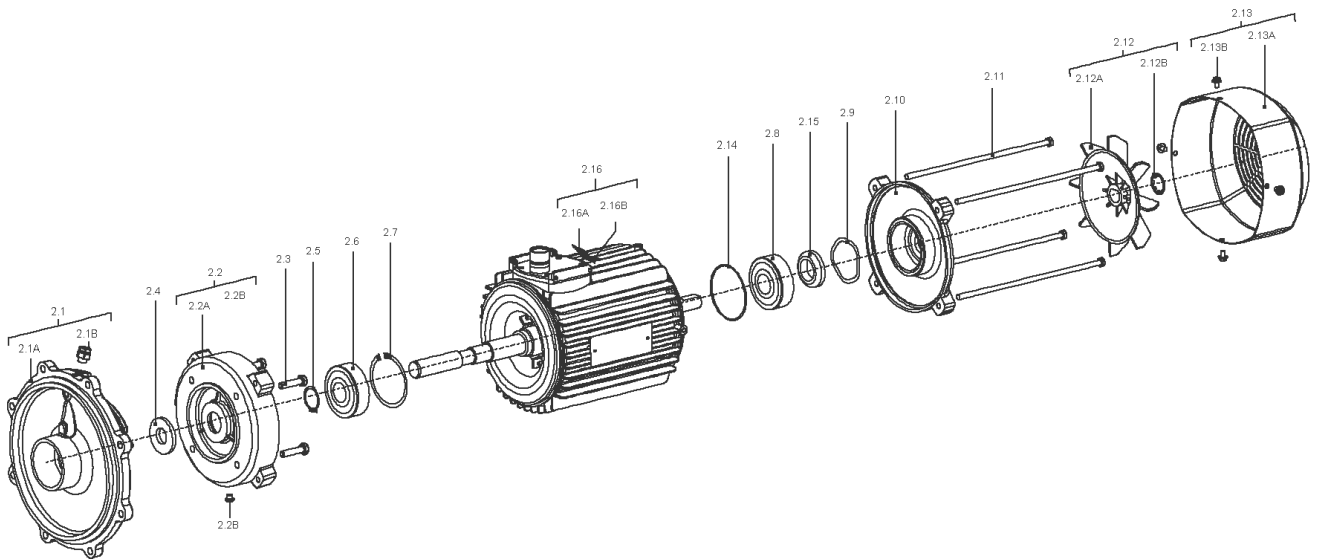
Motor-Nummer  
motor number  
numéro du moteur

<b>3~Induction Motor</b>		Made by WILLO Group		
<b>3510436</b>	W080085-2-F188E	0902.001		
Class F	S1	IP55	13,5kg	EN60034
50Hz	0,75kW	SF=1.15	60Hz	0,90kW
YΔ 230/400V	2,86/1,65A	Y 440-480V	1,75/1,65A	
Cos φ =0.84	2840min <sup>-1</sup>	Cos φ =0.81	3425min <sup>-1</sup>	
IE4-83,5%	83,5%	83%	IE4-83,4%	83,4%
			82%	



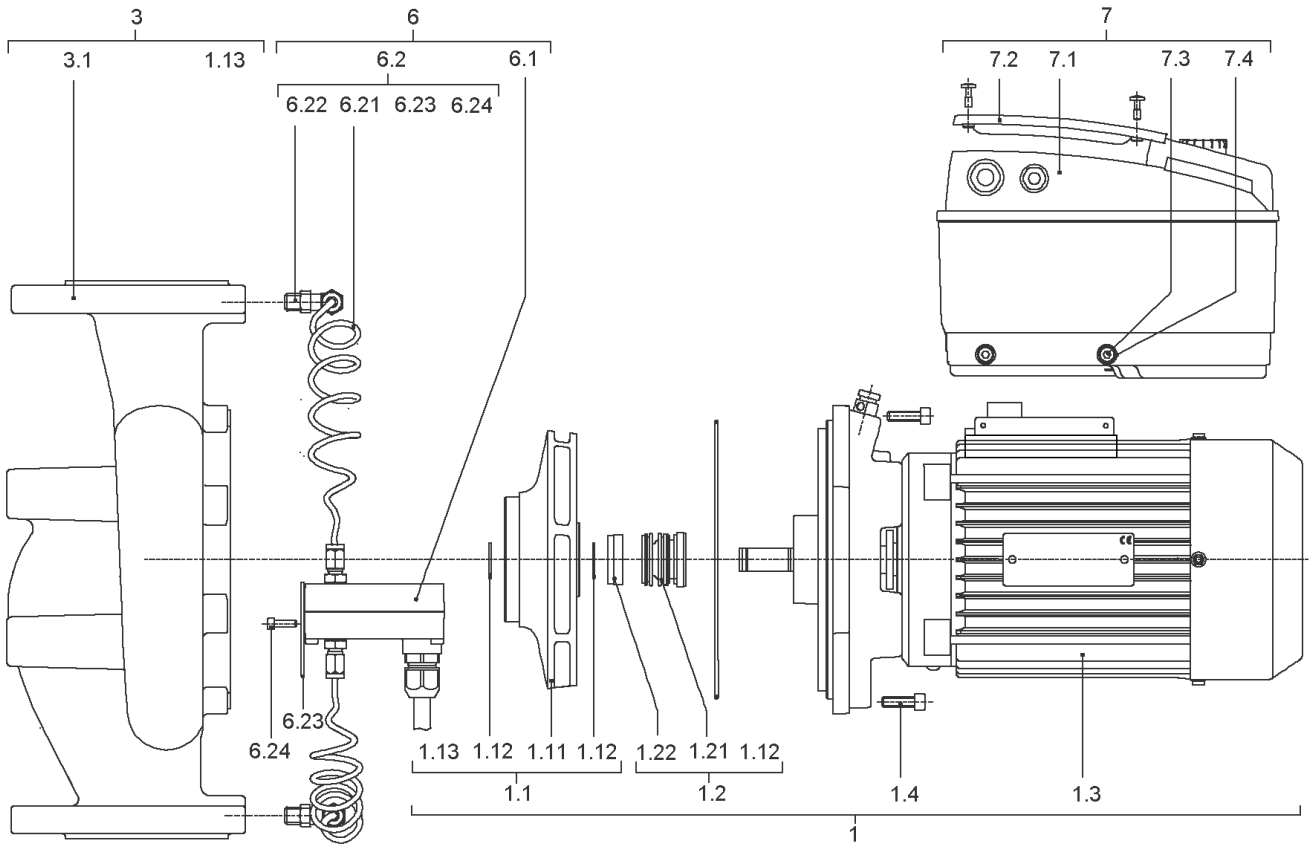
## Spare parts motor 2,2/2/90F170E ELEC IE4

Description	Quantity
W090130-2-F170E 400V/50Hz 2.2kW IE4	1



**W090130-2-F170E 400V/50Hz 2.2kW IE4**

Item	Article no.	Description	Quantity
2.1	2111308	FLANGE END SHIELD BG90F170 D.E.ELEC KIT	1
2.1A		> LANTERN V18 M115-F170 KTL	1
2.1B	2027201	> BLOWGUN R1/8" VP.	1
Note: Please give the data from type plate of the motor			
2.2	2111312	END SHIELD BG90 V18 D.E.ELEC KIT	1
2.2A		> Flange IEC90 V18 (w/o thread)	1
2.2B	2111309	> CONDENSATE HOLE GASKET D5 VP.	1
Note: Please give the data from type plate of the motor			
2.3	2175741	Screw M4x14(4 PIECES)	1
2.4	2111324	THROWER D.36X4 VP.	1
2.5	2111334	CIRCLIP D.30 GB894.1 VP.	1
2.6	2153168	Ball bearing 6204/VV-C3 VP.	1
2.7	2111337	CIRCLIP D.72 GB893.1 VP.	1
2.8	2153170	Ball bearing 6306/VV-C3 VP.	1
2.9	2111339	SPRING RING D.47 JB/T7590 VP.	1
2.10	2157920	End shield BG90 N.D.E.ELEC KIT	1
Note: Please give the data from type plate of the motor			
		> Flange IEC90 NDS with slot reduce0.5	1
		> O-RING ID47.2*3.53 EPDM	1
2.11	2179081	Screw torx Plus / Hex.M5X231(4Pieces)	1
2.12	2107782	FAN WHEEL BG90 ELEC KIT	1
2.12A		> FAN 122.6X15X17 GP2200 G/F20%	1
2.12B	2111321	> STOP-RING D.14,8x0,4 VP.	1
Note: Please give the data from type plate of the motor			
2.13	2111322	FAN HOOD BG90 ELEC KIT	1
2.13A		> FAN COVER IEC90 KTL ST14 T0.8 H70	1
2.13B	2111323	> SCREW M4X6 (4 PIECES)	1
Note: Please give the data from type plate of the motor			



**IP-E80/105-3/2 (2158829)**

Item	Article no.	Description	Quantity
1	2163664	SERV.MO.IP/DP-E80/105-3/2-IE4 ELEC	1
1.1	2179052	> Impeller 80/150-106/17 PPO FE1630 KIT	1
1.11		>> Impeller 80/150-106/17 PPO FE1630 fin	1
1.12	2123932	>> CIRCLIP 17X1 DIN471 A2 1.4122 VP.	1
1.13	2046358	>> O-RING ID.164,7X3,53 E7518 VP.	1
1.2	122097593	> Mechanical seal ID.17 AQ1EGG KIT	1
1.12	2123932	>> CIRCLIP 17X1 DIN471 A2 1.4122 VP.	1
1.13	2010300	>> O-RING ID.107,54X3,53	1
1.13	2010301	>> O-RING ID.117,07X3,53	1
1.13	2054183	>> O-RING ID.158,34X3,53 E7518	1
Note: TO/ BIS/ JUSQU'À: 03/03			
1.13	2046358	>> O-RING ID.164,7X3,53 E7518 VP.	1
Note: FROM/ AB/ À PARTIR: 04/03			
1.21		>> MECHANICAL SEAL ID.17 AQ1EGG	1
1.22		>> Distance ring D.17/30X9 PPO FE1630	1
1.3		> Motor	1
1.4	2052495	> SCREW M6X20 ISO4762 8.8 (8 PIECES)	1
		Spare parts motor 3/2/100F188E ELEC IE4	1
3	2145542	Pump housing I80/150-F188 KIT	1
1.13	2046358	> O-RING ID.164,7X3,53 E7518 VP.	1
3.1		> Pump housing IP80/150-F188 cpl.WILO	1
6	2104479	DPS20-1(0-10V) KIT	1
6.1	2106113	> DIFFERENTIAL PRESSURE SENSOR 20 KIT	1
Note: FROM/ AB/ À PARTIR: 09/2009			
		>> DPS20 spiral TZ.3mm Volt 2G	1
	2196657	>> Cable DPS 3x0,34x650 short bared 2G VP.	1
Note: from/ab/de 01.10.2013			
6.2	2106120	> CONNECTION SENSOR IP-E SPIRAL M6 KIT	1
Note: FROM/ AB/ À PARTIR: 09/2009			
6.21		>> CAPILLARY COIL 1000	2
6.22		>> Fixation ring pipe union R1/8" 90GD.Ni	1
6.23		>> HANDLE DDG M6	1
6.24		>> Screw M4x10 EE DIN7500 ZN	2
	2168862	>> Nut/Ferrule M6 D.3MM MS Ni (2 Pieces)	1

**IP-E80/105-3/2 (2158829)**

Item	Article no.	Description	Quantity
	2168860	>> Nut/Ferrule M8 D.5MM MS Ni (2 Pieces)	1
7	2178927	Module IP-E/DP-E80/105-3/2-IE4 ELEC KIT	1
7.1		> Module IP-E/DP-E80/105-3/2-IE4 ELEC	1
7.2	2054227	> MODULE COVER/GASKET TL3/4 KIT	1
7.3		> SCREW M5X16 ISO4762 8.8 ZnNi	1
7.4		> WASHER TOOTHED LOCK A5,3 DIN6797 FST ZN	1
	2061236	> O-RING ID.38X3 EPDM 70SR.A BUS.	1

### Motor-Typenschild / Motor type plate / Plaque identité moteur

**Bei Ersatzteilbestellung Motor-Nummer angeben!**

**Indicate motor number for order of spare parts!**

**Pour une commande de pièces détachées, donner le numéro du moteur!**

ELEC

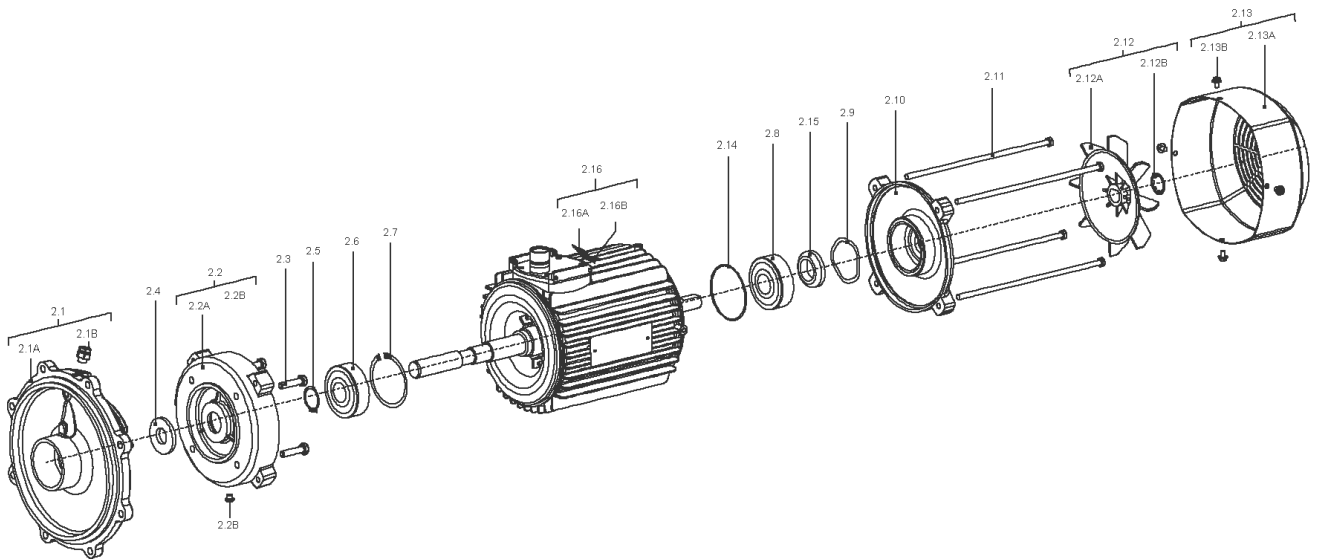
Motor-Nummer  
motor number  
numéro du moteur

<b>3~Induction Motor</b>		Made by WILLO Group		
<b>3510436</b>	W080085-2-F188E		0902.001	
Class F	S1	IP55	13,5kg	EN60034
50Hz	0,75kW	SF=1.15	60Hz	0,90kW
YΔ 230/400V	2,86/1,65A		Y 440-480V	1,75/1,65A
Cos φ =0.84	2840min <sup>-1</sup>		Cos φ =0.81	3425min <sup>-1</sup>
IE4-83,5%	83,5%	83%	IE4-83,4%	83,4%
				82%

## Spare parts motor 3/2/100F188E ELEC IE4

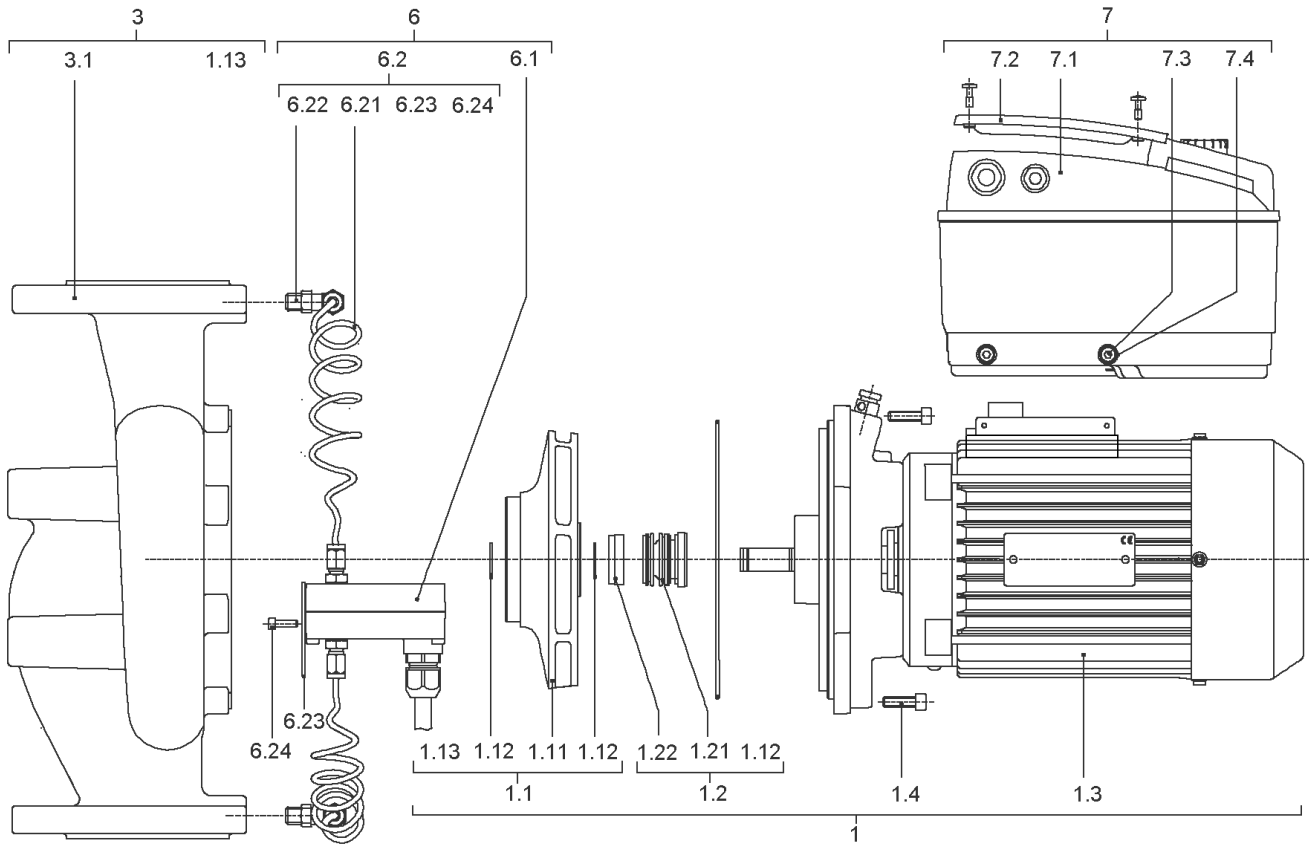
Description	Quantity
W100130-2-F188E 400V/50Hz 3kW IE4	1





**W100130-2-F188E 400V/50Hz 3kW IE4**

Item	Article no.	Description	Quantity
2.1	2118386	FLANGE END SHIELD BG100/112 D.E.ELEC KIT	1
2.1A		> LANTERN V18 M130-F188 KTL	1
2.1B	2027201	> BLOWGUN R1/8" VP.	1
Note: Please give the data from type plate of the motor			
2.2	2153176	End shield BG100 V18 f.6306 D.E.ELEC KIT	1
2.2A		> Flange IEC100 V18 6306(without thread)	1
2.2B	2111309	> CONDENSATE HOLE GASKET D5 VP.	1
Note: Please give the data from type plate of the motor			
2.3	2175741	Screw M4x14(4 PIECES)	1
2.4	2111324	THROWER D.36X4 VP.	1
2.5	2111334	CIRCLIP D.30 GB894.1 VP.	1
2.6	2153171	Ball bearing 6205/VV-C3 VP.	1
2.7	2111337	CIRCLIP D.72 GB893.1 VP.	1
2.8	2153170	Ball bearing 6306/VV-C3 VP.	1
2.9	2164076	Circlip D52 JB/T7590 VP.	1
2.10	2164074	End shield BG100 N.D.E.ELEC KIT	1
Note: Please give the data from type plate of the motor			
		> FLANGE IEC100 NDS with slot	1
		> O-RING ID52.4*3.53 EPDM	1
2.11	2179082	Screw Torx Plus / Hexagon M6X258(4Pieces	1
2.12	2179083	Fan wheel BG100 ELEC KIT	1
2.12A		> FAN 150X20X17 GP2200 G/F20%	1
2.12B	2118396	> Tooth lock washer D.19,8x0,4 VP.	1
Note: Please give the data from type plate of the motor			
2.13	2118397	FAN HOOD BG100 ELEC KIT	1
2.13A		> FAN COVER IEC100 KTL ST14 T0.8 H86	1
2.13B	2111323	> SCREW M4X6 (4 PIECES)	1
Note: Please give the data from type plate of the motor			
2.16	2179086	Air guider BG100 Motor KIT	1
2.16A		> AIR GUIDER IEC100 MOTOR	1
2.16B		> Screw Tapping M5X14 trox pan	1



**IP-E80/110-4/2 (2158830)**

Item	Article no.	Description	Quantity
1	2163665	SERV.MO.IP/DP-E80/110-4/2-IE4 ELEC	1
1.1	2157912	> Impeller 80/150-117/17 PPO FE1630 KIT	1
1.11		>> Impeller 80/150-117/17 PPO FE1630 fin	1
1.12	2123932	>> CIRCLIP 17X1 DIN471 A2 1.4122 VP.	1
1.13	2046358	>> O-RING ID.164,7X3,53 E7518 VP.	1
1.2	122097593	> Mechanical seal ID.17 AQ1EGG KIT	1
1.12	2123932	>> CIRCLIP 17X1 DIN471 A2 1.4122 VP.	1
1.13	2010300	>> O-RING ID.107,54X3,53	1
1.13	2010301	>> O-RING ID.117,07X3,53	1
1.13	2054183	>> O-RING ID.158,34X3,53 E7518	1
Note: TO/ BIS/ JUSQU'À: 03/03			
1.13	2046358	>> O-RING ID.164,7X3,53 E7518 VP.	1
Note: FROM/ AB/ À PARTIR: 04/03			
1.21		>> MECHANICAL SEAL ID.17 AQ1EGG	1
1.22		>> Distance ring D.17/30X9 PPO FE1630	1
1.3		> Motor	1
1.4	2052495	> SCREW M6X20 ISO4762 8.8 (8 PIECES)	1
		Spare parts motor 4/2/112 F188E Elec IE4	1
3	2145542	Pump housing I80/150-F188 KIT	1
1.13	2046358	> O-RING ID.164,7X3,53 E7518 VP.	1
3.1		> Pump housing IP80/150-F188 cpl.WILO	1
6	2104479	DPS20-1(0-10V) KIT	1
6.1	2106113	> DIFFERENTIAL PRESSURE SENSOR 20 KIT	1
Note: FROM/ AB/ À PARTIR: 09/2009			
		>> DPS20 spiral TZ.3mm Volt 2G	1
	2196657	>> Cable DPS 3x0,34x650 short bared 2G VP.	1
Note: from/ab/de 01.10.2013			
6.2	2106120	> CONNECTION SENSOR IP-E SPIRAL M6 KIT	1
Note: FROM/ AB/ À PARTIR: 09/2009			
6.21		>> CAPILLARY COIL 1000	2
6.22		>> Fixation ring pipe union R1/8" 90GD.Ni	1
6.23		>> HANDLE DDG M6	1
6.24		>> Screw M4x10 EE DIN7500 ZN	2
	2168862	>> Nut/Ferrule M6 D.3MM MS Ni (2 Pieces)	1

**IP-E80/110-4/2 (2158830)**

<b>Item</b>	<b>Article no.</b>	<b>Description</b>	<b>Quantity</b>
	2168860	>> Nut/Ferrule M8 D.5MM MS Ni (2 Pieces)	1
7	2179066	Module IP-E/DP-E80/110-4/2-IE4 ELEC KIT	1
7.1		> Module IP-E/DP-E80/110-4/2-IE4 ELEC	1
7.2	2054227	> MODULE COVER/GASKET TL3/4 KIT	1
7.3		> SCREW M5X16 ISO4762 8.8 ZnNi	1
7.4		> WASHER TOOTHED LOCK A5,3 DIN6797 FST ZN	1
	2061236	> O-RING ID.38X3 EPDM 70SR.A BUS.	1

**Motor-Typenschild / Motor type plate / Plaque identité moteur**

**Bei Ersatzteilbestellung Motor-Nummer angeben!**

**Indicate motor number for order of spare parts!**

**Pour une commande de pièces détachées, donner le numéro du moteur!**

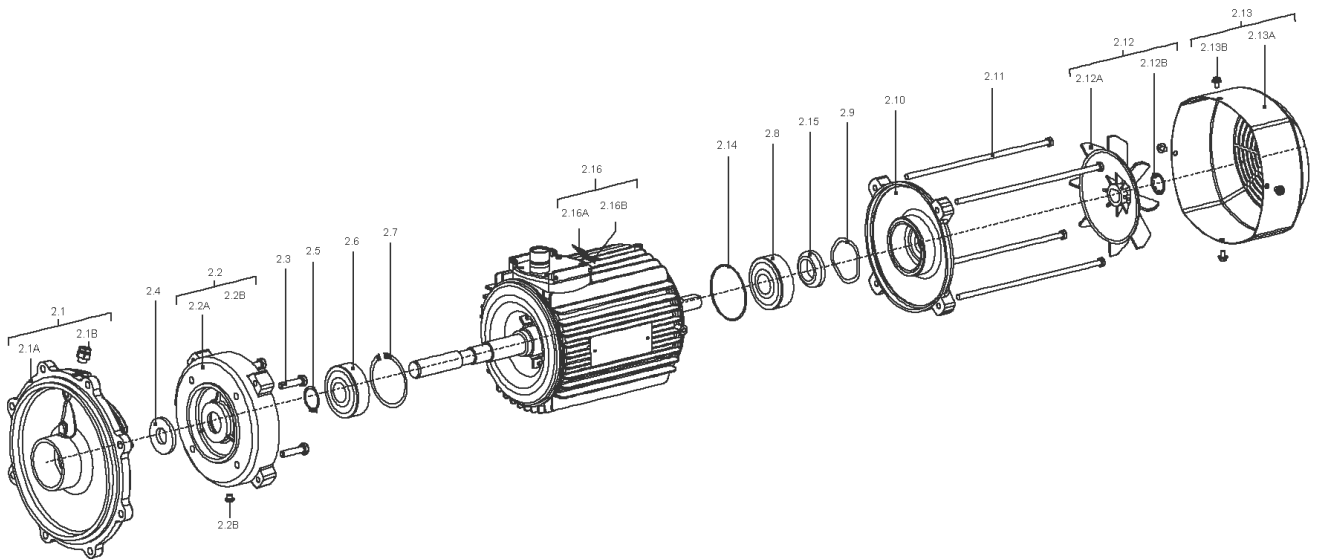
ELEC

Motor-Nummer  
motor number  
numéro du moteur

<b>3~Induction Motor</b>		Made by WILLO Group			
<b>3510436</b>	<b>W080085-2-F188E</b>		<b>0902.001</b>		
<b>Class F</b>	<b>S1</b>	<b>IP55</b>	<b>13,5kg</b>	<b>EN60034</b>	
50Hz	0,75kW	SF=1,15	60Hz	0,90kW	
YΔ 230/400V	2,86/1,65A		Y 440-480V	1,75/1,65A	
Cos φ =0.84	2840min <sup>-1</sup>		Cos φ =0.81	3425min <sup>-1</sup>	
IE4-83,5%	83,5%	83%	IE4-83,4%	83,4%	82%

## Spare parts motor 4/2/112 F188E Elec IE4

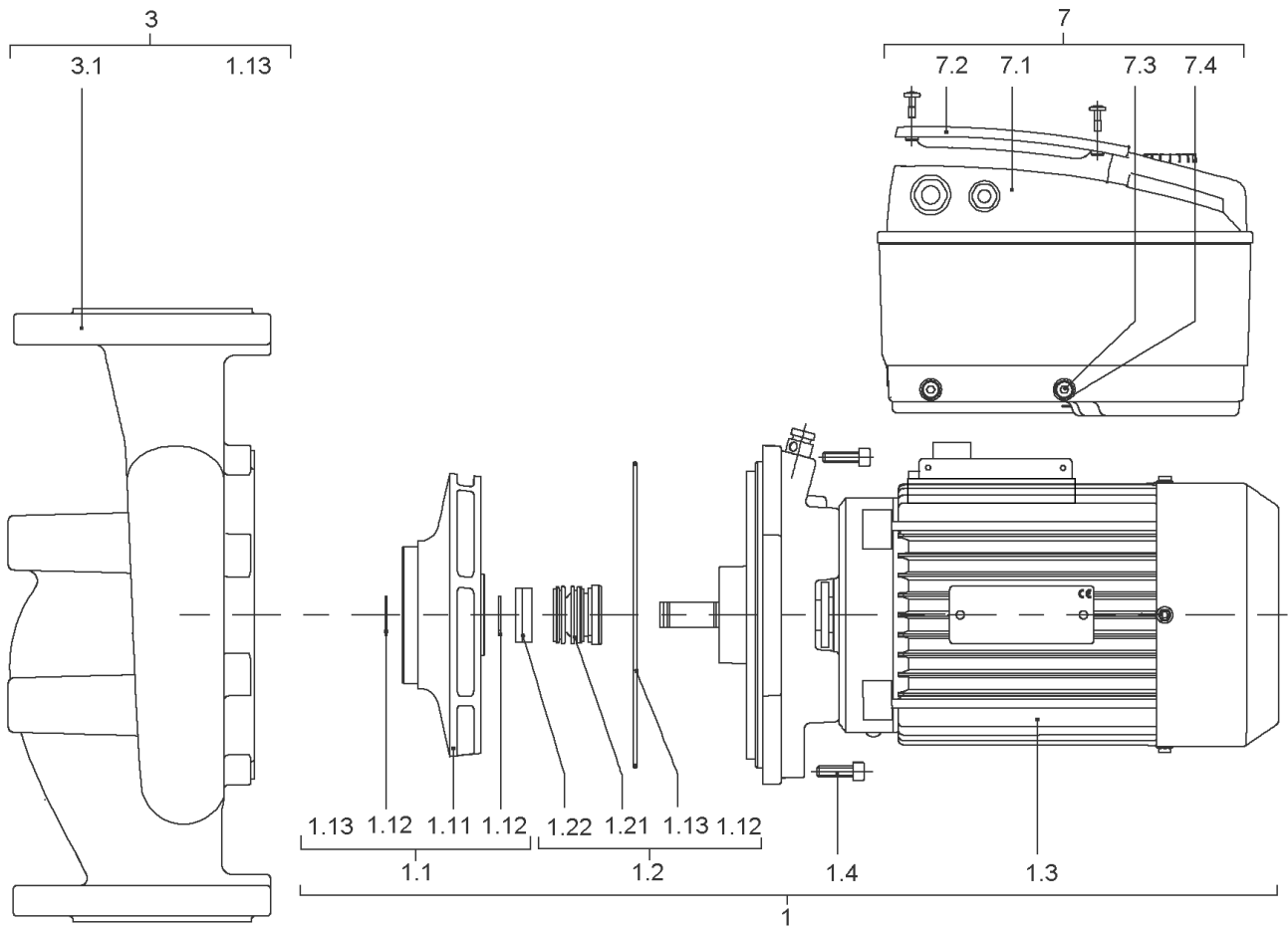
Description	Quantity
W112140-2-F188E 400V/50Hz 4kW IE4	1





**W112140-2-F188E 400V/50Hz 4kW IE4**

Item	Article no.	Description	Quantity
2.1	2118386	FLANGE END SHIELD BG100/112 D.E.ELEC KIT	1
2.1A		> LANTERN V18 M130-F188 KTL	1
2.1B	2027201	> BLOWGUN R1/8" VP.	1
Note: Please give the data from type plate of the motor			
2.2	2132465	END SHIELD BG112 V12 D.E.ELEC KIT	1
2.2A		> FLANGE IEC112 V18 (WITHOUT THREAD)	1
2.2B	2111309	> CONDENSATE HOLE GASKET D5 VP.	1
Note: Please give the data from type plate of the motor			
2.3	2175741	Screw M4x14(4 PIECES)	1
2.4	2111324	THROWER D.36X4 VP.	1
2.5	2118388	CIRCLIP D.35 GB894.1 VP.	1
2.6	2149118	Ball bearing 6307/ZZ-C3 E2 VP.	1
2.7	2118390	CIRCLIP D.80 GB893.1 VP.	1
2.8	2153173	Ball bearing 6206/VV-C3 VP.	1
2.9	2132469	SPRING RING D.62 JB/T7590 VP.	1
2.10	2164025	End shield BG112 N.D.E.ELEC KIT	1
Note: Please give the data from type plate of the motor			
		> FLANGE IEC112 NDS with slot	1
		> O-RING ID62.4*3.53 EPDM	1
2.11	2132473	SCREW M8X263,5 6.8 (4 PIECES)	1
2.12	2175742	Fan BG112 ELEC KIT	1
2.12A		> FAN 174X20X17 GP2200 G/F20%	1
2.12B	2118396	> Tooth lock washer D.19,8x0,4 VP.	1
Note: Please give the data from type plate of the motor			
2.13	2168255	Fan hood BG112 ELEC KIT	1
2.13A		> FAN COVER IEC112 KTL ST14 T1.0 H86	1
2.13B	2111323	> SCREW M4X6 (4 PIECES)	1
Note: Please give the data from type plate of the motor			
2.16	2179084	Air guider BG 112 Motor KIT	1
2.16A		> AIR GUIDER IEC 112 MOTOR	1
2.16B		> SCREW M8X16 TORX HEX 6.8 GB/T70	1



**IP-E32/135-1,5/2-R1 (2158877)**

Item	Article no.	Description	Quantity
1	2163649	SERV.MO.IP/DP-E32/135-1,5/2-IE4 ELEC	1
1.1	2162504	> Impeller 32/130-134/17 PPO FE1630 KIT	1
1.11		>> Impeller 32/130-134/17 PPO FE1630 fin	1
1.12	2123932	>> CIRCLIP 17X1 DIN471 A2 1.4122 VP.	1
1.13	2046358	>> O-RING ID.164,7X3,53 E7518 VP.	1
1.2	122097593	> Mechanical seal ID.17 AQ1EGG KIT	1
1.12	2123932	>> CIRCLIP 17X1 DIN471 A2 1.4122 VP.	1
1.13	2010300	>> O-RING ID.107,54X3,53	1
1.13	2010301	>> O-RING ID.117,07X3,53	1
1.13	2054183	>> O-RING ID.158,34X3,53 E7518	1
Note: TO/ BIS/ JUSQU'À: 03/03			
1.13	2046358	>> O-RING ID.164,7X3,53 E7518 VP.	1
Note: FROM/ AB/ À PARTIR: 04/03			
1.21		>> MECHANICAL SEAL ID.17 AQ1EGG	1
1.22		>> Distance ring D.17/30X9 PPO FE1630	1
1.3		> Motor	1
1.4	2052495	> SCREW M6X20 ISO4762 8.8 (8 PIECES)	1
		Spare parts motor 1,5/2/90F188E ELEC IE4	1
3	2161144	Pump housing I32/130-F188 16 GG KIT	1
1.13	2046358	> O-RING ID.164,7X3,53 E7518 VP.	1
3.1		> Pump housing IP32/130-F188 16 GG WILO	1
7	2179057	Module IP/DP-E32/135-1,5/2-IE4 ELEC KIT	1
7.1		> Module IP-E/DP-E32/135-1,5/2-IE4 ELEC	1
7.2	2054227	> MODULE COVER/GASKET TL3/4 KIT	1
7.3		> SCREW M5X16 ISO4762 8.8 ZnNi	1
7.4		> WASHER TOOTHED LOCK A5,3 DIN6797 FST ZN	1
	2061236	> O-RING ID.38X3 EPDM 70SR.A BUS.	1

### Motor-Typenschild / Motor type plate / Plaque identité moteur

**Bei Ersatzteilbestellung Motor-Nummer angeben!**

**Indicate motor number for order of spare parts!**

**Pour une commande de pièces détachées, donner le numéro du moteur!**

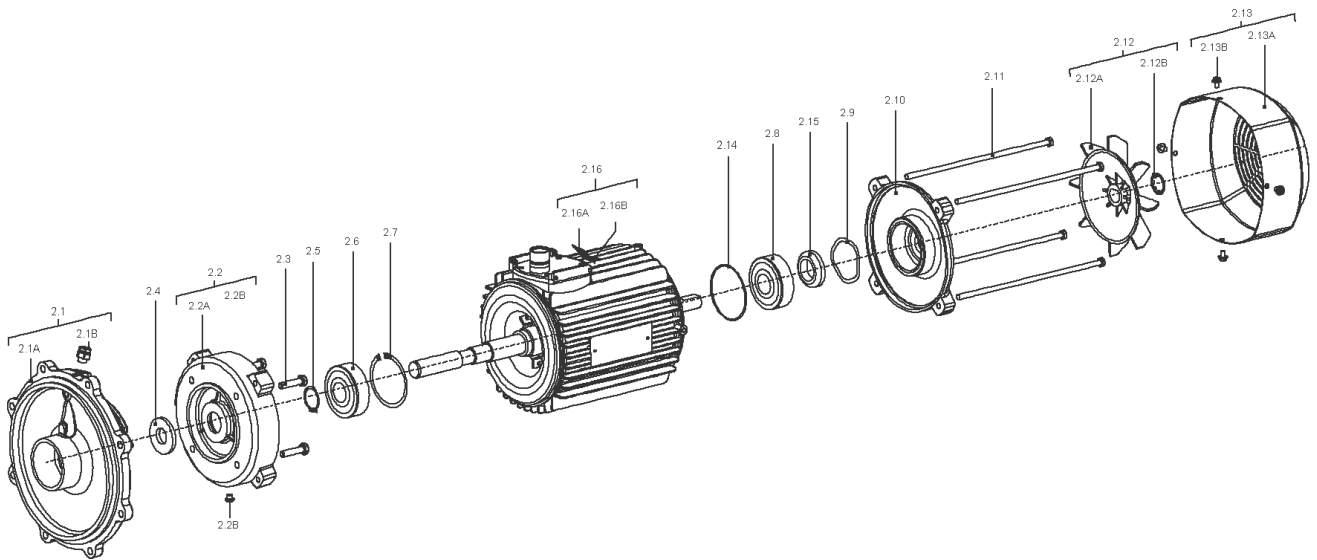
ELEC

Motor-Nummer  
motor number  
numéro du moteur

<b>3~Induction Motor</b>		Made by WILLO Group		
<b>3510436</b>	W080085-2-F188E	0902.001		
Class F	S1	IP55	13,5kg	EN60034
50Hz	0,75kW	SF=1,15	60Hz	0,90kW
YΔ 230/400V	2,86/1,65A	Y 440-480V	1,75/1,65A	
Cos φ =0.84	2840min <sup>-1</sup>	Cos φ =0.81	3425min <sup>-1</sup>	
IE4-83,5%	83,5%	83%	IE4-83,4%	83,4%
			82%	

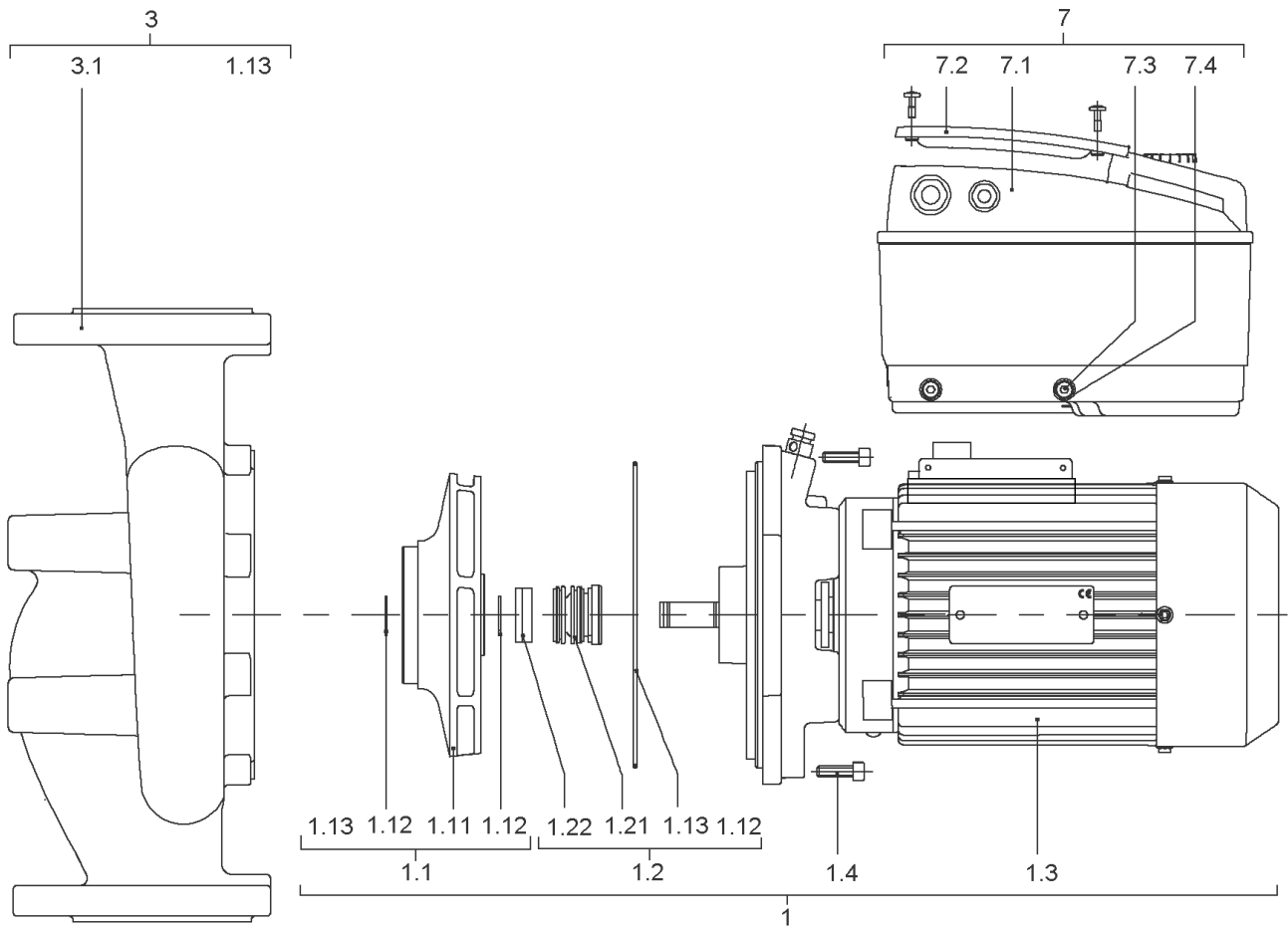
## Spare parts motor 1,5/2/90F188E ELEC IE4

Description	Quantity
W090095-2-F188E 400V/50Hz 1.5kW IE4	1



**W090095-2-F188E 400V/50Hz 1.5kW IE4**

Item	Article no.	Description	Quantity
2.1	2111307	FLANGE END SHIELD BG90F188 D.E.ELEC KIT	1
2.1A		> LANTERN V18 M115-F188 KTL	1
2.1B	2027201	> BLOWGUN R1/8" VP.	1
Note: Please give the data from type plate of the motor			
2.2	2153175	End shield BG90 V18 f.6304 D.E.ELEC KIT	1
2.2A		> Flange IEC90 V18 6304(without thread)	1
2.2B	2111309	> CONDENSATE HOLE GASKET D5 VP.	1
Note: Please give the data from type plate of the motor			
2.3	2175741	Screw M4x14(4 PIECES)	1
2.4	2111324	THROWER D.36X4 VP.	1
2.5	2111333	CIRCLIP D.20 GB894.1 VP.	1
2.6	2153168	Ball bearing 6204/VV-C3 VP.	1
2.7	2111336	CIRCLIP D.52 GB893.1 VP.	1
2.8	2153169	Ball bearing 6304/VV-C3 VP.	1
2.9	2111339	SPRING RING D.47 JB/T7590 VP.	1
2.10	2157920	End shield BG90 N.D.E.ELEC KIT	1
Note: Please give the data from type plate of the motor			
		> Flange IEC90 NDS with slot reduce0.5	1
		> O-RING ID47.2*3.53 EPDM	1
2.11	2111320	SCREW M5X211 6.8 (4 PIECES)	1
2.12	2107782	FAN WHEEL BG90 ELEC KIT	1
2.12A		> FAN 122.6X15X17 GP2200 G/F20%	1
2.12B	2111321	> STOP-RING D.14,8x0,4 VP.	1
Note: Please give the data from type plate of the motor			
2.13	2111322	FAN HOOD BG90 ELEC KIT	1
2.13A		> FAN COVER IEC90 KTL ST14 T0.8 H70	1
2.13B	2111323	> SCREW M4X6 (4 PIECES)	1
Note: Please give the data from type plate of the motor			





**IP-E40/120-1,5/2-R1 (2158879)**

Item	Article no.	Description	Quantity
1	2163651	SERV.MO.IP/DP-E40/120-1,5/2-IE4 ELEC	1
1.1	2164050	> Impeller D.55/123/17X8,2 PPO KIT	1
1.11		>> Impeller D.55/123/17X8,2 PPO BEARB.	1
1.12	2123932	>> CIRCLIP 17X1 DIN471 A2 1.4122 VP.	1
1.13	2046358	>> O-RING ID.164,7X3,53 E7518 VP.	1
1.2	122097593	> Mechanical seal ID.17 AQ1EGG KIT	1
1.12	2123932	>> CIRCLIP 17X1 DIN471 A2 1.4122 VP.	1
1.13	2010300	>> O-RING ID.107,54X3,53	1
1.13	2010301	>> O-RING ID.117,07X3,53	1
1.13	2054183	>> O-RING ID.158,34X3,53 E7518	1
Note: TO/ BIS/ JUSQU'À: 03/03			
1.13	2046358	>> O-RING ID.164,7X3,53 E7518 VP.	1
Note: FROM/ AB/ À PARTIR: 04/03			
1.21		>> MECHANICAL SEAL ID.17 AQ1EGG	1
1.22		>> Distance ring D.17/30X9 PPO FE1630	1
1.3		> Motor	1
1.4	2052495	> SCREW M6X20 ISO4762 8.8 (8 PIECES)	1
		Spare parts motor 1,5/2/90F188E ELEC IE4	1
3	2016517	PUMP HOUSING IPL40/160/IP-E40/5 KIT	1
1.13	2046358	> O-RING ID.164,7X3,53 E7518 VP.	1
3.1		> PUMP HOUSING IP-E40/160 CPL.WILO	1
7	2179058	Module IP/DP-E40/120-1,5/2-IE4 ELEC KIT	1
7.1		> Module IP-E/DP-E40/120-1,5/2-IE4 ELEC	1
7.2	2054227	> MODULE COVER/GASKET TL3/4 KIT	1
7.3		> SCREW M5X16 ISO4762 8.8 ZnNi	1
7.4		> WASHER TOOTHED LOCK A5,3 DIN6797 FST ZN	1
	2061236	> O-RING ID.38X3 EPDM 70SR.A BUS.	1

### Motor-Typenschild / Motor type plate / Plaque identité moteur

**Bei Ersatzteilbestellung Motor-Nummer angeben!**

**Indicate motor number for order of spare parts!**

**Pour une commande de pièces détachées, donner le numéro du moteur!**

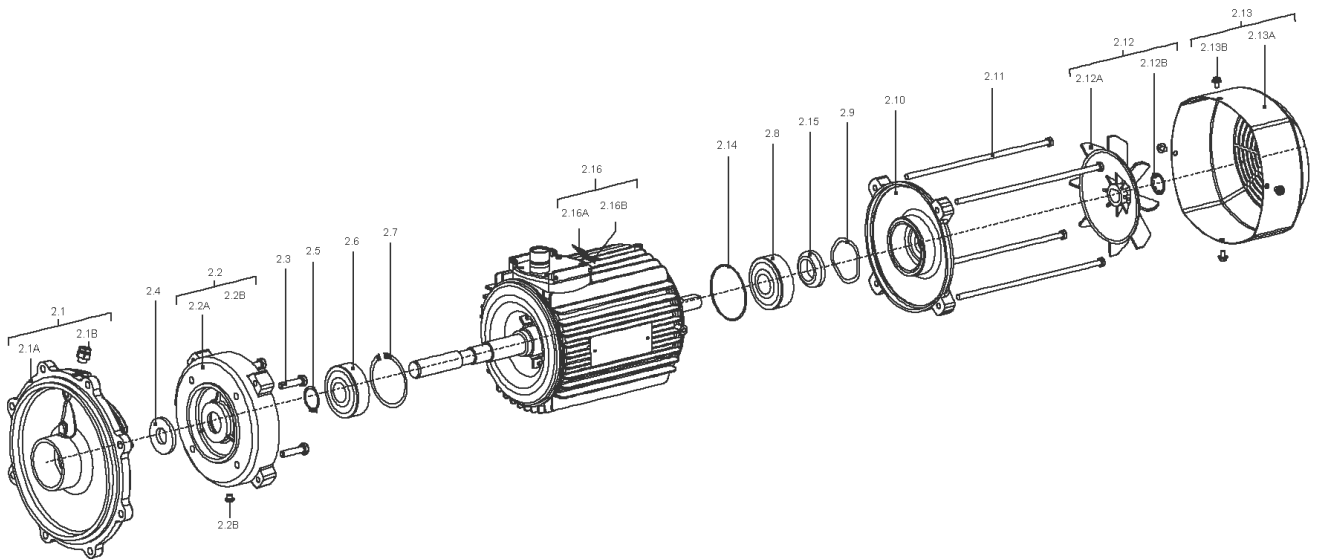
ELEC

Motor-Nummer  
motor number  
numéro du moteur

<b>3~Induction Motor</b>		Made by WILLO Group			
<b>3510436</b>	W080085-2-F188E		0902.001		
Class F	S1	IP55	13,5kg	EN60034	
50Hz	0,75kW	SF=1.15	60Hz	0,90kW	
YΔ 230/400V	2,86/1,65A		Y 440-480V	1,75/1,65A	
Cos φ =0.84	2840min <sup>-1</sup>		Cos φ =0.81	3425min <sup>-1</sup>	
IE4-83,5%	83,5%	83%	IE4-83,4%	83,4%	82%

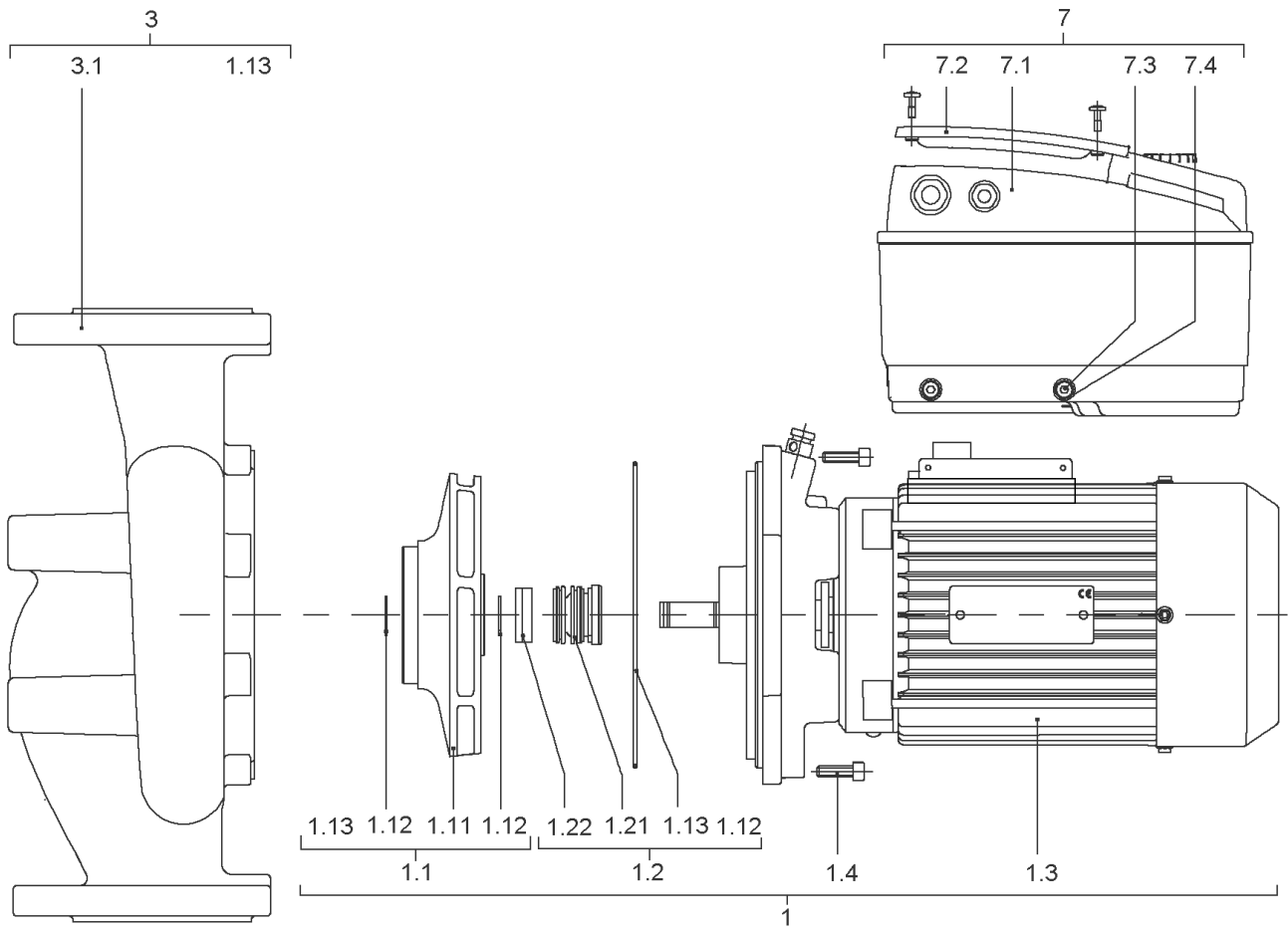
## Spare parts motor 1,5/2/90F188E ELEC IE4

Description	Quantity
W090095-2-F188E 400V/50Hz 1.5kW IE4	1



**W090095-2-F188E 400V/50Hz 1.5kW IE4**

Item	Article no.	Description	Quantity
2.1	2111307	FLANGE END SHIELD BG90F188 D.E.ELEC KIT	1
2.1A		> LANTERN V18 M115-F188 KTL	1
2.1B	2027201	> BLOWGUN R1/8" VP.	1
Note: Please give the data from type plate of the motor			
2.2	2153175	End shield BG90 V18 f.6304 D.E.ELEC KIT	1
2.2A		> Flange IEC90 V18 6304(without thread)	1
2.2B	2111309	> CONDENSATE HOLE GASKET D5 VP.	1
Note: Please give the data from type plate of the motor			
2.3	2175741	Screw M4x14(4 PIECES)	1
2.4	2111324	THROWER D.36X4 VP.	1
2.5	2111333	CIRCLIP D.20 GB894.1 VP.	1
2.6	2153168	Ball bearing 6204/VV-C3 VP.	1
2.7	2111336	CIRCLIP D.52 GB893.1 VP.	1
2.8	2153169	Ball bearing 6304/VV-C3 VP.	1
2.9	2111339	SPRING RING D.47 JB/T7590 VP.	1
2.10	2157920	End shield BG90 N.D.E.ELEC KIT	1
Note: Please give the data from type plate of the motor			
		> Flange IEC90 NDS with slot reduce0.5	1
		> O-RING ID47.2*3.53 EPDM	1
2.11	2111320	SCREW M5X211 6.8 (4 PIECES)	1
2.12	2107782	FAN WHEEL BG90 ELEC KIT	1
2.12A		> FAN 122.6X15X17 GP2200 G/F20%	1
2.12B	2111321	> STOP-RING D.14,8x0,4 VP.	1
Note: Please give the data from type plate of the motor			
2.13	2111322	FAN HOOD BG90 ELEC KIT	1
2.13A		> FAN COVER IEC90 KTL ST14 T0.8 H70	1
2.13B	2111323	> SCREW M4X6 (4 PIECES)	1
Note: Please give the data from type plate of the motor			



**IP-E40/130-2,2/2-R1 (2158880)**

Item	Article no.	Description	Quantity
1	2163652	SERV.MO.IP/DP-E40/130-2,2/2-IE4 ELEC	1
1.1	2008783	> IMPELLER D.55/133/17X8,1 KIT	1
1.11		>> IMPELLER D.55/133/17X8,1 PPO BEARB.	1
1.12	2123932	>> CIRCLIP 17X1 DIN471 A2 1.4122 VP.	1
1.13	2046358	>> O-RING ID.164,7X3,53 E7518 VP.	1
1.2	122097593	> Mechanical seal ID.17 AQ1EGG KIT	1
1.12	2123932	>> CIRCLIP 17X1 DIN471 A2 1.4122 VP.	1
1.13	2010300	>> O-RING ID.107,54X3,53	1
1.13	2010301	>> O-RING ID.117,07X3,53	1
1.13	2054183	>> O-RING ID.158,34X3,53 E7518	1
Note: TO/ BIS/ JUSQU'À: 03/03			
1.13	2046358	>> O-RING ID.164,7X3,53 E7518 VP.	1
Note: FROM/ AB/ À PARTIR: 04/03			
1.21		>> MECHANICAL SEAL ID.17 AQ1EGG	1
1.22		>> Distance ring D.17/30X9 PPO FE1630	1
1.3		> Motor	1
1.4	2052495	> SCREW M6X20 ISO4762 8.8 (8 PIECES)	1
		Spare parts motor 2,2/2/90F188E ELEC IE4	1
3	2016517	PUMP HOUSING IPL40/160/IP-E40/5 KIT	1
1.13	2046358	> O-RING ID.164,7X3,53 E7518 VP.	1
3.1		> PUMP HOUSING IP-E40/160 CPL.WILO	1
7	2178963	Module IP/DP-E40/130-2,2/2-IE4 ELEC KIT	1
7.1		> Module IP-E/DP-E40/130-2,2/2-IE4 ELEC	1
7.2	2054227	> MODULE COVER/GASKET TL3/4 KIT	1
7.3		> SCREW M5X16 ISO4762 8.8 ZnNi	1
7.4		> WASHER TOOTHED LOCK A5,3 DIN6797 FST ZN	1
	2061236	> O-RING ID.38X3 EPDM 70SR.A BUS.	1

**Motor-Typenschild / Motor type plate / Plaque identité moteur**

**Bei Ersatzteilbestellung Motor-Nummer angeben!**

**Indicate motor number for order of spare parts!**

**Pour une commande de pièces détachées, donner le numéro du moteur!**

ELEC

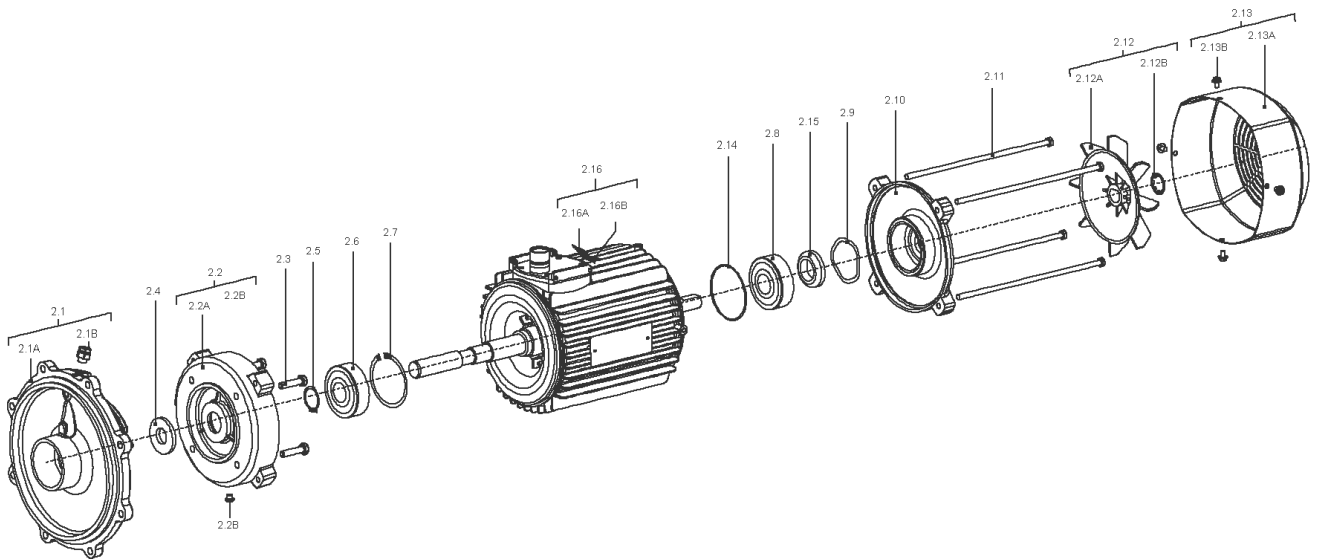
Motor-Nummer  
motor number  
numéro du moteur

<b>3~Induction Motor</b>		Made by WILLO Group			
<b>3510436</b>	<b>W080085-2-F188E</b>		<b>0902.001</b>		
<b>Class F</b>	<b>S1</b>	<b>IP55</b>	<b>13,5kg</b>	<b>EN60034</b>	
50Hz	0,75kW	SF=1,15	60Hz	0,90kW	
YΔ 230/400V	2,86/1,65A		Y 440-480V	1,75/1,65A	
Cos φ =0.84	2840min <sup>-1</sup>		Cos φ =0.81	3425min <sup>-1</sup>	
IE4-83,5%	83,5%	83%	IE4-83,4%	83,4%	82%



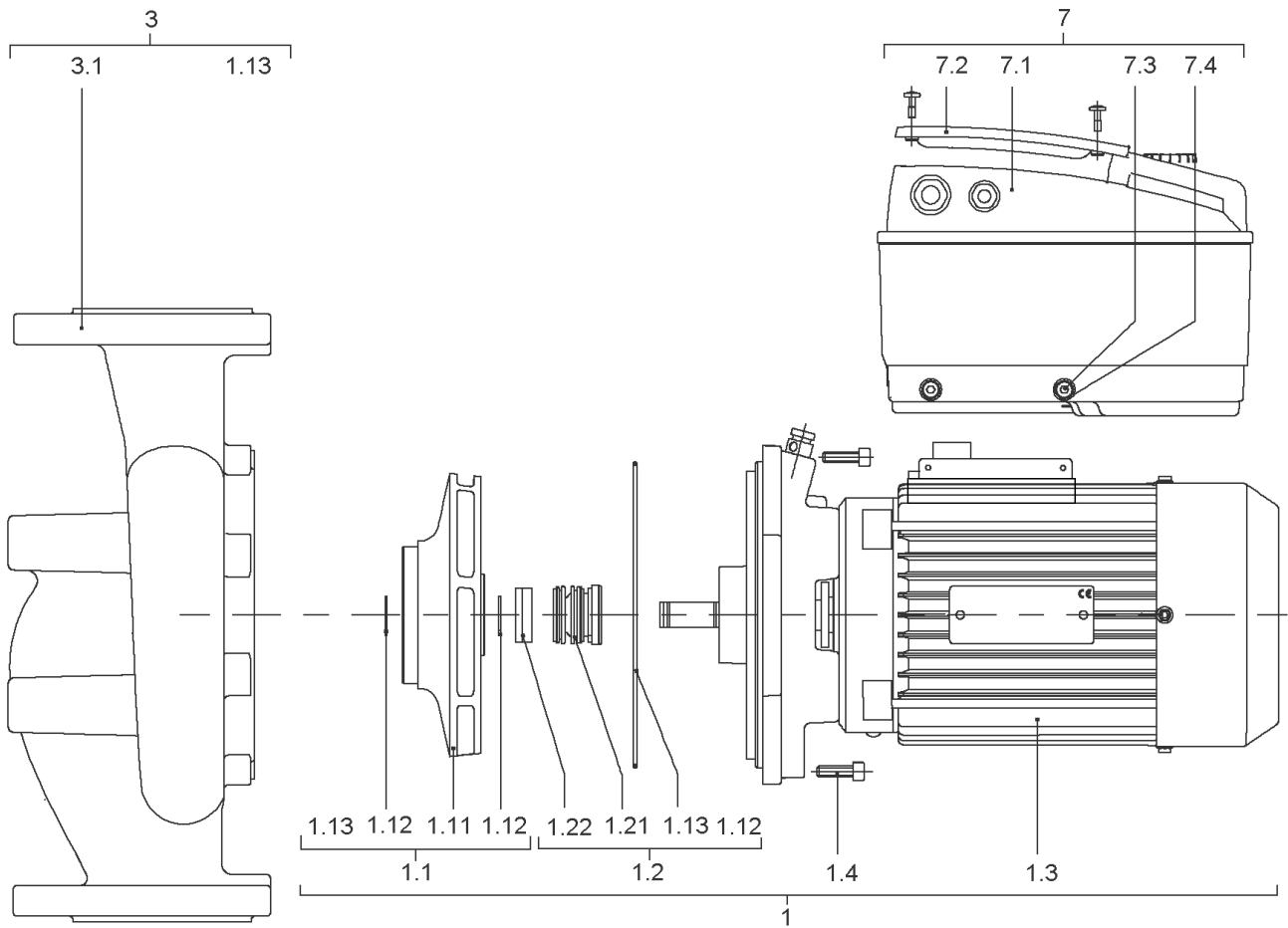
## Spare parts motor 2,2/2/90F188E ELEC IE4

Description	Quantity
W090130-2-F188E 400V/50Hz 2.2kW IE4	1



**W090130-2-F188E 400V/50Hz 2.2kW IE4**

Item	Article no.	Description	Quantity
2.1	2111307	FLANGE END SHIELD BG90F188 D.E.ELEC KIT	1
2.1A		> LANTERN V18 M115-F188 KTL	1
2.1B	2027201	> BLOWGUN R1/8" VP.	1
Note: Please give the data from type plate of the motor			
2.2	2111312	END SHIELD BG90 V18 D.E.ELEC KIT	1
2.2A		> Flange IEC90 V18 (w/o thread)	1
2.2B	2111309	> CONDENSATE HOLE GASKET D5 VP.	1
Note: Please give the data from type plate of the motor			
2.3	2175741	Screw M4x14(4 PIECES)	1
2.4	2111324	THROWER D.36X4 VP.	1
2.5	2111334	CIRCLIP D.30 GB894.1 VP.	1
2.6	2153168	Ball bearing 6204/VV-C3 VP.	1
2.7	2111337	CIRCLIP D.72 GB893.1 VP.	1
2.8	2153170	Ball bearing 6306/VV-C3 VP.	1
2.9	2111339	SPRING RING D.47 JB/T7590 VP.	1
2.10	2157920	End shield BG90 N.D.E.ELEC KIT	1
Note: Please give the data from type plate of the motor			
		> Flange IEC90 NDS with slot reduce0.5	1
		> O-RING ID47.2*3.53 EPDM	1
2.11	2179081	Screw torx Plus / Hex.M5X231(4Pieces)	1
2.12	2107782	FAN WHEEL BG90 ELEC KIT	1
2.12A		> FAN 122.6X15X17 GP2200 G/F20%	1
2.12B	2111321	> STOP-RING D.14,8x0,4 VP.	1
Note: Please give the data from type plate of the motor			
2.13	2111322	FAN HOOD BG90 ELEC KIT	1
2.13A		> FAN COVER IEC90 KTL ST14 T0.8 H70	1
2.13B	2111323	> SCREW M4X6 (4 PIECES)	1
Note: Please give the data from type plate of the motor			



**IP-E40/150-3/2-R1 (2158881)**

Item	Article no.	Description	Quantity
1	2163653	SERV.MO.IP/DP-E40/150-3/2-IE4 ELEC	1
1.1	2116677	> IMPELLER D.55/145/17 KIT	1
1.11		>> IMPELLER D.55/145/17X7,8 PPO BEARB.	1
1.12	2123932	>> CIRCLIP 17X1 DIN471 A2 1.4122 VP.	1
1.13	2046358	>> O-RING ID.164,7X3,53 E7518 VP.	1
1.2	122097593	> Mechanical seal ID.17 AQ1EGG KIT	1
1.12	2123932	>> CIRCLIP 17X1 DIN471 A2 1.4122 VP.	1
1.13	2010300	>> O-RING ID.107,54X3,53	1
1.13	2010301	>> O-RING ID.117,07X3,53	1
1.13	2054183	>> O-RING ID.158,34X3,53 E7518	1
Note: TO/ BIS/ JUSQU'À: 03/03			
1.13	2046358	>> O-RING ID.164,7X3,53 E7518 VP.	1
Note: FROM/ AB/ À PARTIR: 04/03			
1.21		>> MECHANICAL SEAL ID.17 AQ1EGG	1
1.22		>> Distance ring D.17/30X9 PPO FE1630	1
1.3		> Motor	1
1.4	2052495	> SCREW M6X20 ISO4762 8.8 (8 PIECES)	1
		Spare parts motor 3/2/100F188E ELEC IE4	1
3	2016517	PUMP HOUSING IPL40/160/IP-E40/5 KIT	1
1.13	2046358	> O-RING ID.164,7X3,53 E7518 VP.	1
3.1		> PUMP HOUSING IP-E40/160 CPL.WILO	1
7	2179059	Module IP/DP-E40/150-3/2-IE4 ELEC KIT	1
7.1		> Module IP-E/DP-E40/150-3/2-IE4 ELEC	1
7.2	2054227	> MODULE COVER/GASKET TL3/4 KIT	1
7.3		> SCREW M5X16 ISO4762 8.8 ZnNi	1
7.4		> WASHER TOOTHED LOCK A5,3 DIN6797 FST ZN	1
	2061236	> O-RING ID.38X3 EPDM 70SR.A BUS.	1

### Motor-Typenschild / Motor type plate / Plaque identité moteur

**Bei Ersatzteilbestellung Motor-Nummer angeben!**

**Indicate motor number for order of spare parts!**

**Pour une commande de pièces détachées, donner le numéro du moteur!**

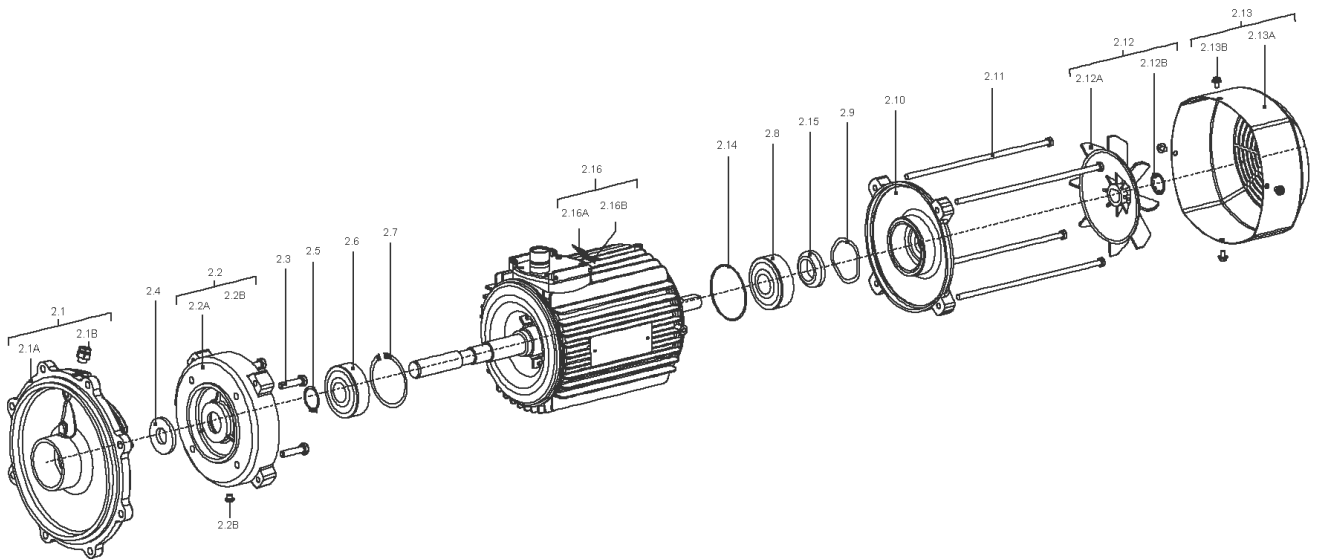
ELEC

Motor-Nummer  
motor number  
numéro du moteur

<b>3~Induction Motor</b>		Made by WILLO Group		
<b>3510436</b>	W080085-2-F188E	0902.001		
Class F	S1	IP55	13,5kg	EN60034
50Hz	0,75kW	SF=1.15	60Hz	0,90kW
YΔ 230/400V	2,86/1,65A	Y 440-480V	1,75/1,65A	
Cos φ =0.84	2840min <sup>-1</sup>	Cos φ =0.81	3425min <sup>-1</sup>	
IE4-83,5%	83,5%	83%	IE4-83,4%	83,4%
			82%	

## Spare parts motor 3/2/100F188E ELEC IE4

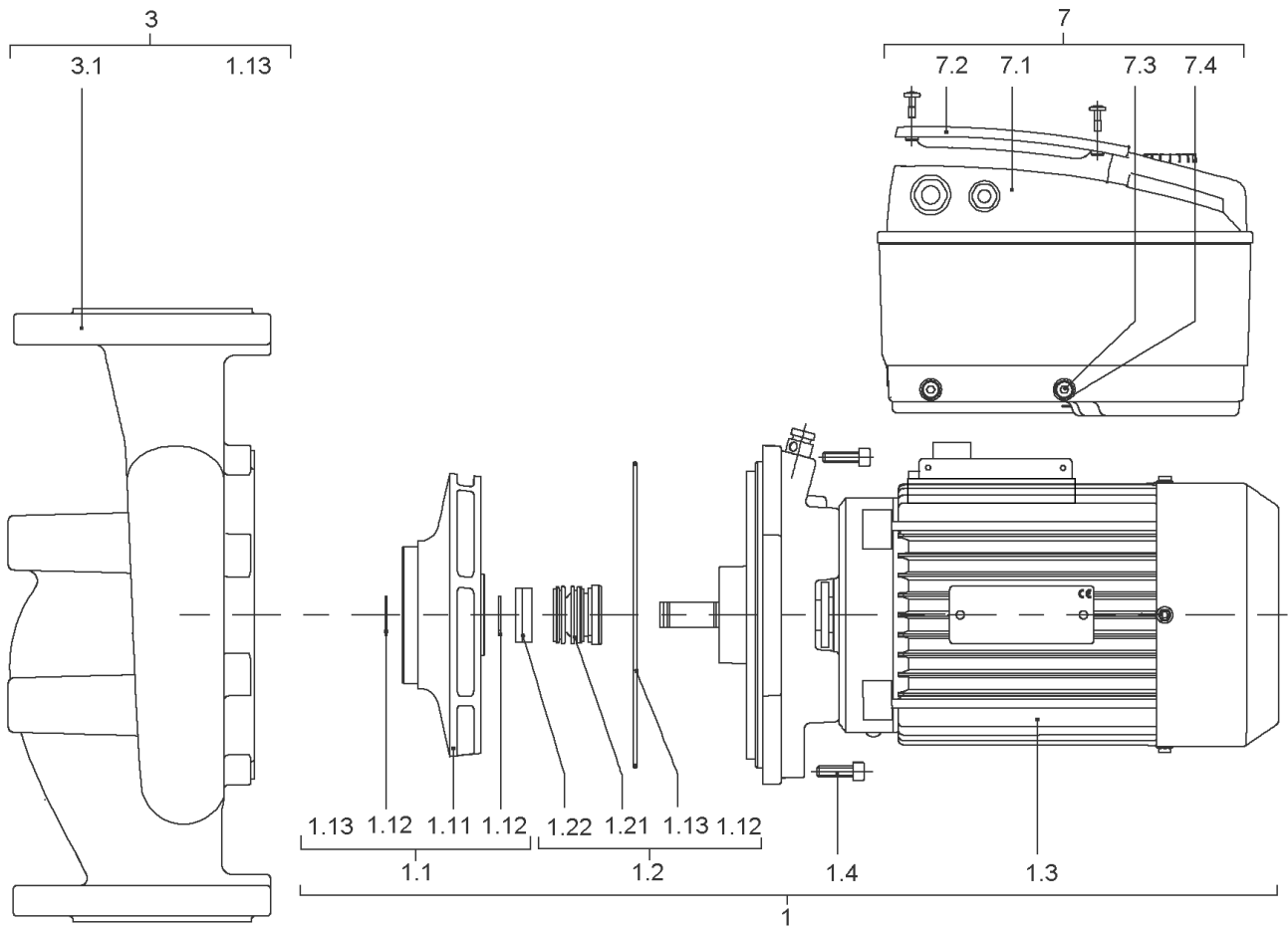
Description	Quantity
W100130-2-F188E 400V/50Hz 3kW IE4	1





**W100130-2-F188E 400V/50Hz 3kW IE4**

Item	Article no.	Description	Quantity
2.1	2118386	FLANGE END SHIELD BG100/112 D.E.ELEC KIT	1
2.1A		> LANTERN V18 M130-F188 KTL	1
2.1B	2027201	> BLOWGUN R1/8" VP.	1
Note: Please give the data from type plate of the motor			
2.2	2153176	End shield BG100 V18 f.6306 D.E.ELEC KIT	1
2.2A		> Flange IEC100 V18 6306(without thread)	1
2.2B	2111309	> CONDENSATE HOLE GASKET D5 VP.	1
Note: Please give the data from type plate of the motor			
2.3	2175741	Screw M4x14(4 PIECES)	1
2.4	2111324	THROWER D.36X4 VP.	1
2.5	2111334	CIRCLIP D.30 GB894.1 VP.	1
2.6	2153171	Ball bearing 6205/VV-C3 VP.	1
2.7	2111337	CIRCLIP D.72 GB893.1 VP.	1
2.8	2153170	Ball bearing 6306/VV-C3 VP.	1
2.9	2164076	Circlip D52 JB/T7590 VP.	1
2.10	2164074	End shield BG100 N.D.E.ELEC KIT	1
Note: Please give the data from type plate of the motor			
		> FLANGE IEC100 NDS with slot	1
		> O-RING ID52.4*3.53 EPDM	1
2.11	2179082	Screw Torx Plus / Hexagon M6X258(4Pieces	1
2.12	2179083	Fan wheel BG100 ELEC KIT	1
2.12A		> FAN 150X20X17 GP2200 G/F20%	1
2.12B	2118396	> Tooth lock washer D.19,8x0,4 VP.	1
Note: Please give the data from type plate of the motor			
2.13	2118397	FAN HOOD BG100 ELEC KIT	1
2.13A		> FAN COVER IEC100 KTL ST14 T0.8 H86	1
2.13B	2111323	> SCREW M4X6 (4 PIECES)	1
Note: Please give the data from type plate of the motor			
2.16	2179086	Air guider BG100 Motor KIT	1
2.16A		> AIR GUIDER IEC100 MOTOR	1
2.16B		> Screw Tapping M5X14 trox pan	1



**IP-E40/160-4/2-R1 (2158882)**

Item	Article no.	Description	Quantity
1	2163654	SERV.MO.IP/DP-E40/160-4/2-IE4 ELEC	1
1.1	2052524	> IMPELLER D.62/156/17 KIT	1
1.11		>> Impeller D.55/156/6°/17 PPO FE1630	1
1.12	2123932	>> CIRCLIP 17X1 DIN471 A2 1.4122 VP.	1
1.13	2046358	>> O-RING ID.164,7X3,53 E7518 VP.	1
1.2	122097593	> Mechanical seal ID.17 AQ1EGG KIT	1
1.12	2123932	>> CIRCLIP 17X1 DIN471 A2 1.4122 VP.	1
1.13	2010300	>> O-RING ID.107,54X3,53	1
1.13	2010301	>> O-RING ID.117,07X3,53	1
1.13	2054183	>> O-RING ID.158,34X3,53 E7518	1
Note: TO/ BIS/ JUSQU'À: 03/03			
1.13	2046358	>> O-RING ID.164,7X3,53 E7518 VP.	1
Note: FROM/ AB/ À PARTIR: 04/03			
1.21		>> MECHANICAL SEAL ID.17 AQ1EGG	1
1.22		>> Distance ring D.17/30X9 PPO FE1630	1
1.3		> Motor	1
1.4	2052495	> SCREW M6X20 ISO4762 8.8 (8 PIECES)	1
		Spare parts motor 4/2/112 F188E Elec IE4	1
3	2016517	PUMP HOUSING IPL40/160/IP-E40/5 KIT	1
1.13	2046358	> O-RING ID.164,7X3,53 E7518 VP.	1
3.1		> PUMP HOUSING IP-E40/160 CPL.WILO	1
7	2175740	Module IP-E/DP-E40/160-4/2-IE4 ELEC KIT	1
7.1		> Module IP-E/DP-E40/160-4/2-IE4 ELEC	1
7.2	2054227	> MODULE COVER/GASKET TL3/4 KIT	1
7.3		> SCREW M5X16 ISO4762 8.8 ZnNi	1
7.4		> WASHER TOOTHED LOCK A5,3 DIN6797 FST ZN	1
	2061236	> O-RING ID.38X3 EPDM 70SR.A BUS.	1

### Motor-Typenschild / Motor type plate / Plaque identité moteur

**Bei Ersatzteilbestellung Motor-Nummer angeben!**

**Indicate motor number for order of spare parts!**

**Pour une commande de pièces détachées, donner le numéro du moteur!**

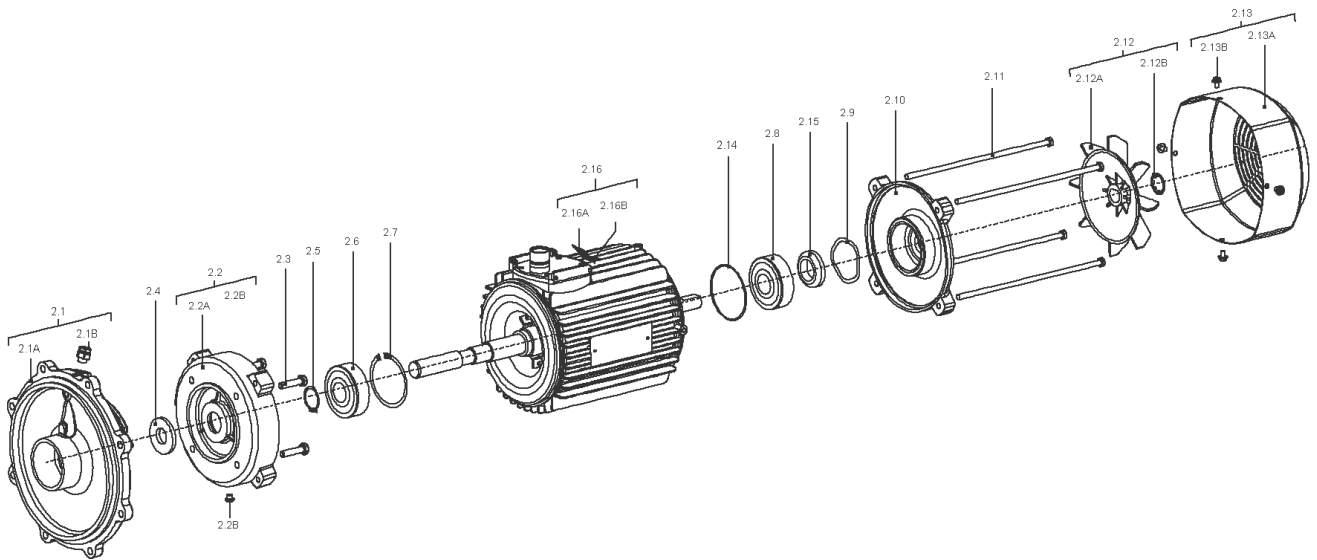
ELEC

Motor-Nummer  
motor number  
numéro du moteur

<b>3~Induction Motor</b>		Made by WILLO Group			
<b>3510436</b>	<b>W080085-2-F188E</b>		<b>0902.001</b>		
Class F	S1	IP55	13,5kg	EN60034	
50Hz	0,75kW	SF=1.15	60Hz	0,90kW	
YΔ 230/400V	2,86/1,65A		Y 440-480V	1,75/1,65A	
Cos φ =0.84	2840min <sup>-1</sup>		Cos φ =0.81	3425min <sup>-1</sup>	
IE4-83,5%	83,5%	83%	IE4-83,4%	83,4%	82%

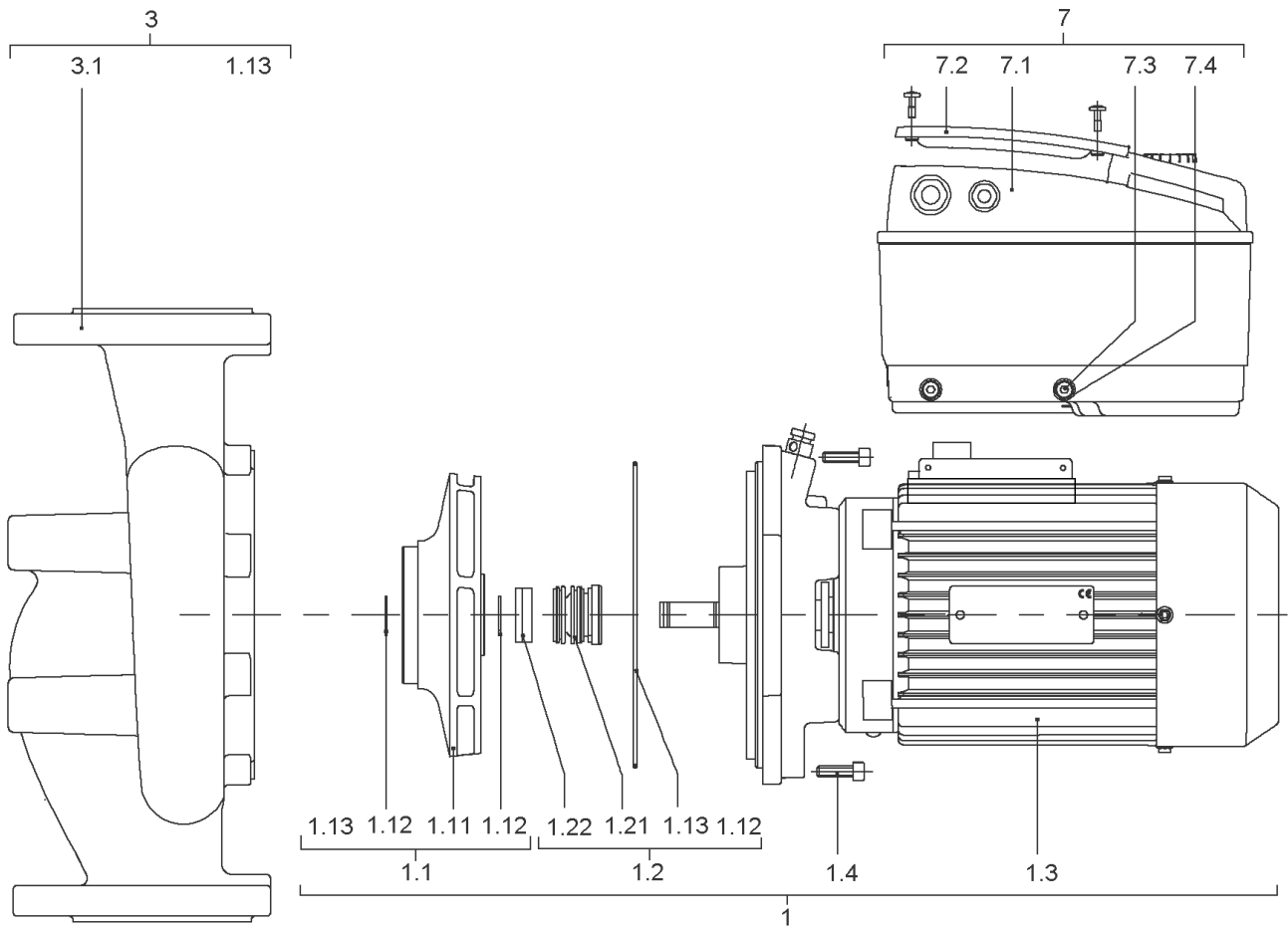
## Spare parts motor 4/2/112 F188E Elec IE4

Description	Quantity
W112140-2-F188E 400V/50Hz 4kW IE4	1



**W112140-2-F188E 400V/50Hz 4kW IE4**

Item	Article no.	Description	Quantity
2.1	2118386	FLANGE END SHIELD BG100/112 D.E.ELEC KIT	1
2.1A		> LANTERN V18 M130-F188 KTL	1
2.1B	2027201	> BLOWGUN R1/8" VP.	1
Note: Please give the data from type plate of the motor			
2.2	2132465	END SHIELD BG112 V12 D.E.ELEC KIT	1
2.2A		> FLANGE IEC112 V18 (WITHOUT THREAD)	1
2.2B	2111309	> CONDENSATE HOLE GASKET D5 VP.	1
Note: Please give the data from type plate of the motor			
2.3	2175741	Screw M4x14(4 PIECES)	1
2.4	2111324	THROWER D.36X4 VP.	1
2.5	2118388	CIRCLIP D.35 GB894.1 VP.	1
2.6	2149118	Ball bearing 6307/ZZ-C3 E2 VP.	1
2.7	2118390	CIRCLIP D.80 GB893.1 VP.	1
2.8	2153173	Ball bearing 6206/VV-C3 VP.	1
2.9	2132469	SPRING RING D.62 JB/T7590 VP.	1
2.10	2164025	End shield BG112 N.D.E.ELEC KIT	1
Note: Please give the data from type plate of the motor			
		> FLANGE IEC112 NDS with slot	1
		> O-RING ID62.4*3.53 EPDM	1
2.11	2132473	SCREW M8X263,5 6.8 (4 PIECES)	1
2.12	2175742	Fan BG112 ELEC KIT	1
2.12A		> FAN 174X20X17 GP2200 G/F20%	1
2.12B	2118396	> Tooth lock washer D.19,8x0,4 VP.	1
Note: Please give the data from type plate of the motor			
2.13	2168255	Fan hood BG112 ELEC KIT	1
2.13A		> FAN COVER IEC112 KTL ST14 T1.0 H86	1
2.13B	2111323	> SCREW M4X6 (4 PIECES)	1
Note: Please give the data from type plate of the motor			
2.16	2179084	Air guider BG 112 Motor KIT	1
2.16A		> AIR GUIDER IEC 112 MOTOR	1
2.16B		> SCREW M8X16 TORX HEX 6.8 GB/T70	1





**IP-E50/130-2,2/2-R1 (2158884)**

Item	Article no.	Description	Quantity
1	2163656	SERV.MO.IP/DP-E50/130-2,2/2-IE4 ELEC	1
1.1	2179050	> Impeller 50/160-121/17 PPO FE1630 KIT	1
1.11		>> Impeller 50/160-121/17 PPO FE1630 fin	1
1.12	2123932	>> CIRCLIP 17X1 DIN471 A2 1.4122 VP.	1
1.13	2046358	>> O-RING ID.164,7X3,53 E7518 VP.	1
1.2	122097593	> Mechanical seal ID.17 AQ1EGG KIT	1
1.12	2123932	>> CIRCLIP 17X1 DIN471 A2 1.4122 VP.	1
1.13	2010300	>> O-RING ID.107,54X3,53	1
1.13	2010301	>> O-RING ID.117,07X3,53	1
1.13	2054183	>> O-RING ID.158,34X3,53 E7518	1
Note: TO/ BIS/ JUSQU'À: 03/03			
1.13	2046358	>> O-RING ID.164,7X3,53 E7518 VP.	1
Note: FROM/ AB/ À PARTIR: 04/03			
1.21		>> MECHANICAL SEAL ID.17 AQ1EGG	1
1.22		>> Distance ring D.17/30X9 PPO FE1630	1
1.3		> Motor	1
1.4	2052495	> SCREW M6X20 ISO4762 8.8 (8 PIECES)	1
		Spare parts motor 2,2/2/90F188E ELEC IE4	1
3	2016519	PUMP HOUSING IPL50/160/IP-E50/5 KIT	1
1.13	2046358	> O-RING ID.164,7X3,53 E7518 VP.	1
3.1		> PUMP HOUSING IP-E50/160 CPL.WILO	1
7	2179060	Module IP/DP-E50/130-2,2/2-IE4 ELEC KIT	1
7.1		> Module IP-E/DP-E50/130-2,2/2-IE4 ELEC	1
7.2	2054227	> MODULE COVER/GASKET TL3/4 KIT	1
7.3		> SCREW M5X16 ISO4762 8.8 ZnNi	1
7.4		> WASHER TOOTHED LOCK A5,3 DIN6797 FST ZN	1
	2061236	> O-RING ID.38X3 EPDM 70SR.A BUS.	1

### Motor-Typenschild / Motor type plate / Plaque identité moteur

**Bei Ersatzteilbestellung Motor-Nummer angeben!**

**Indicate motor number for order of spare parts!**

**Pour une commande de pièces détachées, donner le numéro du moteur!**

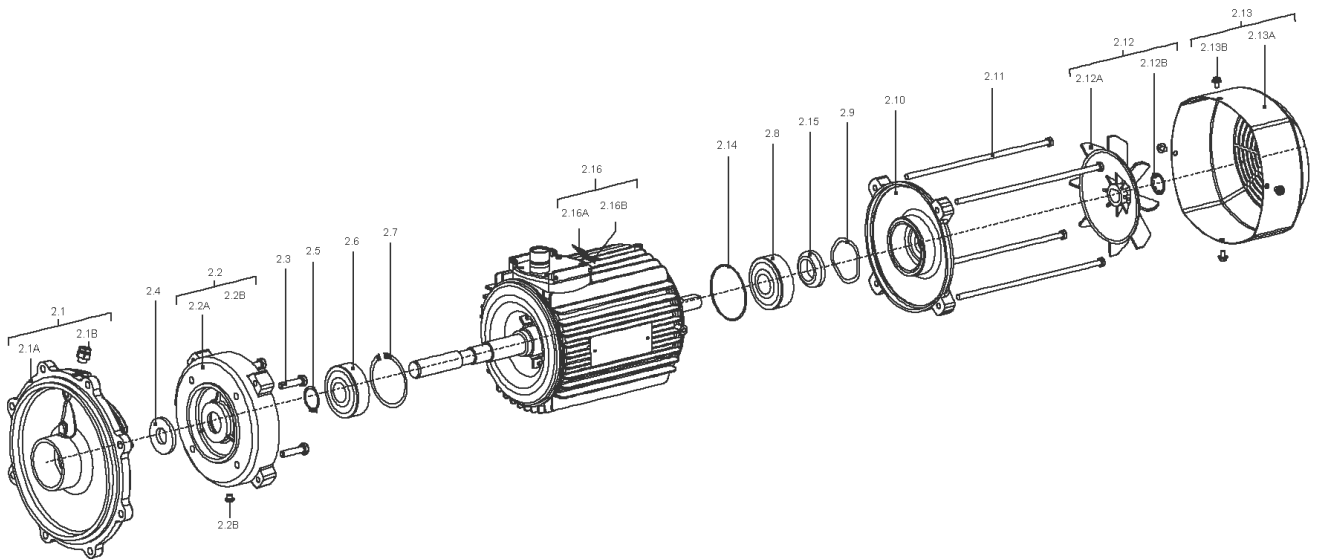
ELEC

Motor-Nummer  
motor number  
numéro du moteur

<b>3~Induction Motor</b>		Made by WILLO Group			
<b>3510436</b>	W080085-2-F188E		0902.001		
Class F	S1	IP55	13,5kg	EN60034	
50Hz	0,75kW	SF=1.15	60Hz	0,90kW	
YΔ 230/400V	2,86/1,65A		Y 440-480V	1,75/1,65A	
Cos φ =0.84	2840min <sup>-1</sup>		Cos φ =0.81	3425min <sup>-1</sup>	
IE4-83,5%	83,5%	83%	IE4-83,4%	83,4%	82%

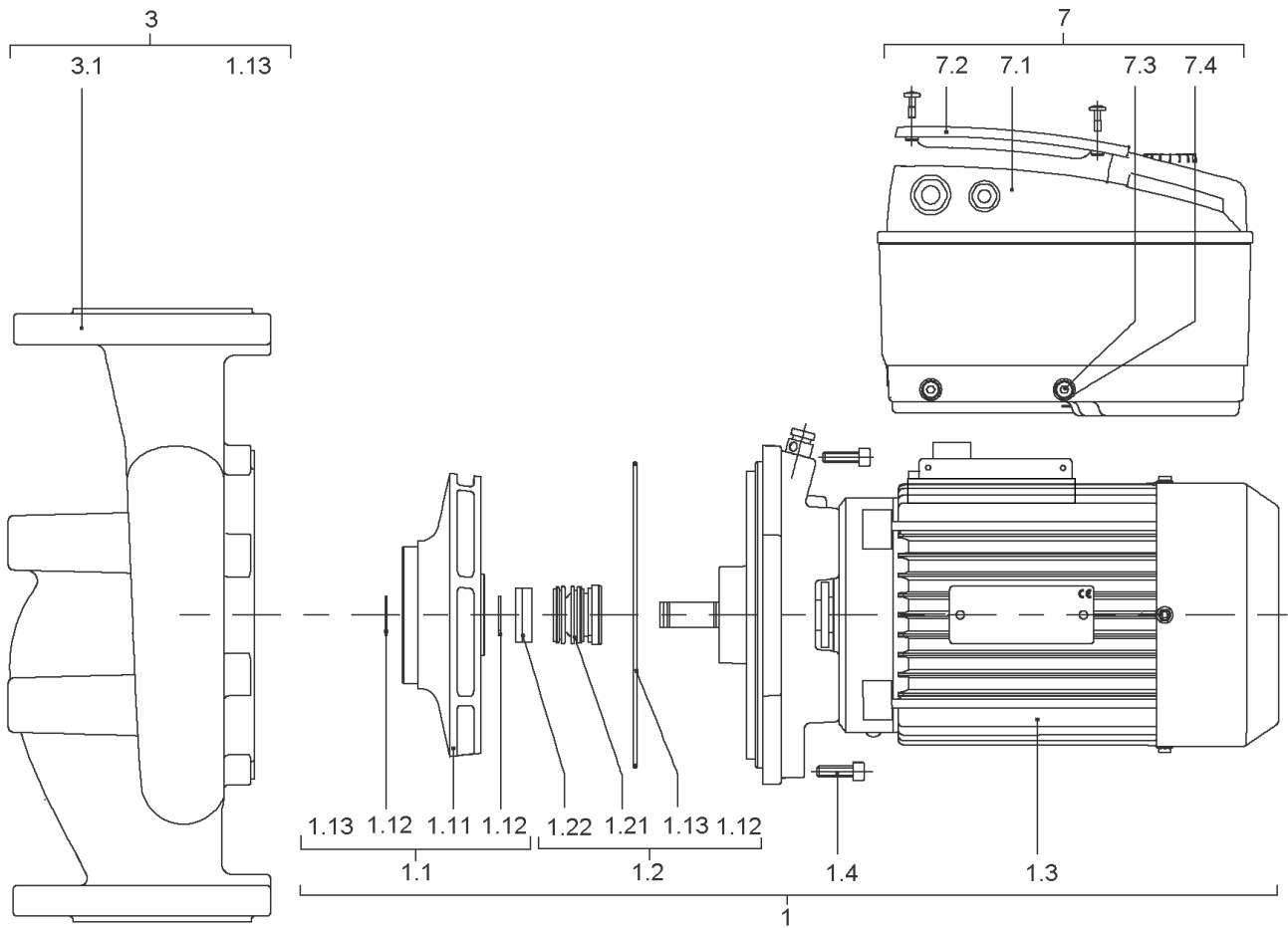
## Spare parts motor 2,2/2/90F188E ELEC IE4

Description	Quantity
W090130-2-F188E 400V/50Hz 2.2kW IE4	1



**W090130-2-F188E 400V/50Hz 2.2kW IE4**

Item	Article no.	Description	Quantity
2.1	2111307	FLANGE END SHIELD BG90F188 D.E.ELEC KIT	1
2.1A		> LANTERN V18 M115-F188 KTL	1
2.1B	2027201	> BLOWGUN R1/8" VP.	1
Note: Please give the data from type plate of the motor			
2.2	2111312	END SHIELD BG90 V18 D.E.ELEC KIT	1
2.2A		> Flange IEC90 V18 (w/o thread)	1
2.2B	2111309	> CONDENSATE HOLE GASKET D5 VP.	1
Note: Please give the data from type plate of the motor			
2.3	2175741	Screw M4x14(4 PIECES)	1
2.4	2111324	THROWER D.36X4 VP.	1
2.5	2111334	CIRCLIP D.30 GB894.1 VP.	1
2.6	2153168	Ball bearing 6204/VV-C3 VP.	1
2.7	2111337	CIRCLIP D.72 GB893.1 VP.	1
2.8	2153170	Ball bearing 6306/VV-C3 VP.	1
2.9	2111339	SPRING RING D.47 JB/T7590 VP.	1
2.10	2157920	End shield BG90 N.D.E.ELEC KIT	1
Note: Please give the data from type plate of the motor			
		> Flange IEC90 NDS with slot reduce0.5	1
		> O-RING ID47.2*3.53 EPDM	1
2.11	2179081	Screw torx Plus / Hex.M5X231(4Pieces)	1
2.12	2107782	FAN WHEEL BG90 ELEC KIT	1
2.12A		> FAN 122.6X15X17 GP2200 G/F20%	1
2.12B	2111321	> STOP-RING D.14,8x0,4 VP.	1
Note: Please give the data from type plate of the motor			
2.13	2111322	FAN HOOD BG90 ELEC KIT	1
2.13A		> FAN COVER IEC90 KTL ST14 T0.8 H70	1
2.13B	2111323	> SCREW M4X6 (4 PIECES)	1
Note: Please give the data from type plate of the motor			



**IP-E50/140-3/2-R1 (2158885)**

Item	Article no.	Description	Quantity
1	2163657	SERV.MO.IP/DP-E50/140-3/2-IE4 ELEC	1
1.1	2153161	> Impeller 50/160-134/17 PPO KIT	1
1.11		>> Impeller 50/160-134/17 PPO FE1630 fin	1
1.12	2123932	>> CIRCLIP 17X1 DIN471 A2 1.4122 VP.	1
1.13	2046358	>> O-RING ID.164,7X3,53 E7518 VP.	1
1.2	122097593	> Mechanical seal ID.17 AQ1EGG KIT	1
1.12	2123932	>> CIRCLIP 17X1 DIN471 A2 1.4122 VP.	1
1.13	2010300	>> O-RING ID.107,54X3,53	1
1.13	2010301	>> O-RING ID.117,07X3,53	1
1.13	2054183	>> O-RING ID.158,34X3,53 E7518	1
Note: TO/ BIS/ JUSQU'À: 03/03			
1.13	2046358	>> O-RING ID.164,7X3,53 E7518 VP.	1
Note: FROM/ AB/ À PARTIR: 04/03			
1.21		>> MECHANICAL SEAL ID.17 AQ1EGG	1
1.22		>> Distance ring D.17/30X9 PPO FE1630	1
1.3		> Motor	1
1.4	2052495	> SCREW M6X20 ISO4762 8.8 (8 PIECES)	1
		Spare parts motor 3/2/100F188E ELEC IE4	1
3	2016519	PUMP HOUSING IPL50/160/IP-E50/5 KIT	1
1.13	2046358	> O-RING ID.164,7X3,53 E7518 VP.	1
3.1		> PUMP HOUSING IP-E50/160 CPL.WILO	1
7	2179061	Module IP/DP-E50/140-3/2-IE4 ELEC KIT	1
7.1		> Module IP-E/DP-E50/140-3/2-IE4 ELEC	1
7.2	2054227	> MODULE COVER/GASKET TL3/4 KIT	1
7.3		> SCREW M5X16 ISO4762 8.8 ZnNi	1
7.4		> WASHER TOOTHED LOCK A5,3 DIN6797 FST ZN	1
	2061236	> O-RING ID.38X3 EPDM 70SR.A BUS.	1

### Motor-Typenschild / Motor type plate / Plaque identité moteur

**Bei Ersatzteilbestellung Motor-Nummer angeben!**

**Indicate motor number for order of spare parts!**

**Pour une commande de pièces détachées, donner le numéro du moteur!**

ELEC

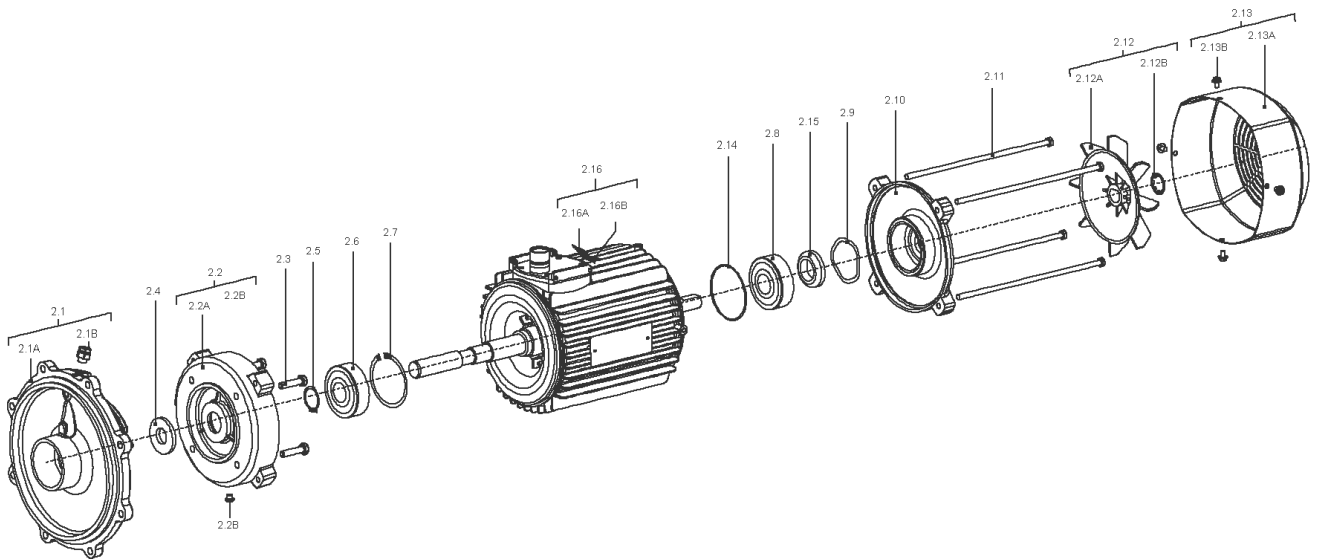
Motor-Nummer  
motor number  
numéro du moteur

<b>3~Induction Motor</b>		Made by WILLO Group		
<b>3510436</b>	W080085-2-F188E	0902.001		
Class F	S1	IP55	13,5kg	EN60034
50Hz	0,75kW	SF=1.15	60Hz	0,90kW
YΔ 230/400V	2,86/1,65A	Y 440-480V	1,75/1,65A	
Cos φ =0.84	2840min <sup>-1</sup>	Cos φ =0.81	3425min <sup>-1</sup>	
IE4-83,5%	83,5%	83%	IE4-83,4%	83,4%
			82%	



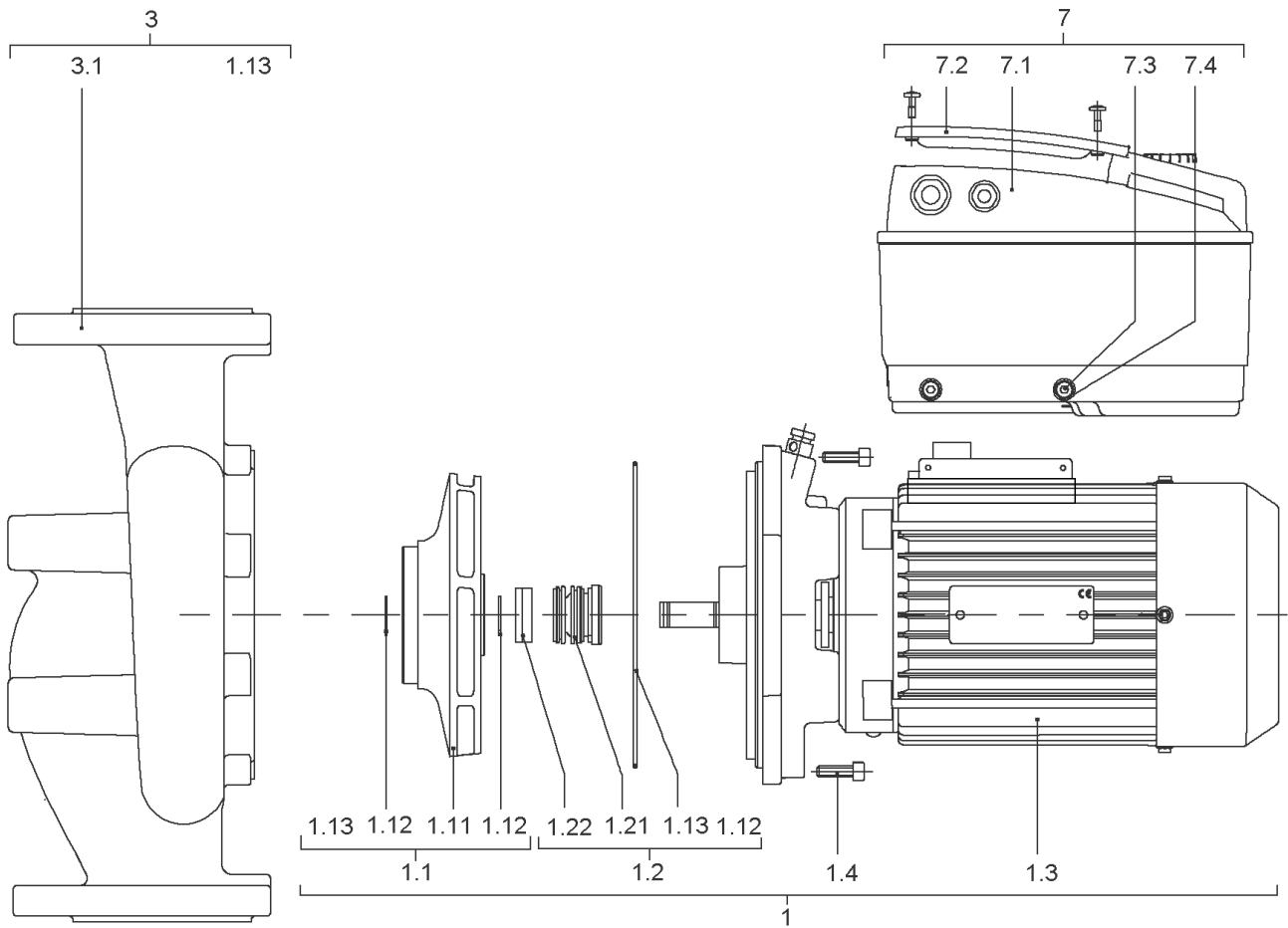
## Spare parts motor 3/2/100F188E ELEC IE4

Description	Quantity
W100130-2-F188E 400V/50Hz 3kW IE4	1



**W100130-2-F188E 400V/50Hz 3kW IE4**

Item	Article no.	Description	Quantity
2.1	2118386	FLANGE END SHIELD BG100/112 D.E.ELEC KIT	1
2.1A		> LANTERN V18 M130-F188 KTL	1
2.1B	2027201	> BLOWGUN R1/8" VP.	1
Note: Please give the data from type plate of the motor			
2.2	2153176	End shield BG100 V18 f.6306 D.E.ELEC KIT	1
2.2A		> Flange IEC100 V18 6306(without thread)	1
2.2B	2111309	> CONDENSATE HOLE GASKET D5 VP.	1
Note: Please give the data from type plate of the motor			
2.3	2175741	Screw M4x14(4 PIECES)	1
2.4	2111324	THROWER D.36X4 VP.	1
2.5	2111334	CIRCLIP D.30 GB894.1 VP.	1
2.6	2153171	Ball bearing 6205/VV-C3 VP.	1
2.7	2111337	CIRCLIP D.72 GB893.1 VP.	1
2.8	2153170	Ball bearing 6306/VV-C3 VP.	1
2.9	2164076	Circlip D52 JB/T7590 VP.	1
2.10	2164074	End shield BG100 N.D.E.ELEC KIT	1
Note: Please give the data from type plate of the motor			
		> FLANGE IEC100 NDS with slot	1
		> O-RING ID52.4*3.53 EPDM	1
2.11	2179082	Screw Torx Plus / Hexagon M6X258(4Pieces	1
2.12	2179083	Fan wheel BG100 ELEC KIT	1
2.12A		> FAN 150X20X17 GP2200 G/F20%	1
2.12B	2118396	> Tooth lock washer D.19,8x0,4 VP.	1
Note: Please give the data from type plate of the motor			
2.13	2118397	FAN HOOD BG100 ELEC KIT	1
2.13A		> FAN COVER IEC100 KTL ST14 T0.8 H86	1
2.13B	2111323	> SCREW M4X6 (4 PIECES)	1
Note: Please give the data from type plate of the motor			
2.16	2179086	Air guider BG100 Motor KIT	1
2.16A		> AIR GUIDER IEC100 MOTOR	1
2.16B		> Screw Tapping M5X14 trox pan	1



**IP-E50/150-4/2-R1 (2158886)**

Item	Article no.	Description	Quantity
1	2163658	SERV.MO.IP/DP-E50/150-4/2-IE4 ELEC	1
1.1	2052528	> Impeller 50/160-145,5/17 PPO FE1630 KIT	1
1.11		>> Impeller 50/160-145,5/17 PPO FE1630 fin	1
1.12	2123932	>> CIRCLIP 17X1 DIN471 A2 1.4122 VP.	1
1.13	2046358	>> O-RING ID.164,7X3,53 E7518 VP.	1
1.2	122097593	> Mechanical seal ID.17 AQ1EGG KIT	1
1.12	2123932	>> CIRCLIP 17X1 DIN471 A2 1.4122 VP.	1
1.13	2010300	>> O-RING ID.107,54X3,53	1
1.13	2010301	>> O-RING ID.117,07X3,53	1
1.13	2054183	>> O-RING ID.158,34X3,53 E7518	1
Note: TO/ BIS/ JUSQU'À: 03/03			
1.13	2046358	>> O-RING ID.164,7X3,53 E7518 VP.	1
Note: FROM/ AB/ À PARTIR: 04/03			
1.21		>> MECHANICAL SEAL ID.17 AQ1EGG	1
1.22		>> Distance ring D.17/30X9 PPO FE1630	1
1.3		> Motor	1
1.4	2052495	> SCREW M6X20 ISO4762 8.8 (8 PIECES)	1
		Spare parts motor 4/2/112 F188E Elec IE4	1
3	2016519	PUMP HOUSING IPL50/160/IP-E50/5 KIT	1
1.13	2046358	> O-RING ID.164,7X3,53 E7518 VP.	1
3.1		> PUMP HOUSING IP-E50/160 CPL.WILO	1
7	2179062	Module IP-E/DP-E50/150-4/2 IE4 ELEC KIT	1
7.1		> Module IP-E/DP-E50/150-4/2-IE4 ELEC	1
7.2	2054227	> MODULE COVER/GASKET TL3/4 KIT	1
7.3		> SCREW M5X16 ISO4762 8.8 ZnNi	1
7.4		> WASHER TOOTHED LOCK A5,3 DIN6797 FST ZN	1
	2061236	> O-RING ID.38X3 EPDM 70SR.A BUS.	1

**Motor-Typenschild / Motor type plate / Plaque identité moteur**

**Bei Ersatzteilbestellung Motor-Nummer angeben!**

**Indicate motor number for order of spare parts!**

**Pour une commande de pièces détachées, donner le numéro du moteur!**

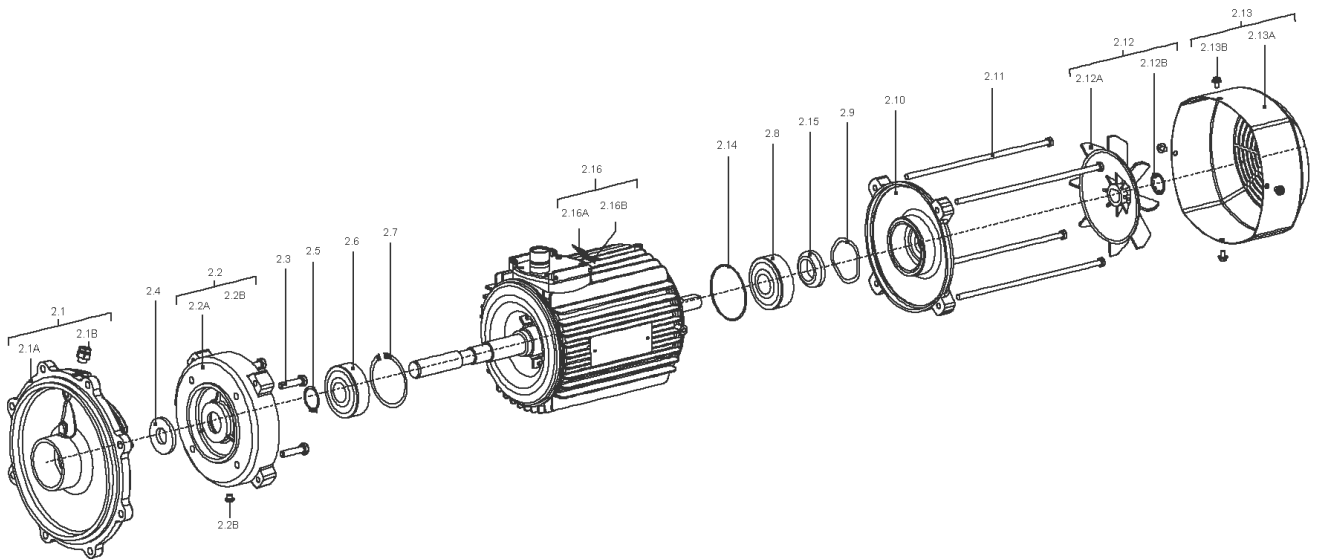
ELEC

Motor-Nummer  
motor number  
numéro du moteur

<b>3~Induction Motor</b>		Made by WILLO Group			
<b>3510436</b>	<b>W080085-2-F188E</b>		<b>0902.001</b>		
<b>Class F</b>	<b>S1</b>	<b>IP55</b>	<b>13,5kg</b>	<b>EN60034</b>	
50Hz	0,75kW	SF=1,15	60Hz	0,90kW	
YΔ 230/400V	2,86/1,65A		Y 440-480V	1,75/1,65A	
Cos φ =0.84	2840min <sup>-1</sup>		Cos φ =0.81	3425min <sup>-1</sup>	
IE4-83,5%	83,5%	83%	IE4-83,4%	83,4%	82%

## Spare parts motor 4/2/112 F188E Elec IE4

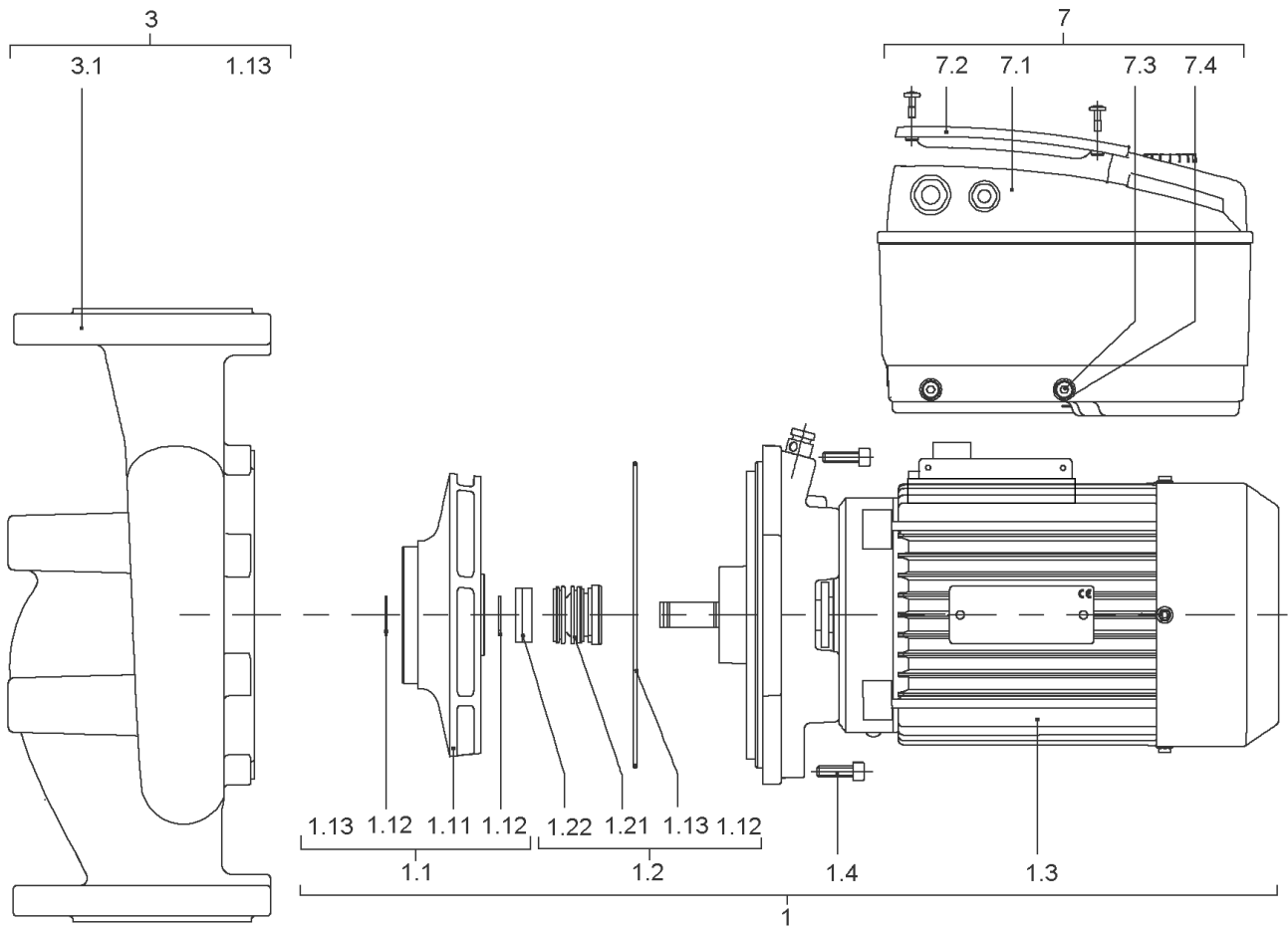
Description	Quantity
W112140-2-F188E 400V/50Hz 4kW IE4	1





**W112140-2-F188E 400V/50Hz 4kW IE4**

Item	Article no.	Description	Quantity
2.1	2118386	FLANGE END SHIELD BG100/112 D.E.ELEC KIT	1
2.1A		> LANTERN V18 M130-F188 KTL	1
2.1B	2027201	> BLOWGUN R1/8" VP.	1
Note: Please give the data from type plate of the motor			
2.2	2132465	END SHIELD BG112 V12 D.E.ELEC KIT	1
2.2A		> FLANGE IEC112 V18 (WITHOUT THREAD)	1
2.2B	2111309	> CONDENSATE HOLE GASKET D5 VP.	1
Note: Please give the data from type plate of the motor			
2.3	2175741	Screw M4x14(4 PIECES)	1
2.4	2111324	THROWER D.36X4 VP.	1
2.5	2118388	CIRCLIP D.35 GB894.1 VP.	1
2.6	2149118	Ball bearing 6307/ZZ-C3 E2 VP.	1
2.7	2118390	CIRCLIP D.80 GB893.1 VP.	1
2.8	2153173	Ball bearing 6206/VV-C3 VP.	1
2.9	2132469	SPRING RING D.62 JB/T7590 VP.	1
2.10	2164025	End shield BG112 N.D.E.ELEC KIT	1
Note: Please give the data from type plate of the motor			
		> FLANGE IEC112 NDS with slot	1
		> O-RING ID62.4*3.53 EPDM	1
2.11	2132473	SCREW M8X263,5 6.8 (4 PIECES)	1
2.12	2175742	Fan BG112 ELEC KIT	1
2.12A		> FAN 174X20X17 GP2200 G/F20%	1
2.12B	2118396	> Tooth lock washer D.19,8x0,4 VP.	1
Note: Please give the data from type plate of the motor			
2.13	2168255	Fan hood BG112 ELEC KIT	1
2.13A		> FAN COVER IEC112 KTL ST14 T1.0 H86	1
2.13B	2111323	> SCREW M4X6 (4 PIECES)	1
Note: Please give the data from type plate of the motor			
2.16	2179084	Air guider BG 112 Motor KIT	1
2.16A		> AIR GUIDER IEC 112 MOTOR	1
2.16B		> SCREW M8X16 TORX HEX 6.8 GB/T70	1



**IP-E65/115-1,5/2-R1 (2158887)**

Item	Article no.	Description	Quantity
1	2163659	SERV.MO.IP/DP-E65/115-1,5/2-IE4 ELEC	1
1.1	2179051	> Impeller D.70/114,5/17X11 KU.KIT	1
1.11		>> Impeller D.70/114,5/17X11 KU.	1
1.12	2123932	>> CIRCLIP 17X1 DIN471 A2 1.4122 VP.	1
1.13	2010301	>> O-RING ID.117,07X3,53	1
1.2	122097593	> Mechanical seal ID.17 AQ1EGG KIT	1
1.12	2123932	>> CIRCLIP 17X1 DIN471 A2 1.4122 VP.	1
1.13	2010300	>> O-RING ID.107,54X3,53	1
1.13	2010301	>> O-RING ID.117,07X3,53	1
1.13	2054183	>> O-RING ID.158,34X3,53 E7518	1
Note: TO/ BIS/ JUSQU'À: 03/03			
1.13	2046358	>> O-RING ID.164,7X3,53 E7518 VP.	1
Note: FROM/ AB/ À PARTIR: 04/03			
1.21		>> MECHANICAL SEAL ID.17 AQ1EGG	1
1.22		>> Distance ring D.17/30X9 PPO FE1630	1
1.3		> Motor	1
1.4	2037242	> SCREW M10X25 ISO4762 8.8 (4 PIECES)	1
		Spare parts motor 1,5/2/90F170E ELEC IE4	1
3	2016515	PUMP HOUSING IPL65/115/IP-E65/2 KIT	1
1.13	2010301	> O-RING ID.117,07X3,53	1
3.1		> PUMP HOUSING IP-E65/120 PN16 CPL.WILO	1
7	2174958	Module IP-E/DP-E65/115-1,5/2-IE4ELEC KIT	1
7.1		> Module IP-E/DP-E65/115-1,5/2-IE4 ELEC	1
7.2	2054227	> MODULE COVER/GASKET TL3/4 KIT	1
7.3		> SCREW M5X16 ISO4762 8.8 ZnNi	1
7.4		> WASHER TOOTHED LOCK A5,3 DIN6797 FST ZN	1
	2061236	> O-RING ID.38X3 EPDM 70SR.A BUS.	1

### Motor-Typenschild / Motor type plate / Plaque identité moteur

**Bei Ersatzteilbestellung Motor-Nummer angeben!**

**Indicate motor number for order of spare parts!**

**Pour une commande de pièces détachées, donner le numéro du moteur!**

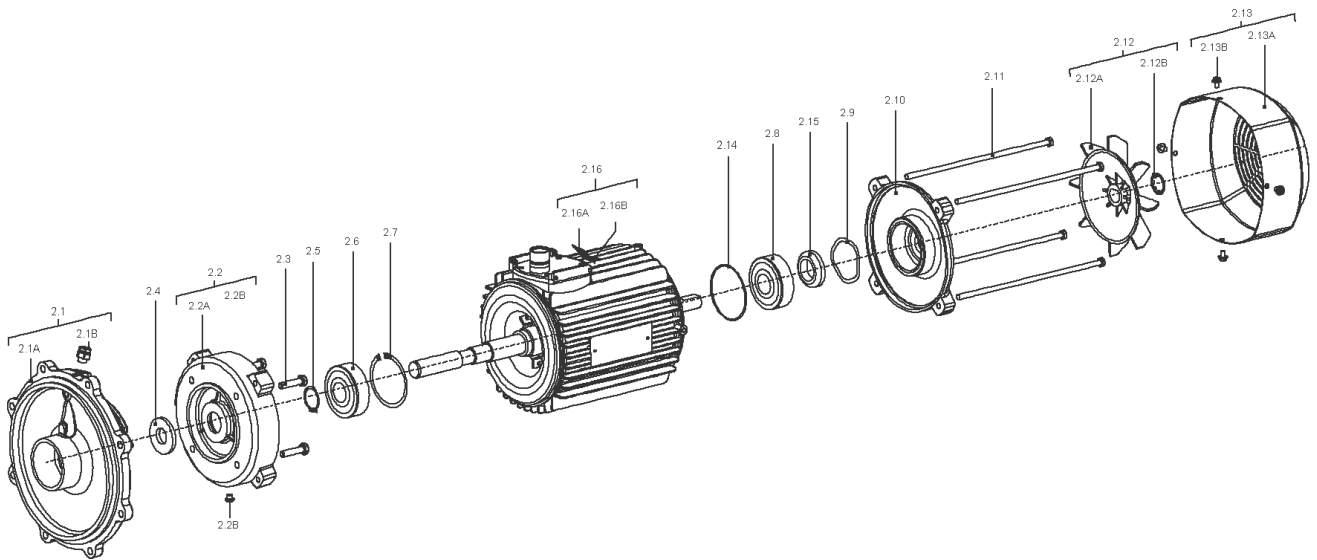
ELEC

Motor-Nummer  
motor number  
numéro du moteur

<b>3~Induction Motor</b>		Made by WILLO Group			
<b>3510436</b>	W080085-2-F188E		0902.001		
Class F	S1	IP55	13,5kg	EN60034	
50Hz	0,75kW	SF=1,15	60Hz	0,90kW	
YΔ 230/400V	2,86/1,65A		Y 440-480V	1,75/1,65A	
Cos φ =0.84	2840min <sup>-1</sup>		Cos φ =0.81	3425min <sup>-1</sup>	
IE4-83,5%	83,5%	83%	IE4-83,4%	83,4%	82%

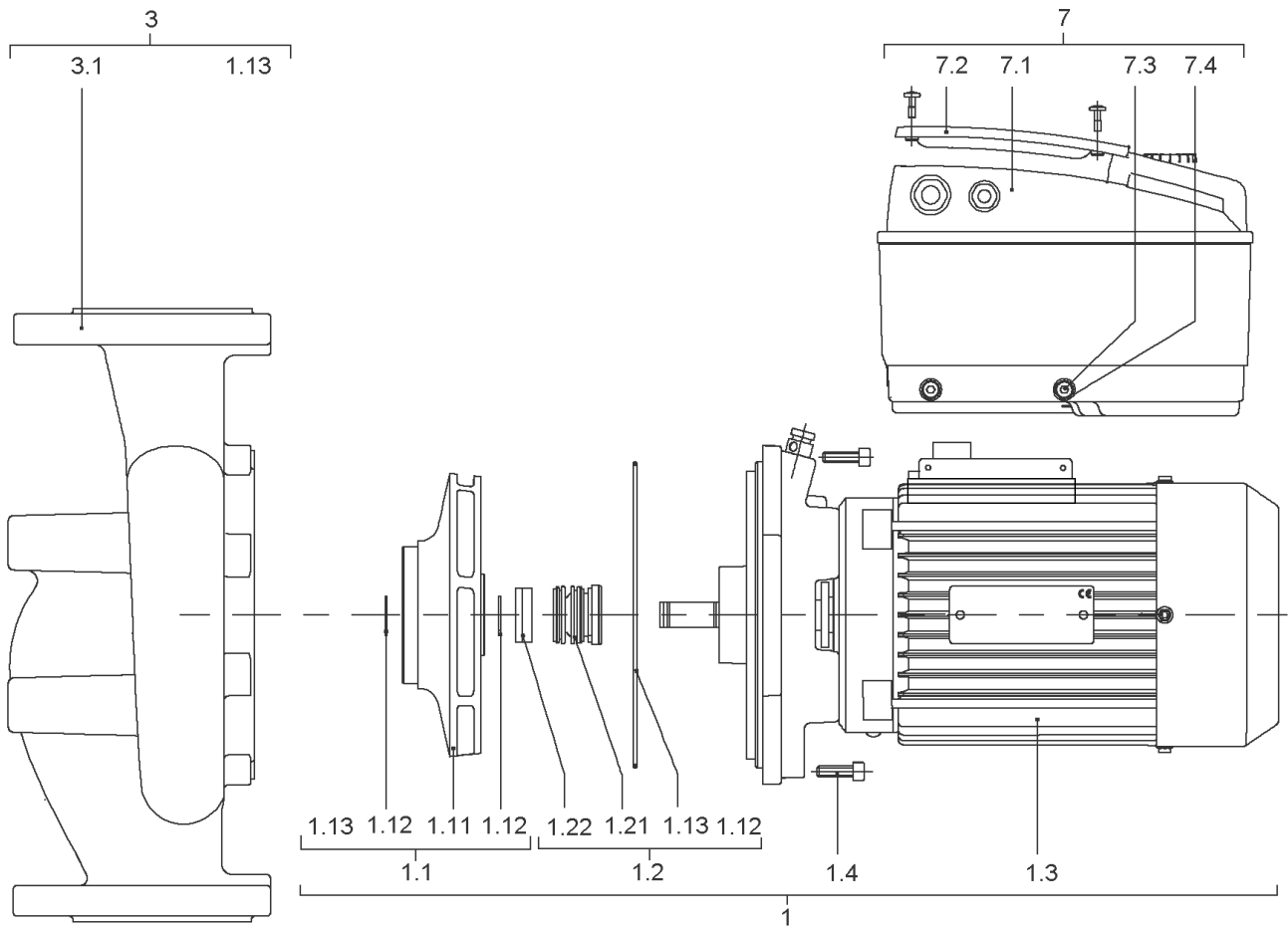
## Spare parts motor 1,5/2/90F170E ELEC IE4

Description	Quantity
W090095-2-F170E 400V/50Hz 1.5kW IE4	1



**W090095-2-F170E 400V/50Hz 1.5kW IE4**

Item	Article no.	Description	Quantity
2.1	2111308	FLANGE END SHIELD BG90F170 D.E.ELEC KIT	1
2.1A		> LANTERN V18 M115-F170 KTL	1
2.1B	2027201	> BLOWGUN R1/8" VP.	1
Note: Please give the data from type plate of the motor			
2.2	2153175	End shield BG90 V18 f.6304 D.E.ELEC KIT	1
2.2A		> Flange IEC90 V18 6304(without thread)	1
2.2B	2111309	> CONDENSATE HOLE GASKET D5 VP.	1
Note: Please give the data from type plate of the motor			
2.3	2175741	Screw M4x14(4 PIECES)	1
2.4	2111324	THROWER D.36X4 VP.	1
2.5	2111333	CIRCLIP D.20 GB894.1 VP.	1
2.6	2153168	Ball bearing 6204/VV-C3 VP.	1
2.7	2111336	CIRCLIP D.52 GB893.1 VP.	1
2.8	2153169	Ball bearing 6304/VV-C3 VP.	1
2.9	2111339	SPRING RING D.47 JB/T7590 VP.	1
2.10	2157920	End shield BG90 N.D.E.ELEC KIT	1
Note: Please give the data from type plate of the motor			
		> Flange IEC90 NDS with slot reduce0.5	1
		> O-RING ID47.2*3.53 EPDM	1
2.11	2111320	SCREW M5X211 6.8 (4 PIECES)	1
2.12	2107782	FAN WHEEL BG90 ELEC KIT	1
2.12A		> FAN 122.6X15X17 GP2200 G/F20%	1
2.12B	2111321	> STOP-RING D.14,8x0,4 VP.	1
Note: Please give the data from type plate of the motor			
2.13	2111322	FAN HOOD BG90 ELEC KIT	1
2.13A		> FAN COVER IEC90 KTL ST14 T0.8 H70	1
2.13B	2111323	> SCREW M4X6 (4 PIECES)	1
Note: Please give the data from type plate of the motor			





**IP-E65/110-2,2/2-R1-IE4 (2158888)**

Item	Article no.	Description	Quantity
1	2163660	SERV.MO.IP/DP-E65/110-2,2/2-IE4 ELEC	1
1.1	2138971	> Impeller D.65/140-110/17 PPO KIT	1
1.11		>> Impeller 65/140-110/17 PPO FE1630 fin	1
1.12	2123932	>> CIRCLIP 17X1 DIN471 A2 1.4122 VP.	1
1.13	2046358	>> O-RING ID.164,7X3,53 E7518 VP.	1
1.2	122097593	> Mechanical seal ID.17 AQ1EGG KIT	1
1.12	2123932	>> CIRCLIP 17X1 DIN471 A2 1.4122 VP.	1
1.13	2010300	>> O-RING ID.107,54X3,53	1
1.13	2010301	>> O-RING ID.117,07X3,53	1
1.13	2054183	>> O-RING ID.158,34X3,53 E7518	1
Note: TO/ BIS/ JUSQU'À: 03/03			
1.13	2046358	>> O-RING ID.164,7X3,53 E7518 VP.	1
Note: FROM/ AB/ À PARTIR: 04/03			
1.21		>> MECHANICAL SEAL ID.17 AQ1EGG	1
1.22		>> Distance ring D.17/30X9 PPO FE1630	1
1.3		> Motor	1
1.4	2052495	> SCREW M6X20 ISO4762 8.8 (8 PIECES)	1
		Spare parts motor 2,2/2/90F188E ELEC IE4	1
3	2145408	Pump housing IP65/140-F188 16 KIT	1
1.13	2046358	> O-RING ID.164,7X3,53 E7518 VP.	1
3.1		> Pump housing IP65/140-F188 16 cpl.WILO	1
7	2179049	Module IP-E/DP-E65/110-2,2/2 IE4ELEC KIT	1
7.1		> Module IP-E/DP-E65/110-2,2/2-IE4 ELEC	1
7.2	2054227	> MODULE COVER/GASKET TL3/4 KIT	1
7.3		> SCREW M5X16 ISO4762 8.8 ZnNi	1
7.4		> WASHER TOOTHED LOCK A5,3 DIN6797 FST ZN	1
	2061236	> O-RING ID.38X3 EPDM 70SR.A BUS.	1

**Motor-Typenschild / Motor type plate / Plaque identité moteur**

**Bei Ersatzteilbestellung Motor-Nummer angeben!**

**Indicate motor number for order of spare parts!**

**Pour une commande de pièces détachées, donner le numéro du moteur!**

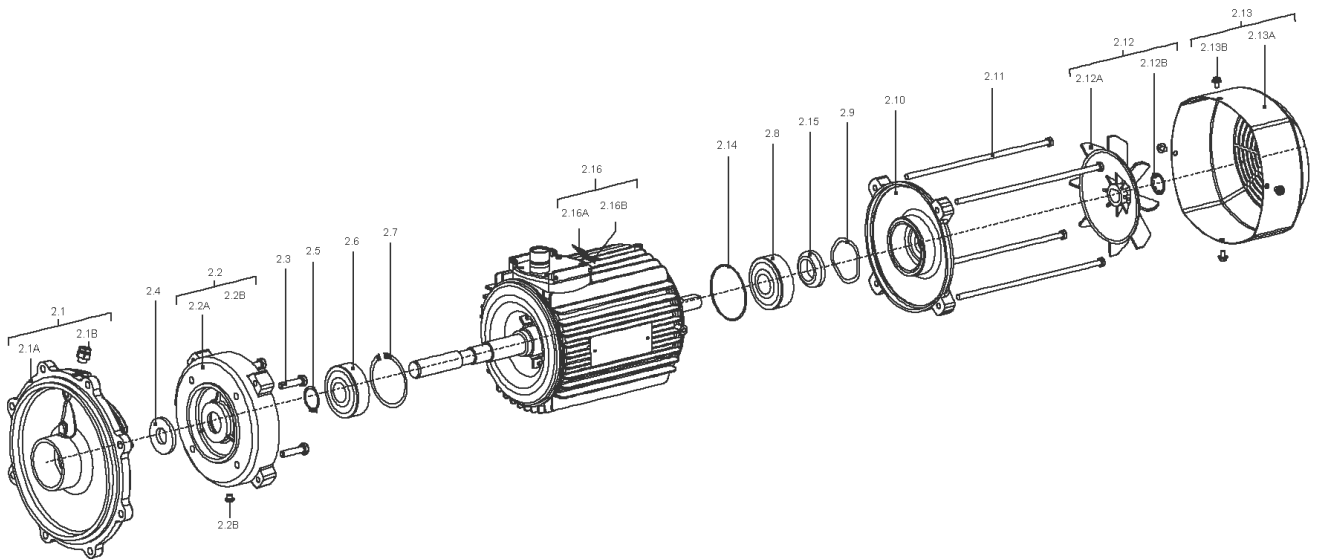
ELEC

Motor-Nummer  
motor number  
numéro du moteur

<b>3~Induction Motor</b>		Made by WILLO Group			
<b>3510436</b>	<b>W080085-2-F188E</b>		<b>0902.001</b>		
<b>Class F</b>	<b>S1</b>	<b>IP55</b>	<b>13,5kg</b>	<b>EN60034</b>	
50Hz	0,75kW	SF=1,15	60Hz	0,90kW	
YΔ 230/400V	2,86/1,65A		Y 440-480V	1,75/1,65A	
Cos φ =0.84	2840min <sup>-1</sup>		Cos φ =0.81	3425min <sup>-1</sup>	
IE4-83,5%	83,5%	83%	IE4-83,4%	83,4%	82%

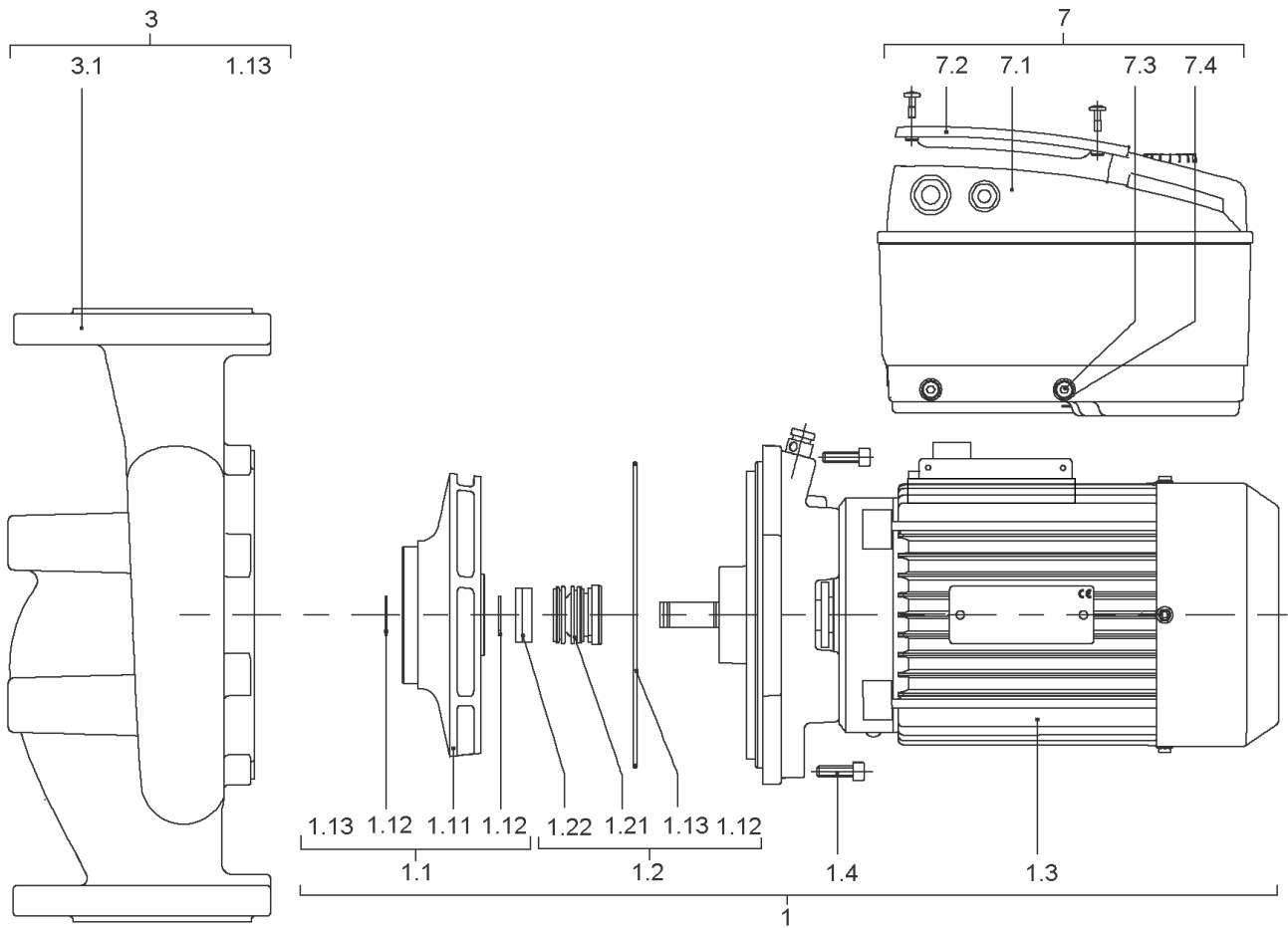
## Spare parts motor 2,2/2/90F188E ELEC IE4

Description	Quantity
W090130-2-F188E 400V/50Hz 2.2kW IE4	1



**W090130-2-F188E 400V/50Hz 2.2kW IE4**

Item	Article no.	Description	Quantity
2.1	2111307	FLANGE END SHIELD BG90F188 D.E.ELEC KIT	1
2.1A		> LANTERN V18 M115-F188 KTL	1
2.1B	2027201	> BLOWGUN R1/8" VP.	1
Note: Please give the data from type plate of the motor			
2.2	2111312	END SHIELD BG90 V18 D.E.ELEC KIT	1
2.2A		> Flange IEC90 V18 (w/o thread)	1
2.2B	2111309	> CONDENSATE HOLE GASKET D5 VP.	1
Note: Please give the data from type plate of the motor			
2.3	2175741	Screw M4x14(4 PIECES)	1
2.4	2111324	THROWER D.36X4 VP.	1
2.5	2111334	CIRCLIP D.30 GB894.1 VP.	1
2.6	2153168	Ball bearing 6204/VV-C3 VP.	1
2.7	2111337	CIRCLIP D.72 GB893.1 VP.	1
2.8	2153170	Ball bearing 6306/VV-C3 VP.	1
2.9	2111339	SPRING RING D.47 JB/T7590 VP.	1
2.10	2157920	End shield BG90 N.D.E.ELEC KIT	1
Note: Please give the data from type plate of the motor			
		> Flange IEC90 NDS with slot reduce0.5	1
		> O-RING ID47.2*3.53 EPDM	1
2.11	2179081	Screw torx Plus / Hex.M5X231(4Pieces)	1
2.12	2107782	FAN WHEEL BG90 ELEC KIT	1
2.12A		> FAN 122.6X15X17 GP2200 G/F20%	1
2.12B	2111321	> STOP-RING D.14,8x0,4 VP.	1
Note: Please give the data from type plate of the motor			
2.13	2111322	FAN HOOD BG90 ELEC KIT	1
2.13A		> FAN COVER IEC90 KTL ST14 T0.8 H70	1
2.13B	2111323	> SCREW M4X6 (4 PIECES)	1
Note: Please give the data from type plate of the motor			



**IP-E65/120-3/2-R1 (2158889)**

Item	Article no.	Description	Quantity
1	2163661	SERV.MO.IP/DP-E65/120-3/2-IE4 ELEC	1
1.1	2143562	> Impeller 65/140-119/17 PPO KIT	1
1.11		>> Impeller 65/140-119/17 PPO FE1630 fin	1
1.12	2123932	>> CIRCLIP 17X1 DIN471 A2 1.4122 VP.	1
1.13	2046358	>> O-RING ID.164,7X3,53 E7518 VP.	1
1.2	122097593	> Mechanical seal ID.17 AQ1EGG KIT	1
1.12	2123932	>> CIRCLIP 17X1 DIN471 A2 1.4122 VP.	1
1.13	2010300	>> O-RING ID.107,54X3,53	1
1.13	2010301	>> O-RING ID.117,07X3,53	1
1.13	2054183	>> O-RING ID.158,34X3,53 E7518	1
Note: TO/ BIS/ JUSQU'À: 03/03			
1.13	2046358	>> O-RING ID.164,7X3,53 E7518 VP.	1
Note: FROM/ AB/ À PARTIR: 04/03			
1.21		>> MECHANICAL SEAL ID.17 AQ1EGG	1
1.22		>> Distance ring D.17/30X9 PPO FE1630	1
1.3		> Motor	1
1.4	2052495	> SCREW M6X20 ISO4762 8.8 (8 PIECES)	1
		Spare parts motor 3/2/100F188E ELEC IE4	1
3	2145408	Pump housing IP65/140-F188 16 KIT	1
1.13	2046358	> O-RING ID.164,7X3,53 E7518 VP.	1
3.1		> Pump housing IP65/140-F188 16 cpl.WILO	1
7	2179063	Module IP-E/DP-E65/120-3/2-IE4 ELEC KIT	1
7.1		> Module IP-E/DP-E65/120-3/2-IE4 ELEC	1
7.2	2054227	> MODULE COVER/GASKET TL3/4 KIT	1
7.3		> SCREW M5X16 ISO4762 8.8 ZnNi	1
7.4		> WASHER TOOTHED LOCK A5,3 DIN6797 FST ZN	1
	2061236	> O-RING ID.38X3 EPDM 70SR.A BUS.	1

**Motor-Typenschild / Motor type plate / Plaque identité moteur**

**Bei Ersatzteilbestellung Motor-Nummer angeben!**

**Indicate motor number for order of spare parts!**

**Pour une commande de pièces détachées, donner le numéro du moteur!**

ELEC

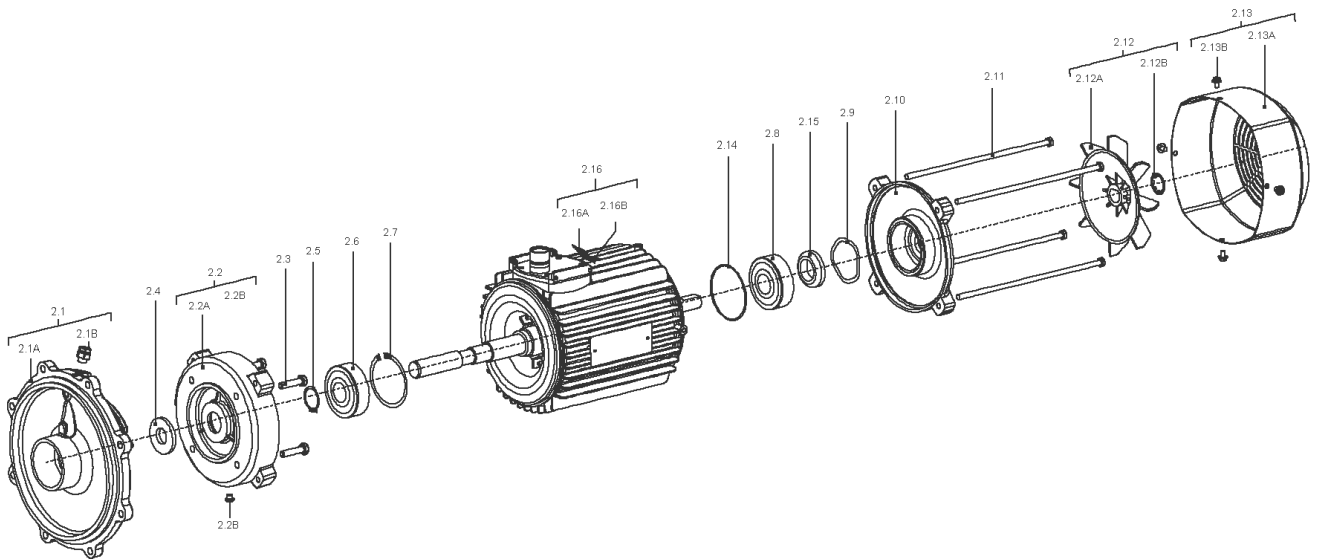
Motor-Nummer  
motor number  
numéro du moteur

<b>3~Induction Motor</b>		Made by WILLO Group		
<b>3510436</b>	W080085-2-F188E	0902.001		
Class F	S1	IP55	13,5kg	EN60034
50Hz	0,75kW	SF=1.15	60Hz	0,90kW
YΔ 230/400V	2,86/1,65A	Y 440-480V	1,75/1,65A	
Cos φ =0.84	2840min <sup>-1</sup>	Cos φ =0.81	3425min <sup>-1</sup>	
IE4-83,5%	83,5%	83%	IE4-83,4%	83,4%
			82%	



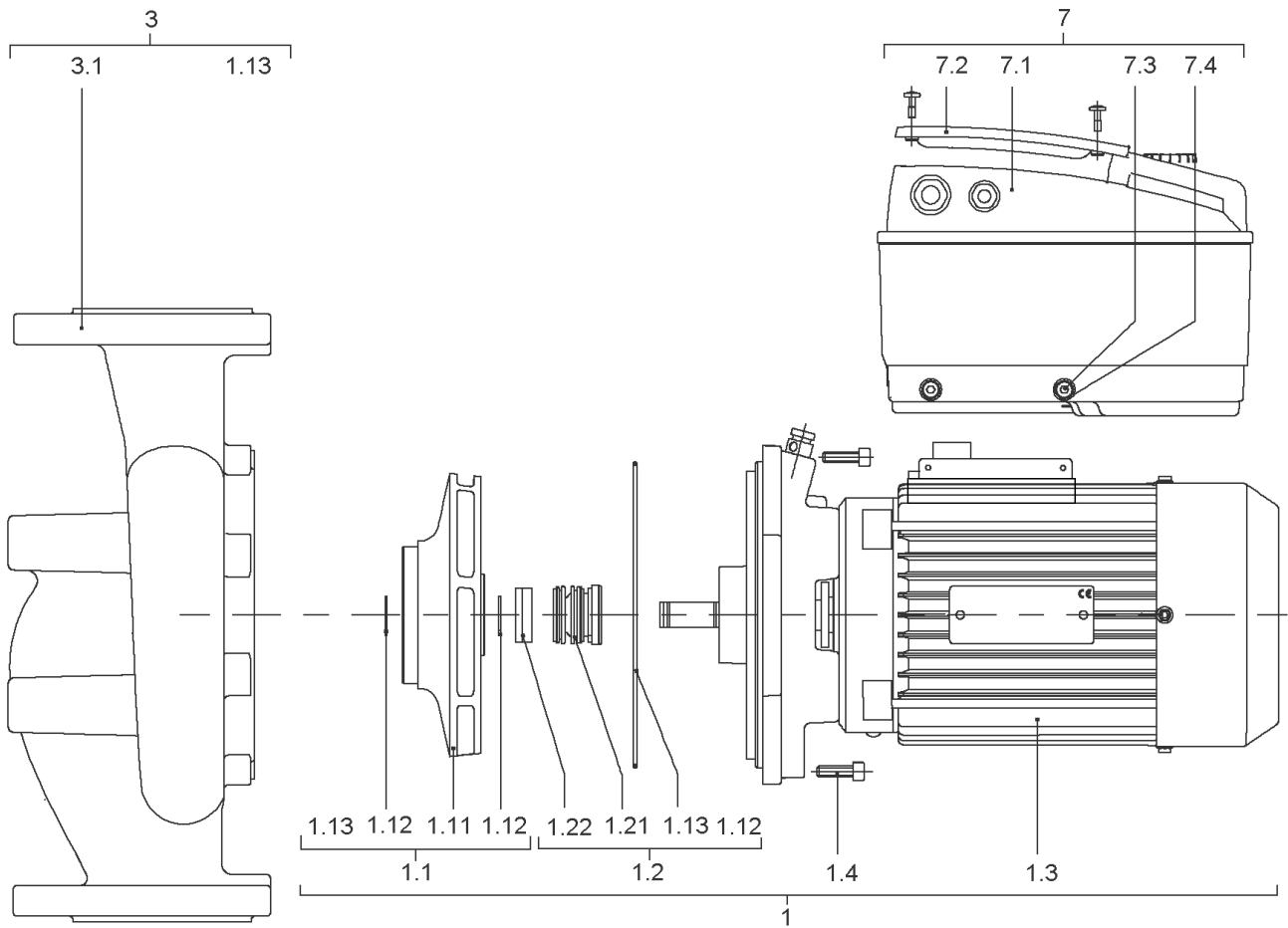
## Spare parts motor 3/2/100F188E ELEC IE4

Description	Quantity
W100130-2-F188E 400V/50Hz 3kW IE4	1



**W100130-2-F188E 400V/50Hz 3kW IE4**

Item	Article no.	Description	Quantity
2.1	2118386	FLANGE END SHIELD BG100/112 D.E.ELEC KIT	1
2.1A		> LANTERN V18 M130-F188 KTL	1
2.1B	2027201	> BLOWGUN R1/8" VP.	1
Note: Please give the data from type plate of the motor			
2.2	2153176	End shield BG100 V18 f.6306 D.E.ELEC KIT	1
2.2A		> Flange IEC100 V18 6306(without thread)	1
2.2B	2111309	> CONDENSATE HOLE GASKET D5 VP.	1
Note: Please give the data from type plate of the motor			
2.3	2175741	Screw M4x14(4 PIECES)	1
2.4	2111324	THROWER D.36X4 VP.	1
2.5	2111334	CIRCLIP D.30 GB894.1 VP.	1
2.6	2153171	Ball bearing 6205/VV-C3 VP.	1
2.7	2111337	CIRCLIP D.72 GB893.1 VP.	1
2.8	2153170	Ball bearing 6306/VV-C3 VP.	1
2.9	2164076	Circlip D52 JB/T7590 VP.	1
2.10	2164074	End shield BG100 N.D.E.ELEC KIT	1
Note: Please give the data from type plate of the motor			
		> FLANGE IEC100 NDS with slot	1
		> O-RING ID52.4*3.53 EPDM	1
2.11	2179082	Screw Torx Plus / Hexagon M6X258(4Pieces)	1
2.12	2179083	Fan wheel BG100 ELEC KIT	1
2.12A		> FAN 150X20X17 GP2200 G/F20%	1
2.12B	2118396	> Tooth lock washer D.19,8x0,4 VP.	1
Note: Please give the data from type plate of the motor			
2.13	2118397	FAN HOOD BG100 ELEC KIT	1
2.13A		> FAN COVER IEC100 KTL ST14 T0.8 H86	1
2.13B	2111323	> SCREW M4X6 (4 PIECES)	1
Note: Please give the data from type plate of the motor			
2.16	2179086	Air guider BG100 Motor KIT	1
2.16A		> AIR GUIDER IEC100 MOTOR	1
2.16B		> Screw Tapping M5X14 trox pan	1



**IP-E65/130-4/2-R1 (2158890)**

Item	Article no.	Description	Quantity
1	2163662	SERV.MO.IP/DP-E65/130-4/2-IE4 ELEC	1
1.1	2149133	> Impeller 65/140-130/17 PPO KIT	1
1.11		>> Impeller 65/140-130/17 PPO FE1630 fin	1
1.12	2123932	>> CIRCLIP 17X1 DIN471 A2 1.4122 VP.	1
1.13	2046358	>> O-RING ID.164,7X3,53 E7518 VP.	1
1.2	122097593	> Mechanical seal ID.17 AQ1EGG KIT	1
1.12	2123932	>> CIRCLIP 17X1 DIN471 A2 1.4122 VP.	1
1.13	2010300	>> O-RING ID.107,54X3,53	1
1.13	2010301	>> O-RING ID.117,07X3,53	1
1.13	2054183	>> O-RING ID.158,34X3,53 E7518	1
Note: TO/ BIS/ JUSQU'À: 03/03			
1.13	2046358	>> O-RING ID.164,7X3,53 E7518 VP.	1
Note: FROM/ AB/ À PARTIR: 04/03			
1.21		>> MECHANICAL SEAL ID.17 AQ1EGG	1
1.22		>> Distance ring D.17/30X9 PPO FE1630	1
1.3		> Motor	1
1.4	2052495	> SCREW M6X20 ISO4762 8.8 (8 PIECES)	1
		Spare parts motor 4/2/112 F188E Elec IE4	1
3	2145408	Pump housing IP65/140-F188 16 KIT	1
1.13	2046358	> O-RING ID.164,7X3,53 E7518 VP.	1
3.1		> Pump housing IP65/140-F188 16 cpl.WILO	1
7	2179064	Module IP-E/DP-E65/130-4/2-IE4 ELEC KIT	1
7.1		> Module IP-E/DP-E65/130-4/2-IE4 ELEC	1
7.2	2054227	> MODULE COVER/GASKET TL3/4 KIT	1
7.3		> SCREW M5X16 ISO4762 8.8 ZnNi	1
7.4		> WASHER TOOTHED LOCK A5,3 DIN6797 FST ZN	1
	2061236	> O-RING ID.38X3 EPDM 70SR.A BUS.	1

## Motor-Typenschild / Motor type plate / Plaque identité moteur

**Bei Ersatzteilbestellung Motor-Nummer angeben!**

**Indicate motor number for order of spare parts!**

**Pour une commande de pièces détachées, donner le numéro du moteur!**

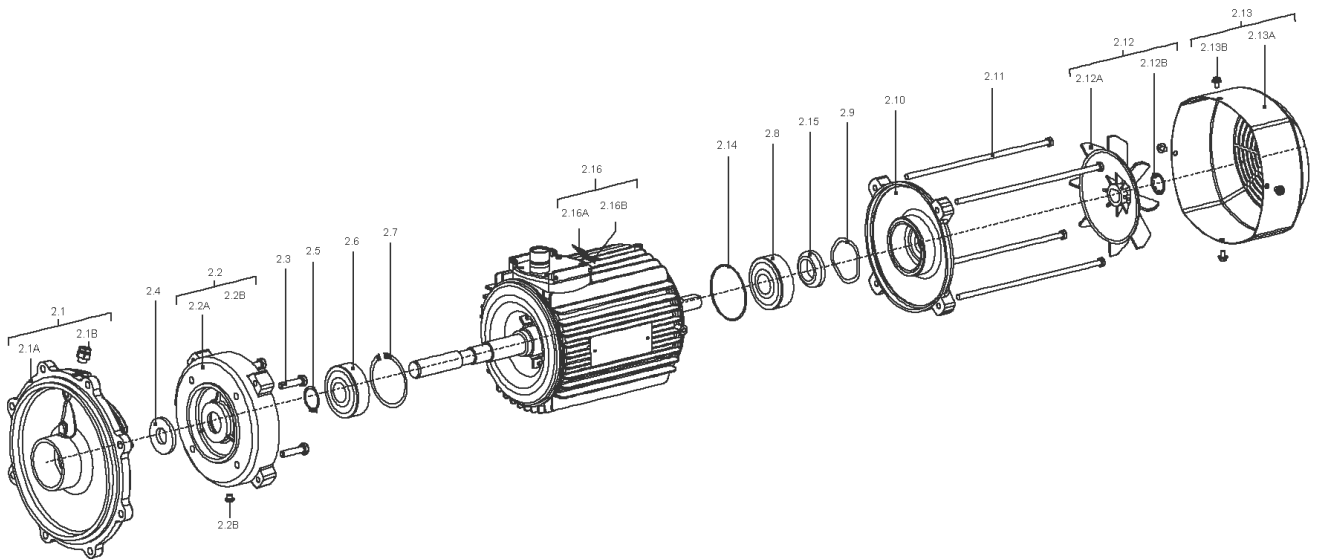
ELEC

Motor-Nummer  
motor number  
numéro du moteur

<b>3~Induction Motor</b>		Made by WILLO Group			
<b>3510436</b>	<b>W080085-2-F188E</b>		<b>0902.001</b>		
<b>Class F</b>	<b>S1</b>	<b>IP55</b>	<b>13,5kg</b>	<b>EN60034</b>	
50Hz	0,75kW	SF=1,15	60Hz	0,90kW	
YΔ 230/400V	2,86/1,65A		Y 440-480V	1,75/1,65A	
Cos φ =0.84	2840min <sup>-1</sup>		Cos φ =0.81	3425min <sup>-1</sup>	
IE4-83,5%	83,5%	83%	IE4-83,4%	83,4%	82%

## Spare parts motor 4/2/112 F188E Elec IE4

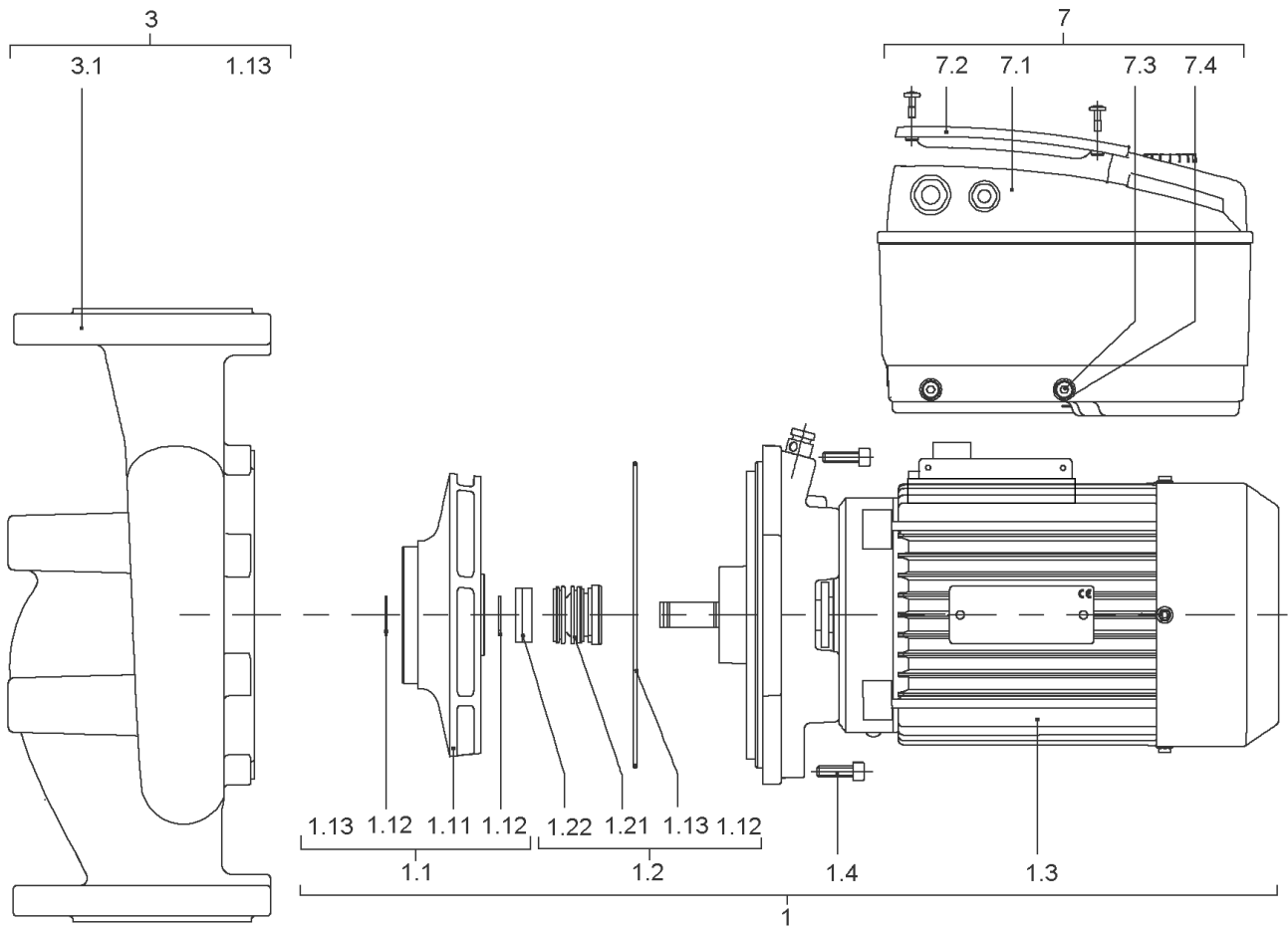
Description	Quantity
W112140-2-F188E 400V/50Hz 4kW IE4	1





**W112140-2-F188E 400V/50Hz 4kW IE4**

Item	Article no.	Description	Quantity
2.1	2118386	FLANGE END SHIELD BG100/112 D.E.ELEC KIT	1
2.1A		> LANTERN V18 M130-F188 KTL	1
2.1B	2027201	> BLOWGUN R1/8" VP.	1
Note: Please give the data from type plate of the motor			
2.2	2132465	END SHIELD BG112 V12 D.E.ELEC KIT	1
2.2A		> FLANGE IEC112 V18 (WITHOUT THREAD)	1
2.2B	2111309	> CONDENSATE HOLE GASKET D5 VP.	1
Note: Please give the data from type plate of the motor			
2.3	2175741	Screw M4x14(4 PIECES)	1
2.4	2111324	THROWER D.36X4 VP.	1
2.5	2118388	CIRCLIP D.35 GB894.1 VP.	1
2.6	2149118	Ball bearing 6307/ZZ-C3 E2 VP.	1
2.7	2118390	CIRCLIP D.80 GB893.1 VP.	1
2.8	2153173	Ball bearing 6206/VV-C3 VP.	1
2.9	2132469	SPRING RING D.62 JB/T7590 VP.	1
2.10	2164025	End shield BG112 N.D.E.ELEC KIT	1
Note: Please give the data from type plate of the motor			
		> FLANGE IEC112 NDS with slot	1
		> O-RING ID62.4*3.53 EPDM	1
2.11	2132473	SCREW M8X263,5 6.8 (4 PIECES)	1
2.12	2175742	Fan BG112 ELEC KIT	1
2.12A		> FAN 174X20X17 GP2200 G/F20%	1
2.12B	2118396	> Tooth lock washer D.19,8x0,4 VP.	1
Note: Please give the data from type plate of the motor			
2.13	2168255	Fan hood BG112 ELEC KIT	1
2.13A		> FAN COVER IEC112 KTL ST14 T1.0 H86	1
2.13B	2111323	> SCREW M4X6 (4 PIECES)	1
Note: Please give the data from type plate of the motor			
2.16	2179084	Air guider BG 112 Motor KIT	1
2.16A		> AIR GUIDER IEC 112 MOTOR	1
2.16B		> SCREW M8X16 TORX HEX 6.8 GB/T70	1



**IP-E80/115-2,2/2-R1 (2158891)**

Item	Article no.	Description	Quantity
1	2163663	SERV.MO.IP/DP-E80/115-2,2/2-IE4 ELEC	1
1.1	122093091	> IMPELLER D.80/119/17 KIT	1
1.11		>> Impeller D.80/119/17X14,1 PPO FE1630	1
1.12	2123932	>> CIRCLIP 17X1 DIN471 A2 1.4122 VP.	1
1.13	2010301	>> O-RING ID.117,07X3,53	1
1.2	122097593	> Mechanical seal ID.17 AQ1EGG KIT	1
1.12	2123932	>> CIRCLIP 17X1 DIN471 A2 1.4122 VP.	1
1.13	2010300	>> O-RING ID.107,54X3,53	1
1.13	2010301	>> O-RING ID.117,07X3,53	1
1.13	2054183	>> O-RING ID.158,34X3,53 E7518	1
Note: TO/ BIS/ JUSQU'À: 03/03			
1.13	2046358	>> O-RING ID.164,7X3,53 E7518 VP.	1
Note: FROM/ AB/ À PARTIR: 04/03			
1.21		>> MECHANICAL SEAL ID.17 AQ1EGG	1
1.22		>> Distance ring D.17/30X9 PPO FE1630	1
1.3		> Motor	1
1.4	2037242	> SCREW M10X25 ISO4762 8.8 (4 PIECES)	1
		Spare parts motor 2,2/2/90F170E ELEC IE4	1
3	2016516	PUMP HOUSING IPL80/115/IP-E80/2 KIT	1
1.13	2010301	> O-RING ID.117,07X3,53	1
3.1		> PUMP HOUSING IP-E80/120 CPL.WILO	1
7	2179065	Module IP/DP-E80/115-2,2/2-IE4 ELEC KIT	1
7.1		> Module IP-E/DP-E80/115-2,2/2-IE4 ELEC	1
7.2	2054227	> MODULE COVER/GASKET TL3/4 KIT	1
7.3		> SCREW M5X16 ISO4762 8.8 ZnNi	1
7.4		> WASHER TOOTHED LOCK A5,3 DIN6797 FST ZN	1
	2061236	> O-RING ID.38X3 EPDM 70SR.A BUS.	1

### Motor-Typenschild / Motor type plate / Plaque identité moteur

**Bei Ersatzteilbestellung Motor-Nummer angeben!**

**Indicate motor number for order of spare parts!**

**Pour une commande de pièces détachées, donner le numéro du moteur!**

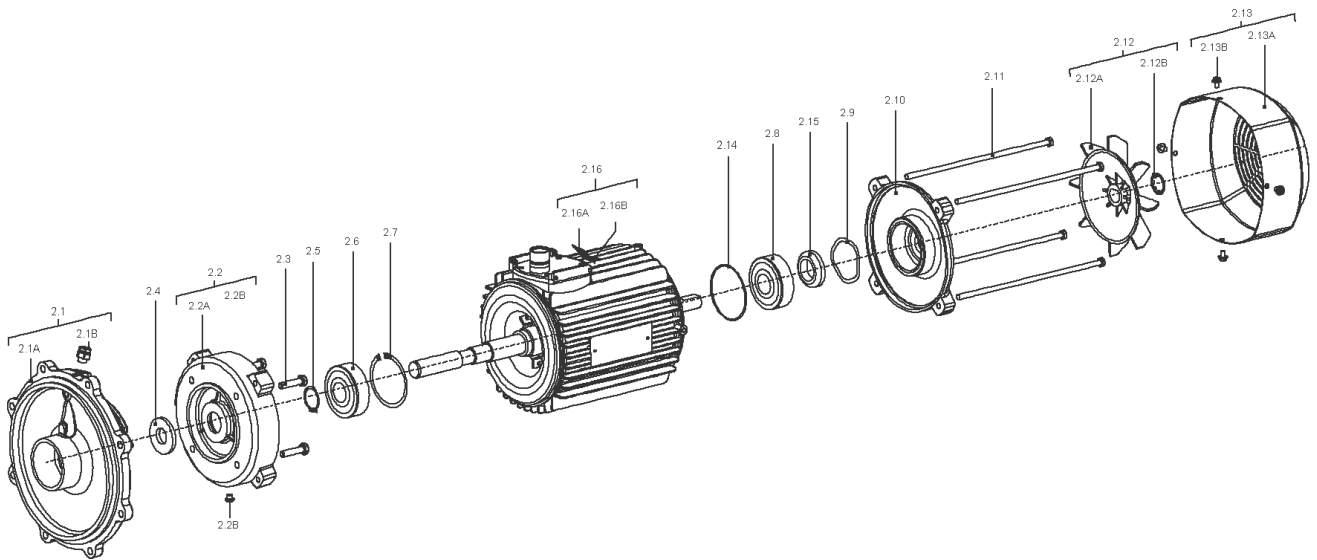
ELEC

Motor-Nummer  
motor number  
numéro du moteur

<b>3~Induction Motor</b>		Made by WILLO Group		
<b>3510436</b>	W080085-2-F188E	0902.001		
Class F	S1	IP55	13,5kg	EN60034
50Hz	0,75kW	SF=1.15	60Hz	0,90kW
YΔ 230/400V	2,86/1,65A	Y 440-480V	1,75/1,65A	
Cos φ =0.84	2840min <sup>-1</sup>	Cos φ =0.81	3425min <sup>-1</sup>	
IE4-83,5%	83,5%	83%	IE4-83,4%	83,4%
			82%	

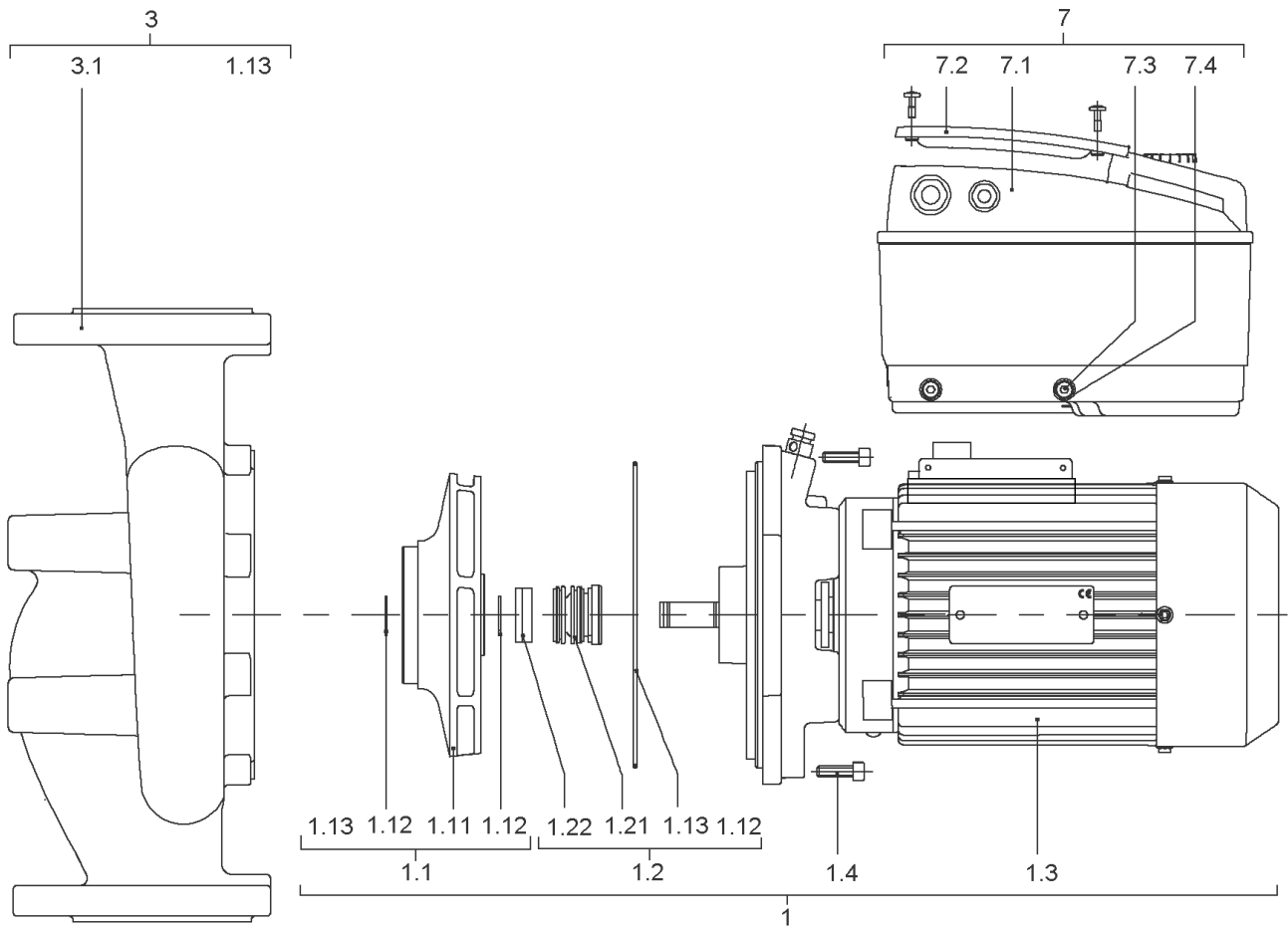
## Spare parts motor 2,2/2/90F170E ELEC IE4

Description	Quantity
W090130-2-F170E 400V/50Hz 2.2kW IE4	1



**W090130-2-F170E 400V/50Hz 2.2kW IE4**

Item	Article no.	Description	Quantity
2.1	2111308	FLANGE END SHIELD BG90F170 D.E.ELEC KIT	1
2.1A		> LANTERN V18 M115-F170 KTL	1
2.1B	2027201	> BLOWGUN R1/8" VP.	1
Note: Please give the data from type plate of the motor			
2.2	2111312	END SHIELD BG90 V18 D.E.ELEC KIT	1
2.2A		> Flange IEC90 V18 (w/o thread)	1
2.2B	2111309	> CONDENSATE HOLE GASKET D5 VP.	1
Note: Please give the data from type plate of the motor			
2.3	2175741	Screw M4x14(4 PIECES)	1
2.4	2111324	THROWER D.36X4 VP.	1
2.5	2111334	CIRCLIP D.30 GB894.1 VP.	1
2.6	2153168	Ball bearing 6204/VV-C3 VP.	1
2.7	2111337	CIRCLIP D.72 GB893.1 VP.	1
2.8	2153170	Ball bearing 6306/VV-C3 VP.	1
2.9	2111339	SPRING RING D.47 JB/T7590 VP.	1
2.10	2157920	End shield BG90 N.D.E.ELEC KIT	1
Note: Please give the data from type plate of the motor			
		> Flange IEC90 NDS with slot reduce0.5	1
		> O-RING ID47.2*3.53 EPDM	1
2.11	2179081	Screw torx Plus / Hex.M5X231(4Pieces)	1
2.12	2107782	FAN WHEEL BG90 ELEC KIT	1
2.12A		> FAN 122.6X15X17 GP2200 G/F20%	1
2.12B	2111321	> STOP-RING D.14,8x0,4 VP.	1
Note: Please give the data from type plate of the motor			
2.13	2111322	FAN HOOD BG90 ELEC KIT	1
2.13A		> FAN COVER IEC90 KTL ST14 T0.8 H70	1
2.13B	2111323	> SCREW M4X6 (4 PIECES)	1
Note: Please give the data from type plate of the motor			





**IP-E80/105-3/2-R1 (2158892)**

Item	Article no.	Description	Quantity
1	2163664	SERV.MO.IP/DP-E80/105-3/2-IE4 ELEC	1
1.1	2179052	> Impeller 80/150-106/17 PPO FE1630 KIT	1
1.11		>> Impeller 80/150-106/17 PPO FE1630 fin	1
1.12	2123932	>> CIRCLIP 17X1 DIN471 A2 1.4122 VP.	1
1.13	2046358	>> O-RING ID.164,7X3,53 E7518 VP.	1
1.2	122097593	> Mechanical seal ID.17 AQ1EGG KIT	1
1.12	2123932	>> CIRCLIP 17X1 DIN471 A2 1.4122 VP.	1
1.13	2010300	>> O-RING ID.107,54X3,53	1
1.13	2010301	>> O-RING ID.117,07X3,53	1
1.13	2054183	>> O-RING ID.158,34X3,53 E7518	1
Note: TO/ BIS/ JUSQU'À: 03/03			
1.13	2046358	>> O-RING ID.164,7X3,53 E7518 VP.	1
Note: FROM/ AB/ À PARTIR: 04/03			
1.21		>> MECHANICAL SEAL ID.17 AQ1EGG	1
1.22		>> Distance ring D.17/30X9 PPO FE1630	1
1.3		> Motor	1
1.4	2052495	> SCREW M6X20 ISO4762 8.8 (8 PIECES)	1
		Spare parts motor 3/2/100F188E ELEC IE4	1
3	2145542	Pump housing I80/150-F188 KIT	1
1.13	2046358	> O-RING ID.164,7X3,53 E7518 VP.	1
3.1		> Pump housing IP80/150-F188 cpl.WILO	1
7	2178927	Module IP-E/DP-E80/105-3/2-IE4 ELEC KIT	1
7.1		> Module IP-E/DP-E80/105-3/2-IE4 ELEC	1
7.2	2054227	> MODULE COVER/GASKET TL3/4 KIT	1
7.3		> SCREW M5X16 ISO4762 8.8 ZnNi	1
7.4		> WASHER TOOTHED LOCK A5,3 DIN6797 FST ZN	1
	2061236	> O-RING ID.38X3 EPDM 70SR.A BUS.	1

## Motor-Typenschild / Motor type plate / Plaque identité moteur

**Bei Ersatzteilbestellung Motor-Nummer angeben!**

**Indicate motor number for order of spare parts!**

**Pour une commande de pièces détachées, donner le numéro du moteur!**

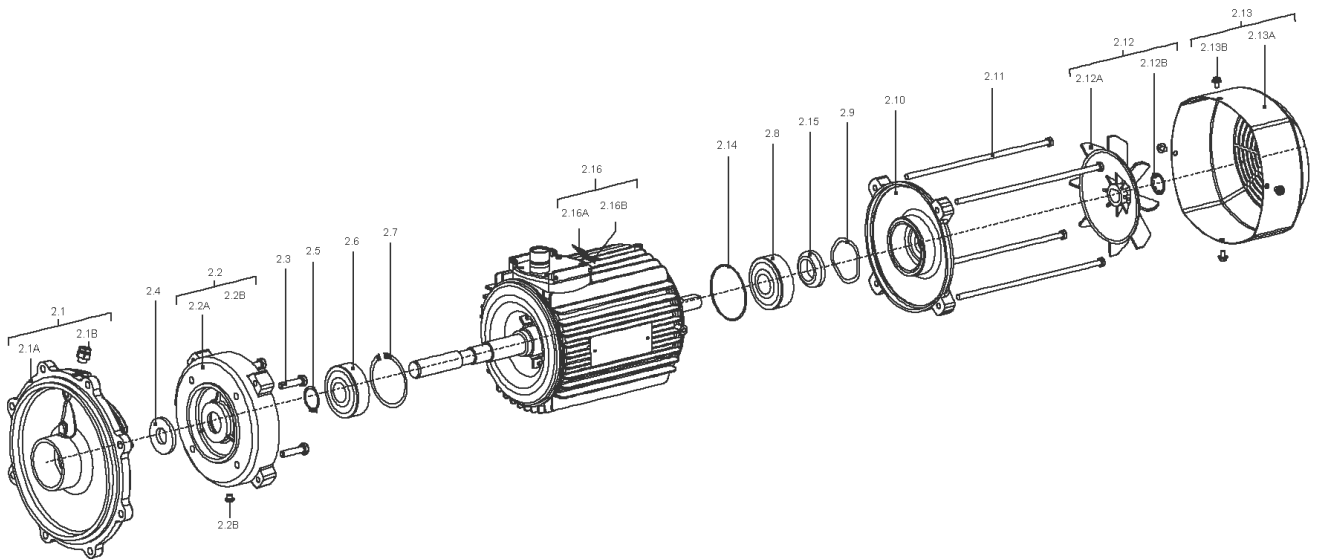
ELEC

Motor-Nummer  
motor number  
numéro du moteur

<b>3~Induction Motor</b>		Made by WILLO Group		
<b>3510436</b>	<b>W080085-2-F188E</b>	<b>0902.001</b>		
<b>Class F</b>	<b>S1</b>	<b>IP55</b>	<b>13,5kg</b>	<b>EN60034</b>
50Hz	0,75kW	SF=1,15	60Hz	0,90kW
YΔ 230/400V	2,86/1,65A	Y 440-480V	1,75/1,65A	
Cos φ =0.84	2840min <sup>-1</sup>	Cos φ =0.81	3425min <sup>-1</sup>	
IE4-83,5%	83,5%	83%	IE4-83,4%	83,4%
			82%	

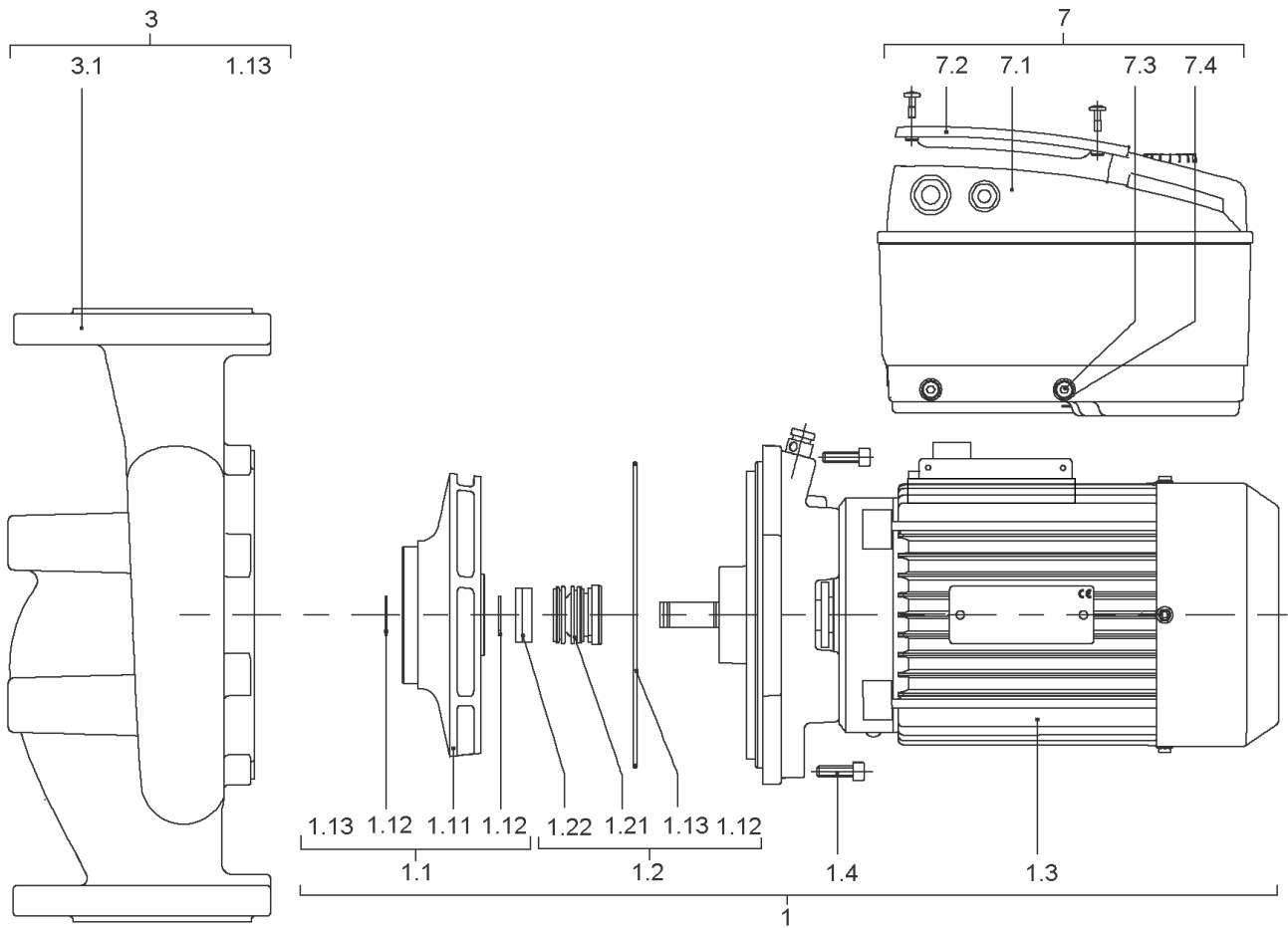
## Spare parts motor 3/2/100F188E ELEC IE4

Description	Quantity
W100130-2-F188E 400V/50Hz 3kW IE4	1



**W100130-2-F188E 400V/50Hz 3kW IE4**

Item	Article no.	Description	Quantity
2.1	2118386	FLANGE END SHIELD BG100/112 D.E.ELEC KIT	1
2.1A		> LANTERN V18 M130-F188 KTL	1
2.1B	2027201	> BLOWGUN R1/8" VP.	1
Note: Please give the data from type plate of the motor			
2.2	2153176	End shield BG100 V18 f.6306 D.E.ELEC KIT	1
2.2A		> Flange IEC100 V18 6306(without thread)	1
2.2B	2111309	> CONDENSATE HOLE GASKET D5 VP.	1
Note: Please give the data from type plate of the motor			
2.3	2175741	Screw M4x14(4 PIECES)	1
2.4	2111324	THROWER D.36X4 VP.	1
2.5	2111334	CIRCLIP D.30 GB894.1 VP.	1
2.6	2153171	Ball bearing 6205/VV-C3 VP.	1
2.7	2111337	CIRCLIP D.72 GB893.1 VP.	1
2.8	2153170	Ball bearing 6306/VV-C3 VP.	1
2.9	2164076	Circlip D52 JB/T7590 VP.	1
2.10	2164074	End shield BG100 N.D.E.ELEC KIT	1
Note: Please give the data from type plate of the motor			
		> FLANGE IEC100 NDS with slot	1
		> O-RING ID52.4*3.53 EPDM	1
2.11	2179082	Screw Torx Plus / Hexagon M6X258(4Pieces)	1
2.12	2179083	Fan wheel BG100 ELEC KIT	1
2.12A		> FAN 150X20X17 GP2200 G/F20%	1
2.12B	2118396	> Tooth lock washer D.19,8x0,4 VP.	1
Note: Please give the data from type plate of the motor			
2.13	2118397	FAN HOOD BG100 ELEC KIT	1
2.13A		> FAN COVER IEC100 KTL ST14 T0.8 H86	1
2.13B	2111323	> SCREW M4X6 (4 PIECES)	1
Note: Please give the data from type plate of the motor			
2.16	2179086	Air guider BG100 Motor KIT	1
2.16A		> AIR GUIDER IEC100 MOTOR	1
2.16B		> Screw Tapping M5X14 trox pan	1



**IP-E80/110-4/2-R1 (2158893)**

Item	Article no.	Description	Quantity
1	2163665	SERV.MO.IP/DP-E80/110-4/2-IE4 ELEC	1
1.1	2157912	> Impeller 80/150-117/17 PPO FE1630 KIT	1
1.11		>> Impeller 80/150-117/17 PPO FE1630 fin	1
1.12	2123932	>> CIRCLIP 17X1 DIN471 A2 1.4122 VP.	1
1.13	2046358	>> O-RING ID.164,7X3,53 E7518 VP.	1
1.2	122097593	> Mechanical seal ID.17 AQ1EGG KIT	1
1.12	2123932	>> CIRCLIP 17X1 DIN471 A2 1.4122 VP.	1
1.13	2010300	>> O-RING ID.107,54X3,53	1
1.13	2010301	>> O-RING ID.117,07X3,53	1
1.13	2054183	>> O-RING ID.158,34X3,53 E7518	1
Note: TO/ BIS/ JUSQU'À: 03/03			
1.13	2046358	>> O-RING ID.164,7X3,53 E7518 VP.	1
Note: FROM/ AB/ À PARTIR: 04/03			
1.21		>> MECHANICAL SEAL ID.17 AQ1EGG	1
1.22		>> Distance ring D.17/30X9 PPO FE1630	1
1.3		> Motor	1
1.4	2052495	> SCREW M6X20 ISO4762 8.8 (8 PIECES)	1
		Spare parts motor 4/2/112 F188E Elec IE4	1
3	2145542	Pump housing I80/150-F188 KIT	1
1.13	2046358	> O-RING ID.164,7X3,53 E7518 VP.	1
3.1		> Pump housing IP80/150-F188 cpl.WILO	1
7	2179066	Module IP-E/DP-E80/110-4/2-IE4 ELEC KIT	1
7.1		> Module IP-E/DP-E80/110-4/2-IE4 ELEC	1
7.2	2054227	> MODULE COVER/GASKET TL3/4 KIT	1
7.3		> SCREW M5X16 ISO4762 8.8 ZnNi	1
7.4		> WASHER TOOTHED LOCK A5,3 DIN6797 FST ZN	1
	2061236	> O-RING ID.38X3 EPDM 70SR.A BUS.	1

**Motor-Typenschild / Motor type plate / Plaque identité moteur**

**Bei Ersatzteilbestellung Motor-Nummer angeben!**

**Indicate motor number for order of spare parts!**

**Pour une commande de pièces détachées, donner le numéro du moteur!**

ELEC

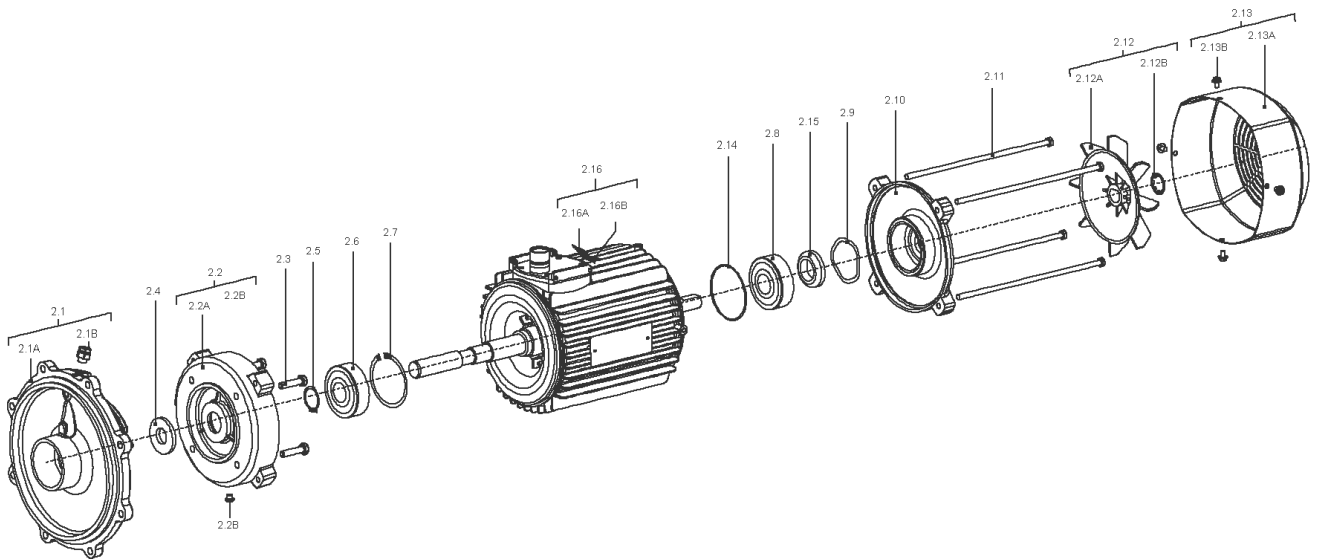
Motor-Nummer  
motor number  
numéro du moteur

<b>3~Induction Motor</b>		Made by WILLO Group			
<b>3510436</b>	<b>W080085-2-F188E</b>		<b>0902.001</b>		
<b>Class F</b>	<b>S1</b>	<b>IP55</b>	<b>13,5kg</b>	<b>EN60034</b>	
50Hz	0,75kW	SF=1,15	60Hz	0,90kW	
YΔ 230/400V	2,86/1,65A		Y 440-480V	1,75/1,65A	
Cos φ =0.84	2840min <sup>-1</sup>		Cos φ =0.81	3425min <sup>-1</sup>	
IE4-83,5%	83,5%	83%	IE4-83,4%	83,4%	82%



## Spare parts motor 4/2/112 F188E Elec IE4

Description	Quantity
W112140-2-F188E 400V/50Hz 4kW IE4	1



**W112140-2-F188E 400V/50Hz 4kW IE4**

Item	Article no.	Description	Quantity
2.1	2118386	FLANGE END SHIELD BG100/112 D.E.ELEC KIT	1
2.1A		> LANTERN V18 M130-F188 KTL	1
2.1B	2027201	> BLOWGUN R1/8" VP.	1
Note: Please give the data from type plate of the motor			
2.2	2132465	END SHIELD BG112 V12 D.E.ELEC KIT	1
2.2A		> FLANGE IEC112 V18 (WITHOUT THREAD)	1
2.2B	2111309	> CONDENSATE HOLE GASKET D5 VP.	1
Note: Please give the data from type plate of the motor			
2.3	2175741	Screw M4x14(4 PIECES)	1
2.4	2111324	THROWER D.36X4 VP.	1
2.5	2118388	CIRCLIP D.35 GB894.1 VP.	1
2.6	2149118	Ball bearing 6307/ZZ-C3 E2 VP.	1
2.7	2118390	CIRCLIP D.80 GB893.1 VP.	1
2.8	2153173	Ball bearing 6206/VV-C3 VP.	1
2.9	2132469	SPRING RING D.62 JB/T7590 VP.	1
2.10	2164025	End shield BG112 N.D.E.ELEC KIT	1
Note: Please give the data from type plate of the motor			
		> FLANGE IEC112 NDS with slot	1
		> O-RING ID62.4*3.53 EPDM	1
2.11	2132473	SCREW M8X263,5 6.8 (4 PIECES)	1
2.12	2175742	Fan BG112 ELEC KIT	1
2.12A		> FAN 174X20X17 GP2200 G/F20%	1
2.12B	2118396	> Tooth lock washer D.19,8x0,4 VP.	1
Note: Please give the data from type plate of the motor			
2.13	2168255	Fan hood BG112 ELEC KIT	1
2.13A		> FAN COVER IEC112 KTL ST14 T1.0 H86	1
2.13B	2111323	> SCREW M4X6 (4 PIECES)	1
Note: Please give the data from type plate of the motor			
2.16	2179084	Air guider BG 112 Motor KIT	1
2.16A		> AIR GUIDER IEC 112 MOTOR	1
2.16B		> SCREW M8X16 TORX HEX 6.8 GB/T70	1