



HELIX V FIRST

Article no.	Description
4201016	HELIX FIRST V202-5/16/E/S/400-50
4201018	HELIX FIRST V202-5/25/E/S/400-50
4201019	HELIX FIRST V203-5/16/E/S/400-50
4201021	HELIX FIRST V203-5/25/E/S/400-50
4201022	HELIX FIRST V204-5/16/E/S/400-50
4201024	HELIX FIRST V204-5/25/E/S/400-50
4201025	HELIX FIRST V205-5/16/E/S/400-50
4201027	HELIX FIRST V205-5/25/E/S/400-50
4201028	HELIX FIRST V206-5/16/E/S/400-50
4201030	HELIX FIRST V206-5/25/E/S/400-50
4201031	HELIX FIRST V207-5/16/E/S/400-50
4201033	HELIX FIRST V207-5/25/E/S/400-50
4201034	HELIX FIRST V208-5/16/E/S/400-50
4201036	HELIX FIRST V208-5/25/E/S/400-50
4201037	HELIX FIRST V209-5/16/E/S/400-50
4201039	HELIX FIRST V209-5/25/E/S/400-50
4201040	HELIX FIRST V210-5/16/E/S/400-50
4201042	HELIX FIRST V210-5/25/E/S/400-50
4201043	HELIX FIRST V211-5/16/E/S/400-50
4201045	HELIX FIRST V211-5/25/E/S/400-50
4201046	HELIX FIRST V212-5/16/E/S/400-50
4201048	HELIX FIRST V212-5/25/E/S/400-50
4201049	HELIX FIRST V213-5/16/E/S/400-50
4201051	HELIX FIRST V213-5/25/E/S/400-50
4201052	HELIX FIRST V214-5/16/E/S/400-50
4201054	HELIX FIRST V214-5/25/E/S/400-50
4201055	HELIX FIRST V216-5/16/E/S/400-50
4201057	HELIX FIRST V216-5/25/E/S/400-50
4201058	HELIX FIRST V218-5/25/E/KS/400-50
4201060	HELIX FIRST V220-5/25/E/KS/400-50
4201062	HELIX FIRST V222-5/25/E/KS/400-50
4201064	HELIX FIRST V224-5/25/E/KS/400-50
4201066	HELIX FIRST V226-5/25/E/KS/400-50
4201068	HELIX FIRST V229-5/30/E/KS/400-50

HELIX V FIRST

Article no.	Description
4201069	HELIX FIRST V231-5/30/E/KS/400-50
4201070	HELIX FIRST V233-5/30/E/KS/400-50
4201071	HELIX FIRST V236-5/30/E/KS/400-50
4201072	HELIX FIRST V239-5/30/E/KS/400-50
4201073	HELIX FIRST V402-5/16/E/S/400-50
4201075	HELIX FIRST V402-5/25/E/S/400-50
4201076	HELIX FIRST V403-5/16/E/S/400-50
4201078	HELIX FIRST V403-5/25/E/S/400-50
4201079	HELIX FIRST V404-5/16/E/S/400-50
4201081	HELIX FIRST V404-5/25/E/S/400-50
4201082	HELIX FIRST V405-5/16/E/S/400-50
4201084	HELIX FIRST V405-5/25/E/S/400-50
4201085	HELIX FIRST V406-5/16/E/S/400-50
4201087	HELIX FIRST V406-5/25/E/S/400-50
4201088	HELIX FIRST V407-5/16/E/S/400-50
4201090	HELIX FIRST V407-5/25/E/S/400-50
4201091	HELIX FIRST V408-5/16/E/S/400-50
4201093	HELIX FIRST V408-5/25/E/S/400-50
4201094	HELIX FIRST V409-5/16/E/S/400-50
4201096	HELIX FIRST V409-5/25/E/S/400-50
4201097	HELIX FIRST V410-5/16/E/S/400-50
4201099	HELIX FIRST V410-5/25/E/S/400-50
4201100	HELIX FIRST V411-5/16/E/S/400-50
4201102	HELIX FIRST V411-5/25/E/S/400-50
4201103	HELIX FIRST V412-5/16/E/S/400-50
4201105	HELIX FIRST V412-5/25/E/S/400-50
4201106	HELIX FIRST V413-5/16/E/S/400-50
4201108	HELIX FIRST V413-5/25/E/S/400-50
4201109	HELIX FIRST V414-5/16/E/S/400-50
4201111	HELIX FIRST V414-5/25/E/S/400-50
4201112	HELIX FIRST V416-5/16/E/S/400-50
4201114	HELIX FIRST V416-5/25/E/S/400-50
4201115	HELIX FIRST V418-5/25/E/KS/400-50
4201117	HELIX FIRST V420-5/25/E/KS/400-50

HELIX V FIRST

Article no.	Description
4201118	HELIX FIRST V422-5/25/E/KS/400-50
4201119	HELIX FIRST V424-5/25/E/KS/400-50
4201120	HELIX FIRST V426-5/25/E/KS/400-50
4201121	HELIX FIRST V429-5/30/E/KS/400-50
4201122	HELIX FIRST V431-5/30/E/KS/400-50
4201123	HELIX FIRST V601-5/16/E/S/400-50
4201124	HELIX FIRST V601-5/25/E/S/400-50
4201125	HELIX FIRST V602-5/16/E/S/400-50
4201127	HELIX FIRST V602-5/25/E/S/400-50
4201128	HELIX FIRST V603-5/16/E/S/400-50
4201130	HELIX FIRST V603-5/25/E/S/400-50
4201131	HELIX FIRST V604-5/16/E/S/400-50
4201132	HELIX FIRST V604-5/25/E/S/400-50
4201134	HELIX FIRST V605-5/16/E/S/400-50
4201136	HELIX FIRST V605-5/25/E/S/400-50
4201137	HELIX FIRST V606-5/16/E/S/400-50
4201139	HELIX FIRST V606-5/25/E/S/400-50
4201140	HELIX FIRST V607-5/16/E/S/400-50
4201142	HELIX FIRST V607-5/25/E/S/400-50
4201143	HELIX FIRST V608-5/16/E/S/400-50
4201145	HELIX FIRST V608-5/25/E/S/400-50
4201146	HELIX FIRST V609-5/16/E/S/400-50
4201148	HELIX FIRST V609-5/25/E/S/400-50
4201149	HELIX FIRST V610-5/16/E/S/400-50
4201151	HELIX FIRST V610-5/25/E/S/400-50
4201152	HELIX FIRST V611-5/16/E/S/400-50
4201154	HELIX FIRST V611-5/25/E/S/400-50
4201155	HELIX FIRST V612-5/16/E/S/400-50
4201157	HELIX FIRST V612-5/25/E/S/400-50
4201158	HELIX FIRST V613-5/16/E/S/400-50
4201159	HELIX FIRST V613-5/25/E/S/400-50
4201160	HELIX FIRST V614-5/16/E/S/400-50
4201162	HELIX FIRST V614-5/25/E/S/400-50
4201163	HELIX FIRST V615-5/25/E/KS/400-50

HELIX V FIRST

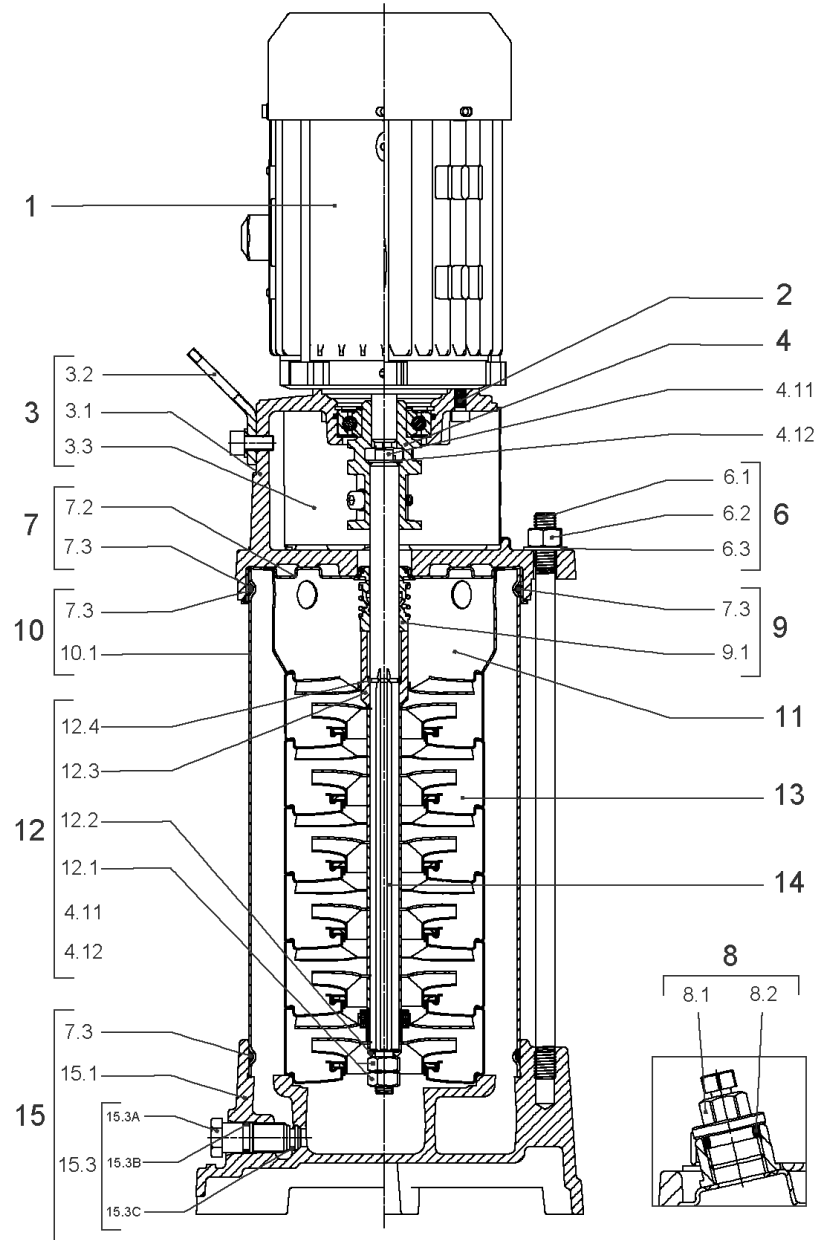
Article no.	Description
4201164	HELIX FIRST V616-5/25/E/KS/400-50
4201167	HELIX FIRST V618-5/25/E/KS/400-50
4201169	HELIX FIRST V620-5/25/E/KS/400-50
4201170	HELIX FIRST V621-5/25/E/KS/400-50
4201172	HELIX FIRST V623-5/25/E/KS/400-50
4201174	HELIX FIRST V625-5/30/E/KS/400-50
4201175	HELIX FIRST V628-5/30/E/KS/400-50
4201176	HELIX FIRST V630-5/30/E/KS/400-50
4201177	HELIX FIRST V633-5/30/E/KS/400-50
4200934	HELIX FIRST V1001-5/16/E/S/400-50
4200935	HELIX FIRST V1001-5/25/E/S/400-50
4200936	HELIX FIRST V1002-5/16/E/S/400-50
4200938	HELIX FIRST V1002-5/25/E/S/400-50
4200939	HELIX FIRST V1003-5/16/E/S/400-50
4200941	HELIX FIRST V1003-5/25/E/S/400-50
4200942	HELIX FIRST V1004-5/16/E/S/400-50
4200944	HELIX FIRST V1004-5/25/E/S/400-50
4200945	HELIX FIRST V1005-5/16/E/S/400-50
4200947	HELIX FIRST V1005-5/25/E/S/400-50
4200948	HELIX FIRST V1006-5/16/E/S/400-50
4200950	HELIX FIRST V1006-5/25/E/S/400-50
4200951	HELIX FIRST V1007-5/16/E/S/400-50
4200953	HELIX FIRST V1007-5/25/E/S/400-50
4200954	HELIX FIRST V1008-5/16/E/S/400-50
4200956	HELIX FIRST V1008-5/25/E/S/400-50
4200957	HELIX FIRST V1009-5/16/E/S/400-50
4200959	HELIX FIRST V1009-5/25/E/S/400-50
4200960	HELIX FIRST V1010-5/16/E/S/400-50
4200962	HELIX FIRST V1010-5/25/E/S/400-50
4200963	HELIX FIRST V1011-5/16/E/S/400-50
4200965	HELIX FIRST V1011-5/25/E/S/400-50
4200966	HELIX FIRST V1012-5/16/E/S/400-50
4200968	HELIX FIRST V1012-5/25/E/S/400-50
4200969	HELIX FIRST V1013-5/25/E/KS/400-50

HELIX V FIRST

Article no.	Description
4200972	HELIX FIRST V1015-5/25/E/KS/400-50
4200974	HELIX FIRST V1017-5/25/E/KS/400-50
4200975	HELIX FIRST V1019-5/25/E/KS/400-50
4200976	HELIX FIRST V1021-5/30/E/KS/400-50
4200977	HELIX FIRST V1023-5/30/E/KS/400-50
4200978	HELIX FIRST V1601-5/16/E/S/400-50
4200979	HELIX FIRST V1601-5/25/E/S/400-50
4200980	HELIX FIRST V1602-5/16/E/S/400-50
4200982	HELIX FIRST V1602-5/25/E/S/400-50
4200983	HELIX FIRST V1603-5/16/E/S/400-50
4200985	HELIX FIRST V1603-5/25/E/S/400-50
4200986	HELIX FIRST V1604-5/16/E/S/400-50
4200988	HELIX FIRST V1604-5/25/E/S/400-50
4200990	HELIX FIRST V1605-5/16/E/S/400-50
4200991	HELIX FIRST V1605-5/25/E/S/400-50
4200993	HELIX FIRST V1606-5/16/E/S/400-50
4200994	HELIX FIRST V1606-5/25/E/S/400-50
4200996	HELIX FIRST V1607-5/16/E/S/400-50
4200997	HELIX FIRST V1607-5/25/E/S/400-50
4200999	HELIX FIRST V1608-5/16/E/S/400-50
4201000	HELIX FIRST V1608-5/25/E/S/400-50
4201001	HELIX FIRST V1609-5/25/E/KS/400-50
4201003	HELIX FIRST V1610-5/25/E/KS/400-50
4201005	HELIX FIRST V1611-5/25/E/KS/400-50
4201007	HELIX FIRST V1612-5/25/E/KS/400-50
4201009	HELIX FIRST V1613-5/25/E/KS/400-50
4201013	HELIX FIRST V1616-5/30/E/KS/400-50
4201014	HELIX FIRST V1618-5/30/E/KS/400-50
4201015	HELIX FIRST V1621-5/30/E/KS/400-50
4183356	HELIX FIRST V2202-5/16/E/S/400-50
4183357	HELIX FIRST V2203-5/16/E/S/400-50
4183358	HELIX FIRST V2204-5/16/E/S/400-50
4183359	HELIX FIRST V2205-5/16/E/S/400-50
4183360	HELIX FIRST V2206-5/16/E/S/400-50

HELIX V FIRST

Article no.	Description
4183361	HELIX FIRST V2207-5/16/E/S/400-50
4183362	HELIX FIRST V2208-5/16/E/S/400-50
4183384	HELIX FIRST V3601-5/16/E/S/400-50
4183387	HELIX FIRST V3602-5/16/E/S/400-50
4183386	HELIX FIRST V3602/1-5/16/E/S/400-50
4183385	HELIX FIRST V3602/2-5/16/E/S/400-50
4183390	HELIX FIRST V3603-5/16/E/S/400-50
4183389	HELIX FIRST V3603/1-5/16/E/S/400-50
4183388	HELIX FIRST V3603/2-5/16/E/S/400-50
4183392	HELIX FIRST V3604-5/16/E/S/400-50
4183391	HELIX FIRST V3604/2-5/16/E/S/400-50
4183423	HELIX FIRST V5201-5/16/E/S/400-50
4183422	HELIX FIRST V5201/1-5/16/E/S/400-50
4183425	HELIX FIRST V5202-5/16/E/S/400-50
4183424	HELIX FIRST V5202/2-5/16/E/S/400-50
4183427	HELIX FIRST V5203-5/16/E/S/400-50
4183426	HELIX FIRST V5203/2-5/16/E/S/400-50
4200620	HELIX FIRST V5208/2-5/25/E/KS/400-50



HELIX FIRST V202-5/16/E/S/400-50 (4201016)

Item	Article no.	Description	Quantity
1	4169946	MOTOR 0,37/2/71 3~230/400V 50HZ IE2 VP.	1
		SPARE PARTS MOTOR:ON REQUEST	1
2	4212716	SCREW M6X20 KIT (4PIECES)	1
3	4213715	LANTERN FT85 HELIX KIT	1
3.1		> LANT-MOT-VMI-ReDTC6"-FT85-MACHINED+CATA	1
3.2	4184852	> EYELET CPL.FT HELIX (2 PIECES)	1
3.3	4213713	> COUPLING PROTECTOR FT85/100 HELIX KIT	1
4	4212718	COUPLING HELIX D12 FT85 KIT	1
6	4215001	STUD BOLT HELIX M12X141 KIT	1
6.1		> TIE BOLT M12-141x18x30-1.4057	1
6.2	2094647	> NUT M12 M12 ISO4032 VP.	1
6.3	2123557	> WASHER CS-12.4-24-1.6-NFE25 (4 PIECES)	1
7	4212722	STATIONARY RING HOLDER HELIX D23 ReDTC	1
7.2	4212720	> STATIONARY RING HOLDER HELIX D23 VP.	1
7.3	4176513	> O-RING FOR PUMP JACKET VP.	1
8	4212724	FILING/PURGING PLUG HELIX ReDTC KIT	1
8.1		> FILLING PLUG MVI6"-304	1
8.2	4177800	> O-RING EPDM PLUG HELIX VP.	1
9	4212726	MECH.SEAL HELIX V2/4 O/E ReDTC KIT	1
9.1	4178563	> M.SEAL.HELIX2-4 O/E VP.	1
7.3	4176513	> O-RING FOR PUMP JACKET VP.	1
10	4178565	HOUSING PIPES D.152X109 1.4301 KIT	1
7.3	4176513	> O-RING FOR PUMP JACKET VP.	1
10.1		> HOUSING-PIPE Ø152-M+202/402-304	1
11	4179315	CENTERING STAGE HELIX V2 1.4307 VP.	1
12	4212729	SHAFT EQUIPMENT HELIX V2/4 ReDTC KIT	1
12.1		> NUT-H-M8-STAINLESS-STEEL A4-70	1
12.2		> SHAFT END WASHER Ø8/Ø12 316L	1
12.3		> 1/2-SNAP-RING-2/4M3-316L	1
12.4		> STOP-RUSH-1/2-D12xd2-M+316	1
4.11		> SCREW CHC-M6X14-8.8-ISO4762-GEOMET500A	1
4.12		> WASHER D.24 L6U ZINK	1
13		HYDRAULIC HELIX V 202 1.4307	1
14	4213693	SHAFT D.12X182 HELIX 1.4057 VP.	1

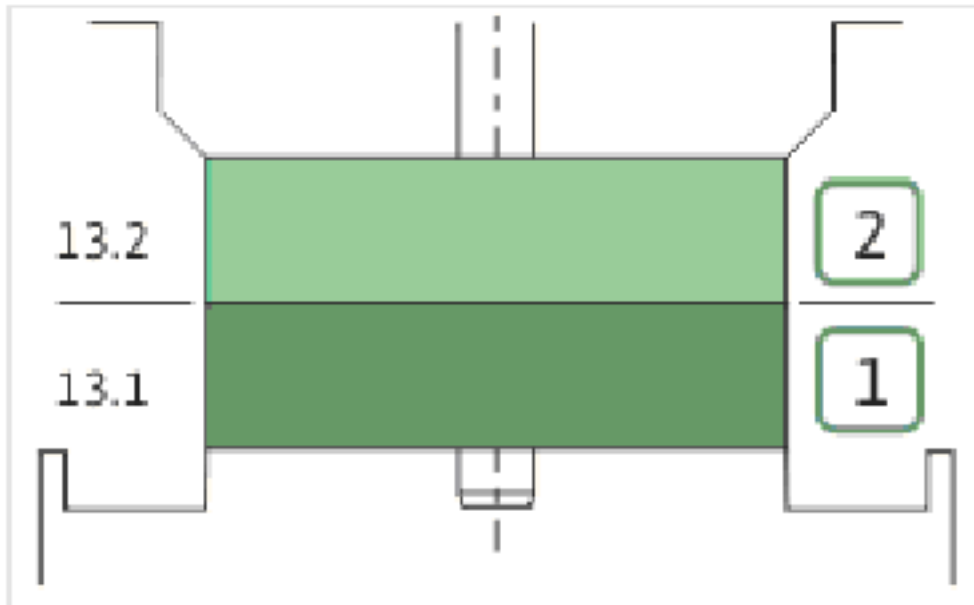
HELIX FIRST V202-5/16/E/S/400-50 (4201016)

Item	Article no.	Description	Quantity
15	4215105	PUMP HOUSING HELIX V2/4/6 DN32 PN16 KIT	1
15.1		> MACH+CATA PPE HOUSING M+5" D32-PN16 GJL	1
15.2	4191618	> O-RING ID.44,05x3,53 EPDM VP.	1
15.3	4171321	> PRIMING/DRAIN PLUG EPDM HELIX KIT	1
7.3	4176513	> O-RING FOR PUMP JACKET VP.	1



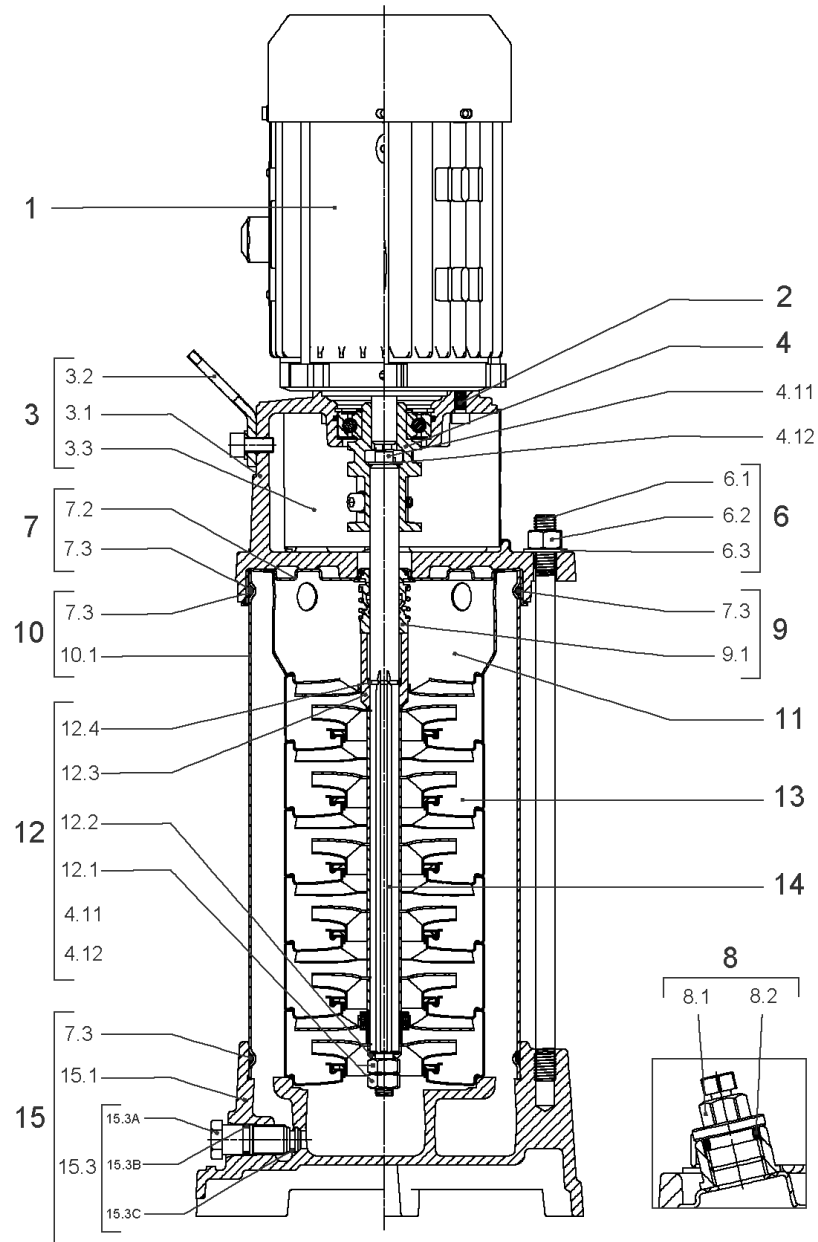
COUPLING HELIX D12 FT85 KIT (4212718)

Item	Article no.	Description	Quantity
4.1		COUPLING-VMI-Ø12xØ14-FT85-USINE	1
4.2	4177802	BALL BEARING 6205C3-ZZ HTVP.	1
4.3	4208923	CIRCLIP D25X1.2 VP.	1
4.4	4212716	SCREW M6X20 KIT (4PIECES)	1
4.5	4233124	CIRCLIP-FOR-BORES-D52x2 VP.	1
4.6	4234244	O-RING 52X2 VP.	1
		CONTACT-WASHER-6ETR-6,1x12,2x1,8-STEEL	1



HYDRAULIC HELIX V 202 1.4307

Item	Article no.	Description	Quantity
13.1	4179316	STAGE HELIX 2 1.4301 KIT	1
		> MACH.STG-CASING-WOGV-WNR-M+2-4-304	1
		> IMPELLER-M+2-304	1
13.2	4179317	STAGE BEARING HELIX 2 1.4307 KIT	1
		> MACH.BEARING-STG-CASING-WNR-M+2-304	1
		> IMPELLER-M+2-304	1
		> SHAFT SLEEVE SPACER Ø15,35x10,305-304	1
		> SHAFT-SLEEVE-D12xD16x14-CW	1



HELIX FIRST V202-5/25/E/S/400-50 (4201018)

Item	Article no.	Description	Quantity
1	4169946	MOTOR 0,37/2/71 3~230/400V 50HZ IE2 VP.	1
		SPARE PARTS MOTOR:ON REQUEST	1
2	4212716	SCREW M6X20 KIT (4PIECES)	1
3	4213715	LANTERN FT85 HELIX KIT	1
3.1		> LANT-MOT-VMI-ReDTC6"-FT85-MACHINED+CATA	1
3.2	4184852	> EYELET CPL.FT HELIX (2 PIECES)	1
3.3	4213713	> COUPLING PROTECTOR FT85/100 HELIX KIT	1
4	4212718	COUPLING HELIX D12 FT85 KIT	1
6	4215001	STUD BOLT HELIX M12X141 KIT	1
6.1		> TIE BOLT M12-141x18x30-1.4057	1
6.2	2094647	> NUT M12 M12 ISO4032 VP.	1
6.3	2123557	> WASHER CS-12.4-24-1.6-NFE25 (4 PIECES)	1
7	4212722	STATIONARY RING HOLDER HELIX D23 ReDTC	1
7.2	4212720	> STATIONARY RING HOLDER HELIX D23 VP.	1
7.3	4176513	> O-RING FOR PUMP JACKET VP.	1
8	4212724	FILING/PURGING PLUG HELIX ReDTC KIT	1
8.1		> FILLING PLUG MVI6"-304	1
8.2	4177800	> O-RING EPDM PLUG HELIX VP.	1
9	4212726	MECH.SEAL HELIX V2/4 O/E ReDTC KIT	1
9.1	4178563	> M.SEAL.HELIX2-4 O/E VP.	1
7.3	4176513	> O-RING FOR PUMP JACKET VP.	1
10	4178565	HOUSING PIPES D.152X109 1.4301 KIT	1
7.3	4176513	> O-RING FOR PUMP JACKET VP.	1
10.1		> HOUSING-PIPE Ø152-M+202/402-304	1
11	4179315	CENTERING STAGE HELIX V2 1.4307 VP.	1
12	4212729	SHAFT EQUIPMENT HELIX V2/4 ReDTC KIT	1
12.1		> NUT-H-M8-STAINLESS-STEEL A4-70	1
12.2		> SHAFT END WASHER Ø8/Ø12 316L	1
12.3		> 1/2-SNAP-RING-2/4M3-316L	1
12.4		> STOP-RUSH-1/2-D12xd2-M+316	1
4.11		> SCREW CHC-M6X14-8.8-ISO4762-GEOMET500A	1
4.12		> WASHER D.24 L6U ZINK	1
13		HYDRAULIC HELIX V 202 1.4307	1
14	4213693	SHAFT D.12X182 HELIX 1.4057 VP.	1

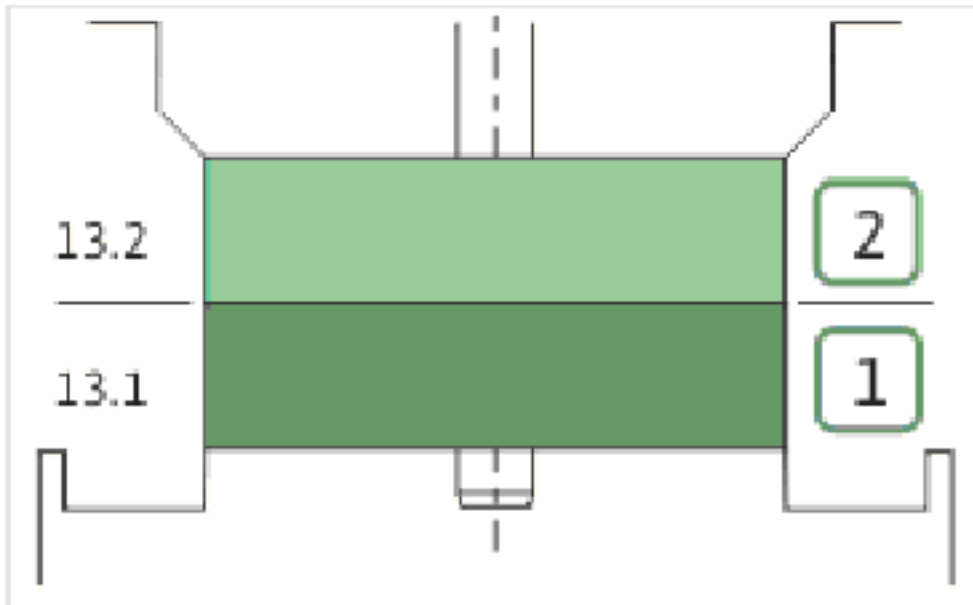
HELIX FIRST V202-5/25/E/S/400-50 (4201018)

Item	Article no.	Description	Quantity
15	4179246	PUMP HOUSING HELIX V2/4 DN25 PN30 KIT	1
7.3	4176513	> O-RING FOR PUMP JACKET VP.	1
15.1		> MACH+CATA PUMP CASING M+5" DN25 PN25 GJL	1
15.2	4233952	> FLAT GASKET D.73 VP.	1
15.3	4177877	> PRIMING/DRAIN PLUG HELIX PN30 KIT	1
15.3A		>> PRIMING/DRAIN PLUG M+6" 304	1
15.3B	4233957	>> O-RING ID.9 EPDM VP.	1
15.3C		>> O-RING Ø8xØ2 EPDM KTW/WRC	1

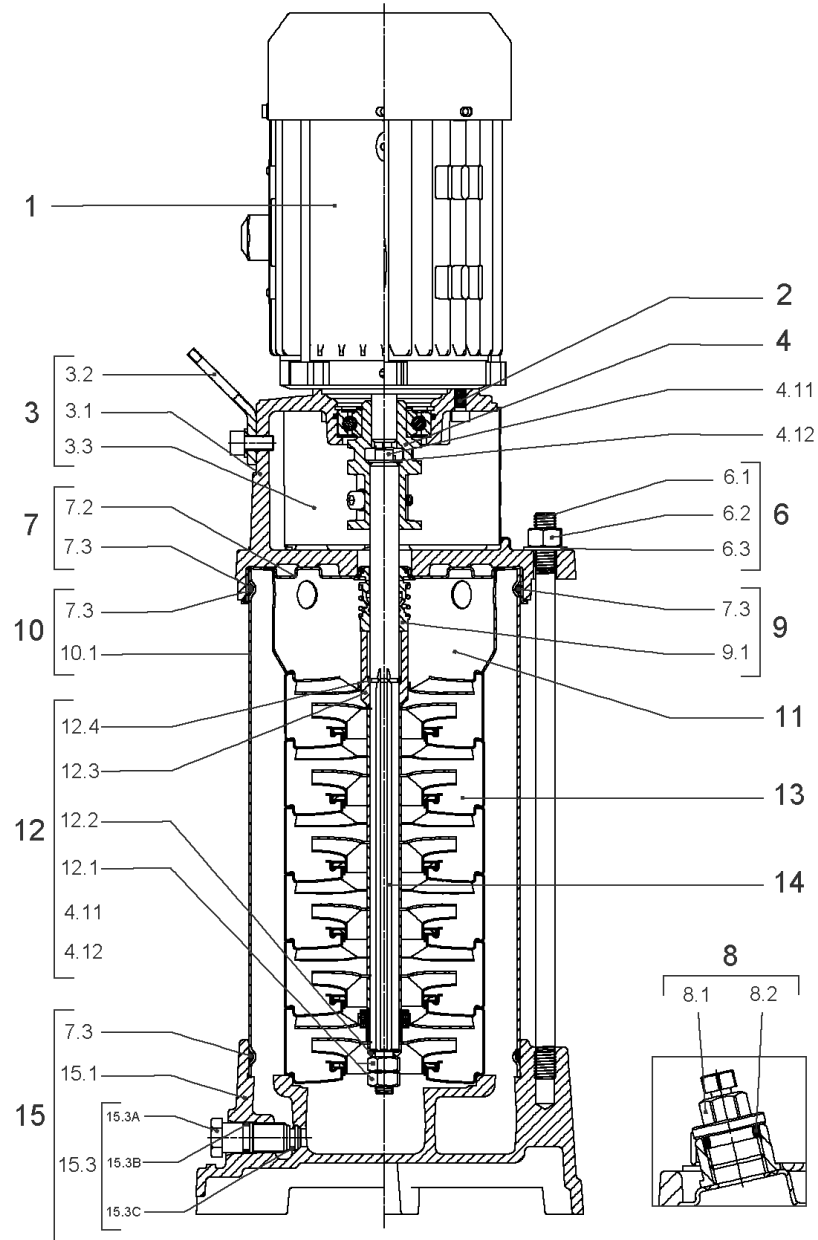


COUPLING HELIX D12 FT85 KIT (4212718)

Item	Article no.	Description	Quantity
4.1		COUPLING-VMI-Ø12xØ14-FT85-USINE	1
4.2	4177802	BALL BEARING 6205C3-ZZ HTVP.	1
4.3	4208923	CIRCLIP D25X1.2 VP.	1
4.4	4212716	SCREW M6X20 KIT (4PIECES)	1
4.5	4233124	CIRCLIP-FOR-BORES-D52x2 VP.	1
4.6	4234244	O-RING 52X2 VP.	1
		CONTACT-WASHER-6ETR-6,1x12,2x1,8-STEEL	1



Item	Article no.	Description	Quantity
13.1	4179316	STAGE HELIX 2 1.4301 KIT	1
		> MACH.STG-CASING-WOGV-WNR-M+2-4-304	1
		> IMPELLER-M+2-304	1
13.2	4179317	STAGE BEARING HELIX 2 1.4307 KIT	1
		> MACH.BEARING-STG-CASING-WNR-M+2-304	1
		> IMPELLER-M+2-304	1
		> SHAFT SLEEVE SPACER Ø15,35x10,305-304	1
		> SHAFT-SLEEVE-D12xD16x14-CW	1



HELIX FIRST V203-5/16/E/S/400-50 (4201019)

Item	Article no.	Description	Quantity
1	4169946	MOTOR 0,37/2/71 3~230/400V 50HZ IE2 VP.	1
		SPARE PARTS MOTOR:ON REQUEST	1
2	4212716	SCREW M6X20 KIT (4PIECES)	1
3	4213715	LANTERN FT85 HELIX KIT	1
3.1		> LANT-MOT-VMI-ReDTC6"-FT85-MACHINED+CATA	1
3.2	4184852	> EYELET CPL.FT HELIX (2 PIECES)	1
3.3	4213713	> COUPLING PROTECTOR FT85/100 HELIX KIT	1
4	4212718	COUPLING HELIX D12 FT85 KIT	1
6	4214966	STUD BOLT HELIX M12X170 KIT	1
6.1		> TIE BOLT M12-170x18x30-1.4057	1
6.2	2094647	> NUT M12 M12 ISO4032 VP.	1
6.3	2123557	> WASHER CS-12.4-24-1.6-NFE25 (4 PIECES)	1
7	4212722	STATIONARY RING HOLDER HELIX D23 ReDTC	1
7.2	4212720	> STATIONARY RING HOLDER HELIX D23 VP.	1
7.3	4176513	> O-RING FOR PUMP JACKET VP.	1
8	4212724	FILING/PURGING PLUG HELIX ReDTC KIT	1
8.1		> FILLING PLUG MVI6"-304	1
8.2	4177800	> O-RING EPDM PLUG HELIX VP.	1
9	4212726	MECH.SEAL HELIX V2/4 O/E ReDTC KIT	1
9.1	4178563	> M.SEAL.HELIX2-4 O/E VP.	1
7.3	4176513	> O-RING FOR PUMP JACKET VP.	1
10	4177804	HOUSING PIPES D.152X134 1.4301 KIT	1
7.3	4176513	> O-RING FOR PUMP JACKET VP.	1
10.1		> HOUSING-PIPE Ø152-M+1001/02-304	1
11	4179315	CENTERING STAGE HELIX V2 1.4307 VP.	1
12	4212729	SHAFT EQUIPMENT HELIX V2/4 ReDTC KIT	1
12.1		> NUT-H-M8-STAINLESS-STEEL A4-70	1
12.2		> SHAFT END WASHER Ø8/Ø12 316L	1
12.3		> 1/2-SNAP-RING-2/4M3-316L	1
12.4		> STOP-RUSH-1/2-D12xd2-M+316	1
4.11		> SCREW CHC-M6X14-8.8-ISO4762-GEOMET500A	1
4.12		> WASHER D.24 L6U ZINK	1
13		HYDRAULIC HELIX V 203 1.4307	1
15	4215105	PUMP HOUSING HELIX V2/4/6 DN32 PN16 KIT	1

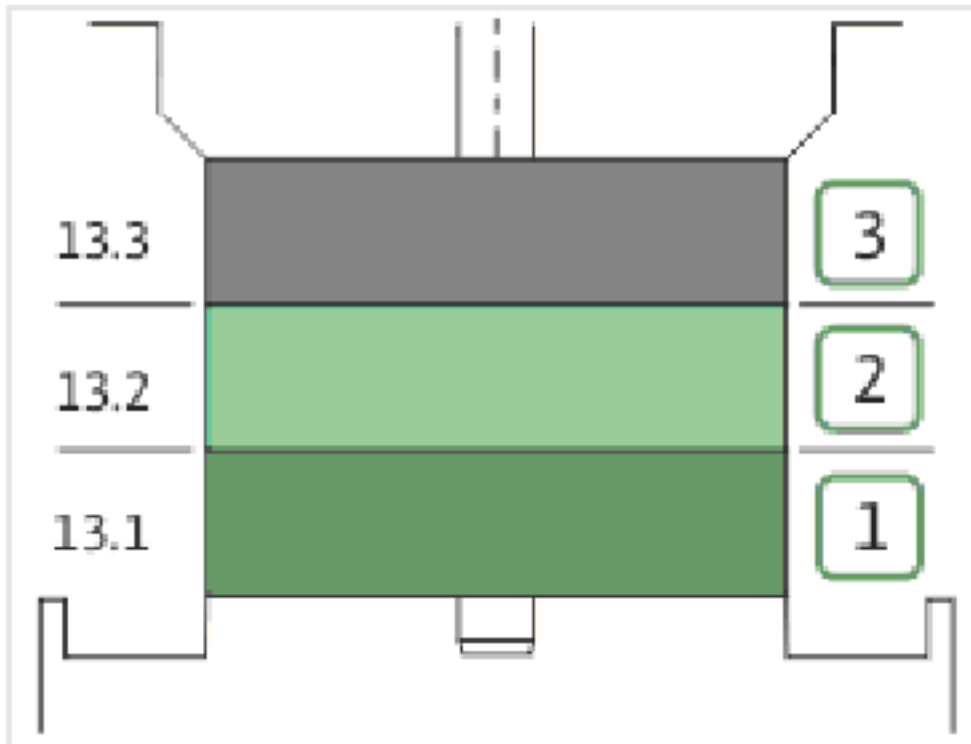
HELIX FIRST V203-5/16/E/S/400-50 (4201019)

Item	Article no.	Description	Quantity
15.1		> MACH+CATA PPE HOUSING M+5" D32-PN16 GJL	1
15.2	4191618	> O-RING ID.44,05x3,53 EPDM VP.	1
15.3	4171321	> PRIMING/DRAIN PLUG EPDM HELIX KIT	1
7.3	4176513	> O-RING FOR PUMP JACKET VP.	1

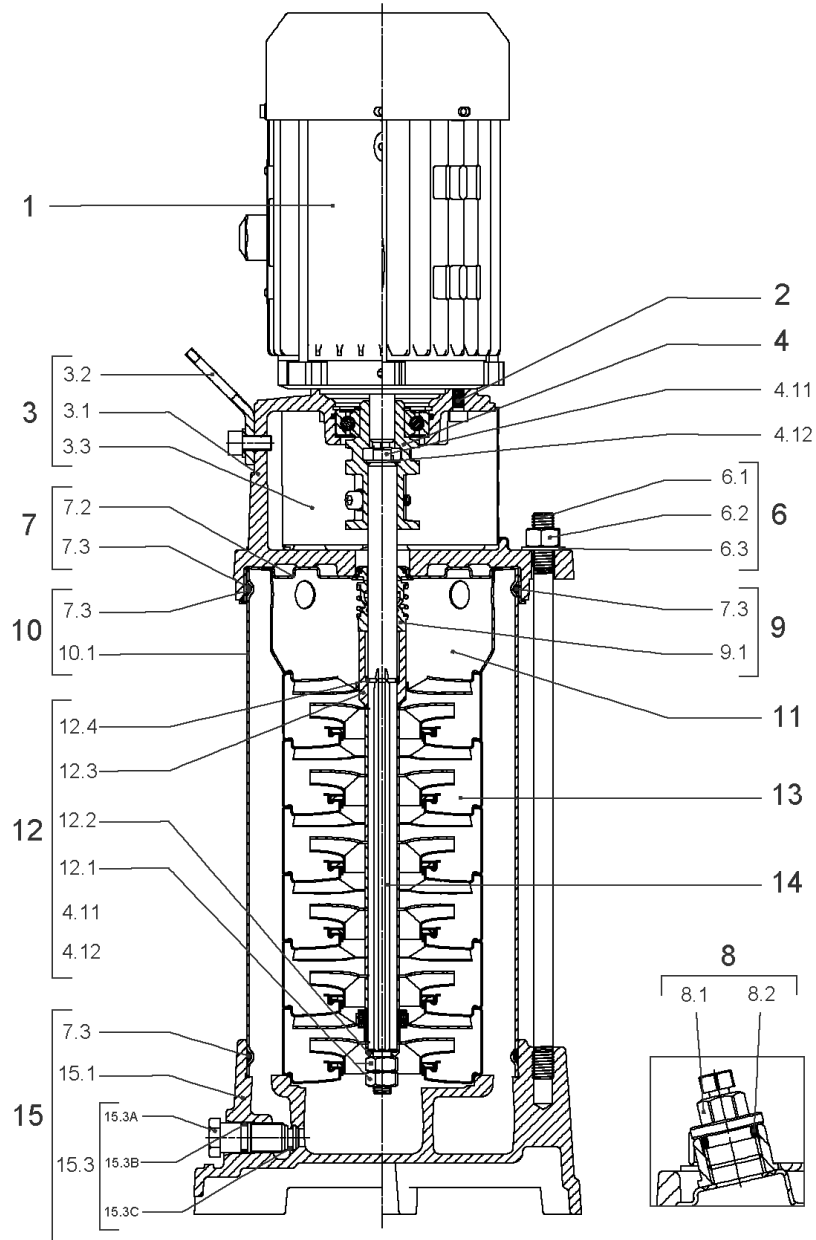


COUPLING HELIX D12 FT85 KIT (4212718)

Item	Article no.	Description	Quantity
4.1		COUPLING-VMI-Ø12xØ14-FT85-USINE	1
4.2	4177802	BALL BEARING 6205C3-ZZ HTVP.	1
4.3	4208923	CIRCLIP D25X1.2 VP.	1
4.4	4212716	SCREW M6X20 KIT (4PIECES)	1
4.5	4233124	CIRCLIP-FOR-BORES-D52x2 VP.	1
4.6	4234244	O-RING 52X2 VP.	1
		CONTACT-WASHER-6ETR-6,1x12,2x1,8-STEEL	1



Item	Article no.	Description	Quantity
13.1	4179316	STAGE HELIX 2 1.4301 KIT	1
		> MACH.STG-CASING-WOGV-WNR-M+2-4-304	1
		> IMPELLER-M+2-304	1
13.2	4179317	STAGE BEARING HELIX 2 1.4307 KIT	1
		> MACH.BEARING-STG-CASING-WNR-M+2-304	1
		> IMPELLER-M+2-304	1
		> SHAFT SLEEVE SPACER Ø15,35x10,305-304	1
		> SHAFT-SLEEVE-D12xD16x14-CW	1
13.3	4179319	INTERMEDIATE STAGE HELIX 2 1.4301 KIT	1
		> CORPS-ETG-STD-ACR-AJR-USIN.M+2-304	1
		> IMPELLER-M+2-304	1
		> IMPELLER SPACER Ø12,05X14,85-L24,285-304	1



HELIX FIRST V203-5/25/E/S/400-50 (4201021)

Item	Article no.	Description	Quantity
1	4169946	MOTOR 0,37/2/71 3~230/400V 50HZ IE2 VP.	1
		SPARE PARTS MOTOR:ON REQUEST	1
2	4212716	SCREW M6X20 KIT (4PIECES)	1
3	4213715	LANTERN FT85 HELIX KIT	1
3.1		> LANT-MOT-VMI-ReDTC6"-FT85-MACHINED+CATA	1
3.2	4184852	> EYELET CPL.FT HELIX (2 PIECES)	1
3.3	4213713	> COUPLING PROTECTOR FT85/100 HELIX KIT	1
4	4212718	COUPLING HELIX D12 FT85 KIT	1
6	4214966	STUD BOLT HELIX M12X170 KIT	1
6.1		> TIE BOLT M12-170x18x30-1.4057	1
6.2	2094647	> NUT M12 M12 ISO4032 VP.	1
6.3	2123557	> WASHER CS-12.4-24-1.6-NFE25 (4 PIECES)	1
7	4212722	STATIONARY RING HOLDER HELIX D23 ReDTC	1
7.2	4212720	> STATIONARY RING HOLDER HELIX D23 VP.	1
7.3	4176513	> O-RING FOR PUMP JACKET VP.	1
8	4212724	FILING/PURGING PLUG HELIX ReDTC KIT	1
8.1		> FILLING PLUG MVI6"-304	1
8.2	4177800	> O-RING EPDM PLUG HELIX VP.	1
9	4212726	MECH.SEAL HELIX V2/4 O/E ReDTC KIT	1
9.1	4178563	> M.SEAL.HELIX2-4 O/E VP.	1
7.3	4176513	> O-RING FOR PUMP JACKET VP.	1
10	4177804	HOUSING PIPES D.152X134 1.4301 KIT	1
7.3	4176513	> O-RING FOR PUMP JACKET VP.	1
10.1		> HOUSING-PIPE Ø152-M+1001/02-304	1
11	4179315	CENTERING STAGE HELIX V2 1.4307 VP.	1
12	4212729	SHAFT EQUIPMENT HELIX V2/4 ReDTC KIT	1
12.1		> NUT-H-M8-STAINLESS-STEEL A4-70	1
12.2		> SHAFT END WASHER Ø8/Ø12 316L	1
12.3		> 1/2-SNAP-RING-2/4M3-316L	1
12.4		> STOP-RUSH-1/2-D12xd2-M+316	1
4.11		> SCREW CHC-M6X14-8.8-ISO4762-GEOMET500A	1
4.12		> WASHER D.24 L6U ZINK	1
13		HYDRAULIC HELIX V 203 1.4307	1
15	4179246	PUMP HOUSING HELIX V2/4 DN25 PN30 KIT	1

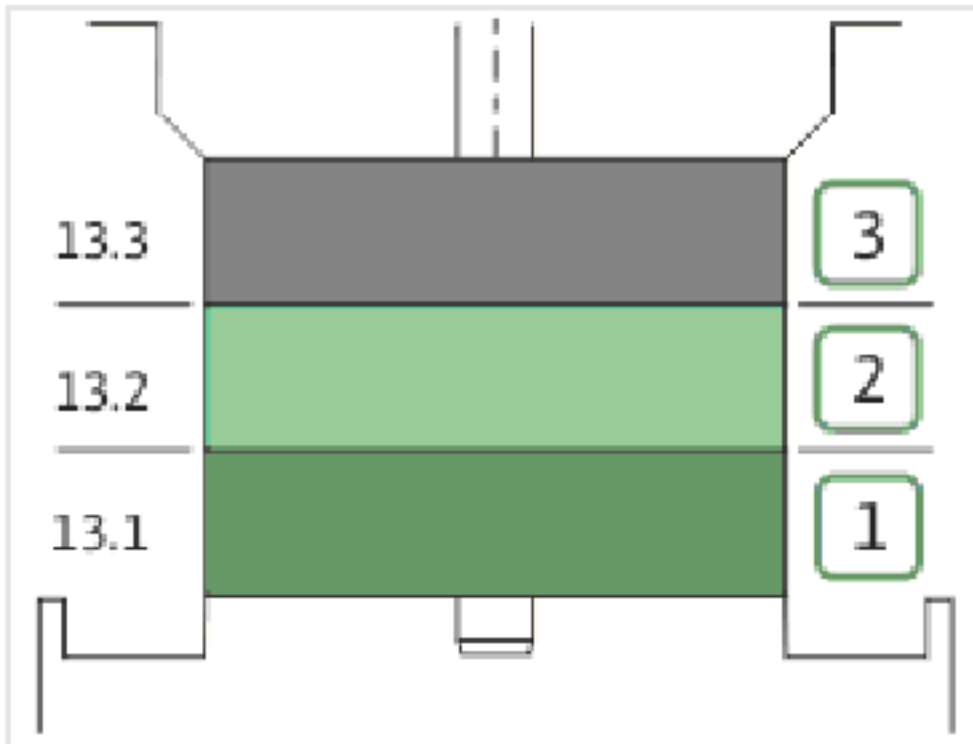
HELIX FIRST V203-5/25/E/S/400-50 (4201021)

Item	Article no.	Description	Quantity
7.3	4176513	> O-RING FOR PUMP JACKET VP.	1
15.1		> MACH+CATA PUMP CASING M+5" DN25 PN25 GJL	1
15.2	4233952	> FLAT GASKET D.73 VP.	1
15.3	4177877	> PRIMING/DRAIN PLUG HELIX PN30 KIT	1
15.3A		>> PRIMING/DRAIN PLUG M+6" 304	1
15.3B	4233957	>> O-RING ID.9 EPDM VP.	1
15.3C		>> O-RING Ø8xØ2 EPDM KTW/WRC	1

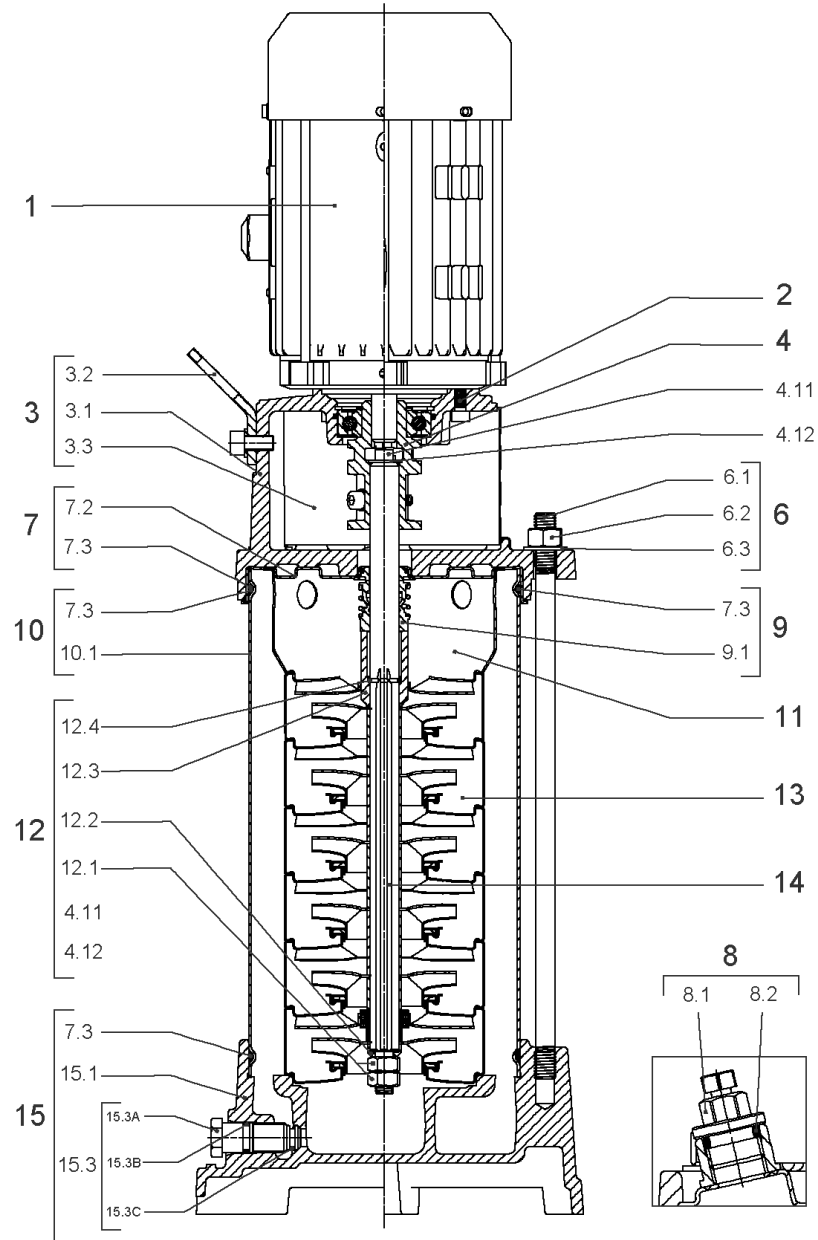


COUPLING HELIX D12 FT85 KIT (4212718)

Item	Article no.	Description	Quantity
4.1		COUPLING-VMI-Ø12xØ14-FT85-USINE	1
4.2	4177802	BALL BEARING 6205C3-ZZ HTVP.	1
4.3	4208923	CIRCLIP D25X1.2 VP.	1
4.4	4212716	SCREW M6X20 KIT (4PIECES)	1
4.5	4233124	CIRCLIP-FOR-BORES-D52x2 VP.	1
4.6	4234244	O-RING 52X2 VP.	1
		CONTACT-WASHER-6ETR-6,1x12,2x1,8-STEEL	1



Item	Article no.	Description	Quantity
13.1	4179316	STAGE HELIX 2 1.4301 KIT	1
		> MACH.STG-CASING-WOGV-WNR-M+2-4-304	1
		> IMPELLER-M+2-304	1
13.2	4179317	STAGE BEARING HELIX 2 1.4307 KIT	1
		> MACH.BEARING-STG-CASING-WNR-M+2-304	1
		> IMPELLER-M+2-304	1
		> SHAFT SLEEVE SPACER Ø15,35x10,305-304	1
		> SHAFT-SLEEVE-D12xD16x14-CW	1
13.3	4179319	INTERMEDIATE STAGE HELIX 2 1.4301 KIT	1
		> CORPS-ETG-STD-ACR-AJR-USIN.M+2-304	1
		> IMPELLER-M+2-304	1
		> IMPELLER SPACER Ø12,05X14,85-L24,285-304	1



HELIX FIRST V204-5/16/E/S/400-50 (4201022)

Item	Article no.	Description	Quantity
1	4169946	MOTOR 0,37/2/71 3~230/400V 50HZ IE2 VP.	1
		SPARE PARTS MOTOR:ON REQUEST	1
2	4212716	SCREW M6X20 KIT (4PIECES)	1
3	4213715	LANTERN FT85 HELIX KIT	1
3.1		> LANT-MOT-VMI-ReDTC6"-FT85-MACHINED+CATA	1
3.2	4184852	> EYELET CPL.FT HELIX (2 PIECES)	1
3.3	4213713	> COUPLING PROTECTOR FT85/100 HELIX KIT	1
4	4212718	COUPLING HELIX D12 FT85 KIT	1
6	4214555	STUD BOLT HELIX M12X195 KIT	1
6.1		> TIE BOLT M12-195x18x30-1.4057	1
6.2	2094647	> NUT M12 M12 ISO4032 VP.	1
6.3	2123557	> WASHER CS-12.4-24-1.6-NFE25 (4 PIECES)	1
7	4212722	STATIONARY RING HOLDER HELIX D23 ReDTC	1
7.2	4212720	> STATIONARY RING HOLDER HELIX D23 VP.	1
7.3	4176513	> O-RING FOR PUMP JACKET VP.	1
8	4212724	FILING/PURGING PLUG HELIX ReDTC KIT	1
8.1		> FILLING PLUG MVI6"-304	1
8.2	4177800	> O-RING EPDM PLUG HELIX VP.	1
9	4212726	MECH.SEAL HELIX V2/4 O/E ReDTC KIT	1
9.1	4178563	> M.SEAL.HELIX2-4 O/E VP.	1
7.3	4176513	> O-RING FOR PUMP JACKET VP.	1
10	2127574	HOUSING PIPE D.152x160 1.4301 KIT	1
7.3	4176513	> O-RING FOR PUMP JACKET VP.	1
10.1		> HOUSING-PIPE Ø152-M+1601/02-304	1
11	4179315	CENTERING STAGE HELIX V2 1.4307 VP.	1
12	4212729	SHAFT EQUIPMENT HELIX V2/4 ReDTC KIT	1
12.1		> NUT-H-M8-STAINLESS-STEEL A4-70	1
12.2		> SHAFT END WASHER Ø8/Ø12 316L	1
12.3		> 1/2-SNAP-RING-2/4M3-316L	1
12.4		> STOP-RUSH-1/2-D12xd2-M+316	1
4.11		> SCREW CHC-M6X14-8.8-ISO4762-GEOMET500A	1
4.12		> WASHER D.24 L6U ZINK	1
13		HYDRAULIC HELIX V 204 1.4307	1
14	4213744	SHAFT D.12X231 HELIX 1.4057 VP.	1

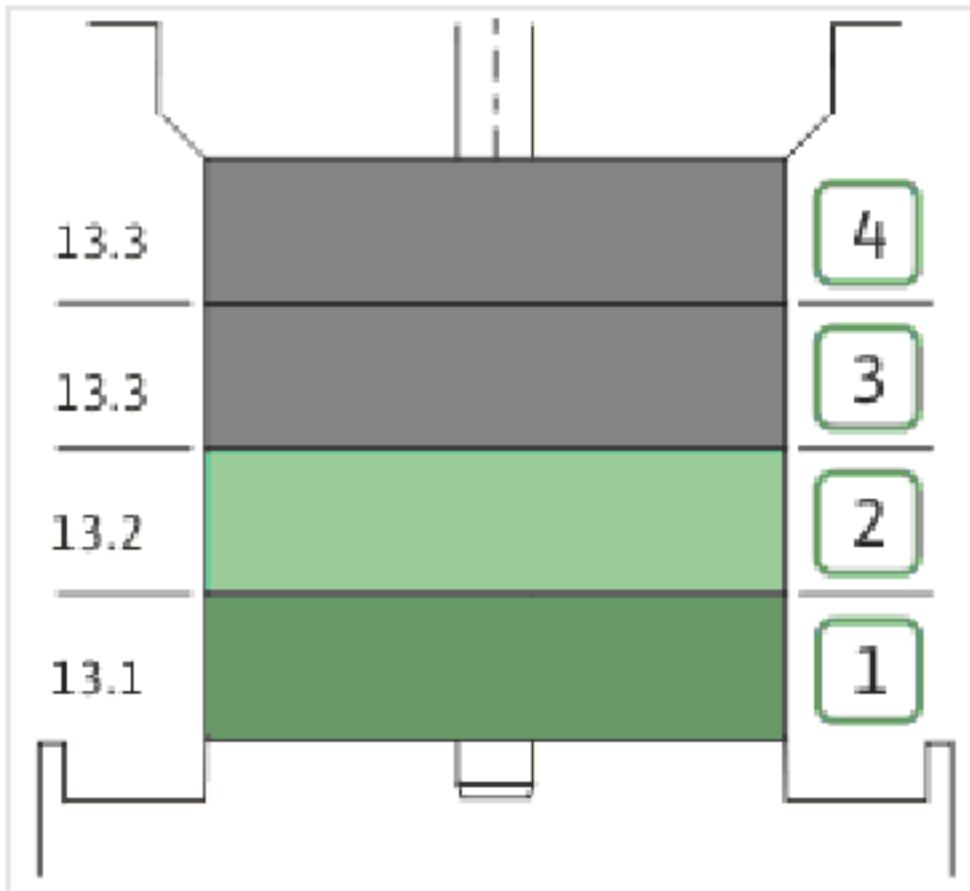
HELIX FIRST V204-5/16/E/S/400-50 (4201022)

Item	Article no.	Description	Quantity
15	4215105	PUMP HOUSING HELIX V2/4/6 DN32 PN16 KIT	1
15.1		> MACH+CATA PPE HOUSING M+5" D32-PN16 GJL	1
15.2	4191618	> O-RING ID.44,05x3,53 EPDM VP.	1
15.3	4171321	> PRIMING/DRAIN PLUG EPDM HELIX KIT	1
7.3	4176513	> O-RING FOR PUMP JACKET VP.	1



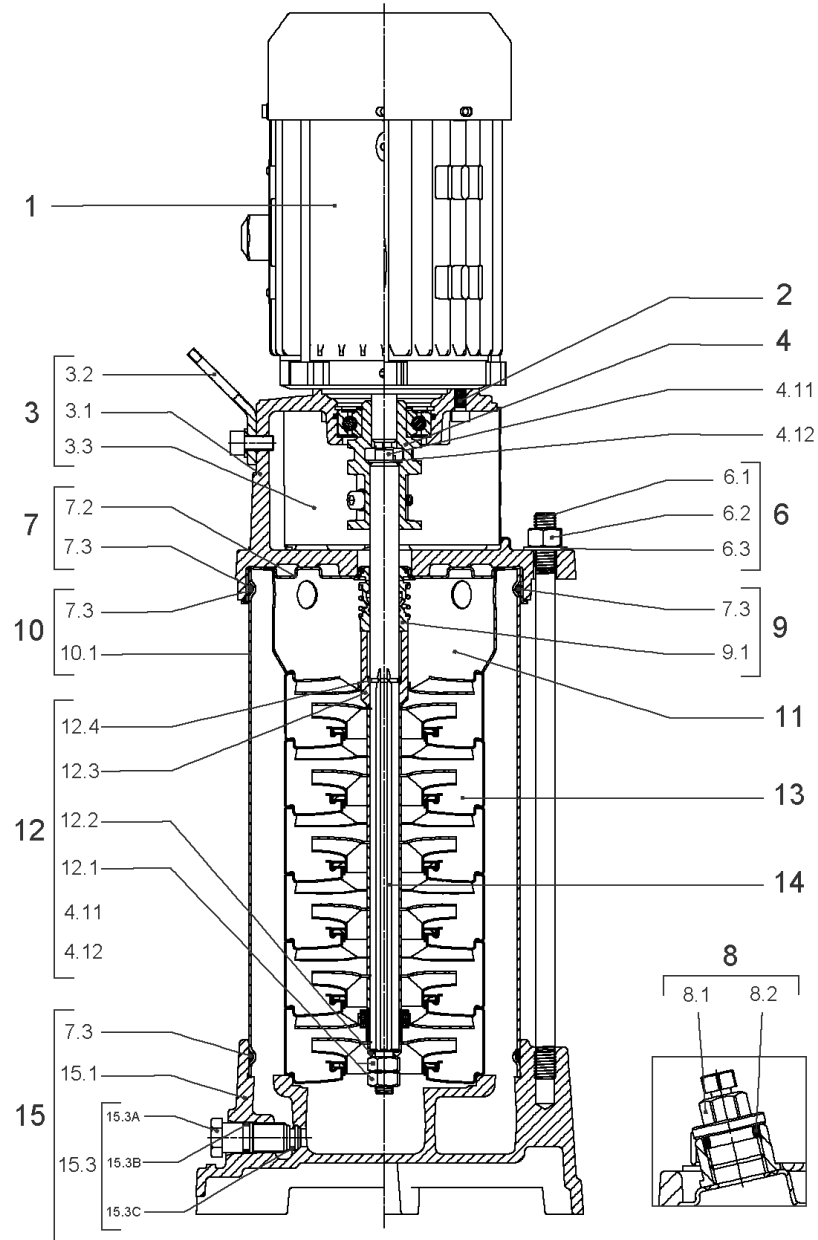
COUPLING HELIX D12 FT85 KIT (4212718)

Item	Article no.	Description	Quantity
4.1		COUPLING-VMI-Ø12xØ14-FT85-USINE	1
4.2	4177802	BALL BEARING 6205C3-ZZ HTVP.	1
4.3	4208923	CIRCLIP D25X1.2 VP.	1
4.4	4212716	SCREW M6X20 KIT (4PIECES)	1
4.5	4233124	CIRCLIP-FOR-BORES-D52x2 VP.	1
4.6	4234244	O-RING 52X2 VP.	1
		CONTACT-WASHER-6ETR-6,1x12,2x1,8-STEEL	1



HYDRAULIC HELIX V 204 1.4307

Item	Article no.	Description	Quantity
13.1	4179316	STAGE HELIX 2 1.4301 KIT	1
		> MACH.STG-CASING-WOGV-WNR-M+2-4-304	1
		> IMPELLER-M+2-304	1
13.2	4179317	STAGE BEARING HELIX 2 1.4307 KIT	1
		> MACH.BEARING-STG-CASING-WNR-M+2-304	1
		> IMPELLER-M+2-304	1
		> SHAFT SLEEVE SPACER Ø15,35x10,305-304	1
		> SHAFT-SLEEVE-D12xD16x14-CW	1
13.3	4179319	INTERMEDIATE STAGE HELIX 2 1.4301 KIT	1
		> CORPS-ETG-STD-ACR-AJR-USIN.M+2-304	1
		> IMPELLER-M+2-304	1
		> IMPELLER SPACER Ø12,05X14,85-L24,285-304	1



HELIX FIRST V204-5/25/E/S/400-50 (4201024)

Item	Article no.	Description	Quantity
1	4169946	MOTOR 0,37/2/71 3~230/400V 50HZ IE2 VP.	1
		SPARE PARTS MOTOR:ON REQUEST	1
2	4212716	SCREW M6X20 KIT (4PIECES)	1
3	4213715	LANTERN FT85 HELIX KIT	1
3.1		> LANT-MOT-VMI-ReDTC6"-FT85-MACHINED+CATA	1
3.2	4184852	> EYELET CPL.FT HELIX (2 PIECES)	1
3.3	4213713	> COUPLING PROTECTOR FT85/100 HELIX KIT	1
4	4212718	COUPLING HELIX D12 FT85 KIT	1
6	4214555	STUD BOLT HELIX M12X195 KIT	1
6.1		> TIE BOLT M12-195x18x30-1.4057	1
6.2	2094647	> NUT M12 M12 ISO4032 VP.	1
6.3	2123557	> WASHER CS-12.4-24-1.6-NFE25 (4 PIECES)	1
7	4212722	STATIONARY RING HOLDER HELIX D23 ReDTC	1
7.2	4212720	> STATIONARY RING HOLDER HELIX D23 VP.	1
7.3	4176513	> O-RING FOR PUMP JACKET VP.	1
8	4212724	FILING/PURGING PLUG HELIX ReDTC KIT	1
8.1		> FILLING PLUG MVI6"-304	1
8.2	4177800	> O-RING EPDM PLUG HELIX VP.	1
9	4212726	MECH.SEAL HELIX V2/4 O/E ReDTC KIT	1
9.1	4178563	> M.SEAL.HELIX2-4 O/E VP.	1
7.3	4176513	> O-RING FOR PUMP JACKET VP.	1
10	2127574	HOUSING PIPE D.152x160 1.4301 KIT	1
7.3	4176513	> O-RING FOR PUMP JACKET VP.	1
10.1		> HOUSING-PIPE Ø152-M+1601/02-304	1
11	4179315	CENTERING STAGE HELIX V2 1.4307 VP.	1
12	4212729	SHAFT EQUIPMENT HELIX V2/4 ReDTC KIT	1
12.1		> NUT-H-M8-STAINLESS-STEEL A4-70	1
12.2		> SHAFT END WASHER Ø8/Ø12 316L	1
12.3		> 1/2-SNAP-RING-2/4M3-316L	1
12.4		> STOP-RUSH-1/2-D12xd2-M+316	1
4.11		> SCREW CHC-M6X14-8.8-ISO4762-GEOMET500A	1
4.12		> WASHER D.24 L6U ZINK	1
13		HYDRAULIC HELIX V 204 1.4307	1
14	4213744	SHAFT D.12X231 HELIX 1.4057 VP.	1

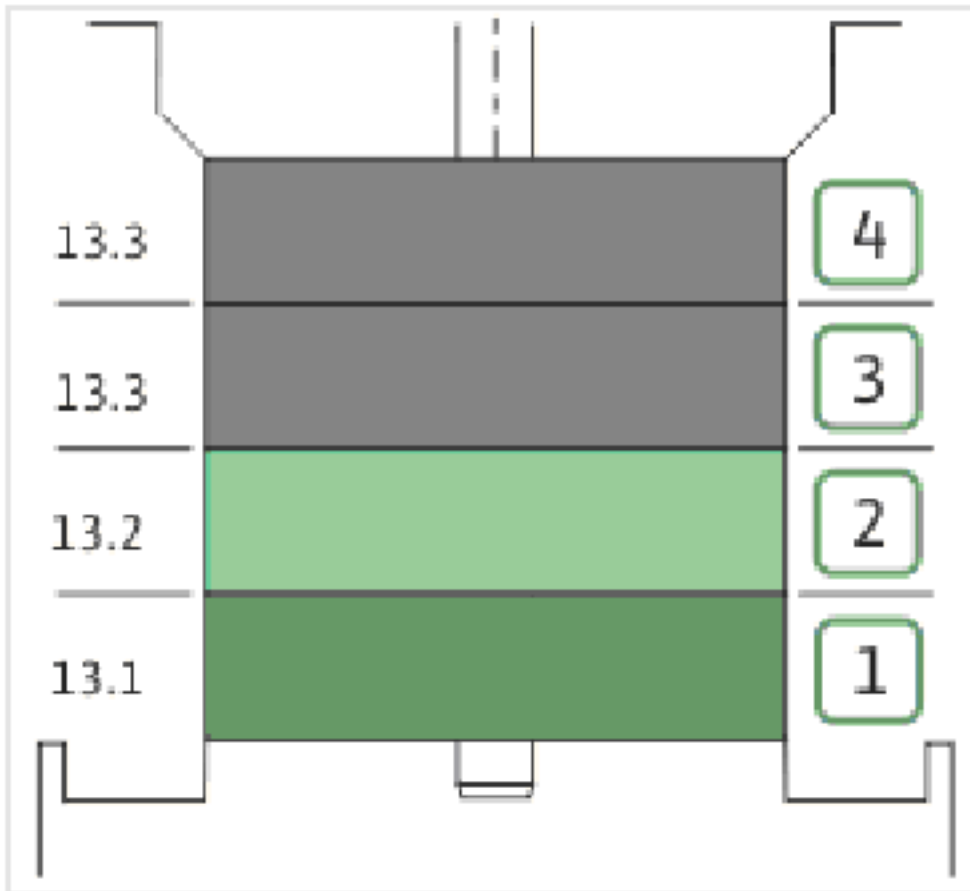
HELIX FIRST V204-5/25/E/S/400-50 (4201024)

Item	Article no.	Description	Quantity
15	4179246	PUMP HOUSING HELIX V2/4 DN25 PN30 KIT	1
7.3	4176513	> O-RING FOR PUMP JACKET VP.	1
15.1		> MACH+CATA PUMP CASING M+5" DN25 PN25 GJL	1
15.2	4233952	> FLAT GASKET D.73 VP.	1
15.3	4177877	> PRIMING/DRAIN PLUG HELIX PN30 KIT	1
15.3A		>> PRIMING/DRAIN PLUG M+6" 304	1
15.3B	4233957	>> O-RING ID.9 EPDM VP.	1
15.3C		>> O-RING Ø8xØ2 EPDM KTW/WRC	1



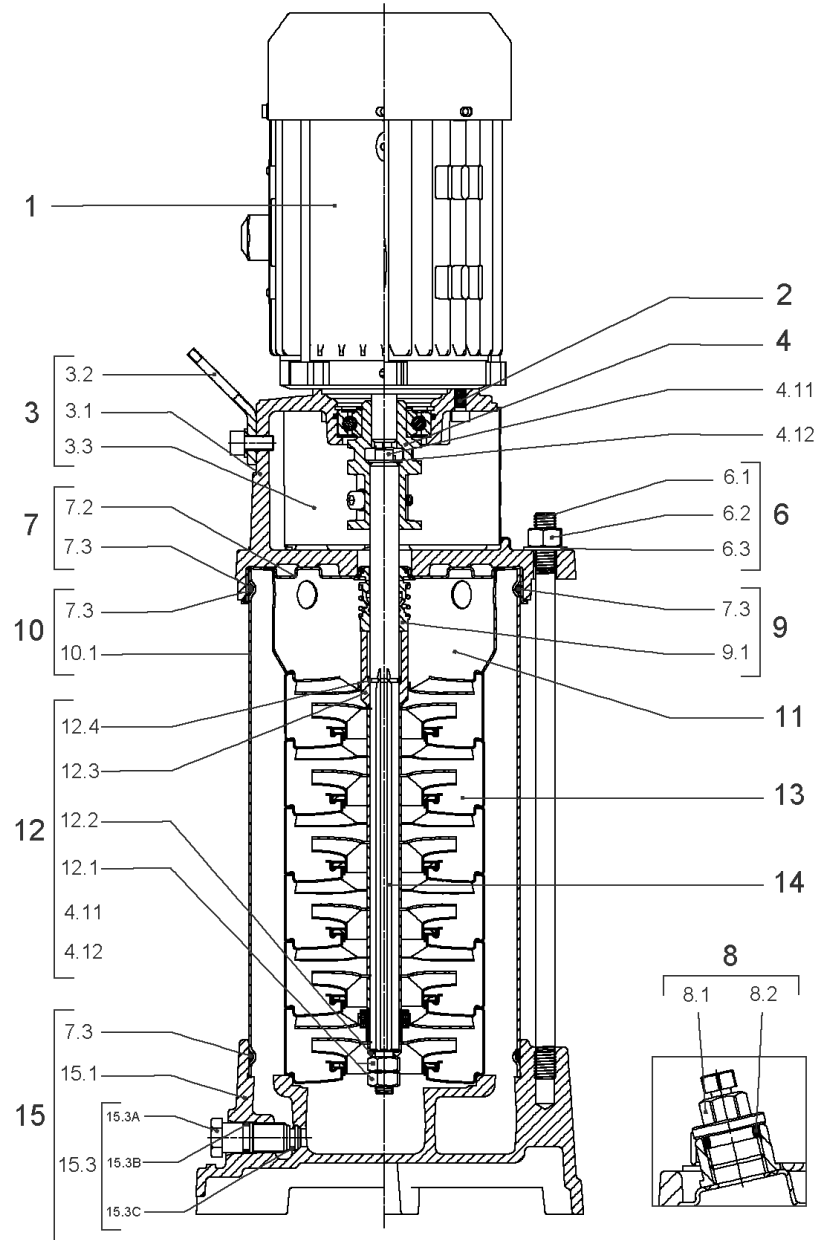
COUPLING HELIX D12 FT85 KIT (4212718)

Item	Article no.	Description	Quantity
4.1		COUPLING-VMI-Ø12xØ14-FT85-USINE	1
4.2	4177802	BALL BEARING 6205C3-ZZ HTVP.	1
4.3	4208923	CIRCLIP D25X1.2 VP.	1
4.4	4212716	SCREW M6X20 KIT (4PIECES)	1
4.5	4233124	CIRCLIP-FOR-BORES-D52x2 VP.	1
4.6	4234244	O-RING 52X2 VP.	1
		CONTACT-WASHER-6ETR-6,1x12,2x1,8-STEEL	1



HYDRAULIC HELIX V 204 1.4307

Item	Article no.	Description	Quantity
13.1	4179316	STAGE HELIX 2 1.4301 KIT	1
		> MACH.STG-CASING-WOGV-WNR-M+2-4-304	1
		> IMPELLER-M+2-304	1
13.2	4179317	STAGE BEARING HELIX 2 1.4307 KIT	1
		> MACH.BEARING-STG-CASING-WNR-M+2-304	1
		> IMPELLER-M+2-304	1
		> SHAFT SLEEVE SPACER Ø15,35x10,305-304	1
		> SHAFT-SLEEVE-D12xD16x14-CW	1
13.3	4179319	INTERMEDIATE STAGE HELIX 2 1.4301 KIT	1
		> CORPS-ETG-STD-ACR-AJR-USIN.M+2-304	1
		> IMPELLER-M+2-304	1
		> IMPELLER SPACER Ø12,05X14,85-L24,285-304	1

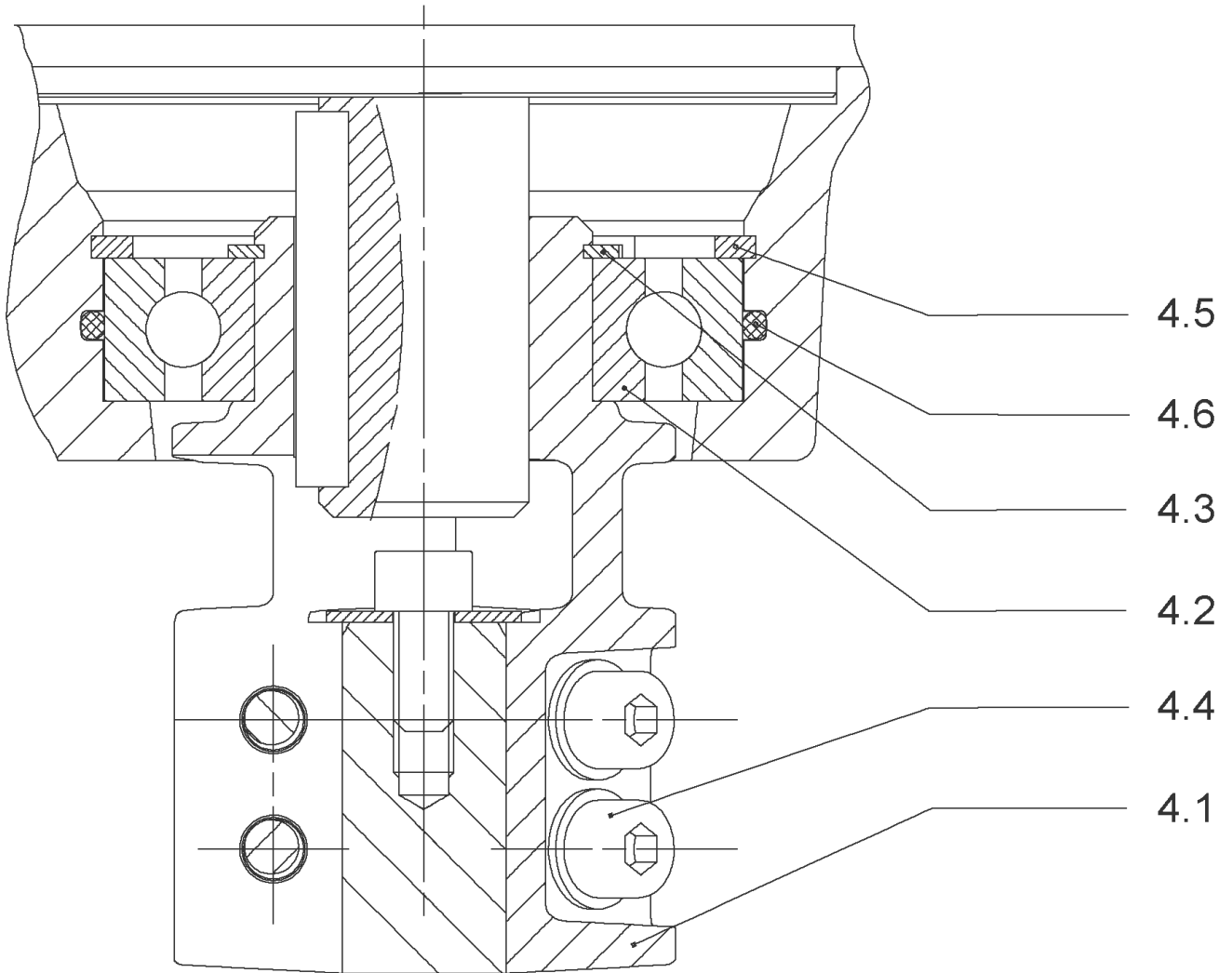


HELIX FIRST V205-5/16/E/S/400-50 (4201025)

Item	Article no.	Description	Quantity
1	4169939	MO.0,55/2/71 3~400V 50HZ 460V 60HZ IE2VP	1
		SPARE PARTS MOTOR:ON REQUEST	1
2	4212716	SCREW M6X20 KIT (4PIECES)	1
3	4213715	LANTERN FT85 HELIX KIT	1
3.1		> LANT-MOT-VMI-ReDTC6"-FT85-MACHINED+CATA	1
3.2	4184852	> EYELET CPL.FT HELIX (2 PIECES)	1
3.3	4213713	> COUPLING PROTECTOR FT85/100 HELIX KIT	1
4	4212718	COUPLING HELIX D12 FT85 KIT	1
6	4215005	STUD BOLT HELIX M12X221 KIT	1
6.1		> TIE BOLT M12-221x18x30-1.4057	1
6.2	2094647	> NUT M12 M12 ISO4032 VP.	1
6.3	2123557	> WASHER CS-12.4-24-1.6-NFE25 (4 PIECES)	1
7	4212722	STATIONARY RING HOLDER HELIX D23 ReDTC	1
7.2	4212720	> STATIONARY RING HOLDER HELIX D23 VP.	1
7.3	4176513	> O-RING FOR PUMP JACKET VP.	1
8	4212724	FILING/PURGING PLUG HELIX ReDTC KIT	1
8.1		> FILLING PLUG MVI6"-304	1
8.2	4177800	> O-RING EPDM PLUG HELIX VP.	1
9	4212726	MECH.SEAL HELIX V2/4 O/E ReDTC KIT	1
9.1	4178563	> M.SEAL.HELIX2-4 O/E VP.	1
7.3	4176513	> O-RING FOR PUMP JACKET VP.	1
10	4178580	HOUSING PIPE D.152X184 1.4301 KIT	1
7.3	4176513	> O-RING FOR PUMP JACKET VP.	1
10.1		> HOUSING-PIPE Ø152-M+205/405-304	1
11	4179315	CENTERING STAGE HELIX V2 1.4307 VP.	1
12	4212729	SHAFT EQUIPMENT HELIX V2/4 ReDTC KIT	1
12.1		> NUT-H-M8-STAINLESS-STEEL A4-70	1
12.2		> SHAFT END WASHER Ø8/Ø12 316L	1
12.3		> 1/2-SNAP-RING-2/4M3-316L	1
12.4		> STOP-RUSH-1/2-D12xd2-M+316	1
4.11		> SCREW CHC-M6X14-8.8-ISO4762-GEOMET500A	1
4.12		> WASHER D.24 L6U ZINK	1
13		HYDRAULIC HELIX V 205 1.4307	1
14	4213746	SHAFT D.12X256 HELIX 1.4057 VP.	1

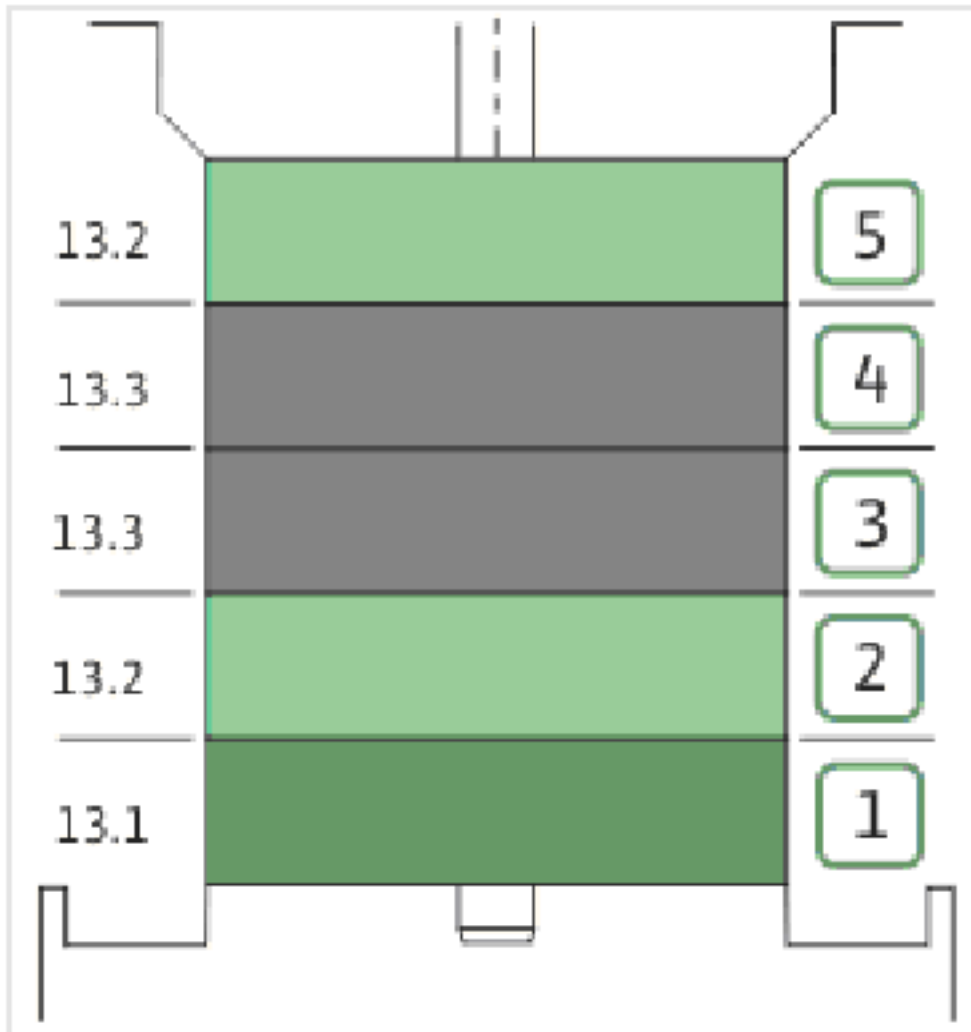
HELIX FIRST V205-5/16/E/S/400-50 (4201025)

Item	Article no.	Description	Quantity
15	4215105	PUMP HOUSING HELIX V2/4/6 DN32 PN16 KIT	1
15.1		> MACH+CATA PPE HOUSING M+5" D32-PN16 GJL	1
15.2	4191618	> O-RING ID.44,05x3,53 EPDM VP.	1
15.3	4171321	> PRIMING/DRAIN PLUG EPDM HELIX KIT	1
7.3	4176513	> O-RING FOR PUMP JACKET VP.	1



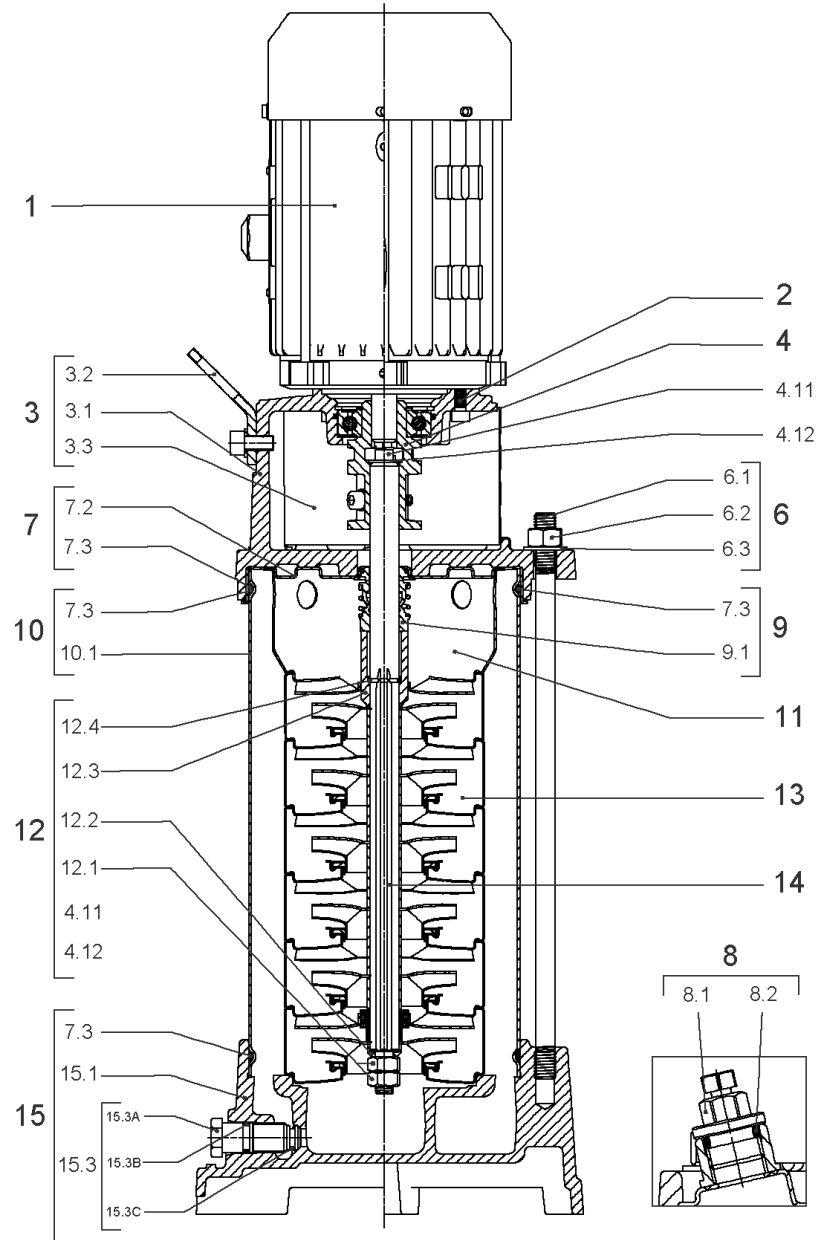
COUPLING HELIX D12 FT85 KIT (4212718)

Item	Article no.	Description	Quantity
4.1		COUPLING-VMI-Ø12xØ14-FT85-USINE	1
4.2	4177802	BALL BEARING 6205C3-ZZ HTVP.	1
4.3	4208923	CIRCLIP D25X1.2 VP.	1
4.4	4212716	SCREW M6X20 KIT (4PIECES)	1
4.5	4233124	CIRCLIP-FOR-BORES-D52x2 VP.	1
4.6	4234244	O-RING 52X2 VP.	1
		CONTACT-WASHER-6ETR-6,1x12,2x1,8-STEEL	1



HYDRAULIC HELIX V 205 1.4307

Item	Article no.	Description	Quantity
13.1	4179316	STAGE HELIX 2 1.4301 KIT	1
		> MACH.STG-CASING-WOGV-WNR-M+2-4-304	1
		> IMPELLER-M+2-304	1
13.2	4179317	STAGE BEARING HELIX 2 1.4307 KIT	1
		> MACH.BEARING-STG-CASING-WNR-M+2-304	1
		> IMPELLER-M+2-304	1
		> SHAFT SLEEVE SPACER Ø15,35x10,305-304	1
		> SHAFT-SLEEVE-D12xD16x14-CW	1
13.3	4179319	INTERMEDIATE STAGE HELIX 2 1.4301 KIT	1
		> CORPS-ETG-STD-ACR-AJR-USIN.M+2-304	1
		> IMPELLER-M+2-304	1
		> IMPELLER SPACER Ø12,05X14,85-L24,285-304	1



HELIX FIRST V205-5/25/E/S/400-50 (4201027)

Item	Article no.	Description	Quantity
1	4169946	MOTOR 0,37/2/71 3~230/400V 50HZ IE2 VP.	1
		SPARE PARTS MOTOR:ON REQUEST	1
2	4212716	SCREW M6X20 KIT (4PIECES)	1
3	4213715	LANTERN FT85 HELIX KIT	1
3.1		> LANT-MOT-VMI-ReDTC6"-FT85-MACHINED+CATA	1
3.2	4184852	> EYELET CPL.FT HELIX (2 PIECES)	1
3.3	4213713	> COUPLING PROTECTOR FT85/100 HELIX KIT	1
4	4212718	COUPLING HELIX D12 FT85 KIT	1
6	4214555	STUD BOLT HELIX M12X195 KIT	1
6.1		> TIE BOLT M12-195x18x30-1.4057	1
6.2	2094647	> NUT M12 M12 ISO4032 VP.	1
6.3	2123557	> WASHER CS-12.4-24-1.6-NFE25 (4 PIECES)	1
7	4212722	STATIONARY RING HOLDER HELIX D23 ReDTC	1
7.2	4212720	> STATIONARY RING HOLDER HELIX D23 VP.	1
7.3	4176513	> O-RING FOR PUMP JACKET VP.	1
8	4212724	FILING/PURGING PLUG HELIX ReDTC KIT	1
8.1		> FILLING PLUG MVI6"-304	1
8.2	4177800	> O-RING EPDM PLUG HELIX VP.	1
9	4212726	MECH.SEAL HELIX V2/4 O/E ReDTC KIT	1
9.1	4178563	> M.SEAL.HELIX2-4 O/E VP.	1
7.3	4176513	> O-RING FOR PUMP JACKET VP.	1
10	2127574	HOUSING PIPE D.152x160 1.4301 KIT	1
7.3	4176513	> O-RING FOR PUMP JACKET VP.	1
10.1		> HOUSING-PIPE Ø152-M+1601/02-304	1
11	4179315	CENTERING STAGE HELIX V2 1.4307 VP.	1
12	4212729	SHAFT EQUIPMENT HELIX V2/4 ReDTC KIT	1
12.1		> NUT-H-M8-STAINLESS-STEEL A4-70	1
12.2		> SHAFT END WASHER Ø8/Ø12 316L	1
12.3		> 1/2-SNAP-RING-2/4M3-316L	1
12.4		> STOP-RUSH-1/2-D12xd2-M+316	1
4.11		> SCREW CHC-M6X14-8.8-ISO4762-GEOMET500A	1
4.12		> WASHER D.24 L6U ZINK	1
13		HYDRAULIC HELIX V 204 1.4307	1
14	4213744	SHAFT D.12X231 HELIX 1.4057 VP.	1

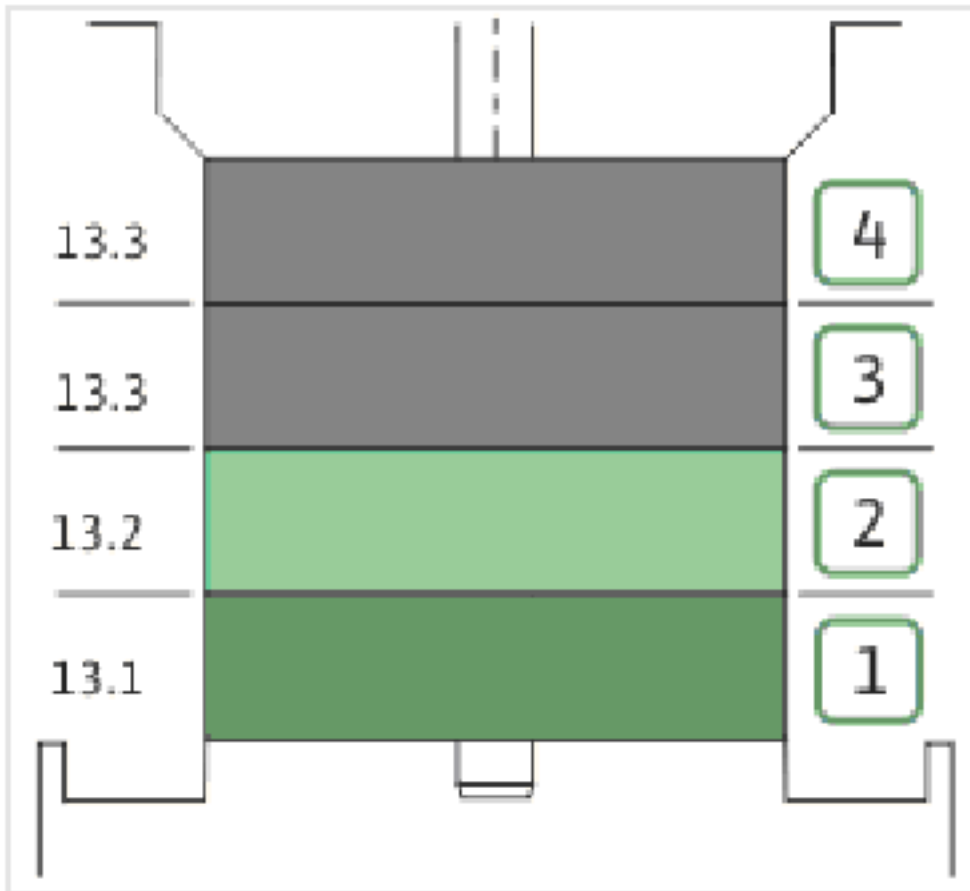
HELIX FIRST V205-5/25/E/S/400-50 (4201027)

Item	Article no.	Description	Quantity
15	4179246	PUMP HOUSING HELIX V2/4 DN25 PN30 KIT	1
7.3	4176513	> O-RING FOR PUMP JACKET VP.	1
15.1		> MACH+CATA PUMP CASING M+5" DN25 PN25 GJL	1
15.2	4233952	> FLAT GASKET D.73 VP.	1
15.3	4177877	> PRIMING/DRAIN PLUG HELIX PN30 KIT	1
15.3A		>> PRIMING/DRAIN PLUG M+6" 304	1
15.3B	4233957	>> O-RING ID.9 EPDM VP.	1
15.3C		>> O-RING Ø8xØ2 EPDM KTW/WRC	1



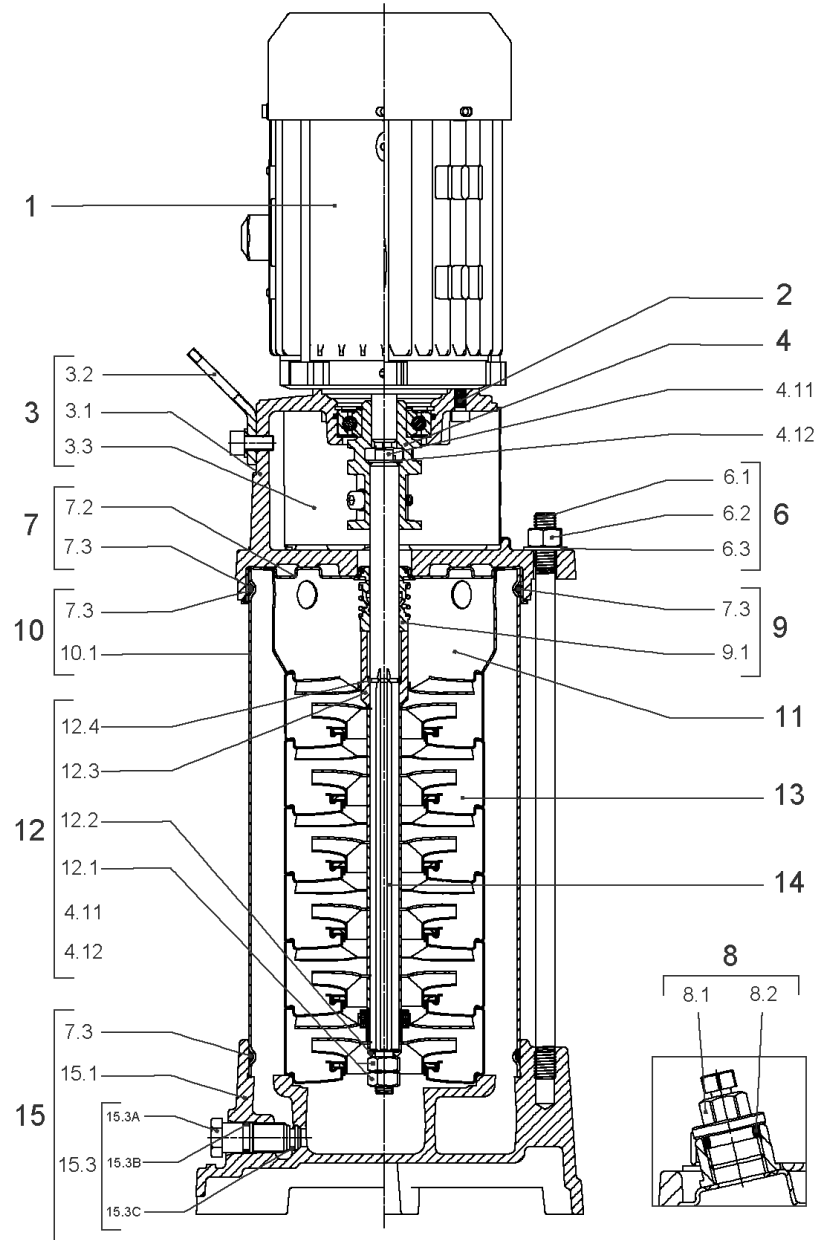
COUPLING HELIX D12 FT85 KIT (4212718)

Item	Article no.	Description	Quantity
4.1		COUPLING-VMI-Ø12xØ14-FT85-USINE	1
4.2	4177802	BALL BEARING 6205C3-ZZ HTVP.	1
4.3	4208923	CIRCLIP D25X1.2 VP.	1
4.4	4212716	SCREW M6X20 KIT (4PIECES)	1
4.5	4233124	CIRCLIP-FOR-BORES-D52x2 VP.	1
4.6	4234244	O-RING 52X2 VP.	1
		CONTACT-WASHER-6ETR-6,1x12,2x1,8-STEEL	1



HYDRAULIC HELIX V 204 1.4307

Item	Article no.	Description	Quantity
13.1	4179316	STAGE HELIX 2 1.4301 KIT	1
		> MACH.STG-CASING-WOGV-WNR-M+2-4-304	1
		> IMPELLER-M+2-304	1
13.2	4179317	STAGE BEARING HELIX 2 1.4307 KIT	1
		> MACH.BEARING-STG-CASING-WNR-M+2-304	1
		> IMPELLER-M+2-304	1
		> SHAFT SLEEVE SPACER Ø15,35x10,305-304	1
		> SHAFT-SLEEVE-D12xD16x14-CW	1
13.3	4179319	INTERMEDIATE STAGE HELIX 2 1.4301 KIT	1
		> CORPS-ETG-STD-ACR-AJR-USIN.M+2-304	1
		> IMPELLER-M+2-304	1
		> IMPELLER SPACER Ø12,05X14,85-L24,285-304	1



HELIX FIRST V206-5/16/E/S/400-50 (4201028)

Item	Article no.	Description	Quantity
1	4169939	MO.0,55/2/71 3~400V 50HZ 460V 60HZ IE2VP	1
		SPARE PARTS MOTOR:ON REQUEST	1
2	4212716	SCREW M6X20 KIT (4PIECES)	1
3	4213715	LANTERN FT85 HELIX KIT	1
3.1		> LANT-MOT-VMI-ReDTC6"-FT85-MACHINED+CATA	1
3.2	4184852	> EYELET CPL.FT HELIX (2 PIECES)	1
3.3	4213713	> COUPLING PROTECTOR FT85/100 HELIX KIT	1
4	4212718	COUPLING HELIX D12 FT85 KIT	1
6	2018359	STUD BOLT M12X245 KIT	1
6.1		> TIE BOLT M12-245x18x30-1.4057	1
6.2	2094647	> NUT M12 M12 ISO4032 VP.	1
6.3	2123557	> WASHER CS-12.4-24-1.6-NFE25 (4 PIECES)	1
7	4212722	STATIONARY RING HOLDER HELIX D23 ReDTC	1
7.2	4212720	> STATIONARY RING HOLDER HELIX D23 VP.	1
7.3	4176513	> O-RING FOR PUMP JACKET VP.	1
8	4212724	FILING/PURGING PLUG HELIX ReDTC KIT	1
8.1		> FILLING PLUG MVI6"-304	1
8.2	4177800	> O-RING EPDM PLUG HELIX VP.	1
9	4212726	MECH.SEAL HELIX V2/4 O/E ReDTC KIT	1
9.1	4178563	> M.SEAL.HELIX2-4 O/E VP.	1
7.3	4176513	> O-RING FOR PUMP JACKET VP.	1
10	2127575	HOUSING PIPE D.152x210 1.4301 KIT	1
11	4179315	CENTERING STAGE HELIX V2 1.4307 VP.	1
12	4212729	SHAFT EQUIPMENT HELIX V2/4 ReDTC KIT	1
12.1		> NUT-H-M8-STAINLESS-STEEL A4-70	1
12.2		> SHAFT END WASHER Ø8/Ø12 316L	1
12.3		> 1/2-SNAP-RING-2/4M3-316L	1
12.4		> STOP-RUSH-1/2-D12xd2-M+316	1
4.11		> SCREW CHC-M6X14-8.8-ISO4762-GEOMET500A	1
4.12		> WASHER D.24 L6U ZINK	1
13		HYDRAULIC HELIX V 206 1.4307	1
14	4213748	SHAFT D.12X281 HELIX 1.4057 VP.	1
15	4215105	PUMP HOUSING HELIX V2/4/6 DN32 PN16 KIT	1
15.1		> MACH+CATA PPE HOUSING M+5" D32-PN16 GJL	1

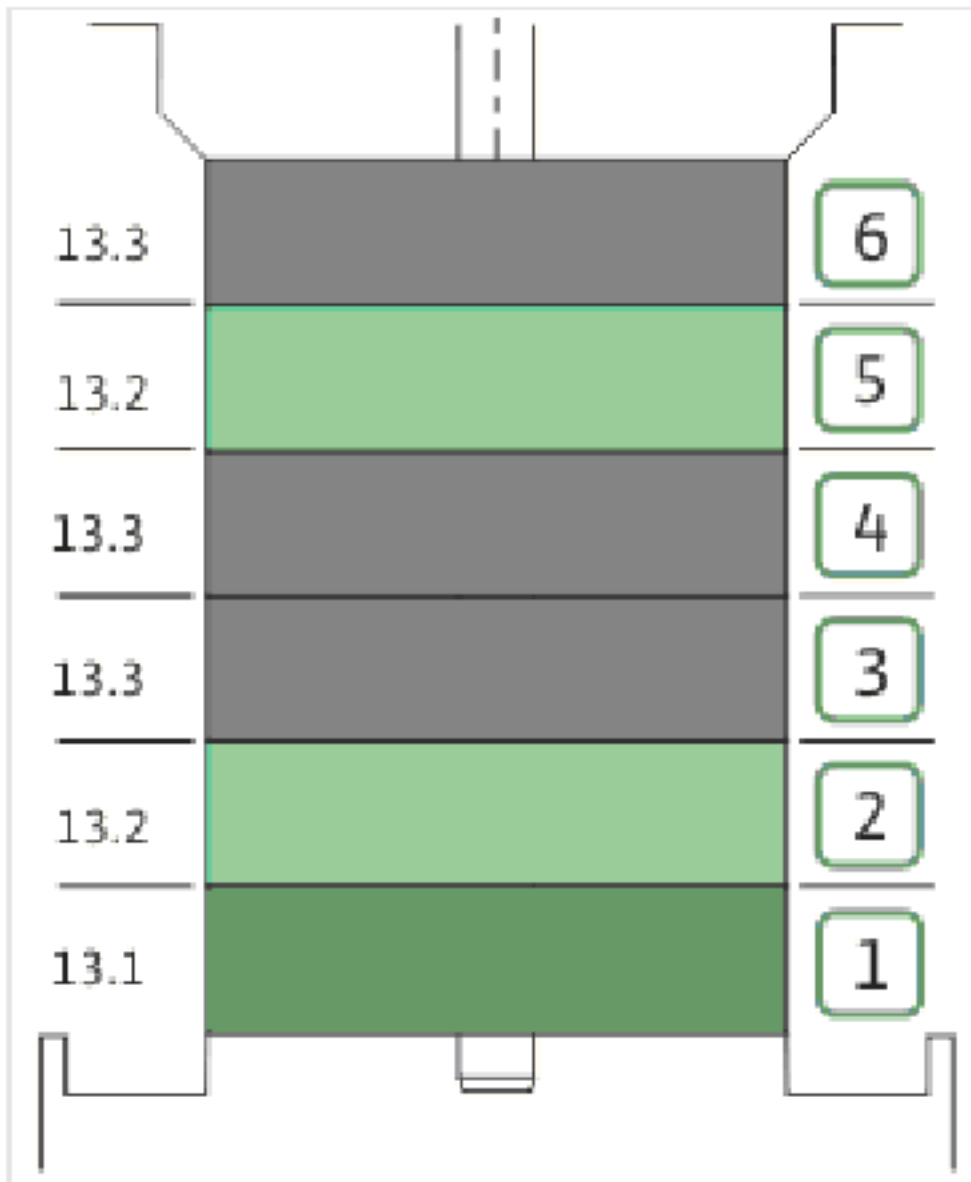
HELIX FIRST V206-5/16/E/S/400-50 (4201028)

Item	Article no.	Description	Quantity
15.2	4191618	> O-RING ID.44,05x3,53 EPDM VP.	1
15.3	4171321	> PRIMING/DRAIN PLUG EPDM HELIX KIT	1
7.3	4176513	> O-RING FOR PUMP JACKET VP.	1



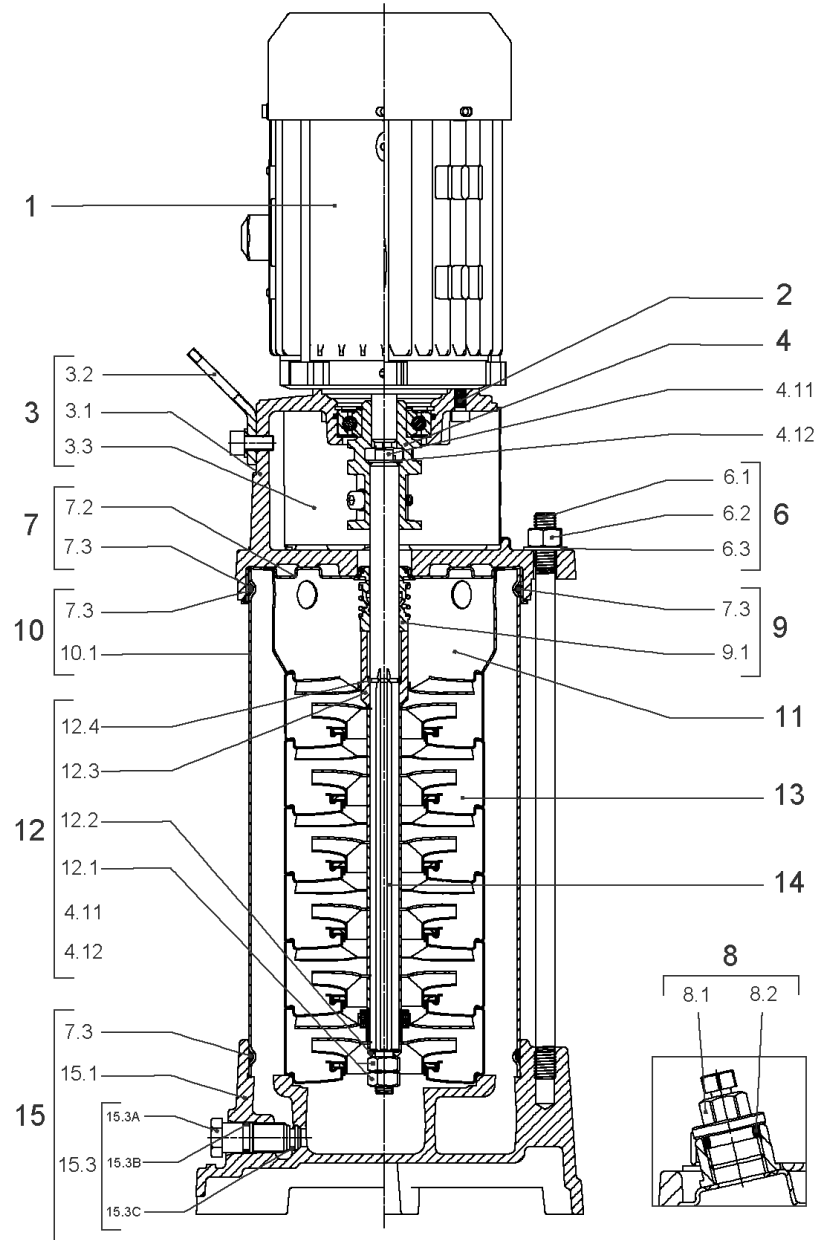
COUPLING HELIX D12 FT85 KIT (4212718)

Item	Article no.	Description	Quantity
4.1		COUPLING-VMI-Ø12xØ14-FT85-USINE	1
4.2	4177802	BALL BEARING 6205C3-ZZ HTVP.	1
4.3	4208923	CIRCLIP D25X1.2 VP.	1
4.4	4212716	SCREW M6X20 KIT (4PIECES)	1
4.5	4233124	CIRCLIP-FOR-BORES-D52x2 VP.	1
4.6	4234244	O-RING 52X2 VP.	1
		CONTACT-WASHER-6ETR-6,1x12,2x1,8-STEEL	1



HYDRAULIC HELIX V 206 1.4307

Item	Article no.	Description	Quantity
13.1	4179316	STAGE HELIX 2 1.4301 KIT	1
		> MACH.STG-CASING-WOGV-WNR-M+2-4-304	1
		> IMPELLER-M+2-304	1
13.2	4179317	STAGE BEARING HELIX 2 1.4307 KIT	1
		> MACH.BEARING-STG-CASING-WNR-M+2-304	1
		> IMPELLER-M+2-304	1
		> SHAFT SLEEVE SPACER Ø15,35x10,305-304	1
		> SHAFT-SLEEVE-D12xD16x14-CW	1
13.3	4179319	INTERMEDIATE STAGE HELIX 2 1.4301 KIT	1
		> CORPS-ETG-STD-ACR-AJR-USIN.M+2-304	1
		> IMPELLER-M+2-304	1
		> IMPELLER SPACER Ø12,05X14,85-L24,285-304	1



HELIX FIRST V206-5/25/E/S/400-50 (4201030)

Item	Article no.	Description	Quantity
1	4169939	MO.0,55/2/71 3~400V 50HZ 460V 60HZ IE2VP	1
		SPARE PARTS MOTOR:ON REQUEST	1
2	4212716	SCREW M6X20 KIT (4PIECES)	1
3	4213715	LANTERN FT85 HELIX KIT	1
3.1		> LANT-MOT-VMI-ReDTC6"-FT85-MACHINED+CATA	1
3.2	4184852	> EYELET CPL.FT HELIX (2 PIECES)	1
3.3	4213713	> COUPLING PROTECTOR FT85/100 HELIX KIT	1
4	4212718	COUPLING HELIX D12 FT85 KIT	1
6	2018359	STUD BOLT M12X245 KIT	1
6.1		> TIE BOLT M12-245x18x30-1.4057	1
6.2	2094647	> NUT M12 M12 ISO4032 VP.	1
6.3	2123557	> WASHER CS-12.4-24-1.6-NFE25 (4 PIECES)	1
7	4212722	STATIONARY RING HOLDER HELIX D23 ReDTC	1
7.2	4212720	> STATIONARY RING HOLDER HELIX D23 VP.	1
7.3	4176513	> O-RING FOR PUMP JACKET VP.	1
8	4212724	FILING/PURGING PLUG HELIX ReDTC KIT	1
8.1		> FILLING PLUG MVI6"-304	1
8.2	4177800	> O-RING EPDM PLUG HELIX VP.	1
9	4212726	MECH.SEAL HELIX V2/4 O/E ReDTC KIT	1
9.1	4178563	> M.SEAL.HELIX2-4 O/E VP.	1
7.3	4176513	> O-RING FOR PUMP JACKET VP.	1
10	2127575	HOUSING PIPE D.152x210 1.4301 KIT	1
11	4179315	CENTERING STAGE HELIX V2 1.4307 VP.	1
12	4212729	SHAFT EQUIPMENT HELIX V2/4 ReDTC KIT	1
12.1		> NUT-H-M8-STAINLESS-STEEL A4-70	1
12.2		> SHAFT END WASHER Ø8/Ø12 316L	1
12.3		> 1/2-SNAP-RING-2/4M3-316L	1
12.4		> STOP-RUSH-1/2-D12xd2-M+316	1
4.11		> SCREW CHC-M6X14-8.8-ISO4762-GEOMET500A	1
4.12		> WASHER D.24 L6U ZINK	1
13		HYDRAULIC HELIX V 206 1.4307	1
14	4213748	SHAFT D.12X281 HELIX 1.4057 VP.	1
15	4179246	PUMP HOUSING HELIX V2/4 DN25 PN30 KIT	1
7.3	4176513	> O-RING FOR PUMP JACKET VP.	1

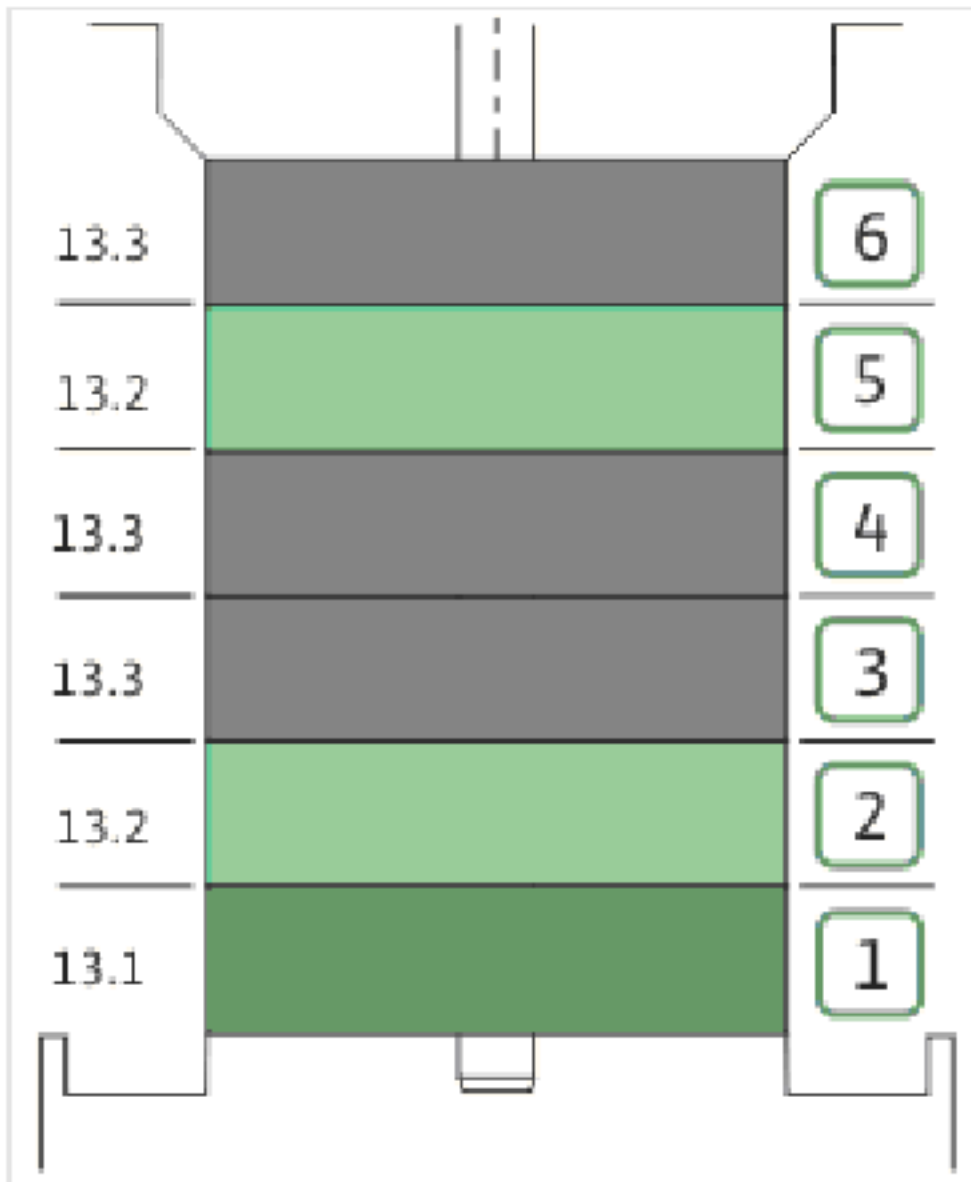
HELIX FIRST V206-5/25/E/S/400-50 (4201030)

Item	Article no.	Description	Quantity
15.1		> MACH+CATA PUMP CASING M+5" DN25 PN25 GJL	1
15.2	4233952	> FLAT GASKET D.73 VP.	1
15.3	4177877	> PRIMING/DRAIN PLUG HELIX PN30 KIT	1
15.3A		>> PRIMING/DRAIN PLUG M+6" 304	1
15.3B	4233957	>> O-RING ID.9 EPDM VP.	1
15.3C		>> O-RING Ø8xØ2 EPDM KTW/WRC	1



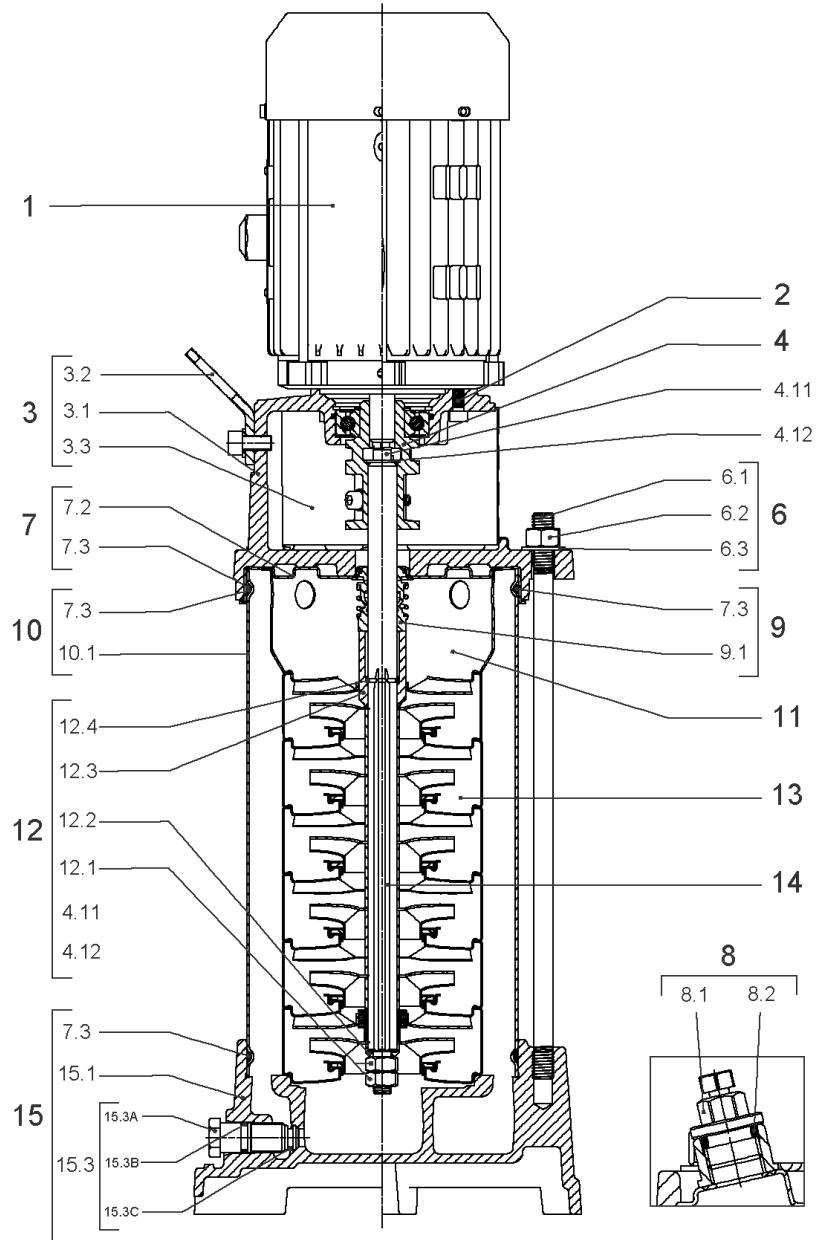
COUPLING HELIX D12 FT85 KIT (4212718)

Item	Article no.	Description	Quantity
4.1		COUPLING-VMI-Ø12xØ14-FT85-USINE	1
4.2	4177802	BALL BEARING 6205C3-ZZ HTVP.	1
4.3	4208923	CIRCLIP D25X1.2 VP.	1
4.4	4212716	SCREW M6X20 KIT (4PIECES)	1
4.5	4233124	CIRCLIP-FOR-BORES-D52x2 VP.	1
4.6	4234244	O-RING 52X2 VP.	1
		CONTACT-WASHER-6ETR-6,1x12,2x1,8-STEEL	1



HYDRAULIC HELIX V 206 1.4307

Item	Article no.	Description	Quantity
13.1	4179316	STAGE HELIX 2 1.4301 KIT	1
		> MACH.STG-CASING-WOGV-WNR-M+2-4-304	1
		> IMPELLER-M+2-304	1
13.2	4179317	STAGE BEARING HELIX 2 1.4307 KIT	1
		> MACH.BEARING-STG-CASING-WNR-M+2-304	1
		> IMPELLER-M+2-304	1
		> SHAFT SLEEVE SPACER Ø15,35x10,305-304	1
		> SHAFT-SLEEVE-D12xD16x14-CW	1
13.3	4179319	INTERMEDIATE STAGE HELIX 2 1.4301 KIT	1
		> CORPS-ETG-STD-ACR-AJR-USIN.M+2-304	1
		> IMPELLER-M+2-304	1
		> IMPELLER SPACER Ø12,05X14,85-L24,285-304	1

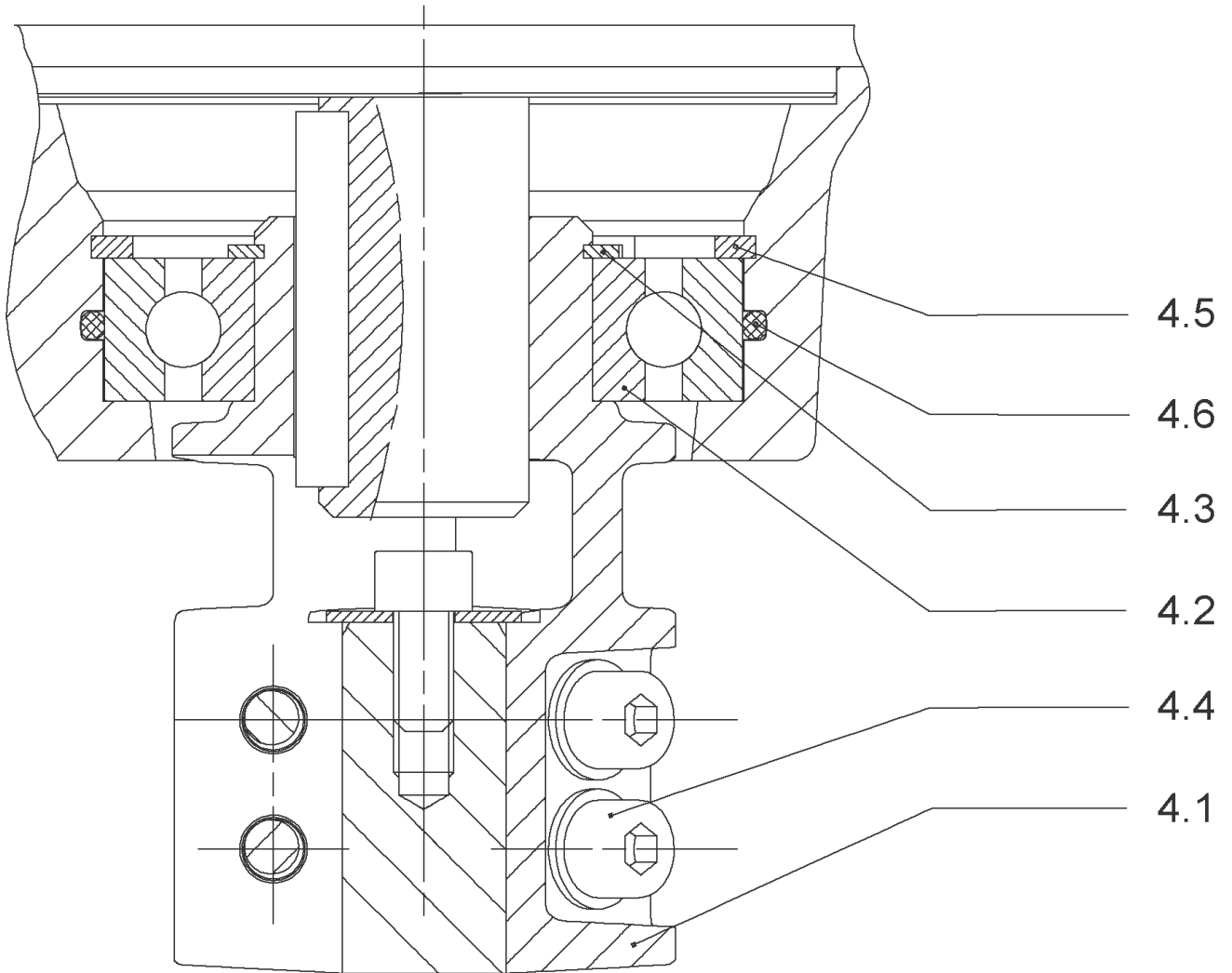


HELIX FIRST V207-5/16/E/S/400-50 (4201031)

Item	Article no.	Description	Quantity
1	4169939	MO.0,55/2/71 3~400V 50HZ 460V 60HZ IE2VP	1
		SPARE PARTS MOTOR:ON REQUEST	1
2	4212716	SCREW M6X20 KIT (4PIECES)	1
3	4213715	LANTERN FT85 HELIX KIT	1
3.1		> LANT-MOT-VMI-ReDTC6"-FT85-MACHINED+CATA	1
3.2	4184852	> EYELET CPL.FT HELIX (2 PIECES)	1
3.3	4213713	> COUPLING PROTECTOR FT85/100 HELIX KIT	1
4	4212718	COUPLING HELIX D12 FT85 KIT	1
6	4215007	STUD BOLT HELIX M12X269 KIT	1
6.1		> TIE BOLT M12-269x18x30-1.4057	1
6.2	2094647	> NUT M12 M12 ISO4032 VP.	1
6.3	2123557	> WASHER CS-12.4-24-1.6-NFE25 (4 PIECES)	1
7	4212722	STATIONARY RING HOLDER HELIX D23 ReDTC	1
7.2	4212720	> STATIONARY RING HOLDER HELIX D23 VP.	1
7.3	4176513	> O-RING FOR PUMP JACKET VP.	1
8	4212724	FILING/PURGING PLUG HELIX ReDTC KIT	1
8.1		> FILLING PLUG MVI6"-304	1
8.2	4177800	> O-RING EPDM PLUG HELIX VP.	1
9	4212726	MECH.SEAL HELIX V2/4 O/E ReDTC KIT	1
9.1	4178563	> M.SEAL.HELIX2-4 O/E VP.	1
7.3	4176513	> O-RING FOR PUMP JACKET VP.	1
10	4178586	HOUSING-PIPE D.152X235 1.4301 KIT	1
7.3	4176513	> O-RING FOR PUMP JACKET VP.	1
10.1		> HOUSING-PIPE Ø152-M+207/407-304	1
11	4179315	CENTERING STAGE HELIX V2 1.4307 VP.	1
12	4212729	SHAFT EQUIPMENT HELIX V2/4 ReDTC KIT	1
12.1		> NUT-H-M8-STAINLESS-STEEL A4-70	1
12.2		> SHAFT END WASHER Ø8/Ø12 316L	1
12.3		> 1/2-SNAP-RING-2/4M3-316L	1
12.4		> STOP-RUSH-1/2-D12xd2-M+316	1
4.11		> SCREW CHC-M6X14-8.8-ISO4762-GEOMET500A	1
4.12		> WASHER D.24 L6U ZINK	1
13		HYDRAULIC HELIX V 207 1.4307	1
14	4213750	SHAFT D.12X306 HELIX 1.4057 VP.	1

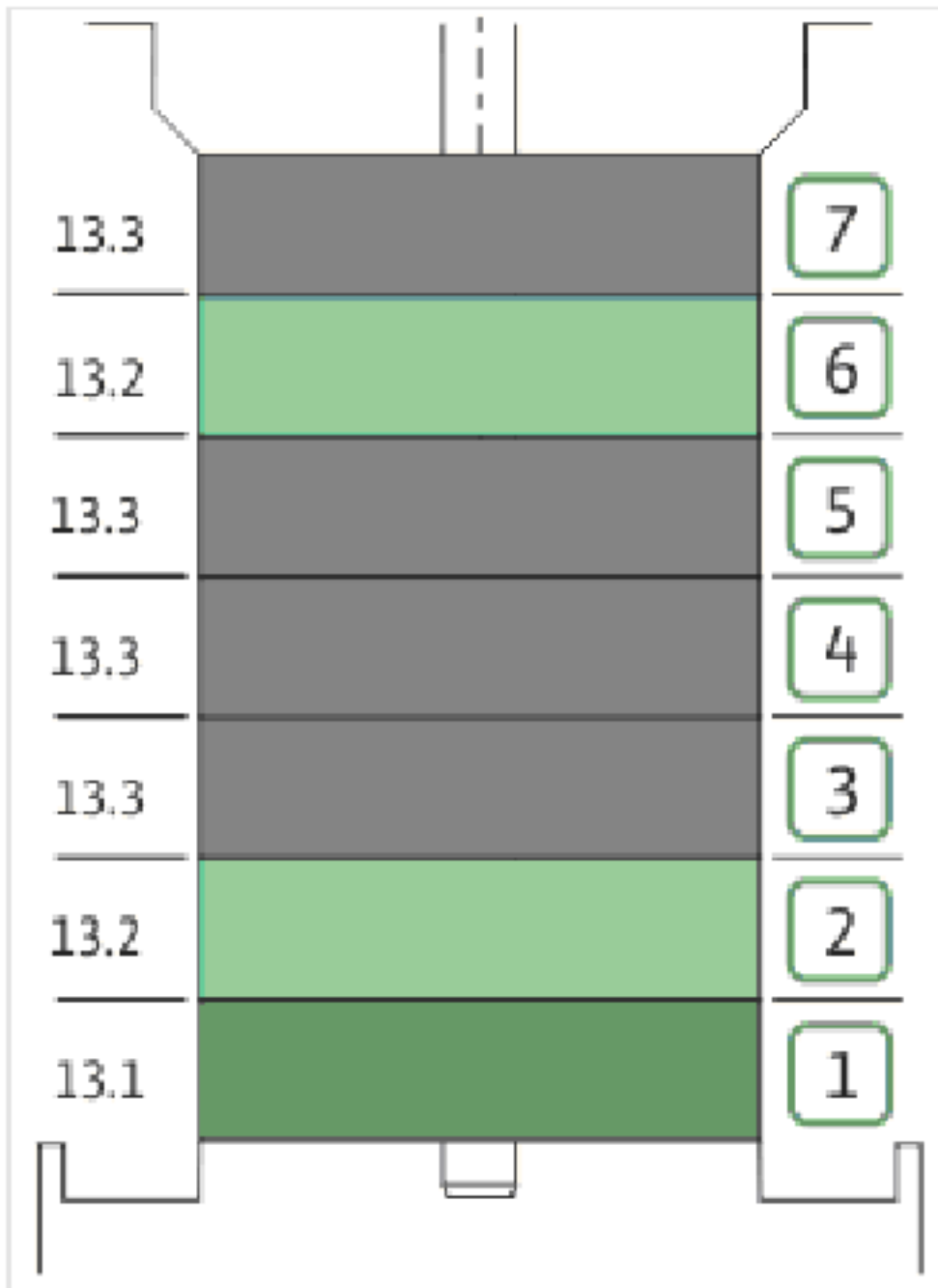
HELIX FIRST V207-5/16/E/S/400-50 (4201031)

Item	Article no.	Description	Quantity
15	4215105	PUMP HOUSING HELIX V2/4/6 DN32 PN16 KIT	1
15.1		> MACH+CATA PPE HOUSING M+5" D32-PN16 GJL	1
15.2	4191618	> O-RING ID.44,05x3,53 EPDM VP.	1
15.3	4171321	> PRIMING/DRAIN PLUG EPDM HELIX KIT	1
7.3	4176513	> O-RING FOR PUMP JACKET VP.	1



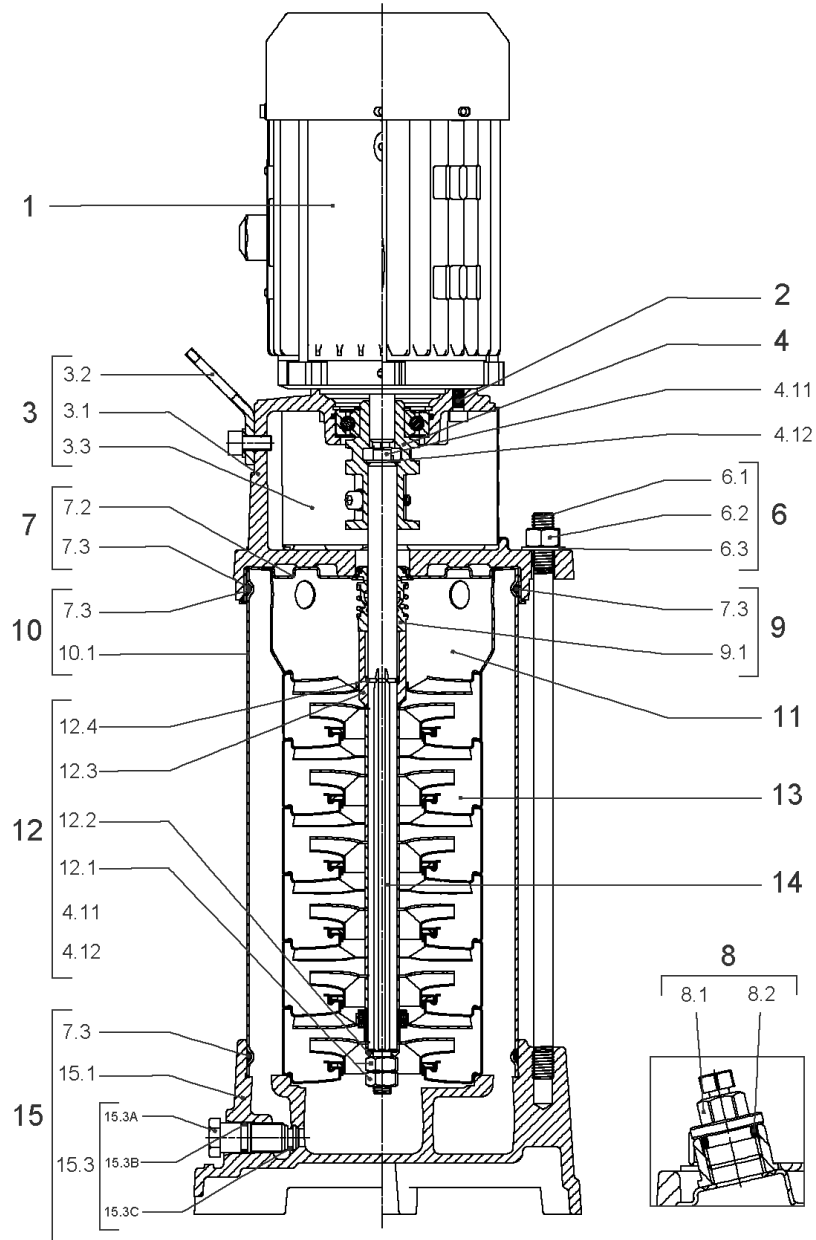
COUPLING HELIX D12 FT85 KIT (4212718)

Item	Article no.	Description	Quantity
4.1		COUPLING-VMI-Ø12xØ14-FT85-USINE	1
4.2	4177802	BALL BEARING 6205C3-ZZ HTVP.	1
4.3	4208923	CIRCLIP D25X1.2 VP.	1
4.4	4212716	SCREW M6X20 KIT (4PIECES)	1
4.5	4233124	CIRCLIP-FOR-BORES-D52x2 VP.	1
4.6	4234244	O-RING 52X2 VP.	1
		CONTACT-WASHER-6ETR-6,1x12,2x1,8-STEEL	1



HYDRAULIC HELIX V 207 1.4307

Item	Article no.	Description	Quantity
13.1	4179316	STAGE HELIX 2 1.4301 KIT	1
		> MACH.STG-CASING-WOGV-WNR-M+2-4-304	1
		> IMPELLER-M+2-304	1
13.2	4179317	STAGE BEARING HELIX 2 1.4307 KIT	1
		> MACH.BEARING-STG-CASING-WNR-M+2-304	1
		> IMPELLER-M+2-304	1
		> SHAFT SLEEVE SPACER Ø15,35x10,305-304	1
		> SHAFT-SLEEVE-D12xD16x14-CW	1
13.3	4179319	INTERMEDIATE STAGE HELIX 2 1.4301 KIT	1
		> CORPS-ETG-STD-ACR-AJR-USIN.M+2-304	1
		> IMPELLER-M+2-304	1
		> IMPELLER SPACER Ø12,05X14,85-L24,285-304	1



HELIX FIRST V207-5/25/E/S/400-50 (4201033)

Item	Article no.	Description	Quantity
1	4169939	MO.0,55/2/71 3~400V 50HZ 460V 60HZ IE2VP	1
		SPARE PARTS MOTOR:ON REQUEST	1
2	4212716	SCREW M6X20 KIT (4PIECES)	1
3	4213715	LANTERN FT85 HELIX KIT	1
3.1		> LANT-MOT-VMI-ReDTC6"-FT85-MACHINED+CATA	1
3.2	4184852	> EYELET CPL.FT HELIX (2 PIECES)	1
3.3	4213713	> COUPLING PROTECTOR FT85/100 HELIX KIT	1
4	4212718	COUPLING HELIX D12 FT85 KIT	1
6	4215007	STUD BOLT HELIX M12X269 KIT	1
6.1		> TIE BOLT M12-269x18x30-1.4057	1
6.2	2094647	> NUT M12 M12 ISO4032 VP.	1
6.3	2123557	> WASHER CS-12.4-24-1.6-NFE25 (4 PIECES)	1
7	4212722	STATIONARY RING HOLDER HELIX D23 ReDTC	1
7.2	4212720	> STATIONARY RING HOLDER HELIX D23 VP.	1
7.3	4176513	> O-RING FOR PUMP JACKET VP.	1
8	4212724	FILING/PURGING PLUG HELIX ReDTC KIT	1
8.1		> FILLING PLUG MVI6"-304	1
8.2	4177800	> O-RING EPDM PLUG HELIX VP.	1
9	4212726	MECH.SEAL HELIX V2/4 O/E ReDTC KIT	1
9.1	4178563	> M.SEAL.HELIX2-4 O/E VP.	1
7.3	4176513	> O-RING FOR PUMP JACKET VP.	1
10	4178586	HOUSING-PIPE D.152X235 1.4301 KIT	1
7.3	4176513	> O-RING FOR PUMP JACKET VP.	1
10.1		> HOUSING-PIPE Ø152-M+207/407-304	1
11	4179315	CENTERING STAGE HELIX V2 1.4307 VP.	1
12	4212729	SHAFT EQUIPMENT HELIX V2/4 ReDTC KIT	1
12.1		> NUT-H-M8-STAINLESS-STEEL A4-70	1
12.2		> SHAFT END WASHER Ø8/Ø12 316L	1
12.3		> 1/2-SNAP-RING-2/4M3-316L	1
12.4		> STOP-RUSH-1/2-D12xd2-M+316	1
4.11		> SCREW CHC-M6X14-8.8-ISO4762-GEOMET500A	1
4.12		> WASHER D.24 L6U ZINK	1
13		HYDRAULIC HELIX V 207 1.4307	1
14	4213750	SHAFT D.12X306 HELIX 1.4057 VP.	1

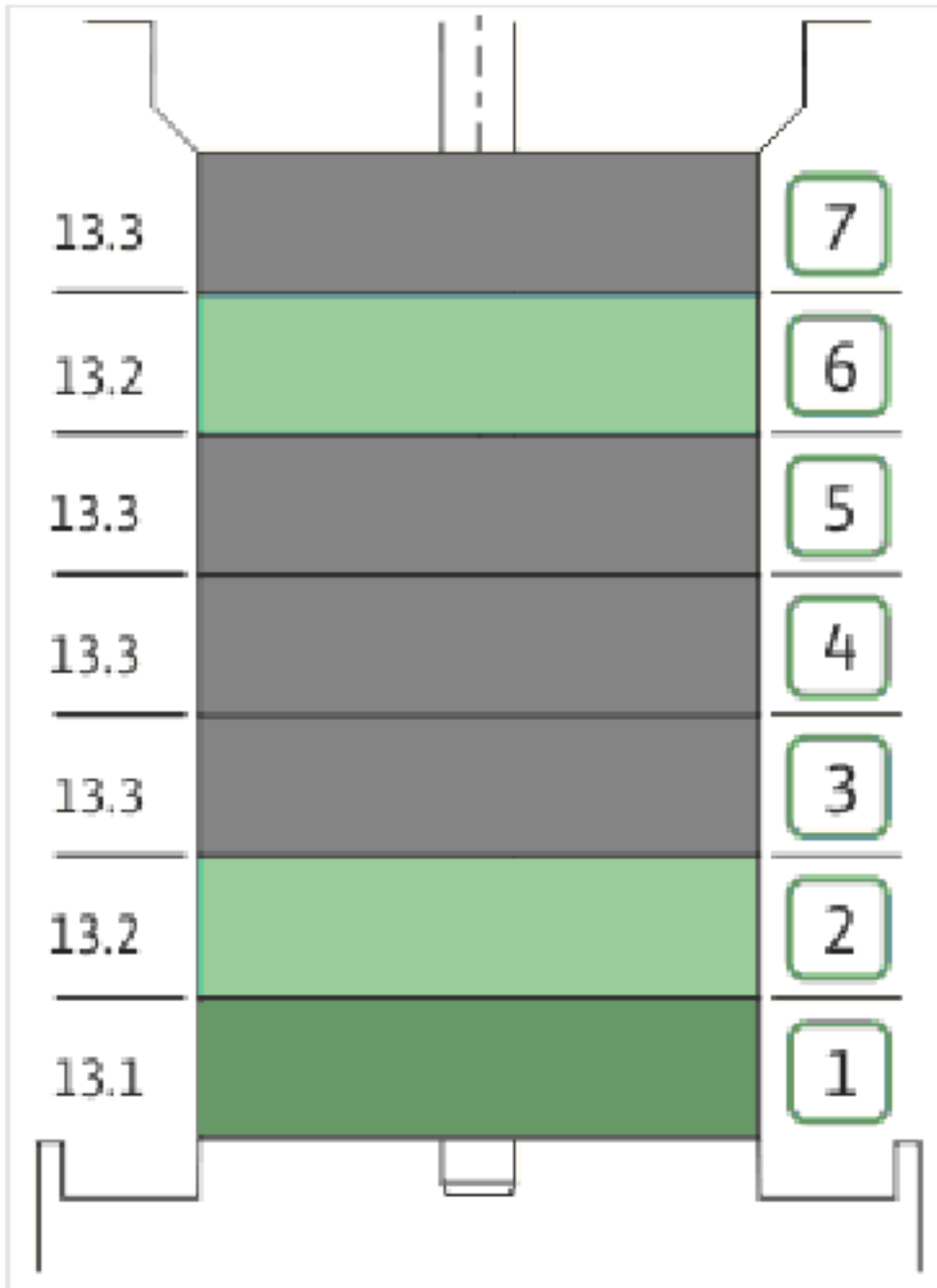
HELIX FIRST V207-5/25/E/S/400-50 (4201033)

Item	Article no.	Description	Quantity
15	4179246	PUMP HOUSING HELIX V2/4 DN25 PN30 KIT	1
7.3	4176513	> O-RING FOR PUMP JACKET VP.	1
15.1		> MACH+CATA PUMP CASING M+5" DN25 PN25 GJL	1
15.2	4233952	> FLAT GASKET D.73 VP.	1
15.3	4177877	> PRIMING/DRAIN PLUG HELIX PN30 KIT	1
15.3A		>> PRIMING/DRAIN PLUG M+6" 304	1
15.3B	4233957	>> O-RING ID.9 EPDM VP.	1
15.3C		>> O-RING Ø8xØ2 EPDM KTW/WRC	1



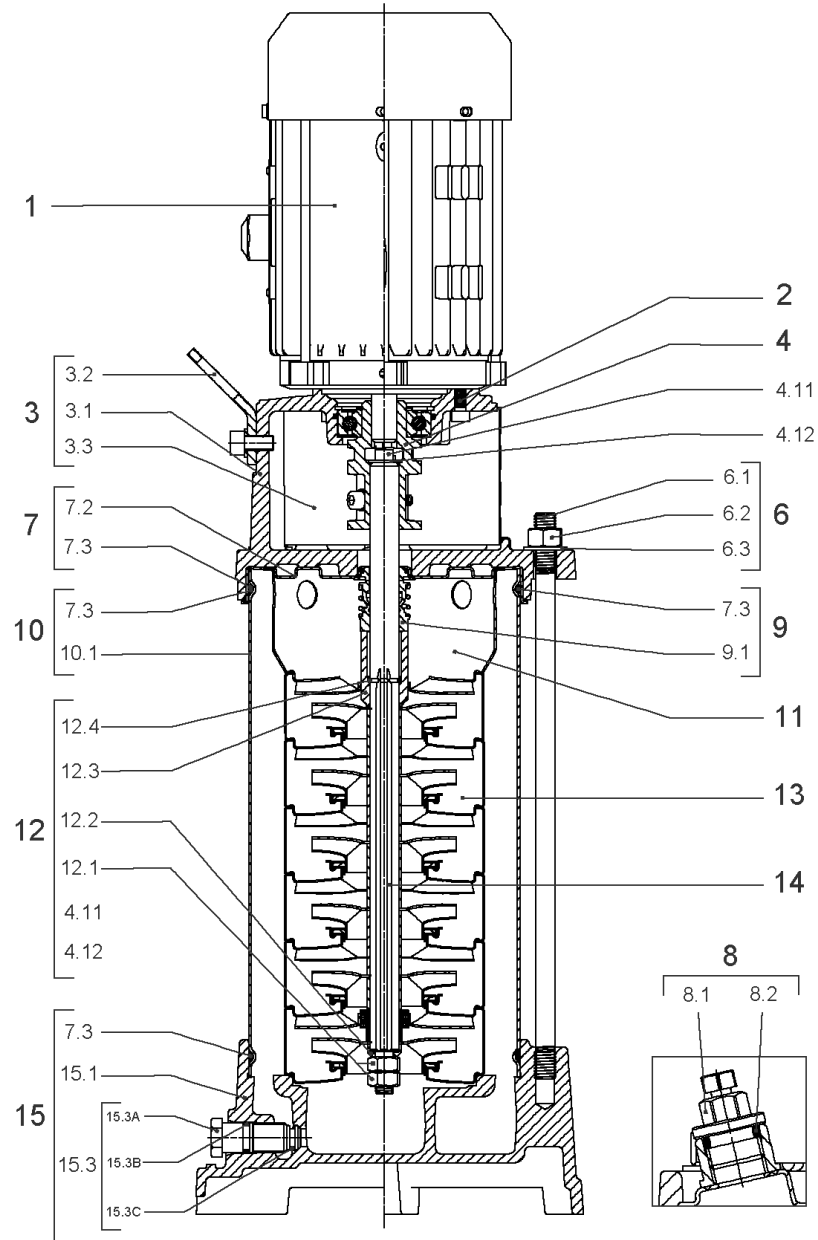
COUPLING HELIX D12 FT85 KIT (4212718)

Item	Article no.	Description	Quantity
4.1		COUPLING-VMI-Ø12xØ14-FT85-USINE	1
4.2	4177802	BALL BEARING 6205C3-ZZ HTVP.	1
4.3	4208923	CIRCLIP D25X1.2 VP.	1
4.4	4212716	SCREW M6X20 KIT (4PIECES)	1
4.5	4233124	CIRCLIP-FOR-BORES-D52x2 VP.	1
4.6	4234244	O-RING 52X2 VP.	1
		CONTACT-WASHER-6ETR-6,1x12,2x1,8-STEEL	1



HYDRAULIC HELIX V 207 1.4307

Item	Article no.	Description	Quantity
13.1	4179316	STAGE HELIX 2 1.4301 KIT	1
		> MACH.STG-CASING-WOGV-WNR-M+2-4-304	1
		> IMPELLER-M+2-304	1
13.2	4179317	STAGE BEARING HELIX 2 1.4307 KIT	1
		> MACH.BEARING-STG-CASING-WNR-M+2-304	1
		> IMPELLER-M+2-304	1
		> SHAFT SLEEVE SPACER Ø15,35x10,305-304	1
		> SHAFT-SLEEVE-D12xD16x14-CW	1
13.3	4179319	INTERMEDIATE STAGE HELIX 2 1.4301 KIT	1
		> CORPS-ETG-STD-ACR-AJR-USIN.M+2-304	1
		> IMPELLER-M+2-304	1
		> IMPELLER SPACER Ø12,05X14,85-L24,285-304	1

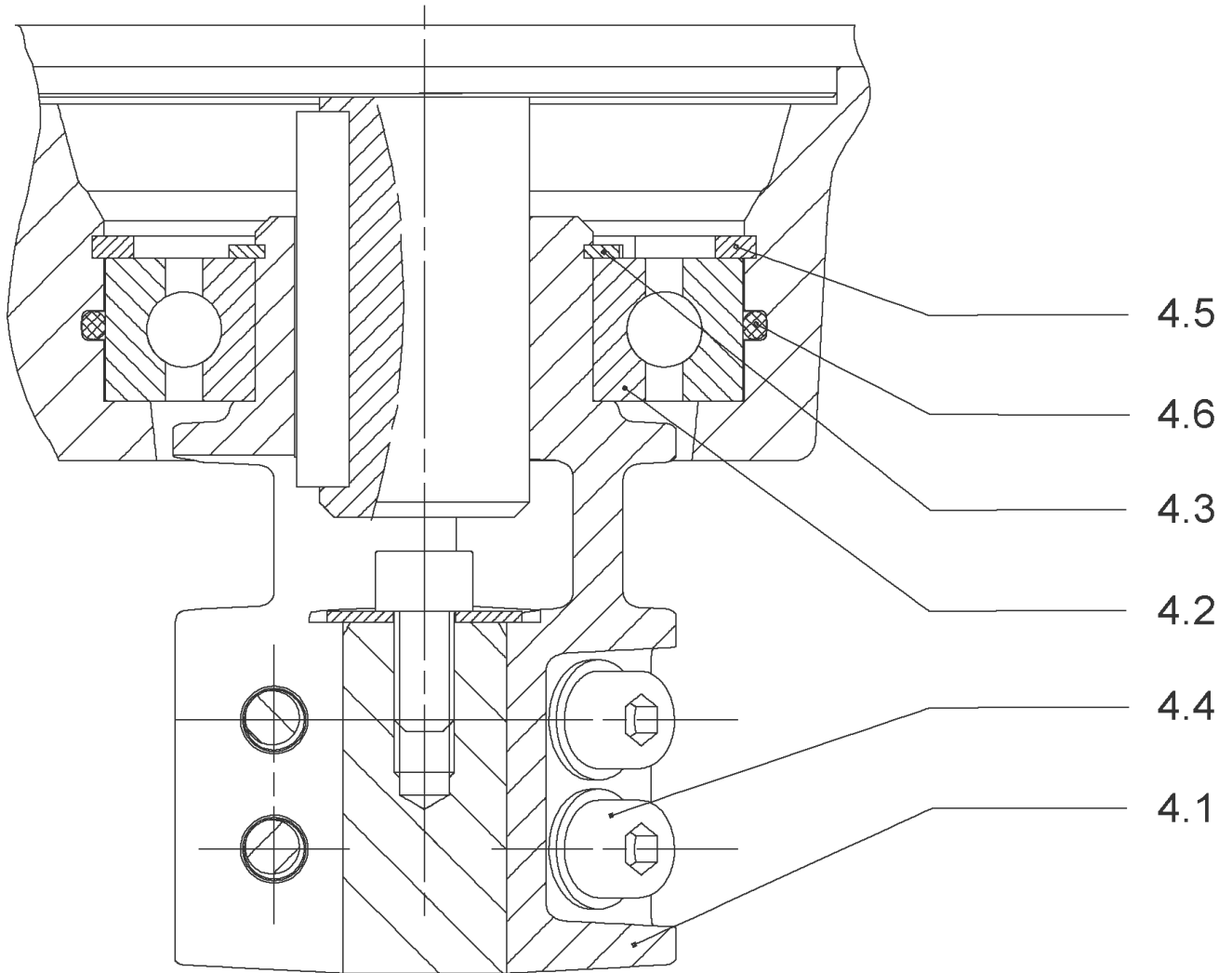


HELIX FIRST V208-5/16/E/S/400-50 (4201034)

Item	Article no.	Description	Quantity
1	4169940	MOTOR 0,75/2/80 3~230/400V 50HZ IE3 VP.	1
		SPARE PARTS MOTOR:ON REQUEST	1
2	4212716	SCREW M6X20 KIT (4PIECES)	1
3	4213752	LANTERN FT100 HELIX KIT	1
3.1		> LANT-MOT-VMI-ReDTC6"-FT100-MACHINED+CATA	1
3.2	4184852	> EYELET CPL.FT HELIX (2 PIECES)	1
3.3	4213713	> COUPLING PROTECTOR FT85/100 HELIX KIT	1
4	4178578	COUPLING D.12XD.19 FT100 KIT	1
6	2018361	STUD BOLT M12X293 KIT	1
6.1		> TIE BOLT M12-293x18x30-1.4057	1
6.2	2094647	> NUT M12 M12 ISO4032 VP.	1
6.3	2123557	> WASHER CS-12.4-24-1.6-NFE25 (4 PIECES)	1
7	4212722	STATIONARY RING HOLDER HELIX D23 ReDTC	1
7.2	4212720	> STATIONARY RING HOLDER HELIX D23 VP.	1
7.3	4176513	> O-RING FOR PUMP JACKET VP.	1
8	4212724	FILING/PURGING PLUG HELIX ReDTC KIT	1
8.1		> FILLING PLUG MVI6"-304	1
8.2	4177800	> O-RING EPDM PLUG HELIX VP.	1
9	4212726	MECH.SEAL HELIX V2/4 O/E ReDTC KIT	1
9.1	4178563	> M.SEAL.HELIX2-4 O/E VP.	1
7.3	4176513	> O-RING FOR PUMP JACKET VP.	1
10	2127576	HOUSING PIPE D.152x260 1.4301 KIT	1
11	4179315	CENTERING STAGE HELIX V2 1.4307 VP.	1
12	4212729	SHAFT EQUIPMENT HELIX V2/4 ReDTC KIT	1
12.1		> NUT-H-M8-STAINLESS-STEEL A4-70	1
12.2		> SHAFT END WASHER Ø8/Ø12 316L	1
12.3		> 1/2-SNAP-RING-2/4M3-316L	1
12.4		> STOP-RUSH-1/2-D12xd2-M+316	1
4.11		> SCREW CHC-M6X14-8.8-ISO4762-GEOMET500A	1
4.12		> WASHER D.24 L6U ZINK	1
13		HYDRAULIC HELIX V 208 1.4307	1
14	4213754	SHAFT D.12X331 HELIX 1.4057 VP.	1
15	4215105	PUMP HOUSING HELIX V2/4/6 DN32 PN16 KIT	1
15.1		> MACH+CATA PPE HOUSING M+5" D32-PN16 GJL	1

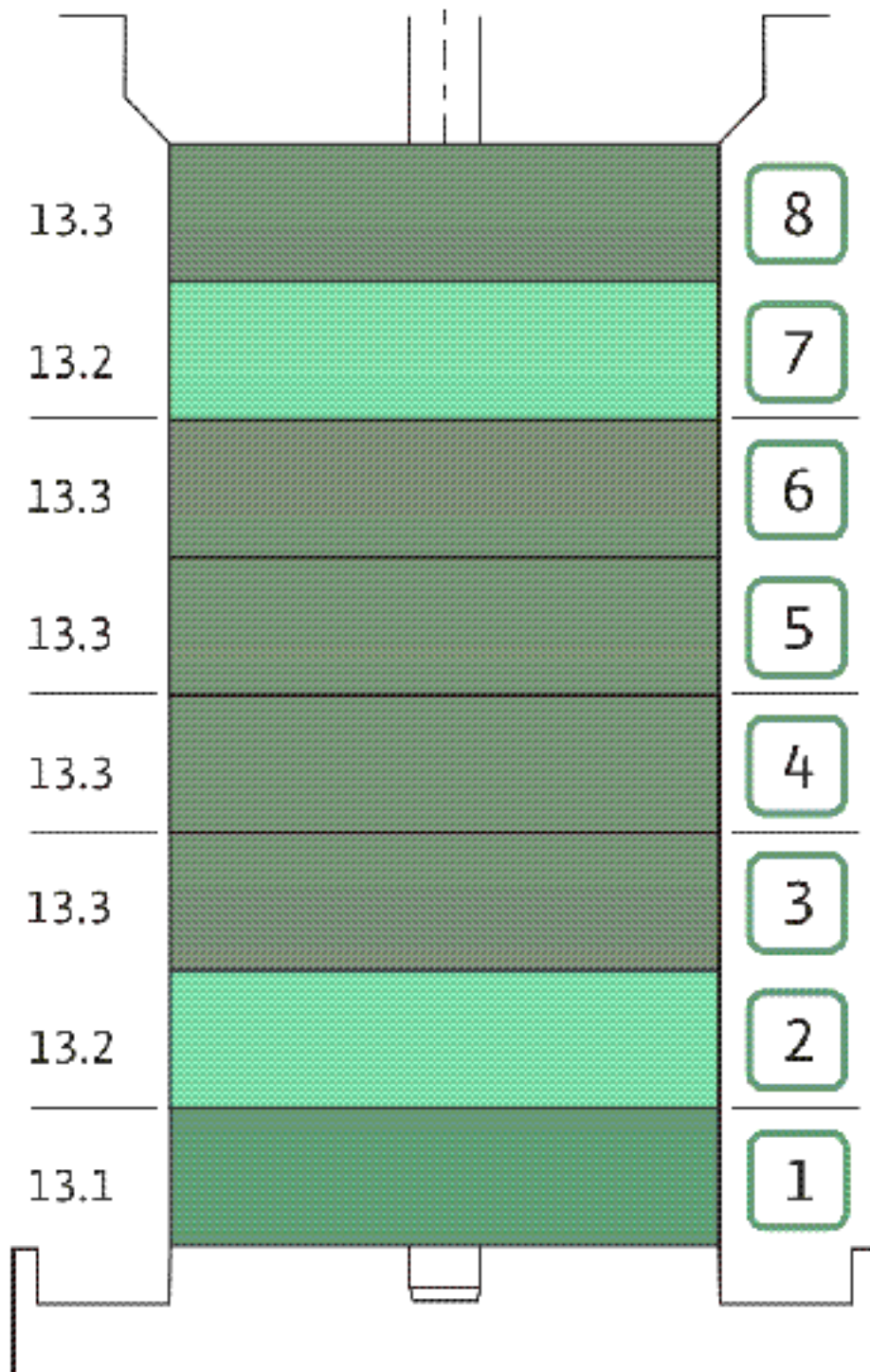
HELIX FIRST V208-5/16/E/S/400-50 (4201034)

Item	Article no.	Description	Quantity
15.2	4191618	> O-RING ID.44,05x3,53 EPDM VP.	1
15.3	4171321	> PRIMING/DRAIN PLUG EPDM HELIX KIT	1
7.3	4176513	> O-RING FOR PUMP JACKET VP.	1



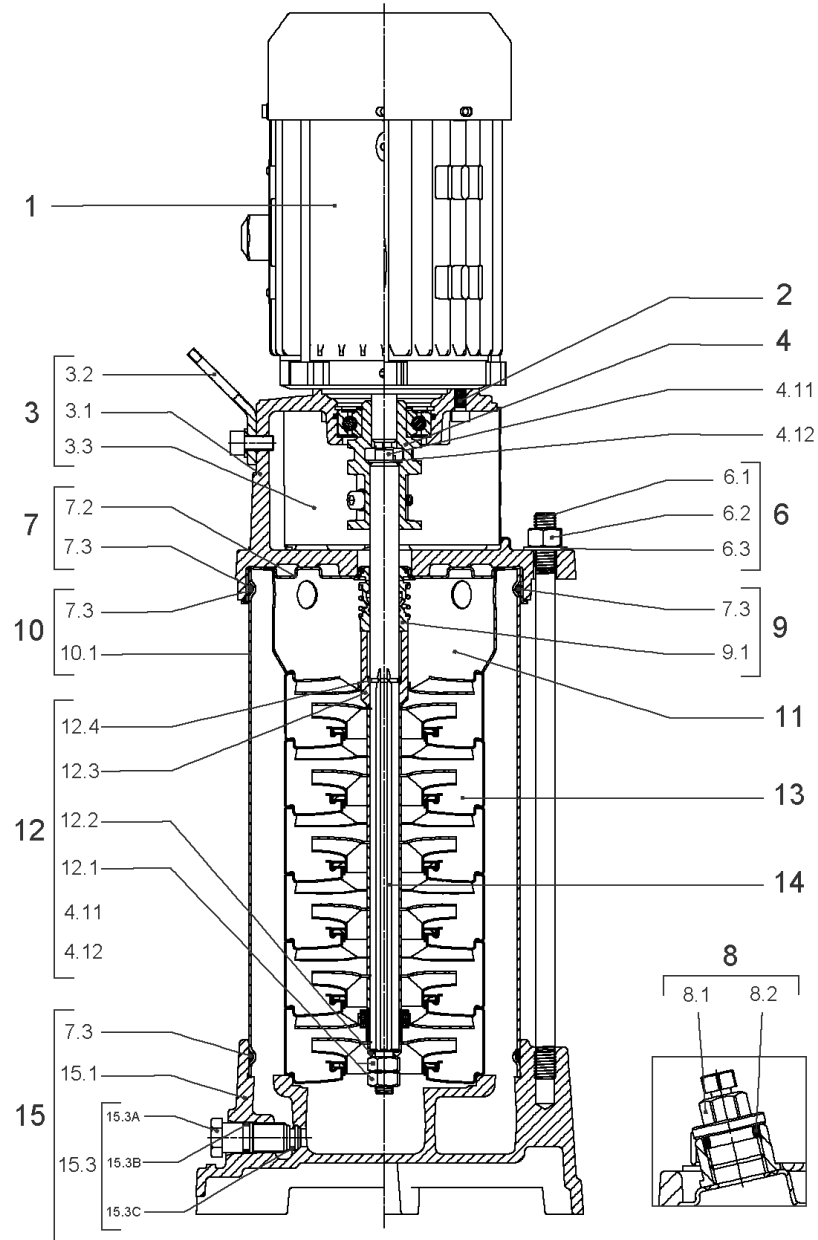
COUPLING D.12XD.19 FT100 KIT (4178578)

Item	Article no.	Description	Quantity
4.1		COUPLING-M+ Ø12XØ19-FT100-MACHINED	1
4.3	4234249	CIRCLIP-FOR-SHAFT-D30x1.5 VP.	1
4.2	2130977	BALL BEARING 6206/ZZ-C3(HT)VP.	1
4.4	4212716	SCREW M6X20 KIT (4PIECES)	1
4.5	4234250	CIRCLIP-D62x2 VP.	1
4.6	4234245	O-RING 63X3 VP.	1
		CONTACT-WASHER-6ETR-6,1x12,2x1,8-STEEL	4



HYDRAULIC HELIX V 208 1.4307

Item	Article no.	Description	Quantity
13.1	4179316	STAGE HELIX 2 1.4301 KIT	1
		> MACH.STG-CASING-WOGV-WNR-M+2-4-304	1
		> IMPELLER-M+2-304	1
13.2	4179317	STAGE BEARING HELIX 2 1.4307 KIT	1
		> MACH.BEARING-STG-CASING-WNR-M+2-304	1
		> IMPELLER-M+2-304	1
		> SHAFT SLEEVE SPACER Ø15,35x10,305-304	1
		> SHAFT-SLEEVE-D12xD16x14-CW	1
13.3	4179319	INTERMEDIATE STAGE HELIX 2 1.4301 KIT	1
		> CORPS-ETG-STD-ACR-AJR-USIN.M+2-304	1
		> IMPELLER-M+2-304	1
		> IMPELLER SPACER Ø12,05X14,85-L24,285-304	1



HELIX FIRST V208-5/25/E/S/400-50 (4201036)

Item	Article no.	Description	Quantity
1	4169940	MOTOR 0,75/2/80 3~230/400V 50HZ IE3 VP.	1
		SPARE PARTS MOTOR:ON REQUEST	1
2	4212716	SCREW M6X20 KIT (4PIECES)	1
3	4213752	LANTERN FT100 HELIX KIT	1
3.1		> LANT-MOT-VMI-ReDTC6"-FT100-MACHINED+CATA	1
3.2	4184852	> EYELET CPL.FT HELIX (2 PIECES)	1
3.3	4213713	> COUPLING PROTECTOR FT85/100 HELIX KIT	1
4	4178578	COUPLING D.12XD.19 FT100 KIT	1
6	2018361	STUD BOLT M12X293 KIT	1
6.1		> TIE BOLT M12-293x18x30-1.4057	1
6.2	2094647	> NUT M12 M12 ISO4032 VP.	1
6.3	2123557	> WASHER CS-12.4-24-1.6-NFE25 (4 PIECES)	1
7	4212722	STATIONARY RING HOLDER HELIX D23 ReDTC	1
7.2	4212720	> STATIONARY RING HOLDER HELIX D23 VP.	1
7.3	4176513	> O-RING FOR PUMP JACKET VP.	1
8	4212724	FILING/PURGING PLUG HELIX ReDTC KIT	1
8.1		> FILLING PLUG MVI6"-304	1
8.2	4177800	> O-RING EPDM PLUG HELIX VP.	1
9	4212726	MECH.SEAL HELIX V2/4 O/E ReDTC KIT	1
9.1	4178563	> M.SEAL.HELIX2-4 O/E VP.	1
7.3	4176513	> O-RING FOR PUMP JACKET VP.	1
10	2127576	HOUSING PIPE D.152x260 1.4301 KIT	1
11	4179315	CENTERING STAGE HELIX V2 1.4307 VP.	1
12	4212729	SHAFT EQUIPMENT HELIX V2/4 ReDTC KIT	1
12.1		> NUT-H-M8-STAINLESS-STEEL A4-70	1
12.2		> SHAFT END WASHER Ø8/Ø12 316L	1
12.3		> 1/2-SNAP-RING-2/4M3-316L	1
12.4		> STOP-RUSH-1/2-D12xd2-M+316	1
4.11		> SCREW CHC-M6X14-8.8-ISO4762-GEOMET500A	1
4.12		> WASHER D.24 L6U ZINK	1
13		HYDRAULIC HELIX V 208 1.4307	1
14	4213754	SHAFT D.12X331 HELIX 1.4057 VP.	1
15	4179246	PUMP HOUSING HELIX V2/4 DN25 PN30 KIT	1
7.3	4176513	> O-RING FOR PUMP JACKET VP.	1

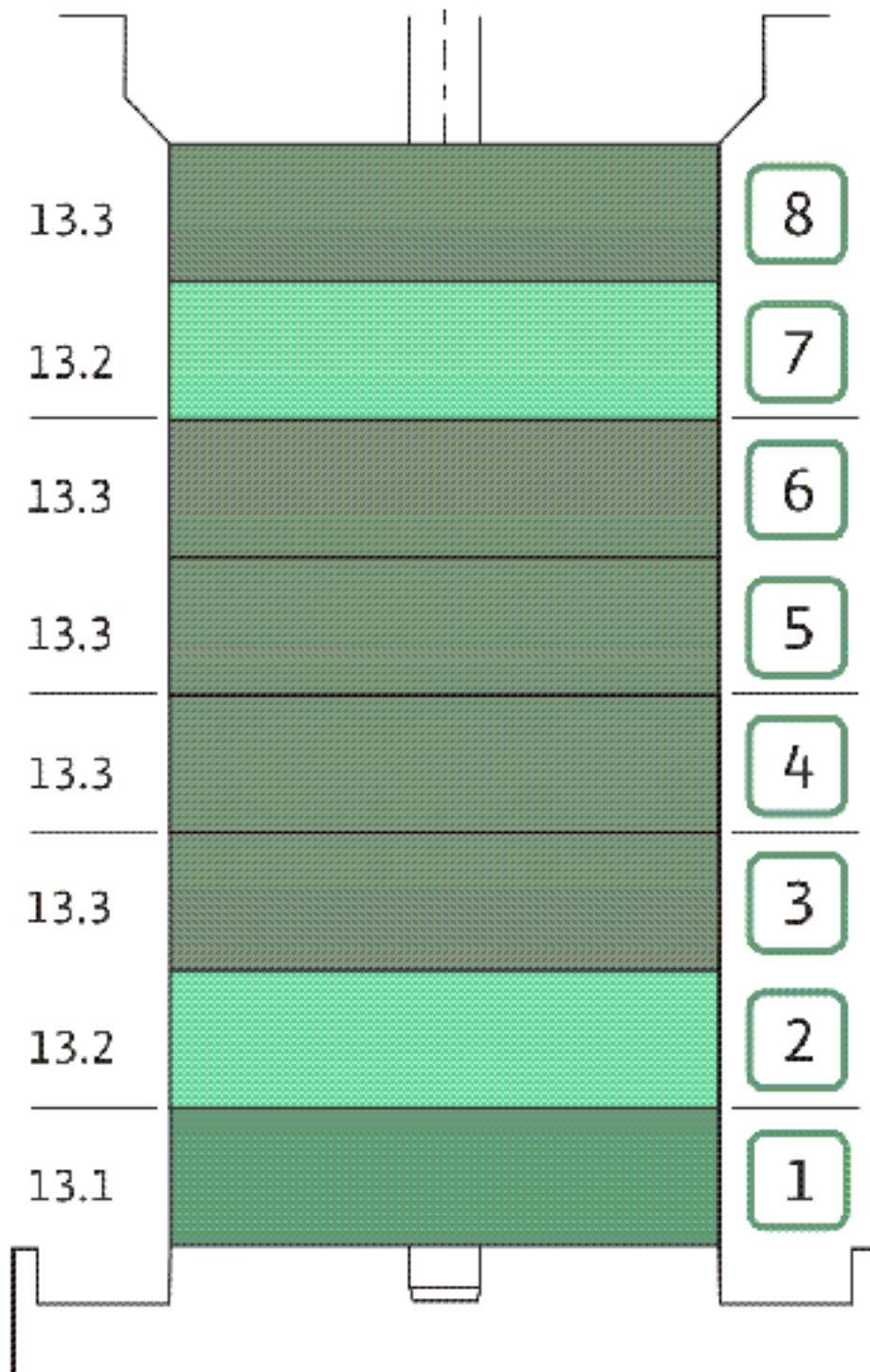
HELIX FIRST V208-5/25/E/S/400-50 (4201036)

Item	Article no.	Description	Quantity
15.1		> MACH+CATA PUMP CASING M+5" DN25 PN25 GJL	1
15.2	4233952	> FLAT GASKET D.73 VP.	1
15.3	4177877	> PRIMING/DRAIN PLUG HELIX PN30 KIT	1
15.3A		>> PRIMING/DRAIN PLUG M+6" 304	1
15.3B	4233957	>> O-RING ID.9 EPDM VP.	1
15.3C		>> O-RING Ø8xØ2 EPDM KTW/WRC	1



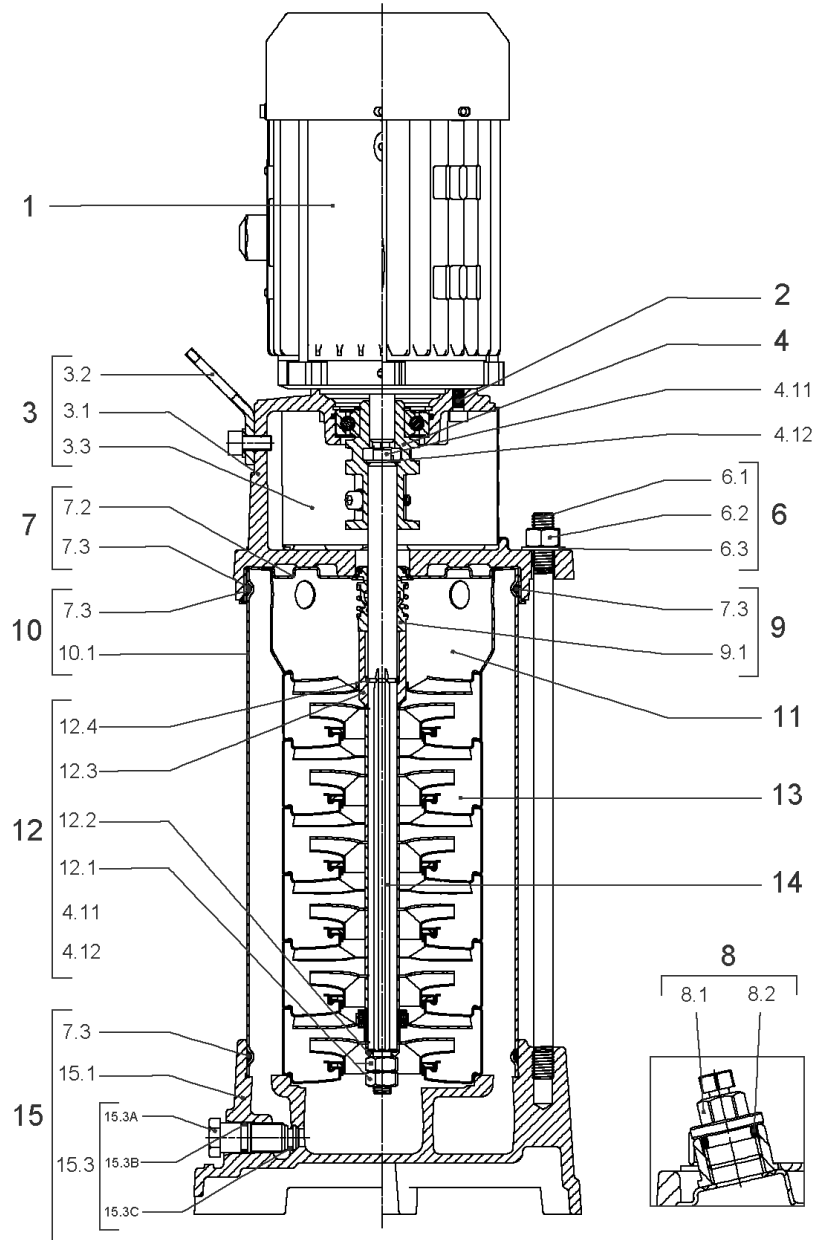
COUPLING D.12XD.19 FT100 KIT (4178578)

Item	Article no.	Description	Quantity
4.1		COUPLING-M+ Ø12XØ19-FT100-MACHINED	1
4.3	4234249	CIRCLIP-FOR-SHAFT-D30x1.5 VP.	1
4.2	2130977	BALL BEARING 6206/ZZ-C3(HT)VP.	1
4.4	4212716	SCREW M6X20 KIT (4PIECES)	1
4.5	4234250	CIRCLIP-D62x2 VP.	1
4.6	4234245	O-RING 63X3 VP.	1
		CONTACT-WASHER-6ETR-6,1x12,2x1,8-STEEL	4



HYDRAULIC HELIX V 208 1.4307

Item	Article no.	Description	Quantity
13.1	4179316	STAGE HELIX 2 1.4301 KIT	1
		> MACH.STG-CASING-WOGV-WNR-M+2-4-304	1
		> IMPELLER-M+2-304	1
13.2	4179317	STAGE BEARING HELIX 2 1.4307 KIT	1
		> MACH.BEARING-STG-CASING-WNR-M+2-304	1
		> IMPELLER-M+2-304	1
		> SHAFT SLEEVE SPACER Ø15,35x10,305-304	1
		> SHAFT-SLEEVE-D12xD16x14-CW	1
13.3	4179319	INTERMEDIATE STAGE HELIX 2 1.4301 KIT	1
		> CORPS-ETG-STD-ACR-AJR-USIN.M+2-304	1
		> IMPELLER-M+2-304	1
		> IMPELLER SPACER Ø12,05X14,85-L24,285-304	1



HELIX FIRST V209-5/16/E/S/400-50 (4201037)

Item	Article no.	Description	Quantity
1	4169940	MOTOR 0,75/2/80 3~230/400V 50HZ IE3 VP.	1
		SPARE PARTS MOTOR:ON REQUEST	1
2	4212716	SCREW M6X20 KIT (4PIECES)	1
3	4213752	LANTERN FT100 HELIX KIT	1
3.1		> LANT-MOT-VMI-ReDTC6"-FT100-MACHINED+CATA	1
3.2	4184852	> EYELET CPL.FT HELIX (2 PIECES)	1
3.3	4213713	> COUPLING PROTECTOR FT85/100 HELIX KIT	1
4	4178578	COUPLING D.12XD.19 FT100 KIT	1
6	4178579	STUD BOLT M12X317 KIT	1
6.1		> TIE BOLT M12-317x18x30-1.4057	1
6.2	2094647	> NUT M12 M12 ISO4032 VP.	1
6.3	2123557	> WASHER CS-12.4-24-1.6-NFE25 (4 PIECES)	1
7	4212722	STATIONARY RING HOLDER HELIX D23 ReDTC	1
7.2	4212720	> STATIONARY RING HOLDER HELIX D23 VP.	1
7.3	4176513	> O-RING FOR PUMP JACKET VP.	1
8	4212724	FILING/PURGING PLUG HELIX ReDTC KIT	1
8.1		> FILLING PLUG MVI6"-304	1
8.2	4177800	> O-RING EPDM PLUG HELIX VP.	1
9	4212726	MECH.SEAL HELIX V2/4 O/E ReDTC KIT	1
9.1	4178563	> M.SEAL.HELIX2-4 O/E VP.	1
7.3	4176513	> O-RING FOR PUMP JACKET VP.	1
10	4177823	HOUSING PIPES D.152X285 1.4301 KIT	1
7.3	4176513	> O-RING FOR PUMP JACKET VP.	1
10.1		> HOUSING-PIPE Ø152-M+1006-304	1
11	4179315	CENTERING STAGE HELIX V2 1.4307 VP.	1
12	4212729	SHAFT EQUIPMENT HELIX V2/4 ReDTC KIT	1
12.1		> NUT-H-M8-STAINLESS-STEEL A4-70	1
12.2		> SHAFT END WASHER Ø8/Ø12 316L	1
12.3		> 1/2-SNAP-RING-2/4M3-316L	1
12.4		> STOP-RUSH-1/2-D12xd2-M+316	1
4.11		> SCREW CHC-M6X14-8.8-ISO4762-GEOMET500A	1
4.12		> WASHER D.24 L6U ZINK	1
13		HYDRAULIC HELIX V 209 1.4307	1
14	4213765	SHAFT D.12X356 HELIX 1.4057 VP.	1

HELIX FIRST V209-5/16/E/S/400-50 (4201037)

Item	Article no.	Description	Quantity
15	4215105	PUMP HOUSING HELIX V2/4/6 DN32 PN16 KIT	1
15.1		> MACH+CATA PPE HOUSING M+5" D32-PN16 GJL	1
15.2	4191618	> O-RING ID.44,05x3,53 EPDM VP.	1
15.3	4171321	> PRIMING/DRAIN PLUG EPDM HELIX KIT	1
7.3	4176513	> O-RING FOR PUMP JACKET VP.	1

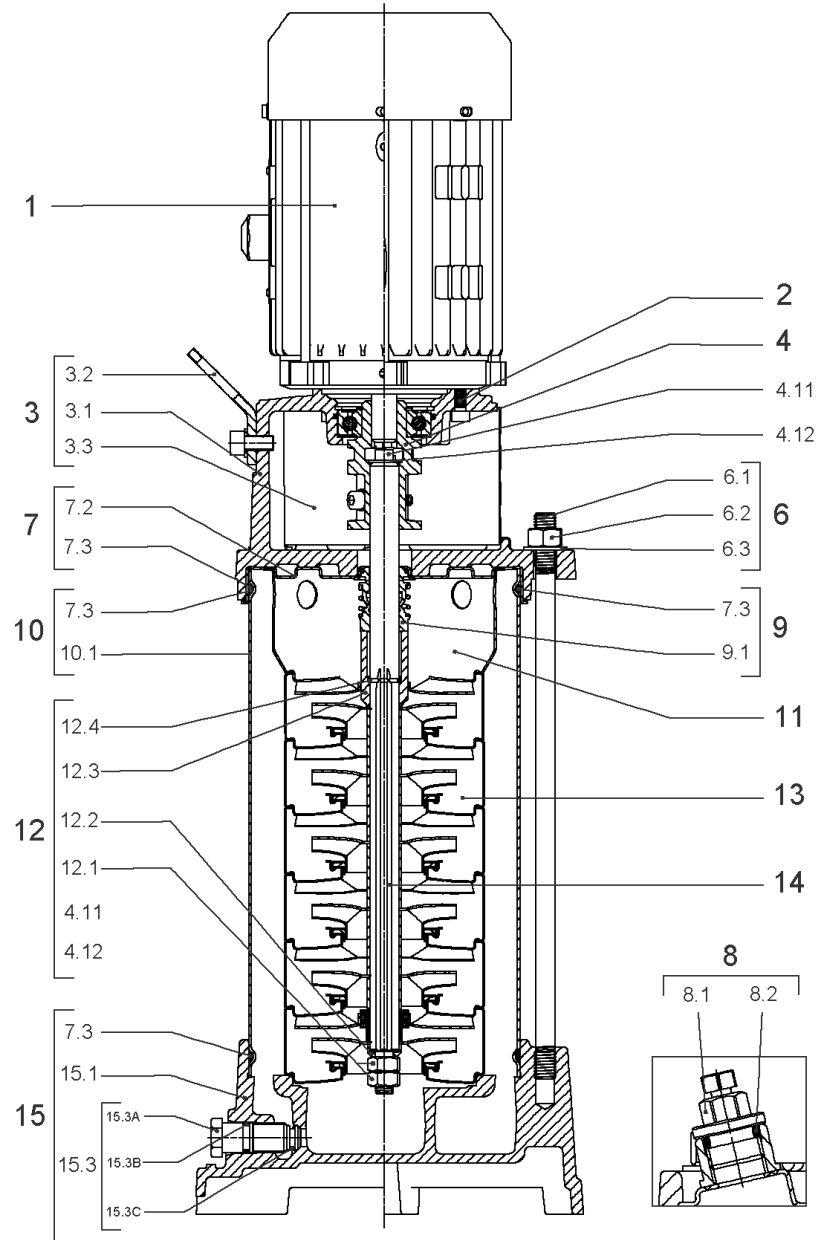
COUPLING D.12XD.19 FT100 KIT (4178578)

Item	Article no.	Description	Quantity
4.1		COUPLING-M+ Ø12XØ19-FT100-MACHINED	1
4.3	4234249	CIRCLIP-FOR-SHAFT-D30x1.5 VP.	1
4.2	2130977	BALL BEARING 6206/ZZ-C3(HT)VP.	1
4.4	4212716	SCREW M6X20 KIT (4PIECES)	1
4.5	4234250	CIRCLIP-D62x2 VP.	1
4.6	4234245	O-RING 63X3 VP.	1
		CONTACT-WASHER-6ETR-6,1x12,2x1,8-STEEL	4



HYDRAULIC HELIX V 209 1.4307

Item	Article no.	Description	Quantity
13.1	4179316	STAGE HELIX 2 1.4301 KIT	1
		> MACH.STG-CASING-WOGV-WNR-M+2-4-304	1
		> IMPELLER-M+2-304	1
13.2	4179317	STAGE BEARING HELIX 2 1.4307 KIT	1
		> MACH.BEARING-STG-CASING-WNR-M+2-304	1
		> IMPELLER-M+2-304	1
		> SHAFT SLEEVE SPACER Ø15,35x10,305-304	1
		> SHAFT-SLEEVE-D12xD16x14-CW	1
13.3	4179319	INTERMEDIATE STAGE HELIX 2 1.4301 KIT	1
		> CORPS-ETG-STD-ACR-AJR-USIN.M+2-304	1
		> IMPELLER-M+2-304	1
		> IMPELLER SPACER Ø12,05X14,85-L24,285-304	1



HELIX FIRST V209-5/25/E/S/400-50 (4201039)

Item	Article no.	Description	Quantity
1	4169940	MOTOR 0,75/2/80 3~230/400V 50HZ IE3 VP.	1
		SPARE PARTS MOTOR:ON REQUEST	1
2	4212716	SCREW M6X20 KIT (4PIECES)	1
3	4213752	LANTERN FT100 HELIX KIT	1
3.1		> LANT-MOT-VMI-ReDTC6"-FT100-MACHINED+CATA	1
3.2	4184852	> EYELET CPL.FT HELIX (2 PIECES)	1
3.3	4213713	> COUPLING PROTECTOR FT85/100 HELIX KIT	1
4	4178578	COUPLING D.12XD.19 FT100 KIT	1
6	4178579	STUD BOLT M12X317 KIT	1
6.1		> TIE BOLT M12-317x18x30-1.4057	1
6.2	2094647	> NUT M12 M12 ISO4032 VP.	1
6.3	2123557	> WASHER CS-12.4-24-1.6-NFE25 (4 PIECES)	1
7	4212722	STATIONARY RING HOLDER HELIX D23 ReDTC	1
7.2	4212720	> STATIONARY RING HOLDER HELIX D23 VP.	1
7.3	4176513	> O-RING FOR PUMP JACKET VP.	1
8	4212724	FILING/PURGING PLUG HELIX ReDTC KIT	1
8.1		> FILLING PLUG MVI6"-304	1
8.2	4177800	> O-RING EPDM PLUG HELIX VP.	1
9	4212726	MECH.SEAL HELIX V2/4 O/E ReDTC KIT	1
9.1	4178563	> M.SEAL.HELIX2-4 O/E VP.	1
7.3	4176513	> O-RING FOR PUMP JACKET VP.	1
10	4177823	HOUSING PIPES D.152X285 1.4301 KIT	1
7.3	4176513	> O-RING FOR PUMP JACKET VP.	1
10.1		> HOUSING-PIPE Ø152-M+1006-304	1
11	4179315	CENTERING STAGE HELIX V2 1.4307 VP.	1
12	4212729	SHAFT EQUIPMENT HELIX V2/4 ReDTC KIT	1
12.1		> NUT-H-M8-STAINLESS-STEEL A4-70	1
12.2		> SHAFT END WASHER Ø8/Ø12 316L	1
12.3		> 1/2-SNAP-RING-2/4M3-316L	1
12.4		> STOP-RUSH-1/2-D12xd2-M+316	1
4.11		> SCREW CHC-M6X14-8.8-ISO4762-GEOMET500A	1
4.12		> WASHER D.24 L6U ZINK	1
13		HYDRAULIC HELIX V 209 1.4307	1
14	4213765	SHAFT D.12X356 HELIX 1.4057 VP.	1

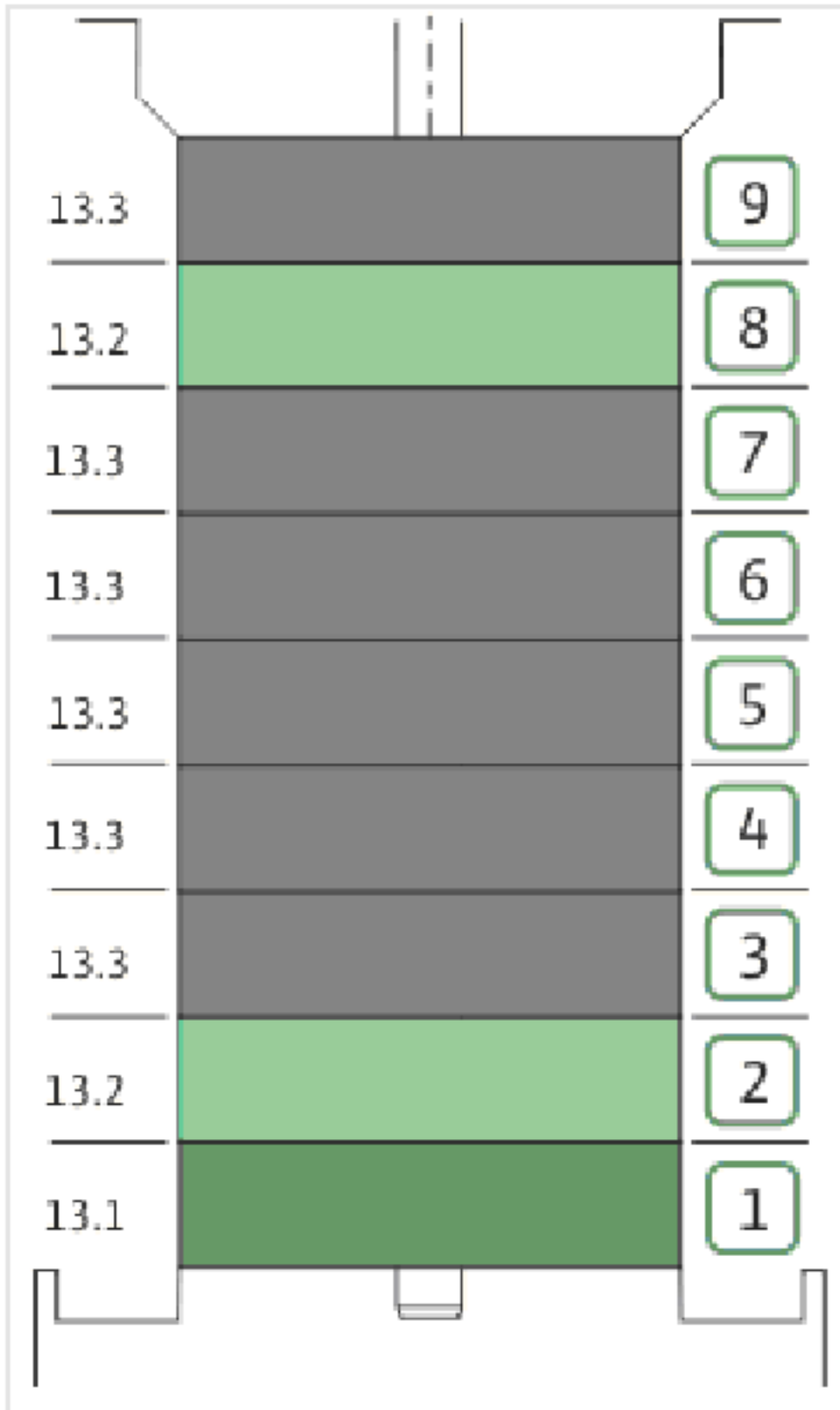
HELIX FIRST V209-5/25/E/S/400-50 (4201039)

Item	Article no.	Description	Quantity
15	4179246	PUMP HOUSING HELIX V2/4 DN25 PN30 KIT	1
7.3	4176513	> O-RING FOR PUMP JACKET VP.	1
15.1		> MACH+CATA PUMP CASING M+5" DN25 PN25 GJL	1
15.2	4233952	> FLAT GASKET D.73 VP.	1
15.3	4177877	> PRIMING/DRAIN PLUG HELIX PN30 KIT	1
15.3A		>> PRIMING/DRAIN PLUG M+6" 304	1
15.3B	4233957	>> O-RING ID.9 EPDM VP.	1
15.3C		>> O-RING Ø8xØ2 EPDM KTW/WRC	1



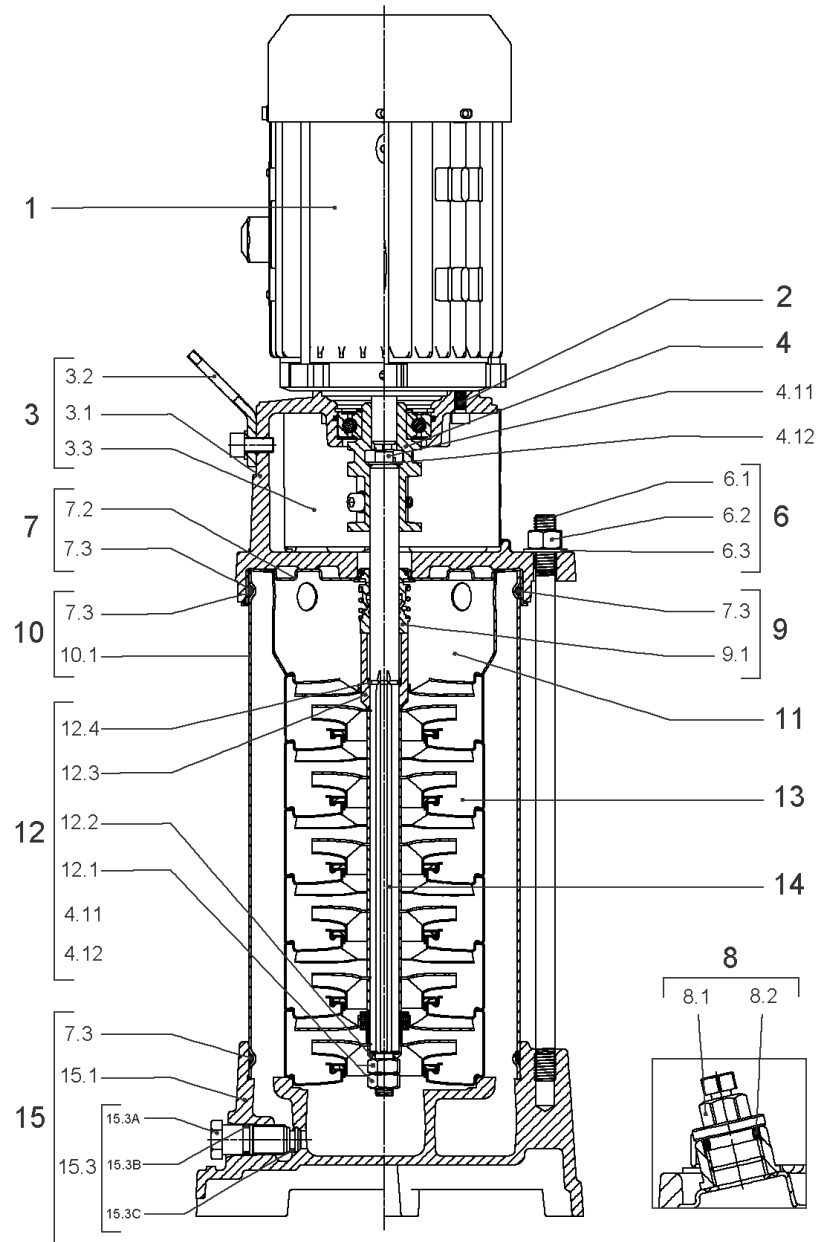
COUPLING D.12XD.19 FT100 KIT (4178578)

Item	Article no.	Description	Quantity
4.1		COUPLING-M+ Ø12XØ19-FT100-MACHINED	1
4.3	4234249	CIRCLIP-FOR-SHAFT-D30x1.5 VP.	1
4.2	2130977	BALL BEARING 6206/ZZ-C3(HT)VP.	1
4.4	4212716	SCREW M6X20 KIT (4PIECES)	1
4.5	4234250	CIRCLIP-D62x2 VP.	1
4.6	4234245	O-RING 63X3 VP.	1
		CONTACT-WASHER-6ETR-6,1x12,2x1,8-STEEL	4



HYDRAULIC HELIX V 209 1.4307

Item	Article no.	Description	Quantity
13.1	4179316	STAGE HELIX 2 1.4301 KIT	1
		> MACH.STG-CASING-WOGV-WNR-M+2-4-304	1
		> IMPELLER-M+2-304	1
13.2	4179317	STAGE BEARING HELIX 2 1.4307 KIT	1
		> MACH.BEARING-STG-CASING-WNR-M+2-304	1
		> IMPELLER-M+2-304	1
		> SHAFT SLEEVE SPACER Ø15,35x10,305-304	1
		> SHAFT-SLEEVE-D12xD16x14-CW	1
13.3	4179319	INTERMEDIATE STAGE HELIX 2 1.4301 KIT	1
		> CORPS-ETG-STD-ACR-AJR-USIN.M+2-304	1
		> IMPELLER-M+2-304	1
		> IMPELLER SPACER Ø12,05X14,85-L24,285-304	1



HELIX FIRST V210-5/16/E/S/400-50 (4201040)

Item	Article no.	Description	Quantity
1	4169940	MOTOR 0,75/2/80 3~230/400V 50HZ IE3 VP.	1
		SPARE PARTS MOTOR:ON REQUEST	1
2	4212716	SCREW M6X20 KIT (4PIECES)	1
3	4213752	LANTERN FT100 HELIX KIT	1
3.1		> LANT-MOT-VMI-ReDTC6"-FT100-MACHINED+CATA	1
3.2	4184852	> EYELET CPL.FT HELIX (2 PIECES)	1
3.3	4213713	> COUPLING PROTECTOR FT85/100 HELIX KIT	1
4	4178578	COUPLING D.12XD.19 FT100 KIT	1
6	4177817	STUD BOLT M12X341 KIT	1
6.1		> TIE BOLT M12-341x18x30-1.4057	1
6.2	2094647	> NUT M12 M12 ISO4032 VP.	1
6.3	2123557	> WASHER CS-12.4-24-1.6-NFE25 (4 PIECES)	1
7	4212722	STATIONARY RING HOLDER HELIX D23 ReDTC	1
7.2	4212720	> STATIONARY RING HOLDER HELIX D23 VP.	1
7.3	4176513	> O-RING FOR PUMP JACKET VP.	1
8	4212724	FILING/PURGING PLUG HELIX ReDTC KIT	1
8.1		> FILLING PLUG MVI6"-304	1
8.2	4177800	> O-RING EPDM PLUG HELIX VP.	1
9	4212726	MECH.SEAL HELIX V2/4 O/E ReDTC KIT	1
9.1	4178563	> M.SEAL.HELIX2-4 O/E VP.	1
7.3	4176513	> O-RING FOR PUMP JACKET VP.	1
10	2127577	HOUSING PIPE D.152x310 1.4301 KIT	1
11	4179315	CENTERING STAGE HELIX V2 1.4307 VP.	1
12	4212729	SHAFT EQUIPMENT HELIX V2/4 ReDTC KIT	1
12.1		> NUT-H-M8-STAINLESS-STEEL A4-70	1
12.2		> SHAFT END WASHER Ø8/Ø12 316L	1
12.3		> 1/2-SNAP-RING-2/4M3-316L	1
12.4		> STOP-RUSH-1/2-D12xd2-M+316	1
4.11		> SCREW CHC-M6X14-8.8-ISO4762-GEOMET500A	1
4.12		> WASHER D.24 L6U ZINK	1
13		HYDRAULIC HELIX V 210 1.4307	1
14	4213771	SHAFT D.12X381 HELIX 1.4057 VP.	1
15	4215105	PUMP HOUSING HELIX V2/4/6 DN32 PN16 KIT	1
15.1		> MACH+CATA PPE HOUSING M+5" D32-PN16 GJL	1

HELIX FIRST V210-5/16/E/S/400-50 (4201040)

Item	Article no.	Description	Quantity
15.2	4191618	> O-RING ID.44,05x3,53 EPDM VP.	1
15.3	4171321	> PRIMING/DRAIN PLUG EPDM HELIX KIT	1
7.3	4176513	> O-RING FOR PUMP JACKET VP.	1



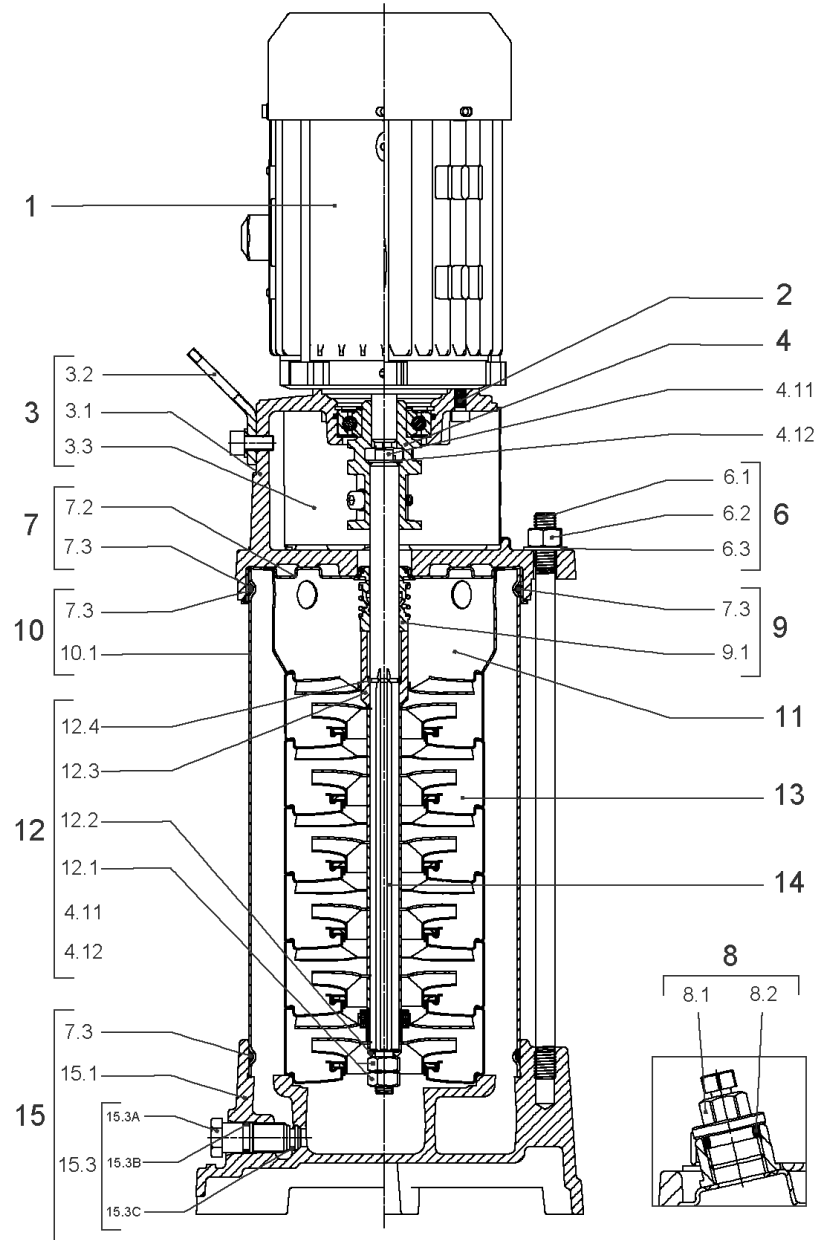
COUPLING D.12XD.19 FT100 KIT (4178578)

Item	Article no.	Description	Quantity
4.1		COUPLING-M+ Ø12XØ19-FT100-MACHINED	1
4.3	4234249	CIRCLIP-FOR-SHAFT-D30x1.5 VP.	1
4.2	2130977	BALL BEARING 6206/ZZ-C3(HT)VP.	1
4.4	4212716	SCREW M6X20 KIT (4PIECES)	1
4.5	4234250	CIRCLIP-D62x2 VP.	1
4.6	4234245	O-RING 63X3 VP.	1
		CONTACT-WASHER-6ETR-6,1x12,2x1,8-STEEL	4



HYDRAULIC HELIX V 210 1.4307

Item	Article no.	Description	Quantity
13.1	4179316	STAGE HELIX 2 1.4301 KIT	1
		> MACH.STG-CASING-WOGV-WNR-M+2-4-304	1
		> IMPELLER-M+2-304	1
13.2	4179317	STAGE BEARING HELIX 2 1.4307 KIT	1
		> MACH.BEARING-STG-CASING-WNR-M+2-304	1
		> IMPELLER-M+2-304	1
		> SHAFT SLEEVE SPACER Ø15,35x10,305-304	1
		> SHAFT-SLEEVE-D12xD16x14-CW	1
13.3	4179319	INTERMEDIATE STAGE HELIX 2 1.4301 KIT	1
		> CORPS-ETG-STD-ACR-AJR-USIN.M+2-304	1
		> IMPELLER-M+2-304	1
		> IMPELLER SPACER Ø12,05X14,85-L24,285-304	1



HELIX FIRST V210-5/25/E/S/400-50 (4201042)

Item	Article no.	Description	Quantity
1	4169940	MOTOR 0,75/2/80 3~230/400V 50HZ IE3 VP.	1
		SPARE PARTS MOTOR:ON REQUEST	1
2	4212716	SCREW M6X20 KIT (4PIECES)	1
3	4213752	LANTERN FT100 HELIX KIT	1
3.1		> LANT-MOT-VMI-ReDTC6"-FT100-MACHINED+CATA	1
3.2	4184852	> EYELET CPL.FT HELIX (2 PIECES)	1
3.3	4213713	> COUPLING PROTECTOR FT85/100 HELIX KIT	1
4	4178578	COUPLING D.12XD.19 FT100 KIT	1
6	4177817	STUD BOLT M12X341 KIT	1
6.1		> TIE BOLT M12-341x18x30-1.4057	1
6.2	2094647	> NUT M12 M12 ISO4032 VP.	1
6.3	2123557	> WASHER CS-12.4-24-1.6-NFE25 (4 PIECES)	1
7	4212722	STATIONARY RING HOLDER HELIX D23 ReDTC	1
7.2	4212720	> STATIONARY RING HOLDER HELIX D23 VP.	1
7.3	4176513	> O-RING FOR PUMP JACKET VP.	1
8	4212724	FILING/PURGING PLUG HELIX ReDTC KIT	1
8.1		> FILLING PLUG MVI6"-304	1
8.2	4177800	> O-RING EPDM PLUG HELIX VP.	1
9	4212726	MECH.SEAL HELIX V2/4 O/E ReDTC KIT	1
9.1	4178563	> M.SEAL.HELIX2-4 O/E VP.	1
7.3	4176513	> O-RING FOR PUMP JACKET VP.	1
10	2127577	HOUSING PIPE D.152x310 1.4301 KIT	1
11	4179315	CENTERING STAGE HELIX V2 1.4307 VP.	1
12	4212729	SHAFT EQUIPMENT HELIX V2/4 ReDTC KIT	1
12.1		> NUT-H-M8-STAINLESS-STEEL A4-70	1
12.2		> SHAFT END WASHER Ø8/Ø12 316L	1
12.3		> 1/2-SNAP-RING-2/4M3-316L	1
12.4		> STOP-RUSH-1/2-D12xd2-M+316	1
4.11		> SCREW CHC-M6X14-8.8-ISO4762-GEOMET500A	1
4.12		> WASHER D.24 L6U ZINK	1
13		HYDRAULIC HELIX V 210 1.4307	1
14	4213771	SHAFT D.12X381 HELIX 1.4057 VP.	1
15	4179246	PUMP HOUSING HELIX V2/4 DN25 PN30 KIT	1
7.3	4176513	> O-RING FOR PUMP JACKET VP.	1

HELIX FIRST V210-5/25/E/S/400-50 (4201042)

Item	Article no.	Description	Quantity
15.1		> MACH+CATA PUMP CASING M+5" DN25 PN25 GJL	1
15.2	4233952	> FLAT GASKET D.73 VP.	1
15.3	4177877	> PRIMING/DRAIN PLUG HELIX PN30 KIT	1
15.3A		>> PRIMING/DRAIN PLUG M+6" 304	1
15.3B	4233957	>> O-RING ID.9 EPDM VP.	1
15.3C		>> O-RING Ø8xØ2 EPDM KTW/WRC	1



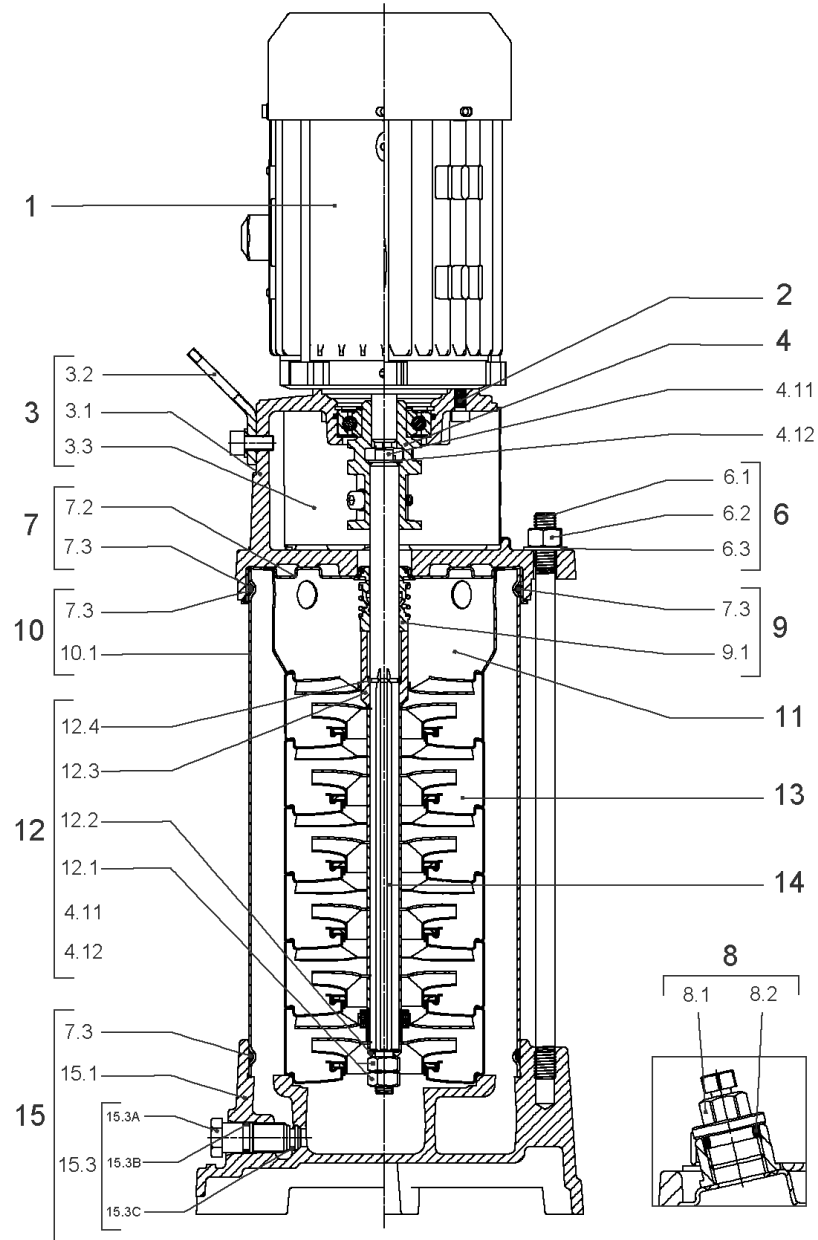
COUPLING D.12XD.19 FT100 KIT (4178578)

Item	Article no.	Description	Quantity
4.1		COUPLING-M+ Ø12XØ19-FT100-MACHINED	1
4.3	4234249	CIRCLIP-FOR-SHAFT-D30x1.5 VP.	1
4.2	2130977	BALL BEARING 6206/ZZ-C3(HT)VP.	1
4.4	4212716	SCREW M6X20 KIT (4PIECES)	1
4.5	4234250	CIRCLIP-D62x2 VP.	1
4.6	4234245	O-RING 63X3 VP.	1
		CONTACT-WASHER-6ETR-6,1x12,2x1,8-STEEL	4



HYDRAULIC HELIX V 210 1.4307

Item	Article no.	Description	Quantity
13.1	4179316	STAGE HELIX 2 1.4301 KIT	1
		> MACH.STG-CASING-WOGV-WNR-M+2-4-304	1
		> IMPELLER-M+2-304	1
13.2	4179317	STAGE BEARING HELIX 2 1.4307 KIT	1
		> MACH.BEARING-STG-CASING-WNR-M+2-304	1
		> IMPELLER-M+2-304	1
		> SHAFT SLEEVE SPACER Ø15,35x10,305-304	1
		> SHAFT-SLEEVE-D12xD16x14-CW	1
13.3	4179319	INTERMEDIATE STAGE HELIX 2 1.4301 KIT	1
		> CORPS-ETG-STD-ACR-AJR-USIN.M+2-304	1
		> IMPELLER-M+2-304	1
		> IMPELLER SPACER Ø12,05X14,85-L24,285-304	1



HELIX FIRST V211-5/16/E/S/400-50 (4201043)

Item	Article no.	Description	Quantity
1	4169941	MOTOR 1,1/2/80 3~230/400V 50HZ IE3 VP.	1
		SPARE PARTS MOTOR:ON REQUEST	1
2	4212716	SCREW M6X20 KIT (4PIECES)	1
3	4213752	LANTERN FT100 HELIX KIT	1
3.1		> LANT-MOT-VMI-ReDTC6"-FT100-MACHINED+CATA	1
3.2	4184852	> EYELET CPL.FT HELIX (2 PIECES)	1
3.3	4213713	> COUPLING PROTECTOR FT85/100 HELIX KIT	1
4	4178578	COUPLING D.12XD.19 FT100 KIT	1
6	4178585	STUD BOLT M12X365 KIT	1
6.1		> TIE BOLT M12-365x18x30-1.4057	1
6.2	2094647	> NUT M12 M12 ISO4032 VP.	1
6.3	2123557	> WASHER CS-12.4-24-1.6-NFE25 (4 PIECES)	1
7	4212722	STATIONARY RING HOLDER HELIX D23 ReDTC	1
7.2	4212720	> STATIONARY RING HOLDER HELIX D23 VP.	1
7.3	4176513	> O-RING FOR PUMP JACKET VP.	1
8	4212724	FILING/PURGING PLUG HELIX ReDTC KIT	1
8.1		> FILLING PLUG MVI6"-304	1
8.2	4177800	> O-RING EPDM PLUG HELIX VP.	1
9	4212726	MECH.SEAL HELIX V2/4 O/E ReDTC KIT	1
9.1	4178563	> M.SEAL.HELIX2-4 O/E VP.	1
7.3	4176513	> O-RING FOR PUMP JACKET VP.	1
10	4178606	HOUSING-PIPE D.152X335 1.4304 KIT	1
7.3	4176513	> O-RING FOR PUMP JACKET VP.	1
10.1		> HOUSING-PIPE Ø152-M+211/411-304	1
11	4179315	CENTERING STAGE HELIX V2 1.4307 VP.	1
12	4212729	SHAFT EQUIPMENT HELIX V2/4 ReDTC KIT	1
12.1		> NUT-H-M8-STAINLESS-STEEL A4-70	1
12.2		> SHAFT END WASHER Ø8/Ø12 316L	1
12.3		> 1/2-SNAP-RING-2/4M3-316L	1
12.4		> STOP-RUSH-1/2-D12xd2-M+316	1
4.11		> SCREW CHC-M6X14-8.8-ISO4762-GEOMET500A	1
4.12		> WASHER D.24 L6U ZINK	1
13		HYDRAULIC HELIX V 211 1.4307	1
14	4213776	SHAFT D.12X406 HELIX 1.4057 VP.	1

HELIX FIRST V211-5/16/E/S/400-50 (4201043)

Item	Article no.	Description	Quantity
15	4215105	PUMP HOUSING HELIX V2/4/6 DN32 PN16 KIT	1
15.1		> MACH+CATA PPE HOUSING M+5" D32-PN16 GJL	1
15.2	4191618	> O-RING ID.44,05x3,53 EPDM VP.	1
15.3	4171321	> PRIMING/DRAIN PLUG EPDM HELIX KIT	1
7.3	4176513	> O-RING FOR PUMP JACKET VP.	1



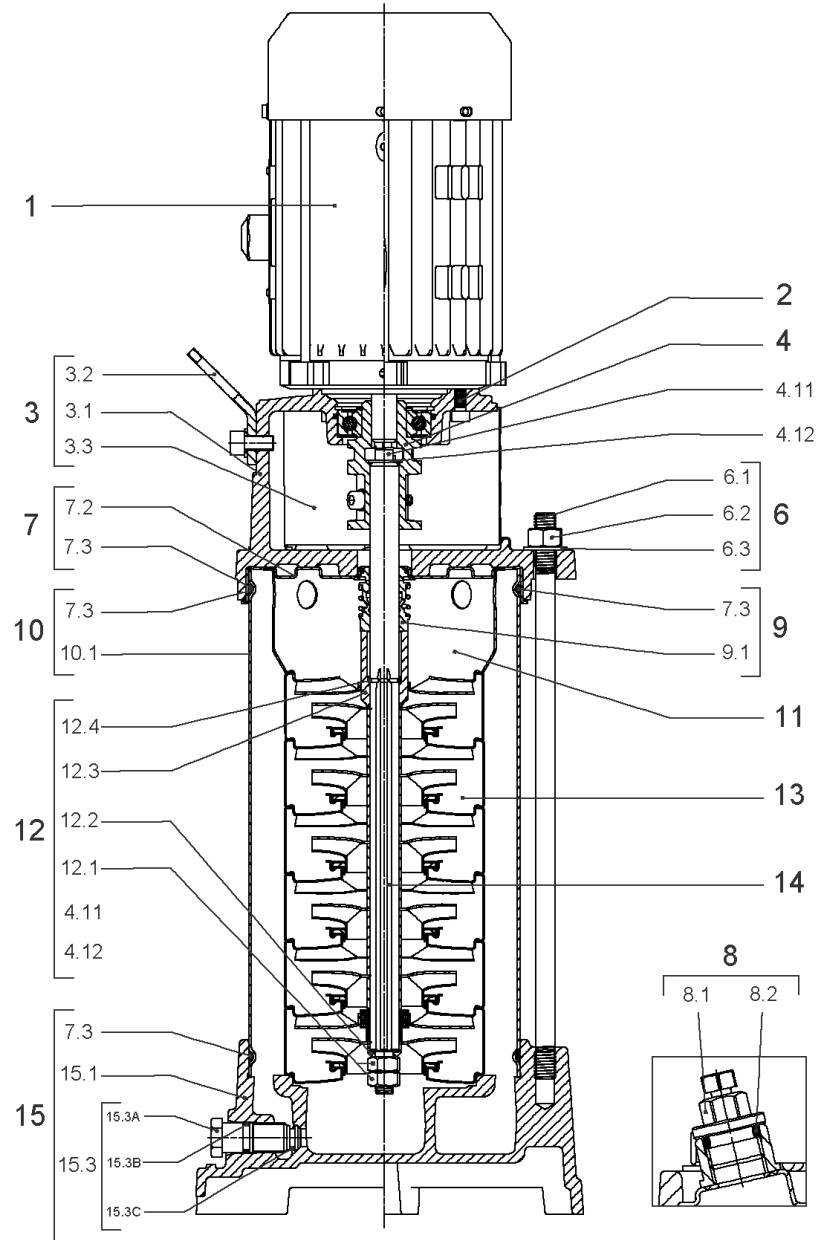
COUPLING D.12XD.19 FT100 KIT (4178578)

Item	Article no.	Description	Quantity
4.1		COUPLING-M+ Ø12XØ19-FT100-MACHINED	1
4.3	4234249	CIRCLIP-FOR-SHAFT-D30x1.5 VP.	1
4.2	2130977	BALL BEARING 6206/ZZ-C3(HT)VP.	1
4.4	4212716	SCREW M6X20 KIT (4PIECES)	1
4.5	4234250	CIRCLIP-D62x2 VP.	1
4.6	4234245	O-RING 63X3 VP.	1
		CONTACT-WASHER-6ETR-6,1x12,2x1,8-STEEL	4



HYDRAULIC HELIX V 211 1.4307

Item	Article no.	Description	Quantity
13.1	4179316	STAGE HELIX 2 1.4301 KIT	1
		> MACH.STG-CASING-WOGV-WNR-M+2-4-304	1
		> IMPELLER-M+2-304	1
13.2	4179317	STAGE BEARING HELIX 2 1.4307 KIT	1
		> MACH.BEARING-STG-CASING-WNR-M+2-304	1
		> IMPELLER-M+2-304	1
		> SHAFT SLEEVE SPACER Ø15,35x10,305-304	1
		> SHAFT-SLEEVE-D12xD16x14-CW	1
13.3	4179319	INTERMEDIATE STAGE HELIX 2 1.4301 KIT	1
		> CORPS-ETG-STD-ACR-AJR-USIN.M+2-304	1
		> IMPELLER-M+2-304	1
		> IMPELLER SPACER Ø12,05X14,85-L24,285-304	1



HELIX FIRST V211-5/25/E/S/400-50 (4201045)

Item	Article no.	Description	Quantity
1	4169941	MOTOR 1,1/2/80 3~230/400V 50HZ IE3 VP.	1
		SPARE PARTS MOTOR:ON REQUEST	1
2	4212716	SCREW M6X20 KIT (4PIECES)	1
3	4213752	LANTERN FT100 HELIX KIT	1
3.1		> LANT-MOT-VMI-ReDTC6"-FT100-MACHINED+CATA	1
3.2	4184852	> EYELET CPL.FT HELIX (2 PIECES)	1
3.3	4213713	> COUPLING PROTECTOR FT85/100 HELIX KIT	1
4	4178578	COUPLING D.12XD.19 FT100 KIT	1
6	4178585	STUD BOLT M12X365 KIT	1
6.1		> TIE BOLT M12-365x18x30-1.4057	1
6.2	2094647	> NUT M12 M12 ISO4032 VP.	1
6.3	2123557	> WASHER CS-12.4-24-1.6-NFE25 (4 PIECES)	1
7	4212722	STATIONARY RING HOLDER HELIX D23 ReDTC	1
7.2	4212720	> STATIONARY RING HOLDER HELIX D23 VP.	1
7.3	4176513	> O-RING FOR PUMP JACKET VP.	1
8	4212724	FILING/PURGING PLUG HELIX ReDTC KIT	1
8.1		> FILLING PLUG MVI6"-304	1
8.2	4177800	> O-RING EPDM PLUG HELIX VP.	1
9	4212726	MECH.SEAL HELIX V2/4 O/E ReDTC KIT	1
9.1	4178563	> M.SEAL.HELIX2-4 O/E VP.	1
7.3	4176513	> O-RING FOR PUMP JACKET VP.	1
10	4178606	HOUSING-PIPE D.152X335 1.4304 KIT	1
7.3	4176513	> O-RING FOR PUMP JACKET VP.	1
10.1		> HOUSING-PIPE Ø152-M+211/411-304	1
11	4179315	CENTERING STAGE HELIX V2 1.4307 VP.	1
12	4212729	SHAFT EQUIPMENT HELIX V2/4 ReDTC KIT	1
12.1		> NUT-H-M8-STAINLESS-STEEL A4-70	1
12.2		> SHAFT END WASHER Ø8/Ø12 316L	1
12.3		> 1/2-SNAP-RING-2/4M3-316L	1
12.4		> STOP-RUSH-1/2-D12xd2-M+316	1
4.11		> SCREW CHC-M6X14-8.8-ISO4762-GEOMET500A	1
4.12		> WASHER D.24 L6U ZINK	1
13		HYDRAULIC HELIX V 211 1.4307	1
14	4213776	SHAFT D.12X406 HELIX 1.4057 VP.	1

HELIX FIRST V211-5/25/E/S/400-50 (4201045)

Item	Article no.	Description	Quantity
15	4179246	PUMP HOUSING HELIX V2/4 DN25 PN30 KIT	1
7.3	4176513	> O-RING FOR PUMP JACKET VP.	1
15.1		> MACH+CATA PUMP CASING M+5" DN25 PN25 GJL	1
15.2	4233952	> FLAT GASKET D.73 VP.	1
15.3	4177877	> PRIMING/DRAIN PLUG HELIX PN30 KIT	1
15.3A		>> PRIMING/DRAIN PLUG M+6" 304	1
15.3B	4233957	>> O-RING ID.9 EPDM VP.	1
15.3C		>> O-RING Ø8xØ2 EPDM KTW/WRC	1



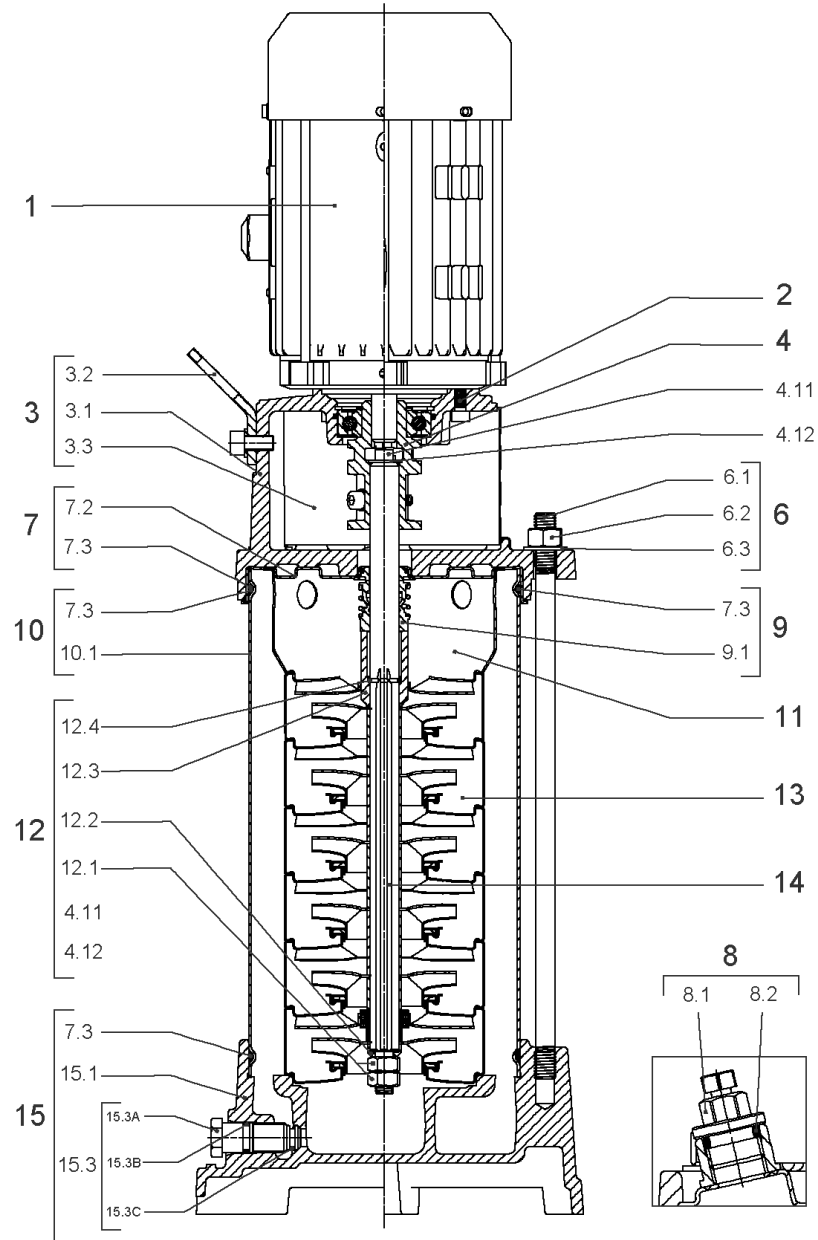
COUPLING D.12XD.19 FT100 KIT (4178578)

Item	Article no.	Description	Quantity
4.1		COUPLING-M+ Ø12XØ19-FT100-MACHINED	1
4.3	4234249	CIRCLIP-FOR-SHAFT-D30x1.5 VP.	1
4.2	2130977	BALL BEARING 6206/ZZ-C3(HT)VP.	1
4.4	4212716	SCREW M6X20 KIT (4PIECES)	1
4.5	4234250	CIRCLIP-D62x2 VP.	1
4.6	4234245	O-RING 63X3 VP.	1
		CONTACT-WASHER-6ETR-6,1x12,2x1,8-STEEL	4



HYDRAULIC HELIX V 211 1.4307

Item	Article no.	Description	Quantity
13.1	4179316	STAGE HELIX 2 1.4301 KIT	1
		> MACH.STG-CASING-WOGV-WNR-M+2-4-304	1
		> IMPELLER-M+2-304	1
13.2	4179317	STAGE BEARING HELIX 2 1.4307 KIT	1
		> MACH.BEARING-STG-CASING-WNR-M+2-304	1
		> IMPELLER-M+2-304	1
		> SHAFT SLEEVE SPACER Ø15,35x10,305-304	1
		> SHAFT-SLEEVE-D12xD16x14-CW	1
13.3	4179319	INTERMEDIATE STAGE HELIX 2 1.4301 KIT	1
		> CORPS-ETG-STD-ACR-AJR-USIN.M+2-304	1
		> IMPELLER-M+2-304	1
		> IMPELLER SPACER Ø12,05X14,85-L24,285-304	1



HELIX FIRST V212-5/16/E/S/400-50 (4201046)

Item	Article no.	Description	Quantity
1	4169941	MOTOR 1,1/2/80 3~230/400V 50HZ IE3 VP.	1
		SPARE PARTS MOTOR:ON REQUEST	1
2	4212716	SCREW M6X20 KIT (4PIECES)	1
3	4213752	LANTERN FT100 HELIX KIT	1
3.1		> LANT-MOT-VMI-ReDTC6"-FT100-MACHINED+CATA	1
3.2	4184852	> EYELET CPL.FT HELIX (2 PIECES)	1
3.3	4213713	> COUPLING PROTECTOR FT85/100 HELIX KIT	1
4	4178578	COUPLING D.12XD.19 FT100 KIT	1
6	2018365	STUD BOLT M12X392 KIT	1
7	4212722	STATIONARY RING HOLDER HELIX D23 ReDTC	1
7.2	4212720	> STATIONARY RING HOLDER HELIX D23 VP.	1
7.3	4176513	> O-RING FOR PUMP JACKET VP.	1
8	4212724	FILING/PURGING PLUG HELIX ReDTC KIT	1
8.1		> FILLING PLUG MVI6"-304	1
8.2	4177800	> O-RING EPDM PLUG HELIX VP.	1
9	4212726	MECH.SEAL HELIX V2/4 O/E ReDTC KIT	1
9.1	4178563	> M.SEAL.HELIX2-4 O/E VP.	1
7.3	4176513	> O-RING FOR PUMP JACKET VP.	1
10	2127578	HOUSING PIPE D.152x360 1.4307 KIT	1
7.3	4176513	> O-RING FOR PUMP JACKET VP.	1
10.1		> HOUSING-PIPE Ø152-M+1008/1606-304	1
11	4179315	CENTERING STAGE HELIX V2 1.4307 VP.	1
12	4212729	SHAFT EQUIPMENT HELIX V2/4 ReDTC KIT	1
12.1		> NUT-H-M8-STAINLESS-STEEL A4-70	1
12.2		> SHAFT END WASHER Ø8/Ø12 316L	1
12.3		> 1/2-SNAP-RING-2/4M3-316L	1
12.4		> STOP-RUSH-1/2-D12xd2-M+316	1
4.11		> SCREW CHC-M6X14-8.8-ISO4762-GEOMET500A	1
4.12		> WASHER D.24 L6U ZINK	1
13		HYDRAULIC HELIX V 212 1.4307	1
14	4213778	SHAFT D.12X431 HELIX 1.4057 VP.	1
15	4215105	PUMP HOUSING HELIX V2/4/6 DN32 PN16 KIT	1
15.1		> MACH+CATA PPE HOUSING M+5" D32-PN16 GJL	1
15.2	4191618	> O-RING ID.44,05x3,53 EPDM VP.	1

HELIX FIRST V212-5/16/E/S/400-50 (4201046)

Item	Article no.	Description	Quantity
15.3	4171321	> PRIMING/DRAIN PLUG EPDM HELIX KIT	1
7.3	4176513	> O-RING FOR PUMP JACKET VP.	1



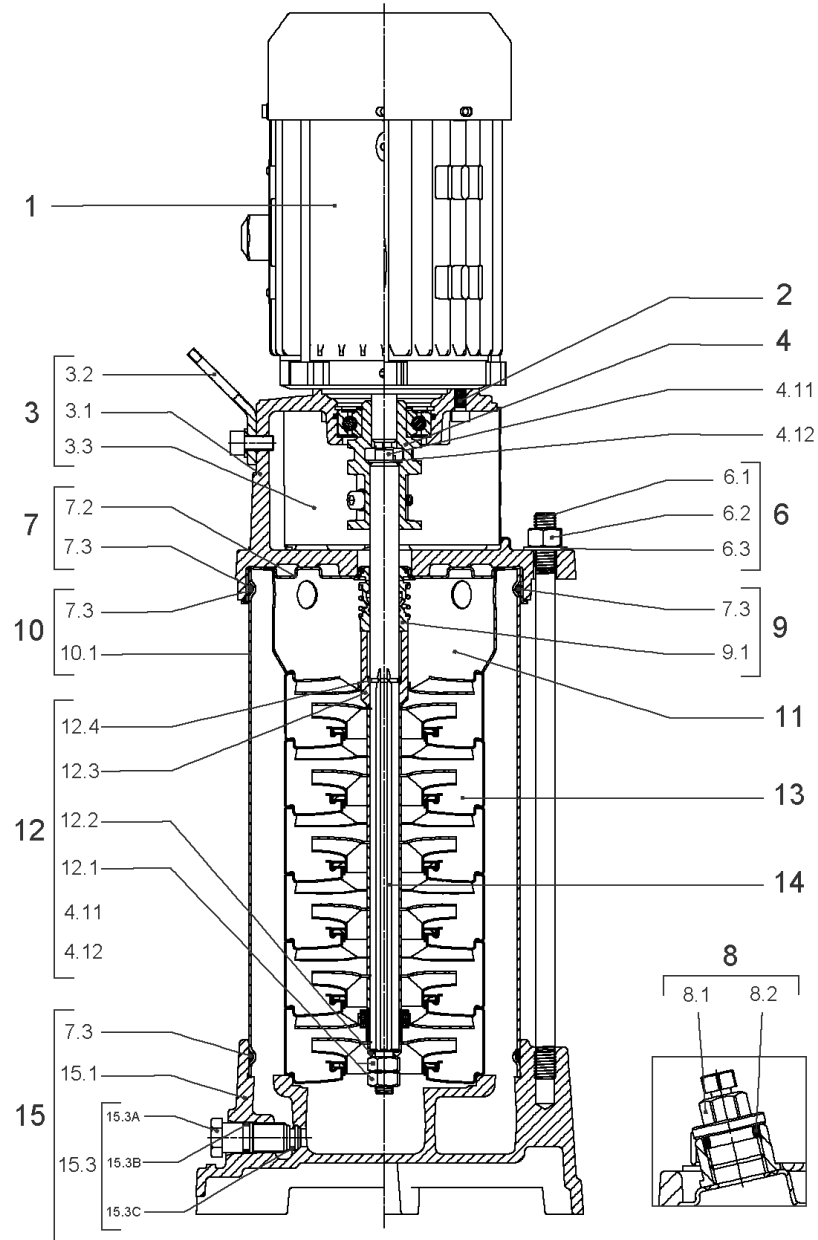
COUPLING D.12XD.19 FT100 KIT (4178578)

Item	Article no.	Description	Quantity
4.1		COUPLING-M+ Ø12XØ19-FT100-MACHINED	1
4.3	4234249	CIRCLIP-FOR-SHAFT-D30x1.5 VP.	1
4.2	2130977	BALL BEARING 6206/ZZ-C3(HT)VP.	1
4.4	4212716	SCREW M6X20 KIT (4PIECES)	1
4.5	4234250	CIRCLIP-D62x2 VP.	1
4.6	4234245	O-RING 63X3 VP.	1
		CONTACT-WASHER-6ETR-6,1x12,2x1,8-STEEL	4



HYDRAULIC HELIX V 212 1.4307

Item	Article no.	Description	Quantity
13.1	4179316	STAGE HELIX 2 1.4301 KIT	1
		> MACH.STG-CASING-WOGV-WNR-M+2-4-304	1
		> IMPELLER-M+2-304	1
13.2	4179317	STAGE BEARING HELIX 2 1.4307 KIT	1
		> MACH.BEARING-STG-CASING-WNR-M+2-304	1
		> IMPELLER-M+2-304	1
		> SHAFT SLEEVE SPACER Ø15,35x10,305-304	1
		> SHAFT-SLEEVE-D12xD16x14-CW	1
13.3	4179319	INTERMEDIATE STAGE HELIX 2 1.4301 KIT	1
		> CORPS-ETG-STD-ACR-AJR-USIN.M+2-304	1
		> IMPELLER-M+2-304	1
		> IMPELLER SPACER Ø12,05X14,85-L24,285-304	1



HELIX FIRST V212-5/25/E/S/400-50 (4201048)

Item	Article no.	Description	Quantity
1	4169941	MOTOR 1,1/2/80 3~230/400V 50HZ IE3 VP.	1
		SPARE PARTS MOTOR:ON REQUEST	1
2	4212716	SCREW M6X20 KIT (4PIECES)	1
3	4213752	LANTERN FT100 HELIX KIT	1
3.1		> LANT-MOT-VMI-ReDTC6"-FT100-MACHINED+CATA	1
3.2	4184852	> EYELET CPL.FT HELIX (2 PIECES)	1
3.3	4213713	> COUPLING PROTECTOR FT85/100 HELIX KIT	1
4	4178578	COUPLING D.12XD.19 FT100 KIT	1
6	2018365	STUD BOLT M12X392 KIT	1
7	4212722	STATIONARY RING HOLDER HELIX D23 ReDTC	1
7.2	4212720	> STATIONARY RING HOLDER HELIX D23 VP.	1
7.3	4176513	> O-RING FOR PUMP JACKET VP.	1
8	4212724	FILING/PURGING PLUG HELIX ReDTC KIT	1
8.1		> FILLING PLUG MVI6"-304	1
8.2	4177800	> O-RING EPDM PLUG HELIX VP.	1
9	4212726	MECH.SEAL HELIX V2/4 O/E ReDTC KIT	1
9.1	4178563	> M.SEAL.HELIX2-4 O/E VP.	1
7.3	4176513	> O-RING FOR PUMP JACKET VP.	1
10	2127578	HOUSING PIPE D.152x360 1.4307 KIT	1
7.3	4176513	> O-RING FOR PUMP JACKET VP.	1
10.1		> HOUSING-PIPE Ø152-M+1008/1606-304	1
11	4179315	CENTERING STAGE HELIX V2 1.4307 VP.	1
12	4212729	SHAFT EQUIPMENT HELIX V2/4 ReDTC KIT	1
12.1		> NUT-H-M8-STAINLESS-STEEL A4-70	1
12.2		> SHAFT END WASHER Ø8/Ø12 316L	1
12.3		> 1/2-SNAP-RING-2/4M3-316L	1
12.4		> STOP-RUSH-1/2-D12xd2-M+316	1
4.11		> SCREW CHC-M6X14-8.8-ISO4762-GEOMET500A	1
4.12		> WASHER D.24 L6U ZINK	1
13		HYDRAULIC HELIX V 212 1.4307	1
14	4213778	SHAFT D.12X431 HELIX 1.4057 VP.	1
15	4179246	PUMP HOUSING HELIX V2/4 DN25 PN30 KIT	1
7.3	4176513	> O-RING FOR PUMP JACKET VP.	1
15.1		> MACH+CATA PUMP CASING M+5" DN25 PN25 GJL	1

HELIX FIRST V212-5/25/E/S/400-50 (4201048)

Item	Article no.	Description	Quantity
15.2	4233952	> FLAT GASKET D.73 VP.	1
15.3	4177877	> PRIMING/DRAIN PLUG HELIX PN30 KIT	1
15.3A		>> PRIMING/DRAIN PLUG M+6" 304	1
15.3B	4233957	>> O-RING ID.9 EPDM VP.	1
15.3C		>> O-RING Ø8xØ2 EPDM KTW/WRC	1



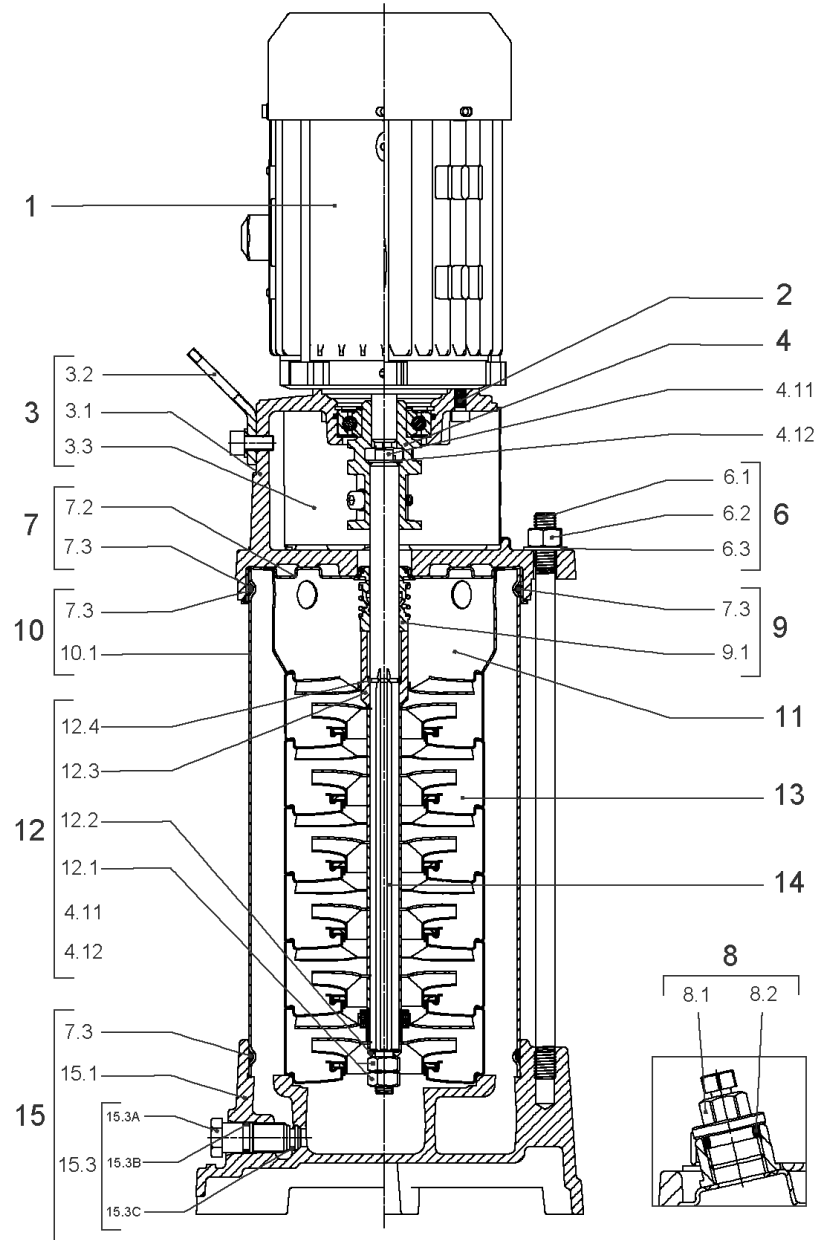
COUPLING D.12XD.19 FT100 KIT (4178578)

Item	Article no.	Description	Quantity
4.1		COUPLING-M+ Ø12XØ19-FT100-MACHINED	1
4.3	4234249	CIRCLIP-FOR-SHAFT-D30x1.5 VP.	1
4.2	2130977	BALL BEARING 6206/ZZ-C3(HT)VP.	1
4.4	4212716	SCREW M6X20 KIT (4PIECES)	1
4.5	4234250	CIRCLIP-D62x2 VP.	1
4.6	4234245	O-RING 63X3 VP.	1
		CONTACT-WASHER-6ETR-6,1x12,2x1,8-STEEL	4



HYDRAULIC HELIX V 212 1.4307

Item	Article no.	Description	Quantity
13.1	4179316	STAGE HELIX 2 1.4301 KIT	1
		> MACH.STG-CASING-WOGV-WNR-M+2-4-304	1
		> IMPELLER-M+2-304	1
13.2	4179317	STAGE BEARING HELIX 2 1.4307 KIT	1
		> MACH.BEARING-STG-CASING-WNR-M+2-304	1
		> IMPELLER-M+2-304	1
		> SHAFT SLEEVE SPACER Ø15,35x10,305-304	1
		> SHAFT-SLEEVE-D12xD16x14-CW	1
13.3	4179319	INTERMEDIATE STAGE HELIX 2 1.4301 KIT	1
		> CORPS-ETG-STD-ACR-AJR-USIN.M+2-304	1
		> IMPELLER-M+2-304	1
		> IMPELLER SPACER Ø12,05X14,85-L24,285-304	1



HELIX FIRST V213-5/16/E/S/400-50 (4201049)

Item	Article no.	Description	Quantity
1	4169941	MOTOR 1,1/2/80 3~230/400V 50HZ IE3 VP.	1
		SPARE PARTS MOTOR:ON REQUEST	1
2	4212716	SCREW M6X20 KIT (4PIECES)	1
3	4213752	LANTERN FT100 HELIX KIT	1
3.1		> LANT-MOT-VMI-ReDTC6"-FT100-MACHINED+CATA	1
3.2	4184852	> EYELET CPL.FT HELIX (2 PIECES)	1
3.3	4213713	> COUPLING PROTECTOR FT85/100 HELIX KIT	1
4	4178578	COUPLING D.12XD.19 FT100 KIT	1
6	4178601	STUD BOLT M12X437 KIT	1
6.1		> TIE BOLT M12-437x18x30-1.4057	1
6.2	2094647	> NUT M12 M12 ISO4032 VP.	1
6.3	2123557	> WASHER CS-12.4-24-1.6-NFE25 (4 PIECES)	1
7	4212722	STATIONARY RING HOLDER HELIX D23 ReDTC	1
7.2	4212720	> STATIONARY RING HOLDER HELIX D23 VP.	1
7.3	4176513	> O-RING FOR PUMP JACKET VP.	1
8	4212724	FILING/PURGING PLUG HELIX ReDTC KIT	1
8.1		> FILLING PLUG MVI6"-304	1
8.2	4177800	> O-RING EPDM PLUG HELIX VP.	1
9	4212726	MECH.SEAL HELIX V2/4 O/E ReDTC KIT	1
9.1	4178563	> M.SEAL.HELIX2-4 O/E VP.	1
7.3	4176513	> O-RING FOR PUMP JACKET VP.	1
10	2127579	HOUSING PIPE D.152x410 1.4301 KIT	1
7.3	4176513	> O-RING FOR PUMP JACKET VP.	1
10.1		> HOUSING-PIPE Ø152-M+1607-304	1
11	4179315	CENTERING STAGE HELIX V2 1.4307 VP.	1
12	4212729	SHAFT EQUIPMENT HELIX V2/4 ReDTC KIT	1
12.1		> NUT-H-M8-STAINLESS-STEEL A4-70	1
12.2		> SHAFT END WASHER Ø8/Ø12 316L	1
12.3		> 1/2-SNAP-RING-2/4M3-316L	1
12.4		> STOP-RUSH-1/2-D12xd2-M+316	1
4.11		> SCREW CHC-M6X14-8.8-ISO4762-GEOMET500A	1
4.12		> WASHER D.24 L6U ZINK	1
13		HYDRAULIC HELIX V 213 1.4307	1
14	4213780	SHAFT D.12X481 HELIX 1.4057 VP.	1

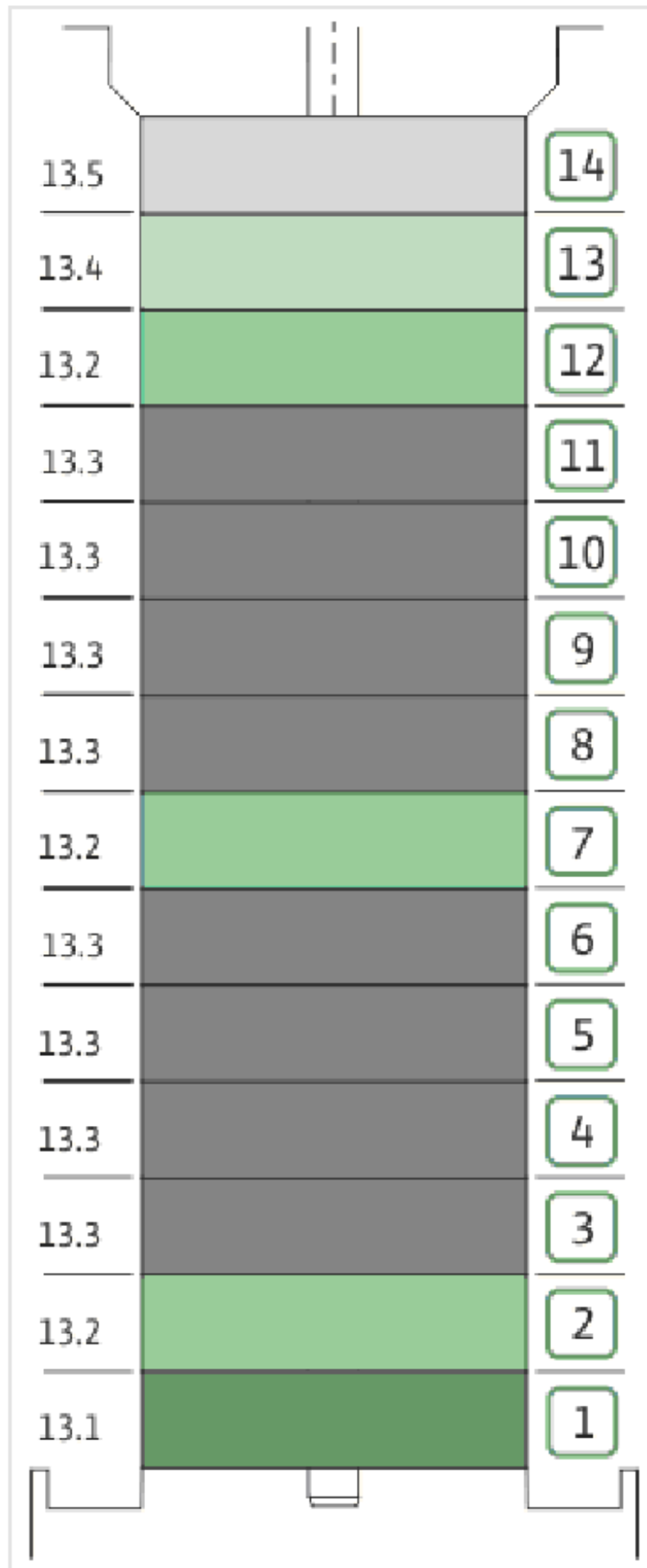
HELIX FIRST V213-5/16/E/S/400-50 (4201049)

Item	Article no.	Description	Quantity
15	4215105	PUMP HOUSING HELIX V2/4/6 DN32 PN16 KIT	1
15.1		> MACH+CATA PPE HOUSING M+5" D32-PN16 GJL	1
15.2	4191618	> O-RING ID.44,05x3,53 EPDM VP.	1
15.3	4171321	> PRIMING/DRAIN PLUG EPDM HELIX KIT	1
7.3	4176513	> O-RING FOR PUMP JACKET VP.	1



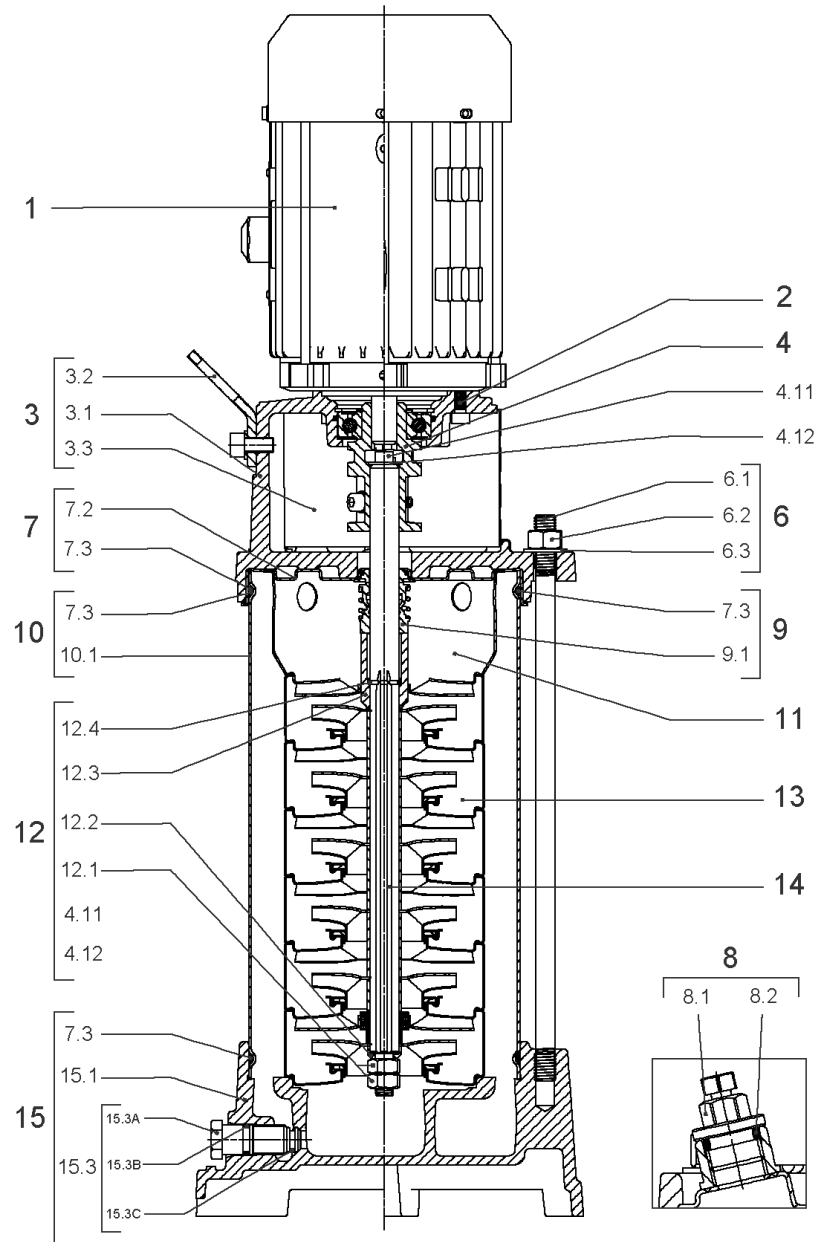
COUPLING D.12XD.19 FT100 KIT (4178578)

Item	Article no.	Description	Quantity
4.1		COUPLING-M+ Ø12XØ19-FT100-MACHINED	1
4.3	4234249	CIRCLIP-FOR-SHAFT-D30x1.5 VP.	1
4.2	2130977	BALL BEARING 6206/ZZ-C3(HT)VP.	1
4.4	4212716	SCREW M6X20 KIT (4PIECES)	1
4.5	4234250	CIRCLIP-D62x2 VP.	1
4.6	4234245	O-RING 63X3 VP.	1
		CONTACT-WASHER-6ETR-6,1x12,2x1,8-STEEL	4



HYDRAULIC HELIX V 213 1.4307

Item	Article no.	Description	Quantity
13.1	4179316	STAGE HELIX 2 1.4301 KIT	1
		> MACH.STG-CASING-WOGV-WNR-M+2-4-304	1
		> IMPELLER-M+2-304	1
13.2	4179317	STAGE BEARING HELIX 2 1.4307 KIT	1
		> MACH.BEARING-STG-CASING-WNR-M+2-304	1
		> IMPELLER-M+2-304	1
		> SHAFT SLEEVE SPACER Ø15,35x10,305-304	1
		> SHAFT-SLEEVE-D12xD16x14-CW	1
13.3	4179319	INTERMEDIATE STAGE HELIX 2 1.4301 KIT	1
		> CORPS-ETG-STD-ACR-AJR-USIN.M+2-304	1
		> IMPELLER-M+2-304	1
		> IMPELLER SPACER Ø12,05X14,85-L24,285-304	1
13.4	4179503	EMPTY STAGE HELIX 2 1.4301 <15 stage Kit	1
		> CORPS-ETG-STD-ACR-AJR-USIN.M+2-304	1
		> FLAT WASHER-D12.1XD16X0.8-316L	1
		> IMPELLER SPACER Ø12,05X14,85-L24,285-304	1
13.5	4179504	STAGE HELIX 2 1.4301 < 15 stages Kit	1
		> MACH.STG-CASING-WOGV-WNR-M+2-4-304	1
		> IMPELLER-M+2-304	1
		> IMPELLER SPACER Ø12,05X14,85-L24,285-304	1

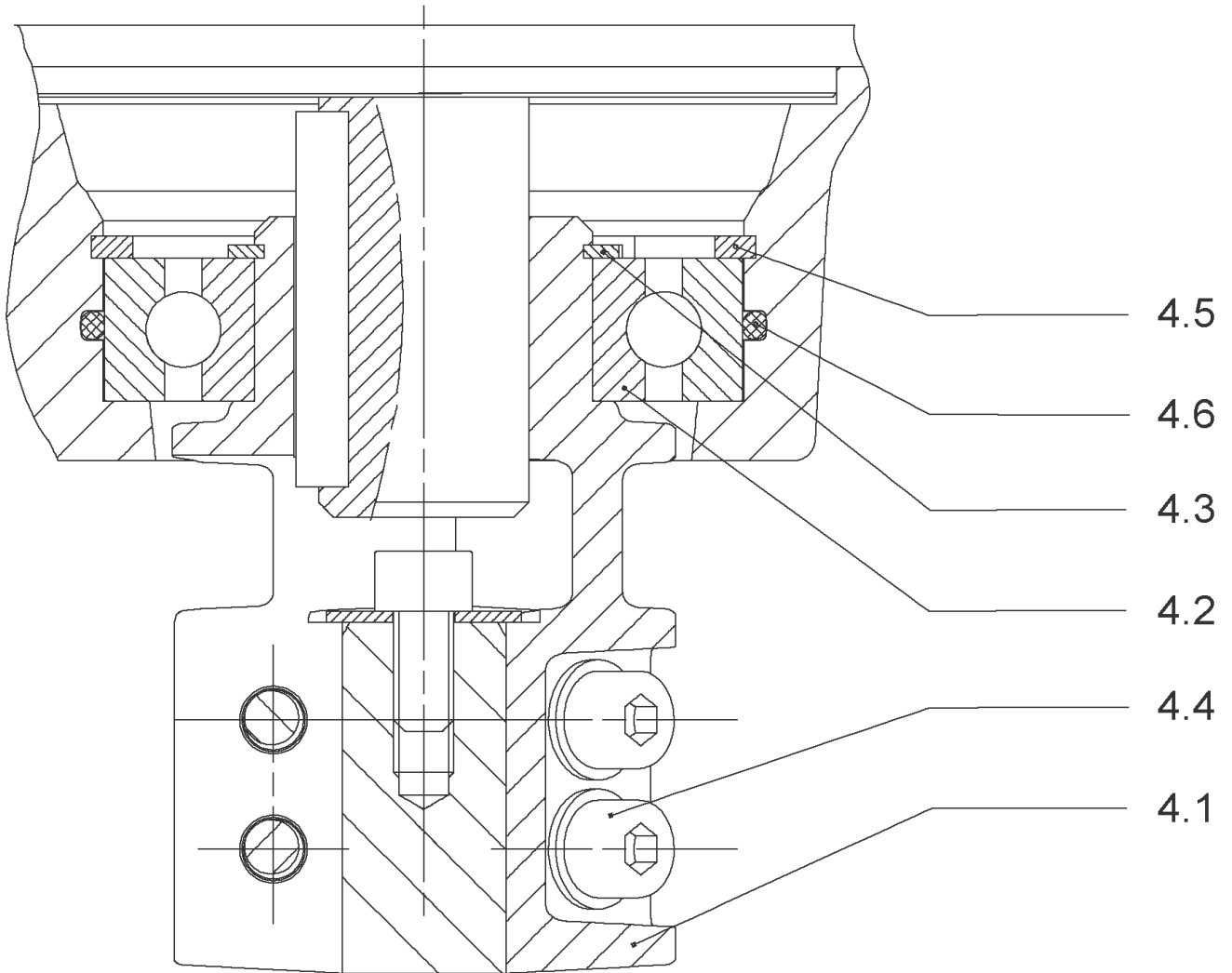


HELIX FIRST V213-5/25/E/S/400-50 (4201051)

Item	Article no.	Description	Quantity
1	4169941	MOTOR 1,1/2/80 3~230/400V 50HZ IE3 VP.	1
		SPARE PARTS MOTOR:ON REQUEST	1
2	4212716	SCREW M6X20 KIT (4PIECES)	1
3	4213752	LANTERN FT100 HELIX KIT	1
3.1		> LANT-MOT-VMI-ReDTC6"-FT100-MACHINED+CATA	1
3.2	4184852	> EYELET CPL.FT HELIX (2 PIECES)	1
3.3	4213713	> COUPLING PROTECTOR FT85/100 HELIX KIT	1
4	4178578	COUPLING D.12XD.19 FT100 KIT	1
6	4178601	STUD BOLT M12X437 KIT	1
6.1		> TIE BOLT M12-437x18x30-1.4057	1
6.2	2094647	> NUT M12 M12 ISO4032 VP.	1
6.3	2123557	> WASHER CS-12.4-24-1.6-NFE25 (4 PIECES)	1
7	4212722	STATIONARY RING HOLDER HELIX D23 ReDTC	1
7.2	4212720	> STATIONARY RING HOLDER HELIX D23 VP.	1
7.3	4176513	> O-RING FOR PUMP JACKET VP.	1
8	4212724	FILING/PURGING PLUG HELIX ReDTC KIT	1
8.1		> FILLING PLUG MVI6"-304	1
8.2	4177800	> O-RING EPDM PLUG HELIX VP.	1
9	4212726	MECH.SEAL HELIX V2/4 O/E ReDTC KIT	1
9.1	4178563	> M.SEAL.HELIX2-4 O/E VP.	1
7.3	4176513	> O-RING FOR PUMP JACKET VP.	1
10	2127579	HOUSING PIPE D.152x410 1.4301 KIT	1
7.3	4176513	> O-RING FOR PUMP JACKET VP.	1
10.1		> HOUSING-PIPE Ø152-M+1607-304	1
11	4179315	CENTERING STAGE HELIX V2 1.4307 VP.	1
12	4212729	SHAFT EQUIPMENT HELIX V2/4 ReDTC KIT	1
12.1		> NUT-H-M8-STAINLESS-STEEL A4-70	1
12.2		> SHAFT END WASHER Ø8/Ø12 316L	1
12.3		> 1/2-SNAP-RING-2/4M3-316L	1
12.4		> STOP-RUSH-1/2-D12xd2-M+316	1
4.11		> SCREW CHC-M6X14-8.8-ISO4762-GEOMET500A	1
4.12		> WASHER D.24 L6U ZINK	1
13		HYDRAULIC HELIX V 213 1.4307	1
14	4213780	SHAFT D.12X481 HELIX 1.4057 VP.	1

HELIX FIRST V213-5/25/E/S/400-50 (4201051)

Item	Article no.	Description	Quantity
15	4179246	PUMP HOUSING HELIX V2/4 DN25 PN30 KIT	1
7.3	4176513	> O-RING FOR PUMP JACKET VP.	1
15.1		> MACH+CATA PUMP CASING M+5" DN25 PN25 GJL	1
15.2	4233952	> FLAT GASKET D.73 VP.	1
15.3	4177877	> PRIMING/DRAIN PLUG HELIX PN30 KIT	1
15.3A		>> PRIMING/DRAIN PLUG M+6" 304	1
15.3B	4233957	>> O-RING ID.9 EPDM VP.	1
15.3C		>> O-RING Ø8xØ2 EPDM KTW/WRC	1



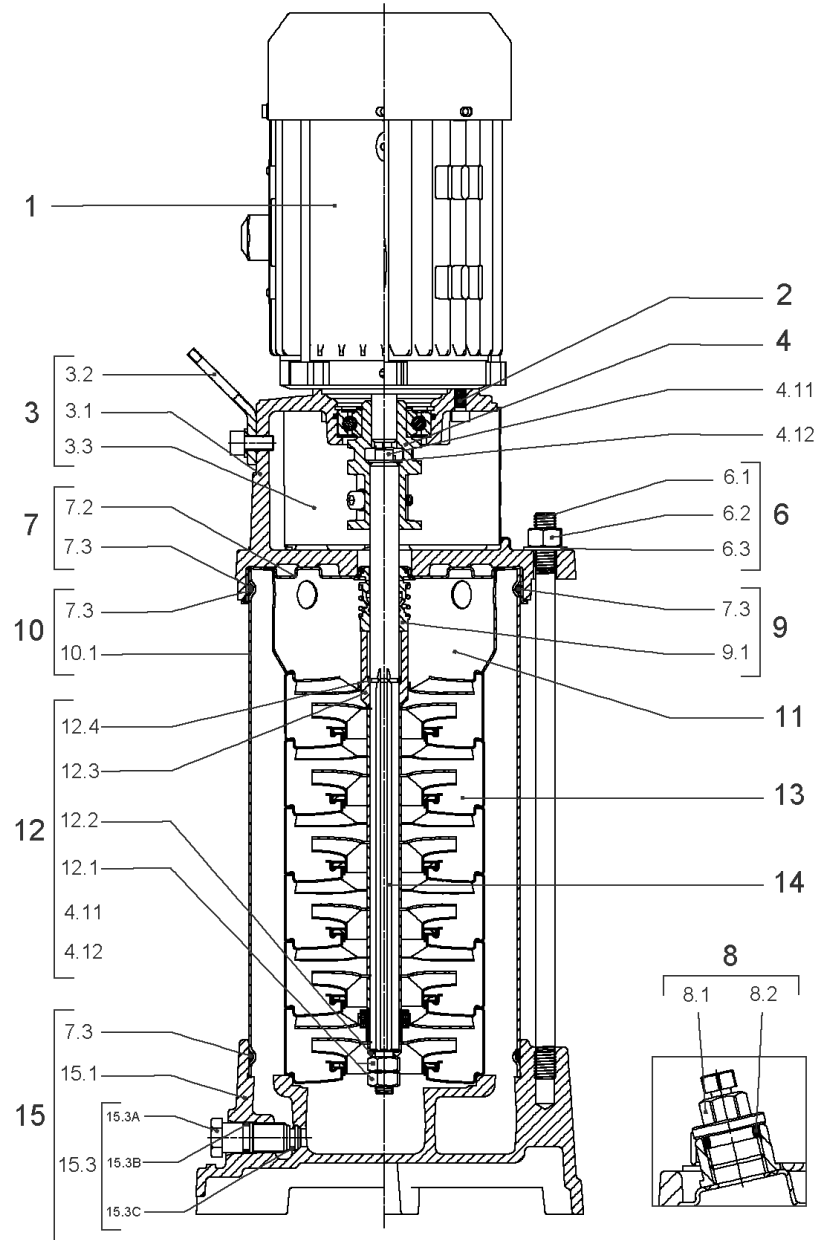
COUPLING D.12XD.19 FT100 KIT (4178578)

Item	Article no.	Description	Quantity
4.1		COUPLING-M+ Ø12XØ19-FT100-MACHINED	1
4.3	4234249	CIRCLIP-FOR-SHAFT-D30x1.5 VP.	1
4.2	2130977	BALL BEARING 6206/ZZ-C3(HT)VP.	1
4.4	4212716	SCREW M6X20 KIT (4PIECES)	1
4.5	4234250	CIRCLIP-D62x2 VP.	1
4.6	4234245	O-RING 63X3 VP.	1
		CONTACT-WASHER-6ETR-6,1x12,2x1,8-STEEL	4



HYDRAULIC HELIX V 213 1.4307

Item	Article no.	Description	Quantity
13.1	4179316	STAGE HELIX 2 1.4301 KIT	1
		> MACH.STG-CASING-WOGV-WNR-M+2-4-304	1
		> IMPELLER-M+2-304	1
13.2	4179317	STAGE BEARING HELIX 2 1.4307 KIT	1
		> MACH.BEARING-STG-CASING-WNR-M+2-304	1
		> IMPELLER-M+2-304	1
		> SHAFT SLEEVE SPACER Ø15,35x10,305-304	1
		> SHAFT-SLEEVE-D12xD16x14-CW	1
13.3	4179319	INTERMEDIATE STAGE HELIX 2 1.4301 KIT	1
		> CORPS-ETG-STD-ACR-AJR-USIN.M+2-304	1
		> IMPELLER-M+2-304	1
		> IMPELLER SPACER Ø12,05X14,85-L24,285-304	1
13.4	4179503	EMPTY STAGE HELIX 2 1.4301 <15 stage Kit	1
		> CORPS-ETG-STD-ACR-AJR-USIN.M+2-304	1
		> FLAT WASHER-D12.1XD16X0.8-316L	1
		> IMPELLER SPACER Ø12,05X14,85-L24,285-304	1
13.5	4179504	STAGE HELIX 2 1.4301 < 15 stages Kit	1
		> MACH.STG-CASING-WOGV-WNR-M+2-4-304	1
		> IMPELLER-M+2-304	1
		> IMPELLER SPACER Ø12,05X14,85-L24,285-304	1



HELIX FIRST V214-5/16/E/S/400-50 (4201052)

Item	Article no.	Description	Quantity
1	4169941	MOTOR 1,1/2/80 3~230/400V 50HZ IE3 VP.	1
		SPARE PARTS MOTOR:ON REQUEST	1
2	4212716	SCREW M6X20 KIT (4PIECES)	1
3	4213752	LANTERN FT100 HELIX KIT	1
3.1		> LANT-MOT-VMI-ReDTC6"-FT100-MACHINED+CATA	1
3.2	4184852	> EYELET CPL.FT HELIX (2 PIECES)	1
3.3	4213713	> COUPLING PROTECTOR FT85/100 HELIX KIT	1
4	4178578	COUPLING D.12XD.19 FT100 KIT	1
6	4178601	STUD BOLT M12X437 KIT	1
6.1		> TIE BOLT M12-437x18x30-1.4057	1
6.2	2094647	> NUT M12 M12 ISO4032 VP.	1
6.3	2123557	> WASHER CS-12.4-24-1.6-NFE25 (4 PIECES)	1
7	4212722	STATIONARY RING HOLDER HELIX D23 ReDTC	1
7.2	4212720	> STATIONARY RING HOLDER HELIX D23 VP.	1
7.3	4176513	> O-RING FOR PUMP JACKET VP.	1
8	4212724	FILING/PURGING PLUG HELIX ReDTC KIT	1
8.1		> FILLING PLUG MVI6"-304	1
8.2	4177800	> O-RING EPDM PLUG HELIX VP.	1
9	4212726	MECH.SEAL HELIX V2/4 O/E ReDTC KIT	1
9.1	4178563	> M.SEAL.HELIX2-4 O/E VP.	1
7.3	4176513	> O-RING FOR PUMP JACKET VP.	1
10	2127579	HOUSING PIPE D.152x410 1.4301 KIT	1
7.3	4176513	> O-RING FOR PUMP JACKET VP.	1
10.1		> HOUSING-PIPE Ø152-M+1607-304	1
11	4179315	CENTERING STAGE HELIX V2 1.4307 VP.	1
12	4212729	SHAFT EQUIPMENT HELIX V2/4 ReDTC KIT	1
12.1		> NUT-H-M8-STAINLESS-STEEL A4-70	1
12.2		> SHAFT END WASHER Ø8/Ø12 316L	1
12.3		> 1/2-SNAP-RING-2/4M3-316L	1
12.4		> STOP-RUSH-1/2-D12xd2-M+316	1
4.11		> SCREW CHC-M6X14-8.8-ISO4762-GEOMET500A	1
4.12		> WASHER D.24 L6U ZINK	1
13		HYDRAULIC HELIX V 214 1.4307	1
14	4213780	SHAFT D.12X481 HELIX 1.4057 VP.	1

HELIX FIRST V214-5/16/E/S/400-50 (4201052)

Item	Article no.	Description	Quantity
15	4215105	PUMP HOUSING HELIX V2/4/6 DN32 PN16 KIT	1
15.1		> MACH+CATA PPE HOUSING M+5" D32-PN16 GJL	1
15.2	4191618	> O-RING ID.44,05x3,53 EPDM VP.	1
15.3	4171321	> PRIMING/DRAIN PLUG EPDM HELIX KIT	1
7.3	4176513	> O-RING FOR PUMP JACKET VP.	1



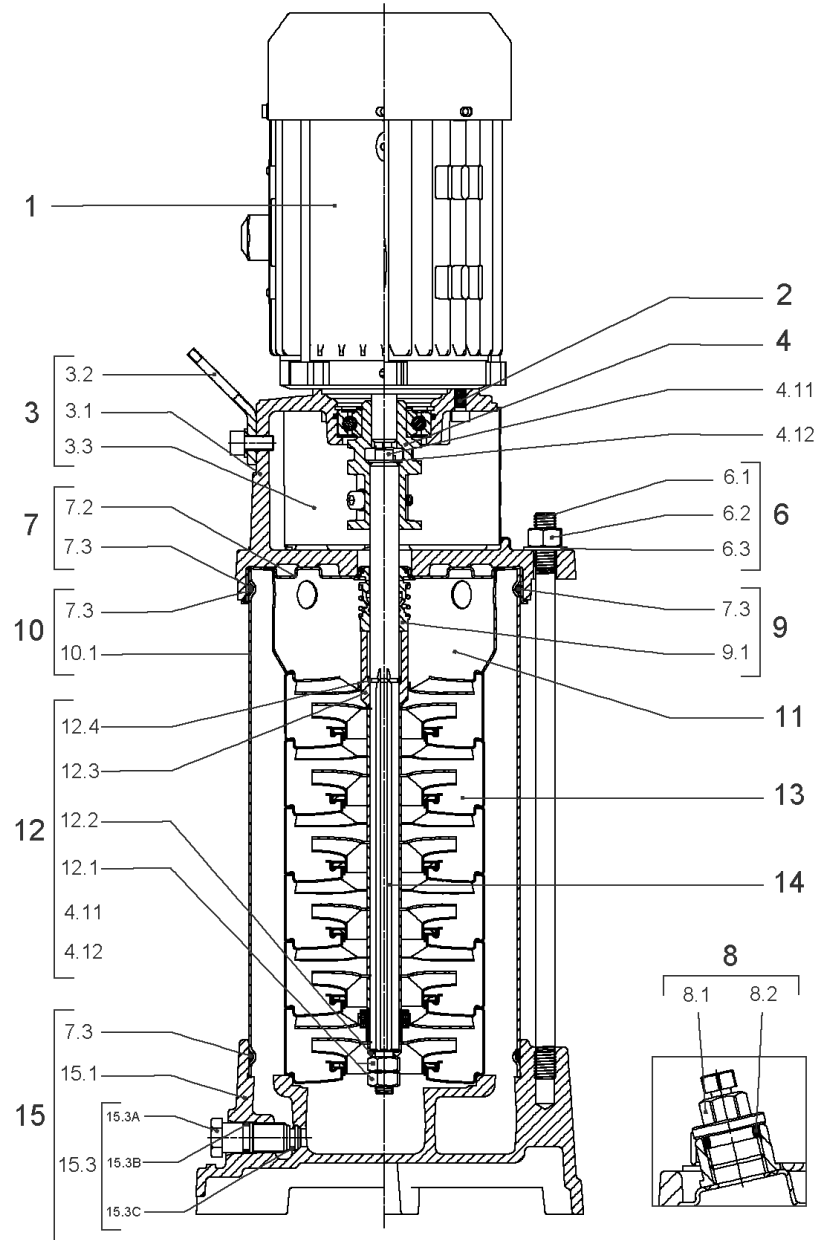
COUPLING D.12XD.19 FT100 KIT (4178578)

Item	Article no.	Description	Quantity
4.1		COUPLING-M+ Ø12XØ19-FT100-MACHINED	1
4.3	4234249	CIRCLIP-FOR-SHAFT-D30x1.5 VP.	1
4.2	2130977	BALL BEARING 6206/ZZ-C3(HT)VP.	1
4.4	4212716	SCREW M6X20 KIT (4PIECES)	1
4.5	4234250	CIRCLIP-D62x2 VP.	1
4.6	4234245	O-RING 63X3 VP.	1
		CONTACT-WASHER-6ETR-6,1x12,2x1,8-STEEL	4



HYDRAULIC HELIX V 214 1.4307

Item	Article no.	Description	Quantity
13.1	4179316	STAGE HELIX 2 1.4301 KIT	1
		> MACH.STG-CASING-WOGV-WNR-M+2-4-304	1
		> IMPELLER-M+2-304	1
13.2	4179317	STAGE BEARING HELIX 2 1.4307 KIT	1
		> MACH.BEARING-STG-CASING-WNR-M+2-304	1
		> IMPELLER-M+2-304	1
		> SHAFT SLEEVE SPACER Ø15,35x10,305-304	1
		> SHAFT-SLEEVE-D12xD16x14-CW	1
13.3	4179319	INTERMEDIATE STAGE HELIX 2 1.4301 KIT	1
		> CORPS-ETG-STD-ACR-AJR-USIN.M+2-304	1
		> IMPELLER-M+2-304	1
		> IMPELLER SPACER Ø12,05X14,85-L24,285-304	1



HELIX FIRST V214-5/25/E/S/400-50 (4201054)

Item	Article no.	Description	Quantity
1	4169941	MOTOR 1,1/2/80 3~230/400V 50HZ IE3 VP.	1
		SPARE PARTS MOTOR:ON REQUEST	1
2	4212716	SCREW M6X20 KIT (4PIECES)	1
3	4213752	LANTERN FT100 HELIX KIT	1
3.1		> LANT-MOT-VMI-ReDTC6"-FT100-MACHINED+CATA	1
3.2	4184852	> EYELET CPL.FT HELIX (2 PIECES)	1
3.3	4213713	> COUPLING PROTECTOR FT85/100 HELIX KIT	1
4	4178578	COUPLING D.12XD.19 FT100 KIT	1
6	4178601	STUD BOLT M12X437 KIT	1
6.1		> TIE BOLT M12-437x18x30-1.4057	1
6.2	2094647	> NUT M12 M12 ISO4032 VP.	1
6.3	2123557	> WASHER CS-12.4-24-1.6-NFE25 (4 PIECES)	1
7	4212722	STATIONARY RING HOLDER HELIX D23 ReDTC	1
7.2	4212720	> STATIONARY RING HOLDER HELIX D23 VP.	1
7.3	4176513	> O-RING FOR PUMP JACKET VP.	1
8	4212724	FILING/PURGING PLUG HELIX ReDTC KIT	1
8.1		> FILLING PLUG MVI6"-304	1
8.2	4177800	> O-RING EPDM PLUG HELIX VP.	1
9	4212726	MECH.SEAL HELIX V2/4 O/E ReDTC KIT	1
9.1	4178563	> M.SEAL.HELIX2-4 O/E VP.	1
7.3	4176513	> O-RING FOR PUMP JACKET VP.	1
10	2127579	HOUSING PIPE D.152x410 1.4301 KIT	1
7.3	4176513	> O-RING FOR PUMP JACKET VP.	1
10.1		> HOUSING-PIPE Ø152-M+1607-304	1
11	4179315	CENTERING STAGE HELIX V2 1.4307 VP.	1
12	4212729	SHAFT EQUIPMENT HELIX V2/4 ReDTC KIT	1
12.1		> NUT-H-M8-STAINLESS-STEEL A4-70	1
12.2		> SHAFT END WASHER Ø8/Ø12 316L	1
12.3		> 1/2-SNAP-RING-2/4M3-316L	1
12.4		> STOP-RUSH-1/2-D12xd2-M+316	1
4.11		> SCREW CHC-M6X14-8.8-ISO4762-GEOMET500A	1
4.12		> WASHER D.24 L6U ZINK	1
13		HYDRAULIC HELIX V 214 1.4307	1
14	4213780	SHAFT D.12X481 HELIX 1.4057 VP.	1

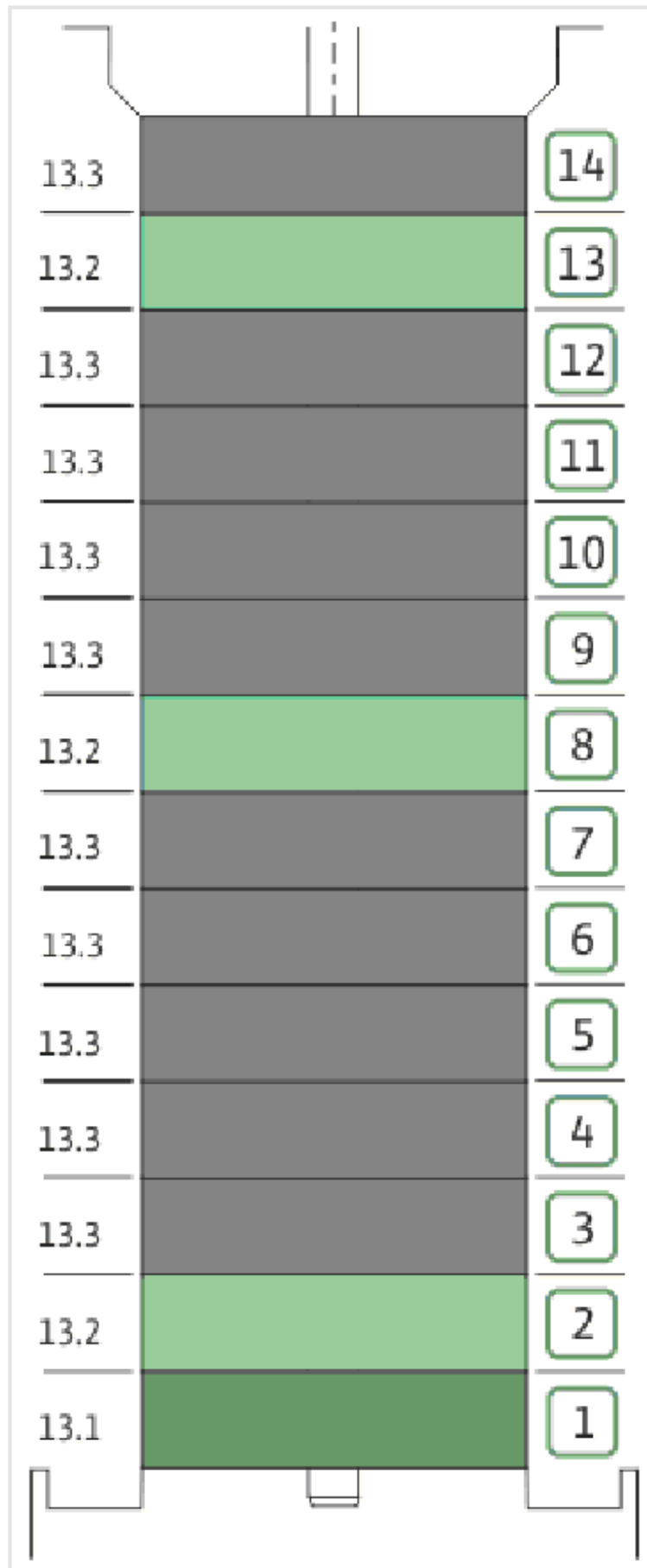
HELIX FIRST V214-5/25/E/S/400-50 (4201054)

Item	Article no.	Description	Quantity
15	4179246	PUMP HOUSING HELIX V2/4 DN25 PN30 KIT	1
7.3	4176513	> O-RING FOR PUMP JACKET VP.	1
15.1		> MACH+CATA PUMP CASING M+5" DN25 PN25 GJL	1
15.2	4233952	> FLAT GASKET D.73 VP.	1
15.3	4177877	> PRIMING/DRAIN PLUG HELIX PN30 KIT	1
15.3A		>> PRIMING/DRAIN PLUG M+6" 304	1
15.3B	4233957	>> O-RING ID.9 EPDM VP.	1
15.3C		>> O-RING Ø8xØ2 EPDM KTW/WRC	1



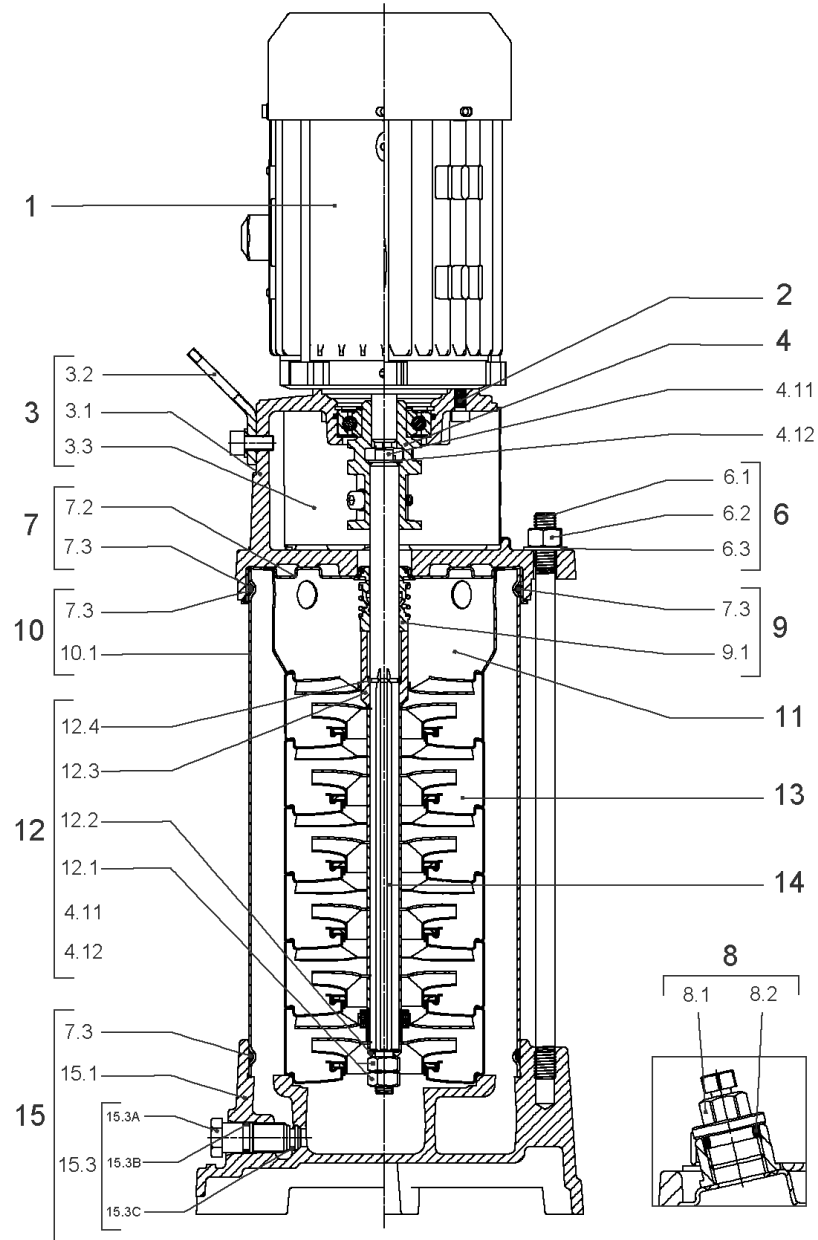
COUPLING D.12XD.19 FT100 KIT (4178578)

Item	Article no.	Description	Quantity
4.1		COUPLING-M+ Ø12XØ19-FT100-MACHINED	1
4.3	4234249	CIRCLIP-FOR-SHAFT-D30x1.5 VP.	1
4.2	2130977	BALL BEARING 6206/ZZ-C3(HT)VP.	1
4.4	4212716	SCREW M6X20 KIT (4PIECES)	1
4.5	4234250	CIRCLIP-D62x2 VP.	1
4.6	4234245	O-RING 63X3 VP.	1
		CONTACT-WASHER-6ETR-6,1x12,2x1,8-STEEL	4



HYDRAULIC HELIX V 214 1.4307

Item	Article no.	Description	Quantity
13.1	4179316	STAGE HELIX 2 1.4301 KIT	1
		> MACH.STG-CASING-WOGV-WNR-M+2-4-304	1
		> IMPELLER-M+2-304	1
13.2	4179317	STAGE BEARING HELIX 2 1.4307 KIT	1
		> MACH.BEARING-STG-CASING-WNR-M+2-304	1
		> IMPELLER-M+2-304	1
		> SHAFT SLEEVE SPACER Ø15,35x10,305-304	1
		> SHAFT-SLEEVE-D12xD16x14-CW	1
13.3	4179319	INTERMEDIATE STAGE HELIX 2 1.4301 KIT	1
		> CORPS-ETG-STD-ACR-AJR-USIN.M+2-304	1
		> IMPELLER-M+2-304	1
		> IMPELLER SPACER Ø12,05X14,85-L24,285-304	1



HELIX FIRST V216-5/16/E/S/400-50 (4201055)

Item	Article no.	Description	Quantity
1	4169942	MO.1,5/2 3~230/400(440)V 50(60)HZ IE3 VP	1
		SPARE PARTS MOTOR:ON REQUEST	1
2	4159707	SCREW M8X30 (4 PIECES)	1
3	4213784	LANTERN FT115 HELIX KIT	1
3.1		> LANT-MOT-VMI-ReDTC6"-FT115-MACHINED+CATA	1
3.2	4184852	> EYELET CPL.FT HELIX (2 PIECES)	1
3.3	4213782	> COUPLING PROTECTOR FT115/130 HELIX KIT	1
4	4178600	COUPLING D.12XD.24 FT115 KIT	1
6	4214564	STUD BOLT HELIX M12X495 KIT	1
6.1		> TIE BOLT M12-495x18x30-1.4057	1
6.2	2094647	> NUT M12 M12 ISO4032 VP.	1
6.3	2123557	> WASHER CS-12.4-24-1.6-NFE25 (4 PIECES)	1
7	4212722	STATIONARY RING HOLDER HELIX D23 ReDTC	1
7.2	4212720	> STATIONARY RING HOLDER HELIX D23 VP.	1
7.3	4176513	> O-RING FOR PUMP JACKET VP.	1
8	4212724	FILING/PURGING PLUG HELIX ReDTC KIT	1
8.1		> FILLING PLUG MVI6"-304	1
8.2	4177800	> O-RING EPDM PLUG HELIX VP.	1
9	4212726	MECH.SEAL HELIX V2/4 O/E ReDTC KIT	1
9.1	4178563	> M.SEAL.HELIX2-4 O/E VP.	1
7.3	4176513	> O-RING FOR PUMP JACKET VP.	1
10	2127580	HOUSING PIPE D.152x460 1.4301 KIT	1
7.3	4176513	> O-RING FOR PUMP JACKET VP.	1
10.1		> HOUSING-PIPE Ø152-M+1608-304	1
11	4179315	CENTERING STAGE HELIX V2 1.4307 VP.	1
12	4212729	SHAFT EQUIPMENT HELIX V2/4 ReDTC KIT	1
12.1		> NUT-H-M8-STAINLESS-STEEL A4-70	1
12.2		> SHAFT END WASHER Ø8/Ø12 316L	1
12.3		> 1/2-SNAP-RING-2/4M3-316L	1
12.4		> STOP-RUSH-1/2-D12xd2-M+316	1
4.11		> SCREW CHC-M6X14-8.8-ISO4762-GEOMET500A	1
4.12		> WASHER D.24 L6U ZINK	1
13		HYDRAULIC HELIX V 216 1.4307	1
14	4213788	SHAFT D.12X531 HELIX 1.4057 VP.	1

HELIX FIRST V216-5/16/E/S/400-50 (4201055)

Item	Article no.	Description	Quantity
15	4215105	PUMP HOUSING HELIX V2/4/6 DN32 PN16 KIT	1
15.1		> MACH+CATA PPE HOUSING M+5" D32-PN16 GJL	1
15.2	4191618	> O-RING ID.44,05x3,53 EPDM VP.	1
15.3	4171321	> PRIMING/DRAIN PLUG EPDM HELIX KIT	1
7.3	4176513	> O-RING FOR PUMP JACKET VP.	1



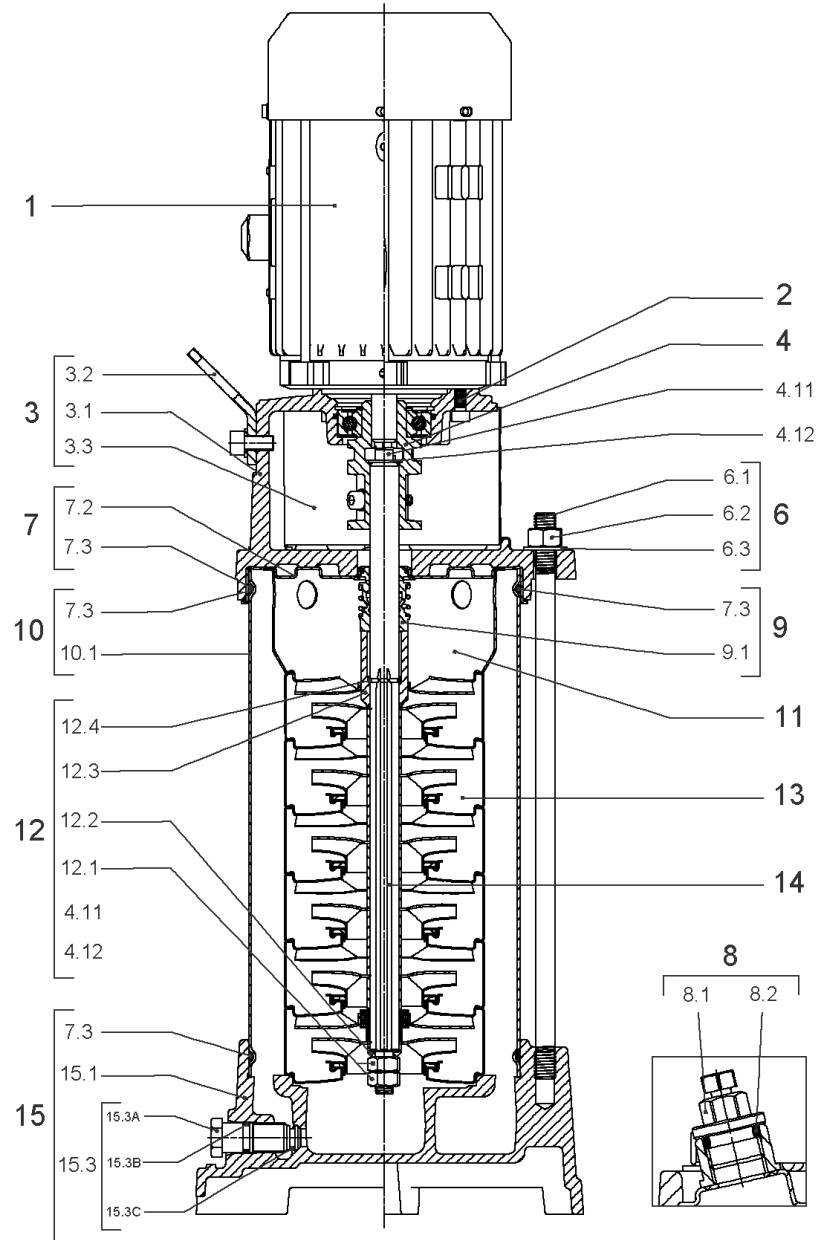
COUPLING D.12XD.24 FT115 KIT (4178600)

Item	Article no.	Description	Quantity
4.1		COUPLING-M+ Ø12XØ24-FT115-MACHINED	1
4.2	2131023	BALL BEARING 6207/ZZ-C3(HT)VP.	1
4.3	4234254	CIRCLIP-FOR-SHAFT-D35x1.5 VP.	1
4.4	4157726	SCREW KIT M8X30 (4 PIECES)	1
4.5	4234251	CIRCLIP-D72x2.5 VP.	1
4.6	4234246	O-RING 72X3 VP.	1
		NOMEL CONTACT WASHER 8x16x1,4 STEEL ZC	1



HYDRAULIC HELIX V 216 1.4307

Item	Article no.	Description	Quantity
13.1	4179316	STAGE HELIX 2 1.4301 KIT	1
		> MACH.STG-CASING-WOGV-WNR-M+2-4-304	1
		> IMPELLER-M+2-304	1
13.2	4179317	STAGE BEARING HELIX 2 1.4307 KIT	1
		> MACH.BEARING-STG-CASING-WNR-M+2-304	1
		> IMPELLER-M+2-304	1
		> SHAFT SLEEVE SPACER Ø15,35x10,305-304	1
		> SHAFT-SLEEVE-D12xD16x14-CW	1
13.3	4213786	INTERM. STAGE HELIX 2 >14 ST. 1.4307 KIT	1
		> CORPS-ETG-STD-ACR-AJR-USIN.M+2-304	1
		> IMPELLER-M+2-304	1
		> IMPELLER SPACER Ø12,1x14,1-L24,25-316L	1



HELIX FIRST V216-5/25/E/S/400-50 (4201057)

Item	Article no.	Description	Quantity
1	4169942	MO.1,5/2 3~230/400(440)V 50(60)HZ IE3 VP	1
		SPARE PARTS MOTOR:ON REQUEST	1
2	4159707	SCREW M8X30 (4 PIECES)	1
3	4213784	LANTERN FT115 HELIX KIT	1
3.1		> LANT-MOT-VMI-ReDTC6"-FT115-MACHINED+CATA	1
3.2	4184852	> EYELET CPL.FT HELIX (2 PIECES)	1
3.3	4213782	> COUPLING PROTECTOR FT115/130 HELIX KIT	1
4	4178600	COUPLING D.12XD.24 FT115 KIT	1
6	4214564	STUD BOLT HELIX M12X495 KIT	1
6.1		> TIE BOLT M12-495x18x30-1.4057	1
6.2	2094647	> NUT M12 M12 ISO4032 VP.	1
6.3	2123557	> WASHER CS-12.4-24-1.6-NFE25 (4 PIECES)	1
7	4212722	STATIONARY RING HOLDER HELIX D23 ReDTC	1
7.2	4212720	> STATIONARY RING HOLDER HELIX D23 VP.	1
7.3	4176513	> O-RING FOR PUMP JACKET VP.	1
8	4212724	FILING/PURGING PLUG HELIX ReDTC KIT	1
8.1		> FILLING PLUG MVI6"-304	1
8.2	4177800	> O-RING EPDM PLUG HELIX VP.	1
9	4212726	MECH.SEAL HELIX V2/4 O/E ReDTC KIT	1
9.1	4178563	> M.SEAL.HELIX2-4 O/E VP.	1
7.3	4176513	> O-RING FOR PUMP JACKET VP.	1
10	2127580	HOUSING PIPE D.152x460 1.4301 KIT	1
7.3	4176513	> O-RING FOR PUMP JACKET VP.	1
10.1		> HOUSING-PIPE Ø152-M+1608-304	1
11	4179315	CENTERING STAGE HELIX V2 1.4307 VP.	1
12	4212729	SHAFT EQUIPMENT HELIX V2/4 ReDTC KIT	1
12.1		> NUT-H-M8-STAINLESS-STEEL A4-70	1
12.2		> SHAFT END WASHER Ø8/Ø12 316L	1
12.3		> 1/2-SNAP-RING-2/4M3-316L	1
12.4		> STOP-RUSH-1/2-D12xd2-M+316	1
4.11		> SCREW CHC-M6X14-8.8-ISO4762-GEOMET500A	1
4.12		> WASHER D.24 L6U ZINK	1
13		HYDRAULIC HELIX V 216 1.4307	1
14	4213788	SHAFT D.12X531 HELIX 1.4057 VP.	1

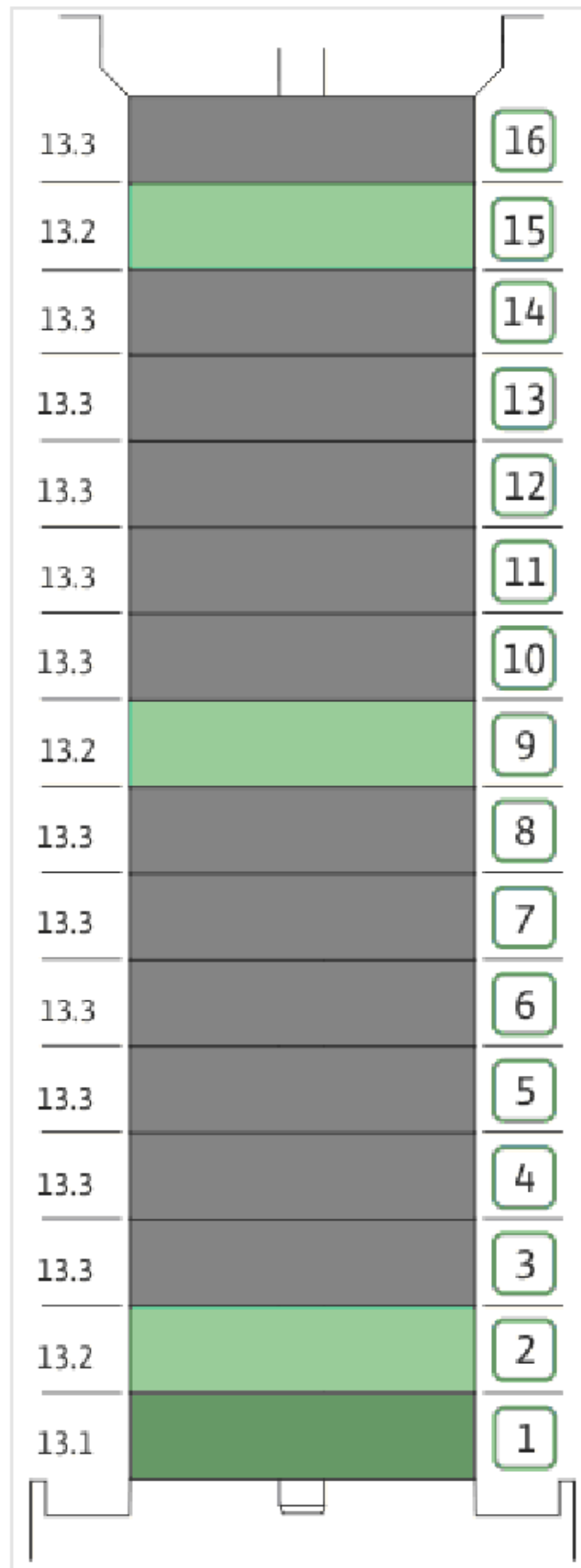
HELIX FIRST V216-5/25/E/S/400-50 (4201057)

Item	Article no.	Description	Quantity
15	4179246	PUMP HOUSING HELIX V2/4 DN25 PN30 KIT	1
7.3	4176513	> O-RING FOR PUMP JACKET VP.	1
15.1		> MACH+CATA PUMP CASING M+5" DN25 PN25 GJL	1
15.2	4233952	> FLAT GASKET D.73 VP.	1
15.3	4177877	> PRIMING/DRAIN PLUG HELIX PN30 KIT	1
15.3A		>> PRIMING/DRAIN PLUG M+6" 304	1
15.3B	4233957	>> O-RING ID.9 EPDM VP.	1
15.3C		>> O-RING Ø8xØ2 EPDM KTW/WRC	1



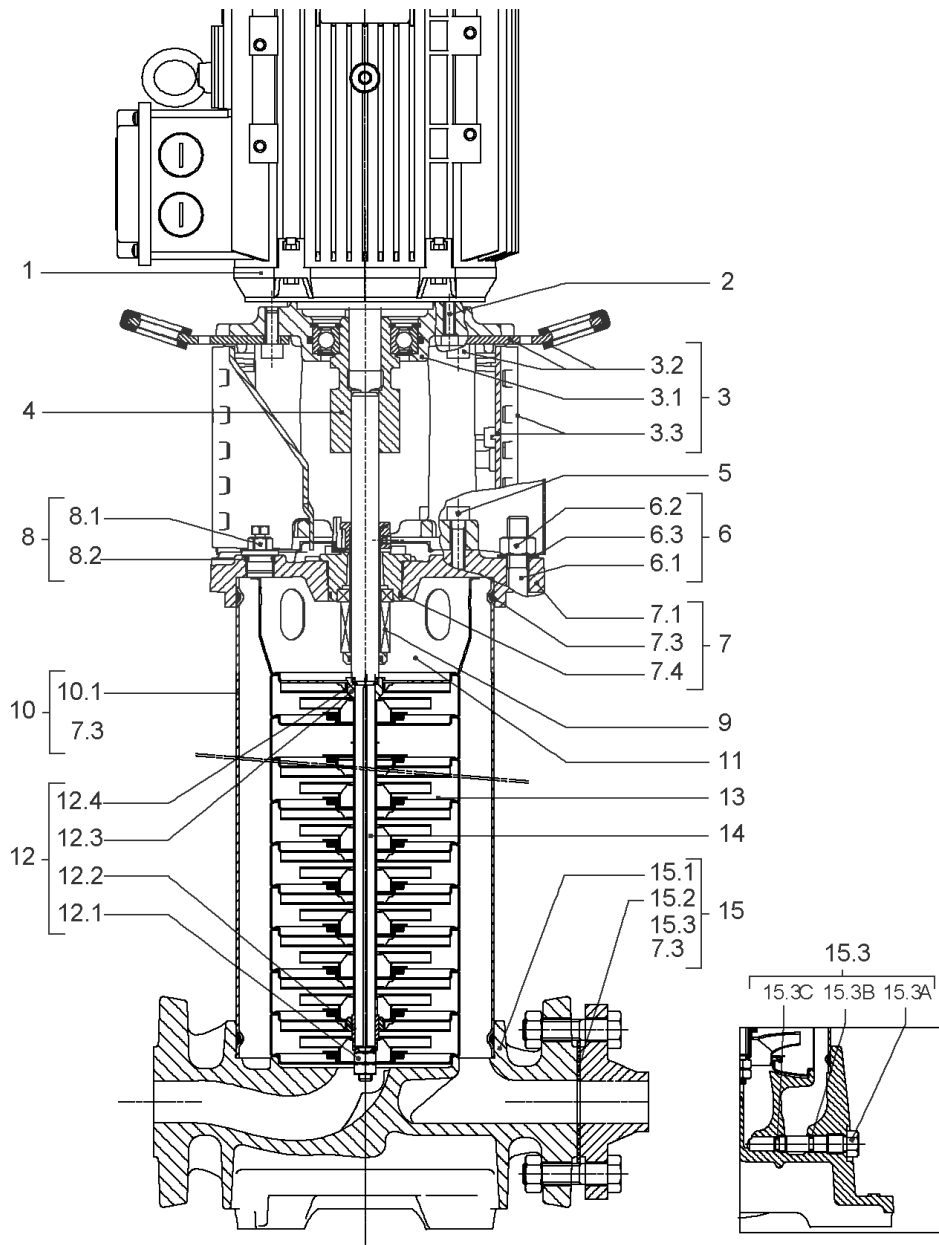
COUPLING D.12XD.24 FT115 KIT (4178600)

Item	Article no.	Description	Quantity
4.1		COUPLING-M+ Ø12XØ24-FT115-MACHINED	1
4.2	2131023	BALL BEARING 6207/ZZ-C3(HT)VP.	1
4.3	4234254	CIRCLIP-FOR-SHAFT-D35x1.5 VP.	1
4.4	4157726	SCREW KIT M8X30 (4 PIECES)	1
4.5	4234251	CIRCLIP-D72x2.5 VP.	1
4.6	4234246	O-RING 72X3 VP.	1
		NOMEL CONTACT WASHER 8x16x1,4 STEEL ZC	1



HYDRAULIC HELIX V 216 1.4307

Item	Article no.	Description	Quantity
13.1	4179316	STAGE HELIX 2 1.4301 KIT	1
		> MACH.STG-CASING-WOGV-WNR-M+2-4-304	1
		> IMPELLER-M+2-304	1
13.2	4179317	STAGE BEARING HELIX 2 1.4307 KIT	1
		> MACH.BEARING-STG-CASING-WNR-M+2-304	1
		> IMPELLER-M+2-304	1
		> SHAFT SLEEVE SPACER Ø15,35x10,305-304	1
		> SHAFT-SLEEVE-D12xD16x14-CW	1
13.3	4213786	INTERM. STAGE HELIX 2 >14 ST. 1.4307 KIT	1
		> CORPS-ETG-STD-ACR-AJR-USIN.M+2-304	1
		> IMPELLER-M+2-304	1
		> IMPELLER SPACER Ø12,1x14,1-L24,25-316L	1



HELIX FIRST V218-5/25/E/KS/400-50 (4201058)

Item	Article no.	Description	Quantity
1	4169942	MO.1,5/2 3~230/400(440)V 50(60)HZ IE3 VP	1
		SPARE PARTS MOTOR:ON REQUEST	1
2	4159703	SCREW M8X40 (4 PIECES)	1
3	4159690	LANTERN FT115 HELIX KIT	1
3.1		> LANTERN FT115 M+6" GJL MACHINING+CATA	1
3.2	2127604	> EYELET CPL.FT HELIX(2 PIECES)	1
3.3	4159692	> COUPLING PROTECTOR FT HELIX KIT	1
4	4178600	COUPLING D.12XD.24 FT115 KIT	1
5	4159707	SCREW M8X30 (4 PIECES)	1
6	2127556	STUD BOLT M12X542 KIT	1
7	4159685	END SHIELD HELIX EPDM KIT	1
7.1		> END SHIELD M+6" GJL250 MACHINING+CATA	1
7.2	2127607	> STATIONARY RING HOLDER 6" HELIX 1.4301 V	1
7.3	4176513	> O-RING FOR PUMP JACKET VP.	1
7.4	2127603	> O-RING ID.37,6x2,4 EPDM VP.	1
7.5	2127602	> O-RING ID.21,35x2 EPDM VP.	1
8	4159686	FILING/PURGING PLUG HELIX EPDM KIT	1
9	4178597	CARTRIDGE HELIX2-4 F/E KIT	1
10	4177843	HOUSING PIPES D.152X510 1.4307 KIT	1
7.3	4176513	> O-RING FOR PUMP JACKET VP.	1
10.1		> HOUSING-PIPE Ø152-M+1012/1609-304	1
11	4179315	CENTERING STAGE HELIX V2 1.4307 VP.	1
12	4178567	SHAFT EQUIPMENT HELIX V2/V4 KIT	1
12.1		> NUT-H-M8-STAINLESS-STEEL A4-70	1
12.2		> SHAFT END WASHER Ø8/Ø12 316L	1
12.3		> STOP COLLAR OF IMPELLER L12,6-Ø12-316L	1
12.4		> STOP-RUSH-1/2-D12xd2-M+316	1
13		HYDRAULIC HELIX V 218 1.4307	1
14	4178623	SHAFT D.12X633 1.4301 VP.	1
15	4179246	PUMP HOUSING HELIX V2/4 DN25 PN30 KIT	1
7.3	4176513	> O-RING FOR PUMP JACKET VP.	1
15.1		> MACH+CATA PUMP CASING M+5" DN25 PN25 GJL	1
15.2	4233952	> FLAT GASKET D.73 VP.	1
15.3	4177877	> PRIMING/DRAIN PLUG HELIX PN30 KIT	1

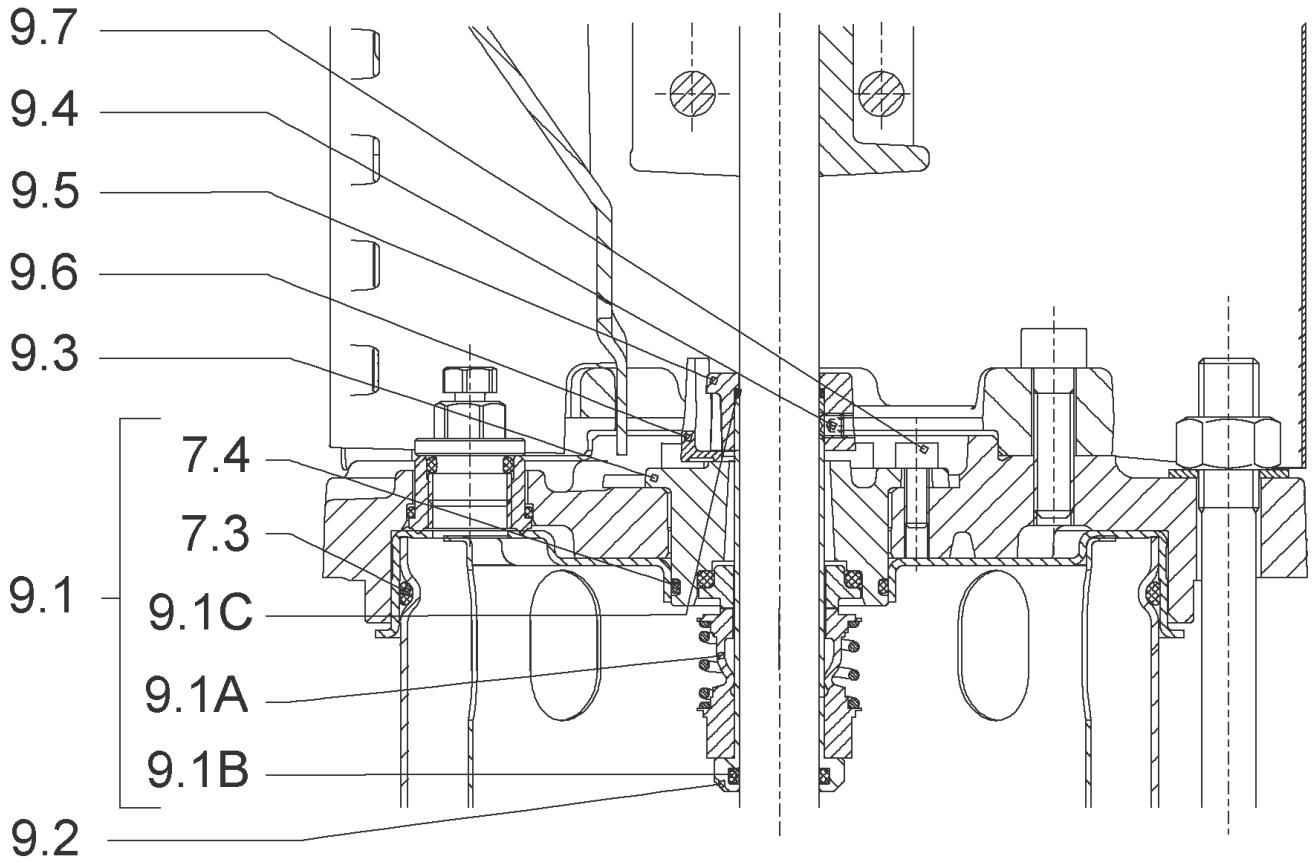
HELIX FIRST V218-5/25/E/KS/400-50 (4201058)

Item	Article no.	Description	Quantity
15.3A		>> PRIMING/DRAIN PLUG M+6" 304	1
15.3B	4233957	>> O-RING ID.9 EPDM VP.	1
15.3C		>> O-RING Ø8xØ2 EPDM KTW/WRC	1



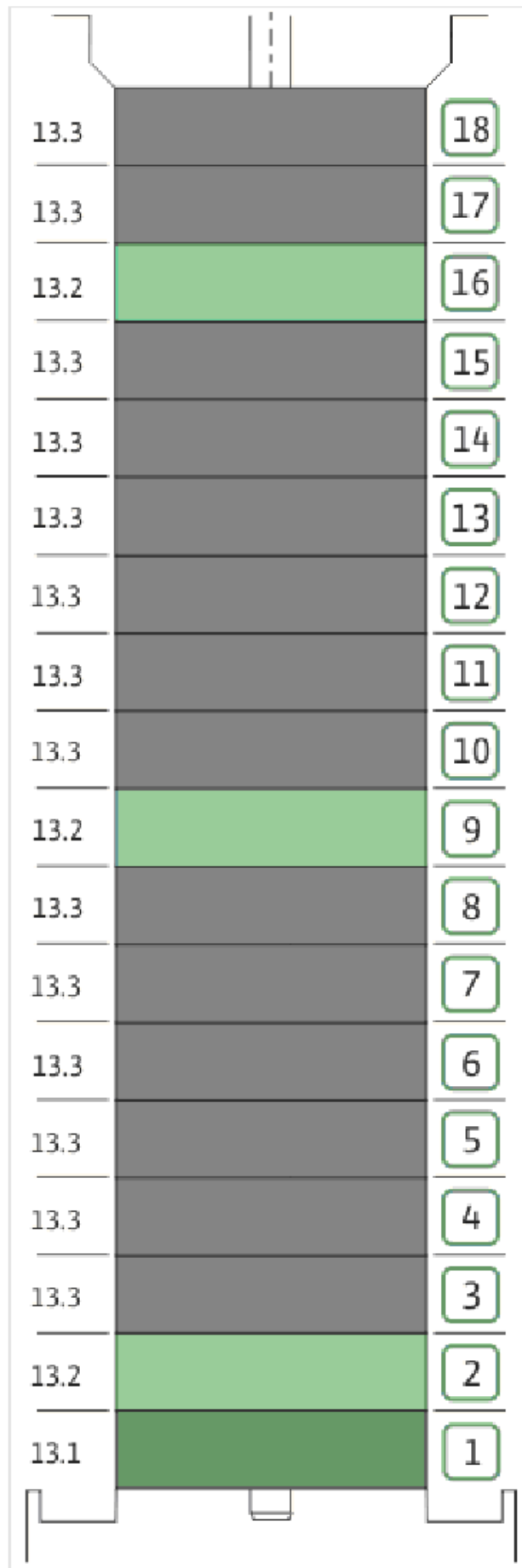
COUPLING D.12XD.24 FT115 KIT (4178600)

Item	Article no.	Description	Quantity
4.1		COUPLING-M+ Ø12XØ24-FT115-MACHINED	1
4.2	2131023	BALL BEARING 6207/ZZ-C3(HT)VP.	1
4.3	4234254	CIRCLIP-FOR-SHAFT-D35x1.5 VP.	1
4.4	4157726	SCREW KIT M8X30 (4 PIECES)	1
4.5	4234251	CIRCLIP-D72x2.5 VP.	1
4.6	4234246	O-RING 72X3 VP.	1
		NOMEL CONTACT WASHER 8x16x1,4 STEEL ZC	1



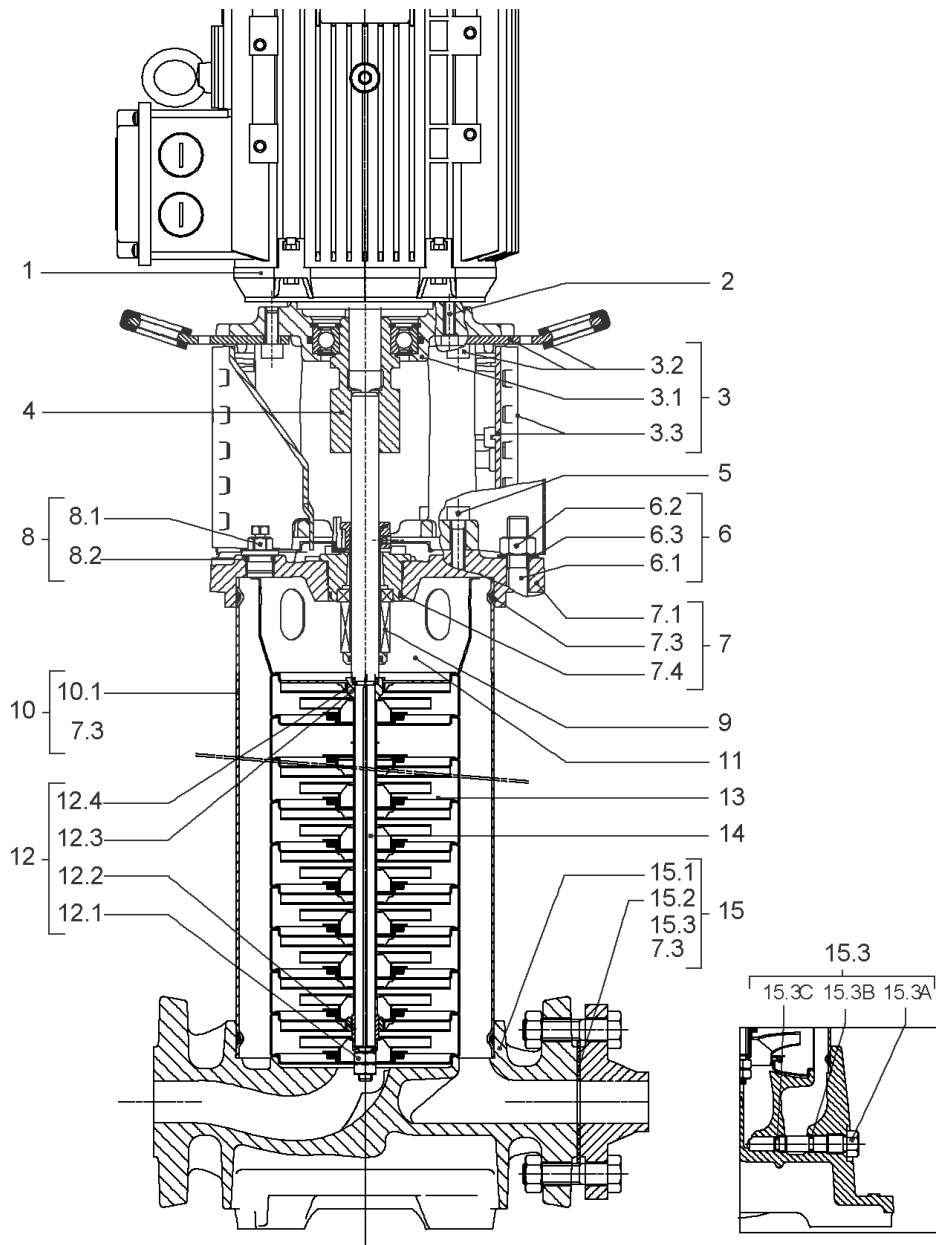
CARTRIDGE HELIX2-4 F/E KIT (4178597)

Item	Article no.	Description	Quantity
9.1	4178594	SEAL-KIT-HELIX2-4 F/E	1
7.3	4176513	> O-RING FOR PUMP JACKET VP.	1
7.4	2127603	> O-RING ID.37,6x2,4 EPDM VP.	1
9.1A	4176521	> MECH.SEAL HELIX2-4-6-10-16 F/E VP.	1
9.1B	4178558	> O-RING ID.12X2 EPDM VP.	1
9.1C	4178558	> O-RING ID.12X2 EPDM VP.	1
9.2	4178596	SHAFT SLEEVE D.18/12X72,2 1.4404 VP.	1
9.3	2130962	RING HOLDER D.18 G606/G6 1.4301 VP.	1
9.4	4176520	SCREW CH M5x5 A4-70 (3PIECES)	1
9.5	4178595	DRIVE RING D.29/15.5x13,2 MACH.VP.	1
9.6	2130964	TOOL M.S.CART.HELIX VP.	1
9.7	2130965	SCREW CHC M5X12 ISO4762 A2.70(4 PIECES)	1



HYDRAULIC HELIX V 218 1.4307

Item	Article no.	Description	Quantity
13.1	4179316	STAGE HELIX 2 1.4301 KIT	1
		> MACH.STG-CASING-WOGV-WNR-M+2-4-304	1
		> IMPELLER-M+2-304	1
13.2	4179317	STAGE BEARING HELIX 2 1.4307 KIT	1
		> MACH.BEARING-STG-CASING-WNR-M+2-304	1
		> IMPELLER-M+2-304	1
		> SHAFT SLEEVE SPACER Ø15,35x10,305-304	1
		> SHAFT-SLEEVE-D12xD16x14-CW	1
13.3	4213786	INTERM. STAGE HELIX 2 >14 ST. 1.4307 KIT	1
		> CORPS-ETG-STD-ACR-AJR-USIN.M+2-304	1
		> IMPELLER-M+2-304	1
		> IMPELLER SPACER Ø12,1X14,1-L24,25-316L	1



HELIX FIRST V220-5/25/E/KS/400-50 (4201060)

Item	Article no.	Description	Quantity
1	4169943	MOTOR 2,2/2/90 3~230/400V 50HZ IE3 VP.	1
		SPARE PARTS MOTOR:ON REQUEST	1
2	4159703	SCREW M8X40 (4 PIECES)	1
3	4159690	LANTERN FT115 HELIX KIT	1
3.1		> LANTERN FT115 M+6" GJL MACHINING+CATA	1
3.2	2127604	> EYELET CPL.FT HELIX(2 PIECES)	1
3.3	4159692	> COUPLING PROTECTOR FT HELIX KIT	1
4	4178600	COUPLING D.12XD.24 FT115 KIT	1
5	4159707	SCREW M8X30 (4 PIECES)	1
6	2127557	STUD BOLT M12X587 KIT	1
6.1		> TIE BOLT M12-587x18x30-1.4057	1
6.2	2094647	> NUT M12 M12 ISO4032 VP.	1
6.3	2123557	> WASHER CS-12.4-24-1.6-NFE25 (4 PIECES)	1
7	4159685	END SHIELD HELIX EPDM KIT	1
7.1		> END SHIELD M+6" GJL250 MACHINING+CATA	1
7.2	2127607	> STATIONARY RING HOLDER 6" HELIX 1.4301 V	1
7.3	4176513	> O-RING FOR PUMP JACKET VP.	1
7.4	2127603	> O-RING ID.37,6x2,4 EPDM VP.	1
7.5	2127602	> O-RING ID.21,35x2 EPDM VP.	1
8	4159686	FILING/PURGING PLUG HELIX EPDM KIT	1
9	4178597	CARTRIDGE HELIX2-4 F/E KIT	1
10	4178627	HOUSING PIPE D.152x560 1.4301 KIT	1
7.3	4176513	> O-RING FOR PUMP JACKET VP.	1
10.1		> HOUSING-PIPE Ø152-M+220/420-304	1
11	4179315	CENTERING STAGE HELIX V2 1.4307 VP.	1
12	4178567	SHAFT EQUIPMENT HELIX V2/V4 KIT	1
12.1		> NUT-H-M8-STAINLESS-STEEL A4-70	1
12.2		> SHAFT END WASHER Ø8/Ø12 316L	1
12.3		> STOP COLLAR OF IMPELLER L12,6-Ø12-316L	1
12.4		> STOP-RUSH-1/2-D12xd2-M+316	1
13		HYDRAULIC HELIX V 220 1.4307	1
14	4179231	SHAFT D.12X683 1.4301 VP.	1
15	4179246	PUMP HOUSING HELIX V2/4 DN25 PN30 KIT	1
7.3	4176513	> O-RING FOR PUMP JACKET VP.	1

HELIX FIRST V220-5/25/E/KS/400-50 (4201060)

Item	Article no.	Description	Quantity
15.1		> MACH+CATA PUMP CASING M+5" DN25 PN25 GJL	1
15.2	4233952	> FLAT GASKET D.73 VP.	1
15.3	4177877	> PRIMING/DRAIN PLUG HELIX PN30 KIT	1
15.3A		>> PRIMING/DRAIN PLUG M+6" 304	1
15.3B	4233957	>> O-RING ID.9 EPDM VP.	1
15.3C		>> O-RING Ø8xØ2 EPDM KTW/WRC	1



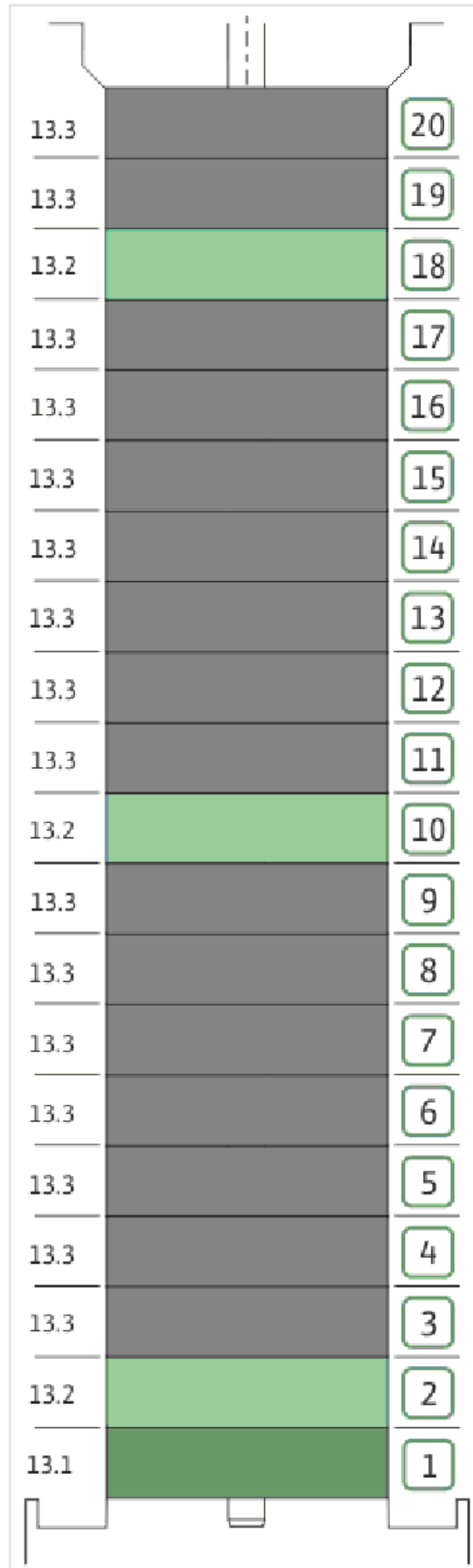
COUPLING D.12XD.24 FT115 KIT (4178600)

Item	Article no.	Description	Quantity
4.1		COUPLING-M+ Ø12XØ24-FT115-MACHINED	1
4.2	2131023	BALL BEARING 6207/ZZ-C3(HT)VP.	1
4.3	4234254	CIRCLIP-FOR-SHAFT-D35x1.5 VP.	1
4.4	4157726	SCREW KIT M8X30 (4 PIECES)	1
4.5	4234251	CIRCLIP-D72x2.5 VP.	1
4.6	4234246	O-RING 72X3 VP.	1
		NOMEL CONTACT WASHER 8x16x1,4 STEEL ZC	1



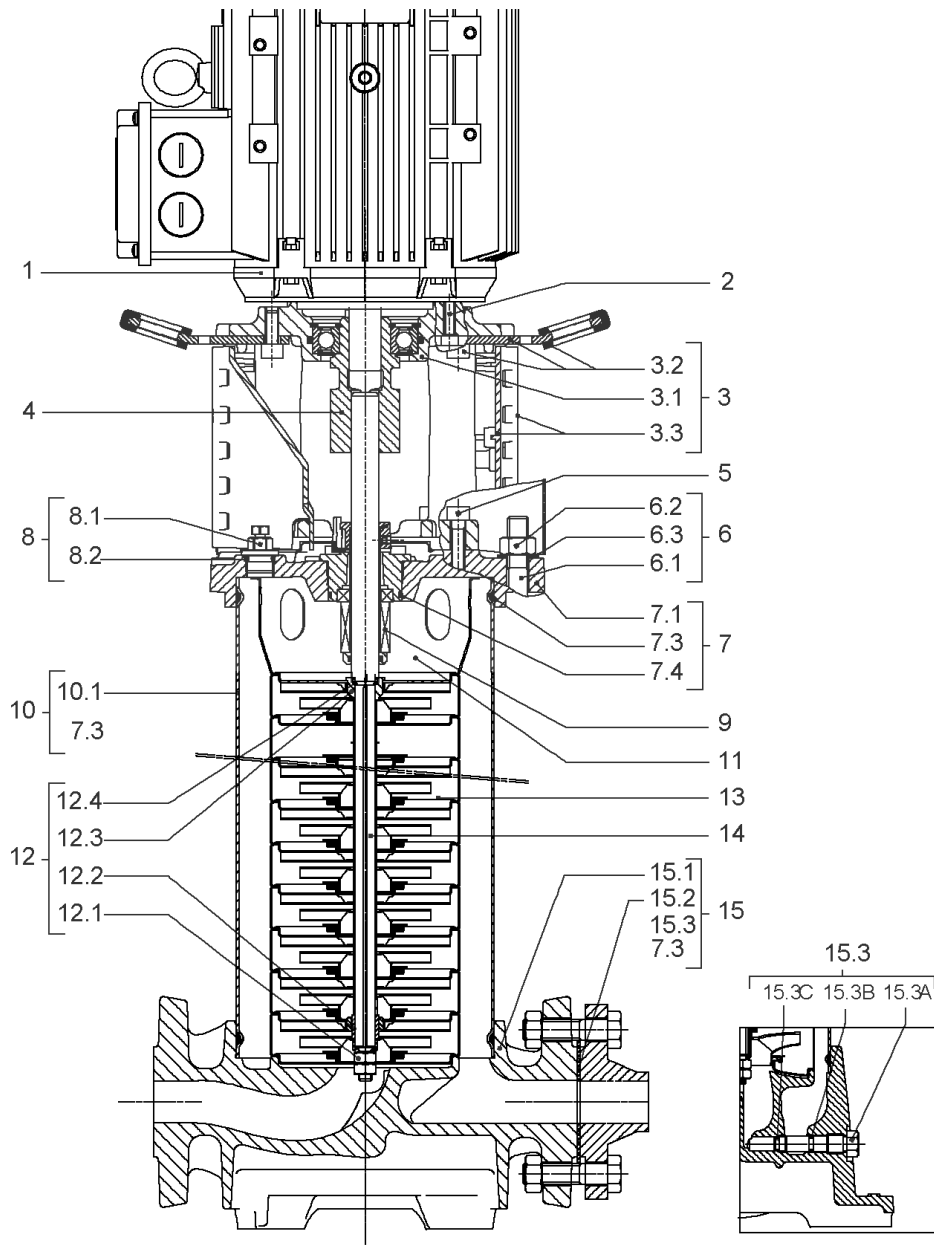
CARTRIDGE HELIX2-4 F/E KIT (4178597)

Item	Article no.	Description	Quantity
9.1	4178594	SEAL-KIT-HELIX2-4 F/E	1
7.3	4176513	> O-RING FOR PUMP JACKET VP.	1
7.4	2127603	> O-RING ID.37,6x2,4 EPDM VP.	1
9.1A	4176521	> MECH.SEAL HELIX2-4-6-10-16 F/E VP.	1
9.1B	4178558	> O-RING ID.12X2 EPDM VP.	1
9.1C	4178558	> O-RING ID.12X2 EPDM VP.	1
9.2	4178596	SHAFT SLEEVE D.18/12X72,2 1.4404 VP.	1
9.3	2130962	RING HOLDER D.18 G606/G6 1.4301 VP.	1
9.4	4176520	SCREW CH M5x5 A4-70 (3PIECES)	1
9.5	4178595	DRIVE RING D.29/15.5x13,2 MACH.VP.	1
9.6	2130964	TOOL M.S.CART.HELIX VP.	1
9.7	2130965	SCREW CHC M5X12 ISO4762 A2.70(4 PIECES)	1



HYDRAULIC HELIX V 220 1.4307

Item	Article no.	Description	Quantity
13.1	4179316	STAGE HELIX 2 1.4301 KIT	1
		> MACH.STG-CASING-WOGV-WNR-M+2-4-304	1
		> IMPELLER-M+2-304	1
13.2	4179317	STAGE BEARING HELIX 2 1.4307 KIT	1
		> MACH.BEARING-STG-CASING-WNR-M+2-304	1
		> IMPELLER-M+2-304	1
		> SHAFT SLEEVE SPACER Ø15,35x10,305-304	1
		> SHAFT-SLEEVE-D12xD16x14-CW	1
13.3	4213786	INTERM. STAGE HELIX 2 >14 ST. 1.4307 KIT	1
		> CORPS-ETG-STD-ACR-AJR-USIN.M+2-304	1
		> IMPELLER-M+2-304	1
		> IMPELLER SPACER Ø12,1x14,1-L24,25-316L	1



HELIX FIRST V222-5/25/E/KS/400-50 (4201062)

Item	Article no.	Description	Quantity
1	4169943	MOTOR 2,2/2/90 3~230/400V 50HZ IE3 VP.	1
		SPARE PARTS MOTOR:ON REQUEST	1
2	4159703	SCREW M8X40 (4 PIECES)	1
3	4159690	LANTERN FT115 HELIX KIT	1
3.1		> LANTERN FT115 M+6" GJL MACHINING+CATA	1
3.2	2127604	> EYELET CPL.FT HELIX(2 PIECES)	1
3.3	4159692	> COUPLING PROTECTOR FT HELIX KIT	1
4	4178600	COUPLING D.12XD.24 FT115 KIT	1
5	4159707	SCREW M8X30 (4 PIECES)	1
6	4178624	STUD BOLT M12X693 KIT	1
7	4159685	END SHIELD HELIX EPDM KIT	1
7.1		> END SHIELD M+6" GJL250 MACHINING+CATA	1
7.2	2127607	> STATIONARY RING HOLDER 6" HELIX 1.4301 V	1
7.3	4176513	> O-RING FOR PUMP JACKET VP.	1
7.4	2127603	> O-RING ID.37,6x2,4 EPDM VP.	1
7.5	2127602	> O-RING ID.21,35x2 EPDM VP.	1
8	4159686	FILING/PURGING PLUG HELIX EPDM KIT	1
9	4178597	CARTRIDGE HELIX2-4 F/E KIT	1
10	4177853	HOUSING PIPES D.152X660 1.4307 KIT	1
7.3	4176513	> O-RING FOR PUMP JACKET VP.	1
10.1		> HOUSING-PIPE Ø152-M+1016/1610-304	1
11	4179315	CENTERING STAGE HELIX V2 1.4307 VP.	1
12	4178567	SHAFT EQUIPMENT HELIX V2/V4 KIT	1
12.1		> NUT-H-M8-STAINLESS-STEEL A4-70	1
12.2		> SHAFT END WASHER Ø8/Ø12 316L	1
12.3		> STOP COLLAR OF IMPELLER L12,6-Ø12-316L	1
12.4		> STOP-RUSH-1/2-D12xd2-M+316	1
13		HYDRAULIC HELIX V 222 1.4307	1
14	4179234	SHAFT D.12X783,8 1.4301 VP.	1
15	4179246	PUMP HOUSING HELIX V2/4 DN25 PN30 KIT	1
7.3	4176513	> O-RING FOR PUMP JACKET VP.	1
15.1		> MACH+CATA PUMP CASING M+5" DN25 PN25 GJL	1
15.2	4233952	> FLAT GASKET D.73 VP.	1
15.3	4177877	> PRIMING/DRAIN PLUG HELIX PN30 KIT	1

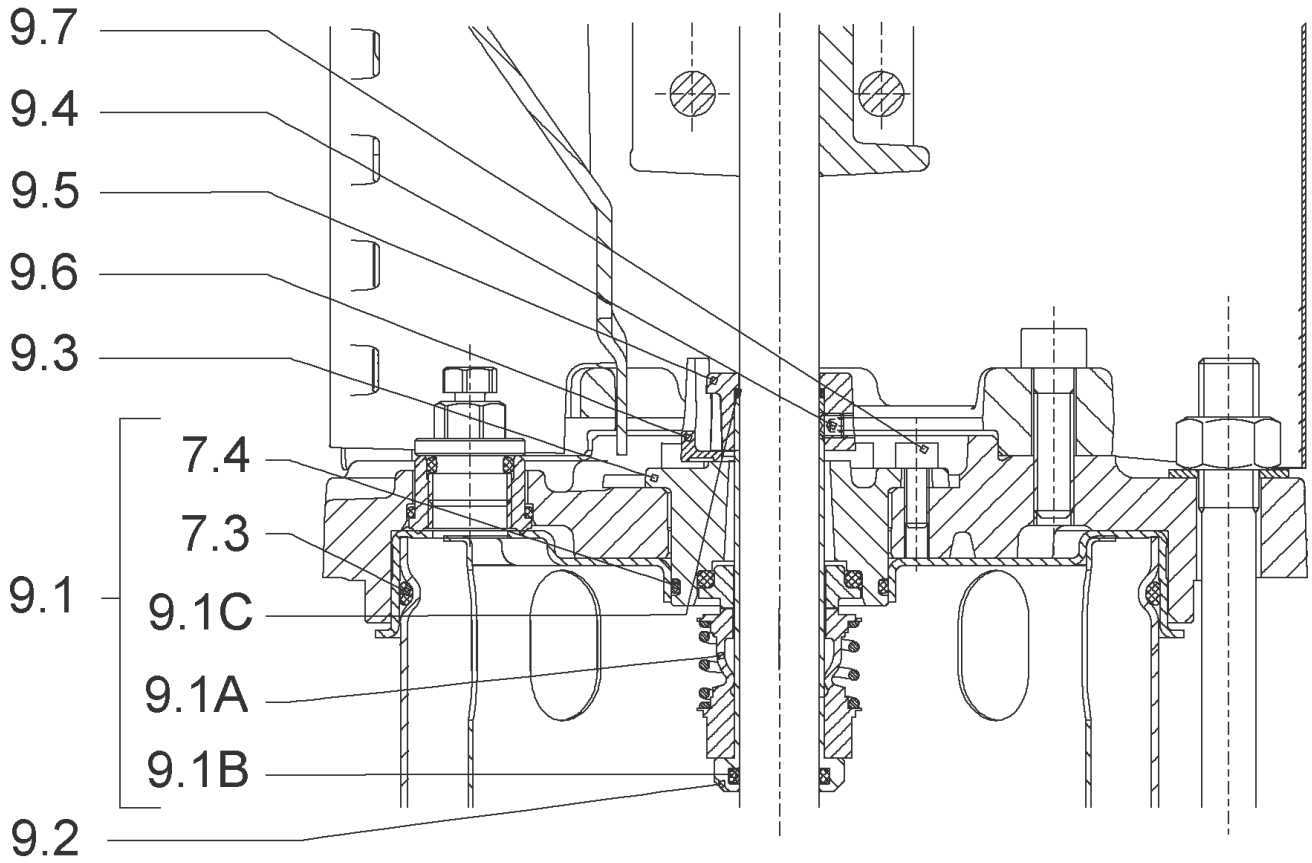
HELIX FIRST V222-5/25/E/KS/400-50 (4201062)

Item	Article no.	Description	Quantity
15.3A		>> PRIMING/DRAIN PLUG M+6" 304	1
15.3B	4233957	>> O-RING ID.9 EPDM VP.	1
15.3C		>> O-RING Ø8xØ2 EPDM KTW/WRC	1



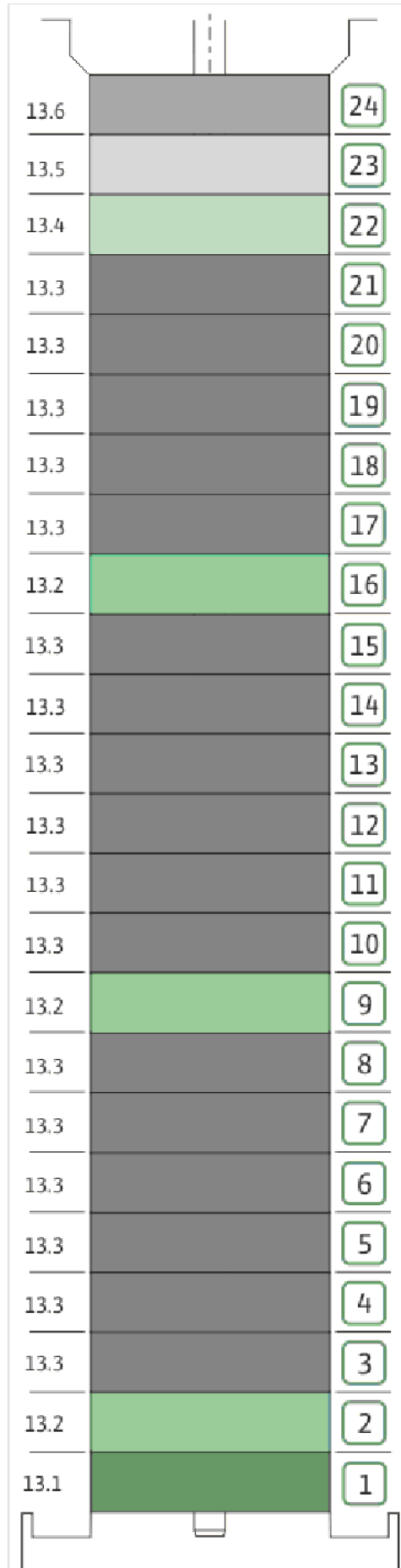
COUPLING D.12XD.24 FT115 KIT (4178600)

Item	Article no.	Description	Quantity
4.1		COUPLING-M+ Ø12XØ24-FT115-MACHINED	1
4.2	2131023	BALL BEARING 6207/ZZ-C3(HT)VP.	1
4.3	4234254	CIRCLIP-FOR-SHAFT-D35x1.5 VP.	1
4.4	4157726	SCREW KIT M8X30 (4 PIECES)	1
4.5	4234251	CIRCLIP-D72x2.5 VP.	1
4.6	4234246	O-RING 72X3 VP.	1
		NOMEL CONTACT WASHER 8x16x1,4 STEEL ZC	1

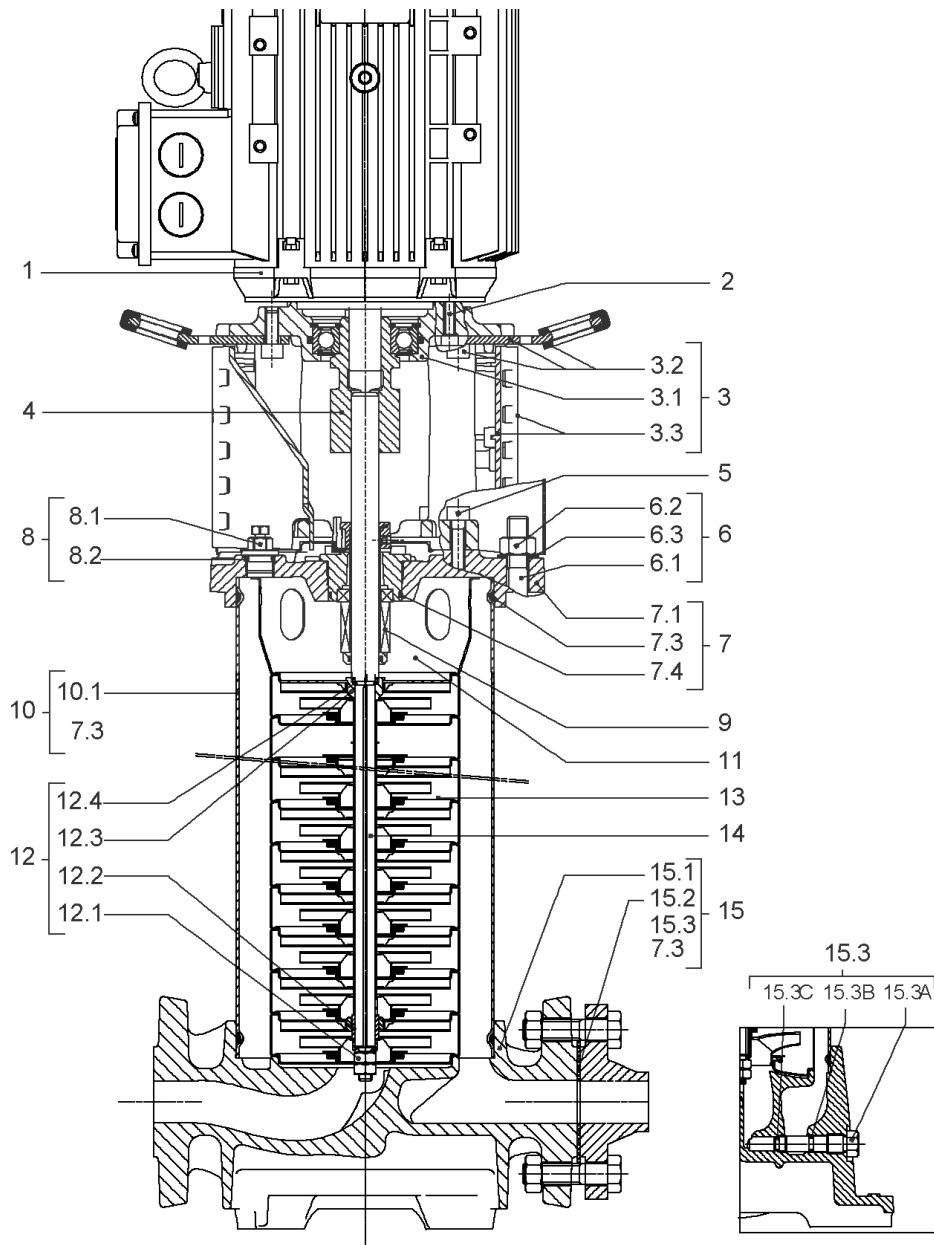


CARTRIDGE HELIX2-4 F/E KIT (4178597)

Item	Article no.	Description	Quantity
9.1	4178594	SEAL-KIT-HELIX2-4 F/E	1
7.3	4176513	> O-RING FOR PUMP JACKET VP.	1
7.4	2127603	> O-RING ID.37,6x2,4 EPDM VP.	1
9.1A	4176521	> MECH.SEAL HELIX2-4-6-10-16 F/E VP.	1
9.1B	4178558	> O-RING ID.12X2 EPDM VP.	1
9.1C	4178558	> O-RING ID.12X2 EPDM VP.	1
9.2	4178596	SHAFT SLEEVE D.18/12X72,2 1.4404 VP.	1
9.3	2130962	RING HOLDER D.18 G606/G6 1.4301 VP.	1
9.4	4176520	SCREW CH M5x5 A4-70 (3PIECES)	1
9.5	4178595	DRIVE RING D.29/15.5x13,2 MACH.VP.	1
9.6	2130964	TOOL M.S.CART.HELIX VP.	1
9.7	2130965	SCREW CHC M5X12 ISO4762 A2.70(4 PIECES)	1



Item	Article no.	Description	Quantity
13.1	4179316	STAGE HELIX 2 1.4301 KIT	1
		> MACH.STG-CASING-WOGV-WNR-M+2-4-304	1
		> IMPELLER-M+2-304	1
13.2	4179317	STAGE BEARING HELIX 2 1.4307 KIT	1
		> MACH.BEARING-STG-CASING-WNR-M+2-304	1
		> IMPELLER-M+2-304	1
		> SHAFT SLEEVE SPACER Ø15,35x10,305-304	1
		> SHAFT-SLEEVE-D12xD16x14-CW	1
13.3	4213786	INTERM. STAGE HELIX 2 >14 ST. 1.4307 KIT	1
		> CORPS-ETG-STD-ACR-AJR-USIN.M+2-304	1
		> IMPELLER-M+2-304	1
		> IMPELLER SPACER Ø12,1X14,1-L24,25-316L	1
13.4	4179553	EMPTY STAGE BEARING HELIX 2 1.4301 KIT	1
		> MACH.BEARING-STG-CASING-WNR-M+2-304	1
		> FLAT WASHER-D12.1XD16X0.8-316L	1
		> SHAFT SLEEVE SPACER Ø15,35x10,305-304	1
		> SHAFT-SLEEVE-D12xD16x14-CW	1
13.5	4179523	EMPTY STAGE HELIX 2 1.4301 KIT	1
		> MACH.STG-CASING-WOGV-WNR-M+2-4-304	1
		> FLAT WASHER-D12.1XD16X0.8-316L	1
		> IMPELLER SPACER Ø12,05X14,85-L24,285-304	1
13.6	4220512	INTERMED STAGE>15 HELIX 2 1.4301 KIT	1
		> MACH.STG-CASING-WOGV-WNR-M+2-4-304	1
		> IMPELLER-M+2-304	1
		> IMPELLER SPACER Ø12,1X14,1-L24,25-316L	1



HELIX FIRST V224-5/25/E/KS/400-50 (4201064)

Item	Article no.	Description	Quantity
1	4169943	MOTOR 2,2/2/90 3~230/400V 50HZ IE3 VP.	1
		SPARE PARTS MOTOR:ON REQUEST	1
2	4159703	SCREW M8X40 (4 PIECES)	1
3	4159690	LANTERN FT115 HELIX KIT	1
3.1		> LANTERN FT115 M+6" GJL MACHINING+CATA	1
3.2	2127604	> EYELET CPL.FT HELIX(2 PIECES)	1
3.3	4159692	> COUPLING PROTECTOR FT HELIX KIT	1
4	4178600	COUPLING D.12XD.24 FT115 KIT	1
5	4159707	SCREW M8X30 (4 PIECES)	1
6	4178624	STUD BOLT M12X693 KIT	1
7	4159685	END SHIELD HELIX EPDM KIT	1
7.1		> END SHIELD M+6" GJL250 MACHINING+CATA	1
7.2	2127607	> STATIONARY RING HOLDER 6" HELIX 1.4301 V	1
7.3	4176513	> O-RING FOR PUMP JACKET VP.	1
7.4	2127603	> O-RING ID.37,6x2,4 EPDM VP.	1
7.5	2127602	> O-RING ID.21,35x2 EPDM VP.	1
8	4159686	FILING/PURGING PLUG HELIX EPDM KIT	1
9	4178597	CARTRIDGE HELIX2-4 F/E KIT	1
10	4177853	HOUSING PIPES D.152X660 1.4307 KIT	1
7.3	4176513	> O-RING FOR PUMP JACKET VP.	1
10.1		> HOUSING-PIPE Ø152-M+1016/1610-304	1
11	4179315	CENTERING STAGE HELIX V2 1.4307 VP.	1
12	4178567	SHAFT EQUIPMENT HELIX V2/V4 KIT	1
12.1		> NUT-H-M8-STAINLESS-STEEL A4-70	1
12.2		> SHAFT END WASHER Ø8/Ø12 316L	1
12.3		> STOP COLLAR OF IMPELLER L12,6-Ø12-316L	1
12.4		> STOP-RUSH-1/2-D12xd2-M+316	1
13		HYDRAULIC HELIX V 224 1.4307	1
14	4179234	SHAFT D.12X783,8 1.4301 VP.	1
15	4179246	PUMP HOUSING HELIX V2/4 DN25 PN30 KIT	1
7.3	4176513	> O-RING FOR PUMP JACKET VP.	1
15.1		> MACH+CATA PUMP CASING M+5" DN25 PN25 GJL	1
15.2	4233952	> FLAT GASKET D.73 VP.	1
15.3	4177877	> PRIMING/DRAIN PLUG HELIX PN30 KIT	1

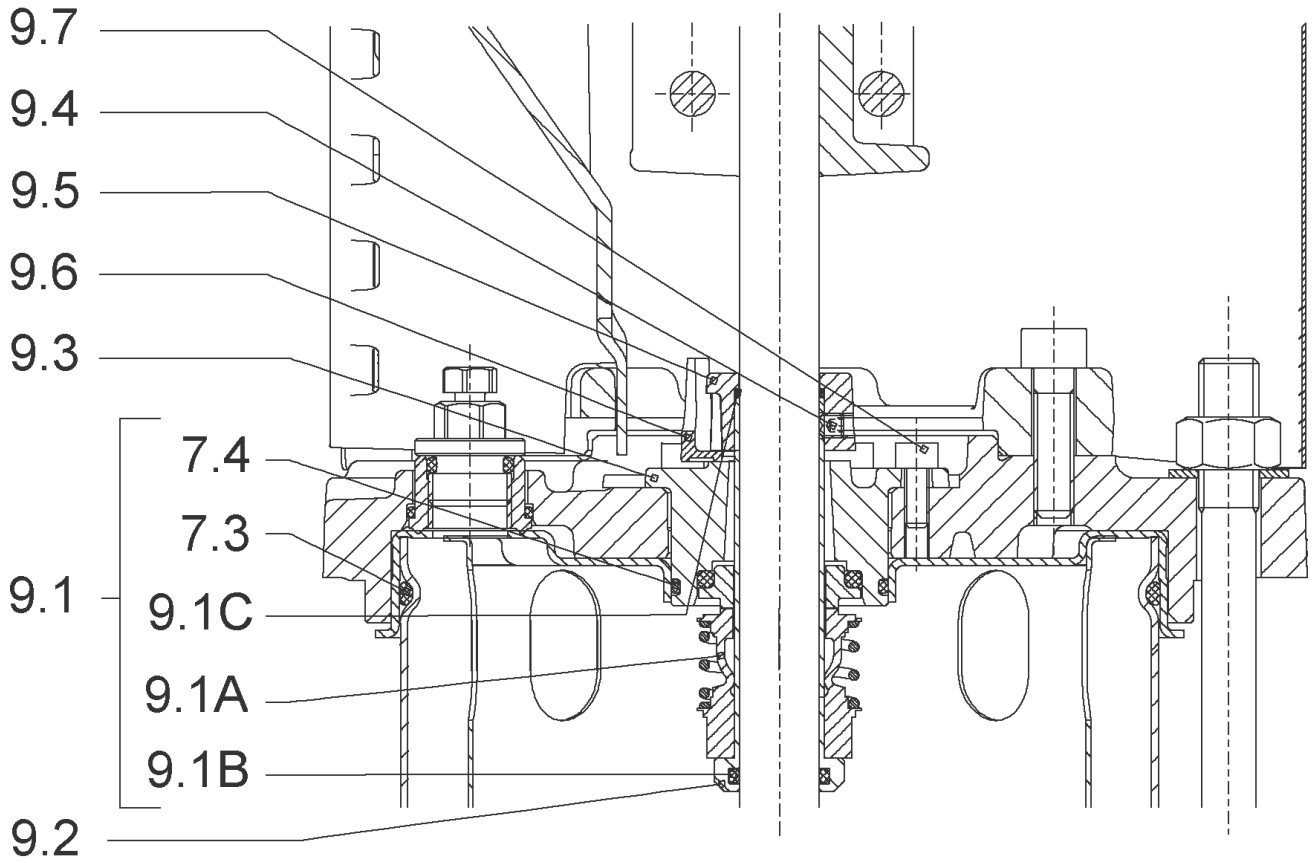
HELIX FIRST V224-5/25/E/KS/400-50 (4201064)

Item	Article no.	Description	Quantity
15.3A		>> PRIMING/DRAIN PLUG M+6" 304	1
15.3B	4233957	>> O-RING ID.9 EPDM VP.	1
15.3C		>> O-RING Ø8xØ2 EPDM KTW/WRC	1



COUPLING D.12XD.24 FT115 KIT (4178600)

Item	Article no.	Description	Quantity
4.1		COUPLING-M+ Ø12XØ24-FT115-MACHINED	1
4.2	2131023	BALL BEARING 6207/ZZ-C3(HT)VP.	1
4.3	4234254	CIRCLIP-FOR-SHAFT-D35x1.5 VP.	1
4.4	4157726	SCREW KIT M8X30 (4 PIECES)	1
4.5	4234251	CIRCLIP-D72x2.5 VP.	1
4.6	4234246	O-RING 72X3 VP.	1
		NOMEL CONTACT WASHER 8x16x1,4 STEEL ZC	1

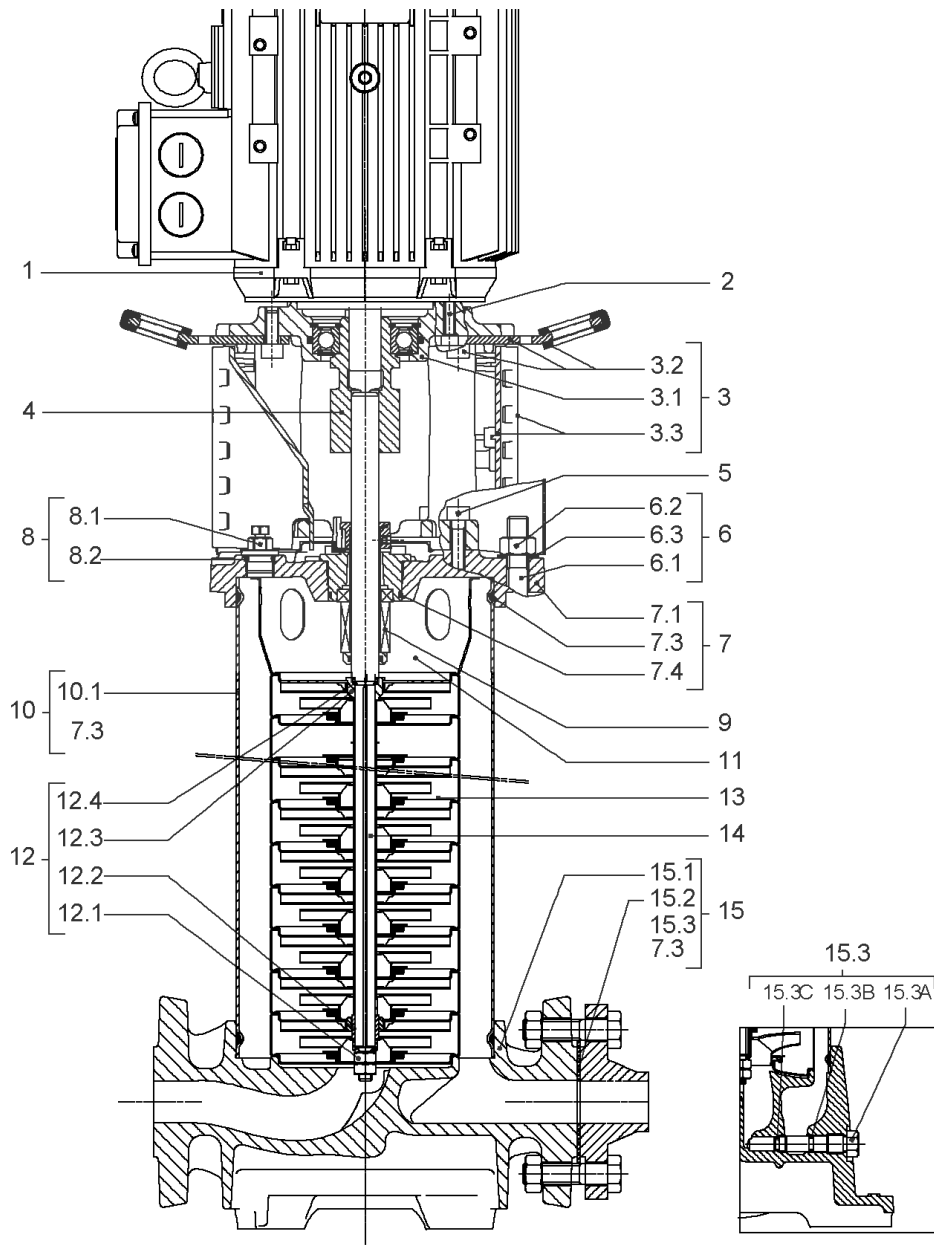


CARTRIDGE HELIX2-4 F/E KIT (4178597)

Item	Article no.	Description	Quantity
9.1	4178594	SEAL-KIT-HELIX2-4 F/E	1
7.3	4176513	> O-RING FOR PUMP JACKET VP.	1
7.4	2127603	> O-RING ID.37,6x2,4 EPDM VP.	1
9.1A	4176521	> MECH.SEAL HELIX2-4-6-10-16 F/E VP.	1
9.1B	4178558	> O-RING ID.12X2 EPDM VP.	1
9.1C	4178558	> O-RING ID.12X2 EPDM VP.	1
9.2	4178596	SHAFT SLEEVE D.18/12X72,2 1.4404 VP.	1
9.3	2130962	RING HOLDER D.18 G606/G6 1.4301 VP.	1
9.4	4176520	SCREW CH M5x5 A4-70 (3PIECES)	1
9.5	4178595	DRIVE RING D.29/15.5x13,2 MACH.VP.	1
9.6	2130964	TOOL M.S.CART.HELIX VP.	1
9.7	2130965	SCREW CHC M5X12 ISO4762 A2.70(4 PIECES)	1

HYDRAULIC HELIX V 224 1.4307

Item	Article no.	Description	Quantity
13.1	4179316	STAGE HELIX 2 1.4301 KIT	1
		> MACH.STG-CASING-WOGV-WNR-M+2-4-304	1
		> IMPELLER-M+2-304	1
13.2	4179317	STAGE BEARING HELIX 2 1.4307 KIT	1
		> MACH.BEARING-STG-CASING-WNR-M+2-304	1
		> IMPELLER-M+2-304	1
		> SHAFT SLEEVE SPACER Ø15,35x10,305-304	1
		> SHAFT-SLEEVE-D12xD16x14-CW	1
13.3	4213786	INTERM. STAGE HELIX 2 >14 ST. 1.4307 KIT	1
		> CORPS-ETG-STD-ACR-AJR-USIN.M+2-304	1
		> IMPELLER-M+2-304	1
		> IMPELLER SPACER Ø12,1X14,1-L24,25-316L	1



HELIX FIRST V226-5/25/E/KS/400-50 (4201066)

Item	Article no.	Description	Quantity
1	4169943	MOTOR 2,2/2/90 3~230/400V 50HZ IE3 VP.	1
		SPARE PARTS MOTOR:ON REQUEST	1
2	4159703	SCREW M8X40 (4 PIECES)	1
3	4159690	LANTERN FT115 HELIX KIT	1
3.1		> LANTERN FT115 M+6" GJL MACHINING+CATA	1
3.2	2127604	> EYELET CPL.FT HELIX(2 PIECES)	1
3.3	4159692	> COUPLING PROTECTOR FT HELIX KIT	1
4	4178600	COUPLING D.12XD.24 FT115 KIT	1
5	4159707	SCREW M8X30 (4 PIECES)	1
6	4215109	STUD BOLT HELIX M12X770 KIT	1
6.1		> TIE BOLT M12-770x18x30-1.4057	1
6.2	2094647	> NUT M12 M12 ISO4032 VP.	1
6.3	2123557	> WASHER CS-12.4-24-1.6-NFE25 (4 PIECES)	1
7	4159685	END SHIELD HELIX EPDM KIT	1
7.1		> END SHIELD M+6" GJL250 MACHINING+CATA	1
7.2	2127607	> STATIONARY RING HOLDER 6" HELIX 1.4301 V	1
7.3	4176513	> O-RING FOR PUMP JACKET VP.	1
7.4	2127603	> O-RING ID.37,6x2,4 EPDM VP.	1
7.5	2127602	> O-RING ID.21,35x2 EPDM VP.	1
8	4159686	FILING/PURGING PLUG HELIX EPDM KIT	1
9	4178597	CARTRIDGE HELIX2-4 F/E KIT	1
10	4177860	HOUSING PIPES D.152X735 1.4301 KIT	1
7.3	4176513	> O-RING FOR PUMP JACKET VP.	1
10.1		> HOUSING-PIPE Ø152-M+1017/18-304	1
11	4179315	CENTERING STAGE HELIX V2 1.4307 VP.	1
12	4178567	SHAFT EQUIPMENT HELIX V2/V4 KIT	1
12.1		> NUT-H-M8-STAINLESS-STEEL A4-70	1
12.2		> SHAFT END WASHER Ø8/Ø12 316L	1
12.3		> STOP COLLAR OF IMPELLER L12,6-Ø12-316L	1
12.4		> STOP-RUSH-1/2-D12xd2-M+316	1
13		HYDRAULIC HELIX V 226 1.4307	1
14	4179514	SHAFT D.12X858,8 1.4301 VP.	1
15	4179246	PUMP HOUSING HELIX V2/4 DN25 PN30 KIT	1
7.3	4176513	> O-RING FOR PUMP JACKET VP.	1

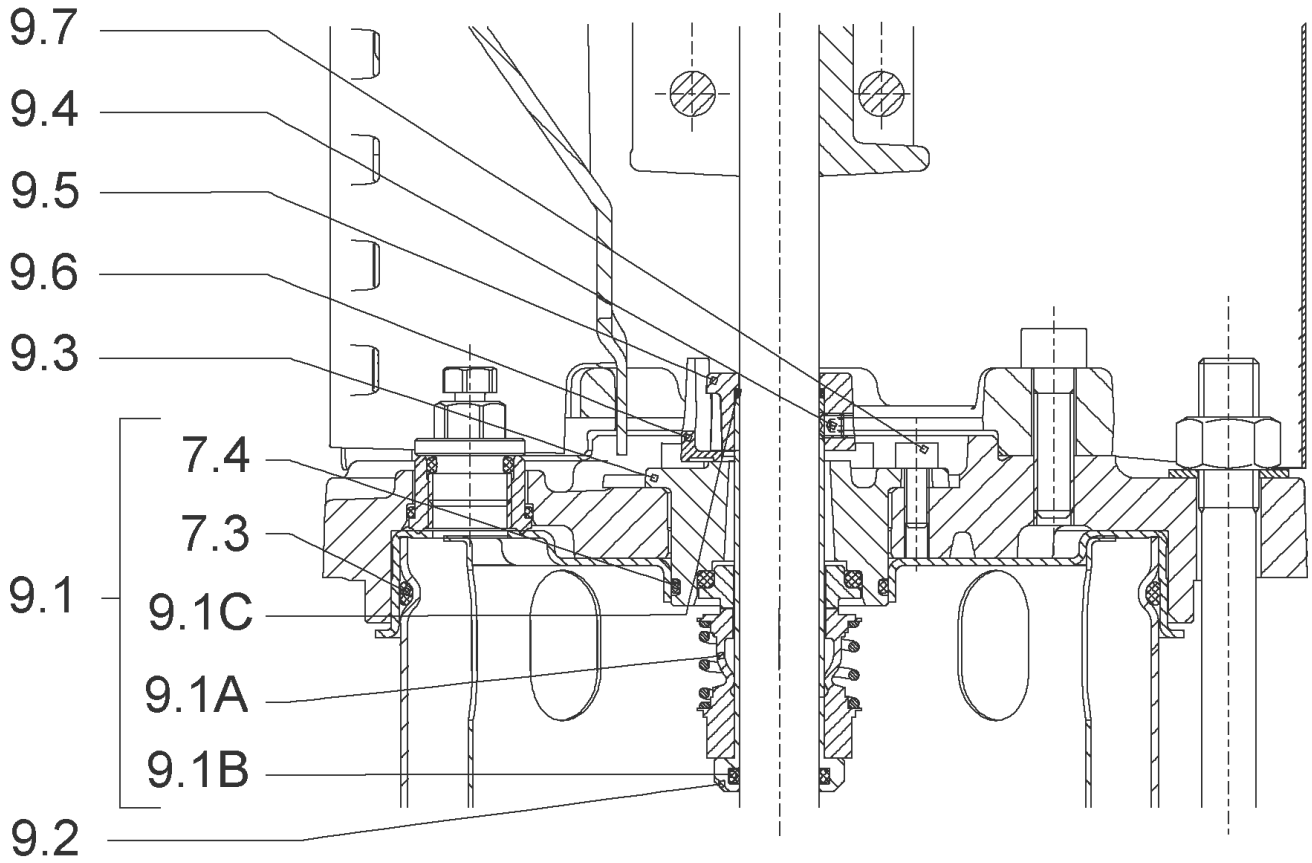
HELIX FIRST V226-5/25/E/KS/400-50 (4201066)

Item	Article no.	Description	Quantity
15.1		> MACH+CATA PUMP CASING M+5" DN25 PN25 GJL	1
15.2	4233952	> FLAT GASKET D.73 VP.	1
15.3	4177877	> PRIMING/DRAIN PLUG HELIX PN30 KIT	1
15.3A		>> PRIMING/DRAIN PLUG M+6" 304	1
15.3B	4233957	>> O-RING ID.9 EPDM VP.	1
15.3C		>> O-RING Ø8xØ2 EPDM KTW/WRC	1



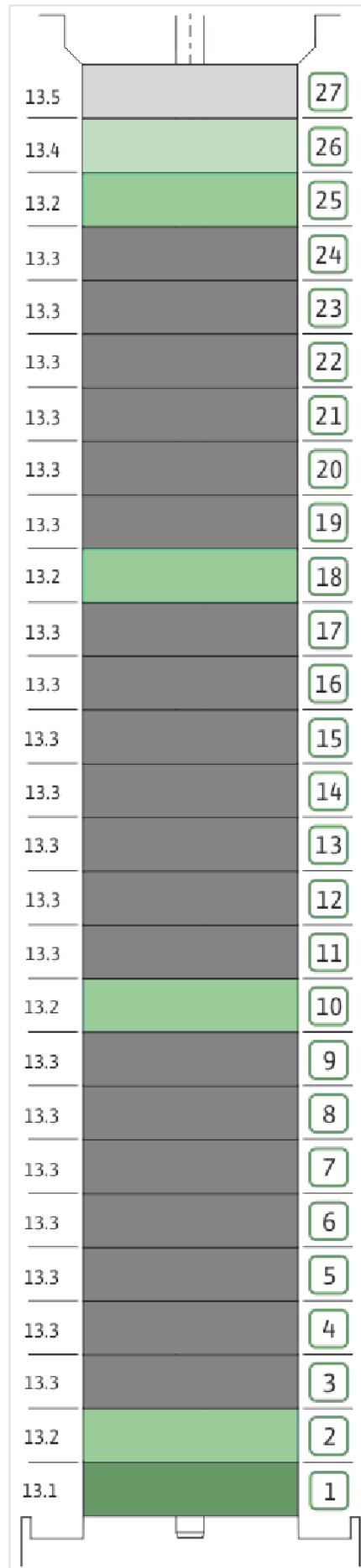
COUPLING D.12XD.24 FT115 KIT (4178600)

Item	Article no.	Description	Quantity
4.1		COUPLING-M+ Ø12XØ24-FT115-MACHINED	1
4.2	2131023	BALL BEARING 6207/ZZ-C3(HT)VP.	1
4.3	4234254	CIRCLIP-FOR-SHAFT-D35x1.5 VP.	1
4.4	4157726	SCREW KIT M8X30 (4 PIECES)	1
4.5	4234251	CIRCLIP-D72x2.5 VP.	1
4.6	4234246	O-RING 72X3 VP.	1
		NOMEL CONTACT WASHER 8x16x1,4 STEEL ZC	1

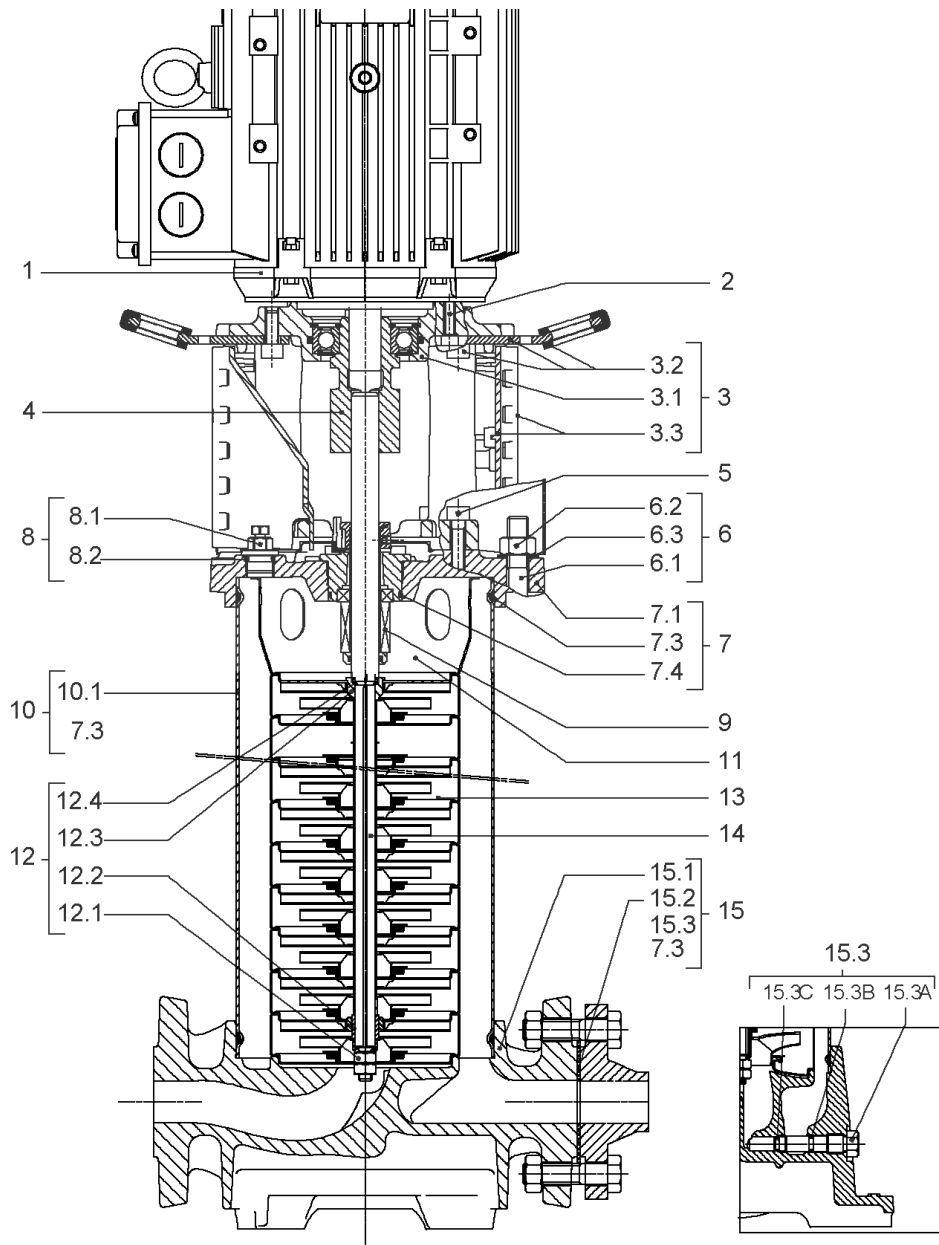


CARTRIDGE HELIX2-4 F/E KIT (4178597)

Item	Article no.	Description	Quantity
9.1	4178594	SEAL-KIT-HELIX2-4 F/E	1
7.3	4176513	> O-RING FOR PUMP JACKET VP.	1
7.4	2127603	> O-RING ID.37,6x2,4 EPDM VP.	1
9.1A	4176521	> MECH.SEAL HELIX2-4-6-10-16 F/E VP.	1
9.1B	4178558	> O-RING ID.12X2 EPDM VP.	1
9.1C	4178558	> O-RING ID.12X2 EPDM VP.	1
9.2	4178596	SHAFT SLEEVE D.18/12X72,2 1.4404 VP.	1
9.3	2130962	RING HOLDER D.18 G606/G6 1.4301 VP.	1
9.4	4176520	SCREW CH M5x5 A4-70 (3PIECES)	1
9.5	4178595	DRIVE RING D.29/15.5x13,2 MACH.VP.	1
9.6	2130964	TOOL M.S.CART.HELIX VP.	1
9.7	2130965	SCREW CHC M5X12 ISO4762 A2.70(4 PIECES)	1



Item	Article no.	Description	Quantity
13.1	4179316	STAGE HELIX 2 1.4301 KIT	1
		> MACH.STG-CASING-WOGV-WNR-M+2-4-304	1
		> IMPELLER-M+2-304	1
13.2	4179317	STAGE BEARING HELIX 2 1.4307 KIT	1
		> MACH.BEARING-STG-CASING-WNR-M+2-304	1
		> IMPELLER-M+2-304	1
		> SHAFT SLEEVE SPACER Ø15,35x10,305-304	1
		> SHAFT-SLEEVE-D12xD16x14-CW	1
13.3	4213786	INTERM. STAGE HELIX 2 >14 ST. 1.4307 KIT	1
		> CORPS-ETG-STD-ACR-AJR-USIN.M+2-304	1
		> IMPELLER-M+2-304	1
		> IMPELLER SPACER Ø12,1X14,1-L24,25-316L	1
13.4	4220515	EMPTY STAGE HELIX 2 1.4301>15 stage Kit	1
		> CORPS-ETG-STD-ACR-AJR-USIN.M+2-304	1
		> FLAT WASHER-D12.1XD16X0.8-316L	1
		> IMPELLER SPACER Ø12,1X14,1-L24,25-316L	1
13.5	4220512	INTERMED STAGE>15 HELIX 2 1.4301 KIT	1
		> MACH.STG-CASING-WOGV-WNR-M+2-4-304	1
		> IMPELLER-M+2-304	1
		> IMPELLER SPACER Ø12,1X14,1-L24,25-316L	1



HELIX FIRST V229-5/30/E/KS/400-50 (4201068)

Item	Article no.	Description	Quantity
1	4169943	MOTOR 2,2/2/90 3~230/400V 50HZ IE3 VP.	1
		SPARE PARTS MOTOR:ON REQUEST	1
2	4159703	SCREW M8X40 (4 PIECES)	1
3	4159690	LANTERN FT115 HELIX KIT	1
3.1		> LANTERN FT115 M+6" GJL MACHINING+CATA	1
3.2	2127604	> EYELET CPL.FT HELIX(2 PIECES)	1
3.3	4159692	> COUPLING PROTECTOR FT HELIX KIT	1
4	4178600	COUPLING D.12XD.24 FT115 KIT	1
5	4159707	SCREW M8X30 (4 PIECES)	1
6	4179238	STUD BOLT M12X845 KIT	1
6.1		> TIE BOLT M12-845x18x30-1.4057	1
6.2	2094647	> NUT M12 M12 ISO4032 VP.	1
6.3	2123557	> WASHER CS-12.4-24-1.6-NFE25 (4 PIECES)	1
7	4177867	END SHIELD PN30 HELIX EPDM KIT	1
7.1		> END SHIELD M+ JL VERSION 1 MACHINED+CATA	1
7.3	4176513	> O-RING FOR PUMP JACKET VP.	1
7.4	2127603	> O-RING ID.37,6x2,4 EPDM VP.	1
8	4159686	FILING/PURGING PLUG HELIX EPDM KIT	1
9	4179241	MECH.SEAL+CART. HELIX2-4 T/E KIT	1
10	2127583	HOUSING PIPE D.152x810 1.4301 KIT	1
7.3	4176513	> O-RING FOR PUMP JACKET VP.	1
10.1		> HOUSING-PIPE Ø152-M+1020/1613-304	1
11	4179315	CENTERING STAGE HELIX V2 1.4307 VP.	1
12	4178567	SHAFT EQUIPMENT HELIX V2/V4 KIT	1
12.1		> NUT-H-M8-STAINLESS-STEEL A4-70	1
12.2		> SHAFT END WASHER Ø8/Ø12 316L	1
12.3		> STOP COLLAR OF IMPELLER L12,6-Ø12-316L	1
12.4		> STOP-RUSH-1/2-D12xd2-M+316	1
13		HYDRAULIC HELIX V 229 1.4307	1
14	4179516	SHAFT D.12X933,8 1.4301 VP.	1
15	4179246	PUMP HOUSING HELIX V2/4 DN25 PN30 KIT	1
7.3	4176513	> O-RING FOR PUMP JACKET VP.	1
15.1		> MACH+CATA PUMP CASING M+5" DN25 PN25 GJL	1
15.2	4233952	> FLAT GASKET D.73 VP.	1

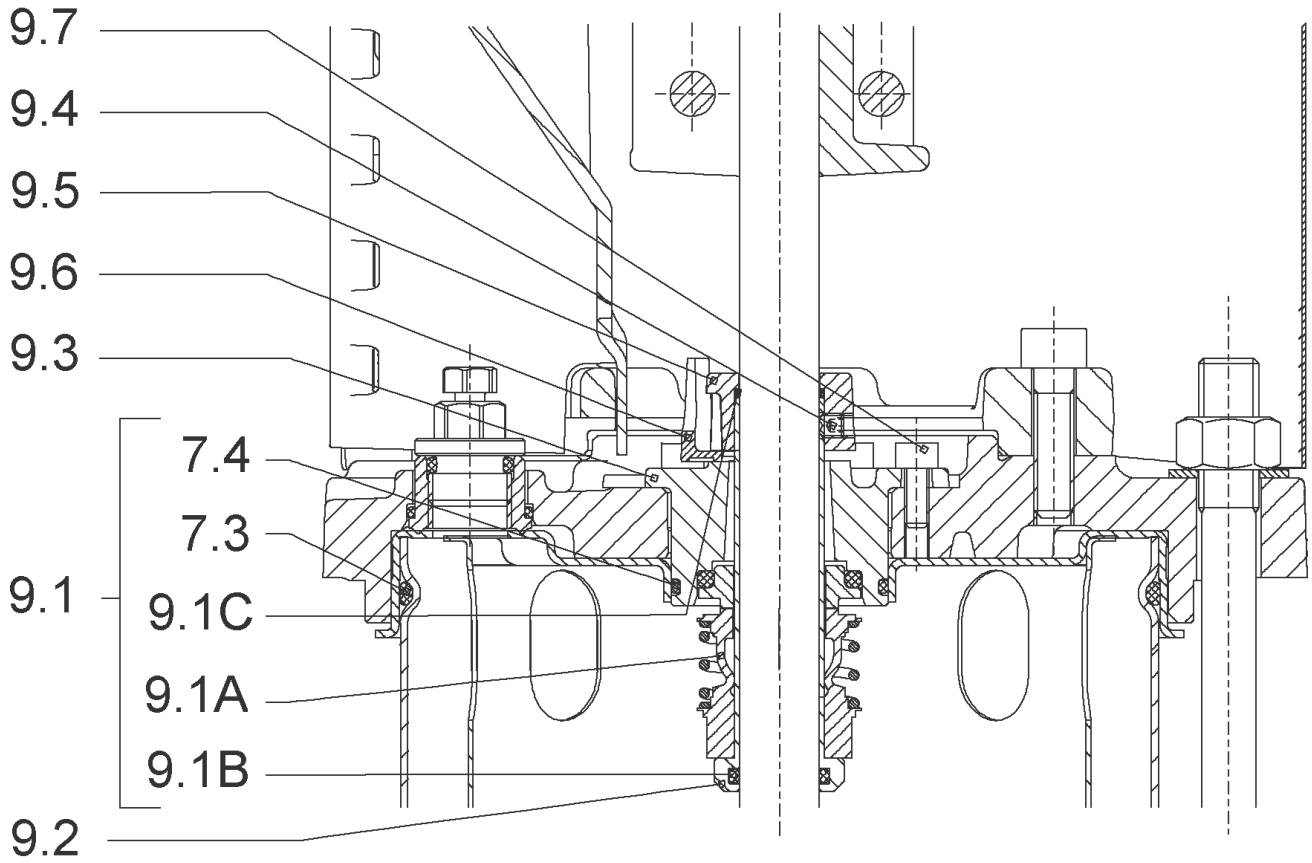
HELIX FIRST V229-5/30/E/KS/400-50 (4201068)

Item	Article no.	Description	Quantity
15.3	4177877	> PRIMING/DRAIN PLUG HELIX PN30 KIT	1
15.3A		>> PRIMING/DRAIN PLUG M+6" 304	1
15.3B	4233957	>> O-RING ID.9 EPDM VP.	1
15.3C		>> O-RING Ø8xØ2 EPDM KTW/WRC	1



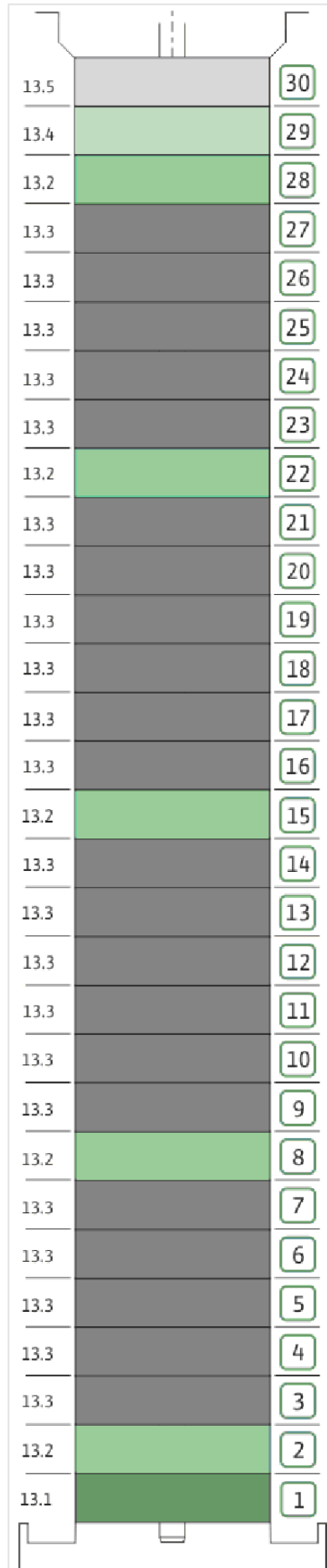
COUPLING D.12XD.24 FT115 KIT (4178600)

Item	Article no.	Description	Quantity
4.1		COUPLING-M+ Ø12XØ24-FT115-MACHINED	1
4.2	2131023	BALL BEARING 6207/ZZ-C3(HT)VP.	1
4.3	4234254	CIRCLIP-FOR-SHAFT-D35x1.5 VP.	1
4.4	4157726	SCREW KIT M8X30 (4 PIECES)	1
4.5	4234251	CIRCLIP-D72x2.5 VP.	1
4.6	4234246	O-RING 72X3 VP.	1
		NOMEL CONTACT WASHER 8x16x1,4 STEEL ZC	1

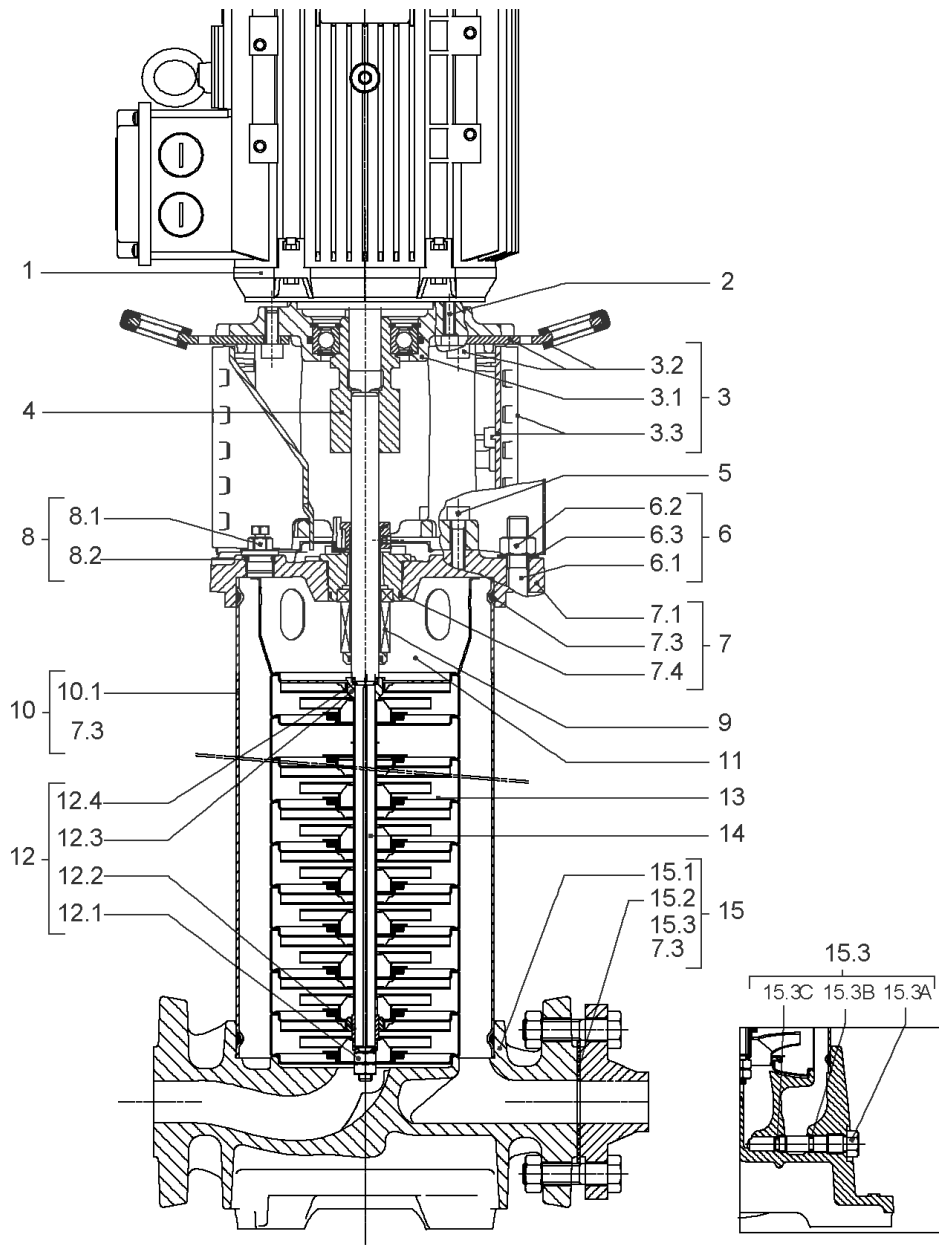


MECH.SEAL+CART. HELIX2-4 T/E KIT (4179241)

Item	Article no.	Description	Quantity
9.1	4179240	SEAL-KIT-HELIX2-4 T/E	1
7.3	4176513	> O-RING FOR PUMP JACKET VP.	1
7.4	2127603	> O-RING ID.37,6x2,4 EPDM VP.	1
9.1A	4177870	> MECH.SEAL HELIX2-4-6-10-16 T/E VP.	1
9.1B	4178558	> O-RING ID.12X2 EPDM VP.	1
9.1C	4178558	> O-RING ID.12X2 EPDM VP.	1
9.2	4179239	SHAFT SLEEVE D.18/12X72.2 1.4404 VP.	1
9.3	4177868	RING-HOLDER MS G9 316 VP.	1
9.4	4176520	SCREW CH M5x5 A4-70 (3PIECES)	1
9.5	4178595	DRIVE RING D.29/15.5x13,2 MACH.VP.	1
9.6	2130964	TOOL M.S.CART.HELIX VP.	1
9.7	2130965	SCREW CHC M5X12 ISO4762 A2.70(4 PIECES)	1



Item	Article no.	Description	Quantity
13.1	4179316	STAGE HELIX 2 1.4301 KIT	1
		> MACH.STG-CASING-WOGV-WNR-M+2-4-304	1
		> IMPELLER-M+2-304	1
13.2	4179317	STAGE BEARING HELIX 2 1.4307 KIT	1
		> MACH.BEARING-STG-CASING-WNR-M+2-304	1
		> IMPELLER-M+2-304	1
		> SHAFT SLEEVE SPACER Ø15,35x10,305-304	1
		> SHAFT-SLEEVE-D12xD16x14-CW	1
13.3	4213786	INTERM. STAGE HELIX 2 >14 ST. 1.4307 KIT	1
		> CORPS-ETG-STD-ACR-AJR-USIN.M+2-304	1
		> IMPELLER-M+2-304	1
		> IMPELLER SPACER Ø12,1X14,1-L24,25-316L	1
13.4	4220515	EMPTY STAGE HELIX 2 1.4301>15 stage Kit	1
		> CORPS-ETG-STD-ACR-AJR-USIN.M+2-304	1
		> FLAT WASHER-D12.1XD16X0.8-316L	1
		> IMPELLER SPACER Ø12,1X14,1-L24,25-316L	1
13.5	4220512	INTERMED STAGE>15 HELIX 2 1.4301 KIT	1
		> MACH.STG-CASING-WOGV-WNR-M+2-4-304	1
		> IMPELLER-M+2-304	1
		> IMPELLER SPACER Ø12,1X14,1-L24,25-316L	1



HELIX FIRST V231-5/30/E/KS/400-50 (4201069)

Item	Article no.	Description	Quantity
1	4169944	MOTOR 3/2/100 3~230/400V 50HZ IE3 VP.	1
		SPARE PARTS MOTOR:ON REQUEST	1
2	4206025	SCREW M8X45 (4 PIECES)	1
3	4171326	LANTERN FT130 HELIX KIT	1
3.1		> LANTERN FT130 M+6" GJL MACHINING+CATA	1
3.2	2127604	> EYELET CPL.FT HELIX(2 PIECES)	1
3.3	4159692	> COUPLING PROTECTOR FT HELIX KIT	1
4	4178626	COUPLING D.12XD.28 FT130 KIT	1
5	4159707	SCREW M8X30 (4 PIECES)	1
6	4177859	STUD BOLT M12X863KIT	1
6.1		> TIE BOLT M12-863x18x30-1.4057	1
6.2	2094647	> NUT M12 M12 ISO4032 VP.	1
6.3	2123557	> WASHER CS-12.4-24-1.6-NFE25 (4 PIECES)	1
7	4177867	END SHIELD PN30 HELIX EPDM KIT	1
7.1		> END SHIELD M+ JL VERSION 1 MACHINED+CATA	1
7.3	4176513	> O-RING FOR PUMP JACKET VP.	1
7.4	2127603	> O-RING ID.37,6x2,4 EPDM VP.	1
8	4159686	FILING/PURGING PLUG HELIX EPDM KIT	1
9	4179241	MECH.SEAL+CART. HELIX2-4 T/E KIT	1
10	4179250	HOUSING PIPE D.152X835 1.4301 KIT	1
7.3	4176513	> O-RING FOR PUMP JACKET VP.	1
10.1		> HOUSING-PIPE Ø152-M+231/431-304	1
11	4179315	CENTERING STAGE HELIX V2 1.4307 VP.	1
12	4178567	SHAFT EQUIPMENT HELIX V2/V4 KIT	1
12.1		> NUT-H-M8-STAINLESS-STEEL A4-70	1
12.2		> SHAFT END WASHER Ø8/Ø12 316L	1
12.3		> STOP COLLAR OF IMPELLER L12,6-Ø12-316L	1
12.4		> STOP-RUSH-1/2-D12xd2-M+316	1
13		HYDRAULIC HELIX V 231 1.4307	1
14	4179518	SHAFT D.12X958,8 1.4301 VP.	1
15	4179246	PUMP HOUSING HELIX V2/4 DN25 PN30 KIT	1
7.3	4176513	> O-RING FOR PUMP JACKET VP.	1
15.1		> MACH+CATA PUMP CASING M+5" DN25 PN25 GJL	1
15.2	4233952	> FLAT GASKET D.73 VP.	1

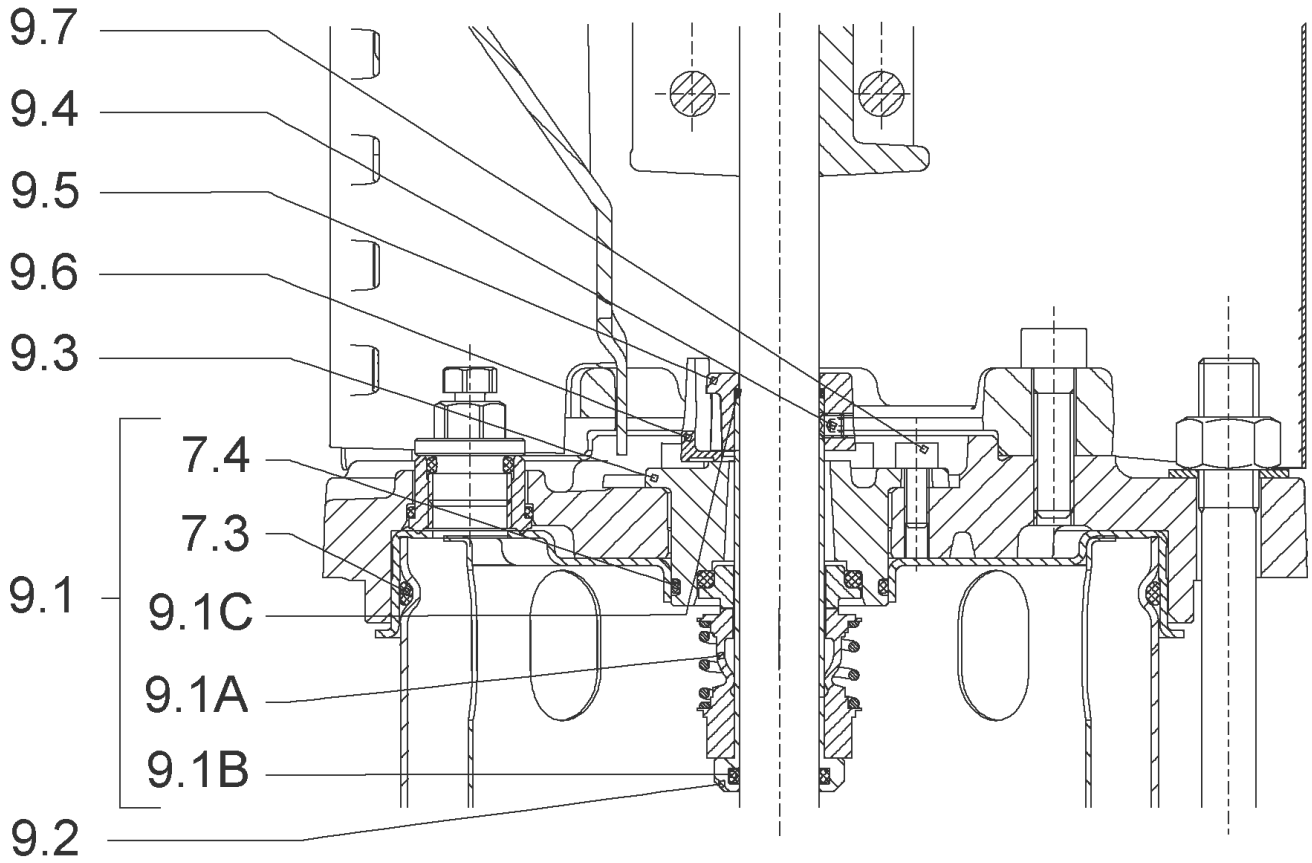
HELIX FIRST V231-5/30/E/KS/400-50 (4201069)

Item	Article no.	Description	Quantity
15.3	4177877	> PRIMING/DRAIN PLUG HELIX PN30 KIT	1
15.3A		>> PRIMING/DRAIN PLUG M+6" 304	1
15.3B	4233957	>> O-RING ID.9 EPDM VP.	1
15.3C		>> O-RING Ø8xØ2 EPDM KTW/WRC	1



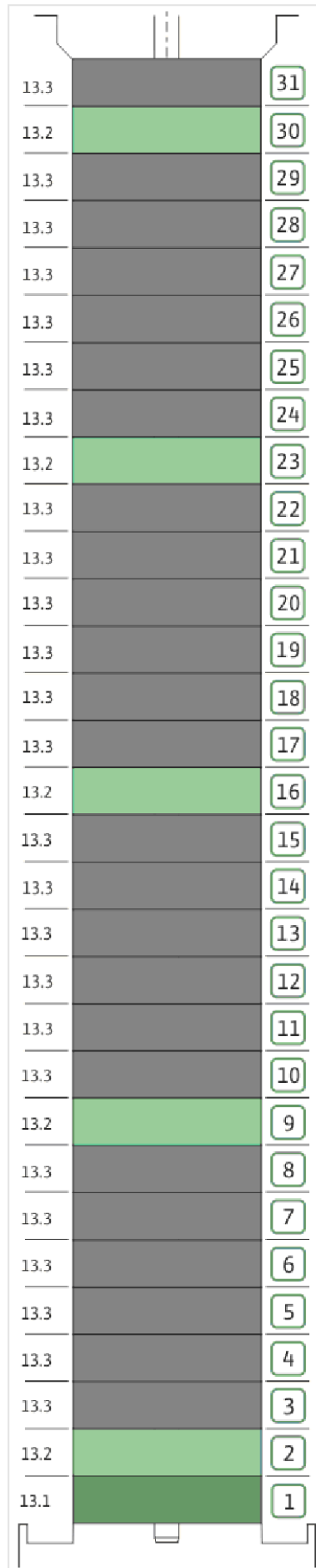
COUPLING D.12XD.28 FT130 KIT (4178626)

Item	Article no.	Description	Quantity
4.1		COUPLING-M+ Ø12XØ28-FT130-MACHINED	1
4.2	2131022	BALL BEARING 6209/ZZ-C3(HT)VP.	1
4.3	4233930	CIRCLIP-FOR-BORES-D45x1,75 VP.	1
4.4	4157726	SCREW KIT M8X30 (4 PIECES)	1
4.5	4234252	CIRCLIPS 85X3 VP.	1
4.6	4234243	O-RING 85X3 VP.	1
		NOMEL CONTACT WASHER 8x16x1,4 STEEL ZC	1



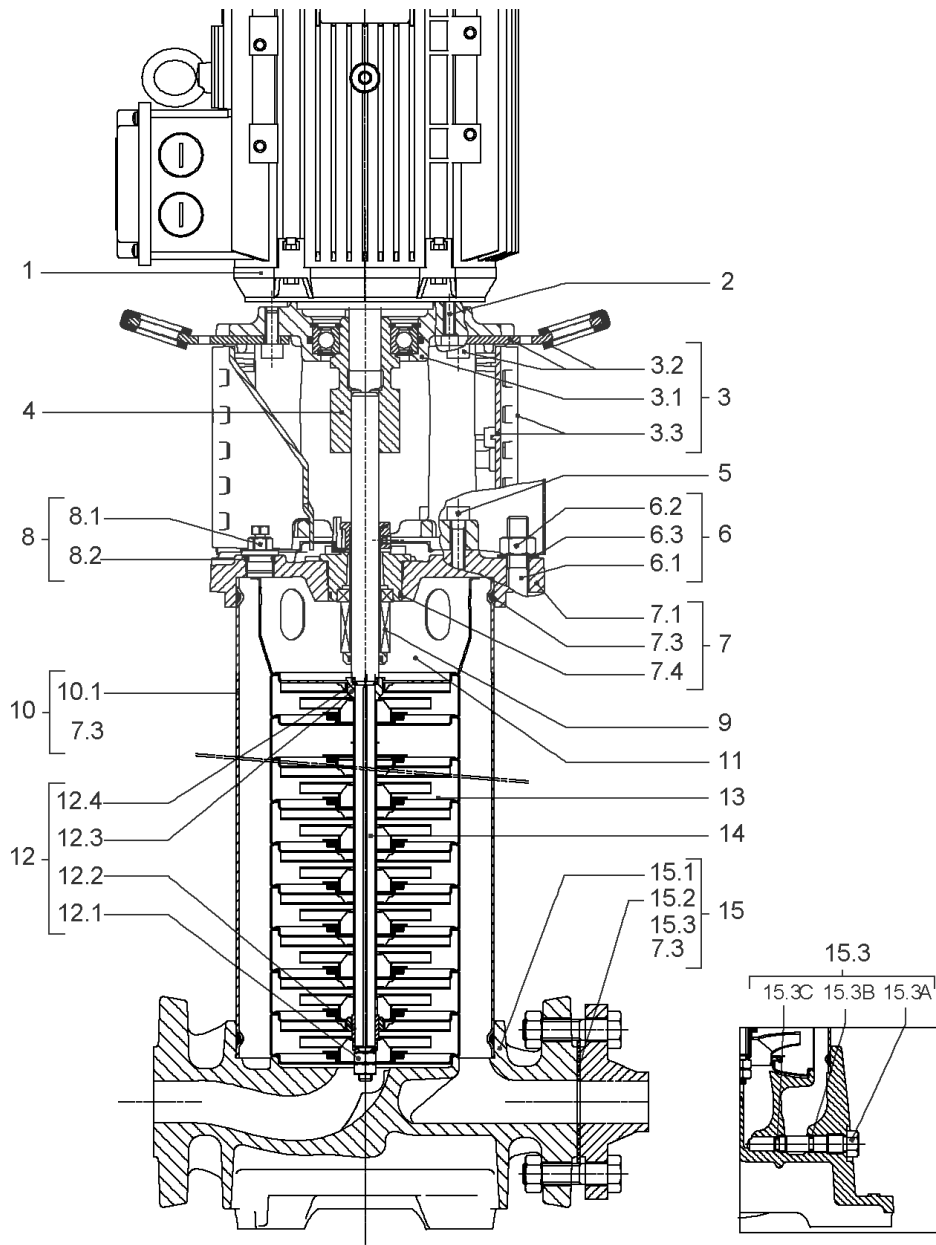
MECH.SEAL+CART. HELIX2-4 T/E KIT (4179241)

Item	Article no.	Description	Quantity
9.1	4179240	SEAL-KIT-HELIX2-4 T/E	1
7.3	4176513	> O-RING FOR PUMP JACKET VP.	1
7.4	2127603	> O-RING ID.37,6x2,4 EPDM VP.	1
9.1A	4177870	> MECH.SEAL HELIX2-4-6-10-16 T/E VP.	1
9.1B	4178558	> O-RING ID.12X2 EPDM VP.	1
9.1C	4178558	> O-RING ID.12X2 EPDM VP.	1
9.2	4179239	SHAFT SLEEVE D.18/12X72.2 1.4404 VP.	1
9.3	4177868	RING-HOLDER MS G9 316 VP.	1
9.4	4176520	SCREW CH M5x5 A4-70 (3PIECES)	1
9.5	4178595	DRIVE RING D.29/15.5x13,2 MACH.VP.	1
9.6	2130964	TOOL M.S.CART.HELIX VP.	1
9.7	2130965	SCREW CHC M5X12 ISO4762 A2.70(4 PIECES)	1



HYDRAULIC HELIX V 231 1.4307

Item	Article no.	Description	Quantity
13.1	4179316	STAGE HELIX 2 1.4301 KIT	1
		> MACH.STG-CASING-WOGV-WNR-M+2-4-304	1
		> IMPELLER-M+2-304	1
13.2	4179317	STAGE BEARING HELIX 2 1.4307 KIT	1
		> MACH.BEARING-STG-CASING-WNR-M+2-304	1
		> IMPELLER-M+2-304	1
		> SHAFT SLEEVE SPACER Ø15,35x10,305-304	1
		> SHAFT-SLEEVE-D12xD16x14-CW	1
13.3	4213786	INTERM. STAGE HELIX 2 >14 ST. 1.4307 KIT	1
		> CORPS-ETG-STD-ACR-AJR-USIN.M+2-304	1
		> IMPELLER-M+2-304	1
		> IMPELLER SPACER Ø12,1x14,1-L24,25-316L	1



HELIX FIRST V233-5/30/E/KS/400-50 (4201070)

Item	Article no.	Description	Quantity
1	4169944	MOTOR 3/2/100 3~230/400V 50HZ IE3 VP.	1
		SPARE PARTS MOTOR:ON REQUEST	1
2	4206025	SCREW M8X45 (4 PIECES)	1
3	4171326	LANTERN FT130 HELIX KIT	1
3.1		> LANTERN FT130 M+6" GJL MACHINING+CATA	1
3.2	2127604	> EYELET CPL.FT HELIX(2 PIECES)	1
3.3	4159692	> COUPLING PROTECTOR FT HELIX KIT	1
4	4178626	COUPLING D.12XD.28 FT130 KIT	1
5	4159707	SCREW M8X30 (4 PIECES)	1
6	4177866	STUD BOLT M12X915 KIT	1
6.1		> TIE BOLT M12-915x18x30-1.4057	1
6.2	2094647	> NUT M12 M12 ISO4032 VP.	1
6.3	2123557	> WASHER CS-12.4-24-1.6-NFE25 (4 PIECES)	1
7	4177867	END SHIELD PN30 HELIX EPDM KIT	1
7.1		> END SHIELD M+ JL VERSION 1 MACHINED+CATA	1
7.3	4176513	> O-RING FOR PUMP JACKET VP.	1
7.4	2127603	> O-RING ID.37,6x2,4 EPDM VP.	1
8	4159686	FILING/PURGING PLUG HELIX EPDM KIT	1
9	4179241	MECH.SEAL+CART. HELIX2-4 T/E KIT	1
10	4177873	HOUSING PIPE D.152x885,5 1.4301 KIT	1
7.3	4176513	> O-RING FOR PUMP JACKET VP.	1
10.1		> HOUSING-PIPE Ø152-M+1021/22-304	1
11	4179315	CENTERING STAGE HELIX V2 1.4307 VP.	1
12	4178567	SHAFT EQUIPMENT HELIX V2/V4 KIT	1
12.1		> NUT-H-M8-STAINLESS-STEEL A4-70	1
12.2		> SHAFT END WASHER Ø8/Ø12 316L	1
12.3		> STOP COLLAR OF IMPELLER L12,6-Ø12-316L	1
12.4		> STOP-RUSH-1/2-D12xd2-M+316	1
13		HYDRAULIC HELIX V 233 1.4307	1
14	4179519	SHAFT D.12X1008,8 1.4301 VP.	1
15	4179246	PUMP HOUSING HELIX V2/4 DN25 PN30 KIT	1
7.3	4176513	> O-RING FOR PUMP JACKET VP.	1
15.1		> MACH+CATA PUMP CASING M+5" DN25 PN25 GJL	1
15.2	4233952	> FLAT GASKET D.73 VP.	1

HELIX FIRST V233-5/30/E/KS/400-50 (4201070)

Item	Article no.	Description	Quantity
15.3	4177877	> PRIMING/DRAIN PLUG HELIX PN30 KIT	1
15.3A		>> PRIMING/DRAIN PLUG M+6" 304	1
15.3B	4233957	>> O-RING ID.9 EPDM VP.	1
15.3C		>> O-RING Ø8xØ2 EPDM KTW/WRC	1



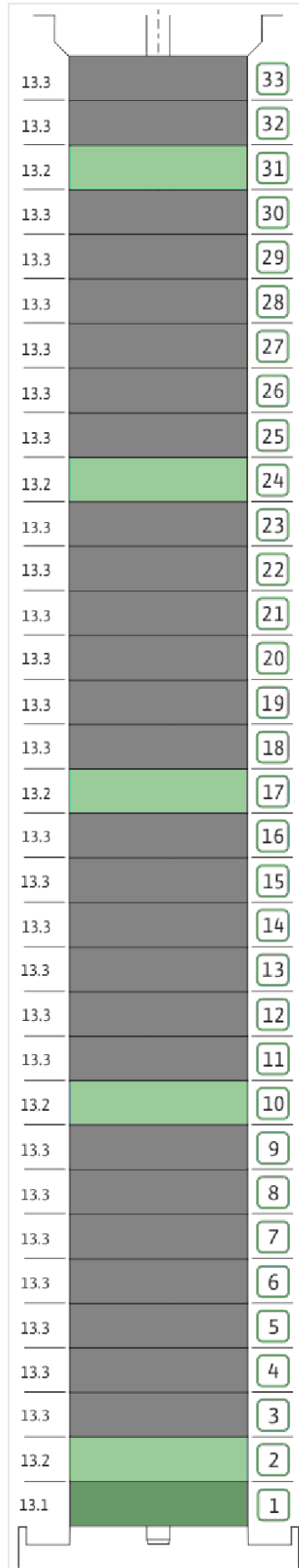
COUPLING D.12XD.28 FT130 KIT (4178626)

Item	Article no.	Description	Quantity
4.1		COUPLING-M+ Ø12XØ28-FT130-MACHINED	1
4.2	2131022	BALL BEARING 6209/ZZ-C3(HT)VP.	1
4.3	4233930	CIRCLIP-FOR-BORES-D45x1,75 VP.	1
4.4	4157726	SCREW KIT M8X30 (4 PIECES)	1
4.5	4234252	CIRCLIPS 85X3 VP.	1
4.6	4234243	O-RING 85X3 VP.	1
		NOMEL CONTACT WASHER 8x16x1,4 STEEL ZC	1



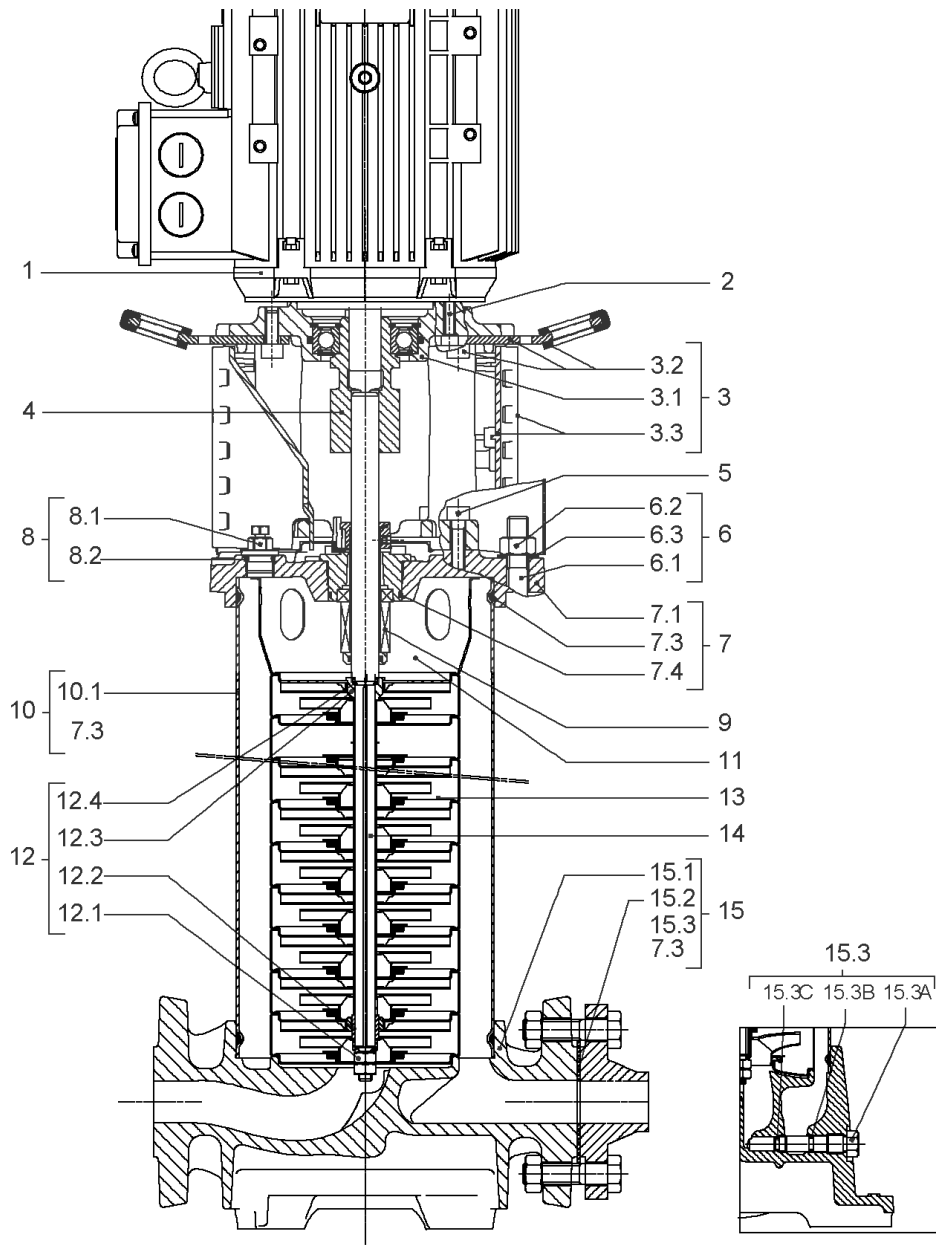
MECH.SEAL+CART. HELIX2-4 T/E KIT (4179241)

Item	Article no.	Description	Quantity
9.1	4179240	SEAL-KIT-HELIX2-4 T/E	1
7.3	4176513	> O-RING FOR PUMP JACKET VP.	1
7.4	2127603	> O-RING ID.37,6x2,4 EPDM VP.	1
9.1A	4177870	> MECH.SEAL HELIX2-4-6-10-16 T/E VP.	1
9.1B	4178558	> O-RING ID.12X2 EPDM VP.	1
9.1C	4178558	> O-RING ID.12X2 EPDM VP.	1
9.2	4179239	SHAFT SLEEVE D.18/12X72.2 1.4404 VP.	1
9.3	4177868	RING-HOLDER MS G9 316 VP.	1
9.4	4176520	SCREW CH M5x5 A4-70 (3PIECES)	1
9.5	4178595	DRIVE RING D.29/15.5x13,2 MACH.VP.	1
9.6	2130964	TOOL M.S.CART.HELIX VP.	1
9.7	2130965	SCREW CHC M5X12 ISO4762 A2.70(4 PIECES)	1



HYDRAULIC HELIX V 233 1.4307

Item	Article no.	Description	Quantity
13.1	4179316	STAGE HELIX 2 1.4301 KIT	1
		> MACH.STG-CASING-WOGV-WNR-M+2-4-304	1
		> IMPELLER-M+2-304	1
13.2	4179317	STAGE BEARING HELIX 2 1.4307 KIT	1
		> MACH.BEARING-STG-CASING-WNR-M+2-304	1
		> IMPELLER-M+2-304	1
		> SHAFT SLEEVE SPACER Ø15,35x10,305-304	1
		> SHAFT-SLEEVE-D12xD16x14-CW	1
13.3	4213786	INTERM. STAGE HELIX 2 >14 ST. 1.4307 KIT	1
		> CORPS-ETG-STD-ACR-AJR-USIN.M+2-304	1
		> IMPELLER-M+2-304	1
		> IMPELLER SPACER Ø12,1x14,1-L24,25-316L	1



HELIX FIRST V236-5/30/E/KS/400-50 (4201071)

Item	Article no.	Description	Quantity
1	4169944	MOTOR 3/2/100 3~230/400V 50HZ IE3 VP.	1
		SPARE PARTS MOTOR:ON REQUEST	1
2	4206025	SCREW M8X45 (4 PIECES)	1
3	4171326	LANTERN FT130 HELIX KIT	1
3.1		> LANTERN FT130 M+6" GJL MACHINING+CATA	1
3.2	2127604	> EYELET CPL.FT HELIX(2 PIECES)	1
3.3	4159692	> COUPLING PROTECTOR FT HELIX KIT	1
4	4178626	COUPLING D.12XD.28 FT130 KIT	1
5	4159707	SCREW M8X30 (4 PIECES)	1
6	4177881	STUD BOLT M12X990 KIT	1
6.1		> TIE BOLT M12-990x18x30-1.4057	1
6.2	2094647	> NUT M12 M12 ISO4032 VP.	1
6.3	2123557	> WASHER CS-12.4-24-1.6-NFE25 (4 PIECES)	1
7	4177867	END SHIELD PN30 HELIX EPDM KIT	1
7.1		> END SHIELD M+ JL VERSION 1 MACHINED+CATA	1
7.3	4176513	> O-RING FOR PUMP JACKET VP.	1
7.4	2127603	> O-RING ID.37,6x2,4 EPDM VP.	1
8	4159686	FILING/PURGING PLUG HELIX EPDM KIT	1
9	4179241	MECH.SEAL+CART. HELIX2-4 T/E KIT	1
10	4177874	HOUSING PIPE D.152x960 1.4307 KIT	1
7.3	4176513	> O-RING FOR PUMP JACKET VP.	1
10.1		> HOUSING-PIPE Ø152-M+1024/1616-304	1
11	4179315	CENTERING STAGE HELIX V2 1.4307 VP.	1
12	4178567	SHAFT EQUIPMENT HELIX V2/V4 KIT	1
12.1		> NUT-H-M8-STAINLESS-STEEL A4-70	1
12.2		> SHAFT END WASHER Ø8/Ø12 316L	1
12.3		> STOP COLLAR OF IMPELLER L12,6-Ø12-316L	1
12.4		> STOP-RUSH-1/2-D12xd2-M+316	1
13		HYDRAULIC HELIX V 236 1.4307	1
14	4205945	SHAFT D.12X1083 1.4057 VP.	1
15	4179246	PUMP HOUSING HELIX V2/4 DN25 PN30 KIT	1
7.3	4176513	> O-RING FOR PUMP JACKET VP.	1
15.1		> MACH+CATA PUMP CASING M+5" DN25 PN25 GJL	1
15.2	4233952	> FLAT GASKET D.73 VP.	1

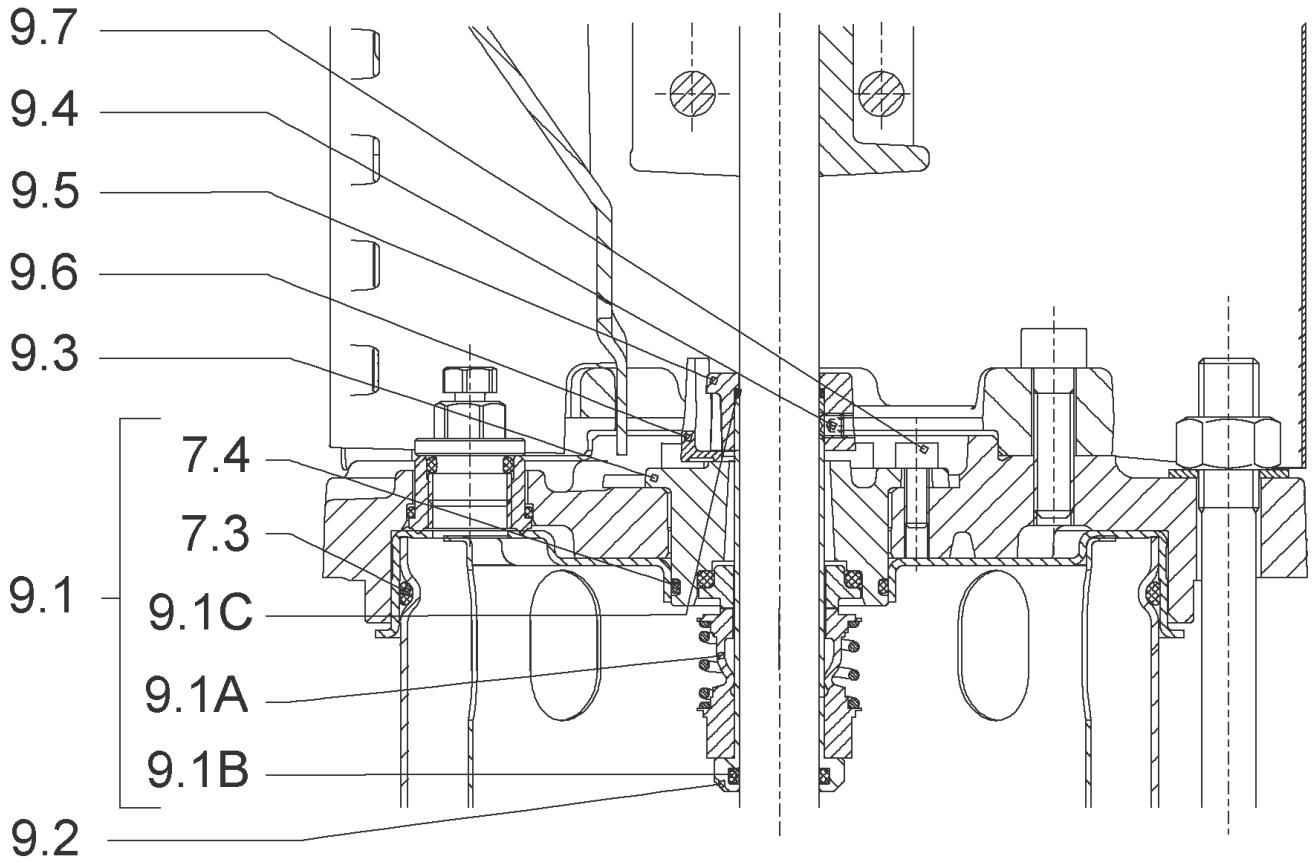
HELIX FIRST V236-5/30/E/KS/400-50 (4201071)

Item	Article no.	Description	Quantity
15.3	4177877	> PRIMING/DRAIN PLUG HELIX PN30 KIT	1
15.3A		>> PRIMING/DRAIN PLUG M+6" 304	1
15.3B	4233957	>> O-RING ID.9 EPDM VP.	1
15.3C		>> O-RING Ø8xØ2 EPDM KTW/WRC	1



COUPLING D.12XD.28 FT130 KIT (4178626)

Item	Article no.	Description	Quantity
4.1		COUPLING-M+ Ø12XØ28-FT130-MACHINED	1
4.2	2131022	BALL BEARING 6209/ZZ-C3(HT)VP.	1
4.3	4233930	CIRCLIP-FOR-BORES-D45x1,75 VP.	1
4.4	4157726	SCREW KIT M8X30 (4 PIECES)	1
4.5	4234252	CIRCLIPS 85X3 VP.	1
4.6	4234243	O-RING 85X3 VP.	1
		NOMEL CONTACT WASHER 8x16x1,4 STEEL ZC	1



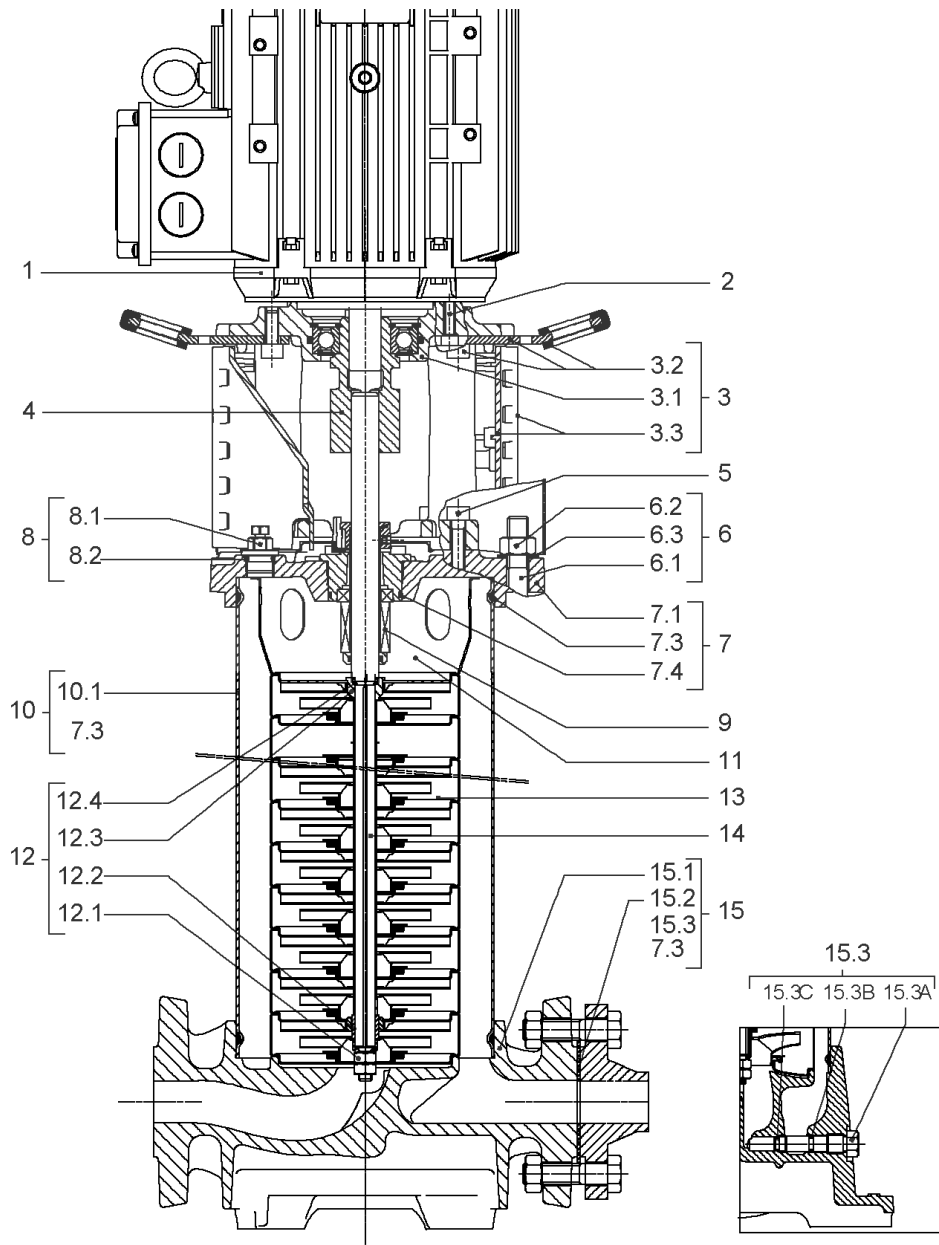
MECH.SEAL+CART. HELIX2-4 T/E KIT (4179241)

Item	Article no.	Description	Quantity
9.1	4179240	SEAL-KIT-HELIX2-4 T/E	1
7.3	4176513	> O-RING FOR PUMP JACKET VP.	1
7.4	2127603	> O-RING ID.37,6x2,4 EPDM VP.	1
9.1A	4177870	> MECH.SEAL HELIX2-4-6-10-16 T/E VP.	1
9.1B	4178558	> O-RING ID.12X2 EPDM VP.	1
9.1C	4178558	> O-RING ID.12X2 EPDM VP.	1
9.2	4179239	SHAFT SLEEVE D.18/12X72.2 1.4404 VP.	1
9.3	4177868	RING-HOLDER MS G9 316 VP.	1
9.4	4176520	SCREW CH M5x5 A4-70 (3PIECES)	1
9.5	4178595	DRIVE RING D.29/15.5x13,2 MACH.VP.	1
9.6	2130964	TOOL M.S.CART.HELIX VP.	1
9.7	2130965	SCREW CHC M5X12 ISO4762 A2.70(4 PIECES)	1



HYDRAULIC HELIX V 236 1.4307

Item	Article no.	Description	Quantity
13.1	4179316	STAGE HELIX 2 1.4301 KIT	1
		> MACH.STG-CASING-WOGV-WNR-M+2-4-304	1
		> IMPELLER-M+2-304	1
13.2	4179317	STAGE BEARING HELIX 2 1.4307 KIT	1
		> MACH.BEARING-STG-CASING-WNR-M+2-304	1
		> IMPELLER-M+2-304	1
		> SHAFT SLEEVE SPACER Ø15,35x10,305-304	1
		> SHAFT-SLEEVE-D12xD16x14-CW	1
13.3	4213786	INTERM. STAGE HELIX 2 >14 ST. 1.4307 KIT	1
		> CORPS-ETG-STD-ACR-AJR-USIN.M+2-304	1
		> IMPELLER-M+2-304	1
		> IMPELLER SPACER Ø12,1x14,1-L24,25-316L	1



HELIX FIRST V239-5/30/E/KS/400-50 (4201072)

Item	Article no.	Description	Quantity
1	4169944	MOTOR 3/2/100 3~230/400V 50HZ IE3 VP.	1
		SPARE PARTS MOTOR:ON REQUEST	1
2	4206025	SCREW M8X45 (4 PIECES)	1
3	4171326	LANTERN FT130 HELIX KIT	1
3.1		> LANTERN FT130 M+6" GJL MACHINING+CATA	1
3.2	2127604	> EYELET CPL.FT HELIX(2 PIECES)	1
3.3	4159692	> COUPLING PROTECTOR FT HELIX KIT	1
4	4178626	COUPLING D.12XD.28 FT130 KIT	1
5	4159707	SCREW M8X30 (4 PIECES)	1
6	4177993	STUD BOLT M12X1065 KIT	1
6.1		> TIE BOLT M12-1065x18x30-1.4057	1
6.2	2094647	> NUT M12 M12 ISO4032 VP.	1
6.3	2123557	> WASHER CS-12.4-24-1.6-NFE25 (4 PIECES)	1
7	4177867	END SHIELD PN30 HELIX EPDM KIT	1
7.1		> END SHIELD M+ JL VERSION 1 MACHINED+CATA	1
7.3	4176513	> O-RING FOR PUMP JACKET VP.	1
7.4	2127603	> O-RING ID.37,6x2,4 EPDM VP.	1
8	4159686	FILING/PURGING PLUG HELIX EPDM KIT	1
9	4179241	MECH.SEAL+CART. HELIX2-4 T/E KIT	1
10	4177986	HOUSING PIPE D.152x1035 304 KIT	1
7.3	4176513	> O-RING FOR PUMP JACKET VP.	1
10.1		> HOUSING-PIPE Ø152-M+625-304	1
11	4179315	CENTERING STAGE HELIX V2 1.4307 VP.	1
12	4178567	SHAFT EQUIPMENT HELIX V2/V4 KIT	1
12.1		> NUT-H-M8-STAINLESS-STEEL A4-70	1
12.2		> SHAFT END WASHER Ø8/Ø12 316L	1
12.3		> STOP COLLAR OF IMPELLER L12,6-Ø12-316L	1
12.4		> STOP-RUSH-1/2-D12xd2-M+316	1
13		HYDRAULIC HELIX V 239 1.4307	1
14	4205951	SHAFT D.12X1158 1.4057 VP.	1
15	4179246	PUMP HOUSING HELIX V2/4 DN25 PN30 KIT	1
7.3	4176513	> O-RING FOR PUMP JACKET VP.	1
15.1		> MACH+CATA PUMP CASING M+5" DN25 PN25 GJL	1
15.2	4233952	> FLAT GASKET D.73 VP.	1

HELIX FIRST V239-5/30/E/KS/400-50 (4201072)

Item	Article no.	Description	Quantity
15.3	4177877	> PRIMING/DRAIN PLUG HELIX PN30 KIT	1
15.3A		>> PRIMING/DRAIN PLUG M+6" 304	1
15.3B	4233957	>> O-RING ID.9 EPDM VP.	1
15.3C		>> O-RING Ø8xØ2 EPDM KTW/WRC	1



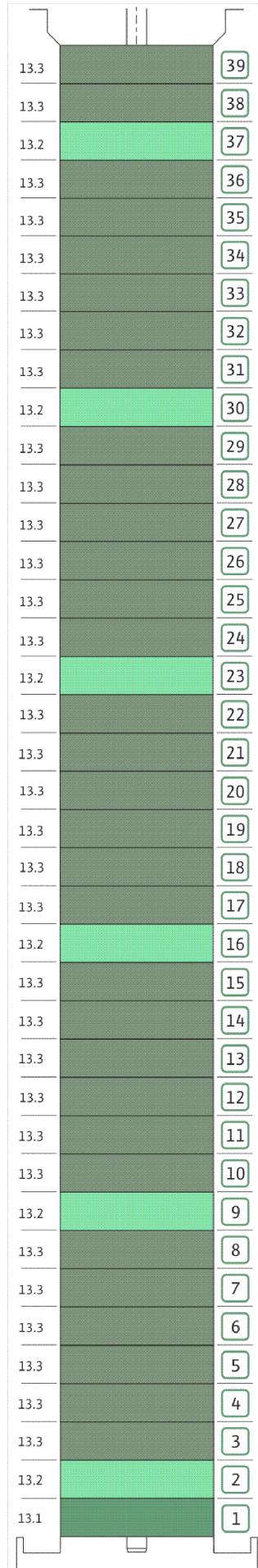
COUPLING D.12XD.28 FT130 KIT (4178626)

Item	Article no.	Description	Quantity
4.1		COUPLING-M+ Ø12XØ28-FT130-MACHINED	1
4.2	2131022	BALL BEARING 6209/ZZ-C3(HT)VP.	1
4.3	4233930	CIRCLIP-FOR-BORES-D45x1,75 VP.	1
4.4	4157726	SCREW KIT M8X30 (4 PIECES)	1
4.5	4234252	CIRCLIPS 85X3 VP.	1
4.6	4234243	O-RING 85X3 VP.	1
		NOMEL CONTACT WASHER 8x16x1,4 STEEL ZC	1



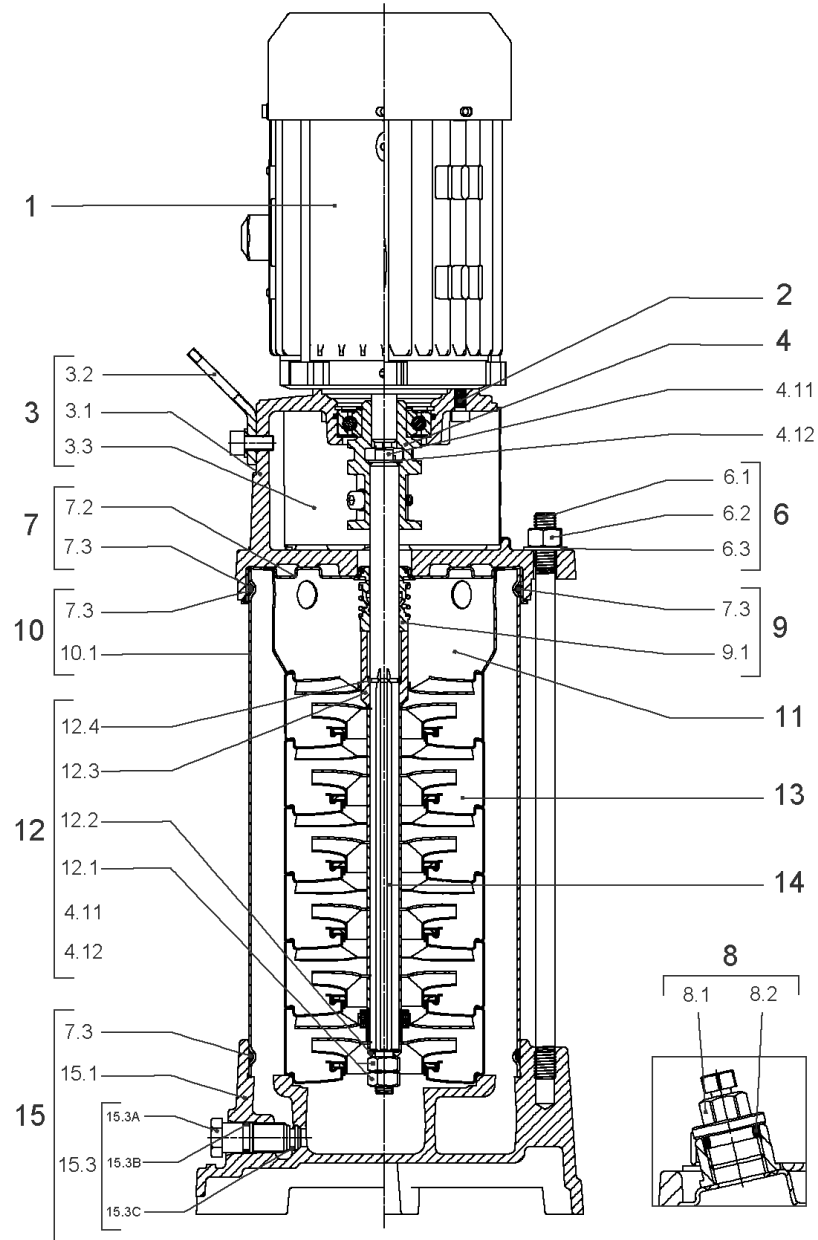
MECH.SEAL+CART. HELIX2-4 T/E KIT (4179241)

Item	Article no.	Description	Quantity
9.1	4179240	SEAL-KIT-HELIX2-4 T/E	1
7.3	4176513	> O-RING FOR PUMP JACKET VP.	1
7.4	2127603	> O-RING ID.37,6x2,4 EPDM VP.	1
9.1A	4177870	> MECH.SEAL HELIX2-4-6-10-16 T/E VP.	1
9.1B	4178558	> O-RING ID.12X2 EPDM VP.	1
9.1C	4178558	> O-RING ID.12X2 EPDM VP.	1
9.2	4179239	SHAFT SLEEVE D.18/12X72.2 1.4404 VP.	1
9.3	4177868	RING-HOLDER MS G9 316 VP.	1
9.4	4176520	SCREW CH M5x5 A4-70 (3PIECES)	1
9.5	4178595	DRIVE RING D.29/15.5x13,2 MACH.VP.	1
9.6	2130964	TOOL M.S.CART.HELIX VP.	1
9.7	2130965	SCREW CHC M5X12 ISO4762 A2.70(4 PIECES)	1



HYDRAULIC HELIX V 239 1.4307

Item	Article no.	Description	Quantity
13.1	4179316	STAGE HELIX 2 1.4301 KIT	1
		> MACH.STG-CASING-WOGV-WNR-M+2-4-304	1
		> IMPELLER-M+2-304	1
13.2	4179317	STAGE BEARING HELIX 2 1.4307 KIT	1
		> MACH.BEARING-STG-CASING-WNR-M+2-304	1
		> IMPELLER-M+2-304	1
		> SHAFT SLEEVE SPACER Ø15,35x10,305-304	1
		> SHAFT-SLEEVE-D12xD16x14-CW	1
13.3	4213786	INTERM. STAGE HELIX 2 >14 ST. 1.4307 KIT	1
		> CORPS-ETG-STD-ACR-AJR-USIN.M+2-304	1
		> IMPELLER-M+2-304	1
		> IMPELLER SPACER Ø12,1x14,1-L24,25-316L	1



HELIX FIRST V402-5/16/E/S/400-50 (4201073)

Item	Article no.	Description	Quantity
1	4169946	MOTOR 0,37/2/71 3~230/400V 50HZ IE2 VP.	1
		SPARE PARTS MOTOR:ON REQUEST	1
2	4212716	SCREW M6X20 KIT (4PIECES)	1
3	4213715	LANTERN FT85 HELIX KIT	1
3.1		> LANT-MOT-VMI-ReDTC6"-FT85-MACHINED+CATA	1
3.2	4184852	> EYELET CPL.FT HELIX (2 PIECES)	1
3.3	4213713	> COUPLING PROTECTOR FT85/100 HELIX KIT	1
4	4212718	COUPLING HELIX D12 FT85 KIT	1
6	4215001	STUD BOLT HELIX M12X141 KIT	1
6.1		> TIE BOLT M12-141x18x30-1.4057	1
6.2	2094647	> NUT M12 M12 ISO4032 VP.	1
6.3	2123557	> WASHER CS-12.4-24-1.6-NFE25 (4 PIECES)	1
7	4212722	STATIONARY RING HOLDER HELIX D23 ReDTC	1
7.2	4212720	> STATIONARY RING HOLDER HELIX D23 VP.	1
7.3	4176513	> O-RING FOR PUMP JACKET VP.	1
8	4212724	FILING/PURGING PLUG HELIX ReDTC KIT	1
8.1		> FILLING PLUG MVI6"-304	1
8.2	4177800	> O-RING EPDM PLUG HELIX VP.	1
9	4212726	MECH.SEAL HELIX V2/4 O/E ReDTC KIT	1
9.1	4178563	> M.SEAL.HELIX2-4 O/E VP.	1
7.3	4176513	> O-RING FOR PUMP JACKET VP.	1
10	4178565	HOUSING PIPES D.152X109 1.4301 KIT	1
7.3	4176513	> O-RING FOR PUMP JACKET VP.	1
10.1		> HOUSING-PIPE Ø152-M+202/402-304	1
11	4178566	CENTERING STAGE-RETURN HELIX4 1.4307 VP	1
12	4212729	SHAFT EQUIPMENT HELIX V2/4 ReDTC KIT	1
12.1		> NUT-H-M8-STAINLESS-STEEL A4-70	1
12.2		> SHAFT END WASHER Ø8/Ø12 316L	1
12.3		> 1/2-SNAP-RING-2/4M3-316L	1
12.4		> STOP-RUSH-1/2-D12xd2-M+316	1
4.11		> SCREW CHC-M6X14-8.8-ISO4762-GEOMET500A	1
4.12		> WASHER D.24 L6U ZINK	1
13		HYDRAULIC HELIX V 402 1.4307	1
14	4213693	SHAFT D.12X182 HELIX 1.4057 VP.	1

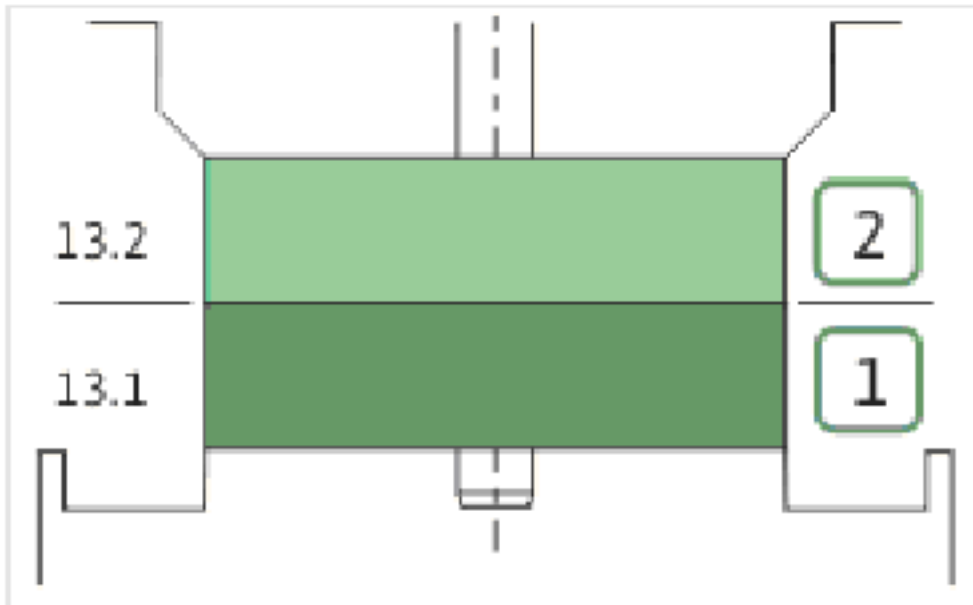
HELIX FIRST V402-5/16/E/S/400-50 (4201073)

Item	Article no.	Description	Quantity
15	4215105	PUMP HOUSING HELIX V2/4/6 DN32 PN16 KIT	1
15.1		> MACH+CATA PPE HOUSING M+5" D32-PN16 GJL	1
15.2	4191618	> O-RING ID.44,05x3,53 EPDM VP.	1
15.3	4171321	> PRIMING/DRAIN PLUG EPDM HELIX KIT	1
7.3	4176513	> O-RING FOR PUMP JACKET VP.	1



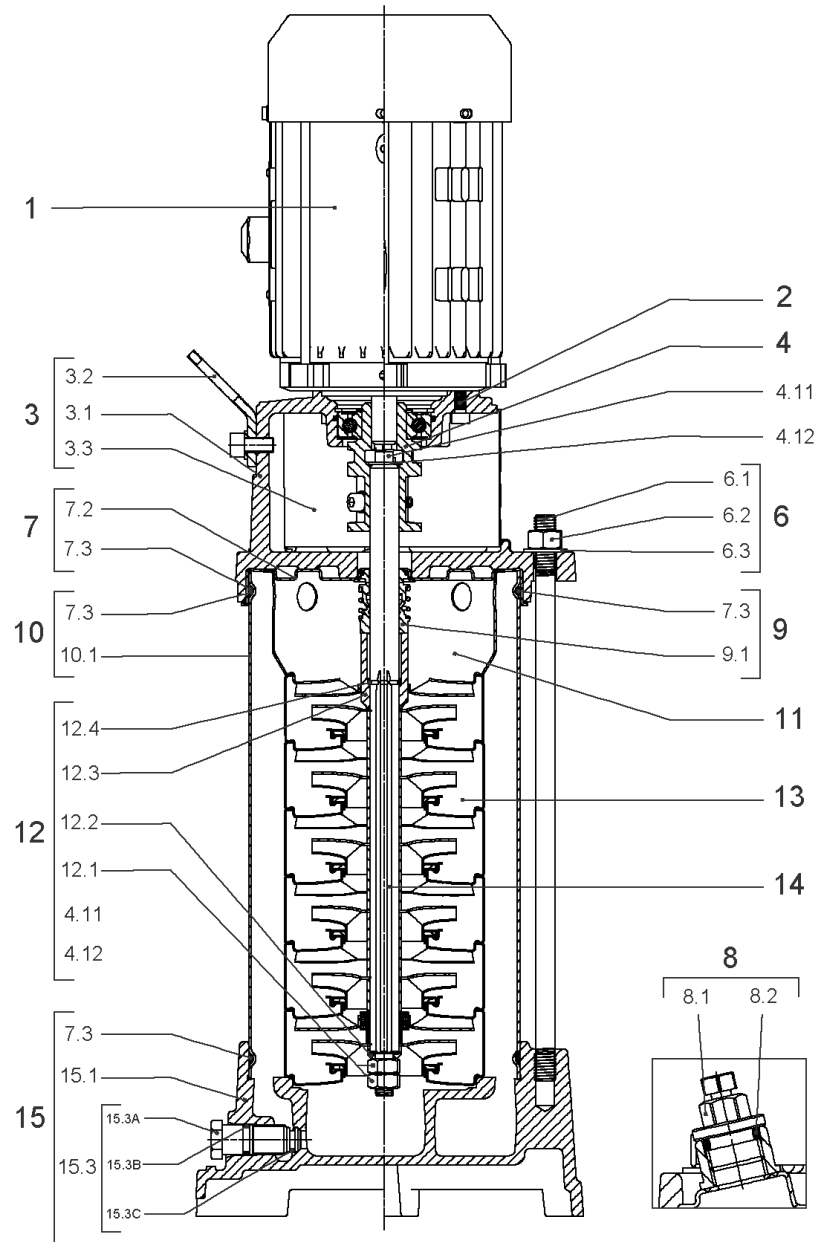
COUPLING HELIX D12 FT85 KIT (4212718)

Item	Article no.	Description	Quantity
4.1		COUPLING-VMI-Ø12xØ14-FT85-USINE	1
4.2	4177802	BALL BEARING 6205C3-ZZ HTVP.	1
4.3	4208923	CIRCLIP D25X1.2 VP.	1
4.4	4212716	SCREW M6X20 KIT (4PIECES)	1
4.5	4233124	CIRCLIP-FOR-BORES-D52x2 VP.	1
4.6	4234244	O-RING 52X2 VP.	1
		CONTACT-WASHER-6ETR-6,1x12,2x1,8-STEEL	1



HYDRAULIC HELIX V 402 1.4307

Item	Article no.	Description	Quantity
13.1	4178570	STAGE HELIX 4 1.4301 KIT	1
		> MACH.STG-CASING-WOGV-WNR-M+2-4-304	1
		> IMPELLER-M+4-304	1
13.2	4178569	STAGE BEARING HELIX 4 1.4301 KIT	1
		> MACH.BEARING-STG-CASING-WNR-M+4-304	1
		> IMPELLER-M+4-304	1
		> SHAFT SLEEVE SPACER Ø15,35x10,305-304	1
		> SHAFT-SLEEVE-D12xD16x14-CW	1



HELIX FIRST V402-5/25/E/S/400-50 (4201075)

Item	Article no.	Description	Quantity
1	4169946	MOTOR 0,37/2/71 3~230/400V 50HZ IE2 VP.	1
		SPARE PARTS MOTOR:ON REQUEST	1
2	4212716	SCREW M6X20 KIT (4PIECES)	1
3	4213715	LANTERN FT85 HELIX KIT	1
3.1		> LANT-MOT-VMI-ReDTC6"-FT85-MACHINED+CATA	1
3.2	4184852	> EYELET CPL.FT HELIX (2 PIECES)	1
3.3	4213713	> COUPLING PROTECTOR FT85/100 HELIX KIT	1
4	4212718	COUPLING HELIX D12 FT85 KIT	1
6	4215001	STUD BOLT HELIX M12X141 KIT	1
6.1		> TIE BOLT M12-141x18x30-1.4057	1
6.2	2094647	> NUT M12 M12 ISO4032 VP.	1
6.3	2123557	> WASHER CS-12.4-24-1.6-NFE25 (4 PIECES)	1
7	4212722	STATIONARY RING HOLDER HELIX D23 ReDTC	1
7.2	4212720	> STATIONARY RING HOLDER HELIX D23 VP.	1
7.3	4176513	> O-RING FOR PUMP JACKET VP.	1
8	4212724	FILING/PURGING PLUG HELIX ReDTC KIT	1
8.1		> FILLING PLUG MVI6"-304	1
8.2	4177800	> O-RING EPDM PLUG HELIX VP.	1
9	4212726	MECH.SEAL HELIX V2/4 O/E ReDTC KIT	1
9.1	4178563	> M.SEAL.HELIX2-4 O/E VP.	1
7.3	4176513	> O-RING FOR PUMP JACKET VP.	1
10	4178565	HOUSING PIPES D.152X109 1.4301 KIT	1
7.3	4176513	> O-RING FOR PUMP JACKET VP.	1
10.1		> HOUSING-PIPE Ø152-M+202/402-304	1
11	4178566	CENTERING STAGE-RETURN HELIX4 1.4307 VP	1
12	4212729	SHAFT EQUIPMENT HELIX V2/4 ReDTC KIT	1
12.1		> NUT-H-M8-STAINLESS-STEEL A4-70	1
12.2		> SHAFT END WASHER Ø8/Ø12 316L	1
12.3		> 1/2-SNAP-RING-2/4M3-316L	1
12.4		> STOP-RUSH-1/2-D12xd2-M+316	1
4.11		> SCREW CHC-M6X14-8.8-ISO4762-GEOMET500A	1
4.12		> WASHER D.24 L6U ZINK	1
13		HYDRAULIC HELIX V 402 1.4307	1
14	4213693	SHAFT D.12X182 HELIX 1.4057 VP.	1

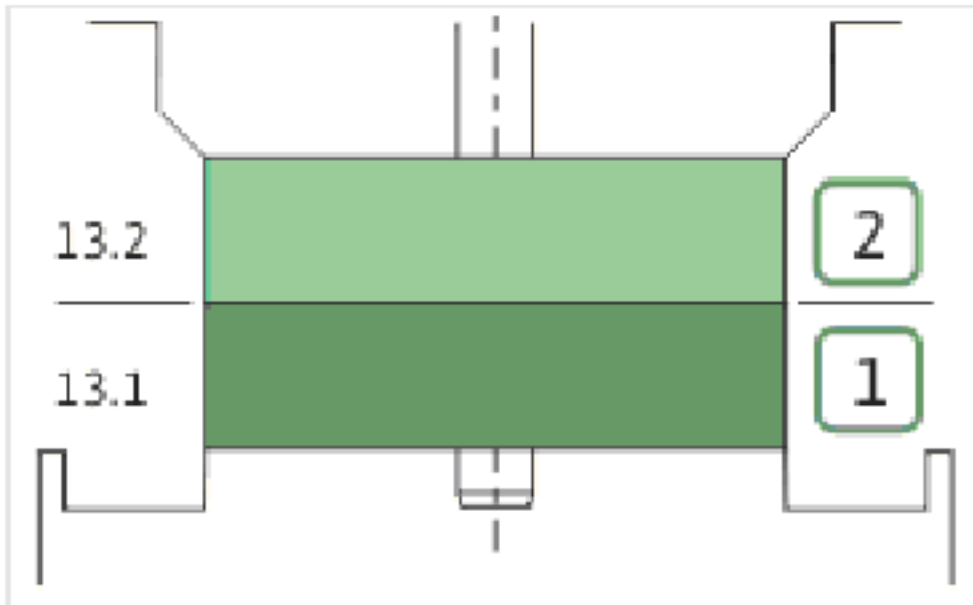
HELIX FIRST V402-5/25/E/S/400-50 (4201075)

Item	Article no.	Description	Quantity
15	4179246	PUMP HOUSING HELIX V2/4 DN25 PN30 KIT	1
7.3	4176513	> O-RING FOR PUMP JACKET VP.	1
15.1		> MACH+CATA PUMP CASING M+5" DN25 PN25 GJL	1
15.2	4233952	> FLAT GASKET D.73 VP.	1
15.3	4177877	> PRIMING/DRAIN PLUG HELIX PN30 KIT	1
15.3A		>> PRIMING/DRAIN PLUG M+6" 304	1
15.3B	4233957	>> O-RING ID.9 EPDM VP.	1
15.3C		>> O-RING Ø8xØ2 EPDM KTW/WRC	1



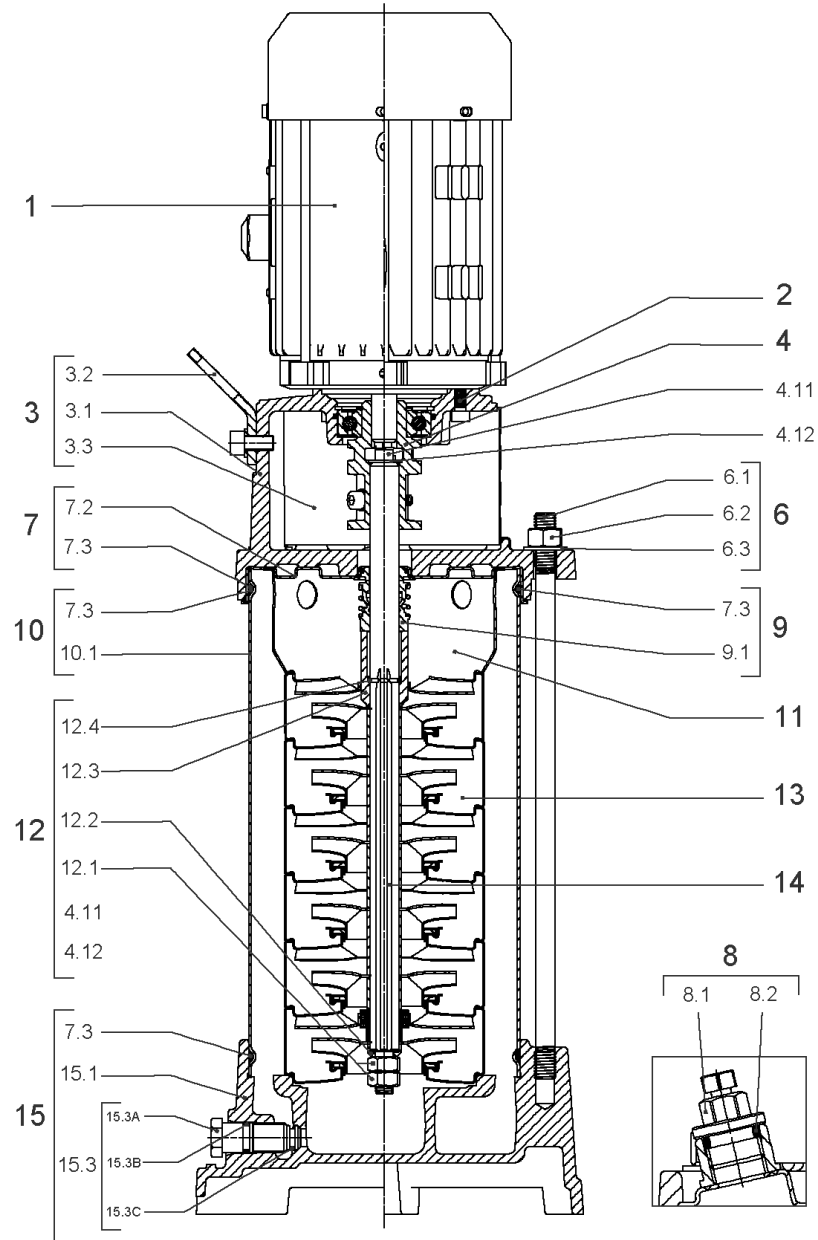
COUPLING HELIX D12 FT85 KIT (4212718)

Item	Article no.	Description	Quantity
4.1		COUPLING-VMI-Ø12xØ14-FT85-USINE	1
4.2	4177802	BALL BEARING 6205C3-ZZ HTVP.	1
4.3	4208923	CIRCLIP D25X1.2 VP.	1
4.4	4212716	SCREW M6X20 KIT (4PIECES)	1
4.5	4233124	CIRCLIP-FOR-BORES-D52x2 VP.	1
4.6	4234244	O-RING 52X2 VP.	1
		CONTACT-WASHER-6ETR-6,1x12,2x1,8-STEEL	1



HYDRAULIC HELIX V 402 1.4307

Item	Article no.	Description	Quantity
13.1	4178570	STAGE HELIX 4 1.4301 KIT	1
		> MACH.STG-CASING-WOGV-WNR-M+2-4-304	1
		> IMPELLER-M+4-304	1
13.2	4178569	STAGE BEARING HELIX 4 1.4301 KIT	1
		> MACH.BEARING-STG-CASING-WNR-M+4-304	1
		> IMPELLER-M+4-304	1
		> SHAFT SLEEVE SPACER Ø15,35x10,305-304	1
		> SHAFT-SLEEVE-D12xD16x14-CW	1



HELIX FIRST V403-5/16/E/S/400-50 (4201076)

Item	Article no.	Description	Quantity
1	4169946	MOTOR 0,37/2/71 3~230/400V 50HZ IE2 VP.	1
		SPARE PARTS MOTOR:ON REQUEST	1
2	4212716	SCREW M6X20 KIT (4PIECES)	1
3	4213715	LANTERN FT85 HELIX KIT	1
3.1		> LANT-MOT-VMI-ReDTC6"-FT85-MACHINED+CATA	1
3.2	4184852	> EYELET CPL.FT HELIX (2 PIECES)	1
3.3	4213713	> COUPLING PROTECTOR FT85/100 HELIX KIT	1
4	4212718	COUPLING HELIX D12 FT85 KIT	1
6	4214966	STUD BOLT HELIX M12X170 KIT	1
6.1		> TIE BOLT M12-170x18x30-1.4057	1
6.2	2094647	> NUT M12 M12 ISO4032 VP.	1
6.3	2123557	> WASHER CS-12.4-24-1.6-NFE25 (4 PIECES)	1
7	4212722	STATIONARY RING HOLDER HELIX D23 ReDTC	1
7.2	4212720	> STATIONARY RING HOLDER HELIX D23 VP.	1
7.3	4176513	> O-RING FOR PUMP JACKET VP.	1
8	4212724	FILING/PURGING PLUG HELIX ReDTC KIT	1
8.1		> FILLING PLUG MVI6"-304	1
8.2	4177800	> O-RING EPDM PLUG HELIX VP.	1
9	4212726	MECH.SEAL HELIX V2/4 O/E ReDTC KIT	1
9.1	4178563	> M.SEAL.HELIX2-4 O/E VP.	1
7.3	4176513	> O-RING FOR PUMP JACKET VP.	1
10	4177804	HOUSING PIPES D.152X134 1.4301 KIT	1
7.3	4176513	> O-RING FOR PUMP JACKET VP.	1
10.1		> HOUSING-PIPE Ø152-M+1001/02-304	1
11	4178566	CENTERING STAGE-RETURN HELIX4 1.4307 VP	1
12	4212729	SHAFT EQUIPMENT HELIX V2/4 ReDTC KIT	1
12.1		> NUT-H-M8-STAINLESS-STEEL A4-70	1
12.2		> SHAFT END WASHER Ø8/Ø12 316L	1
12.3		> 1/2-SNAP-RING-2/4M3-316L	1
12.4		> STOP-RUSH-1/2-D12xd2-M+316	1
4.11		> SCREW CHC-M6X14-8.8-ISO4762-GEOMET500A	1
4.12		> WASHER D.24 L6U ZINK	1
13		HYDRAULIC HELIX V 403 1.4307	1
15	4215105	PUMP HOUSING HELIX V2/4/6 DN32 PN16 KIT	1

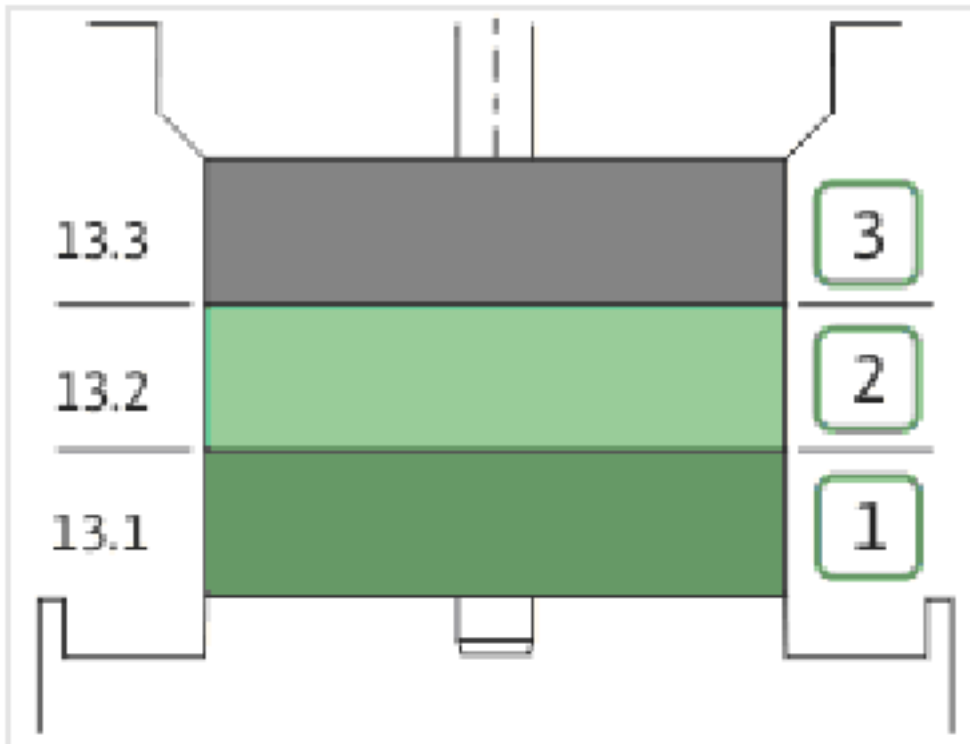
HELIX FIRST V403-5/16/E/S/400-50 (4201076)

Item	Article no.	Description	Quantity
15.1		> MACH+CATA PPE HOUSING M+5" D32-PN16 GJL	1
15.2	4191618	> O-RING ID.44,05x3,53 EPDM VP.	1
15.3	4171321	> PRIMING/DRAIN PLUG EPDM HELIX KIT	1
7.3	4176513	> O-RING FOR PUMP JACKET VP.	1



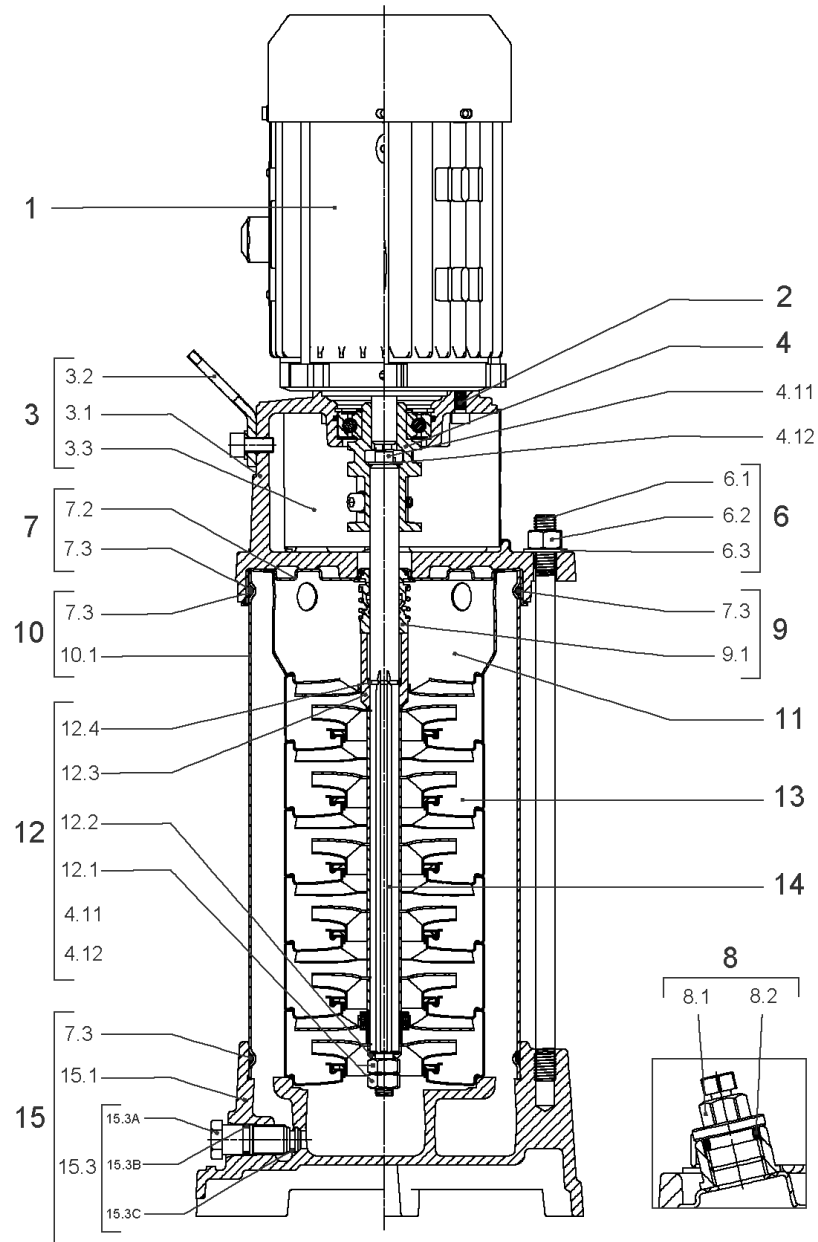
COUPLING HELIX D12 FT85 KIT (4212718)

Item	Article no.	Description	Quantity
4.1		COUPLING-VMI-Ø12xØ14-FT85-USINE	1
4.2	4177802	BALL BEARING 6205C3-ZZ HTVP.	1
4.3	4208923	CIRCLIP D25X1.2 VP.	1
4.4	4212716	SCREW M6X20 KIT (4PIECES)	1
4.5	4233124	CIRCLIP-FOR-BORES-D52x2 VP.	1
4.6	4234244	O-RING 52X2 VP.	1
		CONTACT-WASHER-6ETR-6,1x12,2x1,8-STEEL	1



HYDRAULIC HELIX V 403 1.4307

Item	Article no.	Description	Quantity
13.1	4178570	STAGE HELIX 4 1.4301 KIT	1
		> MACH.STG-CASING-WOGV-WNR-M+2-4-304	1
		> IMPELLER-M+4-304	1
13.2	4178569	STAGE BEARING HELIX 4 1.4301 KIT	1
		> MACH.BEARING-STG-CASING-WNR-M+4-304	1
		> IMPELLER-M+4-304	1
		> SHAFT SLEEVE SPACER Ø15,35x10,305-304	1
		> SHAFT-SLEEVE-D12xD16x14-CW	1
13.3	4178574	INTER STAGE HELIX4 1.4301< 15 stages KIT	1
		> MACH.STD-STG-CASING-WGV+NR-M+4-304	1
		> IMPELLER-M+4-304	1
		> IMPELLER SPACER Ø12,05X14,85-L24,285-304	1



HELIX FIRST V403-5/25/E/S/400-50 (4201078)

Item	Article no.	Description	Quantity
1	4169946	MOTOR 0,37/2/71 3~230/400V 50HZ IE2 VP.	1
		SPARE PARTS MOTOR:ON REQUEST	1
2	4212716	SCREW M6X20 KIT (4PIECES)	1
3	4213715	LANTERN FT85 HELIX KIT	1
3.1		> LANT-MOT-VMI-ReDTC6"-FT85-MACHINED+CATA	1
3.2	4184852	> EYELET CPL.FT HELIX (2 PIECES)	1
3.3	4213713	> COUPLING PROTECTOR FT85/100 HELIX KIT	1
4	4212718	COUPLING HELIX D12 FT85 KIT	1
6	4214966	STUD BOLT HELIX M12X170 KIT	1
6.1		> TIE BOLT M12-170x18x30-1.4057	1
6.2	2094647	> NUT M12 M12 ISO4032 VP.	1
6.3	2123557	> WASHER CS-12.4-24-1.6-NFE25 (4 PIECES)	1
7	4212722	STATIONARY RING HOLDER HELIX D23 ReDTC	1
7.2	4212720	> STATIONARY RING HOLDER HELIX D23 VP.	1
7.3	4176513	> O-RING FOR PUMP JACKET VP.	1
8	4212724	FILING/PURGING PLUG HELIX ReDTC KIT	1
8.1		> FILLING PLUG MVI6"-304	1
8.2	4177800	> O-RING EPDM PLUG HELIX VP.	1
9	4212726	MECH.SEAL HELIX V2/4 O/E ReDTC KIT	1
9.1	4178563	> M.SEAL.HELIX2-4 O/E VP.	1
7.3	4176513	> O-RING FOR PUMP JACKET VP.	1
10	4177804	HOUSING PIPES D.152X134 1.4301 KIT	1
7.3	4176513	> O-RING FOR PUMP JACKET VP.	1
10.1		> HOUSING-PIPE Ø152-M+1001/02-304	1
11	4178566	CENTERING STAGE-RETURN HELIX4 1.4307 VP	1
12	4212729	SHAFT EQUIPMENT HELIX V2/4 ReDTC KIT	1
12.1		> NUT-H-M8-STAINLESS-STEEL A4-70	1
12.2		> SHAFT END WASHER Ø8/Ø12 316L	1
12.3		> 1/2-SNAP-RING-2/4M3-316L	1
12.4		> STOP-RUSH-1/2-D12xd2-M+316	1
4.11		> SCREW CHC-M6X14-8.8-ISO4762-GEOMET500A	1
4.12		> WASHER D.24 L6U ZINK	1
13		HYDRAULIC HELIX V 403 1.4307	1
15	4179246	PUMP HOUSING HELIX V2/4 DN25 PN30 KIT	1

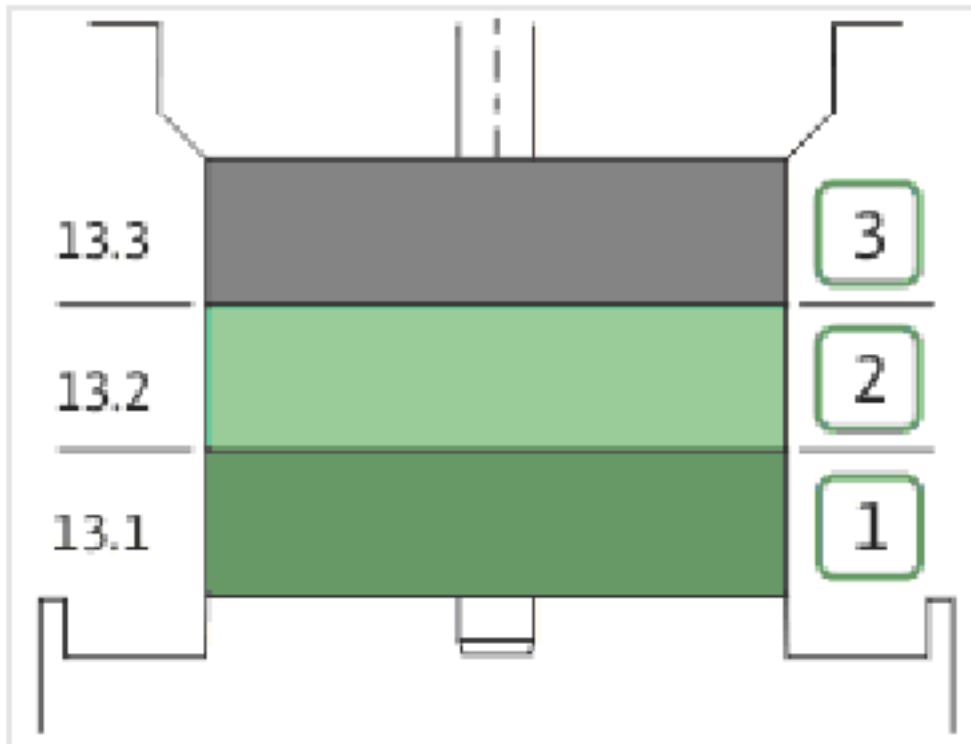
HELIX FIRST V403-5/25/E/S/400-50 (4201078)

Item	Article no.	Description	Quantity
7.3	4176513	> O-RING FOR PUMP JACKET VP.	1
15.1		> MACH+CATA PUMP CASING M+5" DN25 PN25 GJL	1
15.2	4233952	> FLAT GASKET D.73 VP.	1
15.3	4177877	> PRIMING/DRAIN PLUG HELIX PN30 KIT	1
15.3A		>> PRIMING/DRAIN PLUG M+6" 304	1
15.3B	4233957	>> O-RING ID.9 EPDM VP.	1
15.3C		>> O-RING Ø8xØ2 EPDM KTW/WRC	1



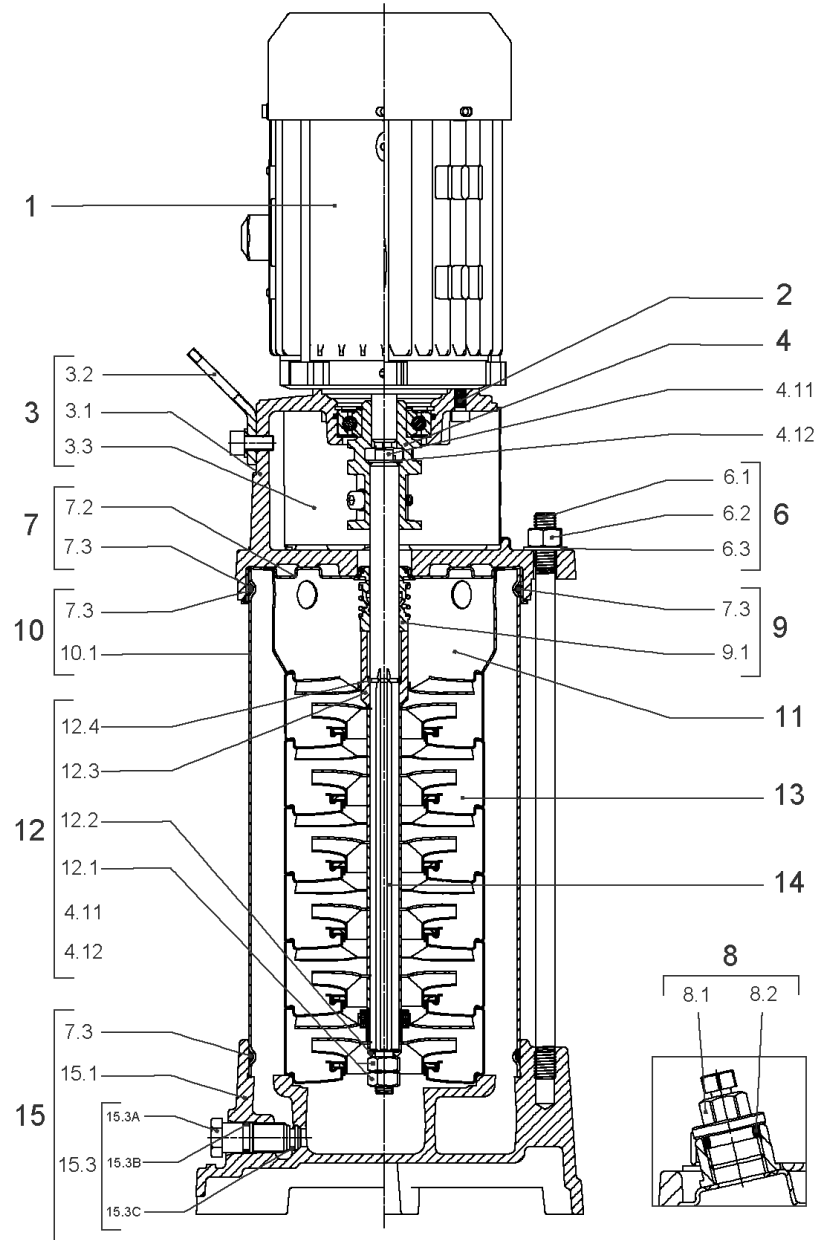
COUPLING HELIX D12 FT85 KIT (4212718)

Item	Article no.	Description	Quantity
4.1		COUPLING-VMI-Ø12xØ14-FT85-USINE	1
4.2	4177802	BALL BEARING 6205C3-ZZ HTVP.	1
4.3	4208923	CIRCLIP D25X1.2 VP.	1
4.4	4212716	SCREW M6X20 KIT (4PIECES)	1
4.5	4233124	CIRCLIP-FOR-BORES-D52x2 VP.	1
4.6	4234244	O-RING 52X2 VP.	1
		CONTACT-WASHER-6ETR-6,1x12,2x1,8-STEEL	1



HYDRAULIC HELIX V 403 1.4307

Item	Article no.	Description	Quantity
13.1	4178570	STAGE HELIX 4 1.4301 KIT	1
		> MACH.STG-CASING-WOGV-WNR-M+2-4-304	1
		> IMPELLER-M+4-304	1
13.2	4178569	STAGE BEARING HELIX 4 1.4301 KIT	1
		> MACH.BEARING-STG-CASING-WNR-M+4-304	1
		> IMPELLER-M+4-304	1
		> SHAFT SLEEVE SPACER Ø15,35x10,305-304	1
		> SHAFT-SLEEVE-D12xD16x14-CW	1
13.3	4178574	INTER STAGE HELIX4 1.4301< 15 stages KIT	1
		> MACH.STD-STG-CASING-WGV+NR-M+4-304	1
		> IMPELLER-M+4-304	1
		> IMPELLER SPACER Ø12,05X14,85-L24,285-304	1

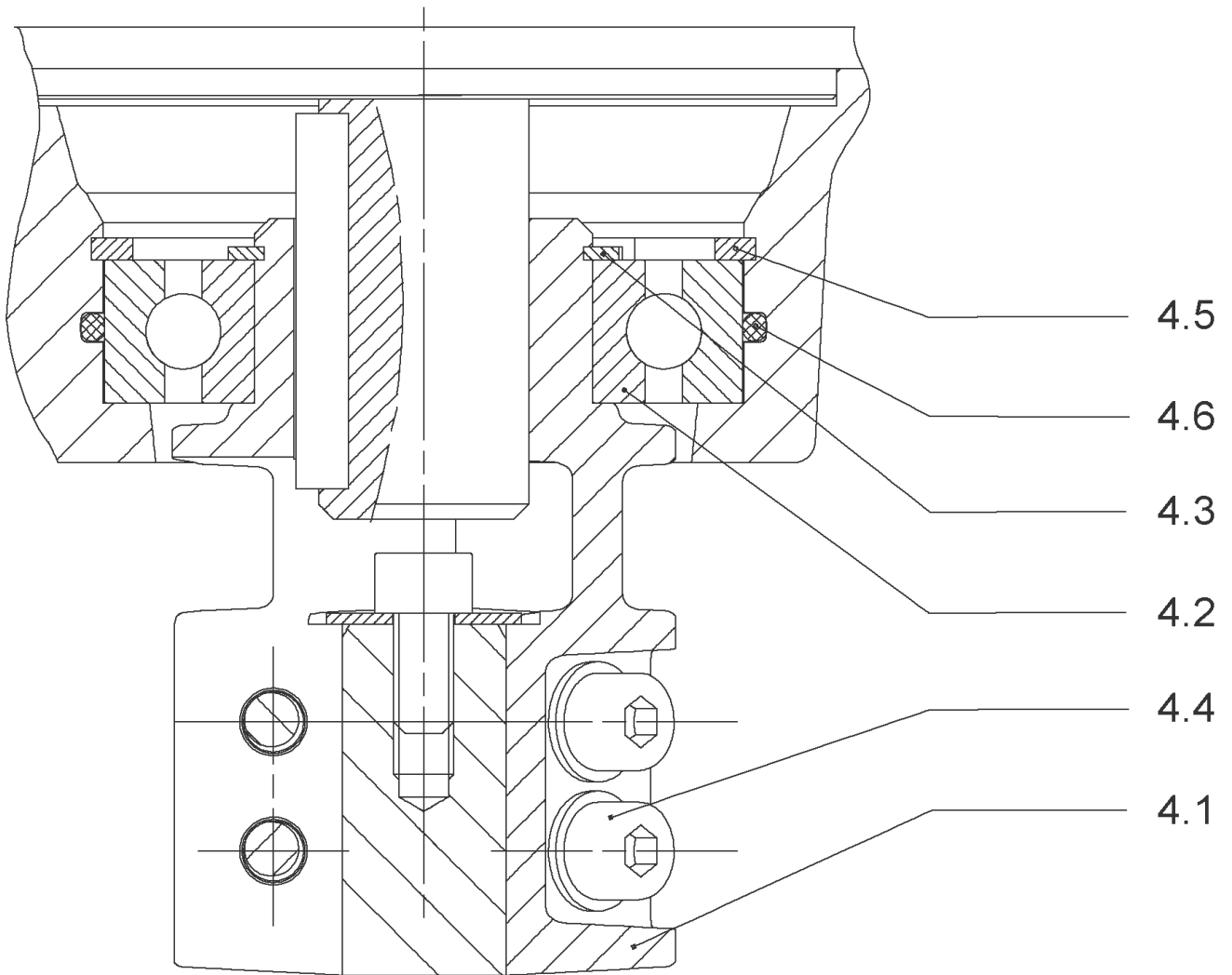


HELIX FIRST V404-5/16/E/S/400-50 (4201079)

Item	Article no.	Description	Quantity
1	4169939	MO.0,55/2/71 3~400V 50HZ 460V 60HZ IE2VP	1
		SPARE PARTS MOTOR:ON REQUEST	1
2	4212716	SCREW M6X20 KIT (4PIECES)	1
3	4213715	LANTERN FT85 HELIX KIT	1
3.1		> LANT-MOT-VMI-ReDTC6"-FT85-MACHINED+CATA	1
3.2	4184852	> EYELET CPL.FT HELIX (2 PIECES)	1
3.3	4213713	> COUPLING PROTECTOR FT85/100 HELIX KIT	1
4	4212718	COUPLING HELIX D12 FT85 KIT	1
6	4214555	STUD BOLT HELIX M12X195 KIT	1
6.1		> TIE BOLT M12-195x18x30-1.4057	1
6.2	2094647	> NUT M12 M12 ISO4032 VP.	1
6.3	2123557	> WASHER CS-12.4-24-1.6-NFE25 (4 PIECES)	1
7	4212722	STATIONARY RING HOLDER HELIX D23 ReDTC	1
7.2	4212720	> STATIONARY RING HOLDER HELIX D23 VP.	1
7.3	4176513	> O-RING FOR PUMP JACKET VP.	1
8	4212724	FILING/PURGING PLUG HELIX ReDTC KIT	1
8.1		> FILLING PLUG MVI6"-304	1
8.2	4177800	> O-RING EPDM PLUG HELIX VP.	1
9	4212726	MECH.SEAL HELIX V2/4 O/E ReDTC KIT	1
9.1	4178563	> M.SEAL.HELIX2-4 O/E VP.	1
7.3	4176513	> O-RING FOR PUMP JACKET VP.	1
10	2127574	HOUSING PIPE D.152x160 1.4301 KIT	1
7.3	4176513	> O-RING FOR PUMP JACKET VP.	1
10.1		> HOUSING-PIPE Ø152-M+1601/02-304	1
11	4178566	CENTERING STAGE-RETURN HELIX4 1.4307 VP	1
12	4212729	SHAFT EQUIPMENT HELIX V2/4 ReDTC KIT	1
12.1		> NUT-H-M8-STAINLESS-STEEL A4-70	1
12.2		> SHAFT END WASHER Ø8/Ø12 316L	1
12.3		> 1/2-SNAP-RING-2/4M3-316L	1
12.4		> STOP-RUSH-1/2-D12xd2-M+316	1
4.11		> SCREW CHC-M6X14-8.8-ISO4762-GEOMET500A	1
4.12		> WASHER D.24 L6U ZINK	1
13		HYDRAULIC HELIX V 404 1.4307	1
14	4213744	SHAFT D.12X231 HELIX 1.4057 VP.	1

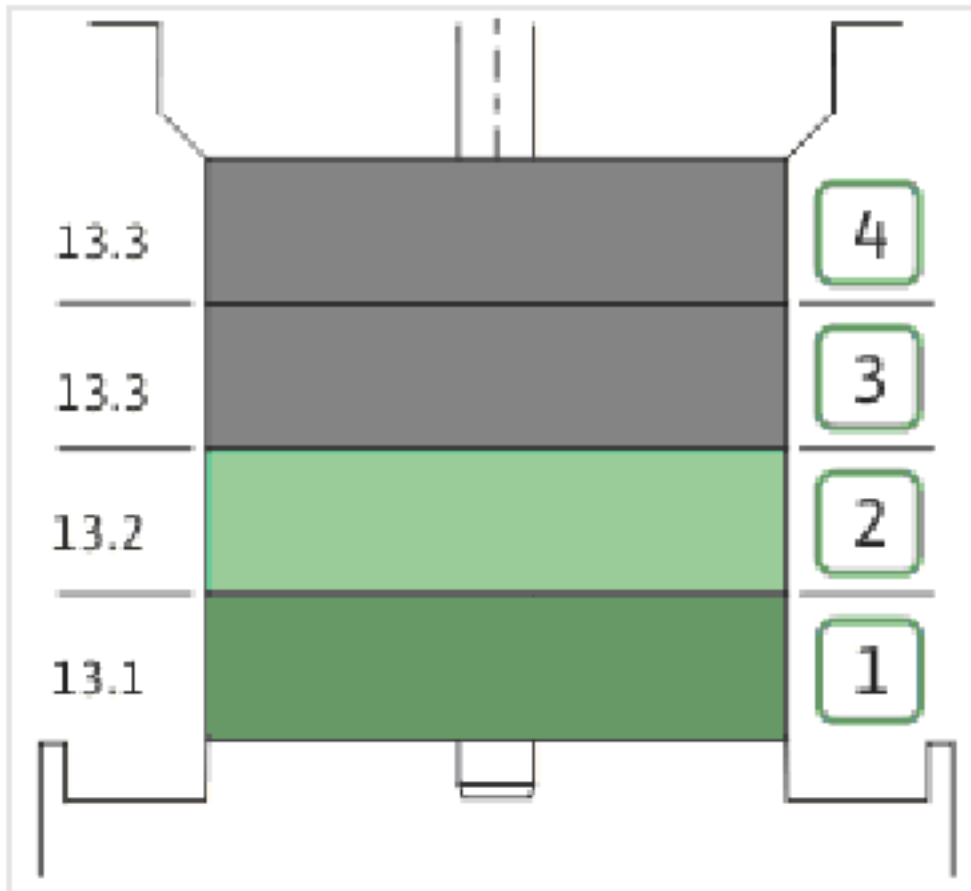
HELIX FIRST V404-5/16/E/S/400-50 (4201079)

Item	Article no.	Description	Quantity
15	4215105	PUMP HOUSING HELIX V2/4/6 DN32 PN16 KIT	1
15.1		> MACH+CATA PPE HOUSING M+5" D32-PN16 GJL	1
15.2	4191618	> O-RING ID.44,05x3,53 EPDM VP.	1
15.3	4171321	> PRIMING/DRAIN PLUG EPDM HELIX KIT	1
7.3	4176513	> O-RING FOR PUMP JACKET VP.	1



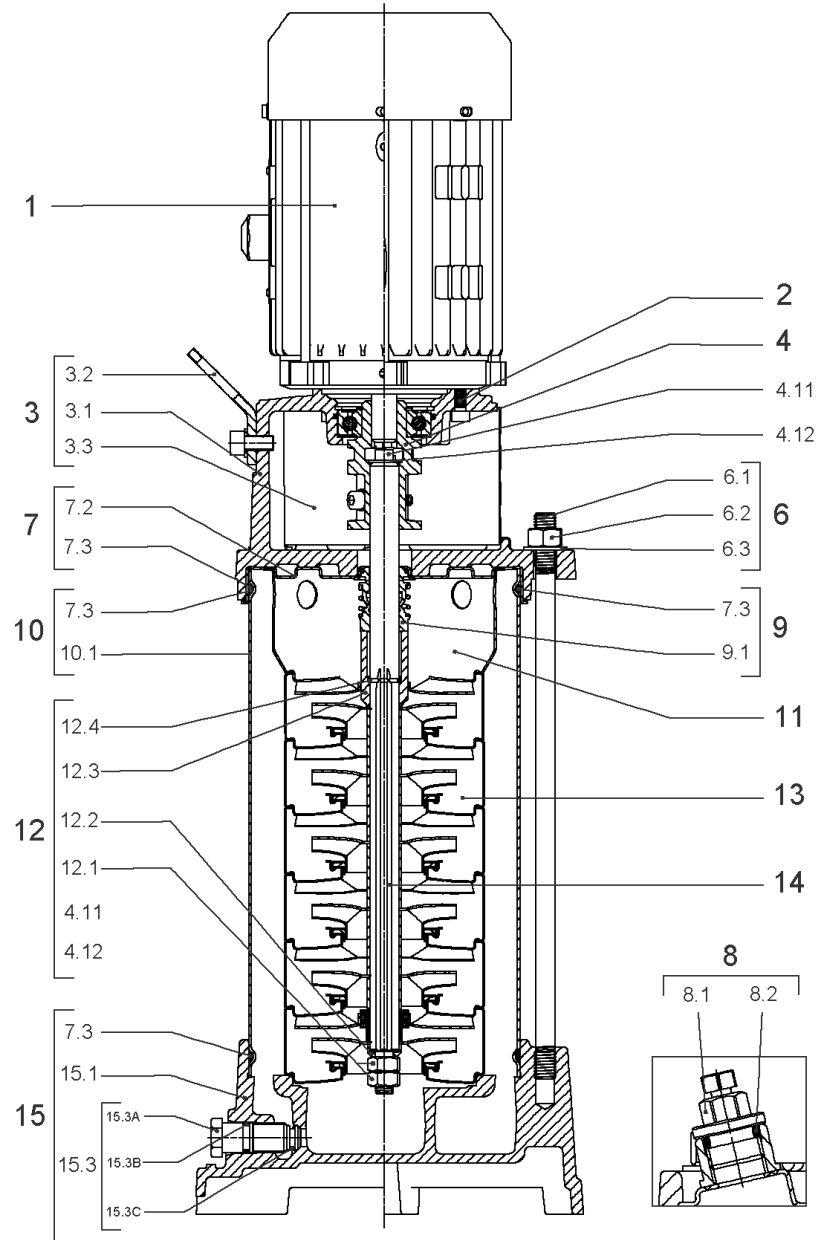
COUPLING HELIX D12 FT85 KIT (4212718)

Item	Article no.	Description	Quantity
4.1		COUPLING-VMI-Ø12xØ14-FT85-USINE	1
4.2	4177802	BALL BEARING 6205C3-ZZ HTVP.	1
4.3	4208923	CIRCLIP D25X1.2 VP.	1
4.4	4212716	SCREW M6X20 KIT (4PIECES)	1
4.5	4233124	CIRCLIP-FOR-BORES-D52x2 VP.	1
4.6	4234244	O-RING 52X2 VP.	1
		CONTACT-WASHER-6ETR-6,1x12,2x1,8-STEEL	1



HYDRAULIC HELIX V 404 1.4307

Item	Article no.	Description	Quantity
13.1	4178570	STAGE HELIX 4 1.4301 KIT	1
		> MACH.STG-CASING-WOGV-WNR-M+2-4-304	1
		> IMPELLER-M+4-304	1
13.2	4178569	STAGE BEARING HELIX 4 1.4301 KIT	1
		> MACH.BEARING-STG-CASING-WNR-M+4-304	1
		> IMPELLER-M+4-304	1
		> SHAFT SLEEVE SPACER Ø15,35x10,305-304	1
		> SHAFT-SLEEVE-D12xD16x14-CW	1
13.3	4178574	INTER STAGE HELIX4 1.4301< 15 stages KIT	1
		> MACH.STD-STG-CASING-WGV+NR-M+4-304	1
		> IMPELLER-M+4-304	1
		> IMPELLER SPACER Ø12,05X14,85-L24,285-304	1



HELIX FIRST V404-5/25/E/S/400-50 (4201081)

Item	Article no.	Description	Quantity
1	4169939	MO.0,55/2/71 3~400V 50HZ 460V 60HZ IE2VP	1
		SPARE PARTS MOTOR:ON REQUEST	1
2	4212716	SCREW M6X20 KIT (4PIECES)	1
3	4213715	LANTERN FT85 HELIX KIT	1
3.1		> LANT-MOT-VMI-ReDTC6"-FT85-MACHINED+CATA	1
3.2	4184852	> EYELET CPL.FT HELIX (2 PIECES)	1
3.3	4213713	> COUPLING PROTECTOR FT85/100 HELIX KIT	1
4	4212718	COUPLING HELIX D12 FT85 KIT	1
6	4214555	STUD BOLT HELIX M12X195 KIT	1
6.1		> TIE BOLT M12-195x18x30-1.4057	1
6.2	2094647	> NUT M12 M12 ISO4032 VP.	1
6.3	2123557	> WASHER CS-12.4-24-1.6-NFE25 (4 PIECES)	1
7	4212722	STATIONARY RING HOLDER HELIX D23 ReDTC	1
7.2	4212720	> STATIONARY RING HOLDER HELIX D23 VP.	1
7.3	4176513	> O-RING FOR PUMP JACKET VP.	1
8	4212724	FILING/PURGING PLUG HELIX ReDTC KIT	1
8.1		> FILLING PLUG MVI6"-304	1
8.2	4177800	> O-RING EPDM PLUG HELIX VP.	1
9	4212726	MECH.SEAL HELIX V2/4 O/E ReDTC KIT	1
9.1	4178563	> M.SEAL.HELIX2-4 O/E VP.	1
7.3	4176513	> O-RING FOR PUMP JACKET VP.	1
10	2127574	HOUSING PIPE D.152x160 1.4301 KIT	1
7.3	4176513	> O-RING FOR PUMP JACKET VP.	1
10.1		> HOUSING-PIPE Ø152-M+1601/02-304	1
11	4178566	CENTERING STAGE-RETURN HELIX4 1.4307 VP	1
12	4212729	SHAFT EQUIPMENT HELIX V2/4 ReDTC KIT	1
12.1		> NUT-H-M8-STAINLESS-STEEL A4-70	1
12.2		> SHAFT END WASHER Ø8/Ø12 316L	1
12.3		> 1/2-SNAP-RING-2/4M3-316L	1
12.4		> STOP-RUSH-1/2-D12xd2-M+316	1
4.11		> SCREW CHC-M6X14-8.8-ISO4762-GEOMET500A	1
4.12		> WASHER D.24 L6U ZINK	1
13		HYDRAULIC HELIX V 404 1.4307	1
14	4213744	SHAFT D.12X231 HELIX 1.4057 VP.	1

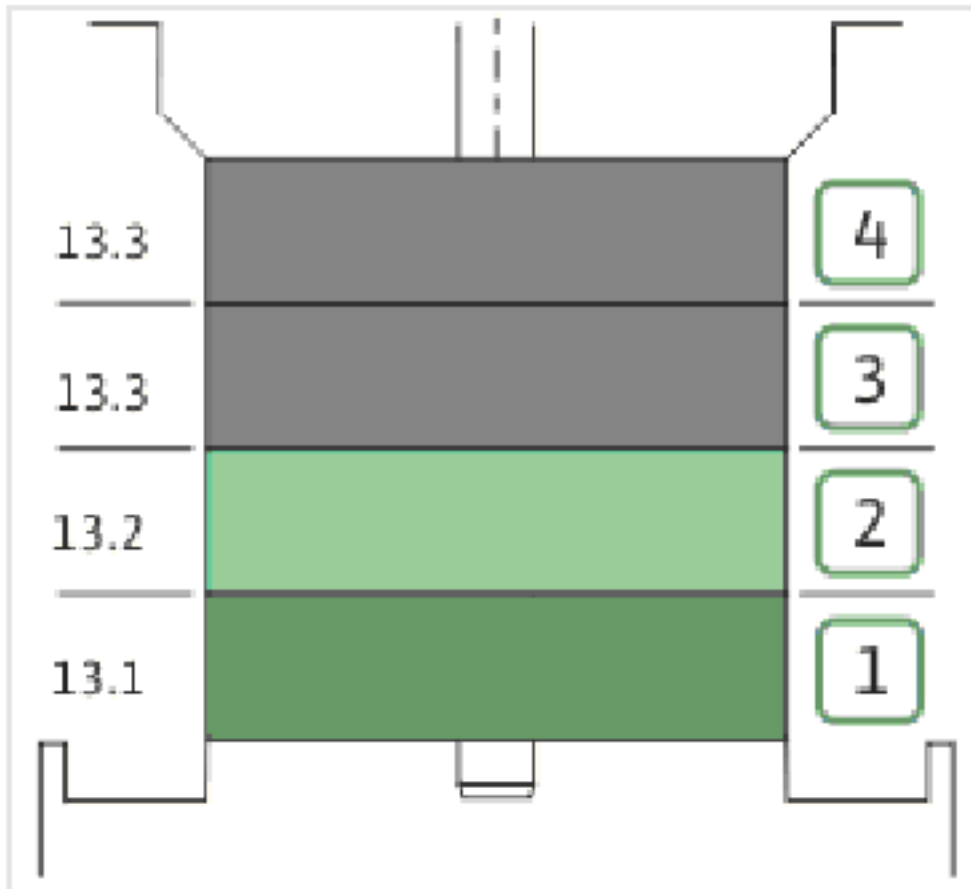
HELIX FIRST V404-5/25/E/S/400-50 (4201081)

Item	Article no.	Description	Quantity
15	4179246	PUMP HOUSING HELIX V2/4 DN25 PN30 KIT	1
7.3	4176513	> O-RING FOR PUMP JACKET VP.	1
15.1		> MACH+CATA PUMP CASING M+5" DN25 PN25 GJL	1
15.2	4233952	> FLAT GASKET D.73 VP.	1
15.3	4177877	> PRIMING/DRAIN PLUG HELIX PN30 KIT	1
15.3A		>> PRIMING/DRAIN PLUG M+6" 304	1
15.3B	4233957	>> O-RING ID.9 EPDM VP.	1
15.3C		>> O-RING Ø8xØ2 EPDM KTW/WRC	1



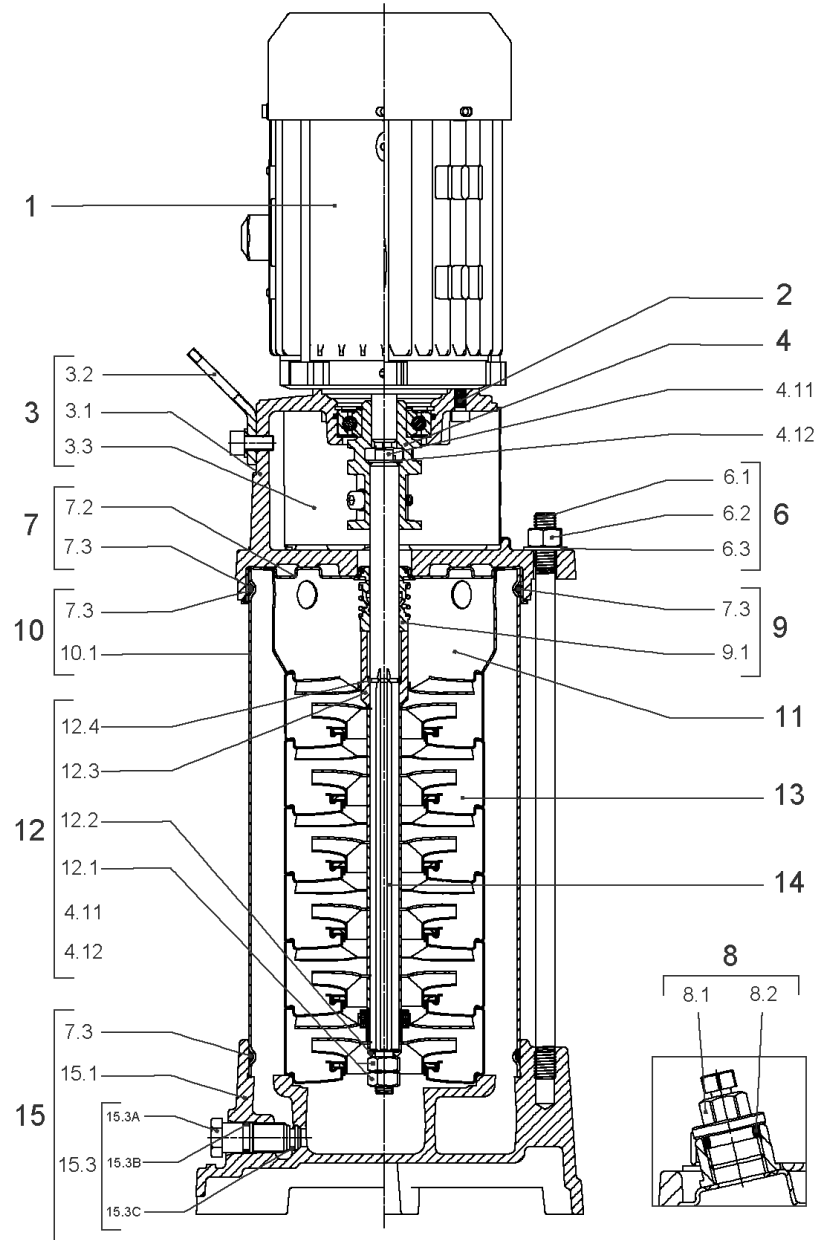
COUPLING HELIX D12 FT85 KIT (4212718)

Item	Article no.	Description	Quantity
4.1		COUPLING-VMI-Ø12xØ14-FT85-USINE	1
4.2	4177802	BALL BEARING 6205C3-ZZ HTVP.	1
4.3	4208923	CIRCLIP D25X1.2 VP.	1
4.4	4212716	SCREW M6X20 KIT (4PIECES)	1
4.5	4233124	CIRCLIP-FOR-BORES-D52x2 VP.	1
4.6	4234244	O-RING 52X2 VP.	1
		CONTACT-WASHER-6ETR-6,1x12,2x1,8-STEEL	1



HYDRAULIC HELIX V 404 1.4307

Item	Article no.	Description	Quantity
13.1	4178570	STAGE HELIX 4 1.4301 KIT	1
		> MACH.STG-CASING-WOGV-WNR-M+2-4-304	1
		> IMPELLER-M+4-304	1
13.2	4178569	STAGE BEARING HELIX 4 1.4301 KIT	1
		> MACH.BEARING-STG-CASING-WNR-M+4-304	1
		> IMPELLER-M+4-304	1
		> SHAFT SLEEVE SPACER Ø15,35x10,305-304	1
		> SHAFT-SLEEVE-D12xD16x14-CW	1
13.3	4178574	INTER STAGE HELIX4 1.4301< 15 stages KIT	1
		> MACH.STD-STG-CASING-WGV+NR-M+4-304	1
		> IMPELLER-M+4-304	1
		> IMPELLER SPACER Ø12,05X14,85-L24,285-304	1



HELIX FIRST V405-5/16/E/S/400-50 (4201082)

Item	Article no.	Description	Quantity
1	4169940	MOTOR 0,75/2/80 3~230/400V 50HZ IE3 VP.	1
		SPARE PARTS MOTOR:ON REQUEST	1
2	4212716	SCREW M6X20 KIT (4PIECES)	1
3	4213752	LANTERN FT100 HELIX KIT	1
3.1		> LANT-MOT-VMI-ReDTC6"-FT100-MACHINED+CATA	1
3.2	4184852	> EYELET CPL.FT HELIX (2 PIECES)	1
3.3	4213713	> COUPLING PROTECTOR FT85/100 HELIX KIT	1
4	4178578	COUPLING D.12XD.19 FT100 KIT	1
6	4215005	STUD BOLT HELIX M12X221 KIT	1
6.1		> TIE BOLT M12-221x18x30-1.4057	1
6.2	2094647	> NUT M12 M12 ISO4032 VP.	1
6.3	2123557	> WASHER CS-12.4-24-1.6-NFE25 (4 PIECES)	1
7	4212722	STATIONARY RING HOLDER HELIX D23 ReDTC	1
7.2	4212720	> STATIONARY RING HOLDER HELIX D23 VP.	1
7.3	4176513	> O-RING FOR PUMP JACKET VP.	1
8	4212724	FILING/PURGING PLUG HELIX ReDTC KIT	1
8.1		> FILLING PLUG MVI6"-304	1
8.2	4177800	> O-RING EPDM PLUG HELIX VP.	1
9	4212726	MECH.SEAL HELIX V2/4 O/E ReDTC KIT	1
9.1	4178563	> M.SEAL.HELIX2-4 O/E VP.	1
7.3	4176513	> O-RING FOR PUMP JACKET VP.	1
10	4178580	HOUSING PIPE D.152X184 1.4301 KIT	1
7.3	4176513	> O-RING FOR PUMP JACKET VP.	1
10.1		> HOUSING-PIPE Ø152-M+205/405-304	1
11	4178566	CENTERING STAGE-RETURN HELIX4 1.4307 VP	1
12	4212729	SHAFT EQUIPMENT HELIX V2/4 ReDTC KIT	1
12.1		> NUT-H-M8-STAINLESS-STEEL A4-70	1
12.2		> SHAFT END WASHER Ø8/Ø12 316L	1
12.3		> 1/2-SNAP-RING-2/4M3-316L	1
12.4		> STOP-RUSH-1/2-D12xd2-M+316	1
4.11		> SCREW CHC-M6X14-8.8-ISO4762-GEOMET500A	1
4.12		> WASHER D.24 L6U ZINK	1
13		HYDRAULIC HELIX V 405 1.4307	1
14	4213746	SHAFT D.12X256 HELIX 1.4057 VP.	1

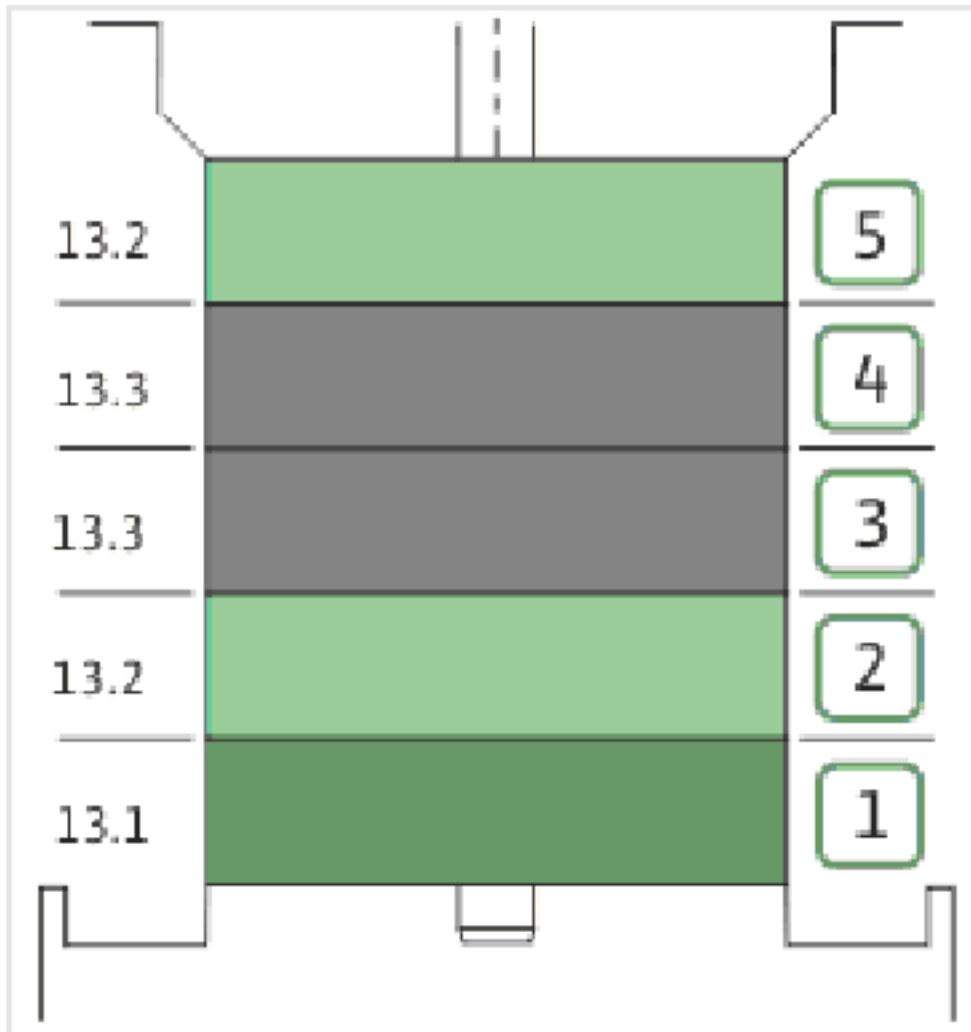
HELIX FIRST V405-5/16/E/S/400-50 (4201082)

Item	Article no.	Description	Quantity
15	4215105	PUMP HOUSING HELIX V2/4/6 DN32 PN16 KIT	1
15.1		> MACH+CATA PPE HOUSING M+5" D32-PN16 GJL	1
15.2	4191618	> O-RING ID.44,05x3,53 EPDM VP.	1
15.3	4171321	> PRIMING/DRAIN PLUG EPDM HELIX KIT	1
7.3	4176513	> O-RING FOR PUMP JACKET VP.	1



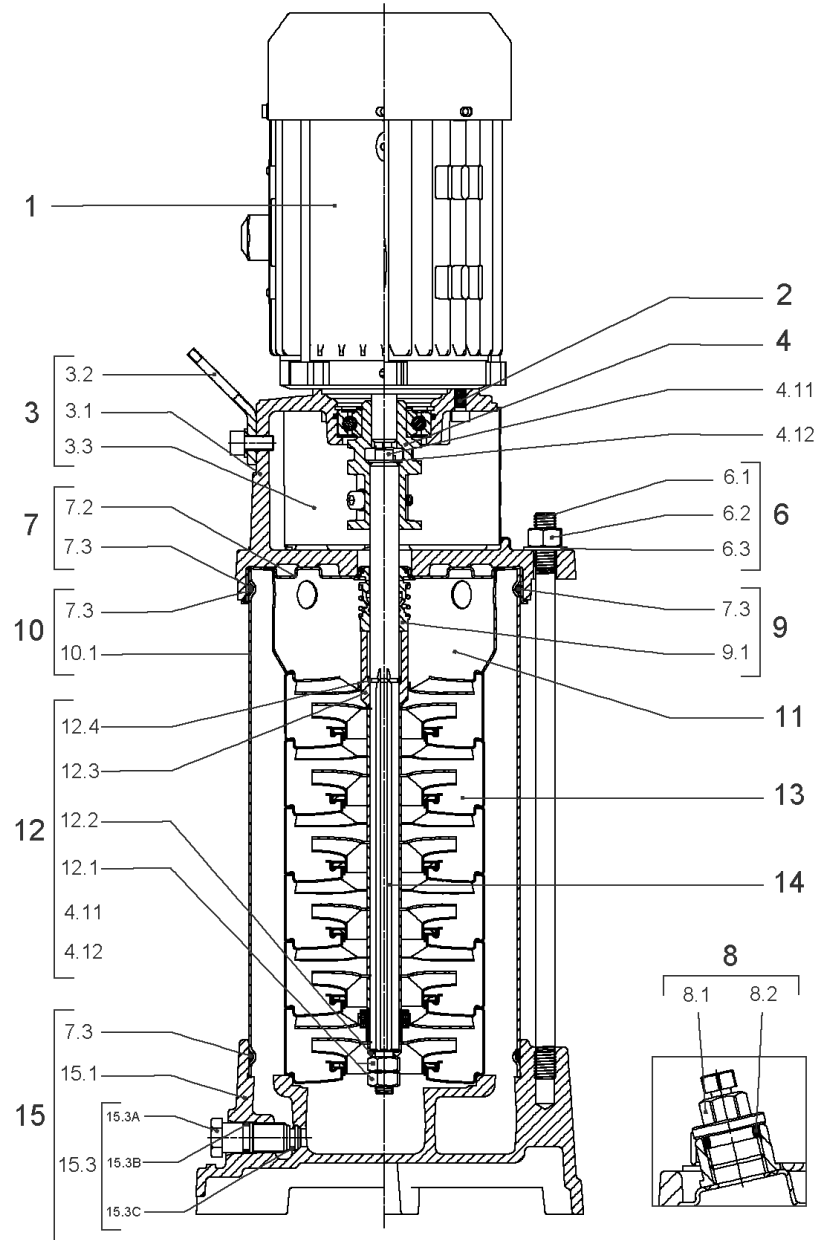
COUPLING D.12XD.19 FT100 KIT (4178578)

Item	Article no.	Description	Quantity
4.1		COUPLING-M+ Ø12XØ19-FT100-MACHINED	1
4.3	4234249	CIRCLIP-FOR-SHAFT-D30x1.5 VP.	1
4.2	2130977	BALL BEARING 6206/ZZ-C3(HT)VP.	1
4.4	4212716	SCREW M6X20 KIT (4PIECES)	1
4.5	4234250	CIRCLIP-D62x2 VP.	1
4.6	4234245	O-RING 63X3 VP.	1
		CONTACT-WASHER-6ETR-6,1x12,2x1,8-STEEL	4



HYDRAULIC HELIX V 405 1.4307

Item	Article no.	Description	Quantity
13.1	4178570	STAGE HELIX 4 1.4301 KIT	1
		> MACH.STG-CASING-WOGV-WNR-M+2-4-304	1
		> IMPELLER-M+4-304	1
13.2	4178569	STAGE BEARING HELIX 4 1.4301 KIT	1
		> MACH.BEARING-STG-CASING-WNR-M+4-304	1
		> IMPELLER-M+4-304	1
		> SHAFT SLEEVE SPACER Ø15,35x10,305-304	1
		> SHAFT-SLEEVE-D12xD16x14-CW	1
13.3	4178574	INTER STAGE HELIX4 1.4301< 15 stages KIT	1
		> MACH.STD-STG-CASING-WGV+NR-M+4-304	1
		> IMPELLER-M+4-304	1
		> IMPELLER SPACER Ø12,05X14,85-L24,285-304	1



HELIX FIRST V405-5/25/E/S/400-50 (4201084)

Item	Article no.	Description	Quantity
1	4169940	MOTOR 0,75/2/80 3~230/400V 50HZ IE3 VP.	1
		SPARE PARTS MOTOR:ON REQUEST	1
2	4212716	SCREW M6X20 KIT (4PIECES)	1
3	4213752	LANTERN FT100 HELIX KIT	1
3.1		> LANT-MOT-VMI-ReDTC6"-FT100-MACHINED+CATA	1
3.2	4184852	> EYELET CPL.FT HELIX (2 PIECES)	1
3.3	4213713	> COUPLING PROTECTOR FT85/100 HELIX KIT	1
4	4178578	COUPLING D.12XD.19 FT100 KIT	1
6	4215005	STUD BOLT HELIX M12X221 KIT	1
6.1		> TIE BOLT M12-221x18x30-1.4057	1
6.2	2094647	> NUT M12 M12 ISO4032 VP.	1
6.3	2123557	> WASHER CS-12.4-24-1.6-NFE25 (4 PIECES)	1
7	4212722	STATIONARY RING HOLDER HELIX D23 ReDTC	1
7.2	4212720	> STATIONARY RING HOLDER HELIX D23 VP.	1
7.3	4176513	> O-RING FOR PUMP JACKET VP.	1
8	4212724	FILING/PURGING PLUG HELIX ReDTC KIT	1
8.1		> FILLING PLUG MVI6"-304	1
8.2	4177800	> O-RING EPDM PLUG HELIX VP.	1
9	4212726	MECH.SEAL HELIX V2/4 O/E ReDTC KIT	1
9.1	4178563	> M.SEAL.HELIX2-4 O/E VP.	1
7.3	4176513	> O-RING FOR PUMP JACKET VP.	1
10	4178580	HOUSING PIPE D.152X184 1.4301 KIT	1
7.3	4176513	> O-RING FOR PUMP JACKET VP.	1
10.1		> HOUSING-PIPE Ø152-M+205/405-304	1
11	4178566	CENTERING STAGE-RETURN HELIX4 1.4307 VP	1
12	4212729	SHAFT EQUIPMENT HELIX V2/4 ReDTC KIT	1
12.1		> NUT-H-M8-STAINLESS-STEEL A4-70	1
12.2		> SHAFT END WASHER Ø8/Ø12 316L	1
12.3		> 1/2-SNAP-RING-2/4M3-316L	1
12.4		> STOP-RUSH-1/2-D12xd2-M+316	1
4.11		> SCREW CHC-M6X14-8.8-ISO4762-GEOMET500A	1
4.12		> WASHER D.24 L6U ZINK	1
13		HYDRAULIC HELIX V 405 1.4307	1
14	4213746	SHAFT D.12X256 HELIX 1.4057 VP.	1

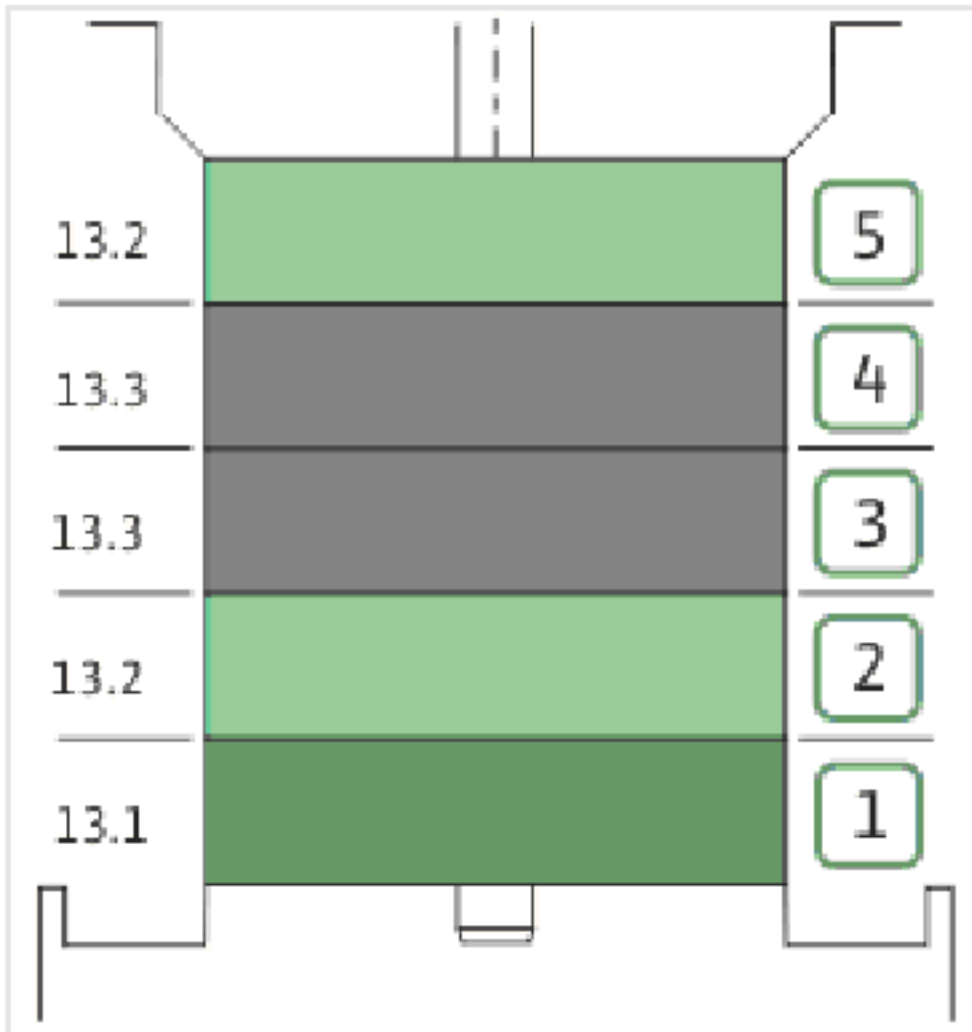
HELIX FIRST V405-5/25/E/S/400-50 (4201084)

Item	Article no.	Description	Quantity
15	4179246	PUMP HOUSING HELIX V2/4 DN25 PN30 KIT	1
7.3	4176513	> O-RING FOR PUMP JACKET VP.	1
15.1		> MACH+CATA PUMP CASING M+5" DN25 PN25 GJL	1
15.2	4233952	> FLAT GASKET D.73 VP.	1
15.3	4177877	> PRIMING/DRAIN PLUG HELIX PN30 KIT	1
15.3A		>> PRIMING/DRAIN PLUG M+6" 304	1
15.3B	4233957	>> O-RING ID.9 EPDM VP.	1
15.3C		>> O-RING Ø8xØ2 EPDM KTW/WRC	1



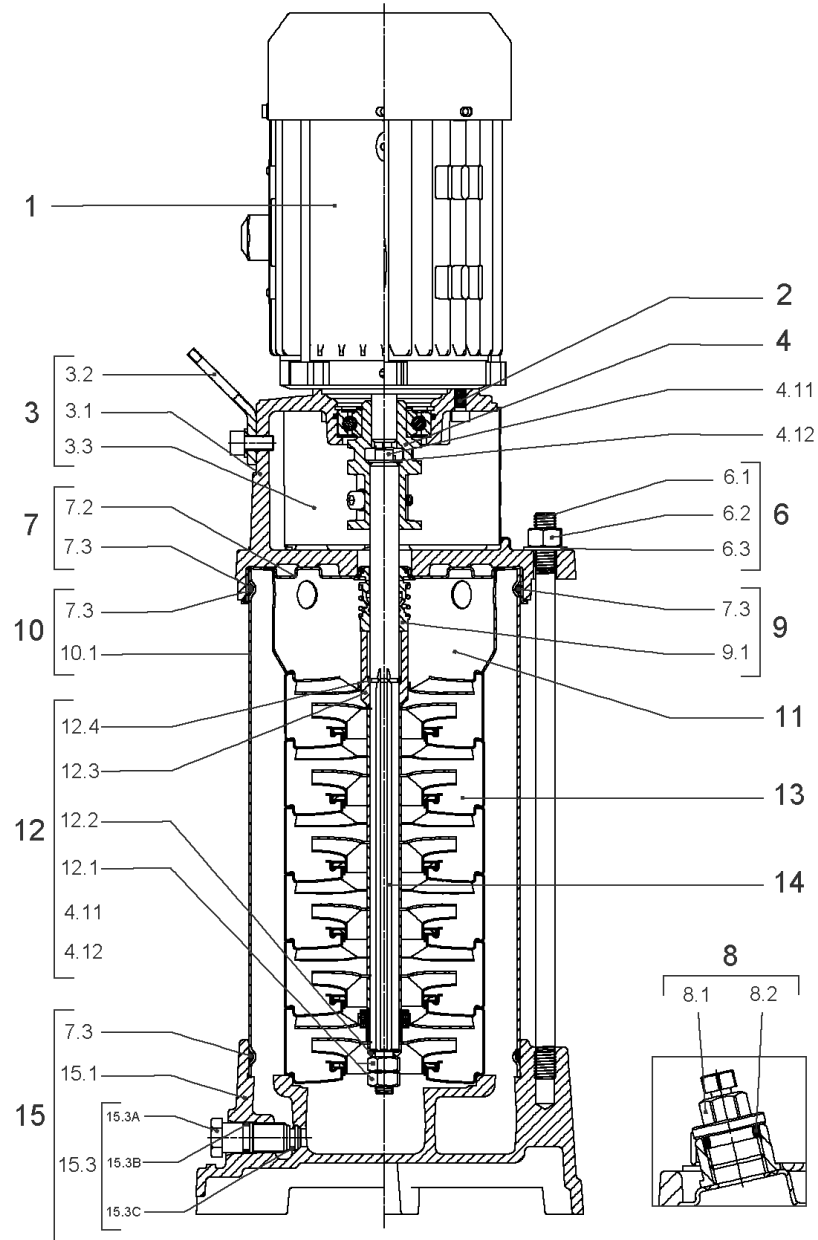
COUPLING D.12XD.19 FT100 KIT (4178578)

Item	Article no.	Description	Quantity
4.1		COUPLING-M+ Ø12XØ19-FT100-MACHINED	1
4.3	4234249	CIRCLIP-FOR-SHAFT-D30x1.5 VP.	1
4.2	2130977	BALL BEARING 6206/ZZ-C3(HT)VP.	1
4.4	4212716	SCREW M6X20 KIT (4PIECES)	1
4.5	4234250	CIRCLIP-D62x2 VP.	1
4.6	4234245	O-RING 63X3 VP.	1
		CONTACT-WASHER-6ETR-6,1x12,2x1,8-STEEL	4



HYDRAULIC HELIX V 405 1.4307

Item	Article no.	Description	Quantity
13.1	4178570	STAGE HELIX 4 1.4301 KIT	1
		> MACH.STG-CASING-WOGV-WNR-M+2-4-304	1
		> IMPELLER-M+4-304	1
13.2	4178569	STAGE BEARING HELIX 4 1.4301 KIT	1
		> MACH.BEARING-STG-CASING-WNR-M+4-304	1
		> IMPELLER-M+4-304	1
		> SHAFT SLEEVE SPACER Ø15,35x10,305-304	1
		> SHAFT-SLEEVE-D12xD16x14-CW	1
13.3	4178574	INTER STAGE HELIX4 1.4301< 15 stages KIT	1
		> MACH.STD-STG-CASING-WGV+NR-M+4-304	1
		> IMPELLER-M+4-304	1
		> IMPELLER SPACER Ø12,05X14,85-L24,285-304	1



HELIX FIRST V406-5/16/E/S/400-50 (4201085)

Item	Article no.	Description	Quantity
1	4169940	MOTOR 0,75/2/80 3~230/400V 50HZ IE3 VP.	1
		SPARE PARTS MOTOR:ON REQUEST	1
2	4212716	SCREW M6X20 KIT (4PIECES)	1
3	4213752	LANTERN FT100 HELIX KIT	1
3.1		> LANT-MOT-VMI-ReDTC6"-FT100-MACHINED+CATA	1
3.2	4184852	> EYELET CPL.FT HELIX (2 PIECES)	1
3.3	4213713	> COUPLING PROTECTOR FT85/100 HELIX KIT	1
4	4178578	COUPLING D.12XD.19 FT100 KIT	1
6	2018359	STUD BOLT M12X245 KIT	1
6.1		> TIE BOLT M12-245x18x30-1.4057	1
6.2	2094647	> NUT M12 M12 ISO4032 VP.	1
6.3	2123557	> WASHER CS-12.4-24-1.6-NFE25 (4 PIECES)	1
7	4212722	STATIONARY RING HOLDER HELIX D23 ReDTC	1
7.2	4212720	> STATIONARY RING HOLDER HELIX D23 VP.	1
7.3	4176513	> O-RING FOR PUMP JACKET VP.	1
8	4212724	FILING/PURGING PLUG HELIX ReDTC KIT	1
8.1		> FILLING PLUG MVI6"-304	1
8.2	4177800	> O-RING EPDM PLUG HELIX VP.	1
9	4212726	MECH.SEAL HELIX V2/4 O/E ReDTC KIT	1
9.1	4178563	> M.SEAL.HELIX2-4 O/E VP.	1
7.3	4176513	> O-RING FOR PUMP JACKET VP.	1
10	2127575	HOUSING PIPE D.152x210 1.4301 KIT	1
11	4178566	CENTERING STAGE-RETURN HELIX4 1.4307 VP	1
12	4212729	SHAFT EQUIPMENT HELIX V2/4 ReDTC KIT	1
12.1		> NUT-H-M8-STAINLESS-STEEL A4-70	1
12.2		> SHAFT END WASHER Ø8/Ø12 316L	1
12.3		> 1/2-SNAP-RING-2/4M3-316L	1
12.4		> STOP-RUSH-1/2-D12xd2-M+316	1
4.11		> SCREW CHC-M6X14-8.8-ISO4762-GEOMET500A	1
4.12		> WASHER D.24 L6U ZINK	1
13		HYDRAULIC HELIX V 406 1.4307	1
14	4213748	SHAFT D.12X281 HELIX 1.4057 VP.	1
15	4215105	PUMP HOUSING HELIX V2/4/6 DN32 PN16 KIT	1
15.1		> MACH+CATA PPE HOUSING M+5" D32-PN16 GJL	1

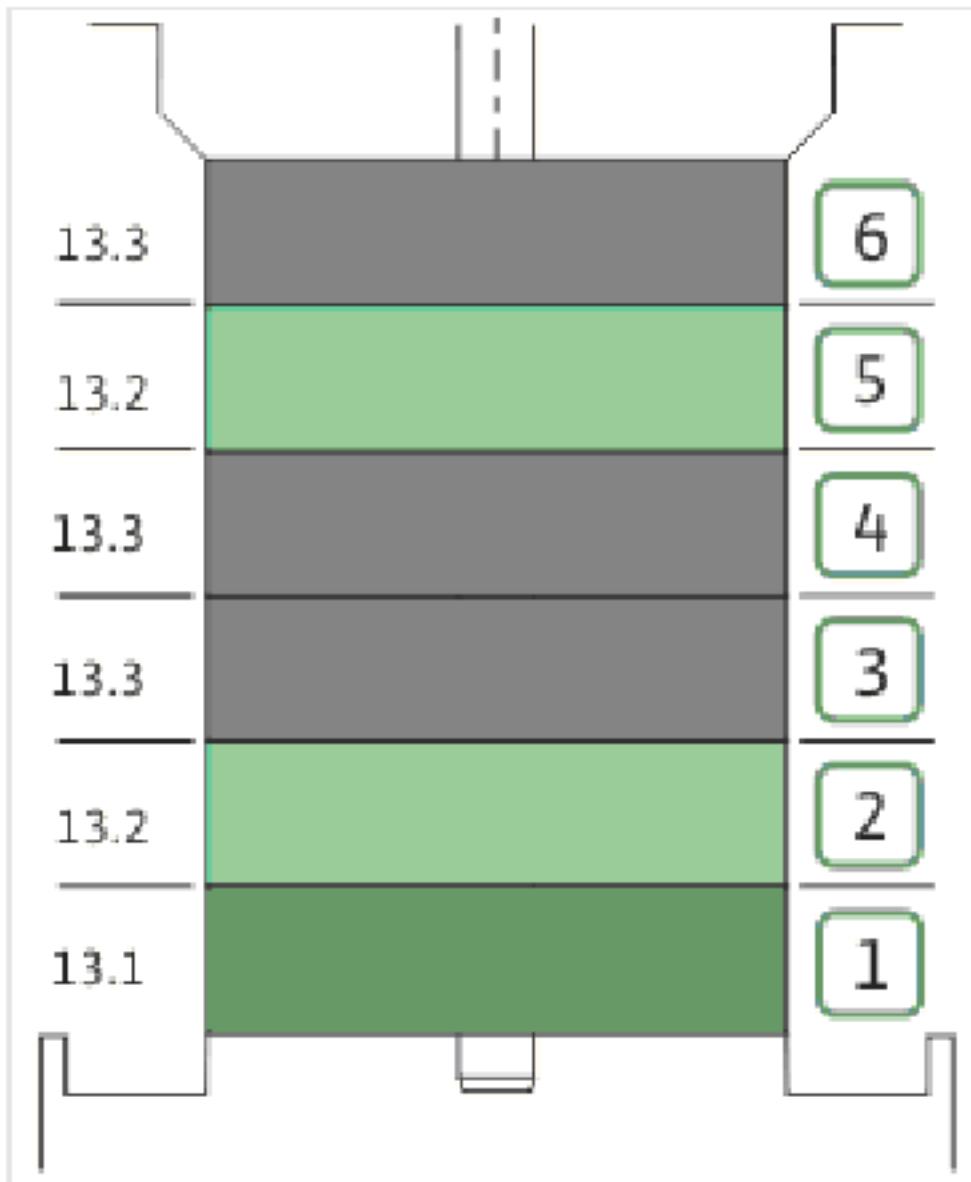
HELIX FIRST V406-5/16/E/S/400-50 (4201085)

Item	Article no.	Description	Quantity
15.2	4191618	> O-RING ID.44,05x3,53 EPDM VP.	1
15.3	4171321	> PRIMING/DRAIN PLUG EPDM HELIX KIT	1
7.3	4176513	> O-RING FOR PUMP JACKET VP.	1



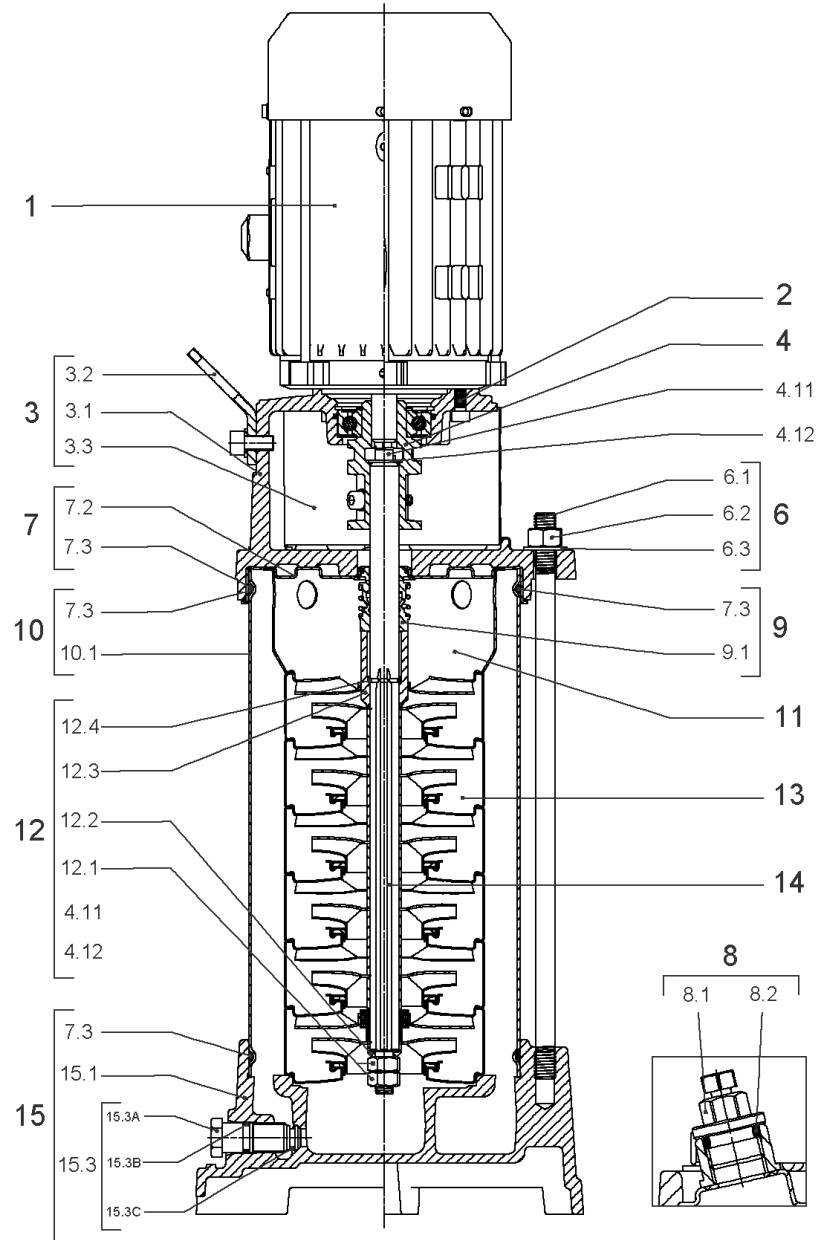
COUPLING D.12XD.19 FT100 KIT (4178578)

Item	Article no.	Description	Quantity
4.1		COUPLING-M+ Ø12XØ19-FT100-MACHINED	1
4.3	4234249	CIRCLIP-FOR-SHAFT-D30x1.5 VP.	1
4.2	2130977	BALL BEARING 6206/ZZ-C3(HT)VP.	1
4.4	4212716	SCREW M6X20 KIT (4PIECES)	1
4.5	4234250	CIRCLIP-D62x2 VP.	1
4.6	4234245	O-RING 63X3 VP.	1
		CONTACT-WASHER-6ETR-6,1x12,2x1,8-STEEL	4



HYDRAULIC HELIX V 406 1.4307

Item	Article no.	Description	Quantity
13.1	4178570	STAGE HELIX 4 1.4301 KIT	1
		> MACH.STG-CASING-WOGV-WNR-M+2-4-304	1
		> IMPELLER-M+4-304	1
13.2	4178569	STAGE BEARING HELIX 4 1.4301 KIT	1
		> MACH.BEARING-STG-CASING-WNR-M+4-304	1
		> IMPELLER-M+4-304	1
		> SHAFT SLEEVE SPACER Ø15,35x10,305-304	1
		> SHAFT-SLEEVE-D12xD16x14-CW	1
13.3	4178574	INTER STAGE HELIX4 1.4301< 15 stages KIT	1
		> MACH.STD-STG-CASING-WGV+NR-M+4-304	1
		> IMPELLER-M+4-304	1
		> IMPELLER SPACER Ø12,05X14,85-L24,285-304	1



HELIX FIRST V406-5/25/E/S/400-50 (4201087)

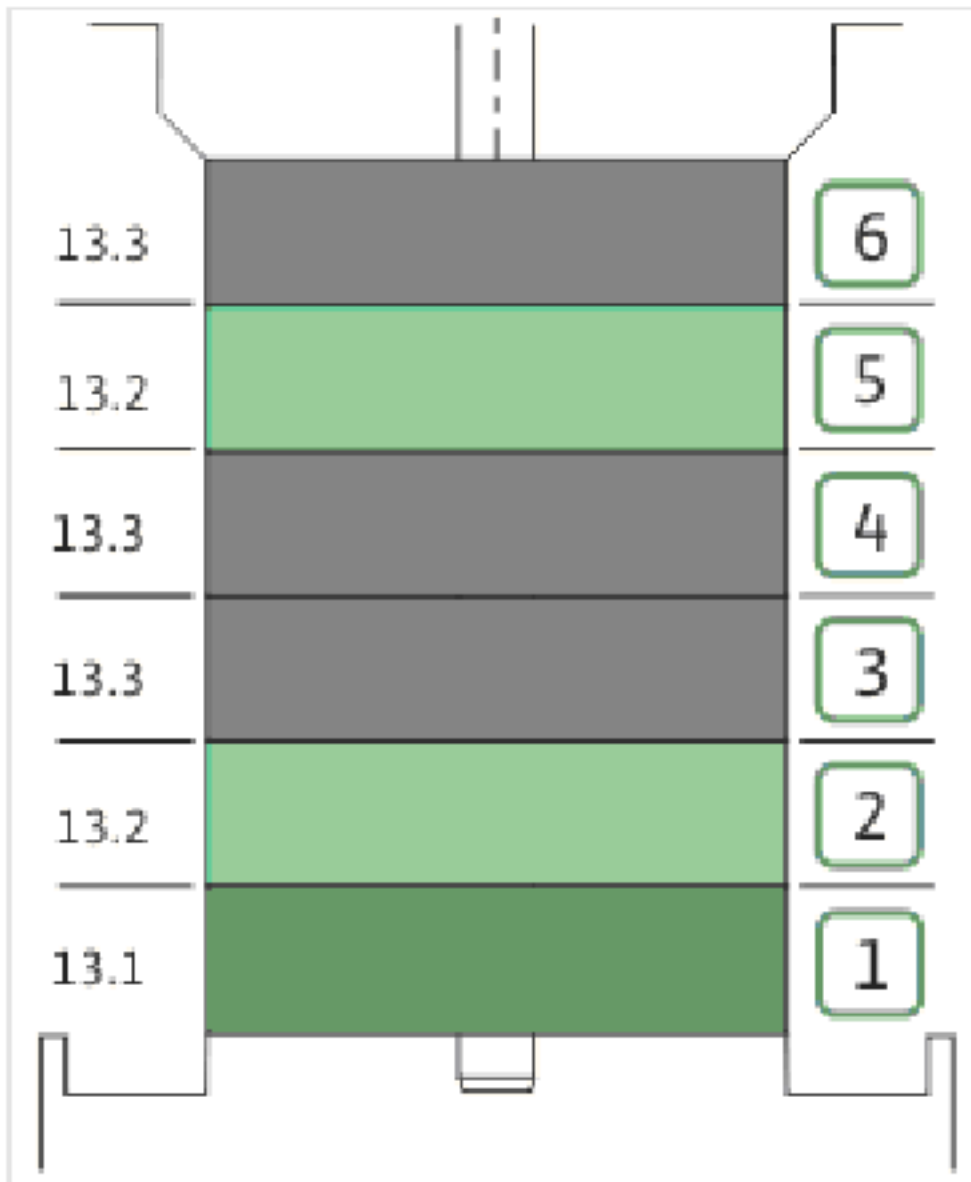
Item	Article no.	Description	Quantity
1	4169940	MOTOR 0,75/2/80 3~230/400V 50HZ IE3 VP.	1
		SPARE PARTS MOTOR:ON REQUEST	1
2	4212716	SCREW M6X20 KIT (4PIECES)	1
3	4213752	LANTERN FT100 HELIX KIT	1
3.1		> LANT-MOT-VMI-ReDTC6"-FT100-MACHINED+CATA	1
3.2	4184852	> EYELET CPL.FT HELIX (2 PIECES)	1
3.3	4213713	> COUPLING PROTECTOR FT85/100 HELIX KIT	1
4	4178578	COUPLING D.12XD.19 FT100 KIT	1
6	2018359	STUD BOLT M12X245 KIT	1
6.1		> TIE BOLT M12-245x18x30-1.4057	1
6.2	2094647	> NUT M12 M12 ISO4032 VP.	1
6.3	2123557	> WASHER CS-12.4-24-1.6-NFE25 (4 PIECES)	1
7	4212722	STATIONARY RING HOLDER HELIX D23 ReDTC	1
7.2	4212720	> STATIONARY RING HOLDER HELIX D23 VP.	1
7.3	4176513	> O-RING FOR PUMP JACKET VP.	1
8	4212724	FILING/PURGING PLUG HELIX ReDTC KIT	1
8.1		> FILLING PLUG MVI6"-304	1
8.2	4177800	> O-RING EPDM PLUG HELIX VP.	1
9	4212726	MECH.SEAL HELIX V2/4 O/E ReDTC KIT	1
9.1	4178563	> M.SEAL.HELIX2-4 O/E VP.	1
7.3	4176513	> O-RING FOR PUMP JACKET VP.	1
10	2127575	HOUSING PIPE D.152x210 1.4301 KIT	1
11	4178566	CENTERING STAGE-RETURN HELIX4 1.4307 VP	1
12	4212729	SHAFT EQUIPMENT HELIX V2/4 ReDTC KIT	1
12.1		> NUT-H-M8-STAINLESS-STEEL A4-70	1
12.2		> SHAFT END WASHER Ø8/Ø12 316L	1
12.3		> 1/2-SNAP-RING-2/4M3-316L	1
12.4		> STOP-RUSH-1/2-D12xd2-M+316	1
4.11		> SCREW CHC-M6X14-8.8-ISO4762-GEOMET500A	1
4.12		> WASHER D.24 L6U ZINK	1
13		HYDRAULIC HELIX V 406 1.4307	1
14	4213748	SHAFT D.12X281 HELIX 1.4057 VP.	1
15	4179246	PUMP HOUSING HELIX V2/4 DN25 PN30 KIT	1
7.3	4176513	> O-RING FOR PUMP JACKET VP.	1

HELIX FIRST V406-5/25/E/S/400-50 (4201087)

Item	Article no.	Description	Quantity
15.1		> MACH+CATA PUMP CASING M+5" DN25 PN25 GJL	1
15.2	4233952	> FLAT GASKET D.73 VP.	1
15.3	4177877	> PRIMING/DRAIN PLUG HELIX PN30 KIT	1
15.3A		>> PRIMING/DRAIN PLUG M+6" 304	1
15.3B	4233957	>> O-RING ID.9 EPDM VP.	1
15.3C		>> O-RING Ø8xØ2 EPDM KTW/WRC	1

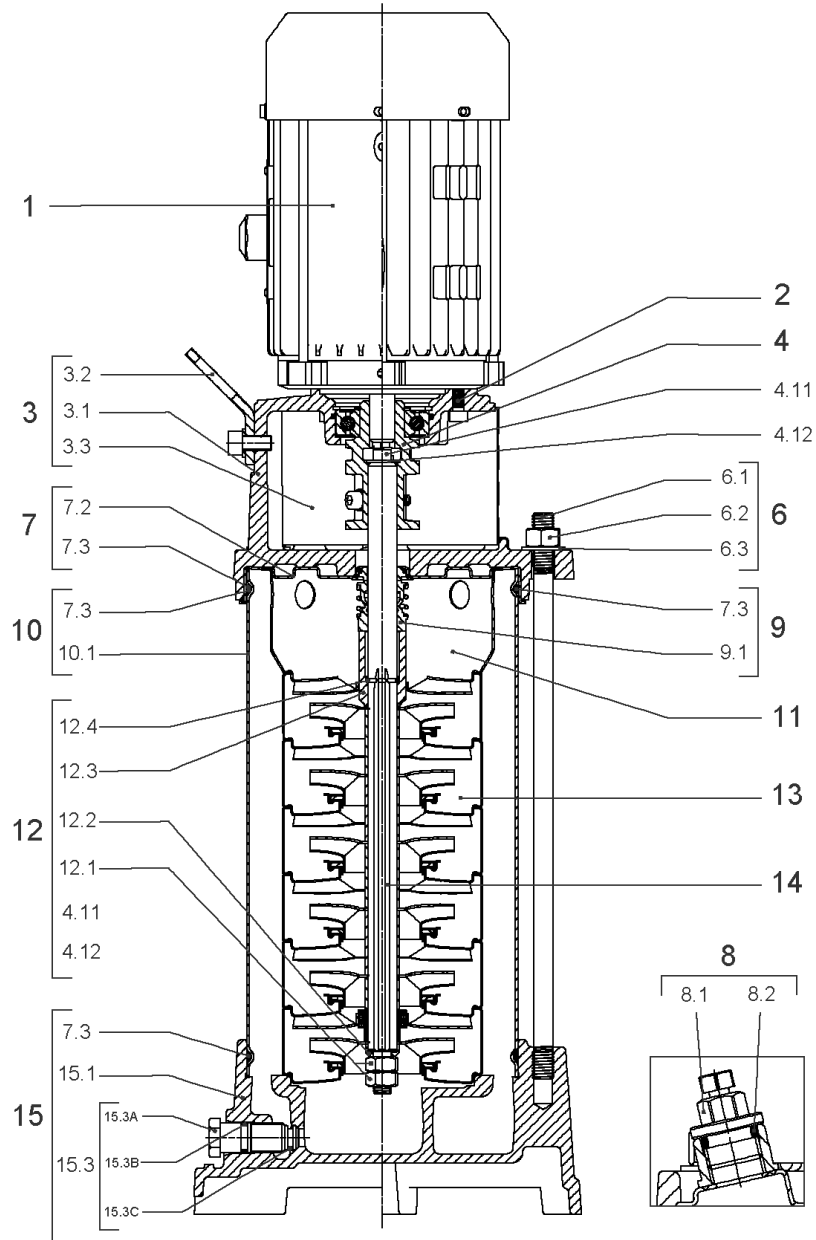
COUPLING D.12XD.19 FT100 KIT (4178578)

Item	Article no.	Description	Quantity
4.1		COUPLING-M+ Ø12XØ19-FT100-MACHINED	1
4.3	4234249	CIRCLIP-FOR-SHAFT-D30x1.5 VP.	1
4.2	2130977	BALL BEARING 6206/ZZ-C3(HT)VP.	1
4.4	4212716	SCREW M6X20 KIT (4PIECES)	1
4.5	4234250	CIRCLIP-D62x2 VP.	1
4.6	4234245	O-RING 63X3 VP.	1
		CONTACT-WASHER-6ETR-6,1x12,2x1,8-STEEL	4



HYDRAULIC HELIX V 406 1.4307

Item	Article no.	Description	Quantity
13.1	4178570	STAGE HELIX 4 1.4301 KIT	1
		> MACH.STG-CASING-WOGV-WNR-M+2-4-304	1
		> IMPELLER-M+4-304	1
13.2	4178569	STAGE BEARING HELIX 4 1.4301 KIT	1
		> MACH.BEARING-STG-CASING-WNR-M+4-304	1
		> IMPELLER-M+4-304	1
		> SHAFT SLEEVE SPACER Ø15,35x10,305-304	1
		> SHAFT-SLEEVE-D12xD16x14-CW	1
13.3	4178574	INTER STAGE HELIX4 1.4301< 15 stages KIT	1
		> MACH.STD-STG-CASING-WGV+NR-M+4-304	1
		> IMPELLER-M+4-304	1
		> IMPELLER SPACER Ø12,05X14,85-L24,285-304	1

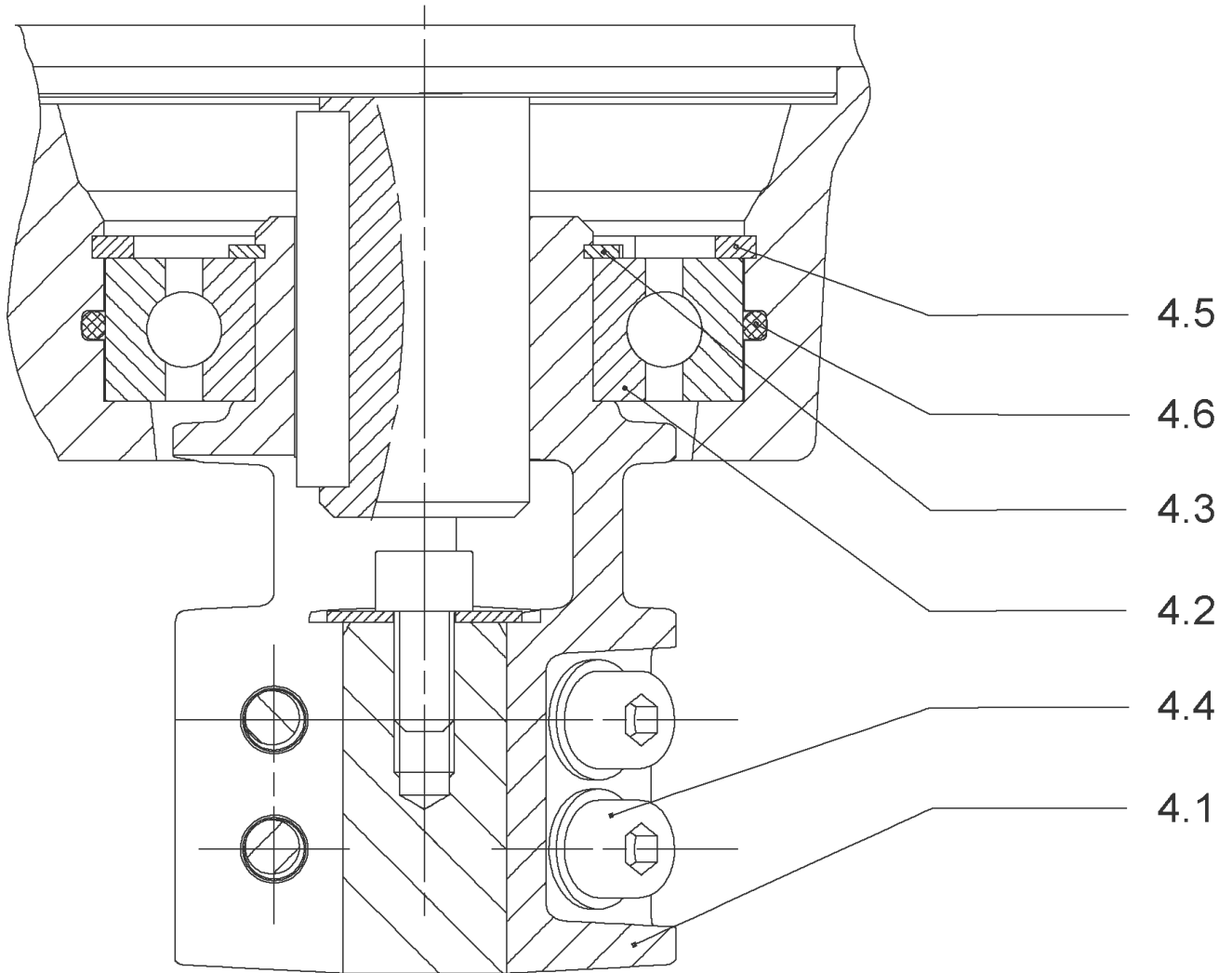


HELIX FIRST V407-5/16/E/S/400-50 (4201088)

Item	Article no.	Description	Quantity
1	4169941	MOTOR 1,1/2/80 3~230/400V 50HZ IE3 VP.	1
		SPARE PARTS MOTOR:ON REQUEST	1
2	4212716	SCREW M6X20 KIT (4PIECES)	1
3	4213752	LANTERN FT100 HELIX KIT	1
3.1		> LANT-MOT-VMI-ReDTC6"-FT100-MACHINED+CATA	1
3.2	4184852	> EYELET CPL.FT HELIX (2 PIECES)	1
3.3	4213713	> COUPLING PROTECTOR FT85/100 HELIX KIT	1
4	4178578	COUPLING D.12XD.19 FT100 KIT	1
6	4215007	STUD BOLT HELIX M12X269 KIT	1
6.1		> TIE BOLT M12-269x18x30-1.4057	1
6.2	2094647	> NUT M12 M12 ISO4032 VP.	1
6.3	2123557	> WASHER CS-12.4-24-1.6-NFE25 (4 PIECES)	1
7	4212722	STATIONARY RING HOLDER HELIX D23 ReDTC	1
7.2	4212720	> STATIONARY RING HOLDER HELIX D23 VP.	1
7.3	4176513	> O-RING FOR PUMP JACKET VP.	1
8	4212724	FILING/PURGING PLUG HELIX ReDTC KIT	1
8.1		> FILLING PLUG MVI6"-304	1
8.2	4177800	> O-RING EPDM PLUG HELIX VP.	1
9	4212726	MECH.SEAL HELIX V2/4 O/E ReDTC KIT	1
9.1	4178563	> M.SEAL.HELIX2-4 O/E VP.	1
7.3	4176513	> O-RING FOR PUMP JACKET VP.	1
10	4178586	HOUSING-PIPE D.152X235 1.4301 KIT	1
7.3	4176513	> O-RING FOR PUMP JACKET VP.	1
10.1		> HOUSING-PIPE Ø152-M+207/407-304	1
11	4178566	CENTERING STAGE-RETURN HELIX4 1.4307 VP	1
12	4212729	SHAFT EQUIPMENT HELIX V2/4 ReDTC KIT	1
12.1		> NUT-H-M8-STAINLESS-STEEL A4-70	1
12.2		> SHAFT END WASHER Ø8/Ø12 316L	1
12.3		> 1/2-SNAP-RING-2/4M3-316L	1
12.4		> STOP-RUSH-1/2-D12xd2-M+316	1
4.11		> SCREW CHC-M6X14-8.8-ISO4762-GEOMET500A	1
4.12		> WASHER D.24 L6U ZINK	1
13		HYDRAULIC HELIX V 407 1.4307	1
14	4213750	SHAFT D.12X306 HELIX 1.4057 VP.	1

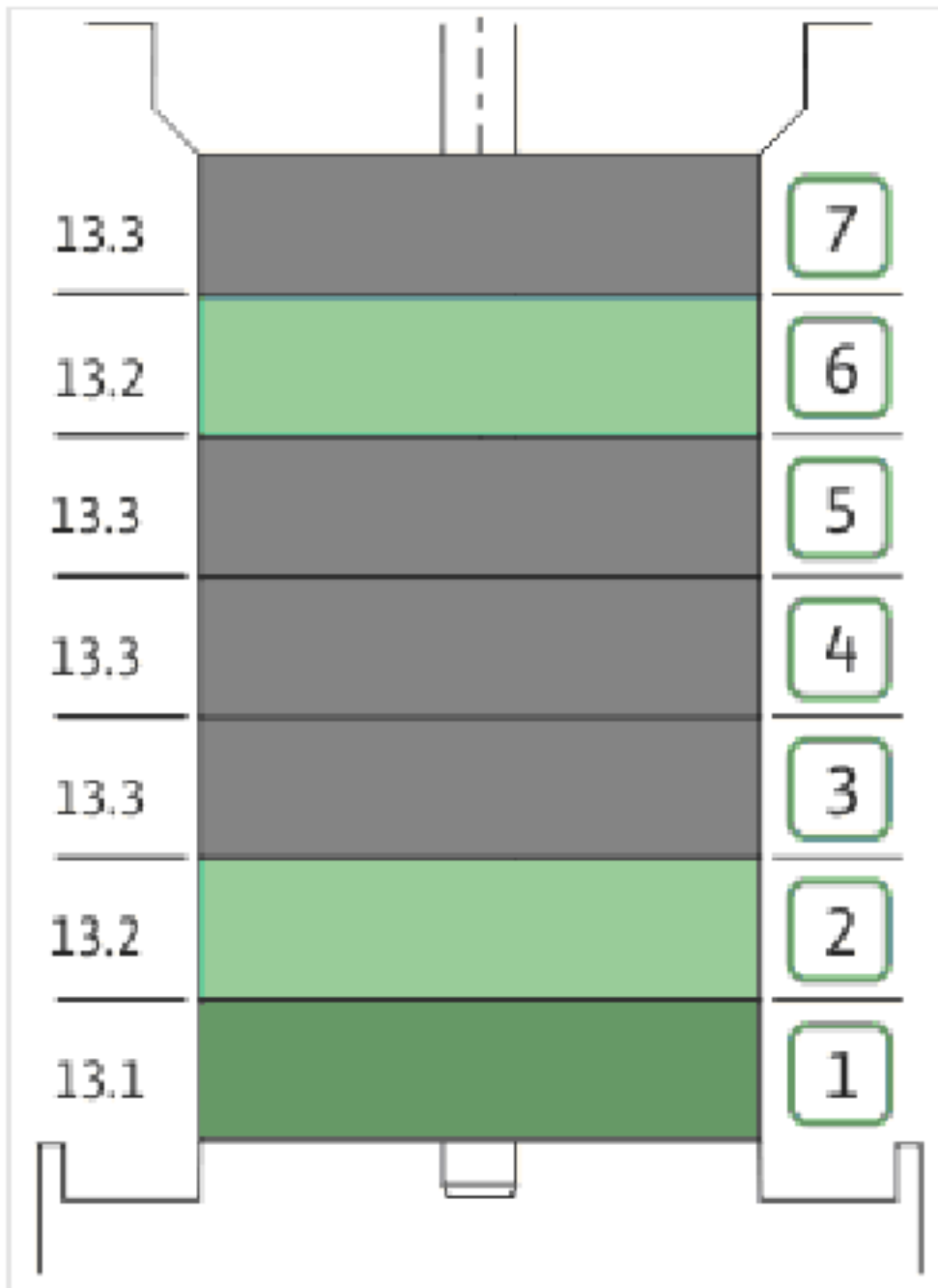
HELIX FIRST V407-5/16/E/S/400-50 (4201088)

Item	Article no.	Description	Quantity
15	4215105	PUMP HOUSING HELIX V2/4/6 DN32 PN16 KIT	1
15.1		> MACH+CATA PPE HOUSING M+5" D32-PN16 GJL	1
15.2	4191618	> O-RING ID.44,05x3,53 EPDM VP.	1
15.3	4171321	> PRIMING/DRAIN PLUG EPDM HELIX KIT	1
7.3	4176513	> O-RING FOR PUMP JACKET VP.	1



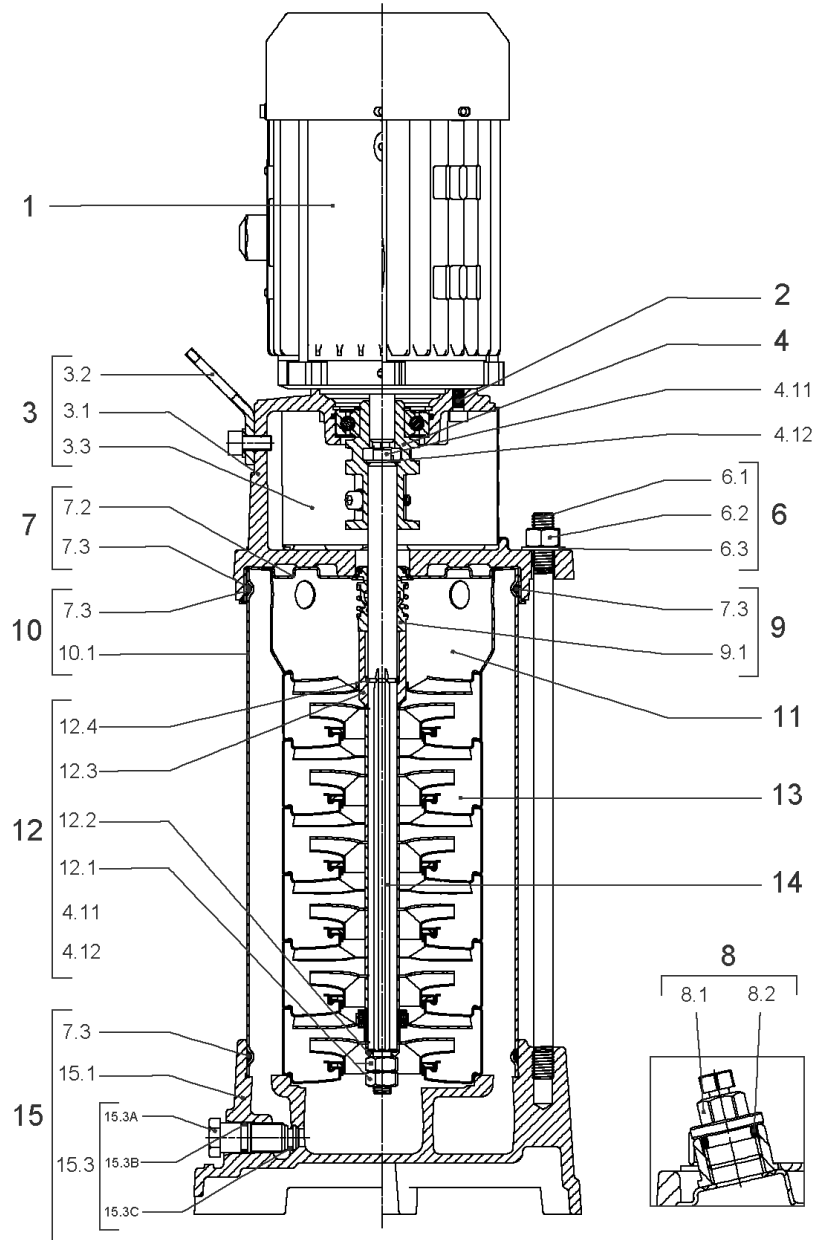
COUPLING D.12XD.19 FT100 KIT (4178578)

Item	Article no.	Description	Quantity
4.1		COUPLING-M+ Ø12XØ19-FT100-MACHINED	1
4.3	4234249	CIRCLIP-FOR-SHAFT-D30x1.5 VP.	1
4.2	2130977	BALL BEARING 6206/ZZ-C3(HT)VP.	1
4.4	4212716	SCREW M6X20 KIT (4PIECES)	1
4.5	4234250	CIRCLIP-D62x2 VP.	1
4.6	4234245	O-RING 63X3 VP.	1
		CONTACT-WASHER-6ETR-6,1x12,2x1,8-STEEL	4



HYDRAULIC HELIX V 407 1.4307

Item	Article no.	Description	Quantity
13.1	4178570	STAGE HELIX 4 1.4301 KIT	1
		> MACH.STG-CASING-WOGV-WNR-M+2-4-304	1
		> IMPELLER-M+4-304	1
13.2	4178569	STAGE BEARING HELIX 4 1.4301 KIT	1
		> MACH.BEARING-STG-CASING-WNR-M+4-304	1
		> IMPELLER-M+4-304	1
		> SHAFT SLEEVE SPACER Ø15,35x10,305-304	1
		> SHAFT-SLEEVE-D12xD16x14-CW	1
13.3	4178574	INTER STAGE HELIX4 1.4301< 15 stages KIT	1
		> MACH.STD-STG-CASING-WGV+NR-M+4-304	1
		> IMPELLER-M+4-304	1
		> IMPELLER SPACER Ø12,05X14,85-L24,285-304	1



HELIX FIRST V407-5/25/E/S/400-50 (4201090)

Item	Article no.	Description	Quantity
1	4169941	MOTOR 1,1/2/80 3~230/400V 50HZ IE3 VP.	1
		SPARE PARTS MOTOR:ON REQUEST	1
2	4212716	SCREW M6X20 KIT (4PIECES)	1
3	4213752	LANTERN FT100 HELIX KIT	1
3.1		> LANT-MOT-VMI-ReDTC6"-FT100-MACHINED+CATA	1
3.2	4184852	> EYELET CPL.FT HELIX (2 PIECES)	1
3.3	4213713	> COUPLING PROTECTOR FT85/100 HELIX KIT	1
4	4178578	COUPLING D.12XD.19 FT100 KIT	1
6	4215007	STUD BOLT HELIX M12X269 KIT	1
6.1		> TIE BOLT M12-269x18x30-1.4057	1
6.2	2094647	> NUT M12 M12 ISO4032 VP.	1
6.3	2123557	> WASHER CS-12.4-24-1.6-NFE25 (4 PIECES)	1
7	4212722	STATIONARY RING HOLDER HELIX D23 ReDTC	1
7.2	4212720	> STATIONARY RING HOLDER HELIX D23 VP.	1
7.3	4176513	> O-RING FOR PUMP JACKET VP.	1
8	4212724	FILING/PURGING PLUG HELIX ReDTC KIT	1
8.1		> FILLING PLUG MVI6"-304	1
8.2	4177800	> O-RING EPDM PLUG HELIX VP.	1
9	4212726	MECH.SEAL HELIX V2/4 O/E ReDTC KIT	1
9.1	4178563	> M.SEAL.HELIX2-4 O/E VP.	1
7.3	4176513	> O-RING FOR PUMP JACKET VP.	1
10	4178586	HOUSING-PIPE D.152X235 1.4301 KIT	1
7.3	4176513	> O-RING FOR PUMP JACKET VP.	1
10.1		> HOUSING-PIPE Ø152-M+207/407-304	1
11	4178566	CENTERING STAGE-RETURN HELIX4 1.4307 VP	1
12	4212729	SHAFT EQUIPMENT HELIX V2/4 ReDTC KIT	1
12.1		> NUT-H-M8-STAINLESS-STEEL A4-70	1
12.2		> SHAFT END WASHER Ø8/Ø12 316L	1
12.3		> 1/2-SNAP-RING-2/4M3-316L	1
12.4		> STOP-RUSH-1/2-D12xd2-M+316	1
4.11		> SCREW CHC-M6X14-8.8-ISO4762-GEOMET500A	1
4.12		> WASHER D.24 L6U ZINK	1
13		HYDRAULIC HELIX V 407 1.4307	1
14	4213750	SHAFT D.12X306 HELIX 1.4057 VP.	1

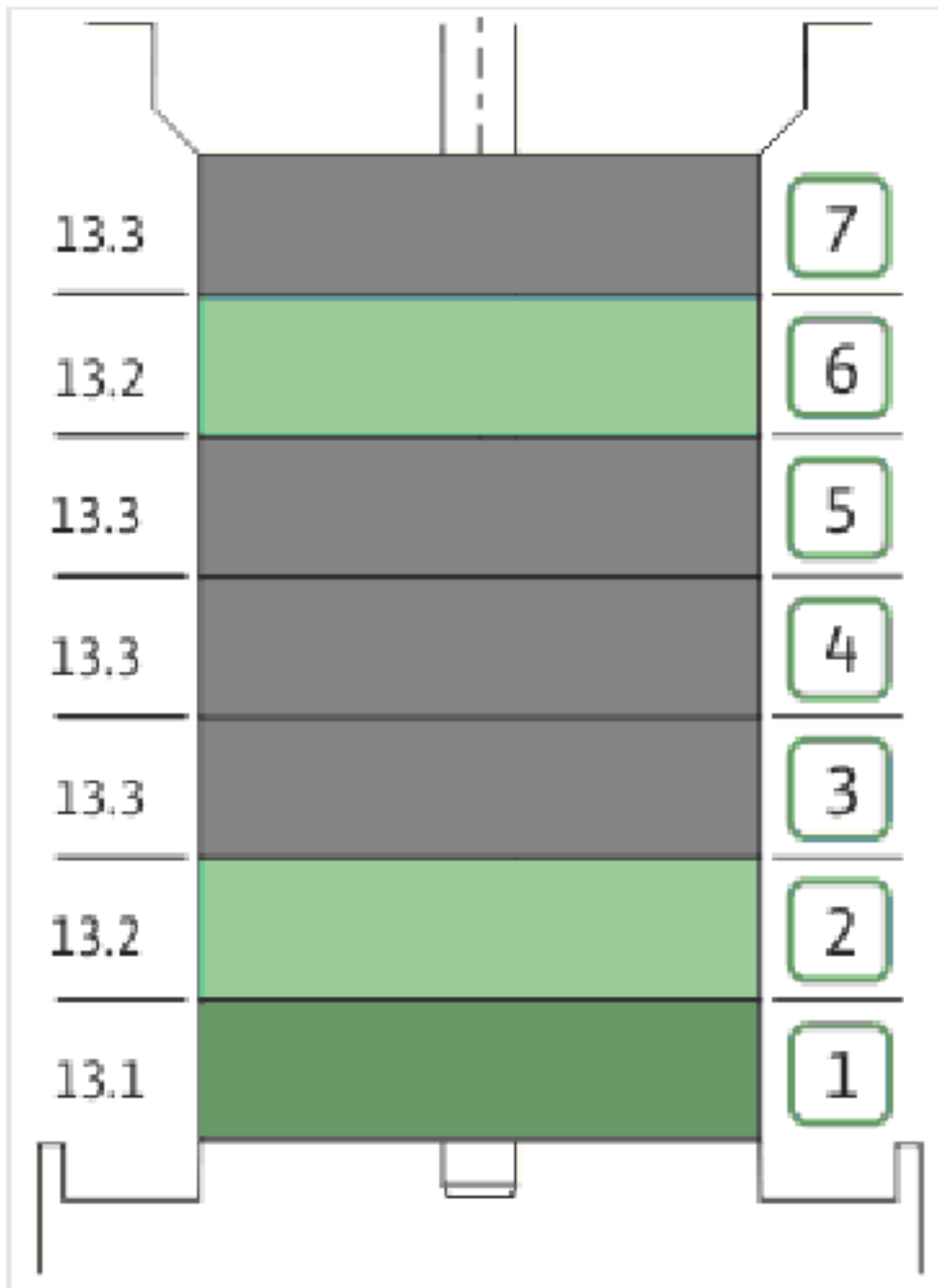
HELIX FIRST V407-5/25/E/S/400-50 (4201090)

Item	Article no.	Description	Quantity
15	4179246	PUMP HOUSING HELIX V2/4 DN25 PN30 KIT	1
7.3	4176513	> O-RING FOR PUMP JACKET VP.	1
15.1		> MACH+CATA PUMP CASING M+5" DN25 PN25 GJL	1
15.2	4233952	> FLAT GASKET D.73 VP.	1
15.3	4177877	> PRIMING/DRAIN PLUG HELIX PN30 KIT	1
15.3A		>> PRIMING/DRAIN PLUG M+6" 304	1
15.3B	4233957	>> O-RING ID.9 EPDM VP.	1
15.3C		>> O-RING Ø8xØ2 EPDM KTW/WRC	1



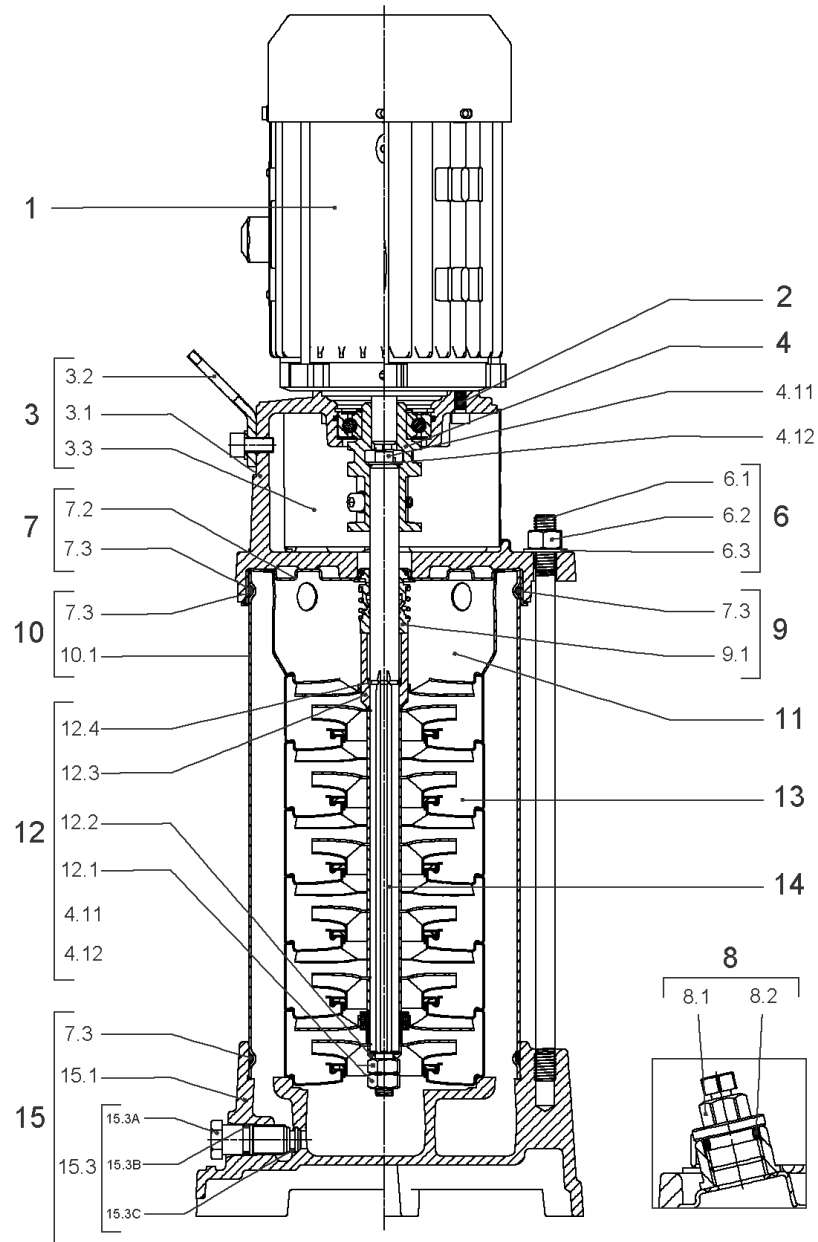
COUPLING D.12XD.19 FT100 KIT (4178578)

Item	Article no.	Description	Quantity
4.1		COUPLING-M+ Ø12XØ19-FT100-MACHINED	1
4.3	4234249	CIRCLIP-FOR-SHAFT-D30x1.5 VP.	1
4.2	2130977	BALL BEARING 6206/ZZ-C3(HT)VP.	1
4.4	4212716	SCREW M6X20 KIT (4PIECES)	1
4.5	4234250	CIRCLIP-D62x2 VP.	1
4.6	4234245	O-RING 63X3 VP.	1
		CONTACT-WASHER-6ETR-6,1x12,2x1,8-STEEL	4



HYDRAULIC HELIX V 407 1.4307

Item	Article no.	Description	Quantity
13.1	4178570	STAGE HELIX 4 1.4301 KIT	1
		> MACH.STG-CASING-WOGV-WNR-M+2-4-304	1
		> IMPELLER-M+4-304	1
13.2	4178569	STAGE BEARING HELIX 4 1.4301 KIT	1
		> MACH.BEARING-STG-CASING-WNR-M+4-304	1
		> IMPELLER-M+4-304	1
		> SHAFT SLEEVE SPACER Ø15,35x10,305-304	1
		> SHAFT-SLEEVE-D12xD16x14-CW	1
13.3	4178574	INTER STAGE HELIX4 1.4301< 15 stages KIT	1
		> MACH.STD-STG-CASING-WGV+NR-M+4-304	1
		> IMPELLER-M+4-304	1
		> IMPELLER SPACER Ø12,05X14,85-L24,285-304	1



HELIX FIRST V408-5/16/E/S/400-50 (4201091)

Item	Article no.	Description	Quantity
1	4169941	MOTOR 1,1/2/80 3~230/400V 50HZ IE3 VP.	1
		SPARE PARTS MOTOR:ON REQUEST	1
2	4212716	SCREW M6X20 KIT (4PIECES)	1
3	4213752	LANTERN FT100 HELIX KIT	1
3.1		> LANT-MOT-VMI-ReDTC6"-FT100-MACHINED+CATA	1
3.2	4184852	> EYELET CPL.FT HELIX (2 PIECES)	1
3.3	4213713	> COUPLING PROTECTOR FT85/100 HELIX KIT	1
4	4178578	COUPLING D.12XD.19 FT100 KIT	1
6	2018361	STUD BOLT M12X293 KIT	1
6.1		> TIE BOLT M12-293x18x30-1.4057	1
6.2	2094647	> NUT M12 M12 ISO4032 VP.	1
6.3	2123557	> WASHER CS-12.4-24-1.6-NFE25 (4 PIECES)	1
7	4212722	STATIONARY RING HOLDER HELIX D23 ReDTC	1
7.2	4212720	> STATIONARY RING HOLDER HELIX D23 VP.	1
7.3	4176513	> O-RING FOR PUMP JACKET VP.	1
8	4212724	FILING/PURGING PLUG HELIX ReDTC KIT	1
8.1		> FILLING PLUG MVI6"-304	1
8.2	4177800	> O-RING EPDM PLUG HELIX VP.	1
9	4212726	MECH.SEAL HELIX V2/4 O/E ReDTC KIT	1
9.1	4178563	> M.SEAL.HELIX2-4 O/E VP.	1
7.3	4176513	> O-RING FOR PUMP JACKET VP.	1
10	2127576	HOUSING PIPE D.152x260 1.4301 KIT	1
11	4178566	CENTERING STAGE-RETURN HELIX4 1.4307 VP	1
12	4212729	SHAFT EQUIPMENT HELIX V2/4 ReDTC KIT	1
12.1		> NUT-H-M8-STAINLESS-STEEL A4-70	1
12.2		> SHAFT END WASHER Ø8/Ø12 316L	1
12.3		> 1/2-SNAP-RING-2/4M3-316L	1
12.4		> STOP-RUSH-1/2-D12xd2-M+316	1
4.11		> SCREW CHC-M6X14-8.8-ISO4762-GEOMET500A	1
4.12		> WASHER D.24 L6U ZINK	1
13		HYDRAULIC HELIX V 408 1.4307	1
14	4213754	SHAFT D.12X331 HELIX 1.4057 VP.	1
15	4215105	PUMP HOUSING HELIX V2/4/6 DN32 PN16 KIT	1
15.1		> MACH+CATA PPE HOUSING M+5" D32-PN16 GJL	1

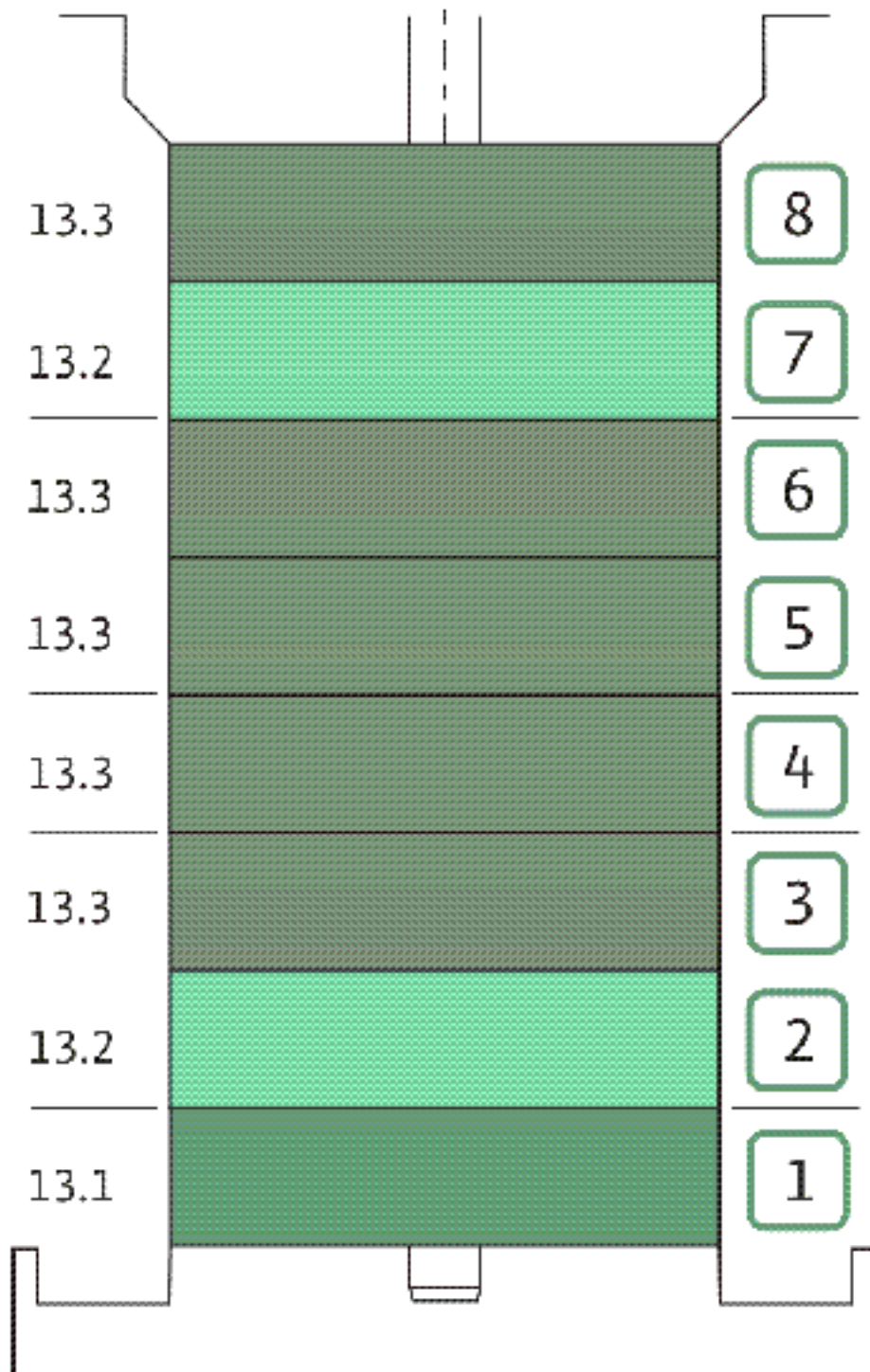
HELIX FIRST V408-5/16/E/S/400-50 (4201091)

Item	Article no.	Description	Quantity
15.2	4191618	> O-RING ID.44,05x3,53 EPDM VP.	1
15.3	4171321	> PRIMING/DRAIN PLUG EPDM HELIX KIT	1
7.3	4176513	> O-RING FOR PUMP JACKET VP.	1



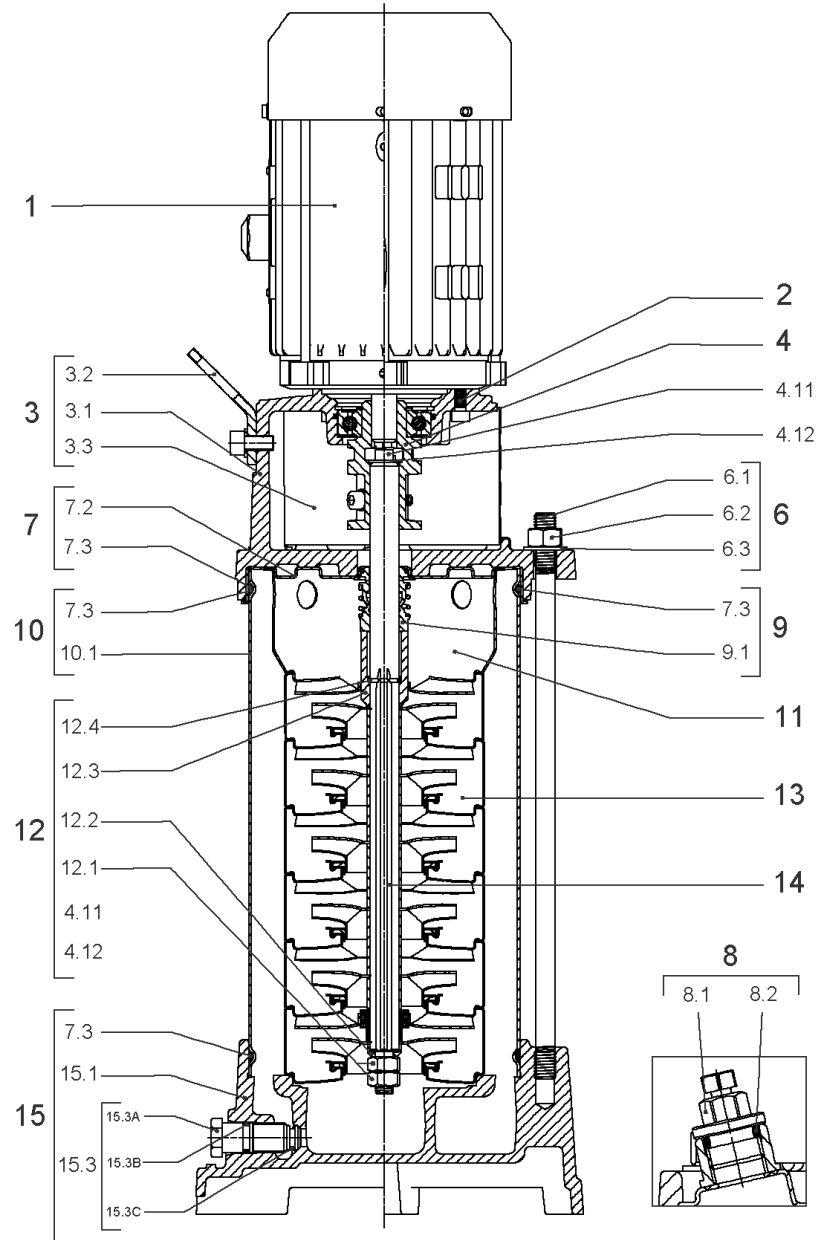
COUPLING D.12XD.19 FT100 KIT (4178578)

Item	Article no.	Description	Quantity
4.1		COUPLING-M+ Ø12XØ19-FT100-MACHINED	1
4.3	4234249	CIRCLIP-FOR-SHAFT-D30x1.5 VP.	1
4.2	2130977	BALL BEARING 6206/ZZ-C3(HT)VP.	1
4.4	4212716	SCREW M6X20 KIT (4PIECES)	1
4.5	4234250	CIRCLIP-D62x2 VP.	1
4.6	4234245	O-RING 63X3 VP.	1
		CONTACT-WASHER-6ETR-6,1x12,2x1,8-STEEL	4



HYDRAULIC HELIX V 408 1.4307

Item	Article no.	Description	Quantity
13.1	4178570	STAGE HELIX 4 1.4301 KIT	1
		> MACH.STG-CASING-WOGV-WNR-M+2-4-304	1
		> IMPELLER-M+4-304	1
13.2	4178569	STAGE BEARING HELIX 4 1.4301 KIT	1
		> MACH.BEARING-STG-CASING-WNR-M+4-304	1
		> IMPELLER-M+4-304	1
		> SHAFT SLEEVE SPACER Ø15,35x10,305-304	1
		> SHAFT-SLEEVE-D12xD16x14-CW	1
13.3	4178574	INTER STAGE HELIX4 1.4301< 15 stages KIT	1
		> MACH.STD-STG-CASING-WGV+NR-M+4-304	1
		> IMPELLER-M+4-304	1
		> IMPELLER SPACER Ø12,05X14,85-L24,285-304	1

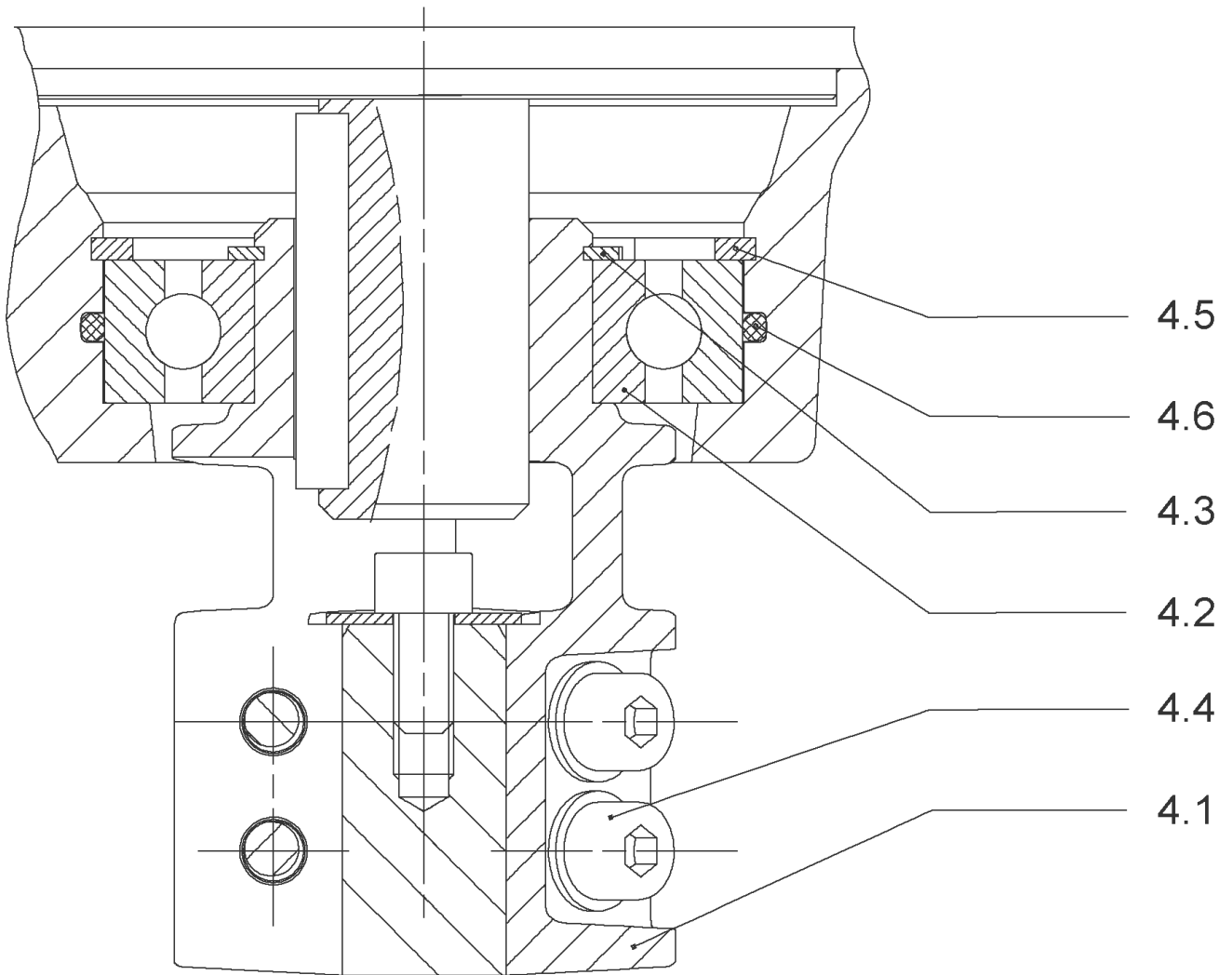


HELIX FIRST V408-5/25/E/S/400-50 (4201093)

Item	Article no.	Description	Quantity
1	4169941	MOTOR 1,1/2/80 3~230/400V 50HZ IE3 VP.	1
		SPARE PARTS MOTOR:ON REQUEST	1
2	4212716	SCREW M6X20 KIT (4PIECES)	1
3	4213752	LANTERN FT100 HELIX KIT	1
3.1		> LANT-MOT-VMI-ReDTC6"-FT100-MACHINED+CATA	1
3.2	4184852	> EYELET CPL.FT HELIX (2 PIECES)	1
3.3	4213713	> COUPLING PROTECTOR FT85/100 HELIX KIT	1
4	4178578	COUPLING D.12XD.19 FT100 KIT	1
6	2018361	STUD BOLT M12X293 KIT	1
6.1		> TIE BOLT M12-293x18x30-1.4057	1
6.2	2094647	> NUT M12 M12 ISO4032 VP.	1
6.3	2123557	> WASHER CS-12.4-24-1.6-NFE25 (4 PIECES)	1
7	4212722	STATIONARY RING HOLDER HELIX D23 ReDTC	1
7.2	4212720	> STATIONARY RING HOLDER HELIX D23 VP.	1
7.3	4176513	> O-RING FOR PUMP JACKET VP.	1
8	4212724	FILING/PURGING PLUG HELIX ReDTC KIT	1
8.1		> FILLING PLUG MVI6"-304	1
8.2	4177800	> O-RING EPDM PLUG HELIX VP.	1
9	4212726	MECH.SEAL HELIX V2/4 O/E ReDTC KIT	1
9.1	4178563	> M.SEAL.HELIX2-4 O/E VP.	1
7.3	4176513	> O-RING FOR PUMP JACKET VP.	1
10	2127576	HOUSING PIPE D.152x260 1.4301 KIT	1
11	4178566	CENTERING STAGE-RETURN HELIX4 1.4307 VP	1
12	4212729	SHAFT EQUIPMENT HELIX V2/4 ReDTC KIT	1
12.1		> NUT-H-M8-STAINLESS-STEEL A4-70	1
12.2		> SHAFT END WASHER Ø8/Ø12 316L	1
12.3		> 1/2-SNAP-RING-2/4M3-316L	1
12.4		> STOP-RUSH-1/2-D12xd2-M+316	1
4.11		> SCREW CHC-M6X14-8.8-ISO4762-GEOMET500A	1
4.12		> WASHER D.24 L6U ZINK	1
13		HYDRAULIC HELIX V 408 1.4307	1
14	4213754	SHAFT D.12X331 HELIX 1.4057 VP.	1
15	4179246	PUMP HOUSING HELIX V2/4 DN25 PN30 KIT	1
7.3	4176513	> O-RING FOR PUMP JACKET VP.	1

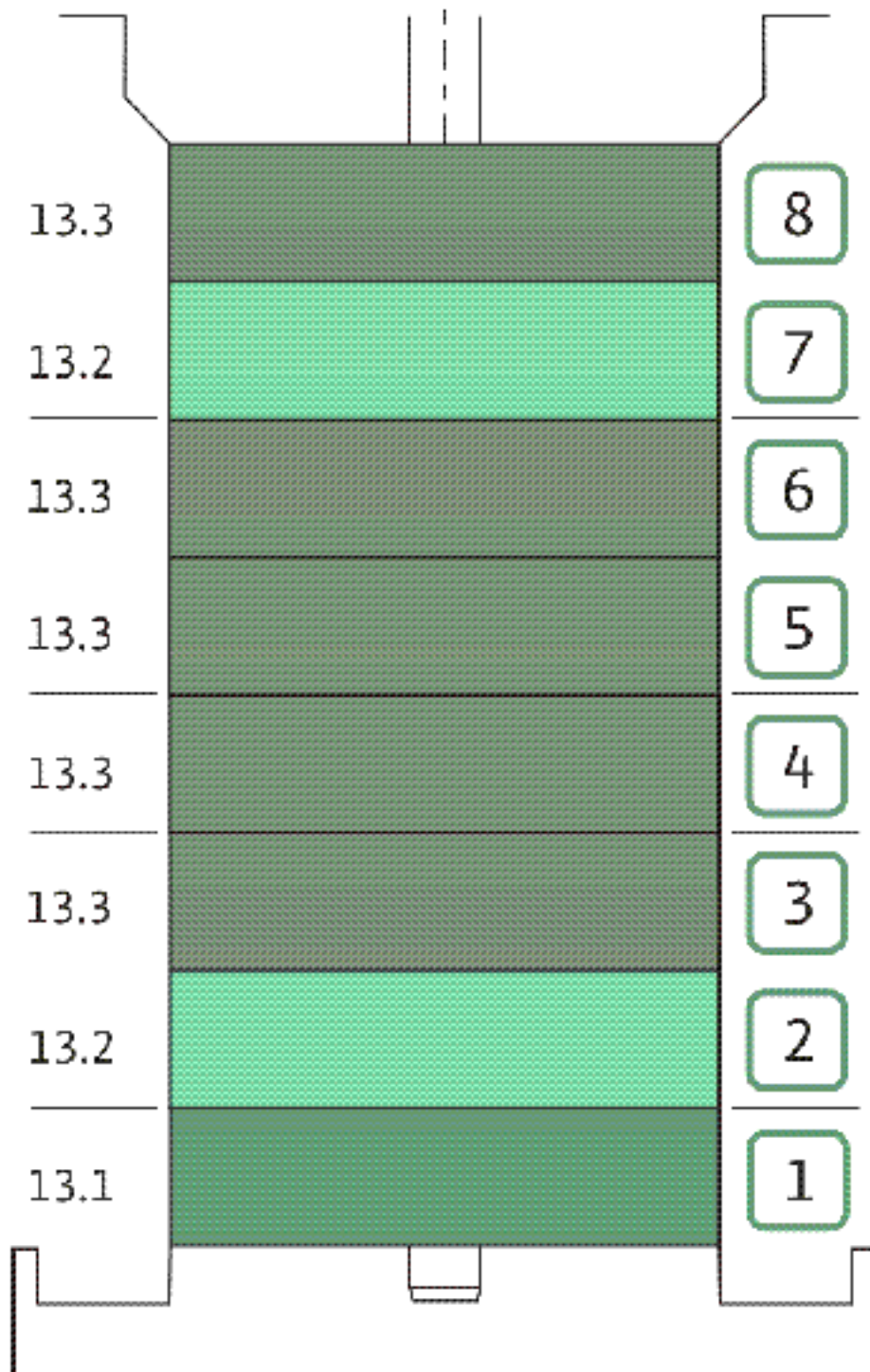
HELIX FIRST V408-5/25/E/S/400-50 (4201093)

Item	Article no.	Description	Quantity
15.1		> MACH+CATA PUMP CASING M+5" DN25 PN25 GJL	1
15.2	4233952	> FLAT GASKET D.73 VP.	1
15.3	4177877	> PRIMING/DRAIN PLUG HELIX PN30 KIT	1
15.3A		>> PRIMING/DRAIN PLUG M+6" 304	1
15.3B	4233957	>> O-RING ID.9 EPDM VP.	1
15.3C		>> O-RING Ø8xØ2 EPDM KTW/WRC	1



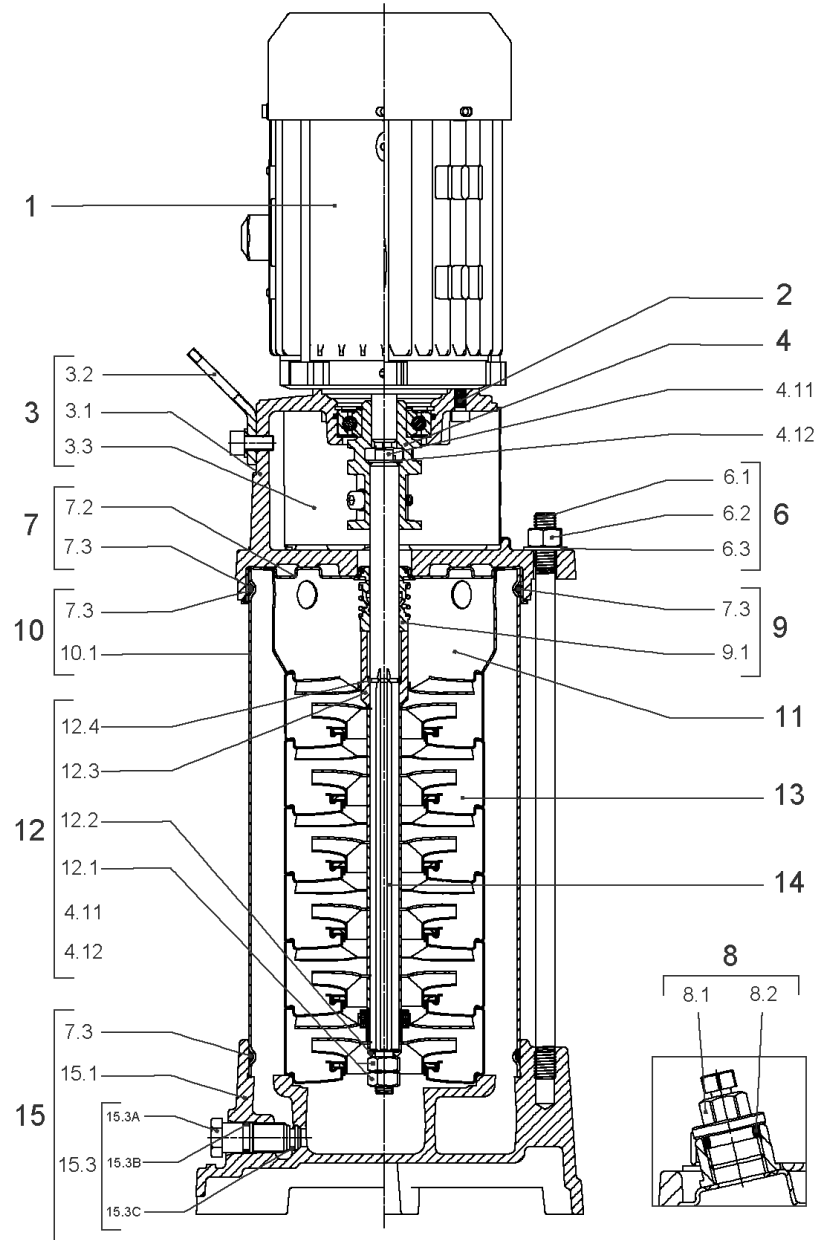
COUPLING D.12XD.19 FT100 KIT (4178578)

Item	Article no.	Description	Quantity
4.1		COUPLING-M+ Ø12XØ19-FT100-MACHINED	1
4.3	4234249	CIRCLIP-FOR-SHAFT-D30x1.5 VP.	1
4.2	2130977	BALL BEARING 6206/ZZ-C3(HT)VP.	1
4.4	4212716	SCREW M6X20 KIT (4PIECES)	1
4.5	4234250	CIRCLIP-D62x2 VP.	1
4.6	4234245	O-RING 63X3 VP.	1
		CONTACT-WASHER-6ETR-6,1x12,2x1,8-STEEL	4



HYDRAULIC HELIX V 408 1.4307

Item	Article no.	Description	Quantity
13.1	4178570	STAGE HELIX 4 1.4301 KIT	1
		> MACH.STG-CASING-WOGV-WNR-M+2-4-304	1
		> IMPELLER-M+4-304	1
13.2	4178569	STAGE BEARING HELIX 4 1.4301 KIT	1
		> MACH.BEARING-STG-CASING-WNR-M+4-304	1
		> IMPELLER-M+4-304	1
		> SHAFT SLEEVE SPACER Ø15,35x10,305-304	1
		> SHAFT-SLEEVE-D12xD16x14-CW	1
13.3	4178574	INTER STAGE HELIX4 1.4301< 15 stages KIT	1
		> MACH.STD-STG-CASING-WGV+NR-M+4-304	1
		> IMPELLER-M+4-304	1
		> IMPELLER SPACER Ø12,05X14,85-L24,285-304	1



HELIX FIRST V409-5/16/E/S/400-50 (4201094)

Item	Article no.	Description	Quantity
1	4169941	MOTOR 1,1/2/80 3~230/400V 50HZ IE3 VP.	1
		SPARE PARTS MOTOR:ON REQUEST	1
2	4212716	SCREW M6X20 KIT (4PIECES)	1
3	4213752	LANTERN FT100 HELIX KIT	1
3.1		> LANT-MOT-VMI-ReDTC6"-FT100-MACHINED+CATA	1
3.2	4184852	> EYELET CPL.FT HELIX (2 PIECES)	1
3.3	4213713	> COUPLING PROTECTOR FT85/100 HELIX KIT	1
4	4178578	COUPLING D.12XD.19 FT100 KIT	1
6	4178579	STUD BOLT M12X317 KIT	1
6.1		> TIE BOLT M12-317x18x30-1.4057	1
6.2	2094647	> NUT M12 M12 ISO4032 VP.	1
6.3	2123557	> WASHER CS-12.4-24-1.6-NFE25 (4 PIECES)	1
7	4212722	STATIONARY RING HOLDER HELIX D23 ReDTC	1
7.2	4212720	> STATIONARY RING HOLDER HELIX D23 VP.	1
7.3	4176513	> O-RING FOR PUMP JACKET VP.	1
8	4212724	FILING/PURGING PLUG HELIX ReDTC KIT	1
8.1		> FILLING PLUG MVI6"-304	1
8.2	4177800	> O-RING EPDM PLUG HELIX VP.	1
9	4212726	MECH.SEAL HELIX V2/4 O/E ReDTC KIT	1
9.1	4178563	> M.SEAL.HELIX2-4 O/E VP.	1
7.3	4176513	> O-RING FOR PUMP JACKET VP.	1
10	4177823	HOUSING PIPES D.152X285 1.4301 KIT	1
7.3	4176513	> O-RING FOR PUMP JACKET VP.	1
10.1		> HOUSING-PIPE Ø152-M+1006-304	1
11	4178566	CENTERING STAGE-RETURN HELIX4 1.4307 VP	1
12	4212729	SHAFT EQUIPMENT HELIX V2/4 ReDTC KIT	1
12.1		> NUT-H-M8-STAINLESS-STEEL A4-70	1
12.2		> SHAFT END WASHER Ø8/Ø12 316L	1
12.3		> 1/2-SNAP-RING-2/4M3-316L	1
12.4		> STOP-RUSH-1/2-D12xd2-M+316	1
4.11		> SCREW CHC-M6X14-8.8-ISO4762-GEOMET500A	1
4.12		> WASHER D.24 L6U ZINK	1
13		HYDRAULIC HELIX V 409 1.4307	1
14	4213765	SHAFT D.12X356 HELIX 1.4057 VP.	1

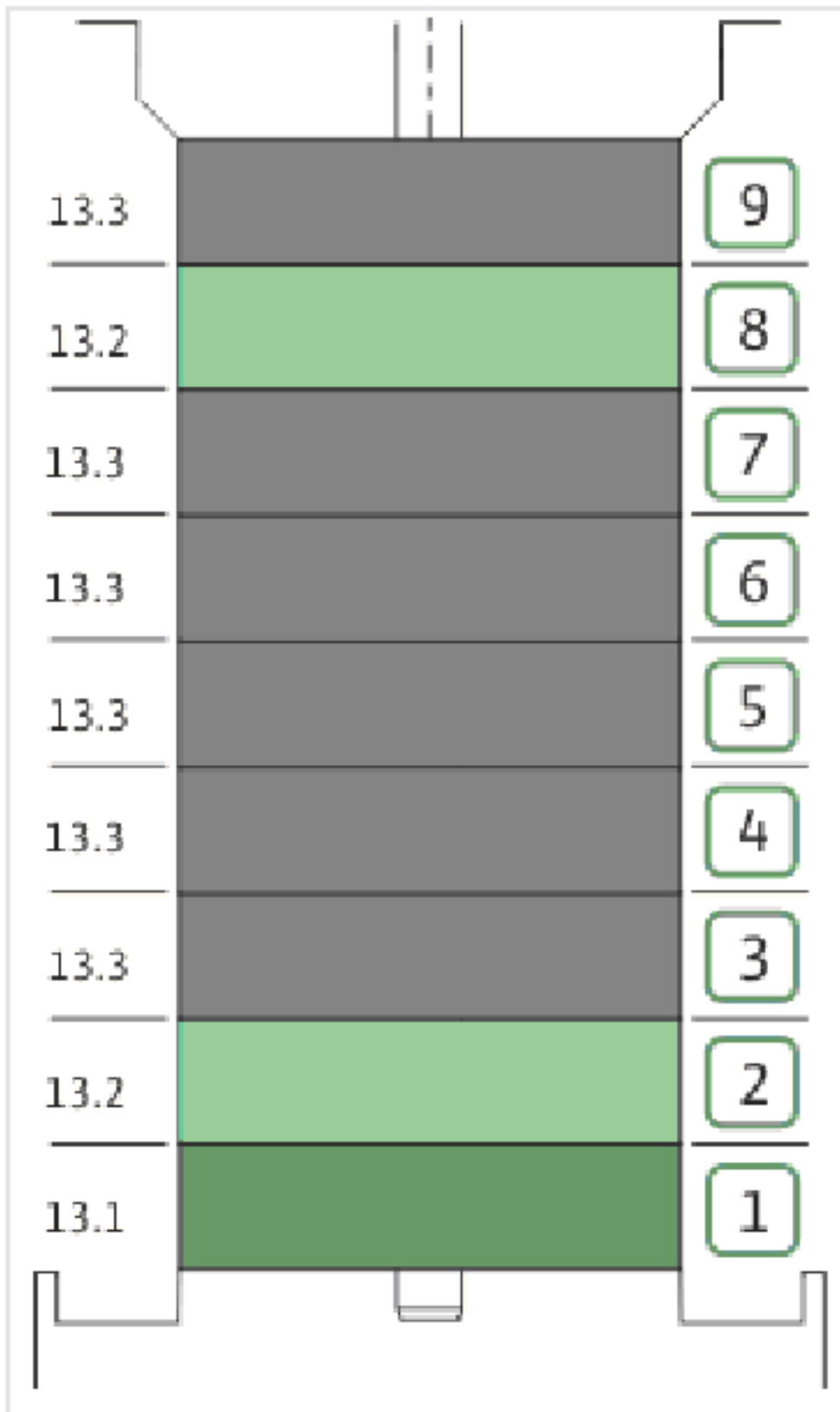
HELIX FIRST V409-5/16/E/S/400-50 (4201094)

Item	Article no.	Description	Quantity
15	4215105	PUMP HOUSING HELIX V2/4/6 DN32 PN16 KIT	1
15.1		> MACH+CATA PPE HOUSING M+5" D32-PN16 GJL	1
15.2	4191618	> O-RING ID.44,05x3,53 EPDM VP.	1
15.3	4171321	> PRIMING/DRAIN PLUG EPDM HELIX KIT	1
7.3	4176513	> O-RING FOR PUMP JACKET VP.	1



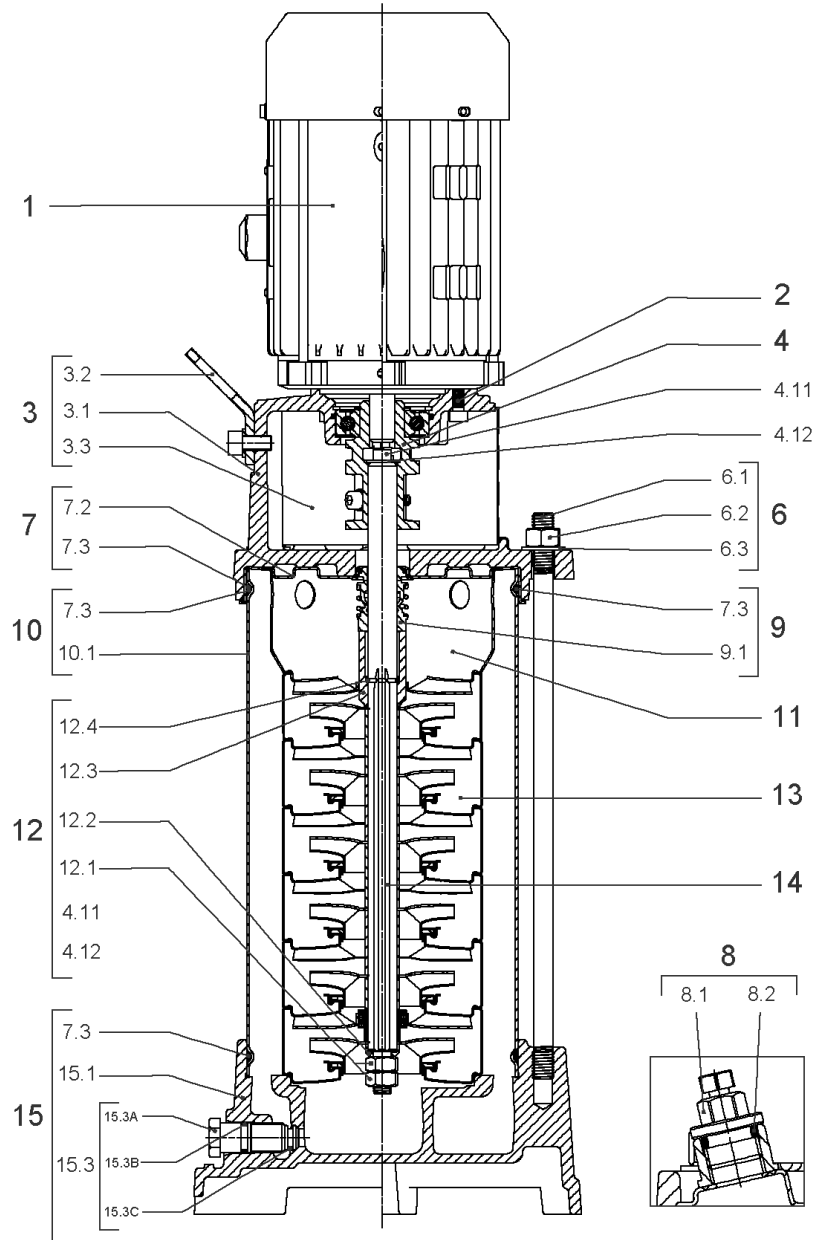
COUPLING D.12XD.19 FT100 KIT (4178578)

Item	Article no.	Description	Quantity
4.1		COUPLING-M+ Ø12XØ19-FT100-MACHINED	1
4.3	4234249	CIRCLIP-FOR-SHAFT-D30x1.5 VP.	1
4.2	2130977	BALL BEARING 6206/ZZ-C3(HT)VP.	1
4.4	4212716	SCREW M6X20 KIT (4PIECES)	1
4.5	4234250	CIRCLIP-D62x2 VP.	1
4.6	4234245	O-RING 63X3 VP.	1
		CONTACT-WASHER-6ETR-6,1x12,2x1,8-STEEL	4



HYDRAULIC HELIX V 409 1.4307

Item	Article no.	Description	Quantity
13.1	4178570	STAGE HELIX 4 1.4301 KIT	1
		> MACH.STG-CASING-WOGV-WNR-M+2-4-304	1
		> IMPELLER-M+4-304	1
13.2	4178569	STAGE BEARING HELIX 4 1.4301 KIT	1
		> MACH.BEARING-STG-CASING-WNR-M+4-304	1
		> IMPELLER-M+4-304	1
		> SHAFT SLEEVE SPACER Ø15,35x10,305-304	1
		> SHAFT-SLEEVE-D12xD16x14-CW	1
13.3	4178574	INTER STAGE HELIX4 1.4301< 15 stages KIT	1
		> MACH.STD-STG-CASING-WGV+NR-M+4-304	1
		> IMPELLER-M+4-304	1
		> IMPELLER SPACER Ø12,05X14,85-L24,285-304	1



HELIX FIRST V409-5/25/E/S/400-50 (4201096)

Item	Article no.	Description	Quantity
1	4169941	MOTOR 1,1/2/80 3~230/400V 50HZ IE3 VP.	1
		SPARE PARTS MOTOR:ON REQUEST	1
2	4212716	SCREW M6X20 KIT (4PIECES)	1
3	4213752	LANTERN FT100 HELIX KIT	1
3.1		> LANT-MOT-VMI-ReDTC6"-FT100-MACHINED+CATA	1
3.2	4184852	> EYELET CPL.FT HELIX (2 PIECES)	1
3.3	4213713	> COUPLING PROTECTOR FT85/100 HELIX KIT	1
4	4178578	COUPLING D.12XD.19 FT100 KIT	1
6	4178579	STUD BOLT M12X317 KIT	1
6.1		> TIE BOLT M12-317x18x30-1.4057	1
6.2	2094647	> NUT M12 M12 ISO4032 VP.	1
6.3	2123557	> WASHER CS-12.4-24-1.6-NFE25 (4 PIECES)	1
7	4212722	STATIONARY RING HOLDER HELIX D23 ReDTC	1
7.2	4212720	> STATIONARY RING HOLDER HELIX D23 VP.	1
7.3	4176513	> O-RING FOR PUMP JACKET VP.	1
8	4212724	FILING/PURGING PLUG HELIX ReDTC KIT	1
8.1		> FILLING PLUG MVI6"-304	1
8.2	4177800	> O-RING EPDM PLUG HELIX VP.	1
9	4212726	MECH.SEAL HELIX V2/4 O/E ReDTC KIT	1
9.1	4178563	> M.SEAL.HELIX2-4 O/E VP.	1
7.3	4176513	> O-RING FOR PUMP JACKET VP.	1
10	4177823	HOUSING PIPES D.152X285 1.4301 KIT	1
7.3	4176513	> O-RING FOR PUMP JACKET VP.	1
10.1		> HOUSING-PIPE Ø152-M+1006-304	1
11	4178566	CENTERING STAGE-RETURN HELIX4 1.4307 VP	1
12	4212729	SHAFT EQUIPMENT HELIX V2/4 ReDTC KIT	1
12.1		> NUT-H-M8-STAINLESS-STEEL A4-70	1
12.2		> SHAFT END WASHER Ø8/Ø12 316L	1
12.3		> 1/2-SNAP-RING-2/4M3-316L	1
12.4		> STOP-RUSH-1/2-D12xd2-M+316	1
4.11		> SCREW CHC-M6X14-8.8-ISO4762-GEOMET500A	1
4.12		> WASHER D.24 L6U ZINK	1
13		HYDRAULIC HELIX V 409 1.4307	1
14	4213765	SHAFT D.12X356 HELIX 1.4057 VP.	1

HELIX FIRST V409-5/25/E/S/400-50 (4201096)

Item	Article no.	Description	Quantity
15	4179246	PUMP HOUSING HELIX V2/4 DN25 PN30 KIT	1
7.3	4176513	> O-RING FOR PUMP JACKET VP.	1
15.1		> MACH+CATA PUMP CASING M+5" DN25 PN25 GJL	1
15.2	4233952	> FLAT GASKET D.73 VP.	1
15.3	4177877	> PRIMING/DRAIN PLUG HELIX PN30 KIT	1
15.3A		>> PRIMING/DRAIN PLUG M+6" 304	1
15.3B	4233957	>> O-RING ID.9 EPDM VP.	1
15.3C		>> O-RING Ø8xØ2 EPDM KTW/WRC	1

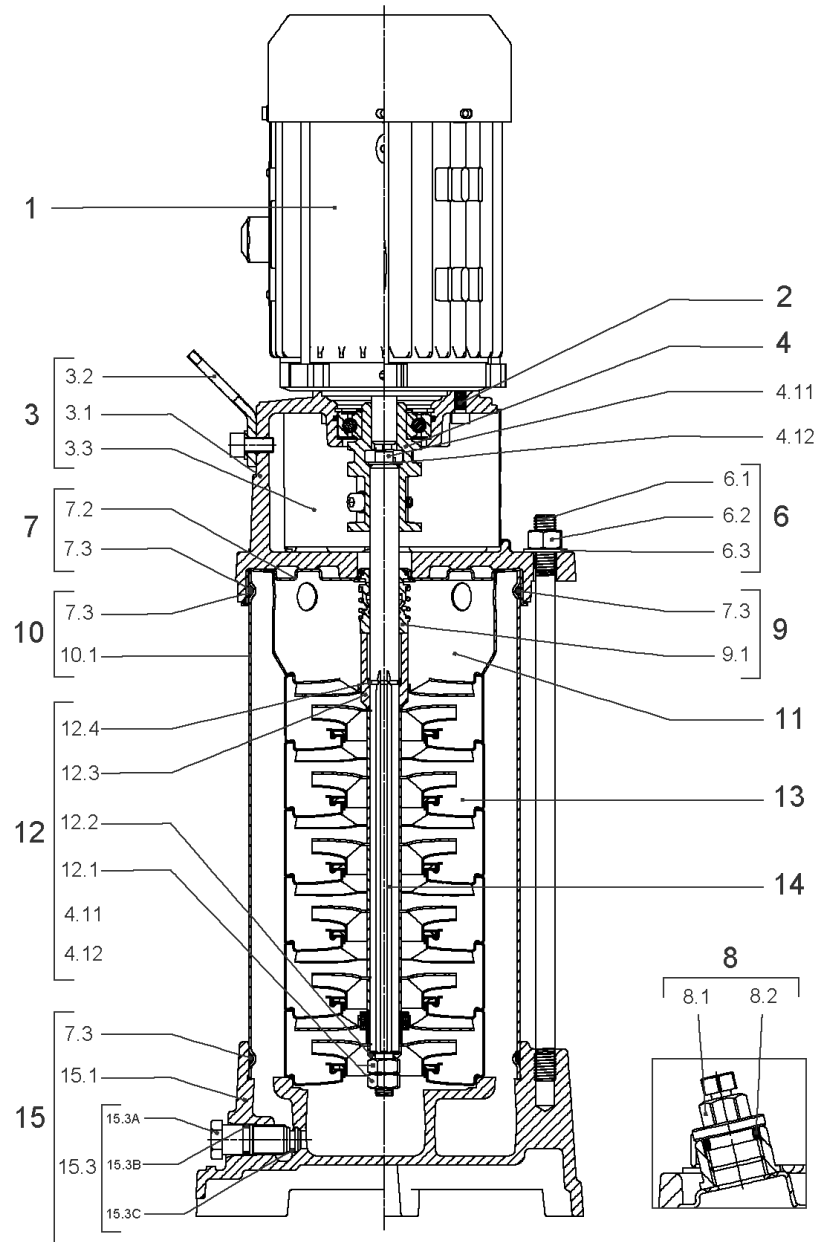
COUPLING D.12XD.19 FT100 KIT (4178578)

Item	Article no.	Description	Quantity
4.1		COUPLING-M+ Ø12XØ19-FT100-MACHINED	1
4.3	4234249	CIRCLIP-FOR-SHAFT-D30x1.5 VP.	1
4.2	2130977	BALL BEARING 6206/ZZ-C3(HT)VP.	1
4.4	4212716	SCREW M6X20 KIT (4PIECES)	1
4.5	4234250	CIRCLIP-D62x2 VP.	1
4.6	4234245	O-RING 63X3 VP.	1
		CONTACT-WASHER-6ETR-6,1x12,2x1,8-STEEL	4



HYDRAULIC HELIX V 409 1.4307

Item	Article no.	Description	Quantity
13.1	4178570	STAGE HELIX 4 1.4301 KIT	1
		> MACH.STG-CASING-WOGV-WNR-M+2-4-304	1
		> IMPELLER-M+4-304	1
13.2	4178569	STAGE BEARING HELIX 4 1.4301 KIT	1
		> MACH.BEARING-STG-CASING-WNR-M+4-304	1
		> IMPELLER-M+4-304	1
		> SHAFT SLEEVE SPACER Ø15,35x10,305-304	1
		> SHAFT-SLEEVE-D12xD16x14-CW	1
13.3	4178574	INTER STAGE HELIX4 1.4301< 15 stages KIT	1
		> MACH.STD-STG-CASING-WGV+NR-M+4-304	1
		> IMPELLER-M+4-304	1
		> IMPELLER SPACER Ø12,05X14,85-L24,285-304	1



HELIX FIRST V410-5/16/E/S/400-50 (4201097)

Item	Article no.	Description	Quantity
1	4169942	MO.1,5/2 3~230/400(440)V 50(60)HZ IE3 VP	1
		SPARE PARTS MOTOR:ON REQUEST	1
2	4159707	SCREW M8X30 (4 PIECES)	1
3	4213784	LANTERN FT115 HELIX KIT	1
3.1		> LANT-MOT-VMI-ReDTC6"-FT115-MACHINED+CATA	1
3.2	4184852	> EYELET CPL.FT HELIX (2 PIECES)	1
3.3	4213782	> COUPLING PROTECTOR FT115/130 HELIX KIT	1
4	4178600	COUPLING D.12XD.24 FT115 KIT	1
6	4177817	STUD BOLT M12X341 KIT	1
6.1		> TIE BOLT M12-341x18x30-1.4057	1
6.2	2094647	> NUT M12 M12 ISO4032 VP.	1
6.3	2123557	> WASHER CS-12.4-24-1.6-NFE25 (4 PIECES)	1
7	4212722	STATIONARY RING HOLDER HELIX D23 ReDTC	1
7.2	4212720	> STATIONARY RING HOLDER HELIX D23 VP.	1
7.3	4176513	> O-RING FOR PUMP JACKET VP.	1
8	4212724	FILING/PURGING PLUG HELIX ReDTC KIT	1
8.1		> FILLING PLUG MVI6"-304	1
8.2	4177800	> O-RING EPDM PLUG HELIX VP.	1
9	4212726	MECH.SEAL HELIX V2/4 O/E ReDTC KIT	1
9.1	4178563	> M.SEAL.HELIX2-4 O/E VP.	1
7.3	4176513	> O-RING FOR PUMP JACKET VP.	1
10	2127577	HOUSING PIPE D.152x310 1.4301 KIT	1
11	4178566	CENTERING STAGE-RETURN HELIX4 1.4307 VP	1
12	4212729	SHAFT EQUIPMENT HELIX V2/4 ReDTC KIT	1
12.1		> NUT-H-M8-STAINLESS-STEEL A4-70	1
12.2		> SHAFT END WASHER Ø8/Ø12 316L	1
12.3		> 1/2-SNAP-RING-2/4M3-316L	1
12.4		> STOP-RUSH-1/2-D12xd2-M+316	1
4.11		> SCREW CHC-M6X14-8.8-ISO4762-GEOMET500A	1
4.12		> WASHER D.24 L6U ZINK	1
13		HYDRAULIC HELIX V 410 1.4307	1
14	4213771	SHAFT D.12X381 HELIX 1.4057 VP.	1
15	4215105	PUMP HOUSING HELIX V2/4/6 DN32 PN16 KIT	1
15.1		> MACH+CATA PPE HOUSING M+5" D32-PN16 GJL	1

HELIX FIRST V410-5/16/E/S/400-50 (4201097)

Item	Article no.	Description	Quantity
15.2	4191618	> O-RING ID.44,05x3,53 EPDM VP.	1
15.3	4171321	> PRIMING/DRAIN PLUG EPDM HELIX KIT	1
7.3	4176513	> O-RING FOR PUMP JACKET VP.	1



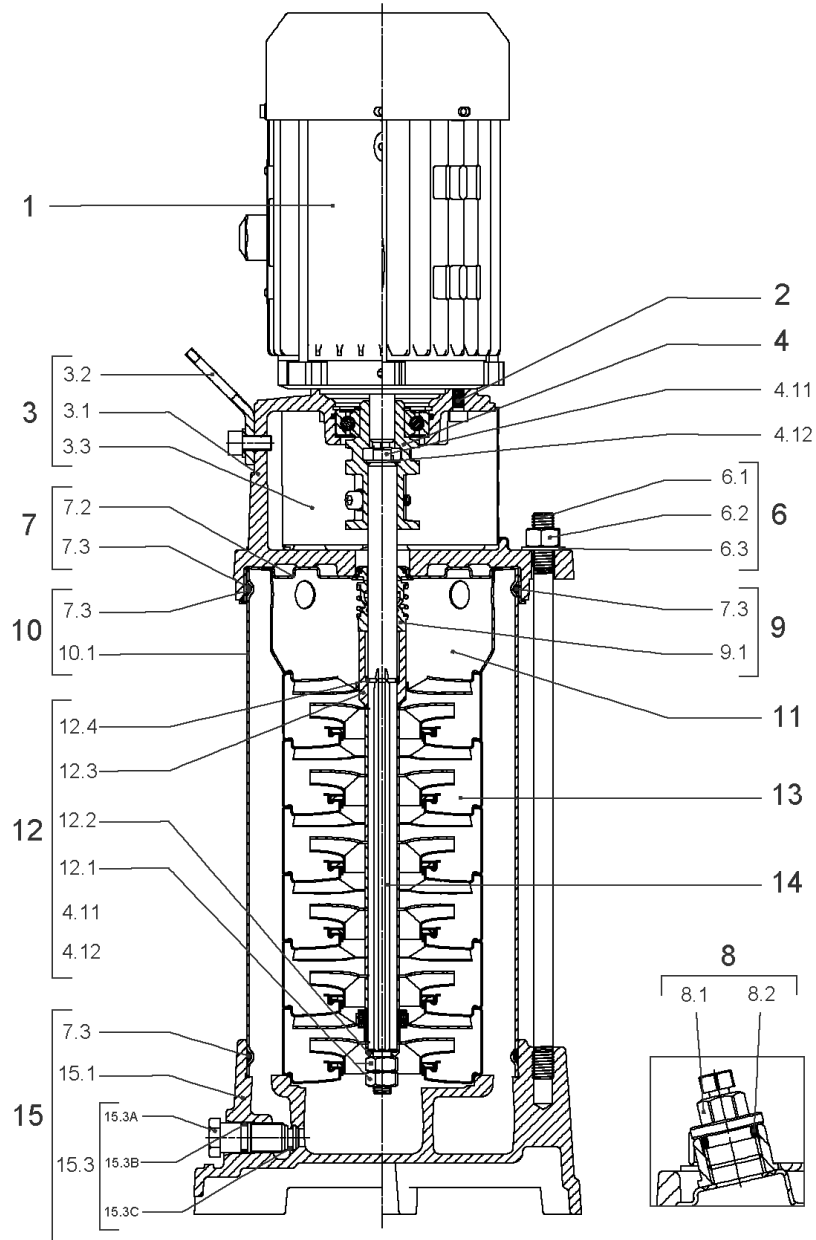
COUPLING D.12XD.24 FT115 KIT (4178600)

Item	Article no.	Description	Quantity
4.1		COUPLING-M+ Ø12XØ24-FT115-MACHINED	1
4.2	2131023	BALL BEARING 6207/ZZ-C3(HT)VP.	1
4.3	4234254	CIRCLIP-FOR-SHAFT-D35x1.5 VP.	1
4.4	4157726	SCREW KIT M8X30 (4 PIECES)	1
4.5	4234251	CIRCLIP-D72x2.5 VP.	1
4.6	4234246	O-RING 72X3 VP.	1
		NOMEL CONTACT WASHER 8x16x1,4 STEEL ZC	1



HYDRAULIC HELIX V 410 1.4307

Item	Article no.	Description	Quantity
13.1	4178570	STAGE HELIX 4 1.4301 KIT	1
		> MACH.STG-CASING-WOGV-WNR-M+2-4-304	1
		> IMPELLER-M+4-304	1
13.2	4178569	STAGE BEARING HELIX 4 1.4301 KIT	1
		> MACH.BEARING-STG-CASING-WNR-M+4-304	1
		> IMPELLER-M+4-304	1
		> SHAFT SLEEVE SPACER Ø15,35x10,305-304	1
		> SHAFT-SLEEVE-D12xD16x14-CW	1
13.3	4178574	INTER STAGE HELIX4 1.4301< 15 stages KIT	1
		> MACH.STD-STG-CASING-WGV+NR-M+4-304	1
		> IMPELLER-M+4-304	1
		> IMPELLER SPACER Ø12,05X14,85-L24,285-304	1



HELIX FIRST V410-5/25/E/S/400-50 (4201099)

Item	Article no.	Description	Quantity
1	4169942	MO.1,5/2 3~230/400(440)V 50(60)HZ IE3 VP	1
		SPARE PARTS MOTOR:ON REQUEST	1
2	4159707	SCREW M8X30 (4 PIECES)	1
3	4213784	LANTERN FT115 HELIX KIT	1
3.1		> LANT-MOT-VMI-ReDTC6"-FT115-MACHINED+CATA	1
3.2	4184852	> EYELET CPL.FT HELIX (2 PIECES)	1
3.3	4213782	> COUPLING PROTECTOR FT115/130 HELIX KIT	1
4	4178600	COUPLING D.12XD.24 FT115 KIT	1
6	4177817	STUD BOLT M12X341 KIT	1
6.1		> TIE BOLT M12-341x18x30-1.4057	1
6.2	2094647	> NUT M12 M12 ISO4032 VP.	1
6.3	2123557	> WASHER CS-12.4-24-1.6-NFE25 (4 PIECES)	1
7	4212722	STATIONARY RING HOLDER HELIX D23 ReDTC	1
7.2	4212720	> STATIONARY RING HOLDER HELIX D23 VP.	1
7.3	4176513	> O-RING FOR PUMP JACKET VP.	1
8	4212724	FILING/PURGING PLUG HELIX ReDTC KIT	1
8.1		> FILLING PLUG MVI6"-304	1
8.2	4177800	> O-RING EPDM PLUG HELIX VP.	1
9	4212726	MECH.SEAL HELIX V2/4 O/E ReDTC KIT	1
9.1	4178563	> M.SEAL.HELIX2-4 O/E VP.	1
7.3	4176513	> O-RING FOR PUMP JACKET VP.	1
10	2127577	HOUSING PIPE D.152x310 1.4301 KIT	1
11	4178566	CENTERING STAGE-RETURN HELIX4 1.4307 VP	1
12	4212729	SHAFT EQUIPMENT HELIX V2/4 ReDTC KIT	1
12.1		> NUT-H-M8-STAINLESS-STEEL A4-70	1
12.2		> SHAFT END WASHER Ø8/Ø12 316L	1
12.3		> 1/2-SNAP-RING-2/4M3-316L	1
12.4		> STOP-RUSH-1/2-D12xd2-M+316	1
4.11		> SCREW CHC-M6X14-8.8-ISO4762-GEOMET500A	1
4.12		> WASHER D.24 L6U ZINK	1
13		HYDRAULIC HELIX V 410 1.4307	1
14	4213771	SHAFT D.12X381 HELIX 1.4057 VP.	1
15	4179246	PUMP HOUSING HELIX V2/4 DN25 PN30 KIT	1
7.3	4176513	> O-RING FOR PUMP JACKET VP.	1

HELIX FIRST V410-5/25/E/S/400-50 (4201099)

Item	Article no.	Description	Quantity
15.1		> MACH+CATA PUMP CASING M+5" DN25 PN25 GJL	1
15.2	4233952	> FLAT GASKET D.73 VP.	1
15.3	4177877	> PRIMING/DRAIN PLUG HELIX PN30 KIT	1
15.3A		>> PRIMING/DRAIN PLUG M+6" 304	1
15.3B	4233957	>> O-RING ID.9 EPDM VP.	1
15.3C		>> O-RING Ø8xØ2 EPDM KTW/WRC	1



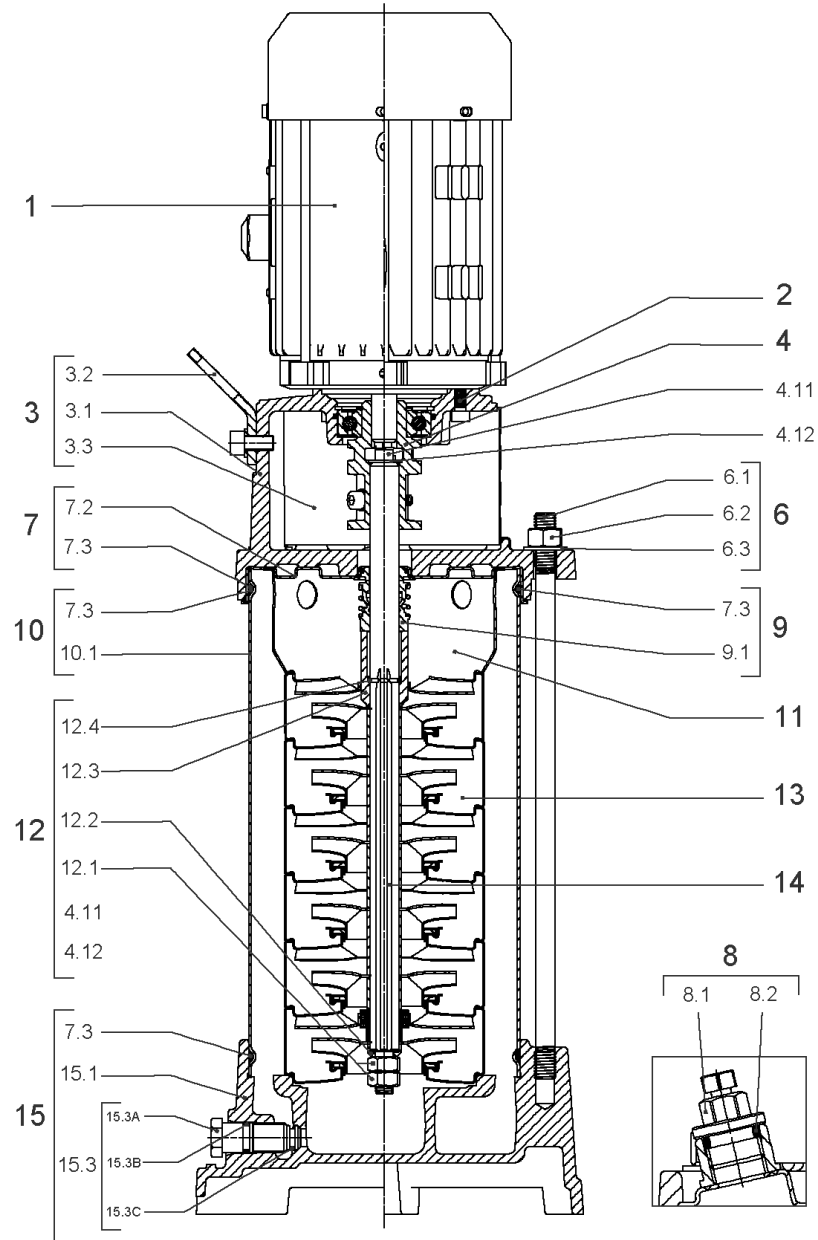
COUPLING D.12XD.24 FT115 KIT (4178600)

Item	Article no.	Description	Quantity
4.1		COUPLING-M+ Ø12XØ24-FT115-MACHINED	1
4.2	2131023	BALL BEARING 6207/ZZ-C3(HT)VP.	1
4.3	4234254	CIRCLIP-FOR-SHAFT-D35x1.5 VP.	1
4.4	4157726	SCREW KIT M8X30 (4 PIECES)	1
4.5	4234251	CIRCLIP-D72x2.5 VP.	1
4.6	4234246	O-RING 72X3 VP.	1
		NOMEL CONTACT WASHER 8x16x1,4 STEEL ZC	1



HYDRAULIC HELIX V 410 1.4307

Item	Article no.	Description	Quantity
13.1	4178570	STAGE HELIX 4 1.4301 KIT	1
		> MACH.STG-CASING-WOGV-WNR-M+2-4-304	1
		> IMPELLER-M+4-304	1
13.2	4178569	STAGE BEARING HELIX 4 1.4301 KIT	1
		> MACH.BEARING-STG-CASING-WNR-M+4-304	1
		> IMPELLER-M+4-304	1
		> SHAFT SLEEVE SPACER Ø15,35x10,305-304	1
		> SHAFT-SLEEVE-D12xD16x14-CW	1
13.3	4178574	INTER STAGE HELIX4 1.4301< 15 stages KIT	1
		> MACH.STD-STG-CASING-WGV+NR-M+4-304	1
		> IMPELLER-M+4-304	1
		> IMPELLER SPACER Ø12,05X14,85-L24,285-304	1



HELIX FIRST V411-5/16/E/S/400-50 (4201100)

Item	Article no.	Description	Quantity
1	4169942	MO.1,5/2 3~230/400(440)V 50(60)HZ IE3 VP	1
		SPARE PARTS MOTOR:ON REQUEST	1
2	4159707	SCREW M8X30 (4 PIECES)	1
3	4213784	LANTERN FT115 HELIX KIT	1
3.1		> LANT-MOT-VMI-ReDTC6"-FT115-MACHINED+CATA	1
3.2	4184852	> EYELET CPL.FT HELIX (2 PIECES)	1
3.3	4213782	> COUPLING PROTECTOR FT115/130 HELIX KIT	1
4	4178600	COUPLING D.12XD.24 FT115 KIT	1
6	4178585	STUD BOLT M12X365 KIT	1
6.1		> TIE BOLT M12-365x18x30-1.4057	1
6.2	2094647	> NUT M12 M12 ISO4032 VP.	1
6.3	2123557	> WASHER CS-12.4-24-1.6-NFE25 (4 PIECES)	1
7	4212722	STATIONARY RING HOLDER HELIX D23 ReDTC	1
7.2	4212720	> STATIONARY RING HOLDER HELIX D23 VP.	1
7.3	4176513	> O-RING FOR PUMP JACKET VP.	1
8	4212724	FILING/PURGING PLUG HELIX ReDTC KIT	1
8.1		> FILLING PLUG MVI6"-304	1
8.2	4177800	> O-RING EPDM PLUG HELIX VP.	1
9	4212726	MECH.SEAL HELIX V2/4 O/E ReDTC KIT	1
9.1	4178563	> M.SEAL.HELIX2-4 O/E VP.	1
7.3	4176513	> O-RING FOR PUMP JACKET VP.	1
10	4178606	HOUSING-PIPE D.152X335 1.4304 KIT	1
7.3	4176513	> O-RING FOR PUMP JACKET VP.	1
10.1		> HOUSING-PIPE Ø152-M+211/411-304	1
11	4178566	CENTERING STAGE-RETURN HELIX4 1.4307 VP	1
12	4212729	SHAFT EQUIPMENT HELIX V2/4 ReDTC KIT	1
12.1		> NUT-H-M8-STAINLESS-STEEL A4-70	1
12.2		> SHAFT END WASHER Ø8/Ø12 316L	1
12.3		> 1/2-SNAP-RING-2/4M3-316L	1
12.4		> STOP-RUSH-1/2-D12xd2-M+316	1
4.11		> SCREW CHC-M6X14-8.8-ISO4762-GEOMET500A	1
4.12		> WASHER D.24 L6U ZINK	1
13		HYDRAULIC HELIX V 411 1.4307	1
14	4213776	SHAFT D.12X406 HELIX 1.4057 VP.	1

HELIX FIRST V411-5/16/E/S/400-50 (4201100)

Item	Article no.	Description	Quantity
15	4215105	PUMP HOUSING HELIX V2/4/6 DN32 PN16 KIT	1
15.1		> MACH+CATA PPE HOUSING M+5" D32-PN16 GJL	1
15.2	4191618	> O-RING ID.44,05x3,53 EPDM VP.	1
15.3	4171321	> PRIMING/DRAIN PLUG EPDM HELIX KIT	1
7.3	4176513	> O-RING FOR PUMP JACKET VP.	1



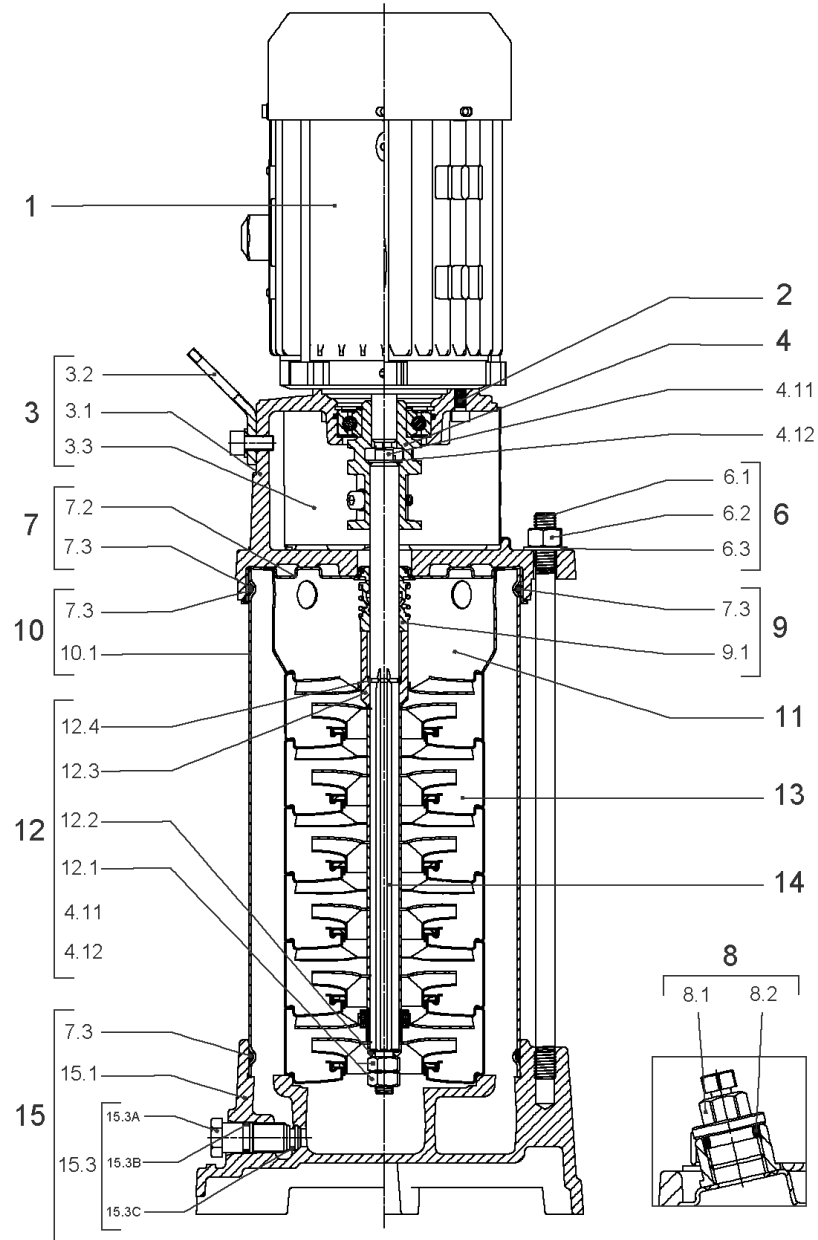
COUPLING D.12XD.24 FT115 KIT (4178600)

Item	Article no.	Description	Quantity
4.1		COUPLING-M+ Ø12XØ24-FT115-MACHINED	1
4.2	2131023	BALL BEARING 6207/ZZ-C3(HT)VP.	1
4.3	4234254	CIRCLIP-FOR-SHAFT-D35x1.5 VP.	1
4.4	4157726	SCREW KIT M8X30 (4 PIECES)	1
4.5	4234251	CIRCLIP-D72x2.5 VP.	1
4.6	4234246	O-RING 72X3 VP.	1
		NOMEL CONTACT WASHER 8x16x1,4 STEEL ZC	1



HYDRAULIC HELIX V 411 1.4307

Item	Article no.	Description	Quantity
13.1	4178570	STAGE HELIX 4 1.4301 KIT	1
		> MACH.STG-CASING-WOGV-WNR-M+2-4-304	1
		> IMPELLER-M+4-304	1
13.2	4178569	STAGE BEARING HELIX 4 1.4301 KIT	1
		> MACH.BEARING-STG-CASING-WNR-M+4-304	1
		> IMPELLER-M+4-304	1
		> SHAFT SLEEVE SPACER Ø15,35x10,305-304	1
		> SHAFT-SLEEVE-D12xD16x14-CW	1
13.3	4178574	INTER STAGE HELIX4 1.4301< 15 stages KIT	1
		> MACH.STD-STG-CASING-WGV+NR-M+4-304	1
		> IMPELLER-M+4-304	1
		> IMPELLER SPACER Ø12,05X14,85-L24,285-304	1



HELIX FIRST V411-5/25/E/S/400-50 (4201102)

Item	Article no.	Description	Quantity
1	4169942	MO.1,5/2 3~230/400(440)V 50(60)HZ IE3 VP	1
		SPARE PARTS MOTOR:ON REQUEST	1
2	4159707	SCREW M8X30 (4 PIECES)	1
3	4213784	LANTERN FT115 HELIX KIT	1
3.1		> LANT-MOT-VMI-ReDTC6"-FT115-MACHINED+CATA	1
3.2	4184852	> EYELET CPL.FT HELIX (2 PIECES)	1
3.3	4213782	> COUPLING PROTECTOR FT115/130 HELIX KIT	1
4	4178600	COUPLING D.12XD.24 FT115 KIT	1
6	4178585	STUD BOLT M12X365 KIT	1
6.1		> TIE BOLT M12-365x18x30-1.4057	1
6.2	2094647	> NUT M12 M12 ISO4032 VP.	1
6.3	2123557	> WASHER CS-12.4-24-1.6-NFE25 (4 PIECES)	1
7	4212722	STATIONARY RING HOLDER HELIX D23 ReDTC	1
7.2	4212720	> STATIONARY RING HOLDER HELIX D23 VP.	1
7.3	4176513	> O-RING FOR PUMP JACKET VP.	1
8	4212724	FILING/PURGING PLUG HELIX ReDTC KIT	1
8.1		> FILLING PLUG MVI6"-304	1
8.2	4177800	> O-RING EPDM PLUG HELIX VP.	1
9	4212726	MECH.SEAL HELIX V2/4 O/E ReDTC KIT	1
9.1	4178563	> M.SEAL.HELIX2-4 O/E VP.	1
7.3	4176513	> O-RING FOR PUMP JACKET VP.	1
10	4178606	HOUSING-PIPE D.152X335 1.4304 KIT	1
7.3	4176513	> O-RING FOR PUMP JACKET VP.	1
10.1		> HOUSING-PIPE Ø152-M+211/411-304	1
11	4178566	CENTERING STAGE-RETURN HELIX4 1.4307 VP	1
12	4212729	SHAFT EQUIPMENT HELIX V2/4 ReDTC KIT	1
12.1		> NUT-H-M8-STAINLESS-STEEL A4-70	1
12.2		> SHAFT END WASHER Ø8/Ø12 316L	1
12.3		> 1/2-SNAP-RING-2/4M3-316L	1
12.4		> STOP-RUSH-1/2-D12xd2-M+316	1
4.11		> SCREW CHC-M6X14-8.8-ISO4762-GEOMET500A	1
4.12		> WASHER D.24 L6U ZINK	1
13		HYDRAULIC HELIX V 411 1.4307	1
14	4213776	SHAFT D.12X406 HELIX 1.4057 VP.	1

HELIX FIRST V411-5/25/E/S/400-50 (4201102)

Item	Article no.	Description	Quantity
15	4179246	PUMP HOUSING HELIX V2/4 DN25 PN30 KIT	1
7.3	4176513	> O-RING FOR PUMP JACKET VP.	1
15.1		> MACH+CATA PUMP CASING M+5" DN25 PN25 GJL	1
15.2	4233952	> FLAT GASKET D.73 VP.	1
15.3	4177877	> PRIMING/DRAIN PLUG HELIX PN30 KIT	1
15.3A		>> PRIMING/DRAIN PLUG M+6" 304	1
15.3B	4233957	>> O-RING ID.9 EPDM VP.	1
15.3C		>> O-RING Ø8xØ2 EPDM KTW/WRC	1



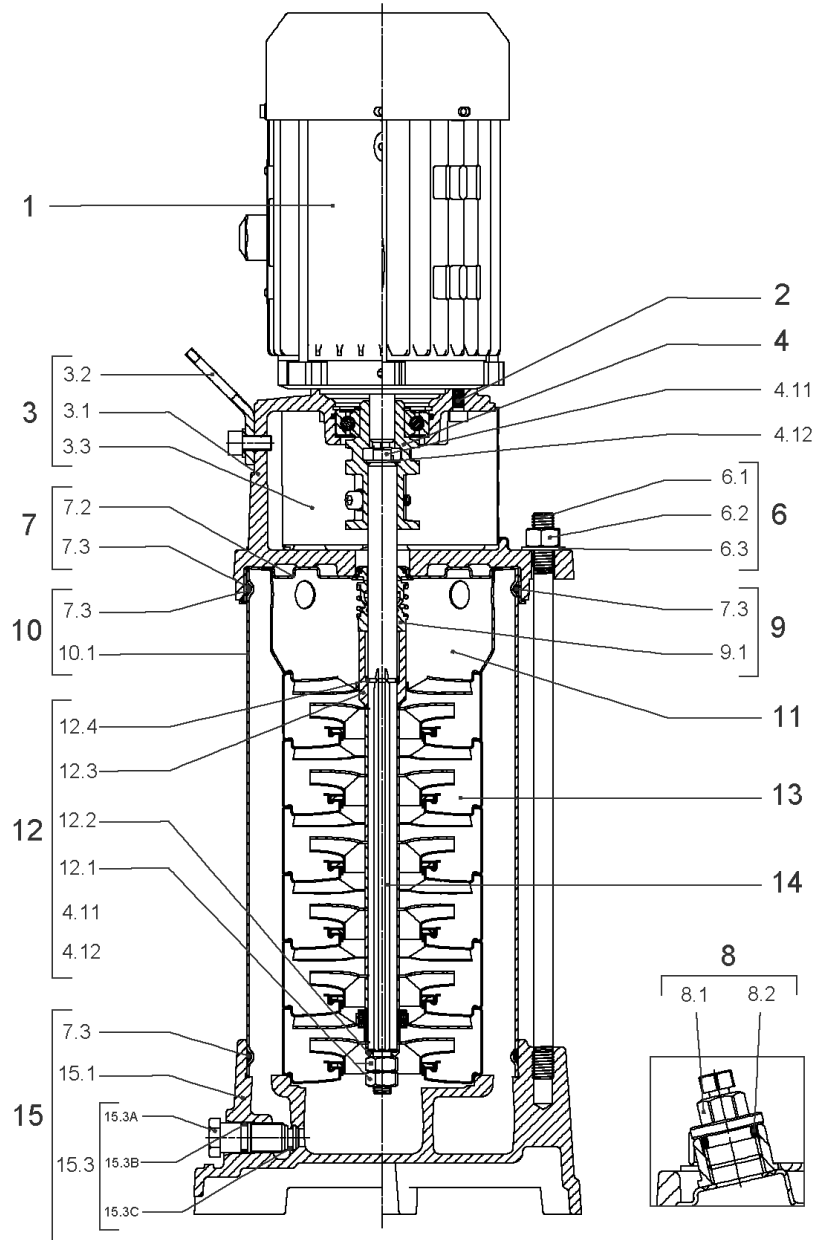
COUPLING D.12XD.24 FT115 KIT (4178600)

Item	Article no.	Description	Quantity
4.1		COUPLING-M+ Ø12XØ24-FT115-MACHINED	1
4.2	2131023	BALL BEARING 6207/ZZ-C3(HT)VP.	1
4.3	4234254	CIRCLIP-FOR-SHAFT-D35x1.5 VP.	1
4.4	4157726	SCREW KIT M8X30 (4 PIECES)	1
4.5	4234251	CIRCLIP-D72x2.5 VP.	1
4.6	4234246	O-RING 72X3 VP.	1
		NOMEL CONTACT WASHER 8x16x1,4 STEEL ZC	1



HYDRAULIC HELIX V 411 1.4307

Item	Article no.	Description	Quantity
13.1	4178570	STAGE HELIX 4 1.4301 KIT	1
		> MACH.STG-CASING-WOGV-WNR-M+2-4-304	1
		> IMPELLER-M+4-304	1
13.2	4178569	STAGE BEARING HELIX 4 1.4301 KIT	1
		> MACH.BEARING-STG-CASING-WNR-M+4-304	1
		> IMPELLER-M+4-304	1
		> SHAFT SLEEVE SPACER Ø15,35x10,305-304	1
		> SHAFT-SLEEVE-D12xD16x14-CW	1
13.3	4178574	INTER STAGE HELIX4 1.4301< 15 stages KIT	1
		> MACH.STD-STG-CASING-WGV+NR-M+4-304	1
		> IMPELLER-M+4-304	1
		> IMPELLER SPACER Ø12,05X14,85-L24,285-304	1



HELIX FIRST V412-5/16/E/S/400-50 (4201103)

Item	Article no.	Description	Quantity
1	4169942	MO.1,5/2 3~230/400(440)V 50(60)HZ IE3 VP	1
		SPARE PARTS MOTOR:ON REQUEST	1
2	4159707	SCREW M8X30 (4 PIECES)	1
3	4213784	LANTERN FT115 HELIX KIT	1
3.1		> LANT-MOT-VMI-ReDTC6"-FT115-MACHINED+CATA	1
3.2	4184852	> EYELET CPL.FT HELIX (2 PIECES)	1
3.3	4213782	> COUPLING PROTECTOR FT115/130 HELIX KIT	1
4	4178600	COUPLING D.12XD.24 FT115 KIT	1
6	2018365	STUD BOLT M12X392 KIT	1
7	4212722	STATIONARY RING HOLDER HELIX D23 ReDTC	1
7.2	4212720	> STATIONARY RING HOLDER HELIX D23 VP.	1
7.3	4176513	> O-RING FOR PUMP JACKET VP.	1
8	4212724	FILING/PURGING PLUG HELIX ReDTC KIT	1
8.1		> FILLING PLUG MVI6"-304	1
8.2	4177800	> O-RING EPDM PLUG HELIX VP.	1
9	4212726	MECH.SEAL HELIX V2/4 O/E ReDTC KIT	1
9.1	4178563	> M.SEAL.HELIX2-4 O/E VP.	1
7.3	4176513	> O-RING FOR PUMP JACKET VP.	1
10	2127578	HOUSING PIPE D.152x360 1.4307 KIT	1
7.3	4176513	> O-RING FOR PUMP JACKET VP.	1
10.1		> HOUSING-PIPE Ø152-M+1008/1606-304	1
11	4178566	CENTERING STAGE-RETURN HELIX4 1.4307 VP	1
12	4212729	SHAFT EQUIPMENT HELIX V2/4 ReDTC KIT	1
12.1		> NUT-H-M8-STAINLESS-STEEL A4-70	1
12.2		> SHAFT END WASHER Ø8/Ø12 316L	1
12.3		> 1/2-SNAP-RING-2/4M3-316L	1
12.4		> STOP-RUSH-1/2-D12xd2-M+316	1
4.11		> SCREW CHC-M6X14-8.8-ISO4762-GEOMET500A	1
4.12		> WASHER D.24 L6U ZINK	1
13		HYDRAULIC HELIX V 412 1.4307	1
14	4213778	SHAFT D.12X431 HELIX 1.4057 VP.	1
15	4215105	PUMP HOUSING HELIX V2/4/6 DN32 PN16 KIT	1
15.1		> MACH+CATA PPE HOUSING M+5" D32-PN16 GJL	1
15.2	4191618	> O-RING ID.44,05x3,53 EPDM VP.	1

HELIX FIRST V412-5/16/E/S/400-50 (4201103)

Item	Article no.	Description	Quantity
15.3	4171321	> PRIMING/DRAIN PLUG EPDM HELIX KIT	1
7.3	4176513	> O-RING FOR PUMP JACKET VP.	1

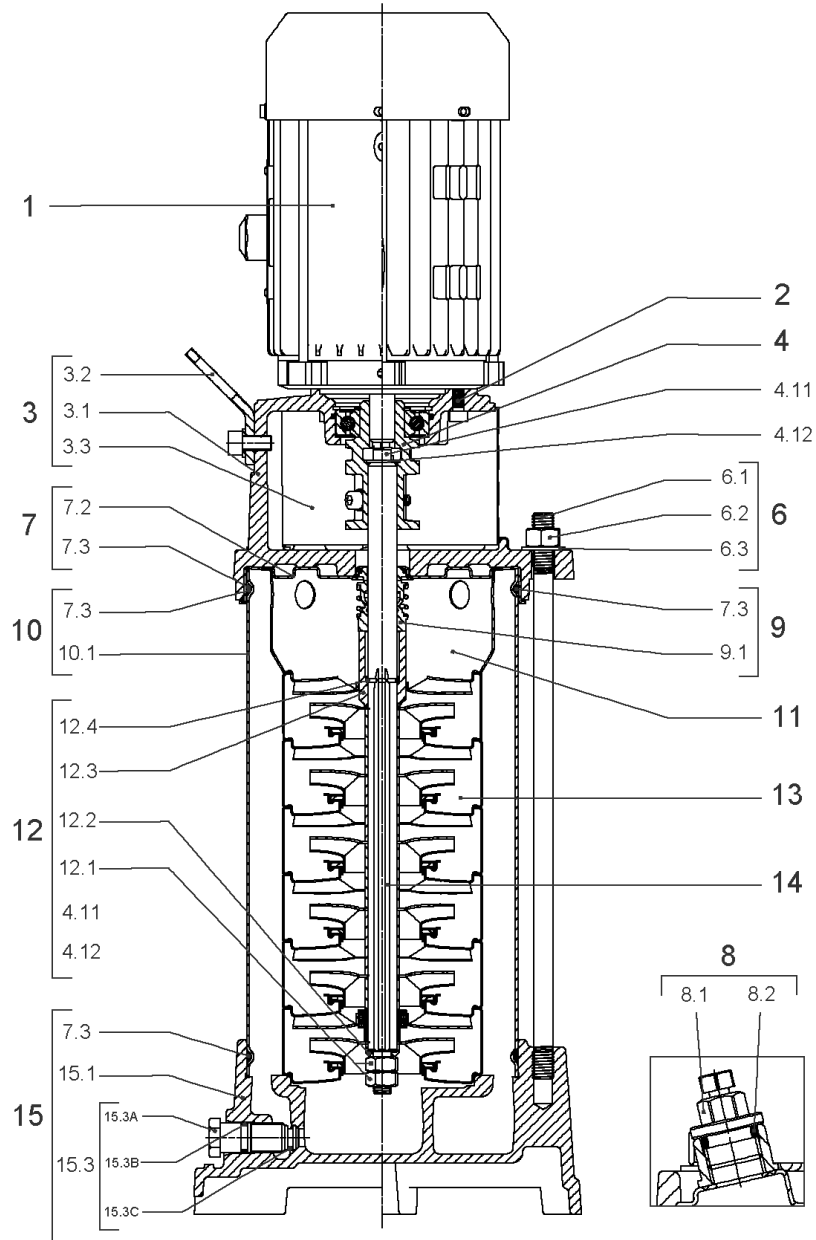
COUPLING D.12XD.24 FT115 KIT (4178600)

Item	Article no.	Description	Quantity
4.1		COUPLING-M+ Ø12XØ24-FT115-MACHINED	1
4.2	2131023	BALL BEARING 6207/ZZ-C3(HT)VP.	1
4.3	4234254	CIRCLIP-FOR-SHAFT-D35x1.5 VP.	1
4.4	4157726	SCREW KIT M8X30 (4 PIECES)	1
4.5	4234251	CIRCLIP-D72x2.5 VP.	1
4.6	4234246	O-RING 72X3 VP.	1
		NOMEL CONTACT WASHER 8x16x1,4 STEEL ZC	1



HYDRAULIC HELIX V 412 1.4307

Item	Article no.	Description	Quantity
13.1	4178570	STAGE HELIX 4 1.4301 KIT	1
		> MACH.STG-CASING-WOGV-WNR-M+2-4-304	1
		> IMPELLER-M+4-304	1
13.2	4178569	STAGE BEARING HELIX 4 1.4301 KIT	1
		> MACH.BEARING-STG-CASING-WNR-M+4-304	1
		> IMPELLER-M+4-304	1
		> SHAFT SLEEVE SPACER Ø15,35x10,305-304	1
		> SHAFT-SLEEVE-D12xD16x14-CW	1
13.3	4178574	INTER STAGE HELIX4 1.4301< 15 stages KIT	1
		> MACH.STD-STG-CASING-WGV+NR-M+4-304	1
		> IMPELLER-M+4-304	1
		> IMPELLER SPACER Ø12,05X14,85-L24,285-304	1



HELIX FIRST V412-5/25/E/S/400-50 (4201105)

Item	Article no.	Description	Quantity
1	4169942	MO.1,5/2 3~230/400(440)V 50(60)HZ IE3 VP	1
		SPARE PARTS MOTOR:ON REQUEST	1
2	4159707	SCREW M8X30 (4 PIECES)	1
3	4213784	LANTERN FT115 HELIX KIT	1
3.1		> LANT-MOT-VMI-ReDTC6"-FT115-MACHINED+CATA	1
3.2	4184852	> EYELET CPL.FT HELIX (2 PIECES)	1
3.3	4213782	> COUPLING PROTECTOR FT115/130 HELIX KIT	1
4	4178600	COUPLING D.12XD.24 FT115 KIT	1
6	2018365	STUD BOLT M12X392 KIT	1
7	4212722	STATIONARY RING HOLDER HELIX D23 ReDTC	1
7.2	4212720	> STATIONARY RING HOLDER HELIX D23 VP.	1
7.3	4176513	> O-RING FOR PUMP JACKET VP.	1
8	4212724	FILING/PURGING PLUG HELIX ReDTC KIT	1
8.1		> FILLING PLUG MVI6"-304	1
8.2	4177800	> O-RING EPDM PLUG HELIX VP.	1
9	4212726	MECH.SEAL HELIX V2/4 O/E ReDTC KIT	1
9.1	4178563	> M.SEAL.HELIX2-4 O/E VP.	1
7.3	4176513	> O-RING FOR PUMP JACKET VP.	1
10	2127578	HOUSING PIPE D.152x360 1.4307 KIT	1
7.3	4176513	> O-RING FOR PUMP JACKET VP.	1
10.1		> HOUSING-PIPE Ø152-M+1008/1606-304	1
11	4178566	CENTERING STAGE-RETURN HELIX4 1.4307 VP	1
12	4212729	SHAFT EQUIPMENT HELIX V2/4 ReDTC KIT	1
12.1		> NUT-H-M8-STAINLESS-STEEL A4-70	1
12.2		> SHAFT END WASHER Ø8/Ø12 316L	1
12.3		> 1/2-SNAP-RING-2/4M3-316L	1
12.4		> STOP-RUSH-1/2-D12xd2-M+316	1
4.11		> SCREW CHC-M6X14-8.8-ISO4762-GEOMET500A	1
4.12		> WASHER D.24 L6U ZINK	1
13		HYDRAULIC HELIX V 412 1.4307	1
14	4213778	SHAFT D.12X431 HELIX 1.4057 VP.	1
15	4179246	PUMP HOUSING HELIX V2/4 DN25 PN30 KIT	1
7.3	4176513	> O-RING FOR PUMP JACKET VP.	1
15.1		> MACH+CATA PUMP CASING M+5" DN25 PN25 GJL	1

HELIX FIRST V412-5/25/E/S/400-50 (4201105)

Item	Article no.	Description	Quantity
15.2	4233952	> FLAT GASKET D.73 VP.	1
15.3	4177877	> PRIMING/DRAIN PLUG HELIX PN30 KIT	1
15.3A		>> PRIMING/DRAIN PLUG M+6" 304	1
15.3B	4233957	>> O-RING ID.9 EPDM VP.	1
15.3C		>> O-RING Ø8xØ2 EPDM KTW/WRC	1



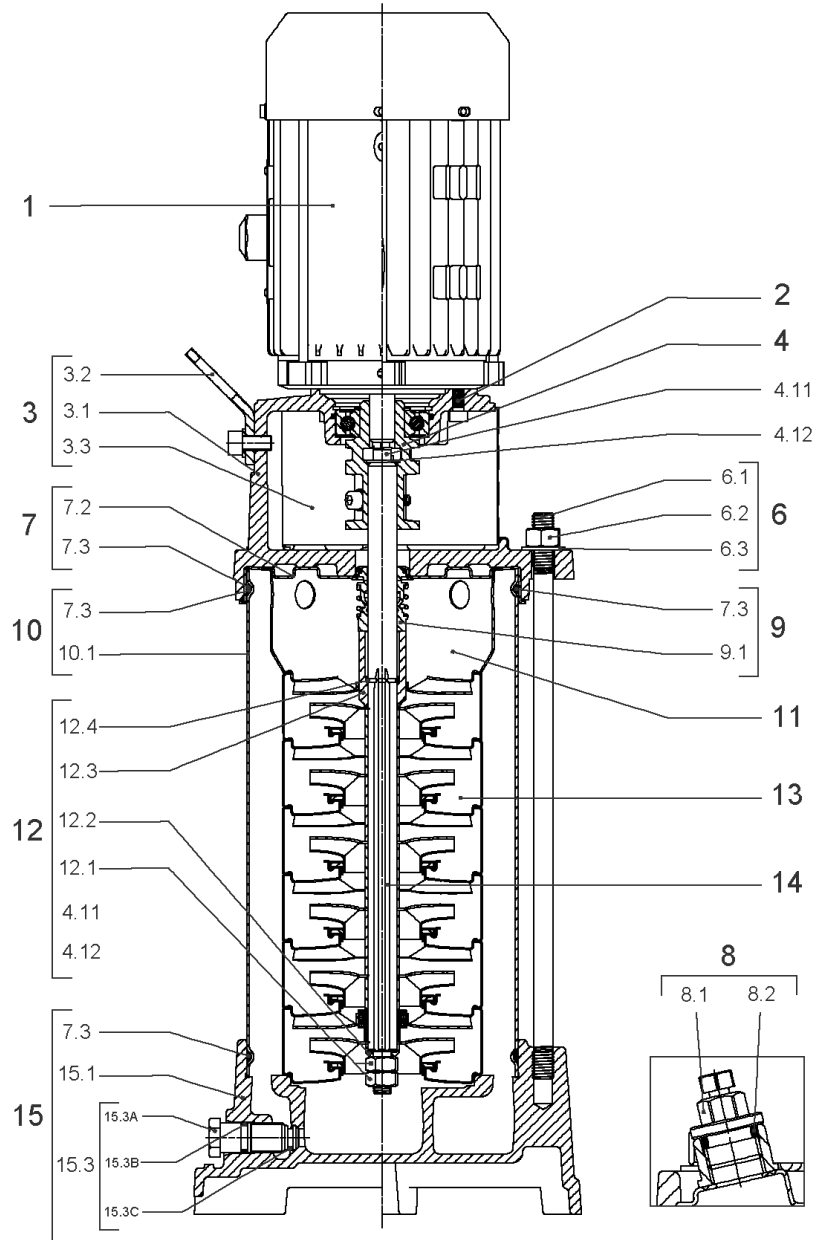
COUPLING D.12XD.24 FT115 KIT (4178600)

Item	Article no.	Description	Quantity
4.1		COUPLING-M+ Ø12XØ24-FT115-MACHINED	1
4.2	2131023	BALL BEARING 6207/ZZ-C3(HT)VP.	1
4.3	4234254	CIRCLIP-FOR-SHAFT-D35x1.5 VP.	1
4.4	4157726	SCREW KIT M8X30 (4 PIECES)	1
4.5	4234251	CIRCLIP-D72x2.5 VP.	1
4.6	4234246	O-RING 72X3 VP.	1
		NOMEL CONTACT WASHER 8x16x1,4 STEEL ZC	1



HYDRAULIC HELIX V 412 1.4307

Item	Article no.	Description	Quantity
13.1	4178570	STAGE HELIX 4 1.4301 KIT	1
		> MACH.STG-CASING-WOGV-WNR-M+2-4-304	1
		> IMPELLER-M+4-304	1
13.2	4178569	STAGE BEARING HELIX 4 1.4301 KIT	1
		> MACH.BEARING-STG-CASING-WNR-M+4-304	1
		> IMPELLER-M+4-304	1
		> SHAFT SLEEVE SPACER Ø15,35x10,305-304	1
		> SHAFT-SLEEVE-D12xD16x14-CW	1
13.3	4178574	INTER STAGE HELIX4 1.4301< 15 stages KIT	1
		> MACH.STD-STG-CASING-WGV+NR-M+4-304	1
		> IMPELLER-M+4-304	1
		> IMPELLER SPACER Ø12,05X14,85-L24,285-304	1



HELIX FIRST V413-5/16/E/S/400-50 (4201106)

Item	Article no.	Description	Quantity
1	4169943	MOTOR 2,2/2/90 3~230/400V 50HZ IE3 VP.	1
		SPARE PARTS MOTOR:ON REQUEST	1
2	4159707	SCREW M8X30 (4 PIECES)	1
3	4213784	LANTERN FT115 HELIX KIT	1
3.1		> LANT-MOT-VMI-ReDTC6"-FT115-MACHINED+CATA	1
3.2	4184852	> EYELET CPL.FT HELIX (2 PIECES)	1
3.3	4213782	> COUPLING PROTECTOR FT115/130 HELIX KIT	1
4	4178600	COUPLING D.12XD.24 FT115 KIT	1
6	4178601	STUD BOLT M12X437 KIT	1
6.1		> TIE BOLT M12-437x18x30-1.4057	1
6.2	2094647	> NUT M12 M12 ISO4032 VP.	1
6.3	2123557	> WASHER CS-12.4-24-1.6-NFE25 (4 PIECES)	1
7	4212722	STATIONARY RING HOLDER HELIX D23 ReDTC	1
7.2	4212720	> STATIONARY RING HOLDER HELIX D23 VP.	1
7.3	4176513	> O-RING FOR PUMP JACKET VP.	1
8	4212724	FILING/PURGING PLUG HELIX ReDTC KIT	1
8.1		> FILLING PLUG MVI6"-304	1
8.2	4177800	> O-RING EPDM PLUG HELIX VP.	1
9	4212726	MECH.SEAL HELIX V2/4 O/E ReDTC KIT	1
9.1	4178563	> M.SEAL.HELIX2-4 O/E VP.	1
7.3	4176513	> O-RING FOR PUMP JACKET VP.	1
10	2127579	HOUSING PIPE D.152x410 1.4301 KIT	1
7.3	4176513	> O-RING FOR PUMP JACKET VP.	1
10.1		> HOUSING-PIPE Ø152-M+1607-304	1
11	4178566	CENTERING STAGE-RETURN HELIX4 1.4307 VP	1
12	4212729	SHAFT EQUIPMENT HELIX V2/4 ReDTC KIT	1
12.1		> NUT-H-M8-STAINLESS-STEEL A4-70	1
12.2		> SHAFT END WASHER Ø8/Ø12 316L	1
12.3		> 1/2-SNAP-RING-2/4M3-316L	1
12.4		> STOP-RUSH-1/2-D12xd2-M+316	1
4.11		> SCREW CHC-M6X14-8.8-ISO4762-GEOMET500A	1
4.12		> WASHER D.24 L6U ZINK	1
13		HYDRAULIC HELIX V 413 1.4307	1
14	4213780	SHAFT D.12X481 HELIX 1.4057 VP.	1

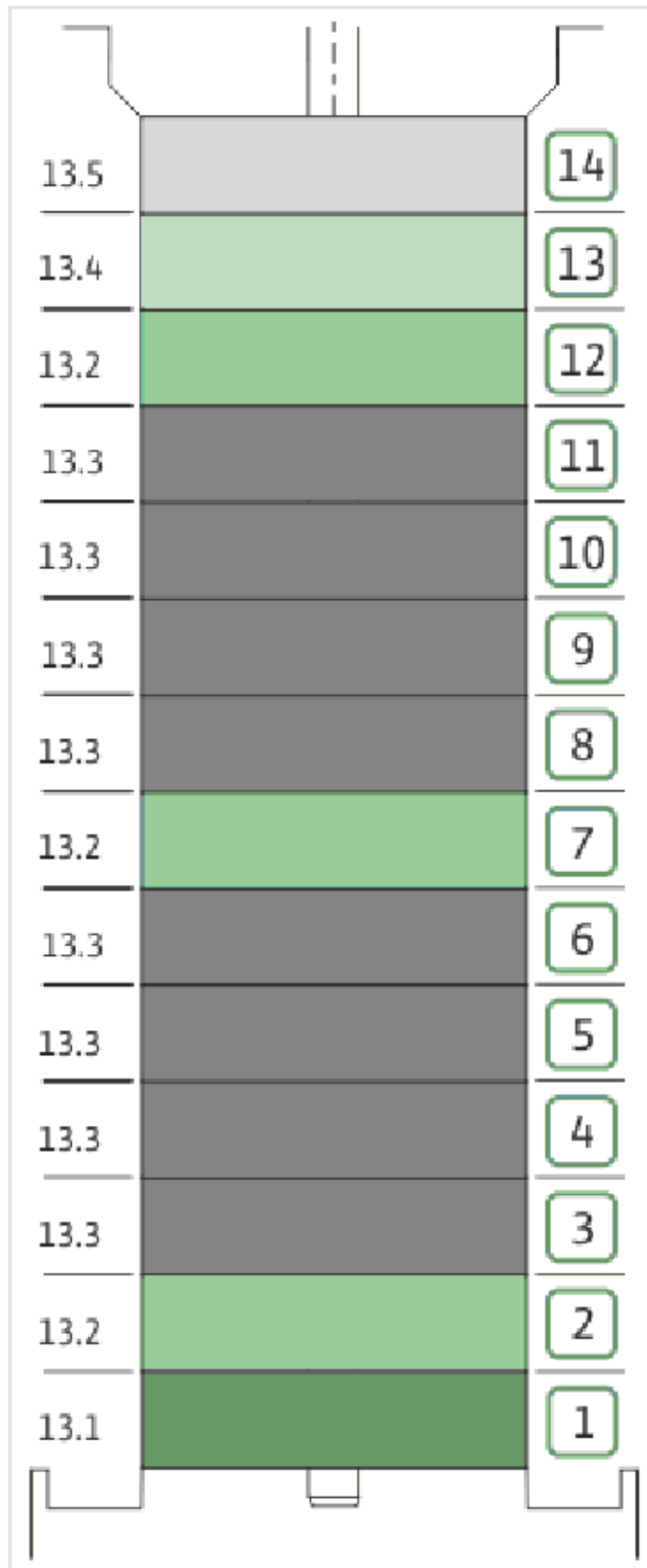
HELIX FIRST V413-5/16/E/S/400-50 (4201106)

Item	Article no.	Description	Quantity
15	4215105	PUMP HOUSING HELIX V2/4/6 DN32 PN16 KIT	1
15.1		> MACH+CATA PPE HOUSING M+5" D32-PN16 GJL	1
15.2	4191618	> O-RING ID.44,05x3,53 EPDM VP.	1
15.3	4171321	> PRIMING/DRAIN PLUG EPDM HELIX KIT	1
7.3	4176513	> O-RING FOR PUMP JACKET VP.	1



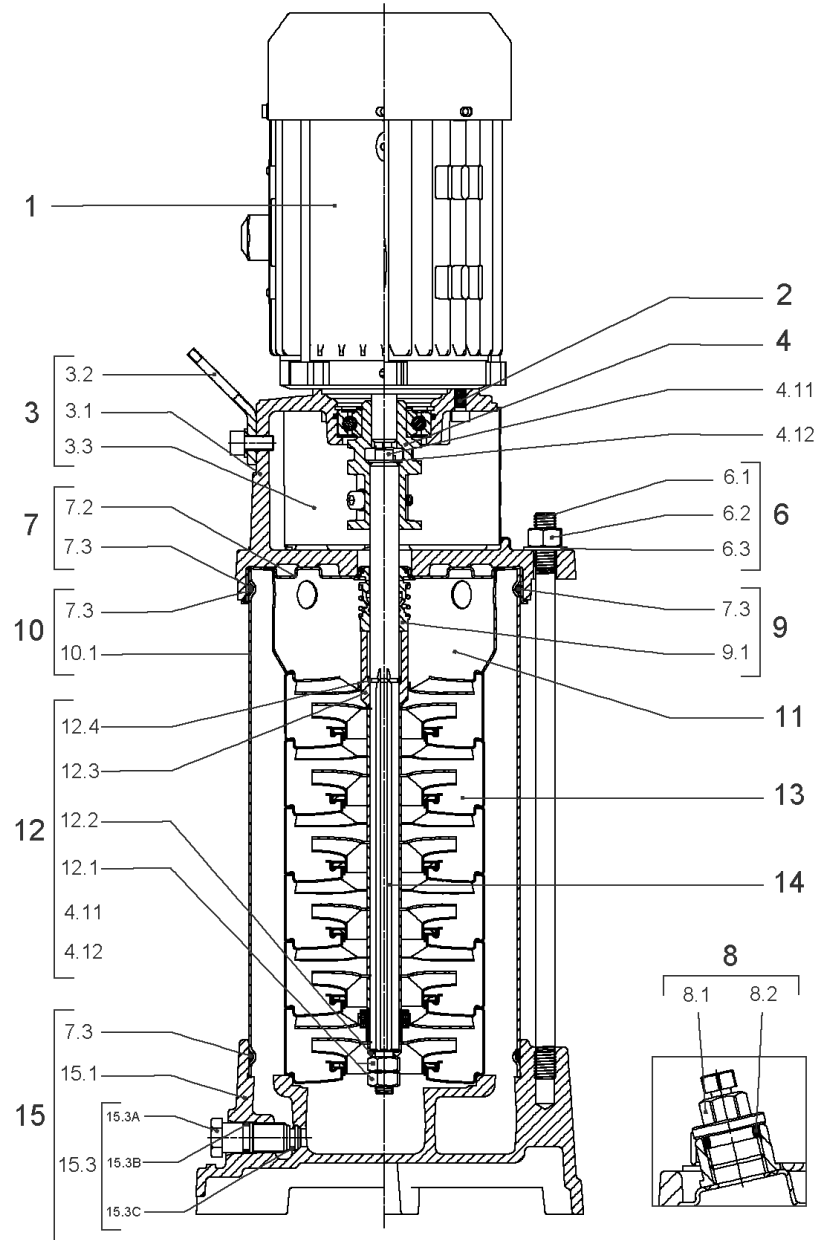
COUPLING D.12XD.24 FT115 KIT (4178600)

Item	Article no.	Description	Quantity
4.1		COUPLING-M+ Ø12XØ24-FT115-MACHINED	1
4.2	2131023	BALL BEARING 6207/ZZ-C3(HT)VP.	1
4.3	4234254	CIRCLIP-FOR-SHAFT-D35x1.5 VP.	1
4.4	4157726	SCREW KIT M8X30 (4 PIECES)	1
4.5	4234251	CIRCLIP-D72x2.5 VP.	1
4.6	4234246	O-RING 72X3 VP.	1
		NOMEL CONTACT WASHER 8x16x1,4 STEEL ZC	1



HYDRAULIC HELIX V 413 1.4307

Item	Article no.	Description	Quantity
13.1	4178570	STAGE HELIX 4 1.4301 KIT	1
		> MACH.STG-CASING-WOGV-WNR-M+2-4-304	1
		> IMPELLER-M+4-304	1
13.2	4178569	STAGE BEARING HELIX 4 1.4301 KIT	1
		> MACH.BEARING-STG-CASING-WNR-M+4-304	1
		> IMPELLER-M+4-304	1
		> SHAFT SLEEVE SPACER Ø15,35x10,305-304	1
		> SHAFT-SLEEVE-D12xD16x14-CW	1
13.3	4178574	INTER STAGE HELIX4 1.4301< 15 stages KIT	1
		> MACH.STD-STG-CASING-WGV+NR-M+4-304	1
		> IMPELLER-M+4-304	1
		> IMPELLER SPACER Ø12,05X14,85-L24,285-304	1
13.4	4179307	EMPTY STAGE HELIX 4 1.4301<15 stage Kit	1
		> MACH.STD-STG-CASING-WGV+NR-M+4-304	1
		> FLAT WASHER-D12.1XD16X0.8-316L	1
		> IMPELLER SPACER Ø12,05X14,85-L24,285-304	1
13.5	4179304	STAGE HELIX 4 1.4301 < 15 stages Kit	1
		> MACH.STG-CASING-WOGV-WNR-M+2-4-304	1
		> IMPELLER-M+4-304	1
		> IMPELLER SPACER Ø12,05X14,85-L24,285-304	1



HELIX FIRST V413-5/25/E/S/400-50 (4201108)

Item	Article no.	Description	Quantity
1	4169943	MOTOR 2,2/2/90 3~230/400V 50HZ IE3 VP.	1
		SPARE PARTS MOTOR:ON REQUEST	1
2	4159707	SCREW M8X30 (4 PIECES)	1
3	4213784	LANTERN FT115 HELIX KIT	1
3.1		> LANT-MOT-VMI-ReDTC6"-FT115-MACHINED+CATA	1
3.2	4184852	> EYELET CPL.FT HELIX (2 PIECES)	1
3.3	4213782	> COUPLING PROTECTOR FT115/130 HELIX KIT	1
4	4178600	COUPLING D.12XD.24 FT115 KIT	1
6	4178601	STUD BOLT M12X437 KIT	1
6.1		> TIE BOLT M12-437x18x30-1.4057	1
6.2	2094647	> NUT M12 M12 ISO4032 VP.	1
6.3	2123557	> WASHER CS-12.4-24-1.6-NFE25 (4 PIECES)	1
7	4212722	STATIONARY RING HOLDER HELIX D23 ReDTC	1
7.2	4212720	> STATIONARY RING HOLDER HELIX D23 VP.	1
7.3	4176513	> O-RING FOR PUMP JACKET VP.	1
8	4212724	FILING/PURGING PLUG HELIX ReDTC KIT	1
8.1		> FILLING PLUG MVI6"-304	1
8.2	4177800	> O-RING EPDM PLUG HELIX VP.	1
9	4212726	MECH.SEAL HELIX V2/4 O/E ReDTC KIT	1
9.1	4178563	> M.SEAL.HELIX2-4 O/E VP.	1
7.3	4176513	> O-RING FOR PUMP JACKET VP.	1
10	2127579	HOUSING PIPE D.152x410 1.4301 KIT	1
7.3	4176513	> O-RING FOR PUMP JACKET VP.	1
10.1		> HOUSING-PIPE Ø152-M+1607-304	1
11	4178566	CENTERING STAGE-RETURN HELIX4 1.4307 VP	1
12	4212729	SHAFT EQUIPMENT HELIX V2/4 ReDTC KIT	1
12.1		> NUT-H-M8-STAINLESS-STEEL A4-70	1
12.2		> SHAFT END WASHER Ø8/Ø12 316L	1
12.3		> 1/2-SNAP-RING-2/4M3-316L	1
12.4		> STOP-RUSH-1/2-D12xd2-M+316	1
4.11		> SCREW CHC-M6X14-8.8-ISO4762-GEOMET500A	1
4.12		> WASHER D.24 L6U ZINK	1
13		HYDRAULIC HELIX V 413 1.4307	1
14	4213780	SHAFT D.12X481 HELIX 1.4057 VP.	1

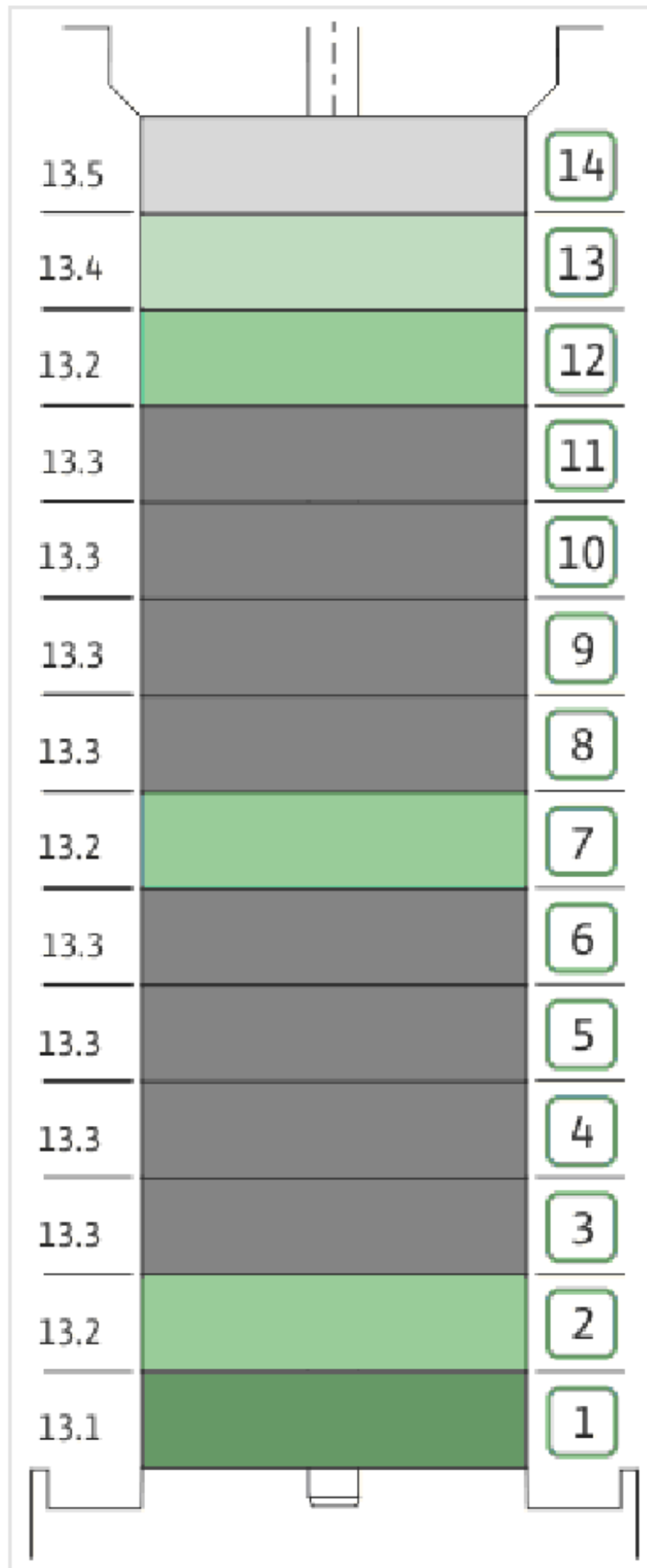
HELIX FIRST V413-5/25/E/S/400-50 (4201108)

Item	Article no.	Description	Quantity
15	4179246	PUMP HOUSING HELIX V2/4 DN25 PN30 KIT	1
7.3	4176513	> O-RING FOR PUMP JACKET VP.	1
15.1		> MACH+CATA PUMP CASING M+5" DN25 PN25 GJL	1
15.2	4233952	> FLAT GASKET D.73 VP.	1
15.3	4177877	> PRIMING/DRAIN PLUG HELIX PN30 KIT	1
15.3A		>> PRIMING/DRAIN PLUG M+6" 304	1
15.3B	4233957	>> O-RING ID.9 EPDM VP.	1
15.3C		>> O-RING Ø8xØ2 EPDM KTW/WRC	1



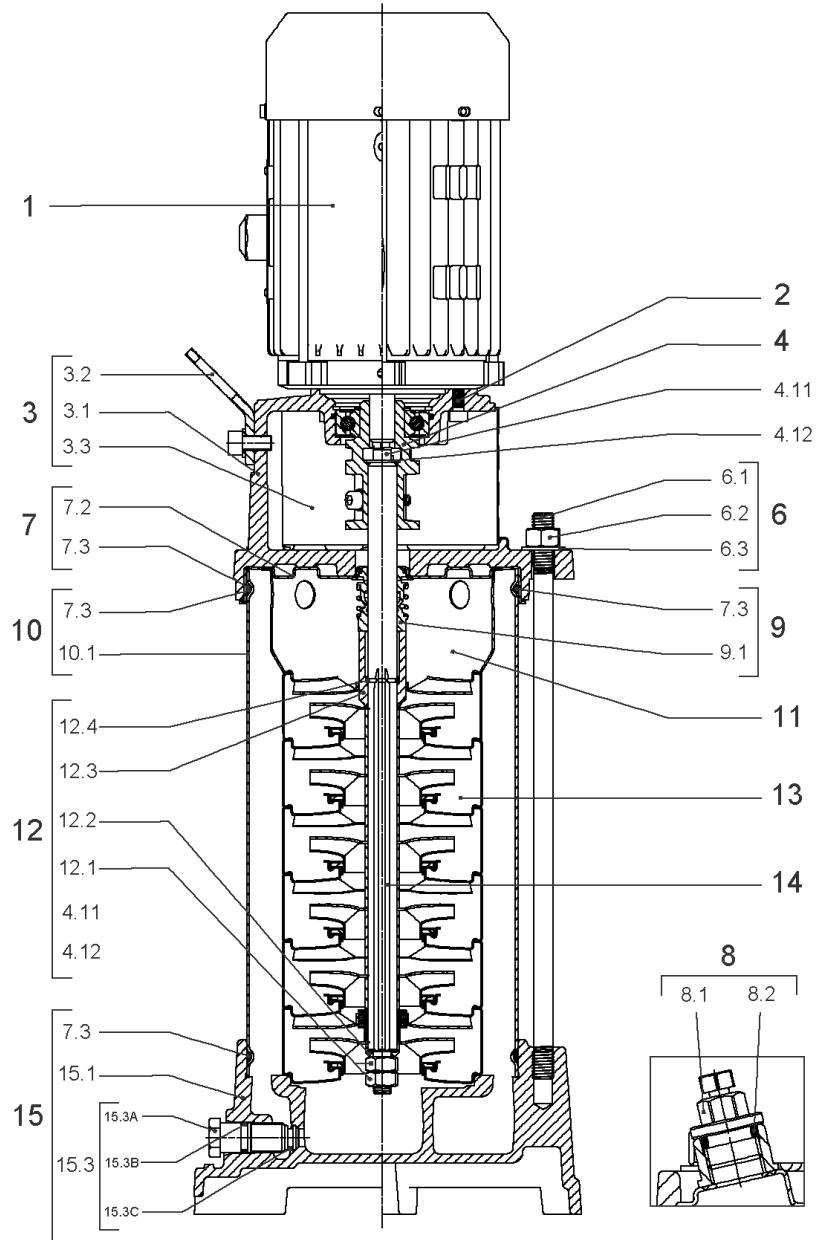
COUPLING D.12XD.24 FT115 KIT (4178600)

Item	Article no.	Description	Quantity
4.1		COUPLING-M+ Ø12XØ24-FT115-MACHINED	1
4.2	2131023	BALL BEARING 6207/ZZ-C3(HT)VP.	1
4.3	4234254	CIRCLIP-FOR-SHAFT-D35x1.5 VP.	1
4.4	4157726	SCREW KIT M8X30 (4 PIECES)	1
4.5	4234251	CIRCLIP-D72x2.5 VP.	1
4.6	4234246	O-RING 72X3 VP.	1
		NOMEL CONTACT WASHER 8x16x1,4 STEEL ZC	1



HYDRAULIC HELIX V 413 1.4307

Item	Article no.	Description	Quantity
13.1	4178570	STAGE HELIX 4 1.4301 KIT	1
		> MACH.STG-CASING-WOGV-WNR-M+2-4-304	1
		> IMPELLER-M+4-304	1
13.2	4178569	STAGE BEARING HELIX 4 1.4301 KIT	1
		> MACH.BEARING-STG-CASING-WNR-M+4-304	1
		> IMPELLER-M+4-304	1
		> SHAFT SLEEVE SPACER Ø15,35x10,305-304	1
		> SHAFT-SLEEVE-D12xD16x14-CW	1
13.3	4178574	INTER STAGE HELIX4 1.4301< 15 stages KIT	1
		> MACH.STD-STG-CASING-WGV+NR-M+4-304	1
		> IMPELLER-M+4-304	1
		> IMPELLER SPACER Ø12,05X14,85-L24,285-304	1
13.4	4179307	EMPTY STAGE HELIX 4 1.4301<15 stage Kit	1
		> MACH.STD-STG-CASING-WGV+NR-M+4-304	1
		> FLAT WASHER-D12.1XD16X0.8-316L	1
		> IMPELLER SPACER Ø12,05X14,85-L24,285-304	1
13.5	4179304	STAGE HELIX 4 1.4301 < 15 stages Kit	1
		> MACH.STG-CASING-WOGV-WNR-M+2-4-304	1
		> IMPELLER-M+4-304	1
		> IMPELLER SPACER Ø12,05X14,85-L24,285-304	1



HELIX FIRST V414-5/16/E/S/400-50 (4201109)

Item	Article no.	Description	Quantity
1	4169943	MOTOR 2,2/2/90 3~230/400V 50HZ IE3 VP.	1
		SPARE PARTS MOTOR:ON REQUEST	1
2	4159707	SCREW M8X30 (4 PIECES)	1
3	4213784	LANTERN FT115 HELIX KIT	1
3.1		> LANT-MOT-VMI-ReDTC6"-FT115-MACHINED+CATA	1
3.2	4184852	> EYELET CPL.FT HELIX (2 PIECES)	1
3.3	4213782	> COUPLING PROTECTOR FT115/130 HELIX KIT	1
4	4178600	COUPLING D.12XD.24 FT115 KIT	1
6	4178601	STUD BOLT M12X437 KIT	1
6.1		> TIE BOLT M12-437x18x30-1.4057	1
6.2	2094647	> NUT M12 M12 ISO4032 VP.	1
6.3	2123557	> WASHER CS-12.4-24-1.6-NFE25 (4 PIECES)	1
7	4212722	STATIONARY RING HOLDER HELIX D23 ReDTC	1
7.2	4212720	> STATIONARY RING HOLDER HELIX D23 VP.	1
7.3	4176513	> O-RING FOR PUMP JACKET VP.	1
8	4212724	FILING/PURGING PLUG HELIX ReDTC KIT	1
8.1		> FILLING PLUG MVI6"-304	1
8.2	4177800	> O-RING EPDM PLUG HELIX VP.	1
9	4212726	MECH.SEAL HELIX V2/4 O/E ReDTC KIT	1
9.1	4178563	> M.SEAL.HELIX2-4 O/E VP.	1
7.3	4176513	> O-RING FOR PUMP JACKET VP.	1
10	2127579	HOUSING PIPE D.152x410 1.4301 KIT	1
7.3	4176513	> O-RING FOR PUMP JACKET VP.	1
10.1		> HOUSING-PIPE Ø152-M+1607-304	1
11	4178566	CENTERING STAGE-RETURN HELIX4 1.4307 VP	1
12	4212729	SHAFT EQUIPMENT HELIX V2/4 ReDTC KIT	1
12.1		> NUT-H-M8-STAINLESS-STEEL A4-70	1
12.2		> SHAFT END WASHER Ø8/Ø12 316L	1
12.3		> 1/2-SNAP-RING-2/4M3-316L	1
12.4		> STOP-RUSH-1/2-D12xd2-M+316	1
4.11		> SCREW CHC-M6X14-8.8-ISO4762-GEOMET500A	1
4.12		> WASHER D.24 L6U ZINK	1
13		HYDRAULIC HELIX V 414 1.4307	1
14	4213780	SHAFT D.12X481 HELIX 1.4057 VP.	1

HELIX FIRST V414-5/16/E/S/400-50 (4201109)

Item	Article no.	Description	Quantity
15	4215105	PUMP HOUSING HELIX V2/4/6 DN32 PN16 KIT	1
15.1		> MACH+CATA PPE HOUSING M+5" D32-PN16 GJL	1
15.2	4191618	> O-RING ID.44,05x3,53 EPDM VP.	1
15.3	4171321	> PRIMING/DRAIN PLUG EPDM HELIX KIT	1
7.3	4176513	> O-RING FOR PUMP JACKET VP.	1



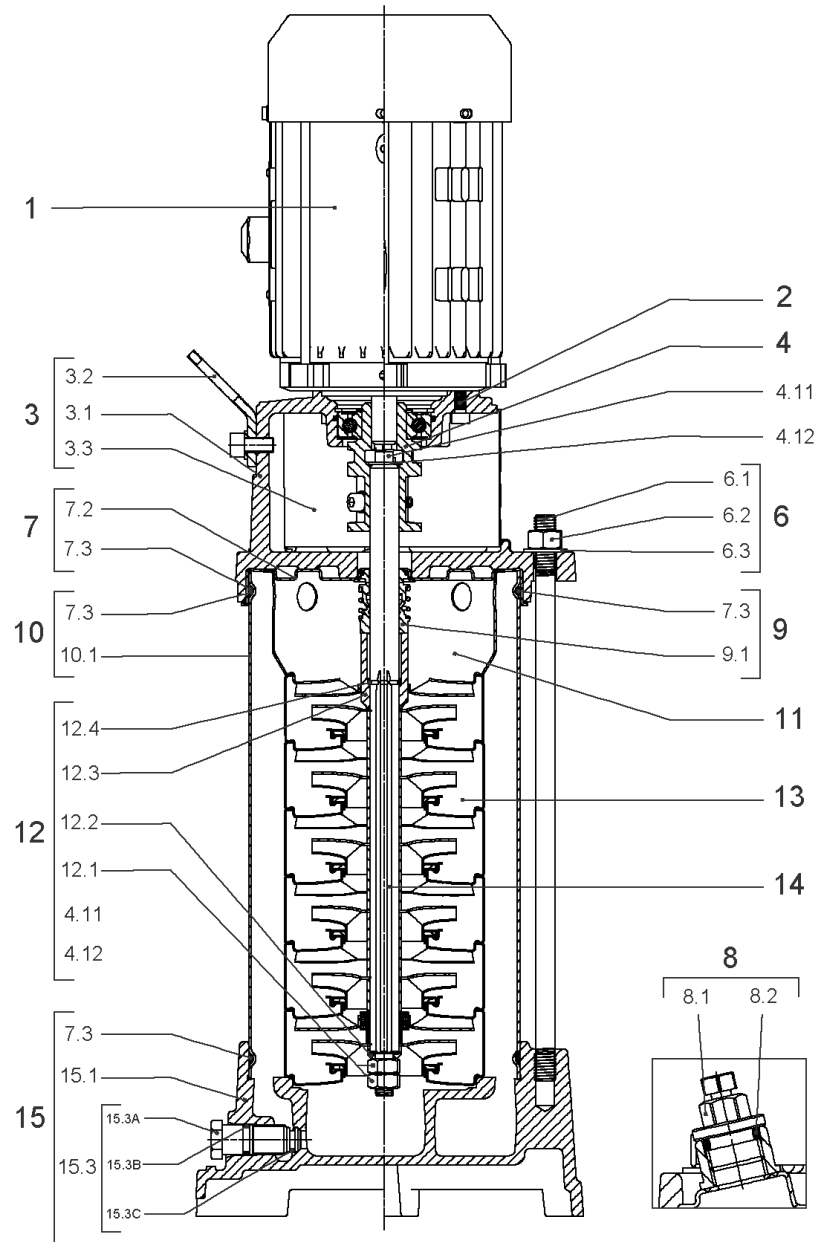
COUPLING D.12XD.24 FT115 KIT (4178600)

Item	Article no.	Description	Quantity
4.1		COUPLING-M+ Ø12XØ24-FT115-MACHINED	1
4.2	2131023	BALL BEARING 6207/ZZ-C3(HT)VP.	1
4.3	4234254	CIRCLIP-FOR-SHAFT-D35x1.5 VP.	1
4.4	4157726	SCREW KIT M8X30 (4 PIECES)	1
4.5	4234251	CIRCLIP-D72x2.5 VP.	1
4.6	4234246	O-RING 72X3 VP.	1
		NOMEL CONTACT WASHER 8x16x1,4 STEEL ZC	1



HYDRAULIC HELIX V 414 1.4307

Item	Article no.	Description	Quantity
13.1	4178570	STAGE HELIX 4 1.4301 KIT	1
		> MACH.STG-CASING-WOGV-WNR-M+2-4-304	1
		> IMPELLER-M+4-304	1
13.2	4178569	STAGE BEARING HELIX 4 1.4301 KIT	1
		> MACH.BEARING-STG-CASING-WNR-M+4-304	1
		> IMPELLER-M+4-304	1
		> SHAFT SLEEVE SPACER Ø15,35x10,305-304	1
		> SHAFT-SLEEVE-D12xD16x14-CW	1
13.3	4178574	INTER STAGE HELIX4 1.4301< 15 stages KIT	1
		> MACH.STD-STG-CASING-WGV+NR-M+4-304	1
		> IMPELLER-M+4-304	1
		> IMPELLER SPACER Ø12,05X14,85-L24,285-304	1



HELIX FIRST V414-5/25/E/S/400-50 (4201111)

Item	Article no.	Description	Quantity
1	4169943	MOTOR 2,2/2/90 3~230/400V 50HZ IE3 VP.	1
		SPARE PARTS MOTOR:ON REQUEST	1
2	4159707	SCREW M8X30 (4 PIECES)	1
3	4213784	LANTERN FT115 HELIX KIT	1
3.1		> LANT-MOT-VMI-ReDTC6"-FT115-MACHINED+CATA	1
3.2	4184852	> EYELET CPL.FT HELIX (2 PIECES)	1
3.3	4213782	> COUPLING PROTECTOR FT115/130 HELIX KIT	1
4	4178600	COUPLING D.12XD.24 FT115 KIT	1
6	4178601	STUD BOLT M12X437 KIT	1
6.1		> TIE BOLT M12-437x18x30-1.4057	1
6.2	2094647	> NUT M12 M12 ISO4032 VP.	1
6.3	2123557	> WASHER CS-12.4-24-1.6-NFE25 (4 PIECES)	1
7	4212722	STATIONARY RING HOLDER HELIX D23 ReDTC	1
7.2	4212720	> STATIONARY RING HOLDER HELIX D23 VP.	1
7.3	4176513	> O-RING FOR PUMP JACKET VP.	1
8	4212724	FILING/PURGING PLUG HELIX ReDTC KIT	1
8.1		> FILLING PLUG MVI6"-304	1
8.2	4177800	> O-RING EPDM PLUG HELIX VP.	1
9	4212726	MECH.SEAL HELIX V2/4 O/E ReDTC KIT	1
9.1	4178563	> M.SEAL.HELIX2-4 O/E VP.	1
7.3	4176513	> O-RING FOR PUMP JACKET VP.	1
10	2127579	HOUSING PIPE D.152x410 1.4301 KIT	1
7.3	4176513	> O-RING FOR PUMP JACKET VP.	1
10.1		> HOUSING-PIPE Ø152-M+1607-304	1
11	4178566	CENTERING STAGE-RETURN HELIX4 1.4307 VP	1
12	4212729	SHAFT EQUIPMENT HELIX V2/4 ReDTC KIT	1
12.1		> NUT-H-M8-STAINLESS-STEEL A4-70	1
12.2		> SHAFT END WASHER Ø8/Ø12 316L	1
12.3		> 1/2-SNAP-RING-2/4M3-316L	1
12.4		> STOP-RUSH-1/2-D12xd2-M+316	1
4.11		> SCREW CHC-M6X14-8.8-ISO4762-GEOMET500A	1
4.12		> WASHER D.24 L6U ZINK	1
13		HYDRAULIC HELIX V 414 1.4307	1
14	4213780	SHAFT D.12X481 HELIX 1.4057 VP.	1

HELIX FIRST V414-5/25/E/S/400-50 (4201111)

Item	Article no.	Description	Quantity
15	4179246	PUMP HOUSING HELIX V2/4 DN25 PN30 KIT	1
7.3	4176513	> O-RING FOR PUMP JACKET VP.	1
15.1		> MACH+CATA PUMP CASING M+5" DN25 PN25 GJL	1
15.2	4233952	> FLAT GASKET D.73 VP.	1
15.3	4177877	> PRIMING/DRAIN PLUG HELIX PN30 KIT	1
15.3A		>> PRIMING/DRAIN PLUG M+6" 304	1
15.3B	4233957	>> O-RING ID.9 EPDM VP.	1
15.3C		>> O-RING Ø8xØ2 EPDM KTW/WRC	1



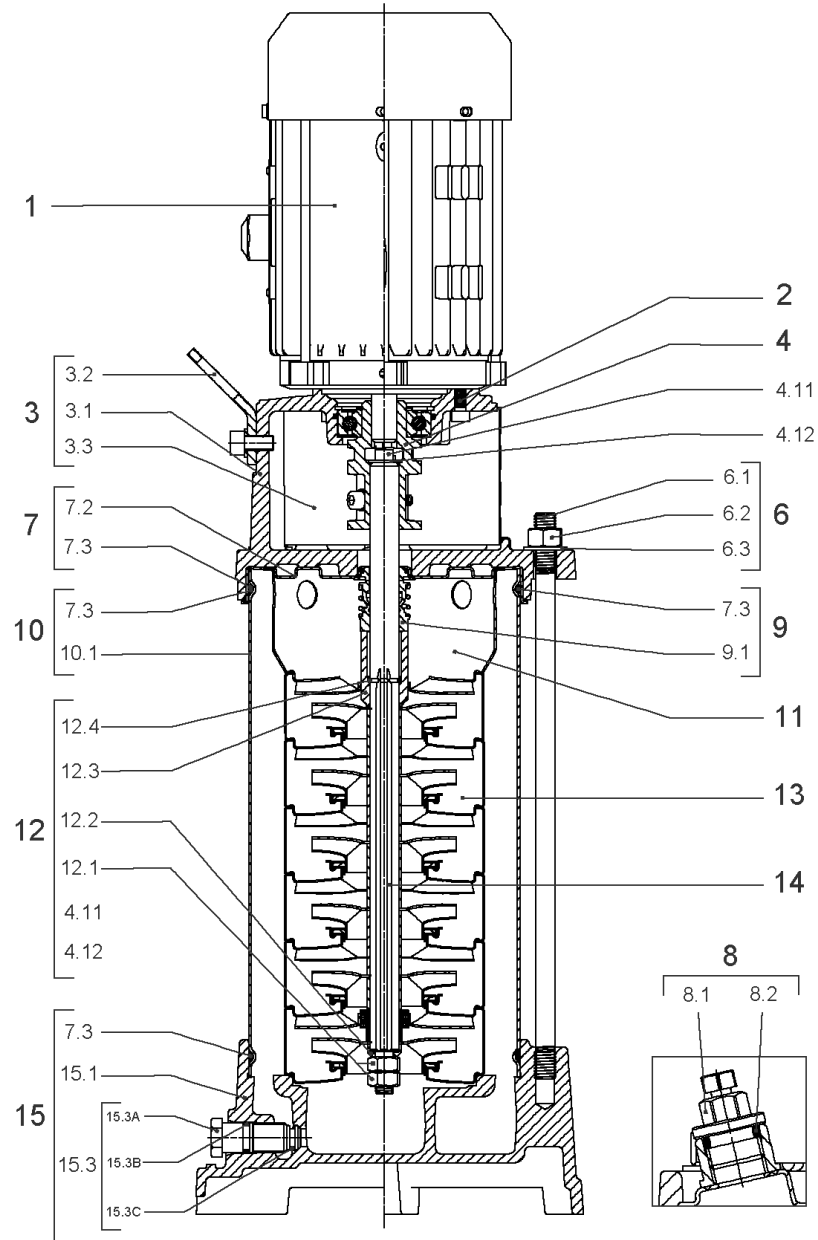
COUPLING D.12XD.24 FT115 KIT (4178600)

Item	Article no.	Description	Quantity
4.1		COUPLING-M+ Ø12XØ24-FT115-MACHINED	1
4.2	2131023	BALL BEARING 6207/ZZ-C3(HT)VP.	1
4.3	4234254	CIRCLIP-FOR-SHAFT-D35x1.5 VP.	1
4.4	4157726	SCREW KIT M8X30 (4 PIECES)	1
4.5	4234251	CIRCLIP-D72x2.5 VP.	1
4.6	4234246	O-RING 72X3 VP.	1
		NOMEL CONTACT WASHER 8x16x1,4 STEEL ZC	1



HYDRAULIC HELIX V 414 1.4307

Item	Article no.	Description	Quantity
13.1	4178570	STAGE HELIX 4 1.4301 KIT	1
		> MACH.STG-CASING-WOGV-WNR-M+2-4-304	1
		> IMPELLER-M+4-304	1
13.2	4178569	STAGE BEARING HELIX 4 1.4301 KIT	1
		> MACH.BEARING-STG-CASING-WNR-M+4-304	1
		> IMPELLER-M+4-304	1
		> SHAFT SLEEVE SPACER Ø15,35x10,305-304	1
		> SHAFT-SLEEVE-D12xD16x14-CW	1
13.3	4178574	INTER STAGE HELIX4 1.4301< 15 stages KIT	1
		> MACH.STD-STG-CASING-WGV+NR-M+4-304	1
		> IMPELLER-M+4-304	1
		> IMPELLER SPACER Ø12,05X14,85-L24,285-304	1



HELIX FIRST V416-5/16/E/S/400-50 (4201112)

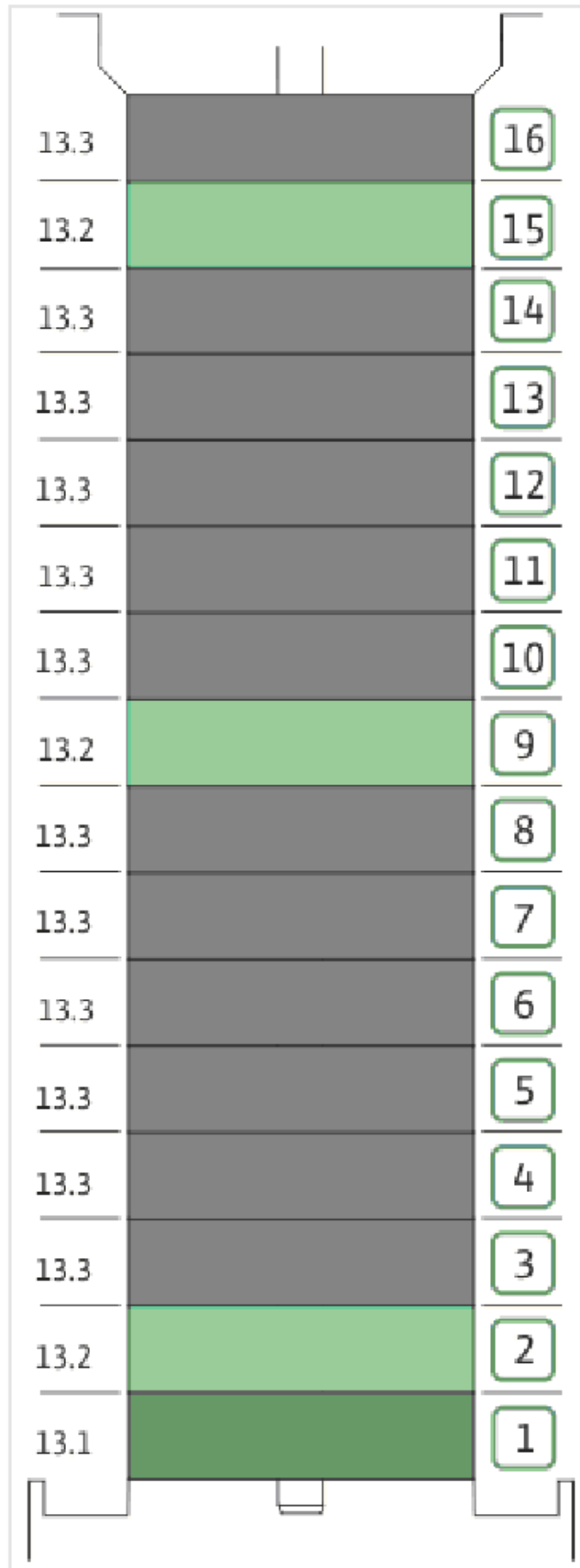
Item	Article no.	Description	Quantity
1	4169943	MOTOR 2,2/2/90 3~230/400V 50HZ IE3 VP.	1
		SPARE PARTS MOTOR:ON REQUEST	1
2	4159707	SCREW M8X30 (4 PIECES)	1
3	4213784	LANTERN FT115 HELIX KIT	1
3.1		> LANT-MOT-VMI-ReDTC6"-FT115-MACHINED+CATA	1
3.2	4184852	> EYELET CPL.FT HELIX (2 PIECES)	1
3.3	4213782	> COUPLING PROTECTOR FT115/130 HELIX KIT	1
4	4178600	COUPLING D.12XD.24 FT115 KIT	1
6	4214564	STUD BOLT HELIX M12X495 KIT	1
6.1		> TIE BOLT M12-495x18x30-1.4057	1
6.2	2094647	> NUT M12 M12 ISO4032 VP.	1
6.3	2123557	> WASHER CS-12.4-24-1.6-NFE25 (4 PIECES)	1
7	4212722	STATIONARY RING HOLDER HELIX D23 ReDTC	1
7.2	4212720	> STATIONARY RING HOLDER HELIX D23 VP.	1
7.3	4176513	> O-RING FOR PUMP JACKET VP.	1
8	4212724	FILING/PURGING PLUG HELIX ReDTC KIT	1
8.1		> FILLING PLUG MVI6"-304	1
8.2	4177800	> O-RING EPDM PLUG HELIX VP.	1
9	4212726	MECH.SEAL HELIX V2/4 O/E ReDTC KIT	1
9.1	4178563	> M.SEAL.HELIX2-4 O/E VP.	1
7.3	4176513	> O-RING FOR PUMP JACKET VP.	1
10	2127580	HOUSING PIPE D.152x460 1.4301 KIT	1
7.3	4176513	> O-RING FOR PUMP JACKET VP.	1
10.1		> HOUSING-PIPE Ø152-M+1608-304	1
11	4178566	CENTERING STAGE-RETURN HELIX4 1.4307 VP	1
12	4212729	SHAFT EQUIPMENT HELIX V2/4 ReDTC KIT	1
12.1		> NUT-H-M8-STAINLESS-STEEL A4-70	1
12.2		> SHAFT END WASHER Ø8/Ø12 316L	1
12.3		> 1/2-SNAP-RING-2/4M3-316L	1
12.4		> STOP-RUSH-1/2-D12xd2-M+316	1
4.11		> SCREW CHC-M6X14-8.8-ISO4762-GEOMET500A	1
4.12		> WASHER D.24 L6U ZINK	1
13		HYDRAULIC HELIX V 416 1.4307	1
14	4213788	SHAFT D.12X531 HELIX 1.4057 VP.	1

HELIX FIRST V416-5/16/E/S/400-50 (4201112)

Item	Article no.	Description	Quantity
15	4215105	PUMP HOUSING HELIX V2/4/6 DN32 PN16 KIT	1
15.1		> MACH+CATA PPE HOUSING M+5" D32-PN16 GJL	1
15.2	4191618	> O-RING ID.44,05x3,53 EPDM VP.	1
15.3	4171321	> PRIMING/DRAIN PLUG EPDM HELIX KIT	1
7.3	4176513	> O-RING FOR PUMP JACKET VP.	1

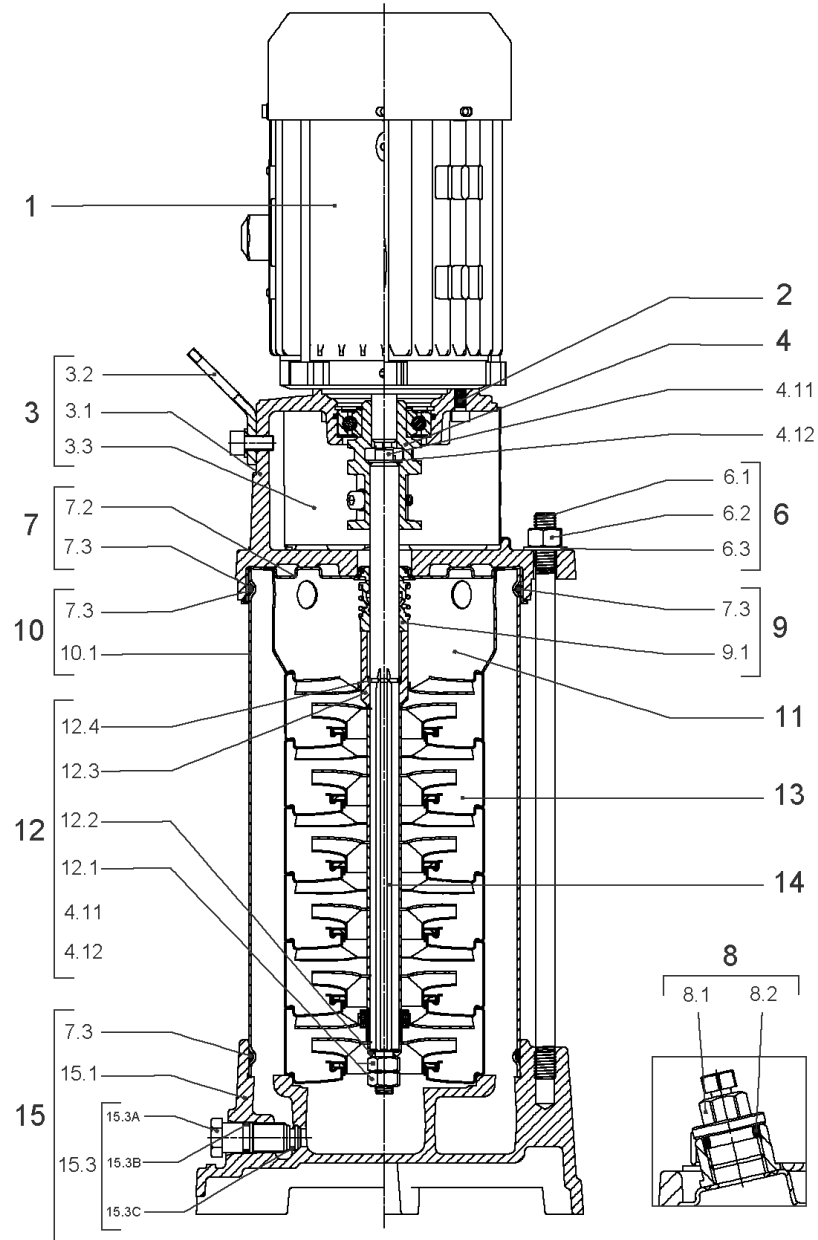
COUPLING D.12XD.24 FT115 KIT (4178600)

Item	Article no.	Description	Quantity
4.1		COUPLING-M+ Ø12XØ24-FT115-MACHINED	1
4.2	2131023	BALL BEARING 6207/ZZ-C3(HT)VP.	1
4.3	4234254	CIRCLIP-FOR-SHAFT-D35x1.5 VP.	1
4.4	4157726	SCREW KIT M8X30 (4 PIECES)	1
4.5	4234251	CIRCLIP-D72x2.5 VP.	1
4.6	4234246	O-RING 72X3 VP.	1
		NOMEL CONTACT WASHER 8x16x1,4 STEEL ZC	1



HYDRAULIC HELIX V 416 1.4307

Item	Article no.	Description	Quantity
13.1	4178570	STAGE HELIX 4 1.4301 KIT	1
		> MACH.STG-CASING-WOGV-WNR-M+2-4-304	1
		> IMPELLER-M+4-304	1
13.2	4178569	STAGE BEARING HELIX 4 1.4301 KIT	1
		> MACH.BEARING-STG-CASING-WNR-M+4-304	1
		> IMPELLER-M+4-304	1
		> SHAFT SLEEVE SPACER Ø15,35x10,305-304	1
		> SHAFT-SLEEVE-D12xD16x14-CW	1
13.3	4220514	INTER STAGE HELIX4 1.4301> 15 stages KIT	1
		> MACH.STD-STG-CASING-WGV+NR-M+4-304	1
		> IMPELLER-M+4-304	1
		> IMPELLER SPACER Ø12,1x14,1-L24,25-316L	1



HELIX FIRST V416-5/25/E/S/400-50 (4201114)

Item	Article no.	Description	Quantity
1	4169943	MOTOR 2,2/2/90 3~230/400V 50HZ IE3 VP.	1
		SPARE PARTS MOTOR:ON REQUEST	1
2	4159707	SCREW M8X30 (4 PIECES)	1
3	4213784	LANTERN FT115 HELIX KIT	1
3.1		> LANT-MOT-VMI-ReDTC6"-FT115-MACHINED+CATA	1
3.2	4184852	> EYELET CPL.FT HELIX (2 PIECES)	1
3.3	4213782	> COUPLING PROTECTOR FT115/130 HELIX KIT	1
4	4178600	COUPLING D.12XD.24 FT115 KIT	1
6	4214564	STUD BOLT HELIX M12X495 KIT	1
6.1		> TIE BOLT M12-495x18x30-1.4057	1
6.2	2094647	> NUT M12 M12 ISO4032 VP.	1
6.3	2123557	> WASHER CS-12.4-24-1.6-NFE25 (4 PIECES)	1
7	4212722	STATIONARY RING HOLDER HELIX D23 ReDTC	1
7.2	4212720	> STATIONARY RING HOLDER HELIX D23 VP.	1
7.3	4176513	> O-RING FOR PUMP JACKET VP.	1
8	4212724	FILING/PURGING PLUG HELIX ReDTC KIT	1
8.1		> FILLING PLUG MVI6"-304	1
8.2	4177800	> O-RING EPDM PLUG HELIX VP.	1
9	4212726	MECH.SEAL HELIX V2/4 O/E ReDTC KIT	1
9.1	4178563	> M.SEAL.HELIX2-4 O/E VP.	1
7.3	4176513	> O-RING FOR PUMP JACKET VP.	1
10	2127580	HOUSING PIPE D.152x460 1.4301 KIT	1
7.3	4176513	> O-RING FOR PUMP JACKET VP.	1
10.1		> HOUSING-PIPE Ø152-M+1608-304	1
11	4178566	CENTERING STAGE-RETURN HELIX4 1.4307 VP	1
12	4212729	SHAFT EQUIPMENT HELIX V2/4 ReDTC KIT	1
12.1		> NUT-H-M8-STAINLESS-STEEL A4-70	1
12.2		> SHAFT END WASHER Ø8/Ø12 316L	1
12.3		> 1/2-SNAP-RING-2/4M3-316L	1
12.4		> STOP-RUSH-1/2-D12xd2-M+316	1
4.11		> SCREW CHC-M6X14-8.8-ISO4762-GEOMET500A	1
4.12		> WASHER D.24 L6U ZINK	1
13		HYDRAULIC HELIX V 416 1.4307	1
14	4213788	SHAFT D.12X531 HELIX 1.4057 VP.	1

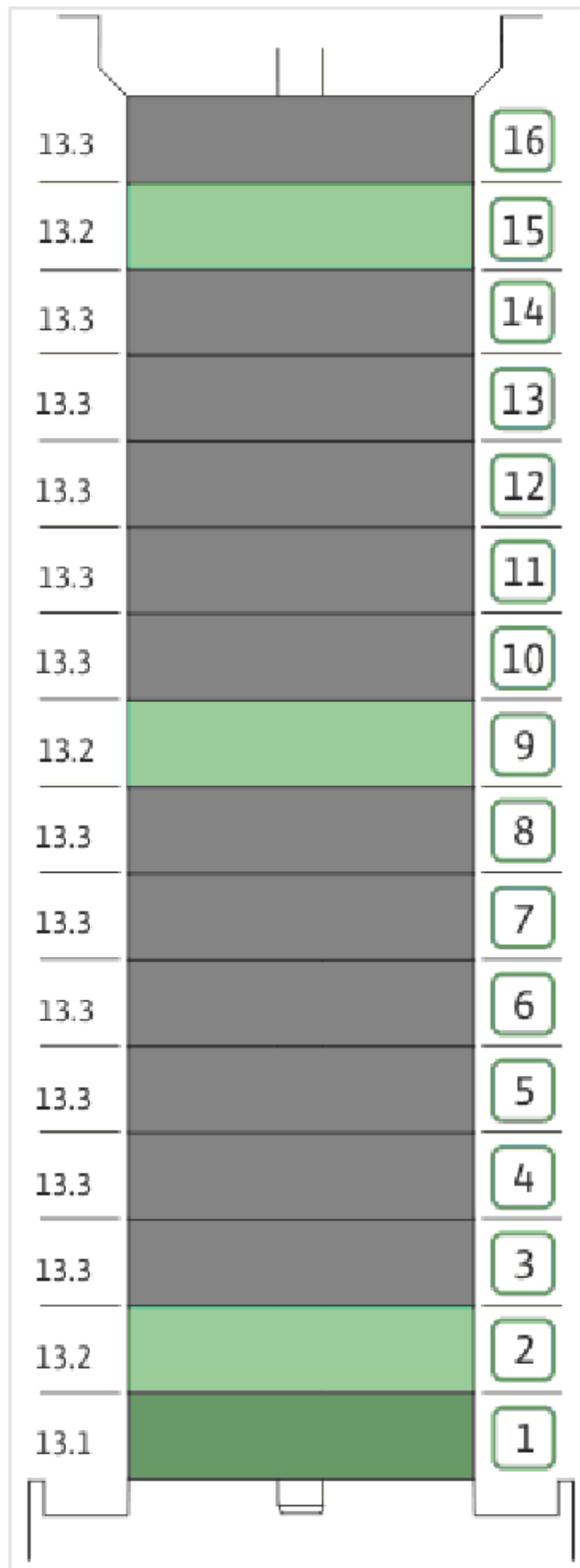
HELIX FIRST V416-5/25/E/S/400-50 (4201114)

Item	Article no.	Description	Quantity
15	4179246	PUMP HOUSING HELIX V2/4 DN25 PN30 KIT	1
7.3	4176513	> O-RING FOR PUMP JACKET VP.	1
15.1		> MACH+CATA PUMP CASING M+5" DN25 PN25 GJL	1
15.2	4233952	> FLAT GASKET D.73 VP.	1
15.3	4177877	> PRIMING/DRAIN PLUG HELIX PN30 KIT	1
15.3A		>> PRIMING/DRAIN PLUG M+6" 304	1
15.3B	4233957	>> O-RING ID.9 EPDM VP.	1
15.3C		>> O-RING Ø8xØ2 EPDM KTW/WRC	1



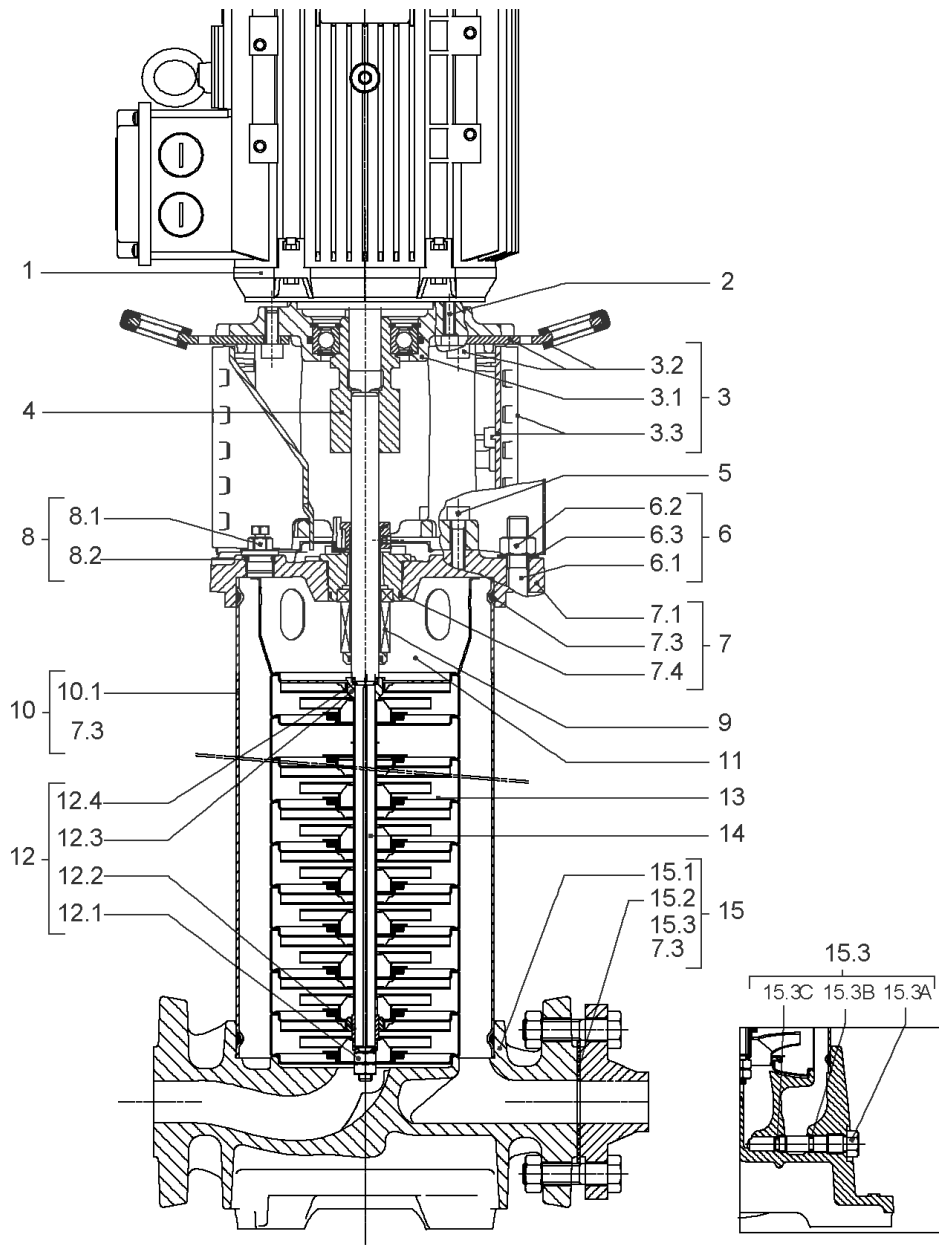
COUPLING D.12XD.24 FT115 KIT (4178600)

Item	Article no.	Description	Quantity
4.1		COUPLING-M+ Ø12XØ24-FT115-MACHINED	1
4.2	2131023	BALL BEARING 6207/ZZ-C3(HT)VP.	1
4.3	4234254	CIRCLIP-FOR-SHAFT-D35x1.5 VP.	1
4.4	4157726	SCREW KIT M8X30 (4 PIECES)	1
4.5	4234251	CIRCLIP-D72x2.5 VP.	1
4.6	4234246	O-RING 72X3 VP.	1
		NOMEL CONTACT WASHER 8x16x1,4 STEEL ZC	1



HYDRAULIC HELIX V 416 1.4307

Item	Article no.	Description	Quantity
13.1	4178570	STAGE HELIX 4 1.4301 KIT	1
		> MACH.STG-CASING-WOGV-WNR-M+2-4-304	1
		> IMPELLER-M+4-304	1
13.2	4178569	STAGE BEARING HELIX 4 1.4301 KIT	1
		> MACH.BEARING-STG-CASING-WNR-M+4-304	1
		> IMPELLER-M+4-304	1
		> SHAFT SLEEVE SPACER Ø15,35x10,305-304	1
		> SHAFT-SLEEVE-D12xD16x14-CW	1
13.3	4220514	INTER STAGE HELIX4 1.4301> 15 stages KIT	1
		> MACH.STD-STG-CASING-WGV+NR-M+4-304	1
		> IMPELLER-M+4-304	1
		> IMPELLER SPACER Ø12,1X14,1-L24,25-316L	1



HELIX FIRST V418-5/25/E/KS/400-50 (4201115)

Item	Article no.	Description	Quantity
1	4169943	MOTOR 2,2/2/90 3~230/400V 50HZ IE3 VP.	1
		SPARE PARTS MOTOR:ON REQUEST	1
2	4159703	SCREW M8X40 (4 PIECES)	1
3	4159690	LANTERN FT115 HELIX KIT	1
3.1		> LANTERN FT115 M+6" GJL MACHINING+CATA	1
3.2	2127604	> EYELET CPL.FT HELIX(2 PIECES)	1
3.3	4159692	> COUPLING PROTECTOR FT HELIX KIT	1
4	4178600	COUPLING D.12XD.24 FT115 KIT	1
5	4159707	SCREW M8X30 (4 PIECES)	1
6	2127556	STUD BOLT M12X542 KIT	1
7	4159685	END SHIELD HELIX EPDM KIT	1
7.1		> END SHIELD M+6" GJL250 MACHINING+CATA	1
7.2	2127607	> STATIONARY RING HOLDER 6" HELIX 1.4301 V	1
7.3	4176513	> O-RING FOR PUMP JACKET VP.	1
7.4	2127603	> O-RING ID.37,6x2,4 EPDM VP.	1
7.5	2127602	> O-RING ID.21,35x2 EPDM VP.	1
8	4159686	FILING/PURGING PLUG HELIX EPDM KIT	1
9	4178597	CARTRIDGE HELIX2-4 F/E KIT	1
10	4177843	HOUSING PIPES D.152X510 1.4307 KIT	1
7.3	4176513	> O-RING FOR PUMP JACKET VP.	1
10.1		> HOUSING-PIPE Ø152-M+1012/1609-304	1
11	4178566	CENTERING STAGE-RETURN HELIX4 1.4307 VP	1
12	4178567	SHAFT EQUIPMENT HELIX V2/V4 KIT	1
12.1		> NUT-H-M8-STAINLESS-STEEL A4-70	1
12.2		> SHAFT END WASHER Ø8/Ø12 316L	1
12.3		> STOP COLLAR OF IMPELLER L12,6-Ø12-316L	1
12.4		> STOP-RUSH-1/2-D12xd2-M+316	1
13		HYDRAULIC HELIX V 418 1.4307	1
14	4178623	SHAFT D.12X633 1.4301 VP.	1
15	4179246	PUMP HOUSING HELIX V2/4 DN25 PN30 KIT	1
7.3	4176513	> O-RING FOR PUMP JACKET VP.	1
15.1		> MACH+CATA PUMP CASING M+5" DN25 PN25 GJL	1
15.2	4233952	> FLAT GASKET D.73 VP.	1
15.3	4177877	> PRIMING/DRAIN PLUG HELIX PN30 KIT	1

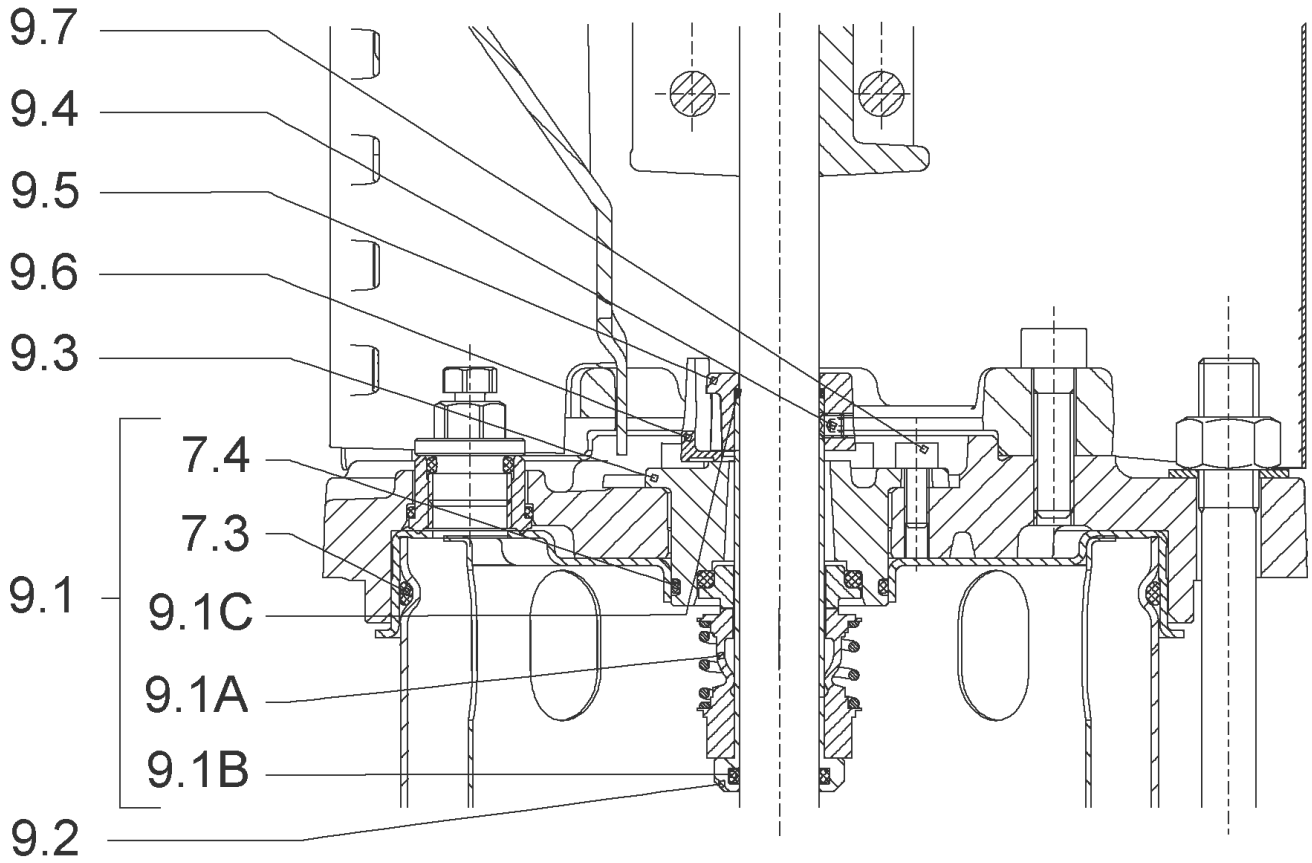
HELIX FIRST V418-5/25/E/KS/400-50 (4201115)

Item	Article no.	Description	Quantity
15.3A		>> PRIMING/DRAIN PLUG M+6" 304	1
15.3B	4233957	>> O-RING ID.9 EPDM VP.	1
15.3C		>> O-RING Ø8xØ2 EPDM KTW/WRC	1



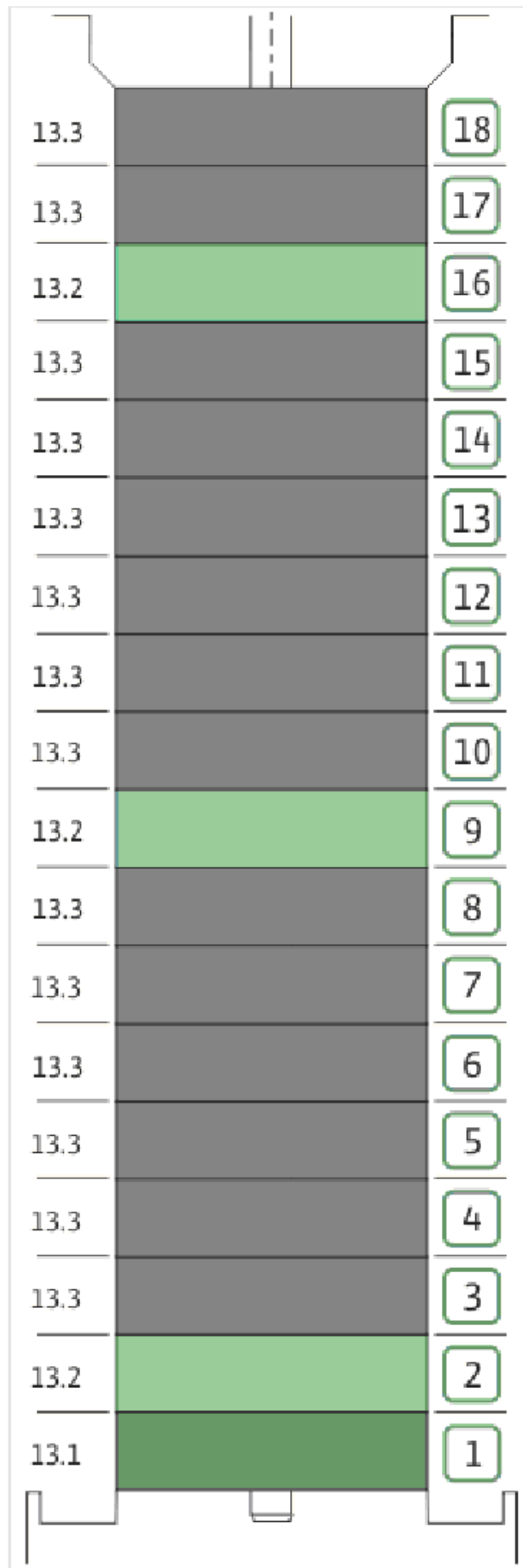
COUPLING D.12XD.24 FT115 KIT (4178600)

Item	Article no.	Description	Quantity
4.1		COUPLING-M+ Ø12XØ24-FT115-MACHINED	1
4.2	2131023	BALL BEARING 6207/ZZ-C3(HT)VP.	1
4.3	4234254	CIRCLIP-FOR-SHAFT-D35x1.5 VP.	1
4.4	4157726	SCREW KIT M8X30 (4 PIECES)	1
4.5	4234251	CIRCLIP-D72x2.5 VP.	1
4.6	4234246	O-RING 72X3 VP.	1
		NOMEL CONTACT WASHER 8x16x1,4 STEEL ZC	1



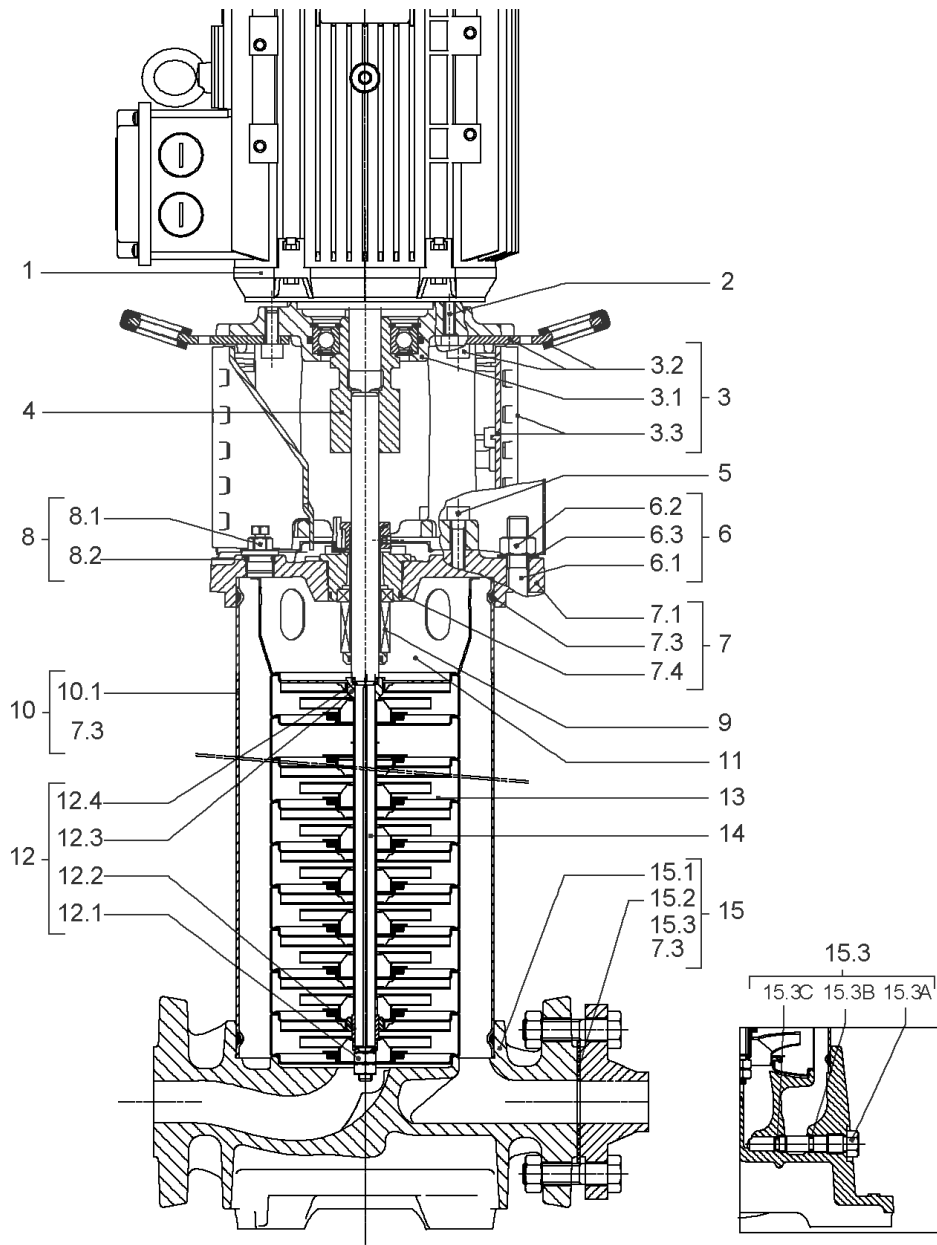
CARTRIDGE HELIX2-4 F/E KIT (4178597)

Item	Article no.	Description	Quantity
9.1	4178594	SEAL-KIT-HELIX2-4 F/E	1
7.3	4176513	> O-RING FOR PUMP JACKET VP.	1
7.4	2127603	> O-RING ID.37,6x2,4 EPDM VP.	1
9.1A	4176521	> MECH.SEAL HELIX2-4-6-10-16 F/E VP.	1
9.1B	4178558	> O-RING ID.12X2 EPDM VP.	1
9.1C	4178558	> O-RING ID.12X2 EPDM VP.	1
9.2	4178596	SHAFT SLEEVE D.18/12X72,2 1.4404 VP.	1
9.3	2130962	RING HOLDER D.18 G606/G6 1.4301 VP.	1
9.4	4176520	SCREW CH M5x5 A4-70 (3PIECES)	1
9.5	4178595	DRIVE RING D.29/15.5x13,2 MACH.VP.	1
9.6	2130964	TOOL M.S.CART.HELIX VP.	1
9.7	2130965	SCREW CHC M5X12 ISO4762 A2.70(4 PIECES)	1



HYDRAULIC HELIX V 418 1.4307

Item	Article no.	Description	Quantity
13.1	4178570	STAGE HELIX 4 1.4301 KIT	1
		> MACH.STG-CASING-WOGV-WNR-M+2-4-304	1
		> IMPELLER-M+4-304	1
13.2	4178569	STAGE BEARING HELIX 4 1.4301 KIT	1
		> MACH.BEARING-STG-CASING-WNR-M+4-304	1
		> IMPELLER-M+4-304	1
		> SHAFT SLEEVE SPACER Ø15,35x10,305-304	1
		> SHAFT-SLEEVE-D12xD16x14-CW	1
13.3	4220514	INTER STAGE HELIX4 1.4301> 15 stages KIT	1
		> MACH.STD-STG-CASING-WGV+NR-M+4-304	1
		> IMPELLER-M+4-304	1
		> IMPELLER SPACER Ø12,1x14,1-L24,25-316L	1



HELIX FIRST V420-5/25/E/KS/400-50 (4201117)

Item	Article no.	Description	Quantity
1	4169944	MOTOR 3/2/100 3~230/400V 50HZ IE3 VP.	1
		SPARE PARTS MOTOR:ON REQUEST	1
2	4206025	SCREW M8X45 (4 PIECES)	1
3	4171326	LANTERN FT130 HELIX KIT	1
3.1		> LANTERN FT130 M+6" GJL MACHINING+CATA	1
3.2	2127604	> EYELET CPL.FT HELIX(2 PIECES)	1
3.3	4159692	> COUPLING PROTECTOR FT HELIX KIT	1
4	4178626	COUPLING D.12XD.28 FT130 KIT	1
5	4159707	SCREW M8X30 (4 PIECES)	1
6	2127557	STUD BOLT M12X587 KIT	1
6.1		> TIE BOLT M12-587x18x30-1.4057	1
6.2	2094647	> NUT M12 M12 ISO4032 VP.	1
6.3	2123557	> WASHER CS-12.4-24-1.6-NFE25 (4 PIECES)	1
7	4159685	END SHIELD HELIX EPDM KIT	1
7.1		> END SHIELD M+6" GJL250 MACHINING+CATA	1
7.2	2127607	> STATIONARY RING HOLDER 6" HELIX 1.4301 V	1
7.3	4176513	> O-RING FOR PUMP JACKET VP.	1
7.4	2127603	> O-RING ID.37,6x2,4 EPDM VP.	1
7.5	2127602	> O-RING ID.21,35x2 EPDM VP.	1
8	4159686	FILING/PURGING PLUG HELIX EPDM KIT	1
9	4178597	CARTRIDGE HELIX2-4 F/E KIT	1
10	4178627	HOUSING PIPE D.152x560 1.4301 KIT	1
7.3	4176513	> O-RING FOR PUMP JACKET VP.	1
10.1		> HOUSING-PIPE Ø152-M+220/420-304	1
11	4178566	CENTERING STAGE-RETURN HELIX4 1.4307 VP	1
12	4178567	SHAFT EQUIPMENT HELIX V2/V4 KIT	1
12.1		> NUT-H-M8-STAINLESS-STEEL A4-70	1
12.2		> SHAFT END WASHER Ø8/Ø12 316L	1
12.3		> STOP COLLAR OF IMPELLER L12,6-Ø12-316L	1
12.4		> STOP-RUSH-1/2-D12xd2-M+316	1
13		HYDRAULIC HELIX V 420 1.4307	1
14	4179231	SHAFT D.12X683 1.4301 VP.	1
15	4179246	PUMP HOUSING HELIX V2/4 DN25 PN30 KIT	1
7.3	4176513	> O-RING FOR PUMP JACKET VP.	1

HELIX FIRST V420-5/25/E/KS/400-50 (4201117)

Item	Article no.	Description	Quantity
15.1		> MACH+CATA PUMP CASING M+5" DN25 PN25 GJL	1
15.2	4233952	> FLAT GASKET D.73 VP.	1
15.3	4177877	> PRIMING/DRAIN PLUG HELIX PN30 KIT	1
15.3A		>> PRIMING/DRAIN PLUG M+6" 304	1
15.3B	4233957	>> O-RING ID.9 EPDM VP.	1
15.3C		>> O-RING Ø8xØ2 EPDM KTW/WRC	1



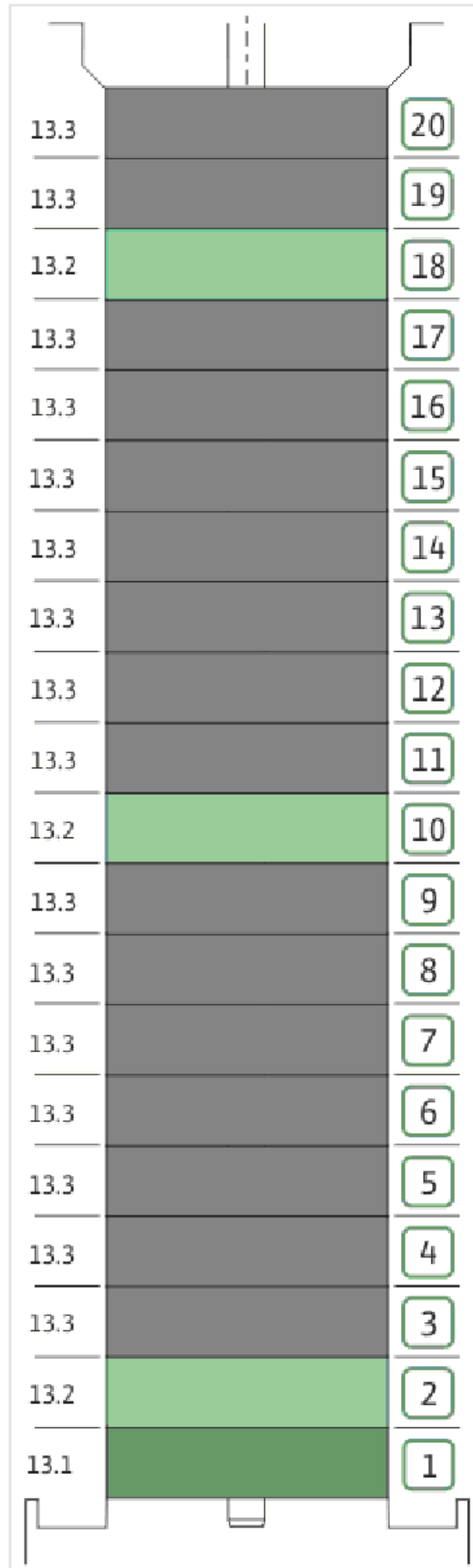
COUPLING D.12XD.28 FT130 KIT (4178626)

Item	Article no.	Description	Quantity
4.1		COUPLING-M+ Ø12XØ28-FT130-MACHINED	1
4.2	2131022	BALL BEARING 6209/ZZ-C3(HT)VP.	1
4.3	4233930	CIRCLIP-FOR-BORES-D45x1,75 VP.	1
4.4	4157726	SCREW KIT M8X30 (4 PIECES)	1
4.5	4234252	CIRCLIPS 85X3 VP.	1
4.6	4234243	O-RING 85X3 VP.	1
		NOMEL CONTACT WASHER 8x16x1,4 STEEL ZC	1



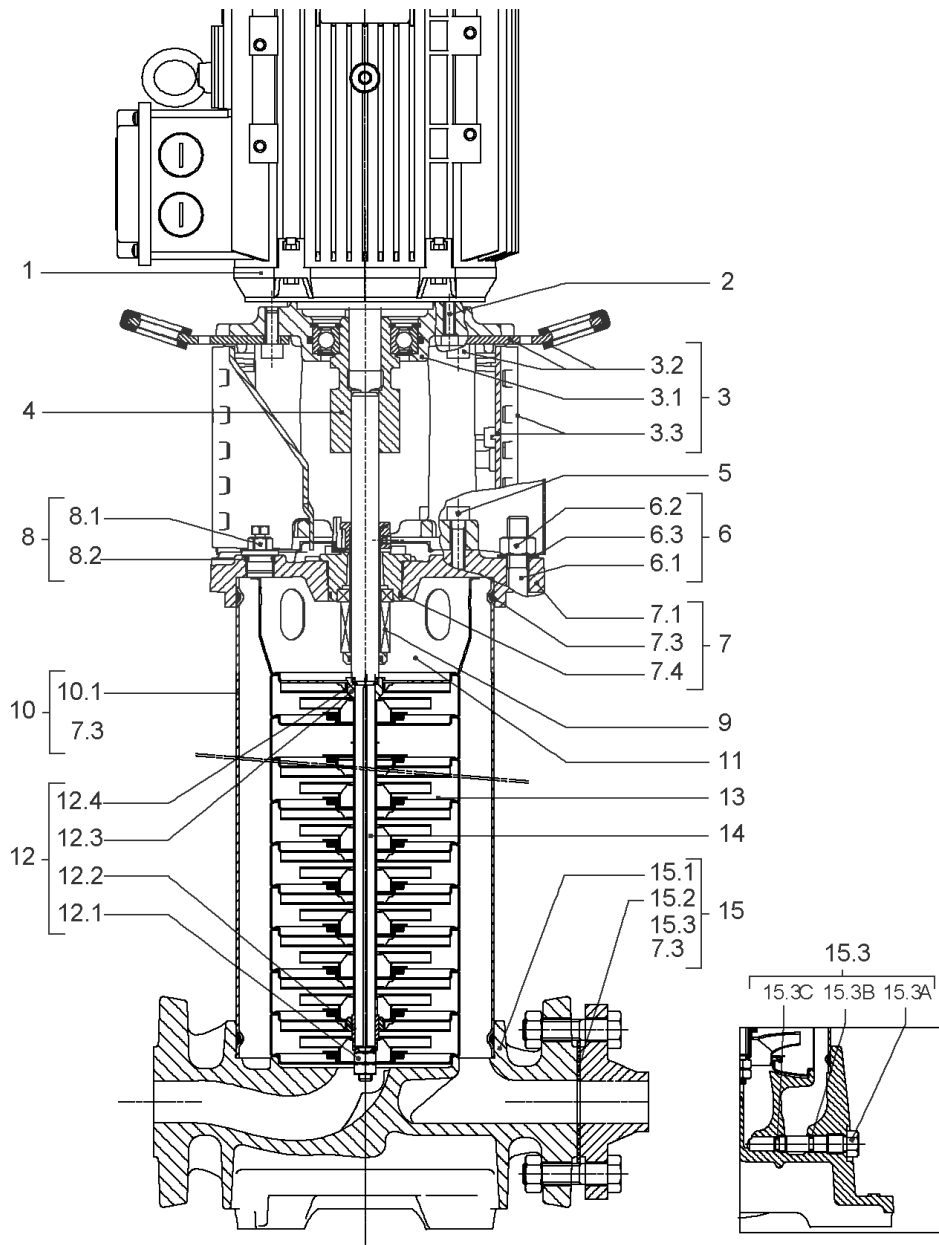
CARTRIDGE HELIX2-4 F/E KIT (4178597)

Item	Article no.	Description	Quantity
9.1	4178594	SEAL-KIT-HELIX2-4 F/E	1
7.3	4176513	> O-RING FOR PUMP JACKET VP.	1
7.4	2127603	> O-RING ID.37,6x2,4 EPDM VP.	1
9.1A	4176521	> MECH.SEAL HELIX2-4-6-10-16 F/E VP.	1
9.1B	4178558	> O-RING ID.12X2 EPDM VP.	1
9.1C	4178558	> O-RING ID.12X2 EPDM VP.	1
9.2	4178596	SHAFT SLEEVE D.18/12X72,2 1.4404 VP.	1
9.3	2130962	RING HOLDER D.18 G606/G6 1.4301 VP.	1
9.4	4176520	SCREW CH M5x5 A4-70 (3PIECES)	1
9.5	4178595	DRIVE RING D.29/15.5x13,2 MACH.VP.	1
9.6	2130964	TOOL M.S.CART.HELIX VP.	1
9.7	2130965	SCREW CHC M5X12 ISO4762 A2.70(4 PIECES)	1



HYDRAULIC HELIX V 420 1.4307

Item	Article no.	Description	Quantity
13.1	4178570	STAGE HELIX 4 1.4301 KIT	1
		> MACH.STG-CASING-WOGV-WNR-M+2-4-304	1
		> IMPELLER-M+4-304	1
13.2	4178569	STAGE BEARING HELIX 4 1.4301 KIT	1
		> MACH.BEARING-STG-CASING-WNR-M+4-304	1
		> IMPELLER-M+4-304	1
		> SHAFT SLEEVE SPACER Ø15,35x10,305-304	1
		> SHAFT-SLEEVE-D12xD16x14-CW	1
13.3	4220514	INTER STAGE HELIX4 1.4301> 15 stages KIT	1
		> MACH.STD-STG-CASING-WGV+NR-M+4-304	1
		> IMPELLER-M+4-304	1
		> IMPELLER SPACER Ø12,1x14,1-L24,25-316L	1



HELIX FIRST V422-5/25/E/KS/400-50 (4201118)

Item	Article no.	Description	Quantity
1	4169944	MOTOR 3/2/100 3~230/400V 50HZ IE3 VP.	1
		SPARE PARTS MOTOR:ON REQUEST	1
2	4206025	SCREW M8X45 (4 PIECES)	1
3	4171326	LANTERN FT130 HELIX KIT	1
3.1		> LANTERN FT130 M+6" GJL MACHINING+CATA	1
3.2	2127604	> EYELET CPL.FT HELIX(2 PIECES)	1
3.3	4159692	> COUPLING PROTECTOR FT HELIX KIT	1
4	4178626	COUPLING D.12XD.28 FT130 KIT	1
5	4159707	SCREW M8X30 (4 PIECES)	1
6	4178624	STUD BOLT M12X693 KIT	1
7	4159685	END SHIELD HELIX EPDM KIT	1
7.1		> END SHIELD M+6" GJL250 MACHINING+CATA	1
7.2	2127607	> STATIONARY RING HOLDER 6" HELIX 1.4301 V	1
7.3	4176513	> O-RING FOR PUMP JACKET VP.	1
7.4	2127603	> O-RING ID.37,6x2,4 EPDM VP.	1
7.5	2127602	> O-RING ID.21,35x2 EPDM VP.	1
8	4159686	FILING/PURGING PLUG HELIX EPDM KIT	1
9	4178597	CARTRIDGE HELIX2-4 F/E KIT	1
10	4177853	HOUSING PIPES D.152X660 1.4307 KIT	1
7.3	4176513	> O-RING FOR PUMP JACKET VP.	1
10.1		> HOUSING-PIPE Ø152-M+1016/1610-304	1
11	4178566	CENTERING STAGE-RETURN HELIX4 1.4307 VP	1
12	4178567	SHAFT EQUIPMENT HELIX V2/V4 KIT	1
12.1		> NUT-H-M8-STAINLESS-STEEL A4-70	1
12.2		> SHAFT END WASHER Ø8/Ø12 316L	1
12.3		> STOP COLLAR OF IMPELLER L12,6-Ø12-316L	1
12.4		> STOP-RUSH-1/2-D12xd2-M+316	1
13		HYDRAULIC HELIX V 422 1.4307	1
14	4179234	SHAFT D.12X783,8 1.4301 VP.	1
15	4179246	PUMP HOUSING HELIX V2/4 DN25 PN30 KIT	1
7.3	4176513	> O-RING FOR PUMP JACKET VP.	1
15.1		> MACH+CATA PUMP CASING M+5" DN25 PN25 GJL	1
15.2	4233952	> FLAT GASKET D.73 VP.	1
15.3	4177877	> PRIMING/DRAIN PLUG HELIX PN30 KIT	1

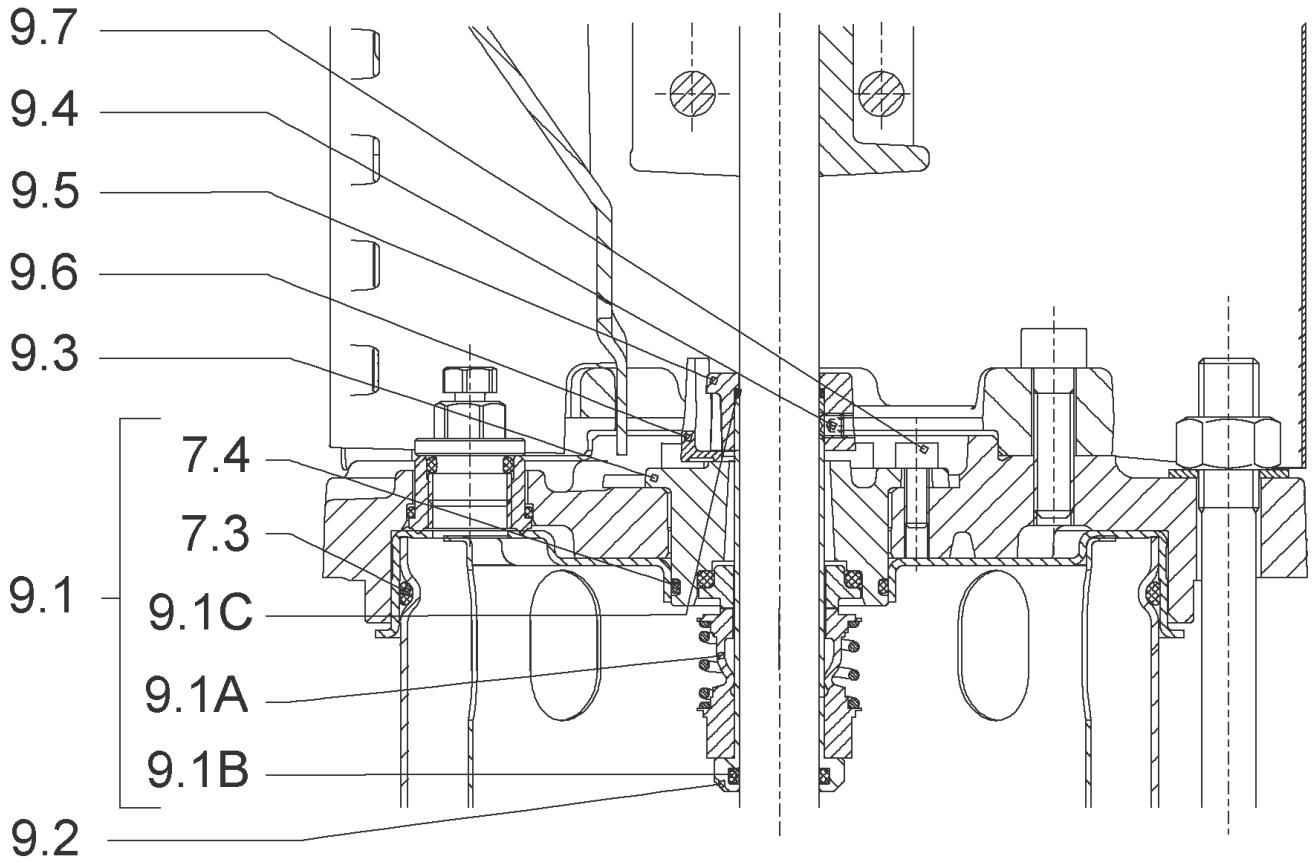
HELIX FIRST V422-5/25/E/KS/400-50 (4201118)

Item	Article no.	Description	Quantity
15.3A		>> PRIMING/DRAIN PLUG M+6" 304	1
15.3B	4233957	>> O-RING ID.9 EPDM VP.	1
15.3C		>> O-RING Ø8xØ2 EPDM KTW/WRC	1



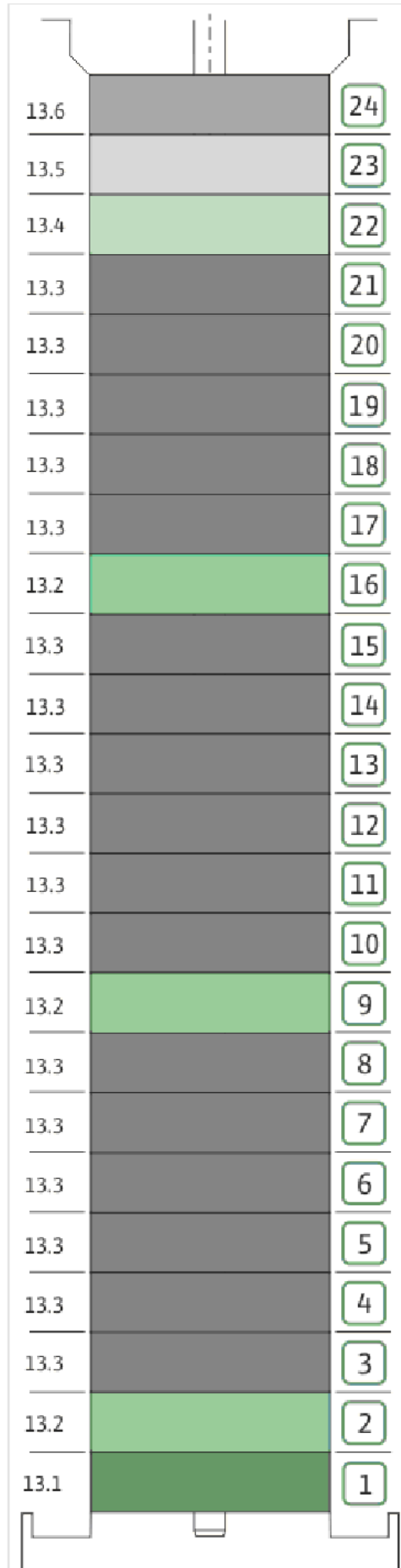
COUPLING D.12XD.28 FT130 KIT (4178626)

Item	Article no.	Description	Quantity
4.1		COUPLING-M+ Ø12XØ28-FT130-MACHINED	1
4.2	2131022	BALL BEARING 6209/ZZ-C3(HT)VP.	1
4.3	4233930	CIRCLIP-FOR-BORES-D45x1,75 VP.	1
4.4	4157726	SCREW KIT M8X30 (4 PIECES)	1
4.5	4234252	CIRCLIPS 85X3 VP.	1
4.6	4234243	O-RING 85X3 VP.	1
		NOMEL CONTACT WASHER 8x16x1,4 STEEL ZC	1

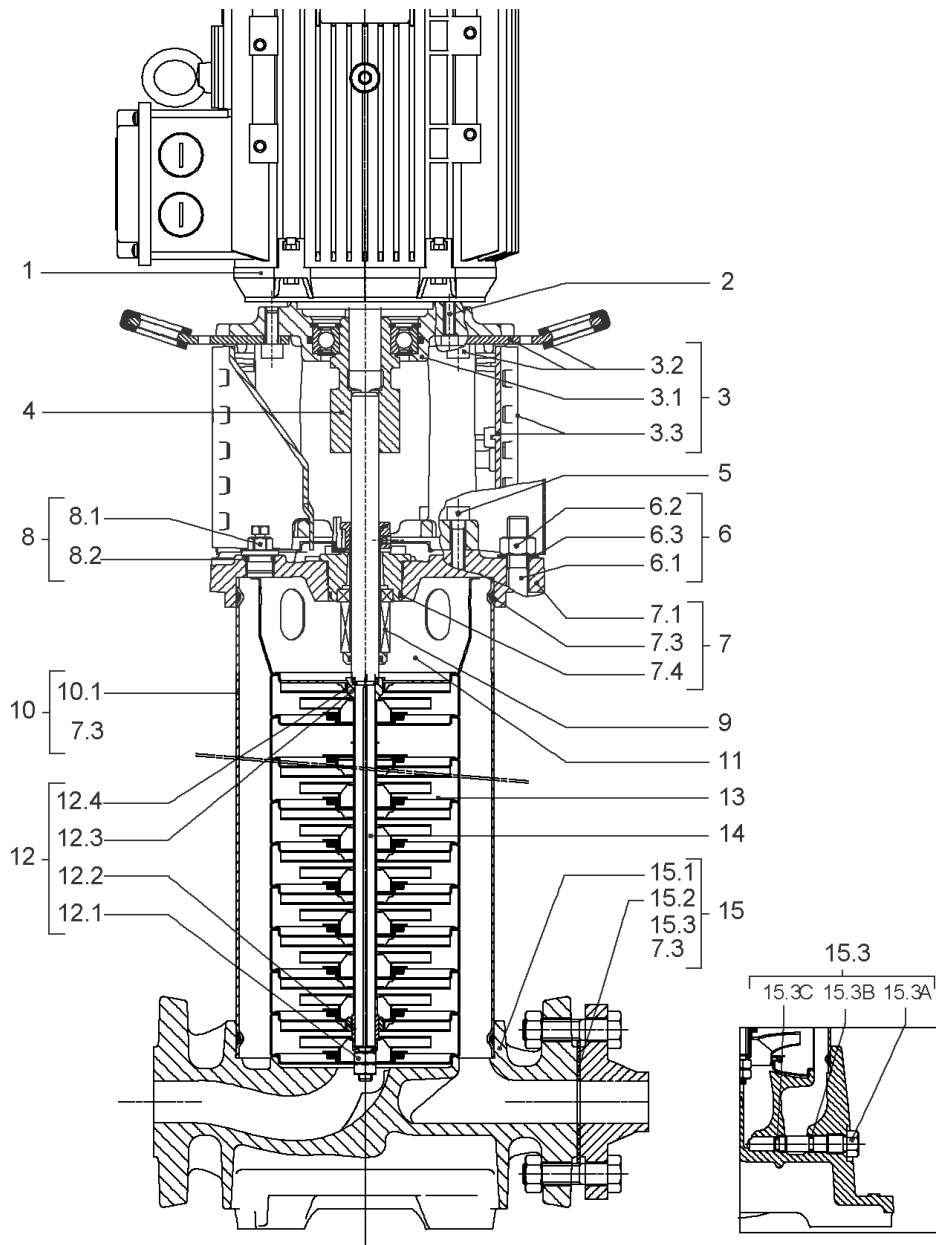


CARTRIDGE HELIX2-4 F/E KIT (4178597)

Item	Article no.	Description	Quantity
9.1	4178594	SEAL-KIT-HELIX2-4 F/E	1
7.3	4176513	> O-RING FOR PUMP JACKET VP.	1
7.4	2127603	> O-RING ID.37,6x2,4 EPDM VP.	1
9.1A	4176521	> MECH.SEAL HELIX2-4-6-10-16 F/E VP.	1
9.1B	4178558	> O-RING ID.12X2 EPDM VP.	1
9.1C	4178558	> O-RING ID.12X2 EPDM VP.	1
9.2	4178596	SHAFT SLEEVE D.18/12X72,2 1.4404 VP.	1
9.3	2130962	RING HOLDER D.18 G606/G6 1.4301 VP.	1
9.4	4176520	SCREW CH M5x5 A4-70 (3PIECES)	1
9.5	4178595	DRIVE RING D.29/15.5x13,2 MACH.VP.	1
9.6	2130964	TOOL M.S.CART.HELIX VP.	1
9.7	2130965	SCREW CHC M5X12 ISO4762 A2.70(4 PIECES)	1



Item	Article no.	Description	Quantity
13.1	4178570	STAGE HELIX 4 1.4301 KIT	1
		> MACH.STG-CASING-WOGV-WNR-M+2-4-304	1
		> IMPELLER-M+4-304	1
13.2	4178569	STAGE BEARING HELIX 4 1.4301 KIT	1
		> MACH.BEARING-STG-CASING-WNR-M+4-304	1
		> IMPELLER-M+4-304	1
		> SHAFT SLEEVE SPACER Ø15,35x10,305-304	1
		> SHAFT-SLEEVE-D12xD16x14-CW	1
13.3	4220514	INTER STAGE HELIX4 1.4301> 15 stages KIT	1
		> MACH.STD-STG-CASING-WGV+NR-M+4-304	1
		> IMPELLER-M+4-304	1
		> IMPELLER SPACER Ø12,1X14,1-L24,25-316L	1
13.4	4179552	EMPTY STAGE HELIX 4 1.4301 KIT	1
		> MACH.BEARING-STG-CASING-WNR-M+4-304	1
		> FLAT WASHER-D12.1XD16X0.8-316L	1
		> SHAFT SLEEVE SPACER Ø15,35x10,305-304	1
		> SHAFT-SLEEVE-D12xD16x14-CW	1
13.5	4179305	EMPTY STAGE HELIX 4 1.4301 KIT	1
		> MACH.STG-CASING-WOGV-WNR-M+2-4-304	1
		> FLAT WASHER-D12.1XD16X0.8-316L	1
		> IMPELLER SPACER Ø12,05X14,85-L24,285-304	1
13.6	4220513	INTERMED STAGE>15 HELIX 4 1.4301 KIT	1
		> MACH.STG-CASING-WOGV-WNR-M+2-4-304	1
		> IMPELLER-M+4-304	1
		> IMPELLER SPACER Ø12,1X14,1-L24,25-316L	1



HELIX FIRST V424-5/25/E/KS/400-50 (4201119)

Item	Article no.	Description	Quantity
1	4169944	MOTOR 3/2/100 3~230/400V 50HZ IE3 VP.	1
		SPARE PARTS MOTOR:ON REQUEST	1
2	4206025	SCREW M8X45 (4 PIECES)	1
3	4171326	LANTERN FT130 HELIX KIT	1
3.1		> LANTERN FT130 M+6" GJL MACHINING+CATA	1
3.2	2127604	> EYELET CPL.FT HELIX(2 PIECES)	1
3.3	4159692	> COUPLING PROTECTOR FT HELIX KIT	1
4	4178626	COUPLING D.12XD.28 FT130 KIT	1
5	4159707	SCREW M8X30 (4 PIECES)	1
6	4178624	STUD BOLT M12X693 KIT	1
7	4159685	END SHIELD HELIX EPDM KIT	1
7.1		> END SHIELD M+6" GJL250 MACHINING+CATA	1
7.2	2127607	> STATIONARY RING HOLDER 6" HELIX 1.4301 V	1
7.3	4176513	> O-RING FOR PUMP JACKET VP.	1
7.4	2127603	> O-RING ID.37,6x2,4 EPDM VP.	1
7.5	2127602	> O-RING ID.21,35x2 EPDM VP.	1
8	4159686	FILING/PURGING PLUG HELIX EPDM KIT	1
9	4178597	CARTRIDGE HELIX2-4 F/E KIT	1
10	4177853	HOUSING PIPES D.152X660 1.4307 KIT	1
7.3	4176513	> O-RING FOR PUMP JACKET VP.	1
10.1		> HOUSING-PIPE Ø152-M+1016/1610-304	1
11	4178566	CENTERING STAGE-RETURN HELIX4 1.4307 VP	1
12	4178567	SHAFT EQUIPMENT HELIX V2/V4 KIT	1
12.1		> NUT-H-M8-STAINLESS-STEEL A4-70	1
12.2		> SHAFT END WASHER Ø8/Ø12 316L	1
12.3		> STOP COLLAR OF IMPELLER L12,6-Ø12-316L	1
12.4		> STOP-RUSH-1/2-D12xd2-M+316	1
13		HYDRAULIC HELIX V 424 1.4307	1
14	4179234	SHAFT D.12X783,8 1.4301 VP.	1
15	4179246	PUMP HOUSING HELIX V2/4 DN25 PN30 KIT	1
7.3	4176513	> O-RING FOR PUMP JACKET VP.	1
15.1		> MACH+CATA PUMP CASING M+5" DN25 PN25 GJL	1
15.2	4233952	> FLAT GASKET D.73 VP.	1
15.3	4177877	> PRIMING/DRAIN PLUG HELIX PN30 KIT	1

HELIX FIRST V424-5/25/E/KS/400-50 (4201119)

Item	Article no.	Description	Quantity
15.3A		>> PRIMING/DRAIN PLUG M+6" 304	1
15.3B	4233957	>> O-RING ID.9 EPDM VP.	1
15.3C		>> O-RING Ø8xØ2 EPDM KTW/WRC	1



COUPLING D.12XD.28 FT130 KIT (4178626)

Item	Article no.	Description	Quantity
4.1		COUPLING-M+ Ø12XØ28-FT130-MACHINED	1
4.2	2131022	BALL BEARING 6209/ZZ-C3(HT)VP.	1
4.3	4233930	CIRCLIP-FOR-BORES-D45x1,75 VP.	1
4.4	4157726	SCREW KIT M8X30 (4 PIECES)	1
4.5	4234252	CIRCLIPS 85X3 VP.	1
4.6	4234243	O-RING 85X3 VP.	1
		NOMEL CONTACT WASHER 8x16x1,4 STEEL ZC	1

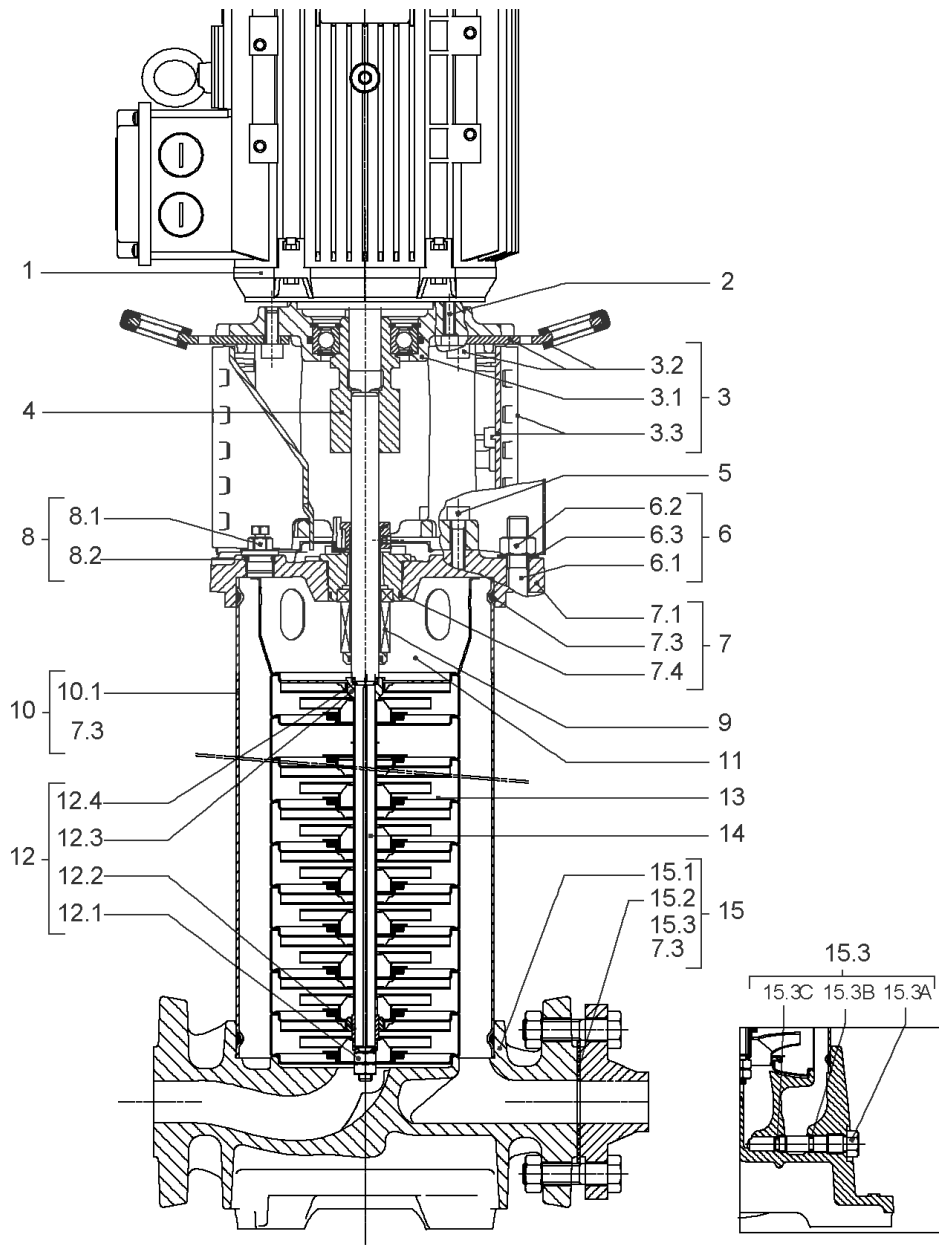


CARTRIDGE HELIX2-4 F/E KIT (4178597)

Item	Article no.	Description	Quantity
9.1	4178594	SEAL-KIT-HELIX2-4 F/E	1
7.3	4176513	> O-RING FOR PUMP JACKET VP.	1
7.4	2127603	> O-RING ID.37,6x2,4 EPDM VP.	1
9.1A	4176521	> MECH.SEAL HELIX2-4-6-10-16 F/E VP.	1
9.1B	4178558	> O-RING ID.12X2 EPDM VP.	1
9.1C	4178558	> O-RING ID.12X2 EPDM VP.	1
9.2	4178596	SHAFT SLEEVE D.18/12X72,2 1.4404 VP.	1
9.3	2130962	RING HOLDER D.18 G606/G6 1.4301 VP.	1
9.4	4176520	SCREW CH M5x5 A4-70 (3PIECES)	1
9.5	4178595	DRIVE RING D.29/15.5x13,2 MACH.VP.	1
9.6	2130964	TOOL M.S.CART.HELIX VP.	1
9.7	2130965	SCREW CHC M5X12 ISO4762 A2.70(4 PIECES)	1

HYDRAULIC HELIX V 424 1.4307

Item	Article no.	Description	Quantity
13.1	4178570	STAGE HELIX 4 1.4301 KIT	1
		> MACH.STG-CASING-WOGV-WNR-M+2-4-304	1
		> IMPELLER-M+4-304	1
13.2	4178569	STAGE BEARING HELIX 4 1.4301 KIT	1
		> MACH.BEARING-STG-CASING-WNR-M+4-304	1
		> IMPELLER-M+4-304	1
		> SHAFT SLEEVE SPACER Ø15,35x10,305-304	1
		> SHAFT-SLEEVE-D12xD16x14-CW	1
13.3	4220514	INTER STAGE HELIX4 1.4301> 15 stages KIT	1
		> MACH.STD-STG-CASING-WGV+NR-M+4-304	1
		> IMPELLER-M+4-304	1
		> IMPELLER SPACER Ø12,1x14,1-L24,25-316L	1



HELIX FIRST V426-5/25/E/KS/400-50 (4201120)

Item	Article no.	Description	Quantity
1	4169945	MO.4/2 3~230/400(460)V 50(60)HZ IE3 VP.	1
		SPARE PARTS MOTOR:ON REQUEST	1
2	4206025	SCREW M8X45 (4 PIECES)	1
3	4171326	LANTERN FT130 HELIX KIT	1
3.1		> LANTERN FT130 M+6" GJL MACHINING+CATA	1
3.2	2127604	> EYELET CPL.FT HELIX(2 PIECES)	1
3.3	4159692	> COUPLING PROTECTOR FT HELIX KIT	1
4	4178626	COUPLING D.12XD.28 FT130 KIT	1
5	4159707	SCREW M8X30 (4 PIECES)	1
6	4215109	STUD BOLT HELIX M12X770 KIT	1
6.1		> TIE BOLT M12-770x18x30-1.4057	1
6.2	2094647	> NUT M12 M12 ISO4032 VP.	1
6.3	2123557	> WASHER CS-12.4-24-1.6-NFE25 (4 PIECES)	1
7	4159685	END SHIELD HELIX EPDM KIT	1
7.1		> END SHIELD M+6" GJL250 MACHINING+CATA	1
7.2	2127607	> STATIONARY RING HOLDER 6" HELIX 1.4301 V	1
7.3	4176513	> O-RING FOR PUMP JACKET VP.	1
7.4	2127603	> O-RING ID.37,6x2,4 EPDM VP.	1
7.5	2127602	> O-RING ID.21,35x2 EPDM VP.	1
8	4159686	FILING/PURGING PLUG HELIX EPDM KIT	1
9	4178597	CARTRIDGE HELIX2-4 F/E KIT	1
10	4177860	HOUSING PIPES D.152X735 1.4301 KIT	1
7.3	4176513	> O-RING FOR PUMP JACKET VP.	1
10.1		> HOUSING-PIPE Ø152-M+1017/18-304	1
11	4178566	CENTERING STAGE-RETURN HELIX4 1.4307 VP	1
12	4178567	SHAFT EQUIPMENT HELIX V2/V4 KIT	1
12.1		> NUT-H-M8-STAINLESS-STEEL A4-70	1
12.2		> SHAFT END WASHER Ø8/Ø12 316L	1
12.3		> STOP COLLAR OF IMPELLER L12,6-Ø12-316L	1
12.4		> STOP-RUSH-1/2-D12xd2-M+316	1
13		HYDRAULIC HELIX V 426 1.4307	1
14	4179311	SHAFT D.12X858,8-F51 1.4462 VP.	1
15	4179246	PUMP HOUSING HELIX V2/4 DN25 PN30 KIT	1
7.3	4176513	> O-RING FOR PUMP JACKET VP.	1

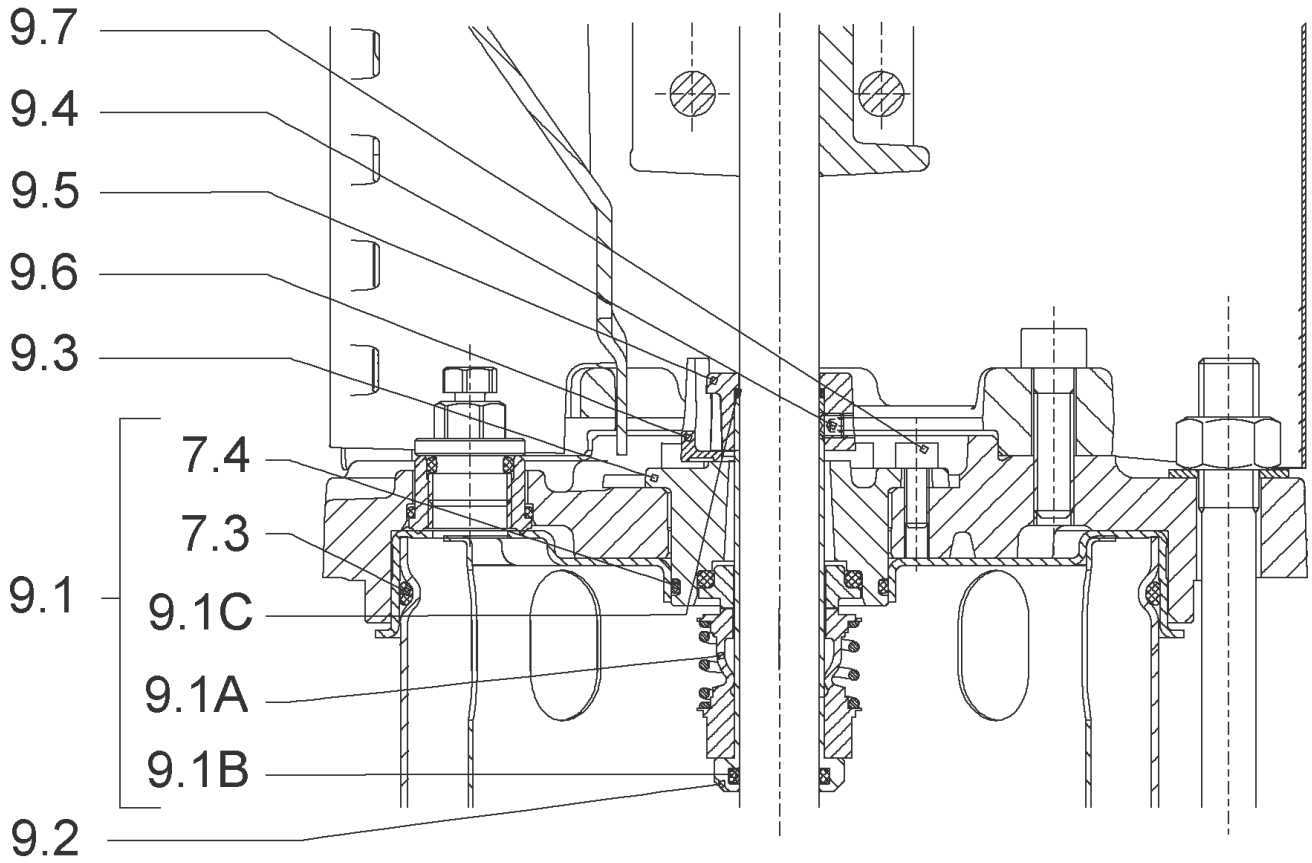
HELIX FIRST V426-5/25/E/KS/400-50 (4201120)

Item	Article no.	Description	Quantity
15.1		> MACH+CATA PUMP CASING M+5" DN25 PN25 GJL	1
15.2	4233952	> FLAT GASKET D.73 VP.	1
15.3	4177877	> PRIMING/DRAIN PLUG HELIX PN30 KIT	1
15.3A		>> PRIMING/DRAIN PLUG M+6" 304	1
15.3B	4233957	>> O-RING ID.9 EPDM VP.	1
15.3C		>> O-RING Ø8xØ2 EPDM KTW/WRC	1



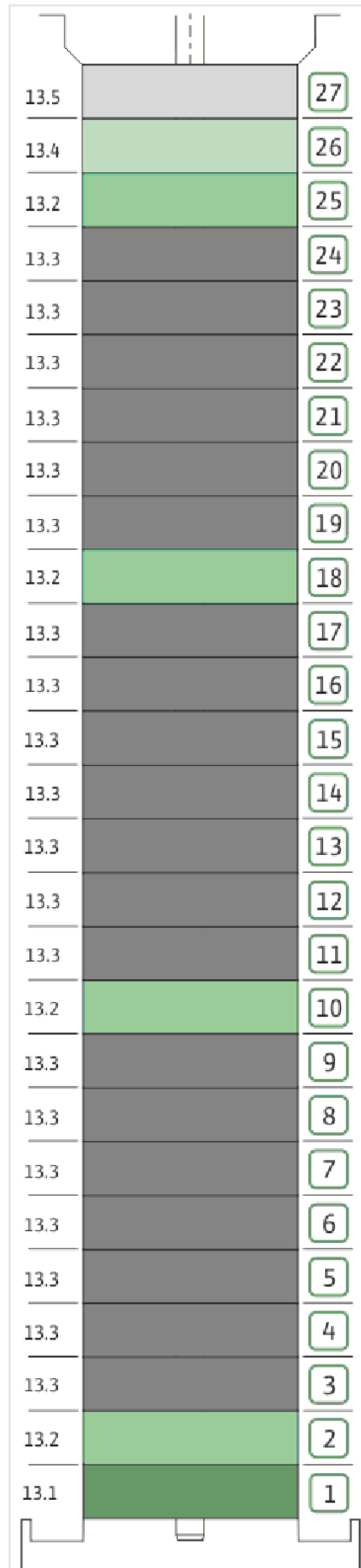
COUPLING D.12XD.28 FT130 KIT (4178626)

Item	Article no.	Description	Quantity
4.1		COUPLING-M+ Ø12XØ28-FT130-MACHINED	1
4.2	2131022	BALL BEARING 6209/ZZ-C3(HT)VP.	1
4.3	4233930	CIRCLIP-FOR-BORES-D45x1,75 VP.	1
4.4	4157726	SCREW KIT M8X30 (4 PIECES)	1
4.5	4234252	CIRCLIPS 85X3 VP.	1
4.6	4234243	O-RING 85X3 VP.	1
		NOMEL CONTACT WASHER 8x16x1,4 STEEL ZC	1



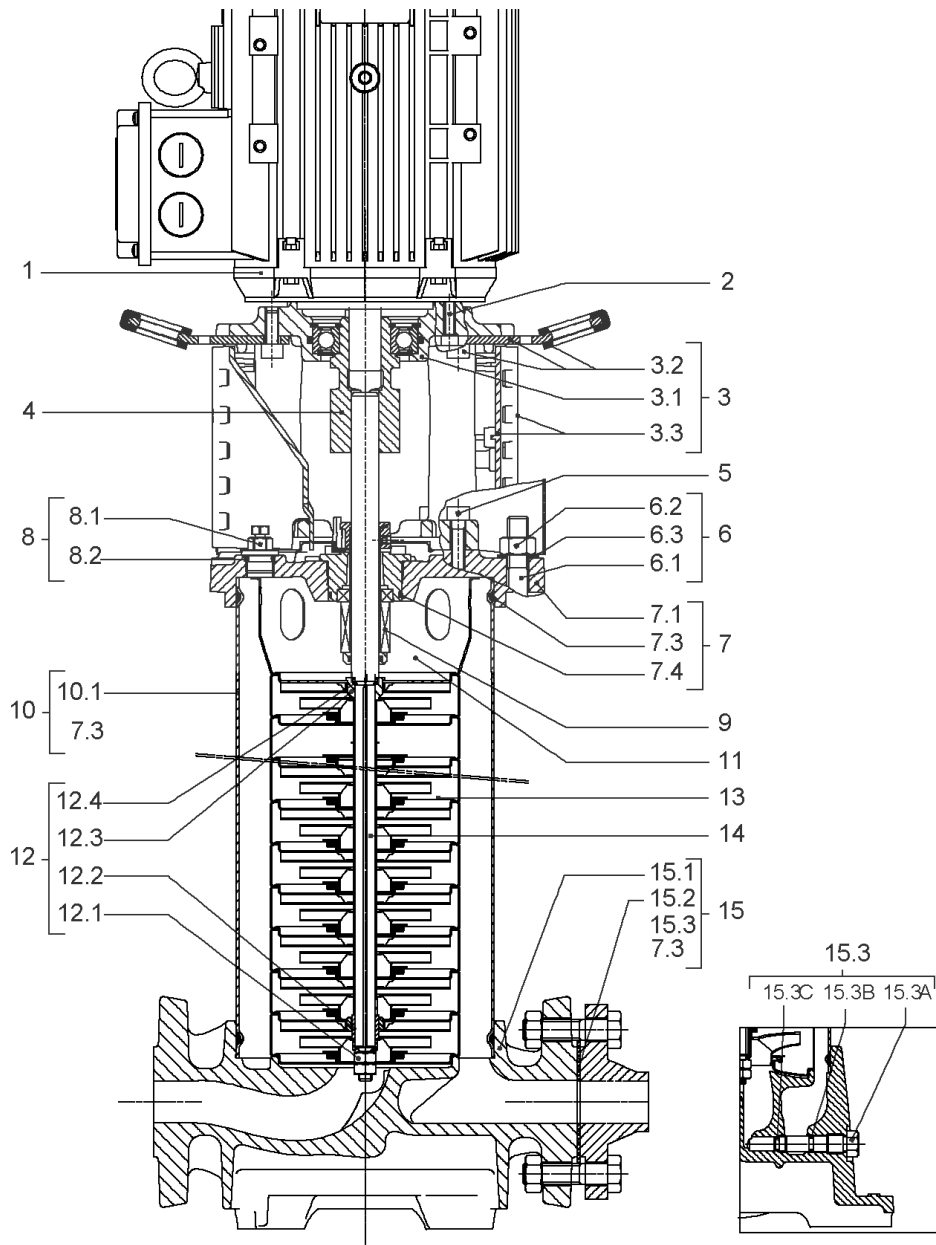
CARTRIDGE HELIX2-4 F/E KIT (4178597)

Item	Article no.	Description	Quantity
9.1	4178594	SEAL-KIT-HELIX2-4 F/E	1
7.3	4176513	> O-RING FOR PUMP JACKET VP.	1
7.4	2127603	> O-RING ID.37,6x2,4 EPDM VP.	1
9.1A	4176521	> MECH.SEAL HELIX2-4-6-10-16 F/E VP.	1
9.1B	4178558	> O-RING ID.12X2 EPDM VP.	1
9.1C	4178558	> O-RING ID.12X2 EPDM VP.	1
9.2	4178596	SHAFT SLEEVE D.18/12X72,2 1.4404 VP.	1
9.3	2130962	RING HOLDER D.18 G606/G6 1.4301 VP.	1
9.4	4176520	SCREW CH M5x5 A4-70 (3PIECES)	1
9.5	4178595	DRIVE RING D.29/15.5x13,2 MACH.VP.	1
9.6	2130964	TOOL M.S.CART.HELIX VP.	1
9.7	2130965	SCREW CHC M5X12 ISO4762 A2.70(4 PIECES)	1



HYDRAULIC HELIX V 426 1.4307

Item	Article no.	Description	Quantity
13.1	4178570	STAGE HELIX 4 1.4301 KIT	1
		> MACH.STG-CASING-WOGV-WNR-M+2-4-304	1
		> IMPELLER-M+4-304	1
13.2	4178569	STAGE BEARING HELIX 4 1.4301 KIT	1
		> MACH.BEARING-STG-CASING-WNR-M+4-304	1
		> IMPELLER-M+4-304	1
		> SHAFT SLEEVE SPACER Ø15,35x10,305-304	1
		> SHAFT-SLEEVE-D12xD16x14-CW	1
13.3	4220514	INTER STAGE HELIX4 1.4301> 15 stages KIT	1
		> MACH.STD-STG-CASING-WGV+NR-M+4-304	1
		> IMPELLER-M+4-304	1
		> IMPELLER SPACER Ø12,1X14,1-L24,25-316L	1
13.4	4220516	EMPTY STAGE HELIX 4 1.4301>15 stage Kit	1
		> MACH.STD-STG-CASING-WGV+NR-M+4-304	1
		> FLAT WASHER-D12.1XD16X0.8-316L	1
		> IMPELLER SPACER Ø12,1X14,1-L24,25-316L	1
13.5	4220513	INTERMED STAGE>15 HELIX 4 1.4301 KIT	1
		> MACH.STG-CASING-WOGV-WNR-M+2-4-304	1
		> IMPELLER-M+4-304	1
		> IMPELLER SPACER Ø12,1X14,1-L24,25-316L	1



HELIX FIRST V429-5/30/E/KS/400-50 (4201121)

Item	Article no.	Description	Quantity
1	4169945	MO.4/2 3~230/400(460)V 50(60)HZ IE3 VP.	1
		SPARE PARTS MOTOR:ON REQUEST	1
2	4206025	SCREW M8X45 (4 PIECES)	1
3	4171326	LANTERN FT130 HELIX KIT	1
3.1		> LANTERN FT130 M+6" GJL MACHINING+CATA	1
3.2	2127604	> EYELET CPL.FT HELIX(2 PIECES)	1
3.3	4159692	> COUPLING PROTECTOR FT HELIX KIT	1
4	4178626	COUPLING D.12XD.28 FT130 KIT	1
5	4159707	SCREW M8X30 (4 PIECES)	1
6	4179238	STUD BOLT M12X845 KIT	1
6.1		> TIE BOLT M12-845x18x30-1.4057	1
6.2	2094647	> NUT M12 M12 ISO4032 VP.	1
6.3	2123557	> WASHER CS-12.4-24-1.6-NFE25 (4 PIECES)	1
7	4177867	END SHIELD PN30 HELIX EPDM KIT	1
7.1		> END SHIELD M+ JL VERSION 1 MACHINED+CATA	1
7.3	4176513	> O-RING FOR PUMP JACKET VP.	1
7.4	2127603	> O-RING ID.37,6x2,4 EPDM VP.	1
8	4159686	FILING/PURGING PLUG HELIX EPDM KIT	1
9	4179241	MECH.SEAL+CART. HELIX2-4 T/E KIT	1
10	2127583	HOUSING PIPE D.152x810 1.4301 KIT	1
7.3	4176513	> O-RING FOR PUMP JACKET VP.	1
10.1		> HOUSING-PIPE Ø152-M+1020/1613-304	1
11	4178566	CENTERING STAGE-RETURN HELIX4 1.4307 VP	1
12	4178567	SHAFT EQUIPMENT HELIX V2/V4 KIT	1
12.1		> NUT-H-M8-STAINLESS-STEEL A4-70	1
12.2		> SHAFT END WASHER Ø8/Ø12 316L	1
12.3		> STOP COLLAR OF IMPELLER L12,6-Ø12-316L	1
12.4		> STOP-RUSH-1/2-D12xd2-M+316	1
13		HYDRAULIC HELIX V 429 1.4307	1
14	4179245	SHAFT D.12X933,8 1.4462 VP.	1
15	4179246	PUMP HOUSING HELIX V2/4 DN25 PN30 KIT	1
7.3	4176513	> O-RING FOR PUMP JACKET VP.	1
15.1		> MACH+CATA PUMP CASING M+5" DN25 PN25 GJL	1
15.2	4233952	> FLAT GASKET D.73 VP.	1

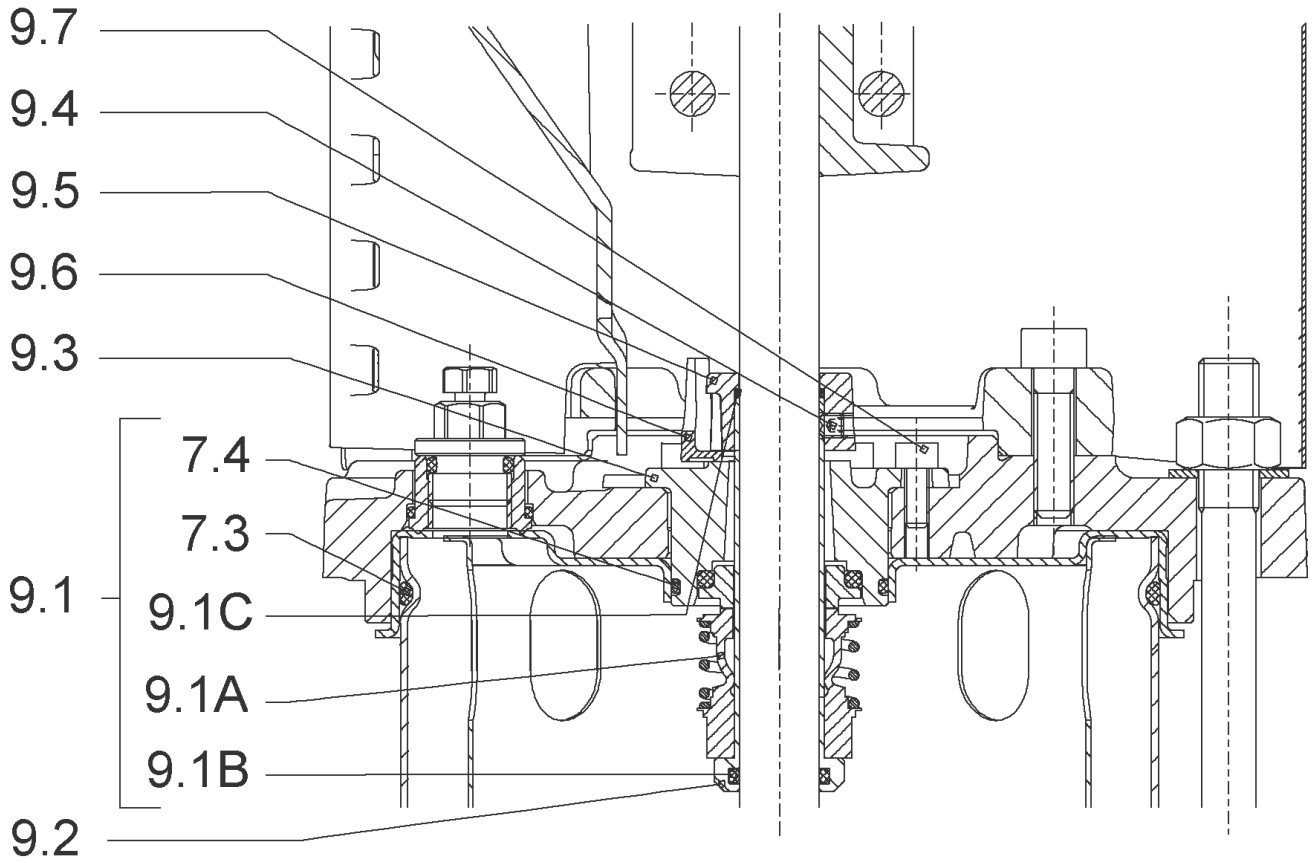
HELIX FIRST V429-5/30/E/KS/400-50 (4201121)

Item	Article no.	Description	Quantity
15.3	4177877	> PRIMING/DRAIN PLUG HELIX PN30 KIT	1
15.3A		>> PRIMING/DRAIN PLUG M+6" 304	1
15.3B	4233957	>> O-RING ID.9 EPDM VP.	1
15.3C		>> O-RING Ø8xØ2 EPDM KTW/WRC	1



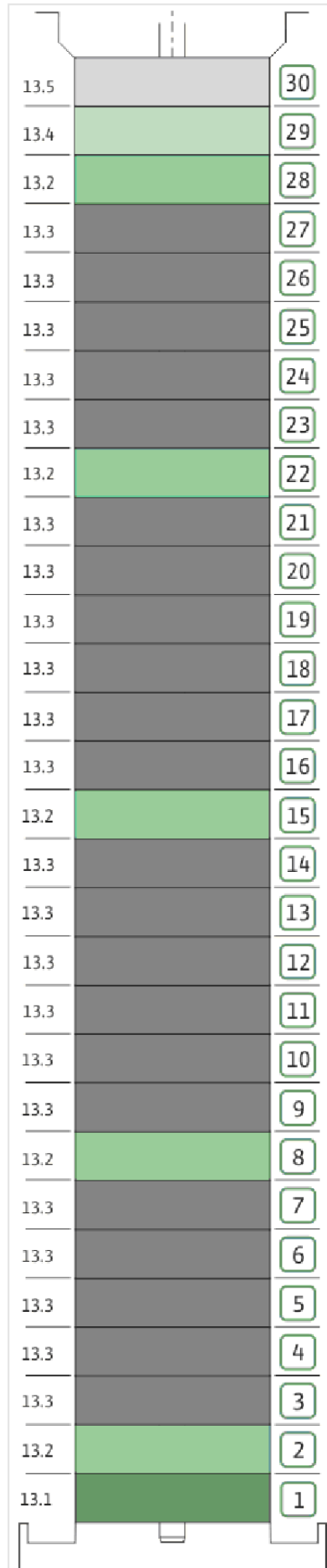
COUPLING D.12XD.28 FT130 KIT (4178626)

Item	Article no.	Description	Quantity
4.1		COUPLING-M+ Ø12XØ28-FT130-MACHINED	1
4.2	2131022	BALL BEARING 6209/ZZ-C3(HT)VP.	1
4.3	4233930	CIRCLIP-FOR-BORES-D45x1,75 VP.	1
4.4	4157726	SCREW KIT M8X30 (4 PIECES)	1
4.5	4234252	CIRCLIPS 85X3 VP.	1
4.6	4234243	O-RING 85X3 VP.	1
		NOMEL CONTACT WASHER 8x16x1,4 STEEL ZC	1

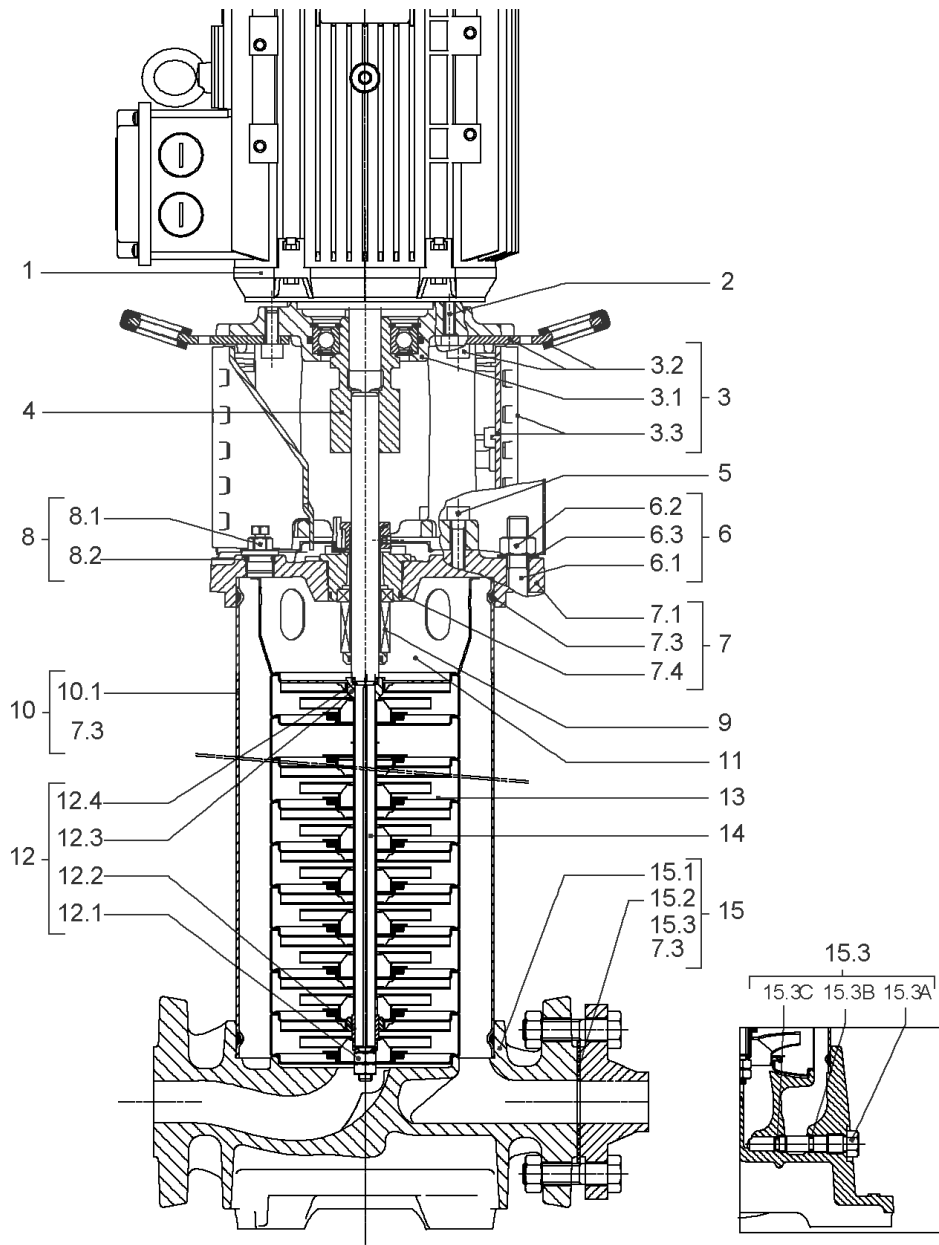


MECH.SEAL+CART. HELIX2-4 T/E KIT (4179241)

Item	Article no.	Description	Quantity
9.1	4179240	SEAL-KIT-HELIX2-4 T/E	1
7.3	4176513	> O-RING FOR PUMP JACKET VP.	1
7.4	2127603	> O-RING ID.37,6x2,4 EPDM VP.	1
9.1A	4177870	> MECH.SEAL HELIX2-4-6-10-16 T/E VP.	1
9.1B	4178558	> O-RING ID.12X2 EPDM VP.	1
9.1C	4178558	> O-RING ID.12X2 EPDM VP.	1
9.2	4179239	SHAFT SLEEVE D.18/12X72.2 1.4404 VP.	1
9.3	4177868	RING-HOLDER MS G9 316 VP.	1
9.4	4176520	SCREW CH M5x5 A4-70 (3PIECES)	1
9.5	4178595	DRIVE RING D.29/15.5x13,2 MACH.VP.	1
9.6	2130964	TOOL M.S.CART.HELIX VP.	1
9.7	2130965	SCREW CHC M5X12 ISO4762 A2.70(4 PIECES)	1



Item	Article no.	Description	Quantity
13.1	4178570	STAGE HELIX 4 1.4301 KIT	1
		> MACH.STG-CASING-WOGV-WNR-M+2-4-304	1
		> IMPELLER-M+4-304	1
13.2	4178569	STAGE BEARING HELIX 4 1.4301 KIT	1
		> MACH.BEARING-STG-CASING-WNR-M+4-304	1
		> IMPELLER-M+4-304	1
		> SHAFT SLEEVE SPACER Ø15,35x10,305-304	1
		> SHAFT-SLEEVE-D12xD16x14-CW	1
13.3	4220514	INTER STAGE HELIX4 1.4301> 15 stages KIT	1
		> MACH.STD-STG-CASING-WGV+NR-M+4-304	1
		> IMPELLER-M+4-304	1
		> IMPELLER SPACER Ø12,1X14,1-L24,25-316L	1
13.4	4220516	EMPTY STAGE HELIX 4 1.4301>15 stage Kit	1
		> MACH.STD-STG-CASING-WGV+NR-M+4-304	1
		> FLAT WASHER-D12.1XD16X0.8-316L	1
		> IMPELLER SPACER Ø12,1X14,1-L24,25-316L	1
13.5	4220513	INTERMED STAGE>15 HELIX 4 1.4301 KIT	1
		> MACH.STG-CASING-WOGV-WNR-M+2-4-304	1
		> IMPELLER-M+4-304	1
		> IMPELLER SPACER Ø12,1X14,1-L24,25-316L	1



HELIX FIRST V431-5/30/E/KS/400-50 (4201122)

Item	Article no.	Description	Quantity
1	4169945	MO.4/2 3~230/400(460)V 50(60)HZ IE3 VP.	1
		SPARE PARTS MOTOR:ON REQUEST	1
2	4206025	SCREW M8X45 (4 PIECES)	1
3	4171326	LANTERN FT130 HELIX KIT	1
3.1		> LANTERN FT130 M+6" GJL MACHINING+CATA	1
3.2	2127604	> EYELET CPL.FT HELIX(2 PIECES)	1
3.3	4159692	> COUPLING PROTECTOR FT HELIX KIT	1
4	4178626	COUPLING D.12XD.28 FT130 KIT	1
5	4159707	SCREW M8X30 (4 PIECES)	1
6	4177859	STUD BOLT M12X863KIT	1
6.1		> TIE BOLT M12-863x18x30-1.4057	1
6.2	2094647	> NUT M12 M12 ISO4032 VP.	1
6.3	2123557	> WASHER CS-12.4-24-1.6-NFE25 (4 PIECES)	1
7	4177867	END SHIELD PN30 HELIX EPDM KIT	1
7.1		> END SHIELD M+ JL VERSION 1 MACHINED+CATA	1
7.3	4176513	> O-RING FOR PUMP JACKET VP.	1
7.4	2127603	> O-RING ID.37,6x2,4 EPDM VP.	1
8	4159686	FILING/PURGING PLUG HELIX EPDM KIT	1
9	4179241	MECH.SEAL+CART. HELIX2-4 T/E KIT	1
10	4179250	HOUSING PIPE D.152X835 1.4301 KIT	1
7.3	4176513	> O-RING FOR PUMP JACKET VP.	1
10.1		> HOUSING-PIPE Ø152-M+231/431-304	1
11	4178566	CENTERING STAGE-RETURN HELIX4 1.4307 VP	1
12	4178567	SHAFT EQUIPMENT HELIX V2/V4 KIT	1
12.1		> NUT-H-M8-STAINLESS-STEEL A4-70	1
12.2		> SHAFT END WASHER Ø8/Ø12 316L	1
12.3		> STOP COLLAR OF IMPELLER L12,6-Ø12-316L	1
12.4		> STOP-RUSH-1/2-D12xd2-M+316	1
13		HYDRAULIC HELIX V 431 1.4307	1
14	4179249	SHAFT D.12X958,8 1.4462 VP.	1
15	4179246	PUMP HOUSING HELIX V2/4 DN25 PN30 KIT	1
7.3	4176513	> O-RING FOR PUMP JACKET VP.	1
15.1		> MACH+CATA PUMP CASING M+5" DN25 PN25 GJL	1
15.2	4233952	> FLAT GASKET D.73 VP.	1

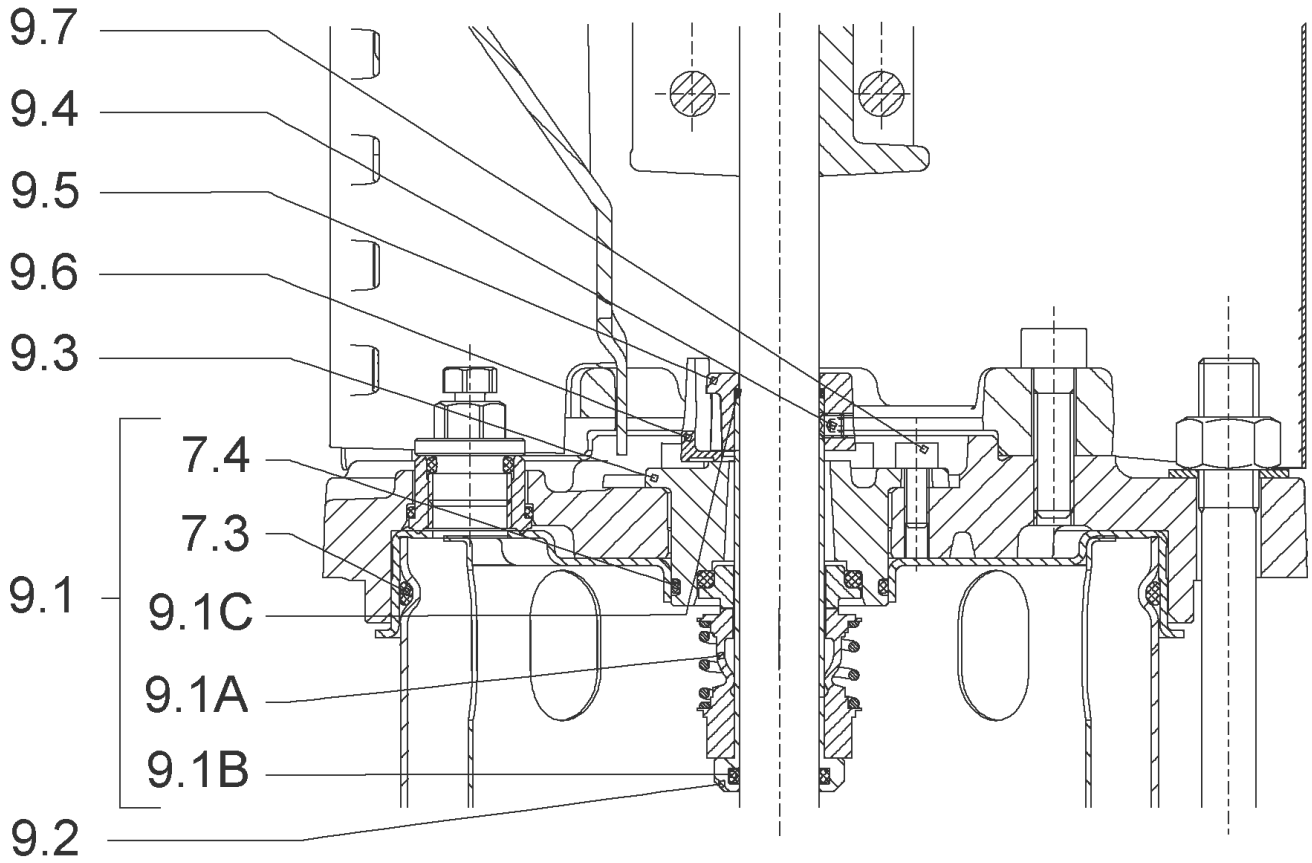
HELIX FIRST V431-5/30/E/KS/400-50 (4201122)

Item	Article no.	Description	Quantity
15.3	4177877	> PRIMING/DRAIN PLUG HELIX PN30 KIT	1
15.3A		>> PRIMING/DRAIN PLUG M+6" 304	1
15.3B	4233957	>> O-RING ID.9 EPDM VP.	1
15.3C		>> O-RING Ø8xØ2 EPDM KTW/WRC	1



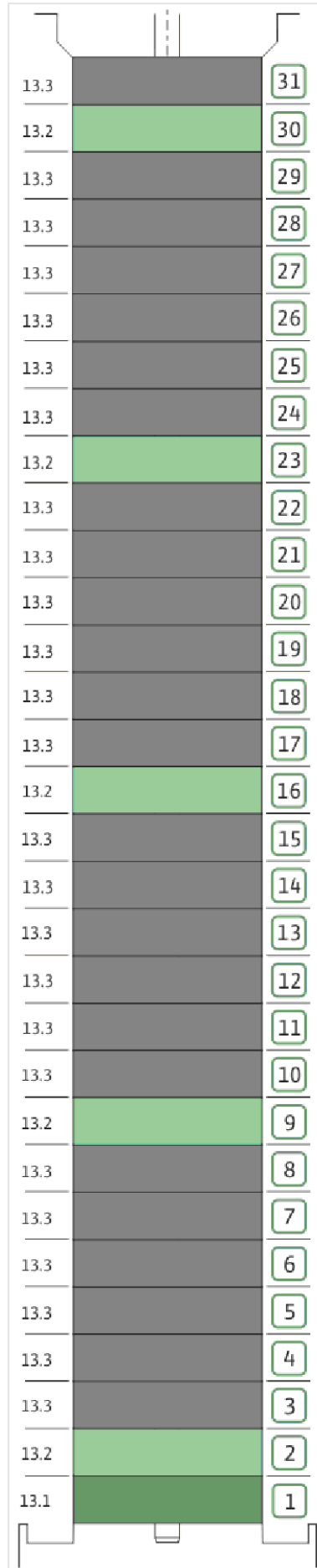
COUPLING D.12XD.28 FT130 KIT (4178626)

Item	Article no.	Description	Quantity
4.1		COUPLING-M+ Ø12XØ28-FT130-MACHINED	1
4.2	2131022	BALL BEARING 6209/ZZ-C3(HT)VP.	1
4.3	4233930	CIRCLIP-FOR-BORES-D45x1,75 VP.	1
4.4	4157726	SCREW KIT M8X30 (4 PIECES)	1
4.5	4234252	CIRCLIPS 85X3 VP.	1
4.6	4234243	O-RING 85X3 VP.	1
		NOMEL CONTACT WASHER 8x16x1,4 STEEL ZC	1



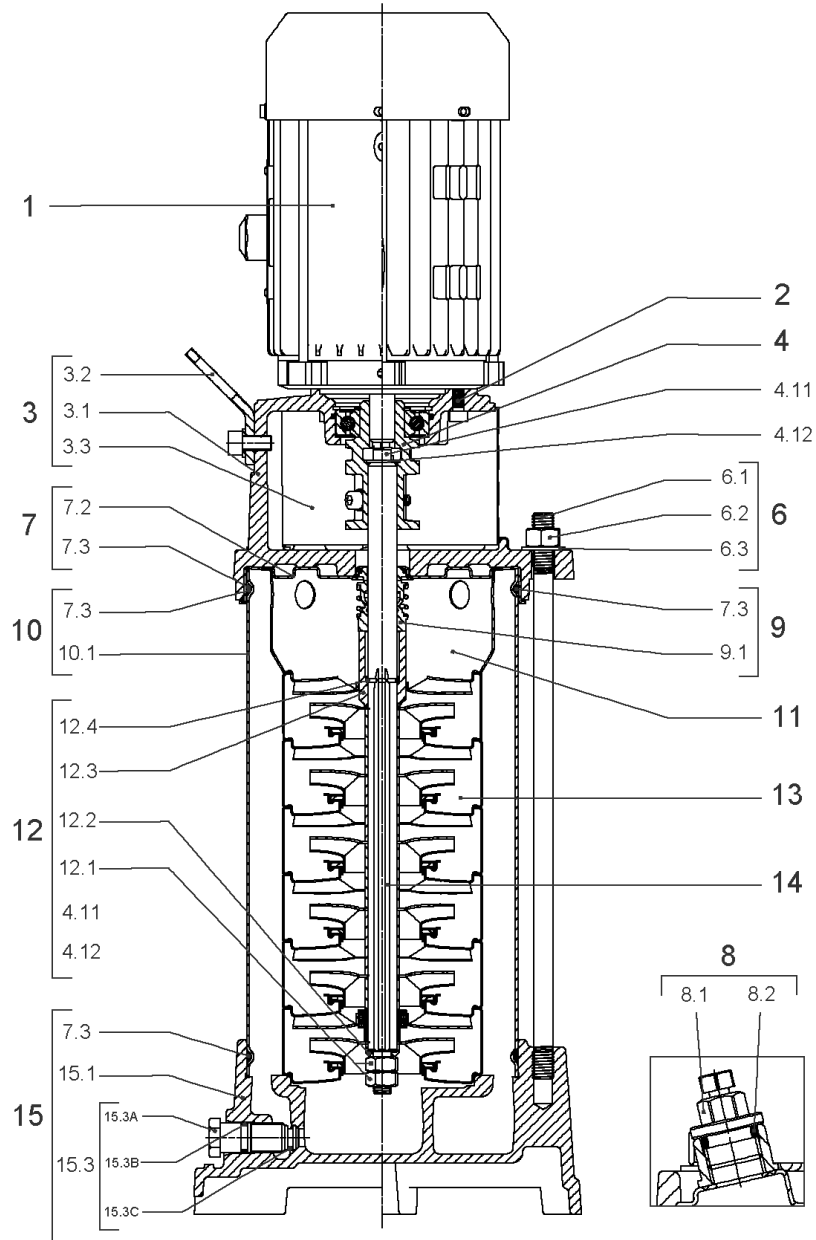
MECH.SEAL+CART. HELIX2-4 T/E KIT (4179241)

Item	Article no.	Description	Quantity
9.1	4179240	SEAL-KIT-HELIX2-4 T/E	1
7.3	4176513	> O-RING FOR PUMP JACKET VP.	1
7.4	2127603	> O-RING ID.37,6x2,4 EPDM VP.	1
9.1A	4177870	> MECH.SEAL HELIX2-4-6-10-16 T/E VP.	1
9.1B	4178558	> O-RING ID.12X2 EPDM VP.	1
9.1C	4178558	> O-RING ID.12X2 EPDM VP.	1
9.2	4179239	SHAFT SLEEVE D.18/12X72.2 1.4404 VP.	1
9.3	4177868	RING-HOLDER MS G9 316 VP.	1
9.4	4176520	SCREW CH M5x5 A4-70 (3PIECES)	1
9.5	4178595	DRIVE RING D.29/15.5x13,2 MACH.VP.	1
9.6	2130964	TOOL M.S.CART.HELIX VP.	1
9.7	2130965	SCREW CHC M5X12 ISO4762 A2.70(4 PIECES)	1



HYDRAULIC HELIX V 431 1.4307

Item	Article no.	Description	Quantity
13.1	4178570	STAGE HELIX 4 1.4301 KIT	1
		> MACH.STG-CASING-WOGV-WNR-M+2-4-304	1
		> IMPELLER-M+4-304	1
13.2	4178569	STAGE BEARING HELIX 4 1.4301 KIT	1
		> MACH.BEARING-STG-CASING-WNR-M+4-304	1
		> IMPELLER-M+4-304	1
		> SHAFT SLEEVE SPACER Ø15,35x10,305-304	1
		> SHAFT-SLEEVE-D12xD16x14-CW	1
13.3	4220514	INTER STAGE HELIX4 1.4301> 15 stages KIT	1
		> MACH.STD-STG-CASING-WGV+NR-M+4-304	1
		> IMPELLER-M+4-304	1
		> IMPELLER SPACER Ø12,1x14,1-L24,25-316L	1



HELIX FIRST V601-5/16/E/S/400-50 (4201123)

Item	Article no.	Description	Quantity
1	4169946	MOTOR 0,37/2/71 3~230/400V 50HZ IE2 VP.	1
		SPARE PARTS MOTOR:ON REQUEST	1
2	4212716	SCREW M6X20 KIT (4PIECES)	1
3	4213715	LANTERN FT85 HELIX KIT	1
3.1		> LANT-MOT-VMI-ReDTC6"-FT85-MACHINED+CATA	1
3.2	4184852	> EYELET CPL.FT HELIX (2 PIECES)	1
3.3	4213713	> COUPLING PROTECTOR FT85/100 HELIX KIT	1
4	4214477	COUPLING HELIX D16 FT85 KIT	1
6	4214966	STUD BOLT HELIX M12X170 KIT	1
6.1		> TIE BOLT M12-170x18x30-1.4057	1
6.2	2094647	> NUT M12 M12 ISO4032 VP.	1
6.3	2123557	> WASHER CS-12.4-24-1.6-NFE25 (4 PIECES)	1
7	4214481	STATIONARY RING HOLDER HELIX D27 ReDTC	1
7.2	4214479	> STATIONARY RING HOLDER HELIX D27 VP.	1
7.3	4176513	> O-RING FOR PUMP JACKET VP.	1
8	4212724	FILING/PURGING PLUG HELIX ReDTC KIT	1
8.1		> FILLING PLUG MVI6"-304	1
8.2	4177800	> O-RING EPDM PLUG HELIX VP.	1
9	4214483	MECH.SEAL HELIX6-10-16 O/E ReDTC KIT	1
9.1	4177801	> MECH.SEAL HELIX6-10-16 O/E VP.	1
7.3	4176513	> O-RING FOR PUMP JACKET VP.	1
10	4177804	HOUSING PIPES D.152X134 1.4301 KIT	1
7.3	4176513	> O-RING FOR PUMP JACKET VP.	1
10.1		> HOUSING-PIPE Ø152-M+1001/02-304	1
11	4177962	CENTERING STAGE HELIX V6 1.4307 VP.	1
12	4214486	SHAFT EQUIPMENT HELIX V6 ReDTC KIT	1
12.1		> NUT-H-M10-A4.70	1
12.2		> SERRATED LOCK WASHER M+6M3-316L	1
12.3		> 1/2-SNAP-RING-6/10M3-316L	1
12.4		> STOP-RUSH-1/2-D16xd2-M+316	1
4.11		> SCREW CHC-M6X14-8.8-ISO4762-GEOMET500A	1
4.12		> WASHER D.24 L6U ZINK	1
13		HYDRAULIC HELIX FIRST V601 1.4307	1
14	4214488	SHAFT D.16X203 HELIX 1.4057 VP.	1

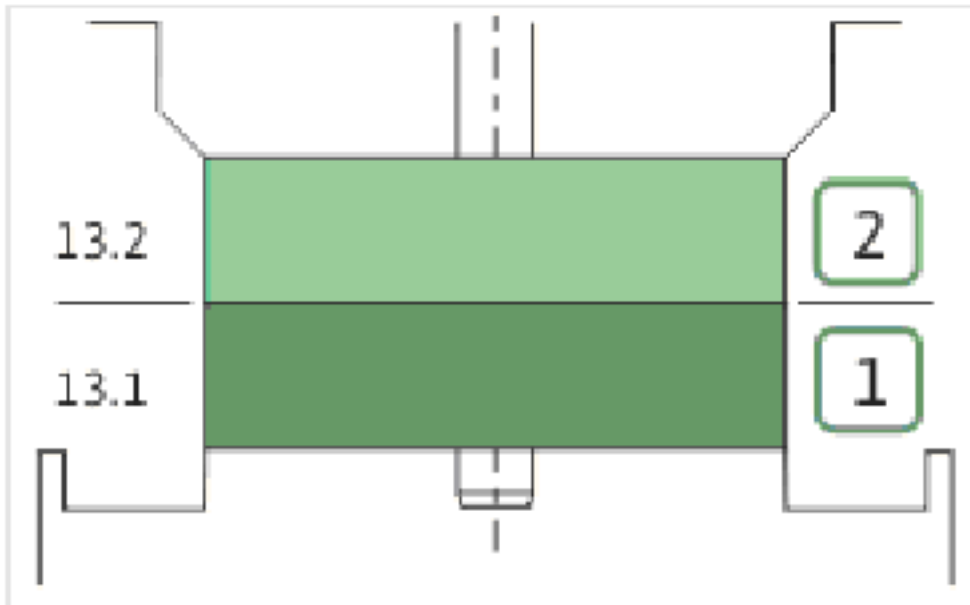
HELIX FIRST V601-5/16/E/S/400-50 (4201123)

Item	Article no.	Description	Quantity
15	4215105	PUMP HOUSING HELIX V2/4/6 DN32 PN16 KIT	1
15.1		> MACH+CATA PPE HOUSING M+5" D32-PN16 GJL	1
15.2	4191618	> O-RING ID.44,05x3,53 EPDM VP.	1
15.3	4171321	> PRIMING/DRAIN PLUG EPDM HELIX KIT	1
7.3	4176513	> O-RING FOR PUMP JACKET VP.	1



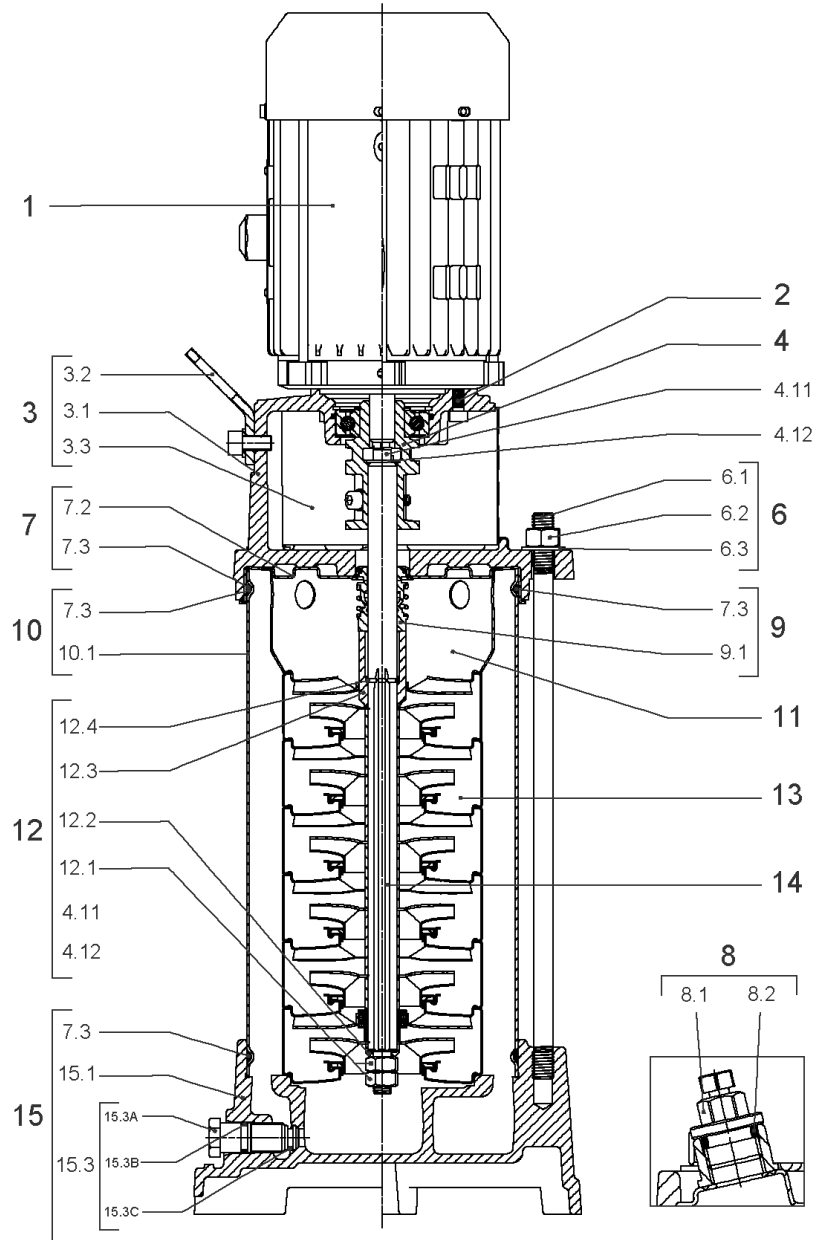
COUPLING HELIX D16 FT85 KIT (4214477)

Item	Article no.	Description	Quantity
4.1		COUPLING-VMI-Ø16xØ14-FT85-USINE	1
4.2	4177802	BALL BEARING 6205C3-ZZ HTVP.	1
4.3	4208923	CIRCLIP D25X1.2 VP.	1
4.4	4212716	SCREW M6X20 KIT (4PIECES)	1
4.5	4233124	CIRCLIP-FOR-BORES-D52x2 VP.	1
4.6	4234244	O-RING 52X2 VP.	1
		CONTACT-WASHER-6ETR-6,1x12,2x1,8-STEEL	1



HYDRAULIC HELIX FIRST V601 1.4307

Item	Article no.	Description	Quantity
13.1	4174084	STAGE HELIX 6 1.4301 KIT	1
		> MACH.STG-CASING-WOGV-WNR-M+6-304	1
		> IMPELLER-M+6-304	1
13.2	4214983	EMPTY STAGE-BEARING HELIX V6 1.4307 KIT	1
		> MACH.BEARING-STG-CASING-WNR-M+6-304	1
		> FLAT WASHER-D16.1XD22X1.2-316L	1
		> SHAFT SLEEVE-SPACER-Ø19,35x18,465-304	1
		> SHAFT-SLEEVE-D16xD20x18-CW	1



HELIX FIRST V601-5/25/E/S/400-50 (4201124)

Item	Article no.	Description	Quantity
1	4169946	MOTOR 0,37/2/71 3~230/400V 50HZ IE2 VP.	1
		SPARE PARTS MOTOR:ON REQUEST	1
2	4212716	SCREW M6X20 KIT (4PIECES)	1
3	4213715	LANTERN FT85 HELIX KIT	1
3.1		> LANT-MOT-VMI-ReDTC6"-FT85-MACHINED+CATA	1
3.2	4184852	> EYELET CPL.FT HELIX (2 PIECES)	1
3.3	4213713	> COUPLING PROTECTOR FT85/100 HELIX KIT	1
4	4214477	COUPLING HELIX D16 FT85 KIT	1
6	4214966	STUD BOLT HELIX M12X170 KIT	1
6.1		> TIE BOLT M12-170x18x30-1.4057	1
6.2	2094647	> NUT M12 M12 ISO4032 VP.	1
6.3	2123557	> WASHER CS-12.4-24-1.6-NFE25 (4 PIECES)	1
7	4214481	STATIONARY RING HOLDER HELIX D27 ReDTC	1
7.2	4214479	> STATIONARY RING HOLDER HELIX D27 VP.	1
7.3	4176513	> O-RING FOR PUMP JACKET VP.	1
8	4212724	FILING/PURGING PLUG HELIX ReDTC KIT	1
8.1		> FILLING PLUG MVI6"-304	1
8.2	4177800	> O-RING EPDM PLUG HELIX VP.	1
9	4214483	MECH.SEAL HELIX6-10-16 O/E ReDTC KIT	1
9.1	4177801	> MECH.SEAL HELIX6-10-16 O/E VP.	1
7.3	4176513	> O-RING FOR PUMP JACKET VP.	1
10	4177804	HOUSING PIPES D.152X134 1.4301 KIT	1
7.3	4176513	> O-RING FOR PUMP JACKET VP.	1
10.1		> HOUSING-PIPE Ø152-M+1001/02-304	1
11	4177962	CENTERING STAGE HELIX V6 1.4307 VP.	1
12	4214486	SHAFT EQUIPMENT HELIX V6 ReDTC KIT	1
12.1		> NUT-H-M10-A4.70	1
12.2		> SERRATED LOCK WASHER M+6M3-316L	1
12.3		> 1/2-SNAP-RING-6/10M3-316L	1
12.4		> STOP-RUSH-1/2-D16xd2-M+316	1
4.11		> SCREW CHC-M6X14-8.8-ISO4762-GEOMET500A	1
4.12		> WASHER D.24 L6U ZINK	1
13		HYDRAULIC HELIX FIRST V601 1.4307	1
14	4214488	SHAFT D.16X203 HELIX 1.4057 VP.	1

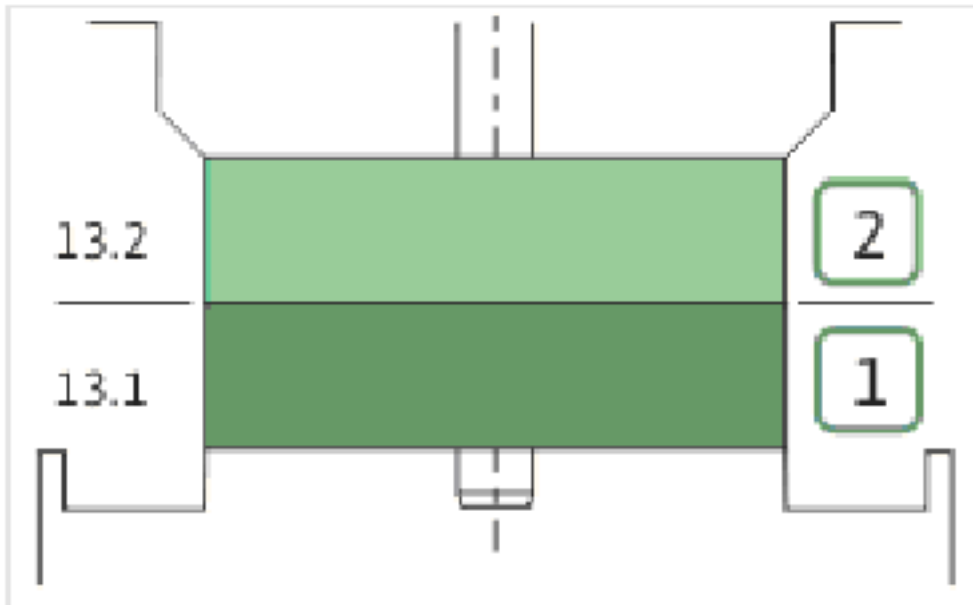
HELIX FIRST V601-5/25/E/S/400-50 (4201124)

Item	Article no.	Description	Quantity
15	4208872	PUMP HOUSING HELIX V6 DN32 PN30 KIT	1
15.1		> MACH+CATA PUMP CASING M+5" DN32 PN25 GJL	1
15.2	4010031	> FLAT GASKET D.30/79	1
15.3	4177877	> PRIMING/DRAIN PLUG HELIX PN30 KIT	1
15.3A		>> PRIMING/DRAIN PLUG M+6" 304	1
15.3B	4233957	>> O-RING ID.9 EPDM VP.	1
15.3C		>> O-RING Ø8xØ2 EPDM KTW/WRC	1
7.3	4176513	> O-RING FOR PUMP JACKET VP.	1



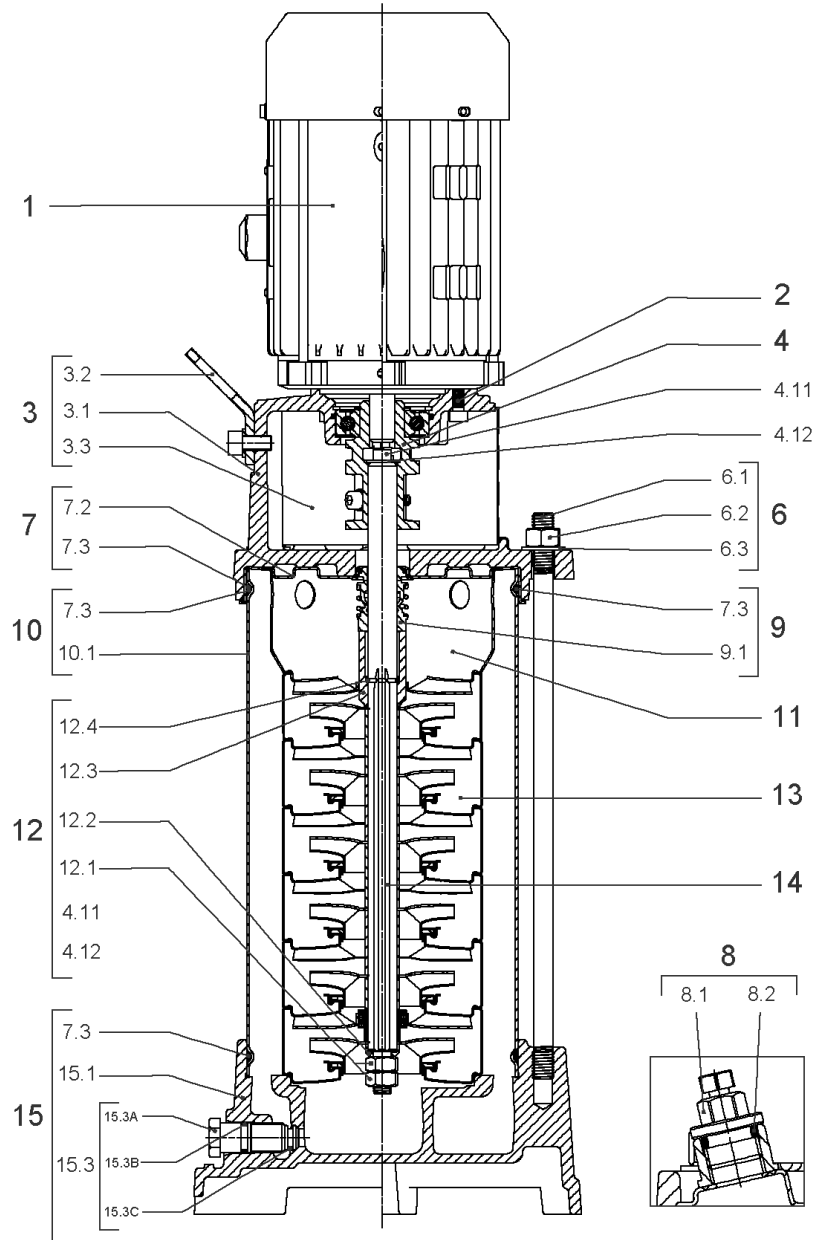
COUPLING HELIX D16 FT85 KIT (4214477)

Item	Article no.	Description	Quantity
4.1		COUPLING-VMI-Ø16xØ14-FT85-USINE	1
4.2	4177802	BALL BEARING 6205C3-ZZ HTVP.	1
4.3	4208923	CIRCLIP D25X1.2 VP.	1
4.4	4212716	SCREW M6X20 KIT (4PIECES)	1
4.5	4233124	CIRCLIP-FOR-BORES-D52x2 VP.	1
4.6	4234244	O-RING 52X2 VP.	1
		CONTACT-WASHER-6ETR-6,1x12,2x1,8-STEEL	1



HYDRAULIC HELIX FIRST V601 1.4307

Item	Article no.	Description	Quantity
13.1	4174084	STAGE HELIX 6 1.4301 KIT	1
		> MACH.STG-CASING-WOGV-WNR-M+6-304	1
		> IMPELLER-M+6-304	1
13.2	4214983	EMPTY STAGE-BEARING HELIX V6 1.4307 KIT	1
		> MACH.BEARING-STG-CASING-WNR-M+6-304	1
		> FLAT WASHER-D16.1XD22X1.2-316L	1
		> SHAFT SLEEVE-SPACER-Ø19,35x18,465-304	1
		> SHAFT-SLEEVE-D16xD20x18-CW	1



HELIX FIRST V602-5/16/E/S/400-50 (4201125)

Item	Article no.	Description	Quantity
1	4169939	MO.0,55/2/71 3~400V 50HZ 460V 60HZ IE2VP	1
		SPARE PARTS MOTOR:ON REQUEST	1
2	4212716	SCREW M6X20 KIT (4PIECES)	1
3	4213715	LANTERN FT85 HELIX KIT	1
3.1		> LANT-MOT-VMI-ReDTC6"-FT85-MACHINED+CATA	1
3.2	4184852	> EYELET CPL.FT HELIX (2 PIECES)	1
3.3	4213713	> COUPLING PROTECTOR FT85/100 HELIX KIT	1
4	4214477	COUPLING HELIX D16 FT85 KIT	1
6	4214966	STUD BOLT HELIX M12X170 KIT	1
6.1		> TIE BOLT M12-170x18x30-1.4057	1
6.2	2094647	> NUT M12 M12 ISO4032 VP.	1
6.3	2123557	> WASHER CS-12.4-24-1.6-NFE25 (4 PIECES)	1
7	4214481	STATIONARY RING HOLDER HELIX D27 ReDTC	1
7.2	4214479	> STATIONARY RING HOLDER HELIX D27 VP.	1
7.3	4176513	> O-RING FOR PUMP JACKET VP.	1
8	4212724	FILING/PURGING PLUG HELIX ReDTC KIT	1
8.1		> FILLING PLUG MVI6"-304	1
8.2	4177800	> O-RING EPDM PLUG HELIX VP.	1
9	4214483	MECH.SEAL HELIX6-10-16 O/E ReDTC KIT	1
9.1	4177801	> MECH.SEAL HELIX6-10-16 O/E VP.	1
7.3	4176513	> O-RING FOR PUMP JACKET VP.	1
10	4177804	HOUSING PIPES D.152X134 1.4301 KIT	1
7.3	4176513	> O-RING FOR PUMP JACKET VP.	1
10.1		> HOUSING-PIPE Ø152-M+1001/02-304	1
11	4174087	CENTERING STAGE-RETURN HELIX6 1.4301VP.	1
12	4214486	SHAFT EQUIPMENT HELIX V6 ReDTC KIT	1
12.1		> NUT-H-M10-A4.70	1
12.2		> SERRATED LOCK WASHER M+6M3-316L	1
12.3		> 1/2-SNAP-RING-6/10M3-316L	1
12.4		> STOP-RUSH-1/2-D16xd2-M+316	1
4.11		> SCREW CHC-M6X14-8.8-ISO4762-GEOMET500A	1
4.12		> WASHER D.24 L6U ZINK	1
13		HYDRAULIC HELIX V 602 1.4307	1
14	4214488	SHAFT D.16X203 HELIX 1.4057 VP.	1

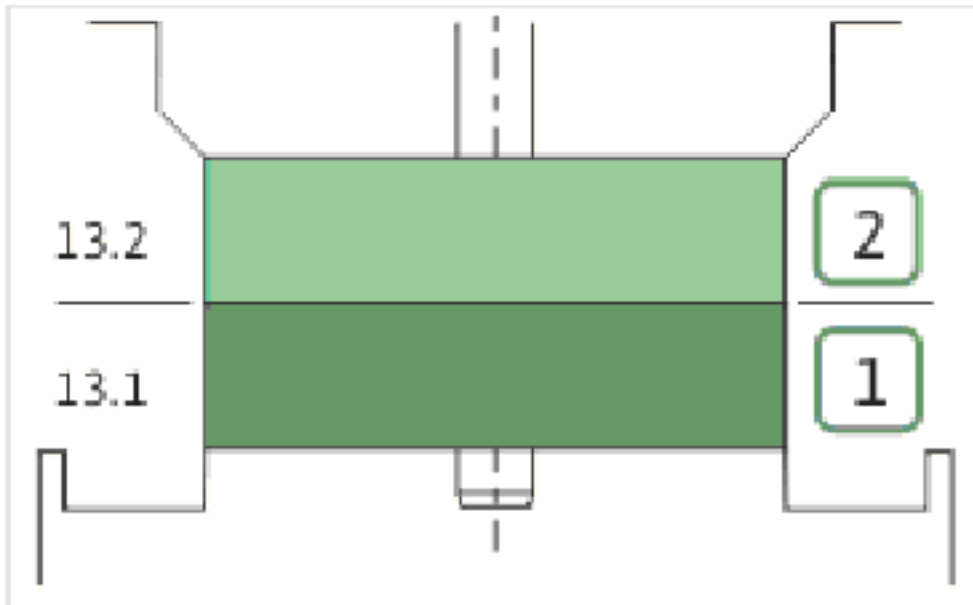
HELIX FIRST V602-5/16/E/S/400-50 (4201125)

Item	Article no.	Description	Quantity
15	4215105	PUMP HOUSING HELIX V2/4/6 DN32 PN16 KIT	1
15.1		> MACH+CATA PPE HOUSING M+5" D32-PN16 GJL	1
15.2	4191618	> O-RING ID.44,05x3,53 EPDM VP.	1
15.3	4171321	> PRIMING/DRAIN PLUG EPDM HELIX KIT	1
7.3	4176513	> O-RING FOR PUMP JACKET VP.	1



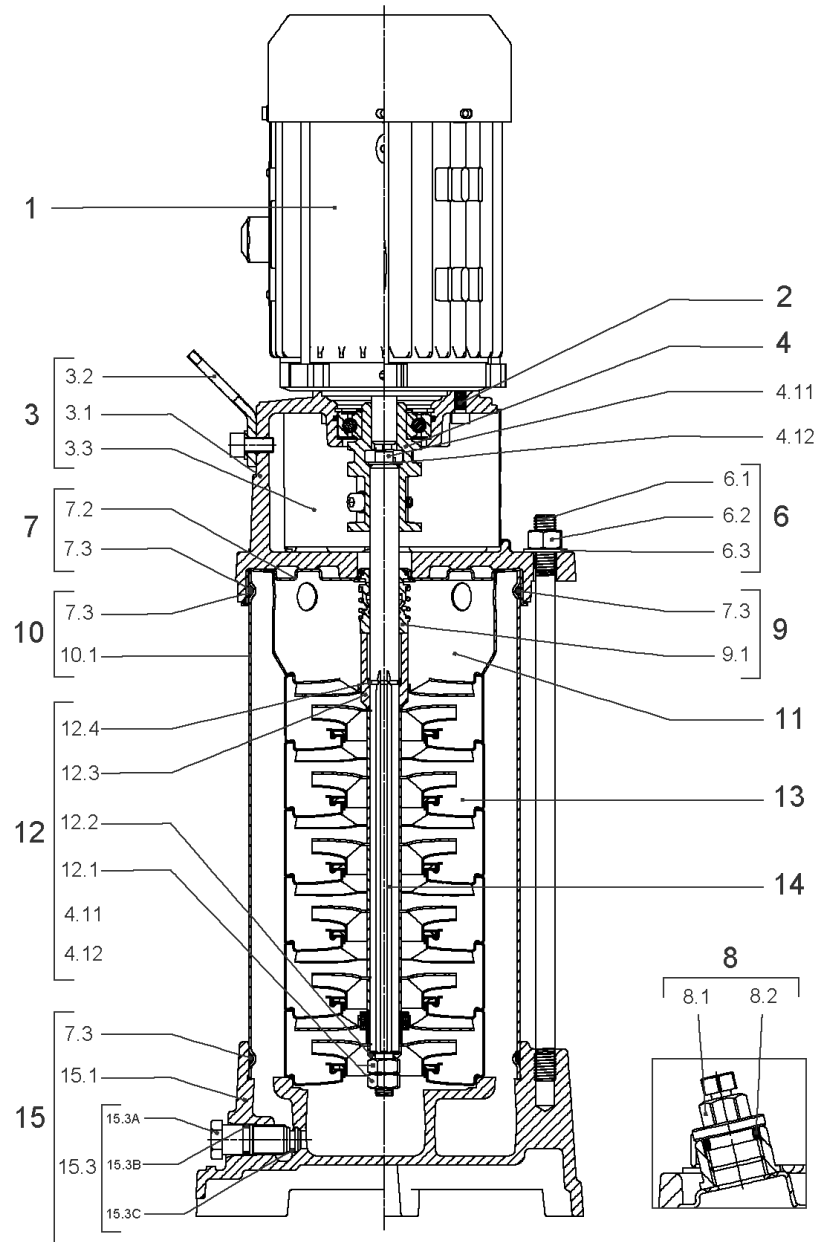
COUPLING HELIX D16 FT85 KIT (4214477)

Item	Article no.	Description	Quantity
4.1		COUPLING-VMI-Ø16xØ14-FT85-USINE	1
4.2	4177802	BALL BEARING 6205C3-ZZ HTVP.	1
4.3	4208923	CIRCLIP D25X1.2 VP.	1
4.4	4212716	SCREW M6X20 KIT (4PIECES)	1
4.5	4233124	CIRCLIP-FOR-BORES-D52x2 VP.	1
4.6	4234244	O-RING 52X2 VP.	1
		CONTACT-WASHER-6ETR-6,1x12,2x1,8-STEEL	1



HYDRAULIC HELIX V 602 1.4307

Item	Article no.	Description	Quantity
13.1	4174084	STAGE HELIX 6 1.4301 KIT	1
		> MACH.STG-CASING-WOGV-WNR-M+6-304	1
		> IMPELLER-M+6-304	1
13.2	4174089	INTERMEDIATE STAGE HELIX 6 1.4301 KIT	1
		> MACH.BEARING-STG-CASING-WNR-M+6-304	1
		> IMPELLER-M+6-304	1
		> SHAFT SLEEVE-SPACER-Ø19,35x18,465-304	1
		> SHAFT-SLEEVE-D16xD20x18-CW	1



HELIX FIRST V602-5/25/E/S/400-50 (4201127)

Item	Article no.	Description	Quantity
1	4169939	MO.0,55/2/71 3~400V 50HZ 460V 60HZ IE2VP	1
		SPARE PARTS MOTOR:ON REQUEST	1
2	4212716	SCREW M6X20 KIT (4PIECES)	1
3	4213715	LANTERN FT85 HELIX KIT	1
3.1		> LANT-MOT-VMI-ReDTC6"-FT85-MACHINED+CATA	1
3.2	4184852	> EYELET CPL.FT HELIX (2 PIECES)	1
3.3	4213713	> COUPLING PROTECTOR FT85/100 HELIX KIT	1
4	4214477	COUPLING HELIX D16 FT85 KIT	1
6	4214966	STUD BOLT HELIX M12X170 KIT	1
6.1		> TIE BOLT M12-170x18x30-1.4057	1
6.2	2094647	> NUT M12 M12 ISO4032 VP.	1
6.3	2123557	> WASHER CS-12.4-24-1.6-NFE25 (4 PIECES)	1
7	4214481	STATIONARY RING HOLDER HELIX D27 ReDTC	1
7.2	4214479	> STATIONARY RING HOLDER HELIX D27 VP.	1
7.3	4176513	> O-RING FOR PUMP JACKET VP.	1
8	4212724	FILING/PURGING PLUG HELIX ReDTC KIT	1
8.1		> FILLING PLUG MVI6"-304	1
8.2	4177800	> O-RING EPDM PLUG HELIX VP.	1
9	4214483	MECH.SEAL HELIX6-10-16 O/E ReDTC KIT	1
9.1	4177801	> MECH.SEAL HELIX6-10-16 O/E VP.	1
7.3	4176513	> O-RING FOR PUMP JACKET VP.	1
10	4177804	HOUSING PIPES D.152X134 1.4301 KIT	1
7.3	4176513	> O-RING FOR PUMP JACKET VP.	1
10.1		> HOUSING-PIPE Ø152-M+1001/02-304	1
11	4174087	CENTERING STAGE-RETURN HELIX6 1.4301VP.	1
12	4214486	SHAFT EQUIPMENT HELIX V6 ReDTC KIT	1
12.1		> NUT-H-M10-A4.70	1
12.2		> SERRATED LOCK WASHER M+6M3-316L	1
12.3		> 1/2-SNAP-RING-6/10M3-316L	1
12.4		> STOP-RUSH-1/2-D16xd2-M+316	1
4.11		> SCREW CHC-M6X14-8.8-ISO4762-GEOMET500A	1
4.12		> WASHER D.24 L6U ZINK	1
13		HYDRAULIC HELIX V 602 1.4307	1
14	4214488	SHAFT D.16X203 HELIX 1.4057 VP.	1

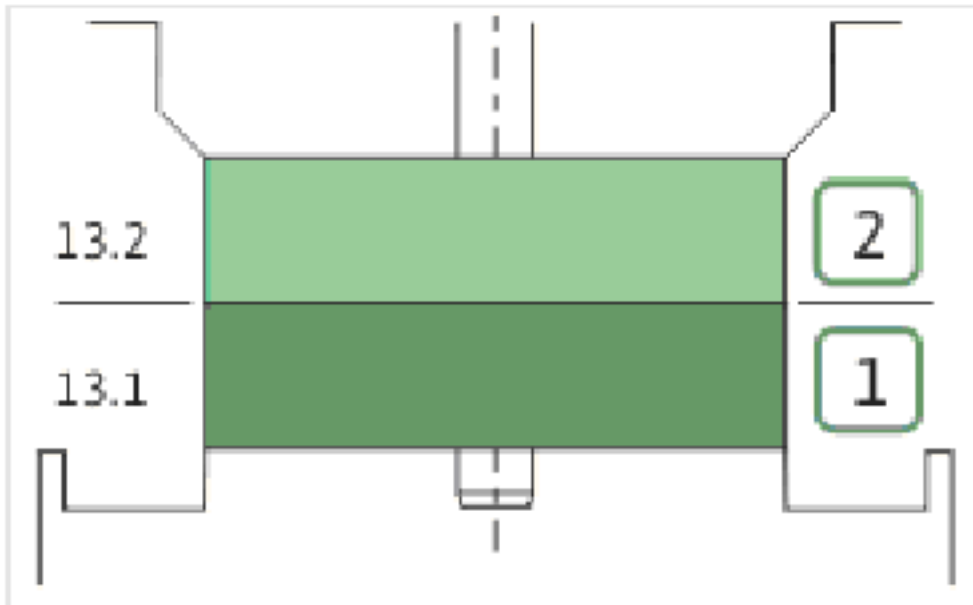
HELIX FIRST V602-5/25/E/S/400-50 (4201127)

Item	Article no.	Description	Quantity
15	4208872	PUMP HOUSING HELIX V6 DN32 PN30 KIT	1
15.1		> MACH+CATA PUMP CASING M+5" DN32 PN25 GJL	1
15.2	4010031	> FLAT GASKET D.30/79	1
15.3	4177877	> PRIMING/DRAIN PLUG HELIX PN30 KIT	1
15.3A		>> PRIMING/DRAIN PLUG M+6" 304	1
15.3B	4233957	>> O-RING ID.9 EPDM VP.	1
15.3C		>> O-RING Ø8xØ2 EPDM KTW/WRC	1
7.3	4176513	> O-RING FOR PUMP JACKET VP.	1

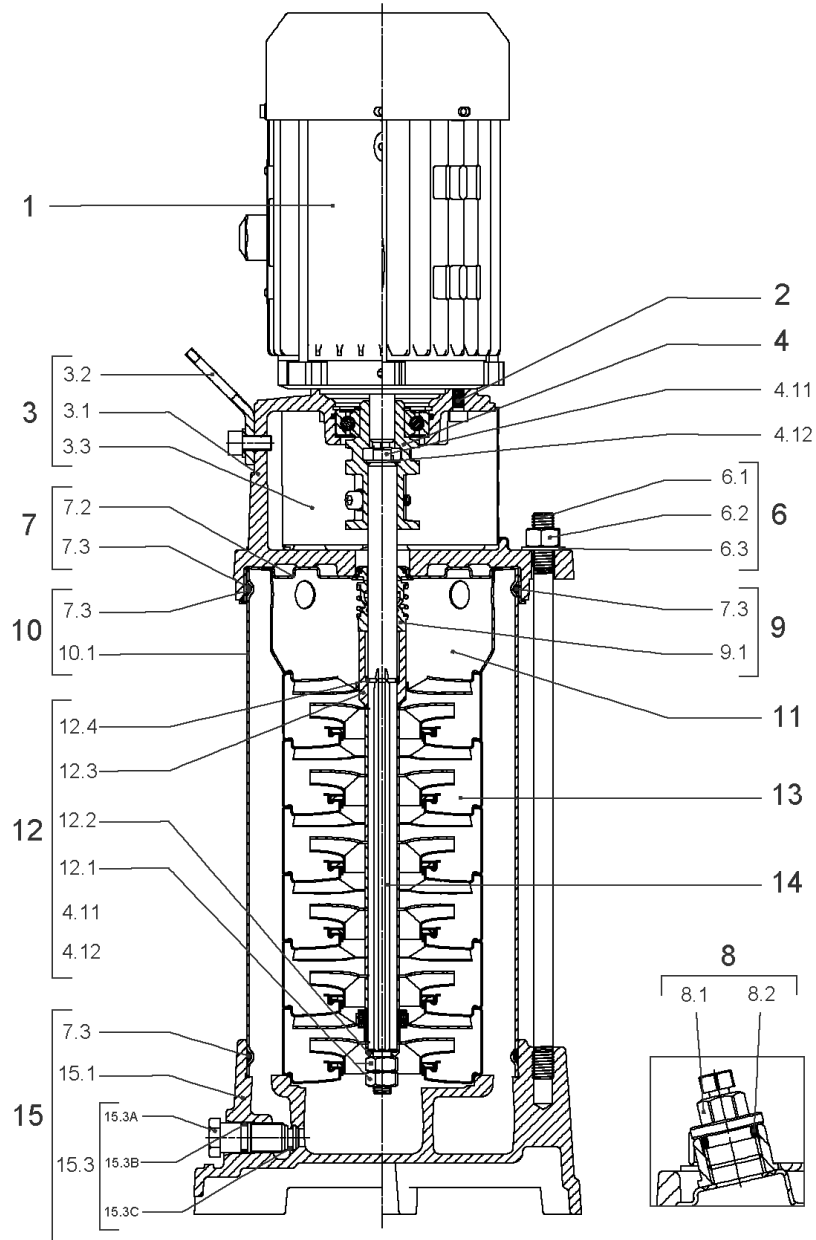


COUPLING HELIX D16 FT85 KIT (4214477)

Item	Article no.	Description	Quantity
4.1		COUPLING-VMI-Ø16xØ14-FT85-USINE	1
4.2	4177802	BALL BEARING 6205C3-ZZ HTVP.	1
4.3	4208923	CIRCLIP D25X1.2 VP.	1
4.4	4212716	SCREW M6X20 KIT (4PIECES)	1
4.5	4233124	CIRCLIP-FOR-BORES-D52x2 VP.	1
4.6	4234244	O-RING 52X2 VP.	1
		CONTACT-WASHER-6ETR-6,1x12,2x1,8-STEEL	1



Item	Article no.	Description	Quantity
13.1	4174084	STAGE HELIX 6 1.4301 KIT	1
		> MACH.STG-CASING-WOGV-WNR-M+6-304	1
		> IMPELLER-M+6-304	1
13.2	4174089	INTERMEDIATE STAGE HELIX 6 1.4301 KIT	1
		> MACH.BEARING-STG-CASING-WNR-M+6-304	1
		> IMPELLER-M+6-304	1
		> SHAFT SLEEVE-SPACER-Ø19,35x18,465-304	1
		> SHAFT-SLEEVE-D16xD20x18-CW	1



HELIX FIRST V603-5/16/E/S/400-50 (4201128)

Item	Article no.	Description	Quantity
1	4169939	MO.0,55/2/71 3~400V 50HZ 460V 60HZ IE2VP	1
		SPARE PARTS MOTOR:ON REQUEST	1
2	4212716	SCREW M6X20 KIT (4PIECES)	1
3	4213715	LANTERN FT85 HELIX KIT	1
3.1		> LANT-MOT-VMI-ReDTC6"-FT85-MACHINED+CATA	1
3.2	4184852	> EYELET CPL.FT HELIX (2 PIECES)	1
3.3	4213713	> COUPLING PROTECTOR FT85/100 HELIX KIT	1
4	4214477	COUPLING HELIX D16 FT85 KIT	1
6	4214972	STUD BOLT HELIX M12X204 KIT	1
6.1		> TIE BOLT M12-204x18x30-1.4057	1
6.2	2094647	> NUT M12 M12 ISO4032 VP.	1
6.3	2123557	> WASHER CS-12.4-24-1.6-NFE25 (4 PIECES)	1
7	4214481	STATIONARY RING HOLDER HELIX D27 ReDTC	1
7.2	4214479	> STATIONARY RING HOLDER HELIX D27 VP.	1
7.3	4176513	> O-RING FOR PUMP JACKET VP.	1
8	4212724	FILING/PURGING PLUG HELIX ReDTC KIT	1
8.1		> FILLING PLUG MVI6"-304	1
8.2	4177800	> O-RING EPDM PLUG HELIX VP.	1
9	4214483	MECH.SEAL HELIX6-10-16 O/E ReDTC KIT	1
9.1	4177801	> MECH.SEAL HELIX6-10-16 O/E VP.	1
7.3	4176513	> O-RING FOR PUMP JACKET VP.	1
10	4177813	HOUSING PIPE D.152x172 1.4301 KIT	1
7.3	4176513	> O-RING FOR PUMP JACKET VP.	1
10.1		> HOUSING-PIPE Ø152-M+1003-304	1
11	4174087	CENTERING STAGE-RETURN HELIX6 1.4301VP.	1
12	4214486	SHAFT EQUIPMENT HELIX V6 ReDTC KIT	1
12.1		> NUT-H-M10-A4.70	1
12.2		> SERRATED LOCK WASHER M+6M3-316L	1
12.3		> 1/2-SNAP-RING-6/10M3-316L	1
12.4		> STOP-RUSH-1/2-D16xd2-M+316	1
4.11		> SCREW CHC-M6X14-8.8-ISO4762-GEOMET500A	1
4.12		> WASHER D.24 L6U ZINK	1
13		HYDRAULIC HELIX V 603 1.4307	1
14	4214493	SHAFT D.16X241 HELIX 1.4057 VP.	1

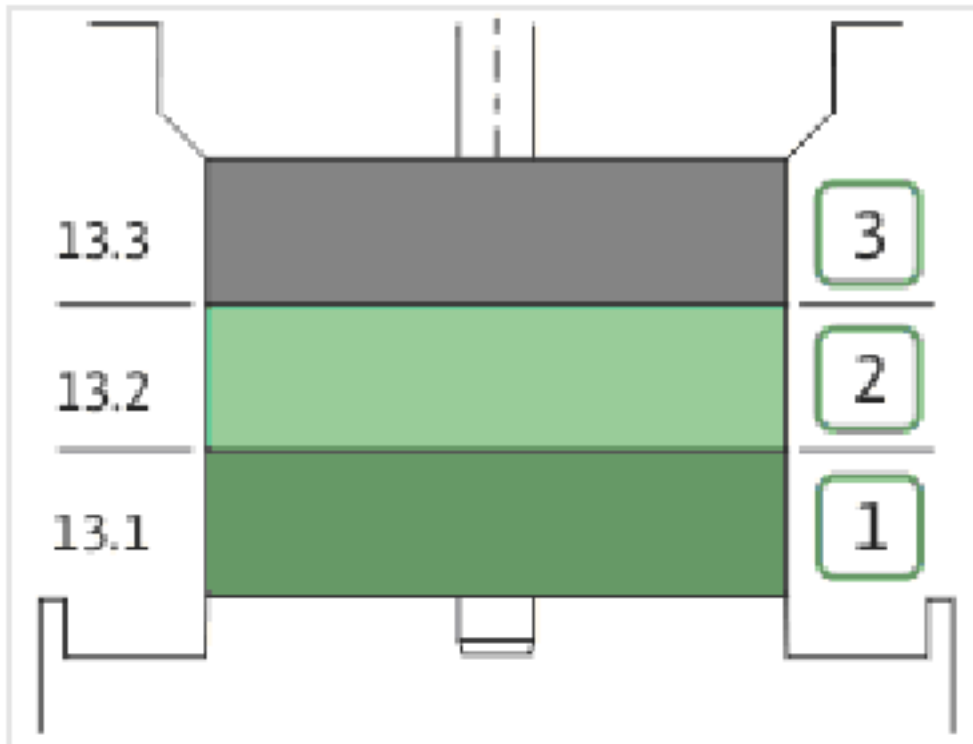
HELIX FIRST V603-5/16/E/S/400-50 (4201128)

Item	Article no.	Description	Quantity
15	4215105	PUMP HOUSING HELIX V2/4/6 DN32 PN16 KIT	1
15.1		> MACH+CATA PPE HOUSING M+5" D32-PN16 GJL	1
15.2	4191618	> O-RING ID.44,05x3,53 EPDM VP.	1
15.3	4171321	> PRIMING/DRAIN PLUG EPDM HELIX KIT	1
7.3	4176513	> O-RING FOR PUMP JACKET VP.	1



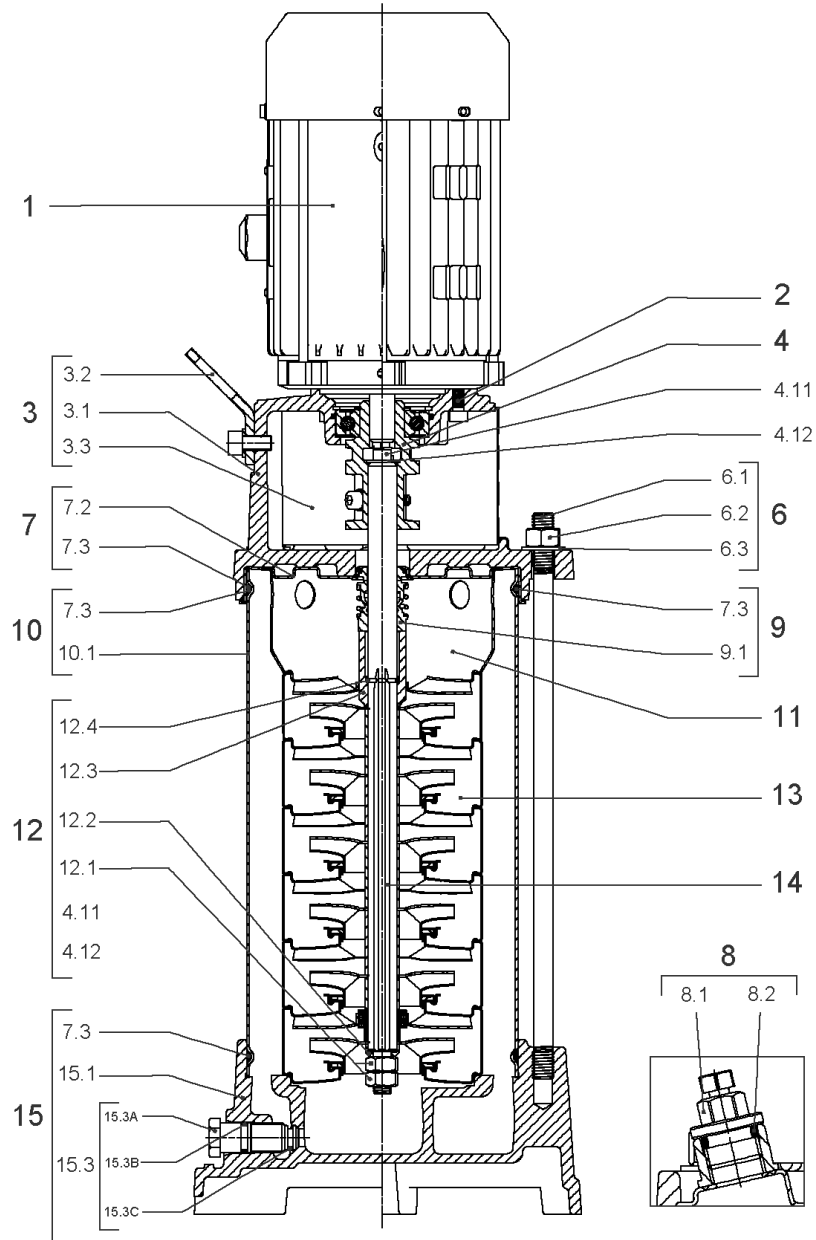
COUPLING HELIX D16 FT85 KIT (4214477)

Item	Article no.	Description	Quantity
4.1		COUPLING-VMI-Ø16xØ14-FT85-USINE	1
4.2	4177802	BALL BEARING 6205C3-ZZ HTVP.	1
4.3	4208923	CIRCLIP D25X1.2 VP.	1
4.4	4212716	SCREW M6X20 KIT (4PIECES)	1
4.5	4233124	CIRCLIP-FOR-BORES-D52x2 VP.	1
4.6	4234244	O-RING 52X2 VP.	1
		CONTACT-WASHER-6ETR-6,1x12,2x1,8-STEEL	1



HYDRAULIC HELIX V 603 1.4307

Item	Article no.	Description	Quantity
13.1	4174084	STAGE HELIX 6 1.4301 KIT	1
		> MACH.STG-CASING-WOGV-WNR-M+6-304	1
		> IMPELLER-M+6-304	1
13.2	4174089	INTERMEDIATE STAGE HELIX 6 1.4301 KIT	1
		> MACH.BEARING-STG-CASING-WNR-M+6-304	1
		> IMPELLER-M+6-304	1
		> SHAFT SLEEVE-SPACER-Ø19,35x18,465-304	1
		> SHAFT-SLEEVE-D16xD20x18-CW	1
13.3	4174090	INTERMEDIATE STAGE HELIX 6 1.4301 KIT	1
		> MACH.STD-STG-CASING-WGV+NR-M+6-304	1
		> IMPELLER-M+6-304	1
		> IMPELLER SPACER Ø16,05X19,45-L36,465-304	1



HELIX FIRST V603-5/25/E/S/400-50 (4201130)

Item	Article no.	Description	Quantity
1	4169939	MO.0,55/2/71 3~400V 50HZ 460V 60HZ IE2VP	1
		SPARE PARTS MOTOR:ON REQUEST	1
2	4212716	SCREW M6X20 KIT (4PIECES)	1
3	4213715	LANTERN FT85 HELIX KIT	1
3.1		> LANT-MOT-VMI-ReDTC6"-FT85-MACHINED+CATA	1
3.2	4184852	> EYELET CPL.FT HELIX (2 PIECES)	1
3.3	4213713	> COUPLING PROTECTOR FT85/100 HELIX KIT	1
4	4214477	COUPLING HELIX D16 FT85 KIT	1
6	4214972	STUD BOLT HELIX M12X204 KIT	1
6.1		> TIE BOLT M12-204x18x30-1.4057	1
6.2	2094647	> NUT M12 M12 ISO4032 VP.	1
6.3	2123557	> WASHER CS-12.4-24-1.6-NFE25 (4 PIECES)	1
7	4214481	STATIONARY RING HOLDER HELIX D27 ReDTC	1
7.2	4214479	> STATIONARY RING HOLDER HELIX D27 VP.	1
7.3	4176513	> O-RING FOR PUMP JACKET VP.	1
8	4212724	FILING/PURGING PLUG HELIX ReDTC KIT	1
8.1		> FILLING PLUG MVI6"-304	1
8.2	4177800	> O-RING EPDM PLUG HELIX VP.	1
9	4214483	MECH.SEAL HELIX6-10-16 O/E ReDTC KIT	1
9.1	4177801	> MECH.SEAL HELIX6-10-16 O/E VP.	1
7.3	4176513	> O-RING FOR PUMP JACKET VP.	1
10	4177813	HOUSING PIPE D.152x172 1.4301 KIT	1
7.3	4176513	> O-RING FOR PUMP JACKET VP.	1
10.1		> HOUSING-PIPE Ø152-M+1003-304	1
11	4174087	CENTERING STAGE-RETURN HELIX6 1.4301VP.	1
12	4214486	SHAFT EQUIPMENT HELIX V6 ReDTC KIT	1
12.1		> NUT-H-M10-A4.70	1
12.2		> SERRATED LOCK WASHER M+6M3-316L	1
12.3		> 1/2-SNAP-RING-6/10M3-316L	1
12.4		> STOP-RUSH-1/2-D16xd2-M+316	1
4.11		> SCREW CHC-M6X14-8.8-ISO4762-GEOMET500A	1
4.12		> WASHER D.24 L6U ZINK	1
13		HYDRAULIC HELIX V 603 1.4307	1
14	4214493	SHAFT D.16X241 HELIX 1.4057 VP.	1

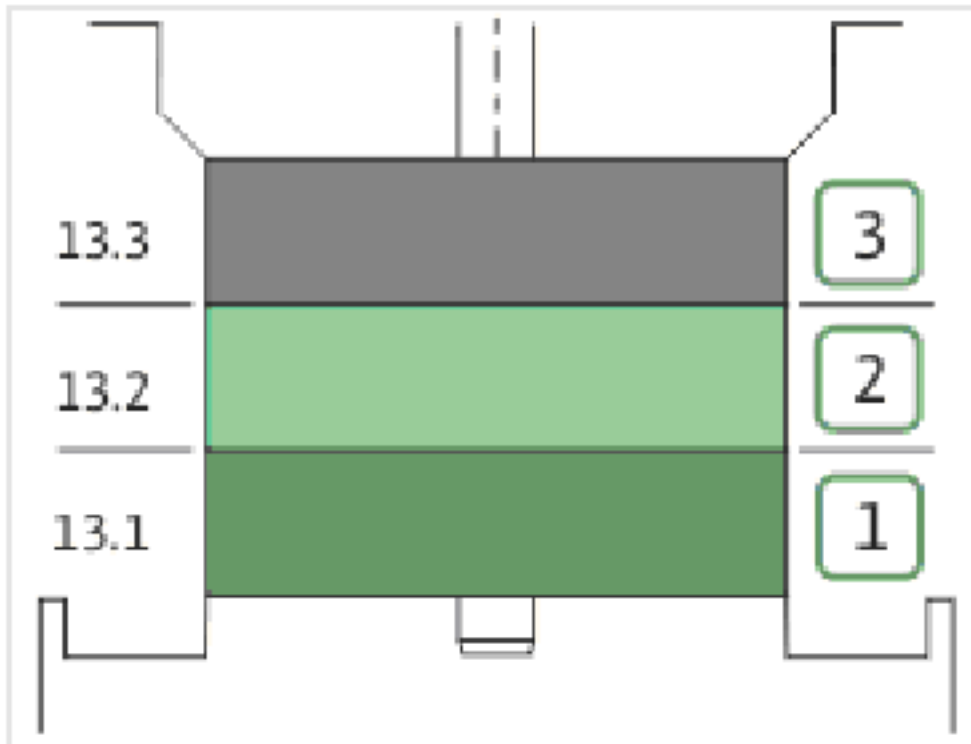
HELIX FIRST V603-5/25/E/S/400-50 (4201130)

Item	Article no.	Description	Quantity
15	4208872	PUMP HOUSING HELIX V6 DN32 PN30 KIT	1
15.1		> MACH+CATA PUMP CASING M+5" DN32 PN25 GJL	1
15.2	4010031	> FLAT GASKET D.30/79	1
15.3	4177877	> PRIMING/DRAIN PLUG HELIX PN30 KIT	1
15.3A		>> PRIMING/DRAIN PLUG M+6" 304	1
15.3B	4233957	>> O-RING ID.9 EPDM VP.	1
15.3C		>> O-RING Ø8xØ2 EPDM KTW/WRC	1
7.3	4176513	> O-RING FOR PUMP JACKET VP.	1



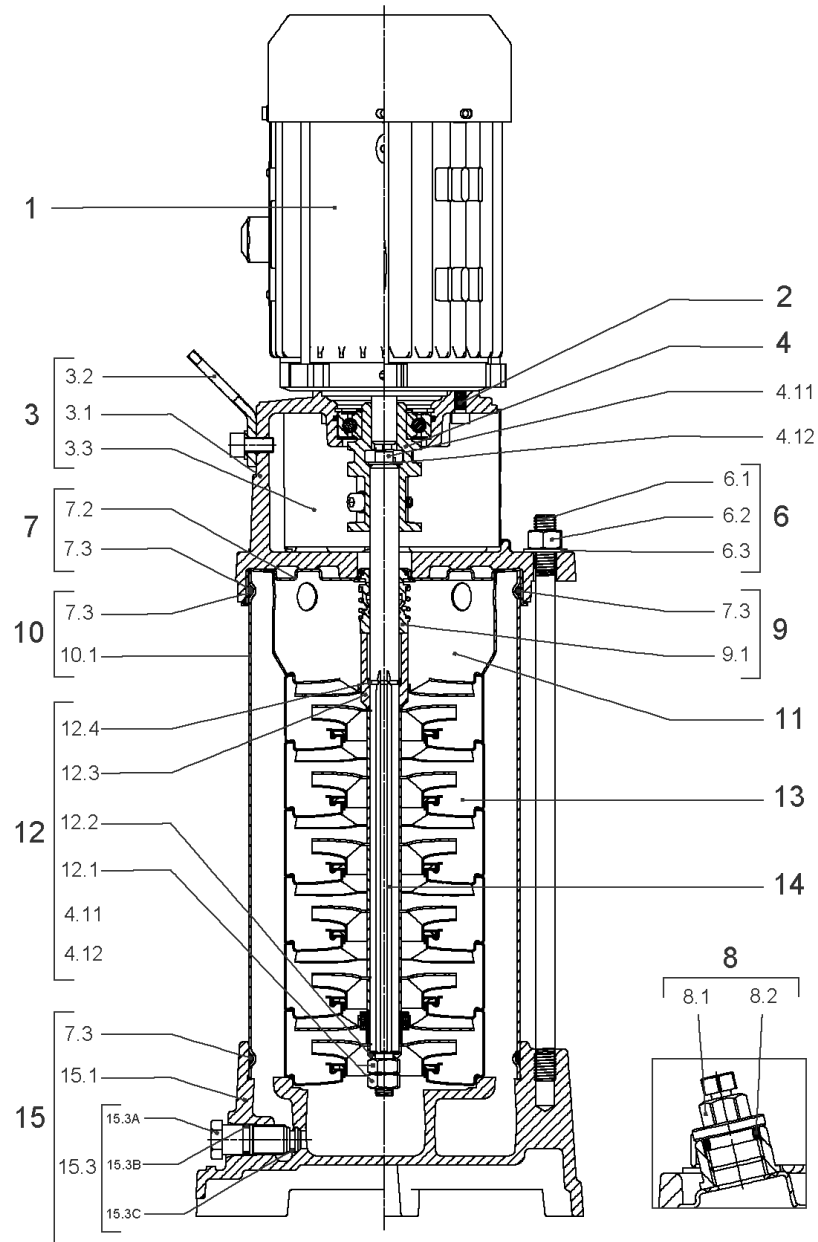
COUPLING HELIX D16 FT85 KIT (4214477)

Item	Article no.	Description	Quantity
4.1		COUPLING-VMI-Ø16xØ14-FT85-USINE	1
4.2	4177802	BALL BEARING 6205C3-ZZ HTVP.	1
4.3	4208923	CIRCLIP D25X1.2 VP.	1
4.4	4212716	SCREW M6X20 KIT (4PIECES)	1
4.5	4233124	CIRCLIP-FOR-BORES-D52x2 VP.	1
4.6	4234244	O-RING 52X2 VP.	1
		CONTACT-WASHER-6ETR-6,1x12,2x1,8-STEEL	1



HYDRAULIC HELIX V 603 1.4307

Item	Article no.	Description	Quantity
13.1	4174084	STAGE HELIX 6 1.4301 KIT	1
		> MACH.STG-CASING-WOGV-WNR-M+6-304	1
		> IMPELLER-M+6-304	1
13.2	4174089	INTERMEDIATE STAGE HELIX 6 1.4301 KIT	1
		> MACH.BEARING-STG-CASING-WNR-M+6-304	1
		> IMPELLER-M+6-304	1
		> SHAFT SLEEVE-SPACER-Ø19,35x18,465-304	1
		> SHAFT-SLEEVE-D16xD20x18-CW	1
13.3	4174090	INTERMEDIATE STAGE HELIX 6 1.4301 KIT	1
		> MACH.STD-STG-CASING-WGV+NR-M+6-304	1
		> IMPELLER-M+6-304	1
		> IMPELLER SPACER Ø16,05X19,45-L36,465-304	1



HELIX FIRST V604-5/16/E/S/400-50 (4201131)

Item	Article no.	Description	Quantity
1	4169940	MOTOR 0,75/2/80 3~230/400V 50HZ IE3 VP.	1
		SPARE PARTS MOTOR:ON REQUEST	1
2	4212716	SCREW M6X20 KIT (4PIECES)	1
3	4213752	LANTERN FT100 HELIX KIT	1
3.1		> LANT-MOT-VMI-ReDTC6"-FT100-MACHINED+CATA	1
3.2	4184852	> EYELET CPL.FT HELIX (2 PIECES)	1
3.3	4213713	> COUPLING PROTECTOR FT85/100 HELIX KIT	1
4	4159708	COUPLING D.16XD.19 FT100 HELIX KIT	1
6	2018359	STUD BOLT M12X245 KIT	1
6.1		> TIE BOLT M12-245x18x30-1.4057	1
6.2	2094647	> NUT M12 M12 ISO4032 VP.	1
6.3	2123557	> WASHER CS-12.4-24-1.6-NFE25 (4 PIECES)	1
7	4214481	STATIONARY RING HOLDER HELIX D27 ReDTC	1
7.2	4214479	> STATIONARY RING HOLDER HELIX D27 VP.	1
7.3	4176513	> O-RING FOR PUMP JACKET VP.	1
8	4212724	FILING/PURGING PLUG HELIX ReDTC KIT	1
8.1		> FILLING PLUG MVI6"-304	1
8.2	4177800	> O-RING EPDM PLUG HELIX VP.	1
9	4214483	MECH.SEAL HELIX6-10-16 O/E ReDTC KIT	1
9.1	4177801	> MECH.SEAL HELIX6-10-16 O/E VP.	1
7.3	4176513	> O-RING FOR PUMP JACKET VP.	1
10	4177818	HOUSING PIPES Ø152-M+1004-304 KIT	1
7.3	4176513	> O-RING FOR PUMP JACKET VP.	1
10.1		> HOUSING-PIPE Ø152-M+1004/1603-304	1
11	4174087	CENTERING STAGE-RETURN HELIX6 1.4301VP.	1
12	4214486	SHAFT EQUIPMENT HELIX V6 ReDTC KIT	1
12.1		> NUT-H-M10-A4.70	1
12.2		> SERRATED LOCK WASHER M+6M3-316L	1
12.3		> 1/2-SNAP-RING-6/10M3-316L	1
12.4		> STOP-RUSH-1/2-D16xd2-M+316	1
4.11		> SCREW CHC-M6X14-8.8-ISO4762-GEOMET500A	1
4.12		> WASHER D.24 L6U ZINK	1
13		HYDRAULIC HELIX V 604 1.4307	1
14	4214495	SHAFT D.16X278 HELIX 1.4057 VP.	1

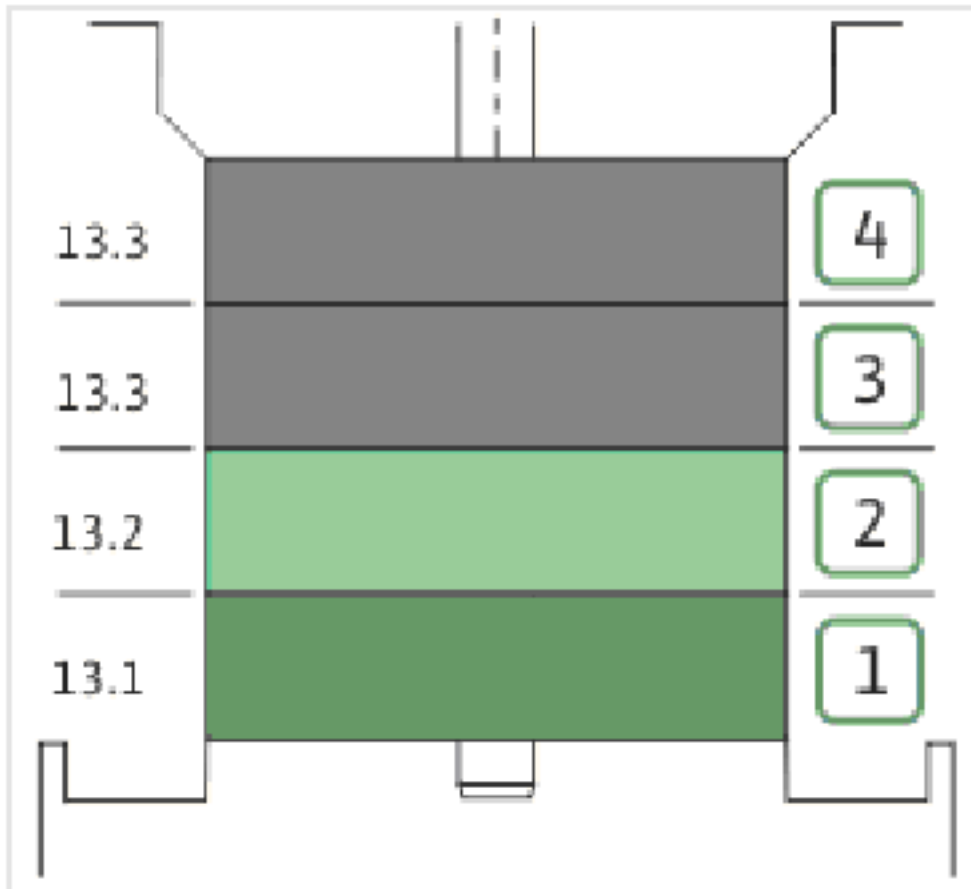
HELIX FIRST V604-5/16/E/S/400-50 (4201131)

Item	Article no.	Description	Quantity
15	4215105	PUMP HOUSING HELIX V2/4/6 DN32 PN16 KIT	1
15.1		> MACH+CATA PPE HOUSING M+5" D32-PN16 GJL	1
15.2	4191618	> O-RING ID.44,05x3,53 EPDM VP.	1
15.3	4171321	> PRIMING/DRAIN PLUG EPDM HELIX KIT	1
7.3	4176513	> O-RING FOR PUMP JACKET VP.	1



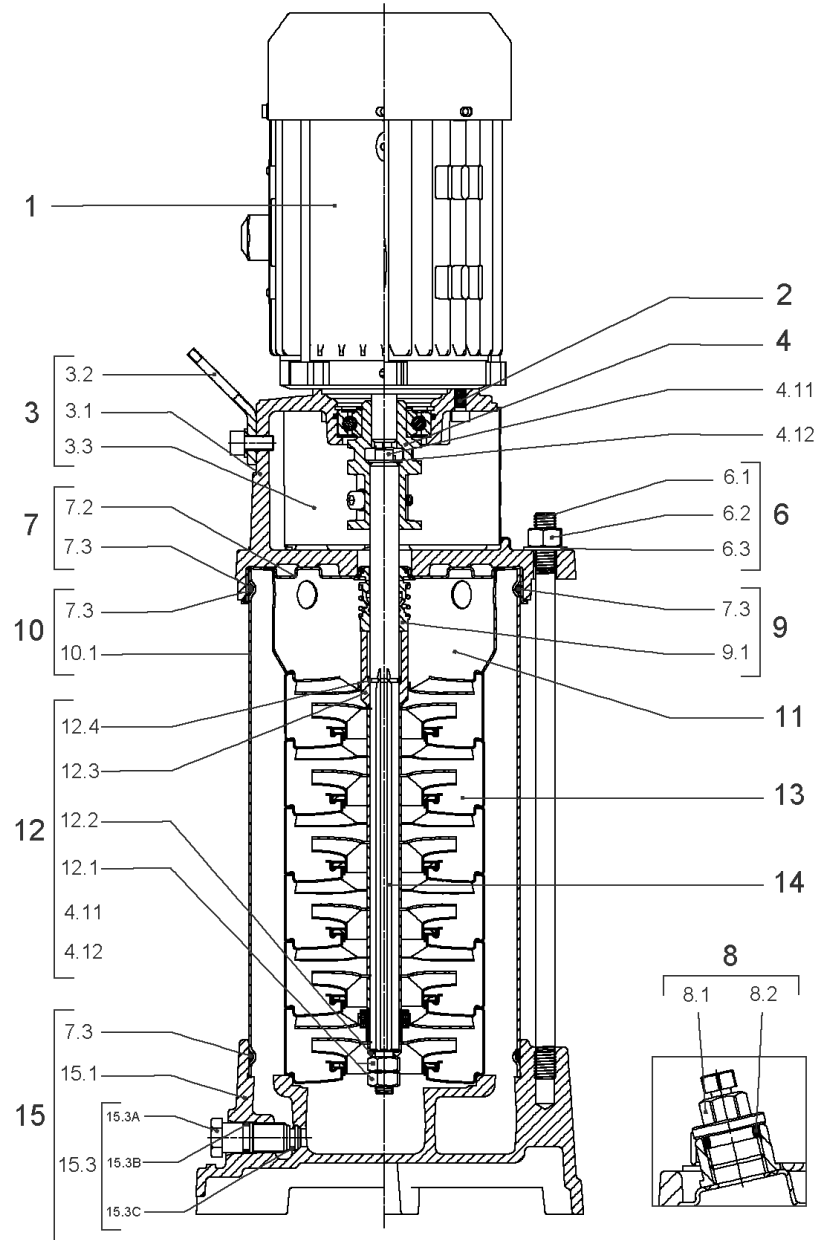
COUPLING D.16XD.19 FT100 HELIX KIT (4159708)

Item	Article no.	Description	Quantity
4.1		COUPLING M+ Ø16XØ19 FT100 MACHINED	1
4.2	2130977	BALL BEARING 6206/ZZ-C3(HT)VP.	1
4.3	4234249	CIRCLIP-FOR-SHAFT-D30x1.5 VP.	1
4.4	4212716	SCREW M6X20 KIT (4PIECES)	1
4.5	4234250	CIRCLIP-D62x2 VP.	1
4.6	4234245	O-RING 63X3 VP.	1
		CONTACT-WASHER-6ETR-6,1x12,2x1,8-STEEL	1



HYDRAULIC HELIX V 604 1.4307

Item	Article no.	Description	Quantity
13.1	4174084	STAGE HELIX 6 1.4301 KIT	1
		> MACH.STG-CASING-WOGV-WNR-M+6-304	1
		> IMPELLER-M+6-304	1
13.2	4174089	INTERMEDIATE STAGE HELIX 6 1.4301 KIT	1
		> MACH.BEARING-STG-CASING-WNR-M+6-304	1
		> IMPELLER-M+6-304	1
		> SHAFT SLEEVE-SPACER-Ø19,35x18,465-304	1
		> SHAFT-SLEEVE-D16xD20x18-CW	1
13.3	4174090	INTERMEDIATE STAGE HELIX 6 1.4301 KIT	1
		> MACH.STD-STG-CASING-WGV+NR-M+6-304	1
		> IMPELLER-M+6-304	1
		> IMPELLER SPACER Ø16,05X19,45-L36,465-304	1



HELIX FIRST V604-5/25/E/S/400-50 (4201132)

Item	Article no.	Description	Quantity
1	4169940	MOTOR 0,75/2/80 3~230/400V 50HZ IE3 VP.	1
		SPARE PARTS MOTOR:ON REQUEST	1
2	4212716	SCREW M6X20 KIT (4PIECES)	1
3	4213752	LANTERN FT100 HELIX KIT	1
3.1		> LANT-MOT-VMI-ReDTC6"-FT100-MACHINED+CATA	1
3.2	4184852	> EYELET CPL.FT HELIX (2 PIECES)	1
3.3	4213713	> COUPLING PROTECTOR FT85/100 HELIX KIT	1
4	4159708	COUPLING D.16XD.19 FT100 HELIX KIT	1
6	2018359	STUD BOLT M12X245 KIT	1
6.1		> TIE BOLT M12-245x18x30-1.4057	1
6.2	2094647	> NUT M12 M12 ISO4032 VP.	1
6.3	2123557	> WASHER CS-12.4-24-1.6-NFE25 (4 PIECES)	1
7	4214481	STATIONARY RING HOLDER HELIX D27 ReDTC	1
7.2	4214479	> STATIONARY RING HOLDER HELIX D27 VP.	1
7.3	4176513	> O-RING FOR PUMP JACKET VP.	1
8	4212724	FILING/PURGING PLUG HELIX ReDTC KIT	1
8.1		> FILLING PLUG MVI6"-304	1
8.2	4177800	> O-RING EPDM PLUG HELIX VP.	1
9	4214483	MECH.SEAL HELIX6-10-16 O/E ReDTC KIT	1
9.1	4177801	> MECH.SEAL HELIX6-10-16 O/E VP.	1
7.3	4176513	> O-RING FOR PUMP JACKET VP.	1
10	4177818	HOUSING PIPES Ø152-M+1004-304 KIT	1
7.3	4176513	> O-RING FOR PUMP JACKET VP.	1
10.1		> HOUSING-PIPE Ø152-M+1004/1603-304	1
11	4174087	CENTERING STAGE-RETURN HELIX6 1.4301VP.	1
12	4214486	SHAFT EQUIPMENT HELIX V6 ReDTC KIT	1
12.1		> NUT-H-M10-A4.70	1
12.2		> SERRATED LOCK WASHER M+6M3-316L	1
12.3		> 1/2-SNAP-RING-6/10M3-316L	1
12.4		> STOP-RUSH-1/2-D16xd2-M+316	1
4.11		> SCREW CHC-M6X14-8.8-ISO4762-GEOMET500A	1
4.12		> WASHER D.24 L6U ZINK	1
13		HYDRAULIC HELIX V 604 1.4307	1
14	4214495	SHAFT D.16X278 HELIX 1.4057 VP.	1

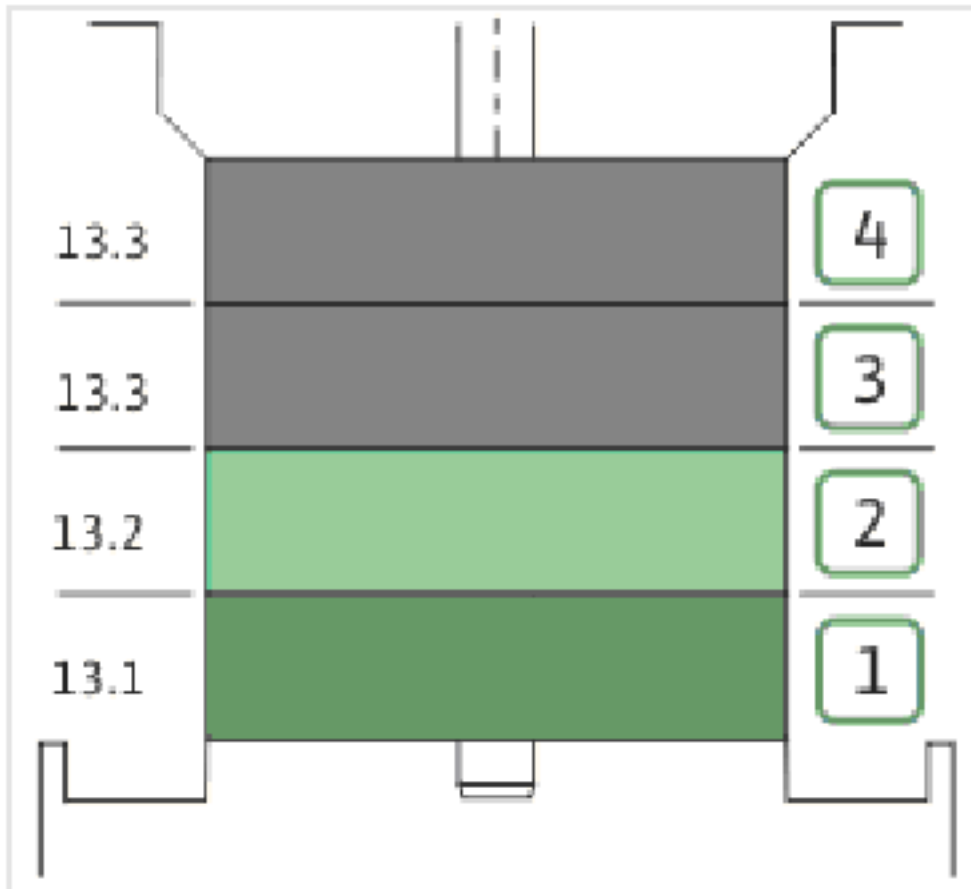
HELIX FIRST V604-5/25/E/S/400-50 (4201132)

Item	Article no.	Description	Quantity
15	4208872	PUMP HOUSING HELIX V6 DN32 PN30 KIT	1
15.1		> MACH+CATA PUMP CASING M+5" DN32 PN25 GJL	1
15.2	4010031	> FLAT GASKET D.30/79	1
15.3	4177877	> PRIMING/DRAIN PLUG HELIX PN30 KIT	1
15.3A		>> PRIMING/DRAIN PLUG M+6" 304	1
15.3B	4233957	>> O-RING ID.9 EPDM VP.	1
15.3C		>> O-RING Ø8xØ2 EPDM KTW/WRC	1
7.3	4176513	> O-RING FOR PUMP JACKET VP.	1



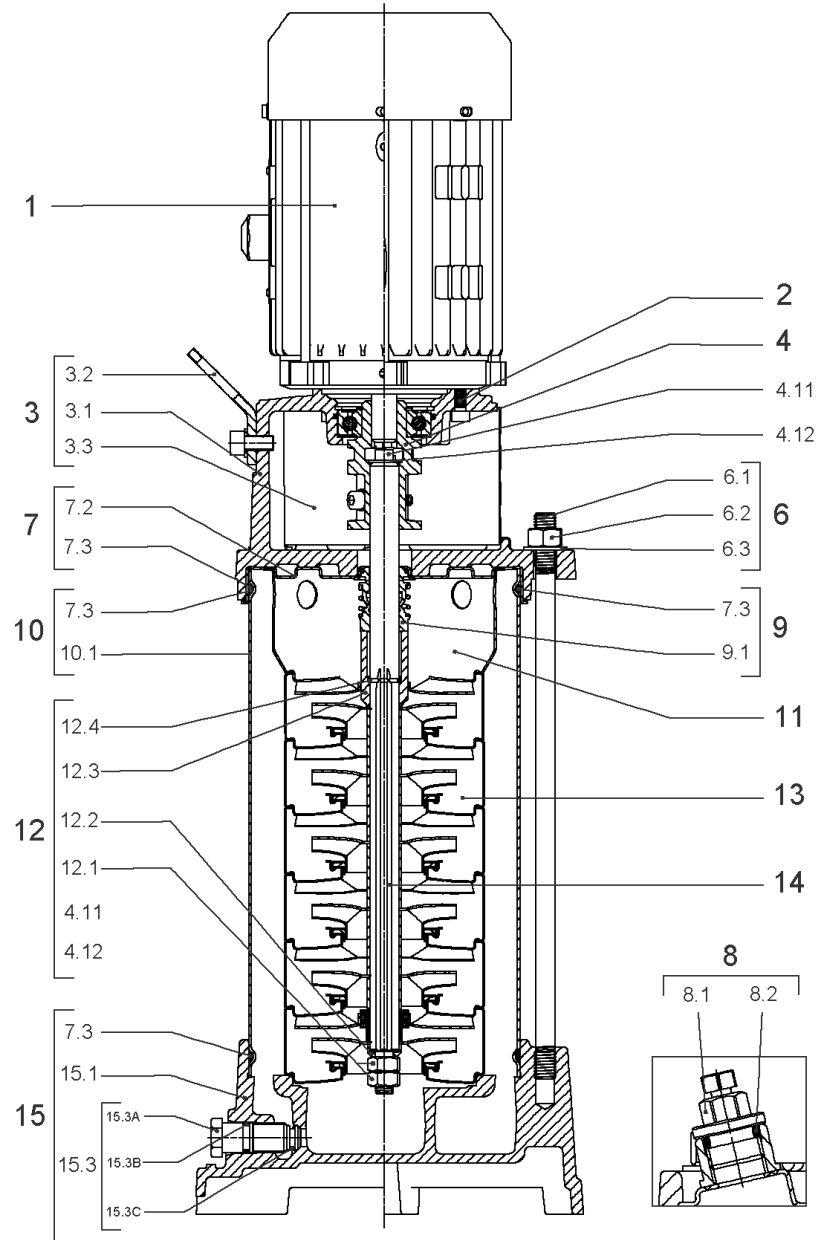
COUPLING D.16XD.19 FT100 HELIX KIT (4159708)

Item	Article no.	Description	Quantity
4.1		COUPLING M+ Ø16XØ19 FT100 MACHINED	1
4.2	2130977	BALL BEARING 6206/ZZ-C3(HT)VP.	1
4.3	4234249	CIRCLIP-FOR-SHAFT-D30x1.5 VP.	1
4.4	4212716	SCREW M6X20 KIT (4PIECES)	1
4.5	4234250	CIRCLIP-D62x2 VP.	1
4.6	4234245	O-RING 63X3 VP.	1
		CONTACT-WASHER-6ETR-6,1x12,2x1,8-STEEL	1



HYDRAULIC HELIX V 604 1.4307

Item	Article no.	Description	Quantity
13.1	4174084	STAGE HELIX 6 1.4301 KIT	1
		> MACH.STG-CASING-WOGV-WNR-M+6-304	1
		> IMPELLER-M+6-304	1
13.2	4174089	INTERMEDIATE STAGE HELIX 6 1.4301 KIT	1
		> MACH.BEARING-STG-CASING-WNR-M+6-304	1
		> IMPELLER-M+6-304	1
		> SHAFT SLEEVE-SPACER-Ø19,35x18,465-304	1
		> SHAFT-SLEEVE-D16xD20x18-CW	1
13.3	4174090	INTERMEDIATE STAGE HELIX 6 1.4301 KIT	1
		> MACH.STD-STG-CASING-WGV+NR-M+6-304	1
		> IMPELLER-M+6-304	1
		> IMPELLER SPACER Ø16,05X19,45-L36,465-304	1



HELIX FIRST V605-5/16/E/S/400-50 (4201134)

Item	Article no.	Description	Quantity
1	4169941	MOTOR 1,1/2/80 3~230/400V 50HZ IE3 VP.	1
		SPARE PARTS MOTOR:ON REQUEST	1
2	4212716	SCREW M6X20 KIT (4PIECES)	1
3	4213752	LANTERN FT100 HELIX KIT	1
3.1		> LANT-MOT-VMI-ReDTC6"-FT100-MACHINED+CATA	1
3.2	4184852	> EYELET CPL.FT HELIX (2 PIECES)	1
3.3	4213713	> COUPLING PROTECTOR FT85/100 HELIX KIT	1
4	4159708	COUPLING D.16XD.19 FT100 HELIX KIT	1
6	4214974	STUD BOLT HELIX M12X279 KIT	1
6.1		> TIE BOLT M12-279x18x30-1.4057	1
6.2	2094647	> NUT M12 M12 ISO4032 VP.	1
6.3	2123557	> WASHER CS-12.4-24-1.6-NFE25 (4 PIECES)	1
7	4214481	STATIONARY RING HOLDER HELIX D27 ReDTC	1
7.2	4214479	> STATIONARY RING HOLDER HELIX D27 VP.	1
7.3	4176513	> O-RING FOR PUMP JACKET VP.	1
8	4212724	FILING/PURGING PLUG HELIX ReDTC KIT	1
8.1		> FILLING PLUG MVI6"-304	1
8.2	4177800	> O-RING EPDM PLUG HELIX VP.	1
9	4214483	MECH.SEAL HELIX6-10-16 O/E ReDTC KIT	1
9.1	4177801	> MECH.SEAL HELIX6-10-16 O/E VP.	1
7.3	4176513	> O-RING FOR PUMP JACKET VP.	1
10	4176518	HOUSING PIPES D.152X247 1.4301 KIT	1
7.3	4176513	> O-RING FOR PUMP JACKET VP.	1
10.1		> HOUSING-PIPE Ø152-M+1005-304	1
11	4174087	CENTERING STAGE-RETURN HELIX6 1.4301VP.	1
12	4214486	SHAFT EQUIPMENT HELIX V6 ReDTC KIT	1
12.1		> NUT-H-M10-A4.70	1
12.2		> SERRATED LOCK WASHER M+6M3-316L	1
12.3		> 1/2-SNAP-RING-6/10M3-316L	1
12.4		> STOP-RUSH-1/2-D16xd2-M+316	1
4.11		> SCREW CHC-M6X14-8.8-ISO4762-GEOMET500A	1
4.12		> WASHER D.24 L6U ZINK	1
13		HYDRAULIC HELIX V 605 1.4307	1
14	4214498	SHAFT D.16X316 HELIX 1.4057 VP.	1

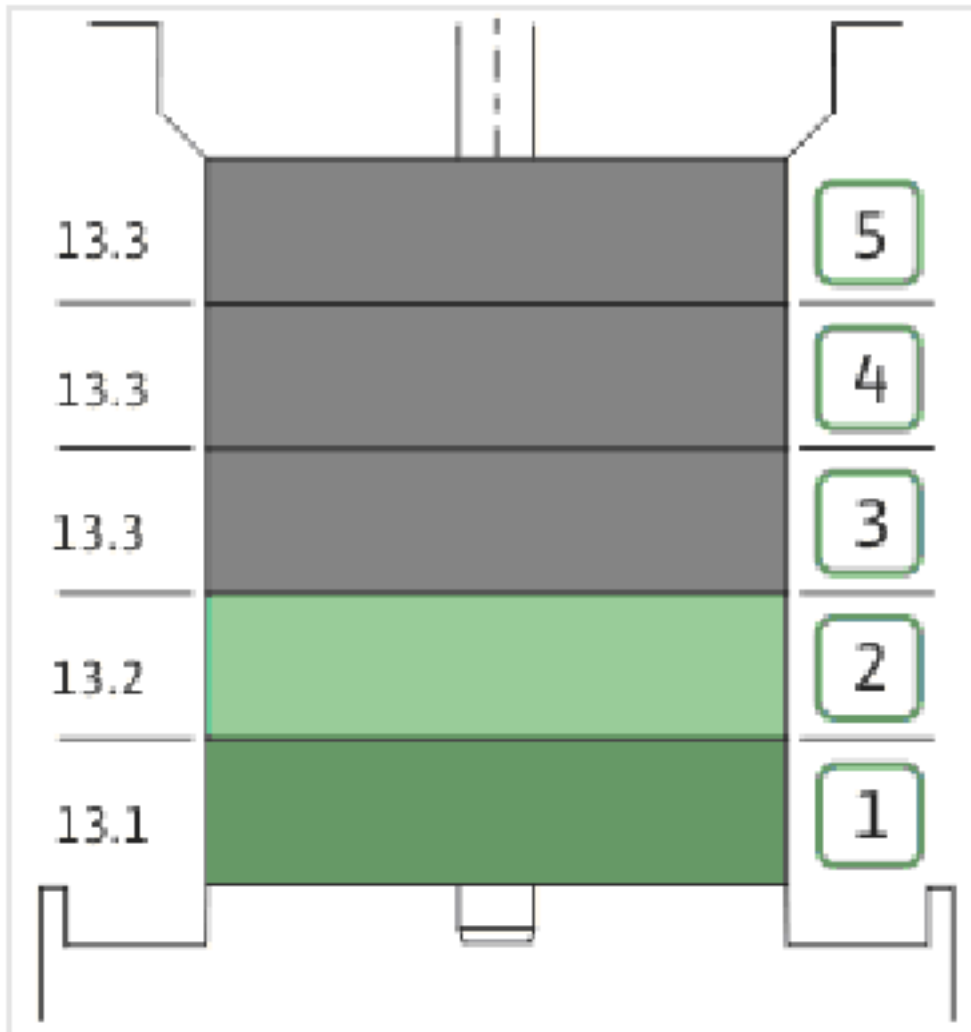
HELIX FIRST V605-5/16/E/S/400-50 (4201134)

Item	Article no.	Description	Quantity
15	4215105	PUMP HOUSING HELIX V2/4/6 DN32 PN16 KIT	1
15.1		> MACH+CATA PPE HOUSING M+5" D32-PN16 GJL	1
15.2	4191618	> O-RING ID.44,05x3,53 EPDM VP.	1
15.3	4171321	> PRIMING/DRAIN PLUG EPDM HELIX KIT	1
7.3	4176513	> O-RING FOR PUMP JACKET VP.	1



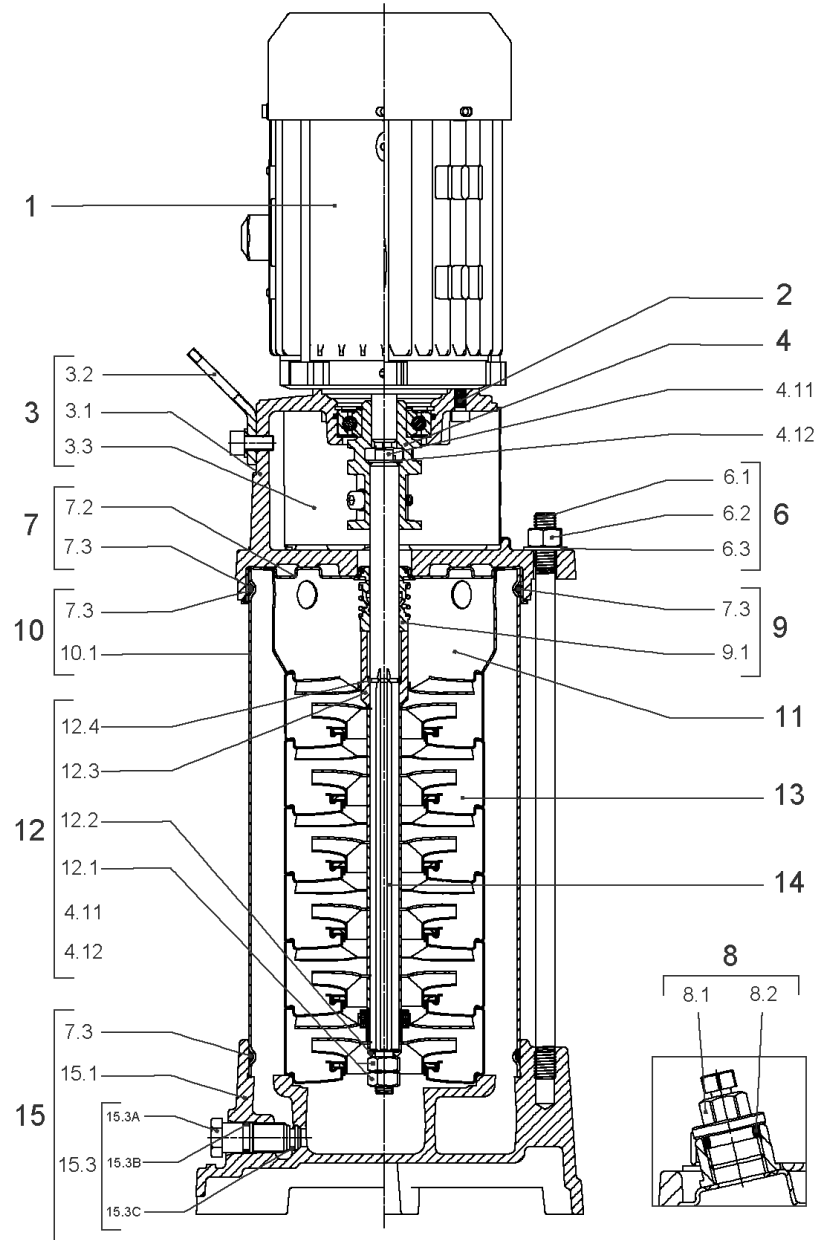
COUPLING D.16XD.19 FT100 HELIX KIT (4159708)

Item	Article no.	Description	Quantity
4.1		COUPLING M+ Ø16XØ19 FT100 MACHINED	1
4.2	2130977	BALL BEARING 6206/ZZ-C3(HT)VP.	1
4.3	4234249	CIRCLIP-FOR-SHAFT-D30x1.5 VP.	1
4.4	4212716	SCREW M6X20 KIT (4PIECES)	1
4.5	4234250	CIRCLIP-D62x2 VP.	1
4.6	4234245	O-RING 63X3 VP.	1
		CONTACT-WASHER-6ETR-6,1x12,2x1,8-STEEL	1



HYDRAULIC HELIX V 605 1.4307

Item	Article no.	Description	Quantity
13.1	4174084	STAGE HELIX 6 1.4301 KIT	1
		> MACH.STG-CASING-WOGV-WNR-M+6-304	1
		> IMPELLER-M+6-304	1
13.2	4174089	INTERMEDIATE STAGE HELIX 6 1.4301 KIT	1
		> MACH.BEARING-STG-CASING-WNR-M+6-304	1
		> IMPELLER-M+6-304	1
		> SHAFT SLEEVE-SPACER-Ø19,35x18,465-304	1
		> SHAFT-SLEEVE-D16xD20x18-CW	1
13.3	4174090	INTERMEDIATE STAGE HELIX 6 1.4301 KIT	1
		> MACH.STD-STG-CASING-WGV+NR-M+6-304	1
		> IMPELLER-M+6-304	1
		> IMPELLER SPACER Ø16,05X19,45-L36,465-304	1



HELIX FIRST V605-5/25/E/S/400-50 (4201136)

Item	Article no.	Description	Quantity
1	4169941	MOTOR 1,1/2/80 3~230/400V 50HZ IE3 VP.	1
		SPARE PARTS MOTOR:ON REQUEST	1
2	4212716	SCREW M6X20 KIT (4PIECES)	1
3	4213752	LANTERN FT100 HELIX KIT	1
3.1		> LANT-MOT-VMI-ReDTC6"-FT100-MACHINED+CATA	1
3.2	4184852	> EYELET CPL.FT HELIX (2 PIECES)	1
3.3	4213713	> COUPLING PROTECTOR FT85/100 HELIX KIT	1
4	4159708	COUPLING D.16XD.19 FT100 HELIX KIT	1
6	4214974	STUD BOLT HELIX M12X279 KIT	1
6.1		> TIE BOLT M12-279x18x30-1.4057	1
6.2	2094647	> NUT M12 M12 ISO4032 VP.	1
6.3	2123557	> WASHER CS-12.4-24-1.6-NFE25 (4 PIECES)	1
7	4214481	STATIONARY RING HOLDER HELIX D27 ReDTC	1
7.2	4214479	> STATIONARY RING HOLDER HELIX D27 VP.	1
7.3	4176513	> O-RING FOR PUMP JACKET VP.	1
8	4212724	FILING/PURGING PLUG HELIX ReDTC KIT	1
8.1		> FILLING PLUG MVI6"-304	1
8.2	4177800	> O-RING EPDM PLUG HELIX VP.	1
9	4214483	MECH.SEAL HELIX6-10-16 O/E ReDTC KIT	1
9.1	4177801	> MECH.SEAL HELIX6-10-16 O/E VP.	1
7.3	4176513	> O-RING FOR PUMP JACKET VP.	1
10	4176518	HOUSING PIPES D.152X247 1.4301 KIT	1
7.3	4176513	> O-RING FOR PUMP JACKET VP.	1
10.1		> HOUSING-PIPE Ø152-M+1005-304	1
11	4174087	CENTERING STAGE-RETURN HELIX6 1.4301VP.	1
12	4214486	SHAFT EQUIPMENT HELIX V6 ReDTC KIT	1
12.1		> NUT-H-M10-A4.70	1
12.2		> SERRATED LOCK WASHER M+6M3-316L	1
12.3		> 1/2-SNAP-RING-6/10M3-316L	1
12.4		> STOP-RUSH-1/2-D16xd2-M+316	1
4.11		> SCREW CHC-M6X14-8.8-ISO4762-GEOMET500A	1
4.12		> WASHER D.24 L6U ZINK	1
13		HYDRAULIC HELIX V 605 1.4307	1
14	4214498	SHAFT D.16X316 HELIX 1.4057 VP.	1

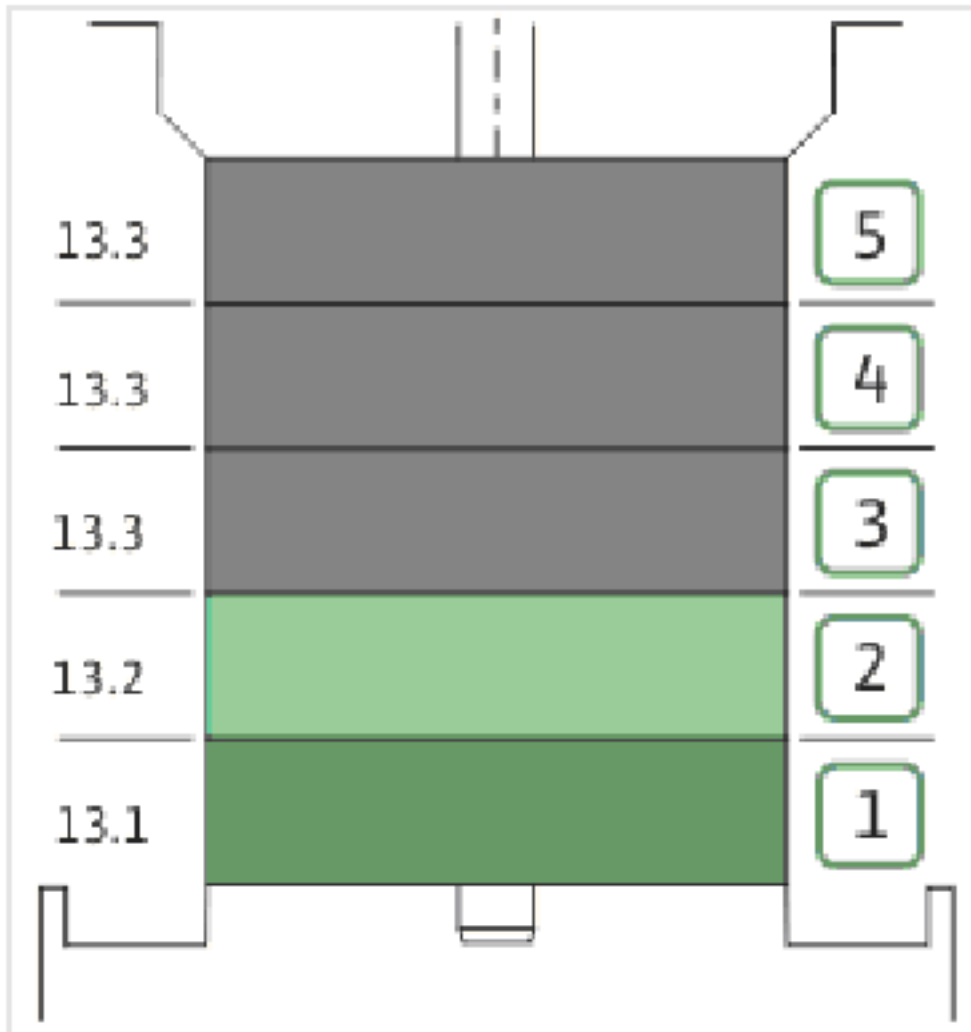
HELIX FIRST V605-5/25/E/S/400-50 (4201136)

Item	Article no.	Description	Quantity
15	4208872	PUMP HOUSING HELIX V6 DN32 PN30 KIT	1
15.1		> MACH+CATA PUMP CASING M+5" DN32 PN25 GJL	1
15.2	4010031	> FLAT GASKET D.30/79	1
15.3	4177877	> PRIMING/DRAIN PLUG HELIX PN30 KIT	1
15.3A		>> PRIMING/DRAIN PLUG M+6" 304	1
15.3B	4233957	>> O-RING ID.9 EPDM VP.	1
15.3C		>> O-RING Ø8xØ2 EPDM KTW/WRC	1
7.3	4176513	> O-RING FOR PUMP JACKET VP.	1



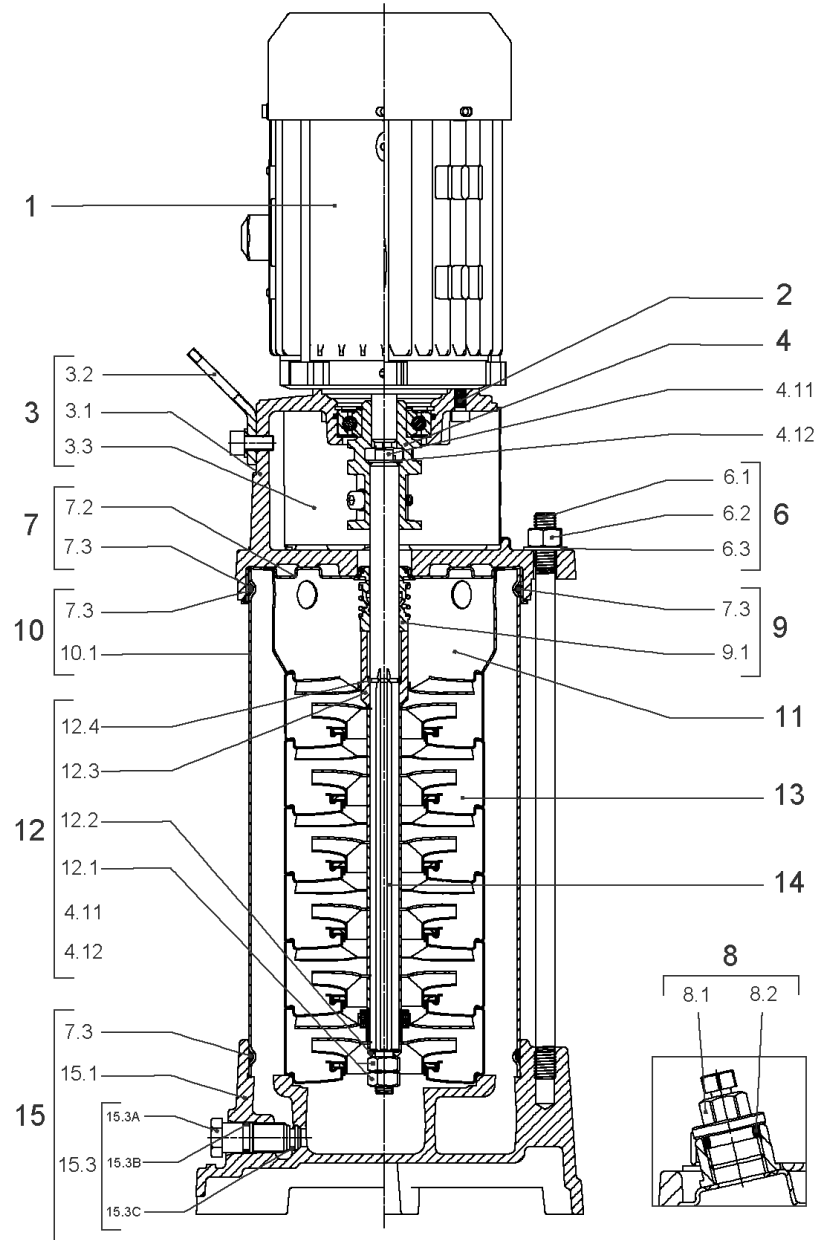
COUPLING D.16XD.19 FT100 HELIX KIT (4159708)

Item	Article no.	Description	Quantity
4.1		COUPLING M+ Ø16XØ19 FT100 MACHINED	1
4.2	2130977	BALL BEARING 6206/ZZ-C3(HT)VP.	1
4.3	4234249	CIRCLIP-FOR-SHAFT-D30x1.5 VP.	1
4.4	4212716	SCREW M6X20 KIT (4PIECES)	1
4.5	4234250	CIRCLIP-D62x2 VP.	1
4.6	4234245	O-RING 63X3 VP.	1
		CONTACT-WASHER-6ETR-6,1x12,2x1,8-STEEL	1



HYDRAULIC HELIX V 605 1.4307

Item	Article no.	Description	Quantity
13.1	4174084	STAGE HELIX 6 1.4301 KIT	1
		> MACH.STG-CASING-WOGV-WNR-M+6-304	1
		> IMPELLER-M+6-304	1
13.2	4174089	INTERMEDIATE STAGE HELIX 6 1.4301 KIT	1
		> MACH.BEARING-STG-CASING-WNR-M+6-304	1
		> IMPELLER-M+6-304	1
		> SHAFT SLEEVE-SPACER-Ø19,35x18,465-304	1
		> SHAFT-SLEEVE-D16xD20x18-CW	1
13.3	4174090	INTERMEDIATE STAGE HELIX 6 1.4301 KIT	1
		> MACH.STD-STG-CASING-WGV+NR-M+6-304	1
		> IMPELLER-M+6-304	1
		> IMPELLER SPACER Ø16,05X19,45-L36,465-304	1



HELIX FIRST V606-5/16/E/S/400-50 (4201137)

Item	Article no.	Description	Quantity
1	4169941	MOTOR 1,1/2/80 3~230/400V 50HZ IE3 VP.	1
		SPARE PARTS MOTOR:ON REQUEST	1
2	4212716	SCREW M6X20 KIT (4PIECES)	1
3	4213752	LANTERN FT100 HELIX KIT	1
3.1		> LANT-MOT-VMI-ReDTC6"-FT100-MACHINED+CATA	1
3.2	4184852	> EYELET CPL.FT HELIX (2 PIECES)	1
3.3	4213713	> COUPLING PROTECTOR FT85/100 HELIX KIT	1
4	4159708	COUPLING D.16XD.19 FT100 HELIX KIT	1
6	4178579	STUD BOLT M12X317 KIT	1
6.1		> TIE BOLT M12-317x18x30-1.4057	1
6.2	2094647	> NUT M12 M12 ISO4032 VP.	1
6.3	2123557	> WASHER CS-12.4-24-1.6-NFE25 (4 PIECES)	1
7	4214481	STATIONARY RING HOLDER HELIX D27 ReDTC	1
7.2	4214479	> STATIONARY RING HOLDER HELIX D27 VP.	1
7.3	4176513	> O-RING FOR PUMP JACKET VP.	1
8	4212724	FILING/PURGING PLUG HELIX ReDTC KIT	1
8.1		> FILLING PLUG MVI6"-304	1
8.2	4177800	> O-RING EPDM PLUG HELIX VP.	1
9	4214483	MECH.SEAL HELIX6-10-16 O/E ReDTC KIT	1
9.1	4177801	> MECH.SEAL HELIX6-10-16 O/E VP.	1
7.3	4176513	> O-RING FOR PUMP JACKET VP.	1
10	4177823	HOUSING PIPES D.152X285 1.4301 KIT	1
7.3	4176513	> O-RING FOR PUMP JACKET VP.	1
10.1		> HOUSING-PIPE Ø152-M+1006-304	1
11	4174087	CENTERING STAGE-RETURN HELIX6 1.4301VP.	1
12	4214486	SHAFT EQUIPMENT HELIX V6 ReDTC KIT	1
12.1		> NUT-H-M10-A4.70	1
12.2		> SERRATED LOCK WASHER M+6M3-316L	1
12.3		> 1/2-SNAP-RING-6/10M3-316L	1
12.4		> STOP-RUSH-1/2-D16xd2-M+316	1
4.11		> SCREW CHC-M6X14-8.8-ISO4762-GEOMET500A	1
4.12		> WASHER D.24 L6U ZINK	1
13		HYDRAULIC HELIX V 606 1.4307	1
14	4214500	SHAFT D.16X353 HELIX 1.4057 VP.	1

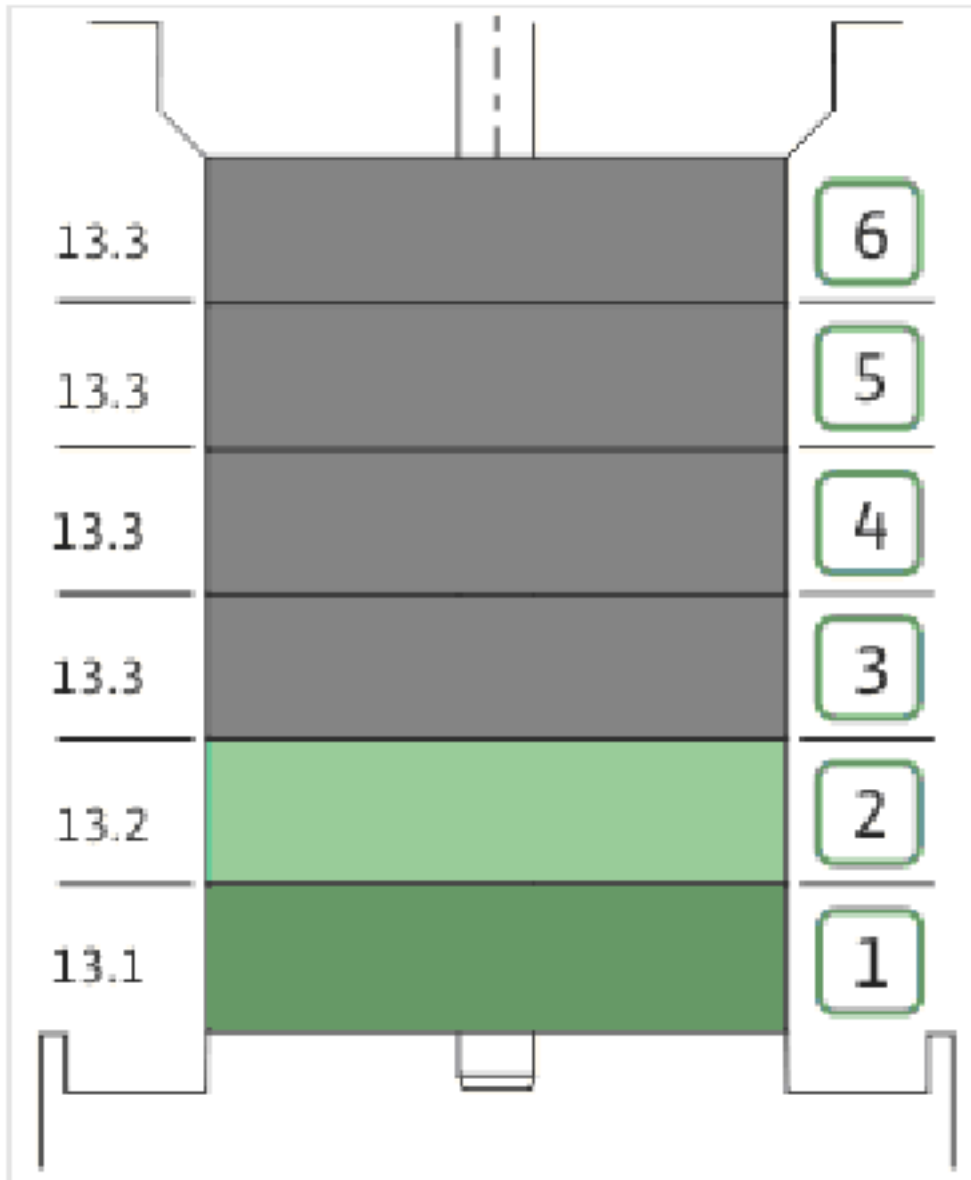
HELIX FIRST V606-5/16/E/S/400-50 (4201137)

Item	Article no.	Description	Quantity
15	4215105	PUMP HOUSING HELIX V2/4/6 DN32 PN16 KIT	1
15.1		> MACH+CATA PPE HOUSING M+5" D32-PN16 GJL	1
15.2	4191618	> O-RING ID.44,05x3,53 EPDM VP.	1
15.3	4171321	> PRIMING/DRAIN PLUG EPDM HELIX KIT	1
7.3	4176513	> O-RING FOR PUMP JACKET VP.	1



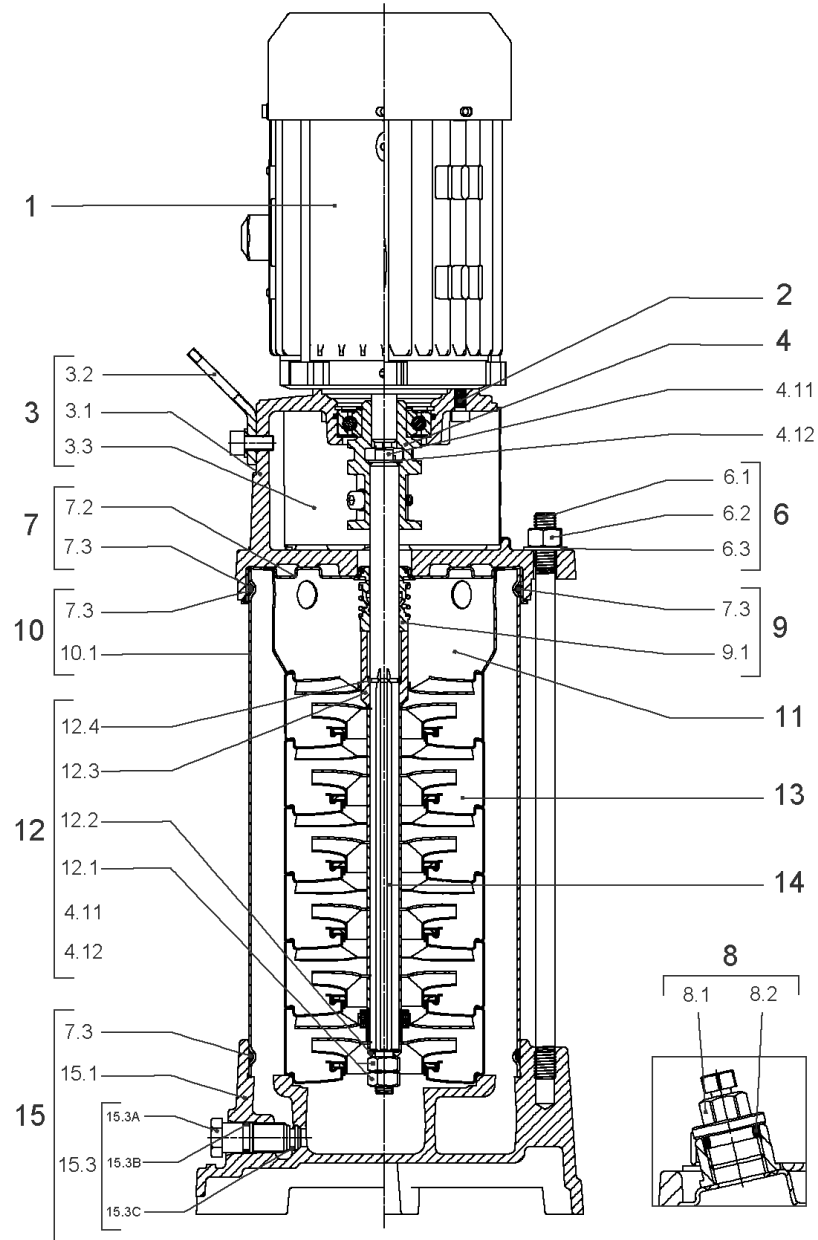
COUPLING D.16XD.19 FT100 HELIX KIT (4159708)

Item	Article no.	Description	Quantity
4.1		COUPLING M+ Ø16XØ19 FT100 MACHINED	1
4.2	2130977	BALL BEARING 6206/ZZ-C3(HT)VP.	1
4.3	4234249	CIRCLIP-FOR-SHAFT-D30x1.5 VP.	1
4.4	4212716	SCREW M6X20 KIT (4PIECES)	1
4.5	4234250	CIRCLIP-D62x2 VP.	1
4.6	4234245	O-RING 63X3 VP.	1
		CONTACT-WASHER-6ETR-6,1x12,2x1,8-STEEL	1



HYDRAULIC HELIX V 606 1.4307

Item	Article no.	Description	Quantity
13.1	4174084	STAGE HELIX 6 1.4301 KIT	1
		> MACH.STG-CASING-WOGV-WNR-M+6-304	1
		> IMPELLER-M+6-304	1
13.2	4174089	INTERMEDIATE STAGE HELIX 6 1.4301 KIT	1
		> MACH.BEARING-STG-CASING-WNR-M+6-304	1
		> IMPELLER-M+6-304	1
		> SHAFT SLEEVE-SPACER-Ø19,35x18,465-304	1
		> SHAFT-SLEEVE-D16xD20x18-CW	1
13.3	4174090	INTERMEDIATE STAGE HELIX 6 1.4301 KIT	1
		> MACH.STD-STG-CASING-WGV+NR-M+6-304	1
		> IMPELLER-M+6-304	1
		> IMPELLER SPACER Ø16,05X19,45-L36,465-304	1



HELIX FIRST V606-5/25/E/S/400-50 (4201139)

Item	Article no.	Description	Quantity
1	4169941	MOTOR 1,1/2/80 3~230/400V 50HZ IE3 VP.	1
		SPARE PARTS MOTOR:ON REQUEST	1
2	4212716	SCREW M6X20 KIT (4PIECES)	1
3	4213752	LANTERN FT100 HELIX KIT	1
3.1		> LANT-MOT-VMI-ReDTC6"-FT100-MACHINED+CATA	1
3.2	4184852	> EYELET CPL.FT HELIX (2 PIECES)	1
3.3	4213713	> COUPLING PROTECTOR FT85/100 HELIX KIT	1
4	4159708	COUPLING D.16XD.19 FT100 HELIX KIT	1
6	4178579	STUD BOLT M12X317 KIT	1
6.1		> TIE BOLT M12-317x18x30-1.4057	1
6.2	2094647	> NUT M12 M12 ISO4032 VP.	1
6.3	2123557	> WASHER CS-12.4-24-1.6-NFE25 (4 PIECES)	1
7	4214481	STATIONARY RING HOLDER HELIX D27 ReDTC	1
7.2	4214479	> STATIONARY RING HOLDER HELIX D27 VP.	1
7.3	4176513	> O-RING FOR PUMP JACKET VP.	1
8	4212724	FILING/PURGING PLUG HELIX ReDTC KIT	1
8.1		> FILLING PLUG MVI6"-304	1
8.2	4177800	> O-RING EPDM PLUG HELIX VP.	1
9	4214483	MECH.SEAL HELIX6-10-16 O/E ReDTC KIT	1
9.1	4177801	> MECH.SEAL HELIX6-10-16 O/E VP.	1
7.3	4176513	> O-RING FOR PUMP JACKET VP.	1
10	4177823	HOUSING PIPES D.152X285 1.4301 KIT	1
7.3	4176513	> O-RING FOR PUMP JACKET VP.	1
10.1		> HOUSING-PIPE Ø152-M+1006-304	1
11	4174087	CENTERING STAGE-RETURN HELIX6 1.4301VP.	1
12	4214486	SHAFT EQUIPMENT HELIX V6 ReDTC KIT	1
12.1		> NUT-H-M10-A4.70	1
12.2		> SERRATED LOCK WASHER M+6M3-316L	1
12.3		> 1/2-SNAP-RING-6/10M3-316L	1
12.4		> STOP-RUSH-1/2-D16xd2-M+316	1
4.11		> SCREW CHC-M6X14-8.8-ISO4762-GEOMET500A	1
4.12		> WASHER D.24 L6U ZINK	1
13		HYDRAULIC HELIX V 606 1.4307	1
14	4214500	SHAFT D.16X353 HELIX 1.4057 VP.	1

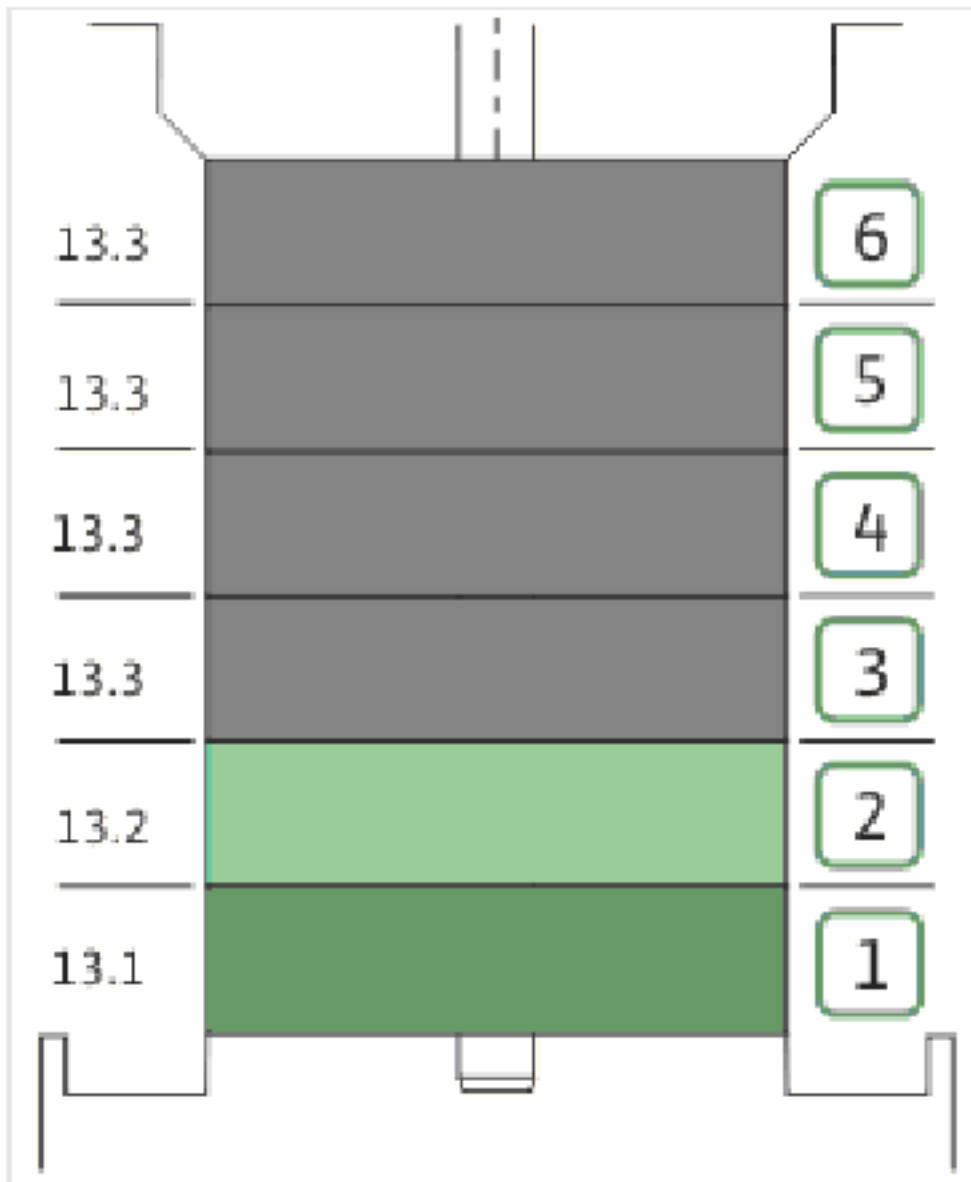
HELIX FIRST V606-5/25/E/S/400-50 (4201139)

Item	Article no.	Description	Quantity
15	4208872	PUMP HOUSING HELIX V6 DN32 PN30 KIT	1
15.1		> MACH+CATA PUMP CASING M+5" DN32 PN25 GJL	1
15.2	4010031	> FLAT GASKET D.30/79	1
15.3	4177877	> PRIMING/DRAIN PLUG HELIX PN30 KIT	1
15.3A		>> PRIMING/DRAIN PLUG M+6" 304	1
15.3B	4233957	>> O-RING ID.9 EPDM VP.	1
15.3C		>> O-RING Ø8xØ2 EPDM KTW/WRC	1
7.3	4176513	> O-RING FOR PUMP JACKET VP.	1



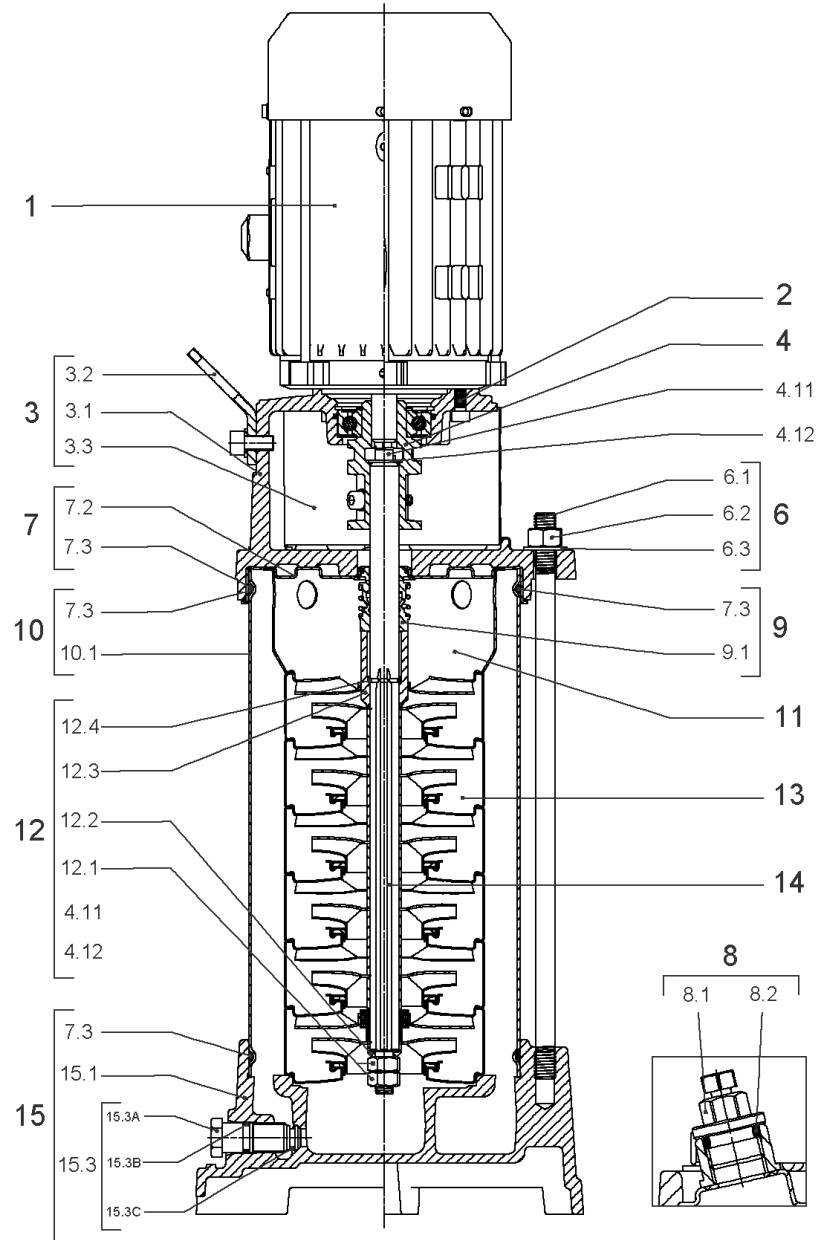
COUPLING D.16XD.19 FT100 HELIX KIT (4159708)

Item	Article no.	Description	Quantity
4.1		COUPLING M+ Ø16XØ19 FT100 MACHINED	1
4.2	2130977	BALL BEARING 6206/ZZ-C3(HT)VP.	1
4.3	4234249	CIRCLIP-FOR-SHAFT-D30x1.5 VP.	1
4.4	4212716	SCREW M6X20 KIT (4PIECES)	1
4.5	4234250	CIRCLIP-D62x2 VP.	1
4.6	4234245	O-RING 63X3 VP.	1
		CONTACT-WASHER-6ETR-6,1x12,2x1,8-STEEL	1



HYDRAULIC HELIX V 606 1.4307

Item	Article no.	Description	Quantity
13.1	4174084	STAGE HELIX 6 1.4301 KIT	1
		> MACH.STG-CASING-WOGV-WNR-M+6-304	1
		> IMPELLER-M+6-304	1
13.2	4174089	INTERMEDIATE STAGE HELIX 6 1.4301 KIT	1
		> MACH.BEARING-STG-CASING-WNR-M+6-304	1
		> IMPELLER-M+6-304	1
		> SHAFT SLEEVE-SPACER-Ø19,35x18,465-304	1
		> SHAFT-SLEEVE-D16xD20x18-CW	1
13.3	4174090	INTERMEDIATE STAGE HELIX 6 1.4301 KIT	1
		> MACH.STD-STG-CASING-WGV+NR-M+6-304	1
		> IMPELLER-M+6-304	1
		> IMPELLER SPACER Ø16,05X19,45-L36,465-304	1



HELIX FIRST V607-5/16/E/S/400-50 (4201140)

Item	Article no.	Description	Quantity
1	4169942	MO.1,5/2 3~230/400(440)V 50(60)HZ IE3 VP	1
		SPARE PARTS MOTOR:ON REQUEST	1
2	4159707	SCREW M8X30 (4 PIECES)	1
3	4213784	LANTERN FT115 HELIX KIT	1
3.1		> LANT-MOT-VMI-ReDTC6"-FT115-MACHINED+CATA	1
3.2	4184852	> EYELET CPL.FT HELIX (2 PIECES)	1
3.3	4213782	> COUPLING PROTECTOR FT115/130 HELIX KIT	1
4	4159709	COUPLING D.16xD.24 FT115 HELIX KIT	1
6	4214978	STUD BOLT HELIX M12X354 KIT	1
6.1		> TIE BOLT M12-354x18x30-1.4057	1
6.2	2094647	> NUT M12 M12 ISO4032 VP.	1
6.3	2123557	> WASHER CS-12.4-24-1.6-NFE25 (4 PIECES)	1
7	4214481	STATIONARY RING HOLDER HELIX D27 ReDTC	1
7.2	4214479	> STATIONARY RING HOLDER HELIX D27 VP.	1
7.3	4176513	> O-RING FOR PUMP JACKET VP.	1
8	4212724	FILING/PURGING PLUG HELIX ReDTC KIT	1
8.1		> FILLING PLUG MVI6"-304	1
8.2	4177800	> O-RING EPDM PLUG HELIX VP.	1
9	4214483	MECH.SEAL HELIX6-10-16 O/E ReDTC KIT	1
9.1	4177801	> MECH.SEAL HELIX6-10-16 O/E VP.	1
7.3	4176513	> O-RING FOR PUMP JACKET VP.	1
10	4172794	HOUSING PIPES D.152X322 1.4301 KIT	1
7.3	4176513	> O-RING FOR PUMP JACKET VP.	1
10.1		> HOUSING-PIPE Ø152-M+1007-304	1
11	4174087	CENTERING STAGE-RETURN HELIX6 1.4301VP.	1
12	4214486	SHAFT EQUIPMENT HELIX V6 ReDTC KIT	1
12.1		> NUT-H-M10-A4.70	1
12.2		> SERRATED LOCK WASHER M+6M3-316L	1
12.3		> 1/2-SNAP-RING-6/10M3-316L	1
12.4		> STOP-RUSH-1/2-D16xd2-M+316	1
4.11		> SCREW CHC-M6X14-8.8-ISO4762-GEOMET500A	1
4.12		> WASHER D.24 L6U ZINK	1
13		HYDRAULIC HELIX V 607 1.4307	1
14	4214502	SHAFT D.16X391 HELIX 1.4057 VP.	1

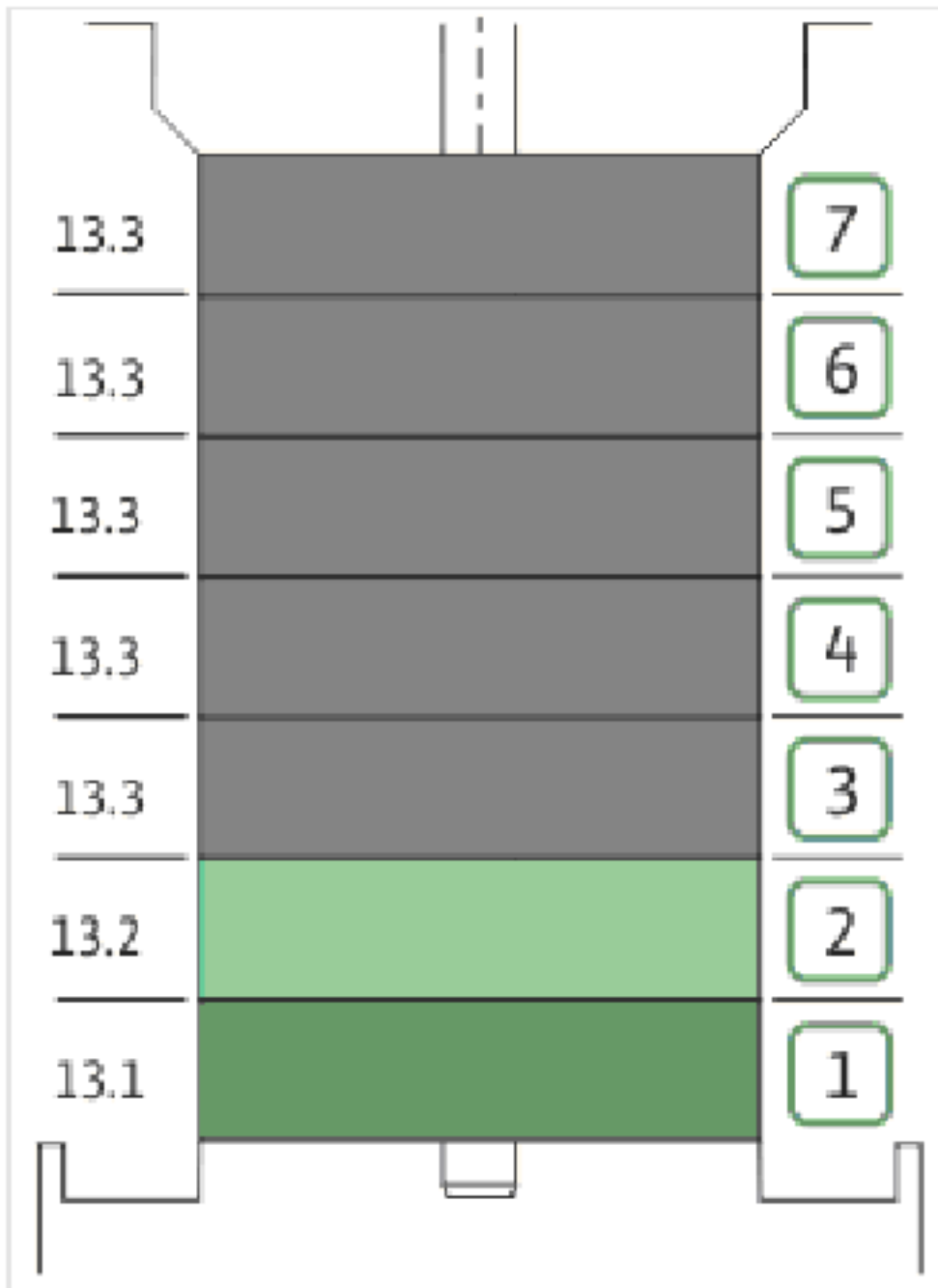
HELIX FIRST V607-5/16/E/S/400-50 (4201140)

Item	Article no.	Description	Quantity
15	4215105	PUMP HOUSING HELIX V2/4/6 DN32 PN16 KIT	1
15.1		> MACH+CATA PPE HOUSING M+5" D32-PN16 GJL	1
15.2	4191618	> O-RING ID.44,05x3,53 EPDM VP.	1
15.3	4171321	> PRIMING/DRAIN PLUG EPDM HELIX KIT	1
7.3	4176513	> O-RING FOR PUMP JACKET VP.	1



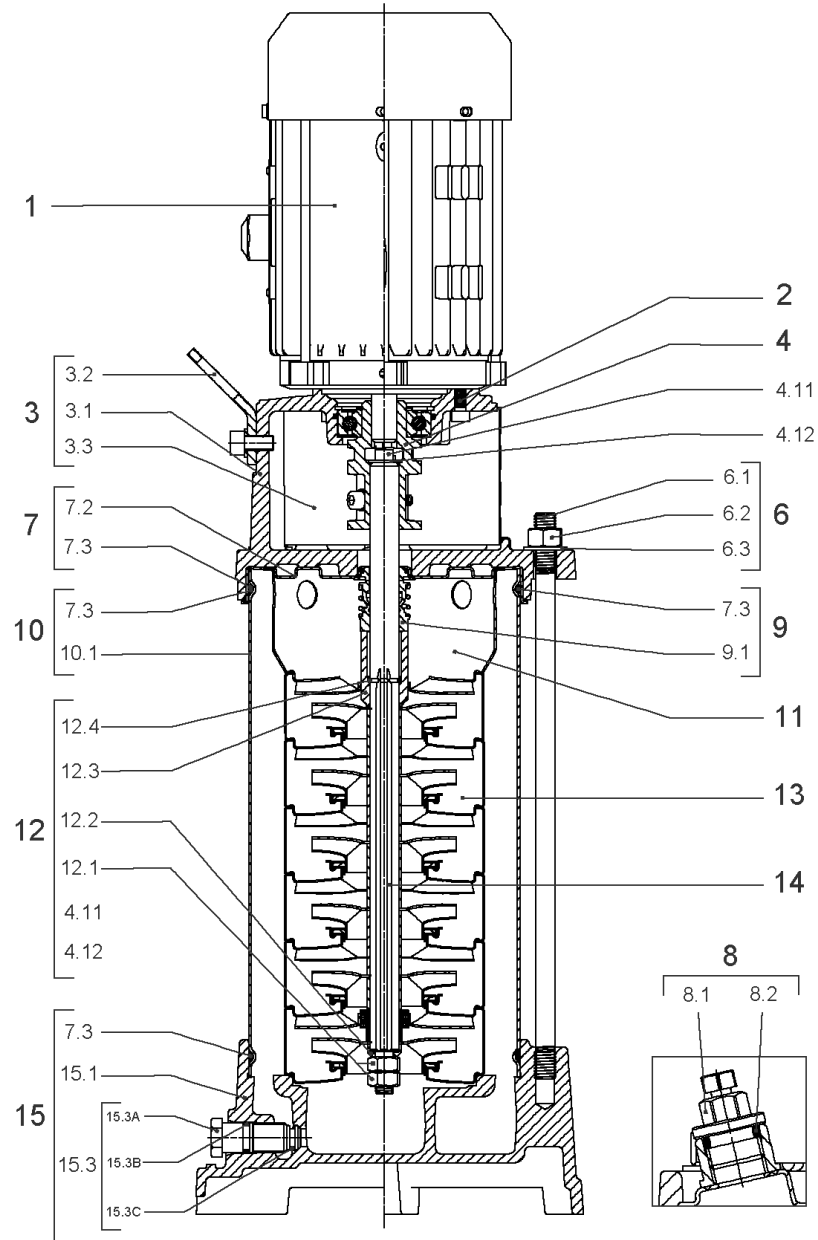
COUPLING D.16xD.24 FT115 HELIX KIT (4159709)

Item	Article no.	Description	Quantity
4.1		COUPLING M+ Ø16XØ24 FT115 MACHINED	1
4.2	2131023	BALL BEARING 6207/ZZ-C3(HT)VP.	1
4.3	4234254	CIRCLIP-FOR-SHAFT-D35x1.5 VP.	1
4.4	4157726	SCREW KIT M8X30 (4 PIECES)	1
4.5	4234251	CIRCLIP-D72x2.5 VP.	1
4.6	4234246	O-RING 72X3 VP.	1
		NOMEL CONTACT WASHER 8x16x1,4 STEEL ZC	1



HYDRAULIC HELIX V 607 1.4307

Item	Article no.	Description	Quantity
13.1	4174084	STAGE HELIX 6 1.4301 KIT	1
		> MACH.STG-CASING-WOGV-WNR-M+6-304	1
		> IMPELLER-M+6-304	1
13.2	4174089	INTERMEDIATE STAGE HELIX 6 1.4301 KIT	1
		> MACH.BEARING-STG-CASING-WNR-M+6-304	1
		> IMPELLER-M+6-304	1
		> SHAFT SLEEVE-SPACER-Ø19,35x18,465-304	1
		> SHAFT-SLEEVE-D16xD20x18-CW	1
13.3	4174090	INTERMEDIATE STAGE HELIX 6 1.4301 KIT	1
		> MACH.STD-STG-CASING-WGV+NR-M+6-304	1
		> IMPELLER-M+6-304	1
		> IMPELLER SPACER Ø16,05X19,45-L36,465-304	1



HELIX FIRST V607-5/25/E/S/400-50 (4201142)

Item	Article no.	Description	Quantity
1	4169942	MO.1,5/2 3~230/400(440)V 50(60)HZ IE3 VP	1
		SPARE PARTS MOTOR:ON REQUEST	1
2	4159707	SCREW M8X30 (4 PIECES)	1
3	4213784	LANTERN FT115 HELIX KIT	1
3.1		> LANT-MOT-VMI-ReDTC6"-FT115-MACHINED+CATA	1
3.2	4184852	> EYELET CPL.FT HELIX (2 PIECES)	1
3.3	4213782	> COUPLING PROTECTOR FT115/130 HELIX KIT	1
4	4159709	COUPLING D.16xD.24 FT115 HELIX KIT	1
6	4214978	STUD BOLT HELIX M12X354 KIT	1
6.1		> TIE BOLT M12-354x18x30-1.4057	1
6.2	2094647	> NUT M12 M12 ISO4032 VP.	1
6.3	2123557	> WASHER CS-12.4-24-1.6-NFE25 (4 PIECES)	1
7	4214481	STATIONARY RING HOLDER HELIX D27 ReDTC	1
7.2	4214479	> STATIONARY RING HOLDER HELIX D27 VP.	1
7.3	4176513	> O-RING FOR PUMP JACKET VP.	1
8	4212724	FILING/PURGING PLUG HELIX ReDTC KIT	1
8.1		> FILLING PLUG MVI6"-304	1
8.2	4177800	> O-RING EPDM PLUG HELIX VP.	1
9	4214483	MECH.SEAL HELIX6-10-16 O/E ReDTC KIT	1
9.1	4177801	> MECH.SEAL HELIX6-10-16 O/E VP.	1
7.3	4176513	> O-RING FOR PUMP JACKET VP.	1
10	4172794	HOUSING PIPES D.152X322 1.4301 KIT	1
7.3	4176513	> O-RING FOR PUMP JACKET VP.	1
10.1		> HOUSING-PIPE Ø152-M+1007-304	1
11	4174087	CENTERING STAGE-RETURN HELIX6 1.4301VP.	1
12	4214486	SHAFT EQUIPMENT HELIX V6 ReDTC KIT	1
12.1		> NUT-H-M10-A4.70	1
12.2		> SERRATED LOCK WASHER M+6M3-316L	1
12.3		> 1/2-SNAP-RING-6/10M3-316L	1
12.4		> STOP-RUSH-1/2-D16xd2-M+316	1
4.11		> SCREW CHC-M6X14-8.8-ISO4762-GEOMET500A	1
4.12		> WASHER D.24 L6U ZINK	1
13		HYDRAULIC HELIX V 607 1.4307	1
14	4214502	SHAFT D.16X391 HELIX 1.4057 VP.	1

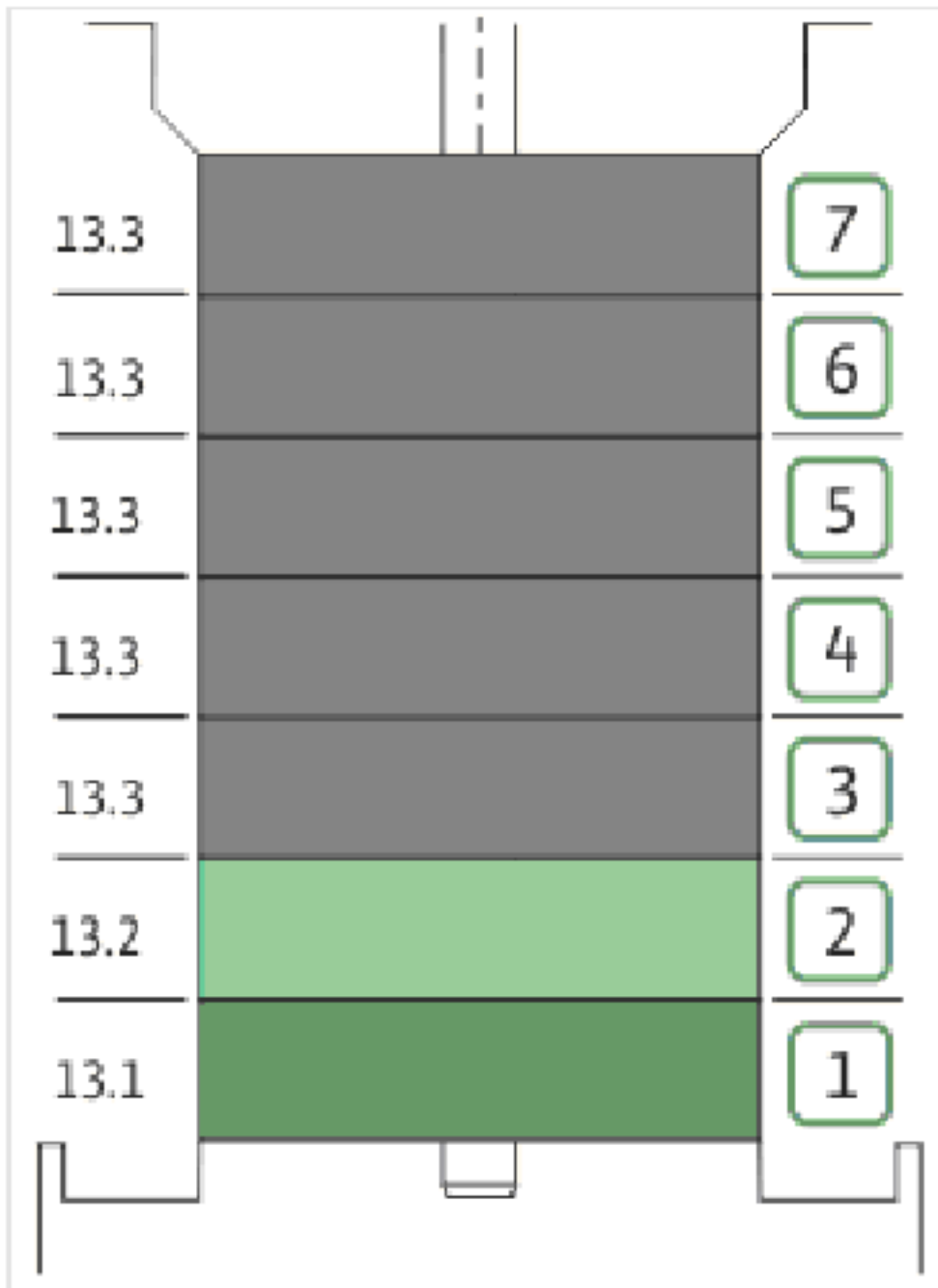
HELIX FIRST V607-5/25/E/S/400-50 (4201142)

Item	Article no.	Description	Quantity
15	4208872	PUMP HOUSING HELIX V6 DN32 PN30 KIT	1
15.1		> MACH+CATA PUMP CASING M+5" DN32 PN25 GJL	1
15.2	4010031	> FLAT GASKET D.30/79	1
15.3	4177877	> PRIMING/DRAIN PLUG HELIX PN30 KIT	1
15.3A		>> PRIMING/DRAIN PLUG M+6" 304	1
15.3B	4233957	>> O-RING ID.9 EPDM VP.	1
15.3C		>> O-RING Ø8xØ2 EPDM KTW/WRC	1
7.3	4176513	> O-RING FOR PUMP JACKET VP.	1



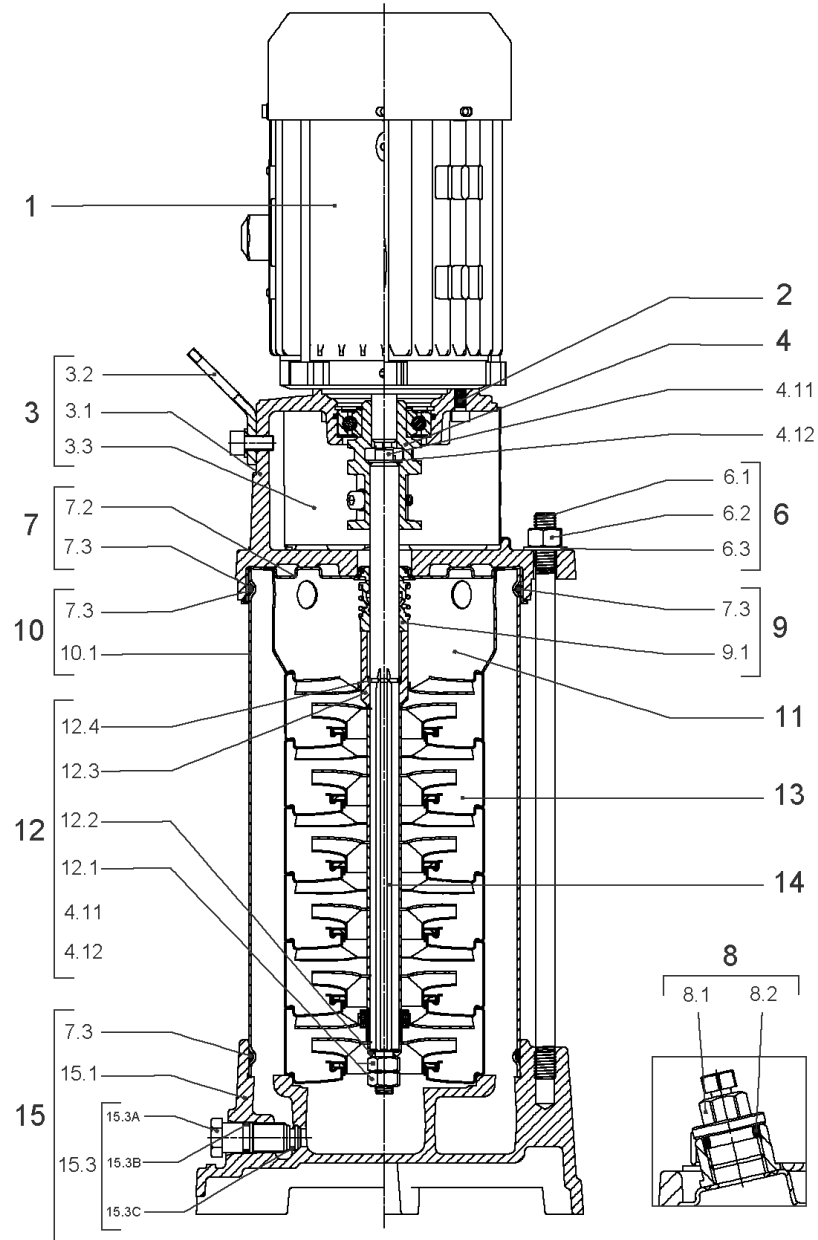
COUPLING D.16xD.24 FT115 HELIX KIT (4159709)

Item	Article no.	Description	Quantity
4.1		COUPLING M+ Ø16XØ24 FT115 MACHINED	1
4.2	2131023	BALL BEARING 6207/ZZ-C3(HT)VP.	1
4.3	4234254	CIRCLIP-FOR-SHAFT-D35x1.5 VP.	1
4.4	4157726	SCREW KIT M8X30 (4 PIECES)	1
4.5	4234251	CIRCLIP-D72x2.5 VP.	1
4.6	4234246	O-RING 72X3 VP.	1
		NOMEL CONTACT WASHER 8x16x1,4 STEEL ZC	1



HYDRAULIC HELIX V 607 1.4307

Item	Article no.	Description	Quantity
13.1	4174084	STAGE HELIX 6 1.4301 KIT	1
		> MACH.STG-CASING-WOGV-WNR-M+6-304	1
		> IMPELLER-M+6-304	1
13.2	4174089	INTERMEDIATE STAGE HELIX 6 1.4301 KIT	1
		> MACH.BEARING-STG-CASING-WNR-M+6-304	1
		> IMPELLER-M+6-304	1
		> SHAFT SLEEVE-SPACER-Ø19,35x18,465-304	1
		> SHAFT-SLEEVE-D16xD20x18-CW	1
13.3	4174090	INTERMEDIATE STAGE HELIX 6 1.4301 KIT	1
		> MACH.STD-STG-CASING-WGV+NR-M+6-304	1
		> IMPELLER-M+6-304	1
		> IMPELLER SPACER Ø16,05X19,45-L36,465-304	1



HELIX FIRST V608-5/16/E/S/400-50 (4201143)

Item	Article no.	Description	Quantity
1	4169942	MO.1,5/2 3~230/400(440)V 50(60)HZ IE3 VP	1
		SPARE PARTS MOTOR:ON REQUEST	1
2	4159707	SCREW M8X30 (4 PIECES)	1
3	4213784	LANTERN FT115 HELIX KIT	1
3.1		> LANT-MOT-VMI-ReDTC6"-FT115-MACHINED+CATA	1
3.2	4184852	> EYELET CPL.FT HELIX (2 PIECES)	1
3.3	4213782	> COUPLING PROTECTOR FT115/130 HELIX KIT	1
4	4159709	COUPLING D.16xD.24 FT115 HELIX KIT	1
6	2018365	STUD BOLT M12X392 KIT	1
7	4214481	STATIONARY RING HOLDER HELIX D27 ReDTC	1
7.2	4214479	> STATIONARY RING HOLDER HELIX D27 VP.	1
7.3	4176513	> O-RING FOR PUMP JACKET VP.	1
8	4212724	FILING/PURGING PLUG HELIX ReDTC KIT	1
8.1		> FILLING PLUG MVI6"-304	1
8.2	4177800	> O-RING EPDM PLUG HELIX VP.	1
9	4214483	MECH.SEAL HELIX6-10-16 O/E ReDTC KIT	1
9.1	4177801	> MECH.SEAL HELIX6-10-16 O/E VP.	1
7.3	4176513	> O-RING FOR PUMP JACKET VP.	1
10	2127578	HOUSING PIPE D.152x360 1.4307 KIT	1
7.3	4176513	> O-RING FOR PUMP JACKET VP.	1
10.1		> HOUSING-PIPE Ø152-M+1008/1606-304	1
11	4174087	CENTERING STAGE-RETURN HELIX6 1.4301VP.	1
12	4214486	SHAFT EQUIPMENT HELIX V6 ReDTC KIT	1
12.1		> NUT-H-M10-A4.70	1
12.2		> SERRATED LOCK WASHER M+6M3-316L	1
12.3		> 1/2-SNAP-RING-6/10M3-316L	1
12.4		> STOP-RUSH-1/2-D16xd2-M+316	1
4.11		> SCREW CHC-M6X14-8.8-ISO4762-GEOMET500A	1
4.12		> WASHER D.24 L6U ZINK	1
13		HYDRAULIC HELIX V 608 1.4307	1
14	4214504	SHAFT D.16X428 HELIX 1.4057 VP.	1
15	4215105	PUMP HOUSING HELIX V2/4/6 DN32 PN16 KIT	1
15.1		> MACH+CATA PPE HOUSING M+5" D32-PN16 GJL	1
15.2	4191618	> O-RING ID.44,05x3,53 EPDM VP.	1

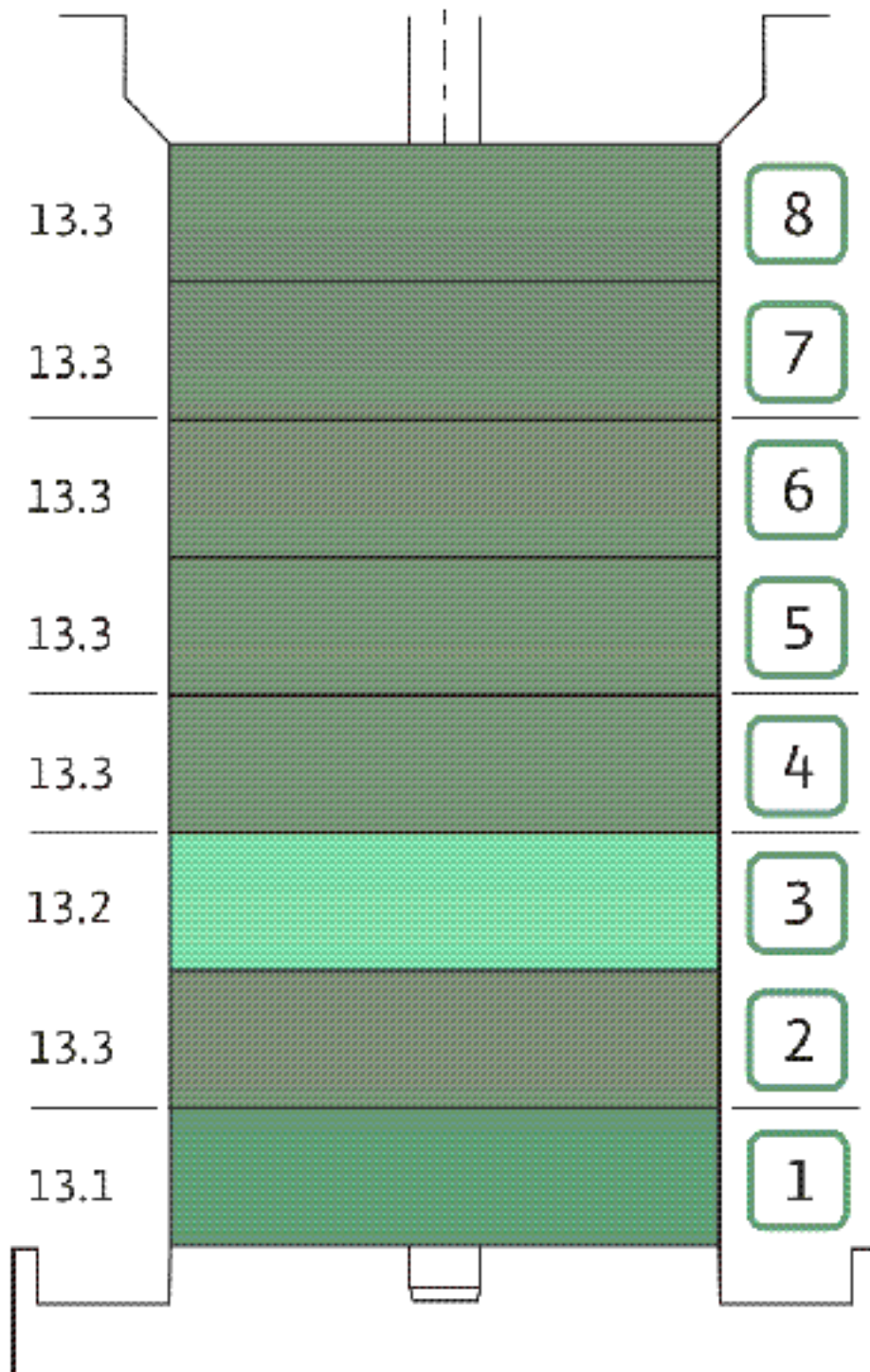
HELIX FIRST V608-5/16/E/S/400-50 (4201143)

Item	Article no.	Description	Quantity
15.3	4171321	> PRIMING/DRAIN PLUG EPDM HELIX KIT	1
7.3	4176513	> O-RING FOR PUMP JACKET VP.	1



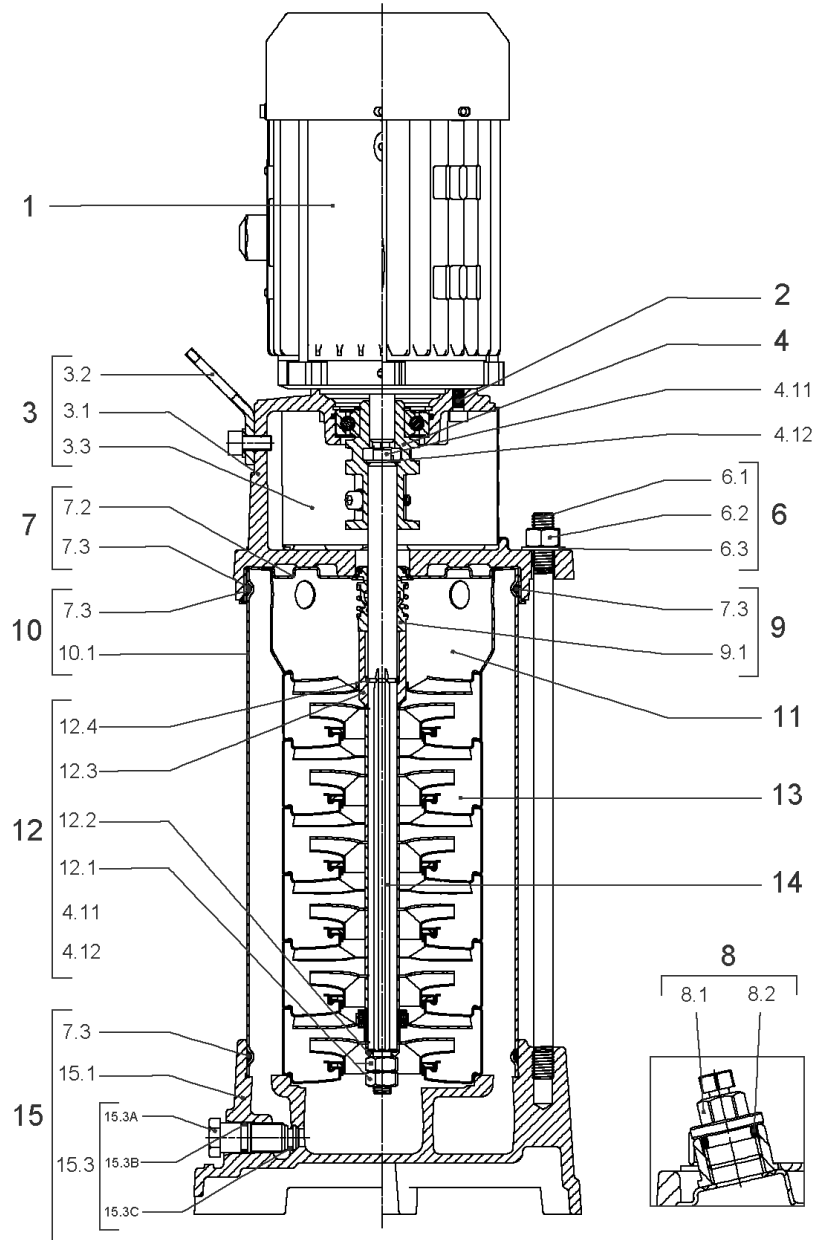
COUPLING D.16xD.24 FT115 HELIX KIT (4159709)

Item	Article no.	Description	Quantity
4.1		COUPLING M+ Ø16XØ24 FT115 MACHINED	1
4.2	2131023	BALL BEARING 6207/ZZ-C3(HT)VP.	1
4.3	4234254	CIRCLIP-FOR-SHAFT-D35x1.5 VP.	1
4.4	4157726	SCREW KIT M8X30 (4 PIECES)	1
4.5	4234251	CIRCLIP-D72x2.5 VP.	1
4.6	4234246	O-RING 72X3 VP.	1
		NOMEL CONTACT WASHER 8x16x1,4 STEEL ZC	1



HYDRAULIC HELIX V 608 1.4307

Item	Article no.	Description	Quantity
13.1	4174084	STAGE HELIX 6 1.4301 KIT	1
		> MACH.STG-CASING-WOGV-WNR-M+6-304	1
		> IMPELLER-M+6-304	1
13.2	4174089	INTERMEDIATE STAGE HELIX 6 1.4301 KIT	1
		> MACH.BEARING-STG-CASING-WNR-M+6-304	1
		> IMPELLER-M+6-304	1
		> SHAFT SLEEVE-SPACER-Ø19,35x18,465-304	1
		> SHAFT-SLEEVE-D16xD20x18-CW	1
13.3	4174090	INTERMEDIATE STAGE HELIX 6 1.4301 KIT	1
		> MACH.STD-STG-CASING-WGV+NR-M+6-304	1
		> IMPELLER-M+6-304	1
		> IMPELLER SPACER Ø16,05X19,45-L36,465-304	1



HELIX FIRST V608-5/25/E/S/400-50 (4201145)

Item	Article no.	Description	Quantity
1	4169942	MO.1,5/2 3~230/400(440)V 50(60)HZ IE3 VP	1
		SPARE PARTS MOTOR:ON REQUEST	1
2	4159707	SCREW M8X30 (4 PIECES)	1
3	4213784	LANTERN FT115 HELIX KIT	1
3.1		> LANT-MOT-VMI-ReDTC6"-FT115-MACHINED+CATA	1
3.2	4184852	> EYELET CPL.FT HELIX (2 PIECES)	1
3.3	4213782	> COUPLING PROTECTOR FT115/130 HELIX KIT	1
4	4159709	COUPLING D.16xD.24 FT115 HELIX KIT	1
6	2018365	STUD BOLT M12X392 KIT	1
7	4214481	STATIONARY RING HOLDER HELIX D27 ReDTC	1
7.2	4214479	> STATIONARY RING HOLDER HELIX D27 VP.	1
7.3	4176513	> O-RING FOR PUMP JACKET VP.	1
8	4212724	FILING/PURGING PLUG HELIX ReDTC KIT	1
8.1		> FILLING PLUG MVI6"-304	1
8.2	4177800	> O-RING EPDM PLUG HELIX VP.	1
9	4214483	MECH.SEAL HELIX6-10-16 O/E ReDTC KIT	1
9.1	4177801	> MECH.SEAL HELIX6-10-16 O/E VP.	1
7.3	4176513	> O-RING FOR PUMP JACKET VP.	1
10	2127578	HOUSING PIPE D.152x360 1.4307 KIT	1
7.3	4176513	> O-RING FOR PUMP JACKET VP.	1
10.1		> HOUSING-PIPE Ø152-M+1008/1606-304	1
11	4174087	CENTERING STAGE-RETURN HELIX6 1.4301VP.	1
12	4214486	SHAFT EQUIPMENT HELIX V6 ReDTC KIT	1
12.1		> NUT-H-M10-A4.70	1
12.2		> SERRATED LOCK WASHER M+6M3-316L	1
12.3		> 1/2-SNAP-RING-6/10M3-316L	1
12.4		> STOP-RUSH-1/2-D16xd2-M+316	1
4.11		> SCREW CHC-M6X14-8.8-ISO4762-GEOMET500A	1
4.12		> WASHER D.24 L6U ZINK	1
13		HYDRAULIC HELIX V 608 1.4307	1
14	4214504	SHAFT D.16X428 HELIX 1.4057 VP.	1
15	4208872	PUMP HOUSING HELIX V6 DN32 PN30 KIT	1
15.1		> MACH+CATA PUMP CASING M+5" DN32 PN25 GJL	1
15.2	4010031	> FLAT GASKET D.30/79	1

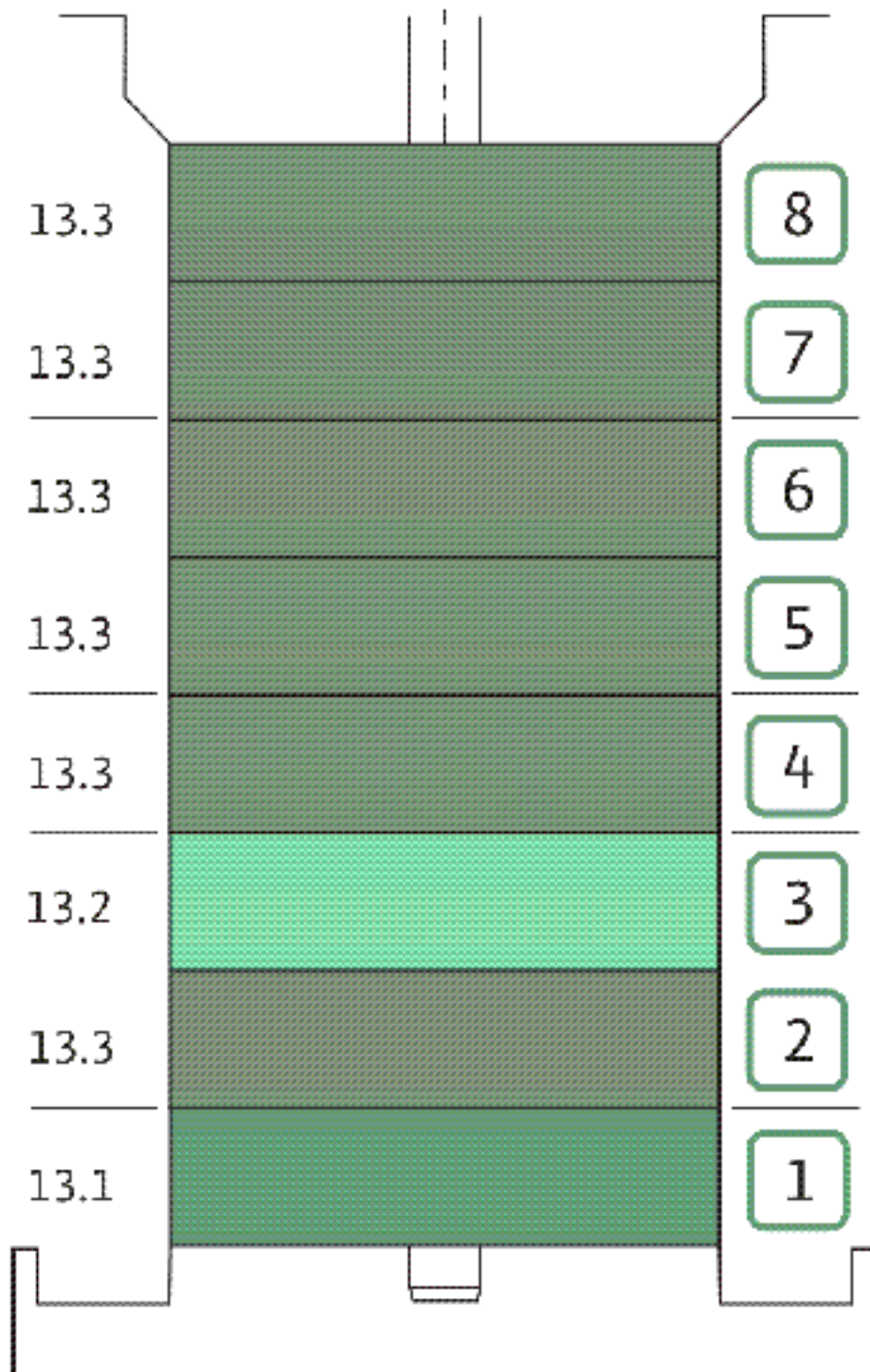
HELIX FIRST V608-5/25/E/S/400-50 (4201145)

Item	Article no.	Description	Quantity
15.3	4177877	> PRIMING/DRAIN PLUG HELIX PN30 KIT	1
15.3A		>> PRIMING/DRAIN PLUG M+6" 304	1
15.3B	4233957	>> O-RING ID.9 EPDM VP.	1
15.3C		>> O-RING Ø8xØ2 EPDM KTW/WRC	1
7.3	4176513	> O-RING FOR PUMP JACKET VP.	1



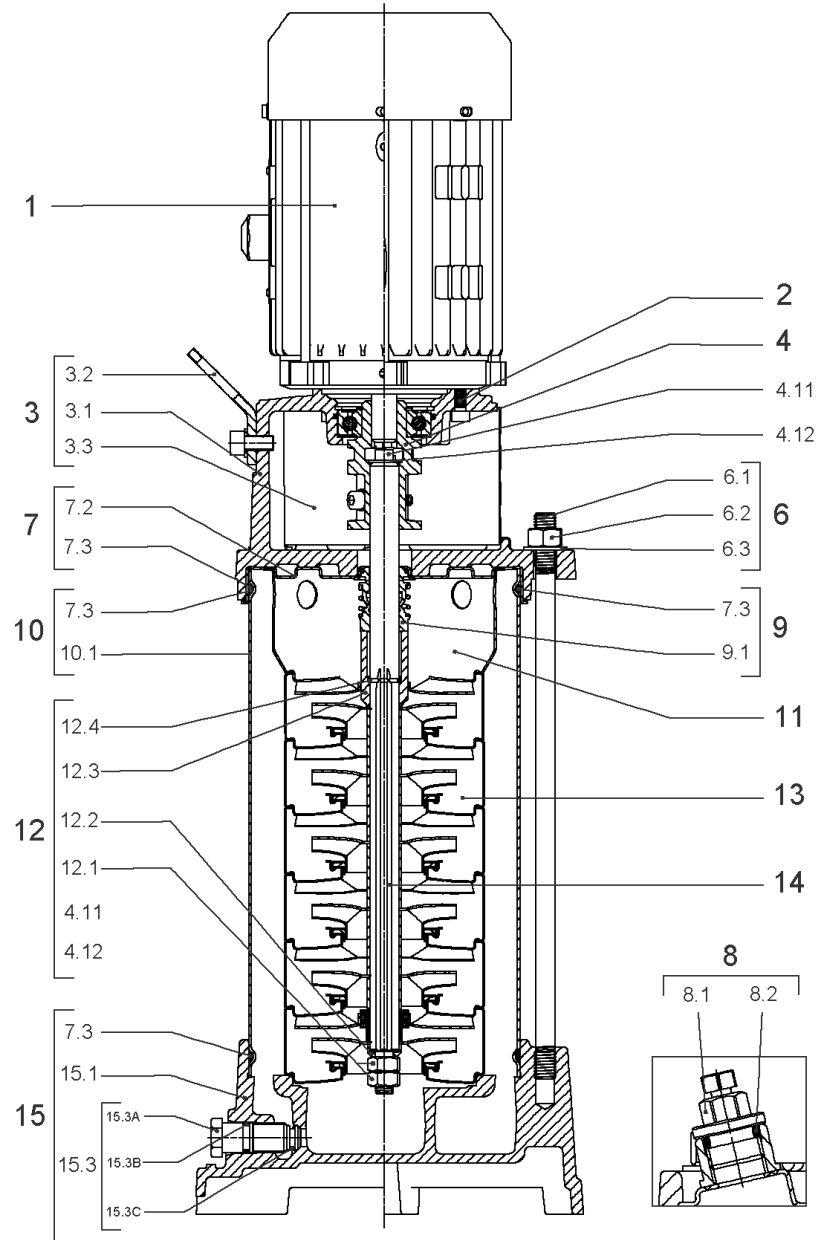
COUPLING D.16xD.24 FT115 HELIX KIT (4159709)

Item	Article no.	Description	Quantity
4.1		COUPLING M+ Ø16XØ24 FT115 MACHINED	1
4.2	2131023	BALL BEARING 6207/ZZ-C3(HT)VP.	1
4.3	4234254	CIRCLIP-FOR-SHAFT-D35x1.5 VP.	1
4.4	4157726	SCREW KIT M8X30 (4 PIECES)	1
4.5	4234251	CIRCLIP-D72x2.5 VP.	1
4.6	4234246	O-RING 72X3 VP.	1
		NOMEL CONTACT WASHER 8x16x1,4 STEEL ZC	1



HYDRAULIC HELIX V 608 1.4307

Item	Article no.	Description	Quantity
13.1	4174084	STAGE HELIX 6 1.4301 KIT	1
		> MACH.STG-CASING-WOGV-WNR-M+6-304	1
		> IMPELLER-M+6-304	1
13.2	4174089	INTERMEDIATE STAGE HELIX 6 1.4301 KIT	1
		> MACH.BEARING-STG-CASING-WNR-M+6-304	1
		> IMPELLER-M+6-304	1
		> SHAFT SLEEVE-SPACER-Ø19,35x18,465-304	1
		> SHAFT-SLEEVE-D16xD20x18-CW	1
13.3	4174090	INTERMEDIATE STAGE HELIX 6 1.4301 KIT	1
		> MACH.STD-STG-CASING-WGV+NR-M+6-304	1
		> IMPELLER-M+6-304	1
		> IMPELLER SPACER Ø16,05X19,45-L36,465-304	1



HELIX FIRST V609-5/16/E/S/400-50 (4201146)

Item	Article no.	Description	Quantity
1	4169943	MOTOR 2,2/2/90 3~230/400V 50HZ IE3 VP.	1
		SPARE PARTS MOTOR:ON REQUEST	1
2	4159707	SCREW M8X30 (4 PIECES)	1
3	4213784	LANTERN FT115 HELIX KIT	1
3.1		> LANT-MOT-VMI-ReDTC6"-FT115-MACHINED+CATA	1
3.2	4184852	> EYELET CPL.FT HELIX (2 PIECES)	1
3.3	4213782	> COUPLING PROTECTOR FT115/130 HELIX KIT	1
4	4159709	COUPLING D.16xD.24 FT115 HELIX KIT	1
6	4214980	STUD BOLT HELIX M12X429 KIT	1
6.1		> TIE BOLT M12-429x18x30-1.4057	1
6.2	2094647	> NUT M12 M12 ISO4032 VP.	1
6.3	2123557	> WASHER CS-12.4-24-1.6-NFE25 (4 PIECES)	1
7	4214481	STATIONARY RING HOLDER HELIX D27 ReDTC	1
7.2	4214479	> STATIONARY RING HOLDER HELIX D27 VP.	1
7.3	4176513	> O-RING FOR PUMP JACKET VP.	1
8	4212724	FILING/PURGING PLUG HELIX ReDTC KIT	1
8.1		> FILLING PLUG MVI6"-304	1
8.2	4177800	> O-RING EPDM PLUG HELIX VP.	1
9	4214483	MECH.SEAL HELIX6-10-16 O/E ReDTC KIT	1
9.1	4177801	> MECH.SEAL HELIX6-10-16 O/E VP.	1
7.3	4176513	> O-RING FOR PUMP JACKET VP.	1
10	4177833	HOUSING PIPES D.152X397 1.4301 KIT	1
7.3	4176513	> O-RING FOR PUMP JACKET VP.	1
10.1		> HOUSING-PIPE Ø152-M+1009-304	1
11	4174087	CENTERING STAGE-RETURN HELIX6 1.4301VP.	1
12	4214486	SHAFT EQUIPMENT HELIX V6 ReDTC KIT	1
12.1		> NUT-H-M10-A4.70	1
12.2		> SERRATED LOCK WASHER M+6M3-316L	1
12.3		> 1/2-SNAP-RING-6/10M3-316L	1
12.4		> STOP-RUSH-1/2-D16xd2-M+316	1
4.11		> SCREW CHC-M6X14-8.8-ISO4762-GEOMET500A	1
4.12		> WASHER D.24 L6U ZINK	1
13		HYDRAULIC HELIX V 609 1.4307	1
14	4214506	SHAFT D.16X466 HELIX 1.4057 VP.	1

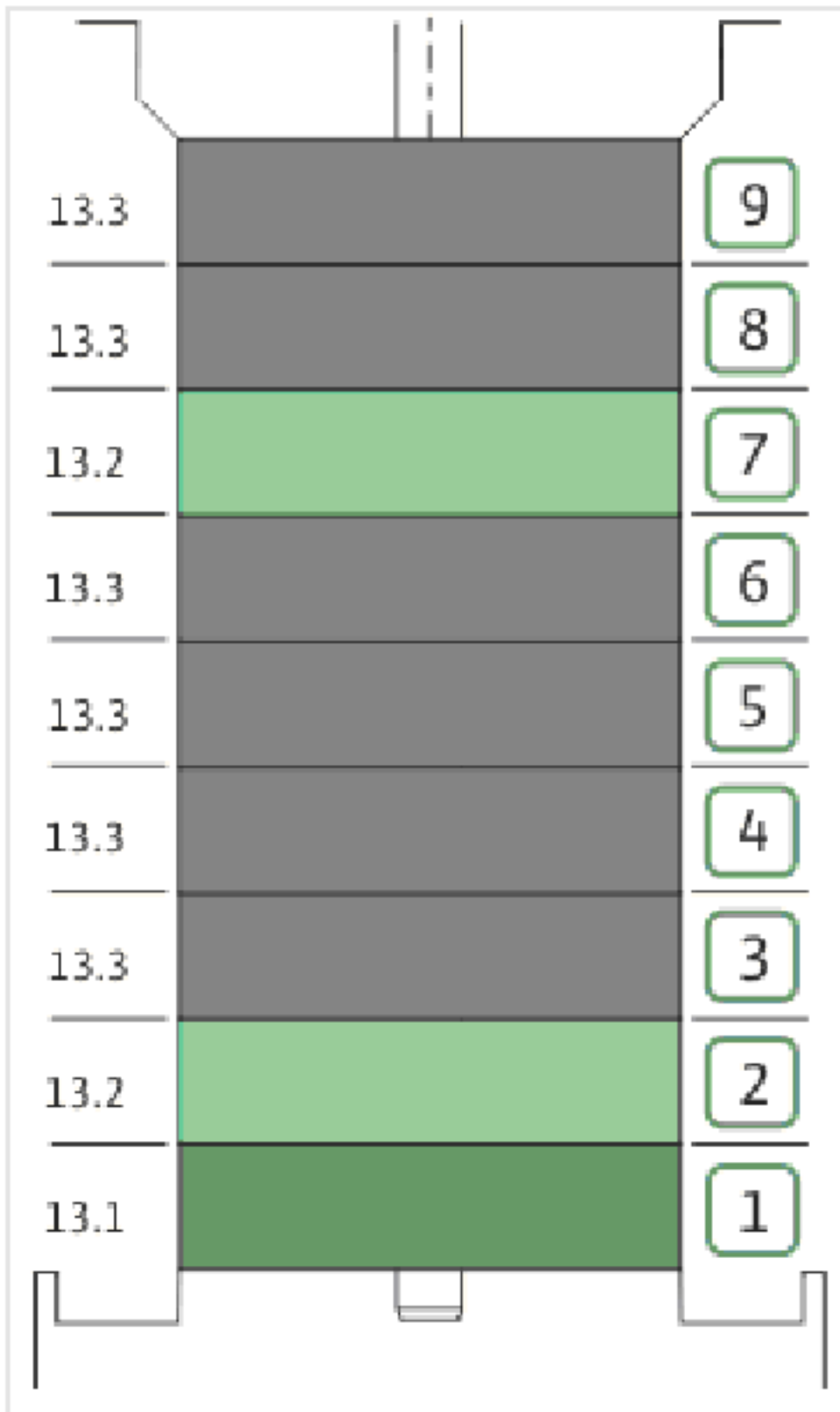
HELIX FIRST V609-5/16/E/S/400-50 (4201146)

Item	Article no.	Description	Quantity
15	4215105	PUMP HOUSING HELIX V2/4/6 DN32 PN16 KIT	1
15.1		> MACH+CATA PPE HOUSING M+5" D32-PN16 GJL	1
15.2	4191618	> O-RING ID.44,05x3,53 EPDM VP.	1
15.3	4171321	> PRIMING/DRAIN PLUG EPDM HELIX KIT	1
7.3	4176513	> O-RING FOR PUMP JACKET VP.	1



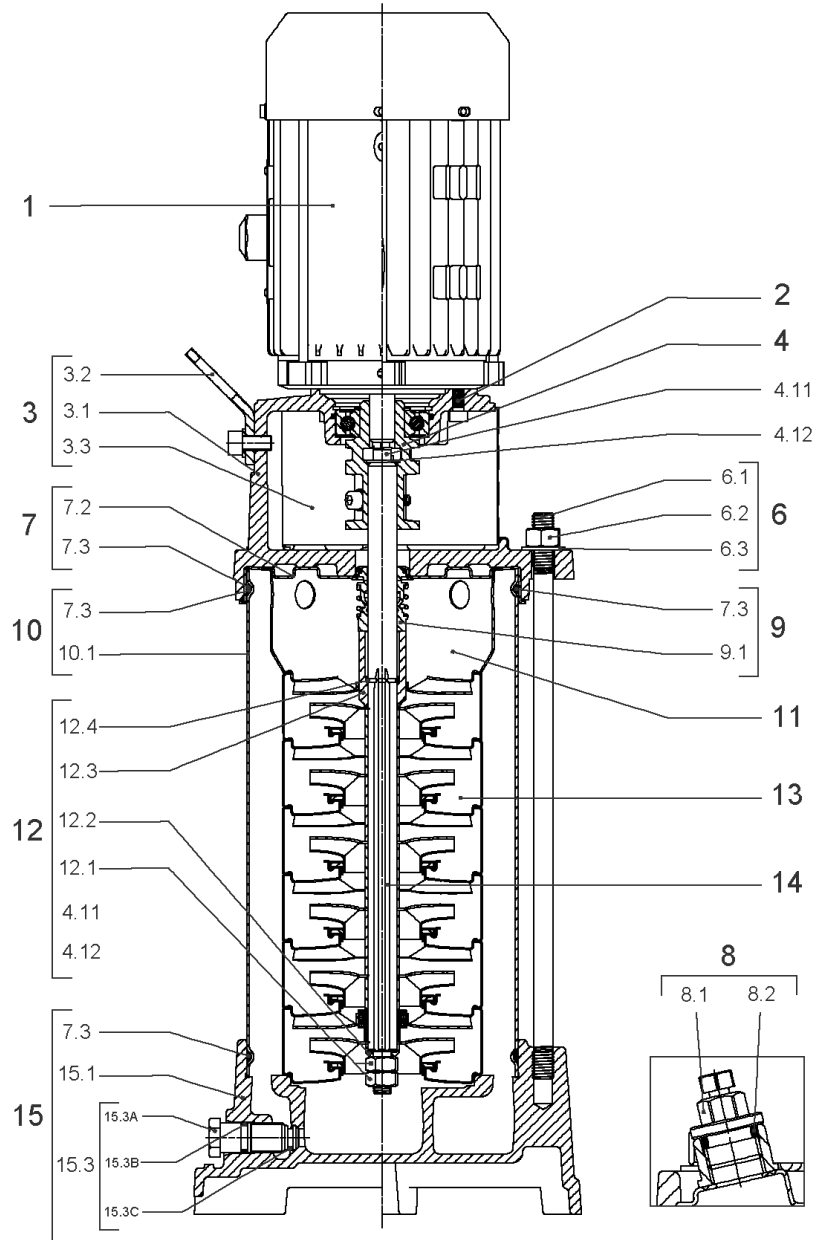
COUPLING D.16xD.24 FT115 HELIX KIT (4159709)

Item	Article no.	Description	Quantity
4.1		COUPLING M+ Ø16XØ24 FT115 MACHINED	1
4.2	2131023	BALL BEARING 6207/ZZ-C3(HT)VP.	1
4.3	4234254	CIRCLIP-FOR-SHAFT-D35x1.5 VP.	1
4.4	4157726	SCREW KIT M8X30 (4 PIECES)	1
4.5	4234251	CIRCLIP-D72x2.5 VP.	1
4.6	4234246	O-RING 72X3 VP.	1
		NOMEL CONTACT WASHER 8x16x1,4 STEEL ZC	1



HYDRAULIC HELIX V 609 1.4307

Item	Article no.	Description	Quantity
13.1	4174084	STAGE HELIX 6 1.4301 KIT	1
		> MACH.STG-CASING-WOGV-WNR-M+6-304	1
		> IMPELLER-M+6-304	1
13.2	4174089	INTERMEDIATE STAGE HELIX 6 1.4301 KIT	1
		> MACH.BEARING-STG-CASING-WNR-M+6-304	1
		> IMPELLER-M+6-304	1
		> SHAFT SLEEVE-SPACER-Ø19,35x18,465-304	1
		> SHAFT-SLEEVE-D16xD20x18-CW	1
13.3	4174090	INTERMEDIATE STAGE HELIX 6 1.4301 KIT	1
		> MACH.STD-STG-CASING-WGV+NR-M+6-304	1
		> IMPELLER-M+6-304	1
		> IMPELLER SPACER Ø16,05X19,45-L36,465-304	1



HELIX FIRST V609-5/25/E/S/400-50 (4201148)

Item	Article no.	Description	Quantity
1	4169943	MOTOR 2,2/2/90 3~230/400V 50HZ IE3 VP.	1
		SPARE PARTS MOTOR:ON REQUEST	1
2	4159707	SCREW M8X30 (4 PIECES)	1
3	4213784	LANTERN FT115 HELIX KIT	1
3.1		> LANT-MOT-VMI-ReDTC6"-FT115-MACHINED+CATA	1
3.2	4184852	> EYELET CPL.FT HELIX (2 PIECES)	1
3.3	4213782	> COUPLING PROTECTOR FT115/130 HELIX KIT	1
4	4159709	COUPLING D.16xD.24 FT115 HELIX KIT	1
6	4214980	STUD BOLT HELIX M12X429 KIT	1
6.1		> TIE BOLT M12-429x18x30-1.4057	1
6.2	2094647	> NUT M12 M12 ISO4032 VP.	1
6.3	2123557	> WASHER CS-12.4-24-1.6-NFE25 (4 PIECES)	1
7	4214481	STATIONARY RING HOLDER HELIX D27 ReDTC	1
7.2	4214479	> STATIONARY RING HOLDER HELIX D27 VP.	1
7.3	4176513	> O-RING FOR PUMP JACKET VP.	1
8	4212724	FILING/PURGING PLUG HELIX ReDTC KIT	1
8.1		> FILLING PLUG MVI6"-304	1
8.2	4177800	> O-RING EPDM PLUG HELIX VP.	1
9	4214483	MECH.SEAL HELIX6-10-16 O/E ReDTC KIT	1
9.1	4177801	> MECH.SEAL HELIX6-10-16 O/E VP.	1
7.3	4176513	> O-RING FOR PUMP JACKET VP.	1
10	4177833	HOUSING PIPES D.152X397 1.4301 KIT	1
7.3	4176513	> O-RING FOR PUMP JACKET VP.	1
10.1		> HOUSING-PIPE Ø152-M+1009-304	1
11	4174087	CENTERING STAGE-RETURN HELIX6 1.4301VP.	1
12	4214486	SHAFT EQUIPMENT HELIX V6 ReDTC KIT	1
12.1		> NUT-H-M10-A4.70	1
12.2		> SERRATED LOCK WASHER M+6M3-316L	1
12.3		> 1/2-SNAP-RING-6/10M3-316L	1
12.4		> STOP-RUSH-1/2-D16xd2-M+316	1
4.11		> SCREW CHC-M6X14-8.8-ISO4762-GEOMET500A	1
4.12		> WASHER D.24 L6U ZINK	1
13		HYDRAULIC HELIX V 609 1.4307	1
14	4214506	SHAFT D.16X466 HELIX 1.4057 VP.	1

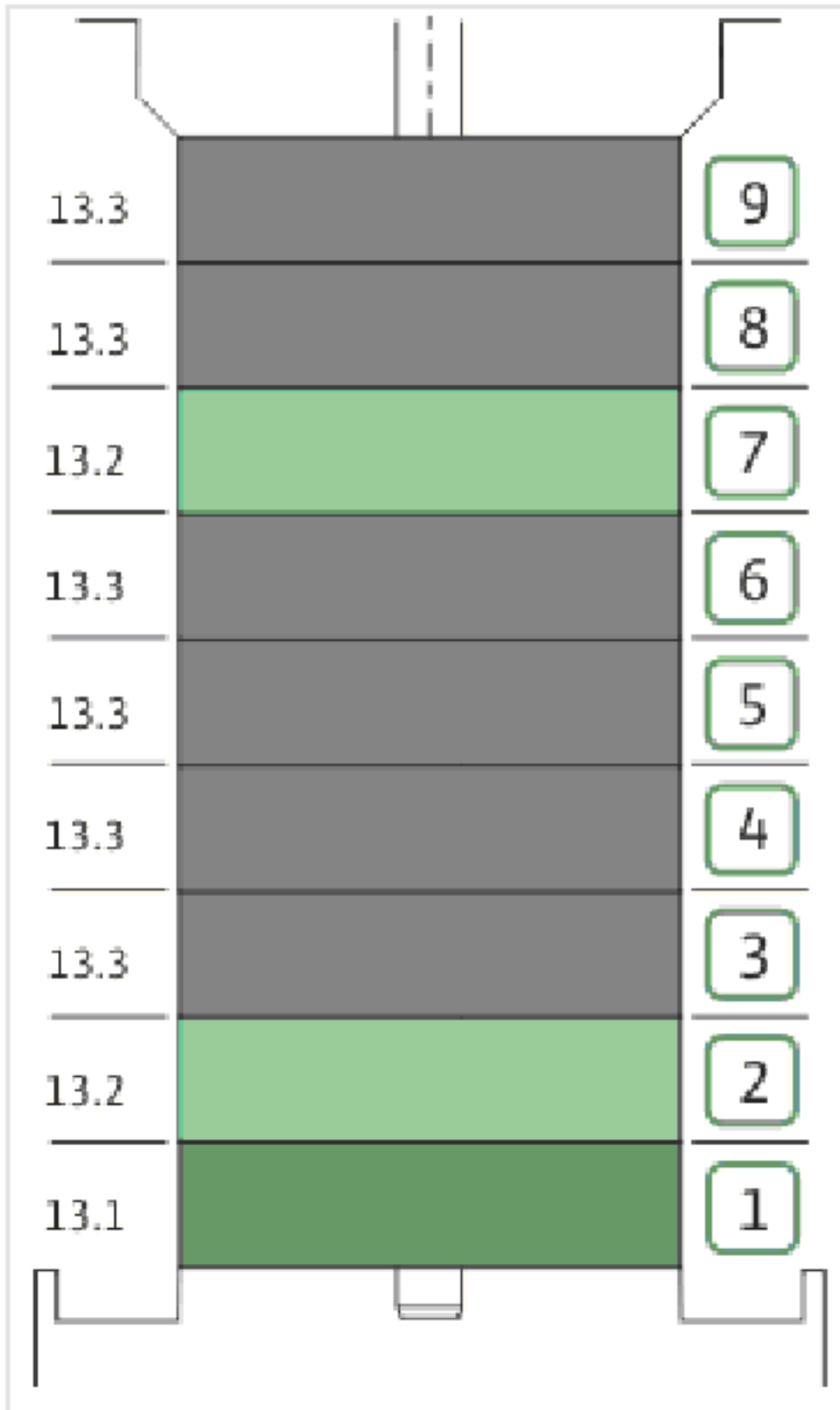
HELIX FIRST V609-5/25/E/S/400-50 (4201148)

Item	Article no.	Description	Quantity
15	4208872	PUMP HOUSING HELIX V6 DN32 PN30 KIT	1
15.1		> MACH+CATA PUMP CASING M+5" DN32 PN25 GJL	1
15.2	4010031	> FLAT GASKET D.30/79	1
15.3	4177877	> PRIMING/DRAIN PLUG HELIX PN30 KIT	1
15.3A		>> PRIMING/DRAIN PLUG M+6" 304	1
15.3B	4233957	>> O-RING ID.9 EPDM VP.	1
15.3C		>> O-RING Ø8xØ2 EPDM KTW/WRC	1
7.3	4176513	> O-RING FOR PUMP JACKET VP.	1



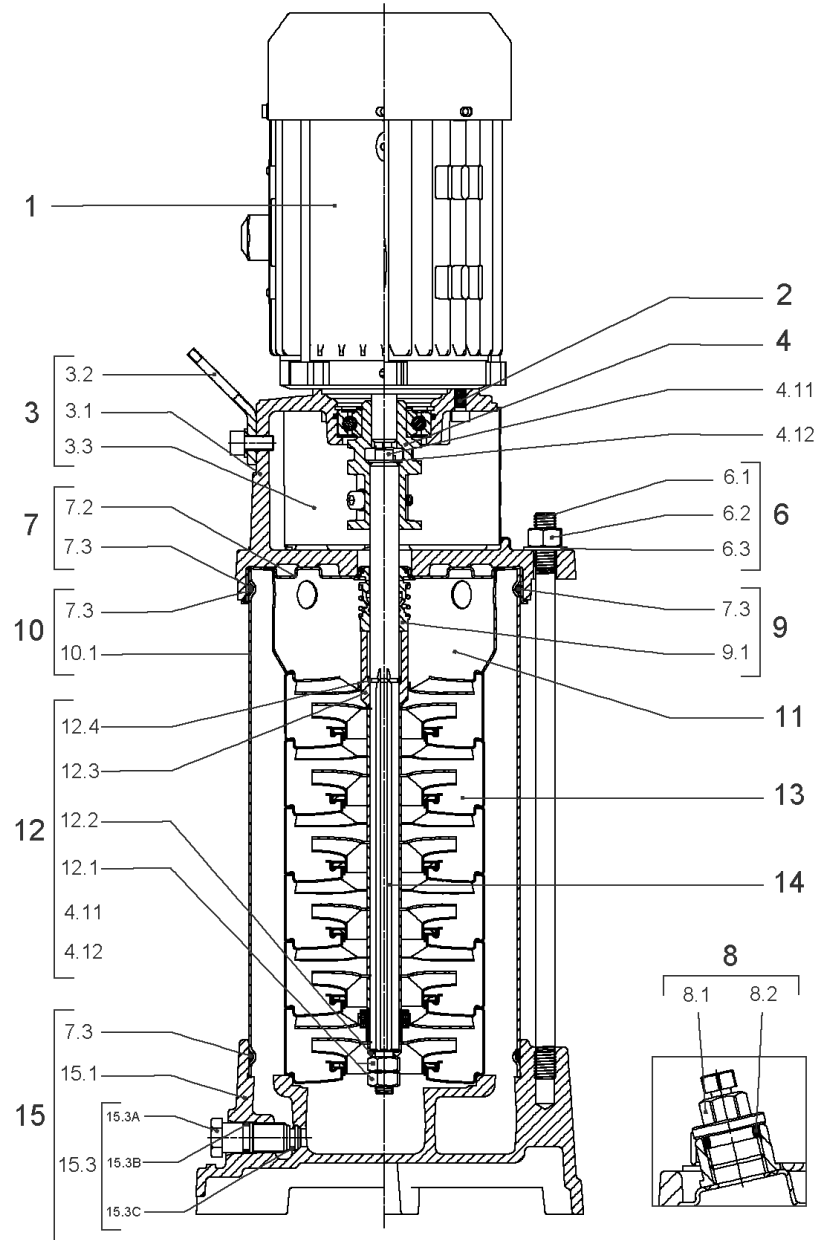
COUPLING D.16xD.24 FT115 HELIX KIT (4159709)

Item	Article no.	Description	Quantity
4.1		COUPLING M+ Ø16XØ24 FT115 MACHINED	1
4.2	2131023	BALL BEARING 6207/ZZ-C3(HT)VP.	1
4.3	4234254	CIRCLIP-FOR-SHAFT-D35x1.5 VP.	1
4.4	4157726	SCREW KIT M8X30 (4 PIECES)	1
4.5	4234251	CIRCLIP-D72x2.5 VP.	1
4.6	4234246	O-RING 72X3 VP.	1
		NOMEL CONTACT WASHER 8x16x1,4 STEEL ZC	1



HYDRAULIC HELIX V 609 1.4307

Item	Article no.	Description	Quantity
13.1	4174084	STAGE HELIX 6 1.4301 KIT	1
		> MACH.STG-CASING-WOGV-WNR-M+6-304	1
		> IMPELLER-M+6-304	1
13.2	4174089	INTERMEDIATE STAGE HELIX 6 1.4301 KIT	1
		> MACH.BEARING-STG-CASING-WNR-M+6-304	1
		> IMPELLER-M+6-304	1
		> SHAFT SLEEVE-SPACER-Ø19,35x18,465-304	1
		> SHAFT-SLEEVE-D16xD20x18-CW	1
13.3	4174090	INTERMEDIATE STAGE HELIX 6 1.4301 KIT	1
		> MACH.STD-STG-CASING-WGV+NR-M+6-304	1
		> IMPELLER-M+6-304	1
		> IMPELLER SPACER Ø16,05X19,45-L36,465-304	1



HELIX FIRST V610-5/16/E/S/400-50 (4201149)

Item	Article no.	Description	Quantity
1	4169943	MOTOR 2,2/2/90 3~230/400V 50HZ IE3 VP.	1
		SPARE PARTS MOTOR:ON REQUEST	1
2	4159707	SCREW M8X30 (4 PIECES)	1
3	4213784	LANTERN FT115 HELIX KIT	1
3.1		> LANT-MOT-VMI-ReDTC6"-FT115-MACHINED+CATA	1
3.2	4184852	> EYELET CPL.FT HELIX (2 PIECES)	1
3.3	4213782	> COUPLING PROTECTOR FT115/130 HELIX KIT	1
4	4159709	COUPLING D.16xD.24 FT115 HELIX KIT	1
6	4178605	STUD BOLT M12X469 KIT	1
6.1		> TIE BOLT M12-469x18x30-1.4057	1
6.2	2094647	> NUT M12 M12 ISO4032 VP.	1
6.3	2123557	> WASHER CS-12.4-24-1.6-NFE25 (4 PIECES)	1
7	4214481	STATIONARY RING HOLDER HELIX D27 ReDTC	1
7.2	4214479	> STATIONARY RING HOLDER HELIX D27 VP.	1
7.3	4176513	> O-RING FOR PUMP JACKET VP.	1
8	4212724	FILING/PURGING PLUG HELIX ReDTC KIT	1
8.1		> FILLING PLUG MVI6"-304	1
8.2	4177800	> O-RING EPDM PLUG HELIX VP.	1
9	4214483	MECH.SEAL HELIX6-10-16 O/E ReDTC KIT	1
9.1	4177801	> MECH.SEAL HELIX6-10-16 O/E VP.	1
7.3	4176513	> O-RING FOR PUMP JACKET VP.	1
10	4177839	HOUSING PIPES D.152X435 1.4301 KIT	1
7.3	4176513	> O-RING FOR PUMP JACKET VP.	1
10.1		> HOUSING-PIPE Ø152-M+1010-304	1
11	4174087	CENTERING STAGE-RETURN HELIX6 1.4301VP.	1
12	4214486	SHAFT EQUIPMENT HELIX V6 ReDTC KIT	1
12.1		> NUT-H-M10-A4.70	1
12.2		> SERRATED LOCK WASHER M+6M3-316L	1
12.3		> 1/2-SNAP-RING-6/10M3-316L	1
12.4		> STOP-RUSH-1/2-D16xd2-M+316	1
4.11		> SCREW CHC-M6X14-8.8-ISO4762-GEOMET500A	1
4.12		> WASHER D.24 L6U ZINK	1
13		HYDRAULIC HELIX V 610 1.4307	1
14	4214508	SHAFT D.16X503 HELIX 1.4057 VP.	1

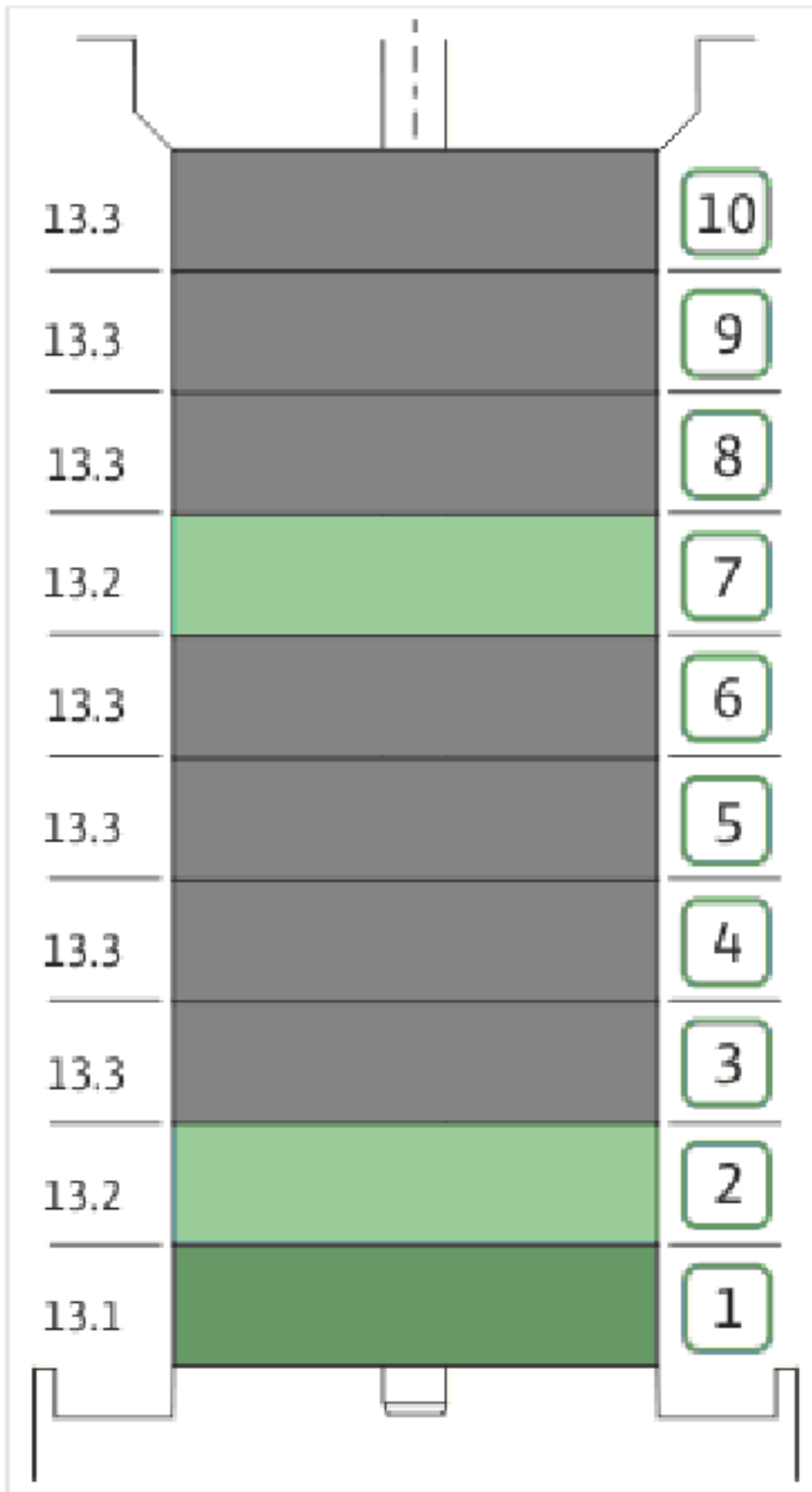
HELIX FIRST V610-5/16/E/S/400-50 (4201149)

Item	Article no.	Description	Quantity
15	4215105	PUMP HOUSING HELIX V2/4/6 DN32 PN16 KIT	1
15.1		> MACH+CATA PPE HOUSING M+5" D32-PN16 GJL	1
15.2	4191618	> O-RING ID.44,05x3,53 EPDM VP.	1
15.3	4171321	> PRIMING/DRAIN PLUG EPDM HELIX KIT	1
7.3	4176513	> O-RING FOR PUMP JACKET VP.	1



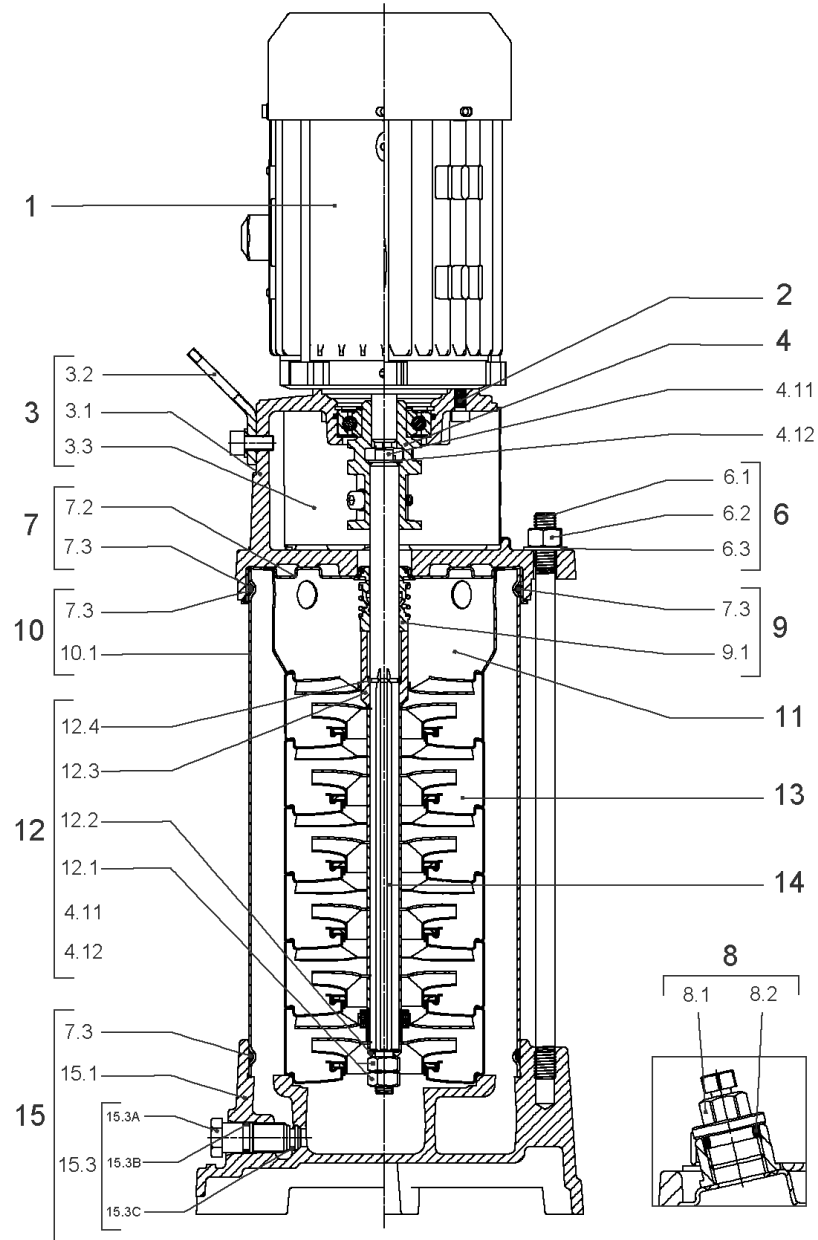
COUPLING D.16xD.24 FT115 HELIX KIT (4159709)

Item	Article no.	Description	Quantity
4.1		COUPLING M+ Ø16XØ24 FT115 MACHINED	1
4.2	2131023	BALL BEARING 6207/ZZ-C3(HT)VP.	1
4.3	4234254	CIRCLIP-FOR-SHAFT-D35x1.5 VP.	1
4.4	4157726	SCREW KIT M8X30 (4 PIECES)	1
4.5	4234251	CIRCLIP-D72x2.5 VP.	1
4.6	4234246	O-RING 72X3 VP.	1
		NOMEL CONTACT WASHER 8x16x1,4 STEEL ZC	1



HYDRAULIC HELIX V 610 1.4307

Item	Article no.	Description	Quantity
13.1	4174084	STAGE HELIX 6 1.4301 KIT	1
		> MACH.STG-CASING-WOGV-WNR-M+6-304	1
		> IMPELLER-M+6-304	1
13.2	4174089	INTERMEDIATE STAGE HELIX 6 1.4301 KIT	1
		> MACH.BEARING-STG-CASING-WNR-M+6-304	1
		> IMPELLER-M+6-304	1
		> SHAFT SLEEVE-SPACER-Ø19,35x18,465-304	1
		> SHAFT-SLEEVE-D16xD20x18-CW	1
13.3	4174090	INTERMEDIATE STAGE HELIX 6 1.4301 KIT	1
		> MACH.STD-STG-CASING-WGV+NR-M+6-304	1
		> IMPELLER-M+6-304	1
		> IMPELLER SPACER Ø16,05X19,45-L36,465-304	1



HELIX FIRST V610-5/25/E/S/400-50 (4201151)

Item	Article no.	Description	Quantity
1	4169943	MOTOR 2,2/2/90 3~230/400V 50HZ IE3 VP.	1
		SPARE PARTS MOTOR:ON REQUEST	1
2	4159707	SCREW M8X30 (4 PIECES)	1
3	4213784	LANTERN FT115 HELIX KIT	1
3.1		> LANT-MOT-VMI-ReDTC6"-FT115-MACHINED+CATA	1
3.2	4184852	> EYELET CPL.FT HELIX (2 PIECES)	1
3.3	4213782	> COUPLING PROTECTOR FT115/130 HELIX KIT	1
4	4159709	COUPLING D.16xD.24 FT115 HELIX KIT	1
6	4178605	STUD BOLT M12X469 KIT	1
6.1		> TIE BOLT M12-469x18x30-1.4057	1
6.2	2094647	> NUT M12 M12 ISO4032 VP.	1
6.3	2123557	> WASHER CS-12.4-24-1.6-NFE25 (4 PIECES)	1
7	4214481	STATIONARY RING HOLDER HELIX D27 ReDTC	1
7.2	4214479	> STATIONARY RING HOLDER HELIX D27 VP.	1
7.3	4176513	> O-RING FOR PUMP JACKET VP.	1
8	4212724	FILING/PURGING PLUG HELIX ReDTC KIT	1
8.1		> FILLING PLUG MVI6"-304	1
8.2	4177800	> O-RING EPDM PLUG HELIX VP.	1
9	4214483	MECH.SEAL HELIX6-10-16 O/E ReDTC KIT	1
9.1	4177801	> MECH.SEAL HELIX6-10-16 O/E VP.	1
7.3	4176513	> O-RING FOR PUMP JACKET VP.	1
10	4177839	HOUSING PIPES D.152X435 1.4301 KIT	1
7.3	4176513	> O-RING FOR PUMP JACKET VP.	1
10.1		> HOUSING-PIPE Ø152-M+1010-304	1
11	4174087	CENTERING STAGE-RETURN HELIX6 1.4301VP.	1
12	4214486	SHAFT EQUIPMENT HELIX V6 ReDTC KIT	1
12.1		> NUT-H-M10-A4.70	1
12.2		> SERRATED LOCK WASHER M+6M3-316L	1
12.3		> 1/2-SNAP-RING-6/10M3-316L	1
12.4		> STOP-RUSH-1/2-D16xd2-M+316	1
4.11		> SCREW CHC-M6X14-8.8-ISO4762-GEOMET500A	1
4.12		> WASHER D.24 L6U ZINK	1
13		HYDRAULIC HELIX V 610 1.4307	1
14	4214508	SHAFT D.16X503 HELIX 1.4057 VP.	1

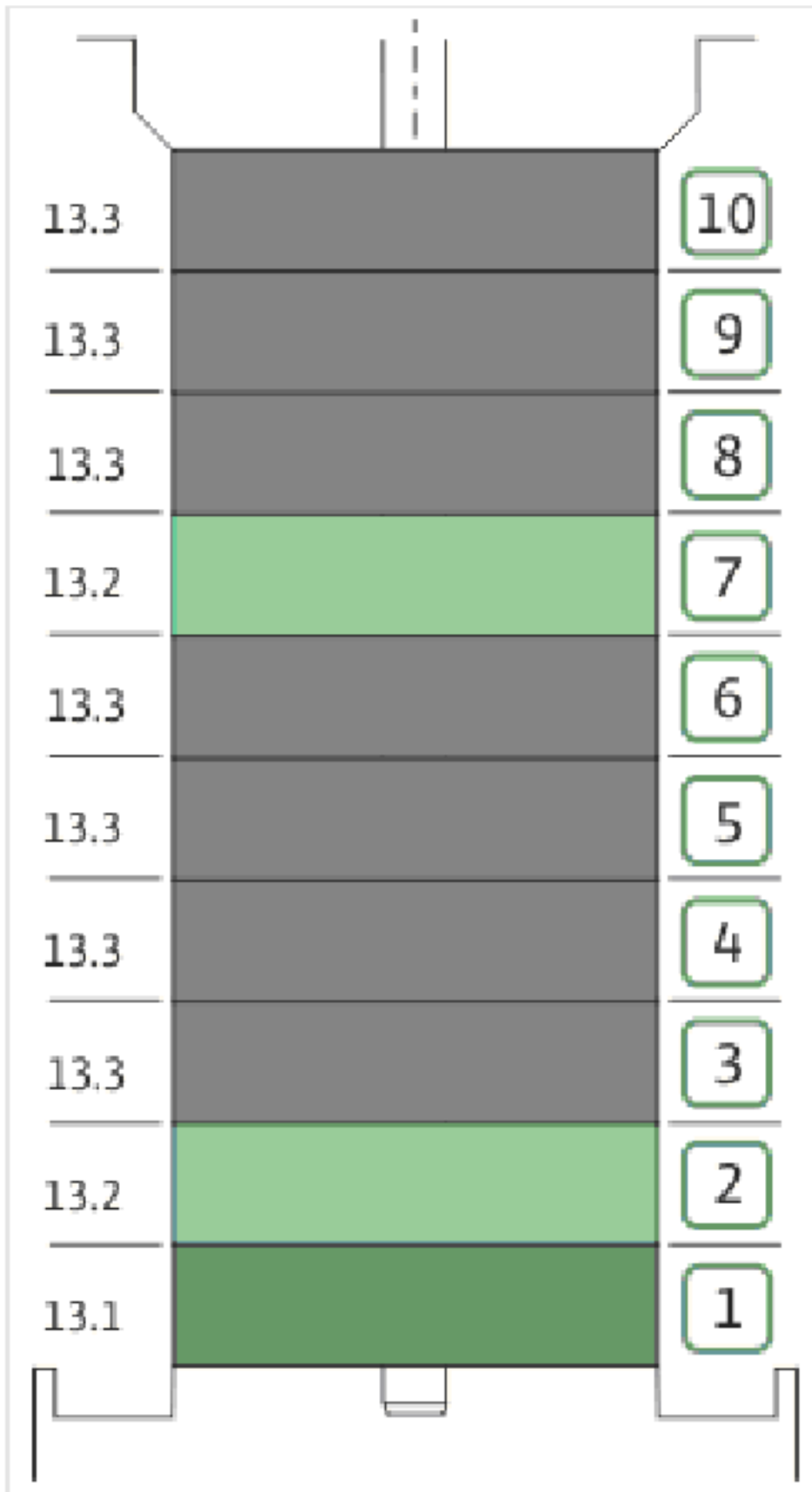
HELIX FIRST V610-5/25/E/S/400-50 (4201151)

Item	Article no.	Description	Quantity
15	4208872	PUMP HOUSING HELIX V6 DN32 PN30 KIT	1
15.1		> MACH+CATA PUMP CASING M+5" DN32 PN25 GJL	1
15.2	4010031	> FLAT GASKET D.30/79	1
15.3	4177877	> PRIMING/DRAIN PLUG HELIX PN30 KIT	1
15.3A		>> PRIMING/DRAIN PLUG M+6" 304	1
15.3B	4233957	>> O-RING ID.9 EPDM VP.	1
15.3C		>> O-RING Ø8xØ2 EPDM KTW/WRC	1
7.3	4176513	> O-RING FOR PUMP JACKET VP.	1



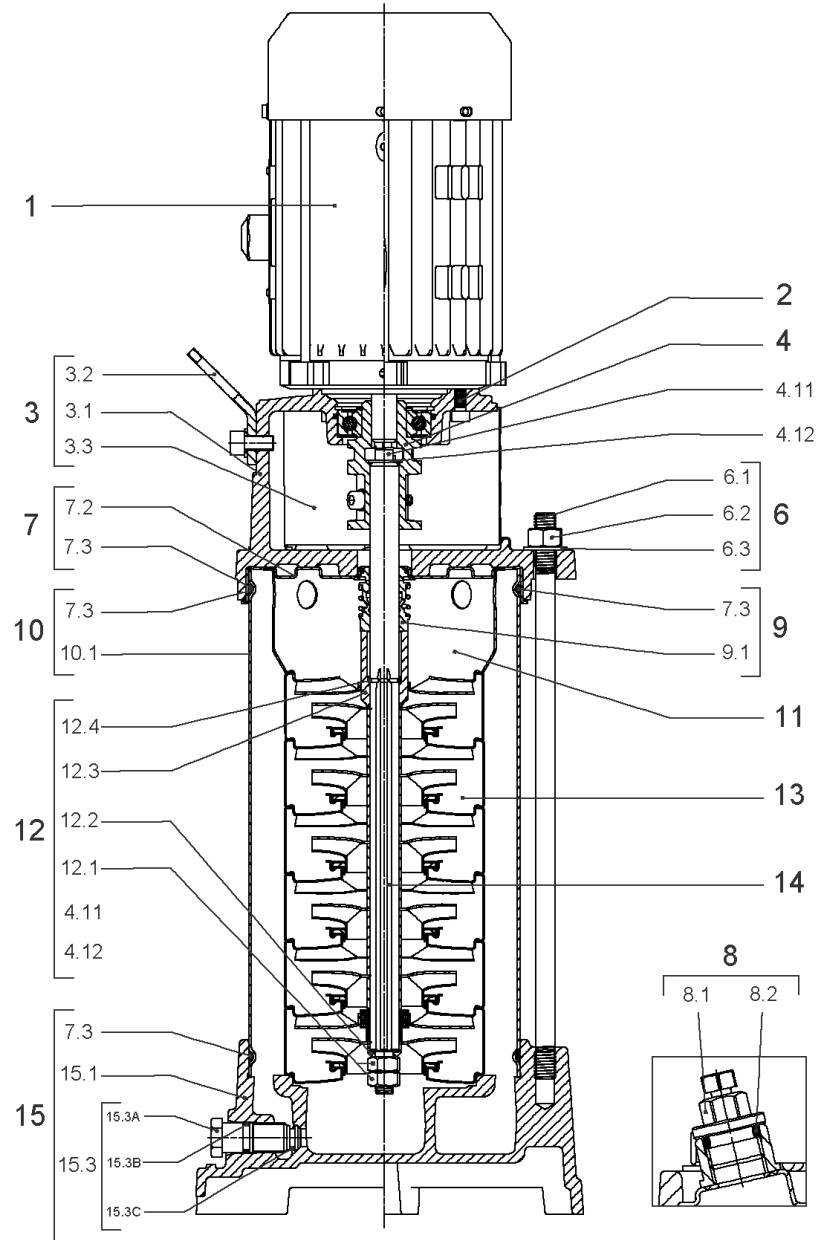
COUPLING D.16xD.24 FT115 HELIX KIT (4159709)

Item	Article no.	Description	Quantity
4.1		COUPLING M+ Ø16XØ24 FT115 MACHINED	1
4.2	2131023	BALL BEARING 6207/ZZ-C3(HT)VP.	1
4.3	4234254	CIRCLIP-FOR-SHAFT-D35x1.5 VP.	1
4.4	4157726	SCREW KIT M8X30 (4 PIECES)	1
4.5	4234251	CIRCLIP-D72x2.5 VP.	1
4.6	4234246	O-RING 72X3 VP.	1
		NOMEL CONTACT WASHER 8x16x1,4 STEEL ZC	1



HYDRAULIC HELIX V 610 1.4307

Item	Article no.	Description	Quantity
13.1	4174084	STAGE HELIX 6 1.4301 KIT	1
		> MACH.STG-CASING-WOGV-WNR-M+6-304	1
		> IMPELLER-M+6-304	1
13.2	4174089	INTERMEDIATE STAGE HELIX 6 1.4301 KIT	1
		> MACH.BEARING-STG-CASING-WNR-M+6-304	1
		> IMPELLER-M+6-304	1
		> SHAFT SLEEVE-SPACER-Ø19,35x18,465-304	1
		> SHAFT-SLEEVE-D16xD20x18-CW	1
13.3	4174090	INTERMEDIATE STAGE HELIX 6 1.4301 KIT	1
		> MACH.STD-STG-CASING-WGV+NR-M+6-304	1
		> IMPELLER-M+6-304	1
		> IMPELLER SPACER Ø16,05X19,45-L36,465-304	1

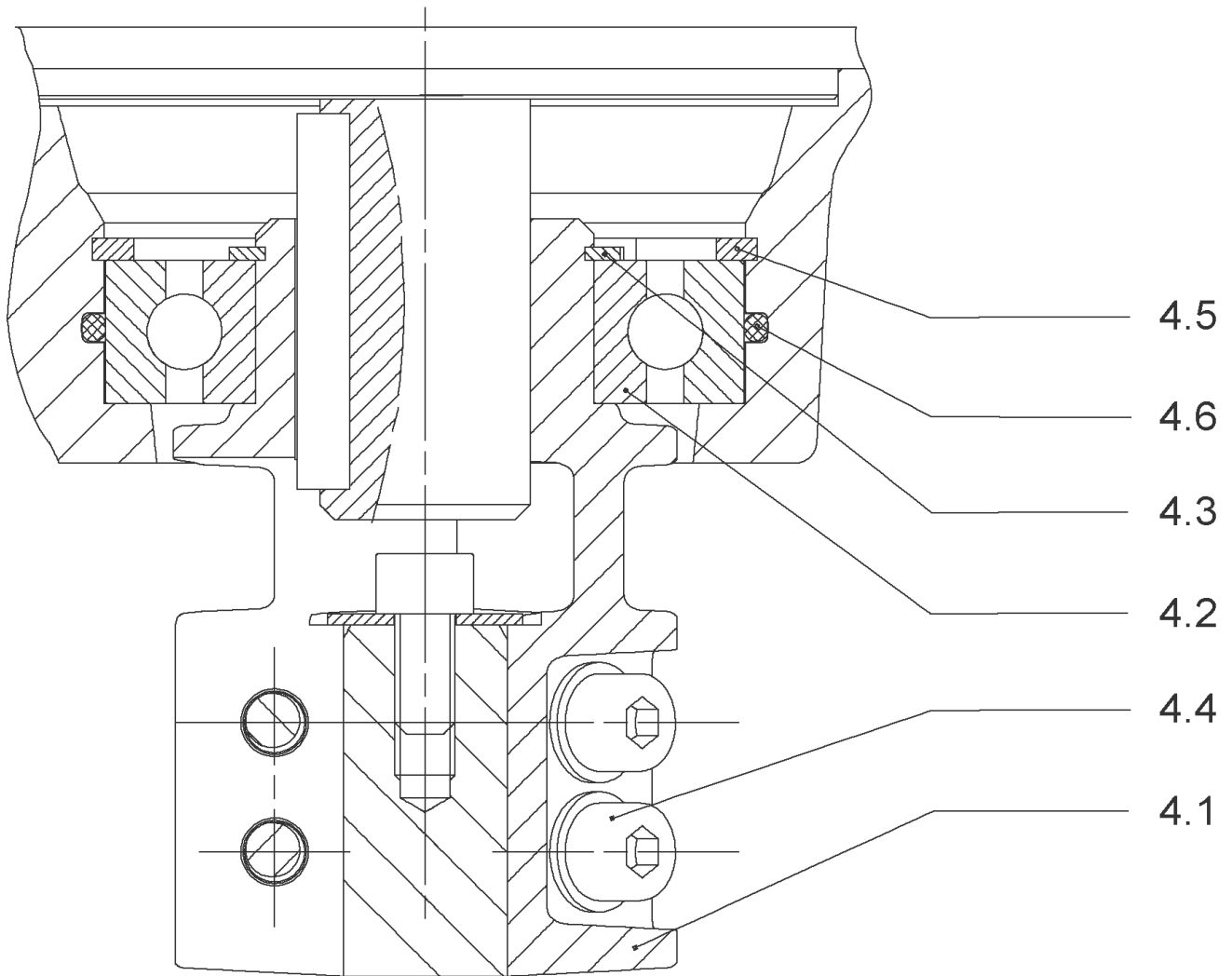


HELIX FIRST V611-5/16/E/S/400-50 (4201152)

Item	Article no.	Description	Quantity
1	4169943	MOTOR 2,2/2/90 3~230/400V 50HZ IE3 VP.	1
		SPARE PARTS MOTOR:ON REQUEST	1
2	4159707	SCREW M8X30 (4 PIECES)	1
3	4213784	LANTERN FT115 HELIX KIT	1
3.1		> LANT-MOT-VMI-ReDTC6"-FT115-MACHINED+CATA	1
3.2	4184852	> EYELET CPL.FT HELIX (2 PIECES)	1
3.3	4213782	> COUPLING PROTECTOR FT115/130 HELIX KIT	1
4	4159709	COUPLING D.16xD.24 FT115 HELIX KIT	1
6	2127556	STUD BOLT M12X542 KIT	1
7	4214481	STATIONARY RING HOLDER HELIX D27 ReDTC	1
7.2	4214479	> STATIONARY RING HOLDER HELIX D27 VP.	1
7.3	4176513	> O-RING FOR PUMP JACKET VP.	1
8	4212724	FILING/PURGING PLUG HELIX ReDTC KIT	1
8.1		> FILLING PLUG MVI6"-304	1
8.2	4177800	> O-RING EPDM PLUG HELIX VP.	1
9	4214483	MECH.SEAL HELIX6-10-16 O/E ReDTC KIT	1
9.1	4177801	> MECH.SEAL HELIX6-10-16 O/E VP.	1
7.3	4176513	> O-RING FOR PUMP JACKET VP.	1
10	4177843	HOUSING PIPES D.152X510 1.4307 KIT	1
7.3	4176513	> O-RING FOR PUMP JACKET VP.	1
10.1		> HOUSING-PIPE Ø152-M+1012/1609-304	1
11	4174087	CENTERING STAGE-RETURN HELIX6 1.4301VP.	1
12	4214486	SHAFT EQUIPMENT HELIX V6 ReDTC KIT	1
12.1		> NUT-H-M10-A4.70	1
12.2		> SERRATED LOCK WASHER M+6M3-316L	1
12.3		> 1/2-SNAP-RING-6/10M3-316L	1
12.4		> STOP-RUSH-1/2-D16xd2-M+316	1
4.11		> SCREW CHC-M6X14-8.8-ISO4762-GEOMET500A	1
4.12		> WASHER D.24 L6U ZINK	1
13		HYDRAULIC HELIX V 611 1.4307	1
14	4214510	SHAFT D.16X578 HELIX 1.4057 VP.	1
15	4215105	PUMP HOUSING HELIX V2/4/6 DN32 PN16 KIT	1
15.1		> MACH+CATA PPE HOUSING M+5" D32-PN16 GJL	1
15.2	4191618	> O-RING ID.44,05x3,53 EPDM VP.	1

HELIX FIRST V611-5/16/E/S/400-50 (4201152)

Item	Article no.	Description	Quantity
15.3	4171321	> PRIMING/DRAIN PLUG EPDM HELIX KIT	1
7.3	4176513	> O-RING FOR PUMP JACKET VP.	1



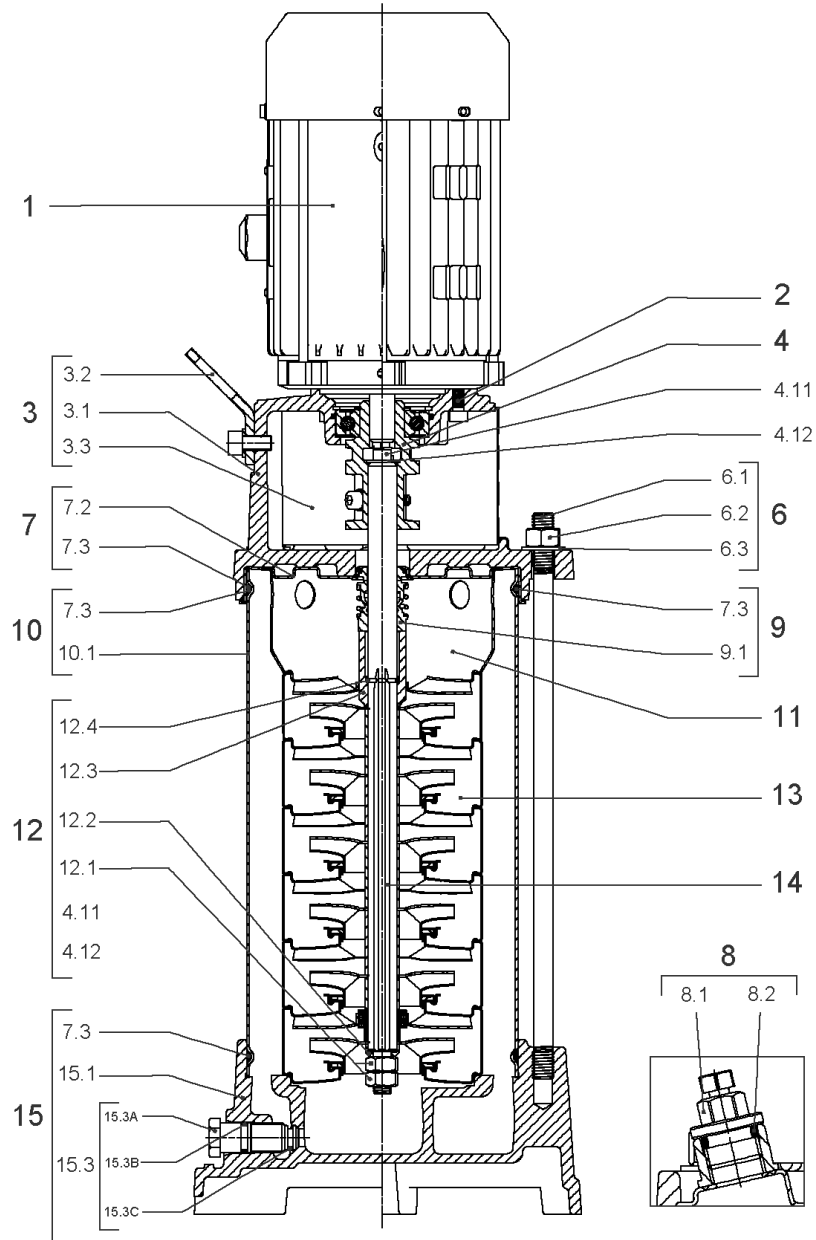
COUPLING D.16xD.24 FT115 HELIX KIT (4159709)

Item	Article no.	Description	Quantity
4.1		COUPLING M+ Ø16XØ24 FT115 MACHINED	1
4.2	2131023	BALL BEARING 6207/ZZ-C3(HT)VP.	1
4.3	4234254	CIRCLIP-FOR-SHAFT-D35x1.5 VP.	1
4.4	4157726	SCREW KIT M8X30 (4 PIECES)	1
4.5	4234251	CIRCLIP-D72x2.5 VP.	1
4.6	4234246	O-RING 72X3 VP.	1
		NOMEL CONTACT WASHER 8x16x1,4 STEEL ZC	1



HYDRAULIC HELIX V 611 1.4307

Item	Article no.	Description	Quantity
13.1	4174084	STAGE HELIX 6 1.4301 KIT	1
		> MACH.STG-CASING-WOGV-WNR-M+6-304	1
		> IMPELLER-M+6-304	1
13.2	4174089	INTERMEDIATE STAGE HELIX 6 1.4301 KIT	1
		> MACH.BEARING-STG-CASING-WNR-M+6-304	1
		> IMPELLER-M+6-304	1
		> SHAFT SLEEVE-SPACER-Ø19,35x18,465-304	1
		> SHAFT-SLEEVE-D16xD20x18-CW	1
13.3	4174090	INTERMEDIATE STAGE HELIX 6 1.4301 KIT	1
		> MACH.STD-STG-CASING-WGV+NR-M+6-304	1
		> IMPELLER-M+6-304	1
		> IMPELLER SPACER Ø16,05X19,45-L36,465-304	1
13.4	4174092	EMPTY STAGE HELIX6 1.4301KIT	1
		> MACH.STD-STG-CASING-WGV+NR-M+6-304	1
		> FLAT WASHER-D16.1XD22X1.2-316L	1
		> IMPELLER SPACER Ø16,05X19,45-L36,465-304	1
13.5	4174091	STAGE HELIX 6 1.4301 KIT	1
		> MACH.STG-CASING-WOGV-WNR-M+6-304	1
		> IMPELLER-M+6-304	1
		> IMPELLER SPACER Ø16,05X19,45-L36,465-304	1

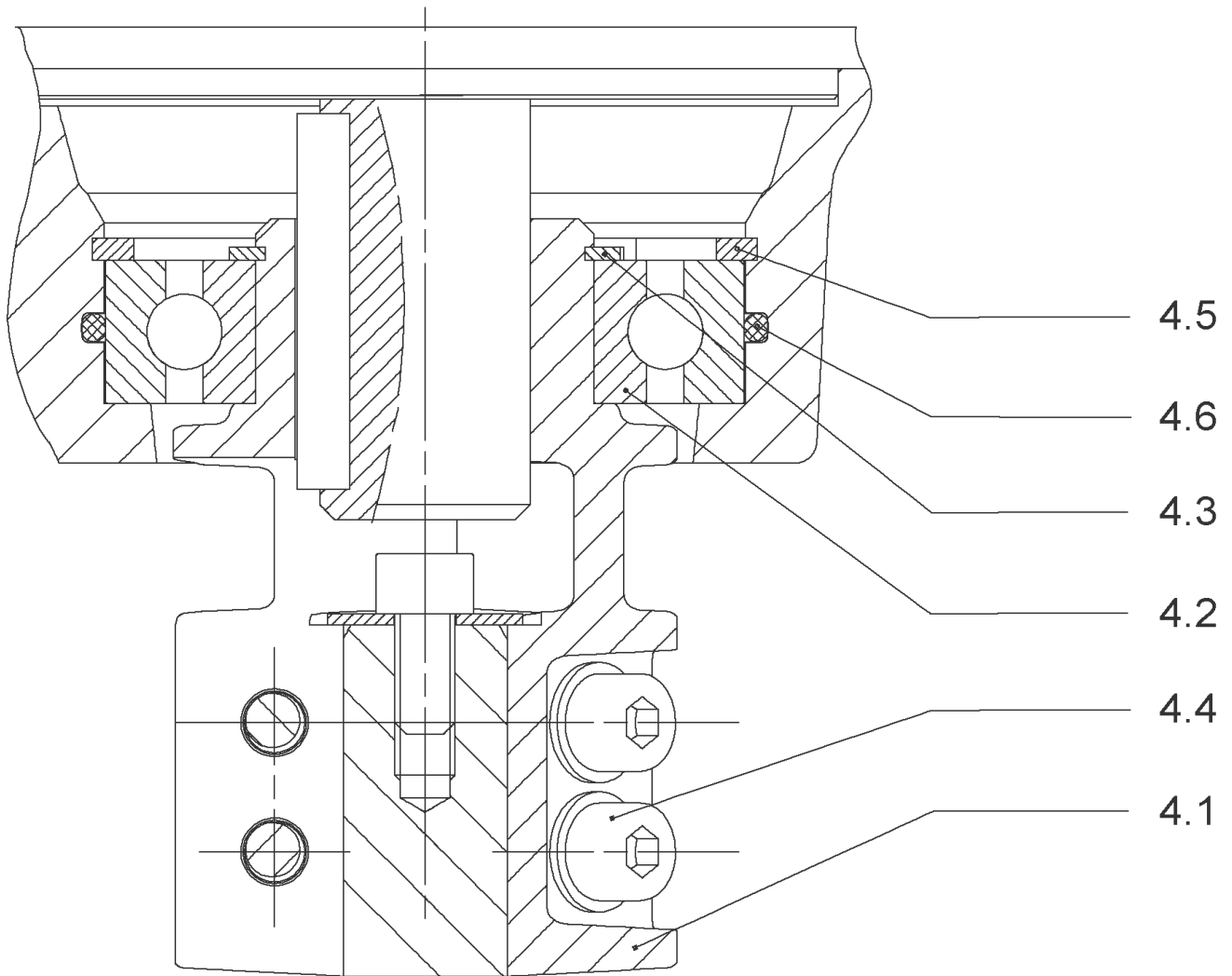


HELIX FIRST V611-5/25/E/S/400-50 (4201154)

Item	Article no.	Description	Quantity
1	4169943	MOTOR 2,2/2/90 3~230/400V 50HZ IE3 VP.	1
		SPARE PARTS MOTOR:ON REQUEST	1
2	4159707	SCREW M8X30 (4 PIECES)	1
3	4213784	LANTERN FT115 HELIX KIT	1
3.1		> LANT-MOT-VMI-ReDTC6"-FT115-MACHINED+CATA	1
3.2	4184852	> EYELET CPL.FT HELIX (2 PIECES)	1
3.3	4213782	> COUPLING PROTECTOR FT115/130 HELIX KIT	1
4	4159709	COUPLING D.16xD.24 FT115 HELIX KIT	1
6	2127556	STUD BOLT M12X542 KIT	1
7	4214481	STATIONARY RING HOLDER HELIX D27 ReDTC	1
7.2	4214479	> STATIONARY RING HOLDER HELIX D27 VP.	1
7.3	4176513	> O-RING FOR PUMP JACKET VP.	1
8	4212724	FILING/PURGING PLUG HELIX ReDTC KIT	1
8.1		> FILLING PLUG MVI6"-304	1
8.2	4177800	> O-RING EPDM PLUG HELIX VP.	1
9	4214483	MECH.SEAL HELIX6-10-16 O/E ReDTC KIT	1
9.1	4177801	> MECH.SEAL HELIX6-10-16 O/E VP.	1
7.3	4176513	> O-RING FOR PUMP JACKET VP.	1
10	4177843	HOUSING PIPES D.152X510 1.4307 KIT	1
7.3	4176513	> O-RING FOR PUMP JACKET VP.	1
10.1		> HOUSING-PIPE Ø152-M+1012/1609-304	1
11	4174087	CENTERING STAGE-RETURN HELIX6 1.4301VP.	1
12	4214486	SHAFT EQUIPMENT HELIX V6 ReDTC KIT	1
12.1		> NUT-H-M10-A4.70	1
12.2		> SERRATED LOCK WASHER M+6M3-316L	1
12.3		> 1/2-SNAP-RING-6/10M3-316L	1
12.4		> STOP-RUSH-1/2-D16xd2-M+316	1
4.11		> SCREW CHC-M6X14-8.8-ISO4762-GEOMET500A	1
4.12		> WASHER D.24 L6U ZINK	1
13		HYDRAULIC HELIX V 611 1.4307	1
14	4214510	SHAFT D.16X578 HELIX 1.4057 VP.	1
15	4208872	PUMP HOUSING HELIX V6 DN32 PN30 KIT	1
15.1		> MACH+CATA PUMP CASING M+5" DN32 PN25 GJL	1
15.2	4010031	> FLAT GASKET D.30/79	1

HELIX FIRST V611-5/25/E/S/400-50 (4201154)

Item	Article no.	Description	Quantity
15.3	4177877	> PRIMING/DRAIN PLUG HELIX PN30 KIT	1
15.3A		>> PRIMING/DRAIN PLUG M+6" 304	1
15.3B	4233957	>> O-RING ID.9 EPDM VP.	1
15.3C		>> O-RING Ø8xØ2 EPDM KTW/WRC	1
7.3	4176513	> O-RING FOR PUMP JACKET VP.	1



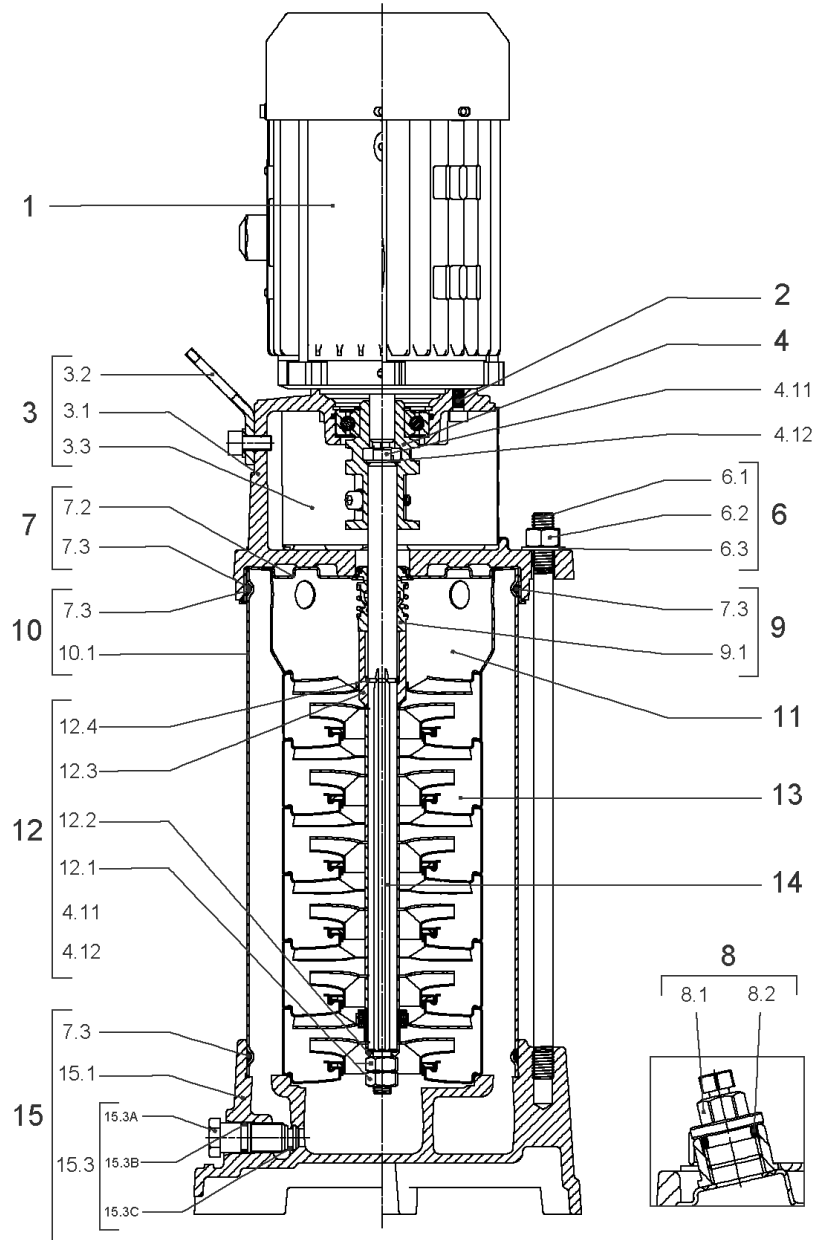
COUPLING D.16xD.24 FT115 HELIX KIT (4159709)

Item	Article no.	Description	Quantity
4.1		COUPLING M+ Ø16XØ24 FT115 MACHINED	1
4.2	2131023	BALL BEARING 6207/ZZ-C3(HT)VP.	1
4.3	4234254	CIRCLIP-FOR-SHAFT-D35x1.5 VP.	1
4.4	4157726	SCREW KIT M8X30 (4 PIECES)	1
4.5	4234251	CIRCLIP-D72x2.5 VP.	1
4.6	4234246	O-RING 72X3 VP.	1
		NOMEL CONTACT WASHER 8x16x1,4 STEEL ZC	1



HYDRAULIC HELIX V 611 1.4307

Item	Article no.	Description	Quantity
13.1	4174084	STAGE HELIX 6 1.4301 KIT	1
		> MACH.STG-CASING-WOGV-WNR-M+6-304	1
		> IMPELLER-M+6-304	1
13.2	4174089	INTERMEDIATE STAGE HELIX 6 1.4301 KIT	1
		> MACH.BEARING-STG-CASING-WNR-M+6-304	1
		> IMPELLER-M+6-304	1
		> SHAFT SLEEVE-SPACER-Ø19,35x18,465-304	1
		> SHAFT-SLEEVE-D16xD20x18-CW	1
13.3	4174090	INTERMEDIATE STAGE HELIX 6 1.4301 KIT	1
		> MACH.STD-STG-CASING-WGV+NR-M+6-304	1
		> IMPELLER-M+6-304	1
		> IMPELLER SPACER Ø16,05X19,45-L36,465-304	1
13.4	4174092	EMPTY STAGE HELIX6 1.4301KIT	1
		> MACH.STD-STG-CASING-WGV+NR-M+6-304	1
		> FLAT WASHER-D16.1XD22X1.2-316L	1
		> IMPELLER SPACER Ø16,05X19,45-L36,465-304	1
13.5	4174091	STAGE HELIX 6 1.4301 KIT	1
		> MACH.STG-CASING-WOGV-WNR-M+6-304	1
		> IMPELLER-M+6-304	1
		> IMPELLER SPACER Ø16,05X19,45-L36,465-304	1



HELIX FIRST V612-5/16/E/S/400-50 (4201155)

Item	Article no.	Description	Quantity
1	4169944	MOTOR 3/2/100 3~230/400V 50HZ IE3 VP.	1
		SPARE PARTS MOTOR:ON REQUEST	1
2	4159707	SCREW M8X30 (4 PIECES)	1
3	4214473	LANTERN FT130 HELIX KIT	1
3.1		> LANT-MOT-VMI-ReDTC6"-FT130-MACHINED+CATA	1
3.2	4184852	> EYELET CPL.FT HELIX (2 PIECES)	1
3.3	4213782	> COUPLING PROTECTOR FT115/130 HELIX KIT	1
4	4159710	COUPLING D.16XD.28 FT130 HELIX KIT	1
6	2127556	STUD BOLT M12X542 KIT	1
7	4214481	STATIONARY RING HOLDER HELIX D27 ReDTC	1
7.2	4214479	> STATIONARY RING HOLDER HELIX D27 VP.	1
7.3	4176513	> O-RING FOR PUMP JACKET VP.	1
8	4212724	FILING/PURGING PLUG HELIX ReDTC KIT	1
8.1		> FILLING PLUG MVI6"-304	1
8.2	4177800	> O-RING EPDM PLUG HELIX VP.	1
9	4214483	MECH.SEAL HELIX6-10-16 O/E ReDTC KIT	1
9.1	4177801	> MECH.SEAL HELIX6-10-16 O/E VP.	1
7.3	4176513	> O-RING FOR PUMP JACKET VP.	1
10	4177843	HOUSING PIPES D.152X510 1.4307 KIT	1
7.3	4176513	> O-RING FOR PUMP JACKET VP.	1
10.1		> HOUSING-PIPE Ø152-M+1012/1609-304	1
11	4174087	CENTERING STAGE-RETURN HELIX6 1.4301VP.	1
12	4214486	SHAFT EQUIPMENT HELIX V6 ReDTC KIT	1
12.1		> NUT-H-M10-A4.70	1
12.2		> SERRATED LOCK WASHER M+6M3-316L	1
12.3		> 1/2-SNAP-RING-6/10M3-316L	1
12.4		> STOP-RUSH-1/2-D16xd2-M+316	1
4.11		> SCREW CHC-M6X14-8.8-ISO4762-GEOMET500A	1
4.12		> WASHER D.24 L6U ZINK	1
13		HYDRAULIC HELIX V 612 1.4307	1
14	4214510	SHAFT D.16X578 HELIX 1.4057 VP.	1
15	4215105	PUMP HOUSING HELIX V2/4/6 DN32 PN16 KIT	1
15.1		> MACH+CATA PPE HOUSING M+5" D32-PN16 GJL	1
15.2	4191618	> O-RING ID.44,05x3,53 EPDM VP.	1

HELIX FIRST V612-5/16/E/S/400-50 (4201155)

Item	Article no.	Description	Quantity
15.3	4171321	> PRIMING/DRAIN PLUG EPDM HELIX KIT	1
7.3	4176513	> O-RING FOR PUMP JACKET VP.	1



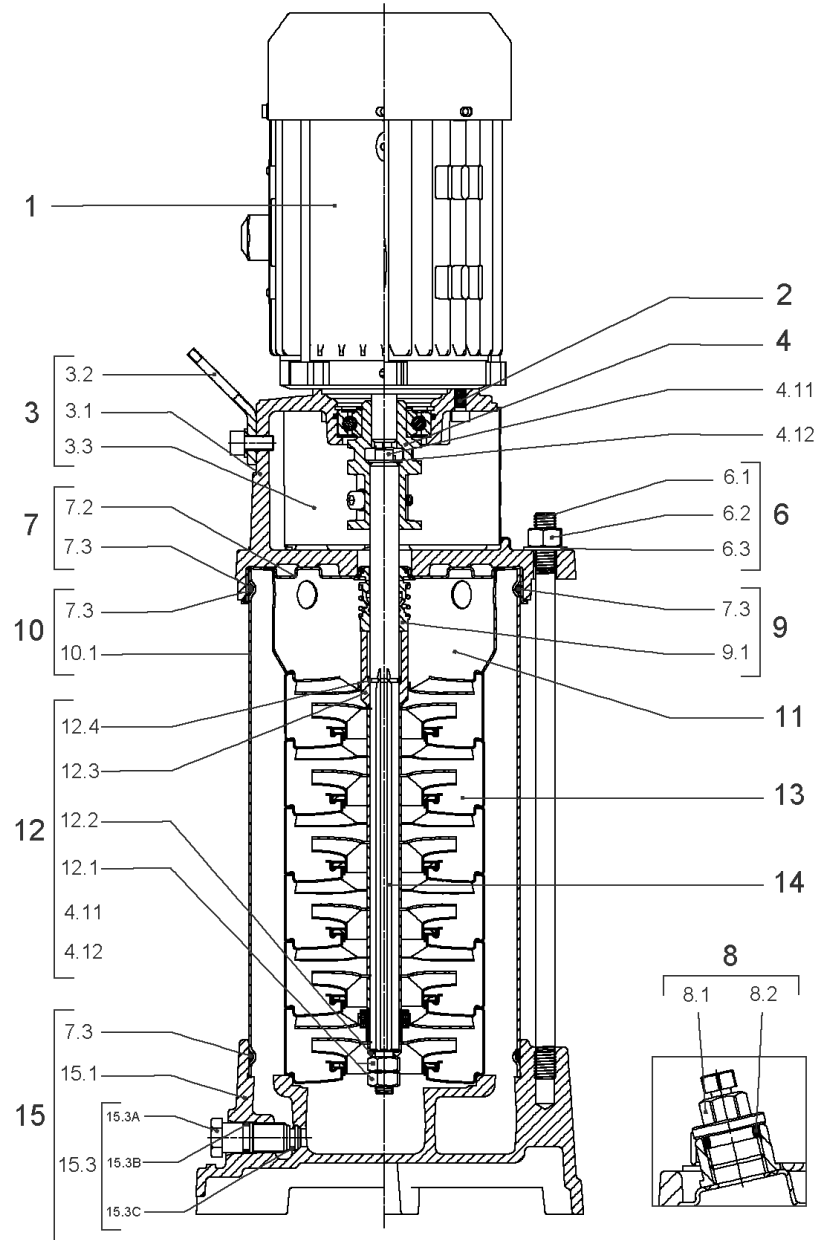
COUPLING D.16XD.28 FT130 HELIX KIT (4159710)

Item	Article no.	Description	Quantity
4.1		COUPLING M+ Ø16XØ28 FT130 MACHINED	1
4.2	2131022	BALL BEARING 6209/ZZ-C3(HT)VP.	1
4.3	4233930	CIRCLIP-FOR-BORES-D45x1,75 VP.	1
4.4	4157726	SCREW KIT M8X30 (4 PIECES)	1
4.5	4234252	CIRCLIPS 85X3 VP.	1
4.6	4234243	O-RING 85X3 VP.	1
		NOMEL CONTACT WASHER 8x16x1,4 STEEL ZC	1



HYDRAULIC HELIX V 612 1.4307

Item	Article no.	Description	Quantity
13.1	4174084	STAGE HELIX 6 1.4301 KIT	1
		> MACH.STG-CASING-WOGV-WNR-M+6-304	1
		> IMPELLER-M+6-304	1
13.2	4174089	INTERMEDIATE STAGE HELIX 6 1.4301 KIT	1
		> MACH.BEARING-STG-CASING-WNR-M+6-304	1
		> IMPELLER-M+6-304	1
		> SHAFT SLEEVE-SPACER-Ø19,35x18,465-304	1
		> SHAFT-SLEEVE-D16xD20x18-CW	1
13.3	4174090	INTERMEDIATE STAGE HELIX 6 1.4301 KIT	1
		> MACH.STD-STG-CASING-WGV+NR-M+6-304	1
		> IMPELLER-M+6-304	1
		> IMPELLER SPACER Ø16,05X19,45-L36,465-304	1



HELIX FIRST V612-5/25/E/S/400-50 (4201157)

Item	Article no.	Description	Quantity
1	4169944	MOTOR 3/2/100 3~230/400V 50HZ IE3 VP.	1
		SPARE PARTS MOTOR:ON REQUEST	1
2	4159707	SCREW M8X30 (4 PIECES)	1
3	4214473	LANTERN FT130 HELIX KIT	1
3.1		> LANT-MOT-VMI-ReDTC6"-FT130-MACHINED+CATA	1
3.2	4184852	> EYELET CPL.FT HELIX (2 PIECES)	1
3.3	4213782	> COUPLING PROTECTOR FT115/130 HELIX KIT	1
4	4159710	COUPLING D.16XD.28 FT130 HELIX KIT	1
6	2127556	STUD BOLT M12X542 KIT	1
7	4214481	STATIONARY RING HOLDER HELIX D27 ReDTC	1
7.2	4214479	> STATIONARY RING HOLDER HELIX D27 VP.	1
7.3	4176513	> O-RING FOR PUMP JACKET VP.	1
8	4212724	FILING/PURGING PLUG HELIX ReDTC KIT	1
8.1		> FILLING PLUG MVI6"-304	1
8.2	4177800	> O-RING EPDM PLUG HELIX VP.	1
9	4214483	MECH.SEAL HELIX6-10-16 O/E ReDTC KIT	1
9.1	4177801	> MECH.SEAL HELIX6-10-16 O/E VP.	1
7.3	4176513	> O-RING FOR PUMP JACKET VP.	1
10	4177843	HOUSING PIPES D.152X510 1.4307 KIT	1
7.3	4176513	> O-RING FOR PUMP JACKET VP.	1
10.1		> HOUSING-PIPE Ø152-M+1012/1609-304	1
11	4174087	CENTERING STAGE-RETURN HELIX6 1.4301VP.	1
12	4214486	SHAFT EQUIPMENT HELIX V6 ReDTC KIT	1
12.1		> NUT-H-M10-A4.70	1
12.2		> SERRATED LOCK WASHER M+6M3-316L	1
12.3		> 1/2-SNAP-RING-6/10M3-316L	1
12.4		> STOP-RUSH-1/2-D16xd2-M+316	1
4.11		> SCREW CHC-M6X14-8.8-ISO4762-GEOMET500A	1
4.12		> WASHER D.24 L6U ZINK	1
13		HYDRAULIC HELIX V 612 1.4307	1
14	4214510	SHAFT D.16X578 HELIX 1.4057 VP.	1
15	4208872	PUMP HOUSING HELIX V6 DN32 PN30 KIT	1
15.1		> MACH+CATA PUMP CASING M+5" DN32 PN25 GJL	1
15.2	4010031	> FLAT GASKET D.30/79	1

HELIX FIRST V612-5/25/E/S/400-50 (4201157)

Item	Article no.	Description	Quantity
15.3	4177877	> PRIMING/DRAIN PLUG HELIX PN30 KIT	1
15.3A		>> PRIMING/DRAIN PLUG M+6" 304	1
15.3B	4233957	>> O-RING ID.9 EPDM VP.	1
15.3C		>> O-RING Ø8xØ2 EPDM KTW/WRC	1
7.3	4176513	> O-RING FOR PUMP JACKET VP.	1



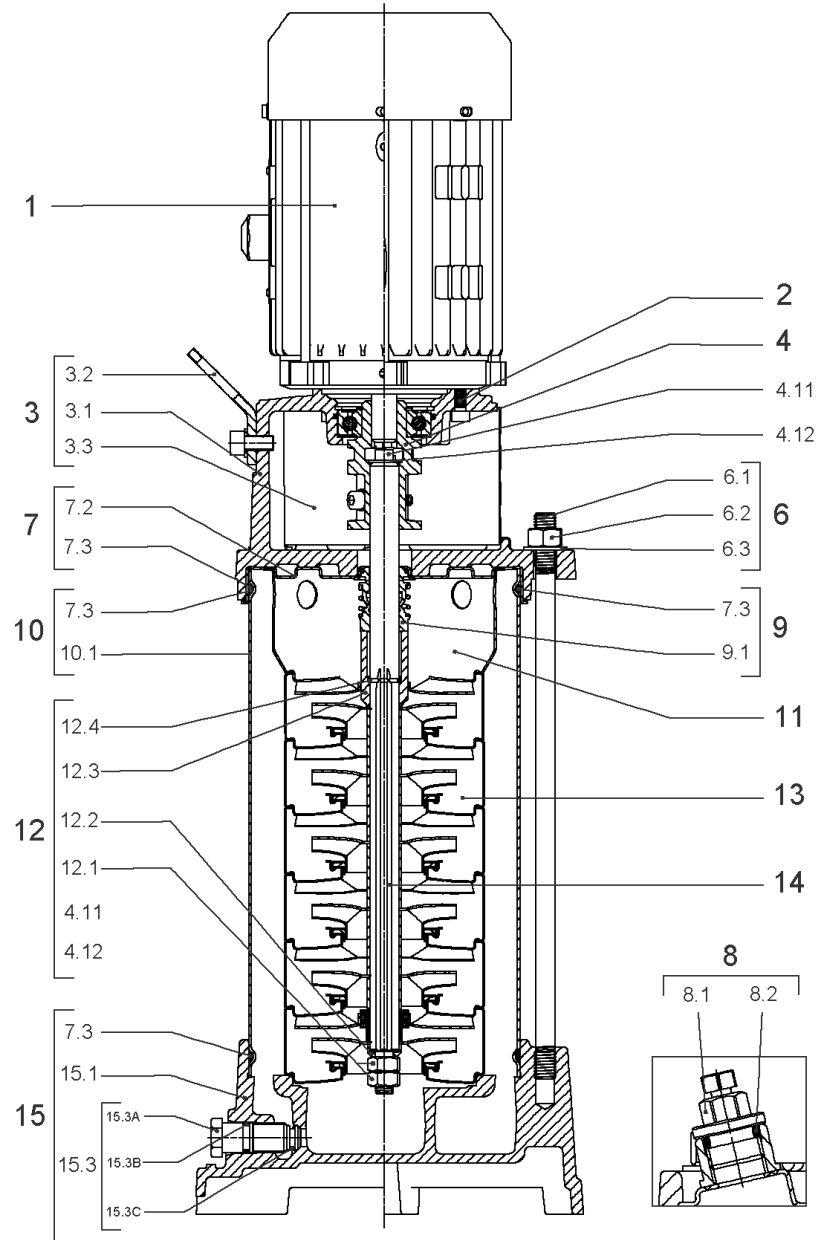
COUPLING D.16XD.28 FT130 HELIX KIT (4159710)

Item	Article no.	Description	Quantity
4.1		COUPLING M+ Ø16XØ28 FT130 MACHINED	1
4.2	2131022	BALL BEARING 6209/ZZ-C3(HT)VP.	1
4.3	4233930	CIRCLIP-FOR-BORES-D45x1,75 VP.	1
4.4	4157726	SCREW KIT M8X30 (4 PIECES)	1
4.5	4234252	CIRCLIPS 85X3 VP.	1
4.6	4234243	O-RING 85X3 VP.	1
		NOMEL CONTACT WASHER 8x16x1,4 STEEL ZC	1



HYDRAULIC HELIX V 612 1.4307

Item	Article no.	Description	Quantity
13.1	4174084	STAGE HELIX 6 1.4301 KIT	1
		> MACH.STG-CASING-WOGV-WNR-M+6-304	1
		> IMPELLER-M+6-304	1
13.2	4174089	INTERMEDIATE STAGE HELIX 6 1.4301 KIT	1
		> MACH.BEARING-STG-CASING-WNR-M+6-304	1
		> IMPELLER-M+6-304	1
		> SHAFT SLEEVE-SPACER-Ø19,35x18,465-304	1
		> SHAFT-SLEEVE-D16xD20x18-CW	1
13.3	4174090	INTERMEDIATE STAGE HELIX 6 1.4301 KIT	1
		> MACH.STD-STG-CASING-WGV+NR-M+6-304	1
		> IMPELLER-M+6-304	1
		> IMPELLER SPACER Ø16,05X19,45-L36,465-304	1

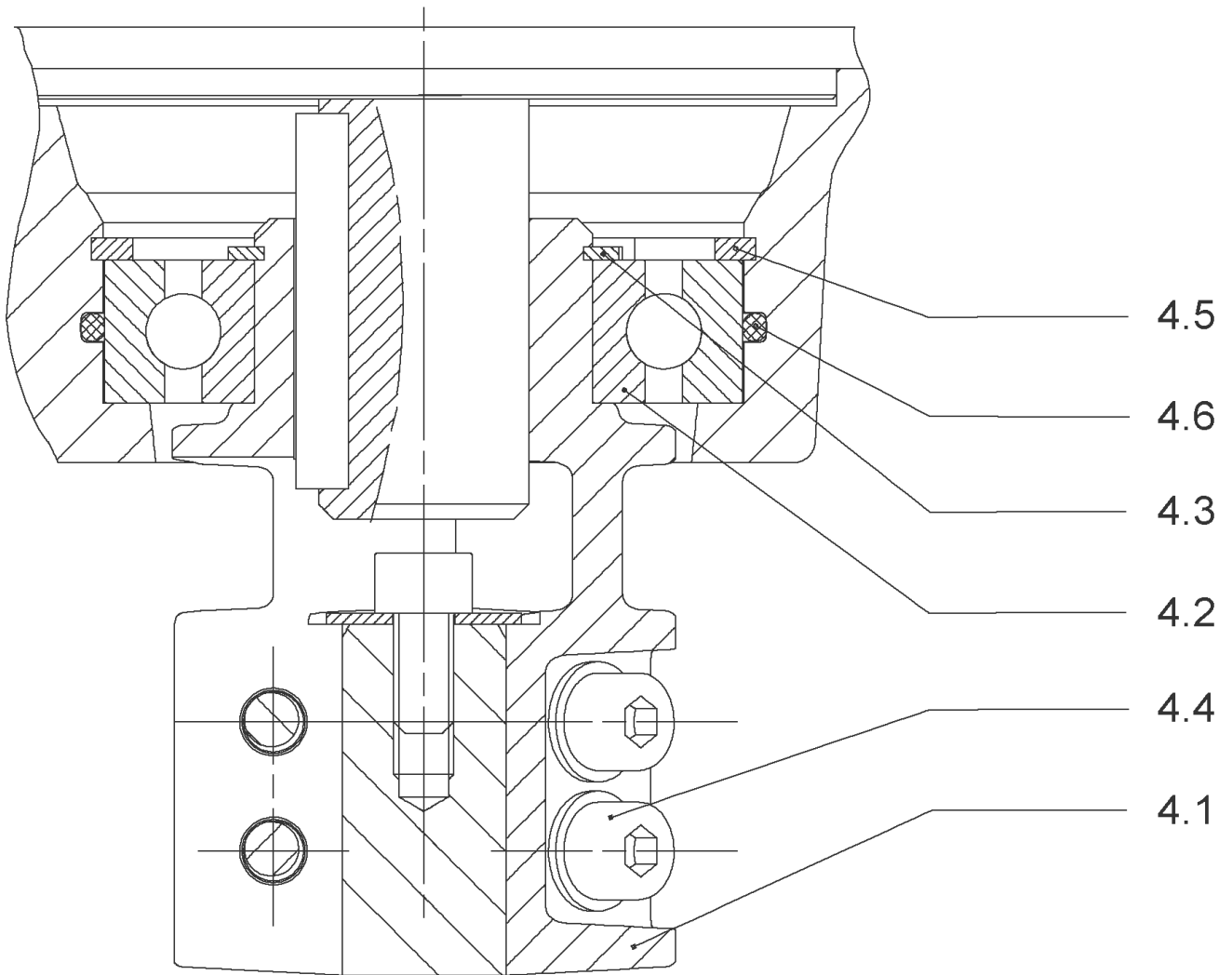


HELIX FIRST V613-5/16/E/S/400-50 (4201158)

Item	Article no.	Description	Quantity
1	4169944	MOTOR 3/2/100 3~230/400V 50HZ IE3 VP.	1
		SPARE PARTS MOTOR:ON REQUEST	1
2	4159707	SCREW M8X30 (4 PIECES)	1
3	4214473	LANTERN FT130 HELIX KIT	1
3.1		> LANT-MOT-VMI-ReDTC6"-FT130-MACHINED+CATA	1
3.2	4184852	> EYELET CPL.FT HELIX (2 PIECES)	1
3.3	4213782	> COUPLING PROTECTOR FT115/130 HELIX KIT	1
4	4159710	COUPLING D.16XD.28 FT130 HELIX KIT	1
6	4214988	STUD BOLT HELIX M12X617 KIT	1
6.1		> TIE BOLT M12-617x18x30-1.4057	1
6.2	2094647	> NUT M12 M12 ISO4032 VP.	1
6.3	2123557	> WASHER CS-12.4-24-1.6-NFE25 (4 PIECES)	1
7	4214481	STATIONARY RING HOLDER HELIX D27 ReDTC	1
7.2	4214479	> STATIONARY RING HOLDER HELIX D27 VP.	1
7.3	4176513	> O-RING FOR PUMP JACKET VP.	1
8	4212724	FILING/PURGING PLUG HELIX ReDTC KIT	1
8.1		> FILLING PLUG MVI6"-304	1
8.2	4177800	> O-RING EPDM PLUG HELIX VP.	1
9	4214483	MECH.SEAL HELIX6-10-16 O/E ReDTC KIT	1
9.1	4177801	> MECH.SEAL HELIX6-10-16 O/E VP.	1
7.3	4176513	> O-RING FOR PUMP JACKET VP.	1
10	4177850	HOUSING PIPES D.152X585 1.4301 KIT	1
7.3	4176513	> O-RING FOR PUMP JACKET VP.	1
10.1		> HOUSING-PIPE Ø152-M+1013/14-304	1
11	4174087	CENTERING STAGE-RETURN HELIX6 1.4301VP.	1
12	4214486	SHAFT EQUIPMENT HELIX V6 ReDTC KIT	1
12.1		> NUT-H-M10-A4.70	1
12.2		> SERRATED LOCK WASHER M+6M3-316L	1
12.3		> 1/2-SNAP-RING-6/10M3-316L	1
12.4		> STOP-RUSH-1/2-D16xd2-M+316	1
4.11		> SCREW CHC-M6X14-8.8-ISO4762-GEOMET500A	1
4.12		> WASHER D.24 L6U ZINK	1
13		HYDRAULIC HELIX V 613 1.4307	1
14	4214512	SHAFT D.16X653 HELIX 1.4057 VP.	1

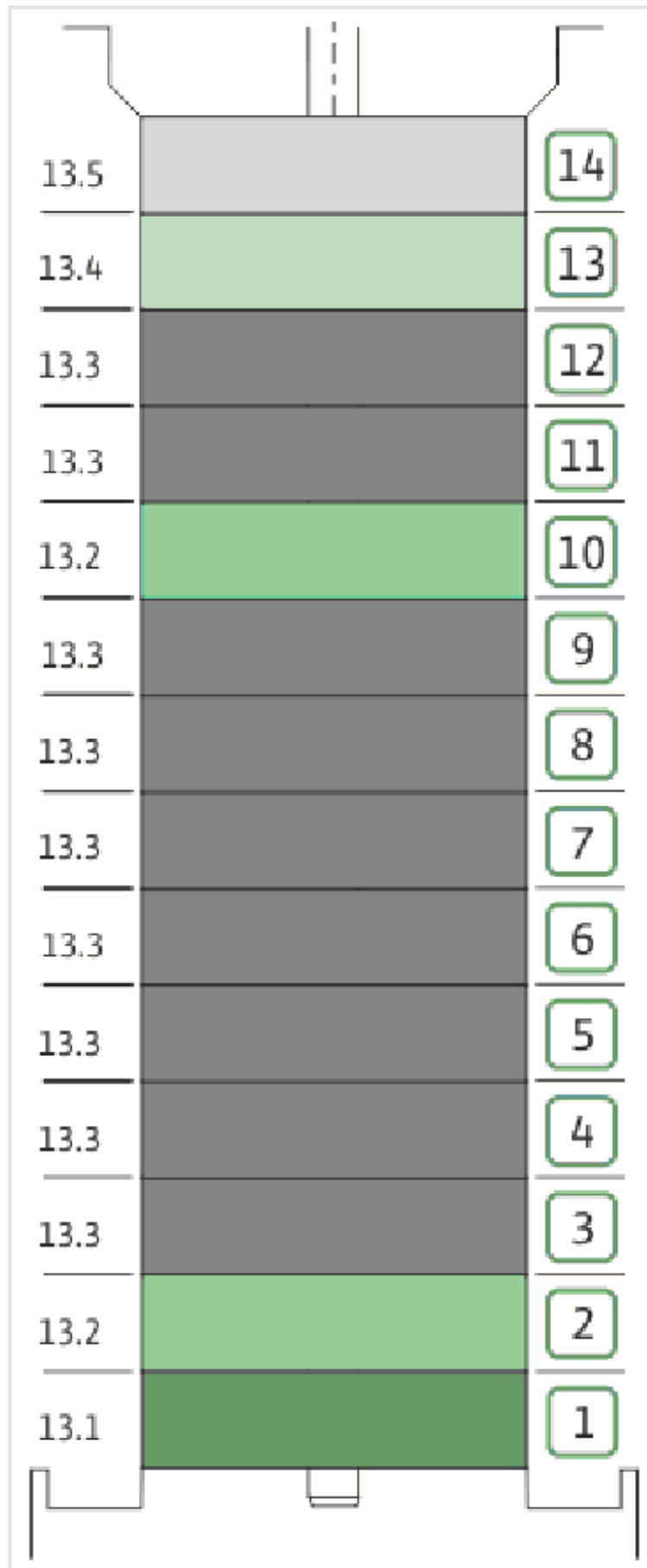
HELIX FIRST V613-5/16/E/S/400-50 (4201158)

Item	Article no.	Description	Quantity
15	4215105	PUMP HOUSING HELIX V2/4/6 DN32 PN16 KIT	1
15.1		> MACH+CATA PPE HOUSING M+5" D32-PN16 GJL	1
15.2	4191618	> O-RING ID.44,05x3,53 EPDM VP.	1
15.3	4171321	> PRIMING/DRAIN PLUG EPDM HELIX KIT	1
7.3	4176513	> O-RING FOR PUMP JACKET VP.	1



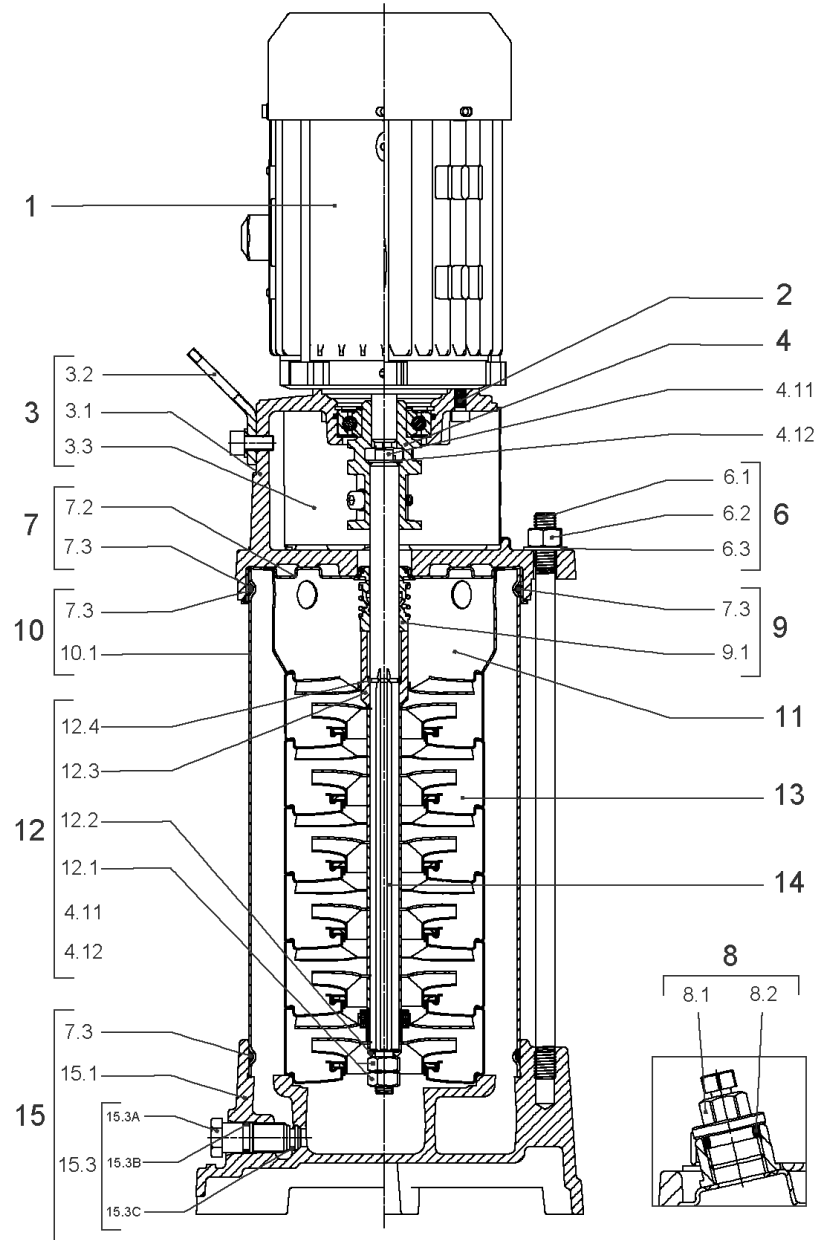
COUPLING D.16XD.28 FT130 HELIX KIT (4159710)

Item	Article no.	Description	Quantity
4.1		COUPLING M+ Ø16XØ28 FT130 MACHINED	1
4.2	2131022	BALL BEARING 6209/ZZ-C3(HT)VP.	1
4.3	4233930	CIRCLIP-FOR-BORES-D45x1,75 VP.	1
4.4	4157726	SCREW KIT M8X30 (4 PIECES)	1
4.5	4234252	CIRCLIPS 85X3 VP.	1
4.6	4234243	O-RING 85X3 VP.	1
		NOMEL CONTACT WASHER 8x16x1,4 STEEL ZC	1



HYDRAULIC HELIX V 613 1.4307

Item	Article no.	Description	Quantity
13.1	4174084	STAGE HELIX 6 1.4301 KIT	1
		> MACH.STG-CASING-WOGV-WNR-M+6-304	1
		> IMPELLER-M+6-304	1
13.2	4174089	INTERMEDIATE STAGE HELIX 6 1.4301 KIT	1
		> MACH.BEARING-STG-CASING-WNR-M+6-304	1
		> IMPELLER-M+6-304	1
		> SHAFT SLEEVE-SPACER-Ø19,35x18,465-304	1
		> SHAFT-SLEEVE-D16xD20x18-CW	1
13.3	4174090	INTERMEDIATE STAGE HELIX 6 1.4301 KIT	1
		> MACH.STD-STG-CASING-WGV+NR-M+6-304	1
		> IMPELLER-M+6-304	1
		> IMPELLER SPACER Ø16,05X19,45-L36,465-304	1
13.4	4174092	EMPTY STAGE HELIX6 1.4301KIT	1
		> MACH.STD-STG-CASING-WGV+NR-M+6-304	1
		> FLAT WASHER-D16.1XD22X1.2-316L	1
		> IMPELLER SPACER Ø16,05X19,45-L36,465-304	1
13.5	4174091	STAGE HELIX 6 1.4301 KIT	1
		> MACH.STG-CASING-WOGV-WNR-M+6-304	1
		> IMPELLER-M+6-304	1
		> IMPELLER SPACER Ø16,05X19,45-L36,465-304	1



HELIX FIRST V613-5/25/E/S/400-50 (4201159)

Item	Article no.	Description	Quantity
1	4169944	MOTOR 3/2/100 3~230/400V 50HZ IE3 VP.	1
		SPARE PARTS MOTOR:ON REQUEST	1
2	4159707	SCREW M8X30 (4 PIECES)	1
3	4214473	LANTERN FT130 HELIX KIT	1
3.1		> LANT-MOT-VMI-ReDTC6"-FT130-MACHINED+CATA	1
3.2	4184852	> EYELET CPL.FT HELIX (2 PIECES)	1
3.3	4213782	> COUPLING PROTECTOR FT115/130 HELIX KIT	1
4	4159710	COUPLING D.16XD.28 FT130 HELIX KIT	1
6	4214988	STUD BOLT HELIX M12X617 KIT	1
6.1		> TIE BOLT M12-617x18x30-1.4057	1
6.2	2094647	> NUT M12 M12 ISO4032 VP.	1
6.3	2123557	> WASHER CS-12.4-24-1.6-NFE25 (4 PIECES)	1
7	4214481	STATIONARY RING HOLDER HELIX D27 ReDTC	1
7.2	4214479	> STATIONARY RING HOLDER HELIX D27 VP.	1
7.3	4176513	> O-RING FOR PUMP JACKET VP.	1
8	4212724	FILING/PURGING PLUG HELIX ReDTC KIT	1
8.1		> FILLING PLUG MVI6"-304	1
8.2	4177800	> O-RING EPDM PLUG HELIX VP.	1
9	4214483	MECH.SEAL HELIX6-10-16 O/E ReDTC KIT	1
9.1	4177801	> MECH.SEAL HELIX6-10-16 O/E VP.	1
7.3	4176513	> O-RING FOR PUMP JACKET VP.	1
10	4177850	HOUSING PIPES D.152X585 1.4301 KIT	1
7.3	4176513	> O-RING FOR PUMP JACKET VP.	1
10.1		> HOUSING-PIPE Ø152-M+1013/14-304	1
11	4174087	CENTERING STAGE-RETURN HELIX6 1.4301VP.	1
12	4214486	SHAFT EQUIPMENT HELIX V6 ReDTC KIT	1
12.1		> NUT-H-M10-A4.70	1
12.2		> SERRATED LOCK WASHER M+6M3-316L	1
12.3		> 1/2-SNAP-RING-6/10M3-316L	1
12.4		> STOP-RUSH-1/2-D16xd2-M+316	1
4.11		> SCREW CHC-M6X14-8.8-ISO4762-GEOMET500A	1
4.12		> WASHER D.24 L6U ZINK	1
13		HYDRAULIC HELIX V 613 1.4307	1
14	4214512	SHAFT D.16X653 HELIX 1.4057 VP.	1

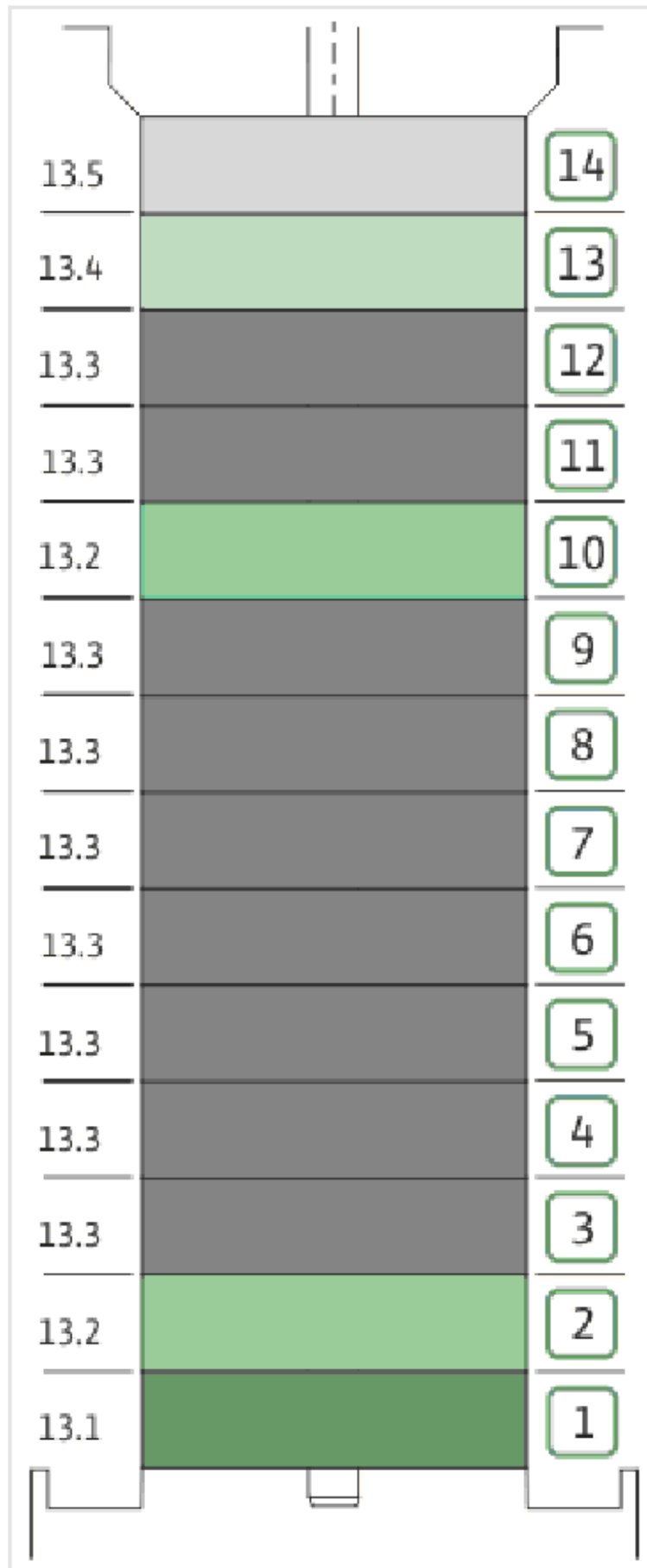
HELIX FIRST V613-5/25/E/S/400-50 (4201159)

Item	Article no.	Description	Quantity
15	4208872	PUMP HOUSING HELIX V6 DN32 PN30 KIT	1
15.1		> MACH+CATA PUMP CASING M+5" DN32 PN25 GJL	1
15.2	4010031	> FLAT GASKET D.30/79	1
15.3	4177877	> PRIMING/DRAIN PLUG HELIX PN30 KIT	1
15.3A		>> PRIMING/DRAIN PLUG M+6" 304	1
15.3B	4233957	>> O-RING ID.9 EPDM VP.	1
15.3C		>> O-RING Ø8xØ2 EPDM KTW/WRC	1
7.3	4176513	> O-RING FOR PUMP JACKET VP.	1



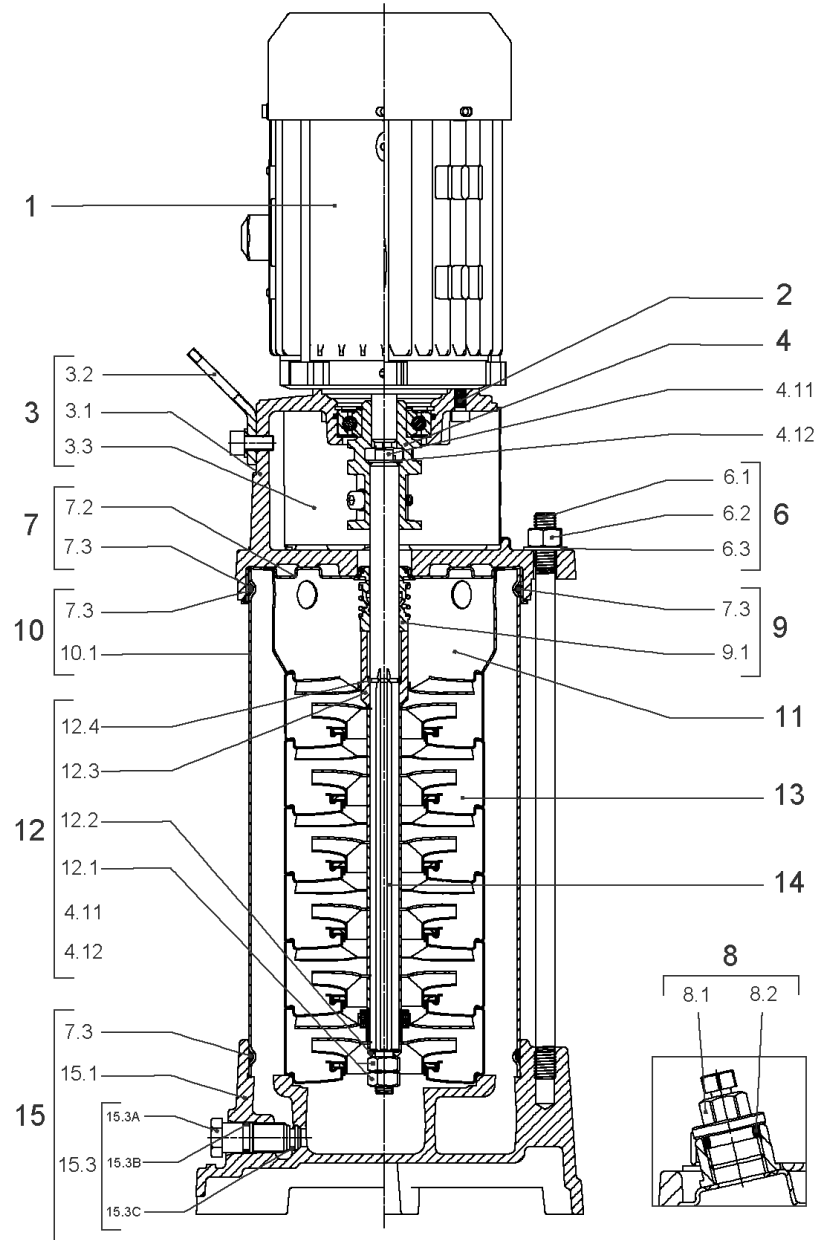
COUPLING D.16XD.28 FT130 HELIX KIT (4159710)

Item	Article no.	Description	Quantity
4.1		COUPLING M+ Ø16XØ28 FT130 MACHINED	1
4.2	2131022	BALL BEARING 6209/ZZ-C3(HT)VP.	1
4.3	4233930	CIRCLIP-FOR-BORES-D45x1,75 VP.	1
4.4	4157726	SCREW KIT M8X30 (4 PIECES)	1
4.5	4234252	CIRCLIPS 85X3 VP.	1
4.6	4234243	O-RING 85X3 VP.	1
		NOMEL CONTACT WASHER 8x16x1,4 STEEL ZC	1



HYDRAULIC HELIX V 613 1.4307

Item	Article no.	Description	Quantity
13.1	4174084	STAGE HELIX 6 1.4301 KIT	1
		> MACH.STG-CASING-WOGV-WNR-M+6-304	1
		> IMPELLER-M+6-304	1
13.2	4174089	INTERMEDIATE STAGE HELIX 6 1.4301 KIT	1
		> MACH.BEARING-STG-CASING-WNR-M+6-304	1
		> IMPELLER-M+6-304	1
		> SHAFT SLEEVE-SPACER-Ø19,35x18,465-304	1
		> SHAFT-SLEEVE-D16xD20x18-CW	1
13.3	4174090	INTERMEDIATE STAGE HELIX 6 1.4301 KIT	1
		> MACH.STD-STG-CASING-WGV+NR-M+6-304	1
		> IMPELLER-M+6-304	1
		> IMPELLER SPACER Ø16,05X19,45-L36,465-304	1
13.4	4174092	EMPTY STAGE HELIX6 1.4301KIT	1
		> MACH.STD-STG-CASING-WGV+NR-M+6-304	1
		> FLAT WASHER-D16.1XD22X1.2-316L	1
		> IMPELLER SPACER Ø16,05X19,45-L36,465-304	1
13.5	4174091	STAGE HELIX 6 1.4301 KIT	1
		> MACH.STG-CASING-WOGV-WNR-M+6-304	1
		> IMPELLER-M+6-304	1
		> IMPELLER SPACER Ø16,05X19,45-L36,465-304	1



HELIX FIRST V614-5/16/E/S/400-50 (4201160)

Item	Article no.	Description	Quantity
1	4169944	MOTOR 3/2/100 3~230/400V 50HZ IE3 VP.	1
		SPARE PARTS MOTOR:ON REQUEST	1
2	4159707	SCREW M8X30 (4 PIECES)	1
3	4214473	LANTERN FT130 HELIX KIT	1
3.1		> LANT-MOT-VMI-ReDTC6"-FT130-MACHINED+CATA	1
3.2	4184852	> EYELET CPL.FT HELIX (2 PIECES)	1
3.3	4213782	> COUPLING PROTECTOR FT115/130 HELIX KIT	1
4	4159710	COUPLING D.16XD.28 FT130 HELIX KIT	1
6	4214988	STUD BOLT HELIX M12X617 KIT	1
6.1		> TIE BOLT M12-617x18x30-1.4057	1
6.2	2094647	> NUT M12 M12 ISO4032 VP.	1
6.3	2123557	> WASHER CS-12.4-24-1.6-NFE25 (4 PIECES)	1
7	4214481	STATIONARY RING HOLDER HELIX D27 ReDTC	1
7.2	4214479	> STATIONARY RING HOLDER HELIX D27 VP.	1
7.3	4176513	> O-RING FOR PUMP JACKET VP.	1
8	4212724	FILING/PURGING PLUG HELIX ReDTC KIT	1
8.1		> FILLING PLUG MVI6"-304	1
8.2	4177800	> O-RING EPDM PLUG HELIX VP.	1
9	4214483	MECH.SEAL HELIX6-10-16 O/E ReDTC KIT	1
9.1	4177801	> MECH.SEAL HELIX6-10-16 O/E VP.	1
7.3	4176513	> O-RING FOR PUMP JACKET VP.	1
10	4177850	HOUSING PIPES D.152X585 1.4301 KIT	1
7.3	4176513	> O-RING FOR PUMP JACKET VP.	1
10.1		> HOUSING-PIPE Ø152-M+1013/14-304	1
11	4174087	CENTERING STAGE-RETURN HELIX6 1.4301VP.	1
12	4214486	SHAFT EQUIPMENT HELIX V6 ReDTC KIT	1
12.1		> NUT-H-M10-A4.70	1
12.2		> SERRATED LOCK WASHER M+6M3-316L	1
12.3		> 1/2-SNAP-RING-6/10M3-316L	1
12.4		> STOP-RUSH-1/2-D16xd2-M+316	1
4.11		> SCREW CHC-M6X14-8.8-ISO4762-GEOMET500A	1
4.12		> WASHER D.24 L6U ZINK	1
13		HYDRAULIC HELIX V 614 1.4307	1
14	4214512	SHAFT D.16X653 HELIX 1.4057 VP.	1

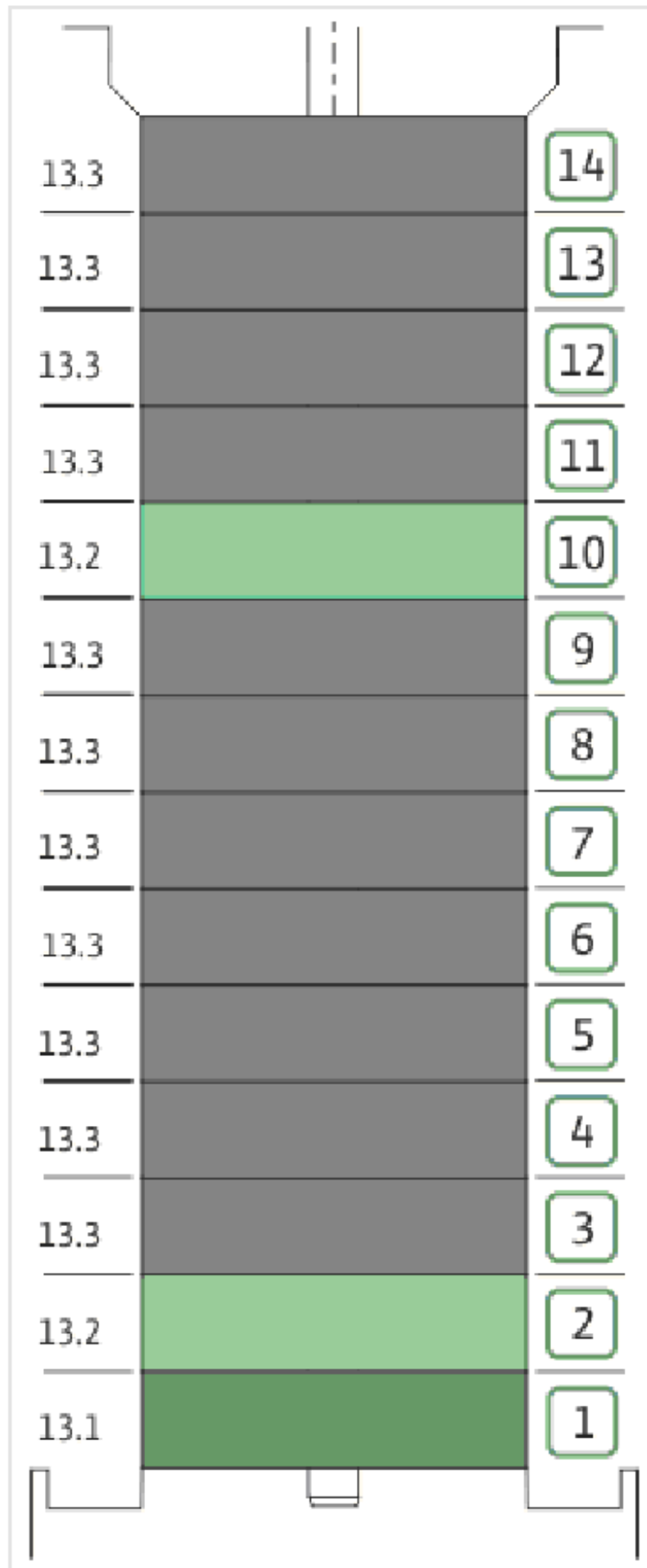
HELIX FIRST V614-5/16/E/S/400-50 (4201160)

Item	Article no.	Description	Quantity
15	4215105	PUMP HOUSING HELIX V2/4/6 DN32 PN16 KIT	1
15.1		> MACH+CATA PPE HOUSING M+5" D32-PN16 GJL	1
15.2	4191618	> O-RING ID.44,05x3,53 EPDM VP.	1
15.3	4171321	> PRIMING/DRAIN PLUG EPDM HELIX KIT	1
7.3	4176513	> O-RING FOR PUMP JACKET VP.	1



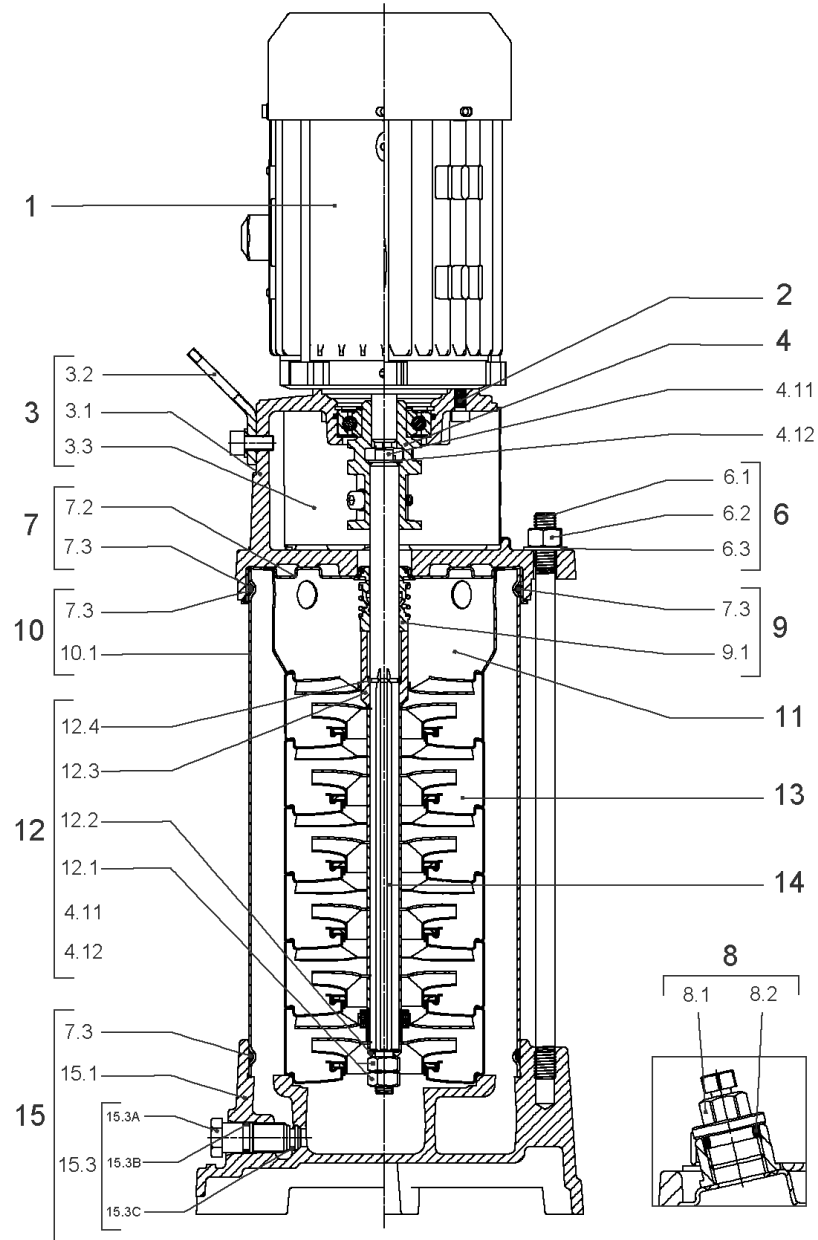
COUPLING D.16XD.28 FT130 HELIX KIT (4159710)

Item	Article no.	Description	Quantity
4.1		COUPLING M+ Ø16XØ28 FT130 MACHINED	1
4.2	2131022	BALL BEARING 6209/ZZ-C3(HT)VP.	1
4.3	4233930	CIRCLIP-FOR-BORES-D45x1,75 VP.	1
4.4	4157726	SCREW KIT M8X30 (4 PIECES)	1
4.5	4234252	CIRCLIPS 85X3 VP.	1
4.6	4234243	O-RING 85X3 VP.	1
		NOMEL CONTACT WASHER 8x16x1,4 STEEL ZC	1



HYDRAULIC HELIX V 614 1.4307

Item	Article no.	Description	Quantity
13.1	4174084	STAGE HELIX 6 1.4301 KIT	1
		> MACH.STG-CASING-WOGV-WNR-M+6-304	1
		> IMPELLER-M+6-304	1
13.2	4174089	INTERMEDIATE STAGE HELIX 6 1.4301 KIT	1
		> MACH.BEARING-STG-CASING-WNR-M+6-304	1
		> IMPELLER-M+6-304	1
		> SHAFT SLEEVE-SPACER-Ø19,35x18,465-304	1
		> SHAFT-SLEEVE-D16xD20x18-CW	1
13.3	4174090	INTERMEDIATE STAGE HELIX 6 1.4301 KIT	1
		> MACH.STD-STG-CASING-WGV+NR-M+6-304	1
		> IMPELLER-M+6-304	1
		> IMPELLER SPACER Ø16,05X19,45-L36,465-304	1

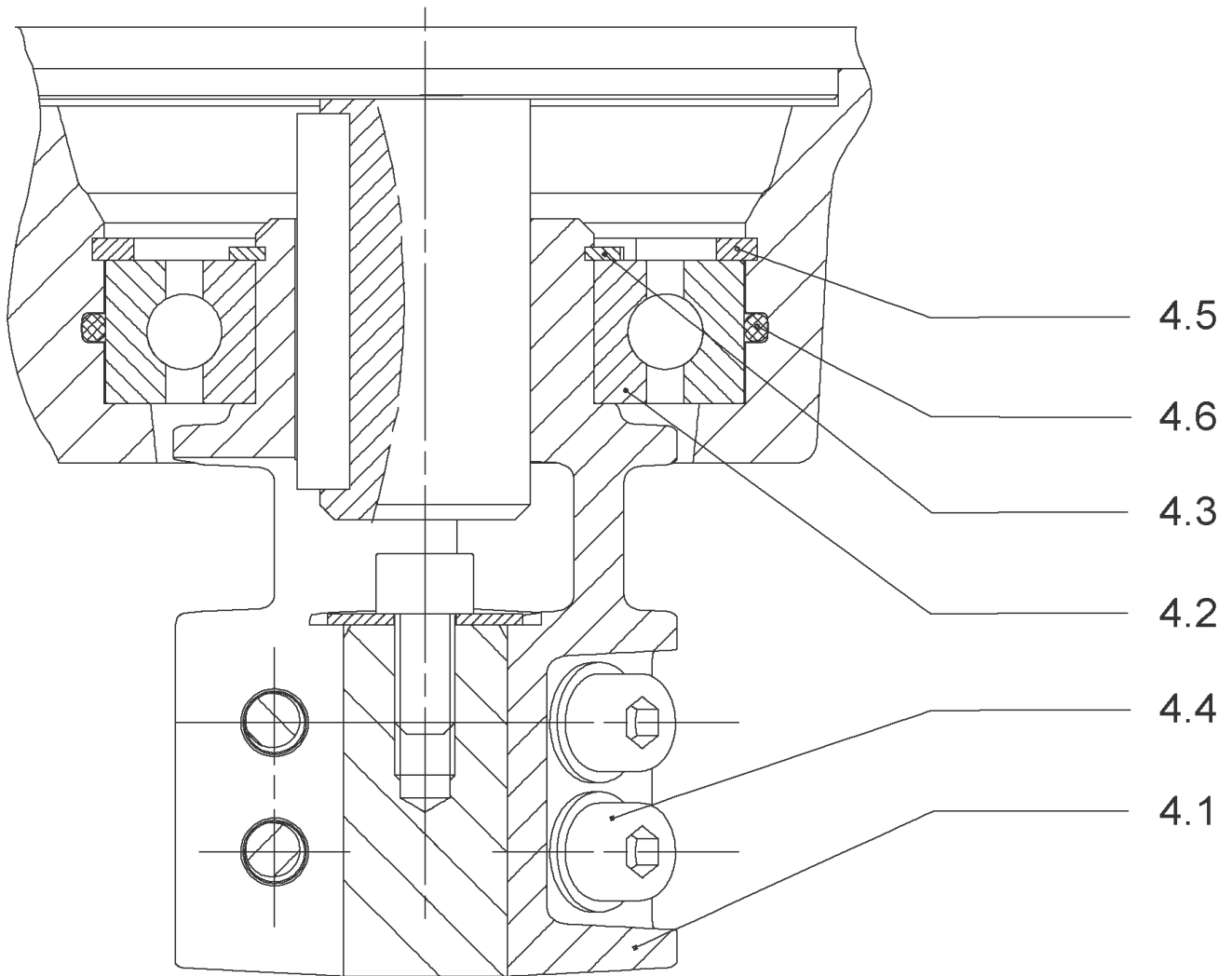


HELIX FIRST V614-5/25/E/S/400-50 (4201162)

Item	Article no.	Description	Quantity
1	4169944	MOTOR 3/2/100 3~230/400V 50HZ IE3 VP.	1
		SPARE PARTS MOTOR:ON REQUEST	1
2	4159707	SCREW M8X30 (4 PIECES)	1
3	4214473	LANTERN FT130 HELIX KIT	1
3.1		> LANT-MOT-VMI-ReDTC6"-FT130-MACHINED+CATA	1
3.2	4184852	> EYELET CPL.FT HELIX (2 PIECES)	1
3.3	4213782	> COUPLING PROTECTOR FT115/130 HELIX KIT	1
4	4159710	COUPLING D.16XD.28 FT130 HELIX KIT	1
6	4214988	STUD BOLT HELIX M12X617 KIT	1
6.1		> TIE BOLT M12-617x18x30-1.4057	1
6.2	2094647	> NUT M12 M12 ISO4032 VP.	1
6.3	2123557	> WASHER CS-12.4-24-1.6-NFE25 (4 PIECES)	1
7	4214481	STATIONARY RING HOLDER HELIX D27 ReDTC	1
7.2	4214479	> STATIONARY RING HOLDER HELIX D27 VP.	1
7.3	4176513	> O-RING FOR PUMP JACKET VP.	1
8	4212724	FILING/PURGING PLUG HELIX ReDTC KIT	1
8.1		> FILLING PLUG MVI6"-304	1
8.2	4177800	> O-RING EPDM PLUG HELIX VP.	1
9	4214483	MECH.SEAL HELIX6-10-16 O/E ReDTC KIT	1
9.1	4177801	> MECH.SEAL HELIX6-10-16 O/E VP.	1
7.3	4176513	> O-RING FOR PUMP JACKET VP.	1
10	4177850	HOUSING PIPES D.152X585 1.4301 KIT	1
7.3	4176513	> O-RING FOR PUMP JACKET VP.	1
10.1		> HOUSING-PIPE Ø152-M+1013/14-304	1
11	4174087	CENTERING STAGE-RETURN HELIX6 1.4301VP.	1
12	4214486	SHAFT EQUIPMENT HELIX V6 ReDTC KIT	1
12.1		> NUT-H-M10-A4.70	1
12.2		> SERRATED LOCK WASHER M+6M3-316L	1
12.3		> 1/2-SNAP-RING-6/10M3-316L	1
12.4		> STOP-RUSH-1/2-D16xd2-M+316	1
4.11		> SCREW CHC-M6X14-8.8-ISO4762-GEOMET500A	1
4.12		> WASHER D.24 L6U ZINK	1
13		HYDRAULIC HELIX V 614 1.4307	1
14	4214512	SHAFT D.16X653 HELIX 1.4057 VP.	1

HELIX FIRST V614-5/25/E/S/400-50 (4201162)

Item	Article no.	Description	Quantity
15	4208872	PUMP HOUSING HELIX V6 DN32 PN30 KIT	1
15.1		> MACH+CATA PUMP CASING M+5" DN32 PN25 GJL	1
15.2	4010031	> FLAT GASKET D.30/79	1
15.3	4177877	> PRIMING/DRAIN PLUG HELIX PN30 KIT	1
15.3A		>> PRIMING/DRAIN PLUG M+6" 304	1
15.3B	4233957	>> O-RING ID.9 EPDM VP.	1
15.3C		>> O-RING Ø8xØ2 EPDM KTW/WRC	1
7.3	4176513	> O-RING FOR PUMP JACKET VP.	1



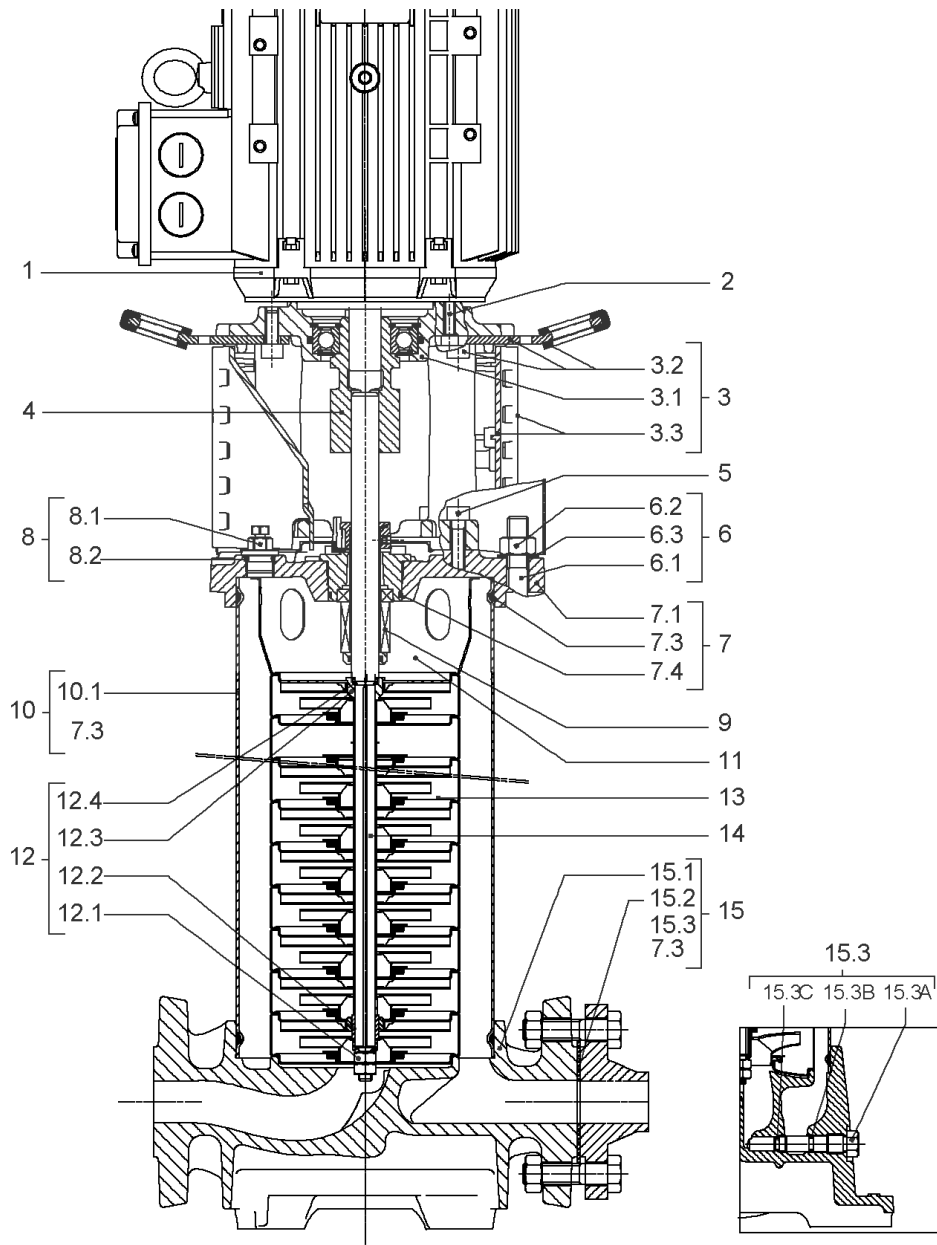
COUPLING D.16XD.28 FT130 HELIX KIT (4159710)

Item	Article no.	Description	Quantity
4.1		COUPLING M+ Ø16XØ28 FT130 MACHINED	1
4.2	2131022	BALL BEARING 6209/ZZ-C3(HT)VP.	1
4.3	4233930	CIRCLIP-FOR-BORES-D45x1,75 VP.	1
4.4	4157726	SCREW KIT M8X30 (4 PIECES)	1
4.5	4234252	CIRCLIPS 85X3 VP.	1
4.6	4234243	O-RING 85X3 VP.	1
		NOMEL CONTACT WASHER 8x16x1,4 STEEL ZC	1



HYDRAULIC HELIX V 614 1.4307

Item	Article no.	Description	Quantity
13.1	4174084	STAGE HELIX 6 1.4301 KIT	1
		> MACH.STG-CASING-WOGV-WNR-M+6-304	1
		> IMPELLER-M+6-304	1
13.2	4174089	INTERMEDIATE STAGE HELIX 6 1.4301 KIT	1
		> MACH.BEARING-STG-CASING-WNR-M+6-304	1
		> IMPELLER-M+6-304	1
		> SHAFT SLEEVE-SPACER-Ø19,35x18,465-304	1
		> SHAFT-SLEEVE-D16xD20x18-CW	1
13.3	4174090	INTERMEDIATE STAGE HELIX 6 1.4301 KIT	1
		> MACH.STD-STG-CASING-WGV+NR-M+6-304	1
		> IMPELLER-M+6-304	1
		> IMPELLER SPACER Ø16,05X19,45-L36,465-304	1



HELIX FIRST V615-5/25/E/KS/400-50 (4201163)

Item	Article no.	Description	Quantity
1	4169944	MOTOR 3/2/100 3~230/400V 50HZ IE3 VP.	1
		SPARE PARTS MOTOR:ON REQUEST	1
2	4206025	SCREW M8X45 (4 PIECES)	1
3	4171326	LANTERN FT130 HELIX KIT	1
3.1		> LANTERN FT130 M+6" GJL MACHINING+CATA	1
3.2	2127604	> EYELET CPL.FT HELIX(2 PIECES)	1
3.3	4159692	> COUPLING PROTECTOR FT HELIX KIT	1
4	4159710	COUPLING D.16XD.28 FT130 HELIX KIT	1
5	4159707	SCREW M8X30 (4 PIECES)	1
6	4178624	STUD BOLT M12X693 KIT	1
7	4159685	END SHIELD HELIX EPDM KIT	1
7.1		> END SHIELD M+6" GJL250 MACHINING+CATA	1
7.2	2127607	> STATIONARY RING HOLDER 6" HELIX 1.4301 V	1
7.3	4176513	> O-RING FOR PUMP JACKET VP.	1
7.4	2127603	> O-RING ID.37,6x2,4 EPDM VP.	1
7.5	2127602	> O-RING ID.21,35x2 EPDM VP.	1
8	4159686	FILING/PURGING PLUG HELIX EPDM KIT	1
9	4159698	CARTRIDGE HELIX6-10-16 F/E KIT	1
10	4177853	HOUSING PIPES D.152X660 1.4307 KIT	1
7.3	4176513	> O-RING FOR PUMP JACKET VP.	1
10.1		> HOUSING-PIPE Ø152-M+1016/1610-304	1
11	4174087	CENTERING STAGE-RETURN HELIX6 1.4301VP.	1
12	4174085	SHAFTS EQUIPMENT HELIX V6 BI BLOC KIT	1
12.1		> NUT-H-M10-A4.70	1
12.2		> SERRATED LOCK WASHER M+6M3-316L	1
12.3		> STOP COLLAR OF IMPELLER L17,9-Ø16-316L	1
12.4		> STOP-RUSH-1/2-D16xd2-M+316	1
13		HYDRAULIC HELIX V 615 1.4307	1
14	4177854	SHAFT D.16 X780 1.4301 VP.	1
15	4208872	PUMP HOUSING HELIX V6 DN32 PN30 KIT	1
15.1		> MACH+CATA PUMP CASING M+5" DN32 PN25 GJL	1
15.2	4010031	> FLAT GASKET D.30/79	1
15.3	4177877	> PRIMING/DRAIN PLUG HELIX PN30 KIT	1
15.3A		>> PRIMING/DRAIN PLUG M+6" 304	1

HELIX FIRST V615-5/25/E/KS/400-50 (4201163)

Item	Article no.	Description	Quantity
15.3B	4233957	>> O-RING ID.9 EPDM VP.	1
15.3C		>> O-RING Ø8xØ2 EPDM KTW/WRC	1
7.3	4176513	> O-RING FOR PUMP JACKET VP.	1



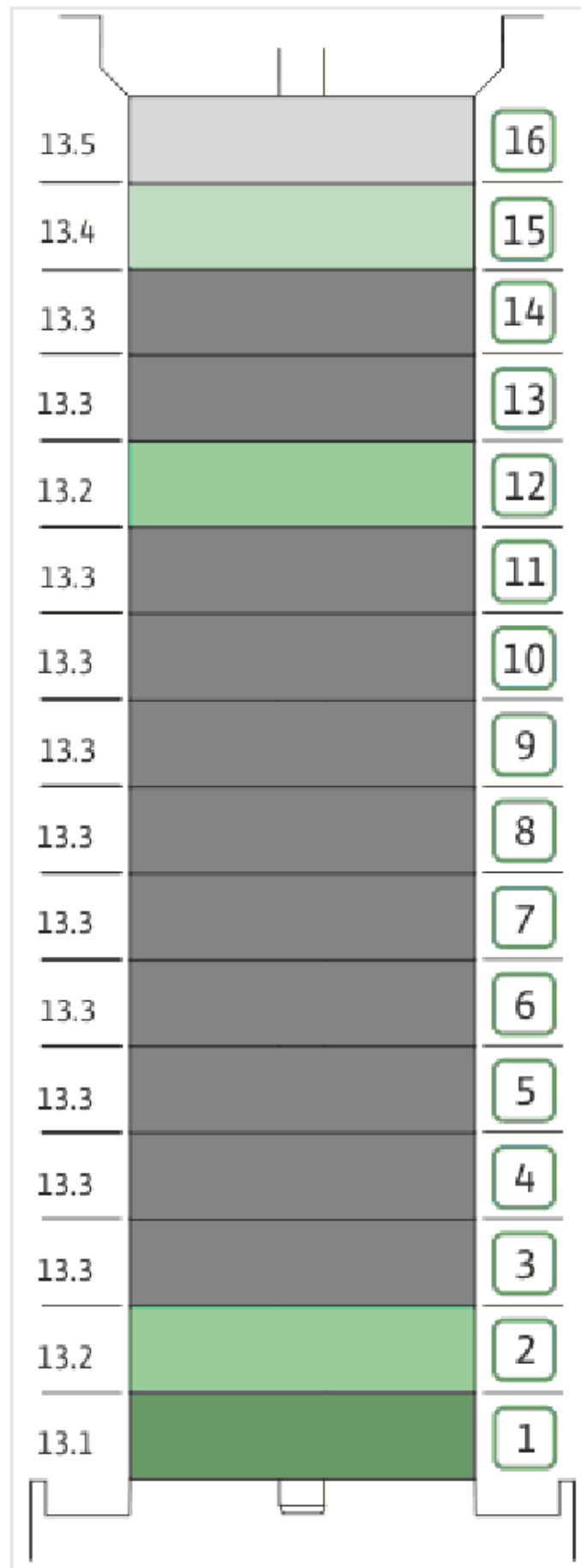
COUPLING D.16XD.28 FT130 HELIX KIT (4159710)

Item	Article no.	Description	Quantity
4.1		COUPLING M+ Ø16XØ28 FT130 MACHINED	1
4.2	2131022	BALL BEARING 6209/ZZ-C3(HT)VP.	1
4.3	4233930	CIRCLIP-FOR-BORES-D45x1,75 VP.	1
4.4	4157726	SCREW KIT M8X30 (4 PIECES)	1
4.5	4234252	CIRCLIPS 85X3 VP.	1
4.6	4234243	O-RING 85X3 VP.	1
		NOMEL CONTACT WASHER 8x16x1,4 STEEL ZC	1



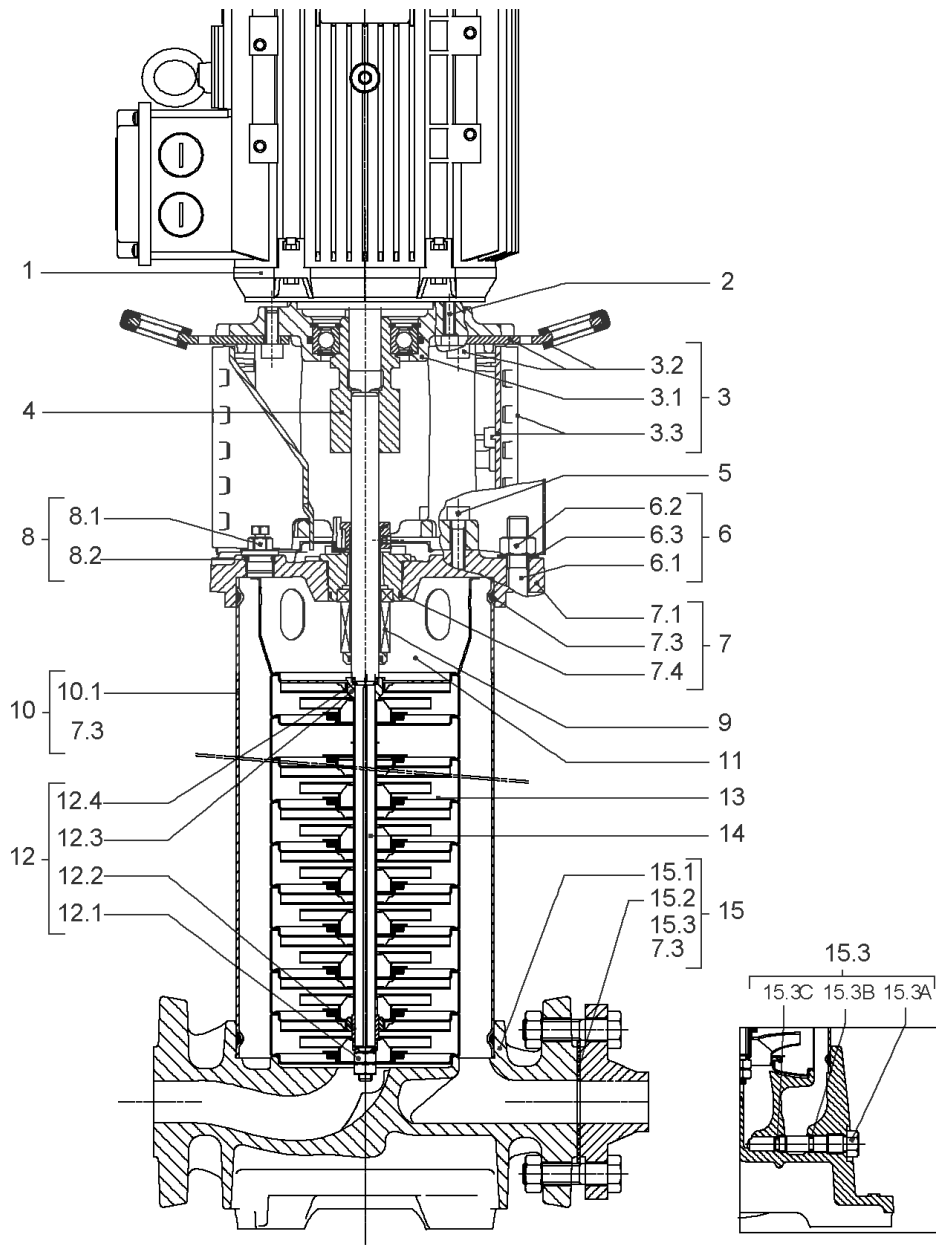
CARTRIDGE HELIX6-10-16 F/E KIT (4159698)

Item	Article no.	Description	Quantity
9.1	4159699	SEAL-KIT-HELIX6-10-16 F/E	1
7.3	4176513	> O-RING FOR PUMP JACKET VP.	1
7.4	2127603	> O-RING ID.37,6x2,4 EPDM VP.	1
9.1A	4176521	> MECH.SEAL HELIX2-4-6-10-16 F/E VP.	1
9.1B	2130967	> O-RING D.16X2,5 EPDM VP.	1
9.1C	4176519	> O-RING Ø16xØ1.25 VP.	1
9.2	2130961	SHAFT SLEEVE D.18/16X72,2 1.4404 VP.	1
9.3	2130962	RING HOLDER D.18 G606/G6 1.4301 VP.	1
9.4	4176520	SCREW CH M5x5 A4-70 (3PIECES)	1
9.5	2130963	DRIVE RING D.29/18x12,4 MACH.VP.	1
9.6	2130964	TOOL M.S.CART.HELIX VP.	1
9.7	2130965	SCREW CHC M5X12 ISO4762 A2.70(4 PIECES)	1



HYDRAULIC HELIX V 615 1.4307

Item	Article no.	Description	Quantity
13.1	4174084	STAGE HELIX 6 1.4301 KIT	1
		> MACH.STG-CASING-WOGV-WNR-M+6-304	1
		> IMPELLER-M+6-304	1
13.2	4174089	INTERMEDIATE STAGE HELIX 6 1.4301 KIT	1
		> MACH.BEARING-STG-CASING-WNR-M+6-304	1
		> IMPELLER-M+6-304	1
		> SHAFT SLEEVE-SPACER-Ø19,35x18,465-304	1
		> SHAFT-SLEEVE-D16xD20x18-CW	1
13.3	4174090	INTERMEDIATE STAGE HELIX 6 1.4301 KIT	1
		> MACH.STD-STG-CASING-WGV+NR-M+6-304	1
		> IMPELLER-M+6-304	1
		> IMPELLER SPACER Ø16,05X19,45-L36,465-304	1
13.4	4174092	EMPTY STAGE HELIX6 1.4301KIT	1
		> MACH.STD-STG-CASING-WGV+NR-M+6-304	1
		> FLAT WASHER-D16.1XD22X1.2-316L	1
		> IMPELLER SPACER Ø16,05X19,45-L36,465-304	1
13.5	4174091	STAGE HELIX 6 1.4301 KIT	1
		> MACH.STG-CASING-WOGV-WNR-M+6-304	1
		> IMPELLER-M+6-304	1
		> IMPELLER SPACER Ø16,05X19,45-L36,465-304	1



HELIX FIRST V616-5/25/E/KS/400-50 (4201164)

Item	Article no.	Description	Quantity
1	4169945	MO.4/2 3~230/400(460)V 50(60)HZ IE3 VP.	1
		SPARE PARTS MOTOR:ON REQUEST	1
2	4206025	SCREW M8X45 (4 PIECES)	1
3	4171326	LANTERN FT130 HELIX KIT	1
3.1		> LANTERN FT130 M+6" GJL MACHINING+CATA	1
3.2	2127604	> EYELET CPL.FT HELIX(2 PIECES)	1
3.3	4159692	> COUPLING PROTECTOR FT HELIX KIT	1
4	4159710	COUPLING D.16XD.28 FT130 HELIX KIT	1
5	4159707	SCREW M8X30 (4 PIECES)	1
6	4178624	STUD BOLT M12X693 KIT	1
7	4159685	END SHIELD HELIX EPDM KIT	1
7.1		> END SHIELD M+6" GJL250 MACHINING+CATA	1
7.2	2127607	> STATIONARY RING HOLDER 6" HELIX 1.4301 V	1
7.3	4176513	> O-RING FOR PUMP JACKET VP.	1
7.4	2127603	> O-RING ID.37,6x2,4 EPDM VP.	1
7.5	2127602	> O-RING ID.21,35x2 EPDM VP.	1
8	4159686	FILING/PURGING PLUG HELIX EPDM KIT	1
9	4159698	CARTRIDGE HELIX6-10-16 F/E KIT	1
10	4177853	HOUSING PIPES D.152X660 1.4307 KIT	1
7.3	4176513	> O-RING FOR PUMP JACKET VP.	1
10.1		> HOUSING-PIPE Ø152-M+1016/1610-304	1
11	4174087	CENTERING STAGE-RETURN HELIX6 1.4301VP.	1
12	4174085	SHAFTS EQUIPMENT HELIX V6 BI BLOC KIT	1
12.1		> NUT-H-M10-A4.70	1
12.2		> SERRATED LOCK WASHER M+6M3-316L	1
12.3		> STOP COLLAR OF IMPELLER L17,9-Ø16-316L	1
12.4		> STOP-RUSH-1/2-D16xd2-M+316	1
13		HYDRAULIC HELIX V 616 1.4307	1
14	4177854	SHAFT D.16 X780 1.4301 VP.	1
15	4208872	PUMP HOUSING HELIX V6 DN32 PN30 KIT	1
15.1		> MACH+CATA PUMP CASING M+5" DN32 PN25 GJL	1
15.2	4010031	> FLAT GASKET D.30/79	1
15.3	4177877	> PRIMING/DRAIN PLUG HELIX PN30 KIT	1
15.3A		>> PRIMING/DRAIN PLUG M+6" 304	1

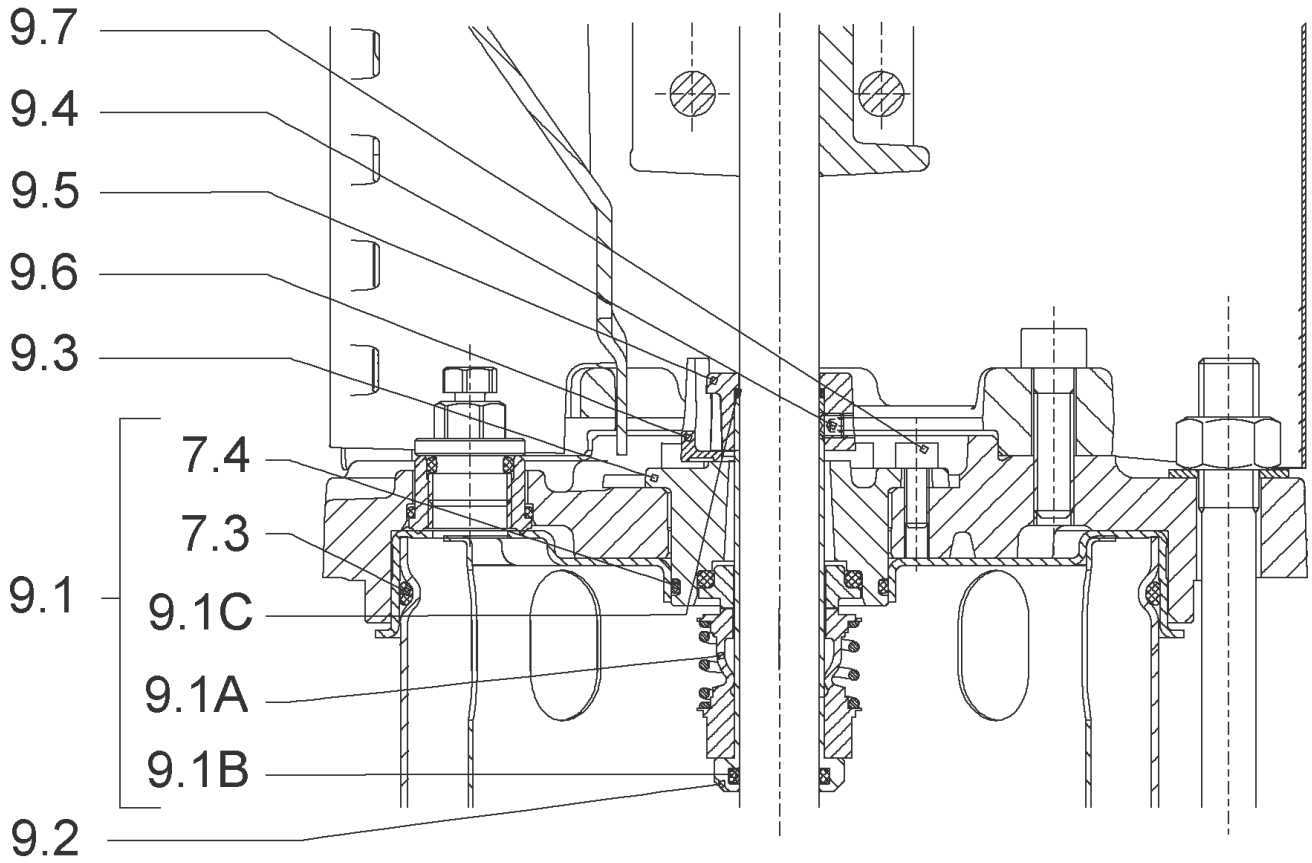
HELIX FIRST V616-5/25/E/KS/400-50 (4201164)

Item	Article no.	Description	Quantity
15.3B	4233957	>> O-RING ID.9 EPDM VP.	1
15.3C		>> O-RING Ø8xØ2 EPDM KTW/WRC	1
7.3	4176513	> O-RING FOR PUMP JACKET VP.	1



COUPLING D.16XD.28 FT130 HELIX KIT (4159710)

Item	Article no.	Description	Quantity
4.1		COUPLING M+ Ø16XØ28 FT130 MACHINED	1
4.2	2131022	BALL BEARING 6209/ZZ-C3(HT)VP.	1
4.3	4233930	CIRCLIP-FOR-BORES-D45x1,75 VP.	1
4.4	4157726	SCREW KIT M8X30 (4 PIECES)	1
4.5	4234252	CIRCLIPS 85X3 VP.	1
4.6	4234243	O-RING 85X3 VP.	1
		NOMEL CONTACT WASHER 8x16x1,4 STEEL ZC	1



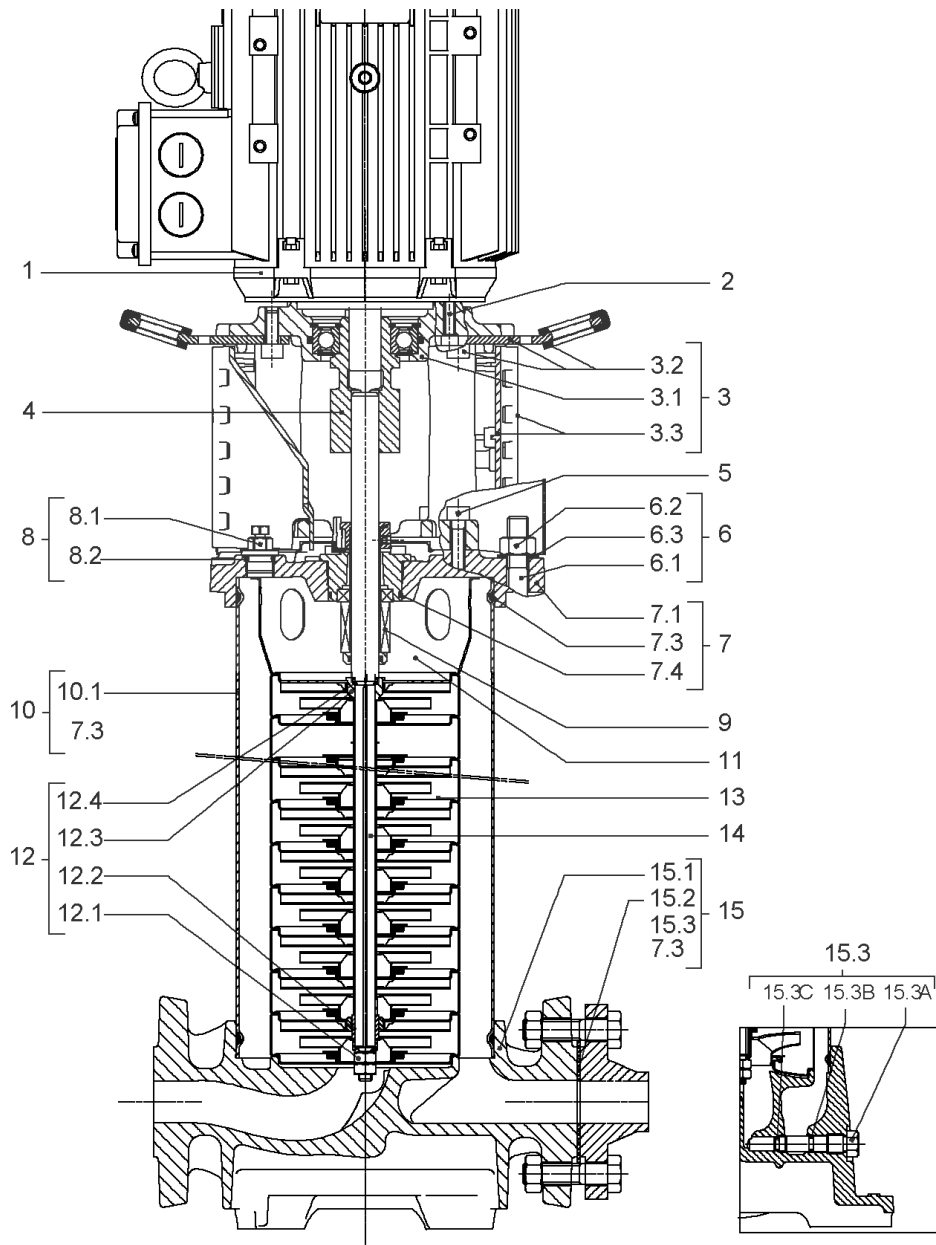
CARTRIDGE HELIX6-10-16 F/E KIT (4159698)

Item	Article no.	Description	Quantity
9.1	4159699	SEAL-KIT-HELIX6-10-16 F/E	1
7.3	4176513	> O-RING FOR PUMP JACKET VP.	1
7.4	2127603	> O-RING ID.37,6x2,4 EPDM VP.	1
9.1A	4176521	> MECH.SEAL HELIX2-4-6-10-16 F/E VP.	1
9.1B	2130967	> O-RING D.16X2,5 EPDM VP.	1
9.1C	4176519	> O-RING Ø16xØ1.25 VP.	1
9.2	2130961	SHAFT SLEEVE D.18/16X72,2 1.4404 VP.	1
9.3	2130962	RING HOLDER D.18 G606/G6 1.4301 VP.	1
9.4	4176520	SCREW CH M5x5 A4-70 (3PIECES)	1
9.5	2130963	DRIVE RING D.29/18x12,4 MACH.VP.	1
9.6	2130964	TOOL M.S.CART.HELIX VP.	1
9.7	2130965	SCREW CHC M5X12 ISO4762 A2.70(4 PIECES)	1



HYDRAULIC HELIX V 616 1.4307

Item	Article no.	Description	Quantity
13.1	4174084	STAGE HELIX 6 1.4301 KIT	1
		> MACH.STG-CASING-WOGV-WNR-M+6-304	1
		> IMPELLER-M+6-304	1
13.2	4174089	INTERMEDIATE STAGE HELIX 6 1.4301 KIT	1
		> MACH.BEARING-STG-CASING-WNR-M+6-304	1
		> IMPELLER-M+6-304	1
		> SHAFT SLEEVE-SPACER-Ø19,35x18,465-304	1
		> SHAFT-SLEEVE-D16xD20x18-CW	1
13.3	4174090	INTERMEDIATE STAGE HELIX 6 1.4301 KIT	1
		> MACH.STD-STG-CASING-WGV+NR-M+6-304	1
		> IMPELLER-M+6-304	1
		> IMPELLER SPACER Ø16,05X19,45-L36,465-304	1



HELIX FIRST V618-5/25/E/KS/400-50 (4201167)

Item	Article no.	Description	Quantity
1	4169945	MO.4/2 3~230/400(460)V 50(60)HZ IE3 VP.	1
		SPARE PARTS MOTOR:ON REQUEST	1
2	4206025	SCREW M8X45 (4 PIECES)	1
3	4171326	LANTERN FT130 HELIX KIT	1
3.1		> LANTERN FT130 M+6" GJL MACHINING+CATA	1
3.2	2127604	> EYELET CPL.FT HELIX(2 PIECES)	1
3.3	4159692	> COUPLING PROTECTOR FT HELIX KIT	1
4	4159710	COUPLING D.16XD.28 FT130 HELIX KIT	1
5	4159707	SCREW M8X30 (4 PIECES)	1
6	4215109	STUD BOLT HELIX M12X770 KIT	1
6.1		> TIE BOLT M12-770x18x30-1.4057	1
6.2	2094647	> NUT M12 M12 ISO4032 VP.	1
6.3	2123557	> WASHER CS-12.4-24-1.6-NFE25 (4 PIECES)	1
7	4159685	END SHIELD HELIX EPDM KIT	1
7.1		> END SHIELD M+6" GJL250 MACHINING+CATA	1
7.2	2127607	> STATIONARY RING HOLDER 6" HELIX 1.4301 V	1
7.3	4176513	> O-RING FOR PUMP JACKET VP.	1
7.4	2127603	> O-RING ID.37,6x2,4 EPDM VP.	1
7.5	2127602	> O-RING ID.21,35x2 EPDM VP.	1
8	4159686	FILING/PURGING PLUG HELIX EPDM KIT	1
9	4159698	CARTRIDGE HELIX6-10-16 F/E KIT	1
10	4177860	HOUSING PIPES D.152X735 1.4301 KIT	1
7.3	4176513	> O-RING FOR PUMP JACKET VP.	1
10.1		> HOUSING-PIPE Ø152-M+1017/18-304	1
11	4174087	CENTERING STAGE-RETURN HELIX6 1.4301VP.	1
12	4174085	SHAFTS EQUIPMENT HELIX V6 BI BLOC KIT	1
12.1		> NUT-H-M10-A4.70	1
12.2		> SERRATED LOCK WASHER M+6M3-316L	1
12.3		> STOP COLLAR OF IMPELLER L17,9-Ø16-316L	1
12.4		> STOP-RUSH-1/2-D16xd2-M+316	1
13		HYDRAULIC HELIX V 618 1.4307	1
14	4177862	SHAFT D.16X855 1.4301 VP.	1
15	4208872	PUMP HOUSING HELIX V6 DN32 PN30 KIT	1
15.1		> MACH+CATA PUMP CASING M+5" DN32 PN25 GJL	1

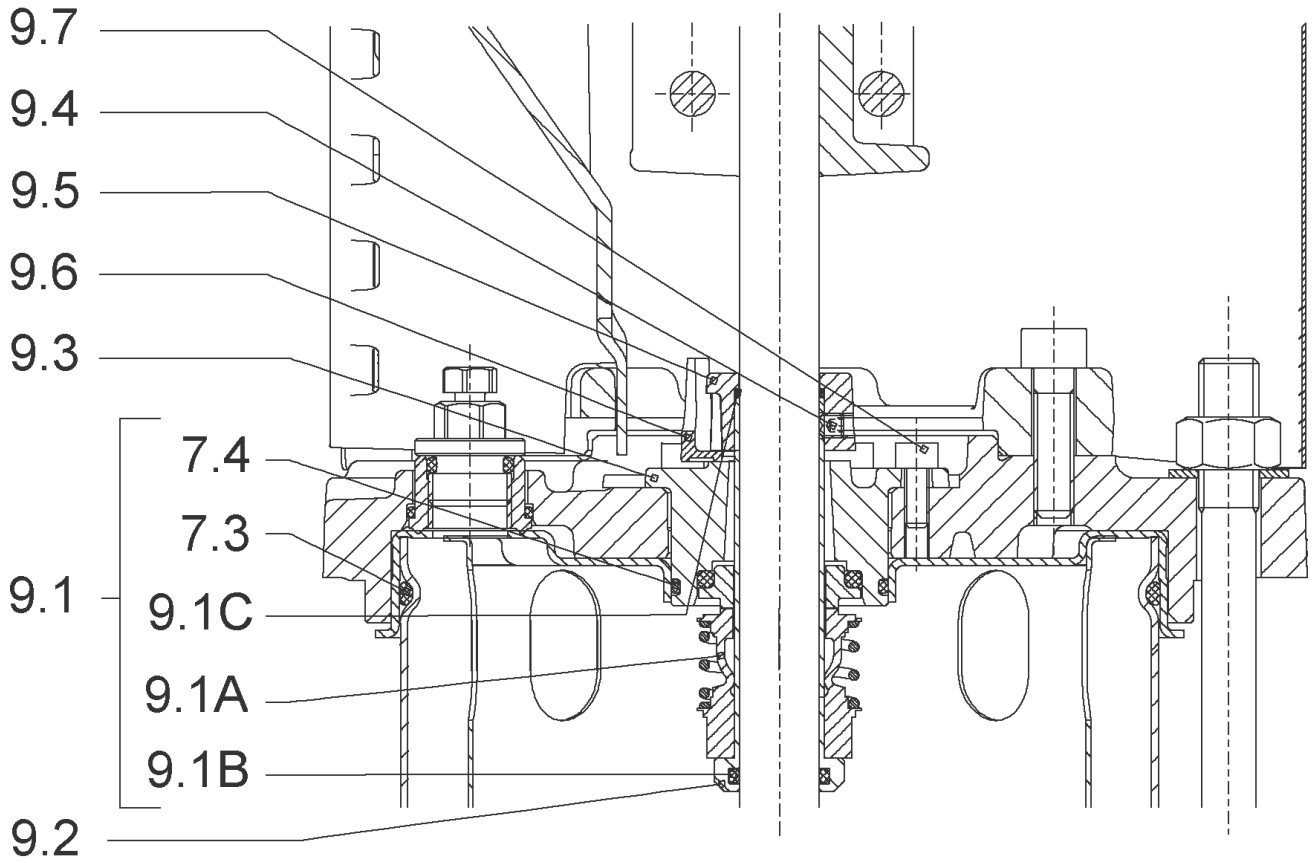
HELIX FIRST V618-5/25/E/KS/400-50 (4201167)

Item	Article no.	Description	Quantity
15.2	4010031	> FLAT GASKET D.30/79	1
15.3	4177877	> PRIMING/DRAIN PLUG HELIX PN30 KIT	1
15.3A		>> PRIMING/DRAIN PLUG M+6" 304	1
15.3B	4233957	>> O-RING ID.9 EPDM VP.	1
15.3C		>> O-RING Ø8xØ2 EPDM KTW/WRC	1
7.3	4176513	> O-RING FOR PUMP JACKET VP.	1



COUPLING D.16XD.28 FT130 HELIX KIT (4159710)

Item	Article no.	Description	Quantity
4.1		COUPLING M+ Ø16XØ28 FT130 MACHINED	1
4.2	2131022	BALL BEARING 6209/ZZ-C3(HT)VP.	1
4.3	4233930	CIRCLIP-FOR-BORES-D45x1,75 VP.	1
4.4	4157726	SCREW KIT M8X30 (4 PIECES)	1
4.5	4234252	CIRCLIPS 85X3 VP.	1
4.6	4234243	O-RING 85X3 VP.	1
		NOMEL CONTACT WASHER 8x16x1,4 STEEL ZC	1

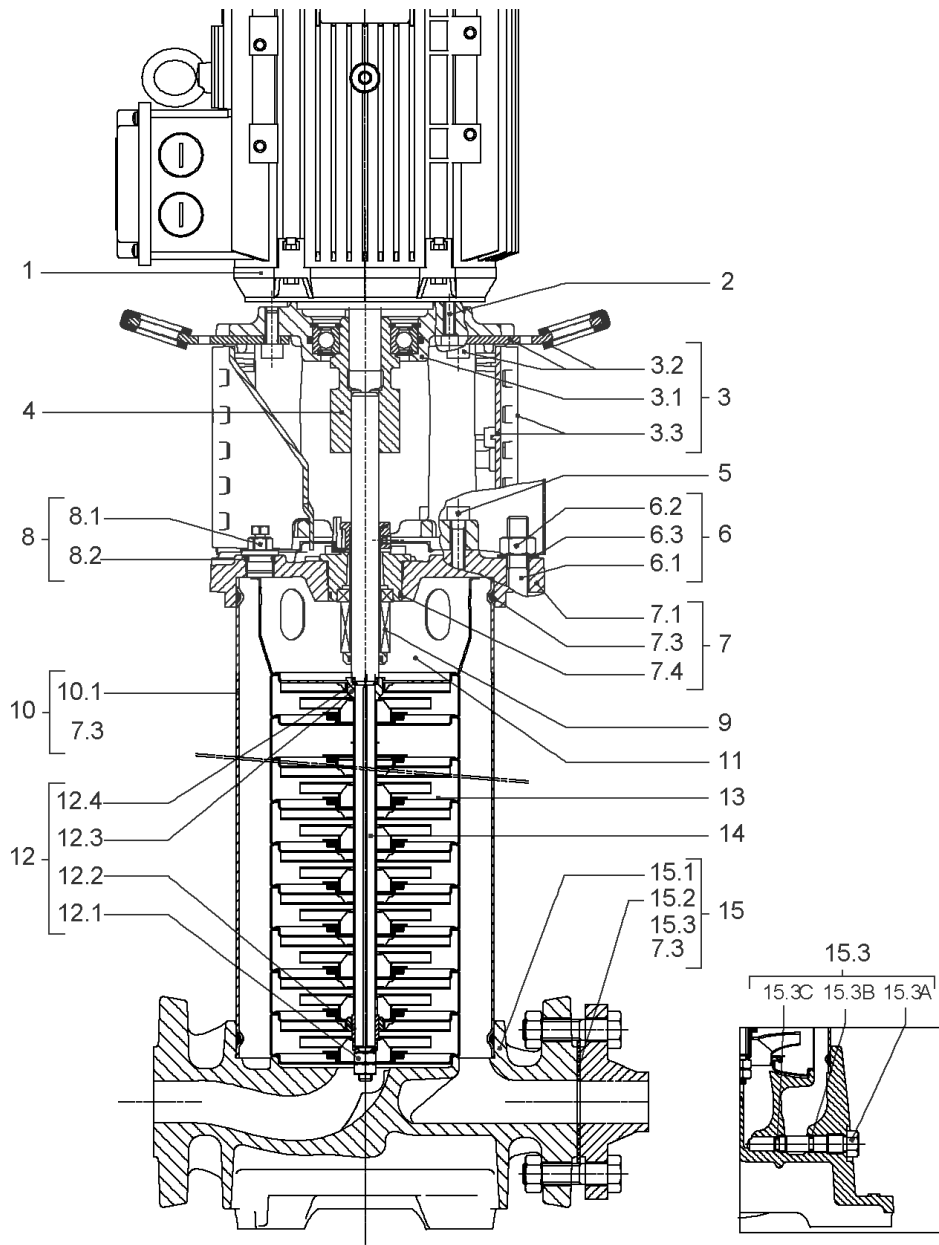


CARTRIDGE HELIX6-10-16 F/E KIT (4159698)

Item	Article no.	Description	Quantity
9.1	4159699	SEAL-KIT-HELIX6-10-16 F/E	1
7.3	4176513	> O-RING FOR PUMP JACKET VP.	1
7.4	2127603	> O-RING ID.37,6x2,4 EPDM VP.	1
9.1A	4176521	> MECH.SEAL HELIX2-4-6-10-16 F/E VP.	1
9.1B	2130967	> O-RING D.16X2,5 EPDM VP.	1
9.1C	4176519	> O-RING Ø16xØ1.25 VP.	1
9.2	2130961	SHAFT SLEEVE D.18/16X72,2 1.4404 VP.	1
9.3	2130962	RING HOLDER D.18 G606/G6 1.4301 VP.	1
9.4	4176520	SCREW CH M5x5 A4-70 (3PIECES)	1
9.5	2130963	DRIVE RING D.29/18x12,4 MACH.VP.	1
9.6	2130964	TOOL M.S.CART.HELIX VP.	1
9.7	2130965	SCREW CHC M5X12 ISO4762 A2.70(4 PIECES)	1



Item	Article no.	Description	Quantity
13.1	4174084	STAGE HELIX 6 1.4301 KIT	1
		> MACH.STG-CASING-WOGV-WNR-M+6-304	1
		> IMPELLER-M+6-304	1
13.2	4174089	INTERMEDIATE STAGE HELIX 6 1.4301 KIT	1
		> MACH.BEARING-STG-CASING-WNR-M+6-304	1
		> IMPELLER-M+6-304	1
		> SHAFT SLEEVE-SPACER-Ø19,35x18,465-304	1
		> SHAFT-SLEEVE-D16xD20x18-CW	1
13.3	4174090	INTERMEDIATE STAGE HELIX 6 1.4301 KIT	1
		> MACH.STD-STG-CASING-WGV+NR-M+6-304	1
		> IMPELLER-M+6-304	1
		> IMPELLER SPACER Ø16,05X19,45-L36,465-304	1



HELIX FIRST V620-5/25/E/KS/400-50 (4201169)

Item	Article no.	Description	Quantity
1	4169945	MO.4/2 3~230/400(460)V 50(60)HZ IE3 VP.	1
		SPARE PARTS MOTOR:ON REQUEST	1
2	4206025	SCREW M8X45 (4 PIECES)	1
3	4171326	LANTERN FT130 HELIX KIT	1
3.1		> LANTERN FT130 M+6" GJL MACHINING+CATA	1
3.2	2127604	> EYELET CPL.FT HELIX(2 PIECES)	1
3.3	4159692	> COUPLING PROTECTOR FT HELIX KIT	1
4	4159710	COUPLING D.16XD.28 FT130 HELIX KIT	1
5	4159707	SCREW M8X30 (4 PIECES)	1
6	4179238	STUD BOLT M12X845 KIT	1
6.1		> TIE BOLT M12-845x18x30-1.4057	1
6.2	2094647	> NUT M12 M12 ISO4032 VP.	1
6.3	2123557	> WASHER CS-12.4-24-1.6-NFE25 (4 PIECES)	1
7	4159685	END SHIELD HELIX EPDM KIT	1
7.1		> END SHIELD M+6" GJL250 MACHINING+CATA	1
7.2	2127607	> STATIONARY RING HOLDER 6" HELIX 1.4301 V	1
7.3	4176513	> O-RING FOR PUMP JACKET VP.	1
7.4	2127603	> O-RING ID.37,6x2,4 EPDM VP.	1
7.5	2127602	> O-RING ID.21,35x2 EPDM VP.	1
8	4159686	FILING/PURGING PLUG HELIX EPDM KIT	1
9	4159698	CARTRIDGE HELIX6-10-16 F/E KIT	1
10	2127583	HOUSING PIPE D.152x810 1.4301 KIT	1
7.3	4176513	> O-RING FOR PUMP JACKET VP.	1
10.1		> HOUSING-PIPE Ø152-M+1020/1613-304	1
11	4174087	CENTERING STAGE-RETURN HELIX6 1.4301VP.	1
12	4174085	SHAFTS EQUIPMENT HELIX V6 BI BLOC KIT	1
12.1		> NUT-H-M10-A4.70	1
12.2		> SERRATED LOCK WASHER M+6M3-316L	1
12.3		> STOP COLLAR OF IMPELLER L17,9-Ø16-316L	1
12.4		> STOP-RUSH-1/2-D16xd2-M+316	1
13		HYDRAULIC HELIX V 620 1.4307	1
14	2127571	SHAFT D.16X930 1.4301 VP.	1
15	4208872	PUMP HOUSING HELIX V6 DN32 PN30 KIT	1
15.1		> MACH+CATA PUMP CASING M+5" DN32 PN25 GJL	1

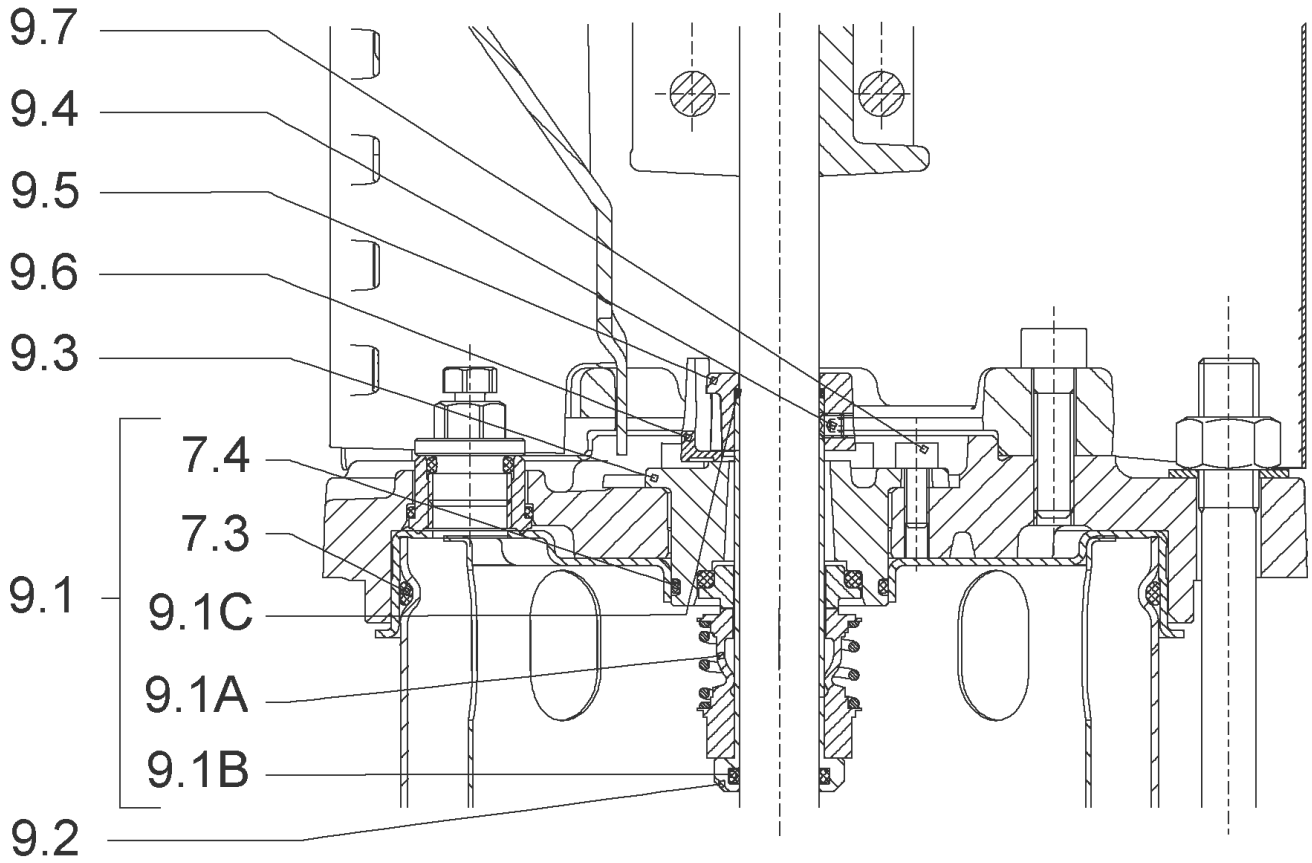
HELIX FIRST V620-5/25/E/KS/400-50 (4201169)

Item	Article no.	Description	Quantity
15.2	4010031	> FLAT GASKET D.30/79	1
15.3	4177877	> PRIMING/DRAIN PLUG HELIX PN30 KIT	1
15.3A		>> PRIMING/DRAIN PLUG M+6" 304	1
15.3B	4233957	>> O-RING ID.9 EPDM VP.	1
15.3C		>> O-RING Ø8xØ2 EPDM KTW/WRC	1
7.3	4176513	> O-RING FOR PUMP JACKET VP.	1



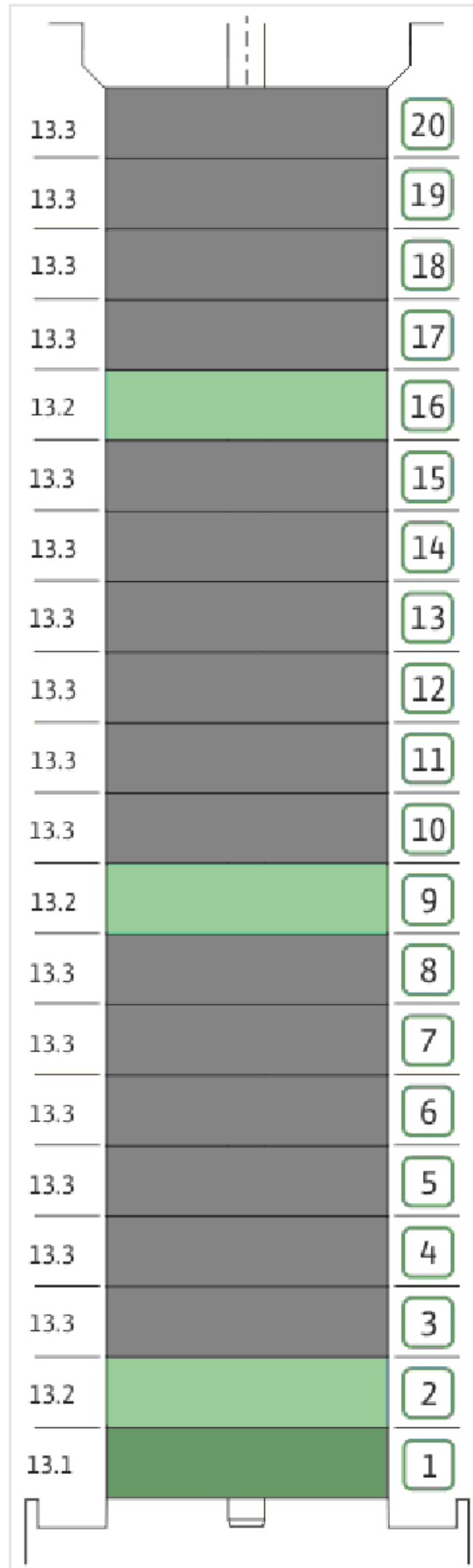
COUPLING D.16XD.28 FT130 HELIX KIT (4159710)

Item	Article no.	Description	Quantity
4.1		COUPLING M+ Ø16XØ28 FT130 MACHINED	1
4.2	2131022	BALL BEARING 6209/ZZ-C3(HT)VP.	1
4.3	4233930	CIRCLIP-FOR-BORES-D45x1,75 VP.	1
4.4	4157726	SCREW KIT M8X30 (4 PIECES)	1
4.5	4234252	CIRCLIPS 85X3 VP.	1
4.6	4234243	O-RING 85X3 VP.	1
		NOMEL CONTACT WASHER 8x16x1,4 STEEL ZC	1



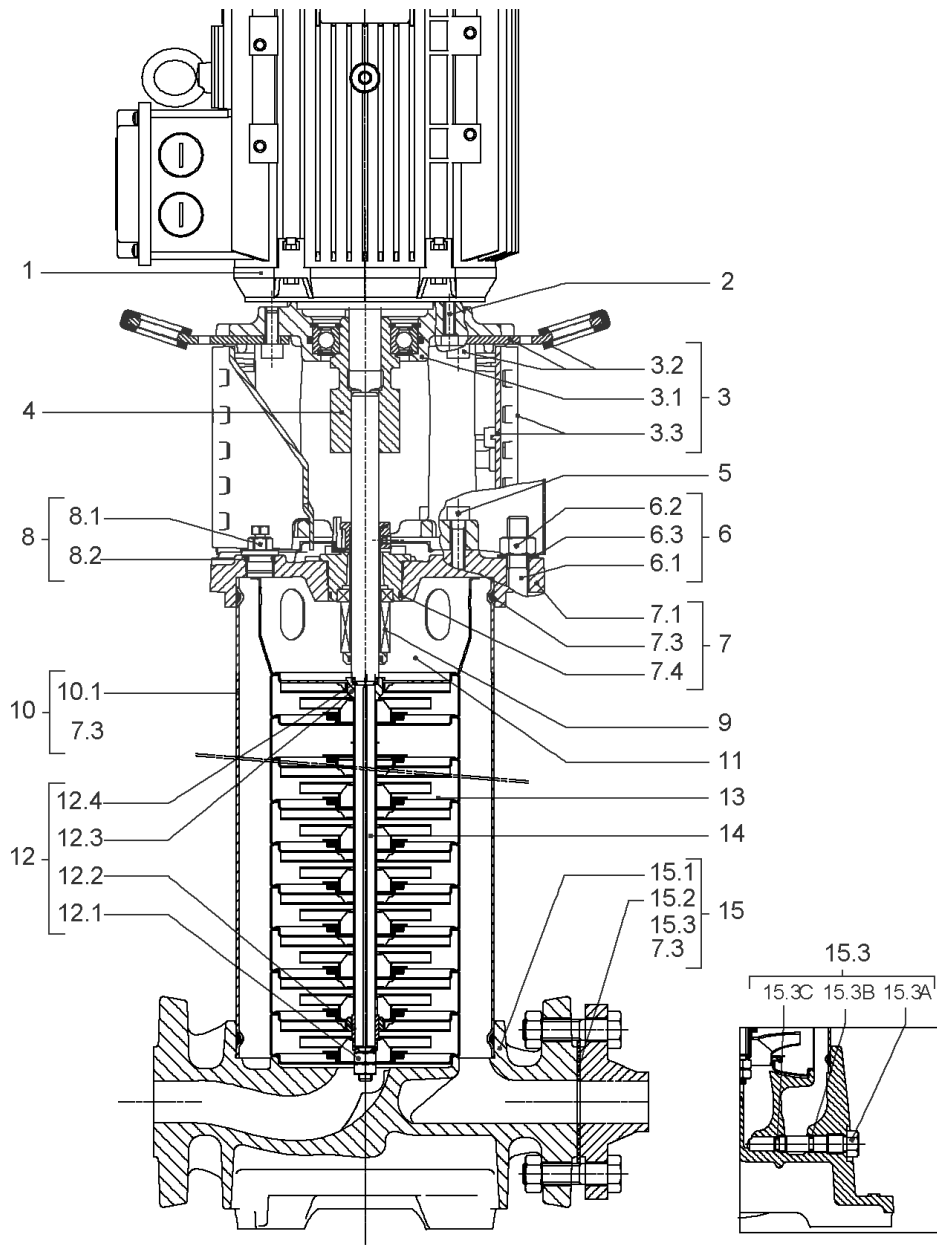
CARTRIDGE HELIX6-10-16 F/E KIT (4159698)

Item	Article no.	Description	Quantity
9.1	4159699	SEAL-KIT-HELIX6-10-16 F/E	1
7.3	4176513	> O-RING FOR PUMP JACKET VP.	1
7.4	2127603	> O-RING ID.37,6x2,4 EPDM VP.	1
9.1A	4176521	> MECH.SEAL HELIX2-4-6-10-16 F/E VP.	1
9.1B	2130967	> O-RING D.16X2,5 EPDM VP.	1
9.1C	4176519	> O-RING Ø16xØ1.25 VP.	1
9.2	2130961	SHAFT SLEEVE D.18/16X72,2 1.4404 VP.	1
9.3	2130962	RING HOLDER D.18 G606/G6 1.4301 VP.	1
9.4	4176520	SCREW CH M5x5 A4-70 (3PIECES)	1
9.5	2130963	DRIVE RING D.29/18x12,4 MACH.VP.	1
9.6	2130964	TOOL M.S.CART.HELIX VP.	1
9.7	2130965	SCREW CHC M5X12 ISO4762 A2.70(4 PIECES)	1



HYDRAULIC HELIX V 620 1.4307

Item	Article no.	Description	Quantity
13.1	4174084	STAGE HELIX 6 1.4301 KIT	1
		> MACH.STG-CASING-WOGV-WNR-M+6-304	1
		> IMPELLER-M+6-304	1
13.2	4174089	INTERMEDIATE STAGE HELIX 6 1.4301 KIT	1
		> MACH.BEARING-STG-CASING-WNR-M+6-304	1
		> IMPELLER-M+6-304	1
		> SHAFT SLEEVE-SPACER-Ø19,35x18,465-304	1
		> SHAFT-SLEEVE-D16xD20x18-CW	1
13.3	4174090	INTERMEDIATE STAGE HELIX 6 1.4301 KIT	1
		> MACH.STD-STG-CASING-WGV+NR-M+6-304	1
		> IMPELLER-M+6-304	1
		> IMPELLER SPACER Ø16,05X19,45-L36,465-304	1



HELIX FIRST V621-5/25/E/KS/400-50 (4201170)

Item	Article no.	Description	Quantity
1	4169947	MO 5,5/2/112 3~400V50Hz 460V60Hz IE3 VP.	1
		SPARE PARTS MOTOR:ON REQUEST	1
2	4206025	SCREW M8X45 (4 PIECES)	1
3	4171326	LANTERN FT130 HELIX KIT	1
3.1		> LANTERN FT130 M+6" GJL MACHINING+CATA	1
3.2	2127604	> EYELET CPL.FT HELIX(2 PIECES)	1
3.3	4159692	> COUPLING PROTECTOR FT HELIX KIT	1
4	4159710	COUPLING D.16XD.28 FT130 HELIX KIT	1
5	4159707	SCREW M8X30 (4 PIECES)	1
6	4177866	STUD BOLT M12X915 KIT	1
6.1		> TIE BOLT M12-915x18x30-1.4057	1
6.2	2094647	> NUT M12 M12 ISO4032 VP.	1
6.3	2123557	> WASHER CS-12.4-24-1.6-NFE25 (4 PIECES)	1
7	4159685	END SHIELD HELIX EPDM KIT	1
7.1		> END SHIELD M+6" GJL250 MACHINING+CATA	1
7.2	2127607	> STATIONARY RING HOLDER 6" HELIX 1.4301 V	1
7.3	4176513	> O-RING FOR PUMP JACKET VP.	1
7.4	2127603	> O-RING ID.37,6x2,4 EPDM VP.	1
7.5	2127602	> O-RING ID.21,35x2 EPDM VP.	1
8	4159686	FILING/PURGING PLUG HELIX EPDM KIT	1
9	4159698	CARTRIDGE HELIX6-10-16 F/E KIT	1
10	4177873	HOUSING PIPE D.152x885,5 1.4301 KIT	1
7.3	4176513	> O-RING FOR PUMP JACKET VP.	1
10.1		> HOUSING-PIPE Ø152-M+1021/22-304	1
11	4174087	CENTERING STAGE-RETURN HELIX6 1.4301VP.	1
12	4174085	SHAFTS EQUIPMENT HELIX V6 BI BLOC KIT	1
12.1		> NUT-H-M10-A4.70	1
12.2		> SERRATED LOCK WASHER M+6M3-316L	1
12.3		> STOP COLLAR OF IMPELLER L17,9-Ø16-316L	1
12.4		> STOP-RUSH-1/2-D16xd2-M+316	1
13		HYDRAULIC HELIX V 621 1.4307	1
14	4177876	SHAFT D.16X1005 1.4301 VP.	1
15	4208872	PUMP HOUSING HELIX V6 DN32 PN30 KIT	1
15.1		> MACH+CATA PUMP CASING M+5" DN32 PN25 GJL	1

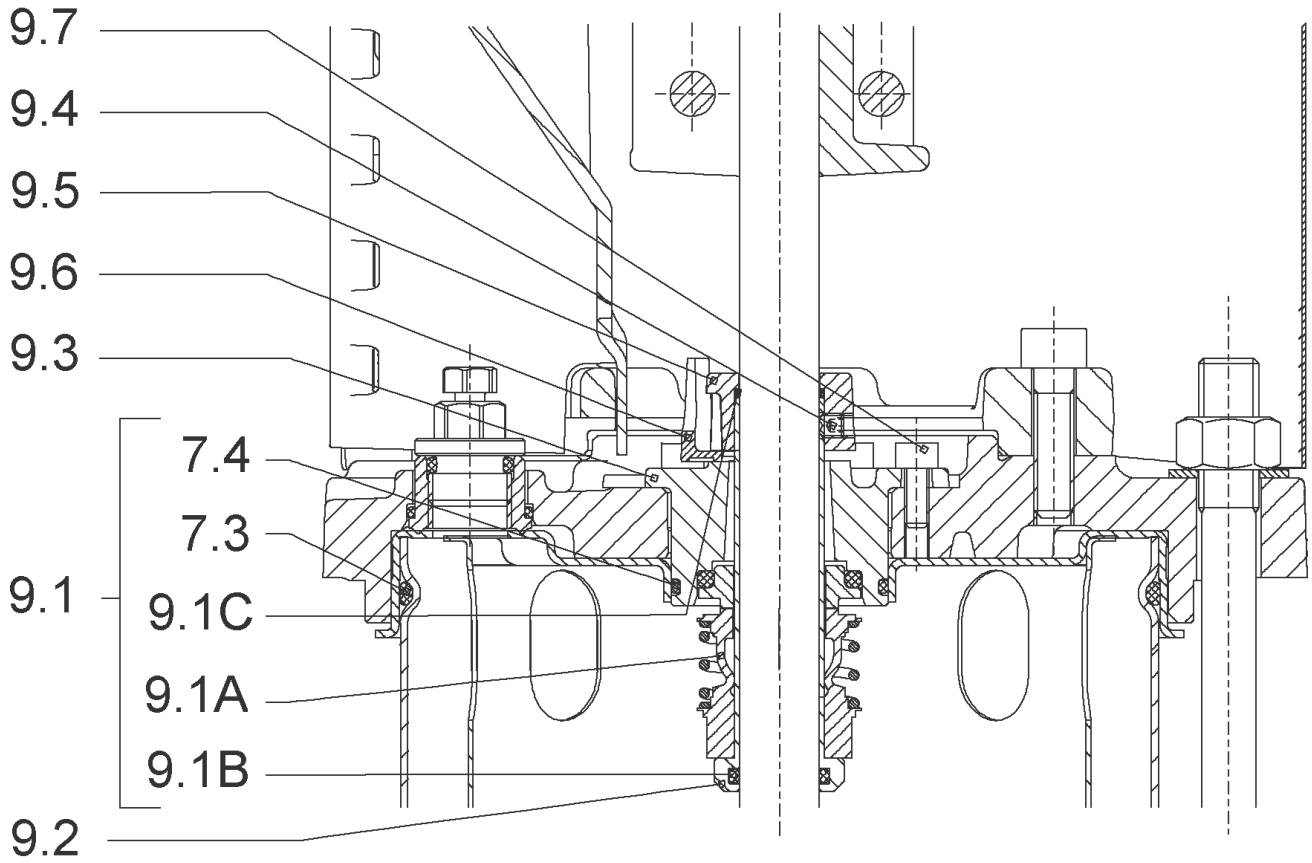
HELIX FIRST V621-5/25/E/KS/400-50 (4201170)

Item	Article no.	Description	Quantity
15.2	4010031	> FLAT GASKET D.30/79	1
15.3	4177877	> PRIMING/DRAIN PLUG HELIX PN30 KIT	1
15.3A		>> PRIMING/DRAIN PLUG M+6" 304	1
15.3B	4233957	>> O-RING ID.9 EPDM VP.	1
15.3C		>> O-RING Ø8xØ2 EPDM KTW/WRC	1
7.3	4176513	> O-RING FOR PUMP JACKET VP.	1



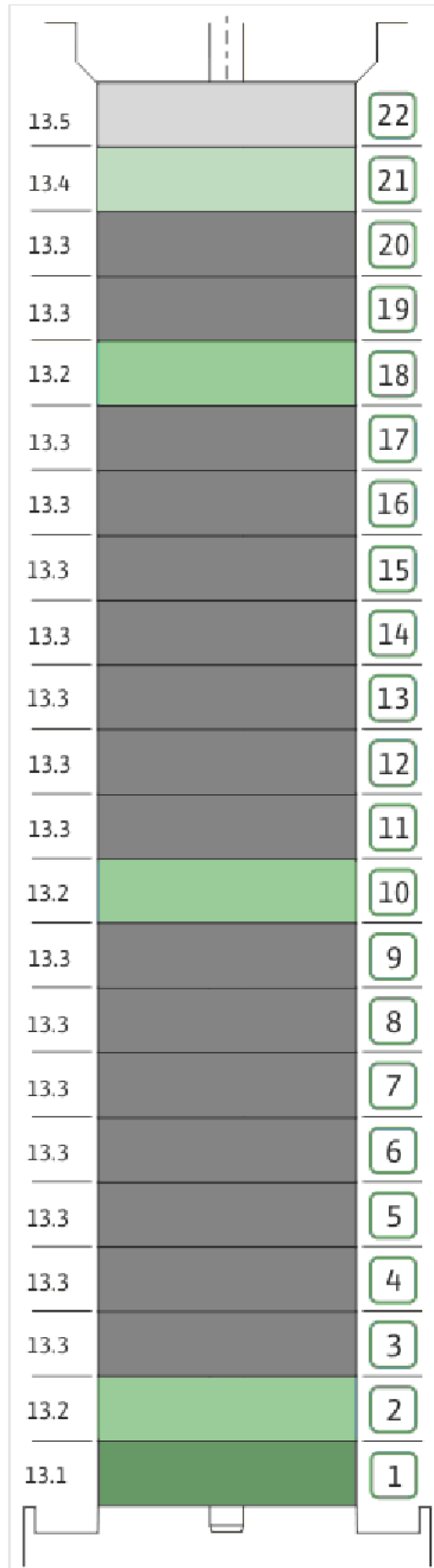
COUPLING D.16XD.28 FT130 HELIX KIT (4159710)

Item	Article no.	Description	Quantity
4.1		COUPLING M+ Ø16XØ28 FT130 MACHINED	1
4.2	2131022	BALL BEARING 6209/ZZ-C3(HT)VP.	1
4.3	4233930	CIRCLIP-FOR-BORES-D45x1,75 VP.	1
4.4	4157726	SCREW KIT M8X30 (4 PIECES)	1
4.5	4234252	CIRCLIPS 85X3 VP.	1
4.6	4234243	O-RING 85X3 VP.	1
		NOMEL CONTACT WASHER 8x16x1,4 STEEL ZC	1



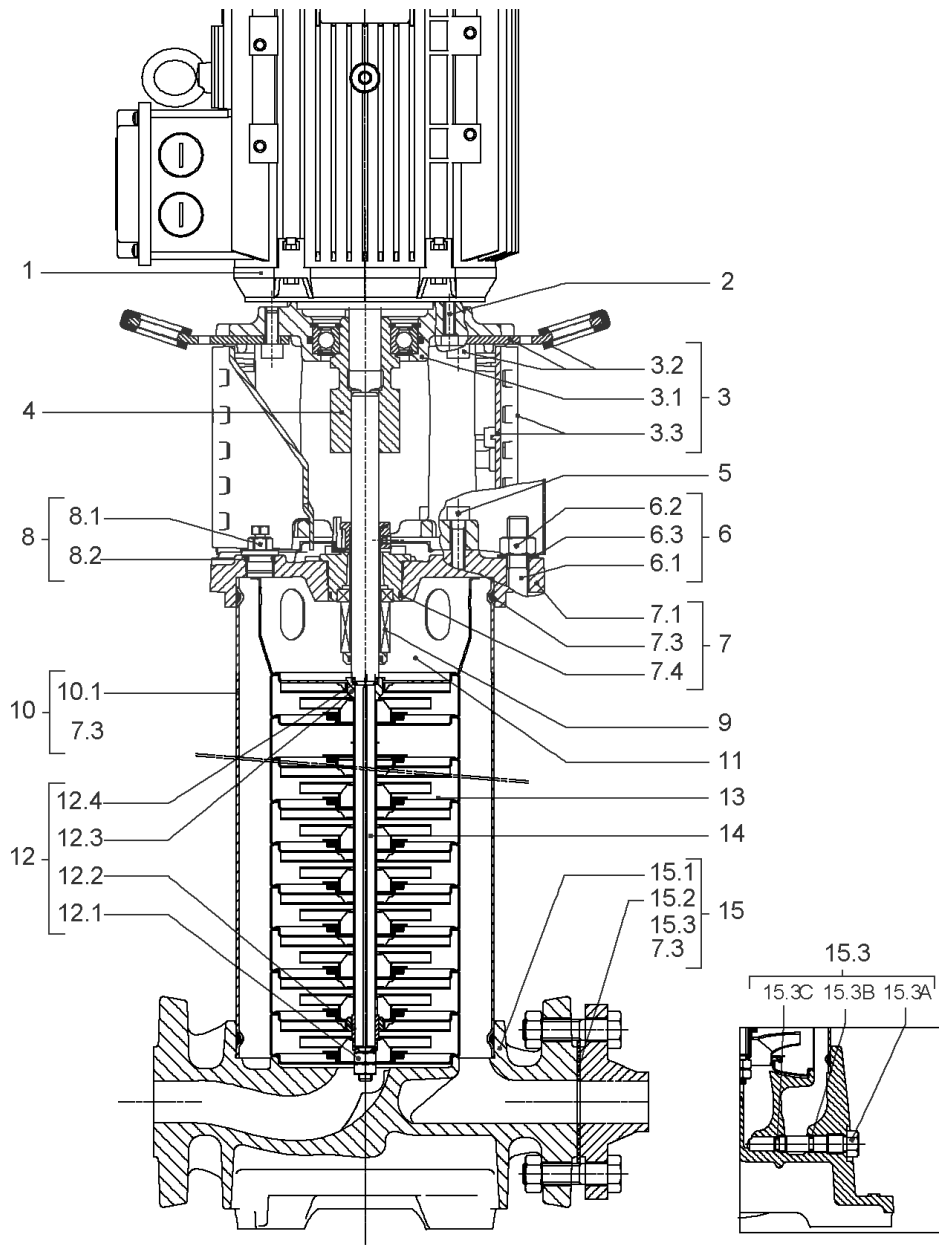
CARTRIDGE HELIX6-10-16 F/E KIT (4159698)

Item	Article no.	Description	Quantity
9.1	4159699	SEAL-KIT-HELIX6-10-16 F/E	1
7.3	4176513	> O-RING FOR PUMP JACKET VP.	1
7.4	2127603	> O-RING ID.37,6x2,4 EPDM VP.	1
9.1A	4176521	> MECH.SEAL HELIX2-4-6-10-16 F/E VP.	1
9.1B	2130967	> O-RING D.16X2,5 EPDM VP.	1
9.1C	4176519	> O-RING Ø16xØ1.25 VP.	1
9.2	2130961	SHAFT SLEEVE D.18/16X72,2 1.4404 VP.	1
9.3	2130962	RING HOLDER D.18 G606/G6 1.4301 VP.	1
9.4	4176520	SCREW CH M5x5 A4-70 (3PIECES)	1
9.5	2130963	DRIVE RING D.29/18x12,4 MACH.VP.	1
9.6	2130964	TOOL M.S.CART.HELIX VP.	1
9.7	2130965	SCREW CHC M5X12 ISO4762 A2.70(4 PIECES)	1



HYDRAULIC HELIX V 621 1.4307

Item	Article no.	Description	Quantity
13.1	4174084	STAGE HELIX 6 1.4301 KIT	1
		> MACH.STG-CASING-WOGV-WNR-M+6-304	1
		> IMPELLER-M+6-304	1
13.2	4174089	INTERMEDIATE STAGE HELIX 6 1.4301 KIT	1
		> MACH.BEARING-STG-CASING-WNR-M+6-304	1
		> IMPELLER-M+6-304	1
		> SHAFT SLEEVE-SPACER-Ø19,35x18,465-304	1
		> SHAFT-SLEEVE-D16xD20x18-CW	1
13.3	4174090	INTERMEDIATE STAGE HELIX 6 1.4301 KIT	1
		> MACH.STD-STG-CASING-WGV+NR-M+6-304	1
		> IMPELLER-M+6-304	1
		> IMPELLER SPACER Ø16,05X19,45-L36,465-304	1
13.4	4174092	EMPTY STAGE HELIX6 1.4301KIT	1
		> MACH.STD-STG-CASING-WGV+NR-M+6-304	1
		> FLAT WASHER-D16.1XD22X1.2-316L	1
		> IMPELLER SPACER Ø16,05X19,45-L36,465-304	1
13.5	4174091	STAGE HELIX 6 1.4301 KIT	1
		> MACH.STG-CASING-WOGV-WNR-M+6-304	1
		> IMPELLER-M+6-304	1
		> IMPELLER SPACER Ø16,05X19,45-L36,465-304	1



HELIX FIRST V623-5/25/E/KS/400-50 (4201172)

Item	Article no.	Description	Quantity
1	4169947	MO 5,5/2/112 3~400V50Hz 460V60Hz IE3 VP.	1
		SPARE PARTS MOTOR:ON REQUEST	1
2	4206025	SCREW M8X45 (4 PIECES)	1
3	4171326	LANTERN FT130 HELIX KIT	1
3.1		> LANTERN FT130 M+6" GJL MACHINING+CATA	1
3.2	2127604	> EYELET CPL.FT HELIX(2 PIECES)	1
3.3	4159692	> COUPLING PROTECTOR FT HELIX KIT	1
4	4159710	COUPLING D.16XD.28 FT130 HELIX KIT	1
5	4159707	SCREW M8X30 (4 PIECES)	1
6	4177881	STUD BOLT M12X990 KIT	1
6.1		> TIE BOLT M12-990x18x30-1.4057	1
6.2	2094647	> NUT M12 M12 ISO4032 VP.	1
6.3	2123557	> WASHER CS-12.4-24-1.6-NFE25 (4 PIECES)	1
7	4159685	END SHIELD HELIX EPDM KIT	1
7.1		> END SHIELD M+6" GJL250 MACHINING+CATA	1
7.2	2127607	> STATIONARY RING HOLDER 6" HELIX 1.4301 V	1
7.3	4176513	> O-RING FOR PUMP JACKET VP.	1
7.4	2127603	> O-RING ID.37,6x2,4 EPDM VP.	1
7.5	2127602	> O-RING ID.21,35x2 EPDM VP.	1
8	4159686	FILING/PURGING PLUG HELIX EPDM KIT	1
9	4159698	CARTRIDGE HELIX6-10-16 F/E KIT	1
10	4177874	HOUSING PIPE D.152x960 1.4307 KIT	1
7.3	4176513	> O-RING FOR PUMP JACKET VP.	1
10.1		> HOUSING-PIPE Ø152-M+1024/1616-304	1
11	4174087	CENTERING STAGE-RETURN HELIX6 1.4301VP.	1
12	4174085	SHAFTS EQUIPMENT HELIX V6 BI BLOC KIT	1
12.1		> NUT-H-M10-A4.70	1
12.2		> SERRATED LOCK WASHER M+6M3-316L	1
12.3		> STOP COLLAR OF IMPELLER L17,9-Ø16-316L	1
12.4		> STOP-RUSH-1/2-D16xd2-M+316	1
13		HYDRAULIC HELIX V 623 1.4307	1
14	4177883	SHAFT D.16X1080 1.4301 VP.	1
15	4208872	PUMP HOUSING HELIX V6 DN32 PN30 KIT	1
15.1		> MACH+CATA PUMP CASING M+5" DN32 PN25 GJL	1

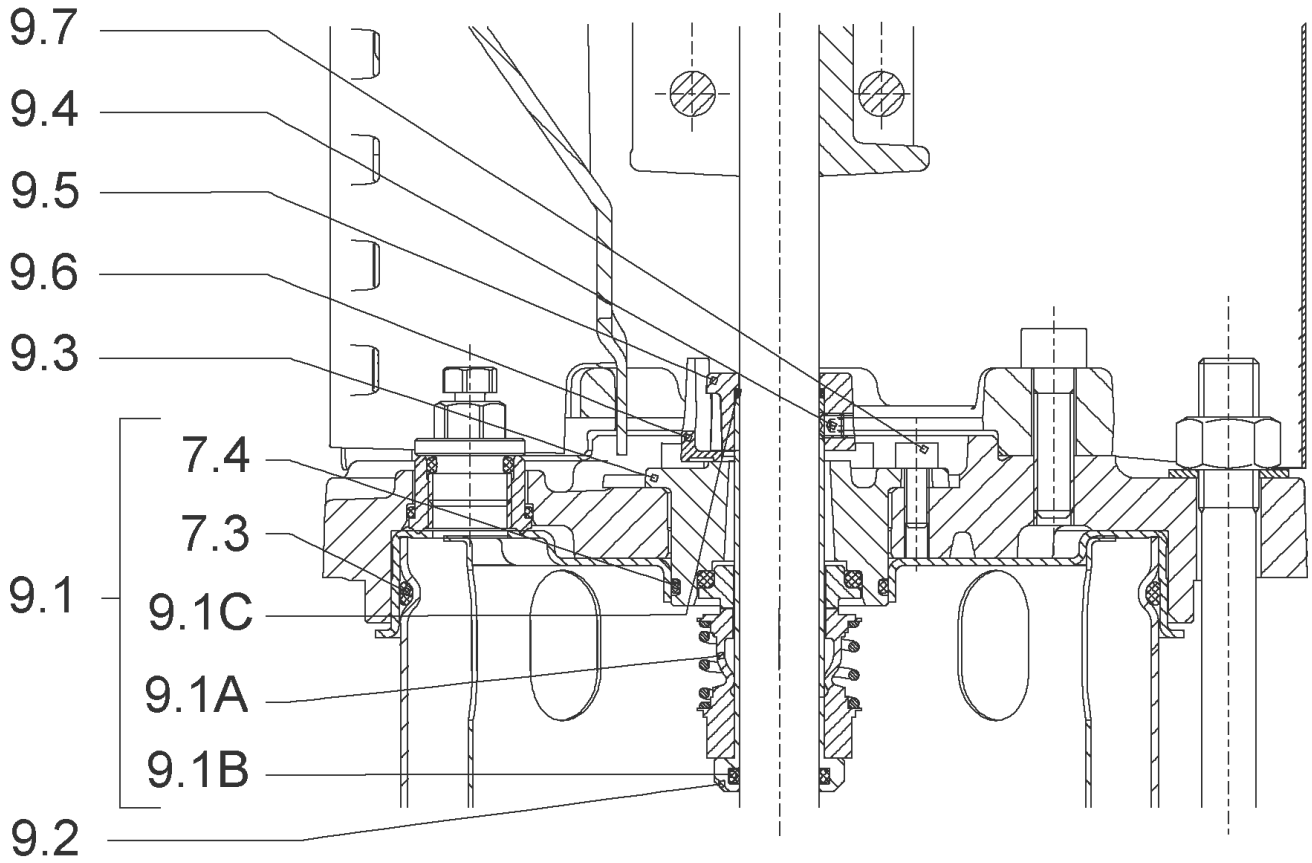
HELIX FIRST V623-5/25/E/KS/400-50 (4201172)

Item	Article no.	Description	Quantity
15.2	4010031	> FLAT GASKET D.30/79	1
15.3	4177877	> PRIMING/DRAIN PLUG HELIX PN30 KIT	1
15.3A		>> PRIMING/DRAIN PLUG M+6" 304	1
15.3B	4233957	>> O-RING ID.9 EPDM VP.	1
15.3C		>> O-RING Ø8xØ2 EPDM KTW/WRC	1
7.3	4176513	> O-RING FOR PUMP JACKET VP.	1



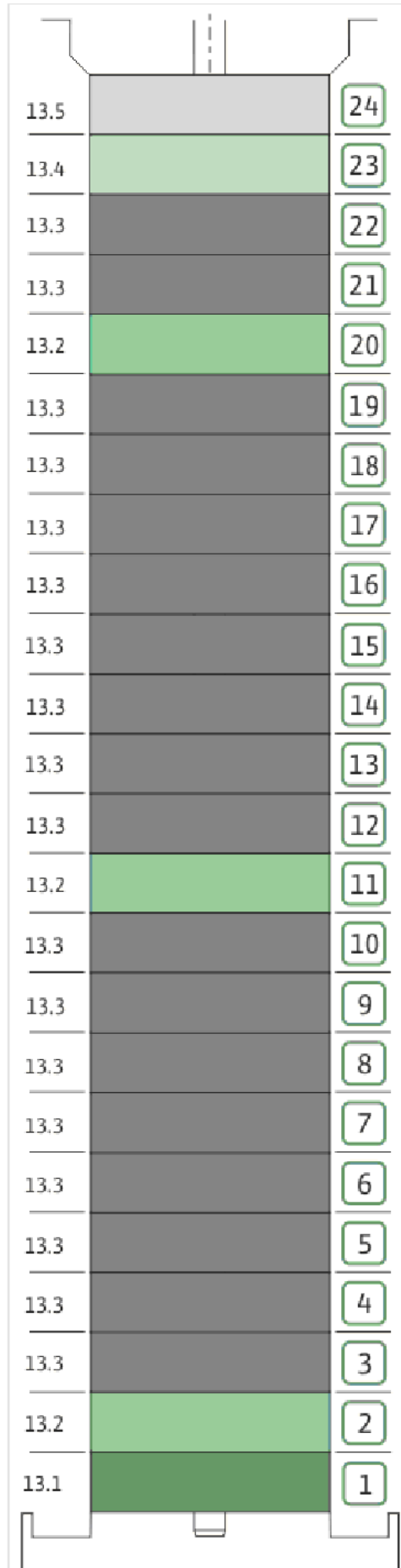
COUPLING D.16XD.28 FT130 HELIX KIT (4159710)

Item	Article no.	Description	Quantity
4.1		COUPLING M+ Ø16XØ28 FT130 MACHINED	1
4.2	2131022	BALL BEARING 6209/ZZ-C3(HT)VP.	1
4.3	4233930	CIRCLIP-FOR-BORES-D45x1,75 VP.	1
4.4	4157726	SCREW KIT M8X30 (4 PIECES)	1
4.5	4234252	CIRCLIPS 85X3 VP.	1
4.6	4234243	O-RING 85X3 VP.	1
		NOMEL CONTACT WASHER 8x16x1,4 STEEL ZC	1



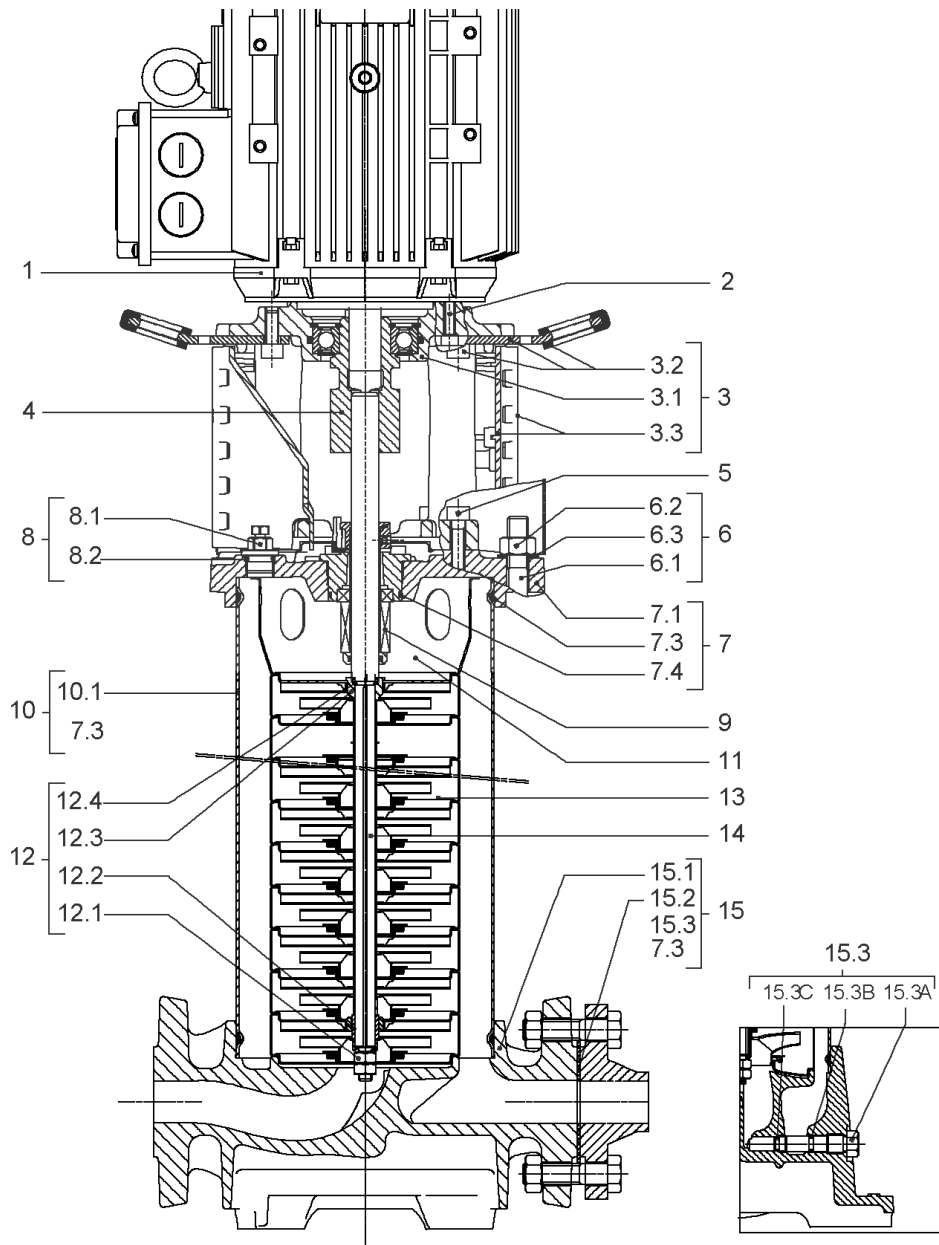
CARTRIDGE HELIX6-10-16 F/E KIT (4159698)

Item	Article no.	Description	Quantity
9.1	4159699	SEAL-KIT-HELIX6-10-16 F/E	1
7.3	4176513	> O-RING FOR PUMP JACKET VP.	1
7.4	2127603	> O-RING ID.37,6x2,4 EPDM VP.	1
9.1A	4176521	> MECH.SEAL HELIX2-4-6-10-16 F/E VP.	1
9.1B	2130967	> O-RING D.16X2,5 EPDM VP.	1
9.1C	4176519	> O-RING Ø16xØ1.25 VP.	1
9.2	2130961	SHAFT SLEEVE D.18/16X72,2 1.4404 VP.	1
9.3	2130962	RING HOLDER D.18 G606/G6 1.4301 VP.	1
9.4	4176520	SCREW CH M5x5 A4-70 (3PIECES)	1
9.5	2130963	DRIVE RING D.29/18x12,4 MACH.VP.	1
9.6	2130964	TOOL M.S.CART.HELIX VP.	1
9.7	2130965	SCREW CHC M5X12 ISO4762 A2.70(4 PIECES)	1



HYDRAULIC HELIX V 623 1.4307

Item	Article no.	Description	Quantity
13.1	4174084	STAGE HELIX 6 1.4301 KIT	1
		> MACH.STG-CASING-WOGV-WNR-M+6-304	1
		> IMPELLER-M+6-304	1
13.2	4174089	INTERMEDIATE STAGE HELIX 6 1.4301 KIT	1
		> MACH.BEARING-STG-CASING-WNR-M+6-304	1
		> IMPELLER-M+6-304	1
		> SHAFT SLEEVE-SPACER-Ø19,35x18,465-304	1
		> SHAFT-SLEEVE-D16xD20x18-CW	1
13.3	4174090	INTERMEDIATE STAGE HELIX 6 1.4301 KIT	1
		> MACH.STD-STG-CASING-WGV+NR-M+6-304	1
		> IMPELLER-M+6-304	1
		> IMPELLER SPACER Ø16,05X19,45-L36,465-304	1
13.4	4174092	EMPTY STAGE HELIX6 1.4301KIT	1
		> MACH.STD-STG-CASING-WGV+NR-M+6-304	1
		> FLAT WASHER-D16.1XD22X1.2-316L	1
		> IMPELLER SPACER Ø16,05X19,45-L36,465-304	1
13.5	4174091	STAGE HELIX 6 1.4301 KIT	1
		> MACH.STG-CASING-WOGV-WNR-M+6-304	1
		> IMPELLER-M+6-304	1
		> IMPELLER SPACER Ø16,05X19,45-L36,465-304	1

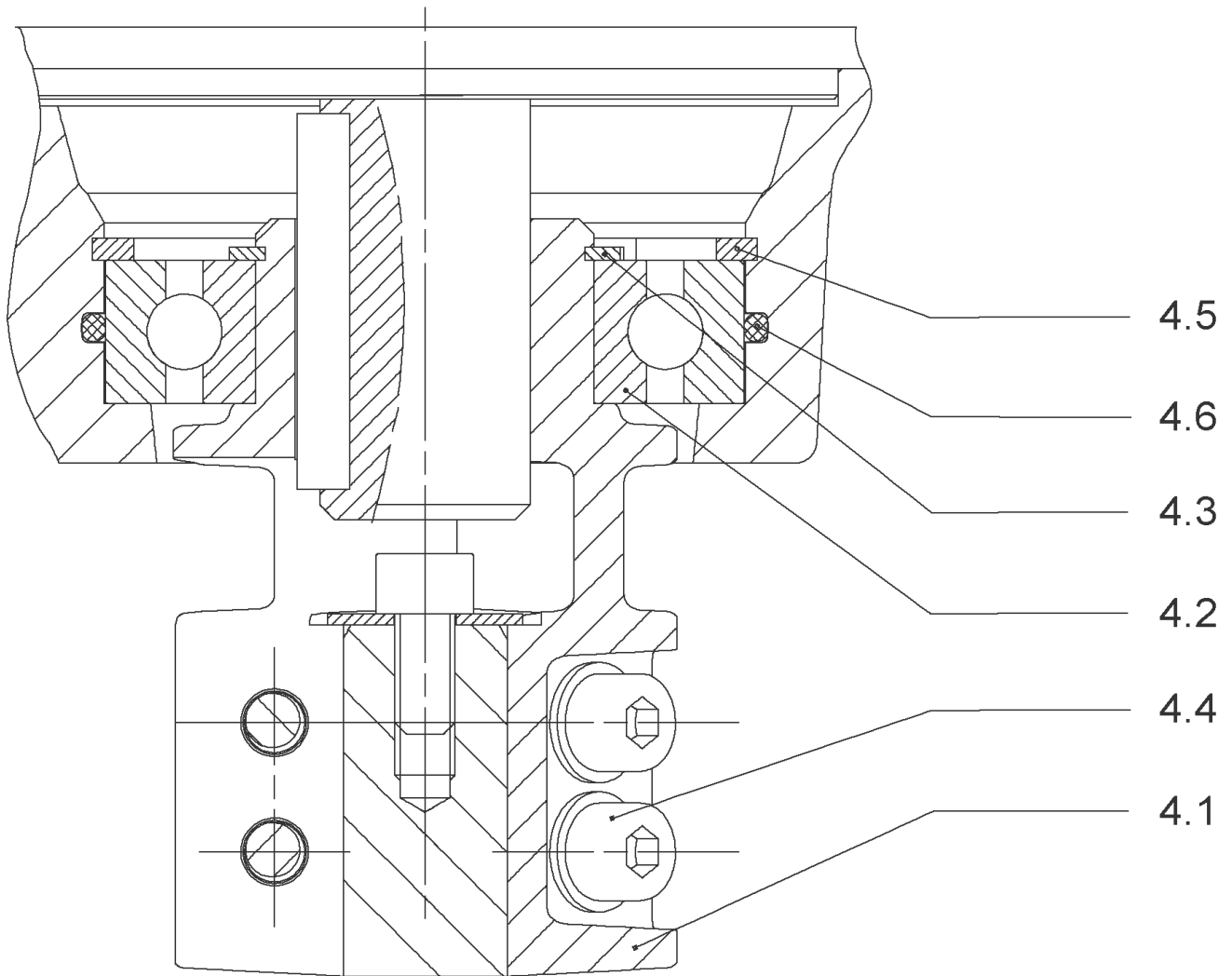


HELIX FIRST V625-5/30/E/KS/400-50 (4201174)

Item	Article no.	Description	Quantity
1	4169947	MO 5,5/2/112 3~400V50Hz 460V60Hz IE3 VP.	1
		SPARE PARTS MOTOR:ON REQUEST	1
2	4206025	SCREW M8X45 (4 PIECES)	1
3	4171326	LANTERN FT130 HELIX KIT	1
3.1		> LANTERN FT130 M+6" GJL MACHINING+CATA	1
3.2	2127604	> EYELET CPL.FT HELIX(2 PIECES)	1
3.3	4159692	> COUPLING PROTECTOR FT HELIX KIT	1
4	4159710	COUPLING D.16XD.28 FT130 HELIX KIT	1
5	4159707	SCREW M8X30 (4 PIECES)	1
6	4177993	STUD BOLT M12X1065 KIT	1
6.1		> TIE BOLT M12-1065x18x30-1.4057	1
6.2	2094647	> NUT M12 M12 ISO4032 VP.	1
6.3	2123557	> WASHER CS-12.4-24-1.6-NFE25 (4 PIECES)	1
7	4177867	END SHIELD PN30 HELIX EPDM KIT	1
7.1		> END SHIELD M+ JL VERSION 1 MACHINED+CATA	1
7.3	4176513	> O-RING FOR PUMP JACKET VP.	1
7.4	2127603	> O-RING ID.37,6x2,4 EPDM VP.	1
8	4159686	FILING/PURGING PLUG HELIX EPDM KIT	1
9	4177872	MECH.SEAL+CART. HELIX6-10-16 T/E KIT	1
10	4177986	HOUSING PIPE D.152x1035 304 KIT	1
7.3	4176513	> O-RING FOR PUMP JACKET VP.	1
10.1		> HOUSING-PIPE Ø152-M+625-304	1
11	4174087	CENTERING STAGE-RETURN HELIX6 1.4301VP.	1
12	4174085	SHAFTS EQUIPMENT HELIX V6 BI BLOC KIT	1
12.1		> NUT-H-M10-A4.70	1
12.2		> SERRATED LOCK WASHER M+6M3-316L	1
12.3		> STOP COLLAR OF IMPELLER L17,9-Ø16-316L	1
12.4		> STOP-RUSH-1/2-D16xd2-M+316	1
13		HYDRAULIC HELIX V 625 1.4307	1
14	4177987	SHAFT D.16X1155 1.4301 VP.	1
15	4208872	PUMP HOUSING HELIX V6 DN32 PN30 KIT	1
15.1		> MACH+CATA PUMP CASING M+5" DN32 PN25 GJL	1
15.2	4010031	> FLAT GASKET D.30/79	1
15.3	4177877	> PRIMING/DRAIN PLUG HELIX PN30 KIT	1

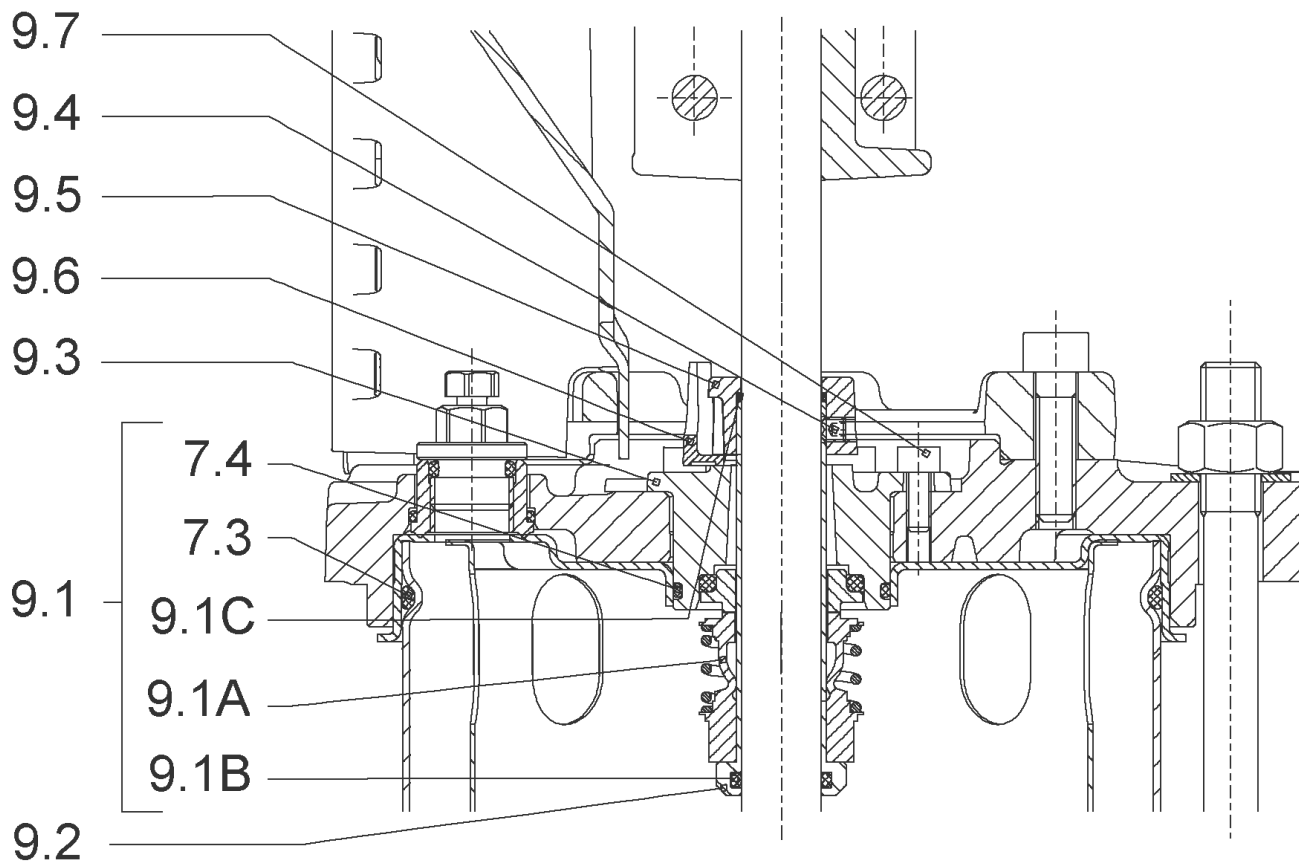
HELIX FIRST V625-5/30/E/KS/400-50 (4201174)

Item	Article no.	Description	Quantity
15.3A		>> PRIMING/DRAIN PLUG M+6" 304	1
15.3B	4233957	>> O-RING ID.9 EPDM VP.	1
15.3C		>> O-RING Ø8xØ2 EPDM KTW/WRC	1
7.3	4176513	> O-RING FOR PUMP JACKET VP.	1



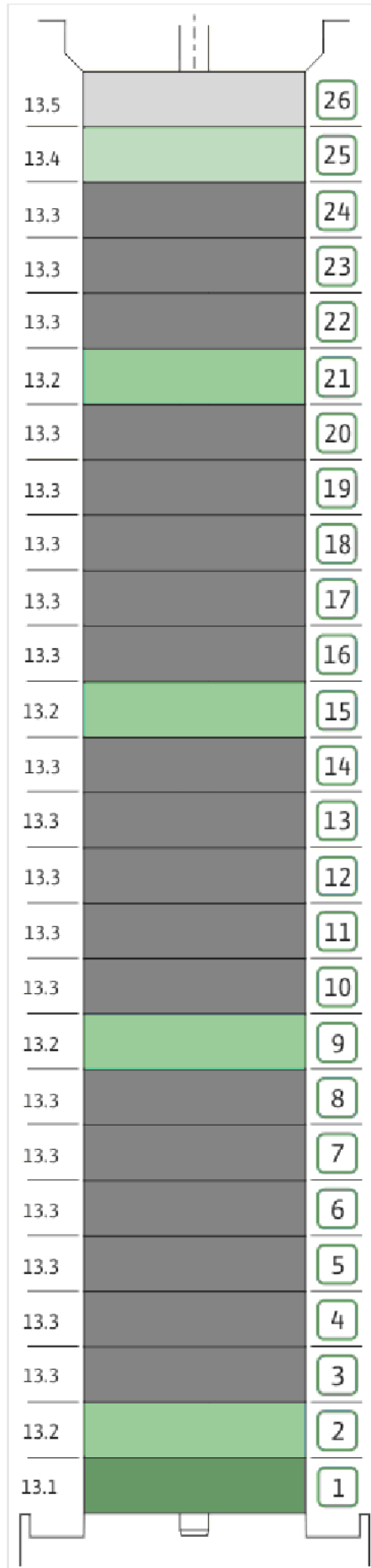
COUPLING D.16XD.28 FT130 HELIX KIT (4159710)

Item	Article no.	Description	Quantity
4.1		COUPLING M+ Ø16XØ28 FT130 MACHINED	1
4.2	2131022	BALL BEARING 6209/ZZ-C3(HT)VP.	1
4.3	4233930	CIRCLIP-FOR-BORES-D45x1,75 VP.	1
4.4	4157726	SCREW KIT M8X30 (4 PIECES)	1
4.5	4234252	CIRCLIPS 85X3 VP.	1
4.6	4234243	O-RING 85X3 VP.	1
		NOMEL CONTACT WASHER 8x16x1,4 STEEL ZC	1



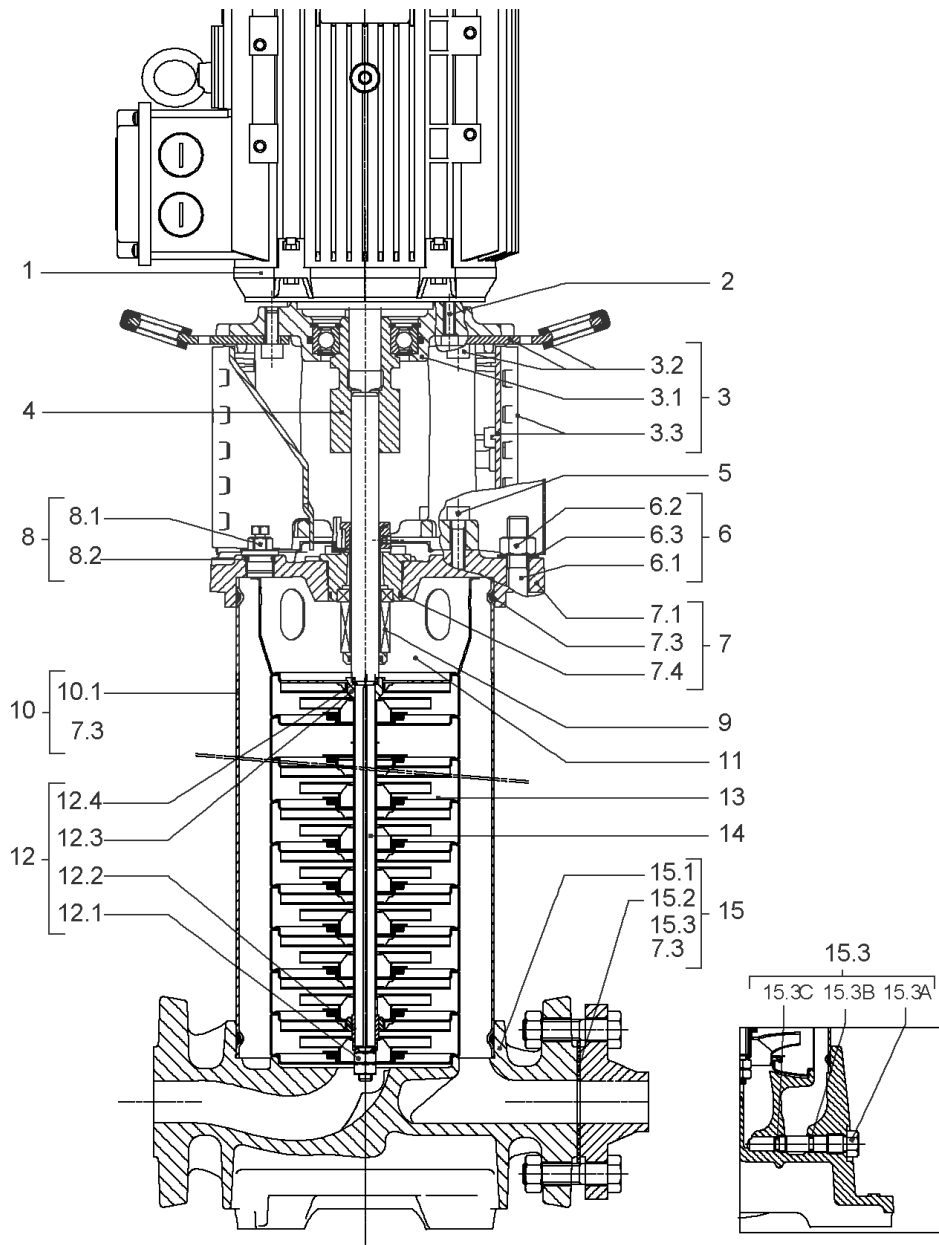
MECH.SEAL+CART. HELIX6-10-16 T/E KIT (4177872)

Item	Article no.	Description	Quantity
9.1	4177871	SEAL-KIT-HELIX6-10-16 T/E	1
7.3	4176513	> O-RING FOR PUMP JACKET VP.	1
7.4	2127603	> O-RING ID.37,6x2,4 EPDM VP.	1
9.1A	4177870	> MECH.SEAL HELIX2-4-6-10-16 T/E VP.	1
9.1B	2130967	> O-RING D.16X2,5 EPDM VP.	1
9.1C	4176519	> O-RING Ø16xØ1.25 VP.	1
9.2	4177869	SHAFT SLEEVE Ø16XØ18/22-G9-PN30 VP.	1
9.3	4177868	RING-HOLDER MS G9 316 VP.	1
9.4	4176520	SCREW CH M5x5 A4-70 (3PIECES)	1
9.5	2130963	DRIVE RING D.29/18x12,4 MACH.VP.	1
9.6	2130964	TOOL M.S.CART.HELIX VP.	1
9.7	2130965	SCREW CHC M5X12 ISO4762 A2.70(4 PIECES)	1



HYDRAULIC HELIX V 625 1.4307

Item	Article no.	Description	Quantity
13.1	4174084	STAGE HELIX 6 1.4301 KIT	1
		> MACH.STG-CASING-WOGV-WNR-M+6-304	1
		> IMPELLER-M+6-304	1
13.2	4174089	INTERMEDIATE STAGE HELIX 6 1.4301 KIT	1
		> MACH.BEARING-STG-CASING-WNR-M+6-304	1
		> IMPELLER-M+6-304	1
		> SHAFT SLEEVE-SPACER-Ø19,35x18,465-304	1
		> SHAFT-SLEEVE-D16xD20x18-CW	1
13.3	4174090	INTERMEDIATE STAGE HELIX 6 1.4301 KIT	1
		> MACH.STD-STG-CASING-WGV+NR-M+6-304	1
		> IMPELLER-M+6-304	1
		> IMPELLER SPACER Ø16,05X19,45-L36,465-304	1
13.4	4174092	EMPTY STAGE HELIX6 1.4301KIT	1
		> MACH.STD-STG-CASING-WGV+NR-M+6-304	1
		> FLAT WASHER-D16.1XD22X1.2-316L	1
		> IMPELLER SPACER Ø16,05X19,45-L36,465-304	1
13.5	4174091	STAGE HELIX 6 1.4301 KIT	1
		> MACH.STG-CASING-WOGV-WNR-M+6-304	1
		> IMPELLER-M+6-304	1
		> IMPELLER SPACER Ø16,05X19,45-L36,465-304	1



HELIX FIRST V628-5/30/E/KS/400-50 (4201175)

Item	Article no.	Description	Quantity
1	4169947	MO 5,5/2/112 3~400V50Hz 460V60Hz IE3 VP.	1
		SPARE PARTS MOTOR:ON REQUEST	1
2	4206025	SCREW M8X45 (4 PIECES)	1
3	4171326	LANTERN FT130 HELIX KIT	1
3.1		> LANTERN FT130 M+6" GJL MACHINING+CATA	1
3.2	2127604	> EYELET CPL.FT HELIX(2 PIECES)	1
3.3	4159692	> COUPLING PROTECTOR FT HELIX KIT	1
4	4159710	COUPLING D.16XD.28 FT130 HELIX KIT	1
5	4159707	SCREW M8X30 (4 PIECES)	1
6	4177990	STUD BOLT M12X1140 KIT	1
6.1		> TIE BOLT M12-1140x18x30-1.4057	1
6.2	2094647	> NUT M12 M12 ISO4032 VP.	1
6.3	2123557	> WASHER CS-12.4-24-1.6-NFE25 (4 PIECES)	1
7	4177867	END SHIELD PN30 HELIX EPDM KIT	1
7.1		> END SHIELD M+ JL VERSION 1 MACHINED+CATA	1
7.3	4176513	> O-RING FOR PUMP JACKET VP.	1
7.4	2127603	> O-RING ID.37,6x2,4 EPDM VP.	1
8	4159686	FILING/PURGING PLUG HELIX EPDM KIT	1
9	4177872	MECH.SEAL+CART. HELIX6-10-16 T/E KIT	1
10	2127585	HOUSING PIPE D.152x1110 1.4301 KIT	1
7.3	4176513	> O-RING FOR PUMP JACKET VP.	1
10.1		> HOUSING-PIPE Ø152-M+1619-304	1
11	4174087	CENTERING STAGE-RETURN HELIX6 1.4301VP.	1
12	4174085	SHAFTS EQUIPMENT HELIX V6 BI BLOC KIT	1
12.1		> NUT-H-M10-A4.70	1
12.2		> SERRATED LOCK WASHER M+6M3-316L	1
12.3		> STOP COLLAR OF IMPELLER L17,9-Ø16-316L	1
12.4		> STOP-RUSH-1/2-D16xd2-M+316	1
13		HYDRAULIC HELIX V 628 1.4307	1
14	2127573	SHAFT D.16X1230 1.4462 VP.	1
15	4208872	PUMP HOUSING HELIX V6 DN32 PN30 KIT	1
15.1		> MACH+CATA PUMP CASING M+5" DN32 PN25 GJL	1
15.2	4010031	> FLAT GASKET D.30/79	1
15.3	4177877	> PRIMING/DRAIN PLUG HELIX PN30 KIT	1

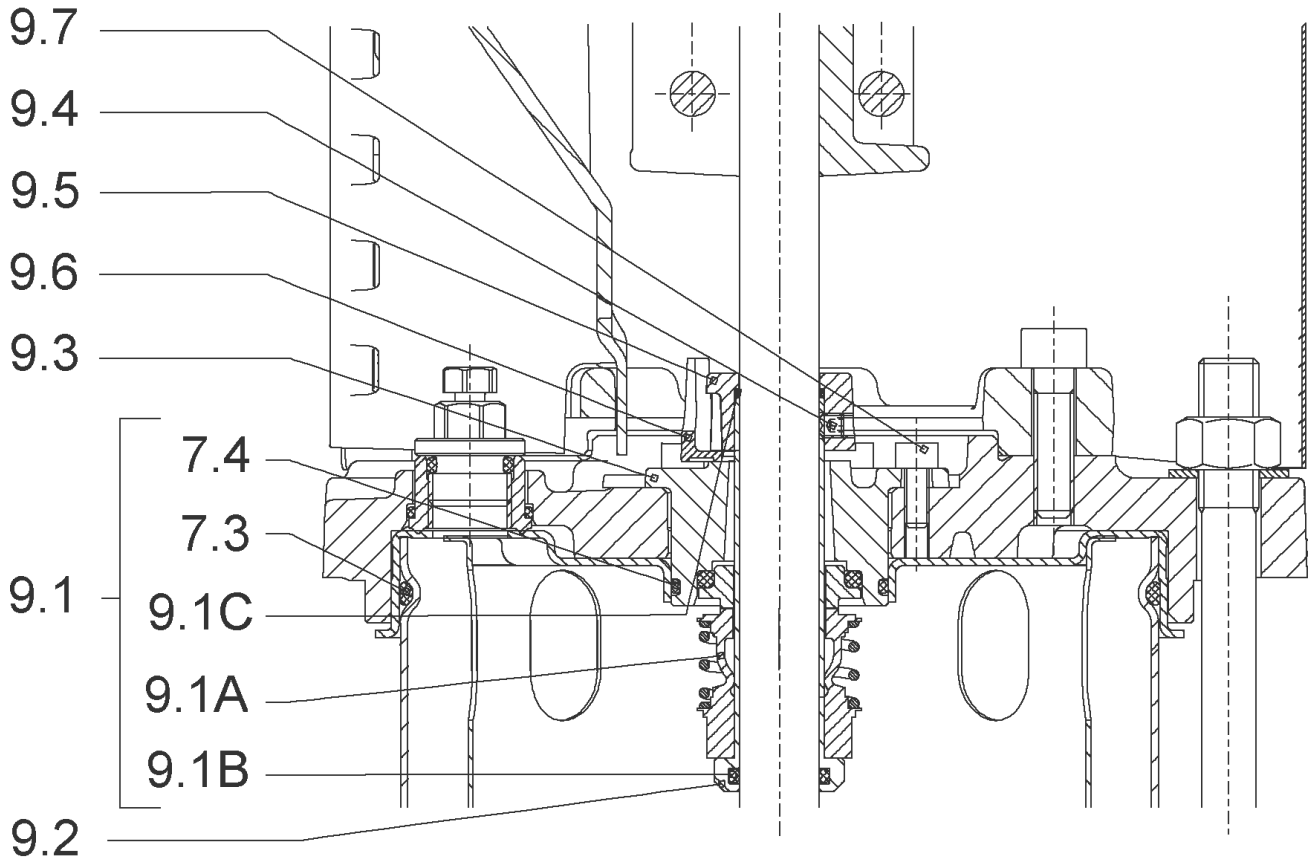
HELIX FIRST V628-5/30/E/KS/400-50 (4201175)

Item	Article no.	Description	Quantity
15.3A		>> PRIMING/DRAIN PLUG M+6" 304	1
15.3B	4233957	>> O-RING ID.9 EPDM VP.	1
15.3C		>> O-RING Ø8xØ2 EPDM KTW/WRC	1
7.3	4176513	> O-RING FOR PUMP JACKET VP.	1



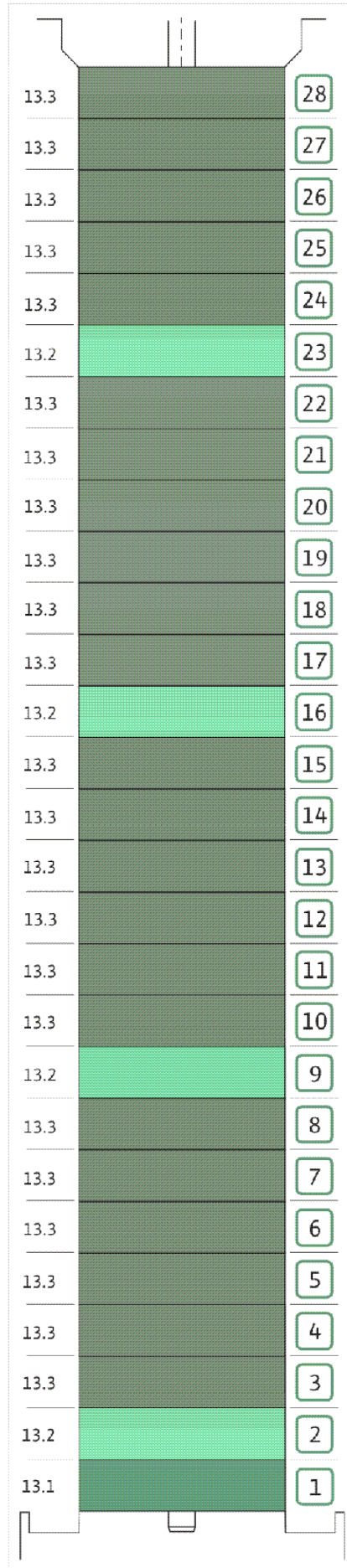
COUPLING D.16XD.28 FT130 HELIX KIT (4159710)

Item	Article no.	Description	Quantity
4.1		COUPLING M+ Ø16XØ28 FT130 MACHINED	1
4.2	2131022	BALL BEARING 6209/ZZ-C3(HT)VP.	1
4.3	4233930	CIRCLIP-FOR-BORES-D45x1,75 VP.	1
4.4	4157726	SCREW KIT M8X30 (4 PIECES)	1
4.5	4234252	CIRCLIPS 85X3 VP.	1
4.6	4234243	O-RING 85X3 VP.	1
		NOMEL CONTACT WASHER 8x16x1,4 STEEL ZC	1



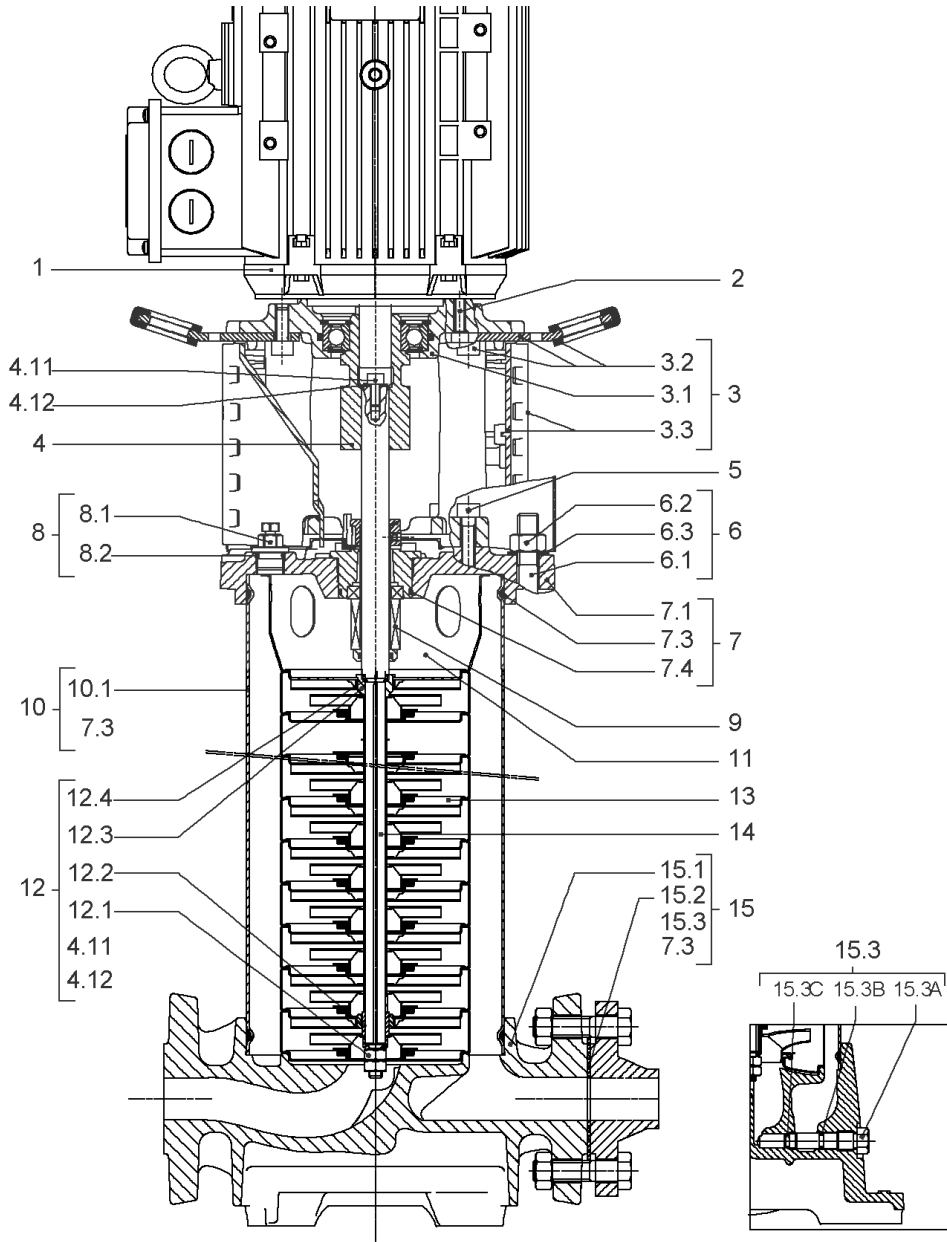
MECH.SEAL+CART. HELIX6-10-16 T/E KIT (4177872)

Item	Article no.	Description	Quantity
9.1	4177871	SEAL-KIT-HELIX6-10-16 T/E	1
7.3	4176513	> O-RING FOR PUMP JACKET VP.	1
7.4	2127603	> O-RING ID.37,6x2,4 EPDM VP.	1
9.1A	4177870	> MECH.SEAL HELIX2-4-6-10-16 T/E VP.	1
9.1B	2130967	> O-RING D.16X2,5 EPDM VP.	1
9.1C	4176519	> O-RING Ø16xØ1.25 VP.	1
9.2	4177869	SHAFT SLEEVE Ø16XØ18/22-G9-PN30 VP.	1
9.3	4177868	RING-HOLDER MS G9 316 VP.	1
9.4	4176520	SCREW CH M5x5 A4-70 (3PIECES)	1
9.5	2130963	DRIVE RING D.29/18x12,4 MACH.VP.	1
9.6	2130964	TOOL M.S.CART.HELIX VP.	1
9.7	2130965	SCREW CHC M5X12 ISO4762 A2.70(4 PIECES)	1



HYDRAULIC HELIX V 628 1.4307

Item	Article no.	Description	Quantity
13.1	4174084	STAGE HELIX 6 1.4301 KIT	1
		> MACH.STG-CASING-WOGV-WNR-M+6-304	1
		> IMPELLER-M+6-304	1
13.2	4174089	INTERMEDIATE STAGE HELIX 6 1.4301 KIT	1
		> MACH.BEARING-STG-CASING-WNR-M+6-304	1
		> IMPELLER-M+6-304	1
		> SHAFT SLEEVE-SPACER-Ø19,35x18,465-304	1
		> SHAFT-SLEEVE-D16xD20x18-CW	1
13.3	4174090	INTERMEDIATE STAGE HELIX 6 1.4301 KIT	1
		> MACH.STD-STG-CASING-WGV+NR-M+6-304	1
		> IMPELLER-M+6-304	1
		> IMPELLER SPACER Ø16,05X19,45-L36,465-304	1



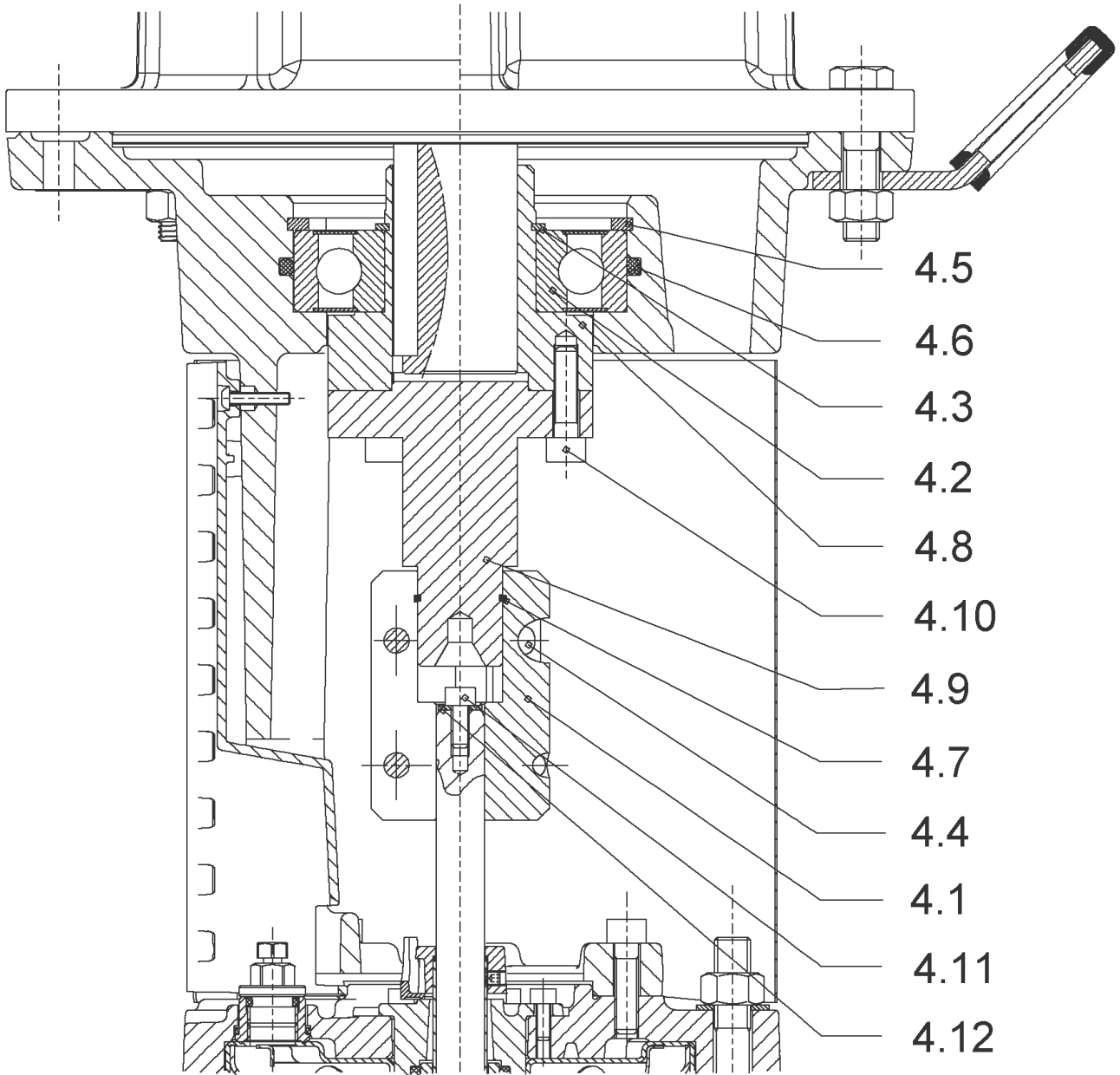
HELIX FIRST V630-5/30/E/KS/400-50 (4201176)

Item	Article no.	Description	Quantity
1	4195450	MOTOR 7,5/2/* 3~400V 50HZ IE3 VP.	1
		SPARE PARTS MOTOR:ON REQUEST	1
2	4174093	SCREW M12X50 (4 PIECES)	1
3	4159693	LANTERN FF265 HELIX KIT	1
3.1		> LANTERN FF265 M+6" GJL MACHINING+CATA	1
3.2	2127605	> EYELET CPL.FF265 HELIX(2 PIECES)	1
3.3	4159695	> COUPLING PROTECTOR FF HELIX KIT	1
4	4159711	COUPLING D.16XD.38 FF265 HELIX KIT	1
5	4159707	SCREW M8X30 (4 PIECES)	1
6	4208890	STUD BOLT HELIX M12X1215 KIT	1
6.1		> TIE BOLT M12-1215x18x30-1.4057	1
6.2	4204264	> NUT M12 M12 ISO4032 VP.	1
6.3	2123557	> WASHER CS-12.4-24-1.6-NFE25 (4 PIECES)	1
7	4177867	END SHIELD PN30 HELIX EPDM KIT	1
7.1		> END SHIELD M+ JL VERSION 1 MACHINED+CATA	1
7.3	4176513	> O-RING FOR PUMP JACKET VP.	1
7.4	2127603	> O-RING ID.37,6x2,4 EPDM VP.	1
8	4159686	FILING/PURGING PLUG HELIX EPDM KIT	1
9	4177872	MECH.SEAL+CART. HELIX6-10-16 T/E KIT	1
10	4208892	HOUSING PIPE D.152x1185 1.4307 KIT	1
7.3	4176513	> O-RING FOR PUMP JACKET VP.	1
10.1		> HOUSING-PIPE Ø152-M+630-304	1
11	4174087	CENTERING STAGE-RETURN HELIX6 1.4301VP.	1
12	4208894	SHAFTS EQUIPMENT HELIX V6 30B KIT	1
12.1		> NUT-H-M10-A4.70	1
12.2		> SERRATED LOCK WASHER M+6M3-316L	1
12.3		> STOP COLLAR OF IMPELLER L17,9-Ø16-316L	1
12.4		> STOP-RUSH-1/2-D16xd2-M+316	1
4.11	4102901	> SCREW CHC-M6X14-8.8-ISO4762-GEOMET500A	1
4.12	2130995	> SERRATED LOCK WASHER D.6,2XD.14,5X28 VP.	1
13		HYDRAULIC HELIX V 630 1.4307	1
14	4208898	SHAFT D.16X1305 1.4057 VP.	1
15	4208872	PUMP HOUSING HELIX V6 DN32 PN30 KIT	1
15.1		> MACH+CATA PUMP CASING M+5" DN32 PN25 GJL	1

HELIX FIRST V630-5/30/E/KS/400-50 (4201176)

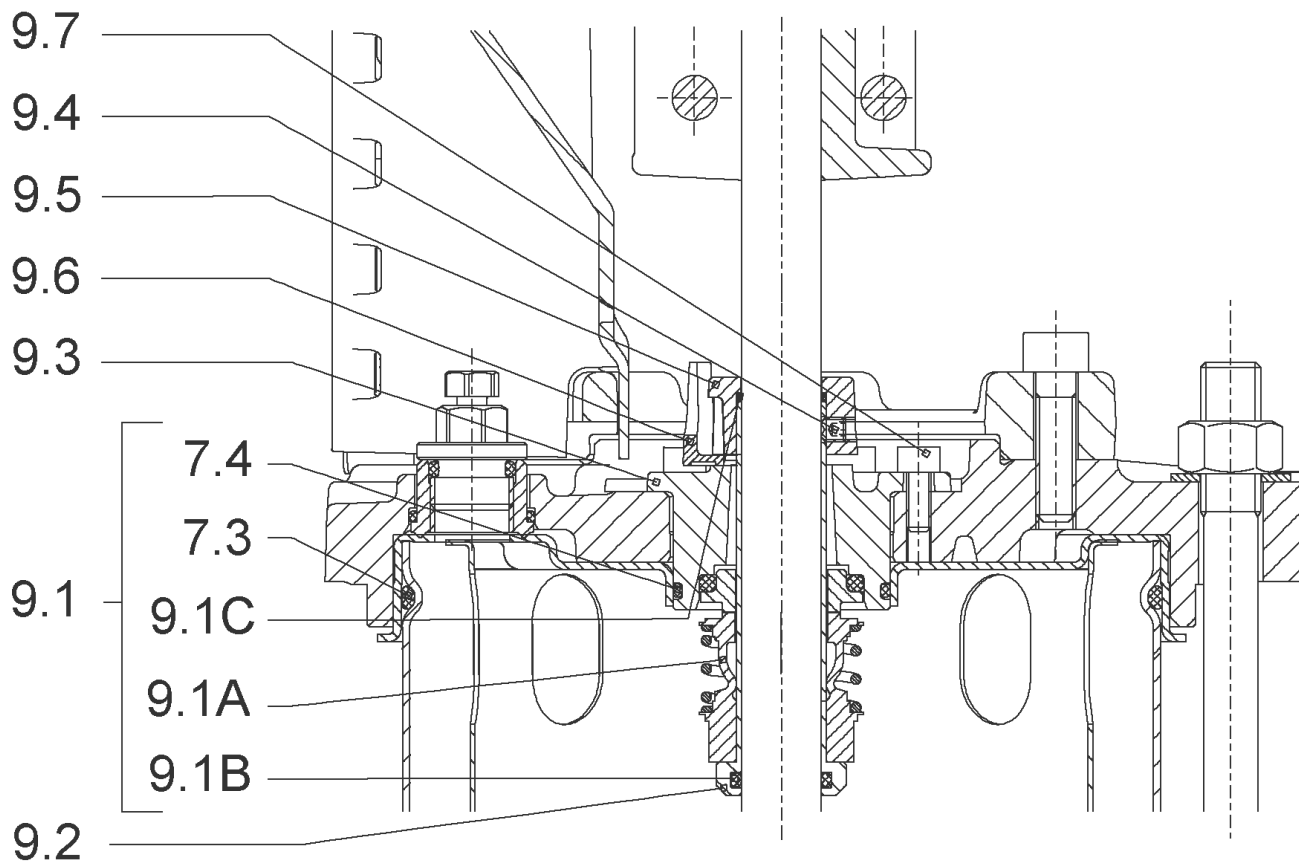
Item	Article no.	Description	Quantity
15.2	4010031	> FLAT GASKET D.30/79	1
15.3	4177877	> PRIMING/DRAIN PLUG HELIX PN30 KIT	1
15.3A		>> PRIMING/DRAIN PLUG M+6" 304	1
15.3B	4233957	>> O-RING ID.9 EPDM VP.	1
15.3C		>> O-RING Ø8xØ2 EPDM KTW/WRC	1
7.3	4176513	> O-RING FOR PUMP JACKET VP.	1

COUPLING D.16XD.38 FF265 HELIX KIT (4159711)



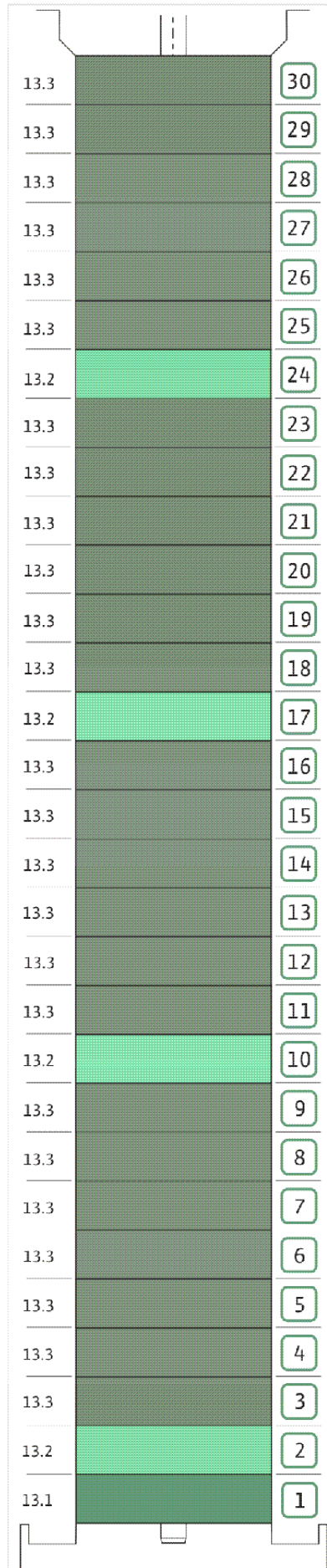
COUPLING D.16XD.38 FF265 HELIX KIT (4159711)

Item	Article no.	Description	Quantity
4.1	2131018	COUPLING 2 PARTS D.16XD.28XL.82,4 VP.	1
4.2	2131017	BALL BEARING 6310/ZZ-C4(HT)VP.	1
4.3	4234253	CIRCLIP-FOR-SHAFT-D50x2 VP.	1
4.4	4157726	SCREW KIT M8X30 (4 PIECES)	1
4.5	4234255	CIRCLIPS 110X4 VP.	1
4.6	4233944	O-RING ID.110 VP.	1
4.7	2131019	RETAINING RING D.26xD.2 DIN7993 VP.	1
4.10	4157726	SCREW KIT M8X30 (4 PIECES)	1
4.11	4102901	SCREW CHC-M6X14-8.8-ISO4762-GEOMET500A	1
4.12	2130995	SERRATED LOCK WASHER D.6,2XD.14,5X28 VP.	1
		NOMEL CONTACT WASHER 8x16x1,4 STEEL ZC	1
4.8	2131020	HUB D.38XD.50 VP.	1
4.9	2131021	SPACER D.28XD.45 VP.	1



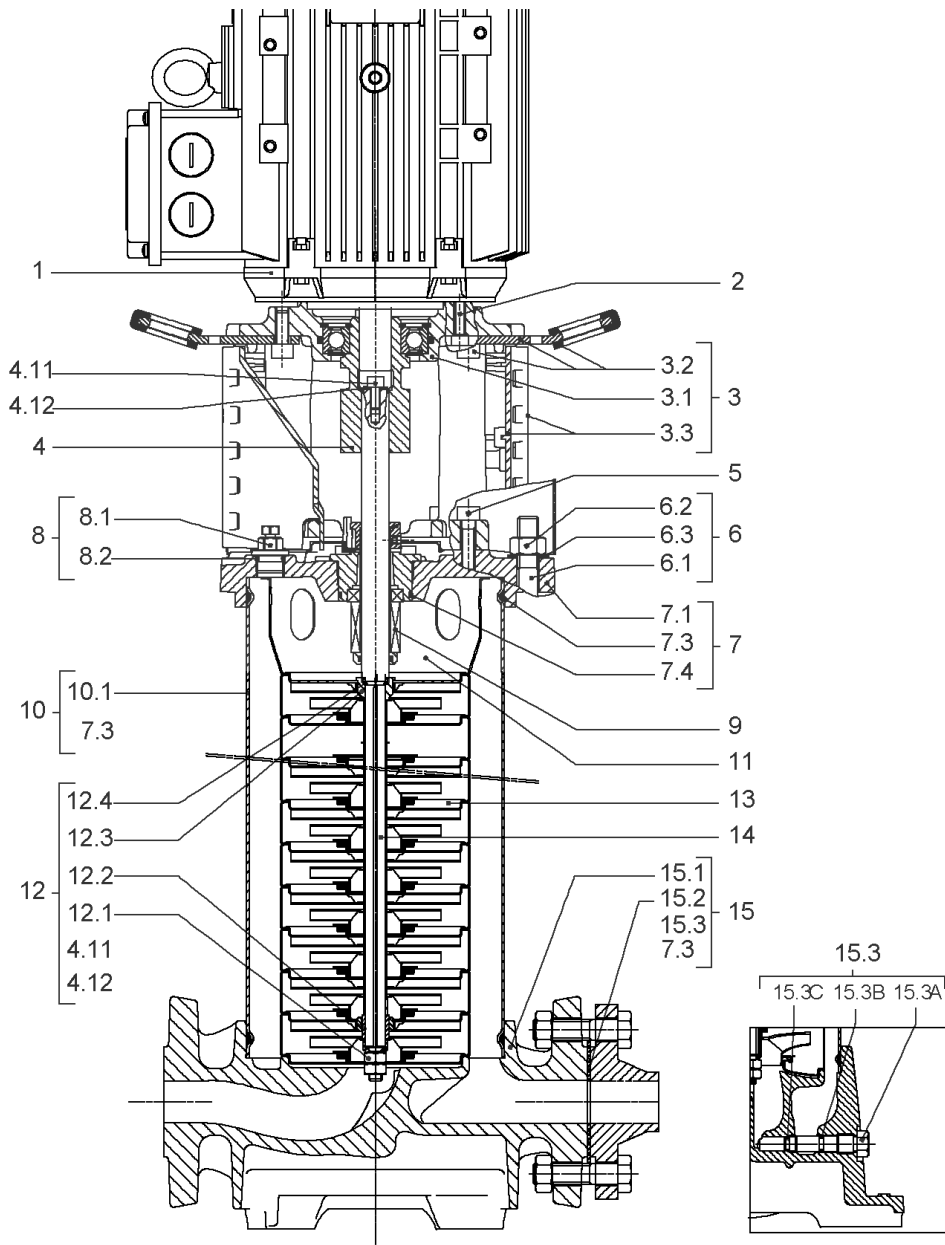
MECH.SEAL+CART. HELIX6-10-16 T/E KIT (4177872)

Item	Article no.	Description	Quantity
9.1	4177871	SEAL-KIT-HELIX6-10-16 T/E	1
7.3	4176513	> O-RING FOR PUMP JACKET VP.	1
7.4	2127603	> O-RING ID.37,6x2,4 EPDM VP.	1
9.1A	4177870	> MECH.SEAL HELIX2-4-6-10-16 T/E VP.	1
9.1B	2130967	> O-RING D.16X2,5 EPDM VP.	1
9.1C	4176519	> O-RING Ø16xØ1.25 VP.	1
9.2	4177869	SHAFT SLEEVE Ø16XØ18/22-G9-PN30 VP.	1
9.3	4177868	RING-HOLDER MS G9 316 VP.	1
9.4	4176520	SCREW CH M5x5 A4-70 (3PIECES)	1
9.5	2130963	DRIVE RING D.29/18x12,4 MACH.VP.	1
9.6	2130964	TOOL M.S.CART.HELIX VP.	1
9.7	2130965	SCREW CHC M5X12 ISO4762 A2.70(4 PIECES)	1



HYDRAULIC HELIX V 630 1.4307

Item	Article no.	Description	Quantity
13.1	4174084	STAGE HELIX 6 1.4301 KIT	1
		> MACH.STG-CASING-WOGV-WNR-M+6-304	1
		> IMPELLER-M+6-304	1
13.2	4174089	INTERMEDIATE STAGE HELIX 6 1.4301 KIT	1
		> MACH.BEARING-STG-CASING-WNR-M+6-304	1
		> IMPELLER-M+6-304	1
		> SHAFT SLEEVE-SPACER-Ø19,35x18,465-304	1
		> SHAFT-SLEEVE-D16xD20x18-CW	1
13.3	4174090	INTERMEDIATE STAGE HELIX 6 1.4301 KIT	1
		> MACH.STD-STG-CASING-WGV+NR-M+6-304	1
		> IMPELLER-M+6-304	1
		> IMPELLER SPACER Ø16,05X19,45-L36,465-304	1



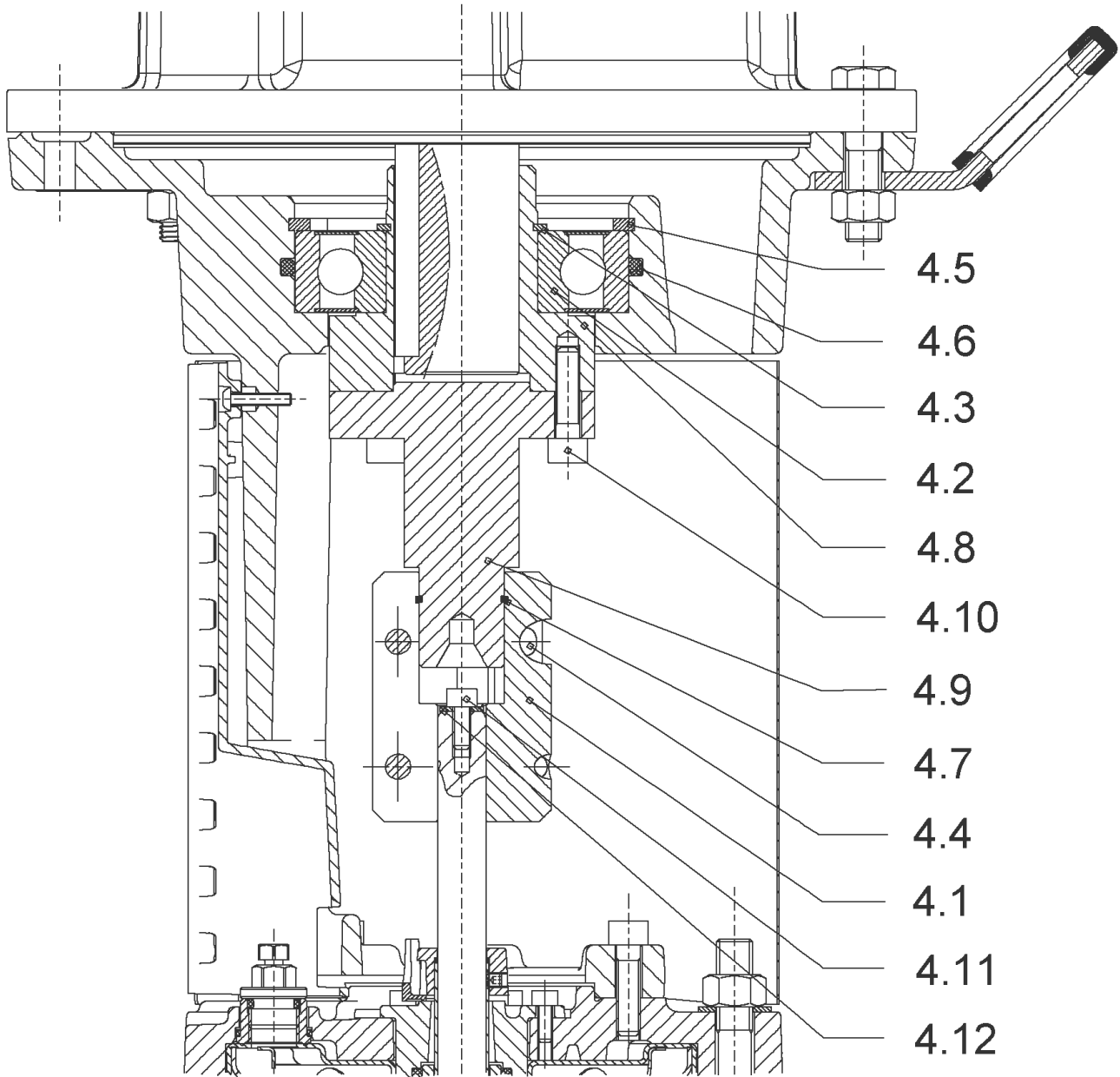
HELIX FIRST V633-5/30/E/KS/400-50 (4201177)

Item	Article no.	Description	Quantity
1	4195450	MOTOR 7,5/2/* 3~400V 50HZ IE3 VP.	1
		SPARE PARTS MOTOR:ON REQUEST	1
2	4174093	SCREW M12X50 (4 PIECES)	1
3	4159693	LANTERN FF265 HELIX KIT	1
3.1		> LANTERN FF265 M+6" GJL MACHINING+CATA	1
3.2	2127605	> EYELET CPL.FF265 HELIX(2 PIECES)	1
3.3	4159695	> COUPLING PROTECTOR FF HELIX KIT	1
4	4159711	COUPLING D.16XD.38 FF265 HELIX KIT	1
5	4159707	SCREW M8X30 (4 PIECES)	1
6	4208929	STUD BOLT HELIX M12X1327 KIT	1
6.1		> TIE BOLT M12-1327x18x30-1.4057	1
6.2	4204264	> NUT M12 M12 ISO4032 VP.	1
6.3	2123557	> WASHER CS-12.4-24-1.6-NFE25 (4 PIECES)	1
7	4177867	END SHIELD PN30 HELIX EPDM KIT	1
7.1		> END SHIELD M+ JL VERSION 1 MACHINED+CATA	1
7.3	4176513	> O-RING FOR PUMP JACKET VP.	1
7.4	2127603	> O-RING ID.37,6x2,4 EPDM VP.	1
8	4159686	FILING/PURGING PLUG HELIX EPDM KIT	1
9	4177872	MECH.SEAL+CART. HELIX6-10-16 T/E KIT	1
10	4208931	HOUSING PIPE HELIX D.152x1298 1.4307 KIT	1
7.3	4176513	> O-RING FOR PUMP JACKET VP.	1
10.1		> HOUSING-PIPE Ø152-M+633-304	1
11	4174087	CENTERING STAGE-RETURN HELIX6 1.4301VP.	1
12	4208894	SHAFTS EQUIPMENT HELIX V6 30B KIT	1
12.1		> NUT-H-M10-A4.70	1
12.2		> SERRATED LOCK WASHER M+6M3-316L	1
12.3		> STOP COLLAR OF IMPELLER L17,9-Ø16-316L	1
12.4		> STOP-RUSH-1/2-D16xd2-M+316	1
4.11	4102901	> SCREW CHC-M6X14-8.8-ISO4762-GEOMET500A	1
4.12	2130995	> SERRATED LOCK WASHER D.6,2XD.14,5X28 VP.	1
13		HYDRAULIC HELIX V 633 1.4307	1
14	4208935	SHAFT D.16X1417 1.4057 VP.	1
15	4208872	PUMP HOUSING HELIX V6 DN32 PN30 KIT	1
15.1		> MACH+CATA PUMP CASING M+5" DN32 PN25 GJL	1

HELIX FIRST V633-5/30/E/KS/400-50 (4201177)

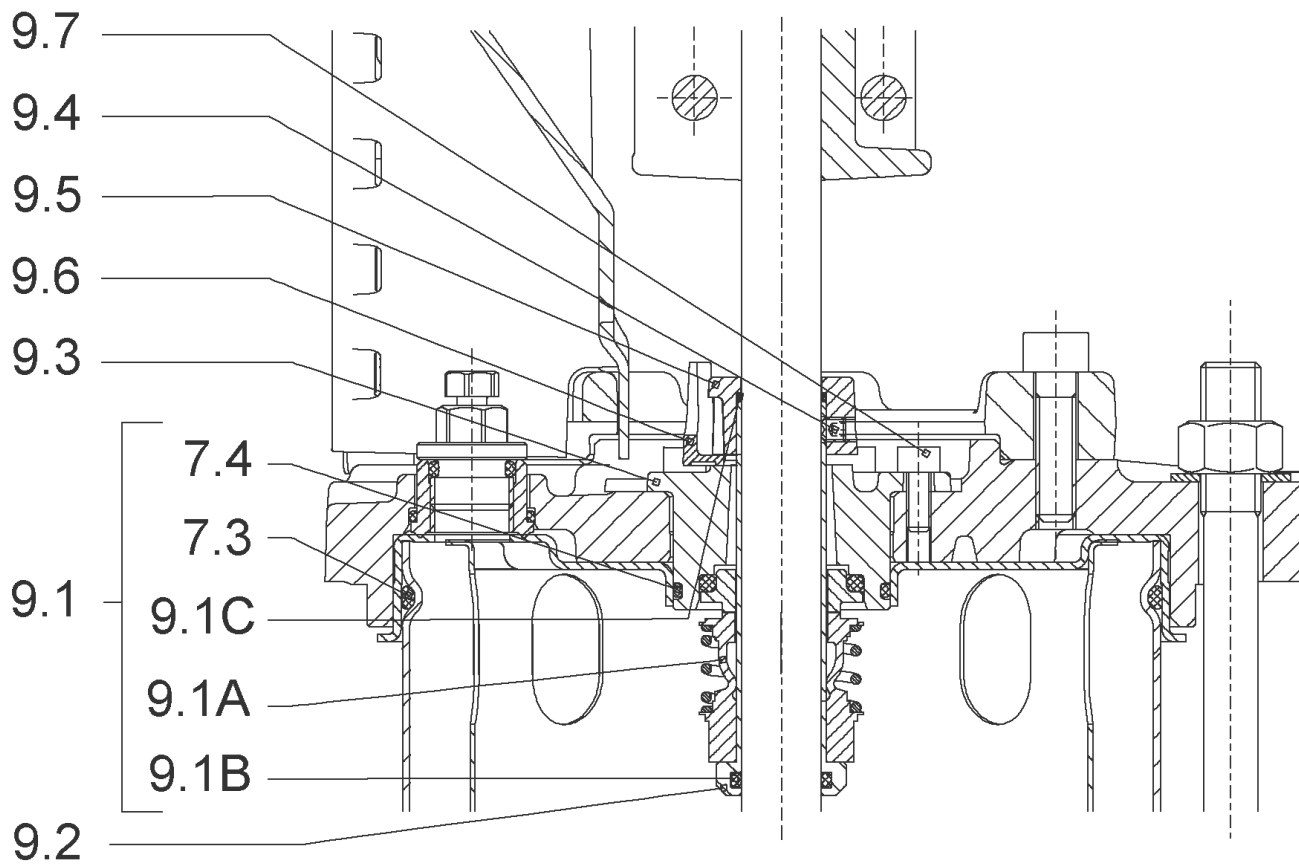
Item	Article no.	Description	Quantity
15.2	4010031	> FLAT GASKET D.30/79	1
15.3	4177877	> PRIMING/DRAIN PLUG HELIX PN30 KIT	1
15.3A		>> PRIMING/DRAIN PLUG M+6" 304	1
15.3B	4233957	>> O-RING ID.9 EPDM VP.	1
15.3C		>> O-RING Ø8xØ2 EPDM KTW/WRC	1
7.3	4176513	> O-RING FOR PUMP JACKET VP.	1

COUPLING D.16XD.38 FF265 HELIX KIT (4159711)



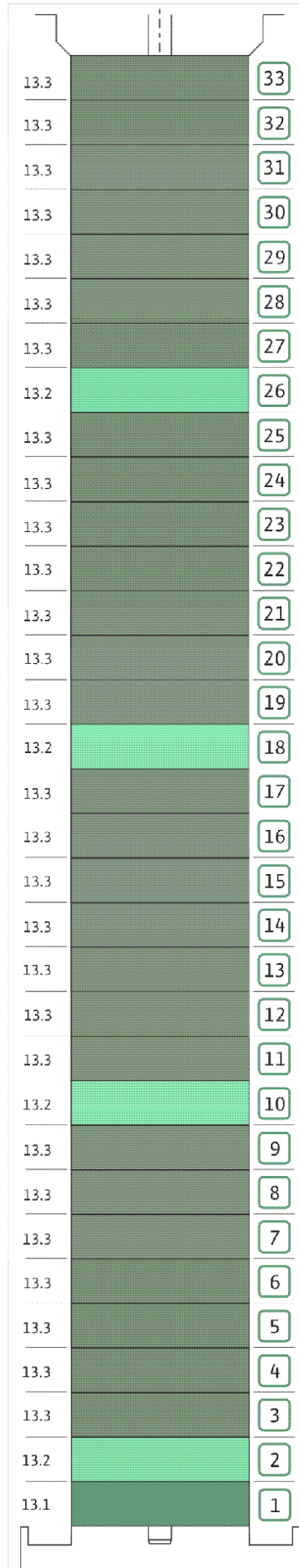
COUPLING D.16XD.38 FF265 HELIX KIT (4159711)

Item	Article no.	Description	Quantity
4.1	2131018	COUPLING 2 PARTS D.16XD.28XL.82,4 VP.	1
4.2	2131017	BALL BEARING 6310/ZZ-C4(HT)VP.	1
4.3	4234253	CIRCLIP-FOR-SHAFT-D50x2 VP.	1
4.4	4157726	SCREW KIT M8X30 (4 PIECES)	1
4.5	4234255	CIRCLIPS 110X4 VP.	1
4.6	4233944	O-RING ID.110 VP.	1
4.7	2131019	RETAINING RING D.26xD.2 DIN7993 VP.	1
4.10	4157726	SCREW KIT M8X30 (4 PIECES)	1
4.11	4102901	SCREW CHC-M6X14-8.8-ISO4762-GEOMET500A	1
4.12	2130995	SERRATED LOCK WASHER D.6,2XD.14,5X28 VP.	1
		NOMEL CONTACT WASHER 8x16x1,4 STEEL ZC	1
4.8	2131020	HUB D.38XD.50 VP.	1
4.9	2131021	SPACER D.28XD.45 VP.	1



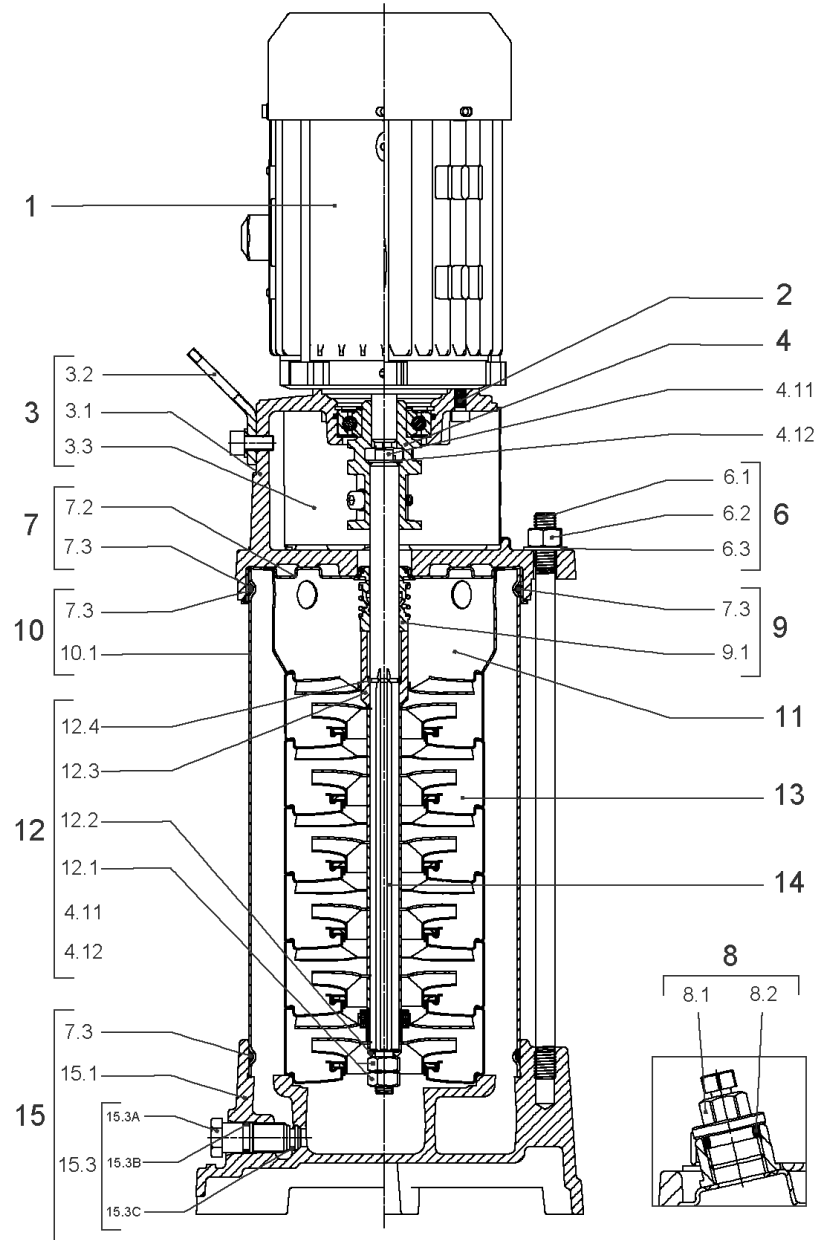
MECH.SEAL+CART. HELIX6-10-16 T/E KIT (4177872)

Item	Article no.	Description	Quantity
9.1	4177871	SEAL-KIT-HELIX6-10-16 T/E	1
7.3	4176513	> O-RING FOR PUMP JACKET VP.	1
7.4	2127603	> O-RING ID.37,6x2,4 EPDM VP.	1
9.1A	4177870	> MECH.SEAL HELIX2-4-6-10-16 T/E VP.	1
9.1B	2130967	> O-RING D.16X2,5 EPDM VP.	1
9.1C	4176519	> O-RING Ø16xØ1.25 VP.	1
9.2	4177869	SHAFT SLEEVE Ø16XØ18/22-G9-PN30 VP.	1
9.3	4177868	RING-HOLDER MS G9 316 VP.	1
9.4	4176520	SCREW CH M5x5 A4-70 (3PIECES)	1
9.5	2130963	DRIVE RING D.29/18x12,4 MACH.VP.	1
9.6	2130964	TOOL M.S.CART.HELIX VP.	1
9.7	2130965	SCREW CHC M5X12 ISO4762 A2.70(4 PIECES)	1



HYDRAULIC HELIX V 633 1.4307

Item	Article no.	Description	Quantity
13.1	4174084	STAGE HELIX 6 1.4301 KIT	1
		> MACH.STG-CASING-WOGV-WNR-M+6-304	1
		> IMPELLER-M+6-304	1
13.2	4174089	INTERMEDIATE STAGE HELIX 6 1.4301 KIT	1
		> MACH.BEARING-STG-CASING-WNR-M+6-304	1
		> IMPELLER-M+6-304	1
		> SHAFT SLEEVE-SPACER-Ø19,35x18,465-304	1
		> SHAFT-SLEEVE-D16xD20x18-CW	1
13.3	4174090	INTERMEDIATE STAGE HELIX 6 1.4301 KIT	1
		> MACH.STD-STG-CASING-WGV+NR-M+6-304	1
		> IMPELLER-M+6-304	1
		> IMPELLER SPACER Ø16,05X19,45-L36,465-304	1



HELIX FIRST V1001-5/16/E/S/400-50 (4200934)

Item	Article no.	Description	Quantity
1	4169939	MO.0,55/2/71 3~400V 50HZ 460V 60HZ IE2VP	1
		SPARE PARTS MOTOR:ON REQUEST	1
2	4212716	SCREW M6X20 KIT (4PIECES)	1
3	4213715	LANTERN FT85 HELIX KIT	1
3.1		> LANT-MOT-VMI-ReDTC6"-FT85-MACHINED+CATA	1
3.2	4184852	> EYELET CPL.FT HELIX (2 PIECES)	1
3.3	4213713	> COUPLING PROTECTOR FT85/100 HELIX KIT	1
4	4214477	COUPLING HELIX D16 FT85 KIT	1
6	4214966	STUD BOLT HELIX M12X170 KIT	1
6.1		> TIE BOLT M12-170x18x30-1.4057	1
6.2	2094647	> NUT M12 M12 ISO4032 VP.	1
6.3	2123557	> WASHER CS-12.4-24-1.6-NFE25 (4 PIECES)	1
7	4214481	STATIONARY RING HOLDER HELIX D27 ReDTC	1
7.2	4214479	> STATIONARY RING HOLDER HELIX D27 VP.	1
7.3	4176513	> O-RING FOR PUMP JACKET VP.	1
8	4212724	FILING/PURGING PLUG HELIX ReDTC KIT	1
8.1		> FILLING PLUG MVI6"-304	1
8.2	4177800	> O-RING EPDM PLUG HELIX VP.	1
9	4214483	MECH.SEAL HELIX6-10-16 O/E ReDTC KIT	1
9.1	4177801	> MECH.SEAL HELIX6-10-16 O/E VP.	1
7.3	4176513	> O-RING FOR PUMP JACKET VP.	1
10	4177804	HOUSING PIPES D.152X134 1.4301 KIT	1
7.3	4176513	> O-RING FOR PUMP JACKET VP.	1
10.1		> HOUSING-PIPE Ø152-M+1001/02-304	1
11	4177805	CENTERING RETURN HELIX1001 1.4301 VP	1
12	4214517	SHAFT EQUIPMENT HELIX V10 ReDTC KIT	1
12.1		> NUT-H-M10-A4.70	1
12.2		> SERRATED LOCK WASHER M+10M3-316L	1
12.3		> 1/2-SNAP-RING-6/10M3-316L	1
12.4		> STOP-RUSH-1/2-D16xd2-M+316	1
4.11		> SCREW CHC-M6X14-8.8-ISO4762-GEOMET500A	1
4.12		> WASHER D.24 L6U ZINK	1
13		HYDRAULIC HELIX FIRST V1001 1.4307	1
14	4214488	SHAFT D.16X203 HELIX 1.4057 VP.	1

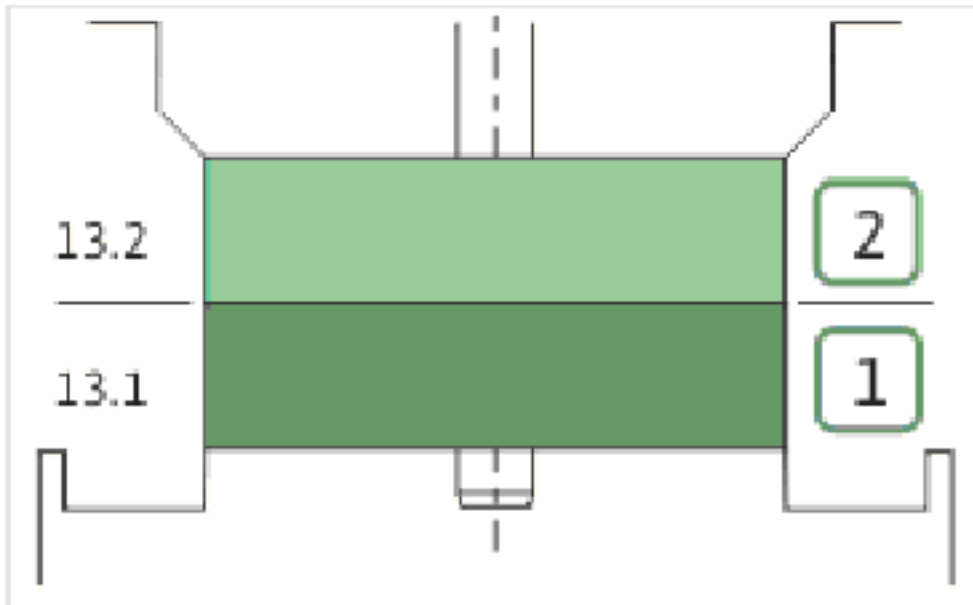
HELIX FIRST V1001-5/16/E/S/400-50 (4200934)

Item	Article no.	Description	Quantity
15	4215103	PUMP HOUSING HELIX V10 DN50/H80 PN16 KIT	1
15.1		> MACH+CAT.PP HOUSI.M+6'' D50/H80-PN16 GJL	1
15.2	4233954	> O-RING ID.66 EPDM VP.	1
15.3	4215098	> PRIMING/DRAIN PLUG HELIX PN16 KIT	1
7.3	4176513	> O-RING FOR PUMP JACKET VP.	1



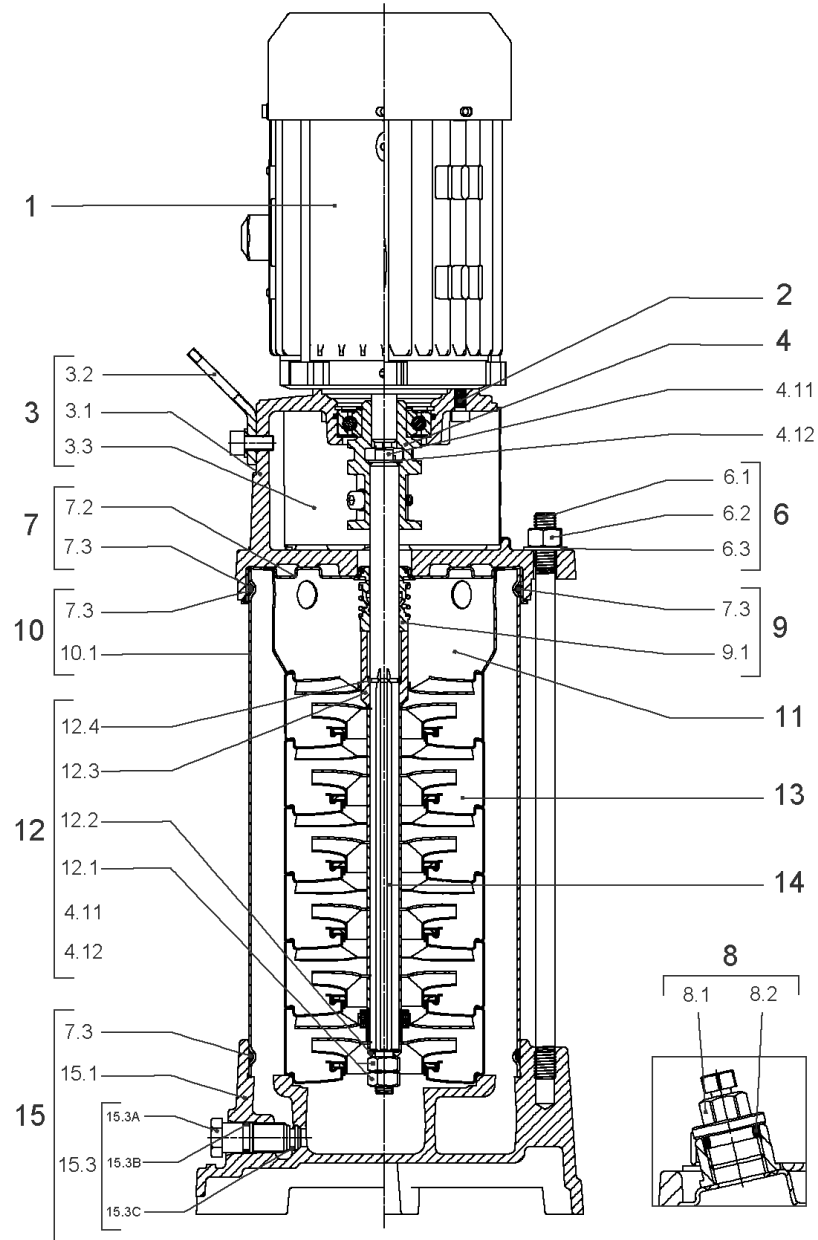
COUPLING HELIX D16 FT85 KIT (4214477)

Item	Article no.	Description	Quantity
4.1		COUPLING-VMI-Ø16xØ14-FT85-USINE	1
4.2	4177802	BALL BEARING 6205C3-ZZ HTVP.	1
4.3	4208923	CIRCLIP D25X1.2 VP.	1
4.4	4212716	SCREW M6X20 KIT (4PIECES)	1
4.5	4233124	CIRCLIP-FOR-BORES-D52x2 VP.	1
4.6	4234244	O-RING 52X2 VP.	1
		CONTACT-WASHER-6ETR-6,1x12,2x1,8-STEEL	1



HYDRAULIC HELIX FIRST V1001 1.4307

Item	Article no.	Description	Quantity
13.1	4171331	STAGE HELIX10 1.4301KIT	1
		> MACH.STG-CASING-WOGV-WNR-M+10-304	1
		> IMPELLER-M+10-304	1
13.2	4214968	EMPTY STAGE-BEARING HELIX V10 1.4307 KIT	1
		> MACH.BEARING-STG-CASING-WNR-M+10-304	1
		> FLAT WASHER-D16.1XD22X1.2-316L	1
		> SHAFT SLEEVE-SPACER-Ø19,35x18,465-304	1
		> SHAFT-SLEEVE-D16xD20x18-CW	1



HELIX FIRST V1001-5/25/E/S/400-50 (4200935)

Item	Article no.	Description	Quantity
1	4169939	MO.0,55/2/71 3~400V 50HZ 460V 60HZ IE2VP	1
		SPARE PARTS MOTOR:ON REQUEST	1
2	4212716	SCREW M6X20 KIT (4PIECES)	1
3	4213715	LANTERN FT85 HELIX KIT	1
3.1		> LANT-MOT-VMI-ReDTC6"-FT85-MACHINED+CATA	1
3.2	4184852	> EYELET CPL.FT HELIX (2 PIECES)	1
3.3	4213713	> COUPLING PROTECTOR FT85/100 HELIX KIT	1
4	4214477	COUPLING HELIX D16 FT85 KIT	1
6	4214966	STUD BOLT HELIX M12X170 KIT	1
6.1		> TIE BOLT M12-170x18x30-1.4057	1
6.2	2094647	> NUT M12 M12 ISO4032 VP.	1
6.3	2123557	> WASHER CS-12.4-24-1.6-NFE25 (4 PIECES)	1
7	4214481	STATIONARY RING HOLDER HELIX D27 ReDTC	1
7.2	4214479	> STATIONARY RING HOLDER HELIX D27 VP.	1
7.3	4176513	> O-RING FOR PUMP JACKET VP.	1
8	4212724	FILING/PURGING PLUG HELIX ReDTC KIT	1
8.1		> FILLING PLUG MVI6"-304	1
8.2	4177800	> O-RING EPDM PLUG HELIX VP.	1
9	4214483	MECH.SEAL HELIX6-10-16 O/E ReDTC KIT	1
9.1	4177801	> MECH.SEAL HELIX6-10-16 O/E VP.	1
7.3	4176513	> O-RING FOR PUMP JACKET VP.	1
10	4177804	HOUSING PIPES D.152X134 1.4301 KIT	1
7.3	4176513	> O-RING FOR PUMP JACKET VP.	1
10.1		> HOUSING-PIPE Ø152-M+1001/02-304	1
11	4177805	CENTERING RETURN HELIX1001 1.4301 VP	1
12	4214517	SHAFT EQUIPMENT HELIX V10 ReDTC KIT	1
12.1		> NUT-H-M10-A4.70	1
12.2		> SERRATED LOCK WASHER M+10M3-316L	1
12.3		> 1/2-SNAP-RING-6/10M3-316L	1
12.4		> STOP-RUSH-1/2-D16xd2-M+316	1
4.11		> SCREW CHC-M6X14-8.8-ISO4762-GEOMET500A	1
4.12		> WASHER D.24 L6U ZINK	1
13		HYDRAULIC HELIX FIRST V1001 1.4307	1
14	4214488	SHAFT D.16X203 HELIX 1.4057 VP.	1

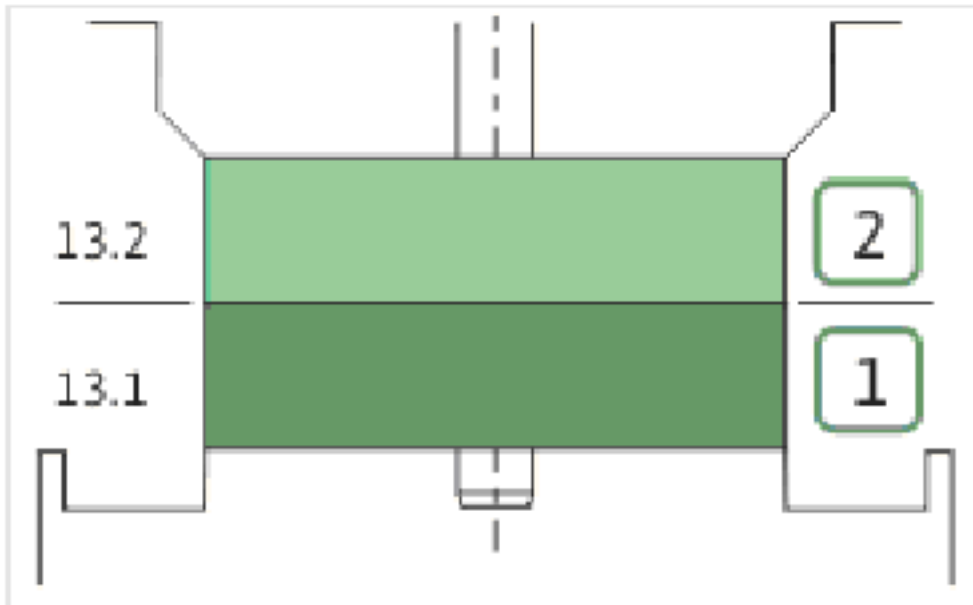
HELIX FIRST V1001-5/25/E/S/400-50 (4200935)

Item	Article no.	Description	Quantity
15	4177878	PUMP HOUSING HELIX V10 DN40 PN30 KIT	1
7.3	4176513	> O-RING FOR PUMP JACKET VP.	1
15.1		> MACH+CATA PUMP CASING M+6" DN40 PN25 GJL	1
15.2	4010032	> FLAT GASKET_Ø40xØ92x2_DN40_PN25_FIBRE	2
15.3	4177877	> PRIMING/DRAIN PLUG HELIX PN30 KIT	1
15.3A		>> PRIMING/DRAIN PLUG M+6" 304	1
15.3B	4233957	>> O-RING ID.9 EPDM VP.	1
15.3C		>> O-RING Ø8xØ2 EPDM KTW/WRC	1



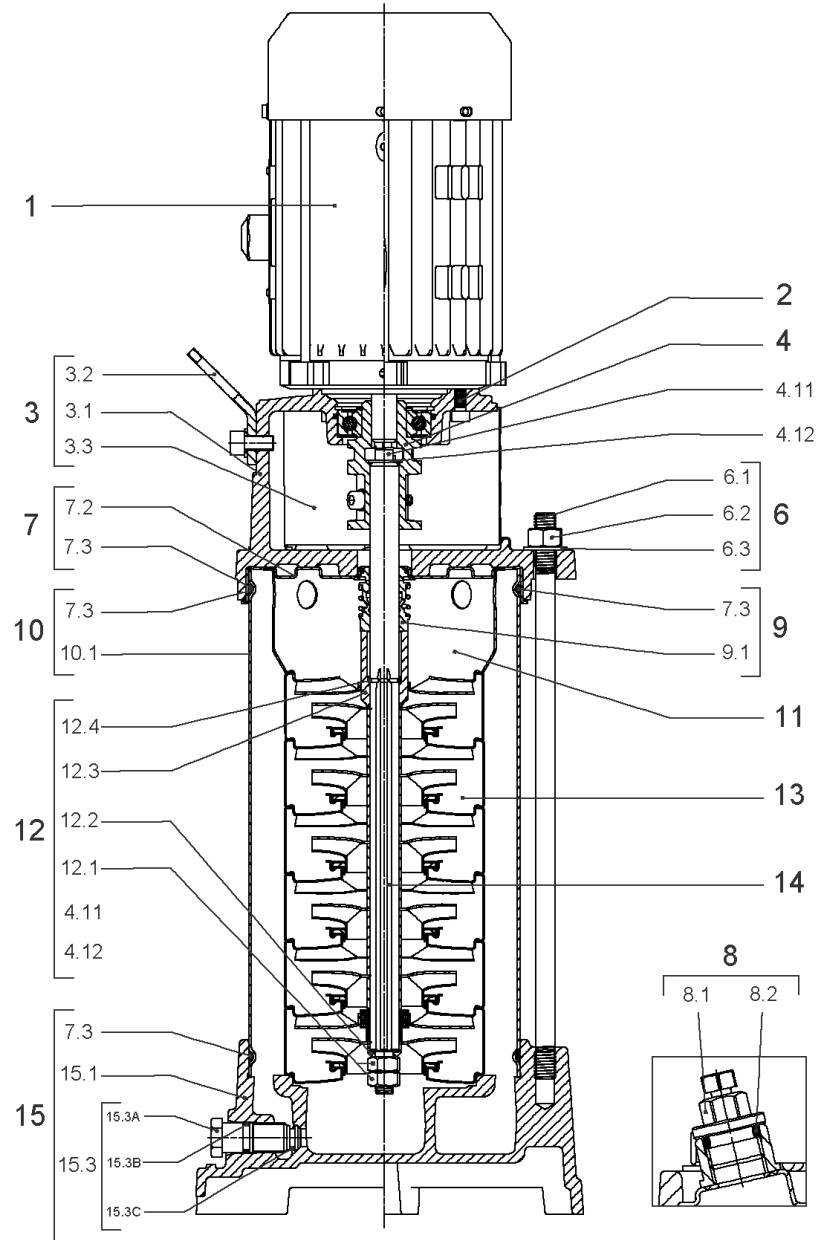
COUPLING HELIX D16 FT85 KIT (4214477)

Item	Article no.	Description	Quantity
4.1		COUPLING-VMI-Ø16xØ14-FT85-USINE	1
4.2	4177802	BALL BEARING 6205C3-ZZ HTVP.	1
4.3	4208923	CIRCLIP D25X1.2 VP.	1
4.4	4212716	SCREW M6X20 KIT (4PIECES)	1
4.5	4233124	CIRCLIP-FOR-BORES-D52x2 VP.	1
4.6	4234244	O-RING 52X2 VP.	1
		CONTACT-WASHER-6ETR-6,1x12,2x1,8-STEEL	1



HYDRAULIC HELIX FIRST V1001 1.4307

Item	Article no.	Description	Quantity
13.1	4171331	STAGE HELIX10 1.4301KIT	1
		> MACH.STG-CASING-WOGV-WNR-M+10-304	1
		> IMPELLER-M+10-304	1
13.2	4214968	EMPTY STAGE-BEARING HELIX V10 1.4307 KIT	1
		> MACH.BEARING-STG-CASING-WNR-M+10-304	1
		> FLAT WASHER-D16.1XD22X1.2-316L	1
		> SHAFT SLEEVE-SPACER-Ø19,35x18,465-304	1
		> SHAFT-SLEEVE-D16xD20x18-CW	1



HELIX FIRST V1002-5/16/E/S/400-50 (4200936)

Item	Article no.	Description	Quantity
1	4169940	MOTOR 0,75/2/80 3~230/400V 50HZ IE3 VP.	1
		SPARE PARTS MOTOR:ON REQUEST	1
2	4212716	SCREW M6X20 KIT (4PIECES)	1
3	4213752	LANTERN FT100 HELIX KIT	1
3.1		> LANT-MOT-VMI-ReDTC6"-FT100-MACHINED+CATA	1
3.2	4184852	> EYELET CPL.FT HELIX (2 PIECES)	1
3.3	4213713	> COUPLING PROTECTOR FT85/100 HELIX KIT	1
4	4159708	COUPLING D.16XD.19 FT100 HELIX KIT	1
6	4214966	STUD BOLT HELIX M12X170 KIT	1
6.1		> TIE BOLT M12-170x18x30-1.4057	1
6.2	2094647	> NUT M12 M12 ISO4032 VP.	1
6.3	2123557	> WASHER CS-12.4-24-1.6-NFE25 (4 PIECES)	1
7	4214481	STATIONARY RING HOLDER HELIX D27 ReDTC	1
7.2	4214479	> STATIONARY RING HOLDER HELIX D27 VP.	1
7.3	4176513	> O-RING FOR PUMP JACKET VP.	1
8	4212724	FILING/PURGING PLUG HELIX ReDTC KIT	1
8.1		> FILLING PLUG MVI6"-304	1
8.2	4177800	> O-RING EPDM PLUG HELIX VP.	1
9	4214483	MECH.SEAL HELIX6-10-16 O/E ReDTC KIT	1
9.1	4177801	> MECH.SEAL HELIX6-10-16 O/E VP.	1
7.3	4176513	> O-RING FOR PUMP JACKET VP.	1
10	4177804	HOUSING PIPES D.152X134 1.4301 KIT	1
7.3	4176513	> O-RING FOR PUMP JACKET VP.	1
10.1		> HOUSING-PIPE Ø152-M+1001/02-304	1
11	4172791	CENTERING STAGE-RETURN HELIX10 1.4301VP.	1
12	4214517	SHAFT EQUIPMENT HELIX V10 ReDTC KIT	1
12.1		> NUT-H-M10-A4.70	1
12.2		> SERRATED LOCK WASHER M+10M3-316L	1
12.3		> 1/2-SNAP-RING-6/10M3-316L	1
12.4		> STOP-RUSH-1/2-D16xd2-M+316	1
4.11		> SCREW CHC-M6X14-8.8-ISO4762-GEOMET500A	1
4.12		> WASHER D.24 L6U ZINK	1
13		HYDRAULIC HELIX V 1002 1.4307	1
14	4214488	SHAFT D.16X203 HELIX 1.4057 VP.	1

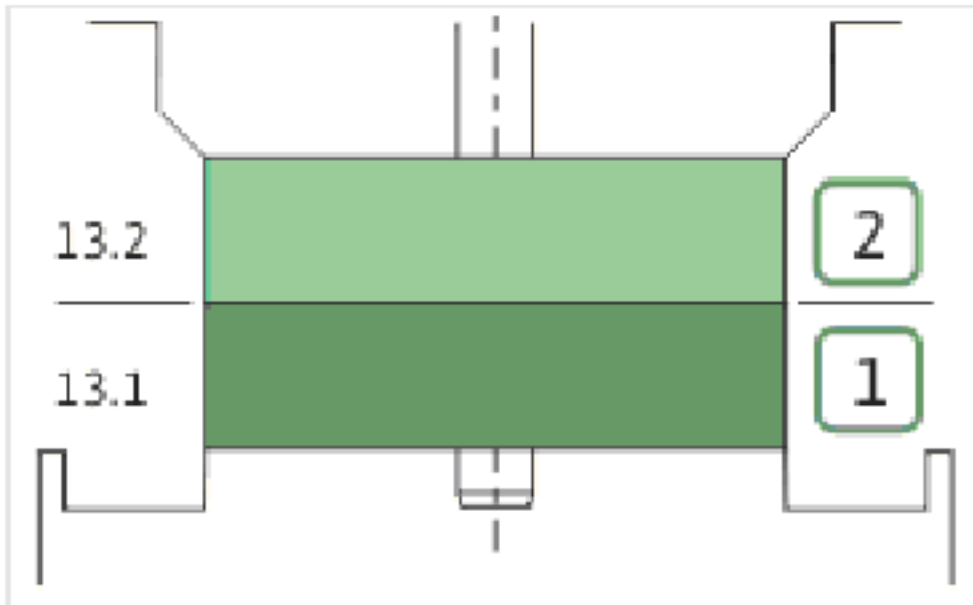
HELIX FIRST V1002-5/16/E/S/400-50 (4200936)

Item	Article no.	Description	Quantity
15	4215103	PUMP HOUSING HELIX V10 DN50/H80 PN16 KIT	1
15.1		> MACH+CAT.PP HOUSI.M+6'' D50/H80-PN16 GJL	1
15.2	4233954	> O-RING ID.66 EPDM VP.	1
15.3	4215098	> PRIMING/DRAIN PLUG HELIX PN16 KIT	1
7.3	4176513	> O-RING FOR PUMP JACKET VP.	1



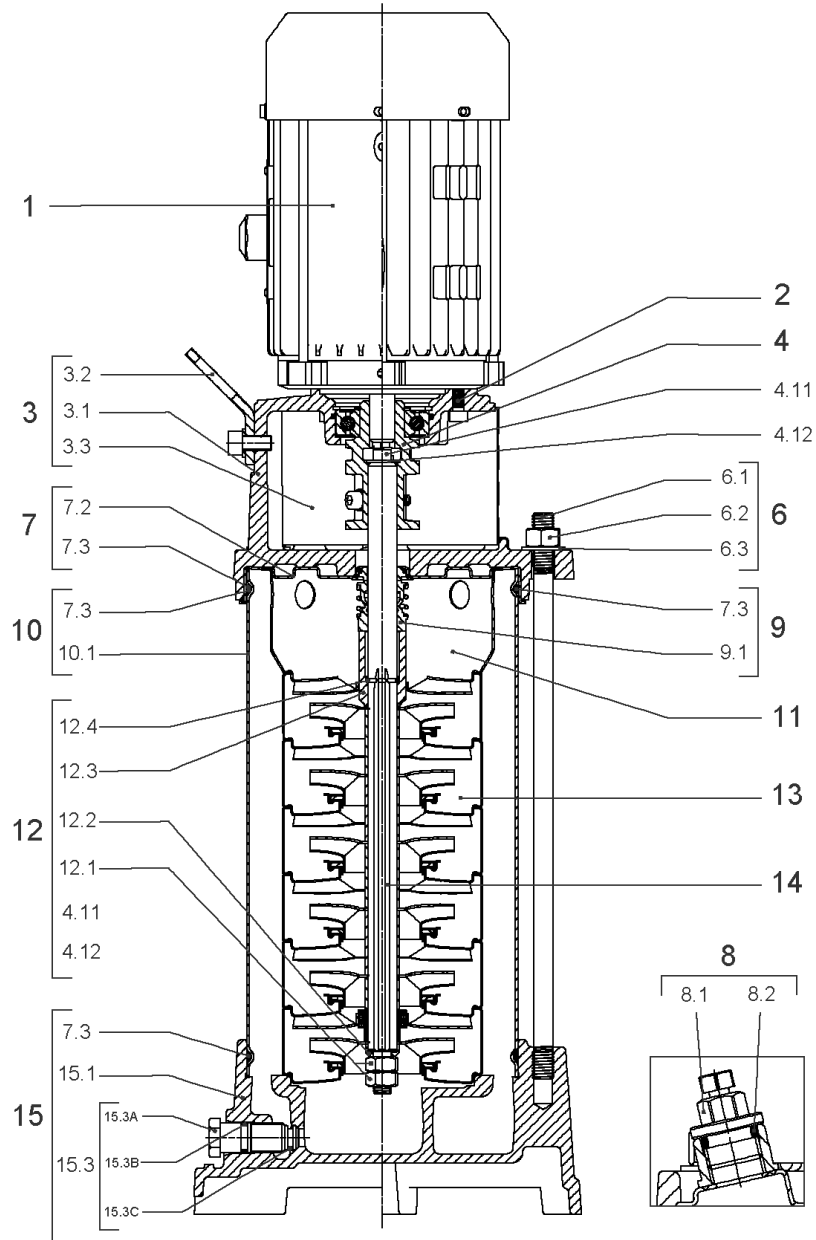
COUPLING D.16XD.19 FT100 HELIX KIT (4159708)

Item	Article no.	Description	Quantity
4.1		COUPLING M+ Ø16XØ19 FT100 MACHINED	1
4.2	2130977	BALL BEARING 6206/ZZ-C3(HT)VP.	1
4.3	4234249	CIRCLIP-FOR-SHAFT-D30x1.5 VP.	1
4.4	4212716	SCREW M6X20 KIT (4PIECES)	1
4.5	4234250	CIRCLIP-D62x2 VP.	1
4.6	4234245	O-RING 63X3 VP.	1
		CONTACT-WASHER-6ETR-6,1x12,2x1,8-STEEL	1



HYDRAULIC HELIX V 1002 1.4307

Item	Article no.	Description	Quantity
13.1	4171331	STAGE HELIX10 1.4301KIT	1
		> MACH.STG-CASING-WOGV-WNR-M+10-304	1
		> IMPELLER-M+10-304	1
13.2	4172792	INTERMEDIATE STAGE HELIX 10 1.4301 KIT	1
		> MACH.BEARING-STG-CASING-WNR-M+10-304	1
		> IMPELLER-M+10-304	1
		> SHAFT SLEEVE-SPACER-Ø19,35x18,465-304	1
		> SHAFT-SLEEVE-D16xD20x18-CW	1



HELIX FIRST V1002-5/25/E/S/400-50 (4200938)

Item	Article no.	Description	Quantity
1	4169940	MOTOR 0,75/2/80 3~230/400V 50HZ IE3 VP.	1
		SPARE PARTS MOTOR:ON REQUEST	1
2	4212716	SCREW M6X20 KIT (4PIECES)	1
3	4213752	LANTERN FT100 HELIX KIT	1
3.1		> LANT-MOT-VMI-ReDTC6"-FT100-MACHINED+CATA	1
3.2	4184852	> EYELET CPL.FT HELIX (2 PIECES)	1
3.3	4213713	> COUPLING PROTECTOR FT85/100 HELIX KIT	1
4	4159708	COUPLING D.16XD.19 FT100 HELIX KIT	1
6	4214966	STUD BOLT HELIX M12X170 KIT	1
6.1		> TIE BOLT M12-170x18x30-1.4057	1
6.2	2094647	> NUT M12 M12 ISO4032 VP.	1
6.3	2123557	> WASHER CS-12.4-24-1.6-NFE25 (4 PIECES)	1
7	4214481	STATIONARY RING HOLDER HELIX D27 ReDTC	1
7.2	4214479	> STATIONARY RING HOLDER HELIX D27 VP.	1
7.3	4176513	> O-RING FOR PUMP JACKET VP.	1
8	4212724	FILING/PURGING PLUG HELIX ReDTC KIT	1
8.1		> FILLING PLUG MVI6"-304	1
8.2	4177800	> O-RING EPDM PLUG HELIX VP.	1
9	4214483	MECH.SEAL HELIX6-10-16 O/E ReDTC KIT	1
9.1	4177801	> MECH.SEAL HELIX6-10-16 O/E VP.	1
7.3	4176513	> O-RING FOR PUMP JACKET VP.	1
10	4177804	HOUSING PIPES D.152X134 1.4301 KIT	1
7.3	4176513	> O-RING FOR PUMP JACKET VP.	1
10.1		> HOUSING-PIPE Ø152-M+1001/02-304	1
11	4172791	CENTERING STAGE-RETURN HELIX10 1.4301VP.	1
12	4214517	SHAFT EQUIPMENT HELIX V10 ReDTC KIT	1
12.1		> NUT-H-M10-A4.70	1
12.2		> SERRATED LOCK WASHER M+10M3-316L	1
12.3		> 1/2-SNAP-RING-6/10M3-316L	1
12.4		> STOP-RUSH-1/2-D16xd2-M+316	1
4.11		> SCREW CHC-M6X14-8.8-ISO4762-GEOMET500A	1
4.12		> WASHER D.24 L6U ZINK	1
13		HYDRAULIC HELIX V 1002 1.4307	1
14	4214488	SHAFT D.16X203 HELIX 1.4057 VP.	1

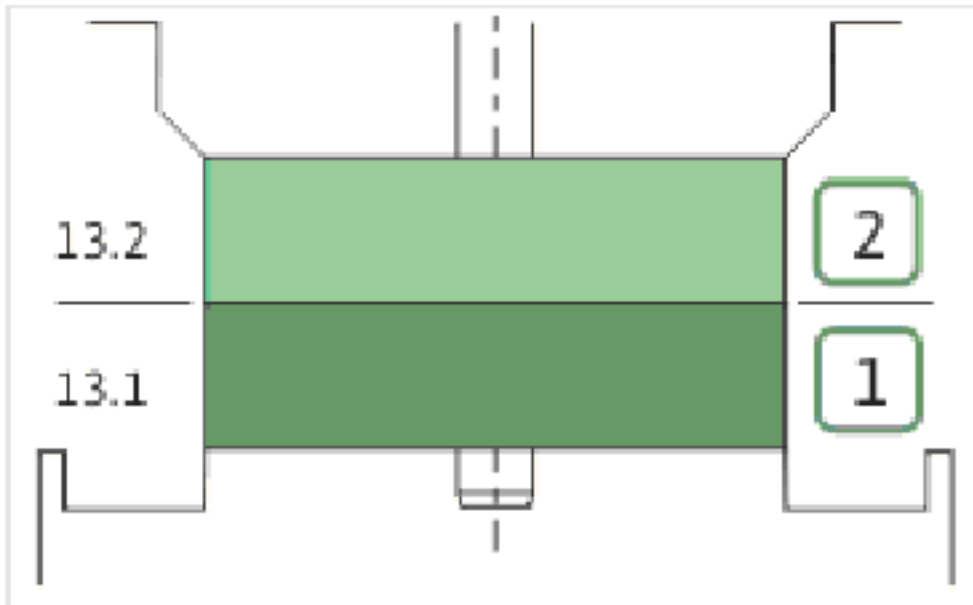
HELIX FIRST V1002-5/25/E/S/400-50 (4200938)

Item	Article no.	Description	Quantity
15	4177878	PUMP HOUSING HELIX V10 DN40 PN30 KIT	1
7.3	4176513	> O-RING FOR PUMP JACKET VP.	1
15.1		> MACH+CATA PUMP CASING M+6" DN40 PN25 GJL	1
15.2	4010032	> FLAT GASKET_Ø40xØ92x2_DN40_PN25_FIBRE	2
15.3	4177877	> PRIMING/DRAIN PLUG HELIX PN30 KIT	1
15.3A		>> PRIMING/DRAIN PLUG M+6" 304	1
15.3B	4233957	>> O-RING ID.9 EPDM VP.	1
15.3C		>> O-RING Ø8xØ2 EPDM KTW/WRC	1



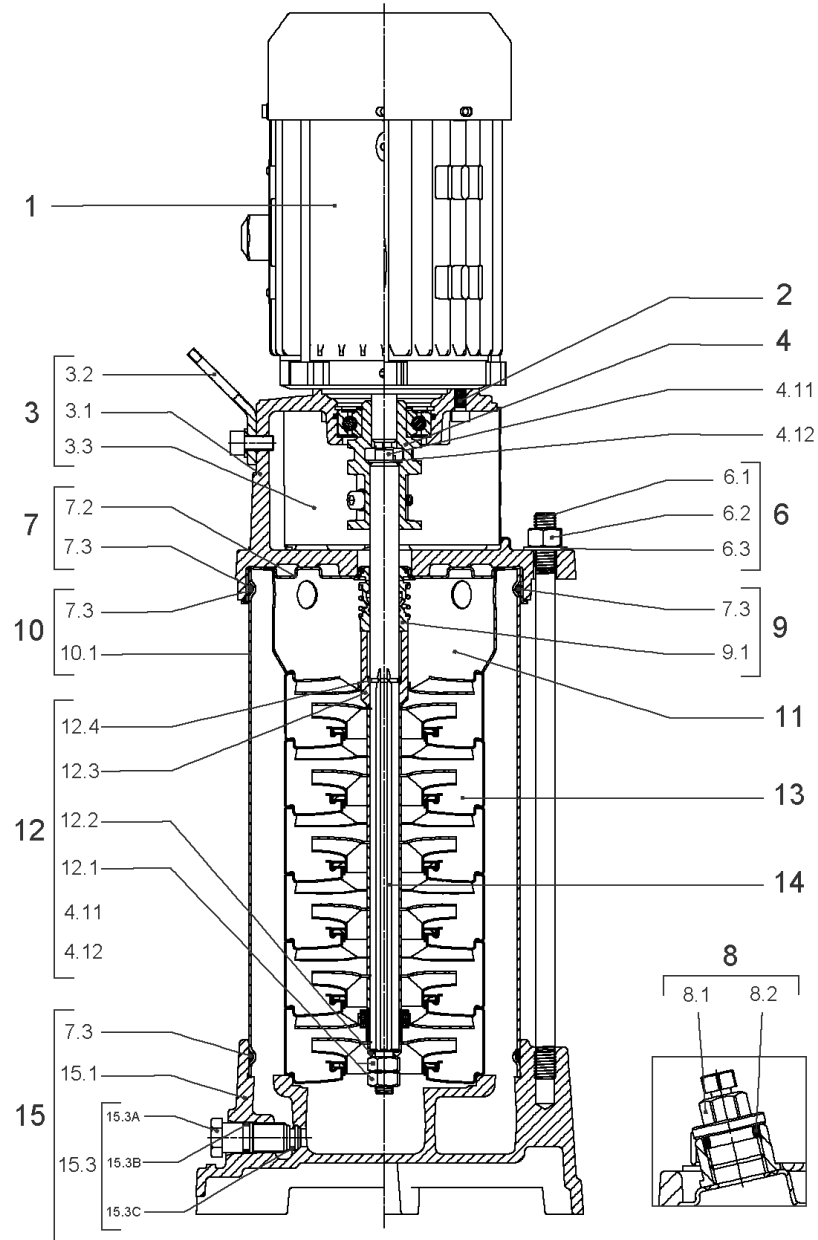
COUPLING D.16XD.19 FT100 HELIX KIT (4159708)

Item	Article no.	Description	Quantity
4.1		COUPLING M+ Ø16XØ19 FT100 MACHINED	1
4.2	2130977	BALL BEARING 6206/ZZ-C3(HT)VP.	1
4.3	4234249	CIRCLIP-FOR-SHAFT-D30x1.5 VP.	1
4.4	4212716	SCREW M6X20 KIT (4PIECES)	1
4.5	4234250	CIRCLIP-D62x2 VP.	1
4.6	4234245	O-RING 63X3 VP.	1
		CONTACT-WASHER-6ETR-6,1x12,2x1,8-STEEL	1



HYDRAULIC HELIX V 1002 1.4307

Item	Article no.	Description	Quantity
13.1	4171331	STAGE HELIX10 1.4301KIT	1
		> MACH.STG-CASING-WOGV-WNR-M+10-304	1
		> IMPELLER-M+10-304	1
13.2	4172792	INTERMEDIATE STAGE HELIX 10 1.4301 KIT	1
		> MACH.BEARING-STG-CASING-WNR-M+10-304	1
		> IMPELLER-M+10-304	1
		> SHAFT SLEEVE-SPACER-Ø19,35x18,465-304	1
		> SHAFT-SLEEVE-D16xD20x18-CW	1



HELIX FIRST V1003-5/16/E/S/400-50 (4200939)

Item	Article no.	Description	Quantity
1	4169941	MOTOR 1,1/2/80 3~230/400V 50HZ IE3 VP.	1
		SPARE PARTS MOTOR:ON REQUEST	1
2	4212716	SCREW M6X20 KIT (4PIECES)	1
3	4213752	LANTERN FT100 HELIX KIT	1
3.1		> LANT-MOT-VMI-ReDTC6"-FT100-MACHINED+CATA	1
3.2	4184852	> EYELET CPL.FT HELIX (2 PIECES)	1
3.3	4213713	> COUPLING PROTECTOR FT85/100 HELIX KIT	1
4	4159708	COUPLING D.16XD.19 FT100 HELIX KIT	1
6	4214972	STUD BOLT HELIX M12X204 KIT	1
6.1		> TIE BOLT M12-204x18x30-1.4057	1
6.2	2094647	> NUT M12 M12 ISO4032 VP.	1
6.3	2123557	> WASHER CS-12.4-24-1.6-NFE25 (4 PIECES)	1
7	4214481	STATIONARY RING HOLDER HELIX D27 ReDTC	1
7.2	4214479	> STATIONARY RING HOLDER HELIX D27 VP.	1
7.3	4176513	> O-RING FOR PUMP JACKET VP.	1
8	4212724	FILING/PURGING PLUG HELIX ReDTC KIT	1
8.1		> FILLING PLUG MVI6"-304	1
8.2	4177800	> O-RING EPDM PLUG HELIX VP.	1
9	4214483	MECH.SEAL HELIX6-10-16 O/E ReDTC KIT	1
9.1	4177801	> MECH.SEAL HELIX6-10-16 O/E VP.	1
7.3	4176513	> O-RING FOR PUMP JACKET VP.	1
10	4177813	HOUSING PIPE D.152x172 1.4301 KIT	1
7.3	4176513	> O-RING FOR PUMP JACKET VP.	1
10.1		> HOUSING-PIPE Ø152-M+1003-304	1
11	4172791	CENTERING STAGE-RETURN HELIX10 1.4301VP.	1
12	4214517	SHAFT EQUIPMENT HELIX V10 ReDTC KIT	1
12.1		> NUT-H-M10-A4.70	1
12.2		> SERRATED LOCK WASHER M+10M3-316L	1
12.3		> 1/2-SNAP-RING-6/10M3-316L	1
12.4		> STOP-RUSH-1/2-D16xd2-M+316	1
4.11		> SCREW CHC-M6X14-8.8-ISO4762-GEOMET500A	1
4.12		> WASHER D.24 L6U ZINK	1
13		HYDRAULIC HELIX V 1003 1.4307	1
14	4214493	SHAFT D.16X241 HELIX 1.4057 VP.	1

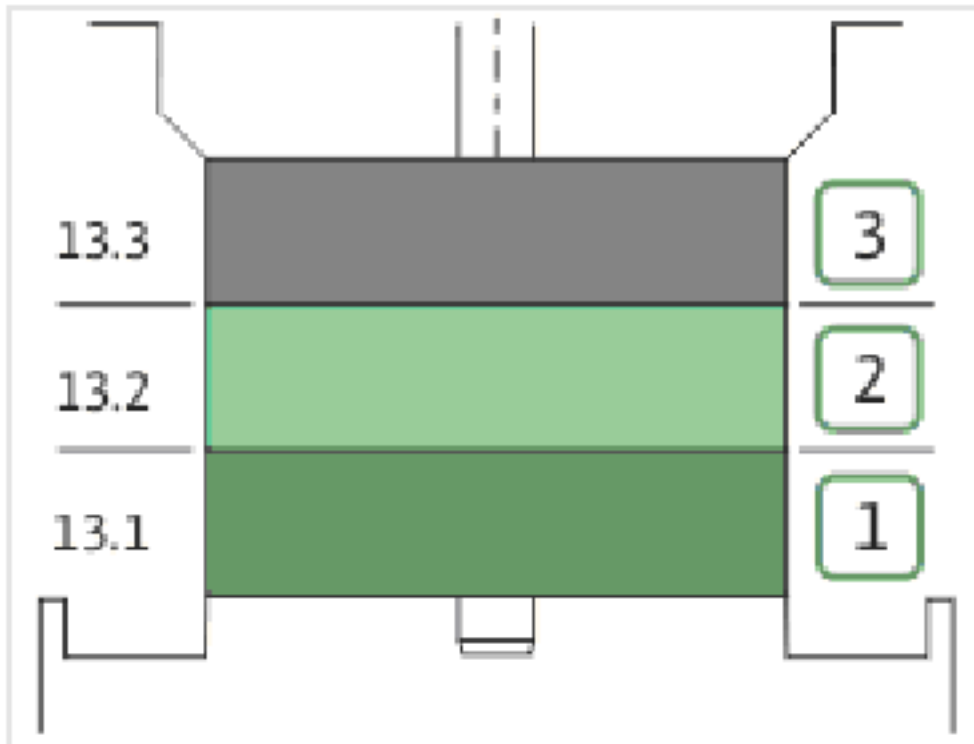
HELIX FIRST V1003-5/16/E/S/400-50 (4200939)

Item	Article no.	Description	Quantity
15	4215103	PUMP HOUSING HELIX V10 DN50/H80 PN16 KIT	1
15.1		> MACH+CAT.PP HOUSI.M+6'' D50/H80-PN16 GJL	1
15.2	4233954	> O-RING ID.66 EPDM VP.	1
15.3	4215098	> PRIMING/DRAIN PLUG HELIX PN16 KIT	1
7.3	4176513	> O-RING FOR PUMP JACKET VP.	1



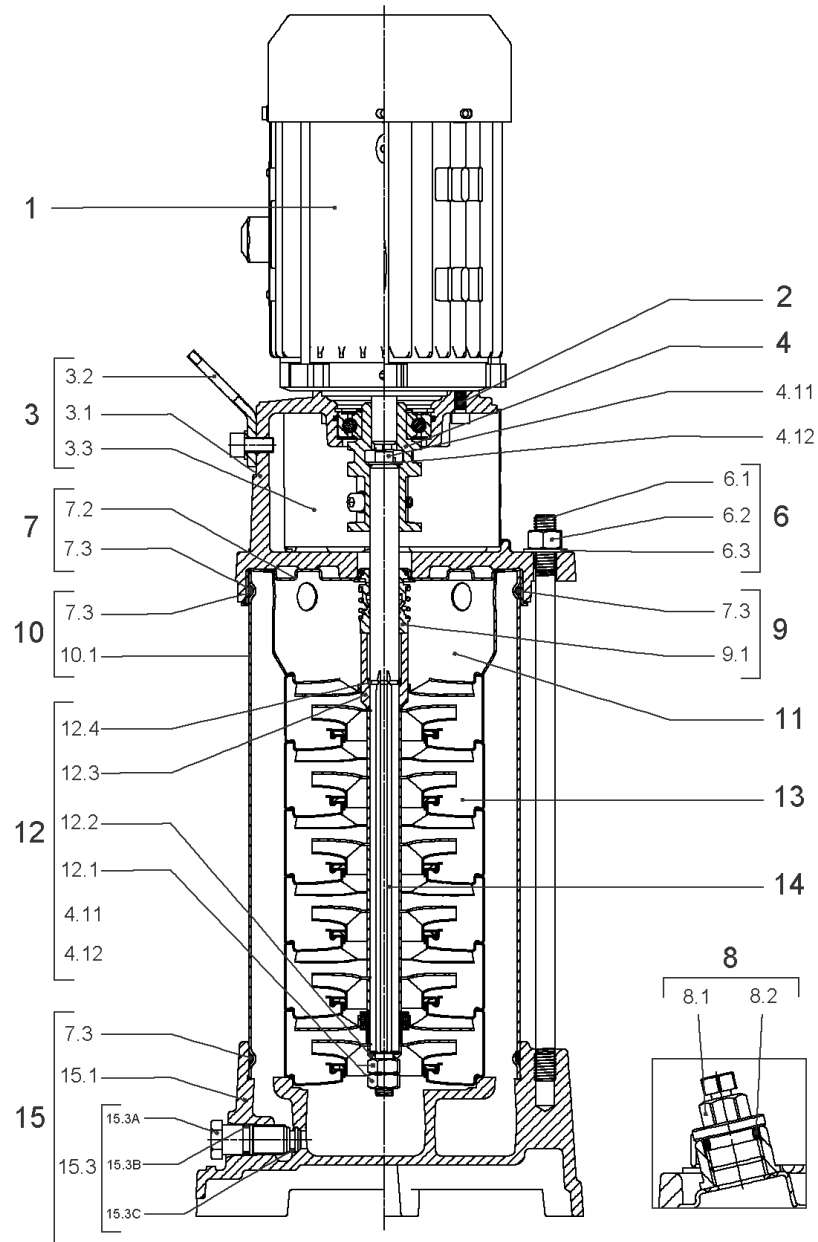
COUPLING D.16XD.19 FT100 HELIX KIT (4159708)

Item	Article no.	Description	Quantity
4.1		COUPLING M+ Ø16XØ19 FT100 MACHINED	1
4.2	2130977	BALL BEARING 6206/ZZ-C3(HT)VP.	1
4.3	4234249	CIRCLIP-FOR-SHAFT-D30x1.5 VP.	1
4.4	4212716	SCREW M6X20 KIT (4PIECES)	1
4.5	4234250	CIRCLIP-D62x2 VP.	1
4.6	4234245	O-RING 63X3 VP.	1
		CONTACT-WASHER-6ETR-6,1x12,2x1,8-STEEL	1



HYDRAULIC HELIX V 1003 1.4307

Item	Article no.	Description	Quantity
13.1	4171331	STAGE HELIX10 1.4301KIT	1
		> MACH.STG-CASING-WOGV-WNR-M+10-304	1
		> IMPELLER-M+10-304	1
13.2	4172792	INTERMEDIATE STAGE HELIX 10 1.4301 KIT	1
		> MACH.BEARING-STG-CASING-WNR-M+10-304	1
		> IMPELLER-M+10-304	1
		> SHAFT SLEEVE-SPACER-Ø19,35x18,465-304	1
		> SHAFT-SLEEVE-D16xD20x18-CW	1
13.3	4172793	INTERMEDIATE STAGE HELIX 10 1.4301 KIT	1
		> MACH.STD-STG-CASING-WGV+NR-M+10-304	1
		> IMPELLER-M+10-304	1
		> IMPELLER SPACER Ø16,05X19,45-L36,465-304	1



HELIX FIRST V1003-5/25/E/S/400-50 (4200941)

Item	Article no.	Description	Quantity
1	4169941	MOTOR 1,1/2/80 3~230/400V 50HZ IE3 VP.	1
		SPARE PARTS MOTOR:ON REQUEST	1
2	4212716	SCREW M6X20 KIT (4PIECES)	1
3	4213752	LANTERN FT100 HELIX KIT	1
3.1		> LANT-MOT-VMI-ReDTC6"-FT100-MACHINED+CATA	1
3.2	4184852	> EYELET CPL.FT HELIX (2 PIECES)	1
3.3	4213713	> COUPLING PROTECTOR FT85/100 HELIX KIT	1
4	4159708	COUPLING D.16XD.19 FT100 HELIX KIT	1
6	4214972	STUD BOLT HELIX M12X204 KIT	1
6.1		> TIE BOLT M12-204x18x30-1.4057	1
6.2	2094647	> NUT M12 M12 ISO4032 VP.	1
6.3	2123557	> WASHER CS-12.4-24-1.6-NFE25 (4 PIECES)	1
7	4214481	STATIONARY RING HOLDER HELIX D27 ReDTC	1
7.2	4214479	> STATIONARY RING HOLDER HELIX D27 VP.	1
7.3	4176513	> O-RING FOR PUMP JACKET VP.	1
8	4212724	FILING/PURGING PLUG HELIX ReDTC KIT	1
8.1		> FILLING PLUG MVI6"-304	1
8.2	4177800	> O-RING EPDM PLUG HELIX VP.	1
9	4214483	MECH.SEAL HELIX6-10-16 O/E ReDTC KIT	1
9.1	4177801	> MECH.SEAL HELIX6-10-16 O/E VP.	1
7.3	4176513	> O-RING FOR PUMP JACKET VP.	1
10	4177813	HOUSING PIPE D.152x172 1.4301 KIT	1
7.3	4176513	> O-RING FOR PUMP JACKET VP.	1
10.1		> HOUSING-PIPE Ø152-M+1003-304	1
11	4172791	CENTERING STAGE-RETURN HELIX10 1.4301VP.	1
12	4214517	SHAFT EQUIPMENT HELIX V10 ReDTC KIT	1
12.1		> NUT-H-M10-A4.70	1
12.2		> SERRATED LOCK WASHER M+10M3-316L	1
12.3		> 1/2-SNAP-RING-6/10M3-316L	1
12.4		> STOP-RUSH-1/2-D16xd2-M+316	1
4.11		> SCREW CHC-M6X14-8.8-ISO4762-GEOMET500A	1
4.12		> WASHER D.24 L6U ZINK	1
13		HYDRAULIC HELIX V 1003 1.4307	1
14	4214493	SHAFT D.16X241 HELIX 1.4057 VP.	1

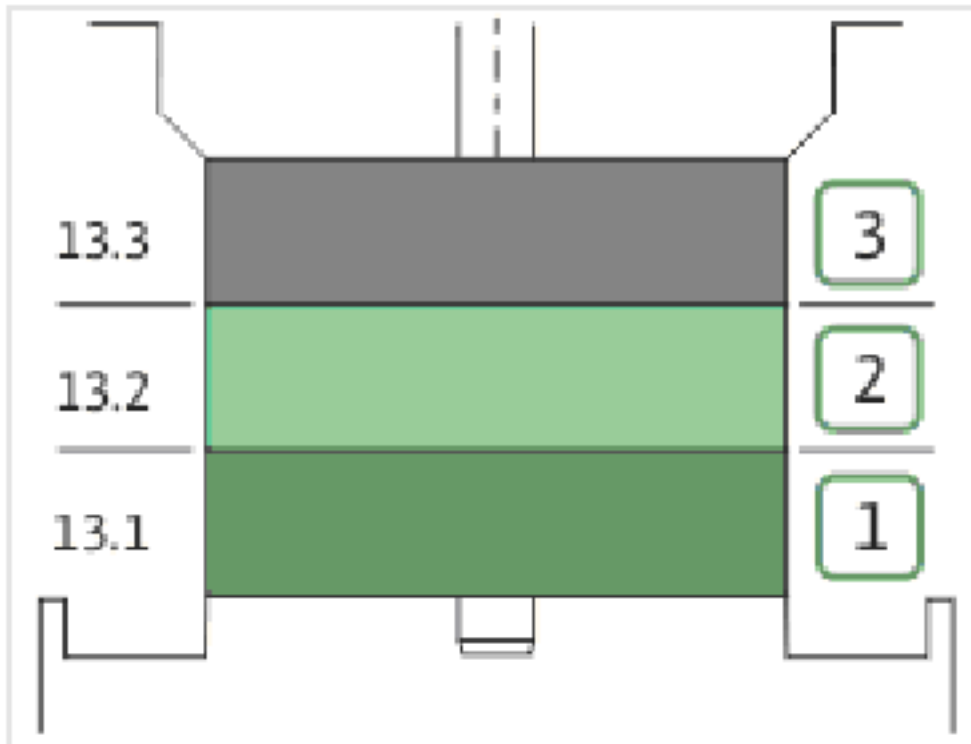
HELIX FIRST V1003-5/25/E/S/400-50 (4200941)

Item	Article no.	Description	Quantity
15	4177878	PUMP HOUSING HELIX V10 DN40 PN30 KIT	1
7.3	4176513	> O-RING FOR PUMP JACKET VP.	1
15.1		> MACH+CATA PUMP CASING M+6" DN40 PN25 GJL	1
15.2	4010032	> FLAT GASKET_Ø40xØ92x2_DN40_PN25_FIBRE	2
15.3	4177877	> PRIMING/DRAIN PLUG HELIX PN30 KIT	1
15.3A		>> PRIMING/DRAIN PLUG M+6" 304	1
15.3B	4233957	>> O-RING ID.9 EPDM VP.	1
15.3C		>> O-RING Ø8xØ2 EPDM KTW/WRC	1



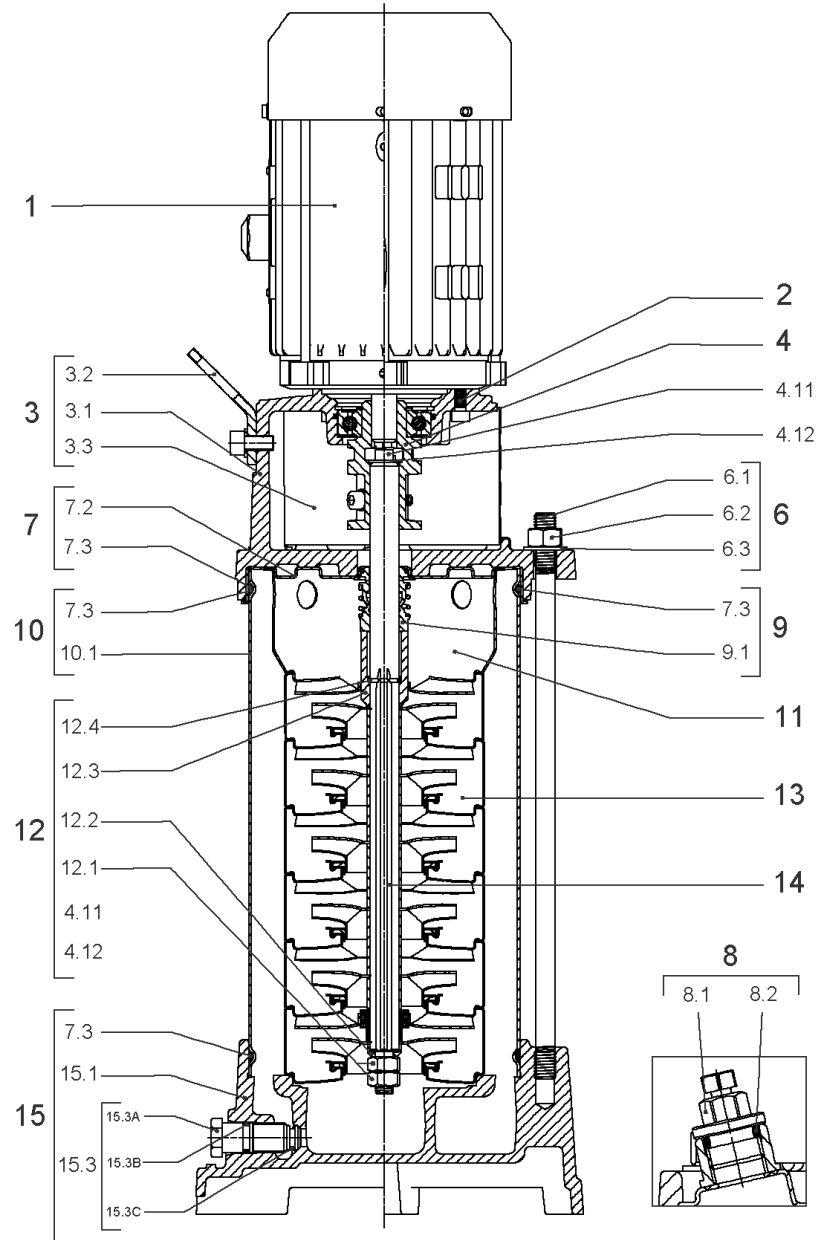
COUPLING D.16XD.19 FT100 HELIX KIT (4159708)

Item	Article no.	Description	Quantity
4.1		COUPLING M+ Ø16XØ19 FT100 MACHINED	1
4.2	2130977	BALL BEARING 6206/ZZ-C3(HT)VP.	1
4.3	4234249	CIRCLIP-FOR-SHAFT-D30x1.5 VP.	1
4.4	4212716	SCREW M6X20 KIT (4PIECES)	1
4.5	4234250	CIRCLIP-D62x2 VP.	1
4.6	4234245	O-RING 63X3 VP.	1
		CONTACT-WASHER-6ETR-6,1x12,2x1,8-STEEL	1



HYDRAULIC HELIX V 1003 1.4307

Item	Article no.	Description	Quantity
13.1	4171331	STAGE HELIX10 1.4301KIT	1
		> MACH.STG-CASING-WOGV-WNR-M+10-304	1
		> IMPELLER-M+10-304	1
13.2	4172792	INTERMEDIATE STAGE HELIX 10 1.4301 KIT	1
		> MACH.BEARING-STG-CASING-WNR-M+10-304	1
		> IMPELLER-M+10-304	1
		> SHAFT SLEEVE-SPACER-Ø19,35x18,465-304	1
		> SHAFT-SLEEVE-D16xD20x18-CW	1
13.3	4172793	INTERMEDIATE STAGE HELIX 10 1.4301 KIT	1
		> MACH.STD-STG-CASING-WGV+NR-M+10-304	1
		> IMPELLER-M+10-304	1
		> IMPELLER SPACER Ø16,05X19,45-L36,465-304	1



HELIX FIRST V1004-5/16/E/S/400-50 (4200942)

Item	Article no.	Description	Quantity
1	4169942	MO.1,5/2 3~230/400(440)V 50(60)HZ IE3 VP	1
		SPARE PARTS MOTOR:ON REQUEST	1
2	4159707	SCREW M8X30 (4 PIECES)	1
3	4213784	LANTERN FT115 HELIX KIT	1
3.1		> LANT-MOT-VMI-ReDTC6"-FT115-MACHINED+CATA	1
3.2	4184852	> EYELET CPL.FT HELIX (2 PIECES)	1
3.3	4213782	> COUPLING PROTECTOR FT115/130 HELIX KIT	1
4	4159709	COUPLING D.16xD.24 FT115 HELIX KIT	1
6	2018359	STUD BOLT M12X245 KIT	1
6.1		> TIE BOLT M12-245x18x30-1.4057	1
6.2	2094647	> NUT M12 M12 ISO4032 VP.	1
6.3	2123557	> WASHER CS-12.4-24-1.6-NFE25 (4 PIECES)	1
7	4214481	STATIONARY RING HOLDER HELIX D27 ReDTC	1
7.2	4214479	> STATIONARY RING HOLDER HELIX D27 VP.	1
7.3	4176513	> O-RING FOR PUMP JACKET VP.	1
8	4212724	FILING/PURGING PLUG HELIX ReDTC KIT	1
8.1		> FILLING PLUG MVI6"-304	1
8.2	4177800	> O-RING EPDM PLUG HELIX VP.	1
9	4214483	MECH.SEAL HELIX6-10-16 O/E ReDTC KIT	1
9.1	4177801	> MECH.SEAL HELIX6-10-16 O/E VP.	1
7.3	4176513	> O-RING FOR PUMP JACKET VP.	1
10	4177818	HOUSING PIPES Ø152-M+1004-304 KIT	1
7.3	4176513	> O-RING FOR PUMP JACKET VP.	1
10.1		> HOUSING-PIPE Ø152-M+1004/1603-304	1
11	4172791	CENTERING STAGE-RETURN HELIX10 1.4301VP.	1
12	4214517	SHAFT EQUIPMENT HELIX V10 ReDTC KIT	1
12.1		> NUT-H-M10-A4.70	1
12.2		> SERRATED LOCK WASHER M+10M3-316L	1
12.3		> 1/2-SNAP-RING-6/10M3-316L	1
12.4		> STOP-RUSH-1/2-D16xd2-M+316	1
4.11		> SCREW CHC-M6X14-8.8-ISO4762-GEOMET500A	1
4.12		> WASHER D.24 L6U ZINK	1
13		HYDRAULIC HELIX V 1004 1.4307	1
14	4214495	SHAFT D.16X278 HELIX 1.4057 VP.	1

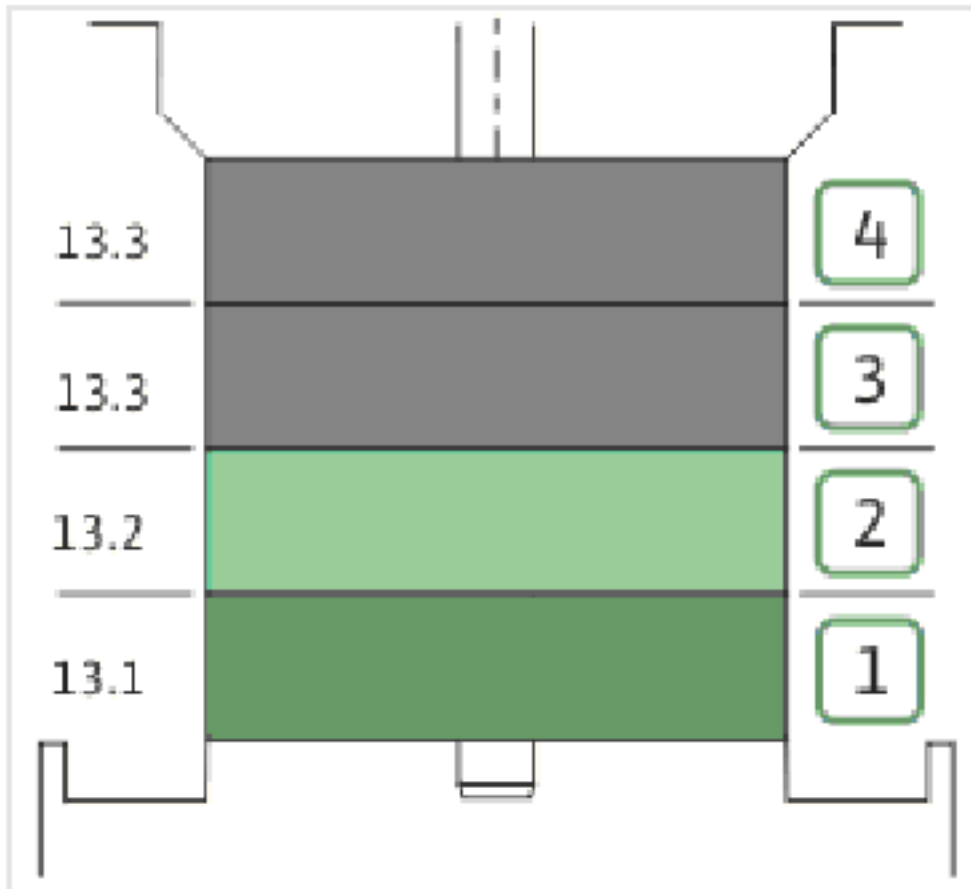
HELIX FIRST V1004-5/16/E/S/400-50 (4200942)

Item	Article no.	Description	Quantity
15	4215103	PUMP HOUSING HELIX V10 DN50/H80 PN16 KIT	1
15.1		> MACH+CAT.PP HOUSI.M+6'' D50/H80-PN16 GJL	1
15.2	4233954	> O-RING ID.66 EPDM VP.	1
15.3	4215098	> PRIMING/DRAIN PLUG HELIX PN16 KIT	1
7.3	4176513	> O-RING FOR PUMP JACKET VP.	1



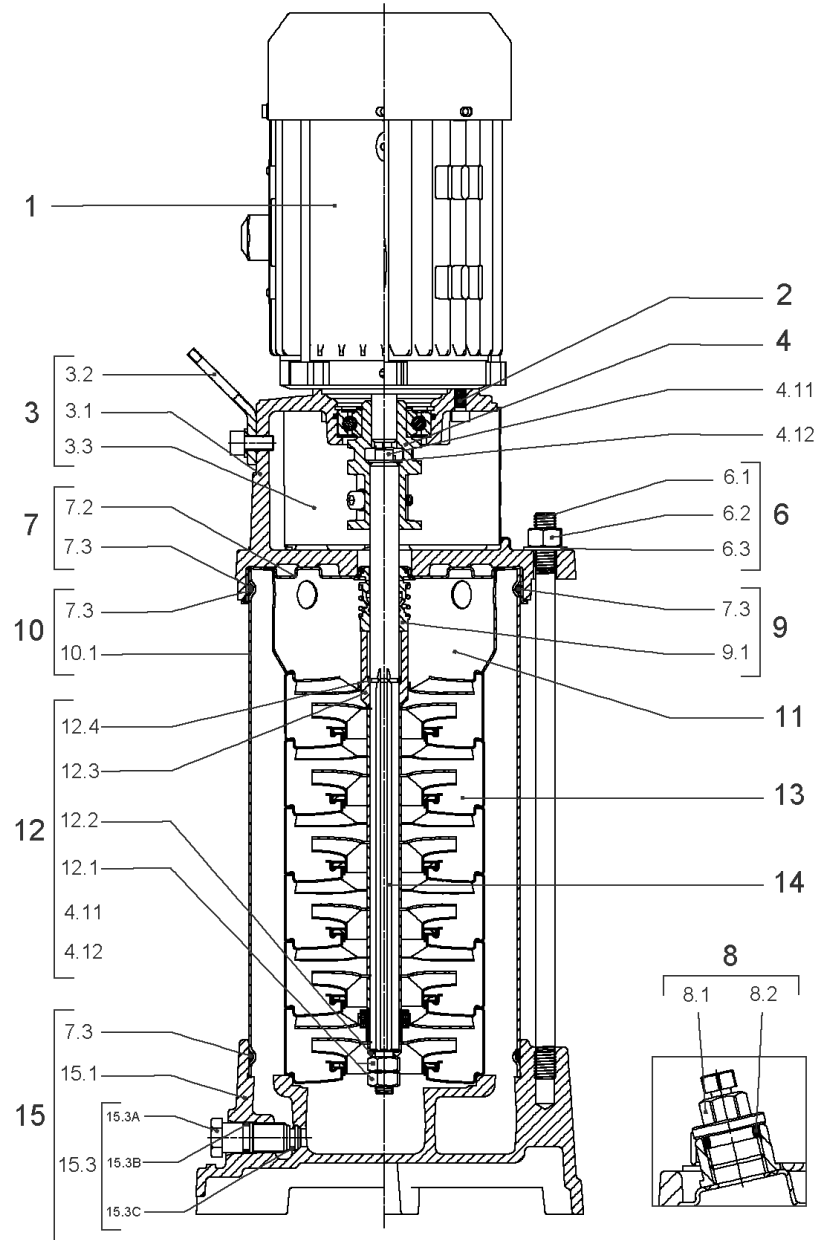
COUPLING D.16xD.24 FT115 HELIX KIT (4159709)

Item	Article no.	Description	Quantity
4.1		COUPLING M+ Ø16XØ24 FT115 MACHINED	1
4.2	2131023	BALL BEARING 6207/ZZ-C3(HT)VP.	1
4.3	4234254	CIRCLIP-FOR-SHAFT-D35x1.5 VP.	1
4.4	4157726	SCREW KIT M8X30 (4 PIECES)	1
4.5	4234251	CIRCLIP-D72x2.5 VP.	1
4.6	4234246	O-RING 72X3 VP.	1
		NOMEL CONTACT WASHER 8x16x1,4 STEEL ZC	1



HYDRAULIC HELIX V 1004 1.4307

Item	Article no.	Description	Quantity
13.3	4172793	INTERMEDIATE STAGE HELIX 10 1.4301 KIT	1
		> MACH.STD-STG-CASING-WGV+NR-M+10-304	1
		> IMPELLER-M+10-304	1
		> IMPELLER SPACER Ø16,05X19,45-L36,465-304	1
13.2	4172792	INTERMEDIATE STAGE HELIX 10 1.4301 KIT	1
		> MACH.BEARING-STG-CASING-WNR-M+10-304	1
		> IMPELLER-M+10-304	1
		> SHAFT SLEEVE-SPACER-Ø19,35x18,465-304	1
		> SHAFT-SLEEVE-D16xD20x18-CW	1
13.1	4171331	STAGE HELIX10 1.4301KIT	1
		> MACH.STG-CASING-WOGV-WNR-M+10-304	1
		> IMPELLER-M+10-304	1



HELIX FIRST V1004-5/25/E/S/400-50 (4200944)

Item	Article no.	Description	Quantity
1	4169942	MO.1,5/2 3~230/400(440)V 50(60)HZ IE3 VP	1
		SPARE PARTS MOTOR:ON REQUEST	1
2	4159707	SCREW M8X30 (4 PIECES)	1
3	4213784	LANTERN FT115 HELIX KIT	1
3.1		> LANT-MOT-VMI-ReDTC6"-FT115-MACHINED+CATA	1
3.2	4184852	> EYELET CPL.FT HELIX (2 PIECES)	1
3.3	4213782	> COUPLING PROTECTOR FT115/130 HELIX KIT	1
4	4159709	COUPLING D.16xD.24 FT115 HELIX KIT	1
6	2018359	STUD BOLT M12X245 KIT	1
6.1		> TIE BOLT M12-245x18x30-1.4057	1
6.2	2094647	> NUT M12 M12 ISO4032 VP.	1
6.3	2123557	> WASHER CS-12.4-24-1.6-NFE25 (4 PIECES)	1
7	4214481	STATIONARY RING HOLDER HELIX D27 ReDTC	1
7.2	4214479	> STATIONARY RING HOLDER HELIX D27 VP.	1
7.3	4176513	> O-RING FOR PUMP JACKET VP.	1
8	4212724	FILING/PURGING PLUG HELIX ReDTC KIT	1
8.1		> FILLING PLUG MVI6"-304	1
8.2	4177800	> O-RING EPDM PLUG HELIX VP.	1
9	4214483	MECH.SEAL HELIX6-10-16 O/E ReDTC KIT	1
9.1	4177801	> MECH.SEAL HELIX6-10-16 O/E VP.	1
7.3	4176513	> O-RING FOR PUMP JACKET VP.	1
10	4177818	HOUSING PIPES Ø152-M+1004-304 KIT	1
7.3	4176513	> O-RING FOR PUMP JACKET VP.	1
10.1		> HOUSING-PIPE Ø152-M+1004/1603-304	1
11	4172791	CENTERING STAGE-RETURN HELIX10 1.4301VP.	1
12	4214517	SHAFT EQUIPMENT HELIX V10 ReDTC KIT	1
12.1		> NUT-H-M10-A4.70	1
12.2		> SERRATED LOCK WASHER M+10M3-316L	1
12.3		> 1/2-SNAP-RING-6/10M3-316L	1
12.4		> STOP-RUSH-1/2-D16xd2-M+316	1
4.11		> SCREW CHC-M6X14-8.8-ISO4762-GEOMET500A	1
4.12		> WASHER D.24 L6U ZINK	1
13		HYDRAULIC HELIX V 1004 1.4307	1
14	4214495	SHAFT D.16X278 HELIX 1.4057 VP.	1

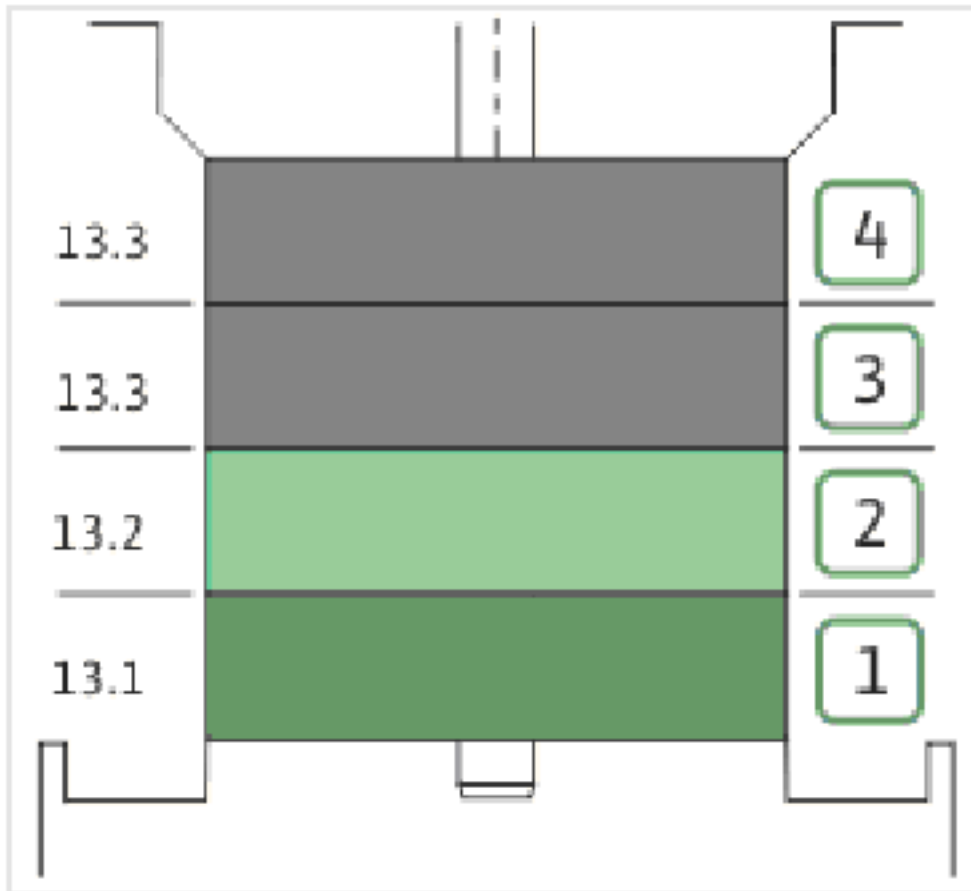
HELIX FIRST V1004-5/25/E/S/400-50 (4200944)

Item	Article no.	Description	Quantity
15	4177878	PUMP HOUSING HELIX V10 DN40 PN30 KIT	1
7.3	4176513	> O-RING FOR PUMP JACKET VP.	1
15.1		> MACH+CATA PUMP CASING M+6" DN40 PN25 GJL	1
15.2	4010032	> FLAT GASKET_Ø40xØ92x2_DN40_PN25_FIBRE	2
15.3	4177877	> PRIMING/DRAIN PLUG HELIX PN30 KIT	1
15.3A		>> PRIMING/DRAIN PLUG M+6" 304	1
15.3B	4233957	>> O-RING ID.9 EPDM VP.	1
15.3C		>> O-RING Ø8xØ2 EPDM KTW/WRC	1



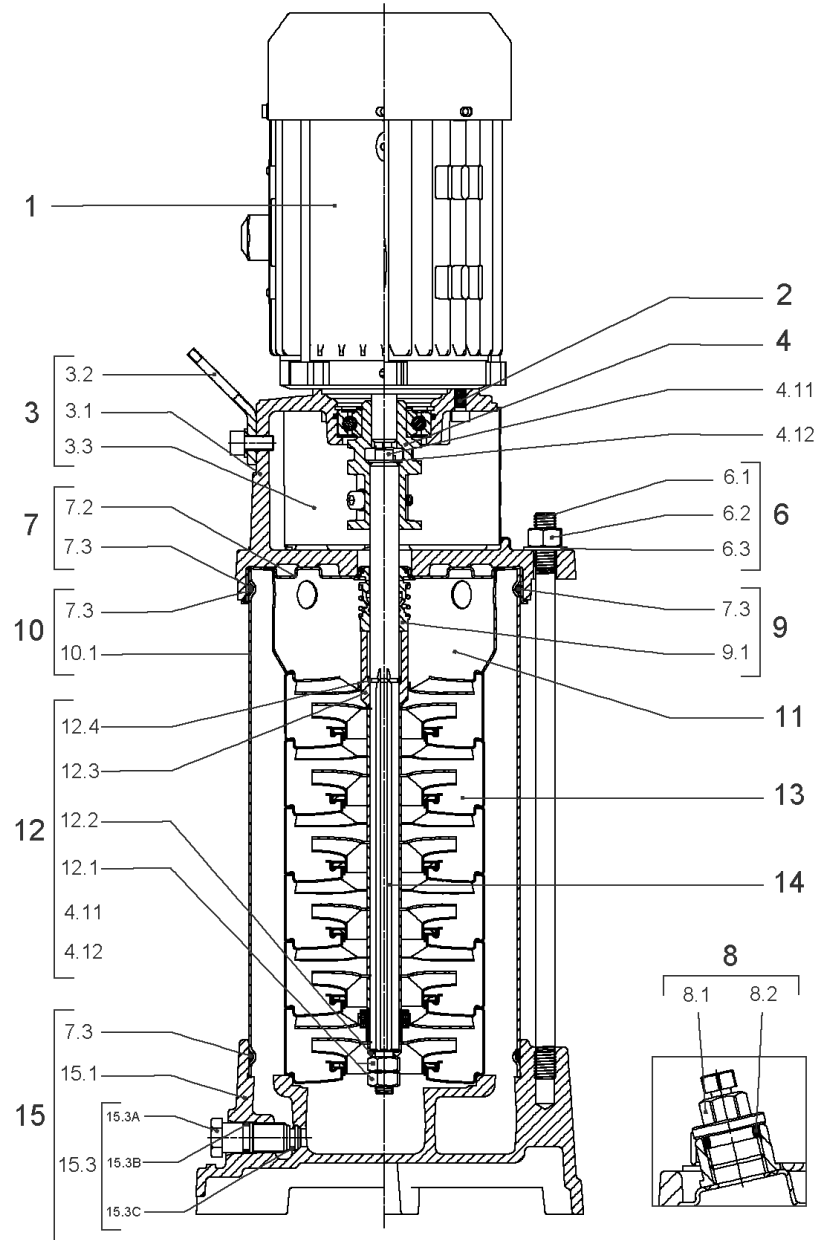
COUPLING D.16xD.24 FT115 HELIX KIT (4159709)

Item	Article no.	Description	Quantity
4.1		COUPLING M+ Ø16XØ24 FT115 MACHINED	1
4.2	2131023	BALL BEARING 6207/ZZ-C3(HT)VP.	1
4.3	4234254	CIRCLIP-FOR-SHAFT-D35x1.5 VP.	1
4.4	4157726	SCREW KIT M8X30 (4 PIECES)	1
4.5	4234251	CIRCLIP-D72x2.5 VP.	1
4.6	4234246	O-RING 72X3 VP.	1
		NOMEL CONTACT WASHER 8x16x1,4 STEEL ZC	1



HYDRAULIC HELIX V 1004 1.4307

Item	Article no.	Description	Quantity
13.3	4172793	INTERMEDIATE STAGE HELIX 10 1.4301 KIT	1
		> MACH.STD-STG-CASING-WGV+NR-M+10-304	1
		> IMPELLER-M+10-304	1
		> IMPELLER SPACER Ø16,05X19,45-L36,465-304	1
13.2	4172792	INTERMEDIATE STAGE HELIX 10 1.4301 KIT	1
		> MACH.BEARING-STG-CASING-WNR-M+10-304	1
		> IMPELLER-M+10-304	1
		> SHAFT SLEEVE-SPACER-Ø19,35x18,465-304	1
		> SHAFT-SLEEVE-D16xD20x18-CW	1
13.1	4171331	STAGE HELIX10 1.4301KIT	1
		> MACH.STG-CASING-WOGV-WNR-M+10-304	1
		> IMPELLER-M+10-304	1



HELIX FIRST V1005-5/16/E/S/400-50 (4200945)

Item	Article no.	Description	Quantity
1	4169943	MOTOR 2,2/2/90 3~230/400V 50HZ IE3 VP.	1
		SPARE PARTS MOTOR:ON REQUEST	1
2	4159707	SCREW M8X30 (4 PIECES)	1
3	4213784	LANTERN FT115 HELIX KIT	1
3.1		> LANT-MOT-VMI-ReDTC6"-FT115-MACHINED+CATA	1
3.2	4184852	> EYELET CPL.FT HELIX (2 PIECES)	1
3.3	4213782	> COUPLING PROTECTOR FT115/130 HELIX KIT	1
4	4159709	COUPLING D.16xD.24 FT115 HELIX KIT	1
6	4214974	STUD BOLT HELIX M12X279 KIT	1
6.1		> TIE BOLT M12-279x18x30-1.4057	1
6.2	2094647	> NUT M12 M12 ISO4032 VP.	1
6.3	2123557	> WASHER CS-12.4-24-1.6-NFE25 (4 PIECES)	1
7	4214481	STATIONARY RING HOLDER HELIX D27 ReDTC	1
7.2	4214479	> STATIONARY RING HOLDER HELIX D27 VP.	1
7.3	4176513	> O-RING FOR PUMP JACKET VP.	1
8	4212724	FILING/PURGING PLUG HELIX ReDTC KIT	1
8.1		> FILLING PLUG MVI6"-304	1
8.2	4177800	> O-RING EPDM PLUG HELIX VP.	1
9	4214483	MECH.SEAL HELIX6-10-16 O/E ReDTC KIT	1
9.1	4177801	> MECH.SEAL HELIX6-10-16 O/E VP.	1
7.3	4176513	> O-RING FOR PUMP JACKET VP.	1
10	4176518	HOUSING PIPES D.152X247 1.4301 KIT	1
7.3	4176513	> O-RING FOR PUMP JACKET VP.	1
10.1		> HOUSING-PIPE Ø152-M+1005-304	1
11	4172791	CENTERING STAGE-RETURN HELIX10 1.4301VP.	1
12	4214517	SHAFT EQUIPMENT HELIX V10 ReDTC KIT	1
12.1		> NUT-H-M10-A4.70	1
12.2		> SERRATED LOCK WASHER M+10M3-316L	1
12.3		> 1/2-SNAP-RING-6/10M3-316L	1
12.4		> STOP-RUSH-1/2-D16xd2-M+316	1
4.11		> SCREW CHC-M6X14-8.8-ISO4762-GEOMET500A	1
4.12		> WASHER D.24 L6U ZINK	1
13		HYDRAULIC HELIX V 1005 1.4307	1
14	4214498	SHAFT D.16X316 HELIX 1.4057 VP.	1

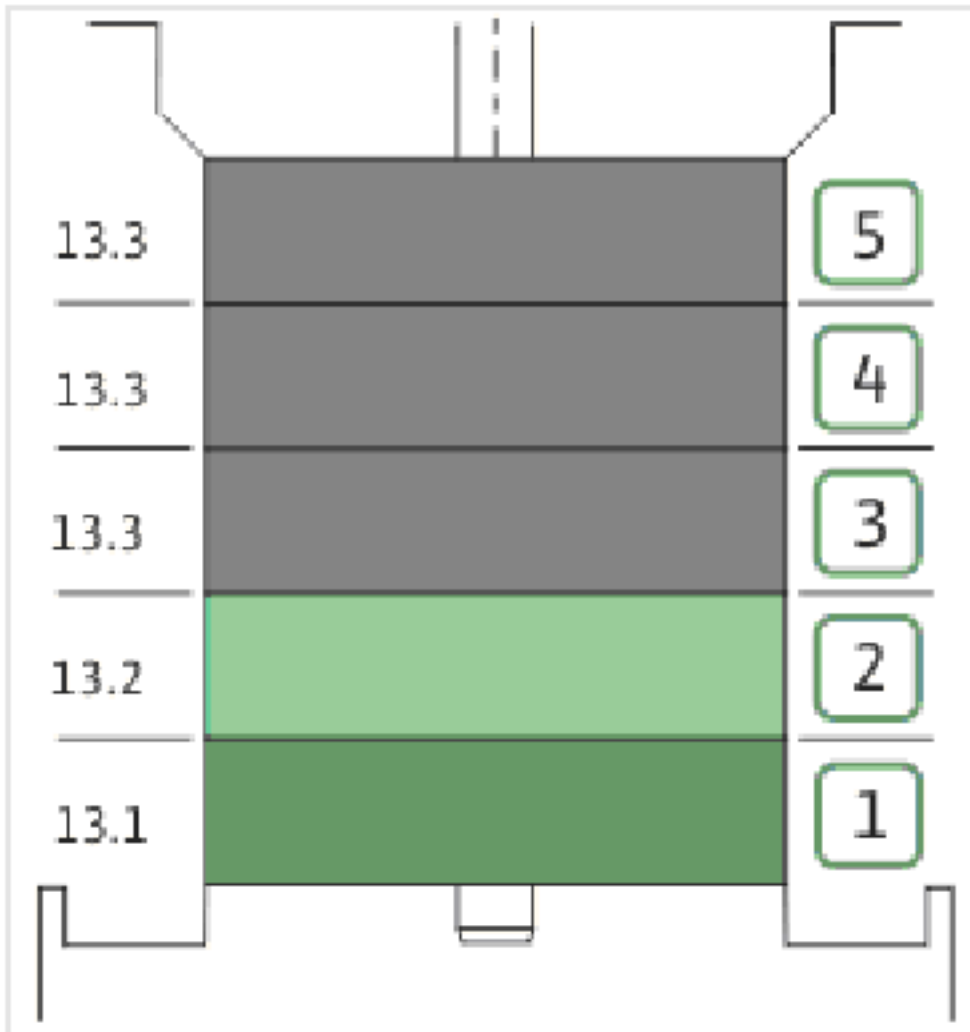
HELIX FIRST V1005-5/16/E/S/400-50 (4200945)

Item	Article no.	Description	Quantity
15	4215103	PUMP HOUSING HELIX V10 DN50/H80 PN16 KIT	1
15.1		> MACH+CAT.PP HOUSI.M+6'' D50/H80-PN16 GJL	1
15.2	4233954	> O-RING ID.66 EPDM VP.	1
15.3	4215098	> PRIMING/DRAIN PLUG HELIX PN16 KIT	1
7.3	4176513	> O-RING FOR PUMP JACKET VP.	1



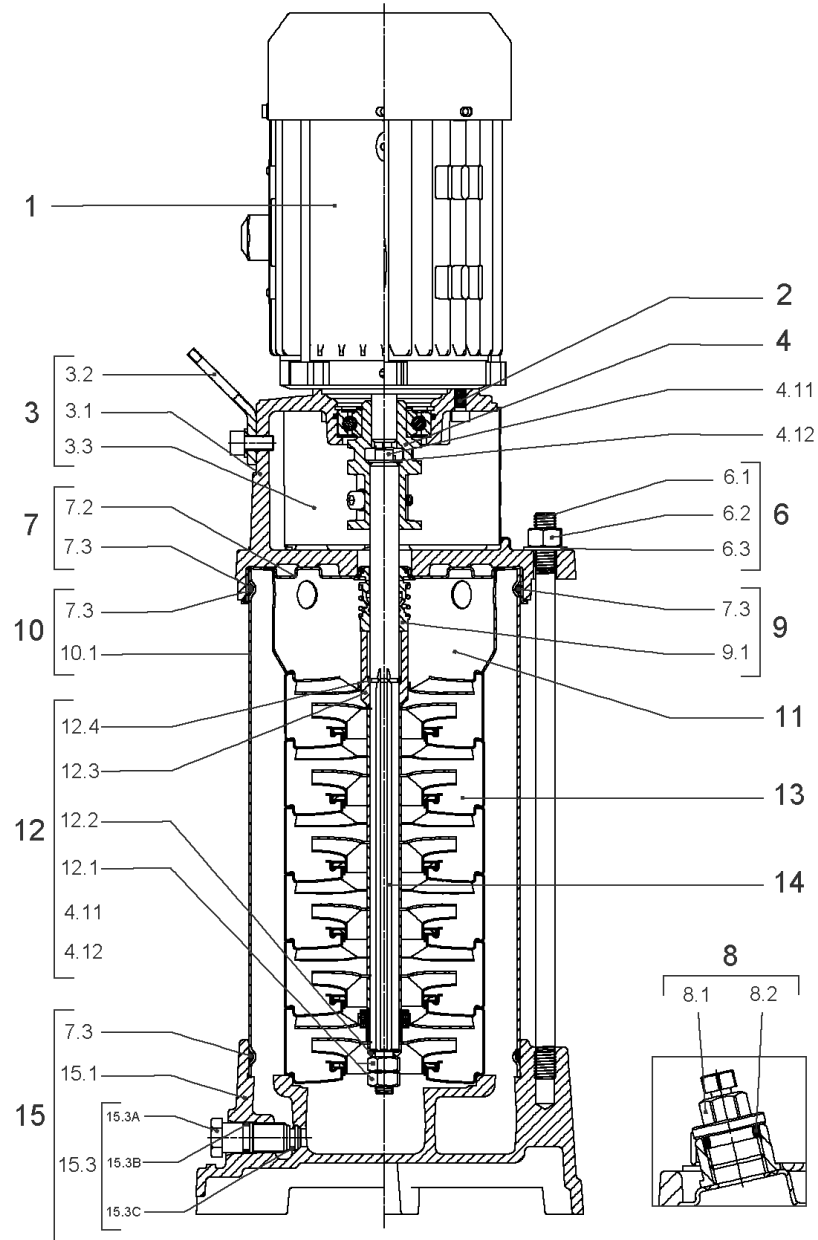
COUPLING D.16xD.24 FT115 HELIX KIT (4159709)

Item	Article no.	Description	Quantity
4.1		COUPLING M+ Ø16XØ24 FT115 MACHINED	1
4.2	2131023	BALL BEARING 6207/ZZ-C3(HT)VP.	1
4.3	4234254	CIRCLIP-FOR-SHAFT-D35x1.5 VP.	1
4.4	4157726	SCREW KIT M8X30 (4 PIECES)	1
4.5	4234251	CIRCLIP-D72x2.5 VP.	1
4.6	4234246	O-RING 72X3 VP.	1
		NOMEL CONTACT WASHER 8x16x1,4 STEEL ZC	1



HYDRAULIC HELIX V 1005 1.4307

Item	Article no.	Description	Quantity
13.1	4171331	STAGE HELIX10 1.4301KIT	1
		> MACH.STG-CASING-WOGV-WNR-M+10-304	1
		> IMPELLER-M+10-304	1
13.2	4172792	INTERMEDIATE STAGE HELIX 10 1.4301 KIT	1
		> MACH.BEARING-STG-CASING-WNR-M+10-304	1
		> IMPELLER-M+10-304	1
		> SHAFT SLEEVE-SPACER-Ø19,35x18,465-304	1
		> SHAFT-SLEEVE-D16xD20x18-CW	1
13.3	4172793	INTERMEDIATE STAGE HELIX 10 1.4301 KIT	1
		> MACH.STD-STG-CASING-WGV+NR-M+10-304	1
		> IMPELLER-M+10-304	1
		> IMPELLER SPACER Ø16,05X19,45-L36,465-304	1

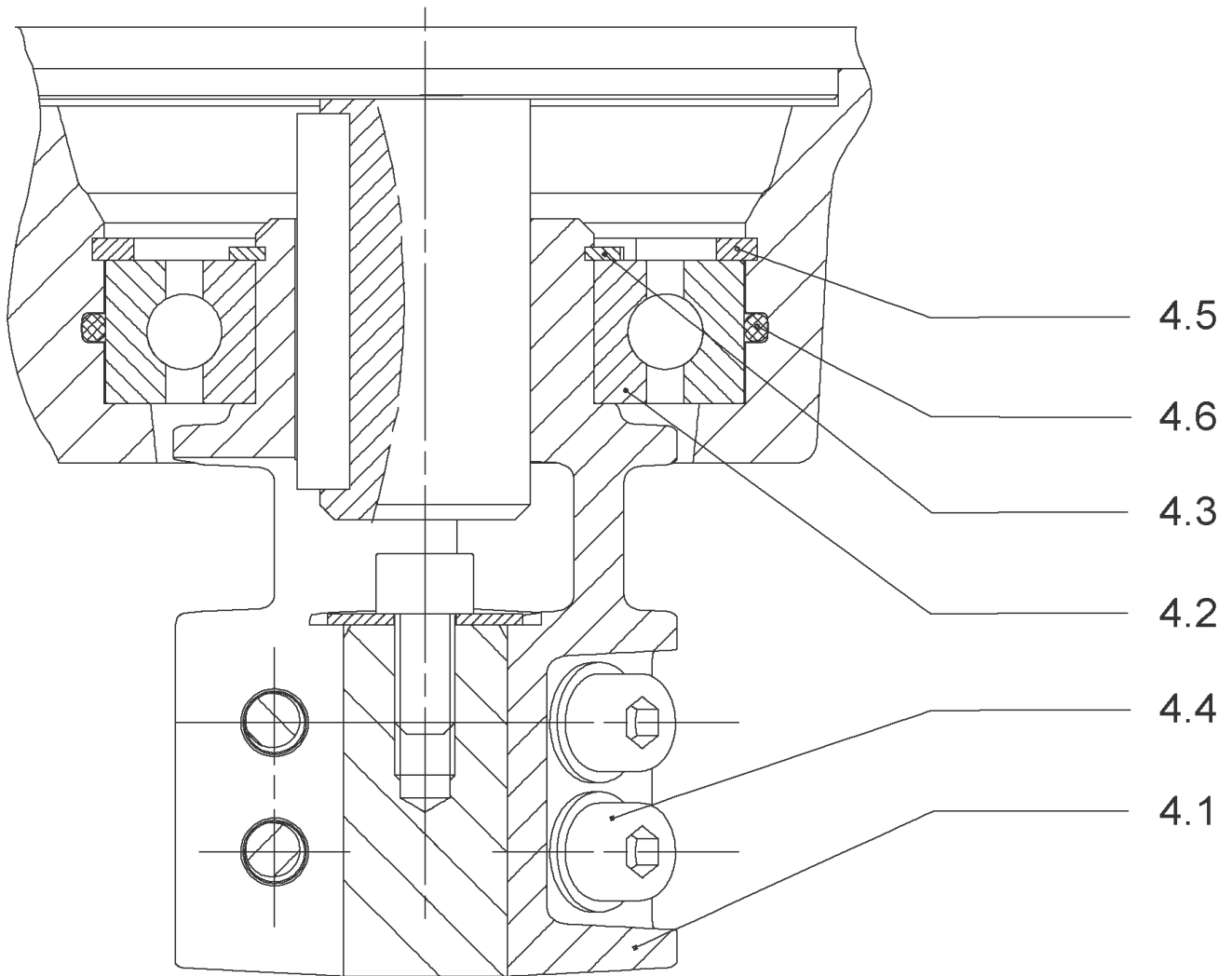


HELIX FIRST V1005-5/25/E/S/400-50 (4200947)

Item	Article no.	Description	Quantity
1	4169943	MOTOR 2,2/2/90 3~230/400V 50HZ IE3 VP.	1
		SPARE PARTS MOTOR:ON REQUEST	1
2	4159707	SCREW M8X30 (4 PIECES)	1
3	4213784	LANTERN FT115 HELIX KIT	1
3.1		> LANT-MOT-VMI-ReDTC6"-FT115-MACHINED+CATA	1
3.2	4184852	> EYELET CPL.FT HELIX (2 PIECES)	1
3.3	4213782	> COUPLING PROTECTOR FT115/130 HELIX KIT	1
4	4159709	COUPLING D.16xD.24 FT115 HELIX KIT	1
6	4214974	STUD BOLT HELIX M12X279 KIT	1
6.1		> TIE BOLT M12-279x18x30-1.4057	1
6.2	2094647	> NUT M12 M12 ISO4032 VP.	1
6.3	2123557	> WASHER CS-12.4-24-1.6-NFE25 (4 PIECES)	1
7	4214481	STATIONARY RING HOLDER HELIX D27 ReDTC	1
7.2	4214479	> STATIONARY RING HOLDER HELIX D27 VP.	1
7.3	4176513	> O-RING FOR PUMP JACKET VP.	1
8	4212724	FILING/PURGING PLUG HELIX ReDTC KIT	1
8.1		> FILLING PLUG MVI6"-304	1
8.2	4177800	> O-RING EPDM PLUG HELIX VP.	1
9	4214483	MECH.SEAL HELIX6-10-16 O/E ReDTC KIT	1
9.1	4177801	> MECH.SEAL HELIX6-10-16 O/E VP.	1
7.3	4176513	> O-RING FOR PUMP JACKET VP.	1
10	4176518	HOUSING PIPES D.152X247 1.4301 KIT	1
7.3	4176513	> O-RING FOR PUMP JACKET VP.	1
10.1		> HOUSING-PIPE Ø152-M+1005-304	1
11	4172791	CENTERING STAGE-RETURN HELIX10 1.4301VP.	1
12	4214517	SHAFT EQUIPMENT HELIX V10 ReDTC KIT	1
12.1		> NUT-H-M10-A4.70	1
12.2		> SERRATED LOCK WASHER M+10M3-316L	1
12.3		> 1/2-SNAP-RING-6/10M3-316L	1
12.4		> STOP-RUSH-1/2-D16xd2-M+316	1
4.11		> SCREW CHC-M6X14-8.8-ISO4762-GEOMET500A	1
4.12		> WASHER D.24 L6U ZINK	1
13		HYDRAULIC HELIX V 1005 1.4307	1
14	4214498	SHAFT D.16X316 HELIX 1.4057 VP.	1

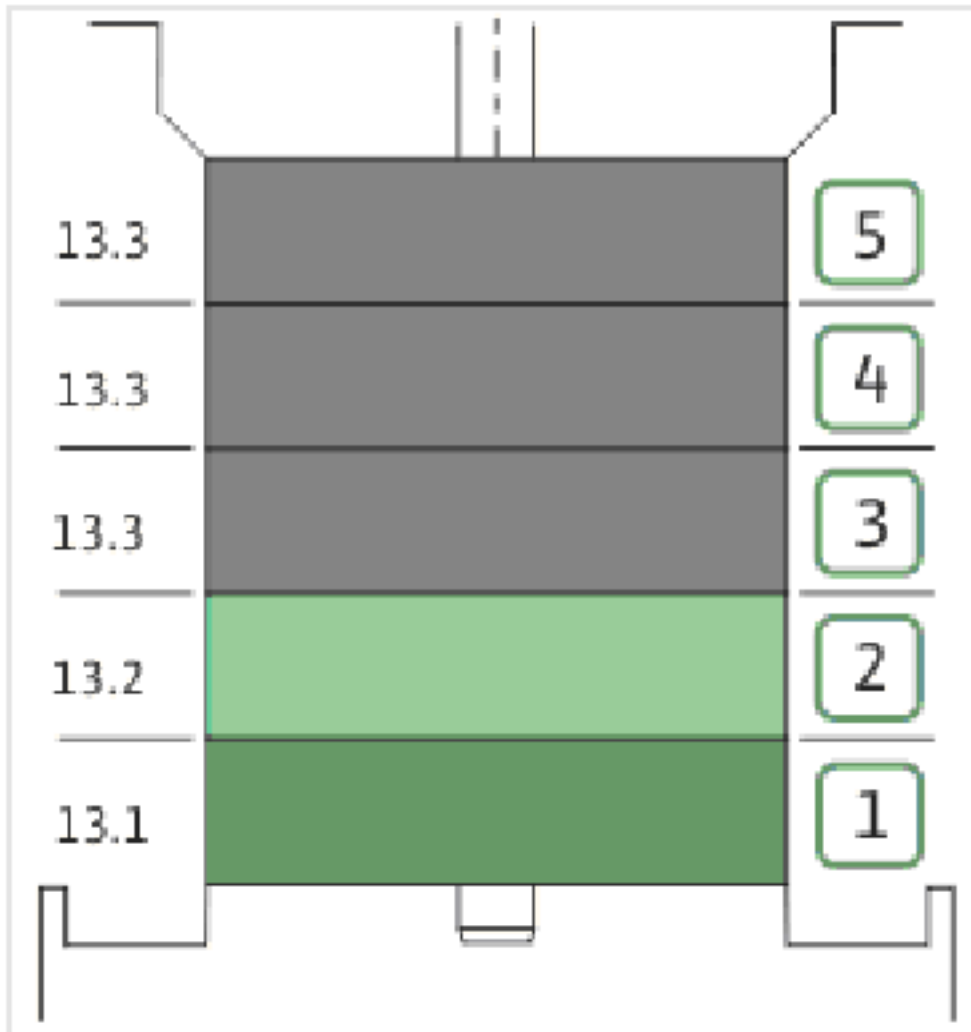
HELIX FIRST V1005-5/25/E/S/400-50 (4200947)

Item	Article no.	Description	Quantity
15	4177878	PUMP HOUSING HELIX V10 DN40 PN30 KIT	1
7.3	4176513	> O-RING FOR PUMP JACKET VP.	1
15.1		> MACH+CATA PUMP CASING M+6" DN40 PN25 GJL	1
15.2	4010032	> FLAT GASKET_Ø40xØ92x2_DN40_PN25_FIBRE	2
15.3	4177877	> PRIMING/DRAIN PLUG HELIX PN30 KIT	1
15.3A		>> PRIMING/DRAIN PLUG M+6" 304	1
15.3B	4233957	>> O-RING ID.9 EPDM VP.	1
15.3C		>> O-RING Ø8xØ2 EPDM KTW/WRC	1



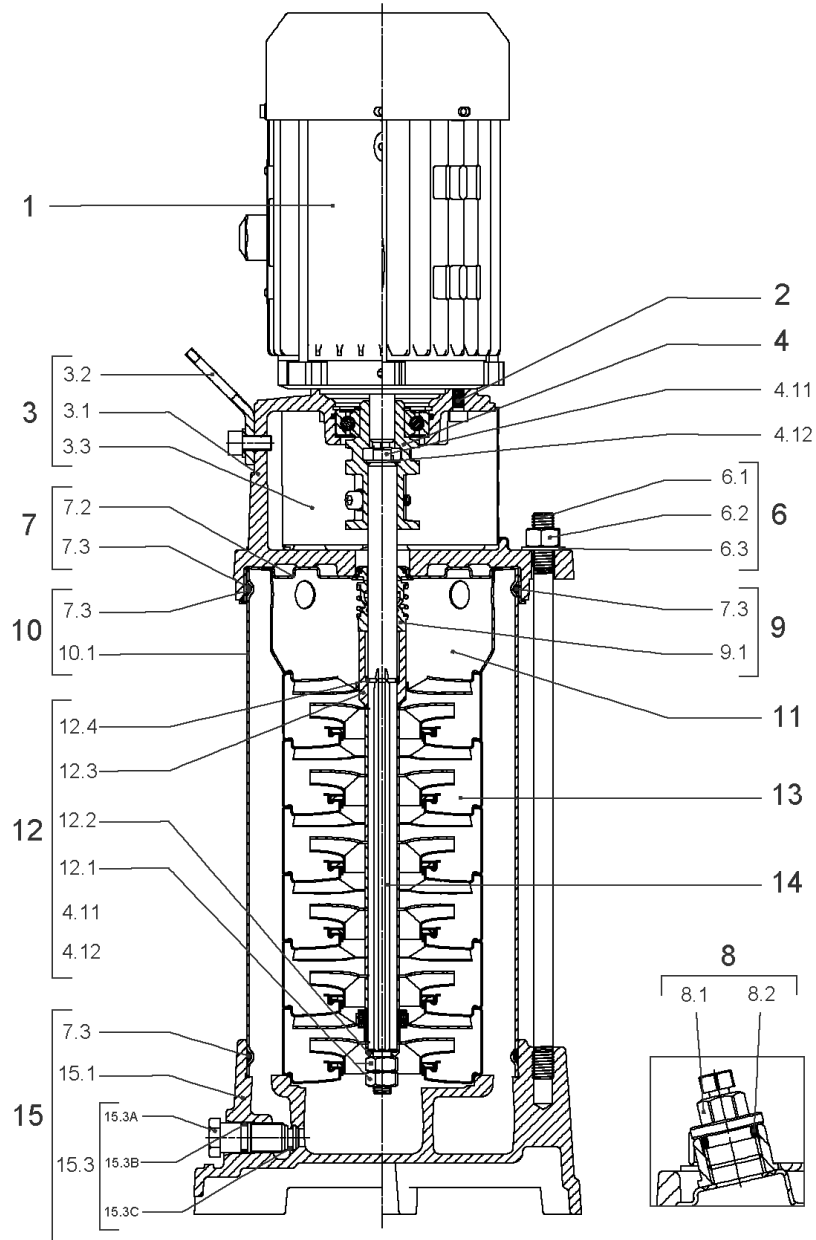
COUPLING D.16xD.24 FT115 HELIX KIT (4159709)

Item	Article no.	Description	Quantity
4.1		COUPLING M+ Ø16XØ24 FT115 MACHINED	1
4.2	2131023	BALL BEARING 6207/ZZ-C3(HT)VP.	1
4.3	4234254	CIRCLIP-FOR-SHAFT-D35x1.5 VP.	1
4.4	4157726	SCREW KIT M8X30 (4 PIECES)	1
4.5	4234251	CIRCLIP-D72x2.5 VP.	1
4.6	4234246	O-RING 72X3 VP.	1
		NOMEL CONTACT WASHER 8x16x1,4 STEEL ZC	1



HYDRAULIC HELIX V 1005 1.4307

Item	Article no.	Description	Quantity
13.1	4171331	STAGE HELIX10 1.4301KIT	1
		> MACH.STG-CASING-WOGV-WNR-M+10-304	1
		> IMPELLER-M+10-304	1
13.2	4172792	INTERMEDIATE STAGE HELIX 10 1.4301 KIT	1
		> MACH.BEARING-STG-CASING-WNR-M+10-304	1
		> IMPELLER-M+10-304	1
		> SHAFT SLEEVE-SPACER-Ø19,35x18,465-304	1
		> SHAFT-SLEEVE-D16xD20x18-CW	1
13.3	4172793	INTERMEDIATE STAGE HELIX 10 1.4301 KIT	1
		> MACH.STD-STG-CASING-WGV+NR-M+10-304	1
		> IMPELLER-M+10-304	1
		> IMPELLER SPACER Ø16,05X19,45-L36,465-304	1



HELIX FIRST V1006-5/16/E/S/400-50 (4200948)

Item	Article no.	Description	Quantity
1	4169943	MOTOR 2,2/2/90 3~230/400V 50HZ IE3 VP.	1
		SPARE PARTS MOTOR:ON REQUEST	1
2	4159707	SCREW M8X30 (4 PIECES)	1
3	4213784	LANTERN FT115 HELIX KIT	1
3.1		> LANT-MOT-VMI-ReDTC6"-FT115-MACHINED+CATA	1
3.2	4184852	> EYELET CPL.FT HELIX (2 PIECES)	1
3.3	4213782	> COUPLING PROTECTOR FT115/130 HELIX KIT	1
4	4159709	COUPLING D.16xD.24 FT115 HELIX KIT	1
6	4178579	STUD BOLT M12X317 KIT	1
6.1		> TIE BOLT M12-317x18x30-1.4057	1
6.2	2094647	> NUT M12 M12 ISO4032 VP.	1
6.3	2123557	> WASHER CS-12.4-24-1.6-NFE25 (4 PIECES)	1
7	4214481	STATIONARY RING HOLDER HELIX D27 ReDTC	1
7.2	4214479	> STATIONARY RING HOLDER HELIX D27 VP.	1
7.3	4176513	> O-RING FOR PUMP JACKET VP.	1
8	4212724	FILING/PURGING PLUG HELIX ReDTC KIT	1
8.1		> FILLING PLUG MVI6"-304	1
8.2	4177800	> O-RING EPDM PLUG HELIX VP.	1
9	4214483	MECH.SEAL HELIX6-10-16 O/E ReDTC KIT	1
9.1	4177801	> MECH.SEAL HELIX6-10-16 O/E VP.	1
7.3	4176513	> O-RING FOR PUMP JACKET VP.	1
10	4177823	HOUSING PIPES D.152X285 1.4301 KIT	1
7.3	4176513	> O-RING FOR PUMP JACKET VP.	1
10.1		> HOUSING-PIPE Ø152-M+1006-304	1
11	4172791	CENTERING STAGE-RETURN HELIX10 1.4301VP.	1
12	4214517	SHAFT EQUIPMENT HELIX V10 ReDTC KIT	1
12.1		> NUT-H-M10-A4.70	1
12.2		> SERRATED LOCK WASHER M+10M3-316L	1
12.3		> 1/2-SNAP-RING-6/10M3-316L	1
12.4		> STOP-RUSH-1/2-D16xd2-M+316	1
4.11		> SCREW CHC-M6X14-8.8-ISO4762-GEOMET500A	1
4.12		> WASHER D.24 L6U ZINK	1
13		HYDRAULIC HELIX V 1006 1.4307	1
14	4214500	SHAFT D.16X353 HELIX 1.4057 VP.	1

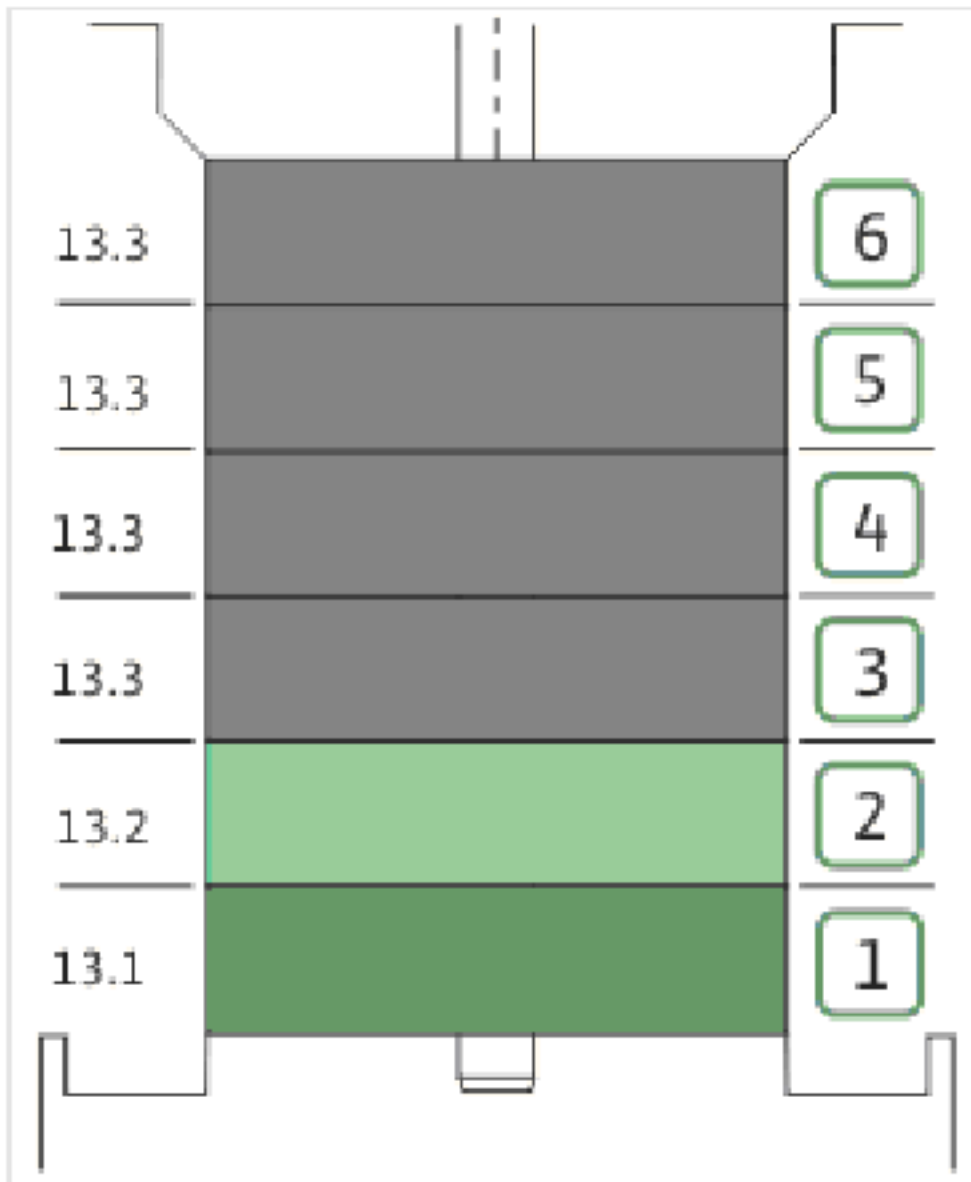
HELIX FIRST V1006-5/16/E/S/400-50 (4200948)

Item	Article no.	Description	Quantity
15	4215103	PUMP HOUSING HELIX V10 DN50/H80 PN16 KIT	1
15.1		> MACH+CAT.PP HOUSI.M+6'' D50/H80-PN16 GJL	1
15.2	4233954	> O-RING ID.66 EPDM VP.	1
15.3	4215098	> PRIMING/DRAIN PLUG HELIX PN16 KIT	1
7.3	4176513	> O-RING FOR PUMP JACKET VP.	1



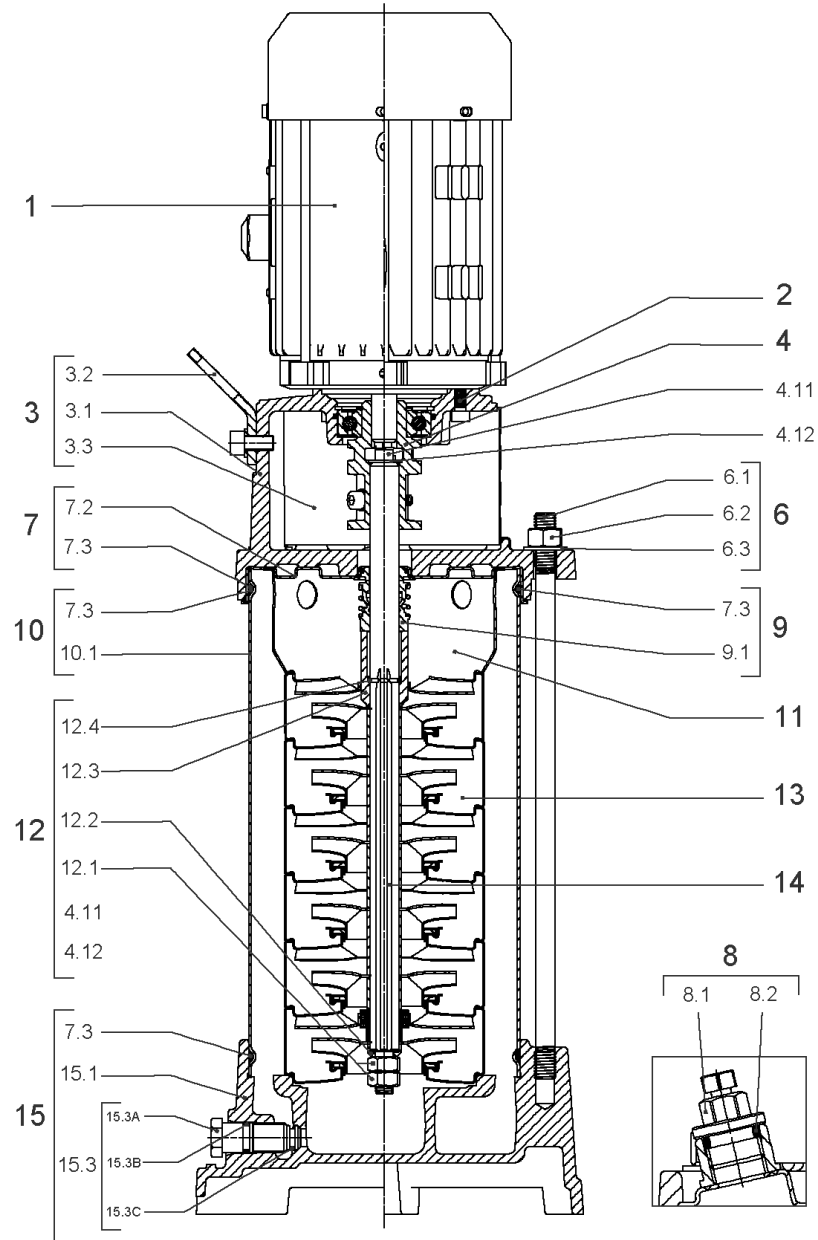
COUPLING D.16xD.24 FT115 HELIX KIT (4159709)

Item	Article no.	Description	Quantity
4.1		COUPLING M+ Ø16XØ24 FT115 MACHINED	1
4.2	2131023	BALL BEARING 6207/ZZ-C3(HT)VP.	1
4.3	4234254	CIRCLIP-FOR-SHAFT-D35x1.5 VP.	1
4.4	4157726	SCREW KIT M8X30 (4 PIECES)	1
4.5	4234251	CIRCLIP-D72x2.5 VP.	1
4.6	4234246	O-RING 72X3 VP.	1
		NOMEL CONTACT WASHER 8x16x1,4 STEEL ZC	1



HYDRAULIC HELIX V 1006 1.4307

Item	Article no.	Description	Quantity
13.1	4171331	STAGE HELIX10 1.4301KIT	1
		> MACH.STG-CASING-WOGV-WNR-M+10-304	1
		> IMPELLER-M+10-304	1
13.2	4172792	INTERMEDIATE STAGE HELIX 10 1.4301 KIT	1
		> MACH.BEARING-STG-CASING-WNR-M+10-304	1
		> IMPELLER-M+10-304	1
		> SHAFT SLEEVE-SPACER-Ø19,35x18,465-304	1
		> SHAFT-SLEEVE-D16xD20x18-CW	1
13.3	4172793	INTERMEDIATE STAGE HELIX 10 1.4301 KIT	1
		> MACH.STD-STG-CASING-WGV+NR-M+10-304	1
		> IMPELLER-M+10-304	1
		> IMPELLER SPACER Ø16,05X19,45-L36,465-304	1

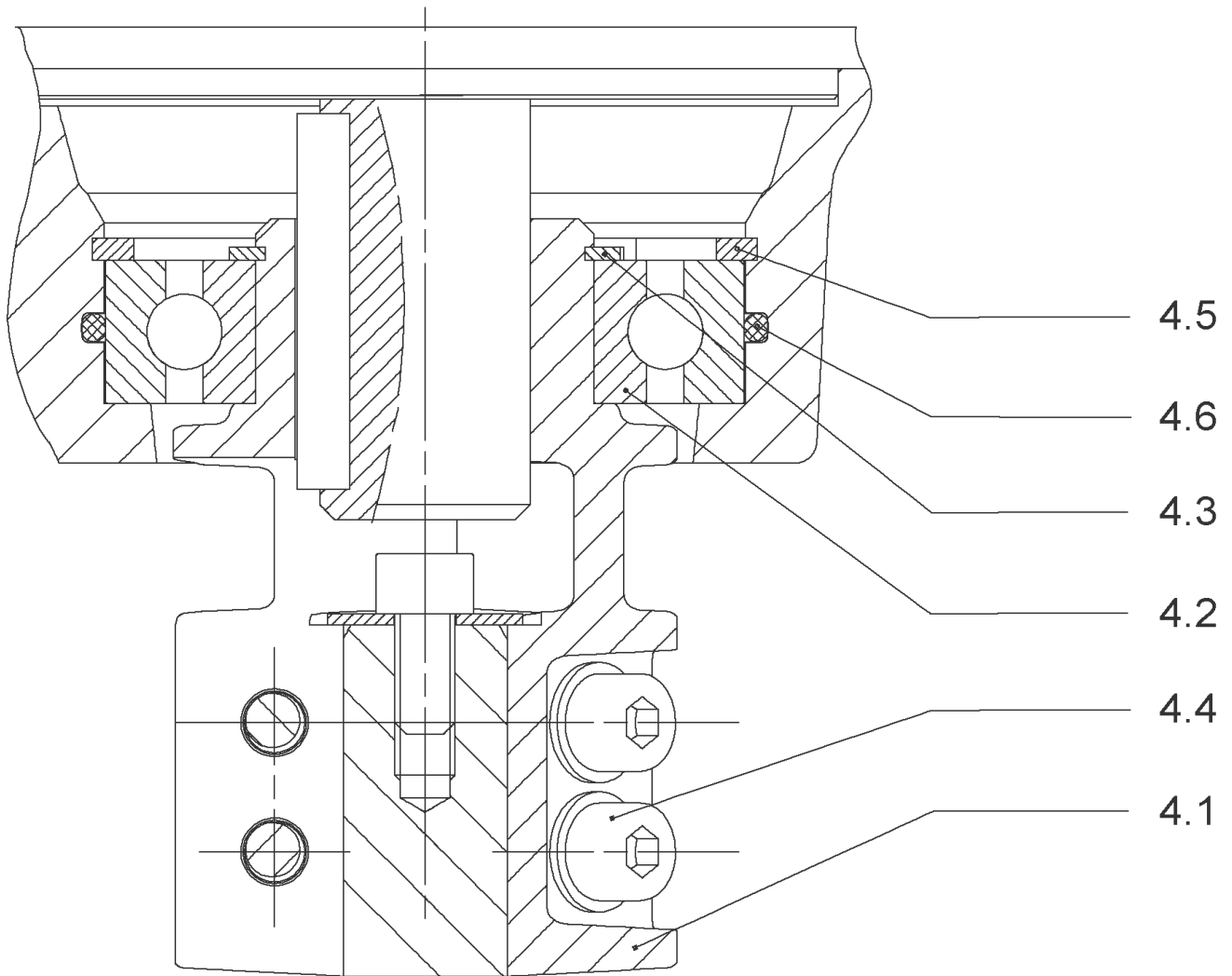


HELIX FIRST V1006-5/25/E/S/400-50 (4200950)

Item	Article no.	Description	Quantity
1	4169943	MOTOR 2,2/2/90 3~230/400V 50HZ IE3 VP.	1
		SPARE PARTS MOTOR:ON REQUEST	1
2	4159707	SCREW M8X30 (4 PIECES)	1
3	4213784	LANTERN FT115 HELIX KIT	1
3.1		> LANT-MOT-VMI-ReDTC6"-FT115-MACHINED+CATA	1
3.2	4184852	> EYELET CPL.FT HELIX (2 PIECES)	1
3.3	4213782	> COUPLING PROTECTOR FT115/130 HELIX KIT	1
4	4159709	COUPLING D.16xD.24 FT115 HELIX KIT	1
6	4178579	STUD BOLT M12X317 KIT	1
6.1		> TIE BOLT M12-317x18x30-1.4057	1
6.2	2094647	> NUT M12 M12 ISO4032 VP.	1
6.3	2123557	> WASHER CS-12.4-24-1.6-NFE25 (4 PIECES)	1
7	4214481	STATIONARY RING HOLDER HELIX D27 ReDTC	1
7.2	4214479	> STATIONARY RING HOLDER HELIX D27 VP.	1
7.3	4176513	> O-RING FOR PUMP JACKET VP.	1
8	4212724	FILING/PURGING PLUG HELIX ReDTC KIT	1
8.1		> FILLING PLUG MVI6"-304	1
8.2	4177800	> O-RING EPDM PLUG HELIX VP.	1
9	4214483	MECH.SEAL HELIX6-10-16 O/E ReDTC KIT	1
9.1	4177801	> MECH.SEAL HELIX6-10-16 O/E VP.	1
7.3	4176513	> O-RING FOR PUMP JACKET VP.	1
10	4177823	HOUSING PIPES D.152X285 1.4301 KIT	1
7.3	4176513	> O-RING FOR PUMP JACKET VP.	1
10.1		> HOUSING-PIPE Ø152-M+1006-304	1
11	4172791	CENTERING STAGE-RETURN HELIX10 1.4301VP.	1
12	4214517	SHAFT EQUIPMENT HELIX V10 ReDTC KIT	1
12.1		> NUT-H-M10-A4.70	1
12.2		> SERRATED LOCK WASHER M+10M3-316L	1
12.3		> 1/2-SNAP-RING-6/10M3-316L	1
12.4		> STOP-RUSH-1/2-D16xd2-M+316	1
4.11		> SCREW CHC-M6X14-8.8-ISO4762-GEOMET500A	1
4.12		> WASHER D.24 L6U ZINK	1
13		HYDRAULIC HELIX V 1006 1.4307	1
14	4214500	SHAFT D.16X353 HELIX 1.4057 VP.	1

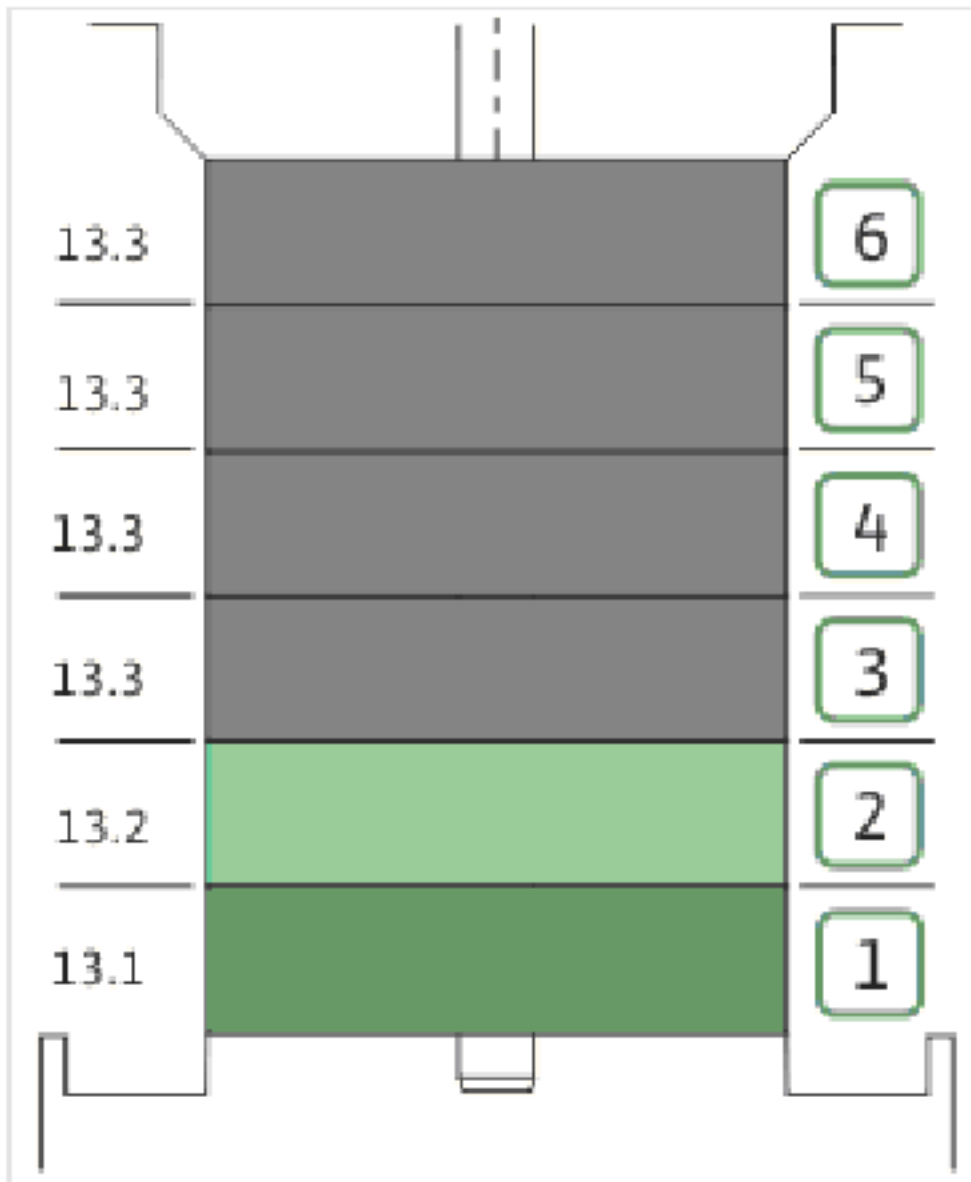
HELIX FIRST V1006-5/25/E/S/400-50 (4200950)

Item	Article no.	Description	Quantity
15	4177878	PUMP HOUSING HELIX V10 DN40 PN30 KIT	1
7.3	4176513	> O-RING FOR PUMP JACKET VP.	1
15.1		> MACH+CATA PUMP CASING M+6" DN40 PN25 GJL	1
15.2	4010032	> FLAT GASKET_Ø40xØ92x2_DN40_PN25_FIBRE	2
15.3	4177877	> PRIMING/DRAIN PLUG HELIX PN30 KIT	1
15.3A		>> PRIMING/DRAIN PLUG M+6" 304	1
15.3B	4233957	>> O-RING ID.9 EPDM VP.	1
15.3C		>> O-RING Ø8xØ2 EPDM KTW/WRC	1



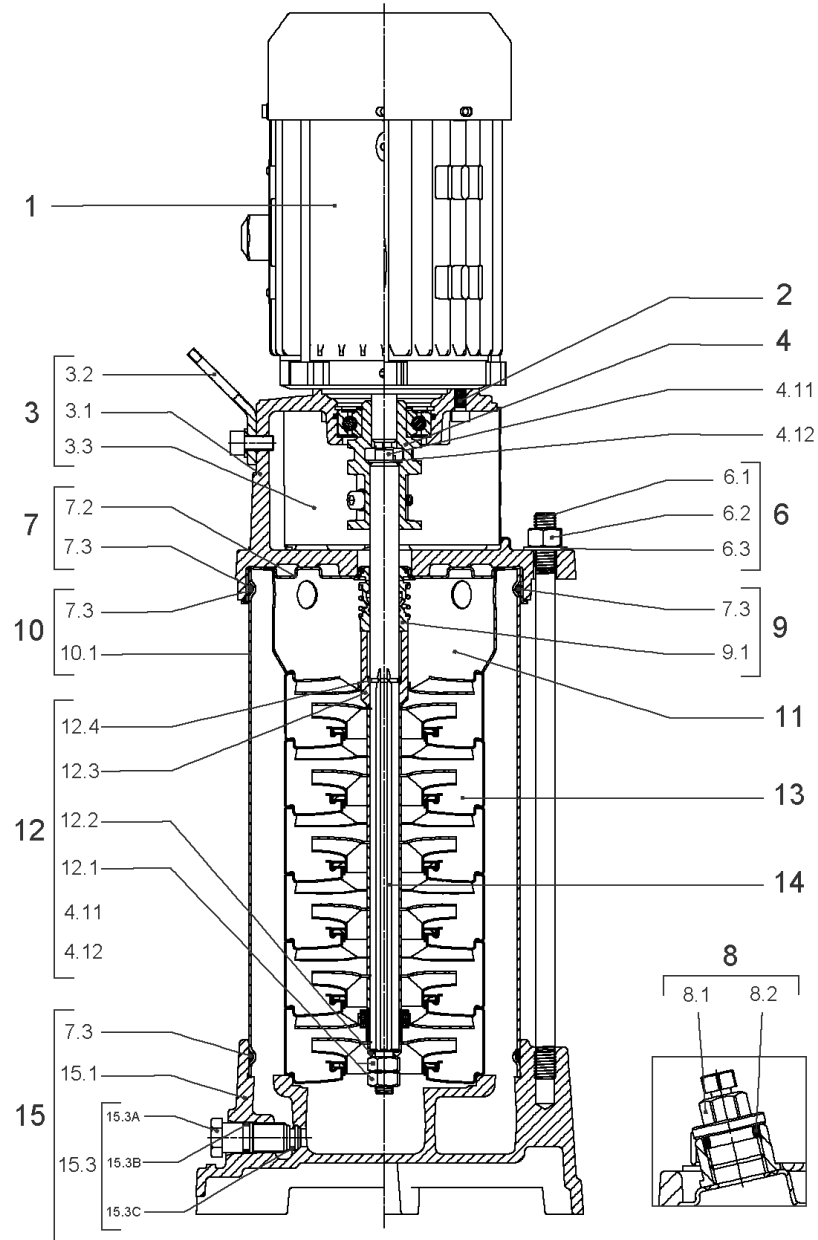
COUPLING D.16xD.24 FT115 HELIX KIT (4159709)

Item	Article no.	Description	Quantity
4.1		COUPLING M+ Ø16XØ24 FT115 MACHINED	1
4.2	2131023	BALL BEARING 6207/ZZ-C3(HT)VP.	1
4.3	4234254	CIRCLIP-FOR-SHAFT-D35x1.5 VP.	1
4.4	4157726	SCREW KIT M8X30 (4 PIECES)	1
4.5	4234251	CIRCLIP-D72x2.5 VP.	1
4.6	4234246	O-RING 72X3 VP.	1
		NOMEL CONTACT WASHER 8x16x1,4 STEEL ZC	1



HYDRAULIC HELIX V 1006 1.4307

Item	Article no.	Description	Quantity
13.1	4171331	STAGE HELIX10 1.4301KIT	1
		> MACH.STG-CASING-WOGV-WNR-M+10-304	1
		> IMPELLER-M+10-304	1
13.2	4172792	INTERMEDIATE STAGE HELIX 10 1.4301 KIT	1
		> MACH.BEARING-STG-CASING-WNR-M+10-304	1
		> IMPELLER-M+10-304	1
		> SHAFT SLEEVE-SPACER-Ø19,35x18,465-304	1
		> SHAFT-SLEEVE-D16xD20x18-CW	1
13.3	4172793	INTERMEDIATE STAGE HELIX 10 1.4301 KIT	1
		> MACH.STD-STG-CASING-WGV+NR-M+10-304	1
		> IMPELLER-M+10-304	1
		> IMPELLER SPACER Ø16,05X19,45-L36,465-304	1



HELIX FIRST V1007-5/16/E/S/400-50 (4200951)

Item	Article no.	Description	Quantity
1	4169944	MOTOR 3/2/100 3~230/400V 50HZ IE3 VP.	1
		SPARE PARTS MOTOR:ON REQUEST	1
2	4159707	SCREW M8X30 (4 PIECES)	1
3	4214473	LANTERN FT130 HELIX KIT	1
3.1		> LANT-MOT-VMI-ReDTC6"-FT130-MACHINED+CATA	1
3.2	4184852	> EYELET CPL.FT HELIX (2 PIECES)	1
3.3	4213782	> COUPLING PROTECTOR FT115/130 HELIX KIT	1
4	4159710	COUPLING D.16XD.28 FT130 HELIX KIT	1
6	4214978	STUD BOLT HELIX M12X354 KIT	1
6.1		> TIE BOLT M12-354x18x30-1.4057	1
6.2	2094647	> NUT M12 M12 ISO4032 VP.	1
6.3	2123557	> WASHER CS-12.4-24-1.6-NFE25 (4 PIECES)	1
7	4214481	STATIONARY RING HOLDER HELIX D27 ReDTC	1
7.2	4214479	> STATIONARY RING HOLDER HELIX D27 VP.	1
7.3	4176513	> O-RING FOR PUMP JACKET VP.	1
8	4212724	FILING/PURGING PLUG HELIX ReDTC KIT	1
8.1		> FILLING PLUG MVI6"-304	1
8.2	4177800	> O-RING EPDM PLUG HELIX VP.	1
9	4214483	MECH.SEAL HELIX6-10-16 O/E ReDTC KIT	1
9.1	4177801	> MECH.SEAL HELIX6-10-16 O/E VP.	1
7.3	4176513	> O-RING FOR PUMP JACKET VP.	1
10	4172794	HOUSING PIPES D.152X322 1.4301 KIT	1
7.3	4176513	> O-RING FOR PUMP JACKET VP.	1
10.1		> HOUSING-PIPE Ø152-M+1007-304	1
11	4172791	CENTERING STAGE-RETURN HELIX10 1.4301VP.	1
12	4214517	SHAFT EQUIPMENT HELIX V10 ReDTC KIT	1
12.1		> NUT-H-M10-A4.70	1
12.2		> SERRATED LOCK WASHER M+10M3-316L	1
12.3		> 1/2-SNAP-RING-6/10M3-316L	1
12.4		> STOP-RUSH-1/2-D16xd2-M+316	1
4.11		> SCREW CHC-M6X14-8.8-ISO4762-GEOMET500A	1
4.12		> WASHER D.24 L6U ZINK	1
13		HYDRAULIC HELIX V 1007 1.4307	1
14	4214502	SHAFT D.16X391 HELIX 1.4057 VP.	1

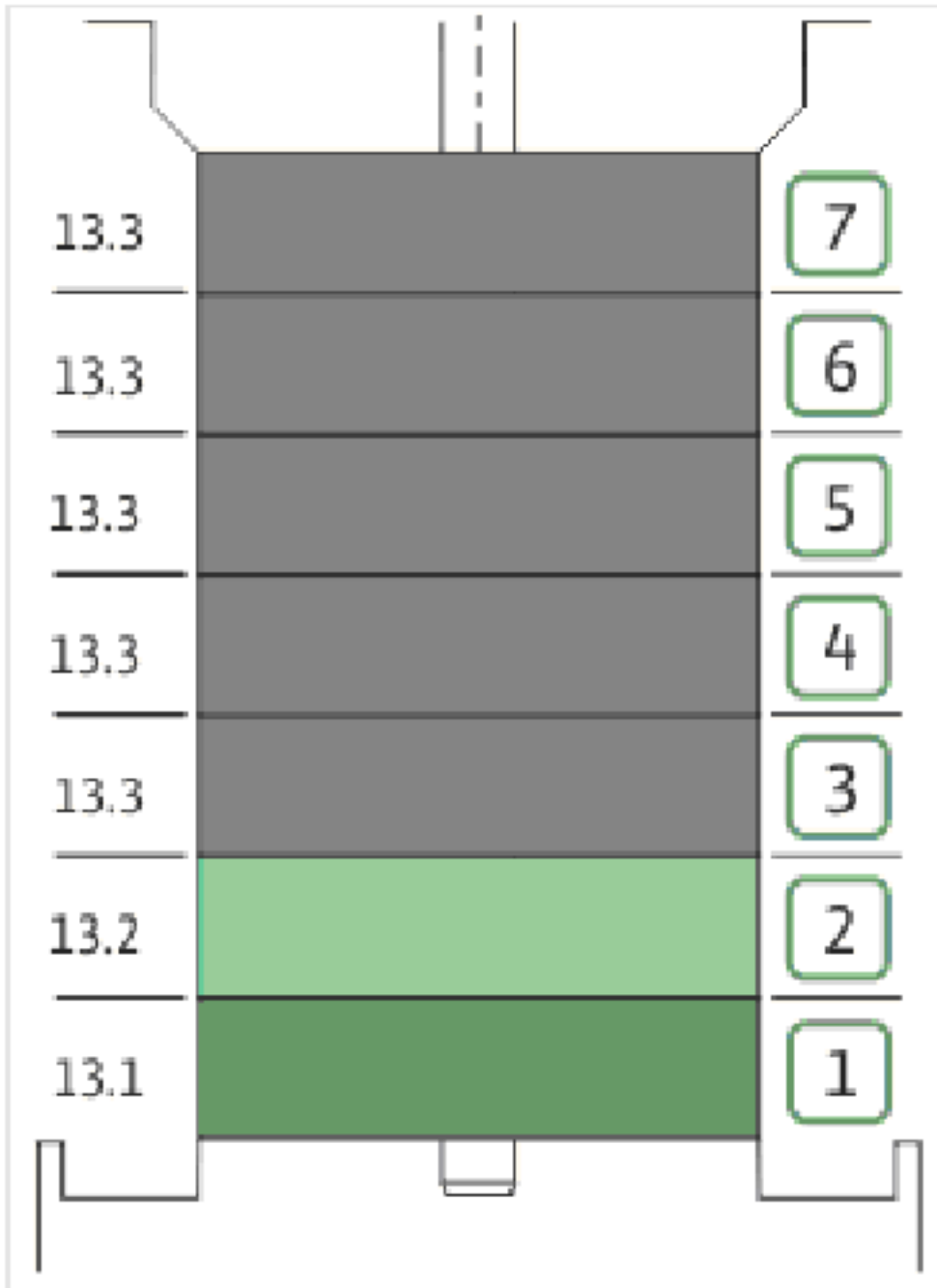
HELIX FIRST V1007-5/16/E/S/400-50 (4200951)

Item	Article no.	Description	Quantity
15	4215103	PUMP HOUSING HELIX V10 DN50/H80 PN16 KIT	1
15.1		> MACH+CAT.PP HOUSI.M+6'' D50/H80-PN16 GJL	1
15.2	4233954	> O-RING ID.66 EPDM VP.	1
15.3	4215098	> PRIMING/DRAIN PLUG HELIX PN16 KIT	1
7.3	4176513	> O-RING FOR PUMP JACKET VP.	1



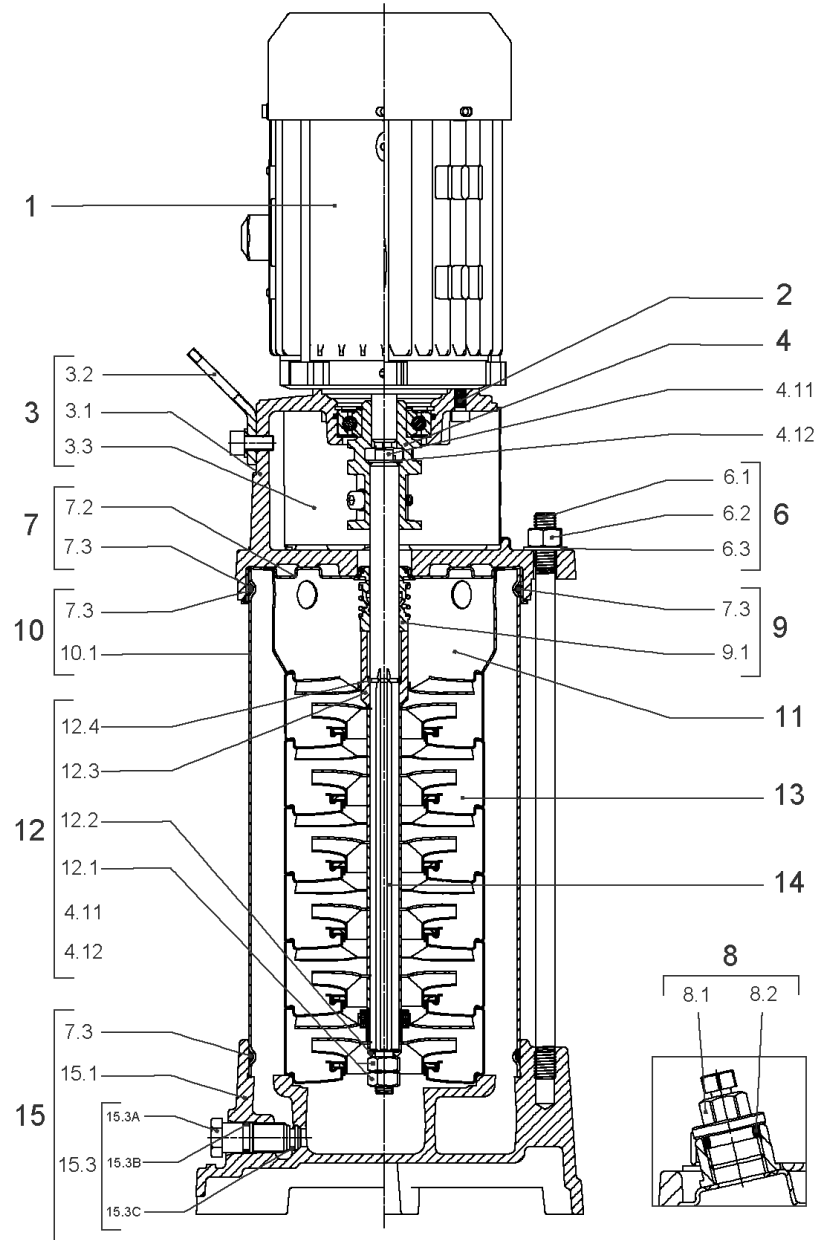
COUPLING D.16XD.28 FT130 HELIX KIT (4159710)

Item	Article no.	Description	Quantity
4.1		COUPLING M+ Ø16XØ28 FT130 MACHINED	1
4.2	2131022	BALL BEARING 6209/ZZ-C3(HT)VP.	1
4.3	4233930	CIRCLIP-FOR-BORES-D45x1,75 VP.	1
4.4	4157726	SCREW KIT M8X30 (4 PIECES)	1
4.5	4234252	CIRCLIPS 85X3 VP.	1
4.6	4234243	O-RING 85X3 VP.	1
		NOMEL CONTACT WASHER 8x16x1,4 STEEL ZC	1



HYDRAULIC HELIX V 1007 1.4307

Item	Article no.	Description	Quantity
13.1	4171331	STAGE HELIX10 1.4301KIT	1
		> MACH.STG-CASING-WOGV-WNR-M+10-304	1
		> IMPELLER-M+10-304	1
13.2	4172792	INTERMEDIATE STAGE HELIX 10 1.4301 KIT	1
		> MACH.BEARING-STG-CASING-WNR-M+10-304	1
		> IMPELLER-M+10-304	1
		> SHAFT SLEEVE-SPACER-Ø19,35x18,465-304	1
		> SHAFT-SLEEVE-D16xD20x18-CW	1
13.3	4172793	INTERMEDIATE STAGE HELIX 10 1.4301 KIT	1
		> MACH.STD-STG-CASING-WGV+NR-M+10-304	1
		> IMPELLER-M+10-304	1
		> IMPELLER SPACER Ø16,05X19,45-L36,465-304	1



HELIX FIRST V1007-5/25/E/S/400-50 (4200953)

Item	Article no.	Description	Quantity
1	4169944	MOTOR 3/2/100 3~230/400V 50HZ IE3 VP.	1
		SPARE PARTS MOTOR:ON REQUEST	1
2	4159707	SCREW M8X30 (4 PIECES)	1
3	4214473	LANTERN FT130 HELIX KIT	1
3.1		> LANT-MOT-VMI-ReDTC6"-FT130-MACHINED+CATA	1
3.2	4184852	> EYELET CPL.FT HELIX (2 PIECES)	1
3.3	4213782	> COUPLING PROTECTOR FT115/130 HELIX KIT	1
4	4159710	COUPLING D.16XD.28 FT130 HELIX KIT	1
6	4214978	STUD BOLT HELIX M12X354 KIT	1
6.1		> TIE BOLT M12-354x18x30-1.4057	1
6.2	2094647	> NUT M12 M12 ISO4032 VP.	1
6.3	2123557	> WASHER CS-12.4-24-1.6-NFE25 (4 PIECES)	1
7	4214481	STATIONARY RING HOLDER HELIX D27 ReDTC	1
7.2	4214479	> STATIONARY RING HOLDER HELIX D27 VP.	1
7.3	4176513	> O-RING FOR PUMP JACKET VP.	1
8	4212724	FILING/PURGING PLUG HELIX ReDTC KIT	1
8.1		> FILLING PLUG MVI6"-304	1
8.2	4177800	> O-RING EPDM PLUG HELIX VP.	1
9	4214483	MECH.SEAL HELIX6-10-16 O/E ReDTC KIT	1
9.1	4177801	> MECH.SEAL HELIX6-10-16 O/E VP.	1
7.3	4176513	> O-RING FOR PUMP JACKET VP.	1
10	4172794	HOUSING PIPES D.152X322 1.4301 KIT	1
7.3	4176513	> O-RING FOR PUMP JACKET VP.	1
10.1		> HOUSING-PIPE Ø152-M+1007-304	1
11	4172791	CENTERING STAGE-RETURN HELIX10 1.4301VP.	1
12	4214517	SHAFT EQUIPMENT HELIX V10 ReDTC KIT	1
12.1		> NUT-H-M10-A4.70	1
12.2		> SERRATED LOCK WASHER M+10M3-316L	1
12.3		> 1/2-SNAP-RING-6/10M3-316L	1
12.4		> STOP-RUSH-1/2-D16xd2-M+316	1
4.11		> SCREW CHC-M6X14-8.8-ISO4762-GEOMET500A	1
4.12		> WASHER D.24 L6U ZINK	1
13		HYDRAULIC HELIX V 1007 1.4307	1
14	4214502	SHAFT D.16X391 HELIX 1.4057 VP.	1

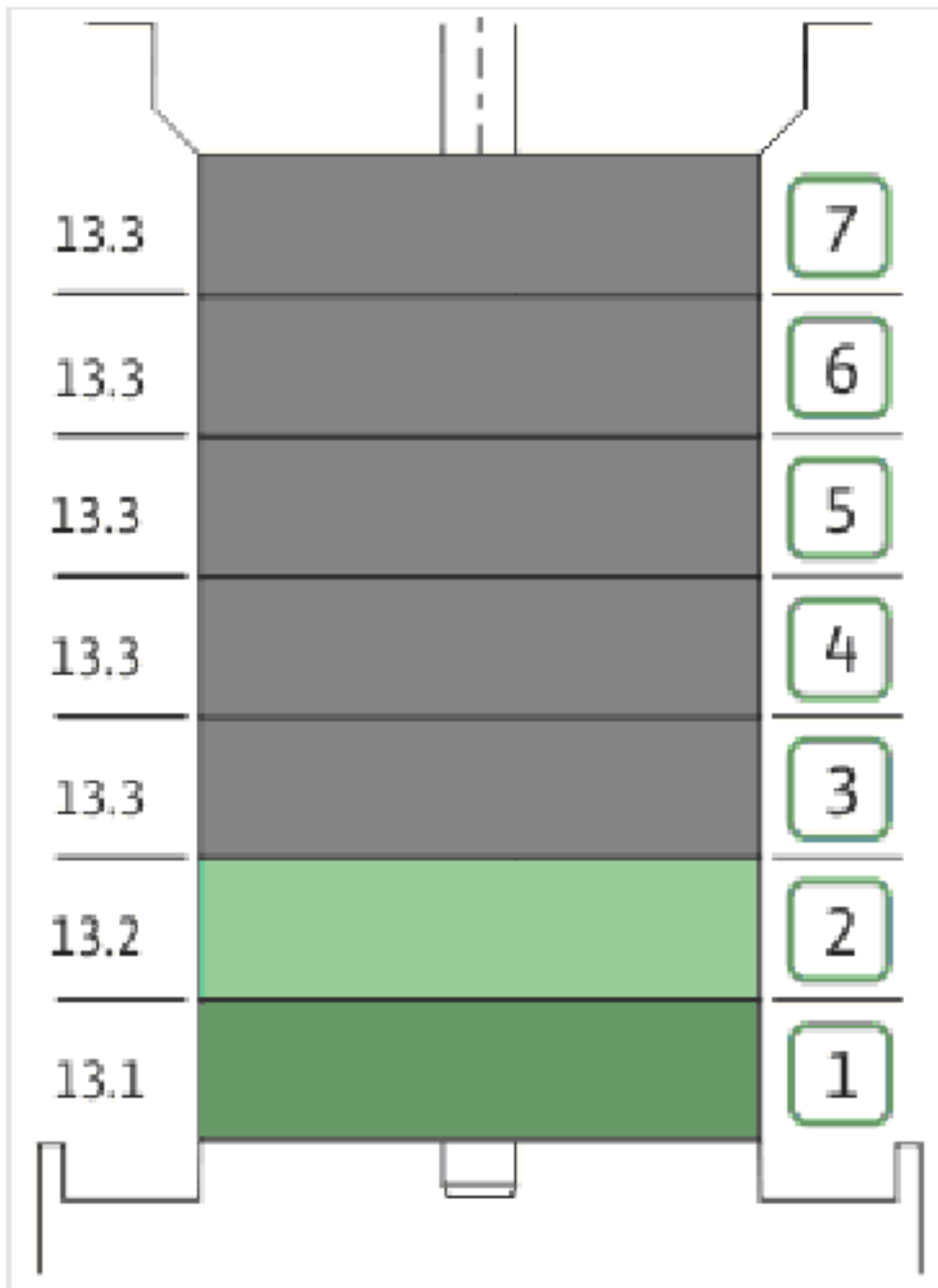
HELIX FIRST V1007-5/25/E/S/400-50 (4200953)

Item	Article no.	Description	Quantity
15	4177878	PUMP HOUSING HELIX V10 DN40 PN30 KIT	1
7.3	4176513	> O-RING FOR PUMP JACKET VP.	1
15.1		> MACH+CATA PUMP CASING M+6" DN40 PN25 GJL	1
15.2	4010032	> FLAT GASKET_Ø40xØ92x2_DN40_PN25_FIBRE	2
15.3	4177877	> PRIMING/DRAIN PLUG HELIX PN30 KIT	1
15.3A		>> PRIMING/DRAIN PLUG M+6" 304	1
15.3B	4233957	>> O-RING ID.9 EPDM VP.	1
15.3C		>> O-RING Ø8xØ2 EPDM KTW/WRC	1



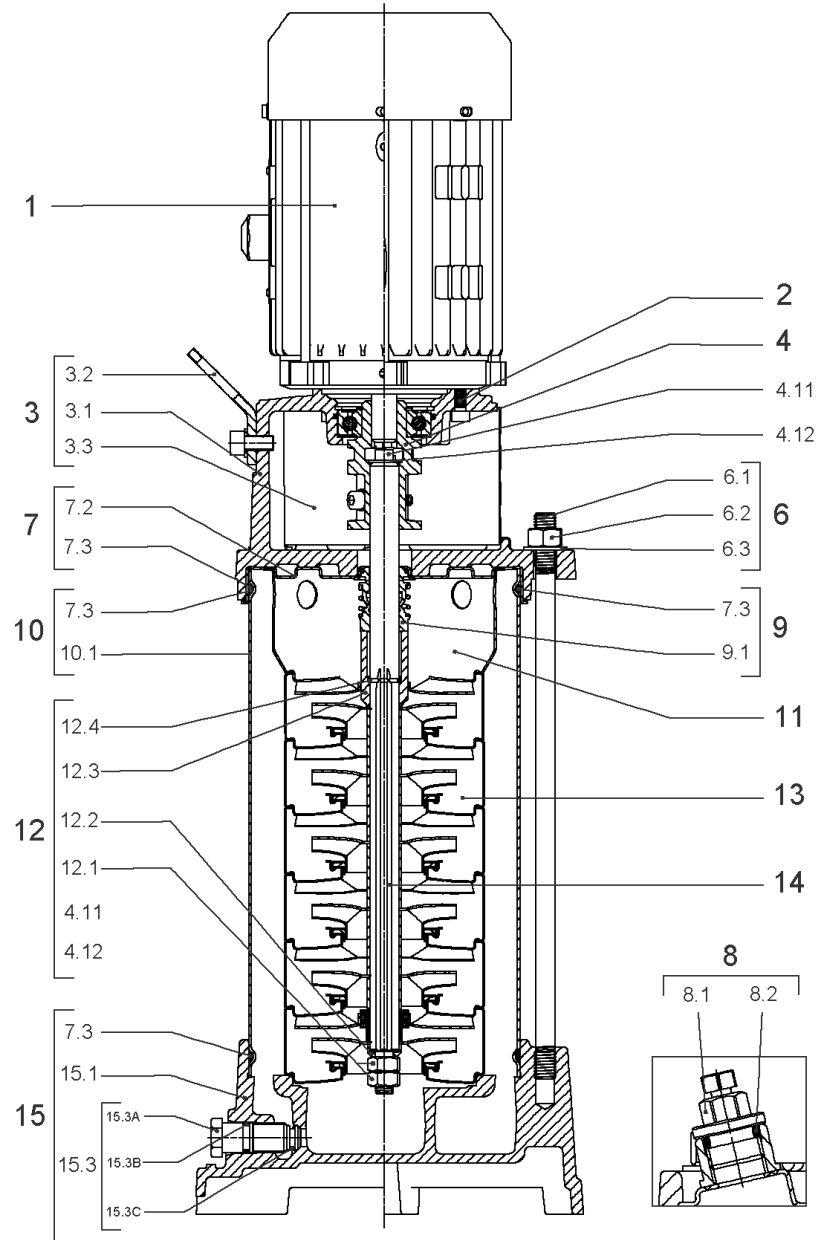
COUPLING D.16XD.28 FT130 HELIX KIT (4159710)

Item	Article no.	Description	Quantity
4.1		COUPLING M+ Ø16XØ28 FT130 MACHINED	1
4.2	2131022	BALL BEARING 6209/ZZ-C3(HT)VP.	1
4.3	4233930	CIRCLIP-FOR-BORES-D45x1,75 VP.	1
4.4	4157726	SCREW KIT M8X30 (4 PIECES)	1
4.5	4234252	CIRCLIPS 85X3 VP.	1
4.6	4234243	O-RING 85X3 VP.	1
		NOMEL CONTACT WASHER 8x16x1,4 STEEL ZC	1



HYDRAULIC HELIX V 1007 1.4307

Item	Article no.	Description	Quantity
13.1	4171331	STAGE HELIX10 1.4301KIT	1
		> MACH.STG-CASING-WOGV-WNR-M+10-304	1
		> IMPELLER-M+10-304	1
13.2	4172792	INTERMEDIATE STAGE HELIX 10 1.4301 KIT	1
		> MACH.BEARING-STG-CASING-WNR-M+10-304	1
		> IMPELLER-M+10-304	1
		> SHAFT SLEEVE-SPACER-Ø19,35x18,465-304	1
		> SHAFT-SLEEVE-D16xD20x18-CW	1
13.3	4172793	INTERMEDIATE STAGE HELIX 10 1.4301 KIT	1
		> MACH.STD-STG-CASING-WGV+NR-M+10-304	1
		> IMPELLER-M+10-304	1
		> IMPELLER SPACER Ø16,05X19,45-L36,465-304	1



HELIX FIRST V1008-5/16/E/S/400-50 (4200954)

Item	Article no.	Description	Quantity
1	4169944	MOTOR 3/2/100 3~230/400V 50HZ IE3 VP.	1
		SPARE PARTS MOTOR:ON REQUEST	1
2	4159707	SCREW M8X30 (4 PIECES)	1
3	4214473	LANTERN FT130 HELIX KIT	1
3.1		> LANT-MOT-VMI-ReDTC6"-FT130-MACHINED+CATA	1
3.2	4184852	> EYELET CPL.FT HELIX (2 PIECES)	1
3.3	4213782	> COUPLING PROTECTOR FT115/130 HELIX KIT	1
4	4159710	COUPLING D.16XD.28 FT130 HELIX KIT	1
6	2018365	STUD BOLT M12X392 KIT	1
7	4214481	STATIONARY RING HOLDER HELIX D27 ReDTC	1
7.2	4214479	> STATIONARY RING HOLDER HELIX D27 VP.	1
7.3	4176513	> O-RING FOR PUMP JACKET VP.	1
8	4212724	FILING/PURGING PLUG HELIX ReDTC KIT	1
8.1		> FILLING PLUG MVI6"-304	1
8.2	4177800	> O-RING EPDM PLUG HELIX VP.	1
9	4214483	MECH.SEAL HELIX6-10-16 O/E ReDTC KIT	1
9.1	4177801	> MECH.SEAL HELIX6-10-16 O/E VP.	1
7.3	4176513	> O-RING FOR PUMP JACKET VP.	1
10	2127578	HOUSING PIPE D.152x360 1.4307 KIT	1
7.3	4176513	> O-RING FOR PUMP JACKET VP.	1
10.1		> HOUSING-PIPE Ø152-M+1008/1606-304	1
11	4172791	CENTERING STAGE-RETURN HELIX10 1.4301VP.	1
12	4214517	SHAFT EQUIPMENT HELIX V10 ReDTC KIT	1
12.1		> NUT-H-M10-A4.70	1
12.2		> SERRATED LOCK WASHER M+10M3-316L	1
12.3		> 1/2-SNAP-RING-6/10M3-316L	1
12.4		> STOP-RUSH-1/2-D16xd2-M+316	1
4.11		> SCREW CHC-M6X14-8.8-ISO4762-GEOMET500A	1
4.12		> WASHER D.24 L6U ZINK	1
13		HYDRAULIC HELIX V 1008 1.4307	1
14	4214504	SHAFT D.16X428 HELIX 1.4057 VP.	1
15	4215103	PUMP HOUSING HELIX V10 DN50/H80 PN16 KIT	1
15.1		> MACH+CAT.PP HOUSI.M+6'' D50/H80-PN16 GJL	1
15.2	4233954	> O-RING ID.66 EPDM VP.	1

HELIX FIRST V1008-5/16/E/S/400-50 (4200954)

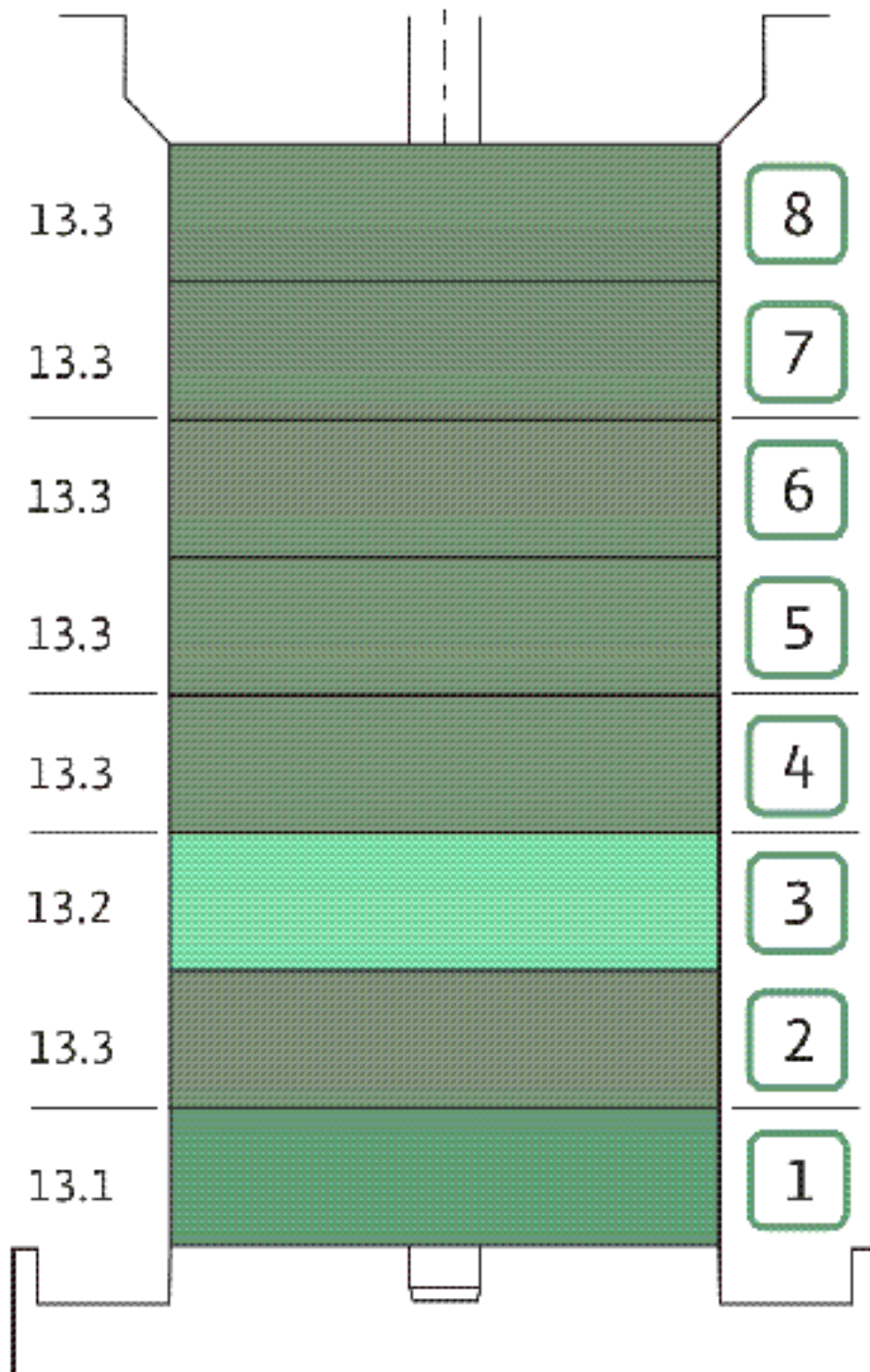


Item	Article no.	Description	Quantity
15.3	4215098	> PRIMING/DRAIN PLUG HELIX PN16 KIT	1
7.3	4176513	> O-RING FOR PUMP JACKET VP.	1



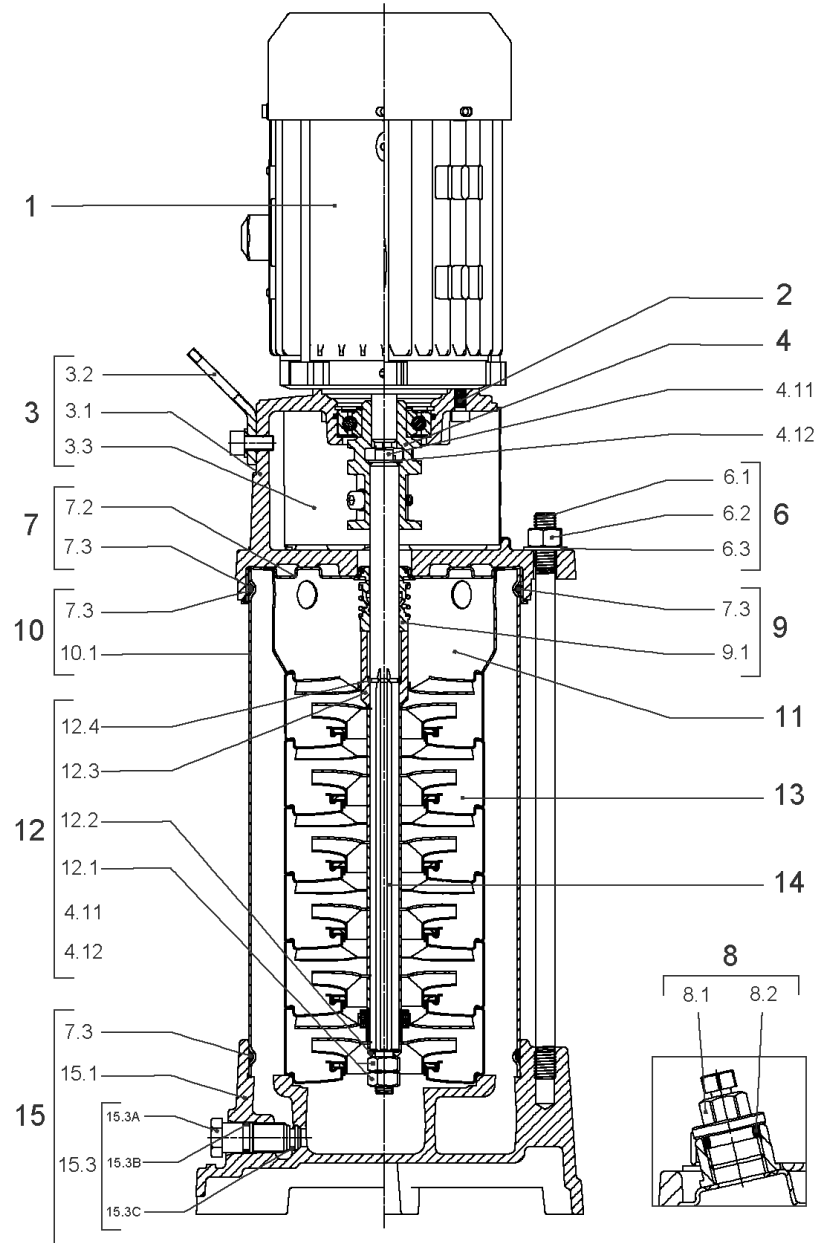
COUPLING D.16XD.28 FT130 HELIX KIT (4159710)

Item	Article no.	Description	Quantity
4.1		COUPLING M+ Ø16XØ28 FT130 MACHINED	1
4.2	2131022	BALL BEARING 6209/ZZ-C3(HT)VP.	1
4.3	4233930	CIRCLIP-FOR-BORES-D45x1,75 VP.	1
4.4	4157726	SCREW KIT M8X30 (4 PIECES)	1
4.5	4234252	CIRCLIPS 85X3 VP.	1
4.6	4234243	O-RING 85X3 VP.	1
		NOMEL CONTACT WASHER 8x16x1,4 STEEL ZC	1



HYDRAULIC HELIX V 1008 1.4307

Item	Article no.	Description	Quantity
13.1	4171331	STAGE HELIX10 1.4301KIT	1
		> MACH.STG-CASING-WOGV-WNR-M+10-304	1
		> IMPELLER-M+10-304	1
13.2	4172792	INTERMEDIATE STAGE HELIX 10 1.4301 KIT	1
		> MACH.BEARING-STG-CASING-WNR-M+10-304	1
		> IMPELLER-M+10-304	1
		> SHAFT SLEEVE-SPACER-Ø19,35x18,465-304	1
		> SHAFT-SLEEVE-D16xD20x18-CW	1
13.3	4172793	INTERMEDIATE STAGE HELIX 10 1.4301 KIT	1
		> MACH.STD-STG-CASING-WGV+NR-M+10-304	1
		> IMPELLER-M+10-304	1
		> IMPELLER SPACER Ø16,05X19,45-L36,465-304	1



HELIX FIRST V1008-5/25/E/S/400-50 (4200956)

Item	Article no.	Description	Quantity
1	4169944	MOTOR 3/2/100 3~230/400V 50HZ IE3 VP.	1
		SPARE PARTS MOTOR:ON REQUEST	1
2	4159707	SCREW M8X30 (4 PIECES)	1
3	4214473	LANTERN FT130 HELIX KIT	1
3.1		> LANT-MOT-VMI-ReDTC6"-FT130-MACHINED+CATA	1
3.2	4184852	> EYELET CPL.FT HELIX (2 PIECES)	1
3.3	4213782	> COUPLING PROTECTOR FT115/130 HELIX KIT	1
4	4159710	COUPLING D.16XD.28 FT130 HELIX KIT	1
6	2018365	STUD BOLT M12X392 KIT	1
7	4214481	STATIONARY RING HOLDER HELIX D27 ReDTC	1
7.2	4214479	> STATIONARY RING HOLDER HELIX D27 VP.	1
7.3	4176513	> O-RING FOR PUMP JACKET VP.	1
8	4212724	FILING/PURGING PLUG HELIX ReDTC KIT	1
8.1		> FILLING PLUG MVI6"-304	1
8.2	4177800	> O-RING EPDM PLUG HELIX VP.	1
9	4214483	MECH.SEAL HELIX6-10-16 O/E ReDTC KIT	1
9.1	4177801	> MECH.SEAL HELIX6-10-16 O/E VP.	1
7.3	4176513	> O-RING FOR PUMP JACKET VP.	1
10	2127578	HOUSING PIPE D.152x360 1.4307 KIT	1
7.3	4176513	> O-RING FOR PUMP JACKET VP.	1
10.1		> HOUSING-PIPE Ø152-M+1008/1606-304	1
11	4172791	CENTERING STAGE-RETURN HELIX10 1.4301VP.	1
12	4214517	SHAFT EQUIPMENT HELIX V10 ReDTC KIT	1
12.1		> NUT-H-M10-A4.70	1
12.2		> SERRATED LOCK WASHER M+10M3-316L	1
12.3		> 1/2-SNAP-RING-6/10M3-316L	1
12.4		> STOP-RUSH-1/2-D16xd2-M+316	1
4.11		> SCREW CHC-M6X14-8.8-ISO4762-GEOMET500A	1
4.12		> WASHER D.24 L6U ZINK	1
13		HYDRAULIC HELIX V 1008 1.4307	1
14	4214504	SHAFT D.16X428 HELIX 1.4057 VP.	1
15	4177878	PUMP HOUSING HELIX V10 DN40 PN30 KIT	1
7.3	4176513	> O-RING FOR PUMP JACKET VP.	1
15.1		> MACH+CATA PUMP CASING M+6" DN40 PN25 GJL	1

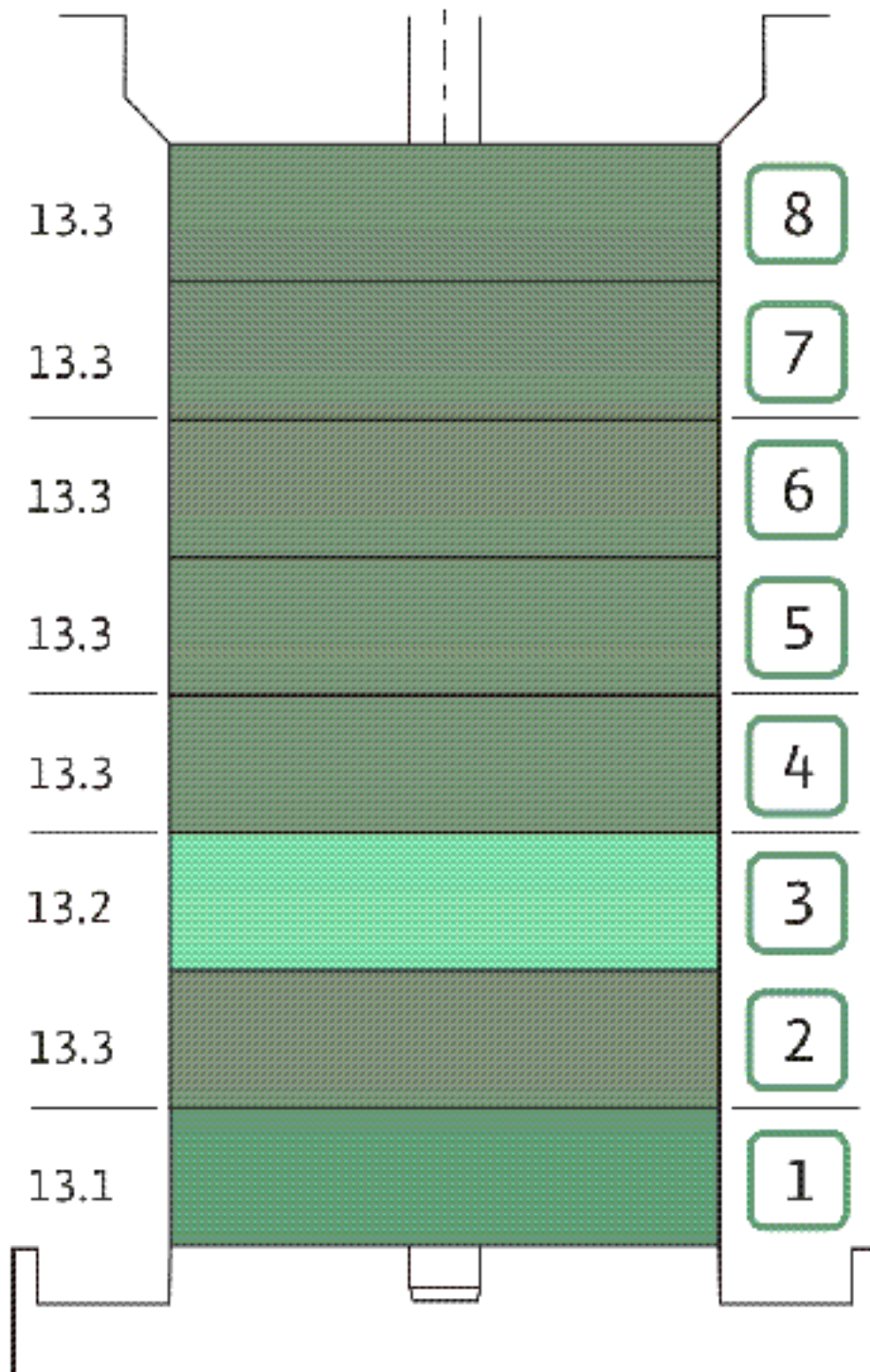
HELIX FIRST V1008-5/25/E/S/400-50 (4200956)

Item	Article no.	Description	Quantity
15.2	4010032	> FLAT GASKET_Ø40xØ92x2_DN40_PN25_FIBRE	2
15.3	4177877	> PRIMING/DRAIN PLUG HELIX PN30 KIT	1
15.3A		>> PRIMING/DRAIN PLUG M+6" 304	1
15.3B	4233957	>> O-RING ID.9 EPDM VP.	1
15.3C		>> O-RING Ø8xØ2 EPDM KTW/WRC	1



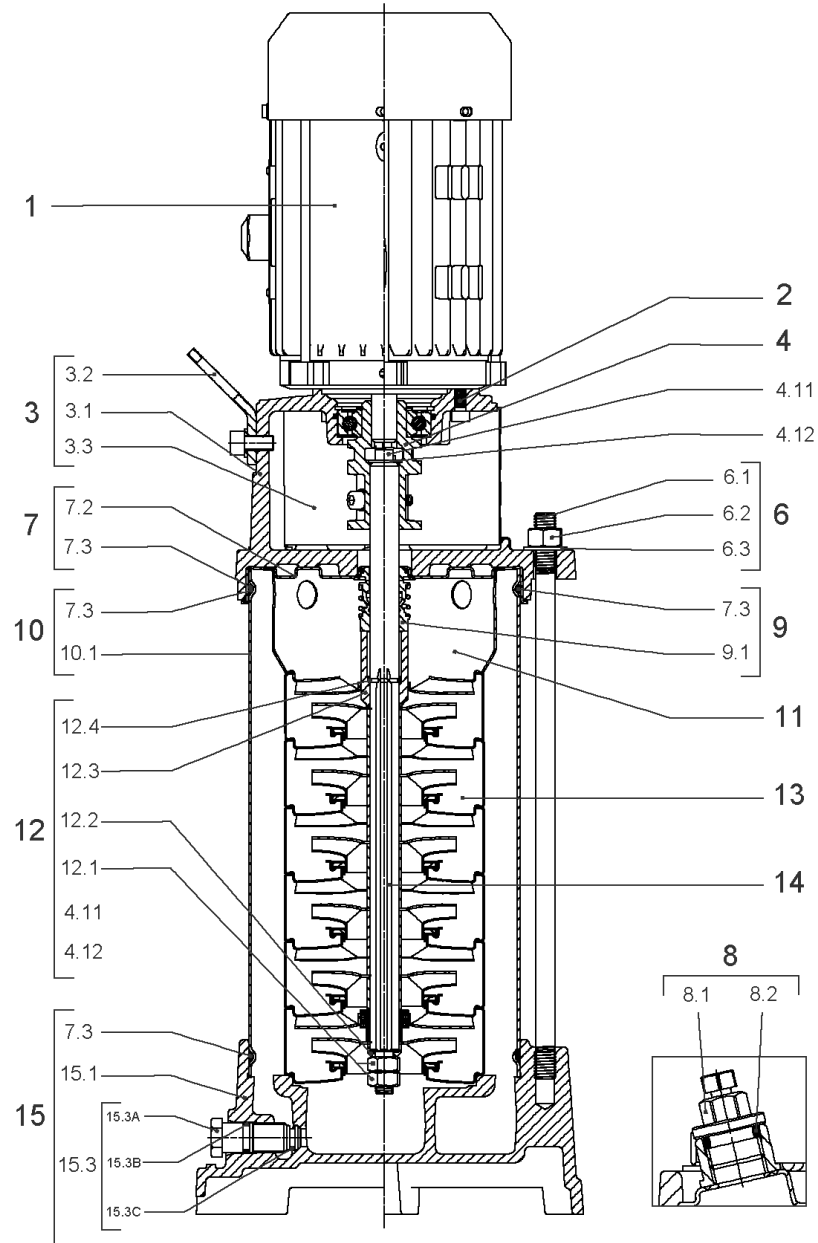
COUPLING D.16XD.28 FT130 HELIX KIT (4159710)

Item	Article no.	Description	Quantity
4.1		COUPLING M+ Ø16XØ28 FT130 MACHINED	1
4.2	2131022	BALL BEARING 6209/ZZ-C3(HT)VP.	1
4.3	4233930	CIRCLIP-FOR-BORES-D45x1,75 VP.	1
4.4	4157726	SCREW KIT M8X30 (4 PIECES)	1
4.5	4234252	CIRCLIPS 85X3 VP.	1
4.6	4234243	O-RING 85X3 VP.	1
		NOMEL CONTACT WASHER 8x16x1,4 STEEL ZC	1



HYDRAULIC HELIX V 1008 1.4307

Item	Article no.	Description	Quantity
13.1	4171331	STAGE HELIX10 1.4301KIT	1
		> MACH.STG-CASING-WOGV-WNR-M+10-304	1
		> IMPELLER-M+10-304	1
13.2	4172792	INTERMEDIATE STAGE HELIX 10 1.4301 KIT	1
		> MACH.BEARING-STG-CASING-WNR-M+10-304	1
		> IMPELLER-M+10-304	1
		> SHAFT SLEEVE-SPACER-Ø19,35x18,465-304	1
		> SHAFT-SLEEVE-D16xD20x18-CW	1
13.3	4172793	INTERMEDIATE STAGE HELIX 10 1.4301 KIT	1
		> MACH.STD-STG-CASING-WGV+NR-M+10-304	1
		> IMPELLER-M+10-304	1
		> IMPELLER SPACER Ø16,05X19,45-L36,465-304	1



HELIX FIRST V1009-5/16/E/S/400-50 (4200957)

Item	Article no.	Description	Quantity
1	4169945	MO.4/2 3~230/400(460)V 50(60)HZ IE3 VP.	1
		SPARE PARTS MOTOR:ON REQUEST	1
2	4159707	SCREW M8X30 (4 PIECES)	1
3	4214473	LANTERN FT130 HELIX KIT	1
3.1		> LANT-MOT-VMI-ReDTC6"-FT130-MACHINED+CATA	1
3.2	4184852	> EYELET CPL.FT HELIX (2 PIECES)	1
3.3	4213782	> COUPLING PROTECTOR FT115/130 HELIX KIT	1
4	4159710	COUPLING D.16XD.28 FT130 HELIX KIT	1
6	4214980	STUD BOLT HELIX M12X429 KIT	1
6.1		> TIE BOLT M12-429x18x30-1.4057	1
6.2	2094647	> NUT M12 M12 ISO4032 VP.	1
6.3	2123557	> WASHER CS-12.4-24-1.6-NFE25 (4 PIECES)	1
7	4214481	STATIONARY RING HOLDER HELIX D27 ReDTC	1
7.2	4214479	> STATIONARY RING HOLDER HELIX D27 VP.	1
7.3	4176513	> O-RING FOR PUMP JACKET VP.	1
8	4212724	FILING/PURGING PLUG HELIX ReDTC KIT	1
8.1		> FILLING PLUG MVI6"-304	1
8.2	4177800	> O-RING EPDM PLUG HELIX VP.	1
9	4214483	MECH.SEAL HELIX6-10-16 O/E ReDTC KIT	1
9.1	4177801	> MECH.SEAL HELIX6-10-16 O/E VP.	1
7.3	4176513	> O-RING FOR PUMP JACKET VP.	1
10	4177833	HOUSING PIPES D.152X397 1.4301 KIT	1
7.3	4176513	> O-RING FOR PUMP JACKET VP.	1
10.1		> HOUSING-PIPE Ø152-M+1009-304	1
11	4172791	CENTERING STAGE-RETURN HELIX10 1.4301VP.	1
12	4214517	SHAFT EQUIPMENT HELIX V10 ReDTC KIT	1
12.1		> NUT-H-M10-A4.70	1
12.2		> SERRATED LOCK WASHER M+10M3-316L	1
12.3		> 1/2-SNAP-RING-6/10M3-316L	1
12.4		> STOP-RUSH-1/2-D16xd2-M+316	1
4.11		> SCREW CHC-M6X14-8.8-ISO4762-GEOMET500A	1
4.12		> WASHER D.24 L6U ZINK	1
13		HYDRAULIC HELIX V 1009 1.4307	1
14	4214506	SHAFT D.16X466 HELIX 1.4057 VP.	1

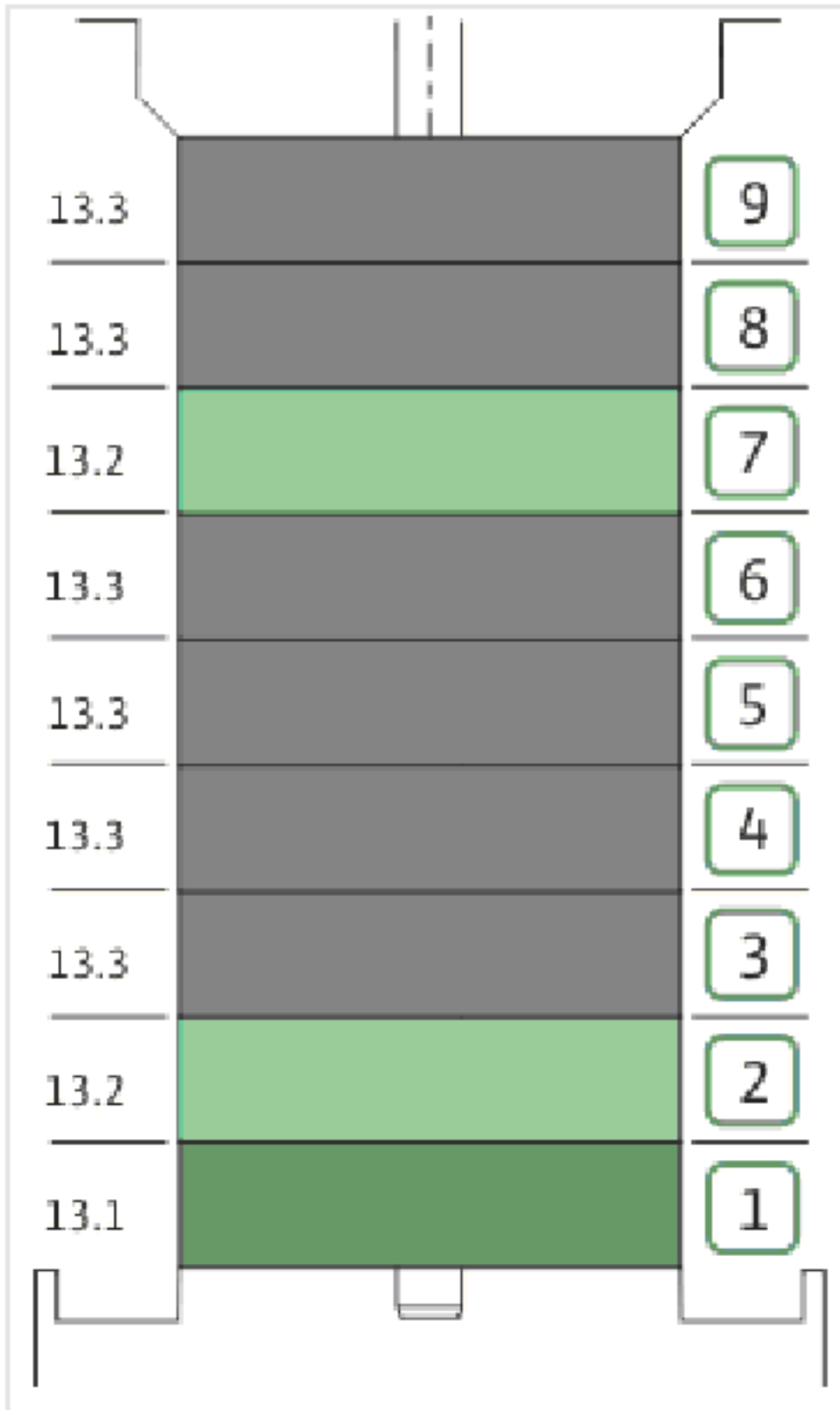
HELIX FIRST V1009-5/16/E/S/400-50 (4200957)

Item	Article no.	Description	Quantity
15	4215103	PUMP HOUSING HELIX V10 DN50/H80 PN16 KIT	1
15.1		> MACH+CAT.PP HOUSI.M+6'' D50/H80-PN16 GJL	1
15.2	4233954	> O-RING ID.66 EPDM VP.	1
15.3	4215098	> PRIMING/DRAIN PLUG HELIX PN16 KIT	1
7.3	4176513	> O-RING FOR PUMP JACKET VP.	1



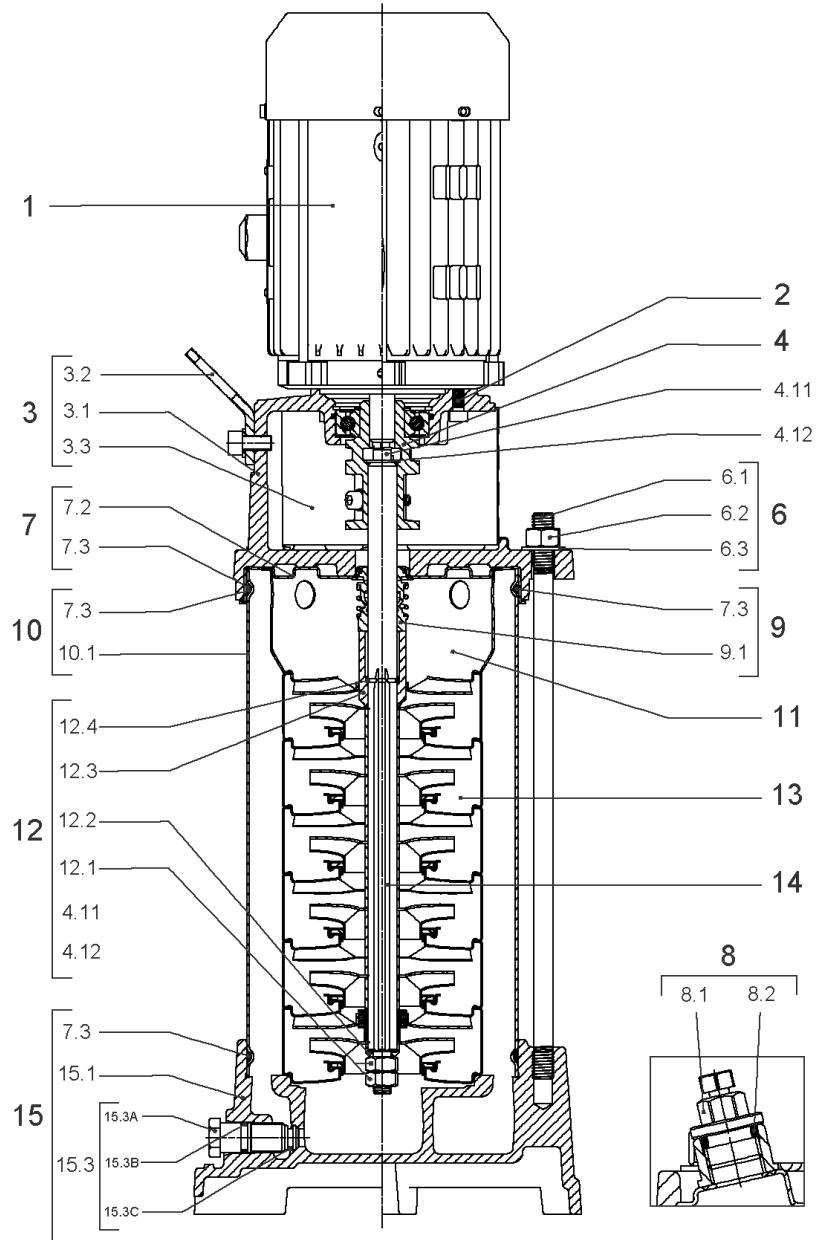
COUPLING D.16XD.28 FT130 HELIX KIT (4159710)

Item	Article no.	Description	Quantity
4.1		COUPLING M+ Ø16XØ28 FT130 MACHINED	1
4.2	2131022	BALL BEARING 6209/ZZ-C3(HT)VP.	1
4.3	4233930	CIRCLIP-FOR-BORES-D45x1,75 VP.	1
4.4	4157726	SCREW KIT M8X30 (4 PIECES)	1
4.5	4234252	CIRCLIPS 85X3 VP.	1
4.6	4234243	O-RING 85X3 VP.	1
		NOMEL CONTACT WASHER 8x16x1,4 STEEL ZC	1



HYDRAULIC HELIX V 1009 1.4307

Item	Article no.	Description	Quantity
13.1	4171331	STAGE HELIX10 1.4301KIT	1
		> MACH.STG-CASING-WOGV-WNR-M+10-304	1
		> IMPELLER-M+10-304	1
13.2	4172792	INTERMEDIATE STAGE HELIX 10 1.4301 KIT	1
		> MACH.BEARING-STG-CASING-WNR-M+10-304	1
		> IMPELLER-M+10-304	1
		> SHAFT SLEEVE-SPACER-Ø19,35x18,465-304	1
		> SHAFT-SLEEVE-D16xD20x18-CW	1
13.3	4172793	INTERMEDIATE STAGE HELIX 10 1.4301 KIT	1
		> MACH.STD-STG-CASING-WGV+NR-M+10-304	1
		> IMPELLER-M+10-304	1
		> IMPELLER SPACER Ø16,05X19,45-L36,465-304	1



HELIX FIRST V1009-5/25/E/S/400-50 (4200959)

Item	Article no.	Description	Quantity
1	4169945	MO.4/2 3~230/400(460)V 50(60)HZ IE3 VP.	1
		SPARE PARTS MOTOR:ON REQUEST	1
2	4159707	SCREW M8X30 (4 PIECES)	1
3	4214473	LANTERN FT130 HELIX KIT	1
3.1		> LANT-MOT-VMI-ReDTC6"-FT130-MACHINED+CATA	1
3.2	4184852	> EYELET CPL.FT HELIX (2 PIECES)	1
3.3	4213782	> COUPLING PROTECTOR FT115/130 HELIX KIT	1
4	4159710	COUPLING D.16XD.28 FT130 HELIX KIT	1
6	4214980	STUD BOLT HELIX M12X429 KIT	1
6.1		> TIE BOLT M12-429x18x30-1.4057	1
6.2	2094647	> NUT M12 M12 ISO4032 VP.	1
6.3	2123557	> WASHER CS-12.4-24-1.6-NFE25 (4 PIECES)	1
7	4214481	STATIONARY RING HOLDER HELIX D27 ReDTC	1
7.2	4214479	> STATIONARY RING HOLDER HELIX D27 VP.	1
7.3	4176513	> O-RING FOR PUMP JACKET VP.	1
8	4212724	FILING/PURGING PLUG HELIX ReDTC KIT	1
8.1		> FILLING PLUG MVI6"-304	1
8.2	4177800	> O-RING EPDM PLUG HELIX VP.	1
9	4214483	MECH.SEAL HELIX6-10-16 O/E ReDTC KIT	1
9.1	4177801	> MECH.SEAL HELIX6-10-16 O/E VP.	1
7.3	4176513	> O-RING FOR PUMP JACKET VP.	1
10	4177833	HOUSING PIPES D.152X397 1.4301 KIT	1
7.3	4176513	> O-RING FOR PUMP JACKET VP.	1
10.1		> HOUSING-PIPE Ø152-M+1009-304	1
11	4172791	CENTERING STAGE-RETURN HELIX10 1.4301VP.	1
12	4214517	SHAFT EQUIPMENT HELIX V10 ReDTC KIT	1
12.1		> NUT-H-M10-A4.70	1
12.2		> SERRATED LOCK WASHER M+10M3-316L	1
12.3		> 1/2-SNAP-RING-6/10M3-316L	1
12.4		> STOP-RUSH-1/2-D16xd2-M+316	1
4.11		> SCREW CHC-M6X14-8.8-ISO4762-GEOMET500A	1
4.12		> WASHER D.24 L6U ZINK	1
13		HYDRAULIC HELIX V 1009 1.4307	1
14	4214506	SHAFT D.16X466 HELIX 1.4057 VP.	1

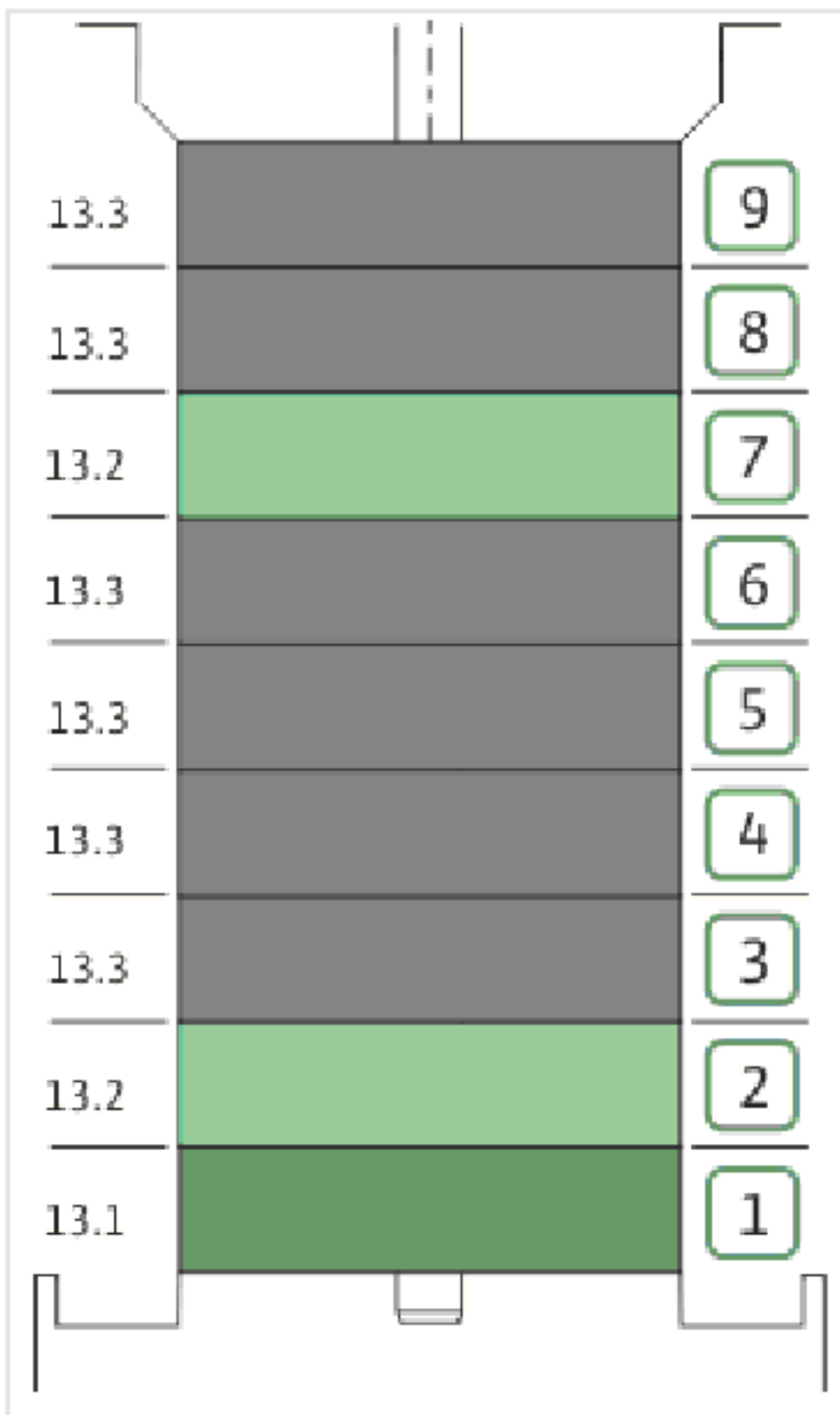
HELIX FIRST V1009-5/25/E/S/400-50 (4200959)

Item	Article no.	Description	Quantity
15	4177878	PUMP HOUSING HELIX V10 DN40 PN30 KIT	1
7.3	4176513	> O-RING FOR PUMP JACKET VP.	1
15.1		> MACH+CATA PUMP CASING M+6" DN40 PN25 GJL	1
15.2	4010032	> FLAT GASKET_Ø40xØ92x2_DN40_PN25_FIBRE	2
15.3	4177877	> PRIMING/DRAIN PLUG HELIX PN30 KIT	1
15.3A		>> PRIMING/DRAIN PLUG M+6" 304	1
15.3B	4233957	>> O-RING ID.9 EPDM VP.	1
15.3C		>> O-RING Ø8xØ2 EPDM KTW/WRC	1



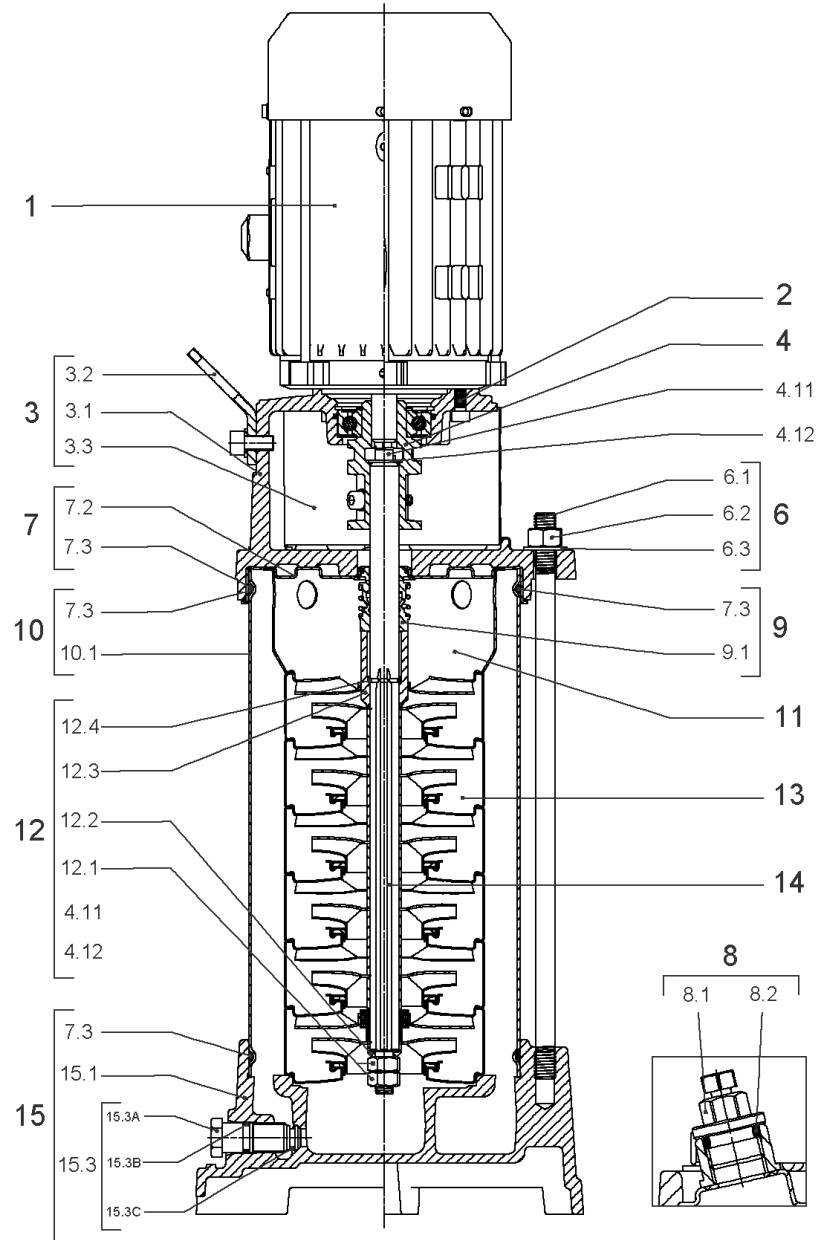
COUPLING D.16XD.28 FT130 HELIX KIT (4159710)

Item	Article no.	Description	Quantity
4.1		COUPLING M+ Ø16XØ28 FT130 MACHINED	1
4.2	2131022	BALL BEARING 6209/ZZ-C3(HT)VP.	1
4.3	4233930	CIRCLIP-FOR-BORES-D45x1,75 VP.	1
4.4	4157726	SCREW KIT M8X30 (4 PIECES)	1
4.5	4234252	CIRCLIPS 85X3 VP.	1
4.6	4234243	O-RING 85X3 VP.	1
		NOMEL CONTACT WASHER 8x16x1,4 STEEL ZC	1



HYDRAULIC HELIX V 1009 1.4307

Item	Article no.	Description	Quantity
13.1	4171331	STAGE HELIX10 1.4301KIT	1
		> MACH.STG-CASING-WOGV-WNR-M+10-304	1
		> IMPELLER-M+10-304	1
13.2	4172792	INTERMEDIATE STAGE HELIX 10 1.4301 KIT	1
		> MACH.BEARING-STG-CASING-WNR-M+10-304	1
		> IMPELLER-M+10-304	1
		> SHAFT SLEEVE-SPACER-Ø19,35x18,465-304	1
		> SHAFT-SLEEVE-D16xD20x18-CW	1
13.3	4172793	INTERMEDIATE STAGE HELIX 10 1.4301 KIT	1
		> MACH.STD-STG-CASING-WGV+NR-M+10-304	1
		> IMPELLER-M+10-304	1
		> IMPELLER SPACER Ø16,05X19,45-L36,465-304	1



HELIX FIRST V1010-5/16/E/S/400-50 (4200960)

Item	Article no.	Description	Quantity
1	4169945	MO.4/2 3~230/400(460)V 50(60)HZ IE3 VP.	1
		SPARE PARTS MOTOR:ON REQUEST	1
2	4159707	SCREW M8X30 (4 PIECES)	1
3	4214473	LANTERN FT130 HELIX KIT	1
3.1		> LANT-MOT-VMI-ReDTC6"-FT130-MACHINED+CATA	1
3.2	4184852	> EYELET CPL.FT HELIX (2 PIECES)	1
3.3	4213782	> COUPLING PROTECTOR FT115/130 HELIX KIT	1
4	4159710	COUPLING D.16XD.28 FT130 HELIX KIT	1
6	4178605	STUD BOLT M12X469 KIT	1
6.1		> TIE BOLT M12-469x18x30-1.4057	1
6.2	2094647	> NUT M12 M12 ISO4032 VP.	1
6.3	2123557	> WASHER CS-12.4-24-1.6-NFE25 (4 PIECES)	1
7	4214481	STATIONARY RING HOLDER HELIX D27 ReDTC	1
7.2	4214479	> STATIONARY RING HOLDER HELIX D27 VP.	1
7.3	4176513	> O-RING FOR PUMP JACKET VP.	1
8	4212724	FILING/PURGING PLUG HELIX ReDTC KIT	1
8.1		> FILLING PLUG MVI6"-304	1
8.2	4177800	> O-RING EPDM PLUG HELIX VP.	1
9	4214483	MECH.SEAL HELIX6-10-16 O/E ReDTC KIT	1
9.1	4177801	> MECH.SEAL HELIX6-10-16 O/E VP.	1
7.3	4176513	> O-RING FOR PUMP JACKET VP.	1
10	4177839	HOUSING PIPES D.152X435 1.4301 KIT	1
7.3	4176513	> O-RING FOR PUMP JACKET VP.	1
10.1		> HOUSING-PIPE Ø152-M+1010-304	1
11	4172791	CENTERING STAGE-RETURN HELIX10 1.4301VP.	1
12	4214517	SHAFT EQUIPMENT HELIX V10 ReDTC KIT	1
12.1		> NUT-H-M10-A4.70	1
12.2		> SERRATED LOCK WASHER M+10M3-316L	1
12.3		> 1/2-SNAP-RING-6/10M3-316L	1
12.4		> STOP-RUSH-1/2-D16xd2-M+316	1
4.11		> SCREW CHC-M6X14-8.8-ISO4762-GEOMET500A	1
4.12		> WASHER D.24 L6U ZINK	1
13		HYDRAULIC HELIX V 1010 1.4307	1
14	4214508	SHAFT D.16X503 HELIX 1.4057 VP.	1

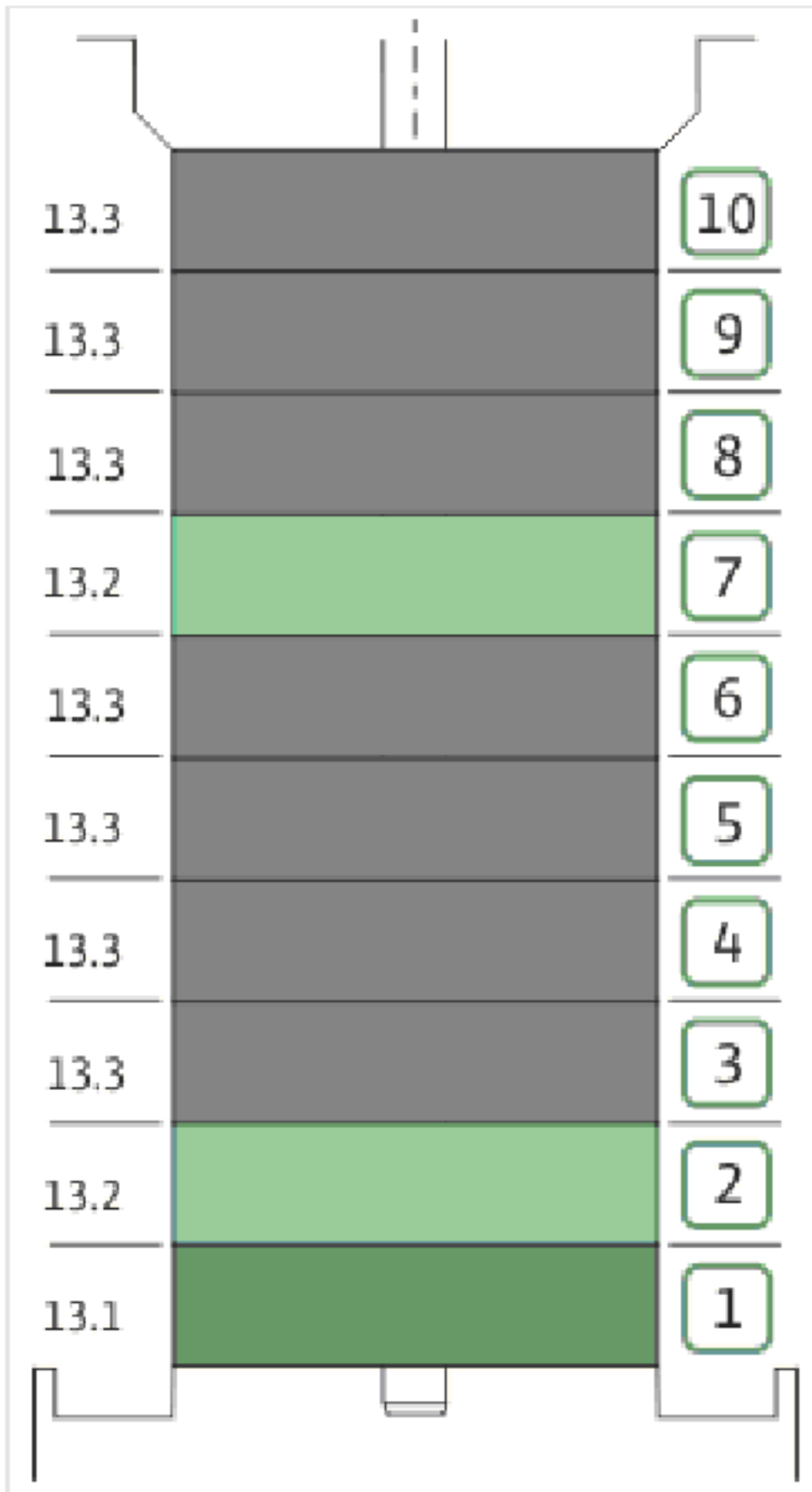
HELIX FIRST V1010-5/16/E/S/400-50 (4200960)

Item	Article no.	Description	Quantity
15	4215103	PUMP HOUSING HELIX V10 DN50/H80 PN16 KIT	1
15.1		> MACH+CAT.PP HOUSI.M+6'' D50/H80-PN16 GJL	1
15.2	4233954	> O-RING ID.66 EPDM VP.	1
15.3	4215098	> PRIMING/DRAIN PLUG HELIX PN16 KIT	1
7.3	4176513	> O-RING FOR PUMP JACKET VP.	1



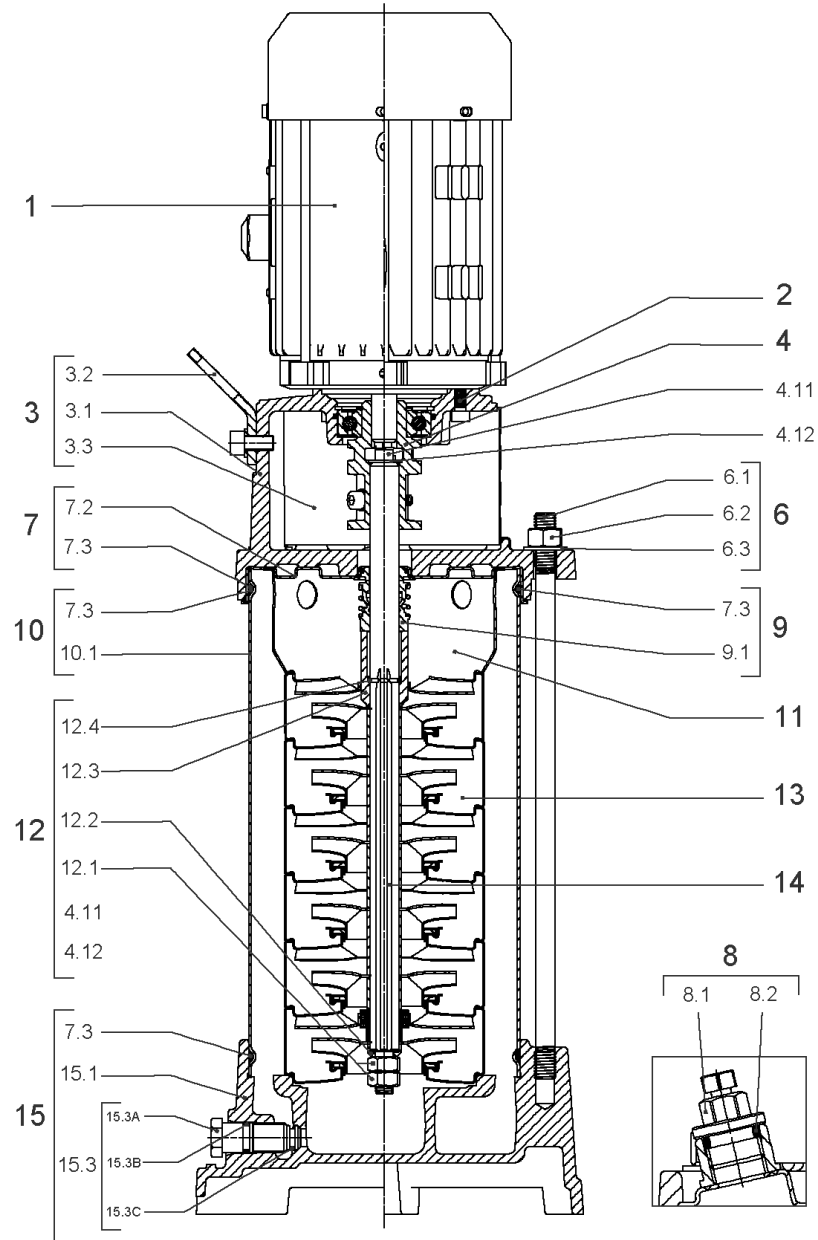
COUPLING D.16XD.28 FT130 HELIX KIT (4159710)

Item	Article no.	Description	Quantity
4.1		COUPLING M+ Ø16XØ28 FT130 MACHINED	1
4.2	2131022	BALL BEARING 6209/ZZ-C3(HT)VP.	1
4.3	4233930	CIRCLIP-FOR-BORES-D45x1,75 VP.	1
4.4	4157726	SCREW KIT M8X30 (4 PIECES)	1
4.5	4234252	CIRCLIPS 85X3 VP.	1
4.6	4234243	O-RING 85X3 VP.	1
		NOMEL CONTACT WASHER 8x16x1,4 STEEL ZC	1



HYDRAULIC HELIX V 1010 1.4307

Item	Article no.	Description	Quantity
13.1	4171331	STAGE HELIX10 1.4301KIT	1
		> MACH.STG-CASING-WOGV-WNR-M+10-304	1
		> IMPELLER-M+10-304	1
13.2	4172792	INTERMEDIATE STAGE HELIX 10 1.4301 KIT	1
		> MACH.BEARING-STG-CASING-WNR-M+10-304	1
		> IMPELLER-M+10-304	1
		> SHAFT SLEEVE-SPACER-Ø19,35x18,465-304	1
		> SHAFT-SLEEVE-D16xD20x18-CW	1
13.3	4172793	INTERMEDIATE STAGE HELIX 10 1.4301 KIT	1
		> MACH.STD-STG-CASING-WGV+NR-M+10-304	1
		> IMPELLER-M+10-304	1
		> IMPELLER SPACER Ø16,05X19,45-L36,465-304	1

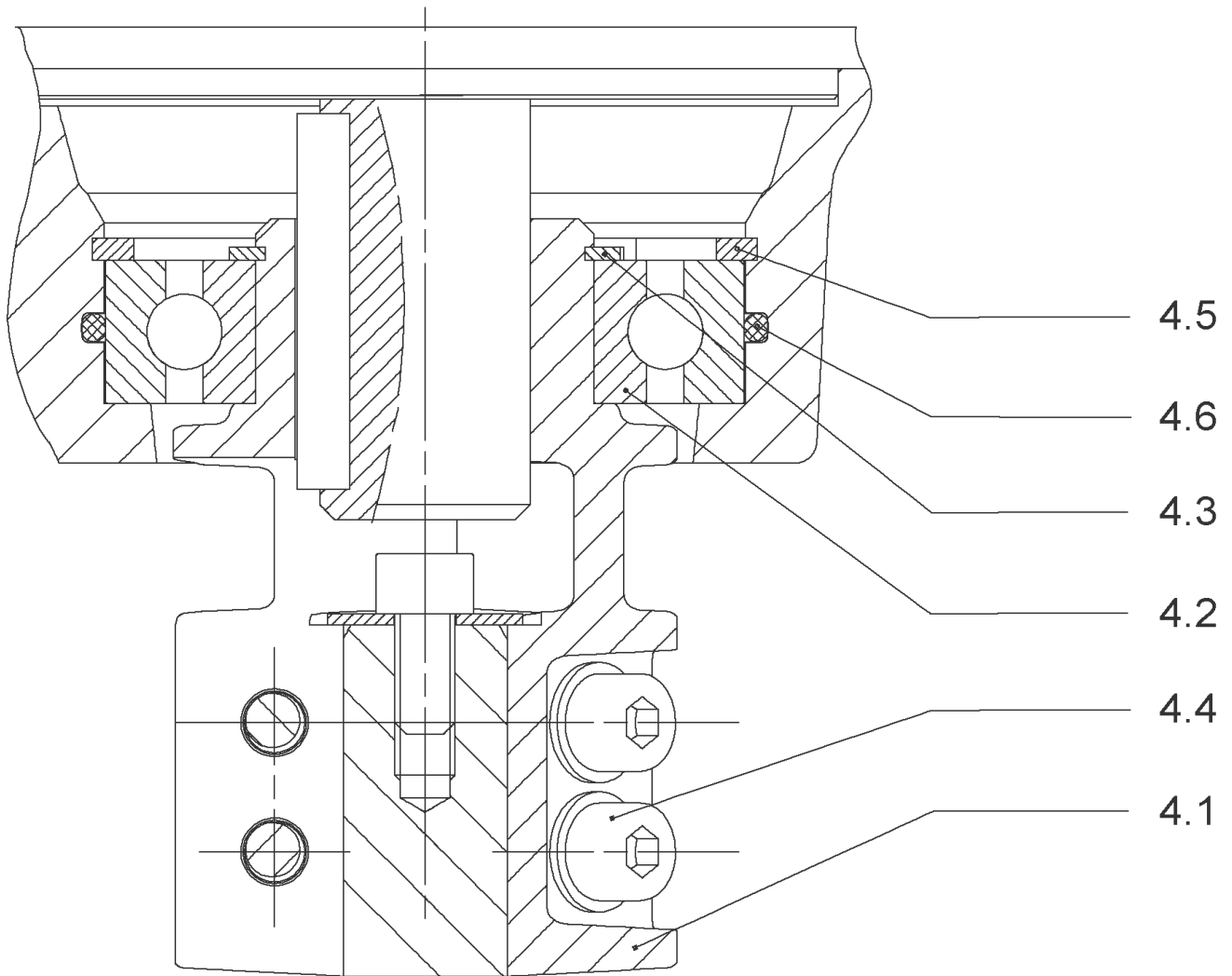


HELIX FIRST V1010-5/25/E/S/400-50 (4200962)

Item	Article no.	Description	Quantity
1	4169945	MO.4/2 3~230/400(460)V 50(60)HZ IE3 VP.	1
		SPARE PARTS MOTOR:ON REQUEST	1
2	4159707	SCREW M8X30 (4 PIECES)	1
3	4214473	LANTERN FT130 HELIX KIT	1
3.1		> LANT-MOT-VMI-ReDTC6"-FT130-MACHINED+CATA	1
3.2	4184852	> EYELET CPL.FT HELIX (2 PIECES)	1
3.3	4213782	> COUPLING PROTECTOR FT115/130 HELIX KIT	1
4	4159710	COUPLING D.16XD.28 FT130 HELIX KIT	1
6	4178605	STUD BOLT M12X469 KIT	1
6.1		> TIE BOLT M12-469x18x30-1.4057	1
6.2	2094647	> NUT M12 M12 ISO4032 VP.	1
6.3	2123557	> WASHER CS-12.4-24-1.6-NFE25 (4 PIECES)	1
7	4214481	STATIONARY RING HOLDER HELIX D27 ReDTC	1
7.2	4214479	> STATIONARY RING HOLDER HELIX D27 VP.	1
7.3	4176513	> O-RING FOR PUMP JACKET VP.	1
8	4212724	FILING/PURGING PLUG HELIX ReDTC KIT	1
8.1		> FILLING PLUG MVI6"-304	1
8.2	4177800	> O-RING EPDM PLUG HELIX VP.	1
9	4214483	MECH.SEAL HELIX6-10-16 O/E ReDTC KIT	1
9.1	4177801	> MECH.SEAL HELIX6-10-16 O/E VP.	1
7.3	4176513	> O-RING FOR PUMP JACKET VP.	1
10	4177839	HOUSING PIPES D.152X435 1.4301 KIT	1
7.3	4176513	> O-RING FOR PUMP JACKET VP.	1
10.1		> HOUSING-PIPE Ø152-M+1010-304	1
11	4172791	CENTERING STAGE-RETURN HELIX10 1.4301VP.	1
12	4214517	SHAFT EQUIPMENT HELIX V10 ReDTC KIT	1
12.1		> NUT-H-M10-A4.70	1
12.2		> SERRATED LOCK WASHER M+10M3-316L	1
12.3		> 1/2-SNAP-RING-6/10M3-316L	1
12.4		> STOP-RUSH-1/2-D16xd2-M+316	1
4.11		> SCREW CHC-M6X14-8.8-ISO4762-GEOMET500A	1
4.12		> WASHER D.24 L6U ZINK	1
13		HYDRAULIC HELIX V 1010 1.4307	1
14	4214508	SHAFT D.16X503 HELIX 1.4057 VP.	1

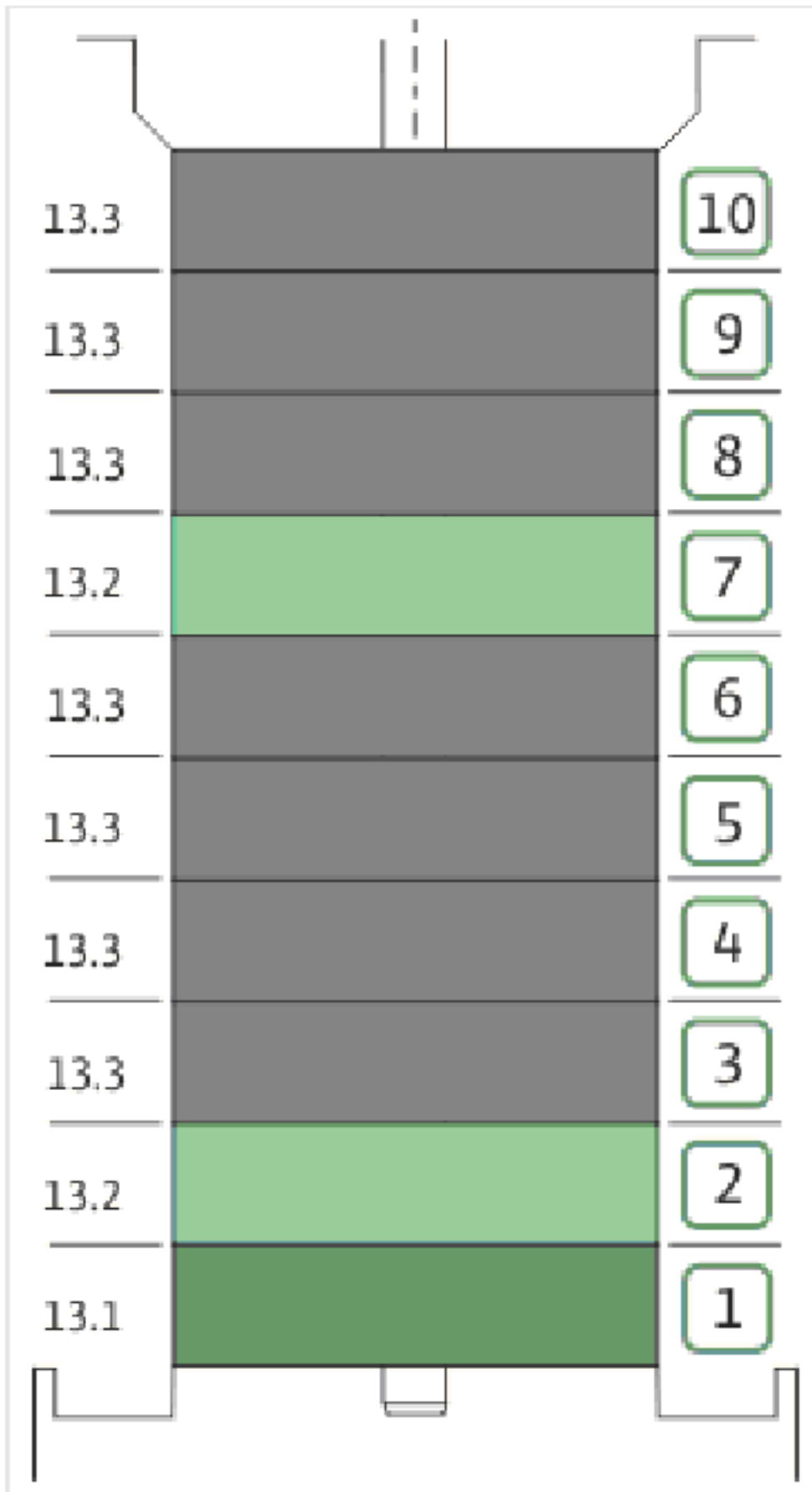
HELIX FIRST V1010-5/25/E/S/400-50 (4200962)

Item	Article no.	Description	Quantity
15	4177878	PUMP HOUSING HELIX V10 DN40 PN30 KIT	1
7.3	4176513	> O-RING FOR PUMP JACKET VP.	1
15.1		> MACH+CATA PUMP CASING M+6" DN40 PN25 GJL	1
15.2	4010032	> FLAT GASKET_Ø40xØ92x2_DN40_PN25_FIBRE	2
15.3	4177877	> PRIMING/DRAIN PLUG HELIX PN30 KIT	1
15.3A		>> PRIMING/DRAIN PLUG M+6" 304	1
15.3B	4233957	>> O-RING ID.9 EPDM VP.	1
15.3C		>> O-RING Ø8xØ2 EPDM KTW/WRC	1



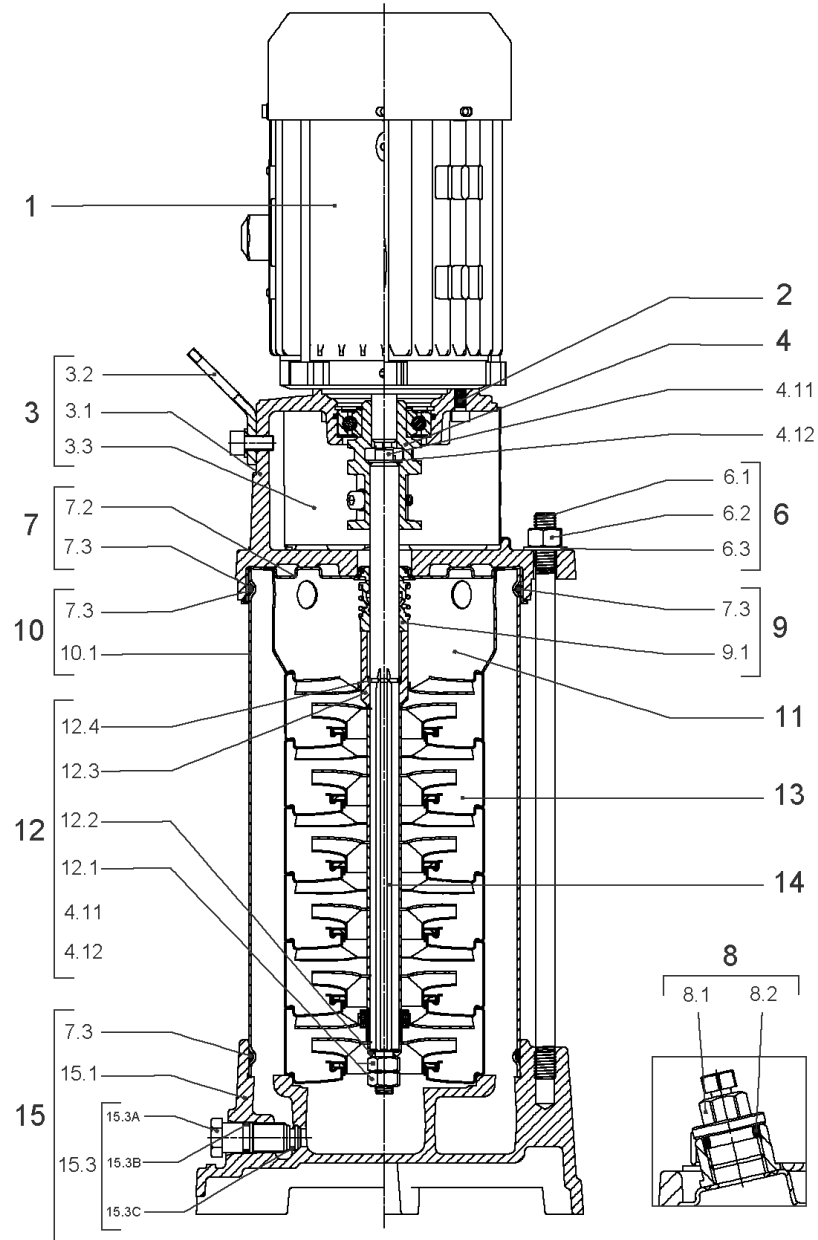
COUPLING D.16XD.28 FT130 HELIX KIT (4159710)

Item	Article no.	Description	Quantity
4.1		COUPLING M+ Ø16XØ28 FT130 MACHINED	1
4.2	2131022	BALL BEARING 6209/ZZ-C3(HT)VP.	1
4.3	4233930	CIRCLIP-FOR-BORES-D45x1,75 VP.	1
4.4	4157726	SCREW KIT M8X30 (4 PIECES)	1
4.5	4234252	CIRCLIPS 85X3 VP.	1
4.6	4234243	O-RING 85X3 VP.	1
		NOMEL CONTACT WASHER 8x16x1,4 STEEL ZC	1



HYDRAULIC HELIX V 1010 1.4307

Item	Article no.	Description	Quantity
13.1	4171331	STAGE HELIX10 1.4301KIT	1
		> MACH.STG-CASING-WOGV-WNR-M+10-304	1
		> IMPELLER-M+10-304	1
13.2	4172792	INTERMEDIATE STAGE HELIX 10 1.4301 KIT	1
		> MACH.BEARING-STG-CASING-WNR-M+10-304	1
		> IMPELLER-M+10-304	1
		> SHAFT SLEEVE-SPACER-Ø19,35x18,465-304	1
		> SHAFT-SLEEVE-D16xD20x18-CW	1
13.3	4172793	INTERMEDIATE STAGE HELIX 10 1.4301 KIT	1
		> MACH.STD-STG-CASING-WGV+NR-M+10-304	1
		> IMPELLER-M+10-304	1
		> IMPELLER SPACER Ø16,05X19,45-L36,465-304	1



HELIX FIRST V1011-5/16/E/S/400-50 (4200963)

Item	Article no.	Description	Quantity
1	4169945	MO.4/2 3~230/400(460)V 50(60)HZ IE3 VP.	1
		SPARE PARTS MOTOR:ON REQUEST	1
2	4159707	SCREW M8X30 (4 PIECES)	1
3	4214473	LANTERN FT130 HELIX KIT	1
3.1		> LANT-MOT-VMI-ReDTC6"-FT130-MACHINED+CATA	1
3.2	4184852	> EYELET CPL.FT HELIX (2 PIECES)	1
3.3	4213782	> COUPLING PROTECTOR FT115/130 HELIX KIT	1
4	4159710	COUPLING D.16XD.28 FT130 HELIX KIT	1
6	2127556	STUD BOLT M12X542 KIT	1
7	4214481	STATIONARY RING HOLDER HELIX D27 ReDTC	1
7.2	4214479	> STATIONARY RING HOLDER HELIX D27 VP.	1
7.3	4176513	> O-RING FOR PUMP JACKET VP.	1
8	4212724	FILING/PURGING PLUG HELIX ReDTC KIT	1
8.1		> FILLING PLUG MVI6"-304	1
8.2	4177800	> O-RING EPDM PLUG HELIX VP.	1
9	4214483	MECH.SEAL HELIX6-10-16 O/E ReDTC KIT	1
9.1	4177801	> MECH.SEAL HELIX6-10-16 O/E VP.	1
7.3	4176513	> O-RING FOR PUMP JACKET VP.	1
10	4177843	HOUSING PIPES D.152X510 1.4307 KIT	1
7.3	4176513	> O-RING FOR PUMP JACKET VP.	1
10.1		> HOUSING-PIPE Ø152-M+1012/1609-304	1
11	4172791	CENTERING STAGE-RETURN HELIX10 1.4301VP.	1
12	4214517	SHAFT EQUIPMENT HELIX V10 ReDTC KIT	1
12.1		> NUT-H-M10-A4.70	1
12.2		> SERRATED LOCK WASHER M+10M3-316L	1
12.3		> 1/2-SNAP-RING-6/10M3-316L	1
12.4		> STOP-RUSH-1/2-D16xd2-M+316	1
4.11		> SCREW CHC-M6X14-8.8-ISO4762-GEOMET500A	1
4.12		> WASHER D.24 L6U ZINK	1
13		HYDRAULIC HELIX V 1011 1.4307	1
14	4214510	SHAFT D.16X578 HELIX 1.4057 VP.	1
15	4215103	PUMP HOUSING HELIX V10 DN50/H80 PN16 KIT	1
15.1		> MACH+CAT.PP HOUSI.M+6'' D50/H80-PN16 GJL	1
15.2	4233954	> O-RING ID.66 EPDM VP.	1

HELIX FIRST V1011-5/16/E/S/400-50 (4200963)



Item	Article no.	Description	Quantity
15.3	4215098	> PRIMING/DRAIN PLUG HELIX PN16 KIT	1
7.3	4176513	> O-RING FOR PUMP JACKET VP.	1



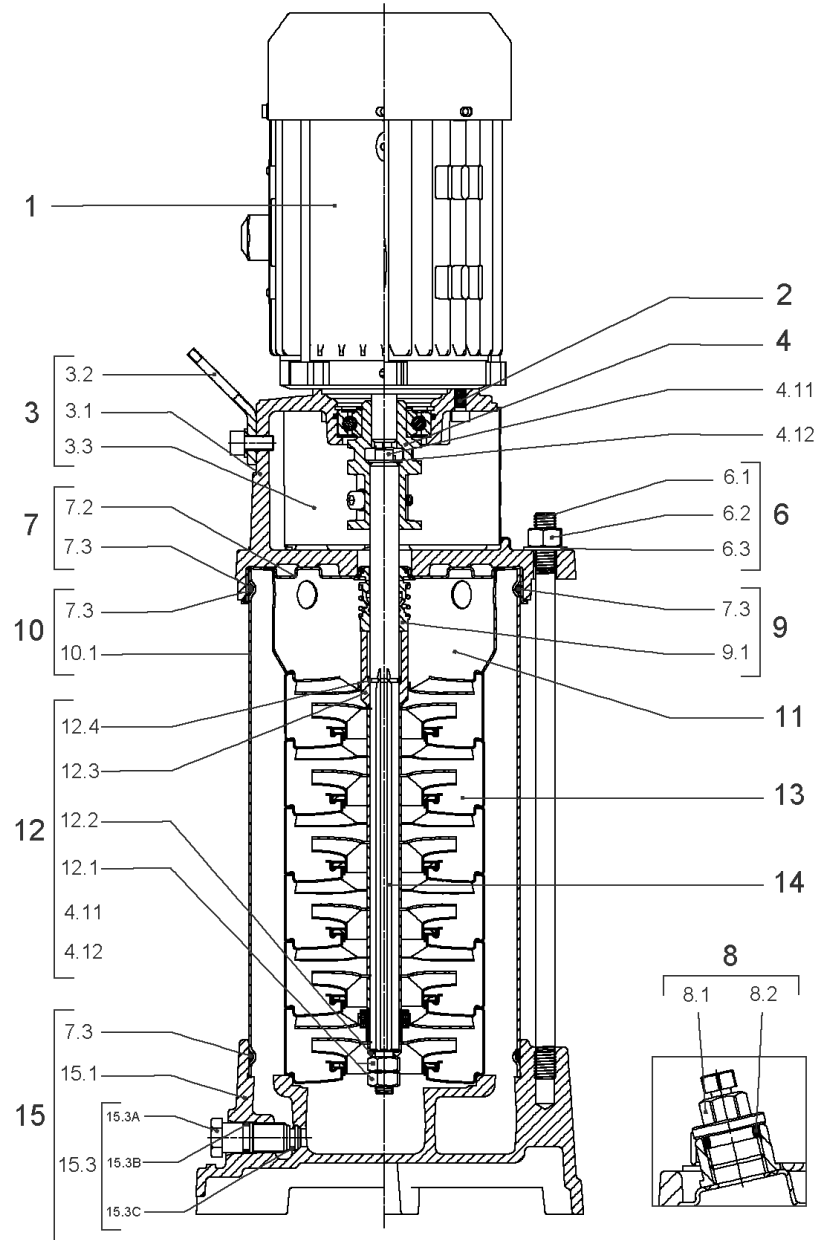
COUPLING D.16XD.28 FT130 HELIX KIT (4159710)

Item	Article no.	Description	Quantity
4.1		COUPLING M+ Ø16XØ28 FT130 MACHINED	1
4.2	2131022	BALL BEARING 6209/ZZ-C3(HT)VP.	1
4.3	4233930	CIRCLIP-FOR-BORES-D45x1,75 VP.	1
4.4	4157726	SCREW KIT M8X30 (4 PIECES)	1
4.5	4234252	CIRCLIPS 85X3 VP.	1
4.6	4234243	O-RING 85X3 VP.	1
		NOMEL CONTACT WASHER 8x16x1,4 STEEL ZC	1



HYDRAULIC HELIX V 1011 1.4307

Item	Article no.	Description	Quantity
13.1	4171331	STAGE HELIX10 1.4301KIT	1
		> MACH.STG-CASING-WOGV-WNR-M+10-304	1
		> IMPELLER-M+10-304	1
13.2	4172792	INTERMEDIATE STAGE HELIX 10 1.4301 KIT	1
		> MACH.BEARING-STG-CASING-WNR-M+10-304	1
		> IMPELLER-M+10-304	1
		> SHAFT SLEEVE-SPACER-Ø19,35x18,465-304	1
		> SHAFT-SLEEVE-D16xD20x18-CW	1
13.3	4172793	INTERMEDIATE STAGE HELIX 10 1.4301 KIT	1
		> MACH.STD-STG-CASING-WGV+NR-M+10-304	1
		> IMPELLER-M+10-304	1
		> IMPELLER SPACER Ø16,05X19,45-L36,465-304	1
13.4	4172800	EMPTY STAGE HELIX10 1.4301 KIT	1
		> MACH.STD-STG-CASING-WGV+NR-M+10-304	1
		> FLAT WASHER-D16.1XD22X1.2-316L	1
		> IMPELLER SPACER Ø16,05X19,45-L36,465-304	1
13.5	4172799	STAGE HELIX 10 1.4301 KIT	1
		> MACH.STG-CASING-WOGV-WNR-M+10-304	1
		> IMPELLER-M+10-304	1
		> IMPELLER SPACER Ø16,05X19,45-L36,465-304	1



HELIX FIRST V1011-5/25/E/S/400-50 (4200965)

Item	Article no.	Description	Quantity
1	4169945	MO.4/2 3~230/400(460)V 50(60)HZ IE3 VP.	1
		SPARE PARTS MOTOR:ON REQUEST	1
2	4159707	SCREW M8X30 (4 PIECES)	1
3	4214473	LANTERN FT130 HELIX KIT	1
3.1		> LANT-MOT-VMI-ReDTC6"-FT130-MACHINED+CATA	1
3.2	4184852	> EYELET CPL.FT HELIX (2 PIECES)	1
3.3	4213782	> COUPLING PROTECTOR FT115/130 HELIX KIT	1
4	4159710	COUPLING D.16XD.28 FT130 HELIX KIT	1
6	2127556	STUD BOLT M12X542 KIT	1
7	4214481	STATIONARY RING HOLDER HELIX D27 ReDTC	1
7.2	4214479	> STATIONARY RING HOLDER HELIX D27 VP.	1
7.3	4176513	> O-RING FOR PUMP JACKET VP.	1
8	4212724	FILING/PURGING PLUG HELIX ReDTC KIT	1
8.1		> FILLING PLUG MVI6"-304	1
8.2	4177800	> O-RING EPDM PLUG HELIX VP.	1
9	4214483	MECH.SEAL HELIX6-10-16 O/E ReDTC KIT	1
9.1	4177801	> MECH.SEAL HELIX6-10-16 O/E VP.	1
7.3	4176513	> O-RING FOR PUMP JACKET VP.	1
10	4177843	HOUSING PIPES D.152X510 1.4307 KIT	1
7.3	4176513	> O-RING FOR PUMP JACKET VP.	1
10.1		> HOUSING-PIPE Ø152-M+1012/1609-304	1
11	4172791	CENTERING STAGE-RETURN HELIX10 1.4301VP.	1
12	4214517	SHAFT EQUIPMENT HELIX V10 ReDTC KIT	1
12.1		> NUT-H-M10-A4.70	1
12.2		> SERRATED LOCK WASHER M+10M3-316L	1
12.3		> 1/2-SNAP-RING-6/10M3-316L	1
12.4		> STOP-RUSH-1/2-D16xd2-M+316	1
4.11		> SCREW CHC-M6X14-8.8-ISO4762-GEOMET500A	1
4.12		> WASHER D.24 L6U ZINK	1
13		HYDRAULIC HELIX V 1011 1.4307	1
14	4214510	SHAFT D.16X578 HELIX 1.4057 VP.	1
15	4177878	PUMP HOUSING HELIX V10 DN40 PN30 KIT	1
7.3	4176513	> O-RING FOR PUMP JACKET VP.	1
15.1		> MACH+CATA PUMP CASING M+6" DN40 PN25 GJL	1

HELIX FIRST V1011-5/25/E/S/400-50 (4200965)

Item	Article no.	Description	Quantity
15.2	4010032	> FLAT GASKET_Ø40xØ92x2_DN40_PN25_FIBRE	2
15.3	4177877	> PRIMING/DRAIN PLUG HELIX PN30 KIT	1
15.3A		>> PRIMING/DRAIN PLUG M+6" 304	1
15.3B	4233957	>> O-RING ID.9 EPDM VP.	1
15.3C		>> O-RING Ø8xØ2 EPDM KTW/WRC	1



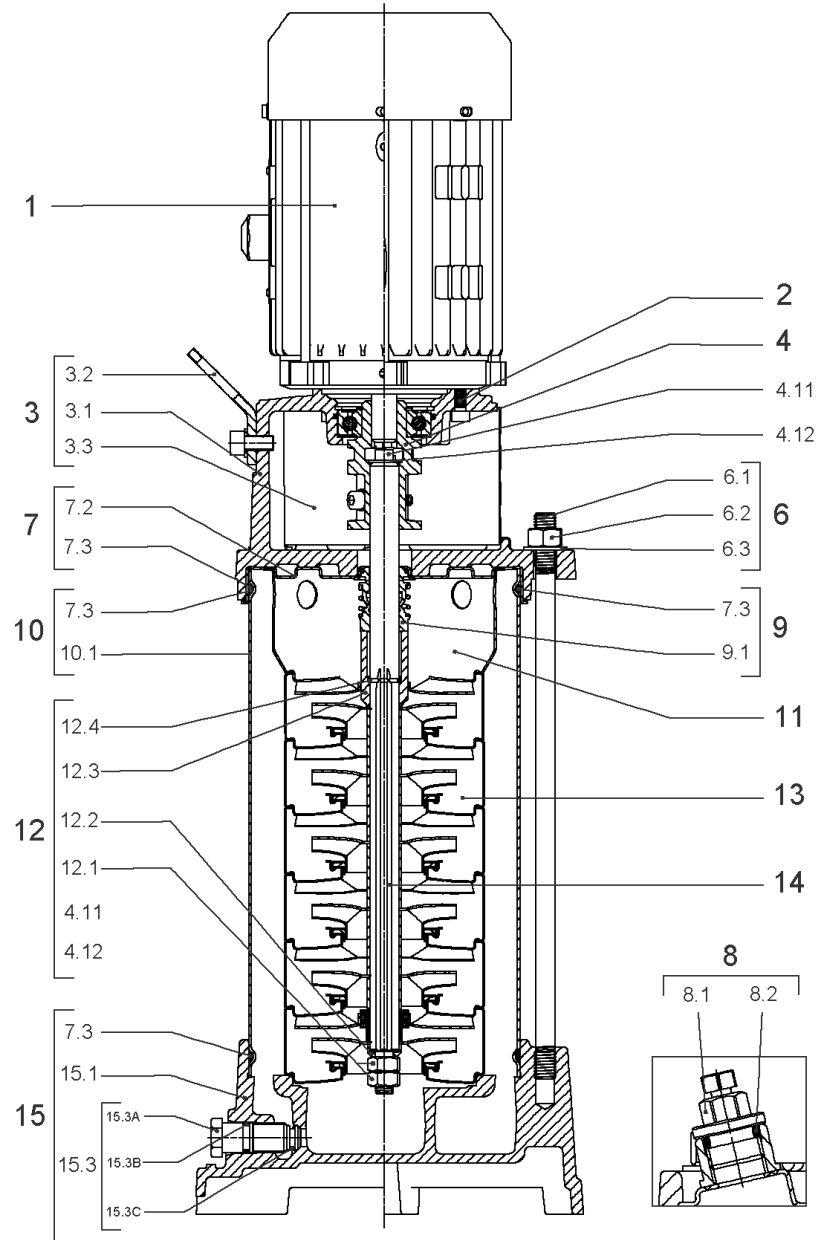
COUPLING D.16XD.28 FT130 HELIX KIT (4159710)

Item	Article no.	Description	Quantity
4.1		COUPLING M+ Ø16XØ28 FT130 MACHINED	1
4.2	2131022	BALL BEARING 6209/ZZ-C3(HT)VP.	1
4.3	4233930	CIRCLIP-FOR-BORES-D45x1,75 VP.	1
4.4	4157726	SCREW KIT M8X30 (4 PIECES)	1
4.5	4234252	CIRCLIPS 85X3 VP.	1
4.6	4234243	O-RING 85X3 VP.	1
		NOMEL CONTACT WASHER 8x16x1,4 STEEL ZC	1



HYDRAULIC HELIX V 1011 1.4307

Item	Article no.	Description	Quantity
13.1	4171331	STAGE HELIX10 1.4301KIT	1
		> MACH.STG-CASING-WOGV-WNR-M+10-304	1
		> IMPELLER-M+10-304	1
13.2	4172792	INTERMEDIATE STAGE HELIX 10 1.4301 KIT	1
		> MACH.BEARING-STG-CASING-WNR-M+10-304	1
		> IMPELLER-M+10-304	1
		> SHAFT SLEEVE-SPACER-Ø19,35x18,465-304	1
		> SHAFT-SLEEVE-D16xD20x18-CW	1
13.3	4172793	INTERMEDIATE STAGE HELIX 10 1.4301 KIT	1
		> MACH.STD-STG-CASING-WGV+NR-M+10-304	1
		> IMPELLER-M+10-304	1
		> IMPELLER SPACER Ø16,05X19,45-L36,465-304	1
13.4	4172800	EMPTY STAGE HELIX10 1.4301 KIT	1
		> MACH.STD-STG-CASING-WGV+NR-M+10-304	1
		> FLAT WASHER-D16.1XD22X1.2-316L	1
		> IMPELLER SPACER Ø16,05X19,45-L36,465-304	1
13.5	4172799	STAGE HELIX 10 1.4301 KIT	1
		> MACH.STG-CASING-WOGV-WNR-M+10-304	1
		> IMPELLER-M+10-304	1
		> IMPELLER SPACER Ø16,05X19,45-L36,465-304	1



HELIX FIRST V1012-5/16/E/S/400-50 (4200966)

Item	Article no.	Description	Quantity
1	4169947	MO 5,5/2/112 3~400V50Hz 460V60Hz IE3 VP.	1
		SPARE PARTS MOTOR:ON REQUEST	1
2	4159707	SCREW M8X30 (4 PIECES)	1
3	4214473	LANTERN FT130 HELIX KIT	1
3.1		> LANT-MOT-VMI-ReDTC6"-FT130-MACHINED+CATA	1
3.2	4184852	> EYELET CPL.FT HELIX (2 PIECES)	1
3.3	4213782	> COUPLING PROTECTOR FT115/130 HELIX KIT	1
4	4159710	COUPLING D.16XD.28 FT130 HELIX KIT	1
6	2127556	STUD BOLT M12X542 KIT	1
7	4214481	STATIONARY RING HOLDER HELIX D27 ReDTC	1
7.2	4214479	> STATIONARY RING HOLDER HELIX D27 VP.	1
7.3	4176513	> O-RING FOR PUMP JACKET VP.	1
8	4212724	FILING/PURGING PLUG HELIX ReDTC KIT	1
8.1		> FILLING PLUG MVI6"-304	1
8.2	4177800	> O-RING EPDM PLUG HELIX VP.	1
9	4214483	MECH.SEAL HELIX6-10-16 O/E ReDTC KIT	1
9.1	4177801	> MECH.SEAL HELIX6-10-16 O/E VP.	1
7.3	4176513	> O-RING FOR PUMP JACKET VP.	1
10	4177843	HOUSING PIPES D.152X510 1.4307 KIT	1
7.3	4176513	> O-RING FOR PUMP JACKET VP.	1
10.1		> HOUSING-PIPE Ø152-M+1012/1609-304	1
11	4172791	CENTERING STAGE-RETURN HELIX10 1.4301VP.	1
12	4214517	SHAFT EQUIPMENT HELIX V10 ReDTC KIT	1
12.1		> NUT-H-M10-A4.70	1
12.2		> SERRATED LOCK WASHER M+10M3-316L	1
12.3		> 1/2-SNAP-RING-6/10M3-316L	1
12.4		> STOP-RUSH-1/2-D16xd2-M+316	1
4.11		> SCREW CHC-M6X14-8.8-ISO4762-GEOMET500A	1
4.12		> WASHER D.24 L6U ZINK	1
13		HYDRAULIC HELIX V 1012 1.4307	1
14	4214510	SHAFT D.16X578 HELIX 1.4057 VP.	1
15	4215103	PUMP HOUSING HELIX V10 DN50/H80 PN16 KIT	1
15.1		> MACH+CAT.PP HOUSI.M+6'' D50/H80-PN16 GJL	1
15.2	4233954	> O-RING ID.66 EPDM VP.	1

Item	Article no.	Description	Quantity
15.3	4215098	> PRIMING/DRAIN PLUG HELIX PN16 KIT	1
7.3	4176513	> O-RING FOR PUMP JACKET VP.	1



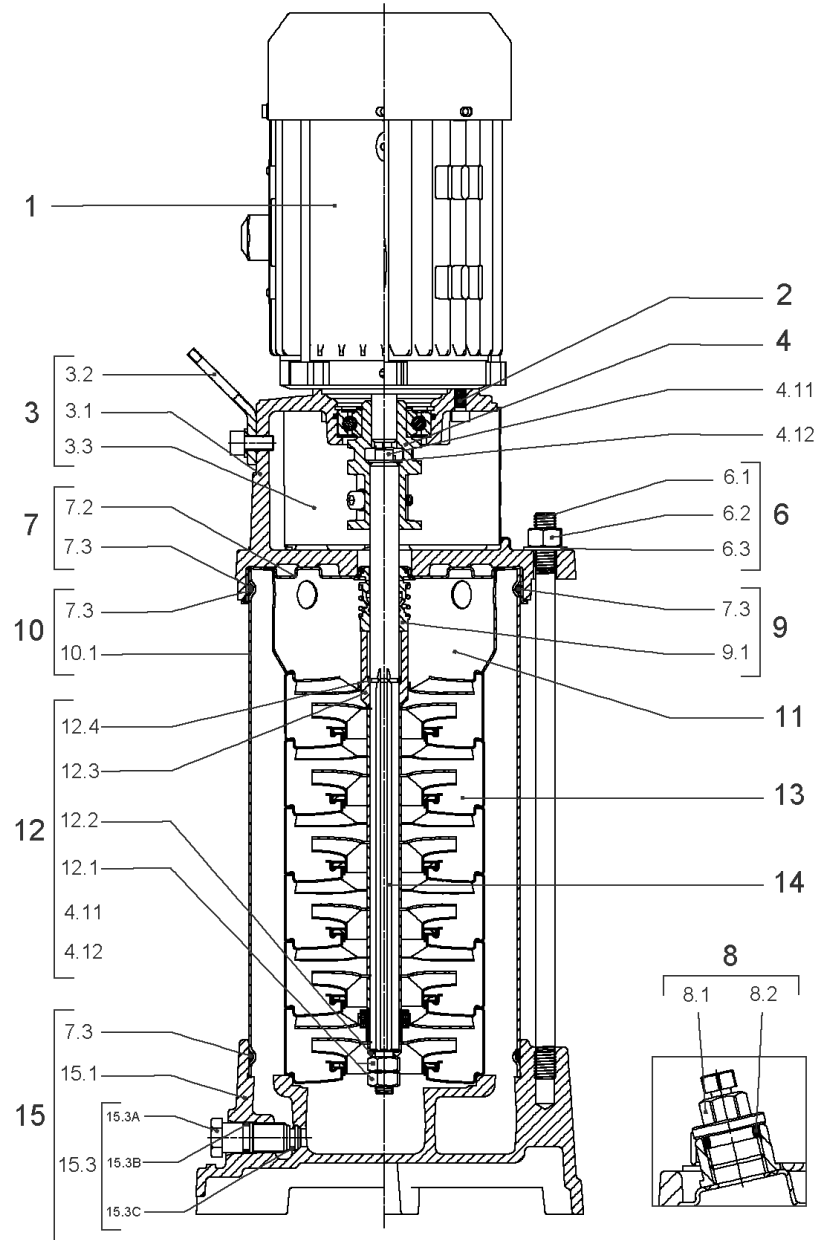
COUPLING D.16XD.28 FT130 HELIX KIT (4159710)

Item	Article no.	Description	Quantity
4.1		COUPLING M+ Ø16XØ28 FT130 MACHINED	1
4.2	2131022	BALL BEARING 6209/ZZ-C3(HT)VP.	1
4.3	4233930	CIRCLIP-FOR-BORES-D45x1,75 VP.	1
4.4	4157726	SCREW KIT M8X30 (4 PIECES)	1
4.5	4234252	CIRCLIPS 85X3 VP.	1
4.6	4234243	O-RING 85X3 VP.	1
		NOMEL CONTACT WASHER 8x16x1,4 STEEL ZC	1



HYDRAULIC HELIX V 1012 1.4307

Item	Article no.	Description	Quantity
13.1	4171331	STAGE HELIX10 1.4301KIT	1
		> MACH.STG-CASING-WOGV-WNR-M+10-304	1
		> IMPELLER-M+10-304	1
13.2	4172792	INTERMEDIATE STAGE HELIX 10 1.4301 KIT	1
		> MACH.BEARING-STG-CASING-WNR-M+10-304	1
		> IMPELLER-M+10-304	1
		> SHAFT SLEEVE-SPACER-Ø19,35x18,465-304	1
		> SHAFT-SLEEVE-D16xD20x18-CW	1
13.3	4172793	INTERMEDIATE STAGE HELIX 10 1.4301 KIT	1
		> MACH.STD-STG-CASING-WGV+NR-M+10-304	1
		> IMPELLER-M+10-304	1
		> IMPELLER SPACER Ø16,05X19,45-L36,465-304	1

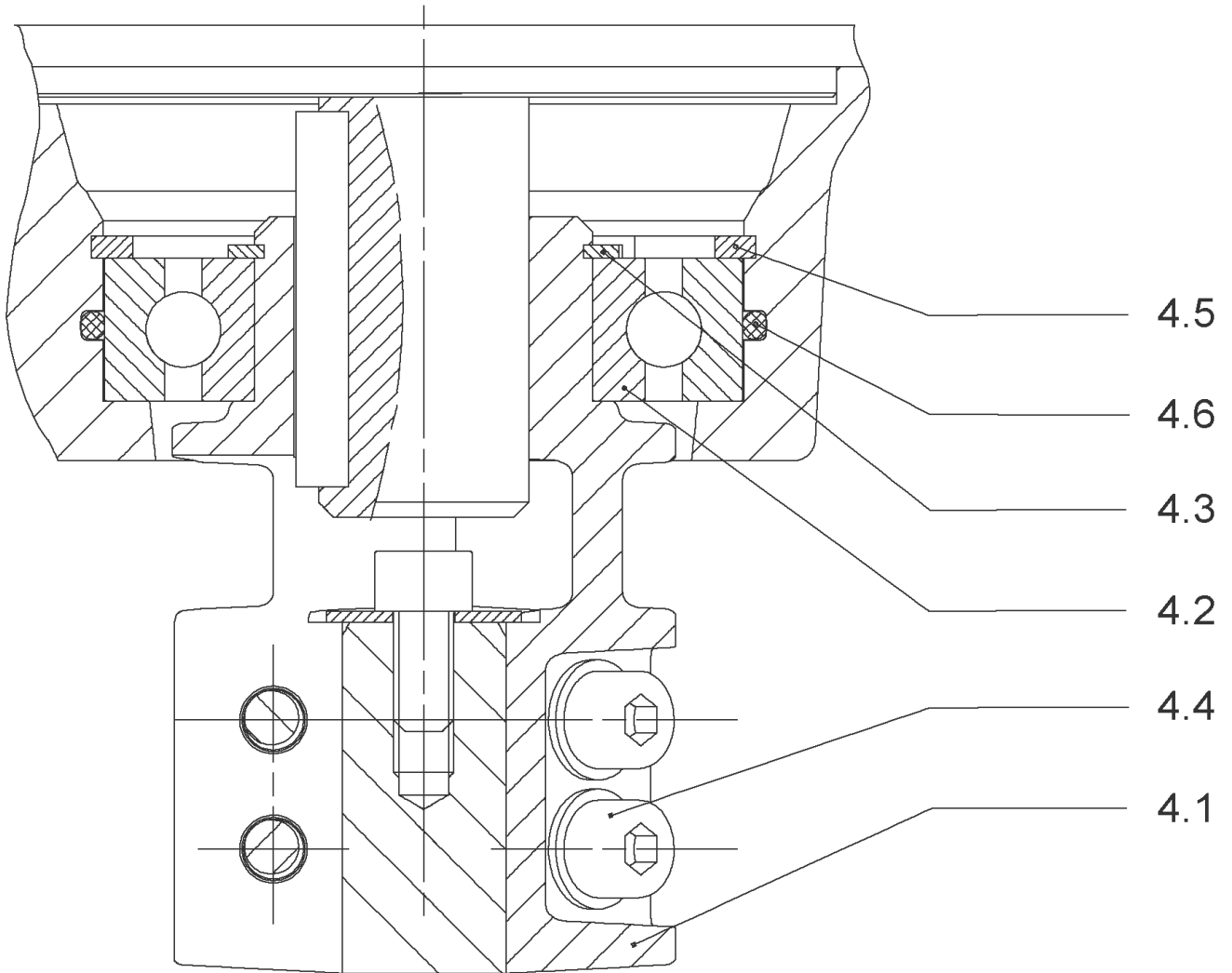


HELIX FIRST V1012-5/25/E/S/400-50 (4200968)

Item	Article no.	Description	Quantity
1	4169947	MO 5,5/2/112 3~400V50Hz 460V60Hz IE3 VP.	1
		SPARE PARTS MOTOR:ON REQUEST	1
2	4159707	SCREW M8X30 (4 PIECES)	1
3	4214473	LANTERN FT130 HELIX KIT	1
3.1		> LANT-MOT-VMI-ReDTC6"-FT130-MACHINED+CATA	1
3.2	4184852	> EYELET CPL.FT HELIX (2 PIECES)	1
3.3	4213782	> COUPLING PROTECTOR FT115/130 HELIX KIT	1
4	4159710	COUPLING D.16XD.28 FT130 HELIX KIT	1
6	2127556	STUD BOLT M12X542 KIT	1
7	4214481	STATIONARY RING HOLDER HELIX D27 ReDTC	1
7.2	4214479	> STATIONARY RING HOLDER HELIX D27 VP.	1
7.3	4176513	> O-RING FOR PUMP JACKET VP.	1
8	4212724	FILING/PURGING PLUG HELIX ReDTC KIT	1
8.1		> FILLING PLUG MVI6"-304	1
8.2	4177800	> O-RING EPDM PLUG HELIX VP.	1
9	4214483	MECH.SEAL HELIX6-10-16 O/E ReDTC KIT	1
9.1	4177801	> MECH.SEAL HELIX6-10-16 O/E VP.	1
7.3	4176513	> O-RING FOR PUMP JACKET VP.	1
10	4177843	HOUSING PIPES D.152X510 1.4307 KIT	1
7.3	4176513	> O-RING FOR PUMP JACKET VP.	1
10.1		> HOUSING-PIPE Ø152-M+1012/1609-304	1
11	4172791	CENTERING STAGE-RETURN HELIX10 1.4301VP.	1
12	4214517	SHAFT EQUIPMENT HELIX V10 ReDTC KIT	1
12.1		> NUT-H-M10-A4.70	1
12.2		> SERRATED LOCK WASHER M+10M3-316L	1
12.3		> 1/2-SNAP-RING-6/10M3-316L	1
12.4		> STOP-RUSH-1/2-D16xd2-M+316	1
4.11		> SCREW CHC-M6X14-8.8-ISO4762-GEOMET500A	1
4.12		> WASHER D.24 L6U ZINK	1
13		HYDRAULIC HELIX V 1012 1.4307	1
14	4214510	SHAFT D.16X578 HELIX 1.4057 VP.	1
15	4177878	PUMP HOUSING HELIX V10 DN40 PN30 KIT	1
7.3	4176513	> O-RING FOR PUMP JACKET VP.	1
15.1		> MACH+CATA PUMP CASING M+6" DN40 PN25 GJL	1

HELIX FIRST V1012-5/25/E/S/400-50 (4200968)

Item	Article no.	Description	Quantity
15.2	4010032	> FLAT GASKET_Ø40xØ92x2_DN40_PN25_FIBRE	2
15.3	4177877	> PRIMING/DRAIN PLUG HELIX PN30 KIT	1
15.3A		>> PRIMING/DRAIN PLUG M+6" 304	1
15.3B	4233957	>> O-RING ID.9 EPDM VP.	1
15.3C		>> O-RING Ø8xØ2 EPDM KTW/WRC	1



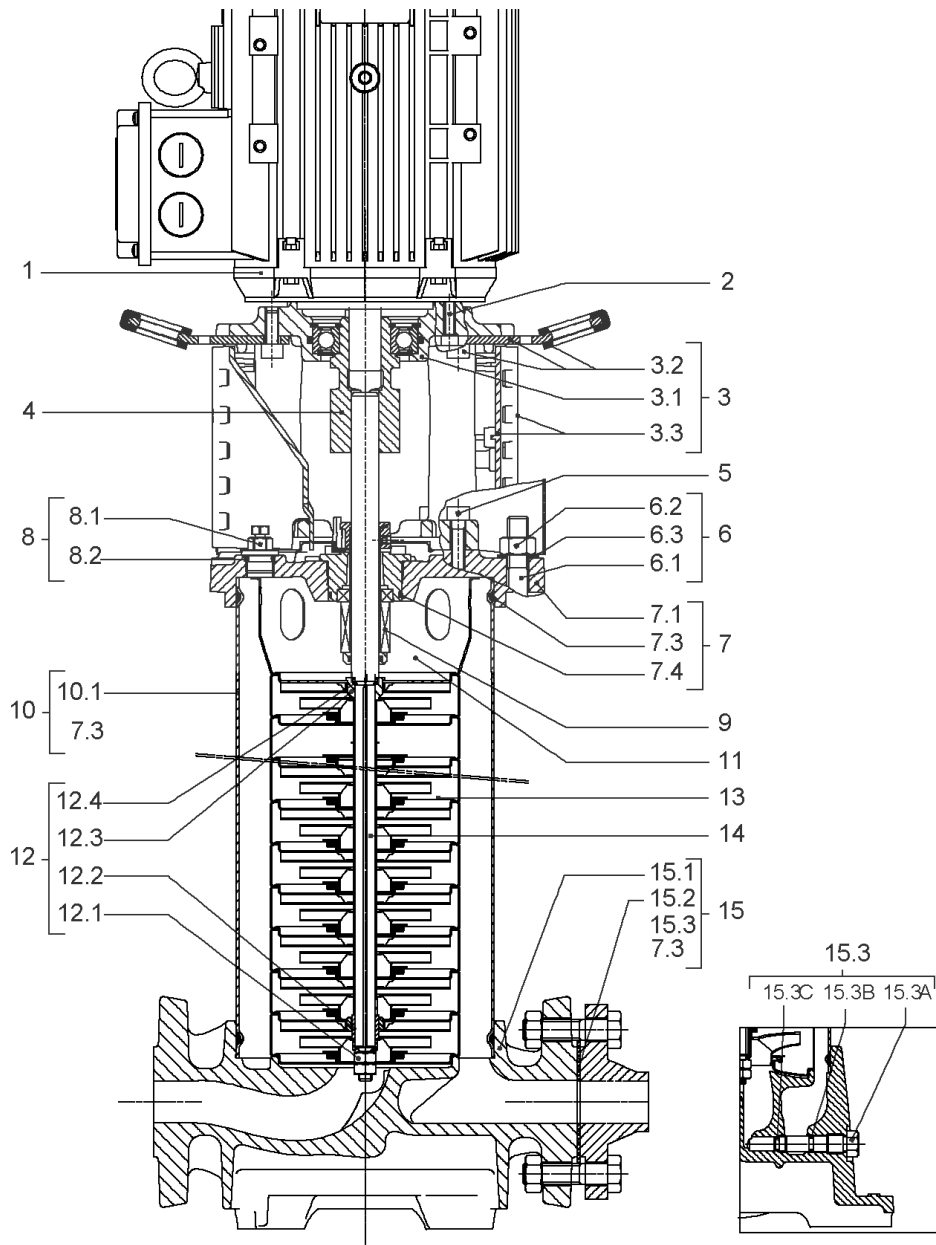
COUPLING D.16XD.28 FT130 HELIX KIT (4159710)

Item	Article no.	Description	Quantity
4.1		COUPLING M+ Ø16XØ28 FT130 MACHINED	1
4.2	2131022	BALL BEARING 6209/ZZ-C3(HT)VP.	1
4.3	4233930	CIRCLIP-FOR-BORES-D45x1,75 VP.	1
4.4	4157726	SCREW KIT M8X30 (4 PIECES)	1
4.5	4234252	CIRCLIPS 85X3 VP.	1
4.6	4234243	O-RING 85X3 VP.	1
		NOMEL CONTACT WASHER 8x16x1,4 STEEL ZC	1



HYDRAULIC HELIX V 1012 1.4307

Item	Article no.	Description	Quantity
13.1	4171331	STAGE HELIX10 1.4301KIT	1
		> MACH.STG-CASING-WOGV-WNR-M+10-304	1
		> IMPELLER-M+10-304	1
13.2	4172792	INTERMEDIATE STAGE HELIX 10 1.4301 KIT	1
		> MACH.BEARING-STG-CASING-WNR-M+10-304	1
		> IMPELLER-M+10-304	1
		> SHAFT SLEEVE-SPACER-Ø19,35x18,465-304	1
		> SHAFT-SLEEVE-D16xD20x18-CW	1
13.3	4172793	INTERMEDIATE STAGE HELIX 10 1.4301 KIT	1
		> MACH.STD-STG-CASING-WGV+NR-M+10-304	1
		> IMPELLER-M+10-304	1
		> IMPELLER SPACER Ø16,05X19,45-L36,465-304	1



HELIX FIRST V1013-5/25/E/KS/400-50 (4200969)

Item	Article no.	Description	Quantity
1	4169947	MO 5,5/2/112 3~400V50Hz 460V60Hz IE3 VP.	1
		SPARE PARTS MOTOR:ON REQUEST	1
2	4206025	SCREW M8X45 (4 PIECES)	1
3	4171326	LANTERN FT130 HELIX KIT	1
3.1		> LANTERN FT130 M+6" GJL MACHINING+CATA	1
3.2	2127604	> EYELET CPL.FT HELIX(2 PIECES)	1
3.3	4159692	> COUPLING PROTECTOR FT HELIX KIT	1
4	4159710	COUPLING D.16XD.28 FT130 HELIX KIT	1
5	4159707	SCREW M8X30 (4 PIECES)	1
6	4214988	STUD BOLT HELIX M12X617 KIT	1
6.1		> TIE BOLT M12-617x18x30-1.4057	1
6.2	2094647	> NUT M12 M12 ISO4032 VP.	1
6.3	2123557	> WASHER CS-12.4-24-1.6-NFE25 (4 PIECES)	1
7	4159685	END SHIELD HELIX EPDM KIT	1
7.1		> END SHIELD M+6" GJL250 MACHINING+CATA	1
7.2	2127607	> STATIONARY RING HOLDER 6" HELIX 1.4301 V	1
7.3	4176513	> O-RING FOR PUMP JACKET VP.	1
7.4	2127603	> O-RING ID.37,6x2,4 EPDM VP.	1
7.5	2127602	> O-RING ID.21,35x2 EPDM VP.	1
8	4159686	FILING/PURGING PLUG HELIX EPDM KIT	1
9	4159698	CARTRIDGE HELIX6-10-16 F/E KIT	1
10	4177850	HOUSING PIPES D.152X585 1.4301 KIT	1
7.3	4176513	> O-RING FOR PUMP JACKET VP.	1
10.1		> HOUSING-PIPE Ø152-M+1013/14-304	1
11	4172791	CENTERING STAGE-RETURN HELIX10 1.4301VP.	1
12	4209272	SHAFT EQUIPMENT HELIX V10 BI BLOC KIT	1
12.1		> NUT-H-M10-A4.70	1
12.2		> SERRATED LOCK WASHER M+10M3-316L	1
12.3		> STOP COLLAR OF IMPELLER L16,5-Ø16-316L	1
12.4		> STOP-RUSH-1/2-D16xd2-M+316	1
13		HYDRAULIC HELIX V 1013 1.4307	1
14	4177851	SHAFT D.16X705 1.4301 VP.	1
15	4177878	PUMP HOUSING HELIX V10 DN40 PN30 KIT	1
7.3	4176513	> O-RING FOR PUMP JACKET VP.	1

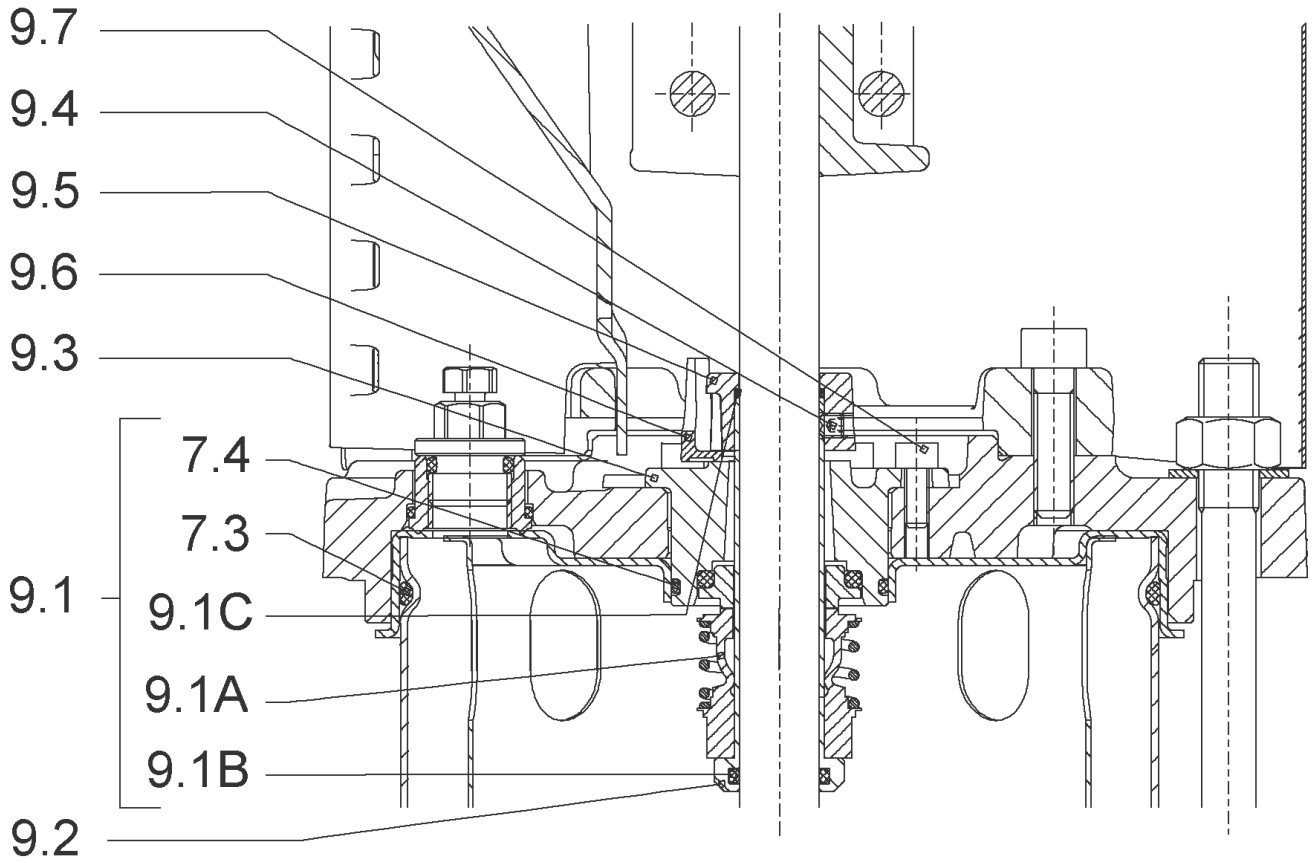
HELIX FIRST V1013-5/25/E/KS/400-50 (4200969)

Item	Article no.	Description	Quantity
15.1		> MACH+CATA PUMP CASING M+6" DN40 PN25 GJL	1
15.2	4010032	> FLAT GASKET_Ø40xØ92x2_DN40_PN25_FIBRE	2
15.3	4177877	> PRIMING/DRAIN PLUG HELIX PN30 KIT	1
15.3A		>> PRIMING/DRAIN PLUG M+6" 304	1
15.3B	4233957	>> O-RING ID.9 EPDM VP.	1
15.3C		>> O-RING Ø8xØ2 EPDM KTW/WRC	1



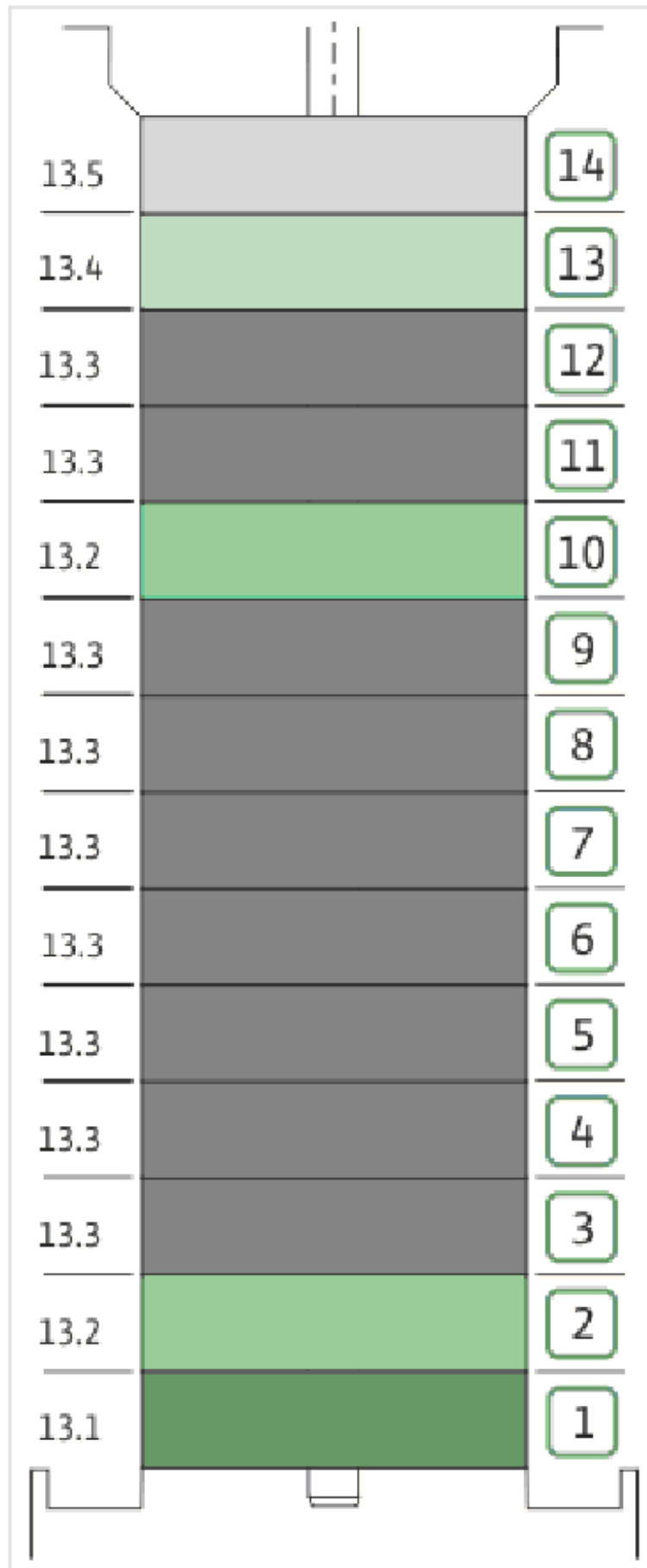
COUPLING D.16XD.28 FT130 HELIX KIT (4159710)

Item	Article no.	Description	Quantity
4.1		COUPLING M+ Ø16XØ28 FT130 MACHINED	1
4.2	2131022	BALL BEARING 6209/ZZ-C3(HT)VP.	1
4.3	4233930	CIRCLIP-FOR-BORES-D45x1,75 VP.	1
4.4	4157726	SCREW KIT M8X30 (4 PIECES)	1
4.5	4234252	CIRCLIPS 85X3 VP.	1
4.6	4234243	O-RING 85X3 VP.	1
		NOMEL CONTACT WASHER 8x16x1,4 STEEL ZC	1



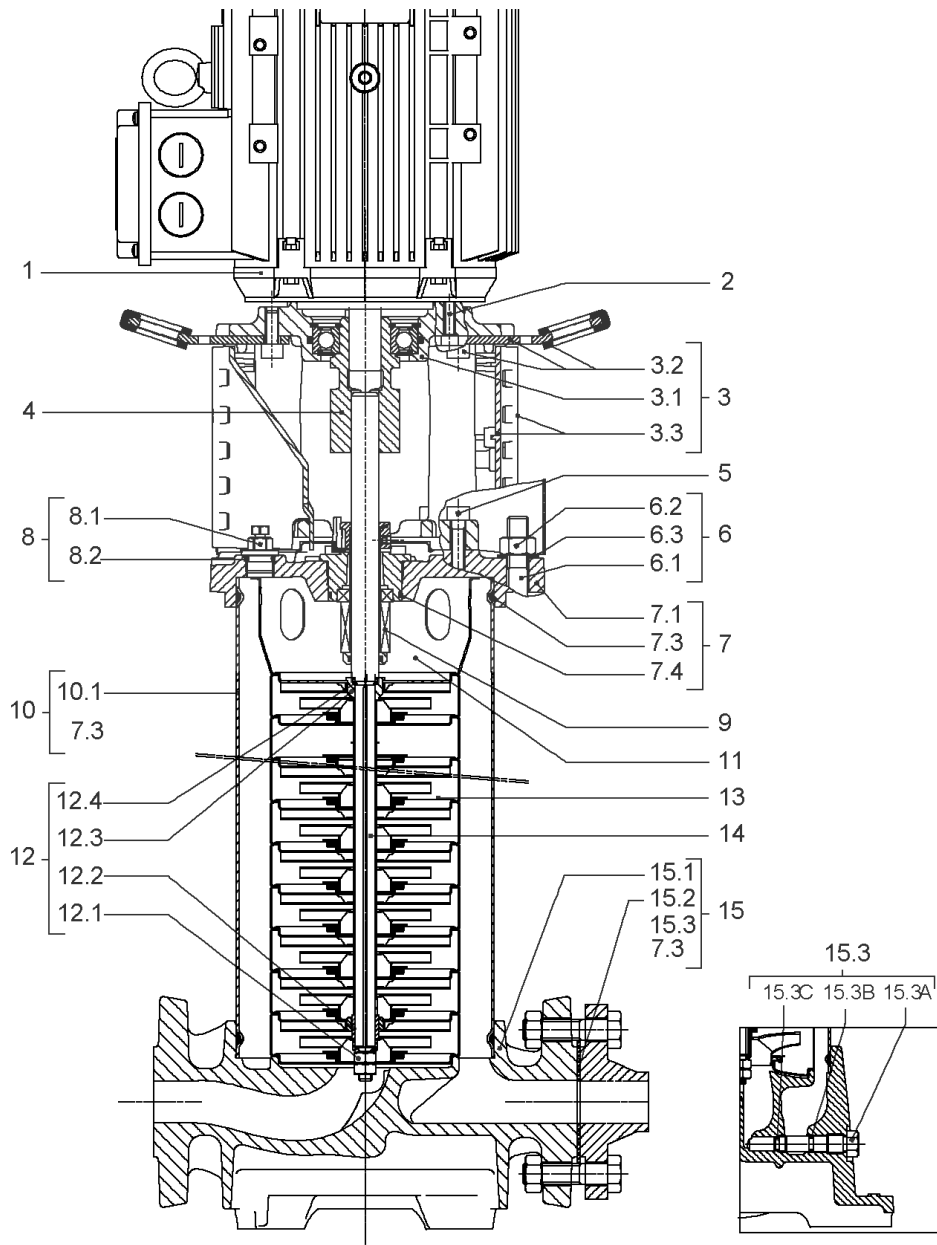
CARTRIDGE HELIX6-10-16 F/E KIT (4159698)

Item	Article no.	Description	Quantity
9.1	4159699	SEAL-KIT-HELIX6-10-16 F/E	1
7.3	4176513	> O-RING FOR PUMP JACKET VP.	1
7.4	2127603	> O-RING ID.37,6x2,4 EPDM VP.	1
9.1A	4176521	> MECH.SEAL HELIX2-4-6-10-16 F/E VP.	1
9.1B	2130967	> O-RING D.16X2,5 EPDM VP.	1
9.1C	4176519	> O-RING Ø16xØ1.25 VP.	1
9.2	2130961	SHAFT SLEEVE D.18/16X72,2 1.4404 VP.	1
9.3	2130962	RING HOLDER D.18 G606/G6 1.4301 VP.	1
9.4	4176520	SCREW CH M5x5 A4-70 (3PIECES)	1
9.5	2130963	DRIVE RING D.29/18x12,4 MACH.VP.	1
9.6	2130964	TOOL M.S.CART.HELIX VP.	1
9.7	2130965	SCREW CHC M5X12 ISO4762 A2.70(4 PIECES)	1



HYDRAULIC HELIX V 1013 1.4307

Item	Article no.	Description	Quantity
13.1	4171331	STAGE HELIX10 1.4301KIT	1
		> MACH.STG-CASING-WOGV-WNR-M+10-304	1
		> IMPELLER-M+10-304	1
13.2	4172792	INTERMEDIATE STAGE HELIX 10 1.4301 KIT	1
		> MACH.BEARING-STG-CASING-WNR-M+10-304	1
		> IMPELLER-M+10-304	1
		> SHAFT SLEEVE-SPACER-Ø19,35x18,465-304	1
		> SHAFT-SLEEVE-D16xD20x18-CW	1
13.3	4172793	INTERMEDIATE STAGE HELIX 10 1.4301 KIT	1
		> MACH.STD-STG-CASING-WGV+NR-M+10-304	1
		> IMPELLER-M+10-304	1
		> IMPELLER SPACER Ø16,05X19,45-L36,465-304	1
13.4	4172800	EMPTY STAGE HELIX10 1.4301 KIT	1
		> MACH.STD-STG-CASING-WGV+NR-M+10-304	1
		> FLAT WASHER-D16.1XD22X1.2-316L	1
		> IMPELLER SPACER Ø16,05X19,45-L36,465-304	1
13.5	4172799	STAGE HELIX 10 1.4301 KIT	1
		> MACH.STG-CASING-WOGV-WNR-M+10-304	1
		> IMPELLER-M+10-304	1
		> IMPELLER SPACER Ø16,05X19,45-L36,465-304	1



HELIX FIRST V1015-5/25/E/KS/400-50 (4200972)

Item	Article no.	Description	Quantity
1	4169947	MO 5,5/2/112 3~400V50Hz 460V60Hz IE3 VP.	1
		SPARE PARTS MOTOR:ON REQUEST	1
2	4206025	SCREW M8X45 (4 PIECES)	1
3	4171326	LANTERN FT130 HELIX KIT	1
3.1		> LANTERN FT130 M+6" GJL MACHINING+CATA	1
3.2	2127604	> EYELET CPL.FT HELIX(2 PIECES)	1
3.3	4159692	> COUPLING PROTECTOR FT HELIX KIT	1
4	4159710	COUPLING D.16XD.28 FT130 HELIX KIT	1
5	4159707	SCREW M8X30 (4 PIECES)	1
6	4178624	STUD BOLT M12X693 KIT	1
7	4159685	END SHIELD HELIX EPDM KIT	1
7.1		> END SHIELD M+6" GJL250 MACHINING+CATA	1
7.2	2127607	> STATIONARY RING HOLDER 6" HELIX 1.4301 V	1
7.3	4176513	> O-RING FOR PUMP JACKET VP.	1
7.4	2127603	> O-RING ID.37,6x2,4 EPDM VP.	1
7.5	2127602	> O-RING ID.21,35x2 EPDM VP.	1
8	4159686	FILING/PURGING PLUG HELIX EPDM KIT	1
9	4159698	CARTRIDGE HELIX6-10-16 F/E KIT	1
10	4177853	HOUSING PIPES D.152X660 1.4307 KIT	1
7.3	4176513	> O-RING FOR PUMP JACKET VP.	1
10.1		> HOUSING-PIPE Ø152-M+1016/1610-304	1
11	4172791	CENTERING STAGE-RETURN HELIX10 1.4301VP.	1
12	4209272	SHAFT EQUIPMENT HELIX V10 BI BLOC KIT	1
12.1		> NUT-H-M10-A4.70	1
12.2		> SERRATED LOCK WASHER M+10M3-316L	1
12.3		> STOP COLLAR OF IMPELLER L16,5-Ø16-316L	1
12.4		> STOP-RUSH-1/2-D16xd2-M+316	1
13		HYDRAULIC HELIX V 1015 1.4307	1
14	4177854	SHAFT D.16 X780 1.4301 VP.	1
15	4177878	PUMP HOUSING HELIX V10 DN40 PN30 KIT	1
7.3	4176513	> O-RING FOR PUMP JACKET VP.	1
15.1		> MACH+CATA PUMP CASING M+6" DN40 PN25 GJL	1
15.2	4010032	> FLAT GASKET_Ø40xØ92x2_DN40_PN25_FIBRE	2
15.3	4177877	> PRIMING/DRAIN PLUG HELIX PN30 KIT	1

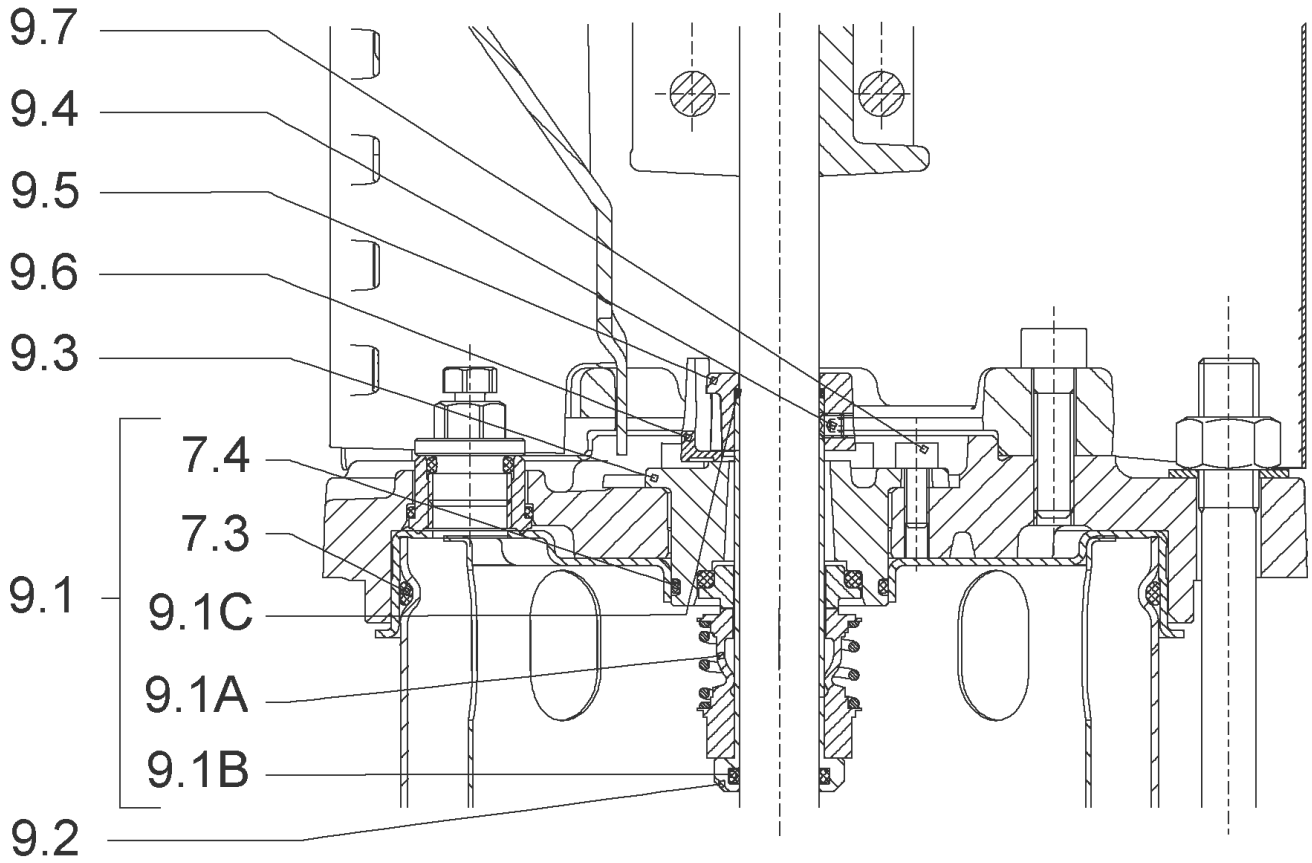
HELIX FIRST V1015-5/25/E/KS/400-50 (4200972)

Item	Article no.	Description	Quantity
15.3A		>> PRIMING/DRAIN PLUG M+6" 304	1
15.3B	4233957	>> O-RING ID.9 EPDM VP.	1
15.3C		>> O-RING Ø8xØ2 EPDM KTW/WRC	1



COUPLING D.16XD.28 FT130 HELIX KIT (4159710)

Item	Article no.	Description	Quantity
4.1		COUPLING M+ Ø16XØ28 FT130 MACHINED	1
4.2	2131022	BALL BEARING 6209/ZZ-C3(HT)VP.	1
4.3	4233930	CIRCLIP-FOR-BORES-D45x1,75 VP.	1
4.4	4157726	SCREW KIT M8X30 (4 PIECES)	1
4.5	4234252	CIRCLIPS 85X3 VP.	1
4.6	4234243	O-RING 85X3 VP.	1
		NOMEL CONTACT WASHER 8x16x1,4 STEEL ZC	1



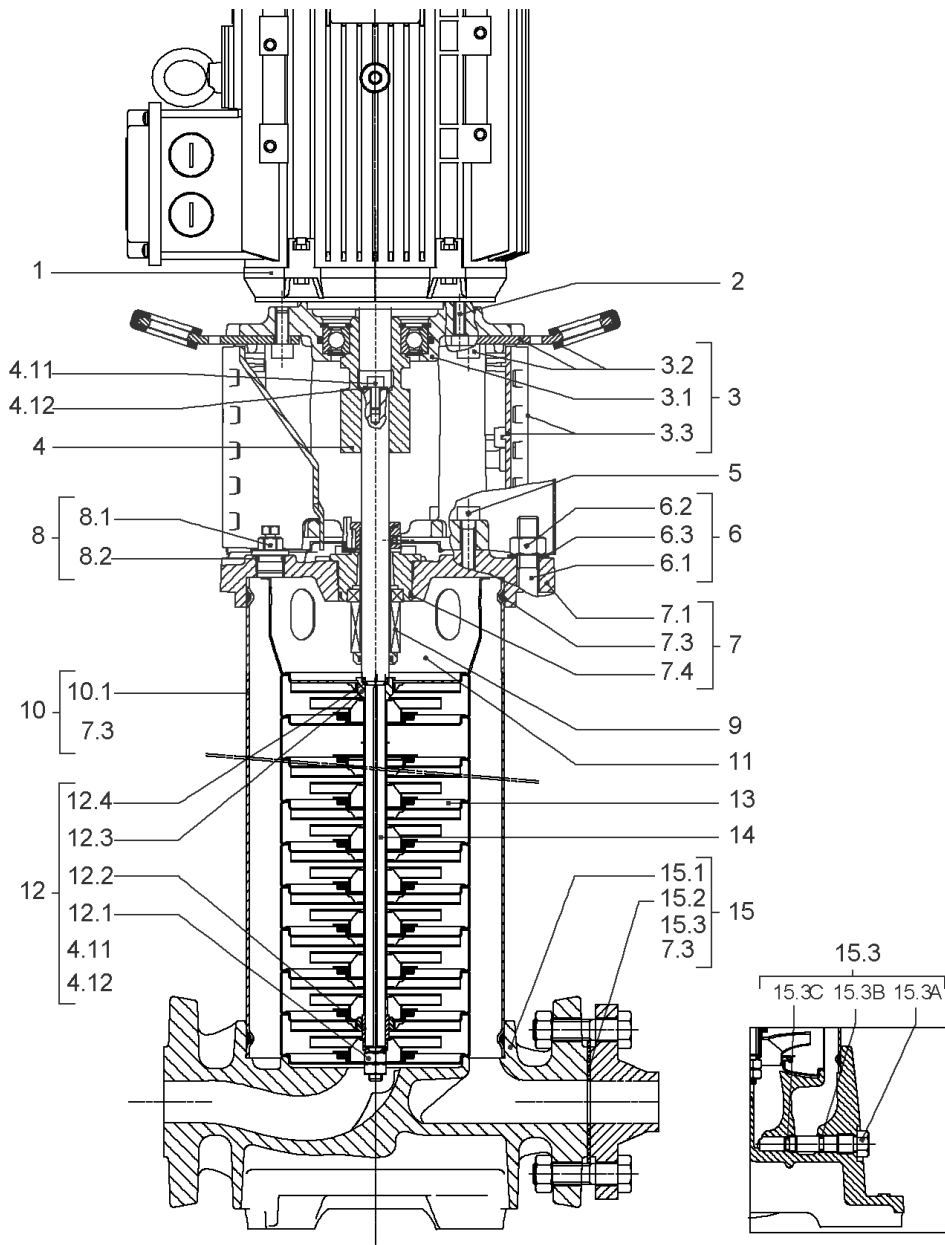
CARTRIDGE HELIX6-10-16 F/E KIT (4159698)

Item	Article no.	Description	Quantity
9.1	4159699	SEAL-KIT-HELIX6-10-16 F/E	1
7.3	4176513	> O-RING FOR PUMP JACKET VP.	1
7.4	2127603	> O-RING ID.37,6x2,4 EPDM VP.	1
9.1A	4176521	> MECH.SEAL HELIX2-4-6-10-16 F/E VP.	1
9.1B	2130967	> O-RING D.16X2,5 EPDM VP.	1
9.1C	4176519	> O-RING Ø16xØ1.25 VP.	1
9.2	2130961	SHAFT SLEEVE D.18/16X72,2 1.4404 VP.	1
9.3	2130962	RING HOLDER D.18 G606/G6 1.4301 VP.	1
9.4	4176520	SCREW CH M5x5 A4-70 (3PIECES)	1
9.5	2130963	DRIVE RING D.29/18x12,4 MACH.VP.	1
9.6	2130964	TOOL M.S.CART.HELIX VP.	1
9.7	2130965	SCREW CHC M5X12 ISO4762 A2.70(4 PIECES)	1



HYDRAULIC HELIX V 1015 1.4307

Item	Article no.	Description	Quantity
13.1	4171331	STAGE HELIX10 1.4301KIT	1
		> MACH.STG-CASING-WOGV-WNR-M+10-304	1
		> IMPELLER-M+10-304	1
13.2	4172792	INTERMEDIATE STAGE HELIX 10 1.4301 KIT	1
		> MACH.BEARING-STG-CASING-WNR-M+10-304	1
		> IMPELLER-M+10-304	1
		> SHAFT SLEEVE-SPACER-Ø19,35x18,465-304	1
		> SHAFT-SLEEVE-D16xD20x18-CW	1
13.3	4172793	INTERMEDIATE STAGE HELIX 10 1.4301 KIT	1
		> MACH.STD-STG-CASING-WGV+NR-M+10-304	1
		> IMPELLER-M+10-304	1
		> IMPELLER SPACER Ø16,05X19,45-L36,465-304	1
13.4	4172800	EMPTY STAGE HELIX10 1.4301 KIT	1
		> MACH.STD-STG-CASING-WGV+NR-M+10-304	1
		> FLAT WASHER-D16.1XD22X1.2-316L	1
		> IMPELLER SPACER Ø16,05X19,45-L36,465-304	1
13.5	4172799	STAGE HELIX 10 1.4301 KIT	1
		> MACH.STG-CASING-WOGV-WNR-M+10-304	1
		> IMPELLER-M+10-304	1
		> IMPELLER SPACER Ø16,05X19,45-L36,465-304	1



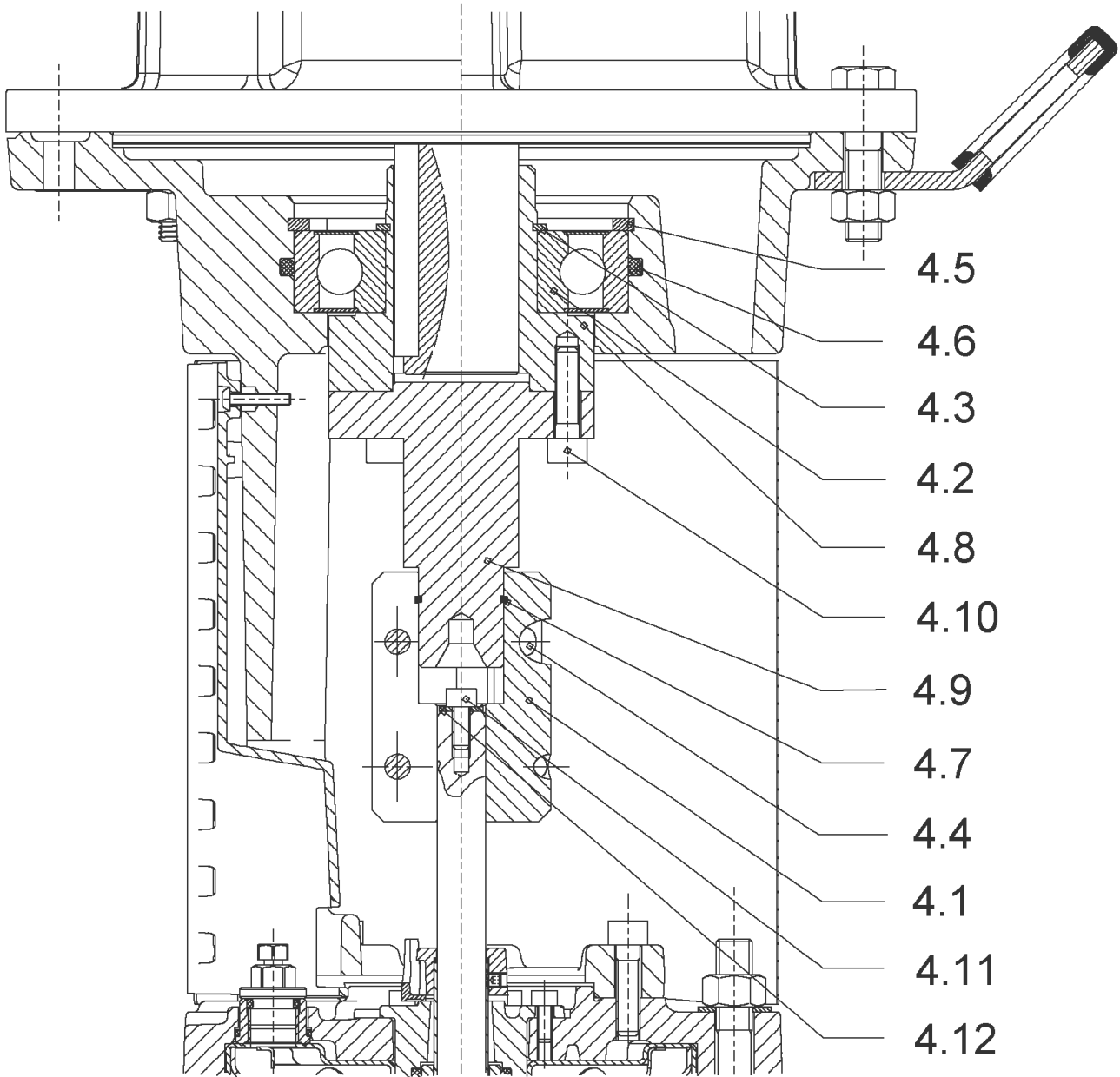
HELIX FIRST V1017-5/25/E/KS/400-50 (4200974)

Item	Article no.	Description	Quantity
1	4195450	MOTOR 7,5/2/* 3~400V 50HZ IE3 VP.	1
		SPARE PARTS MOTOR:ON REQUEST	1
2	4174093	SCREW M12X50 (4 PIECES)	1
3	4159693	LANTERN FF265 HELIX KIT	1
3.1		> LANTERN FF265 M+6" GJL MACHINING+CATA	1
3.2	2127605	> EYELET CPL.FF265 HELIX(2 PIECES)	1
3.3	4159695	> COUPLING PROTECTOR FF HELIX KIT	1
4	4159711	COUPLING D.16XD.38 FF265 HELIX KIT	1
5	4159707	SCREW M8X30 (4 PIECES)	1
6	4215109	STUD BOLT HELIX M12X770 KIT	1
6.1		> TIE BOLT M12-770x18x30-1.4057	1
6.2	2094647	> NUT M12 M12 ISO4032 VP.	1
6.3	2123557	> WASHER CS-12.4-24-1.6-NFE25 (4 PIECES)	1
7	4159685	END SHIELD HELIX EPDM KIT	1
7.1		> END SHIELD M+6" GJL250 MACHINING+CATA	1
7.2	2127607	> STATIONARY RING HOLDER 6" HELIX 1.4301 V	1
7.3	4176513	> O-RING FOR PUMP JACKET VP.	1
7.4	2127603	> O-RING ID.37,6x2,4 EPDM VP.	1
7.5	2127602	> O-RING ID.21,35x2 EPDM VP.	1
8	4159686	FILING/PURGING PLUG HELIX EPDM KIT	1
9	4159698	CARTRIDGE HELIX6-10-16 F/E KIT	1
10	4177860	HOUSING PIPES D.152X735 1.4301 KIT	1
7.3	4176513	> O-RING FOR PUMP JACKET VP.	1
10.1		> HOUSING-PIPE Ø152-M+1017/18-304	1
11	4172791	CENTERING STAGE-RETURN HELIX10 1.4301VP.	1
12	4171332	SHAFT EQUIPMENT HELIX V10 BI BLOC KIT	1
4.11	4102901	> SCREW CHC-M6X14-8.8-ISO4762-GEOMET500A	1
4.12	2130995	> SERRATED LOCK WASHER D.6,2XD.14,5X28 VP.	1
12.1		> NUT-H-M10-A4.70	1
12.2		> SERRATED LOCK WASHER M+10M3-316L	1
12.3		> STOP COLLAR OF IMPELLER L16,5-Ø16-316L	1
12.4		> STOP-RUSH-1/2-D16xd2-M+316	1
13		HYDRAULIC HELIX V 1017 1.4307	1
14	4177862	SHAFT D.16X855 1.4301 VP.	1

HELIX FIRST V1017-5/25/E/KS/400-50 (4200974)

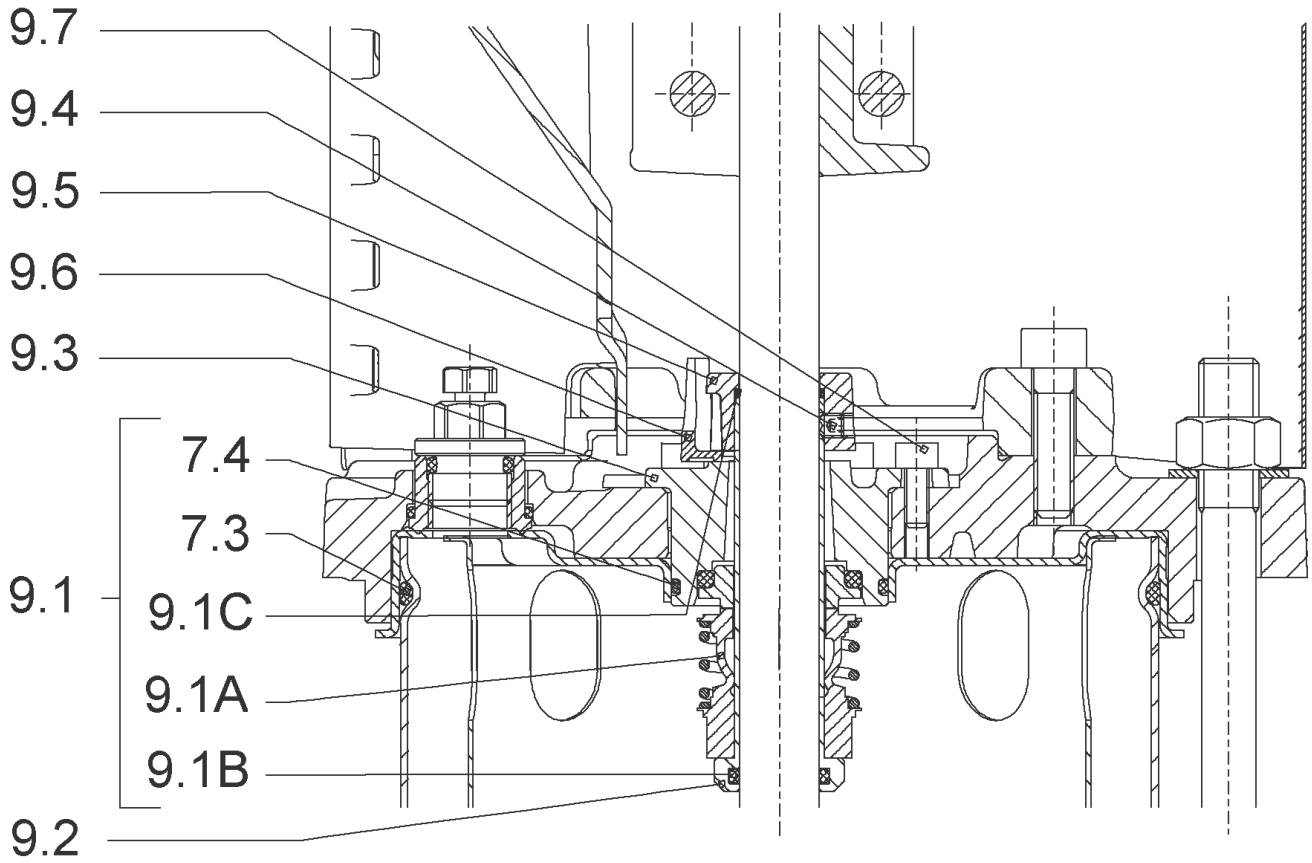
Item	Article no.	Description	Quantity
15	4177878	PUMP HOUSING HELIX V10 DN40 PN30 KIT	1
7.3	4176513	> O-RING FOR PUMP JACKET VP.	1
15.1		> MACH+CATA PUMP CASING M+6" DN40 PN25 GJL	1
15.2	4010032	> FLAT GASKET_Ø40xØ92x2_DN40_PN25_FIBRE	2
15.3	4177877	> PRIMING/DRAIN PLUG HELIX PN30 KIT	1
15.3A		>> PRIMING/DRAIN PLUG M+6" 304	1
15.3B	4233957	>> O-RING ID.9 EPDM VP.	1
15.3C		>> O-RING Ø8xØ2 EPDM KTW/WRC	1

COUPLING D.16XD.38 FF265 HELIX KIT (4159711)



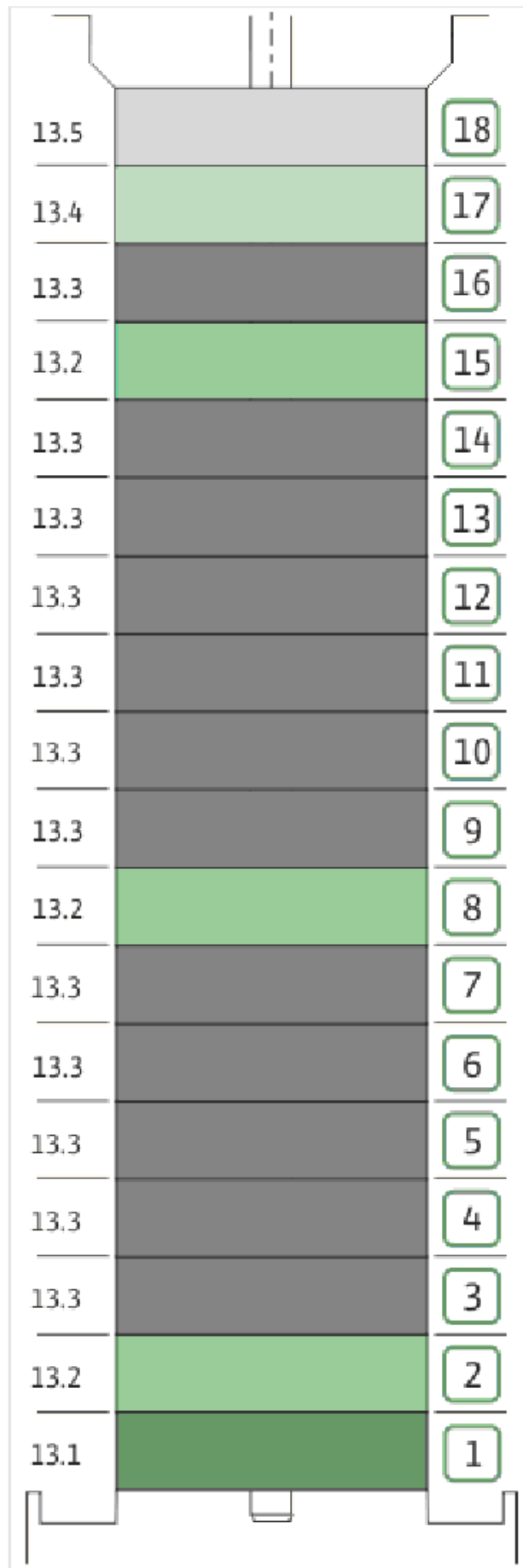
COUPLING D.16XD.38 FF265 HELIX KIT (4159711)

Item	Article no.	Description	Quantity
4.1	2131018	COUPLING 2 PARTS D.16XD.28XL.82,4 VP.	1
4.2	2131017	BALL BEARING 6310/ZZ-C4(HT)VP.	1
4.3	4234253	CIRCLIP-FOR-SHAFT-D50x2 VP.	1
4.4	4157726	SCREW KIT M8X30 (4 PIECES)	1
4.5	4234255	CIRCLIPS 110X4 VP.	1
4.6	4233944	O-RING ID.110 VP.	1
4.7	2131019	RETAINING RING D.26xD.2 DIN7993 VP.	1
4.10	4157726	SCREW KIT M8X30 (4 PIECES)	1
4.11	4102901	SCREW CHC-M6X14-8.8-ISO4762-GEOMET500A	1
4.12	2130995	SERRATED LOCK WASHER D.6,2XD.14,5X28 VP.	1
		NOMEL CONTACT WASHER 8x16x1,4 STEEL ZC	1
4.8	2131020	HUB D.38XD.50 VP.	1
4.9	2131021	SPACER D.28XD.45 VP.	1



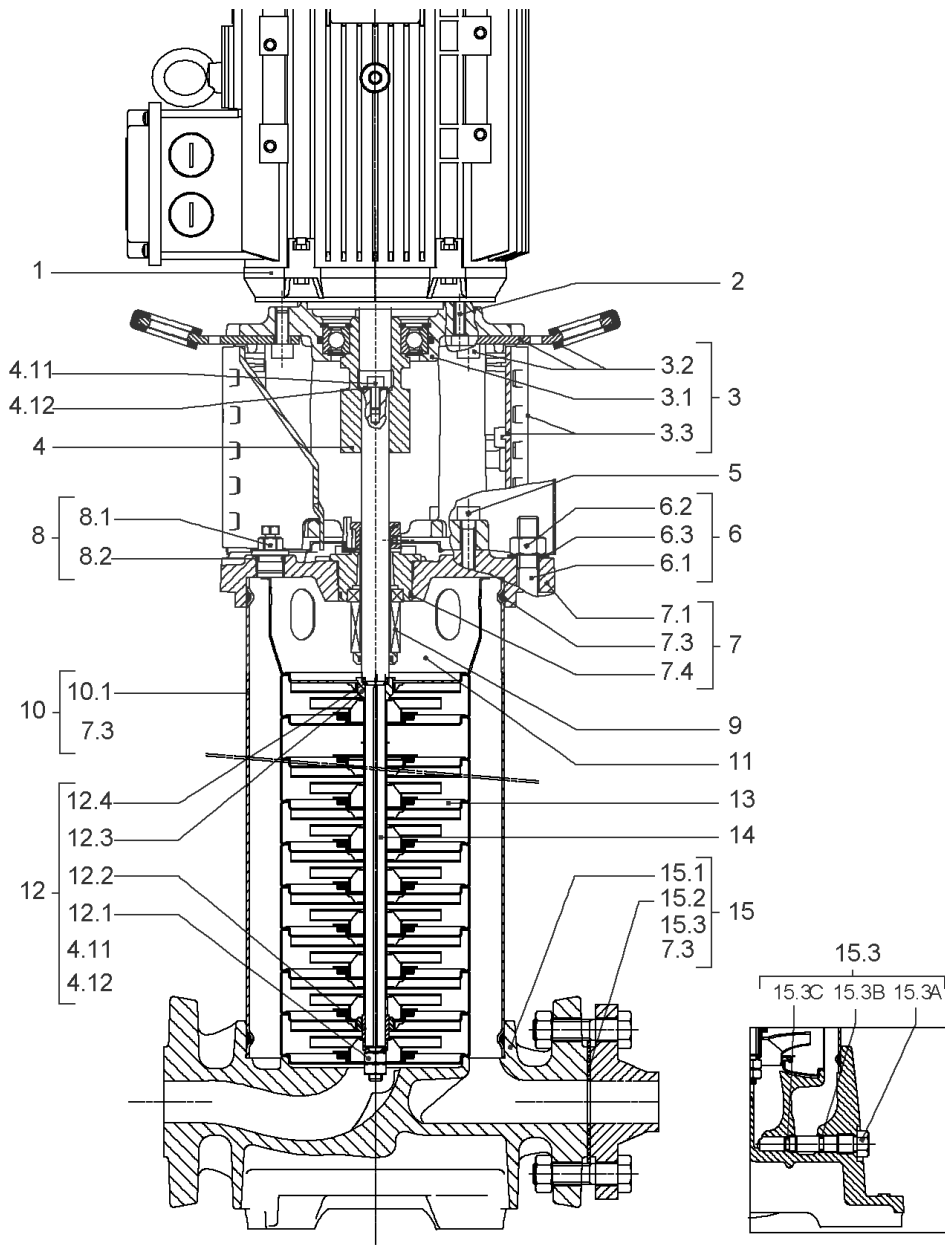
CARTRIDGE HELIX6-10-16 F/E KIT (4159698)

Item	Article no.	Description	Quantity
9.1	4159699	SEAL-KIT-HELIX6-10-16 F/E	1
7.3	4176513	> O-RING FOR PUMP JACKET VP.	1
7.4	2127603	> O-RING ID.37,6x2,4 EPDM VP.	1
9.1A	4176521	> MECH.SEAL HELIX2-4-6-10-16 F/E VP.	1
9.1B	2130967	> O-RING D.16X2,5 EPDM VP.	1
9.1C	4176519	> O-RING Ø16xØ1.25 VP.	1
9.2	2130961	SHAFT SLEEVE D.18/16X72,2 1.4404 VP.	1
9.3	2130962	RING HOLDER D.18 G606/G6 1.4301 VP.	1
9.4	4176520	SCREW CH M5x5 A4-70 (3PIECES)	1
9.5	2130963	DRIVE RING D.29/18x12,4 MACH.VP.	1
9.6	2130964	TOOL M.S.CART.HELIX VP.	1
9.7	2130965	SCREW CHC M5X12 ISO4762 A2.70(4 PIECES)	1



HYDRAULIC HELIX V 1017 1.4307

Item	Article no.	Description	Quantity
13.1	4171331	STAGE HELIX10 1.4301KIT	1
		> MACH.STG-CASING-WOGV-WNR-M+10-304	1
		> IMPELLER-M+10-304	1
13.2	4172792	INTERMEDIATE STAGE HELIX 10 1.4301 KIT	1
		> MACH.BEARING-STG-CASING-WNR-M+10-304	1
		> IMPELLER-M+10-304	1
		> SHAFT SLEEVE-SPACER-Ø19,35x18,465-304	1
		> SHAFT-SLEEVE-D16xD20x18-CW	1
13.3	4172793	INTERMEDIATE STAGE HELIX 10 1.4301 KIT	1
		> MACH.STD-STG-CASING-WGV+NR-M+10-304	1
		> IMPELLER-M+10-304	1
		> IMPELLER SPACER Ø16,05X19,45-L36,465-304	1
13.4	4172800	EMPTY STAGE HELIX10 1.4301 KIT	1
		> MACH.STD-STG-CASING-WGV+NR-M+10-304	1
		> FLAT WASHER-D16.1XD22X1.2-316L	1
		> IMPELLER SPACER Ø16,05X19,45-L36,465-304	1
13.5	4172799	STAGE HELIX 10 1.4301 KIT	1
		> MACH.STG-CASING-WOGV-WNR-M+10-304	1
		> IMPELLER-M+10-304	1
		> IMPELLER SPACER Ø16,05X19,45-L36,465-304	1



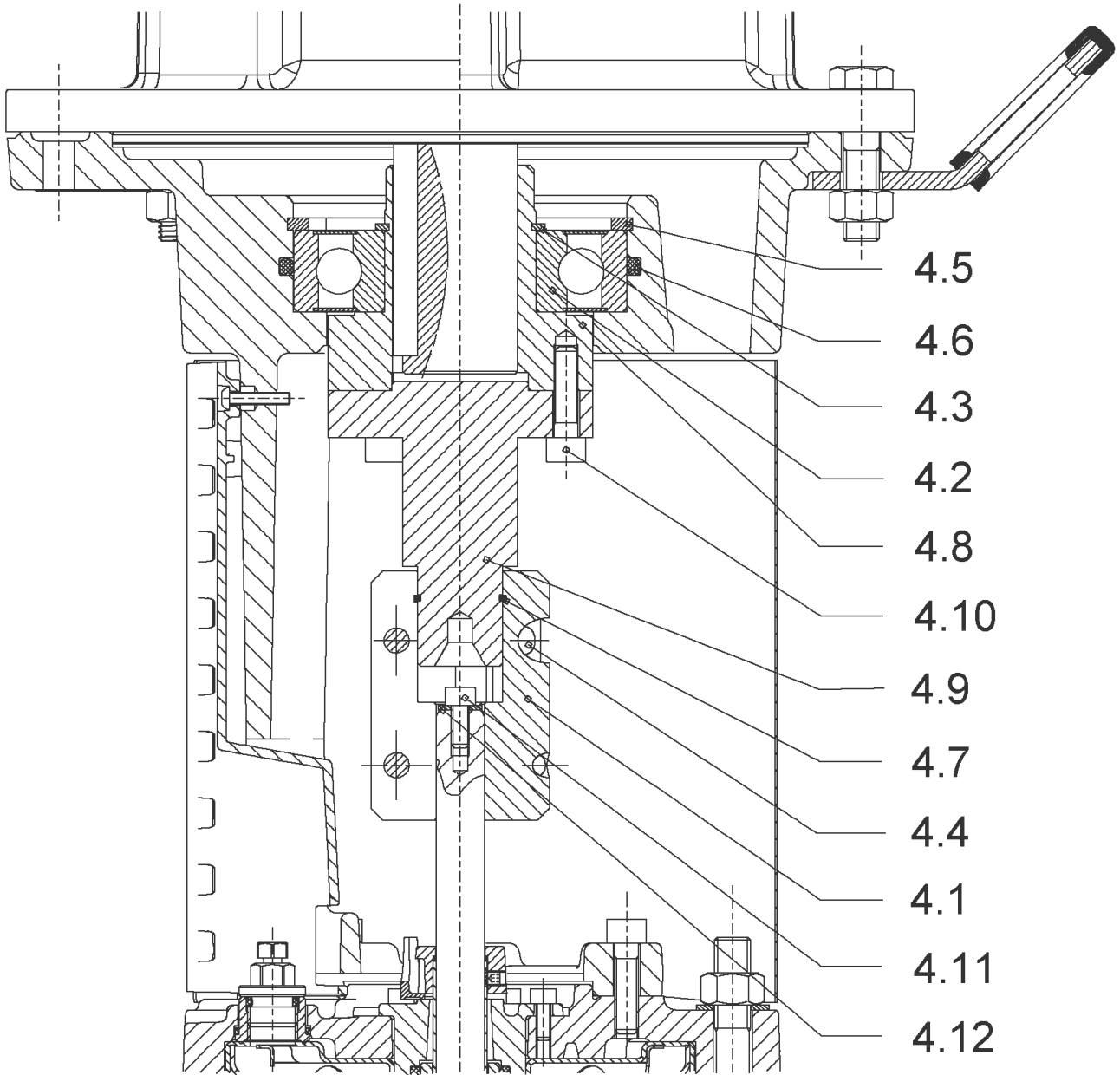
HELIX FIRST V1019-5/25/E/KS/400-50 (4200975)

Item	Article no.	Description	Quantity
1	4195450	MOTOR 7,5/2/* 3~400V 50HZ IE3 VP.	1
		SPARE PARTS MOTOR:ON REQUEST	1
2	4174093	SCREW M12X50 (4 PIECES)	1
3	4159693	LANTERN FF265 HELIX KIT	1
3.1		> LANTERN FF265 M+6" GJL MACHINING+CATA	1
3.2	2127605	> EYELET CPL.FF265 HELIX(2 PIECES)	1
3.3	4159695	> COUPLING PROTECTOR FF HELIX KIT	1
4	4159711	COUPLING D.16XD.38 FF265 HELIX KIT	1
5	4159707	SCREW M8X30 (4 PIECES)	1
6	4179238	STUD BOLT M12X845 KIT	1
6.1		> TIE BOLT M12-845x18x30-1.4057	1
6.2	2094647	> NUT M12 M12 ISO4032 VP.	1
6.3	2123557	> WASHER CS-12.4-24-1.6-NFE25 (4 PIECES)	1
7	4159685	END SHIELD HELIX EPDM KIT	1
7.1		> END SHIELD M+6" GJL250 MACHINING+CATA	1
7.2	2127607	> STATIONARY RING HOLDER 6" HELIX 1.4301 V	1
7.3	4176513	> O-RING FOR PUMP JACKET VP.	1
7.4	2127603	> O-RING ID.37,6x2,4 EPDM VP.	1
7.5	2127602	> O-RING ID.21,35x2 EPDM VP.	1
8	4159686	FILING/PURGING PLUG HELIX EPDM KIT	1
9	4159698	CARTRIDGE HELIX6-10-16 F/E KIT	1
10	2127583	HOUSING PIPE D.152x810 1.4301 KIT	1
7.3	4176513	> O-RING FOR PUMP JACKET VP.	1
10.1		> HOUSING-PIPE Ø152-M+1020/1613-304	1
11	4172791	CENTERING STAGE-RETURN HELIX10 1.4301VP.	1
12	4171332	SHAFT EQUIPMENT HELIX V10 BI BLOC KIT	1
4.11	4102901	> SCREW CHC-M6X14-8.8-ISO4762-GEOMET500A	1
4.12	2130995	> SERRATED LOCK WASHER D.6,2XD.14,5X28 VP.	1
12.1		> NUT-H-M10-A4.70	1
12.2		> SERRATED LOCK WASHER M+10M3-316L	1
12.3		> STOP COLLAR OF IMPELLER L16,5-Ø16-316L	1
12.4		> STOP-RUSH-1/2-D16xd2-M+316	1
13		HYDRAULIC HELIX V 1019 1.4307	1
14	2127571	SHAFT D.16X930 1.4301 VP.	1

HELIX FIRST V1019-5/25/E/KS/400-50 (4200975)

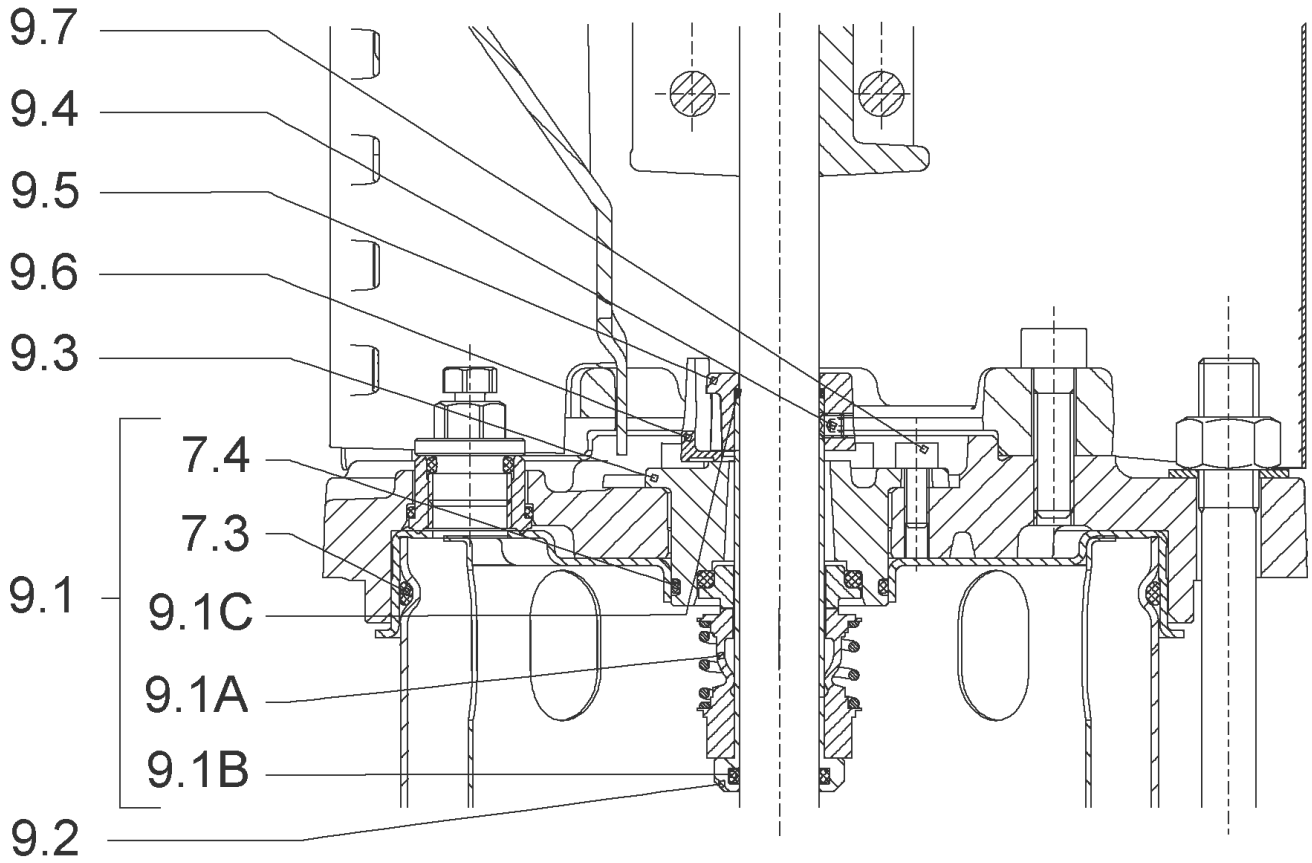
Item	Article no.	Description	Quantity
15	4177878	PUMP HOUSING HELIX V10 DN40 PN30 KIT	1
7.3	4176513	> O-RING FOR PUMP JACKET VP.	1
15.1		> MACH+CATA PUMP CASING M+6" DN40 PN25 GJL	1
15.2	4010032	> FLAT GASKET_Ø40xØ92x2_DN40_PN25_FIBRE	2
15.3	4177877	> PRIMING/DRAIN PLUG HELIX PN30 KIT	1
15.3A		>> PRIMING/DRAIN PLUG M+6" 304	1
15.3B	4233957	>> O-RING ID.9 EPDM VP.	1
15.3C		>> O-RING Ø8xØ2 EPDM KTW/WRC	1

COUPLING D.16XD.38 FF265 HELIX KIT (4159711)



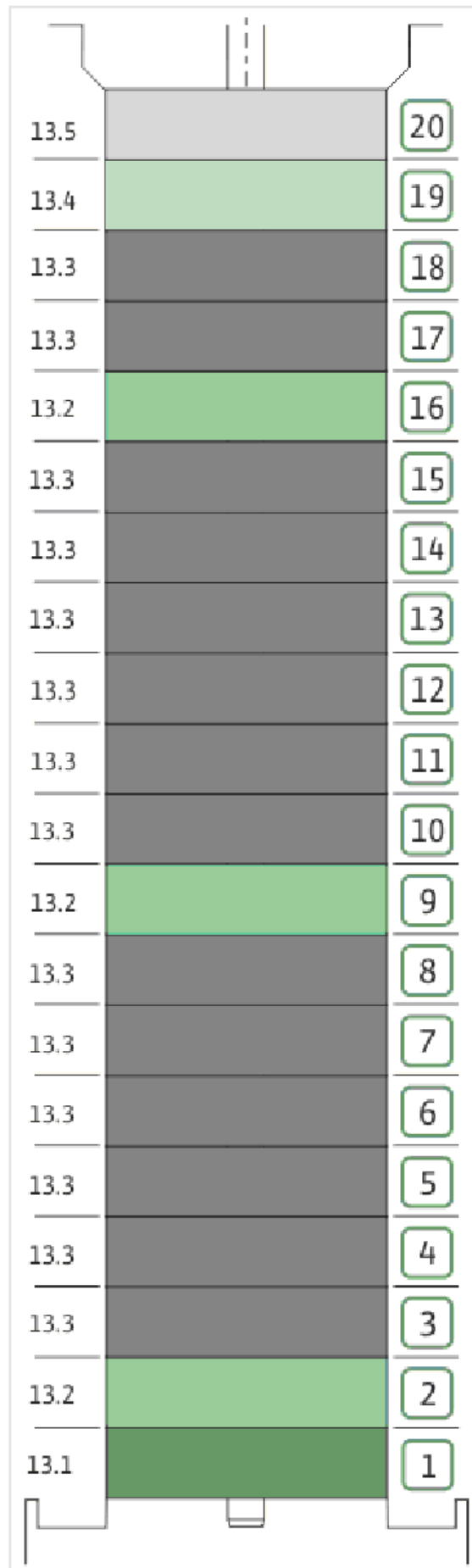
COUPLING D.16XD.38 FF265 HELIX KIT (4159711)

Item	Article no.	Description	Quantity
4.1	2131018	COUPLING 2 PARTS D.16XD.28XL.82,4 VP.	1
4.2	2131017	BALL BEARING 6310/ZZ-C4(HT)VP.	1
4.3	4234253	CIRCLIP-FOR-SHAFT-D50x2 VP.	1
4.4	4157726	SCREW KIT M8X30 (4 PIECES)	1
4.5	4234255	CIRCLIPS 110X4 VP.	1
4.6	4233944	O-RING ID.110 VP.	1
4.7	2131019	RETAINING RING D.26xD.2 DIN7993 VP.	1
4.10	4157726	SCREW KIT M8X30 (4 PIECES)	1
4.11	4102901	SCREW CHC-M6X14-8.8-ISO4762-GEOMET500A	1
4.12	2130995	SERRATED LOCK WASHER D.6,2XD.14,5X28 VP.	1
		NOMEL CONTACT WASHER 8x16x1,4 STEEL ZC	1
4.8	2131020	HUB D.38XD.50 VP.	1
4.9	2131021	SPACER D.28XD.45 VP.	1



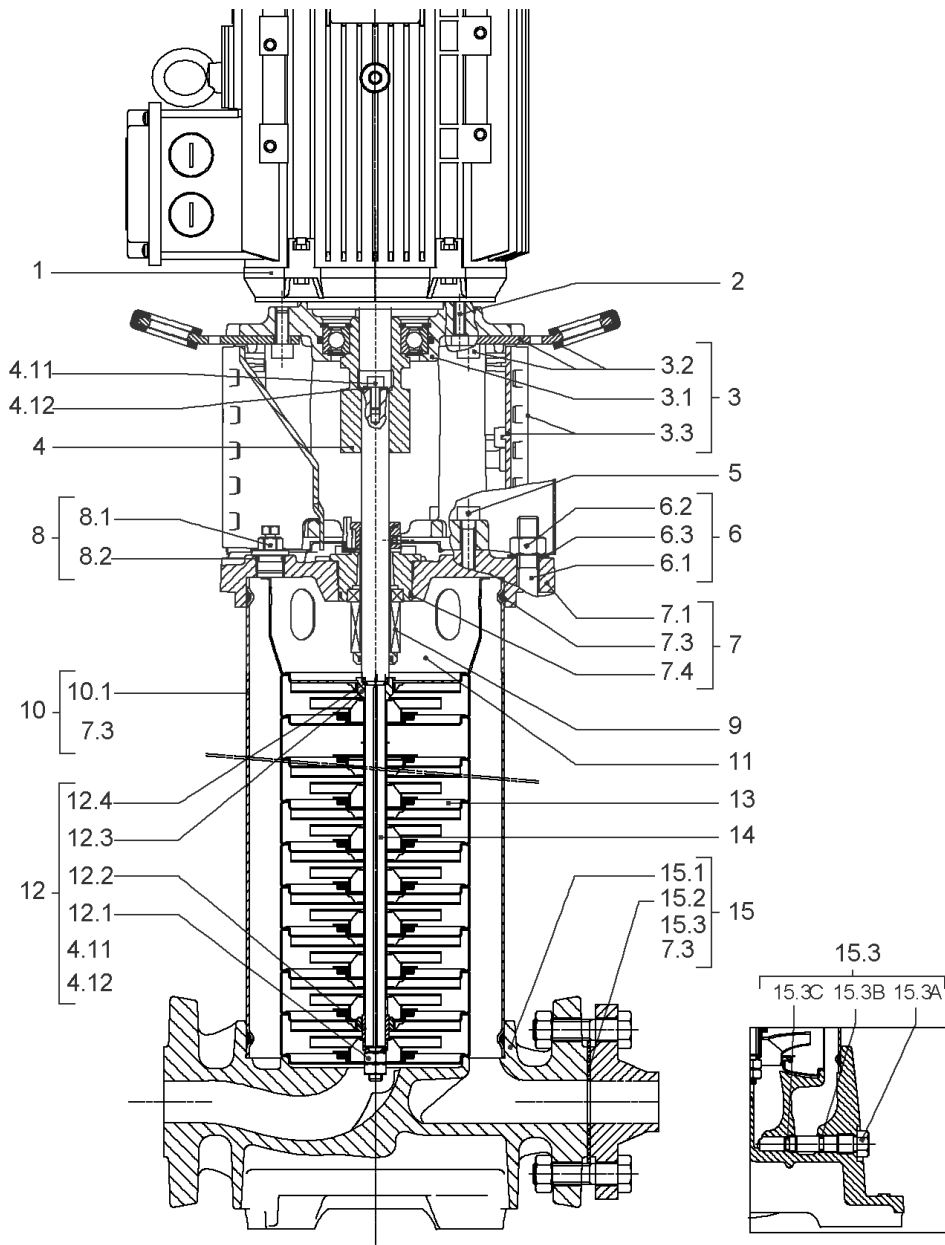
CARTRIDGE HELIX6-10-16 F/E KIT (4159698)

Item	Article no.	Description	Quantity
9.1	4159699	SEAL-KIT-HELIX6-10-16 F/E	1
7.3	4176513	> O-RING FOR PUMP JACKET VP.	1
7.4	2127603	> O-RING ID.37,6x2,4 EPDM VP.	1
9.1A	4176521	> MECH.SEAL HELIX2-4-6-10-16 F/E VP.	1
9.1B	2130967	> O-RING D.16X2,5 EPDM VP.	1
9.1C	4176519	> O-RING Ø16xØ1.25 VP.	1
9.2	2130961	SHAFT SLEEVE D.18/16X72,2 1.4404 VP.	1
9.3	2130962	RING HOLDER D.18 G606/G6 1.4301 VP.	1
9.4	4176520	SCREW CH M5x5 A4-70 (3PIECES)	1
9.5	2130963	DRIVE RING D.29/18x12,4 MACH.VP.	1
9.6	2130964	TOOL M.S.CART.HELIX VP.	1
9.7	2130965	SCREW CHC M5X12 ISO4762 A2.70(4 PIECES)	1



HYDRAULIC HELIX V 1019 1.4307

Item	Article no.	Description	Quantity
13.1	4171331	STAGE HELIX10 1.4301KIT	1
		> MACH.STG-CASING-WOGV-WNR-M+10-304	1
		> IMPELLER-M+10-304	1
13.2	4172792	INTERMEDIATE STAGE HELIX 10 1.4301 KIT	1
		> MACH.BEARING-STG-CASING-WNR-M+10-304	1
		> IMPELLER-M+10-304	1
		> SHAFT SLEEVE-SPACER-Ø19,35x18,465-304	1
		> SHAFT-SLEEVE-D16xD20x18-CW	1
13.3	4172793	INTERMEDIATE STAGE HELIX 10 1.4301 KIT	1
		> MACH.STD-STG-CASING-WGV+NR-M+10-304	1
		> IMPELLER-M+10-304	1
		> IMPELLER SPACER Ø16,05X19,45-L36,465-304	1
13.4	4172800	EMPTY STAGE HELIX10 1.4301 KIT	1
		> MACH.STD-STG-CASING-WGV+NR-M+10-304	1
		> FLAT WASHER-D16.1XD22X1.2-316L	1
		> IMPELLER SPACER Ø16,05X19,45-L36,465-304	1
13.5	4172799	STAGE HELIX 10 1.4301 KIT	1
		> MACH.STG-CASING-WOGV-WNR-M+10-304	1
		> IMPELLER-M+10-304	1
		> IMPELLER SPACER Ø16,05X19,45-L36,465-304	1



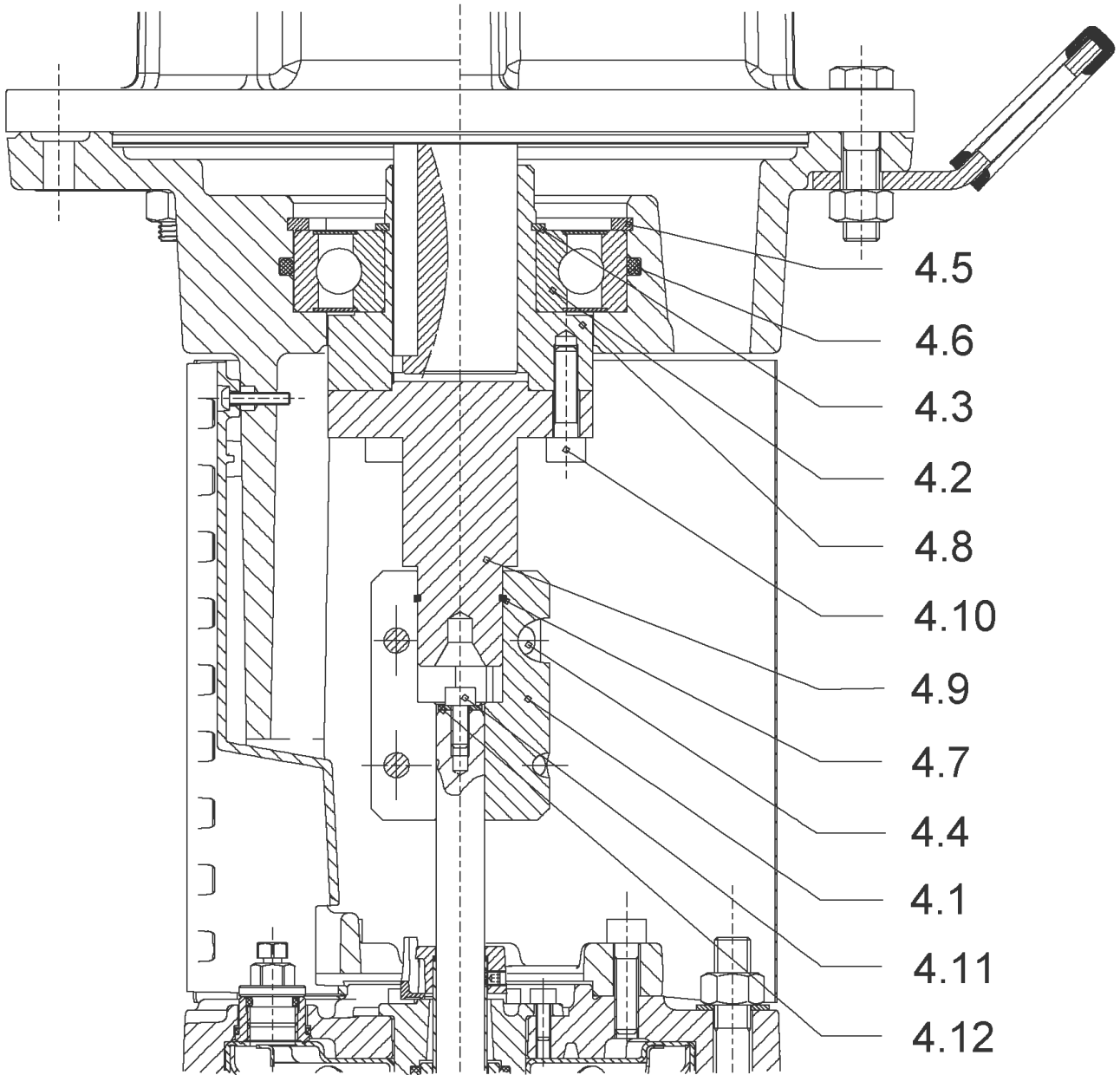
HELIX FIRST V1021-5/30/E/KS/400-50 (4200976)

Item	Article no.	Description	Quantity
1	4195450	MOTOR 7,5/2/* 3~400V 50HZ IE3 VP.	1
		SPARE PARTS MOTOR:ON REQUEST	1
2	4174093	SCREW M12X50 (4 PIECES)	1
3	4159693	LANTERN FF265 HELIX KIT	1
3.1		> LANTERN FF265 M+6" GJL MACHINING+CATA	1
3.2	2127605	> EYELET CPL.FF265 HELIX(2 PIECES)	1
3.3	4159695	> COUPLING PROTECTOR FF HELIX KIT	1
4	4159711	COUPLING D.16XD.38 FF265 HELIX KIT	1
5	4159707	SCREW M8X30 (4 PIECES)	1
6	4177866	STUD BOLT M12X915 KIT	1
6.1		> TIE BOLT M12-915x18x30-1.4057	1
6.2	2094647	> NUT M12 M12 ISO4032 VP.	1
6.3	2123557	> WASHER CS-12.4-24-1.6-NFE25 (4 PIECES)	1
7	4177867	END SHIELD PN30 HELIX EPDM KIT	1
7.1		> END SHIELD M+ JL VERSION 1 MACHINED+CATA	1
7.3	4176513	> O-RING FOR PUMP JACKET VP.	1
7.4	2127603	> O-RING ID.37,6x2,4 EPDM VP.	1
8	4159686	FILING/PURGING PLUG HELIX EPDM KIT	1
9	4177872	MECH.SEAL+CART. HELIX6-10-16 T/E KIT	1
10	4177873	HOUSING PIPE D.152x885,5 1.4301 KIT	1
7.3	4176513	> O-RING FOR PUMP JACKET VP.	1
10.1		> HOUSING-PIPE Ø152-M+1021/22-304	1
11	4172791	CENTERING STAGE-RETURN HELIX10 1.4301VP.	1
12	4171332	SHAFT EQUIPMENT HELIX V10 BI BLOC KIT	1
4.11	4102901	> SCREW CHC-M6X14-8.8-ISO4762-GEOMET500A	1
4.12	2130995	> SERRATED LOCK WASHER D.6,2XD.14,5X28 VP.	1
12.1		> NUT-H-M10-A4.70	1
12.2		> SERRATED LOCK WASHER M+10M3-316L	1
12.3		> STOP COLLAR OF IMPELLER L16,5-Ø16-316L	1
12.4		> STOP-RUSH-1/2-D16xd2-M+316	1
13		HYDRAULIC HELIX V 1021 1.4307	1
14	4177876	SHAFT D.16X1005 1.4301 VP.	1
15	4177878	PUMP HOUSING HELIX V10 DN40 PN30 KIT	1
7.3	4176513	> O-RING FOR PUMP JACKET VP.	1

HELIX FIRST V1021-5/30/E/KS/400-50 (4200976)

Item	Article no.	Description	Quantity
15.1		> MACH+CATA PUMP CASING M+6" DN40 PN25 GJL	1
15.2	4010032	> FLAT GASKET_Ø40xØ92x2_DN40_PN25_FIBRE	2
15.3	4177877	> PRIMING/DRAIN PLUG HELIX PN30 KIT	1
15.3A		>> PRIMING/DRAIN PLUG M+6" 304	1
15.3B	4233957	>> O-RING ID.9 EPDM VP.	1
15.3C		>> O-RING Ø8xØ2 EPDM KTW/WRC	1

COUPLING D.16XD.38 FF265 HELIX KIT (4159711)



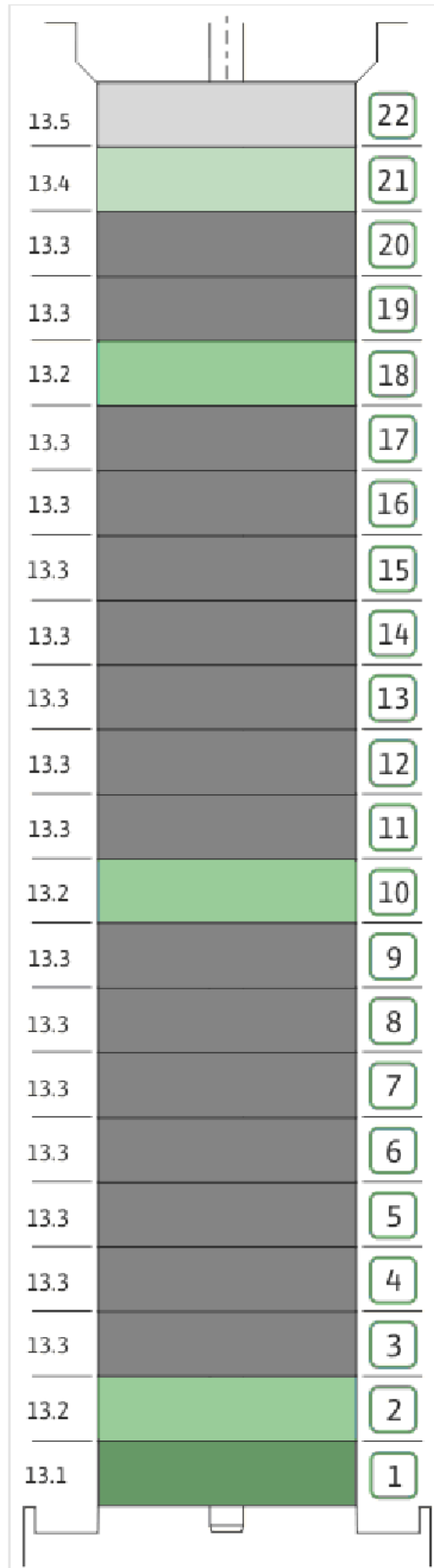
COUPLING D.16XD.38 FF265 HELIX KIT (4159711)

Item	Article no.	Description	Quantity
4.1	2131018	COUPLING 2 PARTS D.16XD.28XL.82,4 VP.	1
4.2	2131017	BALL BEARING 6310/ZZ-C4(HT)VP.	1
4.3	4234253	CIRCLIP-FOR-SHAFT-D50x2 VP.	1
4.4	4157726	SCREW KIT M8X30 (4 PIECES)	1
4.5	4234255	CIRCLIPS 110X4 VP.	1
4.6	4233944	O-RING ID.110 VP.	1
4.7	2131019	RETAINING RING D.26xD.2 DIN7993 VP.	1
4.10	4157726	SCREW KIT M8X30 (4 PIECES)	1
4.11	4102901	SCREW CHC-M6X14-8.8-ISO4762-GEOMET500A	1
4.12	2130995	SERRATED LOCK WASHER D.6,2XD.14,5X28 VP.	1
		NOMEL CONTACT WASHER 8x16x1,4 STEEL ZC	1
4.8	2131020	HUB D.38XD.50 VP.	1
4.9	2131021	SPACER D.28XD.45 VP.	1



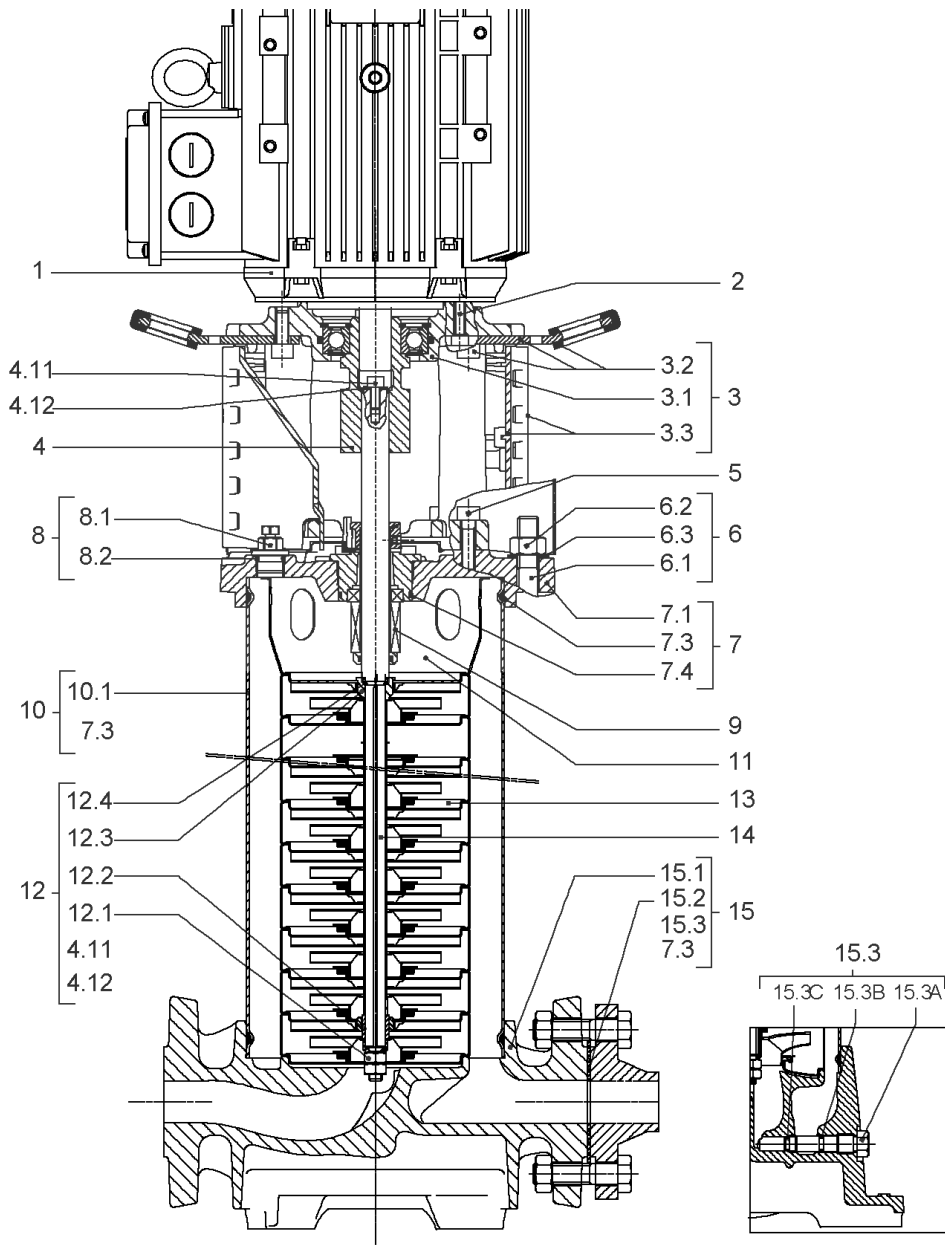
MECH.SEAL+CART. HELIX6-10-16 T/E KIT (4177872)

Item	Article no.	Description	Quantity
9.1	4177871	SEAL-KIT-HELIX6-10-16 T/E	1
7.3	4176513	> O-RING FOR PUMP JACKET VP.	1
7.4	2127603	> O-RING ID.37,6x2,4 EPDM VP.	1
9.1A	4177870	> MECH.SEAL HELIX2-4-6-10-16 T/E VP.	1
9.1B	2130967	> O-RING D.16X2,5 EPDM VP.	1
9.1C	4176519	> O-RING Ø16xØ1.25 VP.	1
9.2	4177869	SHAFT SLEEVE Ø16XØ18/22-G9-PN30 VP.	1
9.3	4177868	RING-HOLDER MS G9 316 VP.	1
9.4	4176520	SCREW CH M5x5 A4-70 (3PIECES)	1
9.5	2130963	DRIVE RING D.29/18x12,4 MACH.VP.	1
9.6	2130964	TOOL M.S.CART.HELIX VP.	1
9.7	2130965	SCREW CHC M5X12 ISO4762 A2.70(4 PIECES)	1



HYDRAULIC HELIX V 1021 1.4307

Item	Article no.	Description	Quantity
13.1	4171331	STAGE HELIX10 1.4301KIT	1
		> MACH.STG-CASING-WOGV-WNR-M+10-304	1
		> IMPELLER-M+10-304	1
13.2	4172792	INTERMEDIATE STAGE HELIX 10 1.4301 KIT	1
		> MACH.BEARING-STG-CASING-WNR-M+10-304	1
		> IMPELLER-M+10-304	1
		> SHAFT SLEEVE-SPACER-Ø19,35x18,465-304	1
		> SHAFT-SLEEVE-D16xD20x18-CW	1
13.3	4172793	INTERMEDIATE STAGE HELIX 10 1.4301 KIT	1
		> MACH.STD-STG-CASING-WGV+NR-M+10-304	1
		> IMPELLER-M+10-304	1
		> IMPELLER SPACER Ø16,05X19,45-L36,465-304	1
13.4	4172800	EMPTY STAGE HELIX10 1.4301 KIT	1
		> MACH.STD-STG-CASING-WGV+NR-M+10-304	1
		> FLAT WASHER-D16.1XD22X1.2-316L	1
		> IMPELLER SPACER Ø16,05X19,45-L36,465-304	1
13.5	4172799	STAGE HELIX 10 1.4301 KIT	1
		> MACH.STG-CASING-WOGV-WNR-M+10-304	1
		> IMPELLER-M+10-304	1
		> IMPELLER SPACER Ø16,05X19,45-L36,465-304	1



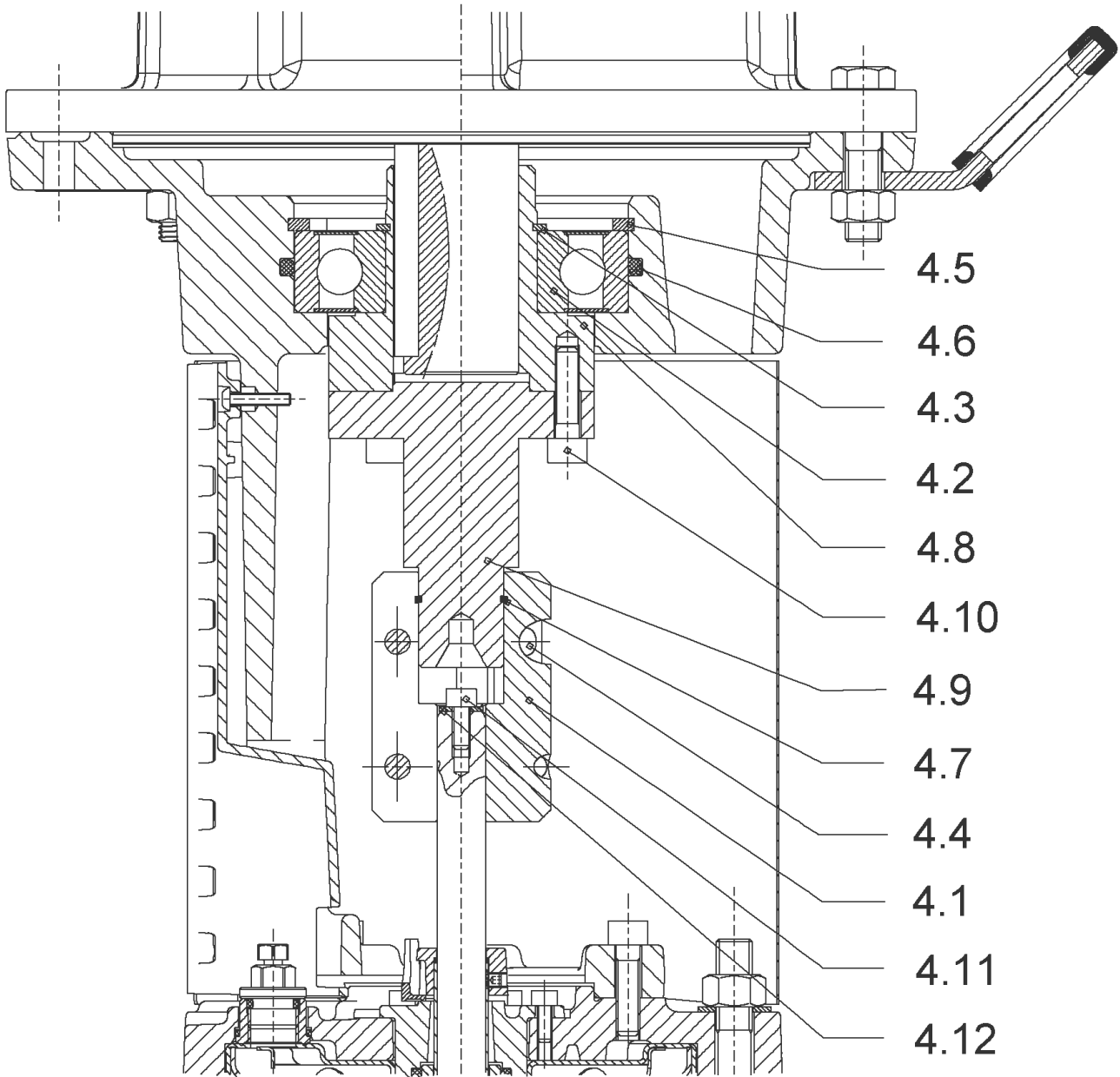
HELIX FIRST V1023-5/30/E/KS/400-50 (4200977)

Item	Article no.	Description	Quantity
1	4195483	MOTOR 9/2/132 3~400V 50HZ IE3 VP.	1
		SPARE PARTS MOTOR:ON REQUEST	1
2	4174093	SCREW M12X50 (4 PIECES)	1
3	4159693	LANTERN FF265 HELIX KIT	1
3.1		> LANTERN FF265 M+6" GJL MACHINING+CATA	1
3.2	2127605	> EYELET CPL.FF265 HELIX(2 PIECES)	1
3.3	4159695	> COUPLING PROTECTOR FF HELIX KIT	1
4	4159711	COUPLING D.16XD.38 FF265 HELIX KIT	1
5	4159707	SCREW M8X30 (4 PIECES)	1
6	4177881	STUD BOLT M12X990 KIT	1
6.1		> TIE BOLT M12-990x18x30-1.4057	1
6.2	2094647	> NUT M12 M12 ISO4032 VP.	1
6.3	2123557	> WASHER CS-12.4-24-1.6-NFE25 (4 PIECES)	1
7	4177867	END SHIELD PN30 HELIX EPDM KIT	1
7.1		> END SHIELD M+ JL VERSION 1 MACHINED+CATA	1
7.3	4176513	> O-RING FOR PUMP JACKET VP.	1
7.4	2127603	> O-RING ID.37,6x2,4 EPDM VP.	1
8	4159686	FILING/PURGING PLUG HELIX EPDM KIT	1
9	4177872	MECH.SEAL+CART. HELIX6-10-16 T/E KIT	1
10	4177874	HOUSING PIPE D.152x960 1.4307 KIT	1
7.3	4176513	> O-RING FOR PUMP JACKET VP.	1
10.1		> HOUSING-PIPE Ø152-M+1024/1616-304	1
11	4172791	CENTERING STAGE-RETURN HELIX10 1.4301VP.	1
12	4171332	SHAFT EQUIPMENT HELIX V10 BI BLOC KIT	1
4.11	4102901	> SCREW CHC-M6X14-8.8-ISO4762-GEOMET500A	1
4.12	2130995	> SERRATED LOCK WASHER D.6,2XD.14,5X28 VP.	1
12.1		> NUT-H-M10-A4.70	1
12.2		> SERRATED LOCK WASHER M+10M3-316L	1
12.3		> STOP COLLAR OF IMPELLER L16,5-Ø16-316L	1
12.4		> STOP-RUSH-1/2-D16xd2-M+316	1
13		HYDRAULIC HELIX V 1023 1.4307	1
14	4177883	SHAFT D.16X1080 1.4301 VP.	1
15	4177878	PUMP HOUSING HELIX V10 DN40 PN30 KIT	1
7.3	4176513	> O-RING FOR PUMP JACKET VP.	1

HELIX FIRST V1023-5/30/E/KS/400-50 (4200977)

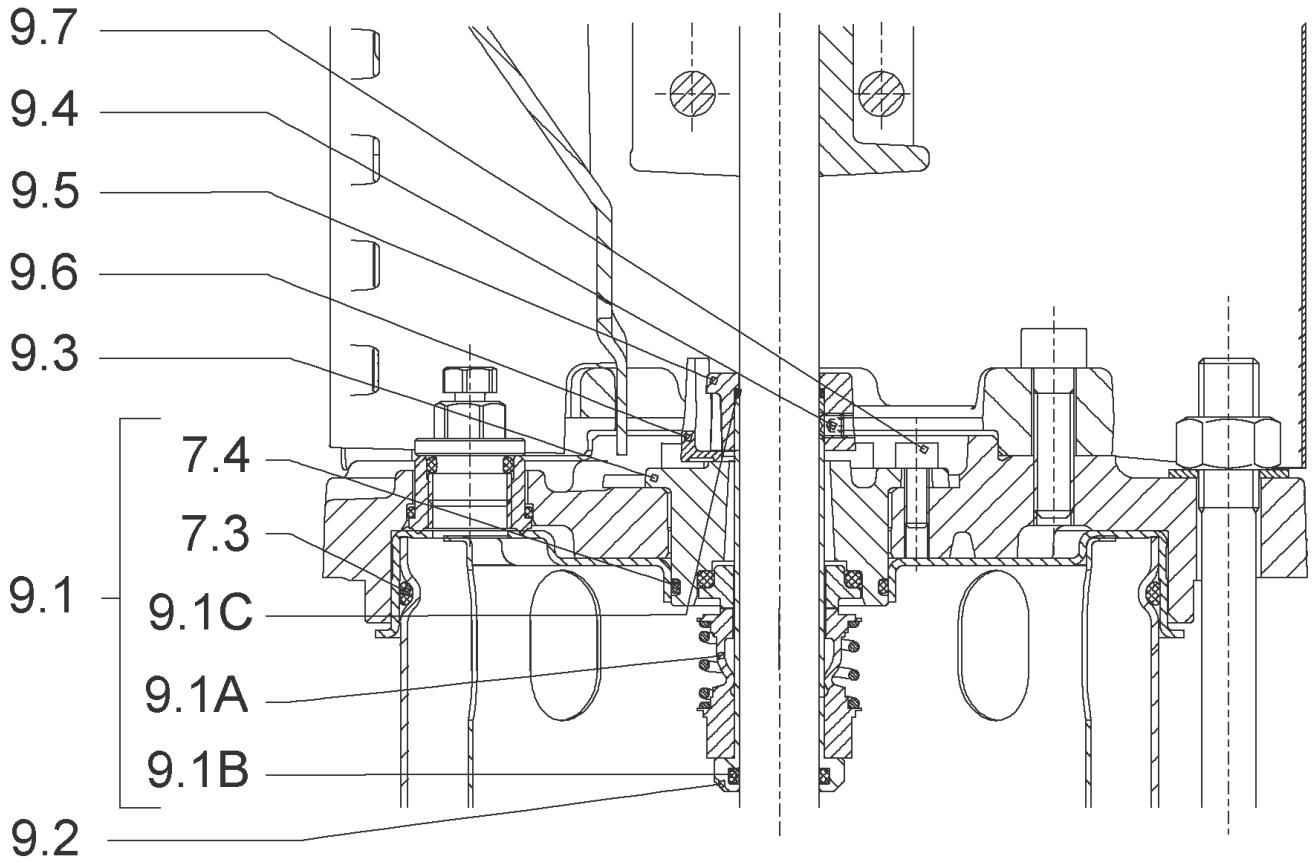
Item	Article no.	Description	Quantity
15.1		> MACH+CATA PUMP CASING M+6" DN40 PN25 GJL	1
15.2	4010032	> FLAT GASKET_Ø40xØ92x2_DN40_PN25_FIBRE	2
15.3	4177877	> PRIMING/DRAIN PLUG HELIX PN30 KIT	1
15.3A		>> PRIMING/DRAIN PLUG M+6" 304	1
15.3B	4233957	>> O-RING ID.9 EPDM VP.	1
15.3C		>> O-RING Ø8xØ2 EPDM KTW/WRC	1

COUPLING D.16XD.38 FF265 HELIX KIT (4159711)



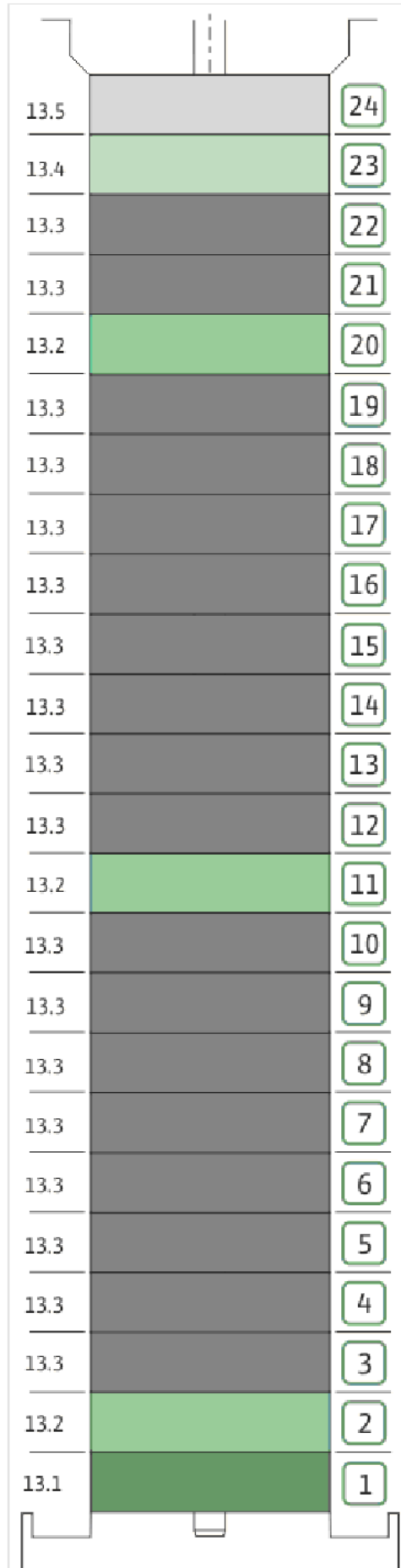
COUPLING D.16XD.38 FF265 HELIX KIT (4159711)

Item	Article no.	Description	Quantity
4.1	2131018	COUPLING 2 PARTS D.16XD.28XL.82,4 VP.	1
4.2	2131017	BALL BEARING 6310/ZZ-C4(HT)VP.	1
4.3	4234253	CIRCLIP-FOR-SHAFT-D50x2 VP.	1
4.4	4157726	SCREW KIT M8X30 (4 PIECES)	1
4.5	4234255	CIRCLIPS 110X4 VP.	1
4.6	4233944	O-RING ID.110 VP.	1
4.7	2131019	RETAINING RING D.26xD.2 DIN7993 VP.	1
4.10	4157726	SCREW KIT M8X30 (4 PIECES)	1
4.11	4102901	SCREW CHC-M6X14-8.8-ISO4762-GEOMET500A	1
4.12	2130995	SERRATED LOCK WASHER D.6,2XD.14,5X28 VP.	1
		NOMEL CONTACT WASHER 8x16x1,4 STEEL ZC	1
4.8	2131020	HUB D.38XD.50 VP.	1
4.9	2131021	SPACER D.28XD.45 VP.	1



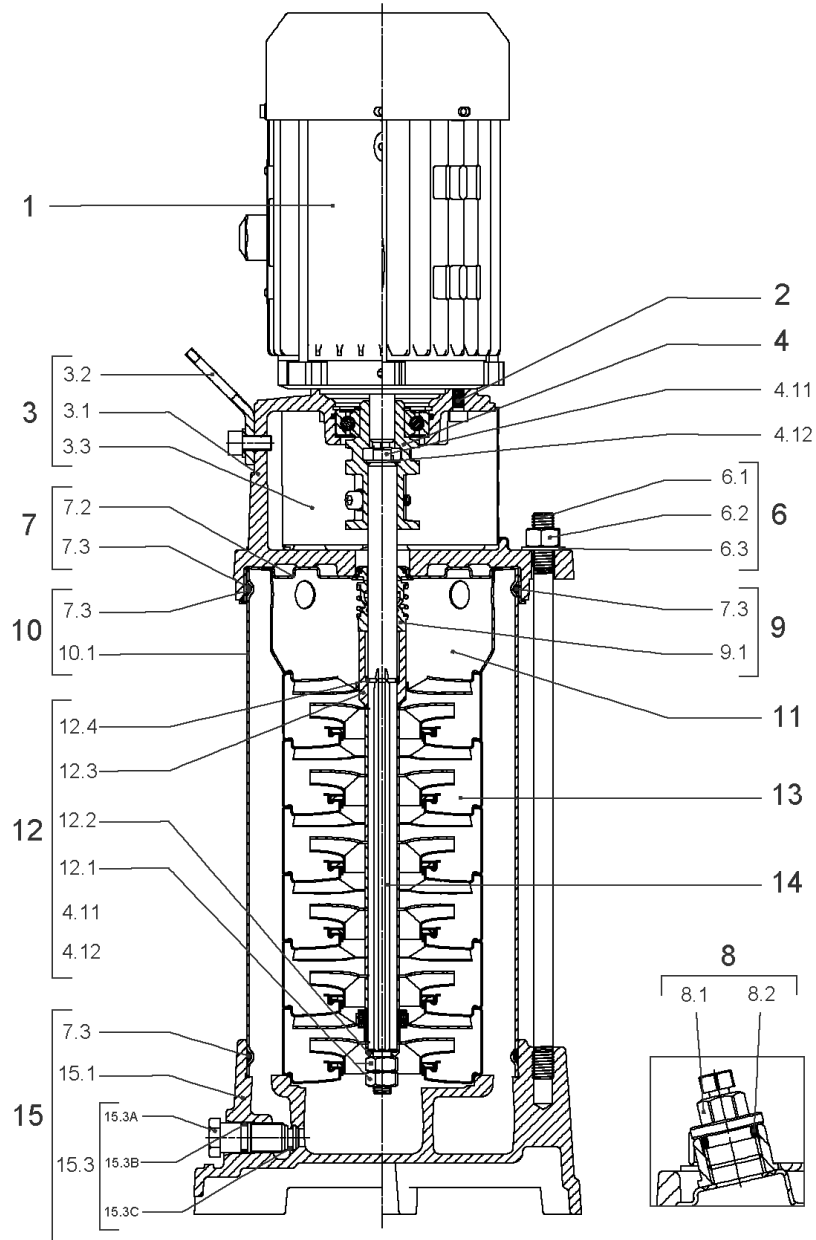
MECH.SEAL+CART. HELIX6-10-16 T/E KIT (4177872)

Item	Article no.	Description	Quantity
9.1	4177871	SEAL-KIT-HELIX6-10-16 T/E	1
7.3	4176513	> O-RING FOR PUMP JACKET VP.	1
7.4	2127603	> O-RING ID.37,6x2,4 EPDM VP.	1
9.1A	4177870	> MECH.SEAL HELIX2-4-6-10-16 T/E VP.	1
9.1B	2130967	> O-RING D.16X2,5 EPDM VP.	1
9.1C	4176519	> O-RING Ø16xØ1.25 VP.	1
9.2	4177869	SHAFT SLEEVE Ø16XØ18/22-G9-PN30 VP.	1
9.3	4177868	RING-HOLDER MS G9 316 VP.	1
9.4	4176520	SCREW CH M5x5 A4-70 (3PIECES)	1
9.5	2130963	DRIVE RING D.29/18x12,4 MACH.VP.	1
9.6	2130964	TOOL M.S.CART.HELIX VP.	1
9.7	2130965	SCREW CHC M5X12 ISO4762 A2.70(4 PIECES)	1



HYDRAULIC HELIX V 1023 1.4307

Item	Article no.	Description	Quantity
13.1	4171331	STAGE HELIX10 1.4301KIT	1
		> MACH.STG-CASING-WOGV-WNR-M+10-304	1
		> IMPELLER-M+10-304	1
13.2	4172792	INTERMEDIATE STAGE HELIX 10 1.4301 KIT	1
		> MACH.BEARING-STG-CASING-WNR-M+10-304	1
		> IMPELLER-M+10-304	1
		> SHAFT SLEEVE-SPACER-Ø19,35x18,465-304	1
		> SHAFT-SLEEVE-D16xD20x18-CW	1
13.3	4172793	INTERMEDIATE STAGE HELIX 10 1.4301 KIT	1
		> MACH.STD-STG-CASING-WGV+NR-M+10-304	1
		> IMPELLER-M+10-304	1
		> IMPELLER SPACER Ø16,05X19,45-L36,465-304	1
13.4	4172800	EMPTY STAGE HELIX10 1.4301 KIT	1
		> MACH.STD-STG-CASING-WGV+NR-M+10-304	1
		> FLAT WASHER-D16.1XD22X1.2-316L	1
		> IMPELLER SPACER Ø16,05X19,45-L36,465-304	1
13.5	4172799	STAGE HELIX 10 1.4301 KIT	1
		> MACH.STG-CASING-WOGV-WNR-M+10-304	1
		> IMPELLER-M+10-304	1
		> IMPELLER SPACER Ø16,05X19,45-L36,465-304	1



HELIX FIRST V1601-5/16/E/S/400-50 (4200978)

Item	Article no.	Description	Quantity
1	4169940	MOTOR 0,75/2/80 3~230/400V 50HZ IE3 VP.	1
		SPARE PARTS MOTOR:ON REQUEST	1
2	4212716	SCREW M6X20 KIT (4PIECES)	1
3	4213752	LANTERN FT100 HELIX KIT	1
3.1		> LANT-MOT-VMI-ReDTC6"-FT100-MACHINED+CATA	1
3.2	4184852	> EYELET CPL.FT HELIX (2 PIECES)	1
3.3	4213713	> COUPLING PROTECTOR FT85/100 HELIX KIT	1
4	4159708	COUPLING D.16XD.19 FT100 HELIX KIT	1
6	4214555	STUD BOLT HELIX M12X195 KIT	1
6.1		> TIE BOLT M12-195x18x30-1.4057	1
6.2	2094647	> NUT M12 M12 ISO4032 VP.	1
6.3	2123557	> WASHER CS-12.4-24-1.6-NFE25 (4 PIECES)	1
7	4214481	STATIONARY RING HOLDER HELIX D27 ReDTC	1
7.2	4214479	> STATIONARY RING HOLDER HELIX D27 VP.	1
7.3	4176513	> O-RING FOR PUMP JACKET VP.	1
8	4212724	FILING/PURGING PLUG HELIX ReDTC KIT	1
8.1		> FILLING PLUG MVI6"-304	1
8.2	4177800	> O-RING EPDM PLUG HELIX VP.	1
9	4214483	MECH.SEAL HELIX6-10-16 O/E ReDTC KIT	1
9.1	4177801	> MECH.SEAL HELIX6-10-16 O/E VP.	1
7.3	4176513	> O-RING FOR PUMP JACKET VP.	1
10	2127574	HOUSING PIPE D.152x160 1.4301 KIT	1
7.3	4176513	> O-RING FOR PUMP JACKET VP.	1
10.1		> HOUSING-PIPE Ø152-M+1601/02-304	1
11	2127587	CENTERING STAGE HELIX16 1.4301 VP.	1
12	4214520	SHAFT EQUIPMENT HELIX V16 ReDTC KIT	1
12.1		> NUT-H-M10-A4.70	1
12.2		> SERRATED LOCK WASHER M+16M3-316L	1
12.3		> 1/2-SNAP-RING-16M3-316L	1
12.4		> STOP-RUSH-1/2-D16xd2-M+316	1
4.11		> SCREW CHC-M6X14-8.8-ISO4762-GEOMET500A	1
4.12		> WASHER D.24 L6U ZINK	1
13		HYDRAULIC HELIX FIRST V1601 1.4307	1
14	4214522	SHAFT D.16X228 HELIX 1.4057 VP.	1

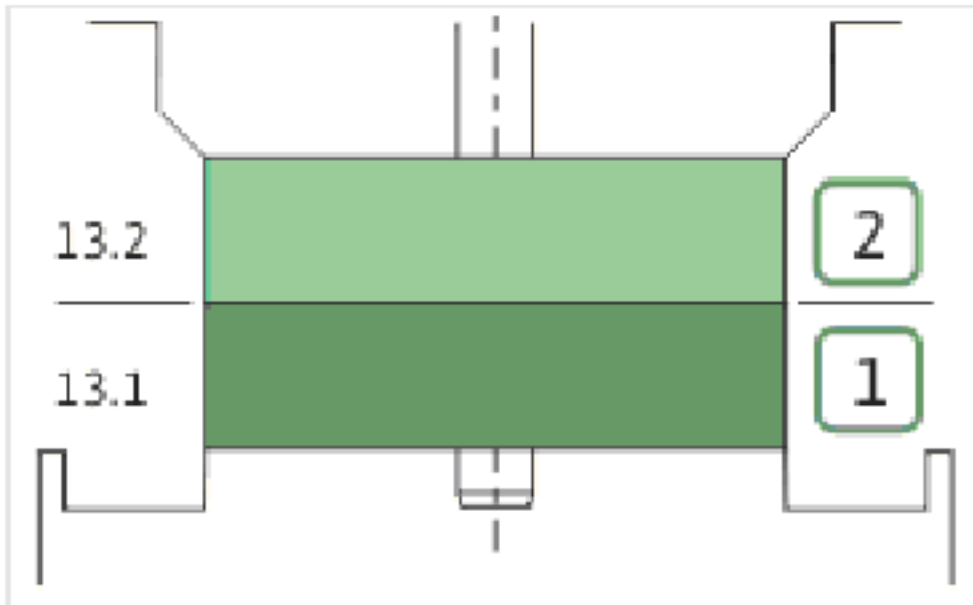
HELIX FIRST V1601-5/16/E/S/400-50 (4200978)

Item	Article no.	Description	Quantity
15	4215100	PUMP HOUSING HELIX V16 DN50/H90 PN16 KIT	1
15.1		> MACH+CAT.PP HOUSI.M+6'' D50/H90-PN16 GJL	1
15.2	4233954	> O-RING ID.66 EPDM VP.	1
15.3	4215098	> PRIMING/DRAIN PLUG HELIX PN16 KIT	1
7.3	4176513	> O-RING FOR PUMP JACKET VP.	1



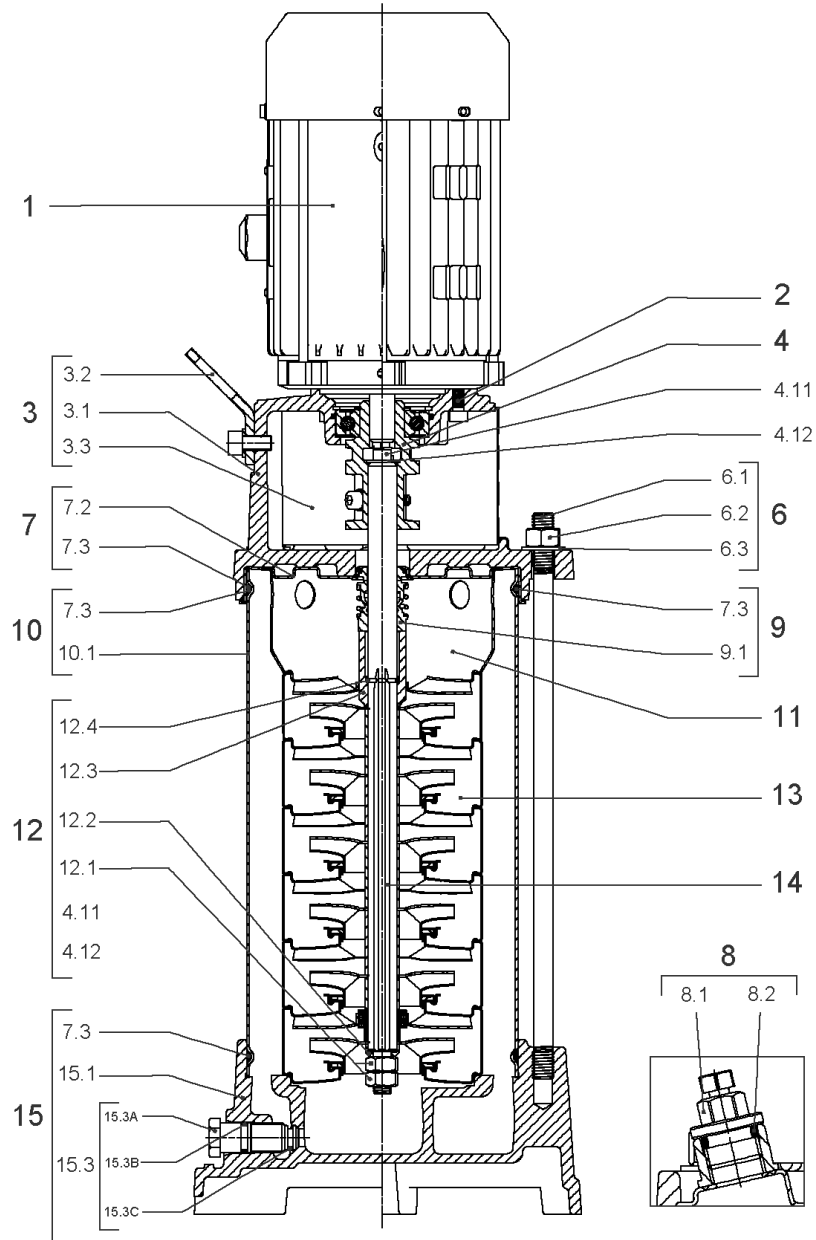
COUPLING D.16XD.19 FT100 HELIX KIT (4159708)

Item	Article no.	Description	Quantity
4.1		COUPLING M+ Ø16XØ19 FT100 MACHINED	1
4.2	2130977	BALL BEARING 6206/ZZ-C3(HT)VP.	1
4.3	4234249	CIRCLIP-FOR-SHAFT-D30x1.5 VP.	1
4.4	4212716	SCREW M6X20 KIT (4PIECES)	1
4.5	4234250	CIRCLIP-D62x2 VP.	1
4.6	4234245	O-RING 63X3 VP.	1
		CONTACT-WASHER-6ETR-6,1x12,2x1,8-STEEL	1



HYDRAULIC HELIX FIRST V1601 1.4307

Item	Article no.	Description	Quantity
13.1	4159720	STAGE HELIX 16 1.4301 KIT	1
		> MACH.STG-CASING-WOGV-WNR-M+16-304	1
		> IMPELLER-M+16-304	1
13.2	4159719	EMPTY STAGE-BEARING HELIX 16 1.4301 KIT	1



HELIX FIRST V1601-5/25/E/S/400-50 (4200979)

Item	Article no.	Description	Quantity
1	4169940	MOTOR 0,75/2/80 3~230/400V 50HZ IE3 VP.	1
		SPARE PARTS MOTOR:ON REQUEST	1
2	4212716	SCREW M6X20 KIT (4PIECES)	1
3	4213752	LANTERN FT100 HELIX KIT	1
3.1		> LANT-MOT-VMI-ReDTC6"-FT100-MACHINED+CATA	1
3.2	4184852	> EYELET CPL.FT HELIX (2 PIECES)	1
3.3	4213713	> COUPLING PROTECTOR FT85/100 HELIX KIT	1
4	4159708	COUPLING D.16XD.19 FT100 HELIX KIT	1
6	4214555	STUD BOLT HELIX M12X195 KIT	1
6.1		> TIE BOLT M12-195x18x30-1.4057	1
6.2	2094647	> NUT M12 M12 ISO4032 VP.	1
6.3	2123557	> WASHER CS-12.4-24-1.6-NFE25 (4 PIECES)	1
7	4214481	STATIONARY RING HOLDER HELIX D27 ReDTC	1
7.2	4214479	> STATIONARY RING HOLDER HELIX D27 VP.	1
7.3	4176513	> O-RING FOR PUMP JACKET VP.	1
8	4212724	FILING/PURGING PLUG HELIX ReDTC KIT	1
8.1		> FILLING PLUG MVI6"-304	1
8.2	4177800	> O-RING EPDM PLUG HELIX VP.	1
9	4214483	MECH.SEAL HELIX6-10-16 O/E ReDTC KIT	1
9.1	4177801	> MECH.SEAL HELIX6-10-16 O/E VP.	1
7.3	4176513	> O-RING FOR PUMP JACKET VP.	1
10	2127574	HOUSING PIPE D.152x160 1.4301 KIT	1
7.3	4176513	> O-RING FOR PUMP JACKET VP.	1
10.1		> HOUSING-PIPE Ø152-M+1601/02-304	1
11	2127587	CENTERING STAGE HELIX16 1.4301 VP.	1
12	4214520	SHAFT EQUIPMENT HELIX V16 ReDTC KIT	1
12.1		> NUT-H-M10-A4.70	1
12.2		> SERRATED LOCK WASHER M+16M3-316L	1
12.3		> 1/2-SNAP-RING-16M3-316L	1
12.4		> STOP-RUSH-1/2-D16xd2-M+316	1
4.11		> SCREW CHC-M6X14-8.8-ISO4762-GEOMET500A	1
4.12		> WASHER D.24 L6U ZINK	1
13		HYDRAULIC HELIX FIRST V1601 1.4307	1
14	4214522	SHAFT D.16X228 HELIX 1.4057 VP.	1

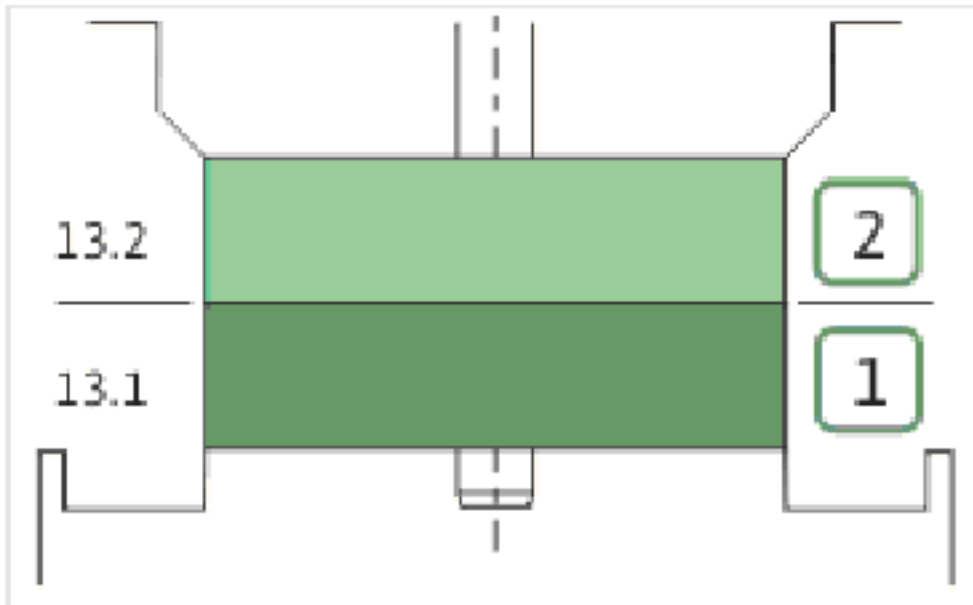
HELIX FIRST V1601-5/25/E/S/400-50 (4200979)

Item	Article no.	Description	Quantity
15	4209634	PUMP HOUSING HELIX FIRST V16 PN30 KIT	1
15.1		> MACH+CATA PUMP CASING M+6" DN50 PN25 GJL	1
15.2	4124503	> FLAT GASKET 61x107x2_DN50_PN25_FIBER	1
15.3	4177877	> PRIMING/DRAIN PLUG HELIX PN30 KIT	1
15.3A		>> PRIMING/DRAIN PLUG M+6" 304	1
15.3B	4233957	>> O-RING ID.9 EPDM VP.	1
15.3C		>> O-RING Ø8xØ2 EPDM KTW/WRC	1
7.3	4176513	> O-RING FOR PUMP JACKET VP.	1



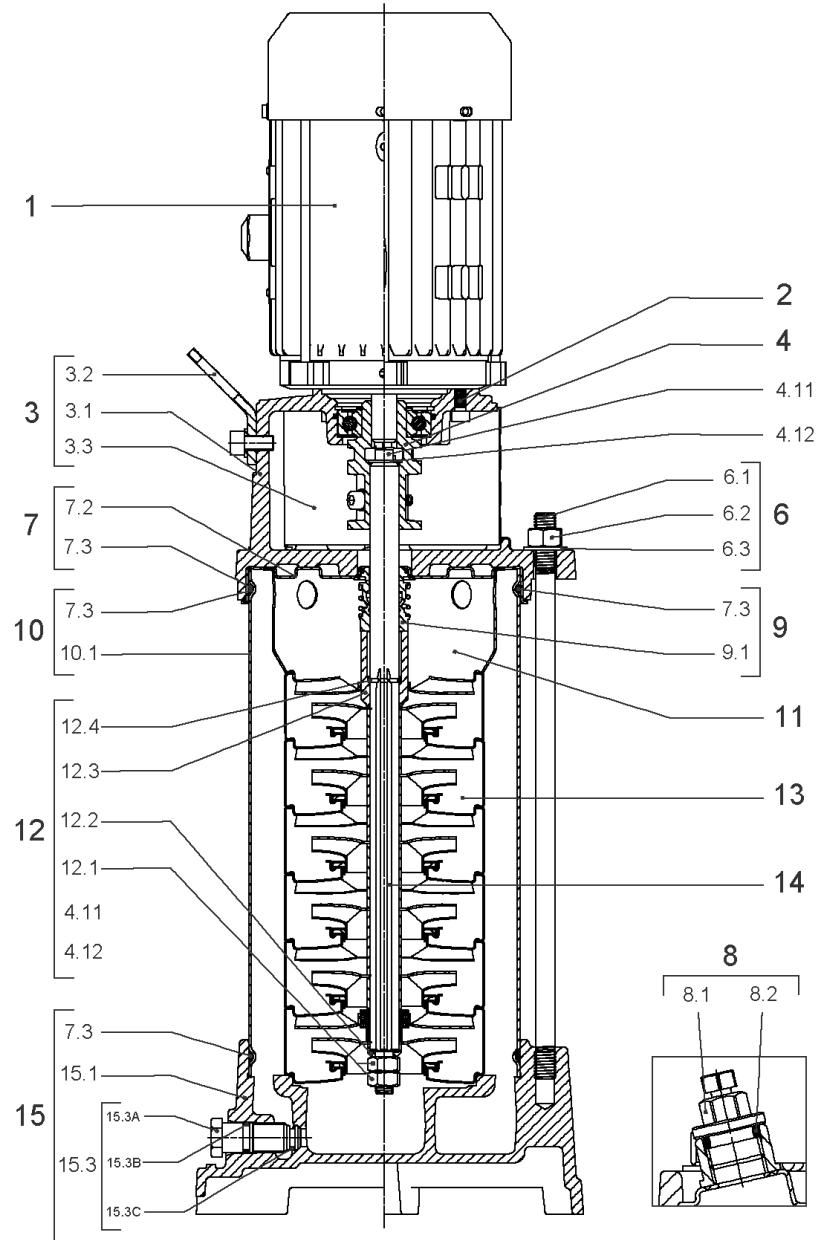
COUPLING D.16XD.19 FT100 HELIX KIT (4159708)

Item	Article no.	Description	Quantity
4.1		COUPLING M+ Ø16XØ19 FT100 MACHINED	1
4.2	2130977	BALL BEARING 6206/ZZ-C3(HT)VP.	1
4.3	4234249	CIRCLIP-FOR-SHAFT-D30x1.5 VP.	1
4.4	4212716	SCREW M6X20 KIT (4PIECES)	1
4.5	4234250	CIRCLIP-D62x2 VP.	1
4.6	4234245	O-RING 63X3 VP.	1
		CONTACT-WASHER-6ETR-6,1x12,2x1,8-STEEL	1



HYDRAULIC HELIX FIRST V1601 1.4307

Item	Article no.	Description	Quantity
13.1	4159720	STAGE HELIX 16 1.4301 KIT	1
		> MACH.STG-CASING-WOGV-WNR-M+16-304	1
		> IMPELLER-M+16-304	1
13.2	4159719	EMPTY STAGE-BEARING HELIX 16 1.4301 KIT	1

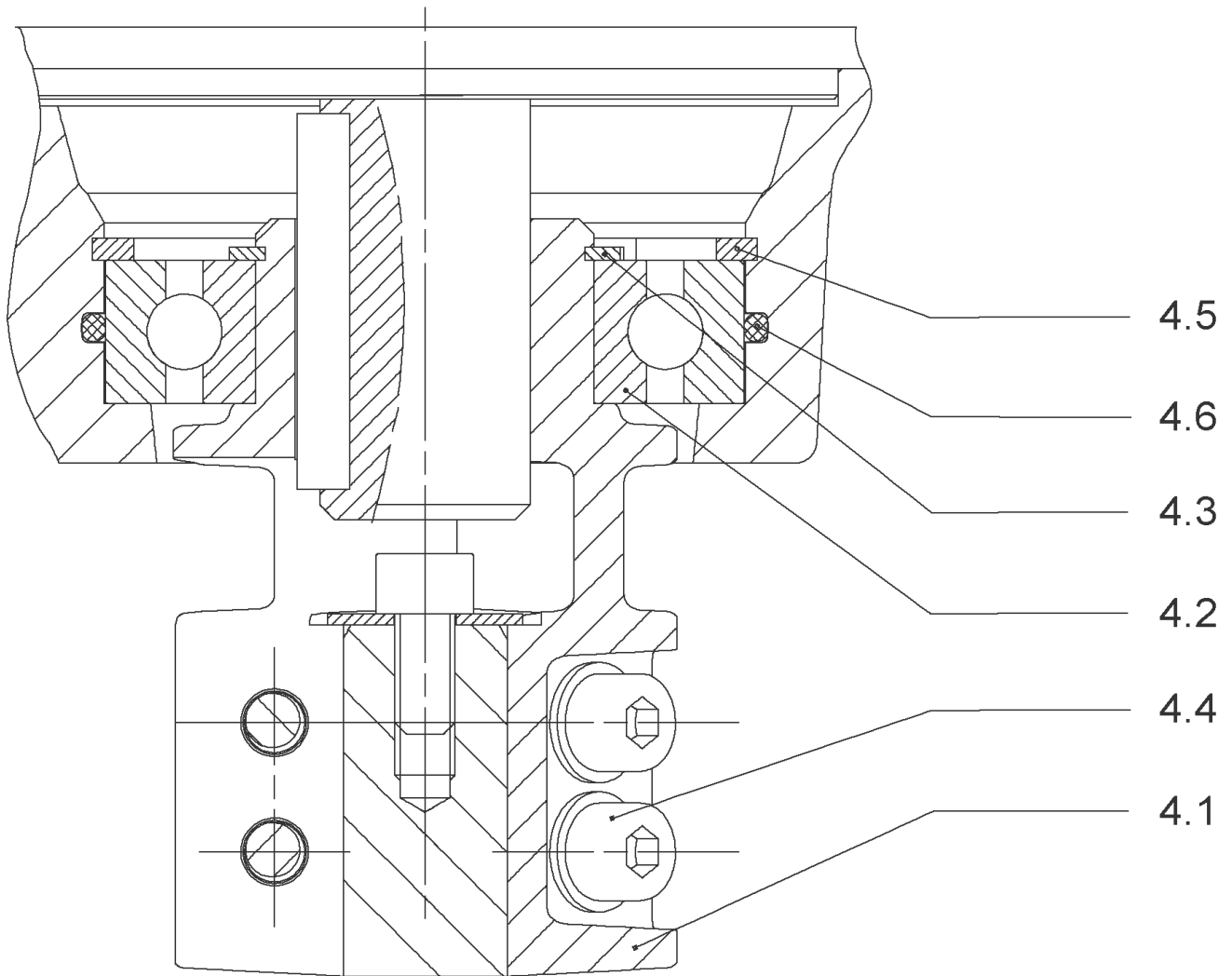


HELIX FIRST V1602-5/16/E/S/400-50 (4200980)

Item	Article no.	Description	Quantity
1	4169942	MO.1,5/2 3~230/400(440)V 50(60)HZ IE3 VP	1
		SPARE PARTS MOTOR:ON REQUEST	1
2	4159707	SCREW M8X30 (4 PIECES)	1
3	4213784	LANTERN FT115 HELIX KIT	1
3.1		> LANT-MOT-VMI-ReDTC6"-FT115-MACHINED+CATA	1
3.2	4184852	> EYELET CPL.FT HELIX (2 PIECES)	1
3.3	4213782	> COUPLING PROTECTOR FT115/130 HELIX KIT	1
4	4159709	COUPLING D.16xD.24 FT115 HELIX KIT	1
6	4214555	STUD BOLT HELIX M12X195 KIT	1
6.1		> TIE BOLT M12-195x18x30-1.4057	1
6.2	2094647	> NUT M12 M12 ISO4032 VP.	1
6.3	2123557	> WASHER CS-12.4-24-1.6-NFE25 (4 PIECES)	1
7	4214481	STATIONARY RING HOLDER HELIX D27 ReDTC	1
7.2	4214479	> STATIONARY RING HOLDER HELIX D27 VP.	1
7.3	4176513	> O-RING FOR PUMP JACKET VP.	1
8	4212724	FILING/PURGING PLUG HELIX ReDTC KIT	1
8.1		> FILLING PLUG MVI6"-304	1
8.2	4177800	> O-RING EPDM PLUG HELIX VP.	1
9	4214483	MECH.SEAL HELIX6-10-16 O/E ReDTC KIT	1
9.1	4177801	> MECH.SEAL HELIX6-10-16 O/E VP.	1
7.3	4176513	> O-RING FOR PUMP JACKET VP.	1
10	2127574	HOUSING PIPE D.152x160 1.4301 KIT	1
7.3	4176513	> O-RING FOR PUMP JACKET VP.	1
10.1		> HOUSING-PIPE Ø152-M+1601/02-304	1
11	2127588	CENTERING STAGE-RETURN HELIX16 1.4301 VP	1
12	4214520	SHAFT EQUIPMENT HELIX V16 ReDTC KIT	1
12.1		> NUT-H-M10-A4.70	1
12.2		> SERRATED LOCK WASHER M+16M3-316L	1
12.3		> 1/2-SNAP-RING-16M3-316L	1
12.4		> STOP-RUSH-1/2-D16xd2-M+316	1
4.11		> SCREW CHC-M6X14-8.8-ISO4762-GEOMET500A	1
4.12		> WASHER D.24 L6U ZINK	1
13		HYDRAULIC HELIX V 1602 1.4307	1
14	4214522	SHAFT D.16X228 HELIX 1.4057 VP.	1

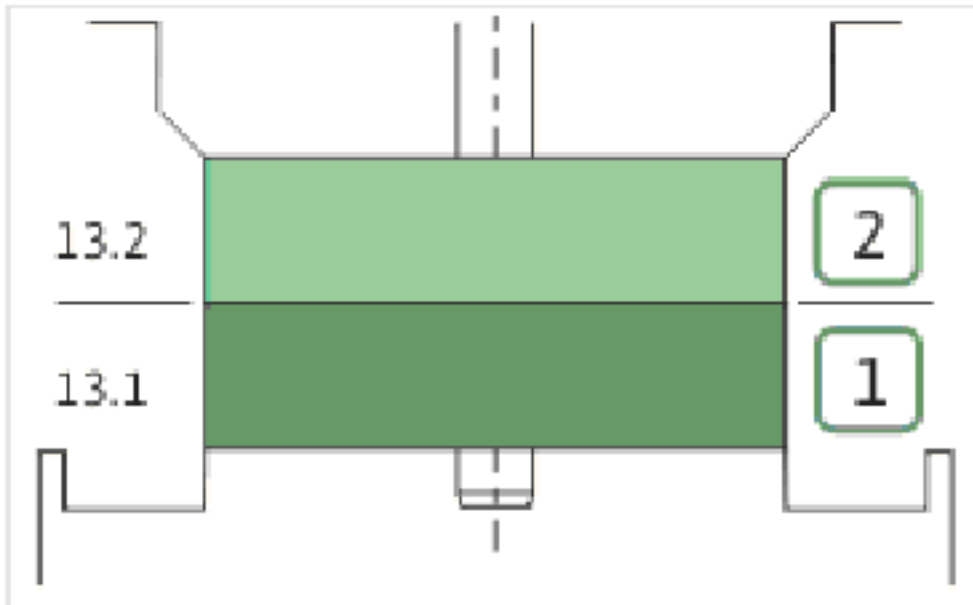
HELIX FIRST V1602-5/16/E/S/400-50 (4200980)

Item	Article no.	Description	Quantity
15	4215100	PUMP HOUSING HELIX V16 DN50/H90 PN16 KIT	1
15.1		> MACH+CAT.PP HOUSI.M+6'' D50/H90-PN16 GJL	1
15.2	4233954	> O-RING ID.66 EPDM VP.	1
15.3	4215098	> PRIMING/DRAIN PLUG HELIX PN16 KIT	1
7.3	4176513	> O-RING FOR PUMP JACKET VP.	1



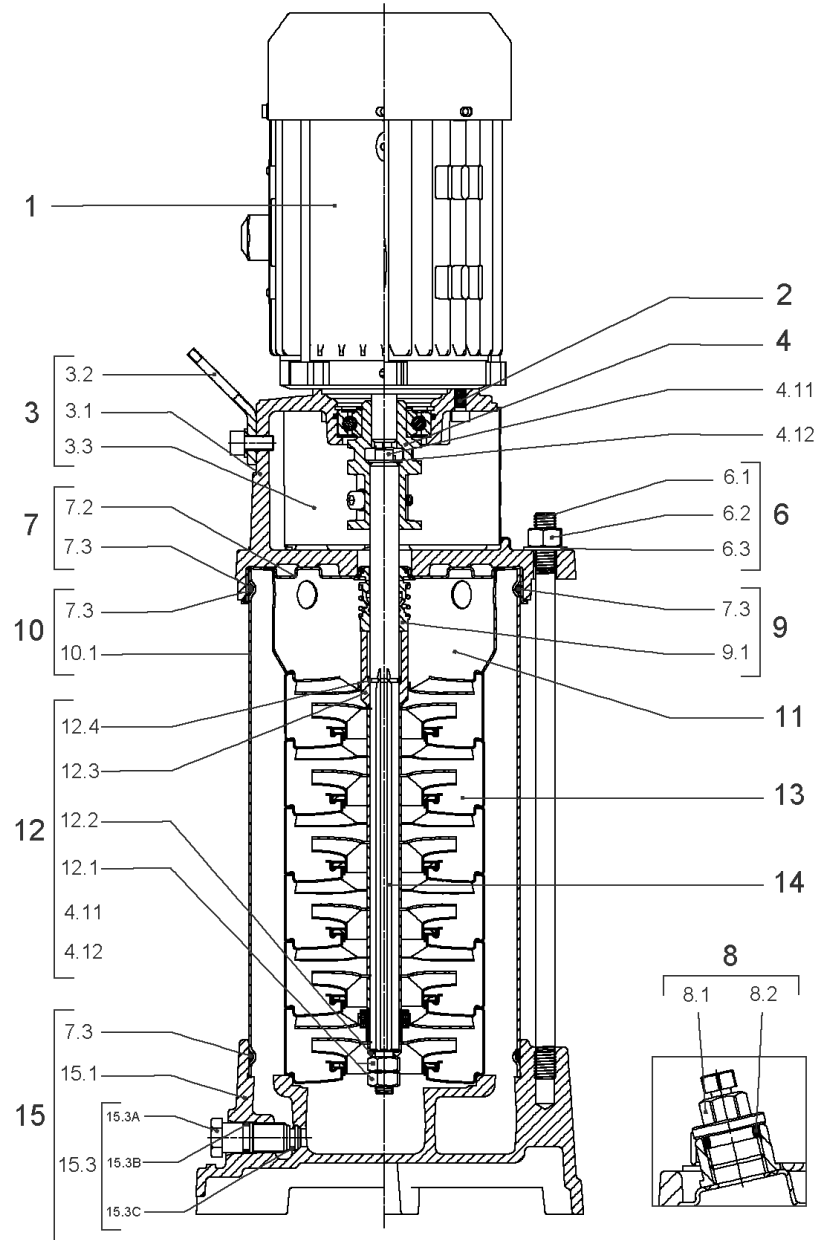
COUPLING D.16xD.24 FT115 HELIX KIT (4159709)

Item	Article no.	Description	Quantity
4.1		COUPLING M+ Ø16XØ24 FT115 MACHINED	1
4.2	2131023	BALL BEARING 6207/ZZ-C3(HT)VP.	1
4.3	4234254	CIRCLIP-FOR-SHAFT-D35x1.5 VP.	1
4.4	4157726	SCREW KIT M8X30 (4 PIECES)	1
4.5	4234251	CIRCLIP-D72x2.5 VP.	1
4.6	4234246	O-RING 72X3 VP.	1
		NOMEL CONTACT WASHER 8x16x1,4 STEEL ZC	1



HYDRAULIC HELIX V 1602 1.4307

Item	Article no.	Description	Quantity
13.1	4159720	STAGE HELIX 16 1.4301 KIT	1
		> MACH.STG-CASING-WOGV-WNR-M+16-304	1
		> IMPELLER-M+16-304	1
13.2	4159714	STAGE BEARING HELIX 16 1.4301 KIT	1
		> MACH.BEARING-STG-CASING-WNR-M+16-304	1
		> IMPELLER-M+16-304	1
		> SLEEVE-SPACER-Ø19,35x30,665-304	1
		> SHAFT-SLEEVE-D16xD20x18-CW	1



HELIX FIRST V1602-5/25/E/S/400-50 (4200982)

Item	Article no.	Description	Quantity
1	4169942	MO.1,5/2 3~230/400(440)V 50(60)HZ IE3 VP	1
		SPARE PARTS MOTOR:ON REQUEST	1
2	4159707	SCREW M8X30 (4 PIECES)	1
3	4213784	LANTERN FT115 HELIX KIT	1
3.1		> LANT-MOT-VMI-ReDTC6"-FT115-MACHINED+CATA	1
3.2	4184852	> EYELET CPL.FT HELIX (2 PIECES)	1
3.3	4213782	> COUPLING PROTECTOR FT115/130 HELIX KIT	1
4	4159709	COUPLING D.16xD.24 FT115 HELIX KIT	1
6	4214555	STUD BOLT HELIX M12X195 KIT	1
6.1		> TIE BOLT M12-195x18x30-1.4057	1
6.2	2094647	> NUT M12 M12 ISO4032 VP.	1
6.3	2123557	> WASHER CS-12.4-24-1.6-NFE25 (4 PIECES)	1
7	4214481	STATIONARY RING HOLDER HELIX D27 ReDTC	1
7.2	4214479	> STATIONARY RING HOLDER HELIX D27 VP.	1
7.3	4176513	> O-RING FOR PUMP JACKET VP.	1
8	4212724	FILING/PURGING PLUG HELIX ReDTC KIT	1
8.1		> FILLING PLUG MVI6"-304	1
8.2	4177800	> O-RING EPDM PLUG HELIX VP.	1
9	4214483	MECH.SEAL HELIX6-10-16 O/E ReDTC KIT	1
9.1	4177801	> MECH.SEAL HELIX6-10-16 O/E VP.	1
7.3	4176513	> O-RING FOR PUMP JACKET VP.	1
10	2127574	HOUSING PIPE D.152x160 1.4301 KIT	1
7.3	4176513	> O-RING FOR PUMP JACKET VP.	1
10.1		> HOUSING-PIPE Ø152-M+1601/02-304	1
11	2127588	CENTERING STAGE-RETURN HELIX16 1.4301 VP	1
12	4214520	SHAFT EQUIPMENT HELIX V16 ReDTC KIT	1
12.1		> NUT-H-M10-A4.70	1
12.2		> SERRATED LOCK WASHER M+16M3-316L	1
12.3		> 1/2-SNAP-RING-16M3-316L	1
12.4		> STOP-RUSH-1/2-D16xd2-M+316	1
4.11		> SCREW CHC-M6X14-8.8-ISO4762-GEOMET500A	1
4.12		> WASHER D.24 L6U ZINK	1
13		HYDRAULIC HELIX V 1602 1.4307	1
14	4214522	SHAFT D.16X228 HELIX 1.4057 VP.	1

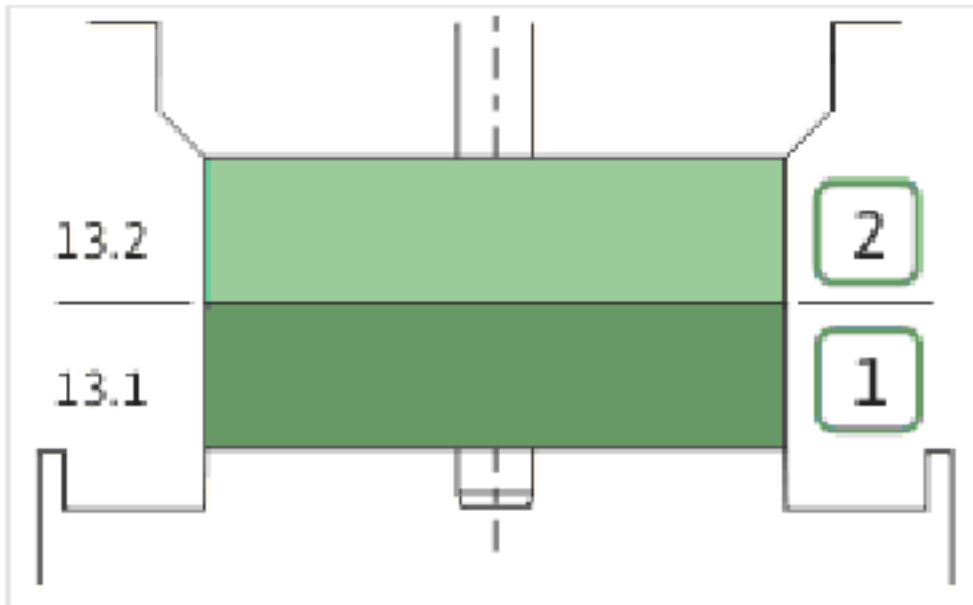
HELIX FIRST V1602-5/25/E/S/400-50 (4200982)

Item	Article no.	Description	Quantity
15	4209634	PUMP HOUSING HELIX FIRST V16 PN30 KIT	1
15.1		> MACH+CATA PUMP CASING M+6" DN50 PN25 GJL	1
15.2	4124503	> FLAT GASKET 61x107x2_DN50_PN25_FIBER	1
15.3	4177877	> PRIMING/DRAIN PLUG HELIX PN30 KIT	1
15.3A		>> PRIMING/DRAIN PLUG M+6" 304	1
15.3B	4233957	>> O-RING ID.9 EPDM VP.	1
15.3C		>> O-RING Ø8xØ2 EPDM KTW/WRC	1
7.3	4176513	> O-RING FOR PUMP JACKET VP.	1



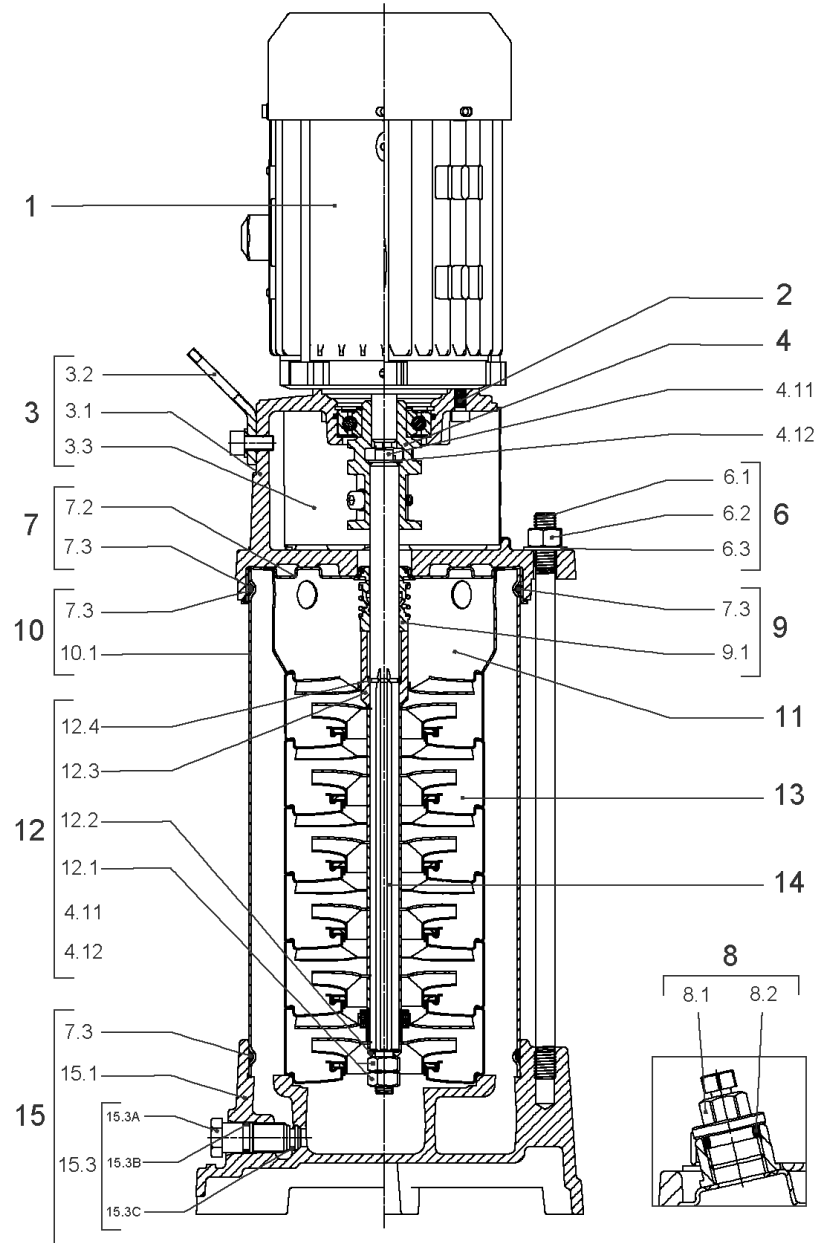
COUPLING D.16xD.24 FT115 HELIX KIT (4159709)

Item	Article no.	Description	Quantity
4.1		COUPLING M+ Ø16XØ24 FT115 MACHINED	1
4.2	2131023	BALL BEARING 6207/ZZ-C3(HT)VP.	1
4.3	4234254	CIRCLIP-FOR-SHAFT-D35x1.5 VP.	1
4.4	4157726	SCREW KIT M8X30 (4 PIECES)	1
4.5	4234251	CIRCLIP-D72x2.5 VP.	1
4.6	4234246	O-RING 72X3 VP.	1
		NOMEL CONTACT WASHER 8x16x1,4 STEEL ZC	1



HYDRAULIC HELIX V 1602 1.4307

Item	Article no.	Description	Quantity
13.1	4159720	STAGE HELIX 16 1.4301 KIT	1
		> MACH.STG-CASING-WOGV-WNR-M+16-304	1
		> IMPELLER-M+16-304	1
13.2	4159714	STAGE BEARING HELIX 16 1.4301 KIT	1
		> MACH.BEARING-STG-CASING-WNR-M+16-304	1
		> IMPELLER-M+16-304	1
		> SLEEVE-SPACER-Ø19,35x30,665-304	1
		> SHAFT-SLEEVE-D16xD20x18-CW	1

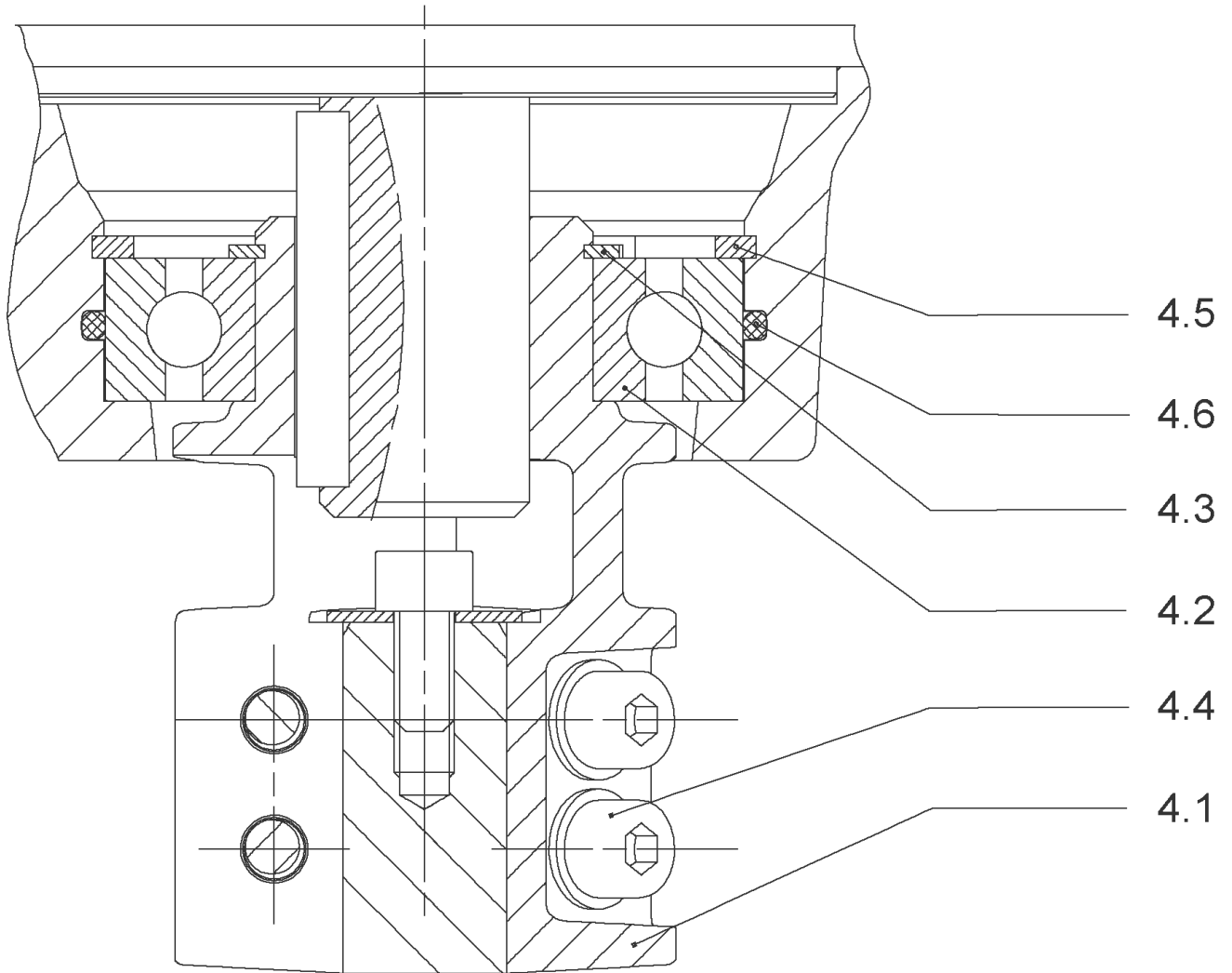


HELIX FIRST V1603-5/16/E/S/400-50 (4200983)

Item	Article no.	Description	Quantity
1	4169943	MOTOR 2,2/2/90 3~230/400V 50HZ IE3 VP.	1
		SPARE PARTS MOTOR:ON REQUEST	1
2	4159707	SCREW M8X30 (4 PIECES)	1
3	4213784	LANTERN FT115 HELIX KIT	1
3.1		> LANT-MOT-VMI-ReDTC6"-FT115-MACHINED+CATA	1
3.2	4184852	> EYELET CPL.FT HELIX (2 PIECES)	1
3.3	4213782	> COUPLING PROTECTOR FT115/130 HELIX KIT	1
4	4159709	COUPLING D.16xD.24 FT115 HELIX KIT	1
6	2018359	STUD BOLT M12X245 KIT	1
6.1		> TIE BOLT M12-245x18x30-1.4057	1
6.2	2094647	> NUT M12 M12 ISO4032 VP.	1
6.3	2123557	> WASHER CS-12.4-24-1.6-NFE25 (4 PIECES)	1
7	4214481	STATIONARY RING HOLDER HELIX D27 ReDTC	1
7.2	4214479	> STATIONARY RING HOLDER HELIX D27 VP.	1
7.3	4176513	> O-RING FOR PUMP JACKET VP.	1
8	4212724	FILING/PURGING PLUG HELIX ReDTC KIT	1
8.1		> FILLING PLUG MVI6"-304	1
8.2	4177800	> O-RING EPDM PLUG HELIX VP.	1
9	4214483	MECH.SEAL HELIX6-10-16 O/E ReDTC KIT	1
9.1	4177801	> MECH.SEAL HELIX6-10-16 O/E VP.	1
7.3	4176513	> O-RING FOR PUMP JACKET VP.	1
10	2127575	HOUSING PIPE D.152x210 1.4301 KIT	1
11	2127588	CENTERING STAGE-RETURN HELIX16 1.4301 VP	1
12	4214520	SHAFT EQUIPMENT HELIX V16 ReDTC KIT	1
12.1		> NUT-H-M10-A4.70	1
12.2		> SERRATED LOCK WASHER M+16M3-316L	1
12.3		> 1/2-SNAP-RING-16M3-316L	1
12.4		> STOP-RUSH-1/2-D16xd2-M+316	1
4.11		> SCREW CHC-M6X14-8.8-ISO4762-GEOMET500A	1
4.12		> WASHER D.24 L6U ZINK	1
13		HYDRAULIC HELIX V 1603 1.4307	1
14	4214495	SHAFT D.16X278 HELIX 1.4057 VP.	1
15	4215100	PUMP HOUSING HELIX V16 DN50/H90 PN16 KIT	1
15.1		> MACH+CAT.PP HOUSI.M+6'' D50/H90-PN16 GJL	1

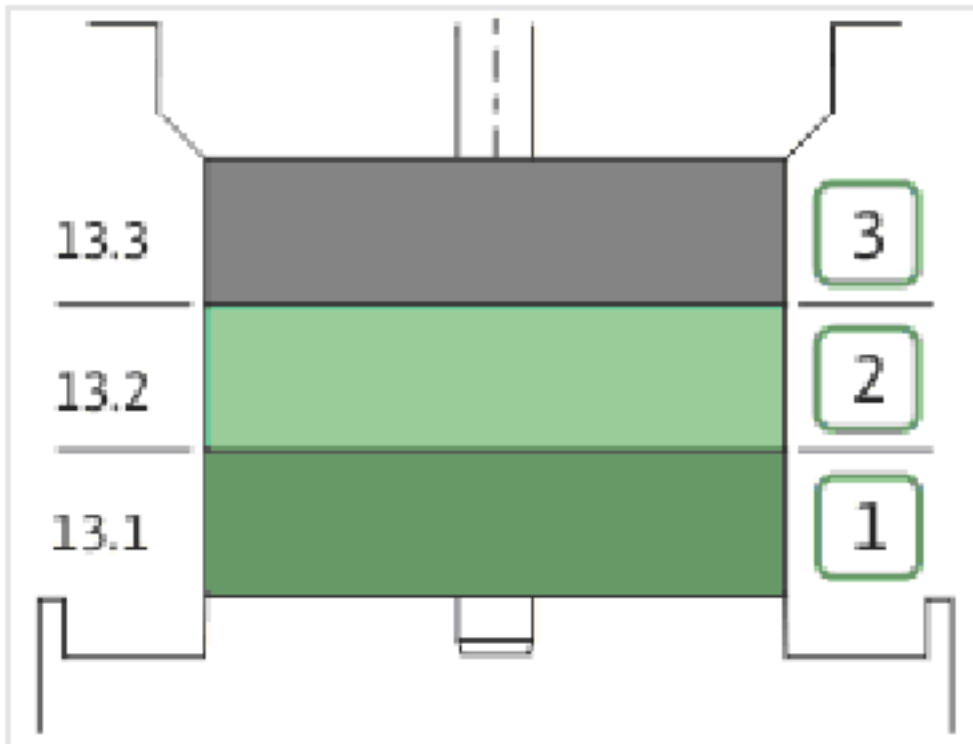
HELIX FIRST V1603-5/16/E/S/400-50 (4200983)

Item	Article no.	Description	Quantity
15.2	4233954	> O-RING ID.66 EPDM VP.	1
15.3	4215098	> PRIMING/DRAIN PLUG HELIX PN16 KIT	1
7.3	4176513	> O-RING FOR PUMP JACKET VP.	1



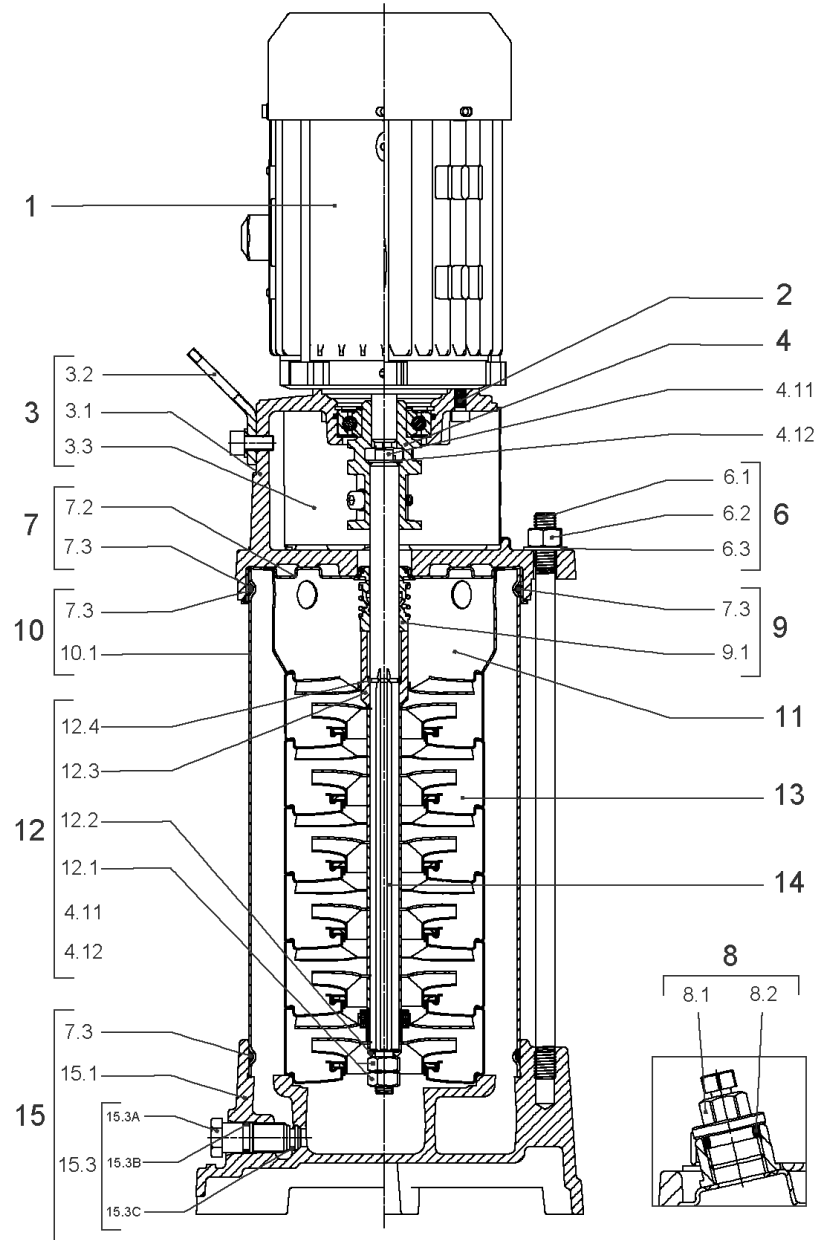
COUPLING D.16xD.24 FT115 HELIX KIT (4159709)

Item	Article no.	Description	Quantity
4.1		COUPLING M+ Ø16XØ24 FT115 MACHINED	1
4.2	2131023	BALL BEARING 6207/ZZ-C3(HT)VP.	1
4.3	4234254	CIRCLIP-FOR-SHAFT-D35x1.5 VP.	1
4.4	4157726	SCREW KIT M8X30 (4 PIECES)	1
4.5	4234251	CIRCLIP-D72x2.5 VP.	1
4.6	4234246	O-RING 72X3 VP.	1
		NOMEL CONTACT WASHER 8x16x1,4 STEEL ZC	1



HYDRAULIC HELIX V 1603 1.4307

Item	Article no.	Description	Quantity
13.1	4159720	STAGE HELIX 16 1.4301 KIT	1
		> MACH.STG-CASING-WOGV-WNR-M+16-304	1
		> IMPELLER-M+16-304	1
13.2	4159714	STAGE BEARING HELIX 16 1.4301 KIT	1
		> MACH.BEARING-STG-CASING-WNR-M+16-304	1
		> IMPELLER-M+16-304	1
		> SLEEVE-SPACER-Ø19,35x30,665-304	1
		> SHAFT-SLEEVE-D16xD20x18-CW	1
13.3	4159715	INTERMEDIATE STAGE HELIX 16 1.4301 KIT	1
		> CORPS-ETG-STD-ACR-AJR-USIN.M+16-304	1
		> IMPELLER-M+16-304	1
		> SPACER Ø16X19.4-L48.6-304	1



HELIX FIRST V1603-5/25/E/S/400-50 (4200985)

Item	Article no.	Description	Quantity
1	4169943	MOTOR 2,2/2/90 3~230/400V 50HZ IE3 VP.	1
		SPARE PARTS MOTOR:ON REQUEST	1
2	4159707	SCREW M8X30 (4 PIECES)	1
3	4213784	LANTERN FT115 HELIX KIT	1
3.1		> LANT-MOT-VMI-ReDTC6"-FT115-MACHINED+CATA	1
3.2	4184852	> EYELET CPL.FT HELIX (2 PIECES)	1
3.3	4213782	> COUPLING PROTECTOR FT115/130 HELIX KIT	1
4	4159709	COUPLING D.16xD.24 FT115 HELIX KIT	1
6	2018359	STUD BOLT M12X245 KIT	1
6.1		> TIE BOLT M12-245x18x30-1.4057	1
6.2	2094647	> NUT M12 M12 ISO4032 VP.	1
6.3	2123557	> WASHER CS-12.4-24-1.6-NFE25 (4 PIECES)	1
7	4214481	STATIONARY RING HOLDER HELIX D27 ReDTC	1
7.2	4214479	> STATIONARY RING HOLDER HELIX D27 VP.	1
7.3	4176513	> O-RING FOR PUMP JACKET VP.	1
8	4212724	FILING/PURGING PLUG HELIX ReDTC KIT	1
8.1		> FILLING PLUG MVI6"-304	1
8.2	4177800	> O-RING EPDM PLUG HELIX VP.	1
9	4214483	MECH.SEAL HELIX6-10-16 O/E ReDTC KIT	1
9.1	4177801	> MECH.SEAL HELIX6-10-16 O/E VP.	1
7.3	4176513	> O-RING FOR PUMP JACKET VP.	1
10	2127575	HOUSING PIPE D.152x210 1.4301 KIT	1
11	2127588	CENTERING STAGE-RETURN HELIX16 1.4301 VP	1
12	4214520	SHAFT EQUIPMENT HELIX V16 ReDTC KIT	1
12.1		> NUT-H-M10-A4.70	1
12.2		> SERRATED LOCK WASHER M+16M3-316L	1
12.3		> 1/2-SNAP-RING-16M3-316L	1
12.4		> STOP-RUSH-1/2-D16xd2-M+316	1
4.11		> SCREW CHC-M6X14-8.8-ISO4762-GEOMET500A	1
4.12		> WASHER D.24 L6U ZINK	1
13		HYDRAULIC HELIX V 1603 1.4307	1
14	4214495	SHAFT D.16X278 HELIX 1.4057 VP.	1
15	4209634	PUMP HOUSING HELIX FIRST V16 PN30 KIT	1
15.1		> MACH+CATA PUMP CASING M+6" DN50 PN25 GJL	1

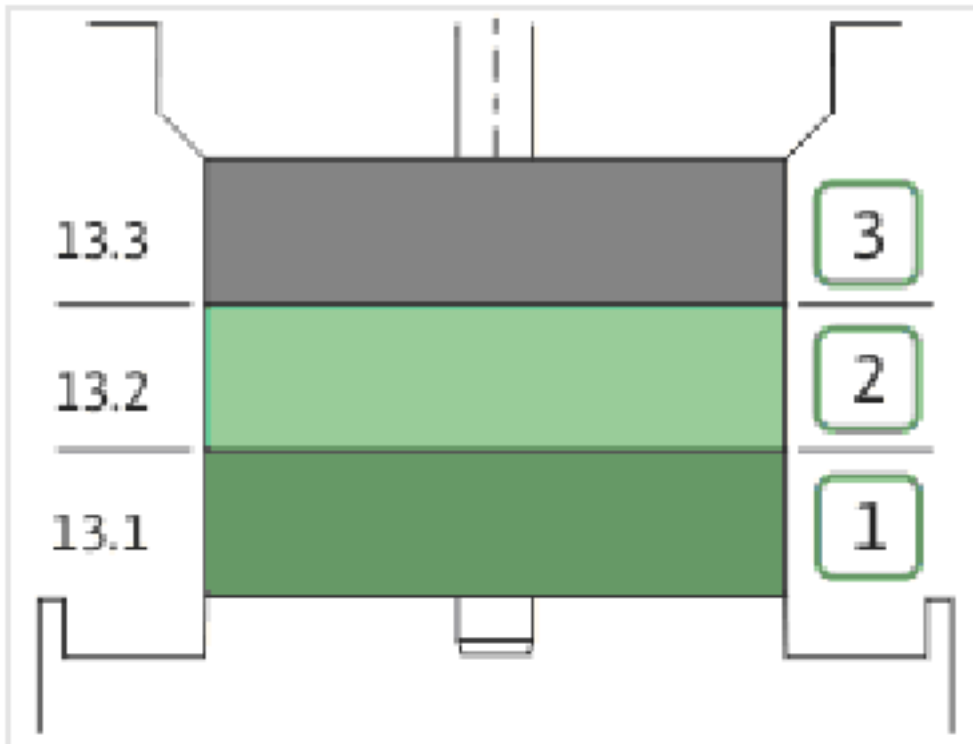
HELIX FIRST V1603-5/25/E/S/400-50 (4200985)

Item	Article no.	Description	Quantity
15.2	4124503	> FLAT GASKET 61x107x2_DN50_PN25_FIBER	1
15.3	4177877	> PRIMING/DRAIN PLUG HELIX PN30 KIT	1
15.3A		>> PRIMING/DRAIN PLUG M+6" 304	1
15.3B	4233957	>> O-RING ID.9 EPDM VP.	1
15.3C		>> O-RING Ø8xØ2 EPDM KTW/WRC	1
7.3	4176513	> O-RING FOR PUMP JACKET VP.	1



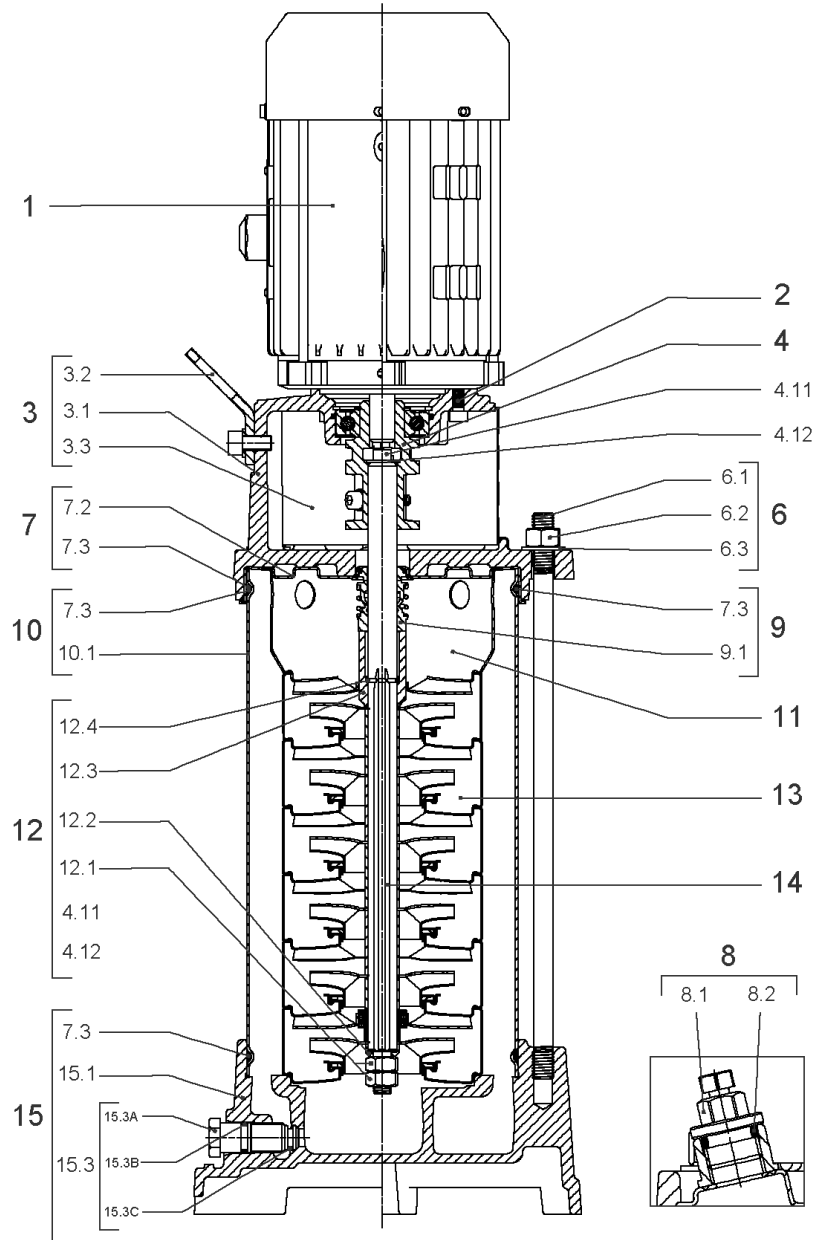
COUPLING D.16xD.24 FT115 HELIX KIT (4159709)

Item	Article no.	Description	Quantity
4.1		COUPLING M+ Ø16XØ24 FT115 MACHINED	1
4.2	2131023	BALL BEARING 6207/ZZ-C3(HT)VP.	1
4.3	4234254	CIRCLIP-FOR-SHAFT-D35x1.5 VP.	1
4.4	4157726	SCREW KIT M8X30 (4 PIECES)	1
4.5	4234251	CIRCLIP-D72x2.5 VP.	1
4.6	4234246	O-RING 72X3 VP.	1
		NOMEL CONTACT WASHER 8x16x1,4 STEEL ZC	1



HYDRAULIC HELIX V 1603 1.4307

Item	Article no.	Description	Quantity
13.1	4159720	STAGE HELIX 16 1.4301 KIT	1
		> MACH.STG-CASING-WOGV-WNR-M+16-304	1
		> IMPELLER-M+16-304	1
13.2	4159714	STAGE BEARING HELIX 16 1.4301 KIT	1
		> MACH.BEARING-STG-CASING-WNR-M+16-304	1
		> IMPELLER-M+16-304	1
		> SLEEVE-SPACER-Ø19,35x30,665-304	1
		> SHAFT-SLEEVE-D16xD20x18-CW	1
13.3	4159715	INTERMEDIATE STAGE HELIX 16 1.4301 KIT	1
		> CORPS-ETG-STD-ACR-AJR-USIN.M+16-304	1
		> IMPELLER-M+16-304	1
		> SPACER Ø16X19.4-L48.6-304	1



HELIX FIRST V1604-5/16/E/S/400-50 (4200986)

Item	Article no.	Description	Quantity
1	4169944	MOTOR 3/2/100 3~230/400V 50HZ IE3 VP.	1
		SPARE PARTS MOTOR:ON REQUEST	1
2	4159707	SCREW M8X30 (4 PIECES)	1
3	4214473	LANTERN FT130 HELIX KIT	1
3.1		> LANT-MOT-VMI-ReDTC6"-FT130-MACHINED+CATA	1
3.2	4184852	> EYELET CPL.FT HELIX (2 PIECES)	1
3.3	4213782	> COUPLING PROTECTOR FT115/130 HELIX KIT	1
4	4159710	COUPLING D.16XD.28 FT130 HELIX KIT	1
6	2018361	STUD BOLT M12X293 KIT	1
6.1		> TIE BOLT M12-293x18x30-1.4057	1
6.2	2094647	> NUT M12 M12 ISO4032 VP.	1
6.3	2123557	> WASHER CS-12.4-24-1.6-NFE25 (4 PIECES)	1
7	4214481	STATIONARY RING HOLDER HELIX D27 ReDTC	1
7.2	4214479	> STATIONARY RING HOLDER HELIX D27 VP.	1
7.3	4176513	> O-RING FOR PUMP JACKET VP.	1
8	4212724	FILING/PURGING PLUG HELIX ReDTC KIT	1
8.1		> FILLING PLUG MVI6"-304	1
8.2	4177800	> O-RING EPDM PLUG HELIX VP.	1
9	4214483	MECH.SEAL HELIX6-10-16 O/E ReDTC KIT	1
9.1	4177801	> MECH.SEAL HELIX6-10-16 O/E VP.	1
7.3	4176513	> O-RING FOR PUMP JACKET VP.	1
10	2127576	HOUSING PIPE D.152x260 1.4301 KIT	1
11	2127588	CENTERING STAGE-RETURN HELIX16 1.4301 VP	1
12	4214520	SHAFT EQUIPMENT HELIX V16 ReDTC KIT	1
12.1		> NUT-H-M10-A4.70	1
12.2		> SERRATED LOCK WASHER M+16M3-316L	1
12.3		> 1/2-SNAP-RING-16M3-316L	1
12.4		> STOP-RUSH-1/2-D16xd2-M+316	1
4.11		> SCREW CHC-M6X14-8.8-ISO4762-GEOMET500A	1
4.12		> WASHER D.24 L6U ZINK	1
13		HYDRAULIC HELIX V 1604 1.4307	1
14	4214524	SHAFT D.16X328 HELIX 1.4057 VP.	1
15	4215100	PUMP HOUSING HELIX V16 DN50/H90 PN16 KIT	1
15.1		> MACH+CAT.PP HOUSI.M+6'' D50/H90-PN16 GJL	1

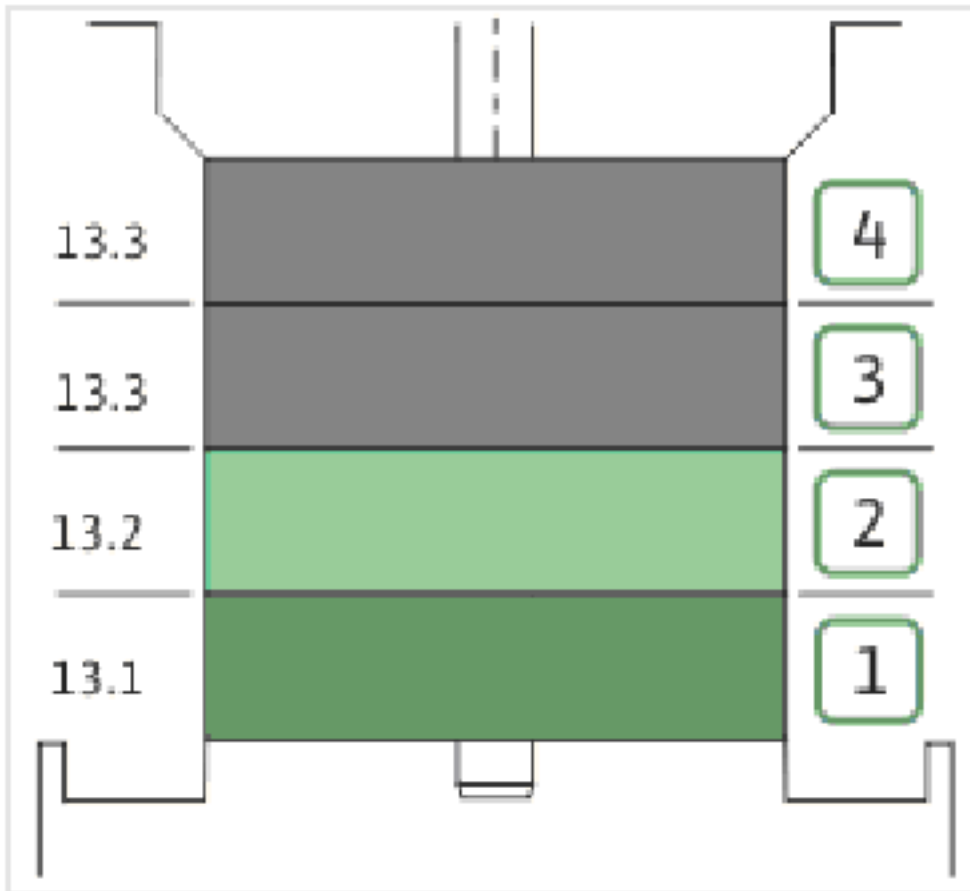
HELIX FIRST V1604-5/16/E/S/400-50 (4200986)

Item	Article no.	Description	Quantity
15.2	4233954	> O-RING ID.66 EPDM VP.	1
15.3	4215098	> PRIMING/DRAIN PLUG HELIX PN16 KIT	1
7.3	4176513	> O-RING FOR PUMP JACKET VP.	1



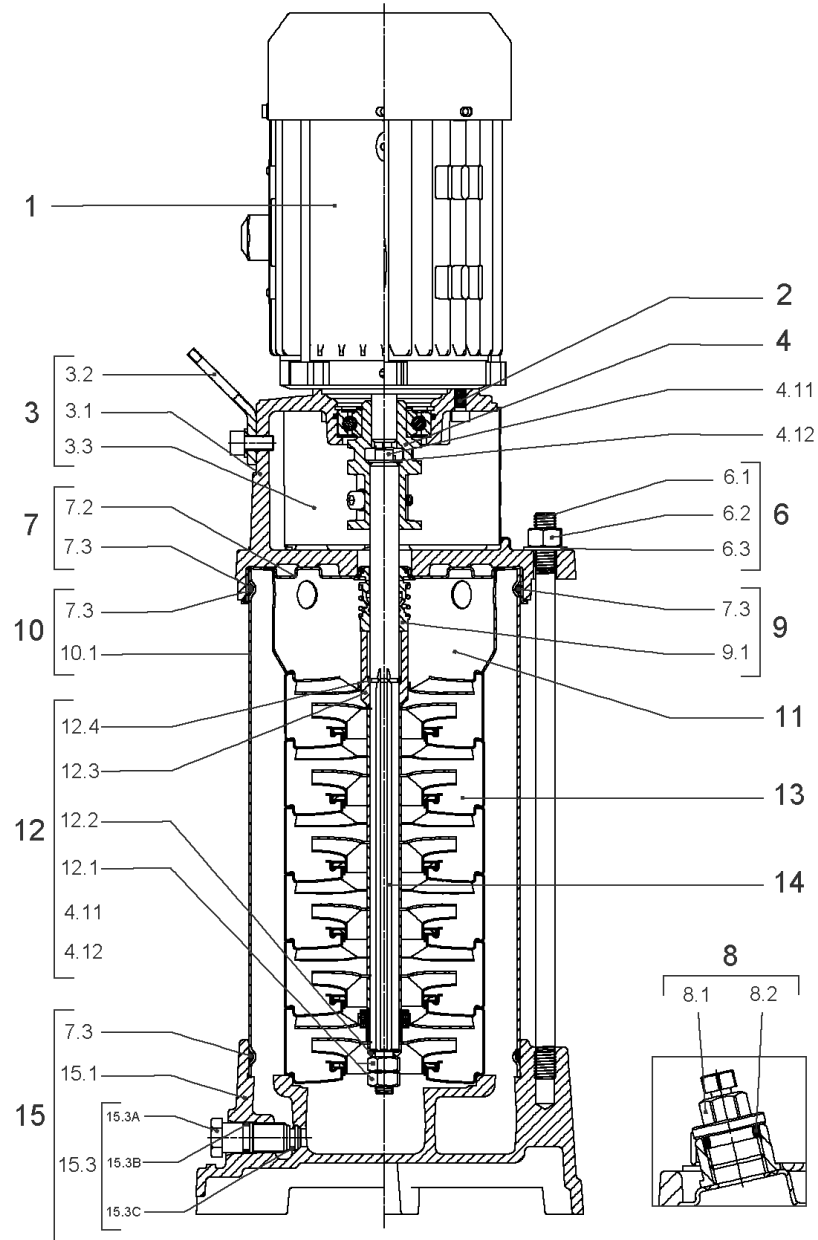
COUPLING D.16XD.28 FT130 HELIX KIT (4159710)

Item	Article no.	Description	Quantity
4.1		COUPLING M+ Ø16XØ28 FT130 MACHINED	1
4.2	2131022	BALL BEARING 6209/ZZ-C3(HT)VP.	1
4.3	4233930	CIRCLIP-FOR-BORES-D45x1,75 VP.	1
4.4	4157726	SCREW KIT M8X30 (4 PIECES)	1
4.5	4234252	CIRCLIPS 85X3 VP.	1
4.6	4234243	O-RING 85X3 VP.	1
		NOMEL CONTACT WASHER 8x16x1,4 STEEL ZC	1



HYDRAULIC HELIX V 1604 1.4307

Item	Article no.	Description	Quantity
13.1	4159720	STAGE HELIX 16 1.4301 KIT	1
		> MACH.STG-CASING-WOGV-WNR-M+16-304	1
		> IMPELLER-M+16-304	1
13.2	4159714	STAGE BEARING HELIX 16 1.4301 KIT	1
		> MACH.BEARING-STG-CASING-WNR-M+16-304	1
		> IMPELLER-M+16-304	1
		> SLEEVE-SPACER-Ø19,35x30,665-304	1
		> SHAFT-SLEEVE-D16xD20x18-CW	1
13.3	4159715	INTERMEDIATE STAGE HELIX 16 1.4301 KIT	1
		> CORPS-ETG-STD-ACR-AJR-USIN.M+16-304	1
		> IMPELLER-M+16-304	1
		> SPACER Ø16X19.4-L48.6-304	1



HELIX FIRST V1604-5/25/E/S/400-50 (4200988)

Item	Article no.	Description	Quantity
1	4169944	MOTOR 3/2/100 3~230/400V 50HZ IE3 VP.	1
		SPARE PARTS MOTOR:ON REQUEST	1
2	4159707	SCREW M8X30 (4 PIECES)	1
3	4214473	LANTERN FT130 HELIX KIT	1
3.1		> LANT-MOT-VMI-ReDTC6"-FT130-MACHINED+CATA	1
3.2	4184852	> EYELET CPL.FT HELIX (2 PIECES)	1
3.3	4213782	> COUPLING PROTECTOR FT115/130 HELIX KIT	1
4	4159710	COUPLING D.16XD.28 FT130 HELIX KIT	1
6	2018361	STUD BOLT M12X293 KIT	1
6.1		> TIE BOLT M12-293x18x30-1.4057	1
6.2	2094647	> NUT M12 M12 ISO4032 VP.	1
6.3	2123557	> WASHER CS-12.4-24-1.6-NFE25 (4 PIECES)	1
7	4214481	STATIONARY RING HOLDER HELIX D27 ReDTC	1
7.2	4214479	> STATIONARY RING HOLDER HELIX D27 VP.	1
7.3	4176513	> O-RING FOR PUMP JACKET VP.	1
8	4212724	FILING/PURGING PLUG HELIX ReDTC KIT	1
8.1		> FILLING PLUG MVI6"-304	1
8.2	4177800	> O-RING EPDM PLUG HELIX VP.	1
9	4214483	MECH.SEAL HELIX6-10-16 O/E ReDTC KIT	1
9.1	4177801	> MECH.SEAL HELIX6-10-16 O/E VP.	1
7.3	4176513	> O-RING FOR PUMP JACKET VP.	1
10	2127576	HOUSING PIPE D.152x260 1.4301 KIT	1
11	2127588	CENTERING STAGE-RETURN HELIX16 1.4301 VP	1
12	4214520	SHAFT EQUIPMENT HELIX V16 ReDTC KIT	1
12.1		> NUT-H-M10-A4.70	1
12.2		> SERRATED LOCK WASHER M+16M3-316L	1
12.3		> 1/2-SNAP-RING-16M3-316L	1
12.4		> STOP-RUSH-1/2-D16xd2-M+316	1
4.11		> SCREW CHC-M6X14-8.8-ISO4762-GEOMET500A	1
4.12		> WASHER D.24 L6U ZINK	1
13		HYDRAULIC HELIX V 1604 1.4307	1
14	4214524	SHAFT D.16X328 HELIX 1.4057 VP.	1
15	4209634	PUMP HOUSING HELIX FIRST V16 PN30 KIT	1
15.1		> MACH+CATA PUMP CASING M+6" DN50 PN25 GJL	1

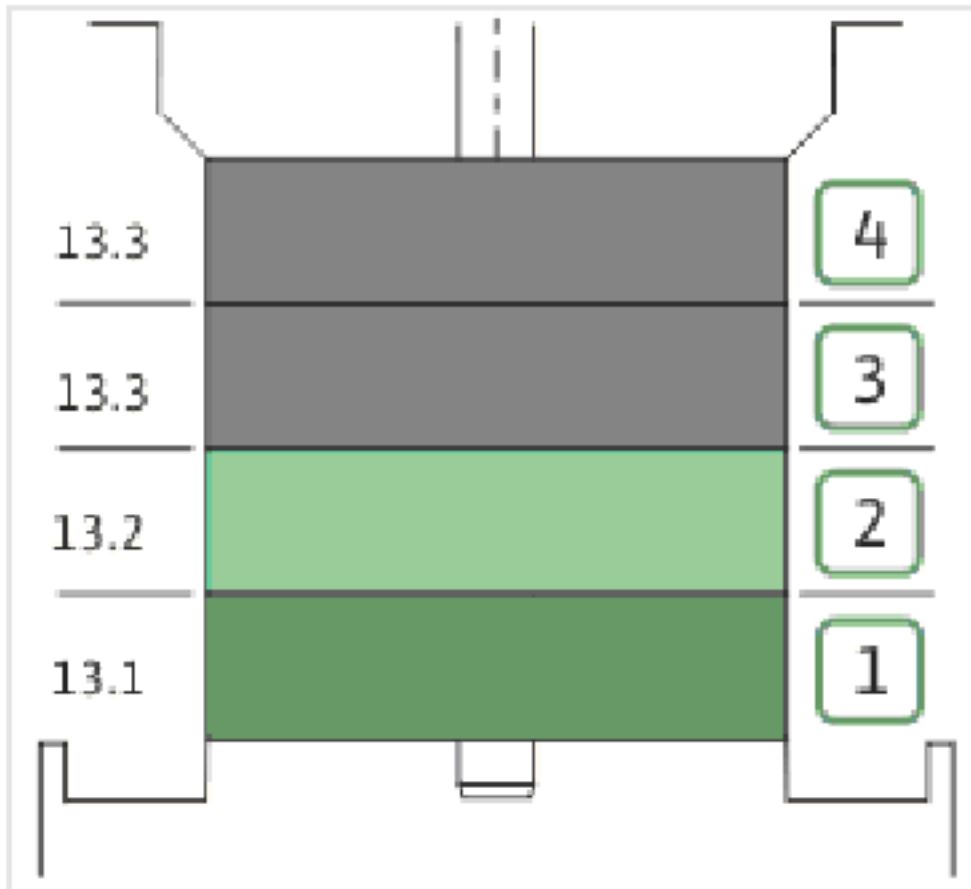
HELIX FIRST V1604-5/25/E/S/400-50 (4200988)

Item	Article no.	Description	Quantity
15.2	4124503	> FLAT GASKET 61x107x2_DN50_PN25_FIBER	1
15.3	4177877	> PRIMING/DRAIN PLUG HELIX PN30 KIT	1
15.3A		>> PRIMING/DRAIN PLUG M+6" 304	1
15.3B	4233957	>> O-RING ID.9 EPDM VP.	1
15.3C		>> O-RING Ø8xØ2 EPDM KTW/WRC	1
7.3	4176513	> O-RING FOR PUMP JACKET VP.	1



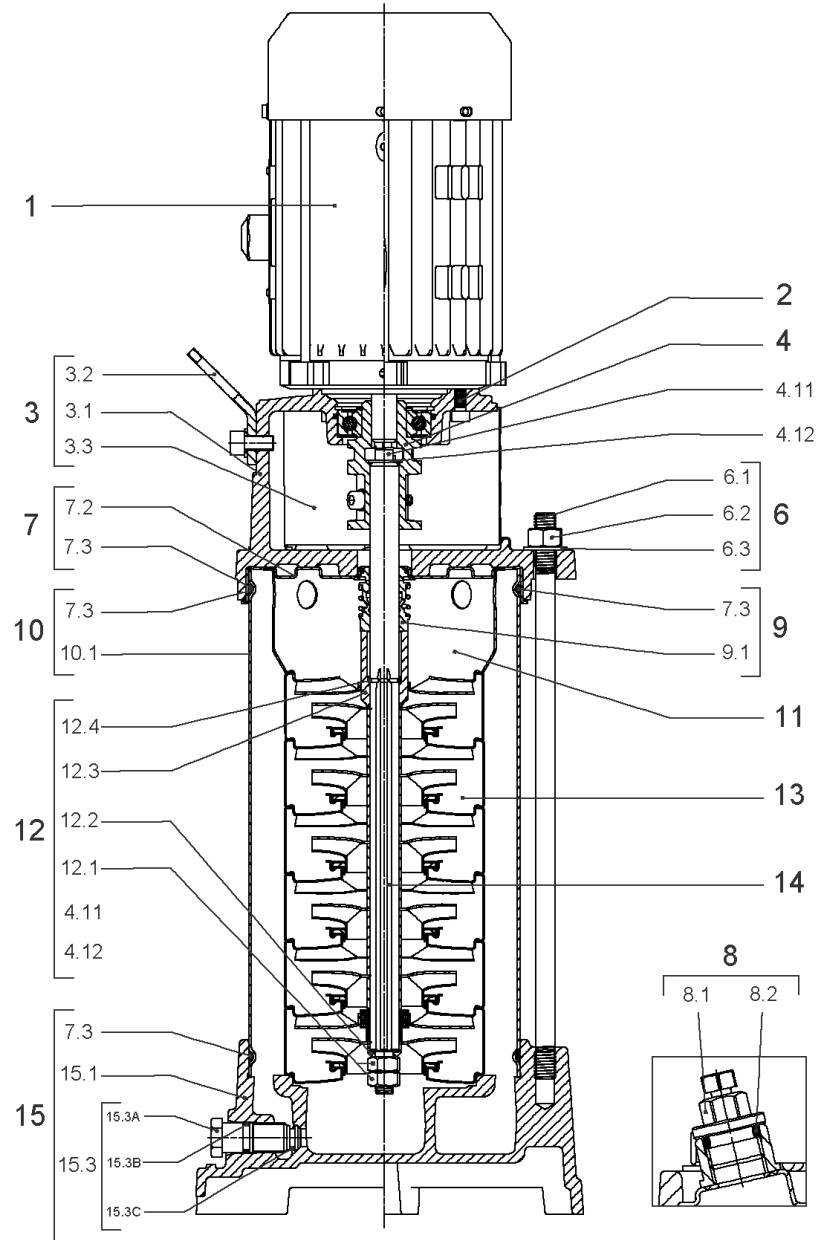
COUPLING D.16XD.28 FT130 HELIX KIT (4159710)

Item	Article no.	Description	Quantity
4.1		COUPLING M+ Ø16XØ28 FT130 MACHINED	1
4.2	2131022	BALL BEARING 6209/ZZ-C3(HT)VP.	1
4.3	4233930	CIRCLIP-FOR-BORES-D45x1,75 VP.	1
4.4	4157726	SCREW KIT M8X30 (4 PIECES)	1
4.5	4234252	CIRCLIPS 85X3 VP.	1
4.6	4234243	O-RING 85X3 VP.	1
		NOMEL CONTACT WASHER 8x16x1,4 STEEL ZC	1



HYDRAULIC HELIX V 1604 1.4307

Item	Article no.	Description	Quantity
13.1	4159720	STAGE HELIX 16 1.4301 KIT	1
		> MACH.STG-CASING-WOGV-WNR-M+16-304	1
		> IMPELLER-M+16-304	1
13.2	4159714	STAGE BEARING HELIX 16 1.4301 KIT	1
		> MACH.BEARING-STG-CASING-WNR-M+16-304	1
		> IMPELLER-M+16-304	1
		> SLEEVE-SPACER-Ø19,35x30,665-304	1
		> SHAFT-SLEEVE-D16xD20x18-CW	1
13.3	4159715	INTERMEDIATE STAGE HELIX 16 1.4301 KIT	1
		> CORPS-ETG-STD-ACR-AJR-USIN.M+16-304	1
		> IMPELLER-M+16-304	1
		> SPACER Ø16X19.4-L48.6-304	1

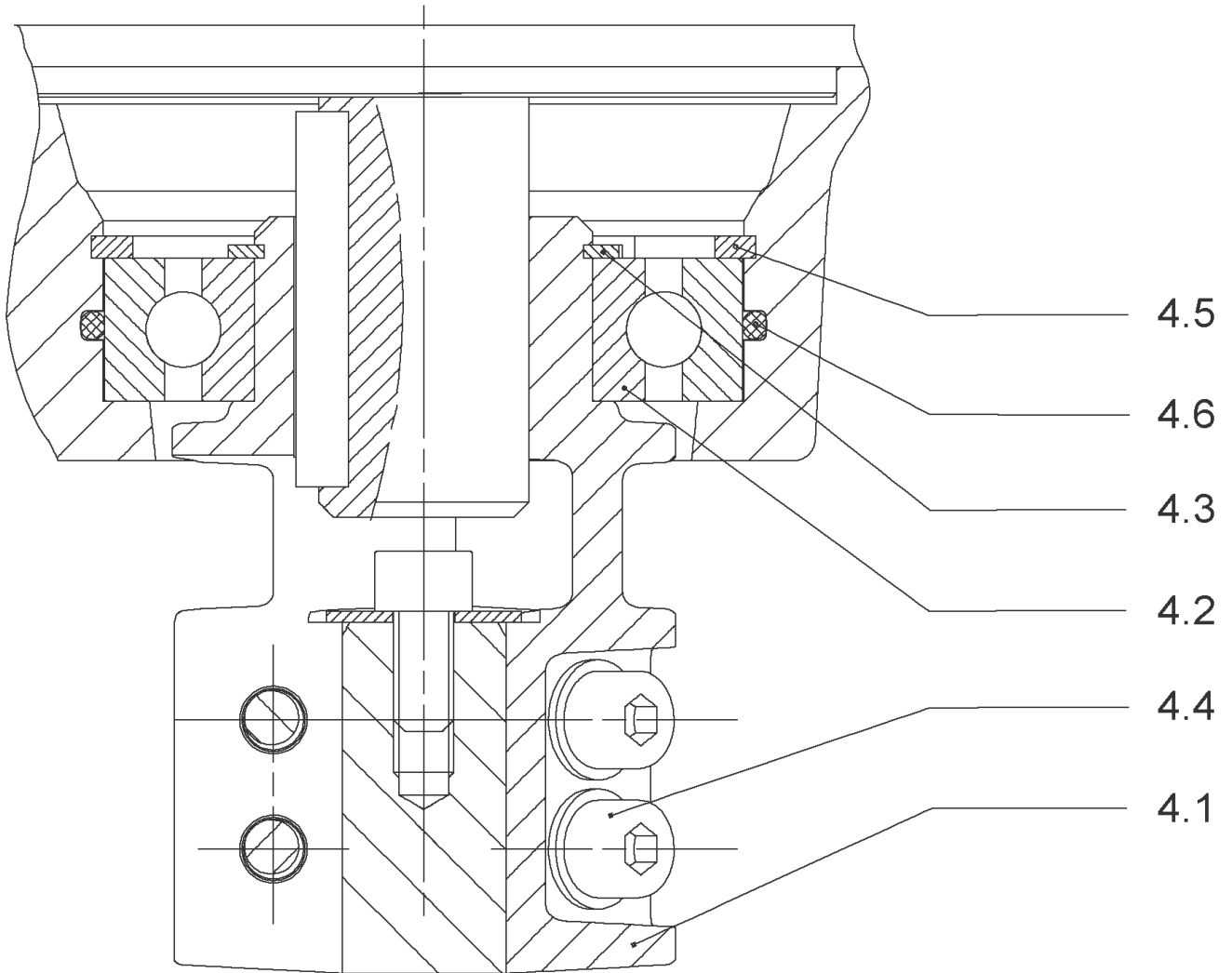


HELIX FIRST V1605-5/16/E/S/400-50 (4200990)

Item	Article no.	Description	Quantity
1	4169945	MO.4/2 3~230/400(460)V 50(60)HZ IE3 VP.	1
		SPARE PARTS MOTOR:ON REQUEST	1
2	4159707	SCREW M8X30 (4 PIECES)	1
3	4214473	LANTERN FT130 HELIX KIT	1
3.1		> LANT-MOT-VMI-ReDTC6"-FT130-MACHINED+CATA	1
3.2	4184852	> EYELET CPL.FT HELIX (2 PIECES)	1
3.3	4213782	> COUPLING PROTECTOR FT115/130 HELIX KIT	1
4	4159710	COUPLING D.16XD.28 FT130 HELIX KIT	1
6	4177817	STUD BOLT M12X341 KIT	1
6.1		> TIE BOLT M12-341x18x30-1.4057	1
6.2	2094647	> NUT M12 M12 ISO4032 VP.	1
6.3	2123557	> WASHER CS-12.4-24-1.6-NFE25 (4 PIECES)	1
7	4214481	STATIONARY RING HOLDER HELIX D27 ReDTC	1
7.2	4214479	> STATIONARY RING HOLDER HELIX D27 VP.	1
7.3	4176513	> O-RING FOR PUMP JACKET VP.	1
8	4212724	FILING/PURGING PLUG HELIX ReDTC KIT	1
8.1		> FILLING PLUG MVI6"-304	1
8.2	4177800	> O-RING EPDM PLUG HELIX VP.	1
9	4214483	MECH.SEAL HELIX6-10-16 O/E ReDTC KIT	1
9.1	4177801	> MECH.SEAL HELIX6-10-16 O/E VP.	1
7.3	4176513	> O-RING FOR PUMP JACKET VP.	1
10	2127577	HOUSING PIPE D.152x310 1.4301 KIT	1
11	2127588	CENTERING STAGE-RETURN HELIX16 1.4301 VP	1
12	4214520	SHAFT EQUIPMENT HELIX V16 ReDTC KIT	1
12.1		> NUT-H-M10-A4.70	1
12.2		> SERRATED LOCK WASHER M+16M3-316L	1
12.3		> 1/2-SNAP-RING-16M3-316L	1
12.4		> STOP-RUSH-1/2-D16xd2-M+316	1
4.11		> SCREW CHC-M6X14-8.8-ISO4762-GEOMET500A	1
4.12		> WASHER D.24 L6U ZINK	1
13		HYDRAULIC HELIX V 1605 1.4307	1
14	4214526	SHAFT D.16X378 HELIX 1.4057 VP.	1
15	4215100	PUMP HOUSING HELIX V16 DN50/H90 PN16 KIT	1
15.1		> MACH+CAT.PP HOUSI.M+6'' D50/H90-PN16 GJL	1

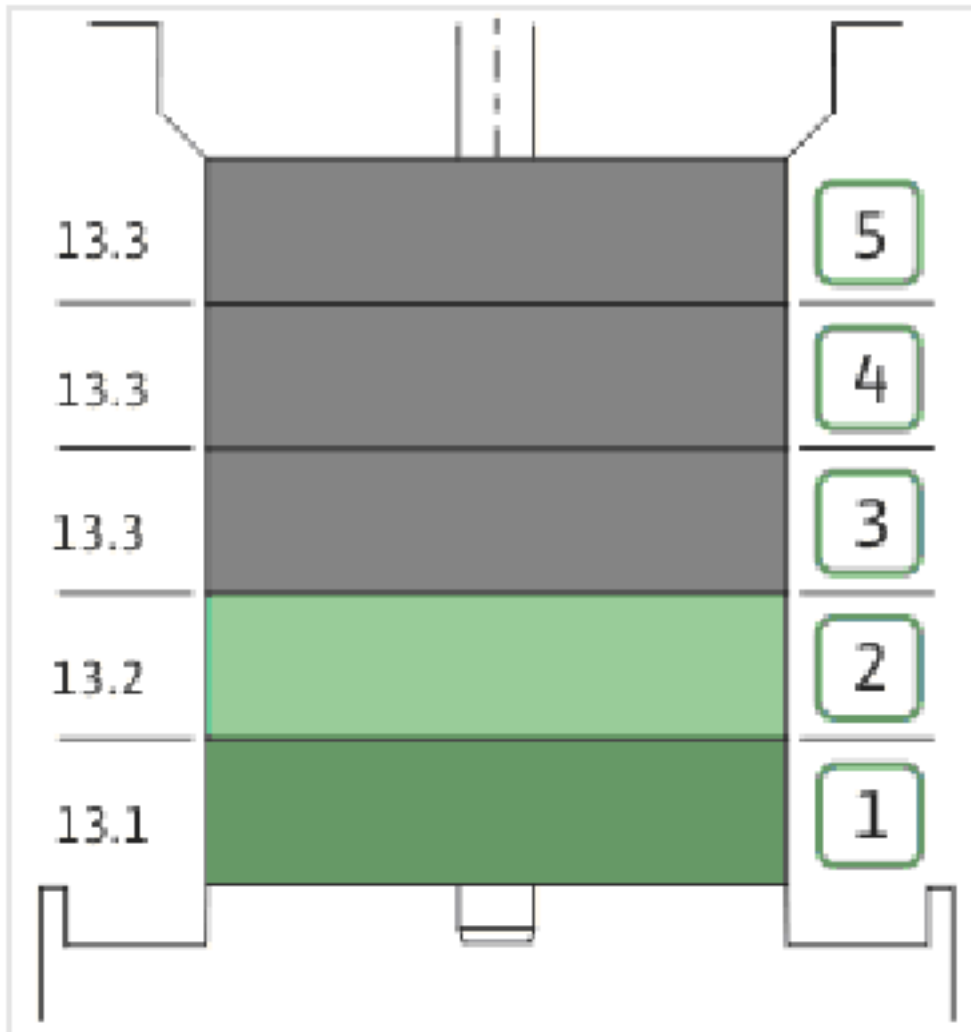
HELIX FIRST V1605-5/16/E/S/400-50 (4200990)

Item	Article no.	Description	Quantity
15.2	4233954	> O-RING ID.66 EPDM VP.	1
15.3	4215098	> PRIMING/DRAIN PLUG HELIX PN16 KIT	1
7.3	4176513	> O-RING FOR PUMP JACKET VP.	1



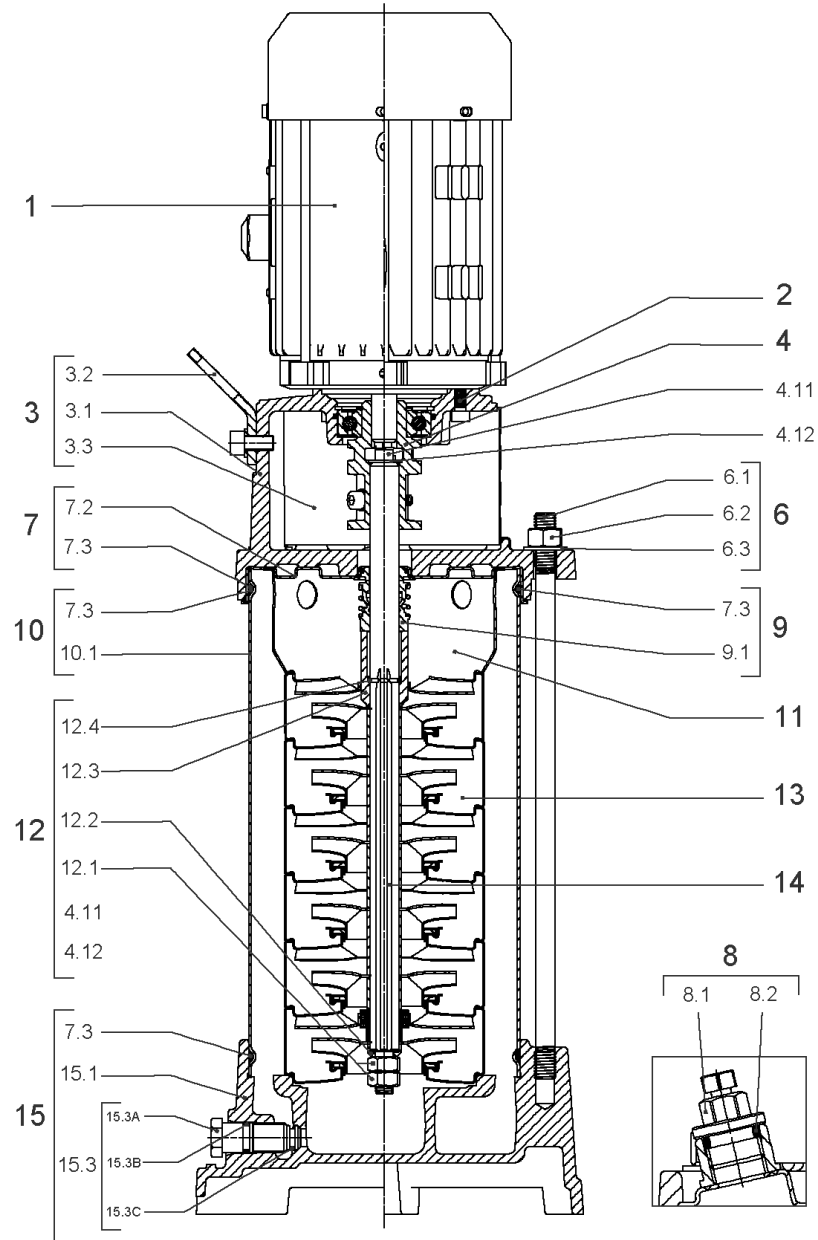
COUPLING D.16XD.28 FT130 HELIX KIT (4159710)

Item	Article no.	Description	Quantity
4.1		COUPLING M+ Ø16XØ28 FT130 MACHINED	1
4.2	2131022	BALL BEARING 6209/ZZ-C3(HT)VP.	1
4.3	4233930	CIRCLIP-FOR-BORES-D45x1,75 VP.	1
4.4	4157726	SCREW KIT M8X30 (4 PIECES)	1
4.5	4234252	CIRCLIPS 85X3 VP.	1
4.6	4234243	O-RING 85X3 VP.	1
		NOMEL CONTACT WASHER 8x16x1,4 STEEL ZC	1



HYDRAULIC HELIX V 1605 1.4307

Item	Article no.	Description	Quantity
13.1	4159720	STAGE HELIX 16 1.4301 KIT	1
		> MACH.STG-CASING-WOGV-WNR-M+16-304	1
		> IMPELLER-M+16-304	1
13.2	4159714	STAGE BEARING HELIX 16 1.4301 KIT	1
		> MACH.BEARING-STG-CASING-WNR-M+16-304	1
		> IMPELLER-M+16-304	1
		> SLEEVE-SPACER-Ø19,35x30,665-304	1
		> SHAFT-SLEEVE-D16xD20x18-CW	1
13.3	4159715	INTERMEDIATE STAGE HELIX 16 1.4301 KIT	1
		> CORPS-ETG-STD-ACR-AJR-USIN.M+16-304	1
		> IMPELLER-M+16-304	1
		> SPACER Ø16X19.4-L48.6-304	1



HELIX FIRST V1605-5/25/E/S/400-50 (4200991)

Item	Article no.	Description	Quantity
1	4169945	MO.4/2 3~230/400(460)V 50(60)HZ IE3 VP.	1
		SPARE PARTS MOTOR:ON REQUEST	1
2	4159707	SCREW M8X30 (4 PIECES)	1
3	4214473	LANTERN FT130 HELIX KIT	1
3.1		> LANT-MOT-VMI-ReDTC6"-FT130-MACHINED+CATA	1
3.2	4184852	> EYELET CPL.FT HELIX (2 PIECES)	1
3.3	4213782	> COUPLING PROTECTOR FT115/130 HELIX KIT	1
4	4159710	COUPLING D.16XD.28 FT130 HELIX KIT	1
6	4177817	STUD BOLT M12X341 KIT	1
6.1		> TIE BOLT M12-341x18x30-1.4057	1
6.2	2094647	> NUT M12 M12 ISO4032 VP.	1
6.3	2123557	> WASHER CS-12.4-24-1.6-NFE25 (4 PIECES)	1
7	4214481	STATIONARY RING HOLDER HELIX D27 ReDTC	1
7.2	4214479	> STATIONARY RING HOLDER HELIX D27 VP.	1
7.3	4176513	> O-RING FOR PUMP JACKET VP.	1
8	4212724	FILING/PURGING PLUG HELIX ReDTC KIT	1
8.1		> FILLING PLUG MVI6"-304	1
8.2	4177800	> O-RING EPDM PLUG HELIX VP.	1
9	4214483	MECH.SEAL HELIX6-10-16 O/E ReDTC KIT	1
9.1	4177801	> MECH.SEAL HELIX6-10-16 O/E VP.	1
7.3	4176513	> O-RING FOR PUMP JACKET VP.	1
10	2127577	HOUSING PIPE D.152x310 1.4301 KIT	1
11	2127588	CENTERING STAGE-RETURN HELIX16 1.4301 VP	1
12	4214520	SHAFT EQUIPMENT HELIX V16 ReDTC KIT	1
12.1		> NUT-H-M10-A4.70	1
12.2		> SERRATED LOCK WASHER M+16M3-316L	1
12.3		> 1/2-SNAP-RING-16M3-316L	1
12.4		> STOP-RUSH-1/2-D16xd2-M+316	1
4.11		> SCREW CHC-M6X14-8.8-ISO4762-GEOMET500A	1
4.12		> WASHER D.24 L6U ZINK	1
13		HYDRAULIC HELIX V 1605 1.4307	1
14	4214526	SHAFT D.16X378 HELIX 1.4057 VP.	1
15	4209634	PUMP HOUSING HELIX FIRST V16 PN30 KIT	1
15.1		> MACH+CATA PUMP CASING M+6" DN50 PN25 GJL	1

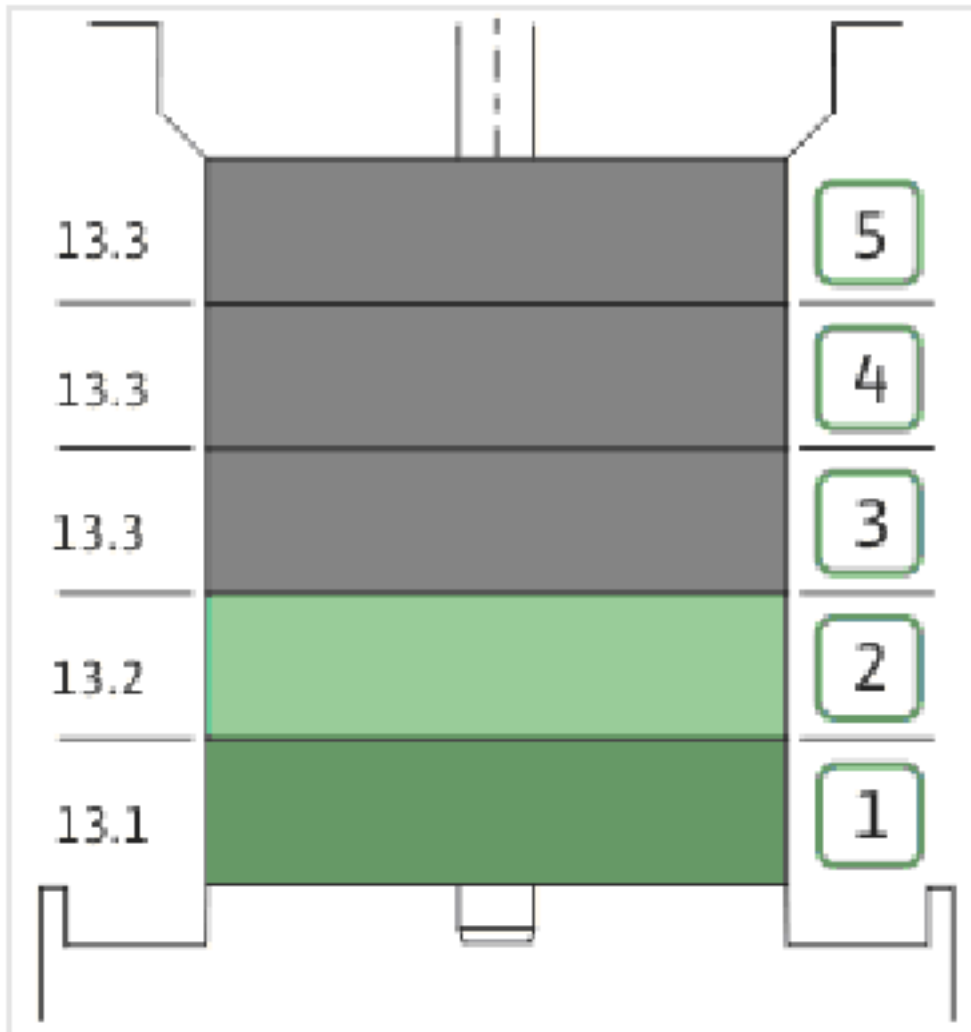
HELIX FIRST V1605-5/25/E/S/400-50 (4200991)

Item	Article no.	Description	Quantity
15.2	4124503	> FLAT GASKET 61x107x2_DN50_PN25_FIBER	1
15.3	4177877	> PRIMING/DRAIN PLUG HELIX PN30 KIT	1
15.3A		>> PRIMING/DRAIN PLUG M+6" 304	1
15.3B	4233957	>> O-RING ID.9 EPDM VP.	1
15.3C		>> O-RING Ø8xØ2 EPDM KTW/WRC	1
7.3	4176513	> O-RING FOR PUMP JACKET VP.	1



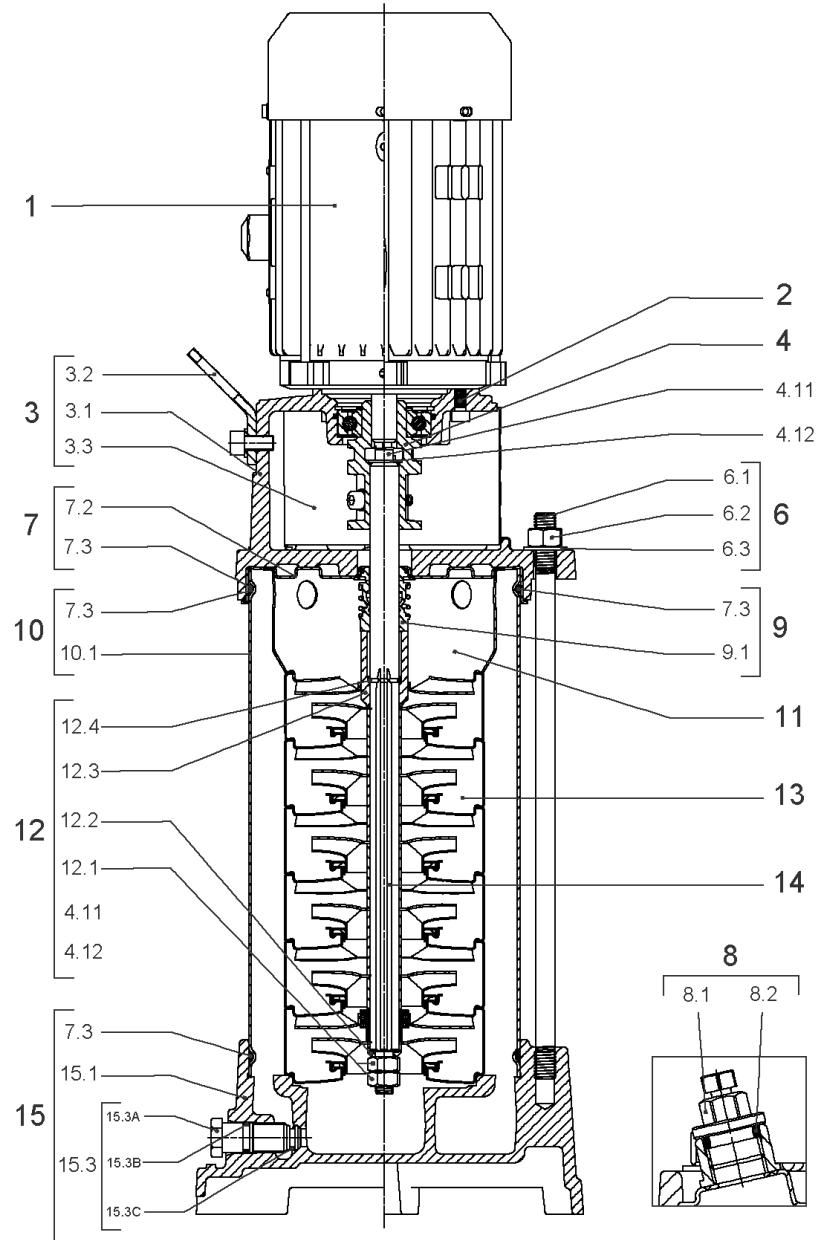
COUPLING D.16XD.28 FT130 HELIX KIT (4159710)

Item	Article no.	Description	Quantity
4.1		COUPLING M+ Ø16XØ28 FT130 MACHINED	1
4.2	2131022	BALL BEARING 6209/ZZ-C3(HT)VP.	1
4.3	4233930	CIRCLIP-FOR-BORES-D45x1,75 VP.	1
4.4	4157726	SCREW KIT M8X30 (4 PIECES)	1
4.5	4234252	CIRCLIPS 85X3 VP.	1
4.6	4234243	O-RING 85X3 VP.	1
		NOMEL CONTACT WASHER 8x16x1,4 STEEL ZC	1



HYDRAULIC HELIX V 1605 1.4307

Item	Article no.	Description	Quantity
13.1	4159720	STAGE HELIX 16 1.4301 KIT	1
		> MACH.STG-CASING-WOGV-WNR-M+16-304	1
		> IMPELLER-M+16-304	1
13.2	4159714	STAGE BEARING HELIX 16 1.4301 KIT	1
		> MACH.BEARING-STG-CASING-WNR-M+16-304	1
		> IMPELLER-M+16-304	1
		> SLEEVE-SPACER-Ø19,35x30,665-304	1
		> SHAFT-SLEEVE-D16xD20x18-CW	1
13.3	4159715	INTERMEDIATE STAGE HELIX 16 1.4301 KIT	1
		> CORPS-ETG-STD-ACR-AJR-USIN.M+16-304	1
		> IMPELLER-M+16-304	1
		> SPACER Ø16X19.4-L48.6-304	1



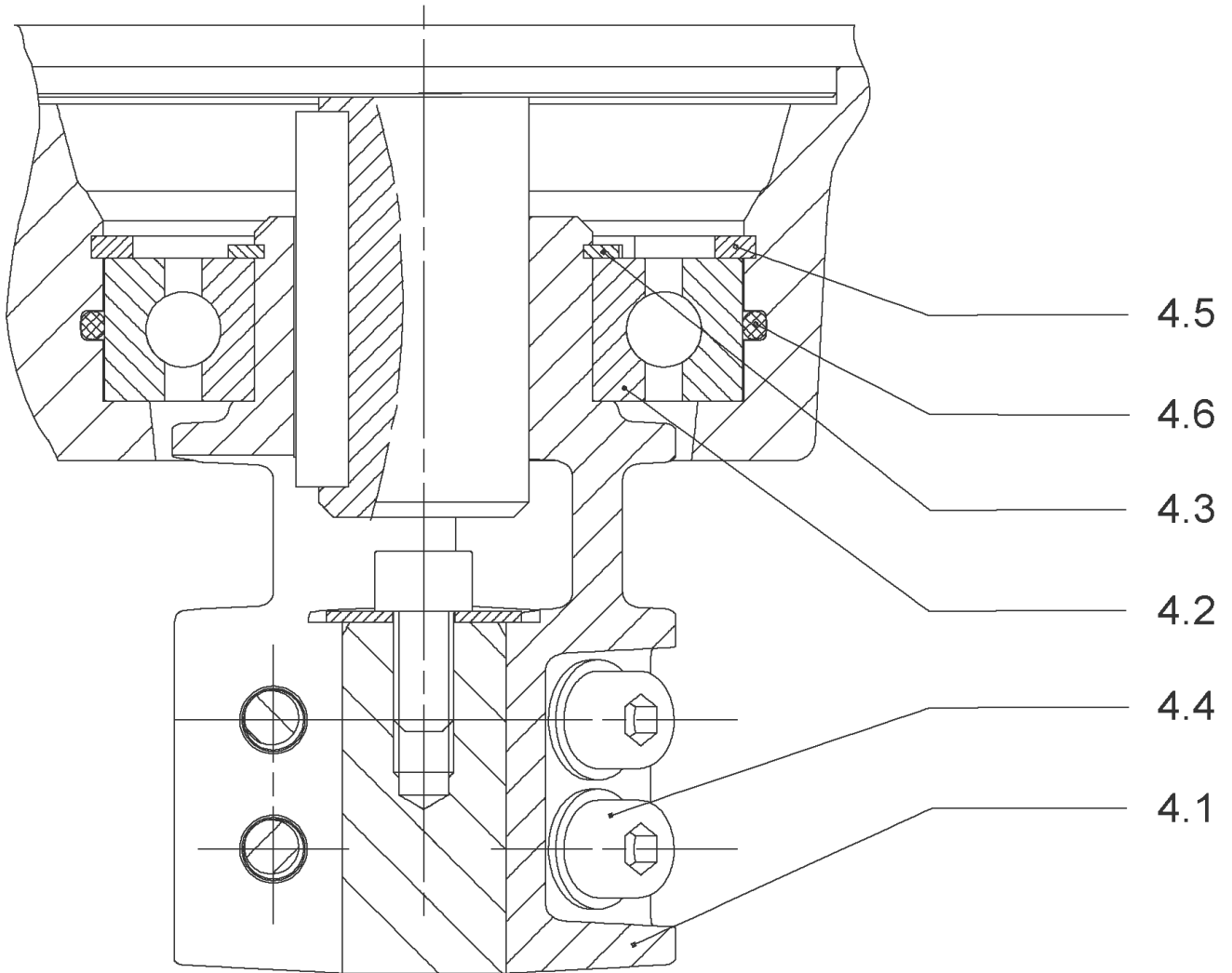
HELIX FIRST V1606-5/16/E/S/400-50 (4200993)

Item	Article no.	Description	Quantity
1	4169945	MO.4/2 3~230/400(460)V 50(60)HZ IE3 VP.	1
		SPARE PARTS MOTOR:ON REQUEST	1
2	4159707	SCREW M8X30 (4 PIECES)	1
3	4214473	LANTERN FT130 HELIX KIT	1
3.1		> LANT-MOT-VMI-ReDTC6"-FT130-MACHINED+CATA	1
3.2	4184852	> EYELET CPL.FT HELIX (2 PIECES)	1
3.3	4213782	> COUPLING PROTECTOR FT115/130 HELIX KIT	1
4	4159710	COUPLING D.16XD.28 FT130 HELIX KIT	1
6	2018365	STUD BOLT M12X392 KIT	1
7	4214481	STATIONARY RING HOLDER HELIX D27 ReDTC	1
7.2	4214479	> STATIONARY RING HOLDER HELIX D27 VP.	1
7.3	4176513	> O-RING FOR PUMP JACKET VP.	1
8	4212724	FILING/PURGING PLUG HELIX ReDTC KIT	1
8.1		> FILLING PLUG MVI6"-304	1
8.2	4177800	> O-RING EPDM PLUG HELIX VP.	1
9	4214483	MECH.SEAL HELIX6-10-16 O/E ReDTC KIT	1
9.1	4177801	> MECH.SEAL HELIX6-10-16 O/E VP.	1
7.3	4176513	> O-RING FOR PUMP JACKET VP.	1
10	2127578	HOUSING PIPE D.152x360 1.4307 KIT	1
7.3	4176513	> O-RING FOR PUMP JACKET VP.	1
10.1		> HOUSING-PIPE Ø152-M+1008/1606-304	1
11	2127588	CENTERING STAGE-RETURN HELIX16 1.4301 VP	1
12	4214520	SHAFT EQUIPMENT HELIX V16 ReDTC KIT	1
12.1		> NUT-H-M10-A4.70	1
12.2		> SERRATED LOCK WASHER M+16M3-316L	1
12.3		> 1/2-SNAP-RING-16M3-316L	1
12.4		> STOP-RUSH-1/2-D16xd2-M+316	1
4.11		> SCREW CHC-M6X14-8.8-ISO4762-GEOMET500A	1
4.12		> WASHER D.24 L6U ZINK	1
13		HYDRAULIC HELIX V 1606 1.4307	1
14	4214504	SHAFT D.16X428 HELIX 1.4057 VP.	1
15	4215100	PUMP HOUSING HELIX V16 DN50/H90 PN16 KIT	1
15.1		> MACH+CAT.PP HOUSI.M+6'' D50/H90-PN16 GJL	1
15.2	4233954	> O-RING ID.66 EPDM VP.	1

HELIX FIRST V1606-5/16/E/S/400-50 (4200993)

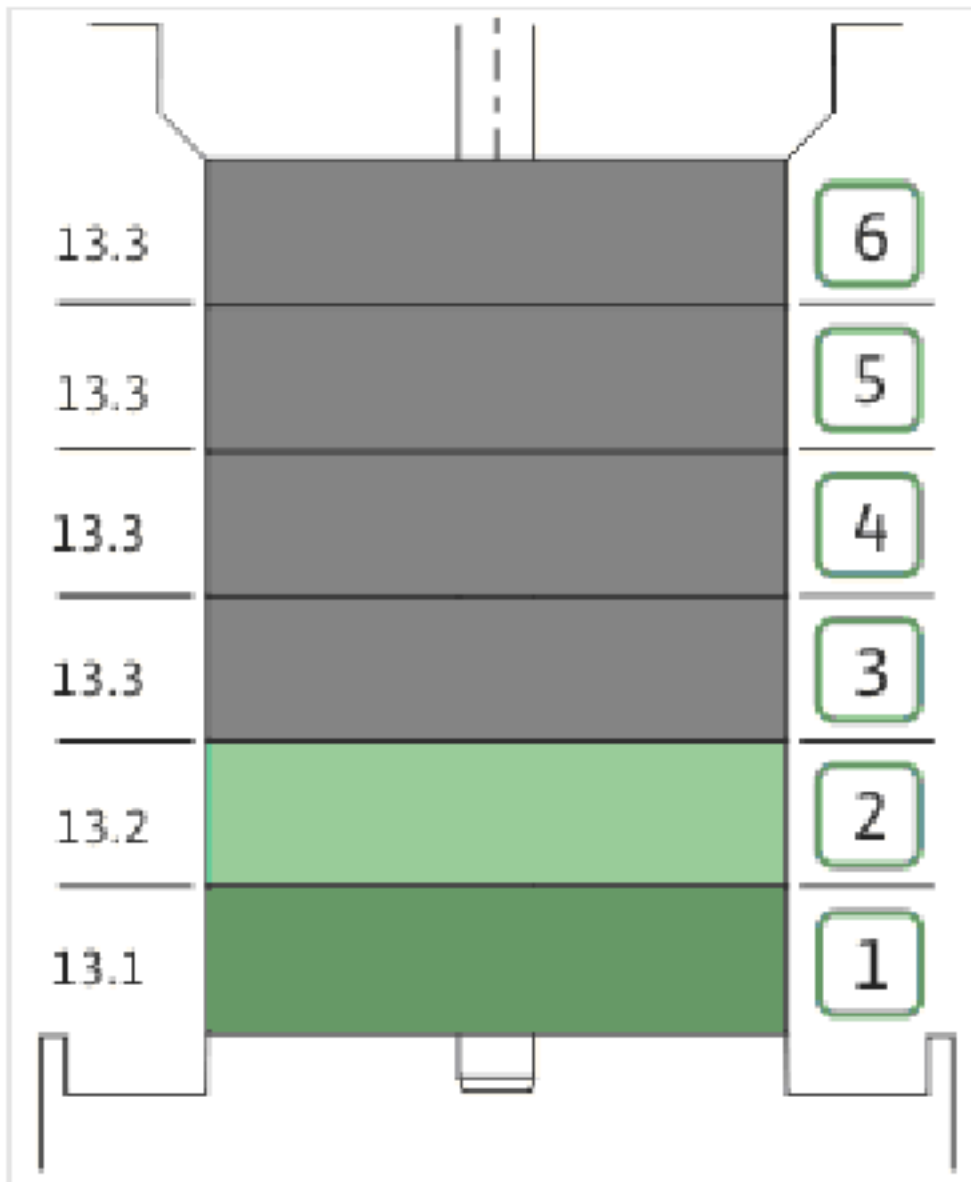


Item	Article no.	Description	Quantity
15.3	4215098	> PRIMING/DRAIN PLUG HELIX PN16 KIT	1
7.3	4176513	> O-RING FOR PUMP JACKET VP.	1



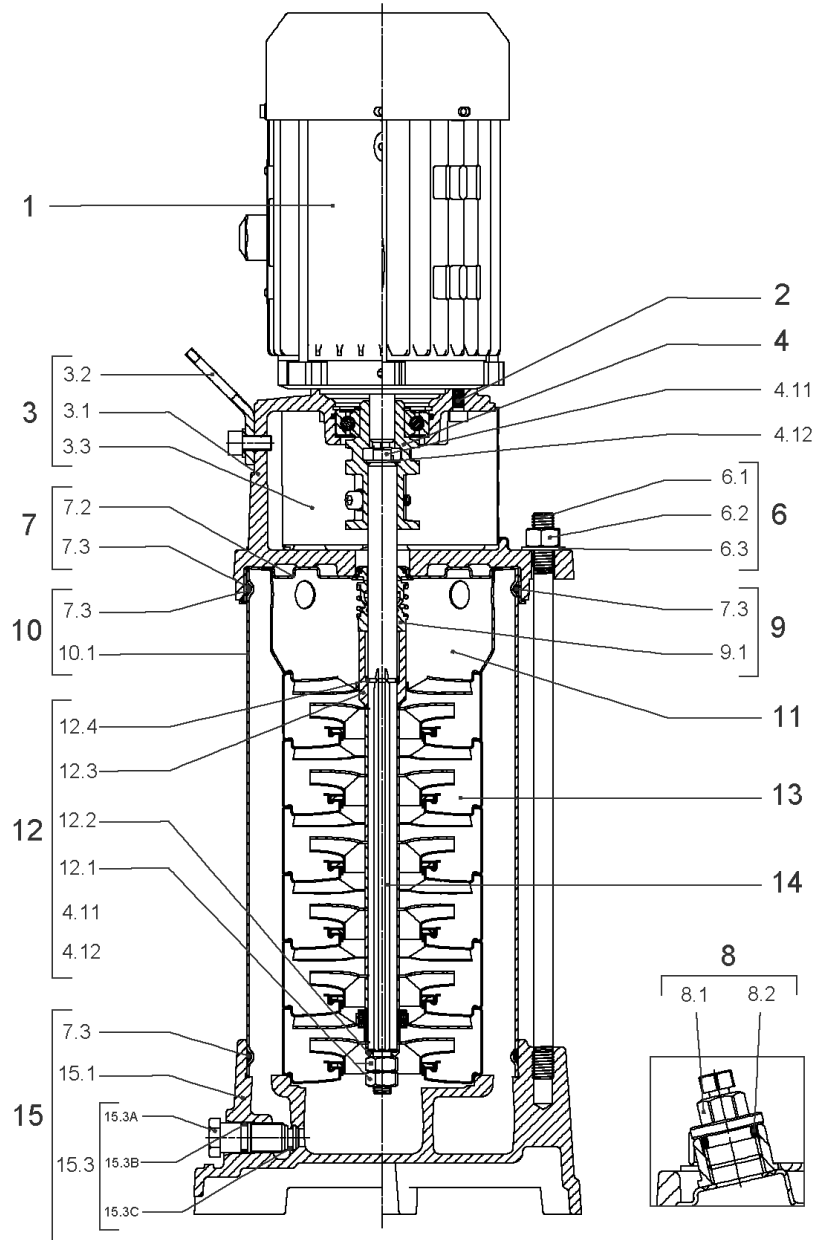
COUPLING D.16XD.28 FT130 HELIX KIT (4159710)

Item	Article no.	Description	Quantity
4.1		COUPLING M+ Ø16XØ28 FT130 MACHINED	1
4.2	2131022	BALL BEARING 6209/ZZ-C3(HT)VP.	1
4.3	4233930	CIRCLIP-FOR-BORES-D45x1,75 VP.	1
4.4	4157726	SCREW KIT M8X30 (4 PIECES)	1
4.5	4234252	CIRCLIPS 85X3 VP.	1
4.6	4234243	O-RING 85X3 VP.	1
		NOMEL CONTACT WASHER 8x16x1,4 STEEL ZC	1



HYDRAULIC HELIX V 1606 1.4307

Item	Article no.	Description	Quantity
13.1	4159720	STAGE HELIX 16 1.4301 KIT	1
		> MACH.STG-CASING-WOGV-WNR-M+16-304	1
		> IMPELLER-M+16-304	1
13.2	4159714	STAGE BEARING HELIX 16 1.4301 KIT	1
		> MACH.BEARING-STG-CASING-WNR-M+16-304	1
		> IMPELLER-M+16-304	1
		> SLEEVE-SPACER-Ø19,35x30,665-304	1
		> SHAFT-SLEEVE-D16xD20x18-CW	1
13.3	4159715	INTERMEDIATE STAGE HELIX 16 1.4301 KIT	1
		> CORPS-ETG-STD-ACR-AJR-USIN.M+16-304	1
		> IMPELLER-M+16-304	1
		> SPACER Ø16X19.4-L48.6-304	1



HELIX FIRST V1606-5/25/E/S/400-50 (4200994)

Item	Article no.	Description	Quantity
1	4169945	MO.4/2 3~230/400(460)V 50(60)HZ IE3 VP.	1
		SPARE PARTS MOTOR:ON REQUEST	1
2	4159707	SCREW M8X30 (4 PIECES)	1
3	4214473	LANTERN FT130 HELIX KIT	1
3.1		> LANT-MOT-VMI-ReDTC6"-FT130-MACHINED+CATA	1
3.2	4184852	> EYELET CPL.FT HELIX (2 PIECES)	1
3.3	4213782	> COUPLING PROTECTOR FT115/130 HELIX KIT	1
4	4159710	COUPLING D.16XD.28 FT130 HELIX KIT	1
6	2018365	STUD BOLT M12X392 KIT	1
7	4214481	STATIONARY RING HOLDER HELIX D27 ReDTC	1
7.2	4214479	> STATIONARY RING HOLDER HELIX D27 VP.	1
7.3	4176513	> O-RING FOR PUMP JACKET VP.	1
8	4212724	FILING/PURGING PLUG HELIX ReDTC KIT	1
8.1		> FILLING PLUG MVI6"-304	1
8.2	4177800	> O-RING EPDM PLUG HELIX VP.	1
9	4214483	MECH.SEAL HELIX6-10-16 O/E ReDTC KIT	1
9.1	4177801	> MECH.SEAL HELIX6-10-16 O/E VP.	1
7.3	4176513	> O-RING FOR PUMP JACKET VP.	1
10	2127578	HOUSING PIPE D.152x360 1.4307 KIT	1
7.3	4176513	> O-RING FOR PUMP JACKET VP.	1
10.1		> HOUSING-PIPE Ø152-M+1008/1606-304	1
11	2127588	CENTERING STAGE-RETURN HELIX16 1.4301 VP	1
12	4214520	SHAFT EQUIPMENT HELIX V16 ReDTC KIT	1
12.1		> NUT-H-M10-A4.70	1
12.2		> SERRATED LOCK WASHER M+16M3-316L	1
12.3		> 1/2-SNAP-RING-16M3-316L	1
12.4		> STOP-RUSH-1/2-D16xd2-M+316	1
4.11		> SCREW CHC-M6X14-8.8-ISO4762-GEOMET500A	1
4.12		> WASHER D.24 L6U ZINK	1
13		HYDRAULIC HELIX V 1606 1.4307	1
14	4214504	SHAFT D.16X428 HELIX 1.4057 VP.	1
15	4209634	PUMP HOUSING HELIX FIRST V16 PN30 KIT	1
15.1		> MACH+CATA PUMP CASING M+6" DN50 PN25 GJL	1
15.2	4124503	> FLAT GASKET 61x107x2_DN50_PN25_FIBER	1

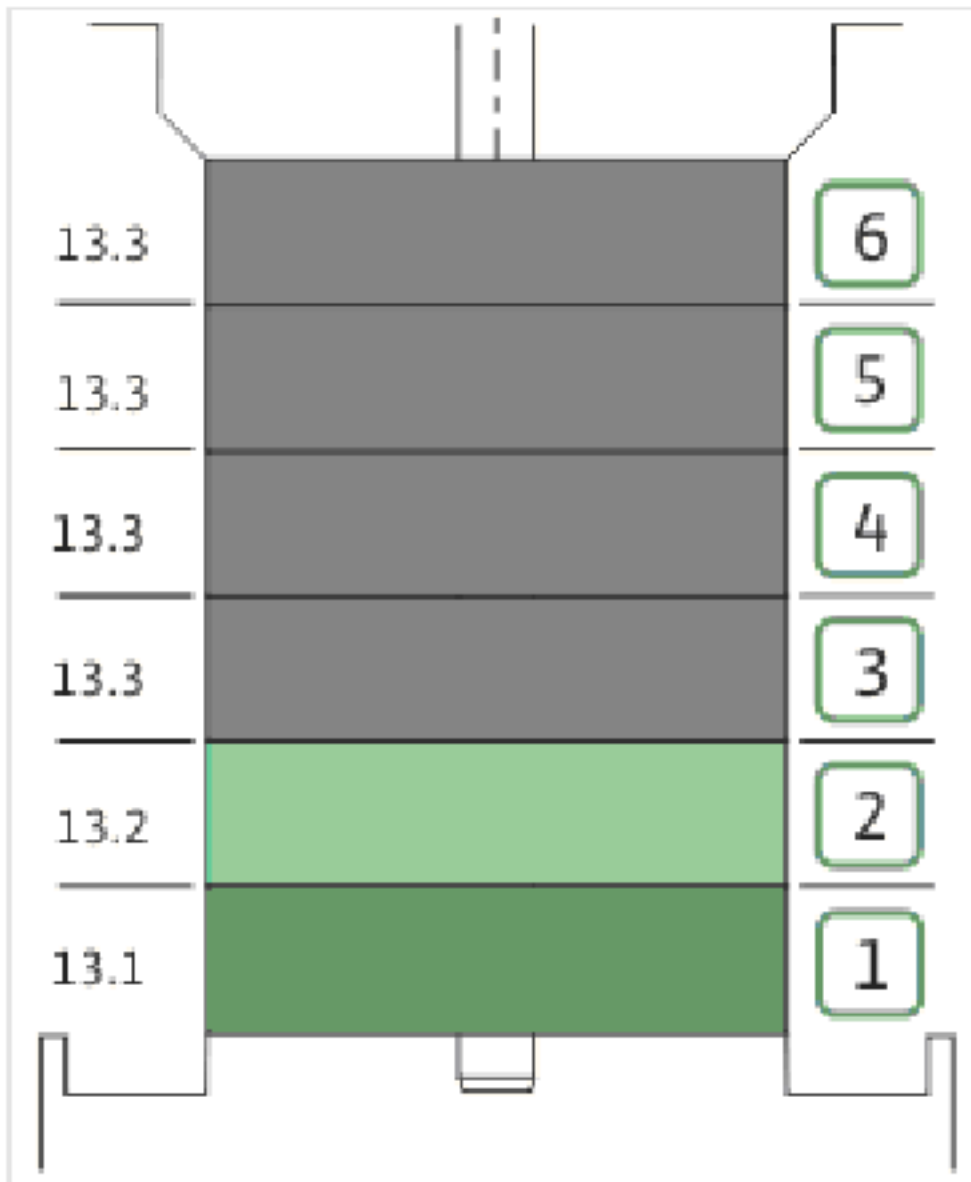
HELIX FIRST V1606-5/25/E/S/400-50 (4200994)

Item	Article no.	Description	Quantity
15.3	4177877	> PRIMING/DRAIN PLUG HELIX PN30 KIT	1
15.3A		>> PRIMING/DRAIN PLUG M+6" 304	1
15.3B	4233957	>> O-RING ID.9 EPDM VP.	1
15.3C		>> O-RING Ø8xØ2 EPDM KTW/WRC	1
7.3	4176513	> O-RING FOR PUMP JACKET VP.	1



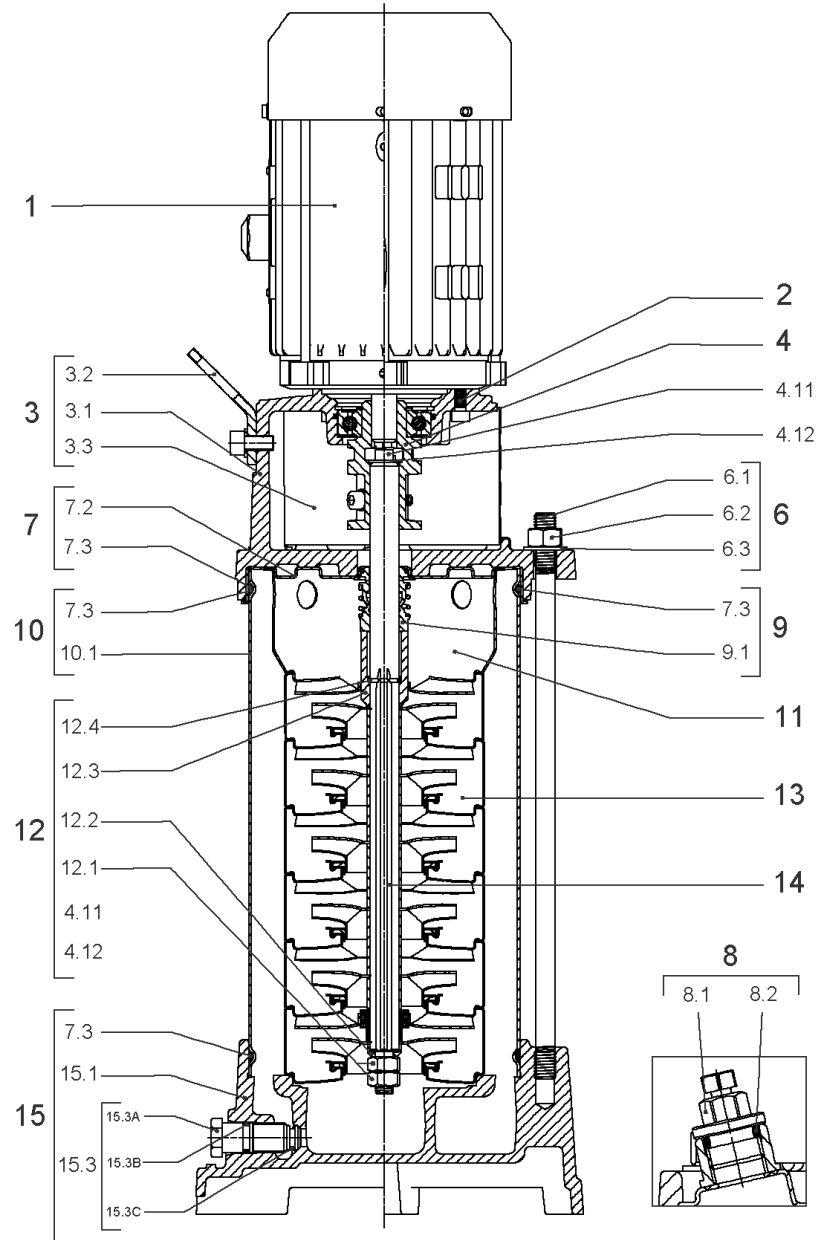
COUPLING D.16XD.28 FT130 HELIX KIT (4159710)

Item	Article no.	Description	Quantity
4.1		COUPLING M+ Ø16XØ28 FT130 MACHINED	1
4.2	2131022	BALL BEARING 6209/ZZ-C3(HT)VP.	1
4.3	4233930	CIRCLIP-FOR-BORES-D45x1,75 VP.	1
4.4	4157726	SCREW KIT M8X30 (4 PIECES)	1
4.5	4234252	CIRCLIPS 85X3 VP.	1
4.6	4234243	O-RING 85X3 VP.	1
		NOMEL CONTACT WASHER 8x16x1,4 STEEL ZC	1



HYDRAULIC HELIX V 1606 1.4307

Item	Article no.	Description	Quantity
13.1	4159720	STAGE HELIX 16 1.4301 KIT	1
		> MACH.STG-CASING-WOGV-WNR-M+16-304	1
		> IMPELLER-M+16-304	1
13.2	4159714	STAGE BEARING HELIX 16 1.4301 KIT	1
		> MACH.BEARING-STG-CASING-WNR-M+16-304	1
		> IMPELLER-M+16-304	1
		> SLEEVE-SPACER-Ø19,35x30,665-304	1
		> SHAFT-SLEEVE-D16xD20x18-CW	1
13.3	4159715	INTERMEDIATE STAGE HELIX 16 1.4301 KIT	1
		> CORPS-ETG-STD-ACR-AJR-USIN.M+16-304	1
		> IMPELLER-M+16-304	1
		> SPACER Ø16X19.4-L48.6-304	1



HELIX FIRST V1607-5/16/E/S/400-50 (4200996)

Item	Article no.	Description	Quantity
1	4169947	MO 5,5/2/112 3~400V50Hz 460V60Hz IE3 VP.	1
		SPARE PARTS MOTOR:ON REQUEST	1
2	4159707	SCREW M8X30 (4 PIECES)	1
3	4214473	LANTERN FT130 HELIX KIT	1
3.1		> LANT-MOT-VMI-ReDTC6"-FT130-MACHINED+CATA	1
3.2	4184852	> EYELET CPL.FT HELIX (2 PIECES)	1
3.3	4213782	> COUPLING PROTECTOR FT115/130 HELIX KIT	1
4	4159710	COUPLING D.16XD.28 FT130 HELIX KIT	1
6	4177806	STUD BOLT M12X450KIT	1
6.1		> TIE BOLT M12-450x18x30-1.4057	1
6.2	2094647	> NUT M12 M12 ISO4032 VP.	1
6.3	2123557	> WASHER CS-12.4-24-1.6-NFE25 (4 PIECES)	1
7	4214481	STATIONARY RING HOLDER HELIX D27 ReDTC	1
7.2	4214479	> STATIONARY RING HOLDER HELIX D27 VP.	1
7.3	4176513	> O-RING FOR PUMP JACKET VP.	1
8	4212724	FILING/PURGING PLUG HELIX ReDTC KIT	1
8.1		> FILLING PLUG MVI6"-304	1
8.2	4177800	> O-RING EPDM PLUG HELIX VP.	1
9	4214483	MECH.SEAL HELIX6-10-16 O/E ReDTC KIT	1
9.1	4177801	> MECH.SEAL HELIX6-10-16 O/E VP.	1
7.3	4176513	> O-RING FOR PUMP JACKET VP.	1
10	2127579	HOUSING PIPE D.152x410 1.4301 KIT	1
7.3	4176513	> O-RING FOR PUMP JACKET VP.	1
10.1		> HOUSING-PIPE Ø152-M+1607-304	1
11	2127588	CENTERING STAGE-RETURN HELIX16 1.4301 VP	1
12	4214520	SHAFT EQUIPMENT HELIX V16 ReDTC KIT	1
12.1		> NUT-H-M10-A4.70	1
12.2		> SERRATED LOCK WASHER M+16M3-316L	1
12.3		> 1/2-SNAP-RING-16M3-316L	1
12.4		> STOP-RUSH-1/2-D16xd2-M+316	1
4.11		> SCREW CHC-M6X14-8.8-ISO4762-GEOMET500A	1
4.12		> WASHER D.24 L6U ZINK	1
13		HYDRAULIC HELIX V 1607 1.4307	1
14	4214528	SHAFT D.16X478 HELIX 1.4057 VP.	1

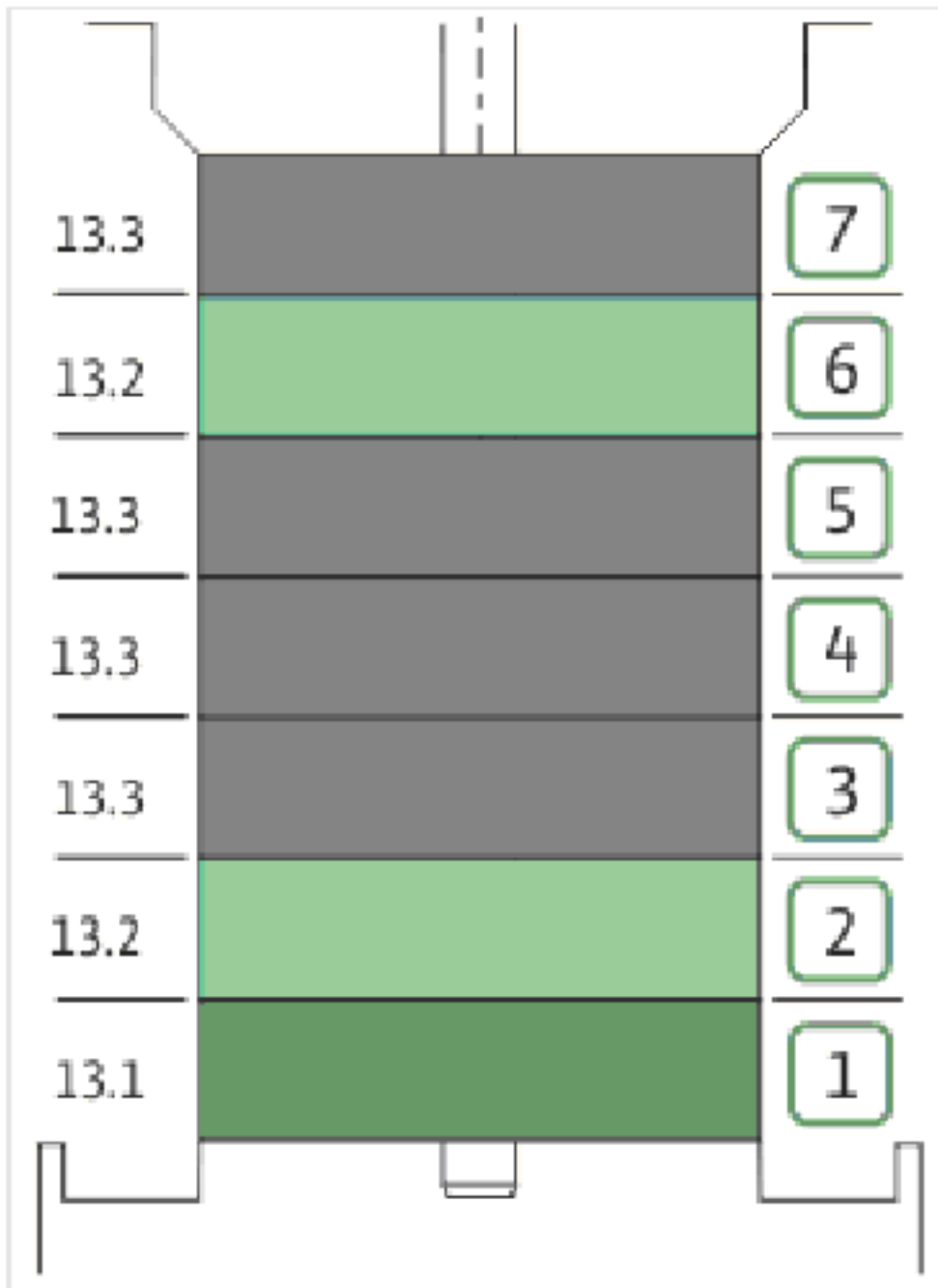
HELIX FIRST V1607-5/16/E/S/400-50 (4200996)

Item	Article no.	Description	Quantity
15	4215100	PUMP HOUSING HELIX V16 DN50/H90 PN16 KIT	1
15.1		> MACH+CAT.PP HOUSI.M+6'' D50/H90-PN16 GJL	1
15.2	4233954	> O-RING ID.66 EPDM VP.	1
15.3	4215098	> PRIMING/DRAIN PLUG HELIX PN16 KIT	1
7.3	4176513	> O-RING FOR PUMP JACKET VP.	1



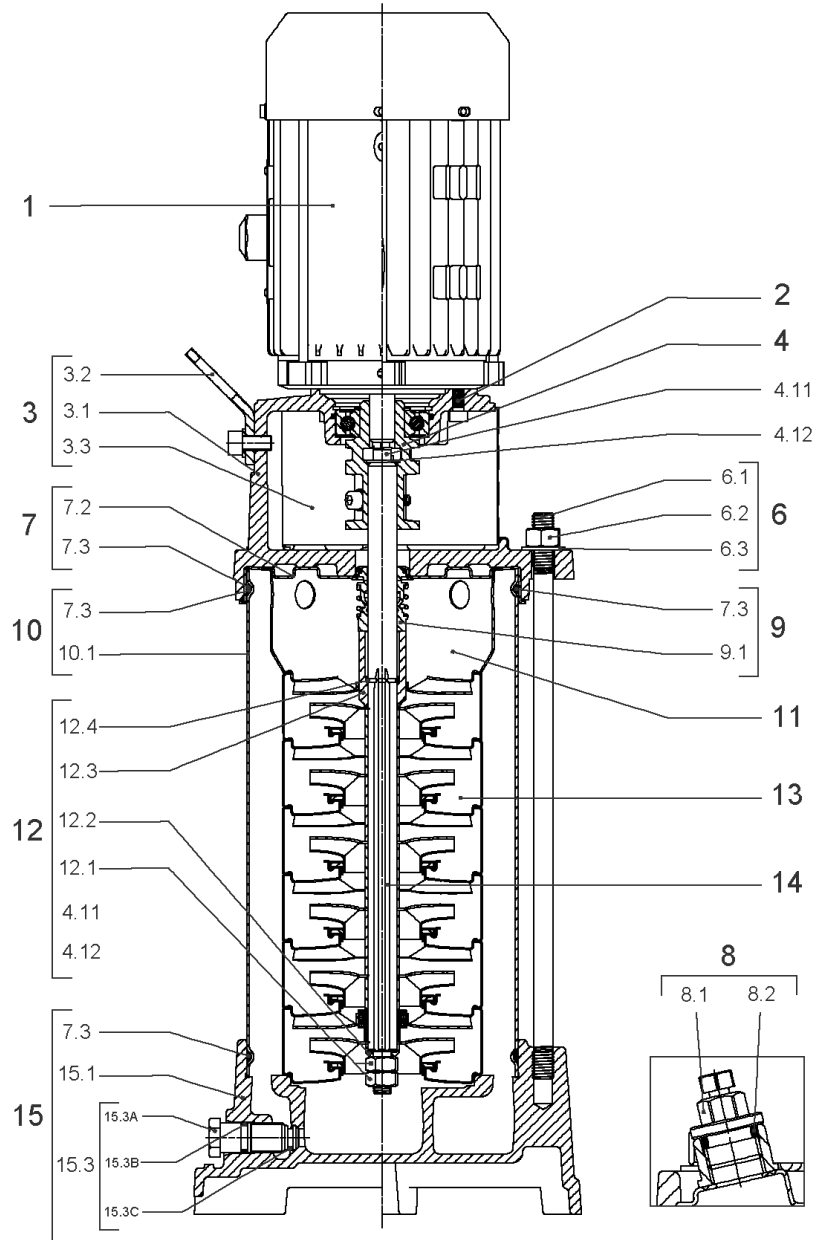
COUPLING D.16XD.28 FT130 HELIX KIT (4159710)

Item	Article no.	Description	Quantity
4.1		COUPLING M+ Ø16XØ28 FT130 MACHINED	1
4.2	2131022	BALL BEARING 6209/ZZ-C3(HT)VP.	1
4.3	4233930	CIRCLIP-FOR-BORES-D45x1,75 VP.	1
4.4	4157726	SCREW KIT M8X30 (4 PIECES)	1
4.5	4234252	CIRCLIPS 85X3 VP.	1
4.6	4234243	O-RING 85X3 VP.	1
		NOMEL CONTACT WASHER 8x16x1,4 STEEL ZC	1



HYDRAULIC HELIX V 1607 1.4307

Item	Article no.	Description	Quantity
13.1	4159720	STAGE HELIX 16 1.4301 KIT	1
		> MACH.STG-CASING-WOGV-WNR-M+16-304	1
		> IMPELLER-M+16-304	1
13.2	4159714	STAGE BEARING HELIX 16 1.4301 KIT	1
		> MACH.BEARING-STG-CASING-WNR-M+16-304	1
		> IMPELLER-M+16-304	1
		> SLEEVE-SPACER-Ø19,35x30,665-304	1
		> SHAFT-SLEEVE-D16xD20x18-CW	1
13.3	4159715	INTERMEDIATE STAGE HELIX 16 1.4301 KIT	1
		> CORPS-ETG-STD-ACR-AJR-USIN.M+16-304	1
		> IMPELLER-M+16-304	1
		> SPACER Ø16X19.4-L48.6-304	1



HELIX FIRST V1607-5/25/E/S/400-50 (4200997)

Item	Article no.	Description	Quantity
1	4169947	MO 5,5/2/112 3~400V50Hz 460V60Hz IE3 VP.	1
		SPARE PARTS MOTOR:ON REQUEST	1
2	4159707	SCREW M8X30 (4 PIECES)	1
3	4214473	LANTERN FT130 HELIX KIT	1
3.1		> LANT-MOT-VMI-ReDTC6"-FT130-MACHINED+CATA	1
3.2	4184852	> EYELET CPL.FT HELIX (2 PIECES)	1
3.3	4213782	> COUPLING PROTECTOR FT115/130 HELIX KIT	1
4	4159710	COUPLING D.16XD.28 FT130 HELIX KIT	1
6	4177806	STUD BOLT M12X450KIT	1
6.1		> TIE BOLT M12-450x18x30-1.4057	1
6.2	2094647	> NUT M12 M12 ISO4032 VP.	1
6.3	2123557	> WASHER CS-12.4-24-1.6-NFE25 (4 PIECES)	1
7	4214481	STATIONARY RING HOLDER HELIX D27 ReDTC	1
7.2	4214479	> STATIONARY RING HOLDER HELIX D27 VP.	1
7.3	4176513	> O-RING FOR PUMP JACKET VP.	1
8	4212724	FILING/PURGING PLUG HELIX ReDTC KIT	1
8.1		> FILLING PLUG MVI6"-304	1
8.2	4177800	> O-RING EPDM PLUG HELIX VP.	1
9	4214483	MECH.SEAL HELIX6-10-16 O/E ReDTC KIT	1
9.1	4177801	> MECH.SEAL HELIX6-10-16 O/E VP.	1
7.3	4176513	> O-RING FOR PUMP JACKET VP.	1
10	2127579	HOUSING PIPE D.152x410 1.4301 KIT	1
7.3	4176513	> O-RING FOR PUMP JACKET VP.	1
10.1		> HOUSING-PIPE Ø152-M+1607-304	1
11	2127588	CENTERING STAGE-RETURN HELIX16 1.4301 VP	1
12	4214520	SHAFT EQUIPMENT HELIX V16 ReDTC KIT	1
12.1		> NUT-H-M10-A4.70	1
12.2		> SERRATED LOCK WASHER M+16M3-316L	1
12.3		> 1/2-SNAP-RING-16M3-316L	1
12.4		> STOP-RUSH-1/2-D16xd2-M+316	1
4.11		> SCREW CHC-M6X14-8.8-ISO4762-GEOMET500A	1
4.12		> WASHER D.24 L6U ZINK	1
13		HYDRAULIC HELIX V 1607 1.4307	1
14	4214528	SHAFT D.16X478 HELIX 1.4057 VP.	1

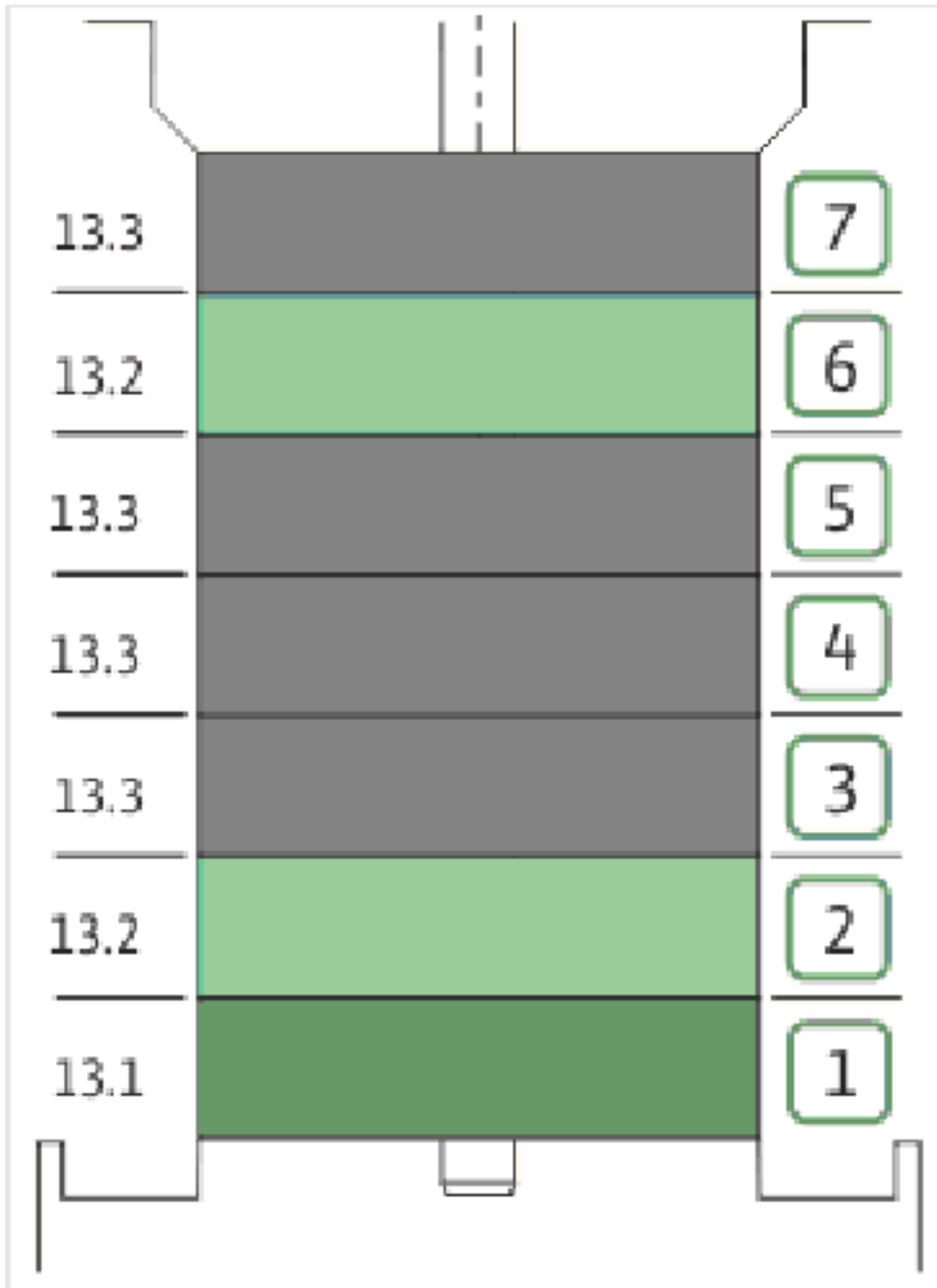
HELIX FIRST V1607-5/25/E/S/400-50 (4200997)

Item	Article no.	Description	Quantity
15	4209634	PUMP HOUSING HELIX FIRST V16 PN30 KIT	1
15.1		> MACH+CATA PUMP CASING M+6" DN50 PN25 GJL	1
15.2	4124503	> FLAT GASKET 61x107x2_DN50_PN25_FIBER	1
15.3	4177877	> PRIMING/DRAIN PLUG HELIX PN30 KIT	1
15.3A		>> PRIMING/DRAIN PLUG M+6" 304	1
15.3B	4233957	>> O-RING ID.9 EPDM VP.	1
15.3C		>> O-RING Ø8xØ2 EPDM KTW/WRC	1
7.3	4176513	> O-RING FOR PUMP JACKET VP.	1



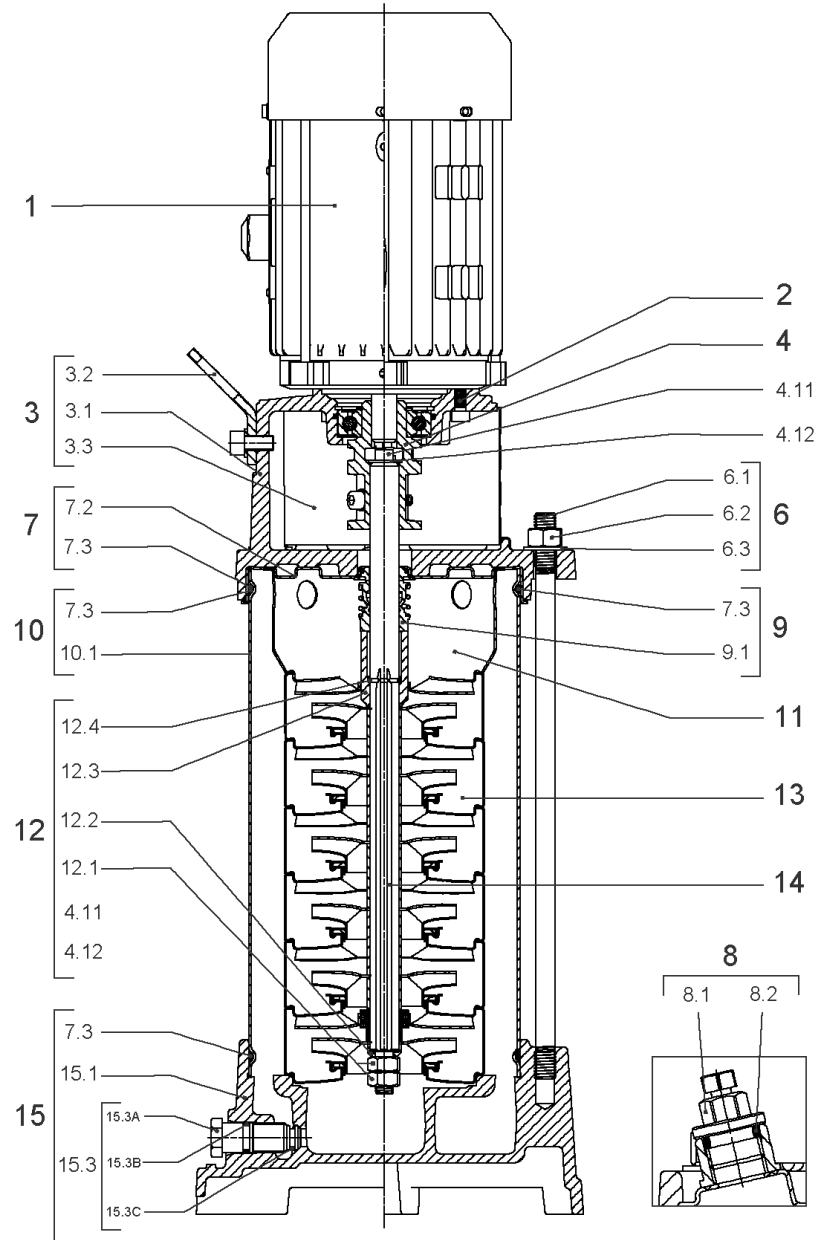
COUPLING D.16XD.28 FT130 HELIX KIT (4159710)

Item	Article no.	Description	Quantity
4.1		COUPLING M+ Ø16XØ28 FT130 MACHINED	1
4.2	2131022	BALL BEARING 6209/ZZ-C3(HT)VP.	1
4.3	4233930	CIRCLIP-FOR-BORES-D45x1,75 VP.	1
4.4	4157726	SCREW KIT M8X30 (4 PIECES)	1
4.5	4234252	CIRCLIPS 85X3 VP.	1
4.6	4234243	O-RING 85X3 VP.	1
		NOMEL CONTACT WASHER 8x16x1,4 STEEL ZC	1



HYDRAULIC HELIX V 1607 1.4307

Item	Article no.	Description	Quantity
13.1	4159720	STAGE HELIX 16 1.4301 KIT	1
		> MACH.STG-CASING-WOGV-WNR-M+16-304	1
		> IMPELLER-M+16-304	1
13.2	4159714	STAGE BEARING HELIX 16 1.4301 KIT	1
		> MACH.BEARING-STG-CASING-WNR-M+16-304	1
		> IMPELLER-M+16-304	1
		> SLEEVE-SPACER-Ø19,35x30,665-304	1
		> SHAFT-SLEEVE-D16xD20x18-CW	1
13.3	4159715	INTERMEDIATE STAGE HELIX 16 1.4301 KIT	1
		> CORPS-ETG-STD-ACR-AJR-USIN.M+16-304	1
		> IMPELLER-M+16-304	1
		> SPACER Ø16X19.4-L48.6-304	1

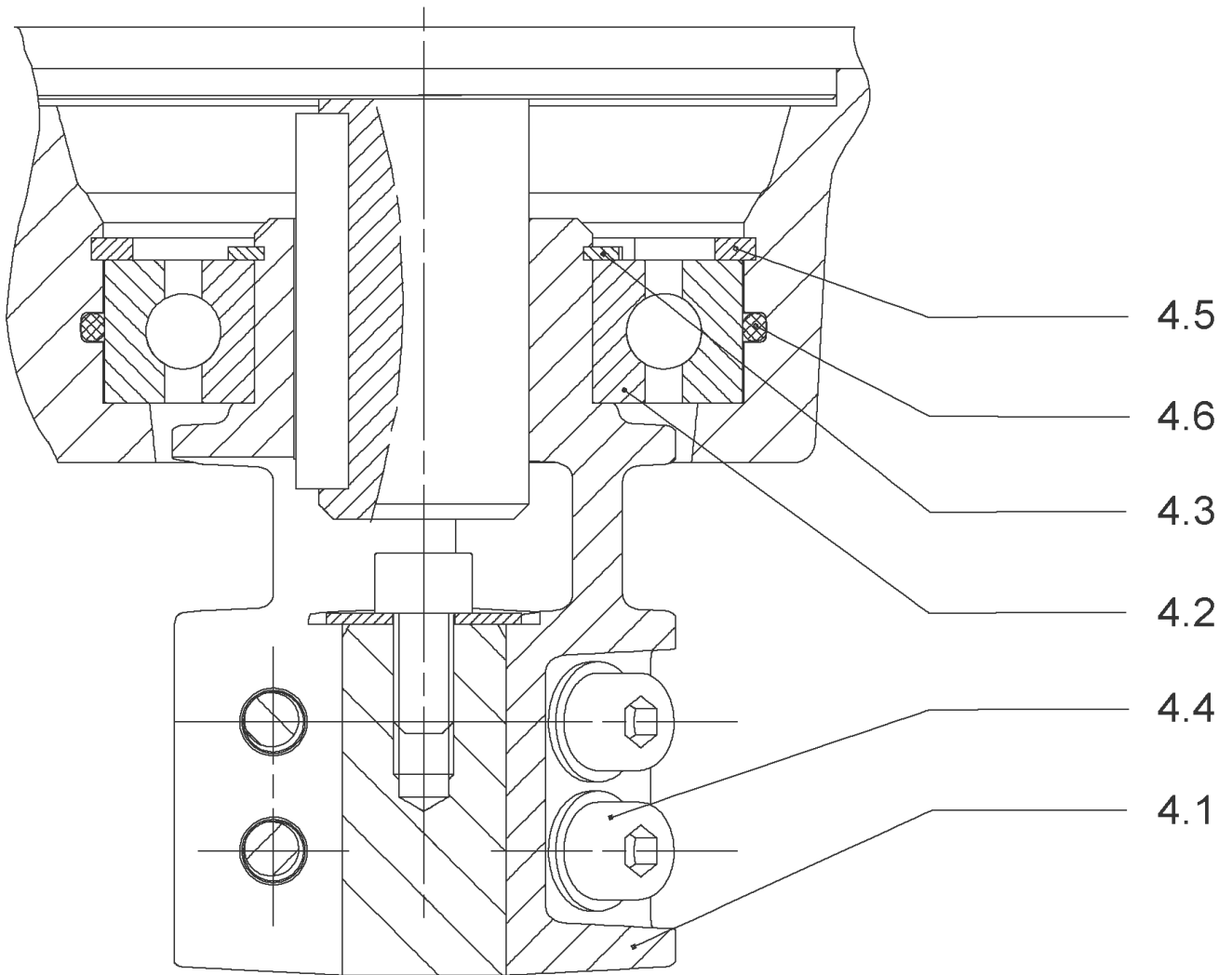


HELIX FIRST V1608-5/16/E/S/400-50 (4200999)

Item	Article no.	Description	Quantity
1	4169947	MO 5,5/2/112 3~400V50Hz 460V60Hz IE3 VP.	1
		SPARE PARTS MOTOR:ON REQUEST	1
2	4159707	SCREW M8X30 (4 PIECES)	1
3	4214473	LANTERN FT130 HELIX KIT	1
3.1		> LANT-MOT-VMI-ReDTC6"-FT130-MACHINED+CATA	1
3.2	4184852	> EYELET CPL.FT HELIX (2 PIECES)	1
3.3	4213782	> COUPLING PROTECTOR FT115/130 HELIX KIT	1
4	4159710	COUPLING D.16XD.28 FT130 HELIX KIT	1
6	4214564	STUD BOLT HELIX M12X495 KIT	1
6.1		> TIE BOLT M12-495x18x30-1.4057	1
6.2	2094647	> NUT M12 M12 ISO4032 VP.	1
6.3	2123557	> WASHER CS-12.4-24-1.6-NFE25 (4 PIECES)	1
7	4214481	STATIONARY RING HOLDER HELIX D27 ReDTC	1
7.2	4214479	> STATIONARY RING HOLDER HELIX D27 VP.	1
7.3	4176513	> O-RING FOR PUMP JACKET VP.	1
8	4212724	FILING/PURGING PLUG HELIX ReDTC KIT	1
8.1		> FILLING PLUG MVI6"-304	1
8.2	4177800	> O-RING EPDM PLUG HELIX VP.	1
9	4214483	MECH.SEAL HELIX6-10-16 O/E ReDTC KIT	1
9.1	4177801	> MECH.SEAL HELIX6-10-16 O/E VP.	1
7.3	4176513	> O-RING FOR PUMP JACKET VP.	1
10	2127580	HOUSING PIPE D.152x460 1.4301 KIT	1
7.3	4176513	> O-RING FOR PUMP JACKET VP.	1
10.1		> HOUSING-PIPE Ø152-M+1608-304	1
11	2127588	CENTERING STAGE-RETURN HELIX16 1.4301 VP	1
12	4214520	SHAFT EQUIPMENT HELIX V16 ReDTC KIT	1
12.1		> NUT-H-M10-A4.70	1
12.2		> SERRATED LOCK WASHER M+16M3-316L	1
12.3		> 1/2-SNAP-RING-16M3-316L	1
12.4		> STOP-RUSH-1/2-D16xd2-M+316	1
4.11		> SCREW CHC-M6X14-8.8-ISO4762-GEOMET500A	1
4.12		> WASHER D.24 L6U ZINK	1
13		HYDRAULIC HELIX V 1608 1.4307	1
14	4214530	SHAFT D.16X528 HELIX 1.4057 VP.	1

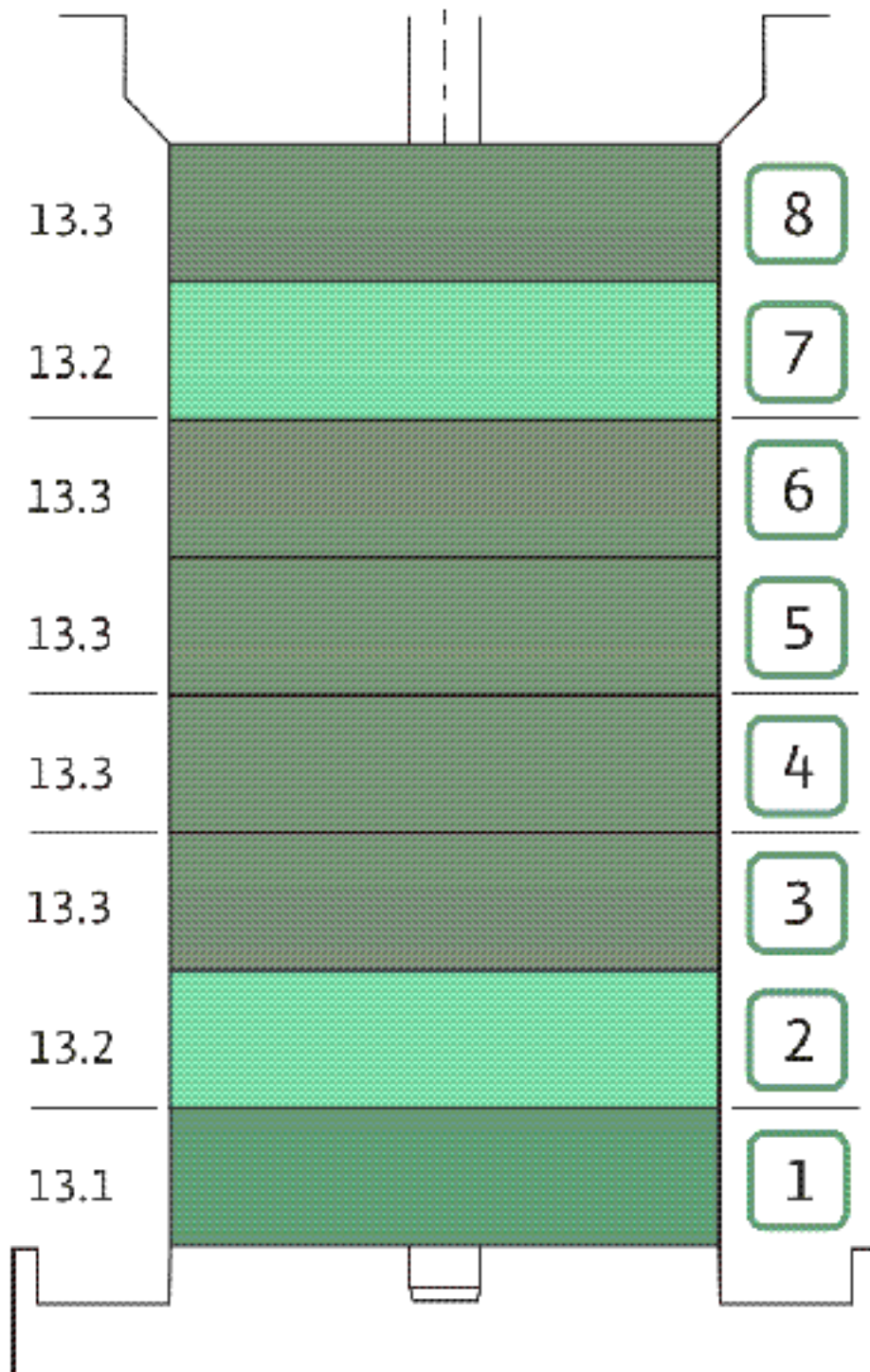
HELIX FIRST V1608-5/16/E/S/400-50 (4200999)

Item	Article no.	Description	Quantity
15	4215100	PUMP HOUSING HELIX V16 DN50/H90 PN16 KIT	1
15.1		> MACH+CAT.PP HOUSI.M+6'' D50/H90-PN16 GJL	1
15.2	4233954	> O-RING ID.66 EPDM VP.	1
15.3	4215098	> PRIMING/DRAIN PLUG HELIX PN16 KIT	1
7.3	4176513	> O-RING FOR PUMP JACKET VP.	1



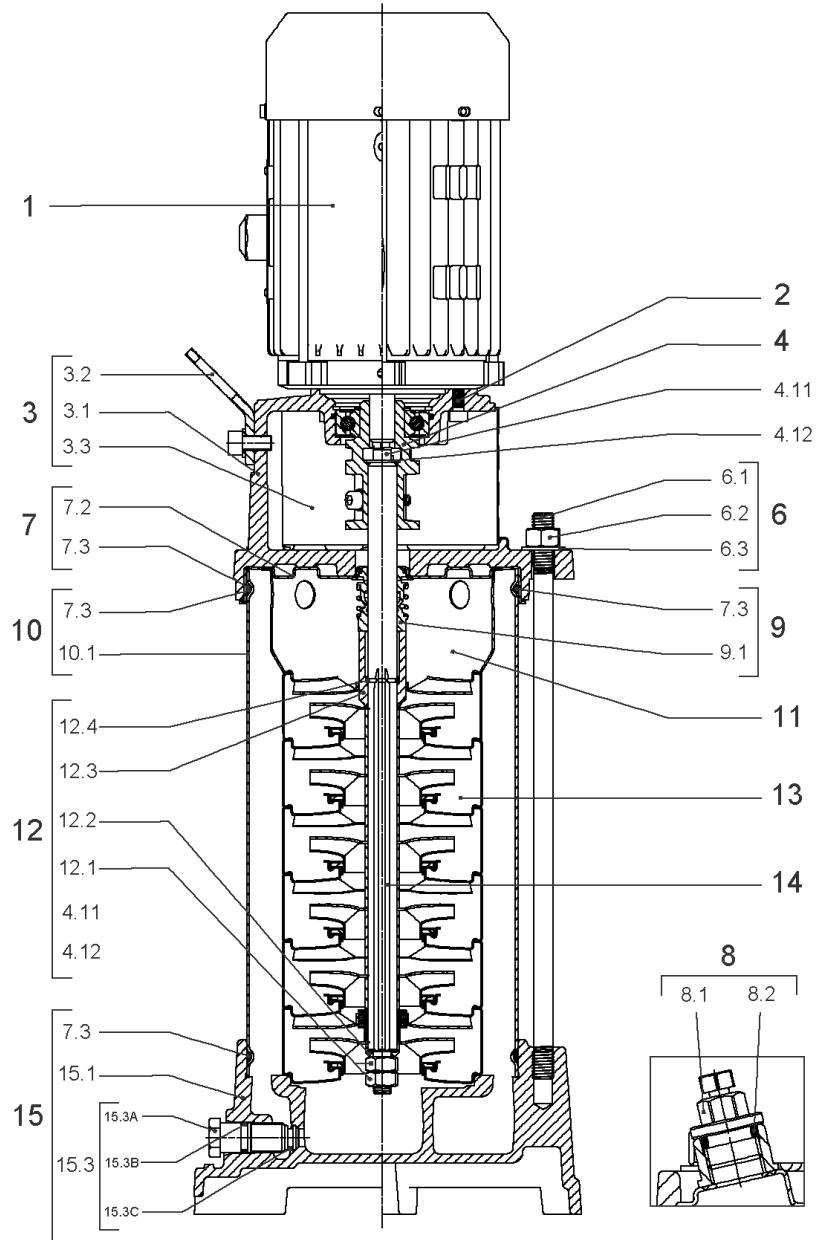
COUPLING D.16XD.28 FT130 HELIX KIT (4159710)

Item	Article no.	Description	Quantity
4.1		COUPLING M+ Ø16XØ28 FT130 MACHINED	1
4.2	2131022	BALL BEARING 6209/ZZ-C3(HT)VP.	1
4.3	4233930	CIRCLIP-FOR-BORES-D45x1,75 VP.	1
4.4	4157726	SCREW KIT M8X30 (4 PIECES)	1
4.5	4234252	CIRCLIPS 85X3 VP.	1
4.6	4234243	O-RING 85X3 VP.	1
		NOMEL CONTACT WASHER 8x16x1,4 STEEL ZC	1



HYDRAULIC HELIX V 1608 1.4307

Item	Article no.	Description	Quantity
13.1	4159720	STAGE HELIX 16 1.4301 KIT	1
		> MACH.STG-CASING-WOGV-WNR-M+16-304	1
		> IMPELLER-M+16-304	1
13.2	4159714	STAGE BEARING HELIX 16 1.4301 KIT	1
		> MACH.BEARING-STG-CASING-WNR-M+16-304	1
		> IMPELLER-M+16-304	1
		> SLEEVE-SPACER-Ø19,35x30,665-304	1
		> SHAFT-SLEEVE-D16xD20x18-CW	1
13.3	4159715	INTERMEDIATE STAGE HELIX 16 1.4301 KIT	1
		> CORPS-ETG-STD-ACR-AJR-USIN.M+16-304	1
		> IMPELLER-M+16-304	1
		> SPACER Ø16X19.4-L48.6-304	1



HELIX FIRST V1608-5/25/E/S/400-50 (4201000)

Item	Article no.	Description	Quantity
1	4169947	MO 5,5/2/112 3~400V50Hz 460V60Hz IE3 VP.	1
		SPARE PARTS MOTOR:ON REQUEST	1
2	4159707	SCREW M8X30 (4 PIECES)	1
3	4214473	LANTERN FT130 HELIX KIT	1
3.1		> LANT-MOT-VMI-ReDTC6"-FT130-MACHINED+CATA	1
3.2	4184852	> EYELET CPL.FT HELIX (2 PIECES)	1
3.3	4213782	> COUPLING PROTECTOR FT115/130 HELIX KIT	1
4	4159710	COUPLING D.16XD.28 FT130 HELIX KIT	1
6	4214564	STUD BOLT HELIX M12X495 KIT	1
6.1		> TIE BOLT M12-495x18x30-1.4057	1
6.2	2094647	> NUT M12 M12 ISO4032 VP.	1
6.3	2123557	> WASHER CS-12.4-24-1.6-NFE25 (4 PIECES)	1
7	4214481	STATIONARY RING HOLDER HELIX D27 ReDTC	1
7.2	4214479	> STATIONARY RING HOLDER HELIX D27 VP.	1
7.3	4176513	> O-RING FOR PUMP JACKET VP.	1
8	4212724	FILING/PURGING PLUG HELIX ReDTC KIT	1
8.1		> FILLING PLUG MVI6"-304	1
8.2	4177800	> O-RING EPDM PLUG HELIX VP.	1
9	4214483	MECH.SEAL HELIX6-10-16 O/E ReDTC KIT	1
9.1	4177801	> MECH.SEAL HELIX6-10-16 O/E VP.	1
7.3	4176513	> O-RING FOR PUMP JACKET VP.	1
10	2127580	HOUSING PIPE D.152x460 1.4301 KIT	1
7.3	4176513	> O-RING FOR PUMP JACKET VP.	1
10.1		> HOUSING-PIPE Ø152-M+1608-304	1
11	2127588	CENTERING STAGE-RETURN HELIX16 1.4301 VP	1
12	4214520	SHAFT EQUIPMENT HELIX V16 ReDTC KIT	1
12.1		> NUT-H-M10-A4.70	1
12.2		> SERRATED LOCK WASHER M+16M3-316L	1
12.3		> 1/2-SNAP-RING-16M3-316L	1
12.4		> STOP-RUSH-1/2-D16xd2-M+316	1
4.11		> SCREW CHC-M6X14-8.8-ISO4762-GEOMET500A	1
4.12		> WASHER D.24 L6U ZINK	1
13		HYDRAULIC HELIX V 1608 1.4307	1
14	4214530	SHAFT D.16X528 HELIX 1.4057 VP.	1

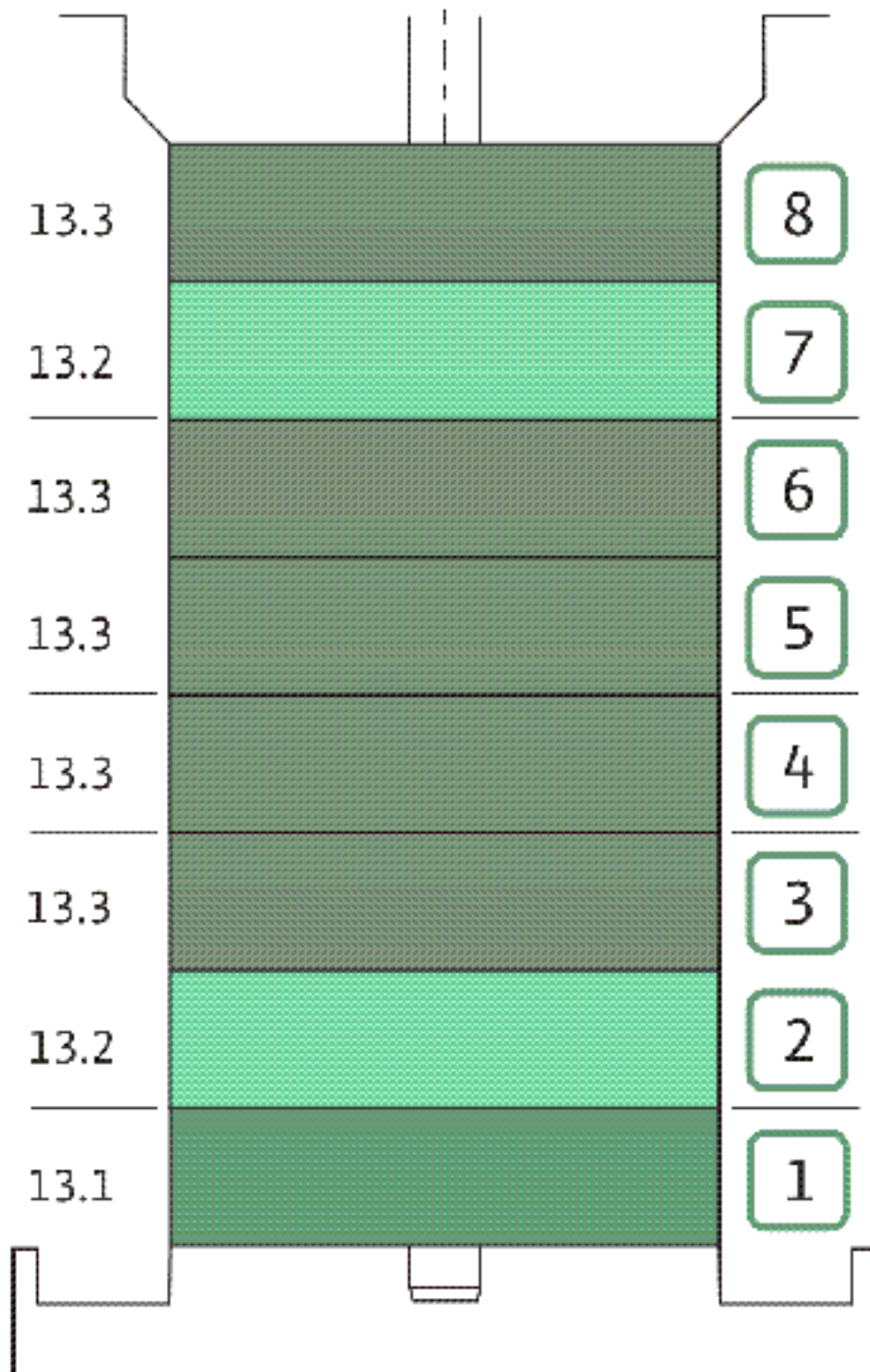
HELIX FIRST V1608-5/25/E/S/400-50 (4201000)

Item	Article no.	Description	Quantity
15	4209634	PUMP HOUSING HELIX FIRST V16 PN30 KIT	1
15.1		> MACH+CATA PUMP CASING M+6" DN50 PN25 GJL	1
15.2	4124503	> FLAT GASKET 61x107x2_DN50_PN25_FIBER	1
15.3	4177877	> PRIMING/DRAIN PLUG HELIX PN30 KIT	1
15.3A		>> PRIMING/DRAIN PLUG M+6" 304	1
15.3B	4233957	>> O-RING ID.9 EPDM VP.	1
15.3C		>> O-RING Ø8xØ2 EPDM KTW/WRC	1
7.3	4176513	> O-RING FOR PUMP JACKET VP.	1



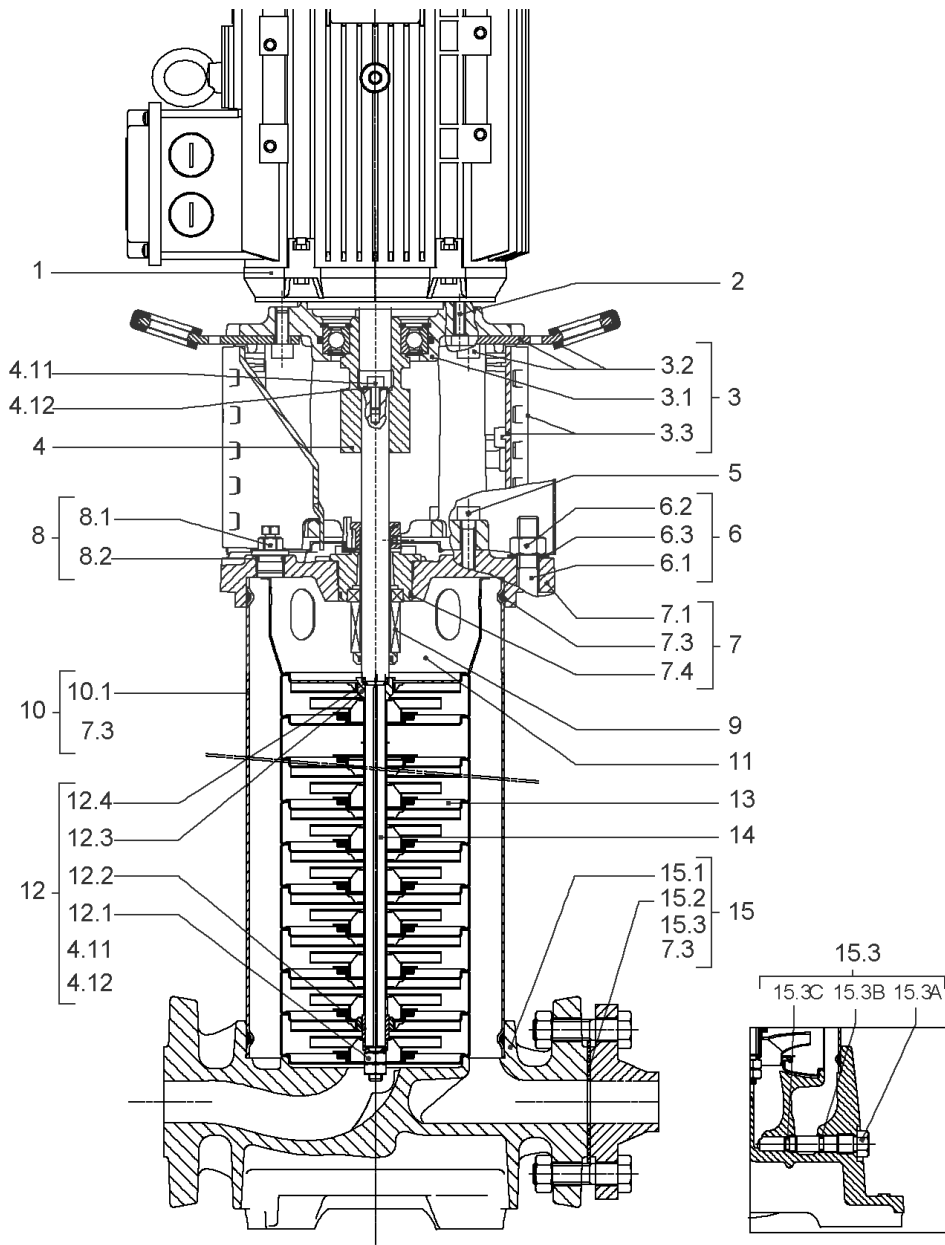
COUPLING D.16XD.28 FT130 HELIX KIT (4159710)

Item	Article no.	Description	Quantity
4.1		COUPLING M+ Ø16XØ28 FT130 MACHINED	1
4.2	2131022	BALL BEARING 6209/ZZ-C3(HT)VP.	1
4.3	4233930	CIRCLIP-FOR-BORES-D45x1,75 VP.	1
4.4	4157726	SCREW KIT M8X30 (4 PIECES)	1
4.5	4234252	CIRCLIPS 85X3 VP.	1
4.6	4234243	O-RING 85X3 VP.	1
		NOMEL CONTACT WASHER 8x16x1,4 STEEL ZC	1



HYDRAULIC HELIX V 1608 1.4307

Item	Article no.	Description	Quantity
13.1	4159720	STAGE HELIX 16 1.4301 KIT	1
		> MACH.STG-CASING-WOGV-WNR-M+16-304	1
		> IMPELLER-M+16-304	1
13.2	4159714	STAGE BEARING HELIX 16 1.4301 KIT	1
		> MACH.BEARING-STG-CASING-WNR-M+16-304	1
		> IMPELLER-M+16-304	1
		> SLEEVE-SPACER-Ø19,35x30,665-304	1
		> SHAFT-SLEEVE-D16xD20x18-CW	1
13.3	4159715	INTERMEDIATE STAGE HELIX 16 1.4301 KIT	1
		> CORPS-ETG-STD-ACR-AJR-USIN.M+16-304	1
		> IMPELLER-M+16-304	1
		> SPACER Ø16X19.4-L48.6-304	1



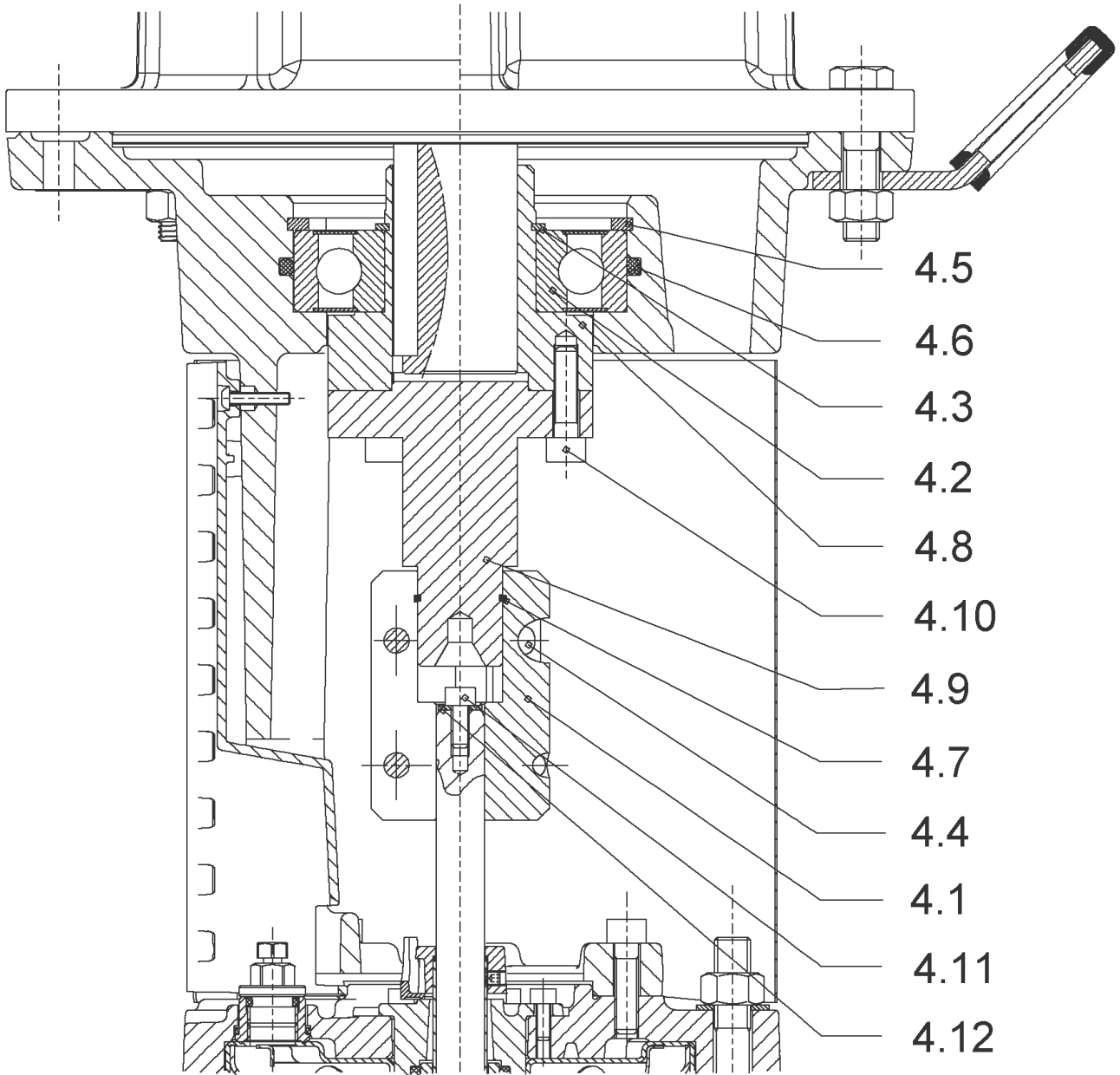
HELIX FIRST V1609-5/25/E/KS/400-50 (4201001)

Item	Article no.	Description	Quantity
1	4195450	MOTOR 7,5/2/* 3~400V 50HZ IE3 VP.	1
		SPARE PARTS MOTOR:ON REQUEST	1
2	4174093	SCREW M12X50 (4 PIECES)	1
3	4159693	LANTERN FF265 HELIX KIT	1
3.1		> LANTERN FF265 M+6" GJL MACHINING+CATA	1
3.2	2127605	> EYELET CPL.FF265 HELIX(2 PIECES)	1
3.3	4159695	> COUPLING PROTECTOR FF HELIX KIT	1
4	4159711	COUPLING D.16XD.38 FF265 HELIX KIT	1
5	4159707	SCREW M8X30 (4 PIECES)	1
6	2127556	STUD BOLT M12X542 KIT	1
7	4159685	END SHIELD HELIX EPDM KIT	1
7.1		> END SHIELD M+6" GJL250 MACHINING+CATA	1
7.2	2127607	> STATIONARY RING HOLDER 6" HELIX 1.4301 V	1
7.3	4176513	> O-RING FOR PUMP JACKET VP.	1
7.4	2127603	> O-RING ID.37,6x2,4 EPDM VP.	1
7.5	2127602	> O-RING ID.21,35x2 EPDM VP.	1
8	4159686	FILING/PURGING PLUG HELIX EPDM KIT	1
9	4159698	CARTRIDGE HELIX6-10-16 F/E KIT	1
10	4177843	HOUSING PIPES D.152X510 1.4307 KIT	1
7.3	4176513	> O-RING FOR PUMP JACKET VP.	1
10.1		> HOUSING-PIPE Ø152-M+1012/1609-304	1
11	2127588	CENTERING STAGE-RETURN HELIX16 1.4301 VP	1
12	4159688	SHAFT EQUIPMENT HELIX V16 BI BLOC KIT	1
4.11	4102901	> SCREW CHC-M6X14-8.8-ISO4762-GEOMET500A	1
4.12	2130995	> SERRATED LOCK WASHER D.6,2XD.14,5X28 VP.	1
12.1		> NUT-H-M10-A4.70	1
12.2		> SERRATED LOCK WASHER M+16M3-316L	1
12.3		> STOP COLLAR OF IMPELLER L18,8-Ø16-316L	1
12.4		> STOP-RUSH-1/2-D16xd2-M+316	1
13		HYDRAULIC HELIX V 1609 1.4307	1
14	4177844	SHAFT D.16X630 1.4301 VP.	1
15	4209634	PUMP HOUSING HELIX FIRST V16 PN30 KIT	1
15.1		> MACH+CATA PUMP CASING M+6" DN50 PN25 GJL	1
15.2	4124503	> FLAT GASKET 61x107x2_DN50_PN25_FIBER	1

HELIX FIRST V1609-5/25/E/KS/400-50 (4201001)

Item	Article no.	Description	Quantity
15.3	4177877	> PRIMING/DRAIN PLUG HELIX PN30 KIT	1
15.3A		>> PRIMING/DRAIN PLUG M+6" 304	1
15.3B	4233957	>> O-RING ID.9 EPDM VP.	1
15.3C		>> O-RING Ø8xØ2 EPDM KTW/WRC	1
7.3	4176513	> O-RING FOR PUMP JACKET VP.	1

COUPLING D.16XD.38 FF265 HELIX KIT (4159711)



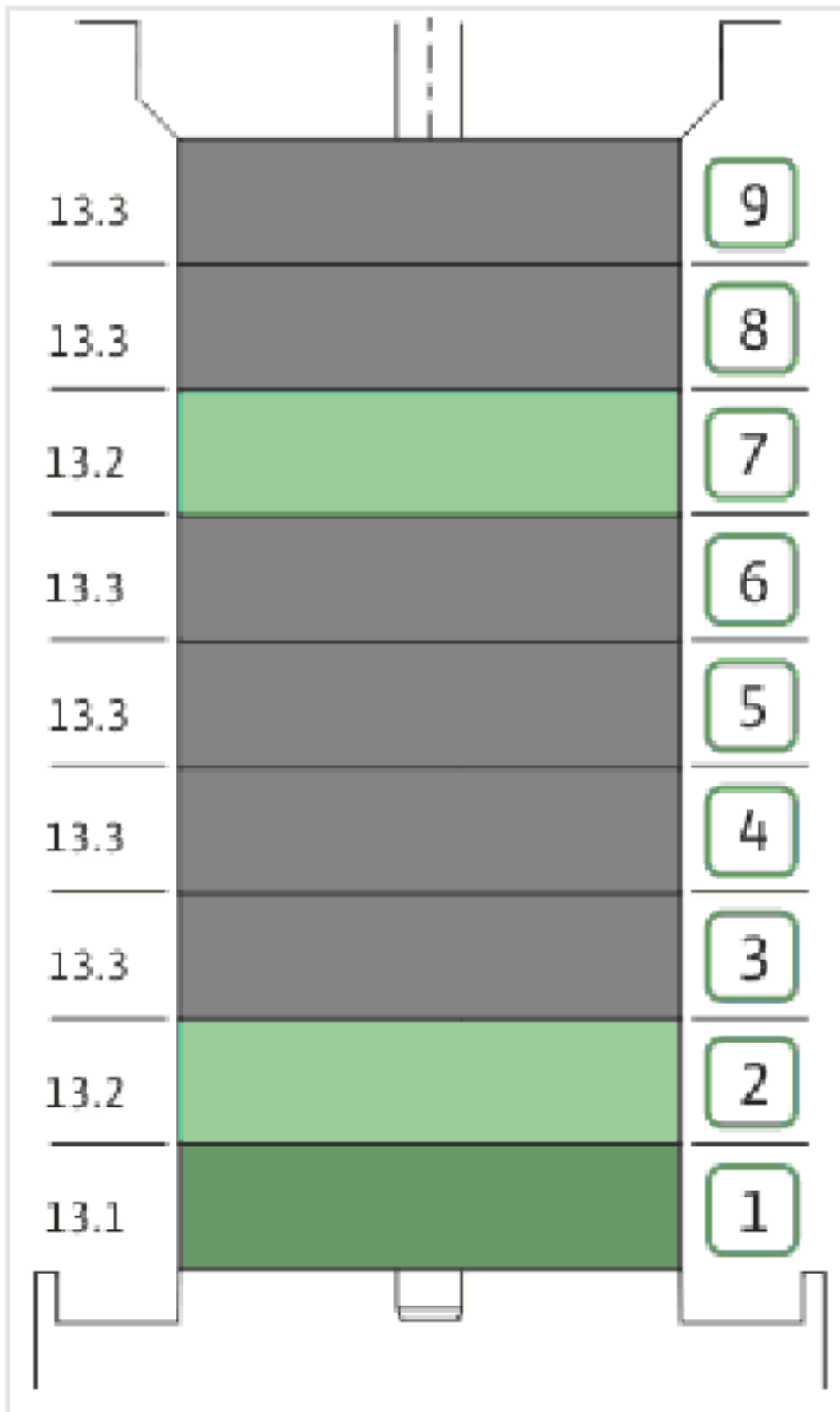
COUPLING D.16XD.38 FF265 HELIX KIT (4159711)

Item	Article no.	Description	Quantity
4.1	2131018	COUPLING 2 PARTS D.16XD.28XL.82,4 VP.	1
4.2	2131017	BALL BEARING 6310/ZZ-C4(HT)VP.	1
4.3	4234253	CIRCLIP-FOR-SHAFT-D50x2 VP.	1
4.4	4157726	SCREW KIT M8X30 (4 PIECES)	1
4.5	4234255	CIRCLIPS 110X4 VP.	1
4.6	4233944	O-RING ID.110 VP.	1
4.7	2131019	RETAINING RING D.26xD.2 DIN7993 VP.	1
4.10	4157726	SCREW KIT M8X30 (4 PIECES)	1
4.11	4102901	SCREW CHC-M6X14-8.8-ISO4762-GEOMET500A	1
4.12	2130995	SERRATED LOCK WASHER D.6,2XD.14,5X28 VP.	1
		NOMEL CONTACT WASHER 8x16x1,4 STEEL ZC	1
4.8	2131020	HUB D.38XD.50 VP.	1
4.9	2131021	SPACER D.28XD.45 VP.	1



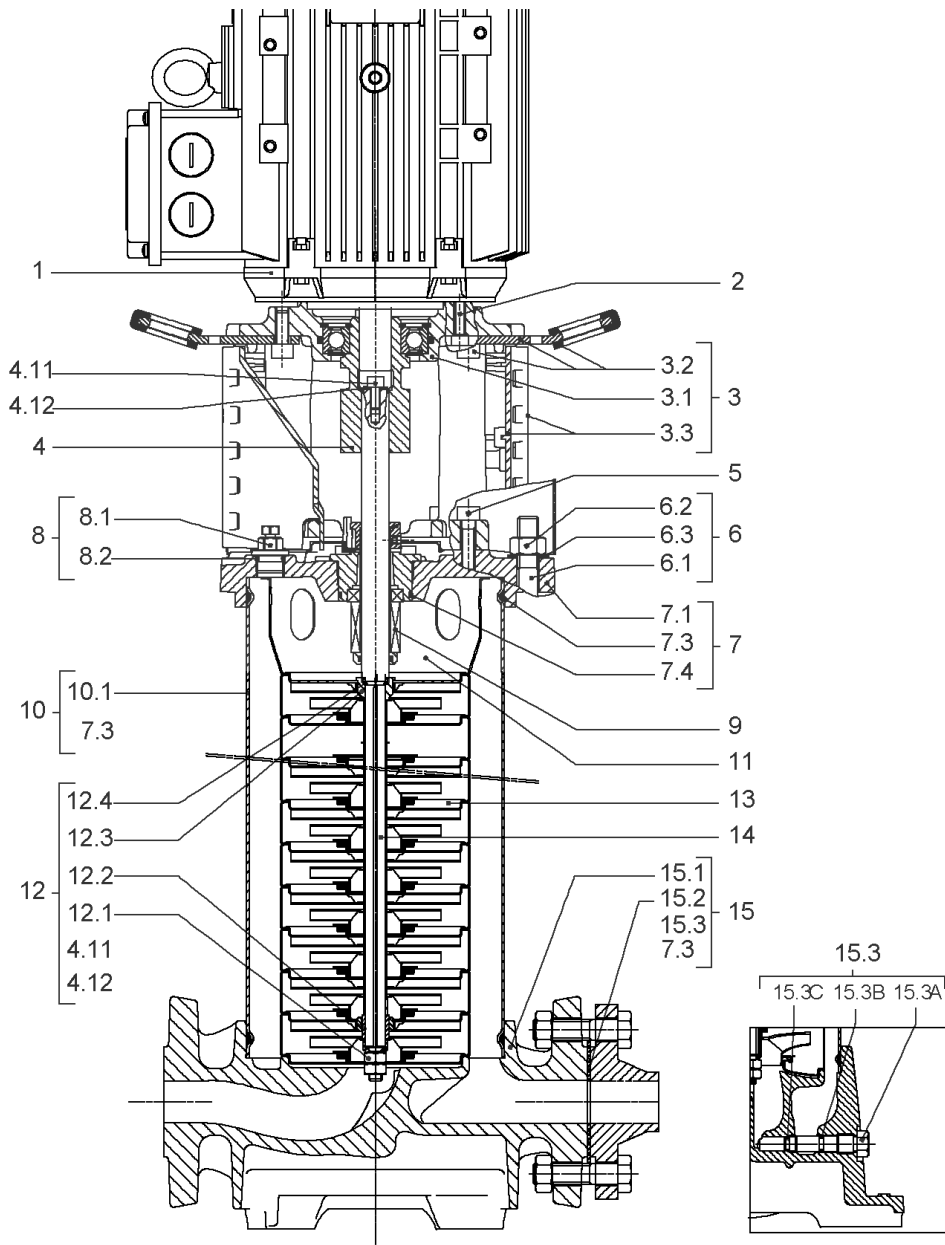
CARTRIDGE HELIX6-10-16 F/E KIT (4159698)

Item	Article no.	Description	Quantity
9.1	4159699	SEAL-KIT-HELIX6-10-16 F/E	1
7.3	4176513	> O-RING FOR PUMP JACKET VP.	1
7.4	2127603	> O-RING ID.37,6x2,4 EPDM VP.	1
9.1A	4176521	> MECH.SEAL HELIX2-4-6-10-16 F/E VP.	1
9.1B	2130967	> O-RING D.16X2,5 EPDM VP.	1
9.1C	4176519	> O-RING Ø16xØ1.25 VP.	1
9.2	2130961	SHAFT SLEEVE D.18/16X72,2 1.4404 VP.	1
9.3	2130962	RING HOLDER D.18 G606/G6 1.4301 VP.	1
9.4	4176520	SCREW CH M5x5 A4-70 (3PIECES)	1
9.5	2130963	DRIVE RING D.29/18x12,4 MACH.VP.	1
9.6	2130964	TOOL M.S.CART.HELIX VP.	1
9.7	2130965	SCREW CHC M5X12 ISO4762 A2.70(4 PIECES)	1



HYDRAULIC HELIX V 1609 1.4307

Item	Article no.	Description	Quantity
13.1	4159720	STAGE HELIX 16 1.4301 KIT	1
		> MACH.STG-CASING-WOGV-WNR-M+16-304	1
		> IMPELLER-M+16-304	1
13.2	4159714	STAGE BEARING HELIX 16 1.4301 KIT	1
		> MACH.BEARING-STG-CASING-WNR-M+16-304	1
		> IMPELLER-M+16-304	1
		> SLEEVE-SPACER-Ø19,35x30,665-304	1
		> SHAFT-SLEEVE-D16xD20x18-CW	1
13.3	4159715	INTERMEDIATE STAGE HELIX 16 1.4301 KIT	1
		> CORPS-ETG-STD-ACR-AJR-USIN.M+16-304	1
		> IMPELLER-M+16-304	1
		> SPACER Ø16X19.4-L48.6-304	1



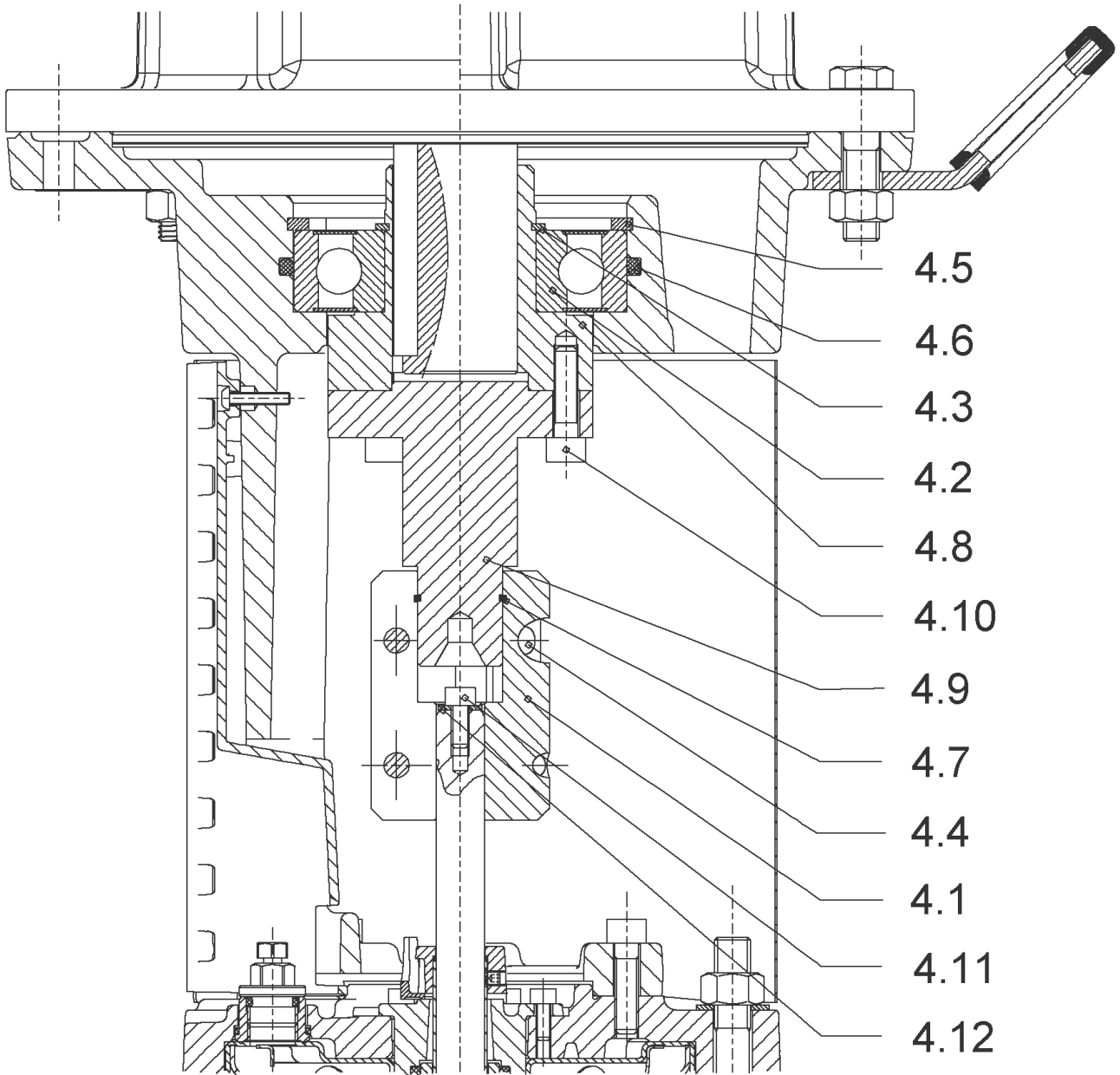
HELIX FIRST V1610-5/25/E/KS/400-50 (4201003)

Item	Article no.	Description	Quantity
1	4195450	MOTOR 7,5/2/* 3~400V 50HZ IE3 VP.	1
		SPARE PARTS MOTOR:ON REQUEST	1
2	4174093	SCREW M12X50 (4 PIECES)	1
3	4159693	LANTERN FF265 HELIX KIT	1
3.1		> LANTERN FF265 M+6" GJL MACHINING+CATA	1
3.2	2127605	> EYELET CPL.FF265 HELIX(2 PIECES)	1
3.3	4159695	> COUPLING PROTECTOR FF HELIX KIT	1
4	4159711	COUPLING D.16XD.38 FF265 HELIX KIT	1
5	4159707	SCREW M8X30 (4 PIECES)	1
6	4178624	STUD BOLT M12X693 KIT	1
7	4159685	END SHIELD HELIX EPDM KIT	1
7.1		> END SHIELD M+6" GJL250 MACHINING+CATA	1
7.2	2127607	> STATIONARY RING HOLDER 6" HELIX 1.4301 V	1
7.3	4176513	> O-RING FOR PUMP JACKET VP.	1
7.4	2127603	> O-RING ID.37,6x2,4 EPDM VP.	1
7.5	2127602	> O-RING ID.21,35x2 EPDM VP.	1
8	4159686	FILING/PURGING PLUG HELIX EPDM KIT	1
9	4159698	CARTRIDGE HELIX6-10-16 F/E KIT	1
10	4177853	HOUSING PIPES D.152X660 1.4307 KIT	1
7.3	4176513	> O-RING FOR PUMP JACKET VP.	1
10.1		> HOUSING-PIPE Ø152-M+1016/1610-304	1
11	2127588	CENTERING STAGE-RETURN HELIX16 1.4301 VP	1
12	4159688	SHAFT EQUIPMENT HELIX V16 BI BLOC KIT	1
4.11	4102901	> SCREW CHC-M6X14-8.8-ISO4762-GEOMET500A	1
4.12	2130995	> SERRATED LOCK WASHER D.6,2XD.14,5X28 VP.	1
12.1		> NUT-H-M10-A4.70	1
12.2		> SERRATED LOCK WASHER M+16M3-316L	1
12.3		> STOP COLLAR OF IMPELLER L18,8-Ø16-316L	1
12.4		> STOP-RUSH-1/2-D16xd2-M+316	1
13		HYDRAULIC HELIX V 1610 1.4307	1
14	4177854	SHAFT D.16 X780 1.4301 VP.	1
15	4209634	PUMP HOUSING HELIX FIRST V16 PN30 KIT	1
15.1		> MACH+CATA PUMP CASING M+6" DN50 PN25 GJL	1
15.2	4124503	> FLAT GASKET 61x107x2_DN50_PN25_FIBER	1

HELIX FIRST V1610-5/25/E/KS/400-50 (4201003)

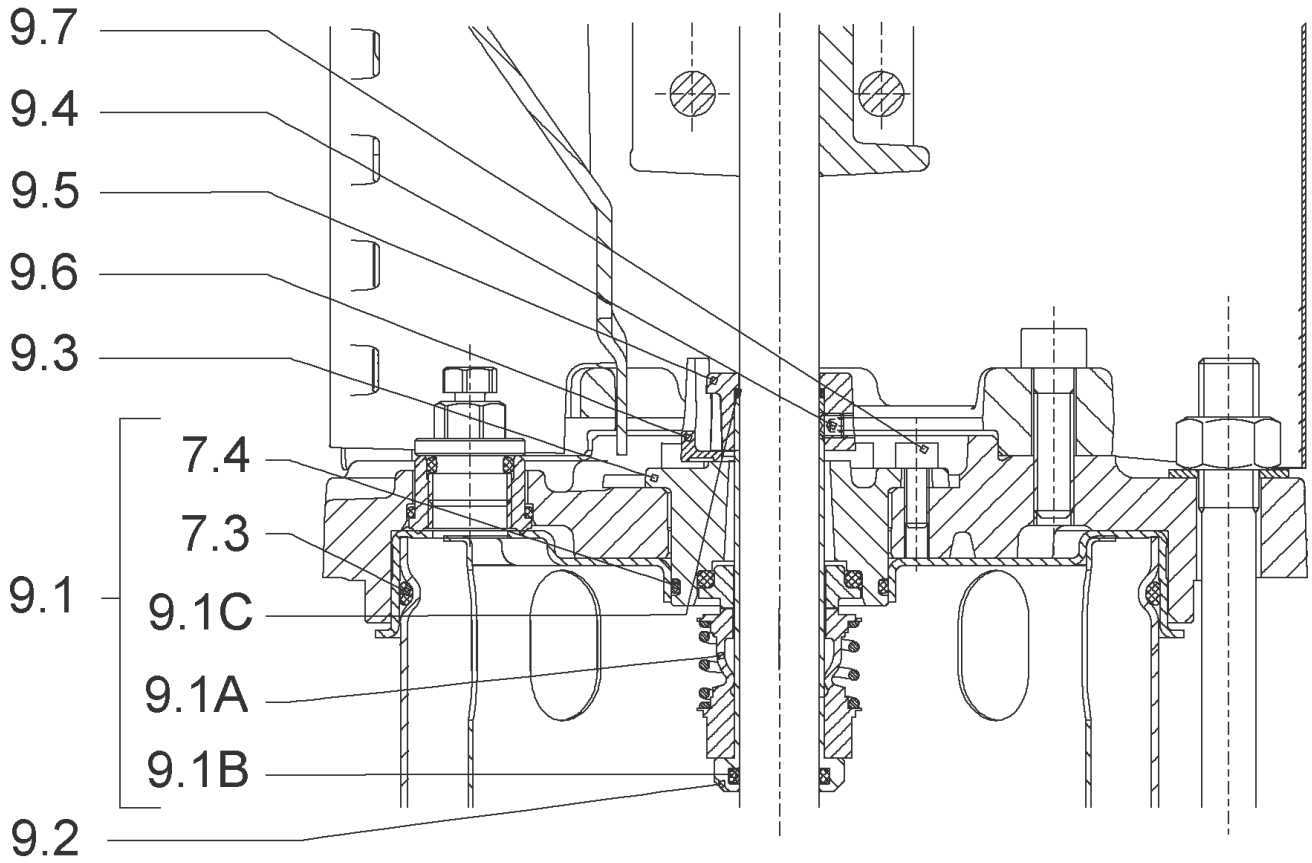
Item	Article no.	Description	Quantity
15.3	4177877	> PRIMING/DRAIN PLUG HELIX PN30 KIT	1
15.3A		>> PRIMING/DRAIN PLUG M+6" 304	1
15.3B	4233957	>> O-RING ID.9 EPDM VP.	1
15.3C		>> O-RING Ø8xØ2 EPDM KTW/WRC	1
7.3	4176513	> O-RING FOR PUMP JACKET VP.	1

COUPLING D.16XD.38 FF265 HELIX KIT (4159711)



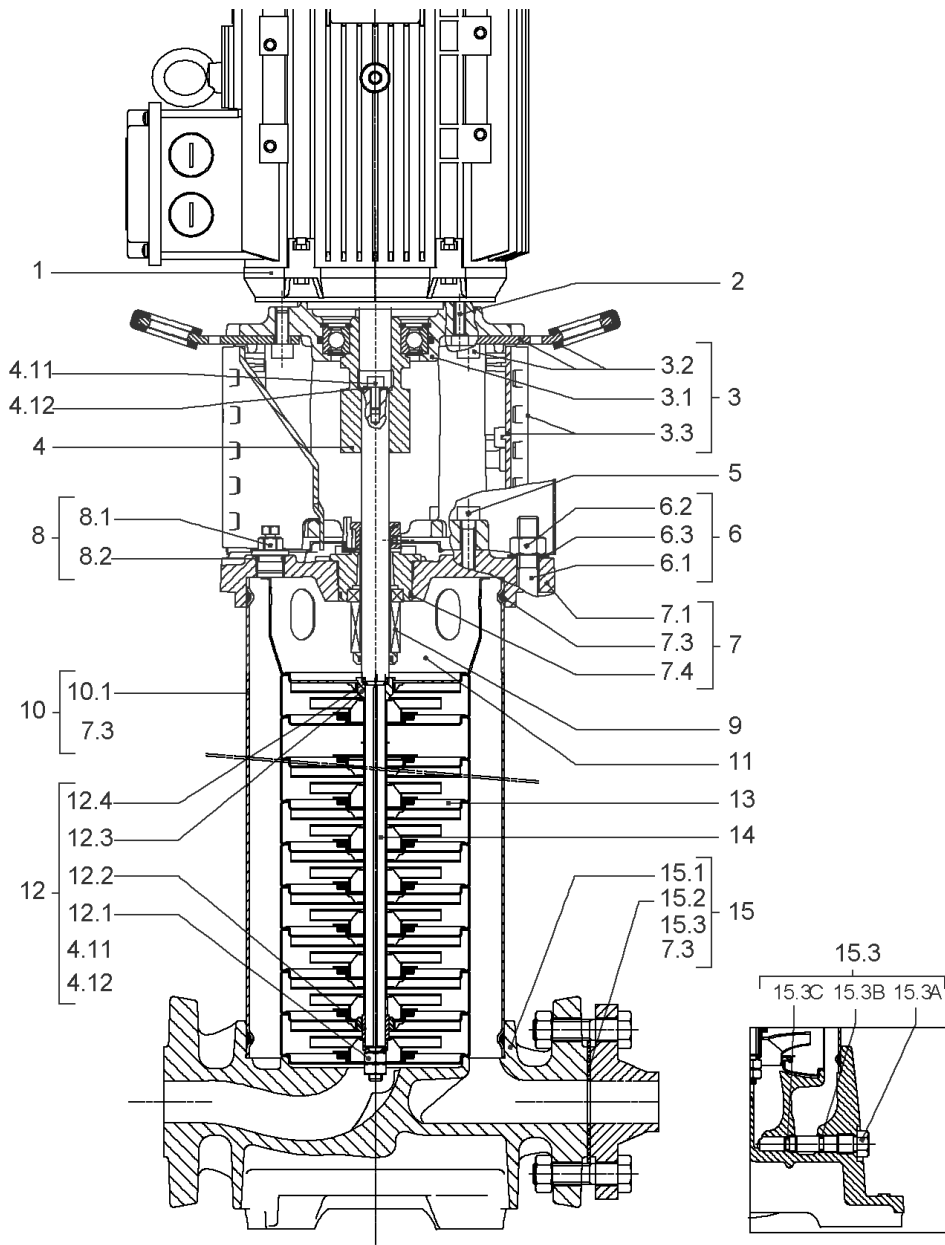
COUPLING D.16XD.38 FF265 HELIX KIT (4159711)

Item	Article no.	Description	Quantity
4.1	2131018	COUPLING 2 PARTS D.16XD.28XL.82,4 VP.	1
4.2	2131017	BALL BEARING 6310/ZZ-C4(HT)VP.	1
4.3	4234253	CIRCLIP-FOR-SHAFT-D50x2 VP.	1
4.4	4157726	SCREW KIT M8X30 (4 PIECES)	1
4.5	4234255	CIRCLIPS 110X4 VP.	1
4.6	4233944	O-RING ID.110 VP.	1
4.7	2131019	RETAINING RING D.26xD.2 DIN7993 VP.	1
4.10	4157726	SCREW KIT M8X30 (4 PIECES)	1
4.11	4102901	SCREW CHC-M6X14-8.8-ISO4762-GEOMET500A	1
4.12	2130995	SERRATED LOCK WASHER D.6,2XD.14,5X28 VP.	1
		NOMEL CONTACT WASHER 8x16x1,4 STEEL ZC	1
4.8	2131020	HUB D.38XD.50 VP.	1
4.9	2131021	SPACER D.28XD.45 VP.	1



CARTRIDGE HELIX6-10-16 F/E KIT (4159698)

Item	Article no.	Description	Quantity
9.1	4159699	SEAL-KIT-HELIX6-10-16 F/E	1
7.3	4176513	> O-RING FOR PUMP JACKET VP.	1
7.4	2127603	> O-RING ID.37,6x2,4 EPDM VP.	1
9.1A	4176521	> MECH.SEAL HELIX2-4-6-10-16 F/E VP.	1
9.1B	2130967	> O-RING D.16X2,5 EPDM VP.	1
9.1C	4176519	> O-RING Ø16xØ1.25 VP.	1
9.2	2130961	SHAFT SLEEVE D.18/16X72,2 1.4404 VP.	1
9.3	2130962	RING HOLDER D.18 G606/G6 1.4301 VP.	1
9.4	4176520	SCREW CH M5x5 A4-70 (3PIECES)	1
9.5	2130963	DRIVE RING D.29/18x12,4 MACH.VP.	1
9.6	2130964	TOOL M.S.CART.HELIX VP.	1
9.7	2130965	SCREW CHC M5X12 ISO4762 A2.70(4 PIECES)	1



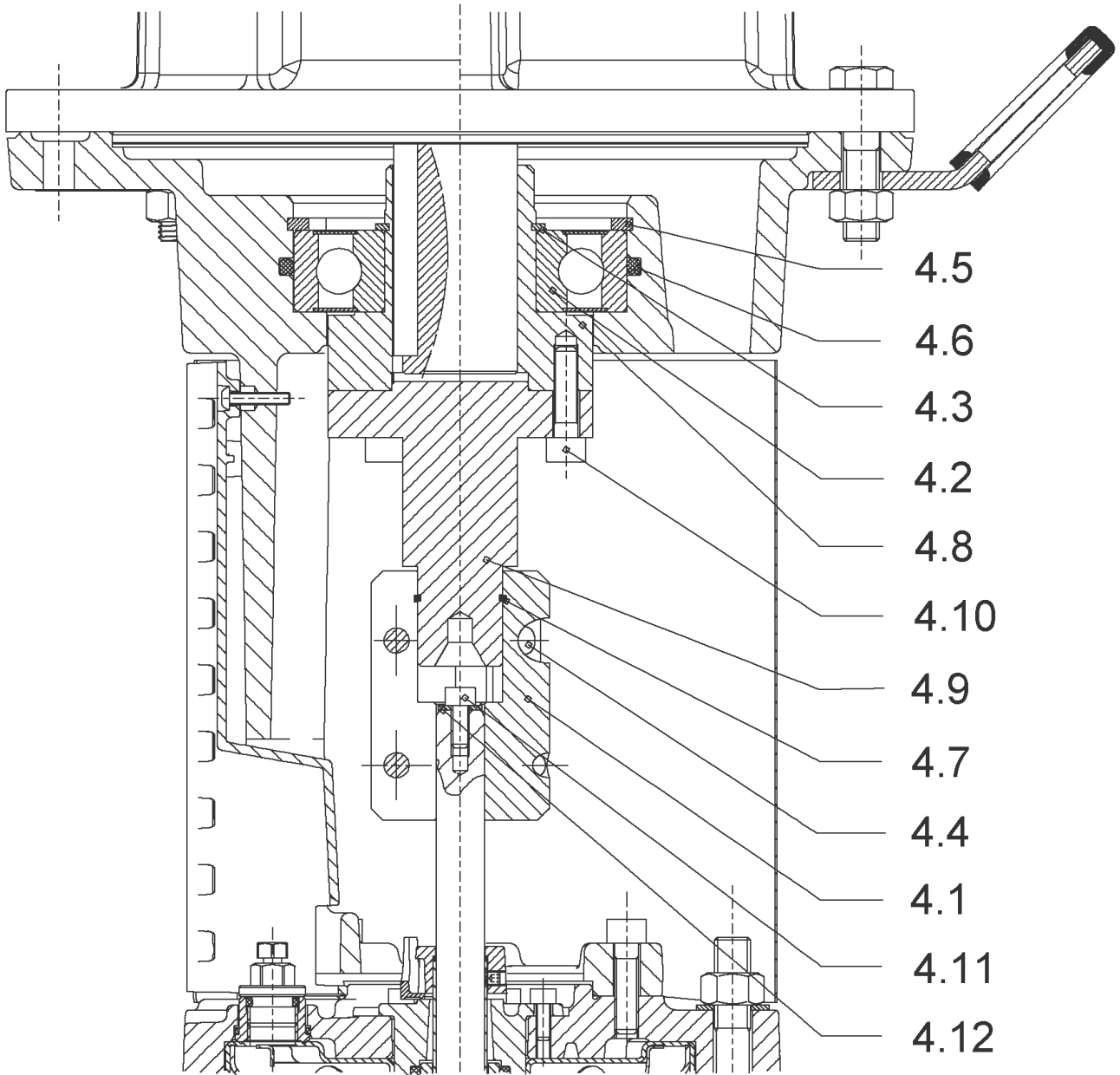
HELIX FIRST V1611-5/25/E/KS/400-50 (4201005)

Item	Article no.	Description	Quantity
1	4195450	MOTOR 7,5/2/* 3~400V 50HZ IE3 VP.	1
		SPARE PARTS MOTOR:ON REQUEST	1
2	4174093	SCREW M12X50 (4 PIECES)	1
3	4159693	LANTERN FF265 HELIX KIT	1
3.1		> LANTERN FF265 M+6" GJL MACHINING+CATA	1
3.2	2127605	> EYELET CPL.FF265 HELIX(2 PIECES)	1
3.3	4159695	> COUPLING PROTECTOR FF HELIX KIT	1
4	4159711	COUPLING D.16XD.38 FF265 HELIX KIT	1
5	4159707	SCREW M8X30 (4 PIECES)	1
6	4178624	STUD BOLT M12X693 KIT	1
7	4159685	END SHIELD HELIX EPDM KIT	1
7.1		> END SHIELD M+6" GJL250 MACHINING+CATA	1
7.2	2127607	> STATIONARY RING HOLDER 6" HELIX 1.4301 V	1
7.3	4176513	> O-RING FOR PUMP JACKET VP.	1
7.4	2127603	> O-RING ID.37,6x2,4 EPDM VP.	1
7.5	2127602	> O-RING ID.21,35x2 EPDM VP.	1
8	4159686	FILING/PURGING PLUG HELIX EPDM KIT	1
9	4159698	CARTRIDGE HELIX6-10-16 F/E KIT	1
10	4177853	HOUSING PIPES D.152X660 1.4307 KIT	1
7.3	4176513	> O-RING FOR PUMP JACKET VP.	1
10.1		> HOUSING-PIPE Ø152-M+1016/1610-304	1
11	2127588	CENTERING STAGE-RETURN HELIX16 1.4301 VP	1
12	4159688	SHAFT EQUIPMENT HELIX V16 BI BLOC KIT	1
4.11	4102901	> SCREW CHC-M6X14-8.8-ISO4762-GEOMET500A	1
4.12	2130995	> SERRATED LOCK WASHER D.6,2XD.14,5X28 VP.	1
12.1		> NUT-H-M10-A4.70	1
12.2		> SERRATED LOCK WASHER M+16M3-316L	1
12.3		> STOP COLLAR OF IMPELLER L18,8-Ø16-316L	1
12.4		> STOP-RUSH-1/2-D16xd2-M+316	1
13		HYDRAULIC HELIX V 1611 1.4307	1
14	4177854	SHAFT D.16 X780 1.4301 VP.	1
15	4209634	PUMP HOUSING HELIX FIRST V16 PN30 KIT	1
15.1		> MACH+CATA PUMP CASING M+6" DN50 PN25 GJL	1
15.2	4124503	> FLAT GASKET 61x107x2_DN50_PN25_FIBER	1

HELIX FIRST V1611-5/25/E/KS/400-50 (4201005)

Item	Article no.	Description	Quantity
15.3	4177877	> PRIMING/DRAIN PLUG HELIX PN30 KIT	1
15.3A		>> PRIMING/DRAIN PLUG M+6" 304	1
15.3B	4233957	>> O-RING ID.9 EPDM VP.	1
15.3C		>> O-RING Ø8xØ2 EPDM KTW/WRC	1
7.3	4176513	> O-RING FOR PUMP JACKET VP.	1

COUPLING D.16XD.38 FF265 HELIX KIT (4159711)



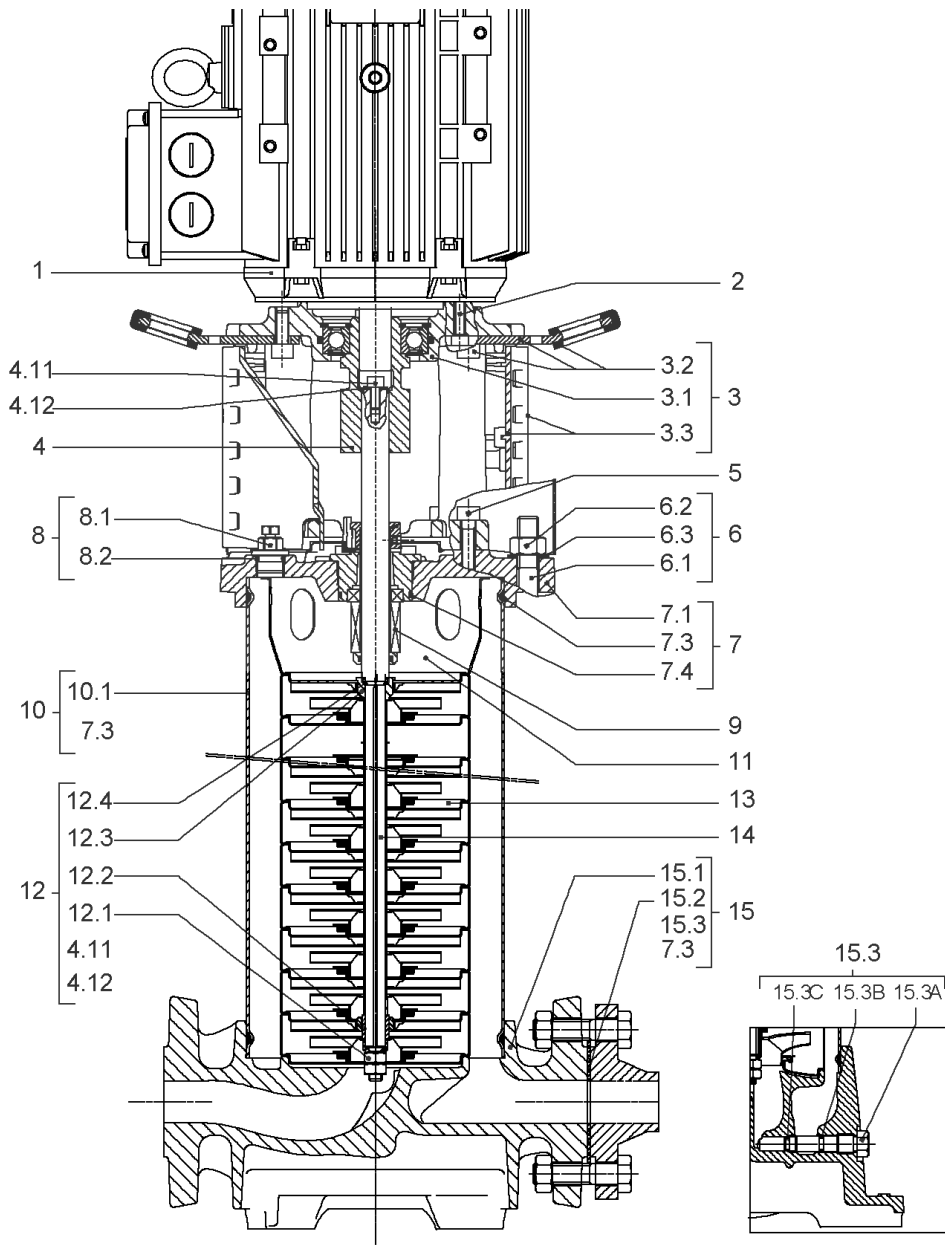
COUPLING D.16XD.38 FF265 HELIX KIT (4159711)

Item	Article no.	Description	Quantity
4.1	2131018	COUPLING 2 PARTS D.16XD.28XL.82,4 VP.	1
4.2	2131017	BALL BEARING 6310/ZZ-C4(HT)VP.	1
4.3	4234253	CIRCLIP-FOR-SHAFT-D50x2 VP.	1
4.4	4157726	SCREW KIT M8X30 (4 PIECES)	1
4.5	4234255	CIRCLIPS 110X4 VP.	1
4.6	4233944	O-RING ID.110 VP.	1
4.7	2131019	RETAINING RING D.26xD.2 DIN7993 VP.	1
4.10	4157726	SCREW KIT M8X30 (4 PIECES)	1
4.11	4102901	SCREW CHC-M6X14-8.8-ISO4762-GEOMET500A	1
4.12	2130995	SERRATED LOCK WASHER D.6,2XD.14,5X28 VP.	1
		NOMEL CONTACT WASHER 8x16x1,4 STEEL ZC	1
4.8	2131020	HUB D.38XD.50 VP.	1
4.9	2131021	SPACER D.28XD.45 VP.	1



CARTRIDGE HELIX6-10-16 F/E KIT (4159698)

Item	Article no.	Description	Quantity
9.1	4159699	SEAL-KIT-HELIX6-10-16 F/E	1
7.3	4176513	> O-RING FOR PUMP JACKET VP.	1
7.4	2127603	> O-RING ID.37,6x2,4 EPDM VP.	1
9.1A	4176521	> MECH.SEAL HELIX2-4-6-10-16 F/E VP.	1
9.1B	2130967	> O-RING D.16X2,5 EPDM VP.	1
9.1C	4176519	> O-RING Ø16xØ1.25 VP.	1
9.2	2130961	SHAFT SLEEVE D.18/16X72,2 1.4404 VP.	1
9.3	2130962	RING HOLDER D.18 G606/G6 1.4301 VP.	1
9.4	4176520	SCREW CH M5x5 A4-70 (3PIECES)	1
9.5	2130963	DRIVE RING D.29/18x12,4 MACH.VP.	1
9.6	2130964	TOOL M.S.CART.HELIX VP.	1
9.7	2130965	SCREW CHC M5X12 ISO4762 A2.70(4 PIECES)	1



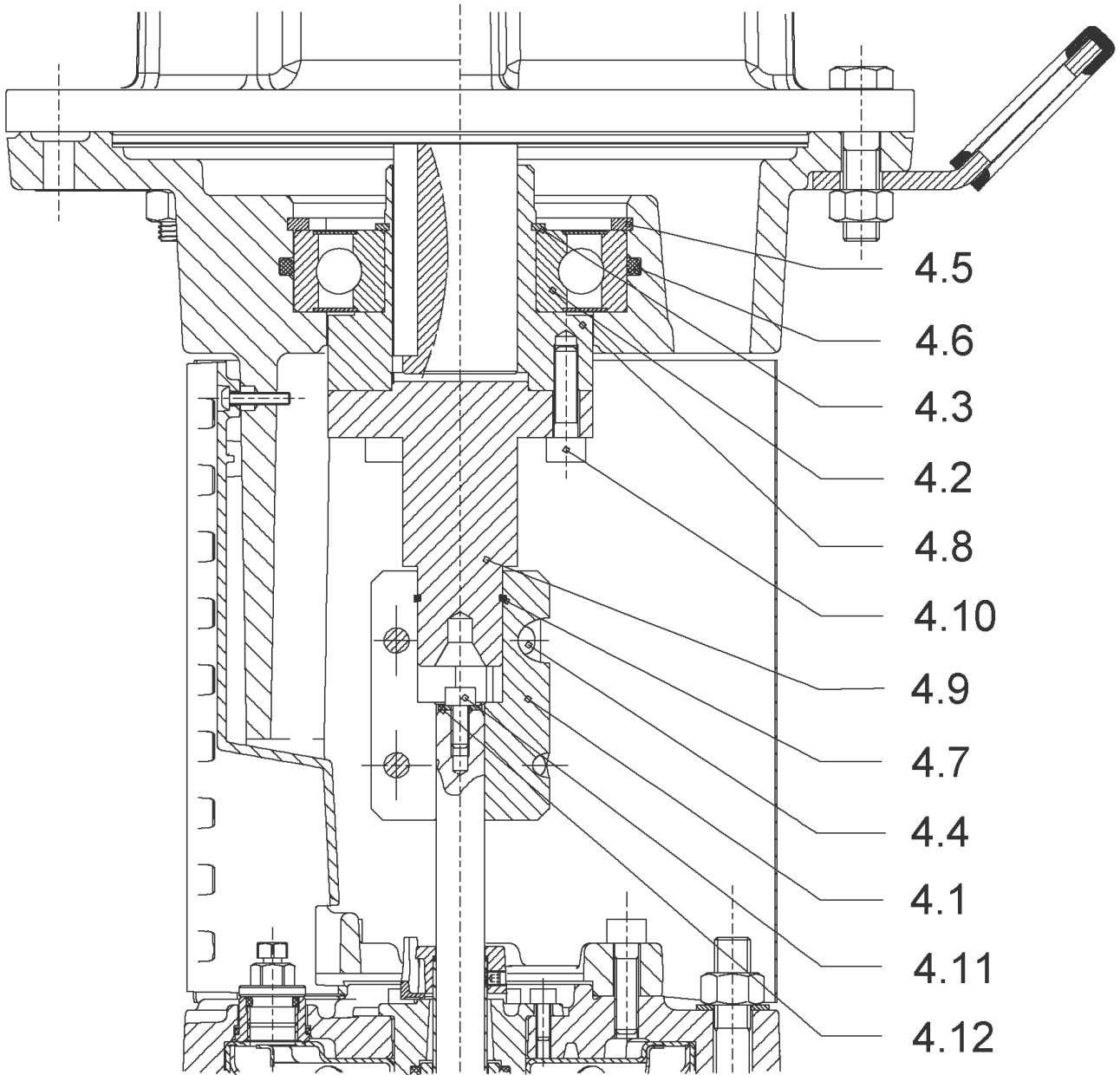
HELIX FIRST V1612-5/25/E/KS/400-50 (4201007)

Item	Article no.	Description	Quantity
1	4195483	MOTOR 9/2/132 3~400V 50HZ IE3 VP.	1
		SPARE PARTS MOTOR:ON REQUEST	1
2	4174093	SCREW M12X50 (4 PIECES)	1
3	4159693	LANTERN FF265 HELIX KIT	1
3.1		> LANTERN FF265 M+6" GJL MACHINING+CATA	1
3.2	2127605	> EYELET CPL.FF265 HELIX(2 PIECES)	1
3.3	4159695	> COUPLING PROTECTOR FF HELIX KIT	1
4	4159711	COUPLING D.16XD.38 FF265 HELIX KIT	1
5	4159707	SCREW M8X30 (4 PIECES)	1
6	4178624	STUD BOLT M12X693 KIT	1
7	4159685	END SHIELD HELIX EPDM KIT	1
7.1		> END SHIELD M+6" GJL250 MACHINING+CATA	1
7.2	2127607	> STATIONARY RING HOLDER 6" HELIX 1.4301 V	1
7.3	4176513	> O-RING FOR PUMP JACKET VP.	1
7.4	2127603	> O-RING ID.37,6x2,4 EPDM VP.	1
7.5	2127602	> O-RING ID.21,35x2 EPDM VP.	1
8	4159686	FILING/PURGING PLUG HELIX EPDM KIT	1
9	4159698	CARTRIDGE HELIX6-10-16 F/E KIT	1
10	4177853	HOUSING PIPES D.152X660 1.4307 KIT	1
7.3	4176513	> O-RING FOR PUMP JACKET VP.	1
10.1		> HOUSING-PIPE Ø152-M+1016/1610-304	1
11	2127588	CENTERING STAGE-RETURN HELIX16 1.4301 VP	1
12	4159688	SHAFT EQUIPMENT HELIX V16 BI BLOC KIT	1
4.11	4102901	> SCREW CHC-M6X14-8.8-ISO4762-GEOMET500A	1
4.12	2130995	> SERRATED LOCK WASHER D.6,2XD.14,5X28 VP.	1
12.1		> NUT-H-M10-A4.70	1
12.2		> SERRATED LOCK WASHER M+16M3-316L	1
12.3		> STOP COLLAR OF IMPELLER L18,8-Ø16-316L	1
12.4		> STOP-RUSH-1/2-D16xd2-M+316	1
13		HYDRAULIC HELIX V 1612 1.4307	1
14	4177854	SHAFT D.16 X780 1.4301 VP.	1
15	4209634	PUMP HOUSING HELIX FIRST V16 PN30 KIT	1
15.1		> MACH+CATA PUMP CASING M+6" DN50 PN25 GJL	1
15.2	4124503	> FLAT GASKET 61x107x2_DN50_PN25_FIBER	1

HELIX FIRST V1612-5/25/E/KS/400-50 (4201007)

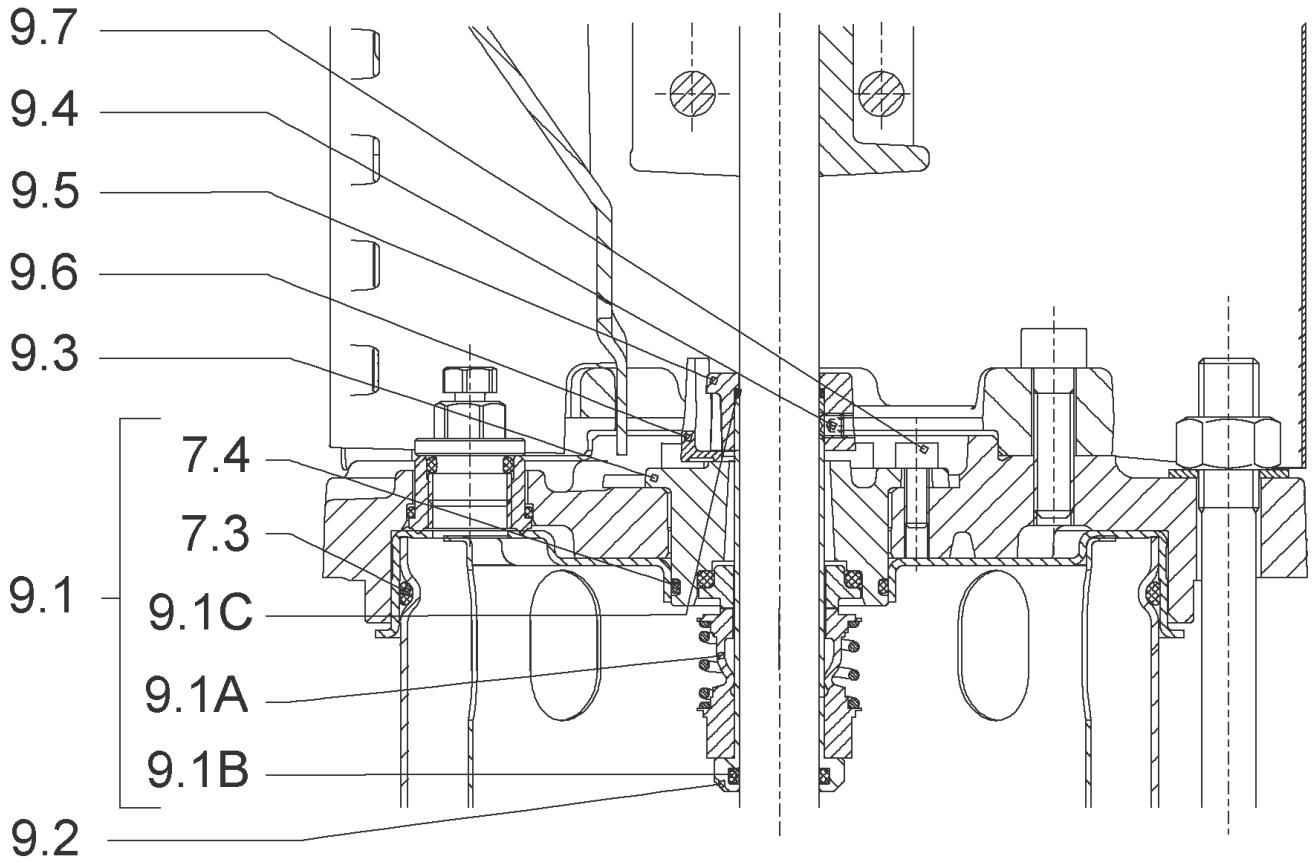
Item	Article no.	Description	Quantity
15.3	4177877	> PRIMING/DRAIN PLUG HELIX PN30 KIT	1
15.3A		>> PRIMING/DRAIN PLUG M+6" 304	1
15.3B	4233957	>> O-RING ID.9 EPDM VP.	1
15.3C		>> O-RING Ø8xØ2 EPDM KTW/WRC	1
7.3	4176513	> O-RING FOR PUMP JACKET VP.	1

COUPLING D.16XD.38 FF265 HELIX KIT (4159711)



COUPLING D.16XD.38 FF265 HELIX KIT (4159711)

Item	Article no.	Description	Quantity
4.1	2131018	COUPLING 2 PARTS D.16XD.28XL.82,4 VP.	1
4.2	2131017	BALL BEARING 6310/ZZ-C4(HT)VP.	1
4.3	4234253	CIRCLIP-FOR-SHAFT-D50x2 VP.	1
4.4	4157726	SCREW KIT M8X30 (4 PIECES)	1
4.5	4234255	CIRCLIPS 110X4 VP.	1
4.6	4233944	O-RING ID.110 VP.	1
4.7	2131019	RETAINING RING D.26xD.2 DIN7993 VP.	1
4.10	4157726	SCREW KIT M8X30 (4 PIECES)	1
4.11	4102901	SCREW CHC-M6X14-8.8-ISO4762-GEOMET500A	1
4.12	2130995	SERRATED LOCK WASHER D.6,2XD.14,5X28 VP.	1
		NOMEL CONTACT WASHER 8x16x1,4 STEEL ZC	1
4.8	2131020	HUB D.38XD.50 VP.	1
4.9	2131021	SPACER D.28XD.45 VP.	1



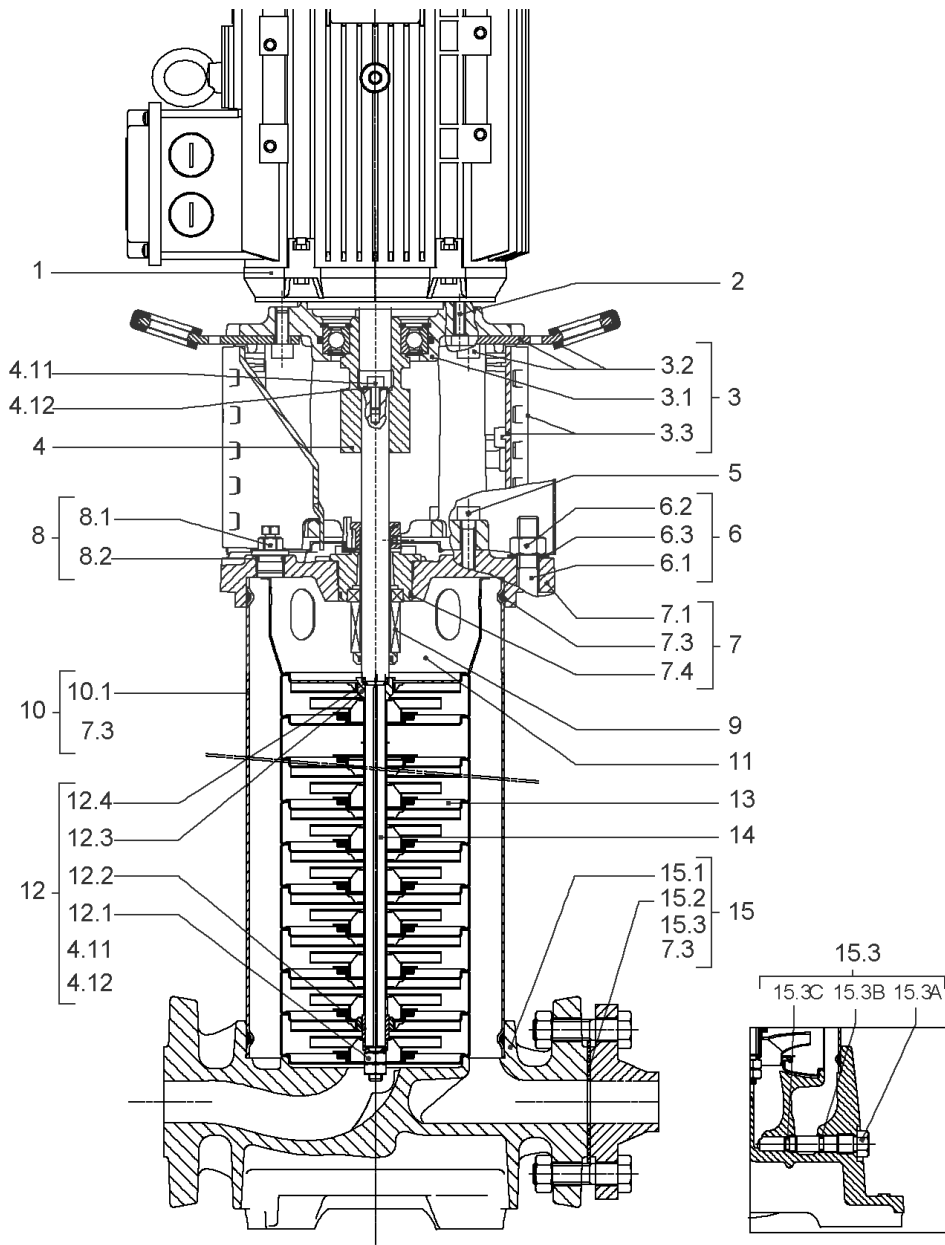
CARTRIDGE HELIX6-10-16 F/E KIT (4159698)

Item	Article no.	Description	Quantity
9.1	4159699	SEAL-KIT-HELIX6-10-16 F/E	1
7.3	4176513	> O-RING FOR PUMP JACKET VP.	1
7.4	2127603	> O-RING ID.37,6x2,4 EPDM VP.	1
9.1A	4176521	> MECH.SEAL HELIX2-4-6-10-16 F/E VP.	1
9.1B	2130967	> O-RING D.16X2,5 EPDM VP.	1
9.1C	4176519	> O-RING Ø16xØ1.25 VP.	1
9.2	2130961	SHAFT SLEEVE D.18/16X72,2 1.4404 VP.	1
9.3	2130962	RING HOLDER D.18 G606/G6 1.4301 VP.	1
9.4	4176520	SCREW CH M5x5 A4-70 (3PIECES)	1
9.5	2130963	DRIVE RING D.29/18x12,4 MACH.VP.	1
9.6	2130964	TOOL M.S.CART.HELIX VP.	1
9.7	2130965	SCREW CHC M5X12 ISO4762 A2.70(4 PIECES)	1



HYDRAULIC HELIX V 1612 1.4307

Item	Article no.	Description	Quantity
13.1	4159720	STAGE HELIX 16 1.4301 KIT	1
		> MACH.STG-CASING-WOGV-WNR-M+16-304	1
		> IMPELLER-M+16-304	1
13.2	4159714	STAGE BEARING HELIX 16 1.4301 KIT	1
		> MACH.BEARING-STG-CASING-WNR-M+16-304	1
		> IMPELLER-M+16-304	1
		> SLEEVE-SPACER-Ø19,35x30,665-304	1
		> SHAFT-SLEEVE-D16xD20x18-CW	1
13.3	4159715	INTERMEDIATE STAGE HELIX 16 1.4301 KIT	1
		> CORPS-ETG-STD-ACR-AJR-USIN.M+16-304	1
		> IMPELLER-M+16-304	1
		> SPACER Ø16X19.4-L48.6-304	1



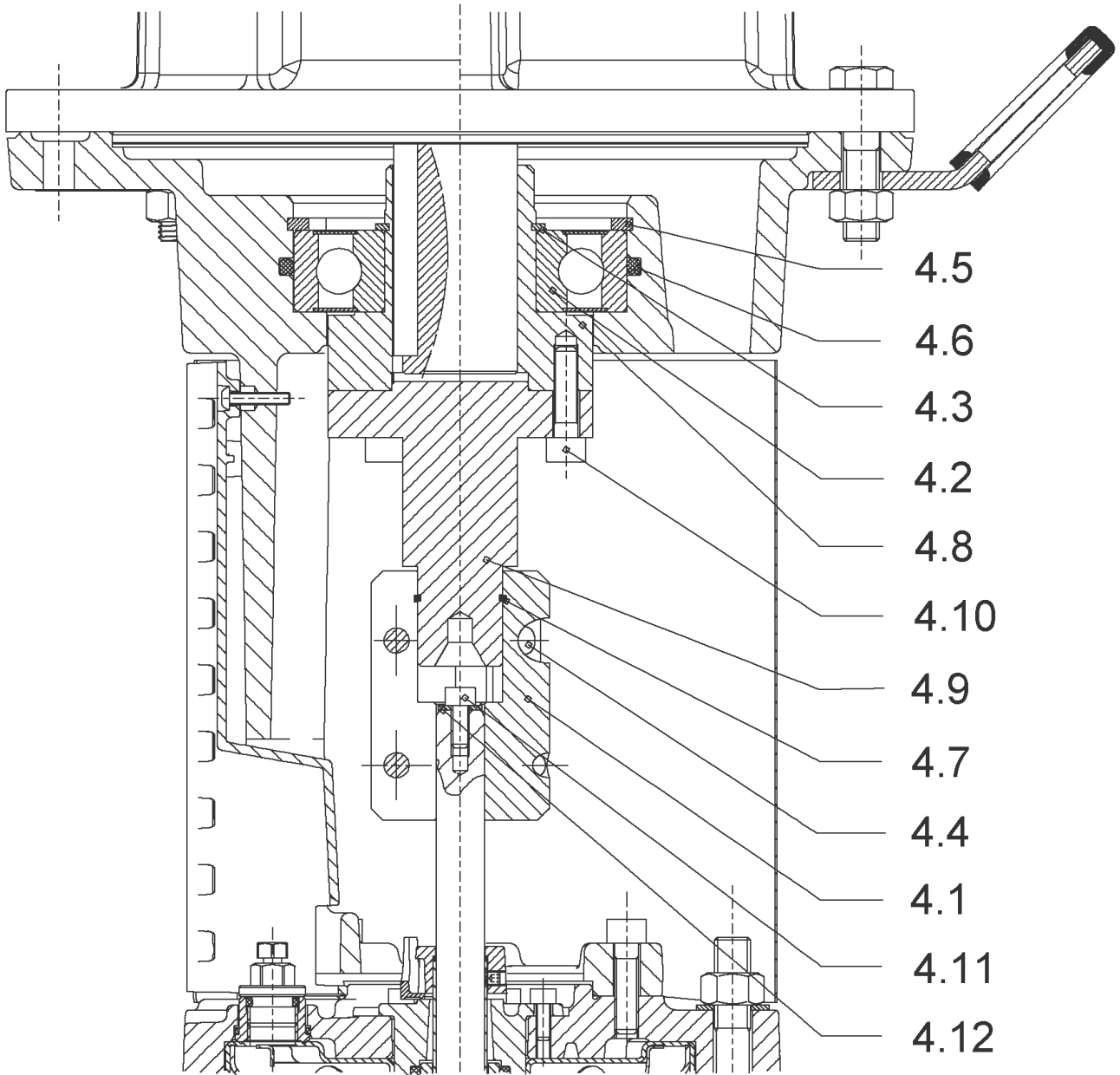
HELIX FIRST V1613-5/25/E/KS/400-50 (4201009)

Item	Article no.	Description	Quantity
1	4195483	MOTOR 9/2/132 3~400V 50HZ IE3 VP.	1
		SPARE PARTS MOTOR:ON REQUEST	1
2	4174093	SCREW M12X50 (4 PIECES)	1
3	4159693	LANTERN FF265 HELIX KIT	1
3.1		> LANTERN FF265 M+6" GJL MACHINING+CATA	1
3.2	2127605	> EYELET CPL.FF265 HELIX(2 PIECES)	1
3.3	4159695	> COUPLING PROTECTOR FF HELIX KIT	1
4	4159711	COUPLING D.16XD.38 FF265 HELIX KIT	1
5	4159707	SCREW M8X30 (4 PIECES)	1
6	4179238	STUD BOLT M12X845 KIT	1
6.1		> TIE BOLT M12-845x18x30-1.4057	1
6.2	2094647	> NUT M12 M12 ISO4032 VP.	1
6.3	2123557	> WASHER CS-12.4-24-1.6-NFE25 (4 PIECES)	1
7	4159685	END SHIELD HELIX EPDM KIT	1
7.1		> END SHIELD M+6" GJL250 MACHINING+CATA	1
7.2	2127607	> STATIONARY RING HOLDER 6" HELIX 1.4301 V	1
7.3	4176513	> O-RING FOR PUMP JACKET VP.	1
7.4	2127603	> O-RING ID.37,6x2,4 EPDM VP.	1
7.5	2127602	> O-RING ID.21,35x2 EPDM VP.	1
8	4159686	FILING/PURGING PLUG HELIX EPDM KIT	1
9	4159698	CARTRIDGE HELIX6-10-16 F/E KIT	1
10	2127583	HOUSING PIPE D.152x810 1.4301 KIT	1
7.3	4176513	> O-RING FOR PUMP JACKET VP.	1
10.1		> HOUSING-PIPE Ø152-M+1020/1613-304	1
11	2127588	CENTERING STAGE-RETURN HELIX16 1.4301 VP	1
12	4159688	SHAFT EQUIPMENT HELIX V16 BI BLOC KIT	1
4.11	4102901	> SCREW CHC-M6X14-8.8-ISO4762-GEOMET500A	1
4.12	2130995	> SERRATED LOCK WASHER D.6,2XD.14,5X28 VP.	1
12.1		> NUT-H-M10-A4.70	1
12.2		> SERRATED LOCK WASHER M+16M3-316L	1
12.3		> STOP COLLAR OF IMPELLER L18,8-Ø16-316L	1
12.4		> STOP-RUSH-1/2-D16xd2-M+316	1
13		HYDRAULIC HELIX V 1613 1.4307	1
14	2127571	SHAFT D.16X930 1.4301 VP.	1

HELIX FIRST V1613-5/25/E/KS/400-50 (4201009)

Item	Article no.	Description	Quantity
15	4209634	PUMP HOUSING HELIX FIRST V16 PN30 KIT	1
15.1		> MACH+CATA PUMP CASING M+6" DN50 PN25 GJL	1
15.2	4124503	> FLAT GASKET 61x107x2_DN50_PN25_FIBER	1
15.3	4177877	> PRIMING/DRAIN PLUG HELIX PN30 KIT	1
15.3A		>> PRIMING/DRAIN PLUG M+6" 304	1
15.3B	4233957	>> O-RING ID.9 EPDM VP.	1
15.3C		>> O-RING Ø8xØ2 EPDM KTW/WRC	1
7.3	4176513	> O-RING FOR PUMP JACKET VP.	1

COUPLING D.16XD.38 FF265 HELIX KIT (4159711)



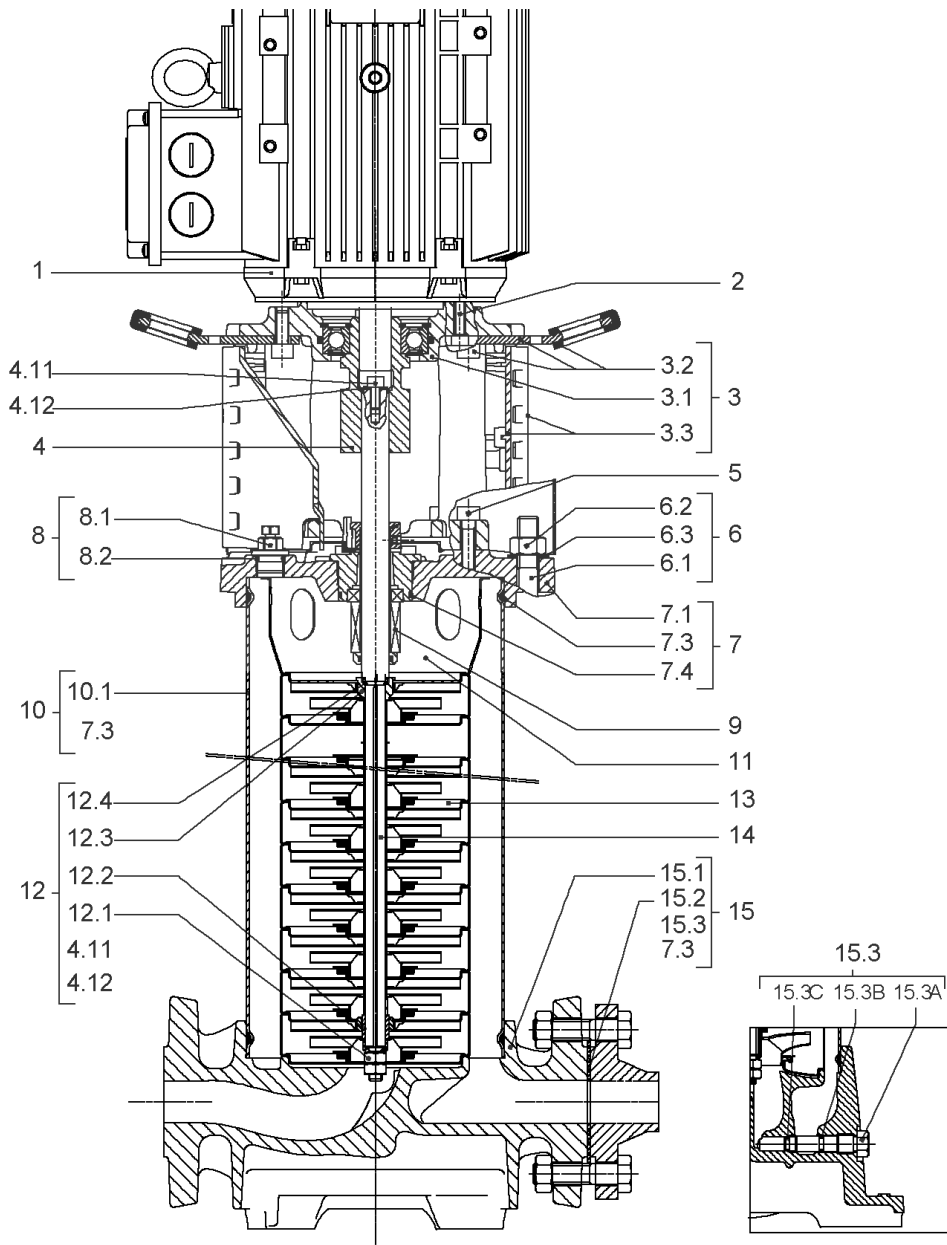
COUPLING D.16XD.38 FF265 HELIX KIT (4159711)

Item	Article no.	Description	Quantity
4.1	2131018	COUPLING 2 PARTS D.16XD.28XL.82,4 VP.	1
4.2	2131017	BALL BEARING 6310/ZZ-C4(HT)VP.	1
4.3	4234253	CIRCLIP-FOR-SHAFT-D50x2 VP.	1
4.4	4157726	SCREW KIT M8X30 (4 PIECES)	1
4.5	4234255	CIRCLIPS 110X4 VP.	1
4.6	4233944	O-RING ID.110 VP.	1
4.7	2131019	RETAINING RING D.26xD.2 DIN7993 VP.	1
4.10	4157726	SCREW KIT M8X30 (4 PIECES)	1
4.11	4102901	SCREW CHC-M6X14-8.8-ISO4762-GEOMET500A	1
4.12	2130995	SERRATED LOCK WASHER D.6,2XD.14,5X28 VP.	1
		NOMEL CONTACT WASHER 8x16x1,4 STEEL ZC	1
4.8	2131020	HUB D.38XD.50 VP.	1
4.9	2131021	SPACER D.28XD.45 VP.	1



CARTRIDGE HELIX6-10-16 F/E KIT (4159698)

Item	Article no.	Description	Quantity
9.1	4159699	SEAL-KIT-HELIX6-10-16 F/E	1
7.3	4176513	> O-RING FOR PUMP JACKET VP.	1
7.4	2127603	> O-RING ID.37,6x2,4 EPDM VP.	1
9.1A	4176521	> MECH.SEAL HELIX2-4-6-10-16 F/E VP.	1
9.1B	2130967	> O-RING D.16X2,5 EPDM VP.	1
9.1C	4176519	> O-RING Ø16xØ1.25 VP.	1
9.2	2130961	SHAFT SLEEVE D.18/16X72,2 1.4404 VP.	1
9.3	2130962	RING HOLDER D.18 G606/G6 1.4301 VP.	1
9.4	4176520	SCREW CH M5x5 A4-70 (3PIECES)	1
9.5	2130963	DRIVE RING D.29/18x12,4 MACH.VP.	1
9.6	2130964	TOOL M.S.CART.HELIX VP.	1
9.7	2130965	SCREW CHC M5X12 ISO4762 A2.70(4 PIECES)	1



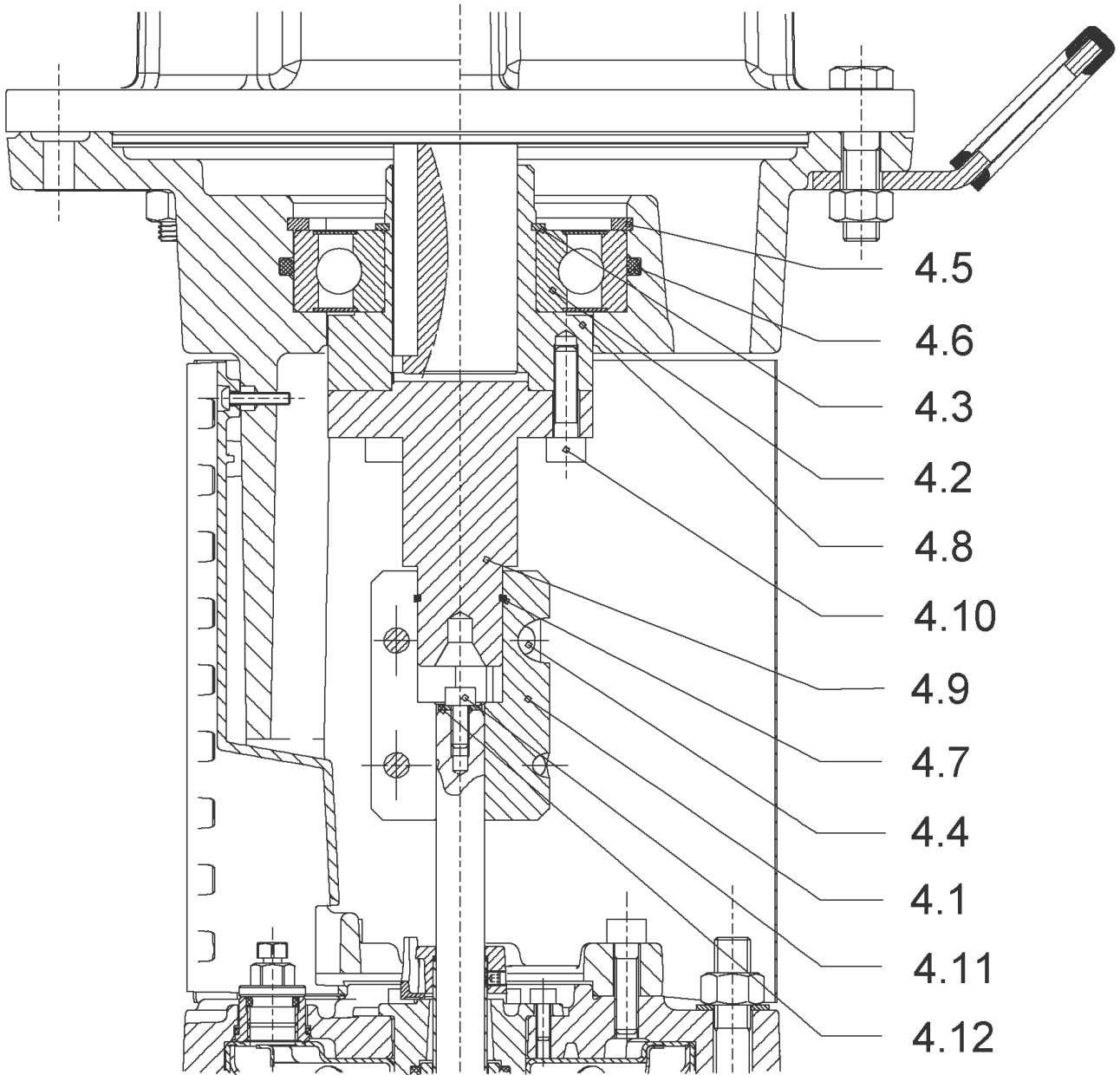
HELIX FIRST V1616-5/30/E/KS/400-50 (4201013)

Item	Article no.	Description	Quantity
1	4195486	MO. 11/2/132 3~400V50HZ 460V60HZ IE3 VP.	1
		SPARE PARTS MOTOR:ON REQUEST	1
2	4174093	SCREW M12X50 (4 PIECES)	1
3	4159693	LANTERN FF265 HELIX KIT	1
3.1		> LANTERN FF265 M+6" GJL MACHINING+CATA	1
3.2	2127605	> EYELET CPL.FF265 HELIX(2 PIECES)	1
3.3	4159695	> COUPLING PROTECTOR FF HELIX KIT	1
4	4159711	COUPLING D.16XD.38 FF265 HELIX KIT	1
5	4159707	SCREW M8X30 (4 PIECES)	1
6	4177881	STUD BOLT M12X990 KIT	1
6.1		> TIE BOLT M12-990x18x30-1.4057	1
6.2	2094647	> NUT M12 M12 ISO4032 VP.	1
6.3	2123557	> WASHER CS-12.4-24-1.6-NFE25 (4 PIECES)	1
7	4177867	END SHIELD PN30 HELIX EPDM KIT	1
7.1		> END SHIELD M+ JL VERSION 1 MACHINED+CATA	1
7.3	4176513	> O-RING FOR PUMP JACKET VP.	1
7.4	2127603	> O-RING ID.37,6x2,4 EPDM VP.	1
8	4159686	FILING/PURGING PLUG HELIX EPDM KIT	1
9	4177872	MECH.SEAL+CART. HELIX6-10-16 T/E KIT	1
10	4177874	HOUSING PIPE D.152x960 1.4307 KIT	1
7.3	4176513	> O-RING FOR PUMP JACKET VP.	1
10.1		> HOUSING-PIPE Ø152-M+1024/1616-304	1
11	2127588	CENTERING STAGE-RETURN HELIX16 1.4301 VP	1
12	4159688	SHAFT EQUIPMENT HELIX V16 BI BLOC KIT	1
4.11	4102901	> SCREW CHC-M6X14-8.8-ISO4762-GEOMET500A	1
4.12	2130995	> SERRATED LOCK WASHER D.6,2XD.14,5X28 VP.	1
12.1		> NUT-H-M10-A4.70	1
12.2		> SERRATED LOCK WASHER M+16M3-316L	1
12.3		> STOP COLLAR OF IMPELLER L18,8-Ø16-316L	1
12.4		> STOP-RUSH-1/2-D16xd2-M+316	1
13		HYDRAULIC HELIX V 1616 1.4307	1
14	4177883	SHAFT D.16X1080 1.4301 VP.	1
15	4209634	PUMP HOUSING HELIX FIRST V16 PN30 KIT	1
15.1		> MACH+CATA PUMP CASING M+6" DN50 PN25 GJL	1

HELIX FIRST V1616-5/30/E/KS/400-50 (4201013)

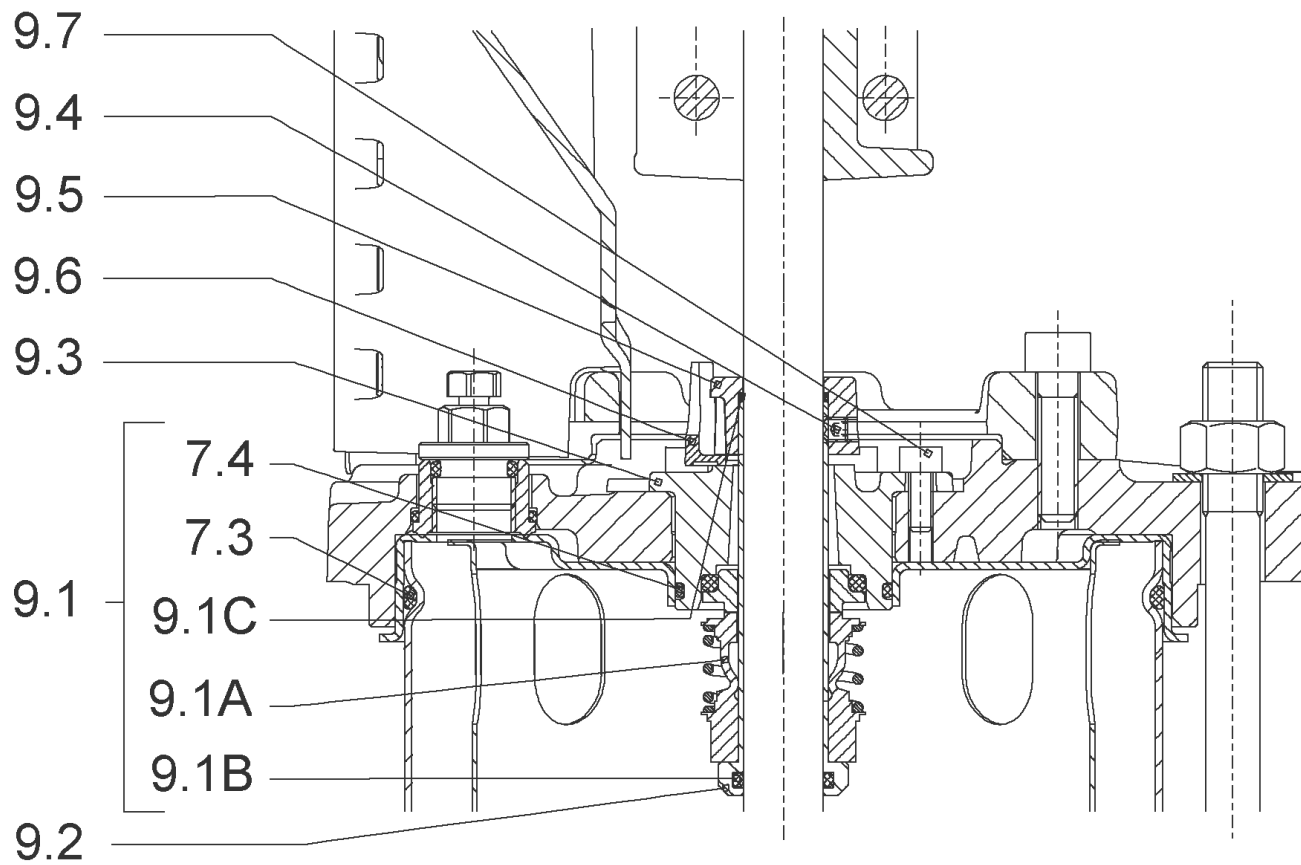
Item	Article no.	Description	Quantity
15.2	4124503	> FLAT GASKET 61x107x2_DN50_PN25_FIBER	1
15.3	4177877	> PRIMING/DRAIN PLUG HELIX PN30 KIT	1
15.3A		>> PRIMING/DRAIN PLUG M+6" 304	1
15.3B	4233957	>> O-RING ID.9 EPDM VP.	1
15.3C		>> O-RING Ø8xØ2 EPDM KTW/WRC	1
7.3	4176513	> O-RING FOR PUMP JACKET VP.	1

COUPLING D.16XD.38 FF265 HELIX KIT (4159711)



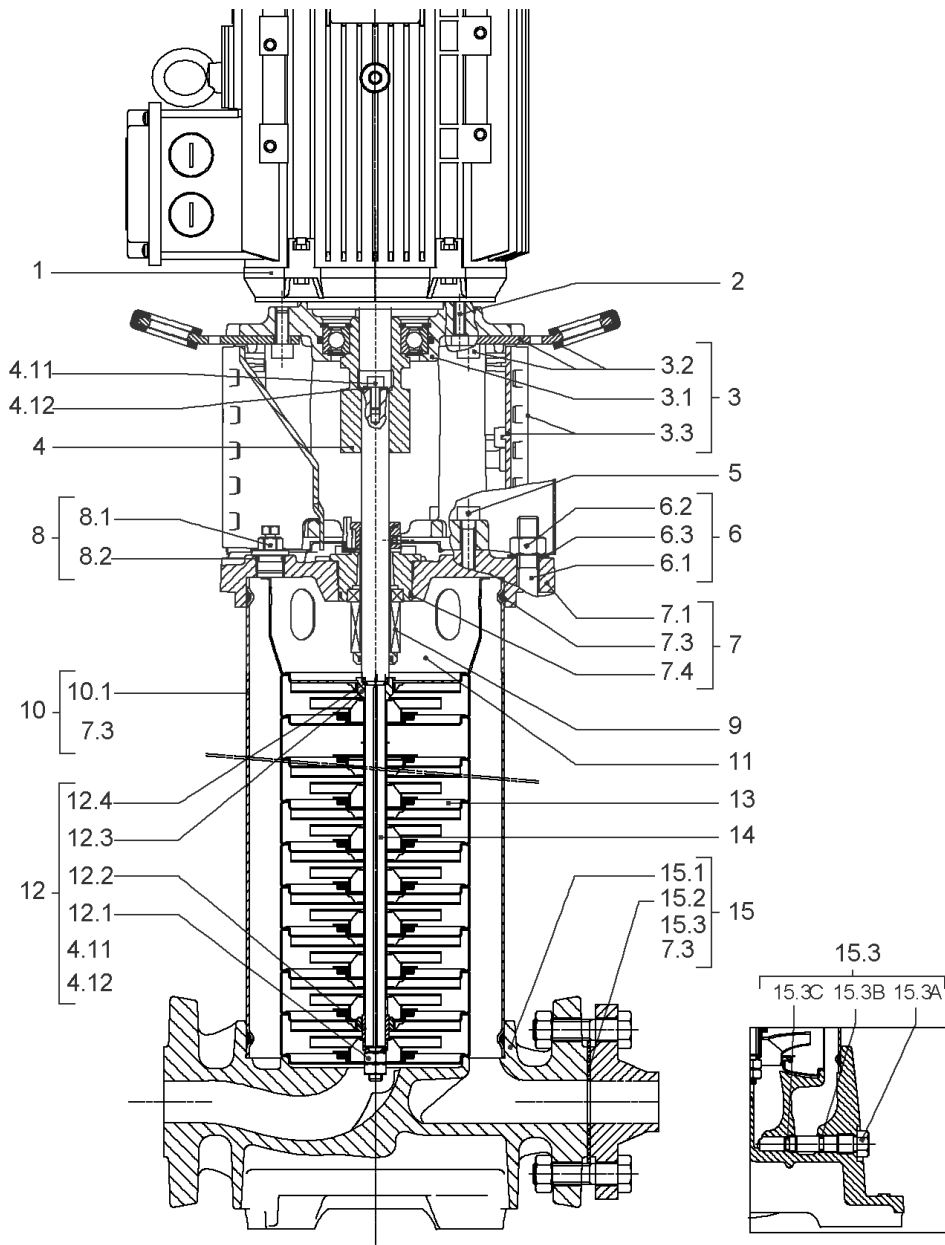
COUPLING D.16XD.38 FF265 HELIX KIT (4159711)

Item	Article no.	Description	Quantity
4.1	2131018	COUPLING 2 PARTS D.16XD.28XL.82,4 VP.	1
4.2	2131017	BALL BEARING 6310/ZZ-C4(HT)VP.	1
4.3	4234253	CIRCLIP-FOR-SHAFT-D50x2 VP.	1
4.4	4157726	SCREW KIT M8X30 (4 PIECES)	1
4.5	4234255	CIRCLIPS 110X4 VP.	1
4.6	4233944	O-RING ID.110 VP.	1
4.7	2131019	RETAINING RING D.26xD.2 DIN7993 VP.	1
4.10	4157726	SCREW KIT M8X30 (4 PIECES)	1
4.11	4102901	SCREW CHC-M6X14-8.8-ISO4762-GEOMET500A	1
4.12	2130995	SERRATED LOCK WASHER D.6,2XD.14,5X28 VP.	1
		NOMEL CONTACT WASHER 8x16x1,4 STEEL ZC	1
4.8	2131020	HUB D.38XD.50 VP.	1
4.9	2131021	SPACER D.28XD.45 VP.	1



MECH.SEAL+CART. HELIX6-10-16 T/E KIT (4177872)

Item	Article no.	Description	Quantity
9.1	4177871	SEAL-KIT-HELIX6-10-16 T/E	1
7.3	4176513	> O-RING FOR PUMP JACKET VP.	1
7.4	2127603	> O-RING ID.37,6x2,4 EPDM VP.	1
9.1A	4177870	> MECH.SEAL HELIX2-4-6-10-16 T/E VP.	1
9.1B	2130967	> O-RING D.16X2,5 EPDM VP.	1
9.1C	4176519	> O-RING Ø16xØ1.25 VP.	1
9.2	4177869	SHAFT SLEEVE Ø16XØ18/22-G9-PN30 VP.	1
9.3	4177868	RING-HOLDER MS G9 316 VP.	1
9.4	4176520	SCREW CH M5x5 A4-70 (3PIECES)	1
9.5	2130963	DRIVE RING D.29/18x12,4 MACH.VP.	1
9.6	2130964	TOOL M.S.CART.HELIX VP.	1
9.7	2130965	SCREW CHC M5X12 ISO4762 A2.70(4 PIECES)	1



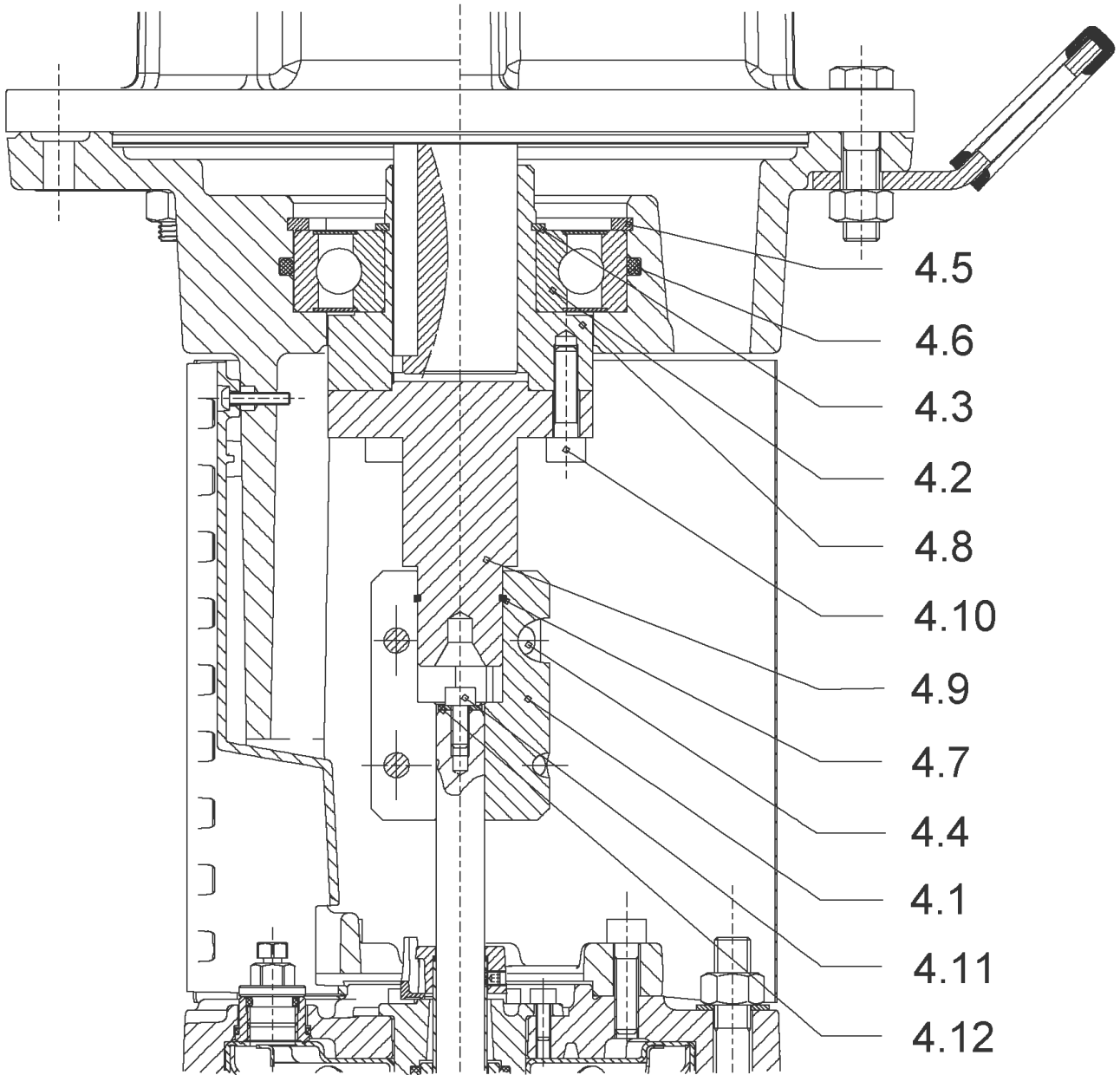
HELIX FIRST V1618-5/30/E/KS/400-50 (4201014)

Item	Article no.	Description	Quantity
1	4195487	MOTOR 15/2/160 3~400V 50HZ VP.	1
		SPARE PARTS MOTOR:ON REQUEST	1
2	4179586	SCREW M16X60 (4 PIECES)	1
3	4159694	LANTERN FF300 HELIX KIT	1
4	4159712	COUPLING D.16XD.38 FF300 HELIX KIT	1
5	4159707	SCREW M8X30 (4 PIECES)	1
6	4177881	STUD BOLT M12X990 KIT	1
6.1		> TIE BOLT M12-990x18x30-1.4057	1
6.2	2094647	> NUT M12 M12 ISO4032 VP.	1
6.3	2123557	> WASHER CS-12.4-24-1.6-NFE25 (4 PIECES)	1
7	4177867	END SHIELD PN30 HELIX EPDM KIT	1
7.1		> END SHIELD M+ JL VERSION 1 MACHINED+CATA	1
7.3	4176513	> O-RING FOR PUMP JACKET VP.	1
7.4	2127603	> O-RING ID.37,6x2,4 EPDM VP.	1
8	4159686	FILING/PURGING PLUG HELIX EPDM KIT	1
9	4177872	MECH.SEAL+CART. HELIX6-10-16 T/E KIT	1
10	4177874	HOUSING PIPE D.152x960 1.4307 KIT	1
7.3	4176513	> O-RING FOR PUMP JACKET VP.	1
10.1		> HOUSING-PIPE Ø152-M+1024/1616-304	1
11	2127588	CENTERING STAGE-RETURN HELIX16 1.4301 VP	1
12	4159688	SHAFT EQUIPMENT HELIX V16 BI BLOC KIT	1
4.11	4102901	> SCREW CHC-M6X14-8.8-ISO4762-GEOMET500A	1
4.12	2130995	> SERRATED LOCK WASHER D.6,2XD.14,5X28 VP.	1
12.1		> NUT-H-M10-A4.70	1
12.2		> SERRATED LOCK WASHER M+16M3-316L	1
12.3		> STOP COLLAR OF IMPELLER L18,8-Ø16-316L	1
12.4		> STOP-RUSH-1/2-D16xd2-M+316	1
13		HYDRAULIC HELIX V 1618 1.4307	1
14	4177883	SHAFT D.16X1080 1.4301 VP.	1
15	4209634	PUMP HOUSING HELIX FIRST V16 PN30 KIT	1
15.1		> MACH+CATA PUMP CASING M+6" DN50 PN25 GJL	1
15.2	4124503	> FLAT GASKET 61x107x2_DN50_PN25_FIBER	1
15.3	4177877	> PRIMING/DRAIN PLUG HELIX PN30 KIT	1
15.3A		>> PRIMING/DRAIN PLUG M+6" 304	1

HELIX FIRST V1618-5/30/E/KS/400-50 (4201014)

Item	Article no.	Description	Quantity
15.3B	4233957	>> O-RING ID.9 EPDM VP.	1
15.3C		>> O-RING Ø8xØ2 EPDM KTW/WRC	1
7.3	4176513	> O-RING FOR PUMP JACKET VP.	1

COUPLING D.16XD.38 FF300 HELIX KIT (4159712)



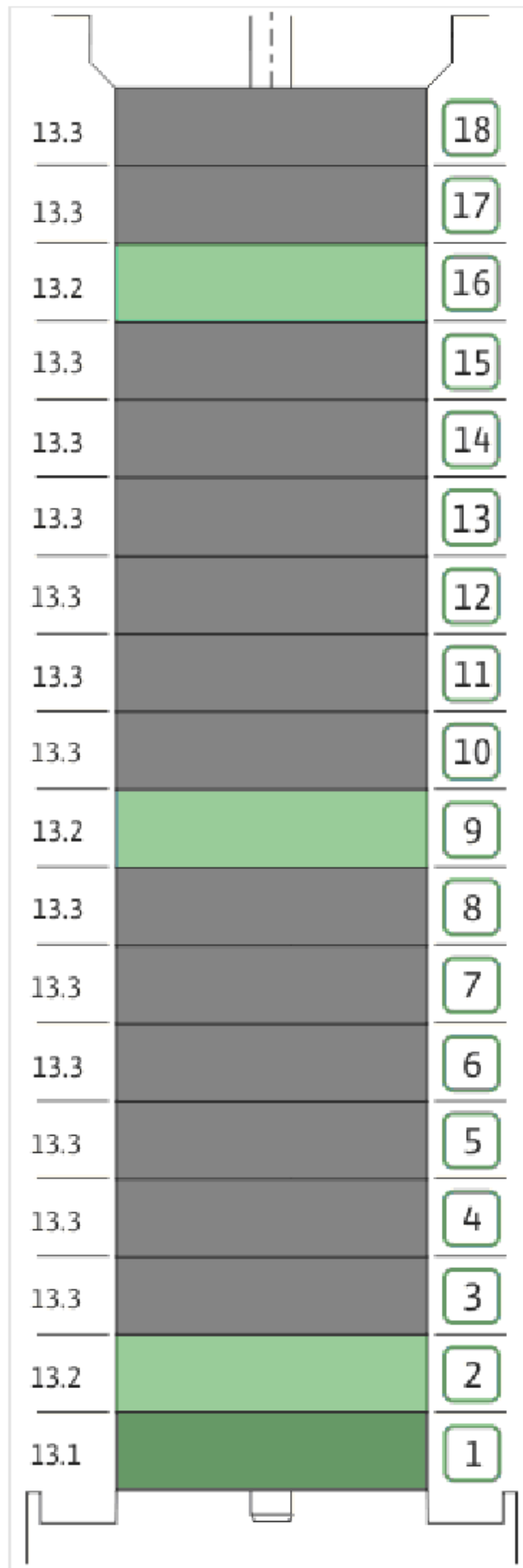
COUPLING D.16XD.38 FF300 HELIX KIT (4159712)

Item	Article no.	Description	Quantity
4.1	2130990	COUPLING 2 PARTS D.16XD.38XL.115 VP.	1
4.2	2123699	BALL BEARING 6312/2Z-C4 (HT) VP.	1
4.3	63428	CIRCLIP-FOR-SHAFT-D60x2	1
4.4	2130991	SCREW M12X30 ISO4762 8.8 ZN(4 PIECES)	1
4.5	4032277	CIRCLIP-HOLE-130x4	1
4.6	4006725	O-RING ID.132,94x3,53 NBR70SR	1
4.7	2130992	RETAINING RING D.35xD.2,5 DIN7993 VP.	1
4.8	2130993	HUB D.42xD.60 JL250 VP.	1
4.9	2130994	SPACER D.38XD.55 VP.	1
4.10	4094462	SCREWS M10 (4 PIECES)	1
4.11	4102901	SCREW CHC-M6X14-8.8-ISO4762-GEOMET500A	1
4.12	2130995	SERRATED LOCK WASHER D.6,2XD.14,5X28 VP.	1



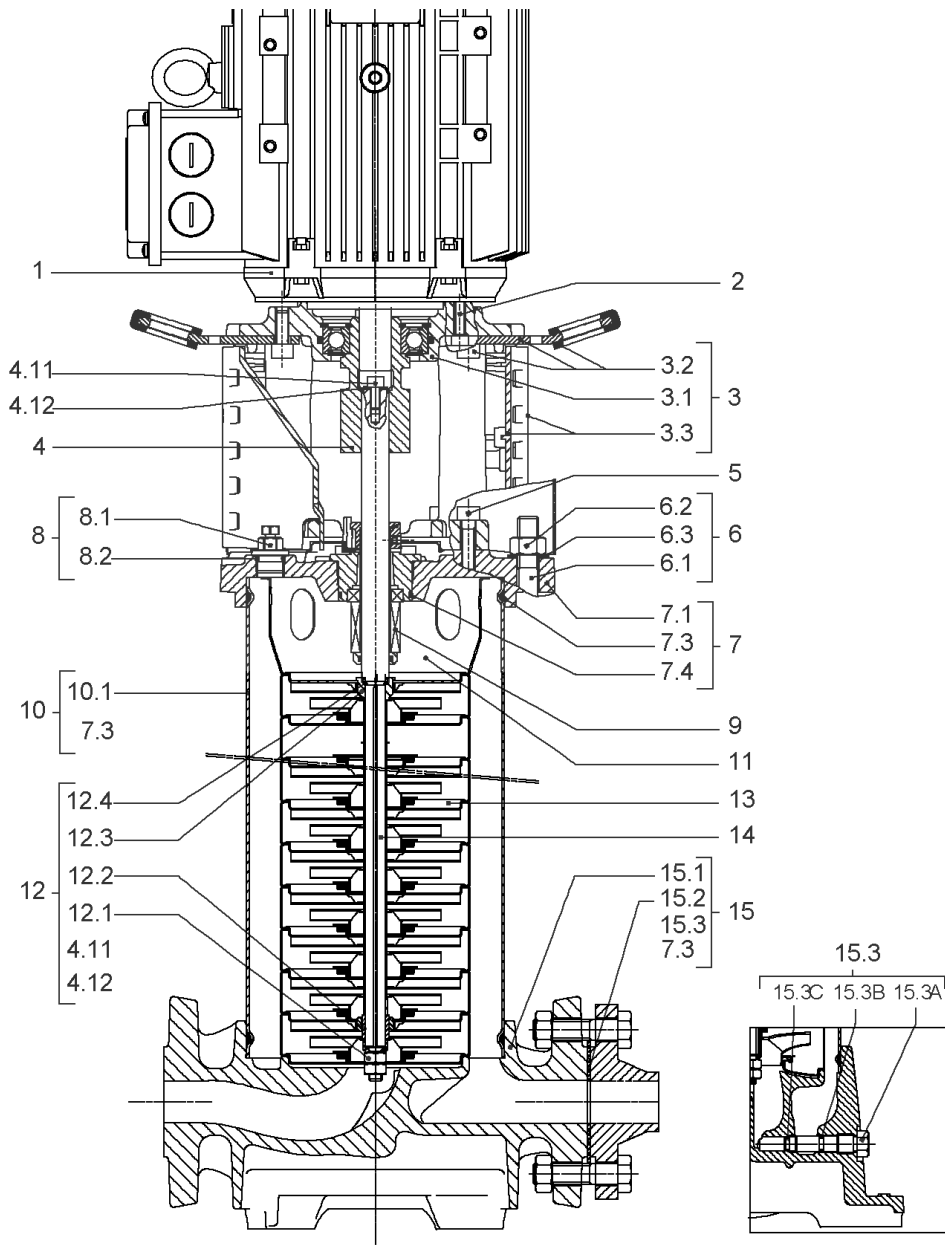
MECH.SEAL+CART. HELIX6-10-16 T/E KIT (4177872)

Item	Article no.	Description	Quantity
9.1	4177871	SEAL-KIT-HELIX6-10-16 T/E	1
7.3	4176513	> O-RING FOR PUMP JACKET VP.	1
7.4	2127603	> O-RING ID.37,6x2,4 EPDM VP.	1
9.1A	4177870	> MECH.SEAL HELIX2-4-6-10-16 T/E VP.	1
9.1B	2130967	> O-RING D.16X2,5 EPDM VP.	1
9.1C	4176519	> O-RING Ø16xØ1.25 VP.	1
9.2	4177869	SHAFT SLEEVE Ø16XØ18/22-G9-PN30 VP.	1
9.3	4177868	RING-HOLDER MS G9 316 VP.	1
9.4	4176520	SCREW CH M5x5 A4-70 (3PIECES)	1
9.5	2130963	DRIVE RING D.29/18x12,4 MACH.VP.	1
9.6	2130964	TOOL M.S.CART.HELIX VP.	1
9.7	2130965	SCREW CHC M5X12 ISO4762 A2.70(4 PIECES)	1



HYDRAULIC HELIX V 1618 1.4307

Item	Article no.	Description	Quantity
13.1	4159720	STAGE HELIX 16 1.4301 KIT	1
		> MACH.STG-CASING-WOGV-WNR-M+16-304	1
		> IMPELLER-M+16-304	1
13.2	4159714	STAGE BEARING HELIX 16 1.4301 KIT	1
		> MACH.BEARING-STG-CASING-WNR-M+16-304	1
		> IMPELLER-M+16-304	1
		> SLEEVE-SPACER-Ø19,35x30,665-304	1
		> SHAFT-SLEEVE-D16xD20x18-CW	1
13.3	4159715	INTERMEDIATE STAGE HELIX 16 1.4301 KIT	1
		> CORPS-ETG-STD-ACR-AJR-USIN.M+16-304	1
		> IMPELLER-M+16-304	1
		> SPACER Ø16X19.4-L48.6-304	1



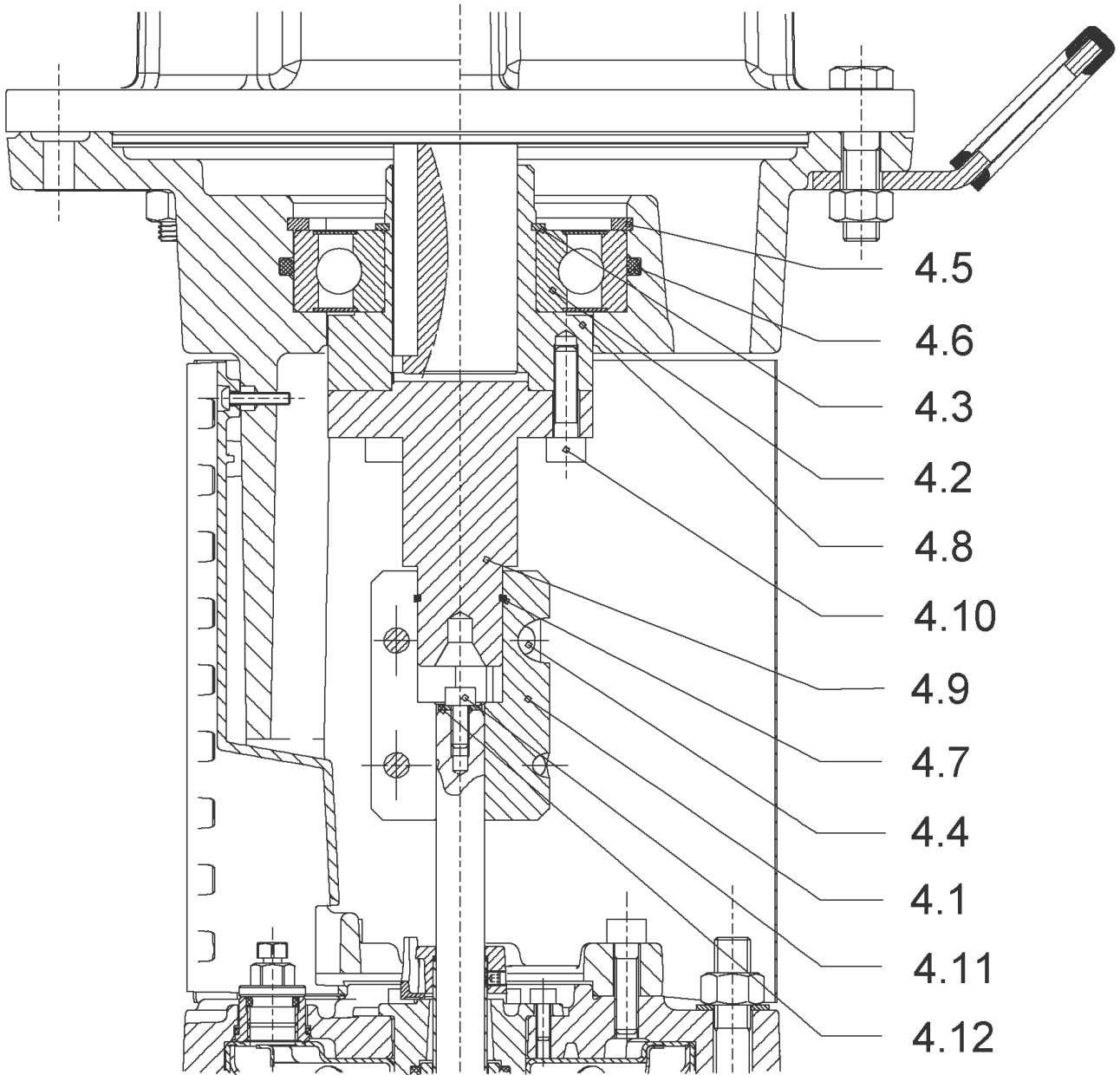
HELIX FIRST V1621-5/30/E/KS/400-50 (4201015)

Item	Article no.	Description	Quantity
1	4195487	MOTOR 15/2/160 3~400V 50HZ VP.	1
		SPARE PARTS MOTOR:ON REQUEST	1
2	4179586	SCREW M16X60 (4 PIECES)	1
3	4186390	LANTERN FF300 HELIX KIT	1
3.1		> LANTERN FF300 M+6" JL MACH.+CATA	1
3.2	4179589	> EYELET CPL.FF300 HELIX(4 PIECES)	1
3.3	4159695	> COUPLING PROTECTOR FF HELIX KIT	1
4	4159712	COUPLING D.16XD.38 FF300 HELIX KIT	1
5	4159707	SCREW M8X30 (4 PIECES)	1
6	4177985	STUD BOLT M12X1163 KIT	1
6.1		> TIE BOLT M12-1163x18x30-1.4057	1
6.2	2094647	> NUT M12 M12 ISO4032 VP.	1
6.3	2123557	> WASHER CS-12.4-24-1.6-NFE25 (4 PIECES)	1
7	4209645	END SHIELD PN30 HELIX EPDM KIT	1
7.1		> END SHIELD M+6" FF300 REINFORCED+CATA	1
7.3	4176513	> O-RING FOR PUMP JACKET VP.	1
7.4	2127603	> O-RING ID.37,6x2,4 EPDM VP.	1
8	4159686	FILING/PURGING PLUG HELIX EPDM KIT	1
9	4177872	MECH.SEAL+CART. HELIX6-10-16 T/E KIT	1
10	2127585	HOUSING PIPE D.152x1110 1.4301 KIT	1
7.3	4176513	> O-RING FOR PUMP JACKET VP.	1
10.1		> HOUSING-PIPE Ø152-M+1619-304	1
11	2127588	CENTERING STAGE-RETURN HELIX16 1.4301 VP	1
12	4159688	SHAFT EQUIPMENT HELIX V16 BI BLOC KIT	1
4.11	4102901	> SCREW CHC-M6X14-8.8-ISO4762-GEOMET500A	1
4.12	2130995	> SERRATED LOCK WASHER D.6,2XD.14,5X28 VP.	1
12.1		> NUT-H-M10-A4.70	1
12.2		> SERRATED LOCK WASHER M+16M3-316L	1
12.3		> STOP COLLAR OF IMPELLER L18,8-Ø16-316L	1
12.4		> STOP-RUSH-1/2-D16xd2-M+316	1
13		HYDRAULIC HELIX V 1621 1.4307	1
14	2127573	SHAFT D.16X1230 1.4462 VP.	1
15	4209634	PUMP HOUSING HELIX FIRST V16 PN30 KIT	1
15.1		> MACH+CATA PUMP CASING M+6" DN50 PN25 GJL	1

HELIX FIRST V1621-5/30/E/KS/400-50 (4201015)

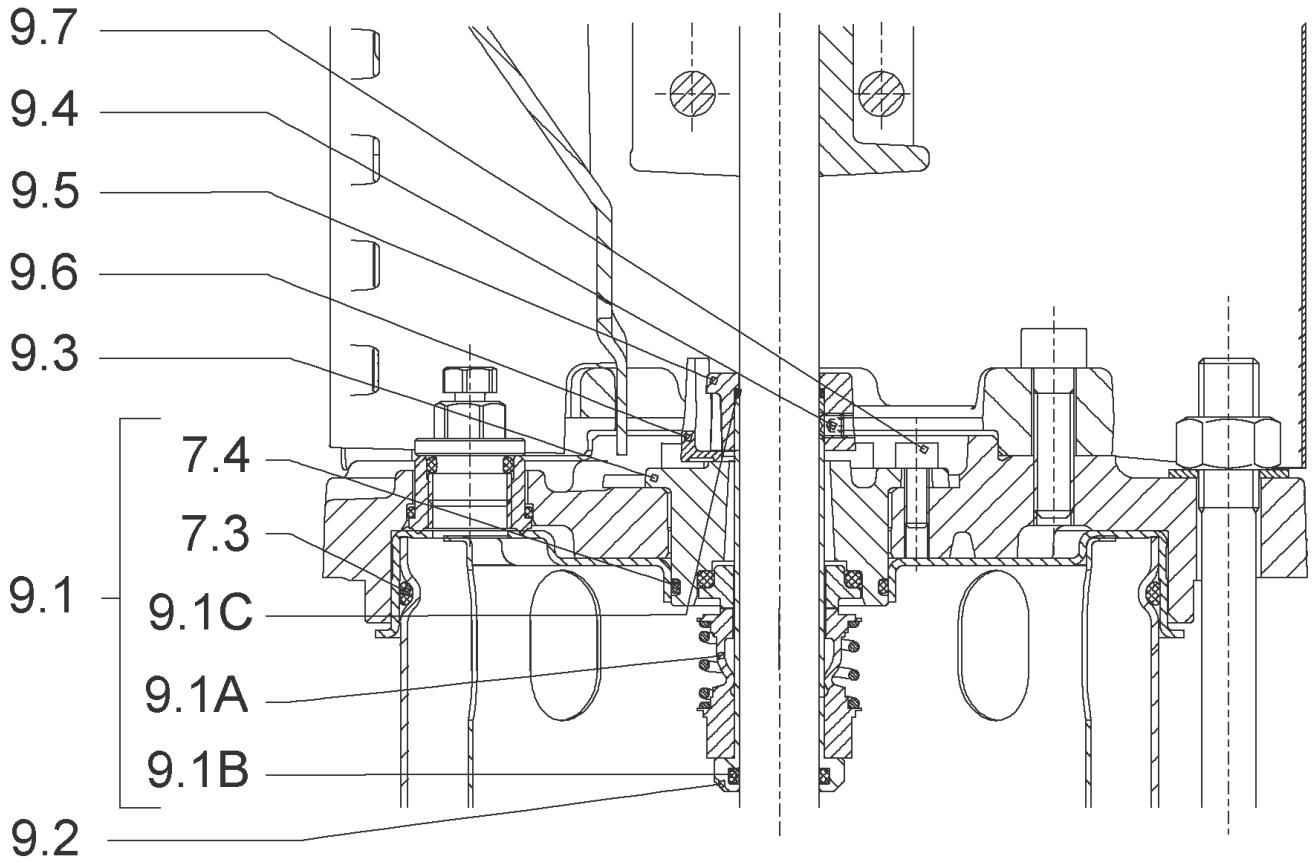
Item	Article no.	Description	Quantity
15.2	4124503	> FLAT GASKET 61x107x2_DN50_PN25_FIBER	1
15.3	4177877	> PRIMING/DRAIN PLUG HELIX PN30 KIT	1
15.3A		>> PRIMING/DRAIN PLUG M+6" 304	1
15.3B	4233957	>> O-RING ID.9 EPDM VP.	1
15.3C		>> O-RING Ø8xØ2 EPDM KTW/WRC	1
7.3	4176513	> O-RING FOR PUMP JACKET VP.	1

COUPLING D.16XD.38 FF300 HELIX KIT (4159712)



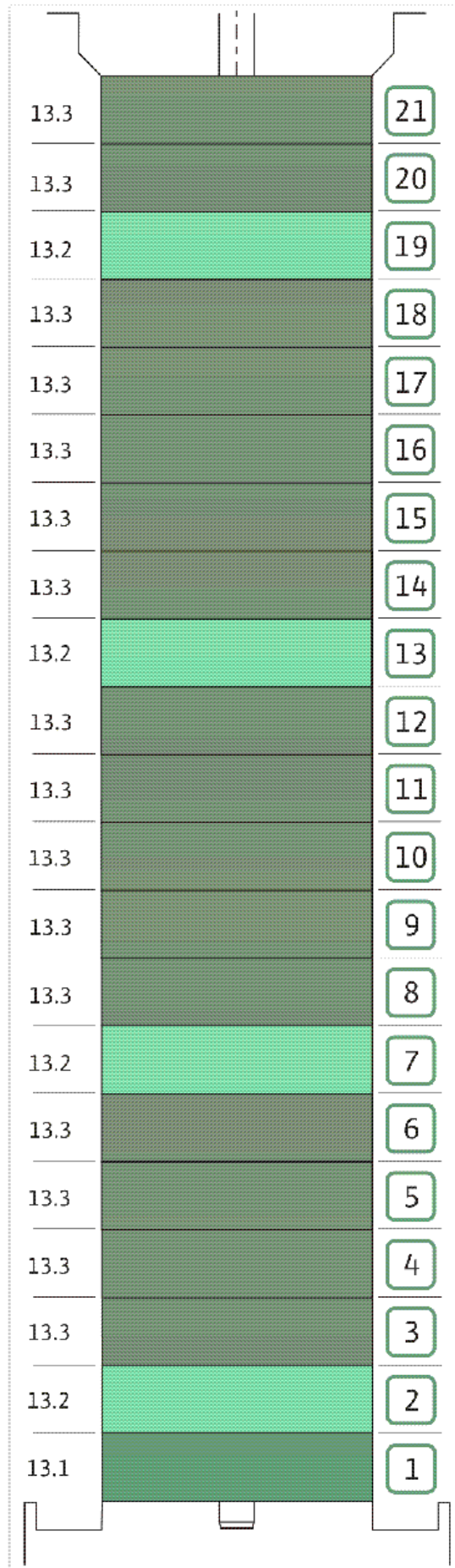
COUPLING D.16XD.38 FF300 HELIX KIT (4159712)

Item	Article no.	Description	Quantity
4.1	2130990	COUPLING 2 PARTS D.16XD.38XL.115 VP.	1
4.2	2123699	BALL BEARING 6312/2Z-C4 (HT) VP.	1
4.3	63428	CIRCLIP-FOR-SHAFT-D60x2	1
4.4	2130991	SCREW M12X30 ISO4762 8.8 ZN(4 PIECES)	1
4.5	4032277	CIRCLIP-HOLE-130x4	1
4.6	4006725	O-RING ID.132,94x3,53 NBR70SR	1
4.7	2130992	RETAINING RING D.35xD.2,5 DIN7993 VP.	1
4.8	2130993	HUB D.42xD.60 JL250 VP.	1
4.9	2130994	SPACER D.38XD.55 VP.	1
4.10	4094462	SCREWS M10 (4 PIECES)	1
4.11	4102901	SCREW CHC-M6X14-8.8-ISO4762-GEOMET500A	1
4.12	2130995	SERRATED LOCK WASHER D.6,2XD.14,5X28 VP.	1



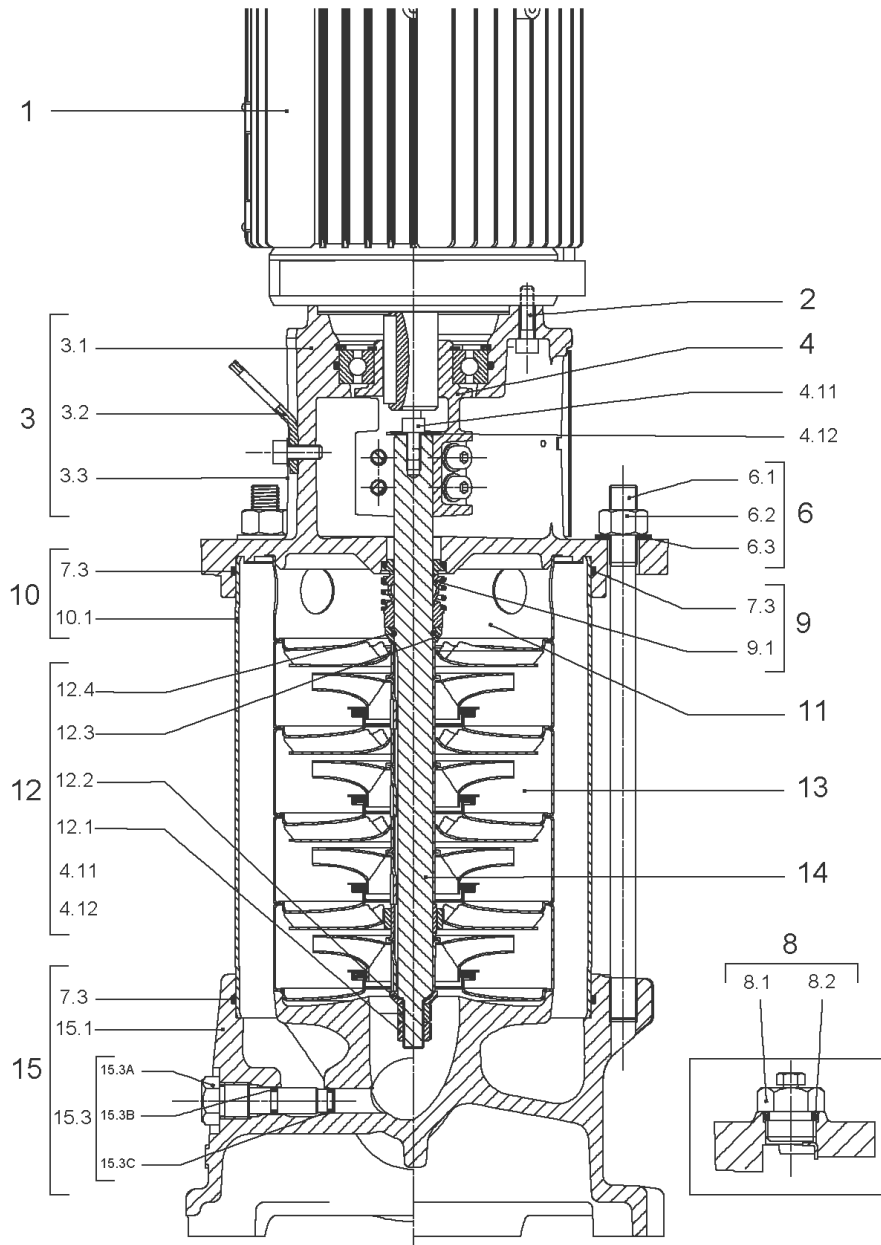
MECH.SEAL+CART. HELIX6-10-16 T/E KIT (4177872)

Item	Article no.	Description	Quantity
9.1	4177871	SEAL-KIT-HELIX6-10-16 T/E	1
7.3	4176513	> O-RING FOR PUMP JACKET VP.	1
7.4	2127603	> O-RING ID.37,6x2,4 EPDM VP.	1
9.1A	4177870	> MECH.SEAL HELIX2-4-6-10-16 T/E VP.	1
9.1B	2130967	> O-RING D.16X2,5 EPDM VP.	1
9.1C	4176519	> O-RING Ø16xØ1.25 VP.	1
9.2	4177869	SHAFT SLEEVE Ø16XØ18/22-G9-PN30 VP.	1
9.3	4177868	RING-HOLDER MS G9 316 VP.	1
9.4	4176520	SCREW CH M5x5 A4-70 (3PIECES)	1
9.5	2130963	DRIVE RING D.29/18x12,4 MACH.VP.	1
9.6	2130964	TOOL M.S.CART.HELIX VP.	1
9.7	2130965	SCREW CHC M5X12 ISO4762 A2.70(4 PIECES)	1



HYDRAULIC HELIX V 1621 1.4307

Item	Article no.	Description	Quantity
13.1	4159720	STAGE HELIX 16 1.4301 KIT	1
		> MACH.STG-CASING-WOGV-WNR-M+16-304	1
		> IMPELLER-M+16-304	1
13.2	4159714	STAGE BEARING HELIX 16 1.4301 KIT	1
		> MACH.BEARING-STG-CASING-WNR-M+16-304	1
		> IMPELLER-M+16-304	1
		> SLEEVE-SPACER-Ø19,35x30,665-304	1
		> SHAFT-SLEEVE-D16xD20x18-CW	1
13.3	4159715	INTERMEDIATE STAGE HELIX 16 1.4301 KIT	1
		> CORPS-ETG-STD-ACR-AJR-USIN.M+16-304	1
		> IMPELLER-M+16-304	1
		> SPACER Ø16X19.4-L48.6-304	1



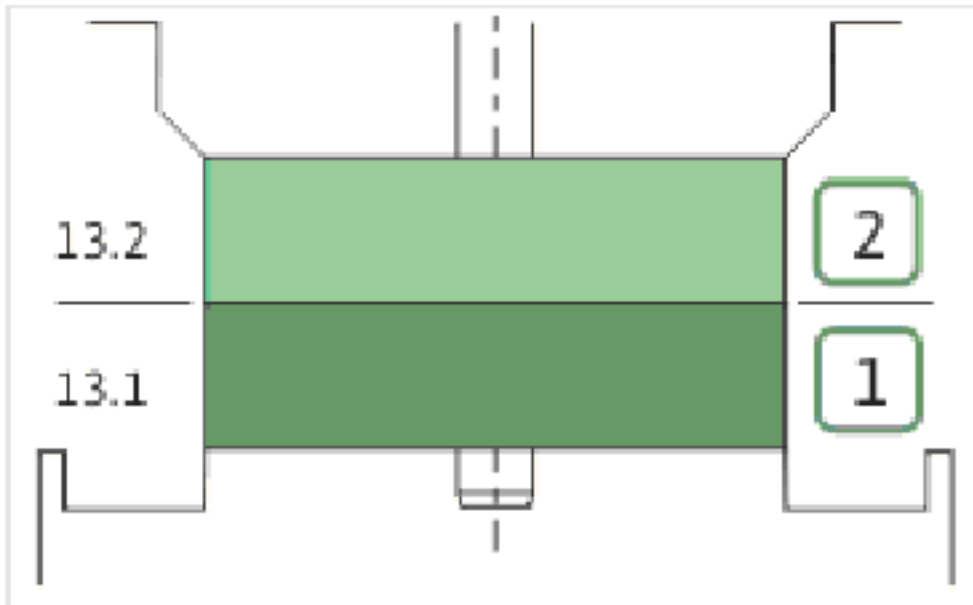
HELIX FIRST V2202-5/16/E/S/400-50 (4183356)

Item	Article no.	Description	Quantity
1	4169944	MOTOR 3/2/100 3~230/400V 50HZ IE3 VP.	1
		SPARE PARTS MOTOR:ON REQUEST	1
2	4159707	SCREW M8X30 (4 PIECES)	1
3	4184851	LANTERN HELIX FIRST 8" FT130 KIT	1
3.1		> M+8_LANTERN_ONE-PIECE_FT130_CATA	1
3.2	4184852	> EYELET CPL.FT HELIX (2 PIECES)	1
3.3	4184853	> COUPLING PROTECTOR FT HELIX 8" KIT	1
4	4184854	COUPLING D.22XD.28 FT130 HELIX KIT	1
6	4179563	STUD BOLT M16X198 KIT	1
6.1		> TIE BOLT M16-198x24x44-1.4057	1
6.2	4179562	> NUT M16 8.8 ISO4032 (4 PIECES)	1
6.3	4097852	> WASHER-CS-16.4-32-2.8-NFE25-511-A2	1
8	4143765	FILING/PURGING PLUG 316L HELIX KIT	1
8.1		> FILLING/VENTING-PLUG-VMI8/10-316L	1
8.2	4032291	> O-RING 17x3 EPDM KTW/WRC	1
9	4192148	SEAL-KIT-HELIX22-36-52 FIRST O/E	1
7.3	4179571	> O-RING HOUSING PIPE HELIX22/36/52 VP.	1
9.1	4179573	> M.SEAL.HELIX22-36-52 O/E VP.	1
10	4181154	HOUSING PIPE D.204X164 1.4307 KIT	1
7.3	4179571	> O-RING HOUSING PIPE HELIX22/36/52 VP.	1
10.1		> HOUSING-PIPE Ø204-M+2201/2202-304	1
11	4179143	CENTERING STAGE-RETURN HELIX22 1.4307 VP	1
12	4184856	SHAFT EQUIPMENT HELIX 22 FIRST KIT	1
14	4184857	SHAFT D.22X251 1.4057 VP.	1
13		HYDRAULIC HELIX V 2202	1
15	4184858	EQUIPED HOUSING HELIX FIRST DN50 GJL KIT	1
15.1		> ONE PIECE PUMP CASING GJL M+8" DN50	1
15.3	4106048	> DRAIN/PRIMING PLUG EPDM HELIX FIRST KIT	1
15.3A		>> DRAIN AND PRIMING PLUG-VMI10"-304	1
15.3B	4032293	>> O-RING-10x3-EPDM-KTW/WRC	1
15.3C	4233957	>> O-RING ID.9 EPDM VP.	1
7.3	4179571	> O-RING HOUSING PIPE HELIX22/36/52 VP.	1

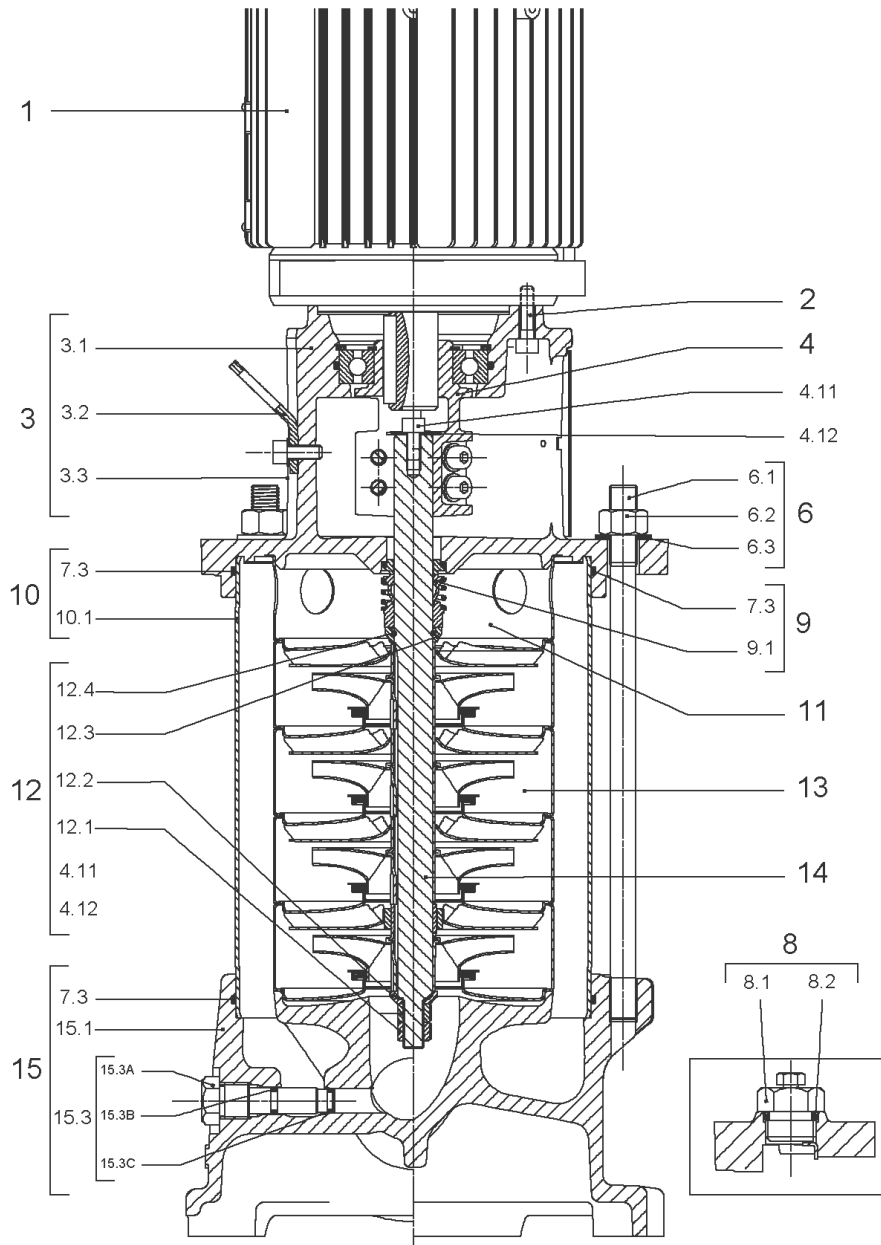


COUPLING D.22XD.28 FT130 HELIX KIT (4184854)

Item	Article no.	Description	Quantity
4.1		COUPLING-VMI-Ø22xØ28-FT130-MACHINED	1
4.2	2131022	BALL BEARING 6209/ZZ-C3(HT)VP.	1
4.3	4233930	CIRCLIP-FOR-BORES-D45x1,75 VP.	1
4.4	4157726	SCREW KIT M8X30 (4 PIECES)	1
4.5	4234252	CIRCLIPS 85X3 VP.	1
4.6	4234243	O-RING 85X3 VP.	1
		NOMEL CONTACT WASHER 8x16x1,4 STEEL ZC	1



Item	Article no.	Description	Quantity
13.1	4157739	FIRST STAGE HELIX 22 1.4307 KIT	1
		> IMPELLER-H1-M+22-304	1
		> MACH.STG-CASING-WOGV-WNR-M+22-304	1
13.2	4157740	BEARING STAGE HELIX 22 1.4307 KIT	1
		> IMPELLER-H2-M+22-304	1
		> MACH.BEARING-STG-CASING-WNR-M+22-304	1
		> SHAFT-SLEEVE-D26xD22x16-CW	1



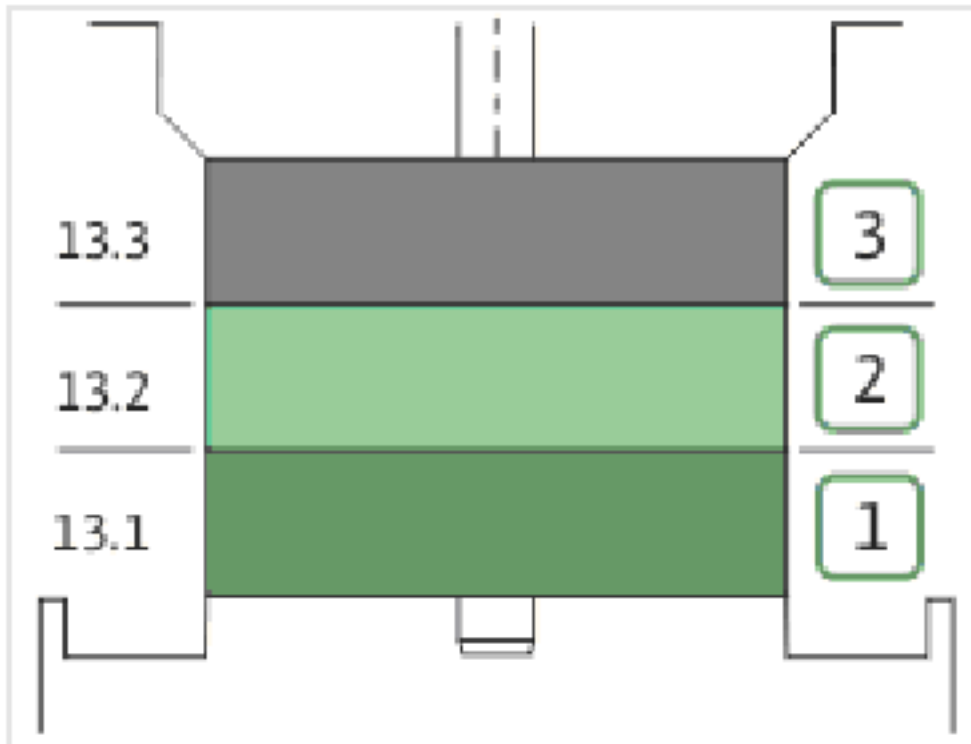
HELIX FIRST V2203-5/16/E/S/400-50 (4183357)

Item	Article no.	Description	Quantity
1	4169945	MO.4/2 3~230/400(460)V 50(60)HZ IE3 VP.	1
		SPARE PARTS MOTOR:ON REQUEST	1
2	4159707	SCREW M8X30 (4 PIECES)	1
3	4184851	LANTERN HELIX FIRST 8" FT130 KIT	1
3.1		> M+8_LANTERN_ONE-PIECE_FT130_CATA	1
3.2	4184852	> EYELET CPL.FT HELIX (2 PIECES)	1
3.3	4184853	> COUPLING PROTECTOR FT HELIX 8" KIT	1
4	4184854	COUPLING D.22XD.28 FT130 HELIX KIT	1
6	4186342	STUD BOLT M16X253 KIT	1
6.1		> TIE BOLT M16-253x24x44-1.4057	1
6.2	4179562	> NUT M16 8.8 ISO4032 (4 PIECES)	1
6.3	4097852	> WASHER-CS-16.4-32-2.8-NFE25-511-A2	1
8	4186377	FILING/PURGING PLUG 304 HELIX KIT	1
8.1		> FILLING/VENTING-PLUG-MVI8/10"-304	1
8.2	4032291	> O-RING 17x3 EPDM KTW/WRC	1
9	4192148	SEAL-KIT-HELIX22-36-52 FIRST O/E	1
7.3	4179571	> O-RING HOUSING PIPE HELIX22/36/52 VP.	1
9.1	4179573	> M.SEAL.HELIX22-36-52 O/E VP.	1
10	4181161	HOUSING PIPE D.204X214 1.4307 KIT	1
10.1		> HOUSING-PIPE Ø204-M+2203-304	1
7.3	4179571	> O-RING HOUSING PIPE HELIX22/36/52 VP.	1
11	4179143	CENTERING STAGE-RETURN HELIX22 1.4307 VP	1
12	4184856	SHAFT EQUIPMENT HELIX 22 FIRST KIT	1
13		HYDRAULIC HELIX V 2203	1
14	4186343	SHAFT D.22X301 1.4057 VP.	1
15	4184858	EQUIPED HOUSING HELIX FIRST DN50 GJL KIT	1
15.1		> ONE PIECE PUMP CASING GJL M+8" DN50	1
15.3	4106048	> DRAIN/PRIMING PLUG EPDM HELIX FIRST KIT	1
15.3A		>> DRAIN AND PRIMING PLUG-VMI10"-304	1
15.3B	4032293	>> O-RING-10x3-EPDM-KTW/WRC	1
15.3C	4233957	>> O-RING ID.9 EPDM VP.	1
7.3	4179571	> O-RING HOUSING PIPE HELIX22/36/52 VP.	1

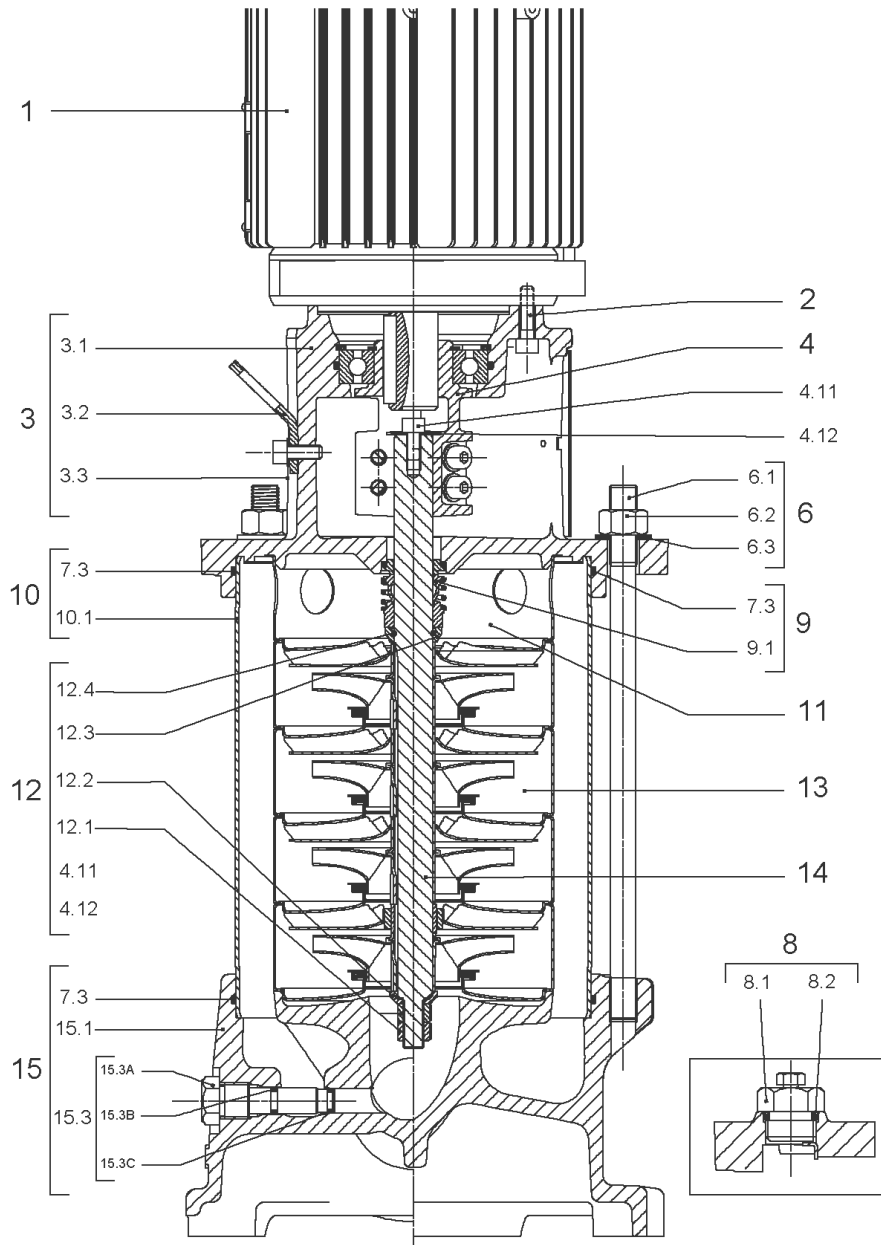


COUPLING D.22XD.28 FT130 HELIX KIT (4184854)

Item	Article no.	Description	Quantity
4.1		COUPLING-VMI-Ø22xØ28-FT130-MACHINED	1
4.2	2131022	BALL BEARING 6209/ZZ-C3(HT)VP.	1
4.3	4233930	CIRCLIP-FOR-BORES-D45x1,75 VP.	1
4.4	4157726	SCREW KIT M8X30 (4 PIECES)	1
4.5	4234252	CIRCLIPS 85X3 VP.	1
4.6	4234243	O-RING 85X3 VP.	1
		NOMEL CONTACT WASHER 8x16x1,4 STEEL ZC	1



Item	Article no.	Description	Quantity
13.1	4157739	FIRST STAGE HELIX 22 1.4307 KIT	1
		> IMPELLER-H1-M+22-304	1
		> MACH.STG-CASING-WOGV-WNR-M+22-304	1
13.2	4157740	BEARING STAGE HELIX 22 1.4307 KIT	1
		> IMPELLER-H2-M+22-304	1
		> MACH.BEARING-STG-CASING-WNR-M+22-304	1
		> SHAFT-SLEEVE-D26xD22x16-CW	1
13.3	4157743	INTERMEDIATE STAGE HELIX 22 KIT	1
		> MACH.STD-STG-CASING-WGV+NR-M+22-304	1
		> IMPELLER-H2-M+22-304	1



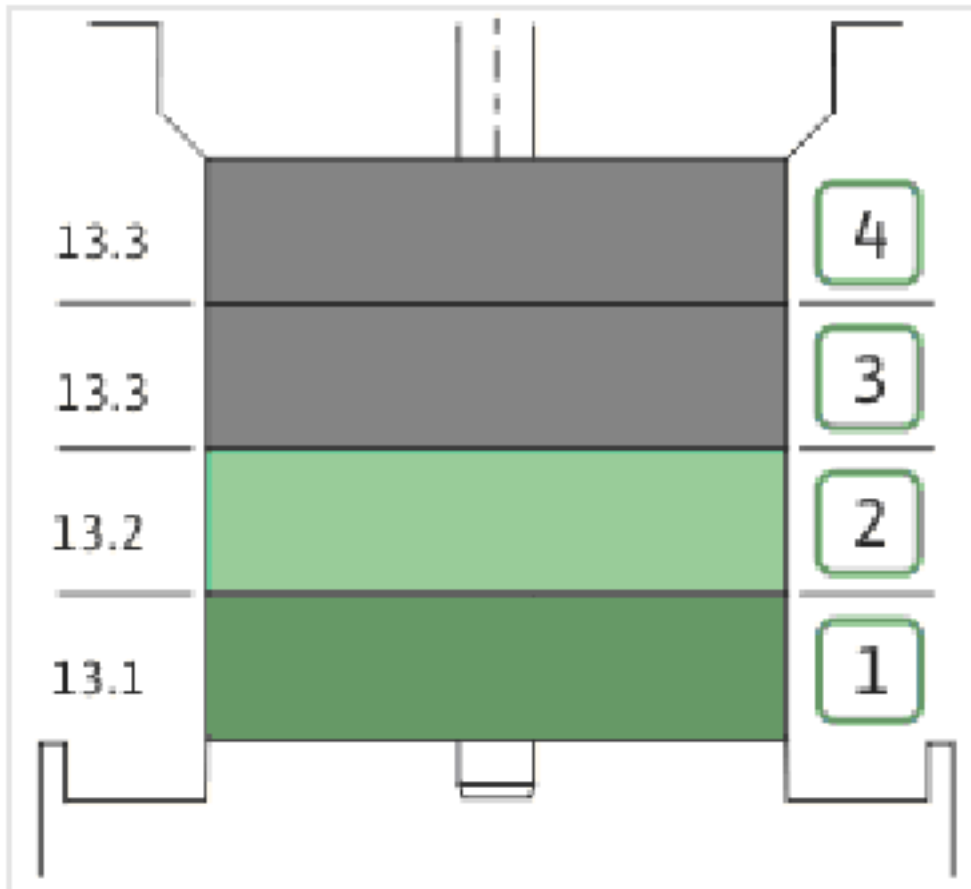
HELIX FIRST V2204-5/16/E/S/400-50 (4183358)

Item	Article no.	Description	Quantity
1	4169947	MO 5,5/2/112 3~400V50Hz 460V60Hz IE3 VP.	1
		SPARE PARTS MOTOR:ON REQUEST	1
2	4159707	SCREW M8X30 (4 PIECES)	1
3	4184851	LANTERN HELIX FIRST 8" FT130 KIT	1
3.1		> M+8_LANTERN_ONE-PIECE_FT130_CATA	1
3.2	4184852	> EYELET CPL.FT HELIX (2 PIECES)	1
3.3	4184853	> COUPLING PROTECTOR FT HELIX 8" KIT	1
4	4184854	COUPLING D.22XD.28 FT130 HELIX KIT	1
6	4179581	STUD BOLT M16X305.5 KIT	1
6.1		> TIE BOLT M16-305.5x24x44-1.4057	1
6.2	4179562	> NUT M16 8.8 ISO4032 (4 PIECES)	1
6.3	4097852	> WASHER-CS-16.4-32-2.8-NFE25-511-A2	1
8	4186377	FILING/PURGING PLUG 304 HELIX KIT	1
8.1		> FILLING/VENTING-PLUG-MVI8/10"-304	1
8.2	4032291	> O-RING 17x3 EPDM KTW/WRC	1
9	4192148	SEAL-KIT-HELIX22-36-52 FIRST O/E	1
7.3	4179571	> O-RING HOUSING PIPE HELIX22/36/52 VP.	1
9.1	4179573	> M.SEAL.HELIX22-36-52 O/E VP.	1
10	4181077	HOUSING-PIPE D.204X264 1.4307 KIT	1
7.3	4179571	> O-RING HOUSING PIPE HELIX22/36/52 VP.	1
10.1		> HOUSING-PIPE Ø204-M+2204/3603-304	1
11	4179143	CENTERING STAGE-RETURN HELIX22 1.4307 VP	1
12	4184856	SHAFT EQUIPMENT HELIX 22 FIRST KIT	1
13		HYDRAULIC HELIX V 2204	1
14	4186344	SHAFT D.22X351 1.4057 VP.	1
15	4184858	EQUIPED HOUSING HELIX FIRST DN50 GJL KIT	1
15.1		> ONE PIECE PUMP CASING GJL M+8" DN50	1
15.3	4106048	> DRAIN/PRIMING PLUG EPDM HELIX FIRST KIT	1
15.3A		>> DRAIN AND PRIMING PLUG-VMI10"-304	1
15.3B	4032293	>> O-RING-10x3-EPDM-KTW/WRC	1
15.3C	4233957	>> O-RING ID.9 EPDM VP.	1
7.3	4179571	> O-RING HOUSING PIPE HELIX22/36/52 VP.	1

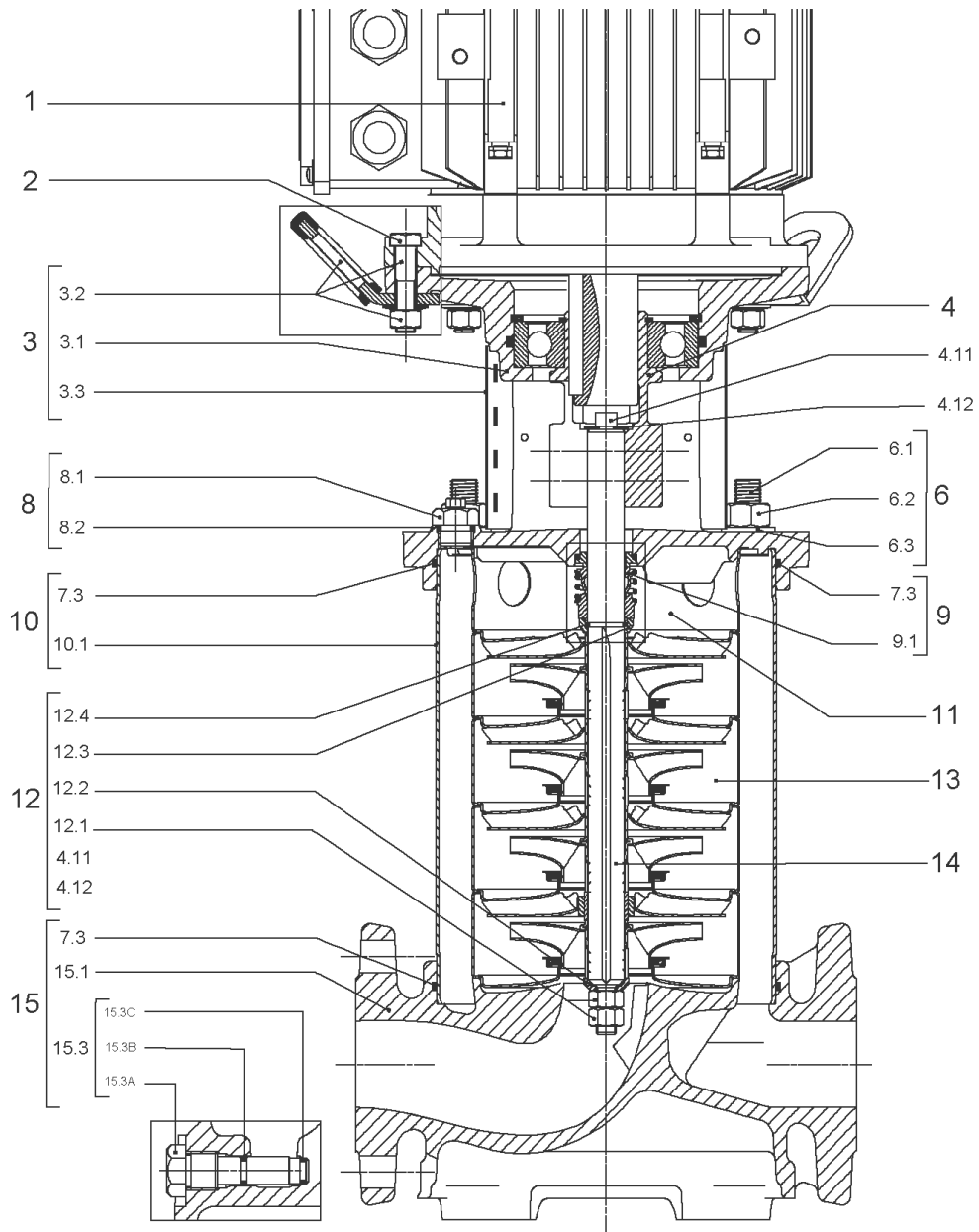


COUPLING D.22XD.28 FT130 HELIX KIT (4184854)

Item	Article no.	Description	Quantity
4.1		COUPLING-VMI-Ø22xØ28-FT130-MACHINED	1
4.2	2131022	BALL BEARING 6209/ZZ-C3(HT)VP.	1
4.3	4233930	CIRCLIP-FOR-BORES-D45x1,75 VP.	1
4.4	4157726	SCREW KIT M8X30 (4 PIECES)	1
4.5	4234252	CIRCLIPS 85X3 VP.	1
4.6	4234243	O-RING 85X3 VP.	1
		NOMEL CONTACT WASHER 8x16x1,4 STEEL ZC	1



Item	Article no.	Description	Quantity
13.1	4157739	FIRST STAGE HELIX 22 1.4307 KIT	1
		> IMPELLER-H1-M+22-304	1
		> MACH.STG-CASING-WOGV-WNR-M+22-304	1
13.2	4157740	BEARING STAGE HELIX 22 1.4307 KIT	1
		> IMPELLER-H2-M+22-304	1
		> MACH.BEARING-STG-CASING-WNR-M+22-304	1
		> SHAFT-SLEEVE-D26xD22x16-CW	1
13.3	4157743	INTERMEDIATE STAGE HELIX 22 KIT	1
		> MACH.STD-STG-CASING-WGV+NR-M+22-304	1
		> IMPELLER-H2-M+22-304	1



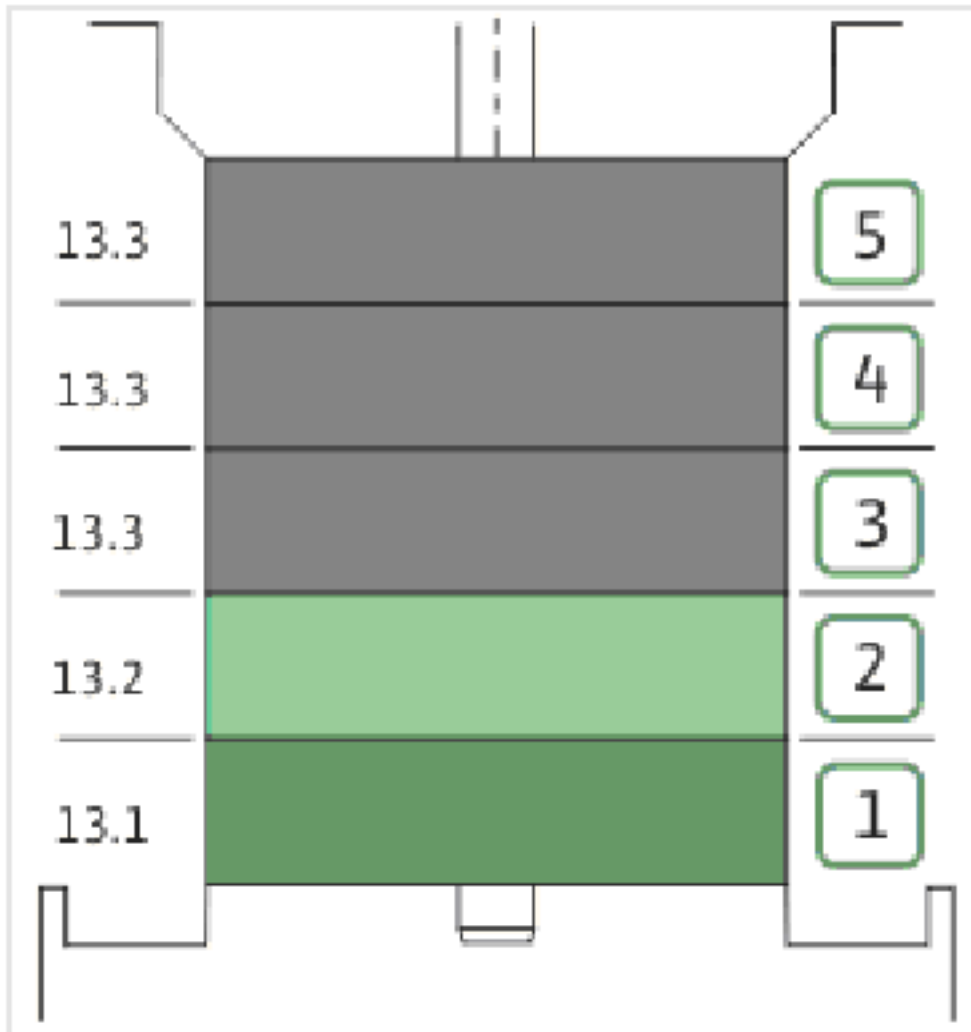
HELIX FIRST V2205-5/16/E/S/400-50 (4183359)

Item	Article no.	Description	Quantity
1	4195512	MOTOR 7,5/2/112 3~400V 50HZ IE3 VP.	1
		SPARE PARTS MOTOR:ON REQUEST	1
2	4174093	SCREW M12X50 (4 PIECES)	1
3	4186345	LANTERN FF240 HELIX FIRST 8" KIT	1
3.1		> M+8_LANTERN_ONE-PIECE_FF240_CATA	1
3.2	4186346	> EYELET CPL.FF240 HELIX (4 PIECES)	1
3.3	4184853	> COUPLING PROTECTOR FT HELIX 8" KIT	1
4	4186347	COUPLING D.22XD.38 FF240T130 HELIX KIT	1
6	4186348	STUD BOLT M16X353 KIT	1
6.1		> TIE BOLT M16-353x24x44-1.4057	1
6.2	4179562	> NUT M16 8.8 ISO4032 (4 PIECES)	1
6.3	4097852	> WASHER-CS-16.4-32-2.8-NFE25-511-A2	1
8	4186377	FILING/PURGING PLUG 304 HELIX KIT	1
8.1		> FILLING/VENTING-PLUG-MVI8/10"-304	1
8.2	4032291	> O-RING 17x3 EPDM KTW/WRC	1
9	4192148	SEAL-KIT-HELIX22-36-52 FIRST O/E	1
7.3	4179571	> O-RING HOUSING PIPE HELIX22/36/52 VP.	1
9.1	4179573	> M.SEAL.HELIX22-36-52 O/E VP.	1
10	4181165	HOUSING PIPE D.204X314 1.4301 KIT	1
7.3	4179571	> O-RING HOUSING PIPE HELIX22/36/52 VP.	1
10.1		> HOUSING-PIPE Ø204-M+2205-304	1
11	4179143	CENTERING STAGE-RETURN HELIX22 1.4307 VP	1
12	4184856	SHAFT EQUIPMENT HELIX 22 FIRST KIT	1
13		HYDRAULIC HELIX V 2205	1
14	4186349	SHAFT D.22X401 1.4057 VP.	1
15	4184858	EQUIPED HOUSING HELIX FIRST DN50 GJL KIT	1
15.1		> ONE PIECE PUMP CASING GJL M+8" DN50	1
15.3	4106048	> DRAIN/PRIMING PLUG EPDM HELIX FIRST KIT	1
15.3A		>> DRAIN AND PRIMING PLUG-VMI10"-304	1
15.3B	4032293	>> O-RING-10x3-EPDM-KTW/WRC	1
15.3C	4233957	>> O-RING ID.9 EPDM VP.	1
7.3	4179571	> O-RING HOUSING PIPE HELIX22/36/52 VP.	1

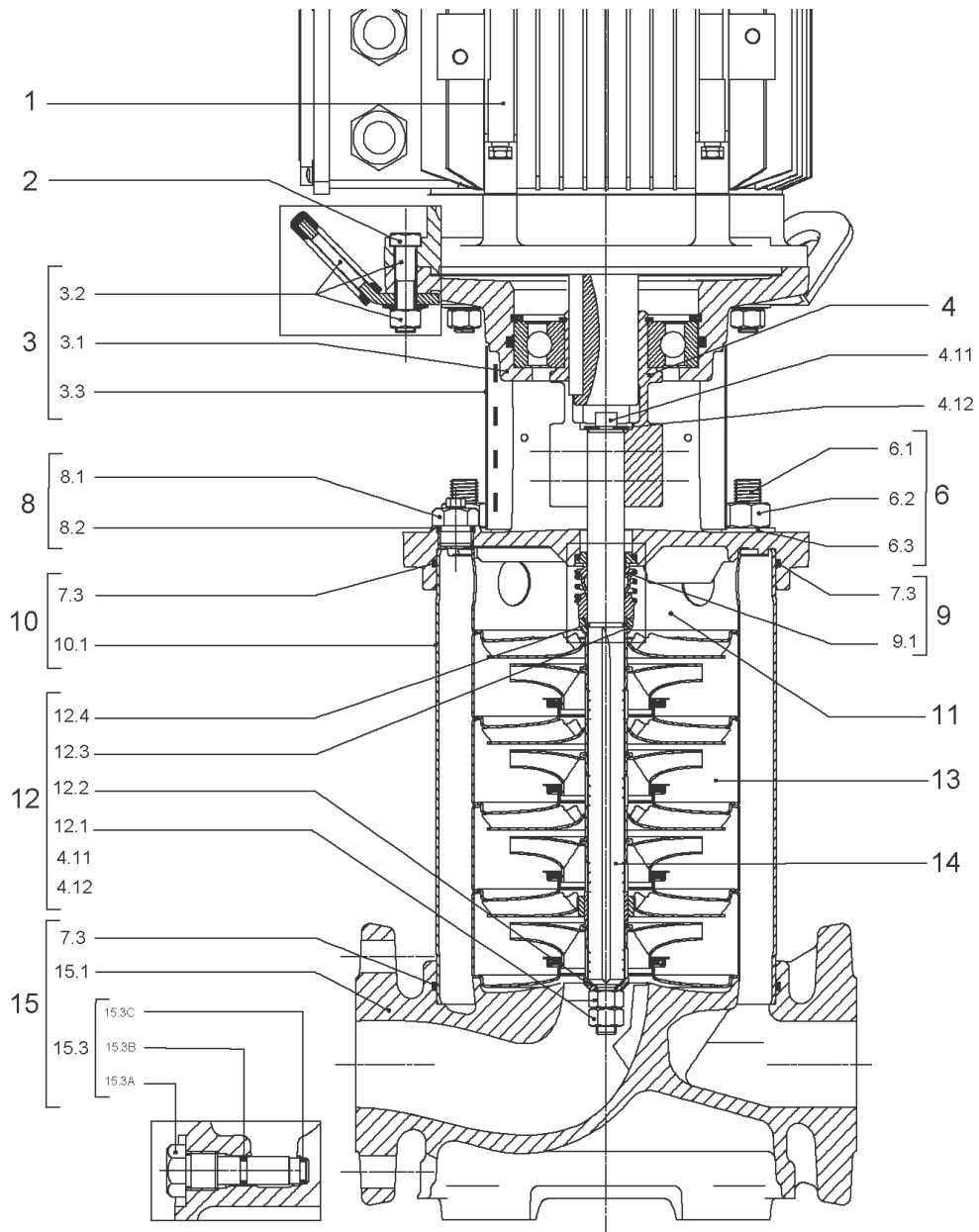


COUPLING D.22XD.38 FF240T130 HELIX KIT (4186347)

Item	Article no.	Description	Quantity
4.1		COUPLING-VMI-D22xD38-FF265-MACHINED	1
4.2	2131017	BALL BEARING 6310/ZZ-C4(HT)VP.	1
4.3	4234253	CIRCLIP-FOR-SHAFT-D50x2 VP.	1
4.4	4157726	SCREW KIT M8X30 (4 PIECES)	1
4.5	4234255	CIRCLIPS 110X4 VP.	1
4.6	4233944	O-RING ID.110 VP.	1
		NOMEL CONTACT WASHER 8x16x1,4 STEEL ZC	1



Item	Article no.	Description	Quantity
13.1	4157739	FIRST STAGE HELIX 22 1.4307 KIT	1
		> IMPELLER-H1-M+22-304	1
		> MACH.STG-CASING-WOGV-WNR-M+22-304	1
13.2	4157740	BEARING STAGE HELIX 22 1.4307 KIT	1
		> IMPELLER-H2-M+22-304	1
		> MACH.BEARING-STG-CASING-WNR-M+22-304	1
		> SHAFT-SLEEVE-D26xD22x16-CW	1
13.3	4157743	INTERMEDIATE STAGE HELIX 22 KIT	1
		> MACH.STD-STG-CASING-WGV+NR-M+22-304	1
		> IMPELLER-H2-M+22-304	1



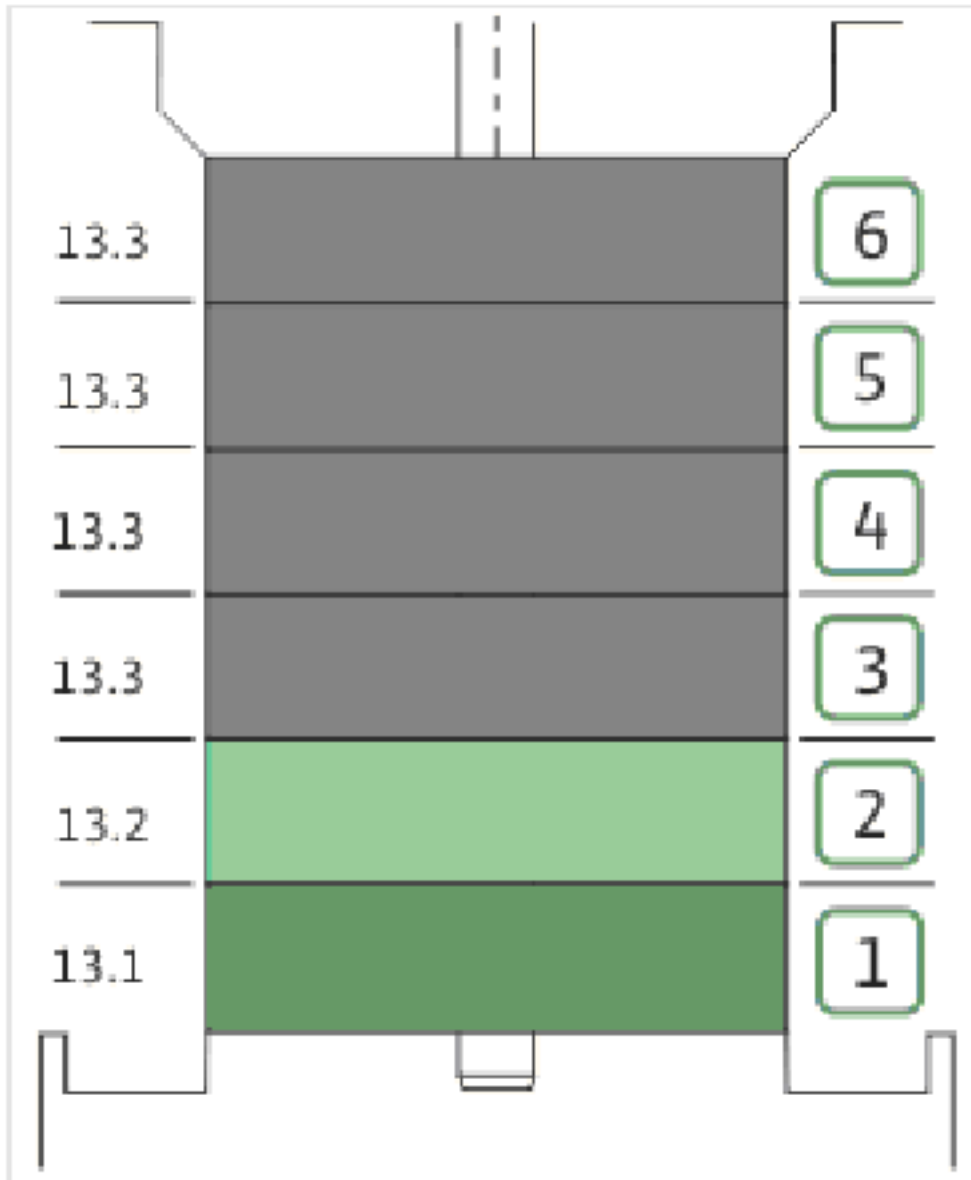
HELIX FIRST V2206-5/16/E/S/400-50 (4183360)

Item	Article no.	Description	Quantity
1	4195512	MOTOR 7,5/2/112 3~400V 50HZ IE3 VP.	1
		SPARE PARTS MOTOR:ON REQUEST	1
2	4174093	SCREW M12X50 (4 PIECES)	1
3	4186345	LANTERN FF240 HELIX FIRST 8" KIT	1
3.1		> M+8_LANTERN_ONE-PIECE_FF240_CATA	1
3.2	4186346	> EYELET CPL.FF240 HELIX (4 PIECES)	1
3.3	4184853	> COUPLING PROTECTOR FT HELIX 8" KIT	1
4	4186347	COUPLING D.22XD.38 FF240T130 HELIX KIT	1
6	4179592	STUD BOLT M16X405 KIT	1
6.1		> TIE BOLT M16-405x24x44-1.4057	1
6.2	4179562	> NUT M16 8.8 ISO4032 (4 PIECES)	1
6.3	4097852	> WASHER-CS-16.4-32-2.8-NFE25-511-A2	1
8	4186377	FILING/PURGING PLUG 304 HELIX KIT	1
8.1		> FILLING/VENTING-PLUG-MVI8/10"-304	1
8.2	4032291	> O-RING 17x3 EPDM KTW/WRC	1
9	4192148	SEAL-KIT-HELIX22-36-52 FIRST O/E	1
7.3	4179571	> O-RING HOUSING PIPE HELIX22/36/52 VP.	1
9.1	4179573	> M.SEAL.HELIX22-36-52 O/E VP.	1
10	4181168	HOUSING PIPE D.204X364 1.4307 KIT	1
7.3	4179571	> O-RING HOUSING PIPE HELIX22/36/52 VP.	1
10.1		> HOUSING-PIPE Ø204-M+2206-304	1
11	4179143	CENTERING STAGE-RETURN HELIX22 1.4307 VP	1
12	4184856	SHAFT EQUIPMENT HELIX 22 FIRST KIT	1
13		HYDRAULIC HELIX V 2206	1
14	4186350	SHAFT D.22X451 1.4057 VP.	1
15	4184858	EQUIPED HOUSING HELIX FIRST DN50 GJL KIT	1
15.1		> ONE PIECE PUMP CASING GJL M+8" DN50	1
15.3	4106048	> DRAIN/PRIMING PLUG EPDM HELIX FIRST KIT	1
15.3A		>> DRAIN AND PRIMING PLUG-VMI10"-304	1
15.3B	4032293	>> O-RING-10x3-EPDM-KTW/WRC	1
15.3C	4233957	>> O-RING ID.9 EPDM VP.	1
7.3	4179571	> O-RING HOUSING PIPE HELIX22/36/52 VP.	1

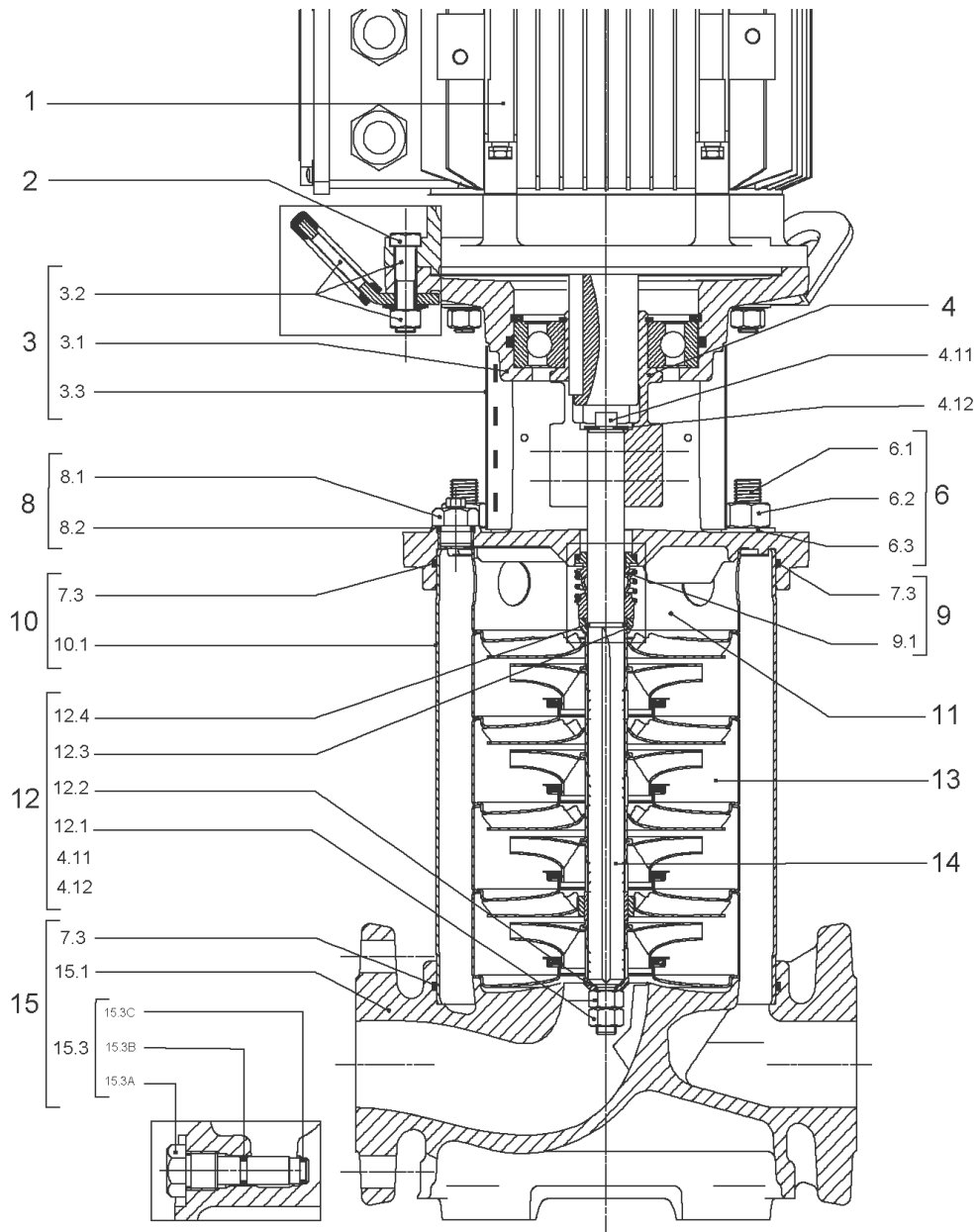


COUPLING D.22XD.38 FF240T130 HELIX KIT (4186347)

Item	Article no.	Description	Quantity
4.1		COUPLING-VMI-D22xD38-FF265-MACHINED	1
4.2	2131017	BALL BEARING 6310/ZZ-C4(HT)VP.	1
4.3	4234253	CIRCLIP-FOR-SHAFT-D50x2 VP.	1
4.4	4157726	SCREW KIT M8X30 (4 PIECES)	1
4.5	4234255	CIRCLIPS 110X4 VP.	1
4.6	4233944	O-RING ID.110 VP.	1
		NOMEL CONTACT WASHER 8x16x1,4 STEEL ZC	1



Item	Article no.	Description	Quantity
13.1	4157739	FIRST STAGE HELIX 22 1.4307 KIT	1
		> IMPELLER-H1-M+22-304	1
		> MACH.STG-CASING-WOGV-WNR-M+22-304	1
13.2	4157740	BEARING STAGE HELIX 22 1.4307 KIT	1
		> IMPELLER-H2-M+22-304	1
		> MACH.BEARING-STG-CASING-WNR-M+22-304	1
		> SHAFT-SLEEVE-D26xD22x16-CW	1
13.3	4157743	INTERMEDIATE STAGE HELIX 22 KIT	1
		> MACH.STD-STG-CASING-WGV+NR-M+22-304	1
		> IMPELLER-H2-M+22-304	1



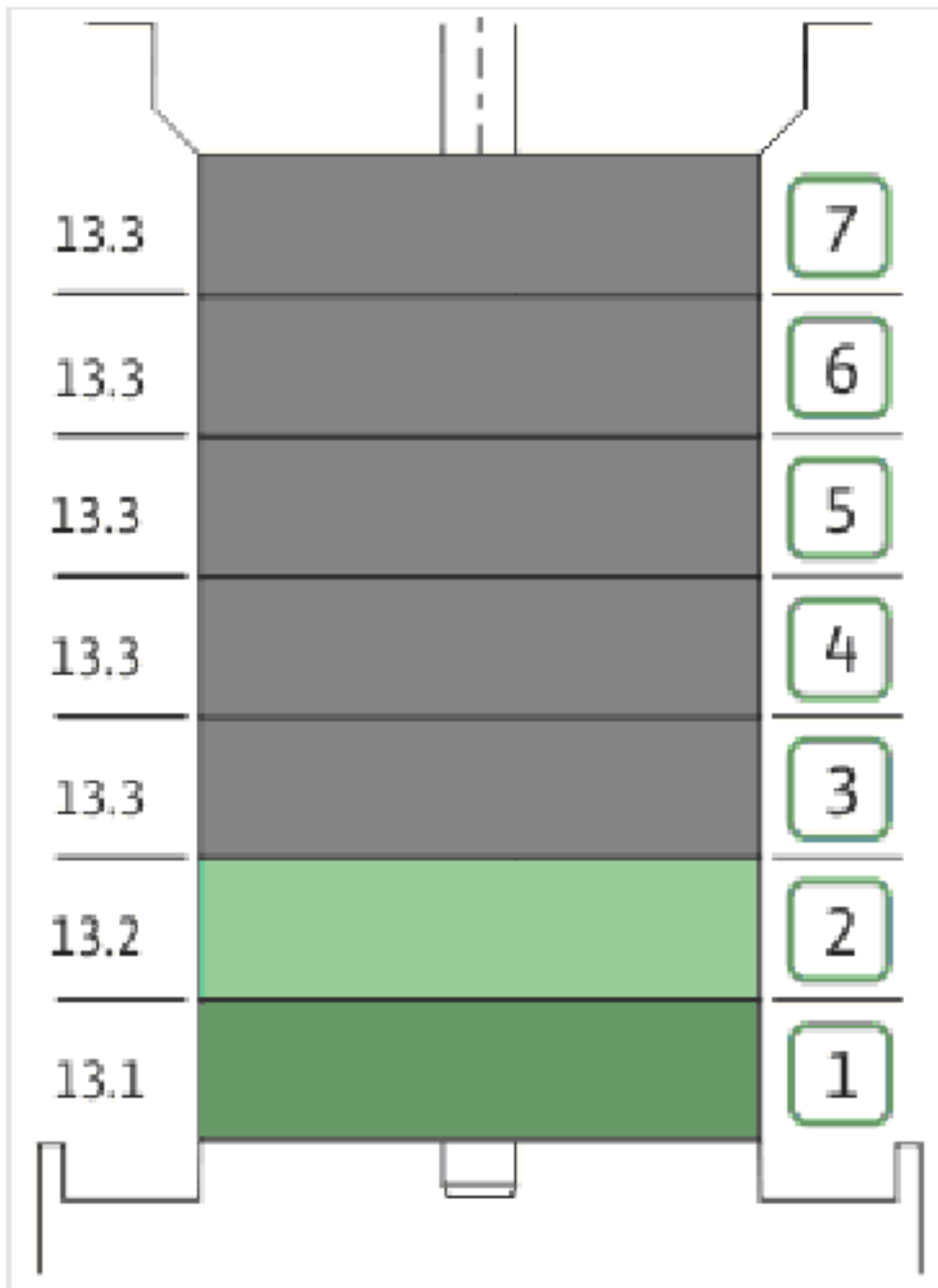
HELIX FIRST V2207-5/16/E/S/400-50 (4183361)

Item	Article no.	Description	Quantity
1	4195482	MOTOR 9/2/132 3~400V 50HZ IE3 VP.	1
		SPARE PARTS MOTOR:ON REQUEST	1
2	4174093	SCREW M12X50 (4 PIECES)	1
3	4186345	LANTERN FF240 HELIX FIRST 8" KIT	1
3.1		> M+8_LANTERN_ONE-PIECE_FF240_CATA	1
3.2	4186346	> EYELET CPL.FF240 HELIX (4 PIECES)	1
3.3	4184853	> COUPLING PROTECTOR FT HELIX 8" KIT	1
4	4186347	COUPLING D.22XD.38 FF240T130 HELIX KIT	1
6	4186355	STUD BOLT M16X453 KIT	1
6.1		> TIE BOLT M16-453x24x44-1.4057	1
6.2	4179562	> NUT M16 8.8 ISO4032 (4 PIECES)	1
6.3	4097852	> WASHER-CS-16.4-32-2.8-NFE25-511-A2	1
8	4186377	FILING/PURGING PLUG 304 HELIX KIT	1
8.1		> FILLING/VENTING-PLUG-MVI8/10"-304	1
8.2	4032291	> O-RING 17x3 EPDM KTW/WRC	1
9	4192148	SEAL-KIT-HELIX22-36-52 FIRST O/E	1
7.3	4179571	> O-RING HOUSING PIPE HELIX22/36/52 VP.	1
9.1	4179573	> M.SEAL.HELIX22-36-52 O/E VP.	1
10	4181666	HOUSING PIPE D.204X414 1.4307 KIT	1
7.3	4179571	> O-RING HOUSING PIPE HELIX22/36/52 VP.	1
10.1		> HOUSING-PIPE Ø204-M+2207-304	1
11	4179143	CENTERING STAGE-RETURN HELIX22 1.4307 VP	1
12	4184856	SHAFT EQUIPMENT HELIX 22 FIRST KIT	1
13		HYDRAULIC HELIX V 2207	1
14	4186351	SHAFT D.22X501 1.4057 VP.	1
15	4184858	EQUIPED HOUSING HELIX FIRST DN50 GJL KIT	1
15.1		> ONE PIECE PUMP CASING GJL M+8" DN50	1
15.3	4106048	> DRAIN/PRIMING PLUG EPDM HELIX FIRST KIT	1
15.3A		>> DRAIN AND PRIMING PLUG-VMI10"-304	1
15.3B	4032293	>> O-RING-10x3-EPDM-KTW/WRC	1
15.3C	4233957	>> O-RING ID.9 EPDM VP.	1
7.3	4179571	> O-RING HOUSING PIPE HELIX22/36/52 VP.	1

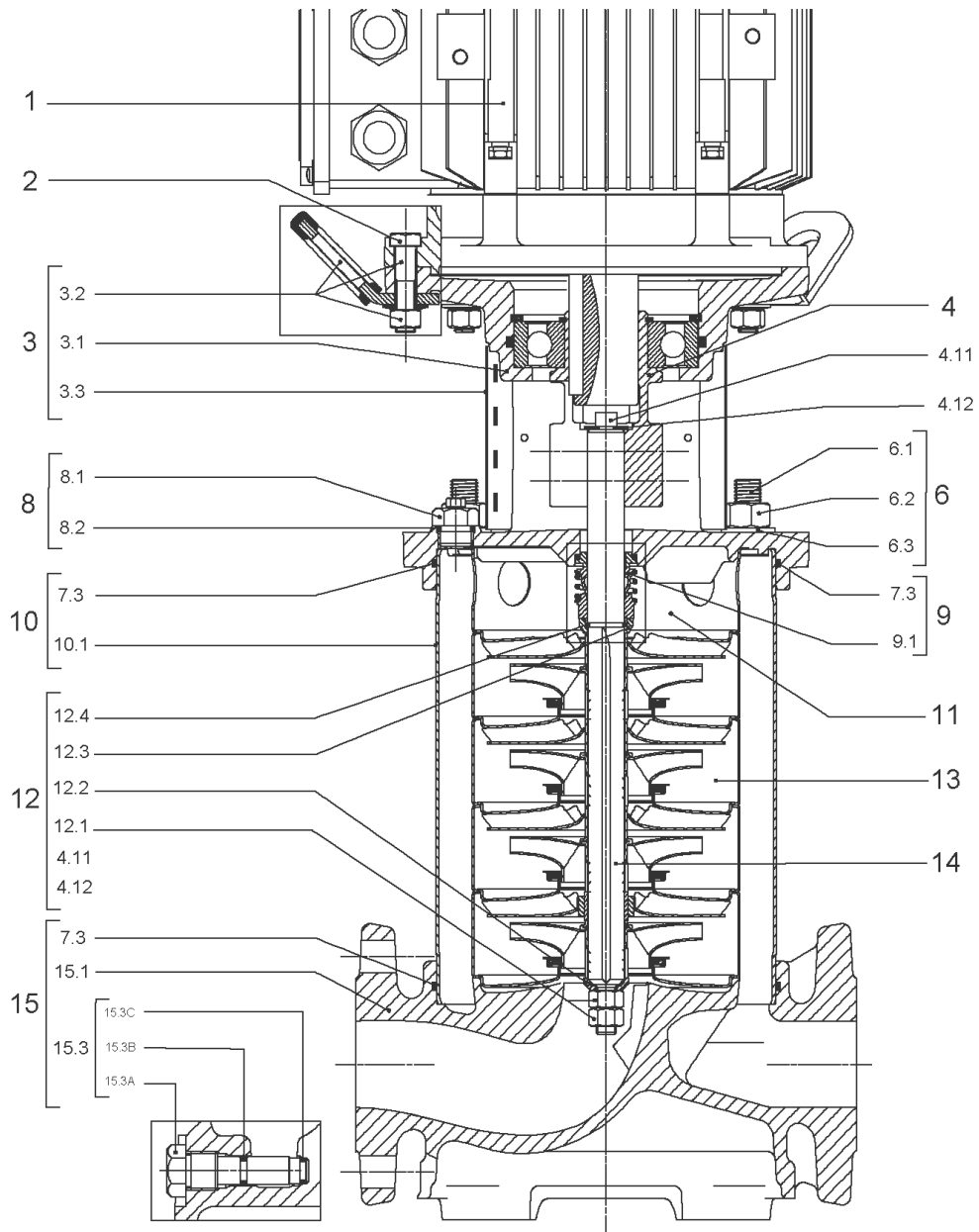


COUPLING D.22XD.38 FF240T130 HELIX KIT (4186347)

Item	Article no.	Description	Quantity
4.1		COUPLING-VMI-D22xD38-FF265-MACHINED	1
4.2	2131017	BALL BEARING 6310/ZZ-C4(HT)VP.	1
4.3	4234253	CIRCLIP-FOR-SHAFT-D50x2 VP.	1
4.4	4157726	SCREW KIT M8X30 (4 PIECES)	1
4.5	4234255	CIRCLIPS 110X4 VP.	1
4.6	4233944	O-RING ID.110 VP.	1
		NOMEL CONTACT WASHER 8x16x1,4 STEEL ZC	1



Item	Article no.	Description	Quantity
13.1	4157739	FIRST STAGE HELIX 22 1.4307 KIT	1
		> IMPELLER-H1-M+22-304	1
		> MACH.STG-CASING-WOGV-WNR-M+22-304	1
13.2	4157740	BEARING STAGE HELIX 22 1.4307 KIT	1
		> IMPELLER-H2-M+22-304	1
		> MACH.BEARING-STG-CASING-WNR-M+22-304	1
		> SHAFT-SLEEVE-D26xD22x16-CW	1
13.3	4157743	INTERMEDIATE STAGE HELIX 22 KIT	1
		> MACH.STD-STG-CASING-WGV+NR-M+22-304	1
		> IMPELLER-H2-M+22-304	1



HELIX FIRST V2208-5/16/E/S/400-50 (4183362)

Item	Article no.	Description	Quantity
1	4195485	MOTOR 11/2/132 3~400V 50HZ IE3 VP.	1
		SPARE PARTS MOTOR:ON REQUEST	1
2	4174093	SCREW M12X50 (4 PIECES)	1
3	4186345	LANTERN FF240 HELIX FIRST 8" KIT	1
3.1		> M+8_LANTERN_ONE-PIECE_FF240_CATA	1
3.2	4186346	> EYELET CPL.FF240 HELIX (4 PIECES)	1
3.3	4184853	> COUPLING PROTECTOR FT HELIX 8" KIT	1
4	4186347	COUPLING D.22XD.38 FF240T130 HELIX KIT	1
6	4179919	STUD BOLT M16X500 KIT	1
6.1		> TIE BOLT M16-500x24x44-1.4057	1
6.2	4179562	> NUT M16 8.8 ISO4032 (4 PIECES)	1
6.3	4097852	> WASHER-CS-16.4-32-2.8-NFE25-511-A2	1
8	4186377	FILING/PURGING PLUG 304 HELIX KIT	1
8.1		> FILLING/VENTING-PLUG-MVI8/10"-304	1
8.2	4032291	> O-RING 17x3 EPDM KTW/WRC	1
9	4192148	SEAL-KIT-HELIX22-36-52 FIRST O/E	1
7.3	4179571	> O-RING HOUSING PIPE HELIX22/36/52 VP.	1
9.1	4179573	> M.SEAL.HELIX22-36-52 O/E VP.	1
10	4181087	HOUSING PIPE D.204x464,13 1.4307 KIT	1
7.3	4179571	> O-RING HOUSING PIPE HELIX22/36/52 VP.	1
10.1		> HOUSING-PIPE Ø204-M+2208/3606-304	1
11	4179143	CENTERING STAGE-RETURN HELIX22 1.4307 VP	1
12	4184856	SHAFT EQUIPMENT HELIX 22 FIRST KIT	1
13		HYDRAULIC HELIX V 2208	1
14	4186352	SHAFT D.22X551 1.4057 VP.	1
15	4184858	EQUIPED HOUSING HELIX FIRST DN50 GJL KIT	1
15.1		> ONE PIECE PUMP CASING GJL M+8" DN50	1
15.3	4106048	> DRAIN/PRIMING PLUG EPDM HELIX FIRST KIT	1
15.3A		>> DRAIN AND PRIMING PLUG-VMI10"-304	1
15.3B	4032293	>> O-RING-10x3-EPDM-KTW/WRC	1
15.3C	4233957	>> O-RING ID.9 EPDM VP.	1
7.3	4179571	> O-RING HOUSING PIPE HELIX22/36/52 VP.	1

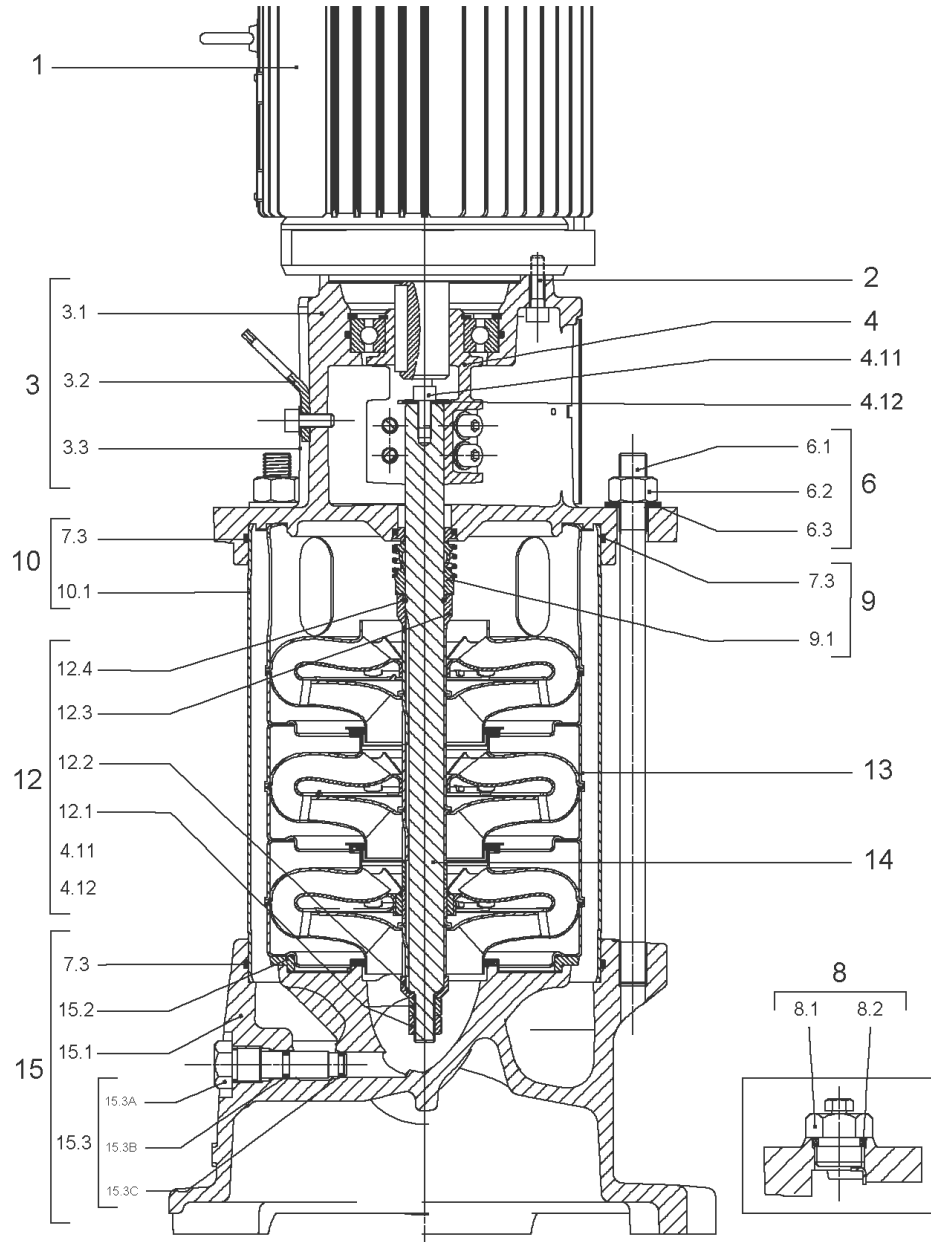


COUPLING D.22XD.38 FF240T130 HELIX KIT (4186347)

Item	Article no.	Description	Quantity
4.1		COUPLING-VMI-D22xD38-FF265-MACHINED	1
4.2	2131017	BALL BEARING 6310/ZZ-C4(HT)VP.	1
4.3	4234253	CIRCLIP-FOR-SHAFT-D50x2 VP.	1
4.4	4157726	SCREW KIT M8X30 (4 PIECES)	1
4.5	4234255	CIRCLIPS 110X4 VP.	1
4.6	4233944	O-RING ID.110 VP.	1
		NOMEL CONTACT WASHER 8x16x1,4 STEEL ZC	1



Item	Article no.	Description	Quantity
13.1	4157739	FIRST STAGE HELIX 22 1.4307 KIT	1
		> IMPELLER-H1-M+22-304	1
		> MACH.STG-CASING-WOGV-WNR-M+22-304	1
13.2	4157740	BEARING STAGE HELIX 22 1.4307 KIT	1
		> IMPELLER-H2-M+22-304	1
		> MACH.BEARING-STG-CASING-WNR-M+22-304	1
		> SHAFT-SLEEVE-D26xD22x16-CW	1
13.3	4157743	INTERMEDIATE STAGE HELIX 22 KIT	1
		> MACH.STD-STG-CASING-WGV+NR-M+22-304	1
		> IMPELLER-H2-M+22-304	1



HELIX FIRST V3601-5/16/E/S/400-50 (4183384)

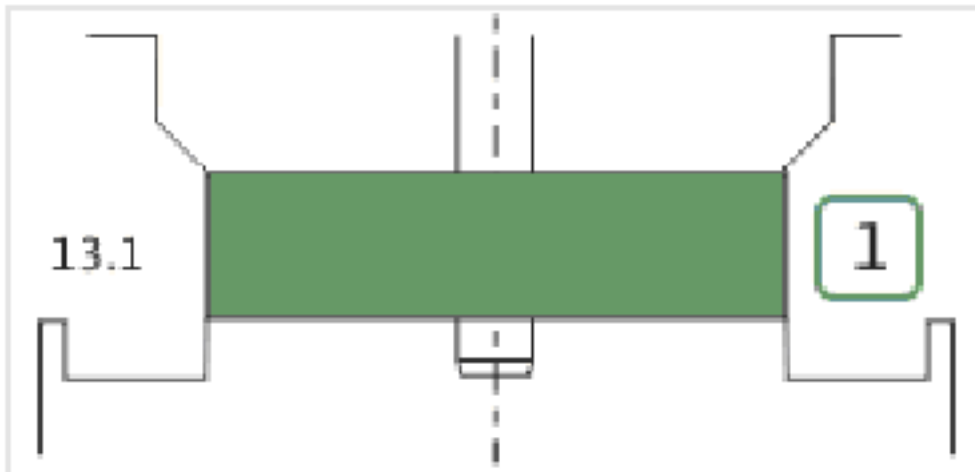
Item	Article no.	Description	Quantity
1	4169944	MOTOR 3/2/100 3~230/400V 50HZ IE3 VP.	1
		SPARE PARTS MOTOR:ON REQUEST	1
2	4159707	SCREW M8X30 (4 PIECES)	1
3	4184851	LANTERN HELIX FIRST 8" FT130 KIT	1
3.1		> M+8_LANTERN_ONE-PIECE_FT130_CATA	1
3.2	4184852	> EYELET CPL.FT HELIX (2 PIECES)	1
3.3	4184853	> COUPLING PROTECTOR FT HELIX 8" KIT	1
4	4184854	COUPLING D.22XD.28 FT130 HELIX KIT	1
6	4186372	STUD BOLT M16X168 KIT	1
6.1		> TIE BOLT M16-168x24x44-1.4057	1
6.2	4179562	> NUT M16 8.8 ISO4032 (4 PIECES)	1
6.3	4097852	> WASHER-CS-16.4-32-2.8-NFE25-511-A2	1
8	4186377	FILING/PURGING PLUG 304 HELIX KIT	1
8.1		> FILLING/VENTING-PLUG-MVI8/10"-304	1
8.2	4032291	> O-RING 17x3 EPDM KTW/WRC	1
9	4192148	SEAL-KIT-HELIX22-36-52 FIRST O/E	1
7.3	4179571	> O-RING HOUSING PIPE HELIX22/36/52 VP.	1
9.1	4179573	> M.SEAL.HELIX22-36-52 O/E VP.	1
10	4186373	HOUSING PIPE D.204x130,71 1.4307 KIT	1
7.3	4179571	> O-RING HOUSING PIPE HELIX22/36/52 VP.	1
10.1		> HOUSING-PIPE Ø204-M+3601/5201-304	1
12	4186374	SHAFT EQUIPMENT HELIX 36 FIRST KIT	1
13		HYDRAULICHELIX V 3601	1
14	4186375	SHAFT D.22X234,34 1.4057 VP.	1
15	4186376	EQUIPE HOUSING HELIX FIRST DN65 PN16 KIT	1
15.1		> ONE PIECE PUMP CASING GJL M+8" DN65 PN16	1
15.2		> HYDRAULIC SUPPORT DN65-80 OPTI 8	1
15.3	4106048	> DRAIN/PRIMING PLUG EPDM HELIX FIRST KIT	1
15.3A		>> DRAIN AND PRIMING PLUG-VMI10"-304	1
15.3B	4032293	>> O-RING-10x3-EPDM-KTW/WRC	1
15.3C	4233957	>> O-RING ID.9 EPDM VP.	1
7.3	4179571	> O-RING HOUSING PIPE HELIX22/36/52 VP.	1
13.1A	4161200	> NECK RING 1.STAGE HELIX V36/52 KIT	1
		>> NECK-RING-M+36/52	1

Item	Article no.	Description	Quantity
		>> HYDRAULIC SUPPORT CAP M+36/52 304	1
		>> SCREW TCL M3X8 A4 POZIDRIV	1

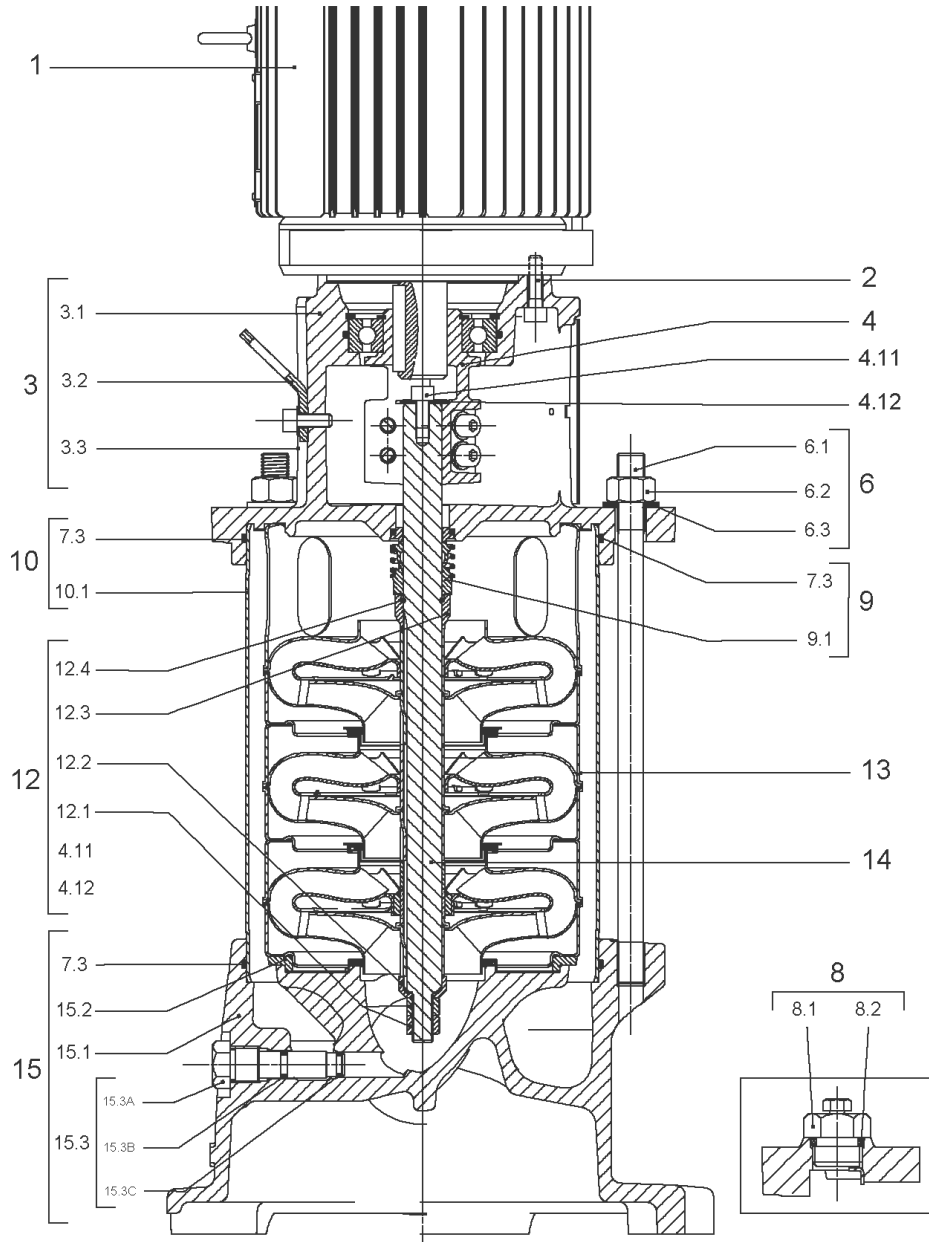


COUPLING D.22XD.28 FT130 HELIX KIT (4184854)

Item	Article no.	Description	Quantity
4.1		COUPLING-VMI-Ø22xØ28-FT130-MACHINED	1
4.2	2131022	BALL BEARING 6209/ZZ-C3(HT)VP.	1
4.3	4233930	CIRCLIP-FOR-BORES-D45x1,75 VP.	1
4.4	4157726	SCREW KIT M8X30 (4 PIECES)	1
4.5	4234252	CIRCLIPS 85X3 VP.	1
4.6	4234243	O-RING 85X3 VP.	1
		NOMEL CONTACT WASHER 8x16x1,4 STEEL ZC	1



Item	Article no.	Description	Quantity
13.1	4161198	UPPER STAGE HELIX 36 1.4301 KIT	1
		> STOP COLLAR OF IMPELLER L20-Ø22-316L	1
		> SHAFT-SLEEVE-D26xD22x16-CW	1
		> SLEEVE-SPACER-D22XL16,66-316L	1
		> IMPELLER-H1-M+36-304	1
		> MACH.-RIGID-BEARING-DISC.-CHAMBER-M+36-3	1
13.1A	4161200	> NECK RING 1.STAGE HELIX V36/52 KIT	1
		>> NECK-RING-M+36/52	1
		>> HYDRAULIC SUPPORT CAP M+36/52 304	1
		>> SCREW TCL M3X8 A4 POZIDRIV	1



HELIX FIRST V3602/2-5/16/E/S/400-50 (4183385)

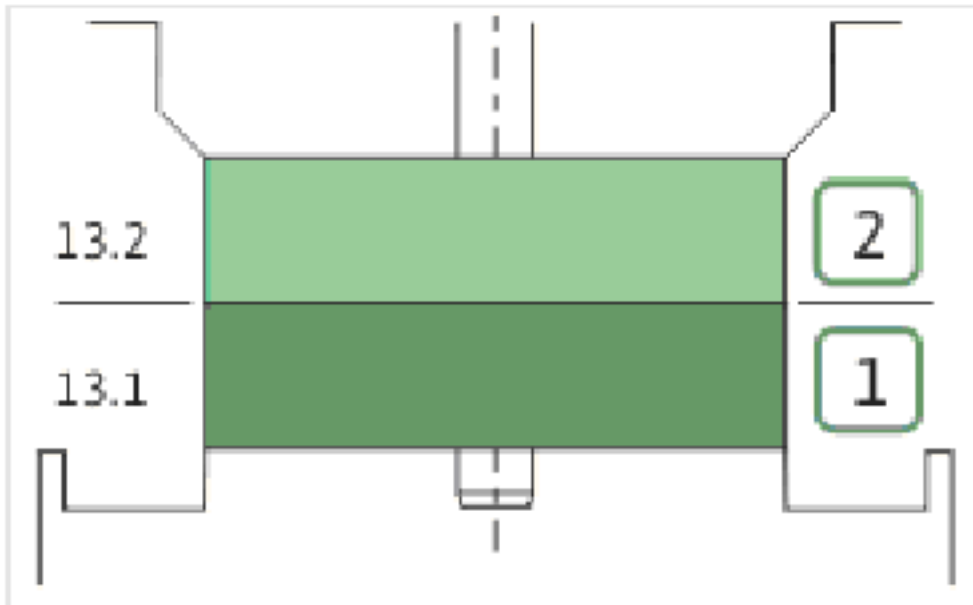
Item	Article no.	Description	Quantity
1	4169945	MO.4/2 3~230/400(460)V 50(60)HZ IE3 VP.	1
		SPARE PARTS MOTOR:ON REQUEST	1
2	4159707	SCREW M8X30 (4 PIECES)	1
3	4184851	LANTERN HELIX FIRST 8" FT130 KIT	1
3.1		> M+8_LANTERN_ONE-PIECE_FT130_CATA	1
3.2	4184852	> EYELET CPL.FT HELIX (2 PIECES)	1
3.3	4184853	> COUPLING PROTECTOR FT HELIX 8" KIT	1
4	4184854	COUPLING D.22XD.28 FT130 HELIX KIT	1
6	4181156	STUD BOLT M16X233 KIT	1
6.1		> TIE BOLT M16-233x24x44-1.4057	1
6.2	4179562	> NUT M16 8.8 ISO4032 (4 PIECES)	1
6.3	4097852	> WASHER-CS-16.4-32-2.8-NFE25-511-A2	1
8	4186377	FILING/PURGING PLUG 304 HELIX KIT	1
8.1		> FILLING/VENTING-PLUG-MVI8/10"-304	1
8.2	4032291	> O-RING 17x3 EPDM KTW/WRC	1
9	4192148	SEAL-KIT-HELIX22-36-52 FIRST O/E	1
7.3	4179571	> O-RING HOUSING PIPE HELIX22/36/52 VP.	1
9.1	4179573	> M.SEAL.HELIX22-36-52 O/E VP.	1
10	4181070	HOUSING PIPE D.204X197 1.4307 KIT	1
7.3	4179571	> O-RING HOUSING PIPE HELIX22/36/52 VP.	1
10.1		> HOUSING-PIPE Ø204-M+3602-304	1
12	4186374	SHAFT EQUIPMENT HELIX 36 FIRST KIT	1
13		HYDRAULIC HELIX V 3602-2	1
14	4186343	SHAFT D.22X301 1.4057 VP.	1
15	4186376	EQUIPE HOUSING HELIX FIRST DN65 PN16 KIT	1
15.1		> ONE PIECE PUMP CASING GJL M+8" DN65 PN16	1
15.2		> HYDRAULIC SUPPORT DN65-80 OPTI 8	1
15.3	4106048	> DRAIN/PRIMING PLUG EPDM HELIX FIRST KIT	1
15.3A		>> DRAIN AND PRIMING PLUG-VMI10"-304	1
15.3B	4032293	>> O-RING-10x3-EPDM-KTW/WRC	1
15.3C	4233957	>> O-RING ID.9 EPDM VP.	1
7.3	4179571	> O-RING HOUSING PIPE HELIX22/36/52 VP.	1
13.1A	4161200	> NECK RING 1.STAGE HELIX V36/52 KIT	1
		>> NECK-RING-M+36/52	1

Item	Article no.	Description	Quantity
		>> HYDRAULIC SUPPORT CAP M+36/52 304	1
		>> SCREW TCL M3X8 A4 POZIDRIV	1



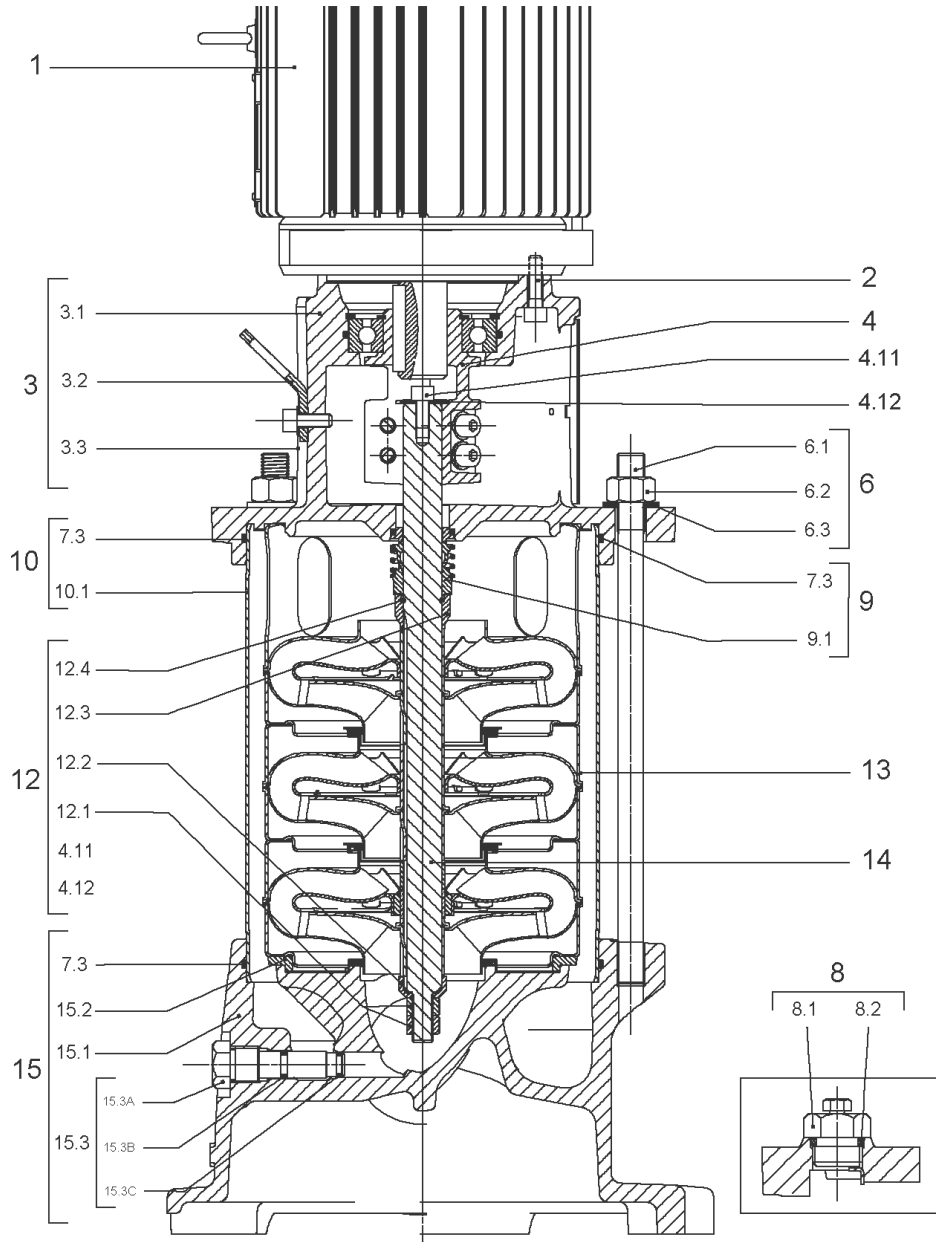
COUPLING D.22XD.28 FT130 HELIX KIT (4184854)

Item	Article no.	Description	Quantity
4.1		COUPLING-VMI-Ø22xØ28-FT130-MACHINED	1
4.2	2131022	BALL BEARING 6209/ZZ-C3(HT)VP.	1
4.3	4233930	CIRCLIP-FOR-BORES-D45x1,75 VP.	1
4.4	4157726	SCREW KIT M8X30 (4 PIECES)	1
4.5	4234252	CIRCLIPS 85X3 VP.	1
4.6	4234243	O-RING 85X3 VP.	1
		NOMEL CONTACT WASHER 8x16x1,4 STEEL ZC	1



HYDRAULIC HELIX V 3602-2

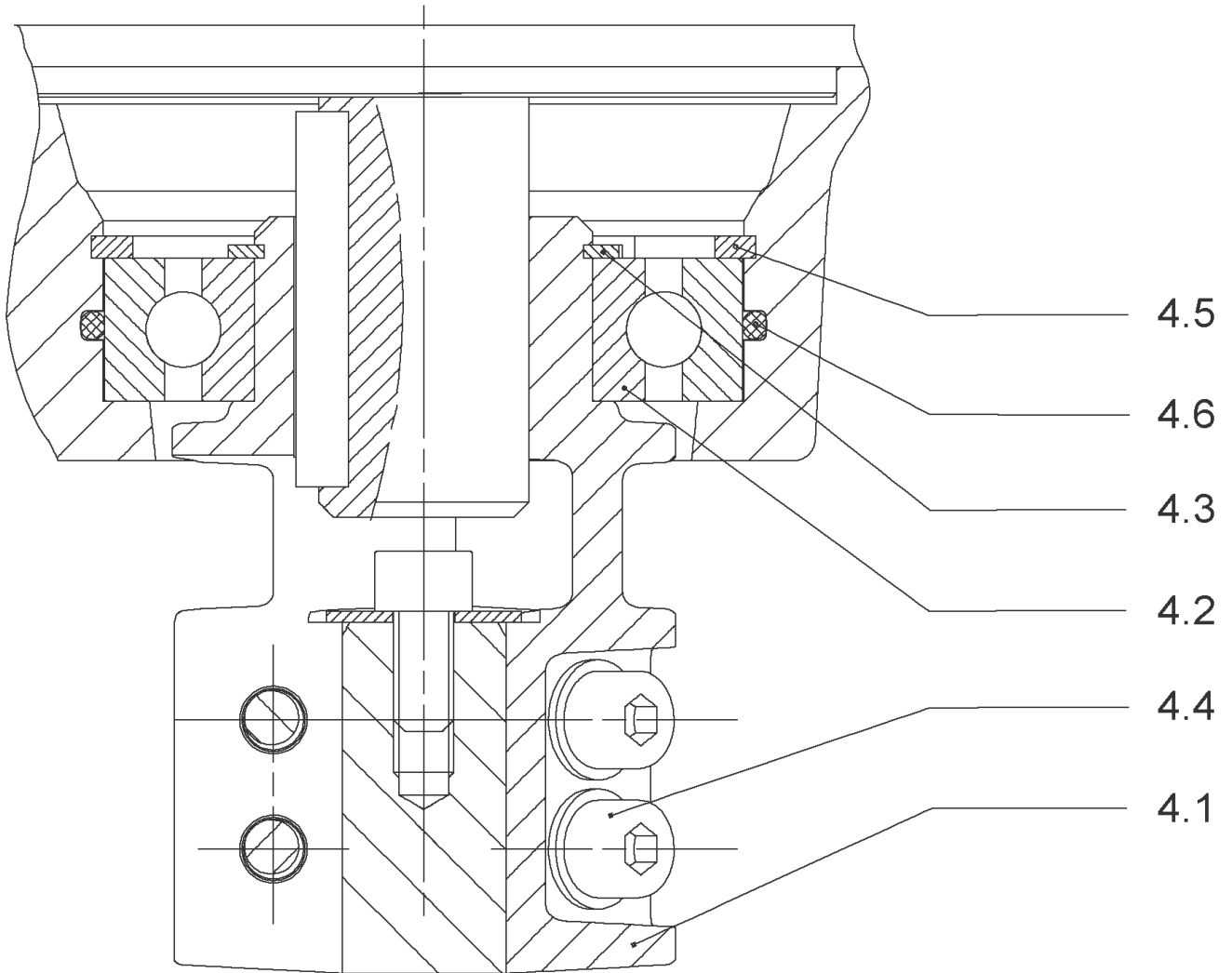
Item	Article no.	Description	Quantity
13.1	4161197	INTERMEDIATE STAGE HELIX V36 1.4301 KIT	1
		> SLEEVE-SPACER-D22XL16,66-316L	1
		> MACH.BEARING-DIFFUSER+NR-M+36-304	1
		> SHAFT-SLEEVE-D26xD22x16-CW	1
		> REDUCED-IMPELLER-H1-M+36-304	1
13.1A	4161200	> NECK RING 1.STAGE HELIX V36/52 KIT	1
		>> NECK-RING-M+36/52	1
		>> HYDRAULIC SUPPORT CAP M+36/52 304	1
		>> SCREW TCL M3X8 A4 POZIDRIV	1
13.2	4161196	UPPER STAGE HELIX 36 1.4301 KIT	1
		> STOP COLLAR OF IMPELLER L20-Ø22-316L	1
		> REDUCED-IMPELLER-H4-M+36-304	1
		> MACH.-RIGID-STD-DISCH.-CHAMBER-M+36-304	1



HELIX FIRST V3602/1-5/16/E/S/400-50 (4183386)

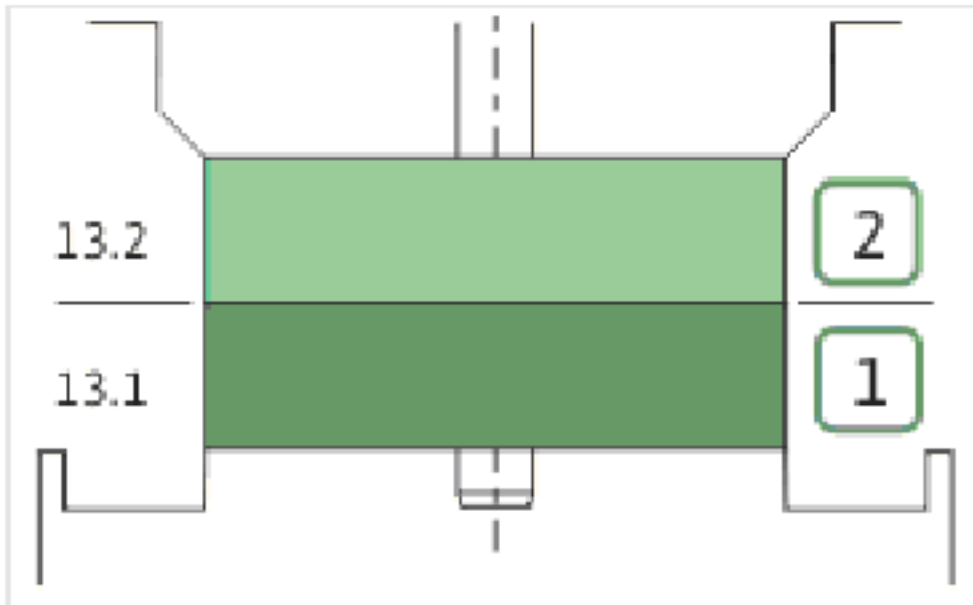
Item	Article no.	Description	Quantity
1	4169947	MO 5,5/2/112 3~400V50Hz 460V60Hz IE3 VP.	1
		SPARE PARTS MOTOR:ON REQUEST	1
2	4159707	SCREW M8X30 (4 PIECES)	1
3	4184851	LANTERN HELIX FIRST 8" FT130 KIT	1
3.1		> M+8_LANTERN_ONE-PIECE_FT130_CATA	1
3.2	4184852	> EYELET CPL.FT HELIX (2 PIECES)	1
3.3	4184853	> COUPLING PROTECTOR FT HELIX 8" KIT	1
4	4184854	COUPLING D.22XD.28 FT130 HELIX KIT	1
6	4181156	STUD BOLT M16X233 KIT	1
6.1		> TIE BOLT M16-233x24x44-1.4057	1
6.2	4179562	> NUT M16 8.8 ISO4032 (4 PIECES)	1
6.3	4097852	> WASHER-CS-16.4-32-2.8-NFE25-511-A2	1
8	4186377	FILING/PURGING PLUG 304 HELIX KIT	1
8.1		> FILLING/VENTING-PLUG-MVI8/10"-304	1
8.2	4032291	> O-RING 17x3 EPDM KTW/WRC	1
9	4192148	SEAL-KIT-HELIX22-36-52 FIRST O/E	1
7.3	4179571	> O-RING HOUSING PIPE HELIX22/36/52 VP.	1
9.1	4179573	> M.SEAL.HELIX22-36-52 O/E VP.	1
10	4181070	HOUSING PIPE D.204X197 1.4307 KIT	1
7.3	4179571	> O-RING HOUSING PIPE HELIX22/36/52 VP.	1
10.1		> HOUSING-PIPE Ø204-M+3602-304	1
12	4186374	SHAFT EQUIPMENT HELIX 36 FIRST KIT	1
13		HYDRAULIC HELIX V 3602-1	1
14	4186343	SHAFT D.22X301 1.4057 VP.	1
15	4186376	EQUIPE HOUSING HELIX FIRST DN65 PN16 KIT	1
15.1		> ONE PIECE PUMP CASING GJL M+8" DN65 PN16	1
15.2		> HYDRAULIC SUPPORT DN65-80 OPTI 8	1
15.3	4106048	> DRAIN/PRIMING PLUG EPDM HELIX FIRST KIT	1
15.3A		>> DRAIN AND PRIMING PLUG-VMI10"-304	1
15.3B	4032293	>> O-RING-10x3-EPDM-KTW/WRC	1
15.3C	4233957	>> O-RING ID.9 EPDM VP.	1
7.3	4179571	> O-RING HOUSING PIPE HELIX22/36/52 VP.	1
13.1A	4161200	> NECK RING 1.STAGE HELIX V36/52 KIT	1
		>> NECK-RING-M+36/52	1

Item	Article no.	Description	Quantity
		>> HYDRAULIC SUPPORT CAP M+36/52 304	1
		>> SCREW TCL M3X8 A4 POZIDRIV	1



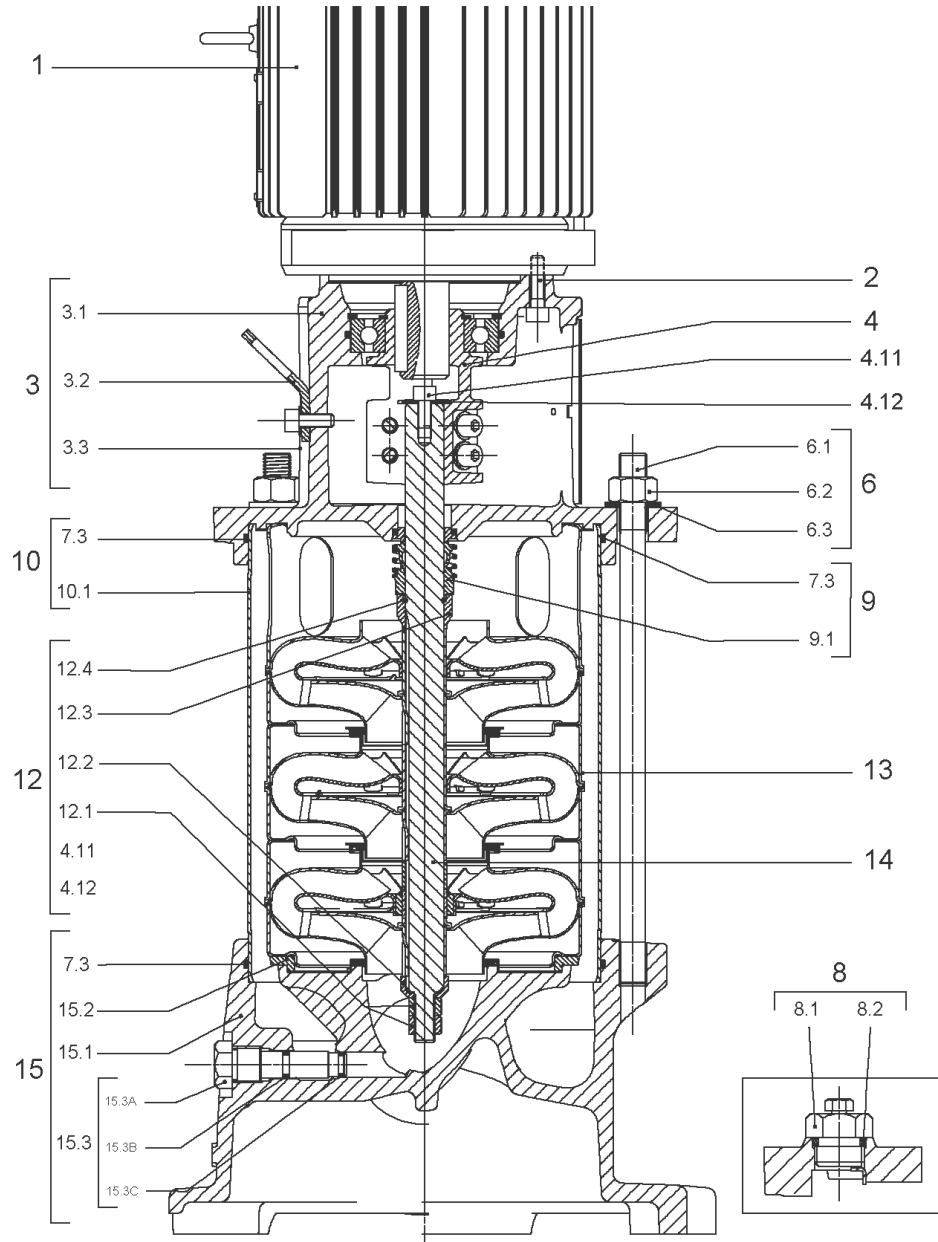
COUPLING D.22XD.28 FT130 HELIX KIT (4184854)

Item	Article no.	Description	Quantity
4.1		COUPLING-VMI-Ø22xØ28-FT130-MACHINED	1
4.2	2131022	BALL BEARING 6209/ZZ-C3(HT)VP.	1
4.3	4233930	CIRCLIP-FOR-BORES-D45x1,75 VP.	1
4.4	4157726	SCREW KIT M8X30 (4 PIECES)	1
4.5	4234252	CIRCLIPS 85X3 VP.	1
4.6	4234243	O-RING 85X3 VP.	1
		NOMEL CONTACT WASHER 8x16x1,4 STEEL ZC	1



HYDRAULIC HELIX V 3602-1

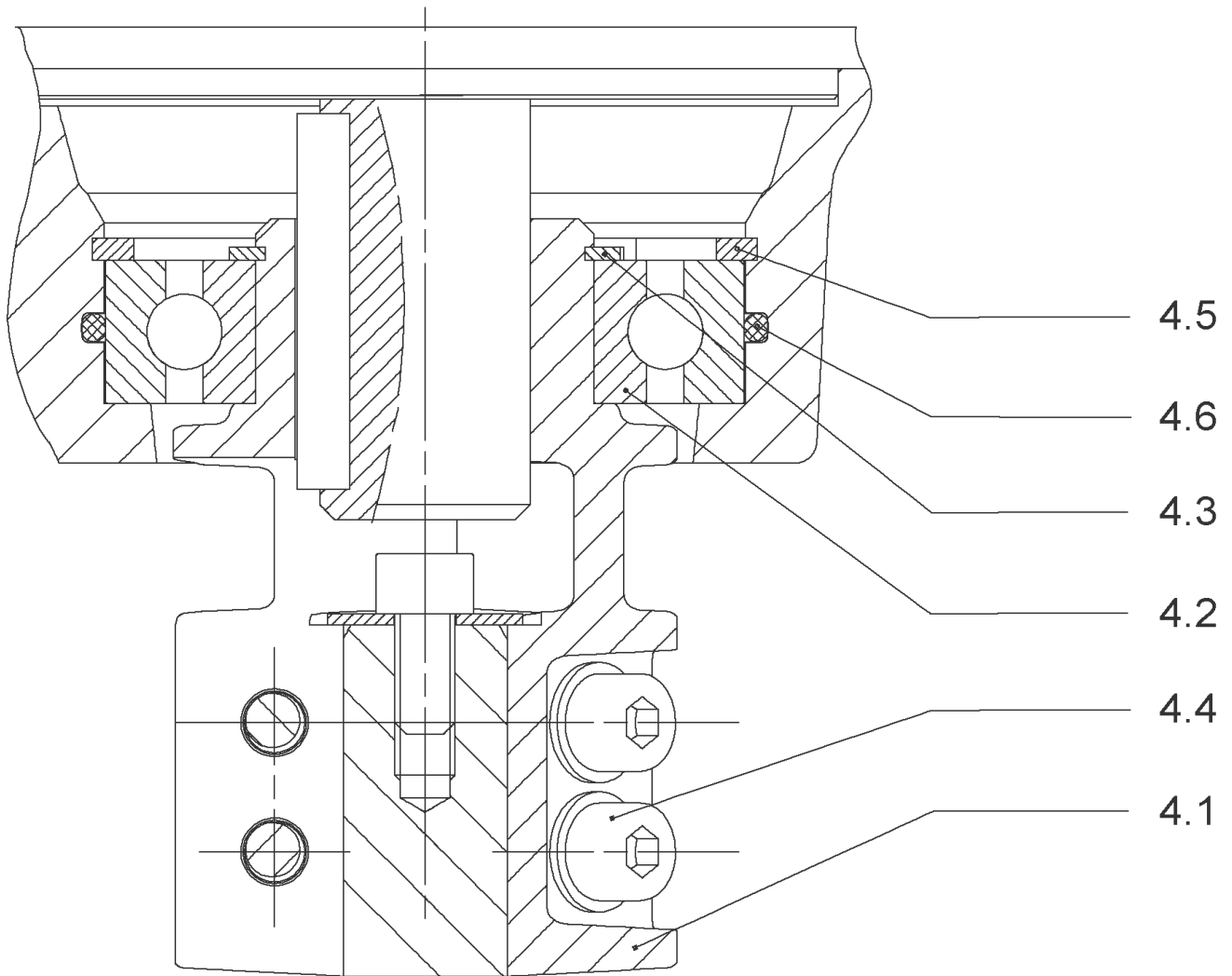
Item	Article no.	Description	Quantity
13.1	4161192	INTERMEDIATE STAGE HELIX V36 1.4301 KIT	1
		> SLEEVE-SPACER-D22XL16,66-316L	1
		> MACH.BEARING-DIFFUSER+NR-M+36-304	1
		> SHAFT-SLEEVE-D26xD22x16-CW	1
		> IMPELLER-H1-M+36-304	1
13.1A	4161200	> NECK RING 1.STAGE HELIX V36/52 KIT	1
		>> NECK-RING-M+36/52	1
		>> HYDRAULIC SUPPORT CAP M+36/52 304	1
		>> SCREW TCL M3X8 A4 POZIDRIV	1
13.2	4161196	UPPER STAGE HELIX 36 1.4301 KIT	1
		> STOP COLLAR OF IMPELLER L20-Ø22-316L	1
		> REDUCED-IMPELLER-H4-M+36-304	1
		> MACH.-RIGID-STD-DISCH.-CHAMBER-M+36-304	1



HELIX FIRST V3602-5/16/E/S/400-50 (4183387)

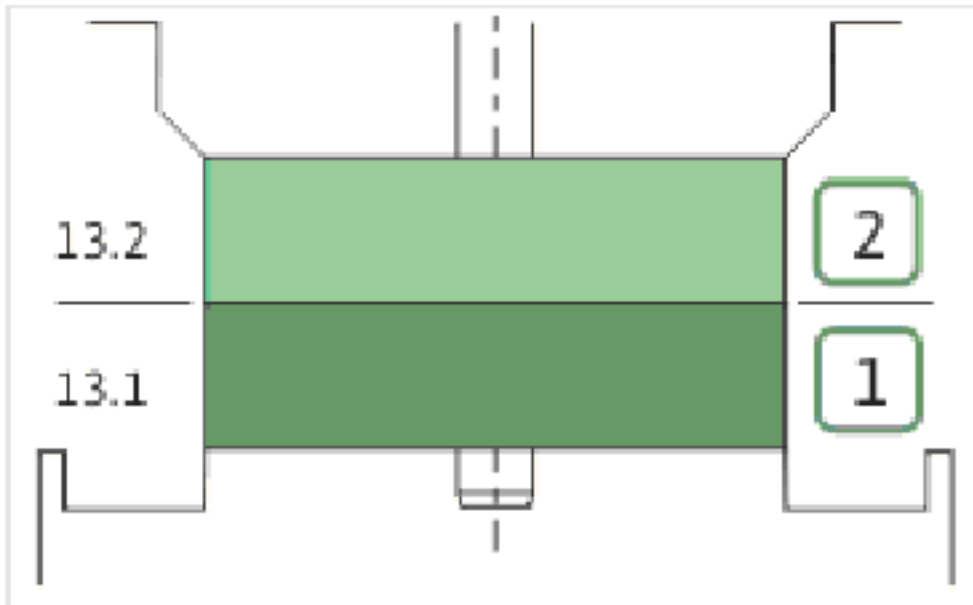
Item	Article no.	Description	Quantity
1	4169947	MO 5,5/2/112 3~400V50Hz 460V60Hz IE3 VP.	1
		SPARE PARTS MOTOR:ON REQUEST	1
2	4159707	SCREW M8X30 (4 PIECES)	1
3	4184851	LANTERN HELIX FIRST 8" FT130 KIT	1
3.1		> M+8_LANTERN_ONE-PIECE_FT130_CATA	1
3.2	4184852	> EYELET CPL.FT HELIX (2 PIECES)	1
3.3	4184853	> COUPLING PROTECTOR FT HELIX 8" KIT	1
4	4184854	COUPLING D.22XD.28 FT130 HELIX KIT	1
6	4181156	STUD BOLT M16X233 KIT	1
6.1		> TIE BOLT M16-233x24x44-1.4057	1
6.2	4179562	> NUT M16 8.8 ISO4032 (4 PIECES)	1
6.3	4097852	> WASHER-CS-16.4-32-2.8-NFE25-511-A2	1
8	4186377	FILING/PURGING PLUG 304 HELIX KIT	1
8.1		> FILLING/VENTING-PLUG-MVI8/10"-304	1
8.2	4032291	> O-RING 17x3 EPDM KTW/WRC	1
9	4192148	SEAL-KIT-HELIX22-36-52 FIRST O/E	1
7.3	4179571	> O-RING HOUSING PIPE HELIX22/36/52 VP.	1
9.1	4179573	> M.SEAL.HELIX22-36-52 O/E VP.	1
10	4181070	HOUSING PIPE D.204X197 1.4307 KIT	1
7.3	4179571	> O-RING HOUSING PIPE HELIX22/36/52 VP.	1
10.1		> HOUSING-PIPE Ø204-M+3602-304	1
12	4186374	SHAFT EQUIPMENT HELIX 36 FIRST KIT	1
13		HYDRAULIC HELIX V 3602	1
14	4186343	SHAFT D.22X301 1.4057 VP.	1
15	4186376	EQUIPE HOUSING HELIX FIRST DN65 PN16 KIT	1
15.1		> ONE PIECE PUMP CASING GJL M+8" DN65 PN16	1
15.2		> HYDRAULIC SUPPORT DN65-80 OPTI 8	1
15.3	4106048	> DRAIN/PRIMING PLUG EPDM HELIX FIRST KIT	1
15.3A		>> DRAIN AND PRIMING PLUG-VMI10"-304	1
15.3B	4032293	>> O-RING-10x3-EPDM-KTW/WRC	1
15.3C	4233957	>> O-RING ID.9 EPDM VP.	1
7.3	4179571	> O-RING HOUSING PIPE HELIX22/36/52 VP.	1
13.1A	4161200	> NECK RING 1.STAGE HELIX V36/52 KIT	1
		>> NECK-RING-M+36/52	1

Item	Article no.	Description	Quantity
		>> HYDRAULIC SUPPORT CAP M+36/52 304	1
		>> SCREW TCL M3X8 A4 POZIDRIV	1



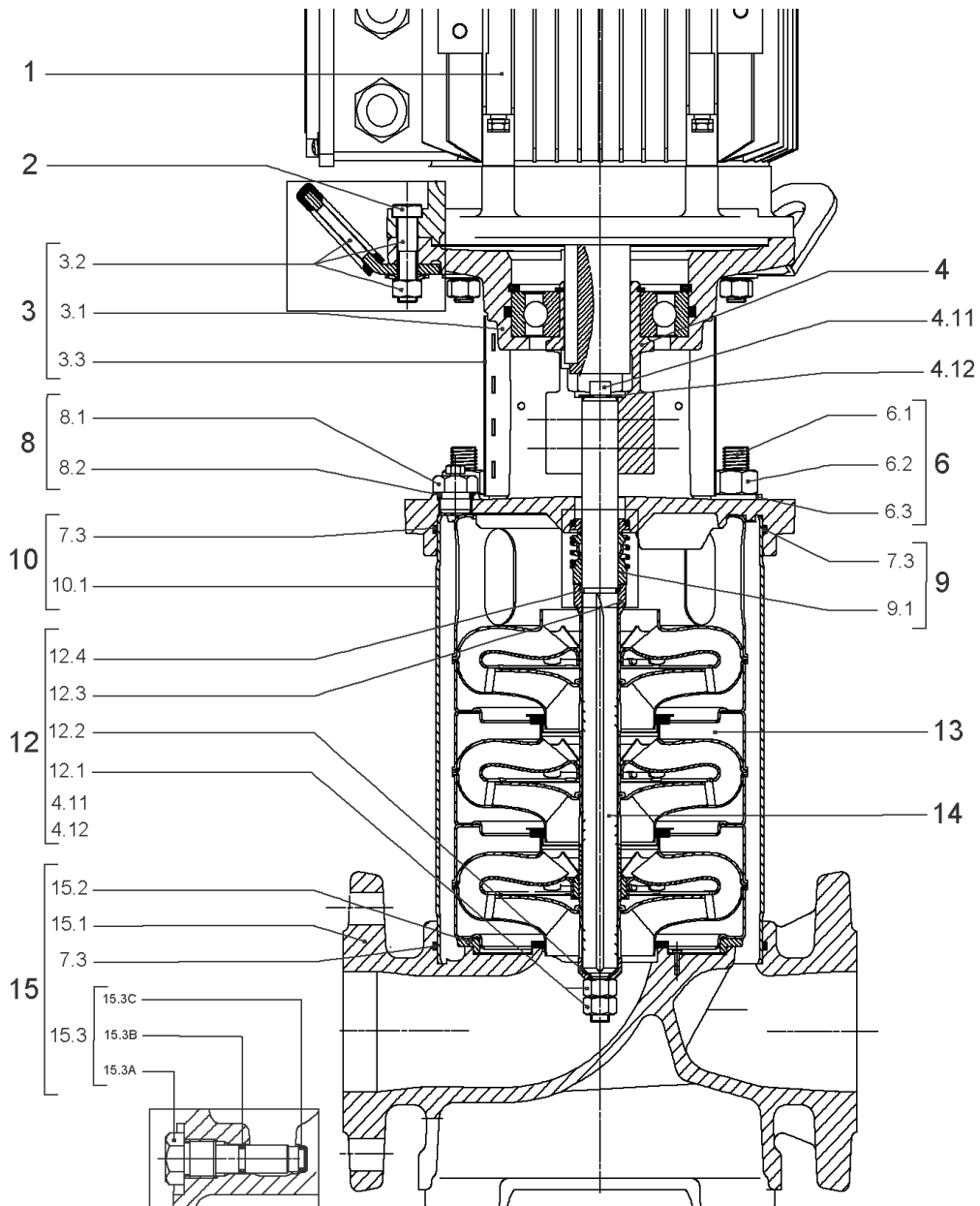
COUPLING D.22XD.28 FT130 HELIX KIT (4184854)

Item	Article no.	Description	Quantity
4.1		COUPLING-VMI-Ø22xØ28-FT130-MACHINED	1
4.2	2131022	BALL BEARING 6209/ZZ-C3(HT)VP.	1
4.3	4233930	CIRCLIP-FOR-BORES-D45x1,75 VP.	1
4.4	4157726	SCREW KIT M8X30 (4 PIECES)	1
4.5	4234252	CIRCLIPS 85X3 VP.	1
4.6	4234243	O-RING 85X3 VP.	1
		NOMEL CONTACT WASHER 8x16x1,4 STEEL ZC	1



HYDRAULIC HELIX V 3602

Item	Article no.	Description	Quantity
13.1	4161192	INTERMEDIATE STAGE HELIX V36 1.4301 KIT	1
		> SLEEVE-SPACER-D22XL16,66-316L	1
		> MACH.BEARING-DIFFUSER+NR-M+36-304	1
		> SHAFT-SLEEVE-D26xD22x16-CW	1
		> IMPELLER-H1-M+36-304	1
13.1A	4161200	> NECK RING 1.STAGE HELIX V36/52 KIT	1
		>> NECK-RING-M+36/52	1
		>> HYDRAULIC SUPPORT CAP M+36/52 304	1
		>> SCREW TCL M3X8 A4 POZIDRIV	1
13.2	4161194	UPPER STAGE HELIX 36 1.4301 KIT	1
		> STOP COLLAR OF IMPELLER L20-Ø22-316L	1
		> IMPELLER-H4-M+36-304	1
		> MACH.-RIGID-STD-DISCH.-CHAMBER-M+36-304	1



HELIX FIRST V3603/2-5/16/E/S/400-50 (4183388)

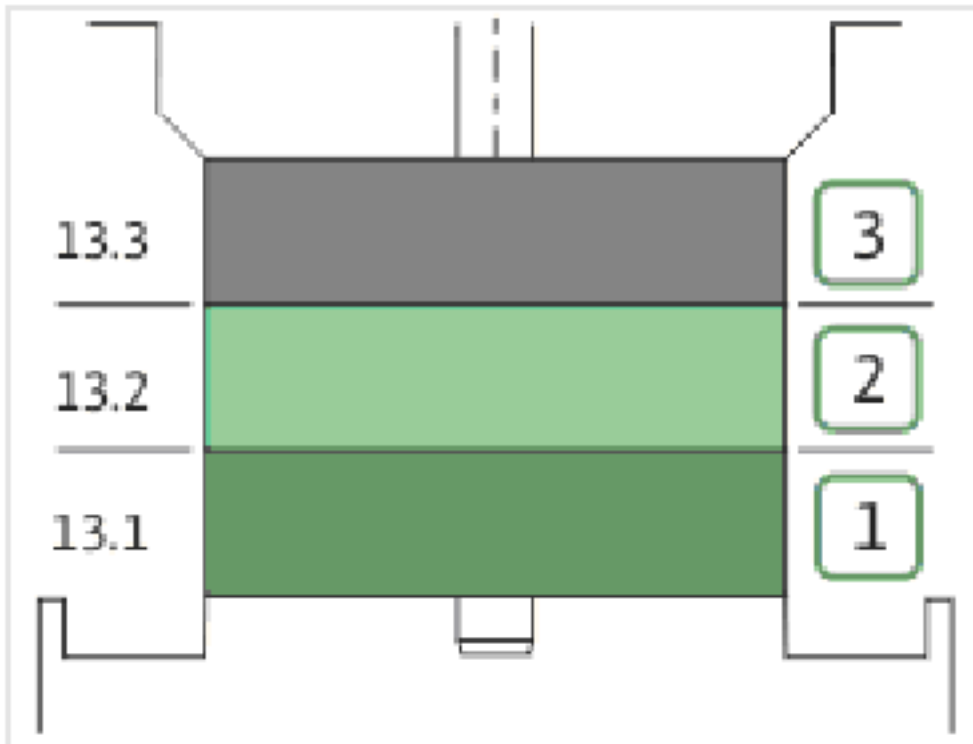
Item	Article no.	Description	Quantity
1	4195512	MOTOR 7,5/2/112 3~400V 50HZ IE3 VP.	1
		SPARE PARTS MOTOR:ON REQUEST	1
2	4174093	SCREW M12X50 (4 PIECES)	1
3	4186345	LANTERN FF240 HELIX FIRST 8" KIT	1
3.1		> M+8_LANTERN_ONE-PIECE_FF240_CATA	1
3.2	4186346	> EYELET CPL.FF240 HELIX (4 PIECES)	1
3.3	4184853	> COUPLING PROTECTOR FT HELIX 8" KIT	1
4	4186347	COUPLING D.22XD.38 FF240T130 HELIX KIT	1
6	4179581	STUD BOLT M16X305.5 KIT	1
6.1		> TIE BOLT M16-305.5x24x44-1.4057	1
6.2	4179562	> NUT M16 8.8 ISO4032 (4 PIECES)	1
6.3	4097852	> WASHER-CS-16.4-32-2.8-NFE25-511-A2	1
8	4186377	FILING/PURGING PLUG 304 HELIX KIT	1
8.1		> FILLING/VENTING-PLUG-MVI8/10"-304	1
8.2	4032291	> O-RING 17x3 EPDM KTW/WRC	1
9	4192148	SEAL-KIT-HELIX22-36-52 FIRST O/E	1
7.3	4179571	> O-RING HOUSING PIPE HELIX22/36/52 VP.	1
9.1	4179573	> M.SEAL.HELIX22-36-52 O/E VP.	1
10	4181077	HOUSING-PIPE D.204X264 1.4307 KIT	1
7.3	4179571	> O-RING HOUSING PIPE HELIX22/36/52 VP.	1
10.1		> HOUSING-PIPE Ø204-M+2204/3603-304	1
12	4186374	SHAFT EQUIPMENT HELIX 36 FIRST KIT	1
13		HYDRAULIC HELIX V 3603-2	1
14	4186378	SHAFT D.22X367,67 1.4057 VP.	1
15	4186376	EQUIPE HOUSING HELIX FIRST DN65 PN16 KIT	1
15.1		> ONE PIECE PUMP CASING GJL M+8" DN65 PN16	1
15.2		> HYDRAULIC SUPPORT DN65-80 OPTI 8	1
15.3	4106048	> DRAIN/PRIMING PLUG EPDM HELIX FIRST KIT	1
15.3A		>> DRAIN AND PRIMING PLUG-VMI10"-304	1
15.3B	4032293	>> O-RING-10x3-EPDM-KTW/WRC	1
15.3C	4233957	>> O-RING ID.9 EPDM VP.	1
7.3	4179571	> O-RING HOUSING PIPE HELIX22/36/52 VP.	1
13.1A	4161200	> NECK RING 1.STAGE HELIX V36/52 KIT	1
		>> NECK-RING-M+36/52	1

Item	Article no.	Description	Quantity
		>> HYDRAULIC SUPPORT CAP M+36/52 304	1
		>> SCREW TCL M3X8 A4 POZIDRIV	1



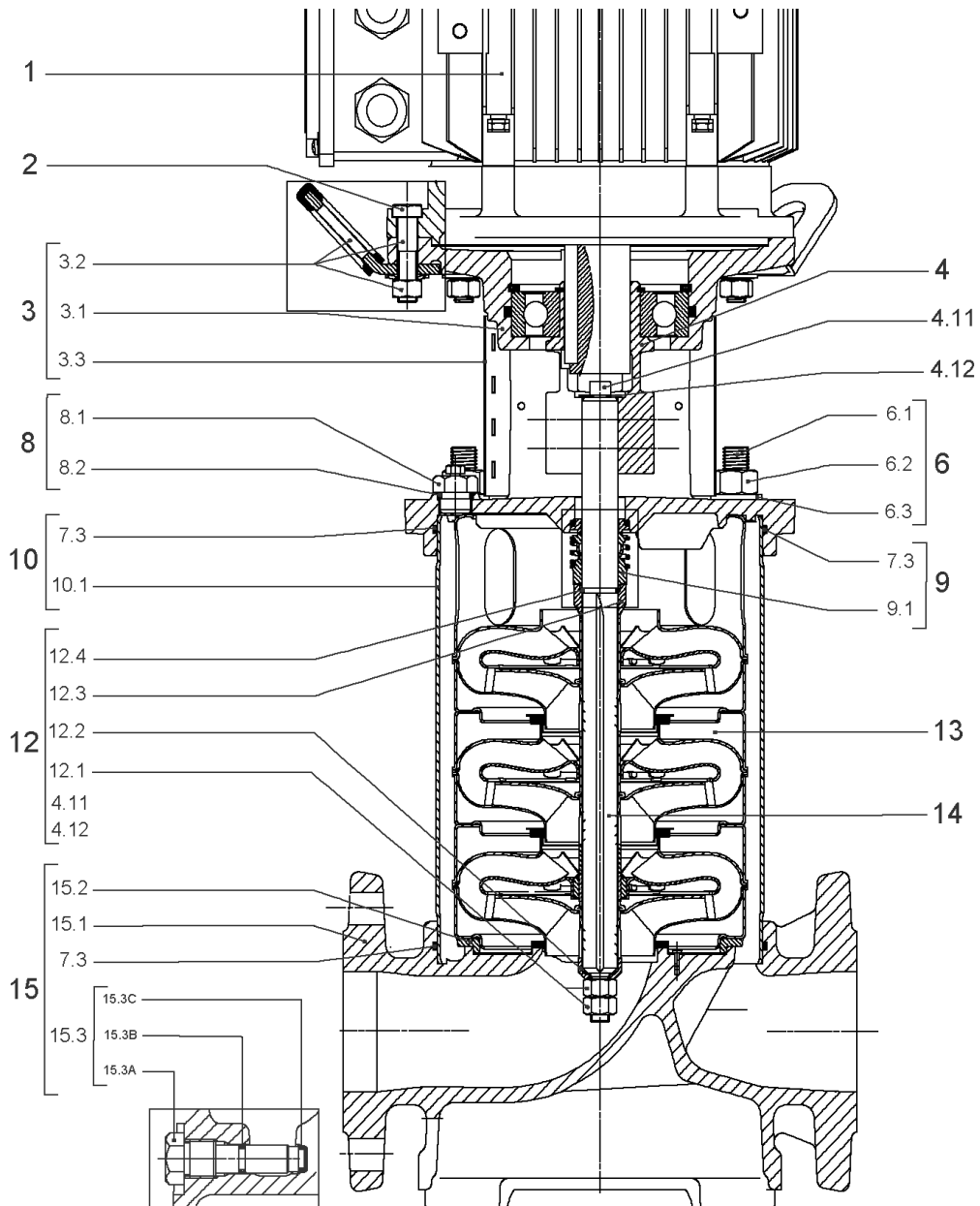
COUPLING D.22XD.38 FF240T130 HELIX KIT (4186347)

Item	Article no.	Description	Quantity
4.1		COUPLING-VMI-D22xD38-FF265-MACHINED	1
4.2	2131017	BALL BEARING 6310/ZZ-C4(HT)VP.	1
4.3	4234253	CIRCLIP-FOR-SHAFT-D50x2 VP.	1
4.4	4157726	SCREW KIT M8X30 (4 PIECES)	1
4.5	4234255	CIRCLIPS 110X4 VP.	1
4.6	4233944	O-RING ID.110 VP.	1
		NOMEL CONTACT WASHER 8x16x1,4 STEEL ZC	1



HYDRAULIC HELIX V 3603-2

Item	Article no.	Description	Quantity
13.1	4161192	INTERMEDIATE STAGE HELIX V36 1.4301 KIT	1
		> SLEEVE-SPACER-D22XL16,66-316L	1
		> MACH.BEARING-DIFFUSER+NR-M+36-304	1
		> SHAFT-SLEEVE-D26xD22x16-CW	1
		> IMPELLER-H1-M+36-304	1
13.1A	4161200	> NECK RING 1.STAGE HELIX V36/52 KIT	1
		>> NECK-RING-M+36/52	1
		>> HYDRAULIC SUPPORT CAP M+36/52 304	1
		>> SCREW TCL M3X8 A4 POZIDRIV	1
13.2	4161195	INTERMEDIATE STAGE HELIX V36 1.4301 KIT	1
		> REDUCED-IMPELLER-H4-M+36-304	1
		> MACH.STD-DIFFUSER+NR-M+36-304	1
13.3	4161196	UPPER STAGE HELIX 36 1.4301 KIT	1
		> STOP COLLAR OF IMPELLER L20-Ø22-316L	1
		> REDUCED-IMPELLER-H4-M+36-304	1
		> MACH.-RIGID-STD-DISCH.-CHAMBER-M+36-304	1



HELIX FIRST V3603/1-5/16/E/S/400-50 (4183389)

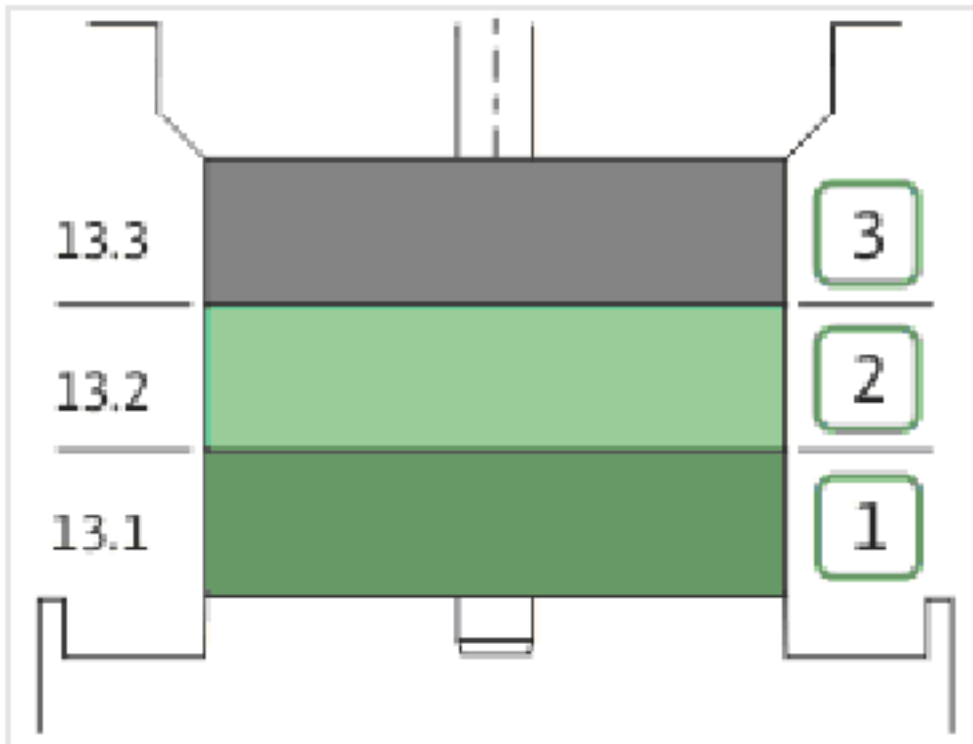
Item	Article no.	Description	Quantity
1	4195512	MOTOR 7,5/2/112 3~400V 50HZ IE3 VP.	1
		SPARE PARTS MOTOR:ON REQUEST	1
2	4174093	SCREW M12X50 (4 PIECES)	1
3	4186345	LANTERN FF240 HELIX FIRST 8" KIT	1
3.1		> M+8_LANTERN_ONE-PIECE_FF240_CATA	1
3.2	4186346	> EYELET CPL.FF240 HELIX (4 PIECES)	1
3.3	4184853	> COUPLING PROTECTOR FT HELIX 8" KIT	1
4	4186347	COUPLING D.22XD.38 FF240T130 HELIX KIT	1
6	4179581	STUD BOLT M16X305.5 KIT	1
6.1		> TIE BOLT M16-305.5x24x44-1.4057	1
6.2	4179562	> NUT M16 8.8 ISO4032 (4 PIECES)	1
6.3	4097852	> WASHER-CS-16.4-32-2.8-NFE25-511-A2	1
8	4186377	FILING/PURGING PLUG 304 HELIX KIT	1
8.1		> FILLING/VENTING-PLUG-MVI8/10"-304	1
8.2	4032291	> O-RING 17x3 EPDM KTW/WRC	1
9	4192148	SEAL-KIT-HELIX22-36-52 FIRST O/E	1
7.3	4179571	> O-RING HOUSING PIPE HELIX22/36/52 VP.	1
9.1	4179573	> M.SEAL.HELIX22-36-52 O/E VP.	1
10	4181077	HOUSING-PIPE D.204X264 1.4307 KIT	1
7.3	4179571	> O-RING HOUSING PIPE HELIX22/36/52 VP.	1
10.1		> HOUSING-PIPE Ø204-M+2204/3603-304	1
12	4186374	SHAFT EQUIPMENT HELIX 36 FIRST KIT	1
13		HYDRAULIC HELIX V 3603-1	1
14	4186378	SHAFT D.22X367,67 1.4057 VP.	1
15	4186376	EQUIPE HOUSING HELIX FIRST DN65 PN16 KIT	1
15.1		> ONE PIECE PUMP CASING GJL M+8" DN65 PN16	1
15.2		> HYDRAULIC SUPPORT DN65-80 OPTI 8	1
15.3	4106048	> DRAIN/PRIMING PLUG EPDM HELIX FIRST KIT	1
15.3A		>> DRAIN AND PRIMING PLUG-VMI10"-304	1
15.3B	4032293	>> O-RING-10x3-EPDM-KTW/WRC	1
15.3C	4233957	>> O-RING ID.9 EPDM VP.	1
7.3	4179571	> O-RING HOUSING PIPE HELIX22/36/52 VP.	1
13.1A	4161200	> NECK RING 1.STAGE HELIX V36/52 KIT	1
		>> NECK-RING-M+36/52	1

Item	Article no.	Description	Quantity
		>> HYDRAULIC SUPPORT CAP M+36/52 304	1
		>> SCREW TCL M3X8 A4 POZIDRIV	1



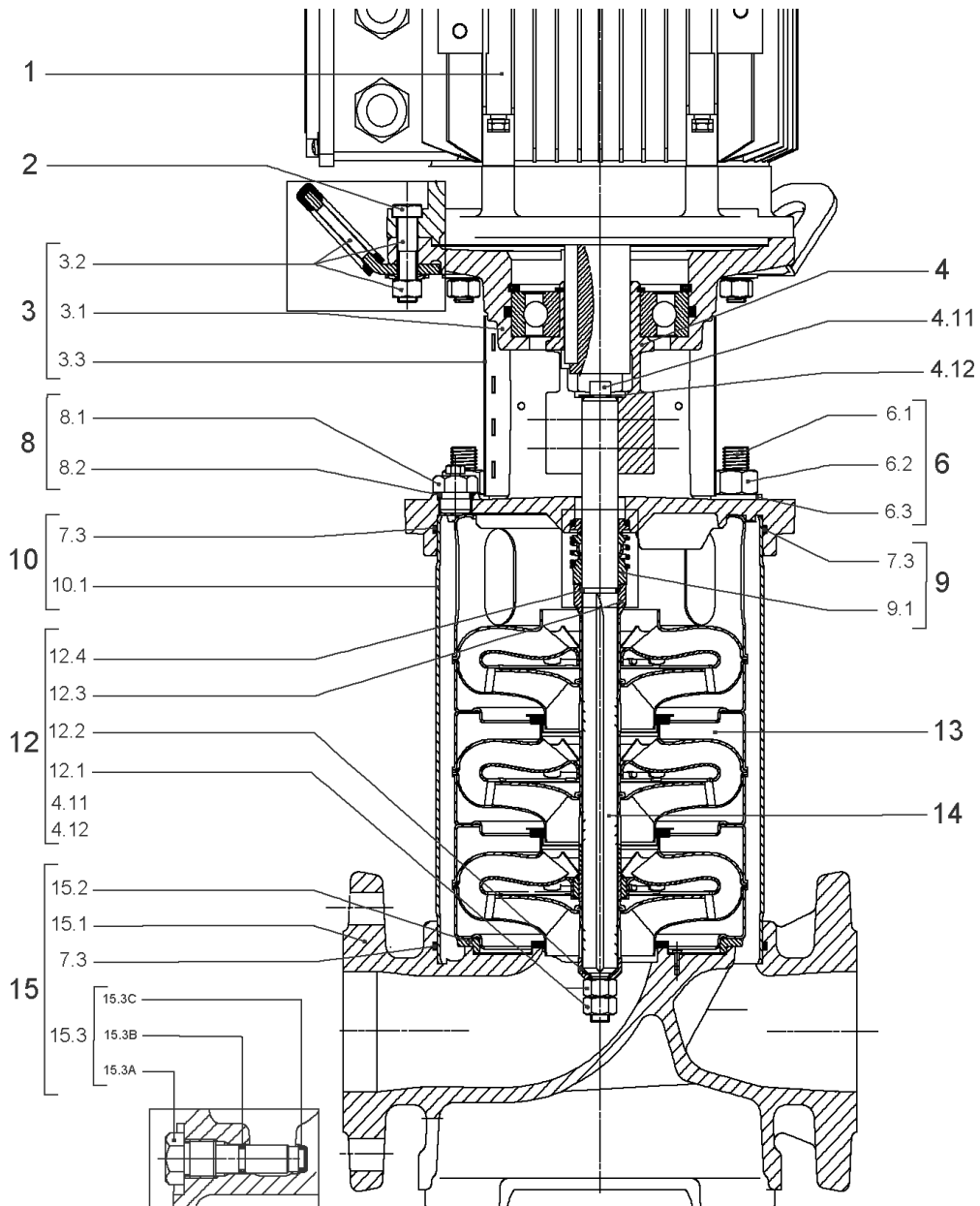
COUPLING D.22XD.38 FF240T130 HELIX KIT (4186347)

Item	Article no.	Description	Quantity
4.1		COUPLING-VMI-D22xD38-FF265-MACHINED	1
4.2	2131017	BALL BEARING 6310/ZZ-C4(HT)VP.	1
4.3	4234253	CIRCLIP-FOR-SHAFT-D50x2 VP.	1
4.4	4157726	SCREW KIT M8X30 (4 PIECES)	1
4.5	4234255	CIRCLIPS 110X4 VP.	1
4.6	4233944	O-RING ID.110 VP.	1
		NOMEL CONTACT WASHER 8x16x1,4 STEEL ZC	1



HYDRAULIC HELIX V 3603-1

Item	Article no.	Description	Quantity
13.1	4161192	INTERMEDIATE STAGE HELIX V36 1.4301 KIT	1
		> SLEEVE-SPACER-D22XL16,66-316L	1
		> MACH.BEARING-DIFFUSER+NR-M+36-304	1
		> SHAFT-SLEEVE-D26xD22x16-CW	1
		> IMPELLER-H1-M+36-304	1
13.1A	4161200	> NECK RING 1.STAGE HELIX V36/52 KIT	1
		>> NECK-RING-M+36/52	1
		>> HYDRAULIC SUPPORT CAP M+36/52 304	1
		>> SCREW TCL M3X8 A4 POZIDRIV	1
13.2	4161193	INTERMEDIATE STAGE HELIX V36 1.4301 KIT	1
		> MACH.STD-DIFFUSER+NR-M+36-304	1
		> IMPELLER-H4-M+36-304	1
13.3	4161196	UPPER STAGE HELIX 36 1.4301 KIT	1
		> STOP COLLAR OF IMPELLER L20-Ø22-316L	1
		> REDUCED-IMPELLER-H4-M+36-304	1
		> MACH.-RIGID-STD-DISCH.-CHAMBER-M+36-304	1



HELIX FIRST V3603-5/16/E/S/400-50 (4183390)

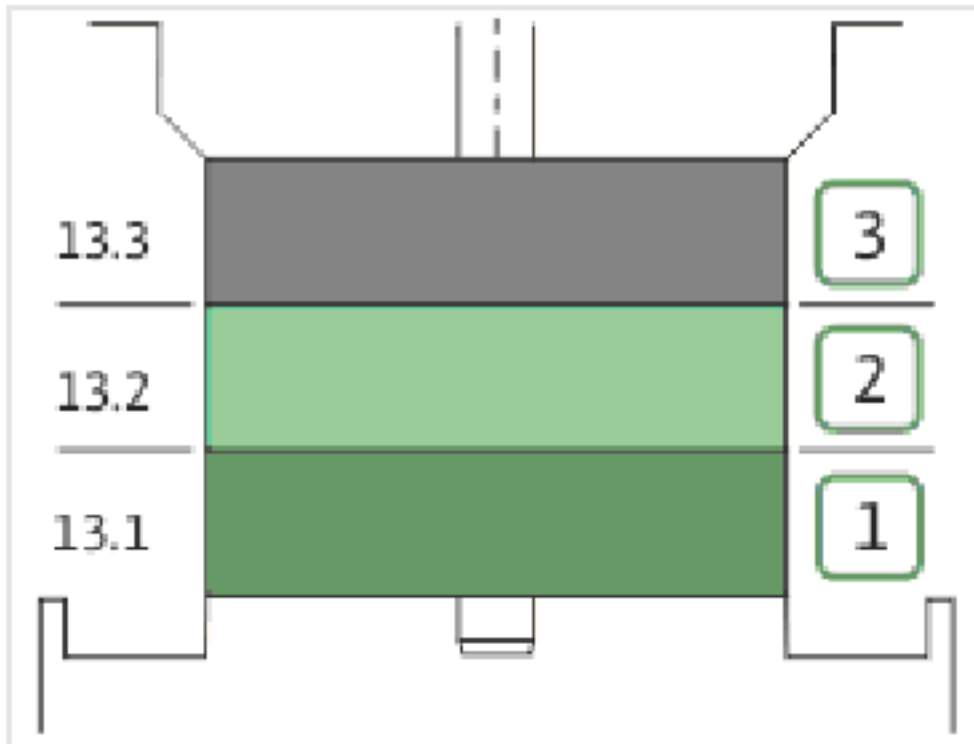
Item	Article no.	Description	Quantity
1	4195482	MOTOR 9/2/132 3~400V 50HZ IE3 VP.	1
		SPARE PARTS MOTOR:ON REQUEST	1
2	4174093	SCREW M12X50 (4 PIECES)	1
3	4186345	LANTERN FF240 HELIX FIRST 8" KIT	1
3.1		> M+8_LANTERN_ONE-PIECE_FF240_CATA	1
3.2	4186346	> EYELET CPL.FF240 HELIX (4 PIECES)	1
3.3	4184853	> COUPLING PROTECTOR FT HELIX 8" KIT	1
4	4186347	COUPLING D.22XD.38 FF240T130 HELIX KIT	1
6	4179581	STUD BOLT M16X305.5 KIT	1
6.1		> TIE BOLT M16-305.5x24x44-1.4057	1
6.2	4179562	> NUT M16 8.8 ISO4032 (4 PIECES)	1
6.3	4097852	> WASHER-CS-16.4-32-2.8-NFE25-511-A2	1
8	4186377	FILING/PURGING PLUG 304 HELIX KIT	1
8.1		> FILLING/VENTING-PLUG-MVI8/10"-304	1
8.2	4032291	> O-RING 17x3 EPDM KTW/WRC	1
9	4192148	SEAL-KIT-HELIX22-36-52 FIRST O/E	1
7.3	4179571	> O-RING HOUSING PIPE HELIX22/36/52 VP.	1
9.1	4179573	> M.SEAL.HELIX22-36-52 O/E VP.	1
10	4181077	HOUSING-PIPE D.204X264 1.4307 KIT	1
7.3	4179571	> O-RING HOUSING PIPE HELIX22/36/52 VP.	1
10.1		> HOUSING-PIPE Ø204-M+2204/3603-304	1
12	4186374	SHAFT EQUIPMENT HELIX 36 FIRST KIT	1
13		HYDRAULIC HELIX V 3603	1
14	4186378	SHAFT D.22X367,67 1.4057 VP.	1
15	4186376	EQUIPE HOUSING HELIX FIRST DN65 PN16 KIT	1
15.1		> ONE PIECE PUMP CASING GJL M+8" DN65 PN16	1
15.2		> HYDRAULIC SUPPORT DN65-80 OPTI 8	1
15.3	4106048	> DRAIN/PRIMING PLUG EPDM HELIX FIRST KIT	1
15.3A		>> DRAIN AND PRIMING PLUG-VMI10"-304	1
15.3B	4032293	>> O-RING-10x3-EPDM-KTW/WRC	1
15.3C	4233957	>> O-RING ID.9 EPDM VP.	1
7.3	4179571	> O-RING HOUSING PIPE HELIX22/36/52 VP.	1
13.1A	4161200	> NECK RING 1.STAGE HELIX V36/52 KIT	1
		>> NECK-RING-M+36/52	1

Item	Article no.	Description	Quantity
		>> HYDRAULIC SUPPORT CAP M+36/52 304	1
		>> SCREW TCL M3X8 A4 POZIDRIV	1



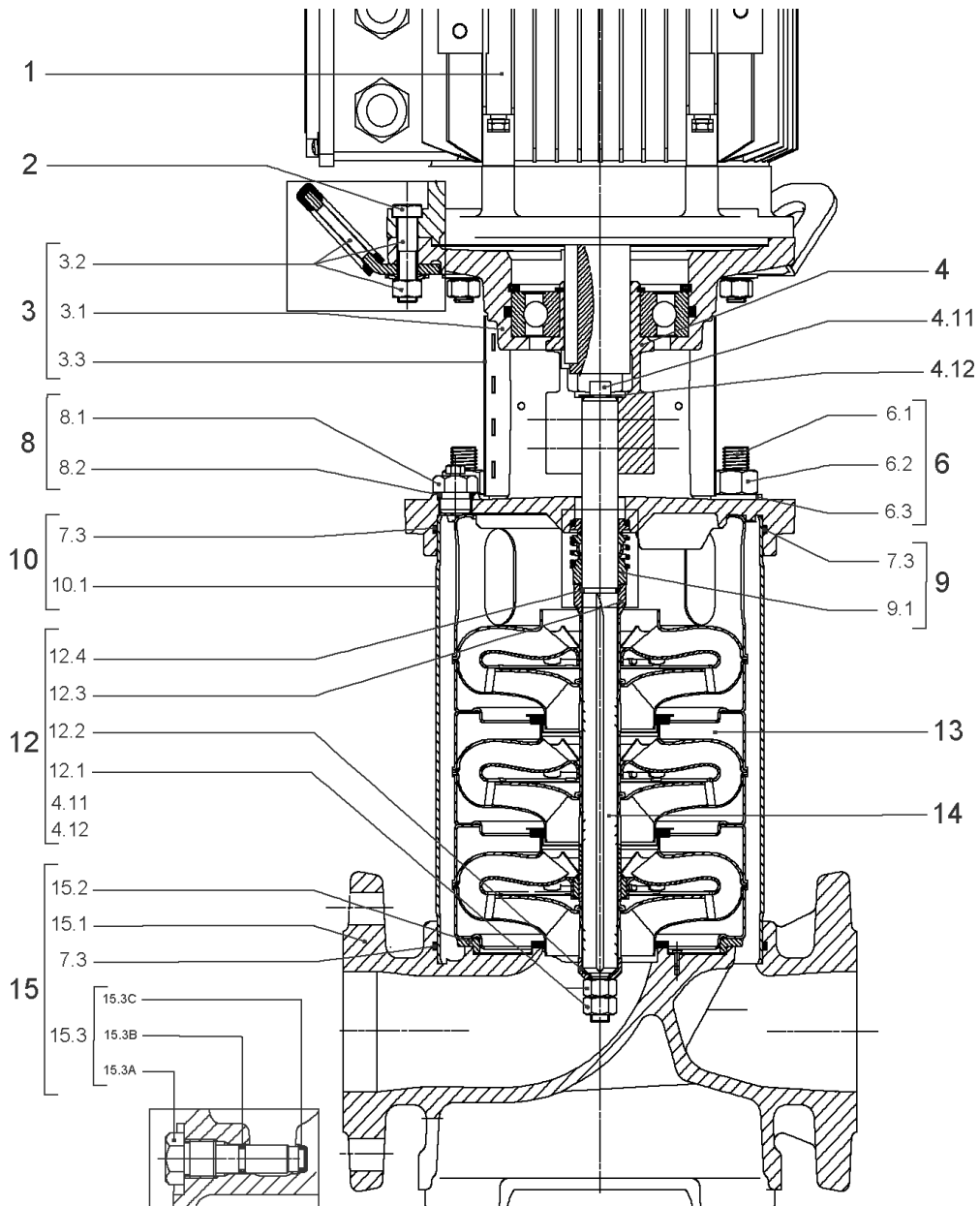
COUPLING D.22XD.38 FF240T130 HELIX KIT (4186347)

Item	Article no.	Description	Quantity
4.1		COUPLING-VMI-D22xD38-FF265-MACHINED	1
4.2	2131017	BALL BEARING 6310/ZZ-C4(HT)VP.	1
4.3	4234253	CIRCLIP-FOR-SHAFT-D50x2 VP.	1
4.4	4157726	SCREW KIT M8X30 (4 PIECES)	1
4.5	4234255	CIRCLIPS 110X4 VP.	1
4.6	4233944	O-RING ID.110 VP.	1
		NOMEL CONTACT WASHER 8x16x1,4 STEEL ZC	1



HYDRAULIC HELIX V 3603

Item	Article no.	Description	Quantity
13.1	4161192	INTERMEDIATE STAGE HELIX V36 1.4301 KIT	1
		> SLEEVE-SPACER-D22XL16,66-316L	1
		> MACH.BEARING-DIFFUSER+NR-M+36-304	1
		> SHAFT-SLEEVE-D26xD22x16-CW	1
		> IMPELLER-H1-M+36-304	1
13.1A	4161200	> NECK RING 1.STAGE HELIX V36/52 KIT	1
		>> NECK-RING-M+36/52	1
		>> HYDRAULIC SUPPORT CAP M+36/52 304	1
		>> SCREW TCL M3X8 A4 POZIDRIV	1
13.2	4161193	INTERMEDIATE STAGE HELIX V36 1.4301 KIT	1
		> MACH.STD-DIFFUSER+NR-M+36-304	1
		> IMPELLER-H4-M+36-304	1
13.3	4161194	UPPER STAGE HELIX 36 1.4301 KIT	1
		> STOP COLLAR OF IMPELLER L20-Ø22-316L	1
		> IMPELLER-H4-M+36-304	1
		> MACH.-RIGID-STD-DISCH.-CHAMBER-M+36-304	1



HELIX FIRST V3604/2-5/16/E/S/400-50 (4183391)

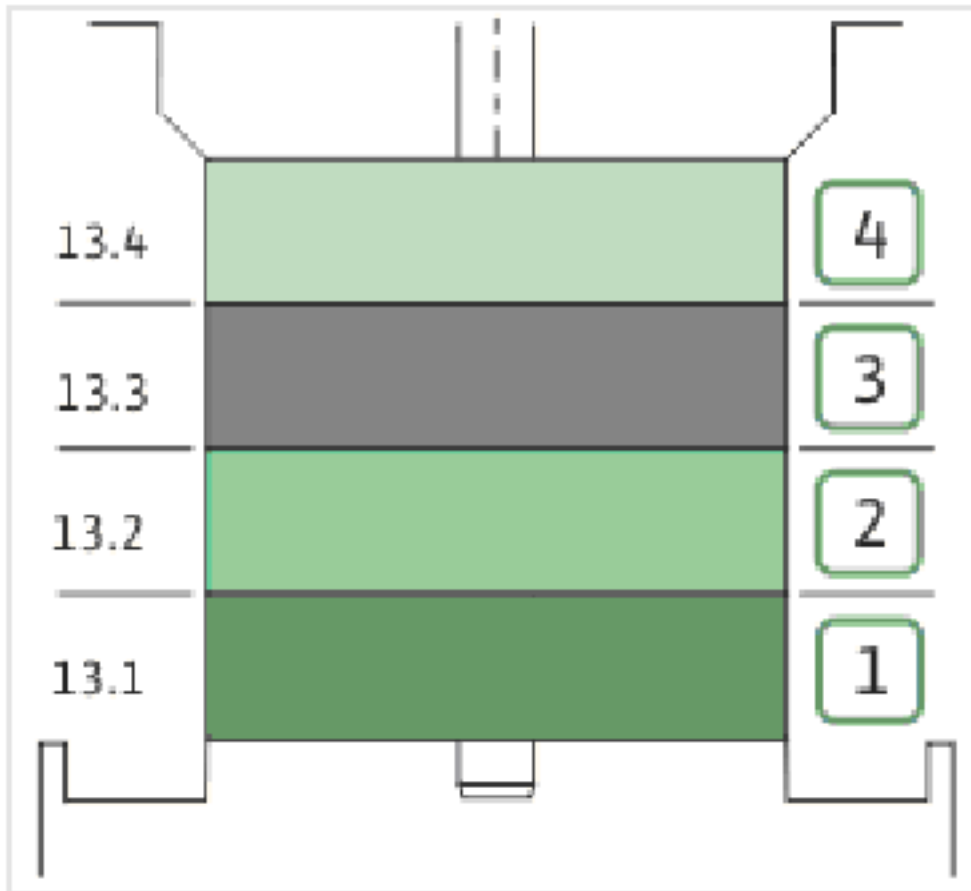
Item	Article no.	Description	Quantity
1	4195485	MOTOR 11/2/132 3~400V 50HZ IE3 VP.	1
		SPARE PARTS MOTOR:ON REQUEST	1
2	4174093	SCREW M12X50 (4 PIECES)	1
3	4186345	LANTERN FF240 HELIX FIRST 8" KIT	1
3.1		> M+8_LANTERN_ONE-PIECE_FF240_CATA	1
3.2	4186346	> EYELET CPL.FF240 HELIX (4 PIECES)	1
3.3	4184853	> COUPLING PROTECTOR FT HELIX 8" KIT	1
4	4186347	COUPLING D.22XD.38 FF240T130 HELIX KIT	1
6	4186380	STUD BOLT M16X371 KIT	1
6.1		> TIE BOLT M16-371x24x44-1.4057	1
6.2	4179562	> NUT M16 8.8 ISO4032 (4 PIECES)	1
6.3	4097852	> WASHER-CS-16.4-32-2.8-NFE25-511-A2	1
8	4186377	FILING/PURGING PLUG 304 HELIX KIT	1
8.1		> FILLING/VENTING-PLUG-MVI8/10"-304	1
8.2	4032291	> O-RING 17x3 EPDM KTW/WRC	1
9	4192148	SEAL-KIT-HELIX22-36-52 FIRST O/E	1
7.3	4179571	> O-RING HOUSING PIPE HELIX22/36/52 VP.	1
9.1	4179573	> M.SEAL.HELIX22-36-52 O/E VP.	1
10	4179593	HOUSING PIPE D.204X330 1.4307 KIT	1
7.3	4179571	> O-RING HOUSING PIPE HELIX22/36/52 VP.	1
10.1		> HOUSING-PIPE Ø204-M+3604/5203-304	1
12	4186374	SHAFT EQUIPMENT HELIX 36 FIRST KIT	1
13		HYDRAULIC HELIX V 3604-2	1
14	4186379	SHAFT D.22X434 1.4057 VP.	1
15	4186376	EQUIPE HOUSING HELIX FIRST DN65 PN16 KIT	1
15.1		> ONE PIECE PUMP CASING GJL M+8" DN65 PN16	1
15.2		> HYDRAULIC SUPPORT DN65-80 OPTI 8	1
15.3	4106048	> DRAIN/PRIMING PLUG EPDM HELIX FIRST KIT	1
15.3A		>> DRAIN AND PRIMING PLUG-VMI10"-304	1
15.3B	4032293	>> O-RING-10x3-EPDM-KTW/WRC	1
15.3C	4233957	>> O-RING ID.9 EPDM VP.	1
7.3	4179571	> O-RING HOUSING PIPE HELIX22/36/52 VP.	1
13.1A	4161200	> NECK RING 1.STAGE HELIX V36/52 KIT	1
		>> NECK-RING-M+36/52	1

Item	Article no.	Description	Quantity
		>> HYDRAULIC SUPPORT CAP M+36/52 304	1
		>> SCREW TCL M3X8 A4 POZIDRIV	1



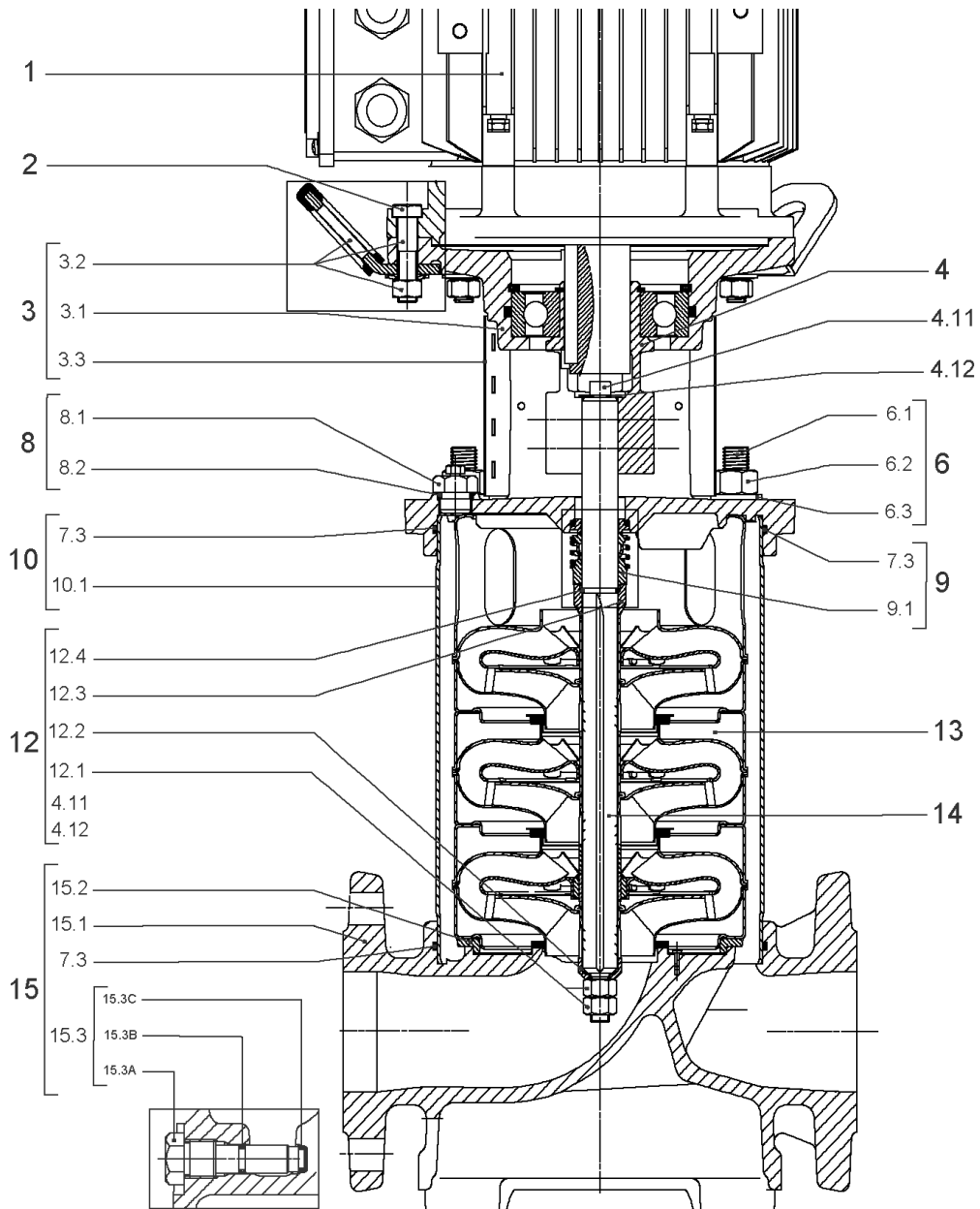
COUPLING D.22XD.38 FF240T130 HELIX KIT (4186347)

Item	Article no.	Description	Quantity
4.1		COUPLING-VMI-D22xD38-FF265-MACHINED	1
4.2	2131017	BALL BEARING 6310/ZZ-C4(HT)VP.	1
4.3	4234253	CIRCLIP-FOR-SHAFT-D50x2 VP.	1
4.4	4157726	SCREW KIT M8X30 (4 PIECES)	1
4.5	4234255	CIRCLIPS 110X4 VP.	1
4.6	4233944	O-RING ID.110 VP.	1
		NOMEL CONTACT WASHER 8x16x1,4 STEEL ZC	1



HYDRAULIC HELIX V 3604-2

Item	Article no.	Description	Quantity
13.1	4161192	INTERMEDIATE STAGE HELIX V36 1.4301 KIT	1
		> SLEEVE-SPACER-D22XL16,66-316L	1
		> MACH.BEARING-DIFFUSER+NR-M+36-304	1
		> SHAFT-SLEEVE-D26xD22x16-CW	1
		> IMPELLER-H1-M+36-304	1
13.1A	4161200	> NECK RING 1.STAGE HELIX V36/52 KIT	1
		>> NECK-RING-M+36/52	1
		>> HYDRAULIC SUPPORT CAP M+36/52 304	1
		>> SCREW TCL M3X8 A4 POZIDRIV	1
13.2	4161193	INTERMEDIATE STAGE HELIX V36 1.4301 KIT	1
		> MACH.STD-DIFFUSER+NR-M+36-304	1
		> IMPELLER-H4-M+36-304	1
13.3	4161195	INTERMEDIATE STAGE HELIX V36 1.4301 KIT	1
		> REDUCED-IMPELLER-H4-M+36-304	1
		> MACH.STD-DIFFUSER+NR-M+36-304	1
13.4	4161196	UPPER STAGE HELIX 36 1.4301 KIT	1
		> STOP COLLAR OF IMPELLER L20-Ø22-316L	1
		> REDUCED-IMPELLER-H4-M+36-304	1
		> MACH.-RIGID-STD-DISCH.-CHAMBER-M+36-304	1



HELIX FIRST V3604-5/16/E/S/400-50 (4183392)

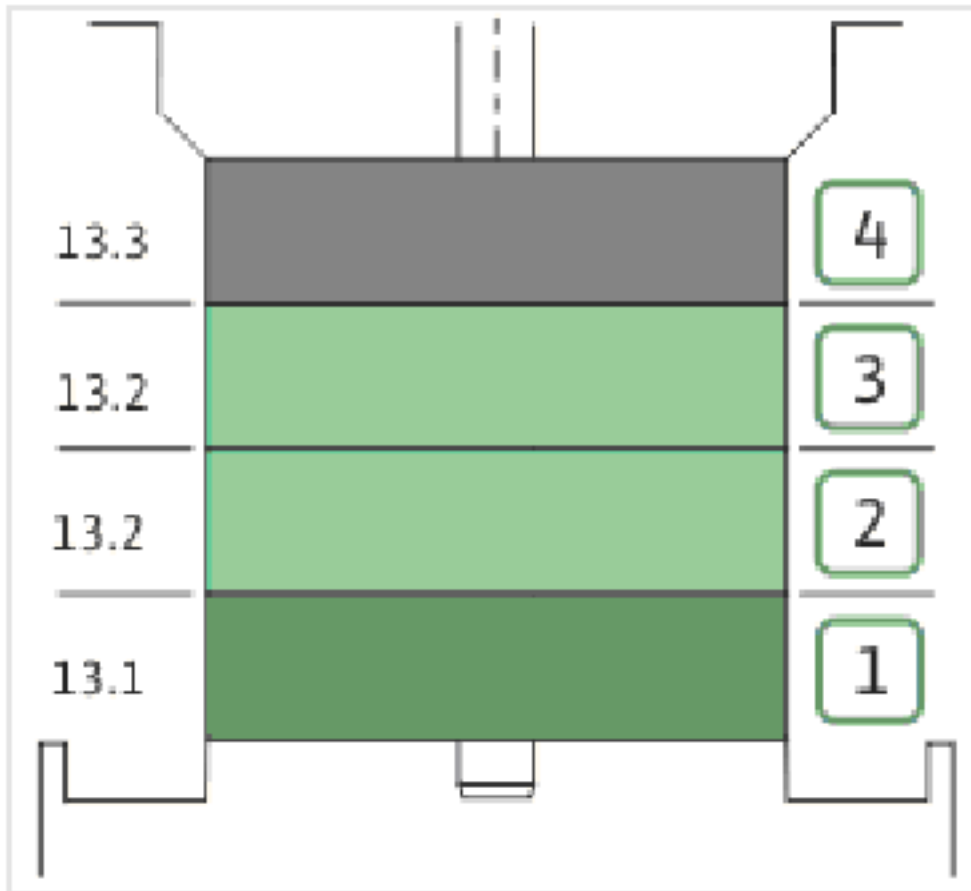
Item	Article no.	Description	Quantity
1	4195485	MOTOR 11/2/132 3~400V 50HZ IE3 VP.	1
		SPARE PARTS MOTOR:ON REQUEST	1
2	4174093	SCREW M12X50 (4 PIECES)	1
3	4186345	LANTERN FF240 HELIX FIRST 8" KIT	1
3.1		> M+8_LANTERN_ONE-PIECE_FF240_CATA	1
3.2	4186346	> EYELET CPL.FF240 HELIX (4 PIECES)	1
3.3	4184853	> COUPLING PROTECTOR FT HELIX 8" KIT	1
4	4186347	COUPLING D.22XD.38 FF240T130 HELIX KIT	1
6	4186380	STUD BOLT M16X371 KIT	1
6.1		> TIE BOLT M16-371x24x44-1.4057	1
6.2	4179562	> NUT M16 8.8 ISO4032 (4 PIECES)	1
6.3	4097852	> WASHER-CS-16.4-32-2.8-NFE25-511-A2	1
8	4186377	FILING/PURGING PLUG 304 HELIX KIT	1
8.1		> FILLING/VENTING-PLUG-MVI8/10"-304	1
8.2	4032291	> O-RING 17x3 EPDM KTW/WRC	1
9	4192148	SEAL-KIT-HELIX22-36-52 FIRST O/E	1
7.3	4179571	> O-RING HOUSING PIPE HELIX22/36/52 VP.	1
9.1	4179573	> M.SEAL.HELIX22-36-52 O/E VP.	1
10	4179593	HOUSING PIPE D.204X330 1.4307 KIT	1
7.3	4179571	> O-RING HOUSING PIPE HELIX22/36/52 VP.	1
10.1		> HOUSING-PIPE Ø204-M+3604/5203-304	1
12	4186374	SHAFT EQUIPMENT HELIX 36 FIRST KIT	1
13		HYDRAULIC HELIX V 3604	1
14	4186379	SHAFT D.22X434 1.4057 VP.	1
15	4186376	EQUIPE HOUSING HELIX FIRST DN65 PN16 KIT	1
15.1		> ONE PIECE PUMP CASING GJL M+8" DN65 PN16	1
15.2		> HYDRAULIC SUPPORT DN65-80 OPTI 8	1
15.3	4106048	> DRAIN/PRIMING PLUG EPDM HELIX FIRST KIT	1
15.3A		>> DRAIN AND PRIMING PLUG-VMI10"-304	1
15.3B	4032293	>> O-RING-10x3-EPDM-KTW/WRC	1
15.3C	4233957	>> O-RING ID.9 EPDM VP.	1
7.3	4179571	> O-RING HOUSING PIPE HELIX22/36/52 VP.	1
13.1A	4161200	> NECK RING 1.STAGE HELIX V36/52 KIT	1
		>> NECK-RING-M+36/52	1

Item	Article no.	Description	Quantity
		>> HYDRAULIC SUPPORT CAP M+36/52 304	1
		>> SCREW TCL M3X8 A4 POZIDRIV	1



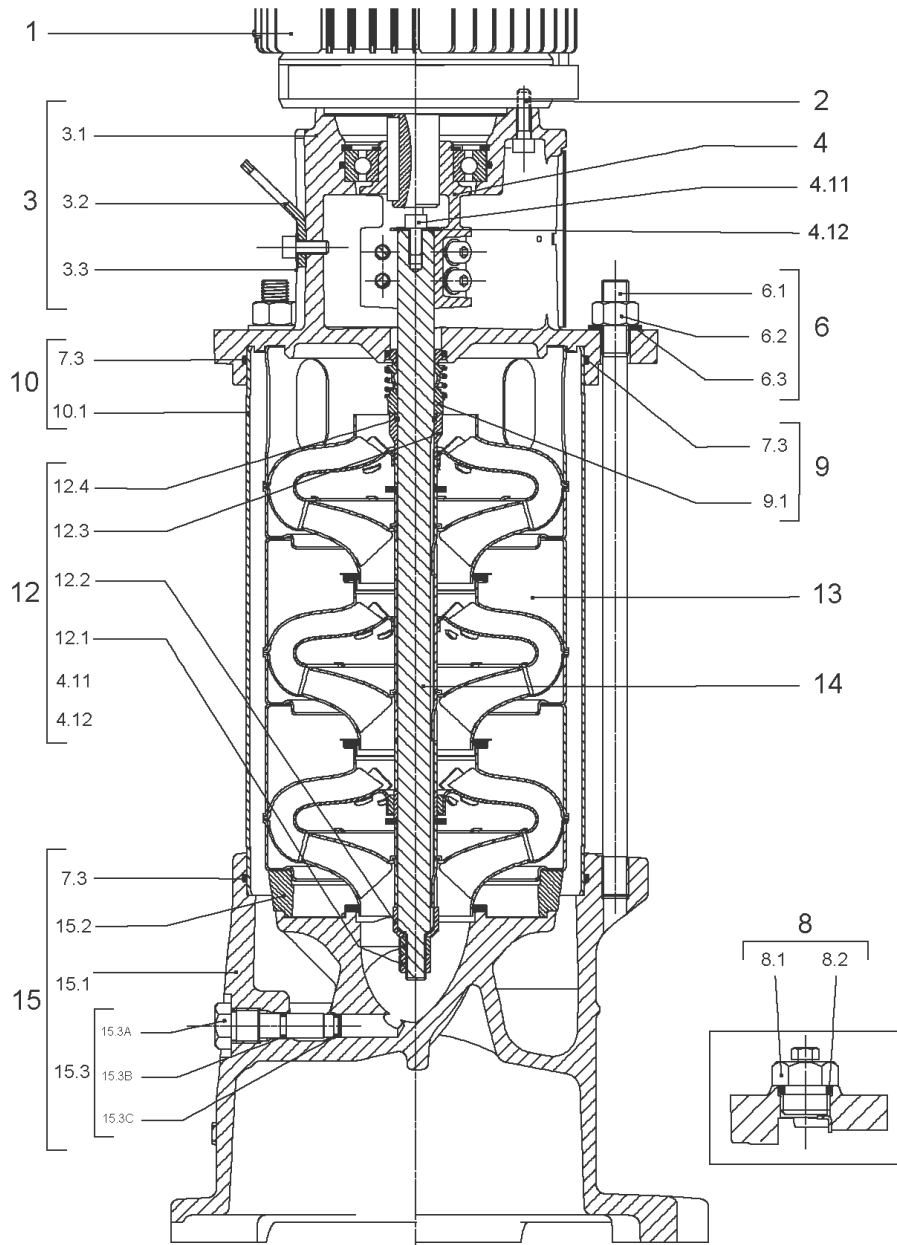
COUPLING D.22XD.38 FF240T130 HELIX KIT (4186347)

Item	Article no.	Description	Quantity
4.1		COUPLING-VMI-D22xD38-FF265-MACHINED	1
4.2	2131017	BALL BEARING 6310/ZZ-C4(HT)VP.	1
4.3	4234253	CIRCLIP-FOR-SHAFT-D50x2 VP.	1
4.4	4157726	SCREW KIT M8X30 (4 PIECES)	1
4.5	4234255	CIRCLIPS 110X4 VP.	1
4.6	4233944	O-RING ID.110 VP.	1
		NOMEL CONTACT WASHER 8x16x1,4 STEEL ZC	1



HYDRAULIC HELIX V 3604

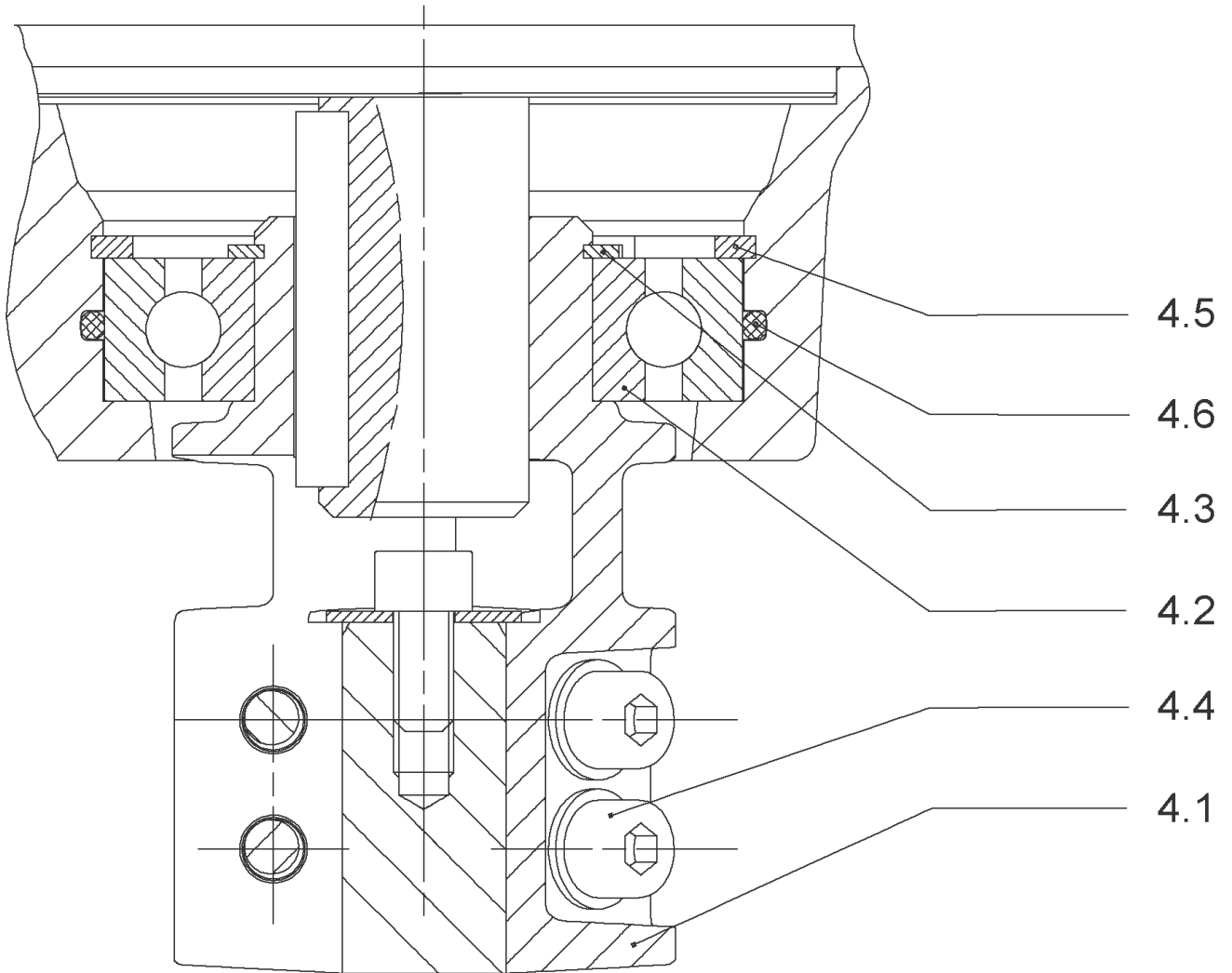
Item	Article no.	Description	Quantity
13.1	4161192	INTERMEDIATE STAGE HELIX V36 1.4301 KIT	1
		> SLEEVE-SPACER-D22XL16,66-316L	1
		> MACH.BEARING-DIFFUSER+NR-M+36-304	1
		> SHAFT-SLEEVE-D26xD22x16-CW	1
		> IMPELLER-H1-M+36-304	1
13.1A	4161200	> NECK RING 1.STAGE HELIX V36/52 KIT	1
		>> NECK-RING-M+36/52	1
		>> HYDRAULIC SUPPORT CAP M+36/52 304	1
		>> SCREW TCL M3X8 A4 POZIDRIV	1
13.2	4161193	INTERMEDIATE STAGE HELIX V36 1.4301 KIT	1
		> MACH.STD-DIFFUSER+NR-M+36-304	1
		> IMPELLER-H4-M+36-304	1
13.3	4161194	UPPER STAGE HELIX 36 1.4301 KIT	1
		> STOP COLLAR OF IMPELLER L20-Ø22-316L	1
		> IMPELLER-H4-M+36-304	1
		> MACH.-RIGID-STD-DISCH.-CHAMBER-M+36-304	1



HELIX FIRST V5201/1-5/16/E/S/400-50 (4183422)

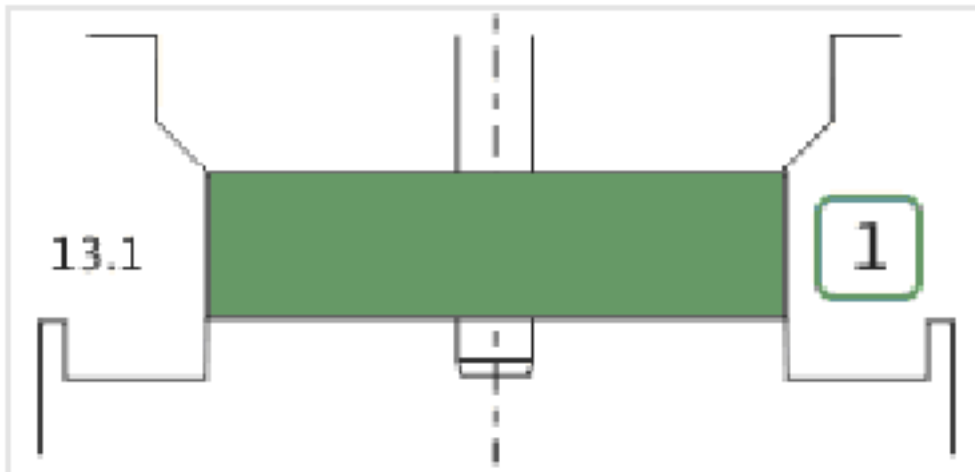
Item	Article no.	Description	Quantity
1	4169944	MOTOR 3/2/100 3~230/400V 50HZ IE3 VP.	1
		SPARE PARTS MOTOR:ON REQUEST	1
2	4159707	SCREW M8X30 (4 PIECES)	1
3	4184851	LANTERN HELIX FIRST 8" FT130 KIT	1
3.1		> M+8_LANTERN_ONE-PIECE_FT130_CATA	1
3.2	4184852	> EYELET CPL.FT HELIX (2 PIECES)	1
3.3	4184853	> COUPLING PROTECTOR FT HELIX 8" KIT	1
4	4184854	COUPLING D.22XD.28 FT130 HELIX KIT	1
6	4186372	STUD BOLT M16X168 KIT	1
6.1		> TIE BOLT M16-168x24x44-1.4057	1
6.2	4179562	> NUT M16 8.8 ISO4032 (4 PIECES)	1
6.3	4097852	> WASHER-CS-16.4-32-2.8-NFE25-511-A2	1
8	4186377	FILING/PURGING PLUG 304 HELIX KIT	1
8.1		> FILLING/VENTING-PLUG-MVI8/10"-304	1
8.2	4032291	> O-RING 17x3 EPDM KTW/WRC	1
9	4192148	SEAL-KIT-HELIX22-36-52 FIRST O/E	1
7.3	4179571	> O-RING HOUSING PIPE HELIX22/36/52 VP.	1
9.1	4179573	> M.SEAL.HELIX22-36-52 O/E VP.	1
10	4186373	HOUSING PIPE D.204x130,71 1.4307 KIT	1
7.3	4179571	> O-RING HOUSING PIPE HELIX22/36/52 VP.	1
10.1		> HOUSING-PIPE Ø204-M+3601/5201-304	1
12	4186386	SHAFT EQUIPMENT HELIX 52 FIRST KIT	1
13		HYDRAULIC HELIX V 5201-1	1
14	4184857	SHAFT D.22X251 1.4057 VP.	1
15	4186387	EQUIPED HOUSING HELIX FIRST DN65 GJL KIT	1
15.1		> ONE PIECE PUMP CASING GJL M+8" DN80	1
15.2		> HYD.SUP.M+8" ONE PIECE HOUSING N80 DWA	1
15.3	4106048	> DRAIN/PRIMING PLUG EPDM HELIX FIRST KIT	1
15.3A		>> DRAIN AND PRIMING PLUG-VMI10"-304	1
15.3B	4032293	>> O-RING-10x3-EPDM-KTW/WRC	1
15.3C	4233957	>> O-RING ID.9 EPDM VP.	1
7.3	4179571	> O-RING HOUSING PIPE HELIX22/36/52 VP.	1
13.1A	4161200	> NECK RING 1.STAGE HELIX V36/52 KIT	1
		>> NECK-RING-M+36/52	1

Item	Article no.	Description	Quantity
		>> HYDRAULIC SUPPORT CAP M+36/52 304	1
		>> SCREW TCL M3X8 A4 POZIDRIV	1



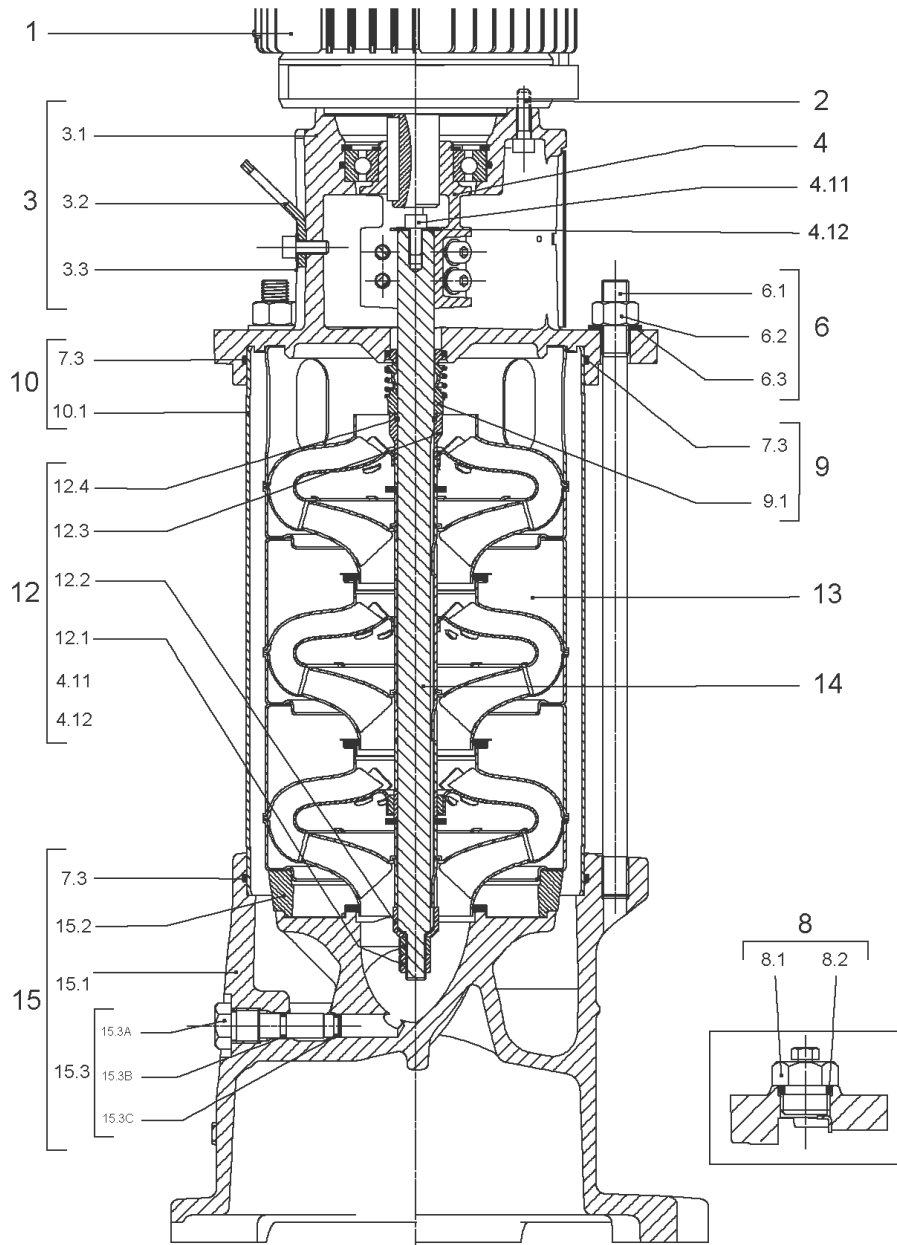
COUPLING D.22XD.28 FT130 HELIX KIT (4184854)

Item	Article no.	Description	Quantity
4.1		COUPLING-VMI-Ø22xØ28-FT130-MACHINED	1
4.2	2131022	BALL BEARING 6209/ZZ-C3(HT)VP.	1
4.3	4233930	CIRCLIP-FOR-BORES-D45x1,75 VP.	1
4.4	4157726	SCREW KIT M8X30 (4 PIECES)	1
4.5	4234252	CIRCLIPS 85X3 VP.	1
4.6	4234243	O-RING 85X3 VP.	1
		NOMEL CONTACT WASHER 8x16x1,4 STEEL ZC	1



HYDRAULIC HELIX V 5201-1

Item	Article no.	Description	Quantity
13.1	4164734	UPPER-STAGE HELIX 52 1.4301 KIT	1
		> STOP COLLAR OF IMPELLER L27,6-Ø22-316L	1
		> SHAFT-SLEEVE-D26xD22x16-CW	1
		> SPACER WASHER D22,3XD36 L3-316L	1
		> REDUCED-IMPELLER-H2-M+52-304	1
13.1A	4161200	> NECK RING 1.STAGE HELIX V36/52 KIT	1
		>> NECK-RING-M+36/52	1
		>> HYDRAULIC SUPPORT CAP M+36/52 304	1
		>> SCREW TCL M3X8 A4 POZIDRIV	1
		> MACH.BEARING-DISCHARGE-CHAMBER+NR-M+52-3	1



HELIX FIRST V5201-5/16/E/S/400-50 (4183423)

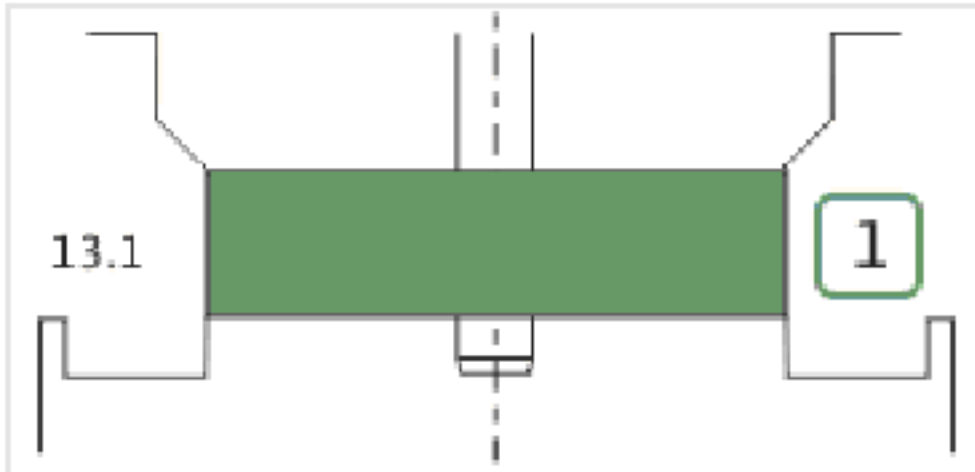
Item	Article no.	Description	Quantity
1	4169945	MO.4/2 3~230/400(460)V 50(60)HZ IE3 VP.	1
		SPARE PARTS MOTOR:ON REQUEST	1
2	4159707	SCREW M8X30 (4 PIECES)	1
3	4184851	LANTERN HELIX FIRST 8" FT130 KIT	1
3.1		> M+8_LANTERN_ONE-PIECE_FT130_CATA	1
3.2	4184852	> EYELET CPL.FT HELIX (2 PIECES)	1
3.3	4184853	> COUPLING PROTECTOR FT HELIX 8" KIT	1
4	4184854	COUPLING D.22XD.28 FT130 HELIX KIT	1
6	4186372	STUD BOLT M16X168 KIT	1
6.1		> TIE BOLT M16-168x24x44-1.4057	1
6.2	4179562	> NUT M16 8.8 ISO4032 (4 PIECES)	1
6.3	4097852	> WASHER-CS-16.4-32-2.8-NFE25-511-A2	1
8	4186377	FILING/PURGING PLUG 304 HELIX KIT	1
8.1		> FILLING/VENTING-PLUG-MVI8/10"-304	1
8.2	4032291	> O-RING 17x3 EPDM KTW/WRC	1
9	4192148	SEAL-KIT-HELIX22-36-52 FIRST O/E	1
7.3	4179571	> O-RING HOUSING PIPE HELIX22/36/52 VP.	1
9.1	4179573	> M.SEAL.HELIX22-36-52 O/E VP.	1
10	4186373	HOUSING PIPE D.204x130,71 1.4307 KIT	1
7.3	4179571	> O-RING HOUSING PIPE HELIX22/36/52 VP.	1
10.1		> HOUSING-PIPE Ø204-M+3601/5201-304	1
12	4186386	SHAFT EQUIPMENT HELIX 52 FIRST KIT	1
13		HYDRAULIC HELIX V 5201	1
14	4184857	SHAFT D.22X251 1.4057 VP.	1
15	4186387	EQUIPED HOUSING HELIX FIRST DN65 GJL KIT	1
15.1		> ONE PIECE PUMP CASING GJL M+8" DN80	1
15.2		> HYD.SUP.M+8" ONE PIECE HOUSING N80 DWA	1
15.3	4106048	> DRAIN/PRIMING PLUG EPDM HELIX FIRST KIT	1
15.3A		>> DRAIN AND PRIMING PLUG-VMI10"-304	1
15.3B	4032293	>> O-RING-10x3-EPDM-KTW/WRC	1
15.3C	4233957	>> O-RING ID.9 EPDM VP.	1
7.3	4179571	> O-RING HOUSING PIPE HELIX22/36/52 VP.	1
13.1A	4161200	> NECK RING 1.STAGE HELIX V36/52 KIT	1
		>> NECK-RING-M+36/52	1

Item	Article no.	Description	Quantity
		>> HYDRAULIC SUPPORT CAP M+36/52 304	1
		>> SCREW TCL M3X8 A4 POZIDRIV	1



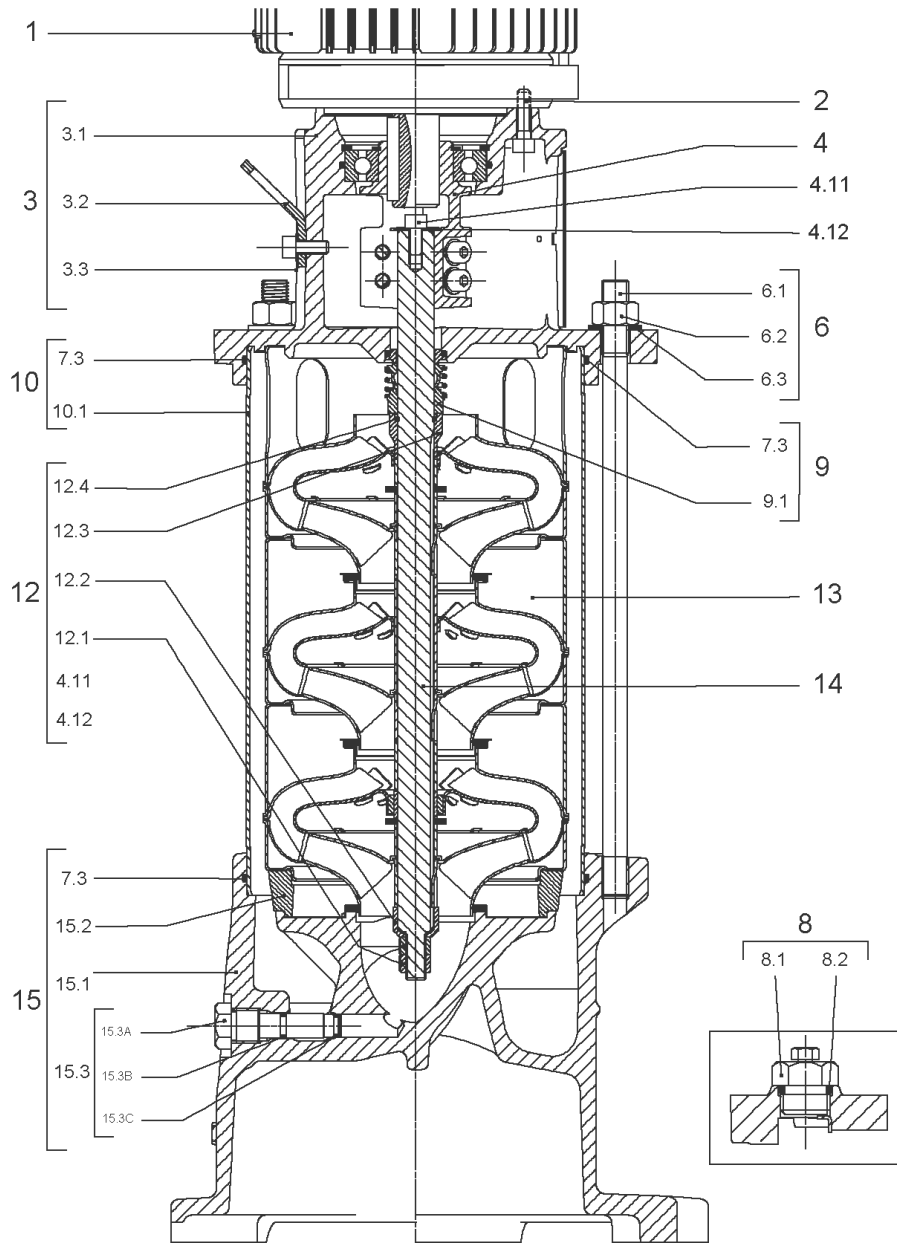
COUPLING D.22XD.28 FT130 HELIX KIT (4184854)

Item	Article no.	Description	Quantity
4.1		COUPLING-VMI-Ø22xØ28-FT130-MACHINED	1
4.2	2131022	BALL BEARING 6209/ZZ-C3(HT)VP.	1
4.3	4233930	CIRCLIP-FOR-BORES-D45x1,75 VP.	1
4.4	4157726	SCREW KIT M8X30 (4 PIECES)	1
4.5	4234252	CIRCLIPS 85X3 VP.	1
4.6	4234243	O-RING 85X3 VP.	1
		NOMEL CONTACT WASHER 8x16x1,4 STEEL ZC	1



HYDRAULIC HELIX V 5201

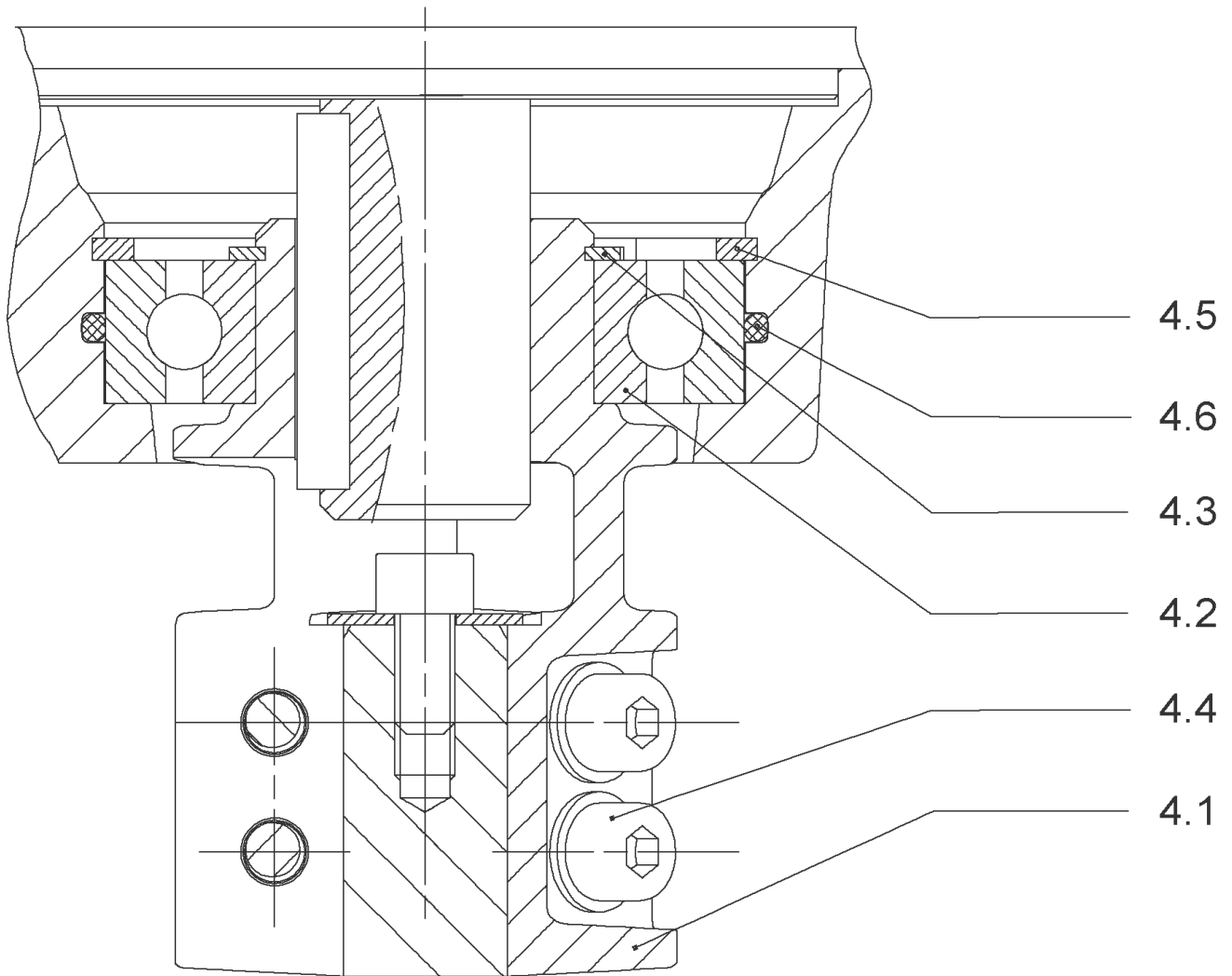
Item	Article no.	Description	Quantity
13.1	4164733	UPPER-STAGE HELIX 52 1.4301 KIT	1
		> STOP COLLAR OF IMPELLER L27,6-Ø22-316L	1
		> SHAFT-SLEEVE-D26xD22x16-CW	1
		> SPACER WASHER D22,3XD36 L3-316L	1
		> IMPELLER-H2-M+52-304	1
13.1A	4161200	> NECK RING 1.STAGE HELIX V36/52 KIT	1
		>> NECK-RING-M+36/52	1
		>> HYDRAULIC SUPPORT CAP M+36/52 304	1
		>> SCREW TCL M3X8 A4 POZIDRIV	1
		> MACH.BEARING-DISCHARGE-CHAMBER+NR-M+52-3	1



HELIX FIRST V5202/2-5/16/E/S/400-50 (4183424)

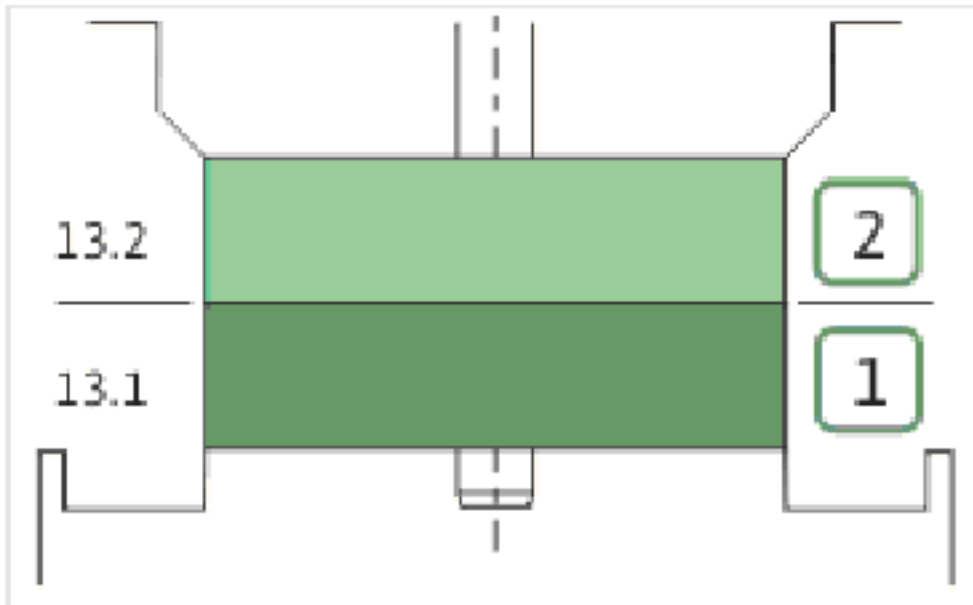
Item	Article no.	Description	Quantity
1	4169947	MO 5,5/2/112 3~400V50Hz 460V60Hz IE3 VP.	1
		SPARE PARTS MOTOR:ON REQUEST	1
2	4159707	SCREW M8X30 (4 PIECES)	1
3	4184851	LANTERN HELIX FIRST 8" FT130 KIT	1
3.1		> M+8_LANTERN_ONE-PIECE_FT130_CATA	1
3.2	4184852	> EYELET CPL.FT HELIX (2 PIECES)	1
3.3	4184853	> COUPLING PROTECTOR FT HELIX 8" KIT	1
4	4184854	COUPLING D.22XD.28 FT130 HELIX KIT	1
6	4180018	STUD BOLT M16X267 KIT	1
6.1		> TIE BOLT M16-267x24x44-1.4057	1
6.2	4179562	> NUT M16 8.8 ISO4032 (4 PIECES)	1
6.3	4097852	> WASHER-CS-16.4-32-2.8-NFE25-511-A2	1
8	4186377	FILING/PURGING PLUG 304 HELIX KIT	1
8.1		> FILLING/VENTING-PLUG-MVI8/10"-304	1
8.2	4032291	> O-RING 17x3 EPDM KTW/WRC	1
9	4192148	SEAL-KIT-HELIX22-36-52 FIRST O/E	1
7.3	4179571	> O-RING HOUSING PIPE HELIX22/36/52 VP.	1
9.1	4179573	> M.SEAL.HELIX22-36-52 O/E VP.	1
10	4179582	HOUSING PIPE D.204X230 1.4307 KIT	1
7.3	4179571	> O-RING HOUSING PIPE HELIX22/36/52 VP.	1
10.1		> HOUSING-PIPE Ø204-M+5202-304	1
12	4186386	SHAFT EQUIPMENT HELIX 52 FIRST KIT	1
13		HYDRAULIC HELIX V 5202/2	1
14	4186344	SHAFT D.22X351 1.4057 VP.	1
15	4186387	EQUIPED HOUSING HELIX FIRST DN65 GJL KIT	1
15.1		> ONE PIECE PUMP CASING GJL M+8" DN80	1
15.2		> HYD.SUP.M+8" ONE PIECE HOUSING N80 DWA	1
15.3	4106048	> DRAIN/PRIMING PLUG EPDM HELIX FIRST KIT	1
15.3A		>> DRAIN AND PRIMING PLUG-VMI10"-304	1
15.3B	4032293	>> O-RING-10x3-EPDM-KTW/WRC	1
15.3C	4233957	>> O-RING ID.9 EPDM VP.	1
7.3	4179571	> O-RING HOUSING PIPE HELIX22/36/52 VP.	1
13.1A	4161200	> NECK RING 1.STAGE HELIX V36/52 KIT	1
		>> NECK-RING-M+36/52	1

Item	Article no.	Description	Quantity
		>> HYDRAULIC SUPPORT CAP M+36/52 304	1
		>> SCREW TCL M3X8 A4 POZIDRIV	1



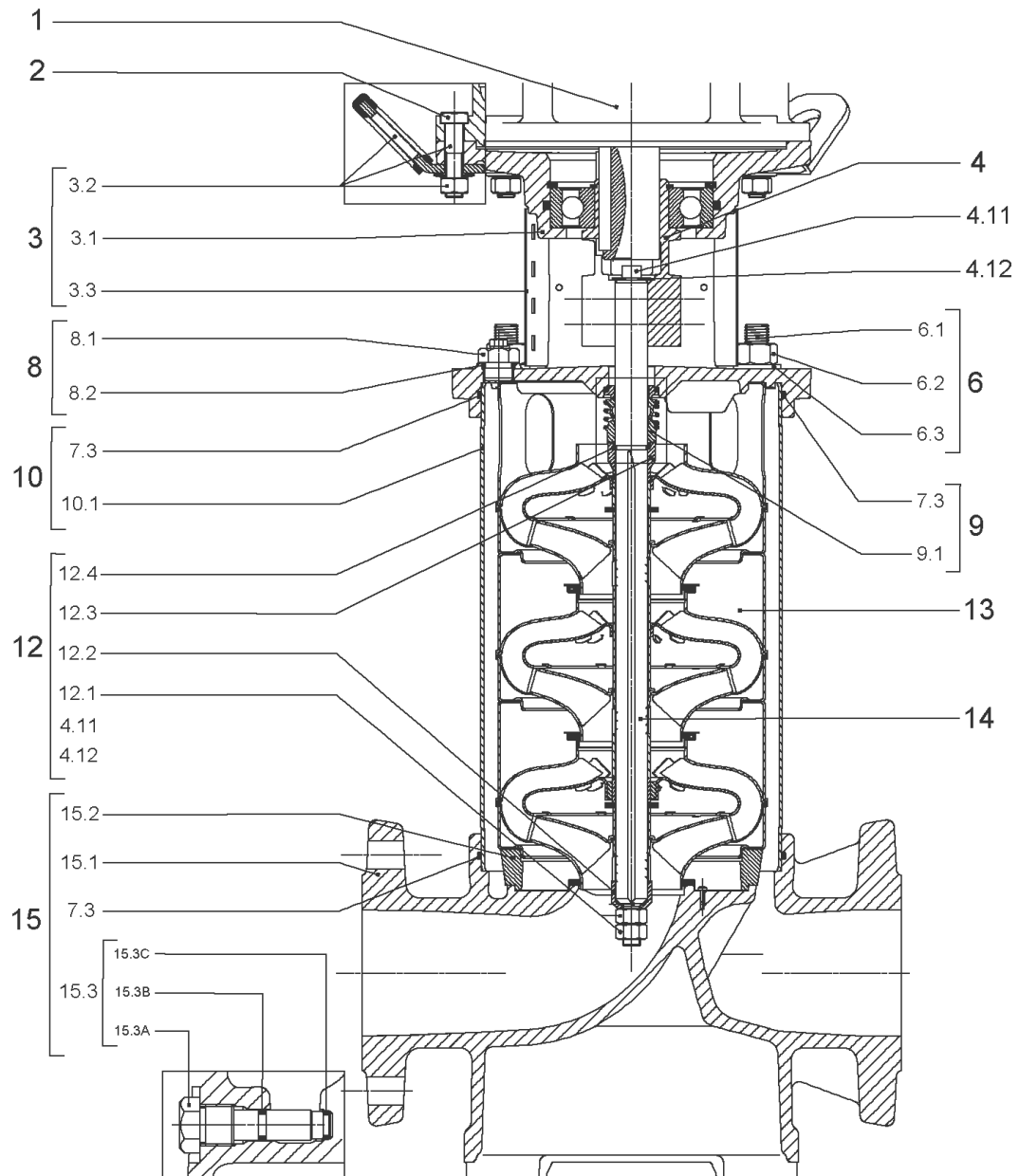
COUPLING D.22XD.28 FT130 HELIX KIT (4184854)

Item	Article no.	Description	Quantity
4.1		COUPLING-VMI-Ø22xØ28-FT130-MACHINED	1
4.2	2131022	BALL BEARING 6209/ZZ-C3(HT)VP.	1
4.3	4233930	CIRCLIP-FOR-BORES-D45x1,75 VP.	1
4.4	4157726	SCREW KIT M8X30 (4 PIECES)	1
4.5	4234252	CIRCLIPS 85X3 VP.	1
4.6	4234243	O-RING 85X3 VP.	1
		NOMEL CONTACT WASHER 8x16x1,4 STEEL ZC	1



HYDRAULIC HELIX V 5202/2

Item	Article no.	Description	Quantity
13.1	4164732	INTERMEDIAIRE STAGE HELIX 52 1.4301 KIT	1
		> SLEEVE-SPACER-D22XL30,42-316L	1
		> MACH.BEARING-DIFFUSER+NR-M+52-304	1
		> SHAFT-SLEEVE-D26xD22x16-CW	1
		> SPACER WASHER D22,3XD36 L3-316L	1
		> REDUCED-IMPELLER-H2-M+52-304	1
13.1A	4161200	> NECK RING 1.STAGE HELIX V36/52 KIT	1
		>> NECK-RING-M+36/52	1
		>> HYDRAULIC SUPPORT CAP M+36/52 304	1
		>> SCREW TCL M3X8 A4 POZIDRIV	1
13.2	4164731	UPPER-STAGE HELIX 52 1.4301 KIT	1
		> STOP COLLAR OF IMPELLER L27,6-Ø22-316L	1
		> SLEEVE-SPACER-D22XL16,66-316L	1
		> SPACER WASHER D22,3XD36 L3-316L	1
		> REDUCED-IMPELLER-H2-M+52-304	1
		> MACH.STD-DISCHARGE-CHAMBER-M+52-304	1



HELIX FIRST V5202-5/16/E/S/400-50 (4183425)

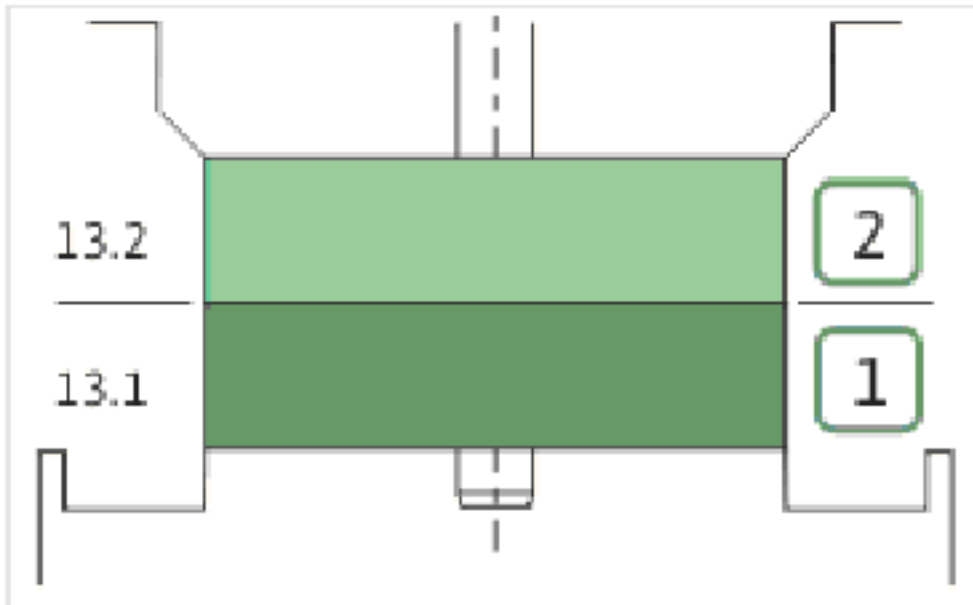
Item	Article no.	Description	Quantity
1	4195512	MOTOR 7,5/2/112 3~400V 50HZ IE3 VP.	1
		SPARE PARTS MOTOR:ON REQUEST	1
2	4174093	SCREW M12X50 (4 PIECES)	1
3	4186345	LANTERN FF240 HELIX FIRST 8" KIT	1
3.1		> M+8_LANTERN_ONE-PIECE_FF240_CATA	1
3.2	4186346	> EYELET CPL.FF240 HELIX (4 PIECES)	1
3.3	4184853	> COUPLING PROTECTOR FT HELIX 8" KIT	1
4	4186347	COUPLING D.22XD.38 FF240T130 HELIX KIT	1
6	4180018	STUD BOLT M16X267 KIT	1
6.1		> TIE BOLT M16-267x24x44-1.4057	1
6.2	4179562	> NUT M16 8.8 ISO4032 (4 PIECES)	1
6.3	4097852	> WASHER-CS-16.4-32-2.8-NFE25-511-A2	1
8	4186377	FILING/PURGING PLUG 304 HELIX KIT	1
8.1		> FILLING/VENTING-PLUG-MVI8/10"-304	1
8.2	4032291	> O-RING 17x3 EPDM KTW/WRC	1
9	4192148	SEAL-KIT-HELIX22-36-52 FIRST O/E	1
7.3	4179571	> O-RING HOUSING PIPE HELIX22/36/52 VP.	1
9.1	4179573	> M.SEAL.HELIX22-36-52 O/E VP.	1
10	4179582	HOUSING PIPE D.204X230 1.4307 KIT	1
7.3	4179571	> O-RING HOUSING PIPE HELIX22/36/52 VP.	1
10.1		> HOUSING-PIPE Ø204-M+5202-304	1
12	4186386	SHAFT EQUIPMENT HELIX 52 FIRST KIT	1
13		HYDRAULIC HELIX V 5202	1
14	4186344	SHAFT D.22X351 1.4057 VP.	1
15	4186387	EQUIPED HOUSING HELIX FIRST DN65 GJL KIT	1
15.1		> ONE PIECE PUMP CASING GJL M+8" DN80	1
15.2		> HYD.SUP.M+8" ONE PIECE HOUSING N80 DWA	1
15.3	4106048	> DRAIN/PRIMING PLUG EPDM HELIX FIRST KIT	1
15.3A		>> DRAIN AND PRIMING PLUG-VMI10"-304	1
15.3B	4032293	>> O-RING-10x3-EPDM-KTW/WRC	1
15.3C	4233957	>> O-RING ID.9 EPDM VP.	1
7.3	4179571	> O-RING HOUSING PIPE HELIX22/36/52 VP.	1
13.1A	4161200	> NECK RING 1.STAGE HELIX V36/52 KIT	1
		>> NECK-RING-M+36/52	1

Item	Article no.	Description	Quantity
		>> HYDRAULIC SUPPORT CAP M+36/52 304	1
		>> SCREW TCL M3X8 A4 POZIDRIV	1



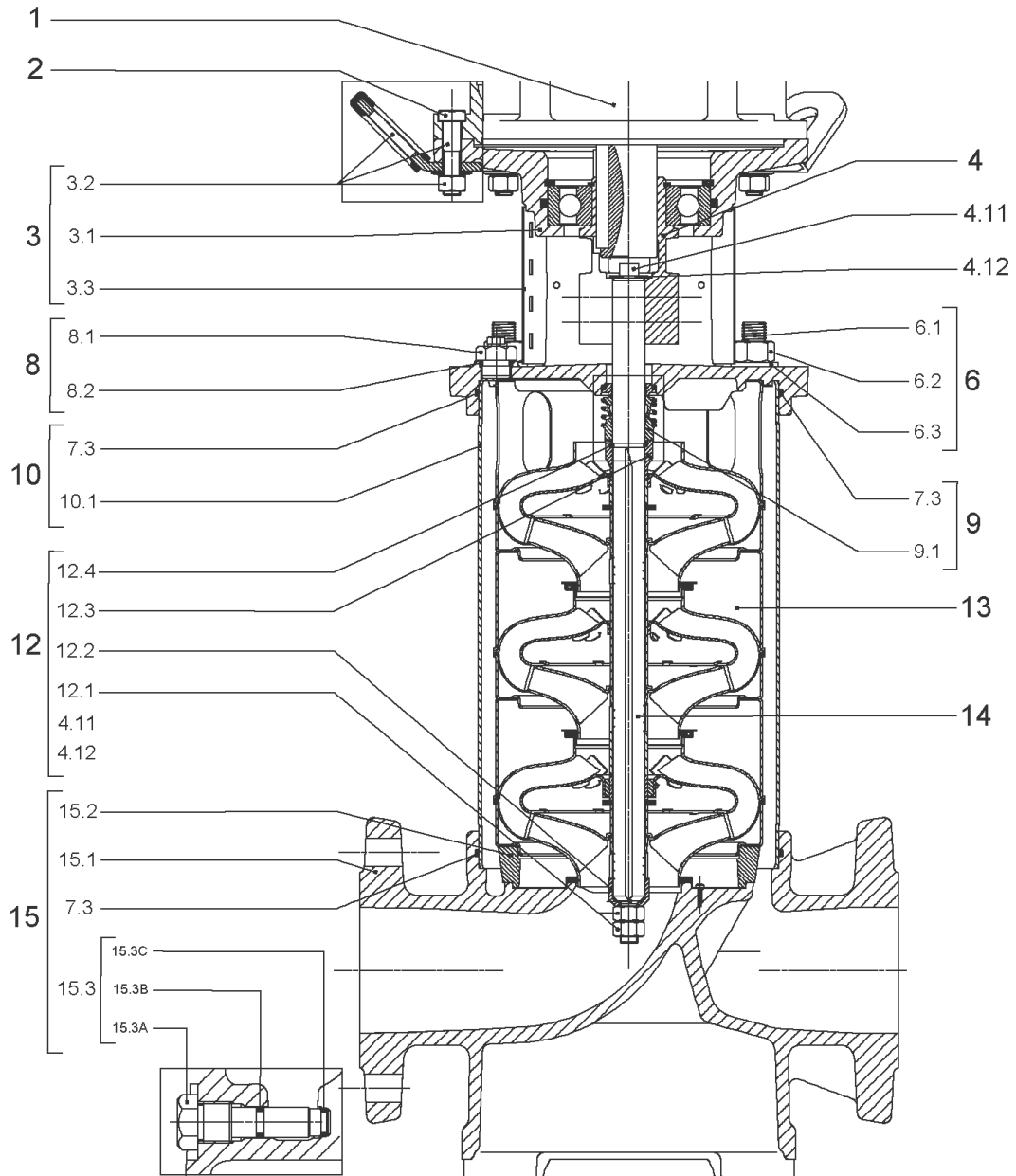
COUPLING D.22XD.38 FF240T130 HELIX KIT (4186347)

Item	Article no.	Description	Quantity
4.1		COUPLING-VMI-D22xD38-FF265-MACHINED	1
4.2	2131017	BALL BEARING 6310/ZZ-C4(HT)VP.	1
4.3	4234253	CIRCLIP-FOR-SHAFT-D50x2 VP.	1
4.4	4157726	SCREW KIT M8X30 (4 PIECES)	1
4.5	4234255	CIRCLIPS 110X4 VP.	1
4.6	4233944	O-RING ID.110 VP.	1
		NOMEL CONTACT WASHER 8x16x1,4 STEEL ZC	1



HYDRAULIC HELIX V 5202

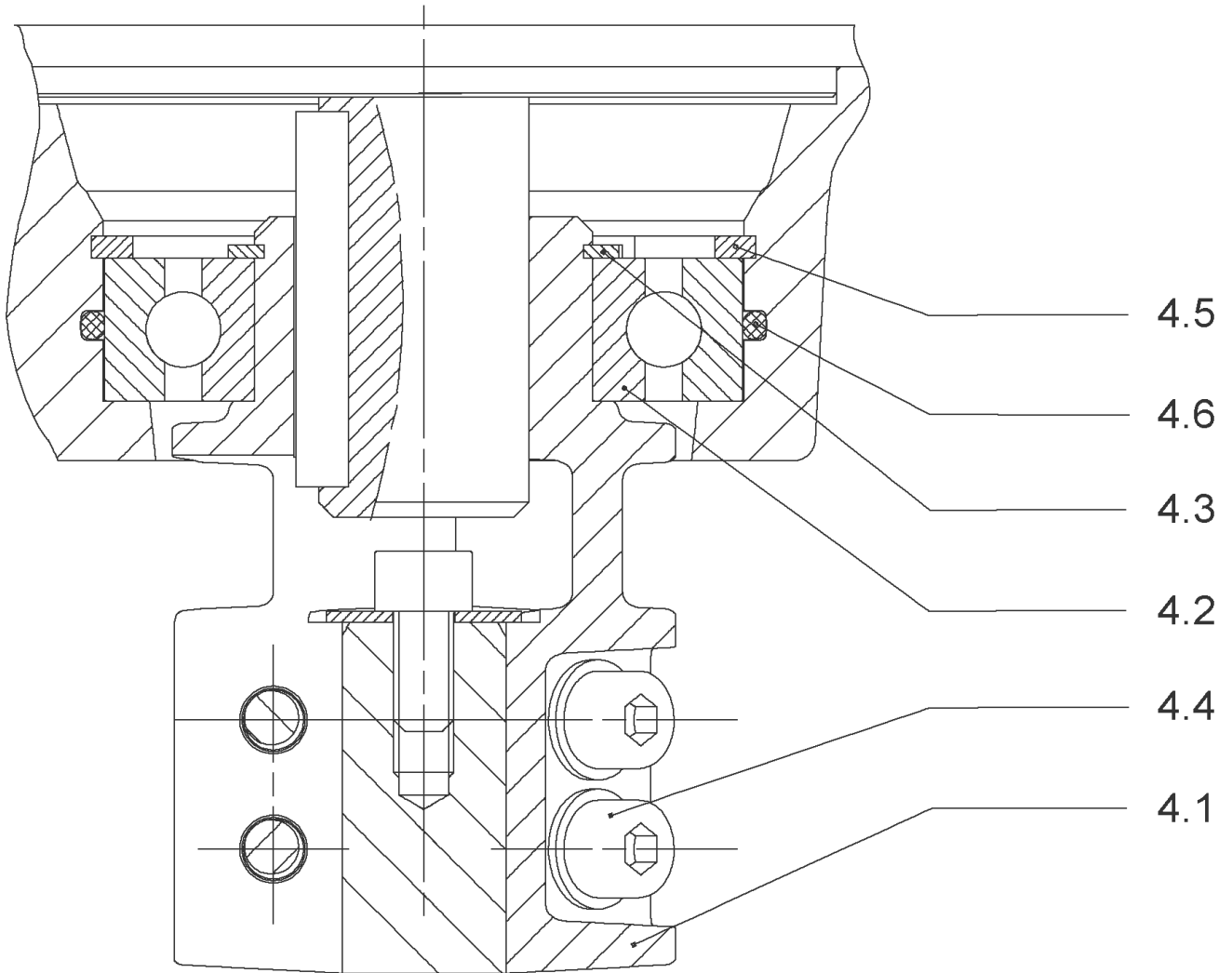
Item	Article no.	Description	Quantity
13.1	4164727	INTERMEDIAIRE STAGE HELIX 52 1.4301 KIT	1
		> SLEEVE-SPACER-D22XL30,42-316L	1
		> MACH.BEARING-DIFFUSER+NR-M+52-304	1
		> SHAFT-SLEEVE-D26xD22x16-CW	1
		> SPACER WASHER D22,3XD36 L3-316L	1
		> IMPELLER-H2-M+52-304	1
13.1A	4161200	> NECK RING 1.STAGE HELIX V36/52 KIT	1
		>> NECK-RING-M+36/52	1
		>> HYDRAULIC SUPPORT CAP M+36/52 304	1
		>> SCREW TCL M3X8 A4 POZIDRIV	1
13.2	4164729	UPPER-STAGE HELIX 52 1.4301 KIT	1
		> STOP COLLAR OF IMPELLER L27,6-Ø22-316L	1
		> SLEEVE-SPACER-D22XL16,66-316L	1
		> SPACER WASHER D22,3XD36 L3-316L	1
		> IMPELLER-H2-M+52-304	1
		> MACH.STD-DISCHARGE-CHAMBER-M+52-304	1



HELIX FIRST V5203/2-5/16/E/S/400-50 (4183426)

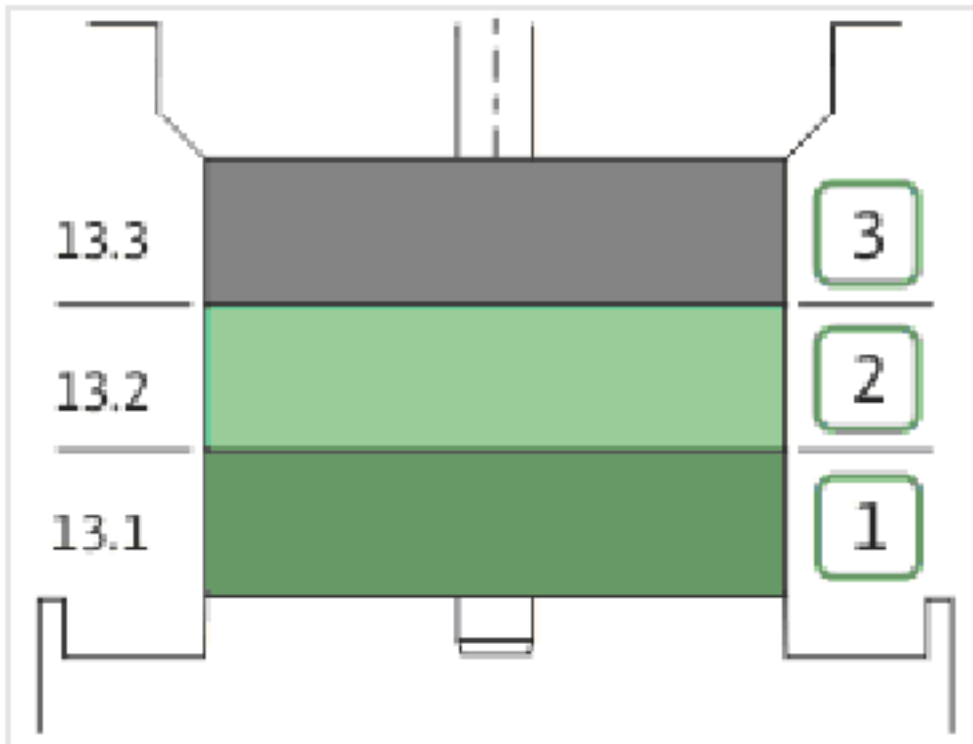
Item	Article no.	Description	Quantity
1	4195485	MOTOR 11/2/132 3~400V 50HZ IE3 VP.	1
		SPARE PARTS MOTOR:ON REQUEST	1
2	4174093	SCREW M12X50 (4 PIECES)	1
3	4186345	LANTERN FF240 HELIX FIRST 8" KIT	1
3.1		> M+8_LANTERN_ONE-PIECE_FF240_CATA	1
3.2	4186346	> EYELET CPL.FF240 HELIX (4 PIECES)	1
3.3	4184853	> COUPLING PROTECTOR FT HELIX 8" KIT	1
4	4186347	COUPLING D.22XD.38 FF240T130 HELIX KIT	1
6	4186380	STUD BOLT M16X371 KIT	1
6.1		> TIE BOLT M16-371x24x44-1.4057	1
6.2	4179562	> NUT M16 8.8 ISO4032 (4 PIECES)	1
6.3	4097852	> WASHER-CS-16.4-32-2.8-NFE25-511-A2	1
8	4186377	FILING/PURGING PLUG 304 HELIX KIT	1
8.1		> FILLING/VENTING-PLUG-MVI8/10"-304	1
8.2	4032291	> O-RING 17x3 EPDM KTW/WRC	1
9	4192148	SEAL-KIT-HELIX22-36-52 FIRST O/E	1
7.3	4179571	> O-RING HOUSING PIPE HELIX22/36/52 VP.	1
9.1	4179573	> M.SEAL.HELIX22-36-52 O/E VP.	1
10	4179593	HOUSING PIPE D.204X330 1.4307 KIT	1
7.3	4179571	> O-RING HOUSING PIPE HELIX22/36/52 VP.	1
10.1		> HOUSING-PIPE Ø204-M+3604/5203-304	1
12	4186386	SHAFT EQUIPMENT HELIX 52 FIRST KIT	1
13		HYDRAULIC HELIX V 5203/2	1
14	4186350	SHAFT D.22X451 1.4057 VP.	1
15	4186387	EQUIPED HOUSING HELIX FIRST DN65 GJL KIT	1
15.1		> ONE PIECE PUMP CASING GJL M+8" DN80	1
15.2		> HYD.SUP.M+8" ONE PIECE HOUSING N80 DWA	1
15.3	4106048	> DRAIN/PRIMING PLUG EPDM HELIX FIRST KIT	1
15.3A		>> DRAIN AND PRIMING PLUG-VMI10"-304	1
15.3B	4032293	>> O-RING-10x3-EPDM-KTW/WRC	1
15.3C	4233957	>> O-RING ID.9 EPDM VP.	1
7.3	4179571	> O-RING HOUSING PIPE HELIX22/36/52 VP.	1
13.1A	4161200	> NECK RING 1.STAGE HELIX V36/52 KIT	1
		>> NECK-RING-M+36/52	1

Item	Article no.	Description	Quantity
		>> HYDRAULIC SUPPORT CAP M+36/52 304	1
		>> SCREW TCL M3X8 A4 POZIDRIV	1



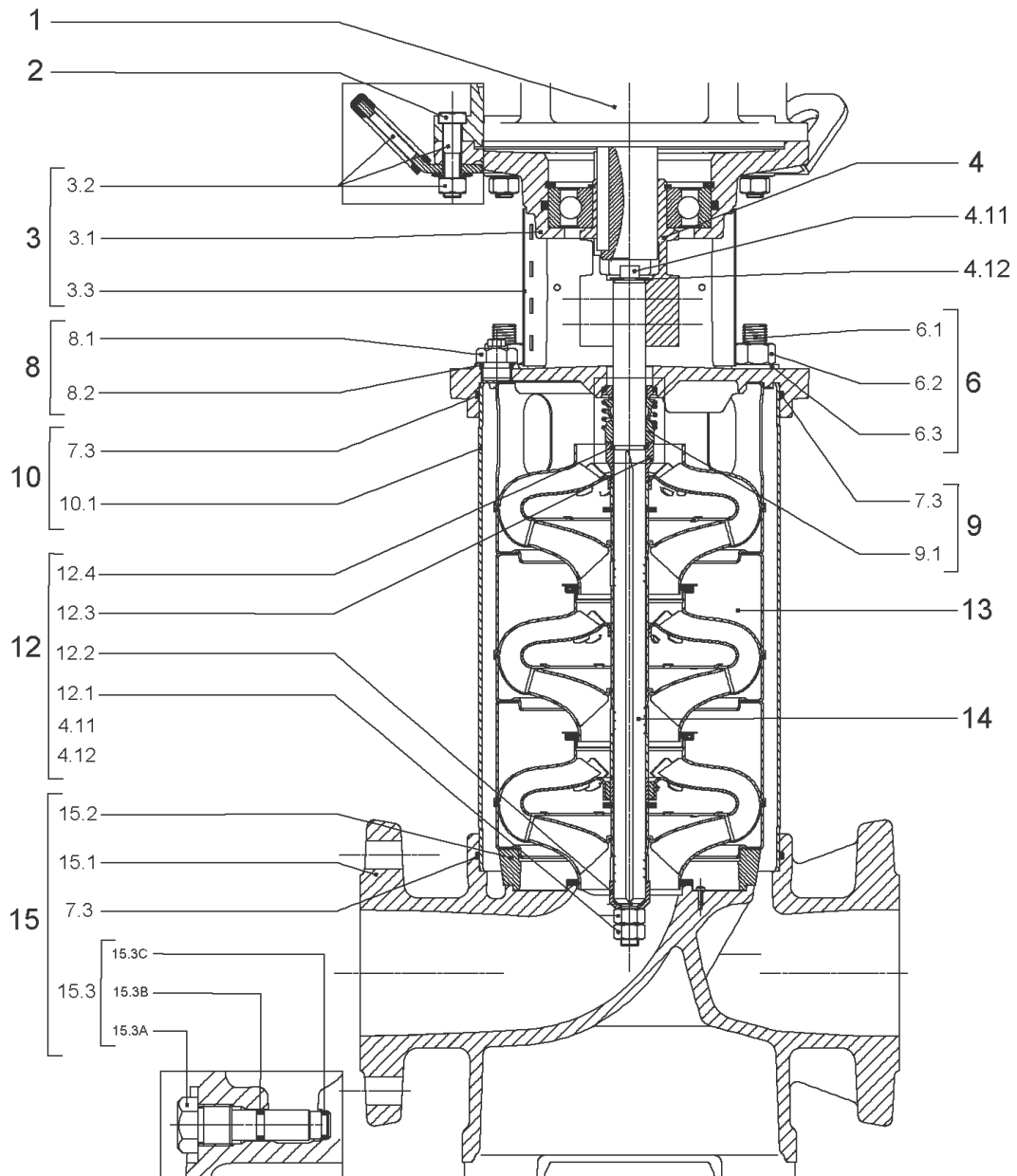
COUPLING D.22XD.38 FF240T130 HELIX KIT (4186347)

Item	Article no.	Description	Quantity
4.1		COUPLING-VMI-D22xD38-FF265-MACHINED	1
4.2	2131017	BALL BEARING 6310/ZZ-C4(HT)VP.	1
4.3	4234253	CIRCLIP-FOR-SHAFT-D50x2 VP.	1
4.4	4157726	SCREW KIT M8X30 (4 PIECES)	1
4.5	4234255	CIRCLIPS 110X4 VP.	1
4.6	4233944	O-RING ID.110 VP.	1
		NOMEL CONTACT WASHER 8x16x1,4 STEEL ZC	1



HYDRAULIC HELIX V 5203/2

Item	Article no.	Description	Quantity
13.1	4164727	INTERMEDIAIRE STAGE HELIX 52 1.4301 KIT	1
		> SLEEVE-SPACER-D22XL30,42-316L	1
		> MACH.BEARING-DIFFUSER+NR-M+52-304	1
		> SHAFT-SLEEVE-D26xD22x16-CW	1
		> SPACER WASHER D22,3XD36 L3-316L	1
		> IMPELLER-H2-M+52-304	1
13.1A	4161200	> NECK RING 1.STAGE HELIX V36/52 KIT	1
		>> NECK-RING-M+36/52	1
		>> HYDRAULIC SUPPORT CAP M+36/52 304	1
		>> SCREW TCL M3X8 A4 POZIDRIV	1
13.2	4164730	INTERMEDIATE STAGE HELIX 52 1.4301 KIT	1
		> MACH.STD-DIFFUSER+NR-M+52-304	1
		> REDUCED-IMPELLER-H5-M+52-304	1
13.3	4164731	UPPER-STAGE HELIX 52 1.4301 KIT	1
		> STOP COLLAR OF IMPELLER L27,6-Ø22-316L	1
		> SLEEVE-SPACER-D22XL16,66-316L	1
		> SPACER WASHER D22,3XD36 L3-316L	1
		> REDUCED-IMPELLER-H2-M+52-304	1
		> MACH.STD-DISCHARGE-CHAMBER-M+52-304	1



HELIX FIRST V5203-5/16/E/S/400-50 (4183427)

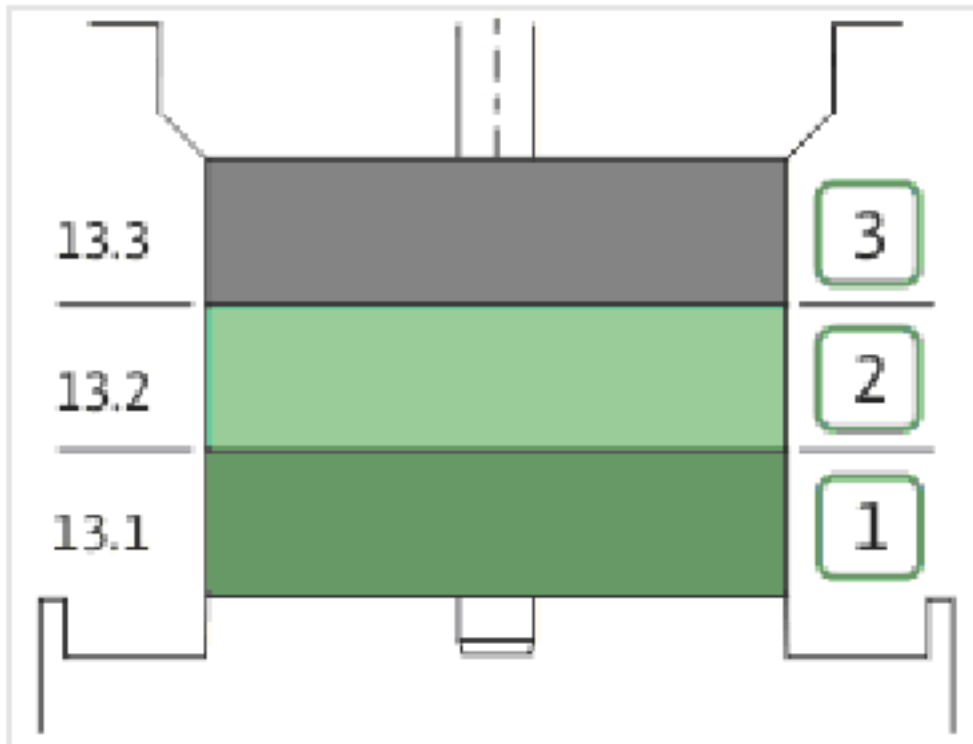
Item	Article no.	Description	Quantity
1	4195485	MOTOR 11/2/132 3~400V 50HZ IE3 VP.	1
		SPARE PARTS MOTOR:ON REQUEST	1
2	4174093	SCREW M12X50 (4 PIECES)	1
3	4186345	LANTERN FF240 HELIX FIRST 8" KIT	1
3.1		> M+8_LANTERN_ONE-PIECE_FF240_CATA	1
3.2	4186346	> EYELET CPL.FF240 HELIX (4 PIECES)	1
3.3	4184853	> COUPLING PROTECTOR FT HELIX 8" KIT	1
4	4186347	COUPLING D.22XD.38 FF240T130 HELIX KIT	1
6	4186380	STUD BOLT M16X371 KIT	1
6.1		> TIE BOLT M16-371x24x44-1.4057	1
6.2	4179562	> NUT M16 8.8 ISO4032 (4 PIECES)	1
6.3	4097852	> WASHER-CS-16.4-32-2.8-NFE25-511-A2	1
8	4186377	FILING/PURGING PLUG 304 HELIX KIT	1
8.1		> FILLING/VENTING-PLUG-MVI8/10"-304	1
8.2	4032291	> O-RING 17x3 EPDM KTW/WRC	1
9	4192148	SEAL-KIT-HELIX22-36-52 FIRST O/E	1
7.3	4179571	> O-RING HOUSING PIPE HELIX22/36/52 VP.	1
9.1	4179573	> M.SEAL.HELIX22-36-52 O/E VP.	1
10	4179593	HOUSING PIPE D.204X330 1.4307 KIT	1
7.3	4179571	> O-RING HOUSING PIPE HELIX22/36/52 VP.	1
10.1		> HOUSING-PIPE Ø204-M+3604/5203-304	1
12	4186386	SHAFT EQUIPMENT HELIX 52 FIRST KIT	1
13		HYDRAULIC HELIX V 5203	1
14	4186350	SHAFT D.22X451 1.4057 VP.	1
15	4186387	EQUIPED HOUSING HELIX FIRST DN65 GJL KIT	1
15.1		> ONE PIECE PUMP CASING GJL M+8" DN80	1
15.2		> HYD.SUP.M+8" ONE PIECE HOUSING N80 DWA	1
15.3	4106048	> DRAIN/PRIMING PLUG EPDM HELIX FIRST KIT	1
15.3A		>> DRAIN AND PRIMING PLUG-VMI10"-304	1
15.3B	4032293	>> O-RING-10x3-EPDM-KTW/WRC	1
15.3C	4233957	>> O-RING ID.9 EPDM VP.	1
7.3	4179571	> O-RING HOUSING PIPE HELIX22/36/52 VP.	1
13.1A	4161200	> NECK RING 1.STAGE HELIX V36/52 KIT	1
		>> NECK-RING-M+36/52	1

Item	Article no.	Description	Quantity
		>> HYDRAULIC SUPPORT CAP M+36/52 304	1
		>> SCREW TCL M3X8 A4 POZIDRIV	1



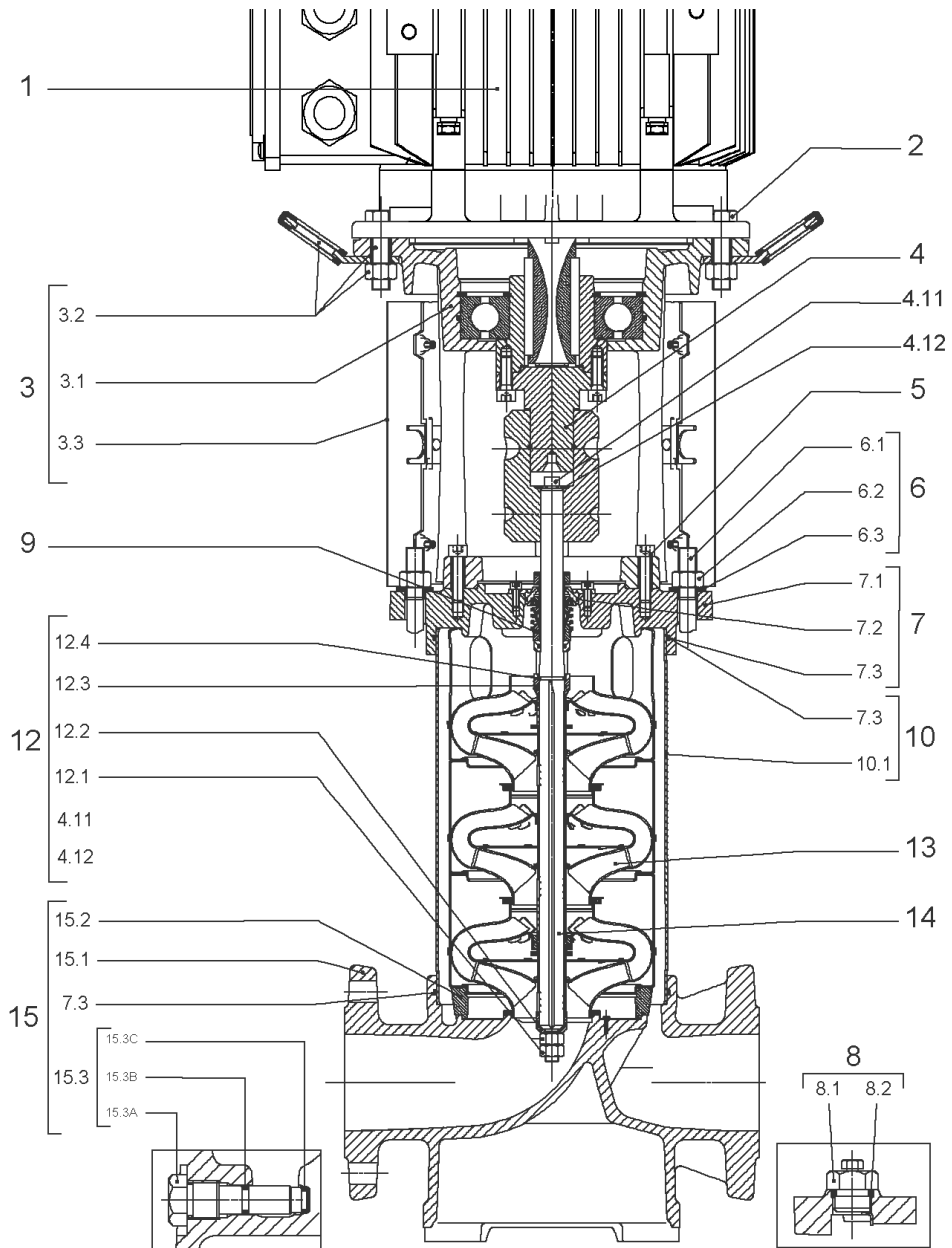
COUPLING D.22XD.38 FF240T130 HELIX KIT (4186347)

Item	Article no.	Description	Quantity
4.1		COUPLING-VMI-D22xD38-FF265-MACHINED	1
4.2	2131017	BALL BEARING 6310/ZZ-C4(HT)VP.	1
4.3	4234253	CIRCLIP-FOR-SHAFT-D50x2 VP.	1
4.4	4157726	SCREW KIT M8X30 (4 PIECES)	1
4.5	4234255	CIRCLIPS 110X4 VP.	1
4.6	4233944	O-RING ID.110 VP.	1
		NOMEL CONTACT WASHER 8x16x1,4 STEEL ZC	1



HYDRAULIC HELIX V 5203

Item	Article no.	Description	Quantity
13.1	4164727	INTERMEDIAIRE STAGE HELIX 52 1.4301 KIT	1
		> SLEEVE-SPACER-D22XL30,42-316L	1
		> MACH.BEARING-DIFFUSER+NR-M+52-304	1
		> SHAFT-SLEEVE-D26xD22x16-CW	1
		> SPACER WASHER D22,3XD36 L3-316L	1
		> IMPELLER-H2-M+52-304	1
13.1A	4161200	> NECK RING 1.STAGE HELIX V36/52 KIT	1
		>> NECK-RING-M+36/52	1
		>> HYDRAULIC SUPPORT CAP M+36/52 304	1
		>> SCREW TCL M3X8 A4 POZIDRIV	1
13.2	4164728	INTERMEDIATE STAGE HELIX 52 1.4301 KIT	1
		> MACH.STD-DIFFUSER+NR-M+52-304	1
		> IMPELLER-H5-M+52-304	1
13.3	4164729	UPPER-STAGE HELIX 52 1.4301 KIT	1
		> STOP COLLAR OF IMPELLER L27,6-Ø22-316L	1
		> SLEEVE-SPACER-D22XL16,66-316L	1
		> SPACER WASHER D22,3XD36 L3-316L	1
		> IMPELLER-H2-M+52-304	1
		> MACH.STD-DISCHARGE-CHAMBER-M+52-304	1

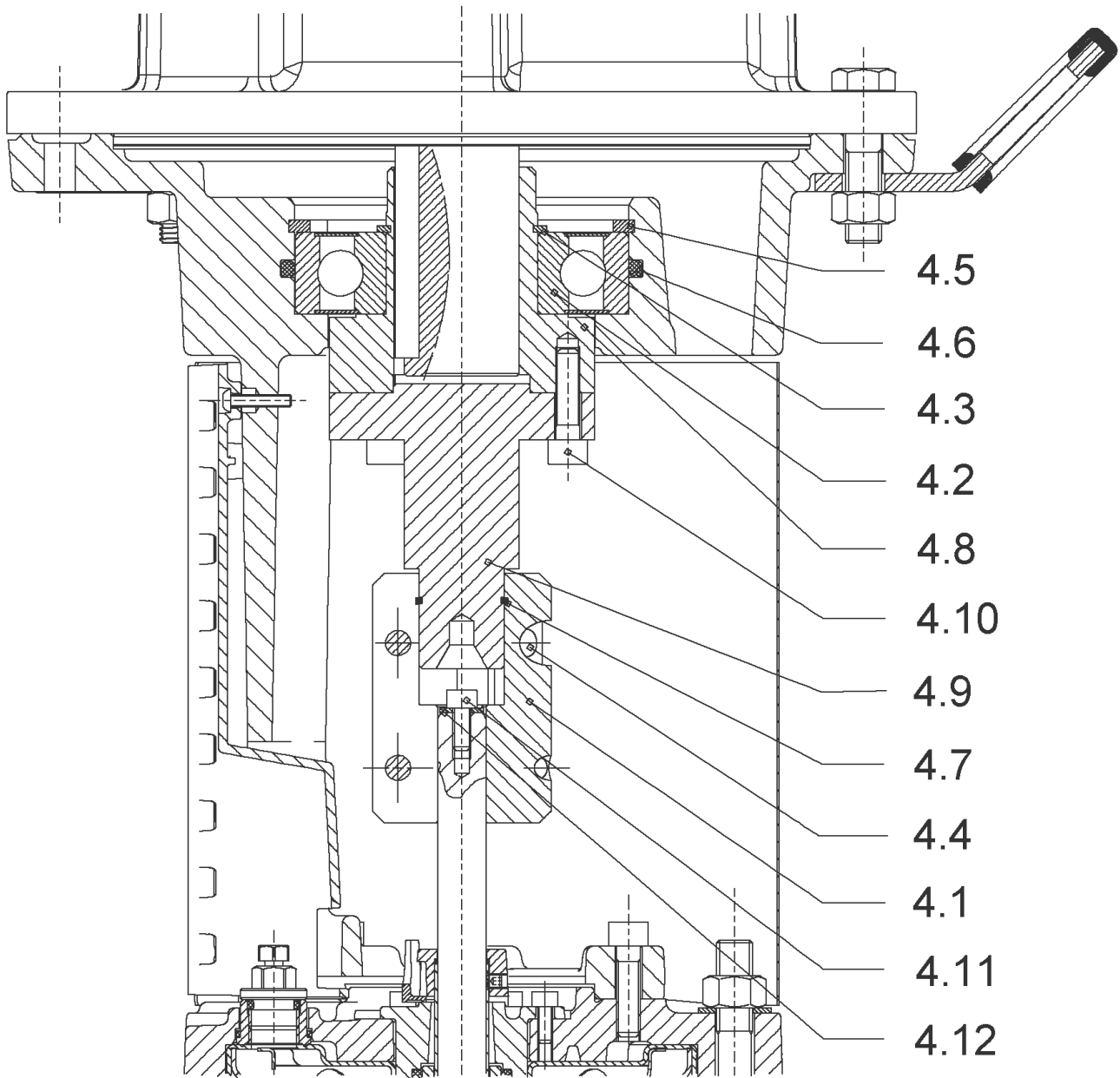


HELIX FIRST V5208/2-5/25/E/KS/400-50 (4200620)

Item	Article no.	Description	Quantity
1	4195491	MOTOR 30/2/200 3~400V 50HZ IE3 VP.	1
		SPARE PARTS MOTOR:ON REQUEST	1
2	4179586	SCREW M16X60 (4 PIECES)	1
3	4161189	LANTERN HELIX V36 FF350 BB6315 KIT	1
3.1		> LANTERN FF350 M+ GJL MACHINED+CATA 6315	1
3.2	4179938	> EYELET CPL.FF350 HELIX(4 PIECES)	1
3.3	4143969	> COUPLING PROTECT HELIX FF KIT	1
4	4161191	COUPLING HELIX V36/52 FF350 RLT6315 KIT	1
5	4157725	SCREW M10X40 (4 PIECES)	1
6	4179944	STUD BOLT M16X900 KIT	1
6.1		> TIE BOLT M16-900x24x44-1.4057	1
6.2	4179562	> NUT M16 8.8 ISO4032 (4 PIECES)	1
6.3	4097852	> WASHER-CS-16.4-32-2.8-NFE25-511-A2	1
7	4179565	END SHIELD HELIX 8" EPDM KIT	1
7.1		> END SHIELD M+ GJL MACHINED+CATA	1
7.2	4179564	> O-RING D.42.52x2.62 EPDM VP.	1
7.3	4179571	> O-RING HOUSING PIPE HELIX22/36/52 VP.	1
8	4186377	FILING/PURGING PLUG 304 HELIX KIT	1
8.1		> FILLING/VENTING-PLUG-MVI8/10"-304	1
8.2	4032291	> O-RING 17x3 EPDM KTW/WRC	1
9	4143975	CARTRIDGE HELIX22-36-52 F/E KIT	1
10	4179945	HOUSING PIPE D.204X830 1.4301 KIT	1
7.3	4179571	> O-RING HOUSING PIPE HELIX22/36/52 VP.	1
10.1		> HOUSING-PIPE Ø204-M+5208-304	1
12	4164724	SHAFT EQUIPMENT HELIX V52 KIT	1
13		HYDRAULIC HELIX V 5208-2	1
14	4179947	SHAFTS D.22X1004 1.4057 VP.	1
15	4186387	EQUIPED HOUSING HELIX FIRST DN65 GJL KIT	1
15.1		> ONE PIECE PUMP CASING GJL M+8" DN80	1
15.2		> HYD.SUP.M+8" ONE PIECE HOUSING N80 DWA	1
15.3	4106048	> DRAIN/PRIMING PLUG EPDM HELIX FIRST KIT	1
15.3A		>> DRAIN AND PRIMING PLUG-VMI10"-304	1
15.3B	4032293	>> O-RING-10x3-EPDM-KTW/WRC	1
15.3C	4233957	>> O-RING ID.9 EPDM VP.	1

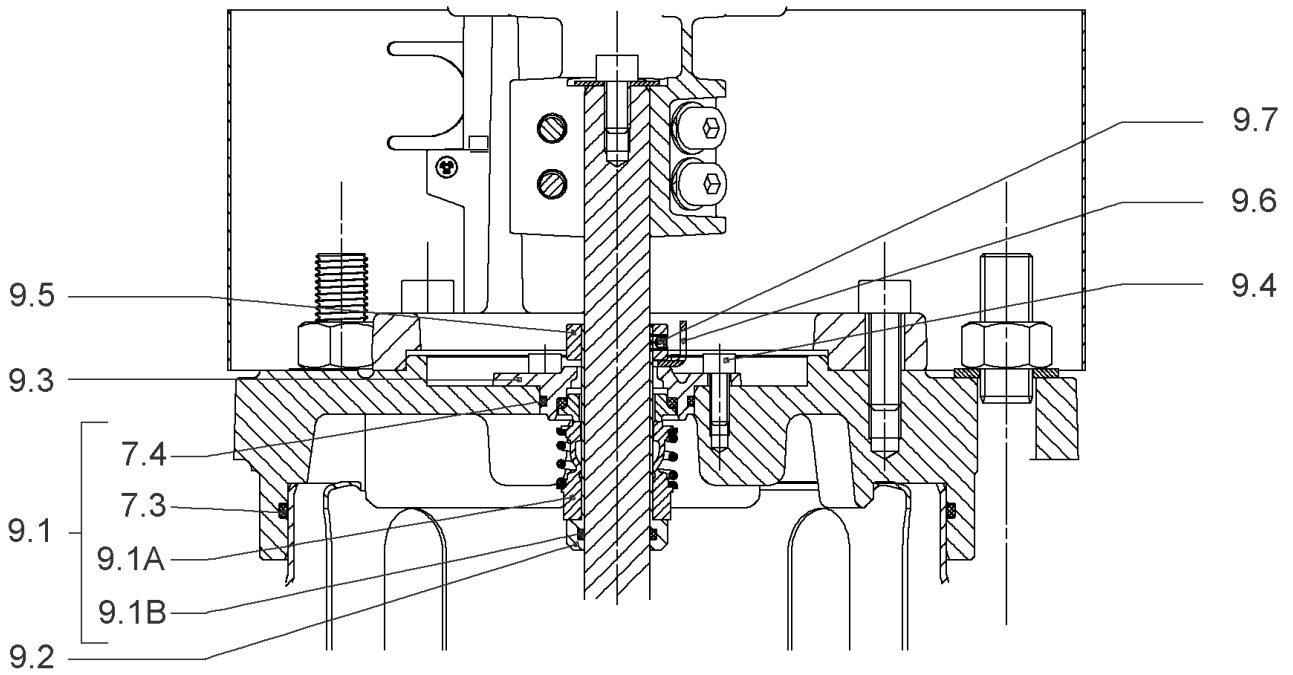
HELIX FIRST V5208/2-5/25/E/KS/400-50 (4200620)

Item	Article no.	Description	Quantity
7.3	4179571	> O-RING HOUSING PIPE HELIX22/36/52 VP.	1
13.1A	4161200	> NECK RING 1.STAGE HELIX V36/52 KIT	1
		>> NECK-RING-M+36/52	1
		>> HYDRAULIC SUPPORT CAP M+36/52 304	1
		>> SCREW TCL M3X8 A4 POZIDRIV	1



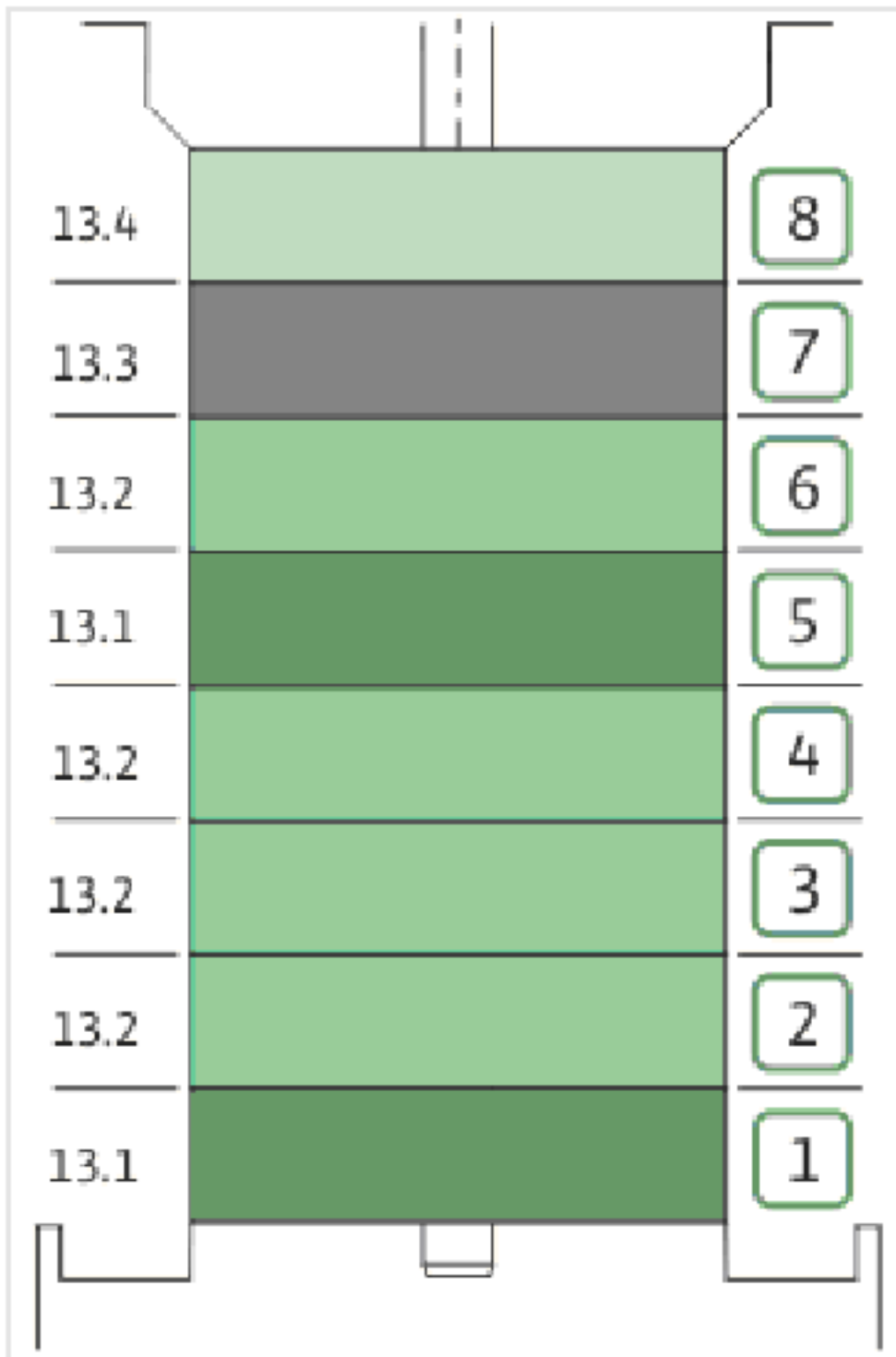
COUPLING HELIX V36/52 FF350 RLT6315 KIT (4161191)

Item	Article no.	Description	Quantity
4.1	4179935	COUPLING 2 PARTS D.20XD.38XL115 VP.	1
4.2	2114423	BALL BEARING 6315C4-ZZ-HT VP.	1
4.3	2119916	CIRCLIP D75X2.5 VP.	1
4.4	4179934	SCREW M12X30 (8 PIECES)	1
4.5	2119917	CIRCLIP D160X4 VP.	1
4.6	2119918	O-RING Ø158.34X3.53 NBR 70SH.VP.	1
4.7	2130992	RETAINING RING D.35xD.2,5 DIN7993 VP.	1
4.8	4179937	HUB D.55XD.75 VP.	1
4.9	4179936	SPACER D.38XD.65 VP.	1
4.10	2130991	SCREW M12X30 ISO4762 8.8 ZN(4 PIECES)	1
4.11	4233959	SCREW M8x16 VP.	1
4.12		SERRATED LOCK WASHER Ø8.2XØ25X35X2	1



CARTRIDGE HELIX22-36-52 F/E KIT (4143975)

Item	Article no.	Description	Quantity
9.1	4143976	SEAL-KIT-HELIX22-36-52 F/E	1
7.3	4179571	> O-RING HOUSING PIPE HELIX22/36/52 VP.	1
7.4	4179572	> O-RING ID.42.52X2.62 EPDM VP.	1
9.1A	2127447	> M.SEAL.HELIX22-36-52 F/E VP.	1
9.1B	4179574	> O-RING ID.20x2.65 EPDM VP.	1
9.2	4179566	SHAFT SLEEVE D.20/20X60 1.4404 VP.	1
9.3	4179567	RING HOLDER Ø22 1.4301 VP.	1
9.4	4176520	SCREW CH M5x5 A4-70 (3PIECES)	1
9.5	4179568	DRIVE RING D.31/22.1x11 MACH.VP.	1
9.6	4179569	TOOL M.S.CART.HELIX 8" VP.	1
9.7	4179570	SCREW M6X16 ISO4762 8.8 GEOMET(4 PIECES)	1



HYDRAULIC HELIX V 5208-2

Item	Article no.	Description	Quantity
13.1	4164727	INTERMEDIAIRE STAGE HELIX 52 1.4301 KIT	1
		> SLEEVE-SPACER-D22XL30,42-316L	1
		> MACH.BEARING-DIFFUSER+NR-M+52-304	1
		> SHAFT-SLEEVE-D26xD22x16-CW	1
		> SPACER WASHER D22,3XD36 L3-316L	1
		> IMPELLER-H2-M+52-304	1
13.1A	4161200	> NECK RING 1.STAGE HELIX V36/52 KIT	1
		>> NECK-RING-M+36/52	1
		>> HYDRAULIC SUPPORT CAP M+36/52 304	1
		>> SCREW TCL M3X8 A4 POZIDRIV	1
13.2	4164728	INTERMEDIATE STAGE HELIX 52 1.4301 KIT	1
		> MACH.STD-DIFFUSER+NR-M+52-304	1
		> IMPELLER-H5-M+52-304	1
13.3	4164730	INTERMEDIATE STAGE HELIX 52 1.4301 KIT	1
		> MACH.STD-DIFFUSER+NR-M+52-304	1
		> REDUCED-IMPELLER-H5-M+52-304	1
13.4	4164731	UPPER-STAGE HELIX 52 1.4301 KIT	1
		> STOP COLLAR OF IMPELLER L27,6-Ø22-316L	1
		> SLEEVE-SPACER-D22XL16,66-316L	1
		> SPACER WASHER D22,3XD36 L3-316L	1
		> REDUCED-IMPELLER-H2-M+52-304	1
		> MACH.STD-DISCHARGE-CHAMBER-M+52-304	1