



Helix V4

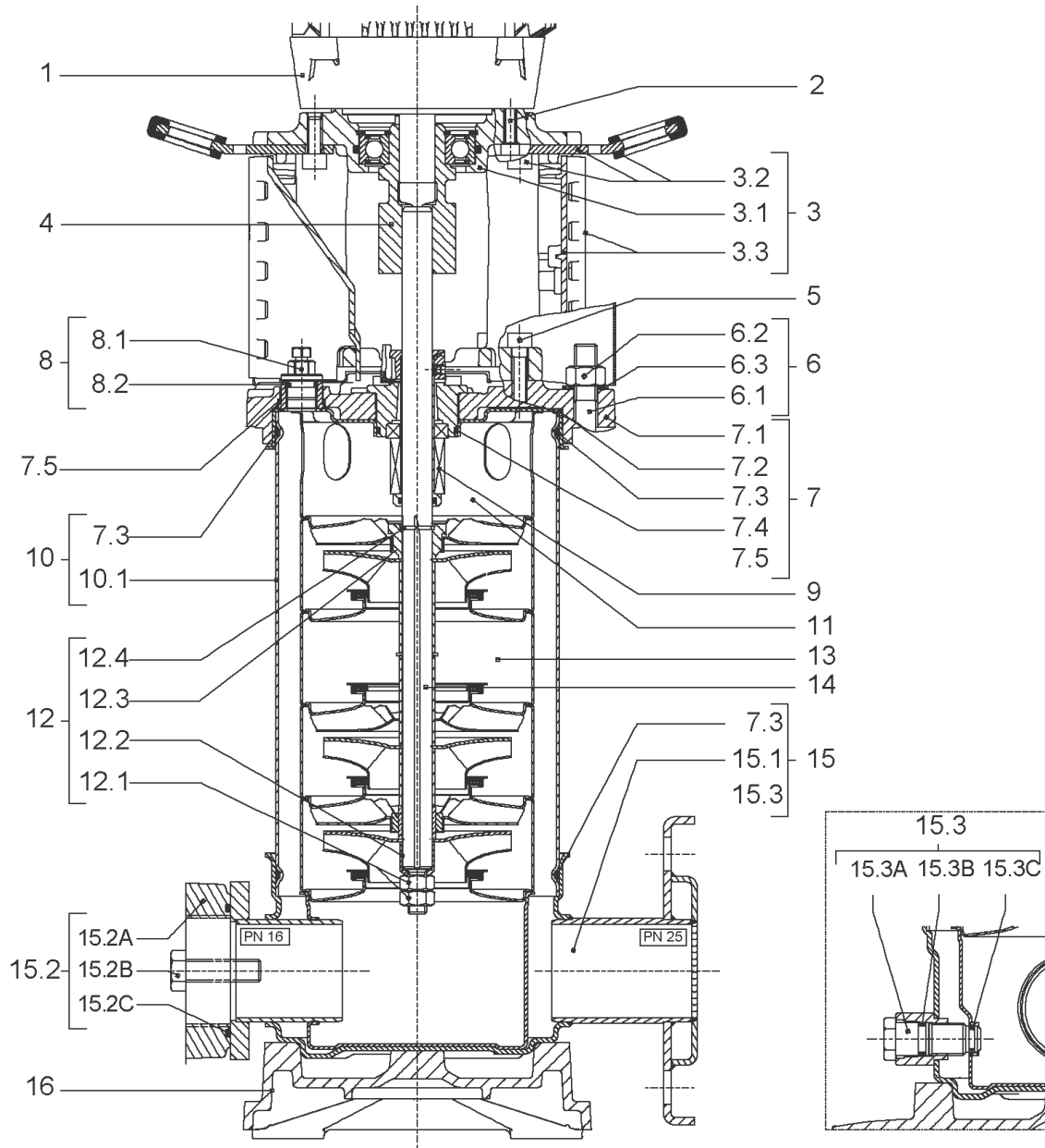
Article no.	Description
4160518	HELIX V402-1/16/E/KS/400-50
4201364	HELIX V402-1/16/E/S/400-50
4162771	HELIX V402-1/16/E/S/400-50
4192409	HELIX V402-1/16/E/S/460-60
4160549	HELIX V402-2/25/V/KS/400-50
4160519	HELIX V403-1/16/E/KS/400-50
4201366	HELIX V403-1/16/E/S/400-50
4162772	HELIX V403-1/16/E/S/400-50
4192410	HELIX V403-1/16/E/S/460-60
4160550	HELIX V403-2/25/V/K/400-50
4193998	HELIX V403-2/25/V/KS/400-50
4160520	HELIX V404-1/16/E/KS/400-50
4162773	HELIX V404-1/16/E/S/400-50
4201369	HELIX V404-1/16/E/S/400-50
4192411	HELIX V404-1/16/E/S/460-60
4160551	HELIX V404-2/25/V/KS/400-50
4160521	HELIX V405-1/16/E/KS/400-50
4201372	HELIX V405-1/16/E/S/400-50
4162774	HELIX V405-1/16/E/S/400-50
4192412	HELIX V405-1/16/E/S/460-60
4160552	HELIX V405-2/25/V/KS/400-50
4160522	HELIX V406-1/16/E/KS/400-50
4162775	HELIX V406-1/16/E/S/400-50
4201374	HELIX V406-1/16/E/S/400-50
4192413	HELIX V406-1/16/E/S/460-60
4160553	HELIX V406-2/25/V/KS/400-50
4160523	HELIX V407-1/16/E/KS/400-50
4162776	HELIX V407-1/16/E/S/400-50
4201377	HELIX V407-1/16/E/S/400-50
4192414	HELIX V407-1/16/E/S/460-60
4160554	HELIX V407-2/25/V/KS/400-50
4160524	HELIX V408-1/16/E/K/400-50
4193858	HELIX V408-1/16/E/KS/400-50
4201380	HELIX V408-1/16/E/S/400-50

Helix V4

Article no.	Description
4162777	HELIX V408-1/16/E/S/400-50
4192415	HELIX V408-1/16/E/S/460-60
4160525	HELIX V408-1/25/E/KS/400-50
4160555	HELIX V408-2/25/V/KS/400-50
4160526	HELIX V409-1/16/E/KS/400-50
4201382	HELIX V409-1/16/E/S/400-50
4162778	HELIX V409-1/16/E/S/400-50
4192416	HELIX V409-1/16/E/S/460-60
4160527	HELIX V409-1/25/E/KS/400-50
4160556	HELIX V409-2/25/V/KS/400-50
4160528	HELIX V410-1/16/E/KS/400-50
4162779	HELIX V410-1/16/E/S/400-50
4201385	HELIX V410-1/16/E/S/400-50
4160529	HELIX V410-1/25/E/KS/400-50
4160557	HELIX V410-2/25/V/KS/400-50
4160530	HELIX V411-1/16/E/KS/400-50
4164326	HELIX V411-1/16/E/S/400-50
4201388	HELIX V411-1/16/E/S/400-50
4160531	HELIX V411-1/25/E/KS/400-50
4160558	HELIX V411-2/25/V/KS/400-50
4160532	HELIX V412-1/16/E/KS/400-50
4164327	HELIX V412-1/16/E/S/400-50
4201390	HELIX V412-1/16/E/S/400-50
4160533	HELIX V412-1/25/E/KS/400-50
4160559	HELIX V412-2/25/V/KS/400-50
4160534	HELIX V413-1/16/E/KS/400-50
4201392	HELIX V413-1/16/E/S/400-50
4164328	HELIX V413-1/16/E/S/400-50
4160535	HELIX V413-1/25/E/KS/400-50
4160560	HELIX V413-2/25/V/KS/400-50
4160536	HELIX V414-1/16/E/KS/400-50
4201393	HELIX V414-1/16/E/S/400-50
4164329	HELIX V414-1/16/E/S/400-50
4160537	HELIX V414-1/25/E/KS/400-50

Helix V4

Article no.	Description
4160561	HELIX V414-2/25/V/KS/400-50
4160538	HELIX V416-1/16/E/KS/400-50
4201395	HELIX V416-1/16/E/S/400-50
4164330	HELIX V416-1/16/E/S/400-50
4160539	HELIX V416-1/25/E/KS/400-50
4160562	HELIX V416-2/25/V/KS/400-50
4160540	HELIX V418-1/16/E/KS/400-50
4164331	HELIX V418-1/16/E/S/400-50
4201397	HELIX V418-1/16/E/S/400-50
4160541	HELIX V418-1/25/E/KS/400-50
4160563	HELIX V418-2/25/V/KS/400-50
4160542	HELIX V420-1/16/E/KS/400-50
4201399	HELIX V420-1/16/E/S/400-50
4162786	HELIX V420-1/16/E/S/400-50
4160543	HELIX V420-1/25/E/KS/400-50
4160564	HELIX V420-2/25/V/KS/400-50
4160544	HELIX V422-1/25/E/K/400-50
4193310	HELIX V422-1/25/E/KS/400-50
4160565	HELIX V422-2/25/V/KS/400-50
4160545	HELIX V424-1/25/E/KS/400-50
4160566	HELIX V424-2/25/V/KS/400-50
4160546	HELIX V426-1/25/E/KS/400-50
4160567	HELIX V426-2/25/V/KS/400-50
4160547	HELIX V429-1/25/E/KS/400-50
4160568	HELIX V429-2/25/V/KS/400-50
4175097	HELIX V429-3/30/E/KS/400-50
4160548	HELIX V431-1/25/E/KS/400-50
4160569	HELIX V431-2/25/V/KS/400-50
4175098	HELIX V431-3/30/E/KS/400-50

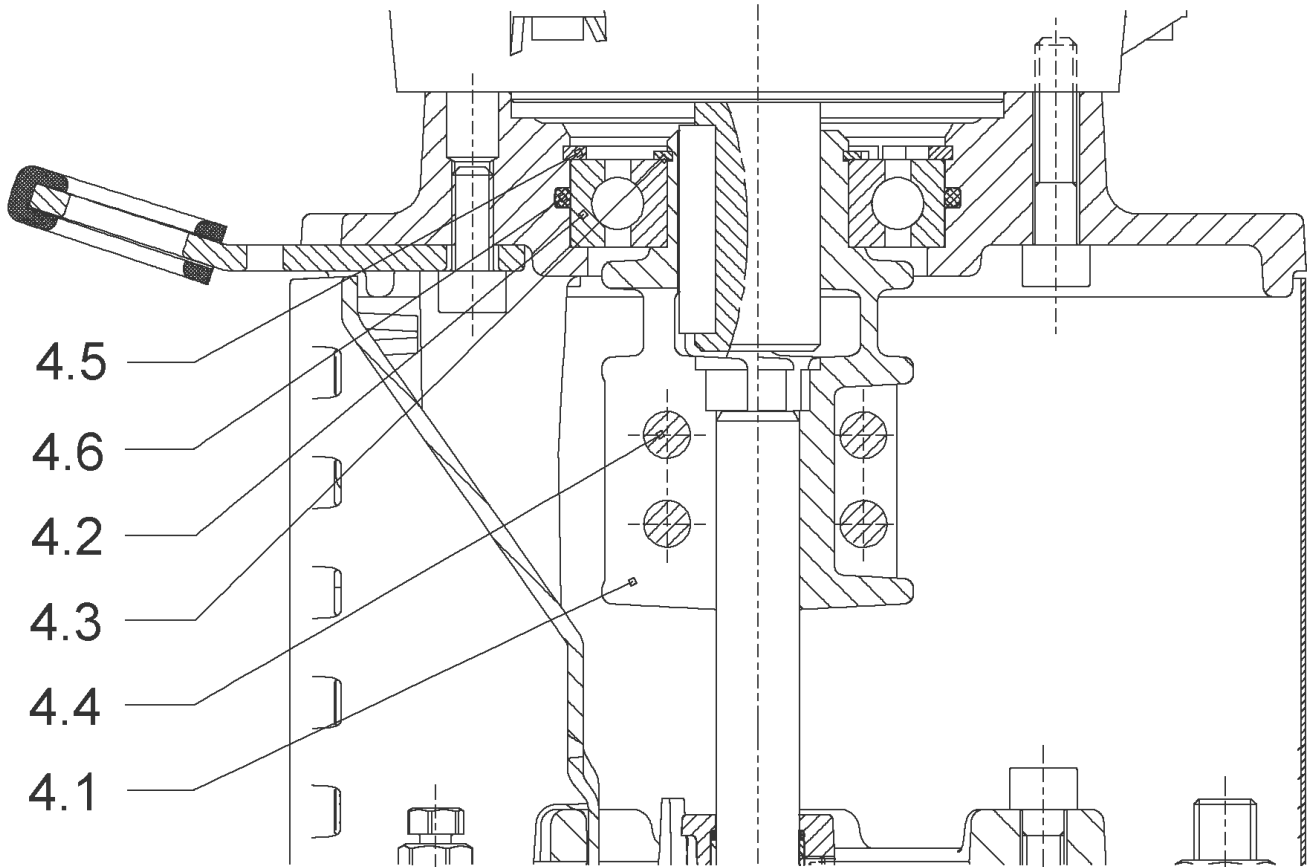


HELIX V402-1/16/E/KS/400-50 (4160518)

Item	Article no.	Description	Quantity
1	4169946	MOTOR 0,37/2/71 3~230/400V 50HZ IE2 VP.	1
		SPARE PARTS MOTOR:ON REQUEST	1
2	4159702	SCREW M6X30 (4 PIECES)	1
3	4171323	LANTERN FT85 HELIX KIT	1
3.1		> LANTERN FT85 M+6" GJL MACHINING+CATA	1
3.2	2127604	> EYELET CPL.FT HELIX(2 PIECES)	1
3.3	4159692	> COUPLING PROTECTOR FT HELIX KIT	1
4	4178554	COUPLING FT 85 Ø12XØ14 KIT	1
5	4159707	SCREW M8X30 (4 PIECES)	1
6	2018359	STUD BOLT M12X245 KIT	1
6.1		> TIE BOLT M12-245x18x30-1.4057	1
6.2	2094647	> NUT M12 M12 ISO4032 VP.	1
6.3	2123557	> WASHER CS-12.4-24-1.6-NFE25 (4 PIECES)	1
7	4159685	END SHIELD HELIX EPDM KIT	1
7.1		> END SHIELD M+6" GJL250 MACHINING+CATA	1
7.2	2127607	> STATIONARY RING HOLDER 6" HELIX 1.4301 V	1
7.3	4176513	> O-RING FOR PUMP JACKET VP.	1
7.4	2127603	> O-RING ID.37,6x2,4 EPDM VP.	1
7.5	2127602	> O-RING ID.21,35x2 EPDM VP.	1
8	4159686	FILING/PURGING PLUG HELIX EPDM KIT	1
9	4178559	KART.HELIX2-4 O/E SET	1
10	4178565	HOUSING PIPES D.152X109 1.4301 KIT	1
7.3	4176513	> O-RING FOR PUMP JACKET VP.	1
10.1		> HOUSING-PIPE Ø152-M+202/402-304	1
11	4178566	CENTERING STAGE-RETURN HELIX4 1.4307 VP	1
12	4178567	SHAFT EQUIPMENT HELIX V2/V4 KIT	1
12.1		> NUT-H-M8-STAINLESS-STEEL A4-70	1
12.2		> SHAFT END WASHER Ø8/Ø12 316L	1
12.3		> STOP COLLAR OF IMPELLER L12,6-Ø12-316L	1
12.4		> STOP-RUSH-1/2-D12xd2-M+316	1
13		HYDRAULIC HELIX V 402 1.4307	1
14	4178571	SHAFT D.12X233 1.4057 VP.	1
15	4174079	PUMP HOUSING HELIX DN32 PN16 1.4301 KIT	1
7.3	4176513	> O-RING FOR PUMP JACKET VP.	1

HELIX V402-1/16/E/KS/400-50 (4160518)

Item	Article no.	Description	Quantity
15.1		> BLASTING PPE HOUSING V-PN16-DN32-5"-304	1
15.2	4217889	> COUNTER FLANGE-G1"-PN16-GJL KIT	1
15.3	4171321	> PRIMING/DRAIN PLUG EPDM HELIX KIT	1
16	4177964	BASEPLATE HELIX V2/4/6 PN16 VP.	1



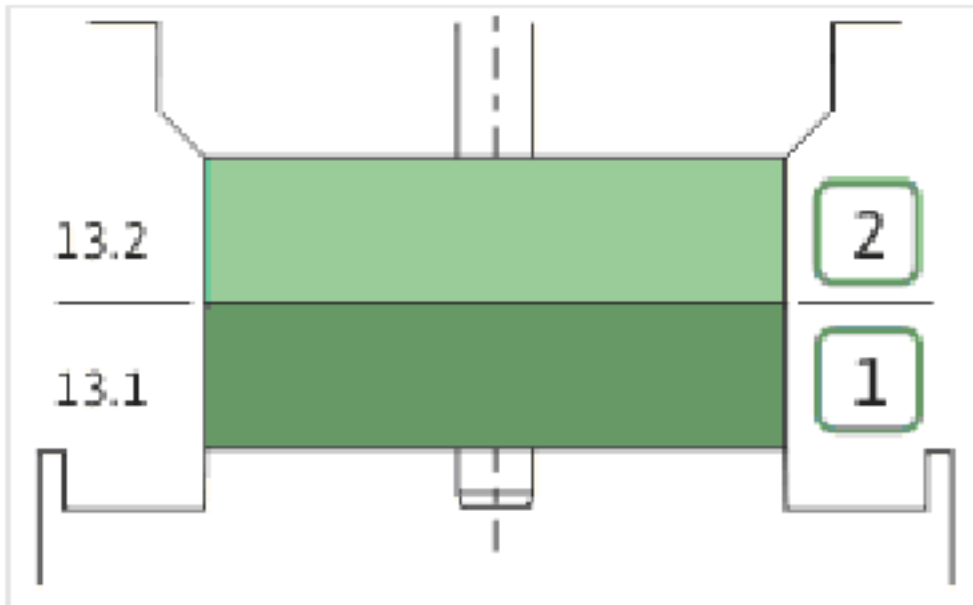
COUPLING FT 85 Ø12XØ14 KIT (4178554)

Item	Article no.	Description	Quantity
4.1		COUPLING-M+ Ø12XØ14-FT85-MACHINED	1
4.3	4208923	CIRCLIP D25X1.2 VP.	1
4.2	4177802	BALL BEARING 6205C3-ZZ HTVP.	1
4.4	4212716	SCREW M6X20 KIT (4PIECES)	1
4.5	4233124	CIRCLIP-FOR-BORES-D52x2 VP.	1
4.6	4234244	O-RING 52X2 VP.	1
		CONTACT-WASHER-6ETR-6,1x12,2x1,8-STEEL	4

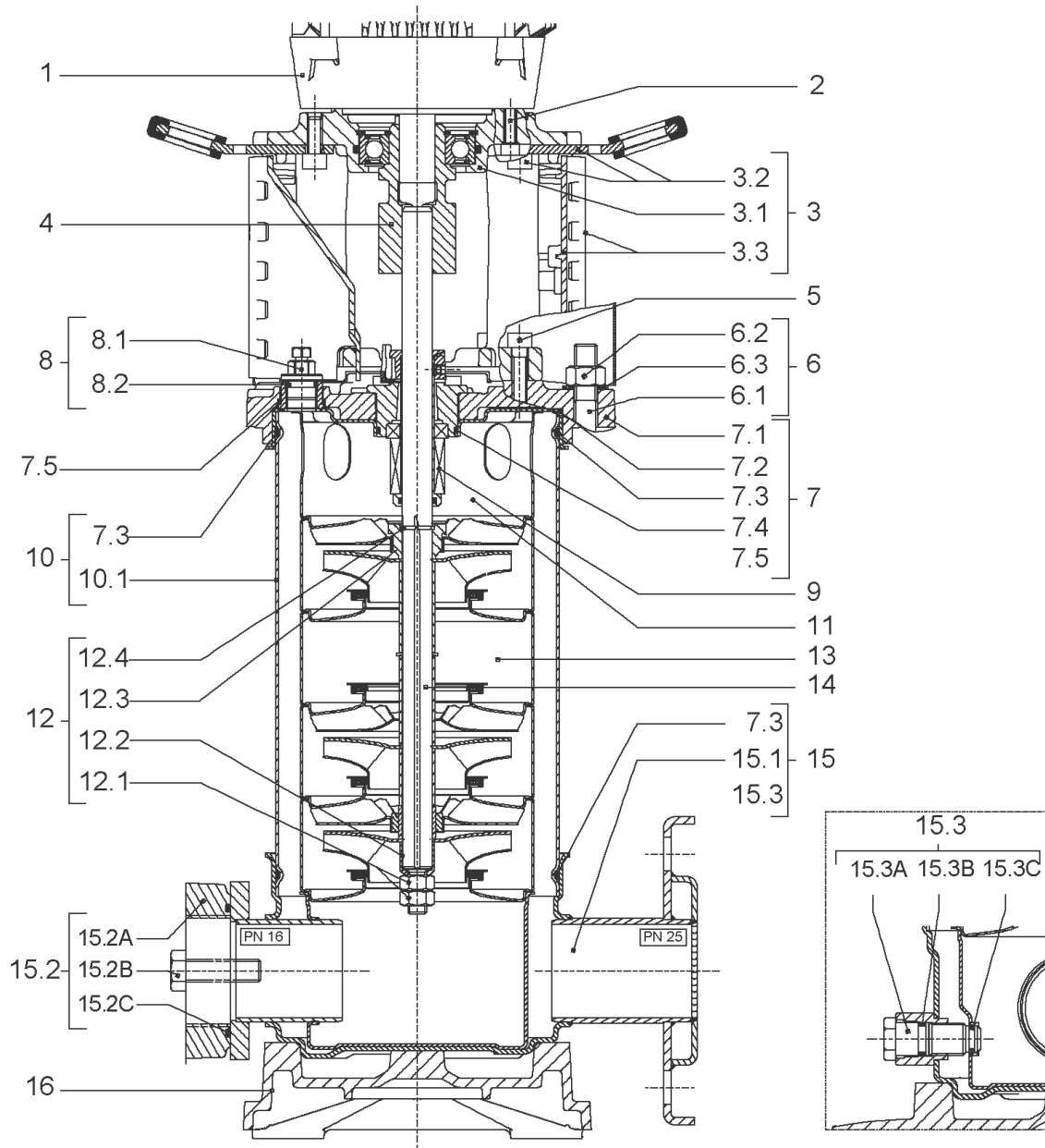


KART.HELIX2-4 O/E SET (4178559)

Item	Article no.	Description	Quantity
9.1	4178560	SEAL-KIT-HELIX2-4 O/E	1
7.3	4176513	> O-RING FOR PUMP JACKET VP.	1
7.4	2127603	> O-RING ID.37,6x2,4 EPDM VP.	1
9.1A	2130966	> MECH.SEAL HELIX2-4-6-10-16 O/E VP.	1
9.1B	4178558	> O-RING ID.12X2 EPDM VP.	1
9.1C	4178558	> O-RING ID.12X2 EPDM VP.	1
9.2	4178557	SHAFT SLEEVE Ø12XØ18-PN16 1.4404 VP.	1
9.3	2130962	RING HOLDER D.18 G606/G6 1.4301 VP.	1
9.4	4176520	SCREW CH M5x5 A4-70 (3PIECES)	1
9.5	4178556	DRIVE RING D.29/15.5x13,2 MACH.VP.	1
9.6	2130964	TOOL M.S.CART.HELIX VP.	1
9.7	2130965	SCREW CHC M5X12 ISO4762 A2.70(4 PIECES)	1



Item	Article no.	Description	Quantity
13.1	4178570	STAGE HELIX 4 1.4301 KIT	1
		> MACH.STG-CASING-WOGV-WNR-M+2-4-304	1
		> IMPELLER-M+4-304	1
13.2	4178569	STAGE BEARING HELIX 4 1.4301 KIT	1
		> MACH.BEARING-STG-CASING-WNR-M+4-304	1
		> IMPELLER-M+4-304	1
		> SHAFT SLEEVE SPACER Ø15,35x10,305-304	1
		> SHAFT-SLEEVE-D12xD16x14-CW	1

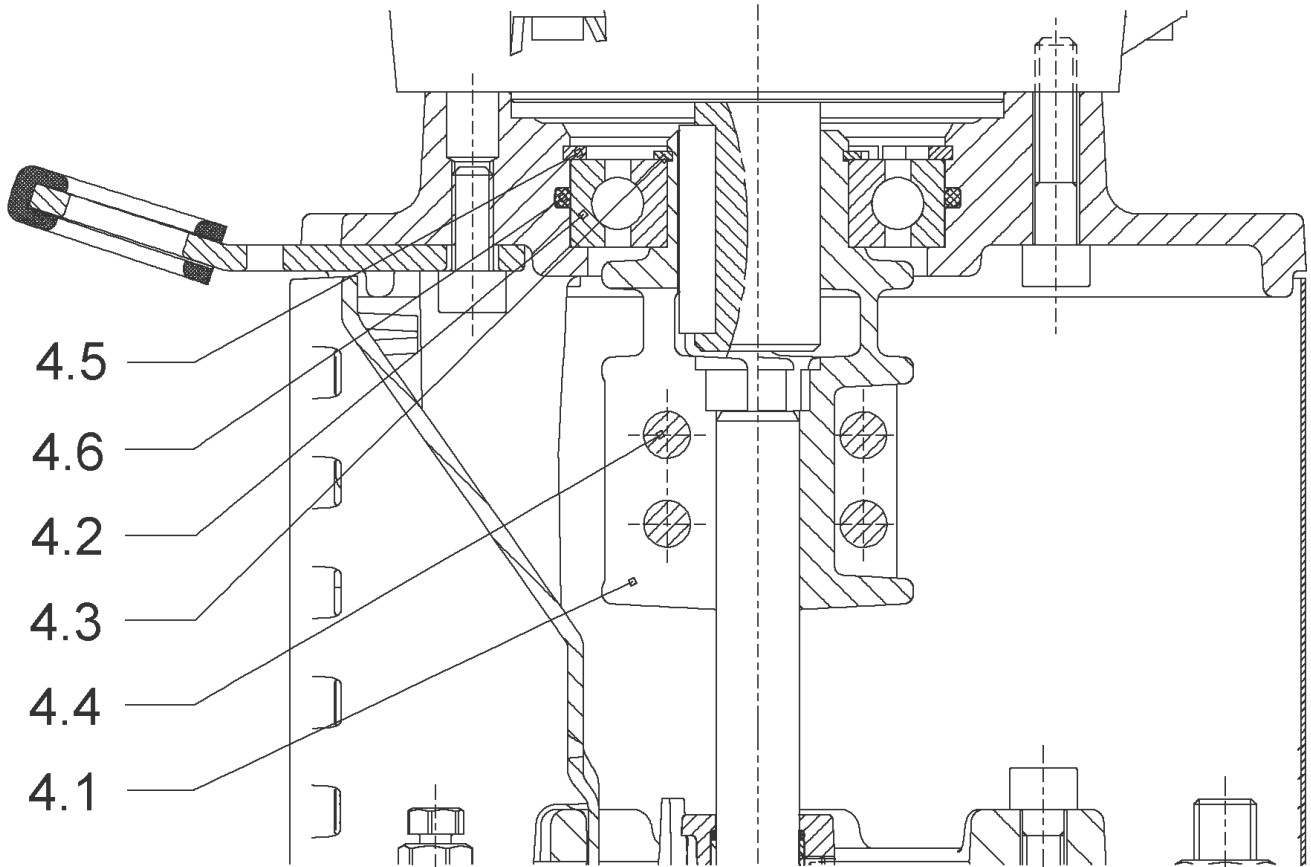


HELIX V403-1/16/E/KS/400-50 (4160519)

Item	Article no.	Description	Quantity
1	4169946	MOTOR 0,37/2/71 3~230/400V 50HZ IE2 VP.	1
		SPARE PARTS MOTOR:ON REQUEST	1
2	4159702	SCREW M6X30 (4 PIECES)	1
3	4171323	LANTERN FT85 HELIX KIT	1
3.1		> LANTERN FT85 M+6" GJL MACHINING+CATA	1
3.2	2127604	> EYELET CPL.FT HELIX(2 PIECES)	1
3.3	4159692	> COUPLING PROTECTOR FT HELIX KIT	1
4	4178554	COUPLING FT 85 Ø12XØ14 KIT	1
5	4159707	SCREW M8X30 (4 PIECES)	1
6	4177803	STUD BOLT M12X263 KIT	1
6.1		> TIE BOLT M12-263x18x30-1.4057	1
6.2	2094647	> NUT M12 M12 ISO4032 VP.	1
6.3	2123557	> WASHER CS-12.4-24-1.6-NFE25 (4 PIECES)	1
7	4159685	END SHIELD HELIX EPDM KIT	1
7.1		> END SHIELD M+6" GJL250 MACHINING+CATA	1
7.2	2127607	> STATIONARY RING HOLDER 6" HELIX 1.4301 V	1
7.3	4176513	> O-RING FOR PUMP JACKET VP.	1
7.4	2127603	> O-RING ID.37,6x2,4 EPDM VP.	1
7.5	2127602	> O-RING ID.21,35x2 EPDM VP.	1
8	4159686	FILING/PURGING PLUG HELIX EPDM KIT	1
9	4178559	KART.HELIX2-4 O/E SET	1
10	4177804	HOUSING PIPES D.152X134 1.4301 KIT	1
7.3	4176513	> O-RING FOR PUMP JACKET VP.	1
10.1		> HOUSING-PIPE Ø152-M+1001/02-304	1
11	4178566	CENTERING STAGE-RETURN HELIX4 1.4307 VP	1
12	4178567	SHAFT EQUIPMENT HELIX V2/V4 KIT	1
12.1		> NUT-H-M8-STAINLESS-STEEL A4-70	1
12.2		> SHAFT END WASHER Ø8/Ø12 316L	1
12.3		> STOP COLLAR OF IMPELLER L12,6-Ø12-316L	1
12.4		> STOP-RUSH-1/2-D12xd2-M+316	1
13		HYDRAULIC HELIX V 403 1.4307	1
14	4178575	SHAFT D.12X258 1.4301 VP.	1
15	4174079	PUMP HOUSING HELIX DN32 PN16 1.4301 KIT	1
7.3	4176513	> O-RING FOR PUMP JACKET VP.	1

HELIX V403-1/16/E/KS/400-50 (4160519)

Item	Article no.	Description	Quantity
15.1		> BLASTING PPE HOUSING V-PN16-DN32-5"-304	1
15.2	4217889	> COUNTER FLANGE-G1"-PN16-GJL KIT	1
15.3	4171321	> PRIMING/DRAIN PLUG EPDM HELIX KIT	1
16	4177964	BASEPLATE HELIX V2/4/6 PN16 VP.	1



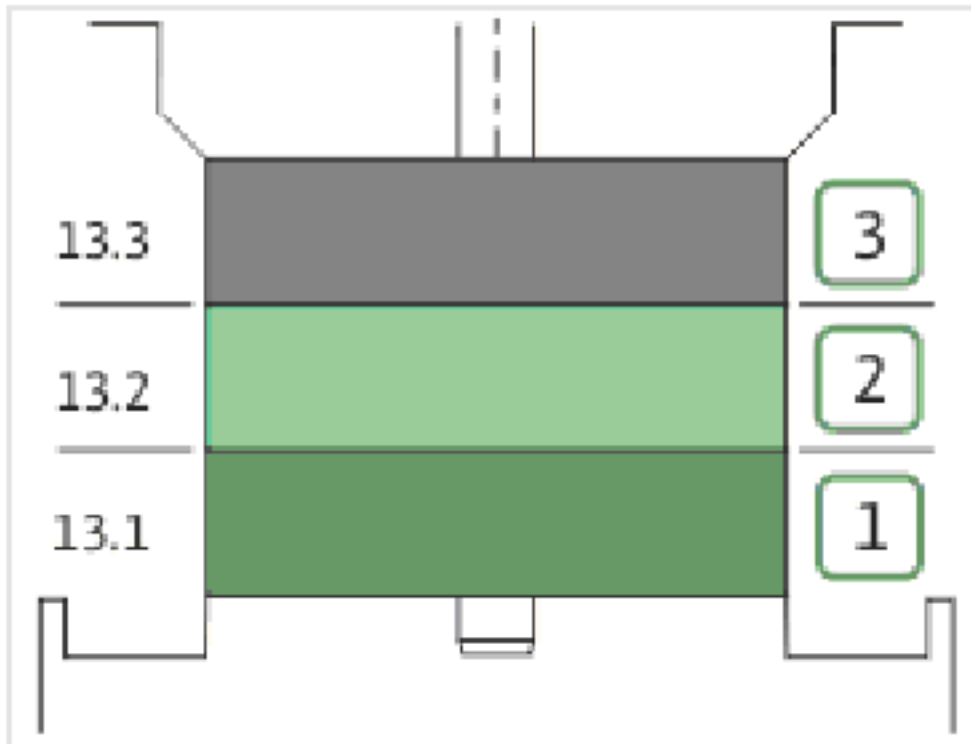
COUPLING FT 85 Ø12XØ14 KIT (4178554)

Item	Article no.	Description	Quantity
4.1		COUPLING-M+ Ø12XØ14-FT85-MACHINED	1
4.3	4208923	CIRCLIP D25X1.2 VP.	1
4.2	4177802	BALL BEARING 6205C3-ZZ HTVP.	1
4.4	4212716	SCREW M6X20 KIT (4PIECES)	1
4.5	4233124	CIRCLIP-FOR-BORES-D52x2 VP.	1
4.6	4234244	O-RING 52X2 VP.	1
		CONTACT-WASHER-6ETR-6,1x12,2x1,8-STEEL	4

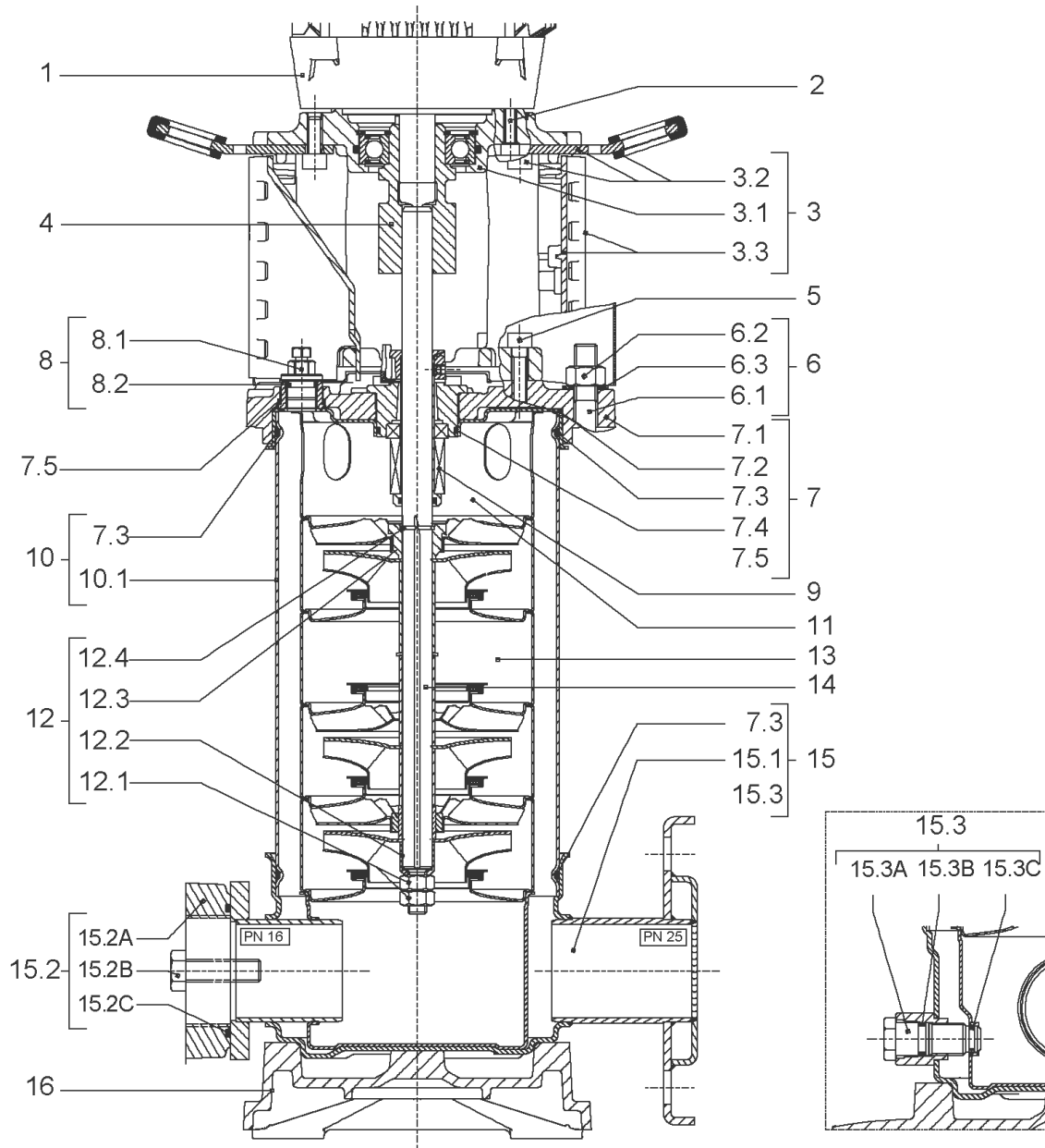


KART.HELIX2-4 O/E SET (4178559)

Item	Article no.	Description	Quantity
9.1	4178560	SEAL-KIT-HELIX2-4 O/E	1
7.3	4176513	> O-RING FOR PUMP JACKET VP.	1
7.4	2127603	> O-RING ID.37,6x2,4 EPDM VP.	1
9.1A	2130966	> MECH.SEAL HELIX2-4-6-10-16 O/E VP.	1
9.1B	4178558	> O-RING ID.12X2 EPDM VP.	1
9.1C	4178558	> O-RING ID.12X2 EPDM VP.	1
9.2	4178557	SHAFT SLEEVE Ø12XØ18-PN16 1.4404 VP.	1
9.3	2130962	RING HOLDER D.18 G606/G6 1.4301 VP.	1
9.4	4176520	SCREW CH M5x5 A4-70 (3PIECES)	1
9.5	4178556	DRIVE RING D.29/15.5x13,2 MACH.VP.	1
9.6	2130964	TOOL M.S.CART.HELIX VP.	1
9.7	2130965	SCREW CHC M5X12 ISO4762 A2.70(4 PIECES)	1



Item	Article no.	Description	Quantity
13.1	4178570	STAGE HELIX 4 1.4301 KIT	1
		> MACH.STG-CASING-WOGV-WNR-M+2-4-304	1
		> IMPELLER-M+4-304	1
13.2	4178569	STAGE BEARING HELIX 4 1.4301 KIT	1
		> MACH.BEARING-STG-CASING-WNR-M+4-304	1
		> IMPELLER-M+4-304	1
		> SHAFT SLEEVE SPACER Ø15,35x10,305-304	1
		> SHAFT-SLEEVE-D12xD16x14-CW	1
13.3	4178574	INTER STAGE HELIX4 1.4301< 15 stages KIT	1
		> MACH.STD-STG-CASING-WGV+NR-M+4-304	1
		> IMPELLER-M+4-304	1
		> IMPELLER SPACER Ø12,05X14,85-L24,285-304	1

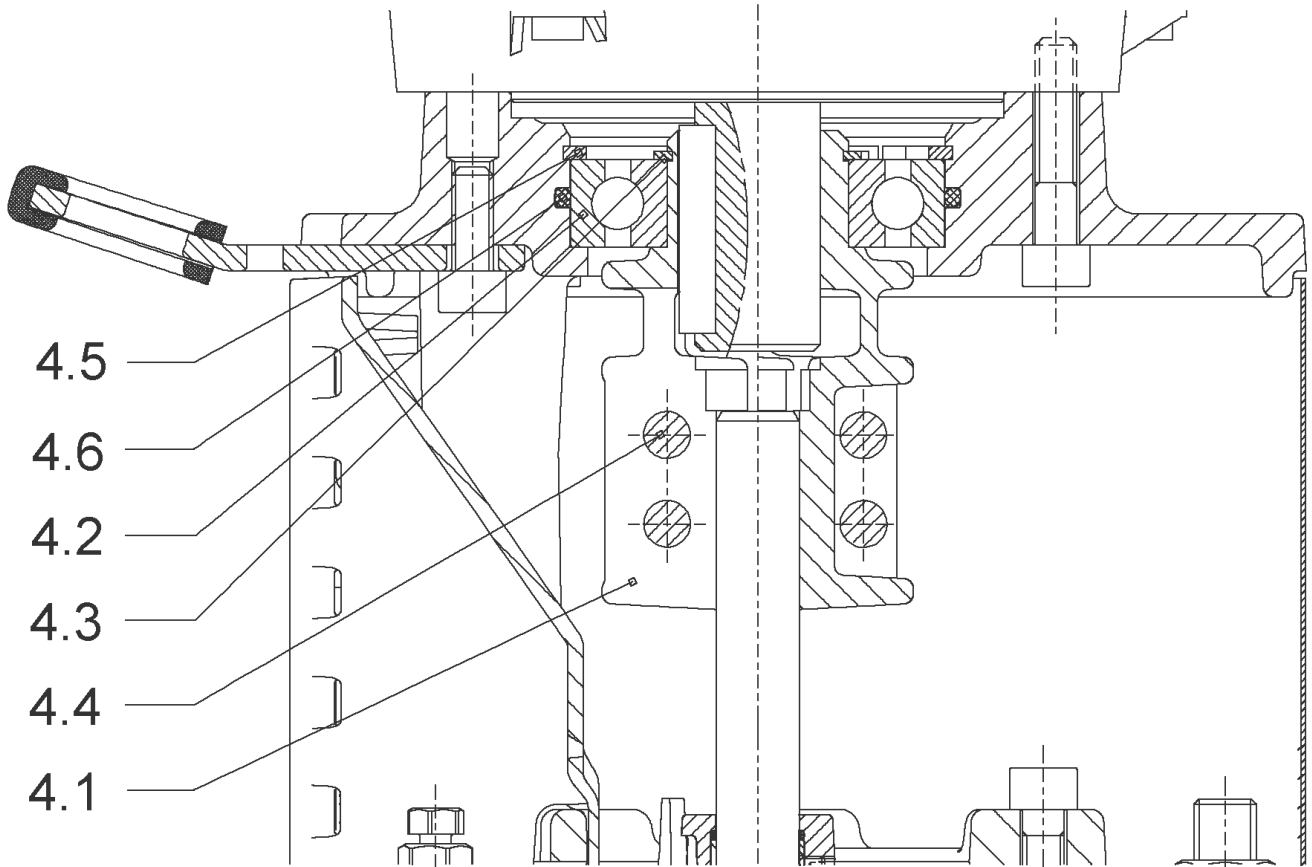


HELIX V404-1/16/E/KS/400-50 (4160520)

Item	Article no.	Description	Quantity
1	4169939	MO.0,55/2/71 3~400V 50HZ 460V 60HZ IE2VP	1
		SPARE PARTS MOTOR:ON REQUEST	1
2	4159702	SCREW M6X30 (4 PIECES)	1
3	4171323	LANTERN FT85 HELIX KIT	1
3.1		> LANTERN FT85 M+6" GJL MACHINING+CATA	1
3.2	2127604	> EYELET CPL.FT HELIX(2 PIECES)	1
3.3	4159692	> COUPLING PROTECTOR FT HELIX KIT	1
4	4178554	COUPLING FT 85 Ø12XØ14 KIT	1
5	4159707	SCREW M8X30 (4 PIECES)	1
6	2018368	STUD BOLT M12X289 KIT	1
6.1		> TIE BOLT M12-289x18x30-1.4057	1
6.2	2094647	> NUT M12 M12 ISO4032 VP.	1
6.3	2123557	> WASHER CS-12.4-24-1.6-NFE25 (4 PIECES)	1
7	4159685	END SHIELD HELIX EPDM KIT	1
7.1		> END SHIELD M+6" GJL250 MACHINING+CATA	1
7.2	2127607	> STATIONARY RING HOLDER 6" HELIX 1.4301 V	1
7.3	4176513	> O-RING FOR PUMP JACKET VP.	1
7.4	2127603	> O-RING ID.37,6x2,4 EPDM VP.	1
7.5	2127602	> O-RING ID.21,35x2 EPDM VP.	1
8	4159686	FILING/PURGING PLUG HELIX EPDM KIT	1
9	4178559	KART.HELIX2-4 O/E SET	1
10	2127574	HOUSING PIPE D.152x160 1.4301 KIT	1
7.3	4176513	> O-RING FOR PUMP JACKET VP.	1
10.1		> HOUSING-PIPE Ø152-M+1601/02-304	1
11	4178566	CENTERING STAGE-RETURN HELIX4 1.4307 VP	1
12	4178567	SHAFT EQUIPMENT HELIX V2/V4 KIT	1
12.1		> NUT-H-M8-STAINLESS-STEEL A4-70	1
12.2		> SHAFT END WASHER Ø8/Ø12 316L	1
12.3		> STOP COLLAR OF IMPELLER L12,6-Ø12-316L	1
12.4		> STOP-RUSH-1/2-D12xd2-M+316	1
13		HYDRAULIC HELIX V 404 1.4307	1
14	4178576	SHAFT D.12X283 1.4301 VP.	1
15	4174079	PUMP HOUSING HELIX DN32 PN16 1.4301 KIT	1
7.3	4176513	> O-RING FOR PUMP JACKET VP.	1

HELIX V404-1/16/E/KS/400-50 (4160520)

Item	Article no.	Description	Quantity
15.1		> BLASTING PPE HOUSING V-PN16-DN32-5"-304	1
15.2	4217889	> COUNTER FLANGE-G1"-PN16-GJL KIT	1
15.3	4171321	> PRIMING/DRAIN PLUG EPDM HELIX KIT	1
16	4177964	BASEPLATE HELIX V2/4/6 PN16 VP.	1



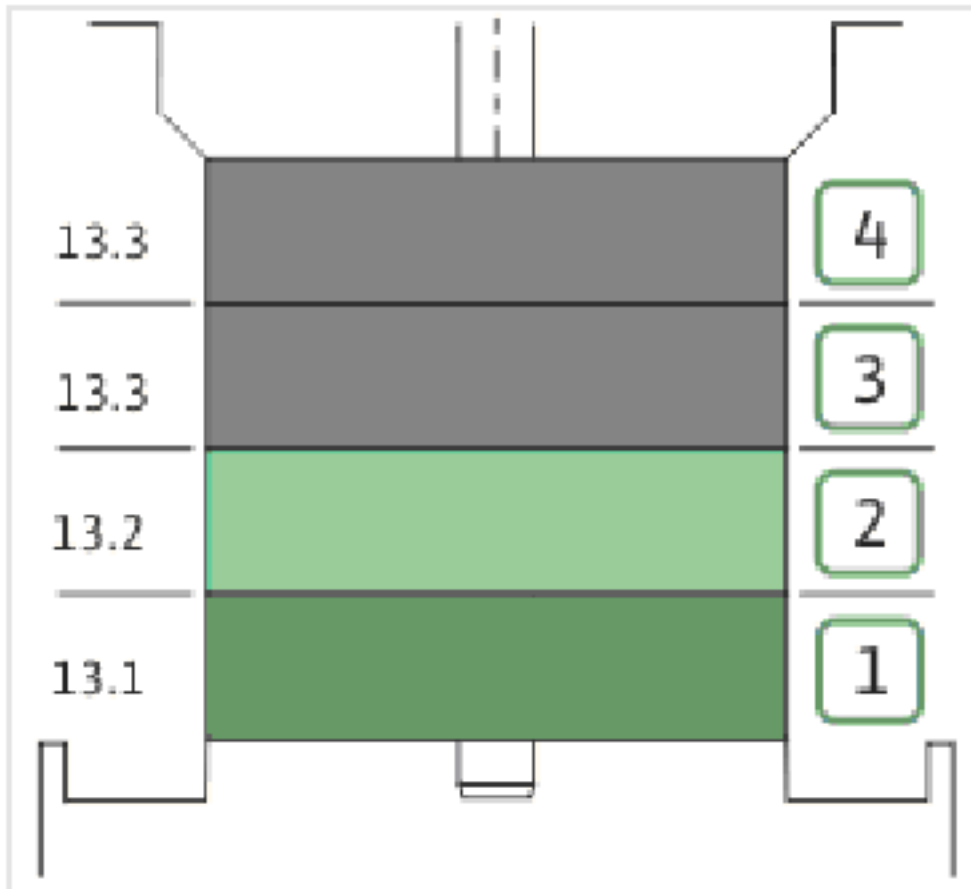
COUPLING FT 85 Ø12XØ14 KIT (4178554)

Item	Article no.	Description	Quantity
4.1		COUPLING-M+ Ø12XØ14-FT85-MACHINED	1
4.3	4208923	CIRCLIP D25X1.2 VP.	1
4.2	4177802	BALL BEARING 6205C3-ZZ HTVP.	1
4.4	4212716	SCREW M6X20 KIT (4PIECES)	1
4.5	4233124	CIRCLIP-FOR-BORES-D52x2 VP.	1
4.6	4234244	O-RING 52X2 VP.	1
		CONTACT-WASHER-6ETR-6,1x12,2x1,8-STEEL	4



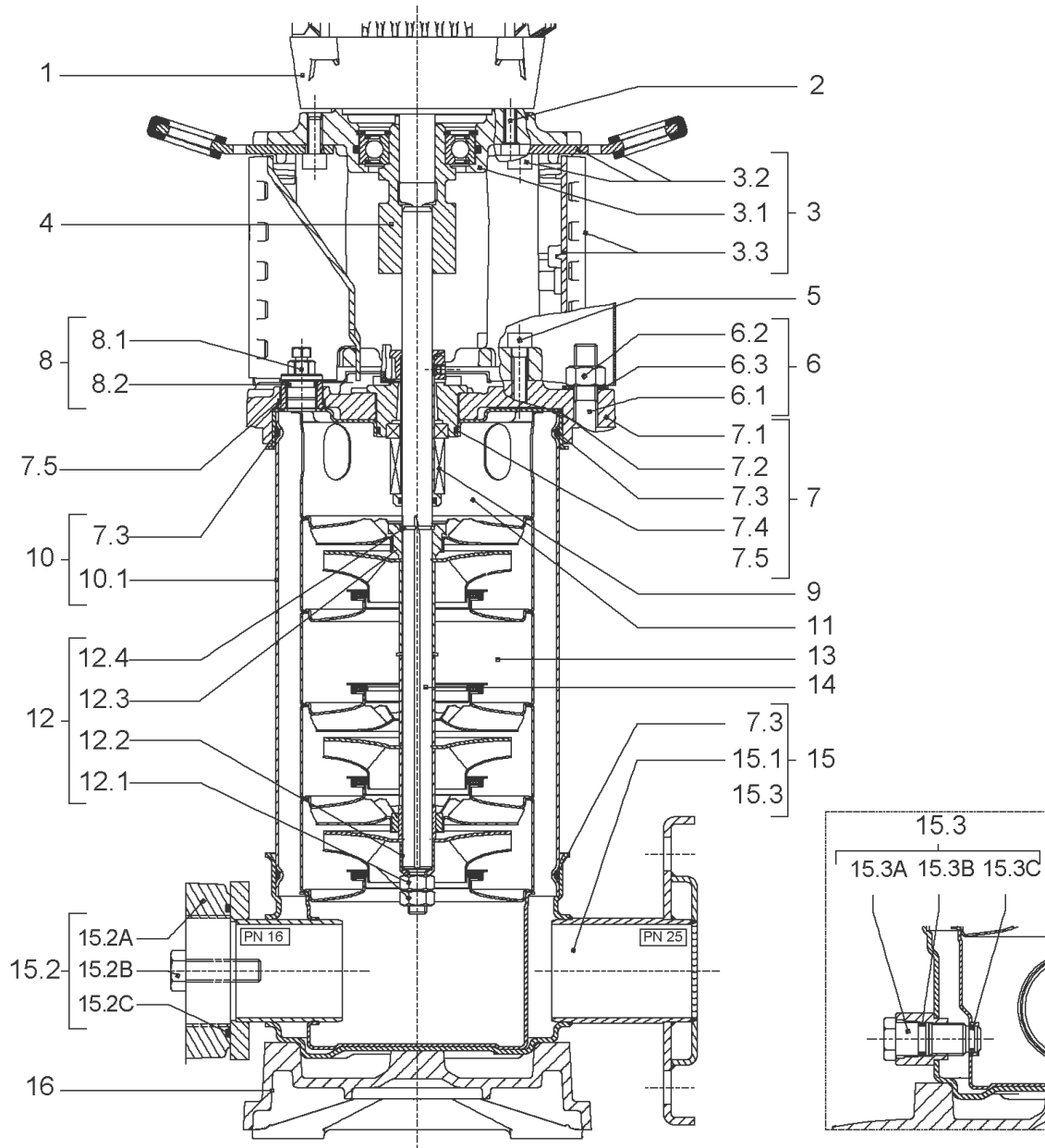
KART.HELIX2-4 O/E SET (4178559)

Item	Article no.	Description	Quantity
9.1	4178560	SEAL-KIT-HELIX2-4 O/E	1
7.3	4176513	> O-RING FOR PUMP JACKET VP.	1
7.4	2127603	> O-RING ID.37,6x2,4 EPDM VP.	1
9.1A	2130966	> MECH.SEAL HELIX2-4-6-10-16 O/E VP.	1
9.1B	4178558	> O-RING ID.12X2 EPDM VP.	1
9.1C	4178558	> O-RING ID.12X2 EPDM VP.	1
9.2	4178557	SHAFT SLEEVE Ø12XØ18-PN16 1.4404 VP.	1
9.3	2130962	RING HOLDER D.18 G606/G6 1.4301 VP.	1
9.4	4176520	SCREW CH M5x5 A4-70 (3PIECES)	1
9.5	4178556	DRIVE RING D.29/15.5x13,2 MACH.VP.	1
9.6	2130964	TOOL M.S.CART.HELIX VP.	1
9.7	2130965	SCREW CHC M5X12 ISO4762 A2.70(4 PIECES)	1



HYDRAULIC HELIX V 404 1.4307

Item	Article no.	Description	Quantity
13.1	4178570	STAGE HELIX 4 1.4301 KIT	1
		> MACH.STG-CASING-WOGV-WNR-M+2-4-304	1
		> IMPELLER-M+4-304	1
13.2	4178569	STAGE BEARING HELIX 4 1.4301 KIT	1
		> MACH.BEARING-STG-CASING-WNR-M+4-304	1
		> IMPELLER-M+4-304	1
		> SHAFT SLEEVE SPACER Ø15,35x10,305-304	1
		> SHAFT-SLEEVE-D12xD16x14-CW	1
13.3	4178574	INTER STAGE HELIX4 1.4301< 15 stages KIT	1
		> MACH.STD-STG-CASING-WGV+NR-M+4-304	1
		> IMPELLER-M+4-304	1
		> IMPELLER SPACER Ø12,05X14,85-L24,285-304	1



HELIX V405-1/16/E/KS/400-50 (4160521)

Item	Article no.	Description	Quantity
1	4169940	MOTOR 0,75/2/80 3~230/400V 50HZ IE3 VP.	1
		SPARE PARTS MOTOR:ON REQUEST	1
2	4159702	SCREW M6X30 (4 PIECES)	1
3	4172788	LANTERN FT100 HELIX KIT	1
3.1		> LANTERN FT100 M+6" GJL MACHINING+CATA	1
3.2	2127604	> EYELET CPL.FT HELIX(2 PIECES)	1
3.3	4159692	> COUPLING PROTECTOR FT HELIX KIT	1
4	4178578	COUPLING D.12XD.19 FT100 KIT	1
5	4159707	SCREW M8X30 (4 PIECES)	1
6	4178579	STUD BOLT M12X317 KIT	1
6.1		> TIE BOLT M12-317x18x30-1.4057	1
6.2	2094647	> NUT M12 M12 ISO4032 VP.	1
6.3	2123557	> WASHER CS-12.4-24-1.6-NFE25 (4 PIECES)	1
7	4159685	END SHIELD HELIX EPDM KIT	1
7.1		> END SHIELD M+6" GJL250 MACHINING+CATA	1
7.2	2127607	> STATIONARY RING HOLDER 6" HELIX 1.4301 V	1
7.3	4176513	> O-RING FOR PUMP JACKET VP.	1
7.4	2127603	> O-RING ID.37,6x2,4 EPDM VP.	1
7.5	2127602	> O-RING ID.21,35x2 EPDM VP.	1
8	4159686	FILING/PURGING PLUG HELIX EPDM KIT	1
9	4178559	KART.HELIX2-4 O/E SET	1
10	4178580	HOUSING PIPE D.152X184 1.4301 KIT	1
7.3	4176513	> O-RING FOR PUMP JACKET VP.	1
10.1		> HOUSING-PIPE Ø152-M+205/405-304	1
11	4178566	CENTERING STAGE-RETURN HELIX4 1.4307 VP	1
12	4178567	SHAFT EQUIPMENT HELIX V2/V4 KIT	1
12.1		> NUT-H-M8-STAINLESS-STEEL A4-70	1
12.2		> SHAFT END WASHER Ø8/Ø12 316L	1
12.3		> STOP COLLAR OF IMPELLER L12,6-Ø12-316L	1
12.4		> STOP-RUSH-1/2-D12xd2-M+316	1
13		HYDRAULIC HELIX V 405 1.4307	1
14	4178582	SHAFT D.12X308 1.4301 VP.	1
15	4174079	PUMP HOUSING HELIX DN32 PN16 1.4301 KIT	1
7.3	4176513	> O-RING FOR PUMP JACKET VP.	1

HELIX V405-1/16/E/KS/400-50 (4160521)

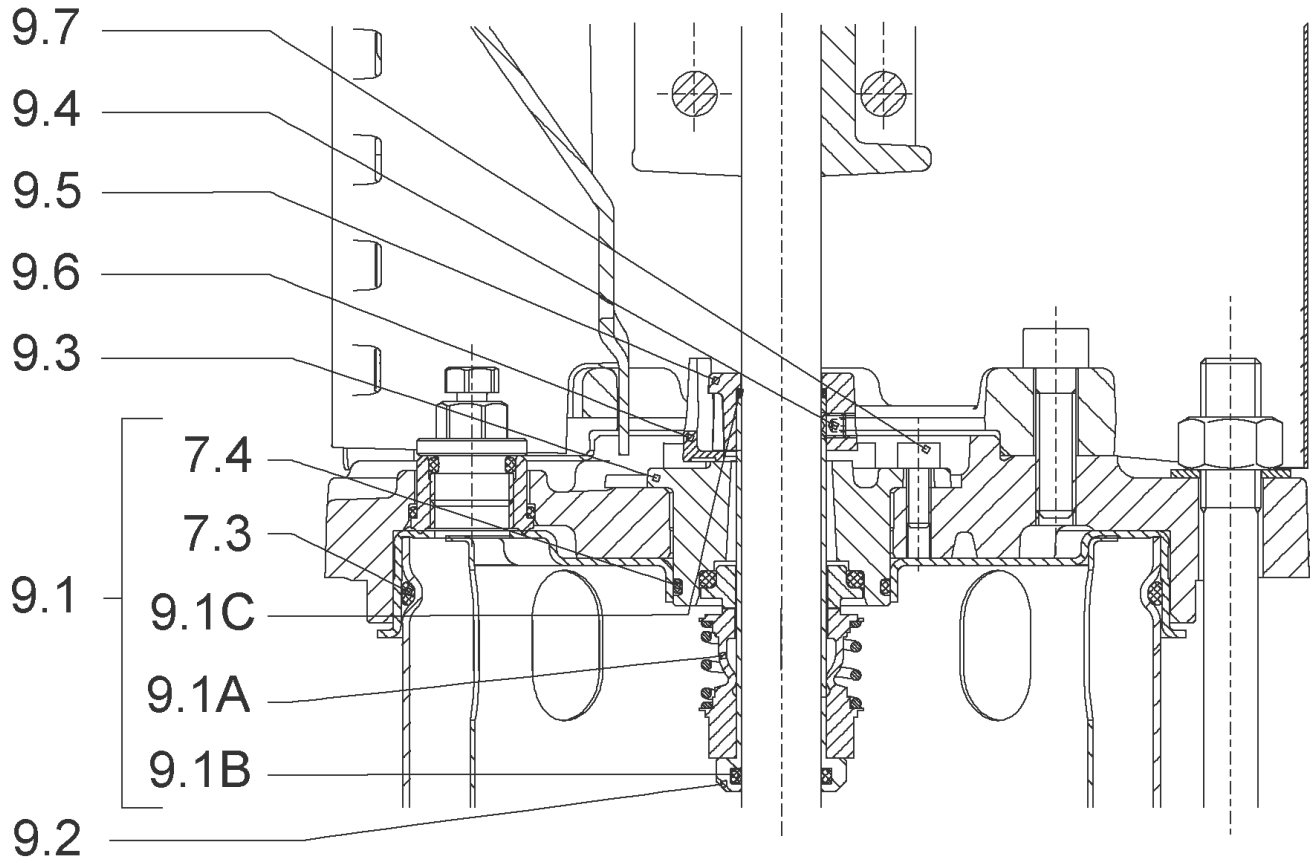
Item	Article no.	Description	Quantity
15.1		> BLASTING PPE HOUSING V-PN16-DN32-5"-304	1
15.2	4217889	> COUNTER FLANGE-G1"-PN16-GJL KIT	1
15.3	4171321	> PRIMING/DRAIN PLUG EPDM HELIX KIT	1
16	4177964	BASEPLATE HELIX V2/4/6 PN16 VP.	1

COUPLING D.12XD.19 FT100 KIT (4178578)



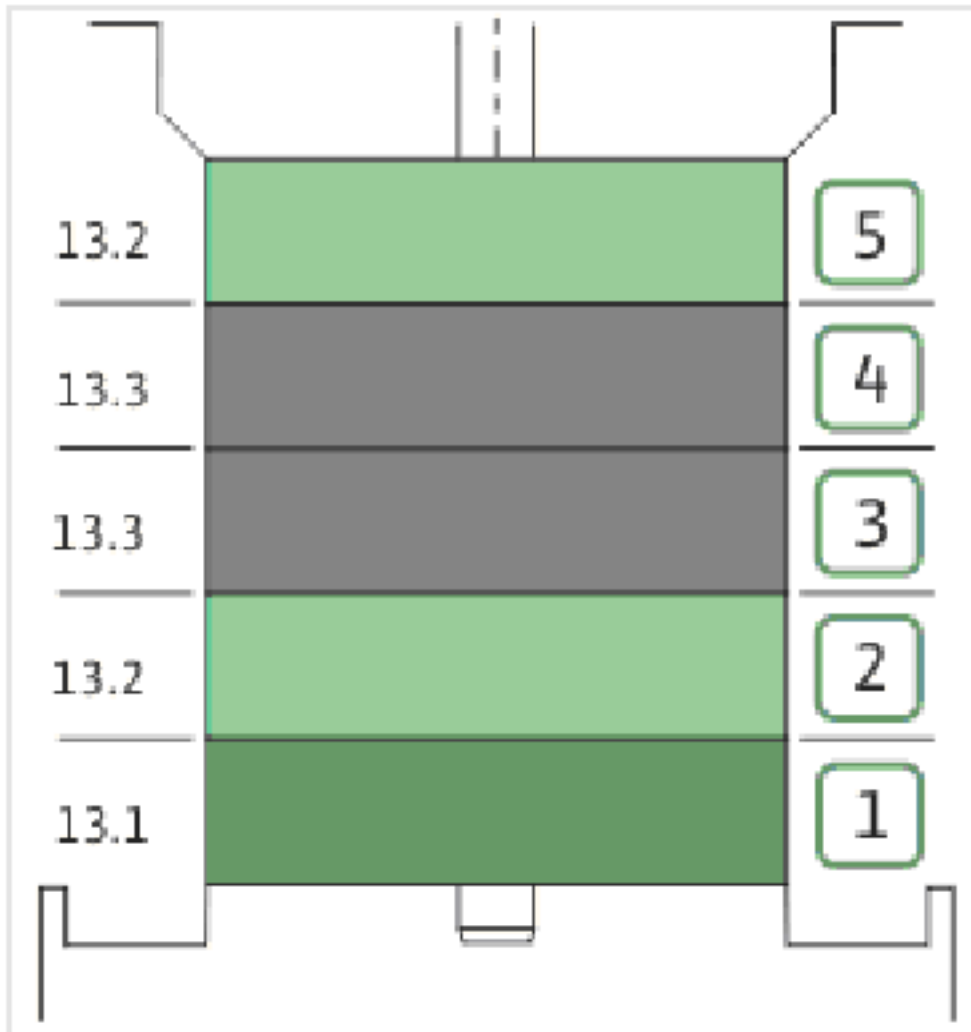
COUPLING D.12XD.19 FT100 KIT (4178578)

Item	Article no.	Description	Quantity
4.1		COUPLING-M+ Ø12XØ19-FT100-MACHINED	1
4.3	4234249	CIRCLIP-FOR-SHAFT-D30x1.5 VP.	1
4.2	2130977	BALL BEARING 6206/ZZ-C3(HT)VP.	1
4.4	4212716	SCREW M6X20 KIT (4PIECES)	1
4.5	4234250	CIRCLIP-D62x2 VP.	1
4.6	4234245	O-RING 63X3 VP.	1
		CONTACT-WASHER-6ETR-6,1x12,2x1,8-STEEL	4



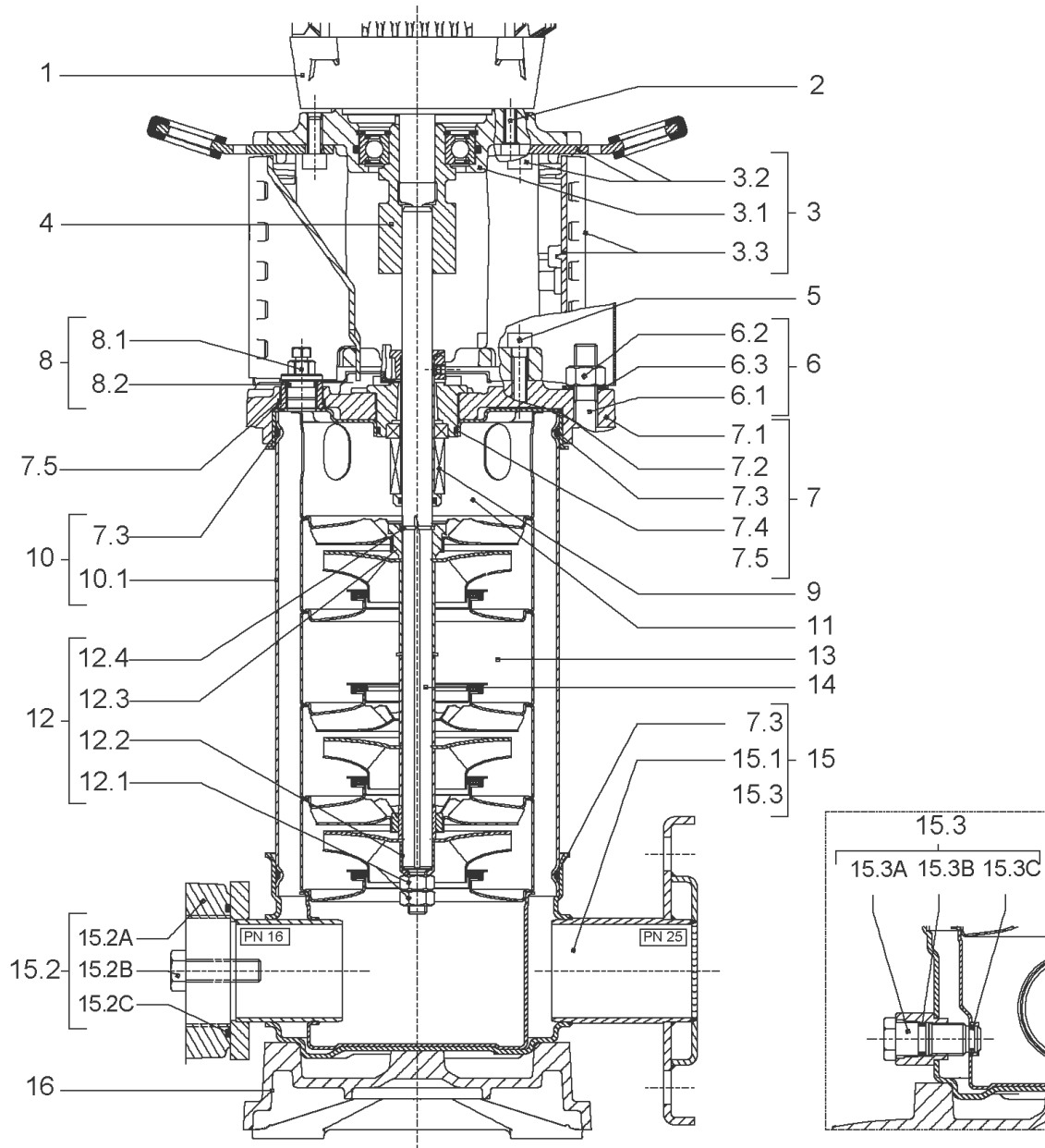
KART.HELIX2-4 O/E SET (4178559)

Item	Article no.	Description	Quantity
9.1	4178560	SEAL-KIT-HELIX2-4 O/E	1
7.3	4176513	> O-RING FOR PUMP JACKET VP.	1
7.4	2127603	> O-RING ID.37,6x2,4 EPDM VP.	1
9.1A	2130966	> MECH.SEAL HELIX2-4-6-10-16 O/E VP.	1
9.1B	4178558	> O-RING ID.12X2 EPDM VP.	1
9.1C	4178558	> O-RING ID.12X2 EPDM VP.	1
9.2	4178557	SHAFT SLEEVE Ø12XØ18-PN16 1.4404 VP.	1
9.3	2130962	RING HOLDER D.18 G606/G6 1.4301 VP.	1
9.4	4176520	SCREW CH M5x5 A4-70 (3PIECES)	1
9.5	4178556	DRIVE RING D.29/15.5x13,2 MACH.VP.	1
9.6	2130964	TOOL M.S.CART.HELIX VP.	1
9.7	2130965	SCREW CHC M5X12 ISO4762 A2.70(4 PIECES)	1



HYDRAULIC HELIX V 405 1.4307

Item	Article no.	Description	Quantity
13.1	4178570	STAGE HELIX 4 1.4301 KIT	1
		> MACH.STG-CASING-WOGV-WNR-M+2-4-304	1
		> IMPELLER-M+4-304	1
13.2	4178569	STAGE BEARING HELIX 4 1.4301 KIT	1
		> MACH.BEARING-STG-CASING-WNR-M+4-304	1
		> IMPELLER-M+4-304	1
		> SHAFT SLEEVE SPACER Ø15,35x10,305-304	1
		> SHAFT-SLEEVE-D12xD16x14-CW	1
13.3	4178574	INTER STAGE HELIX4 1.4301< 15 stages KIT	1
		> MACH.STD-STG-CASING-WGV+NR-M+4-304	1
		> IMPELLER-M+4-304	1
		> IMPELLER SPACER Ø12,05X14,85-L24,285-304	1



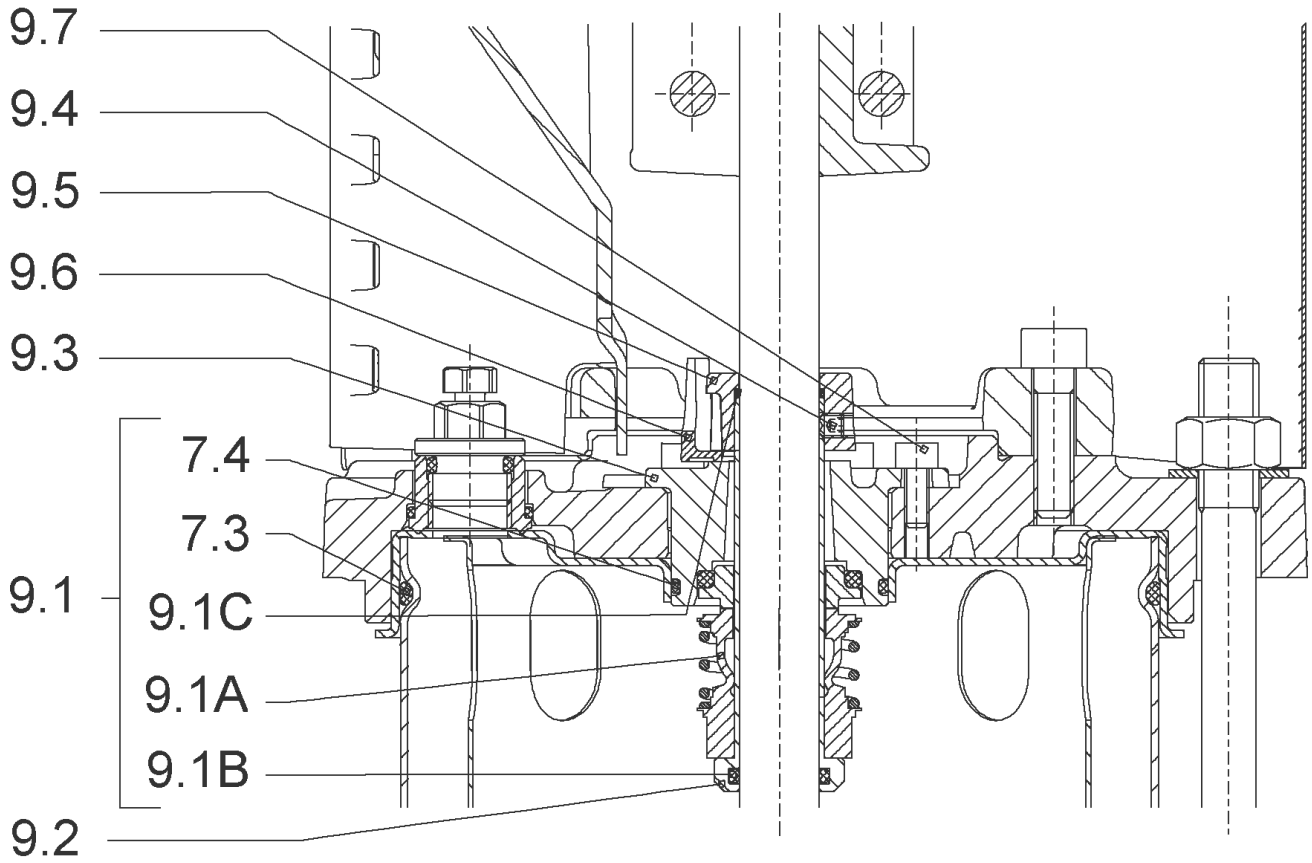
HELIX V406-1/16/E/KS/400-50 (4160522)

Item	Article no.	Description	Quantity
1	4169940	MOTOR 0,75/2/80 3~230/400V 50HZ IE3 VP.	1
		SPARE PARTS MOTOR:ON REQUEST	1
2	4159702	SCREW M6X30 (4 PIECES)	1
3	4172788	LANTERN FT100 HELIX KIT	1
3.1		> LANTERN FT100 M+6" GJL MACHINING+CATA	1
3.2	2127604	> EYELET CPL.FT HELIX(2 PIECES)	1
3.3	4159692	> COUPLING PROTECTOR FT HELIX KIT	1
4	4178578	COUPLING D.12XD.19 FT100 KIT	1
5	4159707	SCREW M8X30 (4 PIECES)	1
6	2127553	STUD BOLT M12X341 KIT	1
7	4159685	END SHIELD HELIX EPDM KIT	1
7.1		> END SHIELD M+6" GJL250 MACHINING+CATA	1
7.2	2127607	> STATIONARY RING HOLDER 6" HELIX 1.4301 V	1
7.3	4176513	> O-RING FOR PUMP JACKET VP.	1
7.4	2127603	> O-RING ID.37,6x2,4 EPDM VP.	1
7.5	2127602	> O-RING ID.21,35x2 EPDM VP.	1
8	4159686	FILING/PURGING PLUG HELIX EPDM KIT	1
9	4178559	KART.HELIX2-4 O/E SET	1
10	2127575	HOUSING PIPE D.152x210 1.4301 KIT	1
11	4178566	CENTERING STAGE-RETURN HELIX4 1.4307 VP	1
12	4178567	SHAFT EQUIPMENT HELIX V2/V4 KIT	1
12.1		> NUT-H-M8-STAINLESS-STEEL A4-70	1
12.2		> SHAFT END WASHER Ø8/Ø12 316L	1
12.3		> STOP COLLAR OF IMPELLER L12,6-Ø12-316L	1
12.4		> STOP-RUSH-1/2-D12xd2-M+316	1
13		HYDRAULIC HELIX V 406 1.4307	1
14	4178584	SHAFT D.12X333 1.4301 VP.	1
15	4174079	PUMP HOUSING HELIX DN32 PN16 1.4301 KIT	1
7.3	4176513	> O-RING FOR PUMP JACKET VP.	1
15.1		> BLASTING PPE HOUSING V-PN16-DN32-5"-304	1
15.2	4217889	> COUNTER FLANGE-G1"-PN16-GJL KIT	1
15.3	4171321	> PRIMING/DRAIN PLUG EPDM HELIX KIT	1
16	4177964	BASEPLATE HELIX V2/4/6 PN16 VP.	1



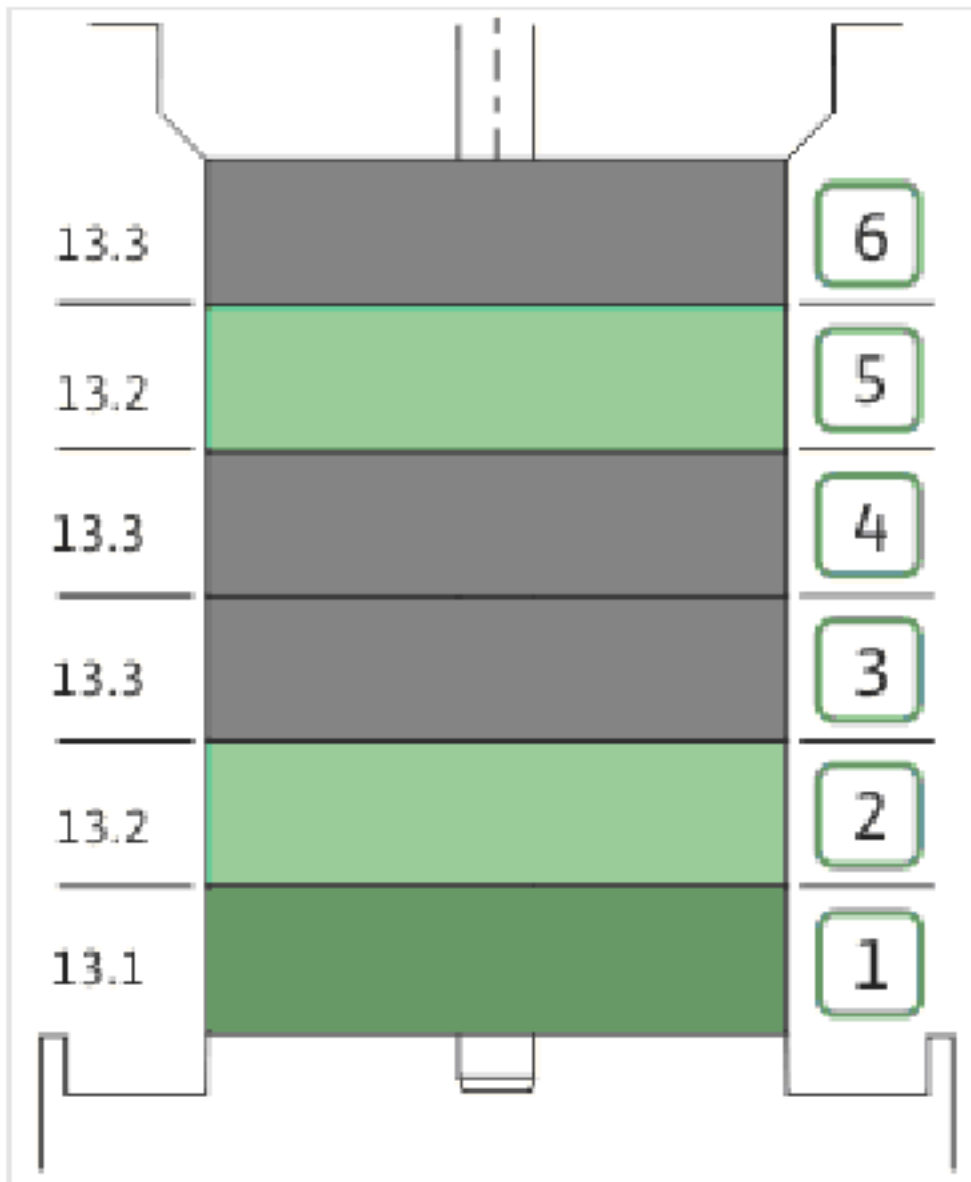
COUPLING D.12XD.19 FT100 KIT (4178578)

Item	Article no.	Description	Quantity
4.1		COUPLING-M+ Ø12XØ19-FT100-MACHINED	1
4.3	4234249	CIRCLIP-FOR-SHAFT-D30x1.5 VP.	1
4.2	2130977	BALL BEARING 6206/ZZ-C3(HT)VP.	1
4.4	4212716	SCREW M6X20 KIT (4PIECES)	1
4.5	4234250	CIRCLIP-D62x2 VP.	1
4.6	4234245	O-RING 63X3 VP.	1
		CONTACT-WASHER-6ETR-6,1x12,2x1,8-STEEL	4



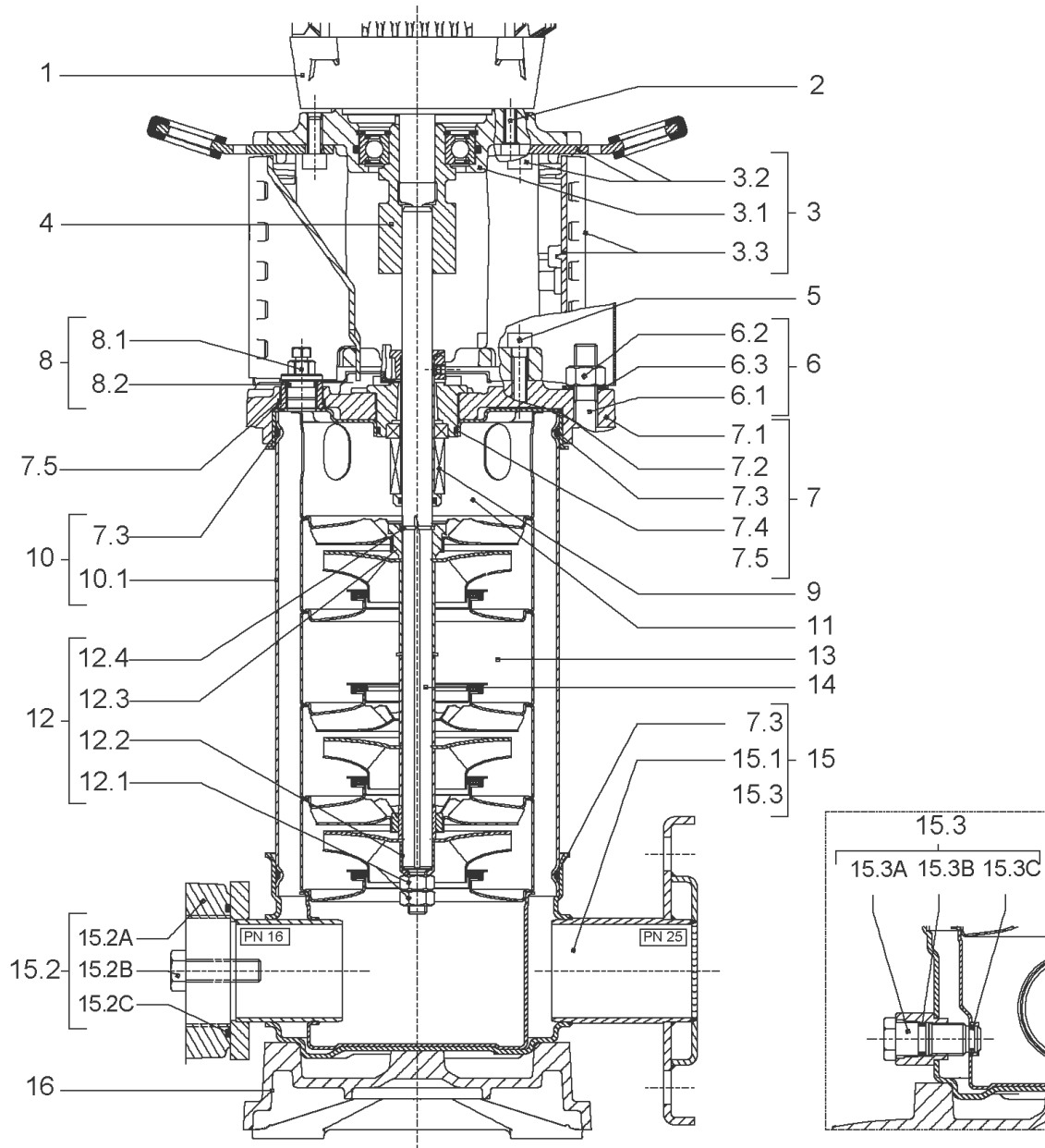
KART.HELIX2-4 O/E SET (4178559)

Item	Article no.	Description	Quantity
9.1	4178560	SEAL-KIT-HELIX2-4 O/E	1
7.3	4176513	> O-RING FOR PUMP JACKET VP.	1
7.4	2127603	> O-RING ID.37,6x2,4 EPDM VP.	1
9.1A	2130966	> MECH.SEAL HELIX2-4-6-10-16 O/E VP.	1
9.1B	4178558	> O-RING ID.12X2 EPDM VP.	1
9.1C	4178558	> O-RING ID.12X2 EPDM VP.	1
9.2	4178557	SHAFT SLEEVE Ø12XØ18-PN16 1.4404 VP.	1
9.3	2130962	RING HOLDER D.18 G606/G6 1.4301 VP.	1
9.4	4176520	SCREW CH M5x5 A4-70 (3PIECES)	1
9.5	4178556	DRIVE RING D.29/15.5x13,2 MACH.VP.	1
9.6	2130964	TOOL M.S.CART.HELIX VP.	1
9.7	2130965	SCREW CHC M5X12 ISO4762 A2.70(4 PIECES)	1



HYDRAULIC HELIX V 406 1.4307

Item	Article no.	Description	Quantity
13.1	4178570	STAGE HELIX 4 1.4301 KIT	1
		> MACH.STG-CASING-WOGV-WNR-M+2-4-304	1
		> IMPELLER-M+4-304	1
13.2	4178569	STAGE BEARING HELIX 4 1.4301 KIT	1
		> MACH.BEARING-STG-CASING-WNR-M+4-304	1
		> IMPELLER-M+4-304	1
		> SHAFT SLEEVE SPACER Ø15,35x10,305-304	1
		> SHAFT-SLEEVE-D12xD16x14-CW	1
13.3	4178574	INTER STAGE HELIX4 1.4301< 15 stages KIT	1
		> MACH.STD-STG-CASING-WGV+NR-M+4-304	1
		> IMPELLER-M+4-304	1
		> IMPELLER SPACER Ø12,05X14,85-L24,285-304	1



HELIX V407-1/16/E/KS/400-50 (4160523)

Item	Article no.	Description	Quantity
1	4169941	MOTOR 1,1/2/80 3~230/400V 50HZ IE3 VP.	1
		SPARE PARTS MOTOR:ON REQUEST	1
2	4159702	SCREW M6X30 (4 PIECES)	1
3	4172788	LANTERN FT100 HELIX KIT	1
3.1		> LANTERN FT100 M+6" GJL MACHINING+CATA	1
3.2	2127604	> EYELET CPL.FT HELIX(2 PIECES)	1
3.3	4159692	> COUPLING PROTECTOR FT HELIX KIT	1
4	4178578	COUPLING D.12XD.19 FT100 KIT	1
5	4159707	SCREW M8X30 (4 PIECES)	1
6	4178585	STUD BOLT M12X365 KIT	1
6.1		> TIE BOLT M12-365x18x30-1.4057	1
6.2	2094647	> NUT M12 M12 ISO4032 VP.	1
6.3	2123557	> WASHER CS-12.4-24-1.6-NFE25 (4 PIECES)	1
7	4159685	END SHIELD HELIX EPDM KIT	1
7.1		> END SHIELD M+6" GJL250 MACHINING+CATA	1
7.2	2127607	> STATIONARY RING HOLDER 6" HELIX 1.4301 V	1
7.3	4176513	> O-RING FOR PUMP JACKET VP.	1
7.4	2127603	> O-RING ID.37,6x2,4 EPDM VP.	1
7.5	2127602	> O-RING ID.21,35x2 EPDM VP.	1
8	4159686	FILING/PURGING PLUG HELIX EPDM KIT	1
9	4178559	KART.HELIX2-4 O/E SET	1
10	4178586	HOUSING-PIPE D.152X235 1.4301 KIT	1
7.3	4176513	> O-RING FOR PUMP JACKET VP.	1
10.1		> HOUSING-PIPE Ø152-M+207/407-304	1
11	4178566	CENTERING STAGE-RETURN HELIX4 1.4307 VP	1
12	4178567	SHAFT EQUIPMENT HELIX V2/V4 KIT	1
12.1		> NUT-H-M8-STAINLESS-STEEL A4-70	1
12.2		> SHAFT END WASHER Ø8/Ø12 316L	1
12.3		> STOP COLLAR OF IMPELLER L12,6-Ø12-316L	1
12.4		> STOP-RUSH-1/2-D12xd2-M+316	1
13		HYDRAULIC HELIX V 407 1.4307	1
14	4178587	SHAFT D.12X358 1.4301 VP.	1
15	4174079	PUMP HOUSING HELIX DN32 PN16 1.4301 KIT	1
7.3	4176513	> O-RING FOR PUMP JACKET VP.	1

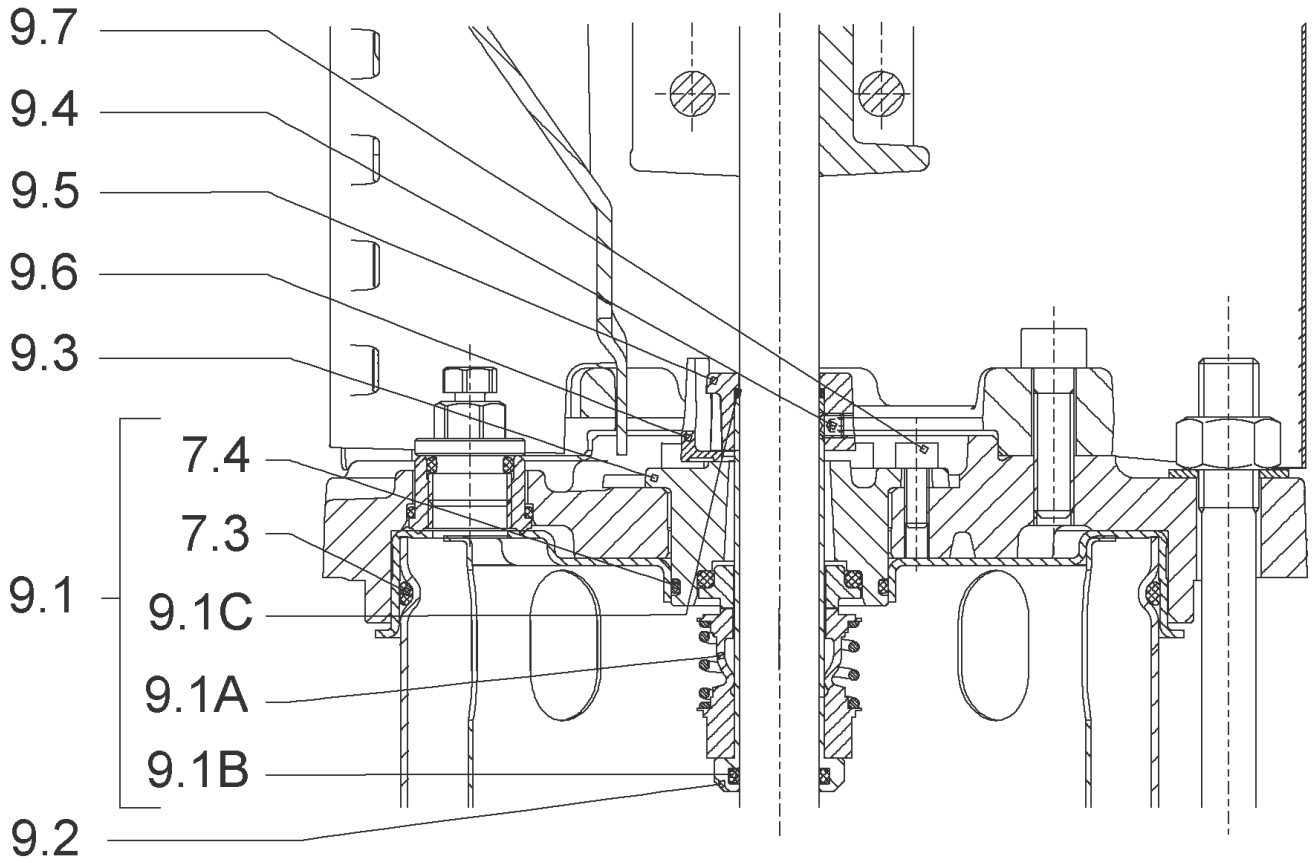
HELIX V407-1/16/E/KS/400-50 (4160523)

Item	Article no.	Description	Quantity
15.1		> BLASTING PPE HOUSING V-PN16-DN32-5"-304	1
15.2	4217889	> COUNTER FLANGE-G1"-PN16-GJL KIT	1
15.3	4171321	> PRIMING/DRAIN PLUG EPDM HELIX KIT	1
16	4177964	BASEPLATE HELIX V2/4/6 PN16 VP.	1



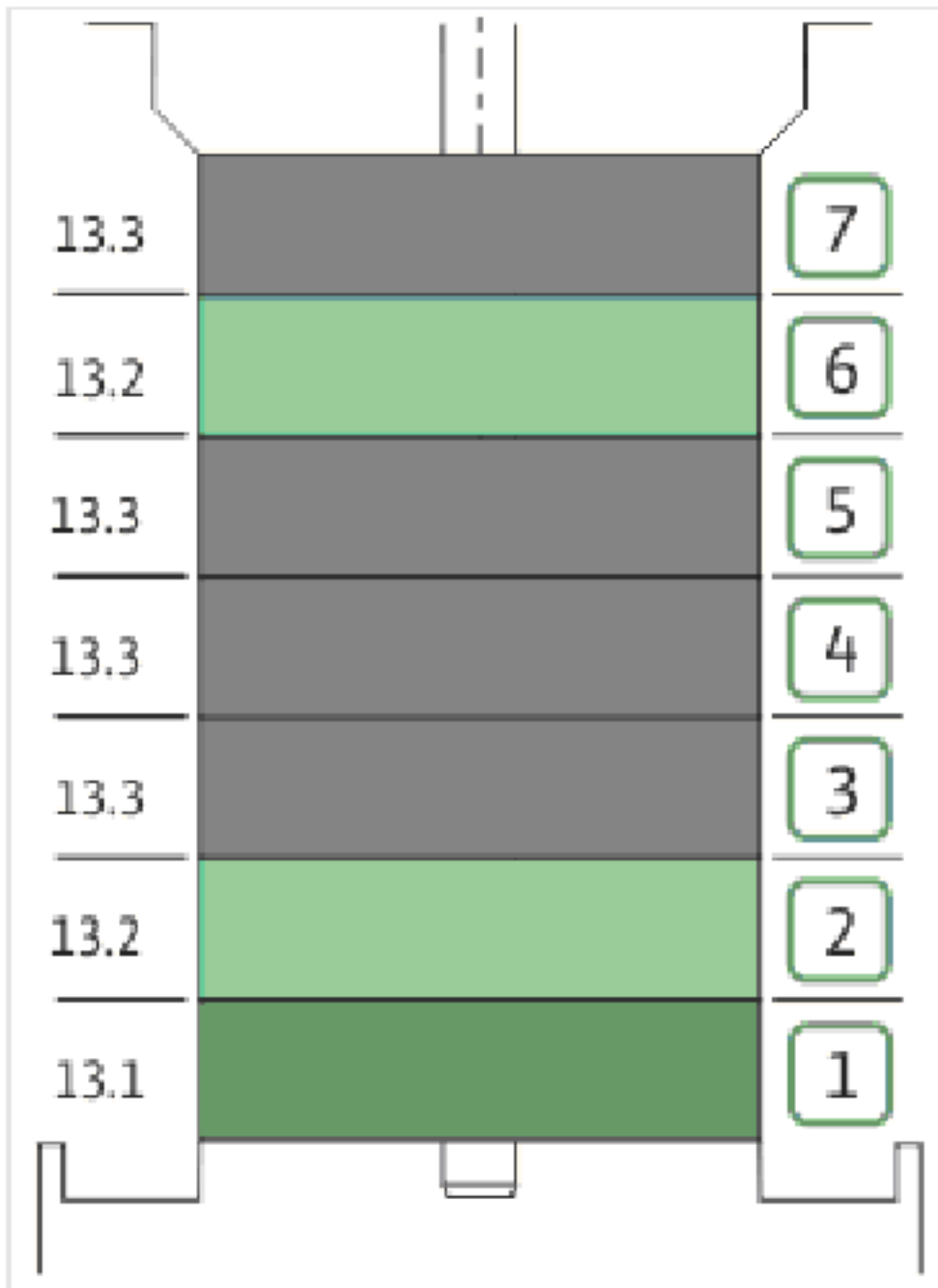
COUPLING D.12XD.19 FT100 KIT (4178578)

Item	Article no.	Description	Quantity
4.1		COUPLING-M+ Ø12XØ19-FT100-MACHINED	1
4.3	4234249	CIRCLIP-FOR-SHAFT-D30x1.5 VP.	1
4.2	2130977	BALL BEARING 6206/ZZ-C3(HT)VP.	1
4.4	4212716	SCREW M6X20 KIT (4PIECES)	1
4.5	4234250	CIRCLIP-D62x2 VP.	1
4.6	4234245	O-RING 63X3 VP.	1
		CONTACT-WASHER-6ETR-6,1x12,2x1,8-STEEL	4



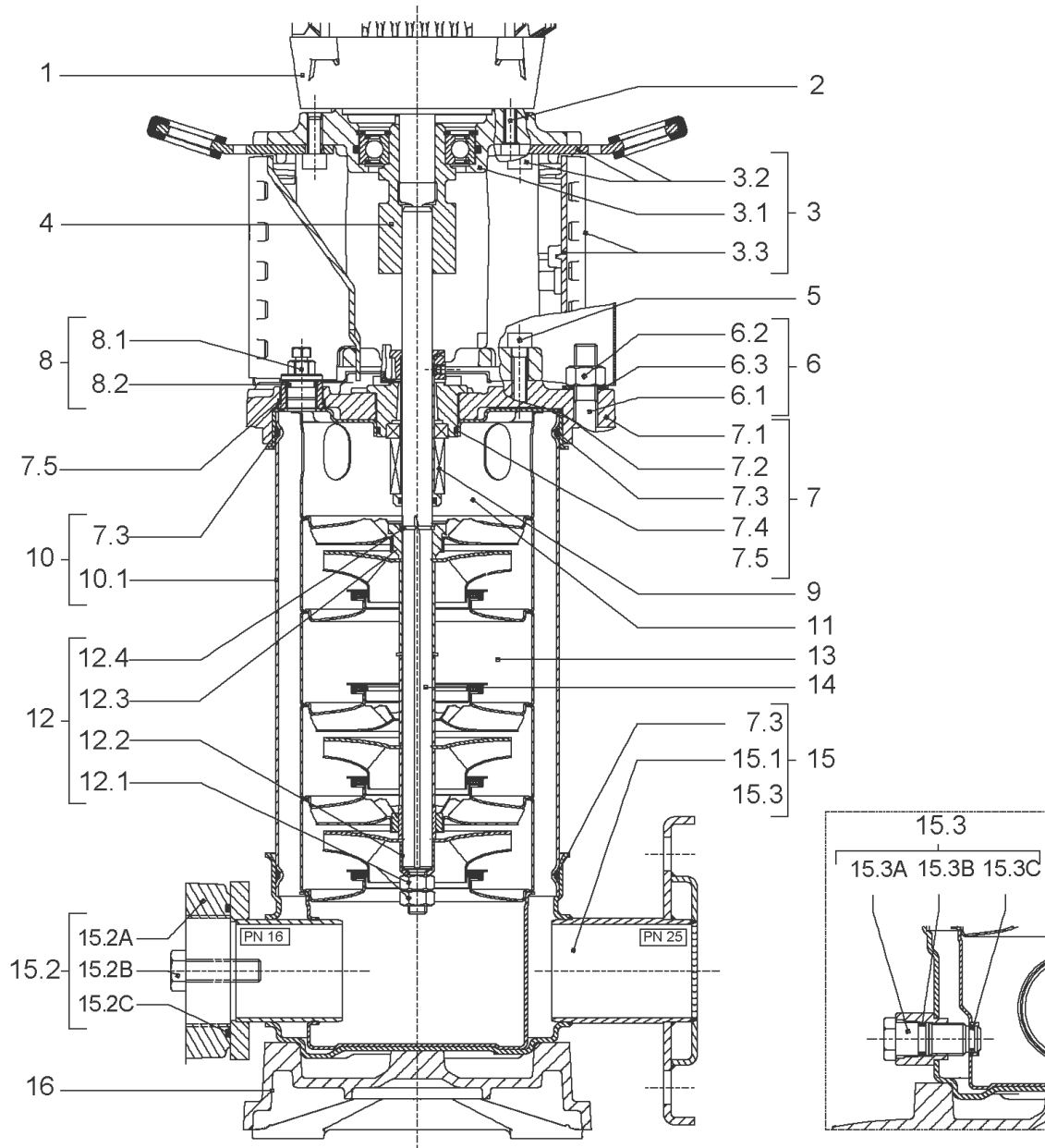
KART.HELIX2-4 O/E SET (4178559)

Item	Article no.	Description	Quantity
9.1	4178560	SEAL-KIT-HELIX2-4 O/E	1
7.3	4176513	> O-RING FOR PUMP JACKET VP.	1
7.4	2127603	> O-RING ID.37,6x2,4 EPDM VP.	1
9.1A	2130966	> MECH.SEAL HELIX2-4-6-10-16 O/E VP.	1
9.1B	4178558	> O-RING ID.12X2 EPDM VP.	1
9.1C	4178558	> O-RING ID.12X2 EPDM VP.	1
9.2	4178557	SHAFT SLEEVE Ø12XØ18-PN16 1.4404 VP.	1
9.3	2130962	RING HOLDER D.18 G606/G6 1.4301 VP.	1
9.4	4176520	SCREW CH M5x5 A4-70 (3PIECES)	1
9.5	4178556	DRIVE RING D.29/15.5x13,2 MACH.VP.	1
9.6	2130964	TOOL M.S.CART.HELIX VP.	1
9.7	2130965	SCREW CHC M5X12 ISO4762 A2.70(4 PIECES)	1



HYDRAULIC HELIX V 407 1.4307

Item	Article no.	Description	Quantity
13.1	4178570	STAGE HELIX 4 1.4301 KIT	1
		> MACH.STG-CASING-WOGV-WNR-M+2-4-304	1
		> IMPELLER-M+4-304	1
13.2	4178569	STAGE BEARING HELIX 4 1.4301 KIT	1
		> MACH.BEARING-STG-CASING-WNR-M+4-304	1
		> IMPELLER-M+4-304	1
		> SHAFT SLEEVE SPACER Ø15,35x10,305-304	1
		> SHAFT-SLEEVE-D12xD16x14-CW	1
13.3	4178574	INTER STAGE HELIX4 1.4301< 15 stages KIT	1
		> MACH.STD-STG-CASING-WGV+NR-M+4-304	1
		> IMPELLER-M+4-304	1
		> IMPELLER SPACER Ø12,05X14,85-L24,285-304	1



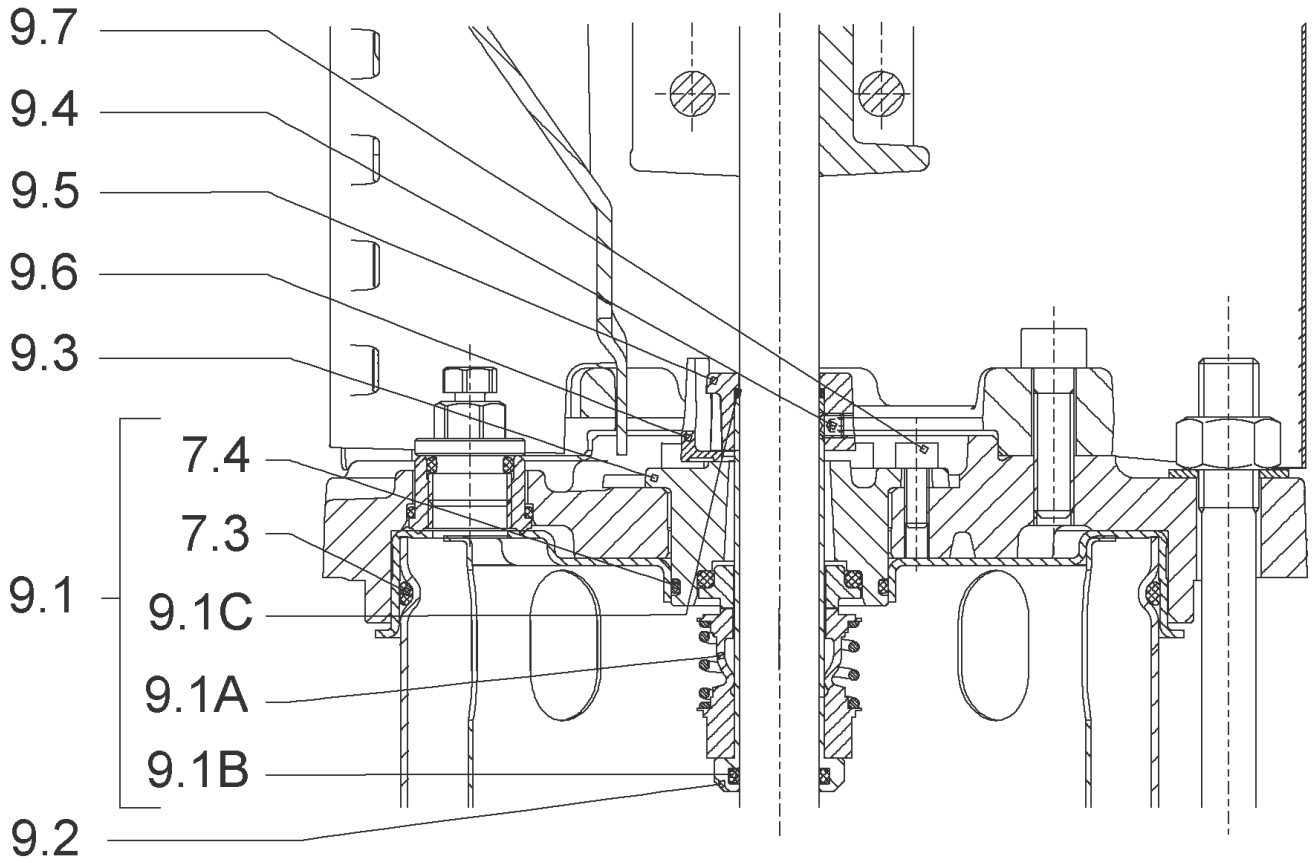
HELIX V408-1/16/E/K/400-50 (4160524)

Item	Article no.	Description	Quantity
1	4169941	MOTOR 1,1/2/80 3~230/400V 50HZ IE3 VP.	1
		SPARE PARTS MOTOR:ON REQUEST	1
2	4159702	SCREW M6X30 (4 PIECES)	1
3	4172788	LANTERN FT100 HELIX KIT	1
3.1		> LANTERN FT100 M+6" GJL MACHINING+CATA	1
3.2	2127604	> EYELET CPL.FT HELIX(2 PIECES)	1
3.3	4159692	> COUPLING PROTECTOR FT HELIX KIT	1
4	4178578	COUPLING D.12XD.19 FT100 KIT	1
5	4159707	SCREW M8X30 (4 PIECES)	1
6	2018365	STUD BOLT M12X392 KIT	1
7	4159685	END SHIELD HELIX EPDM KIT	1
7.1		> END SHIELD M+6" GJL250 MACHINING+CATA	1
7.2	2127607	> STATIONARY RING HOLDER 6" HELIX 1.4301 V	1
7.3	4176513	> O-RING FOR PUMP JACKET VP.	1
7.4	2127603	> O-RING ID.37,6x2,4 EPDM VP.	1
7.5	2127602	> O-RING ID.21,35x2 EPDM VP.	1
8	4159686	FILING/PURGING PLUG HELIX EPDM KIT	1
9	4178559	KART.HELIX2-4 O/E SET	1
10	2127576	HOUSING PIPE D.152x260 1.4301 KIT	1
11	4178566	CENTERING STAGE-RETURN HELIX4 1.4307 VP	1
12	4178567	SHAFT EQUIPMENT HELIX V2/V4 KIT	1
12.1		> NUT-H-M8-STAINLESS-STEEL A4-70	1
12.2		> SHAFT END WASHER Ø8/Ø12 316L	1
12.3		> STOP COLLAR OF IMPELLER L12,6-Ø12-316L	1
12.4		> STOP-RUSH-1/2-D12xd2-M+316	1
13		HYDRAULIC HELIX V 408 1.4307	1
14	4178592	SHAFT D.12X383 1.4301 VP.	1
15	4174079	PUMP HOUSING HELIX DN32 PN16 1.4301 KIT	1
7.3	4176513	> O-RING FOR PUMP JACKET VP.	1
15.1		> BLASTING PPE HOUSING V-PN16-DN32-5"-304	1
15.2	4217889	> COUNTER FLANGE-G1"-PN16-GJL KIT	1
15.3	4171321	> PRIMING/DRAIN PLUG EPDM HELIX KIT	1
16	4177964	BASEPLATE HELIX V2/4/6 PN16 VP.	1



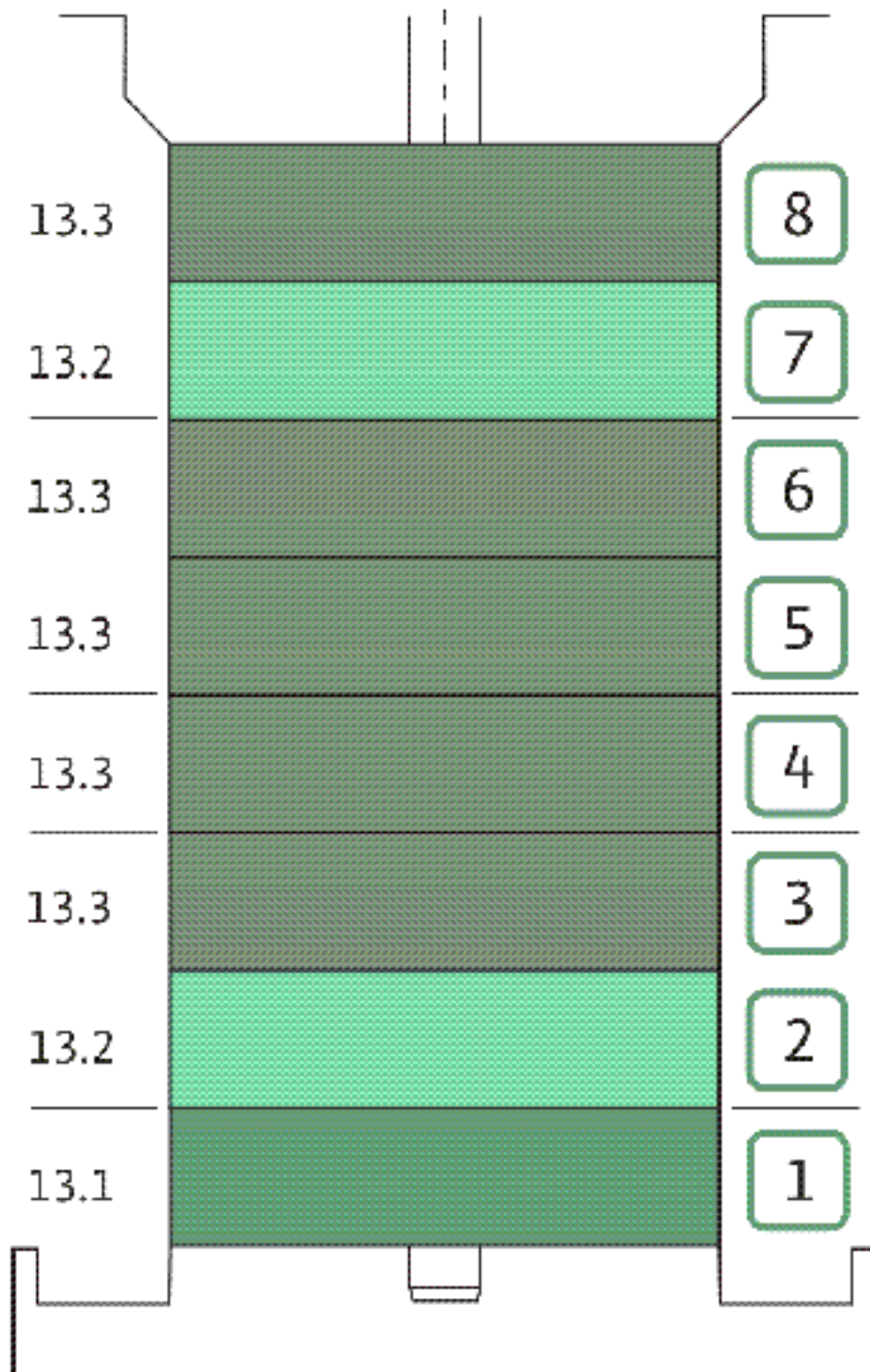
COUPLING D.12XD.19 FT100 KIT (4178578)

Item	Article no.	Description	Quantity
4.1		COUPLING-M+ Ø12XØ19-FT100-MACHINED	1
4.3	4234249	CIRCLIP-FOR-SHAFT-D30x1.5 VP.	1
4.2	2130977	BALL BEARING 6206/ZZ-C3(HT)VP.	1
4.4	4212716	SCREW M6X20 KIT (4PIECES)	1
4.5	4234250	CIRCLIP-D62x2 VP.	1
4.6	4234245	O-RING 63X3 VP.	1
		CONTACT-WASHER-6ETR-6,1x12,2x1,8-STEEL	4



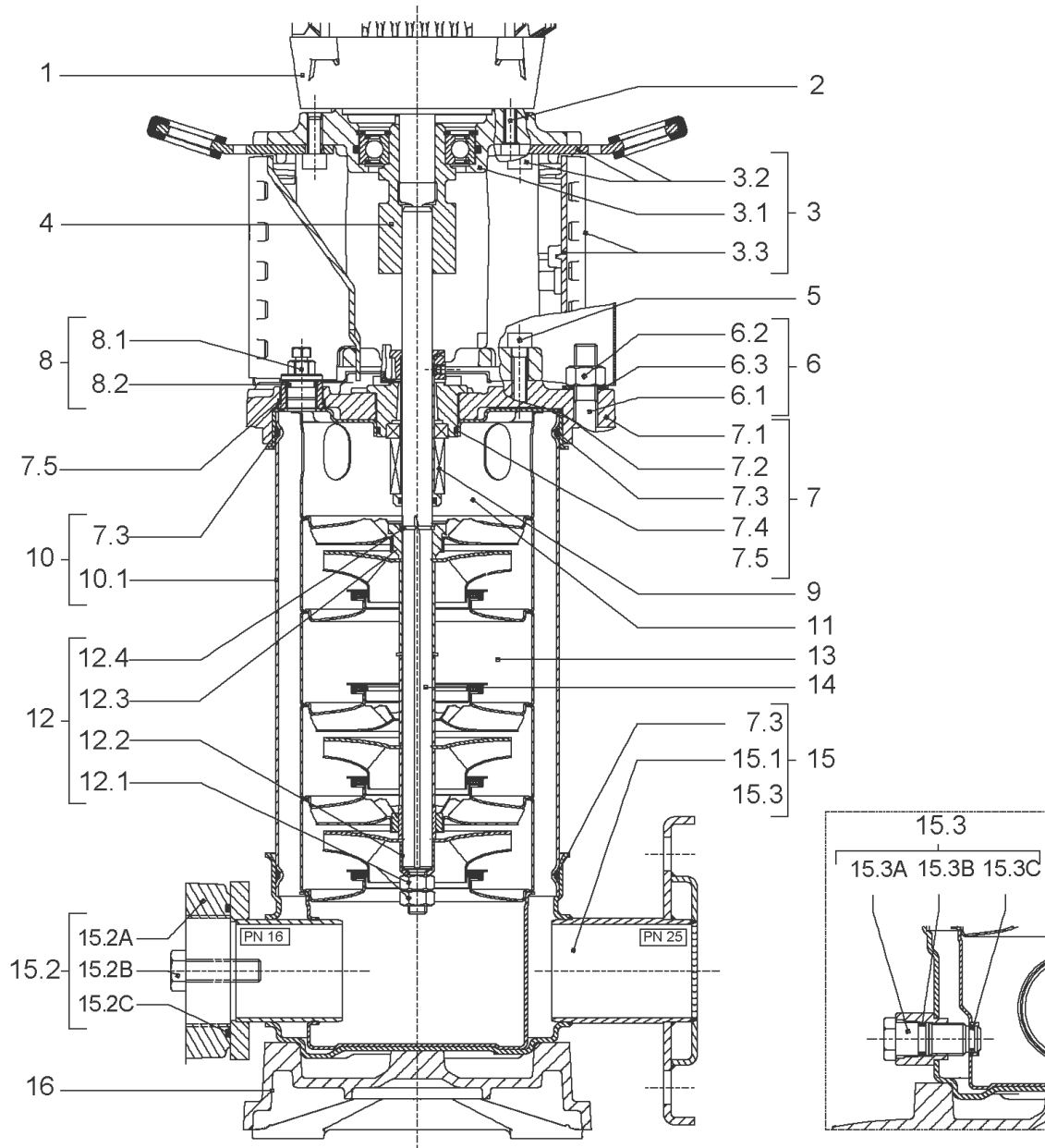
KART.HELIX2-4 O/E SET (4178559)

Item	Article no.	Description	Quantity
9.1	4178560	SEAL-KIT-HELIX2-4 O/E	1
7.3	4176513	> O-RING FOR PUMP JACKET VP.	1
7.4	2127603	> O-RING ID.37,6x2,4 EPDM VP.	1
9.1A	2130966	> MECH.SEAL HELIX2-4-6-10-16 O/E VP.	1
9.1B	4178558	> O-RING ID.12X2 EPDM VP.	1
9.1C	4178558	> O-RING ID.12X2 EPDM VP.	1
9.2	4178557	SHAFT SLEEVE Ø12XØ18-PN16 1.4404 VP.	1
9.3	2130962	RING HOLDER D.18 G606/G6 1.4301 VP.	1
9.4	4176520	SCREW CH M5x5 A4-70 (3PIECES)	1
9.5	4178556	DRIVE RING D.29/15.5x13,2 MACH.VP.	1
9.6	2130964	TOOL M.S.CART.HELIX VP.	1
9.7	2130965	SCREW CHC M5X12 ISO4762 A2.70(4 PIECES)	1



HYDRAULIC HELIX V 408 1.4307

Item	Article no.	Description	Quantity
13.1	4178570	STAGE HELIX 4 1.4301 KIT	1
		> MACH.STG-CASING-WOGV-WNR-M+2-4-304	1
		> IMPELLER-M+4-304	1
13.2	4178569	STAGE BEARING HELIX 4 1.4301 KIT	1
		> MACH.BEARING-STG-CASING-WNR-M+4-304	1
		> IMPELLER-M+4-304	1
		> SHAFT SLEEVE SPACER Ø15,35x10,305-304	1
		> SHAFT-SLEEVE-D12xD16x14-CW	1
13.3	4178574	INTER STAGE HELIX4 1.4301< 15 stages KIT	1
		> MACH.STD-STG-CASING-WGV+NR-M+4-304	1
		> IMPELLER-M+4-304	1
		> IMPELLER SPACER Ø12,05X14,85-L24,285-304	1



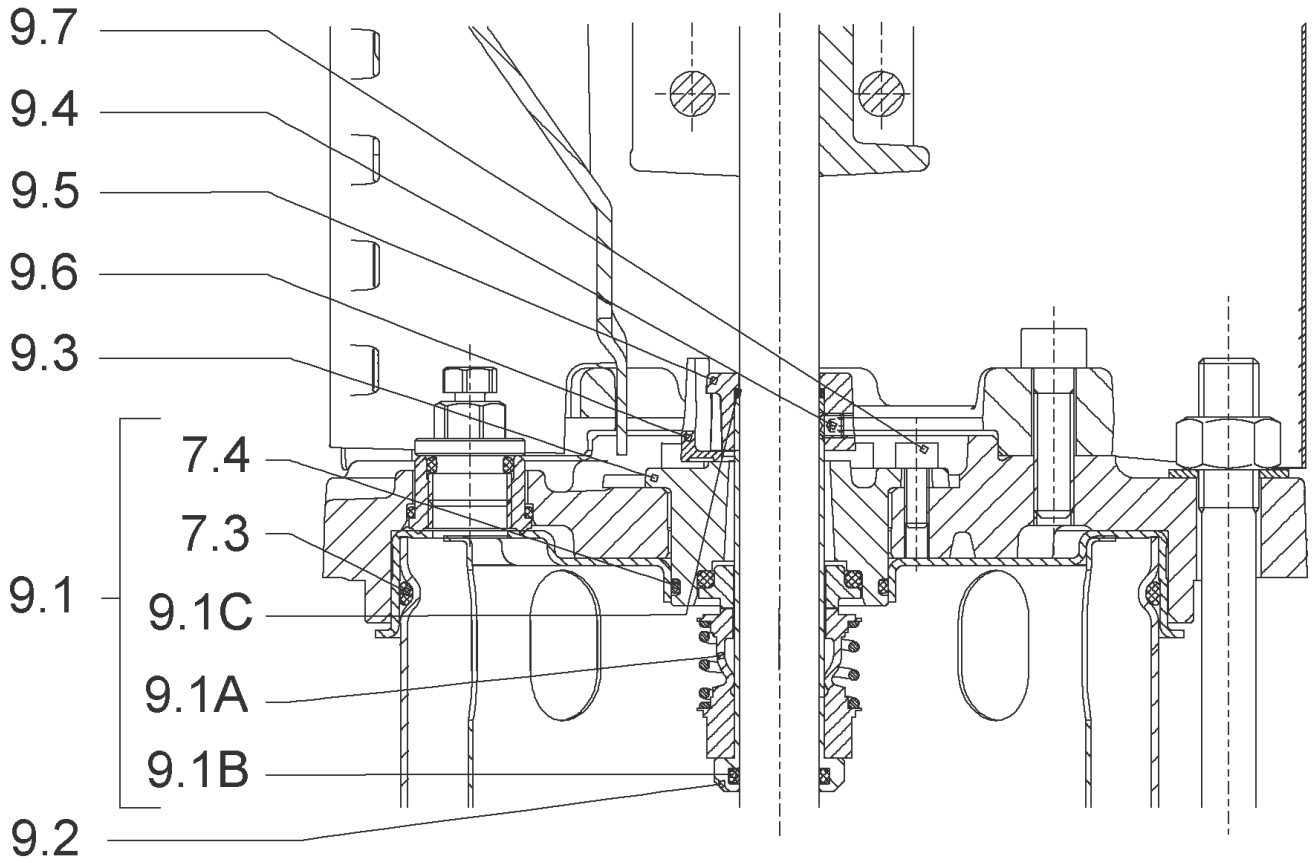
HELIX V408-1/25/E/KS/400-50 (4160525)

Item	Article no.	Description	Quantity
1	4169941	MOTOR 1,1/2/80 3~230/400V 50HZ IE3 VP.	1
		SPARE PARTS MOTOR:ON REQUEST	1
2	4159702	SCREW M6X30 (4 PIECES)	1
3	4172788	LANTERN FT100 HELIX KIT	1
3.1		> LANTERN FT100 M+6" GJL MACHINING+CATA	1
3.2	2127604	> EYELET CPL.FT HELIX(2 PIECES)	1
3.3	4159692	> COUPLING PROTECTOR FT HELIX KIT	1
4	4178578	COUPLING D.12XD.19 FT100 KIT	1
5	4159707	SCREW M8X30 (4 PIECES)	1
6	2018365	STUD BOLT M12X392 KIT	1
7	4159685	END SHIELD HELIX EPDM KIT	1
7.1		> END SHIELD M+6" GJL250 MACHINING+CATA	1
7.2	2127607	> STATIONARY RING HOLDER 6" HELIX 1.4301 V	1
7.3	4176513	> O-RING FOR PUMP JACKET VP.	1
7.4	2127603	> O-RING ID.37,6x2,4 EPDM VP.	1
7.5	2127602	> O-RING ID.21,35x2 EPDM VP.	1
8	4159686	FILING/PURGING PLUG HELIX EPDM KIT	1
9	4178597	CARTRIDGE HELIX2-4 F/E KIT	1
10	2127576	HOUSING PIPE D.152x260 1.4301 KIT	1
11	4178566	CENTERING STAGE-RETURN HELIX4 1.4307 VP	1
12	4178567	SHAFT EQUIPMENT HELIX V2/V4 KIT	1
12.1		> NUT-H-M8-STAINLESS-STEEL A4-70	1
12.2		> SHAFT END WASHER Ø8/Ø12 316L	1
12.3		> STOP COLLAR OF IMPELLER L12,6-Ø12-316L	1
12.4		> STOP-RUSH-1/2-D12xd2-M+316	1
13		HYDRAULIC HELIX V 408 1.4307	1
14	4178592	SHAFT D.12X383 1.4301 VP.	1
15	4178593	PUMP HOUSING HELIX DN25 PN25 1.4301 KIT	1
7.3	4176513	> O-RING FOR PUMP JACKET VP.	1
15.1		> BLASTING PPE HOUSING V PN25-DN25-5"-304	1
15.3	4171321	> PRIMING/DRAIN PLUG EPDM HELIX KIT	1
16	4177970	BASEPLATE HELIX V2/4/6 PN25 VP.	1



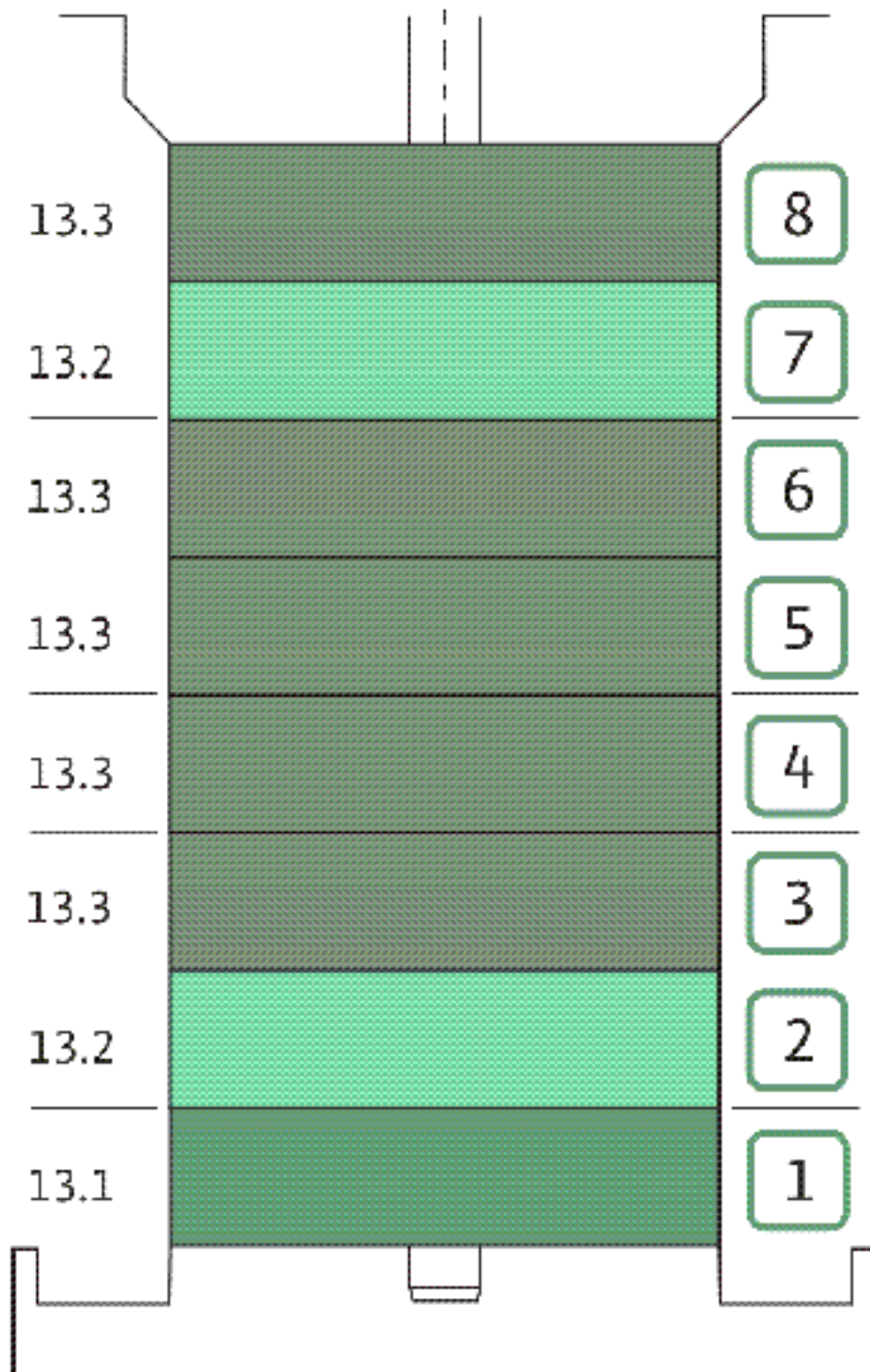
COUPLING D.12XD.19 FT100 KIT (4178578)

Item	Article no.	Description	Quantity
4.1		COUPLING-M+ Ø12XØ19-FT100-MACHINED	1
4.3	4234249	CIRCLIP-FOR-SHAFT-D30x1.5 VP.	1
4.2	2130977	BALL BEARING 6206/ZZ-C3(HT)VP.	1
4.4	4212716	SCREW M6X20 KIT (4PIECES)	1
4.5	4234250	CIRCLIP-D62x2 VP.	1
4.6	4234245	O-RING 63X3 VP.	1
		CONTACT-WASHER-6ETR-6,1x12,2x1,8-STEEL	4



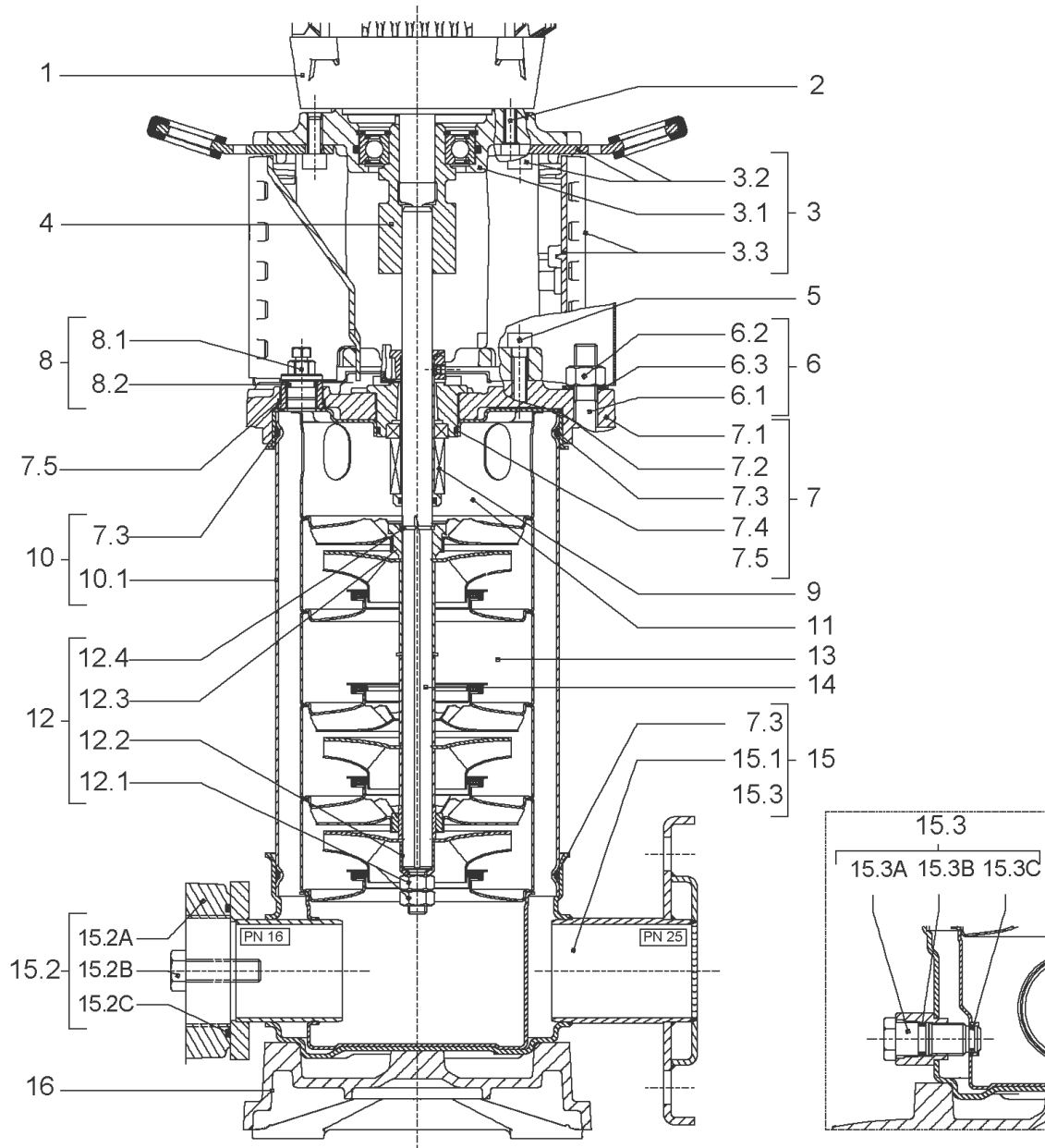
CARTRIDGE HELIX2-4 F/E KIT (4178597)

Item	Article no.	Description	Quantity
9.1	4178594	SEAL-KIT-HELIX2-4 F/E	1
7.3	4176513	> O-RING FOR PUMP JACKET VP.	1
7.4	2127603	> O-RING ID.37,6x2,4 EPDM VP.	1
9.1A	4176521	> MECH.SEAL HELIX2-4-6-10-16 F/E VP.	1
9.1B	4178558	> O-RING ID.12X2 EPDM VP.	1
9.1C	4178558	> O-RING ID.12X2 EPDM VP.	1
9.2	4178596	SHAFT SLEEVE D.18/12X72,2 1.4404 VP.	1
9.3	2130962	RING HOLDER D.18 G606/G6 1.4301 VP.	1
9.4	4176520	SCREW CH M5x5 A4-70 (3PIECES)	1
9.5	4178595	DRIVE RING D.29/15.5x13,2 MACH.VP.	1
9.6	2130964	TOOL M.S.CART.HELIX VP.	1
9.7	2130965	SCREW CHC M5X12 ISO4762 A2.70(4 PIECES)	1



HYDRAULIC HELIX V 408 1.4307

Item	Article no.	Description	Quantity
13.1	4178570	STAGE HELIX 4 1.4301 KIT	1
		> MACH.STG-CASING-WOGV-WNR-M+2-4-304	1
		> IMPELLER-M+4-304	1
13.2	4178569	STAGE BEARING HELIX 4 1.4301 KIT	1
		> MACH.BEARING-STG-CASING-WNR-M+4-304	1
		> IMPELLER-M+4-304	1
		> SHAFT SLEEVE SPACER Ø15,35x10,305-304	1
		> SHAFT-SLEEVE-D12xD16x14-CW	1
13.3	4178574	INTER STAGE HELIX4 1.4301< 15 stages KIT	1
		> MACH.STD-STG-CASING-WGV+NR-M+4-304	1
		> IMPELLER-M+4-304	1
		> IMPELLER SPACER Ø12,05X14,85-L24,285-304	1



HELIX V409-1/16/E/KS/400-50 (4160526)

Item	Article no.	Description	Quantity
1	4169941	MOTOR 1,1/2/80 3~230/400V 50HZ IE3 VP.	1
		SPARE PARTS MOTOR:ON REQUEST	1
2	4159702	SCREW M6X30 (4 PIECES)	1
3	4172788	LANTERN FT100 HELIX KIT	1
3.1		> LANTERN FT100 M+6" GJL MACHINING+CATA	1
3.2	2127604	> EYELET CPL.FT HELIX(2 PIECES)	1
3.3	4159692	> COUPLING PROTECTOR FT HELIX KIT	1
4	4178578	COUPLING D.12XD.19 FT100 KIT	1
5	4159707	SCREW M8X30 (4 PIECES)	1
6	4177822	STUD BOLT M12X413 KIT	1
6.1		> TIE BOLT M12-413x18x30-1.4057	1
6.2	2094647	> NUT M12 M12 ISO4032 VP.	1
6.3	2123557	> WASHER CS-12.4-24-1.6-NFE25 (4 PIECES)	1
7	4159685	END SHIELD HELIX EPDM KIT	1
7.1		> END SHIELD M+6" GJL250 MACHINING+CATA	1
7.2	2127607	> STATIONARY RING HOLDER 6" HELIX 1.4301 V	1
7.3	4176513	> O-RING FOR PUMP JACKET VP.	1
7.4	2127603	> O-RING ID.37,6x2,4 EPDM VP.	1
7.5	2127602	> O-RING ID.21,35x2 EPDM VP.	1
8	4159686	FILING/PURGING PLUG HELIX EPDM KIT	1
9	4178559	KART.HELIX2-4 O/E SET	1
10	4177823	HOUSING PIPES D.152X285 1.4301 KIT	1
7.3	4176513	> O-RING FOR PUMP JACKET VP.	1
10.1		> HOUSING-PIPE Ø152-M+1006-304	1
11	4178566	CENTERING STAGE-RETURN HELIX4 1.4307 VP	1
12	4178567	SHAFT EQUIPMENT HELIX V2/V4 KIT	1
12.1		> NUT-H-M8-STAINLESS-STEEL A4-70	1
12.2		> SHAFT END WASHER Ø8/Ø12 316L	1
12.3		> STOP COLLAR OF IMPELLER L12,6-Ø12-316L	1
12.4		> STOP-RUSH-1/2-D12xd2-M+316	1
13		HYDRAULIC HELIX V 409 1.4307	1
14	4178598	SHAFT D.12X408 1.4301 VP.	1
15	4174079	PUMP HOUSING HELIX DN32 PN16 1.4301 KIT	1
7.3	4176513	> O-RING FOR PUMP JACKET VP.	1

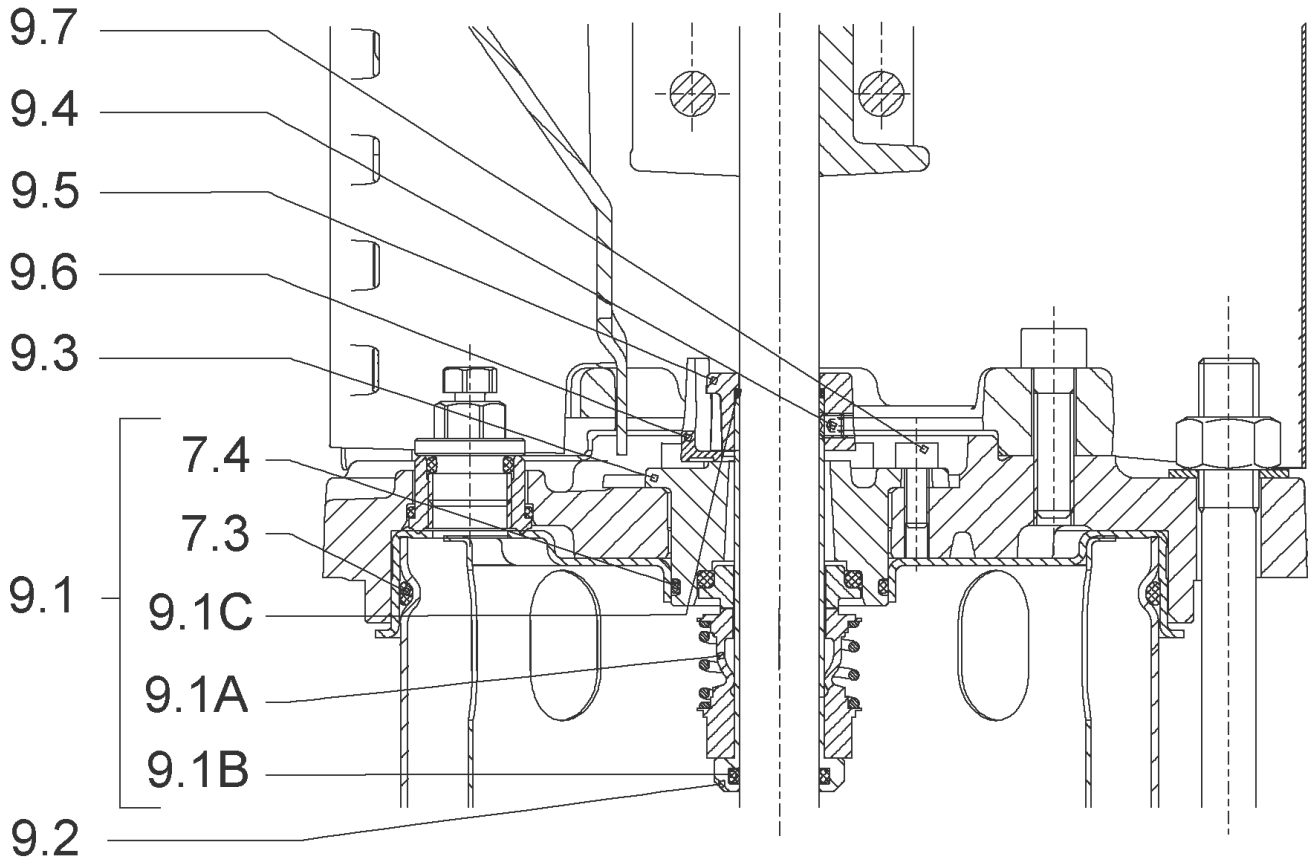
HELIX V409-1/16/E/KS/400-50 (4160526)

Item	Article no.	Description	Quantity
15.1		> BLASTING PPE HOUSING V-PN16-DN32-5"-304	1
15.2	4217889	> COUNTER FLANGE-G1"-PN16-GJL KIT	1
15.3	4171321	> PRIMING/DRAIN PLUG EPDM HELIX KIT	1
16	4177964	BASEPLATE HELIX V2/4/6 PN16 VP.	1



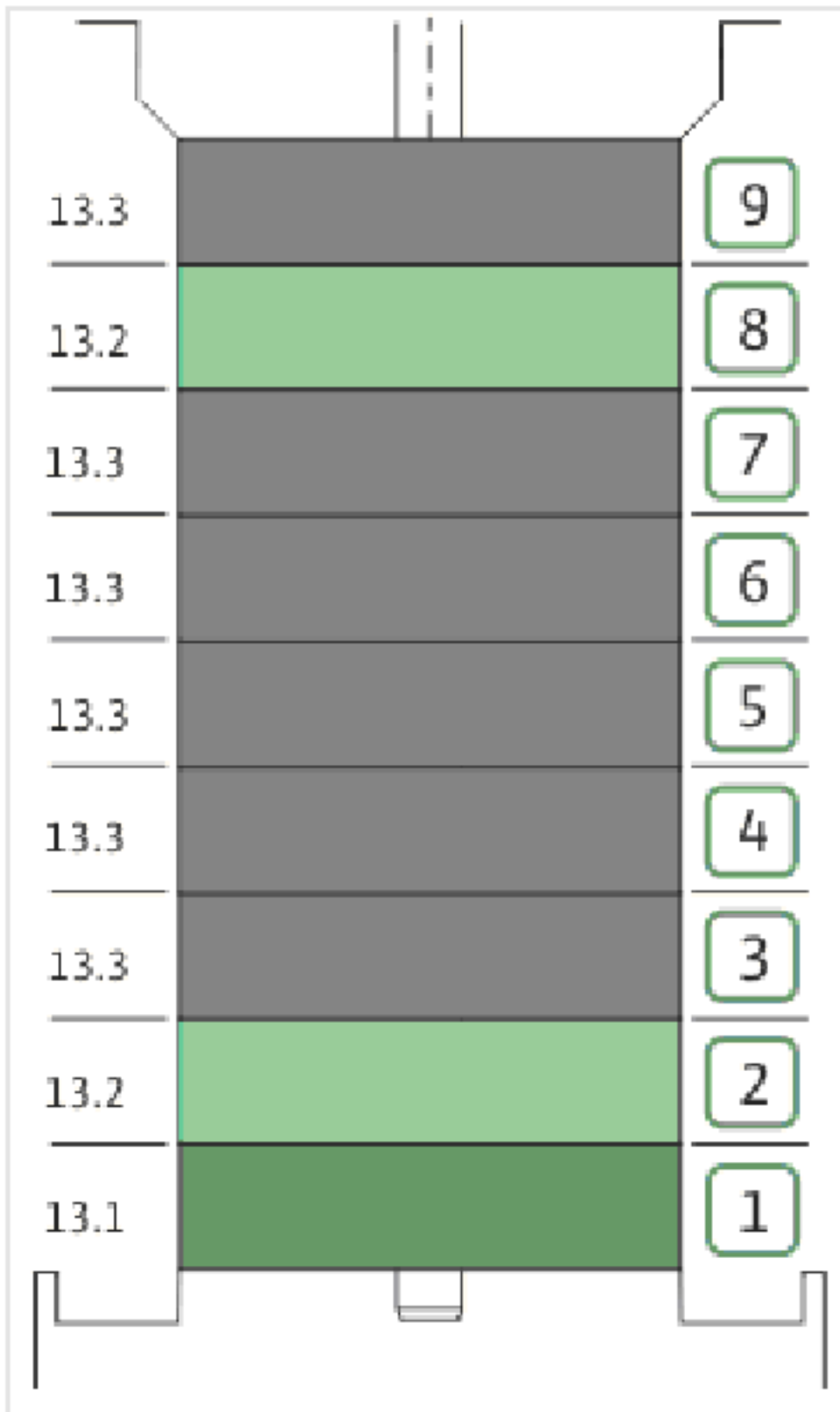
COUPLING D.12XD.19 FT100 KIT (4178578)

Item	Article no.	Description	Quantity
4.1		COUPLING-M+ Ø12XØ19-FT100-MACHINED	1
4.3	4234249	CIRCLIP-FOR-SHAFT-D30x1.5 VP.	1
4.2	2130977	BALL BEARING 6206/ZZ-C3(HT)VP.	1
4.4	4212716	SCREW M6X20 KIT (4PIECES)	1
4.5	4234250	CIRCLIP-D62x2 VP.	1
4.6	4234245	O-RING 63X3 VP.	1
		CONTACT-WASHER-6ETR-6,1x12,2x1,8-STEEL	4



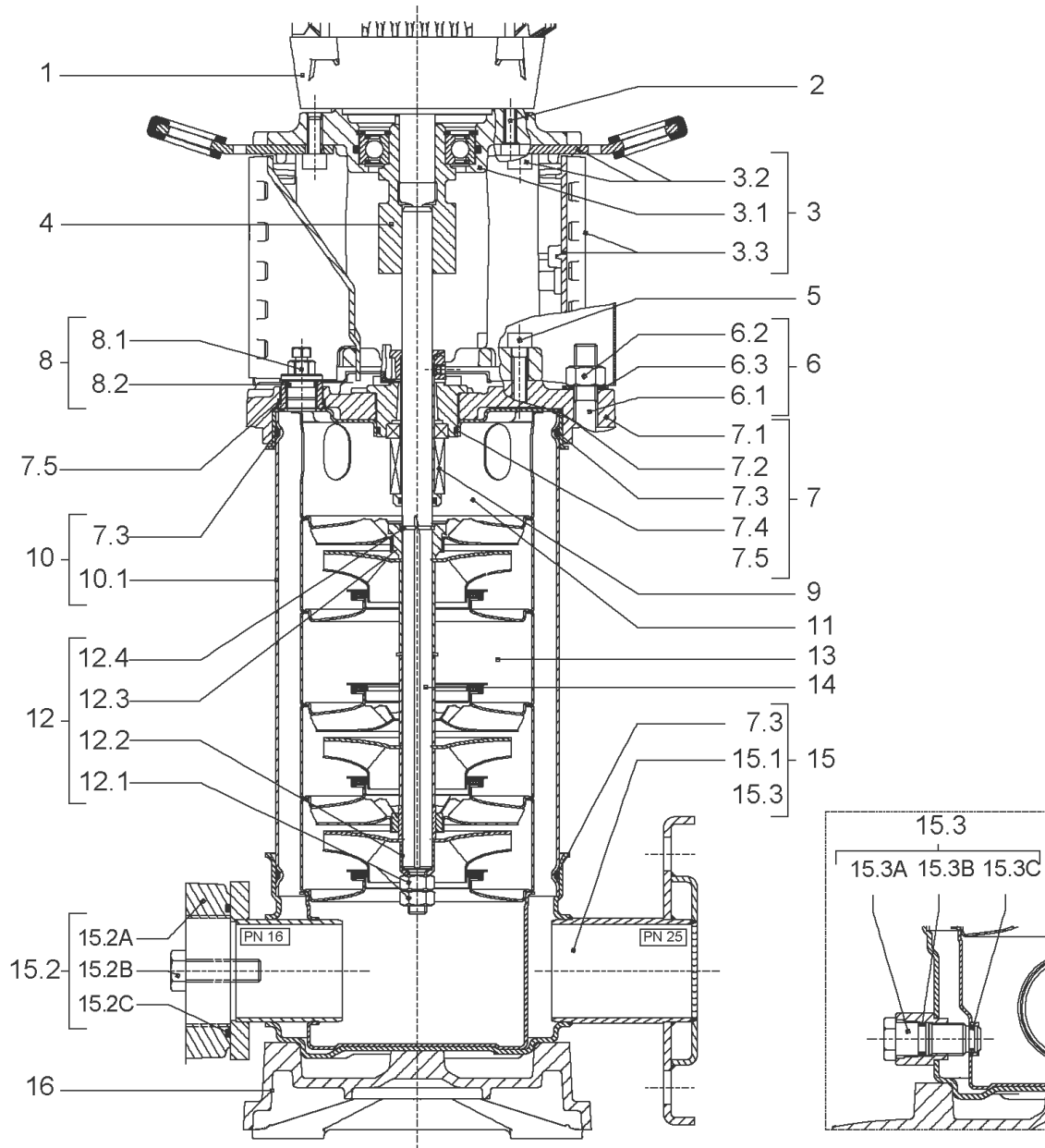
KART.HELIX2-4 O/E SET (4178559)

Item	Article no.	Description	Quantity
9.1	4178560	SEAL-KIT-HELIX2-4 O/E	1
7.3	4176513	> O-RING FOR PUMP JACKET VP.	1
7.4	2127603	> O-RING ID.37,6x2,4 EPDM VP.	1
9.1A	2130966	> MECH.SEAL HELIX2-4-6-10-16 O/E VP.	1
9.1B	4178558	> O-RING ID.12X2 EPDM VP.	1
9.1C	4178558	> O-RING ID.12X2 EPDM VP.	1
9.2	4178557	SHAFT SLEEVE Ø12XØ18-PN16 1.4404 VP.	1
9.3	2130962	RING HOLDER D.18 G606/G6 1.4301 VP.	1
9.4	4176520	SCREW CH M5x5 A4-70 (3PIECES)	1
9.5	4178556	DRIVE RING D.29/15.5x13,2 MACH.VP.	1
9.6	2130964	TOOL M.S.CART.HELIX VP.	1
9.7	2130965	SCREW CHC M5X12 ISO4762 A2.70(4 PIECES)	1



HYDRAULIC HELIX V 409 1.4307

Item	Article no.	Description	Quantity
13.1	4178570	STAGE HELIX 4 1.4301 KIT	1
		> MACH.STG-CASING-WOGV-WNR-M+2-4-304	1
		> IMPELLER-M+4-304	1
13.2	4178569	STAGE BEARING HELIX 4 1.4301 KIT	1
		> MACH.BEARING-STG-CASING-WNR-M+4-304	1
		> IMPELLER-M+4-304	1
		> SHAFT SLEEVE SPACER Ø15,35x10,305-304	1
		> SHAFT-SLEEVE-D12xD16x14-CW	1
13.3	4178574	INTER STAGE HELIX4 1.4301< 15 stages KIT	1
		> MACH.STD-STG-CASING-WGV+NR-M+4-304	1
		> IMPELLER-M+4-304	1
		> IMPELLER SPACER Ø12,05X14,85-L24,285-304	1



HELIX V409-1/25/E/KS/400-50 (4160527)

Item	Article no.	Description	Quantity
1	4169941	MOTOR 1,1/2/80 3~230/400V 50HZ IE3 VP.	1
		SPARE PARTS MOTOR:ON REQUEST	1
2	4159702	SCREW M6X30 (4 PIECES)	1
3	4172788	LANTERN FT100 HELIX KIT	1
3.1		> LANTERN FT100 M+6" GJL MACHINING+CATA	1
3.2	2127604	> EYELET CPL.FT HELIX(2 PIECES)	1
3.3	4159692	> COUPLING PROTECTOR FT HELIX KIT	1
4	4178578	COUPLING D.12XD.19 FT100 KIT	1
5	4159707	SCREW M8X30 (4 PIECES)	1
6	4177822	STUD BOLT M12X413 KIT	1
6.1		> TIE BOLT M12-413x18x30-1.4057	1
6.2	2094647	> NUT M12 M12 ISO4032 VP.	1
6.3	2123557	> WASHER CS-12.4-24-1.6-NFE25 (4 PIECES)	1
7	4159685	END SHIELD HELIX EPDM KIT	1
7.1		> END SHIELD M+6" GJL250 MACHINING+CATA	1
7.2	2127607	> STATIONARY RING HOLDER 6" HELIX 1.4301 V	1
7.3	4176513	> O-RING FOR PUMP JACKET VP.	1
7.4	2127603	> O-RING ID.37,6x2,4 EPDM VP.	1
7.5	2127602	> O-RING ID.21,35x2 EPDM VP.	1
8	4159686	FILING/PURGING PLUG HELIX EPDM KIT	1
9	4178597	CARTRIDGE HELIX2-4 F/E KIT	1
10	4177823	HOUSING PIPES D.152X285 1.4301 KIT	1
7.3	4176513	> O-RING FOR PUMP JACKET VP.	1
10.1		> HOUSING-PIPE Ø152-M+1006-304	1
11	4178566	CENTERING STAGE-RETURN HELIX4 1.4307 VP	1
12	4178567	SHAFT EQUIPMENT HELIX V2/V4 KIT	1
12.1		> NUT-H-M8-STAINLESS-STEEL A4-70	1
12.2		> SHAFT END WASHER Ø8/Ø12 316L	1
12.3		> STOP COLLAR OF IMPELLER L12,6-Ø12-316L	1
12.4		> STOP-RUSH-1/2-D12xd2-M+316	1
13		HYDRAULIC HELIX V 409 1.4307	1
14	4178598	SHAFT D.12X408 1.4301 VP.	1
15	4178593	PUMP HOUSING HELIX DN25 PN25 1.4301 KIT	1
7.3	4176513	> O-RING FOR PUMP JACKET VP.	1

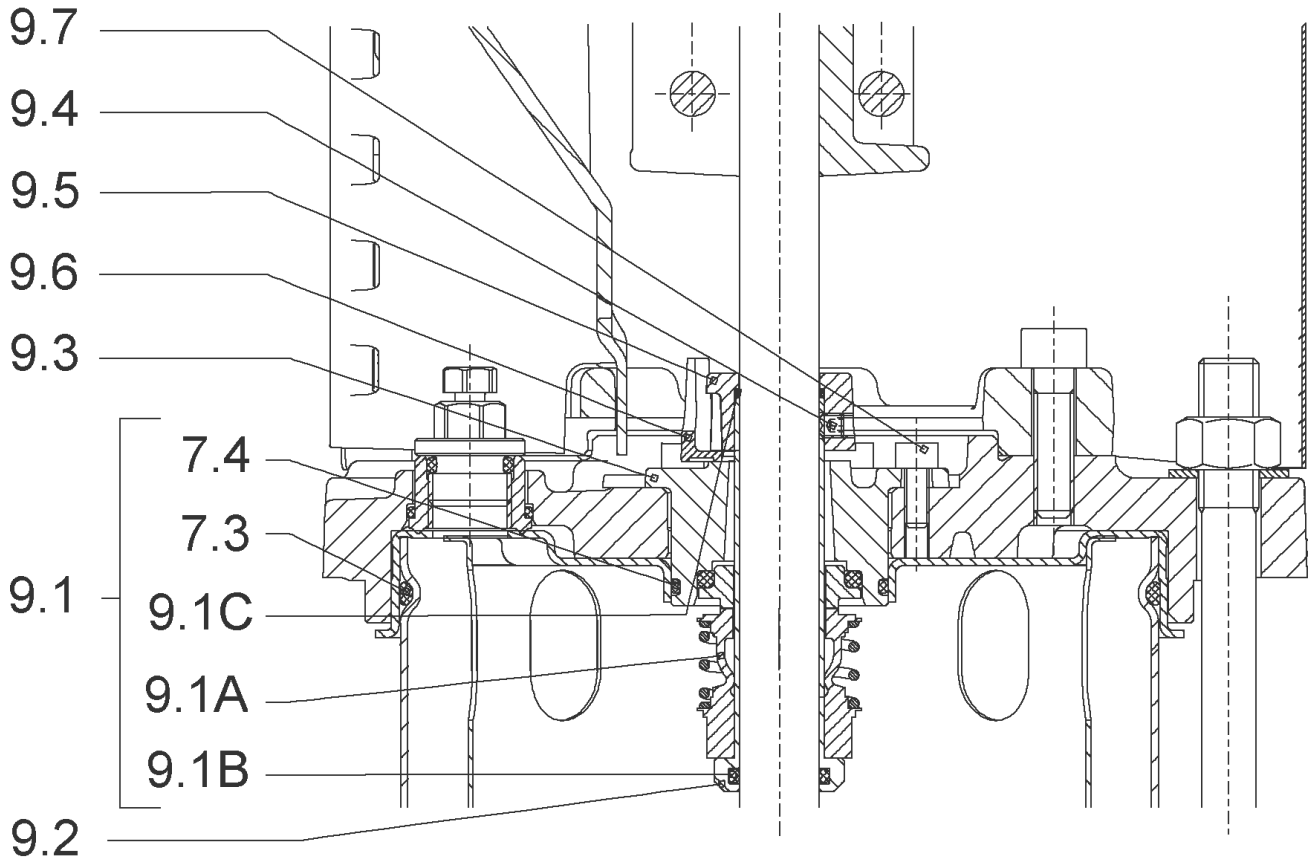
HELIX V409-1/25/E/KS/400-50 (4160527)

Item	Article no.	Description	Quantity
15.1		> BLASTING PPE HOUSING V PN25-DN25-5"-304	1
15.3	4171321	> PRIMING/DRAIN PLUG EPDM HELIX KIT	1
16	4177970	BASEPLATE HELIX V2/4/6 PN25 VP.	1



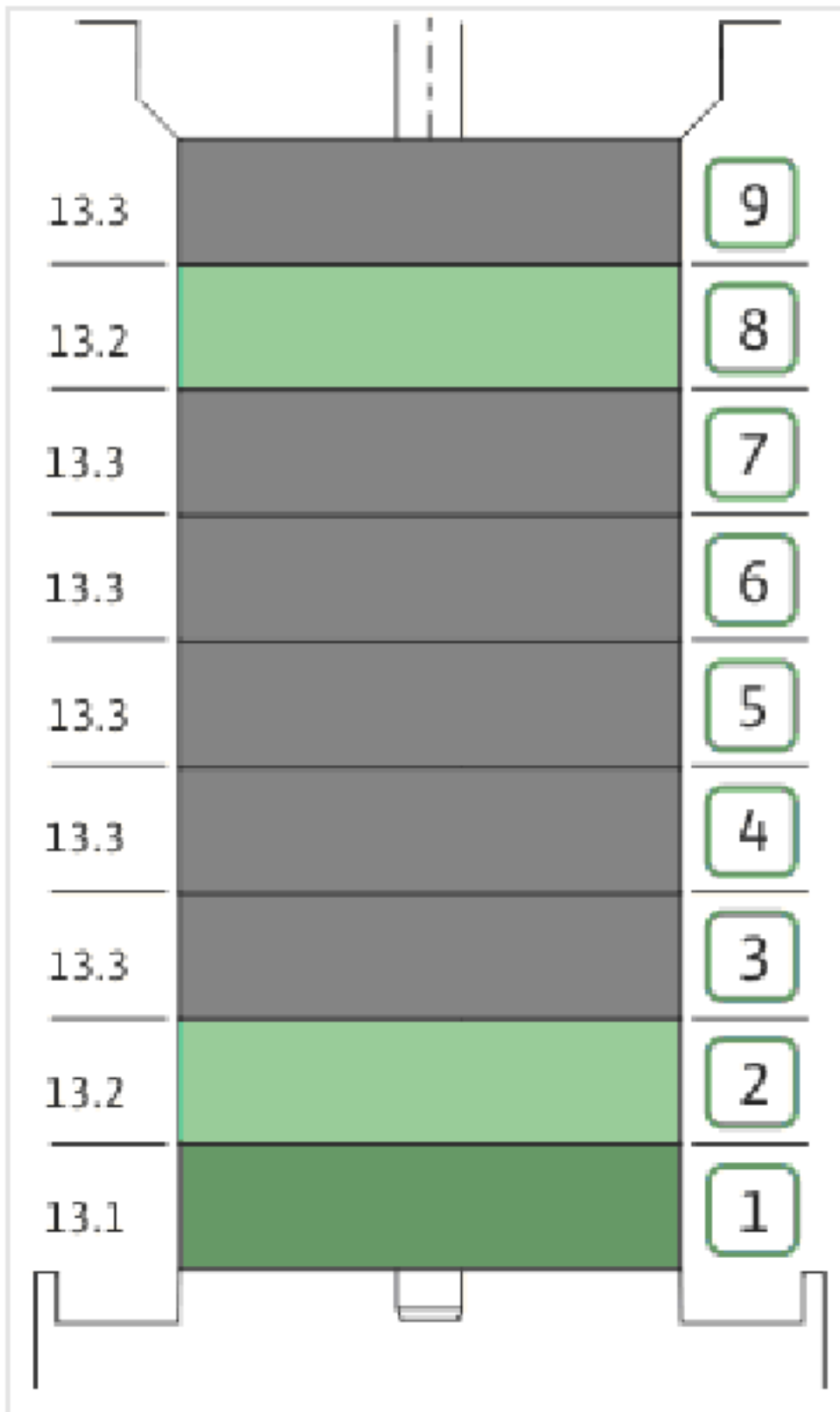
COUPLING D.12XD.19 FT100 KIT (4178578)

Item	Article no.	Description	Quantity
4.1		COUPLING-M+ Ø12XØ19-FT100-MACHINED	1
4.3	4234249	CIRCLIP-FOR-SHAFT-D30x1.5 VP.	1
4.2	2130977	BALL BEARING 6206/ZZ-C3(HT)VP.	1
4.4	4212716	SCREW M6X20 KIT (4PIECES)	1
4.5	4234250	CIRCLIP-D62x2 VP.	1
4.6	4234245	O-RING 63X3 VP.	1
		CONTACT-WASHER-6ETR-6,1x12,2x1,8-STEEL	4



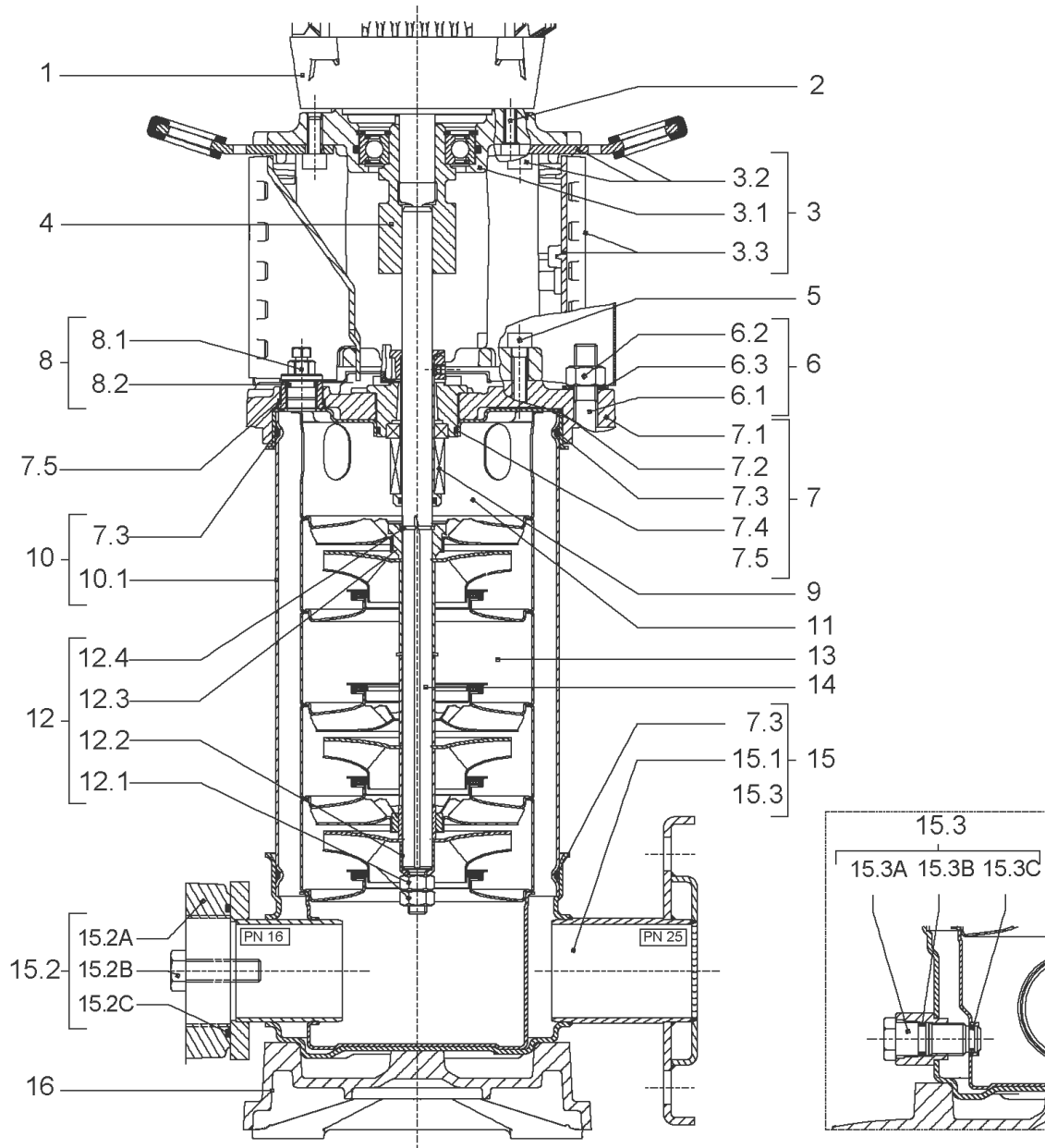
CARTRIDGE HELIX2-4 F/E KIT (4178597)

Item	Article no.	Description	Quantity
9.1	4178594	SEAL-KIT-HELIX2-4 F/E	1
7.3	4176513	> O-RING FOR PUMP JACKET VP.	1
7.4	2127603	> O-RING ID.37,6x2,4 EPDM VP.	1
9.1A	4176521	> MECH.SEAL HELIX2-4-6-10-16 F/E VP.	1
9.1B	4178558	> O-RING ID.12X2 EPDM VP.	1
9.1C	4178558	> O-RING ID.12X2 EPDM VP.	1
9.2	4178596	SHAFT SLEEVE D.18/12X72,2 1.4404 VP.	1
9.3	2130962	RING HOLDER D.18 G606/G6 1.4301 VP.	1
9.4	4176520	SCREW CH M5x5 A4-70 (3PIECES)	1
9.5	4178595	DRIVE RING D.29/15.5x13,2 MACH.VP.	1
9.6	2130964	TOOL M.S.CART.HELIX VP.	1
9.7	2130965	SCREW CHC M5X12 ISO4762 A2.70(4 PIECES)	1



HYDRAULIC HELIX V 409 1.4307

Item	Article no.	Description	Quantity
13.1	4178570	STAGE HELIX 4 1.4301 KIT	1
		> MACH.STG-CASING-WOGV-WNR-M+2-4-304	1
		> IMPELLER-M+4-304	1
13.2	4178569	STAGE BEARING HELIX 4 1.4301 KIT	1
		> MACH.BEARING-STG-CASING-WNR-M+4-304	1
		> IMPELLER-M+4-304	1
		> SHAFT SLEEVE SPACER Ø15,35x10,305-304	1
		> SHAFT-SLEEVE-D12xD16x14-CW	1
13.3	4178574	INTER STAGE HELIX4 1.4301< 15 stages KIT	1
		> MACH.STD-STG-CASING-WGV+NR-M+4-304	1
		> IMPELLER-M+4-304	1
		> IMPELLER SPACER Ø12,05X14,85-L24,285-304	1



HELIX V410-1/16/E/KS/400-50 (4160528)

Item	Article no.	Description	Quantity
1	4169942	MO.1,5/2 3~230/400(440)V 50(60)HZ IE3 VP	1
		SPARE PARTS MOTOR:ON REQUEST	1
2	4159703	SCREW M8X40 (4 PIECES)	1
3	4159690	LANTERN FT115 HELIX KIT	1
3.1		> LANTERN FT115 M+6" GJL MACHINING+CATA	1
3.2	2127604	> EYELET CPL.FT HELIX(2 PIECES)	1
3.3	4159692	> COUPLING PROTECTOR FT HELIX KIT	1
4	4178600	COUPLING D.12XD.24 FT115 KIT	1
5	4159707	SCREW M8X30 (4 PIECES)	1
6	2127554	STUD BOLT M12X437 KIT	1
7	4159685	END SHIELD HELIX EPDM KIT	1
7.1		> END SHIELD M+6" GJL250 MACHINING+CATA	1
7.2	2127607	> STATIONARY RING HOLDER 6" HELIX 1.4301 V	1
7.3	4176513	> O-RING FOR PUMP JACKET VP.	1
7.4	2127603	> O-RING ID.37,6x2,4 EPDM VP.	1
7.5	2127602	> O-RING ID.21,35x2 EPDM VP.	1
8	4159686	FILING/PURGING PLUG HELIX EPDM KIT	1
9	4178559	KART.HELIX2-4 O/E SET	1
10	2127577	HOUSING PIPE D.152x310 1.4301 KIT	1
11	4178566	CENTERING STAGE-RETURN HELIX4 1.4307 VP	1
12	4178567	SHAFT EQUIPMENT HELIX V2/V4 KIT	1
12.1		> NUT-H-M8-STAINLESS-STEEL A4-70	1
12.2		> SHAFT END WASHER Ø8/Ø12 316L	1
12.3		> STOP COLLAR OF IMPELLER L12,6-Ø12-316L	1
12.4		> STOP-RUSH-1/2-D12xd2-M+316	1
13		HYDRAULIC HELIX V 410 1.4307	1
14	4178604	SHAFT D.12X433 1.4301 VP.	1
15	4174079	PUMP HOUSING HELIX DN32 PN16 1.4301 KIT	1
7.3	4176513	> O-RING FOR PUMP JACKET VP.	1
15.1		> BLASTING PPE HOUSING V-PN16-DN32-5"-304	1
15.2	4217889	> COUNTER FLANGE-G1"-PN16-GJL KIT	1
15.3	4171321	> PRIMING/DRAIN PLUG EPDM HELIX KIT	1
16	4177964	BASEPLATE HELIX V2/4/6 PN16 VP.	1



COUPLING D.12XD.24 FT115 KIT (4178600)

Item	Article no.	Description	Quantity
4.1		COUPLING-M+ Ø12XØ24-FT115-MACHINED	1
4.2	2131023	BALL BEARING 6207/ZZ-C3(HT)VP.	1
4.3	4234254	CIRCLIP-FOR-SHAFT-D35x1.5 VP.	1
4.4	4157726	SCREW KIT M8X30 (4 PIECES)	1
4.5	4234251	CIRCLIP-D72x2.5 VP.	1
4.6	4234246	O-RING 72X3 VP.	1
		NOMEL CONTACT WASHER 8x16x1,4 STEEL ZC	1



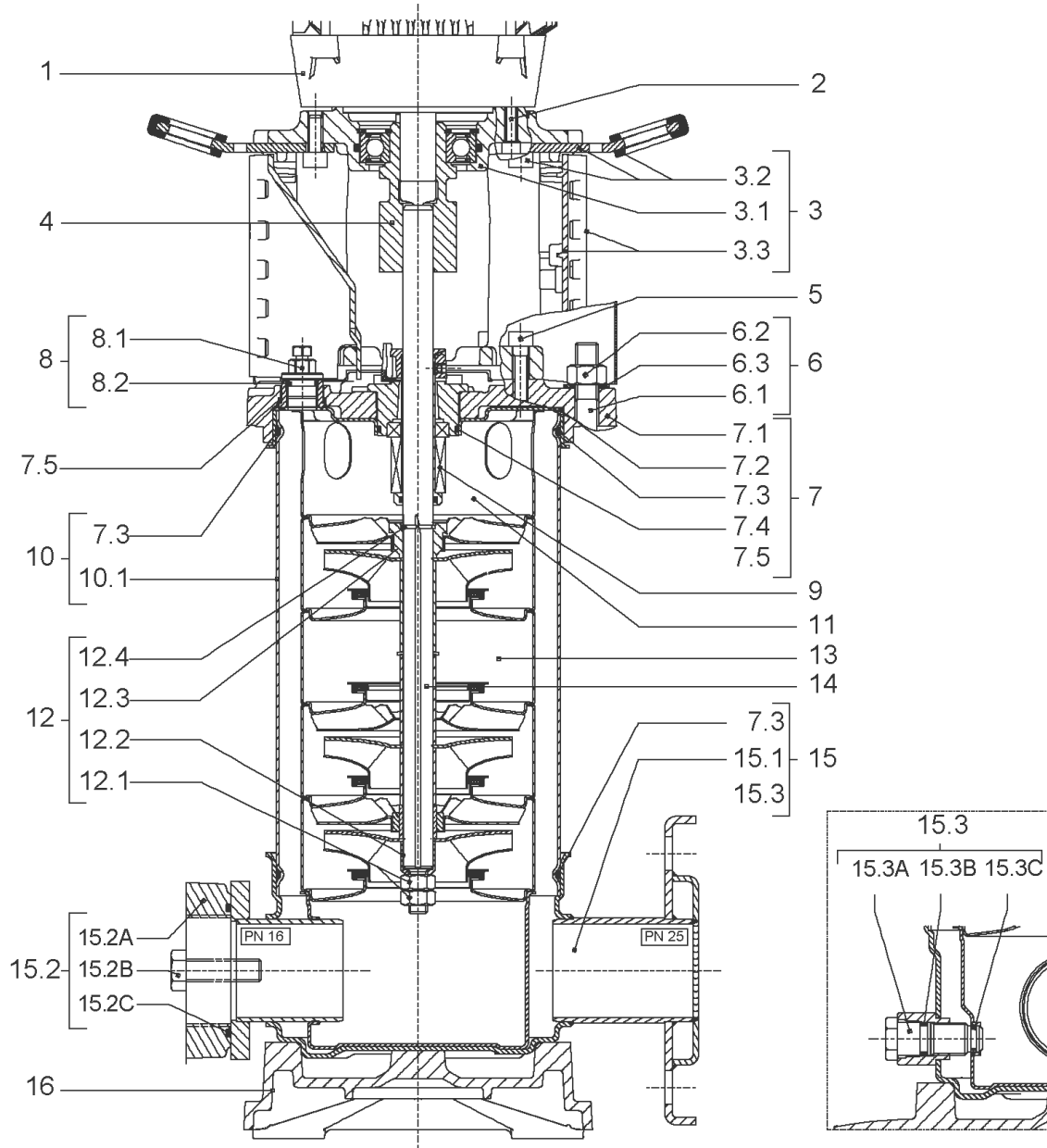
KART.HELIX2-4 O/E SET (4178559)

Item	Article no.	Description	Quantity
9.1	4178560	SEAL-KIT-HELIX2-4 O/E	1
7.3	4176513	> O-RING FOR PUMP JACKET VP.	1
7.4	2127603	> O-RING ID.37,6x2,4 EPDM VP.	1
9.1A	2130966	> MECH.SEAL HELIX2-4-6-10-16 O/E VP.	1
9.1B	4178558	> O-RING ID.12X2 EPDM VP.	1
9.1C	4178558	> O-RING ID.12X2 EPDM VP.	1
9.2	4178557	SHAFT SLEEVE Ø12XØ18-PN16 1.4404 VP.	1
9.3	2130962	RING HOLDER D.18 G606/G6 1.4301 VP.	1
9.4	4176520	SCREW CH M5x5 A4-70 (3PIECES)	1
9.5	4178556	DRIVE RING D.29/15.5x13,2 MACH.VP.	1
9.6	2130964	TOOL M.S.CART.HELIX VP.	1
9.7	2130965	SCREW CHC M5X12 ISO4762 A2.70(4 PIECES)	1



HYDRAULIC HELIX V 410 1.4307

Item	Article no.	Description	Quantity
13.1	4178570	STAGE HELIX 4 1.4301 KIT	1
		> MACH.STG-CASING-WOGV-WNR-M+2-4-304	1
		> IMPELLER-M+4-304	1
13.2	4178569	STAGE BEARING HELIX 4 1.4301 KIT	1
		> MACH.BEARING-STG-CASING-WNR-M+4-304	1
		> IMPELLER-M+4-304	1
		> SHAFT SLEEVE SPACER Ø15,35x10,305-304	1
		> SHAFT-SLEEVE-D12xD16x14-CW	1
13.3	4178574	INTER STAGE HELIX4 1.4301< 15 stages KIT	1
		> MACH.STD-STG-CASING-WGV+NR-M+4-304	1
		> IMPELLER-M+4-304	1
		> IMPELLER SPACER Ø12,05X14,85-L24,285-304	1



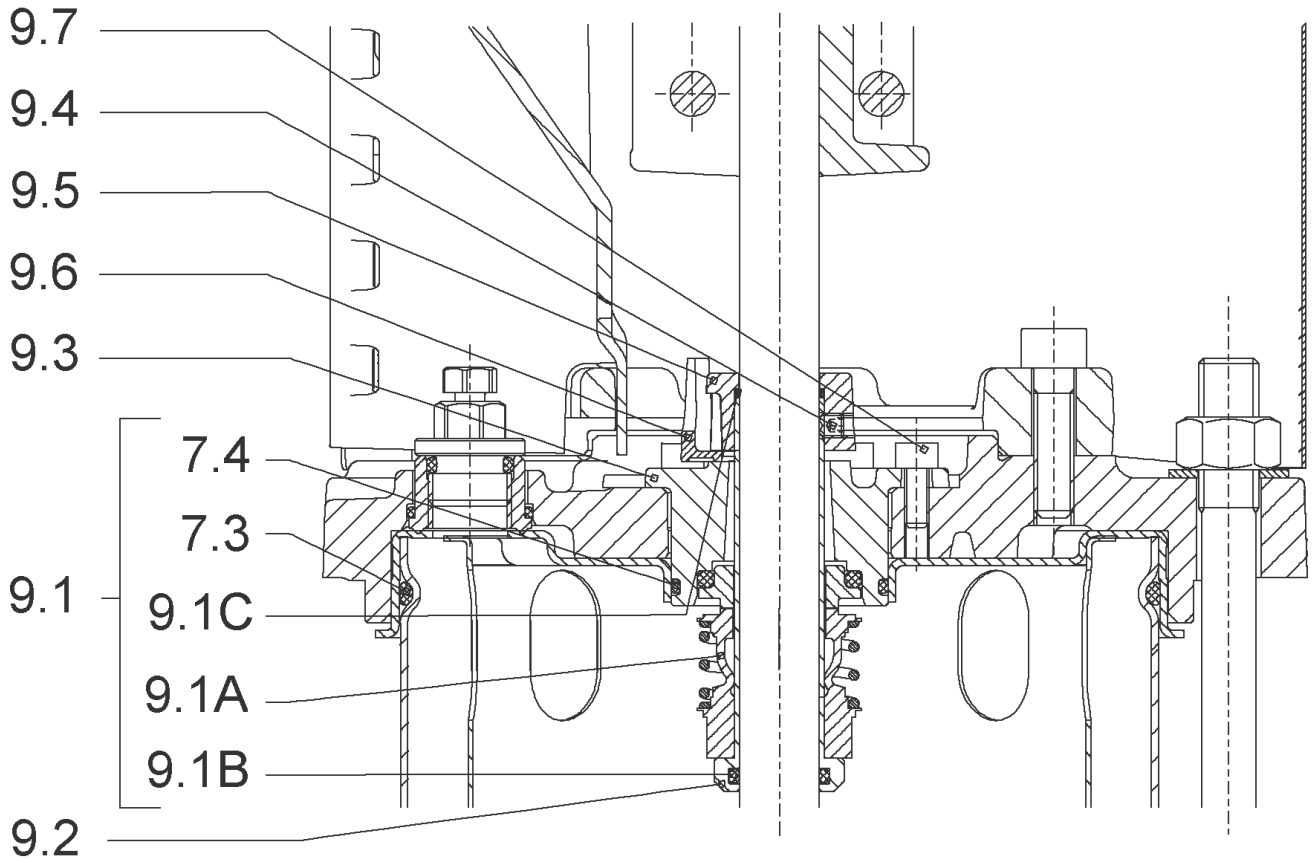
HELIX V410-1/25/E/KS/400-50 (4160529)

Item	Article no.	Description	Quantity
1	4169942	MO.1,5/2 3~230/400(440)V 50(60)HZ IE3 VP	1
		SPARE PARTS MOTOR:ON REQUEST	1
2	4159703	SCREW M8X40 (4 PIECES)	1
3	4159690	LANTERN FT115 HELIX KIT	1
3.1		> LANTERN FT115 M+6" GJL MACHINING+CATA	1
3.2	2127604	> EYELET CPL.FT HELIX(2 PIECES)	1
3.3	4159692	> COUPLING PROTECTOR FT HELIX KIT	1
4	4178600	COUPLING D.12XD.24 FT115 KIT	1
5	4159707	SCREW M8X30 (4 PIECES)	1
6	2127554	STUD BOLT M12X437 KIT	1
7	4159685	END SHIELD HELIX EPDM KIT	1
7.1		> END SHIELD M+6" GJL250 MACHINING+CATA	1
7.2	2127607	> STATIONARY RING HOLDER 6" HELIX 1.4301 V	1
7.3	4176513	> O-RING FOR PUMP JACKET VP.	1
7.4	2127603	> O-RING ID.37,6x2,4 EPDM VP.	1
7.5	2127602	> O-RING ID.21,35x2 EPDM VP.	1
8	4159686	FILING/PURGING PLUG HELIX EPDM KIT	1
9	4178597	CARTRIDGE HELIX2-4 F/E KIT	1
10	2127577	HOUSING PIPE D.152x310 1.4301 KIT	1
11	4178566	CENTERING STAGE-RETURN HELIX4 1.4307 VP	1
12	4178567	SHAFT EQUIPMENT HELIX V2/V4 KIT	1
12.1		> NUT-H-M8-STAINLESS-STEEL A4-70	1
12.2		> SHAFT END WASHER Ø8/Ø12 316L	1
12.3		> STOP COLLAR OF IMPELLER L12,6-Ø12-316L	1
12.4		> STOP-RUSH-1/2-D12xd2-M+316	1
13		HYDRAULIC HELIX V 410 1.4307	1
14	4178604	SHAFT D.12X433 1.4301 VP.	1
15	4178593	PUMP HOUSING HELIX DN25 PN25 1.4301 KIT	1
7.3	4176513	> O-RING FOR PUMP JACKET VP.	1
15.1		> BLASTING PPE HOUSING V PN25-DN25-5"-304	1
15.3	4171321	> PRIMING/DRAIN PLUG EPDM HELIX KIT	1
16	4177970	BASEPLATE HELIX V2/4/6 PN25 VP.	1



COUPLING D.12XD.24 FT115 KIT (4178600)

Item	Article no.	Description	Quantity
4.1		COUPLING-M+ Ø12XØ24-FT115-MACHINED	1
4.2	2131023	BALL BEARING 6207/ZZ-C3(HT)VP.	1
4.3	4234254	CIRCLIP-FOR-SHAFT-D35x1.5 VP.	1
4.4	4157726	SCREW KIT M8X30 (4 PIECES)	1
4.5	4234251	CIRCLIP-D72x2.5 VP.	1
4.6	4234246	O-RING 72X3 VP.	1
		NOMEL CONTACT WASHER 8x16x1,4 STEEL ZC	1



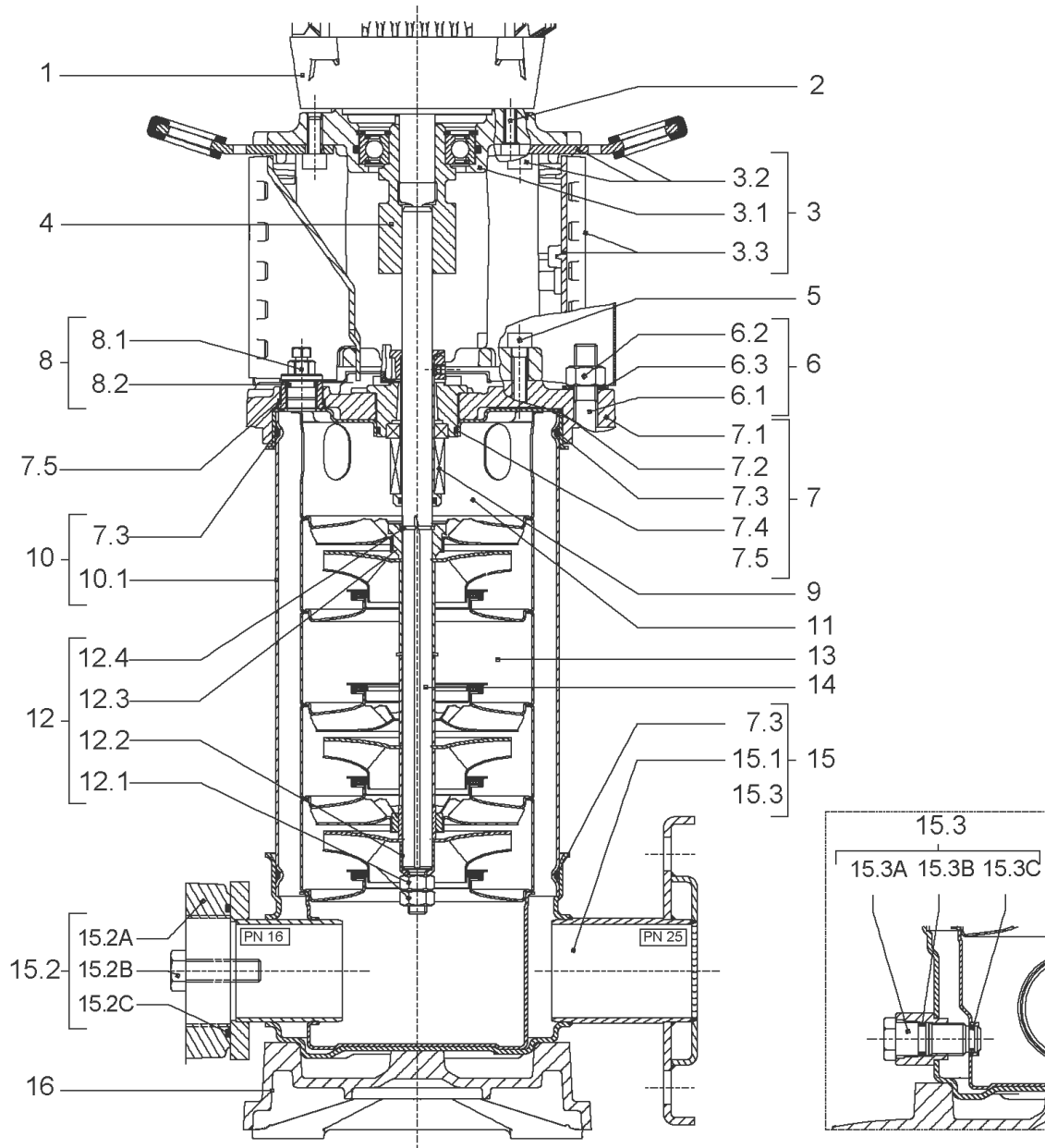
CARTRIDGE HELIX2-4 F/E KIT (4178597)

Item	Article no.	Description	Quantity
9.1	4178594	SEAL-KIT-HELIX2-4 F/E	1
7.3	4176513	> O-RING FOR PUMP JACKET VP.	1
7.4	2127603	> O-RING ID.37,6x2,4 EPDM VP.	1
9.1A	4176521	> MECH.SEAL HELIX2-4-6-10-16 F/E VP.	1
9.1B	4178558	> O-RING ID.12X2 EPDM VP.	1
9.1C	4178558	> O-RING ID.12X2 EPDM VP.	1
9.2	4178596	SHAFT SLEEVE D.18/12X72,2 1.4404 VP.	1
9.3	2130962	RING HOLDER D.18 G606/G6 1.4301 VP.	1
9.4	4176520	SCREW CH M5x5 A4-70 (3PIECES)	1
9.5	4178595	DRIVE RING D.29/15.5x13,2 MACH.VP.	1
9.6	2130964	TOOL M.S.CART.HELIX VP.	1
9.7	2130965	SCREW CHC M5X12 ISO4762 A2.70(4 PIECES)	1



HYDRAULIC HELIX V 410 1.4307

Item	Article no.	Description	Quantity
13.1	4178570	STAGE HELIX 4 1.4301 KIT	1
		> MACH.STG-CASING-WOGV-WNR-M+2-4-304	1
		> IMPELLER-M+4-304	1
13.2	4178569	STAGE BEARING HELIX 4 1.4301 KIT	1
		> MACH.BEARING-STG-CASING-WNR-M+4-304	1
		> IMPELLER-M+4-304	1
		> SHAFT SLEEVE SPACER Ø15,35x10,305-304	1
		> SHAFT-SLEEVE-D12xD16x14-CW	1
13.3	4178574	INTER STAGE HELIX4 1.4301< 15 stages KIT	1
		> MACH.STD-STG-CASING-WGV+NR-M+4-304	1
		> IMPELLER-M+4-304	1
		> IMPELLER SPACER Ø12,05X14,85-L24,285-304	1



HELIX V411-1/16/E/KS/400-50 (4160530)

Item	Article no.	Description	Quantity
1	4169942	MO.1,5/2 3~230/400(440)V 50(60)HZ IE3 VP	1
		SPARE PARTS MOTOR:ON REQUEST	1
2	4159703	SCREW M8X40 (4 PIECES)	1
3	4159690	LANTERN FT115 HELIX KIT	1
3.1		> LANTERN FT115 M+6" GJL MACHINING+CATA	1
3.2	2127604	> EYELET CPL.FT HELIX(2 PIECES)	1
3.3	4159692	> COUPLING PROTECTOR FT HELIX KIT	1
4	4178600	COUPLING D.12XD.24 FT115 KIT	1
5	4159707	SCREW M8X30 (4 PIECES)	1
6	4178605	STUD BOLT M12X469 KIT	1
6.1		> TIE BOLT M12-469x18x30-1.4057	1
6.2	2094647	> NUT M12 M12 ISO4032 VP.	1
6.3	2123557	> WASHER CS-12.4-24-1.6-NFE25 (4 PIECES)	1
7	4159685	END SHIELD HELIX EPDM KIT	1
7.1		> END SHIELD M+6" GJL250 MACHINING+CATA	1
7.2	2127607	> STATIONARY RING HOLDER 6" HELIX 1.4301 V	1
7.3	4176513	> O-RING FOR PUMP JACKET VP.	1
7.4	2127603	> O-RING ID.37,6x2,4 EPDM VP.	1
7.5	2127602	> O-RING ID.21,35x2 EPDM VP.	1
8	4159686	FILING/PURGING PLUG HELIX EPDM KIT	1
9	4178559	KART.HELIX2-4 O/E SET	1
10	4178606	HOUSING-PIPE D.152X335 1.4304 KIT	1
7.3	4176513	> O-RING FOR PUMP JACKET VP.	1
10.1		> HOUSING-PIPE Ø152-M+211/411-304	1
11	4178566	CENTERING STAGE-RETURN HELIX4 1.4307 VP	1
12	4178567	SHAFT EQUIPMENT HELIX V2/V4 KIT	1
12.1		> NUT-H-M8-STAINLESS-STEEL A4-70	1
12.2		> SHAFT END WASHER Ø8/Ø12 316L	1
12.3		> STOP COLLAR OF IMPELLER L12,6-Ø12-316L	1
12.4		> STOP-RUSH-1/2-D12xd2-M+316	1
13		HYDRAULIC HELIX V 411 1.4307	1
14	4178608	SHAFT D.12X458 1.4301 VP.	1
15	4174079	PUMP HOUSING HELIX DN32 PN16 1.4301 KIT	1
7.3	4176513	> O-RING FOR PUMP JACKET VP.	1

HELIX V411-1/16/E/KS/400-50 (4160530)

Item	Article no.	Description	Quantity
15.1		> BLASTING PPE HOUSING V-PN16-DN32-5"-304	1
15.2	4217889	> COUNTER FLANGE-G1"-PN16-GJL KIT	1
15.3	4171321	> PRIMING/DRAIN PLUG EPDM HELIX KIT	1
16	4177964	BASEPLATE HELIX V2/4/6 PN16 VP.	1



COUPLING D.12XD.24 FT115 KIT (4178600)

Item	Article no.	Description	Quantity
4.1		COUPLING-M+ Ø12XØ24-FT115-MACHINED	1
4.2	2131023	BALL BEARING 6207/ZZ-C3(HT)VP.	1
4.3	4234254	CIRCLIP-FOR-SHAFT-D35x1.5 VP.	1
4.4	4157726	SCREW KIT M8X30 (4 PIECES)	1
4.5	4234251	CIRCLIP-D72x2.5 VP.	1
4.6	4234246	O-RING 72X3 VP.	1
		NOMEL CONTACT WASHER 8x16x1,4 STEEL ZC	1



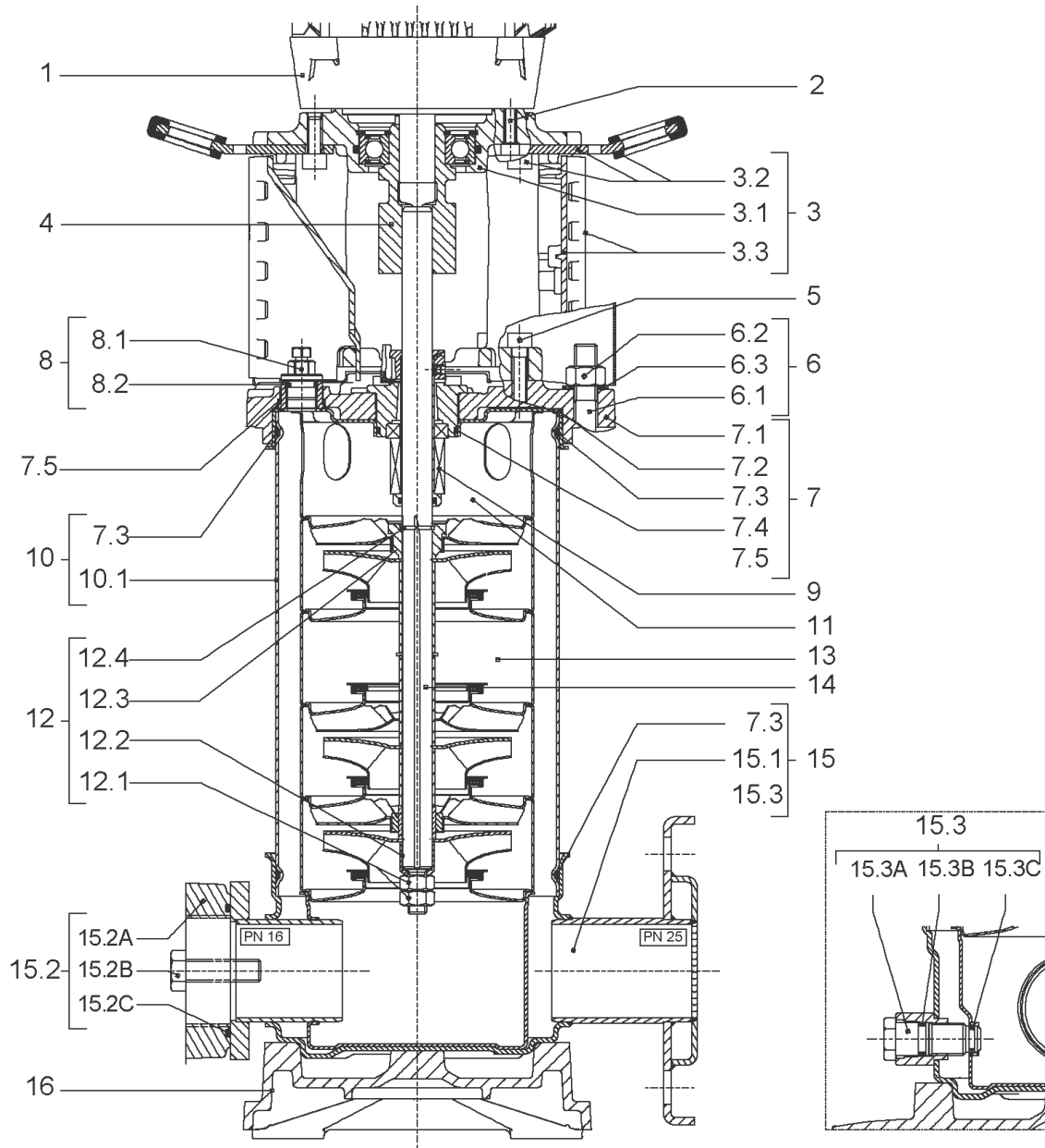
KART.HELIX2-4 O/E SET (4178559)

Item	Article no.	Description	Quantity
9.1	4178560	SEAL-KIT-HELIX2-4 O/E	1
7.3	4176513	> O-RING FOR PUMP JACKET VP.	1
7.4	2127603	> O-RING ID.37,6x2,4 EPDM VP.	1
9.1A	2130966	> MECH.SEAL HELIX2-4-6-10-16 O/E VP.	1
9.1B	4178558	> O-RING ID.12X2 EPDM VP.	1
9.1C	4178558	> O-RING ID.12X2 EPDM VP.	1
9.2	4178557	SHAFT SLEEVE Ø12XØ18-PN16 1.4404 VP.	1
9.3	2130962	RING HOLDER D.18 G606/G6 1.4301 VP.	1
9.4	4176520	SCREW CH M5x5 A4-70 (3PIECES)	1
9.5	4178556	DRIVE RING D.29/15.5x13,2 MACH.VP.	1
9.6	2130964	TOOL M.S.CART.HELIX VP.	1
9.7	2130965	SCREW CHC M5X12 ISO4762 A2.70(4 PIECES)	1



HYDRAULIC HELIX V 411 1.4307

Item	Article no.	Description	Quantity
13.1	4178570	STAGE HELIX 4 1.4301 KIT	1
		> MACH.STG-CASING-WOGV-WNR-M+2-4-304	1
		> IMPELLER-M+4-304	1
13.2	4178569	STAGE BEARING HELIX 4 1.4301 KIT	1
		> MACH.BEARING-STG-CASING-WNR-M+4-304	1
		> IMPELLER-M+4-304	1
		> SHAFT SLEEVE SPACER Ø15,35x10,305-304	1
		> SHAFT-SLEEVE-D12xD16x14-CW	1
13.3	4178574	INTER STAGE HELIX4 1.4301< 15 stages KIT	1
		> MACH.STD-STG-CASING-WGV+NR-M+4-304	1
		> IMPELLER-M+4-304	1
		> IMPELLER SPACER Ø12,05X14,85-L24,285-304	1



HELIX V411-1/25/E/KS/400-50 (4160531)

Item	Article no.	Description	Quantity
1	4169942	MO.1,5/2 3~230/400(440)V 50(60)HZ IE3 VP	1
		SPARE PARTS MOTOR:ON REQUEST	1
2	4159703	SCREW M8X40 (4 PIECES)	1
3	4159690	LANTERN FT115 HELIX KIT	1
3.1		> LANTERN FT115 M+6" GJL MACHINING+CATA	1
3.2	2127604	> EYELET CPL.FT HELIX(2 PIECES)	1
3.3	4159692	> COUPLING PROTECTOR FT HELIX KIT	1
4	4178600	COUPLING D.12XD.24 FT115 KIT	1
5	4159707	SCREW M8X30 (4 PIECES)	1
6	4178605	STUD BOLT M12X469 KIT	1
6.1		> TIE BOLT M12-469x18x30-1.4057	1
6.2	2094647	> NUT M12 M12 ISO4032 VP.	1
6.3	2123557	> WASHER CS-12.4-24-1.6-NFE25 (4 PIECES)	1
7	4159685	END SHIELD HELIX EPDM KIT	1
7.1		> END SHIELD M+6" GJL250 MACHINING+CATA	1
7.2	2127607	> STATIONARY RING HOLDER 6" HELIX 1.4301 V	1
7.3	4176513	> O-RING FOR PUMP JACKET VP.	1
7.4	2127603	> O-RING ID.37,6x2,4 EPDM VP.	1
7.5	2127602	> O-RING ID.21,35x2 EPDM VP.	1
8	4159686	FILING/PURGING PLUG HELIX EPDM KIT	1
9	4178597	CARTRIDGE HELIX2-4 F/E KIT	1
10	4178606	HOUSING-PIPE D.152X335 1.4304 KIT	1
7.3	4176513	> O-RING FOR PUMP JACKET VP.	1
10.1		> HOUSING-PIPE Ø152-M+211/411-304	1
11	4178566	CENTERING STAGE-RETURN HELIX4 1.4307 VP	1
12	4178567	SHAFT EQUIPMENT HELIX V2/V4 KIT	1
12.1		> NUT-H-M8-STAINLESS-STEEL A4-70	1
12.2		> SHAFT END WASHER Ø8/Ø12 316L	1
12.3		> STOP COLLAR OF IMPELLER L12,6-Ø12-316L	1
12.4		> STOP-RUSH-1/2-D12xd2-M+316	1
13		HYDRAULIC HELIX V 411 1.4307	1
14	4178608	SHAFT D.12X458 1.4301 VP.	1
15	4178593	PUMP HOUSING HELIX DN25 PN25 1.4301 KIT	1
7.3	4176513	> O-RING FOR PUMP JACKET VP.	1

HELIX V411-1/25/E/KS/400-50 (4160531)

Item	Article no.	Description	Quantity
15.1		> BLASTING PPE HOUSING V PN25-DN25-5"-304	1
15.3	4171321	> PRIMING/DRAIN PLUG EPDM HELIX KIT	1
16	4177970	BASEPLATE HELIX V2/4/6 PN25 VP.	1



COUPLING D.12XD.24 FT115 KIT (4178600)

Item	Article no.	Description	Quantity
4.1		COUPLING-M+ Ø12XØ24-FT115-MACHINED	1
4.2	2131023	BALL BEARING 6207/ZZ-C3(HT)VP.	1
4.3	4234254	CIRCLIP-FOR-SHAFT-D35x1.5 VP.	1
4.4	4157726	SCREW KIT M8X30 (4 PIECES)	1
4.5	4234251	CIRCLIP-D72x2.5 VP.	1
4.6	4234246	O-RING 72X3 VP.	1
		NOMEL CONTACT WASHER 8x16x1,4 STEEL ZC	1



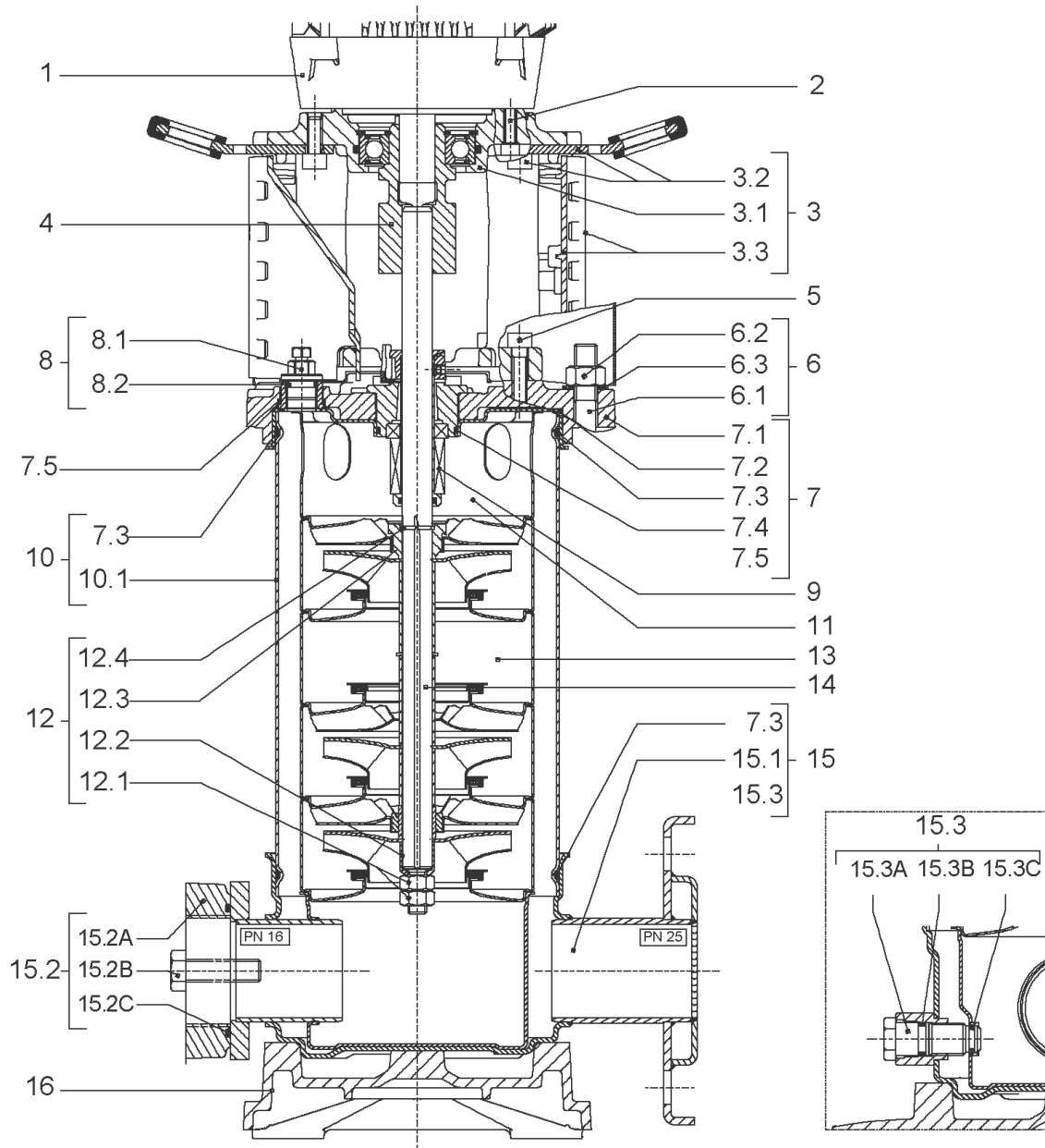
CARTRIDGE HELIX2-4 F/E KIT (4178597)

Item	Article no.	Description	Quantity
9.1	4178594	SEAL-KIT-HELIX2-4 F/E	1
7.3	4176513	> O-RING FOR PUMP JACKET VP.	1
7.4	2127603	> O-RING ID.37,6x2,4 EPDM VP.	1
9.1A	4176521	> MECH.SEAL HELIX2-4-6-10-16 F/E VP.	1
9.1B	4178558	> O-RING ID.12X2 EPDM VP.	1
9.1C	4178558	> O-RING ID.12X2 EPDM VP.	1
9.2	4178596	SHAFT SLEEVE D.18/12X72,2 1.4404 VP.	1
9.3	2130962	RING HOLDER D.18 G606/G6 1.4301 VP.	1
9.4	4176520	SCREW CH M5x5 A4-70 (3PIECES)	1
9.5	4178595	DRIVE RING D.29/15.5x13,2 MACH.VP.	1
9.6	2130964	TOOL M.S.CART.HELIX VP.	1
9.7	2130965	SCREW CHC M5X12 ISO4762 A2.70(4 PIECES)	1



HYDRAULIC HELIX V 411 1.4307

Item	Article no.	Description	Quantity
13.1	4178570	STAGE HELIX 4 1.4301 KIT	1
		> MACH.STG-CASING-WOGV-WNR-M+2-4-304	1
		> IMPELLER-M+4-304	1
13.2	4178569	STAGE BEARING HELIX 4 1.4301 KIT	1
		> MACH.BEARING-STG-CASING-WNR-M+4-304	1
		> IMPELLER-M+4-304	1
		> SHAFT SLEEVE SPACER Ø15,35x10,305-304	1
		> SHAFT-SLEEVE-D12xD16x14-CW	1
13.3	4178574	INTER STAGE HELIX4 1.4301< 15 stages KIT	1
		> MACH.STD-STG-CASING-WGV+NR-M+4-304	1
		> IMPELLER-M+4-304	1
		> IMPELLER SPACER Ø12,05X14,85-L24,285-304	1

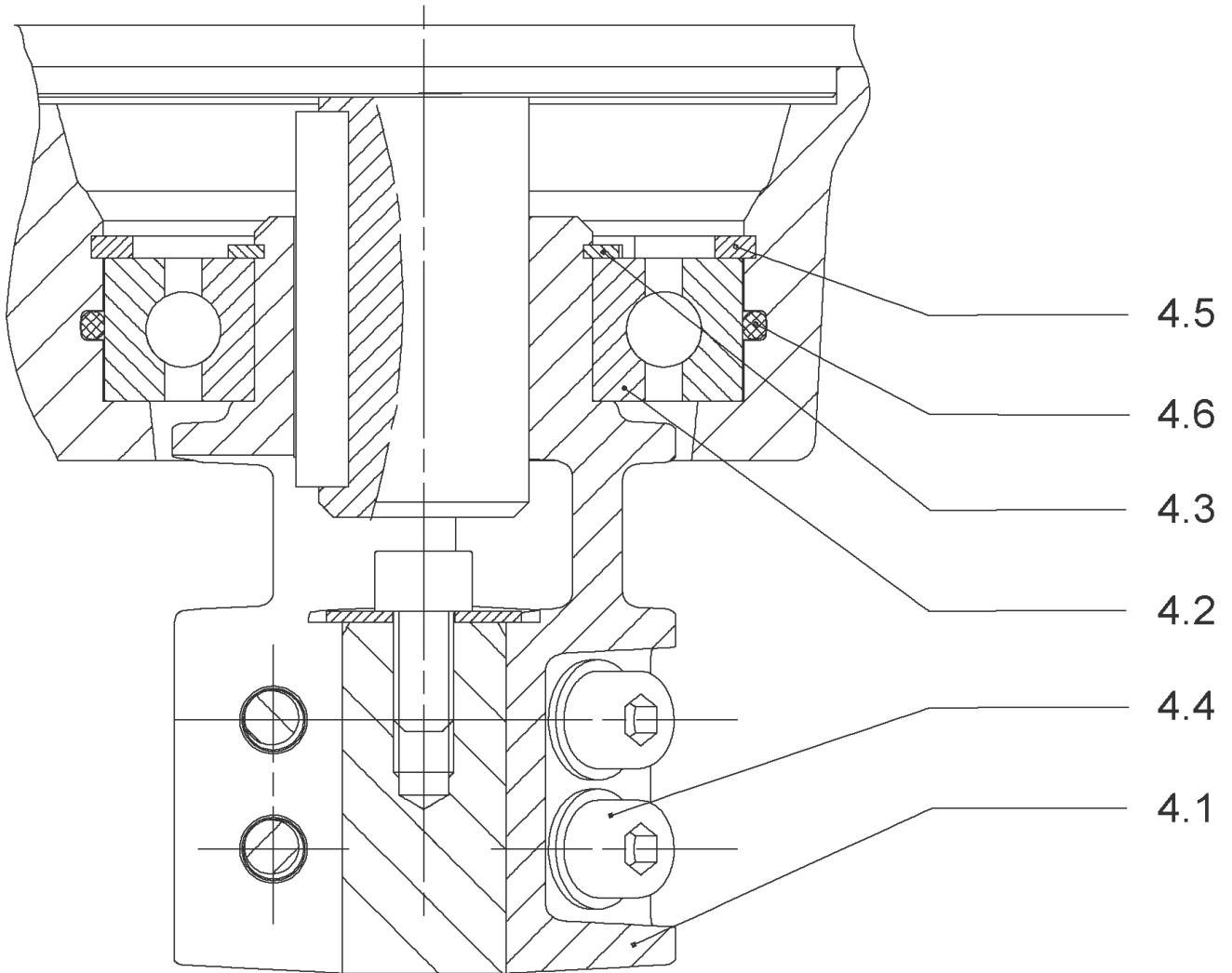


HELIX V412-1/16/E/KS/400-50 (4160532)

Item	Article no.	Description	Quantity
1	4169942	MO.1,5/2 3~230/400(440)V 50(60)HZ IE3 VP	1
		SPARE PARTS MOTOR:ON REQUEST	1
2	4159703	SCREW M8X40 (4 PIECES)	1
3	4159690	LANTERN FT115 HELIX KIT	1
3.1		> LANTERN FT115 M+6" GJL MACHINING+CATA	1
3.2	2127604	> EYELET CPL.FT HELIX(2 PIECES)	1
3.3	4159692	> COUPLING PROTECTOR FT HELIX KIT	1
4	4178600	COUPLING D.12XD.24 FT115 KIT	1
5	4159707	SCREW M8X30 (4 PIECES)	1
6	2127555	STUD BOLT M12X485 KIT	1
7	4159685	END SHIELD HELIX EPDM KIT	1
7.1		> END SHIELD M+6" GJL250 MACHINING+CATA	1
7.2	2127607	> STATIONARY RING HOLDER 6" HELIX 1.4301 V	1
7.3	4176513	> O-RING FOR PUMP JACKET VP.	1
7.4	2127603	> O-RING ID.37,6x2,4 EPDM VP.	1
7.5	2127602	> O-RING ID.21,35x2 EPDM VP.	1
8	4159686	FILING/PURGING PLUG HELIX EPDM KIT	1
9	4178559	KART.HELIX2-4 O/E SET	1
10	2127578	HOUSING PIPE D.152x360 1.4307 KIT	1
7.3	4176513	> O-RING FOR PUMP JACKET VP.	1
10.1		> HOUSING-PIPE Ø152-M+1008/1606-304	1
11	4178566	CENTERING STAGE-RETURN HELIX4 1.4307 VP	1
12	4178567	SHAFT EQUIPMENT HELIX V2/V4 KIT	1
12.1		> NUT-H-M8-STAINLESS-STEEL A4-70	1
12.2		> SHAFT END WASHER Ø8/Ø12 316L	1
12.3		> STOP COLLAR OF IMPELLER L12,6-Ø12-316L	1
12.4		> STOP-RUSH-1/2-D12xd2-M+316	1
13		HYDRAULIC HELIX V 412 1.4307	1
14	4178610	SHAFT D.12X483 1.4301 VP.	1
15	4174079	PUMP HOUSING HELIX DN32 PN16 1.4301 KIT	1
7.3	4176513	> O-RING FOR PUMP JACKET VP.	1
15.1		> BLASTING PPE HOUSING V-PN16-DN32-5"-304	1
15.2	4217889	> COUNTER FLANGE-G1"-PN16-GJL KIT	1
15.3	4171321	> PRIMING/DRAIN PLUG EPDM HELIX KIT	1

HELIX V412-1/16/E/KS/400-50 (4160532)

Item	Article no.	Description	Quantity
16	4177964	BASEPLATE HELIX V2/4/6 PN16 VP.	1



COUPLING D.12XD.24 FT115 KIT (4178600)

Item	Article no.	Description	Quantity
4.1		COUPLING-M+ Ø12XØ24-FT115-MACHINED	1
4.2	2131023	BALL BEARING 6207/ZZ-C3(HT)VP.	1
4.3	4234254	CIRCLIP-FOR-SHAFT-D35x1.5 VP.	1
4.4	4157726	SCREW KIT M8X30 (4 PIECES)	1
4.5	4234251	CIRCLIP-D72x2.5 VP.	1
4.6	4234246	O-RING 72X3 VP.	1
		NOMEL CONTACT WASHER 8x16x1,4 STEEL ZC	1



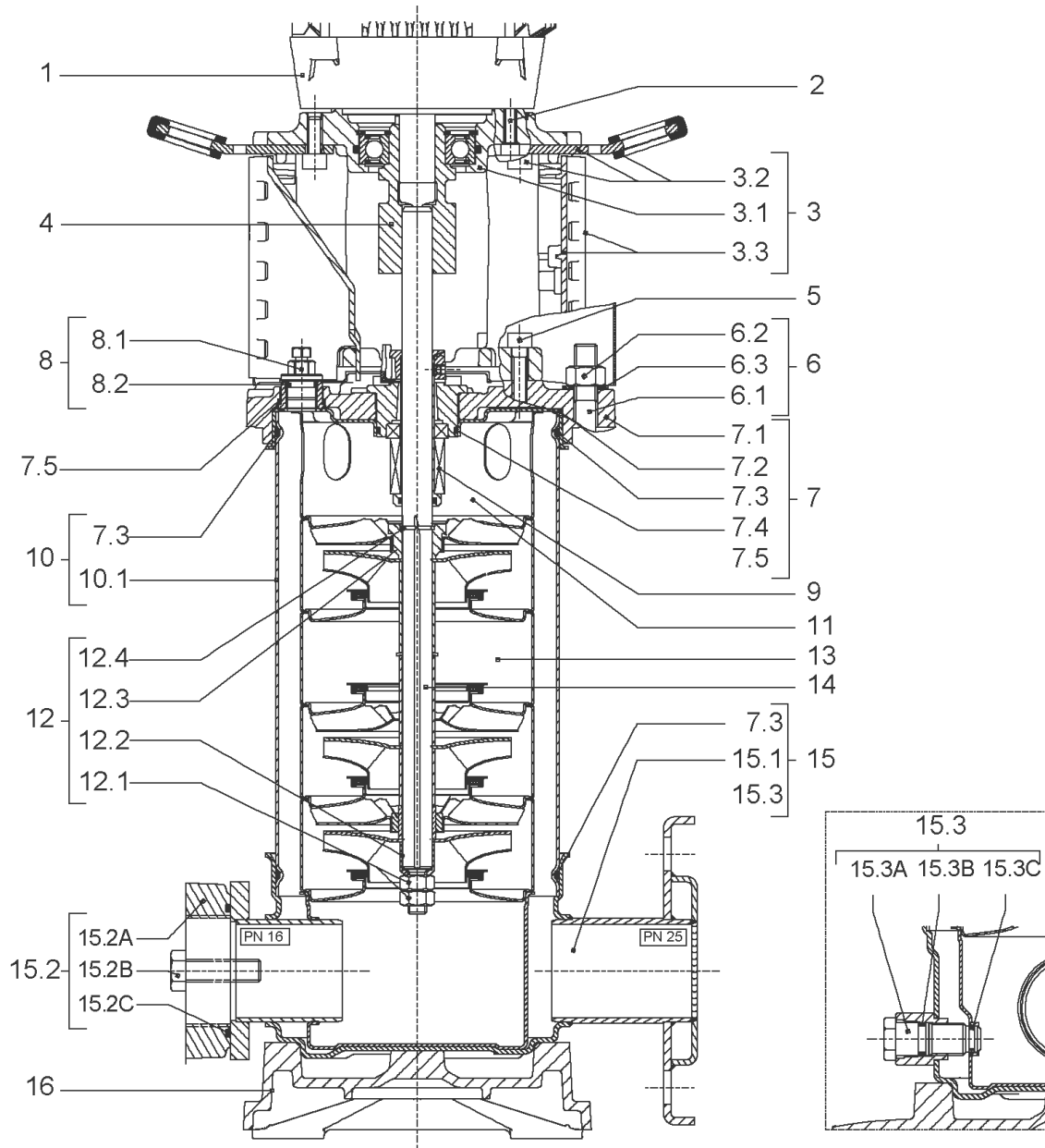
KART.HELIX2-4 O/E SET (4178559)

Item	Article no.	Description	Quantity
9.1	4178560	SEAL-KIT-HELIX2-4 O/E	1
7.3	4176513	> O-RING FOR PUMP JACKET VP.	1
7.4	2127603	> O-RING ID.37,6x2,4 EPDM VP.	1
9.1A	2130966	> MECH.SEAL HELIX2-4-6-10-16 O/E VP.	1
9.1B	4178558	> O-RING ID.12X2 EPDM VP.	1
9.1C	4178558	> O-RING ID.12X2 EPDM VP.	1
9.2	4178557	SHAFT SLEEVE Ø12XØ18-PN16 1.4404 VP.	1
9.3	2130962	RING HOLDER D.18 G606/G6 1.4301 VP.	1
9.4	4176520	SCREW CH M5x5 A4-70 (3PIECES)	1
9.5	4178556	DRIVE RING D.29/15.5x13,2 MACH.VP.	1
9.6	2130964	TOOL M.S.CART.HELIX VP.	1
9.7	2130965	SCREW CHC M5X12 ISO4762 A2.70(4 PIECES)	1



HYDRAULIC HELIX V 412 1.4307

Item	Article no.	Description	Quantity
13.1	4178570	STAGE HELIX 4 1.4301 KIT	1
		> MACH.STG-CASING-WOGV-WNR-M+2-4-304	1
		> IMPELLER-M+4-304	1
13.2	4178569	STAGE BEARING HELIX 4 1.4301 KIT	1
		> MACH.BEARING-STG-CASING-WNR-M+4-304	1
		> IMPELLER-M+4-304	1
		> SHAFT SLEEVE SPACER Ø15,35x10,305-304	1
		> SHAFT-SLEEVE-D12xD16x14-CW	1
13.3	4178574	INTER STAGE HELIX4 1.4301< 15 stages KIT	1
		> MACH.STD-STG-CASING-WGV+NR-M+4-304	1
		> IMPELLER-M+4-304	1
		> IMPELLER SPACER Ø12,05X14,85-L24,285-304	1



HELIX V412-1/25/E/KS/400-50 (4160533)

Item	Article no.	Description	Quantity
1	4169942	MO.1,5/2 3~230/400(440)V 50(60)HZ IE3 VP	1
		SPARE PARTS MOTOR:ON REQUEST	1
2	4159703	SCREW M8X40 (4 PIECES)	1
3	4159690	LANTERN FT115 HELIX KIT	1
3.1		> LANTERN FT115 M+6" GJL MACHINING+CATA	1
3.2	2127604	> EYELET CPL.FT HELIX(2 PIECES)	1
3.3	4159692	> COUPLING PROTECTOR FT HELIX KIT	1
4	4178600	COUPLING D.12XD.24 FT115 KIT	1
5	4159707	SCREW M8X30 (4 PIECES)	1
6	2127555	STUD BOLT M12X485 KIT	1
7	4159685	END SHIELD HELIX EPDM KIT	1
7.1		> END SHIELD M+6" GJL250 MACHINING+CATA	1
7.2	2127607	> STATIONARY RING HOLDER 6" HELIX 1.4301 V	1
7.3	4176513	> O-RING FOR PUMP JACKET VP.	1
7.4	2127603	> O-RING ID.37,6x2,4 EPDM VP.	1
7.5	2127602	> O-RING ID.21,35x2 EPDM VP.	1
8	4159686	FILING/PURGING PLUG HELIX EPDM KIT	1
9	4178597	CARTRIDGE HELIX2-4 F/E KIT	1
10	2127578	HOUSING PIPE D.152x360 1.4307 KIT	1
7.3	4176513	> O-RING FOR PUMP JACKET VP.	1
10.1		> HOUSING-PIPE Ø152-M+1008/1606-304	1
11	4178566	CENTERING STAGE-RETURN HELIX4 1.4307 VP	1
12	4178567	SHAFT EQUIPMENT HELIX V2/V4 KIT	1
12.1		> NUT-H-M8-STAINLESS-STEEL A4-70	1
12.2		> SHAFT END WASHER Ø8/Ø12 316L	1
12.3		> STOP COLLAR OF IMPELLER L12,6-Ø12-316L	1
12.4		> STOP-RUSH-1/2-D12xd2-M+316	1
13		HYDRAULIC HELIX V 412 1.4307	1
14	4178610	SHAFT D.12X483 1.4301 VP.	1
15	4178593	PUMP HOUSING HELIX DN25 PN25 1.4301 KIT	1
7.3	4176513	> O-RING FOR PUMP JACKET VP.	1
15.1		> BLASTING PPE HOUSING V PN25-DN25-5"-304	1
15.3	4171321	> PRIMING/DRAIN PLUG EPDM HELIX KIT	1
16	4177970	BASEPLATE HELIX V2/4/6 PN25 VP.	1



COUPLING D.12XD.24 FT115 KIT (4178600)

Item	Article no.	Description	Quantity
4.1		COUPLING-M+ Ø12XØ24-FT115-MACHINED	1
4.2	2131023	BALL BEARING 6207/ZZ-C3(HT)VP.	1
4.3	4234254	CIRCLIP-FOR-SHAFT-D35x1.5 VP.	1
4.4	4157726	SCREW KIT M8X30 (4 PIECES)	1
4.5	4234251	CIRCLIP-D72x2.5 VP.	1
4.6	4234246	O-RING 72X3 VP.	1
		NOMEL CONTACT WASHER 8x16x1,4 STEEL ZC	1



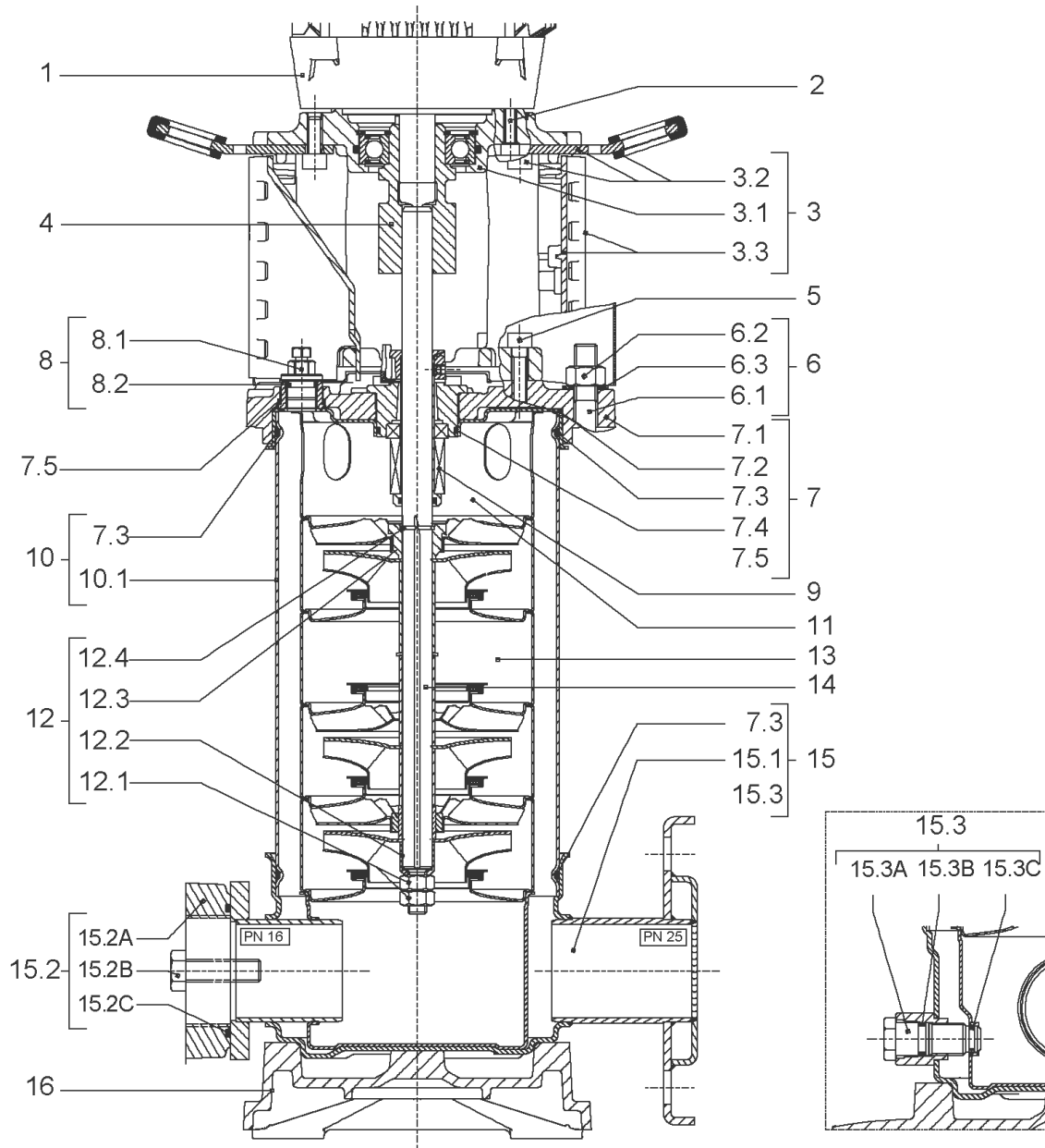
CARTRIDGE HELIX2-4 F/E KIT (4178597)

Item	Article no.	Description	Quantity
9.1	4178594	SEAL-KIT-HELIX2-4 F/E	1
7.3	4176513	> O-RING FOR PUMP JACKET VP.	1
7.4	2127603	> O-RING ID.37,6x2,4 EPDM VP.	1
9.1A	4176521	> MECH.SEAL HELIX2-4-6-10-16 F/E VP.	1
9.1B	4178558	> O-RING ID.12X2 EPDM VP.	1
9.1C	4178558	> O-RING ID.12X2 EPDM VP.	1
9.2	4178596	SHAFT SLEEVE D.18/12X72,2 1.4404 VP.	1
9.3	2130962	RING HOLDER D.18 G606/G6 1.4301 VP.	1
9.4	4176520	SCREW CH M5x5 A4-70 (3PIECES)	1
9.5	4178595	DRIVE RING D.29/15.5x13,2 MACH.VP.	1
9.6	2130964	TOOL M.S.CART.HELIX VP.	1
9.7	2130965	SCREW CHC M5X12 ISO4762 A2.70(4 PIECES)	1



HYDRAULIC HELIX V 412 1.4307

Item	Article no.	Description	Quantity
13.1	4178570	STAGE HELIX 4 1.4301 KIT	1
		> MACH.STG-CASING-WOGV-WNR-M+2-4-304	1
		> IMPELLER-M+4-304	1
13.2	4178569	STAGE BEARING HELIX 4 1.4301 KIT	1
		> MACH.BEARING-STG-CASING-WNR-M+4-304	1
		> IMPELLER-M+4-304	1
		> SHAFT SLEEVE SPACER Ø15,35x10,305-304	1
		> SHAFT-SLEEVE-D12xD16x14-CW	1
13.3	4178574	INTER STAGE HELIX4 1.4301< 15 stages KIT	1
		> MACH.STD-STG-CASING-WGV+NR-M+4-304	1
		> IMPELLER-M+4-304	1
		> IMPELLER SPACER Ø12,05X14,85-L24,285-304	1



HELIX V413-1/16/E/KS/400-50 (4160534)

Item	Article no.	Description	Quantity
1	4169943	MOTOR 2,2/2/90 3~230/400V 50HZ IE3 VP.	1
		SPARE PARTS MOTOR:ON REQUEST	1
2	4159703	SCREW M8X40 (4 PIECES)	1
3	4159690	LANTERN FT115 HELIX KIT	1
3.1		> LANTERN FT115 M+6" GJL MACHINING+CATA	1
3.2	2127604	> EYELET CPL.FT HELIX(2 PIECES)	1
3.3	4159692	> COUPLING PROTECTOR FT HELIX KIT	1
4	4178600	COUPLING D.12XD.24 FT115 KIT	1
5	4159707	SCREW M8X30 (4 PIECES)	1
6	2127556	STUD BOLT M12X542 KIT	1
7	4159685	END SHIELD HELIX EPDM KIT	1
7.1		> END SHIELD M+6" GJL250 MACHINING+CATA	1
7.2	2127607	> STATIONARY RING HOLDER 6" HELIX 1.4301 V	1
7.3	4176513	> O-RING FOR PUMP JACKET VP.	1
7.4	2127603	> O-RING ID.37,6x2,4 EPDM VP.	1
7.5	2127602	> O-RING ID.21,35x2 EPDM VP.	1
8	4159686	FILING/PURGING PLUG HELIX EPDM KIT	1
9	4178559	KART.HELIX2-4 O/E SET	1
10	2127579	HOUSING PIPE D.152x410 1.4301 KIT	1
7.3	4176513	> O-RING FOR PUMP JACKET VP.	1
10.1		> HOUSING-PIPE Ø152-M+1607-304	1
11	4178566	CENTERING STAGE-RETURN HELIX4 1.4307 VP	1
12	4178567	SHAFT EQUIPMENT HELIX V2/V4 KIT	1
12.1		> NUT-H-M8-STAINLESS-STEEL A4-70	1
12.2		> SHAFT END WASHER Ø8/Ø12 316L	1
12.3		> STOP COLLAR OF IMPELLER L12,6-Ø12-316L	1
12.4		> STOP-RUSH-1/2-D12xd2-M+316	1
13		HYDRAULIC HELIX V 413 1.4307	1
14	4178614	SHAFT D.12X533 1.4301 VP.	1
15	4174079	PUMP HOUSING HELIX DN32 PN16 1.4301 KIT	1
7.3	4176513	> O-RING FOR PUMP JACKET VP.	1
15.1		> BLASTING PPE HOUSING V-PN16-DN32-5"-304	1
15.2	4217889	> COUNTER FLANGE-G1"-PN16-GJL KIT	1
15.3	4171321	> PRIMING/DRAIN PLUG EPDM HELIX KIT	1

HELIX V413-1/16/E/KS/400-50 (4160534)



Item	Article no.	Description	Quantity
16	4177964	BASEPLATE HELIX V2/4/6 PN16 VP.	1



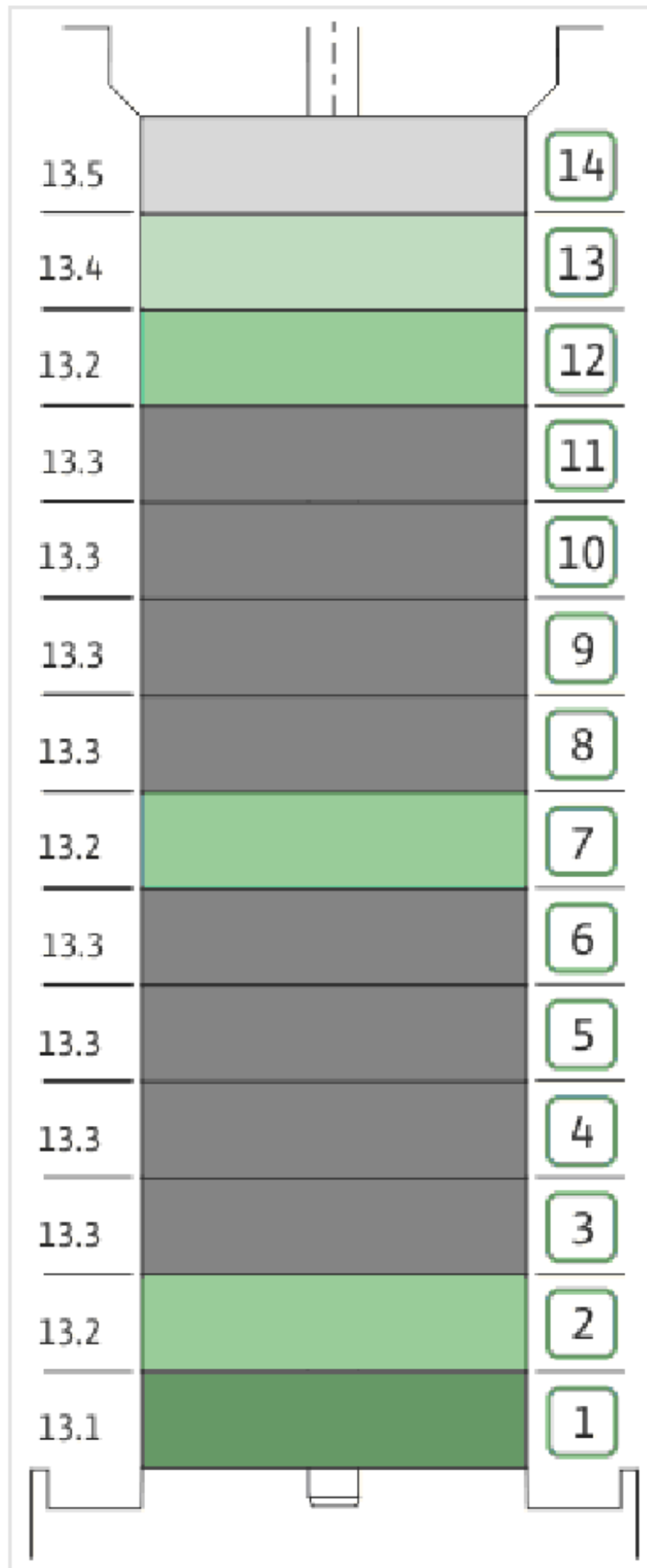
COUPLING D.12XD.24 FT115 KIT (4178600)

Item	Article no.	Description	Quantity
4.1		COUPLING-M+ Ø12XØ24-FT115-MACHINED	1
4.2	2131023	BALL BEARING 6207/ZZ-C3(HT)VP.	1
4.3	4234254	CIRCLIP-FOR-SHAFT-D35x1.5 VP.	1
4.4	4157726	SCREW KIT M8X30 (4 PIECES)	1
4.5	4234251	CIRCLIP-D72x2.5 VP.	1
4.6	4234246	O-RING 72X3 VP.	1
		NOMEL CONTACT WASHER 8x16x1,4 STEEL ZC	1



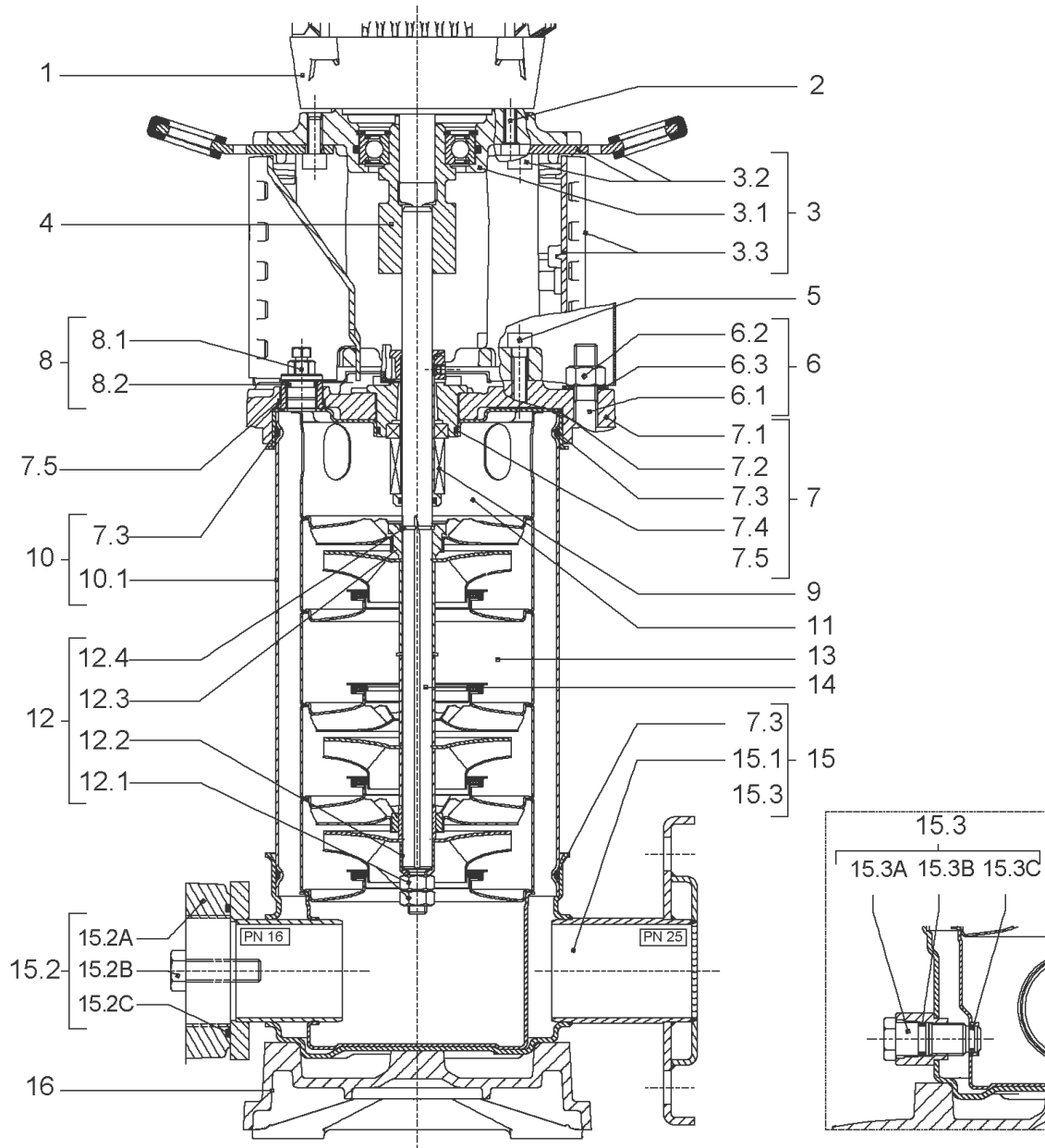
KART.HELIX2-4 O/E SET (4178559)

Item	Article no.	Description	Quantity
9.1	4178560	SEAL-KIT-HELIX2-4 O/E	1
7.3	4176513	> O-RING FOR PUMP JACKET VP.	1
7.4	2127603	> O-RING ID.37,6x2,4 EPDM VP.	1
9.1A	2130966	> MECH.SEAL HELIX2-4-6-10-16 O/E VP.	1
9.1B	4178558	> O-RING ID.12X2 EPDM VP.	1
9.1C	4178558	> O-RING ID.12X2 EPDM VP.	1
9.2	4178557	SHAFT SLEEVE Ø12XØ18-PN16 1.4404 VP.	1
9.3	2130962	RING HOLDER D.18 G606/G6 1.4301 VP.	1
9.4	4176520	SCREW CH M5x5 A4-70 (3PIECES)	1
9.5	4178556	DRIVE RING D.29/15.5x13,2 MACH.VP.	1
9.6	2130964	TOOL M.S.CART.HELIX VP.	1
9.7	2130965	SCREW CHC M5X12 ISO4762 A2.70(4 PIECES)	1



HYDRAULIC HELIX V 413 1.4307

Item	Article no.	Description	Quantity
13.1	4178570	STAGE HELIX 4 1.4301 KIT	1
		> MACH.STG-CASING-WOGV-WNR-M+2-4-304	1
		> IMPELLER-M+4-304	1
13.2	4178569	STAGE BEARING HELIX 4 1.4301 KIT	1
		> MACH.BEARING-STG-CASING-WNR-M+4-304	1
		> IMPELLER-M+4-304	1
		> SHAFT SLEEVE SPACER Ø15,35x10,305-304	1
		> SHAFT-SLEEVE-D12xD16x14-CW	1
13.3	4178574	INTER STAGE HELIX4 1.4301< 15 stages KIT	1
		> MACH.STD-STG-CASING-WGV+NR-M+4-304	1
		> IMPELLER-M+4-304	1
		> IMPELLER SPACER Ø12,05X14,85-L24,285-304	1
13.4	4179307	EMPTY STAGE HELIX 4 1.4301<15 stage Kit	1
		> MACH.STD-STG-CASING-WGV+NR-M+4-304	1
		> FLAT WASHER-D12.1XD16X0.8-316L	1
		> IMPELLER SPACER Ø12,05X14,85-L24,285-304	1
13.5	4179304	STAGE HELIX 4 1.4301 < 15 stages Kit	1
		> MACH.STG-CASING-WOGV-WNR-M+2-4-304	1
		> IMPELLER-M+4-304	1
		> IMPELLER SPACER Ø12,05X14,85-L24,285-304	1



HELIX V413-1/25/E/KS/400-50 (4160535)

Item	Article no.	Description	Quantity
1	4169943	MOTOR 2,2/2/90 3~230/400V 50HZ IE3 VP.	1
		SPARE PARTS MOTOR:ON REQUEST	1
2	4159703	SCREW M8X40 (4 PIECES)	1
3	4159690	LANTERN FT115 HELIX KIT	1
3.1		> LANTERN FT115 M+6" GJL MACHINING+CATA	1
3.2	2127604	> EYELET CPL.FT HELIX(2 PIECES)	1
3.3	4159692	> COUPLING PROTECTOR FT HELIX KIT	1
4	4178600	COUPLING D.12XD.24 FT115 KIT	1
5	4159707	SCREW M8X30 (4 PIECES)	1
6	2127556	STUD BOLT M12X542 KIT	1
7	4159685	END SHIELD HELIX EPDM KIT	1
7.1		> END SHIELD M+6" GJL250 MACHINING+CATA	1
7.2	2127607	> STATIONARY RING HOLDER 6" HELIX 1.4301 V	1
7.3	4176513	> O-RING FOR PUMP JACKET VP.	1
7.4	2127603	> O-RING ID.37,6x2,4 EPDM VP.	1
7.5	2127602	> O-RING ID.21,35x2 EPDM VP.	1
8	4159686	FILING/PURGING PLUG HELIX EPDM KIT	1
9	4178597	CARTRIDGE HELIX2-4 F/E KIT	1
10	2127579	HOUSING PIPE D.152x410 1.4301 KIT	1
7.3	4176513	> O-RING FOR PUMP JACKET VP.	1
10.1		> HOUSING-PIPE Ø152-M+1607-304	1
11	4178566	CENTERING STAGE-RETURN HELIX4 1.4307 VP	1
12	4178567	SHAFT EQUIPMENT HELIX V2/V4 KIT	1
12.1		> NUT-H-M8-STAINLESS-STEEL A4-70	1
12.2		> SHAFT END WASHER Ø8/Ø12 316L	1
12.3		> STOP COLLAR OF IMPELLER L12,6-Ø12-316L	1
12.4		> STOP-RUSH-1/2-D12xd2-M+316	1
13		HYDRAULIC HELIX V 413 1.4307	1
14	4178614	SHAFT D.12X533 1.4301 VP.	1
15	4178593	PUMP HOUSING HELIX DN25 PN25 1.4301 KIT	1
7.3	4176513	> O-RING FOR PUMP JACKET VP.	1
15.1		> BLASTING PPE HOUSING V PN25-DN25-5"-304	1
15.3	4171321	> PRIMING/DRAIN PLUG EPDM HELIX KIT	1
16	4177970	BASEPLATE HELIX V2/4/6 PN25 VP.	1



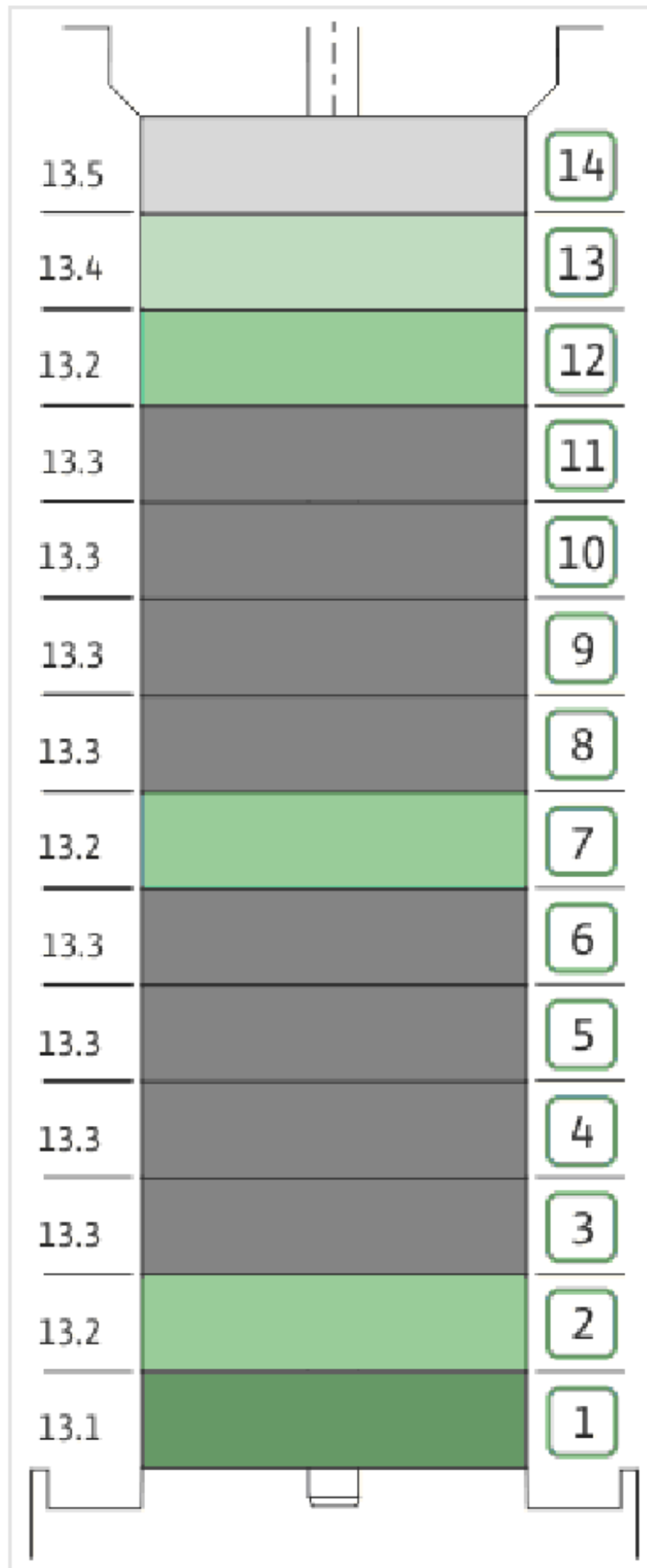
COUPLING D.12XD.24 FT115 KIT (4178600)

Item	Article no.	Description	Quantity
4.1		COUPLING-M+ Ø12XØ24-FT115-MACHINED	1
4.2	2131023	BALL BEARING 6207/ZZ-C3(HT)VP.	1
4.3	4234254	CIRCLIP-FOR-SHAFT-D35x1.5 VP.	1
4.4	4157726	SCREW KIT M8X30 (4 PIECES)	1
4.5	4234251	CIRCLIP-D72x2.5 VP.	1
4.6	4234246	O-RING 72X3 VP.	1
		NOMEL CONTACT WASHER 8x16x1,4 STEEL ZC	1



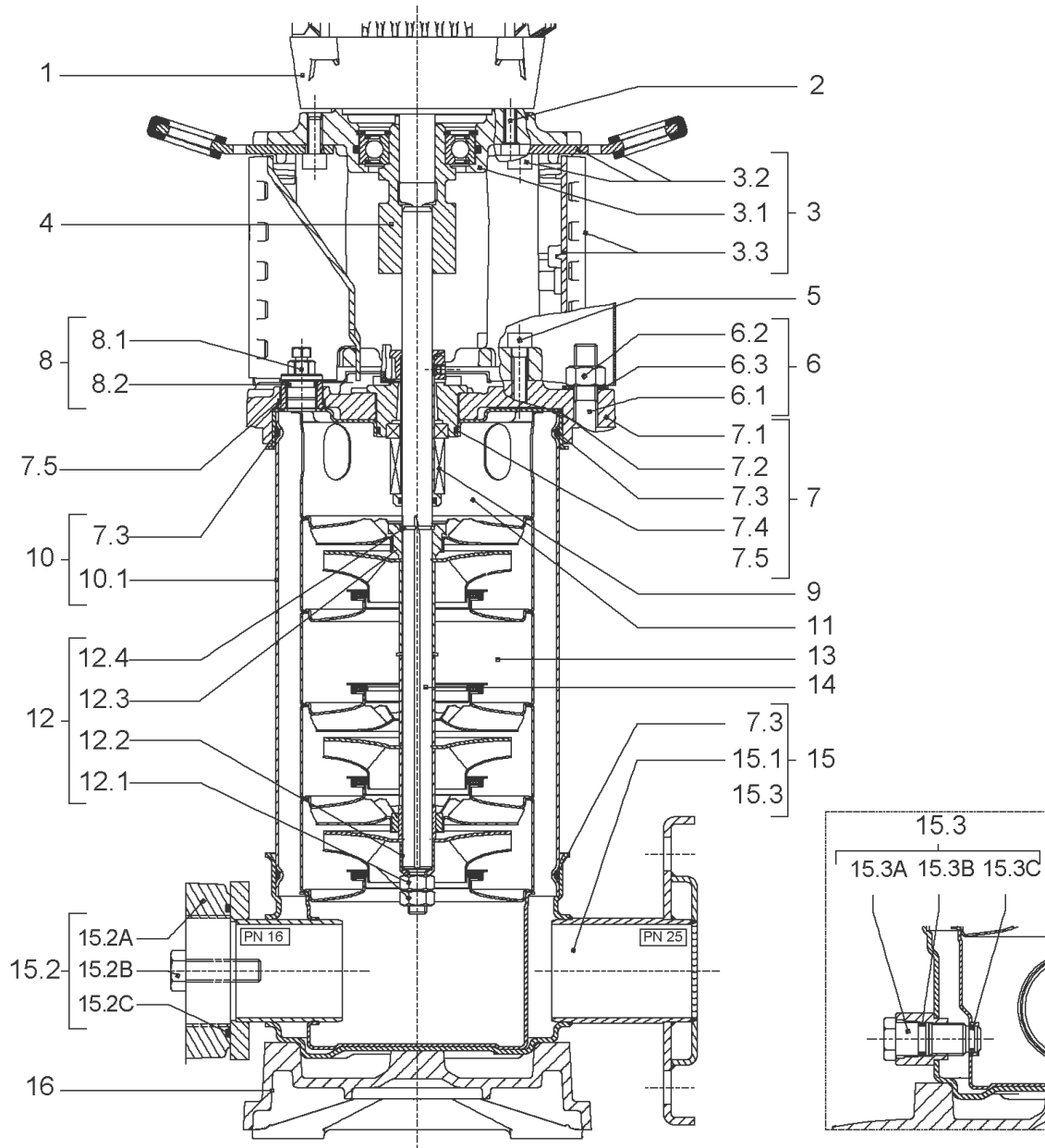
CARTRIDGE HELIX2-4 F/E KIT (4178597)

Item	Article no.	Description	Quantity
9.1	4178594	SEAL-KIT-HELIX2-4 F/E	1
7.3	4176513	> O-RING FOR PUMP JACKET VP.	1
7.4	2127603	> O-RING ID.37,6x2,4 EPDM VP.	1
9.1A	4176521	> MECH.SEAL HELIX2-4-6-10-16 F/E VP.	1
9.1B	4178558	> O-RING ID.12X2 EPDM VP.	1
9.1C	4178558	> O-RING ID.12X2 EPDM VP.	1
9.2	4178596	SHAFT SLEEVE D.18/12X72,2 1.4404 VP.	1
9.3	2130962	RING HOLDER D.18 G606/G6 1.4301 VP.	1
9.4	4176520	SCREW CH M5x5 A4-70 (3PIECES)	1
9.5	4178595	DRIVE RING D.29/15.5x13,2 MACH.VP.	1
9.6	2130964	TOOL M.S.CART.HELIX VP.	1
9.7	2130965	SCREW CHC M5X12 ISO4762 A2.70(4 PIECES)	1



HYDRAULIC HELIX V 413 1.4307

Item	Article no.	Description	Quantity
13.1	4178570	STAGE HELIX 4 1.4301 KIT	1
		> MACH.STG-CASING-WOGV-WNR-M+2-4-304	1
		> IMPELLER-M+4-304	1
13.2	4178569	STAGE BEARING HELIX 4 1.4301 KIT	1
		> MACH.BEARING-STG-CASING-WNR-M+4-304	1
		> IMPELLER-M+4-304	1
		> SHAFT SLEEVE SPACER Ø15,35x10,305-304	1
		> SHAFT-SLEEVE-D12xD16x14-CW	1
13.3	4178574	INTER STAGE HELIX4 1.4301< 15 stages KIT	1
		> MACH.STD-STG-CASING-WGV+NR-M+4-304	1
		> IMPELLER-M+4-304	1
		> IMPELLER SPACER Ø12,05X14,85-L24,285-304	1
13.4	4179307	EMPTY STAGE HELIX 4 1.4301<15 stage Kit	1
		> MACH.STD-STG-CASING-WGV+NR-M+4-304	1
		> FLAT WASHER-D12.1XD16X0.8-316L	1
		> IMPELLER SPACER Ø12,05X14,85-L24,285-304	1
13.5	4179304	STAGE HELIX 4 1.4301 < 15 stages Kit	1
		> MACH.STG-CASING-WOGV-WNR-M+2-4-304	1
		> IMPELLER-M+4-304	1
		> IMPELLER SPACER Ø12,05X14,85-L24,285-304	1



HELIX V414-1/16/E/KS/400-50 (4160536)

Item	Article no.	Description	Quantity
1	4169943	MOTOR 2,2/2/90 3~230/400V 50HZ IE3 VP.	1
		SPARE PARTS MOTOR:ON REQUEST	1
2	4159703	SCREW M8X40 (4 PIECES)	1
3	4159690	LANTERN FT115 HELIX KIT	1
3.1		> LANTERN FT115 M+6" GJL MACHINING+CATA	1
3.2	2127604	> EYELET CPL.FT HELIX(2 PIECES)	1
3.3	4159692	> COUPLING PROTECTOR FT HELIX KIT	1
4	4178600	COUPLING D.12XD.24 FT115 KIT	1
5	4159707	SCREW M8X30 (4 PIECES)	1
6	2127556	STUD BOLT M12X542 KIT	1
7	4159685	END SHIELD HELIX EPDM KIT	1
7.1		> END SHIELD M+6" GJL250 MACHINING+CATA	1
7.2	2127607	> STATIONARY RING HOLDER 6" HELIX 1.4301 V	1
7.3	4176513	> O-RING FOR PUMP JACKET VP.	1
7.4	2127603	> O-RING ID.37,6x2,4 EPDM VP.	1
7.5	2127602	> O-RING ID.21,35x2 EPDM VP.	1
8	4159686	FILING/PURGING PLUG HELIX EPDM KIT	1
9	4178559	KART.HELIX2-4 O/E SET	1
10	2127579	HOUSING PIPE D.152x410 1.4301 KIT	1
7.3	4176513	> O-RING FOR PUMP JACKET VP.	1
10.1		> HOUSING-PIPE Ø152-M+1607-304	1
11	4178566	CENTERING STAGE-RETURN HELIX4 1.4307 VP	1
12	4178567	SHAFT EQUIPMENT HELIX V2/V4 KIT	1
12.1		> NUT-H-M8-STAINLESS-STEEL A4-70	1
12.2		> SHAFT END WASHER Ø8/Ø12 316L	1
12.3		> STOP COLLAR OF IMPELLER L12,6-Ø12-316L	1
12.4		> STOP-RUSH-1/2-D12xd2-M+316	1
13		HYDRAULIC HELIX V 414 1.4307	1
14	4178614	SHAFT D.12X533 1.4301 VP.	1
15	4174079	PUMP HOUSING HELIX DN32 PN16 1.4301 KIT	1
7.3	4176513	> O-RING FOR PUMP JACKET VP.	1
15.1		> BLASTING PPE HOUSING V-PN16-DN32-5"-304	1
15.2	4217889	> COUNTER FLANGE-G1"-PN16-GJL KIT	1
15.3	4171321	> PRIMING/DRAIN PLUG EPDM HELIX KIT	1

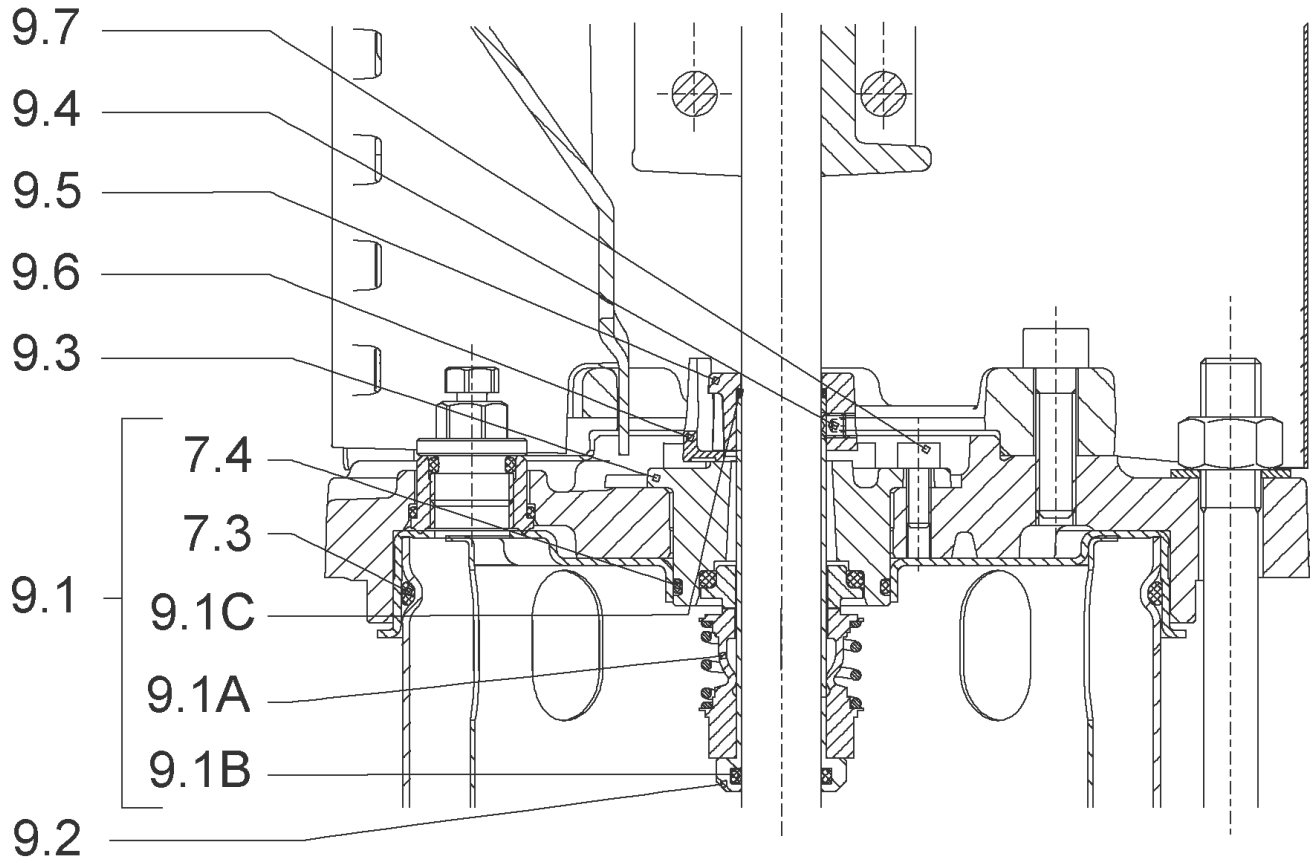
HELIX V414-1/16/E/KS/400-50 (4160536)

Item	Article no.	Description	Quantity
16	4177964	BASEPLATE HELIX V2/4/6 PN16 VP.	1



COUPLING D.12XD.24 FT115 KIT (4178600)

Item	Article no.	Description	Quantity
4.1		COUPLING-M+ Ø12XØ24-FT115-MACHINED	1
4.2	2131023	BALL BEARING 6207/ZZ-C3(HT)VP.	1
4.3	4234254	CIRCLIP-FOR-SHAFT-D35x1.5 VP.	1
4.4	4157726	SCREW KIT M8X30 (4 PIECES)	1
4.5	4234251	CIRCLIP-D72x2.5 VP.	1
4.6	4234246	O-RING 72X3 VP.	1
		NOMEL CONTACT WASHER 8x16x1,4 STEEL ZC	1



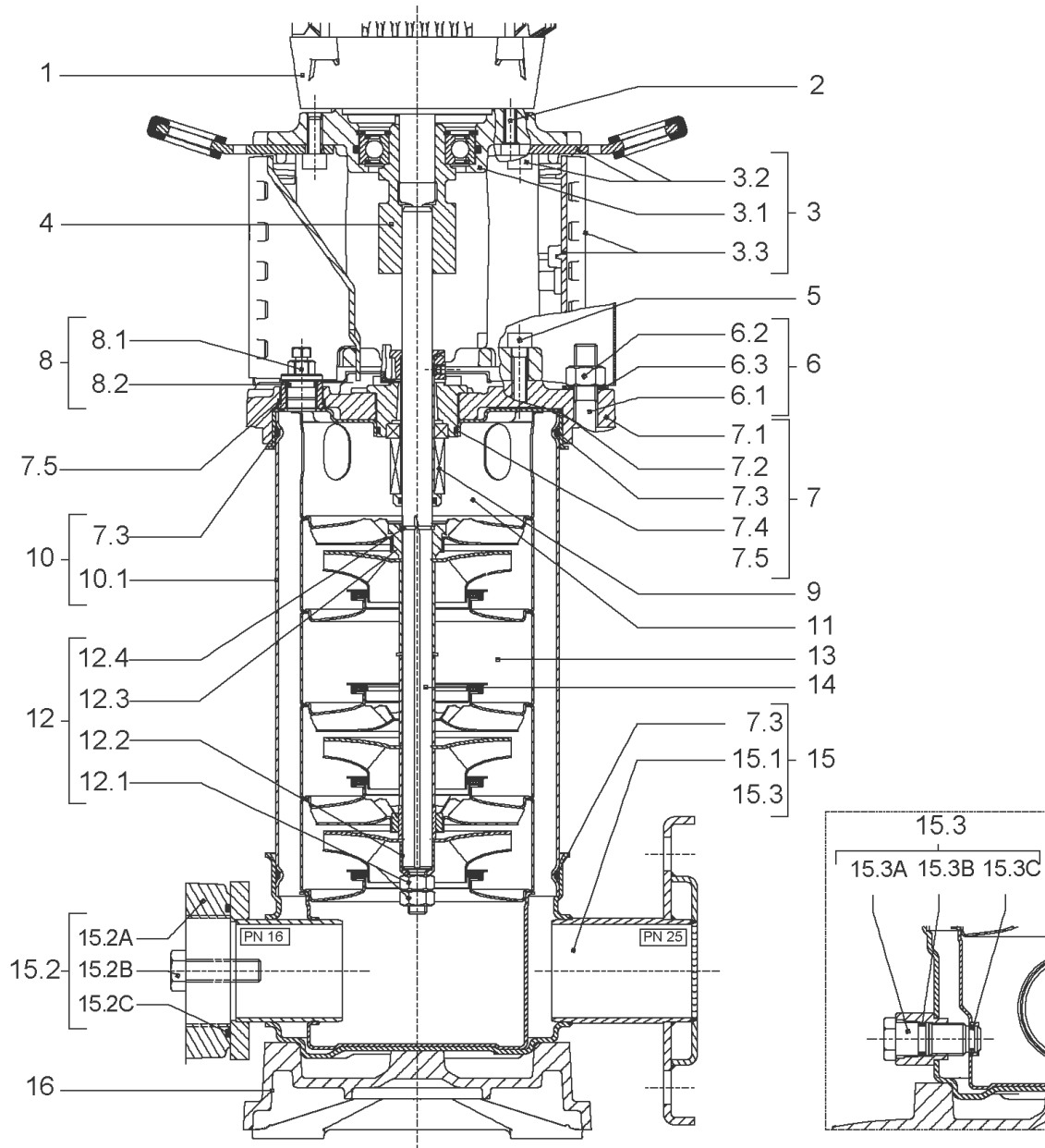
KART.HELIX2-4 O/E SET (4178559)

Item	Article no.	Description	Quantity
9.1	4178560	SEAL-KIT-HELIX2-4 O/E	1
7.3	4176513	> O-RING FOR PUMP JACKET VP.	1
7.4	2127603	> O-RING ID.37,6x2,4 EPDM VP.	1
9.1A	2130966	> MECH.SEAL HELIX2-4-6-10-16 O/E VP.	1
9.1B	4178558	> O-RING ID.12X2 EPDM VP.	1
9.1C	4178558	> O-RING ID.12X2 EPDM VP.	1
9.2	4178557	SHAFT SLEEVE Ø12XØ18-PN16 1.4404 VP.	1
9.3	2130962	RING HOLDER D.18 G606/G6 1.4301 VP.	1
9.4	4176520	SCREW CH M5x5 A4-70 (3PIECES)	1
9.5	4178556	DRIVE RING D.29/15.5x13,2 MACH.VP.	1
9.6	2130964	TOOL M.S.CART.HELIX VP.	1
9.7	2130965	SCREW CHC M5X12 ISO4762 A2.70(4 PIECES)	1



HYDRAULIC HELIX V 414 1.4307

Item	Article no.	Description	Quantity
13.1	4178570	STAGE HELIX 4 1.4301 KIT	1
		> MACH.STG-CASING-WOGV-WNR-M+2-4-304	1
		> IMPELLER-M+4-304	1
13.2	4178569	STAGE BEARING HELIX 4 1.4301 KIT	1
		> MACH.BEARING-STG-CASING-WNR-M+4-304	1
		> IMPELLER-M+4-304	1
		> SHAFT SLEEVE SPACER Ø15,35x10,305-304	1
		> SHAFT-SLEEVE-D12xD16x14-CW	1
13.3	4178574	INTER STAGE HELIX4 1.4301< 15 stages KIT	1
		> MACH.STD-STG-CASING-WGV+NR-M+4-304	1
		> IMPELLER-M+4-304	1
		> IMPELLER SPACER Ø12,05X14,85-L24,285-304	1



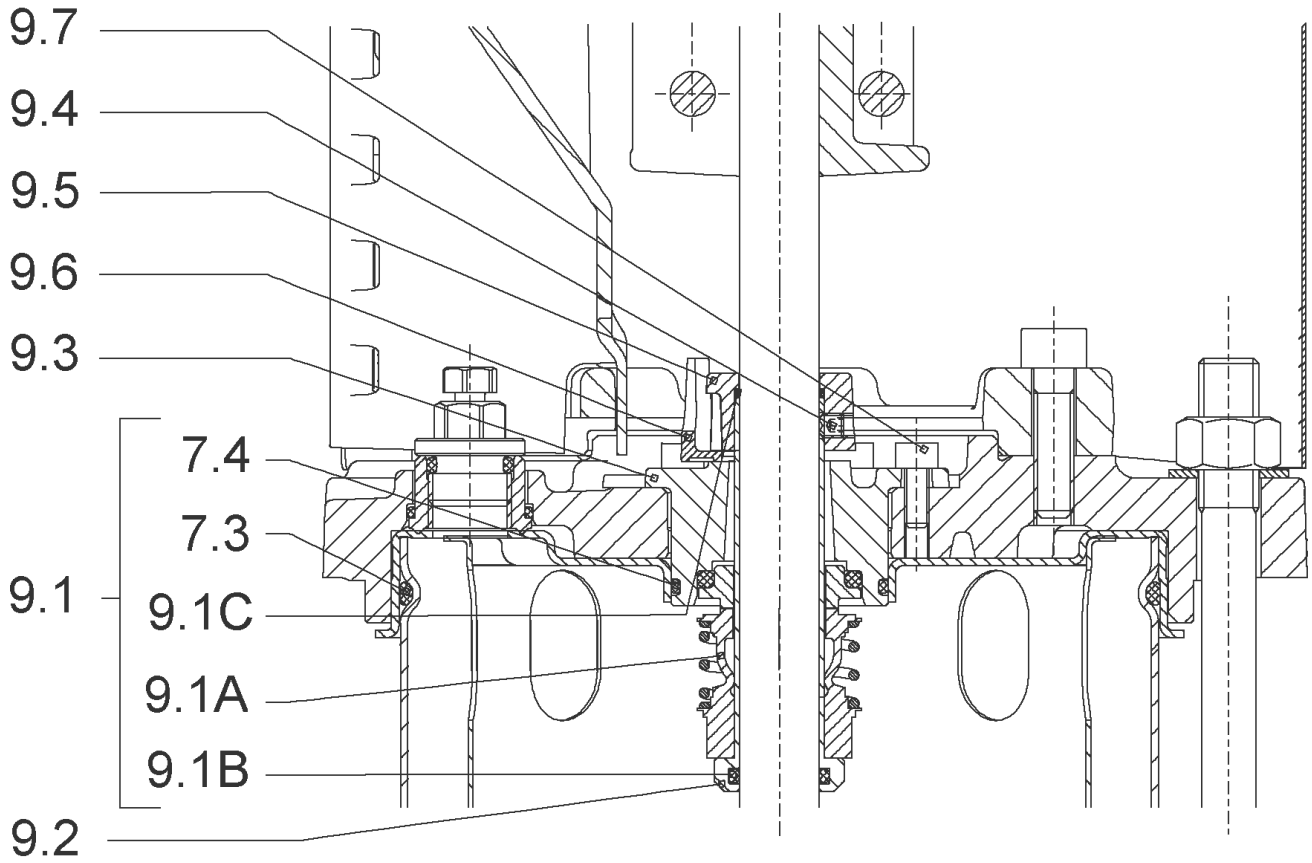
HELIX V414-1/25/E/KS/400-50 (4160537)

Item	Article no.	Description	Quantity
1	4169943	MOTOR 2,2/2/90 3~230/400V 50HZ IE3 VP.	1
		SPARE PARTS MOTOR:ON REQUEST	1
2	4159703	SCREW M8X40 (4 PIECES)	1
3	4159690	LANTERN FT115 HELIX KIT	1
3.1		> LANTERN FT115 M+6" GJL MACHINING+CATA	1
3.2	2127604	> EYELET CPL.FT HELIX(2 PIECES)	1
3.3	4159692	> COUPLING PROTECTOR FT HELIX KIT	1
4	4178600	COUPLING D.12XD.24 FT115 KIT	1
5	4159707	SCREW M8X30 (4 PIECES)	1
6	2127556	STUD BOLT M12X542 KIT	1
7	4159685	END SHIELD HELIX EPDM KIT	1
7.1		> END SHIELD M+6" GJL250 MACHINING+CATA	1
7.2	2127607	> STATIONARY RING HOLDER 6" HELIX 1.4301 V	1
7.3	4176513	> O-RING FOR PUMP JACKET VP.	1
7.4	2127603	> O-RING ID.37,6x2,4 EPDM VP.	1
7.5	2127602	> O-RING ID.21,35x2 EPDM VP.	1
8	4159686	FILING/PURGING PLUG HELIX EPDM KIT	1
9	4178597	CARTRIDGE HELIX2-4 F/E KIT	1
10	2127579	HOUSING PIPE D.152x410 1.4301 KIT	1
7.3	4176513	> O-RING FOR PUMP JACKET VP.	1
10.1		> HOUSING-PIPE Ø152-M+1607-304	1
11	4178566	CENTERING STAGE-RETURN HELIX4 1.4307 VP	1
12	4178567	SHAFT EQUIPMENT HELIX V2/V4 KIT	1
12.1		> NUT-H-M8-STAINLESS-STEEL A4-70	1
12.2		> SHAFT END WASHER Ø8/Ø12 316L	1
12.3		> STOP COLLAR OF IMPELLER L12,6-Ø12-316L	1
12.4		> STOP-RUSH-1/2-D12xd2-M+316	1
13		HYDRAULIC HELIX V 414 1.4307	1
14	4178614	SHAFT D.12X533 1.4301 VP.	1
15	4178593	PUMP HOUSING HELIX DN25 PN25 1.4301 KIT	1
7.3	4176513	> O-RING FOR PUMP JACKET VP.	1
15.1		> BLASTING PPE HOUSING V PN25-DN25-5"-304	1
15.3	4171321	> PRIMING/DRAIN PLUG EPDM HELIX KIT	1
16	4177970	BASEPLATE HELIX V2/4/6 PN25 VP.	1



COUPLING D.12XD.24 FT115 KIT (4178600)

Item	Article no.	Description	Quantity
4.1		COUPLING-M+ Ø12XØ24-FT115-MACHINED	1
4.2	2131023	BALL BEARING 6207/ZZ-C3(HT)VP.	1
4.3	4234254	CIRCLIP-FOR-SHAFT-D35x1.5 VP.	1
4.4	4157726	SCREW KIT M8X30 (4 PIECES)	1
4.5	4234251	CIRCLIP-D72x2.5 VP.	1
4.6	4234246	O-RING 72X3 VP.	1
		NOMEL CONTACT WASHER 8x16x1,4 STEEL ZC	1



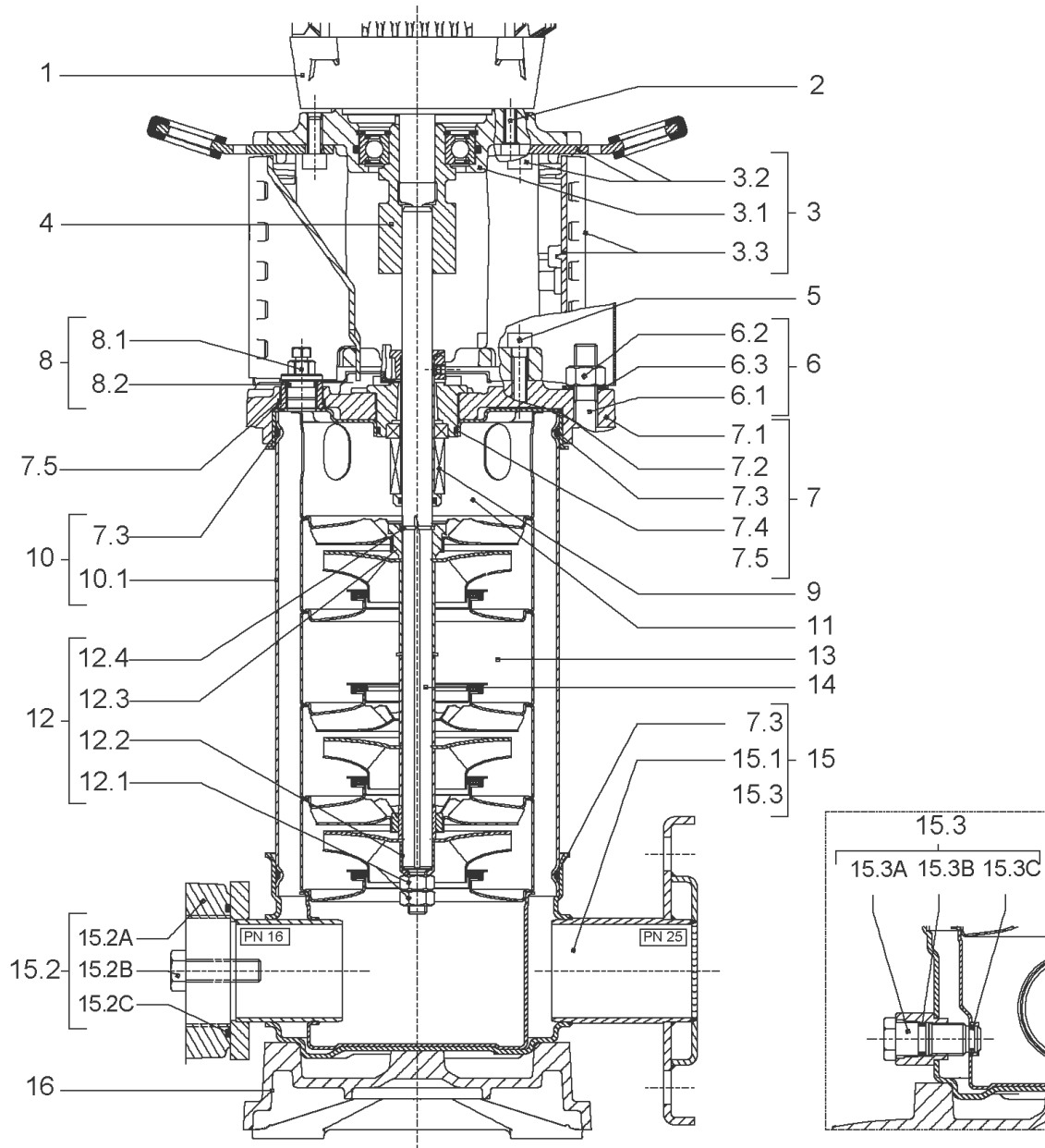
CARTRIDGE HELIX2-4 F/E KIT (4178597)

Item	Article no.	Description	Quantity
9.1	4178594	SEAL-KIT-HELIX2-4 F/E	1
7.3	4176513	> O-RING FOR PUMP JACKET VP.	1
7.4	2127603	> O-RING ID.37,6x2,4 EPDM VP.	1
9.1A	4176521	> MECH.SEAL HELIX2-4-6-10-16 F/E VP.	1
9.1B	4178558	> O-RING ID.12X2 EPDM VP.	1
9.1C	4178558	> O-RING ID.12X2 EPDM VP.	1
9.2	4178596	SHAFT SLEEVE D.18/12X72,2 1.4404 VP.	1
9.3	2130962	RING HOLDER D.18 G606/G6 1.4301 VP.	1
9.4	4176520	SCREW CH M5x5 A4-70 (3PIECES)	1
9.5	4178595	DRIVE RING D.29/15.5x13,2 MACH.VP.	1
9.6	2130964	TOOL M.S.CART.HELIX VP.	1
9.7	2130965	SCREW CHC M5X12 ISO4762 A2.70(4 PIECES)	1



HYDRAULIC HELIX V 414 1.4307

Item	Article no.	Description	Quantity
13.1	4178570	STAGE HELIX 4 1.4301 KIT	1
		> MACH.STG-CASING-WOGV-WNR-M+2-4-304	1
		> IMPELLER-M+4-304	1
13.2	4178569	STAGE BEARING HELIX 4 1.4301 KIT	1
		> MACH.BEARING-STG-CASING-WNR-M+4-304	1
		> IMPELLER-M+4-304	1
		> SHAFT SLEEVE SPACER Ø15,35x10,305-304	1
		> SHAFT-SLEEVE-D12xD16x14-CW	1
13.3	4178574	INTER STAGE HELIX4 1.4301< 15 stages KIT	1
		> MACH.STD-STG-CASING-WGV+NR-M+4-304	1
		> IMPELLER-M+4-304	1
		> IMPELLER SPACER Ø12,05X14,85-L24,285-304	1



HELIX V416-1/16/E/KS/400-50 (4160538)

Item	Article no.	Description	Quantity
1	4169943	MOTOR 2,2/2/90 3~230/400V 50HZ IE3 VP.	1
		SPARE PARTS MOTOR:ON REQUEST	1
2	4159703	SCREW M8X40 (4 PIECES)	1
3	4159690	LANTERN FT115 HELIX KIT	1
3.1		> LANTERN FT115 M+6" GJL MACHINING+CATA	1
3.2	2127604	> EYELET CPL.FT HELIX(2 PIECES)	1
3.3	4159692	> COUPLING PROTECTOR FT HELIX KIT	1
4	4178600	COUPLING D.12XD.24 FT115 KIT	1
5	4159707	SCREW M8X30 (4 PIECES)	1
6	2127557	STUD BOLT M12X587 KIT	1
6.1		> TIE BOLT M12-587x18x30-1.4057	1
6.2	2094647	> NUT M12 M12 ISO4032 VP.	1
6.3	2123557	> WASHER CS-12.4-24-1.6-NFE25 (4 PIECES)	1
7	4159685	END SHIELD HELIX EPDM KIT	1
7.1		> END SHIELD M+6" GJL250 MACHINING+CATA	1
7.2	2127607	> STATIONARY RING HOLDER 6" HELIX 1.4301 V	1
7.3	4176513	> O-RING FOR PUMP JACKET VP.	1
7.4	2127603	> O-RING ID.37,6x2,4 EPDM VP.	1
7.5	2127602	> O-RING ID.21,35x2 EPDM VP.	1
8	4159686	FILING/PURGING PLUG HELIX EPDM KIT	1
9	4178559	KART.HELIX2-4 O/E SET	1
10	2127580	HOUSING PIPE D.152x460 1.4301 KIT	1
7.3	4176513	> O-RING FOR PUMP JACKET VP.	1
10.1		> HOUSING-PIPE Ø152-M+1608-304	1
11	4178566	CENTERING STAGE-RETURN HELIX4 1.4307 VP	1
12	4178567	SHAFT EQUIPMENT HELIX V2/V4 KIT	1
12.1		> NUT-H-M8-STAINLESS-STEEL A4-70	1
12.2		> SHAFT END WASHER Ø8/Ø12 316L	1
12.3		> STOP COLLAR OF IMPELLER L12,6-Ø12-316L	1
12.4		> STOP-RUSH-1/2-D12xd2-M+316	1
13		HYDRAULIC HELIX V 416 1.4307	1
14	4178621	SHAFT D.12X583 1.4301 VP.	1
15	4174079	PUMP HOUSING HELIX DN32 PN16 1.4301 KIT	1
7.3	4176513	> O-RING FOR PUMP JACKET VP.	1

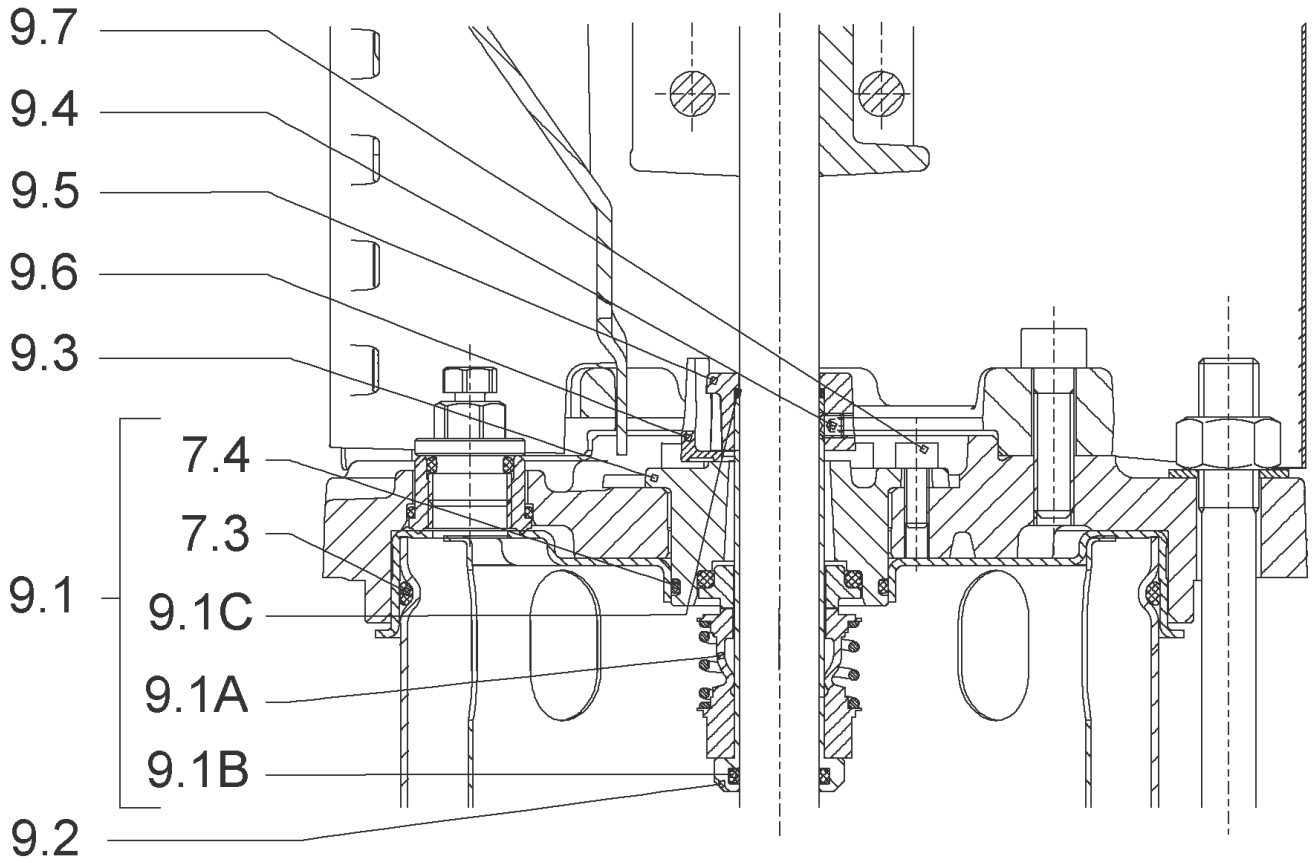
HELIX V416-1/16/E/KS/400-50 (4160538)

Item	Article no.	Description	Quantity
15.1		> BLASTING PPE HOUSING V-PN16-DN32-5"-304	1
15.2	4217889	> COUNTER FLANGE-G1"-PN16-GJL KIT	1
15.3	4171321	> PRIMING/DRAIN PLUG EPDM HELIX KIT	1
16	4177964	BASEPLATE HELIX V2/4/6 PN16 VP.	1



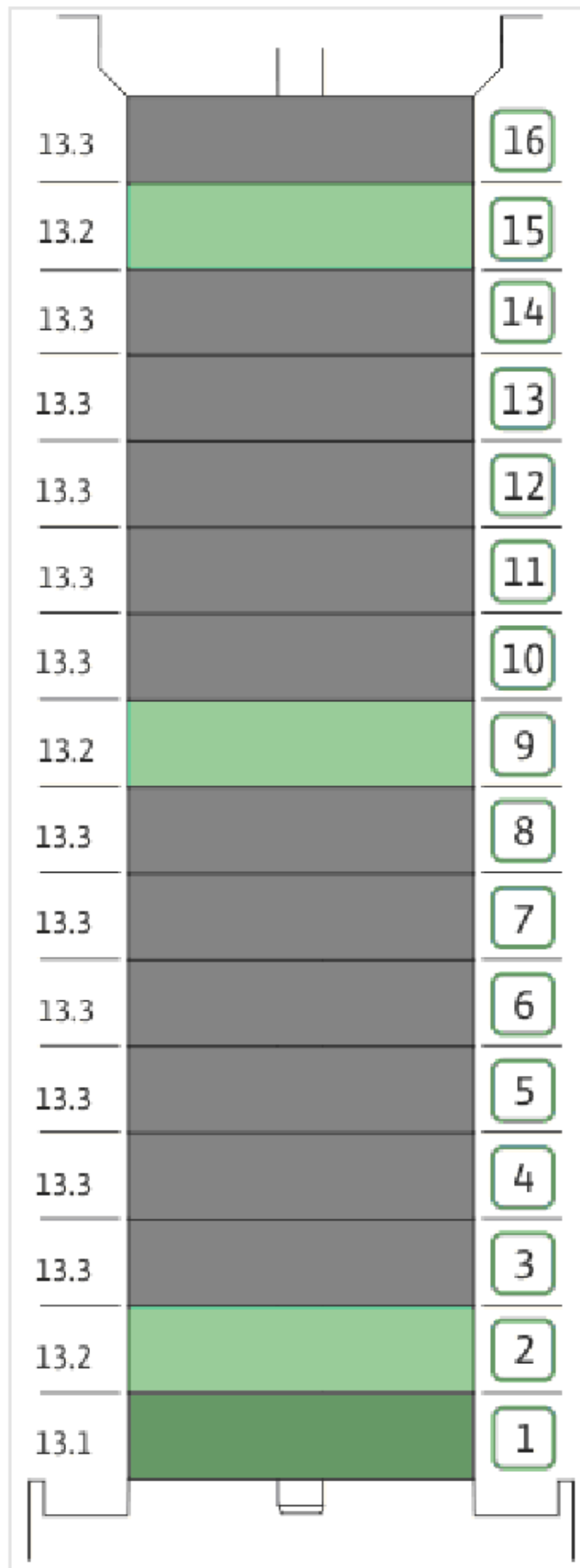
COUPLING D.12XD.24 FT115 KIT (4178600)

Item	Article no.	Description	Quantity
4.1		COUPLING-M+ Ø12XØ24-FT115-MACHINED	1
4.2	2131023	BALL BEARING 6207/ZZ-C3(HT)VP.	1
4.3	4234254	CIRCLIP-FOR-SHAFT-D35x1.5 VP.	1
4.4	4157726	SCREW KIT M8X30 (4 PIECES)	1
4.5	4234251	CIRCLIP-D72x2.5 VP.	1
4.6	4234246	O-RING 72X3 VP.	1
		NOMEL CONTACT WASHER 8x16x1,4 STEEL ZC	1



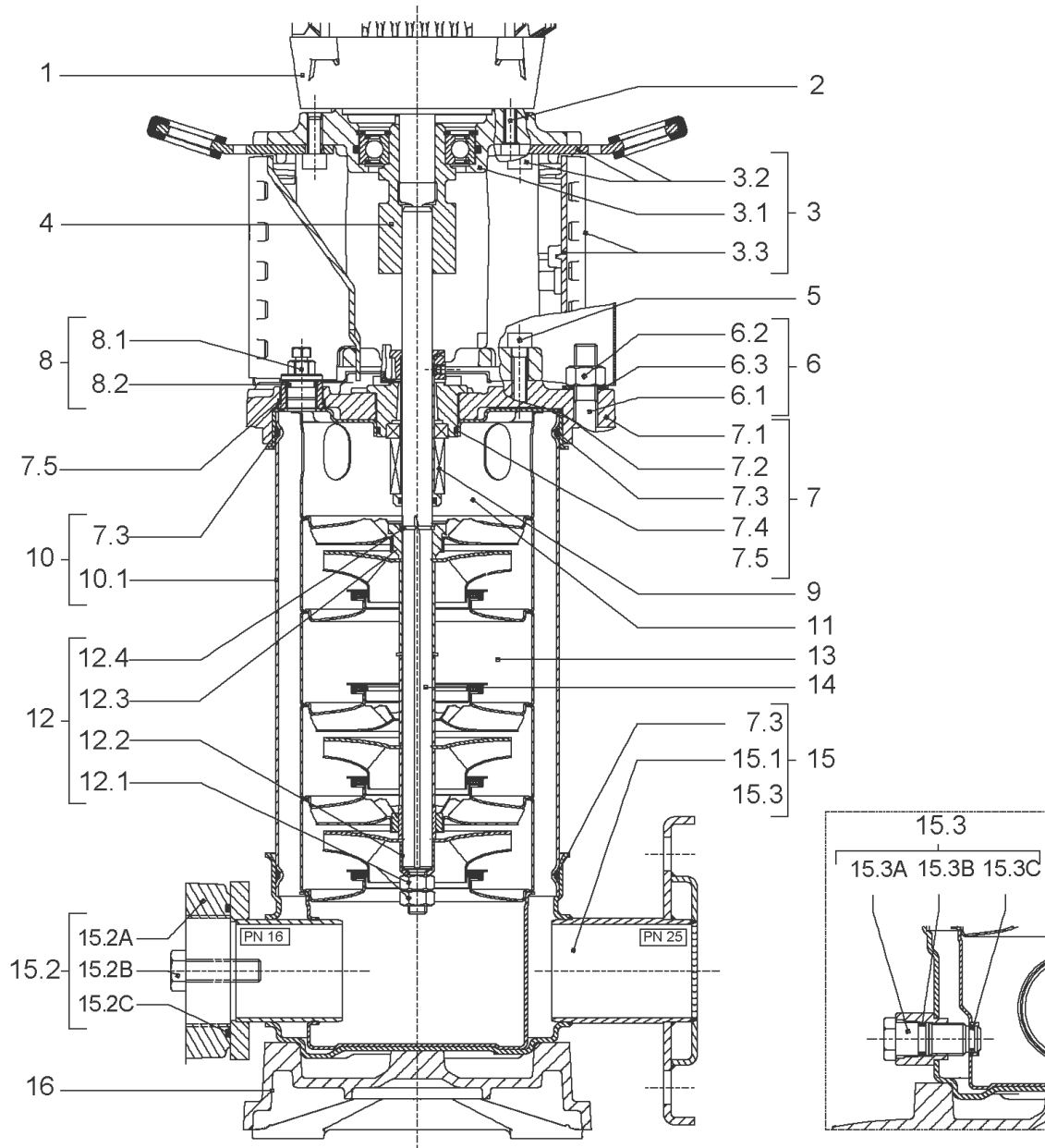
KART.HELIX2-4 O/E SET (4178559)

Item	Article no.	Description	Quantity
9.1	4178560	SEAL-KIT-HELIX2-4 O/E	1
7.3	4176513	> O-RING FOR PUMP JACKET VP.	1
7.4	2127603	> O-RING ID.37,6x2,4 EPDM VP.	1
9.1A	2130966	> MECH.SEAL HELIX2-4-6-10-16 O/E VP.	1
9.1B	4178558	> O-RING ID.12X2 EPDM VP.	1
9.1C	4178558	> O-RING ID.12X2 EPDM VP.	1
9.2	4178557	SHAFT SLEEVE Ø12XØ18-PN16 1.4404 VP.	1
9.3	2130962	RING HOLDER D.18 G606/G6 1.4301 VP.	1
9.4	4176520	SCREW CH M5x5 A4-70 (3PIECES)	1
9.5	4178556	DRIVE RING D.29/15.5x13,2 MACH.VP.	1
9.6	2130964	TOOL M.S.CART.HELIX VP.	1
9.7	2130965	SCREW CHC M5X12 ISO4762 A2.70(4 PIECES)	1



HYDRAULIC HELIX V 416 1.4307

Item	Article no.	Description	Quantity
13.1	4178570	STAGE HELIX 4 1.4301 KIT	1
		> MACH.STG-CASING-WOGV-WNR-M+2-4-304	1
		> IMPELLER-M+4-304	1
13.2	4178569	STAGE BEARING HELIX 4 1.4301 KIT	1
		> MACH.BEARING-STG-CASING-WNR-M+4-304	1
		> IMPELLER-M+4-304	1
		> SHAFT SLEEVE SPACER Ø15,35x10,305-304	1
		> SHAFT-SLEEVE-D12xD16x14-CW	1
13.3	4220514	INTER STAGE HELIX4 1.4301> 15 stages KIT	1
		> MACH.STD-STG-CASING-WGV+NR-M+4-304	1
		> IMPELLER-M+4-304	1
		> IMPELLER SPACER Ø12,1X14,1-L24,25-316L	1



HELIX V416-1/25/E/KS/400-50 (4160539)

Item	Article no.	Description	Quantity
1	4169943	MOTOR 2,2/2/90 3~230/400V 50HZ IE3 VP.	1
		SPARE PARTS MOTOR:ON REQUEST	1
2	4159703	SCREW M8X40 (4 PIECES)	1
3	4159690	LANTERN FT115 HELIX KIT	1
3.1		> LANTERN FT115 M+6" GJL MACHINING+CATA	1
3.2	2127604	> EYELET CPL.FT HELIX(2 PIECES)	1
3.3	4159692	> COUPLING PROTECTOR FT HELIX KIT	1
4	4178600	COUPLING D.12XD.24 FT115 KIT	1
5	4159707	SCREW M8X30 (4 PIECES)	1
6	2127557	STUD BOLT M12X587 KIT	1
6.1		> TIE BOLT M12-587x18x30-1.4057	1
6.2	2094647	> NUT M12 M12 ISO4032 VP.	1
6.3	2123557	> WASHER CS-12.4-24-1.6-NFE25 (4 PIECES)	1
7	4159685	END SHIELD HELIX EPDM KIT	1
7.1		> END SHIELD M+6" GJL250 MACHINING+CATA	1
7.2	2127607	> STATIONARY RING HOLDER 6" HELIX 1.4301 V	1
7.3	4176513	> O-RING FOR PUMP JACKET VP.	1
7.4	2127603	> O-RING ID.37,6x2,4 EPDM VP.	1
7.5	2127602	> O-RING ID.21,35x2 EPDM VP.	1
8	4159686	FILING/PURGING PLUG HELIX EPDM KIT	1
9	4178597	CARTRIDGE HELIX2-4 F/E KIT	1
10	2127580	HOUSING PIPE D.152x460 1.4301 KIT	1
7.3	4176513	> O-RING FOR PUMP JACKET VP.	1
10.1		> HOUSING-PIPE Ø152-M+1608-304	1
11	4178566	CENTERING STAGE-RETURN HELIX4 1.4307 VP	1
12	4178567	SHAFT EQUIPMENT HELIX V2/V4 KIT	1
12.1		> NUT-H-M8-STAINLESS-STEEL A4-70	1
12.2		> SHAFT END WASHER Ø8/Ø12 316L	1
12.3		> STOP COLLAR OF IMPELLER L12,6-Ø12-316L	1
12.4		> STOP-RUSH-1/2-D12xd2-M+316	1
13		HYDRAULIC HELIX V 416 1.4307	1
14	4178621	SHAFT D.12X583 1.4301 VP.	1
15	4178593	PUMP HOUSING HELIX DN25 PN25 1.4301 KIT	1
7.3	4176513	> O-RING FOR PUMP JACKET VP.	1

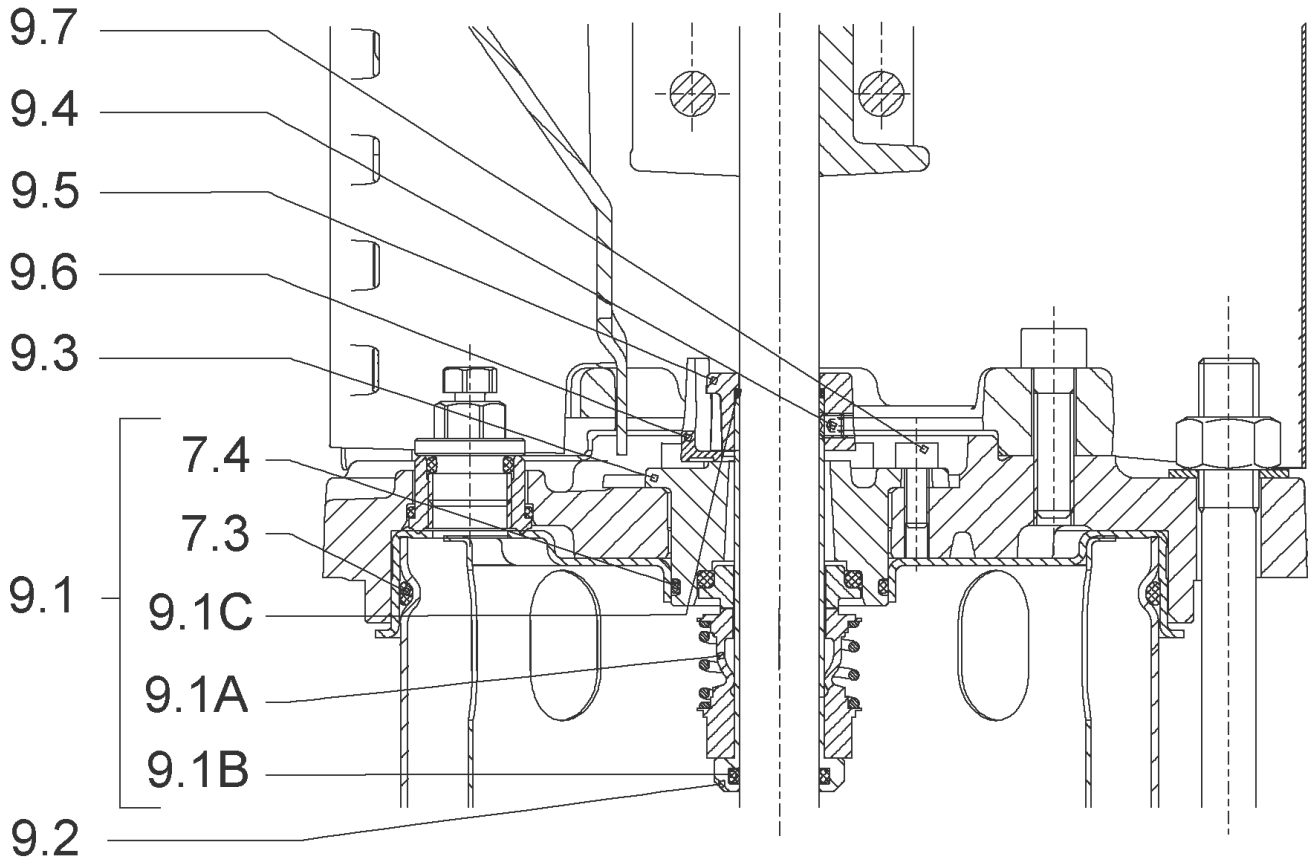
HELIX V416-1/25/E/KS/400-50 (4160539)

Item	Article no.	Description	Quantity
15.1		> BLASTING PPE HOUSING V PN25-DN25-5"-304	1
15.3	4171321	> PRIMING/DRAIN PLUG EPDM HELIX KIT	1
16	4177970	BASEPLATE HELIX V2/4/6 PN25 VP.	1



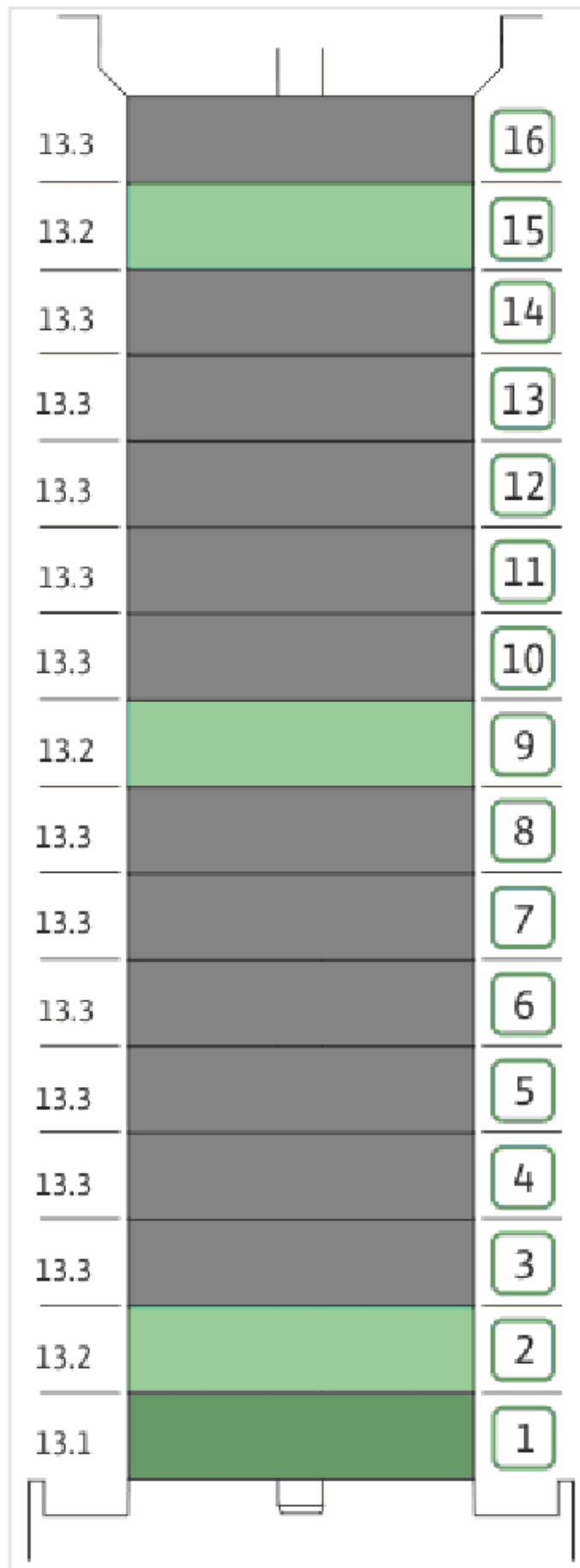
COUPLING D.12XD.24 FT115 KIT (4178600)

Item	Article no.	Description	Quantity
4.1		COUPLING-M+ Ø12XØ24-FT115-MACHINED	1
4.2	2131023	BALL BEARING 6207/ZZ-C3(HT)VP.	1
4.3	4234254	CIRCLIP-FOR-SHAFT-D35x1.5 VP.	1
4.4	4157726	SCREW KIT M8X30 (4 PIECES)	1
4.5	4234251	CIRCLIP-D72x2.5 VP.	1
4.6	4234246	O-RING 72X3 VP.	1
		NOMEL CONTACT WASHER 8x16x1,4 STEEL ZC	1



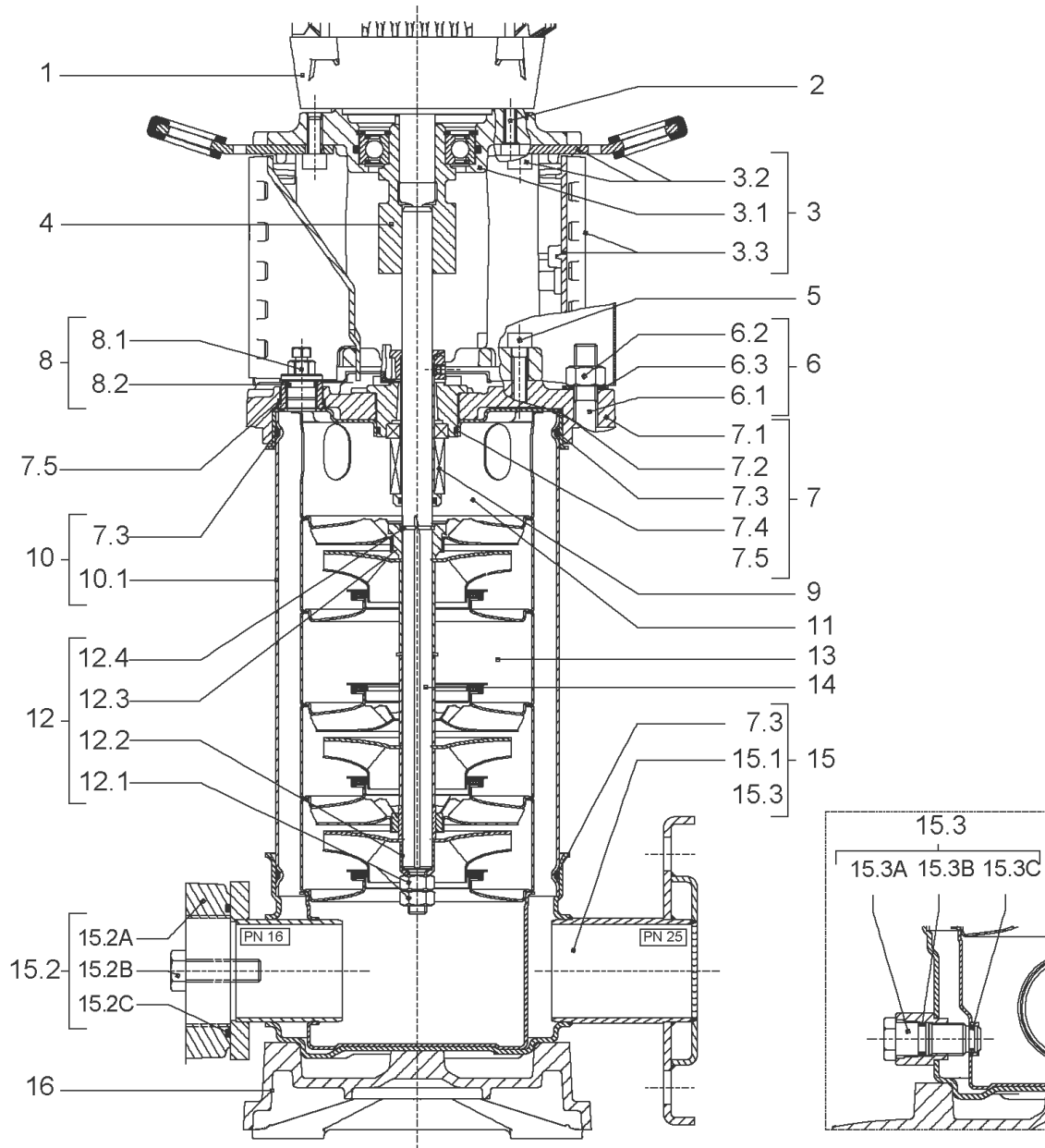
CARTRIDGE HELIX2-4 F/E KIT (4178597)

Item	Article no.	Description	Quantity
9.1	4178594	SEAL-KIT-HELIX2-4 F/E	1
7.3	4176513	> O-RING FOR PUMP JACKET VP.	1
7.4	2127603	> O-RING ID.37,6x2,4 EPDM VP.	1
9.1A	4176521	> MECH.SEAL HELIX2-4-6-10-16 F/E VP.	1
9.1B	4178558	> O-RING ID.12X2 EPDM VP.	1
9.1C	4178558	> O-RING ID.12X2 EPDM VP.	1
9.2	4178596	SHAFT SLEEVE D.18/12X72,2 1.4404 VP.	1
9.3	2130962	RING HOLDER D.18 G606/G6 1.4301 VP.	1
9.4	4176520	SCREW CH M5x5 A4-70 (3PIECES)	1
9.5	4178595	DRIVE RING D.29/15.5x13,2 MACH.VP.	1
9.6	2130964	TOOL M.S.CART.HELIX VP.	1
9.7	2130965	SCREW CHC M5X12 ISO4762 A2.70(4 PIECES)	1



HYDRAULIC HELIX V 416 1.4307

Item	Article no.	Description	Quantity
13.1	4178570	STAGE HELIX 4 1.4301 KIT	1
		> MACH.STG-CASING-WOGV-WNR-M+2-4-304	1
		> IMPELLER-M+4-304	1
13.2	4178569	STAGE BEARING HELIX 4 1.4301 KIT	1
		> MACH.BEARING-STG-CASING-WNR-M+4-304	1
		> IMPELLER-M+4-304	1
		> SHAFT SLEEVE SPACER Ø15,35x10,305-304	1
		> SHAFT-SLEEVE-D12xD16x14-CW	1
13.3	4220514	INTER STAGE HELIX4 1.4301> 15 stages KIT	1
		> MACH.STD-STG-CASING-WGV+NR-M+4-304	1
		> IMPELLER-M+4-304	1
		> IMPELLER SPACER Ø12,1x14,1-L24,25-316L	1



HELIX V418-1/16/E/KS/400-50 (4160540)

Item	Article no.	Description	Quantity
1	4169943	MOTOR 2,2/2/90 3~230/400V 50HZ IE3 VP.	1
		SPARE PARTS MOTOR:ON REQUEST	1
2	4159703	SCREW M8X40 (4 PIECES)	1
3	4159690	LANTERN FT115 HELIX KIT	1
3.1		> LANTERN FT115 M+6" GJL MACHINING+CATA	1
3.2	2127604	> EYELET CPL.FT HELIX(2 PIECES)	1
3.3	4159692	> COUPLING PROTECTOR FT HELIX KIT	1
4	4178600	COUPLING D.12XD.24 FT115 KIT	1
5	4159707	SCREW M8X30 (4 PIECES)	1
6	4177842	STUD BOLT M12X638KIT	1
6.1		> TIE BOLT M12-638x18x30-1.4057	1
6.2	2094647	> NUT M12 M12 ISO4032 VP.	1
6.3	2123557	> WASHER CS-12.4-24-1.6-NFE25 (4 PIECES)	1
7	4159685	END SHIELD HELIX EPDM KIT	1
7.1		> END SHIELD M+6" GJL250 MACHINING+CATA	1
7.2	2127607	> STATIONARY RING HOLDER 6" HELIX 1.4301 V	1
7.3	4176513	> O-RING FOR PUMP JACKET VP.	1
7.4	2127603	> O-RING ID.37,6x2,4 EPDM VP.	1
7.5	2127602	> O-RING ID.21,35x2 EPDM VP.	1
8	4159686	FILING/PURGING PLUG HELIX EPDM KIT	1
9	4178559	KART.HELIX2-4 O/E SET	1
10	4177843	HOUSING PIPES D.152X510 1.4307 KIT	1
7.3	4176513	> O-RING FOR PUMP JACKET VP.	1
10.1		> HOUSING-PIPE Ø152-M+1012/1609-304	1
11	4178566	CENTERING STAGE-RETURN HELIX4 1.4307 VP	1
12	4178567	SHAFT EQUIPMENT HELIX V2/V4 KIT	1
12.1		> NUT-H-M8-STAINLESS-STEEL A4-70	1
12.2		> SHAFT END WASHER Ø8/Ø12 316L	1
12.3		> STOP COLLAR OF IMPELLER L12,6-Ø12-316L	1
12.4		> STOP-RUSH-1/2-D12xd2-M+316	1
13		HYDRAULIC HELIX V 418 1.4307	1
14	4178623	SHAFT D.12X633 1.4301 VP.	1
15	4174079	PUMP HOUSING HELIX DN32 PN16 1.4301 KIT	1
7.3	4176513	> O-RING FOR PUMP JACKET VP.	1

HELIX V418-1/16/E/KS/400-50 (4160540)

Item	Article no.	Description	Quantity
15.1		> BLASTING PPE HOUSING V-PN16-DN32-5"-304	1
15.2	4217889	> COUNTER FLANGE-G1"-PN16-GJL KIT	1
15.3	4171321	> PRIMING/DRAIN PLUG EPDM HELIX KIT	1
16	4177964	BASEPLATE HELIX V2/4/6 PN16 VP.	1



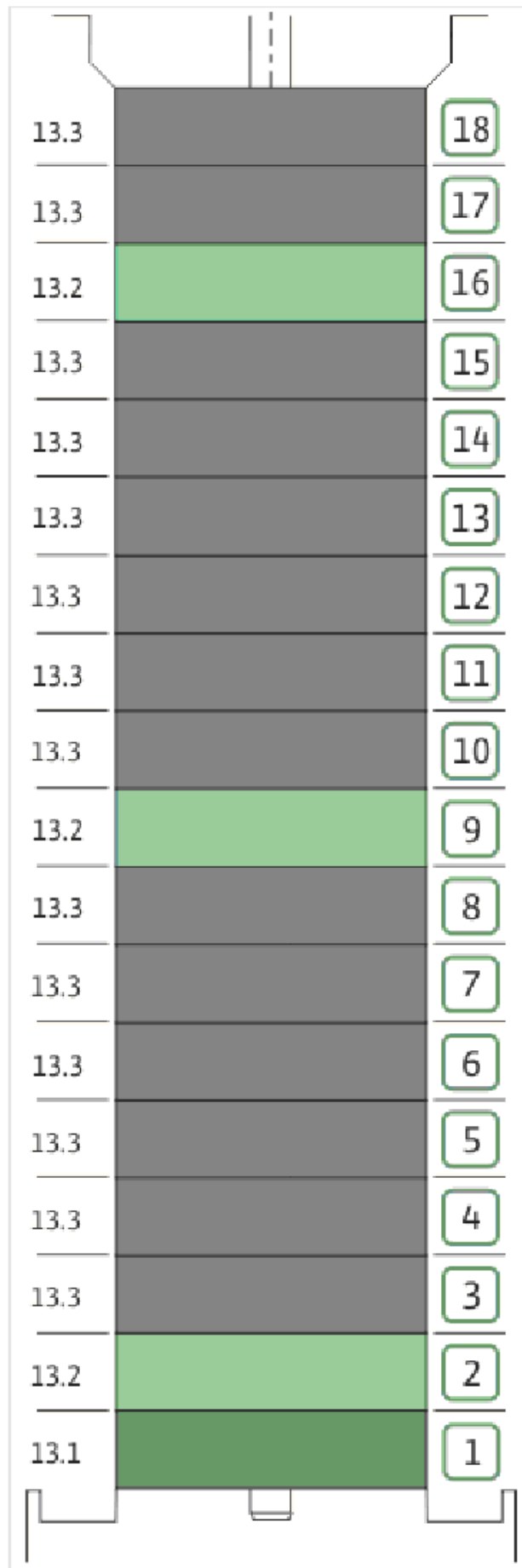
COUPLING D.12XD.24 FT115 KIT (4178600)

Item	Article no.	Description	Quantity
4.1		COUPLING-M+ Ø12XØ24-FT115-MACHINED	1
4.2	2131023	BALL BEARING 6207/ZZ-C3(HT)VP.	1
4.3	4234254	CIRCLIP-FOR-SHAFT-D35x1.5 VP.	1
4.4	4157726	SCREW KIT M8X30 (4 PIECES)	1
4.5	4234251	CIRCLIP-D72x2.5 VP.	1
4.6	4234246	O-RING 72X3 VP.	1
		NOMEL CONTACT WASHER 8x16x1,4 STEEL ZC	1



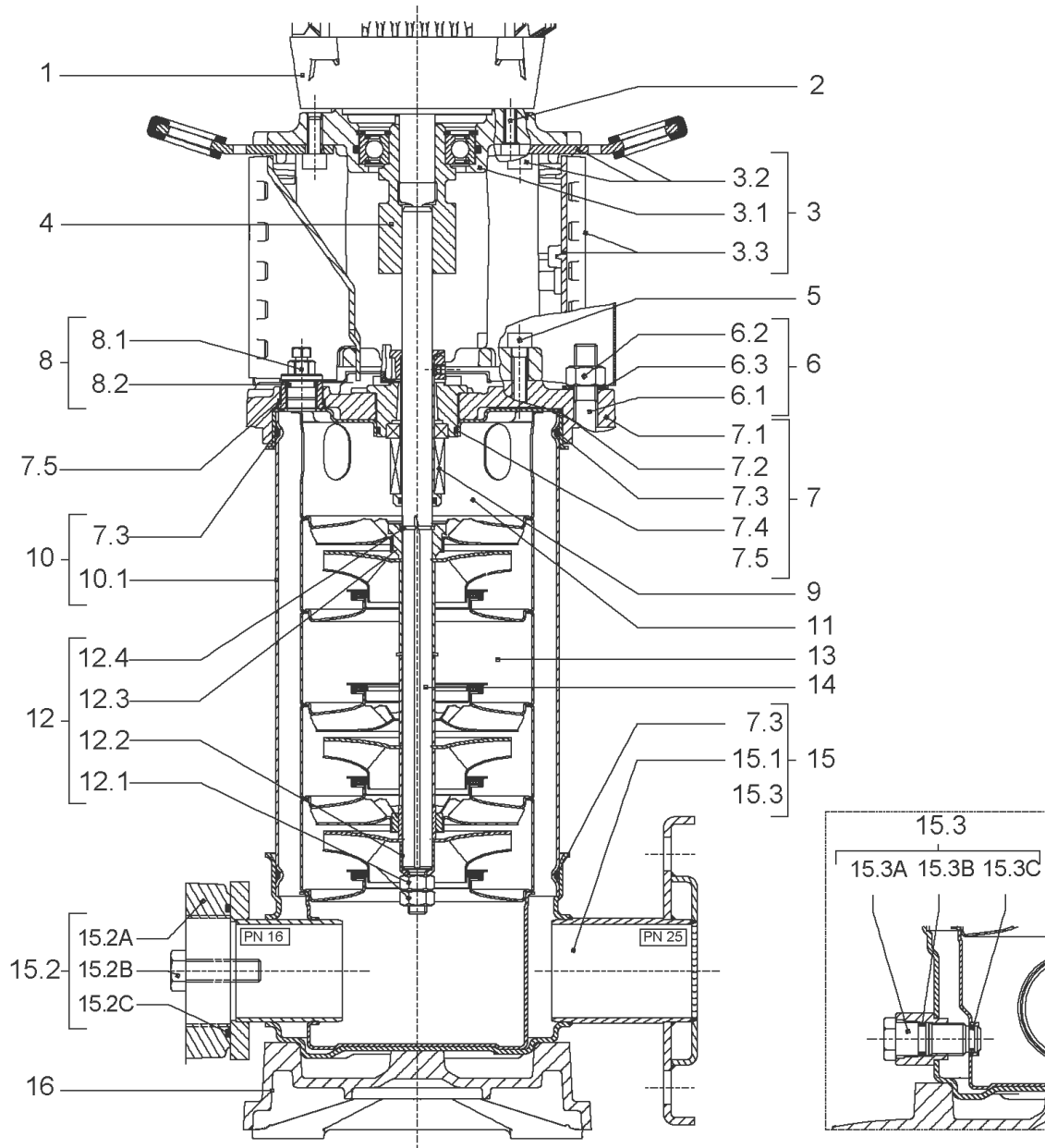
KART.HELIX2-4 O/E SET (4178559)

Item	Article no.	Description	Quantity
9.1	4178560	SEAL-KIT-HELIX2-4 O/E	1
7.3	4176513	> O-RING FOR PUMP JACKET VP.	1
7.4	2127603	> O-RING ID.37,6x2,4 EPDM VP.	1
9.1A	2130966	> MECH.SEAL HELIX2-4-6-10-16 O/E VP.	1
9.1B	4178558	> O-RING ID.12X2 EPDM VP.	1
9.1C	4178558	> O-RING ID.12X2 EPDM VP.	1
9.2	4178557	SHAFT SLEEVE Ø12XØ18-PN16 1.4404 VP.	1
9.3	2130962	RING HOLDER D.18 G606/G6 1.4301 VP.	1
9.4	4176520	SCREW CH M5x5 A4-70 (3PIECES)	1
9.5	4178556	DRIVE RING D.29/15.5x13,2 MACH.VP.	1
9.6	2130964	TOOL M.S.CART.HELIX VP.	1
9.7	2130965	SCREW CHC M5X12 ISO4762 A2.70(4 PIECES)	1



HYDRAULIC HELIX V 418 1.4307

Item	Article no.	Description	Quantity
13.1	4178570	STAGE HELIX 4 1.4301 KIT	1
		> MACH.STG-CASING-WOGV-WNR-M+2-4-304	1
		> IMPELLER-M+4-304	1
13.2	4178569	STAGE BEARING HELIX 4 1.4301 KIT	1
		> MACH.BEARING-STG-CASING-WNR-M+4-304	1
		> IMPELLER-M+4-304	1
		> SHAFT SLEEVE SPACER Ø15,35x10,305-304	1
		> SHAFT-SLEEVE-D12xD16x14-CW	1
13.3	4220514	INTER STAGE HELIX4 1.4301> 15 stages KIT	1
		> MACH.STD-STG-CASING-WGV+NR-M+4-304	1
		> IMPELLER-M+4-304	1
		> IMPELLER SPACER Ø12,1X14,1-L24,25-316L	1



HELIX V418-1/25/E/KS/400-50 (4160541)

Item	Article no.	Description	Quantity
1	4169943	MOTOR 2,2/2/90 3~230/400V 50HZ IE3 VP.	1
		SPARE PARTS MOTOR:ON REQUEST	1
2	4159703	SCREW M8X40 (4 PIECES)	1
3	4159690	LANTERN FT115 HELIX KIT	1
3.1		> LANTERN FT115 M+6" GJL MACHINING+CATA	1
3.2	2127604	> EYELET CPL.FT HELIX(2 PIECES)	1
3.3	4159692	> COUPLING PROTECTOR FT HELIX KIT	1
4	4178600	COUPLING D.12XD.24 FT115 KIT	1
5	4159707	SCREW M8X30 (4 PIECES)	1
6	4177842	STUD BOLT M12X638KIT	1
6.1		> TIE BOLT M12-638x18x30-1.4057	1
6.2	2094647	> NUT M12 M12 ISO4032 VP.	1
6.3	2123557	> WASHER CS-12.4-24-1.6-NFE25 (4 PIECES)	1
7	4159685	END SHIELD HELIX EPDM KIT	1
7.1		> END SHIELD M+6" GJL250 MACHINING+CATA	1
7.2	2127607	> STATIONARY RING HOLDER 6" HELIX 1.4301 V	1
7.3	4176513	> O-RING FOR PUMP JACKET VP.	1
7.4	2127603	> O-RING ID.37,6x2,4 EPDM VP.	1
7.5	2127602	> O-RING ID.21,35x2 EPDM VP.	1
8	4159686	FILING/PURGING PLUG HELIX EPDM KIT	1
9	4178597	CARTRIDGE HELIX2-4 F/E KIT	1
10	4177843	HOUSING PIPES D.152X510 1.4307 KIT	1
7.3	4176513	> O-RING FOR PUMP JACKET VP.	1
10.1		> HOUSING-PIPE Ø152-M+1012/1609-304	1
11	4178566	CENTERING STAGE-RETURN HELIX4 1.4307 VP	1
12	4178567	SHAFT EQUIPMENT HELIX V2/V4 KIT	1
12.1		> NUT-H-M8-STAINLESS-STEEL A4-70	1
12.2		> SHAFT END WASHER Ø8/Ø12 316L	1
12.3		> STOP COLLAR OF IMPELLER L12,6-Ø12-316L	1
12.4		> STOP-RUSH-1/2-D12xd2-M+316	1
13		HYDRAULIC HELIX V 418 1.4307	1
14	4178623	SHAFT D.12X633 1.4301 VP.	1
15	4178593	PUMP HOUSING HELIX DN25 PN25 1.4301 KIT	1
7.3	4176513	> O-RING FOR PUMP JACKET VP.	1

HELIX V418-1/25/E/KS/400-50 (4160541)

Item	Article no.	Description	Quantity
15.1		> BLASTING PPE HOUSING V PN25-DN25-5"-304	1
15.3	4171321	> PRIMING/DRAIN PLUG EPDM HELIX KIT	1
16	4177970	BASEPLATE HELIX V2/4/6 PN25 VP.	1



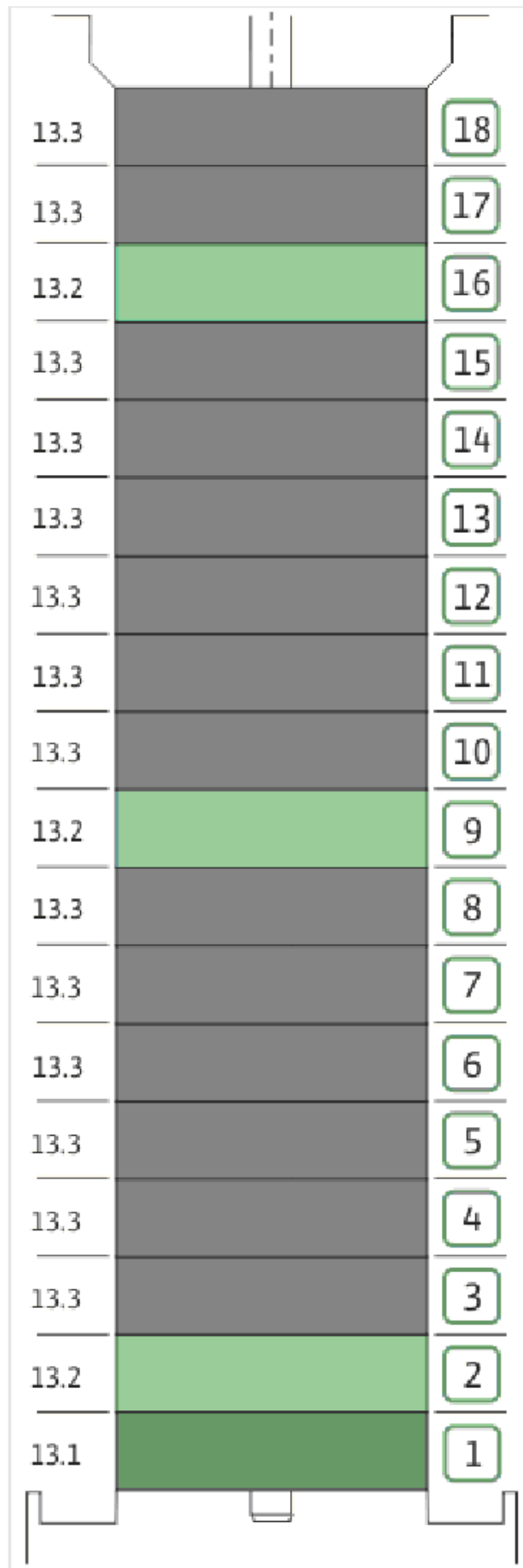
COUPLING D.12XD.24 FT115 KIT (4178600)

Item	Article no.	Description	Quantity
4.1		COUPLING-M+ Ø12XØ24-FT115-MACHINED	1
4.2	2131023	BALL BEARING 6207/ZZ-C3(HT)VP.	1
4.3	4234254	CIRCLIP-FOR-SHAFT-D35x1.5 VP.	1
4.4	4157726	SCREW KIT M8X30 (4 PIECES)	1
4.5	4234251	CIRCLIP-D72x2.5 VP.	1
4.6	4234246	O-RING 72X3 VP.	1
		NOMEL CONTACT WASHER 8x16x1,4 STEEL ZC	1



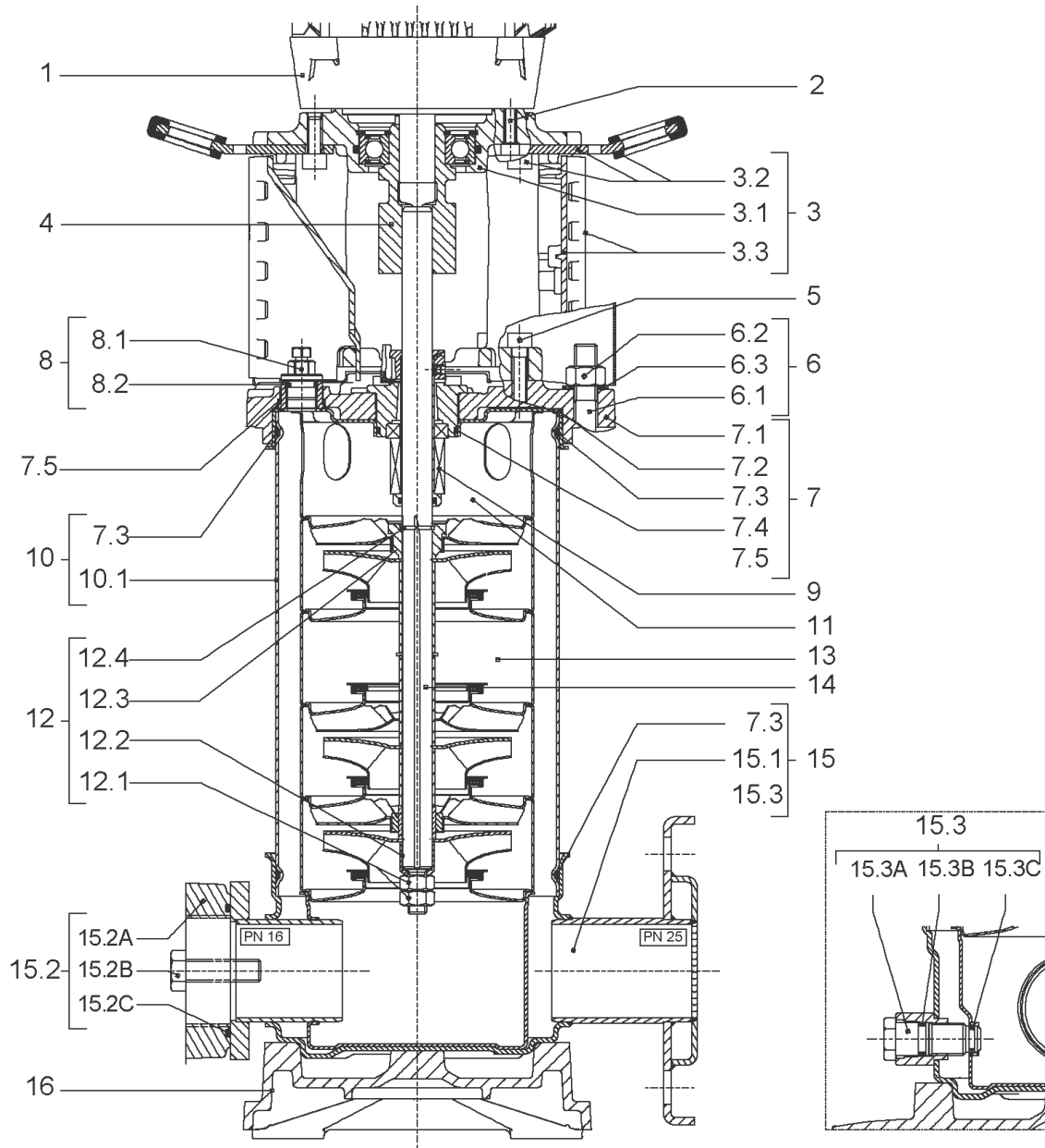
CARTRIDGE HELIX2-4 F/E KIT (4178597)

Item	Article no.	Description	Quantity
9.1	4178594	SEAL-KIT-HELIX2-4 F/E	1
7.3	4176513	> O-RING FOR PUMP JACKET VP.	1
7.4	2127603	> O-RING ID.37,6x2,4 EPDM VP.	1
9.1A	4176521	> MECH.SEAL HELIX2-4-6-10-16 F/E VP.	1
9.1B	4178558	> O-RING ID.12X2 EPDM VP.	1
9.1C	4178558	> O-RING ID.12X2 EPDM VP.	1
9.2	4178596	SHAFT SLEEVE D.18/12X72,2 1.4404 VP.	1
9.3	2130962	RING HOLDER D.18 G606/G6 1.4301 VP.	1
9.4	4176520	SCREW CH M5x5 A4-70 (3PIECES)	1
9.5	4178595	DRIVE RING D.29/15.5x13,2 MACH.VP.	1
9.6	2130964	TOOL M.S.CART.HELIX VP.	1
9.7	2130965	SCREW CHC M5X12 ISO4762 A2.70(4 PIECES)	1



HYDRAULIC HELIX V 418 1.4307

Item	Article no.	Description	Quantity
13.1	4178570	STAGE HELIX 4 1.4301 KIT	1
		> MACH.STG-CASING-WOGV-WNR-M+2-4-304	1
		> IMPELLER-M+4-304	1
13.2	4178569	STAGE BEARING HELIX 4 1.4301 KIT	1
		> MACH.BEARING-STG-CASING-WNR-M+4-304	1
		> IMPELLER-M+4-304	1
		> SHAFT SLEEVE SPACER Ø15,35x10,305-304	1
		> SHAFT-SLEEVE-D12xD16x14-CW	1
13.3	4220514	INTER STAGE HELIX4 1.4301> 15 stages KIT	1
		> MACH.STD-STG-CASING-WGV+NR-M+4-304	1
		> IMPELLER-M+4-304	1
		> IMPELLER SPACER Ø12,1X14,1-L24,25-316L	1



HELIX V420-1/16/E/KS/400-50 (4160542)

Item	Article no.	Description	Quantity
1	4169944	MOTOR 3/2/100 3~230/400V 50HZ IE3 VP.	1
		SPARE PARTS MOTOR:ON REQUEST	1
2	4206025	SCREW M8X45 (4 PIECES)	1
3	4171326	LANTERN FT130 HELIX KIT	1
3.1		> LANTERN FT130 M+6" GJL MACHINING+CATA	1
3.2	2127604	> EYELET CPL.FT HELIX(2 PIECES)	1
3.3	4159692	> COUPLING PROTECTOR FT HELIX KIT	1
4	4178626	COUPLING D.12XD.28 FT130 KIT	1
5	4159707	SCREW M8X30 (4 PIECES)	1
6	4178624	STUD BOLT M12X693 KIT	1
7	4159685	END SHIELD HELIX EPDM KIT	1
7.1		> END SHIELD M+6" GJL250 MACHINING+CATA	1
7.2	2127607	> STATIONARY RING HOLDER 6" HELIX 1.4301 V	1
7.3	4176513	> O-RING FOR PUMP JACKET VP.	1
7.4	2127603	> O-RING ID.37,6x2,4 EPDM VP.	1
7.5	2127602	> O-RING ID.21,35x2 EPDM VP.	1
8	4159686	FILING/PURGING PLUG HELIX EPDM KIT	1
9	4178559	KART.HELIX2-4 O/E SET	1
10	4178627	HOUSING PIPE D.152x560 1.4301 KIT	1
7.3	4176513	> O-RING FOR PUMP JACKET VP.	1
10.1		> HOUSING-PIPE Ø152-M+220/420-304	1
11	4178566	CENTERING STAGE-RETURN HELIX4 1.4307 VP	1
12	4178567	SHAFT EQUIPMENT HELIX V2/V4 KIT	1
12.1		> NUT-H-M8-STAINLESS-STEEL A4-70	1
12.2		> SHAFT END WASHER Ø8/Ø12 316L	1
12.3		> STOP COLLAR OF IMPELLER L12,6-Ø12-316L	1
12.4		> STOP-RUSH-1/2-D12xd2-M+316	1
13		HYDRAULIC HELIX V 420 1.4307	1
14	4179231	SHAFT D.12X683 1.4301 VP.	1
15	4174079	PUMP HOUSING HELIX DN32 PN16 1.4301 KIT	1
7.3	4176513	> O-RING FOR PUMP JACKET VP.	1
15.1		> BLASTING PPE HOUSING V-PN16-DN32-5"-304	1
15.2	4217889	> COUNTER FLANGE-G1"-PN16-GJL KIT	1
15.3	4171321	> PRIMING/DRAIN PLUG EPDM HELIX KIT	1

HELIX V420-1/16/E/KS/400-50 (4160542)

Item	Article no.	Description	Quantity
16	4177964	BASEPLATE HELIX V2/4/6 PN16 VP.	1



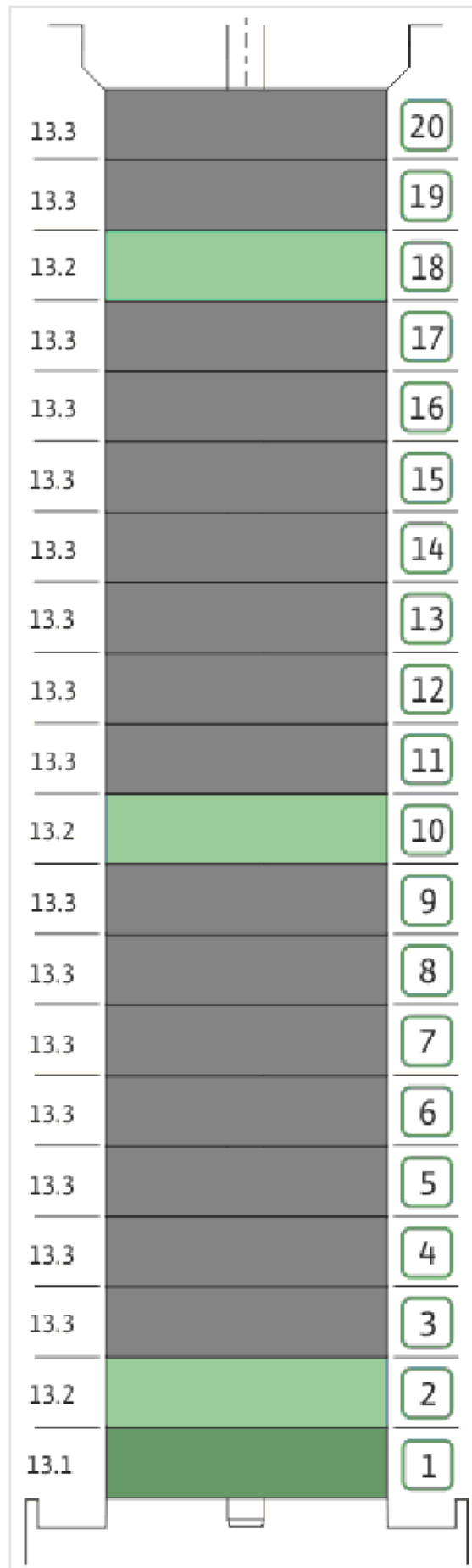
COUPLING D.12XD.28 FT130 KIT (4178626)

Item	Article no.	Description	Quantity
4.1		COUPLING-M+ Ø12XØ28-FT130-MACHINED	1
4.2	2131022	BALL BEARING 6209/ZZ-C3(HT)VP.	1
4.3	4233930	CIRCLIP-FOR-BORES-D45x1,75 VP.	1
4.4	4157726	SCREW KIT M8X30 (4 PIECES)	1
4.5	4234252	CIRCLIPS 85X3 VP.	1
4.6	4234243	O-RING 85X3 VP.	1
		NOMEL CONTACT WASHER 8x16x1,4 STEEL ZC	1



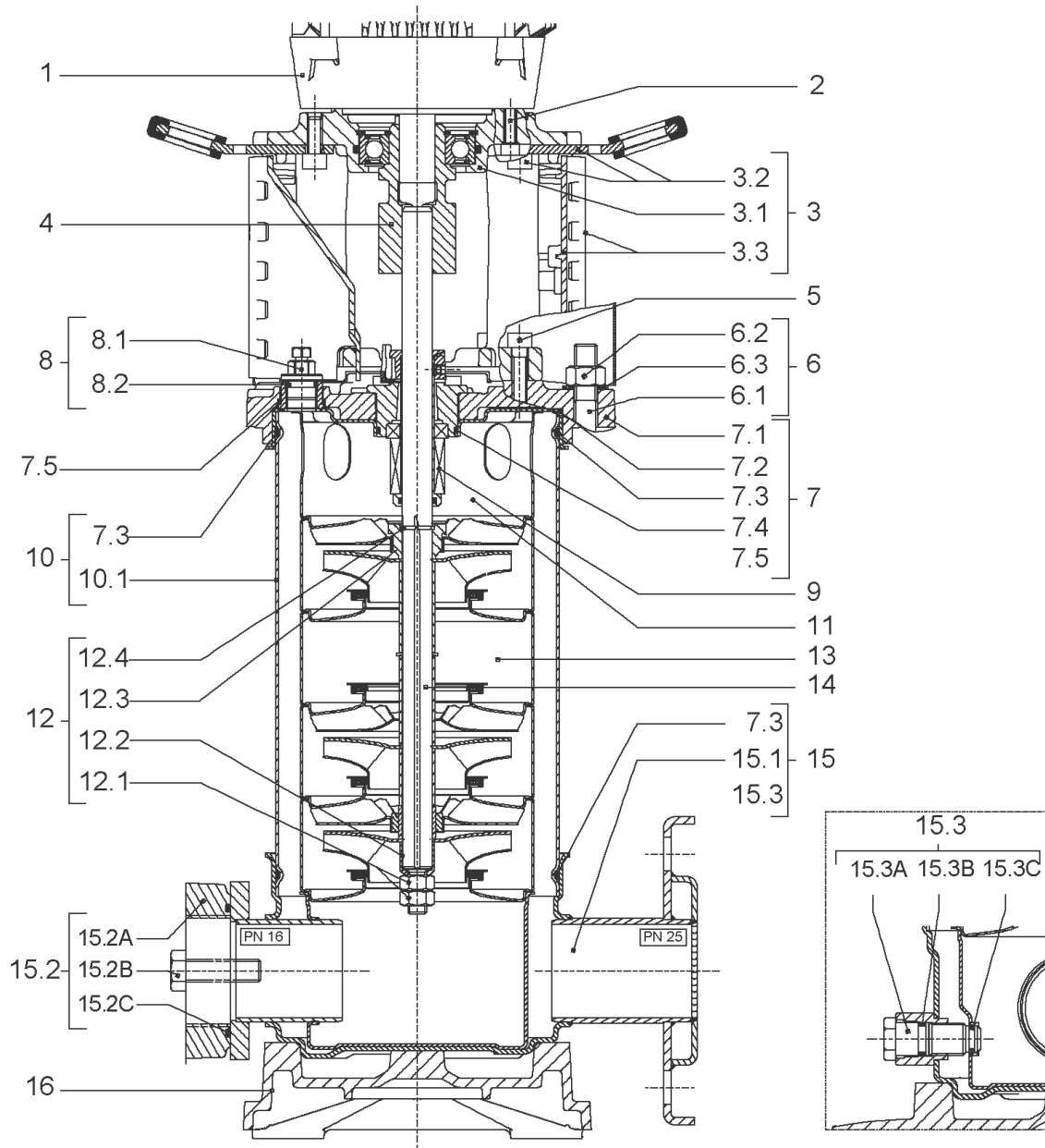
KART.HELIX2-4 O/E SET (4178559)

Item	Article no.	Description	Quantity
9.1	4178560	SEAL-KIT-HELIX2-4 O/E	1
7.3	4176513	> O-RING FOR PUMP JACKET VP.	1
7.4	2127603	> O-RING ID.37,6x2,4 EPDM VP.	1
9.1A	2130966	> MECH.SEAL HELIX2-4-6-10-16 O/E VP.	1
9.1B	4178558	> O-RING ID.12X2 EPDM VP.	1
9.1C	4178558	> O-RING ID.12X2 EPDM VP.	1
9.2	4178557	SHAFT SLEEVE Ø12XØ18-PN16 1.4404 VP.	1
9.3	2130962	RING HOLDER D.18 G606/G6 1.4301 VP.	1
9.4	4176520	SCREW CH M5x5 A4-70 (3PIECES)	1
9.5	4178556	DRIVE RING D.29/15.5x13,2 MACH.VP.	1
9.6	2130964	TOOL M.S.CART.HELIX VP.	1
9.7	2130965	SCREW CHC M5X12 ISO4762 A2.70(4 PIECES)	1



HYDRAULIC HELIX V 420 1.4307

Item	Article no.	Description	Quantity
13.1	4178570	STAGE HELIX 4 1.4301 KIT	1
		> MACH.STG-CASING-WOGV-WNR-M+2-4-304	1
		> IMPELLER-M+4-304	1
13.2	4178569	STAGE BEARING HELIX 4 1.4301 KIT	1
		> MACH.BEARING-STG-CASING-WNR-M+4-304	1
		> IMPELLER-M+4-304	1
		> SHAFT SLEEVE SPACER Ø15,35x10,305-304	1
		> SHAFT-SLEEVE-D12xD16x14-CW	1
13.3	4220514	INTER STAGE HELIX4 1.4301> 15 stages KIT	1
		> MACH.STD-STG-CASING-WGV+NR-M+4-304	1
		> IMPELLER-M+4-304	1
		> IMPELLER SPACER Ø12,1x14,1-L24,25-316L	1



HELIX V420-1/25/E/KS/400-50 (4160543)

Item	Article no.	Description	Quantity
1	4169944	MOTOR 3/2/100 3~230/400V 50HZ IE3 VP.	1
		SPARE PARTS MOTOR:ON REQUEST	1
2	4206025	SCREW M8X45 (4 PIECES)	1
3	4171326	LANTERN FT130 HELIX KIT	1
3.1		> LANTERN FT130 M+6" GJL MACHINING+CATA	1
3.2	2127604	> EYELET CPL.FT HELIX(2 PIECES)	1
3.3	4159692	> COUPLING PROTECTOR FT HELIX KIT	1
4	4178626	COUPLING D.12XD.28 FT130 KIT	1
5	4159707	SCREW M8X30 (4 PIECES)	1
6	4178624	STUD BOLT M12X693 KIT	1
7	4159685	END SHIELD HELIX EPDM KIT	1
7.1		> END SHIELD M+6" GJL250 MACHINING+CATA	1
7.2	2127607	> STATIONARY RING HOLDER 6" HELIX 1.4301 V	1
7.3	4176513	> O-RING FOR PUMP JACKET VP.	1
7.4	2127603	> O-RING ID.37,6x2,4 EPDM VP.	1
7.5	2127602	> O-RING ID.21,35x2 EPDM VP.	1
8	4159686	FILING/PURGING PLUG HELIX EPDM KIT	1
9	4178597	CARTRIDGE HELIX2-4 F/E KIT	1
10	4178627	HOUSING PIPE D.152x560 1.4301 KIT	1
7.3	4176513	> O-RING FOR PUMP JACKET VP.	1
10.1		> HOUSING-PIPE Ø152-M+220/420-304	1
11	4178566	CENTERING STAGE-RETURN HELIX4 1.4307 VP	1
12	4178567	SHAFT EQUIPMENT HELIX V2/V4 KIT	1
12.1		> NUT-H-M8-STAINLESS-STEEL A4-70	1
12.2		> SHAFT END WASHER Ø8/Ø12 316L	1
12.3		> STOP COLLAR OF IMPELLER L12,6-Ø12-316L	1
12.4		> STOP-RUSH-1/2-D12xd2-M+316	1
13		HYDRAULIC HELIX V 420 1.4307	1
14	4179231	SHAFT D.12X683 1.4301 VP.	1
15	4178593	PUMP HOUSING HELIX DN25 PN25 1.4301 KIT	1
7.3	4176513	> O-RING FOR PUMP JACKET VP.	1
15.1		> BLASTING PPE HOUSING V PN25-DN25-5"-304	1
15.3	4171321	> PRIMING/DRAIN PLUG EPDM HELIX KIT	1
16	4177970	BASEPLATE HELIX V2/4/6 PN25 VP.	1



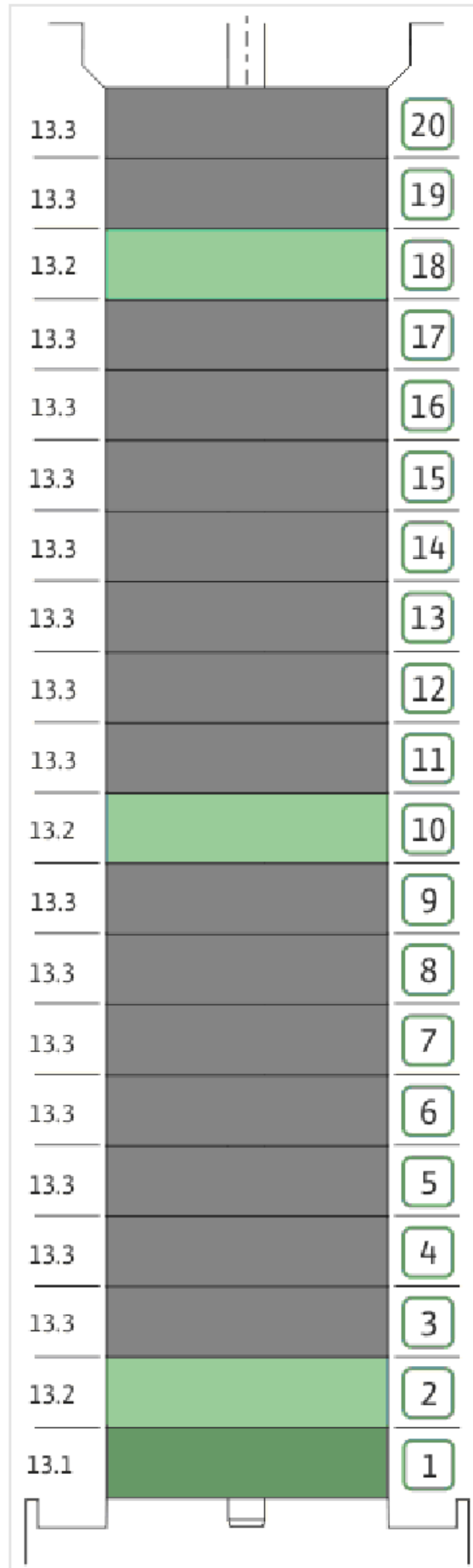
COUPLING D.12XD.28 FT130 KIT (4178626)

Item	Article no.	Description	Quantity
4.1		COUPLING-M+ Ø12XØ28-FT130-MACHINED	1
4.2	2131022	BALL BEARING 6209/ZZ-C3(HT)VP.	1
4.3	4233930	CIRCLIP-FOR-BORES-D45x1,75 VP.	1
4.4	4157726	SCREW KIT M8X30 (4 PIECES)	1
4.5	4234252	CIRCLIPS 85X3 VP.	1
4.6	4234243	O-RING 85X3 VP.	1
		NOMEL CONTACT WASHER 8x16x1,4 STEEL ZC	1



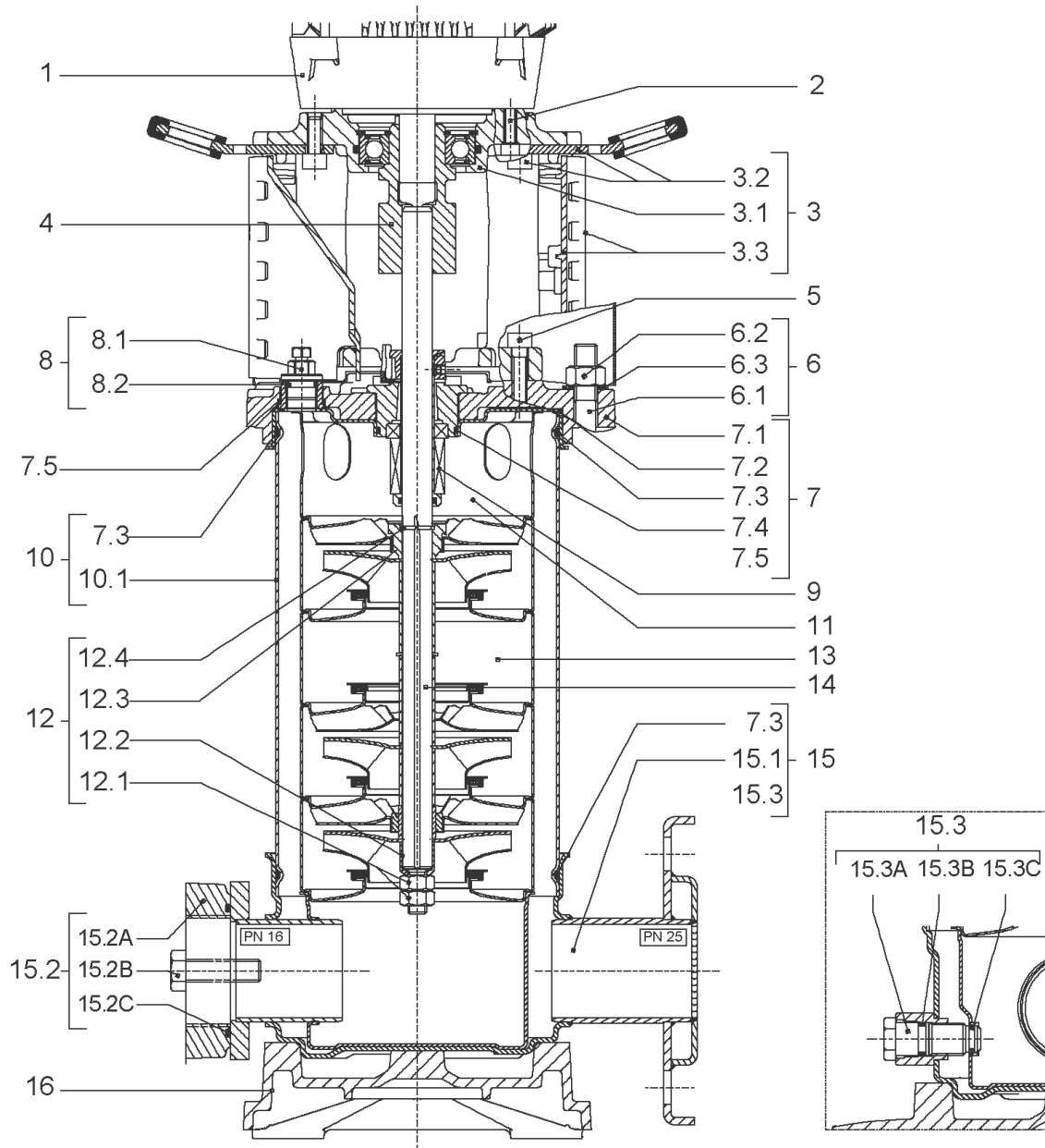
CARTRIDGE HELIX2-4 F/E KIT (4178597)

Item	Article no.	Description	Quantity
9.1	4178594	SEAL-KIT-HELIX2-4 F/E	1
7.3	4176513	> O-RING FOR PUMP JACKET VP.	1
7.4	2127603	> O-RING ID.37,6x2,4 EPDM VP.	1
9.1A	4176521	> MECH.SEAL HELIX2-4-6-10-16 F/E VP.	1
9.1B	4178558	> O-RING ID.12X2 EPDM VP.	1
9.1C	4178558	> O-RING ID.12X2 EPDM VP.	1
9.2	4178596	SHAFT SLEEVE D.18/12X72,2 1.4404 VP.	1
9.3	2130962	RING HOLDER D.18 G606/G6 1.4301 VP.	1
9.4	4176520	SCREW CH M5x5 A4-70 (3PIECES)	1
9.5	4178595	DRIVE RING D.29/15.5x13,2 MACH.VP.	1
9.6	2130964	TOOL M.S.CART.HELIX VP.	1
9.7	2130965	SCREW CHC M5X12 ISO4762 A2.70(4 PIECES)	1



HYDRAULIC HELIX V 420 1.4307

Item	Article no.	Description	Quantity
13.1	4178570	STAGE HELIX 4 1.4301 KIT	1
		> MACH.STG-CASING-WOGV-WNR-M+2-4-304	1
		> IMPELLER-M+4-304	1
13.2	4178569	STAGE BEARING HELIX 4 1.4301 KIT	1
		> MACH.BEARING-STG-CASING-WNR-M+4-304	1
		> IMPELLER-M+4-304	1
		> SHAFT SLEEVE SPACER Ø15,35x10,305-304	1
		> SHAFT-SLEEVE-D12xD16x14-CW	1
13.3	4220514	INTER STAGE HELIX4 1.4301> 15 stages KIT	1
		> MACH.STD-STG-CASING-WGV+NR-M+4-304	1
		> IMPELLER-M+4-304	1
		> IMPELLER SPACER Ø12,1x14,1-L24,25-316L	1



HELIX V422-1/25/E/K/400-50 (4160544)

Item	Article no.	Description	Quantity
1	4169944	MOTOR 3/2/100 3~230/400V 50HZ IE3 VP.	1
		SPARE PARTS MOTOR:ON REQUEST	1
2	4206025	SCREW M8X45 (4 PIECES)	1
3	4171326	LANTERN FT130 HELIX KIT	1
3.1		> LANTERN FT130 M+6" GJL MACHINING+CATA	1
3.2	2127604	> EYELET CPL.FT HELIX(2 PIECES)	1
3.3	4159692	> COUPLING PROTECTOR FT HELIX KIT	1
4	4178626	COUPLING D.12XD.28 FT130 KIT	1
5	4159707	SCREW M8X30 (4 PIECES)	1
6	4177852	STUD BOLT M12X788KIT	1
6.1		> TIE BOLT M12-788x18x30-1.4057	1
6.2	2094647	> NUT M12 M12 ISO4032 VP.	1
6.3	2123557	> WASHER CS-12.4-24-1.6-NFE25 (4 PIECES)	1
7	4159685	END SHIELD HELIX EPDM KIT	1
7.1		> END SHIELD M+6" GJL250 MACHINING+CATA	1
7.2	2127607	> STATIONARY RING HOLDER 6" HELIX 1.4301 V	1
7.3	4176513	> O-RING FOR PUMP JACKET VP.	1
7.4	2127603	> O-RING ID.37,6x2,4 EPDM VP.	1
7.5	2127602	> O-RING ID.21,35x2 EPDM VP.	1
8	4159686	FILING/PURGING PLUG HELIX EPDM KIT	1
9	4178597	CARTRIDGE HELIX2-4 F/E KIT	1
10	4177853	HOUSING PIPES D.152X660 1.4307 KIT	1
7.3	4176513	> O-RING FOR PUMP JACKET VP.	1
10.1		> HOUSING-PIPE Ø152-M+1016/1610-304	1
11	4178566	CENTERING STAGE-RETURN HELIX4 1.4307 VP	1
12	4178567	SHAFT EQUIPMENT HELIX V2/V4 KIT	1
12.1		> NUT-H-M8-STAINLESS-STEEL A4-70	1
12.2		> SHAFT END WASHER Ø8/Ø12 316L	1
12.3		> STOP COLLAR OF IMPELLER L12,6-Ø12-316L	1
12.4		> STOP-RUSH-1/2-D12xd2-M+316	1
13		HYDRAULIC HELIX V 422 1.4307	1
14	4179234	SHAFT D.12X783,8 1.4301 VP.	1
15	4178593	PUMP HOUSING HELIX DN25 PN25 1.4301 KIT	1
7.3	4176513	> O-RING FOR PUMP JACKET VP.	1

HELIX V422-1/25/E/K/400-50 (4160544)

Item	Article no.	Description	Quantity
15.1		> BLASTING PPE HOUSING V PN25-DN25-5"-304	1
15.3	4171321	> PRIMING/DRAIN PLUG EPDM HELIX KIT	1
16	4177970	BASEPLATE HELIX V2/4/6 PN25 VP.	1



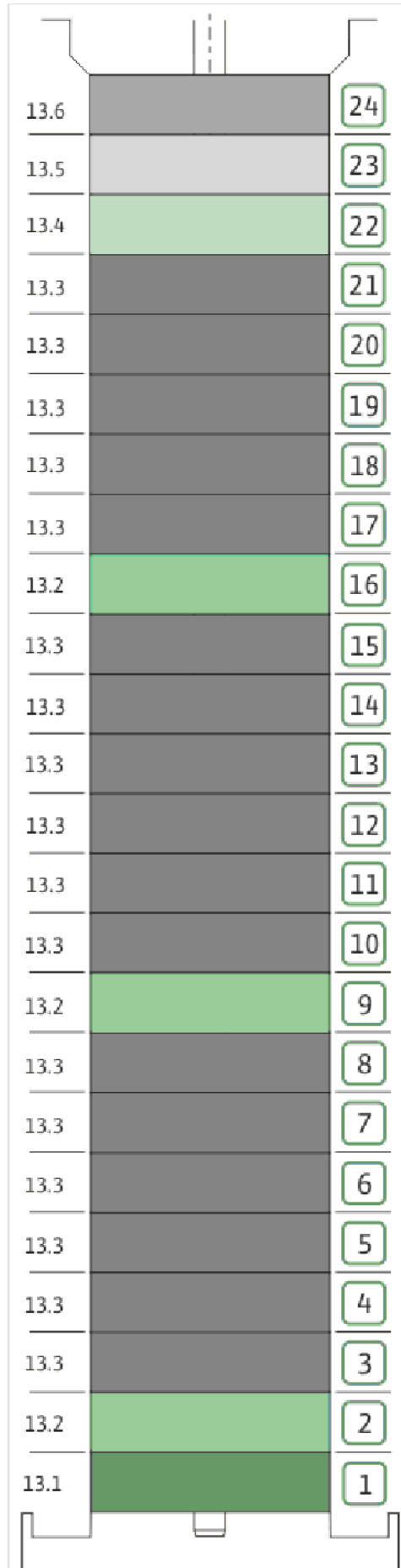
COUPLING D.12XD.28 FT130 KIT (4178626)

Item	Article no.	Description	Quantity
4.1		COUPLING-M+ Ø12XØ28-FT130-MACHINED	1
4.2	2131022	BALL BEARING 6209/ZZ-C3(HT)VP.	1
4.3	4233930	CIRCLIP-FOR-BORES-D45x1,75 VP.	1
4.4	4157726	SCREW KIT M8X30 (4 PIECES)	1
4.5	4234252	CIRCLIPS 85X3 VP.	1
4.6	4234243	O-RING 85X3 VP.	1
		NOMEL CONTACT WASHER 8x16x1,4 STEEL ZC	1

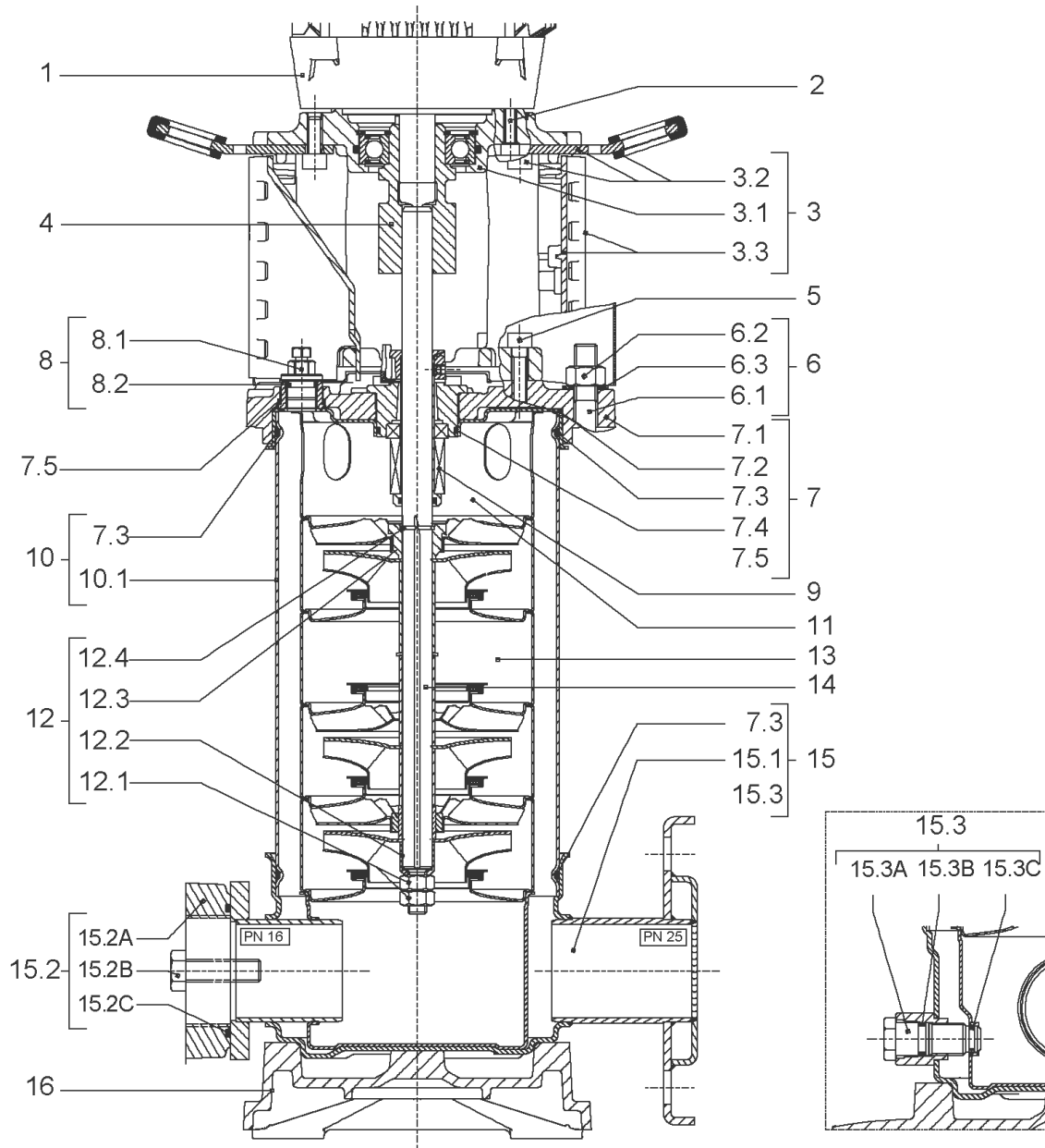


CARTRIDGE HELIX2-4 F/E KIT (4178597)

Item	Article no.	Description	Quantity
9.1	4178594	SEAL-KIT-HELIX2-4 F/E	1
7.3	4176513	> O-RING FOR PUMP JACKET VP.	1
7.4	2127603	> O-RING ID.37,6x2,4 EPDM VP.	1
9.1A	4176521	> MECH.SEAL HELIX2-4-6-10-16 F/E VP.	1
9.1B	4178558	> O-RING ID.12X2 EPDM VP.	1
9.1C	4178558	> O-RING ID.12X2 EPDM VP.	1
9.2	4178596	SHAFT SLEEVE D.18/12X72,2 1.4404 VP.	1
9.3	2130962	RING HOLDER D.18 G606/G6 1.4301 VP.	1
9.4	4176520	SCREW CH M5x5 A4-70 (3PIECES)	1
9.5	4178595	DRIVE RING D.29/15.5x13,2 MACH.VP.	1
9.6	2130964	TOOL M.S.CART.HELIX VP.	1
9.7	2130965	SCREW CHC M5X12 ISO4762 A2.70(4 PIECES)	1



Item	Article no.	Description	Quantity
13.1	4178570	STAGE HELIX 4 1.4301 KIT	1
		> MACH.STG-CASING-WOGV-WNR-M+2-4-304	1
		> IMPELLER-M+4-304	1
13.2	4178569	STAGE BEARING HELIX 4 1.4301 KIT	1
		> MACH.BEARING-STG-CASING-WNR-M+4-304	1
		> IMPELLER-M+4-304	1
		> SHAFT SLEEVE SPACER Ø15,35x10,305-304	1
		> SHAFT-SLEEVE-D12xD16x14-CW	1
13.3	4220514	INTER STAGE HELIX4 1.4301> 15 stages KIT	1
		> MACH.STD-STG-CASING-WGV+NR-M+4-304	1
		> IMPELLER-M+4-304	1
		> IMPELLER SPACER Ø12,1X14,1-L24,25-316L	1
13.4	4179552	EMPTY STAGE HELIX 4 1.4301 KIT	1
		> MACH.BEARING-STG-CASING-WNR-M+4-304	1
		> FLAT WASHER-D12.1XD16X0.8-316L	1
		> SHAFT SLEEVE SPACER Ø15,35x10,305-304	1
		> SHAFT-SLEEVE-D12xD16x14-CW	1
13.5	4179305	EMPTY STAGE HELIX 4 1.4301 KIT	1
		> MACH.STG-CASING-WOGV-WNR-M+2-4-304	1
		> FLAT WASHER-D12.1XD16X0.8-316L	1
		> IMPELLER SPACER Ø12,05X14,85-L24,285-304	1
13.6	4220513	INTERMED STAGE>15 HELIX 4 1.4301 KIT	1
		> MACH.STG-CASING-WOGV-WNR-M+2-4-304	1
		> IMPELLER-M+4-304	1
		> IMPELLER SPACER Ø12,1X14,1-L24,25-316L	1

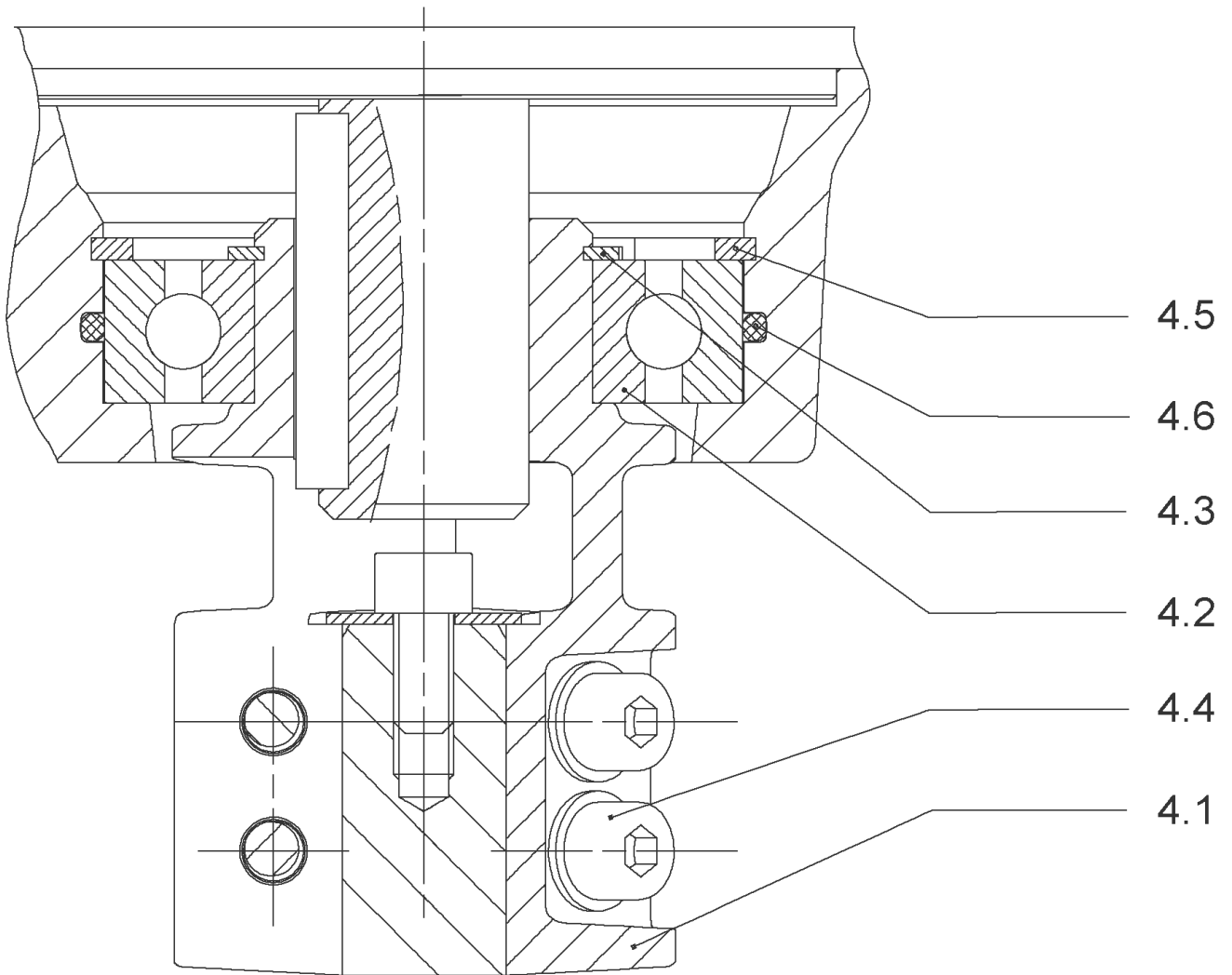


HELIX V424-1/25/E/KS/400-50 (4160545)

Item	Article no.	Description	Quantity
1	4169944	MOTOR 3/2/100 3~230/400V 50HZ IE3 VP.	1
		SPARE PARTS MOTOR:ON REQUEST	1
2	4206025	SCREW M8X45 (4 PIECES)	1
3	4171326	LANTERN FT130 HELIX KIT	1
3.1		> LANTERN FT130 M+6" GJL MACHINING+CATA	1
3.2	2127604	> EYELET CPL.FT HELIX(2 PIECES)	1
3.3	4159692	> COUPLING PROTECTOR FT HELIX KIT	1
4	4178626	COUPLING D.12XD.28 FT130 KIT	1
5	4159707	SCREW M8X30 (4 PIECES)	1
6	4177852	STUD BOLT M12X788KIT	1
6.1		> TIE BOLT M12-788x18x30-1.4057	1
6.2	2094647	> NUT M12 M12 ISO4032 VP.	1
6.3	2123557	> WASHER CS-12.4-24-1.6-NFE25 (4 PIECES)	1
7	4159685	END SHIELD HELIX EPDM KIT	1
7.1		> END SHIELD M+6" GJL250 MACHINING+CATA	1
7.2	2127607	> STATIONARY RING HOLDER 6" HELIX 1.4301 V	1
7.3	4176513	> O-RING FOR PUMP JACKET VP.	1
7.4	2127603	> O-RING ID.37,6x2,4 EPDM VP.	1
7.5	2127602	> O-RING ID.21,35x2 EPDM VP.	1
8	4159686	FILING/PURGING PLUG HELIX EPDM KIT	1
9	4178597	CARTRIDGE HELIX2-4 F/E KIT	1
10	4177853	HOUSING PIPES D.152X660 1.4307 KIT	1
7.3	4176513	> O-RING FOR PUMP JACKET VP.	1
10.1		> HOUSING-PIPE Ø152-M+1016/1610-304	1
11	4178566	CENTERING STAGE-RETURN HELIX4 1.4307 VP	1
12	4178567	SHAFT EQUIPMENT HELIX V2/V4 KIT	1
12.1		> NUT-H-M8-STAINLESS-STEEL A4-70	1
12.2		> SHAFT END WASHER Ø8/Ø12 316L	1
12.3		> STOP COLLAR OF IMPELLER L12,6-Ø12-316L	1
12.4		> STOP-RUSH-1/2-D12xd2-M+316	1
13		HYDRAULIC HELIX V 424 1.4307	1
14	4179234	SHAFT D.12X783,8 1.4301 VP.	1
15	4178593	PUMP HOUSING HELIX DN25 PN25 1.4301 KIT	1
7.3	4176513	> O-RING FOR PUMP JACKET VP.	1

HELIX V424-1/25/E/KS/400-50 (4160545)

Item	Article no.	Description	Quantity
15.1		> BLASTING PPE HOUSING V PN25-DN25-5"-304	1
15.3	4171321	> PRIMING/DRAIN PLUG EPDM HELIX KIT	1
16	4177970	BASEPLATE HELIX V2/4/6 PN25 VP.	1



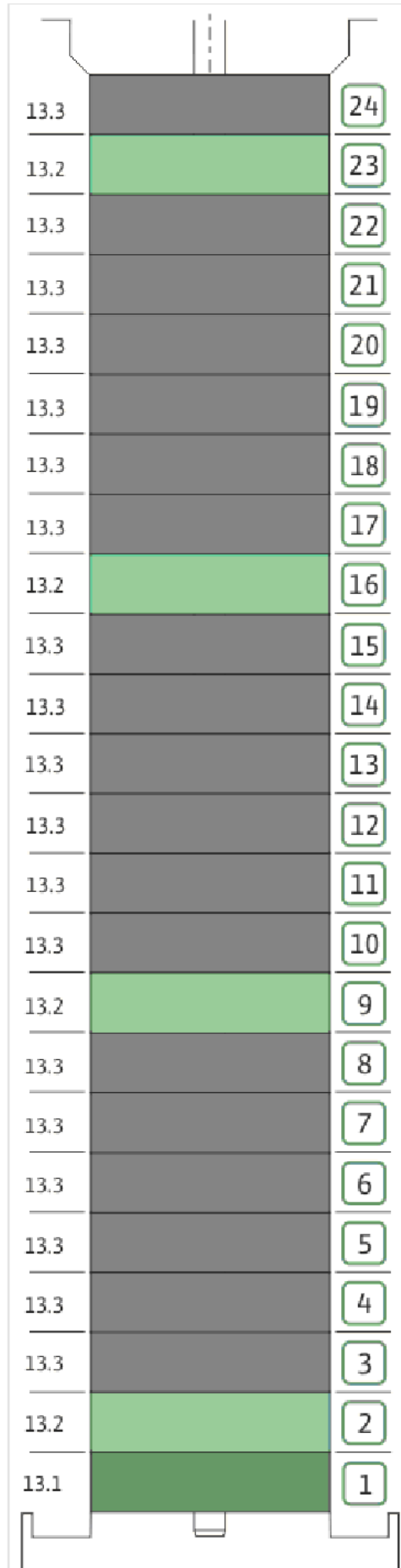
COUPLING D.12XD.28 FT130 KIT (4178626)

Item	Article no.	Description	Quantity
4.1		COUPLING-M+ Ø12XØ28-FT130-MACHINED	1
4.2	2131022	BALL BEARING 6209/ZZ-C3(HT)VP.	1
4.3	4233930	CIRCLIP-FOR-BORES-D45x1,75 VP.	1
4.4	4157726	SCREW KIT M8X30 (4 PIECES)	1
4.5	4234252	CIRCLIPS 85X3 VP.	1
4.6	4234243	O-RING 85X3 VP.	1
		NOMEL CONTACT WASHER 8x16x1,4 STEEL ZC	1



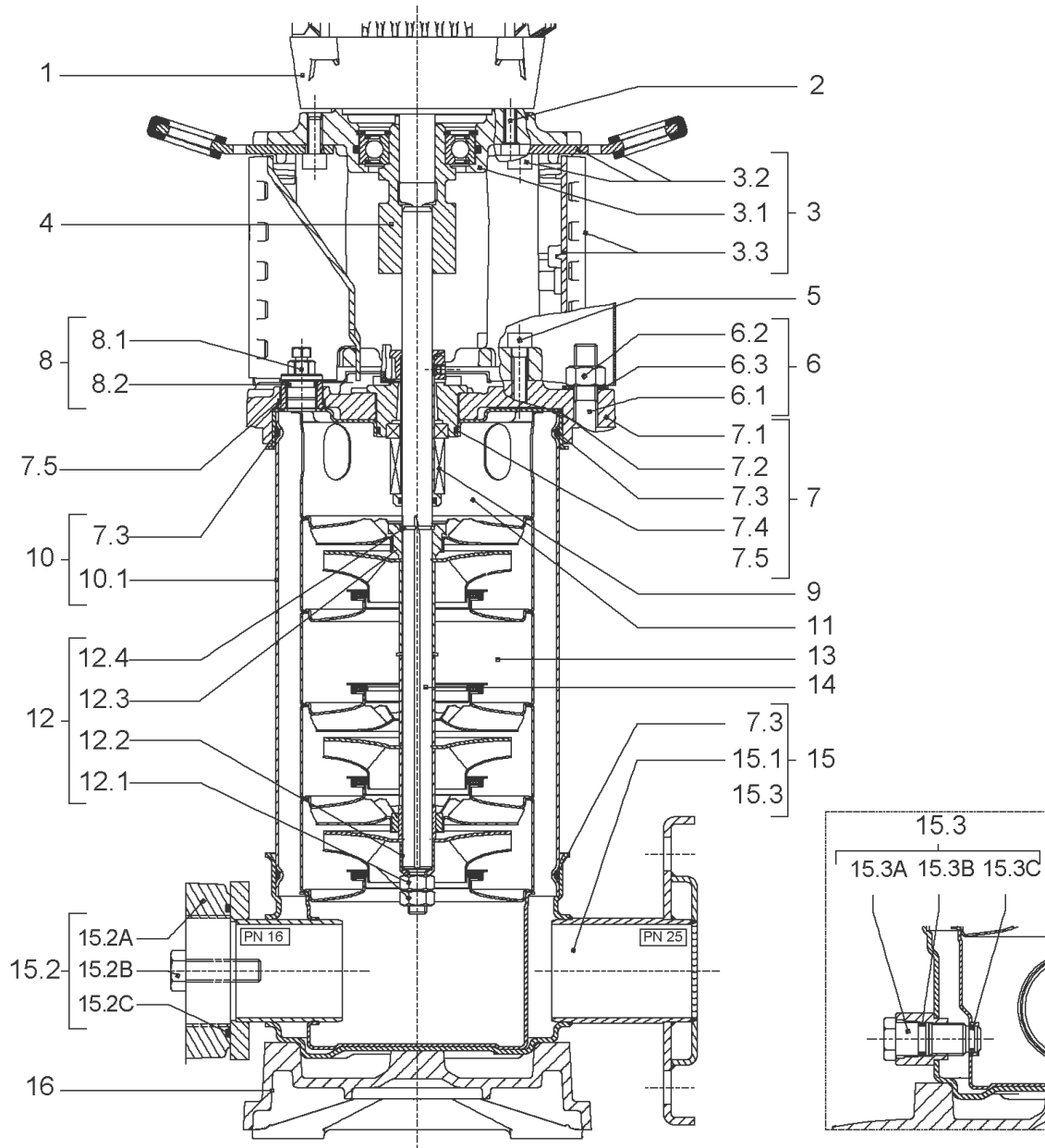
CARTRIDGE HELIX2-4 F/E KIT (4178597)

Item	Article no.	Description	Quantity
9.1	4178594	SEAL-KIT-HELIX2-4 F/E	1
7.3	4176513	> O-RING FOR PUMP JACKET VP.	1
7.4	2127603	> O-RING ID.37,6x2,4 EPDM VP.	1
9.1A	4176521	> MECH.SEAL HELIX2-4-6-10-16 F/E VP.	1
9.1B	4178558	> O-RING ID.12X2 EPDM VP.	1
9.1C	4178558	> O-RING ID.12X2 EPDM VP.	1
9.2	4178596	SHAFT SLEEVE D.18/12X72,2 1.4404 VP.	1
9.3	2130962	RING HOLDER D.18 G606/G6 1.4301 VP.	1
9.4	4176520	SCREW CH M5x5 A4-70 (3PIECES)	1
9.5	4178595	DRIVE RING D.29/15.5x13,2 MACH.VP.	1
9.6	2130964	TOOL M.S.CART.HELIX VP.	1
9.7	2130965	SCREW CHC M5X12 ISO4762 A2.70(4 PIECES)	1



HYDRAULIC HELIX V 424 1.4307

Item	Article no.	Description	Quantity
13.1	4178570	STAGE HELIX 4 1.4301 KIT	1
		> MACH.STG-CASING-WOGV-WNR-M+2-4-304	1
		> IMPELLER-M+4-304	1
13.2	4178569	STAGE BEARING HELIX 4 1.4301 KIT	1
		> MACH.BEARING-STG-CASING-WNR-M+4-304	1
		> IMPELLER-M+4-304	1
		> SHAFT SLEEVE SPACER Ø15,35x10,305-304	1
		> SHAFT-SLEEVE-D12xD16x14-CW	1
13.3	4220514	INTER STAGE HELIX4 1.4301> 15 stages KIT	1
		> MACH.STD-STG-CASING-WGV+NR-M+4-304	1
		> IMPELLER-M+4-304	1
		> IMPELLER SPACER Ø12,1X14,1-L24,25-316L	1



HELIX V426-1/25/E/KS/400-50 (4160546)

Item	Article no.	Description	Quantity
1	4169945	MO.4/2 3~230/400(460)V 50(60)HZ IE3 VP.	1
		SPARE PARTS MOTOR:ON REQUEST	1
2	4206025	SCREW M8X45 (4 PIECES)	1
3	4171326	LANTERN FT130 HELIX KIT	1
3.1		> LANTERN FT130 M+6" GJL MACHINING+CATA	1
3.2	2127604	> EYELET CPL.FT HELIX(2 PIECES)	1
3.3	4159692	> COUPLING PROTECTOR FT HELIX KIT	1
4	4178626	COUPLING D.12XD.28 FT130 KIT	1
5	4159707	SCREW M8X30 (4 PIECES)	1
6	4177859	STUD BOLT M12X863KIT	1
6.1		> TIE BOLT M12-863x18x30-1.4057	1
6.2	2094647	> NUT M12 M12 ISO4032 VP.	1
6.3	2123557	> WASHER CS-12.4-24-1.6-NFE25 (4 PIECES)	1
7	4159685	END SHIELD HELIX EPDM KIT	1
7.1		> END SHIELD M+6" GJL250 MACHINING+CATA	1
7.2	2127607	> STATIONARY RING HOLDER 6" HELIX 1.4301 V	1
7.3	4176513	> O-RING FOR PUMP JACKET VP.	1
7.4	2127603	> O-RING ID.37,6x2,4 EPDM VP.	1
7.5	2127602	> O-RING ID.21,35x2 EPDM VP.	1
8	4159686	FILING/PURGING PLUG HELIX EPDM KIT	1
9	4178597	CARTRIDGE HELIX2-4 F/E KIT	1
10	4177860	HOUSING PIPES D.152X735 1.4301 KIT	1
7.3	4176513	> O-RING FOR PUMP JACKET VP.	1
10.1		> HOUSING-PIPE Ø152-M+1017/18-304	1
11	4178566	CENTERING STAGE-RETURN HELIX4 1.4307 VP	1
12	4178567	SHAFT EQUIPMENT HELIX V2/V4 KIT	1
12.1		> NUT-H-M8-STAINLESS-STEEL A4-70	1
12.2		> SHAFT END WASHER Ø8/Ø12 316L	1
12.3		> STOP COLLAR OF IMPELLER L12,6-Ø12-316L	1
12.4		> STOP-RUSH-1/2-D12xd2-M+316	1
13		HYDRAULIC HELIX V 426 1.4307	1
14	4179237	SHAFT D.12X858,8 1.4462 VP.	1
15	4178593	PUMP HOUSING HELIX DN25 PN25 1.4301 KIT	1
7.3	4176513	> O-RING FOR PUMP JACKET VP.	1

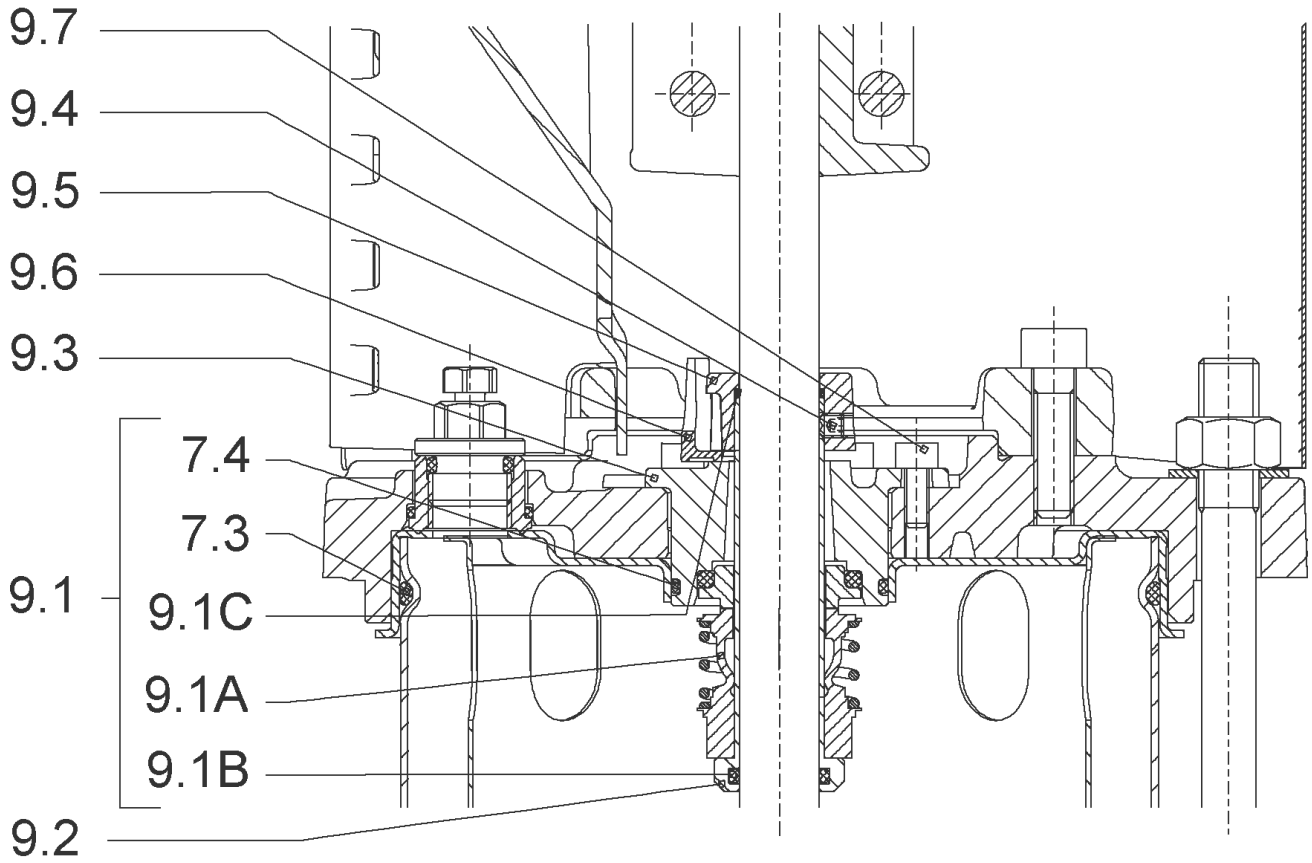
HELIX V426-1/25/E/KS/400-50 (4160546)

Item	Article no.	Description	Quantity
15.1		> BLASTING PPE HOUSING V PN25-DN25-5"-304	1
15.3	4171321	> PRIMING/DRAIN PLUG EPDM HELIX KIT	1
16	4177970	BASEPLATE HELIX V2/4/6 PN25 VP.	1



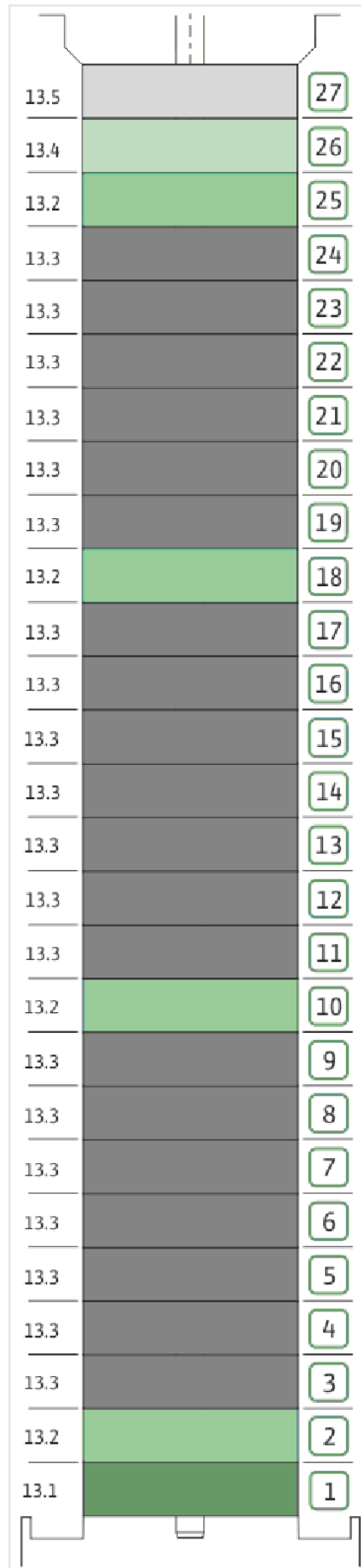
COUPLING D.12XD.28 FT130 KIT (4178626)

Item	Article no.	Description	Quantity
4.1		COUPLING-M+ Ø12XØ28-FT130-MACHINED	1
4.2	2131022	BALL BEARING 6209/ZZ-C3(HT)VP.	1
4.3	4233930	CIRCLIP-FOR-BORES-D45x1,75 VP.	1
4.4	4157726	SCREW KIT M8X30 (4 PIECES)	1
4.5	4234252	CIRCLIPS 85X3 VP.	1
4.6	4234243	O-RING 85X3 VP.	1
		NOMEL CONTACT WASHER 8x16x1,4 STEEL ZC	1



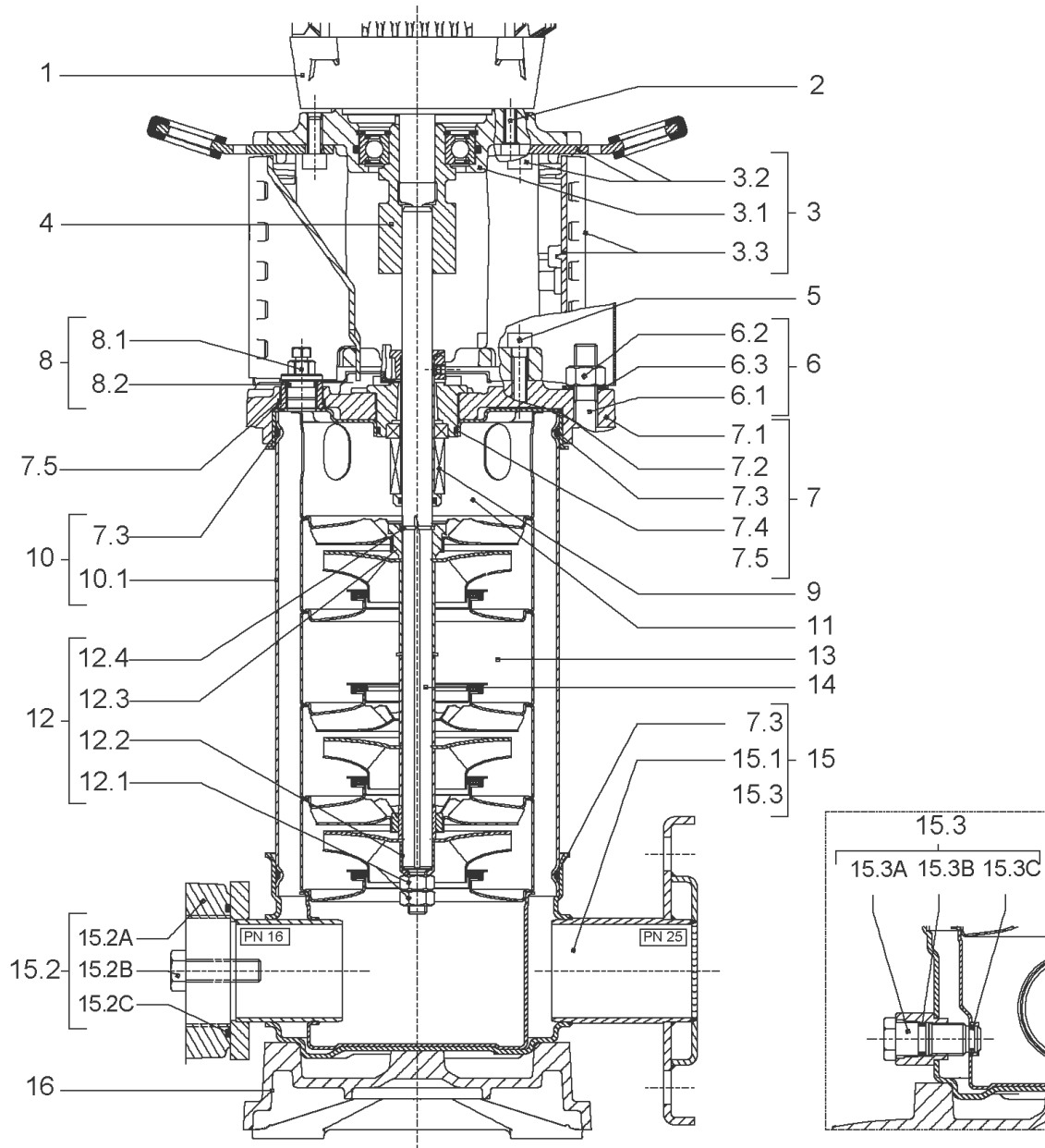
CARTRIDGE HELIX2-4 F/E KIT (4178597)

Item	Article no.	Description	Quantity
9.1	4178594	SEAL-KIT-HELIX2-4 F/E	1
7.3	4176513	> O-RING FOR PUMP JACKET VP.	1
7.4	2127603	> O-RING ID.37,6x2,4 EPDM VP.	1
9.1A	4176521	> MECH.SEAL HELIX2-4-6-10-16 F/E VP.	1
9.1B	4178558	> O-RING ID.12X2 EPDM VP.	1
9.1C	4178558	> O-RING ID.12X2 EPDM VP.	1
9.2	4178596	SHAFT SLEEVE D.18/12X72,2 1.4404 VP.	1
9.3	2130962	RING HOLDER D.18 G606/G6 1.4301 VP.	1
9.4	4176520	SCREW CH M5x5 A4-70 (3PIECES)	1
9.5	4178595	DRIVE RING D.29/15.5x13,2 MACH.VP.	1
9.6	2130964	TOOL M.S.CART.HELIX VP.	1
9.7	2130965	SCREW CHC M5X12 ISO4762 A2.70(4 PIECES)	1



HYDRAULIC HELIX V 426 1.4307

Item	Article no.	Description	Quantity
13.1	4178570	STAGE HELIX 4 1.4301 KIT	1
		> MACH.STG-CASING-WOGV-WNR-M+2-4-304	1
		> IMPELLER-M+4-304	1
13.2	4178569	STAGE BEARING HELIX 4 1.4301 KIT	1
		> MACH.BEARING-STG-CASING-WNR-M+4-304	1
		> IMPELLER-M+4-304	1
		> SHAFT SLEEVE SPACER Ø15,35x10,305-304	1
		> SHAFT-SLEEVE-D12xD16x14-CW	1
13.3	4220514	INTER STAGE HELIX4 1.4301> 15 stages KIT	1
		> MACH.STD-STG-CASING-WGV+NR-M+4-304	1
		> IMPELLER-M+4-304	1
		> IMPELLER SPACER Ø12,1X14,1-L24,25-316L	1
13.4	4220516	EMPTY STAGE HELIX 4 1.4301>15 stage Kit	1
		> MACH.STD-STG-CASING-WGV+NR-M+4-304	1
		> FLAT WASHER-D12.1XD16X0.8-316L	1
		> IMPELLER SPACER Ø12,1X14,1-L24,25-316L	1
13.5	4220513	INTERMED STAGE>15 HELIX 4 1.4301 KIT	1
		> MACH.STG-CASING-WOGV-WNR-M+2-4-304	1
		> IMPELLER-M+4-304	1
		> IMPELLER SPACER Ø12,1X14,1-L24,25-316L	1



HELIX V429-1/25/E/KS/400-50 (4160547)

Item	Article no.	Description	Quantity
1	4169945	MO.4/2 3~230/400(460)V 50(60)HZ IE3 VP.	1
		SPARE PARTS MOTOR:ON REQUEST	1
2	4206025	SCREW M8X45 (4 PIECES)	1
3	4171326	LANTERN FT130 HELIX KIT	1
3.1		> LANTERN FT130 M+6" GJL MACHINING+CATA	1
3.2	2127604	> EYELET CPL.FT HELIX(2 PIECES)	1
3.3	4159692	> COUPLING PROTECTOR FT HELIX KIT	1
4	4178626	COUPLING D.12XD.28 FT130 KIT	1
5	4159707	SCREW M8X30 (4 PIECES)	1
6	4177863	STUD BOLT M12X938 KIT	1
6.1		> TIE BOLT M12-938x18x30-1.4057	1
6.2	2094647	> NUT M12 M12 ISO4032 VP.	1
6.3	2123557	> WASHER CS-12.4-24-1.6-NFE25 (4 PIECES)	1
7	4159685	END SHIELD HELIX EPDM KIT	1
7.1		> END SHIELD M+6" GJL250 MACHINING+CATA	1
7.2	2127607	> STATIONARY RING HOLDER 6" HELIX 1.4301 V	1
7.3	4176513	> O-RING FOR PUMP JACKET VP.	1
7.4	2127603	> O-RING ID.37,6x2,4 EPDM VP.	1
7.5	2127602	> O-RING ID.21,35x2 EPDM VP.	1
8	4159686	FILING/PURGING PLUG HELIX EPDM KIT	1
9	4178597	CARTRIDGE HELIX2-4 F/E KIT	1
10	2127583	HOUSING PIPE D.152x810 1.4301 KIT	1
7.3	4176513	> O-RING FOR PUMP JACKET VP.	1
10.1		> HOUSING-PIPE Ø152-M+1020/1613-304	1
11	4178566	CENTERING STAGE-RETURN HELIX4 1.4307 VP	1
12	4178567	SHAFT EQUIPMENT HELIX V2/V4 KIT	1
12.1		> NUT-H-M8-STAINLESS-STEEL A4-70	1
12.2		> SHAFT END WASHER Ø8/Ø12 316L	1
12.3		> STOP COLLAR OF IMPELLER L12,6-Ø12-316L	1
12.4		> STOP-RUSH-1/2-D12xd2-M+316	1
13		HYDRAULIC HELIX V 429 1.4307	1
14	4179245	SHAFT D.12X933,8 1.4462 VP.	1
15	4178593	PUMP HOUSING HELIX DN25 PN25 1.4301 KIT	1
7.3	4176513	> O-RING FOR PUMP JACKET VP.	1

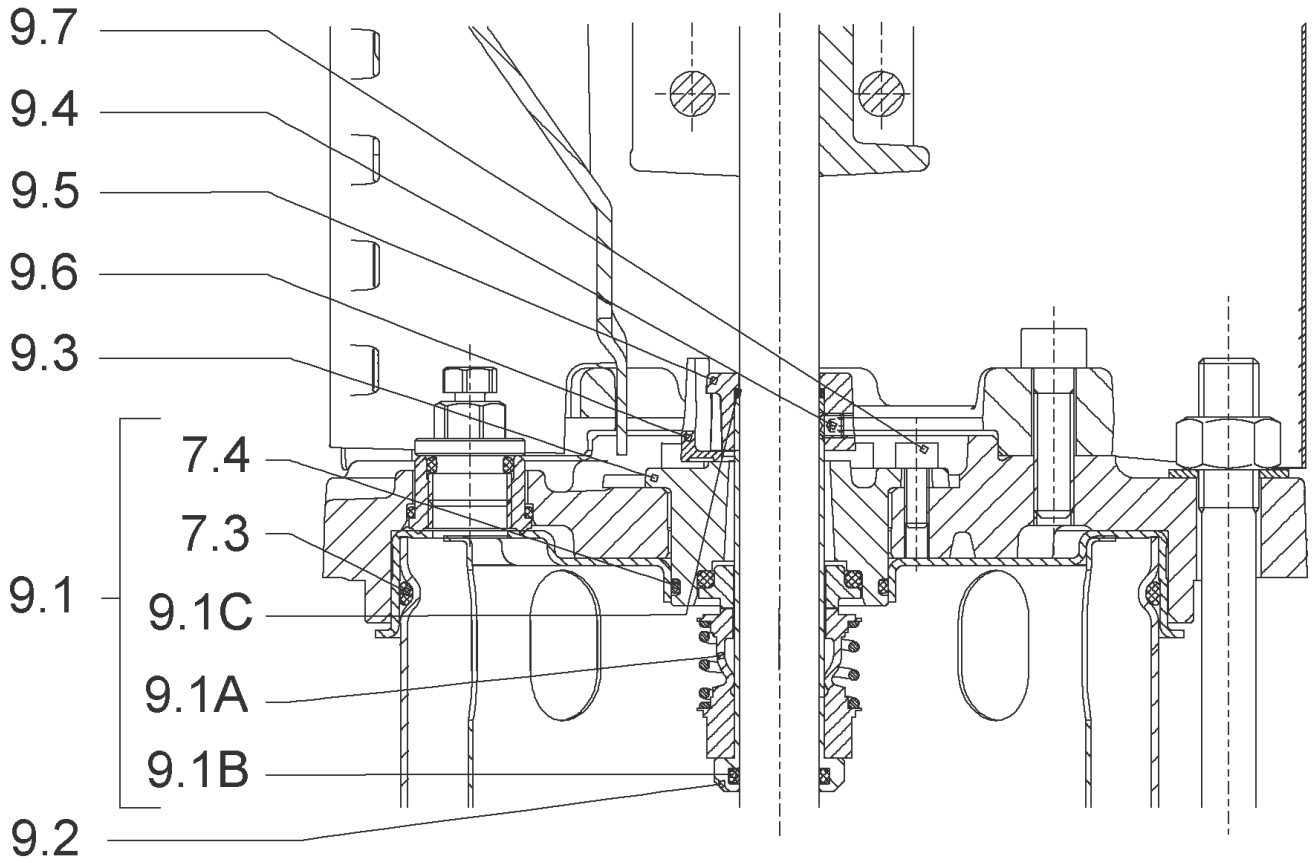
HELIX V429-1/25/E/KS/400-50 (4160547)

Item	Article no.	Description	Quantity
15.1		> BLASTING PPE HOUSING V PN25-DN25-5"-304	1
15.3	4171321	> PRIMING/DRAIN PLUG EPDM HELIX KIT	1
16	4177970	BASEPLATE HELIX V2/4/6 PN25 VP.	1



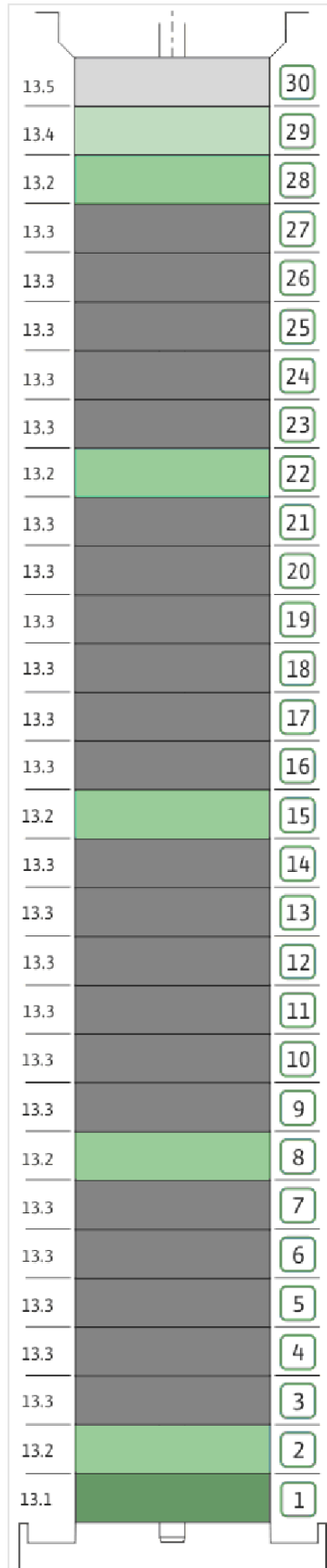
COUPLING D.12XD.28 FT130 KIT (4178626)

Item	Article no.	Description	Quantity
4.1		COUPLING-M+ Ø12XØ28-FT130-MACHINED	1
4.2	2131022	BALL BEARING 6209/ZZ-C3(HT)VP.	1
4.3	4233930	CIRCLIP-FOR-BORES-D45x1,75 VP.	1
4.4	4157726	SCREW KIT M8X30 (4 PIECES)	1
4.5	4234252	CIRCLIPS 85X3 VP.	1
4.6	4234243	O-RING 85X3 VP.	1
		NOMEL CONTACT WASHER 8x16x1,4 STEEL ZC	1

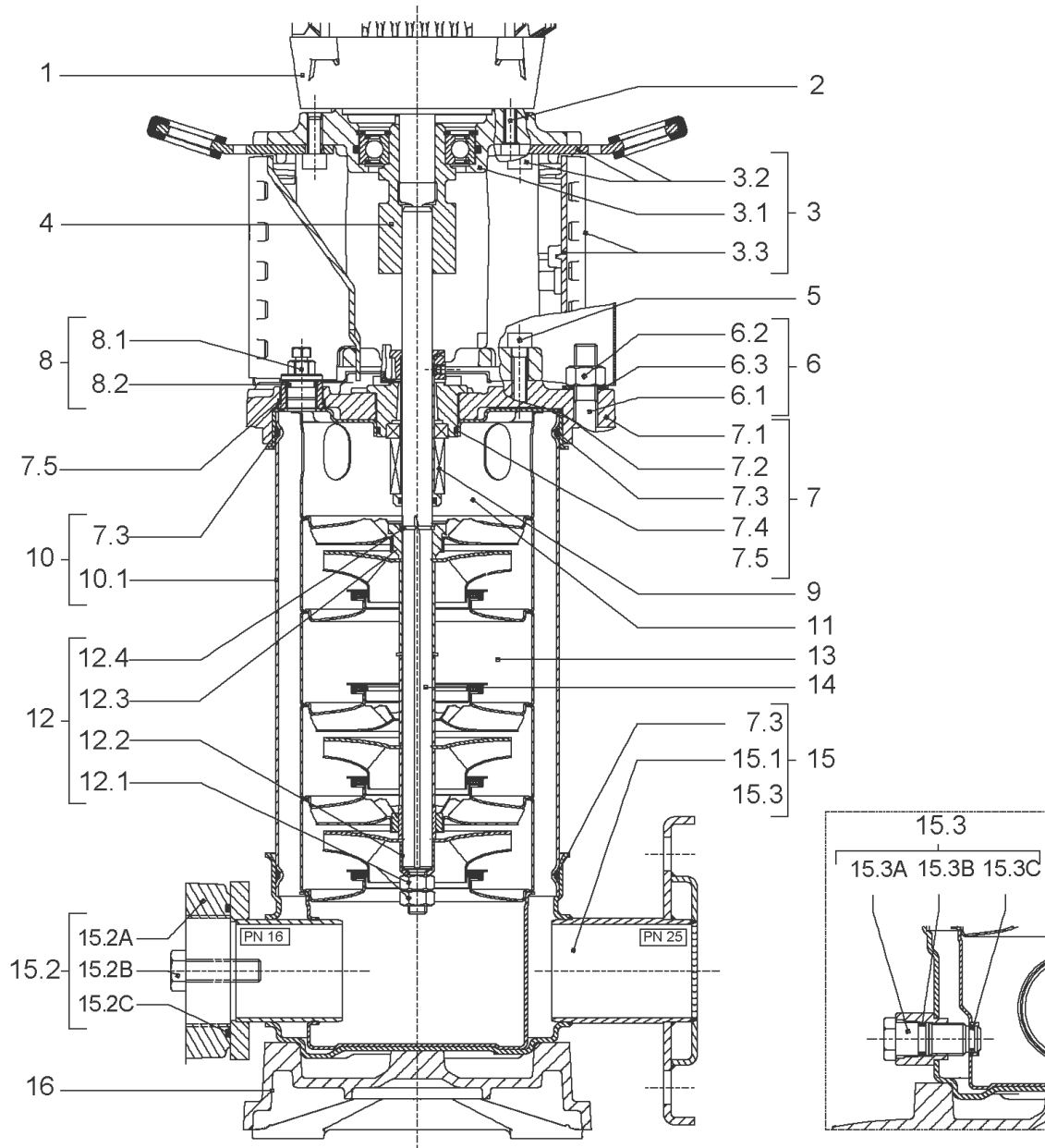


CARTRIDGE HELIX2-4 F/E KIT (4178597)

Item	Article no.	Description	Quantity
9.1	4178594	SEAL-KIT-HELIX2-4 F/E	1
7.3	4176513	> O-RING FOR PUMP JACKET VP.	1
7.4	2127603	> O-RING ID.37,6x2,4 EPDM VP.	1
9.1A	4176521	> MECH.SEAL HELIX2-4-6-10-16 F/E VP.	1
9.1B	4178558	> O-RING ID.12X2 EPDM VP.	1
9.1C	4178558	> O-RING ID.12X2 EPDM VP.	1
9.2	4178596	SHAFT SLEEVE D.18/12X72,2 1.4404 VP.	1
9.3	2130962	RING HOLDER D.18 G606/G6 1.4301 VP.	1
9.4	4176520	SCREW CH M5x5 A4-70 (3PIECES)	1
9.5	4178595	DRIVE RING D.29/15.5x13,2 MACH.VP.	1
9.6	2130964	TOOL M.S.CART.HELIX VP.	1
9.7	2130965	SCREW CHC M5X12 ISO4762 A2.70(4 PIECES)	1



Item	Article no.	Description	Quantity
13.1	4178570	STAGE HELIX 4 1.4301 KIT	1
		> MACH.STG-CASING-WOGV-WNR-M+2-4-304	1
		> IMPELLER-M+4-304	1
13.2	4178569	STAGE BEARING HELIX 4 1.4301 KIT	1
		> MACH.BEARING-STG-CASING-WNR-M+4-304	1
		> IMPELLER-M+4-304	1
		> SHAFT SLEEVE SPACER Ø15,35x10,305-304	1
		> SHAFT-SLEEVE-D12xD16x14-CW	1
13.3	4220514	INTER STAGE HELIX4 1.4301> 15 stages KIT	1
		> MACH.STD-STG-CASING-WGV+NR-M+4-304	1
		> IMPELLER-M+4-304	1
		> IMPELLER SPACER Ø12,1X14,1-L24,25-316L	1
13.4	4220516	EMPTY STAGE HELIX 4 1.4301>15 stage Kit	1
		> MACH.STD-STG-CASING-WGV+NR-M+4-304	1
		> FLAT WASHER-D12.1XD16X0.8-316L	1
		> IMPELLER SPACER Ø12,1X14,1-L24,25-316L	1
13.5	4220513	INTERMED STAGE>15 HELIX 4 1.4301 KIT	1
		> MACH.STG-CASING-WOGV-WNR-M+2-4-304	1
		> IMPELLER-M+4-304	1
		> IMPELLER SPACER Ø12,1X14,1-L24,25-316L	1



HELIX V431-1/25/E/KS/400-50 (4160548)

Item	Article no.	Description	Quantity
1	4169945	MO.4/2 3~230/400(460)V 50(60)HZ IE3 VP.	1
		SPARE PARTS MOTOR:ON REQUEST	1
2	4206025	SCREW M8X45 (4 PIECES)	1
3	4171326	LANTERN FT130 HELIX KIT	1
3.1		> LANTERN FT130 M+6" GJL MACHINING+CATA	1
3.2	2127604	> EYELET CPL.FT HELIX(2 PIECES)	1
3.3	4159692	> COUPLING PROTECTOR FT HELIX KIT	1
4	4178626	COUPLING D.12XD.28 FT130 KIT	1
5	4159707	SCREW M8X30 (4 PIECES)	1
6	4179247	STUD BOLT M12X963 KIT	1
6.1		> TIE BOLT M12-963x18x30-AISI431	1
6.2	2094647	> NUT M12 M12 ISO4032 VP.	1
6.3	2123557	> WASHER CS-12.4-24-1.6-NFE25 (4 PIECES)	1
7	4159685	END SHIELD HELIX EPDM KIT	1
7.1		> END SHIELD M+6" GJL250 MACHINING+CATA	1
7.2	2127607	> STATIONARY RING HOLDER 6" HELIX 1.4301 V	1
7.3	4176513	> O-RING FOR PUMP JACKET VP.	1
7.4	2127603	> O-RING ID.37,6x2,4 EPDM VP.	1
7.5	2127602	> O-RING ID.21,35x2 EPDM VP.	1
8	4159686	FILING/PURGING PLUG HELIX EPDM KIT	1
9	4178597	CARTRIDGE HELIX2-4 F/E KIT	1
10	4179250	HOUSING PIPE D.152X835 1.4301 KIT	1
7.3	4176513	> O-RING FOR PUMP JACKET VP.	1
10.1		> HOUSING-PIPE Ø152-M+231/431-304	1
11	4178566	CENTERING STAGE-RETURN HELIX4 1.4307 VP	1
12	4178567	SHAFT EQUIPMENT HELIX V2/V4 KIT	1
12.1		> NUT-H-M8-STAINLESS-STEEL A4-70	1
12.2		> SHAFT END WASHER Ø8/Ø12 316L	1
12.3		> STOP COLLAR OF IMPELLER L12,6-Ø12-316L	1
12.4		> STOP-RUSH-1/2-D12xd2-M+316	1
13		HYDRAULIC HELIX V 431 1.4307	1
14	4179249	SHAFT D.12X958,8 1.4462 VP.	1
15	4178593	PUMP HOUSING HELIX DN25 PN25 1.4301 KIT	1
7.3	4176513	> O-RING FOR PUMP JACKET VP.	1

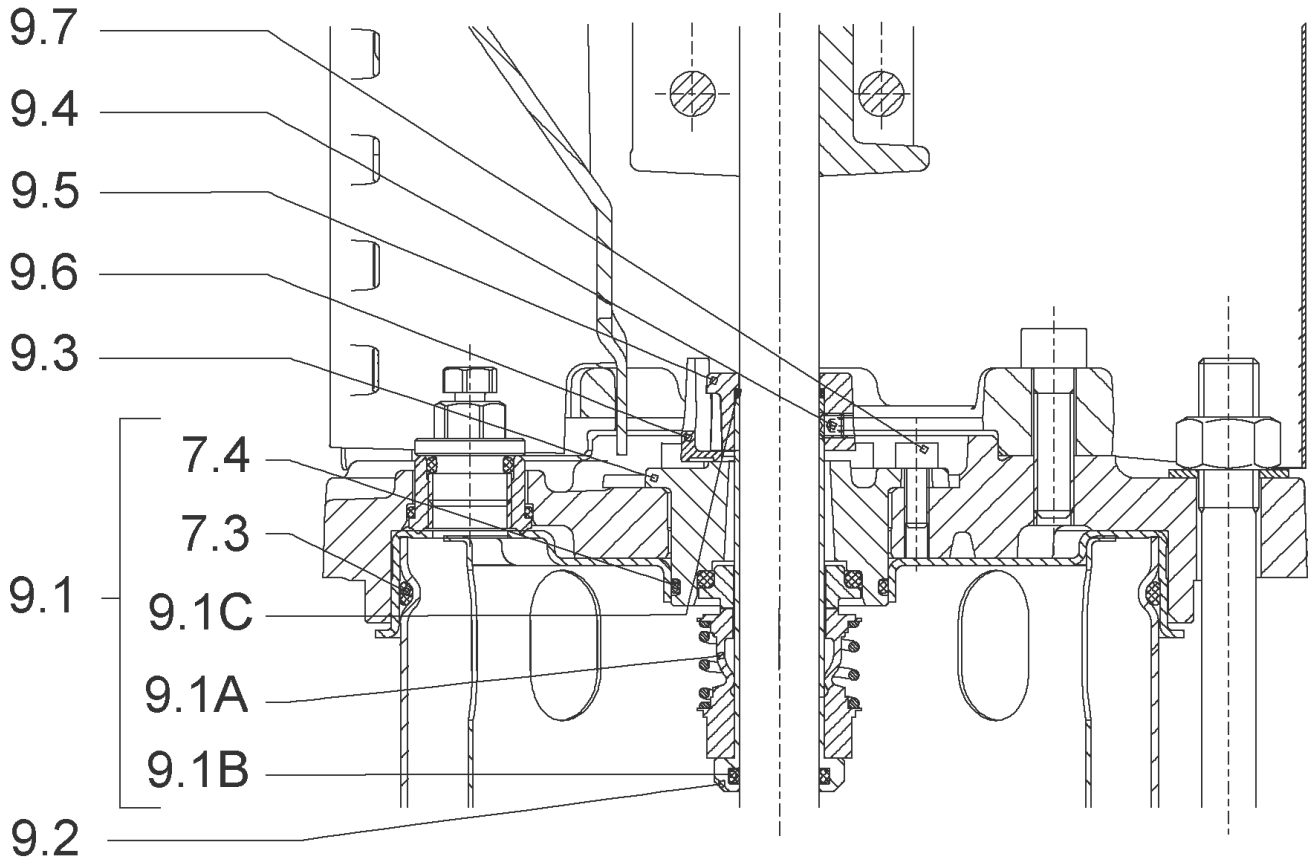
HELIX V431-1/25/E/KS/400-50 (4160548)

Item	Article no.	Description	Quantity
15.1		> BLASTING PPE HOUSING V PN25-DN25-5"-304	1
15.3	4171321	> PRIMING/DRAIN PLUG EPDM HELIX KIT	1
16	4177970	BASEPLATE HELIX V2/4/6 PN25 VP.	1



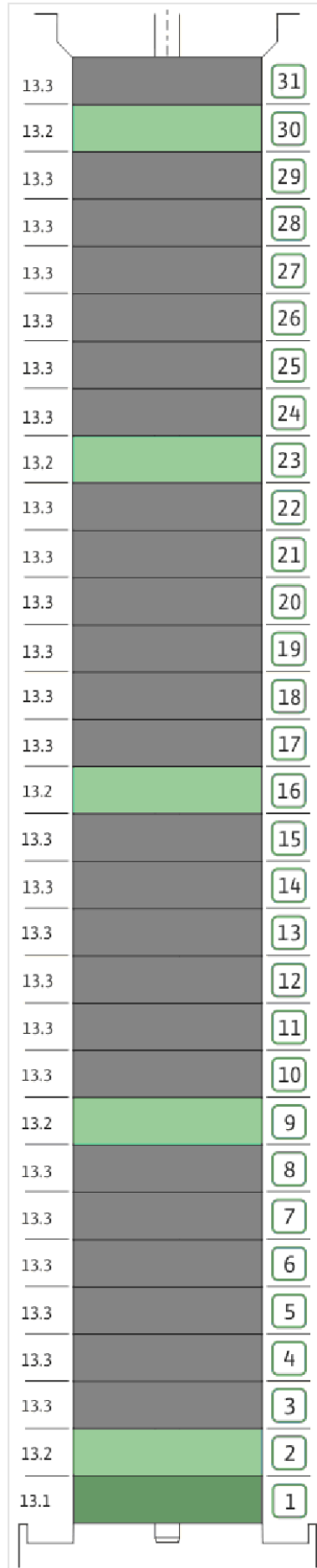
COUPLING D.12XD.28 FT130 KIT (4178626)

Item	Article no.	Description	Quantity
4.1		COUPLING-M+ Ø12XØ28-FT130-MACHINED	1
4.2	2131022	BALL BEARING 6209/ZZ-C3(HT)VP.	1
4.3	4233930	CIRCLIP-FOR-BORES-D45x1,75 VP.	1
4.4	4157726	SCREW KIT M8X30 (4 PIECES)	1
4.5	4234252	CIRCLIPS 85X3 VP.	1
4.6	4234243	O-RING 85X3 VP.	1
		NOMEL CONTACT WASHER 8x16x1,4 STEEL ZC	1

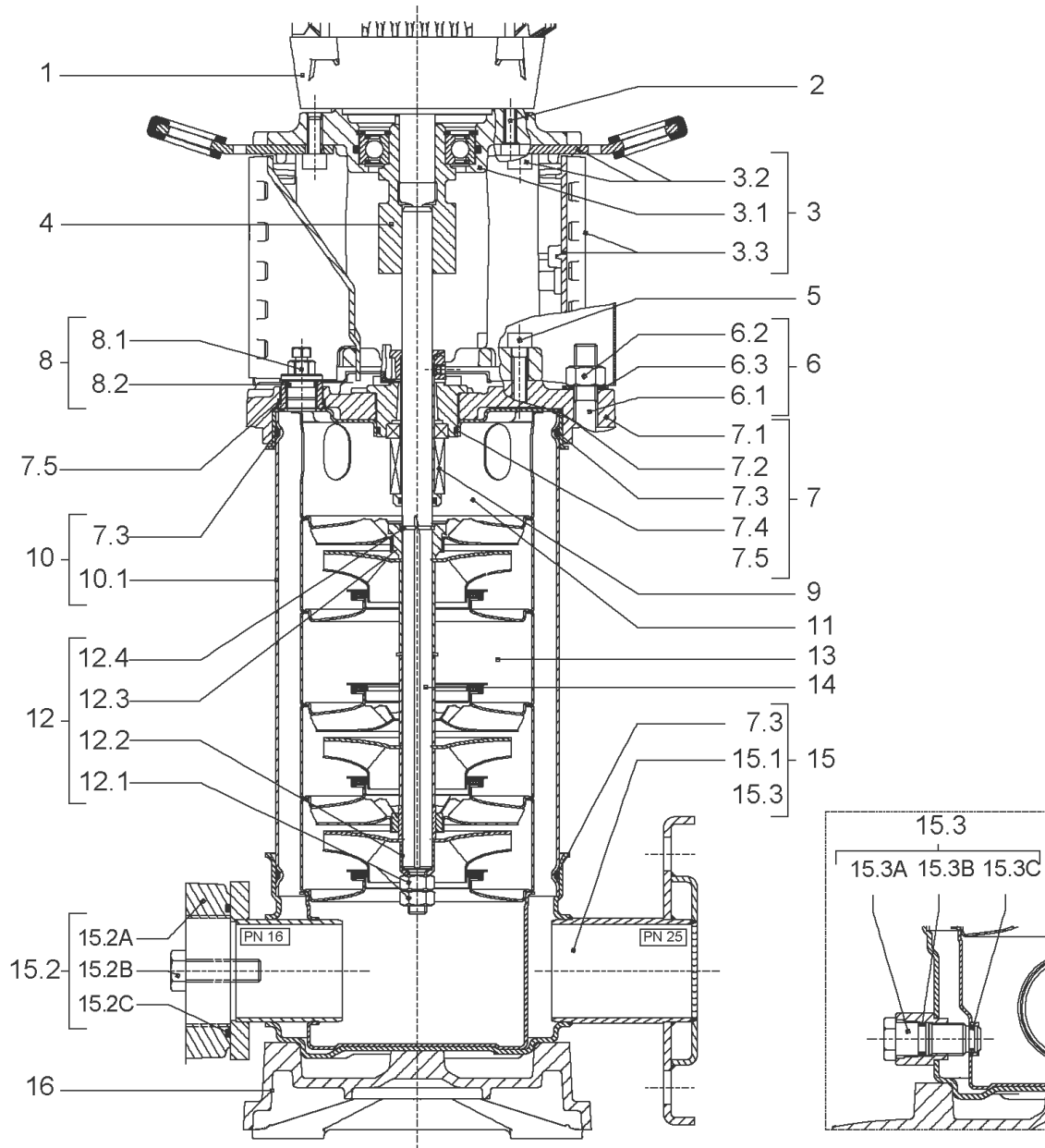


CARTRIDGE HELIX2-4 F/E KIT (4178597)

Item	Article no.	Description	Quantity
9.1	4178594	SEAL-KIT-HELIX2-4 F/E	1
7.3	4176513	> O-RING FOR PUMP JACKET VP.	1
7.4	2127603	> O-RING ID.37,6x2,4 EPDM VP.	1
9.1A	4176521	> MECH.SEAL HELIX2-4-6-10-16 F/E VP.	1
9.1B	4178558	> O-RING ID.12X2 EPDM VP.	1
9.1C	4178558	> O-RING ID.12X2 EPDM VP.	1
9.2	4178596	SHAFT SLEEVE D.18/12X72,2 1.4404 VP.	1
9.3	2130962	RING HOLDER D.18 G606/G6 1.4301 VP.	1
9.4	4176520	SCREW CH M5x5 A4-70 (3PIECES)	1
9.5	4178595	DRIVE RING D.29/15.5x13,2 MACH.VP.	1
9.6	2130964	TOOL M.S.CART.HELIX VP.	1
9.7	2130965	SCREW CHC M5X12 ISO4762 A2.70(4 PIECES)	1



Item	Article no.	Description	Quantity
13.1	4178570	STAGE HELIX 4 1.4301 KIT	1
		> MACH.STG-CASING-WOGV-WNR-M+2-4-304	1
		> IMPELLER-M+4-304	1
13.2	4178569	STAGE BEARING HELIX 4 1.4301 KIT	1
		> MACH.BEARING-STG-CASING-WNR-M+4-304	1
		> IMPELLER-M+4-304	1
		> SHAFT SLEEVE SPACER Ø15,35x10,305-304	1
		> SHAFT-SLEEVE-D12xD16x14-CW	1
13.3	4220514	INTER STAGE HELIX4 1.4301> 15 stages KIT	1
		> MACH.STD-STG-CASING-WGV+NR-M+4-304	1
		> IMPELLER-M+4-304	1
		> IMPELLER SPACER Ø12,1X14,1-L24,25-316L	1

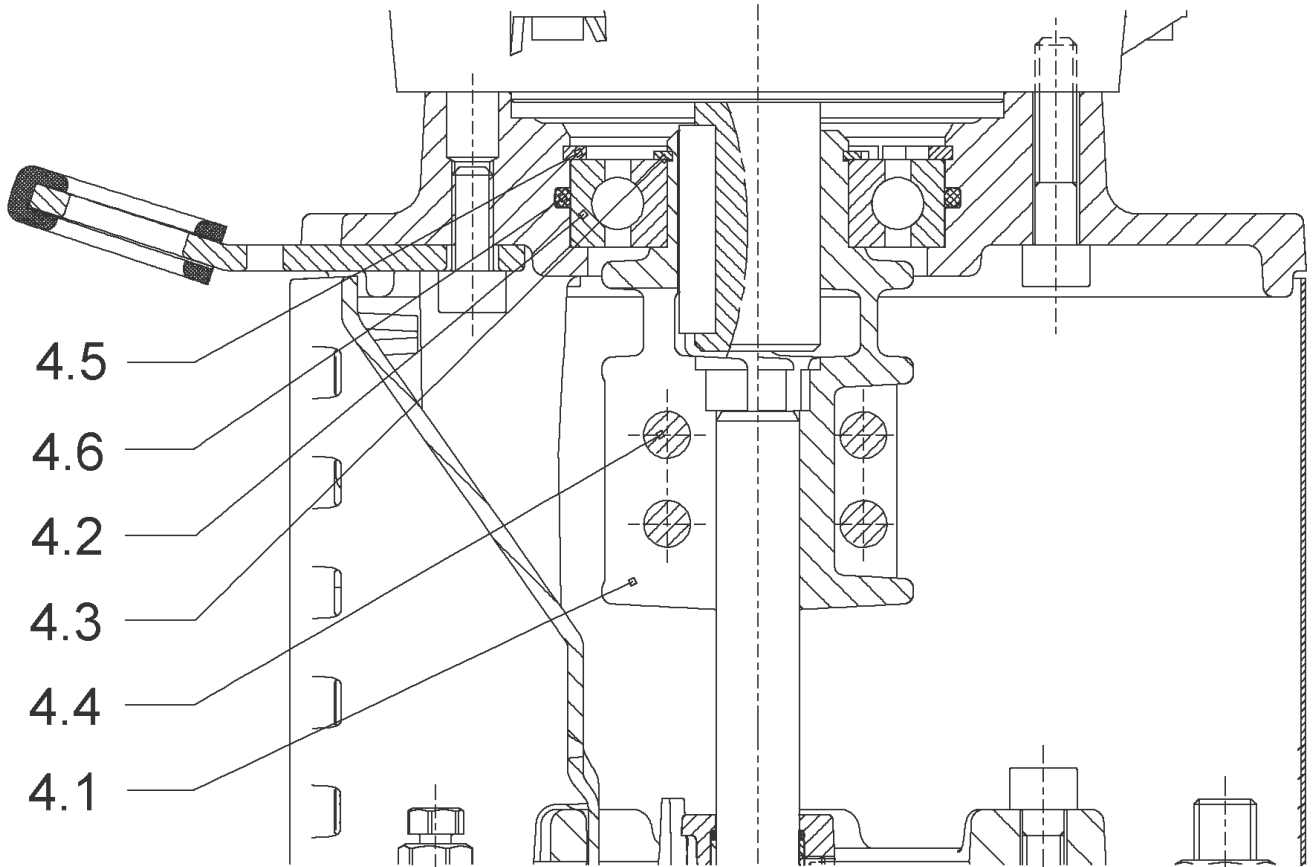


HELIX V402-2/25/V/KS/400-50 (4160549)

Item	Article no.	Description	Quantity
1	4169946	MOTOR 0,37/2/71 3~230/400V 50HZ IE2 VP.	1
		SPARE PARTS MOTOR:ON REQUEST	1
2	4159702	SCREW M6X30 (4 PIECES)	1
3	4171323	LANTERN FT85 HELIX KIT	1
3.1		> LANTERN FT85 M+6" GJL MACHINING+CATA	1
3.2	2127604	> EYELET CPL.FT HELIX(2 PIECES)	1
3.3	4159692	> COUPLING PROTECTOR FT HELIX KIT	1
4	4178554	COUPLING FT 85 Ø12XØ14 KIT	1
5	4159707	SCREW M8X30 (4 PIECES)	1
6	2018359	STUD BOLT M12X245 KIT	1
6.1		> TIE BOLT M12-245x18x30-1.4057	1
6.2	2094647	> NUT M12 M12 ISO4032 VP.	1
6.3	2123557	> WASHER CS-12.4-24-1.6-NFE25 (4 PIECES)	1
7	4159783	END SHIELD HELIX FKM 1.4404 KIT	1
7.1		> END SHIELD M+6" GJL250 MACHINING+CATA	1
7.2	2131056	> STATIONARY RING HOLDER 6" HELIX 1.4404 V	1
7.3	4234237	> O-RING 139X3 VITON VP.	1
7.4	2131026	> O-RING ID.37,6X2,4 FKM VP.	1
7.5	2131057	> O-RING ID.21,35X2 FKM VP.	1
8	4159784	FILING/PURGING PLUG HELIX FKM KIT	1
9	4178620	CARTRIDGE HELIX2-4 F/V KIT	1
10	4179251	HOUSING-PIPE D.152X109 1.4404 KIT	1
7.3	4234237	> O-RING 139X3 VITON VP.	1
10.1		> HOUSING-PIPE Ø152-M+202/402-316L	1
11	4179252	CENTERING STAGE HELIX V4 31.4404 VP.	1
12	4178567	SHAFT EQUIPMENT HELIX V2/V4 KIT	1
12.1		> NUT-H-M8-STAINLESS-STEEL A4-70	1
12.2		> SHAFT END WASHER Ø8/Ø12 316L	1
12.3		> STOP COLLAR OF IMPELLER L12,6-Ø12-316L	1
12.4		> STOP-RUSH-1/2-D12xd2-M+316	1
13		HYDRAULIC HELIX V 402	1
14	4179256	SHAFT Ø12 X 233 1.4404 VP.	1
15	4179257	PUMP HOUSING HELIX DN25 PN25 1.4409 KIT	1
7.3	4177887	> O-RING ID.145,65X3,53 VITON VP.	1

HELIX V402-2/25/V/KS/400-50 (4160549)

Item	Article no.	Description	Quantity
15.1		> BLASTING PPE HOUSING V PN25-DN25-5"-316L	1
15.3	4159781	> PRIMING/DRAIN PLUG HELIX 16 FKM KIT	1
16	4177970	BASEPLATE HELIX V2/4/6 PN25 VP.	1



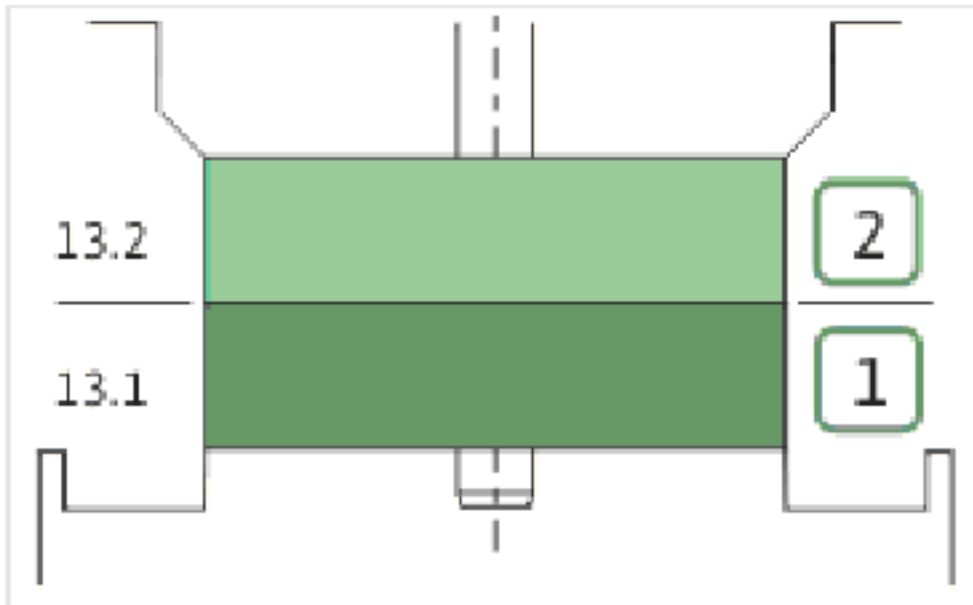
COUPLING FT 85 Ø12XØ14 KIT (4178554)

Item	Article no.	Description	Quantity
4.1		COUPLING-M+ Ø12XØ14-FT85-MACHINED	1
4.3	4208923	CIRCLIP D25X1.2 VP.	1
4.2	4177802	BALL BEARING 6205C3-ZZ HTVP.	1
4.4	4212716	SCREW M6X20 KIT (4PIECES)	1
4.5	4233124	CIRCLIP-FOR-BORES-D52x2 VP.	1
4.6	4234244	O-RING 52X2 VP.	1
		CONTACT-WASHER-6ETR-6,1x12,2x1,8-STEEL	4

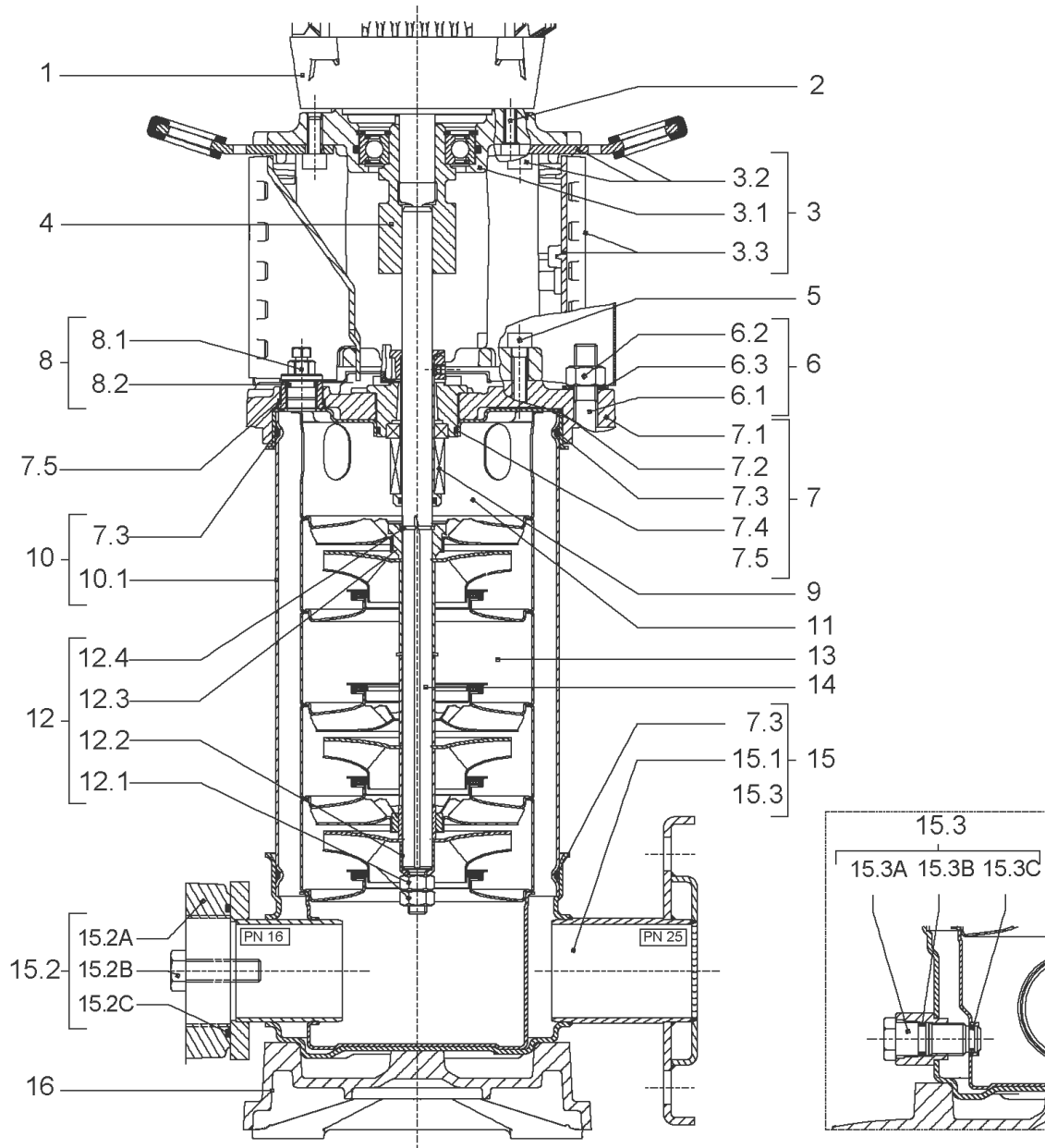


CARTRIDGE HELIX2-4 F/V KIT (4178620)

Item	Article no.	Description	Quantity
9.1	4178619	SEAL-KIT-HELIX2-4 F/V	1
7.3	4177887	> O-RING ID.145,65X3,53 VITON VP.	1
7.4	4177888	> O-RING ID.37.6xØ2.4 VITON VP.	1
9.1A	2131025	> MECH.SEAL HELIX2-4-6-10-16 F/V VP.	1
9.1B	4178618	> O-RING ID.12x2 VITON VP.	1
9.1C	4178618	> O-RING ID.12x2 VITON VP.	1
9.2	4178557	SHAFT SLEEVE Ø12XØ18-PN16 1.4404 VP.	1
9.3	2131024	RING HOLDER D.18 G606/G6 1.4404 VP.	1
9.4	4176520	SCREW CH M5x5 A4-70 (3PIECES)	1
9.5	4178595	DRIVE RING D.29/15.5x13,2 MACH.VP.	1
9.6	2130964	TOOL M.S.CART.HELIX VP.	1
9.7	2130965	SCREW CHC M5X12 ISO4762 A2.70(4 PIECES)	1



Item	Article no.	Description	Quantity
13.1	4179253	STAGE HELIX 4 1.4404 KIT	1
		> MACH.STG-CASING-WOGV-WNR-M+2-4-316	1
		> IMPELLER-M+4-316	1
13.2	4179254	STAGE BEARING HELIX 4 1.4404 KIT	1
		> MACH.BEARING-STG-CASING-WNR-M+4-316	1
		> IMPELLER-M+4-316	1
		> SHAFT SLEEVE SPACER Ø15,35x10,305-316	1
		> SHAFT-SLEEVE-D12xD16x14-CW	1

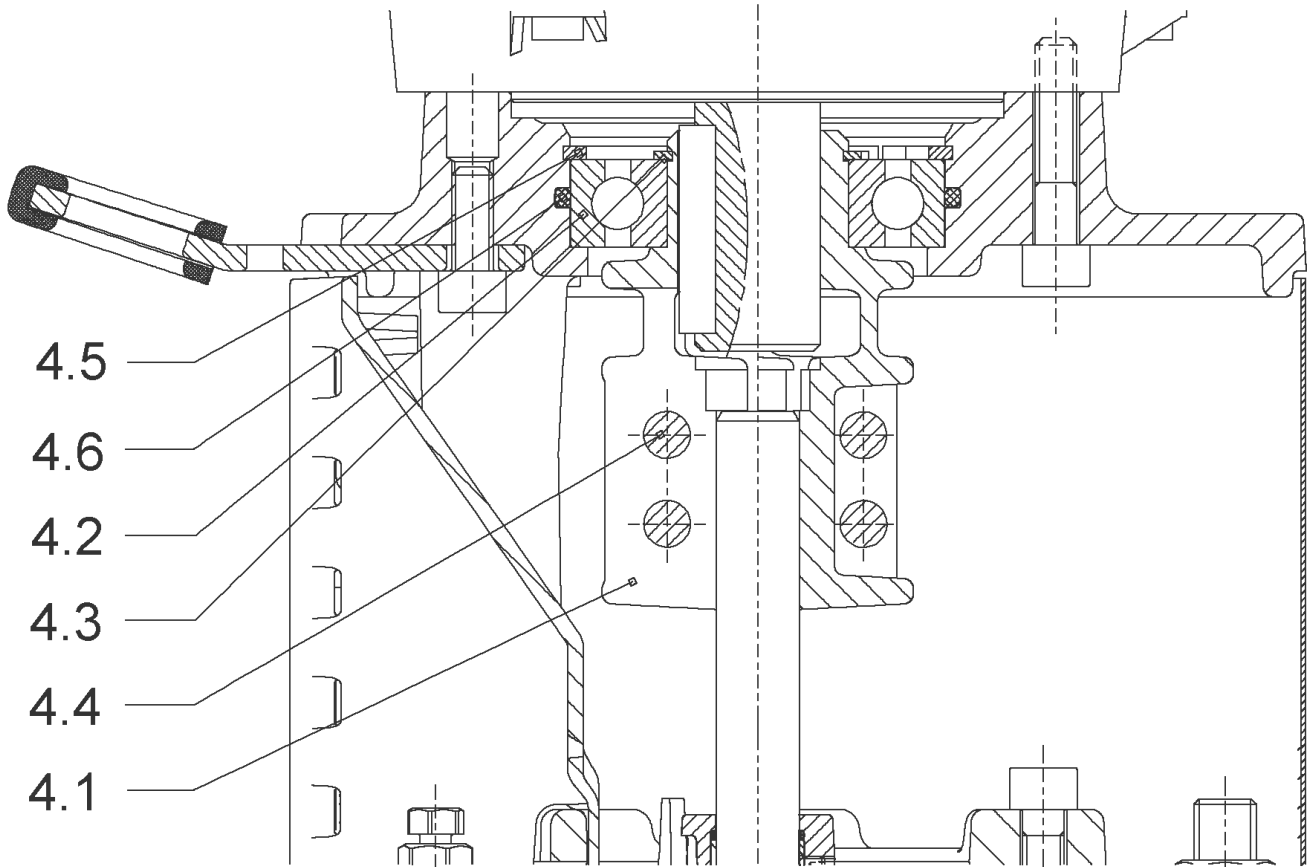


HELIX V403-2/25/V/K/400-50 (4160550)

Item	Article no.	Description	Quantity
1	4169946	MOTOR 0,37/2/71 3~230/400V 50HZ IE2 VP.	1
		SPARE PARTS MOTOR:ON REQUEST	1
2	4159702	SCREW M6X30 (4 PIECES)	1
3	4171323	LANTERN FT85 HELIX KIT	1
3.1		> LANTERN FT85 M+6" GJL MACHINING+CATA	1
3.2	2127604	> EYELET CPL.FT HELIX(2 PIECES)	1
3.3	4159692	> COUPLING PROTECTOR FT HELIX KIT	1
4	4178554	COUPLING FT 85 Ø12XØ14 KIT	1
5	4159707	SCREW M8X30 (4 PIECES)	1
6	4177803	STUD BOLT M12X263 KIT	1
6.1		> TIE BOLT M12-263x18x30-1.4057	1
6.2	2094647	> NUT M12 M12 ISO4032 VP.	1
6.3	2123557	> WASHER CS-12.4-24-1.6-NFE25 (4 PIECES)	1
7	4159783	END SHIELD HELIX FKM 1.4404 KIT	1
7.1		> END SHIELD M+6" GJL250 MACHINING+CATA	1
7.2	2131056	> STATIONARY RING HOLDER 6" HELIX 1.4404 V	1
7.3	4234237	> O-RING 139X3 VITON VP.	1
7.4	2131026	> O-RING ID.37,6X2,4 FKM VP.	1
7.5	2131057	> O-RING ID.21,35X2 FKM VP.	1
8	4159784	FILING/PURGING PLUG HELIX FKM KIT	1
9	4178620	CARTRIDGE HELIX2-4 F/V KIT	1
10	4177890	HOUSING PIPES D.152X134 1.4404 KIT	1
7.3	4234237	> O-RING 139X3 VITON VP.	1
10.1		> HOUSING-PIPE Ø152-M+1001/02-316L	1
11	4179252	CENTERING STAGE HELIX V4 31.4404 VP.	1
12	4178567	SHAFT EQUIPMENT HELIX V2/V4 KIT	1
12.1		> NUT-H-M8-STAINLESS-STEEL A4-70	1
12.2		> SHAFT END WASHER Ø8/Ø12 316L	1
12.3		> STOP COLLAR OF IMPELLER L12,6-Ø12-316L	1
12.4		> STOP-RUSH-1/2-D12xd2-M+316	1
13		HYDRAULIC HELIX V 403	1
14	4179260	SHAFT D.12X258 1.4404 VP.	1
15	4179257	PUMP HOUSING HELIX DN25 PN25 1.4409 KIT	1
7.3	4177887	> O-RING ID.145,65X3,53 VITON VP.	1

HELIX V403-2/25/V/K/400-50 (4160550)

Item	Article no.	Description	Quantity
15.1		> BLASTING PPE HOUSING V PN25-DN25-5"-316L	1
15.3	4159781	> PRIMING/DRAIN PLUG HELIX 16 FKM KIT	1
16	4177970	BASEPLATE HELIX V2/4/6 PN25 VP.	1



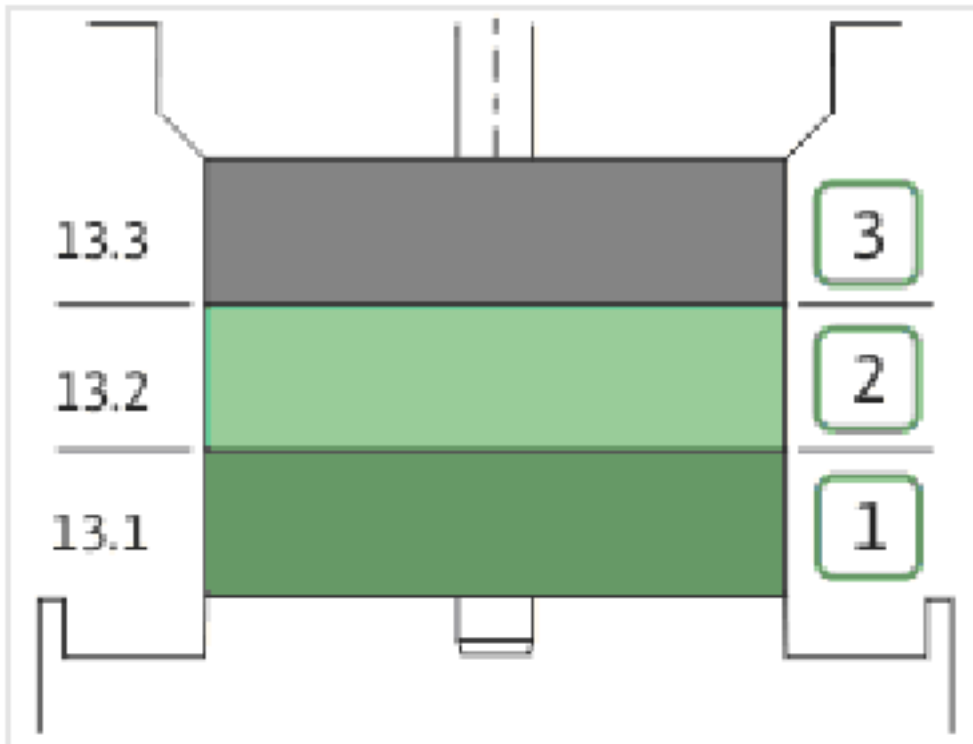
COUPLING FT 85 Ø12XØ14 KIT (4178554)

Item	Article no.	Description	Quantity
4.1		COUPLING-M+ Ø12XØ14-FT85-MACHINED	1
4.3	4208923	CIRCLIP D25X1.2 VP.	1
4.2	4177802	BALL BEARING 6205C3-ZZ HTVP.	1
4.4	4212716	SCREW M6X20 KIT (4PIECES)	1
4.5	4233124	CIRCLIP-FOR-BORES-D52x2 VP.	1
4.6	4234244	O-RING 52X2 VP.	1
		CONTACT-WASHER-6ETR-6,1x12,2x1,8-STEEL	4

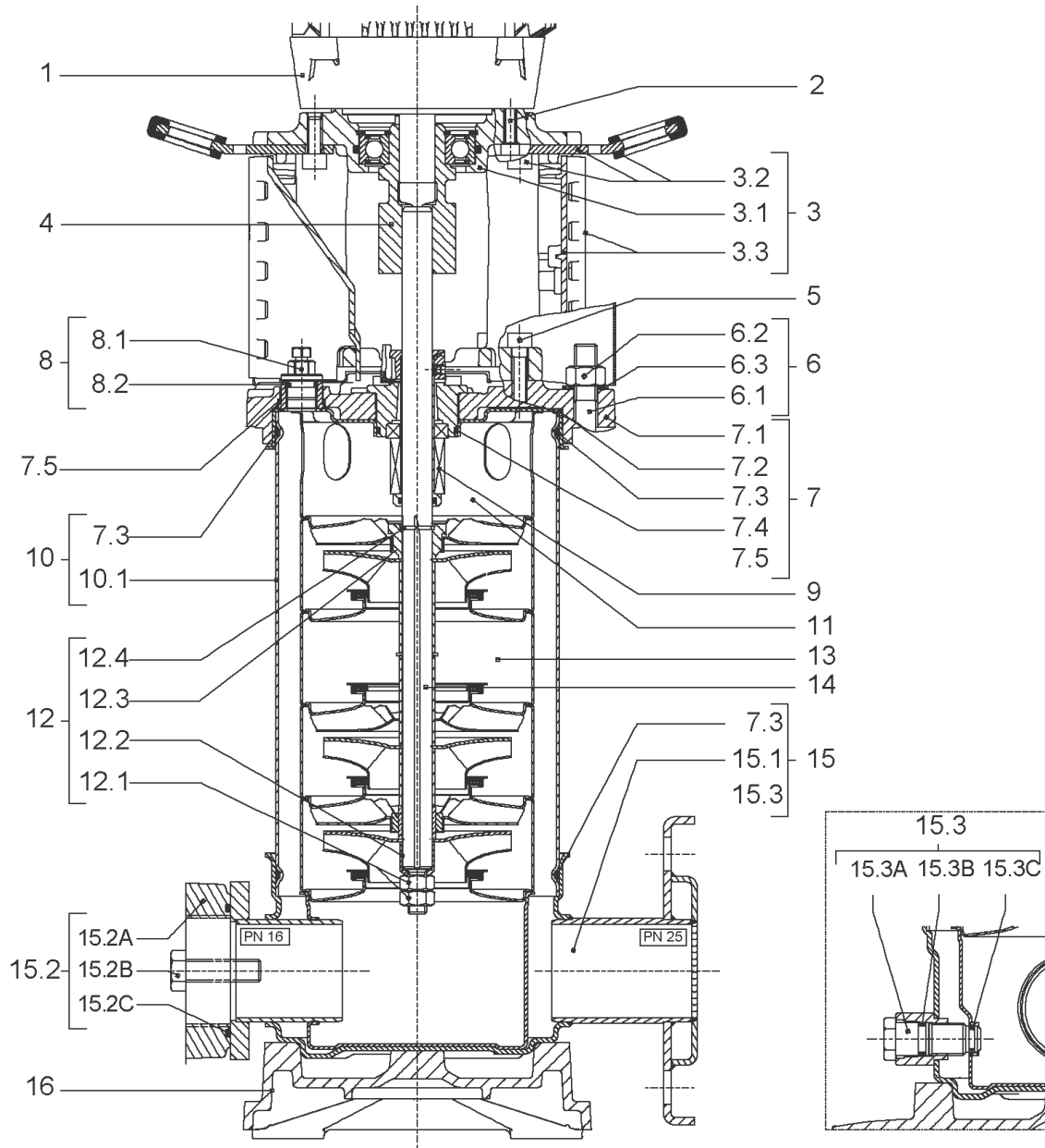


CARTRIDGE HELIX2-4 F/V KIT (4178620)

Item	Article no.	Description	Quantity
9.1	4178619	SEAL-KIT-HELIX2-4 F/V	1
7.3	4177887	> O-RING ID.145,65X3,53 VITON VP.	1
7.4	4177888	> O-RING ID.37.6xØ2.4 VITON VP.	1
9.1A	2131025	> MECH.SEAL HELIX2-4-6-10-16 F/V VP.	1
9.1B	4178618	> O-RING ID.12x2 VITON VP.	1
9.1C	4178618	> O-RING ID.12x2 VITON VP.	1
9.2	4178557	SHAFT SLEEVE Ø12XØ18-PN16 1.4404 VP.	1
9.3	2131024	RING HOLDER D.18 G606/G6 1.4404 VP.	1
9.4	4176520	SCREW CH M5x5 A4-70 (3PIECES)	1
9.5	4178595	DRIVE RING D.29/15.5x13,2 MACH.VP.	1
9.6	2130964	TOOL M.S.CART.HELIX VP.	1
9.7	2130965	SCREW CHC M5X12 ISO4762 A2.70(4 PIECES)	1



Item	Article no.	Description	Quantity
13.1	4179253	STAGE HELIX 4 1.4404 KIT	1
		> MACH.STG-CASING-WOGV-WNR-M+2-4-316	1
		> IMPELLER-M+4-316	1
13.2	4179254	STAGE BEARING HELIX 4 1.4404 KIT	1
		> MACH.BEARING-STG-CASING-WNR-M+4-316	1
		> IMPELLER-M+4-316	1
		> SHAFT SLEEVE SPACER Ø15,35x10,305-316	1
		> SHAFT-SLEEVE-D12xD16x14-CW	1
13.3	4179258	INTERMED STAGE < 15 HELIX 4 1.4404 KIT	1
		> MACH.STD-STG-CASING-WGV+NR-M+4-316	1
		> IMPELLER-M+4-316	1
		> IMPELLER SPACER Ø12,05X14,85-L24,305-316	1

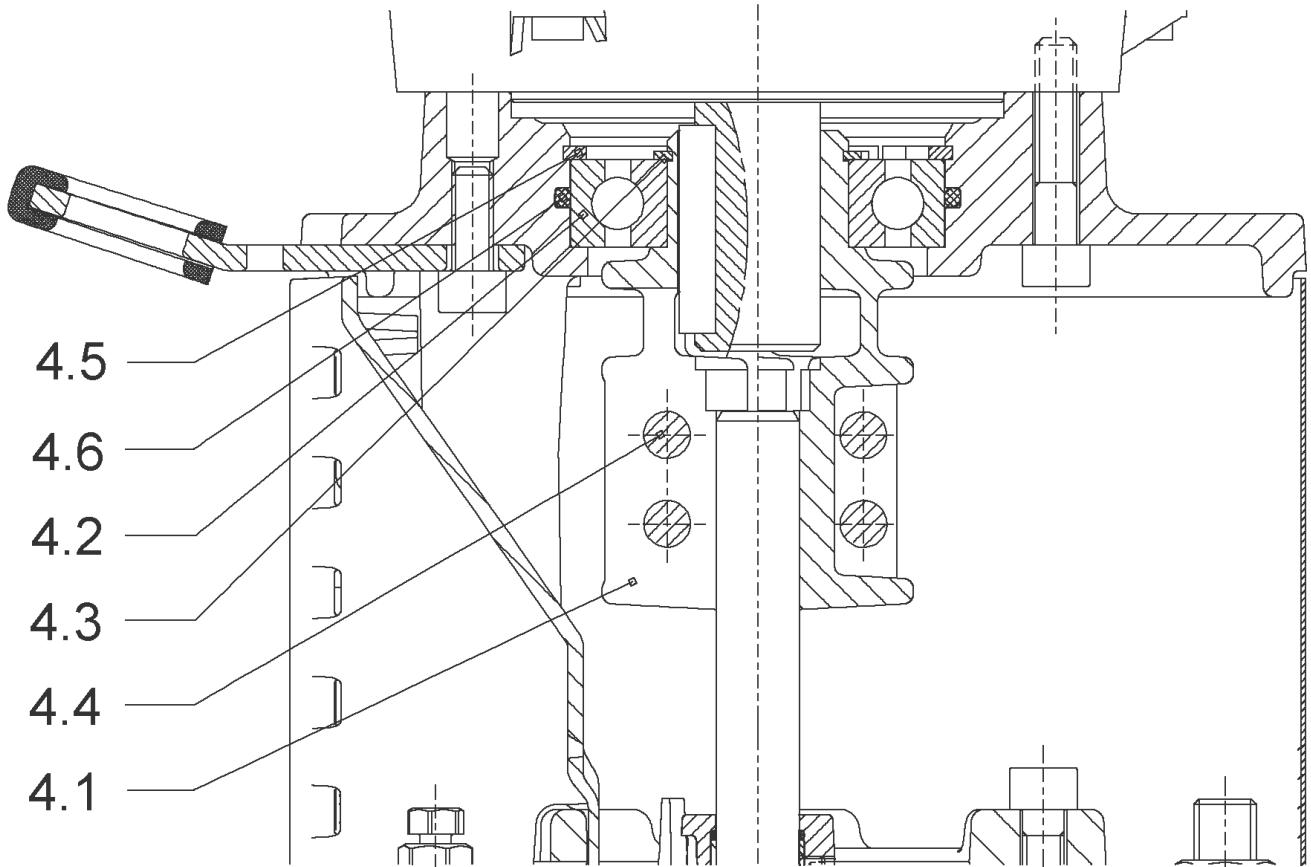


HELIX V404-2/25/V/KS/400-50 (4160551)

Item	Article no.	Description	Quantity
1	4169939	MO.0,55/2/71 3~400V 50HZ 460V 60HZ IE2VP	1
		SPARE PARTS MOTOR:ON REQUEST	1
2	4159702	SCREW M6X30 (4 PIECES)	1
3	4171323	LANTERN FT85 HELIX KIT	1
3.1		> LANTERN FT85 M+6" GJL MACHINING+CATA	1
3.2	2127604	> EYELET CPL.FT HELIX(2 PIECES)	1
3.3	4159692	> COUPLING PROTECTOR FT HELIX KIT	1
4	4178554	COUPLING FT 85 Ø12XØ14 KIT	1
5	4159707	SCREW M8X30 (4 PIECES)	1
6	2018368	STUD BOLT M12X289 KIT	1
6.1		> TIE BOLT M12-289x18x30-1.4057	1
6.2	2094647	> NUT M12 M12 ISO4032 VP.	1
6.3	2123557	> WASHER CS-12.4-24-1.6-NFE25 (4 PIECES)	1
7	4159783	END SHIELD HELIX FKM 1.4404 KIT	1
7.1		> END SHIELD M+6" GJL250 MACHINING+CATA	1
7.2	2131056	> STATIONARY RING HOLDER 6" HELIX 1.4404 V	1
7.3	4234237	> O-RING 139X3 VITON VP.	1
7.4	2131026	> O-RING ID.37,6X2,4 FKM VP.	1
7.5	2131057	> O-RING ID.21,35X2 FKM VP.	1
8	4159784	FILING/PURGING PLUG HELIX FKM KIT	1
9	4178620	CARTRIDGE HELIX2-4 F/V KIT	1
10	4179261	HOUSING-PIPE D.152X159 1.4404 KIT	1
7.3	4234237	> O-RING 139X3 VITON VP.	1
10.1		> HOUSING-PIPE Ø152-M+1601/02-316L	1
11	4179252	CENTERING STAGE HELIX V4 31.4404 VP.	1
12	4178567	SHAFT EQUIPMENT HELIX V2/V4 KIT	1
12.1		> NUT-H-M8-STAINLESS-STEEL A4-70	1
12.2		> SHAFT END WASHER Ø8/Ø12 316L	1
12.3		> STOP COLLAR OF IMPELLER L12,6-Ø12-316L	1
12.4		> STOP-RUSH-1/2-D12xd2-M+316	1
13		HYDRAULIC HELIX V 404	1
14	4179263	SHAFT D.12X283 1.4404 VP.	1
15	4179257	PUMP HOUSING HELIX DN25 PN25 1.4409 KIT	1
7.3	4177887	> O-RING ID.145,65X3,53 VITON VP.	1

HELIX V404-2/25/V/KS/400-50 (4160551)

Item	Article no.	Description	Quantity
15.1		> BLASTING PPE HOUSING V PN25-DN25-5"-316L	1
15.3	4159781	> PRIMING/DRAIN PLUG HELIX 16 FKM KIT	1
16	4177970	BASEPLATE HELIX V2/4/6 PN25 VP.	1



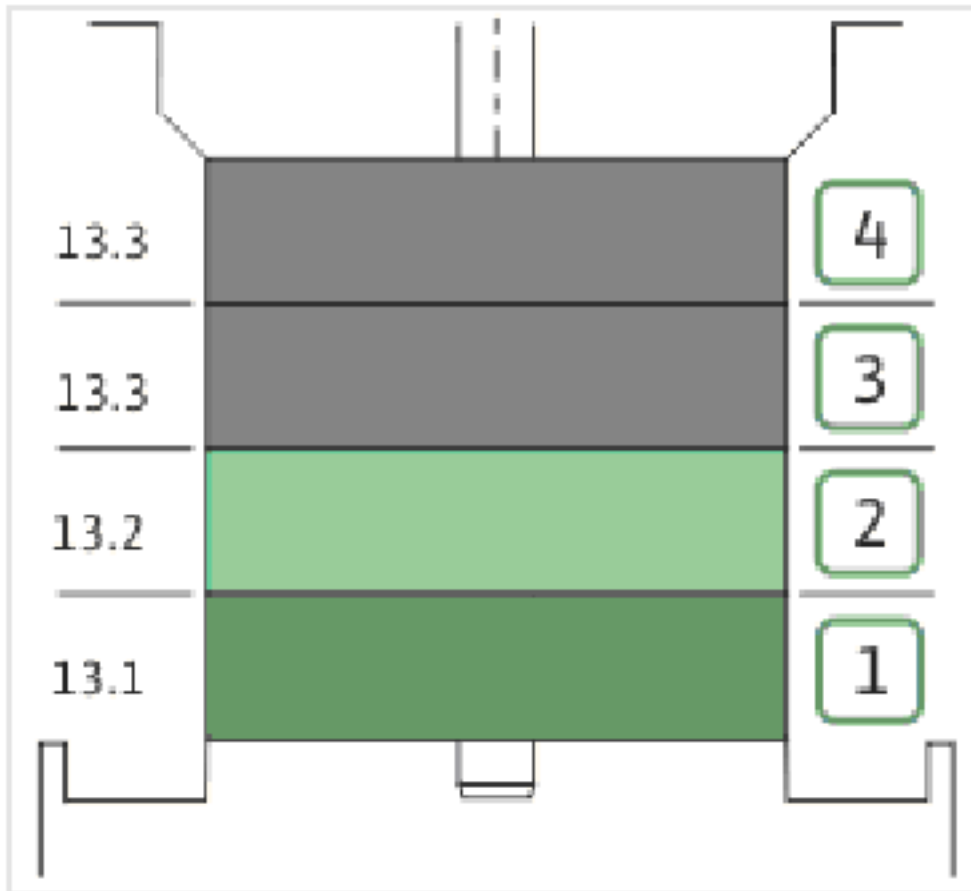
COUPLING FT 85 Ø12XØ14 KIT (4178554)

Item	Article no.	Description	Quantity
4.1		COUPLING-M+ Ø12XØ14-FT85-MACHINED	1
4.3	4208923	CIRCLIP D25X1.2 VP.	1
4.2	4177802	BALL BEARING 6205C3-ZZ HTVP.	1
4.4	4212716	SCREW M6X20 KIT (4PIECES)	1
4.5	4233124	CIRCLIP-FOR-BORES-D52x2 VP.	1
4.6	4234244	O-RING 52X2 VP.	1
		CONTACT-WASHER-6ETR-6,1x12,2x1,8-STEEL	4

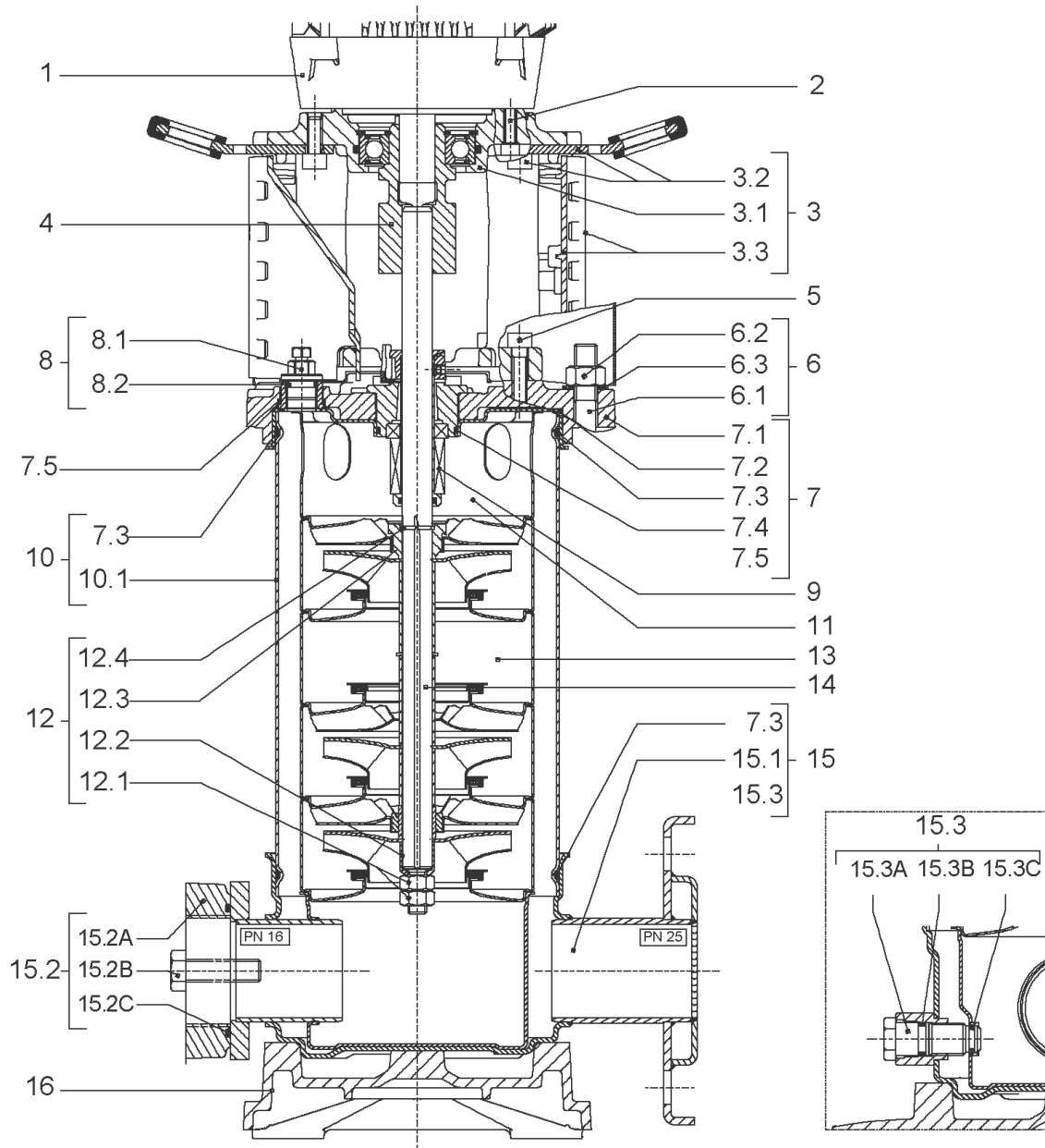


CARTRIDGE HELIX2-4 F/V KIT (4178620)

Item	Article no.	Description	Quantity
9.1	4178619	SEAL-KIT-HELIX2-4 F/V	1
7.3	4177887	> O-RING ID.145,65X3,53 VITON VP.	1
7.4	4177888	> O-RING ID.37.6xØ2.4 VITON VP.	1
9.1A	2131025	> MECH.SEAL HELIX2-4-6-10-16 F/V VP.	1
9.1B	4178618	> O-RING ID.12x2 VITON VP.	1
9.1C	4178618	> O-RING ID.12x2 VITON VP.	1
9.2	4178557	SHAFT SLEEVE Ø12XØ18-PN16 1.4404 VP.	1
9.3	2131024	RING HOLDER D.18 G606/G6 1.4404 VP.	1
9.4	4176520	SCREW CH M5x5 A4-70 (3PIECES)	1
9.5	4178595	DRIVE RING D.29/15.5x13,2 MACH.VP.	1
9.6	2130964	TOOL M.S.CART.HELIX VP.	1
9.7	2130965	SCREW CHC M5X12 ISO4762 A2.70(4 PIECES)	1



Item	Article no.	Description	Quantity
13.1	4179253	STAGE HELIX 4 1.4404 KIT	1
		> MACH.STG-CASING-WOGV-WNR-M+2-4-316	1
		> IMPELLER-M+4-316	1
13.2	4179254	STAGE BEARING HELIX 4 1.4404 KIT	1
		> MACH.BEARING-STG-CASING-WNR-M+4-316	1
		> IMPELLER-M+4-316	1
		> SHAFT SLEEVE SPACER Ø15,35x10,305-316	1
		> SHAFT-SLEEVE-D12xD16x14-CW	1
13.3	4179258	INTERMED STAGE < 15 HELIX 4 1.4404 KIT	1
		> MACH.STD-STG-CASING-WGV+NR-M+4-316	1
		> IMPELLER-M+4-316	1
		> IMPELLER SPACER Ø12,05X14,85-L24,305-316	1

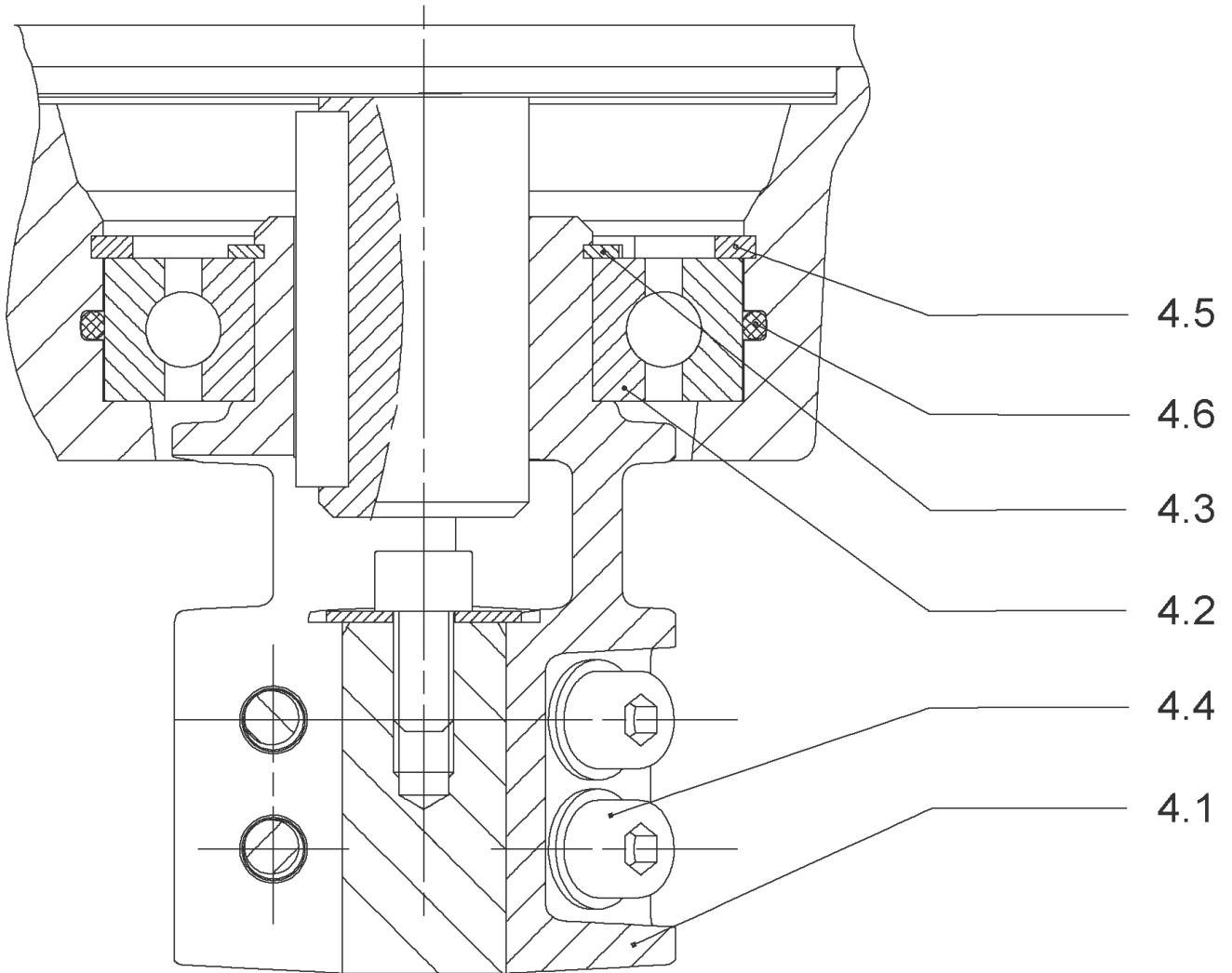


HELIX V405-2/25/V/KS/400-50 (4160552)

Item	Article no.	Description	Quantity
1	4169940	MOTOR 0,75/2/80 3~230/400V 50HZ IE3 VP.	1
		SPARE PARTS MOTOR:ON REQUEST	1
2	4159702	SCREW M6X30 (4 PIECES)	1
3	4172788	LANTERN FT100 HELIX KIT	1
3.1		> LANTERN FT100 M+6" GJL MACHINING+CATA	1
3.2	2127604	> EYELET CPL.FT HELIX(2 PIECES)	1
3.3	4159692	> COUPLING PROTECTOR FT HELIX KIT	1
4	4178578	COUPLING D.12XD.19 FT100 KIT	1
5	4159707	SCREW M8X30 (4 PIECES)	1
6	4178579	STUD BOLT M12X317 KIT	1
6.1		> TIE BOLT M12-317x18x30-1.4057	1
6.2	2094647	> NUT M12 M12 ISO4032 VP.	1
6.3	2123557	> WASHER CS-12.4-24-1.6-NFE25 (4 PIECES)	1
7	4159783	END SHIELD HELIX FKM 1.4404 KIT	1
7.1		> END SHIELD M+6" GJL250 MACHINING+CATA	1
7.2	2131056	> STATIONARY RING HOLDER 6" HELIX 1.4404 V	1
7.3	4234237	> O-RING 139X3 VITON VP.	1
7.4	2131026	> O-RING ID.37,6X2,4 FKM VP.	1
7.5	2131057	> O-RING ID.21,35X2 FKM VP.	1
8	4159784	FILING/PURGING PLUG HELIX FKM KIT	1
9	4178620	CARTRIDGE HELIX2-4 F/V KIT	1
10	4179264	HOUSING-PIPE D.152X109 1.4404 KIT	1
7.3	4234237	> O-RING 139X3 VITON VP.	1
10.1		> HOUSING-PIPE Ø152-M+205/405-316L	1
11	4179252	CENTERING STAGE HELIX V4 31.4404 VP.	1
12	4178567	SHAFT EQUIPMENT HELIX V2/V4 KIT	1
12.1		> NUT-H-M8-STAINLESS-STEEL A4-70	1
12.2		> SHAFT END WASHER Ø8/Ø12 316L	1
12.3		> STOP COLLAR OF IMPELLER L12,6-Ø12-316L	1
12.4		> STOP-RUSH-1/2-D12xd2-M+316	1
13		HYDRAULIC HELIX V 405	1
14	4179266	SHAFT D.12X308 1.4404 VP.	1
15	4179257	PUMP HOUSING HELIX DN25 PN25 1.4409 KIT	1
7.3	4177887	> O-RING ID.145,65X3,53 VITON VP.	1

HELIX V405-2/25/V/KS/400-50 (4160552)

Item	Article no.	Description	Quantity
15.1		> BLASTING PPE HOUSING V PN25-DN25-5"-316L	1
15.3	4159781	> PRIMING/DRAIN PLUG HELIX 16 FKM KIT	1
16	4177970	BASEPLATE HELIX V2/4/6 PN25 VP.	1



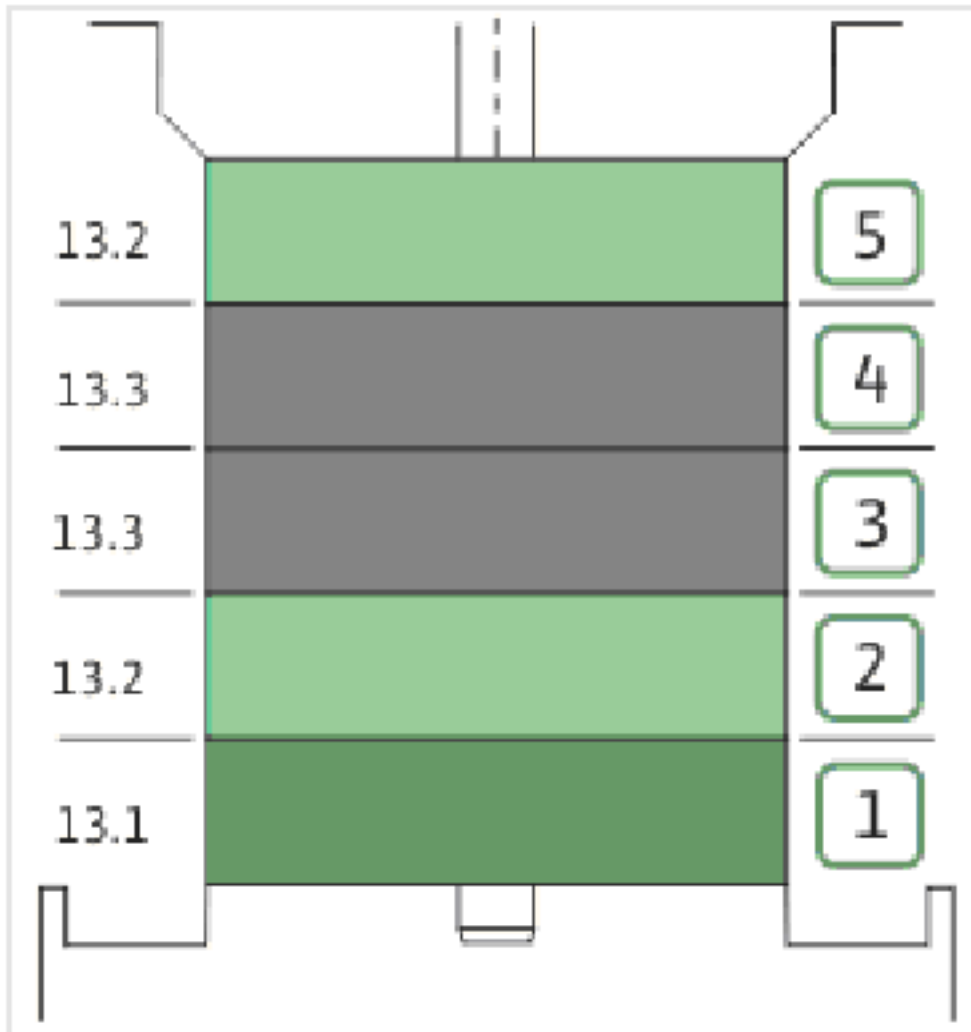
COUPLING D.12XD.19 FT100 KIT (4178578)

Item	Article no.	Description	Quantity
4.1		COUPLING-M+ Ø12XØ19-FT100-MACHINED	1
4.3	4234249	CIRCLIP-FOR-SHAFT-D30x1.5 VP.	1
4.2	2130977	BALL BEARING 6206/ZZ-C3(HT)VP.	1
4.4	4212716	SCREW M6X20 KIT (4PIECES)	1
4.5	4234250	CIRCLIP-D62x2 VP.	1
4.6	4234245	O-RING 63X3 VP.	1
		CONTACT-WASHER-6ETR-6,1x12,2x1,8-STEEL	4

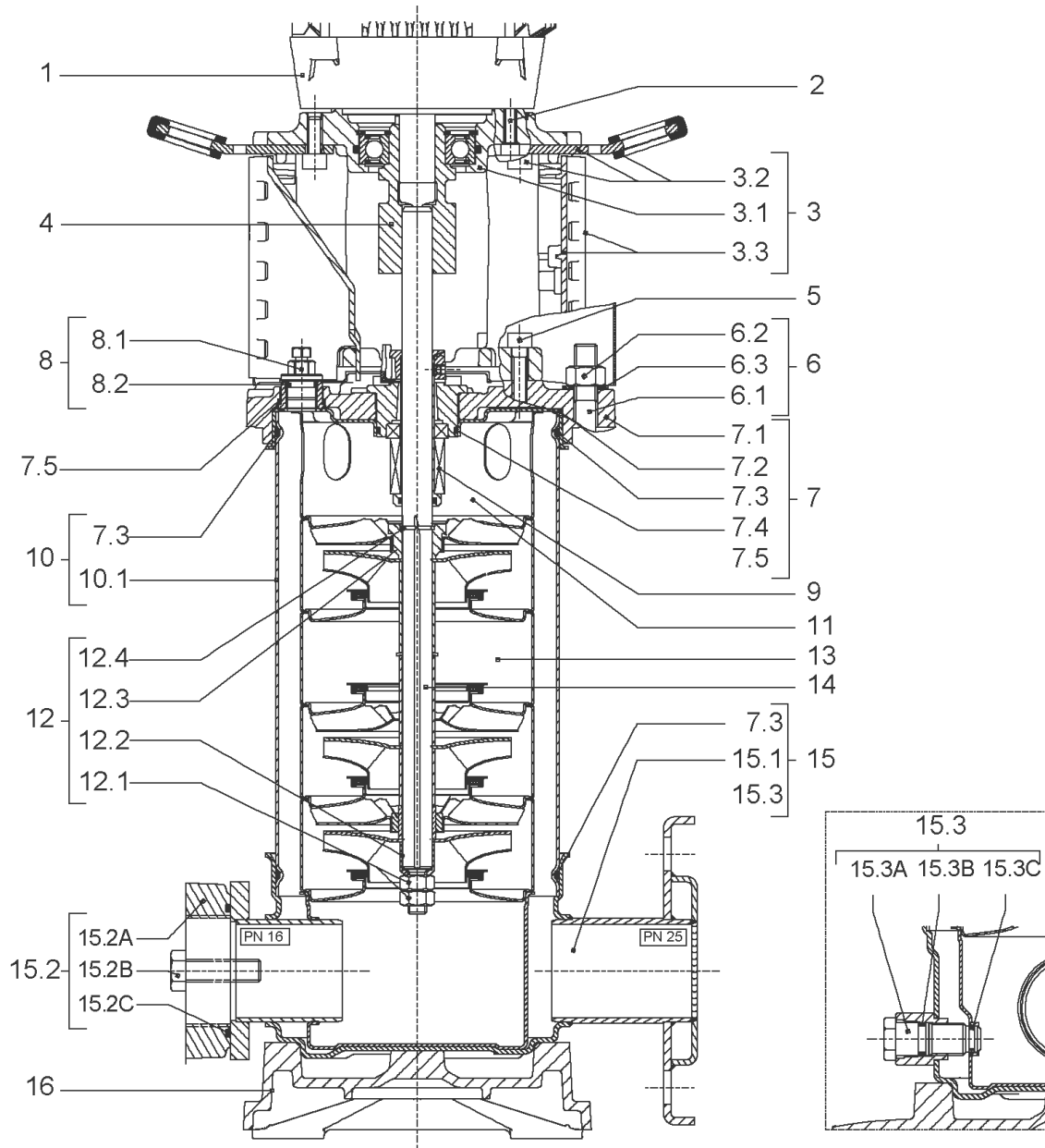


CARTRIDGE HELIX2-4 F/V KIT (4178620)

Item	Article no.	Description	Quantity
9.1	4178619	SEAL-KIT-HELIX2-4 F/V	1
7.3	4177887	> O-RING ID.145,65X3,53 VITON VP.	1
7.4	4177888	> O-RING ID.37.6xØ2.4 VITON VP.	1
9.1A	2131025	> MECH.SEAL HELIX2-4-6-10-16 F/V VP.	1
9.1B	4178618	> O-RING ID.12x2 VITON VP.	1
9.1C	4178618	> O-RING ID.12x2 VITON VP.	1
9.2	4178557	SHAFT SLEEVE Ø12XØ18-PN16 1.4404 VP.	1
9.3	2131024	RING HOLDER D.18 G606/G6 1.4404 VP.	1
9.4	4176520	SCREW CH M5x5 A4-70 (3PIECES)	1
9.5	4178595	DRIVE RING D.29/15.5x13,2 MACH.VP.	1
9.6	2130964	TOOL M.S.CART.HELIX VP.	1
9.7	2130965	SCREW CHC M5X12 ISO4762 A2.70(4 PIECES)	1



Item	Description	Quantity
13.1	STAGE HELIX 4 1.4404 KIT	1
	> MACH.STG-CASING-WOGV-WNR-M+2-4-316	1
	> IMPELLER-M+4-316	1
13.2	STAGE BEARING HELIX 4 1.4404 KIT	1
	> MACH.BEARING-STG-CASING-WNR-M+4-316	1
	> IMPELLER-M+4-316	1
	> SHAFT SLEEVE SPACER Ø15,35x10,305-316	1
	> SHAFT-SLEEVE-D12xD16x14-CW	1
13.3	INTERMED STAGE < 15 HELIX 4 1.4404 KIT	1
	> MACH.STD-STG-CASING-WGV+NR-M+4-316	1
	> IMPELLER-M+4-316	1
	> IMPELLER SPACER Ø12,05X14,85-L24,305-316	1



HELIX V406-2/25/V/KS/400-50 (4160553)

Item	Article no.	Description	Quantity
1	4169940	MOTOR 0,75/2/80 3~230/400V 50HZ IE3 VP.	1
		SPARE PARTS MOTOR:ON REQUEST	1
2	4159702	SCREW M6X30 (4 PIECES)	1
3	4172788	LANTERN FT100 HELIX KIT	1
3.1		> LANTERN FT100 M+6" GJL MACHINING+CATA	1
3.2	2127604	> EYELET CPL.FT HELIX(2 PIECES)	1
3.3	4159692	> COUPLING PROTECTOR FT HELIX KIT	1
4	4178578	COUPLING D.12XD.19 FT100 KIT	1
5	4159707	SCREW M8X30 (4 PIECES)	1
6	2127553	STUD BOLT M12X341 KIT	1
7	4159783	END SHIELD HELIX FKM 1.4404 KIT	1
7.1		> END SHIELD M+6" GJL250 MACHINING+CATA	1
7.2	2131056	> STATIONARY RING HOLDER 6" HELIX 1.4404 V	1
7.3	4234237	> O-RING 139X3 VITON VP.	1
7.4	2131026	> O-RING ID.37,6X2,4 FKM VP.	1
7.5	2131057	> O-RING ID.21,35X2 FKM VP.	1
8	4159784	FILING/PURGING PLUG HELIX FKM KIT	1
9	4178620	CARTRIDGE HELIX2-4 F/V KIT	1
10	4177921	HOUSING PIPES D.152X209 1.4404 KIT	1
7.3	4234237	> O-RING 139X3 VITON VP.	1
10.1		> HOUSING-PIPE Ø152-M+1004/1603-316L	1
11	4179252	CENTERING STAGE HELIX V4 31.4404 VP.	1
12	4178567	SHAFT EQUIPMENT HELIX V2/V4 KIT	1
12.1		> NUT-H-M8-STAINLESS-STEEL A4-70	1
12.2		> SHAFT END WASHER Ø8/Ø12 316L	1
12.3		> STOP COLLAR OF IMPELLER L12,6-Ø12-316L	1
12.4		> STOP-RUSH-1/2-D12xd2-M+316	1
13		HYDRAULIC HELIX V 406	1
14	4179268	SHAFT D.12X333 1.4404 VP.	1
15	4179257	PUMP HOUSING HELIX DN25 PN25 1.4409 KIT	1
7.3	4177887	> O-RING ID.145,65X3,53 VITON VP.	1
15.1		> BLASTING PPE HOUSING V PN25-DN25-5"-316L	1
15.3	4159781	> PRIMING/DRAIN PLUG HELIX 16 FKM KIT	1
16	4177970	BASEPLATE HELIX V2/4/6 PN25 VP.	1



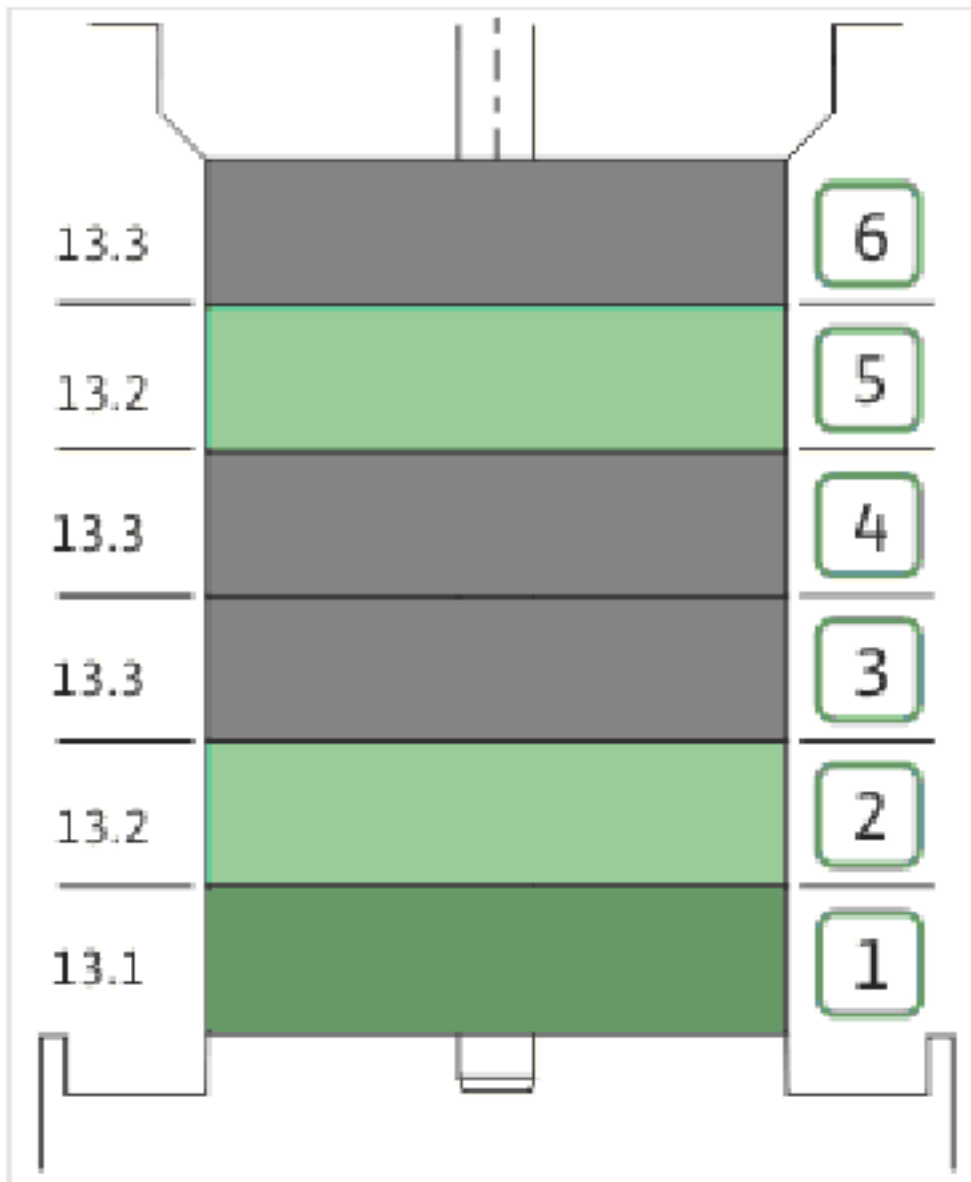
COUPLING D.12XD.19 FT100 KIT (4178578)

Item	Article no.	Description	Quantity
4.1		COUPLING-M+ Ø12XØ19-FT100-MACHINED	1
4.3	4234249	CIRCLIP-FOR-SHAFT-D30x1.5 VP.	1
4.2	2130977	BALL BEARING 6206/ZZ-C3(HT)VP.	1
4.4	4212716	SCREW M6X20 KIT (4PIECES)	1
4.5	4234250	CIRCLIP-D62x2 VP.	1
4.6	4234245	O-RING 63X3 VP.	1
		CONTACT-WASHER-6ETR-6,1x12,2x1,8-STEEL	4

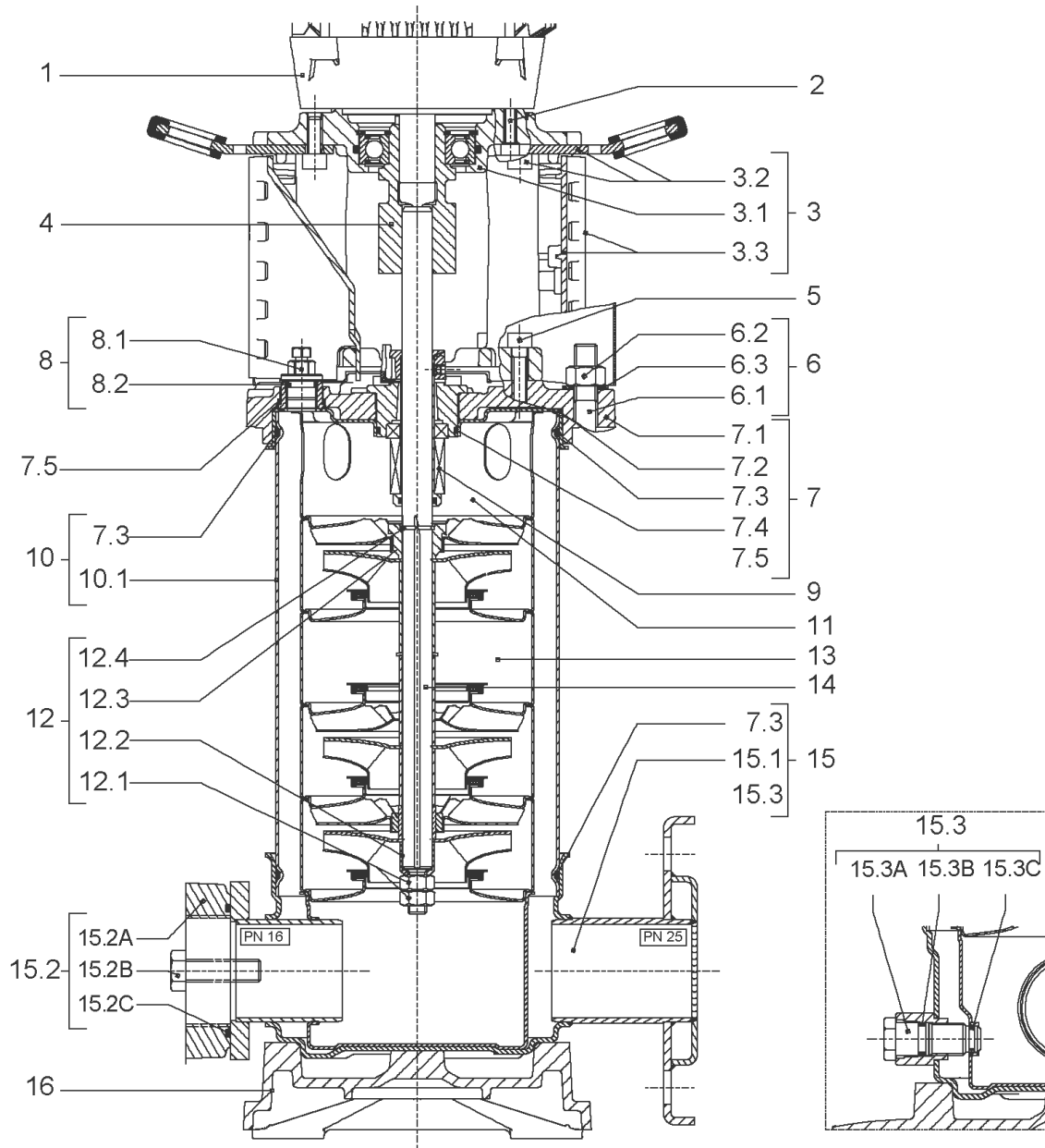


CARTRIDGE HELIX2-4 F/V KIT (4178620)

Item	Article no.	Description	Quantity
9.1	4178619	SEAL-KIT-HELIX2-4 F/V	1
7.3	4177887	> O-RING ID.145,65X3,53 VITON VP.	1
7.4	4177888	> O-RING ID.37.6xØ2.4 VITON VP.	1
9.1A	2131025	> MECH.SEAL HELIX2-4-6-10-16 F/V VP.	1
9.1B	4178618	> O-RING ID.12x2 VITON VP.	1
9.1C	4178618	> O-RING ID.12x2 VITON VP.	1
9.2	4178557	SHAFT SLEEVE Ø12XØ18-PN16 1.4404 VP.	1
9.3	2131024	RING HOLDER D.18 G606/G6 1.4404 VP.	1
9.4	4176520	SCREW CH M5x5 A4-70 (3PIECES)	1
9.5	4178595	DRIVE RING D.29/15.5x13,2 MACH.VP.	1
9.6	2130964	TOOL M.S.CART.HELIX VP.	1
9.7	2130965	SCREW CHC M5X12 ISO4762 A2.70(4 PIECES)	1



Item	Article no.	Description	Quantity
13.1	4179253	STAGE HELIX 4 1.4404 KIT	1
		> MACH.STG-CASING-WOGV-WNR-M+2-4-316	1
		> IMPELLER-M+4-316	1
13.2	4179254	STAGE BEARING HELIX 4 1.4404 KIT	1
		> MACH.BEARING-STG-CASING-WNR-M+4-316	1
		> IMPELLER-M+4-316	1
		> SHAFT SLEEVE SPACER Ø15,35x10,305-316	1
		> SHAFT-SLEEVE-D12xD16x14-CW	1
13.3	4179258	INTERMED STAGE < 15 HELIX 4 1.4404 KIT	1
		> MACH.STD-STG-CASING-WGV+NR-M+4-316	1
		> IMPELLER-M+4-316	1
		> IMPELLER SPACER Ø12,05X14,85-L24,305-316	1



HELIX V407-2/25/V/KS/400-50 (4160554)

Item	Article no.	Description	Quantity
1	4169941	MOTOR 1,1/2/80 3~230/400V 50HZ IE3 VP.	1
		SPARE PARTS MOTOR:ON REQUEST	1
2	4159702	SCREW M6X30 (4 PIECES)	1
3	4172788	LANTERN FT100 HELIX KIT	1
3.1		> LANTERN FT100 M+6" GJL MACHINING+CATA	1
3.2	2127604	> EYELET CPL.FT HELIX(2 PIECES)	1
3.3	4159692	> COUPLING PROTECTOR FT HELIX KIT	1
4	4178578	COUPLING D.12XD.19 FT100 KIT	1
5	4159707	SCREW M8X30 (4 PIECES)	1
6	4178585	STUD BOLT M12X365 KIT	1
6.1		> TIE BOLT M12-365x18x30-1.4057	1
6.2	2094647	> NUT M12 M12 ISO4032 VP.	1
6.3	2123557	> WASHER CS-12.4-24-1.6-NFE25 (4 PIECES)	1
7	4159783	END SHIELD HELIX FKM 1.4404 KIT	1
7.1		> END SHIELD M+6" GJL250 MACHINING+CATA	1
7.2	2131056	> STATIONARY RING HOLDER 6" HELIX 1.4404 V	1
7.3	4234237	> O-RING 139X3 VITON VP.	1
7.4	2131026	> O-RING ID.37,6X2,4 FKM VP.	1
7.5	2131057	> O-RING ID.21,35X2 FKM VP.	1
8	4159784	FILING/PURGING PLUG HELIX FKM KIT	1
9	4178620	CARTRIDGE HELIX2-4 F/V KIT	1
10	4179269	HOUSING-PIPE D.152X235 1.4404 KIT	1
7.3	4234237	> O-RING 139X3 VITON VP.	1
10.1		> HOUSING-PIPE Ø152-M+207/407-316L	1
11	4179252	CENTERING STAGE HELIX V4 31.4404 VP.	1
12	4178567	SHAFT EQUIPMENT HELIX V2/V4 KIT	1
12.1		> NUT-H-M8-STAINLESS-STEEL A4-70	1
12.2		> SHAFT END WASHER Ø8/Ø12 316L	1
12.3		> STOP COLLAR OF IMPELLER L12,6-Ø12-316L	1
12.4		> STOP-RUSH-1/2-D12xd2-M+316	1
13		HYDRAULIC HELIX V 407	1
14	4179271	SHAFT D.12X358 1.4404 VP.	1
15	4179257	PUMP HOUSING HELIX DN25 PN25 1.4409 KIT	1
7.3	4177887	> O-RING ID.145,65X3,53 VITON VP.	1

HELIX V407-2/25/V/KS/400-50 (4160554)

Item	Article no.	Description	Quantity
15.1		> BLASTING PPE HOUSING V PN25-DN25-5"-316L	1
15.3	4159781	> PRIMING/DRAIN PLUG HELIX 16 FKM KIT	1
16	4177970	BASEPLATE HELIX V2/4/6 PN25 VP.	1



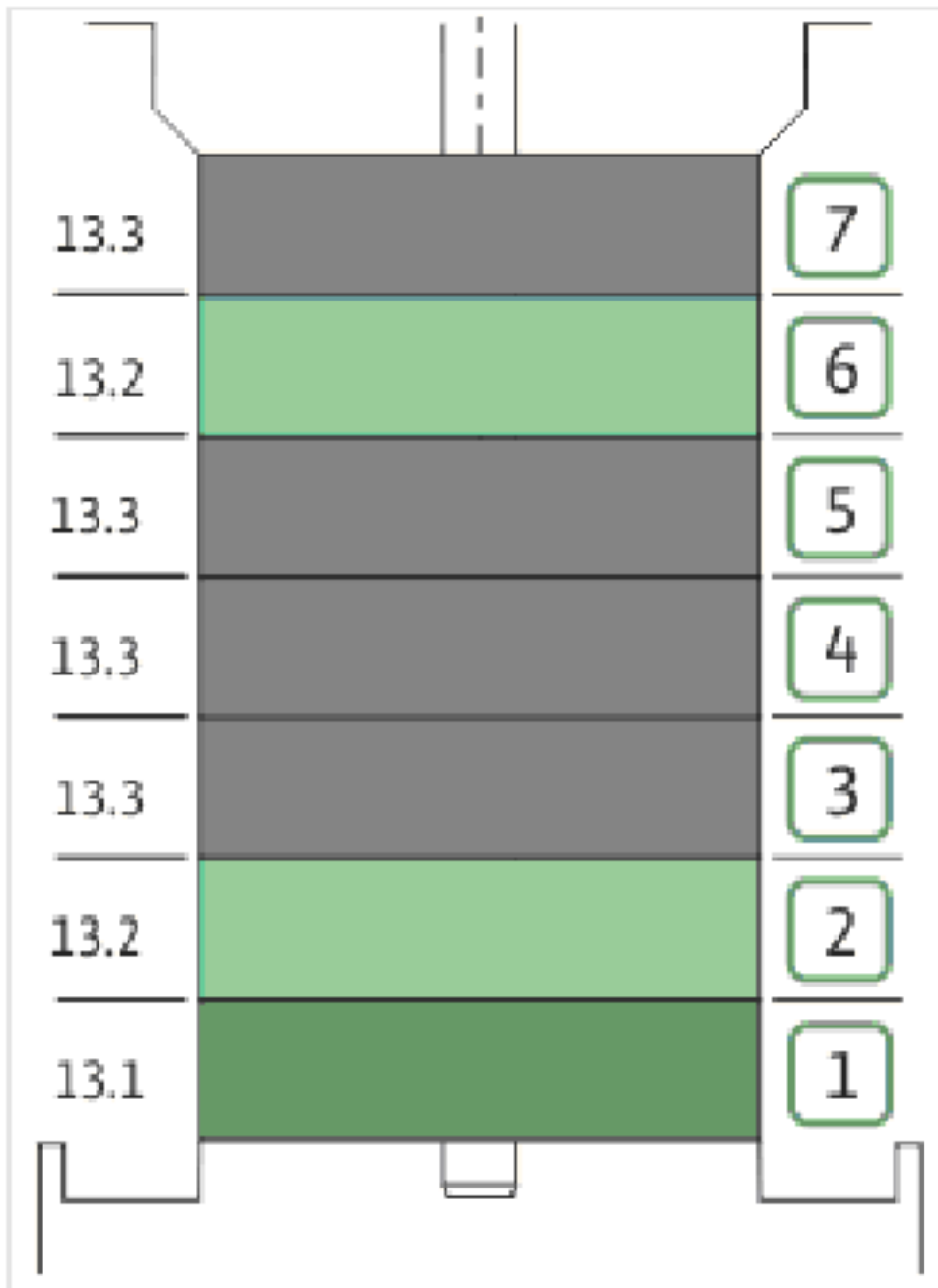
COUPLING D.12XD.19 FT100 KIT (4178578)

Item	Article no.	Description	Quantity
4.1		COUPLING-M+ Ø12XØ19-FT100-MACHINED	1
4.3	4234249	CIRCLIP-FOR-SHAFT-D30x1.5 VP.	1
4.2	2130977	BALL BEARING 6206/ZZ-C3(HT)VP.	1
4.4	4212716	SCREW M6X20 KIT (4PIECES)	1
4.5	4234250	CIRCLIP-D62x2 VP.	1
4.6	4234245	O-RING 63X3 VP.	1
		CONTACT-WASHER-6ETR-6,1x12,2x1,8-STEEL	4

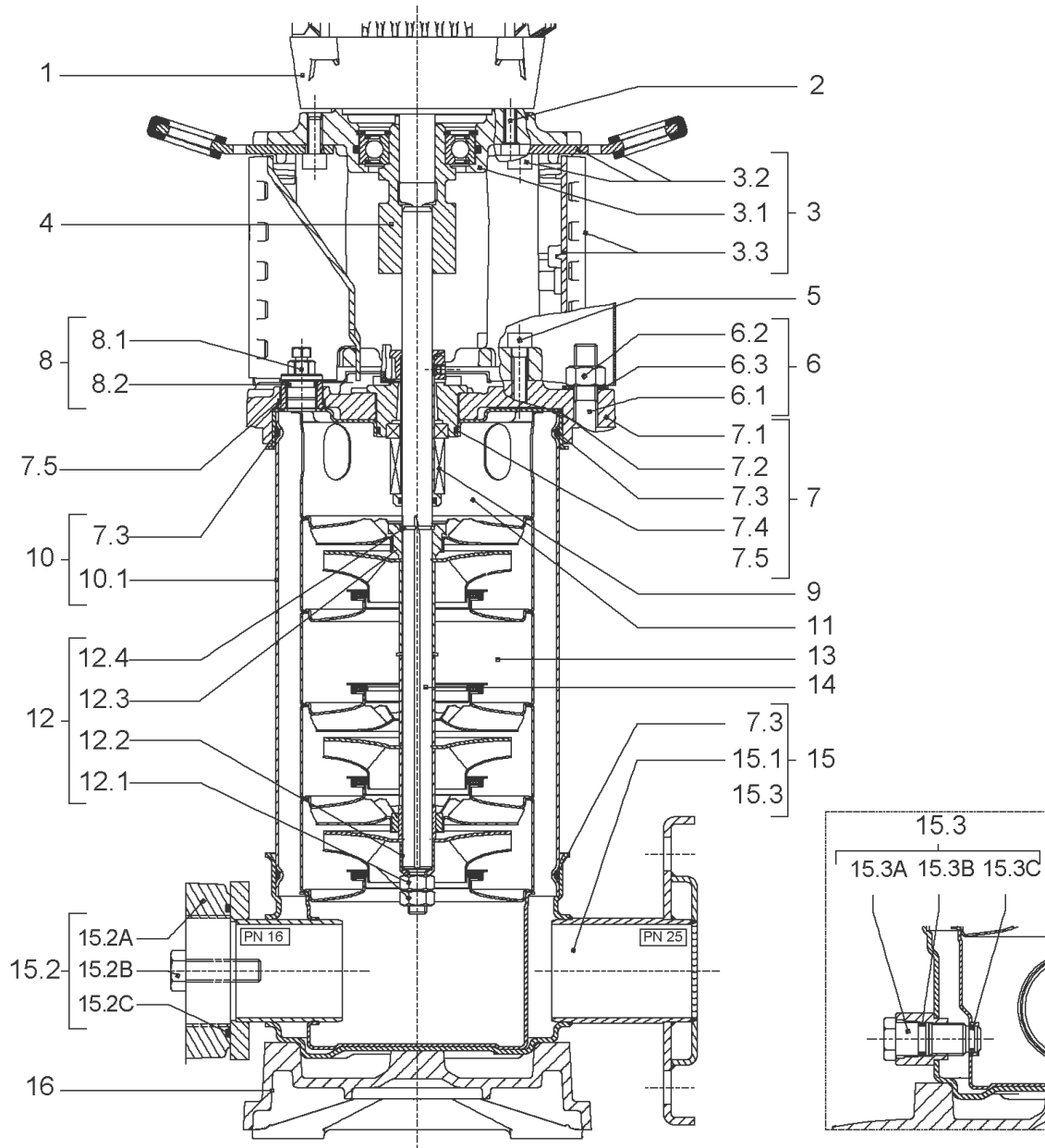


CARTRIDGE HELIX2-4 F/V KIT (4178620)

Item	Article no.	Description	Quantity
9.1	4178619	SEAL-KIT-HELIX2-4 F/V	1
7.3	4177887	> O-RING ID.145,65X3,53 VITON VP.	1
7.4	4177888	> O-RING ID.37.6xØ2.4 VITON VP.	1
9.1A	2131025	> MECH.SEAL HELIX2-4-6-10-16 F/V VP.	1
9.1B	4178618	> O-RING ID.12x2 VITON VP.	1
9.1C	4178618	> O-RING ID.12x2 VITON VP.	1
9.2	4178557	SHAFT SLEEVE Ø12XØ18-PN16 1.4404 VP.	1
9.3	2131024	RING HOLDER D.18 G606/G6 1.4404 VP.	1
9.4	4176520	SCREW CH M5x5 A4-70 (3PIECES)	1
9.5	4178595	DRIVE RING D.29/15.5x13,2 MACH.VP.	1
9.6	2130964	TOOL M.S.CART.HELIX VP.	1
9.7	2130965	SCREW CHC M5X12 ISO4762 A2.70(4 PIECES)	1



Item	Article no.	Description	Quantity
13.1	4179253	STAGE HELIX 4 1.4404 KIT	1
		> MACH.STG-CASING-WOGV-WNR-M+2-4-316	1
		> IMPELLER-M+4-316	1
13.2	4179254	STAGE BEARING HELIX 4 1.4404 KIT	1
		> MACH.BEARING-STG-CASING-WNR-M+4-316	1
		> IMPELLER-M+4-316	1
		> SHAFT SLEEVE SPACER Ø15,35x10,305-316	1
		> SHAFT-SLEEVE-D12xD16x14-CW	1
13.3	4179258	INTERMED STAGE < 15 HELIX 4 1.4404 KIT	1
		> MACH.STD-STG-CASING-WGV+NR-M+4-316	1
		> IMPELLER-M+4-316	1
		> IMPELLER SPACER Ø12,05X14,85-L24,305-316	1



HELIX V408-2/25/V/KS/400-50 (4160555)

Item	Article no.	Description	Quantity
1	4169941	MOTOR 1,1/2/80 3~230/400V 50HZ IE3 VP.	1
		SPARE PARTS MOTOR:ON REQUEST	1
2	4159702	SCREW M6X30 (4 PIECES)	1
3	4172788	LANTERN FT100 HELIX KIT	1
3.1		> LANTERN FT100 M+6" GJL MACHINING+CATA	1
3.2	2127604	> EYELET CPL.FT HELIX(2 PIECES)	1
3.3	4159692	> COUPLING PROTECTOR FT HELIX KIT	1
4	4178578	COUPLING D.12XD.19 FT100 KIT	1
5	4159707	SCREW M8X30 (4 PIECES)	1
6	2018365	STUD BOLT M12X392 KIT	1
7	4159783	END SHIELD HELIX FKM 1.4404 KIT	1
7.1		> END SHIELD M+6" GJL250 MACHINING+CATA	1
7.2	2131056	> STATIONARY RING HOLDER 6" HELIX 1.4404 V	1
7.3	4234237	> O-RING 139X3 VITON VP.	1
7.4	2131026	> O-RING ID.37,6X2,4 FKM VP.	1
7.5	2131057	> O-RING ID.21,35X2 FKM VP.	1
8	4159784	FILING/PURGING PLUG HELIX FKM KIT	1
9	4178620	CARTRIDGE HELIX2-4 F/V KIT	1
10	4179272	HOUSING-PIPE D.152X259 1.4404 KIT	1
7.3	4234237	> O-RING 139X3 VITON VP.	1
10.1		> HOUSING-PIPE Ø152-M+1604-316L	1
11	4179252	CENTERING STAGE HELIX V4 31.4404 VP.	1
12	4178567	SHAFT EQUIPMENT HELIX V2/V4 KIT	1
12.1		> NUT-H-M8-STAINLESS-STEEL A4-70	1
12.2		> SHAFT END WASHER Ø8/Ø12 316L	1
12.3		> STOP COLLAR OF IMPELLER L12,6-Ø12-316L	1
12.4		> STOP-RUSH-1/2-D12xd2-M+316	1
13		HYDRAULIC HELIX V 408	1
14	4179274	SHAFT D.12X383 1.4404 VP.	1
15	4179257	PUMP HOUSING HELIX DN25 PN25 1.4409 KIT	1
7.3	4177887	> O-RING ID.145,65X3,53 VITON VP.	1
15.1		> BLASTING PPE HOUSING V PN25-DN25-5"-316L	1
15.3	4159781	> PRIMING/DRAIN PLUG HELIX 16 FKM KIT	1
16	4177970	BASEPLATE HELIX V2/4/6 PN25 VP.	1



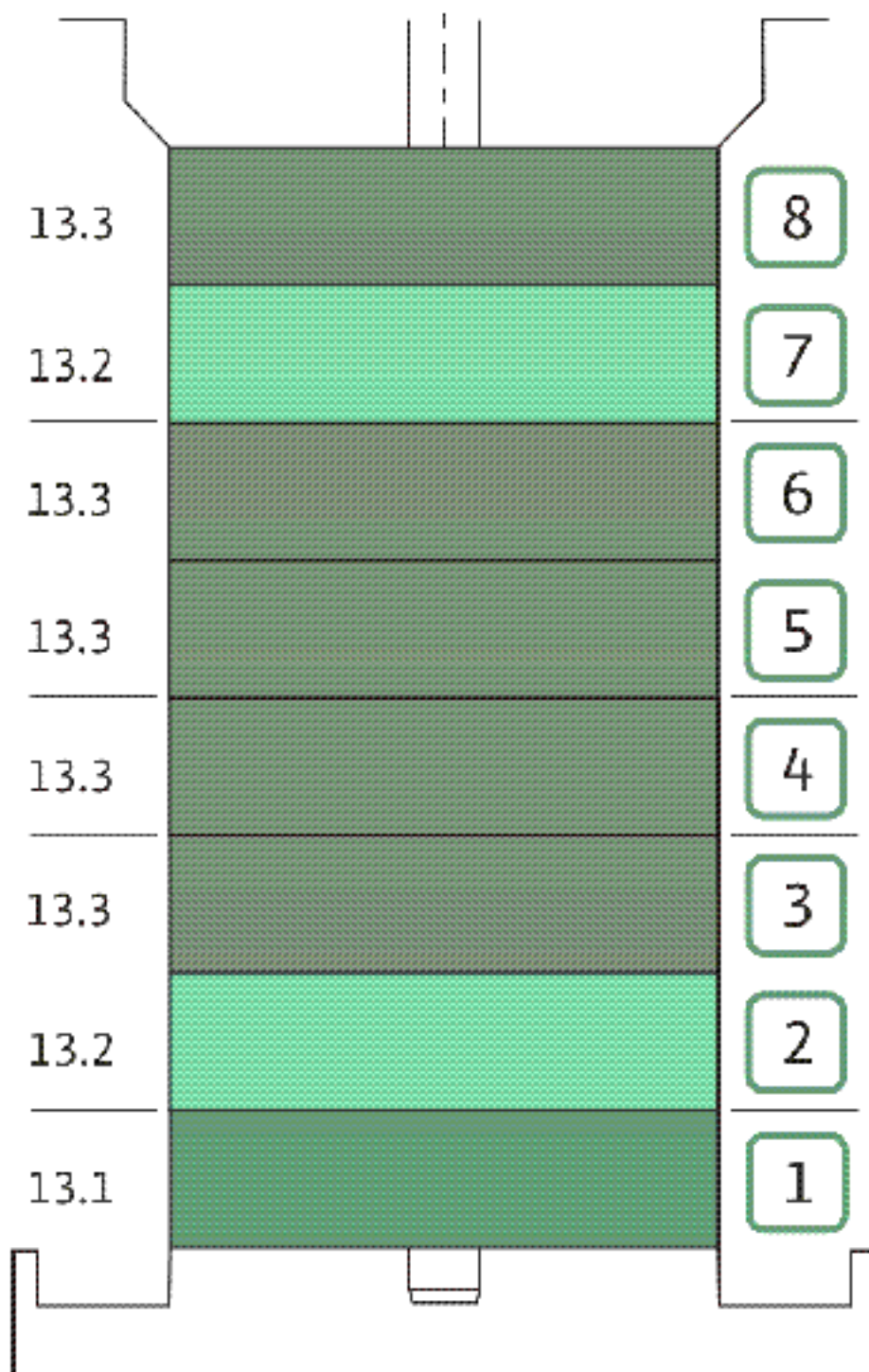
COUPLING D.12XD.19 FT100 KIT (4178578)

Item	Article no.	Description	Quantity
4.1		COUPLING-M+ Ø12XØ19-FT100-MACHINED	1
4.3	4234249	CIRCLIP-FOR-SHAFT-D30x1.5 VP.	1
4.2	2130977	BALL BEARING 6206/ZZ-C3(HT)VP.	1
4.4	4212716	SCREW M6X20 KIT (4PIECES)	1
4.5	4234250	CIRCLIP-D62x2 VP.	1
4.6	4234245	O-RING 63X3 VP.	1
		CONTACT-WASHER-6ETR-6,1x12,2x1,8-STEEL	4

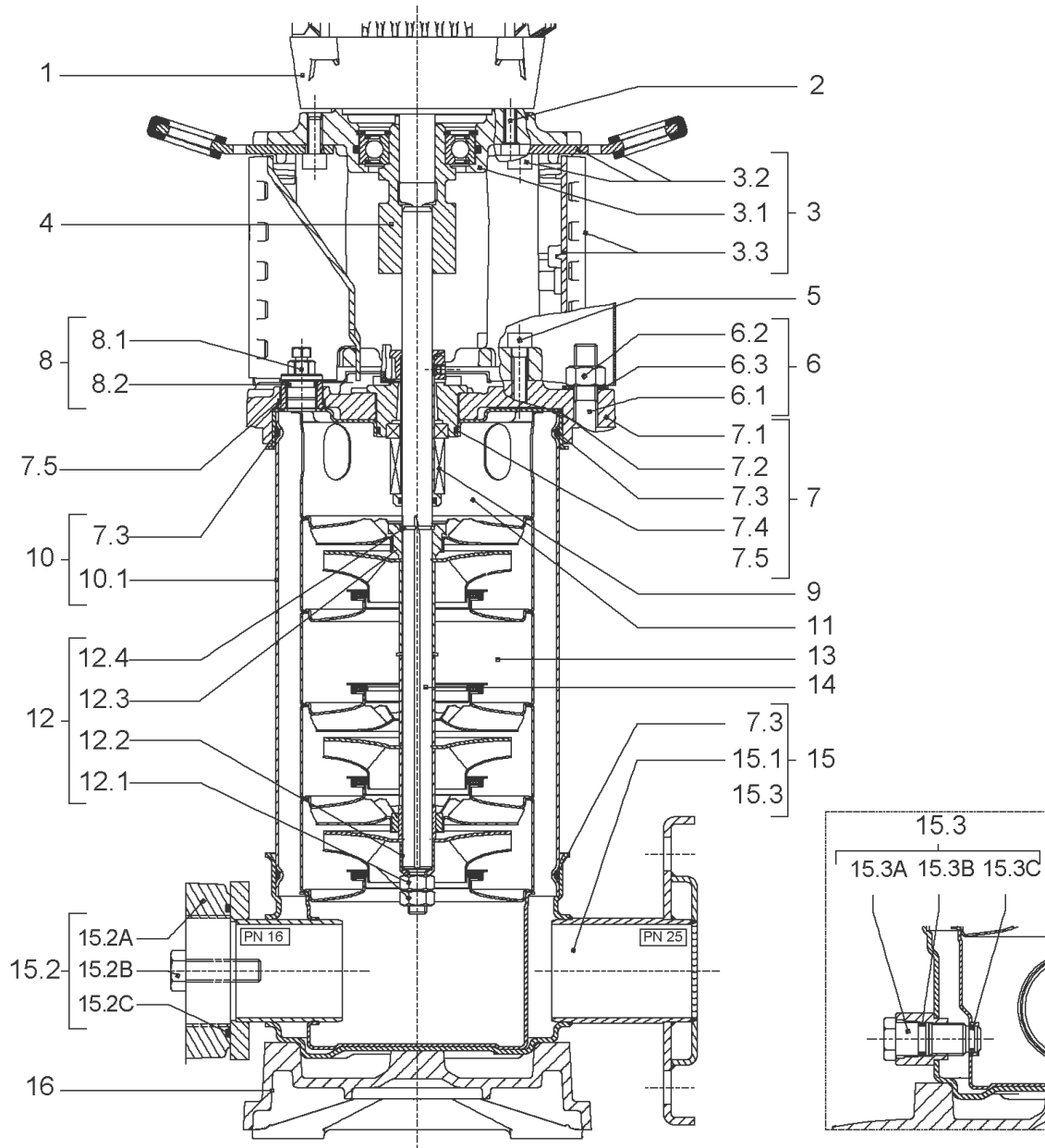


CARTRIDGE HELIX2-4 F/V KIT (4178620)

Item	Article no.	Description	Quantity
9.1	4178619	SEAL-KIT-HELIX2-4 F/V	1
7.3	4177887	> O-RING ID.145,65X3,53 VITON VP.	1
7.4	4177888	> O-RING ID.37.6xØ2.4 VITON VP.	1
9.1A	2131025	> MECH.SEAL HELIX2-4-6-10-16 F/V VP.	1
9.1B	4178618	> O-RING ID.12x2 VITON VP.	1
9.1C	4178618	> O-RING ID.12x2 VITON VP.	1
9.2	4178557	SHAFT SLEEVE Ø12XØ18-PN16 1.4404 VP.	1
9.3	2131024	RING HOLDER D.18 G606/G6 1.4404 VP.	1
9.4	4176520	SCREW CH M5x5 A4-70 (3PIECES)	1
9.5	4178595	DRIVE RING D.29/15.5x13,2 MACH.VP.	1
9.6	2130964	TOOL M.S.CART.HELIX VP.	1
9.7	2130965	SCREW CHC M5X12 ISO4762 A2.70(4 PIECES)	1



Item	Article no.	Description	Quantity
13.1	4179253	STAGE HELIX 4 1.4404 KIT	1
		> MACH.STG-CASING-WOGV-WNR-M+2-4-316	1
		> IMPELLER-M+4-316	1
13.2	4179254	STAGE BEARING HELIX 4 1.4404 KIT	1
		> MACH.BEARING-STG-CASING-WNR-M+4-316	1
		> IMPELLER-M+4-316	1
		> SHAFT SLEEVE SPACER Ø15,35x10,305-316	1
		> SHAFT-SLEEVE-D12xD16x14-CW	1
13.3	4179258	INTERMED STAGE < 15 HELIX 4 1.4404 KIT	1
		> MACH.STD-STG-CASING-WGV+NR-M+4-316	1
		> IMPELLER-M+4-316	1
		> IMPELLER SPACER Ø12,05X14,85-L24,305-316	1



HELIX V409-2/25/V/KS/400-50 (4160556)

Item	Article no.	Description	Quantity
1	4169941	MOTOR 1,1/2/80 3~230/400V 50HZ IE3 VP.	1
		SPARE PARTS MOTOR:ON REQUEST	1
2	4159702	SCREW M6X30 (4 PIECES)	1
3	4172788	LANTERN FT100 HELIX KIT	1
3.1		> LANTERN FT100 M+6" GJL MACHINING+CATA	1
3.2	2127604	> EYELET CPL.FT HELIX(2 PIECES)	1
3.3	4159692	> COUPLING PROTECTOR FT HELIX KIT	1
4	4178578	COUPLING D.12XD.19 FT100 KIT	1
5	4159707	SCREW M8X30 (4 PIECES)	1
6	4177822	STUD BOLT M12X413 KIT	1
6.1		> TIE BOLT M12-413x18x30-1.4057	1
6.2	2094647	> NUT M12 M12 ISO4032 VP.	1
6.3	2123557	> WASHER CS-12.4-24-1.6-NFE25 (4 PIECES)	1
7	4159783	END SHIELD HELIX FKM 1.4404 KIT	1
7.1		> END SHIELD M+6" GJL250 MACHINING+CATA	1
7.2	2131056	> STATIONARY RING HOLDER 6" HELIX 1.4404 V	1
7.3	4234237	> O-RING 139X3 VITON VP.	1
7.4	2131026	> O-RING ID.37,6X2,4 FKM VP.	1
7.5	2131057	> O-RING ID.21,35X2 FKM VP.	1
8	4159784	FILING/PURGING PLUG HELIX FKM KIT	1
9	4178620	CARTRIDGE HELIX2-4 F/V KIT	1
10	4172796	HOUSING PIPE D.152x285 1.4404 KIT	1
7.3	4234237	> O-RING 139X3 VITON VP.	1
10.1		> HOUSING-PIPE Ø152-M+1006-316L	1
11	4179252	CENTERING STAGE HELIX V4 31.4404 VP.	1
12	4178567	SHAFT EQUIPMENT HELIX V2/V4 KIT	1
12.1		> NUT-H-M8-STAINLESS-STEEL A4-70	1
12.2		> SHAFT END WASHER Ø8/Ø12 316L	1
12.3		> STOP COLLAR OF IMPELLER L12,6-Ø12-316L	1
12.4		> STOP-RUSH-1/2-D12xd2-M+316	1
13		HYDRAULIC HELIX V 409	1
14	4179276	SHAFT D.12X408 1.4404 VP.	1
15	4179257	PUMP HOUSING HELIX DN25 PN25 1.4409 KIT	1
7.3	4177887	> O-RING ID.145,65X3,53 VITON VP.	1

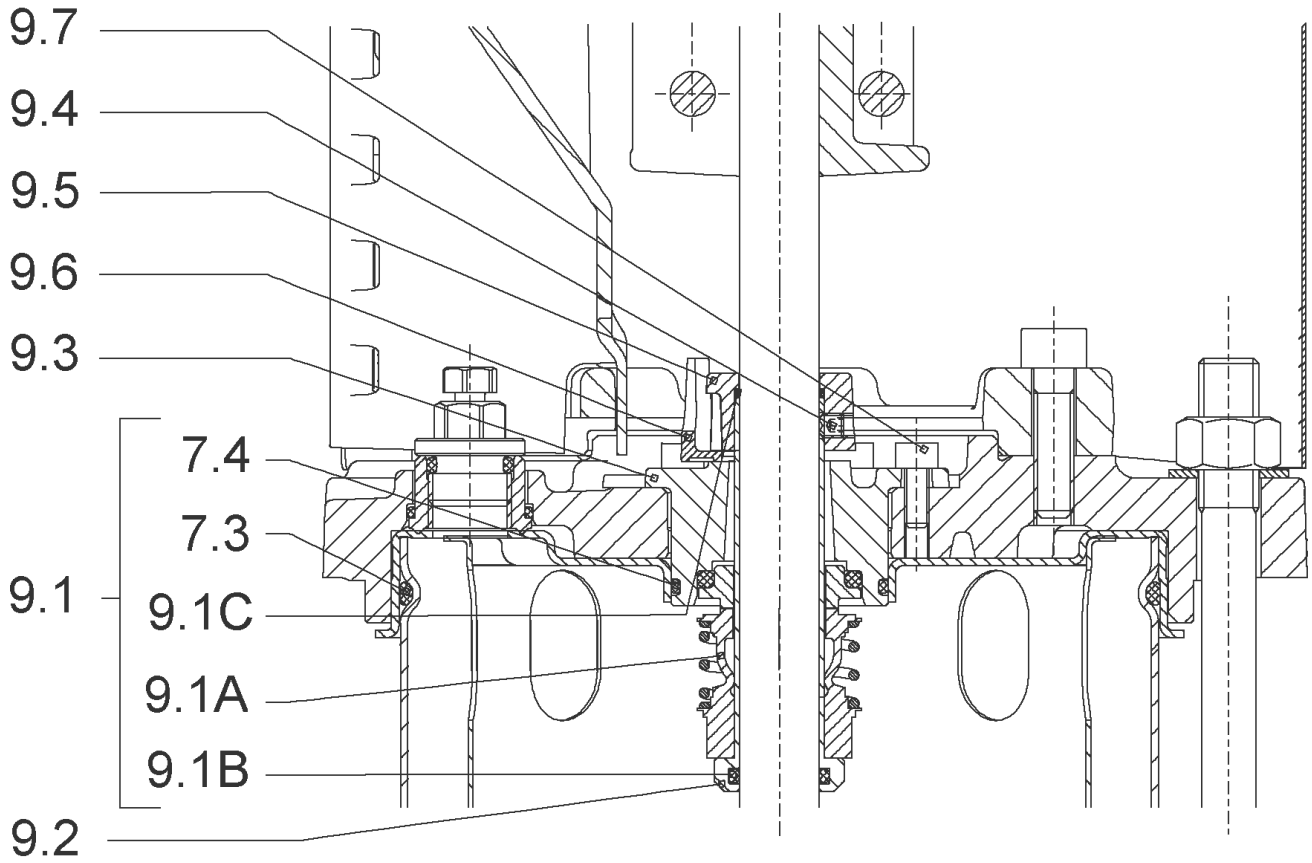
HELIX V409-2/25/V/KS/400-50 (4160556)

Item	Article no.	Description	Quantity
15.1		> BLASTING PPE HOUSING V PN25-DN25-5"-316L	1
15.3	4159781	> PRIMING/DRAIN PLUG HELIX 16 FKM KIT	1
16	4177970	BASEPLATE HELIX V2/4/6 PN25 VP.	1



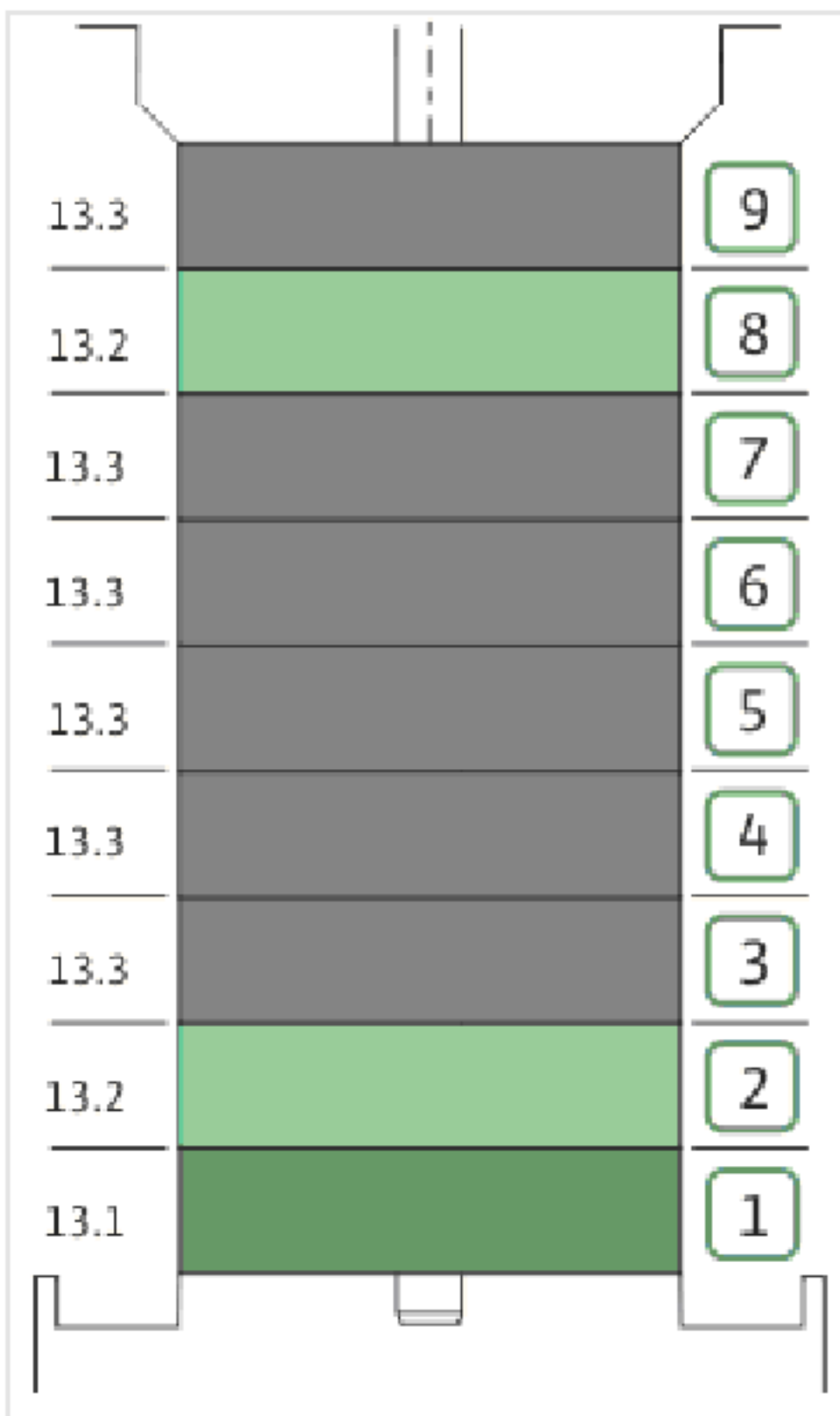
COUPLING D.12XD.19 FT100 KIT (4178578)

Item	Article no.	Description	Quantity
4.1		COUPLING-M+ Ø12XØ19-FT100-MACHINED	1
4.3	4234249	CIRCLIP-FOR-SHAFT-D30x1.5 VP.	1
4.2	2130977	BALL BEARING 6206/ZZ-C3(HT)VP.	1
4.4	4212716	SCREW M6X20 KIT (4PIECES)	1
4.5	4234250	CIRCLIP-D62x2 VP.	1
4.6	4234245	O-RING 63X3 VP.	1
		CONTACT-WASHER-6ETR-6,1x12,2x1,8-STEEL	4

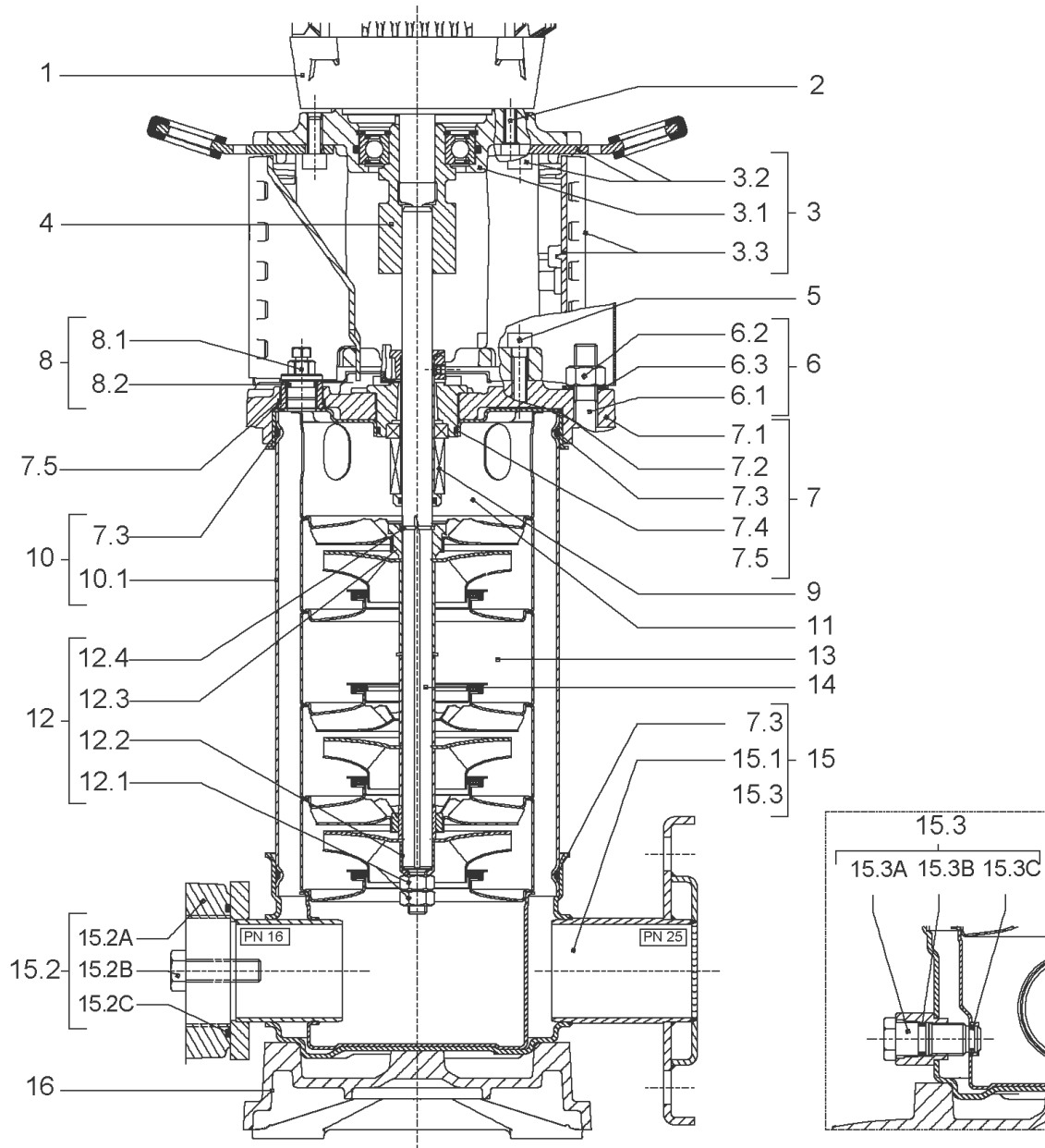


CARTRIDGE HELIX2-4 F/V KIT (4178620)

Item	Article no.	Description	Quantity
9.1	4178619	SEAL-KIT-HELIX2-4 F/V	1
7.3	4177887	> O-RING ID.145,65X3,53 VITON VP.	1
7.4	4177888	> O-RING ID.37.6xØ2.4 VITON VP.	1
9.1A	2131025	> MECH.SEAL HELIX2-4-6-10-16 F/V VP.	1
9.1B	4178618	> O-RING ID.12x2 VITON VP.	1
9.1C	4178618	> O-RING ID.12x2 VITON VP.	1
9.2	4178557	SHAFT SLEEVE Ø12XØ18-PN16 1.4404 VP.	1
9.3	2131024	RING HOLDER D.18 G606/G6 1.4404 VP.	1
9.4	4176520	SCREW CH M5x5 A4-70 (3PIECES)	1
9.5	4178595	DRIVE RING D.29/15.5x13,2 MACH.VP.	1
9.6	2130964	TOOL M.S.CART.HELIX VP.	1
9.7	2130965	SCREW CHC M5X12 ISO4762 A2.70(4 PIECES)	1



Item	Article no.	Description	Quantity
13.1	4179253	STAGE HELIX 4 1.4404 KIT	1
		> MACH.STG-CASING-WOGV-WNR-M+2-4-316	1
		> IMPELLER-M+4-316	1
13.2	4179254	STAGE BEARING HELIX 4 1.4404 KIT	1
		> MACH.BEARING-STG-CASING-WNR-M+4-316	1
		> IMPELLER-M+4-316	1
		> SHAFT SLEEVE SPACER Ø15,35x10,305-316	1
		> SHAFT-SLEEVE-D12xD16x14-CW	1
13.3	4179258	INTERMED STAGE < 15 HELIX 4 1.4404 KIT	1
		> MACH.STD-STG-CASING-WGV+NR-M+4-316	1
		> IMPELLER-M+4-316	1
		> IMPELLER SPACER Ø12,05X14,85-L24,305-316	1



HELIX V410-2/25/V/KS/400-50 (4160557)

Item	Article no.	Description	Quantity
1	4169942	MO.1,5/2 3~230/400(440)V 50(60)HZ IE3 VP	1
		SPARE PARTS MOTOR:ON REQUEST	1
2	4159703	SCREW M8X40 (4 PIECES)	1
3	4159690	LANTERN FT115 HELIX KIT	1
3.1		> LANTERN FT115 M+6" GJL MACHINING+CATA	1
3.2	2127604	> EYELET CPL.FT HELIX(2 PIECES)	1
3.3	4159692	> COUPLING PROTECTOR FT HELIX KIT	1
4	4178600	COUPLING D.12XD.24 FT115 KIT	1
5	4159707	SCREW M8X30 (4 PIECES)	1
6	2127554	STUD BOLT M12X437 KIT	1
7	4159783	END SHIELD HELIX FKM 1.4404 KIT	1
7.1		> END SHIELD M+6" GJL250 MACHINING+CATA	1
7.2	2131056	> STATIONARY RING HOLDER 6" HELIX 1.4404 V	1
7.3	4234237	> O-RING 139X3 VITON VP.	1
7.4	2131026	> O-RING ID.37,6X2,4 FKM VP.	1
7.5	2131057	> O-RING ID.21,35X2 FKM VP.	1
8	4159784	FILING/PURGING PLUG HELIX FKM KIT	1
9	4178620	CARTRIDGE HELIX2-4 F/V KIT	1
10	4179277	HOUSING-PIPE D.152X310 1.4404 KIT	1
7.3	4234237	> O-RING 139X3 VITON VP.	1
10.1		> HOUSING-PIPE Ø152-M+1605-316L	1
11	4179252	CENTERING STAGE HELIX V4 31.4404 VP.	1
12	4178567	SHAFT EQUIPMENT HELIX V2/V4 KIT	1
12.1		> NUT-H-M8-STAINLESS-STEEL A4-70	1
12.2		> SHAFT END WASHER Ø8/Ø12 316L	1
12.3		> STOP COLLAR OF IMPELLER L12,6-Ø12-316L	1
12.4		> STOP-RUSH-1/2-D12xd2-M+316	1
13		HYDRAULIC HELIX V 410	1
14	4179279	SHAFT D.12X433 1.4404 VP.	1
		> PUMP SHAFT M+Ø12-L433-316L	1
15	4179257	PUMP HOUSING HELIX DN25 PN25 1.4409 KIT	1
7.3	4177887	> O-RING ID.145,65X3,53 VITON VP.	1
15.1		> BLASTING PPE HOUSING V PN25-DN25-5"-316L	1
15.3	4159781	> PRIMING/DRAIN PLUG HELIX 16 FKM KIT	1

HELIX V410-2/25/V/KS/400-50 (4160557)

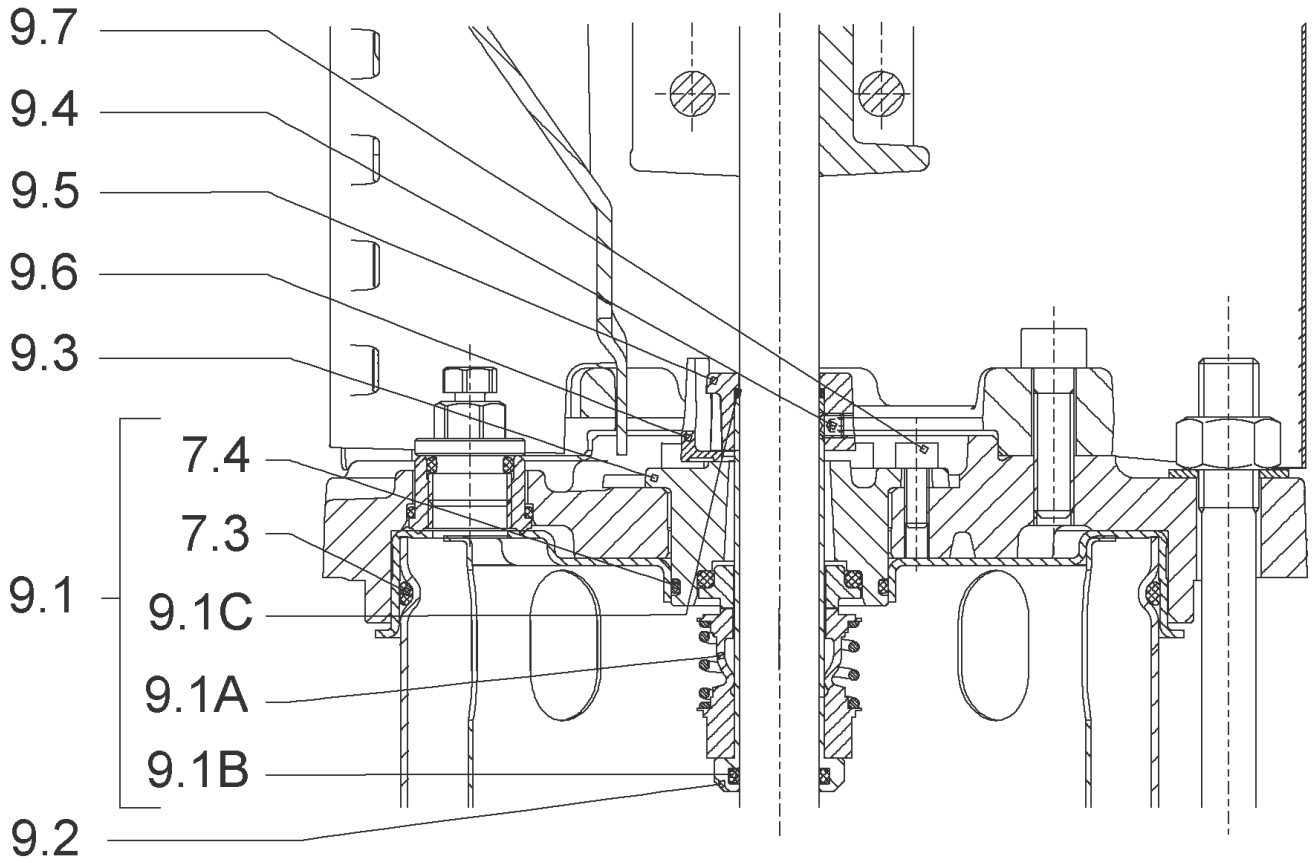
Item	Article no.	Description	Quantity
16	4177970	BASEPLATE HELIX V2/4/6 PN25 VP.	1

COUPLING D.12XD.24 FT115 KIT (4178600)



COUPLING D.12XD.24 FT115 KIT (4178600)

Item	Article no.	Description	Quantity
4.1		COUPLING-M+ Ø12XØ24-FT115-MACHINED	1
4.2	2131023	BALL BEARING 6207/ZZ-C3(HT)VP.	1
4.3	4234254	CIRCLIP-FOR-SHAFT-D35x1.5 VP.	1
4.4	4157726	SCREW KIT M8X30 (4 PIECES)	1
4.5	4234251	CIRCLIP-D72x2.5 VP.	1
4.6	4234246	O-RING 72X3 VP.	1
		NOMEL CONTACT WASHER 8x16x1,4 STEEL ZC	1

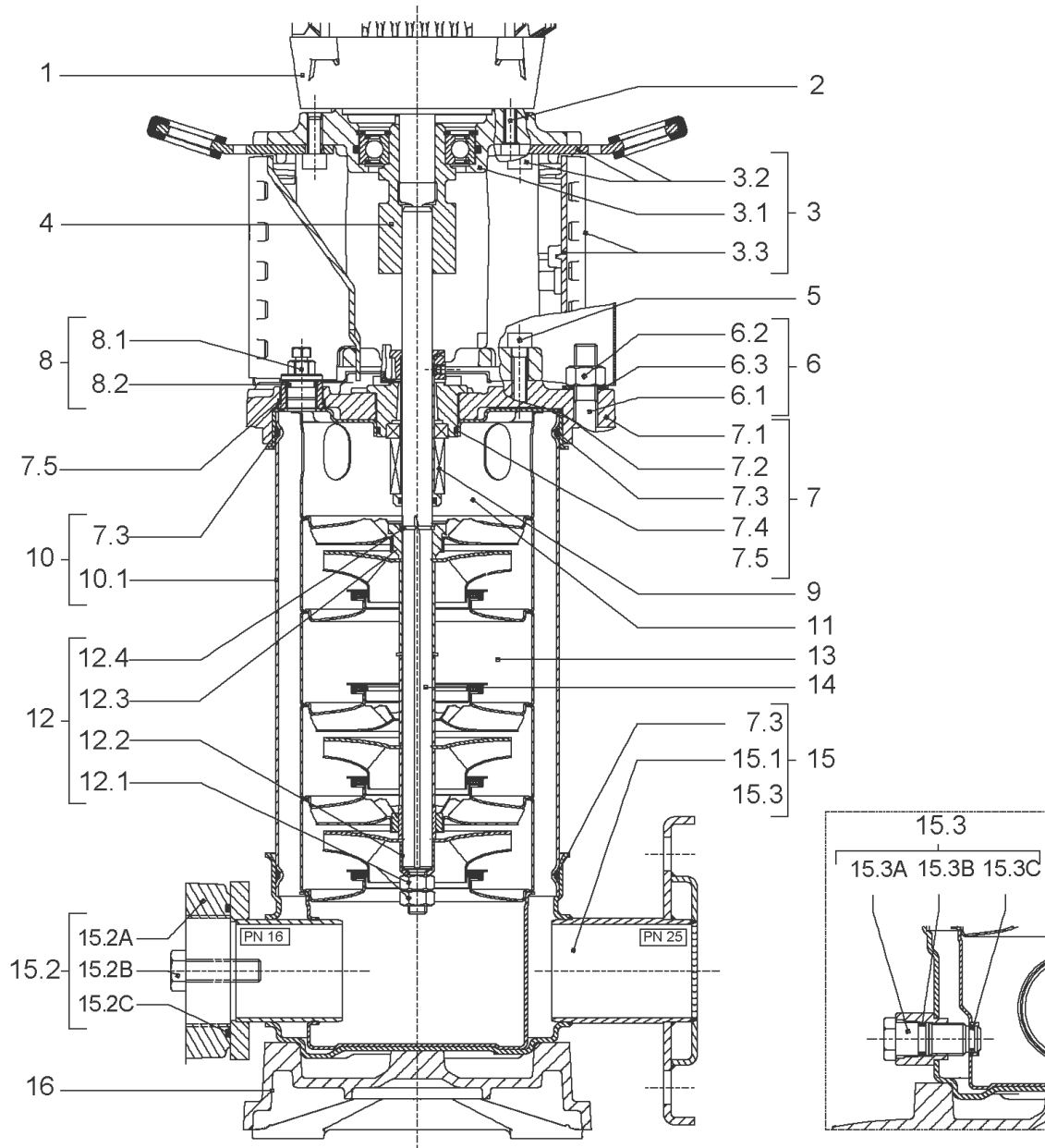


CARTRIDGE HELIX2-4 F/V KIT (4178620)

Item	Article no.	Description	Quantity
9.1	4178619	SEAL-KIT-HELIX2-4 F/V	1
7.3	4177887	> O-RING ID.145,65X3,53 VITON VP.	1
7.4	4177888	> O-RING ID.37.6xØ2.4 VITON VP.	1
9.1A	2131025	> MECH.SEAL HELIX2-4-6-10-16 F/V VP.	1
9.1B	4178618	> O-RING ID.12x2 VITON VP.	1
9.1C	4178618	> O-RING ID.12x2 VITON VP.	1
9.2	4178557	SHAFT SLEEVE Ø12XØ18-PN16 1.4404 VP.	1
9.3	2131024	RING HOLDER D.18 G606/G6 1.4404 VP.	1
9.4	4176520	SCREW CH M5x5 A4-70 (3PIECES)	1
9.5	4178595	DRIVE RING D.29/15.5x13,2 MACH.VP.	1
9.6	2130964	TOOL M.S.CART.HELIX VP.	1
9.7	2130965	SCREW CHC M5X12 ISO4762 A2.70(4 PIECES)	1



Item	Article no.	Description	Quantity
13.1	4179253	STAGE HELIX 4 1.4404 KIT	1
		> MACH.STG-CASING-WOGV-WNR-M+2-4-316	1
		> IMPELLER-M+4-316	1
13.2	4179254	STAGE BEARING HELIX 4 1.4404 KIT	1
		> MACH.BEARING-STG-CASING-WNR-M+4-316	1
		> IMPELLER-M+4-316	1
		> SHAFT SLEEVE SPACER Ø15,35x10,305-316	1
		> SHAFT-SLEEVE-D12xD16x14-CW	1
13.3	4179258	INTERMED STAGE < 15 HELIX 4 1.4404 KIT	1
		> MACH.STD-STG-CASING-WGV+NR-M+4-316	1
		> IMPELLER-M+4-316	1
		> IMPELLER SPACER Ø12,05X14,85-L24,305-316	1

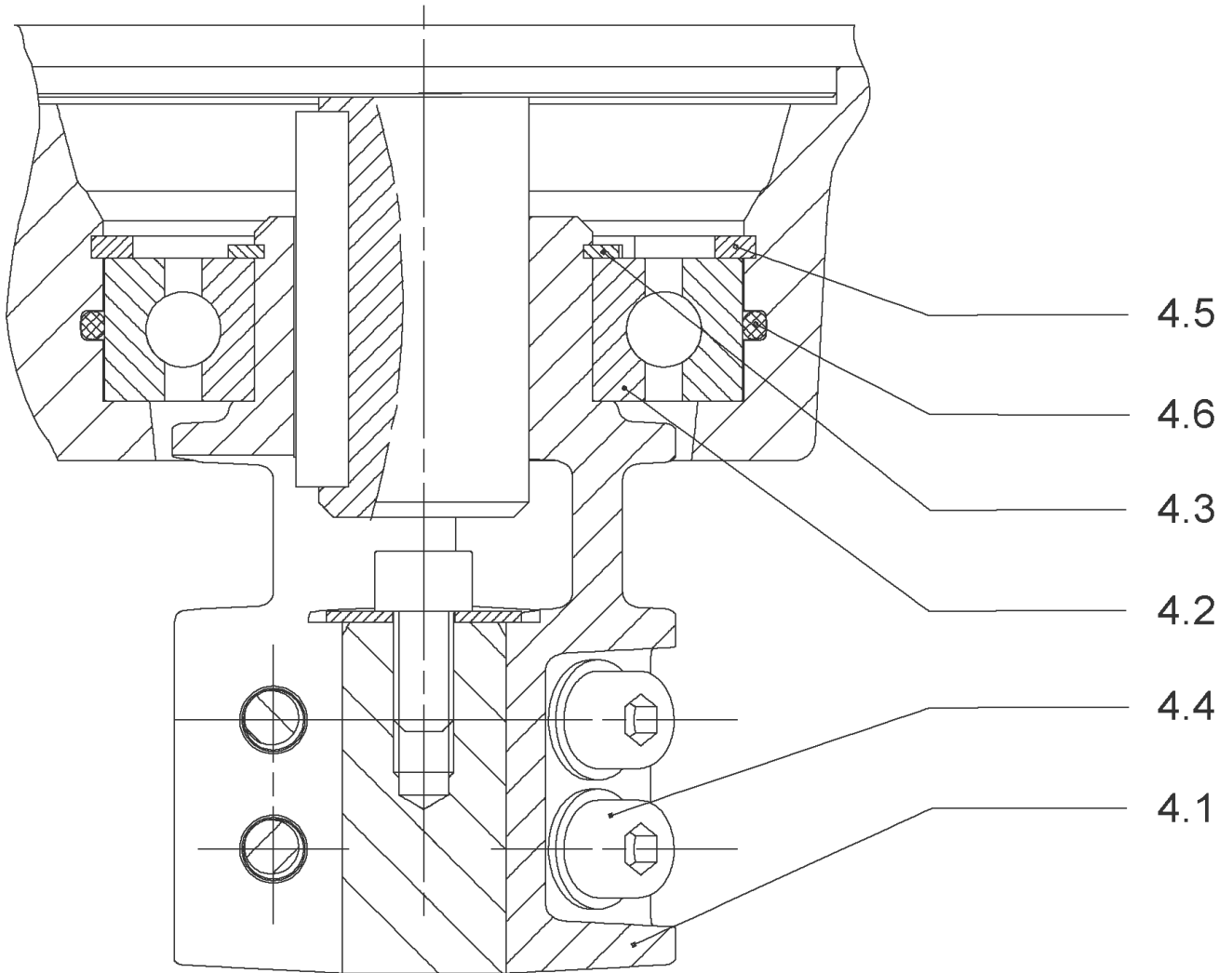


HELIX V411-2/25/V/KS/400-50 (4160558)

Item	Article no.	Description	Quantity
1	4169942	MO.1,5/2 3~230/400(440)V 50(60)HZ IE3 VP	1
		SPARE PARTS MOTOR:ON REQUEST	1
2	4159703	SCREW M8X40 (4 PIECES)	1
3	4159690	LANTERN FT115 HELIX KIT	1
3.1		> LANTERN FT115 M+6" GJL MACHINING+CATA	1
3.2	2127604	> EYELET CPL.FT HELIX(2 PIECES)	1
3.3	4159692	> COUPLING PROTECTOR FT HELIX KIT	1
4	4178600	COUPLING D.12XD.24 FT115 KIT	1
5	4159707	SCREW M8X30 (4 PIECES)	1
6	4178605	STUD BOLT M12X469 KIT	1
6.1		> TIE BOLT M12-469x18x30-1.4057	1
6.2	2094647	> NUT M12 M12 ISO4032 VP.	1
6.3	2123557	> WASHER CS-12.4-24-1.6-NFE25 (4 PIECES)	1
7	4159783	END SHIELD HELIX FKM 1.4404 KIT	1
7.1		> END SHIELD M+6" GJL250 MACHINING+CATA	1
7.2	2131056	> STATIONARY RING HOLDER 6" HELIX 1.4404 V	1
7.3	4234237	> O-RING 139X3 VITON VP.	1
7.4	2131026	> O-RING ID.37,6X2,4 FKM VP.	1
7.5	2131057	> O-RING ID.21,35X2 FKM VP.	1
8	4159784	FILING/PURGING PLUG HELIX FKM KIT	1
9	4178620	CARTRIDGE HELIX2-4 F/V KIT	1
10	4179280	HOUSING-PIPE D.152X335 1.4404 KIT	1
7.3	4234237	> O-RING 139X3 VITON VP.	1
10.1		> HOUSING-PIPE Ø152-M+211/411-316L	1
11	4179252	CENTERING STAGE HELIX V4 31.4404 VP.	1
12	4178567	SHAFT EQUIPMENT HELIX V2/V4 KIT	1
12.1		> NUT-H-M8-STAINLESS-STEEL A4-70	1
12.2		> SHAFT END WASHER Ø8/Ø12 316L	1
12.3		> STOP COLLAR OF IMPELLER L12,6-Ø12-316L	1
12.4		> STOP-RUSH-1/2-D12xd2-M+316	1
13		HYDRAULIC HELIX V 411	1
14	4179282	SHAFT D.12X458 1.4404 VP.	1
15	4179257	PUMP HOUSING HELIX DN25 PN25 1.4409 KIT	1
7.3	4177887	> O-RING ID.145,65X3,53 VITON VP.	1

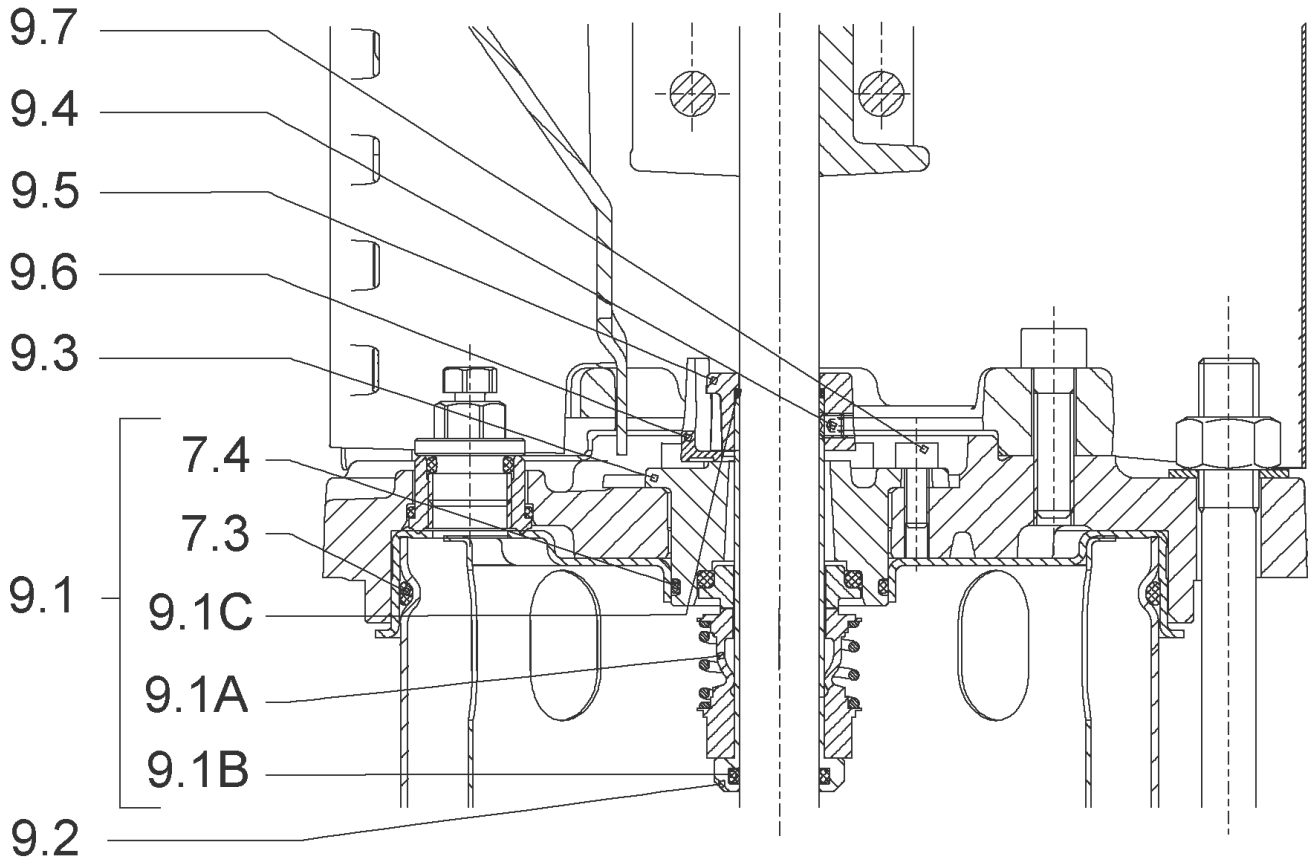
HELIX V411-2/25/V/KS/400-50 (4160558)

Item	Article no.	Description	Quantity
15.1		> BLASTING PPE HOUSING V PN25-DN25-5"-316L	1
15.3	4159781	> PRIMING/DRAIN PLUG HELIX 16 FKM KIT	1
16	4177970	BASEPLATE HELIX V2/4/6 PN25 VP.	1



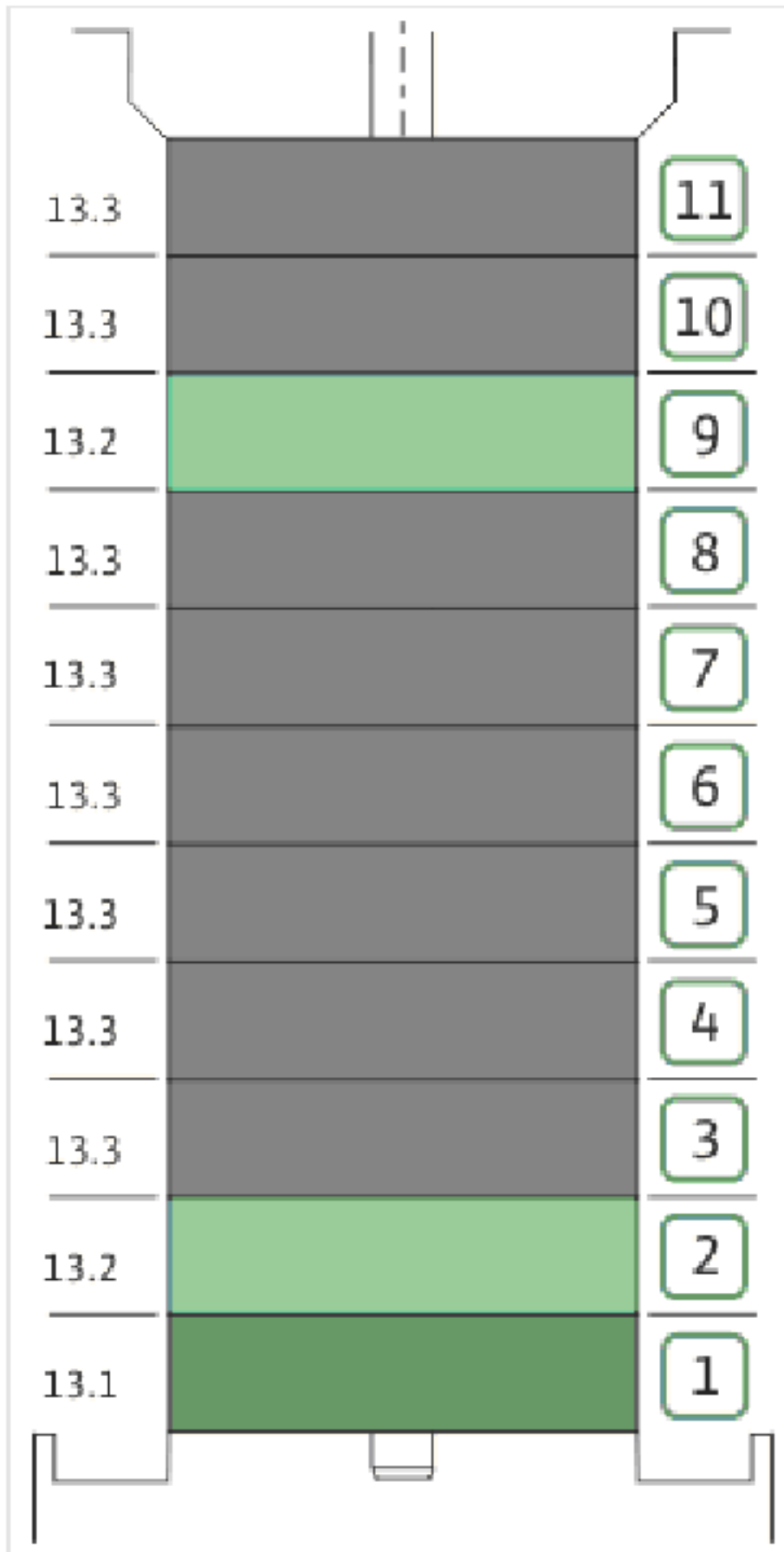
COUPLING D.12XD.24 FT115 KIT (4178600)

Item	Article no.	Description	Quantity
4.1		COUPLING-M+ Ø12XØ24-FT115-MACHINED	1
4.2	2131023	BALL BEARING 6207/ZZ-C3(HT)VP.	1
4.3	4234254	CIRCLIP-FOR-SHAFT-D35x1.5 VP.	1
4.4	4157726	SCREW KIT M8X30 (4 PIECES)	1
4.5	4234251	CIRCLIP-D72x2.5 VP.	1
4.6	4234246	O-RING 72X3 VP.	1
		NOMEL CONTACT WASHER 8x16x1,4 STEEL ZC	1

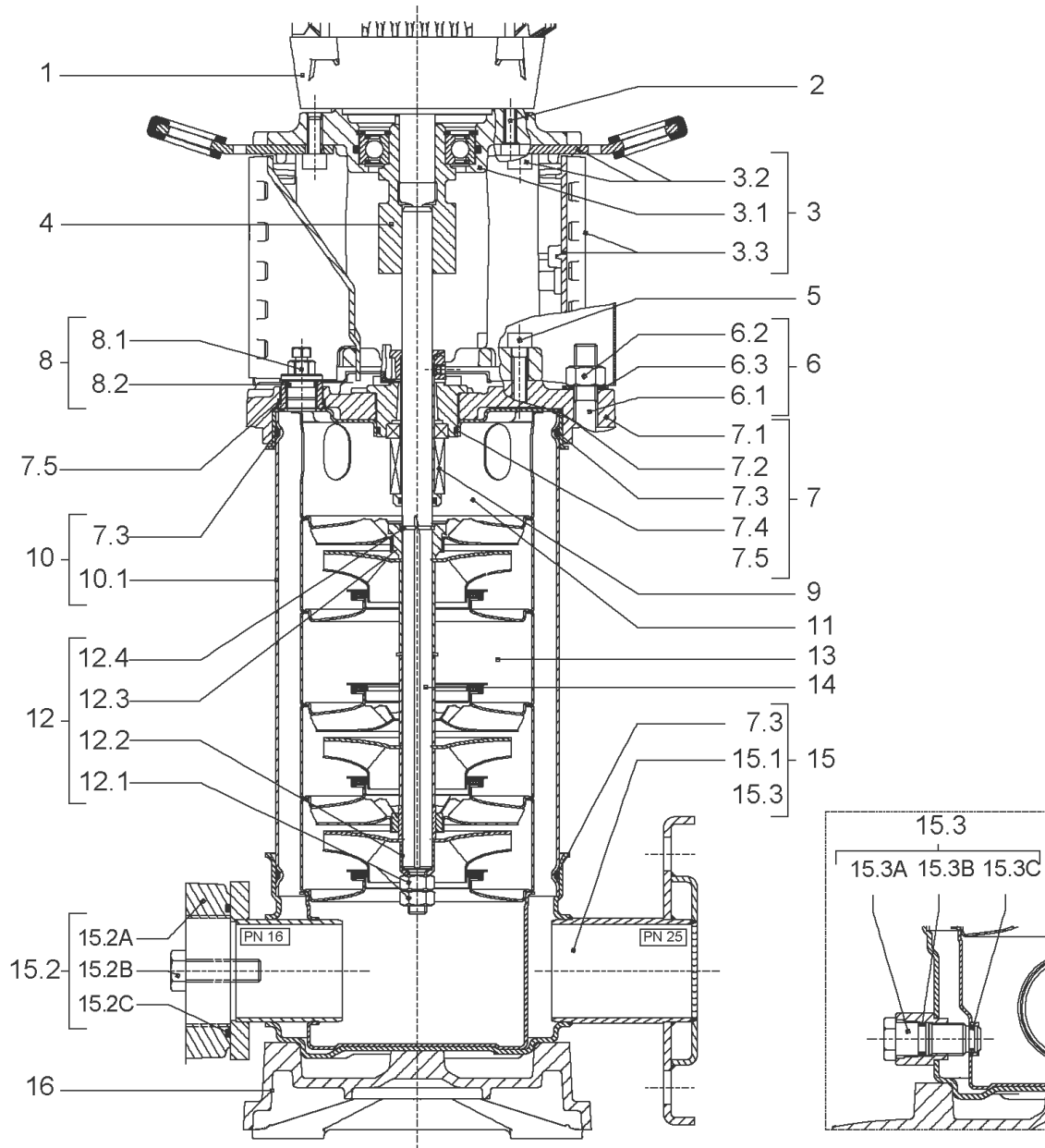


CARTRIDGE HELIX2-4 F/V KIT (4178620)

Item	Article no.	Description	Quantity
9.1	4178619	SEAL-KIT-HELIX2-4 F/V	1
7.3	4177887	> O-RING ID.145,65X3,53 VITON VP.	1
7.4	4177888	> O-RING ID.37.6xØ2.4 VITON VP.	1
9.1A	2131025	> MECH.SEAL HELIX2-4-6-10-16 F/V VP.	1
9.1B	4178618	> O-RING ID.12x2 VITON VP.	1
9.1C	4178618	> O-RING ID.12x2 VITON VP.	1
9.2	4178557	SHAFT SLEEVE Ø12XØ18-PN16 1.4404 VP.	1
9.3	2131024	RING HOLDER D.18 G606/G6 1.4404 VP.	1
9.4	4176520	SCREW CH M5x5 A4-70 (3PIECES)	1
9.5	4178595	DRIVE RING D.29/15.5x13,2 MACH.VP.	1
9.6	2130964	TOOL M.S.CART.HELIX VP.	1
9.7	2130965	SCREW CHC M5X12 ISO4762 A2.70(4 PIECES)	1



Item	Article no.	Description	Quantity
13.1	4179253	STAGE HELIX 4 1.4404 KIT	1
		> MACH.STG-CASING-WOGV-WNR-M+2-4-316	1
		> IMPELLER-M+4-316	1
13.2	4179254	STAGE BEARING HELIX 4 1.4404 KIT	1
		> MACH.BEARING-STG-CASING-WNR-M+4-316	1
		> IMPELLER-M+4-316	1
		> SHAFT SLEEVE SPACER Ø15,35x10,305-316	1
		> SHAFT-SLEEVE-D12xD16x14-CW	1
13.3	4179258	INTERMED STAGE < 15 HELIX 4 1.4404 KIT	1
		> MACH.STD-STG-CASING-WGV+NR-M+4-316	1
		> IMPELLER-M+4-316	1
		> IMPELLER SPACER Ø12,05X14,85-L24,305-316	1



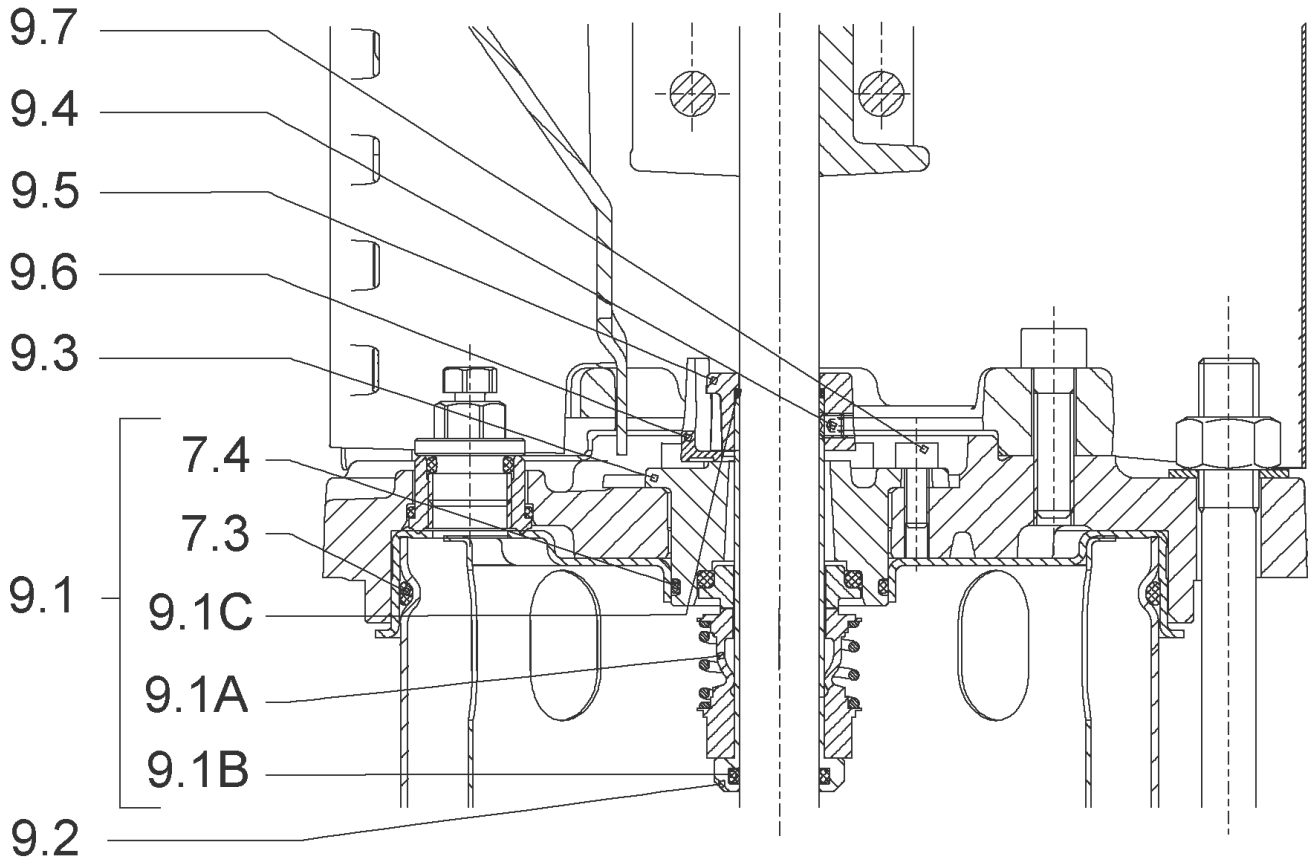
HELIX V412-2/25/V/KS/400-50 (4160559)

Item	Article no.	Description	Quantity
1	4169942	MO.1,5/2 3~230/400(440)V 50(60)HZ IE3 VP	1
		SPARE PARTS MOTOR:ON REQUEST	1
2	4159703	SCREW M8X40 (4 PIECES)	1
3	4159690	LANTERN FT115 HELIX KIT	1
3.1		> LANTERN FT115 M+6" GJL MACHINING+CATA	1
3.2	2127604	> EYELET CPL.FT HELIX(2 PIECES)	1
3.3	4159692	> COUPLING PROTECTOR FT HELIX KIT	1
4	4178600	COUPLING D.12XD.24 FT115 KIT	1
5	4159707	SCREW M8X30 (4 PIECES)	1
6	2127555	STUD BOLT M12X485 KIT	1
7	4159783	END SHIELD HELIX FKM 1.4404 KIT	1
7.1		> END SHIELD M+6" GJL250 MACHINING+CATA	1
7.2	2131056	> STATIONARY RING HOLDER 6" HELIX 1.4404 V	1
7.3	4234237	> O-RING 139X3 VITON VP.	1
7.4	2131026	> O-RING ID.37,6X2,4 FKM VP.	1
7.5	2131057	> O-RING ID.21,35X2 FKM VP.	1
8	4159784	FILING/PURGING PLUG HELIX FKM KIT	1
9	4178620	CARTRIDGE HELIX2-4 F/V KIT	1
10	4177932	HOUSING PIPES D.152X360 1.4404 KIT	1
7.3	4234237	> O-RING 139X3 VITON VP.	1
10.1		> HOUSING-PIPE Ø152-M+1008/1606-316L	1
11	4179252	CENTERING STAGE HELIX V4 31.4404 VP.	1
12	4178567	SHAFT EQUIPMENT HELIX V2/V4 KIT	1
12.1		> NUT-H-M8-STAINLESS-STEEL A4-70	1
12.2		> SHAFT END WASHER Ø8/Ø12 316L	1
12.3		> STOP COLLAR OF IMPELLER L12,6-Ø12-316L	1
12.4		> STOP-RUSH-1/2-D12xd2-M+316	1
13		HYDRAULIC HELIX V 412	1
14	4179284	SHAFT D.12X483 1.4404 VP.	1
15	4179257	PUMP HOUSING HELIX DN25 PN25 1.4409 KIT	1
7.3	4177887	> O-RING ID.145,65X3,53 VITON VP.	1
15.1		> BLASTING PPE HOUSING V PN25-DN25-5"-316L	1
15.3	4159781	> PRIMING/DRAIN PLUG HELIX 16 FKM KIT	1
16	4177970	BASEPLATE HELIX V2/4/6 PN25 VP.	1



COUPLING D.12XD.24 FT115 KIT (4178600)

Item	Article no.	Description	Quantity
4.1		COUPLING-M+ Ø12XØ24-FT115-MACHINED	1
4.2	2131023	BALL BEARING 6207/ZZ-C3(HT)VP.	1
4.3	4234254	CIRCLIP-FOR-SHAFT-D35x1.5 VP.	1
4.4	4157726	SCREW KIT M8X30 (4 PIECES)	1
4.5	4234251	CIRCLIP-D72x2.5 VP.	1
4.6	4234246	O-RING 72X3 VP.	1
		NOMEL CONTACT WASHER 8x16x1,4 STEEL ZC	1

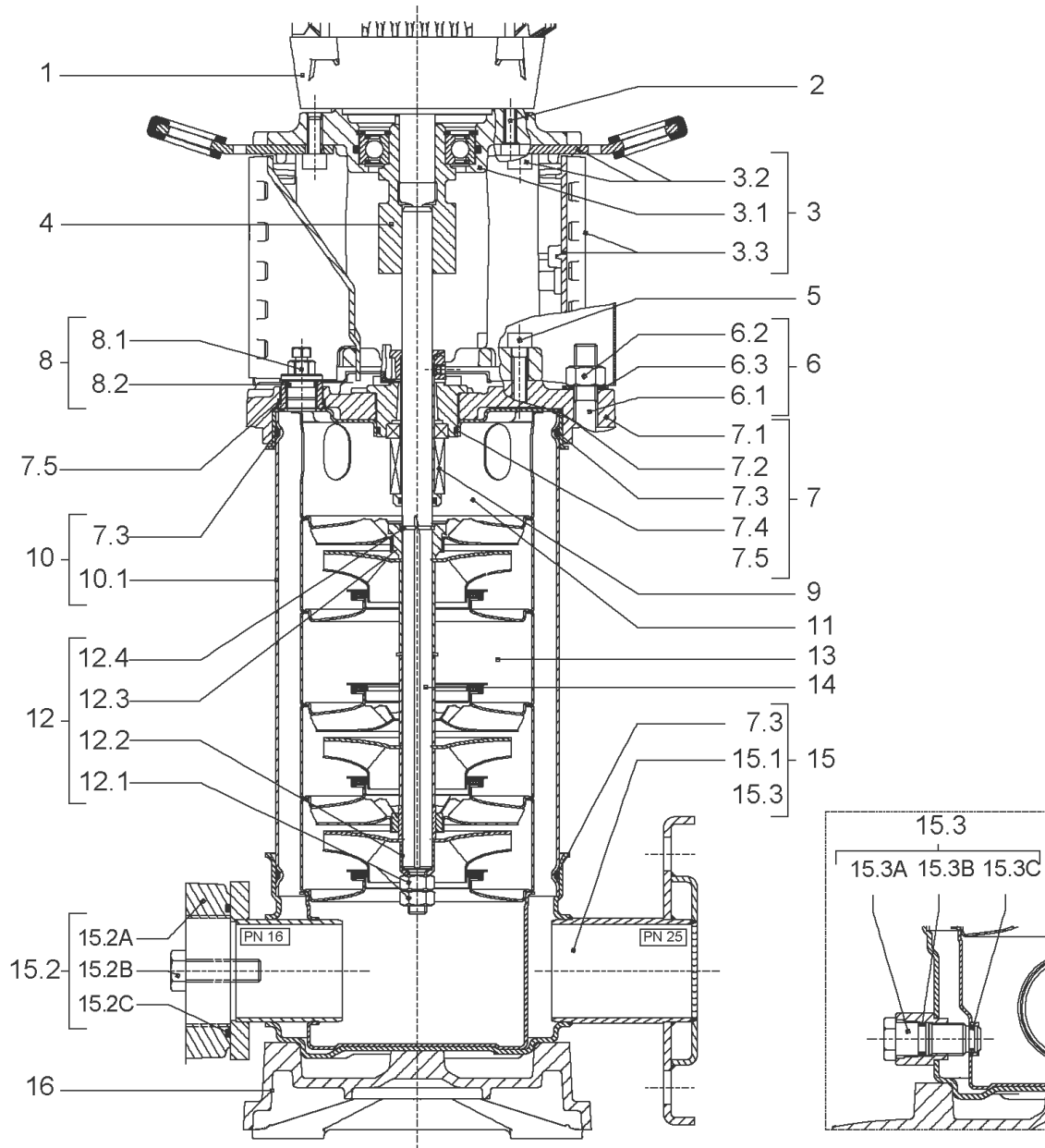


CARTRIDGE HELIX2-4 F/V KIT (4178620)

Item	Article no.	Description	Quantity
9.1	4178619	SEAL-KIT-HELIX2-4 F/V	1
7.3	4177887	> O-RING ID.145,65X3,53 VITON VP.	1
7.4	4177888	> O-RING ID.37.6xØ2.4 VITON VP.	1
9.1A	2131025	> MECH.SEAL HELIX2-4-6-10-16 F/V VP.	1
9.1B	4178618	> O-RING ID.12x2 VITON VP.	1
9.1C	4178618	> O-RING ID.12x2 VITON VP.	1
9.2	4178557	SHAFT SLEEVE Ø12XØ18-PN16 1.4404 VP.	1
9.3	2131024	RING HOLDER D.18 G606/G6 1.4404 VP.	1
9.4	4176520	SCREW CH M5x5 A4-70 (3PIECES)	1
9.5	4178595	DRIVE RING D.29/15.5x13,2 MACH.VP.	1
9.6	2130964	TOOL M.S.CART.HELIX VP.	1
9.7	2130965	SCREW CHC M5X12 ISO4762 A2.70(4 PIECES)	1



Item	Article no.	Description	Quantity
13.1	4179253	STAGE HELIX 4 1.4404 KIT	1
		> MACH.STG-CASING-WOGV-WNR-M+2-4-316	1
		> IMPELLER-M+4-316	1
13.2	4179254	STAGE BEARING HELIX 4 1.4404 KIT	1
		> MACH.BEARING-STG-CASING-WNR-M+4-316	1
		> IMPELLER-M+4-316	1
		> SHAFT SLEEVE SPACER Ø15,35x10,305-316	1
		> SHAFT-SLEEVE-D12xD16x14-CW	1
13.3	4179258	INTERMED STAGE < 15 HELIX 4 1.4404 KIT	1
		> MACH.STD-STG-CASING-WGV+NR-M+4-316	1
		> IMPELLER-M+4-316	1
		> IMPELLER SPACER Ø12,05X14,85-L24,305-316	1



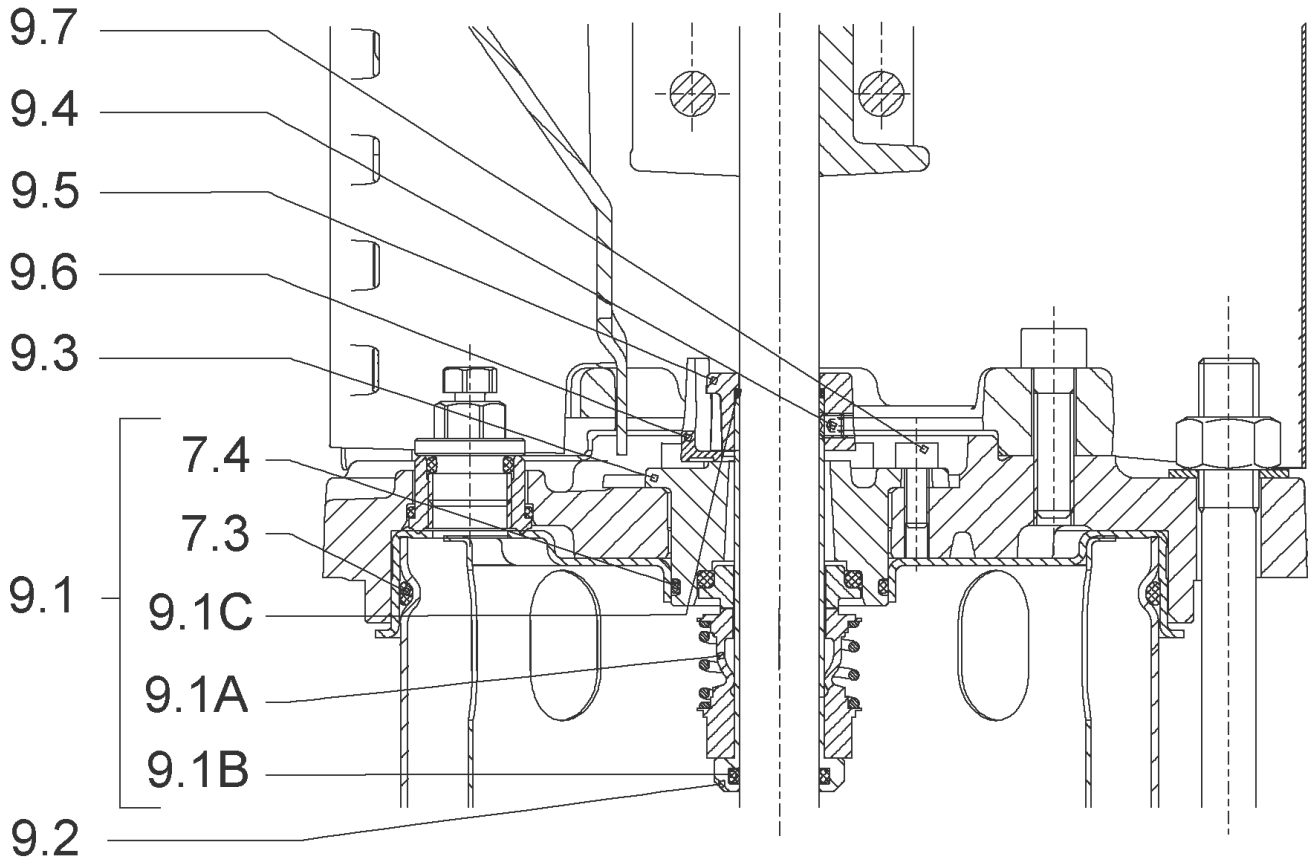
HELIX V413-2/25/V/KS/400-50 (4160560)

Item	Article no.	Description	Quantity
1	4169943	MOTOR 2,2/2/90 3~230/400V 50HZ IE3 VP.	1
		SPARE PARTS MOTOR:ON REQUEST	1
2	4159703	SCREW M8X40 (4 PIECES)	1
3	4159690	LANTERN FT115 HELIX KIT	1
3.1		> LANTERN FT115 M+6" GJL MACHINING+CATA	1
3.2	2127604	> EYELET CPL.FT HELIX(2 PIECES)	1
3.3	4159692	> COUPLING PROTECTOR FT HELIX KIT	1
4	4178600	COUPLING D.12XD.24 FT115 KIT	1
5	4159707	SCREW M8X30 (4 PIECES)	1
6	2127556	STUD BOLT M12X542 KIT	1
7	4159783	END SHIELD HELIX FKM 1.4404 KIT	1
7.1		> END SHIELD M+6" GJL250 MACHINING+CATA	1
7.2	2131056	> STATIONARY RING HOLDER 6" HELIX 1.4404 V	1
7.3	4234237	> O-RING 139X3 VITON VP.	1
7.4	2131026	> O-RING ID.37,6X2,4 FKM VP.	1
7.5	2131057	> O-RING ID.21,35X2 FKM VP.	1
8	4159784	FILING/PURGING PLUG HELIX FKM KIT	1
9	4178620	CARTRIDGE HELIX2-4 F/V KIT	1
10	4179285	HOUSING-PIPE D.152X410 1.4404 KIT	1
7.3	4234237	> O-RING 139X3 VITON VP.	1
10.1		> HOUSING-PIPE Ø152-M+1607-316L	1
11	4179252	CENTERING STAGE HELIX V4 31.4404 VP.	1
12	4178567	SHAFT EQUIPMENT HELIX V2/V4 KIT	1
12.1		> NUT-H-M8-STAINLESS-STEEL A4-70	1
12.2		> SHAFT END WASHER Ø8/Ø12 316L	1
12.3		> STOP COLLAR OF IMPELLER L12,6-Ø12-316L	1
12.4		> STOP-RUSH-1/2-D12xd2-M+316	1
13		HYDRAULIC HELIX V 413	1
14	4179289	SHAFT D.12X533 1.4462 VP	1
15	4179257	PUMP HOUSING HELIX DN25 PN25 1.4409 KIT	1
7.3	4177887	> O-RING ID.145,65X3,53 VITON VP.	1
15.1		> BLASTING PPE HOUSING V PN25-DN25-5"-316L	1
15.3	4159781	> PRIMING/DRAIN PLUG HELIX 16 FKM KIT	1
16	4177970	BASEPLATE HELIX V2/4/6 PN25 VP.	1



COUPLING D.12XD.24 FT115 KIT (4178600)

Item	Article no.	Description	Quantity
4.1		COUPLING-M+ Ø12XØ24-FT115-MACHINED	1
4.2	2131023	BALL BEARING 6207/ZZ-C3(HT)VP.	1
4.3	4234254	CIRCLIP-FOR-SHAFT-D35x1.5 VP.	1
4.4	4157726	SCREW KIT M8X30 (4 PIECES)	1
4.5	4234251	CIRCLIP-D72x2.5 VP.	1
4.6	4234246	O-RING 72X3 VP.	1
		NOMEL CONTACT WASHER 8x16x1,4 STEEL ZC	1



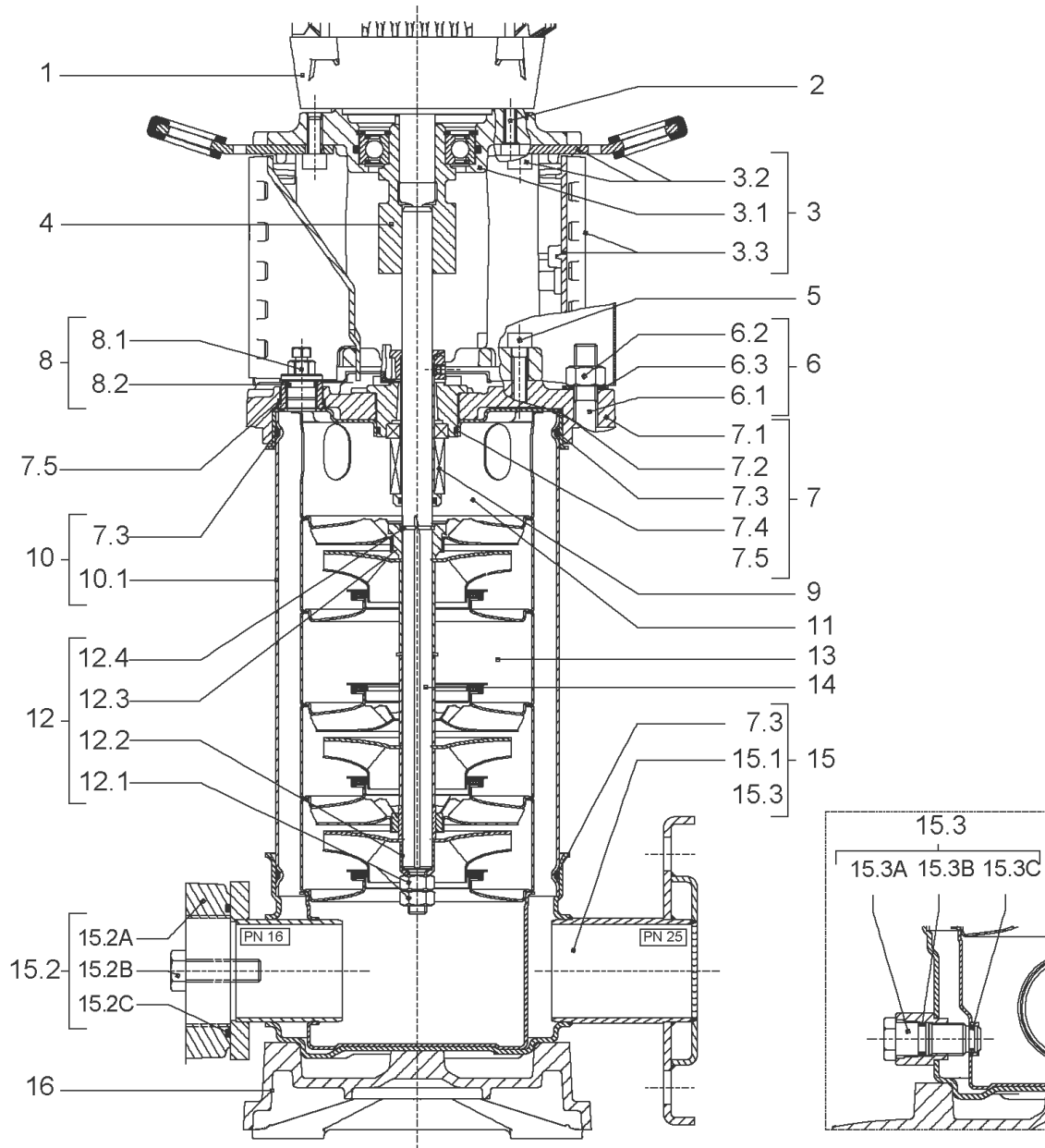
CARTRIDGE HELIX2-4 F/V KIT (4178620)

Item	Article no.	Description	Quantity
9.1	4178619	SEAL-KIT-HELIX2-4 F/V	1
7.3	4177887	> O-RING ID.145,65X3,53 VITON VP.	1
7.4	4177888	> O-RING ID.37.6xØ2.4 VITON VP.	1
9.1A	2131025	> MECH.SEAL HELIX2-4-6-10-16 F/V VP.	1
9.1B	4178618	> O-RING ID.12x2 VITON VP.	1
9.1C	4178618	> O-RING ID.12x2 VITON VP.	1
9.2	4178557	SHAFT SLEEVE Ø12XØ18-PN16 1.4404 VP.	1
9.3	2131024	RING HOLDER D.18 G606/G6 1.4404 VP.	1
9.4	4176520	SCREW CH M5x5 A4-70 (3PIECES)	1
9.5	4178595	DRIVE RING D.29/15.5x13,2 MACH.VP.	1
9.6	2130964	TOOL M.S.CART.HELIX VP.	1
9.7	2130965	SCREW CHC M5X12 ISO4762 A2.70(4 PIECES)	1



HYDRAULIC HELIX V 413

Item	Article no.	Description	Quantity
13.1	4179253	STAGE HELIX 4 1.4404 KIT	1
		> MACH.STG-CASING-WOGV-WNR-M+2-4-316	1
		> IMPELLER-M+4-316	1
13.2	4179254	STAGE BEARING HELIX 4 1.4404 KIT	1
		> MACH.BEARING-STG-CASING-WNR-M+4-316	1
		> IMPELLER-M+4-316	1
		> SHAFT SLEEVE SPACER Ø15,35x10,305-316	1
		> SHAFT-SLEEVE-D12xD16x14-CW	1
13.3	4179258	INTERMED STAGE < 15 HELIX 4 1.4404 KIT	1
		> MACH.STD-STG-CASING-WGV+NR-M+4-316	1
		> IMPELLER-M+4-316	1
		> IMPELLER SPACER Ø12,05X14,85-L24,305-316	1
13.4	4179288	EMPTY STAGE HELIX 4 1.4404	1
		> MACH.STD-STG-CASING-WGV+NR-M+4-316	1
		> FLAT WASHER-D12.1XD16X0.8-316L	1
		> IMPELLER SPACER Ø12,05X14,85-L24,305-316	1
13.5	4179287	STAGE HELIX 4/2 1.4404 KIT	1
		> MACH.STG-CASING-WOGV-WNR-M+2-4-316	1
		> IMPELLER-M+4-316	1
		> IMPELLER SPACER Ø12,05X14,85-L24,305-316	1



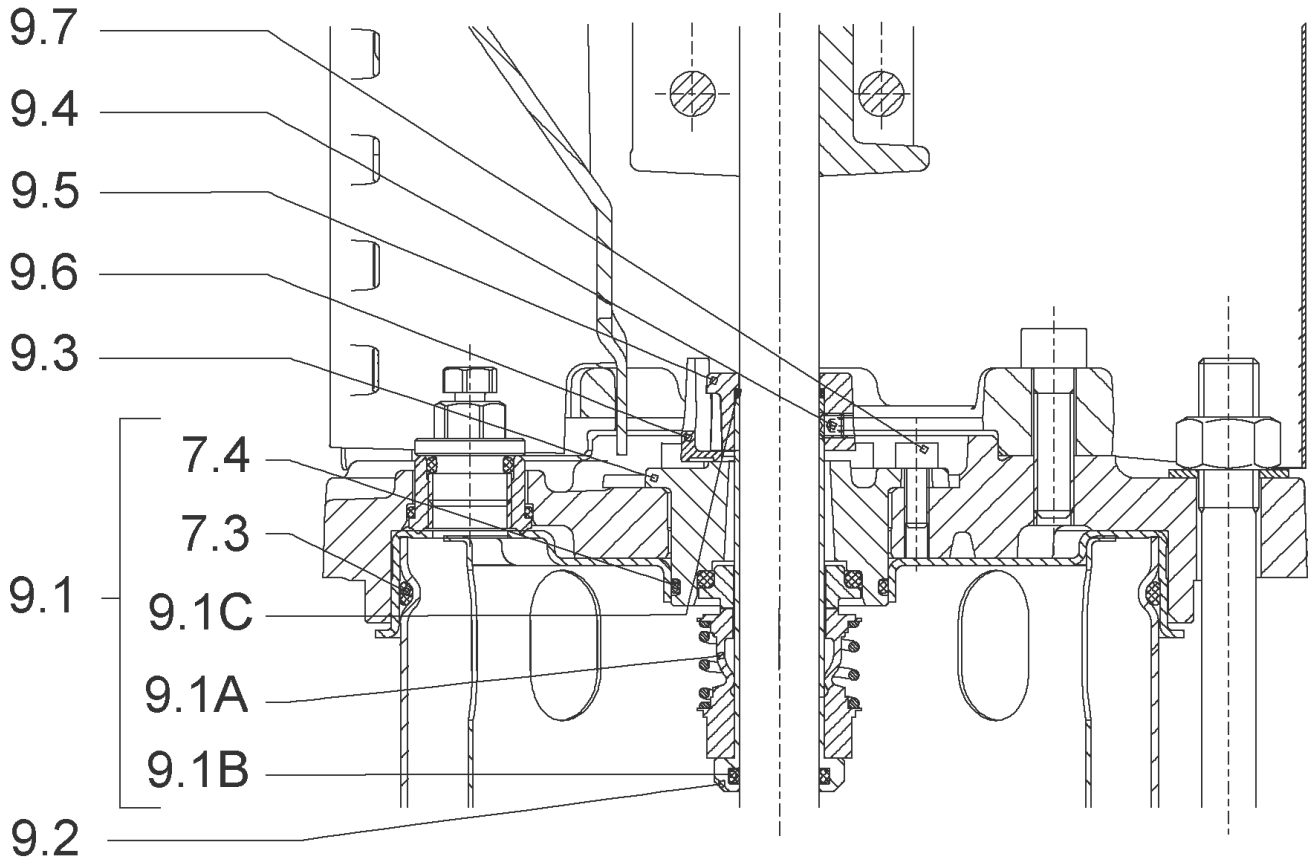
HELIX V414-2/25/V/KS/400-50 (4160561)

Item	Article no.	Description	Quantity
1	4169943	MOTOR 2,2/2/90 3~230/400V 50HZ IE3 VP.	1
		SPARE PARTS MOTOR:ON REQUEST	1
2	4159703	SCREW M8X40 (4 PIECES)	1
3	4159690	LANTERN FT115 HELIX KIT	1
3.1		> LANTERN FT115 M+6" GJL MACHINING+CATA	1
3.2	2127604	> EYELET CPL.FT HELIX(2 PIECES)	1
3.3	4159692	> COUPLING PROTECTOR FT HELIX KIT	1
4	4178600	COUPLING D.12XD.24 FT115 KIT	1
5	4159707	SCREW M8X30 (4 PIECES)	1
6	2127556	STUD BOLT M12X542 KIT	1
7	4159783	END SHIELD HELIX FKM 1.4404 KIT	1
7.1		> END SHIELD M+6" GJL250 MACHINING+CATA	1
7.2	2131056	> STATIONARY RING HOLDER 6" HELIX 1.4404 V	1
7.3	4234237	> O-RING 139X3 VITON VP.	1
7.4	2131026	> O-RING ID.37,6X2,4 FKM VP.	1
7.5	2131057	> O-RING ID.21,35X2 FKM VP.	1
8	4159784	FILING/PURGING PLUG HELIX FKM KIT	1
9	4178620	CARTRIDGE HELIX2-4 F/V KIT	1
10	4179285	HOUSING-PIPE D.152X410 1.4404 KIT	1
7.3	4234237	> O-RING 139X3 VITON VP.	1
10.1		> HOUSING-PIPE Ø152-M+1607-316L	1
11	4179252	CENTERING STAGE HELIX V4 31.4404 VP.	1
12	4178567	SHAFT EQUIPMENT HELIX V2/V4 KIT	1
12.1		> NUT-H-M8-STAINLESS-STEEL A4-70	1
12.2		> SHAFT END WASHER Ø8/Ø12 316L	1
12.3		> STOP COLLAR OF IMPELLER L12,6-Ø12-316L	1
12.4		> STOP-RUSH-1/2-D12xd2-M+316	1
13		HYDRAULIC HELIX V 414	1
14	4179289	SHAFT D.12X533 1.4462 VP	1
15	4179257	PUMP HOUSING HELIX DN25 PN25 1.4409 KIT	1
7.3	4177887	> O-RING ID.145,65X3,53 VITON VP.	1
15.1		> BLASTING PPE HOUSING V PN25-DN25-5"-316L	1
15.3	4159781	> PRIMING/DRAIN PLUG HELIX 16 FKM KIT	1
16	4177970	BASEPLATE HELIX V2/4/6 PN25 VP.	1



COUPLING D.12XD.24 FT115 KIT (4178600)

Item	Article no.	Description	Quantity
4.1		COUPLING-M+ Ø12XØ24-FT115-MACHINED	1
4.2	2131023	BALL BEARING 6207/ZZ-C3(HT)VP.	1
4.3	4234254	CIRCLIP-FOR-SHAFT-D35x1.5 VP.	1
4.4	4157726	SCREW KIT M8X30 (4 PIECES)	1
4.5	4234251	CIRCLIP-D72x2.5 VP.	1
4.6	4234246	O-RING 72X3 VP.	1
		NOMEL CONTACT WASHER 8x16x1,4 STEEL ZC	1

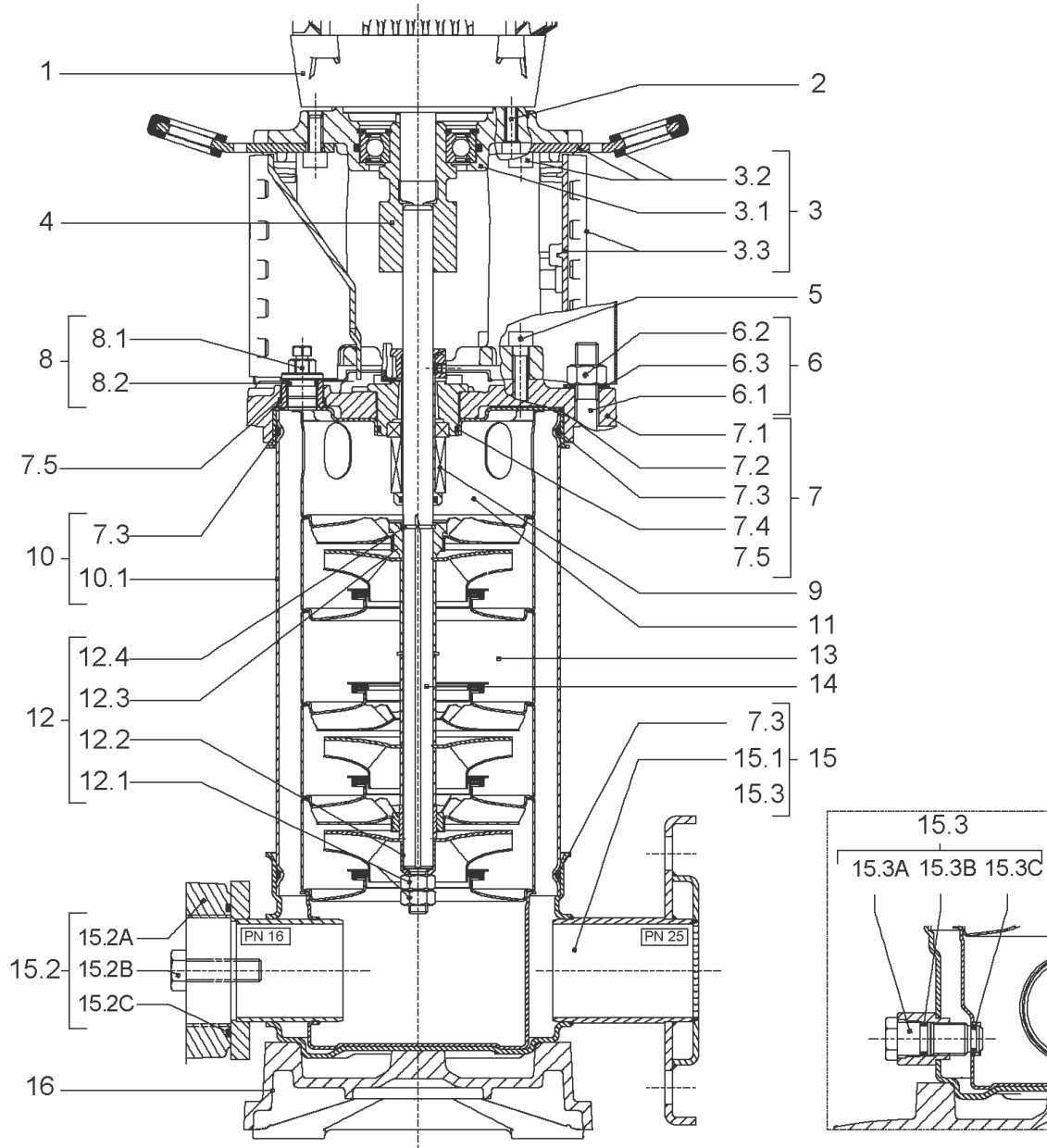


CARTRIDGE HELIX2-4 F/V KIT (4178620)

Item	Article no.	Description	Quantity
9.1	4178619	SEAL-KIT-HELIX2-4 F/V	1
7.3	4177887	> O-RING ID.145,65X3,53 VITON VP.	1
7.4	4177888	> O-RING ID.37.6xØ2.4 VITON VP.	1
9.1A	2131025	> MECH.SEAL HELIX2-4-6-10-16 F/V VP.	1
9.1B	4178618	> O-RING ID.12x2 VITON VP.	1
9.1C	4178618	> O-RING ID.12x2 VITON VP.	1
9.2	4178557	SHAFT SLEEVE Ø12XØ18-PN16 1.4404 VP.	1
9.3	2131024	RING HOLDER D.18 G606/G6 1.4404 VP.	1
9.4	4176520	SCREW CH M5x5 A4-70 (3PIECES)	1
9.5	4178595	DRIVE RING D.29/15.5x13,2 MACH.VP.	1
9.6	2130964	TOOL M.S.CART.HELIX VP.	1
9.7	2130965	SCREW CHC M5X12 ISO4762 A2.70(4 PIECES)	1



Item	Article no.	Description	Quantity
13.1	4179253	STAGE HELIX 4 1.4404 KIT	1
		> MACH.STG-CASING-WOGV-WNR-M+2-4-316	1
		> IMPELLER-M+4-316	1
13.2	4179254	STAGE BEARING HELIX 4 1.4404 KIT	1
		> MACH.BEARING-STG-CASING-WNR-M+4-316	1
		> IMPELLER-M+4-316	1
		> SHAFT SLEEVE SPACER Ø15,35x10,305-316	1
		> SHAFT-SLEEVE-D12xD16x14-CW	1
13.3	4179258	INTERMED STAGE < 15 HELIX 4 1.4404 KIT	1
		> MACH.STD-STG-CASING-WGV+NR-M+4-316	1
		> IMPELLER-M+4-316	1
		> IMPELLER SPACER Ø12,05X14,85-L24,305-316	1



HELIX V416-2/25/V/KS/400-50 (4160562)

Item	Article no.	Description	Quantity
1	4169943	MOTOR 2,2/2/90 3~230/400V 50HZ IE3 VP.	1
		SPARE PARTS MOTOR:ON REQUEST	1
2	4159703	SCREW M8X40 (4 PIECES)	1
3	4159690	LANTERN FT115 HELIX KIT	1
3.1		> LANTERN FT115 M+6" GJL MACHINING+CATA	1
3.2	2127604	> EYELET CPL.FT HELIX(2 PIECES)	1
3.3	4159692	> COUPLING PROTECTOR FT HELIX KIT	1
4	4178600	COUPLING D.12XD.24 FT115 KIT	1
5	4159707	SCREW M8X30 (4 PIECES)	1
6	2127557	STUD BOLT M12X587 KIT	1
6.1		> TIE BOLT M12-587x18x30-1.4057	1
6.2	2094647	> NUT M12 M12 ISO4032 VP.	1
6.3	2123557	> WASHER CS-12.4-24-1.6-NFE25 (4 PIECES)	1
7	4159783	END SHIELD HELIX FKM 1.4404 KIT	1
7.1		> END SHIELD M+6" GJL250 MACHINING+CATA	1
7.2	2131056	> STATIONARY RING HOLDER 6" HELIX 1.4404 V	1
7.3	4234237	> O-RING 139X3 VITON VP.	1
7.4	2131026	> O-RING ID.37,6X2,4 FKM VP.	1
7.5	2131057	> O-RING ID.21,35X2 FKM VP.	1
8	4159784	FILING/PURGING PLUG HELIX FKM KIT	1
9	4178620	CARTRIDGE HELIX2-4 F/V KIT	1
10	4179291	HOUSING-PIPE D.152X460 1.4404 KIT	1
7.3	4234237	> O-RING 139X3 VITON VP.	1
10.1		> HOUSING-PIPE Ø152-M+1608-316L	1
11	4179252	CENTERING STAGE HELIX V4 31.4404 VP.	1
12	4178567	SHAFT EQUIPMENT HELIX V2/V4 KIT	1
12.1		> NUT-H-M8-STAINLESS-STEEL A4-70	1
12.2		> SHAFT END WASHER Ø8/Ø12 316L	1
12.3		> STOP COLLAR OF IMPELLER L12,6-Ø12-316L	1
12.4		> STOP-RUSH-1/2-D12xd2-M+316	1
13		HYDRAULIC HELIX V 416	1
14	4179293	SHAFT D.12X583 1.4462 VP.	1
15	4179257	PUMP HOUSING HELIX DN25 PN25 1.4409 KIT	1
7.3	4177887	> O-RING ID.145,65X3,53 VITON VP.	1

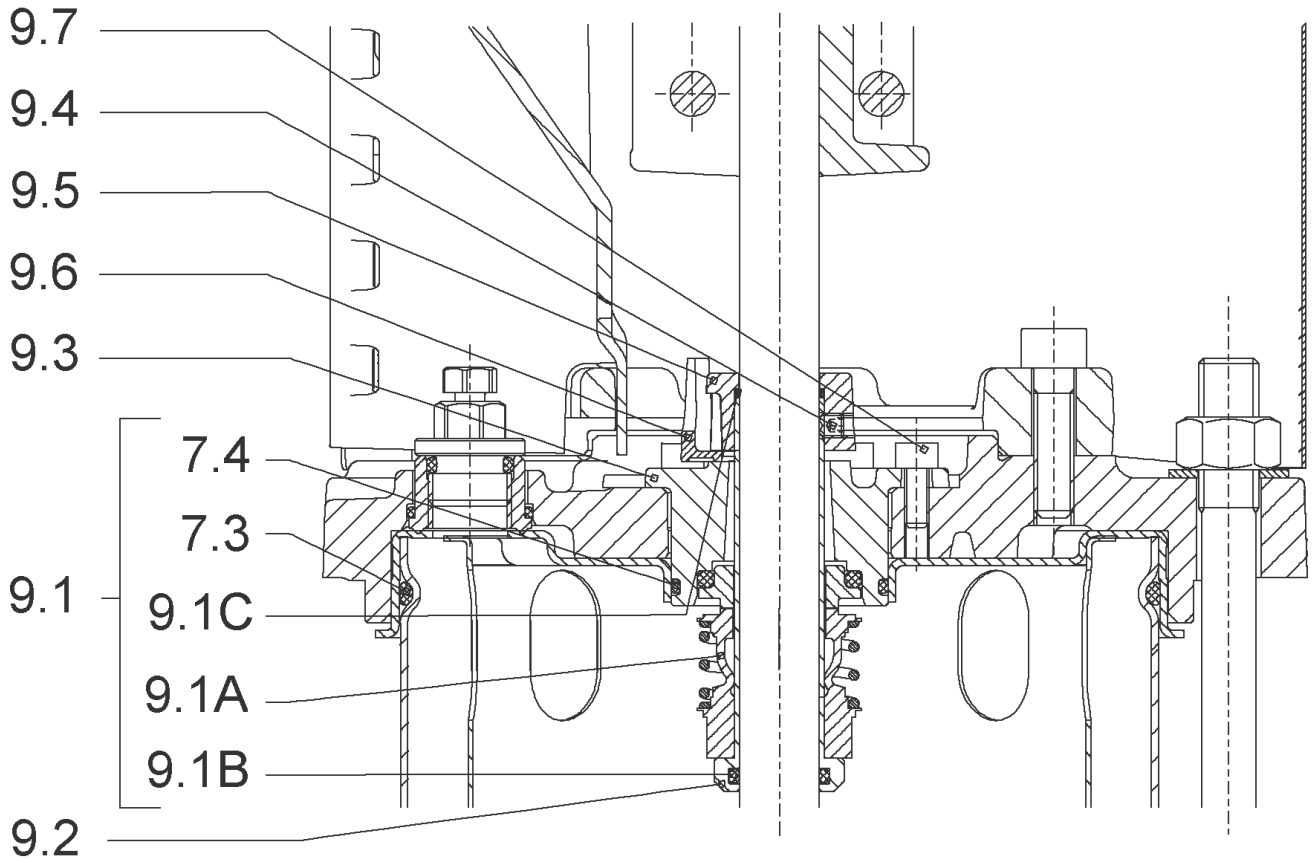
HELIX V416-2/25/V/KS/400-50 (4160562)

Item	Article no.	Description	Quantity
15.1		> BLASTING PPE HOUSING V PN25-DN25-5"-316L	1
15.3	4159781	> PRIMING/DRAIN PLUG HELIX 16 FKM KIT	1
16	4177970	BASEPLATE HELIX V2/4/6 PN25 VP.	1



COUPLING D.12XD.24 FT115 KIT (4178600)

Item	Article no.	Description	Quantity
4.1		COUPLING-M+ Ø12XØ24-FT115-MACHINED	1
4.2	2131023	BALL BEARING 6207/ZZ-C3(HT)VP.	1
4.3	4234254	CIRCLIP-FOR-SHAFT-D35x1.5 VP.	1
4.4	4157726	SCREW KIT M8X30 (4 PIECES)	1
4.5	4234251	CIRCLIP-D72x2.5 VP.	1
4.6	4234246	O-RING 72X3 VP.	1
		NOMEL CONTACT WASHER 8x16x1,4 STEEL ZC	1

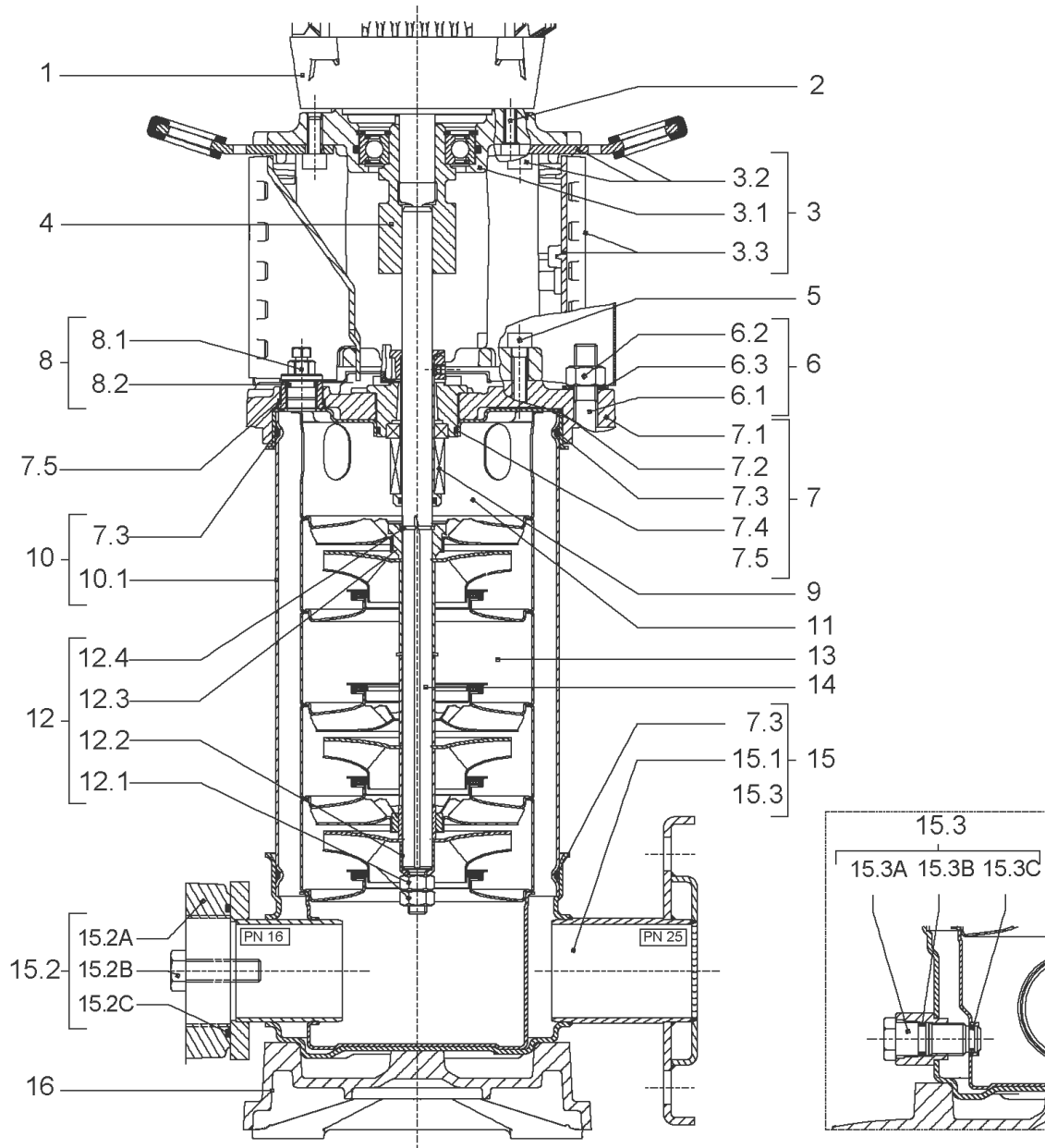


CARTRIDGE HELIX2-4 F/V KIT (4178620)

Item	Article no.	Description	Quantity
9.1	4178619	SEAL-KIT-HELIX2-4 F/V	1
7.3	4177887	> O-RING ID.145,65X3,53 VITON VP.	1
7.4	4177888	> O-RING ID.37.6xØ2.4 VITON VP.	1
9.1A	2131025	> MECH.SEAL HELIX2-4-6-10-16 F/V VP.	1
9.1B	4178618	> O-RING ID.12x2 VITON VP.	1
9.1C	4178618	> O-RING ID.12x2 VITON VP.	1
9.2	4178557	SHAFT SLEEVE Ø12XØ18-PN16 1.4404 VP.	1
9.3	2131024	RING HOLDER D.18 G606/G6 1.4404 VP.	1
9.4	4176520	SCREW CH M5x5 A4-70 (3PIECES)	1
9.5	4178595	DRIVE RING D.29/15.5x13,2 MACH.VP.	1
9.6	2130964	TOOL M.S.CART.HELIX VP.	1
9.7	2130965	SCREW CHC M5X12 ISO4762 A2.70(4 PIECES)	1



Item	Article no.	Description	Quantity
13.1	4179253	STAGE HELIX 4 1.4404 KIT	1
		> MACH.STG-CASING-WOGV-WNR-M+2-4-316	1
		> IMPELLER-M+4-316	1
13.2	4179254	STAGE BEARING HELIX 4 1.4404 KIT	1
		> MACH.BEARING-STG-CASING-WNR-M+4-316	1
		> IMPELLER-M+4-316	1
		> SHAFT SLEEVE SPACER Ø15,35x10,305-316	1
		> SHAFT-SLEEVE-D12xD16x14-CW	1
13.3	4220523	INTERMED STAGE>15 HELIX 4 1.4404 KIT	1
		> MACH.STD-STG-CASING-WGV+NR-M+4-316	1
		> IMPELLER-M+4-316	1
		> IMPELLER SPACER Ø12,1x14,1-L24,25-316L	1



HELIX V418-2/25/V/KS/400-50 (4160563)

Item	Article no.	Description	Quantity
1	4169943	MOTOR 2,2/2/90 3~230/400V 50HZ IE3 VP.	1
		SPARE PARTS MOTOR:ON REQUEST	1
2	4159703	SCREW M8X40 (4 PIECES)	1
3	4159690	LANTERN FT115 HELIX KIT	1
3.1		> LANTERN FT115 M+6" GJL MACHINING+CATA	1
3.2	2127604	> EYELET CPL.FT HELIX(2 PIECES)	1
3.3	4159692	> COUPLING PROTECTOR FT HELIX KIT	1
4	4178600	COUPLING D.12XD.24 FT115 KIT	1
5	4159707	SCREW M8X30 (4 PIECES)	1
6	4177842	STUD BOLT M12X638KIT	1
6.1		> TIE BOLT M12-638x18x30-1.4057	1
6.2	2094647	> NUT M12 M12 ISO4032 VP.	1
6.3	2123557	> WASHER CS-12.4-24-1.6-NFE25 (4 PIECES)	1
7	4159783	END SHIELD HELIX FKM 1.4404 KIT	1
7.1		> END SHIELD M+6" GJL250 MACHINING+CATA	1
7.2	2131056	> STATIONARY RING HOLDER 6" HELIX 1.4404 V	1
7.3	4234237	> O-RING 139X3 VITON VP.	1
7.4	2131026	> O-RING ID.37,6X2,4 FKM VP.	1
7.5	2131057	> O-RING ID.21,35X2 FKM VP.	1
8	4159784	FILING/PURGING PLUG HELIX FKM KIT	1
9	4178620	CARTRIDGE HELIX2-4 F/V KIT	1
10	4177940	HOUSING-PIPE D.152X510 1.4404 KIT	1
7.3	4234237	> O-RING 139X3 VITON VP.	1
10.1		> HOUSING-PIPE Ø152-M+1012/1609-316L	1
11	4179252	CENTERING STAGE HELIX V4 31.4404 VP.	1
12	4178567	SHAFT EQUIPMENT HELIX V2/V4 KIT	1
12.1		> NUT-H-M8-STAINLESS-STEEL A4-70	1
12.2		> SHAFT END WASHER Ø8/Ø12 316L	1
12.3		> STOP COLLAR OF IMPELLER L12,6-Ø12-316L	1
12.4		> STOP-RUSH-1/2-D12xd2-M+316	1
13		HYDRAULIC HELIX V 418	1
14	4179295	SHAFT D.12X633 1.4462 VP.	1
15	4179257	PUMP HOUSING HELIX DN25 PN25 1.4409 KIT	1
7.3	4177887	> O-RING ID.145,65X3,53 VITON VP.	1

HELIX V418-2/25/V/KS/400-50 (4160563)

Item	Article no.	Description	Quantity
15.1		> BLASTING PPE HOUSING V PN25-DN25-5"-316L	1
15.3	4159781	> PRIMING/DRAIN PLUG HELIX 16 FKM KIT	1
16	4177970	BASEPLATE HELIX V2/4/6 PN25 VP.	1



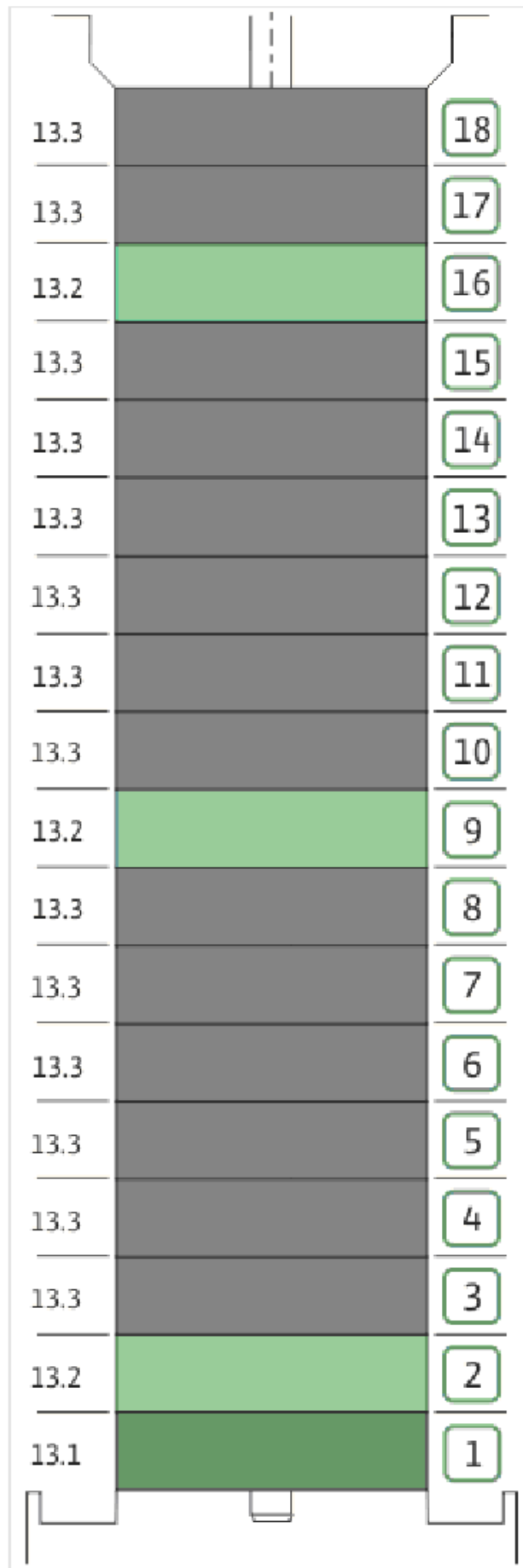
COUPLING D.12XD.24 FT115 KIT (4178600)

Item	Article no.	Description	Quantity
4.1		COUPLING-M+ Ø12XØ24-FT115-MACHINED	1
4.2	2131023	BALL BEARING 6207/ZZ-C3(HT)VP.	1
4.3	4234254	CIRCLIP-FOR-SHAFT-D35x1.5 VP.	1
4.4	4157726	SCREW KIT M8X30 (4 PIECES)	1
4.5	4234251	CIRCLIP-D72x2.5 VP.	1
4.6	4234246	O-RING 72X3 VP.	1
		NOMEL CONTACT WASHER 8x16x1,4 STEEL ZC	1

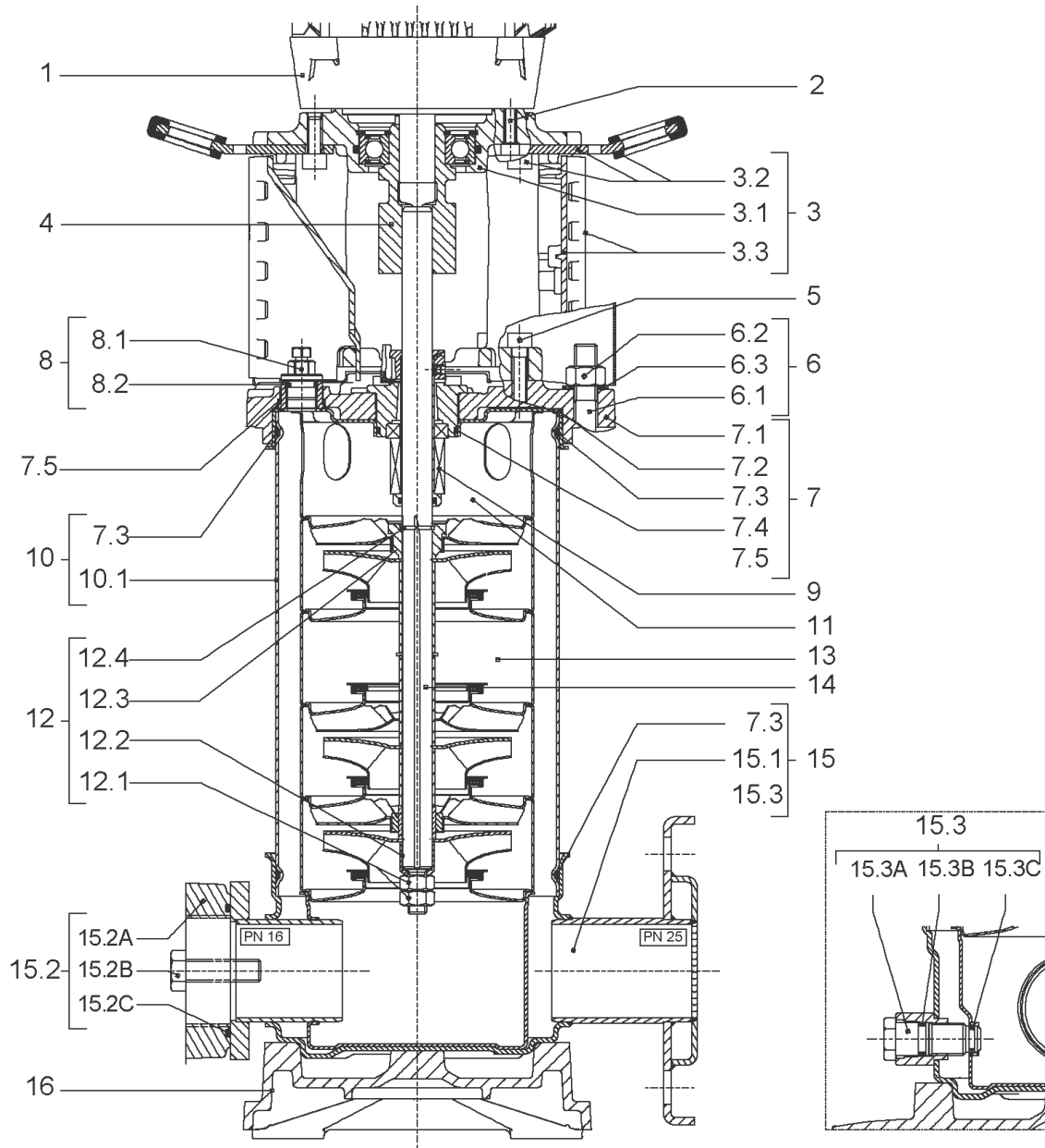


CARTRIDGE HELIX2-4 F/V KIT (4178620)

Item	Article no.	Description	Quantity
9.1	4178619	SEAL-KIT-HELIX2-4 F/V	1
7.3	4177887	> O-RING ID.145,65X3,53 VITON VP.	1
7.4	4177888	> O-RING ID.37.6xØ2.4 VITON VP.	1
9.1A	2131025	> MECH.SEAL HELIX2-4-6-10-16 F/V VP.	1
9.1B	4178618	> O-RING ID.12x2 VITON VP.	1
9.1C	4178618	> O-RING ID.12x2 VITON VP.	1
9.2	4178557	SHAFT SLEEVE Ø12XØ18-PN16 1.4404 VP.	1
9.3	2131024	RING HOLDER D.18 G606/G6 1.4404 VP.	1
9.4	4176520	SCREW CH M5x5 A4-70 (3PIECES)	1
9.5	4178595	DRIVE RING D.29/15.5x13,2 MACH.VP.	1
9.6	2130964	TOOL M.S.CART.HELIX VP.	1
9.7	2130965	SCREW CHC M5X12 ISO4762 A2.70(4 PIECES)	1



Item	Article no.	Description	Quantity
13.1	4179253	STAGE HELIX 4 1.4404 KIT	1
		> MACH.STG-CASING-WOGV-WNR-M+2-4-316	1
		> IMPELLER-M+4-316	1
13.2	4179254	STAGE BEARING HELIX 4 1.4404 KIT	1
		> MACH.BEARING-STG-CASING-WNR-M+4-316	1
		> IMPELLER-M+4-316	1
		> SHAFT SLEEVE SPACER Ø15,35x10,305-316	1
		> SHAFT-SLEEVE-D12xD16x14-CW	1
13.3	4220523	INTERMED STAGE>15 HELIX 4 1.4404 KIT	1
		> MACH.STD-STG-CASING-WGV+NR-M+4-316	1
		> IMPELLER-M+4-316	1
		> IMPELLER SPACER Ø12,1x14,1-L24,25-316L	1



HELIX V420-2/25/V/KS/400-50 (4160564)

Item	Article no.	Description	Quantity
1	4169944	MOTOR 3/2/100 3~230/400V 50HZ IE3 VP.	1
		SPARE PARTS MOTOR:ON REQUEST	1
2	4206025	SCREW M8X45 (4 PIECES)	1
3	4171326	LANTERN FT130 HELIX KIT	1
3.1		> LANTERN FT130 M+6" GJL MACHINING+CATA	1
3.2	2127604	> EYELET CPL.FT HELIX(2 PIECES)	1
3.3	4159692	> COUPLING PROTECTOR FT HELIX KIT	1
4	4178626	COUPLING D.12XD.28 FT130 KIT	1
5	4159707	SCREW M8X30 (4 PIECES)	1
6	4178624	STUD BOLT M12X693 KIT	1
7	4159783	END SHIELD HELIX FKM 1.4404 KIT	1
7.1		> END SHIELD M+6" GJL250 MACHINING+CATA	1
7.2	2131056	> STATIONARY RING HOLDER 6" HELIX 1.4404 V	1
7.3	4234237	> O-RING 139X3 VITON VP.	1
7.4	2131026	> O-RING ID.37,6X2,4 FKM VP.	1
7.5	2131057	> O-RING ID.21,35X2 FKM VP.	1
8	4159784	FILING/PURGING PLUG HELIX FKM KIT	1
9	4178620	CARTRIDGE HELIX2-4 F/V KIT	1
10	4179296	HOUSING-PIPE D.152X560 1.4404 KIT	1
7.3	4234237	> O-RING 139X3 VITON VP.	1
10.1		> HOUSING-PIPE Ø152-M+220/420-316L	1
11	4179252	CENTERING STAGE HELIX V4 31.4404 VP.	1
12	4178567	SHAFT EQUIPMENT HELIX V2/V4 KIT	1
12.1		> NUT-H-M8-STAINLESS-STEEL A4-70	1
12.2		> SHAFT END WASHER Ø8/Ø12 316L	1
12.3		> STOP COLLAR OF IMPELLER L12,6-Ø12-316L	1
12.4		> STOP-RUSH-1/2-D12xd2-M+316	1
13		HYDRAULIC HELIX V 420	1
14	4179298	SHAFT D.12X683 1.4404 VP.	1
15	4179257	PUMP HOUSING HELIX DN25 PN25 1.4409 KIT	1
7.3	4177887	> O-RING ID.145,65X3,53 VITON VP.	1
15.1		> BLASTING PPE HOUSING V PN25-DN25-5"-316L	1
15.3	4159781	> PRIMING/DRAIN PLUG HELIX 16 FKM KIT	1
16	4177970	BASEPLATE HELIX V2/4/6 PN25 VP.	1



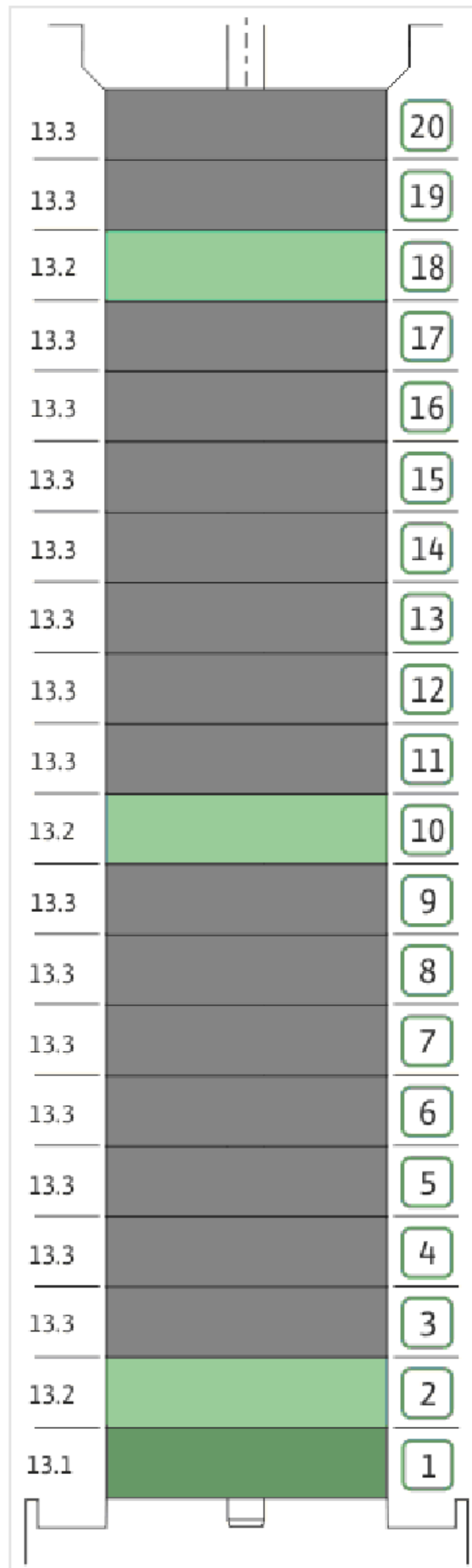
COUPLING D.12XD.28 FT130 KIT (4178626)

Item	Article no.	Description	Quantity
4.1		COUPLING-M+ Ø12XØ28-FT130-MACHINED	1
4.2	2131022	BALL BEARING 6209/ZZ-C3(HT)VP.	1
4.3	4233930	CIRCLIP-FOR-BORES-D45x1,75 VP.	1
4.4	4157726	SCREW KIT M8X30 (4 PIECES)	1
4.5	4234252	CIRCLIPS 85X3 VP.	1
4.6	4234243	O-RING 85X3 VP.	1
		NOMEL CONTACT WASHER 8x16x1,4 STEEL ZC	1

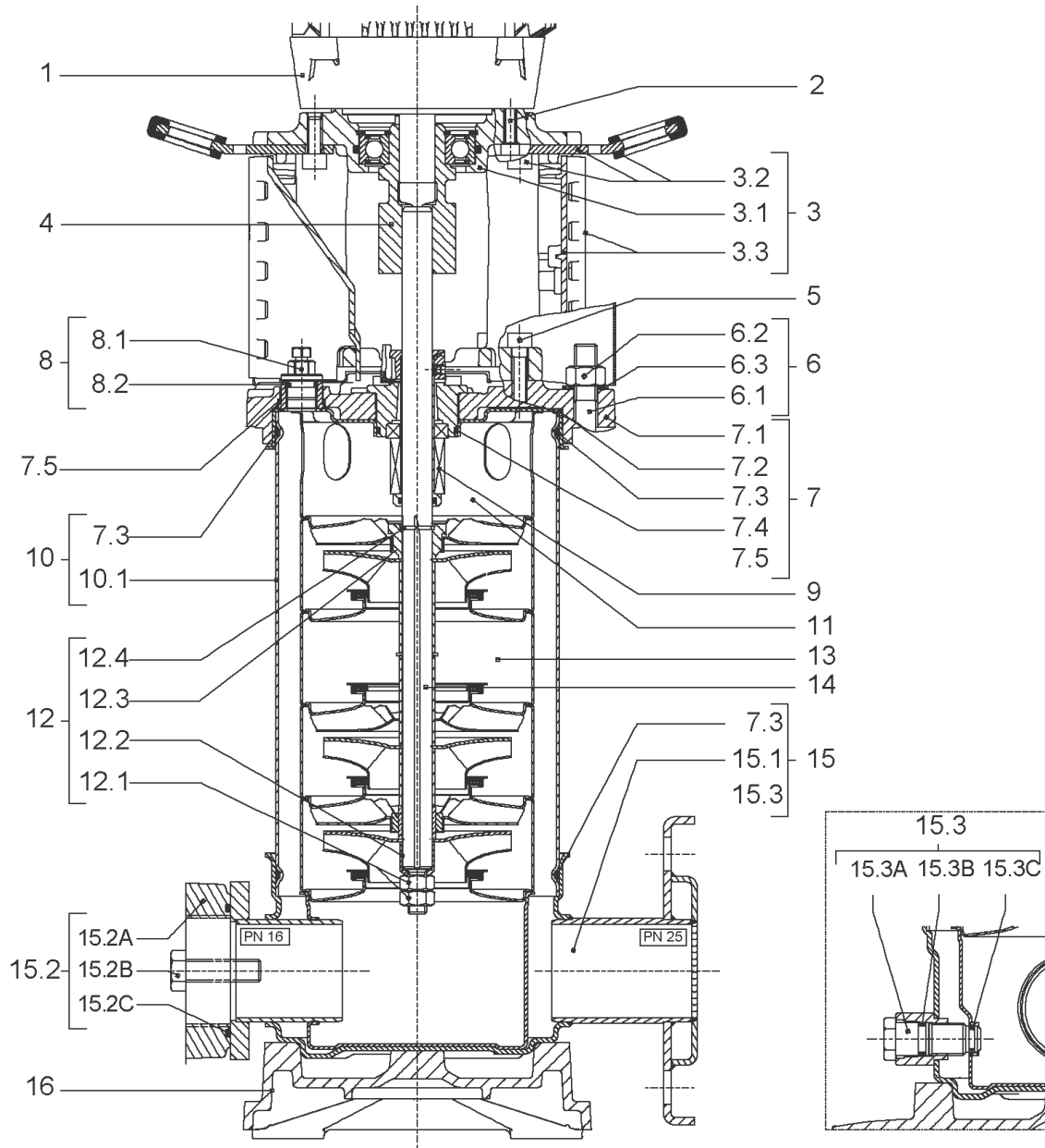


CARTRIDGE HELIX2-4 F/V KIT (4178620)

Item	Article no.	Description	Quantity
9.1	4178619	SEAL-KIT-HELIX2-4 F/V	1
7.3	4177887	> O-RING ID.145,65X3,53 VITON VP.	1
7.4	4177888	> O-RING ID.37.6xØ2.4 VITON VP.	1
9.1A	2131025	> MECH.SEAL HELIX2-4-6-10-16 F/V VP.	1
9.1B	4178618	> O-RING ID.12x2 VITON VP.	1
9.1C	4178618	> O-RING ID.12x2 VITON VP.	1
9.2	4178557	SHAFT SLEEVE Ø12XØ18-PN16 1.4404 VP.	1
9.3	2131024	RING HOLDER D.18 G606/G6 1.4404 VP.	1
9.4	4176520	SCREW CH M5x5 A4-70 (3PIECES)	1
9.5	4178595	DRIVE RING D.29/15.5x13,2 MACH.VP.	1
9.6	2130964	TOOL M.S.CART.HELIX VP.	1
9.7	2130965	SCREW CHC M5X12 ISO4762 A2.70(4 PIECES)	1



Item	Article no.	Description	Quantity
13.1	4179253	STAGE HELIX 4 1.4404 KIT	1
		> MACH.STG-CASING-WOGV-WNR-M+2-4-316	1
		> IMPELLER-M+4-316	1
13.2	4179254	STAGE BEARING HELIX 4 1.4404 KIT	1
		> MACH.BEARING-STG-CASING-WNR-M+4-316	1
		> IMPELLER-M+4-316	1
		> SHAFT SLEEVE SPACER Ø15,35x10,305-316	1
		> SHAFT-SLEEVE-D12xD16x14-CW	1
13.3	4220523	INTERMED STAGE>15 HELIX 4 1.4404 KIT	1
		> MACH.STD-STG-CASING-WGV+NR-M+4-316	1
		> IMPELLER-M+4-316	1
		> IMPELLER SPACER Ø12,1x14,1-L24,25-316L	1



HELIX V422-2/25/V/KS/400-50 (4160565)

Item	Article no.	Description	Quantity
1	4169944	MOTOR 3/2/100 3~230/400V 50HZ IE3 VP.	1
		SPARE PARTS MOTOR:ON REQUEST	1
2	4206025	SCREW M8X45 (4 PIECES)	1
3	4171326	LANTERN FT130 HELIX KIT	1
3.1		> LANTERN FT130 M+6" GJL MACHINING+CATA	1
3.2	2127604	> EYELET CPL.FT HELIX(2 PIECES)	1
3.3	4159692	> COUPLING PROTECTOR FT HELIX KIT	1
4	4178626	COUPLING D.12XD.28 FT130 KIT	1
5	4159707	SCREW M8X30 (4 PIECES)	1
6	4177852	STUD BOLT M12X788KIT	1
6.1		> TIE BOLT M12-788x18x30-1.4057	1
6.2	2094647	> NUT M12 M12 ISO4032 VP.	1
6.3	2123557	> WASHER CS-12.4-24-1.6-NFE25 (4 PIECES)	1
7	4159783	END SHIELD HELIX FKM 1.4404 KIT	1
7.1		> END SHIELD M+6" GJL250 MACHINING+CATA	1
7.2	2131056	> STATIONARY RING HOLDER 6" HELIX 1.4404 V	1
7.3	4234237	> O-RING 139X3 VITON VP.	1
7.4	2131026	> O-RING ID.37,6X2,4 FKM VP.	1
7.5	2131057	> O-RING ID.21,35X2 FKM VP.	1
8	4159784	FILING/PURGING PLUG HELIX FKM KIT	1
9	4178620	CARTRIDGE HELIX2-4 F/V KIT	1
10	4177947	HOUSING-PIPE D.152X660 1.4404 KIT	1
7.3	4234237	> O-RING 139X3 VITON VP.	1
10.1		> HOUSING-PIPE Ø152-M+1016/1610-316L	1
11	4179252	CENTERING STAGE HELIX V4 31.4404 VP.	1
12	4178567	SHAFT EQUIPMENT HELIX V2/V4 KIT	1
12.1		> NUT-H-M8-STAINLESS-STEEL A4-70	1
12.2		> SHAFT END WASHER Ø8/Ø12 316L	1
12.3		> STOP COLLAR OF IMPELLER L12,6-Ø12-316L	1
12.4		> STOP-RUSH-1/2-D12xd2-M+316	1
13		HYDRAULIC HELIX V 422	1
14	4179300	SHAFTS D.12X783,8 1.4404 VP.	1
15	4179257	PUMP HOUSING HELIX DN25 PN25 1.4409 KIT	1
7.3	4177887	> O-RING ID.145,65X3,53 VITON VP.	1

HELIX V422-2/25/V/KS/400-50 (4160565)

Item	Article no.	Description	Quantity
15.1		> BLASTING PPE HOUSING V PN25-DN25-5"-316L	1
15.3	4159781	> PRIMING/DRAIN PLUG HELIX 16 FKM KIT	1
16	4177970	BASEPLATE HELIX V2/4/6 PN25 VP.	1



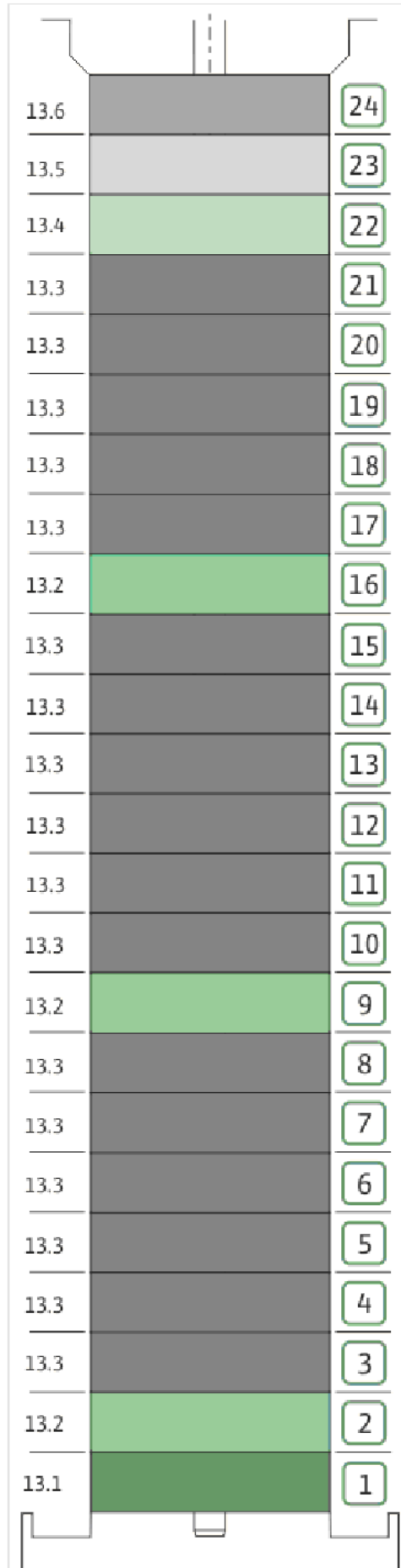
COUPLING D.12XD.28 FT130 KIT (4178626)

Item	Article no.	Description	Quantity
4.1		COUPLING-M+ Ø12XØ28-FT130-MACHINED	1
4.2	2131022	BALL BEARING 6209/ZZ-C3(HT)VP.	1
4.3	4233930	CIRCLIP-FOR-BORES-D45x1,75 VP.	1
4.4	4157726	SCREW KIT M8X30 (4 PIECES)	1
4.5	4234252	CIRCLIPS 85X3 VP.	1
4.6	4234243	O-RING 85X3 VP.	1
		NOMEL CONTACT WASHER 8x16x1,4 STEEL ZC	1

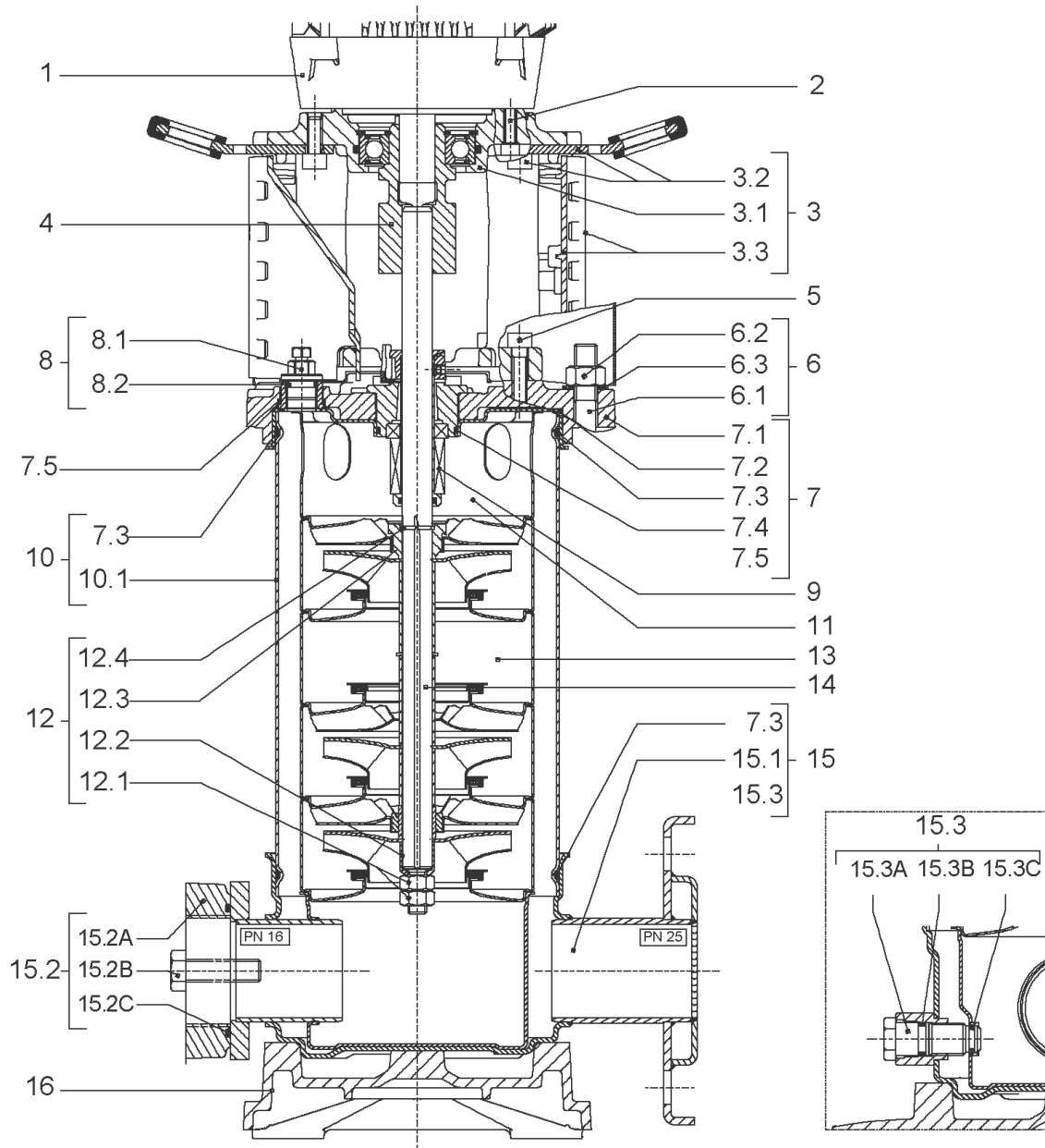


CARTRIDGE HELIX2-4 F/V KIT (4178620)

Item	Article no.	Description	Quantity
9.1	4178619	SEAL-KIT-HELIX2-4 F/V	1
7.3	4177887	> O-RING ID.145,65X3,53 VITON VP.	1
7.4	4177888	> O-RING ID.37.6xØ2.4 VITON VP.	1
9.1A	2131025	> MECH.SEAL HELIX2-4-6-10-16 F/V VP.	1
9.1B	4178618	> O-RING ID.12x2 VITON VP.	1
9.1C	4178618	> O-RING ID.12x2 VITON VP.	1
9.2	4178557	SHAFT SLEEVE Ø12XØ18-PN16 1.4404 VP.	1
9.3	2131024	RING HOLDER D.18 G606/G6 1.4404 VP.	1
9.4	4176520	SCREW CH M5x5 A4-70 (3PIECES)	1
9.5	4178595	DRIVE RING D.29/15.5x13,2 MACH.VP.	1
9.6	2130964	TOOL M.S.CART.HELIX VP.	1
9.7	2130965	SCREW CHC M5X12 ISO4762 A2.70(4 PIECES)	1



Item	Article no.	Description	Quantity
13.1	4179253	STAGE HELIX 4 1.4404 KIT	1
		> MACH.STG-CASING-WOGV-WNR-M+2-4-316	1
		> IMPELLER-M+4-316	1
13.2	4179254	STAGE BEARING HELIX 4 1.4404 KIT	1
		> MACH.BEARING-STG-CASING-WNR-M+4-316	1
		> IMPELLER-M+4-316	1
		> SHAFT SLEEVE SPACER Ø15,35x10,305-316	1
		> SHAFT-SLEEVE-D12xD16x14-CW	1
13.3	4179303	INTERMEDIATE STAGE HELIX 4 1.4404 KIT	1
		> MACH.STD-STG-CASING-WGV+NR-M+4-316	1
		> IMPELLER-M+4-316	1
		> IMPELLER SPACER Ø12,05X14,85-L24,305-316	1
13.4	4179551	EMPTY STAGE HELIX 4 1.4404KIT	1
		> MACH.BEARING-STG-CASING-WNR-M+4-316	1
		> FLAT WASHER-D12.1XD16X0.8-316L	1
		> SHAFT SLEEVE SPACER Ø15,35x10,305-316	1
		> SHAFT-SLEEVE-D12xD16x14-CW	1
13.5	4179302	EMPTY STAGE HELIX 4 1.4404KIT	1
		> MACH.STG-CASING-WOGV-WNR-M+2-4-316	1
		> FLAT WASHER-D12.1XD16X0.8-316L	1
		> IMPELLER SPACER Ø12,05X14,85-L24,305-316	1
13.6	4179301	STAGE HELIX 4 1.4404 KIT	1
		> MACH.STG-CASING-WOGV-WNR-M+2-4-316	1
		> IMPELLER-M+4-316	1
		> IMPELLER SPACER Ø12,05X14,85-L24,305-316	1



HELIX V424-2/25/V/KS/400-50 (4160566)

Item	Article no.	Description	Quantity
1	4169944	MOTOR 3/2/100 3~230/400V 50HZ IE3 VP.	1
		SPARE PARTS MOTOR:ON REQUEST	1
2	4206025	SCREW M8X45 (4 PIECES)	1
3	4171326	LANTERN FT130 HELIX KIT	1
3.1		> LANTERN FT130 M+6" GJL MACHINING+CATA	1
3.2	2127604	> EYELET CPL.FT HELIX(2 PIECES)	1
3.3	4159692	> COUPLING PROTECTOR FT HELIX KIT	1
4	4178626	COUPLING D.12XD.28 FT130 KIT	1
5	4159707	SCREW M8X30 (4 PIECES)	1
6	4177852	STUD BOLT M12X788KIT	1
6.1		> TIE BOLT M12-788x18x30-1.4057	1
6.2	2094647	> NUT M12 M12 ISO4032 VP.	1
6.3	2123557	> WASHER CS-12.4-24-1.6-NFE25 (4 PIECES)	1
7	4159783	END SHIELD HELIX FKM 1.4404 KIT	1
7.1		> END SHIELD M+6" GJL250 MACHINING+CATA	1
7.2	2131056	> STATIONARY RING HOLDER 6" HELIX 1.4404 V	1
7.3	4234237	> O-RING 139X3 VITON VP.	1
7.4	2131026	> O-RING ID.37,6X2,4 FKM VP.	1
7.5	2131057	> O-RING ID.21,35X2 FKM VP.	1
8	4159784	FILING/PURGING PLUG HELIX FKM KIT	1
9	4178620	CARTRIDGE HELIX2-4 F/V KIT	1
10	4177947	HOUSING-PIPE D.152X660 1.4404 KIT	1
7.3	4234237	> O-RING 139X3 VITON VP.	1
10.1		> HOUSING-PIPE Ø152-M+1016/1610-316L	1
11	4179252	CENTERING STAGE HELIX V4 31.4404 VP.	1
12	4178567	SHAFT EQUIPMENT HELIX V2/V4 KIT	1
12.1		> NUT-H-M8-STAINLESS-STEEL A4-70	1
12.2		> SHAFT END WASHER Ø8/Ø12 316L	1
12.3		> STOP COLLAR OF IMPELLER L12,6-Ø12-316L	1
12.4		> STOP-RUSH-1/2-D12xd2-M+316	1
13		HYDRAULIC HELIX V 424	1
14	4179300	SHAFTS D.12X783,8 1.4404 VP.	1
15	4179257	PUMP HOUSING HELIX DN25 PN25 1.4409 KIT	1
7.3	4177887	> O-RING ID.145,65X3,53 VITON VP.	1

HELIX V424-2/25/V/KS/400-50 (4160566)

Item	Article no.	Description	Quantity
15.1		> BLASTING PPE HOUSING V PN25-DN25-5"-316L	1
15.3	4159781	> PRIMING/DRAIN PLUG HELIX 16 FKM KIT	1
16	4177970	BASEPLATE HELIX V2/4/6 PN25 VP.	1



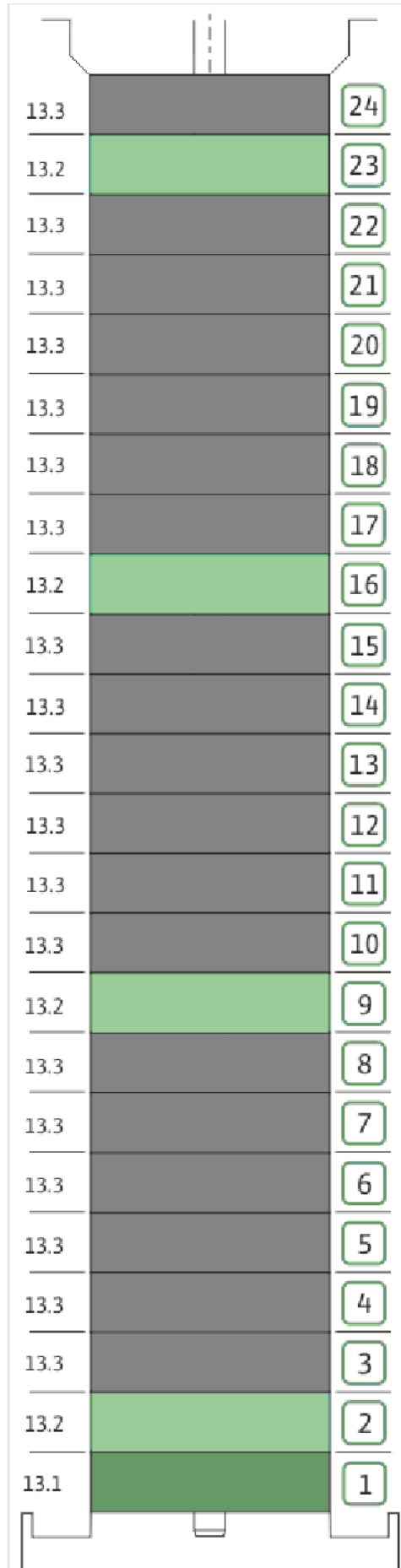
COUPLING D.12XD.28 FT130 KIT (4178626)

Item	Article no.	Description	Quantity
4.1		COUPLING-M+ Ø12XØ28-FT130-MACHINED	1
4.2	2131022	BALL BEARING 6209/ZZ-C3(HT)VP.	1
4.3	4233930	CIRCLIP-FOR-BORES-D45x1,75 VP.	1
4.4	4157726	SCREW KIT M8X30 (4 PIECES)	1
4.5	4234252	CIRCLIPS 85X3 VP.	1
4.6	4234243	O-RING 85X3 VP.	1
		NOMEL CONTACT WASHER 8x16x1,4 STEEL ZC	1

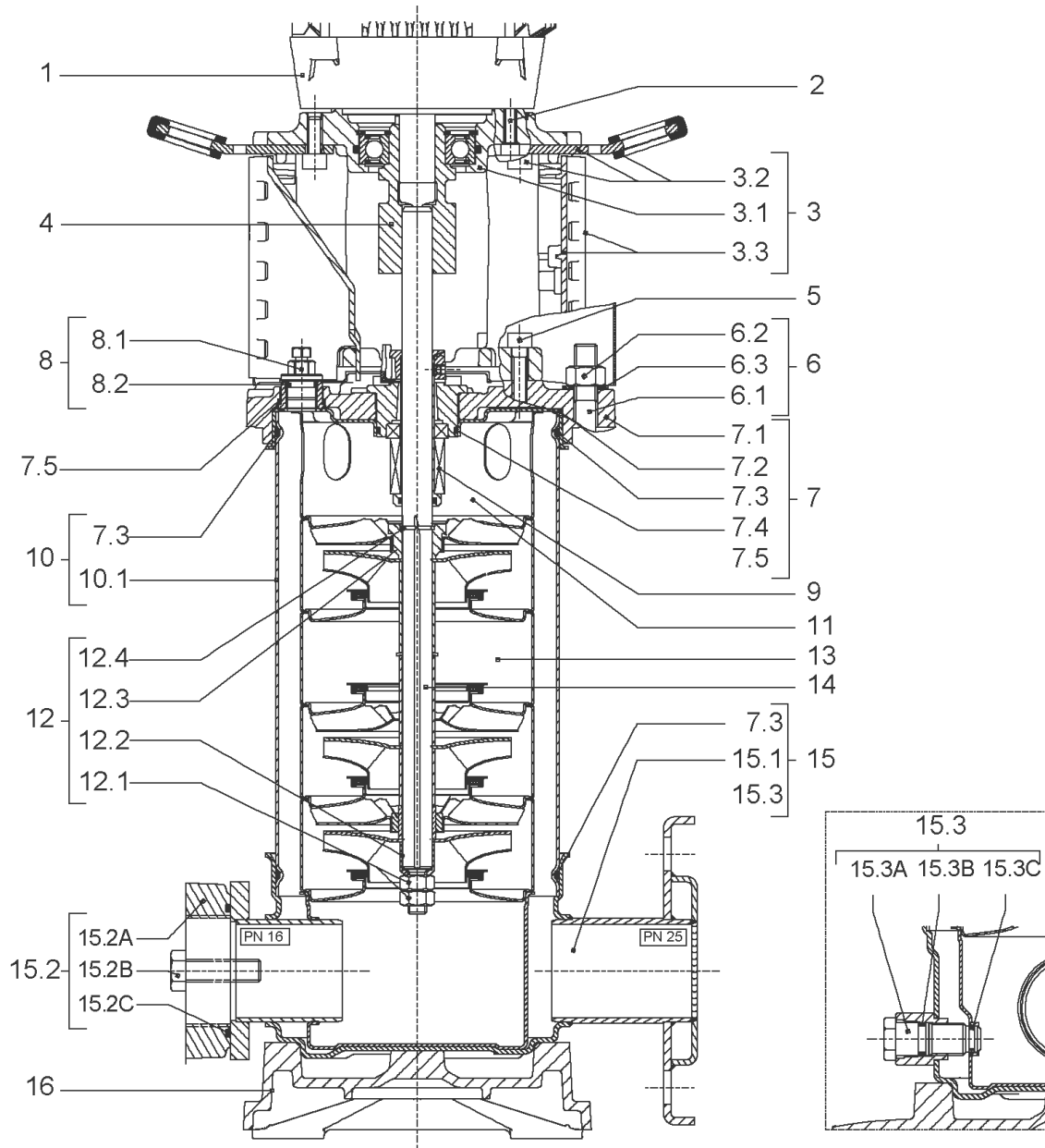


CARTRIDGE HELIX2-4 F/V KIT (4178620)

Item	Article no.	Description	Quantity
9.1	4178619	SEAL-KIT-HELIX2-4 F/V	1
7.3	4177887	> O-RING ID.145,65X3,53 VITON VP.	1
7.4	4177888	> O-RING ID.37.6xØ2.4 VITON VP.	1
9.1A	2131025	> MECH.SEAL HELIX2-4-6-10-16 F/V VP.	1
9.1B	4178618	> O-RING ID.12x2 VITON VP.	1
9.1C	4178618	> O-RING ID.12x2 VITON VP.	1
9.2	4178557	SHAFT SLEEVE Ø12XØ18-PN16 1.4404 VP.	1
9.3	2131024	RING HOLDER D.18 G606/G6 1.4404 VP.	1
9.4	4176520	SCREW CH M5x5 A4-70 (3PIECES)	1
9.5	4178595	DRIVE RING D.29/15.5x13,2 MACH.VP.	1
9.6	2130964	TOOL M.S.CART.HELIX VP.	1
9.7	2130965	SCREW CHC M5X12 ISO4762 A2.70(4 PIECES)	1



Item	Article no.	Description	Quantity
13.1	4179253	STAGE HELIX 4 1.4404 KIT	1
		> MACH.STG-CASING-WOGV-WNR-M+2-4-316	1
		> IMPELLER-M+4-316	1
13.2	4179254	STAGE BEARING HELIX 4 1.4404 KIT	1
		> MACH.BEARING-STG-CASING-WNR-M+4-316	1
		> IMPELLER-M+4-316	1
		> SHAFT SLEEVE SPACER Ø15,35x10,305-316	1
		> SHAFT-SLEEVE-D12xD16x14-CW	1
13.3	4179303	INTERMEDIATE STAGE HELIX 4 1.4404 KIT	1
		> MACH.STD-STG-CASING-WGV+NR-M+4-316	1
		> IMPELLER-M+4-316	1
		> IMPELLER SPACER Ø12,05X14,85-L24,305-316	1



HELIX V426-2/25/V/KS/400-50 (4160567)

Item	Article no.	Description	Quantity
1	4169945	MO.4/2 3~230/400(460)V 50(60)HZ IE3 VP.	1
		SPARE PARTS MOTOR:ON REQUEST	1
2	4206025	SCREW M8X45 (4 PIECES)	1
3	4171326	LANTERN FT130 HELIX KIT	1
3.1		> LANTERN FT130 M+6" GJL MACHINING+CATA	1
3.2	2127604	> EYELET CPL.FT HELIX(2 PIECES)	1
3.3	4159692	> COUPLING PROTECTOR FT HELIX KIT	1
4	4178626	COUPLING D.12XD.28 FT130 KIT	1
5	4159707	SCREW M8X30 (4 PIECES)	1
6	4177859	STUD BOLT M12X863KIT	1
6.1		> TIE BOLT M12-863x18x30-1.4057	1
6.2	2094647	> NUT M12 M12 ISO4032 VP.	1
6.3	2123557	> WASHER CS-12.4-24-1.6-NFE25 (4 PIECES)	1
7	4159783	END SHIELD HELIX FKM 1.4404 KIT	1
7.1		> END SHIELD M+6" GJL250 MACHINING+CATA	1
7.2	2131056	> STATIONARY RING HOLDER 6" HELIX 1.4404 V	1
7.3	4234237	> O-RING 139X3 VITON VP.	1
7.4	2131026	> O-RING ID.37,6X2,4 FKM VP.	1
7.5	2131057	> O-RING ID.21,35X2 FKM VP.	1
8	4159784	FILING/PURGING PLUG HELIX FKM KIT	1
9	4178620	CARTRIDGE HELIX2-4 F/V KIT	1
10	4177950	HOUSING-PIPE D.152X735 1.4404 KIT	1
7.3	4234237	> O-RING 139X3 VITON VP.	1
10.1		> HOUSING-PIPE Ø152-M+1017/18-316L	1
11	4179252	CENTERING STAGE HELIX V4 31.4404 VP.	1
12	4178567	SHAFT EQUIPMENT HELIX V2/V4 KIT	1
12.1		> NUT-H-M8-STAINLESS-STEEL A4-70	1
12.2		> SHAFT END WASHER Ø8/Ø12 316L	1
12.3		> STOP COLLAR OF IMPELLER L12,6-Ø12-316L	1
12.4		> STOP-RUSH-1/2-D12xd2-M+316	1
13		HYDRAULIC HELIX V 426	1
14	4179311	SHAFT D.12X858,8-F51 1.4462 VP.	1
15	4179257	PUMP HOUSING HELIX DN25 PN25 1.4409 KIT	1
7.3	4177887	> O-RING ID.145,65X3,53 VITON VP.	1

HELIX V426-2/25/V/KS/400-50 (4160567)

Item	Article no.	Description	Quantity
15.1		> BLASTING PPE HOUSING V PN25-DN25-5"-316L	1
15.3	4159781	> PRIMING/DRAIN PLUG HELIX 16 FKM KIT	1
16	4177970	BASEPLATE HELIX V2/4/6 PN25 VP.	1



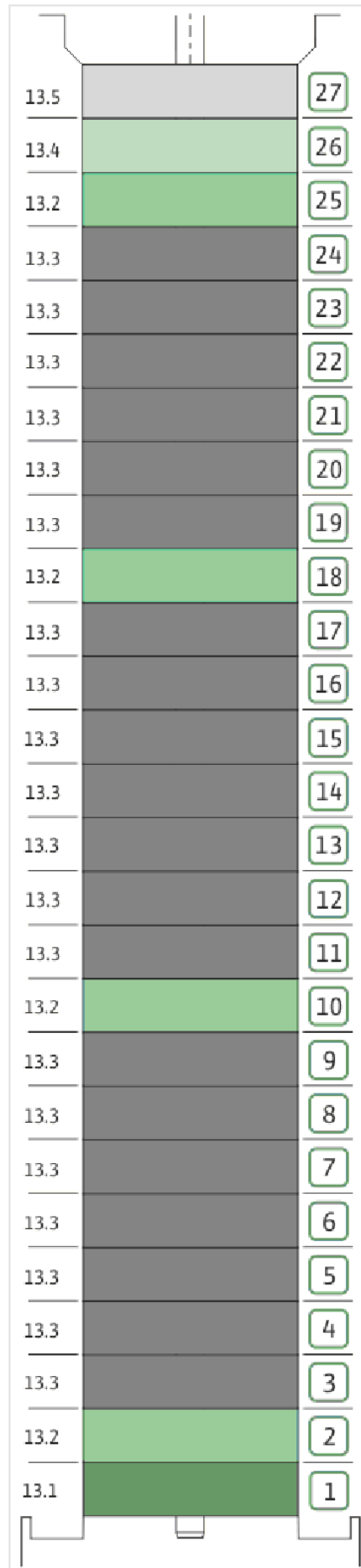
COUPLING D.12XD.28 FT130 KIT (4178626)

Item	Article no.	Description	Quantity
4.1		COUPLING-M+ Ø12XØ28-FT130-MACHINED	1
4.2	2131022	BALL BEARING 6209/ZZ-C3(HT)VP.	1
4.3	4233930	CIRCLIP-FOR-BORES-D45x1,75 VP.	1
4.4	4157726	SCREW KIT M8X30 (4 PIECES)	1
4.5	4234252	CIRCLIPS 85X3 VP.	1
4.6	4234243	O-RING 85X3 VP.	1
		NOMEL CONTACT WASHER 8x16x1,4 STEEL ZC	1

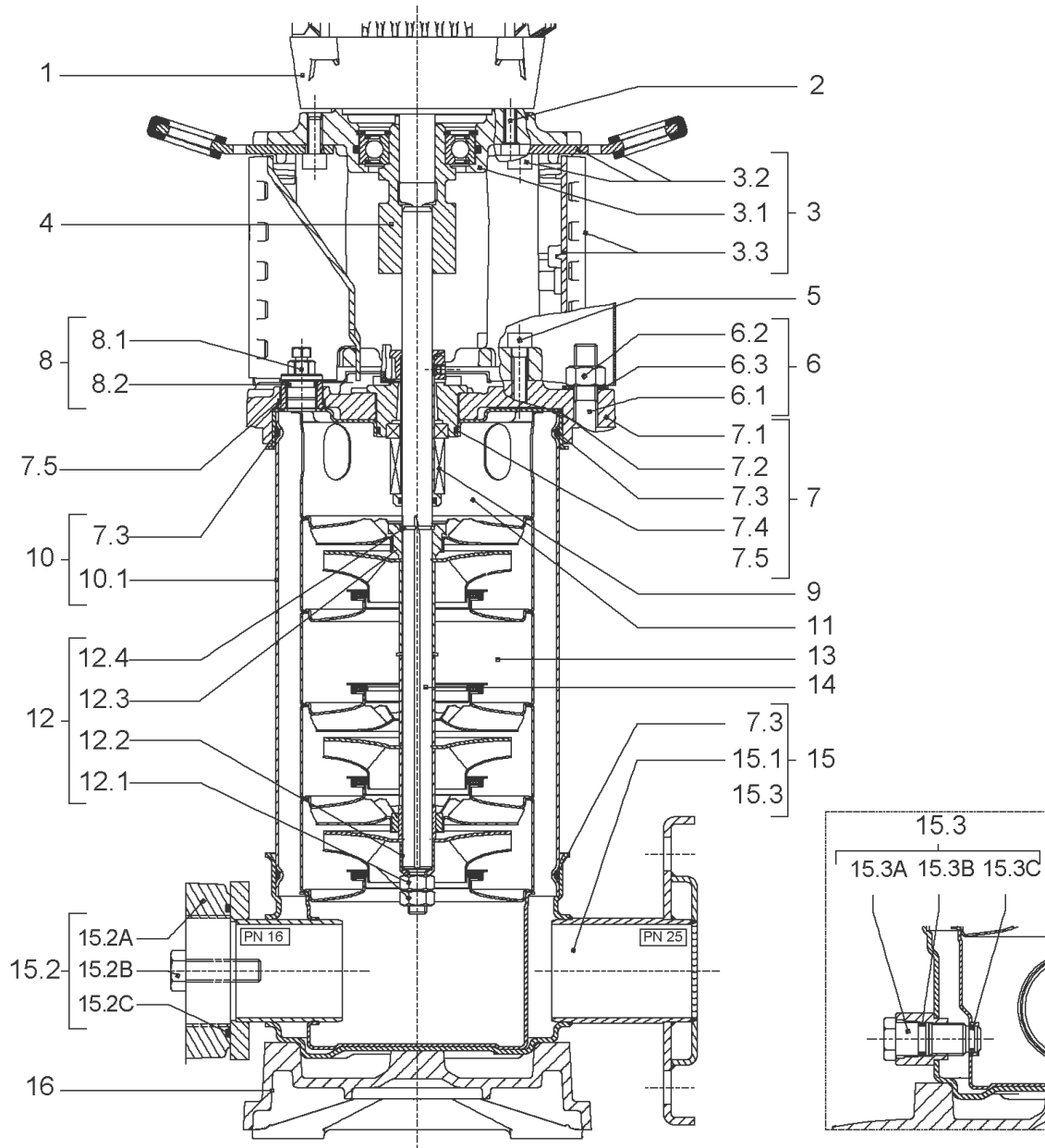


CARTRIDGE HELIX2-4 F/V KIT (4178620)

Item	Article no.	Description	Quantity
9.1	4178619	SEAL-KIT-HELIX2-4 F/V	1
7.3	4177887	> O-RING ID.145,65X3,53 VITON VP.	1
7.4	4177888	> O-RING ID.37.6xØ2.4 VITON VP.	1
9.1A	2131025	> MECH.SEAL HELIX2-4-6-10-16 F/V VP.	1
9.1B	4178618	> O-RING ID.12x2 VITON VP.	1
9.1C	4178618	> O-RING ID.12x2 VITON VP.	1
9.2	4178557	SHAFT SLEEVE Ø12XØ18-PN16 1.4404 VP.	1
9.3	2131024	RING HOLDER D.18 G606/G6 1.4404 VP.	1
9.4	4176520	SCREW CH M5x5 A4-70 (3PIECES)	1
9.5	4178595	DRIVE RING D.29/15.5x13,2 MACH.VP.	1
9.6	2130964	TOOL M.S.CART.HELIX VP.	1
9.7	2130965	SCREW CHC M5X12 ISO4762 A2.70(4 PIECES)	1



Item	Article no.	Description	Quantity
13.1	4179253	STAGE HELIX 4 1.4404 KIT	1
		> MACH.STG-CASING-WOGV-WNR-M+2-4-316	1
		> IMPELLER-M+4-316	1
13.2	4179254	STAGE BEARING HELIX 4 1.4404 KIT	1
		> MACH.BEARING-STG-CASING-WNR-M+4-316	1
		> IMPELLER-M+4-316	1
		> SHAFT SLEEVE SPACER Ø15,35x10,305-316	1
		> SHAFT-SLEEVE-D12xD16x14-CW	1
13.3	4179303	INTERMEDIATE STAGE HELIX 4 1.4404 KIT	1
		> MACH.STD-STG-CASING-WGV+NR-M+4-316	1
		> IMPELLER-M+4-316	1
		> IMPELLER SPACER Ø12,05X14,85-L24,305-316	1
13.4	4179309	EMPTY STAGE HELIX 4 1.4404	1
		> MACH.STD-STG-CASING-WGV+NR-M+4-316	1
		> FLAT WASHER-D12.1XD16X0.8-316L	1
		> IMPELLER SPACER Ø12,05X14,85-L24,305-316	1
13.5	4179301	STAGE HELIX 4 1.4404 KIT	1
		> MACH.STG-CASING-WOGV-WNR-M+2-4-316	1
		> IMPELLER-M+4-316	1
		> IMPELLER SPACER Ø12,05X14,85-L24,305-316	1

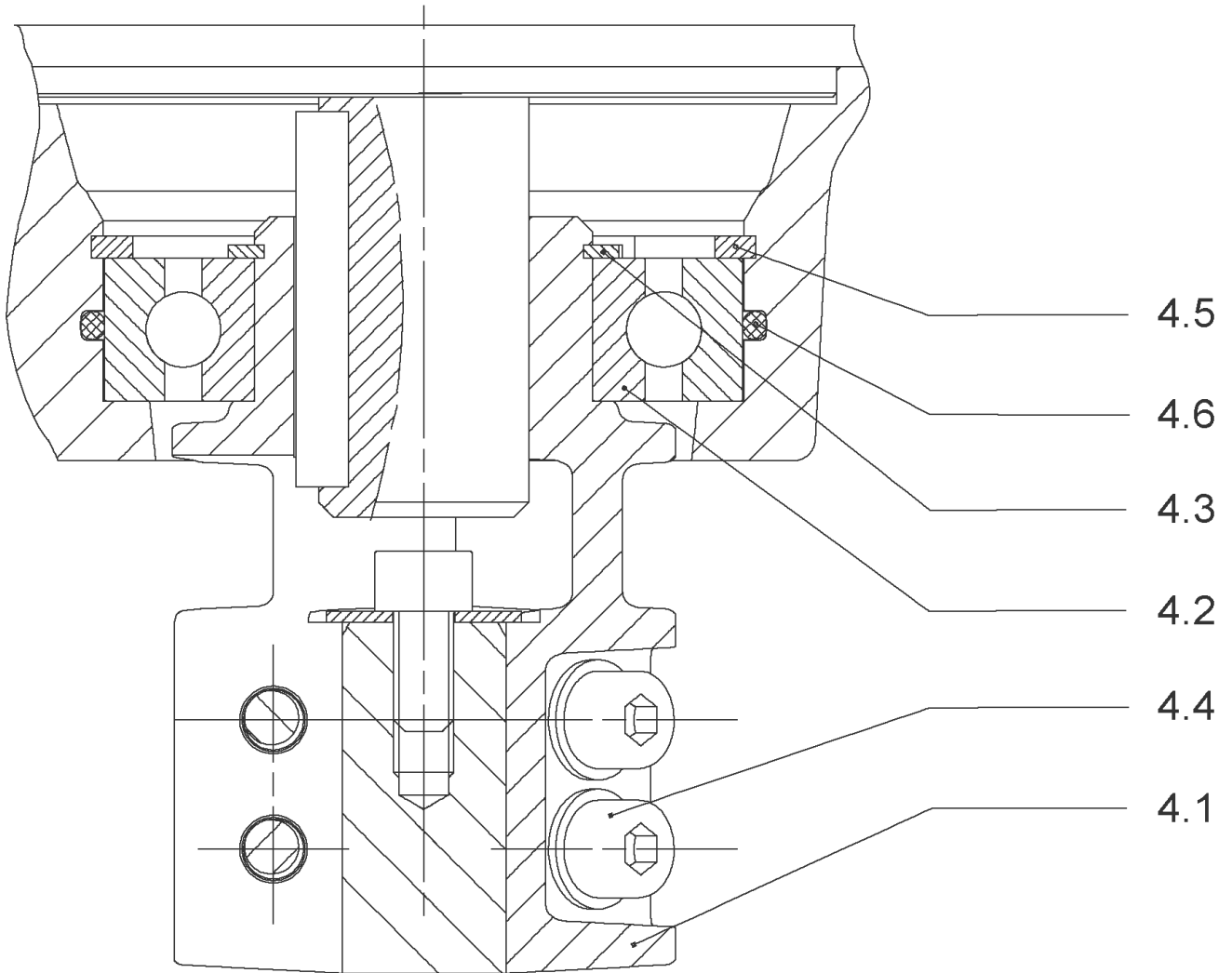


HELIX V429-2/25/V/KS/400-50 (4160568)

Item	Article no.	Description	Quantity
1	4169945	MO.4/2 3~230/400(460)V 50(60)HZ IE3 VP.	1
		SPARE PARTS MOTOR:ON REQUEST	1
2	4206025	SCREW M8X45 (4 PIECES)	1
3	4171326	LANTERN FT130 HELIX KIT	1
3.1		> LANTERN FT130 M+6" GJL MACHINING+CATA	1
3.2	2127604	> EYELET CPL.FT HELIX(2 PIECES)	1
3.3	4159692	> COUPLING PROTECTOR FT HELIX KIT	1
4	4178626	COUPLING D.12XD.28 FT130 KIT	1
5	4159707	SCREW M8X30 (4 PIECES)	1
6	4177863	STUD BOLT M12X938 KIT	1
6.1		> TIE BOLT M12-938x18x30-1.4057	1
6.2	2094647	> NUT M12 M12 ISO4032 VP.	1
6.3	2123557	> WASHER CS-12.4-24-1.6-NFE25 (4 PIECES)	1
7	4159783	END SHIELD HELIX FKM 1.4404 KIT	1
7.1		> END SHIELD M+6" GJL250 MACHINING+CATA	1
7.2	2131056	> STATIONARY RING HOLDER 6" HELIX 1.4404 V	1
7.3	4234237	> O-RING 139X3 VITON VP.	1
7.4	2131026	> O-RING ID.37,6X2,4 FKM VP.	1
7.5	2131057	> O-RING ID.21,35X2 FKM VP.	1
8	4159784	FILING/PURGING PLUG HELIX FKM KIT	1
9	4178620	CARTRIDGE HELIX2-4 F/V KIT	1
10	4177953	HOUSING-PIPE D.152X810 1.4404 KIT	1
7.3	4234237	> O-RING 139X3 VITON VP.	1
10.1		> HOUSING-PIPE Ø152-M+1020/1613-316L	1
11	4179252	CENTERING STAGE HELIX V4 31.4404 VP.	1
12	4178567	SHAFT EQUIPMENT HELIX V2/V4 KIT	1
12.1		> NUT-H-M8-STAINLESS-STEEL A4-70	1
12.2		> SHAFT END WASHER Ø8/Ø12 316L	1
12.3		> STOP COLLAR OF IMPELLER L12,6-Ø12-316L	1
12.4		> STOP-RUSH-1/2-D12xd2-M+316	1
13		HYDRAULIC HELIX V 429	1
14	4179245	SHAFT D.12X933,8 1.4462 VP.	1
15	4179257	PUMP HOUSING HELIX DN25 PN25 1.4409 KIT	1
7.3	4177887	> O-RING ID.145,65X3,53 VITON VP.	1

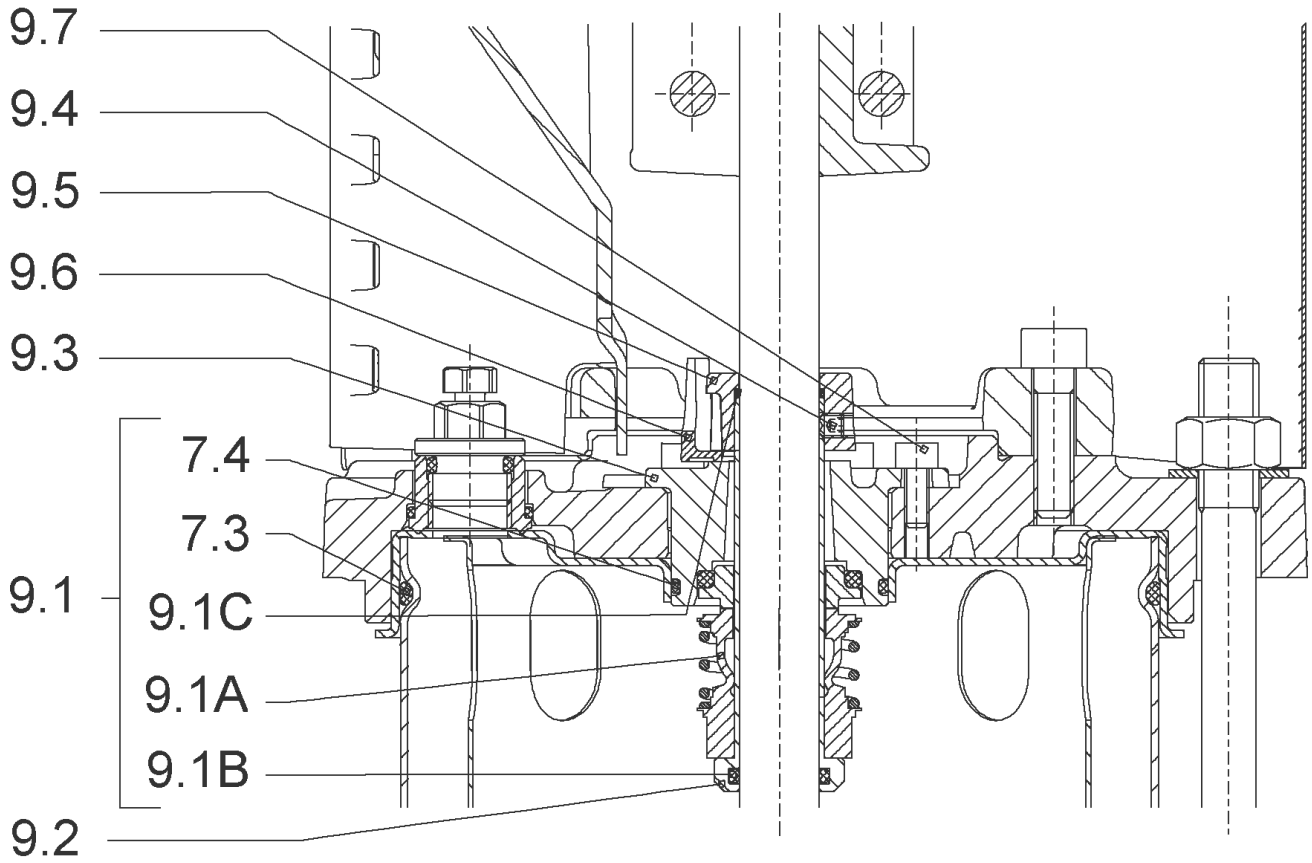
HELIX V429-2/25/V/KS/400-50 (4160568)

Item	Article no.	Description	Quantity
15.1		> BLASTING PPE HOUSING V PN25-DN25-5"-316L	1
15.3	4159781	> PRIMING/DRAIN PLUG HELIX 16 FKM KIT	1
16	4177970	BASEPLATE HELIX V2/4/6 PN25 VP.	1



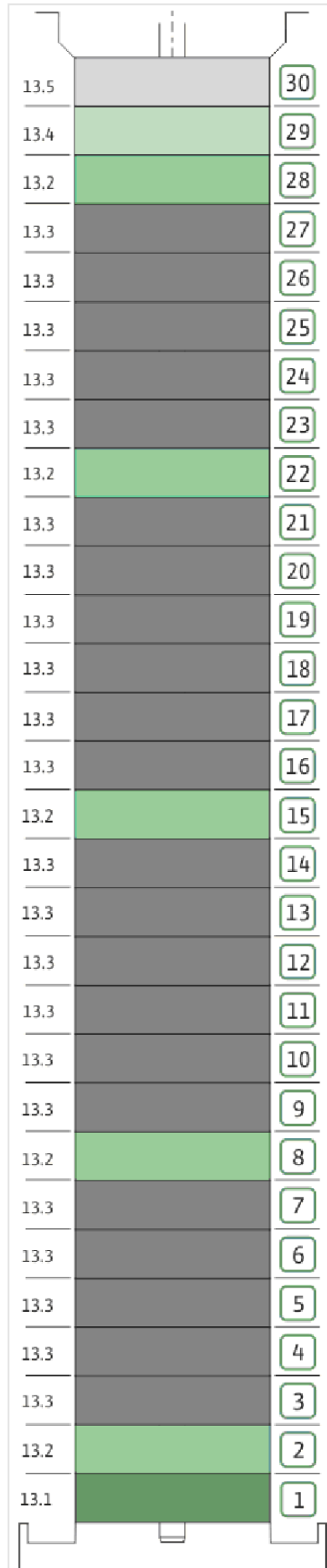
COUPLING D.12XD.28 FT130 KIT (4178626)

Item	Article no.	Description	Quantity
4.1		COUPLING-M+ Ø12XØ28-FT130-MACHINED	1
4.2	2131022	BALL BEARING 6209/ZZ-C3(HT)VP.	1
4.3	4233930	CIRCLIP-FOR-BORES-D45x1,75 VP.	1
4.4	4157726	SCREW KIT M8X30 (4 PIECES)	1
4.5	4234252	CIRCLIPS 85X3 VP.	1
4.6	4234243	O-RING 85X3 VP.	1
		NOMEL CONTACT WASHER 8x16x1,4 STEEL ZC	1

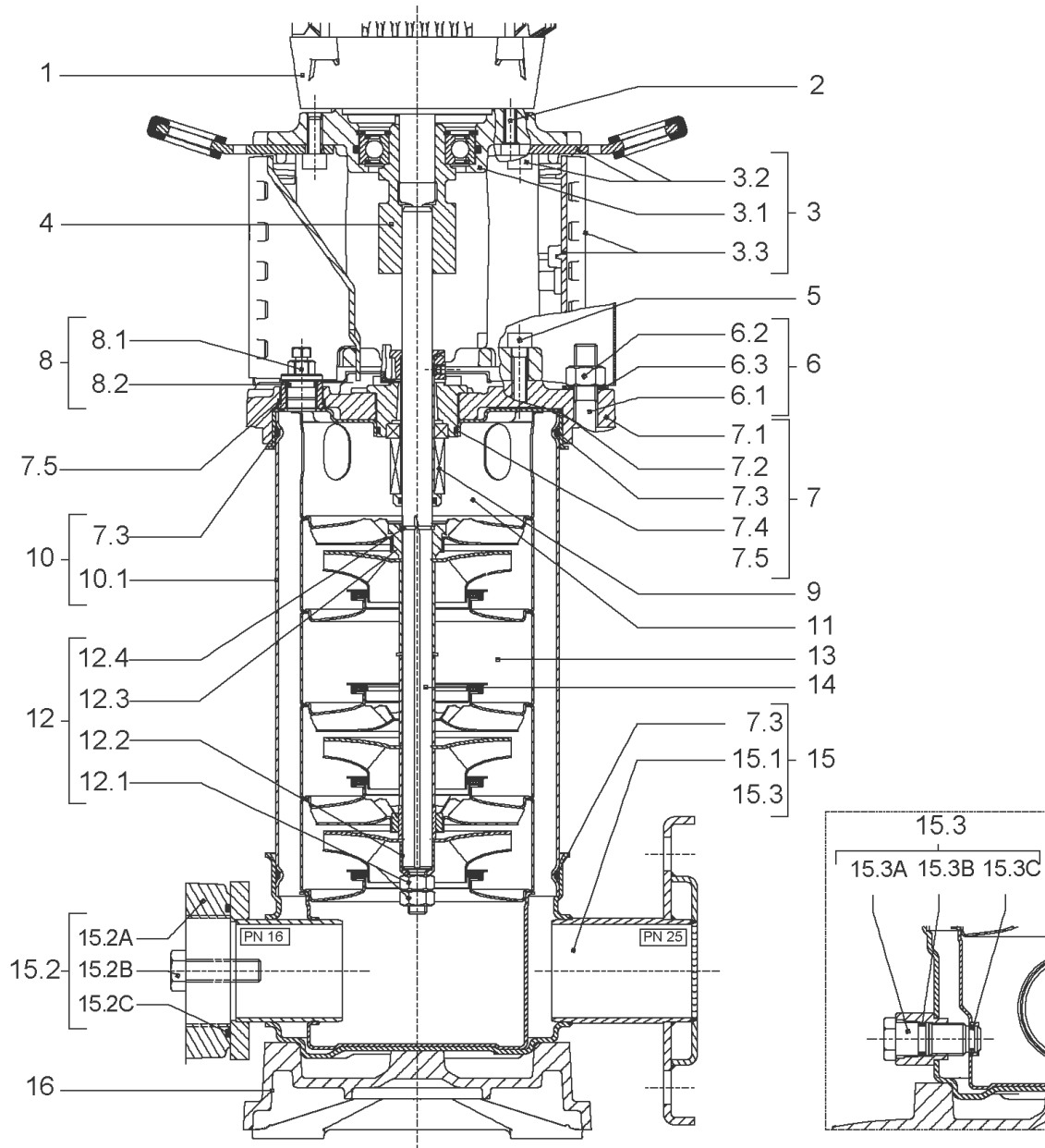


CARTRIDGE HELIX2-4 F/V KIT (4178620)

Item	Article no.	Description	Quantity
9.1	4178619	SEAL-KIT-HELIX2-4 F/V	1
7.3	4177887	> O-RING ID.145,65X3,53 VITON VP.	1
7.4	4177888	> O-RING ID.37.6xØ2.4 VITON VP.	1
9.1A	2131025	> MECH.SEAL HELIX2-4-6-10-16 F/V VP.	1
9.1B	4178618	> O-RING ID.12x2 VITON VP.	1
9.1C	4178618	> O-RING ID.12x2 VITON VP.	1
9.2	4178557	SHAFT SLEEVE Ø12XØ18-PN16 1.4404 VP.	1
9.3	2131024	RING HOLDER D.18 G606/G6 1.4404 VP.	1
9.4	4176520	SCREW CH M5x5 A4-70 (3PIECES)	1
9.5	4178595	DRIVE RING D.29/15.5x13,2 MACH.VP.	1
9.6	2130964	TOOL M.S.CART.HELIX VP.	1
9.7	2130965	SCREW CHC M5X12 ISO4762 A2.70(4 PIECES)	1



Item	Article no.	Description	Quantity
13.1	4179253	STAGE HELIX 4 1.4404 KIT	1
		> MACH.STG-CASING-WOGV-WNR-M+2-4-316	1
		> IMPELLER-M+4-316	1
13.2	4179254	STAGE BEARING HELIX 4 1.4404 KIT	1
		> MACH.BEARING-STG-CASING-WNR-M+4-316	1
		> IMPELLER-M+4-316	1
		> SHAFT SLEEVE SPACER Ø15,35x10,305-316	1
		> SHAFT-SLEEVE-D12xD16x14-CW	1
13.3	4179303	INTERMEDIATE STAGE HELIX 4 1.4404 KIT	1
		> MACH.STD-STG-CASING-WGV+NR-M+4-316	1
		> IMPELLER-M+4-316	1
		> IMPELLER SPACER Ø12,05X14,85-L24,305-316	1
13.4	4179309	EMPTY STAGE HELIX 4 1.4404	1
		> MACH.STD-STG-CASING-WGV+NR-M+4-316	1
		> FLAT WASHER-D12.1XD16X0.8-316L	1
		> IMPELLER SPACER Ø12,05X14,85-L24,305-316	1
13.5	4179301	STAGE HELIX 4 1.4404 KIT	1
		> MACH.STG-CASING-WOGV-WNR-M+2-4-316	1
		> IMPELLER-M+4-316	1
		> IMPELLER SPACER Ø12,05X14,85-L24,305-316	1



HELIX V431-2/25/V/KS/400-50 (4160569)

Item	Article no.	Description	Quantity
1	4169945	MO.4/2 3~230/400(460)V 50(60)HZ IE3 VP.	1
		SPARE PARTS MOTOR:ON REQUEST	1
2	4206025	SCREW M8X45 (4 PIECES)	1
3	4171326	LANTERN FT130 HELIX KIT	1
3.1		> LANTERN FT130 M+6" GJL MACHINING+CATA	1
3.2	2127604	> EYELET CPL.FT HELIX(2 PIECES)	1
3.3	4159692	> COUPLING PROTECTOR FT HELIX KIT	1
4	4178626	COUPLING D.12XD.28 FT130 KIT	1
5	4159707	SCREW M8X30 (4 PIECES)	1
6	4179247	STUD BOLT M12X963 KIT	1
6.1		> TIE BOLT M12-963x18x30-AISI431	1
6.2	2094647	> NUT M12 M12 ISO4032 VP.	1
6.3	2123557	> WASHER CS-12.4-24-1.6-NFE25 (4 PIECES)	1
7	4159783	END SHIELD HELIX FKM 1.4404 KIT	1
7.1		> END SHIELD M+6" GJL250 MACHINING+CATA	1
7.2	2131056	> STATIONARY RING HOLDER 6" HELIX 1.4404 V	1
7.3	4234237	> O-RING 139X3 VITON VP.	1
7.4	2131026	> O-RING ID.37,6X2,4 FKM VP.	1
7.5	2131057	> O-RING ID.21,35X2 FKM VP.	1
8	4159784	FILING/PURGING PLUG HELIX FKM KIT	1
9	4178620	CARTRIDGE HELIX2-4 F/V KIT	1
10	4179313	HOUSING-PIPE D.152X835 1.4404 KIT	1
7.3	4234237	> O-RING 139X3 VITON VP.	1
10.1		> HOUSING-PIPE Ø152-M+231/431-316L	1
11	4179252	CENTERING STAGE HELIX V4 31.4404 VP.	1
12	4178567	SHAFT EQUIPMENT HELIX V2/V4 KIT	1
12.1		> NUT-H-M8-STAINLESS-STEEL A4-70	1
12.2		> SHAFT END WASHER Ø8/Ø12 316L	1
12.3		> STOP COLLAR OF IMPELLER L12,6-Ø12-316L	1
12.4		> STOP-RUSH-1/2-D12xd2-M+316	1
13		HYDRAULIC HELIX V 431	1
14	4179249	SHAFT D.12X958,8 1.4462 VP.	1
15	4179257	PUMP HOUSING HELIX DN25 PN25 1.4409 KIT	1
7.3	4177887	> O-RING ID.145,65X3,53 VITON VP.	1

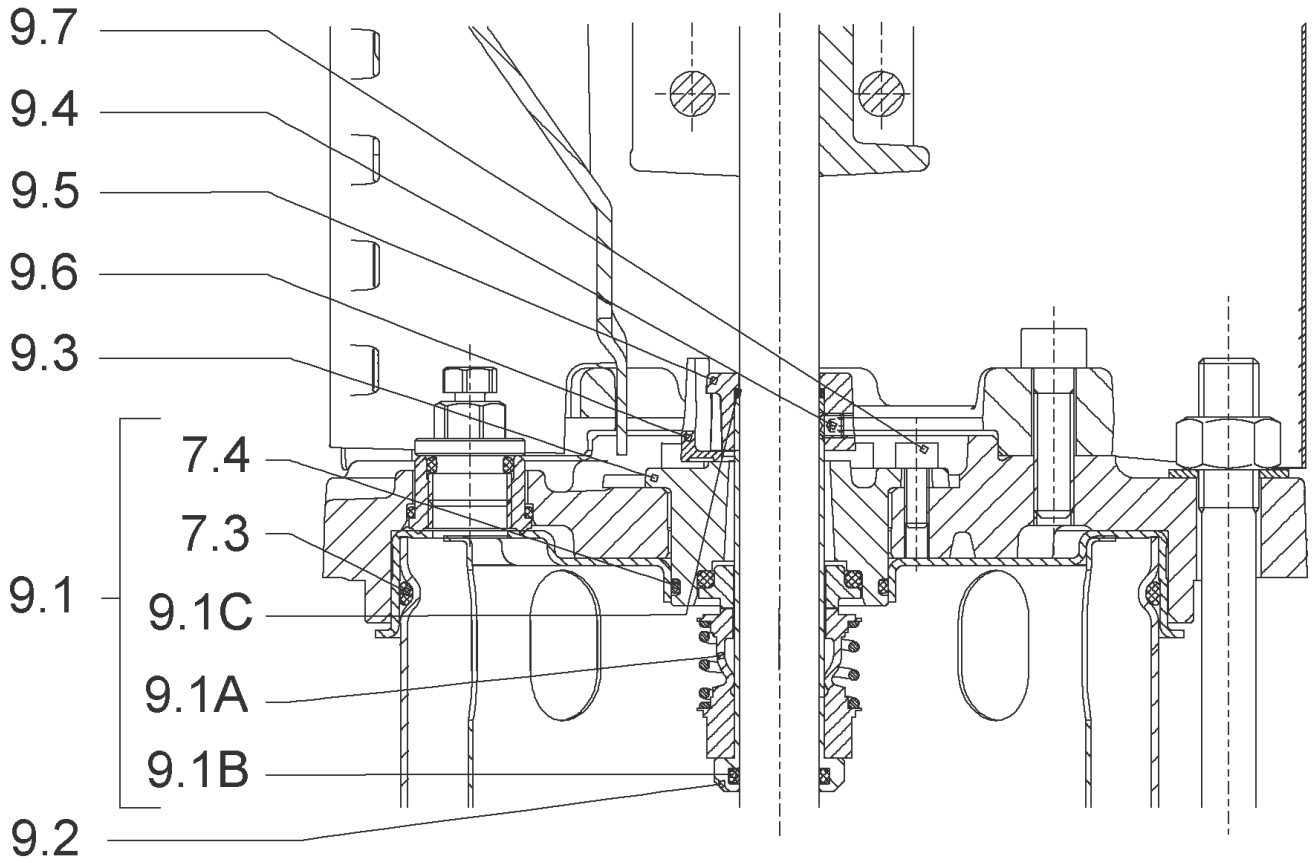
HELIX V431-2/25/V/KS/400-50 (4160569)

Item	Article no.	Description	Quantity
15.1		> BLASTING PPE HOUSING V PN25-DN25-5"-316L	1
15.3	4159781	> PRIMING/DRAIN PLUG HELIX 16 FKM KIT	1
16	4177970	BASEPLATE HELIX V2/4/6 PN25 VP.	1



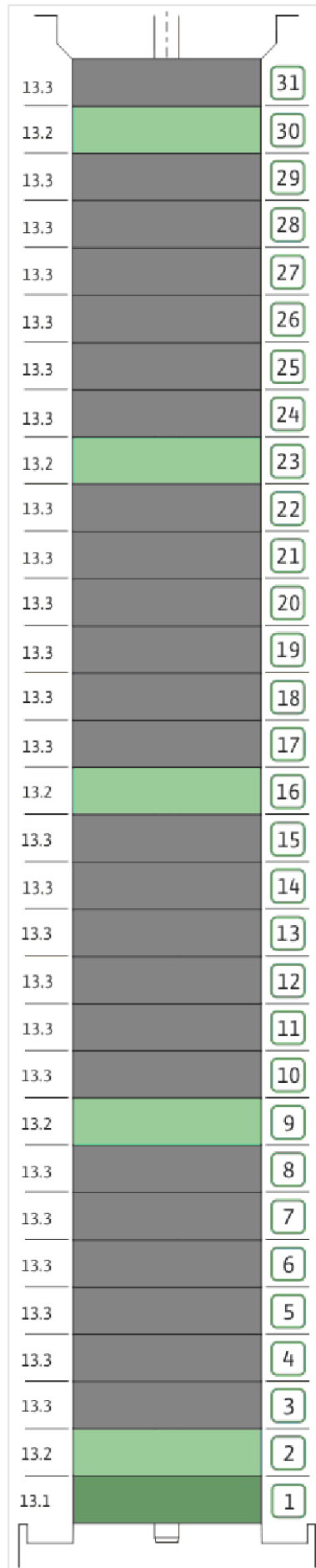
COUPLING D.12XD.28 FT130 KIT (4178626)

Item	Article no.	Description	Quantity
4.1		COUPLING-M+ Ø12XØ28-FT130-MACHINED	1
4.2	2131022	BALL BEARING 6209/ZZ-C3(HT)VP.	1
4.3	4233930	CIRCLIP-FOR-BORES-D45x1,75 VP.	1
4.4	4157726	SCREW KIT M8X30 (4 PIECES)	1
4.5	4234252	CIRCLIPS 85X3 VP.	1
4.6	4234243	O-RING 85X3 VP.	1
		NOMEL CONTACT WASHER 8x16x1,4 STEEL ZC	1

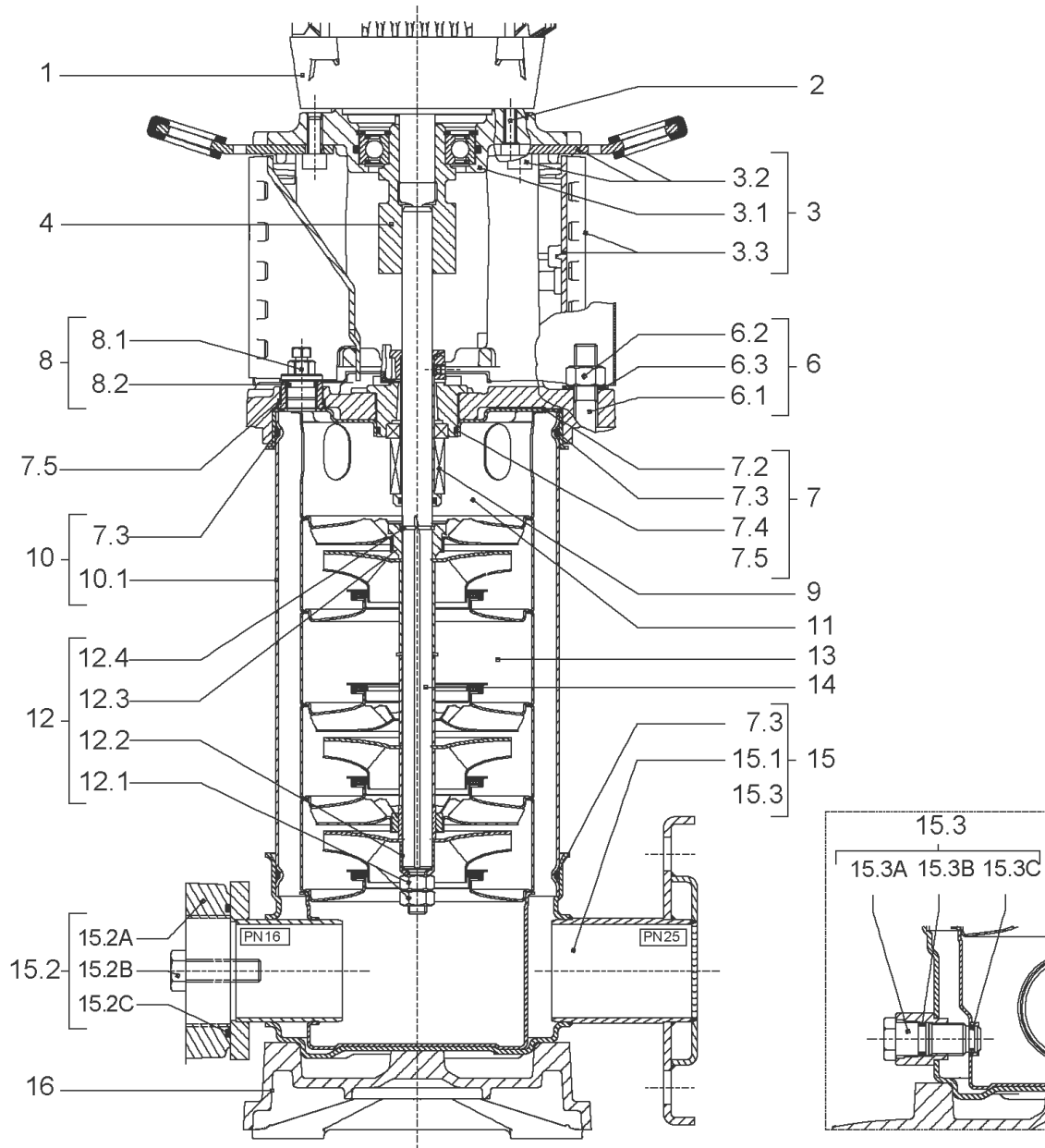


CARTRIDGE HELIX2-4 F/V KIT (4178620)

Item	Article no.	Description	Quantity
9.1	4178619	SEAL-KIT-HELIX2-4 F/V	1
7.3	4177887	> O-RING ID.145,65X3,53 VITON VP.	1
7.4	4177888	> O-RING ID.37.6xØ2.4 VITON VP.	1
9.1A	2131025	> MECH.SEAL HELIX2-4-6-10-16 F/V VP.	1
9.1B	4178618	> O-RING ID.12x2 VITON VP.	1
9.1C	4178618	> O-RING ID.12x2 VITON VP.	1
9.2	4178557	SHAFT SLEEVE Ø12XØ18-PN16 1.4404 VP.	1
9.3	2131024	RING HOLDER D.18 G606/G6 1.4404 VP.	1
9.4	4176520	SCREW CH M5x5 A4-70 (3PIECES)	1
9.5	4178595	DRIVE RING D.29/15.5x13,2 MACH.VP.	1
9.6	2130964	TOOL M.S.CART.HELIX VP.	1
9.7	2130965	SCREW CHC M5X12 ISO4762 A2.70(4 PIECES)	1



Item	Article no.	Description	Quantity
13.1	4179253	STAGE HELIX 4 1.4404 KIT	1
		> MACH.STG-CASING-WOGV-WNR-M+2-4-316	1
		> IMPELLER-M+4-316	1
13.2	4179254	STAGE BEARING HELIX 4 1.4404 KIT	1
		> MACH.BEARING-STG-CASING-WNR-M+4-316	1
		> IMPELLER-M+4-316	1
		> SHAFT SLEEVE SPACER Ø15,35x10,305-316	1
		> SHAFT-SLEEVE-D12xD16x14-CW	1
13.3	4179303	INTERMEDIATE STAGE HELIX 4 1.4404 KIT	1
		> MACH.STD-STG-CASING-WGV+NR-M+4-316	1
		> IMPELLER-M+4-316	1
		> IMPELLER SPACER Ø12,05X14,85-L24,305-316	1

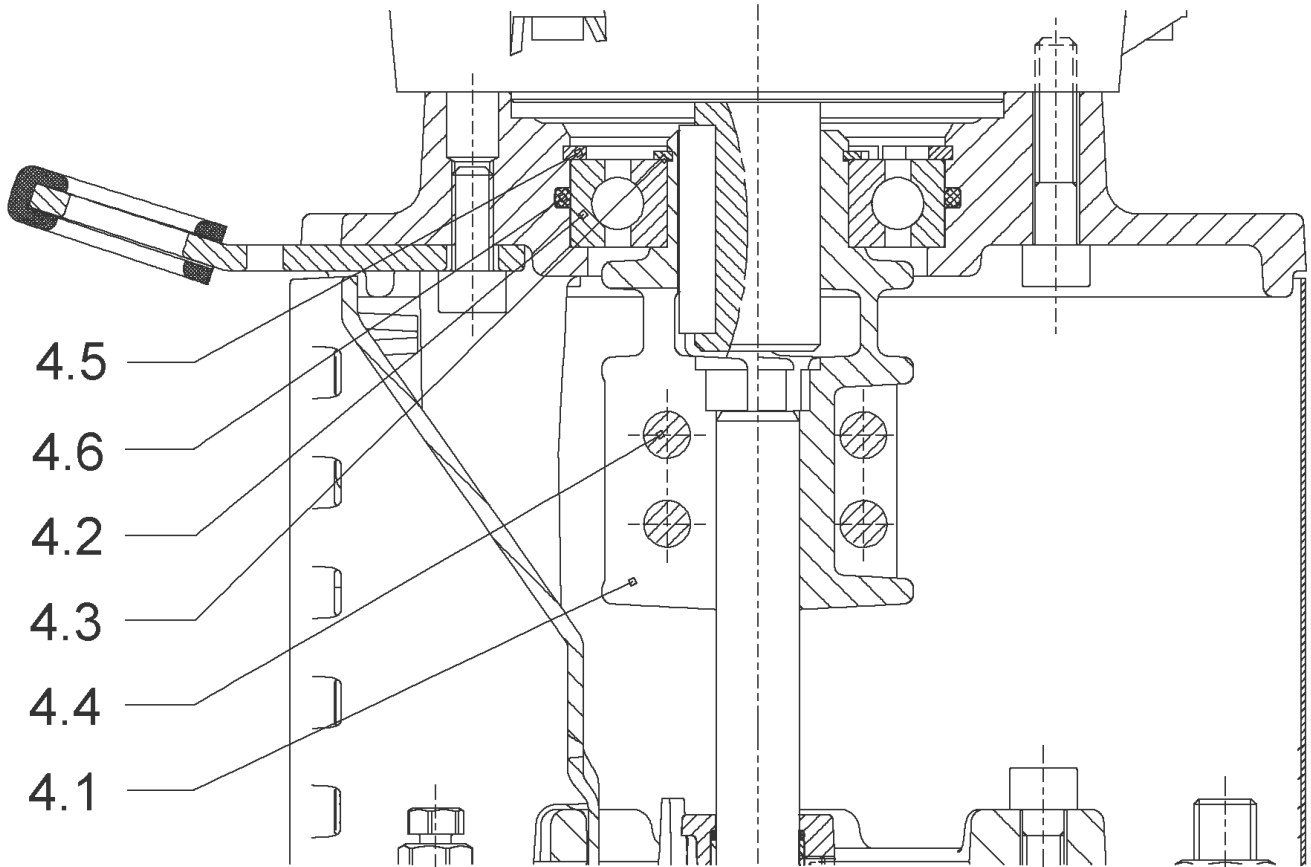


HELIX V402-1/16/E/S/400-50 (4162771)

Item	Article no.	Description	Quantity
1	4169946	MOTOR 0,37/2/71 3~230/400V 50HZ IE2 VP.	1
		SPARE PARTS MOTOR:ON REQUEST	1
2	4159702	SCREW M6X30 (4 PIECES)	1
3	4171325	LANTERN MONOBLOC FT85 HELIX KIT	1
3.1		> M+5_6_LANTERN_ONE-PIECE_FT85_CATA	1
3.2	2127604	> EYELET CPL.FT HELIX(2 PIECES)	1
3.3	4159692	> COUPLING PROTECTOR FT HELIX KIT	1
4	4178554	COUPLING FT 85 Ø12XØ14 KIT	1
6	2018359	STUD BOLT M12X245 KIT	1
6.1		> TIE BOLT M12-245x18x30-1.4057	1
6.2	2094647	> NUT M12 M12 ISO4032 VP.	1
6.3	2123557	> WASHER CS-12.4-24-1.6-NFE25 (4 PIECES)	1
7	4210143	STATIONARY RING HOLDER HELIX 6" EPDM	1
7.2	2127607	> STATIONARY RING HOLDER 6" HELIX 1.4301 V	1
7.3	4176513	> O-RING FOR PUMP JACKET VP.	1
7.4	2127603	> O-RING ID.37,6x2,4 EPDM VP.	1
7.5	2127602	> O-RING ID.21,35x2 EPDM VP.	1
8	4159686	FILING/PURGING PLUG HELIX EPDM KIT	1
9	4178564	SEAL-KIT-HELIX2-4 O/E KIT	1
10	4178565	HOUSING PIPES D.152X109 1.4301 KIT	1
7.3	4176513	> O-RING FOR PUMP JACKET VP.	1
10.1		> HOUSING-PIPE Ø152-M+202/402-304	1
11	4178566	CENTERING STAGE-RETURN HELIX4 1.4307 VP	1
12	4178568	SHAFT EQUIPMENT HELIX V2/V4 KIT	1
12.1		> NUT-H-M8-STAINLESS-STEEL A4-70	2
12.2		> SHAFT END WASHER Ø8/Ø12 316L	1
12.3		> STOP COLLAR OF IMPELLER M+2/4 SINGLEBLOC	1
12.4		> STOP-RUSH-1/2-D12xd2-M+316	2
13		HYDRAULIC HELIX V 402 1.4307	1
14	4178571	SHAFT D.12X233 1.4057 VP.	1
15	4174079	PUMP HOUSING HELIX DN32 PN16 1.4301 KIT	1
7.3	4176513	> O-RING FOR PUMP JACKET VP.	1
15.1		> BLASTING PPE HOUSING V-PN16-DN32-5"-304	1
15.2	4217889	> COUNTER FLANGE-G1"-PN16-GJL KIT	1

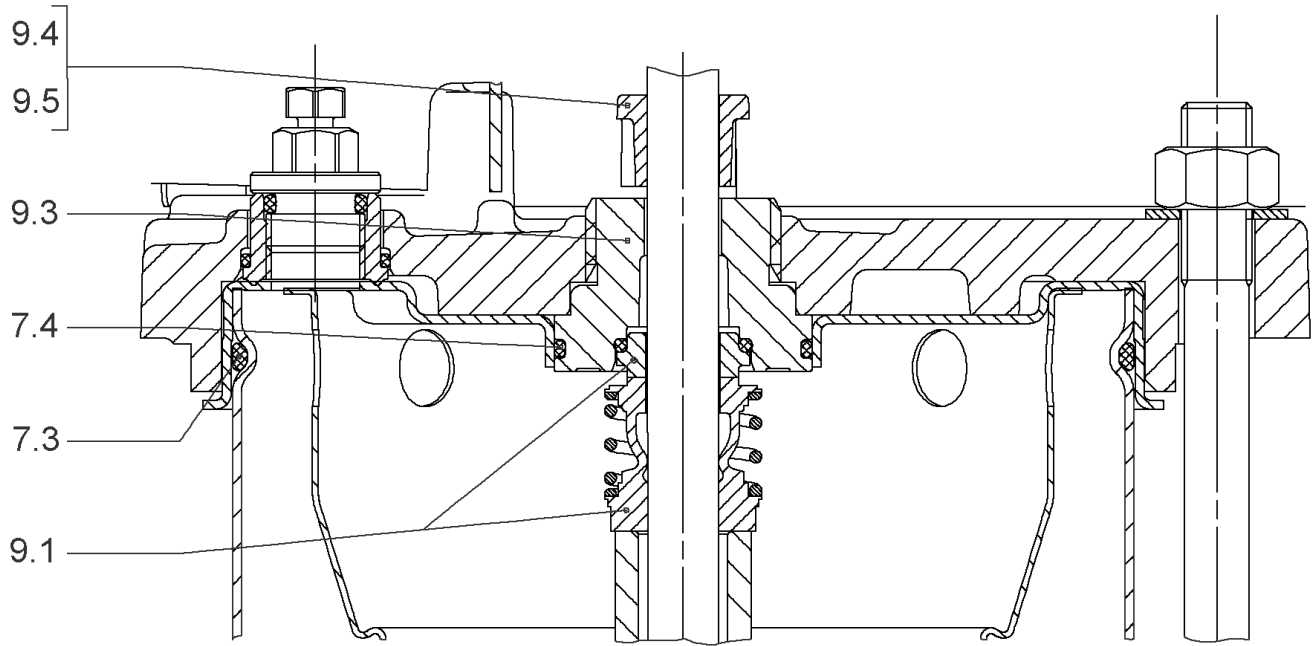
HELIX V402-1/16/E/S/400-50 (4162771)

Item	Article no.	Description	Quantity
15.3	4171321	> PRIMING/DRAIN PLUG EPDM HELIX KIT	1
16	4177964	BASEPLATE HELIX V2/4/6 PN16 VP.	1



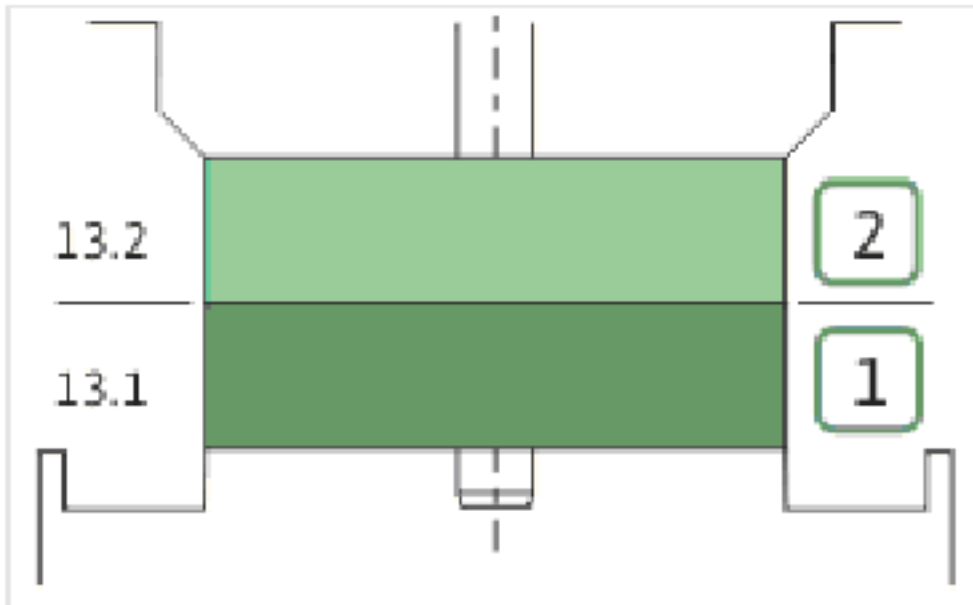
COUPLING FT 85 Ø12XØ14 KIT (4178554)

Item	Article no.	Description	Quantity
4.1		COUPLING-M+ Ø12XØ14-FT85-MACHINED	1
4.3	4208923	CIRCLIP D25X1.2 VP.	1
4.2	4177802	BALL BEARING 6205C3-ZZ HTVP.	1
4.4	4212716	SCREW M6X20 KIT (4PIECES)	1
4.5	4233124	CIRCLIP-FOR-BORES-D52x2 VP.	1
4.6	4234244	O-RING 52X2 VP.	1
		CONTACT-WASHER-6ETR-6,1x12,2x1,8-STEEL	4



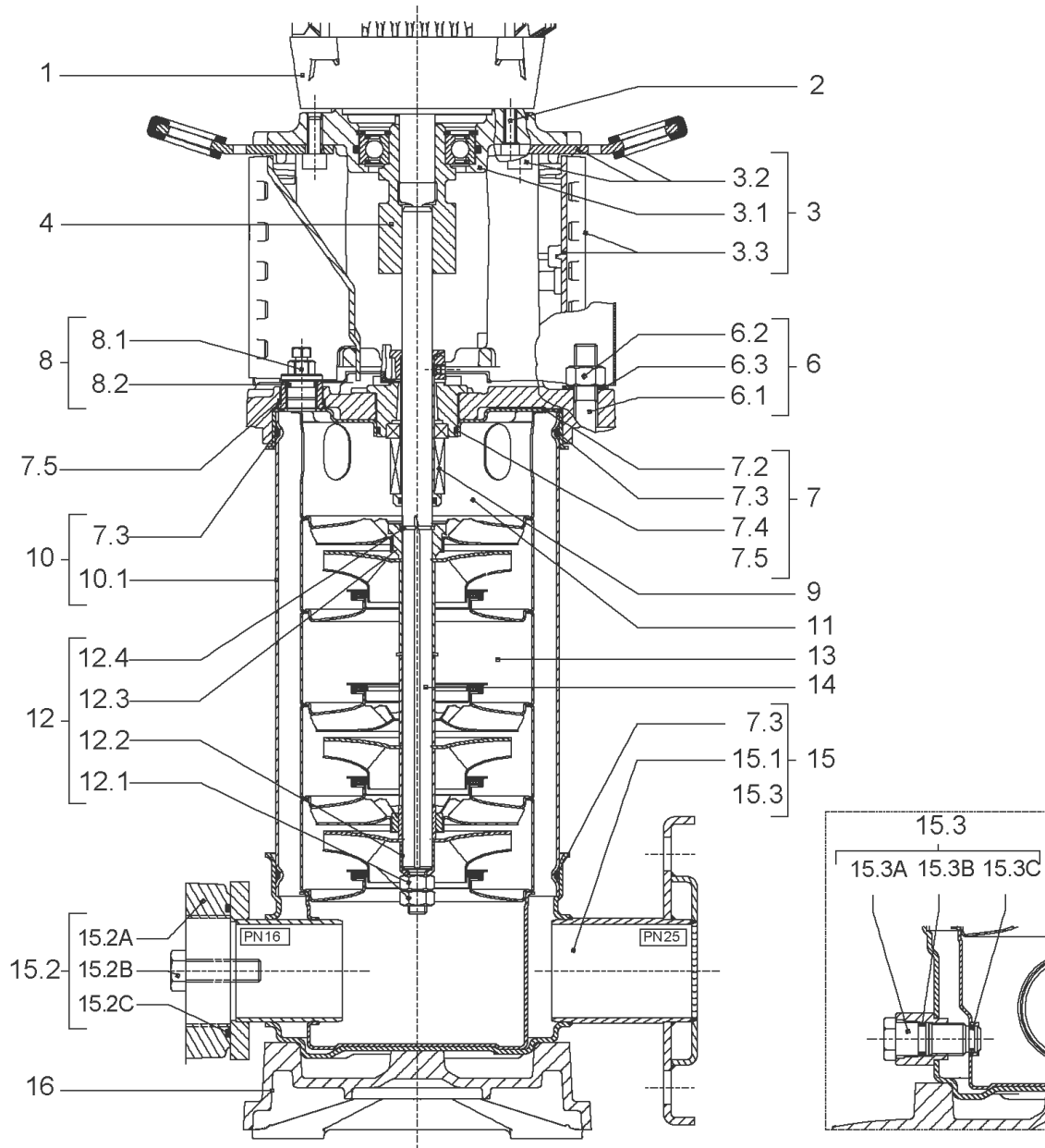
SEAL-KIT-HELIX2-4 O/E KIT (4178564)

Item	Article no.	Description	Quantity
7.3	4176513	O-RING FOR PUMP JACKET VP.	1
7.4	2127603	O-RING ID.37,6x2,4 EPDM VP.	1
9.1	4178563	M.SEAL.HELIX2-4 O/E VP.	1
9.3	4178561	RING HOLDER Ø22 1.4301 VP.	1
9.5	4178562	DRIVE RING D.22/12.2X10 MACH.VP.	1
9.4	4176520	SCREW CH M5x5 A4-70 (3PIECES)	1



HYDRAULIC HELIX V 402 1.4307

Item	Article no.	Description	Quantity
13.1	4178570	STAGE HELIX 4 1.4301 KIT	1
		> MACH.STG-CASING-WOGV-WNR-M+2-4-304	1
		> IMPELLER-M+4-304	1
13.2	4178569	STAGE BEARING HELIX 4 1.4301 KIT	1
		> MACH.BEARING-STG-CASING-WNR-M+4-304	1
		> IMPELLER-M+4-304	1
		> SHAFT SLEEVE SPACER Ø15,35x10,305-304	1
		> SHAFT-SLEEVE-D12xD16x14-CW	1

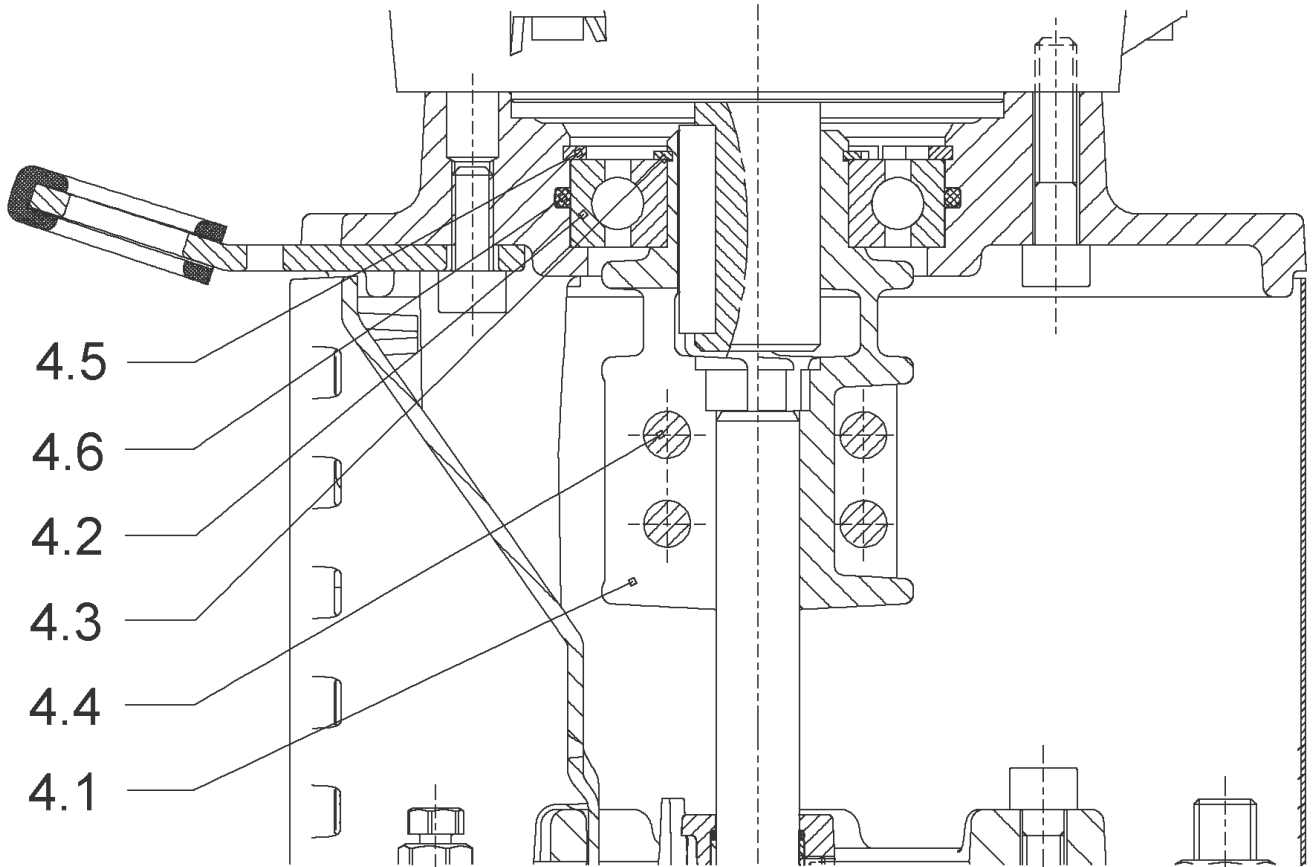


HELIX V403-1/16/E/S/400-50 (4162772)

Item	Article no.	Description	Quantity
1	4169946	MOTOR 0,37/2/71 3~230/400V 50HZ IE2 VP.	1
		SPARE PARTS MOTOR:ON REQUEST	1
2	4159702	SCREW M6X30 (4 PIECES)	1
3	4171325	LANTERN MONOBLOC FT85 HELIX KIT	1
3.1		> M+5_6_LANTERN_ONE-PIECE_FT85_CATA	1
3.2	2127604	> EYELET CPL.FT HELIX(2 PIECES)	1
3.3	4159692	> COUPLING PROTECTOR FT HELIX KIT	1
4	4178554	COUPLING FT 85 Ø12XØ14 KIT	1
6	4177803	STUD BOLT M12X263 KIT	1
6.1		> TIE BOLT M12-263x18x30-1.4057	1
6.2	2094647	> NUT M12 M12 ISO4032 VP.	1
6.3	2123557	> WASHER CS-12.4-24-1.6-NFE25 (4 PIECES)	1
7	4210143	STATIONARY RING HOLDER HELIX 6" EPDM	1
7.2	2127607	> STATIONARY RING HOLDER 6" HELIX 1.4301 V	1
7.3	4176513	> O-RING FOR PUMP JACKET VP.	1
7.4	2127603	> O-RING ID.37,6x2,4 EPDM VP.	1
7.5	2127602	> O-RING ID.21,35x2 EPDM VP.	1
8	4159686	FILING/PURGING PLUG HELIX EPDM KIT	1
9	4178564	SEAL-KIT-HELIX2-4 O/E KIT	1
10	4177804	HOUSING PIPES D.152X134 1.4301 KIT	1
7.3	4176513	> O-RING FOR PUMP JACKET VP.	1
10.1		> HOUSING-PIPE Ø152-M+1001/02-304	1
11	4178566	CENTERING STAGE-RETURN HELIX4 1.4307 VP	1
12	4178568	SHAFT EQUIPMENT HELIX V2/V4 KIT	1
12.1		> NUT-H-M8-STAINLESS-STEEL A4-70	2
12.2		> SHAFT END WASHER Ø8/Ø12 316L	1
12.3		> STOP COLLAR OF IMPELLER M+2/4 SINGLEBLOC	1
12.4		> STOP-RUSH-1/2-D12xd2-M+316	2
13		HYDRAULIC HELIX V 403 1.4307	1
14	4178575	SHAFT D.12X258 1.4301 VP.	1
15	4174079	PUMP HOUSING HELIX DN32 PN16 1.4301 KIT	1
7.3	4176513	> O-RING FOR PUMP JACKET VP.	1
15.1		> BLASTING PPE HOUSING V-PN16-DN32-5"-304	1
15.2	4217889	> COUNTER FLANGE-G1"-PN16-GJL KIT	1

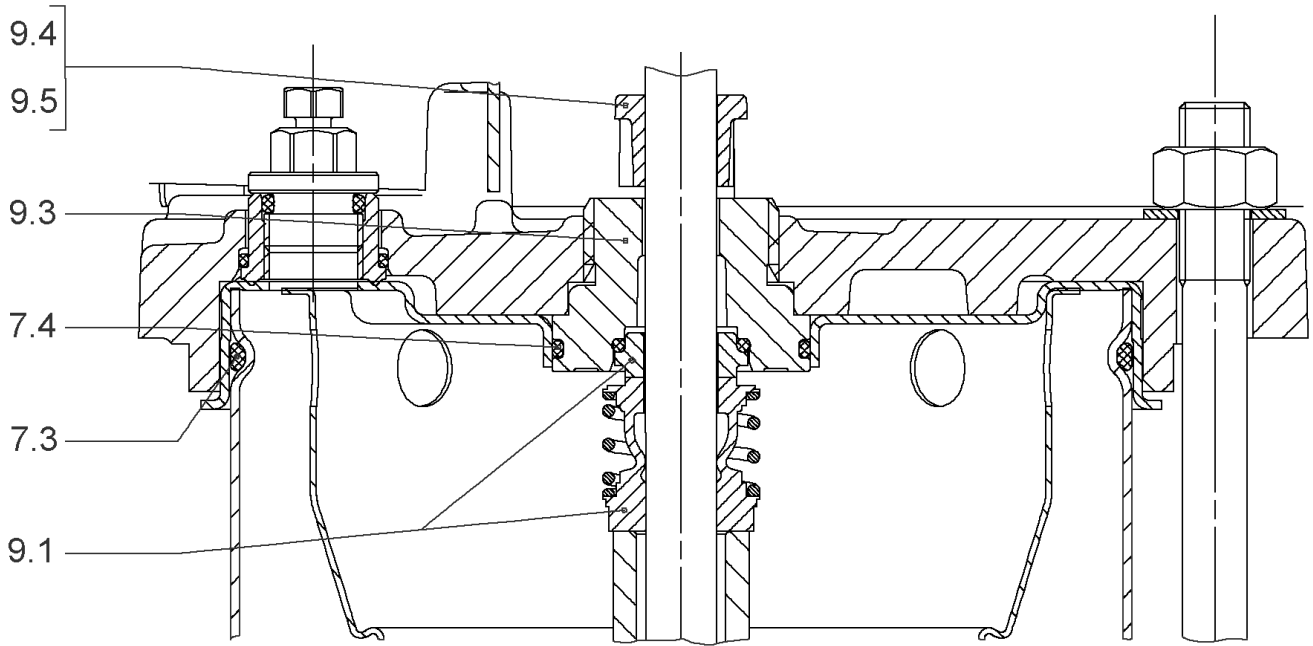
HELIX V403-1/16/E/S/400-50 (4162772)

Item	Article no.	Description	Quantity
15.3	4171321	> PRIMING/DRAIN PLUG EPDM HELIX KIT	1
16	4177964	BASEPLATE HELIX V2/4/6 PN16 VP.	1



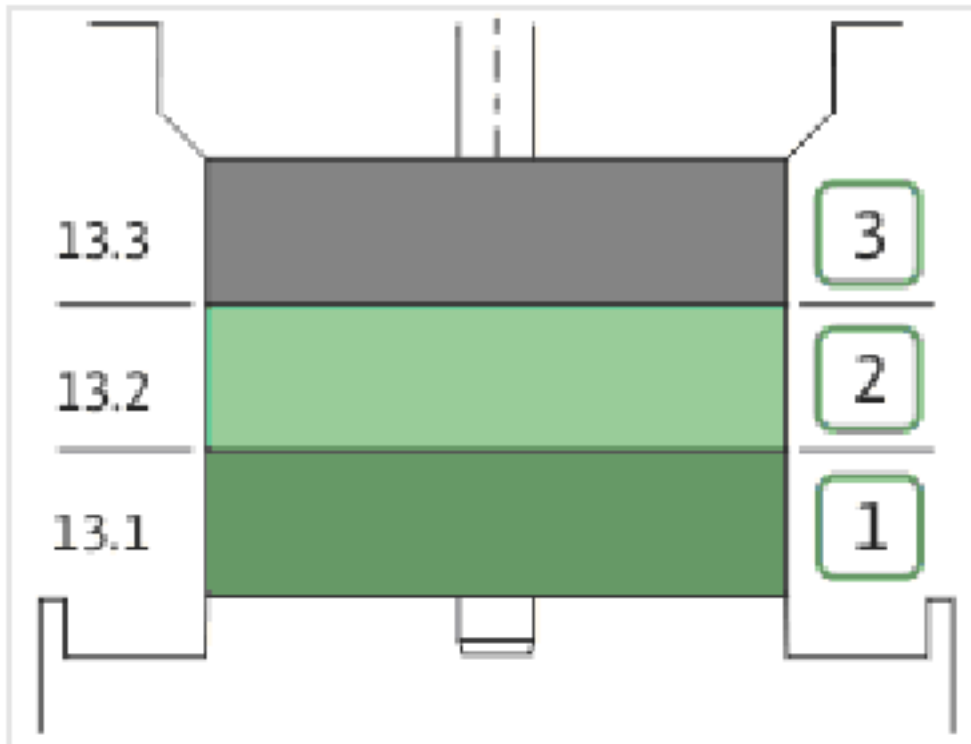
COUPLING FT 85 Ø12XØ14 KIT (4178554)

Item	Article no.	Description	Quantity
4.1		COUPLING-M+ Ø12XØ14-FT85-MACHINED	1
4.3	4208923	CIRCLIP D25X1.2 VP.	1
4.2	4177802	BALL BEARING 6205C3-ZZ HTVP.	1
4.4	4212716	SCREW M6X20 KIT (4PIECES)	1
4.5	4233124	CIRCLIP-FOR-BORES-D52x2 VP.	1
4.6	4234244	O-RING 52X2 VP.	1
		CONTACT-WASHER-6ETR-6,1x12,2x1,8-STEEL	4



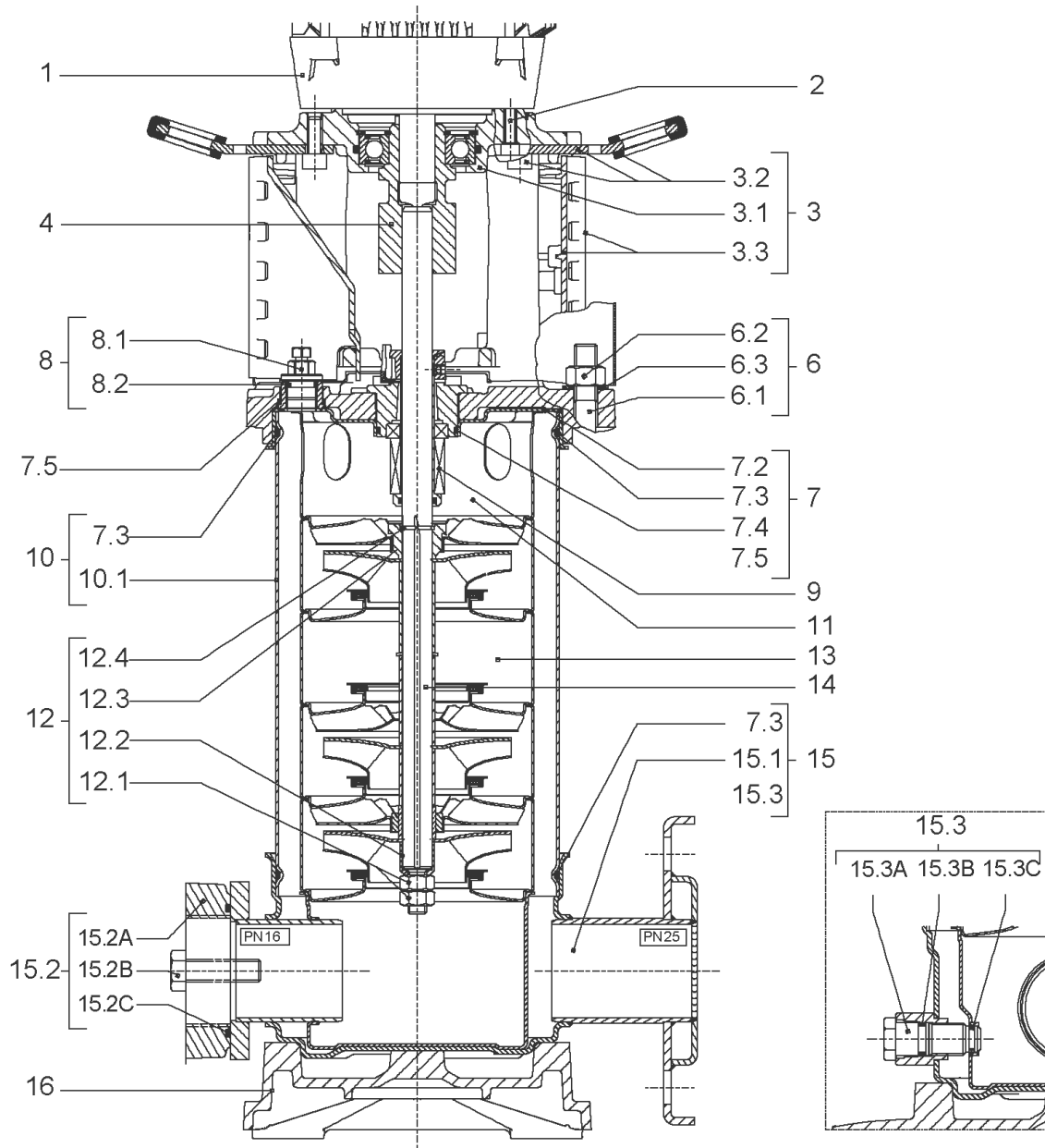
SEAL-KIT-HELIX2-4 O/E KIT (4178564)

Item	Article no.	Description	Quantity
7.3	4176513	O-RING FOR PUMP JACKET VP.	1
7.4	2127603	O-RING ID.37,6x2,4 EPDM VP.	1
9.1	4178563	M.SEAL.HELIX2-4 O/E VP.	1
9.3	4178561	RING HOLDER Ø22 1.4301 VP.	1
9.5	4178562	DRIVE RING D.22/12.2X10 MACH.VP.	1
9.4	4176520	SCREW CH M5x5 A4-70 (3PIECES)	1



HYDRAULIC HELIX V 403 1.4307

Item	Article no.	Description	Quantity
13.1	4178570	STAGE HELIX 4 1.4301 KIT	1
		> MACH.STG-CASING-WOGV-WNR-M+2-4-304	1
		> IMPELLER-M+4-304	1
13.2	4178569	STAGE BEARING HELIX 4 1.4301 KIT	1
		> MACH.BEARING-STG-CASING-WNR-M+4-304	1
		> IMPELLER-M+4-304	1
		> SHAFT SLEEVE SPACER Ø15,35x10,305-304	1
		> SHAFT-SLEEVE-D12xD16x14-CW	1
13.3	4178574	INTER STAGE HELIX4 1.4301< 15 stages KIT	1
		> MACH.STD-STG-CASING-WGV+NR-M+4-304	1
		> IMPELLER-M+4-304	1
		> IMPELLER SPACER Ø12,05X14,85-L24,285-304	1

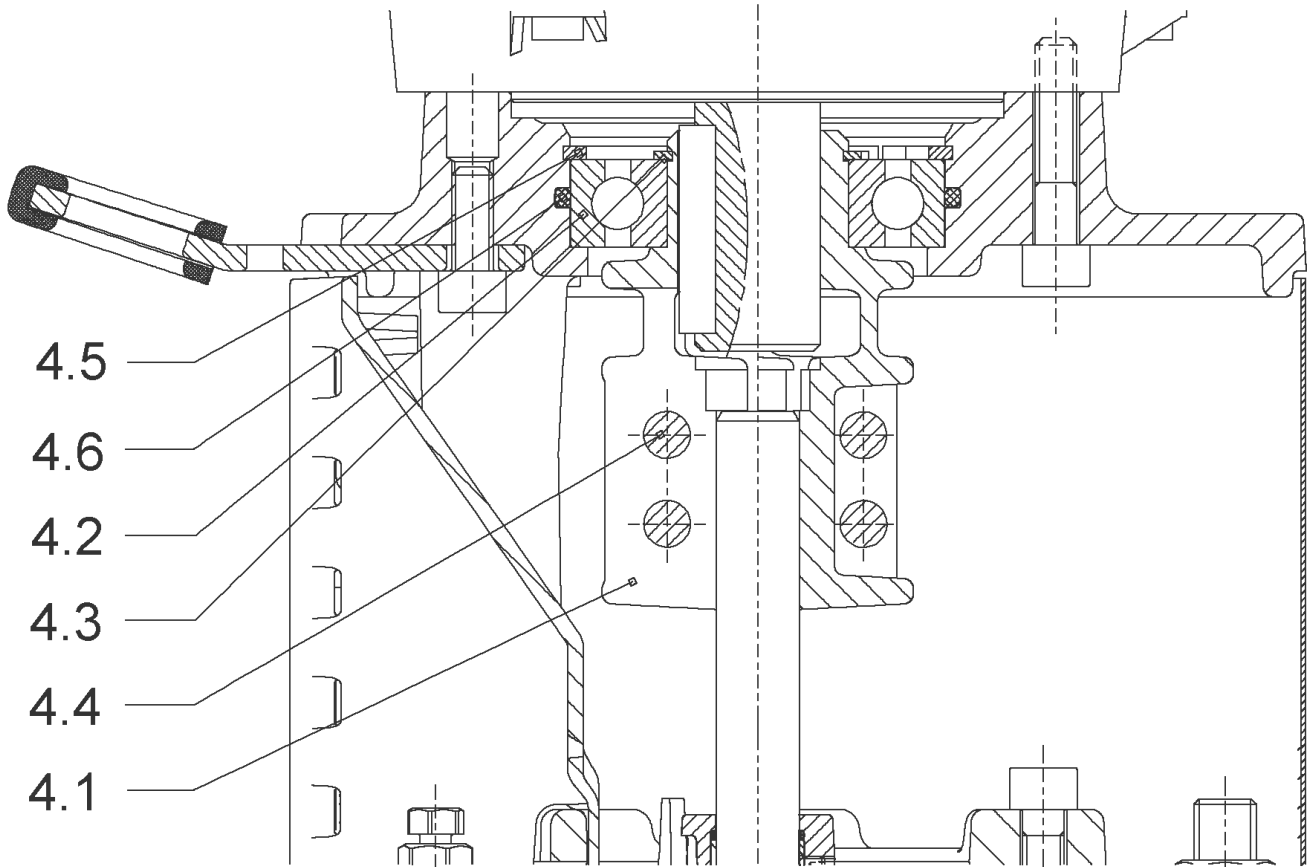


HELIX V404-1/16/E/S/400-50 (4162773)

Item	Article no.	Description	Quantity
1	4169939	MO.0,55/2/71 3~400V 50HZ 460V 60HZ IE2VP	1
		SPARE PARTS MOTOR:ON REQUEST	1
2	4159702	SCREW M6X30 (4 PIECES)	1
3	4171325	LANTERN MONOBLOC FT85 HELIX KIT	1
3.1		> M+5_6_LANTERN_ONE-PIECE_FT85_CATA	1
3.2	2127604	> EYELET CPL.FT HELIX(2 PIECES)	1
3.3	4159692	> COUPLING PROTECTOR FT HELIX KIT	1
4	4178554	COUPLING FT 85 Ø12XØ14 KIT	1
6	2018368	STUD BOLT M12X289 KIT	1
6.1		> TIE BOLT M12-289x18x30-1.4057	1
6.2	2094647	> NUT M12 M12 ISO4032 VP.	1
6.3	2123557	> WASHER CS-12.4-24-1.6-NFE25 (4 PIECES)	1
7	4210143	STATIONARY RING HOLDER HELIX 6" EPDM	1
7.2	2127607	> STATIONARY RING HOLDER 6" HELIX 1.4301 V	1
7.3	4176513	> O-RING FOR PUMP JACKET VP.	1
7.4	2127603	> O-RING ID.37,6x2,4 EPDM VP.	1
7.5	2127602	> O-RING ID.21,35x2 EPDM VP.	1
8	4159686	FILING/PURGING PLUG HELIX EPDM KIT	1
9	4178564	SEAL-KIT-HELIX2-4 O/E KIT	1
10	2127574	HOUSING PIPE D.152x160 1.4301 KIT	1
7.3	4176513	> O-RING FOR PUMP JACKET VP.	1
10.1		> HOUSING-PIPE Ø152-M+1601/02-304	1
11	4178566	CENTERING STAGE-RETURN HELIX4 1.4307 VP	1
12	4178568	SHAFT EQUIPMENT HELIX V2/V4 KIT	1
12.1		> NUT-H-M8-STAINLESS-STEEL A4-70	2
12.2		> SHAFT END WASHER Ø8/Ø12 316L	1
12.3		> STOP COLLAR OF IMPELLER M+2/4 SINGLEBLOC	1
12.4		> STOP-RUSH-1/2-D12xd2-M+316	2
13		HYDRAULIC HELIX V 404 1.4307	1
14	4178576	SHAFT D.12X283 1.4301 VP.	1
15	4174079	PUMP HOUSING HELIX DN32 PN16 1.4301 KIT	1
7.3	4176513	> O-RING FOR PUMP JACKET VP.	1
15.1		> BLASTING PPE HOUSING V-PN16-DN32-5"-304	1
15.2	4217889	> COUNTER FLANGE-G1"-PN16-GJL KIT	1

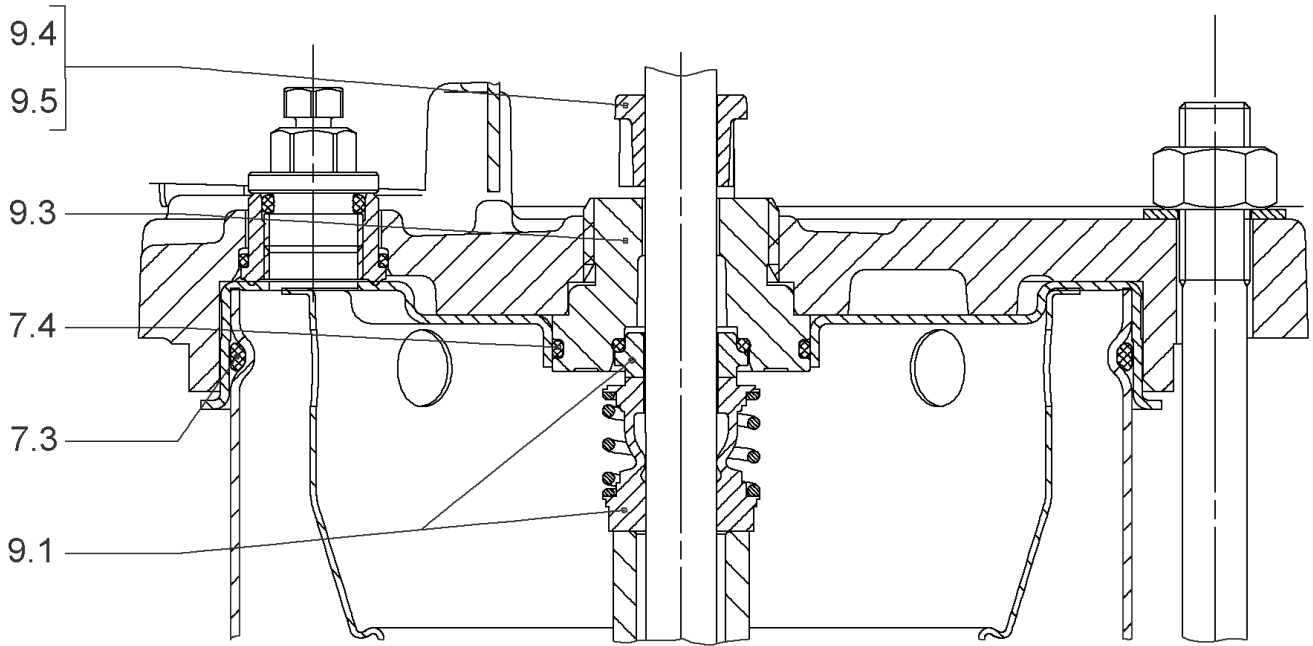
HELIX V404-1/16/E/S/400-50 (4162773)

Item	Article no.	Description	Quantity
15.3	4171321	> PRIMING/DRAIN PLUG EPDM HELIX KIT	1
16	4177964	BASEPLATE HELIX V2/4/6 PN16 VP.	1



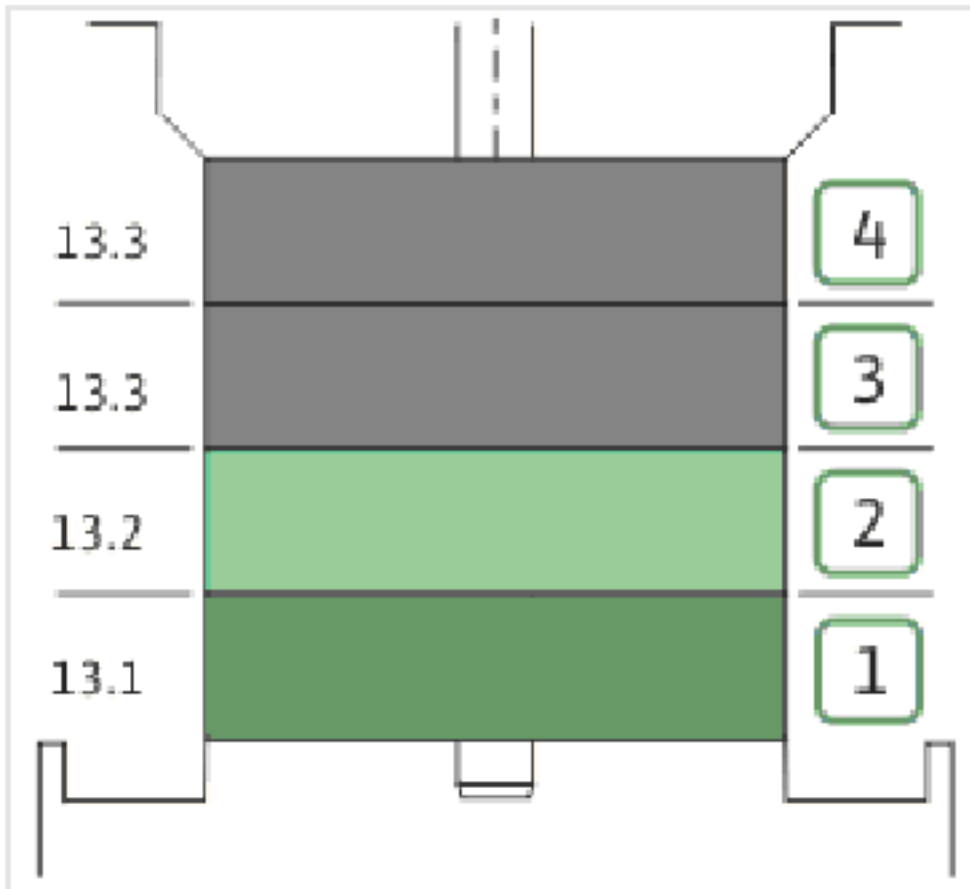
COUPLING FT 85 Ø12XØ14 KIT (4178554)

Item	Article no.	Description	Quantity
4.1		COUPLING-M+ Ø12XØ14-FT85-MACHINED	1
4.3	4208923	CIRCLIP D25X1.2 VP.	1
4.2	4177802	BALL BEARING 6205C3-ZZ HTVP.	1
4.4	4212716	SCREW M6X20 KIT (4PIECES)	1
4.5	4233124	CIRCLIP-FOR-BORES-D52x2 VP.	1
4.6	4234244	O-RING 52X2 VP.	1
		CONTACT-WASHER-6ETR-6,1x12,2x1,8-STEEL	4



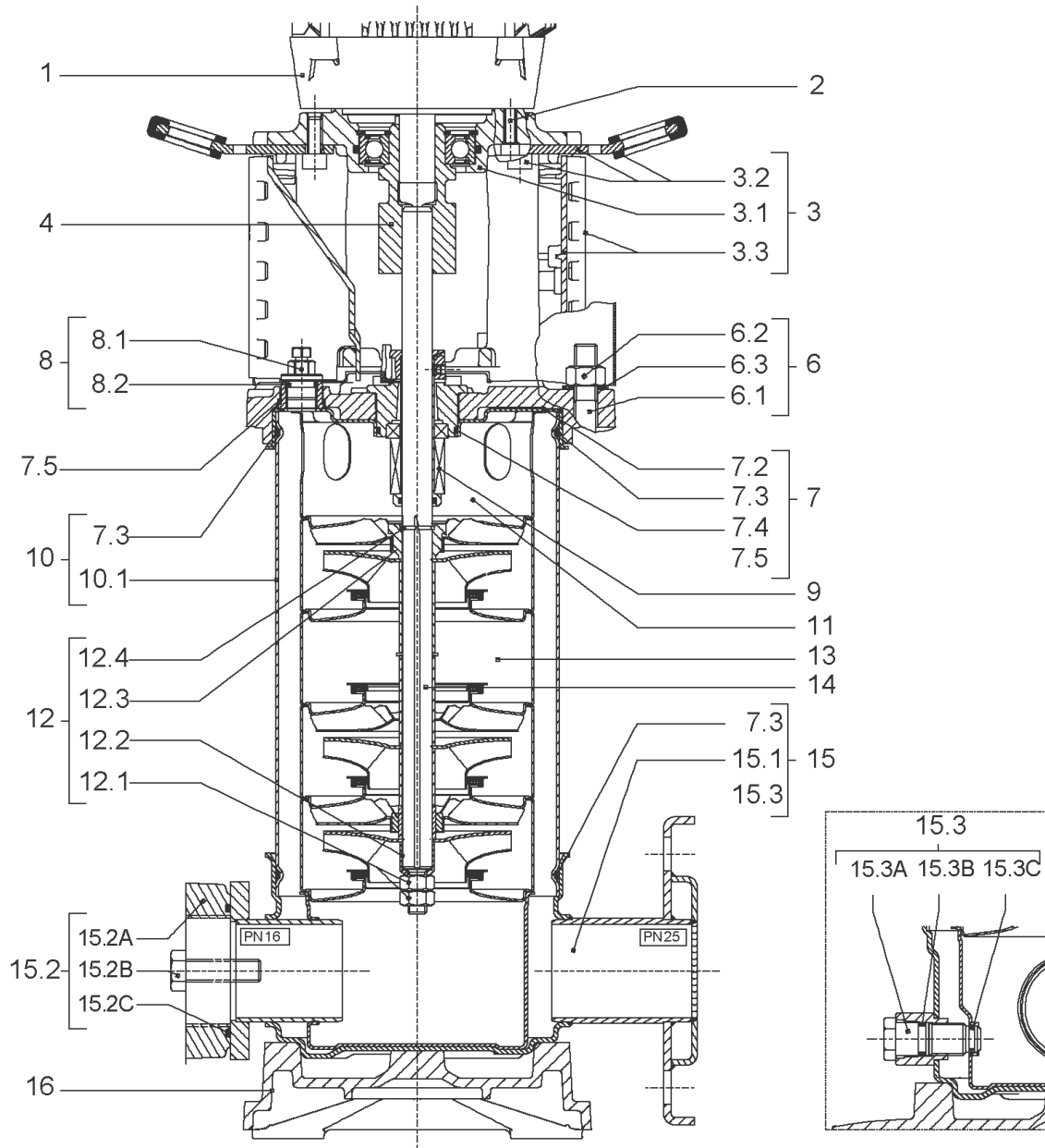
SEAL-KIT-HELIX2-4 O/E KIT (4178564)

Item	Article no.	Description	Quantity
7.3	4176513	O-RING FOR PUMP JACKET VP.	1
7.4	2127603	O-RING ID.37,6x2,4 EPDM VP.	1
9.1	4178563	M.SEAL.HELIX2-4 O/E VP.	1
9.3	4178561	RING HOLDER Ø22 1.4301 VP.	1
9.5	4178562	DRIVE RING D.22/12.2X10 MACH.VP.	1
9.4	4176520	SCREW CH M5x5 A4-70 (3PIECES)	1



HYDRAULIC HELIX V 404 1.4307

Item	Article no.	Description	Quantity
13.1	4178570	STAGE HELIX 4 1.4301 KIT	1
		> MACH.STG-CASING-WOGV-WNR-M+2-4-304	1
		> IMPELLER-M+4-304	1
13.2	4178569	STAGE BEARING HELIX 4 1.4301 KIT	1
		> MACH.BEARING-STG-CASING-WNR-M+4-304	1
		> IMPELLER-M+4-304	1
		> SHAFT SLEEVE SPACER Ø15,35x10,305-304	1
		> SHAFT-SLEEVE-D12xD16x14-CW	1
13.3	4178574	INTER STAGE HELIX4 1.4301< 15 stages KIT	1
		> MACH.STD-STG-CASING-WGV+NR-M+4-304	1
		> IMPELLER-M+4-304	1
		> IMPELLER SPACER Ø12,05X14,85-L24,285-304	1

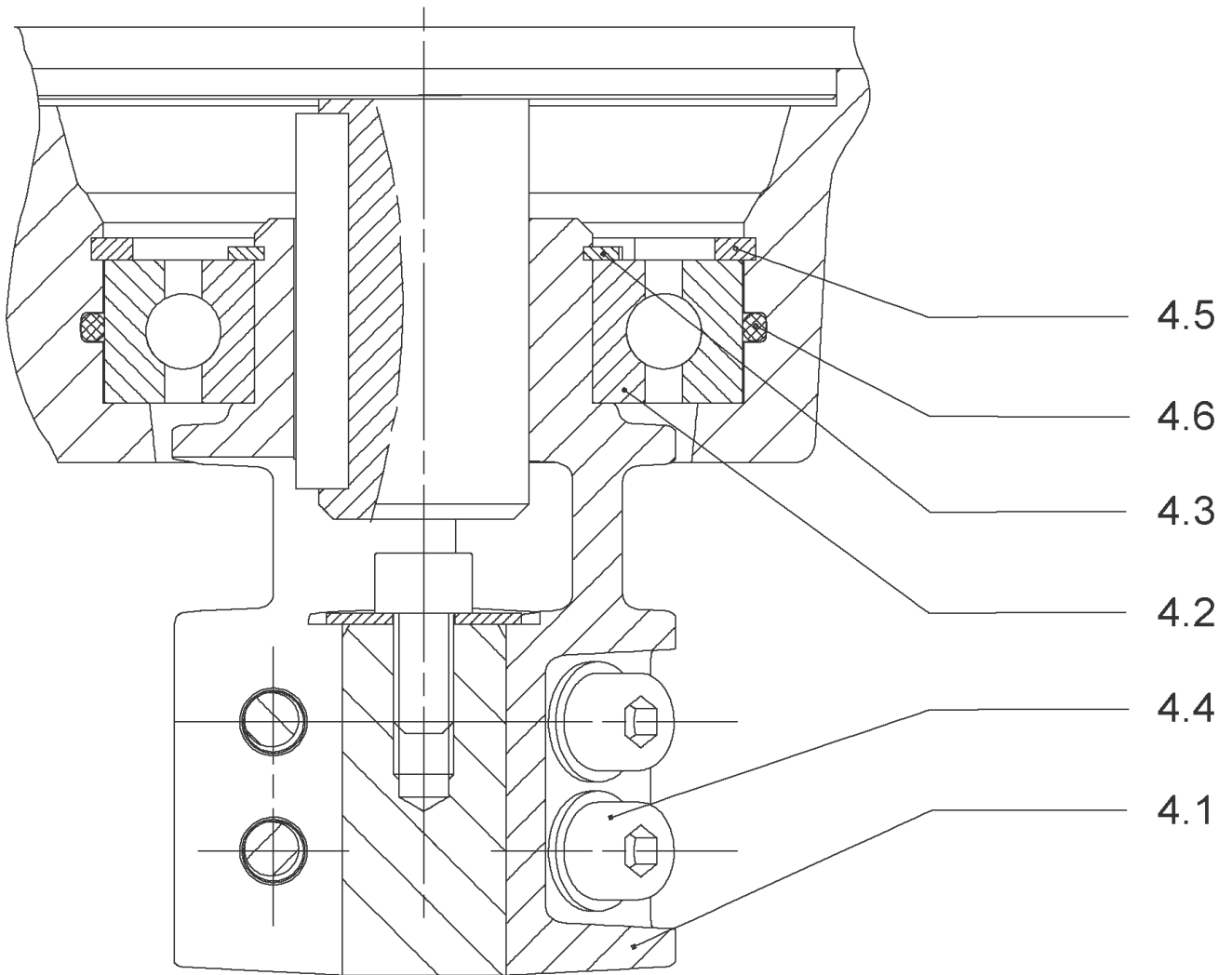


HELIX V405-1/16/E/S/400-50 (4162774)

Item	Article no.	Description	Quantity
1	4169940	MOTOR 0,75/2/80 3~230/400V 50HZ IE3 VP.	1
		SPARE PARTS MOTOR:ON REQUEST	1
2	4159702	SCREW M6X30 (4 PIECES)	1
3	4172790	EQUIPED LANTERN NEXIS FT 100 KIT	1
3.1		> M+5_6_LANTERN_ONE-PIECE_FT100_CATA	1
3.2	2127604	> EYELET CPL.FT HELIX(2 PIECES)	1
3.3	4159692	> COUPLING PROTECTOR FT HELIX KIT	1
4	4178578	COUPLING D.12XD.19 FT100 KIT	1
6	4178579	STUD BOLT M12X317 KIT	1
6.1		> TIE BOLT M12-317x18x30-1.4057	1
6.2	2094647	> NUT M12 M12 ISO4032 VP.	1
6.3	2123557	> WASHER CS-12.4-24-1.6-NFE25 (4 PIECES)	1
7	4210143	STATIONARY RING HOLDER HELIX 6" EPDM	1
7.2	2127607	> STATIONARY RING HOLDER 6" HELIX 1.4301 V	1
7.3	4176513	> O-RING FOR PUMP JACKET VP.	1
7.4	2127603	> O-RING ID.37,6x2,4 EPDM VP.	1
7.5	2127602	> O-RING ID.21,35x2 EPDM VP.	1
8	4159686	FILING/PURGING PLUG HELIX EPDM KIT	1
9	4178564	SEAL-KIT-HELIX2-4 O/E KIT	1
10	4178580	HOUSING PIPE D.152X184 1.4301 KIT	1
7.3	4176513	> O-RING FOR PUMP JACKET VP.	1
10.1		> HOUSING-PIPE Ø152-M+205/405-304	1
11	4178566	CENTERING STAGE-RETURN HELIX4 1.4307 VP	1
12	4178568	SHAFT EQUIPMENT HELIX V2/V4 KIT	1
12.1		> NUT-H-M8-STAINLESS-STEEL A4-70	2
12.2		> SHAFT END WASHER Ø8/Ø12 316L	1
12.3		> STOP COLLAR OF IMPELLER M+2/4 SINGLEBLOC	1
12.4		> STOP-RUSH-1/2-D12xd2-M+316	2
13		HYDRAULIC HELIX V 405 1.4307	1
14	4178582	SHAFT D.12X308 1.4301 VP.	1
15	4174079	PUMP HOUSING HELIX DN32 PN16 1.4301 KIT	1
7.3	4176513	> O-RING FOR PUMP JACKET VP.	1
15.1		> BLASTING PPE HOUSING V-PN16-DN32-5"-304	1
15.2	4217889	> COUNTER FLANGE-G1"-PN16-GJL KIT	1

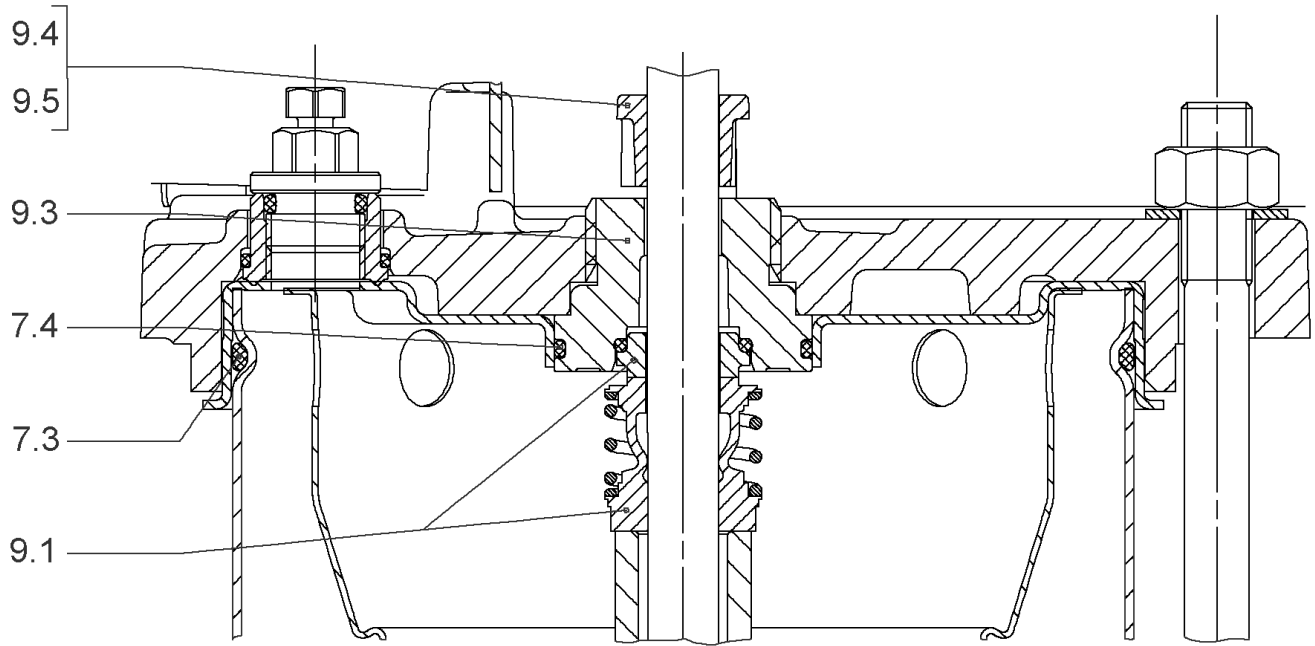
HELIX V405-1/16/E/S/400-50 (4162774)

Item	Article no.	Description	Quantity
15.3	4171321	> PRIMING/DRAIN PLUG EPDM HELIX KIT	1
16	4177964	BASEPLATE HELIX V2/4/6 PN16 VP.	1



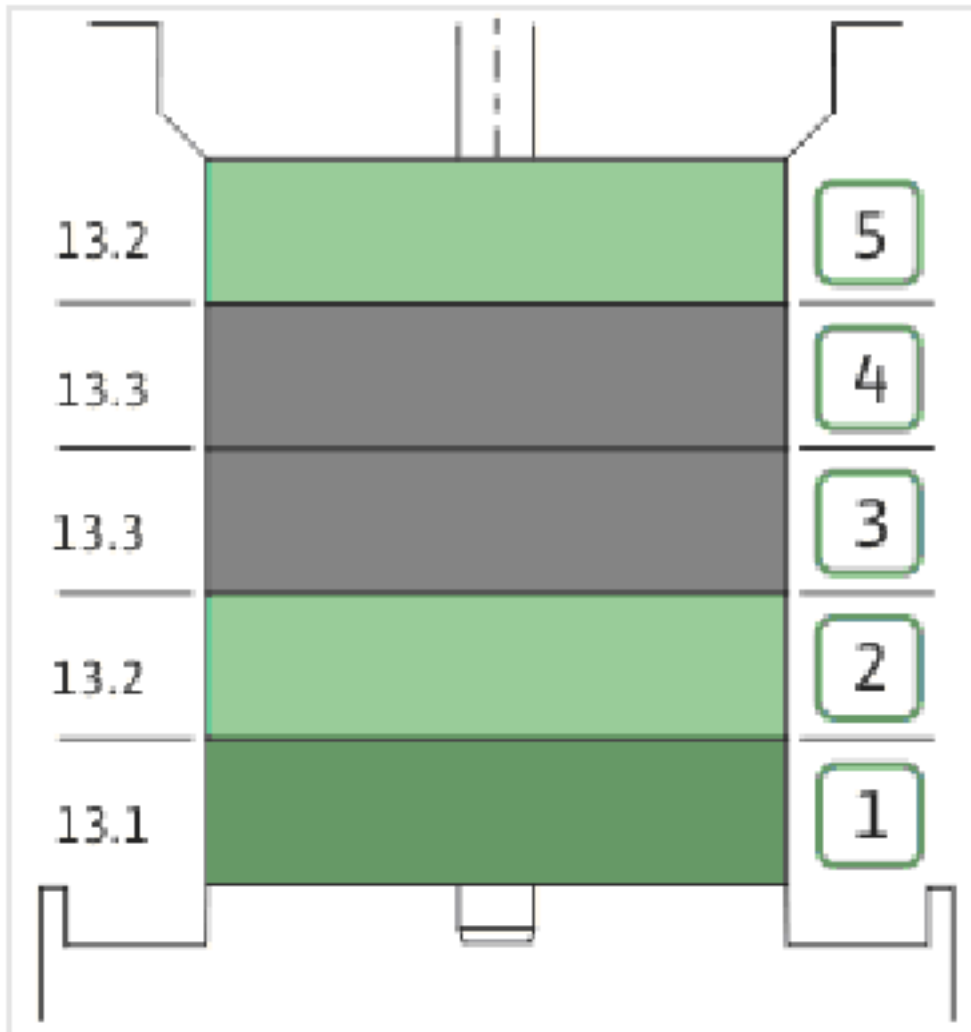
COUPLING D.12XD.19 FT100 KIT (4178578)

Item	Article no.	Description	Quantity
4.1		COUPLING-M+ Ø12XØ19-FT100-MACHINED	1
4.3	4234249	CIRCLIP-FOR-SHAFT-D30x1.5 VP.	1
4.2	2130977	BALL BEARING 6206/ZZ-C3(HT)VP.	1
4.4	4212716	SCREW M6X20 KIT (4PIECES)	1
4.5	4234250	CIRCLIP-D62x2 VP.	1
4.6	4234245	O-RING 63X3 VP.	1
		CONTACT-WASHER-6ETR-6,1x12,2x1,8-STEEL	4



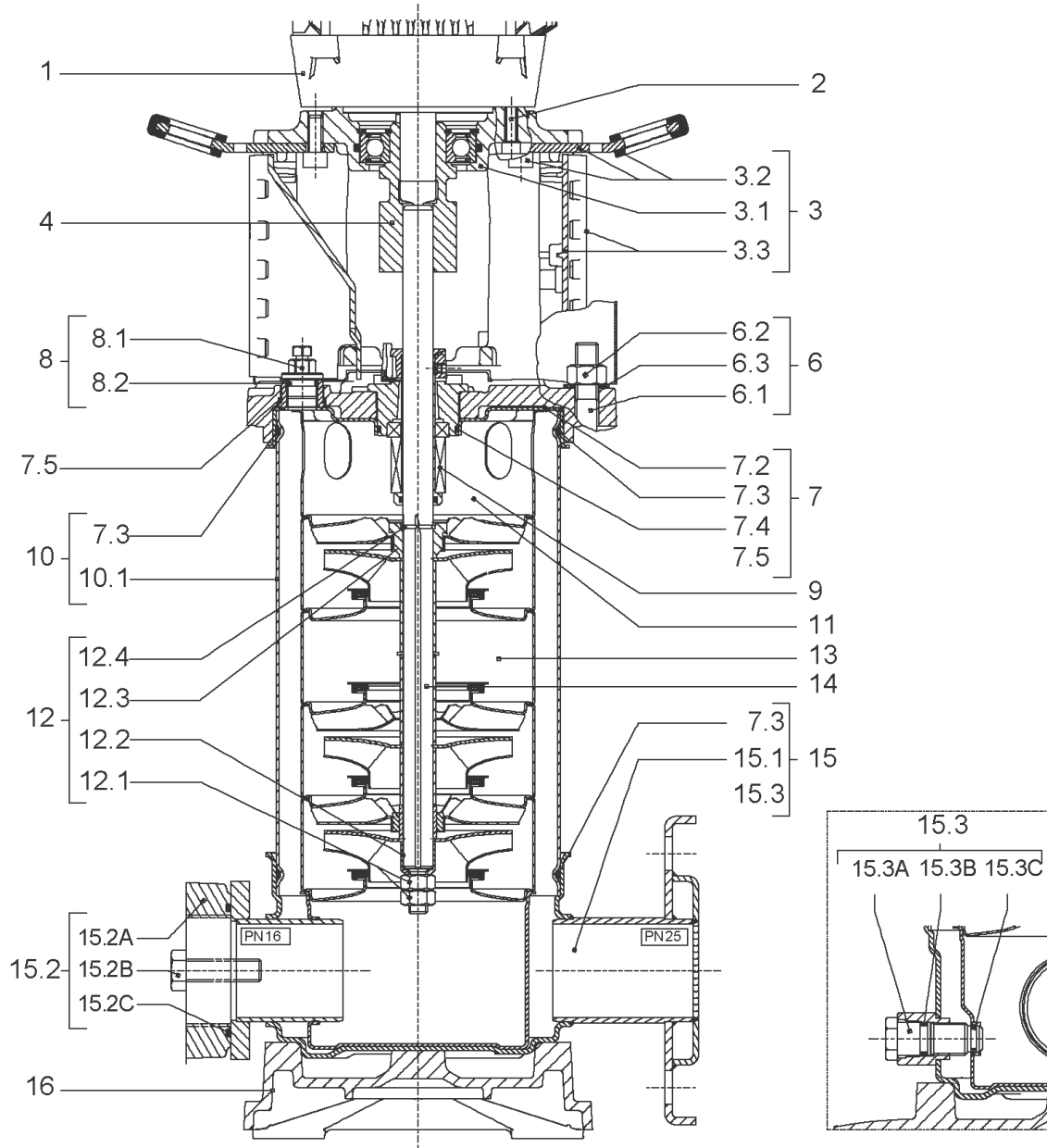
SEAL-KIT-HELIX2-4 O/E KIT (4178564)

Item	Article no.	Description	Quantity
7.3	4176513	O-RING FOR PUMP JACKET VP.	1
7.4	2127603	O-RING ID.37,6x2,4 EPDM VP.	1
9.1	4178563	M.SEAL.HELIX2-4 O/E VP.	1
9.3	4178561	RING HOLDER Ø22 1.4301 VP.	1
9.5	4178562	DRIVE RING D.22/12.2X10 MACH.VP.	1
9.4	4176520	SCREW CH M5x5 A4-70 (3PIECES)	1



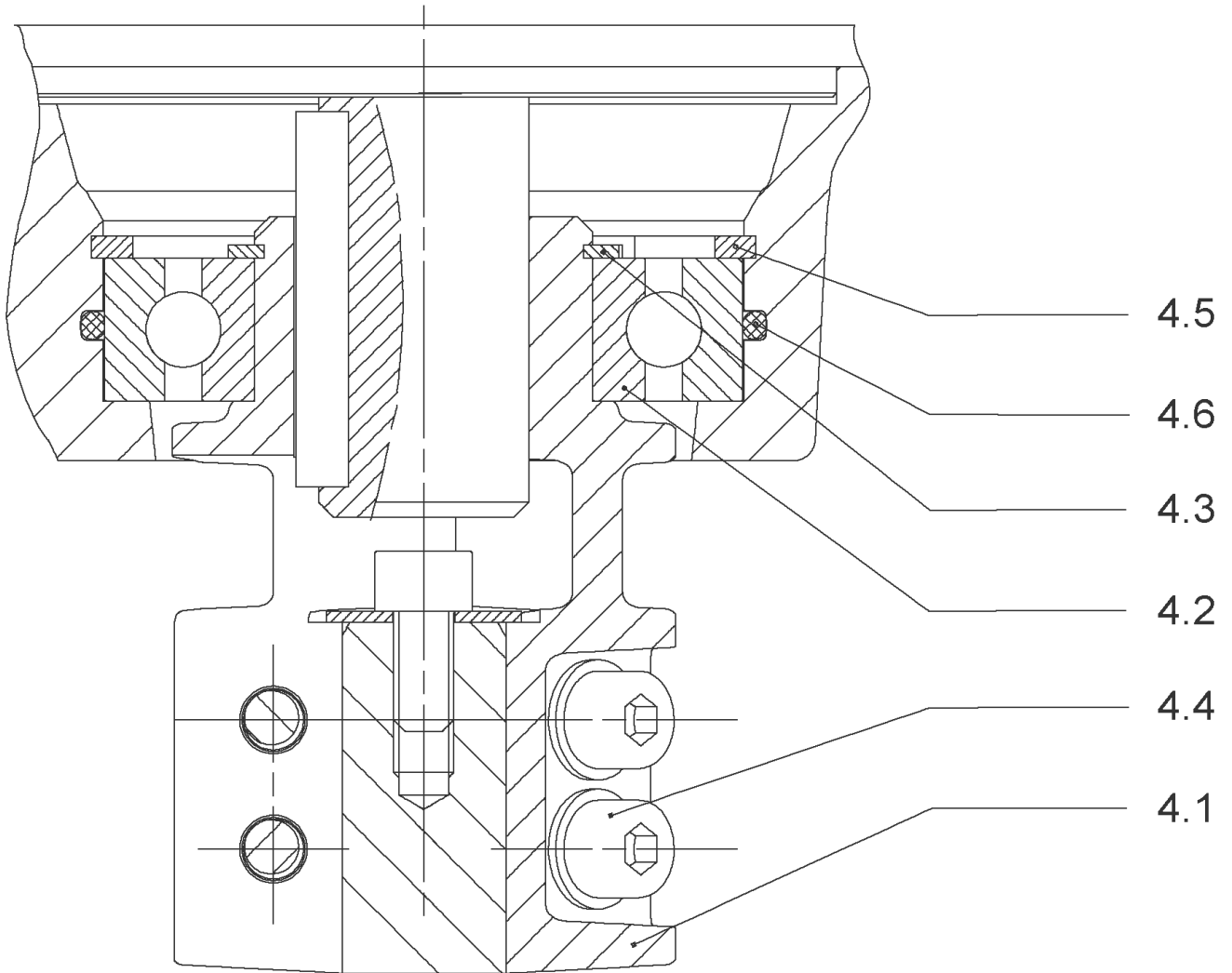
HYDRAULIC HELIX V 405 1.4307

Item	Article no.	Description	Quantity
13.1	4178570	STAGE HELIX 4 1.4301 KIT	1
		> MACH.STG-CASING-WOGV-WNR-M+2-4-304	1
		> IMPELLER-M+4-304	1
13.2	4178569	STAGE BEARING HELIX 4 1.4301 KIT	1
		> MACH.BEARING-STG-CASING-WNR-M+4-304	1
		> IMPELLER-M+4-304	1
		> SHAFT SLEEVE SPACER Ø15,35x10,305-304	1
		> SHAFT-SLEEVE-D12xD16x14-CW	1
13.3	4178574	INTER STAGE HELIX4 1.4301< 15 stages KIT	1
		> MACH.STD-STG-CASING-WGV+NR-M+4-304	1
		> IMPELLER-M+4-304	1
		> IMPELLER SPACER Ø12,05X14,85-L24,285-304	1



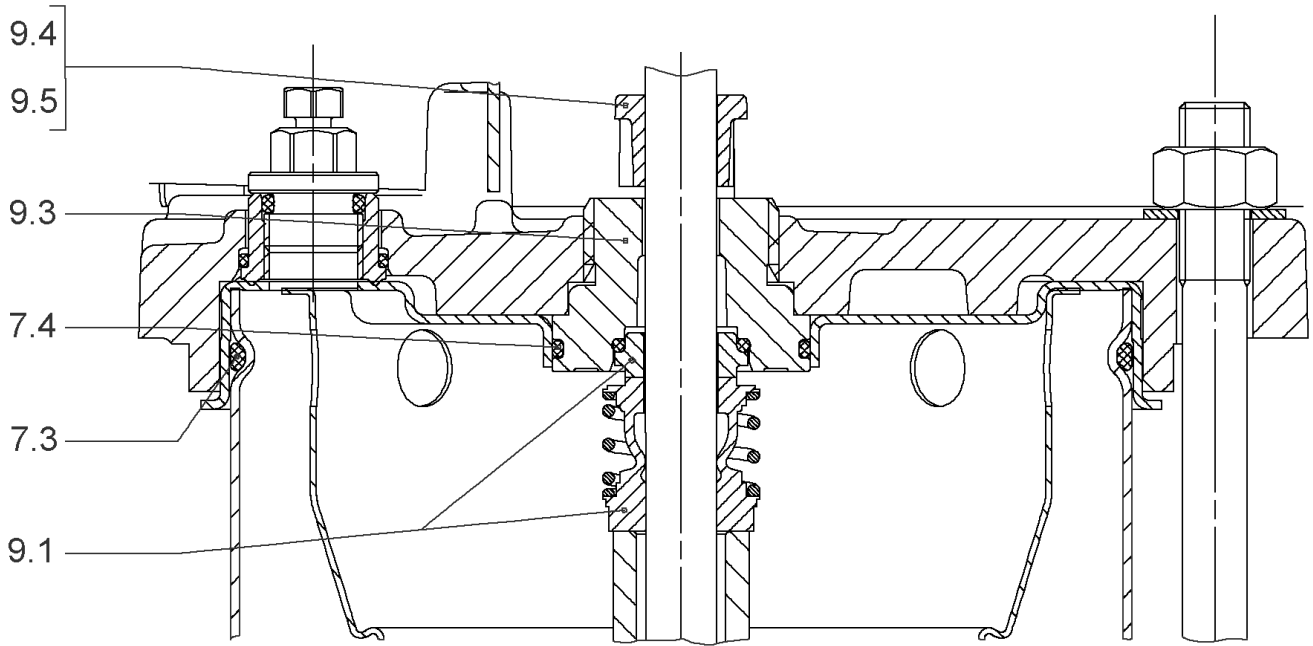
HELIX V406-1/16/E/S/400-50 (4162775)

Item	Article no.	Description	Quantity
1	4169940	MOTOR 0,75/2/80 3~230/400V 50HZ IE3 VP.	1
		SPARE PARTS MOTOR:ON REQUEST	1
2	4159702	SCREW M6X30 (4 PIECES)	1
3	4172790	EQUIPED LANTERN NEXIS FT 100 KIT	1
3.1		> M+5_6_LANTERN_ONE-PIECE_FT100_CATA	1
3.2	2127604	> EYELET CPL.FT HELIX(2 PIECES)	1
3.3	4159692	> COUPLING PROTECTOR FT HELIX KIT	1
4	4178578	COUPLING D.12XD.19 FT100 KIT	1
6	2127553	STUD BOLT M12X341 KIT	1
7	4210143	STATIONARY RING HOLDER HELIX 6" EPDM	1
7.2	2127607	> STATIONARY RING HOLDER 6" HELIX 1.4301 V	1
7.3	4176513	> O-RING FOR PUMP JACKET VP.	1
7.4	2127603	> O-RING ID.37,6x2,4 EPDM VP.	1
7.5	2127602	> O-RING ID.21,35x2 EPDM VP.	1
8	4159686	FILING/PURGING PLUG HELIX EPDM KIT	1
9	4178564	SEAL-KIT-HELIX2-4 O/E KIT	1
10	2127575	HOUSING PIPE D.152x210 1.4301 KIT	1
11	4178566	CENTERING STAGE-RETURN HELIX4 1.4307 VP	1
12	4178568	SHAFT EQUIPMENT HELIX V2/V4 KIT	1
12.1		> NUT-H-M8-STAINLESS-STEEL A4-70	2
12.2		> SHAFT END WASHER Ø8/Ø12 316L	1
12.3		> STOP COLLAR OF IMPELLER M+2/4 SINGLEBLOC	1
12.4		> STOP-RUSH-1/2-D12xd2-M+316	2
13		HYDRAULIC HELIX V 406 1.4307	1
14	4178584	SHAFT D.12X333 1.4301 VP.	1
15	4174079	PUMP HOUSING HELIX DN32 PN16 1.4301 KIT	1
7.3	4176513	> O-RING FOR PUMP JACKET VP.	1
15.1		> BLASTING PPE HOUSING V-PN16-DN32-5"-304	1
15.2	4217889	> COUNTER FLANGE-G1"-PN16-GJL KIT	1
15.3	4171321	> PRIMING/DRAIN PLUG EPDM HELIX KIT	1
16	4177964	BASEPLATE HELIX V2/4/6 PN16 VP.	1



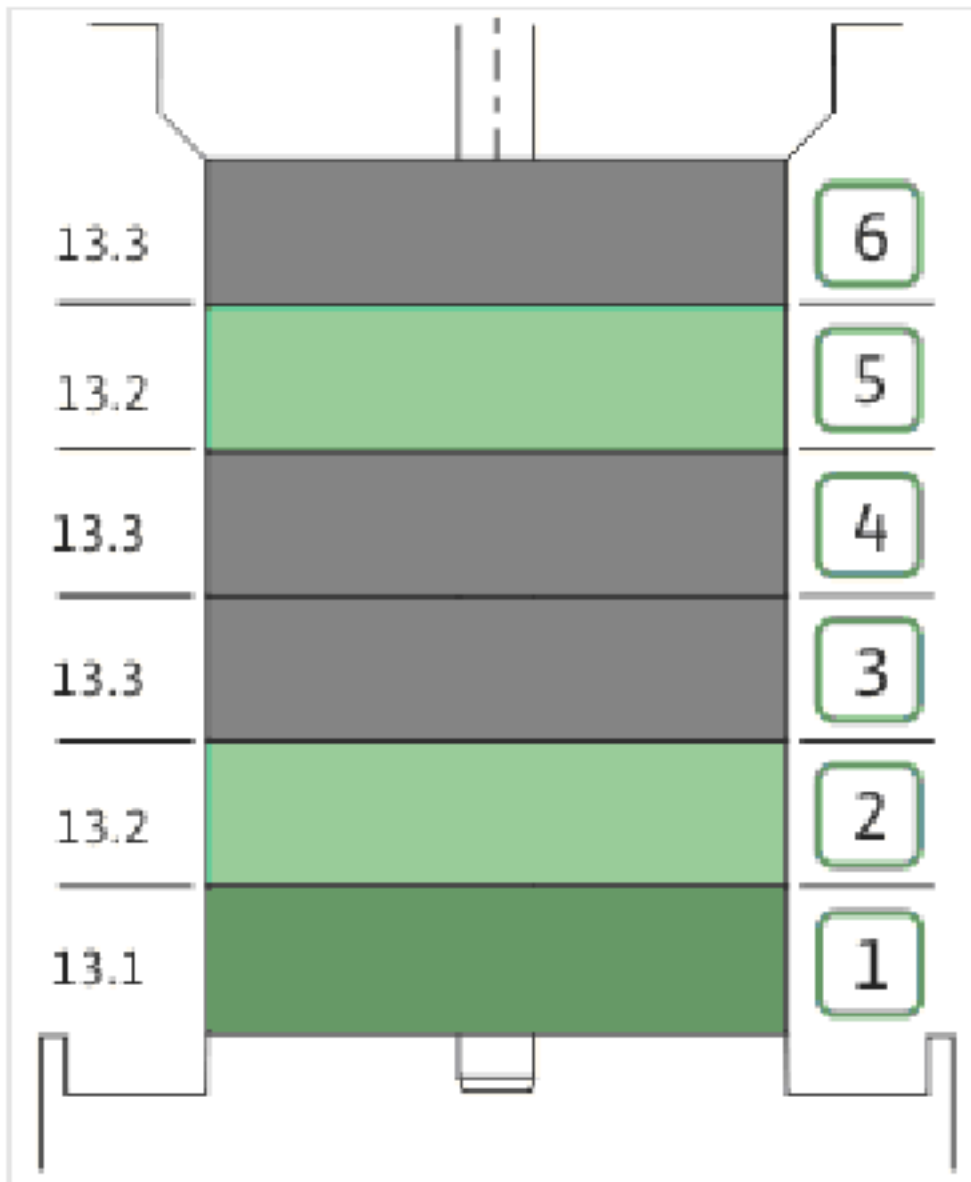
COUPLING D.12XD.19 FT100 KIT (4178578)

Item	Article no.	Description	Quantity
4.1		COUPLING-M+ Ø12XØ19-FT100-MACHINED	1
4.3	4234249	CIRCLIP-FOR-SHAFT-D30x1.5 VP.	1
4.2	2130977	BALL BEARING 6206/ZZ-C3(HT)VP.	1
4.4	4212716	SCREW M6X20 KIT (4PIECES)	1
4.5	4234250	CIRCLIP-D62x2 VP.	1
4.6	4234245	O-RING 63X3 VP.	1
		CONTACT-WASHER-6ETR-6,1x12,2x1,8-STEEL	4



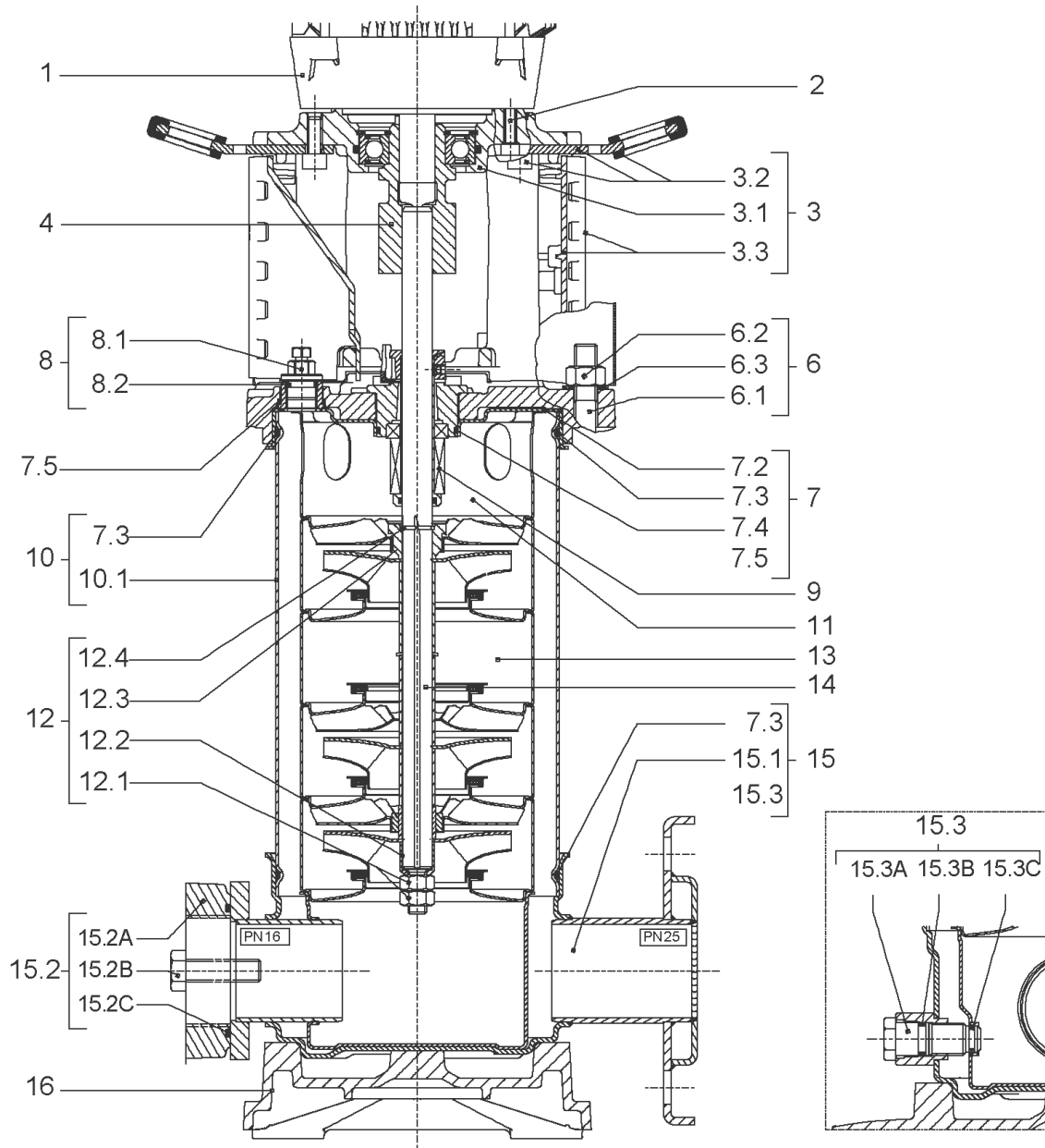
SEAL-KIT-HELIX2-4 O/E KIT (4178564)

Item	Article no.	Description	Quantity
7.3	4176513	O-RING FOR PUMP JACKET VP.	1
7.4	2127603	O-RING ID.37,6x2,4 EPDM VP.	1
9.1	4178563	M.SEAL.HELIX2-4 O/E VP.	1
9.3	4178561	RING HOLDER Ø22 1.4301 VP.	1
9.5	4178562	DRIVE RING D.22/12.2X10 MACH.VP.	1
9.4	4176520	SCREW CH M5x5 A4-70 (3PIECES)	1



HYDRAULIC HELIX V 406 1.4307

Item	Article no.	Description	Quantity
13.1	4178570	STAGE HELIX 4 1.4301 KIT	1
		> MACH.STG-CASING-WOGV-WNR-M+2-4-304	1
		> IMPELLER-M+4-304	1
13.2	4178569	STAGE BEARING HELIX 4 1.4301 KIT	1
		> MACH.BEARING-STG-CASING-WNR-M+4-304	1
		> IMPELLER-M+4-304	1
		> SHAFT SLEEVE SPACER Ø15,35x10,305-304	1
		> SHAFT-SLEEVE-D12xD16x14-CW	1
13.3	4178574	INTER STAGE HELIX4 1.4301< 15 stages KIT	1
		> MACH.STD-STG-CASING-WGV+NR-M+4-304	1
		> IMPELLER-M+4-304	1
		> IMPELLER SPACER Ø12,05X14,85-L24,285-304	1



HELIX V407-1/16/E/S/400-50 (4162776)

Item	Article no.	Description	Quantity
1	4169941	MOTOR 1,1/2/80 3~230/400V 50HZ IE3 VP.	1
		SPARE PARTS MOTOR:ON REQUEST	1
2	4159702	SCREW M6X30 (4 PIECES)	1
3	4172790	EQUIPED LANTERN NEXIS FT 100 KIT	1
3.1		> M+5_6_LANTERN_ONE-PIECE_FT100_CATA	1
3.2	2127604	> EYELET CPL.FT HELIX(2 PIECES)	1
3.3	4159692	> COUPLING PROTECTOR FT HELIX KIT	1
4	4178578	COUPLING D.12XD.19 FT100 KIT	1
6	4178585	STUD BOLT M12X365 KIT	1
6.1		> TIE BOLT M12-365x18x30-1.4057	1
6.2	2094647	> NUT M12 M12 ISO4032 VP.	1
6.3	2123557	> WASHER CS-12.4-24-1.6-NFE25 (4 PIECES)	1
7	4210143	STATIONARY RING HOLDER HELIX 6" EPDM	1
7.2	2127607	> STATIONARY RING HOLDER 6" HELIX 1.4301 V	1
7.3	4176513	> O-RING FOR PUMP JACKET VP.	1
7.4	2127603	> O-RING ID.37,6x2,4 EPDM VP.	1
7.5	2127602	> O-RING ID.21,35x2 EPDM VP.	1
8	4159686	FILING/PURGING PLUG HELIX EPDM KIT	1
9	4178564	SEAL-KIT-HELIX2-4 O/E KIT	1
10	4178586	HOUSING-PIPE D.152X235 1.4301 KIT	1
7.3	4176513	> O-RING FOR PUMP JACKET VP.	1
10.1		> HOUSING-PIPE Ø152-M+207/407-304	1
11	4178566	CENTERING STAGE-RETURN HELIX4 1.4307 VP	1
12	4178568	SHAFT EQUIPMENT HELIX V2/V4 KIT	1
12.1		> NUT-H-M8-STAINLESS-STEEL A4-70	2
12.2		> SHAFT END WASHER Ø8/Ø12 316L	1
12.3		> STOP COLLAR OF IMPELLER M+2/4 SINGLEBLOC	1
12.4		> STOP-RUSH-1/2-D12xd2-M+316	2
13		HYDRAULIC HELIX V 407 1.4307	1
14	4178587	SHAFT D.12X358 1.4301 VP.	1
15	4174079	PUMP HOUSING HELIX DN32 PN16 1.4301 KIT	1
7.3	4176513	> O-RING FOR PUMP JACKET VP.	1
15.1		> BLASTING PPE HOUSING V-PN16-DN32-5"-304	1
15.2	4217889	> COUNTER FLANGE-G1"-PN16-GJL KIT	1

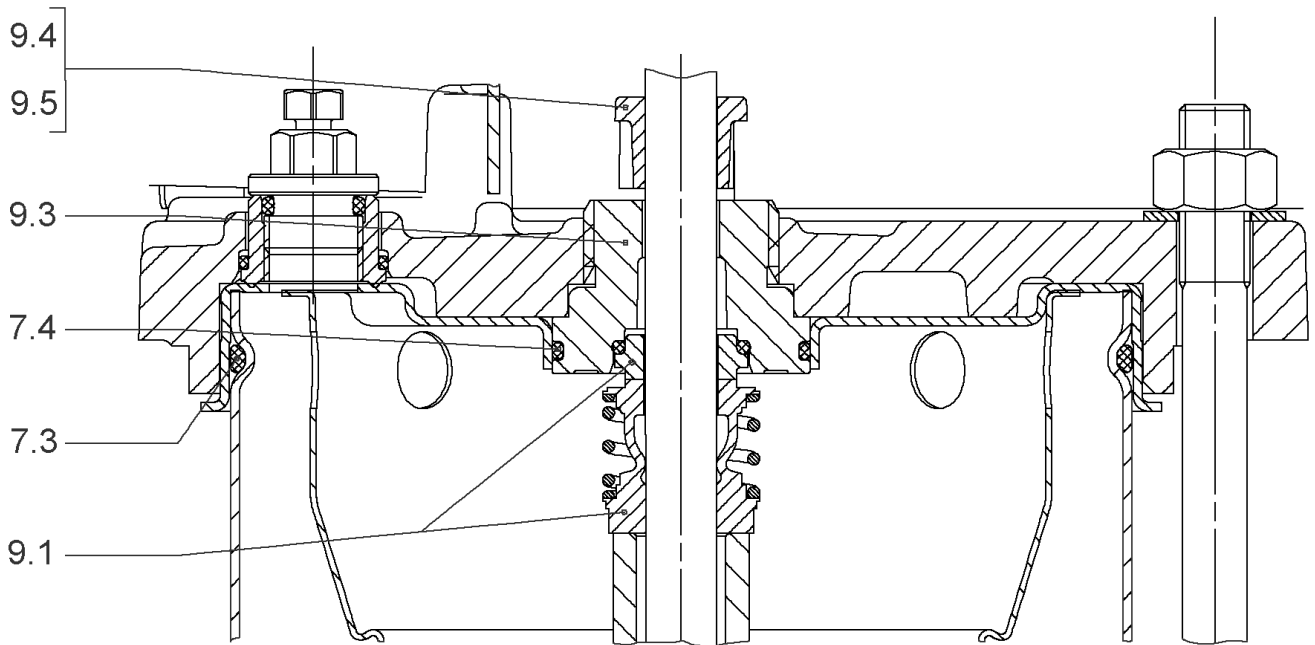
HELIX V407-1/16/E/S/400-50 (4162776)

Item	Article no.	Description	Quantity
15.3	4171321	> PRIMING/DRAIN PLUG EPDM HELIX KIT	1
16	4177964	BASEPLATE HELIX V2/4/6 PN16 VP.	1



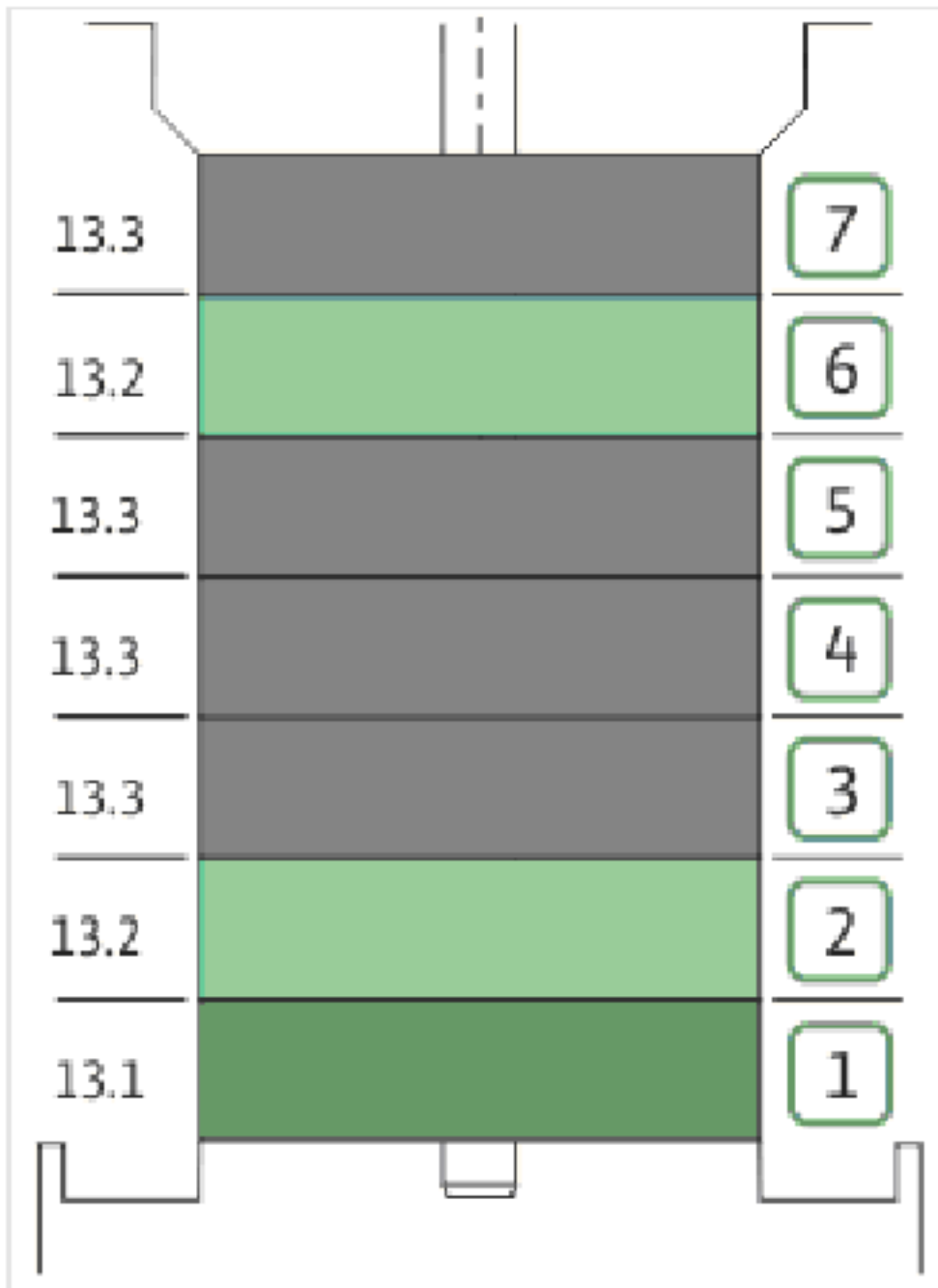
COUPLING D.12XD.19 FT100 KIT (4178578)

Item	Article no.	Description	Quantity
4.1		COUPLING-M+ Ø12XØ19-FT100-MACHINED	1
4.3	4234249	CIRCLIP-FOR-SHAFT-D30x1.5 VP.	1
4.2	2130977	BALL BEARING 6206/ZZ-C3(HT)VP.	1
4.4	4212716	SCREW M6X20 KIT (4PIECES)	1
4.5	4234250	CIRCLIP-D62x2 VP.	1
4.6	4234245	O-RING 63X3 VP.	1
		CONTACT-WASHER-6ETR-6,1x12,2x1,8-STEEL	4



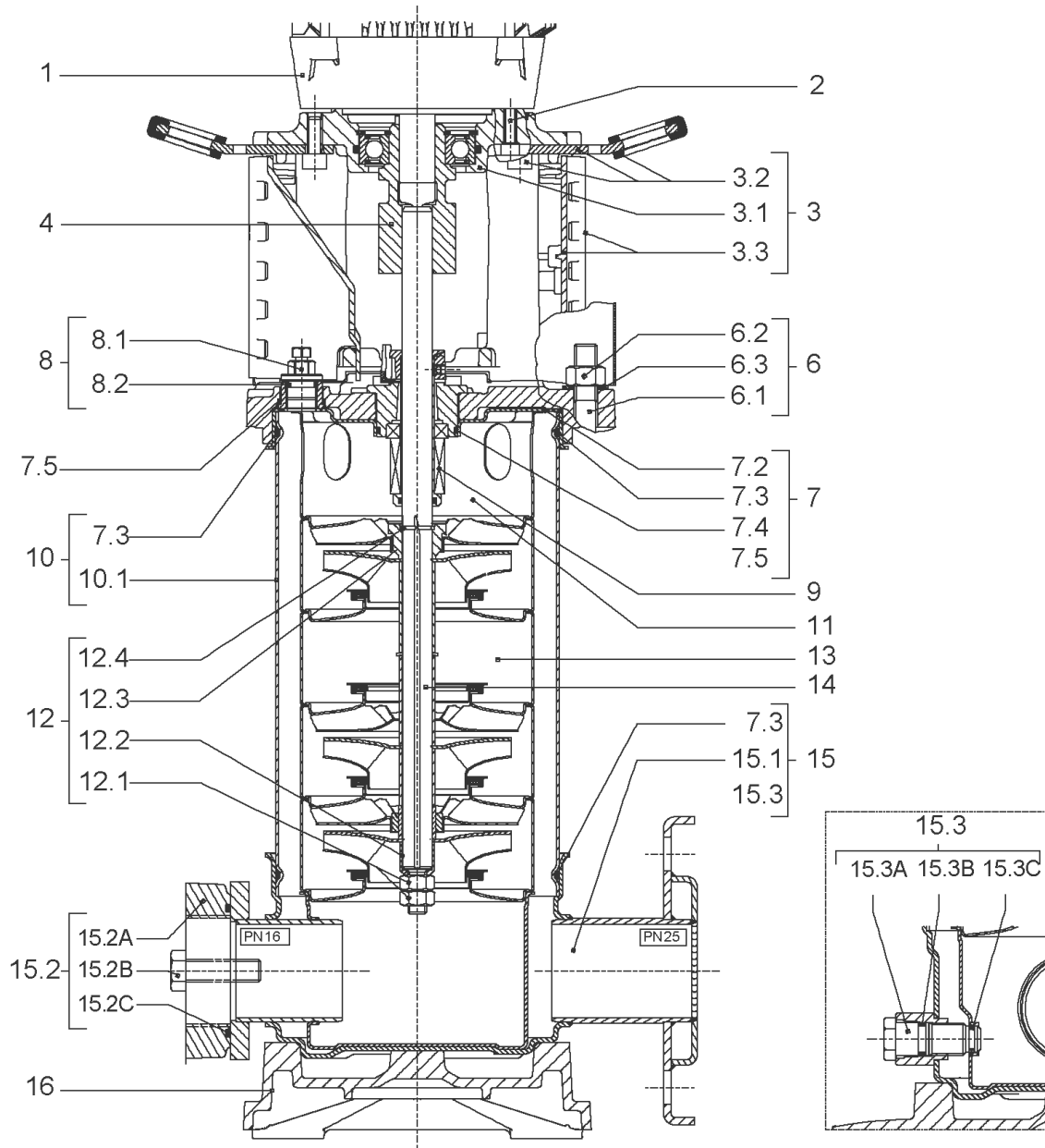
SEAL-KIT-HELIX2-4 O/E KIT (4178564)

Item	Article no.	Description	Quantity
7.3	4176513	O-RING FOR PUMP JACKET VP.	1
7.4	2127603	O-RING ID.37,6x2,4 EPDM VP.	1
9.1	4178563	M.SEAL.HELIX2-4 O/E VP.	1
9.3	4178561	RING HOLDER Ø22 1.4301 VP.	1
9.5	4178562	DRIVE RING D.22/12.2X10 MACH.VP.	1
9.4	4176520	SCREW CH M5x5 A4-70 (3PIECES)	1



HYDRAULIC HELIX V 407 1.4307

Item	Article no.	Description	Quantity
13.1	4178570	STAGE HELIX 4 1.4301 KIT	1
		> MACH.STG-CASING-WOGV-WNR-M+2-4-304	1
		> IMPELLER-M+4-304	1
13.2	4178569	STAGE BEARING HELIX 4 1.4301 KIT	1
		> MACH.BEARING-STG-CASING-WNR-M+4-304	1
		> IMPELLER-M+4-304	1
		> SHAFT SLEEVE SPACER Ø15,35x10,305-304	1
		> SHAFT-SLEEVE-D12xD16x14-CW	1
13.3	4178574	INTER STAGE HELIX4 1.4301< 15 stages KIT	1
		> MACH.STD-STG-CASING-WGV+NR-M+4-304	1
		> IMPELLER-M+4-304	1
		> IMPELLER SPACER Ø12,05X14,85-L24,285-304	1



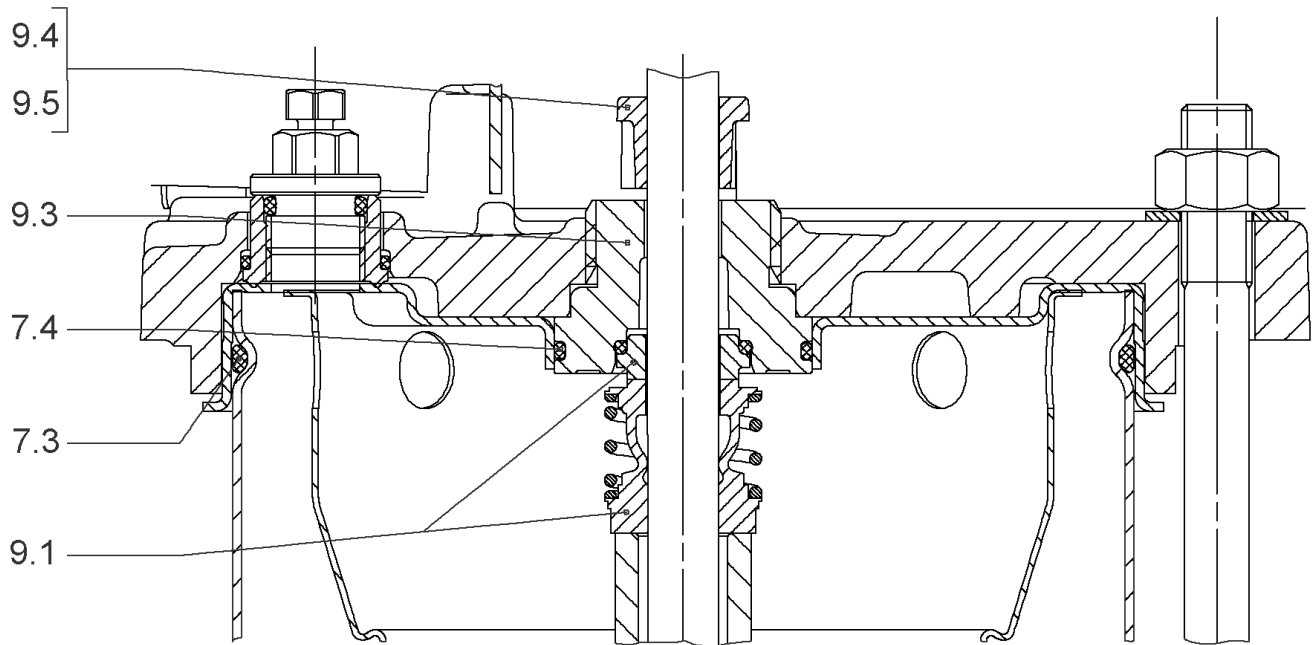
HELIX V408-1/16/E/S/400-50 (4162777)

Item	Article no.	Description	Quantity
1	4169941	MOTOR 1,1/2/80 3~230/400V 50HZ IE3 VP.	1
		SPARE PARTS MOTOR:ON REQUEST	1
2	4159702	SCREW M6X30 (4 PIECES)	1
3	4172790	EQUIPED LANTERN NEXIS FT 100 KIT	1
3.1		> M+5_6_LANTERN_ONE-PIECE_FT100_CATA	1
3.2	2127604	> EYELET CPL.FT HELIX(2 PIECES)	1
3.3	4159692	> COUPLING PROTECTOR FT HELIX KIT	1
4	4178578	COUPLING D.12XD.19 FT100 KIT	1
6	2018365	STUD BOLT M12X392 KIT	1
7	4210143	STATIONARY RING HOLDER HELIX 6" EPDM	1
7.2	2127607	> STATIONARY RING HOLDER 6" HELIX 1.4301 V	1
7.3	4176513	> O-RING FOR PUMP JACKET VP.	1
7.4	2127603	> O-RING ID.37,6x2,4 EPDM VP.	1
7.5	2127602	> O-RING ID.21,35x2 EPDM VP.	1
8	4159686	FILING/PURGING PLUG HELIX EPDM KIT	1
9	4178564	SEAL-KIT-HELIX2-4 O/E KIT	1
10	2127576	HOUSING PIPE D.152x260 1.4301 KIT	1
11	4178566	CENTERING STAGE-RETURN HELIX4 1.4307 VP	1
12	4178568	SHAFT EQUIPMENT HELIX V2/V4 KIT	1
12.1		> NUT-H-M8-STAINLESS-STEEL A4-70	2
12.2		> SHAFT END WASHER Ø8/Ø12 316L	1
12.3		> STOP COLLAR OF IMPELLER M+2/4 SINGLEBLOC	1
12.4		> STOP-RUSH-1/2-D12xd2-M+316	2
13		HYDRAULIC HELIX V 408 1.4307	1
14	4178592	SHAFT D.12X383 1.4301 VP.	1
15	4174079	PUMP HOUSING HELIX DN32 PN16 1.4301 KIT	1
7.3	4176513	> O-RING FOR PUMP JACKET VP.	1
15.1		> BLASTING PPE HOUSING V-PN16-DN32-5"-304	1
15.2	4217889	> COUNTER FLANGE-G1"-PN16-GJL KIT	1
15.3	4171321	> PRIMING/DRAIN PLUG EPDM HELIX KIT	1
16	4177964	BASEPLATE HELIX V2/4/6 PN16 VP.	1



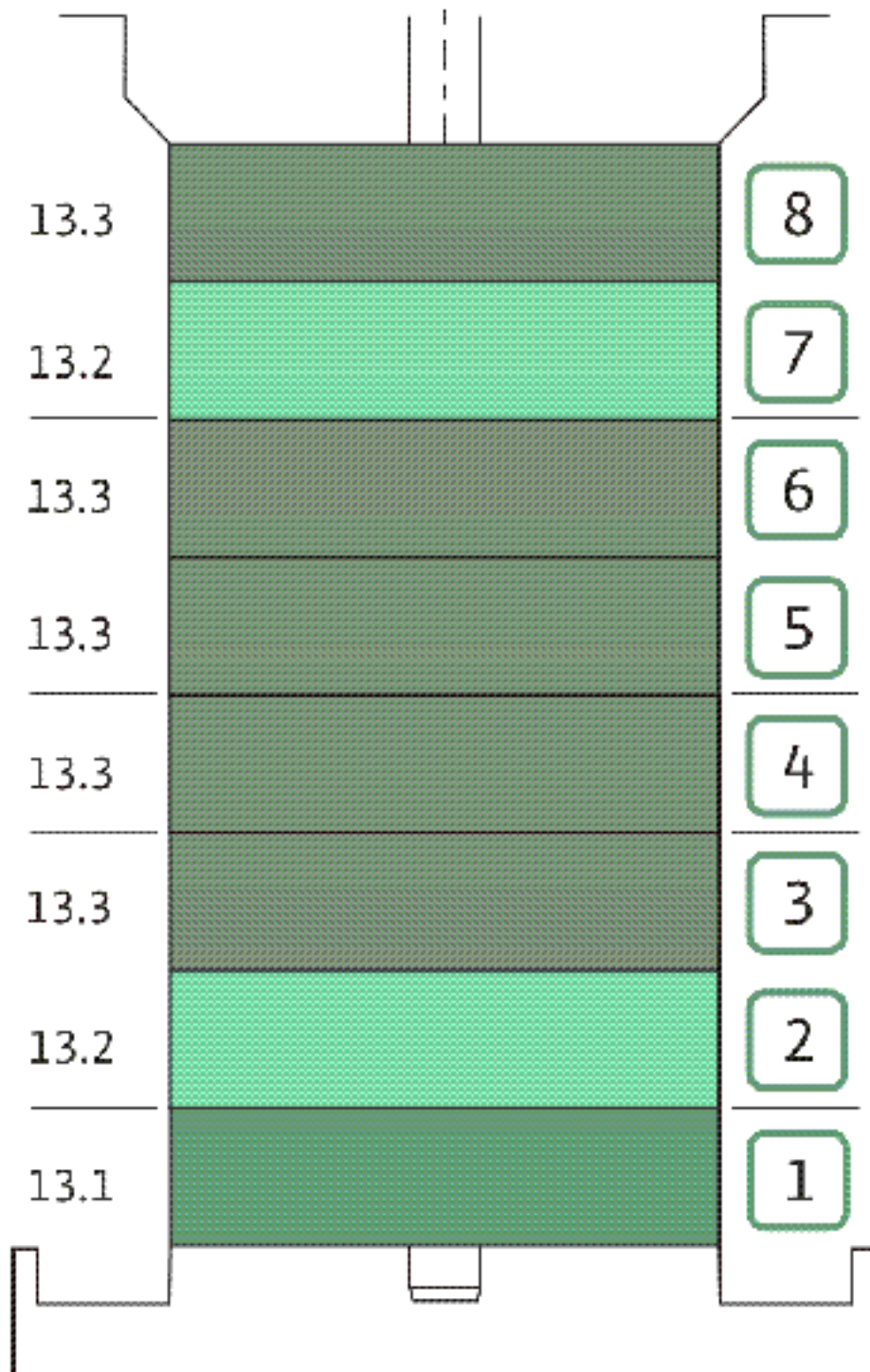
COUPLING D.12XD.19 FT100 KIT (4178578)

Item	Article no.	Description	Quantity
4.1		COUPLING-M+ Ø12XØ19-FT100-MACHINED	1
4.3	4234249	CIRCLIP-FOR-SHAFT-D30x1.5 VP.	1
4.2	2130977	BALL BEARING 6206/ZZ-C3(HT)VP.	1
4.4	4212716	SCREW M6X20 KIT (4PIECES)	1
4.5	4234250	CIRCLIP-D62x2 VP.	1
4.6	4234245	O-RING 63X3 VP.	1
		CONTACT-WASHER-6ETR-6,1x12,2x1,8-STEEL	4



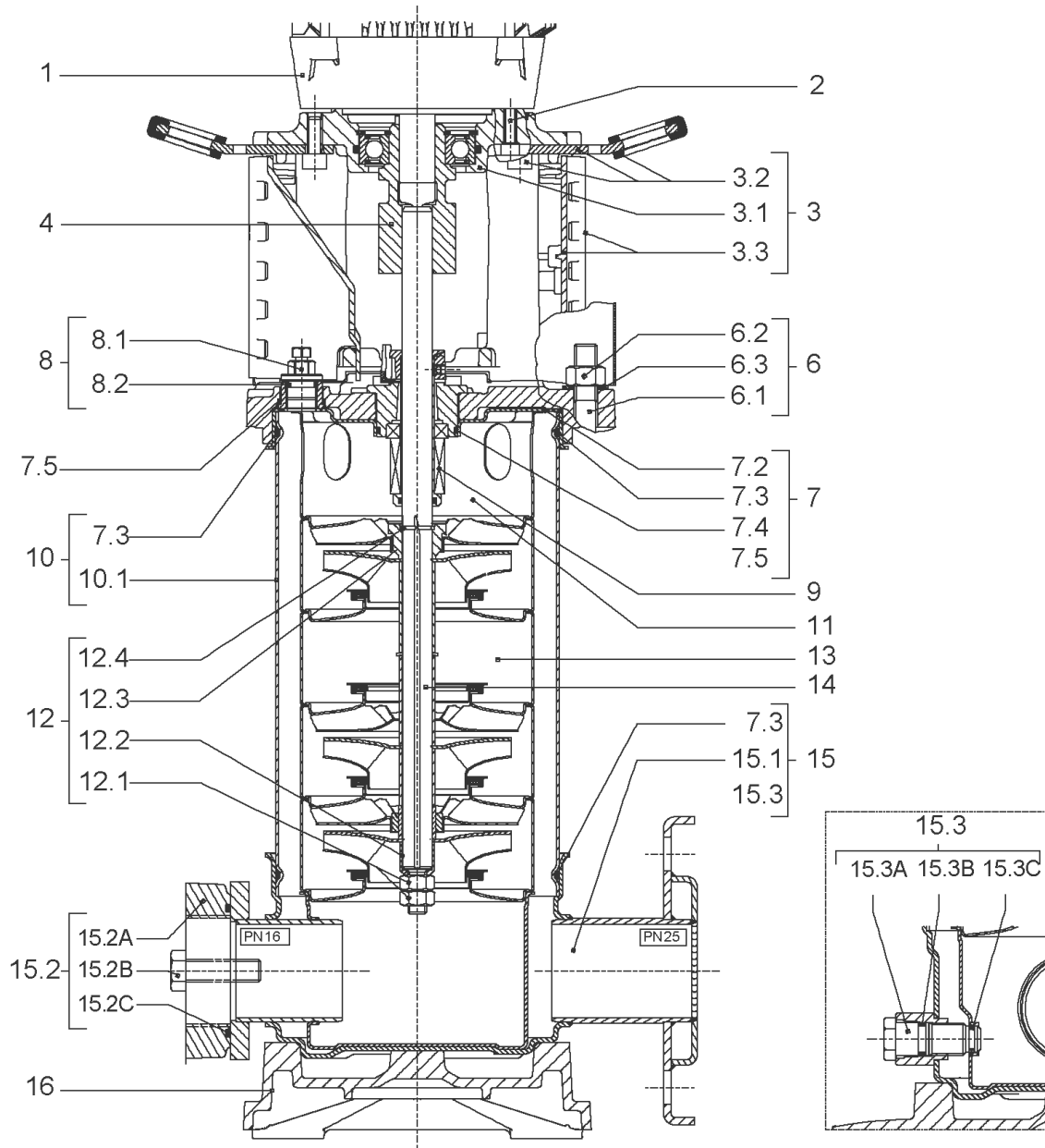
SEAL-KIT-HELIX2-4 O/E KIT (4178564)

Item	Article no.	Description	Quantity
7.3	4176513	O-RING FOR PUMP JACKET VP.	1
7.4	2127603	O-RING ID.37,6x2,4 EPDM VP.	1
9.1	4178563	M.SEAL.HELIX2-4 O/E VP.	1
9.3	4178561	RING HOLDER Ø22 1.4301 VP.	1
9.5	4178562	DRIVE RING D.22/12.2X10 MACH.VP.	1
9.4	4176520	SCREW CH M5x5 A4-70 (3PIECES)	1



HYDRAULIC HELIX V 408 1.4307

Item	Article no.	Description	Quantity
13.1	4178570	STAGE HELIX 4 1.4301 KIT	1
		> MACH.STG-CASING-WOGV-WNR-M+2-4-304	1
		> IMPELLER-M+4-304	1
13.2	4178569	STAGE BEARING HELIX 4 1.4301 KIT	1
		> MACH.BEARING-STG-CASING-WNR-M+4-304	1
		> IMPELLER-M+4-304	1
		> SHAFT SLEEVE SPACER Ø15,35x10,305-304	1
		> SHAFT-SLEEVE-D12xD16x14-CW	1
13.3	4178574	INTER STAGE HELIX4 1.4301< 15 stages KIT	1
		> MACH.STD-STG-CASING-WGV+NR-M+4-304	1
		> IMPELLER-M+4-304	1
		> IMPELLER SPACER Ø12,05X14,85-L24,285-304	1



HELIX V409-1/16/E/S/400-50 (4162778)

Item	Article no.	Description	Quantity
1	4169941	MOTOR 1,1/2/80 3~230/400V 50HZ IE3 VP.	1
		SPARE PARTS MOTOR:ON REQUEST	1
2	4159702	SCREW M6X30 (4 PIECES)	1
3	4172790	EQUIPED LANTERN NEXIS FT 100 KIT	1
3.1		> M+5_6_LANTERN_ONE-PIECE_FT100_CATA	1
3.2	2127604	> EYELET CPL.FT HELIX(2 PIECES)	1
3.3	4159692	> COUPLING PROTECTOR FT HELIX KIT	1
4	4178578	COUPLING D.12XD.19 FT100 KIT	1
6	4177822	STUD BOLT M12X413 KIT	1
6.1		> TIE BOLT M12-413x18x30-1.4057	1
6.2	2094647	> NUT M12 M12 ISO4032 VP.	1
6.3	2123557	> WASHER CS-12.4-24-1.6-NFE25 (4 PIECES)	1
7	4210143	STATIONARY RING HOLDER HELIX 6" EPDM	1
7.2	2127607	> STATIONARY RING HOLDER 6" HELIX 1.4301 V	1
7.3	4176513	> O-RING FOR PUMP JACKET VP.	1
7.4	2127603	> O-RING ID.37,6x2,4 EPDM VP.	1
7.5	2127602	> O-RING ID.21,35x2 EPDM VP.	1
8	4159686	FILING/PURGING PLUG HELIX EPDM KIT	1
9	4178564	SEAL-KIT-HELIX2-4 O/E KIT	1
10	4177823	HOUSING PIPES D.152X285 1.4301 KIT	1
7.3	4176513	> O-RING FOR PUMP JACKET VP.	1
10.1		> HOUSING-PIPE Ø152-M+1006-304	1
11	4178566	CENTERING STAGE-RETURN HELIX4 1.4307 VP	1
12	4178568	SHAFT EQUIPMENT HELIX V2/V4 KIT	1
12.1		> NUT-H-M8-STAINLESS-STEEL A4-70	2
12.2		> SHAFT END WASHER Ø8/Ø12 316L	1
12.3		> STOP COLLAR OF IMPELLER M+2/4 SINGLEBLOC	1
12.4		> STOP-RUSH-1/2-D12xd2-M+316	2
13		HYDRAULIC HELIX V 409 1.4307	1
14	4178598	SHAFT D.12X408 1.4301 VP.	1
15	4174079	PUMP HOUSING HELIX DN32 PN16 1.4301 KIT	1
7.3	4176513	> O-RING FOR PUMP JACKET VP.	1
15.1		> BLASTING PPE HOUSING V-PN16-DN32-5"-304	1
15.2	4217889	> COUNTER FLANGE-G1"-PN16-GJL KIT	1

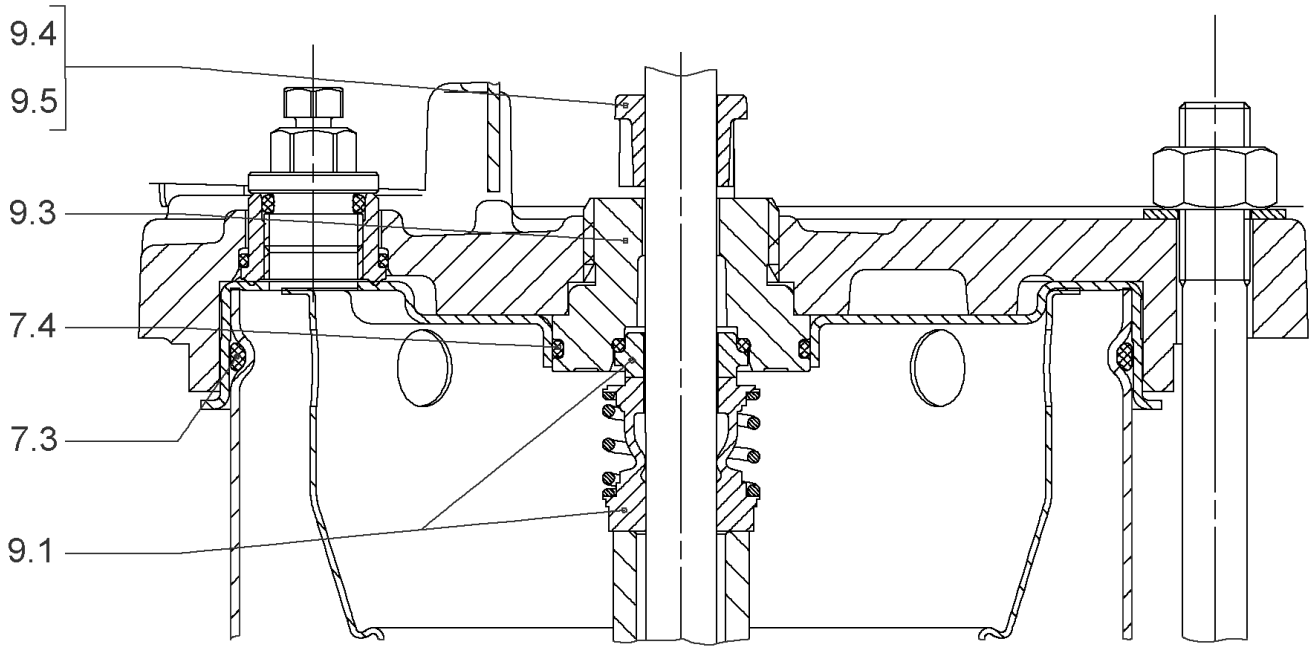
HELIX V409-1/16/E/S/400-50 (4162778)

Item	Article no.	Description	Quantity
15.3	4171321	> PRIMING/DRAIN PLUG EPDM HELIX KIT	1
16	4177964	BASEPLATE HELIX V2/4/6 PN16 VP.	1



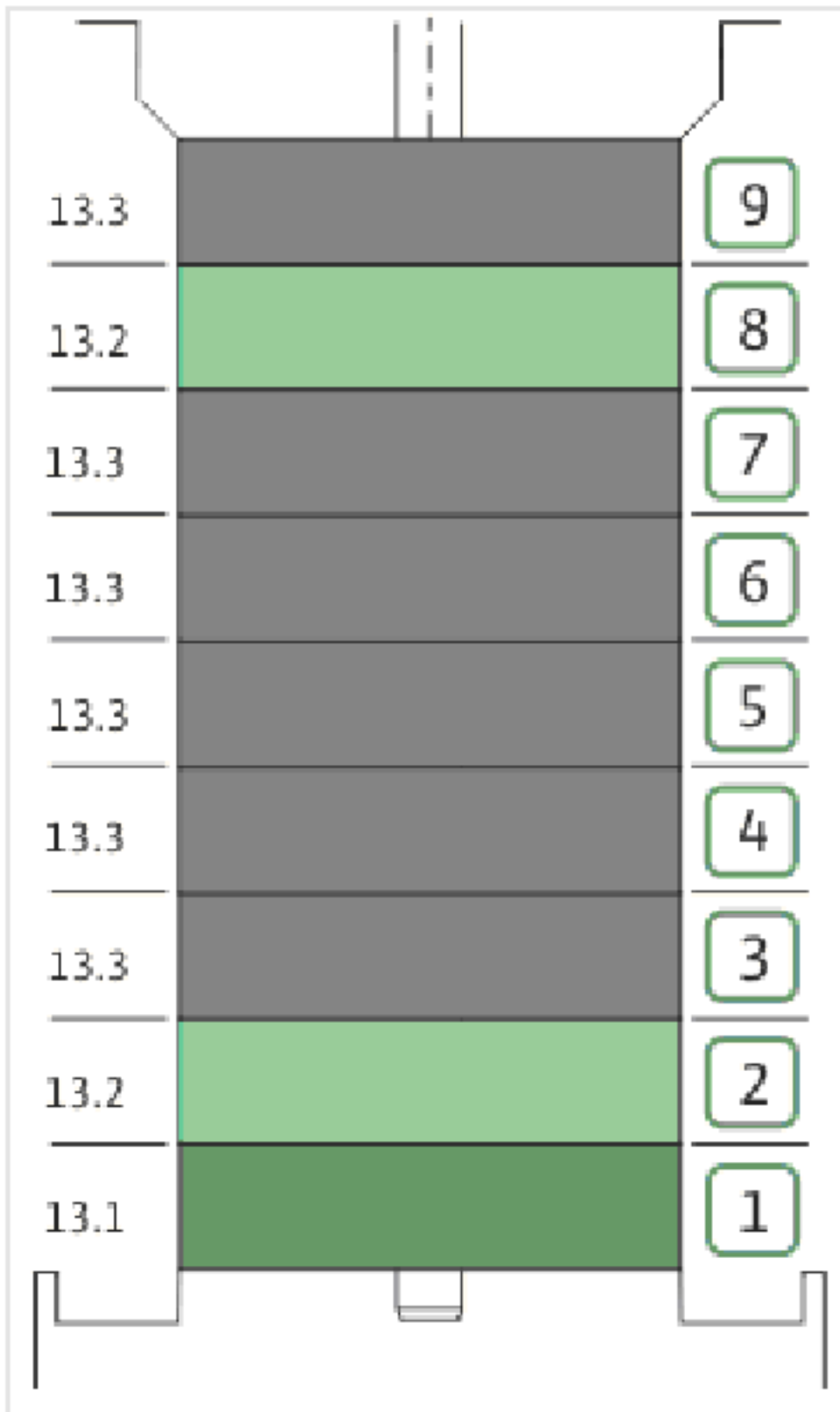
COUPLING D.12XD.19 FT100 KIT (4178578)

Item	Article no.	Description	Quantity
4.1		COUPLING-M+ Ø12XØ19-FT100-MACHINED	1
4.3	4234249	CIRCLIP-FOR-SHAFT-D30x1.5 VP.	1
4.2	2130977	BALL BEARING 6206/ZZ-C3(HT)VP.	1
4.4	4212716	SCREW M6X20 KIT (4PIECES)	1
4.5	4234250	CIRCLIP-D62x2 VP.	1
4.6	4234245	O-RING 63X3 VP.	1
		CONTACT-WASHER-6ETR-6,1x12,2x1,8-STEEL	4

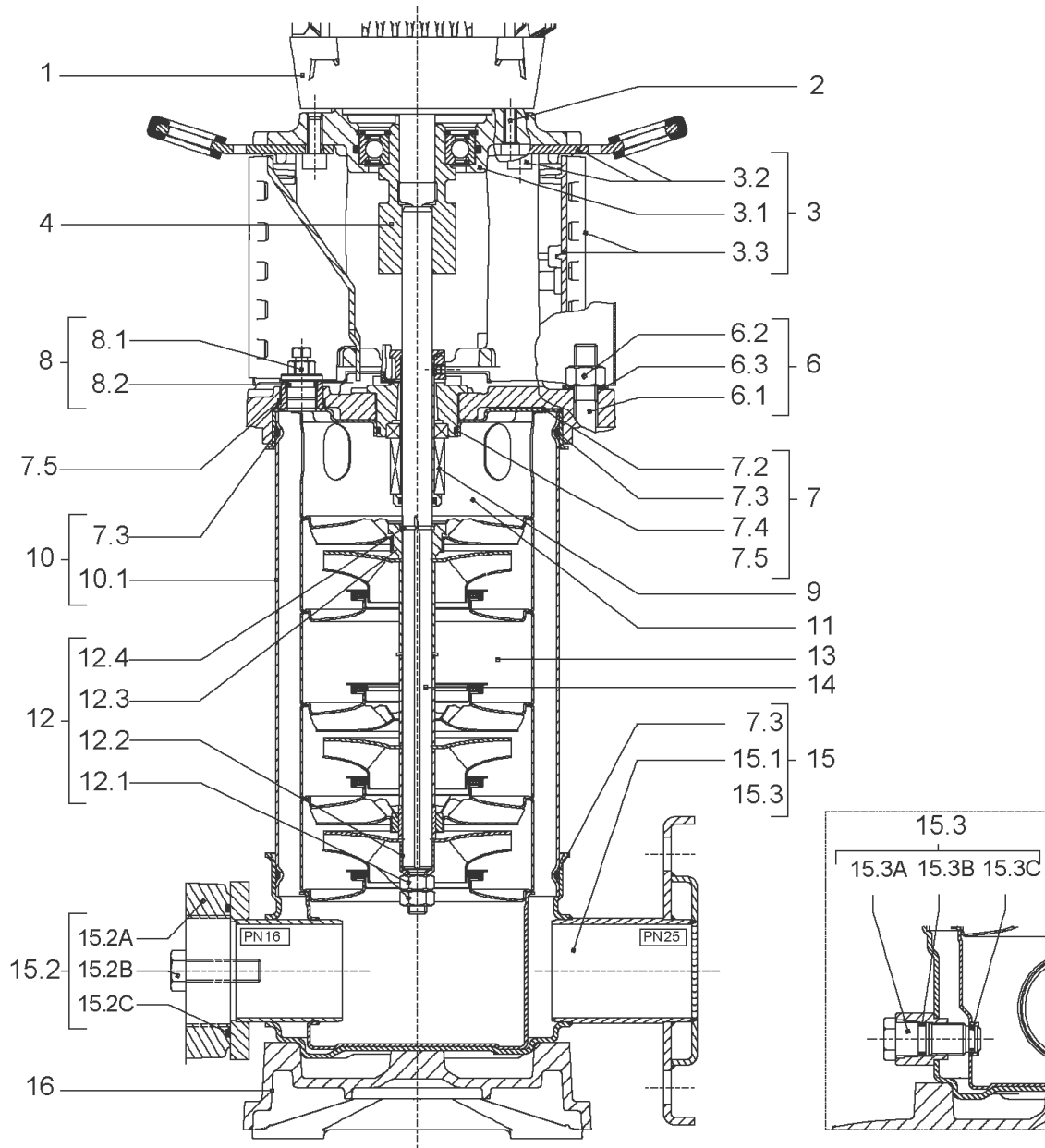


SEAL-KIT-HELIX2-4 O/E KIT (4178564)

Item	Article no.	Description	Quantity
7.3	4176513	O-RING FOR PUMP JACKET VP.	1
7.4	2127603	O-RING ID.37,6x2,4 EPDM VP.	1
9.1	4178563	M.SEAL.HELIX2-4 O/E VP.	1
9.3	4178561	RING HOLDER Ø22 1.4301 VP.	1
9.5	4178562	DRIVE RING D.22/12.2X10 MACH.VP.	1
9.4	4176520	SCREW CH M5x5 A4-70 (3PIECES)	1



Item	Article no.	Description	Quantity
13.1	4178570	STAGE HELIX 4 1.4301 KIT	1
		> MACH.STG-CASING-WOGV-WNR-M+2-4-304	1
		> IMPELLER-M+4-304	1
13.2	4178569	STAGE BEARING HELIX 4 1.4301 KIT	1
		> MACH.BEARING-STG-CASING-WNR-M+4-304	1
		> IMPELLER-M+4-304	1
		> SHAFT SLEEVE SPACER Ø15,35x10,305-304	1
		> SHAFT-SLEEVE-D12xD16x14-CW	1
13.3	4178574	INTER STAGE HELIX4 1.4301< 15 stages KIT	1
		> MACH.STD-STG-CASING-WGV+NR-M+4-304	1
		> IMPELLER-M+4-304	1
		> IMPELLER SPACER Ø12,05X14,85-L24,285-304	1



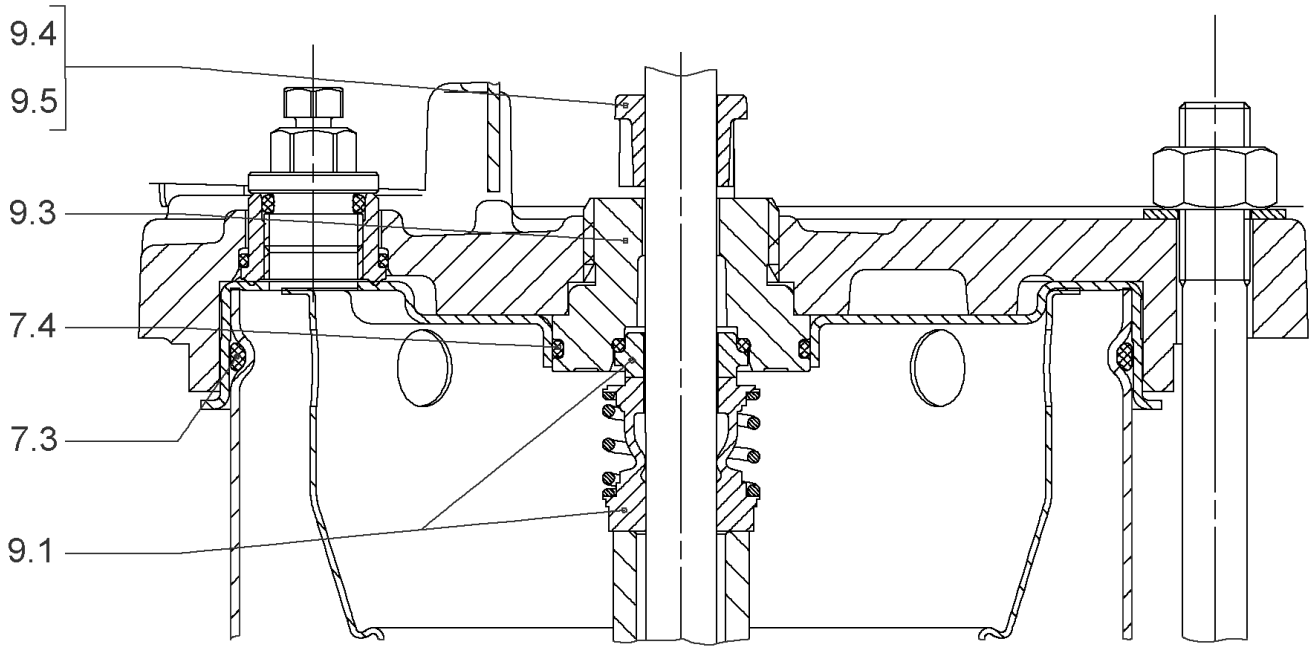
HELIX V410-1/16/E/S/400-50 (4162779)

Item	Article no.	Description	Quantity
1	4169942	MO.1,5/2 3~230/400(440)V 50(60)HZ IE3 VP	1
		SPARE PARTS MOTOR:ON REQUEST	1
2	4159703	SCREW M8X40 (4 PIECES)	1
3	4172795	LANTERNE FT115 HELIX KIT	1
3.1		> M+5_6_LANTERN_ONE-PIECE_FT115_CATA	1
3.2	2127604	> EYELET CPL.FT HELIX(2 PIECES)	1
3.3	4159692	> COUPLING PROTECTOR FT HELIX KIT	1
4	4178600	COUPLING D.12XD.24 FT115 KIT	1
6	2127554	STUD BOLT M12X437 KIT	1
7	4210143	STATIONARY RING HOLDER HELIX 6" EPDM	1
7.2	2127607	> STATIONARY RING HOLDER 6" HELIX 1.4301 V	1
7.3	4176513	> O-RING FOR PUMP JACKET VP.	1
7.4	2127603	> O-RING ID.37,6x2,4 EPDM VP.	1
7.5	2127602	> O-RING ID.21,35x2 EPDM VP.	1
8	4159686	FILING/PURGING PLUG HELIX EPDM KIT	1
9	4178564	SEAL-KIT-HELIX2-4 O/E KIT	1
10	2127577	HOUSING PIPE D.152x310 1.4301 KIT	1
11	4178566	CENTERING STAGE-RETURN HELIX4 1.4307 VP	1
12	4178568	SHAFT EQUIPMENT HELIX V2/V4 KIT	1
12.1		> NUT-H-M8-STAINLESS-STEEL A4-70	2
12.2		> SHAFT END WASHER Ø8/Ø12 316L	1
12.3		> STOP COLLAR OF IMPELLER M+2/4 SINGLEBLOC	1
12.4		> STOP-RUSH-1/2-D12xd2-M+316	2
13		HYDRAULIC HELIX V 410 1.4307	1
14	4178604	SHAFT D.12X433 1.4301 VP.	1
15	4174079	PUMP HOUSING HELIX DN32 PN16 1.4301 KIT	1
7.3	4176513	> O-RING FOR PUMP JACKET VP.	1
15.1		> BLASTING PPE HOUSING V-PN16-DN32-5"-304	1
15.2	4217889	> COUNTER FLANGE-G1"-PN16-GJL KIT	1
15.3	4171321	> PRIMING/DRAIN PLUG EPDM HELIX KIT	1
16	4177964	BASEPLATE HELIX V2/4/6 PN16 VP.	1



COUPLING D.12XD.24 FT115 KIT (4178600)

Item	Article no.	Description	Quantity
4.1		COUPLING-M+ Ø12XØ24-FT115-MACHINED	1
4.2	2131023	BALL BEARING 6207/ZZ-C3(HT)VP.	1
4.3	4234254	CIRCLIP-FOR-SHAFT-D35x1.5 VP.	1
4.4	4157726	SCREW KIT M8X30 (4 PIECES)	1
4.5	4234251	CIRCLIP-D72x2.5 VP.	1
4.6	4234246	O-RING 72X3 VP.	1
		NOMEL CONTACT WASHER 8x16x1,4 STEEL ZC	1



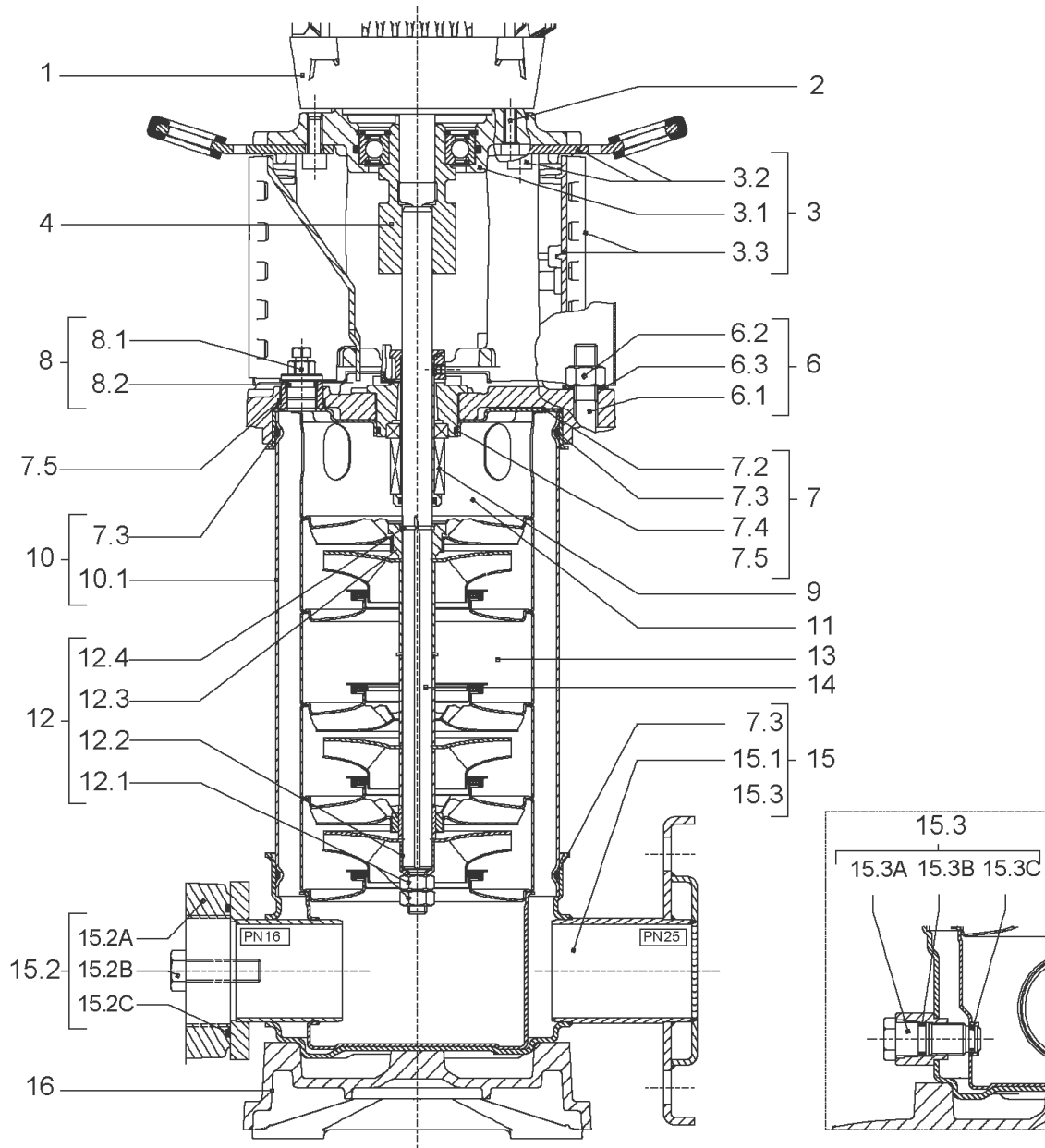
SEAL-KIT-HELIX2-4 O/E KIT (4178564)

Item	Article no.	Description	Quantity
7.3	4176513	O-RING FOR PUMP JACKET VP.	1
7.4	2127603	O-RING ID.37,6x2,4 EPDM VP.	1
9.1	4178563	M.SEAL.HELIX2-4 O/E VP.	1
9.3	4178561	RING HOLDER Ø22 1.4301 VP.	1
9.5	4178562	DRIVE RING D.22/12.2X10 MACH.VP.	1
9.4	4176520	SCREW CH M5x5 A4-70 (3PIECES)	1



HYDRAULIC HELIX V 410 1.4307

Item	Article no.	Description	Quantity
13.1	4178570	STAGE HELIX 4 1.4301 KIT	1
		> MACH.STG-CASING-WOGV-WNR-M+2-4-304	1
		> IMPELLER-M+4-304	1
13.2	4178569	STAGE BEARING HELIX 4 1.4301 KIT	1
		> MACH.BEARING-STG-CASING-WNR-M+4-304	1
		> IMPELLER-M+4-304	1
		> SHAFT SLEEVE SPACER Ø15,35x10,305-304	1
		> SHAFT-SLEEVE-D12xD16x14-CW	1
13.3	4178574	INTER STAGE HELIX4 1.4301< 15 stages KIT	1
		> MACH.STD-STG-CASING-WGV+NR-M+4-304	1
		> IMPELLER-M+4-304	1
		> IMPELLER SPACER Ø12,05X14,85-L24,285-304	1



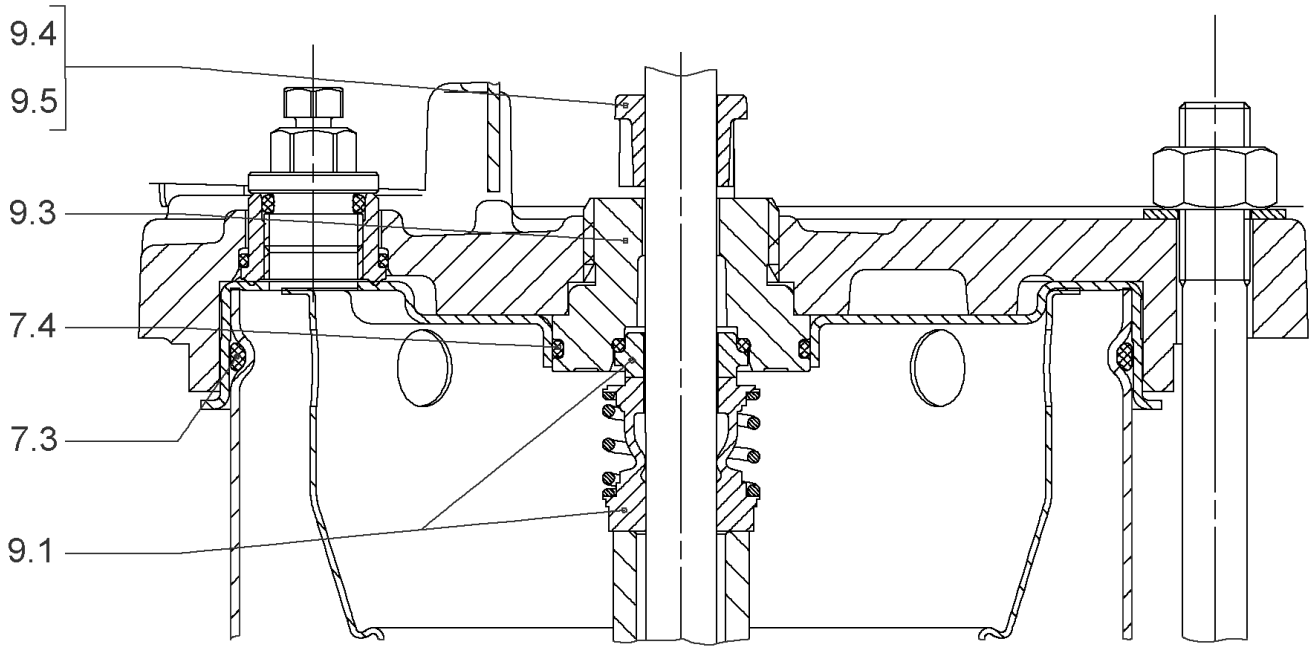
HELIX V420-1/16/E/S/400-50 (4162786)

Item	Article no.	Description	Quantity
1	4169944	MOTOR 3/2/100 3~230/400V 50HZ IE3 VP.	1
		SPARE PARTS MOTOR:ON REQUEST	1
2	4206025	SCREW M8X45 (4 PIECES)	1
3	4172789	LANTERN FT130 HELIX V10 KIT	1
3.1		> M+5_6_LANTERN_ONE-PIECE_FT130_CATA	1
3.2	2127604	> EYELET CPL.FT HELIX(2 PIECES)	1
3.3	4159692	> COUPLING PROTECTOR FT HELIX KIT	1
4	4178626	COUPLING D.12XD.28 FT130 KIT	1
6	4178624	STUD BOLT M12X693 KIT	1
7	4210143	STATIONARY RING HOLDER HELIX 6" EPDM	1
7.2	2127607	> STATIONARY RING HOLDER 6" HELIX 1.4301 V	1
7.3	4176513	> O-RING FOR PUMP JACKET VP.	1
7.4	2127603	> O-RING ID.37,6x2,4 EPDM VP.	1
7.5	2127602	> O-RING ID.21,35x2 EPDM VP.	1
8	4159686	FILING/PURGING PLUG HELIX EPDM KIT	1
9	4178564	SEAL-KIT-HELIX2-4 O/E KIT	1
10	4178627	HOUSING PIPE D.152x560 1.4301 KIT	1
7.3	4176513	> O-RING FOR PUMP JACKET VP.	1
10.1		> HOUSING-PIPE Ø152-M+220/420-304	1
11	4178566	CENTERING STAGE-RETURN HELIX4 1.4307 VP	1
12	4178568	SHAFT EQUIPMENT HELIX V2/V4 KIT	1
12.1		> NUT-H-M8-STAINLESS-STEEL A4-70	2
12.2		> SHAFT END WASHER Ø8/Ø12 316L	1
12.3		> STOP COLLAR OF IMPELLER M+2/4 SINGLEBLOC	1
12.4		> STOP-RUSH-1/2-D12xd2-M+316	2
13		HYDRAULIC HELIX V 420 1.4307	1
14	4179231	SHAFT D.12X683 1.4301 VP.	1
15	4174079	PUMP HOUSING HELIX DN32 PN16 1.4301 KIT	1
7.3	4176513	> O-RING FOR PUMP JACKET VP.	1
15.1		> BLASTING PPE HOUSING V-PN16-DN32-5"-304	1
15.2	4217889	> COUNTER FLANGE-G1"-PN16-GJL KIT	1
15.3	4171321	> PRIMING/DRAIN PLUG EPDM HELIX KIT	1
16	4177964	BASEPLATE HELIX V2/4/6 PN16 VP.	1



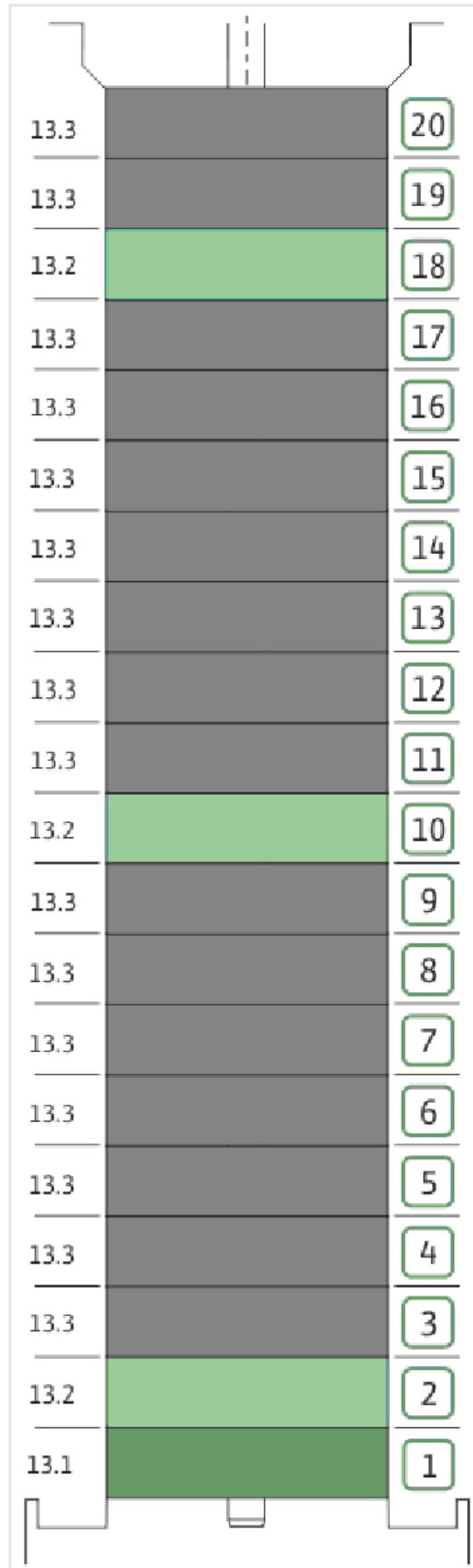
COUPLING D.12XD.28 FT130 KIT (4178626)

Item	Article no.	Description	Quantity
4.1		COUPLING-M+ Ø12XØ28-FT130-MACHINED	1
4.2	2131022	BALL BEARING 6209/ZZ-C3(HT)VP.	1
4.3	4233930	CIRCLIP-FOR-BORES-D45x1,75 VP.	1
4.4	4157726	SCREW KIT M8X30 (4 PIECES)	1
4.5	4234252	CIRCLIPS 85X3 VP.	1
4.6	4234243	O-RING 85X3 VP.	1
		NOMEL CONTACT WASHER 8x16x1,4 STEEL ZC	1



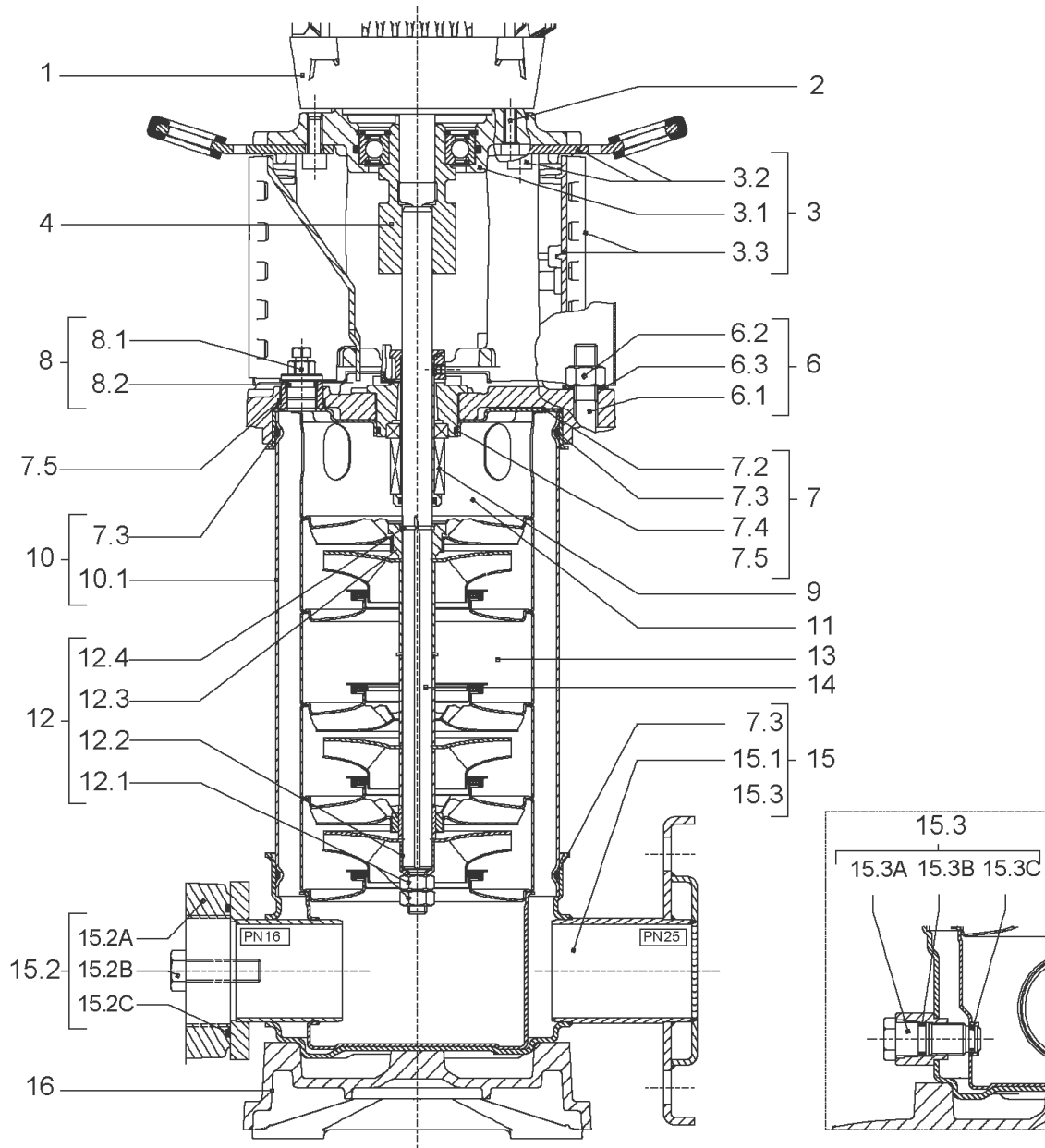
SEAL-KIT-HELIX2-4 O/E KIT (4178564)

Item	Article no.	Description	Quantity
7.3	4176513	O-RING FOR PUMP JACKET VP.	1
7.4	2127603	O-RING ID.37,6x2,4 EPDM VP.	1
9.1	4178563	M.SEAL.HELIX2-4 O/E VP.	1
9.3	4178561	RING HOLDER Ø22 1.4301 VP.	1
9.5	4178562	DRIVE RING D.22/12.2X10 MACH.VP.	1
9.4	4176520	SCREW CH M5x5 A4-70 (3PIECES)	1



HYDRAULIC HELIX V 420 1.4307

Item	Article no.	Description	Quantity
13.1	4178570	STAGE HELIX 4 1.4301 KIT	1
		> MACH.STG-CASING-WOGV-WNR-M+2-4-304	1
		> IMPELLER-M+4-304	1
13.2	4178569	STAGE BEARING HELIX 4 1.4301 KIT	1
		> MACH.BEARING-STG-CASING-WNR-M+4-304	1
		> IMPELLER-M+4-304	1
		> SHAFT SLEEVE SPACER Ø15,35x10,305-304	1
		> SHAFT-SLEEVE-D12xD16x14-CW	1
13.3	4220514	INTER STAGE HELIX4 1.4301> 15 stages KIT	1
		> MACH.STD-STG-CASING-WGV+NR-M+4-304	1
		> IMPELLER-M+4-304	1
		> IMPELLER SPACER Ø12,1X14,1-L24,25-316L	1



HELIX V411-1/16/E/S/400-50 (4164326)

Item	Article no.	Description	Quantity
1	4169942	MO.1,5/2 3~230/400(440)V 50(60)HZ IE3 VP	1
		SPARE PARTS MOTOR:ON REQUEST	1
2	4159703	SCREW M8X40 (4 PIECES)	1
3	4172795	LANTERNE FT115 HELIX KIT	1
3.1		> M+5_6_LANTERN_ONE-PIECE_FT115_CATA	1
3.2	2127604	> EYELET CPL.FT HELIX(2 PIECES)	1
3.3	4159692	> COUPLING PROTECTOR FT HELIX KIT	1
4	4178600	COUPLING D.12XD.24 FT115 KIT	1
6	4178605	STUD BOLT M12X469 KIT	1
6.1		> TIE BOLT M12-469x18x30-1.4057	1
6.2	2094647	> NUT M12 M12 ISO4032 VP.	1
6.3	2123557	> WASHER CS-12.4-24-1.6-NFE25 (4 PIECES)	1
7	4210143	STATIONARY RING HOLDER HELIX 6" EPDM	1
7.2	2127607	> STATIONARY RING HOLDER 6" HELIX 1.4301 V	1
7.3	4176513	> O-RING FOR PUMP JACKET VP.	1
7.4	2127603	> O-RING ID.37,6x2,4 EPDM VP.	1
7.5	2127602	> O-RING ID.21,35x2 EPDM VP.	1
8	4159686	FILING/PURGING PLUG HELIX EPDM KIT	1
9	4178564	SEAL-KIT-HELIX2-4 O/E KIT	1
10	4178606	HOUSING-PIPE D.152X335 1.4304 KIT	1
7.3	4176513	> O-RING FOR PUMP JACKET VP.	1
10.1		> HOUSING-PIPE Ø152-M+211/411-304	1
11	4178566	CENTERING STAGE-RETURN HELIX4 1.4307 VP	1
12	4178568	SHAFT EQUIPMENT HELIX V2/V4 KIT	1
12.1		> NUT-H-M8-STAINLESS-STEEL A4-70	2
12.2		> SHAFT END WASHER Ø8/Ø12 316L	1
12.3		> STOP COLLAR OF IMPELLER M+2/4 SINGLEBLOC	1
12.4		> STOP-RUSH-1/2-D12xd2-M+316	2
13		HYDRAULIC HELIX V 411 1.4307	1
14	4178608	SHAFT D.12X458 1.4301 VP.	1
15	4174079	PUMP HOUSING HELIX DN32 PN16 1.4301 KIT	1
7.3	4176513	> O-RING FOR PUMP JACKET VP.	1
15.1		> BLASTING PPE HOUSING V-PN16-DN32-5"-304	1
15.2	4217889	> COUNTER FLANGE-G1"-PN16-GJL KIT	1

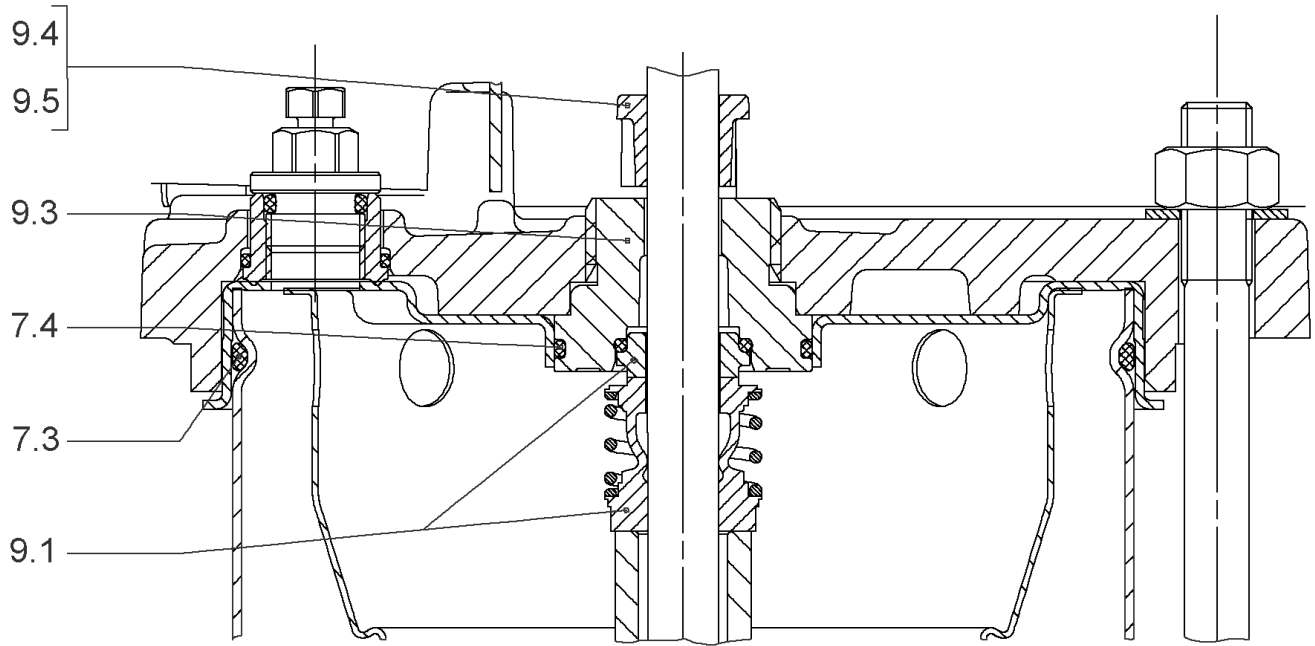
HELIX V411-1/16/E/S/400-50 (4164326)

Item	Article no.	Description	Quantity
15.3	4171321	> PRIMING/DRAIN PLUG EPDM HELIX KIT	1
16	4177964	BASEPLATE HELIX V2/4/6 PN16 VP.	1



COUPLING D.12XD.24 FT115 KIT (4178600)

Item	Article no.	Description	Quantity
4.1		COUPLING-M+ Ø12XØ24-FT115-MACHINED	1
4.2	2131023	BALL BEARING 6207/ZZ-C3(HT)VP.	1
4.3	4234254	CIRCLIP-FOR-SHAFT-D35x1.5 VP.	1
4.4	4157726	SCREW KIT M8X30 (4 PIECES)	1
4.5	4234251	CIRCLIP-D72x2.5 VP.	1
4.6	4234246	O-RING 72X3 VP.	1
		NOMEL CONTACT WASHER 8x16x1,4 STEEL ZC	1



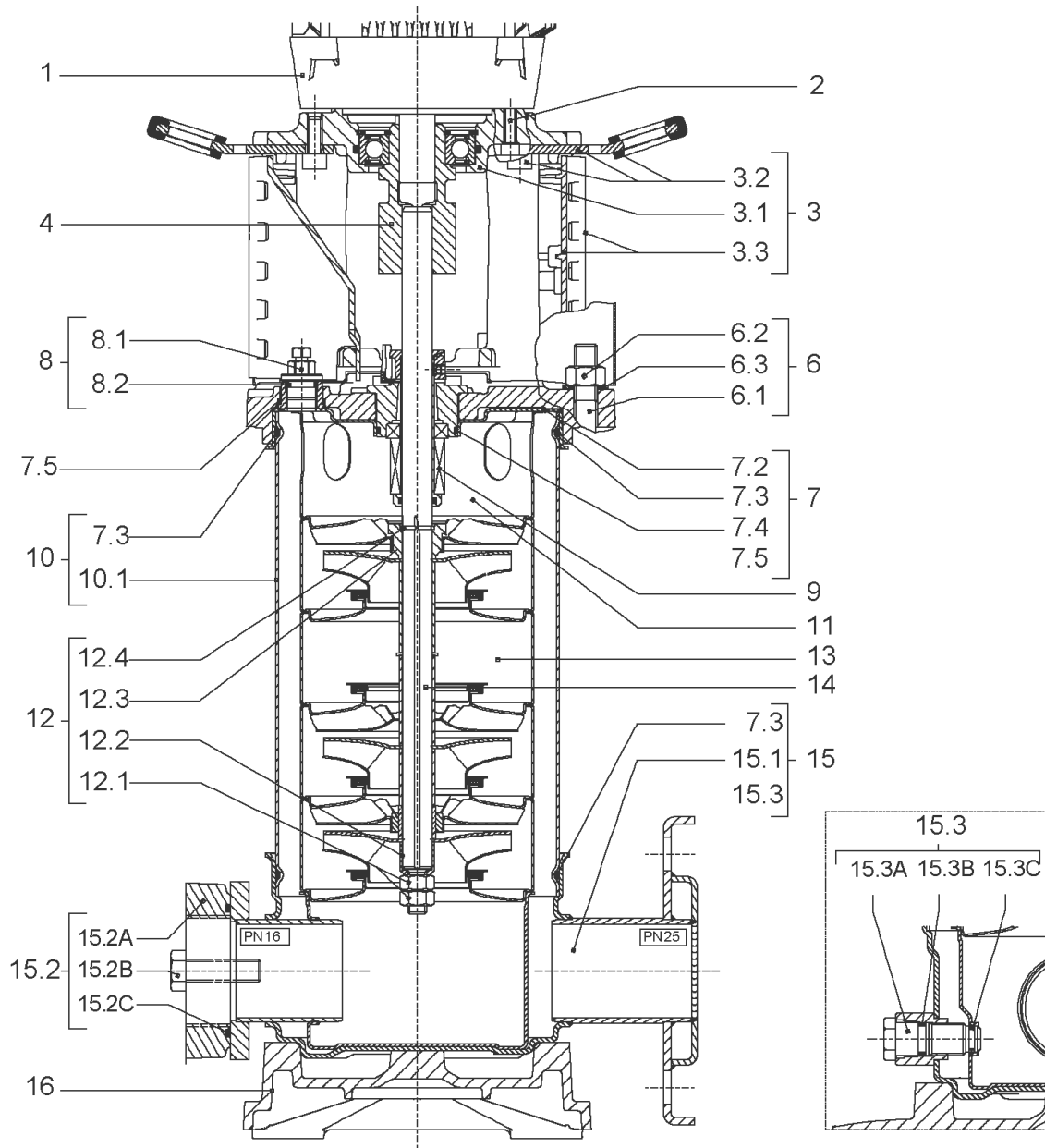
SEAL-KIT-HELIX2-4 O/E KIT (4178564)

Item	Article no.	Description	Quantity
7.3	4176513	O-RING FOR PUMP JACKET VP.	1
7.4	2127603	O-RING ID.37,6x2,4 EPDM VP.	1
9.1	4178563	M.SEAL.HELIX2-4 O/E VP.	1
9.3	4178561	RING HOLDER Ø22 1.4301 VP.	1
9.5	4178562	DRIVE RING D.22/12.2X10 MACH.VP.	1
9.4	4176520	SCREW CH M5x5 A4-70 (3PIECES)	1



HYDRAULIC HELIX V 411 1.4307

Item	Article no.	Description	Quantity
13.1	4178570	STAGE HELIX 4 1.4301 KIT	1
		> MACH.STG-CASING-WOGV-WNR-M+2-4-304	1
		> IMPELLER-M+4-304	1
13.2	4178569	STAGE BEARING HELIX 4 1.4301 KIT	1
		> MACH.BEARING-STG-CASING-WNR-M+4-304	1
		> IMPELLER-M+4-304	1
		> SHAFT SLEEVE SPACER Ø15,35x10,305-304	1
		> SHAFT-SLEEVE-D12xD16x14-CW	1
13.3	4178574	INTER STAGE HELIX4 1.4301< 15 stages KIT	1
		> MACH.STD-STG-CASING-WGV+NR-M+4-304	1
		> IMPELLER-M+4-304	1
		> IMPELLER SPACER Ø12,05X14,85-L24,285-304	1



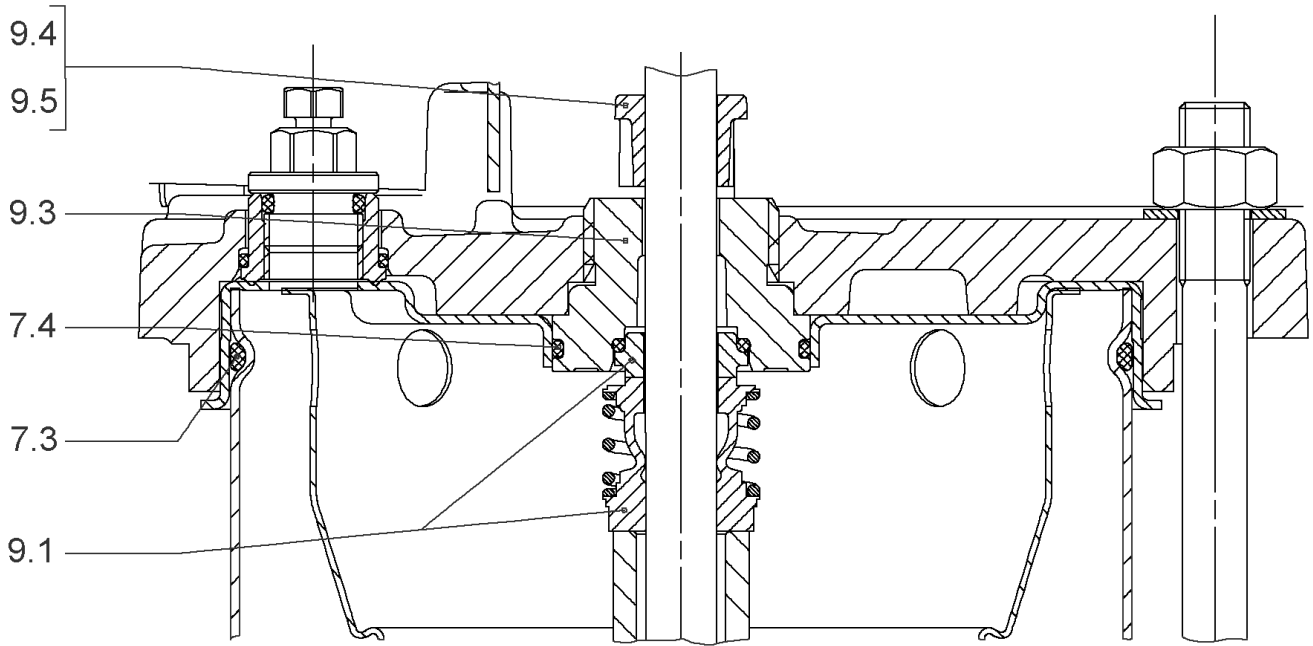
HELIX V412-1/16/E/S/400-50 (4164327)

Item	Article no.	Description	Quantity
1	4169942	MO.1,5/2 3~230/400(440)V 50(60)HZ IE3 VP	1
		SPARE PARTS MOTOR:ON REQUEST	1
2	4159703	SCREW M8X40 (4 PIECES)	1
3	4172795	LANTERNE FT115 HELIX KIT	1
3.1		> M+5_6_LANTERN_ONE-PIECE_FT115_CATA	1
3.2	2127604	> EYELET CPL.FT HELIX(2 PIECES)	1
3.3	4159692	> COUPLING PROTECTOR FT HELIX KIT	1
4	4178600	COUPLING D.12XD.24 FT115 KIT	1
6	2127555	STUD BOLT M12X485 KIT	1
7	4210143	STATIONARY RING HOLDER HELIX 6" EPDM	1
7.2	2127607	> STATIONARY RING HOLDER 6" HELIX 1.4301 V	1
7.3	4176513	> O-RING FOR PUMP JACKET VP.	1
7.4	2127603	> O-RING ID.37,6x2,4 EPDM VP.	1
7.5	2127602	> O-RING ID.21,35x2 EPDM VP.	1
8	4159686	FILING/PURGING PLUG HELIX EPDM KIT	1
9	4178564	SEAL-KIT-HELIX2-4 O/E KIT	1
10	2127578	HOUSING PIPE D.152x360 1.4307 KIT	1
7.3	4176513	> O-RING FOR PUMP JACKET VP.	1
10.1		> HOUSING-PIPE Ø152-M+1008/1606-304	1
11	4178566	CENTERING STAGE-RETURN HELIX4 1.4307 VP	1
12	4178568	SHAFT EQUIPMENT HELIX V2/V4 KIT	1
12.1		> NUT-H-M8-STAINLESS-STEEL A4-70	2
12.2		> SHAFT END WASHER Ø8/Ø12 316L	1
12.3		> STOP COLLAR OF IMPELLER M+2/4 SINGLEBLOC	1
12.4		> STOP-RUSH-1/2-D12xd2-M+316	2
13		HYDRAULIC HELIX V 412 1.4307	1
14	4178610	SHAFT D.12X483 1.4301 VP.	1
15	4174079	PUMP HOUSING HELIX DN32 PN16 1.4301 KIT	1
7.3	4176513	> O-RING FOR PUMP JACKET VP.	1
15.1		> BLASTING PPE HOUSING V-PN16-DN32-5"-304	1
15.2	4217889	> COUNTER FLANGE-G1"-PN16-GJL KIT	1
15.3	4171321	> PRIMING/DRAIN PLUG EPDM HELIX KIT	1
16	4177964	BASEPLATE HELIX V2/4/6 PN16 VP.	1



COUPLING D.12XD.24 FT115 KIT (4178600)

Item	Article no.	Description	Quantity
4.1		COUPLING-M+ Ø12XØ24-FT115-MACHINED	1
4.2	2131023	BALL BEARING 6207/ZZ-C3(HT)VP.	1
4.3	4234254	CIRCLIP-FOR-SHAFT-D35x1.5 VP.	1
4.4	4157726	SCREW KIT M8X30 (4 PIECES)	1
4.5	4234251	CIRCLIP-D72x2.5 VP.	1
4.6	4234246	O-RING 72X3 VP.	1
		NOMEL CONTACT WASHER 8x16x1,4 STEEL ZC	1



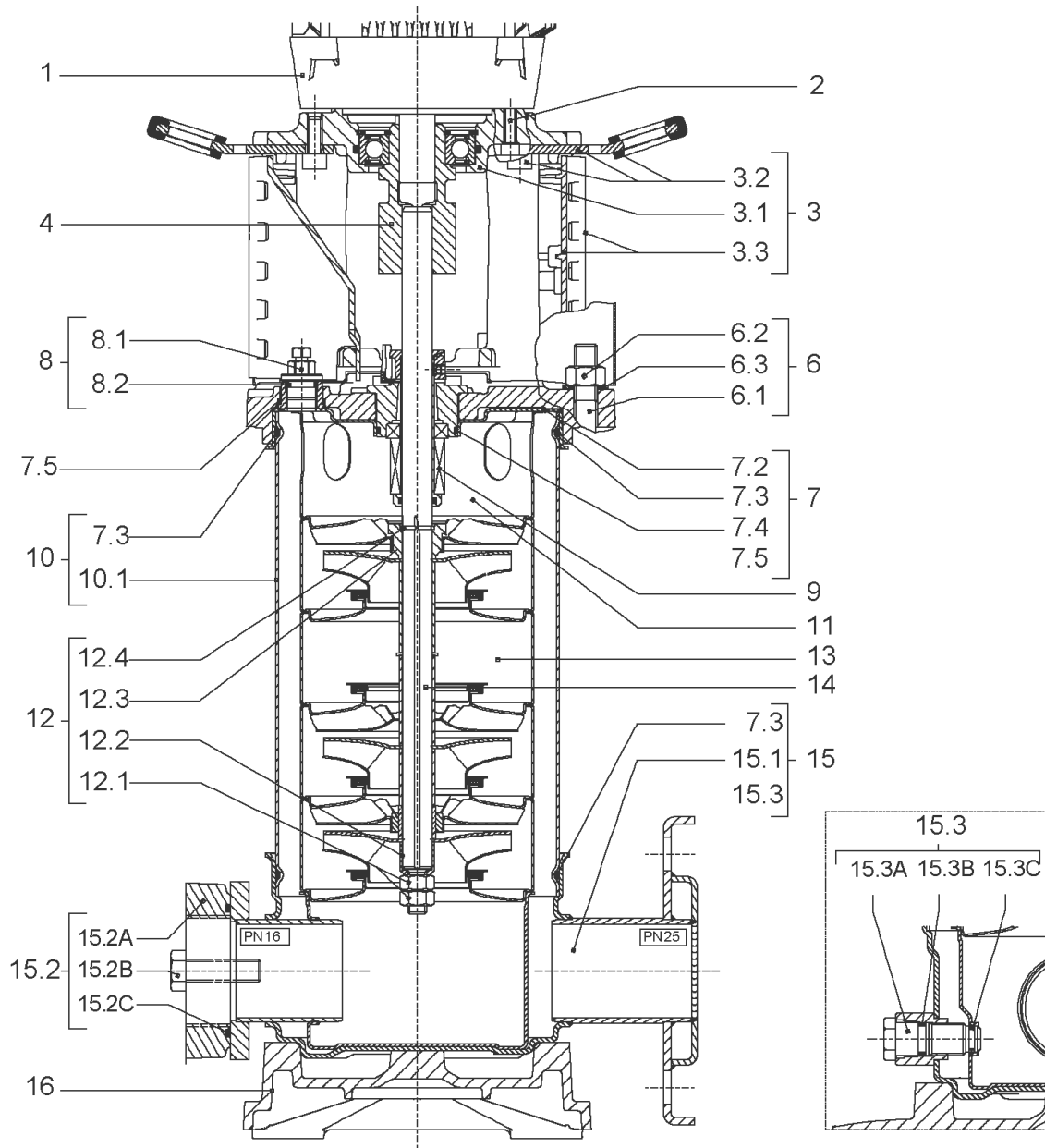
SEAL-KIT-HELIX2-4 O/E KIT (4178564)

Item	Article no.	Description	Quantity
7.3	4176513	O-RING FOR PUMP JACKET VP.	1
7.4	2127603	O-RING ID.37,6x2,4 EPDM VP.	1
9.1	4178563	M.SEAL.HELIX2-4 O/E VP.	1
9.3	4178561	RING HOLDER Ø22 1.4301 VP.	1
9.5	4178562	DRIVE RING D.22/12.2X10 MACH.VP.	1
9.4	4176520	SCREW CH M5x5 A4-70 (3PIECES)	1



HYDRAULIC HELIX V 412 1.4307

Item	Article no.	Description	Quantity
13.1	4178570	STAGE HELIX 4 1.4301 KIT	1
		> MACH.STG-CASING-WOGV-WNR-M+2-4-304	1
		> IMPELLER-M+4-304	1
13.2	4178569	STAGE BEARING HELIX 4 1.4301 KIT	1
		> MACH.BEARING-STG-CASING-WNR-M+4-304	1
		> IMPELLER-M+4-304	1
		> SHAFT SLEEVE SPACER Ø15,35x10,305-304	1
		> SHAFT-SLEEVE-D12xD16x14-CW	1
13.3	4178574	INTER STAGE HELIX4 1.4301< 15 stages KIT	1
		> MACH.STD-STG-CASING-WGV+NR-M+4-304	1
		> IMPELLER-M+4-304	1
		> IMPELLER SPACER Ø12,05X14,85-L24,285-304	1



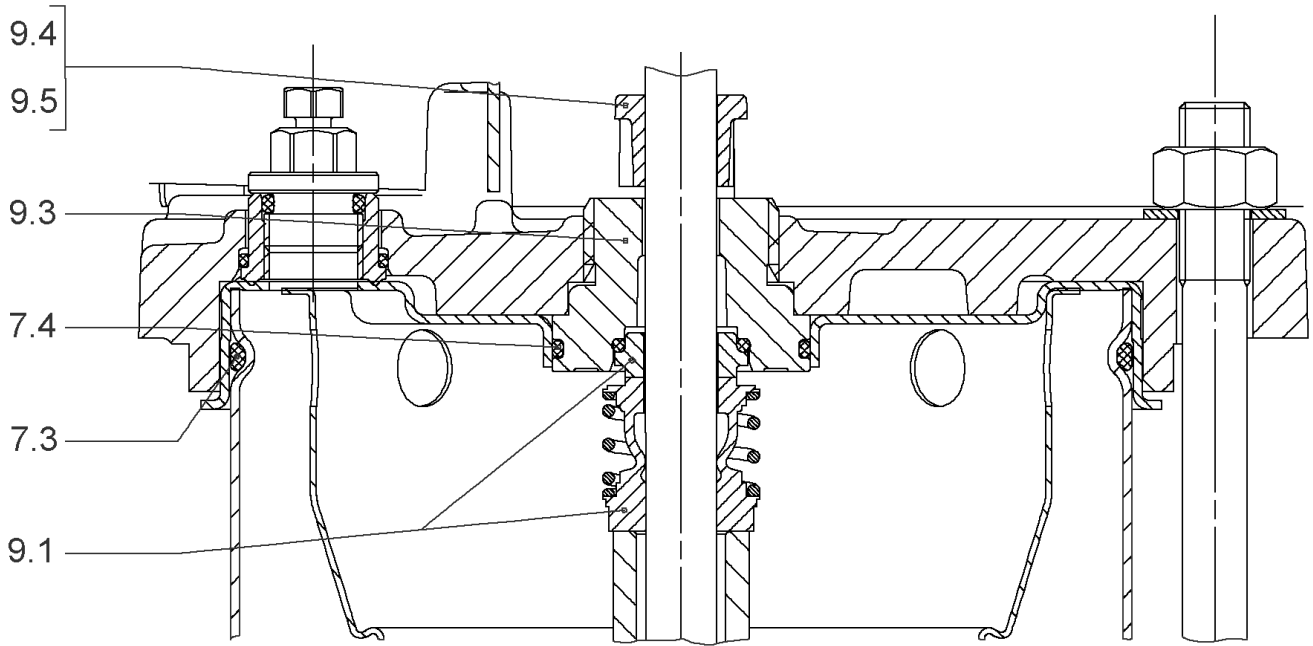
HELIX V413-1/16/E/S/400-50 (4164328)

Item	Article no.	Description	Quantity
1	4169943	MOTOR 2,2/2/90 3~230/400V 50HZ IE3 VP.	1
		SPARE PARTS MOTOR:ON REQUEST	1
2	4159703	SCREW M8X40 (4 PIECES)	1
3	4172795	LANTERNE FT115 HELIX KIT	1
3.1		> M+5_6_LANTERN_ONE-PIECE_FT115_CATA	1
3.2	2127604	> EYELET CPL.FT HELIX(2 PIECES)	1
3.3	4159692	> COUPLING PROTECTOR FT HELIX KIT	1
4	4178600	COUPLING D.12XD.24 FT115 KIT	1
6	2127556	STUD BOLT M12X542 KIT	1
7	4210143	STATIONARY RING HOLDER HELIX 6" EPDM	1
7.2	2127607	> STATIONARY RING HOLDER 6" HELIX 1.4301 V	1
7.3	4176513	> O-RING FOR PUMP JACKET VP.	1
7.4	2127603	> O-RING ID.37,6x2,4 EPDM VP.	1
7.5	2127602	> O-RING ID.21,35x2 EPDM VP.	1
8	4159686	FILING/PURGING PLUG HELIX EPDM KIT	1
9	4178564	SEAL-KIT-HELIX2-4 O/E KIT	1
10	2127579	HOUSING PIPE D.152x410 1.4301 KIT	1
7.3	4176513	> O-RING FOR PUMP JACKET VP.	1
10.1		> HOUSING-PIPE Ø152-M+1607-304	1
11	4178566	CENTERING STAGE-RETURN HELIX4 1.4307 VP	1
12	4178568	SHAFT EQUIPMENT HELIX V2/V4 KIT	1
12.1		> NUT-H-M8-STAINLESS-STEEL A4-70	2
12.2		> SHAFT END WASHER Ø8/Ø12 316L	1
12.3		> STOP COLLAR OF IMPELLER M+2/4 SINGLEBLOC	1
12.4		> STOP-RUSH-1/2-D12xd2-M+316	2
13		HYDRAULIC HELIX V 413 1.4307	1
14	4178614	SHAFT D.12X533 1.4301 VP.	1
15	4174079	PUMP HOUSING HELIX DN32 PN16 1.4301 KIT	1
7.3	4176513	> O-RING FOR PUMP JACKET VP.	1
15.1		> BLASTING PPE HOUSING V-PN16-DN32-5"-304	1
15.2	4217889	> COUNTER FLANGE-G1"-PN16-GJL KIT	1
15.3	4171321	> PRIMING/DRAIN PLUG EPDM HELIX KIT	1
16	4177964	BASEPLATE HELIX V2/4/6 PN16 VP.	1



COUPLING D.12XD.24 FT115 KIT (4178600)

Item	Article no.	Description	Quantity
4.1		COUPLING-M+ Ø12XØ24-FT115-MACHINED	1
4.2	2131023	BALL BEARING 6207/ZZ-C3(HT)VP.	1
4.3	4234254	CIRCLIP-FOR-SHAFT-D35x1.5 VP.	1
4.4	4157726	SCREW KIT M8X30 (4 PIECES)	1
4.5	4234251	CIRCLIP-D72x2.5 VP.	1
4.6	4234246	O-RING 72X3 VP.	1
		NOMEL CONTACT WASHER 8x16x1,4 STEEL ZC	1



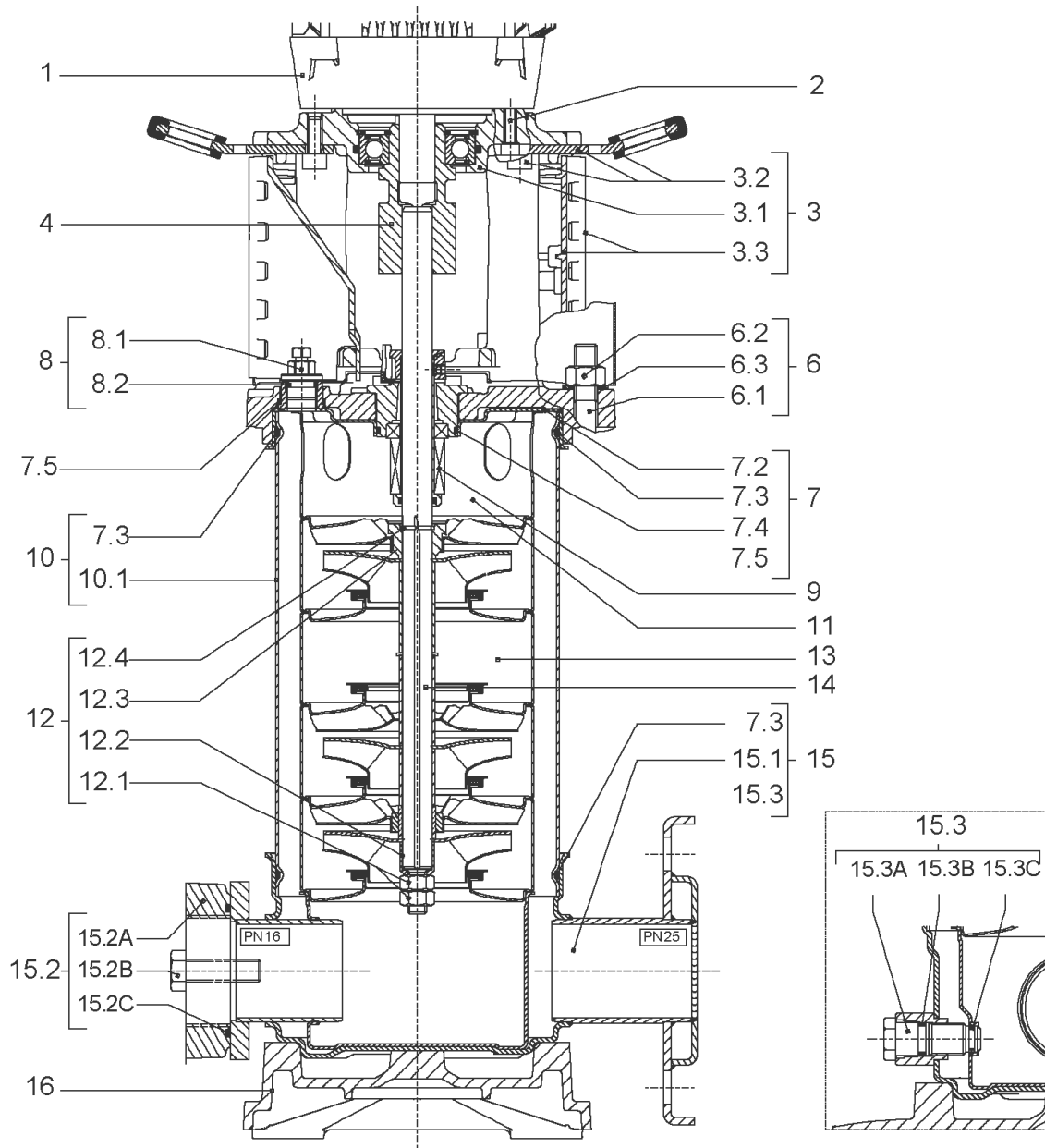
SEAL-KIT-HELIX2-4 O/E KIT (4178564)

Item	Article no.	Description	Quantity
7.3	4176513	O-RING FOR PUMP JACKET VP.	1
7.4	2127603	O-RING ID.37,6x2,4 EPDM VP.	1
9.1	4178563	M.SEAL.HELIX2-4 O/E VP.	1
9.3	4178561	RING HOLDER Ø22 1.4301 VP.	1
9.5	4178562	DRIVE RING D.22/12.2X10 MACH.VP.	1
9.4	4176520	SCREW CH M5x5 A4-70 (3PIECES)	1



HYDRAULIC HELIX V 413 1.4307

Item	Article no.	Description	Quantity
13.1	4178570	STAGE HELIX 4 1.4301 KIT	1
		> MACH.STG-CASING-WOGV-WNR-M+2-4-304	1
		> IMPELLER-M+4-304	1
13.2	4178569	STAGE BEARING HELIX 4 1.4301 KIT	1
		> MACH.BEARING-STG-CASING-WNR-M+4-304	1
		> IMPELLER-M+4-304	1
		> SHAFT SLEEVE SPACER Ø15,35x10,305-304	1
		> SHAFT-SLEEVE-D12xD16x14-CW	1
13.3	4178574	INTER STAGE HELIX4 1.4301< 15 stages KIT	1
		> MACH.STD-STG-CASING-WGV+NR-M+4-304	1
		> IMPELLER-M+4-304	1
		> IMPELLER SPACER Ø12,05X14,85-L24,285-304	1
13.4	4179307	EMPTY STAGE HELIX 4 1.4301<15 stage Kit	1
		> MACH.STD-STG-CASING-WGV+NR-M+4-304	1
		> FLAT WASHER-D12.1XD16X0.8-316L	1
		> IMPELLER SPACER Ø12,05X14,85-L24,285-304	1
13.5	4179304	STAGE HELIX 4 1.4301 < 15 stages Kit	1
		> MACH.STG-CASING-WOGV-WNR-M+2-4-304	1
		> IMPELLER-M+4-304	1
		> IMPELLER SPACER Ø12,05X14,85-L24,285-304	1



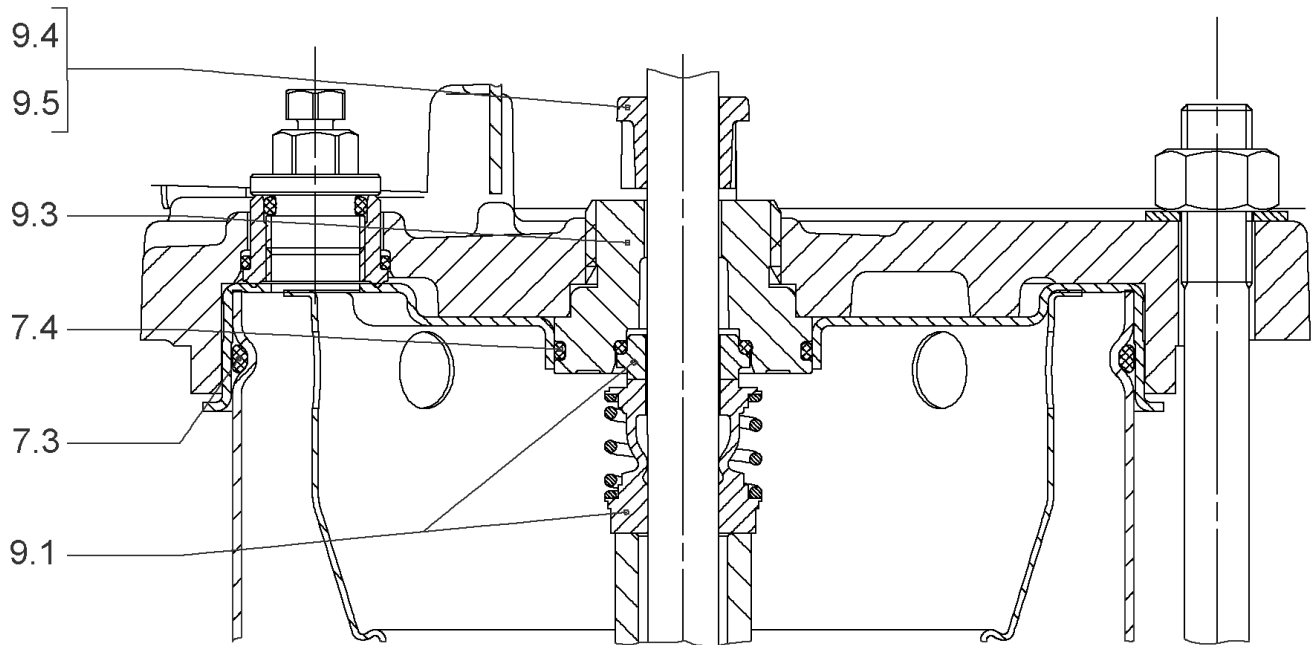
HELIX V414-1/16/E/S/400-50 (4164329)

Item	Article no.	Description	Quantity
1	4169943	MOTOR 2,2/2/90 3~230/400V 50HZ IE3 VP.	1
		SPARE PARTS MOTOR:ON REQUEST	1
2	4159703	SCREW M8X40 (4 PIECES)	1
3	4172795	LANTERNE FT115 HELIX KIT	1
3.1		> M+5_6_LANTERN_ONE-PIECE_FT115_CATA	1
3.2	2127604	> EYELET CPL.FT HELIX(2 PIECES)	1
3.3	4159692	> COUPLING PROTECTOR FT HELIX KIT	1
4	4178600	COUPLING D.12XD.24 FT115 KIT	1
6	2127556	STUD BOLT M12X542 KIT	1
7	4210143	STATIONARY RING HOLDER HELIX 6" EPDM	1
7.2	2127607	> STATIONARY RING HOLDER 6" HELIX 1.4301 V	1
7.3	4176513	> O-RING FOR PUMP JACKET VP.	1
7.4	2127603	> O-RING ID.37,6x2,4 EPDM VP.	1
7.5	2127602	> O-RING ID.21,35x2 EPDM VP.	1
8	4159686	FILING/PURGING PLUG HELIX EPDM KIT	1
9	4178564	SEAL-KIT-HELIX2-4 O/E KIT	1
10	2127579	HOUSING PIPE D.152x410 1.4301 KIT	1
7.3	4176513	> O-RING FOR PUMP JACKET VP.	1
10.1		> HOUSING-PIPE Ø152-M+1607-304	1
11	4178566	CENTERING STAGE-RETURN HELIX4 1.4307 VP	1
12	4178568	SHAFT EQUIPMENT HELIX V2/V4 KIT	1
12.1		> NUT-H-M8-STAINLESS-STEEL A4-70	2
12.2		> SHAFT END WASHER Ø8/Ø12 316L	1
12.3		> STOP COLLAR OF IMPELLER M+2/4 SINGLEBLOC	1
12.4		> STOP-RUSH-1/2-D12xd2-M+316	2
13		HYDRAULIC HELIX V 414 1.4307	1
14	4178614	SHAFT D.12X533 1.4301 VP.	1
15	4174079	PUMP HOUSING HELIX DN32 PN16 1.4301 KIT	1
7.3	4176513	> O-RING FOR PUMP JACKET VP.	1
15.1		> BLASTING PPE HOUSING V-PN16-DN32-5"-304	1
15.2	4217889	> COUNTER FLANGE-G1"-PN16-GJL KIT	1
15.3	4171321	> PRIMING/DRAIN PLUG EPDM HELIX KIT	1
16	4177964	BASEPLATE HELIX V2/4/6 PN16 VP.	1



COUPLING D.12XD.24 FT115 KIT (4178600)

Item	Article no.	Description	Quantity
4.1		COUPLING-M+ Ø12XØ24-FT115-MACHINED	1
4.2	2131023	BALL BEARING 6207/ZZ-C3(HT)VP.	1
4.3	4234254	CIRCLIP-FOR-SHAFT-D35x1.5 VP.	1
4.4	4157726	SCREW KIT M8X30 (4 PIECES)	1
4.5	4234251	CIRCLIP-D72x2.5 VP.	1
4.6	4234246	O-RING 72X3 VP.	1
		NOMEL CONTACT WASHER 8x16x1,4 STEEL ZC	1



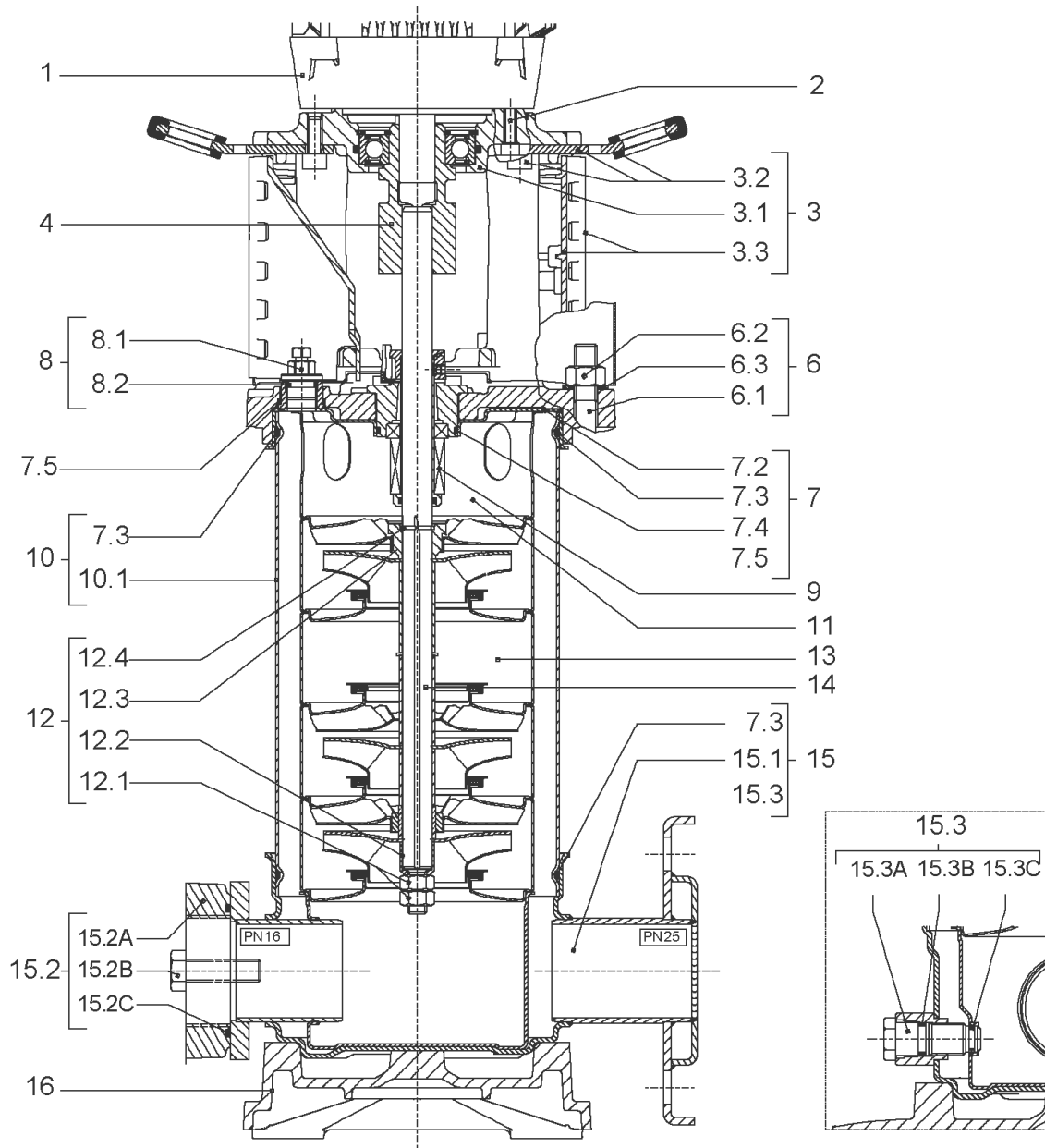
SEAL-KIT-HELIX2-4 O/E KIT (4178564)

Item	Article no.	Description	Quantity
7.3	4176513	O-RING FOR PUMP JACKET VP.	1
7.4	2127603	O-RING ID.37,6x2,4 EPDM VP.	1
9.1	4178563	M.SEAL.HELIX2-4 O/E VP.	1
9.3	4178561	RING HOLDER Ø22 1.4301 VP.	1
9.5	4178562	DRIVE RING D.22/12.2X10 MACH.VP.	1
9.4	4176520	SCREW CH M5x5 A4-70 (3PIECES)	1



HYDRAULIC HELIX V 414 1.4307

Item	Article no.	Description	Quantity
13.1	4178570	STAGE HELIX 4 1.4301 KIT	1
		> MACH.STG-CASING-WOGV-WNR-M+2-4-304	1
		> IMPELLER-M+4-304	1
13.2	4178569	STAGE BEARING HELIX 4 1.4301 KIT	1
		> MACH.BEARING-STG-CASING-WNR-M+4-304	1
		> IMPELLER-M+4-304	1
		> SHAFT SLEEVE SPACER Ø15,35x10,305-304	1
		> SHAFT-SLEEVE-D12xD16x14-CW	1
13.3	4178574	INTER STAGE HELIX4 1.4301< 15 stages KIT	1
		> MACH.STD-STG-CASING-WGV+NR-M+4-304	1
		> IMPELLER-M+4-304	1
		> IMPELLER SPACER Ø12,05X14,85-L24,285-304	1



HELIX V416-1/16/E/S/400-50 (4164330)

Item	Article no.	Description	Quantity
1	4169943	MOTOR 2,2/2/90 3~230/400V 50HZ IE3 VP.	1
		SPARE PARTS MOTOR:ON REQUEST	1
2	4159703	SCREW M8X40 (4 PIECES)	1
3	4172795	LANTERNE FT115 HELIX KIT	1
3.1		> M+5_6_LANTERN_ONE-PIECE_FT115_CATA	1
3.2	2127604	> EYELET CPL.FT HELIX(2 PIECES)	1
3.3	4159692	> COUPLING PROTECTOR FT HELIX KIT	1
4	4178600	COUPLING D.12XD.24 FT115 KIT	1
6	2127557	STUD BOLT M12X587 KIT	1
6.1		> TIE BOLT M12-587x18x30-1.4057	1
6.2	2094647	> NUT M12 M12 ISO4032 VP.	1
6.3	2123557	> WASHER CS-12.4-24-1.6-NFE25 (4 PIECES)	1
7	4210143	STATIONARY RING HOLDER HELIX 6" EPDM	1
7.2	2127607	> STATIONARY RING HOLDER 6" HELIX 1.4301 V	1
7.3	4176513	> O-RING FOR PUMP JACKET VP.	1
7.4	2127603	> O-RING ID.37,6x2,4 EPDM VP.	1
7.5	2127602	> O-RING ID.21,35x2 EPDM VP.	1
8	4159686	FILING/PURGING PLUG HELIX EPDM KIT	1
9	4178564	SEAL-KIT-HELIX2-4 O/E KIT	1
10	2127580	HOUSING PIPE D.152x460 1.4301 KIT	1
7.3	4176513	> O-RING FOR PUMP JACKET VP.	1
10.1		> HOUSING-PIPE Ø152-M+1608-304	1
11	4178566	CENTERING STAGE-RETURN HELIX4 1.4307 VP	1
12	4178568	SHAFT EQUIPMENT HELIX V2/V4 KIT	1
12.1		> NUT-H-M8-STAINLESS-STEEL A4-70	2
12.2		> SHAFT END WASHER Ø8/Ø12 316L	1
12.3		> STOP COLLAR OF IMPELLER M+2/4 SINGLEBLOC	1
12.4		> STOP-RUSH-1/2-D12xd2-M+316	2
13		HYDRAULIC HELIX V 416 1.4307	1
14	4178621	SHAFT D.12X583 1.4301 VP.	1
15	4174079	PUMP HOUSING HELIX DN32 PN16 1.4301 KIT	1
7.3	4176513	> O-RING FOR PUMP JACKET VP.	1
15.1		> BLASTING PPE HOUSING V-PN16-DN32-5"-304	1
15.2	4217889	> COUNTER FLANGE-G1"-PN16-GJL KIT	1

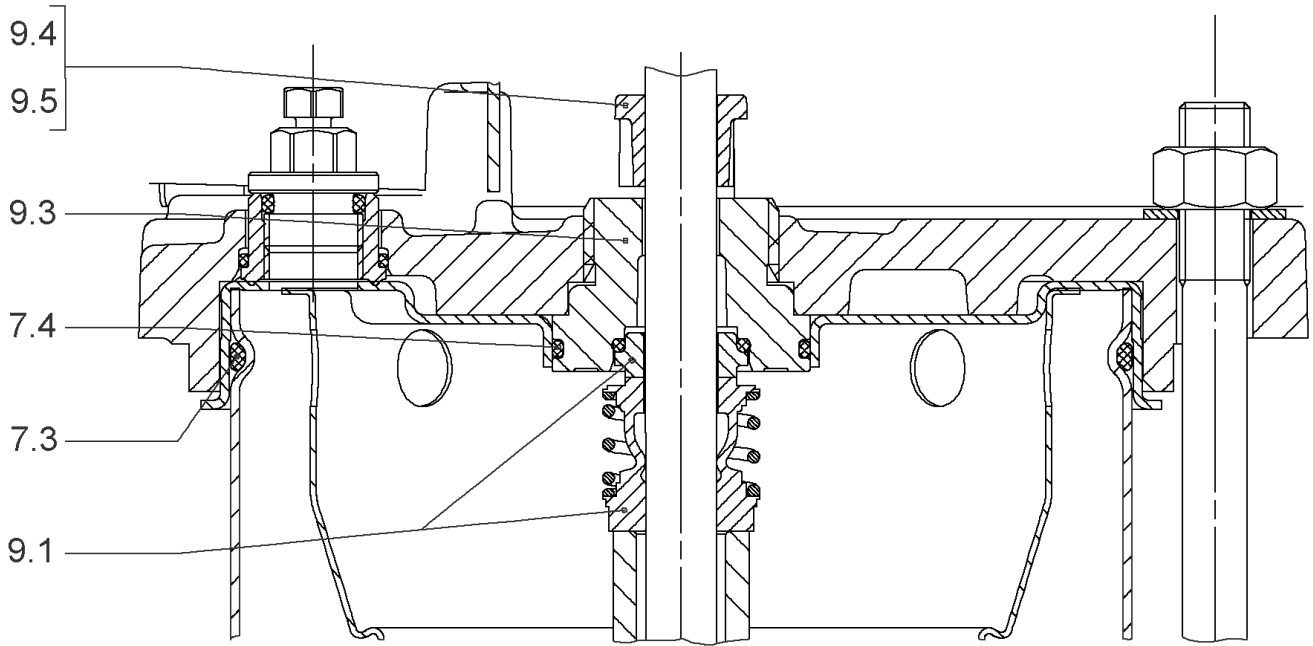
HELIX V416-1/16/E/S/400-50 (4164330)

Item	Article no.	Description	Quantity
15.3	4171321	> PRIMING/DRAIN PLUG EPDM HELIX KIT	1
16	4177964	BASEPLATE HELIX V2/4/6 PN16 VP.	1



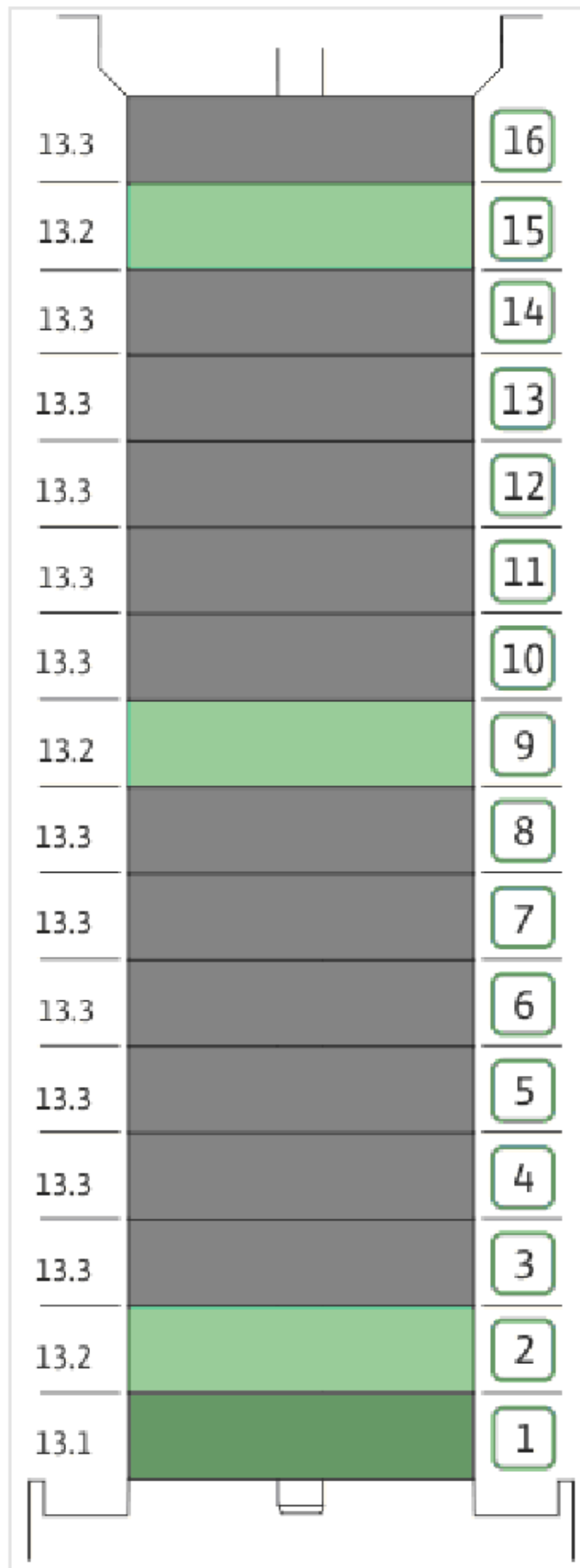
COUPLING D.12XD.24 FT115 KIT (4178600)

Item	Article no.	Description	Quantity
4.1		COUPLING-M+ Ø12XØ24-FT115-MACHINED	1
4.2	2131023	BALL BEARING 6207/ZZ-C3(HT)VP.	1
4.3	4234254	CIRCLIP-FOR-SHAFT-D35x1.5 VP.	1
4.4	4157726	SCREW KIT M8X30 (4 PIECES)	1
4.5	4234251	CIRCLIP-D72x2.5 VP.	1
4.6	4234246	O-RING 72X3 VP.	1
		NOMEL CONTACT WASHER 8x16x1,4 STEEL ZC	1



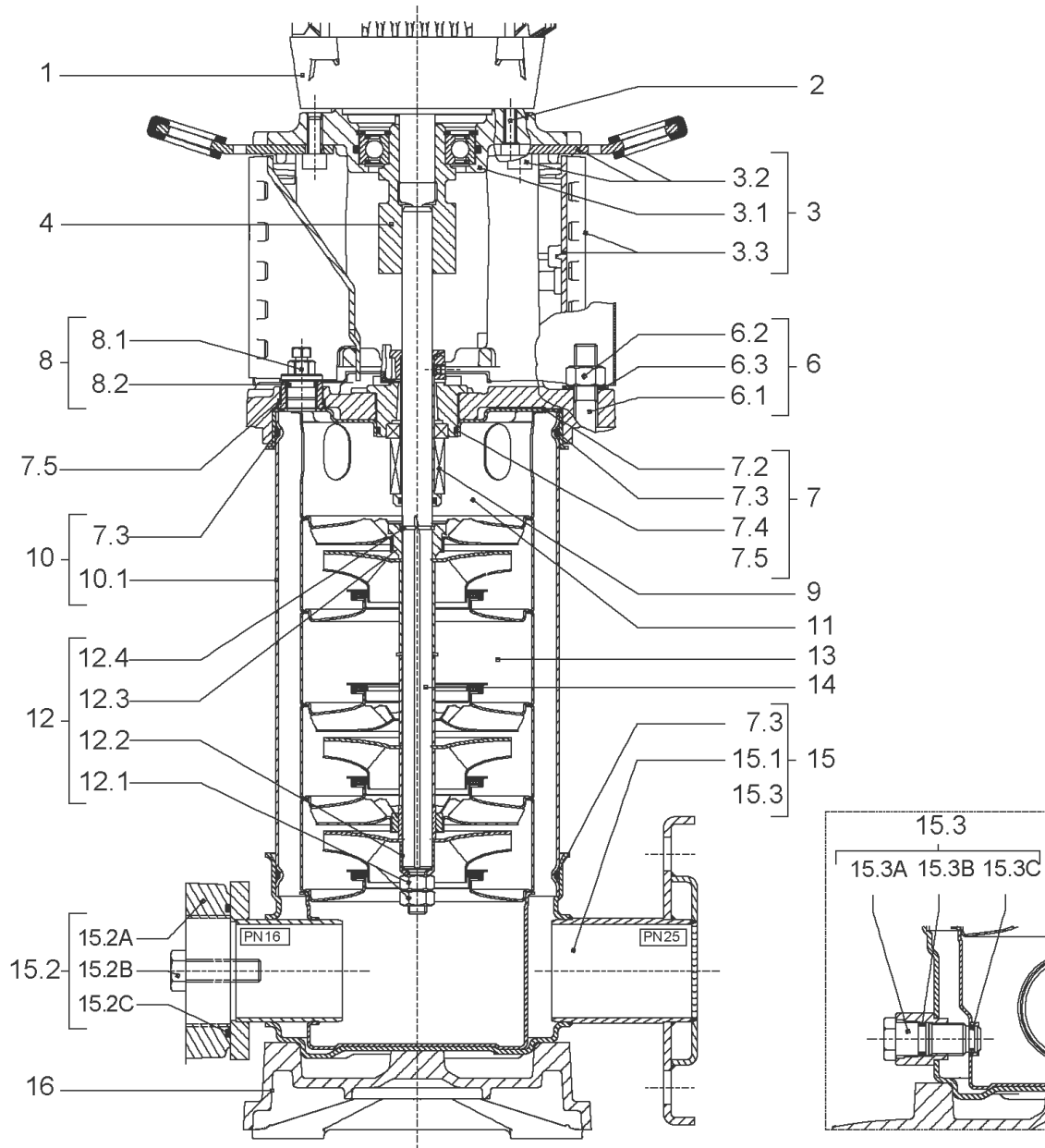
SEAL-KIT-HELIX2-4 O/E KIT (4178564)

Item	Article no.	Description	Quantity
7.3	4176513	O-RING FOR PUMP JACKET VP.	1
7.4	2127603	O-RING ID.37,6x2,4 EPDM VP.	1
9.1	4178563	M.SEAL.HELIX2-4 O/E VP.	1
9.3	4178561	RING HOLDER Ø22 1.4301 VP.	1
9.5	4178562	DRIVE RING D.22/12.2X10 MACH.VP.	1
9.4	4176520	SCREW CH M5x5 A4-70 (3PIECES)	1



HYDRAULIC HELIX V 416 1.4307

Item	Article no.	Description	Quantity
13.1	4178570	STAGE HELIX 4 1.4301 KIT	1
		> MACH.STG-CASING-WOGV-WNR-M+2-4-304	1
		> IMPELLER-M+4-304	1
13.2	4178569	STAGE BEARING HELIX 4 1.4301 KIT	1
		> MACH.BEARING-STG-CASING-WNR-M+4-304	1
		> IMPELLER-M+4-304	1
		> SHAFT SLEEVE SPACER Ø15,35x10,305-304	1
		> SHAFT-SLEEVE-D12xD16x14-CW	1
13.3	4220514	INTER STAGE HELIX4 1.4301> 15 stages KIT	1
		> MACH.STD-STG-CASING-WGV+NR-M+4-304	1
		> IMPELLER-M+4-304	1
		> IMPELLER SPACER Ø12,1X14,1-L24,25-316L	1



HELIX V418-1/16/E/S/400-50 (4164331)

Item	Article no.	Description	Quantity
1	4169943	MOTOR 2,2/2/90 3~230/400V 50HZ IE3 VP.	1
		SPARE PARTS MOTOR:ON REQUEST	1
2	4159703	SCREW M8X40 (4 PIECES)	1
3	4172795	LANTERNE FT115 HELIX KIT	1
3.1		> M+5_6_LANTERN_ONE-PIECE_FT115_CATA	1
3.2	2127604	> EYELET CPL.FT HELIX(2 PIECES)	1
3.3	4159692	> COUPLING PROTECTOR FT HELIX KIT	1
4	4178600	COUPLING D.12XD.24 FT115 KIT	1
6	4177842	STUD BOLT M12X638KIT	1
6.1		> TIE BOLT M12-638x18x30-1.4057	1
6.2	2094647	> NUT M12 M12 ISO4032 VP.	1
6.3	2123557	> WASHER CS-12.4-24-1.6-NFE25 (4 PIECES)	1
7	4210143	STATIONARY RING HOLDER HELIX 6" EPDM	1
7.2	2127607	> STATIONARY RING HOLDER 6" HELIX 1.4301 V	1
7.3	4176513	> O-RING FOR PUMP JACKET VP.	1
7.4	2127603	> O-RING ID.37,6x2,4 EPDM VP.	1
7.5	2127602	> O-RING ID.21,35x2 EPDM VP.	1
8	4159686	FILING/PURGING PLUG HELIX EPDM KIT	1
9	4178564	SEAL-KIT-HELIX2-4 O/E KIT	1
10	4177843	HOUSING PIPES D.152X510 1.4307 KIT	1
7.3	4176513	> O-RING FOR PUMP JACKET VP.	1
10.1		> HOUSING-PIPE Ø152-M+1012/1609-304	1
11	4178566	CENTERING STAGE-RETURN HELIX4 1.4307 VP	1
12	4178568	SHAFT EQUIPMENT HELIX V2/V4 KIT	1
12.1		> NUT-H-M8-STAINLESS-STEEL A4-70	2
12.2		> SHAFT END WASHER Ø8/Ø12 316L	1
12.3		> STOP COLLAR OF IMPELLER M+2/4 SINGLEBLOC	1
12.4		> STOP-RUSH-1/2-D12xd2-M+316	2
13		HYDRAULIC HELIX V 418 1.4307	1
14	4178623	SHAFT D.12X633 1.4301 VP.	1
15	4174079	PUMP HOUSING HELIX DN32 PN16 1.4301 KIT	1
7.3	4176513	> O-RING FOR PUMP JACKET VP.	1
15.1		> BLASTING PPE HOUSING V-PN16-DN32-5"-304	1
15.2	4217889	> COUNTER FLANGE-G1"-PN16-GJL KIT	1

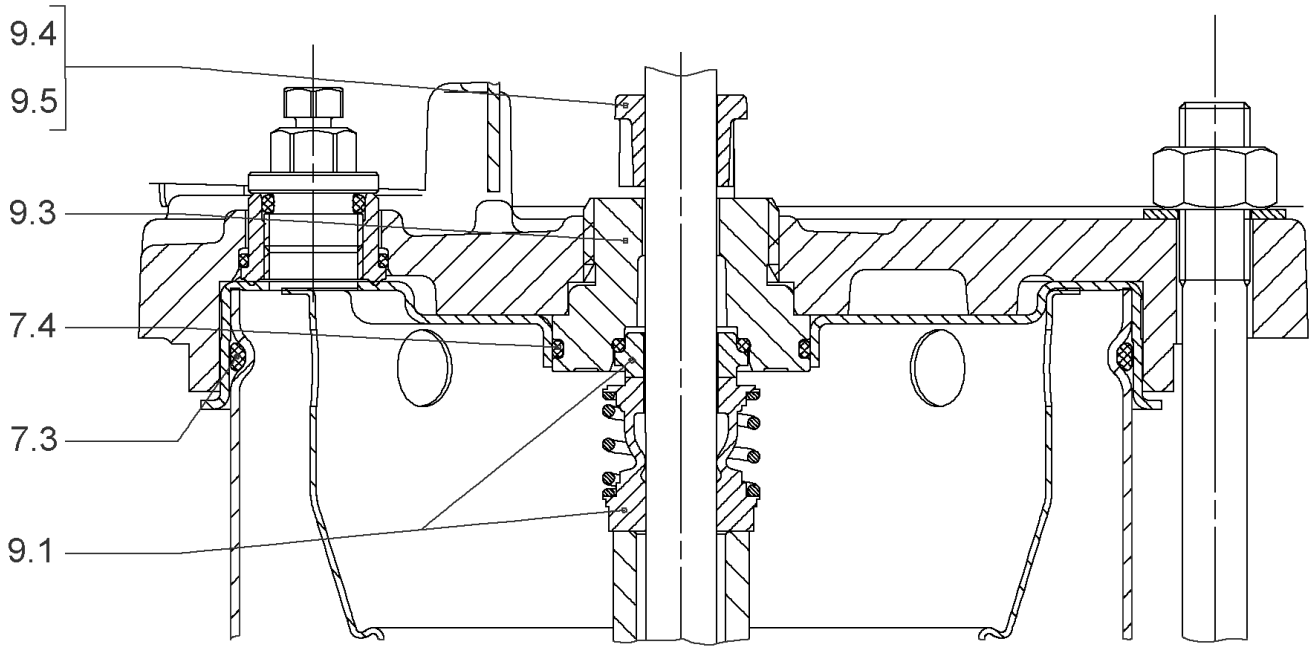
HELIX V418-1/16/E/S/400-50 (4164331)

Item	Article no.	Description	Quantity
15.3	4171321	> PRIMING/DRAIN PLUG EPDM HELIX KIT	1
16	4177964	BASEPLATE HELIX V2/4/6 PN16 VP.	1



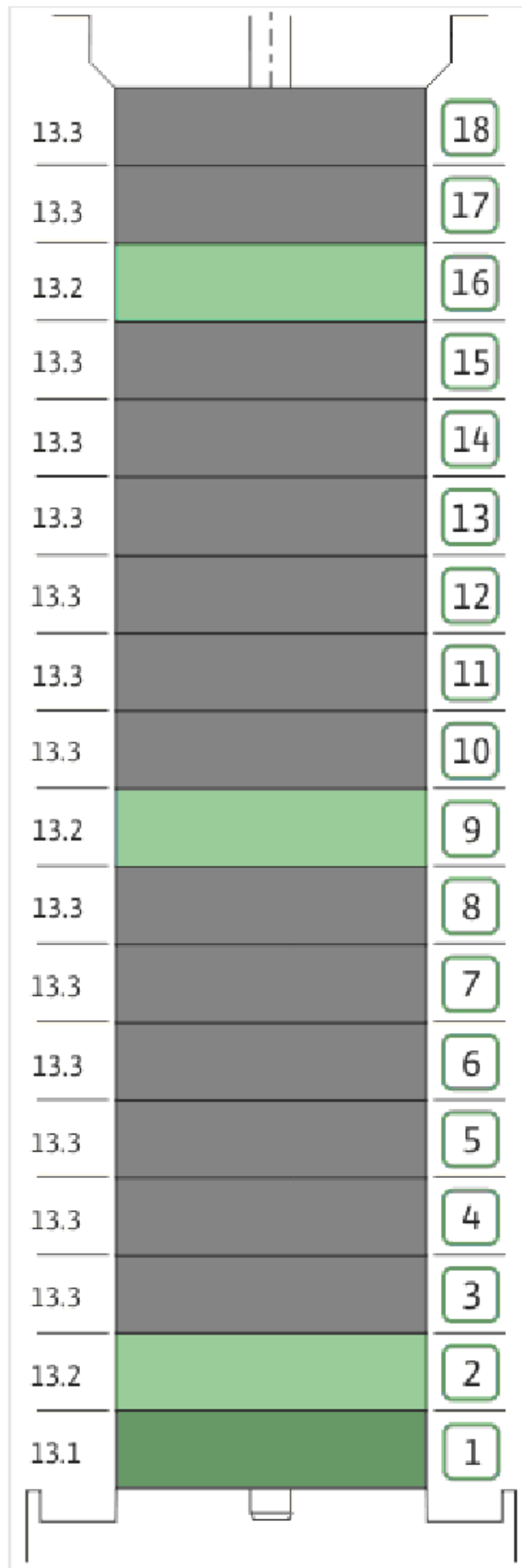
COUPLING D.12XD.24 FT115 KIT (4178600)

Item	Article no.	Description	Quantity
4.1		COUPLING-M+ Ø12XØ24-FT115-MACHINED	1
4.2	2131023	BALL BEARING 6207/ZZ-C3(HT)VP.	1
4.3	4234254	CIRCLIP-FOR-SHAFT-D35x1.5 VP.	1
4.4	4157726	SCREW KIT M8X30 (4 PIECES)	1
4.5	4234251	CIRCLIP-D72x2.5 VP.	1
4.6	4234246	O-RING 72X3 VP.	1
		NOMEL CONTACT WASHER 8x16x1,4 STEEL ZC	1



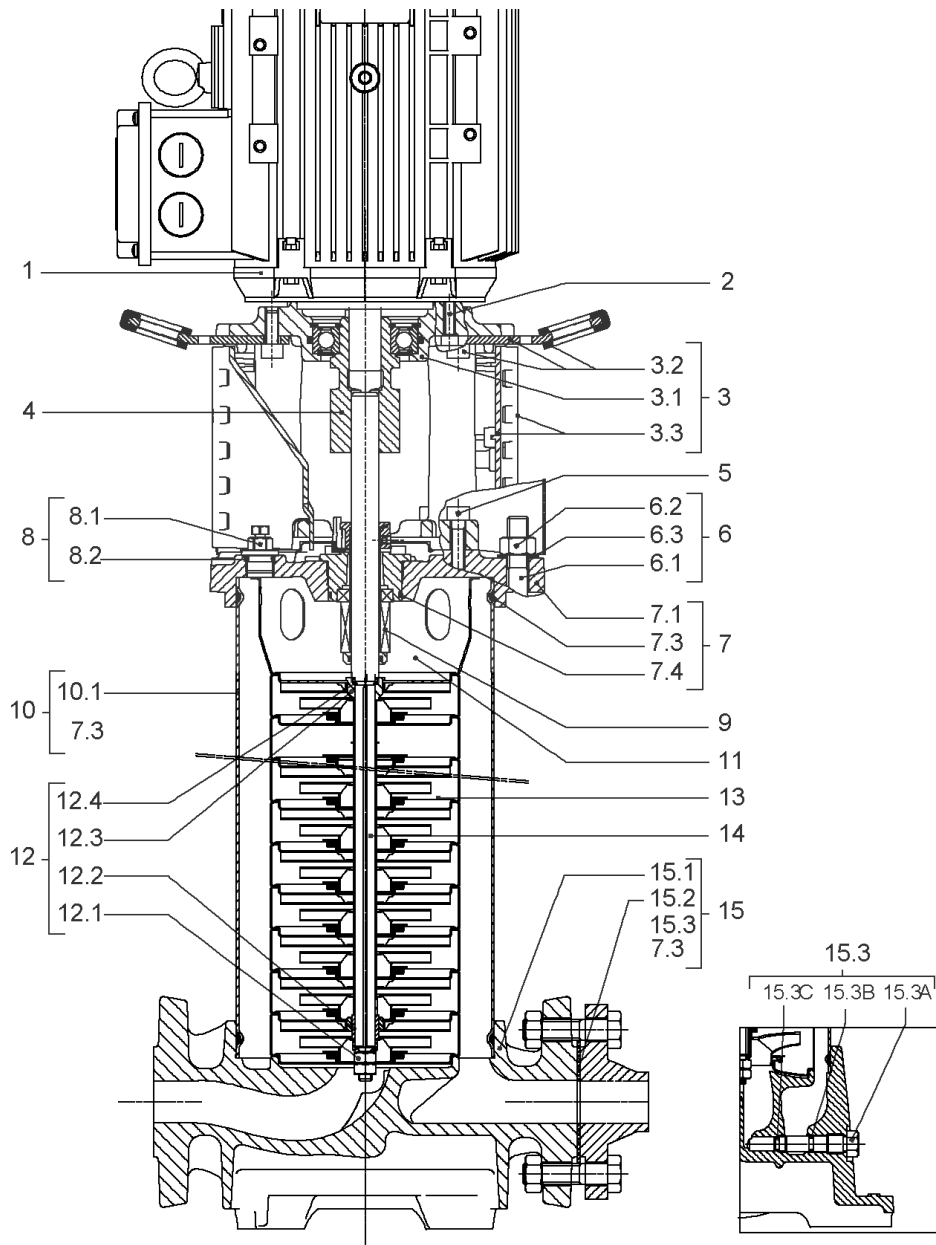
SEAL-KIT-HELIX2-4 O/E KIT (4178564)

Item	Article no.	Description	Quantity
7.3	4176513	O-RING FOR PUMP JACKET VP.	1
7.4	2127603	O-RING ID.37,6x2,4 EPDM VP.	1
9.1	4178563	M.SEAL.HELIX2-4 O/E VP.	1
9.3	4178561	RING HOLDER Ø22 1.4301 VP.	1
9.5	4178562	DRIVE RING D.22/12.2X10 MACH.VP.	1
9.4	4176520	SCREW CH M5x5 A4-70 (3PIECES)	1



HYDRAULIC HELIX V 418 1.4307

Item	Article no.	Description	Quantity
13.1	4178570	STAGE HELIX 4 1.4301 KIT	1
		> MACH.STG-CASING-WOGV-WNR-M+2-4-304	1
		> IMPELLER-M+4-304	1
13.2	4178569	STAGE BEARING HELIX 4 1.4301 KIT	1
		> MACH.BEARING-STG-CASING-WNR-M+4-304	1
		> IMPELLER-M+4-304	1
		> SHAFT SLEEVE SPACER Ø15,35x10,305-304	1
		> SHAFT-SLEEVE-D12xD16x14-CW	1
13.3	4220514	INTER STAGE HELIX4 1.4301> 15 stages KIT	1
		> MACH.STD-STG-CASING-WGV+NR-M+4-304	1
		> IMPELLER-M+4-304	1
		> IMPELLER SPACER Ø12,1X14,1-L24,25-316L	1



HELIX V429-3/30/E/KS/400-50 (4175097)

Item	Article no.	Description	Quantity
1	4169945	MO.4/2 3~230/400(460)V 50(60)HZ IE3 VP.	1
		SPARE PARTS MOTOR:ON REQUEST	1
2	4206025	SCREW M8X45 (4 PIECES)	1
3	4171326	LANTERN FT130 HELIX KIT	1
3.1		> LANTERN FT130 M+6" GJL MACHINING+CATA	1
3.2	2127604	> EYELET CPL.FT HELIX(2 PIECES)	1
3.3	4159692	> COUPLING PROTECTOR FT HELIX KIT	1
4	4178626	COUPLING D.12XD.28 FT130 KIT	1
5	4159707	SCREW M8X30 (4 PIECES)	1
6	4179238	STUD BOLT M12X845 KIT	1
6.1		> TIE BOLT M12-845x18x30-1.4057	1
6.2	2094647	> NUT M12 M12 ISO4032 VP.	1
6.3	2123557	> WASHER CS-12.4-24-1.6-NFE25 (4 PIECES)	1
7	4177867	END SHIELD PN30 HELIX EPDM KIT	1
7.1		> END SHIELD M+ JL VERSION 1 MACHINED+CATA	1
7.3	4176513	> O-RING FOR PUMP JACKET VP.	1
7.4	2127603	> O-RING ID.37,6x2,4 EPDM VP.	1
8	4159686	FILING/PURGING PLUG HELIX EPDM KIT	1
9	4179241	MECH.SEAL+CART. HELIX2-4 T/E KIT	1
10	2127583	HOUSING PIPE D.152x810 1.4301 KIT	1
7.3	4176513	> O-RING FOR PUMP JACKET VP.	1
10.1		> HOUSING-PIPE Ø152-M+1020/1613-304	1
11	4178566	CENTERING STAGE-RETURN HELIX4 1.4307 VP	1
12	4178567	SHAFT EQUIPMENT HELIX V2/V4 KIT	1
12.1		> NUT-H-M8-STAINLESS-STEEL A4-70	1
12.2		> SHAFT END WASHER Ø8/Ø12 316L	1
12.3		> STOP COLLAR OF IMPELLER L12,6-Ø12-316L	1
12.4		> STOP-RUSH-1/2-D12xd2-M+316	1
13		HYDRAULIC HELIX V 429 1.4307	1
14	4179245	SHAFT D.12X933,8 1.4462 VP.	1
15	4179246	PUMP HOUSING HELIX V2/4 DN25 PN30 KIT	1
7.3	4176513	> O-RING FOR PUMP JACKET VP.	1
15.1		> MACH+CATA PUMP CASING M+5" DN25 PN25 GJL	1
15.2	4233952	> FLAT GASKET D.73 VP.	1

HELIX V429-3/30/E/KS/400-50 (4175097)

Item	Article no.	Description	Quantity
15.3	4177877	> PRIMING/DRAIN PLUG HELIX PN30 KIT	1
15.3A		>> PRIMING/DRAIN PLUG M+6" 304	1
15.3B	4233957	>> O-RING ID.9 EPDM VP.	1
15.3C		>> O-RING Ø8xØ2 EPDM KTW/WRC	1



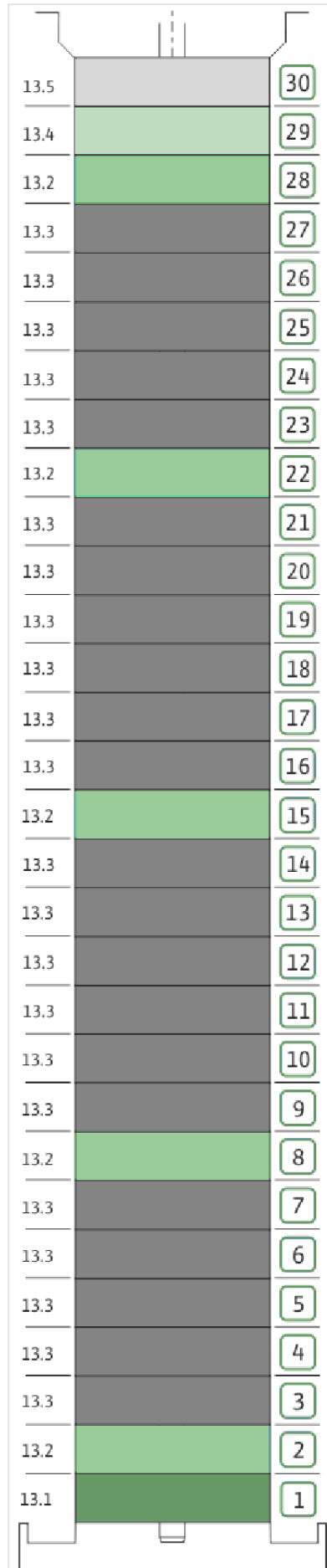
COUPLING D.12XD.28 FT130 KIT (4178626)

Item	Article no.	Description	Quantity
4.1		COUPLING-M+ Ø12XØ28-FT130-MACHINED	1
4.2	2131022	BALL BEARING 6209/ZZ-C3(HT)VP.	1
4.3	4233930	CIRCLIP-FOR-BORES-D45x1,75 VP.	1
4.4	4157726	SCREW KIT M8X30 (4 PIECES)	1
4.5	4234252	CIRCLIPS 85X3 VP.	1
4.6	4234243	O-RING 85X3 VP.	1
		NOMEL CONTACT WASHER 8x16x1,4 STEEL ZC	1

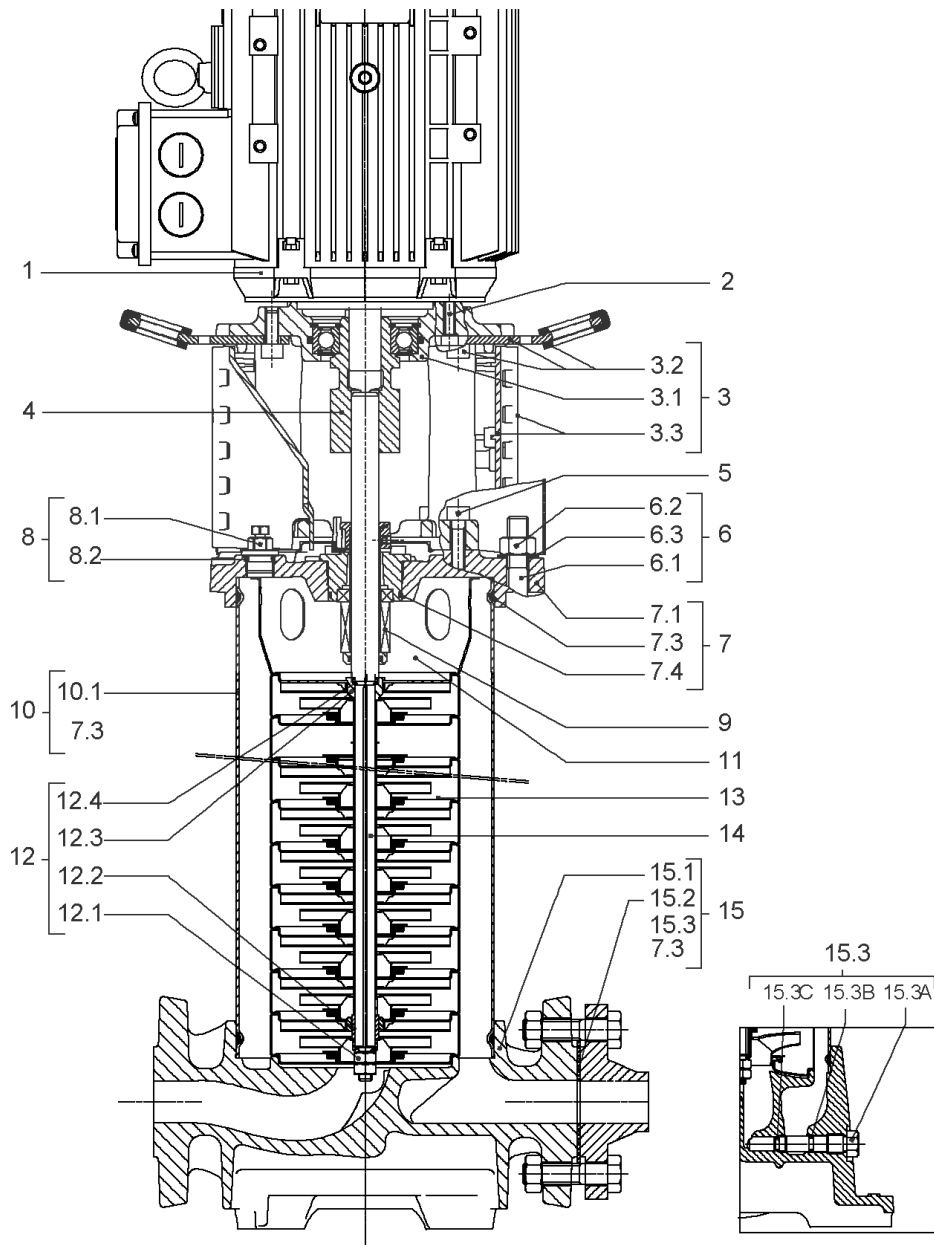


MECH.SEAL+CART. HELIX2-4 T/E KIT (4179241)

Item	Article no.	Description	Quantity
9.1	4179240	SEAL-KIT-HELIX2-4 T/E	1
7.3	4176513	> O-RING FOR PUMP JACKET VP.	1
7.4	2127603	> O-RING ID.37,6x2,4 EPDM VP.	1
9.1A	4177870	> MECH.SEAL HELIX2-4-6-10-16 T/E VP.	1
9.1B	4178558	> O-RING ID.12X2 EPDM VP.	1
9.1C	4178558	> O-RING ID.12X2 EPDM VP.	1
9.2	4179239	SHAFT SLEEVE D.18/12X72.2 1.4404 VP.	1
9.3	4177868	RING-HOLDER MS G9 316 VP.	1
9.4	4176520	SCREW CH M5x5 A4-70 (3PIECES)	1
9.5	4178595	DRIVE RING D.29/15.5x13,2 MACH.VP.	1
9.6	2130964	TOOL M.S.CART.HELIX VP.	1
9.7	2130965	SCREW CHC M5X12 ISO4762 A2.70(4 PIECES)	1



Item	Article no.	Description	Quantity
13.1	4178570	STAGE HELIX 4 1.4301 KIT	1
		> MACH.STG-CASING-WOGV-WNR-M+2-4-304	1
		> IMPELLER-M+4-304	1
13.2	4178569	STAGE BEARING HELIX 4 1.4301 KIT	1
		> MACH.BEARING-STG-CASING-WNR-M+4-304	1
		> IMPELLER-M+4-304	1
		> SHAFT SLEEVE SPACER Ø15,35x10,305-304	1
		> SHAFT-SLEEVE-D12xD16x14-CW	1
13.3	4220514	INTER STAGE HELIX4 1.4301> 15 stages KIT	1
		> MACH.STD-STG-CASING-WGV+NR-M+4-304	1
		> IMPELLER-M+4-304	1
		> IMPELLER SPACER Ø12,1X14,1-L24,25-316L	1
13.4	4220516	EMPTY STAGE HELIX 4 1.4301>15 stage Kit	1
		> MACH.STD-STG-CASING-WGV+NR-M+4-304	1
		> FLAT WASHER-D12.1XD16X0.8-316L	1
		> IMPELLER SPACER Ø12,1X14,1-L24,25-316L	1
13.5	4220513	INTERMED STAGE>15 HELIX 4 1.4301 KIT	1
		> MACH.STG-CASING-WOGV-WNR-M+2-4-304	1
		> IMPELLER-M+4-304	1
		> IMPELLER SPACER Ø12,1X14,1-L24,25-316L	1

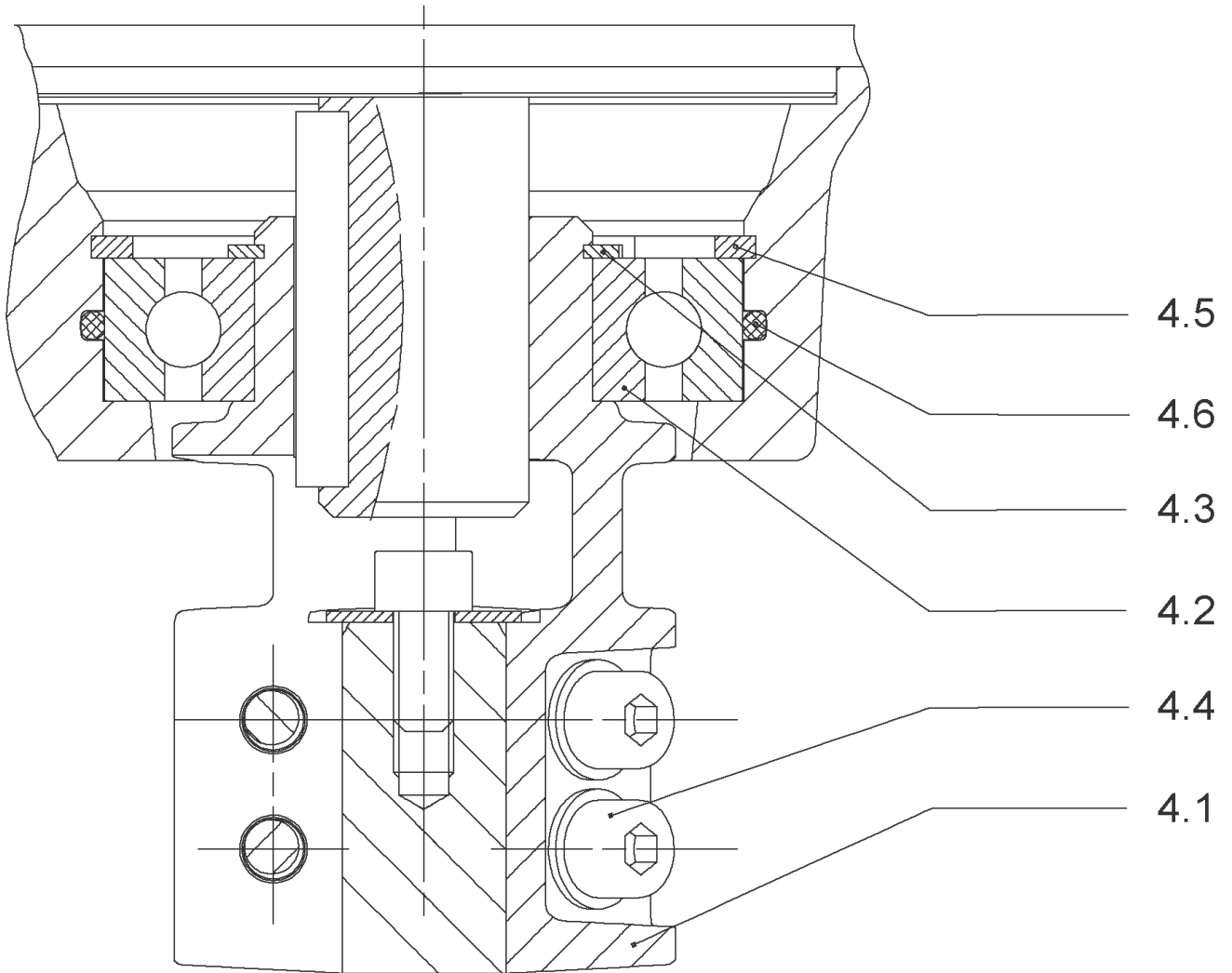


HELIX V431-3/30/E/KS/400-50 (4175098)

Item	Article no.	Description	Quantity
1	4169945	MO.4/2 3~230/400(460)V 50(60)HZ IE3 VP.	1
		SPARE PARTS MOTOR:ON REQUEST	1
2	4206025	SCREW M8X45 (4 PIECES)	1
3	4171326	LANTERN FT130 HELIX KIT	1
3.1		> LANTERN FT130 M+6" GJL MACHINING+CATA	1
3.2	2127604	> EYELET CPL.FT HELIX(2 PIECES)	1
3.3	4159692	> COUPLING PROTECTOR FT HELIX KIT	1
4	4178626	COUPLING D.12XD.28 FT130 KIT	1
5	4159707	SCREW M8X30 (4 PIECES)	1
6	4177859	STUD BOLT M12X863KIT	1
6.1		> TIE BOLT M12-863x18x30-1.4057	1
6.2	2094647	> NUT M12 M12 ISO4032 VP.	1
6.3	2123557	> WASHER CS-12.4-24-1.6-NFE25 (4 PIECES)	1
7	4177867	END SHIELD PN30 HELIX EPDM KIT	1
7.1		> END SHIELD M+ JL VERSION 1 MACHINED+CATA	1
7.3	4176513	> O-RING FOR PUMP JACKET VP.	1
7.4	2127603	> O-RING ID.37,6x2,4 EPDM VP.	1
8	4159686	FILING/PURGING PLUG HELIX EPDM KIT	1
9	4179241	MECH.SEAL+CART. HELIX2-4 T/E KIT	1
10	4179250	HOUSING PIPE D.152X835 1.4301 KIT	1
7.3	4176513	> O-RING FOR PUMP JACKET VP.	1
10.1		> HOUSING-PIPE Ø152-M+231/431-304	1
11	4178566	CENTERING STAGE-RETURN HELIX4 1.4307 VP	1
12	4178567	SHAFT EQUIPMENT HELIX V2/V4 KIT	1
12.1		> NUT-H-M8-STAINLESS-STEEL A4-70	1
12.2		> SHAFT END WASHER Ø8/Ø12 316L	1
12.3		> STOP COLLAR OF IMPELLER L12,6-Ø12-316L	1
12.4		> STOP-RUSH-1/2-D12xd2-M+316	1
13		HYDRAULIC HELIX V 431 1.4307	1
14	4179249	SHAFT D.12X958,8 1.4462 VP.	1
15	4179246	PUMP HOUSING HELIX V2/4 DN25 PN30 KIT	1
7.3	4176513	> O-RING FOR PUMP JACKET VP.	1
15.1		> MACH+CATA PUMP CASING M+5" DN25 PN25 GJL	1
15.2	4233952	> FLAT GASKET D.73 VP.	1

HELIX V431-3/30/E/KS/400-50 (4175098)

Item	Article no.	Description	Quantity
15.3	4177877	> PRIMING/DRAIN PLUG HELIX PN30 KIT	1
15.3A		>> PRIMING/DRAIN PLUG M+6" 304	1
15.3B	4233957	>> O-RING ID.9 EPDM VP.	1
15.3C		>> O-RING Ø8xØ2 EPDM KTW/WRC	1



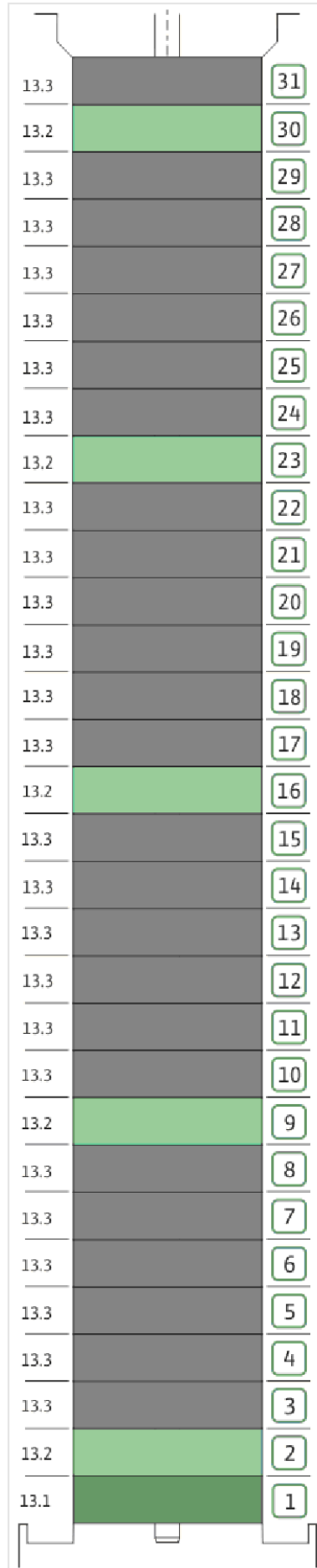
COUPLING D.12XD.28 FT130 KIT (4178626)

Item	Article no.	Description	Quantity
4.1		COUPLING-M+ Ø12XØ28-FT130-MACHINED	1
4.2	2131022	BALL BEARING 6209/ZZ-C3(HT)VP.	1
4.3	4233930	CIRCLIP-FOR-BORES-D45x1,75 VP.	1
4.4	4157726	SCREW KIT M8X30 (4 PIECES)	1
4.5	4234252	CIRCLIPS 85X3 VP.	1
4.6	4234243	O-RING 85X3 VP.	1
		NOMEL CONTACT WASHER 8x16x1,4 STEEL ZC	1



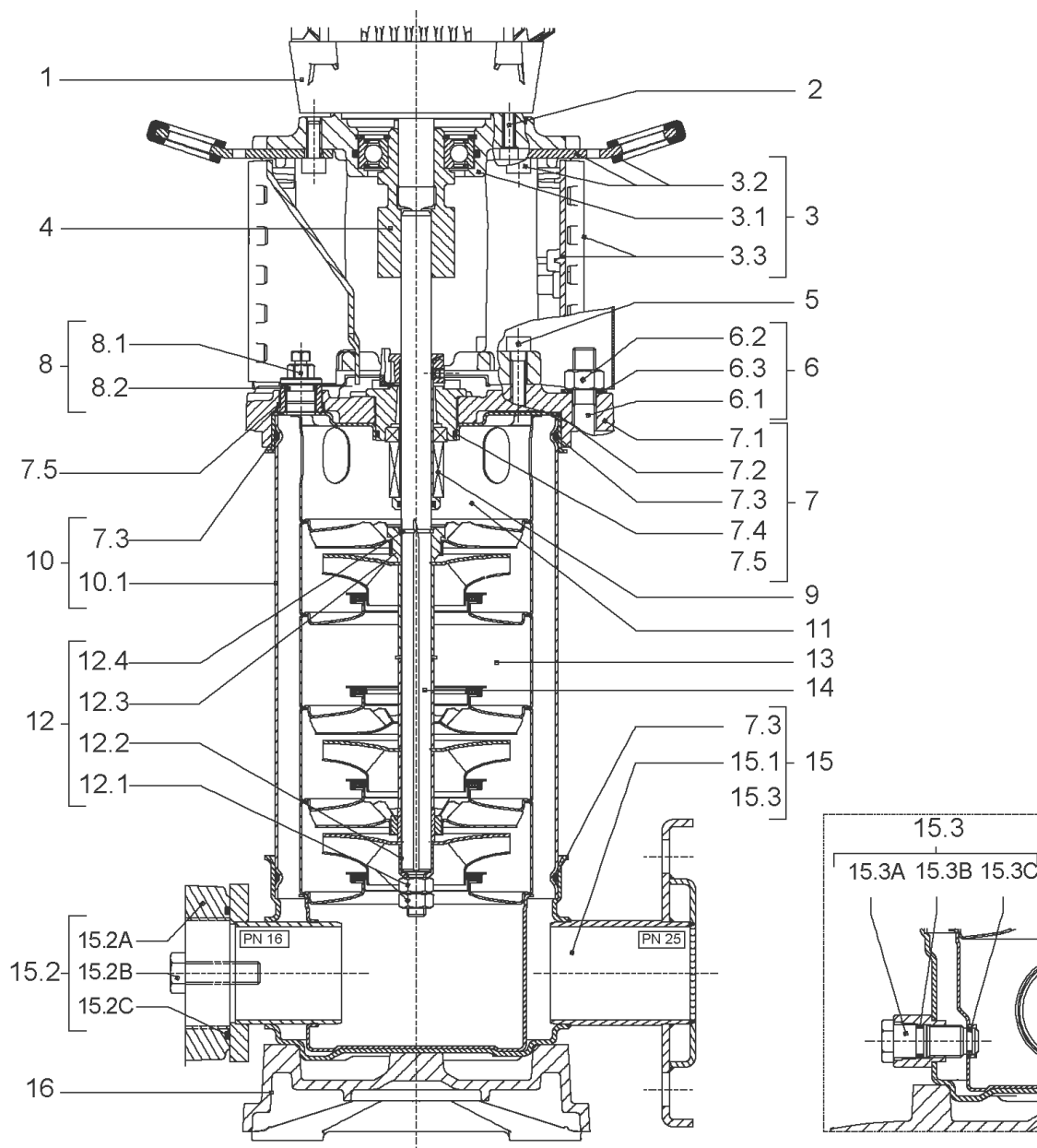
MECH.SEAL+CART. HELIX2-4 T/E KIT (4179241)

Item	Article no.	Description	Quantity
9.1	4179240	SEAL-KIT-HELIX2-4 T/E	1
7.3	4176513	> O-RING FOR PUMP JACKET VP.	1
7.4	2127603	> O-RING ID.37,6x2,4 EPDM VP.	1
9.1A	4177870	> MECH.SEAL HELIX2-4-6-10-16 T/E VP.	1
9.1B	4178558	> O-RING ID.12X2 EPDM VP.	1
9.1C	4178558	> O-RING ID.12X2 EPDM VP.	1
9.2	4179239	SHAFT SLEEVE D.18/12X72.2 1.4404 VP.	1
9.3	4177868	RING-HOLDER MS G9 316 VP.	1
9.4	4176520	SCREW CH M5x5 A4-70 (3PIECES)	1
9.5	4178595	DRIVE RING D.29/15.5x13,2 MACH.VP.	1
9.6	2130964	TOOL M.S.CART.HELIX VP.	1
9.7	2130965	SCREW CHC M5X12 ISO4762 A2.70(4 PIECES)	1



HYDRAULIC HELIX V 431 1.4307

Item	Article no.	Description	Quantity
13.1	4178570	STAGE HELIX 4 1.4301 KIT	1
		> MACH.STG-CASING-WOGV-WNR-M+2-4-304	1
		> IMPELLER-M+4-304	1
13.2	4178569	STAGE BEARING HELIX 4 1.4301 KIT	1
		> MACH.BEARING-STG-CASING-WNR-M+4-304	1
		> IMPELLER-M+4-304	1
		> SHAFT SLEEVE SPACER Ø15,35x10,305-304	1
		> SHAFT-SLEEVE-D12xD16x14-CW	1
13.3	4220514	INTER STAGE HELIX4 1.4301> 15 stages KIT	1
		> MACH.STD-STG-CASING-WGV+NR-M+4-304	1
		> IMPELLER-M+4-304	1
		> IMPELLER SPACER Ø12,1X14,1-L24,25-316L	1



HELIX V422-1/25/E/KS/400-50 (4193310)

Item	Article no.	Description	Quantity
1	4169944	MOTOR 3/2/100 3~230/400V 50HZ IE3 VP.	1
		SPARE PARTS MOTOR:ON REQUEST	1
2	4206025	SCREW M8X45 (4 PIECES)	1
3	4171326	LANTERN FT130 HELIX KIT	1
3.1		> LANTERN FT130 M+6" GJL MACHINING+CATA	1
3.2	2127604	> EYELET CPL.FT HELIX(2 PIECES)	1
3.3	4159692	> COUPLING PROTECTOR FT HELIX KIT	1
4	4178626	COUPLING D.12XD.28 FT130 KIT	1
5	4159707	SCREW M8X30 (4 PIECES)	1
6	4177852	STUD BOLT M12X788KIT	1
6.1		> TIE BOLT M12-788x18x30-1.4057	1
6.2	2094647	> NUT M12 M12 ISO4032 VP.	1
6.3	2123557	> WASHER CS-12.4-24-1.6-NFE25 (4 PIECES)	1
7	4159685	END SHIELD HELIX EPDM KIT	1
7.1		> END SHIELD M+6" GJL250 MACHINING+CATA	1
7.2	2127607	> STATIONARY RING HOLDER 6" HELIX 1.4301 V	1
7.3	4176513	> O-RING FOR PUMP JACKET VP.	1
7.4	2127603	> O-RING ID.37,6x2,4 EPDM VP.	1
7.5	2127602	> O-RING ID.21,35x2 EPDM VP.	1
8	4159686	FILING/PURGING PLUG HELIX EPDM KIT	1
9	4178597	CARTRIDGE HELIX2-4 F/E KIT	1
10	4177853	HOUSING PIPES D.152X660 1.4307 KIT	1
7.3	4176513	> O-RING FOR PUMP JACKET VP.	1
10.1		> HOUSING-PIPE Ø152-M+1016/1610-304	1
11	4178566	CENTERING STAGE-RETURN HELIX4 1.4307 VP	1
12	4178567	SHAFT EQUIPMENT HELIX V2/V4 KIT	1
12.1		> NUT-H-M8-STAINLESS-STEEL A4-70	1
12.2		> SHAFT END WASHER Ø8/Ø12 316L	1
12.3		> STOP COLLAR OF IMPELLER L12,6-Ø12-316L	1
12.4		> STOP-RUSH-1/2-D12xd2-M+316	1
13		HYDRAULIC HELIX V 422 1.4307	1
14	4179234	SHAFT D.12X783,8 1.4301 VP.	1
15	4178593	PUMP HOUSING HELIX DN25 PN25 1.4301 KIT	1
7.3	4176513	> O-RING FOR PUMP JACKET VP.	1

HELIX V422-1/25/E/KS/400-50 (4193310)

Item	Article no.	Description	Quantity
15.1		> BLASTING PPE HOUSING V PN25-DN25-5"-304	1
15.3	4171321	> PRIMING/DRAIN PLUG EPDM HELIX KIT	1
16	4177970	BASEPLATE HELIX V2/4/6 PN25 VP.	1



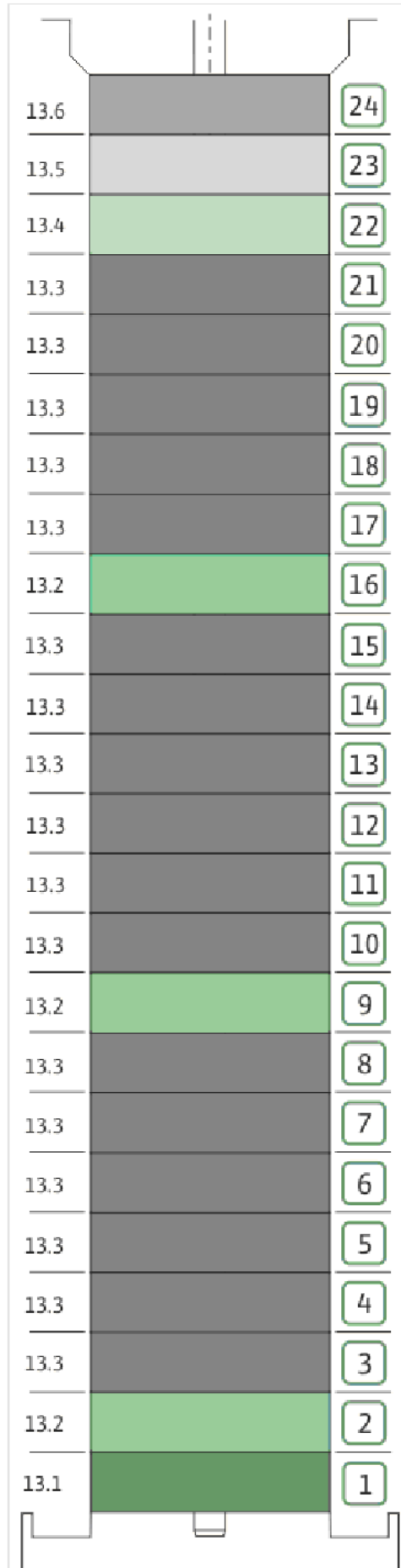
COUPLING D.12XD.28 FT130 KIT (4178626)

Item	Article no.	Description	Quantity
4.1		COUPLING-M+ Ø12XØ28-FT130-MACHINED	1
4.2	2131022	BALL BEARING 6209/ZZ-C3(HT)VP.	1
4.3	4233930	CIRCLIP-FOR-BORES-D45x1,75 VP.	1
4.4	4157726	SCREW KIT M8X30 (4 PIECES)	1
4.5	4234252	CIRCLIPS 85X3 VP.	1
4.6	4234243	O-RING 85X3 VP.	1
		NOMEL CONTACT WASHER 8x16x1,4 STEEL ZC	1

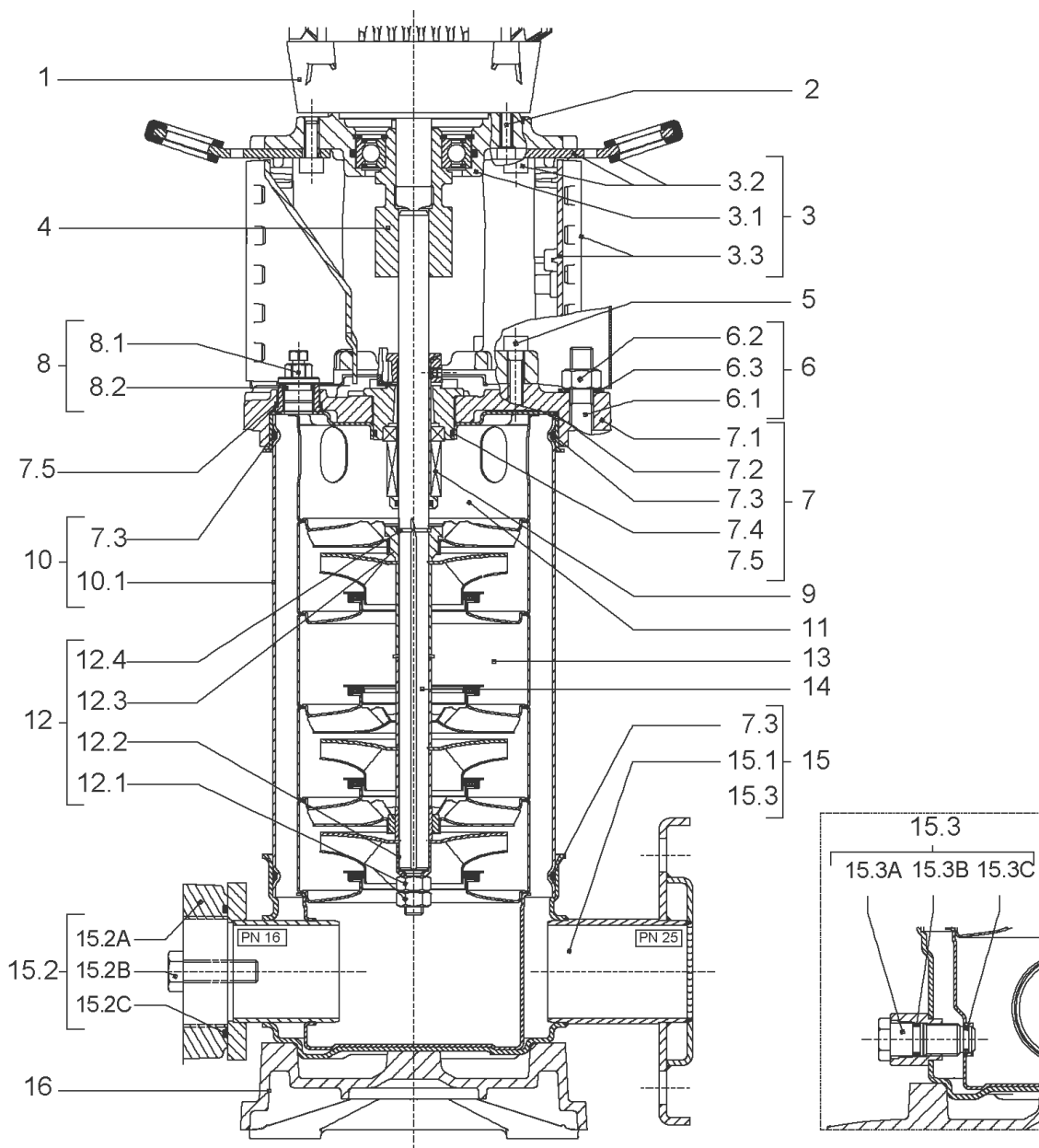


CARTRIDGE HELIX2-4 F/E KIT (4178597)

Item	Article no.	Description	Quantity
9.1	4178594	SEAL-KIT-HELIX2-4 F/E	1
7.3	4176513	> O-RING FOR PUMP JACKET VP.	1
7.4	2127603	> O-RING ID.37,6x2,4 EPDM VP.	1
9.1A	4176521	> MECH.SEAL HELIX2-4-6-10-16 F/E VP.	1
9.1B	4178558	> O-RING ID.12X2 EPDM VP.	1
9.1C	4178558	> O-RING ID.12X2 EPDM VP.	1
9.2	4178596	SHAFT SLEEVE D.18/12X72,2 1.4404 VP.	1
9.3	2130962	RING HOLDER D.18 G606/G6 1.4301 VP.	1
9.4	4176520	SCREW CH M5x5 A4-70 (3PIECES)	1
9.5	4178595	DRIVE RING D.29/15.5x13,2 MACH.VP.	1
9.6	2130964	TOOL M.S.CART.HELIX VP.	1
9.7	2130965	SCREW CHC M5X12 ISO4762 A2.70(4 PIECES)	1



Item	Article no.	Description	Quantity
13.1	4178570	STAGE HELIX 4 1.4301 KIT	1
		> MACH.STG-CASING-WOGV-WNR-M+2-4-304	1
		> IMPELLER-M+4-304	1
13.2	4178569	STAGE BEARING HELIX 4 1.4301 KIT	1
		> MACH.BEARING-STG-CASING-WNR-M+4-304	1
		> IMPELLER-M+4-304	1
		> SHAFT SLEEVE SPACER Ø15,35x10,305-304	1
		> SHAFT-SLEEVE-D12xD16x14-CW	1
13.3	4220514	INTER STAGE HELIX4 1.4301> 15 stages KIT	1
		> MACH.STD-STG-CASING-WGV+NR-M+4-304	1
		> IMPELLER-M+4-304	1
		> IMPELLER SPACER Ø12,1X14,1-L24,25-316L	1
13.4	4179552	EMPTY STAGE HELIX 4 1.4301 KIT	1
		> MACH.BEARING-STG-CASING-WNR-M+4-304	1
		> FLAT WASHER-D12.1XD16X0.8-316L	1
		> SHAFT SLEEVE SPACER Ø15,35x10,305-304	1
		> SHAFT-SLEEVE-D12xD16x14-CW	1
13.5	4179305	EMPTY STAGE HELIX 4 1.4301 KIT	1
		> MACH.STG-CASING-WOGV-WNR-M+2-4-304	1
		> FLAT WASHER-D12.1XD16X0.8-316L	1
		> IMPELLER SPACER Ø12,05X14,85-L24,285-304	1
13.6	4220513	INTERMED STAGE>15 HELIX 4 1.4301 KIT	1
		> MACH.STG-CASING-WOGV-WNR-M+2-4-304	1
		> IMPELLER-M+4-304	1
		> IMPELLER SPACER Ø12,1X14,1-L24,25-316L	1



HELIX V408-1/16/E/KS/400-50 (4193858)

Item	Article no.	Description	Quantity
1	4169941	MOTOR 1,1/2/80 3~230/400V 50HZ IE3 VP.	1
		SPARE PARTS MOTOR:ON REQUEST	1
2	4159702	SCREW M6X30 (4 PIECES)	1
3	4172788	LANTERN FT100 HELIX KIT	1
3.1		> LANTERN FT100 M+6" GJL MACHINING+CATA	1
3.2	2127604	> EYELET CPL.FT HELIX(2 PIECES)	1
3.3	4159692	> COUPLING PROTECTOR FT HELIX KIT	1
4	4178578	COUPLING D.12XD.19 FT100 KIT	1
5	4159707	SCREW M8X30 (4 PIECES)	1
6	2018365	STUD BOLT M12X392 KIT	1
7	4159685	END SHIELD HELIX EPDM KIT	1
7.1		> END SHIELD M+6" GJL250 MACHINING+CATA	1
7.2	2127607	> STATIONARY RING HOLDER 6" HELIX 1.4301 V	1
7.3	4176513	> O-RING FOR PUMP JACKET VP.	1
7.4	2127603	> O-RING ID.37,6x2,4 EPDM VP.	1
7.5	2127602	> O-RING ID.21,35x2 EPDM VP.	1
8	4159686	FILING/PURGING PLUG HELIX EPDM KIT	1
9	4178559	KART.HELIX2-4 O/E SET	1
10	2127576	HOUSING PIPE D.152x260 1.4301 KIT	1
11	4178566	CENTERING STAGE-RETURN HELIX4 1.4307 VP	1
12	4178567	SHAFT EQUIPMENT HELIX V2/V4 KIT	1
12.1		> NUT-H-M8-STAINLESS-STEEL A4-70	1
12.2		> SHAFT END WASHER Ø8/Ø12 316L	1
12.3		> STOP COLLAR OF IMPELLER L12,6-Ø12-316L	1
12.4		> STOP-RUSH-1/2-D12xd2-M+316	1
13		HYDRAULIC HELIX V 408 1.4307	1
14	4178592	SHAFT D.12X383 1.4301 VP.	1
15	4174079	PUMP HOUSING HELIX DN32 PN16 1.4301 KIT	1
7.3	4176513	> O-RING FOR PUMP JACKET VP.	1
15.1		> BLASTING PPE HOUSING V-PN16-DN32-5"-304	1
15.2	4217889	> COUNTER FLANGE-G1"-PN16-GJL KIT	1
15.3	4171321	> PRIMING/DRAIN PLUG EPDM HELIX KIT	1
16	4177964	BASEPLATE HELIX V2/4/6 PN16 VP.	1



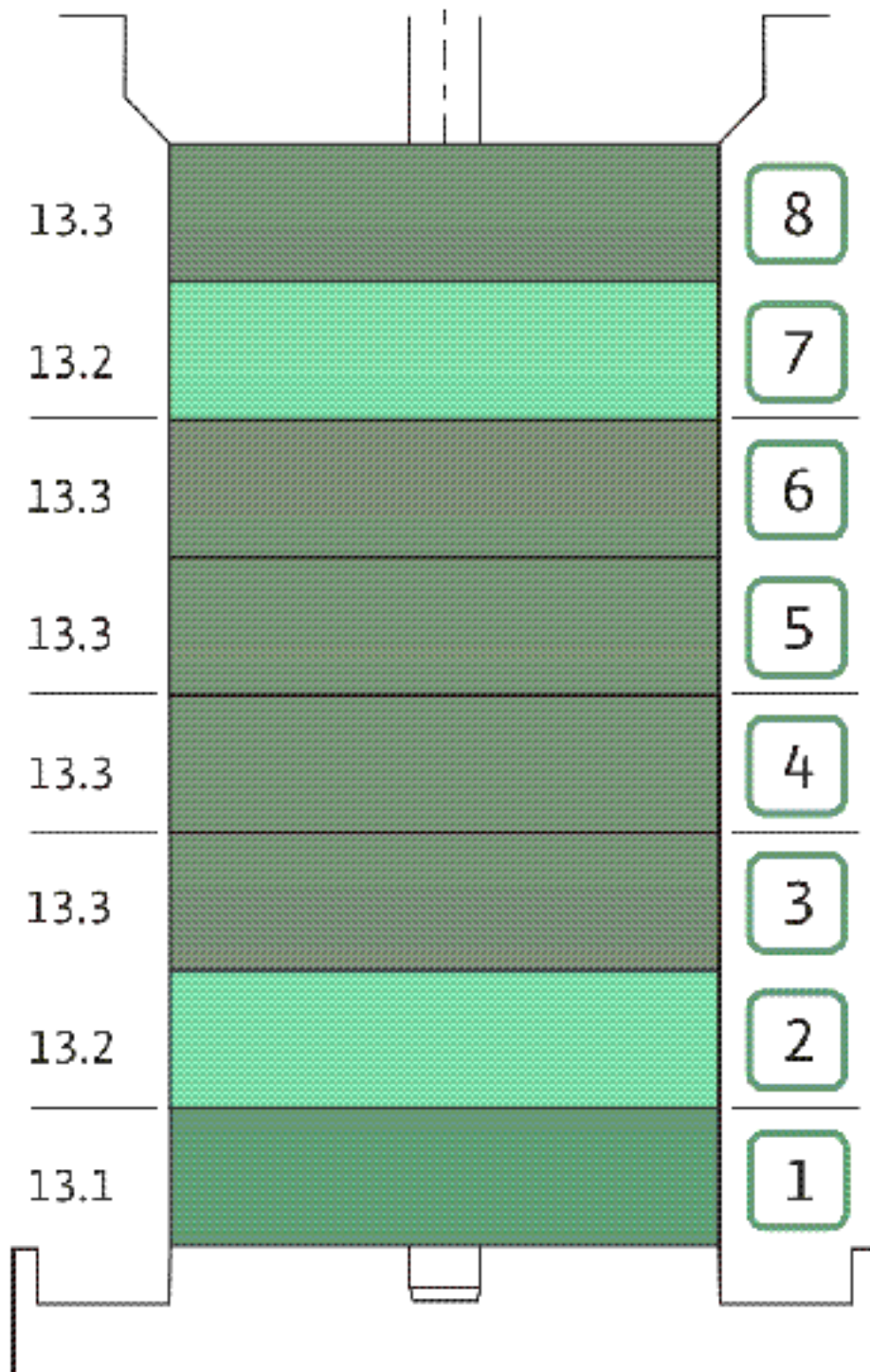
COUPLING D.12XD.19 FT100 KIT (4178578)

Item	Article no.	Description	Quantity
4.1		COUPLING-M+ Ø12XØ19-FT100-MACHINED	1
4.3	4234249	CIRCLIP-FOR-SHAFT-D30x1.5 VP.	1
4.2	2130977	BALL BEARING 6206/ZZ-C3(HT)VP.	1
4.4	4212716	SCREW M6X20 KIT (4PIECES)	1
4.5	4234250	CIRCLIP-D62x2 VP.	1
4.6	4234245	O-RING 63X3 VP.	1
		CONTACT-WASHER-6ETR-6,1x12,2x1,8-STEEL	4



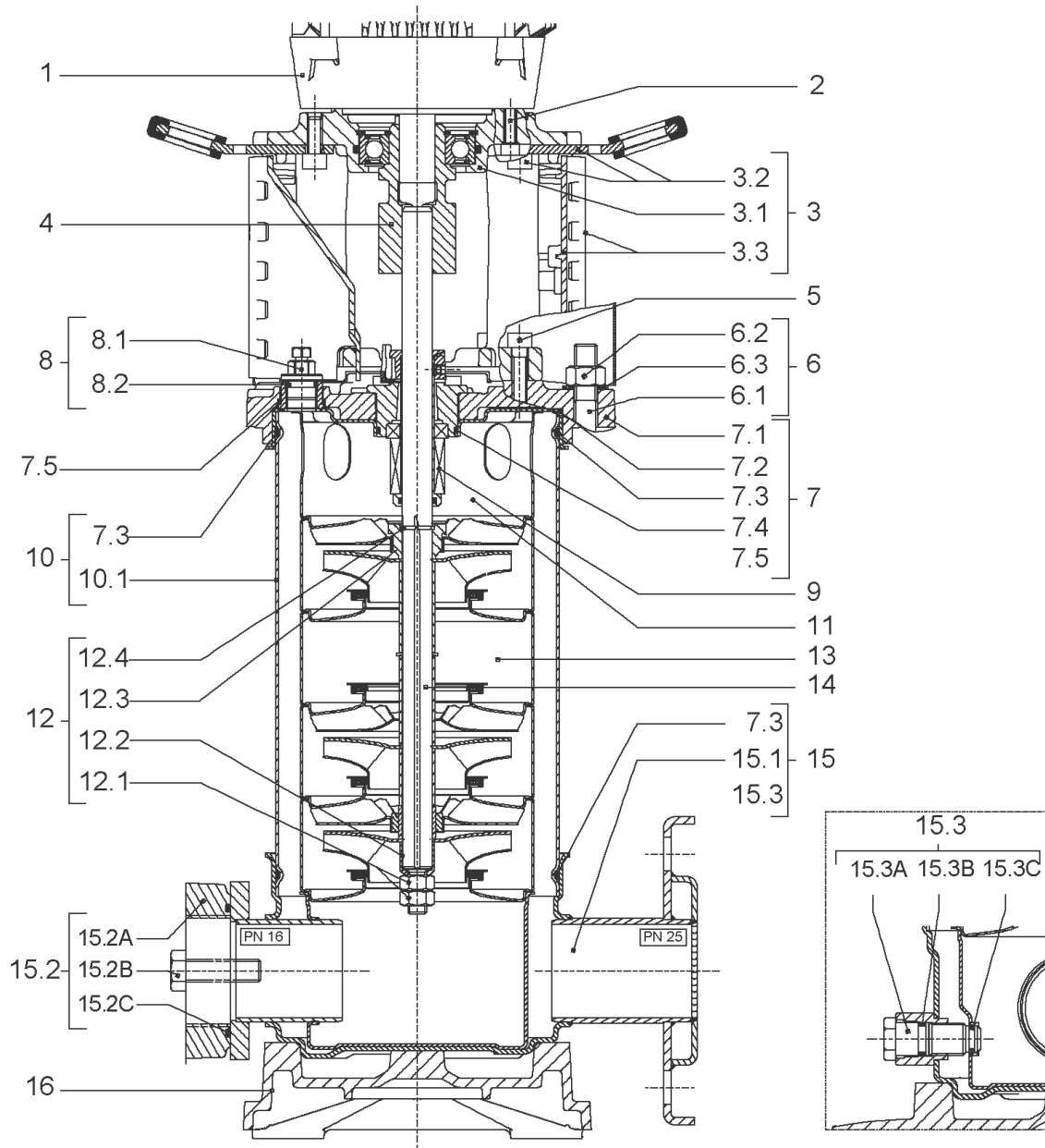
KART.HELIX2-4 O/E SET (4178559)

Item	Article no.	Description	Quantity
9.1	4178560	SEAL-KIT-HELIX2-4 O/E	1
7.3	4176513	> O-RING FOR PUMP JACKET VP.	1
7.4	2127603	> O-RING ID.37,6x2,4 EPDM VP.	1
9.1A	2130966	> MECH.SEAL HELIX2-4-6-10-16 O/E VP.	1
9.1B	4178558	> O-RING ID.12X2 EPDM VP.	1
9.1C	4178558	> O-RING ID.12X2 EPDM VP.	1
9.2	4178557	SHAFT SLEEVE Ø12XØ18-PN16 1.4404 VP.	1
9.3	2130962	RING HOLDER D.18 G606/G6 1.4301 VP.	1
9.4	4176520	SCREW CH M5x5 A4-70 (3PIECES)	1
9.5	4178556	DRIVE RING D.29/15.5x13,2 MACH.VP.	1
9.6	2130964	TOOL M.S.CART.HELIX VP.	1
9.7	2130965	SCREW CHC M5X12 ISO4762 A2.70(4 PIECES)	1



HYDRAULIC HELIX V 408 1.4307

Item	Article no.	Description	Quantity
13.1	4178570	STAGE HELIX 4 1.4301 KIT	1
		> MACH.STG-CASING-WOGV-WNR-M+2-4-304	1
		> IMPELLER-M+4-304	1
13.2	4178569	STAGE BEARING HELIX 4 1.4301 KIT	1
		> MACH.BEARING-STG-CASING-WNR-M+4-304	1
		> IMPELLER-M+4-304	1
		> SHAFT SLEEVE SPACER Ø15,35x10,305-304	1
		> SHAFT-SLEEVE-D12xD16x14-CW	1
13.3	4178574	INTER STAGE HELIX4 1.4301< 15 stages KIT	1
		> MACH.STD-STG-CASING-WGV+NR-M+4-304	1
		> IMPELLER-M+4-304	1
		> IMPELLER SPACER Ø12,05X14,85-L24,285-304	1

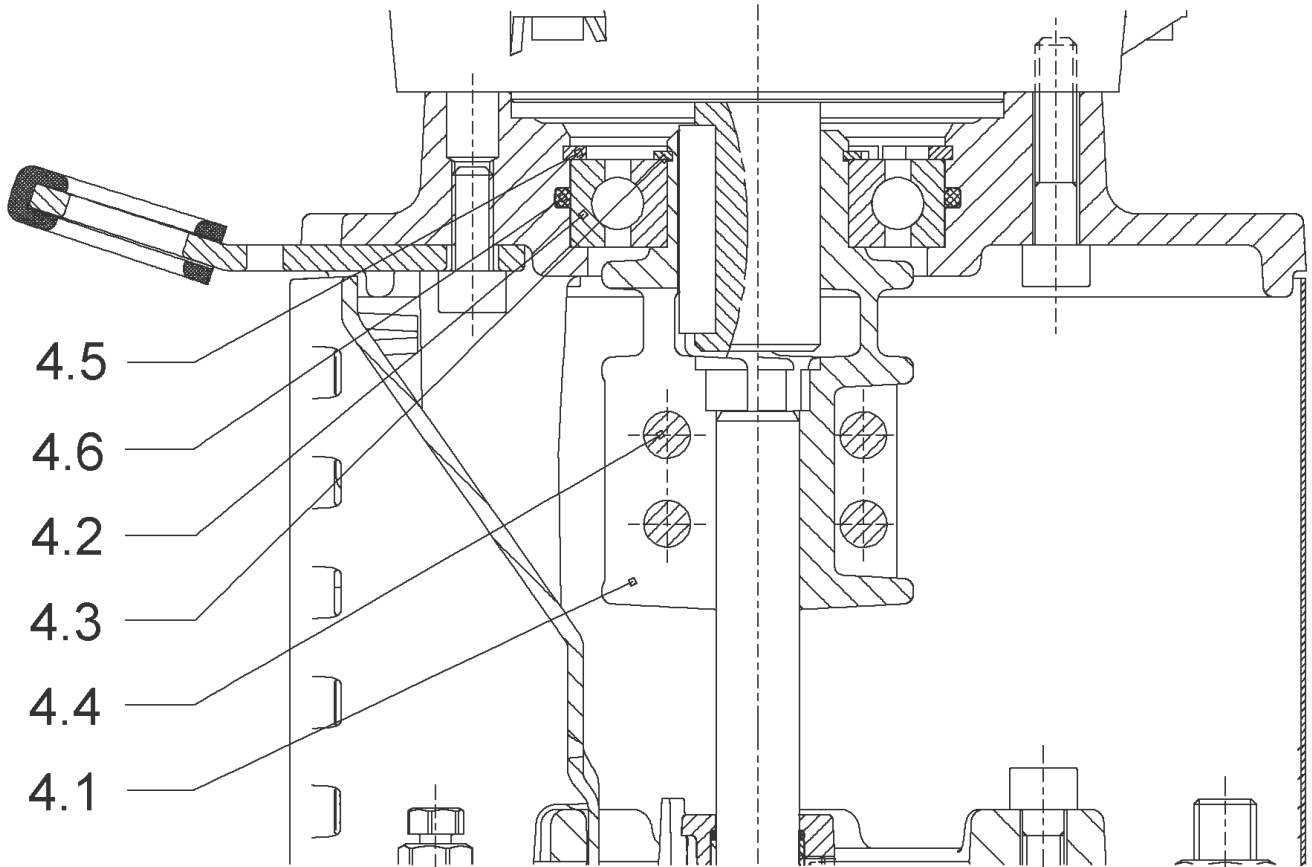


HELIX V403-2/25/V/KS/400-50 (4193998)

Item	Article no.	Description	Quantity
1	4169946	MOTOR 0,37/2/71 3~230/400V 50HZ IE2 VP.	1
		SPARE PARTS MOTOR:ON REQUEST	1
2	4159702	SCREW M6X30 (4 PIECES)	1
3	4171323	LANTERN FT85 HELIX KIT	1
3.1		> LANTERN FT85 M+6" GJL MACHINING+CATA	1
3.2	2127604	> EYELET CPL.FT HELIX(2 PIECES)	1
3.3	4159692	> COUPLING PROTECTOR FT HELIX KIT	1
4	4178554	COUPLING FT 85 Ø12XØ14 KIT	1
5	4159707	SCREW M8X30 (4 PIECES)	1
6	4177803	STUD BOLT M12X263 KIT	1
6.1		> TIE BOLT M12-263x18x30-1.4057	1
6.2	2094647	> NUT M12 M12 ISO4032 VP.	1
6.3	2123557	> WASHER CS-12.4-24-1.6-NFE25 (4 PIECES)	1
7	4159783	END SHIELD HELIX FKM 1.4404 KIT	1
7.1		> END SHIELD M+6" GJL250 MACHINING+CATA	1
7.2	2131056	> STATIONARY RING HOLDER 6" HELIX 1.4404 V	1
7.3	4234237	> O-RING 139X3 VITON VP.	1
7.4	2131026	> O-RING ID.37,6X2,4 FKM VP.	1
7.5	2131057	> O-RING ID.21,35X2 FKM VP.	1
8	4159784	FILING/PURGING PLUG HELIX FKM KIT	1
9	4178620	CARTRIDGE HELIX2-4 F/V KIT	1
10	4177890	HOUSING PIPES D.152X134 1.4404 KIT	1
7.3	4234237	> O-RING 139X3 VITON VP.	1
10.1		> HOUSING-PIPE Ø152-M+1001/02-316L	1
11	4179252	CENTERING STAGE HELIX V4 31.4404 VP.	1
12	4178567	SHAFT EQUIPMENT HELIX V2/V4 KIT	1
12.1		> NUT-H-M8-STAINLESS-STEEL A4-70	1
12.2		> SHAFT END WASHER Ø8/Ø12 316L	1
12.3		> STOP COLLAR OF IMPELLER L12,6-Ø12-316L	1
12.4		> STOP-RUSH-1/2-D12xd2-M+316	1
13		HYDRAULIC HELIX V 403	1
14	4179260	SHAFT D.12X258 1.4404 VP.	1
15	4179257	PUMP HOUSING HELIX DN25 PN25 1.4409 KIT	1
7.3	4177887	> O-RING ID.145,65X3,53 VITON VP.	1

HELIX V403-2/25/V/KS/400-50 (4193998)

Item	Article no.	Description	Quantity
15.1		> BLASTING PPE HOUSING V PN25-DN25-5"-316L	1
15.3	4159781	> PRIMING/DRAIN PLUG HELIX 16 FKM KIT	1
16	4177970	BASEPLATE HELIX V2/4/6 PN25 VP.	1



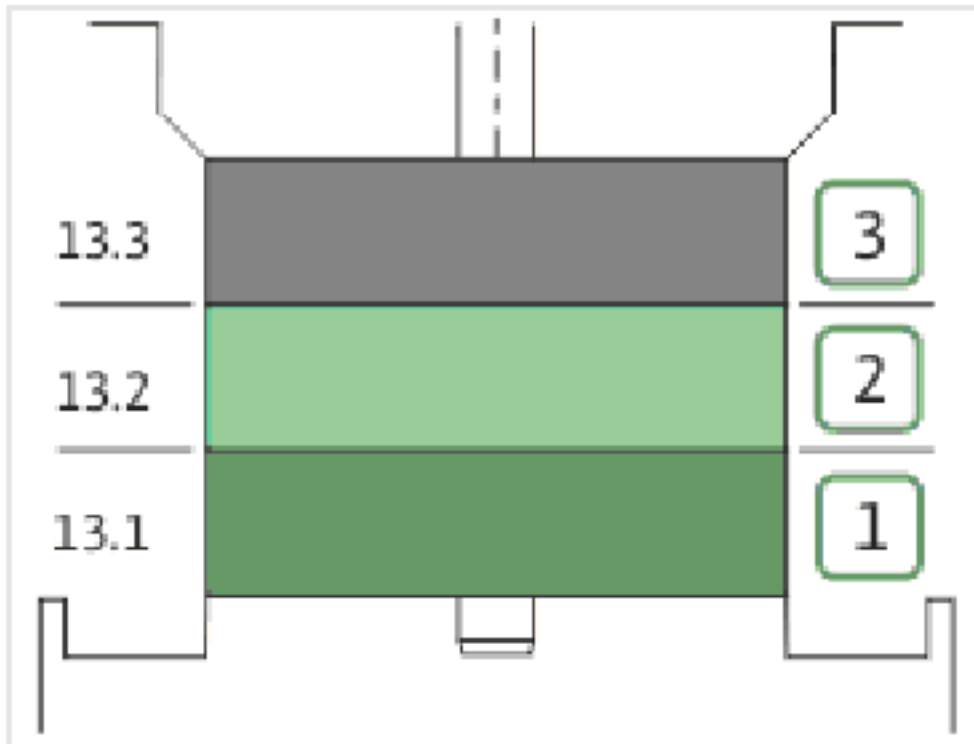
COUPLING FT 85 Ø12XØ14 KIT (4178554)

Item	Article no.	Description	Quantity
4.1		COUPLING-M+ Ø12XØ14-FT85-MACHINED	1
4.3	4208923	CIRCLIP D25X1.2 VP.	1
4.2	4177802	BALL BEARING 6205C3-ZZ HTVP.	1
4.4	4212716	SCREW M6X20 KIT (4PIECES)	1
4.5	4233124	CIRCLIP-FOR-BORES-D52x2 VP.	1
4.6	4234244	O-RING 52X2 VP.	1
		CONTACT-WASHER-6ETR-6,1x12,2x1,8-STEEL	4

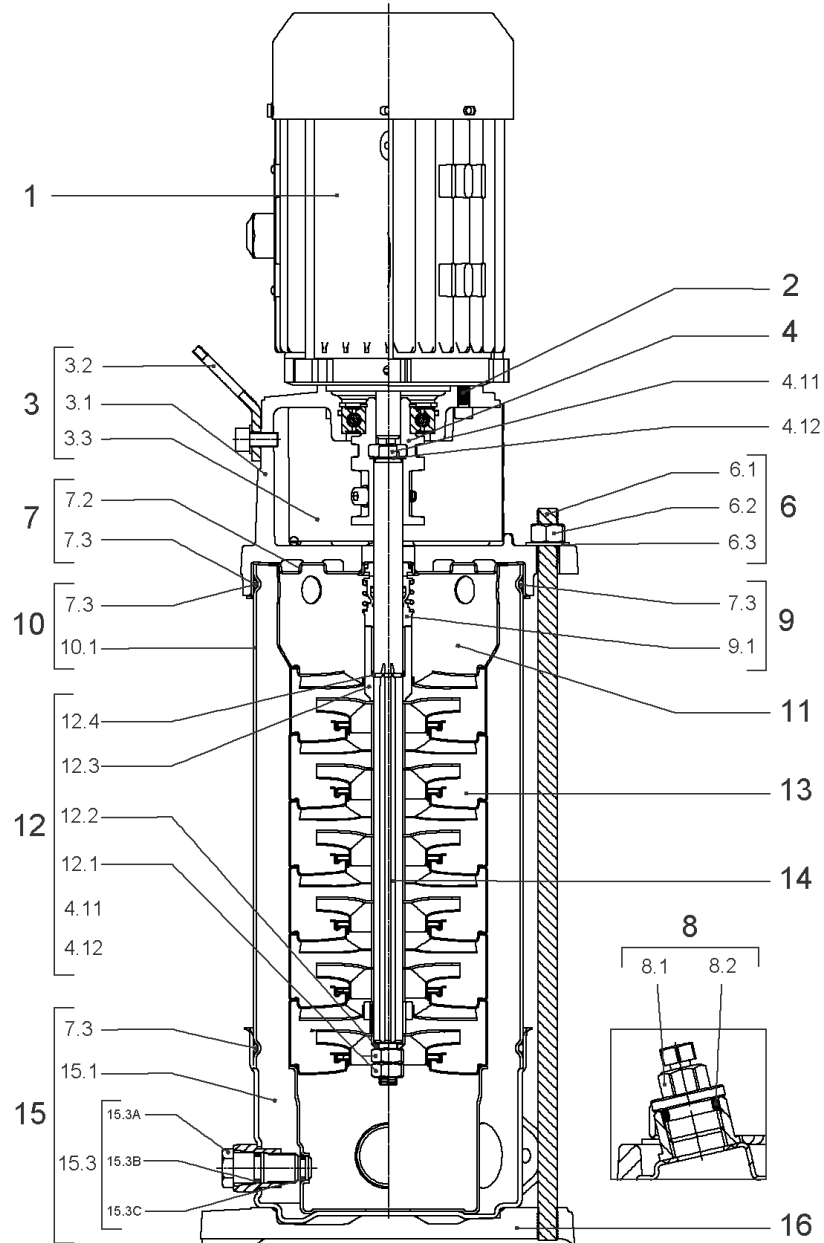


CARTRIDGE HELIX2-4 F/V KIT (4178620)

Item	Article no.	Description	Quantity
9.1	4178619	SEAL-KIT-HELIX2-4 F/V	1
7.3	4177887	> O-RING ID.145,65X3,53 VITON VP.	1
7.4	4177888	> O-RING ID.37.6xØ2.4 VITON VP.	1
9.1A	2131025	> MECH.SEAL HELIX2-4-6-10-16 F/V VP.	1
9.1B	4178618	> O-RING ID.12x2 VITON VP.	1
9.1C	4178618	> O-RING ID.12x2 VITON VP.	1
9.2	4178557	SHAFT SLEEVE Ø12XØ18-PN16 1.4404 VP.	1
9.3	2131024	RING HOLDER D.18 G606/G6 1.4404 VP.	1
9.4	4176520	SCREW CH M5x5 A4-70 (3PIECES)	1
9.5	4178595	DRIVE RING D.29/15.5x13,2 MACH.VP.	1
9.6	2130964	TOOL M.S.CART.HELIX VP.	1
9.7	2130965	SCREW CHC M5X12 ISO4762 A2.70(4 PIECES)	1



Item	Article no.	Description	Quantity
13.1	4179253	STAGE HELIX 4 1.4404 KIT	1
		> MACH.STG-CASING-WOGV-WNR-M+2-4-316	1
		> IMPELLER-M+4-316	1
13.2	4179254	STAGE BEARING HELIX 4 1.4404 KIT	1
		> MACH.BEARING-STG-CASING-WNR-M+4-316	1
		> IMPELLER-M+4-316	1
		> SHAFT SLEEVE SPACER Ø15,35x10,305-316	1
		> SHAFT-SLEEVE-D12xD16x14-CW	1
13.3	4179258	INTERMED STAGE < 15 HELIX 4 1.4404 KIT	1
		> MACH.STD-STG-CASING-WGV+NR-M+4-316	1
		> IMPELLER-M+4-316	1
		> IMPELLER SPACER Ø12,05X14,85-L24,305-316	1



HELIX V402-1/16/E/S/400-50 (4201364)

Item	Article no.	Description	Quantity
1	4169946	MOTOR 0,37/2/71 3~230/400V 50HZ IE2 VP.	1
		SPARE PARTS MOTOR:ON REQUEST	1
2	4212716	SCREW M6X20 KIT (4PIECES)	1
3	4213715	LANTERN FT85 HELIX KIT	1
3.1		> LANT-MOT-VMI-ReDTC6"-FT85-MACHINED+CATA	1
3.2	4184852	> EYELET CPL.FT HELIX (2 PIECES)	1
3.3	4213713	> COUPLING PROTECTOR FT85/100 HELIX KIT	1
4	4212718	COUPLING HELIX D12 FT85 KIT	1
6	2018359	STUD BOLT M12X245 KIT	1
6.1		> TIE BOLT M12-245x18x30-1.4057	1
6.2	2094647	> NUT M12 M12 ISO4032 VP.	1
6.3	2123557	> WASHER CS-12.4-24-1.6-NFE25 (4 PIECES)	1
7	4212722	STATIONARY RING HOLDER HELIX D23 ReDTC	1
7.2	4212720	> STATIONARY RING HOLDER HELIX D23 VP.	1
7.3	4176513	> O-RING FOR PUMP JACKET VP.	1
8	4212724	FILING/PURGING PLUG HELIX ReDTC KIT	1
8.1		> FILLING PLUG MVI6"-304	1
8.2	4177800	> O-RING EPDM PLUG HELIX VP.	1
9	4212726	MECH.SEAL HELIX V2/4 O/E ReDTC KIT	1
9.1	4178563	> M.SEAL.HELIX2-4 O/E VP.	1
7.3	4176513	> O-RING FOR PUMP JACKET VP.	1
10	4178565	HOUSING PIPES D.152X109 1.4301 KIT	1
7.3	4176513	> O-RING FOR PUMP JACKET VP.	1
10.1		> HOUSING-PIPE Ø152-M+202/402-304	1
11	4178566	CENTERING STAGE-RETURN HELIX4 1.4307 VP	1
12	4212729	SHAFT EQUIPMENT HELIX V2/4 ReDTC KIT	1
12.1		> NUT-H-M8-STAINLESS-STEEL A4-70	1
12.2		> SHAFT END WASHER Ø8/Ø12 316L	1
12.3		> 1/2-SNAP-RING-2/4M3-316L	1
12.4		> STOP-RUSH-1/2-D12xd2-M+316	1
4.11		> SCREW CHC-M6X14-8.8-ISO4762-GEOMET500A	1
4.12		> WASHER D.24 L6U ZINK	1
13		HYDRAULIC HELIX V 402 1.4307	1
14	4213693	SHAFT D.12X182 HELIX 1.4057 VP.	1

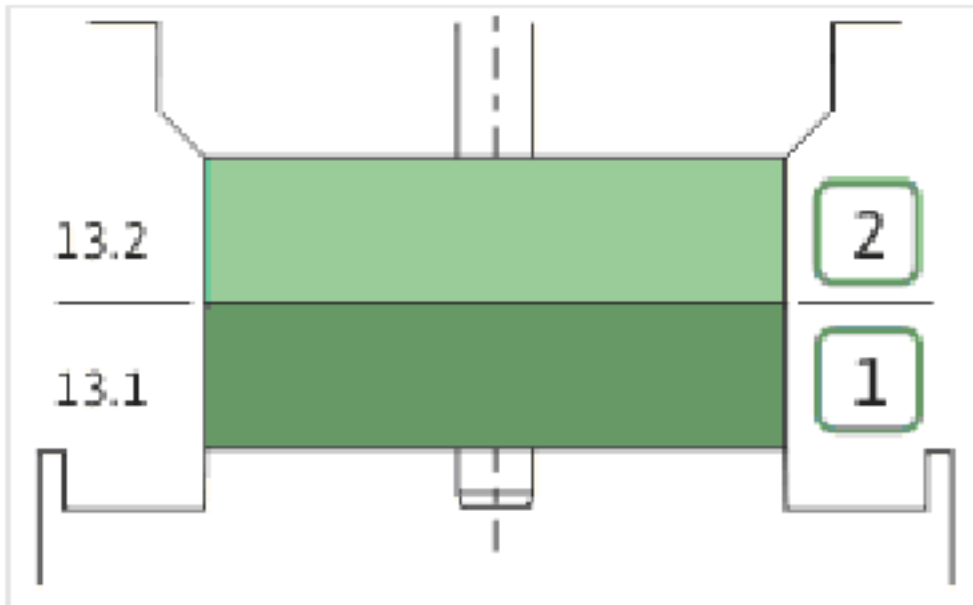
HELIX V402-1/16/E/S/400-50 (4201364)

Item	Article no.	Description	Quantity
15	4174079	PUMP HOUSING HELIX DN32 PN16 1.4301 KIT	1
7.3	4176513	> O-RING FOR PUMP JACKET VP.	1
15.1		> BLASTING PPE HOUSING V-PN16-DN32-5"-304	1
15.2	4217889	> COUNTER FLANGE-G1"-PN16-GJL KIT	1
15.3	4171321	> PRIMING/DRAIN PLUG EPDM HELIX KIT	1
16	4177964	BASEPLATE HELIX V2/4/6 PN16 VP.	1



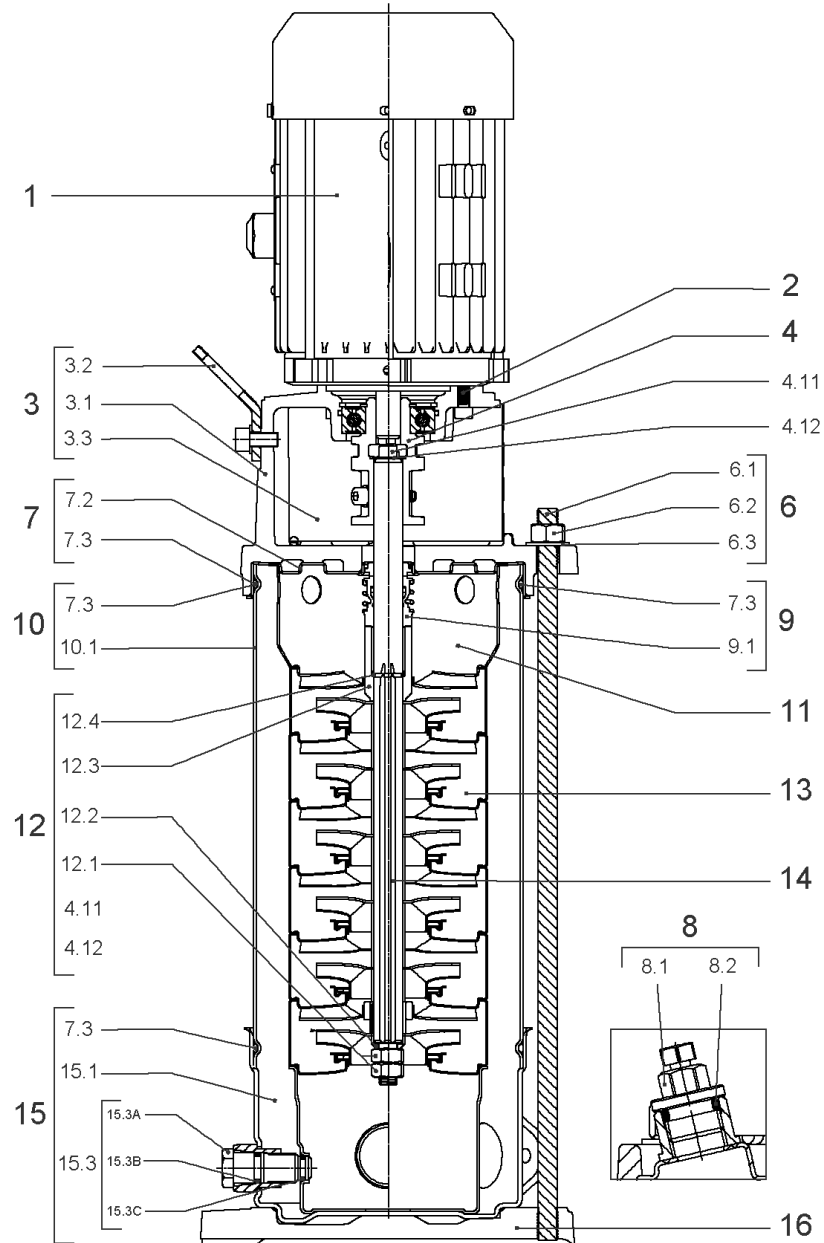
COUPLING HELIX D12 FT85 KIT (4212718)

Item	Article no.	Description	Quantity
4.1		COUPLING-VMI-Ø12xØ14-FT85-USINE	1
4.2	4177802	BALL BEARING 6205C3-ZZ HTVP.	1
4.3	4208923	CIRCLIP D25X1.2 VP.	1
4.4	4212716	SCREW M6X20 KIT (4PIECES)	1
4.5	4233124	CIRCLIP-FOR-BORES-D52x2 VP.	1
4.6	4234244	O-RING 52X2 VP.	1
		CONTACT-WASHER-6ETR-6,1x12,2x1,8-STEEL	1



HYDRAULIC HELIX V 402 1.4307

Item	Article no.	Description	Quantity
13.1	4178570	STAGE HELIX 4 1.4301 KIT	1
		> MACH.STG-CASING-WOGV-WNR-M+2-4-304	1
		> IMPELLER-M+4-304	1
13.2	4178569	STAGE BEARING HELIX 4 1.4301 KIT	1
		> MACH.BEARING-STG-CASING-WNR-M+4-304	1
		> IMPELLER-M+4-304	1
		> SHAFT SLEEVE SPACER Ø15,35x10,305-304	1
		> SHAFT-SLEEVE-D12xD16x14-CW	1



HELIX V403-1/16/E/S/400-50 (4201366)

Item	Article no.	Description	Quantity
1	4169946	MOTOR 0,37/2/71 3~230/400V 50HZ IE2 VP.	1
		SPARE PARTS MOTOR:ON REQUEST	1
2	4212716	SCREW M6X20 KIT (4PIECES)	1
3	4213715	LANTERN FT85 HELIX KIT	1
3.1		> LANT-MOT-VMI-ReDTC6"-FT85-MACHINED+CATA	1
3.2	4184852	> EYELET CPL.FT HELIX (2 PIECES)	1
3.3	4213713	> COUPLING PROTECTOR FT85/100 HELIX KIT	1
4	4212718	COUPLING HELIX D12 FT85 KIT	1
6	4177803	STUD BOLT M12X263 KIT	1
6.1		> TIE BOLT M12-263x18x30-1.4057	1
6.2	2094647	> NUT M12 M12 ISO4032 VP.	1
6.3	2123557	> WASHER CS-12.4-24-1.6-NFE25 (4 PIECES)	1
7	4212722	STATIONARY RING HOLDER HELIX D23 ReDTC	1
7.2	4212720	> STATIONARY RING HOLDER HELIX D23 VP.	1
7.3	4176513	> O-RING FOR PUMP JACKET VP.	1
8	4212724	FILING/PURGING PLUG HELIX ReDTC KIT	1
8.1		> FILLING PLUG MVI6"-304	1
8.2	4177800	> O-RING EPDM PLUG HELIX VP.	1
9	4212726	MECH.SEAL HELIX V2/4 O/E ReDTC KIT	1
9.1	4178563	> M.SEAL.HELIX2-4 O/E VP.	1
7.3	4176513	> O-RING FOR PUMP JACKET VP.	1
10	4177804	HOUSING PIPES D.152X134 1.4301 KIT	1
7.3	4176513	> O-RING FOR PUMP JACKET VP.	1
10.1		> HOUSING-PIPE Ø152-M+1001/02-304	1
11	4178566	CENTERING STAGE-RETURN HELIX4 1.4307 VP	1
12	4212729	SHAFT EQUIPMENT HELIX V2/4 ReDTC KIT	1
12.1		> NUT-H-M8-STAINLESS-STEEL A4-70	1
12.2		> SHAFT END WASHER Ø8/Ø12 316L	1
12.3		> 1/2-SNAP-RING-2/4M3-316L	1
12.4		> STOP-RUSH-1/2-D12xd2-M+316	1
4.11		> SCREW CHC-M6X14-8.8-ISO4762-GEOMET500A	1
4.12		> WASHER D.24 L6U ZINK	1
13		HYDRAULIC HELIX V 403 1.4307	1
15	4174079	PUMP HOUSING HELIX DN32 PN16 1.4301 KIT	1

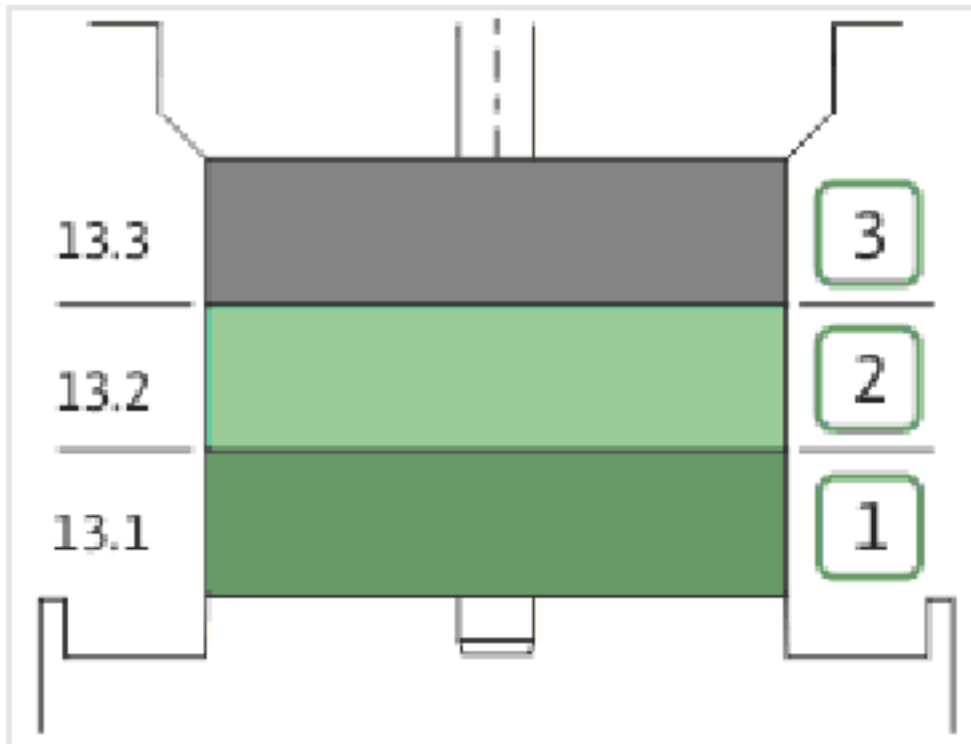
HELIX V403-1/16/E/S/400-50 (4201366)

Item	Article no.	Description	Quantity
7.3	4176513	> O-RING FOR PUMP JACKET VP.	1
15.1		> BLASTING PPE HOUSING V-PN16-DN32-5"-304	1
15.2	4217889	> COUNTER FLANGE-G1"-PN16-GJL KIT	1
15.3	4171321	> PRIMING/DRAIN PLUG EPDM HELIX KIT	1
16	4177964	BASEPLATE HELIX V2/4/6 PN16 VP.	1



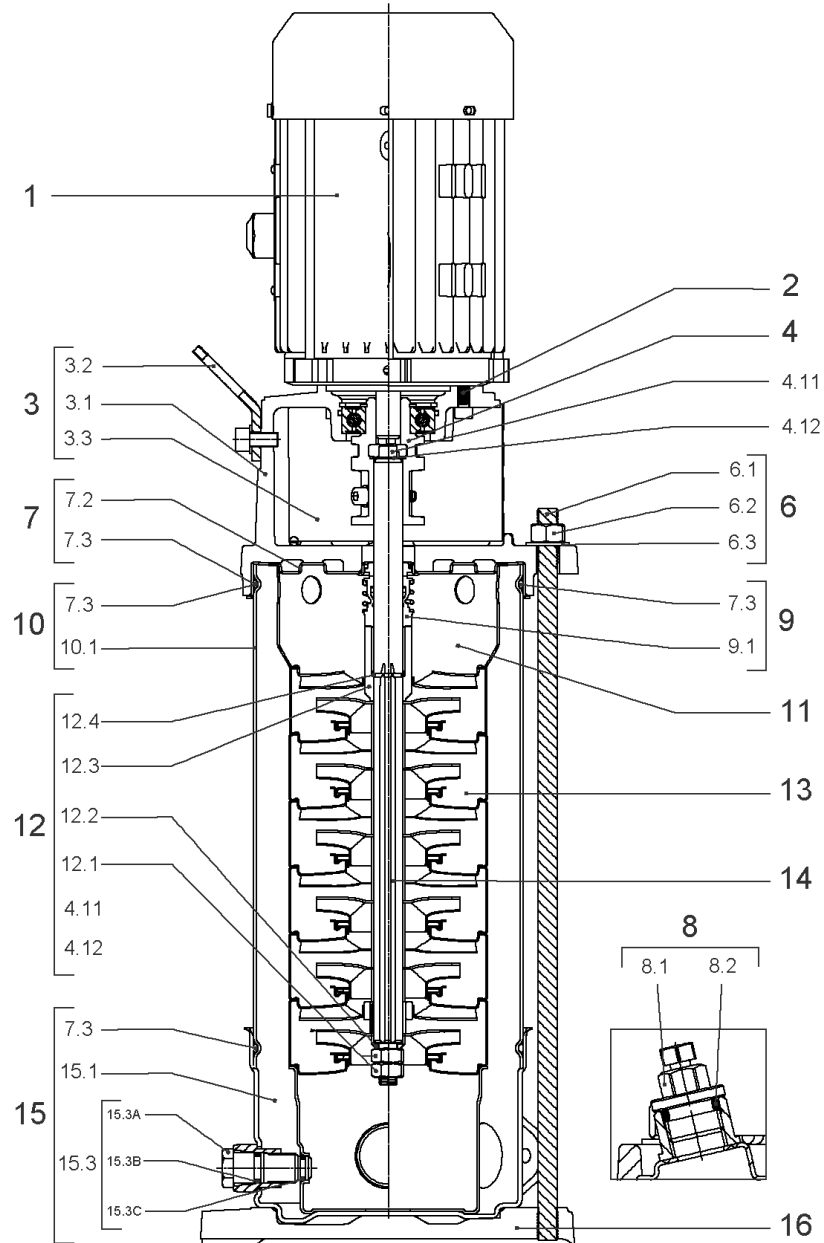
COUPLING HELIX D12 FT85 KIT (4212718)

Item	Article no.	Description	Quantity
4.1		COUPLING-VMI-Ø12xØ14-FT85-USINE	1
4.2	4177802	BALL BEARING 6205C3-ZZ HTVP.	1
4.3	4208923	CIRCLIP D25X1.2 VP.	1
4.4	4212716	SCREW M6X20 KIT (4PIECES)	1
4.5	4233124	CIRCLIP-FOR-BORES-D52x2 VP.	1
4.6	4234244	O-RING 52X2 VP.	1
		CONTACT-WASHER-6ETR-6,1x12,2x1,8-STEEL	1



HYDRAULIC HELIX V 403 1.4307

Item	Article no.	Description	Quantity
13.1	4178570	STAGE HELIX 4 1.4301 KIT	1
		> MACH.STG-CASING-WOGV-WNR-M+2-4-304	1
		> IMPELLER-M+4-304	1
13.2	4178569	STAGE BEARING HELIX 4 1.4301 KIT	1
		> MACH.BEARING-STG-CASING-WNR-M+4-304	1
		> IMPELLER-M+4-304	1
		> SHAFT SLEEVE SPACER Ø15,35x10,305-304	1
		> SHAFT-SLEEVE-D12xD16x14-CW	1
13.3	4178574	INTER STAGE HELIX4 1.4301< 15 stages KIT	1
		> MACH.STD-STG-CASING-WGV+NR-M+4-304	1
		> IMPELLER-M+4-304	1
		> IMPELLER SPACER Ø12,05X14,85-L24,285-304	1



HELIX V404-1/16/E/S/400-50 (4201369)

Item	Article no.	Description	Quantity
1	4169939	MO.0,55/2/71 3~400V 50HZ 460V 60HZ IE2VP	1
		SPARE PARTS MOTOR:ON REQUEST	1
2	4212716	SCREW M6X20 KIT (4PIECES)	1
3	4213715	LANTERN FT85 HELIX KIT	1
3.1		> LANT-MOT-VMI-ReDTC6"-FT85-MACHINED+CATA	1
3.2	4184852	> EYELET CPL.FT HELIX (2 PIECES)	1
3.3	4213713	> COUPLING PROTECTOR FT85/100 HELIX KIT	1
4	4212718	COUPLING HELIX D12 FT85 KIT	1
6	2018368	STUD BOLT M12X289 KIT	1
6.1		> TIE BOLT M12-289x18x30-1.4057	1
6.2	2094647	> NUT M12 M12 ISO4032 VP.	1
6.3	2123557	> WASHER CS-12.4-24-1.6-NFE25 (4 PIECES)	1
7	4212722	STATIONARY RING HOLDER HELIX D23 ReDTC	1
7.2	4212720	> STATIONARY RING HOLDER HELIX D23 VP.	1
7.3	4176513	> O-RING FOR PUMP JACKET VP.	1
8	4212724	FILING/PURGING PLUG HELIX ReDTC KIT	1
8.1		> FILLING PLUG MVI6"-304	1
8.2	4177800	> O-RING EPDM PLUG HELIX VP.	1
9	4212726	MECH.SEAL HELIX V2/4 O/E ReDTC KIT	1
9.1	4178563	> M.SEAL.HELIX2-4 O/E VP.	1
7.3	4176513	> O-RING FOR PUMP JACKET VP.	1
10	2127574	HOUSING PIPE D.152x160 1.4301 KIT	1
7.3	4176513	> O-RING FOR PUMP JACKET VP.	1
10.1		> HOUSING-PIPE Ø152-M+1601/02-304	1
11	4178566	CENTERING STAGE-RETURN HELIX4 1.4307 VP	1
12	4212729	SHAFT EQUIPMENT HELIX V2/4 ReDTC KIT	1
12.1		> NUT-H-M8-STAINLESS-STEEL A4-70	1
12.2		> SHAFT END WASHER Ø8/Ø12 316L	1
12.3		> 1/2-SNAP-RING-2/4M3-316L	1
12.4		> STOP-RUSH-1/2-D12xd2-M+316	1
4.11		> SCREW CHC-M6X14-8.8-ISO4762-GEOMET500A	1
4.12		> WASHER D.24 L6U ZINK	1
13		HYDRAULIC HELIX V 404 1.4307	1
14	4213744	SHAFT D.12X231 HELIX 1.4057 VP.	1

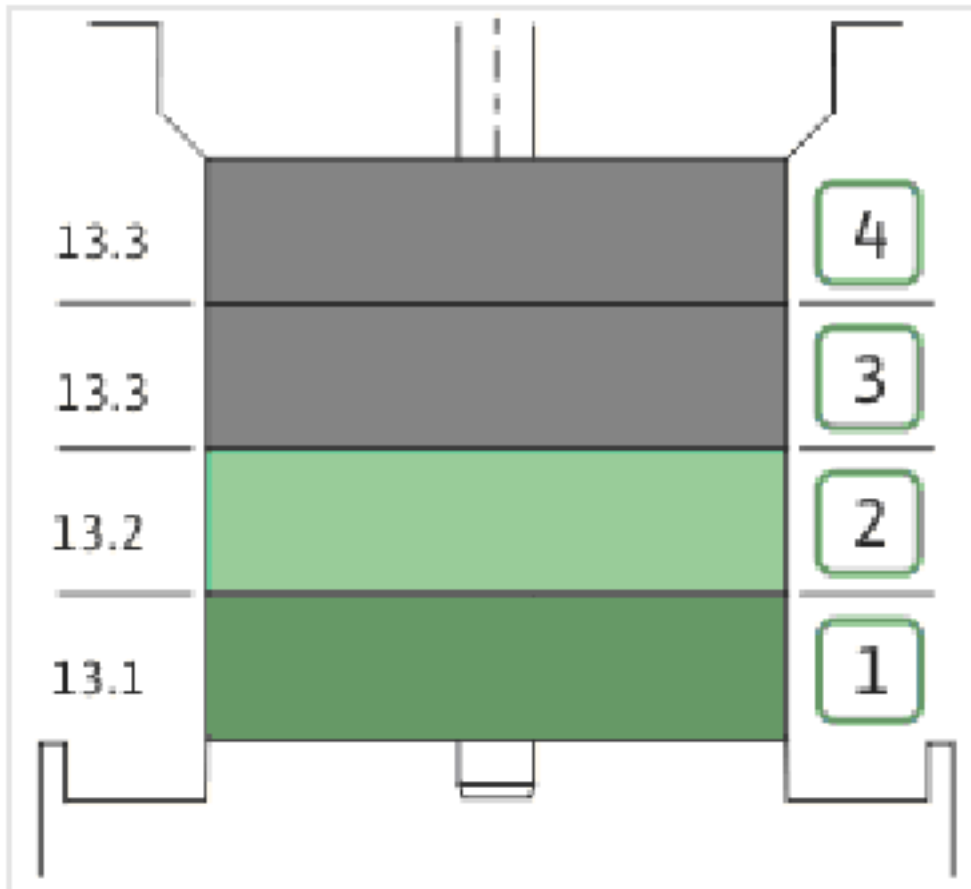
HELIX V404-1/16/E/S/400-50 (4201369)

Item	Article no.	Description	Quantity
15	4174079	PUMP HOUSING HELIX DN32 PN16 1.4301 KIT	1
7.3	4176513	> O-RING FOR PUMP JACKET VP.	1
15.1		> BLASTING PPE HOUSING V-PN16-DN32-5"-304	1
15.2	4217889	> COUNTER FLANGE-G1"-PN16-GJL KIT	1
15.3	4171321	> PRIMING/DRAIN PLUG EPDM HELIX KIT	1
16	4177964	BASEPLATE HELIX V2/4/6 PN16 VP.	1



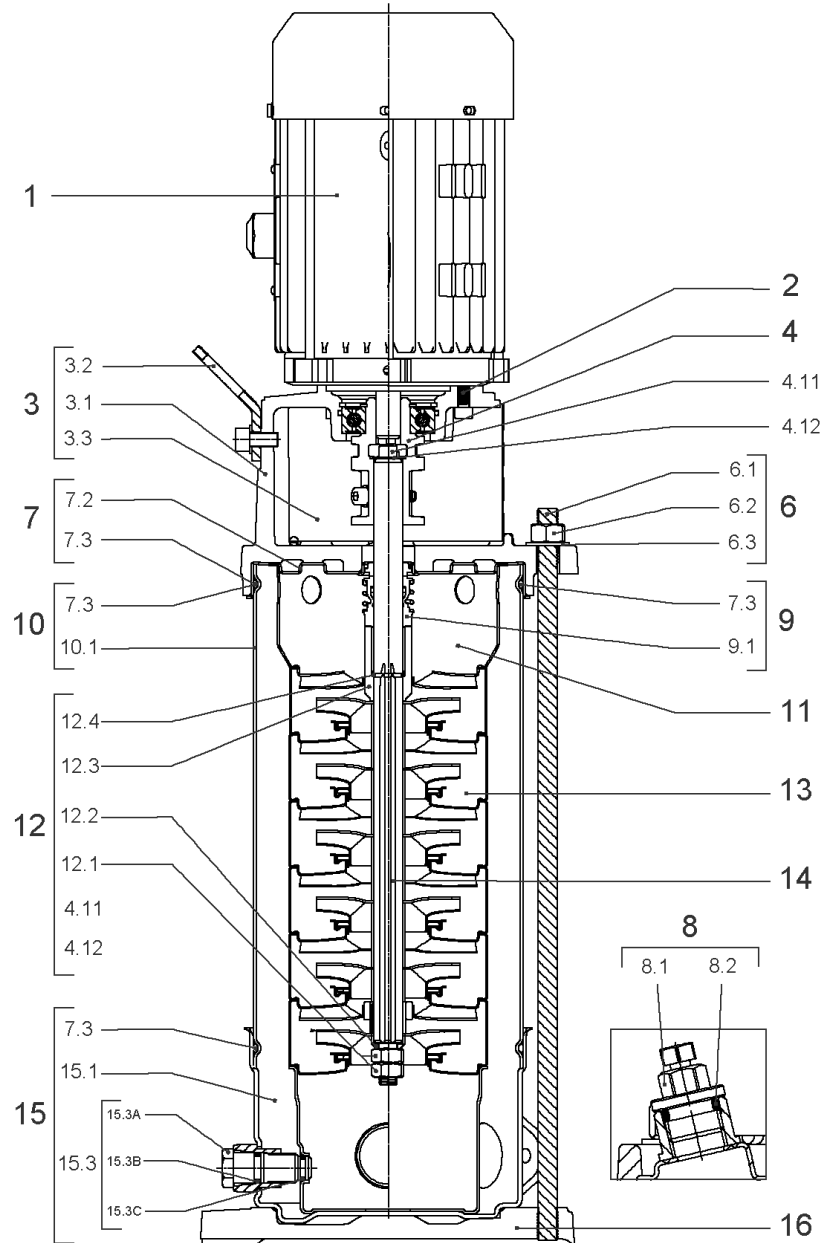
COUPLING HELIX D12 FT85 KIT (4212718)

Item	Article no.	Description	Quantity
4.1		COUPLING-VMI-Ø12xØ14-FT85-USINE	1
4.2	4177802	BALL BEARING 6205C3-ZZ HTVP.	1
4.3	4208923	CIRCLIP D25X1.2 VP.	1
4.4	4212716	SCREW M6X20 KIT (4PIECES)	1
4.5	4233124	CIRCLIP-FOR-BORES-D52x2 VP.	1
4.6	4234244	O-RING 52X2 VP.	1
		CONTACT-WASHER-6ETR-6,1x12,2x1,8-STEEL	1



HYDRAULIC HELIX V 404 1.4307

Item	Article no.	Description	Quantity
13.1	4178570	STAGE HELIX 4 1.4301 KIT	1
		> MACH.STG-CASING-WOGV-WNR-M+2-4-304	1
		> IMPELLER-M+4-304	1
13.2	4178569	STAGE BEARING HELIX 4 1.4301 KIT	1
		> MACH.BEARING-STG-CASING-WNR-M+4-304	1
		> IMPELLER-M+4-304	1
		> SHAFT SLEEVE SPACER Ø15,35x10,305-304	1
		> SHAFT-SLEEVE-D12xD16x14-CW	1
13.3	4178574	INTER STAGE HELIX4 1.4301< 15 stages KIT	1
		> MACH.STD-STG-CASING-WGV+NR-M+4-304	1
		> IMPELLER-M+4-304	1
		> IMPELLER SPACER Ø12,05X14,85-L24,285-304	1

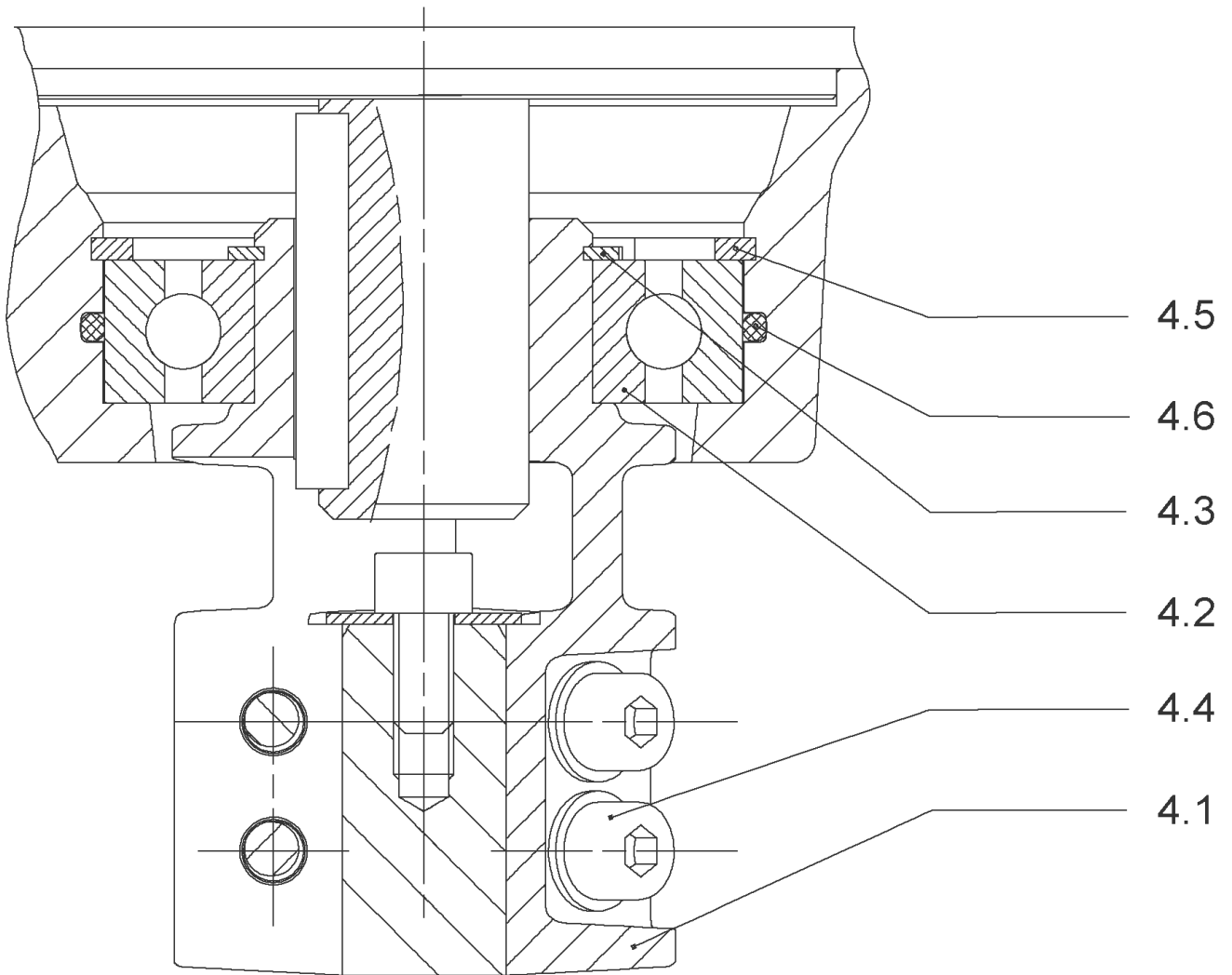


HELIX V405-1/16/E/S/400-50 (4201372)

Item	Article no.	Description	Quantity
1	4169940	MOTOR 0,75/2/80 3~230/400V 50HZ IE3 VP.	1
		SPARE PARTS MOTOR:ON REQUEST	1
2	4212716	SCREW M6X20 KIT (4PIECES)	1
3	4213752	LANTERN FT100 HELIX KIT	1
3.1		> LANT-MOT-VMI-ReDTC6"-FT100-MACHINED+CATA	1
3.2	4184852	> EYELET CPL.FT HELIX (2 PIECES)	1
3.3	4213713	> COUPLING PROTECTOR FT85/100 HELIX KIT	1
4	4178578	COUPLING D.12XD.19 FT100 KIT	1
6	4178579	STUD BOLT M12X317 KIT	1
6.1		> TIE BOLT M12-317x18x30-1.4057	1
6.2	2094647	> NUT M12 M12 ISO4032 VP.	1
6.3	2123557	> WASHER CS-12.4-24-1.6-NFE25 (4 PIECES)	1
7	4212722	STATIONARY RING HOLDER HELIX D23 ReDTC	1
7.2	4212720	> STATIONARY RING HOLDER HELIX D23 VP.	1
7.3	4176513	> O-RING FOR PUMP JACKET VP.	1
8	4212724	FILING/PURGING PLUG HELIX ReDTC KIT	1
8.1		> FILLING PLUG MVI6"-304	1
8.2	4177800	> O-RING EPDM PLUG HELIX VP.	1
9	4212726	MECH.SEAL HELIX V2/4 O/E ReDTC KIT	1
9.1	4178563	> M.SEAL.HELIX2-4 O/E VP.	1
7.3	4176513	> O-RING FOR PUMP JACKET VP.	1
10	4178580	HOUSING PIPE D.152X184 1.4301 KIT	1
7.3	4176513	> O-RING FOR PUMP JACKET VP.	1
10.1		> HOUSING-PIPE Ø152-M+205/405-304	1
11	4178566	CENTERING STAGE-RETURN HELIX4 1.4307 VP	1
12	4212729	SHAFT EQUIPMENT HELIX V2/4 ReDTC KIT	1
12.1		> NUT-H-M8-STAINLESS-STEEL A4-70	1
12.2		> SHAFT END WASHER Ø8/Ø12 316L	1
12.3		> 1/2-SNAP-RING-2/4M3-316L	1
12.4		> STOP-RUSH-1/2-D12xd2-M+316	1
4.11		> SCREW CHC-M6X14-8.8-ISO4762-GEOMET500A	1
4.12		> WASHER D.24 L6U ZINK	1
13		HYDRAULIC HELIX V 405 1.4307	1
14	4213746	SHAFT D.12X256 HELIX 1.4057 VP.	1

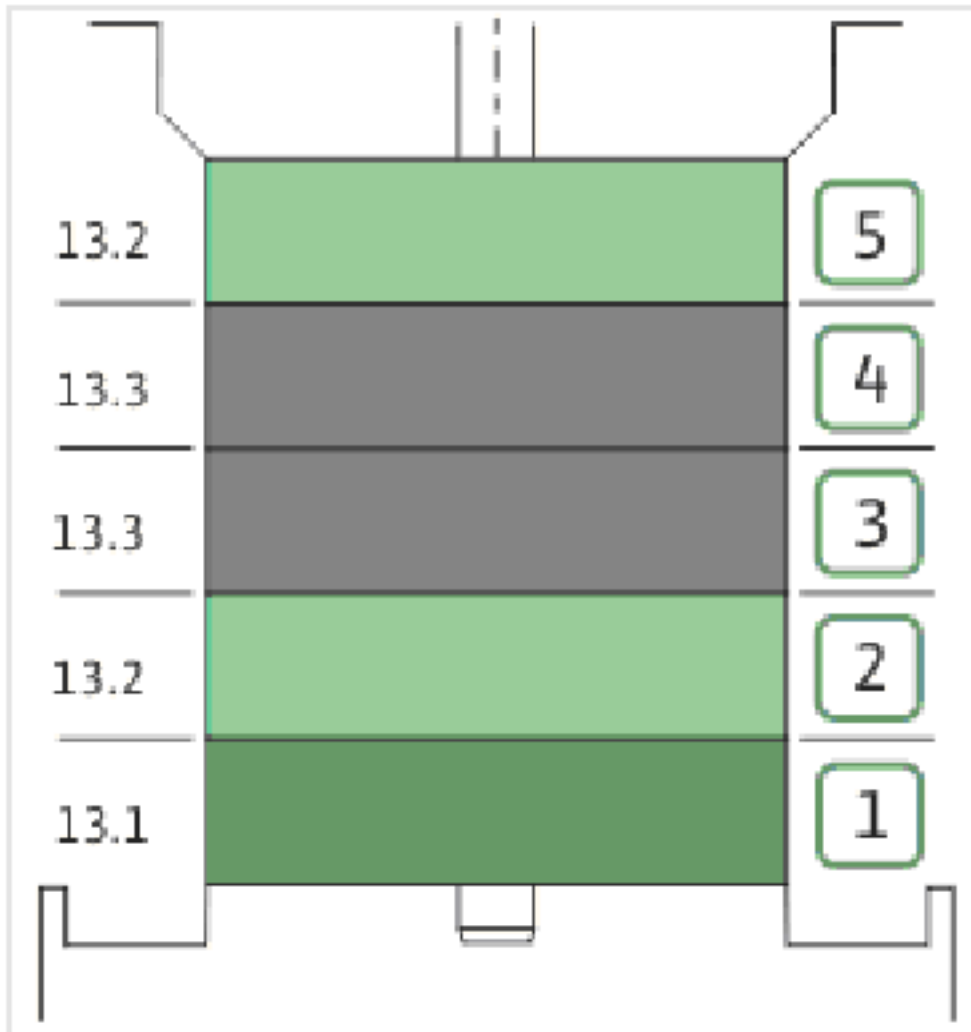
HELIX V405-1/16/E/S/400-50 (4201372)

Item	Article no.	Description	Quantity
15	4174079	PUMP HOUSING HELIX DN32 PN16 1.4301 KIT	1
7.3	4176513	> O-RING FOR PUMP JACKET VP.	1
15.1		> BLASTING PPE HOUSING V-PN16-DN32-5"-304	1
15.2	4217889	> COUNTER FLANGE-G1"-PN16-GJL KIT	1
15.3	4171321	> PRIMING/DRAIN PLUG EPDM HELIX KIT	1
16	4177964	BASEPLATE HELIX V2/4/6 PN16 VP.	1



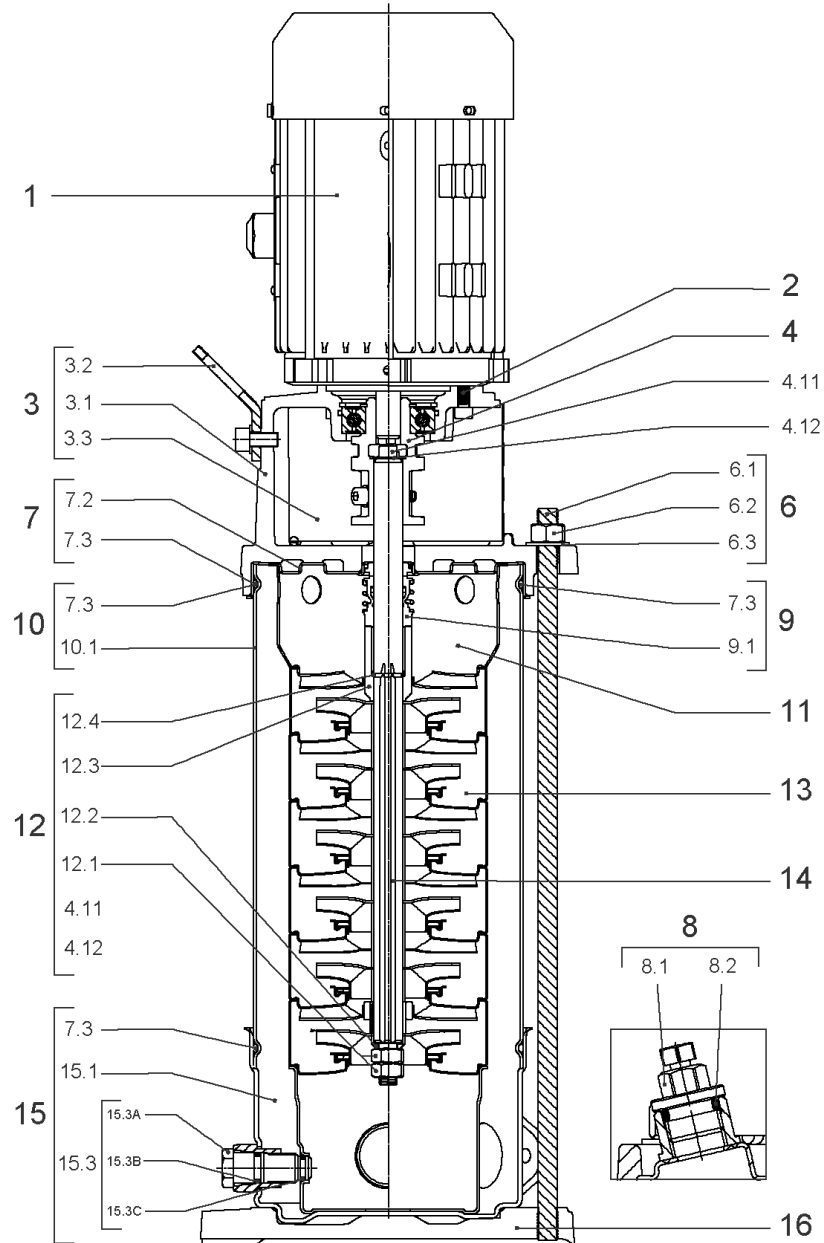
COUPLING D.12XD.19 FT100 KIT (4178578)

Item	Article no.	Description	Quantity
4.1		COUPLING-M+ Ø12XØ19-FT100-MACHINED	1
4.3	4234249	CIRCLIP-FOR-SHAFT-D30x1.5 VP.	1
4.2	2130977	BALL BEARING 6206/ZZ-C3(HT)VP.	1
4.4	4212716	SCREW M6X20 KIT (4PIECES)	1
4.5	4234250	CIRCLIP-D62x2 VP.	1
4.6	4234245	O-RING 63X3 VP.	1
		CONTACT-WASHER-6ETR-6,1x12,2x1,8-STEEL	4



HYDRAULIC HELIX V 405 1.4307

Item	Article no.	Description	Quantity
13.1	4178570	STAGE HELIX 4 1.4301 KIT	1
		> MACH.STG-CASING-WOGV-WNR-M+2-4-304	1
		> IMPELLER-M+4-304	1
13.2	4178569	STAGE BEARING HELIX 4 1.4301 KIT	1
		> MACH.BEARING-STG-CASING-WNR-M+4-304	1
		> IMPELLER-M+4-304	1
		> SHAFT SLEEVE SPACER Ø15,35x10,305-304	1
		> SHAFT-SLEEVE-D12xD16x14-CW	1
13.3	4178574	INTER STAGE HELIX4 1.4301< 15 stages KIT	1
		> MACH.STD-STG-CASING-WGV+NR-M+4-304	1
		> IMPELLER-M+4-304	1
		> IMPELLER SPACER Ø12,05X14,85-L24,285-304	1



HELIX V406-1/16/E/S/400-50 (4201374)

Item	Article no.	Description	Quantity
1	4169940	MOTOR 0,75/2/80 3~230/400V 50HZ IE3 VP.	1
		SPARE PARTS MOTOR:ON REQUEST	1
2	4212716	SCREW M6X20 KIT (4PIECES)	1
3	4213752	LANTERN FT100 HELIX KIT	1
3.1		> LANT-MOT-VMI-ReDTC6"-FT100-MACHINED+CATA	1
3.2	4184852	> EYELET CPL.FT HELIX (2 PIECES)	1
3.3	4213713	> COUPLING PROTECTOR FT85/100 HELIX KIT	1
4	4178578	COUPLING D.12XD.19 FT100 KIT	1
6	4177817	STUD BOLT M12X341 KIT	1
6.1		> TIE BOLT M12-341x18x30-1.4057	1
6.2	2094647	> NUT M12 M12 ISO4032 VP.	1
6.3	2123557	> WASHER CS-12.4-24-1.6-NFE25 (4 PIECES)	1
7	4212722	STATIONARY RING HOLDER HELIX D23 ReDTC	1
7.2	4212720	> STATIONARY RING HOLDER HELIX D23 VP.	1
7.3	4176513	> O-RING FOR PUMP JACKET VP.	1
8	4212724	FILING/PURGING PLUG HELIX ReDTC KIT	1
8.1		> FILLING PLUG MVI6"-304	1
8.2	4177800	> O-RING EPDM PLUG HELIX VP.	1
9	4212726	MECH.SEAL HELIX V2/4 O/E ReDTC KIT	1
9.1	4178563	> M.SEAL.HELIX2-4 O/E VP.	1
7.3	4176513	> O-RING FOR PUMP JACKET VP.	1
10	2127575	HOUSING PIPE D.152x210 1.4301 KIT	1
11	4178566	CENTERING STAGE-RETURN HELIX4 1.4307 VP	1
12	4212729	SHAFT EQUIPMENT HELIX V2/4 ReDTC KIT	1
12.1		> NUT-H-M8-STAINLESS-STEEL A4-70	1
12.2		> SHAFT END WASHER Ø8/Ø12 316L	1
12.3		> 1/2-SNAP-RING-2/4M3-316L	1
12.4		> STOP-RUSH-1/2-D12xd2-M+316	1
4.11		> SCREW CHC-M6X14-8.8-ISO4762-GEOMET500A	1
4.12		> WASHER D.24 L6U ZINK	1
13		HYDRAULIC HELIX V 406 1.4307	1
14	4213748	SHAFT D.12X281 HELIX 1.4057 VP.	1
15	4174079	PUMP HOUSING HELIX DN32 PN16 1.4301 KIT	1
7.3	4176513	> O-RING FOR PUMP JACKET VP.	1

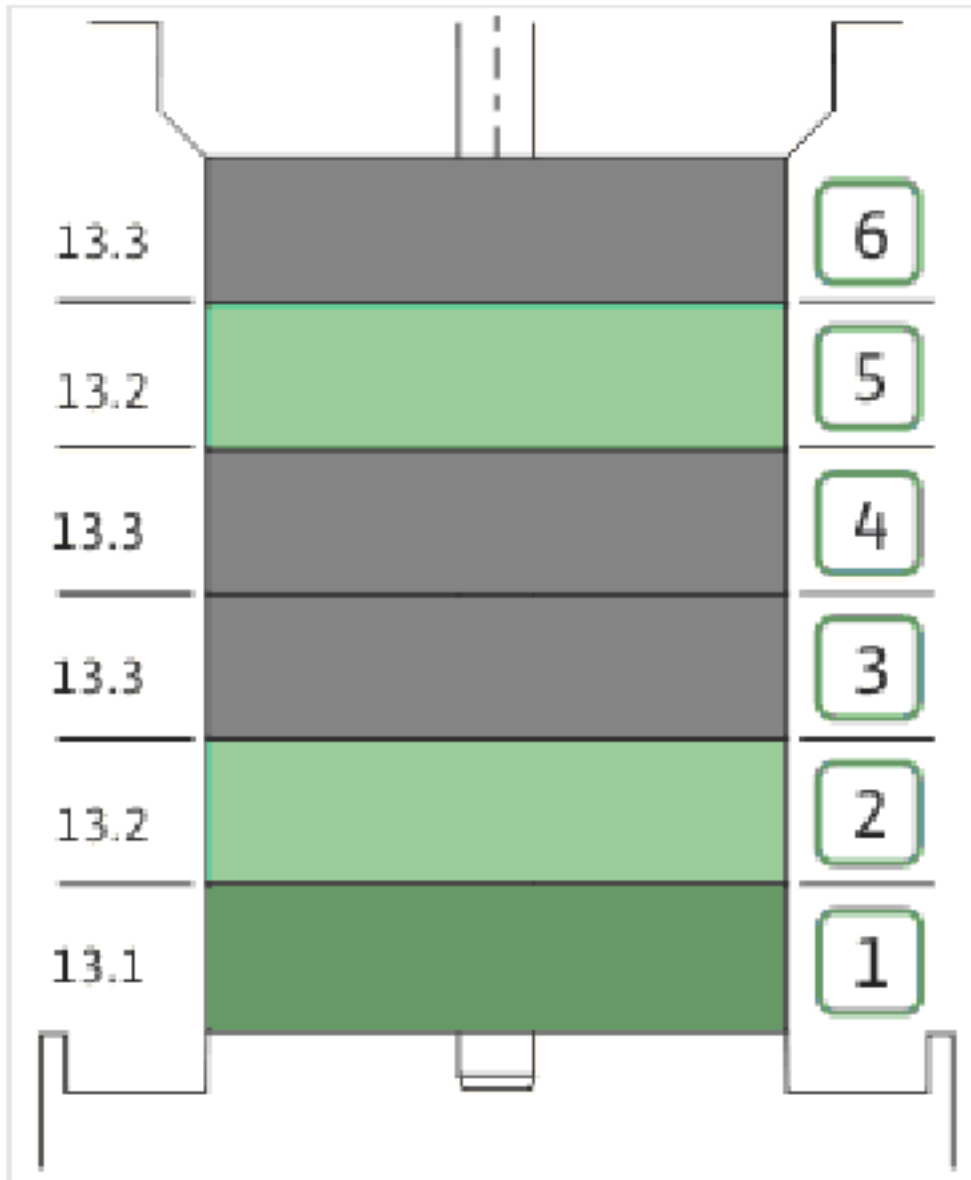
HELIX V406-1/16/E/S/400-50 (4201374)

Item	Article no.	Description	Quantity
15.1		> BLASTING PPE HOUSING V-PN16-DN32-5"-304	1
15.2	4217889	> COUNTER FLANGE-G1"-PN16-GJL KIT	1
15.3	4171321	> PRIMING/DRAIN PLUG EPDM HELIX KIT	1
16	4177964	BASEPLATE HELIX V2/4/6 PN16 VP.	1



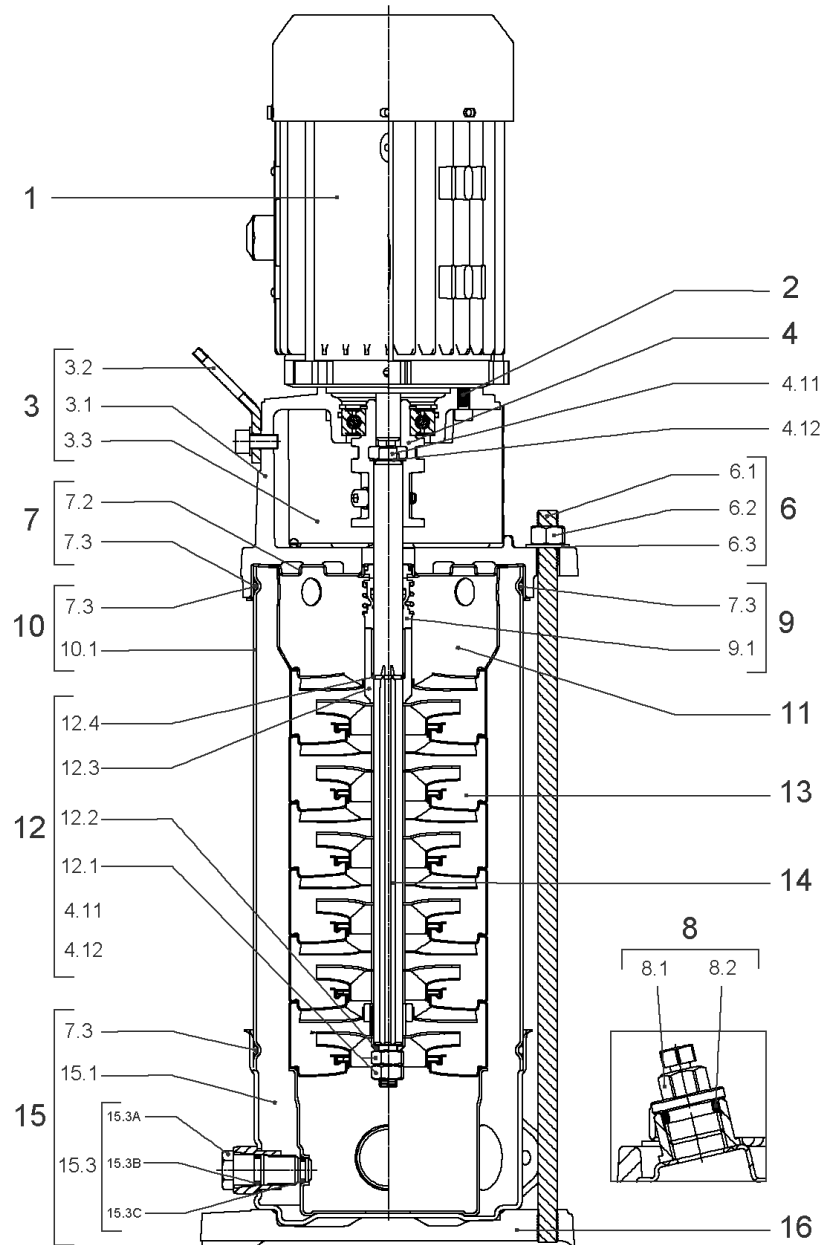
COUPLING D.12XD.19 FT100 KIT (4178578)

Item	Article no.	Description	Quantity
4.1		COUPLING-M+ Ø12XØ19-FT100-MACHINED	1
4.3	4234249	CIRCLIP-FOR-SHAFT-D30x1.5 VP.	1
4.2	2130977	BALL BEARING 6206/ZZ-C3(HT)VP.	1
4.4	4212716	SCREW M6X20 KIT (4PIECES)	1
4.5	4234250	CIRCLIP-D62x2 VP.	1
4.6	4234245	O-RING 63X3 VP.	1
		CONTACT-WASHER-6ETR-6,1x12,2x1,8-STEEL	4



HYDRAULIC HELIX V 406 1.4307

Item	Article no.	Description	Quantity
13.1	4178570	STAGE HELIX 4 1.4301 KIT	1
		> MACH.STG-CASING-WOGV-WNR-M+2-4-304	1
		> IMPELLER-M+4-304	1
13.2	4178569	STAGE BEARING HELIX 4 1.4301 KIT	1
		> MACH.BEARING-STG-CASING-WNR-M+4-304	1
		> IMPELLER-M+4-304	1
		> SHAFT SLEEVE SPACER Ø15,35x10,305-304	1
		> SHAFT-SLEEVE-D12xD16x14-CW	1
13.3	4178574	INTER STAGE HELIX4 1.4301< 15 stages KIT	1
		> MACH.STD-STG-CASING-WGV+NR-M+4-304	1
		> IMPELLER-M+4-304	1
		> IMPELLER SPACER Ø12,05X14,85-L24,285-304	1

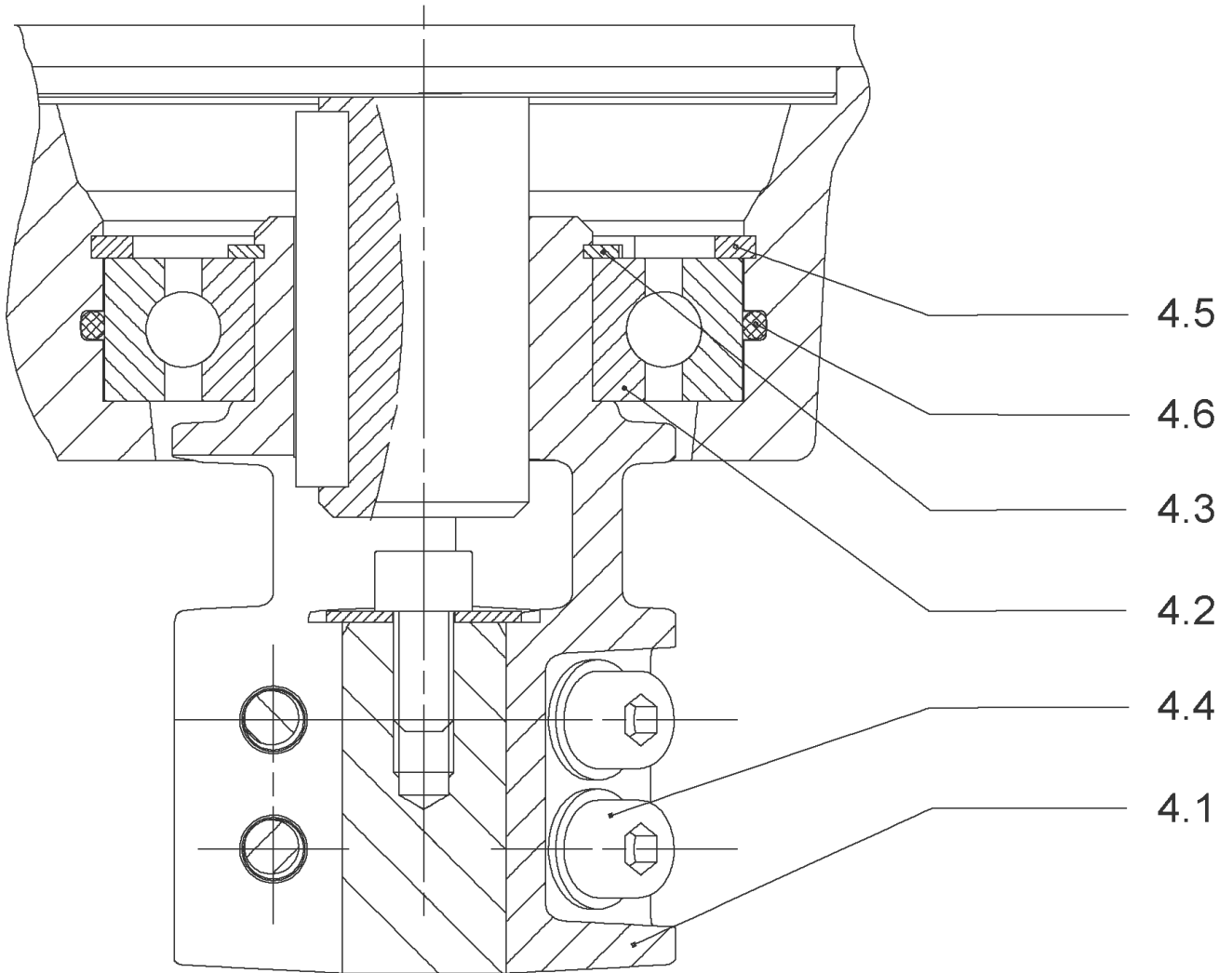


HELIX V407-1/16/E/S/400-50 (4201377)

Item	Article no.	Description	Quantity
1	4169941	MOTOR 1,1/2/80 3~230/400V 50HZ IE3 VP.	1
		SPARE PARTS MOTOR:ON REQUEST	1
2	4212716	SCREW M6X20 KIT (4PIECES)	1
3	4213752	LANTERN FT100 HELIX KIT	1
3.1		> LANT-MOT-VMI-ReDTC6"-FT100-MACHINED+CATA	1
3.2	4184852	> EYELET CPL.FT HELIX (2 PIECES)	1
3.3	4213713	> COUPLING PROTECTOR FT85/100 HELIX KIT	1
4	4178578	COUPLING D.12XD.19 FT100 KIT	1
6	4178585	STUD BOLT M12X365 KIT	1
6.1		> TIE BOLT M12-365x18x30-1.4057	1
6.2	2094647	> NUT M12 M12 ISO4032 VP.	1
6.3	2123557	> WASHER CS-12.4-24-1.6-NFE25 (4 PIECES)	1
7	4212722	STATIONARY RING HOLDER HELIX D23 ReDTC	1
7.2	4212720	> STATIONARY RING HOLDER HELIX D23 VP.	1
7.3	4176513	> O-RING FOR PUMP JACKET VP.	1
8	4212724	FILING/PURGING PLUG HELIX ReDTC KIT	1
8.1		> FILLING PLUG MVI6"-304	1
8.2	4177800	> O-RING EPDM PLUG HELIX VP.	1
9	4212726	MECH.SEAL HELIX V2/4 O/E ReDTC KIT	1
9.1	4178563	> M.SEAL.HELIX2-4 O/E VP.	1
7.3	4176513	> O-RING FOR PUMP JACKET VP.	1
10	4178586	HOUSING-PIPE D.152X235 1.4301 KIT	1
7.3	4176513	> O-RING FOR PUMP JACKET VP.	1
10.1		> HOUSING-PIPE Ø152-M+207/407-304	1
11	4178566	CENTERING STAGE-RETURN HELIX4 1.4307 VP	1
12	4212729	SHAFT EQUIPMENT HELIX V2/4 ReDTC KIT	1
12.1		> NUT-H-M8-STAINLESS-STEEL A4-70	1
12.2		> SHAFT END WASHER Ø8/Ø12 316L	1
12.3		> 1/2-SNAP-RING-2/4M3-316L	1
12.4		> STOP-RUSH-1/2-D12xd2-M+316	1
4.11		> SCREW CHC-M6X14-8.8-ISO4762-GEOMET500A	1
4.12		> WASHER D.24 L6U ZINK	1
13		HYDRAULIC HELIX V 407 1.4307	1
14	4213750	SHAFT D.12X306 HELIX 1.4057 VP.	1

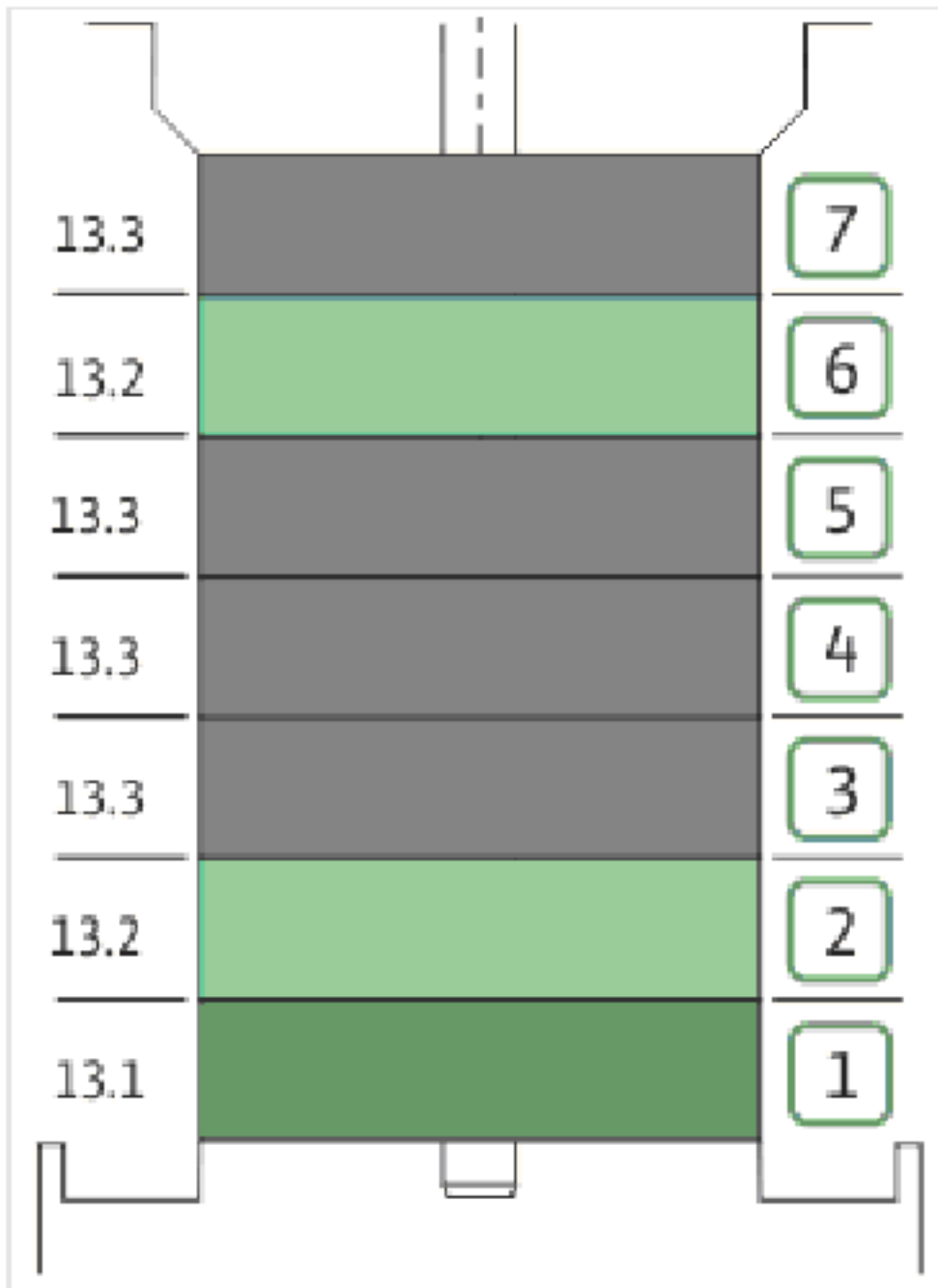
HELIX V407-1/16/E/S/400-50 (4201377)

Item	Article no.	Description	Quantity
15	4174079	PUMP HOUSING HELIX DN32 PN16 1.4301 KIT	1
7.3	4176513	> O-RING FOR PUMP JACKET VP.	1
15.1		> BLASTING PPE HOUSING V-PN16-DN32-5"-304	1
15.2	4217889	> COUNTER FLANGE-G1"-PN16-GJL KIT	1
15.3	4171321	> PRIMING/DRAIN PLUG EPDM HELIX KIT	1
16	4177964	BASEPLATE HELIX V2/4/6 PN16 VP.	1



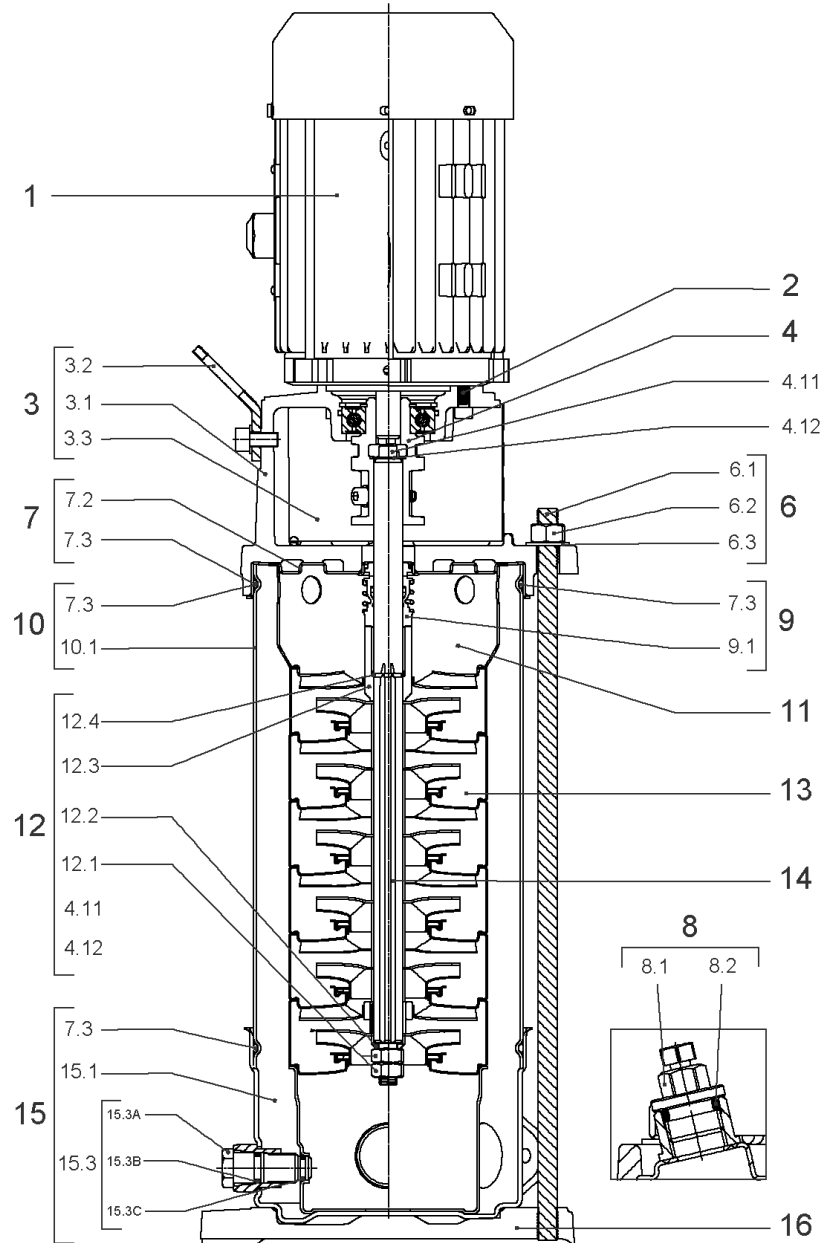
COUPLING D.12XD.19 FT100 KIT (4178578)

Item	Article no.	Description	Quantity
4.1		COUPLING-M+ Ø12XØ19-FT100-MACHINED	1
4.3	4234249	CIRCLIP-FOR-SHAFT-D30x1.5 VP.	1
4.2	2130977	BALL BEARING 6206/ZZ-C3(HT)VP.	1
4.4	4212716	SCREW M6X20 KIT (4PIECES)	1
4.5	4234250	CIRCLIP-D62x2 VP.	1
4.6	4234245	O-RING 63X3 VP.	1
		CONTACT-WASHER-6ETR-6,1x12,2x1,8-STEEL	4



HYDRAULIC HELIX V 407 1.4307

Item	Article no.	Description	Quantity
13.1	4178570	STAGE HELIX 4 1.4301 KIT	1
		> MACH.STG-CASING-WOGV-WNR-M+2-4-304	1
		> IMPELLER-M+4-304	1
13.2	4178569	STAGE BEARING HELIX 4 1.4301 KIT	1
		> MACH.BEARING-STG-CASING-WNR-M+4-304	1
		> IMPELLER-M+4-304	1
		> SHAFT SLEEVE SPACER Ø15,35x10,305-304	1
		> SHAFT-SLEEVE-D12xD16x14-CW	1
13.3	4178574	INTER STAGE HELIX4 1.4301< 15 stages KIT	1
		> MACH.STD-STG-CASING-WGV+NR-M+4-304	1
		> IMPELLER-M+4-304	1
		> IMPELLER SPACER Ø12,05X14,85-L24,285-304	1



HELIX V408-1/16/E/S/400-50 (4201380)

Item	Article no.	Description	Quantity
1	4169941	MOTOR 1,1/2/80 3~230/400V 50HZ IE3 VP.	1
		SPARE PARTS MOTOR:ON REQUEST	1
2	4212716	SCREW M6X20 KIT (4PIECES)	1
3	4213752	LANTERN FT100 HELIX KIT	1
3.1		> LANT-MOT-VMI-ReDTC6"-FT100-MACHINED+CATA	1
3.2	4184852	> EYELET CPL.FT HELIX (2 PIECES)	1
3.3	4213713	> COUPLING PROTECTOR FT85/100 HELIX KIT	1
4	4178578	COUPLING D.12XD.19 FT100 KIT	1
6	2018365	STUD BOLT M12X392 KIT	1
7	4212722	STATIONARY RING HOLDER HELIX D23 ReDTC	1
7.2	4212720	> STATIONARY RING HOLDER HELIX D23 VP.	1
7.3	4176513	> O-RING FOR PUMP JACKET VP.	1
8	4212724	FILING/PURGING PLUG HELIX ReDTC KIT	1
8.1		> FILLING PLUG MVI6"-304	1
8.2	4177800	> O-RING EPDM PLUG HELIX VP.	1
9	4212726	MECH.SEAL HELIX V2/4 O/E ReDTC KIT	1
9.1	4178563	> M.SEAL.HELIX2-4 O/E VP.	1
7.3	4176513	> O-RING FOR PUMP JACKET VP.	1
10	2127576	HOUSING PIPE D.152x260 1.4301 KIT	1
11	4178566	CENTERING STAGE-RETURN HELIX4 1.4307 VP	1
12	4212729	SHAFT EQUIPMENT HELIX V2/4 ReDTC KIT	1
12.1		> NUT-H-M8-STAINLESS-STEEL A4-70	1
12.2		> SHAFT END WASHER Ø8/Ø12 316L	1
12.3		> 1/2-SNAP-RING-2/4M3-316L	1
12.4		> STOP-RUSH-1/2-D12xd2-M+316	1
4.11		> SCREW CHC-M6X14-8.8-ISO4762-GEOMET500A	1
4.12		> WASHER D.24 L6U ZINK	1
13		HYDRAULIC HELIX V 408 1.4307	1
14	4213754	SHAFT D.12X331 HELIX 1.4057 VP.	1
15	4174079	PUMP HOUSING HELIX DN32 PN16 1.4301 KIT	1
7.3	4176513	> O-RING FOR PUMP JACKET VP.	1
15.1		> BLASTING PPE HOUSING V-PN16-DN32-5"-304	1
15.2	4217889	> COUNTER FLANGE-G1"-PN16-GJL KIT	1
15.3	4171321	> PRIMING/DRAIN PLUG EPDM HELIX KIT	1

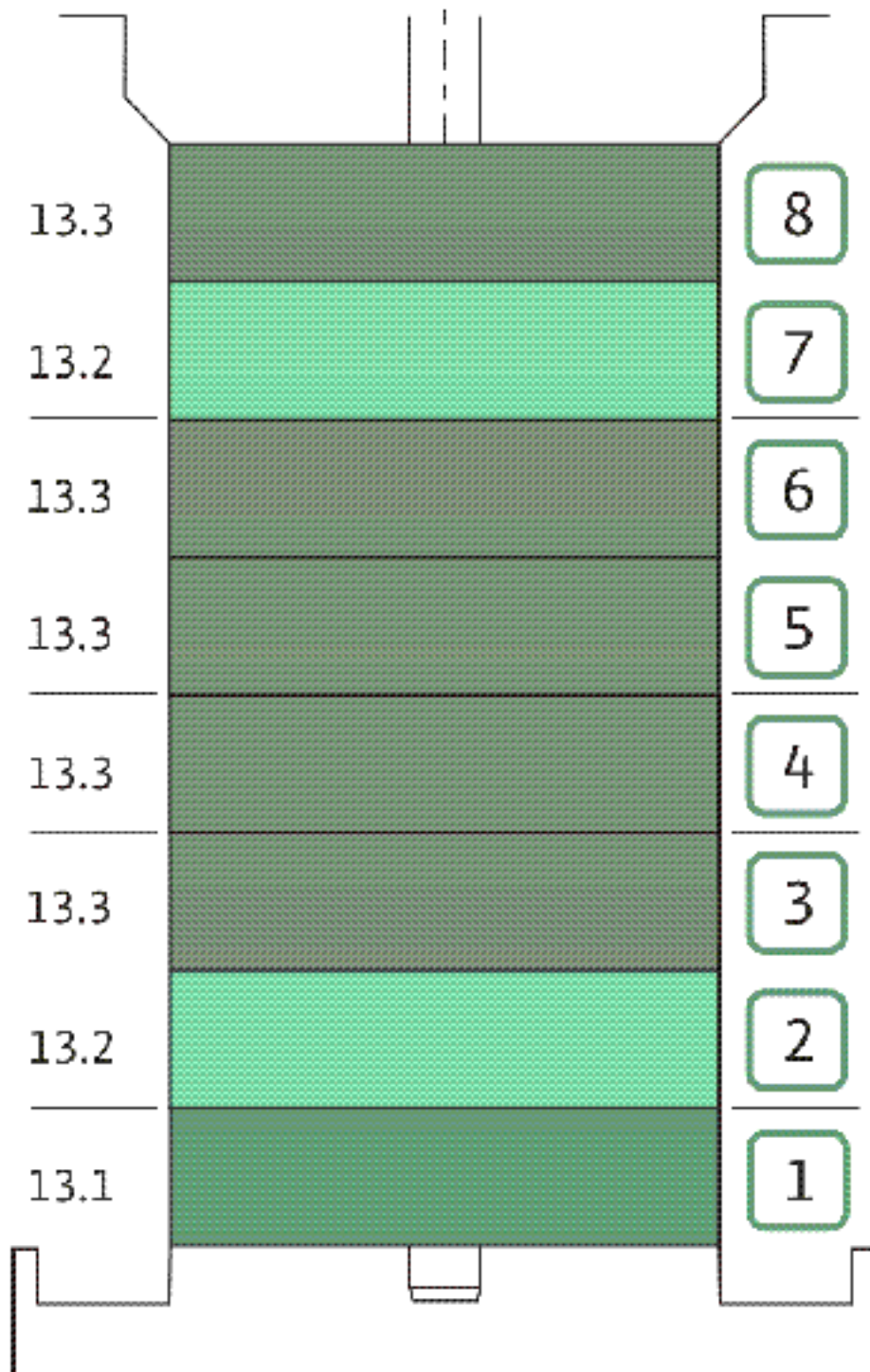
HELIX V408-1/16/E/S/400-50 (4201380)

Item	Article no.	Description	Quantity
16	4177964	BASEPLATE HELIX V2/4/6 PN16 VP.	1



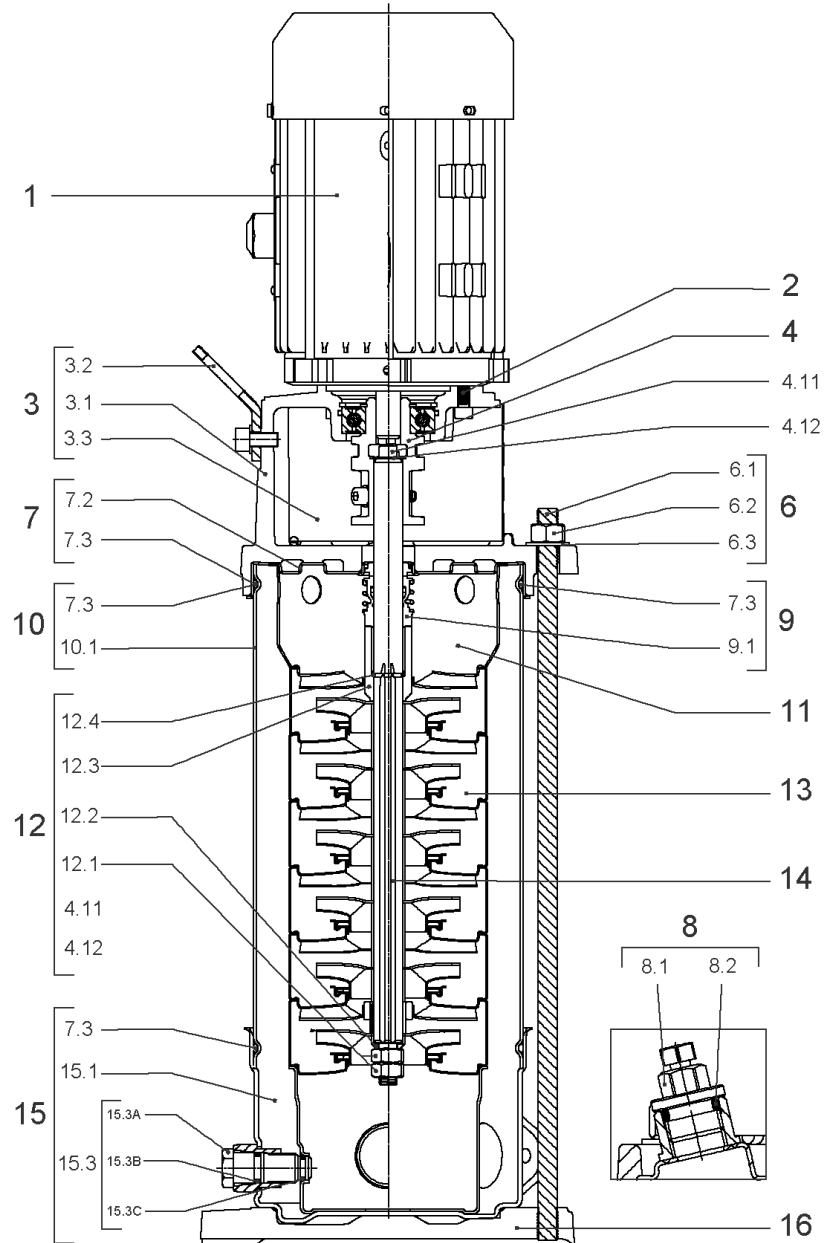
COUPLING D.12XD.19 FT100 KIT (4178578)

Item	Article no.	Description	Quantity
4.1		COUPLING-M+ Ø12XØ19-FT100-MACHINED	1
4.3	4234249	CIRCLIP-FOR-SHAFT-D30x1.5 VP.	1
4.2	2130977	BALL BEARING 6206/ZZ-C3(HT)VP.	1
4.4	4212716	SCREW M6X20 KIT (4PIECES)	1
4.5	4234250	CIRCLIP-D62x2 VP.	1
4.6	4234245	O-RING 63X3 VP.	1
		CONTACT-WASHER-6ETR-6,1x12,2x1,8-STEEL	4



HYDRAULIC HELIX V 408 1.4307

Item	Article no.	Description	Quantity
13.1	4178570	STAGE HELIX 4 1.4301 KIT	1
		> MACH.STG-CASING-WOGV-WNR-M+2-4-304	1
		> IMPELLER-M+4-304	1
13.2	4178569	STAGE BEARING HELIX 4 1.4301 KIT	1
		> MACH.BEARING-STG-CASING-WNR-M+4-304	1
		> IMPELLER-M+4-304	1
		> SHAFT SLEEVE SPACER Ø15,35x10,305-304	1
		> SHAFT-SLEEVE-D12xD16x14-CW	1
13.3	4178574	INTER STAGE HELIX4 1.4301< 15 stages KIT	1
		> MACH.STD-STG-CASING-WGV+NR-M+4-304	1
		> IMPELLER-M+4-304	1
		> IMPELLER SPACER Ø12,05X14,85-L24,285-304	1



HELIX V409-1/16/E/S/400-50 (4201382)

Item	Article no.	Description	Quantity
1	4169941	MOTOR 1,1/2/80 3~230/400V 50HZ IE3 VP.	1
		SPARE PARTS MOTOR:ON REQUEST	1
2	4212716	SCREW M6X20 KIT (4PIECES)	1
3	4213752	LANTERN FT100 HELIX KIT	1
3.1		> LANT-MOT-VMI-ReDTC6"-FT100-MACHINED+CATA	1
3.2	4184852	> EYELET CPL.FT HELIX (2 PIECES)	1
3.3	4213713	> COUPLING PROTECTOR FT85/100 HELIX KIT	1
4	4178578	COUPLING D.12XD.19 FT100 KIT	1
6	4177822	STUD BOLT M12X413 KIT	1
6.1		> TIE BOLT M12-413x18x30-1.4057	1
6.2	2094647	> NUT M12 M12 ISO4032 VP.	1
6.3	2123557	> WASHER CS-12.4-24-1.6-NFE25 (4 PIECES)	1
7	4212722	STATIONARY RING HOLDER HELIX D23 ReDTC	1
7.2	4212720	> STATIONARY RING HOLDER HELIX D23 VP.	1
7.3	4176513	> O-RING FOR PUMP JACKET VP.	1
8	4212724	FILING/PURGING PLUG HELIX ReDTC KIT	1
8.1		> FILLING PLUG MVI6"-304	1
8.2	4177800	> O-RING EPDM PLUG HELIX VP.	1
9	4212726	MECH.SEAL HELIX V2/4 O/E ReDTC KIT	1
9.1	4178563	> M.SEAL.HELIX2-4 O/E VP.	1
7.3	4176513	> O-RING FOR PUMP JACKET VP.	1
10	4177823	HOUSING PIPES D.152X285 1.4301 KIT	1
7.3	4176513	> O-RING FOR PUMP JACKET VP.	1
10.1		> HOUSING-PIPE Ø152-M+1006-304	1
11	4178566	CENTERING STAGE-RETURN HELIX4 1.4307 VP	1
12	4212729	SHAFT EQUIPMENT HELIX V2/4 ReDTC KIT	1
12.1		> NUT-H-M8-STAINLESS-STEEL A4-70	1
12.2		> SHAFT END WASHER Ø8/Ø12 316L	1
12.3		> 1/2-SNAP-RING-2/4M3-316L	1
12.4		> STOP-RUSH-1/2-D12xd2-M+316	1
4.11		> SCREW CHC-M6X14-8.8-ISO4762-GEOMET500A	1
4.12		> WASHER D.24 L6U ZINK	1
13		HYDRAULIC HELIX V 409 1.4307	1
14	4213765	SHAFT D.12X356 HELIX 1.4057 VP.	1

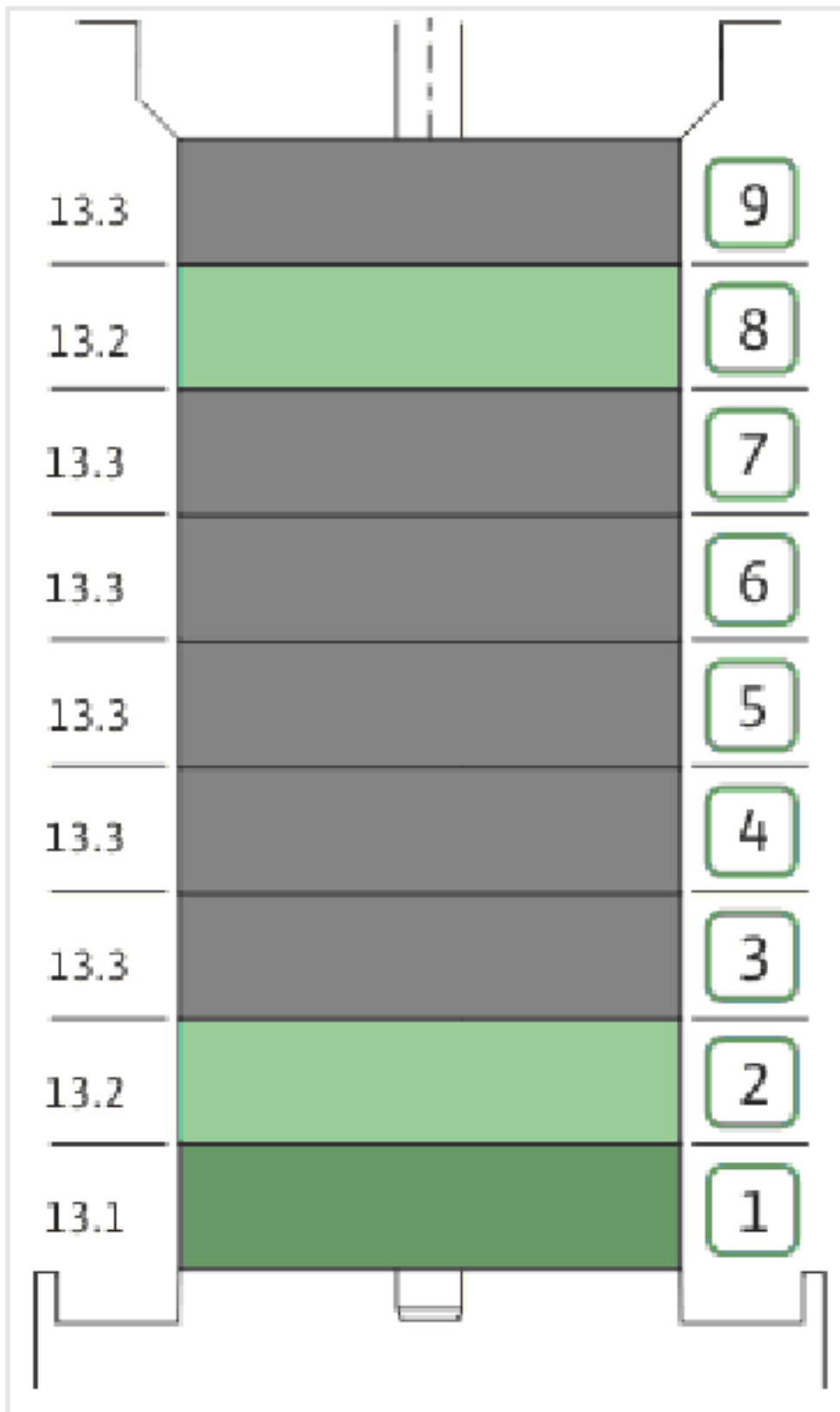
HELIX V409-1/16/E/S/400-50 (4201382)

Item	Article no.	Description	Quantity
15	4174079	PUMP HOUSING HELIX DN32 PN16 1.4301 KIT	1
7.3	4176513	> O-RING FOR PUMP JACKET VP.	1
15.1		> BLASTING PPE HOUSING V-PN16-DN32-5"-304	1
15.2	4217889	> COUNTER FLANGE-G1"-PN16-GJL KIT	1
15.3	4171321	> PRIMING/DRAIN PLUG EPDM HELIX KIT	1
16	4177964	BASEPLATE HELIX V2/4/6 PN16 VP.	1



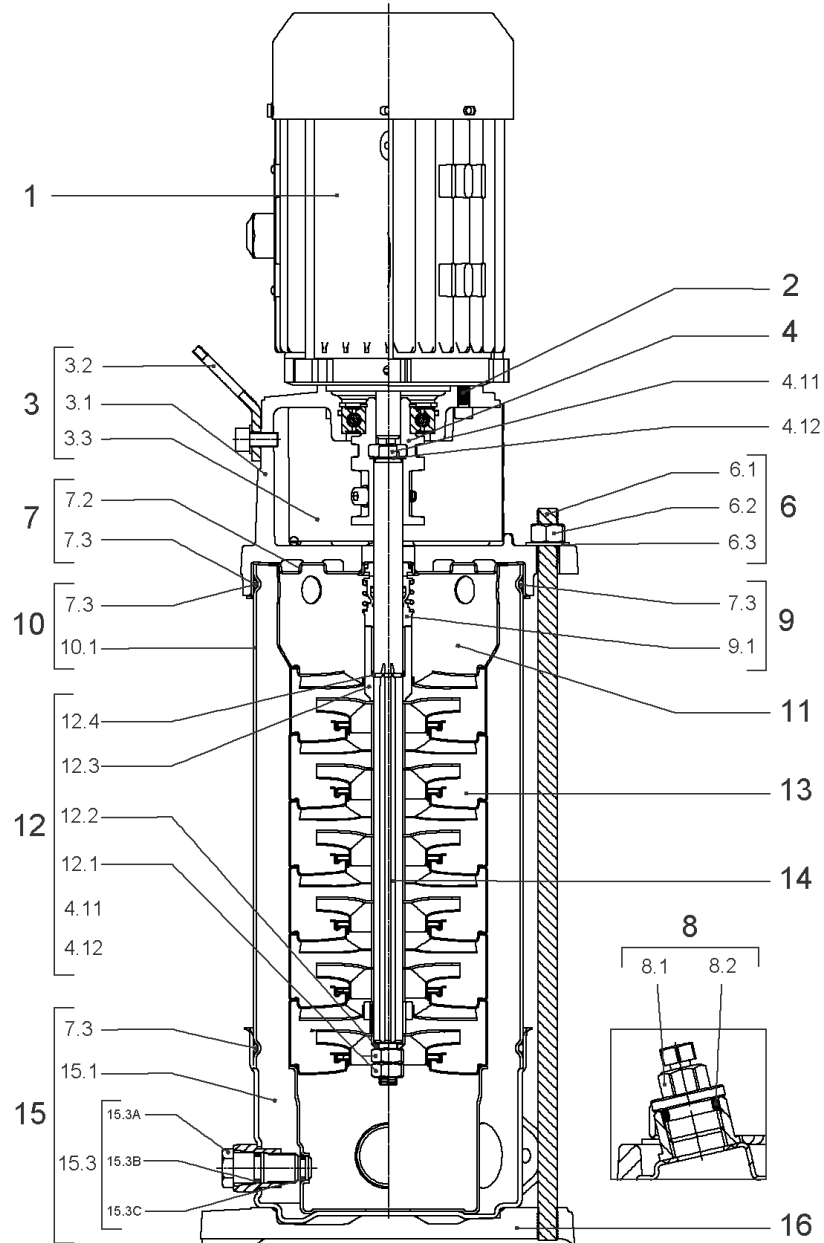
COUPLING D.12XD.19 FT100 KIT (4178578)

Item	Article no.	Description	Quantity
4.1		COUPLING-M+ Ø12XØ19-FT100-MACHINED	1
4.3	4234249	CIRCLIP-FOR-SHAFT-D30x1.5 VP.	1
4.2	2130977	BALL BEARING 6206/ZZ-C3(HT)VP.	1
4.4	4212716	SCREW M6X20 KIT (4PIECES)	1
4.5	4234250	CIRCLIP-D62x2 VP.	1
4.6	4234245	O-RING 63X3 VP.	1
		CONTACT-WASHER-6ETR-6,1x12,2x1,8-STEEL	4



HYDRAULIC HELIX V 409 1.4307

Item	Article no.	Description	Quantity
13.1	4178570	STAGE HELIX 4 1.4301 KIT	1
		> MACH.STG-CASING-WOGV-WNR-M+2-4-304	1
		> IMPELLER-M+4-304	1
13.2	4178569	STAGE BEARING HELIX 4 1.4301 KIT	1
		> MACH.BEARING-STG-CASING-WNR-M+4-304	1
		> IMPELLER-M+4-304	1
		> SHAFT SLEEVE SPACER Ø15,35x10,305-304	1
		> SHAFT-SLEEVE-D12xD16x14-CW	1
13.3	4178574	INTER STAGE HELIX4 1.4301< 15 stages KIT	1
		> MACH.STD-STG-CASING-WGV+NR-M+4-304	1
		> IMPELLER-M+4-304	1
		> IMPELLER SPACER Ø12,05X14,85-L24,285-304	1



HELIX V410-1/16/E/S/400-50 (4201385)

Item	Article no.	Description	Quantity
1	4169942	MO.1,5/2 3~230/400(440)V 50(60)HZ IE3 VP	1
		SPARE PARTS MOTOR:ON REQUEST	1
2	4159707	SCREW M8X30 (4 PIECES)	1
3	4213784	LANTERN FT115 HELIX KIT	1
3.1		> LANT-MOT-VMI-ReDTC6"-FT115-MACHINED+CATA	1
3.2	4184852	> EYELET CPL.FT HELIX (2 PIECES)	1
3.3	4213782	> COUPLING PROTECTOR FT115/130 HELIX KIT	1
4	4178600	COUPLING D.12XD.24 FT115 KIT	1
6	2127554	STUD BOLT M12X437 KIT	1
7	4212722	STATIONARY RING HOLDER HELIX D23 ReDTC	1
7.2	4212720	> STATIONARY RING HOLDER HELIX D23 VP.	1
7.3	4176513	> O-RING FOR PUMP JACKET VP.	1
8	4212724	FILING/PURGING PLUG HELIX ReDTC KIT	1
8.1		> FILLING PLUG MVI6"-304	1
8.2	4177800	> O-RING EPDM PLUG HELIX VP.	1
9	4212726	MECH.SEAL HELIX V2/4 O/E ReDTC KIT	1
9.1	4178563	> M.SEAL.HELIX2-4 O/E VP.	1
7.3	4176513	> O-RING FOR PUMP JACKET VP.	1
10	2127577	HOUSING PIPE D.152x310 1.4301 KIT	1
11	4178566	CENTERING STAGE-RETURN HELIX4 1.4307 VP	1
12	4212729	SHAFT EQUIPMENT HELIX V2/4 ReDTC KIT	1
12.1		> NUT-H-M8-STAINLESS-STEEL A4-70	1
12.2		> SHAFT END WASHER Ø8/Ø12 316L	1
12.3		> 1/2-SNAP-RING-2/4M3-316L	1
12.4		> STOP-RUSH-1/2-D12xd2-M+316	1
4.11		> SCREW CHC-M6X14-8.8-ISO4762-GEOMET500A	1
4.12		> WASHER D.24 L6U ZINK	1
13		HYDRAULIC HELIX V 410 1.4307	1
14	4213771	SHAFT D.12X381 HELIX 1.4057 VP.	1
15	4174079	PUMP HOUSING HELIX DN32 PN16 1.4301 KIT	1
7.3	4176513	> O-RING FOR PUMP JACKET VP.	1
15.1		> BLASTING PPE HOUSING V-PN16-DN32-5"-304	1
15.2	4217889	> COUNTER FLANGE-G1"-PN16-GJL KIT	1
15.3	4171321	> PRIMING/DRAIN PLUG EPDM HELIX KIT	1

HELIX V410-1/16/E/S/400-50 (4201385)

Item	Article no.	Description	Quantity
16	4177964	BASEPLATE HELIX V2/4/6 PN16 VP.	1



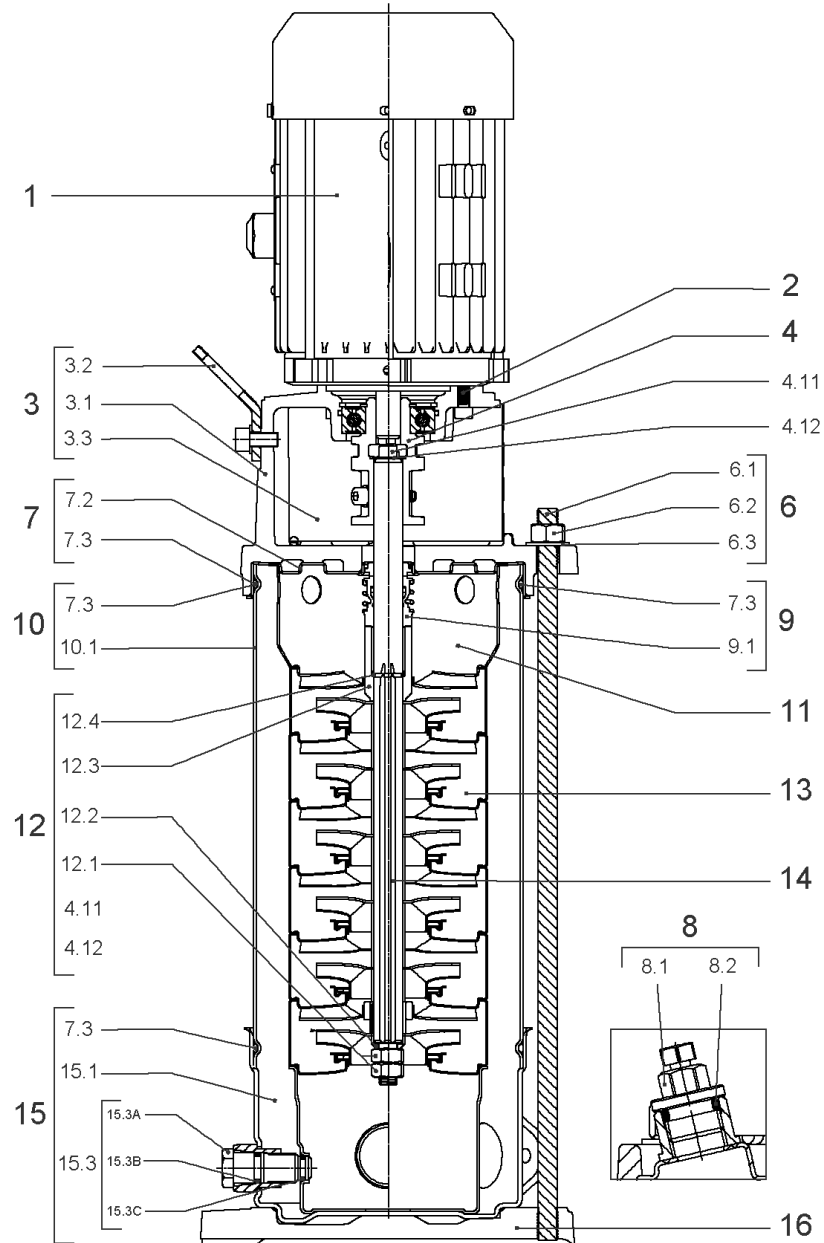
COUPLING D.12XD.24 FT115 KIT (4178600)

Item	Article no.	Description	Quantity
4.1		COUPLING-M+ Ø12XØ24-FT115-MACHINED	1
4.2	2131023	BALL BEARING 6207/ZZ-C3(HT)VP.	1
4.3	4234254	CIRCLIP-FOR-SHAFT-D35x1.5 VP.	1
4.4	4157726	SCREW KIT M8X30 (4 PIECES)	1
4.5	4234251	CIRCLIP-D72x2.5 VP.	1
4.6	4234246	O-RING 72X3 VP.	1
		NOMEL CONTACT WASHER 8x16x1,4 STEEL ZC	1



HYDRAULIC HELIX V 410 1.4307

Item	Article no.	Description	Quantity
13.1	4178570	STAGE HELIX 4 1.4301 KIT	1
		> MACH.STG-CASING-WOGV-WNR-M+2-4-304	1
		> IMPELLER-M+4-304	1
13.2	4178569	STAGE BEARING HELIX 4 1.4301 KIT	1
		> MACH.BEARING-STG-CASING-WNR-M+4-304	1
		> IMPELLER-M+4-304	1
		> SHAFT SLEEVE SPACER Ø15,35x10,305-304	1
		> SHAFT-SLEEVE-D12xD16x14-CW	1
13.3	4178574	INTER STAGE HELIX4 1.4301< 15 stages KIT	1
		> MACH.STD-STG-CASING-WGV+NR-M+4-304	1
		> IMPELLER-M+4-304	1
		> IMPELLER SPACER Ø12,05X14,85-L24,285-304	1



HELIX V411-1/16/E/S/400-50 (4201388)

Item	Article no.	Description	Quantity
1	4169942	MO.1,5/2 3~230/400(440)V 50(60)HZ IE3 VP	1
		SPARE PARTS MOTOR:ON REQUEST	1
2	4159707	SCREW M8X30 (4 PIECES)	1
3	4213784	LANTERN FT115 HELIX KIT	1
3.1		> LANT-MOT-VMI-ReDTC6"-FT115-MACHINED+CATA	1
3.2	4184852	> EYELET CPL.FT HELIX (2 PIECES)	1
3.3	4213782	> COUPLING PROTECTOR FT115/130 HELIX KIT	1
4	4178600	COUPLING D.12XD.24 FT115 KIT	1
6	4178605	STUD BOLT M12X469 KIT	1
6.1		> TIE BOLT M12-469x18x30-1.4057	1
6.2	2094647	> NUT M12 M12 ISO4032 VP.	1
6.3	2123557	> WASHER CS-12.4-24-1.6-NFE25 (4 PIECES)	1
7	4212722	STATIONARY RING HOLDER HELIX D23 ReDTC	1
7.2	4212720	> STATIONARY RING HOLDER HELIX D23 VP.	1
7.3	4176513	> O-RING FOR PUMP JACKET VP.	1
8	4212724	FILING/PURGING PLUG HELIX ReDTC KIT	1
8.1		> FILLING PLUG MVI6"-304	1
8.2	4177800	> O-RING EPDM PLUG HELIX VP.	1
9	4212726	MECH.SEAL HELIX V2/4 O/E ReDTC KIT	1
9.1	4178563	> M.SEAL.HELIX2-4 O/E VP.	1
7.3	4176513	> O-RING FOR PUMP JACKET VP.	1
10	4178606	HOUSING-PIPE D.152X335 1.4304 KIT	1
7.3	4176513	> O-RING FOR PUMP JACKET VP.	1
10.1		> HOUSING-PIPE Ø152-M+211/411-304	1
11	4178566	CENTERING STAGE-RETURN HELIX4 1.4307 VP	1
12	4212729	SHAFT EQUIPMENT HELIX V2/4 ReDTC KIT	1
12.1		> NUT-H-M8-STAINLESS-STEEL A4-70	1
12.2		> SHAFT END WASHER Ø8/Ø12 316L	1
12.3		> 1/2-SNAP-RING-2/4M3-316L	1
12.4		> STOP-RUSH-1/2-D12xd2-M+316	1
4.11		> SCREW CHC-M6X14-8.8-ISO4762-GEOMET500A	1
4.12		> WASHER D.24 L6U ZINK	1
13		HYDRAULIC HELIX V 411 1.4307	1
14	4213776	SHAFT D.12X406 HELIX 1.4057 VP.	1

HELIX V411-1/16/E/S/400-50 (4201388)

Item	Article no.	Description	Quantity
15	4174079	PUMP HOUSING HELIX DN32 PN16 1.4301 KIT	1
7.3	4176513	> O-RING FOR PUMP JACKET VP.	1
15.1		> BLASTING PPE HOUSING V-PN16-DN32-5"-304	1
15.2	4217889	> COUNTER FLANGE-G1"-PN16-GJL KIT	1
15.3	4171321	> PRIMING/DRAIN PLUG EPDM HELIX KIT	1
16	4177964	BASEPLATE HELIX V2/4/6 PN16 VP.	1



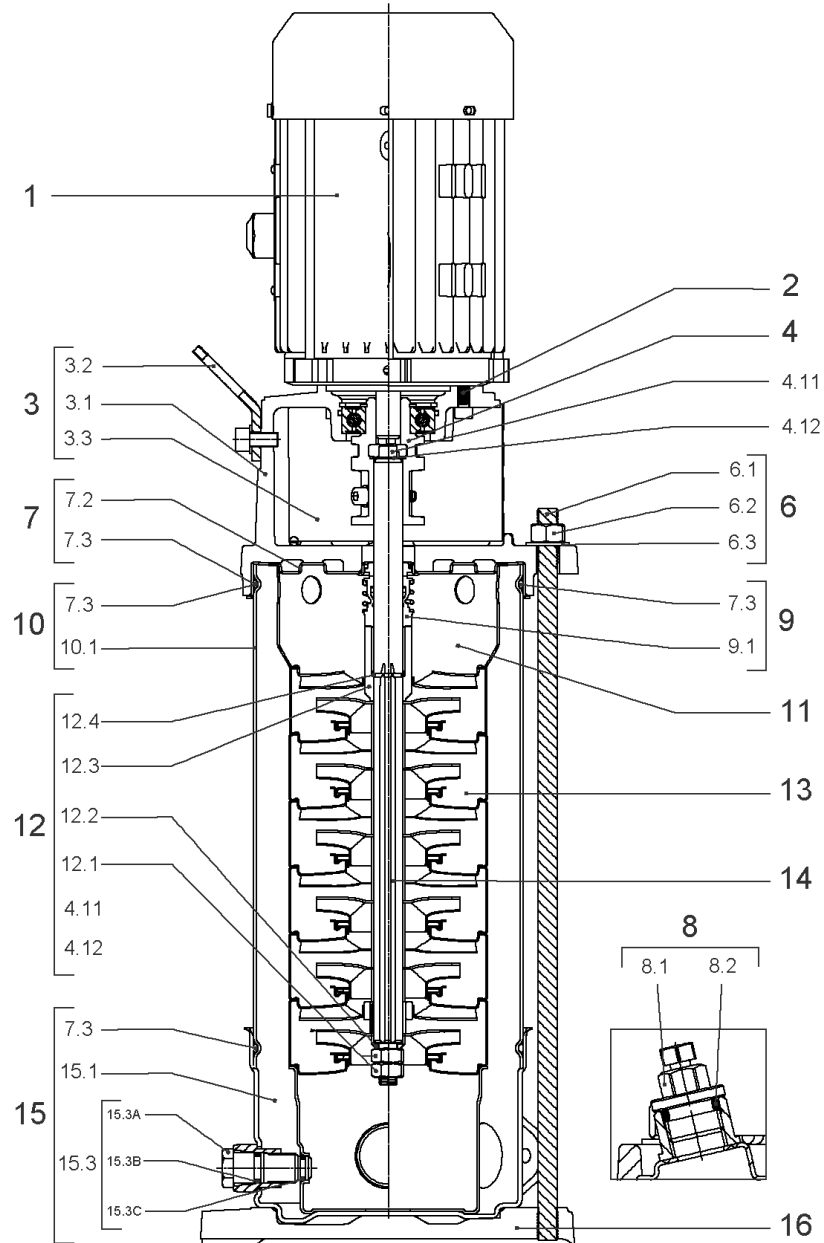
COUPLING D.12XD.24 FT115 KIT (4178600)

Item	Article no.	Description	Quantity
4.1		COUPLING-M+ Ø12XØ24-FT115-MACHINED	1
4.2	2131023	BALL BEARING 6207/ZZ-C3(HT)VP.	1
4.3	4234254	CIRCLIP-FOR-SHAFT-D35x1.5 VP.	1
4.4	4157726	SCREW KIT M8X30 (4 PIECES)	1
4.5	4234251	CIRCLIP-D72x2.5 VP.	1
4.6	4234246	O-RING 72X3 VP.	1
		NOMEL CONTACT WASHER 8x16x1,4 STEEL ZC	1



HYDRAULIC HELIX V 411 1.4307

Item	Article no.	Description	Quantity
13.1	4178570	STAGE HELIX 4 1.4301 KIT	1
		> MACH.STG-CASING-WOGV-WNR-M+2-4-304	1
		> IMPELLER-M+4-304	1
13.2	4178569	STAGE BEARING HELIX 4 1.4301 KIT	1
		> MACH.BEARING-STG-CASING-WNR-M+4-304	1
		> IMPELLER-M+4-304	1
		> SHAFT SLEEVE SPACER Ø15,35x10,305-304	1
		> SHAFT-SLEEVE-D12xD16x14-CW	1
13.3	4178574	INTER STAGE HELIX4 1.4301< 15 stages KIT	1
		> MACH.STD-STG-CASING-WGV+NR-M+4-304	1
		> IMPELLER-M+4-304	1
		> IMPELLER SPACER Ø12,05X14,85-L24,285-304	1



HELIX V412-1/16/E/S/400-50 (4201390)

Item	Article no.	Description	Quantity
1	4169942	MO.1,5/2 3~230/400(440)V 50(60)HZ IE3 VP	1
		SPARE PARTS MOTOR:ON REQUEST	1
2	4159707	SCREW M8X30 (4 PIECES)	1
3	4213784	LANTERN FT115 HELIX KIT	1
3.1		> LANT-MOT-VMI-ReDTC6"-FT115-MACHINED+CATA	1
3.2	4184852	> EYELET CPL.FT HELIX (2 PIECES)	1
3.3	4213782	> COUPLING PROTECTOR FT115/130 HELIX KIT	1
4	4178600	COUPLING D.12XD.24 FT115 KIT	1
6	2127555	STUD BOLT M12X485 KIT	1
7	4212722	STATIONARY RING HOLDER HELIX D23 ReDTC	1
7.2	4212720	> STATIONARY RING HOLDER HELIX D23 VP.	1
7.3	4176513	> O-RING FOR PUMP JACKET VP.	1
8	4212724	FILING/PURGING PLUG HELIX ReDTC KIT	1
8.1		> FILLING PLUG MVI6"-304	1
8.2	4177800	> O-RING EPDM PLUG HELIX VP.	1
9	4212726	MECH.SEAL HELIX V2/4 O/E ReDTC KIT	1
9.1	4178563	> M.SEAL.HELIX2-4 O/E VP.	1
7.3	4176513	> O-RING FOR PUMP JACKET VP.	1
10	2127578	HOUSING PIPE D.152x360 1.4307 KIT	1
7.3	4176513	> O-RING FOR PUMP JACKET VP.	1
10.1		> HOUSING-PIPE Ø152-M+1008/1606-304	1
11	4178566	CENTERING STAGE-RETURN HELIX4 1.4307 VP	1
12	4212729	SHAFT EQUIPMENT HELIX V2/4 ReDTC KIT	1
12.1		> NUT-H-M8-STAINLESS-STEEL A4-70	1
12.2		> SHAFT END WASHER Ø8/Ø12 316L	1
12.3		> 1/2-SNAP-RING-2/4M3-316L	1
12.4		> STOP-RUSH-1/2-D12xd2-M+316	1
4.11		> SCREW CHC-M6X14-8.8-ISO4762-GEOMET500A	1
4.12		> WASHER D.24 L6U ZINK	1
13		HYDRAULIC HELIX V 412 1.4307	1
14	4213778	SHAFT D.12X431 HELIX 1.4057 VP.	1
15	4174079	PUMP HOUSING HELIX DN32 PN16 1.4301 KIT	1
7.3	4176513	> O-RING FOR PUMP JACKET VP.	1
15.1		> BLASTING PPE HOUSING V-PN16-DN32-5"-304	1

HELIX V412-1/16/E/S/400-50 (4201390)

Item	Article no.	Description	Quantity
15.2	4217889	> COUNTER FLANGE-G1"-PN16-GJL KIT	1
15.3	4171321	> PRIMING/DRAIN PLUG EPDM HELIX KIT	1
16	4177964	BASEPLATE HELIX V2/4/6 PN16 VP.	1



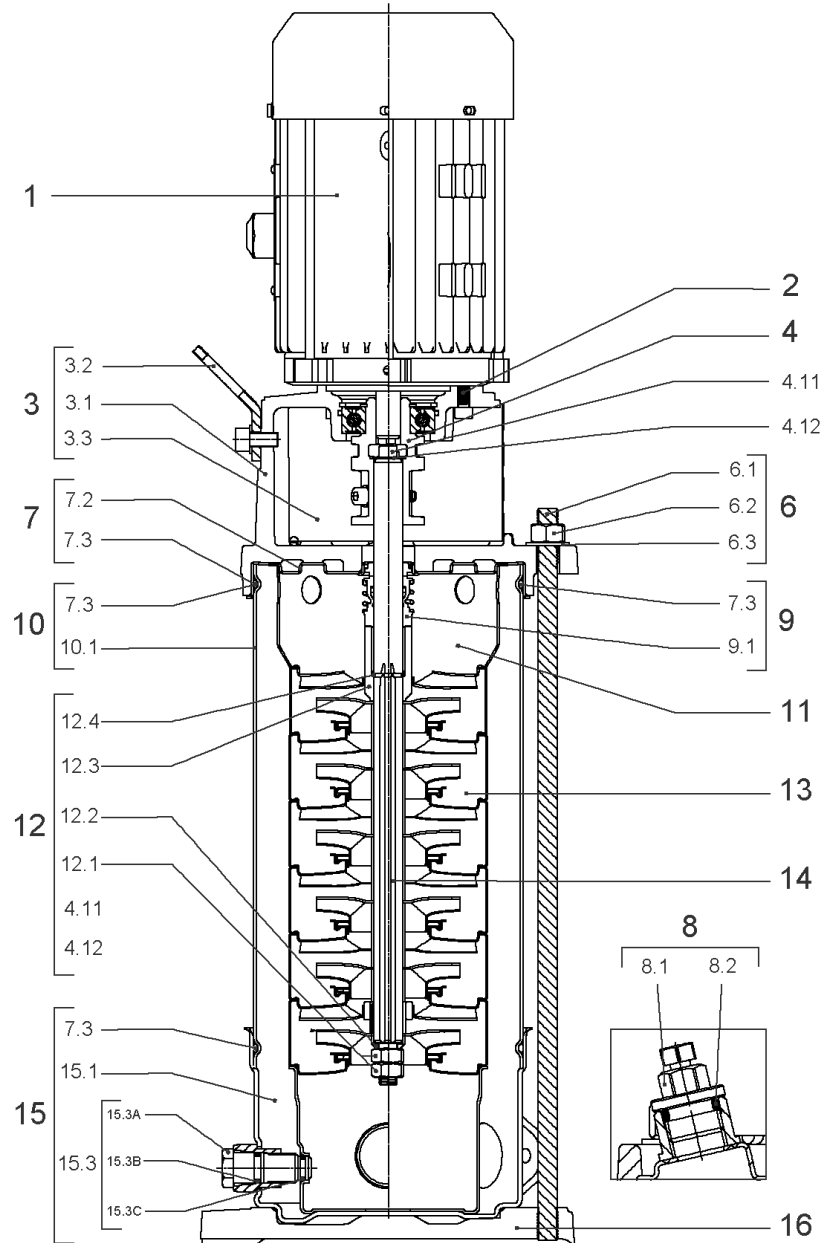
COUPLING D.12XD.24 FT115 KIT (4178600)

Item	Article no.	Description	Quantity
4.1		COUPLING-M+ Ø12XØ24-FT115-MACHINED	1
4.2	2131023	BALL BEARING 6207/ZZ-C3(HT)VP.	1
4.3	4234254	CIRCLIP-FOR-SHAFT-D35x1.5 VP.	1
4.4	4157726	SCREW KIT M8X30 (4 PIECES)	1
4.5	4234251	CIRCLIP-D72x2.5 VP.	1
4.6	4234246	O-RING 72X3 VP.	1
		NOMEL CONTACT WASHER 8x16x1,4 STEEL ZC	1



HYDRAULIC HELIX V 412 1.4307

Item	Article no.	Description	Quantity
13.1	4178570	STAGE HELIX 4 1.4301 KIT	1
		> MACH.STG-CASING-WOGV-WNR-M+2-4-304	1
		> IMPELLER-M+4-304	1
13.2	4178569	STAGE BEARING HELIX 4 1.4301 KIT	1
		> MACH.BEARING-STG-CASING-WNR-M+4-304	1
		> IMPELLER-M+4-304	1
		> SHAFT SLEEVE SPACER Ø15,35x10,305-304	1
		> SHAFT-SLEEVE-D12xD16x14-CW	1
13.3	4178574	INTER STAGE HELIX4 1.4301< 15 stages KIT	1
		> MACH.STD-STG-CASING-WGV+NR-M+4-304	1
		> IMPELLER-M+4-304	1
		> IMPELLER SPACER Ø12,05X14,85-L24,285-304	1



HELIX V413-1/16/E/S/400-50 (4201392)

Item	Article no.	Description	Quantity
1	4169943	MOTOR 2,2/2/90 3~230/400V 50HZ IE3 VP.	1
		SPARE PARTS MOTOR:ON REQUEST	1
2	4159707	SCREW M8X30 (4 PIECES)	1
3	4213784	LANTERN FT115 HELIX KIT	1
3.1		> LANT-MOT-VMI-ReDTC6"-FT115-MACHINED+CATA	1
3.2	4184852	> EYELET CPL.FT HELIX (2 PIECES)	1
3.3	4213782	> COUPLING PROTECTOR FT115/130 HELIX KIT	1
4	4178600	COUPLING D.12XD.24 FT115 KIT	1
6	2127556	STUD BOLT M12X542 KIT	1
7	4212722	STATIONARY RING HOLDER HELIX D23 ReDTC	1
7.2	4212720	> STATIONARY RING HOLDER HELIX D23 VP.	1
7.3	4176513	> O-RING FOR PUMP JACKET VP.	1
8	4212724	FILING/PURGING PLUG HELIX ReDTC KIT	1
8.1		> FILLING PLUG MVI6"-304	1
8.2	4177800	> O-RING EPDM PLUG HELIX VP.	1
9	4212726	MECH.SEAL HELIX V2/4 O/E ReDTC KIT	1
9.1	4178563	> M.SEAL.HELIX2-4 O/E VP.	1
7.3	4176513	> O-RING FOR PUMP JACKET VP.	1
10	2127579	HOUSING PIPE D.152x410 1.4301 KIT	1
7.3	4176513	> O-RING FOR PUMP JACKET VP.	1
10.1		> HOUSING-PIPE Ø152-M+1607-304	1
11	4178566	CENTERING STAGE-RETURN HELIX4 1.4307 VP	1
12	4212729	SHAFT EQUIPMENT HELIX V2/4 ReDTC KIT	1
12.1		> NUT-H-M8-STAINLESS-STEEL A4-70	1
12.2		> SHAFT END WASHER Ø8/Ø12 316L	1
12.3		> 1/2-SNAP-RING-2/4M3-316L	1
12.4		> STOP-RUSH-1/2-D12xd2-M+316	1
4.11		> SCREW CHC-M6X14-8.8-ISO4762-GEOMET500A	1
4.12		> WASHER D.24 L6U ZINK	1
13		HYDRAULIC HELIX V 413 1.4307	1
14	4213780	SHAFT D.12X481 HELIX 1.4057 VP.	1
15	4174079	PUMP HOUSING HELIX DN32 PN16 1.4301 KIT	1
7.3	4176513	> O-RING FOR PUMP JACKET VP.	1
15.1		> BLASTING PPE HOUSING V-PN16-DN32-5"-304	1

HELIX V413-1/16/E/S/400-50 (4201392)

Item	Article no.	Description	Quantity
15.2	4217889	> COUNTER FLANGE-G1"-PN16-GJL KIT	1
15.3	4171321	> PRIMING/DRAIN PLUG EPDM HELIX KIT	1
16	4177964	BASEPLATE HELIX V2/4/6 PN16 VP.	1



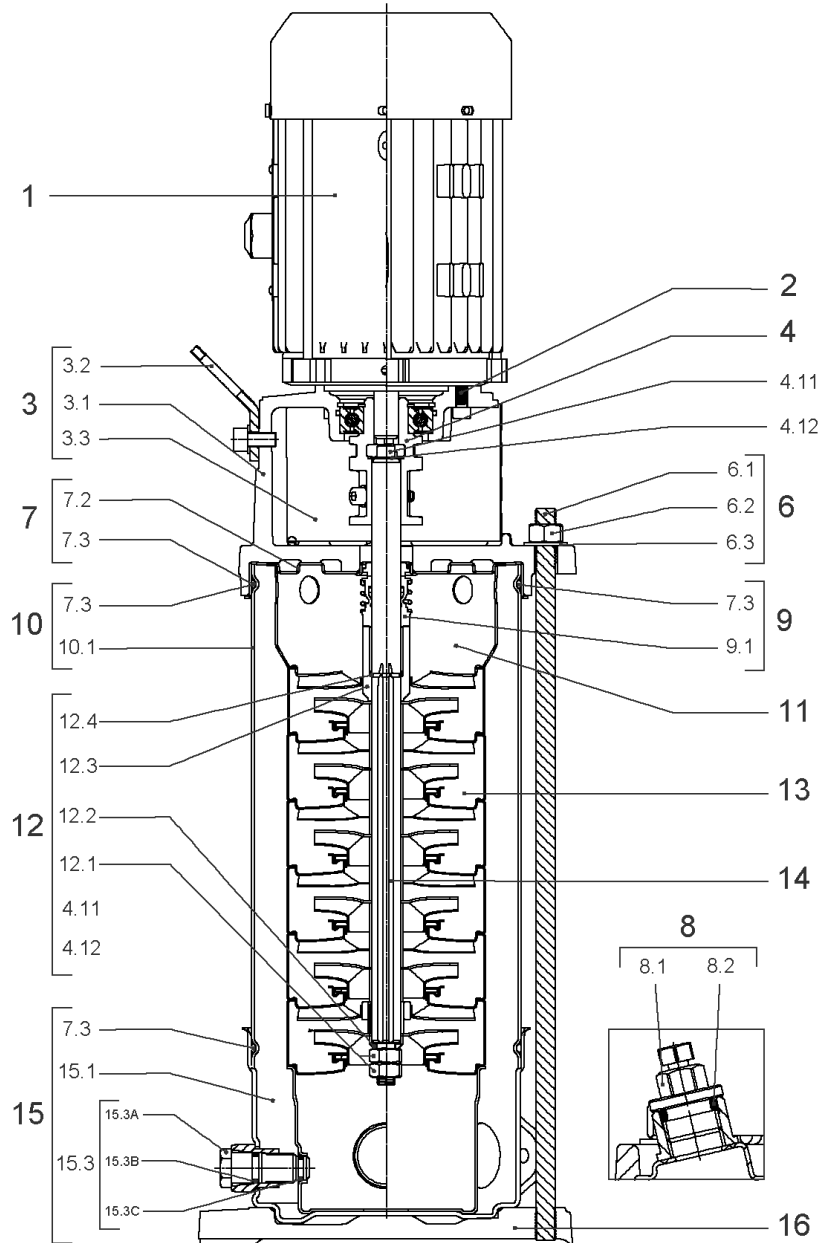
COUPLING D.12XD.24 FT115 KIT (4178600)

Item	Article no.	Description	Quantity
4.1		COUPLING-M+ Ø12XØ24-FT115-MACHINED	1
4.2	2131023	BALL BEARING 6207/ZZ-C3(HT)VP.	1
4.3	4234254	CIRCLIP-FOR-SHAFT-D35x1.5 VP.	1
4.4	4157726	SCREW KIT M8X30 (4 PIECES)	1
4.5	4234251	CIRCLIP-D72x2.5 VP.	1
4.6	4234246	O-RING 72X3 VP.	1
		NOMEL CONTACT WASHER 8x16x1,4 STEEL ZC	1



HYDRAULIC HELIX V 413 1.4307

Item	Article no.	Description	Quantity
13.1	4178570	STAGE HELIX 4 1.4301 KIT	1
		> MACH.STG-CASING-WOGV-WNR-M+2-4-304	1
		> IMPELLER-M+4-304	1
13.2	4178569	STAGE BEARING HELIX 4 1.4301 KIT	1
		> MACH.BEARING-STG-CASING-WNR-M+4-304	1
		> IMPELLER-M+4-304	1
		> SHAFT SLEEVE SPACER Ø15,35x10,305-304	1
		> SHAFT-SLEEVE-D12xD16x14-CW	1
13.3	4178574	INTER STAGE HELIX4 1.4301< 15 stages KIT	1
		> MACH.STD-STG-CASING-WGV+NR-M+4-304	1
		> IMPELLER-M+4-304	1
		> IMPELLER SPACER Ø12,05X14,85-L24,285-304	1
13.4	4179307	EMPTY STAGE HELIX 4 1.4301<15 stage Kit	1
		> MACH.STD-STG-CASING-WGV+NR-M+4-304	1
		> FLAT WASHER-D12.1XD16X0.8-316L	1
		> IMPELLER SPACER Ø12,05X14,85-L24,285-304	1
13.5	4179304	STAGE HELIX 4 1.4301 < 15 stages Kit	1
		> MACH.STG-CASING-WOGV-WNR-M+2-4-304	1
		> IMPELLER-M+4-304	1
		> IMPELLER SPACER Ø12,05X14,85-L24,285-304	1



HELIX V414-1/16/E/S/400-50 (4201393)

Item	Article no.	Description	Quantity
1	4169943	MOTOR 2,2/2/90 3~230/400V 50HZ IE3 VP.	1
		SPARE PARTS MOTOR:ON REQUEST	1
2	4159707	SCREW M8X30 (4 PIECES)	1
3	4213784	LANTERN FT115 HELIX KIT	1
3.1		> LANT-MOT-VMI-ReDTC6"-FT115-MACHINED+CATA	1
3.2	4184852	> EYELET CPL.FT HELIX (2 PIECES)	1
3.3	4213782	> COUPLING PROTECTOR FT115/130 HELIX KIT	1
4	4178600	COUPLING D.12XD.24 FT115 KIT	1
6	2127556	STUD BOLT M12X542 KIT	1
7	4212722	STATIONARY RING HOLDER HELIX D23 ReDTC	1
7.2	4212720	> STATIONARY RING HOLDER HELIX D23 VP.	1
7.3	4176513	> O-RING FOR PUMP JACKET VP.	1
8	4212724	FILING/PURGING PLUG HELIX ReDTC KIT	1
8.1		> FILLING PLUG MVI6"-304	1
8.2	4177800	> O-RING EPDM PLUG HELIX VP.	1
9	4212726	MECH.SEAL HELIX V2/4 O/E ReDTC KIT	1
9.1	4178563	> M.SEAL.HELIX2-4 O/E VP.	1
7.3	4176513	> O-RING FOR PUMP JACKET VP.	1
10	2127579	HOUSING PIPE D.152x410 1.4301 KIT	1
7.3	4176513	> O-RING FOR PUMP JACKET VP.	1
10.1		> HOUSING-PIPE Ø152-M+1607-304	1
11	4178566	CENTERING STAGE-RETURN HELIX4 1.4307 VP	1
12	4212729	SHAFT EQUIPMENT HELIX V2/4 ReDTC KIT	1
12.1		> NUT-H-M8-STAINLESS-STEEL A4-70	1
12.2		> SHAFT END WASHER Ø8/Ø12 316L	1
12.3		> 1/2-SNAP-RING-2/4M3-316L	1
12.4		> STOP-RUSH-1/2-D12xd2-M+316	1
4.11		> SCREW CHC-M6X14-8.8-ISO4762-GEOMET500A	1
4.12		> WASHER D.24 L6U ZINK	1
13		HYDRAULIC HELIX V 414 1.4307	1
14	4213780	SHAFT D.12X481 HELIX 1.4057 VP.	1
15	4174079	PUMP HOUSING HELIX DN32 PN16 1.4301 KIT	1
7.3	4176513	> O-RING FOR PUMP JACKET VP.	1
15.1		> BLASTING PPE HOUSING V-PN16-DN32-5"-304	1

HELIX V414-1/16/E/S/400-50 (4201393)

Item	Article no.	Description	Quantity
15.2	4217889	> COUNTER FLANGE-G1"-PN16-GJL KIT	1
15.3	4171321	> PRIMING/DRAIN PLUG EPDM HELIX KIT	1
16	4177964	BASEPLATE HELIX V2/4/6 PN16 VP.	1



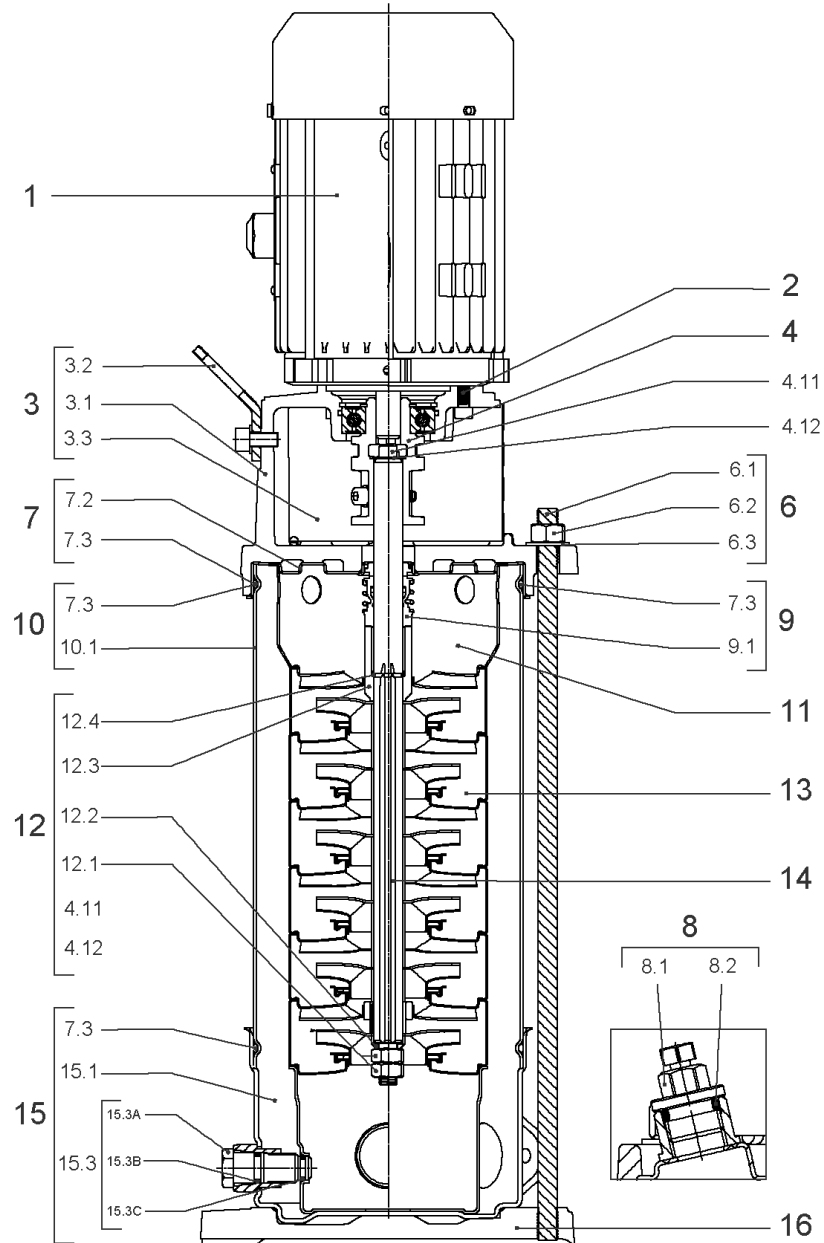
COUPLING D.12XD.24 FT115 KIT (4178600)

Item	Article no.	Description	Quantity
4.1		COUPLING-M+ Ø12XØ24-FT115-MACHINED	1
4.2	2131023	BALL BEARING 6207/ZZ-C3(HT)VP.	1
4.3	4234254	CIRCLIP-FOR-SHAFT-D35x1.5 VP.	1
4.4	4157726	SCREW KIT M8X30 (4 PIECES)	1
4.5	4234251	CIRCLIP-D72x2.5 VP.	1
4.6	4234246	O-RING 72X3 VP.	1
		NOMEL CONTACT WASHER 8x16x1,4 STEEL ZC	1



HYDRAULIC HELIX V 414 1.4307

Item	Article no.	Description	Quantity
13.1	4178570	STAGE HELIX 4 1.4301 KIT	1
		> MACH.STG-CASING-WOGV-WNR-M+2-4-304	1
		> IMPELLER-M+4-304	1
13.2	4178569	STAGE BEARING HELIX 4 1.4301 KIT	1
		> MACH.BEARING-STG-CASING-WNR-M+4-304	1
		> IMPELLER-M+4-304	1
		> SHAFT SLEEVE SPACER Ø15,35x10,305-304	1
		> SHAFT-SLEEVE-D12xD16x14-CW	1
13.3	4178574	INTER STAGE HELIX4 1.4301< 15 stages KIT	1
		> MACH.STD-STG-CASING-WGV+NR-M+4-304	1
		> IMPELLER-M+4-304	1
		> IMPELLER SPACER Ø12,05X14,85-L24,285-304	1



HELIX V416-1/16/E/S/400-50 (4201395)

Item	Article no.	Description	Quantity
1	4169943	MOTOR 2,2/2/90 3~230/400V 50HZ IE3 VP.	1
		SPARE PARTS MOTOR:ON REQUEST	1
2	4159707	SCREW M8X30 (4 PIECES)	1
3	4213784	LANTERN FT115 HELIX KIT	1
3.1		> LANT-MOT-VMI-ReDTC6"-FT115-MACHINED+CATA	1
3.2	4184852	> EYELET CPL.FT HELIX (2 PIECES)	1
3.3	4213782	> COUPLING PROTECTOR FT115/130 HELIX KIT	1
4	4178600	COUPLING D.12XD.24 FT115 KIT	1
6	2127557	STUD BOLT M12X587 KIT	1
6.1		> TIE BOLT M12-587x18x30-1.4057	1
6.2	2094647	> NUT M12 M12 ISO4032 VP.	1
6.3	2123557	> WASHER CS-12.4-24-1.6-NFE25 (4 PIECES)	1
7	4212722	STATIONARY RING HOLDER HELIX D23 ReDTC	1
7.2	4212720	> STATIONARY RING HOLDER HELIX D23 VP.	1
7.3	4176513	> O-RING FOR PUMP JACKET VP.	1
8	4212724	FILING/PURGING PLUG HELIX ReDTC KIT	1
8.1		> FILLING PLUG MVI6"-304	1
8.2	4177800	> O-RING EPDM PLUG HELIX VP.	1
9	4212726	MECH.SEAL HELIX V2/4 O/E ReDTC KIT	1
9.1	4178563	> M.SEAL.HELIX2-4 O/E VP.	1
7.3	4176513	> O-RING FOR PUMP JACKET VP.	1
10	2127580	HOUSING PIPE D.152x460 1.4301 KIT	1
7.3	4176513	> O-RING FOR PUMP JACKET VP.	1
10.1		> HOUSING-PIPE Ø152-M+1608-304	1
11	4178566	CENTERING STAGE-RETURN HELIX4 1.4307 VP	1
12	4212729	SHAFT EQUIPMENT HELIX V2/4 ReDTC KIT	1
12.1		> NUT-H-M8-STAINLESS-STEEL A4-70	1
12.2		> SHAFT END WASHER Ø8/Ø12 316L	1
12.3		> 1/2-SNAP-RING-2/4M3-316L	1
12.4		> STOP-RUSH-1/2-D12xd2-M+316	1
4.11		> SCREW CHC-M6X14-8.8-ISO4762-GEOMET500A	1
4.12		> WASHER D.24 L6U ZINK	1
13		HYDRAULIC HELIX V 416 1.4307	1
14	4213788	SHAFT D.12X531 HELIX 1.4057 VP.	1

HELIX V416-1/16/E/S/400-50 (4201395)

Item	Article no.	Description	Quantity
15	4174079	PUMP HOUSING HELIX DN32 PN16 1.4301 KIT	1
7.3	4176513	> O-RING FOR PUMP JACKET VP.	1
15.1		> BLASTING PPE HOUSING V-PN16-DN32-5"-304	1
15.2	4217889	> COUNTER FLANGE-G1"-PN16-GJL KIT	1
15.3	4171321	> PRIMING/DRAIN PLUG EPDM HELIX KIT	1
16	4177964	BASEPLATE HELIX V2/4/6 PN16 VP.	1



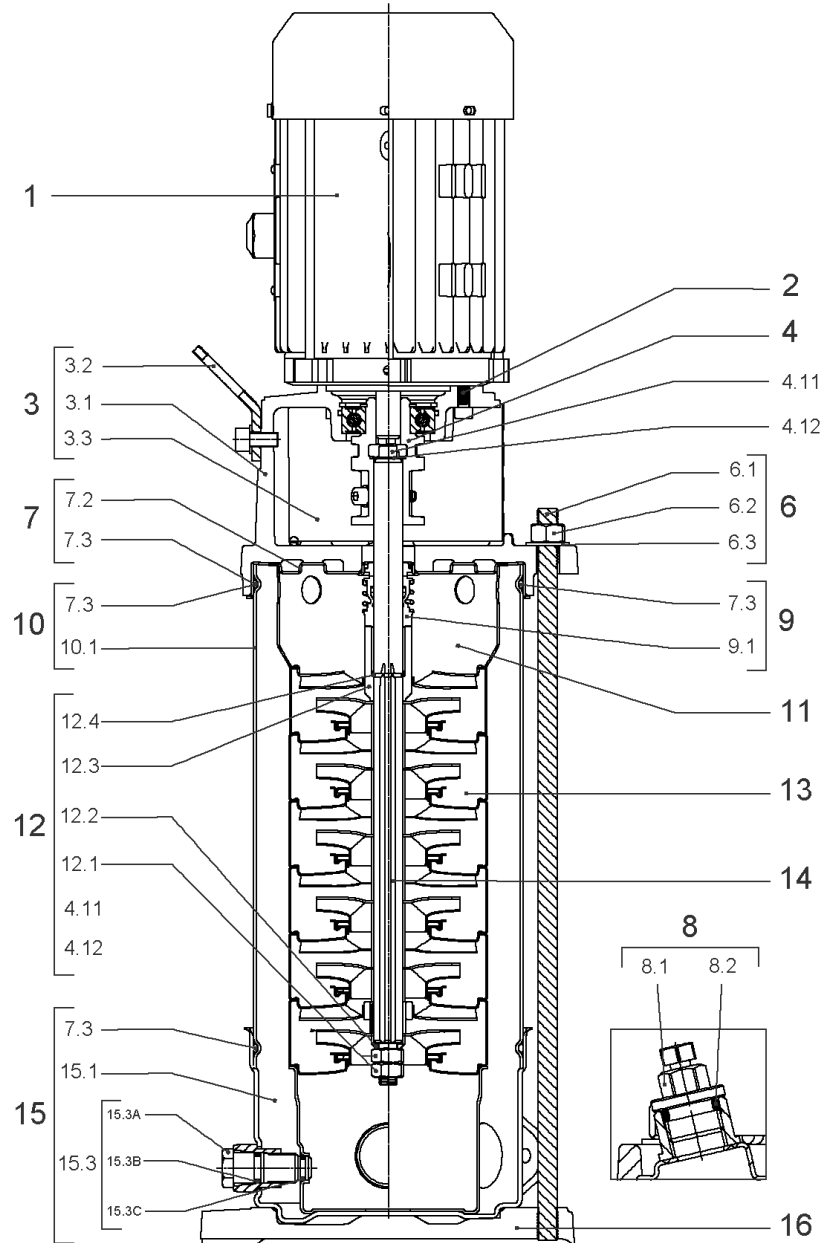
COUPLING D.12XD.24 FT115 KIT (4178600)

Item	Article no.	Description	Quantity
4.1		COUPLING-M+ Ø12XØ24-FT115-MACHINED	1
4.2	2131023	BALL BEARING 6207/ZZ-C3(HT)VP.	1
4.3	4234254	CIRCLIP-FOR-SHAFT-D35x1.5 VP.	1
4.4	4157726	SCREW KIT M8X30 (4 PIECES)	1
4.5	4234251	CIRCLIP-D72x2.5 VP.	1
4.6	4234246	O-RING 72X3 VP.	1
		NOMEL CONTACT WASHER 8x16x1,4 STEEL ZC	1



HYDRAULIC HELIX V 416 1.4307

Item	Article no.	Description	Quantity
13.1	4178570	STAGE HELIX 4 1.4301 KIT	1
		> MACH.STG-CASING-WOGV-WNR-M+2-4-304	1
		> IMPELLER-M+4-304	1
13.2	4178569	STAGE BEARING HELIX 4 1.4301 KIT	1
		> MACH.BEARING-STG-CASING-WNR-M+4-304	1
		> IMPELLER-M+4-304	1
		> SHAFT SLEEVE SPACER Ø15,35x10,305-304	1
		> SHAFT-SLEEVE-D12xD16x14-CW	1
13.3	4220514	INTER STAGE HELIX4 1.4301> 15 stages KIT	1
		> MACH.STD-STG-CASING-WGV+NR-M+4-304	1
		> IMPELLER-M+4-304	1
		> IMPELLER SPACER Ø12,1x14,1-L24,25-316L	1



HELIX V418-1/16/E/S/400-50 (4201397)

Item	Article no.	Description	Quantity
1	4169943	MOTOR 2,2/2/90 3~230/400V 50HZ IE3 VP.	1
		SPARE PARTS MOTOR:ON REQUEST	1
2	4159707	SCREW M8X30 (4 PIECES)	1
3	4213784	LANTERN FT115 HELIX KIT	1
3.1		> LANT-MOT-VMI-ReDTC6"-FT115-MACHINED+CATA	1
3.2	4184852	> EYELET CPL.FT HELIX (2 PIECES)	1
3.3	4213782	> COUPLING PROTECTOR FT115/130 HELIX KIT	1
4	4178600	COUPLING D.12XD.24 FT115 KIT	1
6	4177842	STUD BOLT M12X638KIT	1
6.1		> TIE BOLT M12-638x18x30-1.4057	1
6.2	2094647	> NUT M12 M12 ISO4032 VP.	1
6.3	2123557	> WASHER CS-12.4-24-1.6-NFE25 (4 PIECES)	1
7	4212722	STATIONARY RING HOLDER HELIX D23 ReDTC	1
7.2	4212720	> STATIONARY RING HOLDER HELIX D23 VP.	1
7.3	4176513	> O-RING FOR PUMP JACKET VP.	1
8	4212724	FILING/PURGING PLUG HELIX ReDTC KIT	1
8.1		> FILLING PLUG MVI6"-304	1
8.2	4177800	> O-RING EPDM PLUG HELIX VP.	1
9	4212726	MECH.SEAL HELIX V2/4 O/E ReDTC KIT	1
9.1	4178563	> M.SEAL.HELIX2-4 O/E VP.	1
7.3	4176513	> O-RING FOR PUMP JACKET VP.	1
10	4177843	HOUSING PIPES D.152X510 1.4307 KIT	1
7.3	4176513	> O-RING FOR PUMP JACKET VP.	1
10.1		> HOUSING-PIPE Ø152-M+1012/1609-304	1
11	4178566	CENTERING STAGE-RETURN HELIX4 1.4307 VP	1
12	4212729	SHAFT EQUIPMENT HELIX V2/4 ReDTC KIT	1
12.1		> NUT-H-M8-STAINLESS-STEEL A4-70	1
12.2		> SHAFT END WASHER Ø8/Ø12 316L	1
12.3		> 1/2-SNAP-RING-2/4M3-316L	1
12.4		> STOP-RUSH-1/2-D12xd2-M+316	1
4.11		> SCREW CHC-M6X14-8.8-ISO4762-GEOMET500A	1
4.12		> WASHER D.24 L6U ZINK	1
13		HYDRAULIC HELIX V 418 1.4307	1
14	4214468	SHAFT D.12X581 HELIX 1.4057 VP.	1

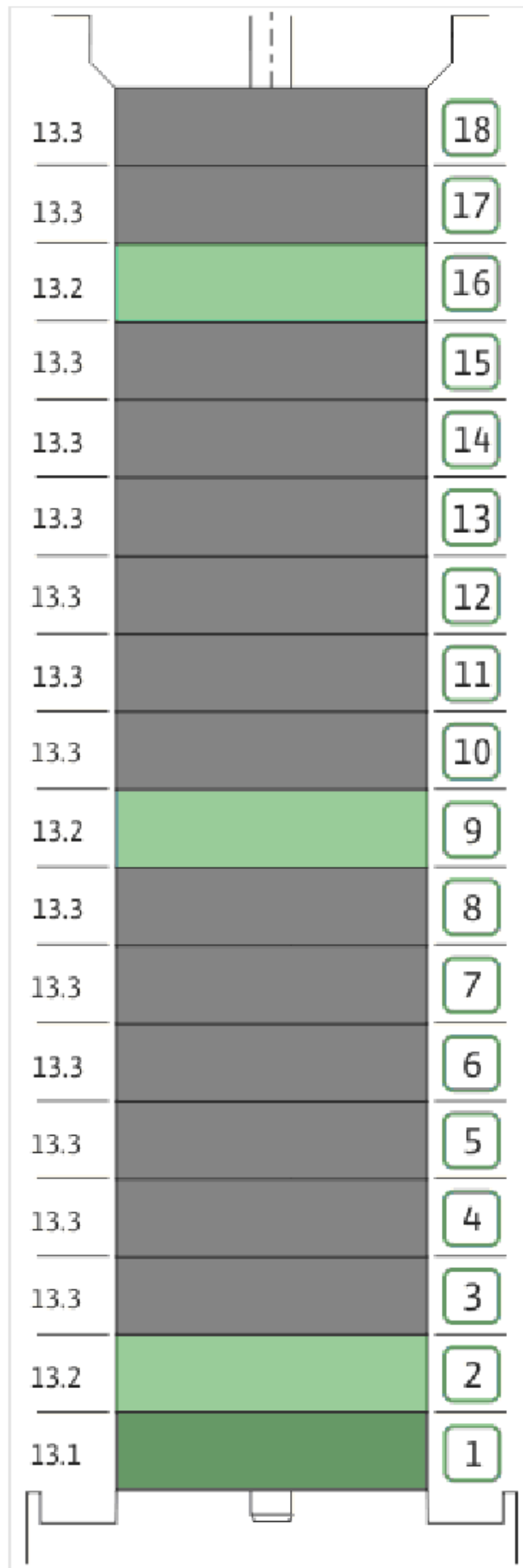
HELIX V418-1/16/E/S/400-50 (4201397)

Item	Article no.	Description	Quantity
15	4174079	PUMP HOUSING HELIX DN32 PN16 1.4301 KIT	1
7.3	4176513	> O-RING FOR PUMP JACKET VP.	1
15.1		> BLASTING PPE HOUSING V-PN16-DN32-5"-304	1
15.2	4217889	> COUNTER FLANGE-G1"-PN16-GJL KIT	1
15.3	4171321	> PRIMING/DRAIN PLUG EPDM HELIX KIT	1
16	4177964	BASEPLATE HELIX V2/4/6 PN16 VP.	1



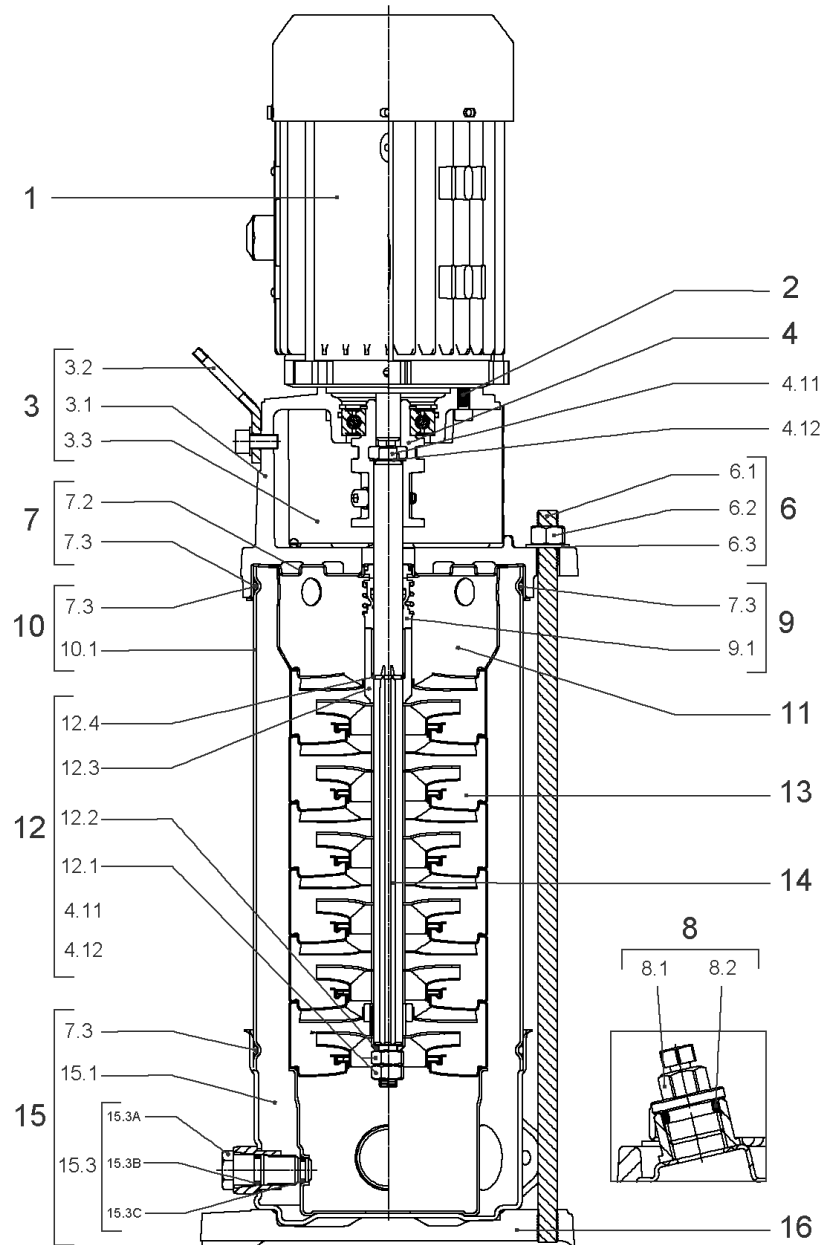
COUPLING D.12XD.24 FT115 KIT (4178600)

Item	Article no.	Description	Quantity
4.1		COUPLING-M+ Ø12XØ24-FT115-MACHINED	1
4.2	2131023	BALL BEARING 6207/ZZ-C3(HT)VP.	1
4.3	4234254	CIRCLIP-FOR-SHAFT-D35x1.5 VP.	1
4.4	4157726	SCREW KIT M8X30 (4 PIECES)	1
4.5	4234251	CIRCLIP-D72x2.5 VP.	1
4.6	4234246	O-RING 72X3 VP.	1
		NOMEL CONTACT WASHER 8x16x1,4 STEEL ZC	1



HYDRAULIC HELIX V 418 1.4307

Item	Article no.	Description	Quantity
13.1	4178570	STAGE HELIX 4 1.4301 KIT	1
		> MACH.STG-CASING-WOGV-WNR-M+2-4-304	1
		> IMPELLER-M+4-304	1
13.2	4178569	STAGE BEARING HELIX 4 1.4301 KIT	1
		> MACH.BEARING-STG-CASING-WNR-M+4-304	1
		> IMPELLER-M+4-304	1
		> SHAFT SLEEVE SPACER Ø15,35x10,305-304	1
		> SHAFT-SLEEVE-D12xD16x14-CW	1
13.3	4220514	INTER STAGE HELIX4 1.4301> 15 stages KIT	1
		> MACH.STD-STG-CASING-WGV+NR-M+4-304	1
		> IMPELLER-M+4-304	1
		> IMPELLER SPACER Ø12,1X14,1-L24,25-316L	1



HELIX V420-1/16/E/S/400-50 (4201399)

Item	Article no.	Description	Quantity
1	4169944	MOTOR 3/2/100 3~230/400V 50HZ IE3 VP.	1
		SPARE PARTS MOTOR:ON REQUEST	1
2	4159707	SCREW M8X30 (4 PIECES)	1
3	4214473	LANTERN FT130 HELIX KIT	1
3.1		> LANT-MOT-VMI-ReDTC6"-FT130-MACHINED+CATA	1
3.2	4184852	> EYELET CPL.FT HELIX (2 PIECES)	1
3.3	4213782	> COUPLING PROTECTOR FT115/130 HELIX KIT	1
4	4178626	COUPLING D.12XD.28 FT130 KIT	1
6	4178624	STUD BOLT M12X693 KIT	1
7	4212722	STATIONARY RING HOLDER HELIX D23 ReDTC	1
7.2	4212720	> STATIONARY RING HOLDER HELIX D23 VP.	1
7.3	4176513	> O-RING FOR PUMP JACKET VP.	1
8	4212724	FILING/PURGING PLUG HELIX ReDTC KIT	1
8.1		> FILLING PLUG MVI6"-304	1
8.2	4177800	> O-RING EPDM PLUG HELIX VP.	1
9	4212726	MECH.SEAL HELIX V2/4 O/E ReDTC KIT	1
9.1	4178563	> M.SEAL.HELIX2-4 O/E VP.	1
7.3	4176513	> O-RING FOR PUMP JACKET VP.	1
10	4178627	HOUSING PIPE D.152x560 1.4301 KIT	1
7.3	4176513	> O-RING FOR PUMP JACKET VP.	1
10.1		> HOUSING-PIPE Ø152-M+220/420-304	1
11	4178566	CENTERING STAGE-RETURN HELIX4 1.4307 VP	1
12	4212729	SHAFT EQUIPMENT HELIX V2/4 ReDTC KIT	1
12.1		> NUT-H-M8-STAINLESS-STEEL A4-70	1
12.2		> SHAFT END WASHER Ø8/Ø12 316L	1
12.3		> 1/2-SNAP-RING-2/4M3-316L	1
12.4		> STOP-RUSH-1/2-D12xd2-M+316	1
4.11		> SCREW CHC-M6X14-8.8-ISO4762-GEOMET500A	1
4.12		> WASHER D.24 L6U ZINK	1
13		HYDRAULIC HELIX V 420 1.4307	1
14	4214470	SHAFT D.12X631 HELIX 1.4057 VP.	1
15	4174079	PUMP HOUSING HELIX DN32 PN16 1.4301 KIT	1
7.3	4176513	> O-RING FOR PUMP JACKET VP.	1
15.1		> BLASTING PPE HOUSING V-PN16-DN32-5"-304	1

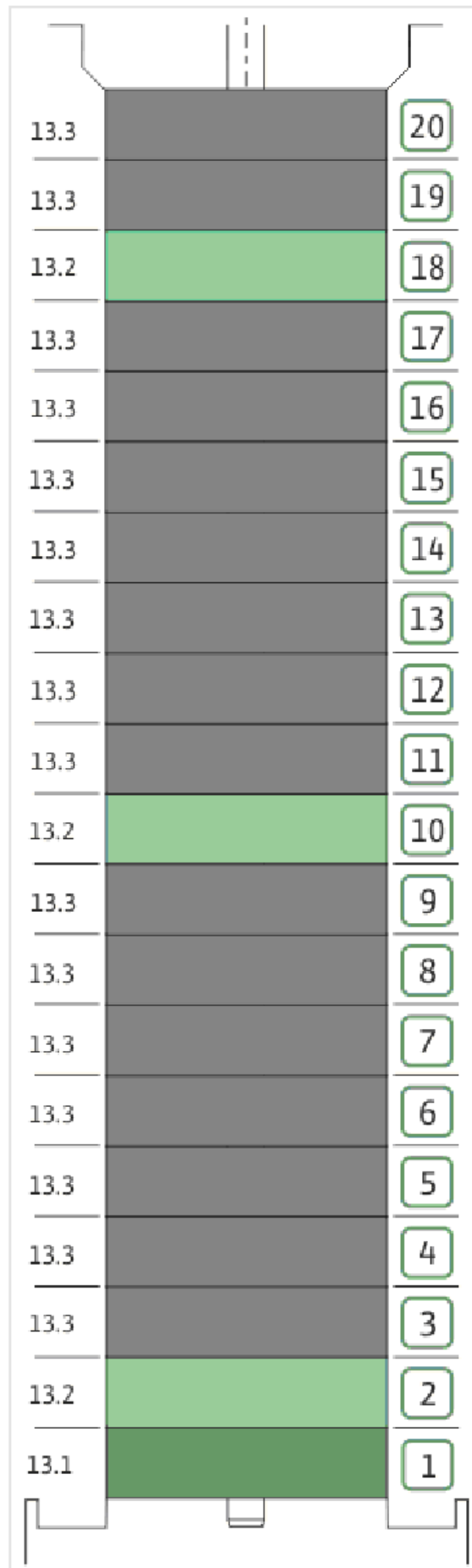
HELIX V420-1/16/E/S/400-50 (4201399)

Item	Article no.	Description	Quantity
15.2	4217889	> COUNTER FLANGE-G1"-PN16-GJL KIT	1
15.3	4171321	> PRIMING/DRAIN PLUG EPDM HELIX KIT	1
16	4177964	BASEPLATE HELIX V2/4/6 PN16 VP.	1



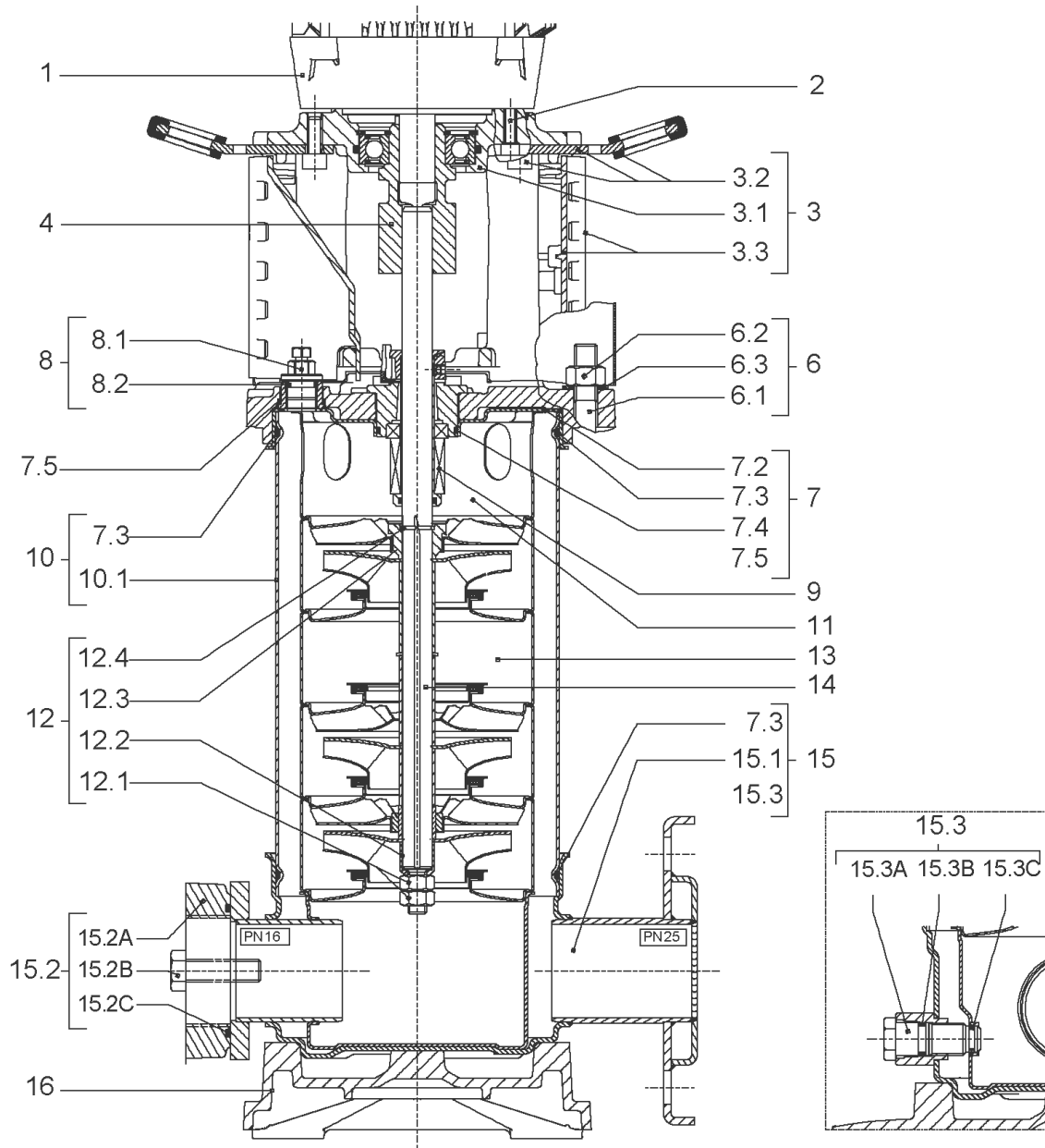
COUPLING D.12XD.28 FT130 KIT (4178626)

Item	Article no.	Description	Quantity
4.1		COUPLING-M+ Ø12XØ28-FT130-MACHINED	1
4.2	2131022	BALL BEARING 6209/ZZ-C3(HT)VP.	1
4.3	4233930	CIRCLIP-FOR-BORES-D45x1,75 VP.	1
4.4	4157726	SCREW KIT M8X30 (4 PIECES)	1
4.5	4234252	CIRCLIPS 85X3 VP.	1
4.6	4234243	O-RING 85X3 VP.	1
		NOMEL CONTACT WASHER 8x16x1,4 STEEL ZC	1



HYDRAULIC HELIX V 420 1.4307

Item	Article no.	Description	Quantity
13.1	4178570	STAGE HELIX 4 1.4301 KIT	1
		> MACH.STG-CASING-WOGV-WNR-M+2-4-304	1
		> IMPELLER-M+4-304	1
13.2	4178569	STAGE BEARING HELIX 4 1.4301 KIT	1
		> MACH.BEARING-STG-CASING-WNR-M+4-304	1
		> IMPELLER-M+4-304	1
		> SHAFT SLEEVE SPACER Ø15,35x10,305-304	1
		> SHAFT-SLEEVE-D12xD16x14-CW	1
13.3	4220514	INTER STAGE HELIX4 1.4301> 15 stages KIT	1
		> MACH.STD-STG-CASING-WGV+NR-M+4-304	1
		> IMPELLER-M+4-304	1
		> IMPELLER SPACER Ø12,1x14,1-L24,25-316L	1

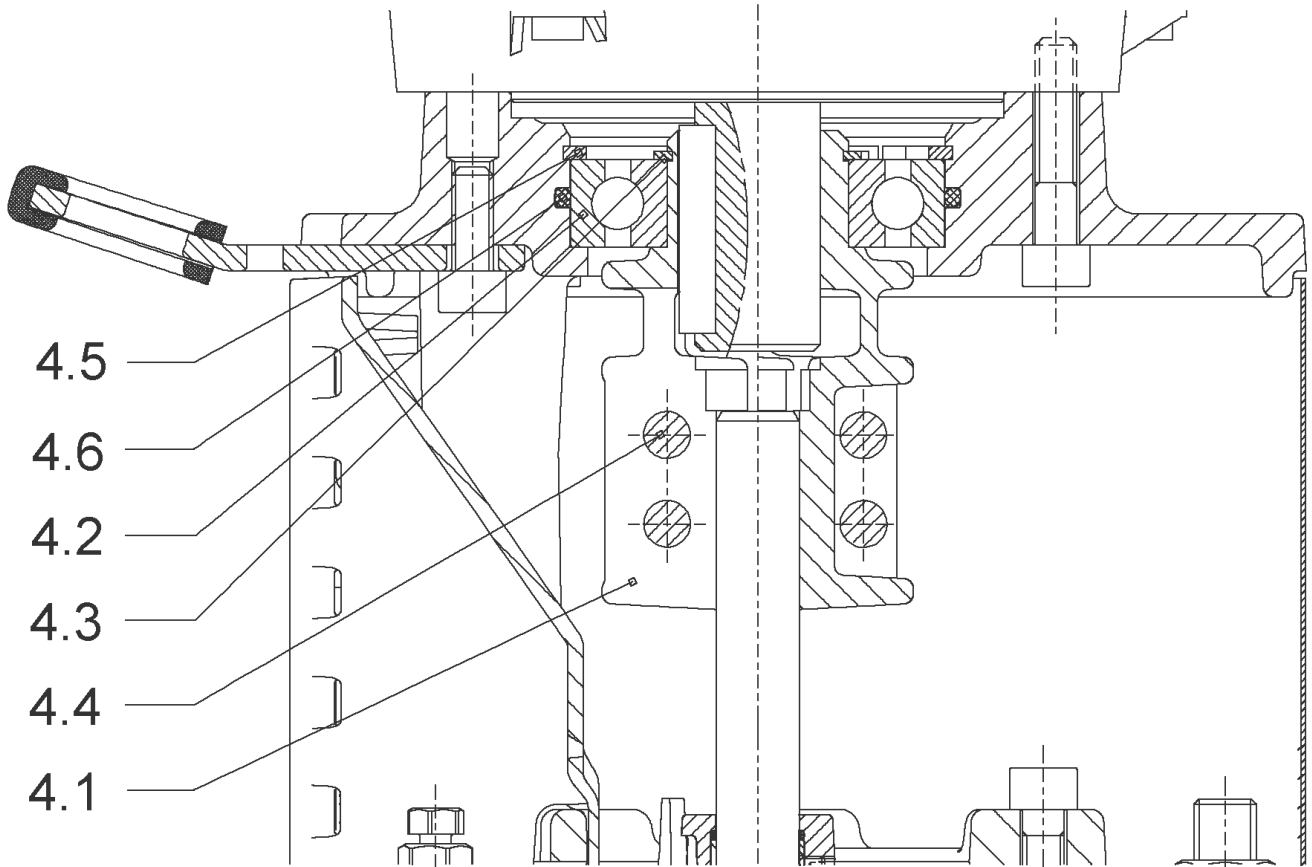


HELIX V402-1/16/E/S/460-60 (4192409)

Item	Article no.	Description	Quantity
1	4169939	MO.0,55/2/71 3~400V 50HZ 460V 60HZ IE2VP	1
		SPARE PARTS MOTOR:ON REQUEST	1
2	4159702	SCREW M6X30 (4 PIECES)	1
3	4171325	LANTERN MONOBLOC FT85 HELIX KIT	1
3.1		> M+5_6_LANTERN_ONE-PIECE_FT85_CATA	1
3.2	2127604	> EYELET CPL.FT HELIX(2 PIECES)	1
3.3	4159692	> COUPLING PROTECTOR FT HELIX KIT	1
4	4178554	COUPLING FT 85 Ø12XØ14 KIT	1
6	2018359	STUD BOLT M12X245 KIT	1
6.1		> TIE BOLT M12-245x18x30-1.4057	1
6.2	2094647	> NUT M12 M12 ISO4032 VP.	1
6.3	2123557	> WASHER CS-12.4-24-1.6-NFE25 (4 PIECES)	1
7	4210143	STATIONARY RING HOLDER HELIX 6" EPDM	1
7.2	2127607	> STATIONARY RING HOLDER 6" HELIX 1.4301 V	1
7.3	4176513	> O-RING FOR PUMP JACKET VP.	1
7.4	2127603	> O-RING ID.37,6x2,4 EPDM VP.	1
7.5	2127602	> O-RING ID.21,35x2 EPDM VP.	1
8	4159686	FILING/PURGING PLUG HELIX EPDM KIT	1
9	4178564	SEAL-KIT-HELIX2-4 O/E KIT	1
10	4178565	HOUSING PIPES D.152X109 1.4301 KIT	1
7.3	4176513	> O-RING FOR PUMP JACKET VP.	1
10.1		> HOUSING-PIPE Ø152-M+202/402-304	1
11	4178566	CENTERING STAGE-RETURN HELIX4 1.4307 VP	1
12	4178568	SHAFT EQUIPMENT HELIX V2/V4 KIT	1
12.1		> NUT-H-M8-STAINLESS-STEEL A4-70	2
12.2		> SHAFT END WASHER Ø8/Ø12 316L	1
12.3		> STOP COLLAR OF IMPELLER M+2/4 SINGLEBLOC	1
12.4		> STOP-RUSH-1/2-D12xd2-M+316	2
13		HYDRAULIC HELIX V 402 1.4307	1
14	4178571	SHAFT D.12X233 1.4057 VP.	1
15	4174079	PUMP HOUSING HELIX DN32 PN16 1.4301 KIT	1
7.3	4176513	> O-RING FOR PUMP JACKET VP.	1
15.1		> BLASTING PPE HOUSING V-PN16-DN32-5"-304	1
15.2	4217889	> COUNTER FLANGE-G1"-PN16-GJL KIT	1

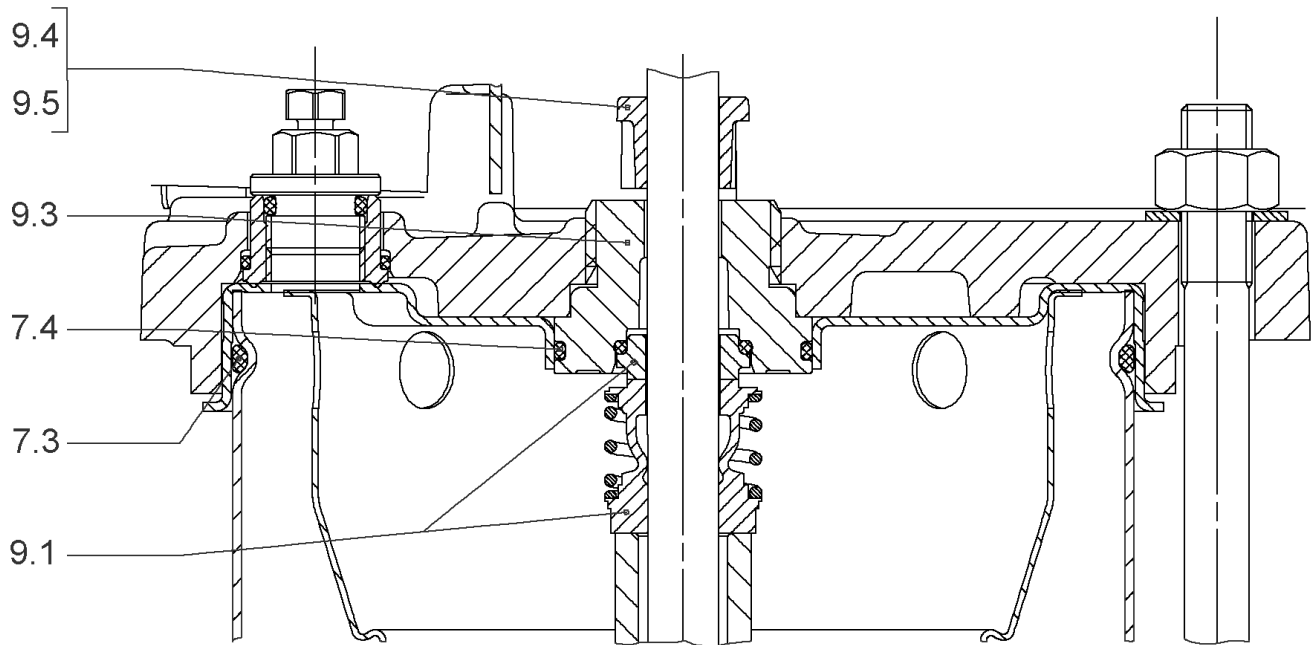
HELIX V402-1/16/E/S/460-60 (4192409)

Item	Article no.	Description	Quantity
15.3	4171321	> PRIMING/DRAIN PLUG EPDM HELIX KIT	1
16	4177964	BASEPLATE HELIX V2/4/6 PN16 VP.	1



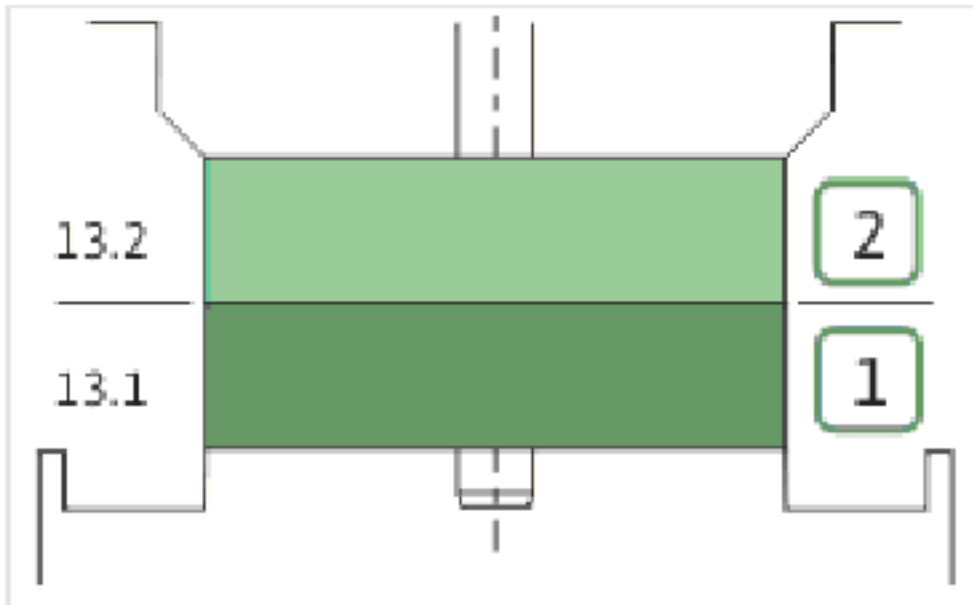
COUPLING FT 85 Ø12XØ14 KIT (4178554)

Item	Article no.	Description	Quantity
4.1		COUPLING-M+ Ø12XØ14-FT85-MACHINED	1
4.3	4208923	CIRCLIP D25X1.2 VP.	1
4.2	4177802	BALL BEARING 6205C3-ZZ HTVP.	1
4.4	4212716	SCREW M6X20 KIT (4PIECES)	1
4.5	4233124	CIRCLIP-FOR-BORES-D52x2 VP.	1
4.6	4234244	O-RING 52X2 VP.	1
		CONTACT-WASHER-6ETR-6,1x12,2x1,8-STEEL	4

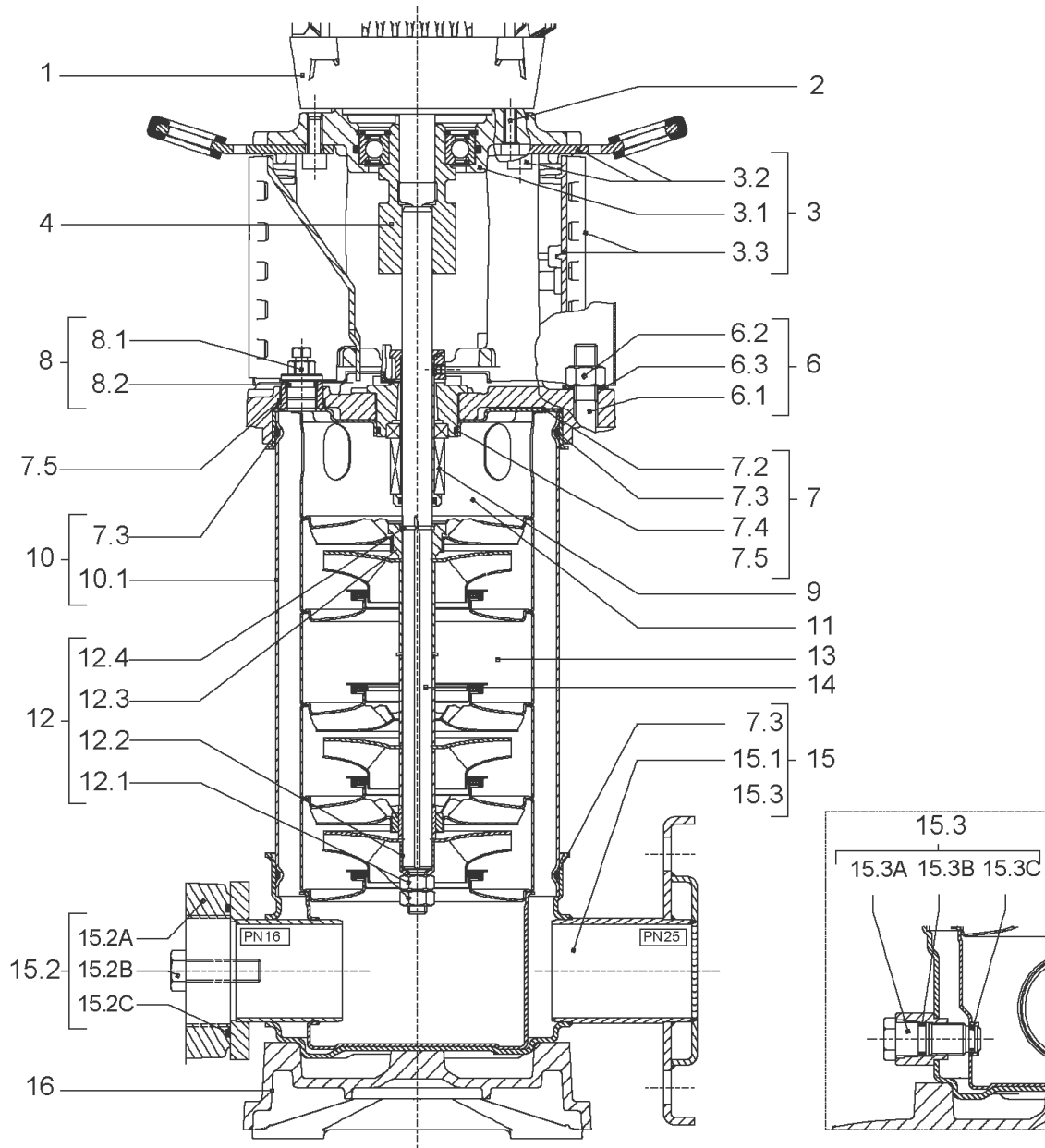


SEAL-KIT-HELIX2-4 O/E KIT (4178564)

Item	Article no.	Description	Quantity
7.3	4176513	O-RING FOR PUMP JACKET VP.	1
7.4	2127603	O-RING ID.37,6x2,4 EPDM VP.	1
9.1	4178563	M.SEAL.HELIX2-4 O/E VP.	1
9.3	4178561	RING HOLDER Ø22 1.4301 VP.	1
9.5	4178562	DRIVE RING D.22/12.2X10 MACH.VP.	1
9.4	4176520	SCREW CH M5x5 A4-70 (3PIECES)	1



Item	Article no.	Description	Quantity
13.1	4178570	STAGE HELIX 4 1.4301 KIT	1
		> MACH.STG-CASING-WOGV-WNR-M+2-4-304	1
		> IMPELLER-M+4-304	1
13.2	4178569	STAGE BEARING HELIX 4 1.4301 KIT	1
		> MACH.BEARING-STG-CASING-WNR-M+4-304	1
		> IMPELLER-M+4-304	1
		> SHAFT SLEEVE SPACER Ø15,35x10,305-304	1
		> SHAFT-SLEEVE-D12xD16x14-CW	1



HELIX V403-1/16/E/S/460-60 (4192410)

Item	Article no.	Description	Quantity
1	4169940	MOTOR 0,75/2/80 3~230/400V 50HZ IE3 VP.	1
		SPARE PARTS MOTOR:ON REQUEST	1
2	4159702	SCREW M6X30 (4 PIECES)	1
3	4172790	EQUIPED LANTERN NEXIS FT 100 KIT	1
3.1		> M+5_6_LANTERN_ONE-PIECE_FT100_CATA	1
3.2	2127604	> EYELET CPL.FT HELIX(2 PIECES)	1
3.3	4159692	> COUPLING PROTECTOR FT HELIX KIT	1
4	4178578	COUPLING D.12XD.19 FT100 KIT	1
6	4177803	STUD BOLT M12X263 KIT	1
6.1		> TIE BOLT M12-263x18x30-1.4057	1
6.2	2094647	> NUT M12 M12 ISO4032 VP.	1
6.3	2123557	> WASHER CS-12.4-24-1.6-NFE25 (4 PIECES)	1
7	4210143	STATIONARY RING HOLDER HELIX 6" EPDM	1
7.2	2127607	> STATIONARY RING HOLDER 6" HELIX 1.4301 V	1
7.3	4176513	> O-RING FOR PUMP JACKET VP.	1
7.4	2127603	> O-RING ID.37,6x2,4 EPDM VP.	1
7.5	2127602	> O-RING ID.21,35x2 EPDM VP.	1
8	4159686	FILING/PURGING PLUG HELIX EPDM KIT	1
9	4178564	SEAL-KIT-HELIX2-4 O/E KIT	1
10	4177804	HOUSING PIPES D.152X134 1.4301 KIT	1
7.3	4176513	> O-RING FOR PUMP JACKET VP.	1
10.1		> HOUSING-PIPE Ø152-M+1001/02-304	1
11	4178566	CENTERING STAGE-RETURN HELIX4 1.4307 VP	1
12	4178568	SHAFT EQUIPMENT HELIX V2/V4 KIT	1
12.1		> NUT-H-M8-STAINLESS-STEEL A4-70	2
12.2		> SHAFT END WASHER Ø8/Ø12 316L	1
12.3		> STOP COLLAR OF IMPELLER M+2/4 SINGLEBLOC	1
12.4		> STOP-RUSH-1/2-D12xd2-M+316	2
13		HYDRAULIC HELIX V 403 1.4307	1
14	4178575	SHAFT D.12X258 1.4301 VP.	1
15	4174079	PUMP HOUSING HELIX DN32 PN16 1.4301 KIT	1
7.3	4176513	> O-RING FOR PUMP JACKET VP.	1
15.1		> BLASTING PPE HOUSING V-PN16-DN32-5"-304	1
15.2	4217889	> COUNTER FLANGE-G1"-PN16-GJL KIT	1

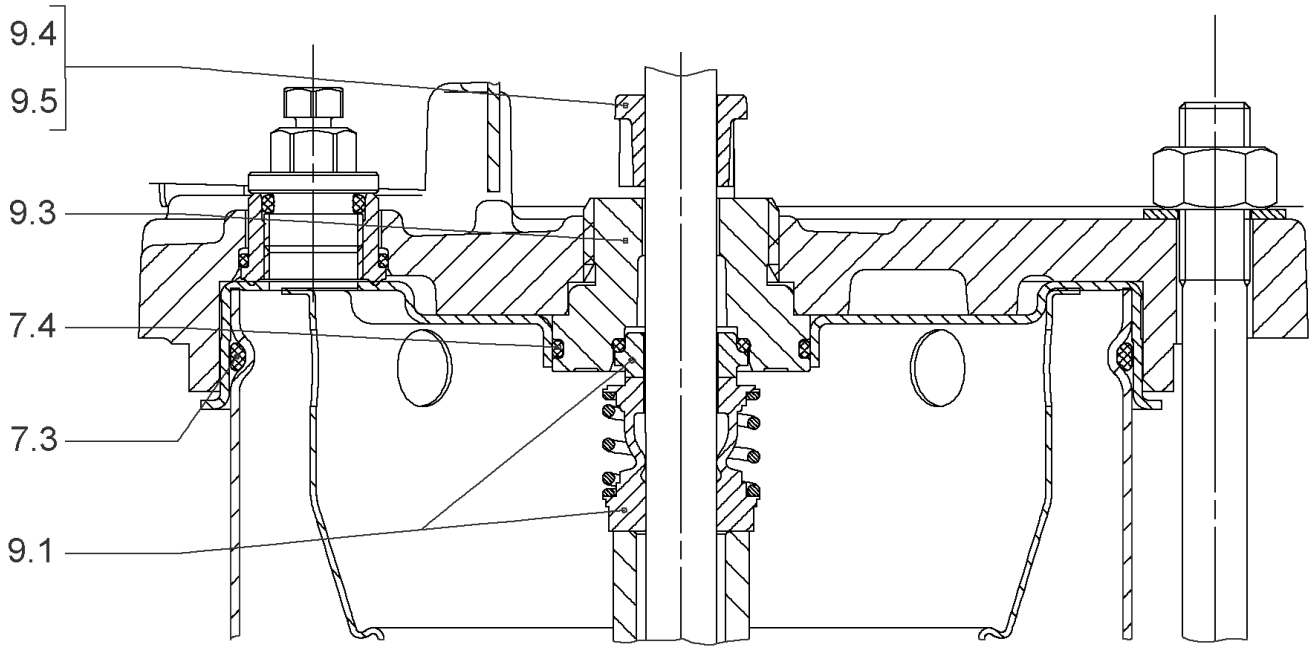
HELIX V403-1/16/E/S/460-60 (4192410)

Item	Article no.	Description	Quantity
15.3	4171321	> PRIMING/DRAIN PLUG EPDM HELIX KIT	1
16	4177964	BASEPLATE HELIX V2/4/6 PN16 VP.	1



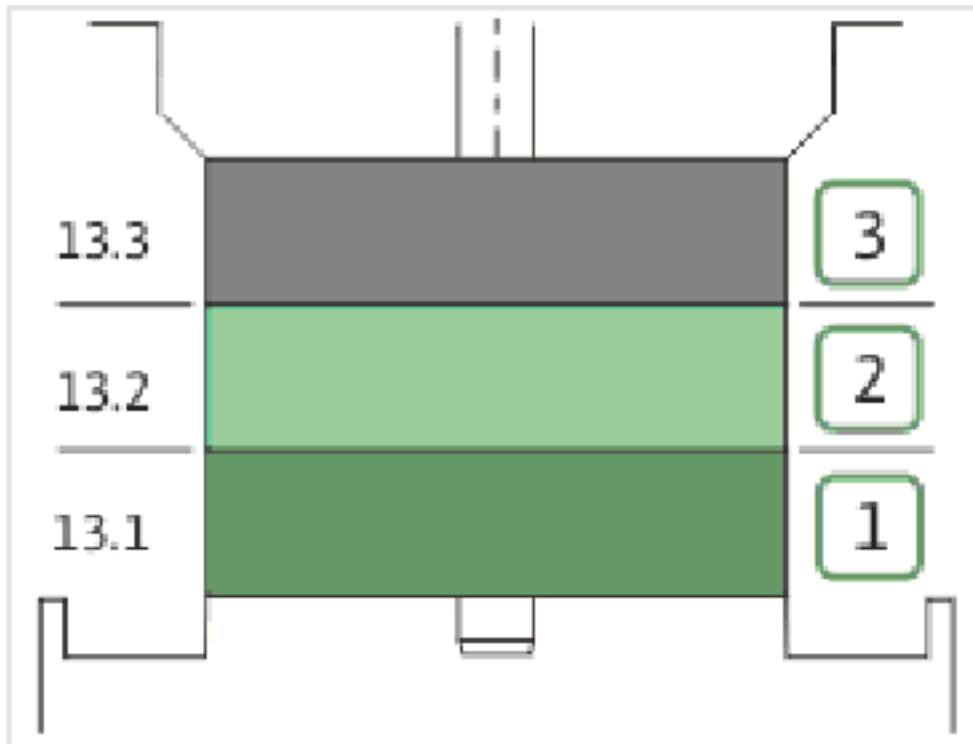
COUPLING D.12XD.19 FT100 KIT (4178578)

Item	Article no.	Description	Quantity
4.1		COUPLING-M+ Ø12XØ19-FT100-MACHINED	1
4.3	4234249	CIRCLIP-FOR-SHAFT-D30x1.5 VP.	1
4.2	2130977	BALL BEARING 6206/ZZ-C3(HT)VP.	1
4.4	4212716	SCREW M6X20 KIT (4PIECES)	1
4.5	4234250	CIRCLIP-D62x2 VP.	1
4.6	4234245	O-RING 63X3 VP.	1
		CONTACT-WASHER-6ETR-6,1x12,2x1,8-STEEL	4



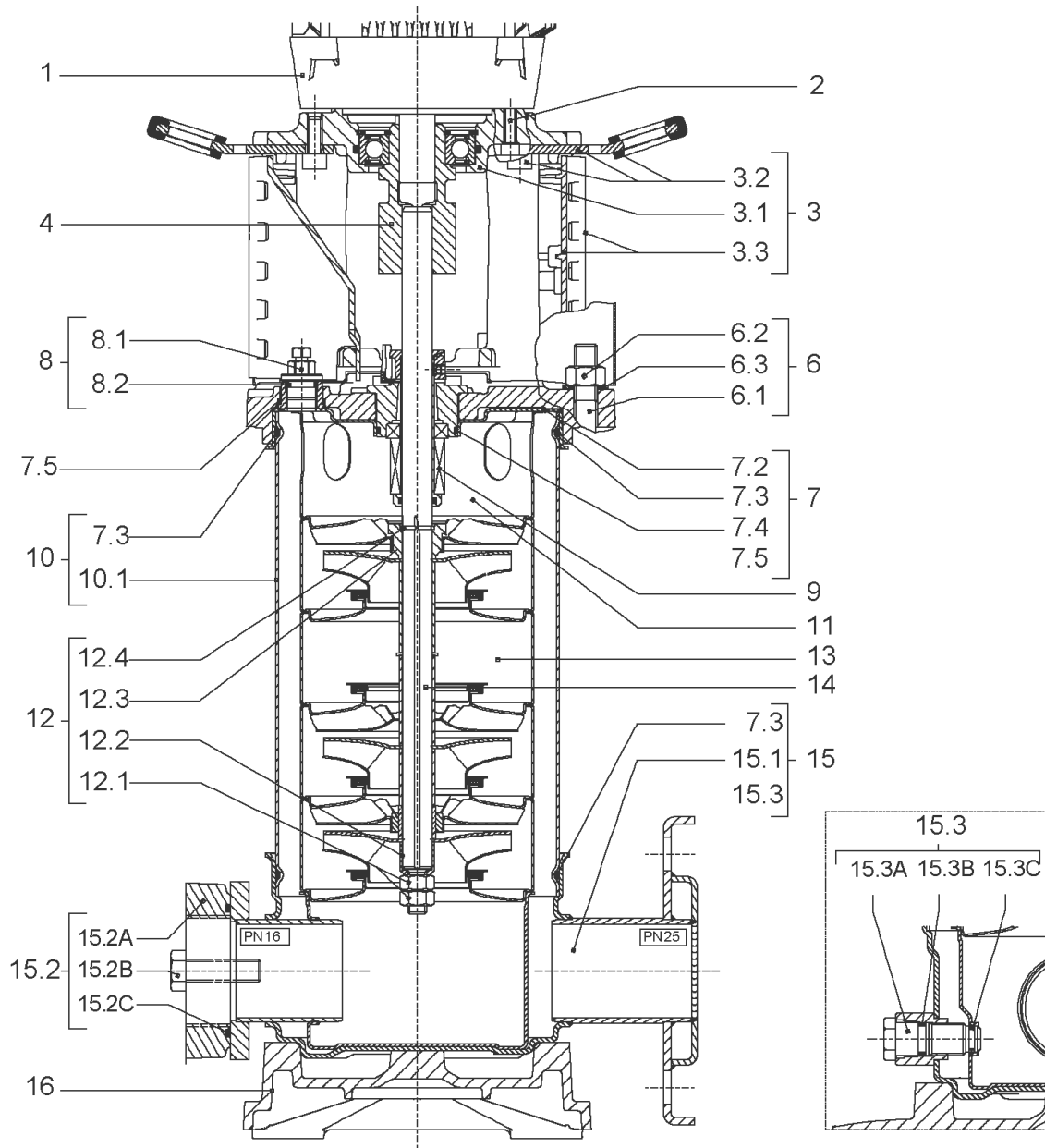
SEAL-KIT-HELIX2-4 O/E KIT (4178564)

Item	Article no.	Description	Quantity
7.3	4176513	O-RING FOR PUMP JACKET VP.	1
7.4	2127603	O-RING ID.37,6x2,4 EPDM VP.	1
9.1	4178563	M.SEAL.HELIX2-4 O/E VP.	1
9.3	4178561	RING HOLDER Ø22 1.4301 VP.	1
9.5	4178562	DRIVE RING D.22/12.2X10 MACH.VP.	1
9.4	4176520	SCREW CH M5x5 A4-70 (3PIECES)	1



HYDRAULIC HELIX V 403 1.4307

Item	Article no.	Description	Quantity
13.1	4178570	STAGE HELIX 4 1.4301 KIT	1
		> MACH.STG-CASING-WOGV-WNR-M+2-4-304	1
		> IMPELLER-M+4-304	1
13.2	4178569	STAGE BEARING HELIX 4 1.4301 KIT	1
		> MACH.BEARING-STG-CASING-WNR-M+4-304	1
		> IMPELLER-M+4-304	1
		> SHAFT SLEEVE SPACER Ø15,35x10,305-304	1
		> SHAFT-SLEEVE-D12xD16x14-CW	1
13.3	4178574	INTER STAGE HELIX4 1.4301< 15 stages KIT	1
		> MACH.STD-STG-CASING-WGV+NR-M+4-304	1
		> IMPELLER-M+4-304	1
		> IMPELLER SPACER Ø12,05X14,85-L24,285-304	1



HELIX V404-1/16/E/S/460-60 (4192411)

Item	Article no.	Description	Quantity
1	4169941	MOTOR 1,1/2/80 3~230/400V 50HZ IE3 VP.	1
		SPARE PARTS MOTOR:ON REQUEST	1
2	4159702	SCREW M6X30 (4 PIECES)	1
3	4172790	EQUIPED LANTERN NEXIS FT 100 KIT	1
3.1		> M+5_6_LANTERN_ONE-PIECE_FT100_CATA	1
3.2	2127604	> EYELET CPL.FT HELIX(2 PIECES)	1
3.3	4159692	> COUPLING PROTECTOR FT HELIX KIT	1
4	4178578	COUPLING D.12XD.19 FT100 KIT	1
6	2018368	STUD BOLT M12X289 KIT	1
6.1		> TIE BOLT M12-289x18x30-1.4057	1
6.2	2094647	> NUT M12 M12 ISO4032 VP.	1
6.3	2123557	> WASHER CS-12.4-24-1.6-NFE25 (4 PIECES)	1
7	4210143	STATIONARY RING HOLDER HELIX 6" EPDM	1
7.2	2127607	> STATIONARY RING HOLDER 6" HELIX 1.4301 V	1
7.3	4176513	> O-RING FOR PUMP JACKET VP.	1
7.4	2127603	> O-RING ID.37,6x2,4 EPDM VP.	1
7.5	2127602	> O-RING ID.21,35x2 EPDM VP.	1
8	4159686	FILING/PURGING PLUG HELIX EPDM KIT	1
9	4178564	SEAL-KIT-HELIX2-4 O/E KIT	1
10	2127574	HOUSING PIPE D.152x160 1.4301 KIT	1
7.3	4176513	> O-RING FOR PUMP JACKET VP.	1
10.1		> HOUSING-PIPE Ø152-M+1601/02-304	1
11	4178566	CENTERING STAGE-RETURN HELIX4 1.4307 VP	1
12	4178568	SHAFT EQUIPMENT HELIX V2/V4 KIT	1
12.1		> NUT-H-M8-STAINLESS-STEEL A4-70	2
12.2		> SHAFT END WASHER Ø8/Ø12 316L	1
12.3		> STOP COLLAR OF IMPELLER M+2/4 SINGLEBLOC	1
12.4		> STOP-RUSH-1/2-D12xd2-M+316	2
13		HYDRAULIC HELIX V 404 1.4307	1
14	4178576	SHAFT D.12X283 1.4301 VP.	1
15	4174079	PUMP HOUSING HELIX DN32 PN16 1.4301 KIT	1
7.3	4176513	> O-RING FOR PUMP JACKET VP.	1
15.1		> BLASTING PPE HOUSING V-PN16-DN32-5"-304	1
15.2	4217889	> COUNTER FLANGE-G1"-PN16-GJL KIT	1

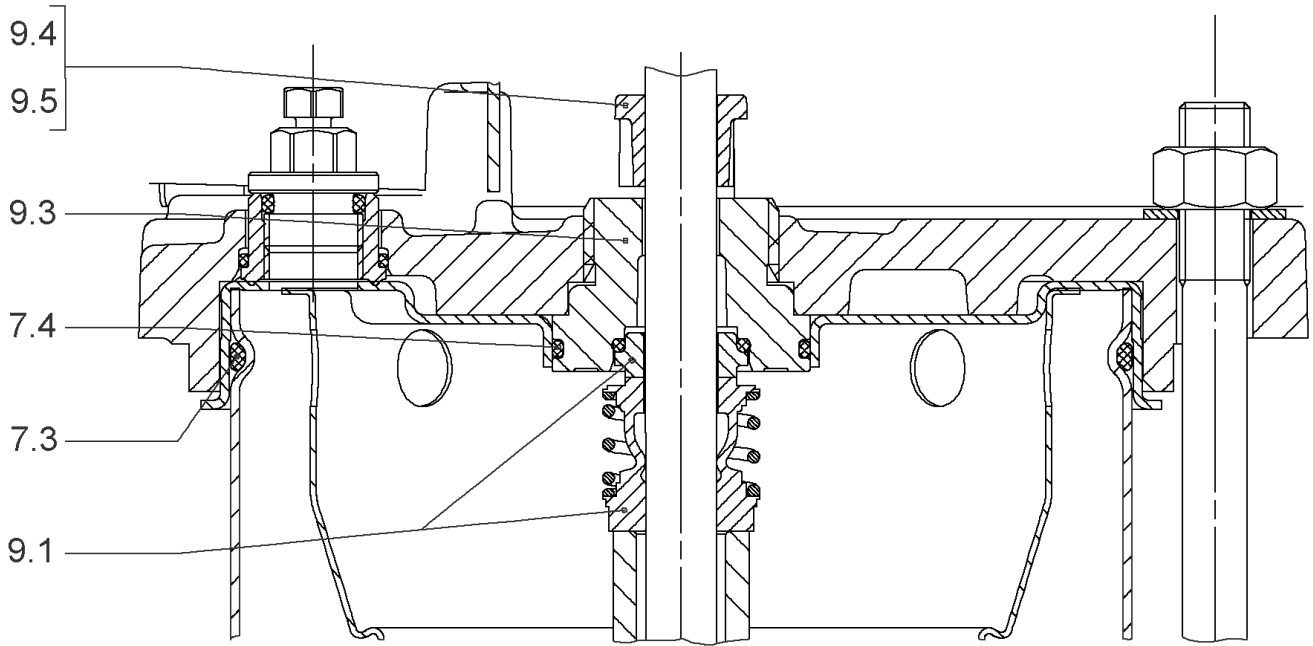
HELIX V404-1/16/E/S/460-60 (4192411)

Item	Article no.	Description	Quantity
15.3	4171321	> PRIMING/DRAIN PLUG EPDM HELIX KIT	1
16	4177964	BASEPLATE HELIX V2/4/6 PN16 VP.	1



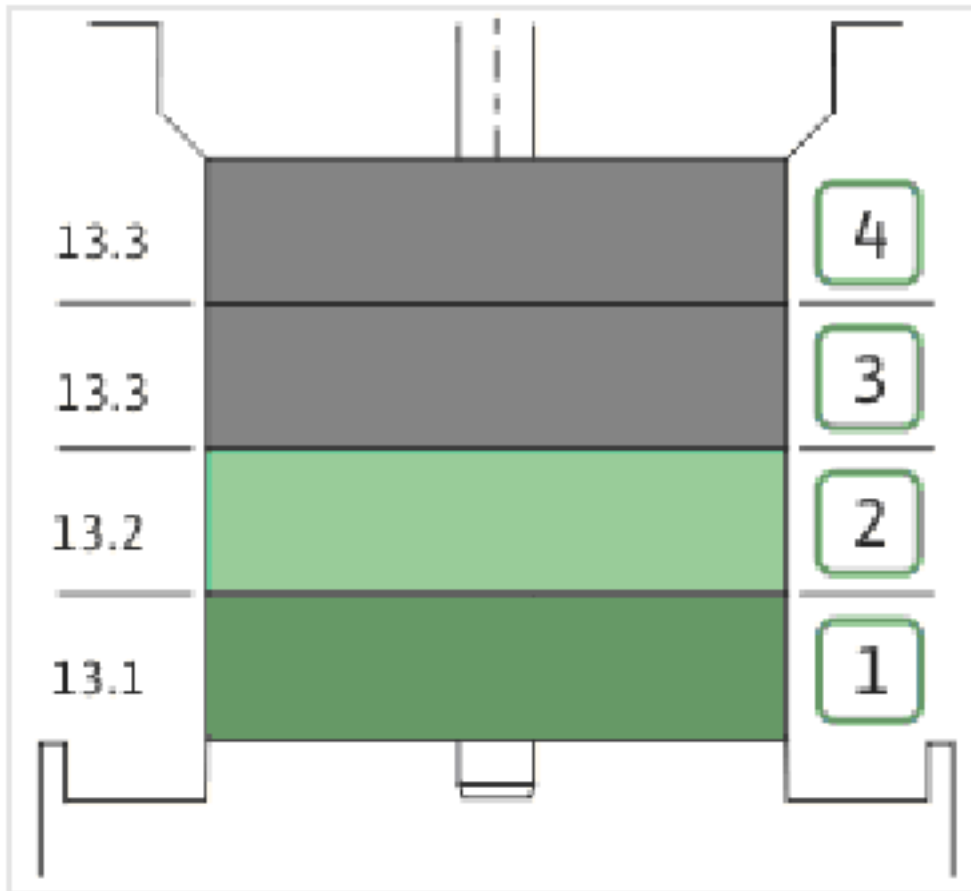
COUPLING D.12XD.19 FT100 KIT (4178578)

Item	Article no.	Description	Quantity
4.1		COUPLING-M+ Ø12XØ19-FT100-MACHINED	1
4.3	4234249	CIRCLIP-FOR-SHAFT-D30x1.5 VP.	1
4.2	2130977	BALL BEARING 6206/ZZ-C3(HT)VP.	1
4.4	4212716	SCREW M6X20 KIT (4PIECES)	1
4.5	4234250	CIRCLIP-D62x2 VP.	1
4.6	4234245	O-RING 63X3 VP.	1
		CONTACT-WASHER-6ETR-6,1x12,2x1,8-STEEL	4



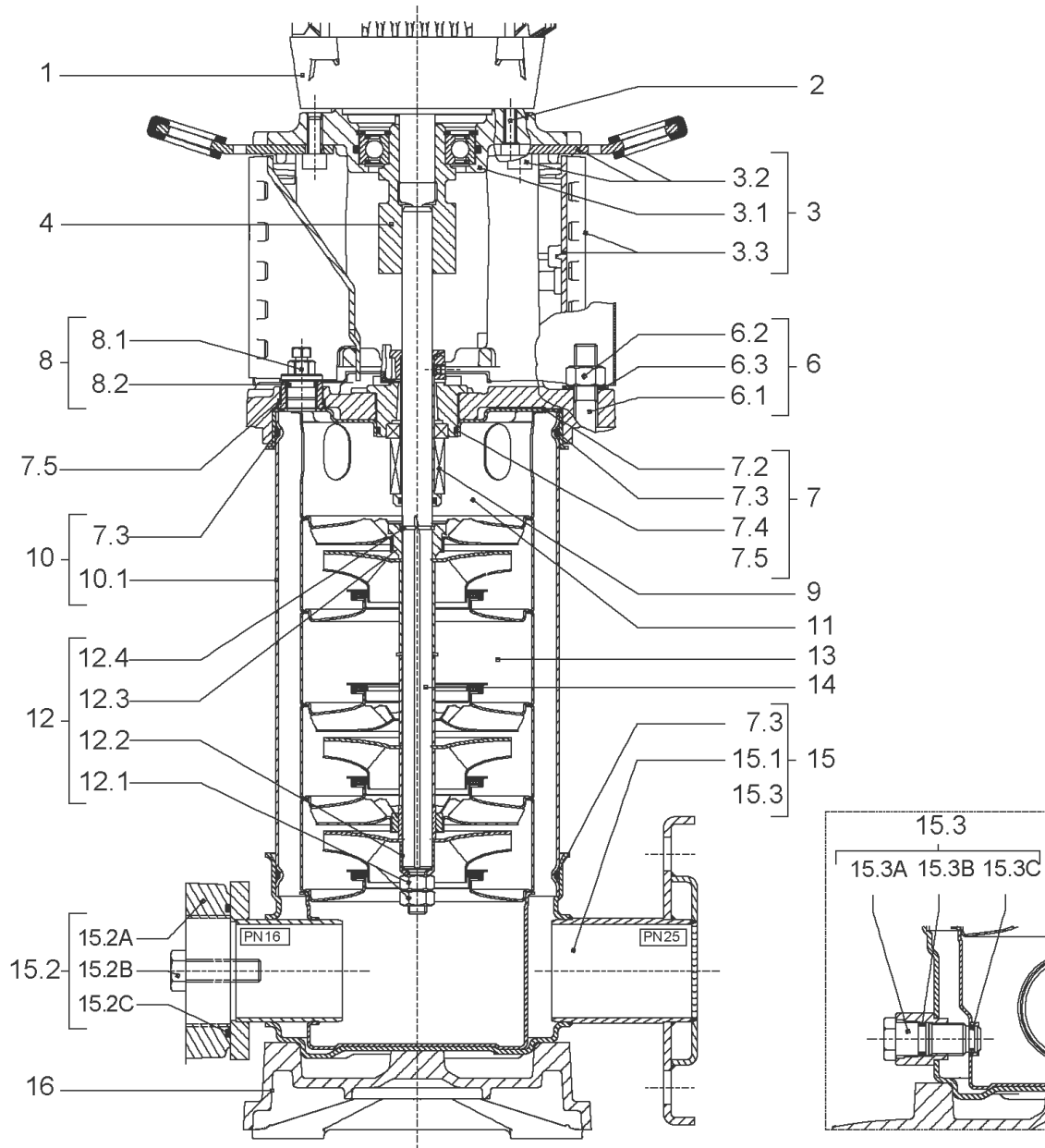
SEAL-KIT-HELIX2-4 O/E KIT (4178564)

Item	Article no.	Description	Quantity
7.3	4176513	O-RING FOR PUMP JACKET VP.	1
7.4	2127603	O-RING ID.37,6x2,4 EPDM VP.	1
9.1	4178563	M.SEAL.HELIX2-4 O/E VP.	1
9.3	4178561	RING HOLDER Ø22 1.4301 VP.	1
9.5	4178562	DRIVE RING D.22/12.2X10 MACH.VP.	1
9.4	4176520	SCREW CH M5x5 A4-70 (3PIECES)	1



HYDRAULIC HELIX V 404 1.4307

Item	Article no.	Description	Quantity
13.1	4178570	STAGE HELIX 4 1.4301 KIT	1
		> MACH.STG-CASING-WOGV-WNR-M+2-4-304	1
		> IMPELLER-M+4-304	1
13.2	4178569	STAGE BEARING HELIX 4 1.4301 KIT	1
		> MACH.BEARING-STG-CASING-WNR-M+4-304	1
		> IMPELLER-M+4-304	1
		> SHAFT SLEEVE SPACER Ø15,35x10,305-304	1
		> SHAFT-SLEEVE-D12xD16x14-CW	1
13.3	4178574	INTER STAGE HELIX4 1.4301< 15 stages KIT	1
		> MACH.STD-STG-CASING-WGV+NR-M+4-304	1
		> IMPELLER-M+4-304	1
		> IMPELLER SPACER Ø12,05X14,85-L24,285-304	1



HELIX V405-1/16/E/S/460-60 (4192412)

Item	Article no.	Description	Quantity
1	4169941	MOTOR 1,1/2/80 3~230/400V 50HZ IE3 VP.	1
		SPARE PARTS MOTOR:ON REQUEST	1
2	4159702	SCREW M6X30 (4 PIECES)	1
3	4172790	EQUIPED LANTERN NEXIS FT 100 KIT	1
3.1		> M+5_6_LANTERN_ONE-PIECE_FT100_CATA	1
3.2	2127604	> EYELET CPL.FT HELIX(2 PIECES)	1
3.3	4159692	> COUPLING PROTECTOR FT HELIX KIT	1
4	4178578	COUPLING D.12XD.19 FT100 KIT	1
6	4178579	STUD BOLT M12X317 KIT	1
6.1		> TIE BOLT M12-317x18x30-1.4057	1
6.2	2094647	> NUT M12 M12 ISO4032 VP.	1
6.3	2123557	> WASHER CS-12.4-24-1.6-NFE25 (4 PIECES)	1
7	4210143	STATIONARY RING HOLDER HELIX 6" EPDM	1
7.2	2127607	> STATIONARY RING HOLDER 6" HELIX 1.4301 V	1
7.3	4176513	> O-RING FOR PUMP JACKET VP.	1
7.4	2127603	> O-RING ID.37,6x2,4 EPDM VP.	1
7.5	2127602	> O-RING ID.21,35x2 EPDM VP.	1
8	4159686	FILING/PURGING PLUG HELIX EPDM KIT	1
9	4178564	SEAL-KIT-HELIX2-4 O/E KIT	1
10	4178580	HOUSING PIPE D.152X184 1.4301 KIT	1
7.3	4176513	> O-RING FOR PUMP JACKET VP.	1
10.1		> HOUSING-PIPE Ø152-M+205/405-304	1
11	4178566	CENTERING STAGE-RETURN HELIX4 1.4307 VP	1
12	4178568	SHAFT EQUIPMENT HELIX V2/V4 KIT	1
12.1		> NUT-H-M8-STAINLESS-STEEL A4-70	2
12.2		> SHAFT END WASHER Ø8/Ø12 316L	1
12.3		> STOP COLLAR OF IMPELLER M+2/4 SINGLEBLOC	1
12.4		> STOP-RUSH-1/2-D12xd2-M+316	2
13		HYDRAULIC HELIX V 405 1.4307	1
14	4178582	SHAFT D.12X308 1.4301 VP.	1
15	4174079	PUMP HOUSING HELIX DN32 PN16 1.4301 KIT	1
7.3	4176513	> O-RING FOR PUMP JACKET VP.	1
15.1		> BLASTING PPE HOUSING V-PN16-DN32-5"-304	1
15.2	4217889	> COUNTER FLANGE-G1"-PN16-GJL KIT	1

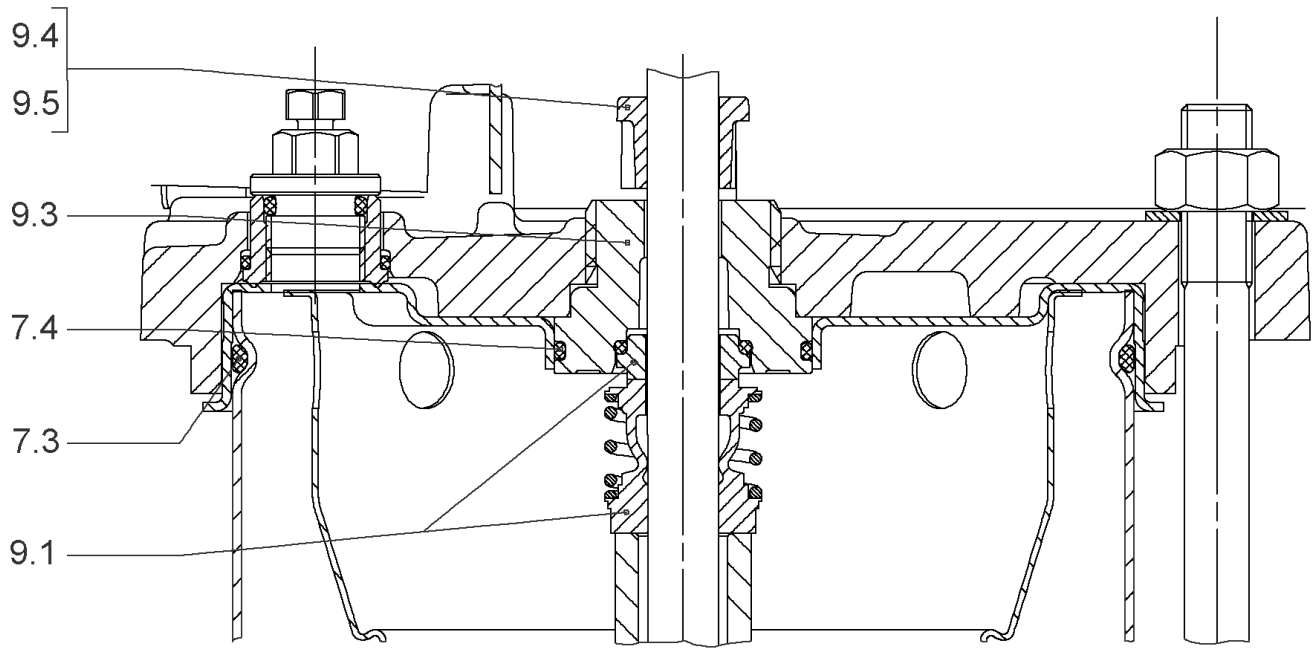
HELIX V405-1/16/E/S/460-60 (4192412)

Item	Article no.	Description	Quantity
15.3	4171321	> PRIMING/DRAIN PLUG EPDM HELIX KIT	1
16	4177964	BASEPLATE HELIX V2/4/6 PN16 VP.	1



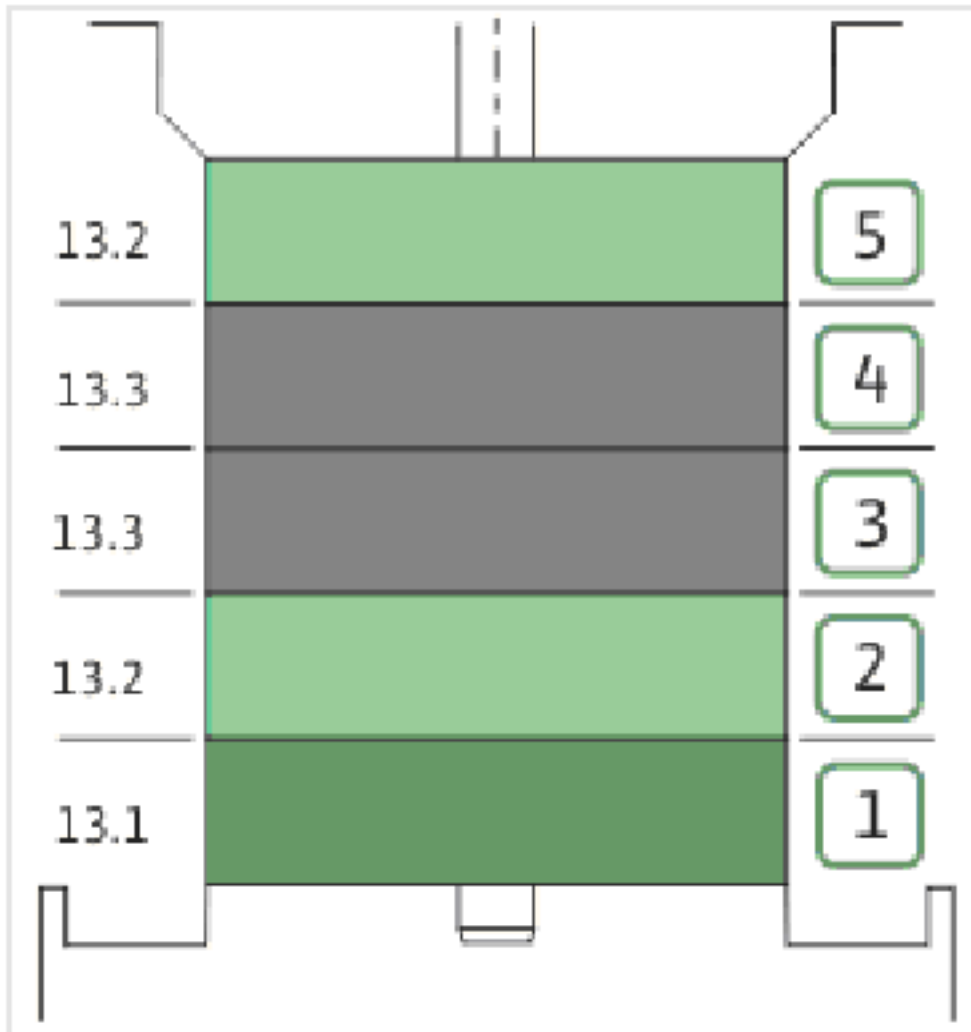
COUPLING D.12XD.19 FT100 KIT (4178578)

Item	Article no.	Description	Quantity
4.1		COUPLING-M+ Ø12XØ19-FT100-MACHINED	1
4.3	4234249	CIRCLIP-FOR-SHAFT-D30x1.5 VP.	1
4.2	2130977	BALL BEARING 6206/ZZ-C3(HT)VP.	1
4.4	4212716	SCREW M6X20 KIT (4PIECES)	1
4.5	4234250	CIRCLIP-D62x2 VP.	1
4.6	4234245	O-RING 63X3 VP.	1
		CONTACT-WASHER-6ETR-6,1x12,2x1,8-STEEL	4



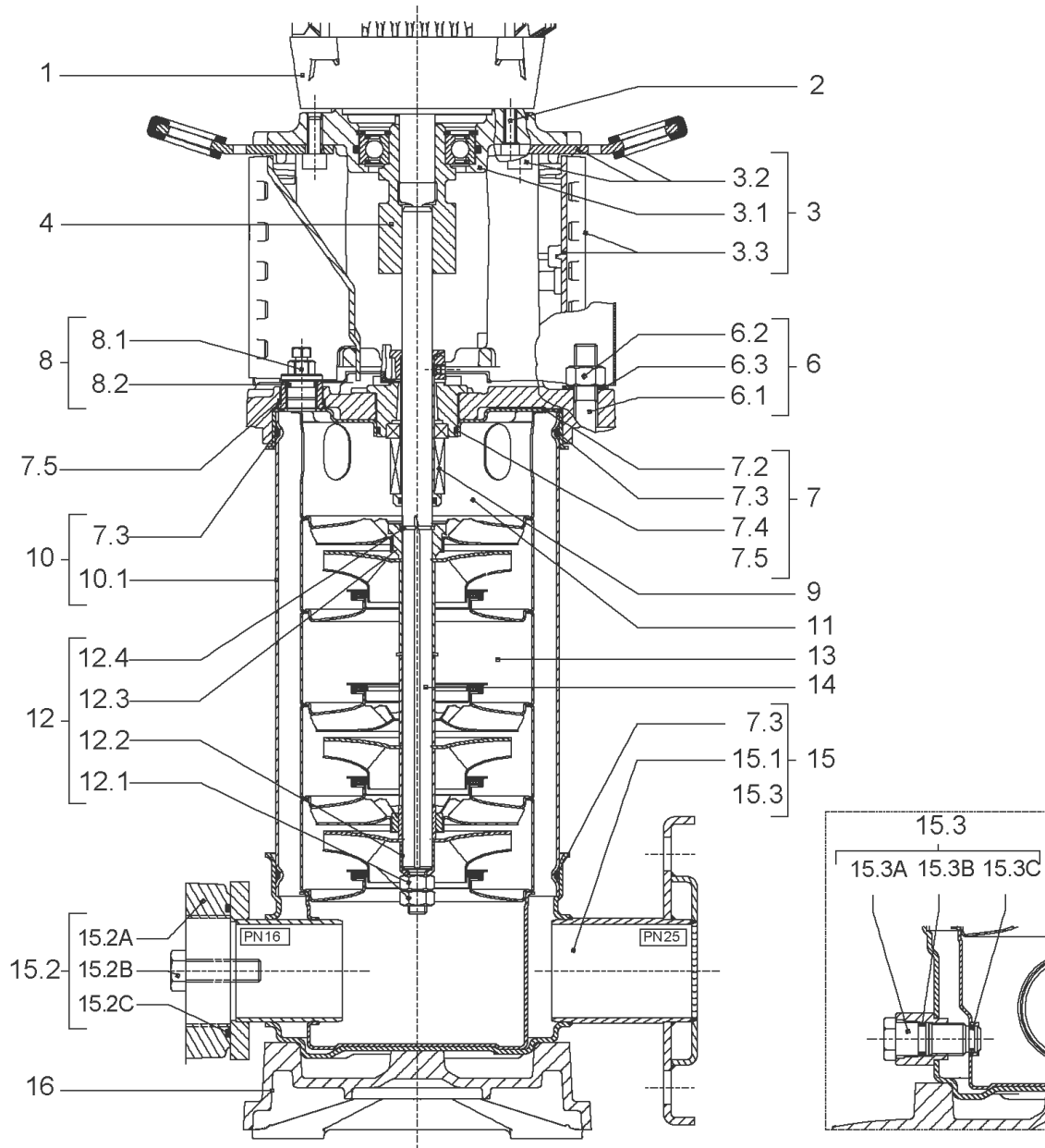
SEAL-KIT-HELIX2-4 O/E KIT (4178564)

Item	Article no.	Description	Quantity
7.3	4176513	O-RING FOR PUMP JACKET VP.	1
7.4	2127603	O-RING ID.37,6x2,4 EPDM VP.	1
9.1	4178563	M.SEAL.HELIX2-4 O/E VP.	1
9.3	4178561	RING HOLDER Ø22 1.4301 VP.	1
9.5	4178562	DRIVE RING D.22/12.2X10 MACH.VP.	1
9.4	4176520	SCREW CH M5x5 A4-70 (3PIECES)	1



HYDRAULIC HELIX V 405 1.4307

Item	Article no.	Description	Quantity
13.1	4178570	STAGE HELIX 4 1.4301 KIT	1
		> MACH.STG-CASING-WOGV-WNR-M+2-4-304	1
		> IMPELLER-M+4-304	1
13.2	4178569	STAGE BEARING HELIX 4 1.4301 KIT	1
		> MACH.BEARING-STG-CASING-WNR-M+4-304	1
		> IMPELLER-M+4-304	1
		> SHAFT SLEEVE SPACER Ø15,35x10,305-304	1
		> SHAFT-SLEEVE-D12xD16x14-CW	1
13.3	4178574	INTER STAGE HELIX4 1.4301< 15 stages KIT	1
		> MACH.STD-STG-CASING-WGV+NR-M+4-304	1
		> IMPELLER-M+4-304	1
		> IMPELLER SPACER Ø12,05X14,85-L24,285-304	1



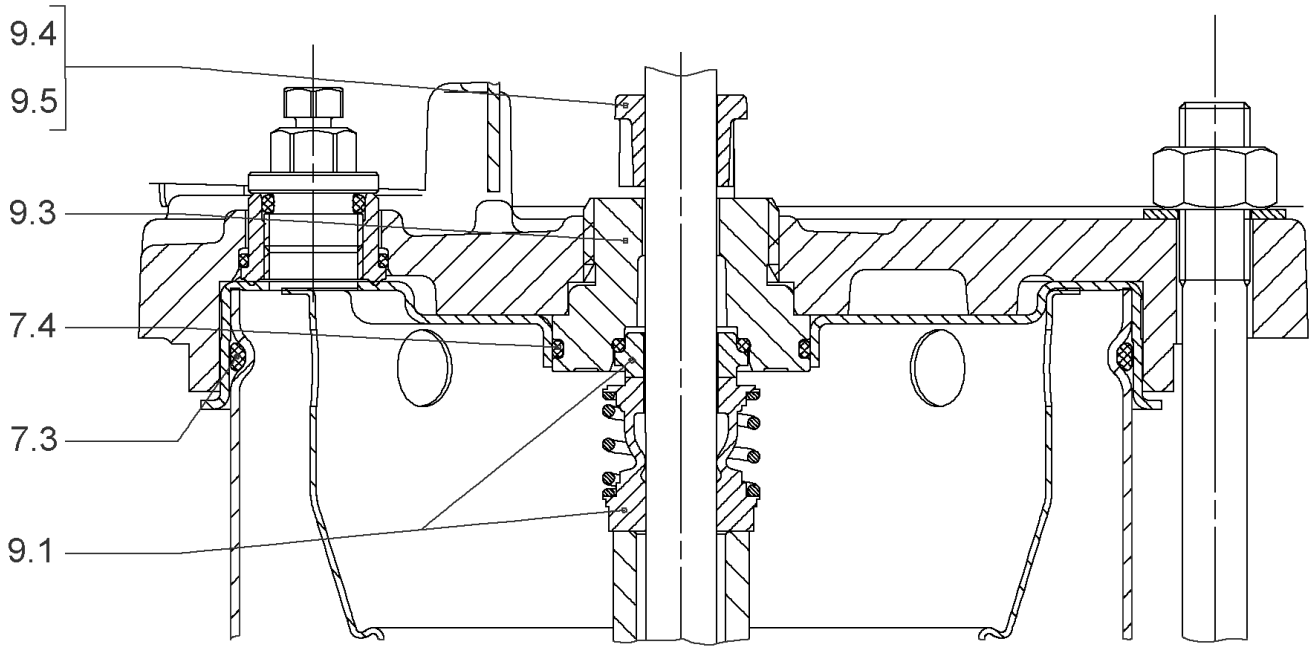
HELIX V406-1/16/E/S/460-60 (4192413)

Item	Article no.	Description	Quantity
1	4169942	MO.1,5/2 3~230/400(440)V 50(60)HZ IE3 VP	1
		SPARE PARTS MOTOR:ON REQUEST	1
2	4159703	SCREW M8X40 (4 PIECES)	1
3	4172795	LANTERNE FT115 HELIX KIT	1
3.1		> M+5_6_LANTERN_ONE-PIECE_FT115_CATA	1
3.2	2127604	> EYELET CPL.FT HELIX(2 PIECES)	1
3.3	4159692	> COUPLING PROTECTOR FT HELIX KIT	1
4	4178600	COUPLING D.12XD.24 FT115 KIT	1
6	2127553	STUD BOLT M12X341 KIT	1
7	4210143	STATIONARY RING HOLDER HELIX 6" EPDM	1
7.2	2127607	> STATIONARY RING HOLDER 6" HELIX 1.4301 V	1
7.3	4176513	> O-RING FOR PUMP JACKET VP.	1
7.4	2127603	> O-RING ID.37,6x2,4 EPDM VP.	1
7.5	2127602	> O-RING ID.21,35x2 EPDM VP.	1
8	4159686	FILING/PURGING PLUG HELIX EPDM KIT	1
9	4178564	SEAL-KIT-HELIX2-4 O/E KIT	1
10	2127575	HOUSING PIPE D.152x210 1.4301 KIT	1
11	4178566	CENTERING STAGE-RETURN HELIX4 1.4307 VP	1
12	4178568	SHAFT EQUIPMENT HELIX V2/V4 KIT	1
12.1		> NUT-H-M8-STAINLESS-STEEL A4-70	2
12.2		> SHAFT END WASHER Ø8/Ø12 316L	1
12.3		> STOP COLLAR OF IMPELLER M+2/4 SINGLEBLOC	1
12.4		> STOP-RUSH-1/2-D12xd2-M+316	2
13		HYDRAULIC HELIX V 406 1.4307	1
14	4178584	SHAFT D.12X333 1.4301 VP.	1
15	4174079	PUMP HOUSING HELIX DN32 PN16 1.4301 KIT	1
7.3	4176513	> O-RING FOR PUMP JACKET VP.	1
15.1		> BLASTING PPE HOUSING V-PN16-DN32-5"-304	1
15.2	4217889	> COUNTER FLANGE-G1"-PN16-GJL KIT	1
15.3	4171321	> PRIMING/DRAIN PLUG EPDM HELIX KIT	1
16	4177964	BASEPLATE HELIX V2/4/6 PN16 VP.	1



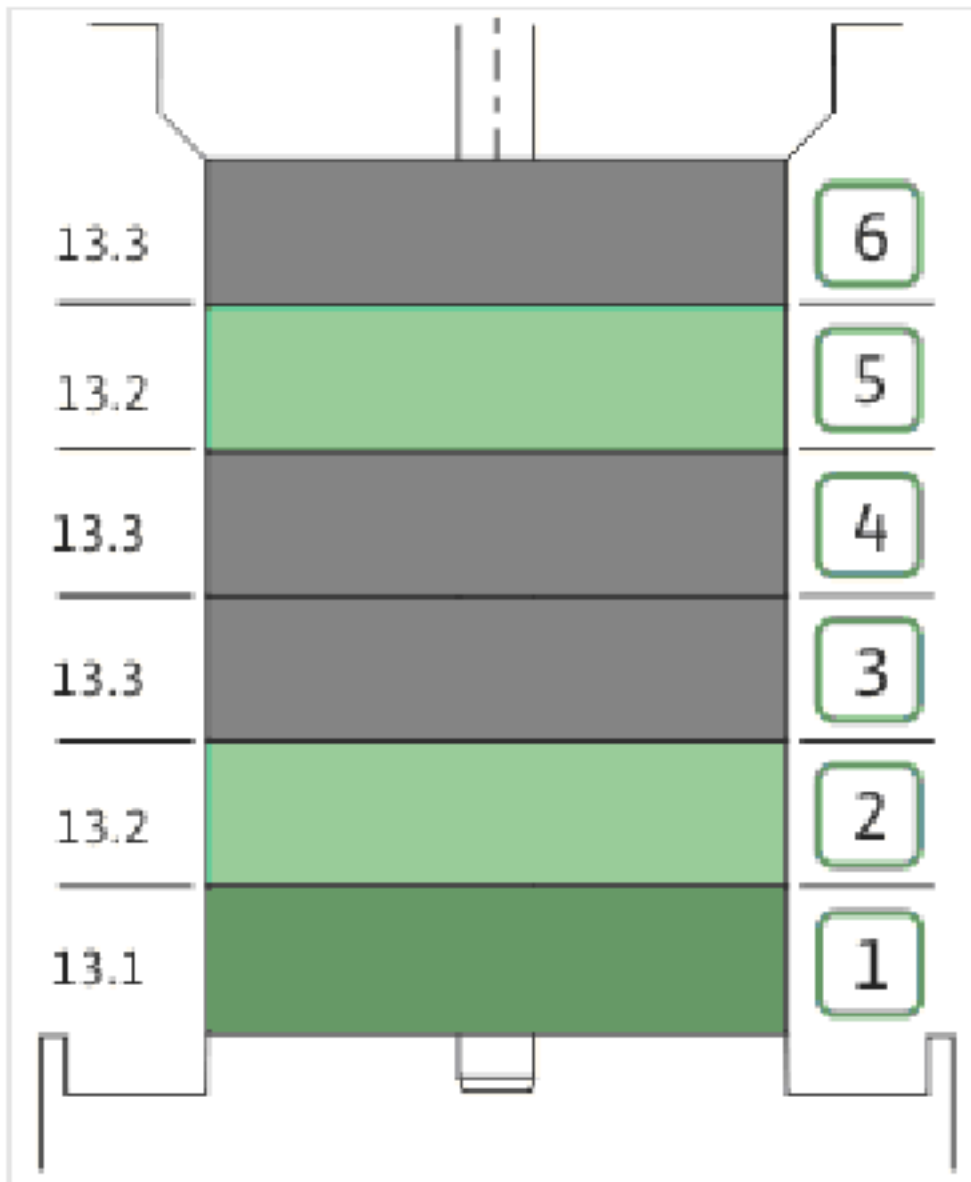
COUPLING D.12XD.24 FT115 KIT (4178600)

Item	Article no.	Description	Quantity
4.1		COUPLING-M+ Ø12XØ24-FT115-MACHINED	1
4.2	2131023	BALL BEARING 6207/ZZ-C3(HT)VP.	1
4.3	4234254	CIRCLIP-FOR-SHAFT-D35x1.5 VP.	1
4.4	4157726	SCREW KIT M8X30 (4 PIECES)	1
4.5	4234251	CIRCLIP-D72x2.5 VP.	1
4.6	4234246	O-RING 72X3 VP.	1
		NOMEL CONTACT WASHER 8x16x1,4 STEEL ZC	1



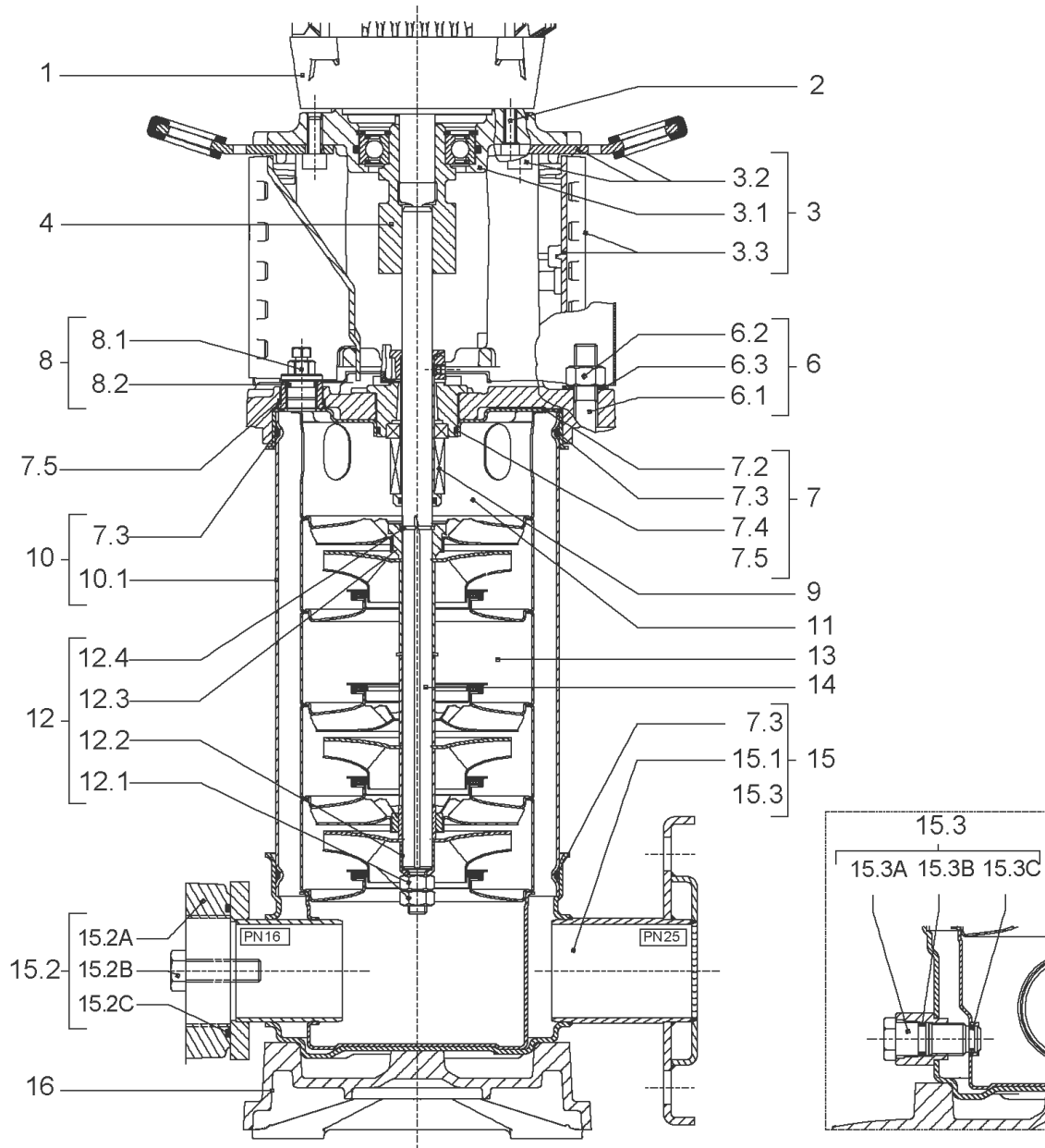
SEAL-KIT-HELIX2-4 O/E KIT (4178564)

Item	Article no.	Description	Quantity
7.3	4176513	O-RING FOR PUMP JACKET VP.	1
7.4	2127603	O-RING ID.37,6x2,4 EPDM VP.	1
9.1	4178563	M.SEAL.HELIX2-4 O/E VP.	1
9.3	4178561	RING HOLDER Ø22 1.4301 VP.	1
9.5	4178562	DRIVE RING D.22/12.2X10 MACH.VP.	1
9.4	4176520	SCREW CH M5x5 A4-70 (3PIECES)	1



HYDRAULIC HELIX V 406 1.4307

Item	Article no.	Description	Quantity
13.1	4178570	STAGE HELIX 4 1.4301 KIT	1
		> MACH.STG-CASING-WOGV-WNR-M+2-4-304	1
		> IMPELLER-M+4-304	1
13.2	4178569	STAGE BEARING HELIX 4 1.4301 KIT	1
		> MACH.BEARING-STG-CASING-WNR-M+4-304	1
		> IMPELLER-M+4-304	1
		> SHAFT SLEEVE SPACER Ø15,35x10,305-304	1
		> SHAFT-SLEEVE-D12xD16x14-CW	1
13.3	4178574	INTER STAGE HELIX4 1.4301< 15 stages KIT	1
		> MACH.STD-STG-CASING-WGV+NR-M+4-304	1
		> IMPELLER-M+4-304	1
		> IMPELLER SPACER Ø12,05X14,85-L24,285-304	1

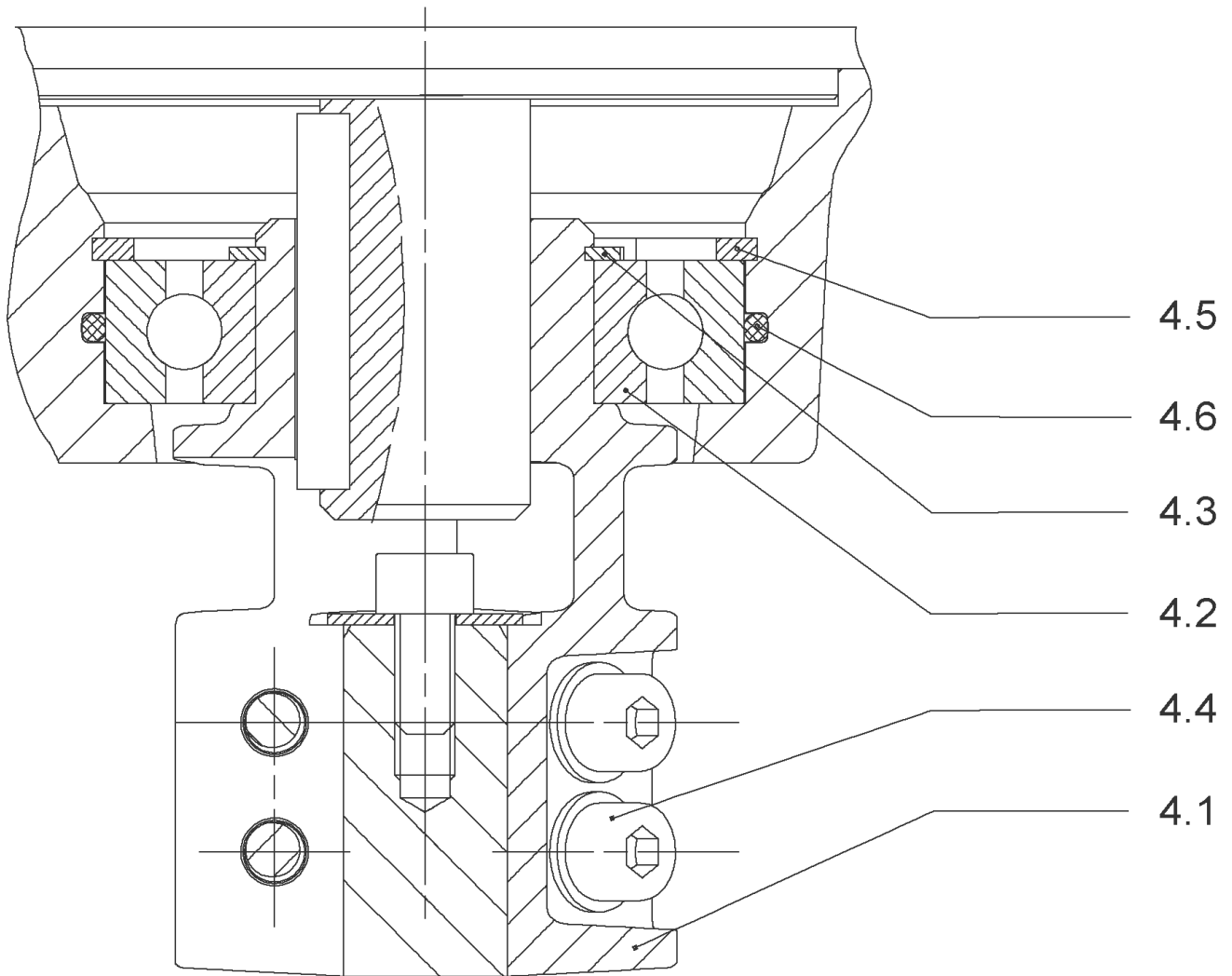


HELIX V407-1/16/E/S/460-60 (4192414)

Item	Article no.	Description	Quantity
1	4169942	MO.1,5/2 3~230/400(440)V 50(60)HZ IE3 VP	1
		SPARE PARTS MOTOR:ON REQUEST	1
2	4159703	SCREW M8X40 (4 PIECES)	1
3	4172795	LANTERNE FT115 HELIX KIT	1
3.1		> M+5_6_LANTERN_ONE-PIECE_FT115_CATA	1
3.2	2127604	> EYELET CPL.FT HELIX(2 PIECES)	1
3.3	4159692	> COUPLING PROTECTOR FT HELIX KIT	1
4	4178600	COUPLING D.12XD.24 FT115 KIT	1
6	4178585	STUD BOLT M12X365 KIT	1
6.1		> TIE BOLT M12-365x18x30-1.4057	1
6.2	2094647	> NUT M12 M12 ISO4032 VP.	1
6.3	2123557	> WASHER CS-12.4-24-1.6-NFE25 (4 PIECES)	1
7	4210143	STATIONARY RING HOLDER HELIX 6" EPDM	1
7.2	2127607	> STATIONARY RING HOLDER 6" HELIX 1.4301 V	1
7.3	4176513	> O-RING FOR PUMP JACKET VP.	1
7.4	2127603	> O-RING ID.37,6x2,4 EPDM VP.	1
7.5	2127602	> O-RING ID.21,35x2 EPDM VP.	1
8	4159686	FILING/PURGING PLUG HELIX EPDM KIT	1
9	4178564	SEAL-KIT-HELIX2-4 O/E KIT	1
10	4178586	HOUSING-PIPE D.152X235 1.4301 KIT	1
7.3	4176513	> O-RING FOR PUMP JACKET VP.	1
10.1		> HOUSING-PIPE Ø152-M+207/407-304	1
11	4178566	CENTERING STAGE-RETURN HELIX4 1.4307 VP	1
12	4178568	SHAFT EQUIPMENT HELIX V2/V4 KIT	1
12.1		> NUT-H-M8-STAINLESS-STEEL A4-70	2
12.2		> SHAFT END WASHER Ø8/Ø12 316L	1
12.3		> STOP COLLAR OF IMPELLER M+2/4 SINGLEBLOC	1
12.4		> STOP-RUSH-1/2-D12xd2-M+316	2
13		HYDRAULIC HELIX V 407 1.4307	1
14	4178587	SHAFT D.12X358 1.4301 VP.	1
15	4174079	PUMP HOUSING HELIX DN32 PN16 1.4301 KIT	1
7.3	4176513	> O-RING FOR PUMP JACKET VP.	1
15.1		> BLASTING PPE HOUSING V-PN16-DN32-5"-304	1
15.2	4217889	> COUNTER FLANGE-G1"-PN16-GJL KIT	1

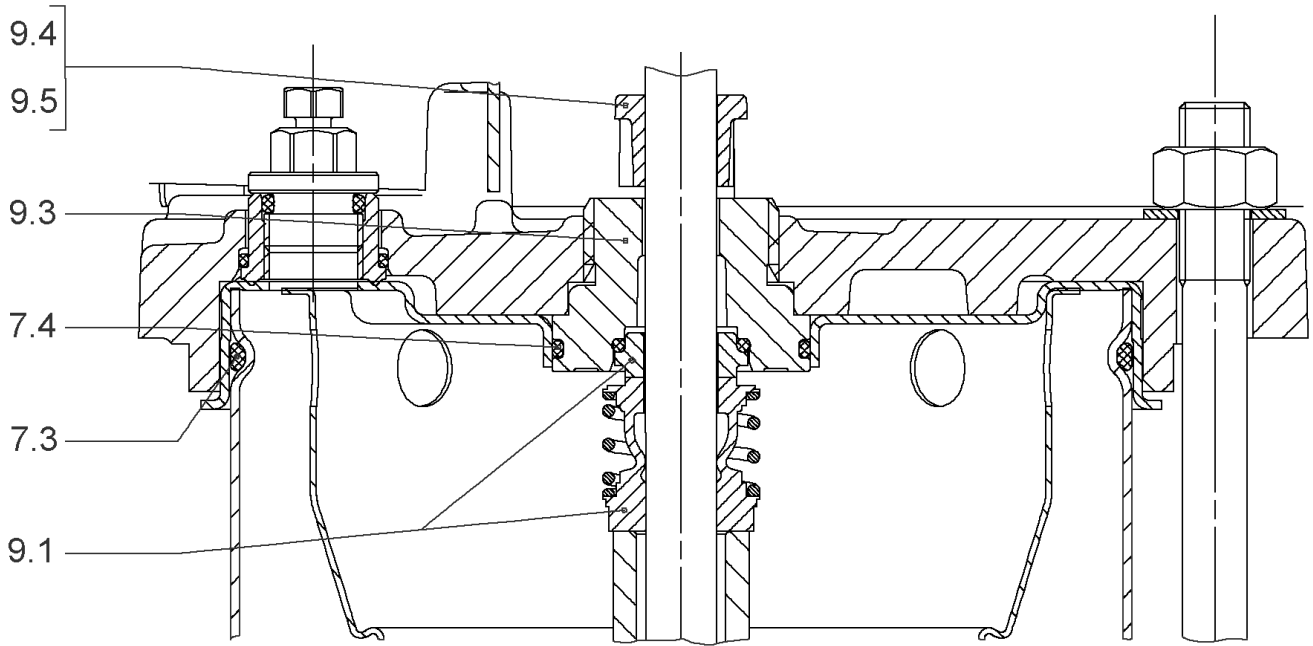
HELIX V407-1/16/E/S/460-60 (4192414)

Item	Article no.	Description	Quantity
15.3	4171321	> PRIMING/DRAIN PLUG EPDM HELIX KIT	1
16	4177964	BASEPLATE HELIX V2/4/6 PN16 VP.	1



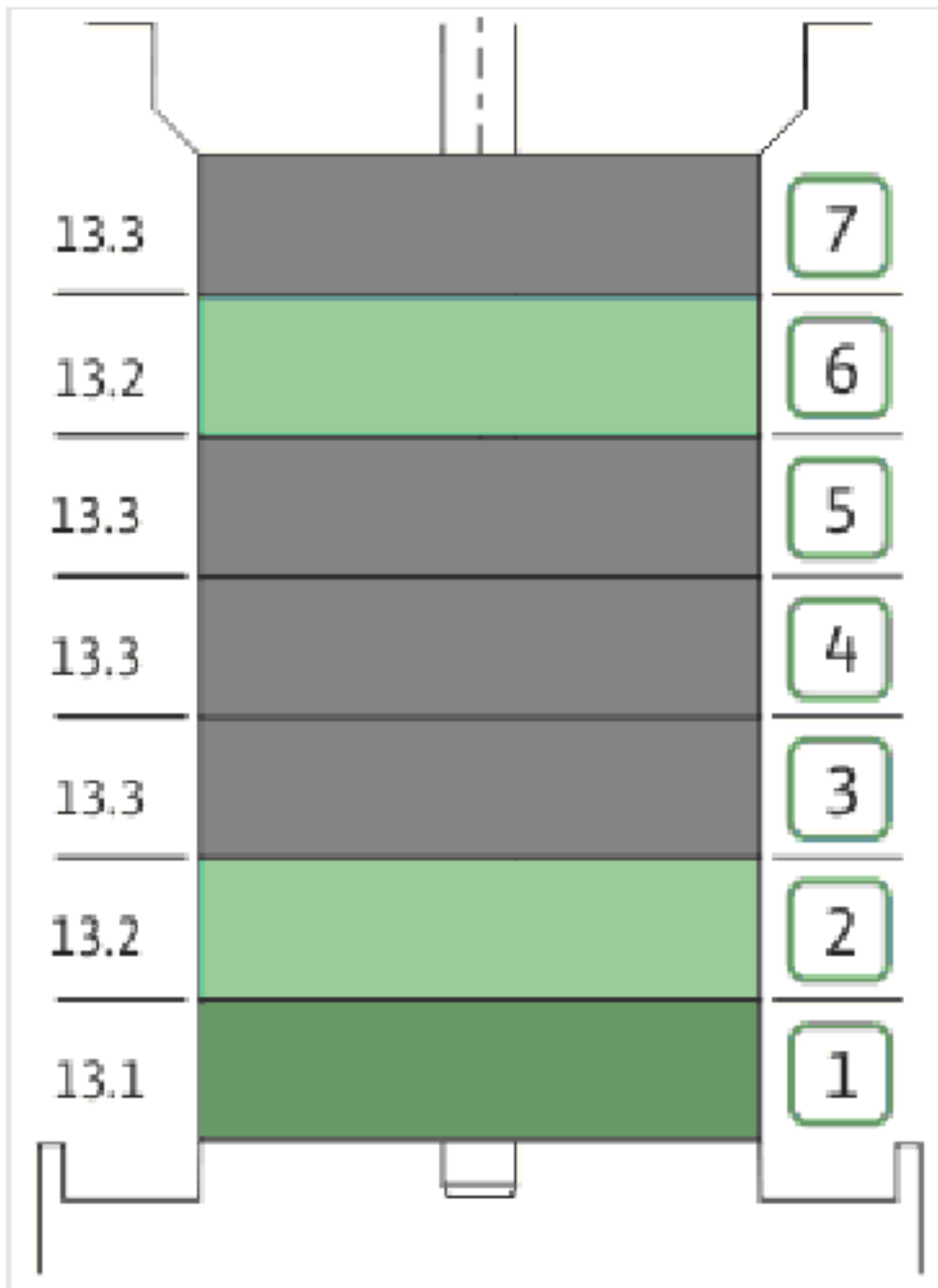
COUPLING D.12XD.24 FT115 KIT (4178600)

Item	Article no.	Description	Quantity
4.1		COUPLING-M+ Ø12XØ24-FT115-MACHINED	1
4.2	2131023	BALL BEARING 6207/ZZ-C3(HT)VP.	1
4.3	4234254	CIRCLIP-FOR-SHAFT-D35x1.5 VP.	1
4.4	4157726	SCREW KIT M8X30 (4 PIECES)	1
4.5	4234251	CIRCLIP-D72x2.5 VP.	1
4.6	4234246	O-RING 72X3 VP.	1
		NOMEL CONTACT WASHER 8x16x1,4 STEEL ZC	1



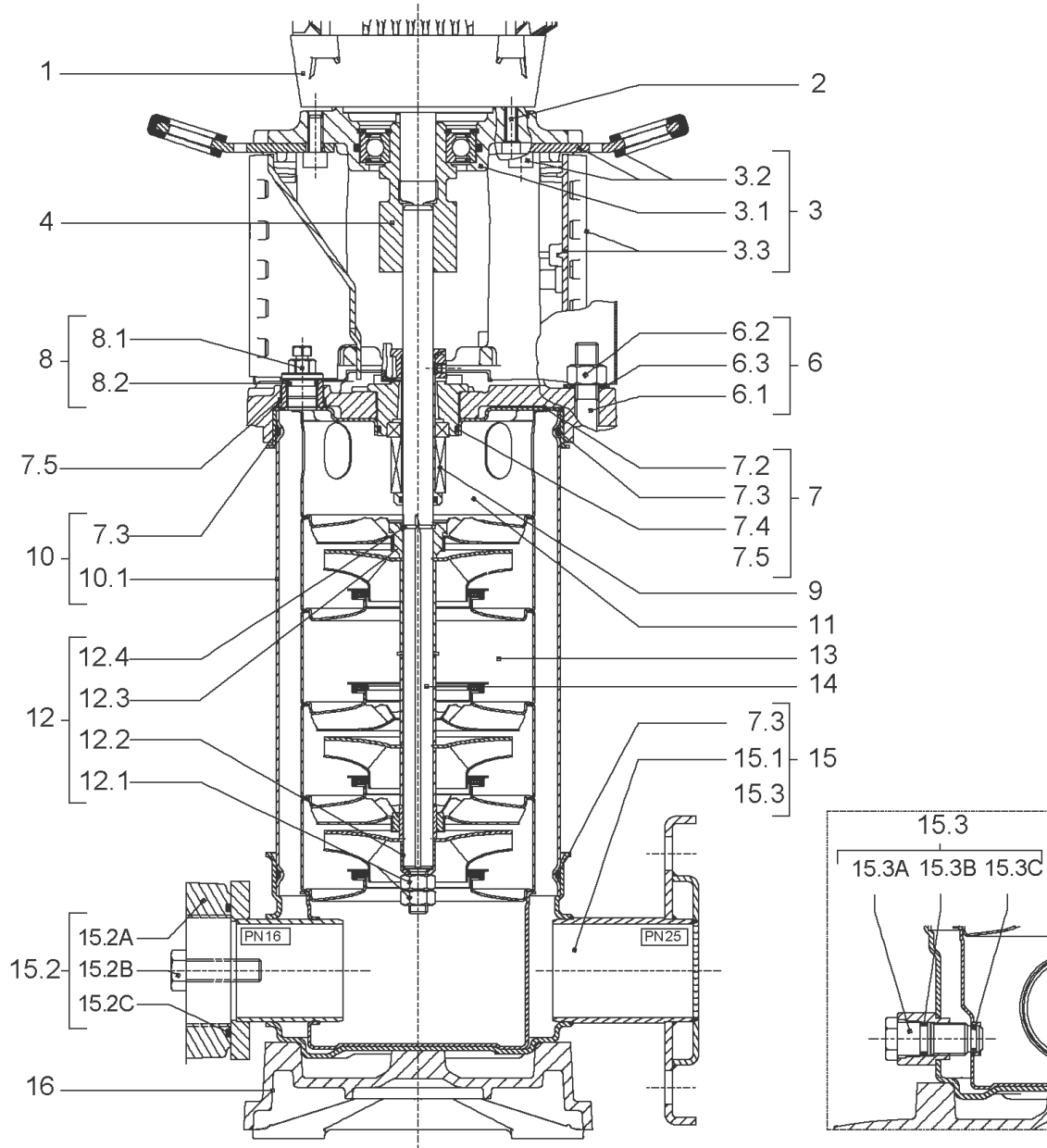
SEAL-KIT-HELIX2-4 O/E KIT (4178564)

Item	Article no.	Description	Quantity
7.3	4176513	O-RING FOR PUMP JACKET VP.	1
7.4	2127603	O-RING ID.37,6x2,4 EPDM VP.	1
9.1	4178563	M.SEAL.HELIX2-4 O/E VP.	1
9.3	4178561	RING HOLDER Ø22 1.4301 VP.	1
9.5	4178562	DRIVE RING D.22/12.2X10 MACH.VP.	1
9.4	4176520	SCREW CH M5x5 A4-70 (3PIECES)	1



HYDRAULIC HELIX V 407 1.4307

Item	Article no.	Description	Quantity
13.1	4178570	STAGE HELIX 4 1.4301 KIT	1
		> MACH.STG-CASING-WOGV-WNR-M+2-4-304	1
		> IMPELLER-M+4-304	1
13.2	4178569	STAGE BEARING HELIX 4 1.4301 KIT	1
		> MACH.BEARING-STG-CASING-WNR-M+4-304	1
		> IMPELLER-M+4-304	1
		> SHAFT SLEEVE SPACER Ø15,35x10,305-304	1
		> SHAFT-SLEEVE-D12xD16x14-CW	1
13.3	4178574	INTER STAGE HELIX4 1.4301< 15 stages KIT	1
		> MACH.STD-STG-CASING-WGV+NR-M+4-304	1
		> IMPELLER-M+4-304	1
		> IMPELLER SPACER Ø12,05X14,85-L24,285-304	1



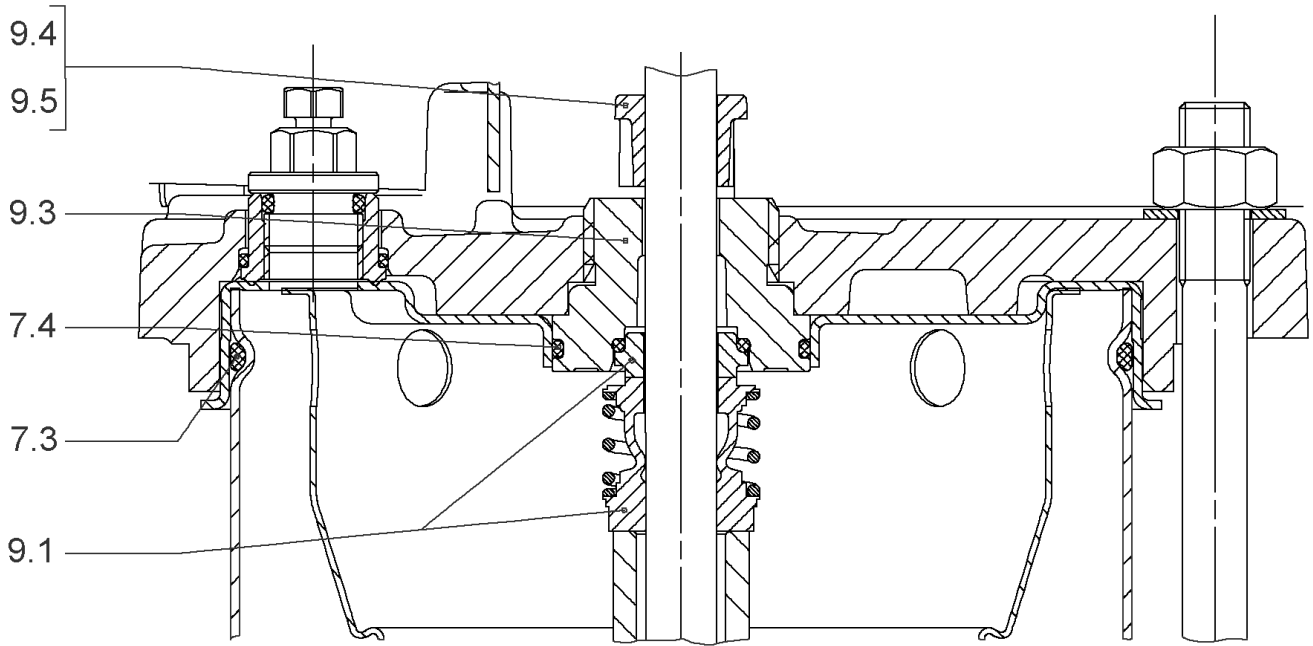
HELIX V408-1/16/E/S/460-60 (4192415)

Item	Article no.	Description	Quantity
1	4169943	MOTOR 2,2/2/90 3~230/400V 50HZ IE3 VP.	1
		SPARE PARTS MOTOR:ON REQUEST	1
2	4159703	SCREW M8X40 (4 PIECES)	1
3	4172795	LANTERNE FT115 HELIX KIT	1
3.1		> M+5_6_LANTERN_ONE-PIECE_FT115_CATA	1
3.2	2127604	> EYELET CPL.FT HELIX(2 PIECES)	1
3.3	4159692	> COUPLING PROTECTOR FT HELIX KIT	1
4	4178600	COUPLING D.12XD.24 FT115 KIT	1
6	2018365	STUD BOLT M12X392 KIT	1
7	4210143	STATIONARY RING HOLDER HELIX 6" EPDM	1
7.2	2127607	> STATIONARY RING HOLDER 6" HELIX 1.4301 V	1
7.3	4176513	> O-RING FOR PUMP JACKET VP.	1
7.4	2127603	> O-RING ID.37,6x2,4 EPDM VP.	1
7.5	2127602	> O-RING ID.21,35x2 EPDM VP.	1
8	4159686	FILING/PURGING PLUG HELIX EPDM KIT	1
9	4178564	SEAL-KIT-HELIX2-4 O/E KIT	1
10	2127576	HOUSING PIPE D.152x260 1.4301 KIT	1
11	4178566	CENTERING STAGE-RETURN HELIX4 1.4307 VP	1
12	4178568	SHAFT EQUIPMENT HELIX V2/V4 KIT	1
12.1		> NUT-H-M8-STAINLESS-STEEL A4-70	2
12.2		> SHAFT END WASHER Ø8/Ø12 316L	1
12.3		> STOP COLLAR OF IMPELLER M+2/4 SINGLEBLOC	1
12.4		> STOP-RUSH-1/2-D12xd2-M+316	2
13		HYDRAULIC HELIX V 408 1.4307	1
14	4178592	SHAFT D.12X383 1.4301 VP.	1
15	4174079	PUMP HOUSING HELIX DN32 PN16 1.4301 KIT	1
7.3	4176513	> O-RING FOR PUMP JACKET VP.	1
15.1		> BLASTING PPE HOUSING V-PN16-DN32-5"-304	1
15.2	4217889	> COUNTER FLANGE-G1"-PN16-GJL KIT	1
15.3	4171321	> PRIMING/DRAIN PLUG EPDM HELIX KIT	1
16	4177964	BASEPLATE HELIX V2/4/6 PN16 VP.	1



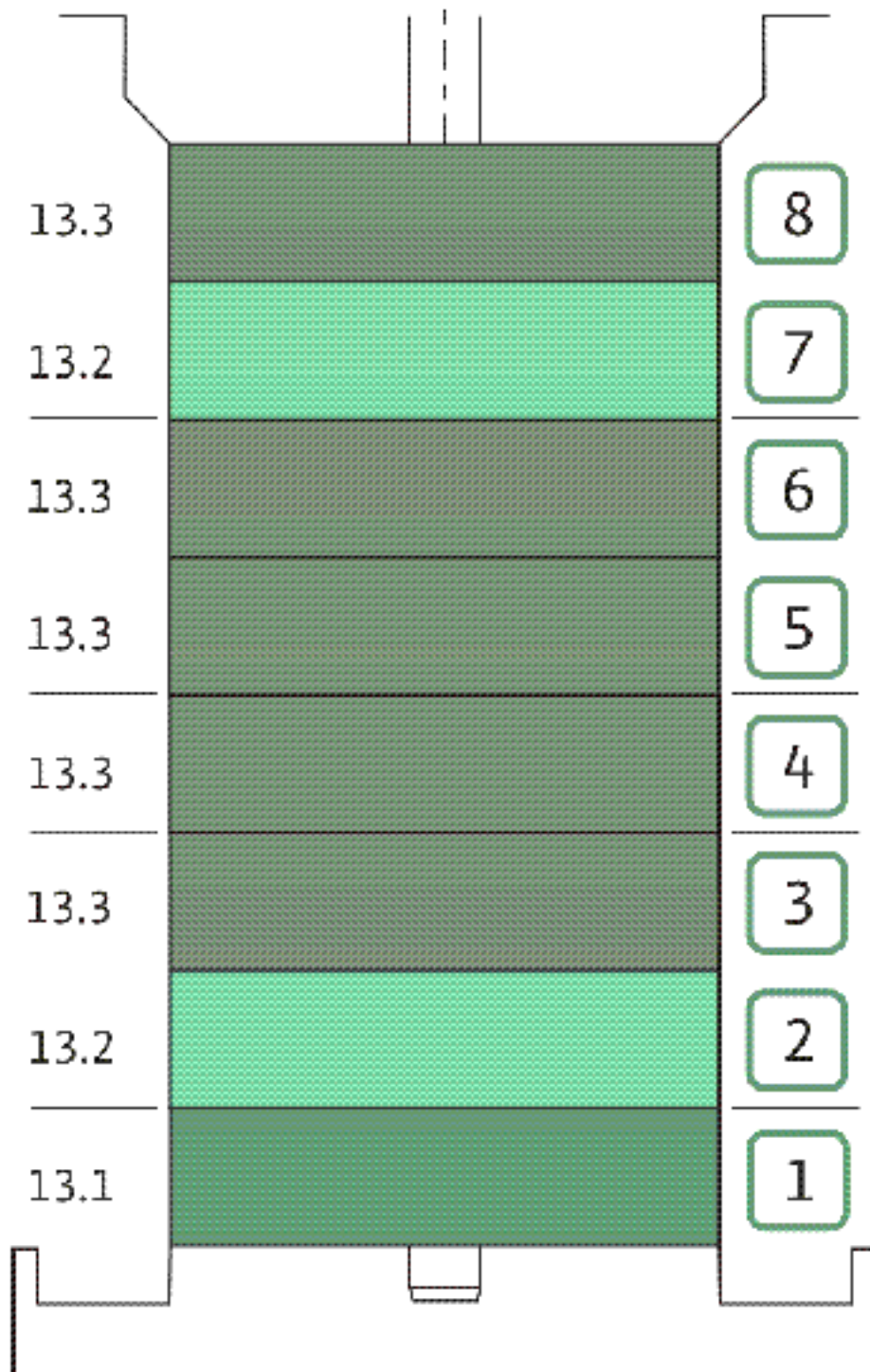
COUPLING D.12XD.24 FT115 KIT (4178600)

Item	Article no.	Description	Quantity
4.1		COUPLING-M+ Ø12XØ24-FT115-MACHINED	1
4.2	2131023	BALL BEARING 6207/ZZ-C3(HT)VP.	1
4.3	4234254	CIRCLIP-FOR-SHAFT-D35x1.5 VP.	1
4.4	4157726	SCREW KIT M8X30 (4 PIECES)	1
4.5	4234251	CIRCLIP-D72x2.5 VP.	1
4.6	4234246	O-RING 72X3 VP.	1
		NOMEL CONTACT WASHER 8x16x1,4 STEEL ZC	1



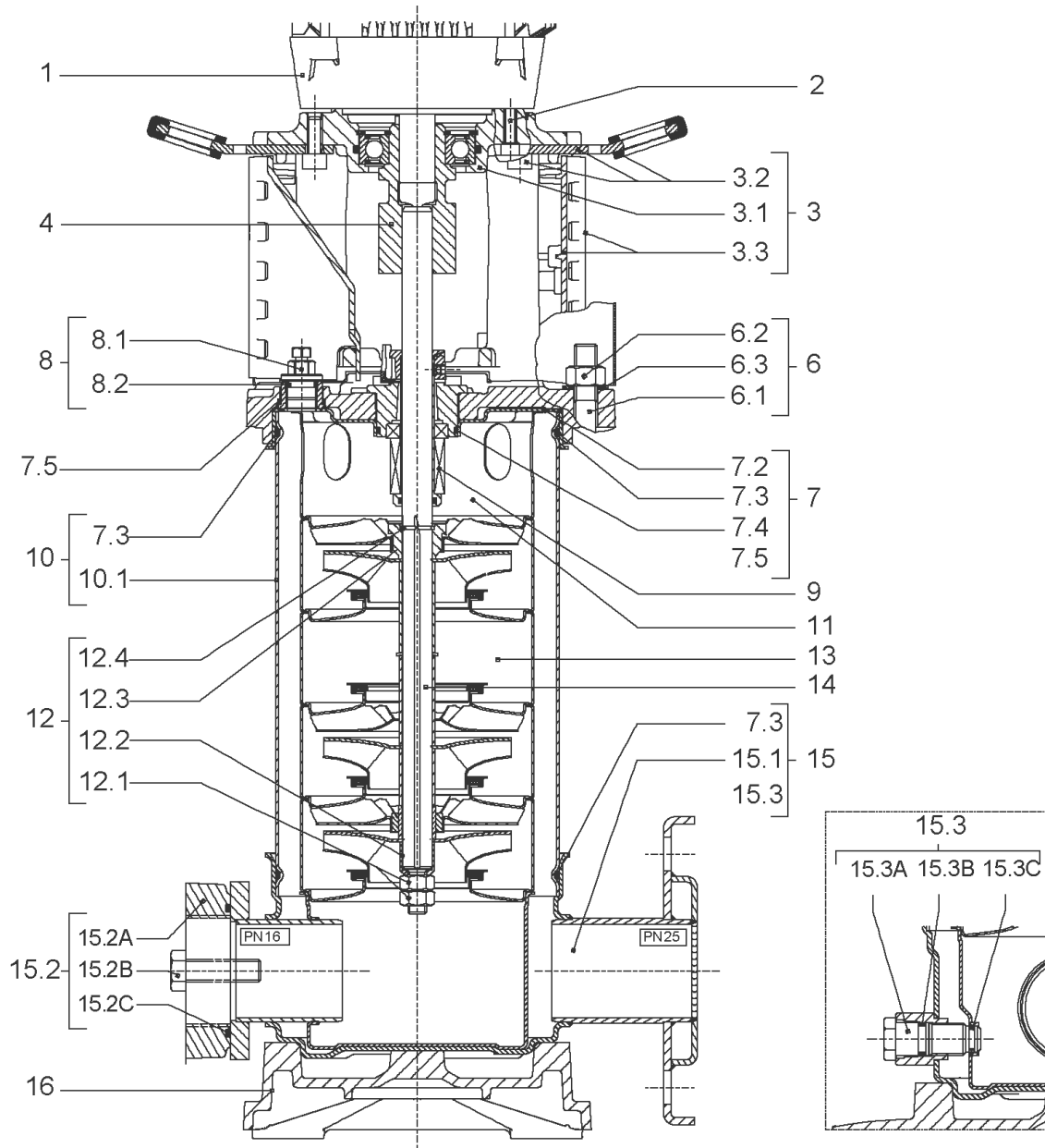
SEAL-KIT-HELIX2-4 O/E KIT (4178564)

Item	Article no.	Description	Quantity
7.3	4176513	O-RING FOR PUMP JACKET VP.	1
7.4	2127603	O-RING ID.37,6x2,4 EPDM VP.	1
9.1	4178563	M.SEAL.HELIX2-4 O/E VP.	1
9.3	4178561	RING HOLDER Ø22 1.4301 VP.	1
9.5	4178562	DRIVE RING D.22/12.2X10 MACH.VP.	1
9.4	4176520	SCREW CH M5x5 A4-70 (3PIECES)	1



HYDRAULIC HELIX V 408 1.4307

Item	Article no.	Description	Quantity
13.1	4178570	STAGE HELIX 4 1.4301 KIT	1
		> MACH.STG-CASING-WOGV-WNR-M+2-4-304	1
		> IMPELLER-M+4-304	1
13.2	4178569	STAGE BEARING HELIX 4 1.4301 KIT	1
		> MACH.BEARING-STG-CASING-WNR-M+4-304	1
		> IMPELLER-M+4-304	1
		> SHAFT SLEEVE SPACER Ø15,35x10,305-304	1
		> SHAFT-SLEEVE-D12xD16x14-CW	1
13.3	4178574	INTER STAGE HELIX4 1.4301< 15 stages KIT	1
		> MACH.STD-STG-CASING-WGV+NR-M+4-304	1
		> IMPELLER-M+4-304	1
		> IMPELLER SPACER Ø12,05X14,85-L24,285-304	1



HELIX V409-1/16/E/S/460-60 (4192416)

Item	Article no.	Description	Quantity
1	4169943	MOTOR 2,2/2/90 3~230/400V 50HZ IE3 VP.	1
		SPARE PARTS MOTOR:ON REQUEST	1
2	4159703	SCREW M8X40 (4 PIECES)	1
3	4172795	LANTERNE FT115 HELIX KIT	1
3.1		> M+5_6_LANTERN_ONE-PIECE_FT115_CATA	1
3.2	2127604	> EYELET CPL.FT HELIX(2 PIECES)	1
3.3	4159692	> COUPLING PROTECTOR FT HELIX KIT	1
4	4178600	COUPLING D.12XD.24 FT115 KIT	1
6	4177822	STUD BOLT M12X413 KIT	1
6.1		> TIE BOLT M12-413x18x30-1.4057	1
6.2	2094647	> NUT M12 M12 ISO4032 VP.	1
6.3	2123557	> WASHER CS-12.4-24-1.6-NFE25 (4 PIECES)	1
7	4210143	STATIONARY RING HOLDER HELIX 6" EPDM	1
7.2	2127607	> STATIONARY RING HOLDER 6" HELIX 1.4301 V	1
7.3	4176513	> O-RING FOR PUMP JACKET VP.	1
7.4	2127603	> O-RING ID.37,6x2,4 EPDM VP.	1
7.5	2127602	> O-RING ID.21,35x2 EPDM VP.	1
8	4159686	FILING/PURGING PLUG HELIX EPDM KIT	1
9	4178564	SEAL-KIT-HELIX2-4 O/E KIT	1
10	4177823	HOUSING PIPES D.152X285 1.4301 KIT	1
7.3	4176513	> O-RING FOR PUMP JACKET VP.	1
10.1		> HOUSING-PIPE Ø152-M+1006-304	1
11	4178566	CENTERING STAGE-RETURN HELIX4 1.4307 VP	1
12	4178568	SHAFT EQUIPMENT HELIX V2/V4 KIT	1
12.1		> NUT-H-M8-STAINLESS-STEEL A4-70	2
12.2		> SHAFT END WASHER Ø8/Ø12 316L	1
12.3		> STOP COLLAR OF IMPELLER M+2/4 SINGLEBLOC	1
12.4		> STOP-RUSH-1/2-D12xd2-M+316	2
13		HYDRAULIC HELIX V 409 1.4307	1
14	4178598	SHAFT D.12X408 1.4301 VP.	1
15	4174079	PUMP HOUSING HELIX DN32 PN16 1.4301 KIT	1
7.3	4176513	> O-RING FOR PUMP JACKET VP.	1
15.1		> BLASTING PPE HOUSING V-PN16-DN32-5"-304	1
15.2	4217889	> COUNTER FLANGE-G1"-PN16-GJL KIT	1

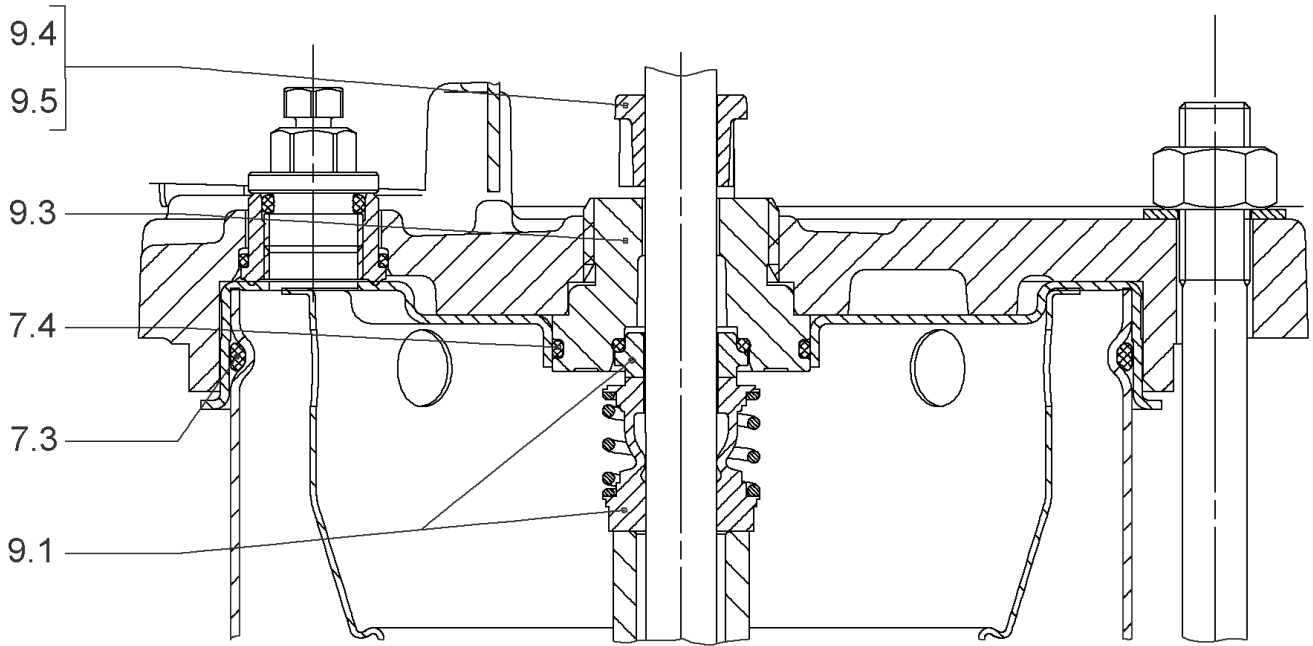
HELIX V409-1/16/E/S/460-60 (4192416)

Item	Article no.	Description	Quantity
15.3	4171321	> PRIMING/DRAIN PLUG EPDM HELIX KIT	1
16	4177964	BASEPLATE HELIX V2/4/6 PN16 VP.	1



COUPLING D.12XD.24 FT115 KIT (4178600)

Item	Article no.	Description	Quantity
4.1		COUPLING-M+ Ø12XØ24-FT115-MACHINED	1
4.2	2131023	BALL BEARING 6207/ZZ-C3(HT)VP.	1
4.3	4234254	CIRCLIP-FOR-SHAFT-D35x1.5 VP.	1
4.4	4157726	SCREW KIT M8X30 (4 PIECES)	1
4.5	4234251	CIRCLIP-D72x2.5 VP.	1
4.6	4234246	O-RING 72X3 VP.	1
		NOMEL CONTACT WASHER 8x16x1,4 STEEL ZC	1



SEAL-KIT-HELIX2-4 O/E KIT (4178564)

Item	Article no.	Description	Quantity
7.3	4176513	O-RING FOR PUMP JACKET VP.	1
7.4	2127603	O-RING ID.37,6x2,4 EPDM VP.	1
9.1	4178563	M.SEAL.HELIX2-4 O/E VP.	1
9.3	4178561	RING HOLDER Ø22 1.4301 VP.	1
9.5	4178562	DRIVE RING D.22/12.2X10 MACH.VP.	1
9.4	4176520	SCREW CH M5x5 A4-70 (3PIECES)	1



HYDRAULIC HELIX V 409 1.4307

Item	Article no.	Description	Quantity
13.1	4178570	STAGE HELIX 4 1.4301 KIT	1
		> MACH.STG-CASING-WOGV-WNR-M+2-4-304	1
		> IMPELLER-M+4-304	1
13.2	4178569	STAGE BEARING HELIX 4 1.4301 KIT	1
		> MACH.BEARING-STG-CASING-WNR-M+4-304	1
		> IMPELLER-M+4-304	1
		> SHAFT SLEEVE SPACER Ø15,35x10,305-304	1
		> SHAFT-SLEEVE-D12xD16x14-CW	1
13.3	4178574	INTER STAGE HELIX4 1.4301< 15 stages KIT	1
		> MACH.STD-STG-CASING-WGV+NR-M+4-304	1
		> IMPELLER-M+4-304	1
		> IMPELLER SPACER Ø12,05X14,85-L24,285-304	1