

**Multivert MVIE**

Article no.	Description
4040090	MVIE203-1/16/E/3-2
4040095	MVIE203-1/25/E/3-2
4040041	MVIE203-2/25/V/3-2
4040052	MVIE203-2/P/V/3-2
4073053	MVIE204-1/16/E/1-2/M2
4073052	MVIE204-1/16/E/1-2/M13
4077520	MVIE204-1/16/E/3-2-2G
4073057	MVIE204-1/25/E/1-2/M2
4073056	MVIE204-1/25/E/1-2/M13
4077529	MVIE204-1/25/E/3-2-2G
4073061	MVIE204-2/25/V/1-2/M2
4073060	MVIE204-2/25/V/1-2/M13
4077541	MVIE204-2/25/V/3-2-2G
4073065	MVIE204-2/P/V/1-2/M2
4073064	MVIE204-2/P/V/1-2/M13
4077549	MVIE204-2/P/V/3-2-2G
4040091	MVIE206-1/16/E/3-2
4040102	MVIE206-1/25/E/3-2
4040042	MVIE206-2/25/V/3-2
4040053	MVIE206-2/P/V/3-2
4077521	MVIE208-1/16/E/3-2-2G
4077530	MVIE208-1/25/E/3-2-2G
4077542	MVIE208-2/25/V/3-2-2G
4077551	MVIE208-2/P/V/3-2-2G
4040103	MVIE212-1/25/E/3-2
4040043	MVIE212-2/25/V/3-2
4040054	MVIE212-2/P/V/3-2
4077531	MVIE214-1/25/E/3-2-2G
4077543	MVIE214-2/25/V/3-2-2G
4077552	MVIE214-2/P/V/3-2-2G
4040092	MVIE402-1/16/E/3-2
4040104	MVIE402-1/25/E/3-2
4040044	MVIE402-2/25/V/3-2
4040055	MVIE402-2/P/V/3-2

**Multivert MVIE**

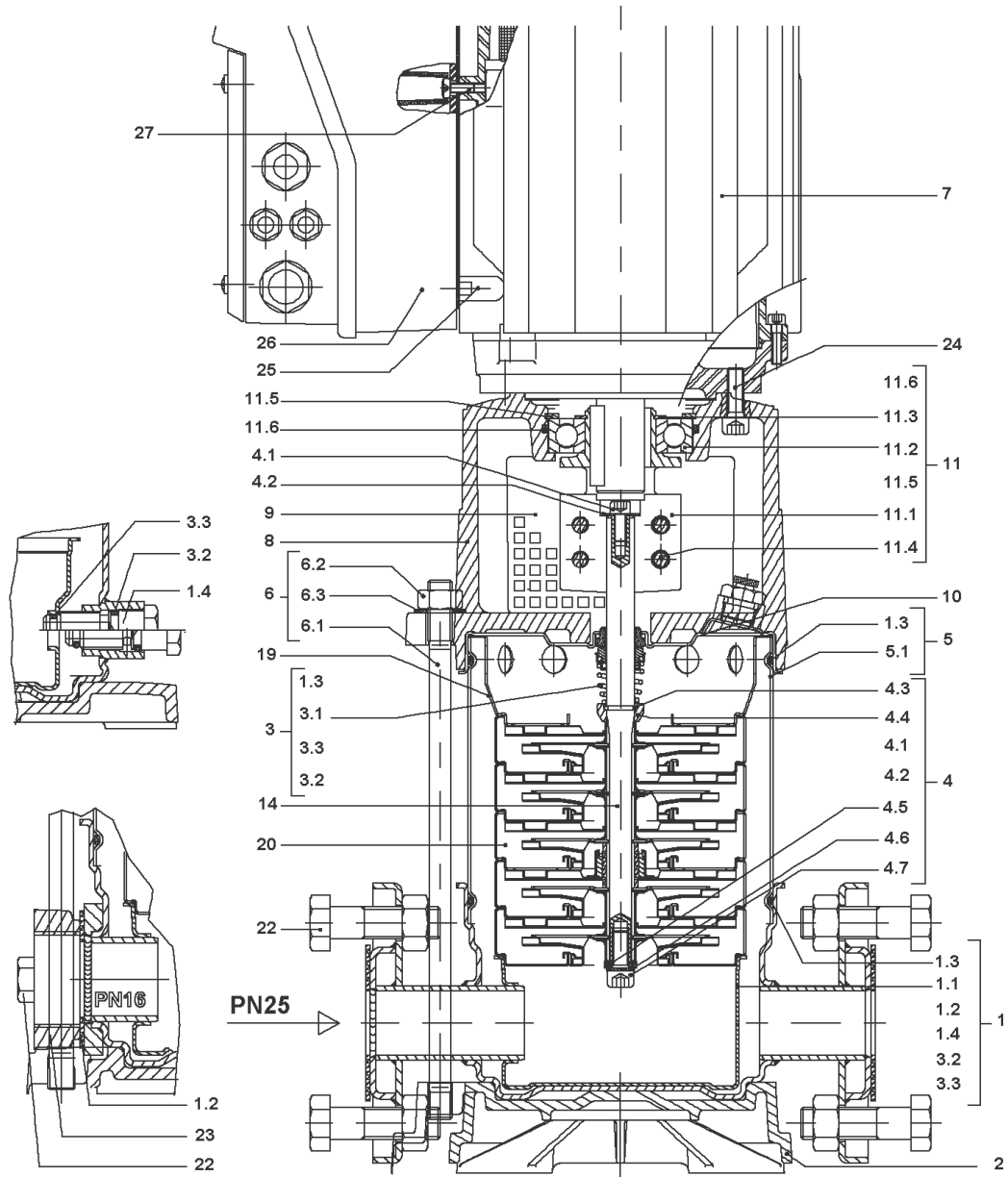
Article no.	Description
4073055	MVIE403-1/16/E/1-2/M2
4073054	MVIE403-1/16/E/1-2/M13
4077522	MVIE403-1/16/E/3-2-2G
4073059	MVIE403-1/25/E/1-2/M2
4073058	MVIE403-1/25/E/1-2/M13
4077532	MVIE403-1/25/E/3-2-2G
4073063	MVIE403-2/25/V/1-2/M2
4073062	MVIE403-2/25/V/1-2/M13
4077544	MVIE403-2/25/V/3-2-2G
4073067	MVIE403-2/P/V/1-2/M2
4073066	MVIE403-2/P/V/1-2/M13
4077553	MVIE403-2/P/V/3-2-2G
4040093	MVIE405-1/16/E/3-2
4040105	MVIE405-1/25/E/3-2
4040045	MVIE405-2/25/V/3-2
4040056	MVIE405-2/P/V/3-2
4077523	MVIE406-1/16/E/3-2-2G
4077533	MVIE406-1/25/E/3-2-2G
4077545	MVIE406-2/25/V/3-2-2G
4077554	MVIE406-2/P/V/3-2-2G
4074465	MVIE408-1/16/E/3-2
4040106	MVIE408-1/25/E/3-2
4040046	MVIE408-2/25/V/3-2
4040057	MVIE408-2/P/V/3-2
4089917	MVIE410-1/16/E/3-2-2G
4077534	MVIE410-1/25/E/3-2-2G
4077546	MVIE410-2/25/V/3-2-2G
4077555	MVIE410-2/P/V/3-2-2G
4059711	MVIE414-1/25/E/3-2
4059718	MVIE414-2/25/V/3-2
4063226	MVIE414-2/P/V/3-2
4040094	MVIE803-1/16/E/3-2
4077525	MVIE803-1/16/E/3-2-2G
4040107	MVIE803-1/25/E/3-2

**Multivert MVIE**

Article no.	Description
4077535	MVIE803-1/25/E/3-2-2G
4042653	MVIE803-2/25/V/3-2
4077547	MVIE803-2/25/V/3-2-2G
4042649	MVIE803-2/P/V/3-2
4077556	MVIE803-2/P/V/3-2-2G
4043870	MVIE805-1/16/E/3-2
4034162	MVIE805-1/25/E/3-2
4042654	MVIE805-2/25/V/3-2
4042650	MVIE805-2/P/V/3-2
4077526	MVIE806-1/16/E/3-2-2G
4077536	MVIE806-1/25/E/3-2-2G
4077548	MVIE806-2/25/V/3-2-2G
4077557	MVIE806-2/P/V/3-2-2G
4059706	MVIE808-1/16/E/3-2
4059712	MVIE808-1/25/E/3-2
4059719	MVIE808-2/25/V/3-2
4063227	MVIE808-2/P/V/3-2
4059713	MVIE811-1/25/E/3-2
4059720	MVIE811-2/25/V/3-2
4063228	MVIE811-2/P/V/3-2
4057578	MVIE1602/6-1/16/E/3-2
4077527	MVIE1602/6-1/16/E/3-2-2G
4057580	MVIE1602/6-1/25/E/3-2
4077537	MVIE1602/6-1/25/E/3-2-2G
4057579	MVIE1603/6-1/16/E/3-2
4077528	MVIE1603/6-1/16/E/3-2-2G
4057581	MVIE1603/6-1/25/E/3-2
4077538	MVIE1603/6-1/25/E/3-2-2G
4059707	MVIE1605/6-1/16/E/3-2
4059714	MVIE1605/6-1/25/E/3-2
4059708	MVIE1607/6-1/16/E/3-2
4059715	MVIE1607/6-1/25/E/3-2
4059716	MVIE3202-2/16/V/3-2
4059709	MVIE3202-3/16/E/3-2

## Multivert MVIE

Article no.	Description
4059717	MVIE3203-7,5-2/16/V/3-2
4059710	MVIE3203-7,5-3/16/E/3-2
4065541	MVIE3203-11-2/16/V/3-2
4065557	MVIE3203-11-2/25/V/3-2
4065533	MVIE3203-11-3/16/E/3-2
4065547	MVIE3203-11-3/25/E/3-2
4065542	MVIE3204-2/16/V/3-2
4065558	MVIE3204-2/25/V/3-2
4065534	MVIE3204-3/16/E/3-2
4065548	MVIE3204-3/25/E/3-2
4065543	MVIE3205-2/16/V/3-2
4065559	MVIE3205-2/25/V/3-2
4065535	MVIE3205-3/16/E/3-2
4065549	MVIE3205-3/25/E/3-2

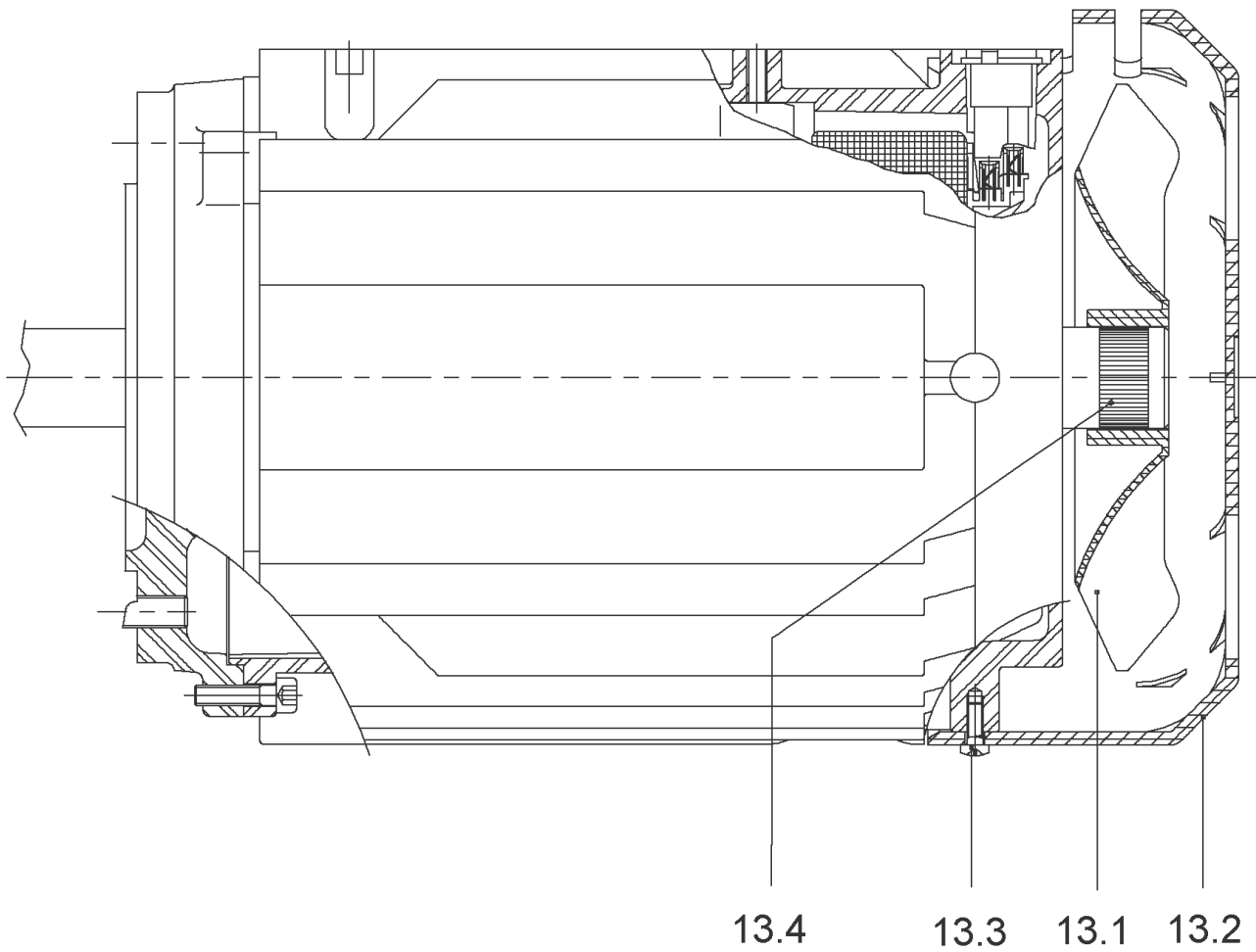


**MVIE203-1/16/E/3-2 (4040090)**

Item	Article no.	Description	Quantity
1	2023917	PUMP HOUSING MVI/MVIS DN32PN16 1.4301KIT	1
1.1		> CASING-MU-I-D32-PN16-D152-304	1
1.2	4191618	> O-RING ID.44,05x3,53 EPDM VP.	1
Note: FROM / AB / À PARTIR DE: 07/97			
1.3	4176513	> O-RING FOR PUMP JACKET VP.	1
1.4	4234235	> PRIMING/DRAIN PLUG MVI6" 304 VP.	1
3.2	4177800	> O-RING EPDM PLUG HELIX VP.	1
3.3	4234242	> O-RING 9X2 VP.	1
2	2127420	BASE PLATE 212X157 PN16 VP.	1
3	4027301	MECHANICAL SEAL MVI2/4/8/16-6" EP120°KIT	1
1.3	4176513	> O-RING FOR PUMP JACKET VP.	1
3.1		> MECHANICAL SEAL MG12/14-G606-Q1BE3GG-BU.	1
3.2	4177800	> O-RING EPDM PLUG HELIX VP.	1
3.3	4234242	> O-RING 9X2 VP.	1
4	4015429	SHAFT-FIXING MVI2 KIT	1
4.1		> SCREW M6X14 ISO4762 8.8 ZN	1
4.2		> WASHER D.24 L6U ZINK	1
4.3	2090148	> CIRCLIP D14 MVI/MHI 316L (2 PIECES) VP.	1
		>> STOP-RUSH-1/2-D14-VMI/HMI-316	2
4.4		> STOP COLLAR OF IMPELLER L=8.7-Ø14-316L	1
4.5		> WASHER D.16/13,8x3 1.4401	1
4.6		> STAINLESS-STEEL-WASHER-DE8	1
4.7		> SCREW M8X16 ISO4762 A4	1
5	2018374	HOUSING PIPE D.152X 95 1.4301 KIT	1
5.1		> HOUSING-PIPE-D152-VMI203/403-304	1
1.3	4176513	> O-RING FOR PUMP JACKET VP.	1
6	2018358	STUD BOLT M12X221 KIT	1
6.1		> TIE BOLT M12-221x18x30-1.4057	1
6.2	2094647	> NUT M12 M12 ISO4032 VP.	1
6.3	2123557	> WASHER CS-12.4-24-1.6-NFE25 (4 PIECES)	1
7	2025382	MOTOR TL3/2200/2DM 65HZ V18 MVIE SERIE99	1
		SPARE PARTS MOTOR TL3/2200/2 3-400 65HZ	1
8	4190751	LANTERN-MOTOR-VMI-FT115-MACHINED VP.	1
9	4092424	COUPLING GUARD FT85/130 MVI KIT	1

**MVIE203-1/16/E/3-2 (4040090)**

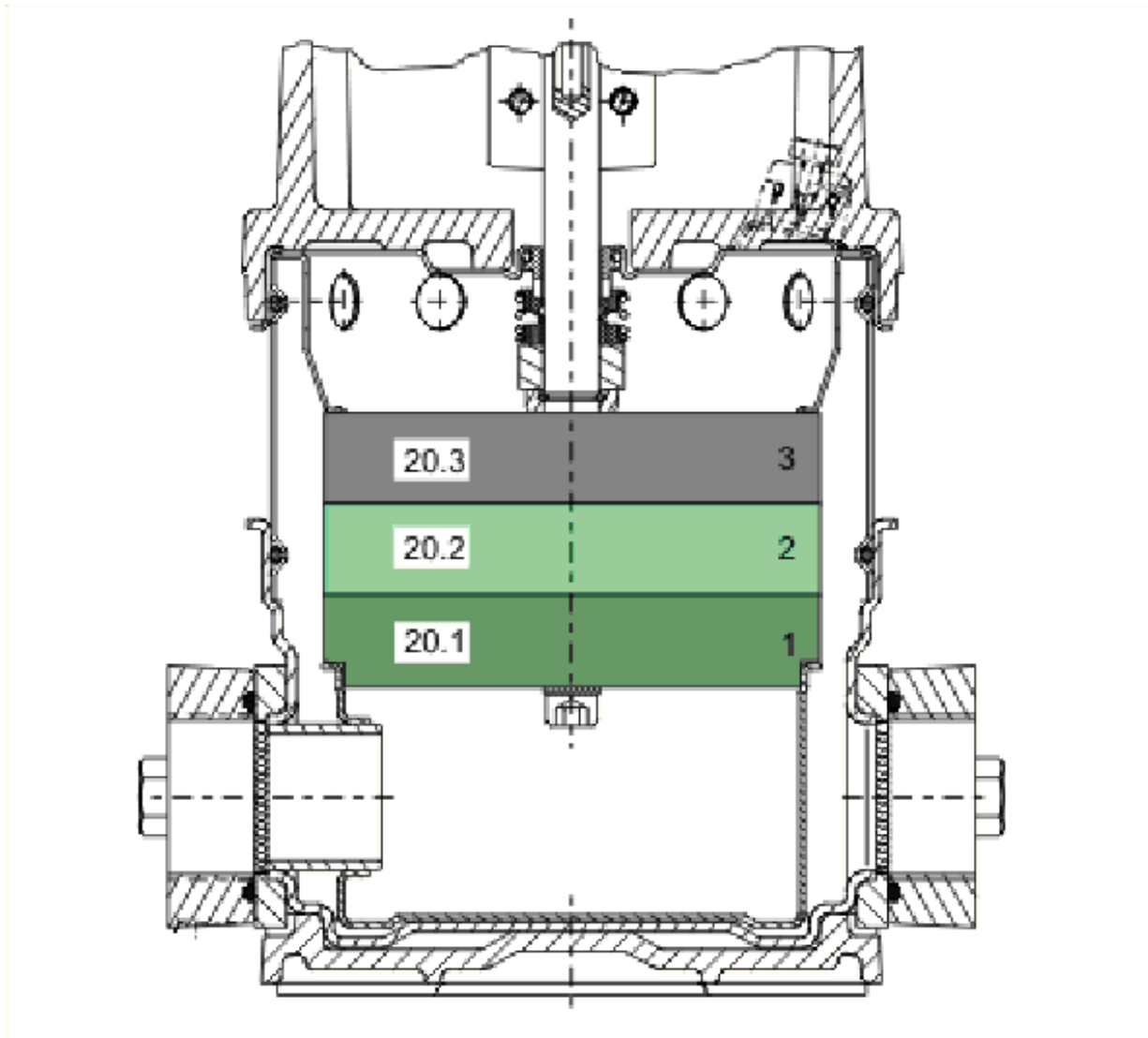
Item	Article no.	Description	Quantity
		> COUPLING PROTECTOR FT85/130-1.4016	1
		> CLIP COUPLING-GUARD-RF	1
10	4217881	STAT.RING HOLDER-GM-D14-304 VP.	1
11	4095214	3PH COUPLING KIT MVI D14XD24	1
11.1		> COUPLING-VMI-Ø14xØ24-FT115-MACHINED	1
11.2	2131023	> BALL BEARING 6207/ZZ-C3(HT)VP.	1
11.3	4234254	> CIRCLIP-FOR-SHAFT-D35x1.5 VP.	1
11.4	4157726	> SCREW KIT M8X30 (4 PIECES)	1
11.5	4234251	> CIRCLIP-D72x2.5 VP.	1
11.6	4234246	> O-RING 72X3 VP.	1
		> NOME CONTACT WASHER 8x16x1,4 STEEL ZC	1
		> SCREW CHC-M6X14-8.8-ISO4762-GEOMET500A	1
		> WASHER D.24 L6U ZINK	1
12	4233131	PLUG-VMI-316L VP.	1
14	4233897	SHAFT D.14X174 1.4057 VP.	1
19	4234236	UPPER STAGE RFK.MVI2/4 1.4301 VP.	1
20		SPARE PARTS HYDRAULICS MVI/MVIE 1.4301	1
22	74750611106	SCREW M10X30 ISO4014 6.8 ZN	1
23	2132561	OVAL FLANGE G1" LK75 VP.	1
24	4212716	SCREW M6X20 KIT (4PIECES)	1
25	2048856	SCREW M5X12 ISO7045 4.8-Z GB.ZN	1
26		MODULE MVIE/MHIE203/402 1,1KW >07/01	1
Note: no longer available / nicht mehr lieferbar / ne plus disponible			
27	2048856	SCREW M5X12 ISO7045 4.8-Z GB.ZN	1





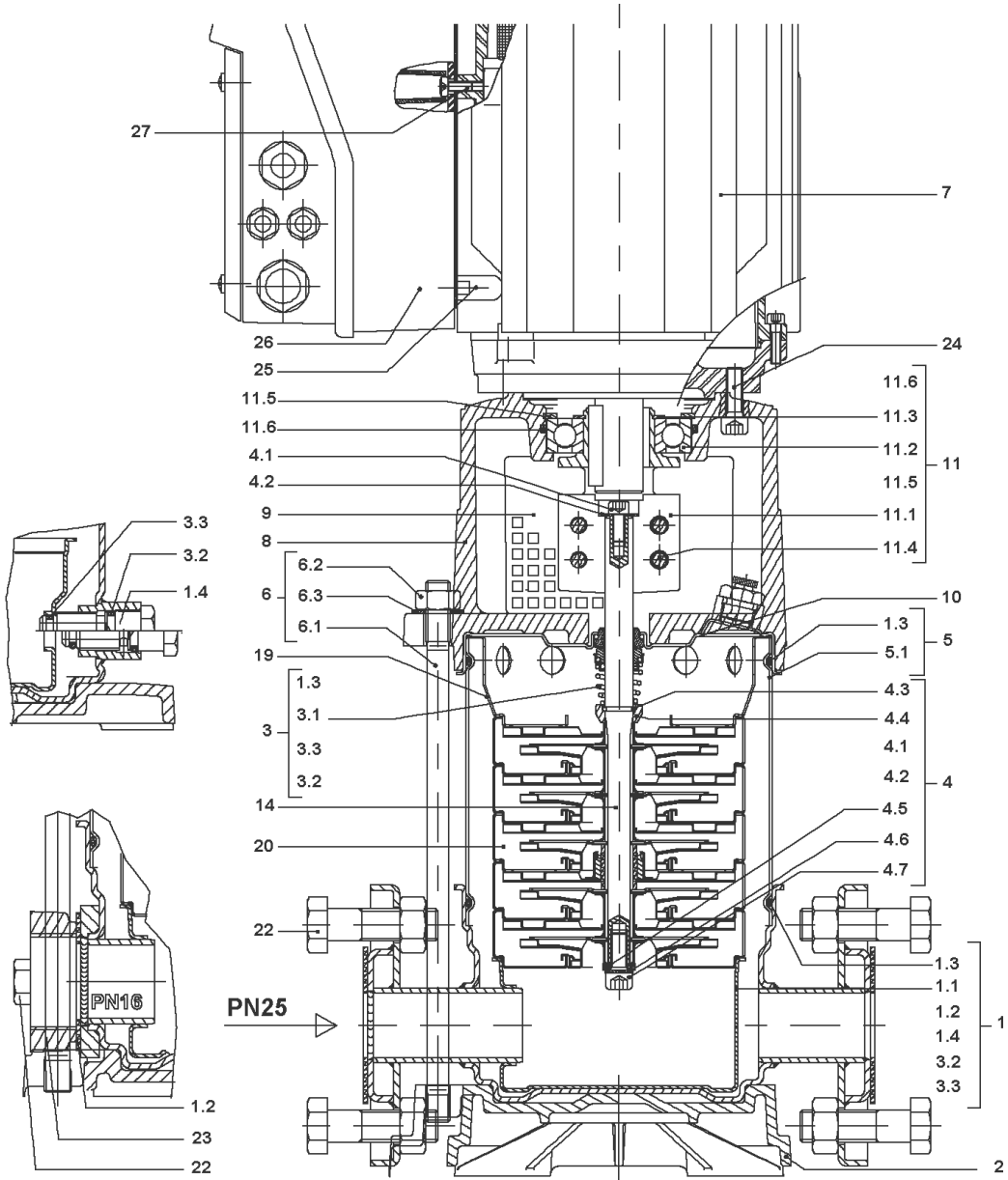
**SPARE PARTS MOTOR TL3/2200/2 3-400 65HZ**

Item	Article no.	Description	Quantity
13.1	2047017	FAN WHEEL AF90 2POL.ATB VP.	1
Note: Please give the data from type plate of the motor			
13.2		FAN HOOD TL4/3N NEUTRAL	1
Note: no longer available / nicht mehr lieferbar / ne plus disponible			
Note: Please give the data from type plate of the motor			
13.3		SCREW M4X8 ISO7045 4.8-H ZN	1
Note: no longer available / nicht mehr lieferbar / ne plus disponible			
13.4	2047016	CORRUGATED SLEEVE RING BG90/100 ATB VP.	1
Note: Please give the data from type plate of the motor			



**SPARE PARTS HYDRAULICS MVI/MVIE 1.4301**

Item	Article no.	Description	Quantity
20.1	4015434	STAGE MHI206,MVI202 1.4301 KIT	1
		> IMPELLER MVI2 D.98x2 1.4301	1
		> STAGE HOUSING O.RFK MVI2/4 1.4301	1
		> SPACER IMPELLER MVI2/4 1.4435	1
		> SPACER SHAFT SLEEVE MVI2/4 1.4435	1
20.2	4015437	STAGE MHI206,MVI203-20 1.4301 KIT	1
		> IMPELLER MVI2 D.98x2 1.4301	1
		> SPACER IMPELLER MVI2/4 1.4435	1
		> SPACER SHAFT SLEEVE MVI2/4 1.4435	1
		> STAGE-CASING-WITH-R/C+BEARING-2/4M3-304	1
		> SLEEVE-D14L13,8-VMI	1
20.3	4015438	STAGE MVI203-220 1.4301 KIT	1
		> IMPELLER MVI2 D.98x2 1.4301	1
		> SPACER IMPELLER MVI2/4 1.4435	1
		> WASHER D.24/14x1,5 1.4401	1
		> STAGE HOUSING RFK.MVI2/4 1.4301	1

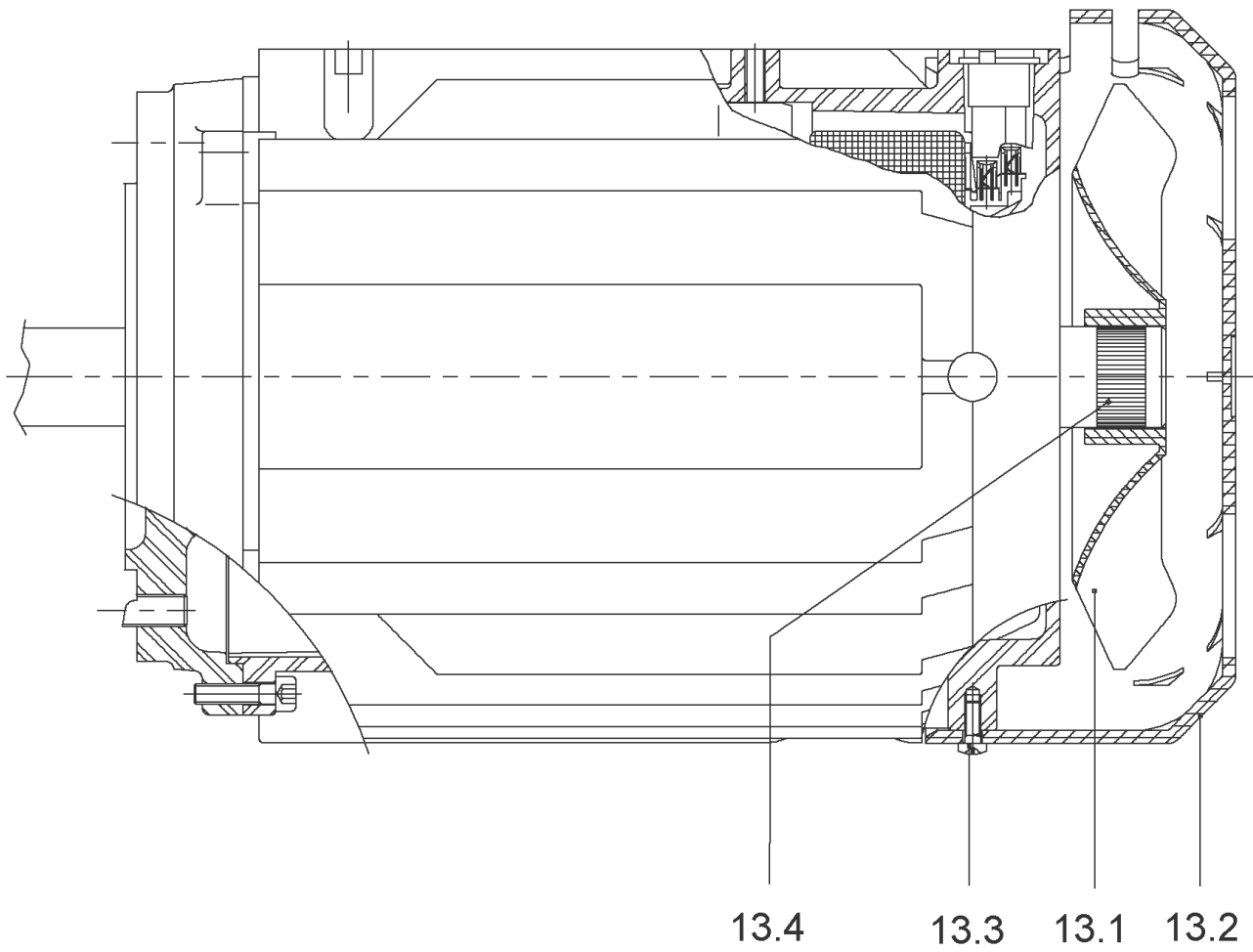


**MVIE203-1/25/E/3-2 (4040095)**

Item	Article no.	Description	Quantity
1	2086078	PUMP HOUSING MVI PN25 EPDM 1.4435 KIT	1
1.1		> PUMP HOUSING MVI D25 PN25 1.4435	1
1.2	4233952	> FLAT GASKET D.73 VP.	1
1.3	4176513	> O-RING FOR PUMP JACKET VP.	1
1.4	4234240	> PRIMING/DRAIN PLUG MVI6" 316L VP.	1
3.2	4177800	> O-RING EPDM PLUG HELIX VP.	1
3.3	4234242	> O-RING 9X2 VP.	1
2	4187925	BASEPLATE-VMI-1/2/4M3-VP.	1
3	4027301	MECHANICAL SEAL MVI2/4/8/16-6" EP120°KIT	1
1.3	4176513	> O-RING FOR PUMP JACKET VP.	1
3.1		> MECHANICAL SEAL MG12/14-G606-Q1BE3GG-BU.	1
3.2	4177800	> O-RING EPDM PLUG HELIX VP.	1
3.3	4234242	> O-RING 9X2 VP.	1
4	4015429	SHAFT-FIXING MVI2 KIT	1
4.1		> SCREW M6X14 ISO4762 8.8 ZN	1
4.2		> WASHER D.24 L6U ZINK	1
4.3	2090148	> CIRCLIP D14 MVI/MHI 316L (2 PIECES) VP.	1
		>> STOP-RUSH-1/2-D14-VMI/HMI-316	2
4.4		> STOP COLLAR OF IMPELLER L=8.7-Ø14-316L	1
4.5		> WASHER D.16/13,8x3 1.4401	1
4.6		> STAINLESS-STEEL-WASHER-DE8	1
4.7		> SCREW M8X16 ISO4762 A4	1
5	2018374	HOUSING PIPE D.152X 95 1.4301 KIT	1
5.1		> HOUSING-PIPE-D152-VMI203/403-304	1
1.3	4176513	> O-RING FOR PUMP JACKET VP.	1
6	2018358	STUD BOLT M12X221 KIT	1
6.1		> TIE BOLT M12-221x18x30-1.4057	1
6.2	2094647	> NUT M12 M12 ISO4032 VP.	1
6.3	2123557	> WASHER CS-12.4-24-1.6-NFE25 (4 PIECES)	1
7	2025382	MOTOR TL3/2200/2DM 65HZ V18 MVIE SERIE99	1
		SPARE PARTS MOTOR TL3/2200/2 3-400 65HZ	1
8	4190751	LANTERN-MOTOR-VMI-FT115-MACHINED VP.	1
9	4092424	COUPLING GUARD FT85/130 MVI KIT	1
		> COUPLING PROTECTOR FT85/130-1.4016	1

**MVIE203-1/25/E/3-2 (4040095)**

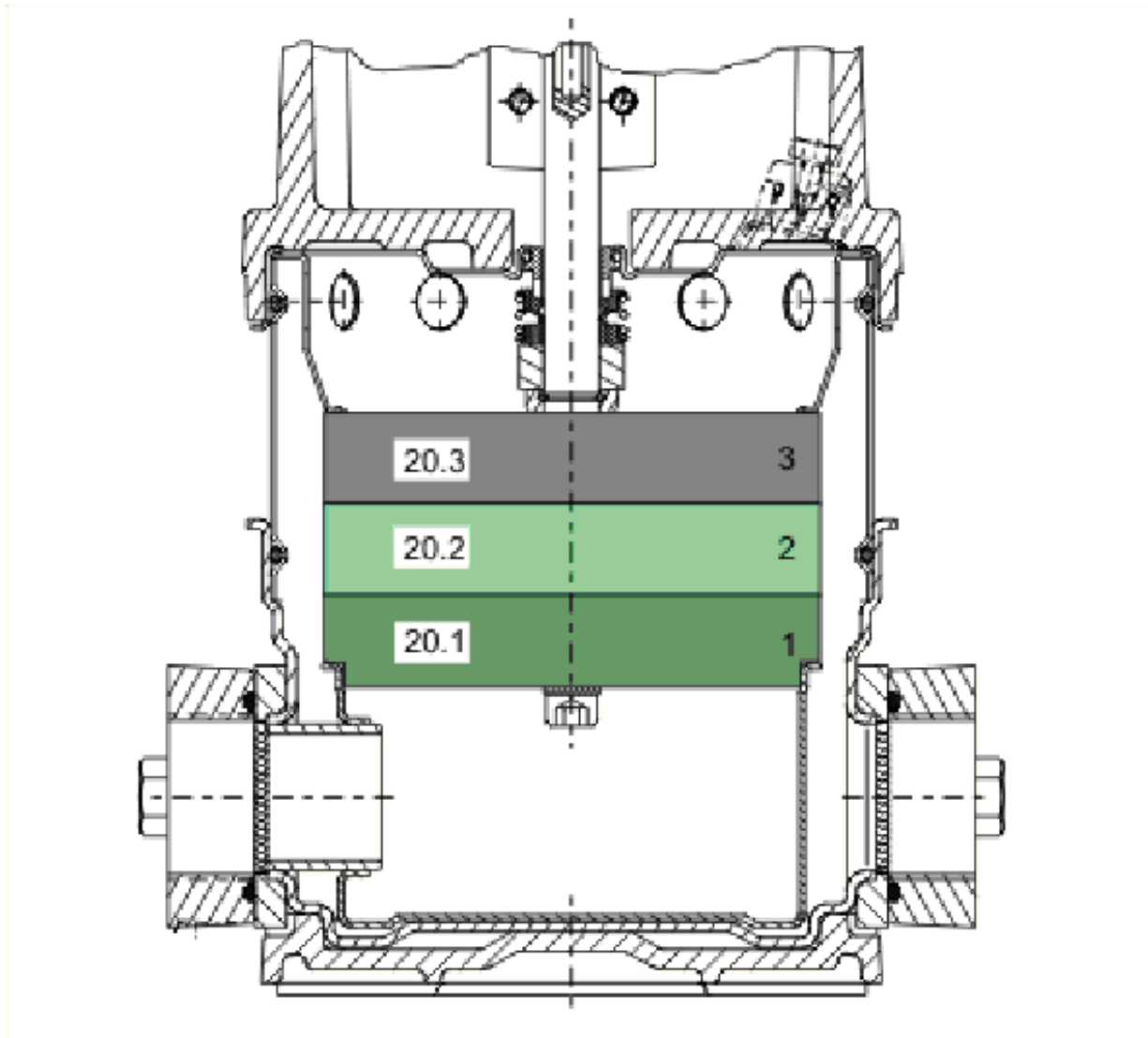
Item	Article no.	Description	Quantity
		> CLIP COUPLING-GUARD-RF	1
10	4217881	STAT.RING HOLDER-GM-D14-304 VP.	1
11	4095214	3PH COUPLING KIT MVI D14XD24	1
11.1		> COUPLING-VMI-Ø14xØ24-FT115-MACHINED	1
11.2	2131023	> BALL BEARING 6207/ZZ-C3(HT)VP.	1
11.3	4234254	> CIRCLIP-FOR-SHAFT-D35x1.5 VP.	1
11.4	4157726	> SCREW KIT M8X30 (4 PIECES)	1
11.5	4234251	> CIRCLIP-D72x2.5 VP.	1
11.6	4234246	> O-RING 72X3 VP.	1
		> NOME CONTACT WASHER 8x16x1,4 STEEL ZC	1
		> SCREW CHC-M6X14-8.8-ISO4762-GEOMET500A	1
		> WASHER D.24 L6U ZINK	1
12	4233131	PLUG-VMI-316L VP.	1
14	4233897	SHAFT D.14X174 1.4057 VP.	1
19	4234236	UPPER STAGE RFK.MVI2/4 1.4301 VP.	1
20		SPARE PARTS HYDRAULICS MVI/MVIE 1.4301	1
22	63699	SCREW M12x50x30	1
24	4212716	SCREW M6X20 KIT (4PIECES)	1
25	2048856	SCREW M5X12 ISO7045 4.8-Z GB.ZN	1
26		MODULE MVIE/MHIE203/402 1,1KW >07/01	1
Note: no longer available / nicht mehrlieferbar / ne plus disponible			
27	2048856	SCREW M5X12 ISO7045 4.8-Z GB.ZN	1



**SPARE PARTS MOTOR TL3/2200/2 3-400 65HZ**

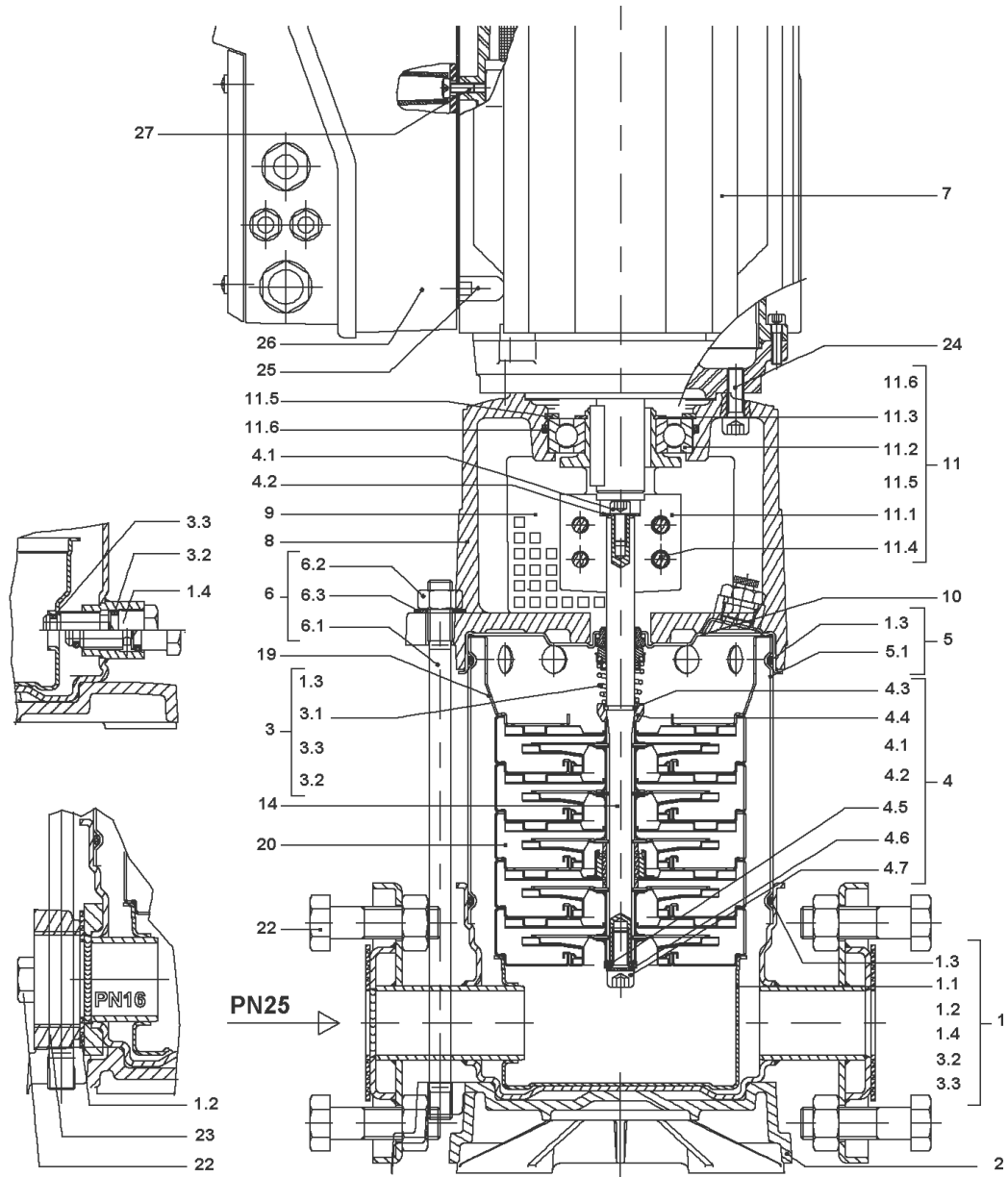
Item	Article no.	Description	Quantity
13.1	2047017	FAN WHEEL AF90 2POL.ATB VP.	1
Note: Please give the data from type plate of the motor			
13.2		FAN HOOD TL4/3N NEUTRAL	1
Note: no longer available / nicht mehr lieferbar / ne plus disponible			
Note: Please give the data from type plate of the motor			
13.3		SCREW M4X8 ISO7045 4.8-H ZN	1
Note: no longer available / nicht mehr lieferbar / ne plus disponible			
13.4	2047016	CORRUGATED SLEEVE RING BG90/100 ATB VP.	1
Note: Please give the data from type plate of the motor			





**SPARE PARTS HYDRAULICS MVI/MVIE 1.4301**

Item	Article no.	Description	Quantity
20.1	4015434	STAGE MHI206,MVI202 1.4301 KIT	1
		> IMPELLER MVI2 D.98x2 1.4301	1
		> STAGE HOUSING O.RFK MVI2/4 1.4301	1
		> SPACER IMPELLER MVI2/4 1.4435	1
		> SPACER SHAFT SLEEVE MVI2/4 1.4435	1
20.2	4015437	STAGE MHI206,MVI203-20 1.4301 KIT	1
		> IMPELLER MVI2 D.98x2 1.4301	1
		> SPACER IMPELLER MVI2/4 1.4435	1
		> SPACER SHAFT SLEEVE MVI2/4 1.4435	1
		> STAGE-CASING-WITH-R/C+BEARING-2/4M3-304	1
		> SLEEVE-D14L13,8-VMI	1
20.3	4015438	STAGE MVI203-220 1.4301 KIT	1
		> IMPELLER MVI2 D.98x2 1.4301	1
		> SPACER IMPELLER MVI2/4 1.4435	1
		> WASHER D.24/14x1,5 1.4401	1
		> STAGE HOUSING RFK.MVI2/4 1.4301	1

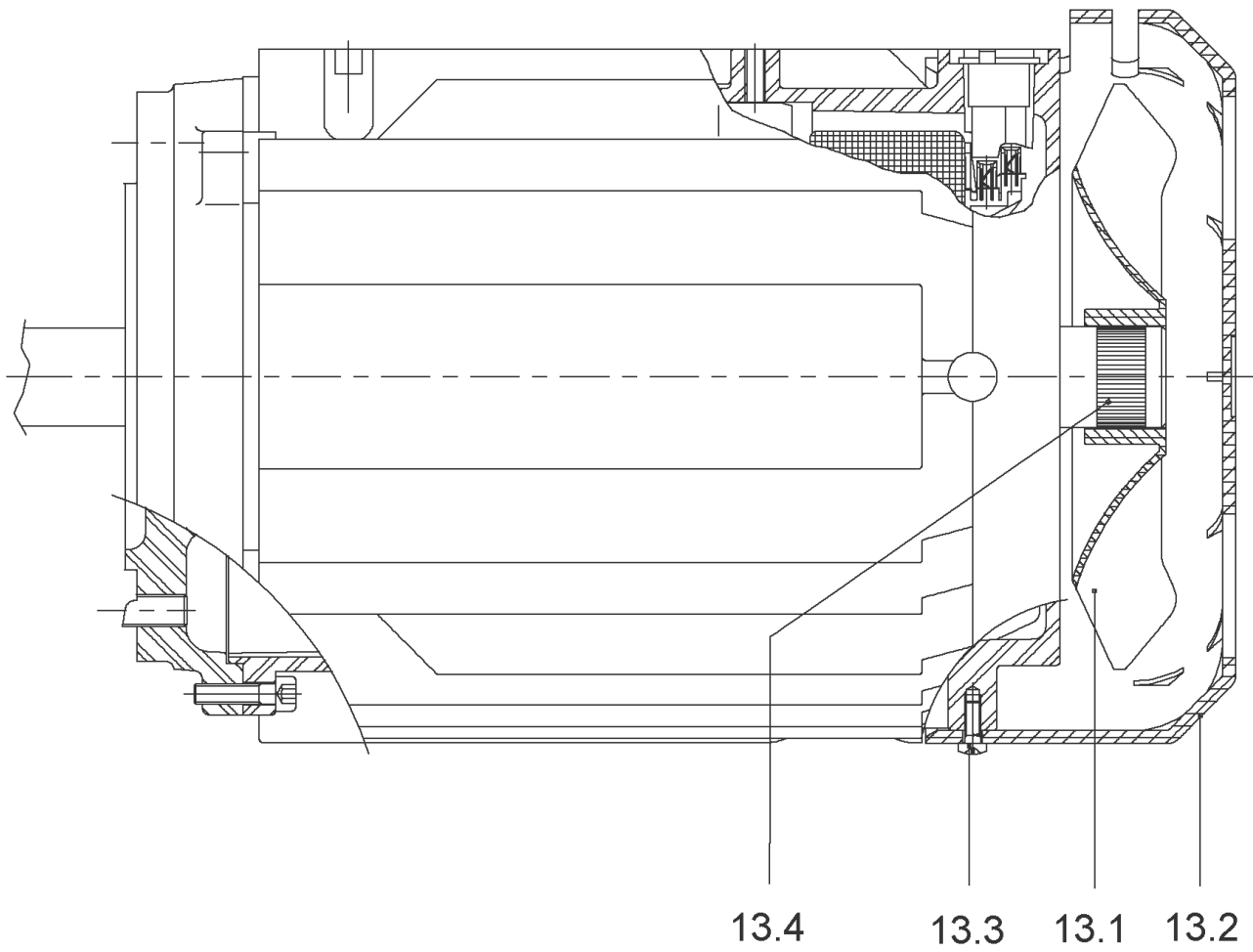


**MVIE203-2/25/V/3-2 (4040041)**

Item	Article no.	Description	Quantity
1	2018427	PUMP HOUSING MVI PN25 VITON 1.4435 KIT	1
1.1		> PUMP HOUSING MVI D25 PN25 1.4435	1
1.2	4233952	> FLAT GASKET D.73 VP.	1
1.3	4234237	> O-RING 139X3 VITON VP.	1
1.4	4234240	> PRIMING/DRAIN PLUG MVI6" 316L VP.	1
3.2	4234239	> O-RING 13X2 VITON VP.	1
3.3	4234238	> O-RING 9X2 VITON VP.	1
2	4187925	BASEPLATE-VMI-1/2/4M3-VP.	1
3	4037295	MECHANICAL SEAL 16B MVI VITON	1
1.3	4234237	> O-RING 139X3 VITON VP.	1
3.1		> MECHANICAL SEAL MG12/14-G606-Q1BVGG-BURG	1
3.2	4234239	> O-RING 13X2 VITON VP.	1
3.3	4234238	> O-RING 9X2 VITON VP.	1
4	4015429	SHAFT-FIXING MVI2 KIT	1
4.1		> SCREW M6X14 ISO4762 8.8 ZN	1
4.2		> WASHER D.24 L6U ZINK	1
4.3	2090148	> CIRCLIP D14 MVI/MHI 316L (2 PIECES) VP.	1
		>> STOP-RUSH-1/2-D14-VMI/HMI-316	2
4.4		> STOP COLLAR OF IMPELLER L=8.7-Ø14-316L	1
4.5		> WASHER D.16/13,8x3 1.4401	1
4.6		> STAINLESS-STEEL-WASHER-DE8	1
4.7		> SCREW M8X16 ISO4762 A4	1
5	2018428	HOUSING PIPE D.152X95 1.4404 KIT	1
5.1		> HOUSING-PIPE-D152-VMI203/403-316L	1
1.3	4234237	> O-RING 139X3 VITON VP.	1
6	2018358	STUD BOLT M12X221 KIT	1
6.1		> TIE BOLT M12-221x18x30-1.4057	1
6.2	2094647	> NUT M12 M12 ISO4032 VP.	1
6.3	2123557	> WASHER CS-12.4-24-1.6-NFE25 (4 PIECES)	1
7	2025382	MOTOR TL3/2200/2DM 65HZ V18 MVIE SERIE99	1
		SPARE PARTS MOTOR TL3/2200/2 3-400 65HZ	1
8	4190751	LANTERN-MOTOR-VMI-FT115-MACHINED VP.	1
9	4092424	COUPLING GUARD FT85/130 MVI KIT	1
		> COUPLING PROTECTOR FT85/130-1.4016	1

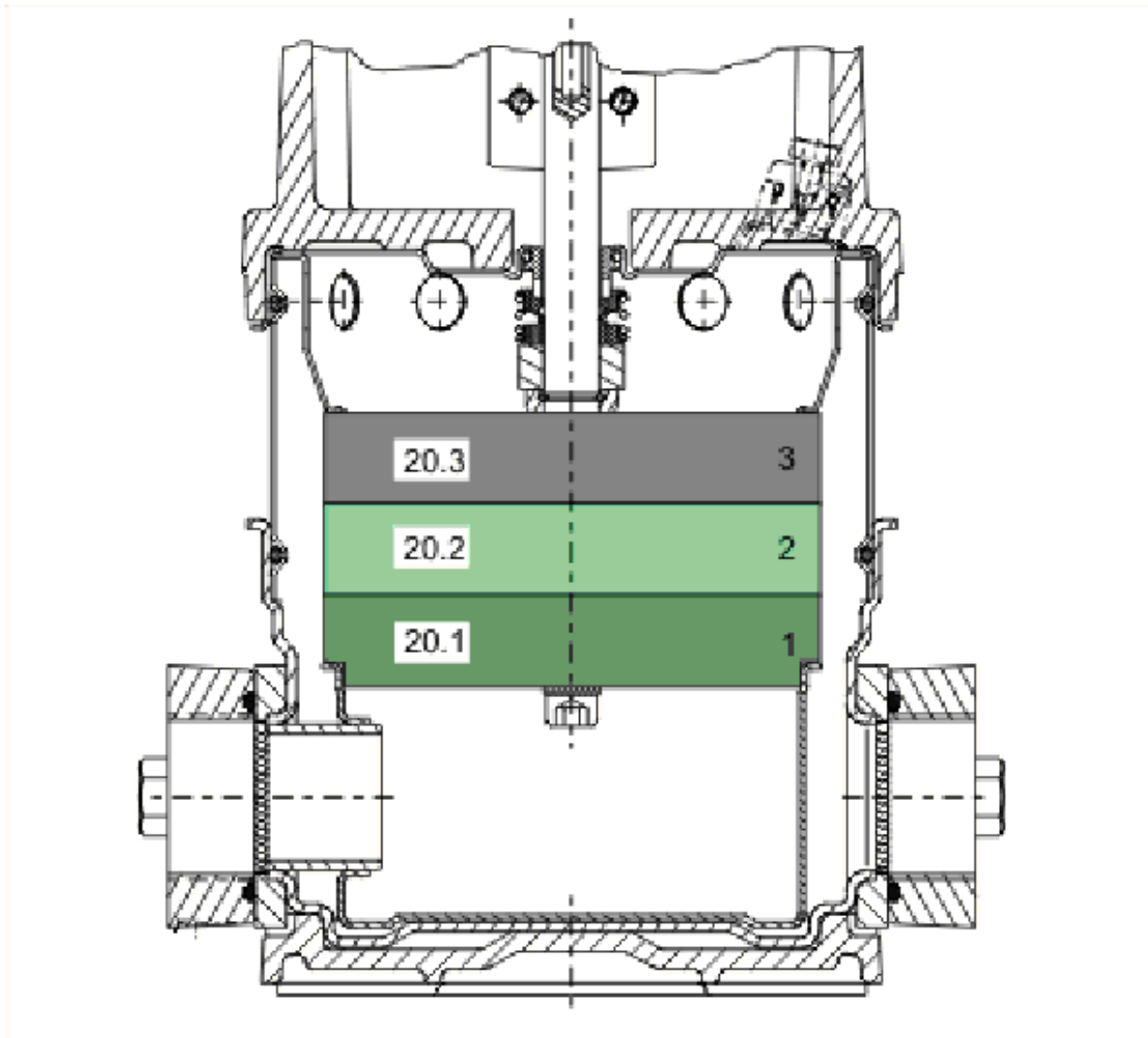
**MVIE203-2/25/V/3-2 (4040041)**

Item	Article no.	Description	Quantity
		> CLIP COUPLING-GUARD-RF	1
10	4217883	STAT.RING HOLDER MVI2/4/8 1.4435 VP.	1
11	4095214	3PH COUPLING KIT MVI D14XD24	1
11.1		> COUPLING-VMI-Ø14xØ24-FT115-MACHINED	1
11.2	2131023	> BALL BEARING 6207/ZZ-C3(HT)VP.	1
11.3	4234254	> CIRCLIP-FOR-SHAFT-D35x1.5 VP.	1
11.4	4157726	> SCREW KIT M8X30 (4 PIECES)	1
11.5	4234251	> CIRCLIP-D72x2.5 VP.	1
11.6	4234246	> O-RING 72X3 VP.	1
		> NOME CONTACT WASHER 8x16x1,4 STEEL ZC	1
		> SCREW CHC-M6X14-8.8-ISO4762-GEOMET500A	1
		> WASHER D.24 L6U ZINK	1
12	4233131	PLUG-VMI-316L VP.	1
14	4233159	SHAFT D.14X174 1.4404 VP.	1
19	4233921	UPPER STAGE RFK.MVI2/4M3 1.4435 VP.	1
20		SPARE PARTS HYDRAULICS MVI/MVIE 1.4404	1
22	63699	SCREW M12x50x30	1
24	74760312103	SCREW M8X25 ISO4762 8.8 ZN	1
25	2048856	SCREW M5X12 ISO7045 4.8-Z GB.ZN	1
26		MODULE MVIE/MHIE203/402 1,1KW >07/01	1
Note: no longer available / nicht mehr lieferbar / ne plus disponible			
27	2048855	SCREW M5X16 ISO7045 4.8-Z ZN LSN.	1



**SPARE PARTS MOTOR TL3/2200/2 3-400 65HZ**

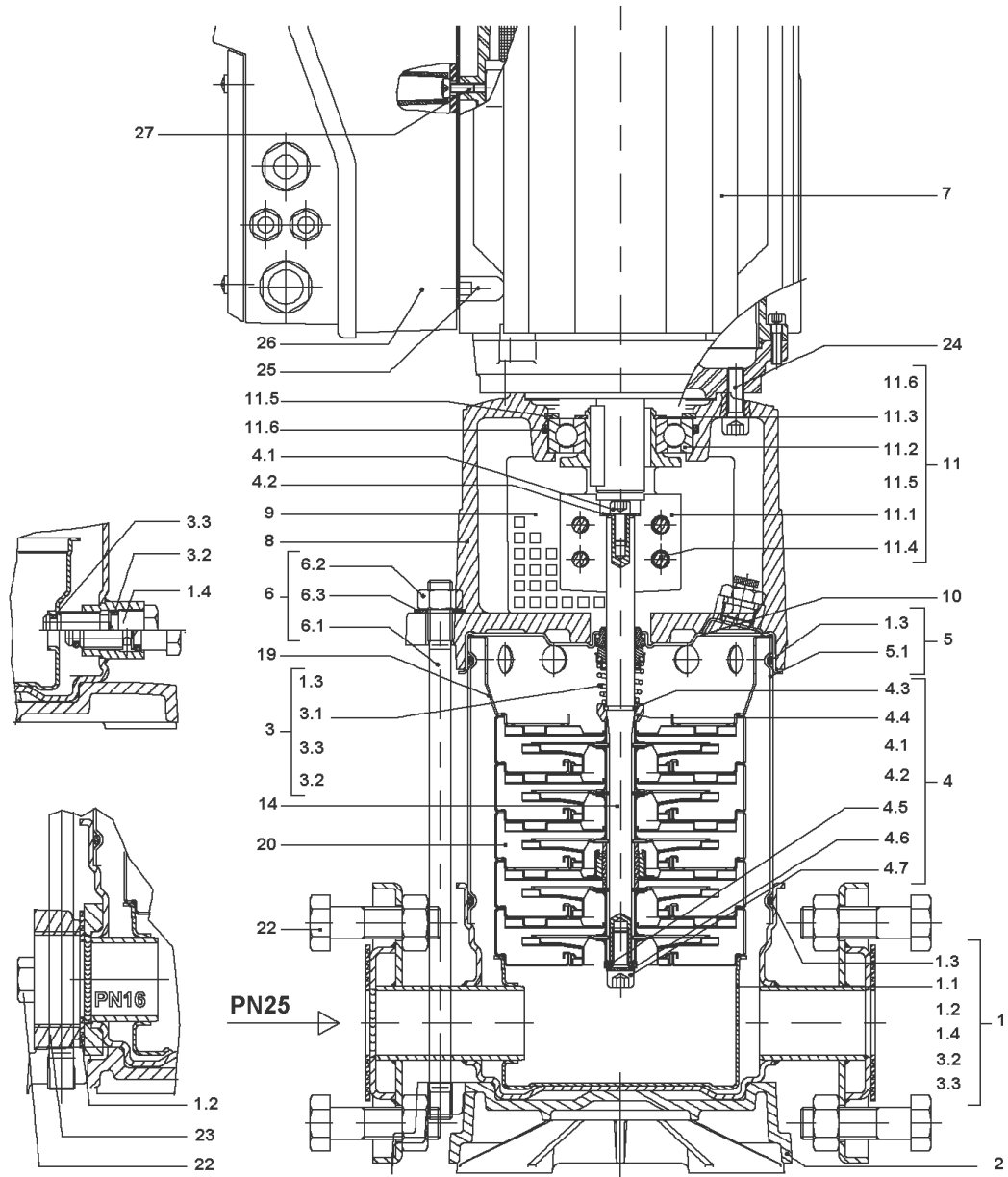
Item	Article no.	Description	Quantity
13.1	2047017	FAN WHEEL AF90 2POL.ATB VP.	1
Note: Please give the data from type plate of the motor			
13.2		FAN HOOD TL4/3N NEUTRAL	1
Note: no longer available / nicht mehr lieferbar / ne plus disponible			
Note: Please give the data from type plate of the motor			
13.3		SCREW M4X8 ISO7045 4.8-H ZN	1
Note: no longer available / nicht mehr lieferbar / ne plus disponible			
13.4	2047016	CORRUGATED SLEEVE RING BG90/100 ATB VP.	1
Note: Please give the data from type plate of the motor			





**SPARE PARTS HYDRAULICS MVI/MVIE 1.4404**

Item	Article no.	Description	Quantity
20.1	4026324	ASSEMBLY LR./STF.GH.MHI206,MVI202/203 1.	1
		> IMPELLER-VMI/HMI-SERIE.2-316L	1
		> STAGE CASING WITHOUT-R/G-2/4M3-316L	1
		> SPACER IMPELLER MVI2/4 1.4435	1
		> SPACER SHAFT SLEEVE MVI2/4 1.4435	1
20.2	4026328	ASSEMBLY LR./LAG.BU.MHI206,MVI203-220 1.	1
		> IMPELLER-VMI/HMI-SERIE.2-316L	1
		> SPACER IMPELLER MVI2/4 1.4435	1
		> SPACER SHAFT SLEEVE MVI2/4 1.4435	1
		> STAGE CASING-AV-C/R-BEARING-2/4M3-L	1
		> SLEEVE-D14L13,8-VMI	1
20.3	4026329	ASSEMBLY STF.GH./LR.OHNE RLF MVI203-20 1	1
		> IMPELLER-VMI/HMI-SERIE.2-316L	1
		> SPACER IMPELLER MVI2/4 1.4435	1
		> WASHER D.24/14x1,5 1.4401	1
		> STAGE CASING-AV-C/R-2/4M3-316L	1

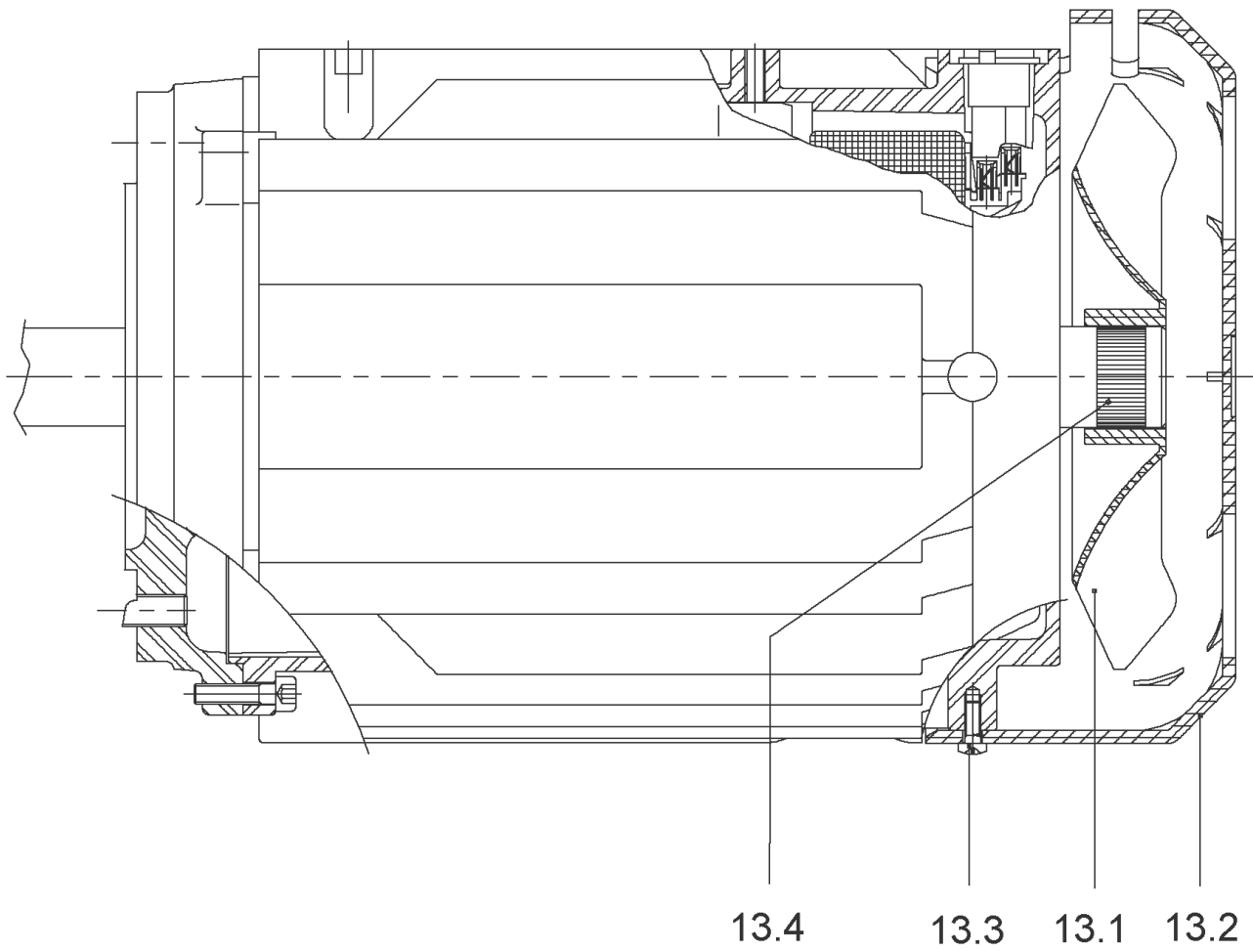


**MVIE203-2/P/V/3-2 (4040052)**

Item	Article no.	Description	Quantity
1	2114343	PUMP HOUSING MVI DN32 P 1.4404 KIT	1
1.1		> CASING-MVI-D32-PN25-D152-316L-VICTAULI	1
1.3	4234237	> O-RING 139X3 VITON VP.	1
1.4	4234240	> PRIMING/DRAIN PLUG MVI6" 316L VP.	1
3.2	4234239	> O-RING 13X2 VITON VP.	1
3.3	4234238	> O-RING 9X2 VITON VP.	1
2	4187925	BASEPLATE-VMI-1/2/4M3-VP.	1
3	4037295	MECHANICAL SEAL 16B MVI VITON	1
1.3	4234237	> O-RING 139X3 VITON VP.	1
3.1		> MECHANICAL SEAL MG12/14-G606-Q1BVGG-BURG	1
3.2	4234239	> O-RING 13X2 VITON VP.	1
3.3	4234238	> O-RING 9X2 VITON VP.	1
4	4015429	SHAFT-FIXING MVI2 KIT	1
4.1		> SCREW M6X14 ISO4762 8.8 ZN	1
4.2		> WASHER D.24 L6U ZINK	1
4.3	2090148	> CIRCLIP D14 MVI/MHI 316L (2 PIECES) VP.	1
		>> STOP-RUSH-1/2-D14-VMI/HMI-316	2
4.4		> STOP COLLAR OF IMPELLER L=8.7-Ø14-316L	1
4.5		> WASHER D.16/13,8x3 1.4401	1
4.6		> STAINLESS-STEEL-WASHER-DE8	1
4.7		> SCREW M8X16 ISO4762 A4	1
5	2018428	HOUSING PIPE D.152X95 1.4404 KIT	1
5.1		> HOUSING-PIPE-D152-VMI203/403-316L	1
1.3	4234237	> O-RING 139X3 VITON VP.	1
6	2018358	STUD BOLT M12X221 KIT	1
6.1		> TIE BOLT M12-221x18x30-1.4057	1
6.2	2094647	> NUT M12 M12 ISO4032 VP.	1
6.3	2123557	> WASHER CS-12.4-24-1.6-NFE25 (4 PIECES)	1
7	2025382	MOTOR TL3/2200/2DM 65HZ V18 MVIE SERIE99	1
		SPARE PARTS MOTOR TL3/2200/2 3-400 65HZ	1
8	4190751	LANTERN-MOTOR-VMI-FT115-MACHINED VP.	1
9	4092424	COUPLING GUARD FT85/130 MVI KIT	1
		> COUPLING PROTECTOR FT85/130-1.4016	1
		> CLIP COUPLING-GUARD-RF	1

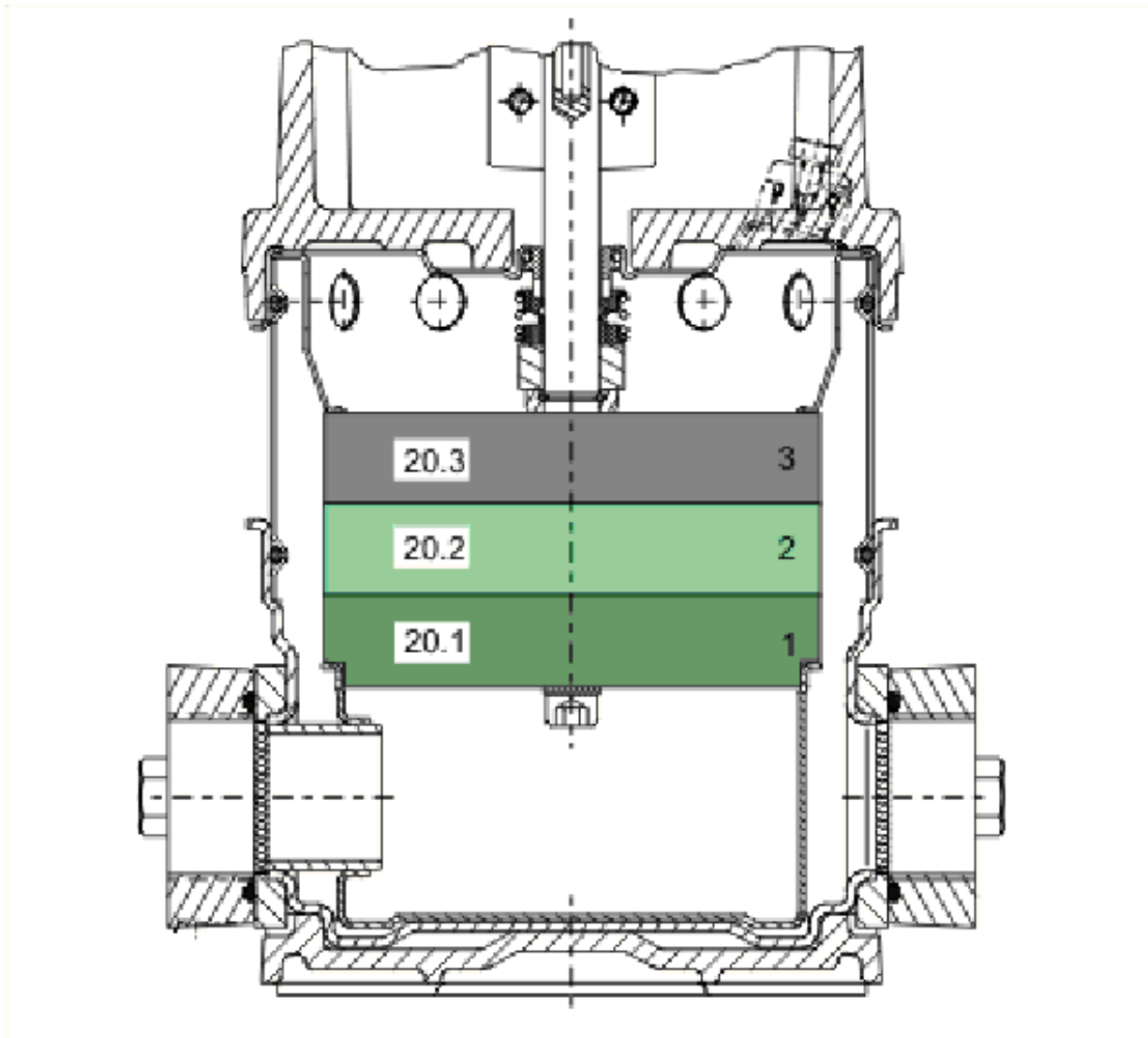
**MVIE203-2/P/V/3-2 (4040052)**

Item	Article no.	Description	Quantity
10	4217883	STAT.RING HOLDER MVI2/4/8 1.4435 VP.	1
11	4095214	3PH COUPLING KIT MVI D14XD24	1
11.1		> COUPLING-VMI-Ø14xØ24-FT115-MACHINED	1
11.2	2131023	> BALL BEARING 6207/ZZ-C3(HT)VP.	1
11.3	4234254	> CIRCLIP-FOR-SHAFT-D35x1.5 VP.	1
11.4	4157726	> SCREW KIT M8X30 (4 PIECES)	1
11.5	4234251	> CIRCLIP-D72x2.5 VP.	1
11.6	4234246	> O-RING 72X3 VP.	1
		> NOMEL CONTACT WASHER 8x16x1,4 STEEL ZC	1
		> SCREW CHC-M6X14-8.8-ISO4762-GEOMET500A	1
		> WASHER D.24 L6U ZINK	1
12	4233131	PLUG-VMI-316L VP.	1
14	4233159	SHAFT D.14X174 1.4404 VP.	1
19	4233921	UPPER STAGE RFK.MVI2/4M3 1.4435 VP.	1
20		SPARE PARTS HYDRAULICS MVI/MVIE 1.4404	1
22	63699	SCREW M12x50x30	1
23	2132561	OVAL FLANGE G1" LK75 VP.	1
24	74760312103	SCREW M8X25 ISO4762 8.8 ZN	1
25	2048856	SCREW M5X12 ISO7045 4.8-Z GB.ZN	1
26		MODULE MVIE/MHIE203/402 1,1KW >07/01	1
Note: no longer available / nicht mehr lieferbar / ne plus disponible			
27	2048855	SCREW M5X16 ISO7045 4.8-Z ZN LSN.	1



**SPARE PARTS MOTOR TL3/2200/2 3-400 65HZ**

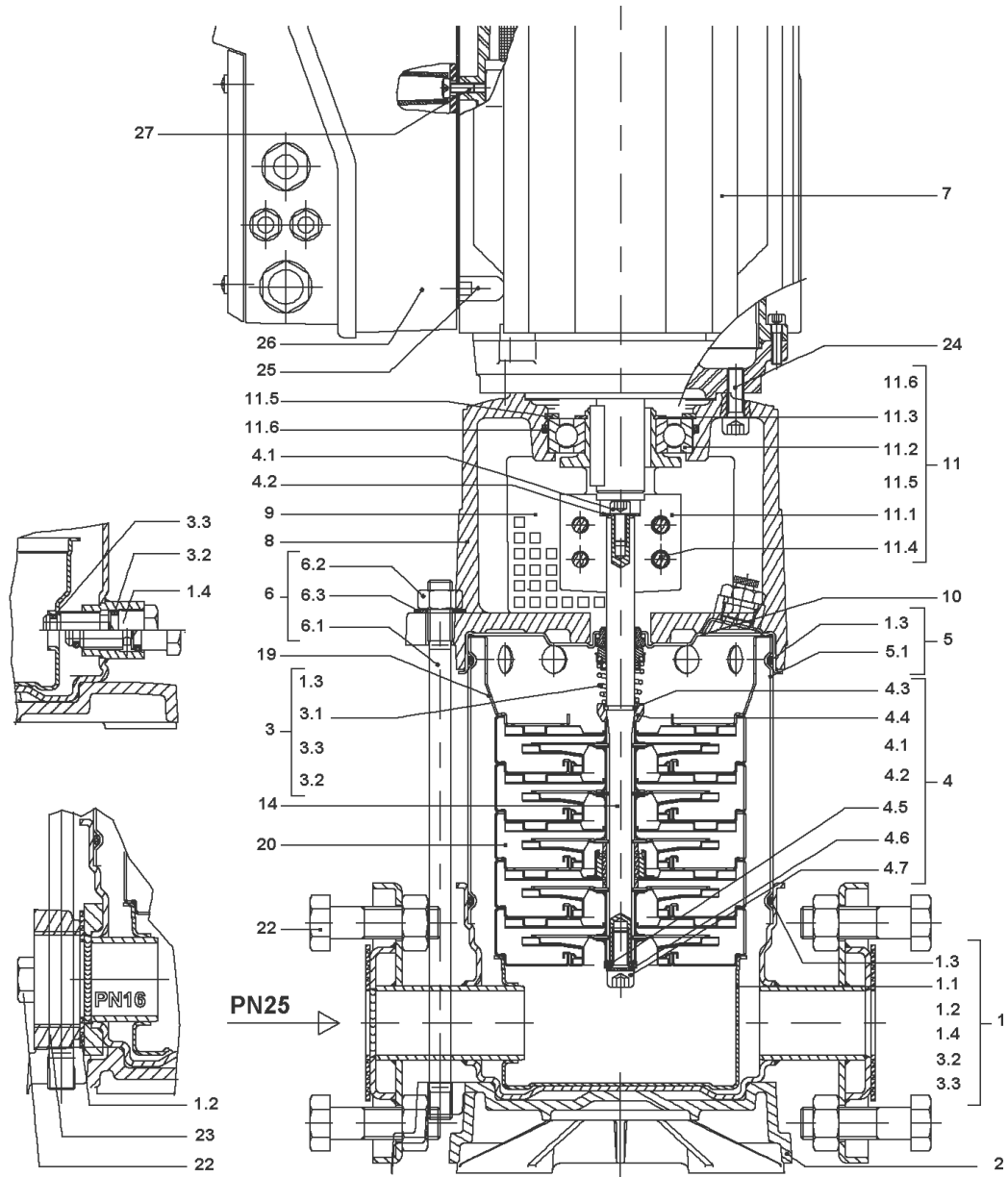
Item	Article no.	Description	Quantity
13.1	2047017	FAN WHEEL AF90 2POL.ATB VP.	1
Note: Please give the data from type plate of the motor			
13.2		FAN HOOD TL4/3N NEUTRAL	1
Note: no longer available / nicht mehr lieferbar / ne plus disponible			
Note: Please give the data from type plate of the motor			
13.3		SCREW M4X8 ISO7045 4.8-H ZN	1
Note: no longer available / nicht mehr lieferbar / ne plus disponible			
13.4	2047016	CORRUGATED SLEEVE RING BG90/100 ATB VP.	1
Note: Please give the data from type plate of the motor			



**SPARE PARTS HYDRAULICS MVI/MVIE 1.4404**

Item	Article no.	Description	Quantity
20.1	4026324	ASSEMBLY LR./STF.GH.MHI206,MVI202/203 1.	1
		> IMPELLER-VMI/HMI-SERIE.2-316L	1
		> STAGE CASING WITHOUT-R/G-2/4M3-316L	1
		> SPACER IMPELLER MVI2/4 1.4435	1
		> SPACER SHAFT SLEEVE MVI2/4 1.4435	1
20.2	4026328	ASSEMBLY LR./LAG.BU.MHI206,MVI203-220 1.	1
		> IMPELLER-VMI/HMI-SERIE.2-316L	1
		> SPACER IMPELLER MVI2/4 1.4435	1
		> SPACER SHAFT SLEEVE MVI2/4 1.4435	1
		> STAGE CASING-AV-C/R-BEARING-2/4M3-L	1
		> SLEEVE-D14L13,8-VMI	1
20.3	4026329	ASSEMBLY STF.GH./LR.OHNE RLF MVI203-20 1	1
		> IMPELLER-VMI/HMI-SERIE.2-316L	1
		> SPACER IMPELLER MVI2/4 1.4435	1
		> WASHER D.24/14x1,5 1.4401	1
		> STAGE CASING-AV-C/R-2/4M3-316L	1



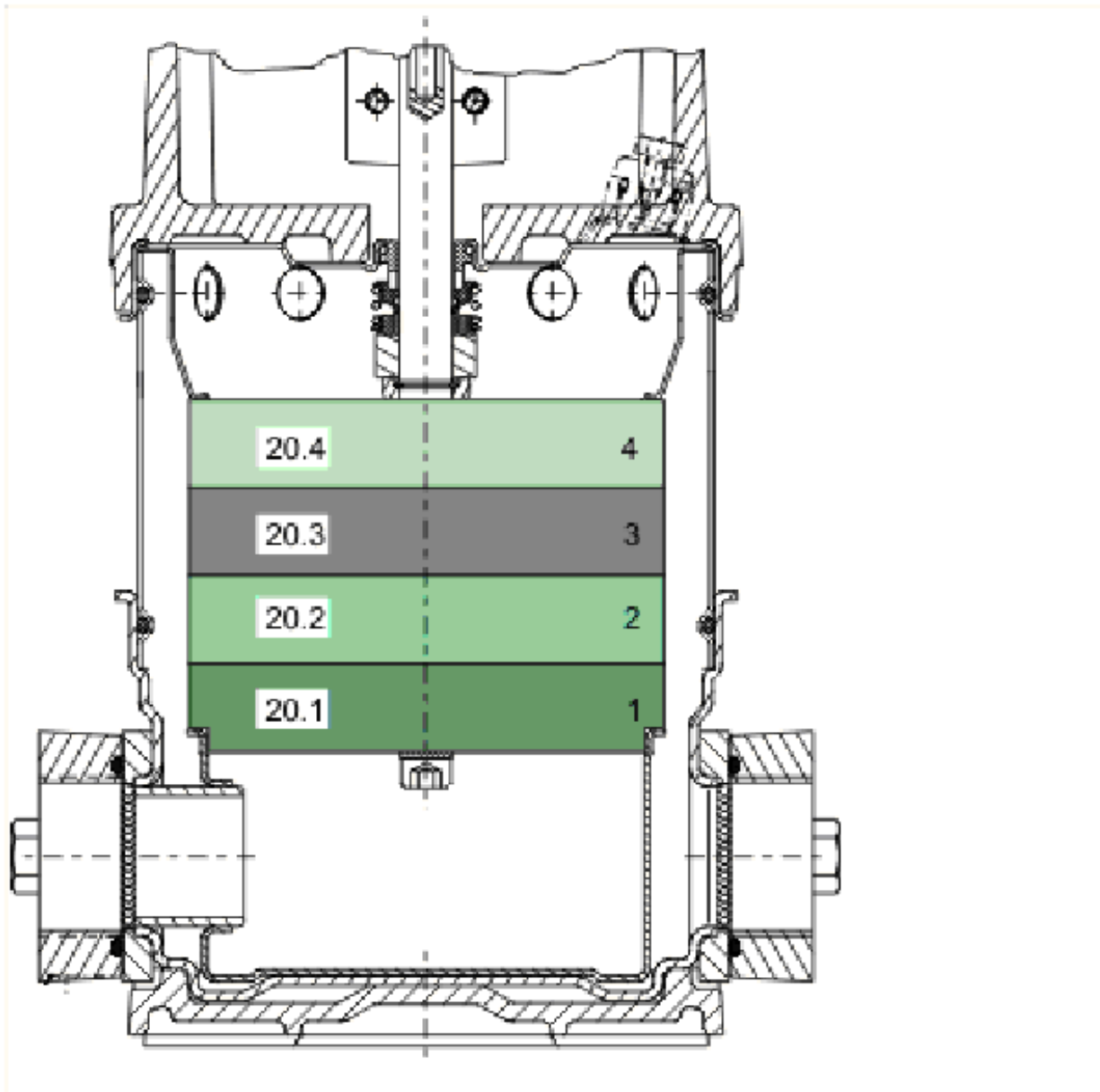


**MVIE204-1/16/E/1-2/M13 (4073052)**

Item	Article no.	Description	Quantity
1	2023917	PUMP HOUSING MVI/MVIS DN32PN16 1.4301KIT	1
1.1		> CASING-MU-I-D32-PN16-D152-304	1
1.2	4191618	> O-RING ID.44,05x3,53 EPDM VP.	1
Note: FROM / AB / À PARTIR DE: 07/97			
1.3	4176513	> O-RING FOR PUMP JACKET VP.	1
1.4	4234235	> PRIMING/DRAIN PLUG MVI6" 304 VP.	1
3.2	4177800	> O-RING EPDM PLUG HELIX VP.	1
3.3	4234242	> O-RING 9X2 VP.	1
2	2127420	BASE PLATE 212X157 PN16 VP.	1
3	4027301	MECHANICAL SEAL MVI2/4/8/16-6" EP120°KIT	1
1.3	4176513	> O-RING FOR PUMP JACKET VP.	1
3.1		> MECHANICAL SEAL MG12/14-G606-Q1BE3GG-BU.	1
3.2	4177800	> O-RING EPDM PLUG HELIX VP.	1
3.3	4234242	> O-RING 9X2 VP.	1
4	4015429	SHAFT-FIXING MVI2 KIT	1
4.1		> SCREW M6X14 ISO4762 8.8 ZN	1
4.2		> WASHER D.24 L6U ZINK	1
4.3	2090148	> CIRCLIP D14 MVI/MHI 316L (2 PIECES) VP.	1
		>> STOP-RUSH-1/2-D14-VMI/HMI-316	2
4.4		> STOP COLLAR OF IMPELLER L=8.7-Ø14-316L	1
4.5		> WASHER D.16/13,8x3 1.4401	1
4.6		> STAINLESS-STEEL-WASHER-DE8	1
4.7		> SCREW M8X16 ISO4762 A4	1
5	2018375	HOUSING PIPE D.152X119 1.4301 KIT	1
1.3	4176513	> O-RING FOR PUMP JACKET VP.	1
5.1		> HOUSING-PIPE-D152-VMI204/404-304	1
6	2018359	STUD BOLT M12X245 KIT	1
6.1		> TIE BOLT M12-245x18x30-1.4057	1
6.2	2094647	> NUT M12 M12 ISO4032 VP.	1
6.3	2123557	> WASHER CS-12.4-24-1.6-NFE25 (4 PIECES)	1
7		M1,1-2T24P55V18-80F10-NU-N19-LS	1
Note: no longer available/nicht mehrlieferbar/n'est plus disponible			
7	4209317	MOT.1.1/2/80F10 3~ 240V 50HZ IE2 LS VP.	1
8	4191470	LANTERN-MOTOR-VMI-FT100-MACHINED VP.	1

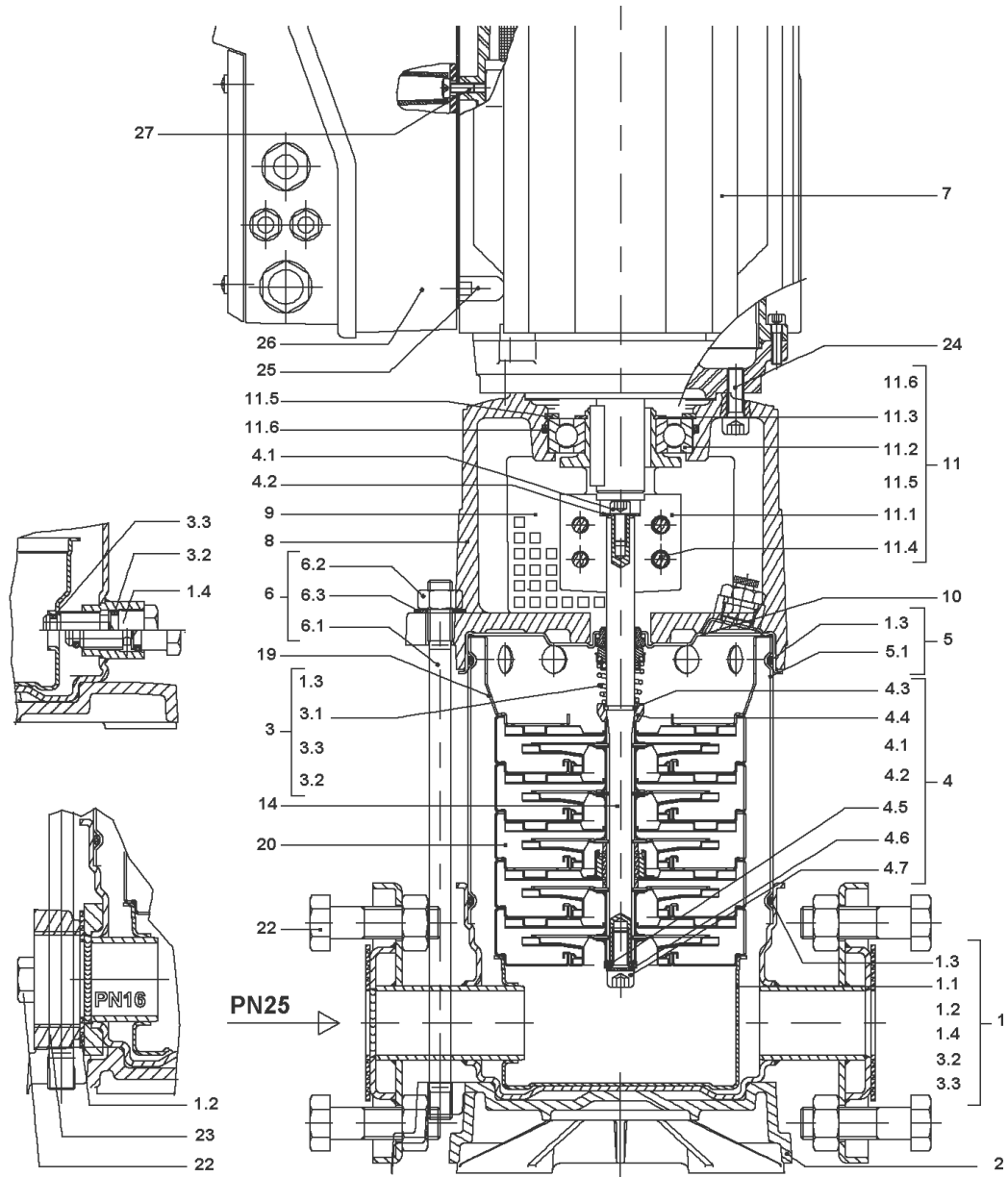
**MVIE204-1/16/E/1-2/M13 (4073052)**

Item	Article no.	Description	Quantity
9	4092424	COUPLING GUARD FT85/130 MVI KIT	1
		> COUPLING PROTECTOR FT85/130-1.4016	1
		> CLIP COUPLING-GUARD-RF	1
10	4217881	STAT.RING HOLDER-GM-D14-304 VP.	1
11	4095207	3PH COUPLING KIT MVI D14XD19	1
11.1		> COUPLING-VMI-Ø14xØ19-FT100-USINE	1
11.2	2046966	> BALL BEARING 6206/2RS-C3 (HT) VP.	1
11.3	4234249	> CIRCLIP-FOR-SHAFT-D30x1.5 VP.	1
11.4	4212716	> SCREW M6X20 KIT (4PIECES)	1
11.5	4234250	> CIRCLIP-D62x2 VP.	1
11.6	4234245	> O-RING 63X3 VP.	1
		> CONTACT-WASHER-6ETR-6,1x12,2x1,8-STEEL	1
		> SCREW CHC-M6X14-8.8-ISO4762-GEOMET500A	1
		> WASHER D.24 L6U ZINK	1
12	4233131	PLUG-VMI-316L VP.	1
14	4233899	SHAFT D.14X198 1.4057 VP.	1
19	4234236	UPPER STAGE RFK.MVI2/4 1.4301 VP.	1
20		SPARE PARTS HYDRAULICS MVI/MVIE 1.4301	1
22	4233958	SCREW M10x35 VP.	1
23	2132561	OVAL FLANGE G1" LK75 VP.	1
24	4212716	SCREW M6X20 KIT (4PIECES)	1
26	4104419	Module MVIE-1,1KW-M13 KIT	1



**SPARE PARTS HYDRAULICS MVI/MVIE 1.4301**

Item	Article no.	Description	Quantity
20.1	4015439	STAGE MHI202/5MVI204 KIT	1
		> IMPELLER MVI2 D.98x2 1.4301	1
		> STAGE HOUSING O.RFK MVI2/4 1.4301	1
		> SPACER IMPELLER MVI2/4 1.4435	1
20.2	4015440	STAGE MVI204-220 1.4301 KIT	1
		> IMPELLER MVI2 D.98x2 1.4301	1
		> SPACER IMPELLER MVI2/4 1.4435	1
		> SPACER SHAFT SLEEVE MVI2/4 1.4435	1
		> STAGE HOUSING RFK.MVI2/4 1.4301	1
20.3	4015437	STAGE MHI206,MVI203-20 1.4301 KIT	1
		> IMPELLER MVI2 D.98x2 1.4301	1
		> SPACER IMPELLER MVI2/4 1.4435	1
		> SPACER SHAFT SLEEVE MVI2/4 1.4435	1
		> STAGE-CASING-WITH-R/C+BEARING-2/4M3-304	1
		> SLEEVE-D14L13,8-VMI	1
20.4	4015438	STAGE MVI203-220 1.4301 KIT	1
		> IMPELLER MVI2 D.98x2 1.4301	1
		> SPACER IMPELLER MVI2/4 1.4435	1
		> WASHER D.24/14x1,5 1.4401	1
		> STAGE HOUSING RFK.MVI2/4 1.4301	1



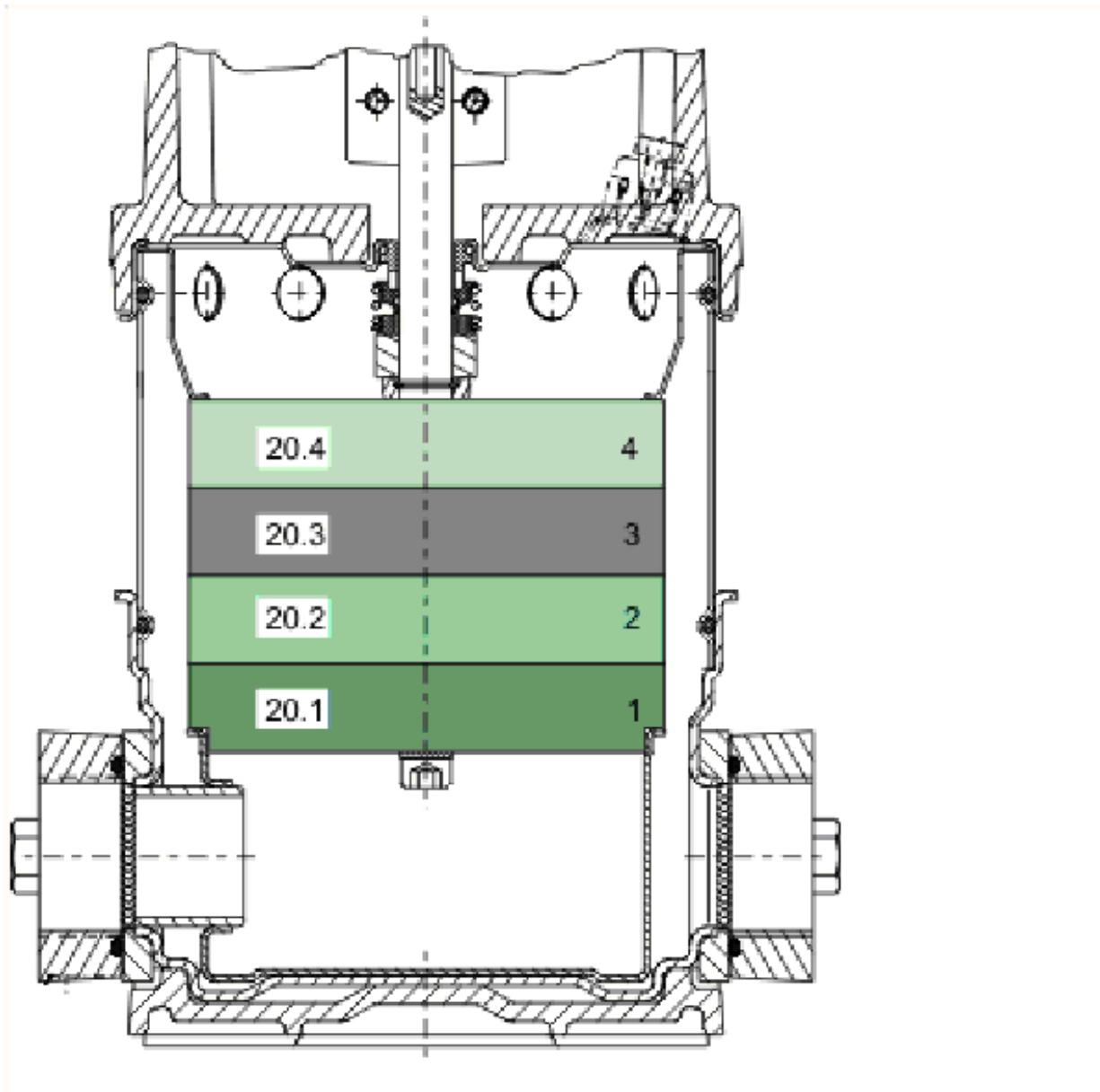
**MVIE204-1/16/E/1-2/M2 (4073053)**

Item	Article no.	Description	Quantity
1	2023917	PUMP HOUSING MVI/MVIS DN32PN16 1.4301KIT	1
1.1		> CASING-MU-I-D32-PN16-D152-304	1
1.2	4191618	> O-RING ID.44,05x3,53 EPDM VP.	1
Note: FROM / AB / À PARTIR DE: 07/97			
1.3	4176513	> O-RING FOR PUMP JACKET VP.	1
1.4	4234235	> PRIMING/DRAIN PLUG MVI6" 304 VP.	1
3.2	4177800	> O-RING EPDM PLUG HELIX VP.	1
3.3	4234242	> O-RING 9X2 VP.	1
2	2127420	BASE PLATE 212X157 PN16 VP.	1
3	4027301	MECHANICAL SEAL MVI2/4/8/16-6" EP120°KIT	1
1.3	4176513	> O-RING FOR PUMP JACKET VP.	1
3.1		> MECHANICAL SEAL MG12/14-G606-Q1BE3GG-BU.	1
3.2	4177800	> O-RING EPDM PLUG HELIX VP.	1
3.3	4234242	> O-RING 9X2 VP.	1
4	4015429	SHAFT-FIXING MVI2 KIT	1
4.1		> SCREW M6X14 ISO4762 8.8 ZN	1
4.2		> WASHER D.24 L6U ZINK	1
4.3	2090148	> CIRCLIP D14 MVI/MHI 316L (2 PIECES) VP.	1
		>> STOP-RUSH-1/2-D14-VMI/HMI-316	2
4.4		> STOP COLLAR OF IMPELLER L=8.7-Ø14-316L	1
4.5		> WASHER D.16/13,8x3 1.4401	1
4.6		> STAINLESS-STEEL-WASHER-DE8	1
4.7		> SCREW M8X16 ISO4762 A4	1
5	2018375	HOUSING PIPE D.152X119 1.4301 KIT	1
1.3	4176513	> O-RING FOR PUMP JACKET VP.	1
5.1		> HOUSING-PIPE-D152-VMI204/404-304	1
6	2018359	STUD BOLT M12X245 KIT	1
6.1		> TIE BOLT M12-245x18x30-1.4057	1
6.2	2094647	> NUT M12 M12 ISO4032 VP.	1
6.3	2123557	> WASHER CS-12.4-24-1.6-NFE25 (4 PIECES)	1
7		M1,1-2T24P55V18-80F10-NU-N19-LS	1
Note: no longer available/nicht mehrlieferbar/n'est plus disponible			
7	4209317	MOT.1.1/2/80F10 3~ 240V 50HZ IE2 LS VP.	1
8	4191470	LANTERN-MOTOR-VMI-FT100-MACHINED VP.	1

**MVIE204-1/16/E/1-2/M2 (4073053)**

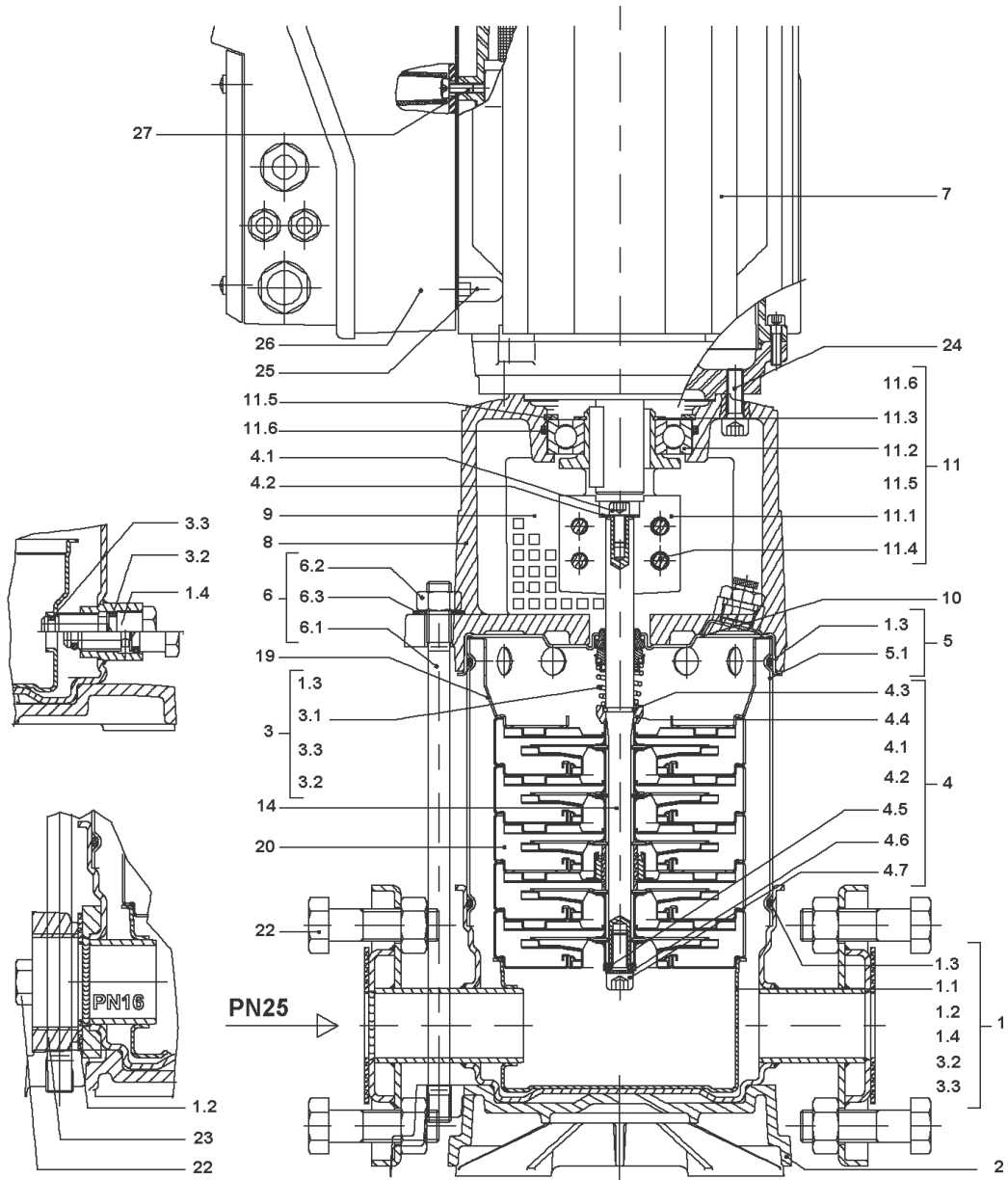
Item	Article no.	Description	Quantity
9	4092424	COUPLING GUARD FT85/130 MVI KIT	1
		> COUPLING PROTECTOR FT85/130-1.4016	1
		> CLIP COUPLING-GUARD-RF	1
10	4217881	STAT.RING HOLDER-GM-D14-304 VP.	1
11	4095207	3PH COUPLING KIT MVI D14XD19	1
11.1		> COUPLING-VMI-Ø14xØ19-FT100-USINE	1
11.2	2046966	> BALL BEARING 6206/2RS-C3 (HT) VP.	1
11.3	4234249	> CIRCLIP-FOR-SHAFT-D30x1.5 VP.	1
11.4	4212716	> SCREW M6X20 KIT (4PIECES)	1
11.5	4234250	> CIRCLIP-D62x2 VP.	1
11.6	4234245	> O-RING 63X3 VP.	1
		> CONTACT-WASHER-6ETR-6,1x12,2x1,8-STEEL	1
		> SCREW CHC-M6X14-8.8-ISO4762-GEOMET500A	1
		> WASHER D.24 L6U ZINK	1
12	4233131	PLUG-VMI-316L VP.	1
14	4233899	SHAFT D.14X198 1.4057 VP.	1
19	4234236	UPPER STAGE RFK.MVI2/4 1.4301 VP.	1
20		SPARE PARTS HYDRAULICS MVI/MVIE 1.4301	1
22	4233958	SCREW M10x35 VP.	1
23	2132561	OVAL FLANGE G1" LK75 VP.	1
24	4212716	SCREW M6X20 KIT (4PIECES)	1
26	4099011	Module MVIE-1,1KW-M2 KIT	1





**SPARE PARTS HYDRAULICS MVI/MVIE 1.4301**

Item	Article no.	Description	Quantity
20.1	4015439	STAGE MHI202/5MVI204 KIT	1
		> IMPELLER MVI2 D.98x2 1.4301	1
		> STAGE HOUSING O.RFK MVI2/4 1.4301	1
		> SPACER IMPELLER MVI2/4 1.4435	1
20.2	4015440	STAGE MVI204-220 1.4301 KIT	1
		> IMPELLER MVI2 D.98x2 1.4301	1
		> SPACER IMPELLER MVI2/4 1.4435	1
		> SPACER SHAFT SLEEVE MVI2/4 1.4435	1
		> STAGE HOUSING RFK.MVI2/4 1.4301	1
20.3	4015437	STAGE MHI206,MVI203-20 1.4301 KIT	1
		> IMPELLER MVI2 D.98x2 1.4301	1
		> SPACER IMPELLER MVI2/4 1.4435	1
		> SPACER SHAFT SLEEVE MVI2/4 1.4435	1
		> STAGE-CASING-WITH-R/C+BEARING-2/4M3-304	1
		> SLEEVE-D14L13,8-VMI	1
20.4	4015438	STAGE MVI203-220 1.4301 KIT	1
		> IMPELLER MVI2 D.98x2 1.4301	1
		> SPACER IMPELLER MVI2/4 1.4435	1
		> WASHER D.24/14x1,5 1.4401	1
		> STAGE HOUSING RFK.MVI2/4 1.4301	1



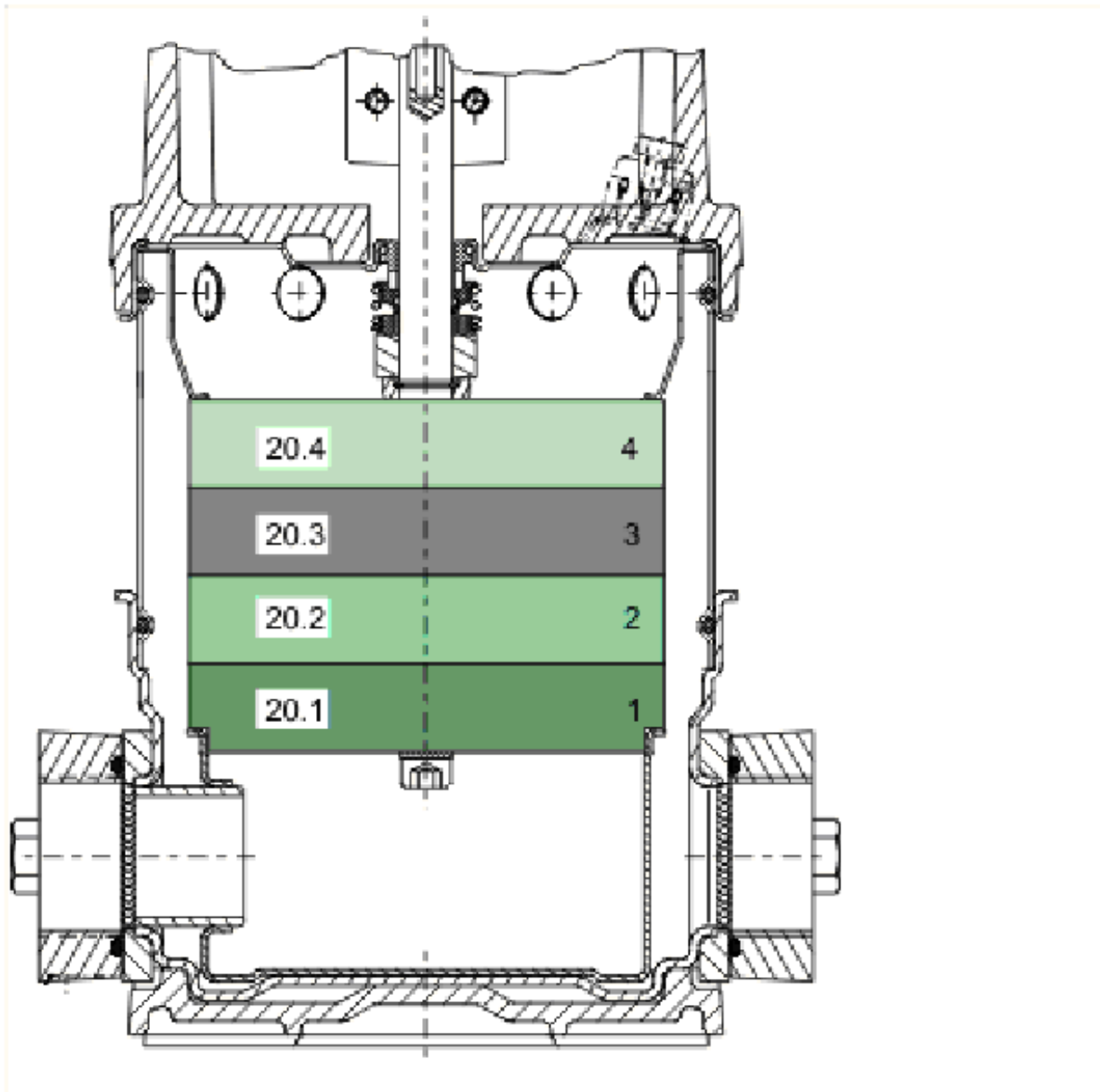
**MVIE204-1/16/E/3-2-2G (4077520)**

Item	Article no.	Description	Quantity
1	2023917	PUMP HOUSING MVI/MVIS DN32PN16 1.4301KIT	1
1.1		> CASING-MU-I-D32-PN16-D152-304	1
1.2	4191618	> O-RING ID.44,05x3,53 EPDM VP.	1
Note: FROM / AB / À PARTIR DE: 07/97			
1.3	4176513	> O-RING FOR PUMP JACKET VP.	1
1.4	4234235	> PRIMING/DRAIN PLUG MVI6" 304 VP.	1
3.2	4177800	> O-RING EPDM PLUG HELIX VP.	1
3.3	4234242	> O-RING 9X2 VP.	1
2	2127420	BASE PLATE 212X157 PN16 VP.	1
3	4027301	MECHANICAL SEAL MVI2/4/8/16-6" EP120°KIT	1
1.3	4176513	> O-RING FOR PUMP JACKET VP.	1
3.1		> MECHANICAL SEAL MG12/14-G606-Q1BE3GG-BU.	1
3.2	4177800	> O-RING EPDM PLUG HELIX VP.	1
3.3	4234242	> O-RING 9X2 VP.	1
4	4015429	SHAFT-FIXING MVI2 KIT	1
4.1		> SCREW M6X14 ISO4762 8.8 ZN	1
4.2		> WASHER D.24 L6U ZINK	1
4.3	2090148	> CIRCLIP D14 MVI/MHI 316L (2 PIECES) VP.	1
		>> STOP-RUSH-1/2-D14-VMI/HMI-316	2
4.4		> STOP COLLAR OF IMPELLER L=8.7-Ø14-316L	1
4.5		> WASHER D.16/13,8x3 1.4401	1
4.6		> STAINLESS-STEEL-WASHER-DE8	1
4.7		> SCREW M8X16 ISO4762 A4	1
5	2018375	HOUSING PIPE D.152X119 1.4301 KIT	1
1.3	4176513	> O-RING FOR PUMP JACKET VP.	1
5.1		> HOUSING-PIPE-D152-VMI204/404-304	1
6	2018359	STUD BOLT M12X245 KIT	1
6.1		> TIE BOLT M12-245x18x30-1.4057	1
6.2	2094647	> NUT M12 M12 ISO4032 VP.	1
6.3	2123557	> WASHER CS-12.4-24-1.6-NFE25 (4 PIECES)	1
7		M1,1-2T638P55V18-80F10-SU-N19-ADAPT	1
Note: no longer available/nicht mehrlieferbar/n'est plus disponible			
8	4191470	LANTERN-MOTOR-VMI-FT100-MACHINED VP.	1
9	4092424	COUPLING GUARD FT85/130 MVI KIT	1

**MVIE204-1/16/E/3-2-2G (4077520)**

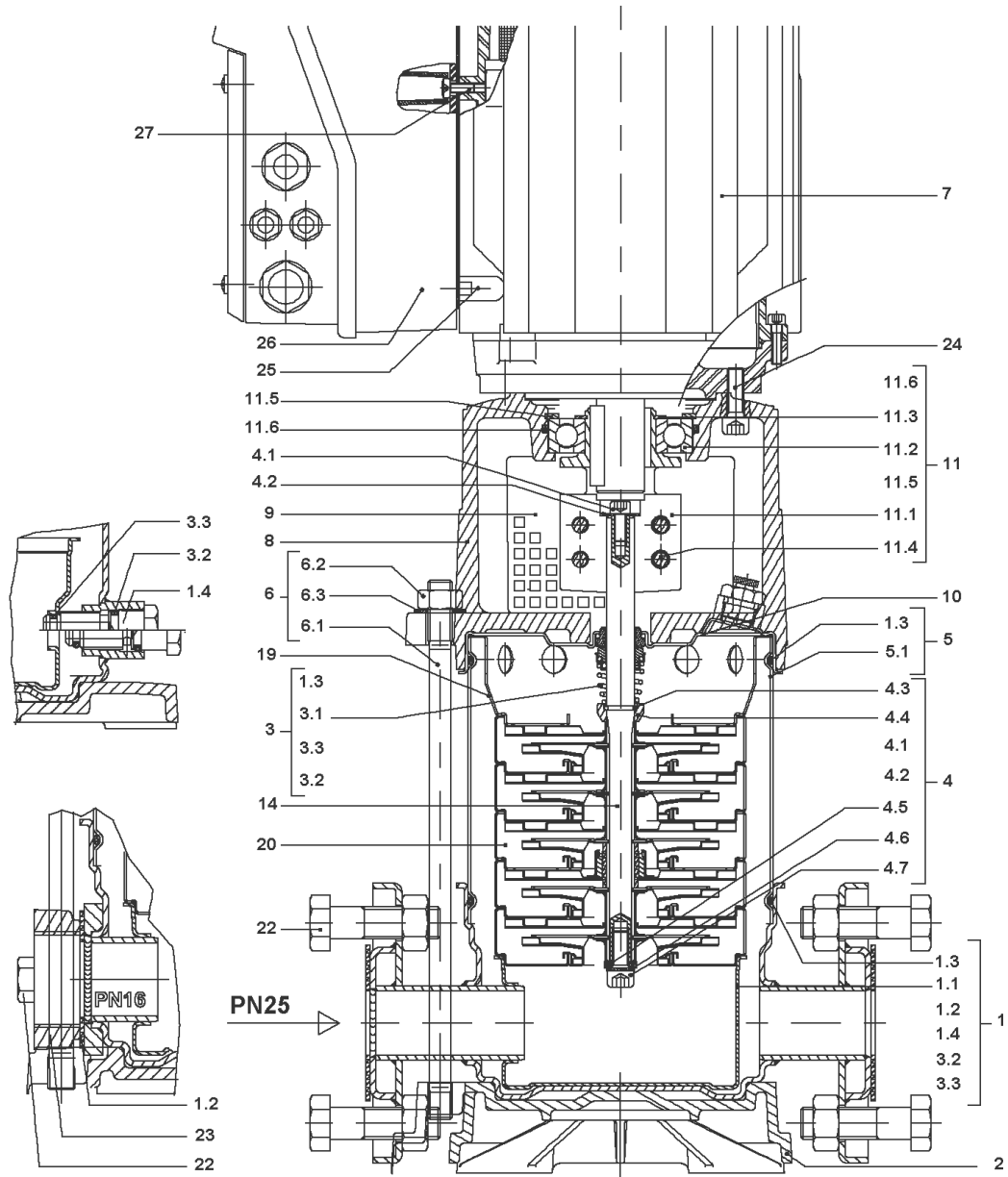
Item	Article no.	Description	Quantity
		> COUPLING PROTECTOR FT85/130-1.4016	1
		> CLIP COUPLING-GUARD-RF	1
10	4217881	STAT.RING HOLDER-GM-D14-304 VP.	1
11	4095207	3PH COUPLING KIT MVI D14XD19	1
11.1		> COUPLING-VMI-Ø14xØ19-FT100-USINE	1
11.2	2046966	> BALL BEARING 6206/2RS-C3 (HT) VP.	1
11.3	4234249	> CIRCLIP-FOR-SHAFT-D30x1.5 VP.	1
11.4	4212716	> SCREW M6X20 KIT (4PIECES)	1
11.5	4234250	> CIRCLIP-D62x2 VP.	1
11.6	4234245	> O-RING 63X3 VP.	1
		> CONTACT-WASHER-6ETR-6,1x12,2x1,8-STEEL	1
		> SCREW CHC-M6X14-8.8-ISO4762-GEOMET500A	1
		> WASHER D.24 L6U ZINK	1
12	4233131	PLUG-VMI-316L VP.	1
14	4233899	SHAFT D.14X198 1.4057 VP.	1
19	4234236	UPPER STAGE RFK.MVI2/4 1.4301 VP.	1
20		SPARE PARTS HYDRAULICS MVI/MVIE 1.4301	1
22	74750611106	SCREW M10X30 ISO4014 6.8 ZN	1
23	2132561	OVAL FLANGE G1" LK75 VP.	1
24	4212716	SCREW M6X20 KIT (4PIECES)	1
26		MODULE MVIE/MHIE-1,1KW TL1/2	1

Note: no longer available/nicht mehrlieferbar/n'est plus disponible



**SPARE PARTS HYDRAULICS MVI/MVIE 1.4301**

Item	Article no.	Description	Quantity
20.1	4015439	STAGE MHI202/5MVI204 KIT	1
		> IMPELLER MVI2 D.98x2 1.4301	1
		> STAGE HOUSING O.RFK MVI2/4 1.4301	1
		> SPACER IMPELLER MVI2/4 1.4435	1
20.2	4015440	STAGE MVI204-220 1.4301 KIT	1
		> IMPELLER MVI2 D.98x2 1.4301	1
		> SPACER IMPELLER MVI2/4 1.4435	1
		> SPACER SHAFT SLEEVE MVI2/4 1.4435	1
		> STAGE HOUSING RFK.MVI2/4 1.4301	1
20.3	4015437	STAGE MHI206,MVI203-20 1.4301 KIT	1
		> IMPELLER MVI2 D.98x2 1.4301	1
		> SPACER IMPELLER MVI2/4 1.4435	1
		> SPACER SHAFT SLEEVE MVI2/4 1.4435	1
		> STAGE-CASING-WITH-R/C+BEARING-2/4M3-304	1
		> SLEEVE-D14L13,8-VMI	1
20.4	4015438	STAGE MVI203-220 1.4301 KIT	1
		> IMPELLER MVI2 D.98x2 1.4301	1
		> SPACER IMPELLER MVI2/4 1.4435	1
		> WASHER D.24/14x1,5 1.4401	1
		> STAGE HOUSING RFK.MVI2/4 1.4301	1



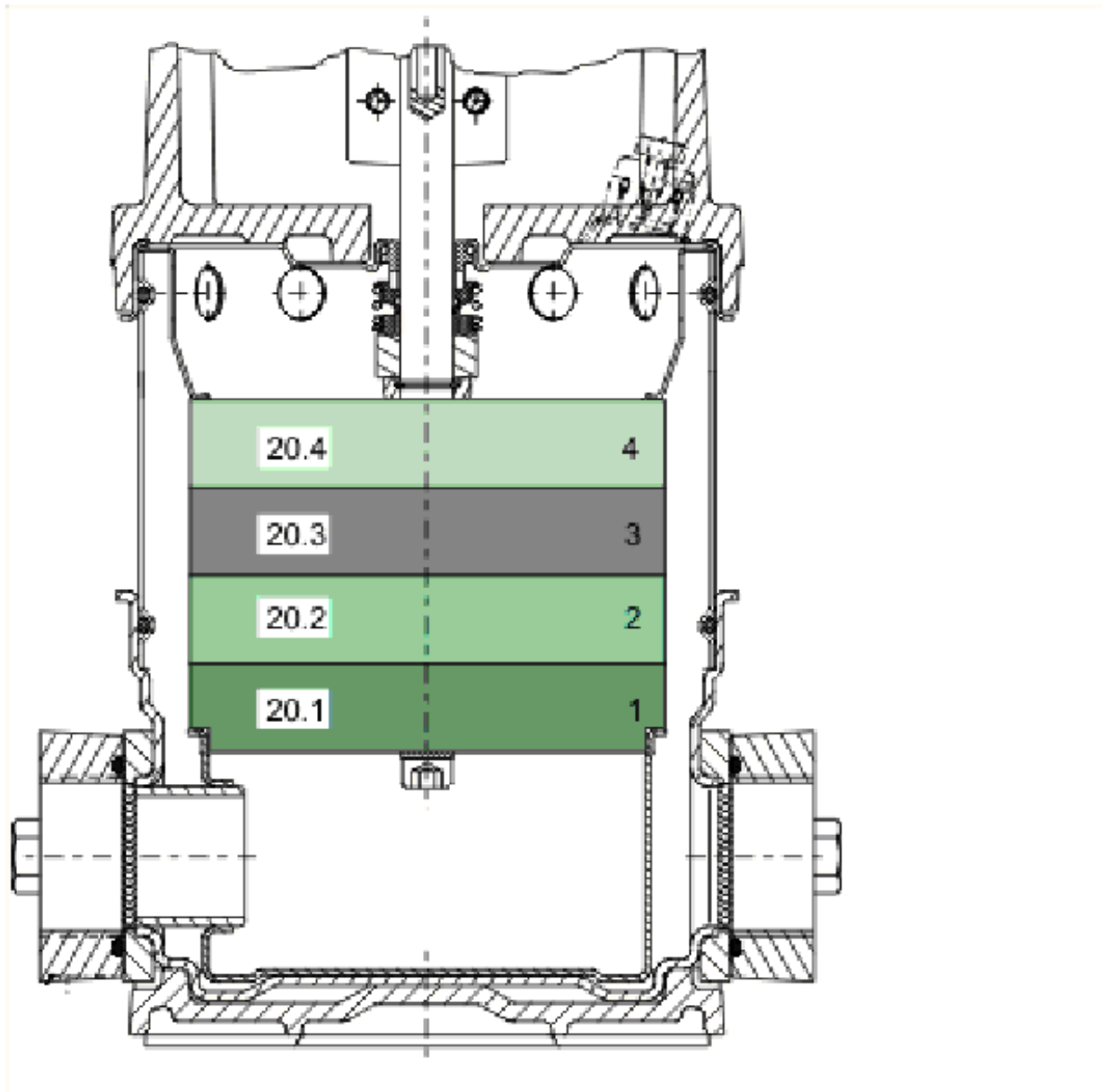


**MVIE204-1/25/E/1-2/M13 (4073056)**

Item	Article no.	Description	Quantity
1	2086078	PUMP HOUSING MVI PN25 EPDM 1.4435 KIT	1
1.1		> PUMP HOUSING MVI D25 PN25 1.4435	1
1.2	4233952	> FLAT GASKET D.73 VP.	1
1.3	4176513	> O-RING FOR PUMP JACKET VP.	1
1.4	4234240	> PRIMING/DRAIN PLUG MVI6" 316L VP.	1
3.2	4177800	> O-RING EPDM PLUG HELIX VP.	1
3.3	4234242	> O-RING 9X2 VP.	1
2	4187925	BASEPLATE-VMI-1/2/4M3-VP.	1
3	4015431	MECHANICAL SEAL MVI2/4/8 PN25 120° KIT	1
1.3	4176513	> O-RING FOR PUMP JACKET VP.	1
3.1		> MECHANICAL SEAL RMG12/14-G606-U3BE3GG-BU	1
3.2	4177800	> O-RING EPDM PLUG HELIX VP.	1
3.3	4234242	> O-RING 9X2 VP.	1
4	4015429	SHAFT-FIXING MVI2 KIT	1
4.1		> SCREW M6X14 ISO4762 8.8 ZN	1
4.2		> WASHER D.24 L6U ZINK	1
4.3	2090148	> CIRCLIP D14 MVI/MHI 316L (2 PIECES) VP.	1
		>> STOP-RUSH-1/2-D14-VMI/HMI-316	2
4.4		> STOP COLLAR OF IMPELLER L=8.7-Ø14-316L	1
4.5		> WASHER D.16/13,8x3 1.4401	1
4.6		> STAINLESS-STEEL-WASHER-DE8	1
4.7		> SCREW M8X16 ISO4762 A4	1
5	2018375	HOUSING PIPE D.152X119 1.4301 KIT	1
1.3	4176513	> O-RING FOR PUMP JACKET VP.	1
5.1		> HOUSING-PIPE-D152-VMI204/404-304	1
6	2018359	STUD BOLT M12X245 KIT	1
6.1		> TIE BOLT M12-245x18x30-1.4057	1
6.2	2094647	> NUT M12 M12 ISO4032 VP.	1
6.3	2123557	> WASHER CS-12.4-24-1.6-NFE25 (4 PIECES)	1
7		M1,1-2T24P55V18-80F10-NU-N19-LS	1
Note: no longer available/nicht mehr lieferbar/n'est plus disponible			
7	4209317	MOT.1.1/2/80F10 3~ 240V 50HZ IE2 LS VP.	1
8	4191470	LANTERN-MOTOR-VMI-FT100-MACHINED VP.	1
9	4092424	COUPLING GUARD FT85/130 MVI KIT	1

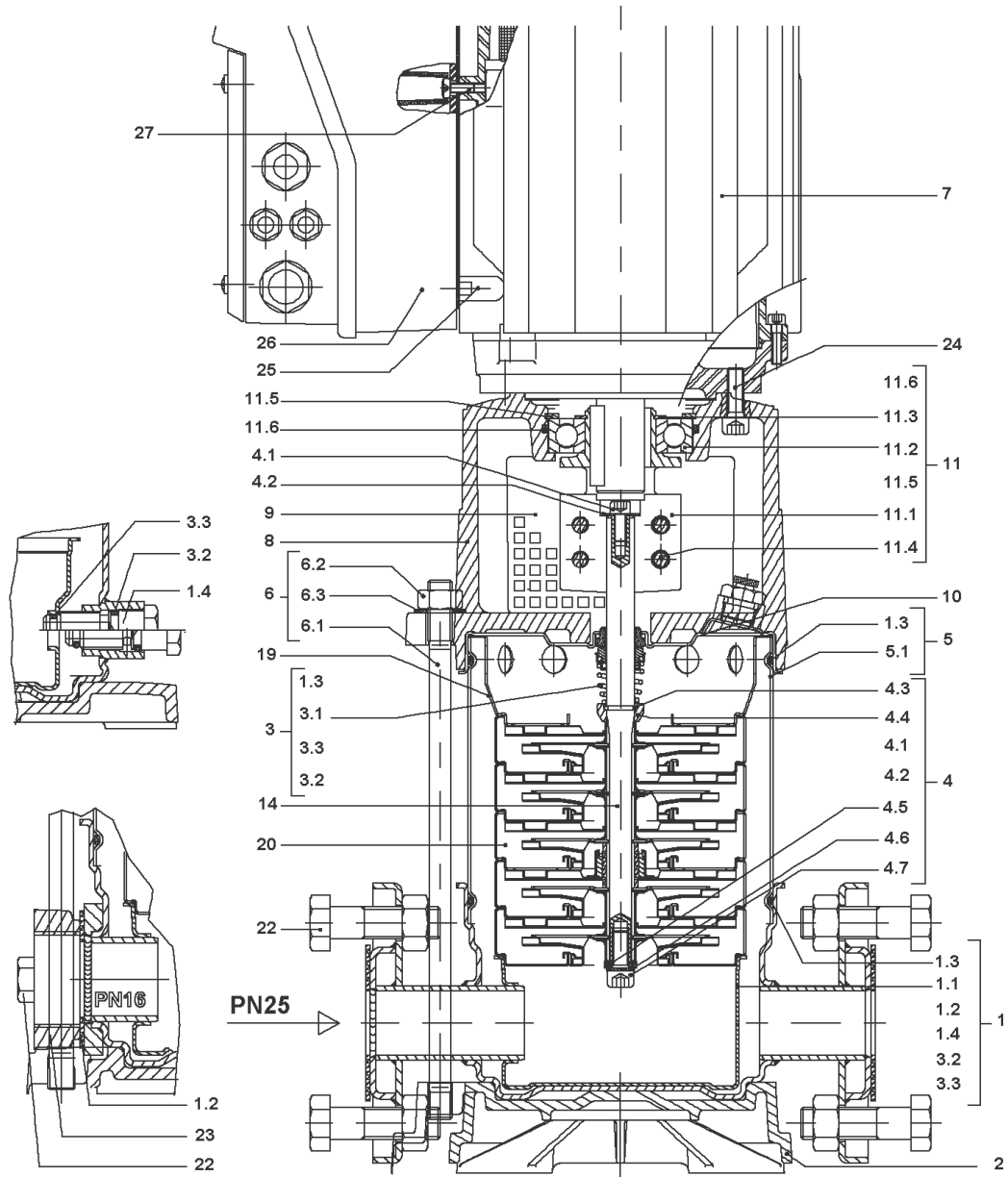
**MVIE204-1/25/E/1-2/M13 (4073056)**

Item	Article no.	Description	Quantity
		> COUPLING PROTECTOR FT85/130-1.4016	1
		> CLIP COUPLING-GUARD-RF	1
10	4217881	STAT.RING HOLDER-GM-D14-304 VP.	1
11	4095207	3PH COUPLING KIT MVI D14XD19	1
11.1		> COUPLING-VMI-Ø14xØ19-FT100-USINE	1
11.2	2046966	> BALL BEARING 6206/2RS-C3 (HT) VP.	1
11.3	4234249	> CIRCLIP-FOR-SHAFT-D30x1.5 VP.	1
11.4	4212716	> SCREW M6X20 KIT (4PIECES)	1
11.5	4234250	> CIRCLIP-D62x2 VP.	1
11.6	4234245	> O-RING 63X3 VP.	1
		> CONTACT-WASHER-6ETR-6,1x12,2x1,8-STEEL	1
		> SCREW CHC-M6X14-8.8-ISO4762-GEOMET500A	1
		> WASHER D.24 L6U ZINK	1
12	4233131	PLUG-VMI-316L VP.	1
14	4233899	SHAFT D.14X198 1.4057 VP.	1
19	4234236	UPPER STAGE RFK.MVI2/4 1.4301 VP.	1
20		SPARE PARTS HYDRAULICS MVI/MVIE 1.4301	1
22	63699	SCREW M12x50x30	1
24	4212716	SCREW M6X20 KIT (4PIECES)	1
26	4104419	Module MVIE-1,1KW-M13 KIT	1



**SPARE PARTS HYDRAULICS MVI/MVIE 1.4301**

Item	Article no.	Description	Quantity
20.1	4015439	STAGE MHI202/5MVI204 KIT	1
		> IMPELLER MVI2 D.98x2 1.4301	1
		> STAGE HOUSING O.RFK MVI2/4 1.4301	1
		> SPACER IMPELLER MVI2/4 1.4435	1
20.2	4015440	STAGE MVI204-220 1.4301 KIT	1
		> IMPELLER MVI2 D.98x2 1.4301	1
		> SPACER IMPELLER MVI2/4 1.4435	1
		> SPACER SHAFT SLEEVE MVI2/4 1.4435	1
		> STAGE HOUSING RFK.MVI2/4 1.4301	1
20.3	4015437	STAGE MHI206,MVI203-20 1.4301 KIT	1
		> IMPELLER MVI2 D.98x2 1.4301	1
		> SPACER IMPELLER MVI2/4 1.4435	1
		> SPACER SHAFT SLEEVE MVI2/4 1.4435	1
		> STAGE-CASING-WITH-R/C+BEARING-2/4M3-304	1
		> SLEEVE-D14L13,8-VMI	1
20.4	4015438	STAGE MVI203-220 1.4301 KIT	1
		> IMPELLER MVI2 D.98x2 1.4301	1
		> SPACER IMPELLER MVI2/4 1.4435	1
		> WASHER D.24/14x1,5 1.4401	1
		> STAGE HOUSING RFK.MVI2/4 1.4301	1

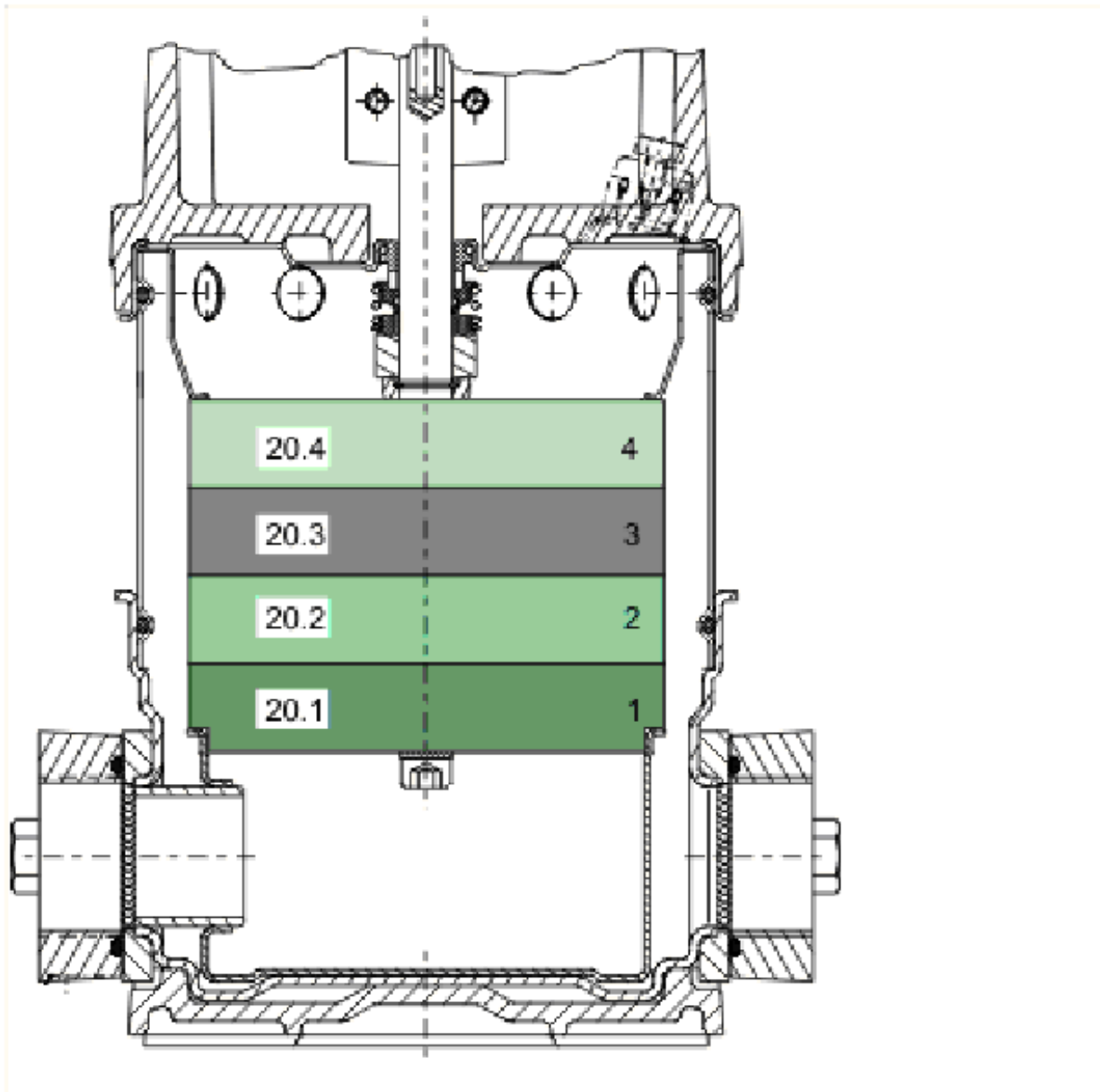


**MVIE204-1/25/E/1-2/M2 (4073057)**

Item	Article no.	Description	Quantity
1	2086078	PUMP HOUSING MVI PN25 EPDM 1.4435 KIT	1
1.1		> PUMP HOUSING MVI D25 PN25 1.4435	1
1.2	4233952	> FLAT GASKET D.73 VP.	1
1.3	4176513	> O-RING FOR PUMP JACKET VP.	1
1.4	4234240	> PRIMING/DRAIN PLUG MVI6" 316L VP.	1
3.2	4177800	> O-RING EPDM PLUG HELIX VP.	1
3.3	4234242	> O-RING 9X2 VP.	1
2	4187925	BASEPLATE-VMI-1/2/4M3-VP.	1
3	4015431	MECHANICAL SEAL MVI2/4/8 PN25 120° KIT	1
1.3	4176513	> O-RING FOR PUMP JACKET VP.	1
3.1		> MECHANICAL SEAL RMG12/14-G606-U3BE3GG-BU	1
3.2	4177800	> O-RING EPDM PLUG HELIX VP.	1
3.3	4234242	> O-RING 9X2 VP.	1
4	4015429	SHAFT-FIXING MVI2 KIT	1
4.1		> SCREW M6X14 ISO4762 8.8 ZN	1
4.2		> WASHER D.24 L6U ZINK	1
4.3	2090148	> CIRCLIP D14 MVI/MHI 316L (2 PIECES) VP.	1
		>> STOP-RUSH-1/2-D14-VMI/HMI-316	2
4.4		> STOP COLLAR OF IMPELLER L=8.7-Ø14-316L	1
4.5		> WASHER D.16/13,8x3 1.4401	1
4.6		> STAINLESS-STEEL-WASHER-DE8	1
4.7		> SCREW M8X16 ISO4762 A4	1
5	2018375	HOUSING PIPE D.152X119 1.4301 KIT	1
1.3	4176513	> O-RING FOR PUMP JACKET VP.	1
5.1		> HOUSING-PIPE-D152-VMI204/404-304	1
6	2018359	STUD BOLT M12X245 KIT	1
6.1		> TIE BOLT M12-245x18x30-1.4057	1
6.2	2094647	> NUT M12 M12 ISO4032 VP.	1
6.3	2123557	> WASHER CS-12.4-24-1.6-NFE25 (4 PIECES)	1
7		M1,1-2T24P55V18-80F10-NU-N19-LS	1
Note: no longer available/nicht mehr lieferbar/n'est plus disponible			
7	4209317	MOT.1.1/2/80F10 3~ 240V 50HZ IE2 LS VP.	1
8	4191470	LANTERN-MOTOR-VMI-FT100-MACHINED VP.	1
9	4092424	COUPLING GUARD FT85/130 MVI KIT	1

**MVIE204-1/25/E/1-2/M2 (4073057)**

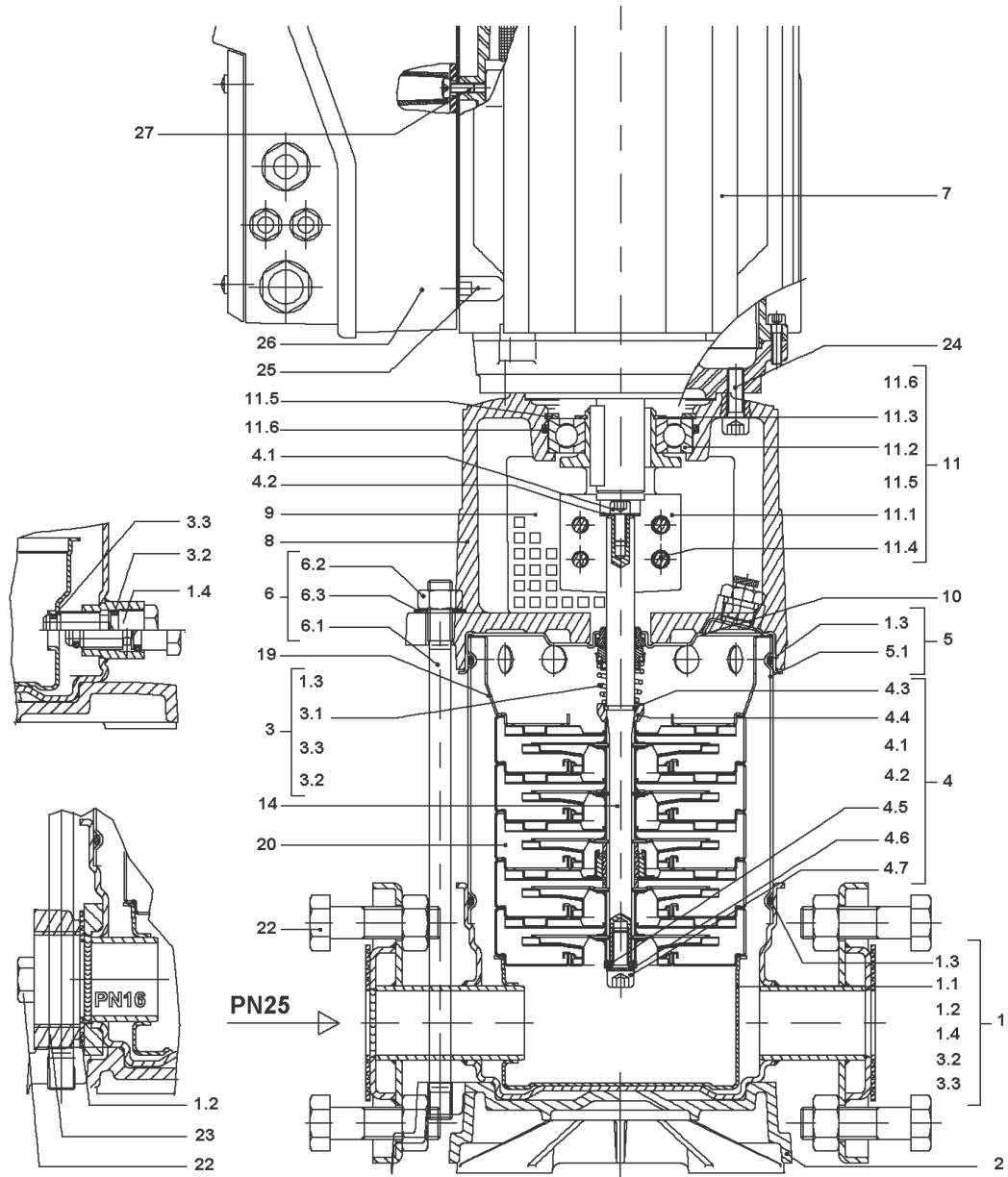
Item	Article no.	Description	Quantity
		> COUPLING PROTECTOR FT85/130-1.4016	1
		> CLIP COUPLING-GUARD-RF	1
10	4217881	STAT.RING HOLDER-GM-D14-304 VP.	1
11	4095207	3PH COUPLING KIT MVI D14XD19	1
11.1		> COUPLING-VMI-Ø14xØ19-FT100-USINE	1
11.2	2046966	> BALL BEARING 6206/2RS-C3 (HT) VP.	1
11.3	4234249	> CIRCLIP-FOR-SHAFT-D30x1.5 VP.	1
11.4	4212716	> SCREW M6X20 KIT (4PIECES)	1
11.5	4234250	> CIRCLIP-D62x2 VP.	1
11.6	4234245	> O-RING 63X3 VP.	1
		> CONTACT-WASHER-6ETR-6,1x12,2x1,8-STEEL	1
		> SCREW CHC-M6X14-8.8-ISO4762-GEOMET500A	1
		> WASHER D.24 L6U ZINK	1
12	4233131	PLUG-VMI-316L VP.	1
14	4233899	SHAFT D.14X198 1.4057 VP.	1
19	4234236	UPPER STAGE RFK.MVI2/4 1.4301 VP.	1
20		SPARE PARTS HYDRAULICS MVI/MVIE 1.4301	1
22	63699	SCREW M12x50x30	1
24	4212716	SCREW M6X20 KIT (4PIECES)	1
26	4099011	Module MVIE-1,1KW-M2 KIT	1





**SPARE PARTS HYDRAULICS MVI/MVIE 1.4301**

Item	Article no.	Description	Quantity
20.1	4015439	STAGE MHI202/5MVI204 KIT	1
		> IMPELLER MVI2 D.98x2 1.4301	1
		> STAGE HOUSING O.RFK MVI2/4 1.4301	1
		> SPACER IMPELLER MVI2/4 1.4435	1
20.2	4015440	STAGE MVI204-220 1.4301 KIT	1
		> IMPELLER MVI2 D.98x2 1.4301	1
		> SPACER IMPELLER MVI2/4 1.4435	1
		> SPACER SHAFT SLEEVE MVI2/4 1.4435	1
		> STAGE HOUSING RFK.MVI2/4 1.4301	1
20.3	4015437	STAGE MHI206,MVI203-20 1.4301 KIT	1
		> IMPELLER MVI2 D.98x2 1.4301	1
		> SPACER IMPELLER MVI2/4 1.4435	1
		> SPACER SHAFT SLEEVE MVI2/4 1.4435	1
		> STAGE-CASING-WITH-R/C+BEARING-2/4M3-304	1
		> SLEEVE-D14L13,8-VMI	1
20.4	4015438	STAGE MVI203-220 1.4301 KIT	1
		> IMPELLER MVI2 D.98x2 1.4301	1
		> SPACER IMPELLER MVI2/4 1.4435	1
		> WASHER D.24/14x1,5 1.4401	1
		> STAGE HOUSING RFK.MVI2/4 1.4301	1



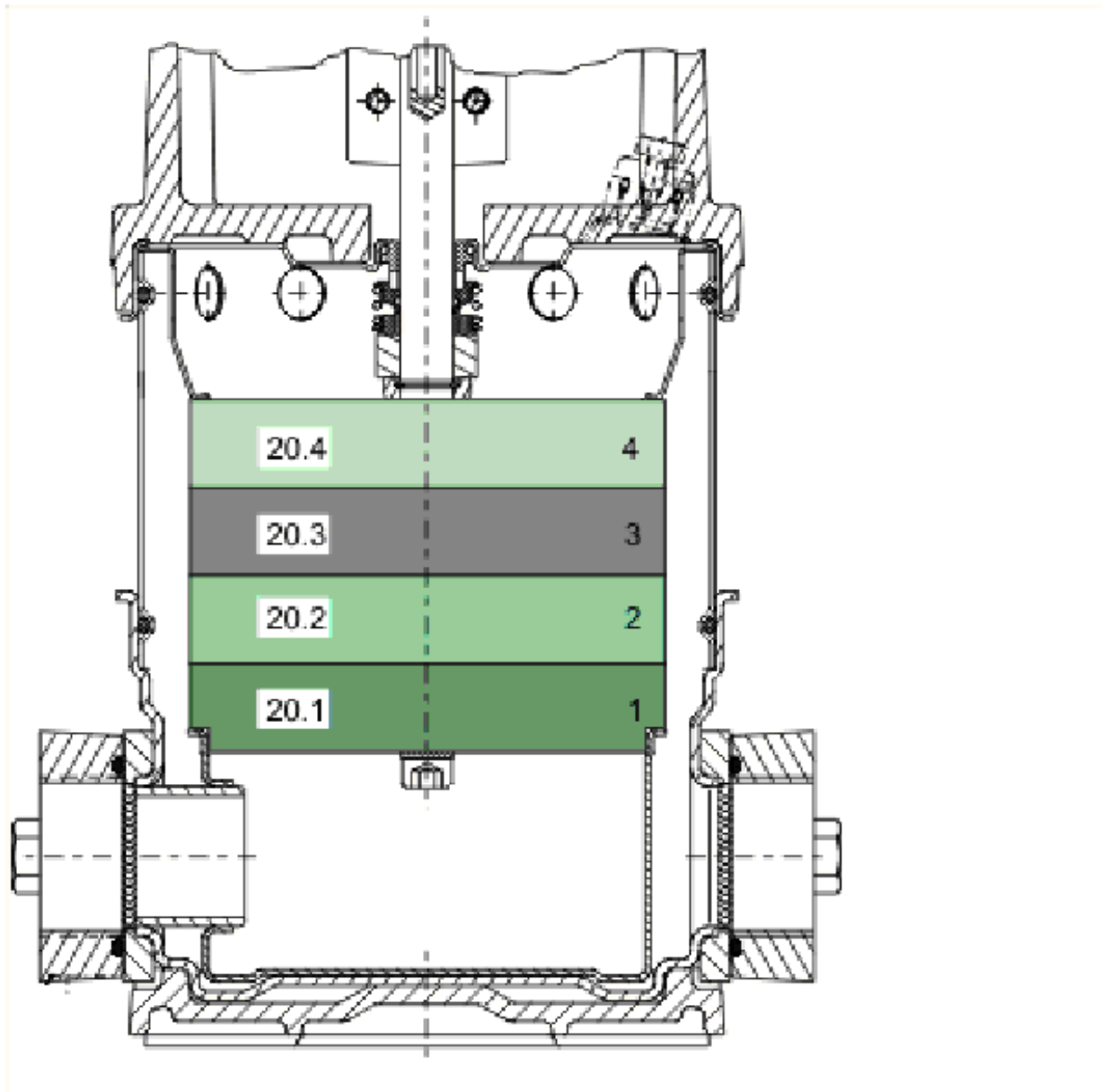
**MVIE204-1/25/E/3-2-2G (4077529)**

Item	Article no.	Description	Quantity
1	2086078	PUMP HOUSING MVI PN25 EPDM 1.4435 KIT	1
1.1		> PUMP HOUSING MVI D25 PN25 1.4435	1
1.2	4233952	> FLAT GASKET D.73 VP.	1
1.3	4176513	> O-RING FOR PUMP JACKET VP.	1
1.4	4234240	> PRIMING/DRAIN PLUG MVI6" 316L VP.	1
3.2	4177800	> O-RING EPDM PLUG HELIX VP.	1
3.3	4234242	> O-RING 9X2 VP.	1
2	4187925	BASEPLATE-VMI-1/2/4M3-VP.	1
3	4015431	MECHANICAL SEAL MVI2/4/8 PN25 120° KIT	1
1.3	4176513	> O-RING FOR PUMP JACKET VP.	1
3.1		> MECHANICAL SEAL RMG12/14-G606-U3BE3GG-BU	1
3.2	4177800	> O-RING EPDM PLUG HELIX VP.	1
3.3	4234242	> O-RING 9X2 VP.	1
4	4015429	SHAFT-FIXING MVI2 KIT	1
4.1		> SCREW M6X14 ISO4762 8.8 ZN	1
4.2		> WASHER D.24 L6U ZINK	1
4.3	2090148	> CIRCLIP D14 MVI/MHI 316L (2 PIECES) VP.	1
		>> STOP-RUSH-1/2-D14-VMI/HMI-316	2
4.4		> STOP COLLAR OF IMPELLER L=8.7-Ø14-316L	1
4.5		> WASHER D.16/13,8x3 1.4401	1
4.6		> STAINLESS-STEEL-WASHER-DE8	1
4.7		> SCREW M8X16 ISO4762 A4	1
5	2018375	HOUSING PIPE D.152X119 1.4301 KIT	1
1.3	4176513	> O-RING FOR PUMP JACKET VP.	1
5.1		> HOUSING-PIPE-D152-VMI204/404-304	1
6	2018359	STUD BOLT M12X245 KIT	1
6.1		> TIE BOLT M12-245x18x30-1.4057	1
6.2	2094647	> NUT M12 M12 ISO4032 VP.	1
6.3	2123557	> WASHER CS-12.4-24-1.6-NFE25 (4 PIECES)	1
7		M1,1-2T638P55V18-80F10-SU-N19-ADAPT	1
Note: no longer available/nicht mehr lieferbar/n'est plus disponible			
8	4191470	LANTERN-MOTOR-VMI-FT100-MACHINED VP.	1
9	4092424	COUPLING GUARD FT85/130 MVI KIT	1
		> COUPLING PROTECTOR FT85/130-1.4016	1

**MVIE204-1/25/E/3-2-2G (4077529)**

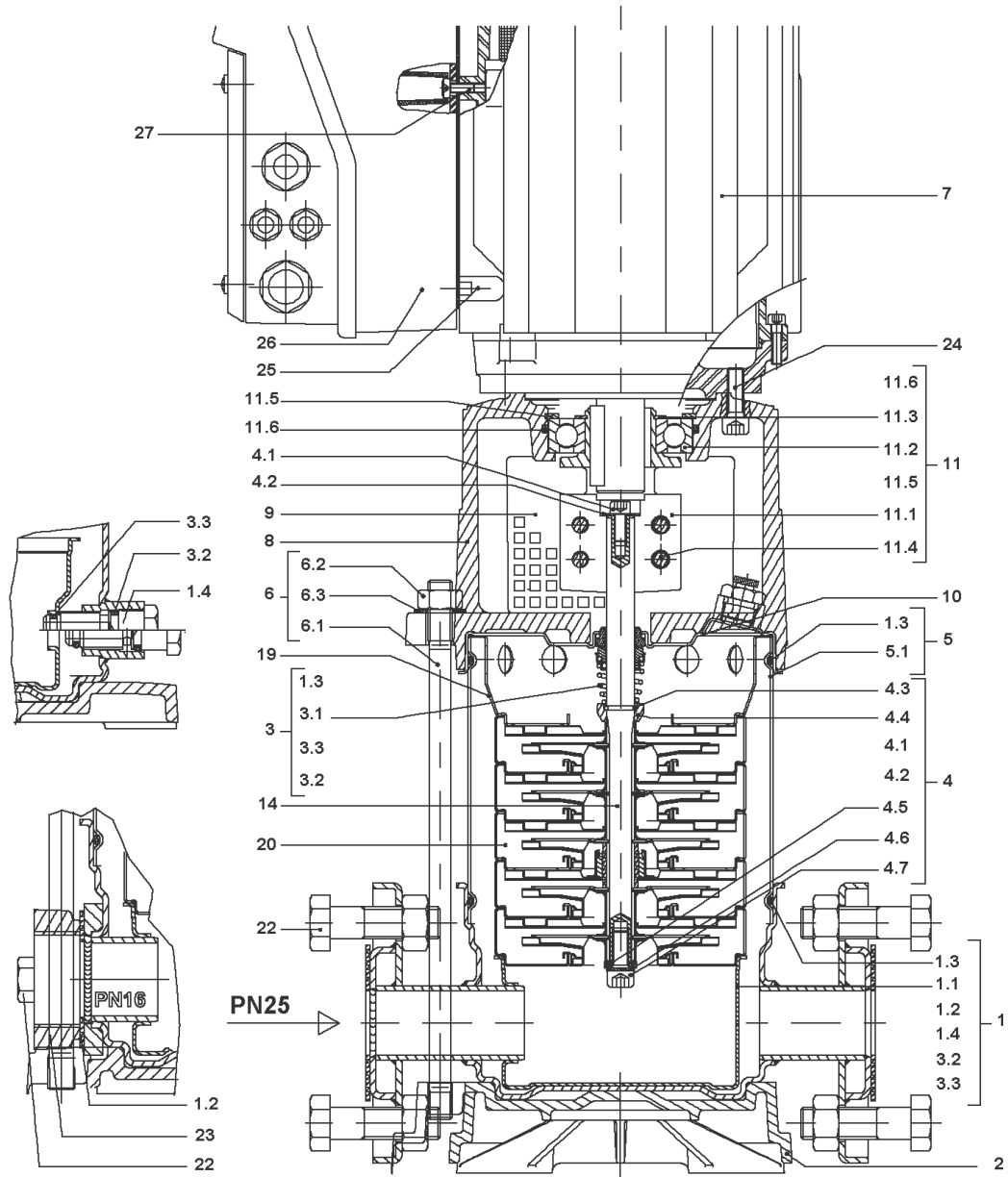
Item	Article no.	Description	Quantity
		> CLIP COUPLING-GUARD-RF	1
10	4217881	STAT.RING HOLDER-GM-D14-304 VP.	1
11	4095207	3PH COUPLING KIT MVI D14XD19	1
11.1		> COUPLING-VMI-Ø14xØ19-FT100-USINE	1
11.2	2046966	> BALL BEARING 6206/2RS-C3 (HT) VP.	1
11.3	4234249	> CIRCLIP-FOR-SHAFT-D30x1.5 VP.	1
11.4	4212716	> SCREW M6X20 KIT (4PIECES)	1
11.5	4234250	> CIRCLIP-D62x2 VP.	1
11.6	4234245	> O-RING 63X3 VP.	1
		> CONTACT-WASHER-6ETR-6,1x12,2x1,8-STEEL	1
		> SCREW CHC-M6X14-8.8-ISO4762-GEOMET500A	1
		> WASHER D.24 L6U ZINK	1
12	4233131	PLUG-VMI-316L VP.	1
14	4233899	SHAFT D.14X198 1.4057 VP.	1
19	4234236	UPPER STAGE RFK.MVI2/4 1.4301 VP.	1
20		SPARE PARTS HYDRAULICS MVI/MVIE 1.4301	1
22	61476	SCREW M16X55X38	1
24	4212716	SCREW M6X20 KIT (4PIECES)	1
26		MODULE MVIE/MHIE-1,1KW TL1/2	1

Note: no longer available/nicht mehr lieferbar/n'est plus disponible



**SPARE PARTS HYDRAULICS MVI/MVIE 1.4301**

Item	Article no.	Description	Quantity
20.1	4015439	STAGE MHI202/5MVI204 KIT	1
		> IMPELLER MVI2 D.98x2 1.4301	1
		> STAGE HOUSING O.RFK MVI2/4 1.4301	1
		> SPACER IMPELLER MVI2/4 1.4435	1
20.2	4015440	STAGE MVI204-220 1.4301 KIT	1
		> IMPELLER MVI2 D.98x2 1.4301	1
		> SPACER IMPELLER MVI2/4 1.4435	1
		> SPACER SHAFT SLEEVE MVI2/4 1.4435	1
		> STAGE HOUSING RFK.MVI2/4 1.4301	1
20.3	4015437	STAGE MHI206,MVI203-20 1.4301 KIT	1
		> IMPELLER MVI2 D.98x2 1.4301	1
		> SPACER IMPELLER MVI2/4 1.4435	1
		> SPACER SHAFT SLEEVE MVI2/4 1.4435	1
		> STAGE-CASING-WITH-R/C+BEARING-2/4M3-304	1
		> SLEEVE-D14L13,8-VMI	1
20.4	4015438	STAGE MVI203-220 1.4301 KIT	1
		> IMPELLER MVI2 D.98x2 1.4301	1
		> SPACER IMPELLER MVI2/4 1.4435	1
		> WASHER D.24/14x1,5 1.4401	1
		> STAGE HOUSING RFK.MVI2/4 1.4301	1



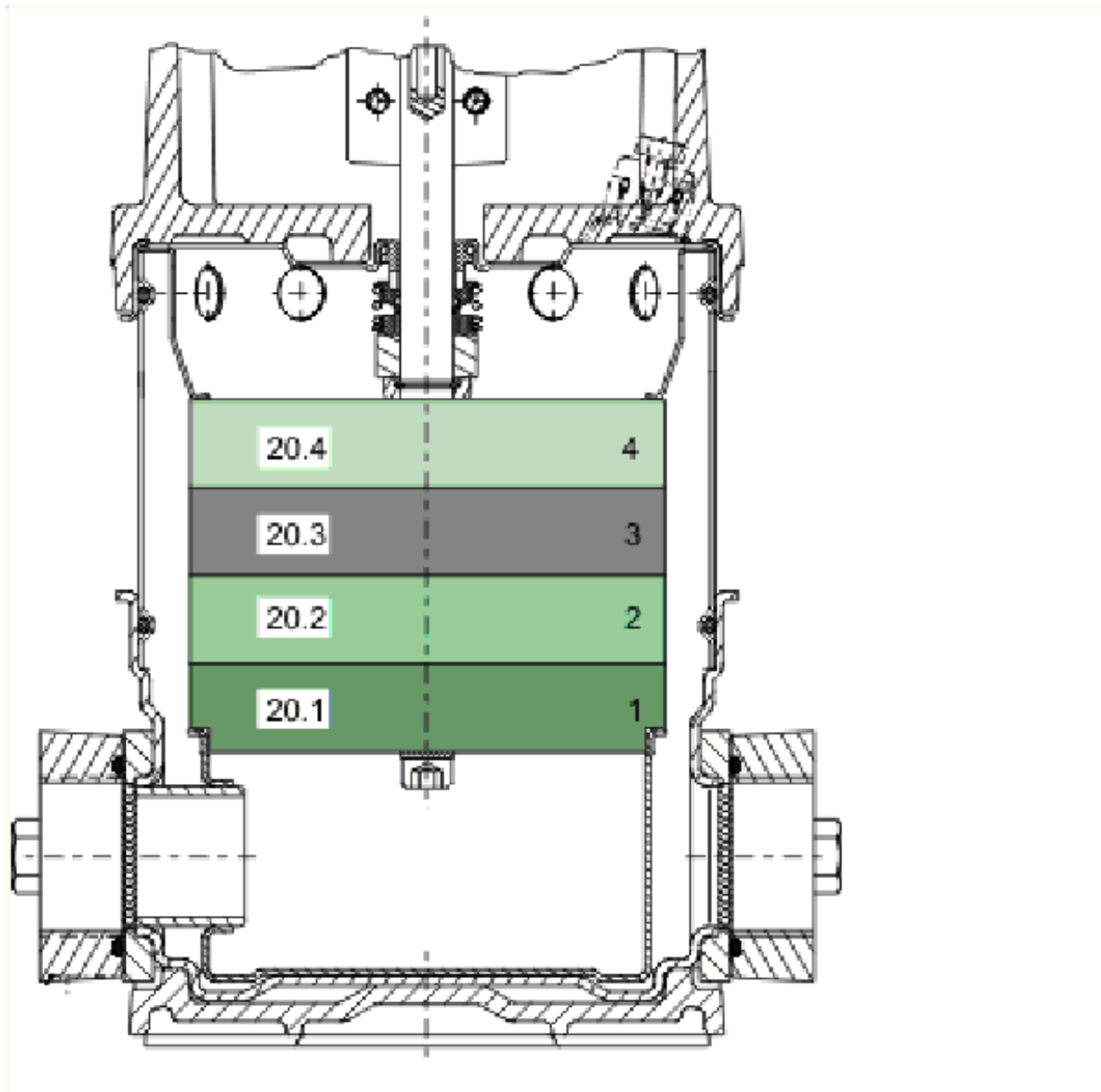
**MVIE204-2/25/V/1-2/M13 (4073060)**

Item	Article no.	Description	Quantity
1	2018427	PUMP HOUSING MVI PN25 VITON 1.4435 KIT	1
1.1		> PUMP HOUSING MVI D25 PN25 1.4435	1
1.2	4233952	> FLAT GASKET D.73 VP.	1
1.3	4234237	> O-RING 139X3 VITON VP.	1
1.4	4234240	> PRIMING/DRAIN PLUG MVI6" 316L VP.	1
3.2	4234239	> O-RING 13X2 VITON VP.	1
3.3	4234238	> O-RING 9X2 VITON VP.	1
2	4187925	BASEPLATE-VMI-1/2/4M3-VP.	1
3	4027310	ASSEMBLY GRD.MVI2../4../8.. PN25 90° +VP	1
1.3	4234237	> O-RING 139X3 VITON VP.	1
3.1		> MECHANICAL SEAL RMG12/14-G606-U3BVGG-BUR	1
3.2	4234239	> O-RING 13X2 VITON VP.	1
3.3	4234238	> O-RING 9X2 VITON VP.	1
4	4015429	SHAFT-FIXING MVI2 KIT	1
4.1		> SCREW M6X14 ISO4762 8.8 ZN	1
4.2		> WASHER D.24 L6U ZINK	1
4.3	2090148	> CIRCLIP D14 MVI/MHI 316L (2 PIECES) VP.	1
		>> STOP-RUSH-1/2-D14-VMI/HMI-316	2
4.4		> STOP COLLAR OF IMPELLER L=8.7-Ø14-316L	1
4.5		> WASHER D.16/13,8x3 1.4401	1
4.6		> STAINLESS-STEEL-WASHER-DE8	1
4.7		> SCREW M8X16 ISO4762 A4	1
5	2018429	HOUSING PIPE D.152X119 1.4404 KIT	1
5.1		> HOUSING-PIPE-D152-VMI204/404-316L	1
1.3	4234237	> O-RING 139X3 VITON VP.	1
6	2018359	STUD BOLT M12X245 KIT	1
6.1		> TIE BOLT M12-245x18x30-1.4057	1
6.2	2094647	> NUT M12 M12 ISO4032 VP.	1
6.3	2123557	> WASHER CS-12.4-24-1.6-NFE25 (4 PIECES)	1
7		M1,1-2T24P55V18-80F10-NU-N19-LS	1
Note: no longer available/nicht mehr lieferbar/n'est plus disponible			
7	4209317	MOT.1.1/2/80F10 3~ 240V 50HZ IE2 LS VP.	1
8	4191470	LANTERN-MOTOR-VMI-FT100-MACHINED VP.	1
9	4092424	COUPLING GUARD FT85/130 MVI KIT	1



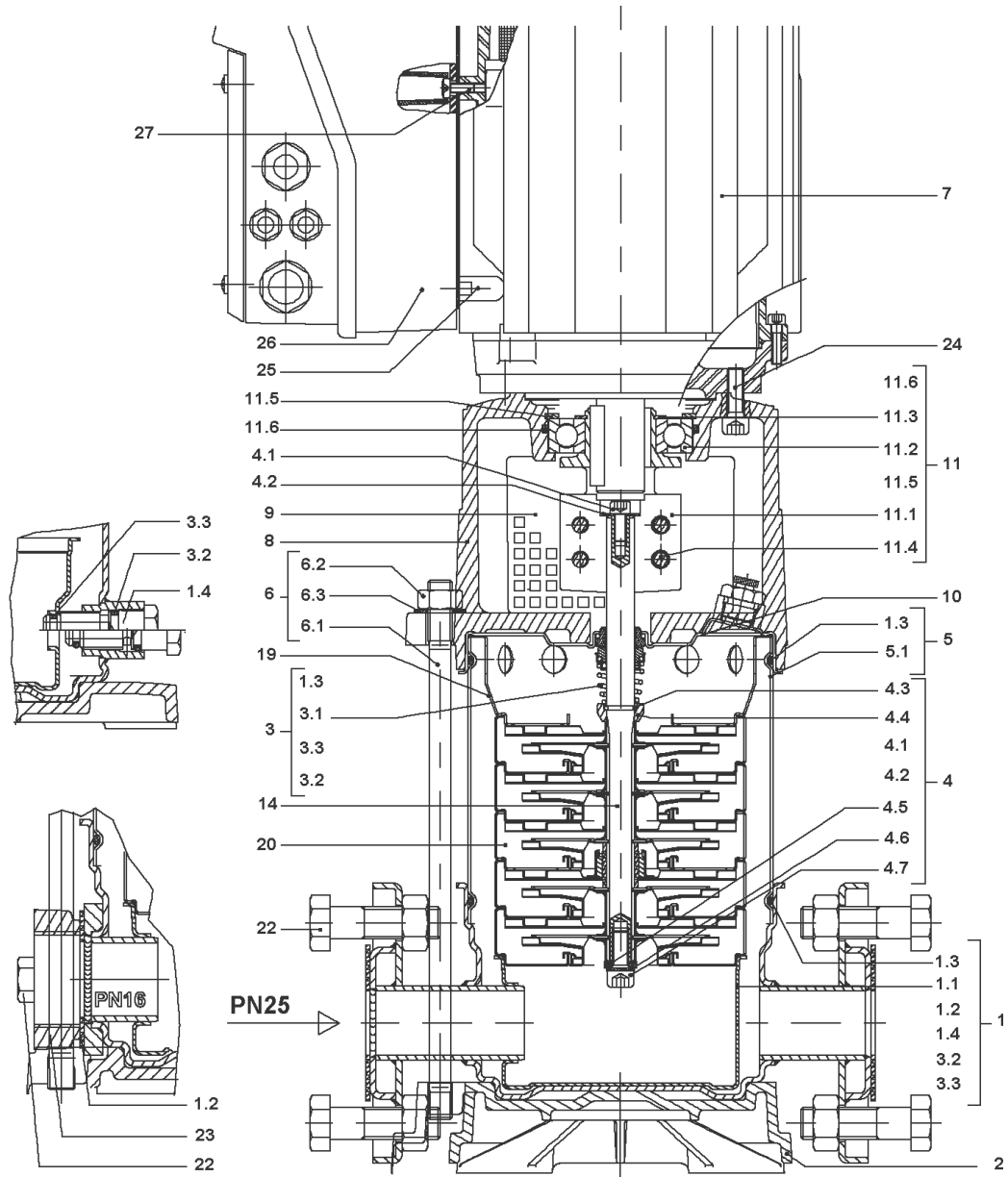
**MVIE204-2/25/V/1-2/M13 (4073060)**

Item	Article no.	Description	Quantity
		> COUPLING PROTECTOR FT85/130-1.4016	1
		> CLIP COUPLING-GUARD-RF	1
10	4217883	STAT.RING HOLDER MVI2/4/8 1.4435 VP.	1
11	4095207	3PH COUPLING KIT MVI D14XD19	1
11.1		> COUPLING-VMI-Ø14xØ19-FT100-USINE	1
11.2	2046966	> BALL BEARING 6206/2RS-C3 (HT) VP.	1
11.3	4234249	> CIRCLIP-FOR-SHAFT-D30x1.5 VP.	1
11.4	4212716	> SCREW M6X20 KIT (4PIECES)	1
11.5	4234250	> CIRCLIP-D62x2 VP.	1
11.6	4234245	> O-RING 63X3 VP.	1
		> CONTACT-WASHER-6ETR-6,1x12,2x1,8-STEEL	1
		> SCREW CHC-M6X14-8.8-ISO4762-GEOMET500A	1
		> WASHER D.24 L6U ZINK	1
12	4233131	PLUG-VMI-316L VP.	1
14	4233133	SHAFT D.14X198 1.4404 VP.	1
19	4233921	UPPER STAGE RFK.MVI2/4M3 1.4435 VP.	1
20		SPARE PARTS HYDRAULICS MVI/MVIE 1.4404	1
22	63699	SCREW M12x50x30	1
24	4212716	SCREW M6X20 KIT (4PIECES)	1
26	4104419	Module MVIE-1,1KW-M13 KIT	1



**SPARE PARTS HYDRAULICS MVI/MVIE 1.4404**

Item	Article no.	Description	Quantity
20.1	4026330	ASSEMBLY LR.STF.GH.MHI202-205MVI204-20 1	1
		> IMPELLER-VMI/HMI-SERIE.2-316L	1
		> STAGE CASING WITHOUT-R/G-2/4M3-316L	1
		> SPACER IMPELLER MVI2/4 1.4435	1
20.2	4026331	ASSEMBLY STF.GH./LAG.BU.RLF.MVI204-220 1	1
		> IMPELLER-VMI/HMI-SERIE.2-316L	1
		> SPACER IMPELLER MVI2/4 1.4435	1
		> SPACER SHAFT SLEEVE MVI2/4 1.4435	1
		> STAGE CASING-AV-C/R-2/4M3-316L	1
20.3	4026328	ASSEMBLY LR./LAG.BU.MHI206,MVI203-220 1.	1
		> IMPELLER-VMI/HMI-SERIE.2-316L	1
		> SPACER IMPELLER MVI2/4 1.4435	1
		> SPACER SHAFT SLEEVE MVI2/4 1.4435	1
		> STAGE CASING-AV-C/R-BEARING-2/4M3-L	1
		> SLEEVE-D14L13,8-VMI	1
20.4	4026329	ASSEMBLY STF.GH./LR.OHNE RLF MVI203-20 1	1
		> IMPELLER-VMI/HMI-SERIE.2-316L	1
		> SPACER IMPELLER MVI2/4 1.4435	1
		> WASHER D.24/14x1,5 1.4401	1
		> STAGE CASING-AV-C/R-2/4M3-316L	1

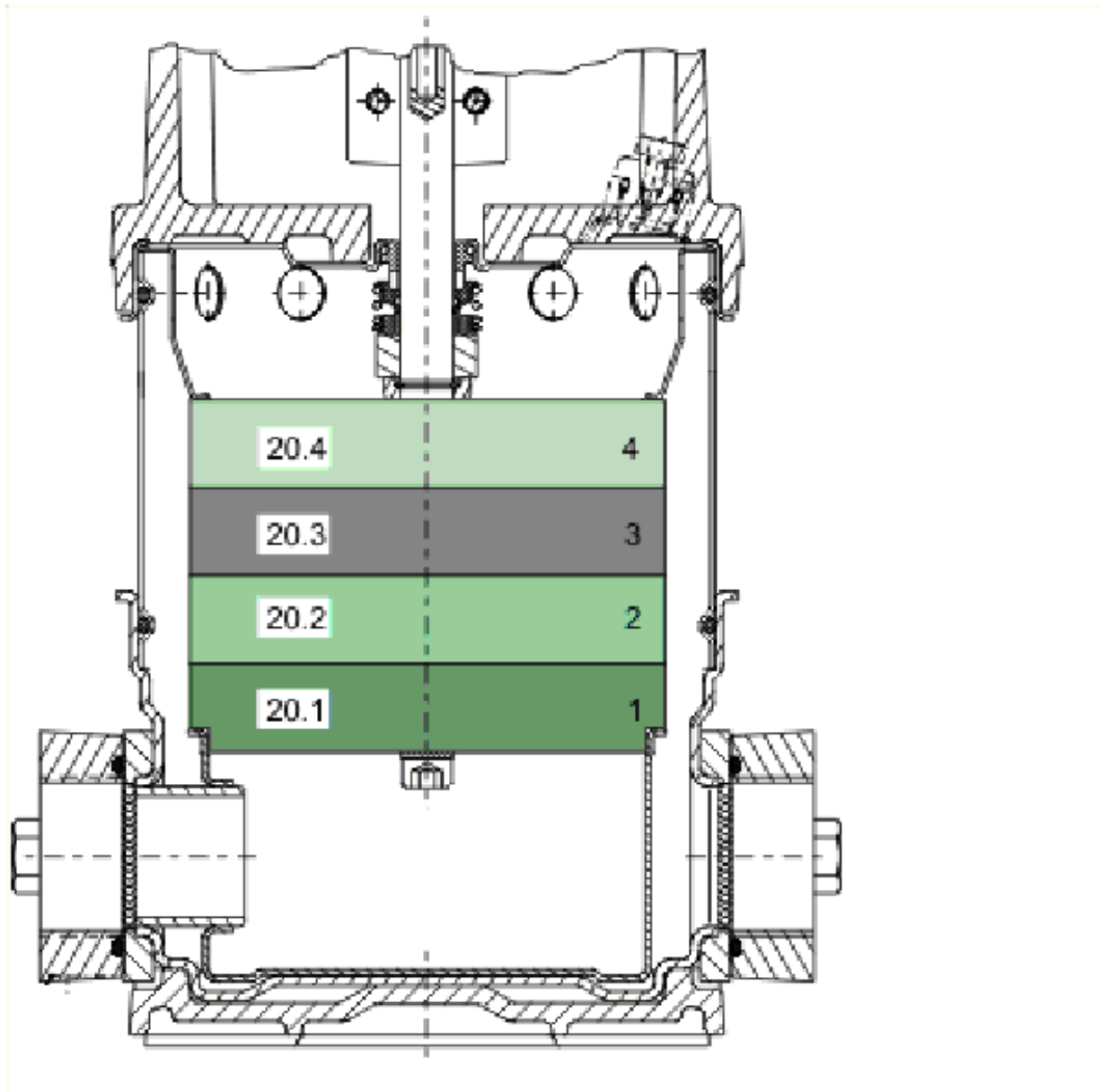


**MVIE204-2/25/V/1-2/M2 (4073061)**

Item	Article no.	Description	Quantity
1	2018427	PUMP HOUSING MVI PN25 VITON 1.4435 KIT	1
1.1		> PUMP HOUSING MVI D25 PN25 1.4435	1
1.2	4233952	> FLAT GASKET D.73 VP.	1
1.3	4234237	> O-RING 139X3 VITON VP.	1
1.4	4234240	> PRIMING/DRAIN PLUG MVI6" 316L VP.	1
3.2	4234239	> O-RING 13X2 VITON VP.	1
3.3	4234238	> O-RING 9X2 VITON VP.	1
2	4187925	BASEPLATE-VMI-1/2/4M3-VP.	1
3	4027310	ASSEMBLY GRD.MVI2../4../8.. PN25 90° +VP	1
1.3	4234237	> O-RING 139X3 VITON VP.	1
3.1		> MECHANICAL SEAL RMG12/14-G606-U3BVGG-BUR	1
3.2	4234239	> O-RING 13X2 VITON VP.	1
3.3	4234238	> O-RING 9X2 VITON VP.	1
4	4015429	SHAFT-FIXING MVI2 KIT	1
4.1		> SCREW M6X14 ISO4762 8.8 ZN	1
4.2		> WASHER D.24 L6U ZINK	1
4.3	2090148	> CIRCLIP D14 MVI/MHI 316L (2 PIECES) VP.	1
		>> STOP-RUSH-1/2-D14-VMI/HMI-316	2
4.4		> STOP COLLAR OF IMPELLER L=8.7-Ø14-316L	1
4.5		> WASHER D.16/13,8x3 1.4401	1
4.6		> STAINLESS-STEEL-WASHER-DE8	1
4.7		> SCREW M8X16 ISO4762 A4	1
5	2018429	HOUSING PIPE D.152X119 1.4404 KIT	1
5.1		> HOUSING-PIPE-D152-VMI204/404-316L	1
1.3	4234237	> O-RING 139X3 VITON VP.	1
6	2018359	STUD BOLT M12X245 KIT	1
6.1		> TIE BOLT M12-245x18x30-1.4057	1
6.2	2094647	> NUT M12 M12 ISO4032 VP.	1
6.3	2123557	> WASHER CS-12.4-24-1.6-NFE25 (4 PIECES)	1
7		M1,1-2T24P55V18-80F10-NU-N19-LS	1
Note: no longer available/nicht mehr lieferbar/n'est plus disponible			
7	4209317	MOT.1.1/2/80F10 3~ 240V 50HZ IE2 LS VP.	1
8	4191470	LANTERN-MOTOR-VMI-FT100-MACHINED VP.	1
9	4092424	COUPLING GUARD FT85/130 MVI KIT	1

**MVIE204-2/25/V/1-2/M2 (4073061)**

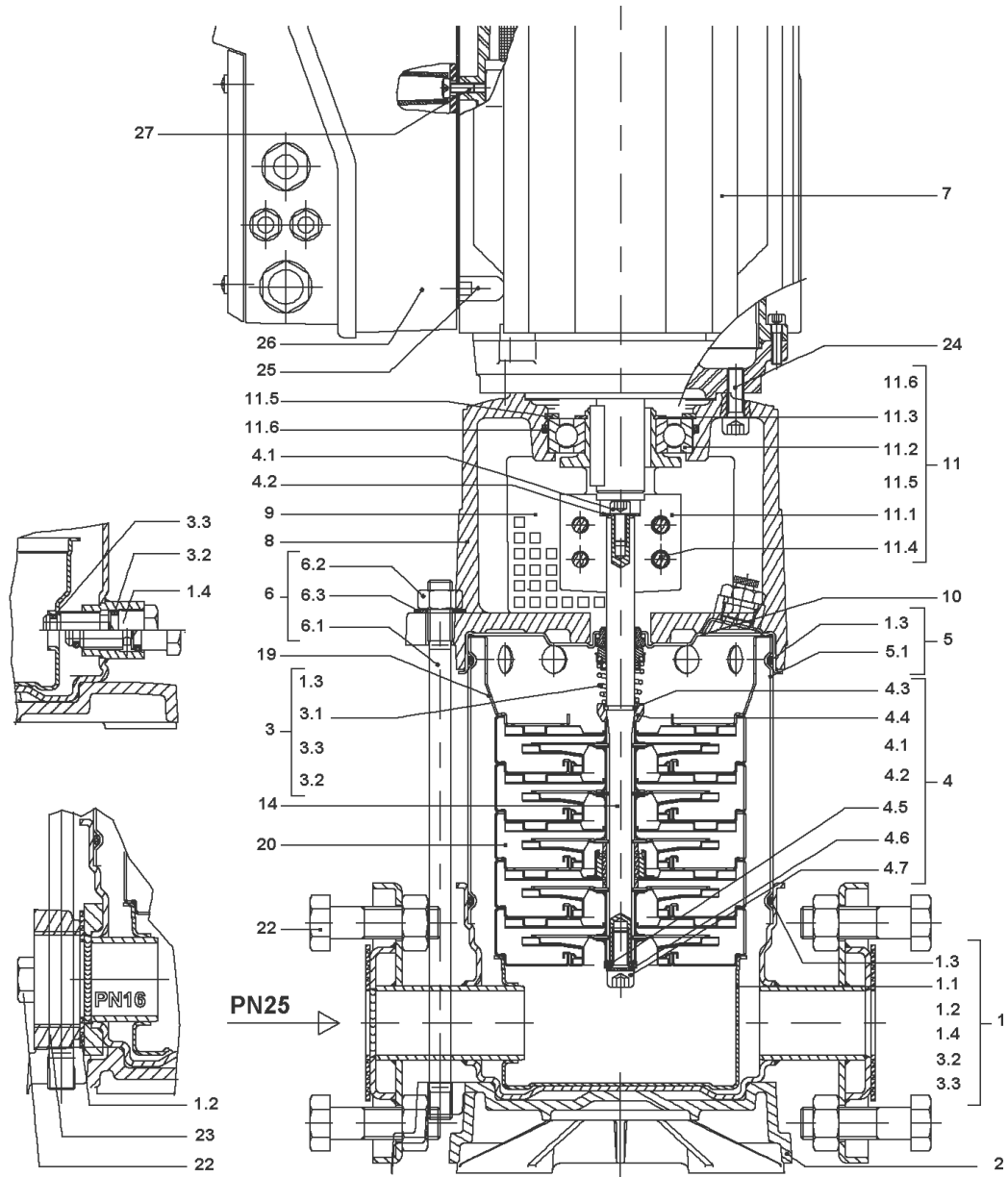
Item	Article no.	Description	Quantity
		> COUPLING PROTECTOR FT85/130-1.4016	1
		> CLIP COUPLING-GUARD-RF	1
10	4217883	STAT.RING HOLDER MVI2/4/8 1.4435 VP.	1
11	4095207	3PH COUPLING KIT MVI D14XD19	1
11.1		> COUPLING-VMI-Ø14xØ19-FT100-USINE	1
11.2	2046966	> BALL BEARING 6206/2RS-C3 (HT) VP.	1
11.3	4234249	> CIRCLIP-FOR-SHAFT-D30x1.5 VP.	1
11.4	4212716	> SCREW M6X20 KIT (4PIECES)	1
11.5	4234250	> CIRCLIP-D62x2 VP.	1
11.6	4234245	> O-RING 63X3 VP.	1
		> CONTACT-WASHER-6ETR-6,1x12,2x1,8-STEEL	1
		> SCREW CHC-M6X14-8.8-ISO4762-GEOMET500A	1
		> WASHER D.24 L6U ZINK	1
12	4233131	PLUG-VMI-316L VP.	1
14	4233133	SHAFT D.14X198 1.4404 VP.	1
19	4233921	UPPER STAGE RFK.MVI2/4M3 1.4435 VP.	1
20		SPARE PARTS HYDRAULICS MVI/MVIE 1.4404	1
22	63699	SCREW M12x50x30	1
24	4212716	SCREW M6X20 KIT (4PIECES)	1
26	4099011	Module MVIE-1,1KW-M2 KIT	1



**SPARE PARTS HYDRAULICS MVI/MVIE 1.4404**

Item	Article no.	Description	Quantity
20.1	4026330	ASSEMBLY LR.STF.GH.MHI202-205MVI204-20 1	1
		> IMPELLER-VMI/HMI-SERIE.2-316L	1
		> STAGE CASING WITHOUT-R/G-2/4M3-316L	1
		> SPACER IMPELLER MVI2/4 1.4435	1
20.2	4026331	ASSEMBLY STF.GH./LAG.BU.RLF.MVI204-220 1	1
		> IMPELLER-VMI/HMI-SERIE.2-316L	1
		> SPACER IMPELLER MVI2/4 1.4435	1
		> SPACER SHAFT SLEEVE MVI2/4 1.4435	1
		> STAGE CASING-AV-C/R-2/4M3-316L	1
20.3	4026328	ASSEMBLY LR./LAG.BU.MHI206,MVI203-220 1.	1
		> IMPELLER-VMI/HMI-SERIE.2-316L	1
		> SPACER IMPELLER MVI2/4 1.4435	1
		> SPACER SHAFT SLEEVE MVI2/4 1.4435	1
		> STAGE CASING-AV-C/R-BEARING-2/4M3-L	1
		> SLEEVE-D14L13,8-VMI	1
20.4	4026329	ASSEMBLY STF.GH./LR.OHNE RLF MVI203-20 1	1
		> IMPELLER-VMI/HMI-SERIE.2-316L	1
		> SPACER IMPELLER MVI2/4 1.4435	1
		> WASHER D.24/14x1,5 1.4401	1
		> STAGE CASING-AV-C/R-2/4M3-316L	1





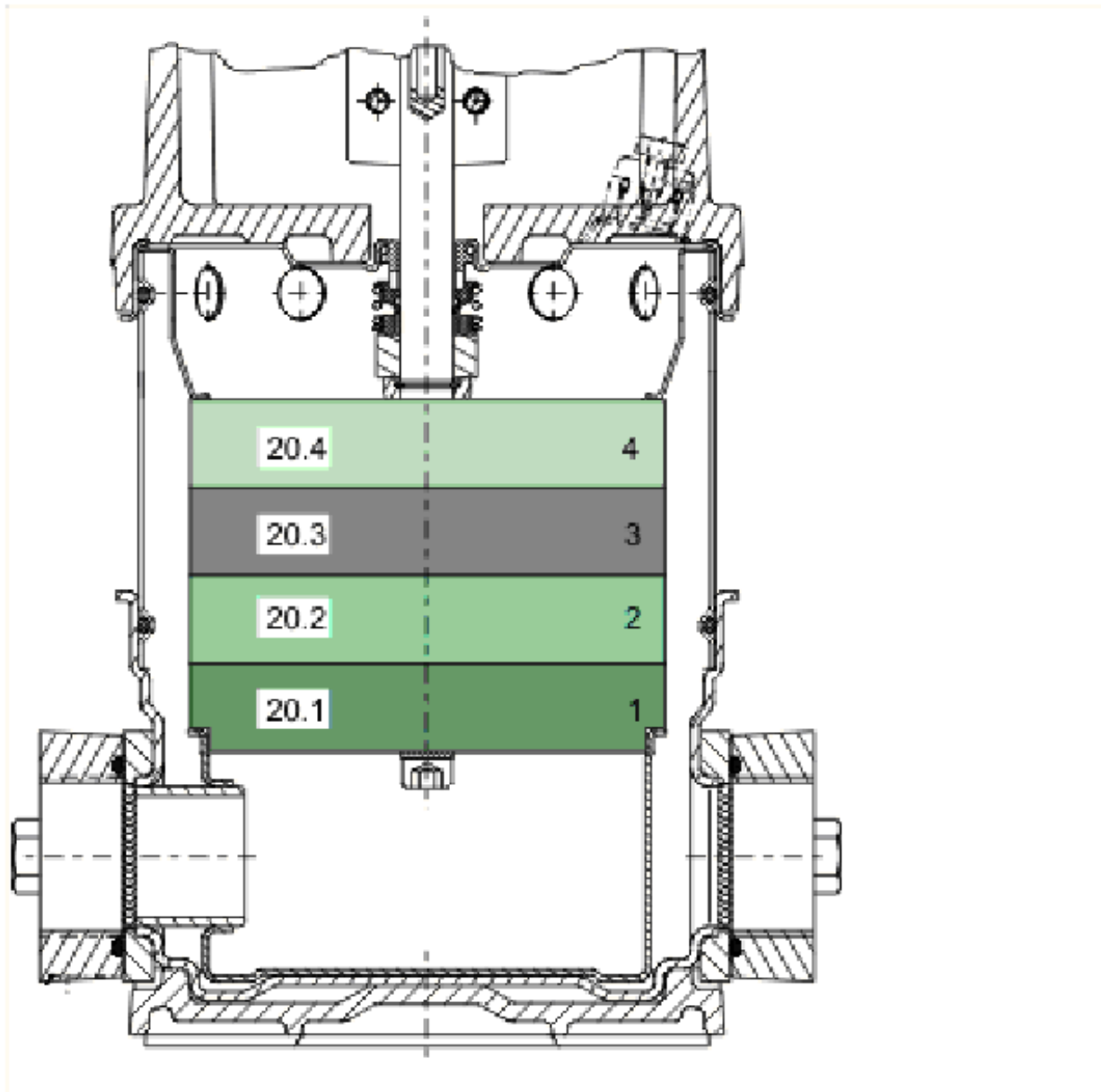
**MVIE204-2/25/V/3-2-2G (4077541)**

Item	Article no.	Description	Quantity
1	2018427	PUMP HOUSING MVI PN25 VITON 1.4435 KIT	1
1.1		> PUMP HOUSING MVI D25 PN25 1.4435	1
1.2	4233952	> FLAT GASKET D.73 VP.	1
1.3	4234237	> O-RING 139X3 VITON VP.	1
1.4	4234240	> PRIMING/DRAIN PLUG MVI6" 316L VP.	1
3.2	4234239	> O-RING 13X2 VITON VP.	1
3.3	4234238	> O-RING 9X2 VITON VP.	1
1.3	4234237	O-RING 139X3 VITON VP.	1
2	4187925	BASEPLATE-VMI-1/2/4M3-VP.	1
3	4037295	MECHANICAL SEAL 16B MVI VITON	1
1.3	4234237	> O-RING 139X3 VITON VP.	1
3.1		> MECHANICAL SEAL MG12/14-G606-Q1BVGG-BURG	1
3.2	4234239	> O-RING 13X2 VITON VP.	1
3.3	4234238	> O-RING 9X2 VITON VP.	1
4	4015429	SHAFT-FIXING MVI2 KIT	1
4.1		> SCREW M6X14 ISO4762 8.8 ZN	1
4.2		> WASHER D.24 L6U ZINK	1
4.3	2090148	> CIRCLIP D14 MVI/MHI 316L (2 PIECES) VP.	1
		>> STOP-RUSH-1/2-D14-VMI/HMI-316	2
4.4		> STOP COLLAR OF IMPELLER L=8.7-Ø14-316L	1
4.5		> WASHER D.16/13,8x3 1.4401	1
4.6		> STAINLESS-STEEL-WASHER-DE8	1
4.7		> SCREW M8X16 ISO4762 A4	1
5	2018429	HOUSING PIPE D.152X119 1.4404 KIT	1
5.1		> HOUSING-PIPE-D152-VMI204/404-316L	1
1.3	4234237	> O-RING 139X3 VITON VP.	1
6	2018359	STUD BOLT M12X245 KIT	1
6.1		> TIE BOLT M12-245x18x30-1.4057	1
6.2	2094647	> NUT M12 M12 ISO4032 VP.	1
6.3	2123557	> WASHER CS-12.4-24-1.6-NFE25 (4 PIECES)	1
7		M1,1-2T638P55V18-80F10-SU-N19-ADAPT	1
Note: no longer available/nicht mehr lieferbar/n'est plus disponible			
8	4191470	LANTERN-MOTOR-VMI-FT100-MACHINED VP.	1
9	4092424	COUPLING GUARD FT85/130 MVI KIT	1

**MVIE204-2/25/V/3-2-2G (4077541)**

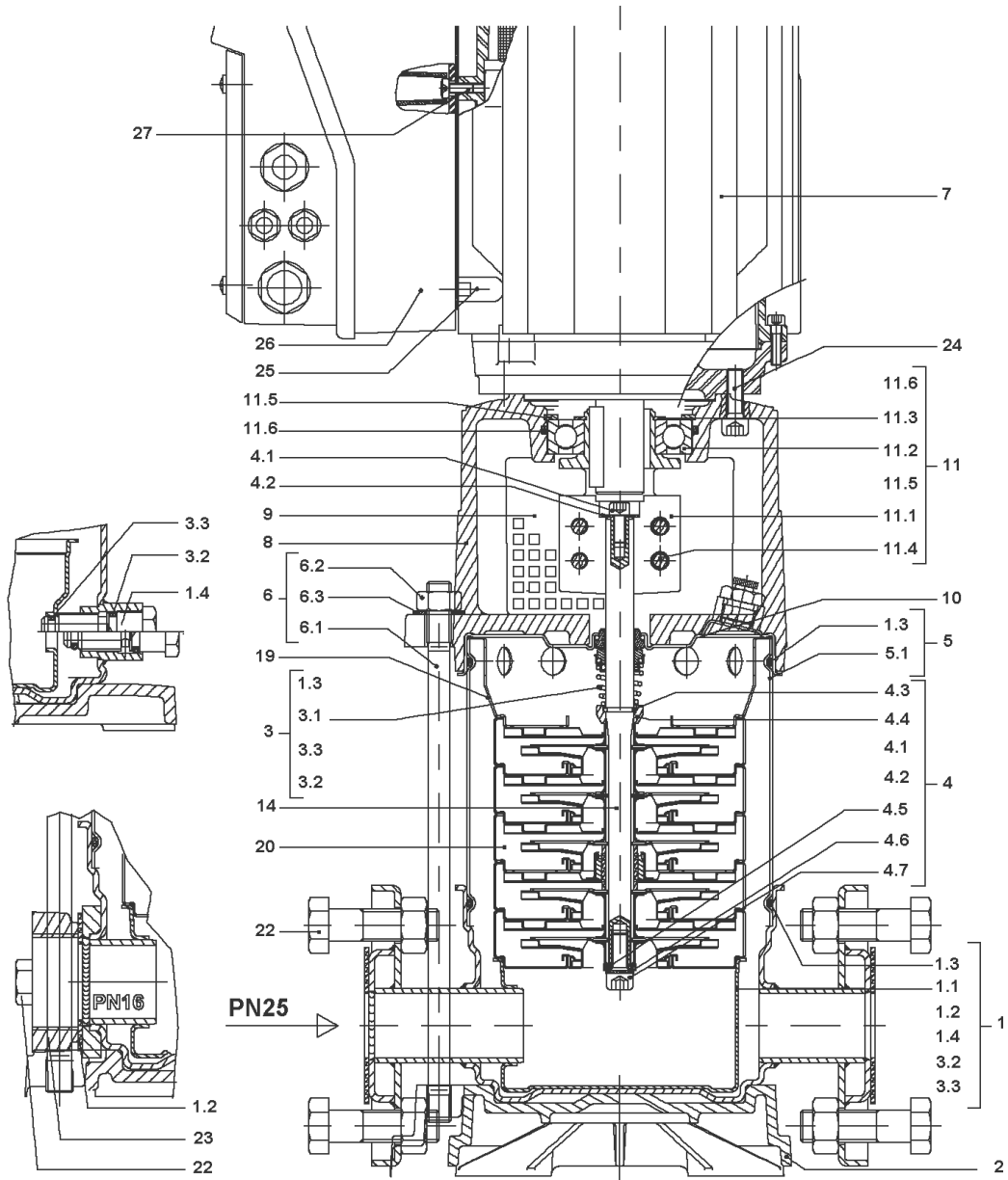
Item	Article no.	Description	Quantity
		> COUPLING PROTECTOR FT85/130-1.4016	1
		> CLIP COUPLING-GUARD-RF	1
10	4217883	STAT.RING HOLDER MVI2/4/8 1.4435 VP.	1
11	4095207	3PH COUPLING KIT MVI D14XD19	1
11.1		> COUPLING-VMI-Ø14xØ19-FT100-USINE	1
11.2	2046966	> BALL BEARING 6206/2RS-C3 (HT) VP.	1
11.3	4234249	> CIRCLIP-FOR-SHAFT-D30x1.5 VP.	1
11.4	4212716	> SCREW M6X20 KIT (4PIECES)	1
11.5	4234250	> CIRCLIP-D62x2 VP.	1
11.6	4234245	> O-RING 63X3 VP.	1
		> CONTACT-WASHER-6ETR-6,1x12,2x1,8-STEEL	1
		> SCREW CHC-M6X14-8.8-ISO4762-GEOMET500A	1
		> WASHER D.24 L6U ZINK	1
12	4233131	PLUG-VMI-316L VP.	1
14	4233133	SHAFT D.14X198 1.4404 VP.	1
19	4233921	UPPER STAGE RFK.MVI2/4M3 1.4435 VP.	1
20		SPARE PARTS HYDRAULICS MVI/MVIE 1.4404	1
22	63699	SCREW M12x50x30	1
24	4212716	SCREW M6X20 KIT (4PIECES)	1
26		MODULE MVIE/MHIE-1,1KW TL1/2	1

Note: no longer available/nicht mehr lieferbar/n'est plus disponible



**SPARE PARTS HYDRAULICS MVI/MVIE 1.4404**

Item	Article no.	Description	Quantity
20.1	4026330	ASSEMBLY LR.STF.GH.MHI202-205MVI204-20 1	1
		> IMPELLER-VMI/HMI-SERIE.2-316L	1
		> STAGE CASING WITHOUT-R/G-2/4M3-316L	1
		> SPACER IMPELLER MVI2/4 1.4435	1
20.2	4026331	ASSEMBLY STF.GH./LAG.BU.RLF.MVI204-220 1	1
		> IMPELLER-VMI/HMI-SERIE.2-316L	1
		> SPACER IMPELLER MVI2/4 1.4435	1
		> SPACER SHAFT SLEEVE MVI2/4 1.4435	1
		> STAGE CASING-AV-C/R-2/4M3-316L	1
20.3	4026328	ASSEMBLY LR./LAG.BU.MHI206,MVI203-220 1.	1
		> IMPELLER-VMI/HMI-SERIE.2-316L	1
		> SPACER IMPELLER MVI2/4 1.4435	1
		> SPACER SHAFT SLEEVE MVI2/4 1.4435	1
		> STAGE CASING-AV-C/R-BEARING-2/4M3-L	1
		> SLEEVE-D14L13,8-VMI	1
20.4	4026329	ASSEMBLY STF.GH./LR.OHNE RLF MVI203-20 1	1
		> IMPELLER-VMI/HMI-SERIE.2-316L	1
		> SPACER IMPELLER MVI2/4 1.4435	1
		> WASHER D.24/14x1,5 1.4401	1
		> STAGE CASING-AV-C/R-2/4M3-316L	1



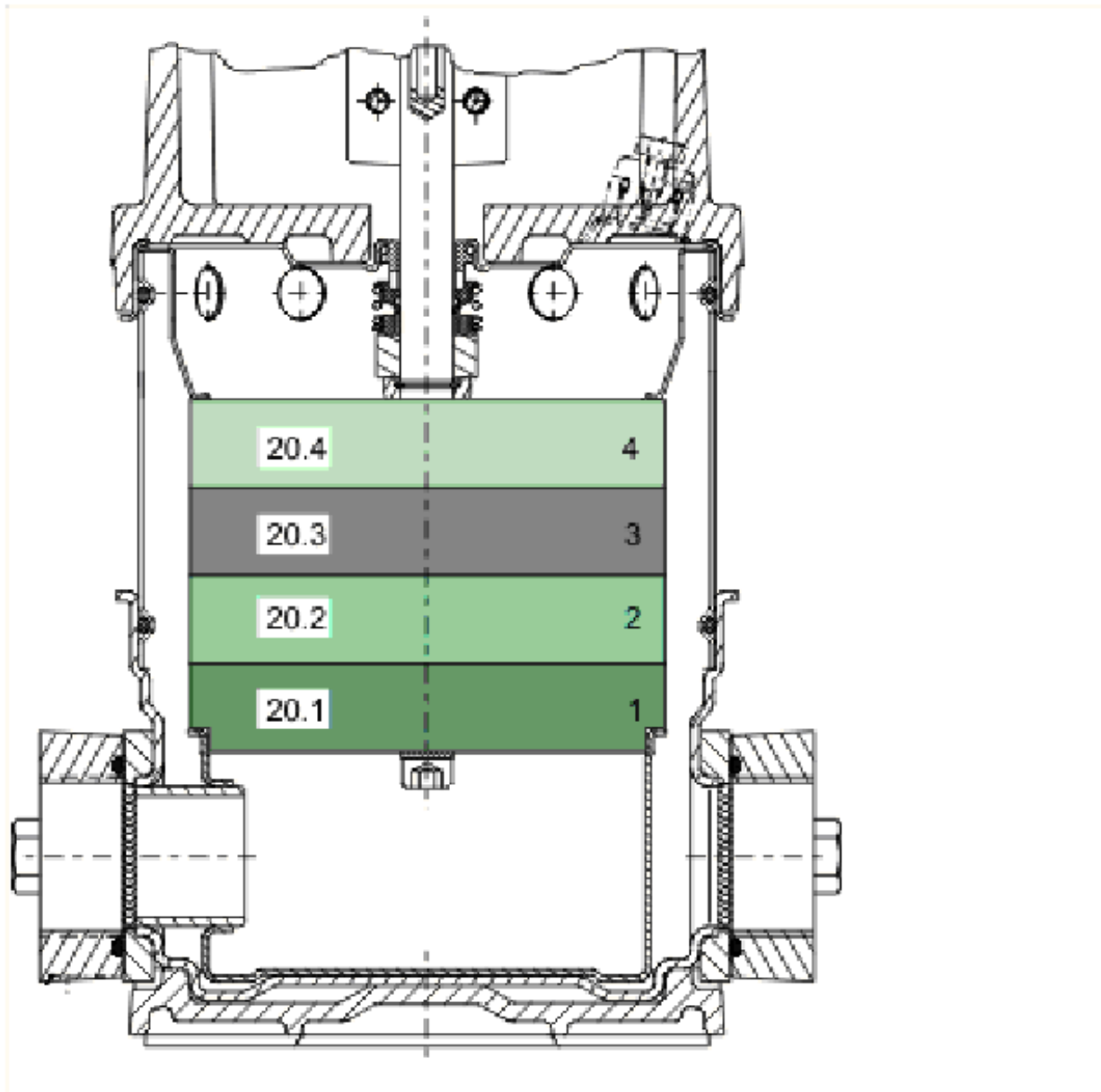
**MVIE204-2/P/V/1-2/M13 (4073064)**

Item	Article no.	Description	Quantity
1	2114343	PUMP HOUSING MVI DN32 P 1.4404 KIT	1
1.1		> CASING-MVI-D32-PN25-D152-316L-VICTAULI	1
1.3	4234237	> O-RING 139X3 VITON VP.	1
1.4	4234240	> PRIMING/DRAIN PLUG MVI6" 316L VP.	1
3.2	4234239	> O-RING 13X2 VITON VP.	1
3.3	4234238	> O-RING 9X2 VITON VP.	1
2	2127420	BASE PLATE 212X157 PN16 VP.	1
3	4027310	ASSEMBLY GRD.MVI2../4../8.. PN25 90° +VP	1
1.3	4234237	> O-RING 139X3 VITON VP.	1
3.1		> MECHANICAL SEAL RMG12/14-G606-U3BVGG-BUR	1
3.2	4234239	> O-RING 13X2 VITON VP.	1
3.3	4234238	> O-RING 9X2 VITON VP.	1
4	4015429	SHAFT-FIXING MVI2 KIT	1
4.1		> SCREW M6X14 ISO4762 8.8 ZN	1
4.2		> WASHER D.24 L6U ZINK	1
4.3	2090148	> CIRCLIP D14 MVI/MHI 316L (2 PIECES) VP.	1
		>> STOP-RUSH-1/2-D14-VMI/HMI-316	2
4.4		> STOP COLLAR OF IMPELLER L=8.7-Ø14-316L	1
4.5		> WASHER D.16/13,8x3 1.4401	1
4.6		> STAINLESS-STEEL-WASHER-DE8	1
4.7		> SCREW M8X16 ISO4762 A4	1
5	2018429	HOUSING PIPE D.152X119 1.4404 KIT	1
5.1		> HOUSING-PIPE-D152-VMI204/404-316L	1
1.3	4234237	> O-RING 139X3 VITON VP.	1
6	2018359	STUD BOLT M12X245 KIT	1
6.1		> TIE BOLT M12-245x18x30-1.4057	1
6.2	2094647	> NUT M12 M12 ISO4032 VP.	1
6.3	2123557	> WASHER CS-12.4-24-1.6-NFE25 (4 PIECES)	1
7		M1,1-2T24P55V18-80F10-NU-N19-LS	1
Note: no longer available/nicht mehrlieferbar/n'est plus disponible			
7	4209317	MOT.1.1/2/80F10 3~ 240V 50HZ IE2 LS VP.	1
8	4191470	LANTERN-MOTOR-VMI-FT100-MACHINED VP.	1
9	4092424	COUPLING GUARD FT85/130 MVI KIT	1
		> COUPLING PROTECTOR FT85/130-1.4016	1

**MVIE204-2/P/V/1-2/M13 (4073064)**

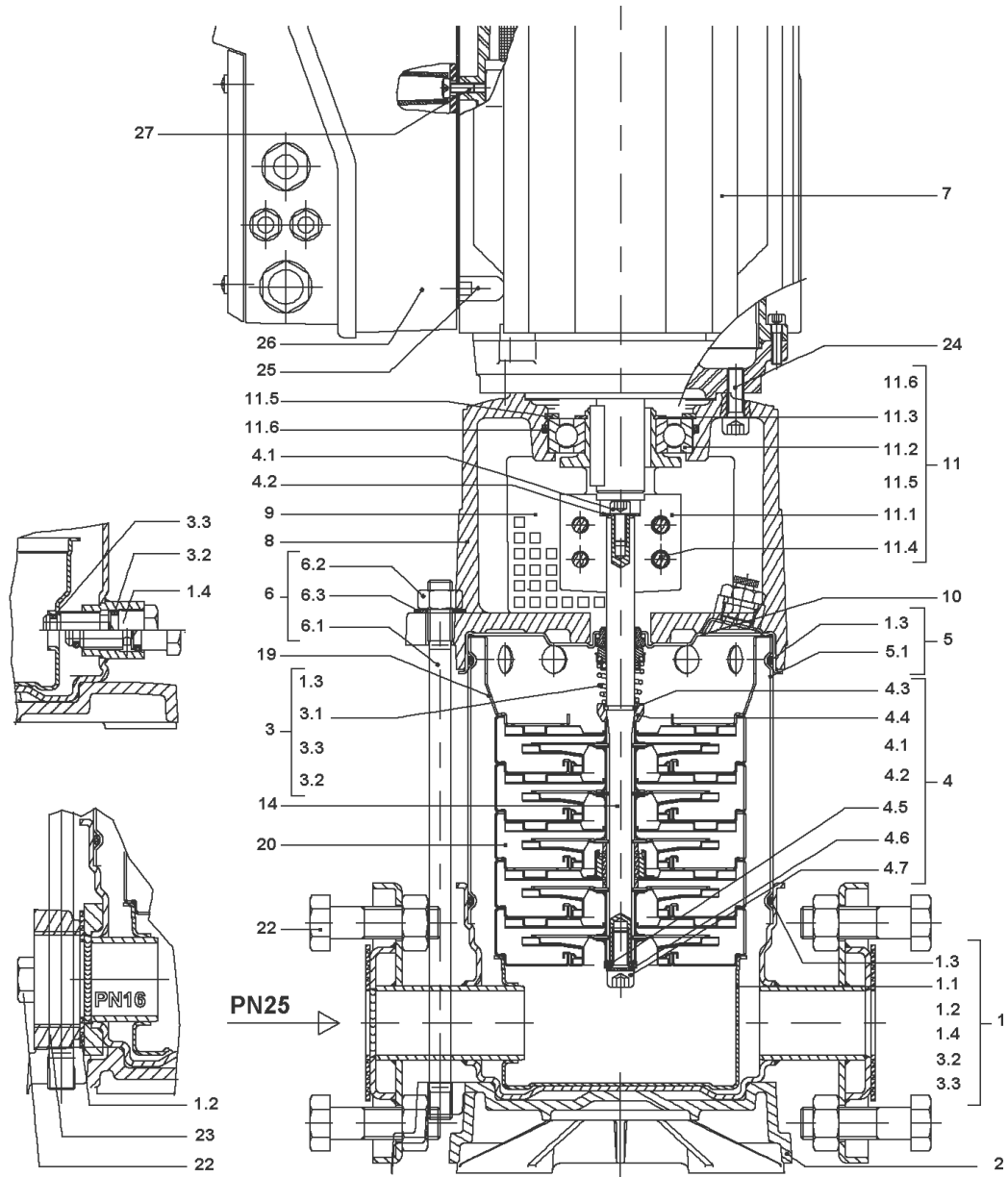
Item	Article no.	Description	Quantity
		> CLIP COUPLING-GUARD-RF	1
10	4217883	STAT.RING HOLDER MVI2/4/8 1.4435 VP.	1
11	4095207	3PH COUPLING KIT MVI D14XD19	1
11.1		> COUPLING-VMI-Ø14xØ19-FT100-USINE	1
11.2	2046966	> BALL BEARING 6206/2RS-C3 (HT) VP.	1
11.3	4234249	> CIRCLIP-FOR-SHAFT-D30x1.5 VP.	1
11.4	4212716	> SCREW M6X20 KIT (4PIECES)	1
11.5	4234250	> CIRCLIP-D62x2 VP.	1
11.6	4234245	> O-RING 63X3 VP.	1
		> CONTACT-WASHER-6ETR-6,1x12,2x1,8-STEEL	1
		> SCREW CHC-M6X14-8.8-ISO4762-GEOMET500A	1
		> WASHER D.24 L6U ZINK	1
12	4233131	PLUG-VMI-316L VP.	1
14	4233133	SHAFT D.14X198 1.4404 VP.	1
19	4233921	UPPER STAGE RFK.MVI2/4M3 1.4435 VP.	1
20		SPARE PARTS HYDRAULICS MVI/MVIE 1.4404	1
24	4212716	SCREW M6X20 KIT (4PIECES)	1
26	4104419	Module MVIE-1,1KW-M13 KIT	1





**SPARE PARTS HYDRAULICS MVI/MVIE 1.4404**

Item	Article no.	Description	Quantity
20.1	4026330	ASSEMBLY LR.STF.GH.MHI202-205MVI204-20 1	1
		> IMPELLER-VMI/HMI-SERIE.2-316L	1
		> STAGE CASING WITHOUT-R/G-2/4M3-316L	1
		> SPACER IMPELLER MVI2/4 1.4435	1
20.2	4026331	ASSEMBLY STF.GH./LAG.BU.RLF.MVI204-220 1	1
		> IMPELLER-VMI/HMI-SERIE.2-316L	1
		> SPACER IMPELLER MVI2/4 1.4435	1
		> SPACER SHAFT SLEEVE MVI2/4 1.4435	1
		> STAGE CASING-AV-C/R-2/4M3-316L	1
20.3	4026328	ASSEMBLY LR./LAG.BU.MHI206,MVI203-220 1.	1
		> IMPELLER-VMI/HMI-SERIE.2-316L	1
		> SPACER IMPELLER MVI2/4 1.4435	1
		> SPACER SHAFT SLEEVE MVI2/4 1.4435	1
		> STAGE CASING-AV-C/R-BEARING-2/4M3-L	1
		> SLEEVE-D14L13,8-VMI	1
20.4	4026329	ASSEMBLY STF.GH./LR.OHNE RLF MVI203-20 1	1
		> IMPELLER-VMI/HMI-SERIE.2-316L	1
		> SPACER IMPELLER MVI2/4 1.4435	1
		> WASHER D.24/14x1,5 1.4401	1
		> STAGE CASING-AV-C/R-2/4M3-316L	1

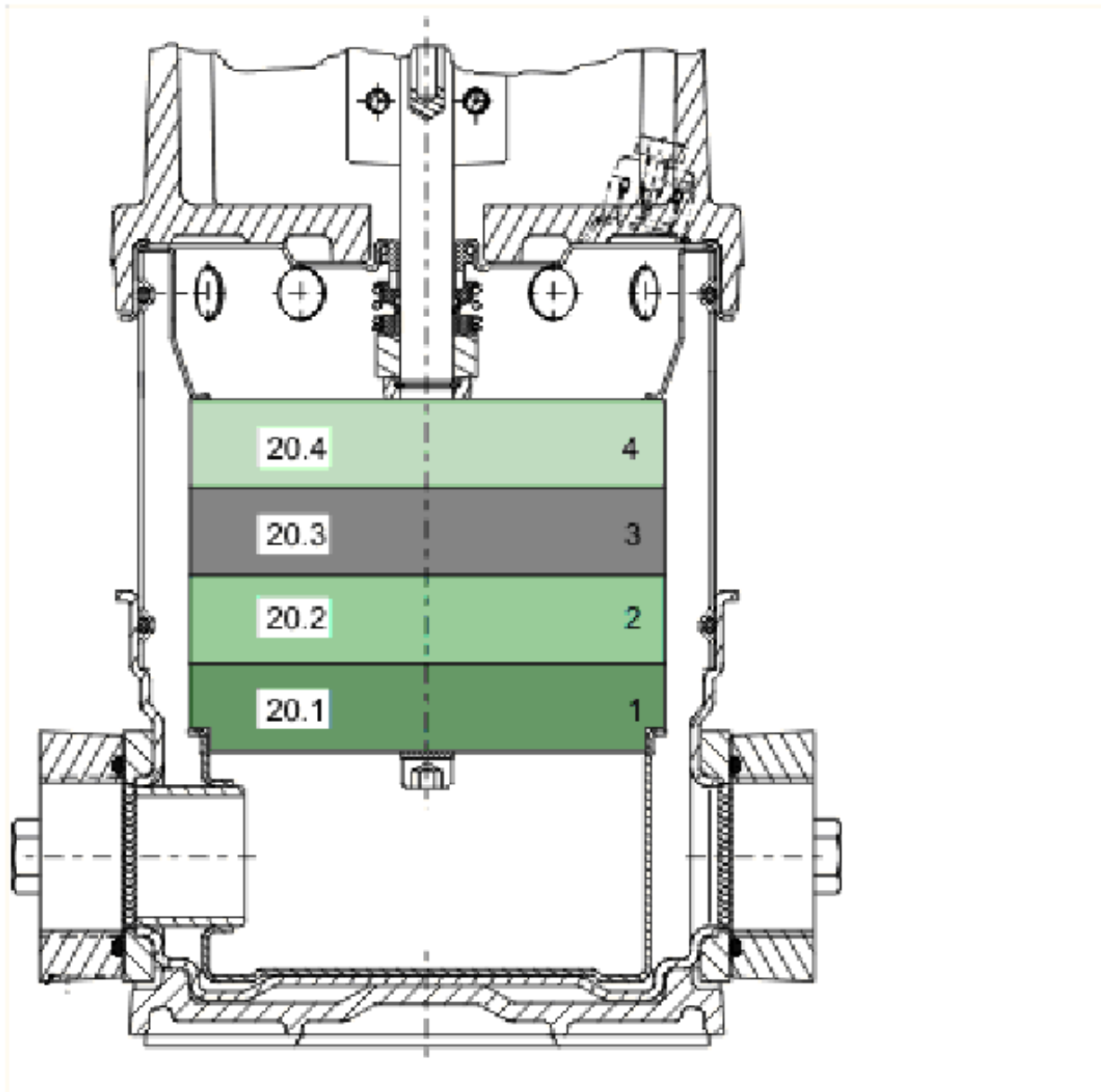


**MVIE204-2/P/V/1-2/M2 (4073065)**

Item	Article no.	Description	Quantity
1	2114343	PUMP HOUSING MVI DN32 P 1.4404 KIT	1
1.1		> CASING-MVI-D32-PN25-D152-316L-VICTAULI	1
1.3	4234237	> O-RING 139X3 VITON VP.	1
1.4	4234240	> PRIMING/DRAIN PLUG MVI6" 316L VP.	1
3.2	4234239	> O-RING 13X2 VITON VP.	1
3.3	4234238	> O-RING 9X2 VITON VP.	1
2	2127420	BASE PLATE 212X157 PN16 VP.	1
3	4027310	ASSEMBLY GRD.MVI2../4../8.. PN25 90° +VP	1
1.3	4234237	> O-RING 139X3 VITON VP.	1
3.1		> MECHANICAL SEAL RMG12/14-G606-U3BVGG-BUR	1
3.2	4234239	> O-RING 13X2 VITON VP.	1
3.3	4234238	> O-RING 9X2 VITON VP.	1
4	4015429	SHAFT-FIXING MVI2 KIT	1
4.1		> SCREW M6X14 ISO4762 8.8 ZN	1
4.2		> WASHER D.24 L6U ZINK	1
4.3	2090148	> CIRCLIP D14 MVI/MHI 316L (2 PIECES) VP.	1
		>> STOP-RUSH-1/2-D14-VMI/HMI-316	2
4.4		> STOP COLLAR OF IMPELLER L=8.7-Ø14-316L	1
4.5		> WASHER D.16/13,8x3 1.4401	1
4.6		> STAINLESS-STEEL-WASHER-DE8	1
4.7		> SCREW M8X16 ISO4762 A4	1
5	2018429	HOUSING PIPE D.152X119 1.4404 KIT	1
5.1		> HOUSING-PIPE-D152-VMI204/404-316L	1
1.3	4234237	> O-RING 139X3 VITON VP.	1
6	2018359	STUD BOLT M12X245 KIT	1
6.1		> TIE BOLT M12-245x18x30-1.4057	1
6.2	2094647	> NUT M12 M12 ISO4032 VP.	1
6.3	2123557	> WASHER CS-12.4-24-1.6-NFE25 (4 PIECES)	1
7		M1,1-2T24P55V18-80F10-NU-N19-LS	1
Note: no longer available/nicht mehr lieferbar/n'est plus disponible			
7	4209317	MOT.1.1/2/80F10 3~ 240V 50HZ IE2 LS VP.	1
8	4191470	LANTERN-MOTOR-VMI-FT100-MACHINED VP.	1
9	4092424	COUPLING GUARD FT85/130 MVI KIT	1
		> COUPLING PROTECTOR FT85/130-1.4016	1

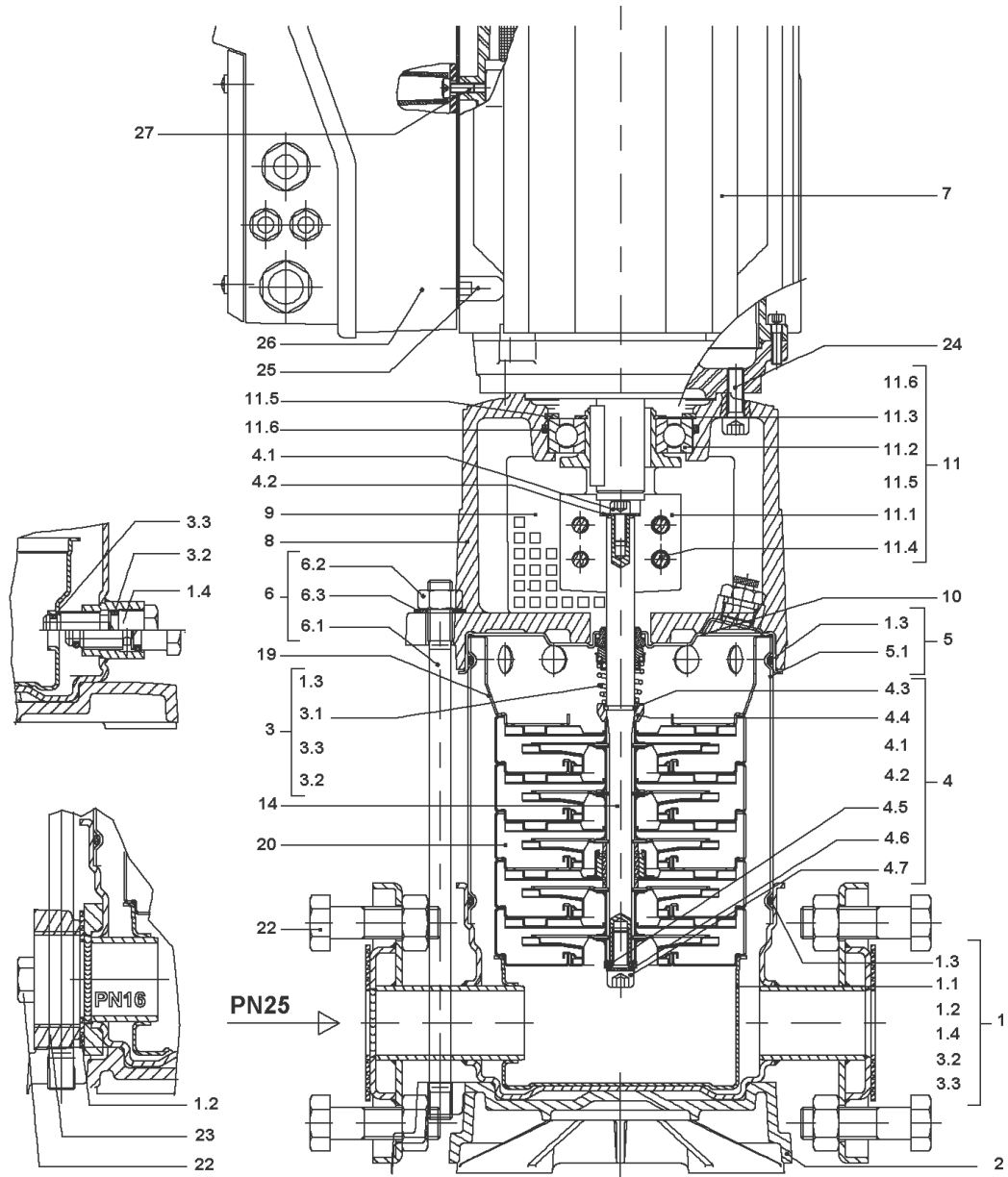
**MVIE204-2/P/V/1-2/M2 (4073065)**

Item	Article no.	Description	Quantity
		> CLIP COUPLING-GUARD-RF	1
10	4217883	STAT.RING HOLDER MVI2/4/8 1.4435 VP.	1
11	4095207	3PH COUPLING KIT MVI D14XD19	1
11.1		> COUPLING-VMI-Ø14xØ19-FT100-USINE	1
11.2	2046966	> BALL BEARING 6206/2RS-C3 (HT) VP.	1
11.3	4234249	> CIRCLIP-FOR-SHAFT-D30x1.5 VP.	1
11.4	4212716	> SCREW M6X20 KIT (4PIECES)	1
11.5	4234250	> CIRCLIP-D62x2 VP.	1
11.6	4234245	> O-RING 63X3 VP.	1
		> CONTACT-WASHER-6ETR-6,1x12,2x1,8-STEEL	1
		> SCREW CHC-M6X14-8.8-ISO4762-GEOMET500A	1
		> WASHER D.24 L6U ZINK	1
12	4233131	PLUG-VMI-316L VP.	1
14	4233133	SHAFT D.14X198 1.4404 VP.	1
19	4233921	UPPER STAGE RFK.MVI2/4M3 1.4435 VP.	1
20		SPARE PARTS HYDRAULICS MVI/MVIE 1.4404	1
24	4212716	SCREW M6X20 KIT (4PIECES)	1
26	4099011	Module MVIE-1,1KW-M2 KIT	1



**SPARE PARTS HYDRAULICS MVI/MVIE 1.4404**

Item	Article no.	Description	Quantity
20.1	4026330	ASSEMBLY LR.STF.GH.MHI202-205MVI204-20 1	1
		> IMPELLER-VMI/HMI-SERIE.2-316L	1
		> STAGE CASING WITHOUT-R/G-2/4M3-316L	1
		> SPACER IMPELLER MVI2/4 1.4435	1
20.2	4026331	ASSEMBLY STF.GH./LAG.BU.RLF.MVI204-220 1	1
		> IMPELLER-VMI/HMI-SERIE.2-316L	1
		> SPACER IMPELLER MVI2/4 1.4435	1
		> SPACER SHAFT SLEEVE MVI2/4 1.4435	1
		> STAGE CASING-AV-C/R-2/4M3-316L	1
20.3	4026328	ASSEMBLY LR./LAG.BU.MHI206,MVI203-220 1.	1
		> IMPELLER-VMI/HMI-SERIE.2-316L	1
		> SPACER IMPELLER MVI2/4 1.4435	1
		> SPACER SHAFT SLEEVE MVI2/4 1.4435	1
		> STAGE CASING-AV-C/R-BEARING-2/4M3-L	1
		> SLEEVE-D14L13,8-VMI	1
20.4	4026329	ASSEMBLY STF.GH./LR.OHNE RLF MVI203-20 1	1
		> IMPELLER-VMI/HMI-SERIE.2-316L	1
		> SPACER IMPELLER MVI2/4 1.4435	1
		> WASHER D.24/14x1,5 1.4401	1
		> STAGE CASING-AV-C/R-2/4M3-316L	1





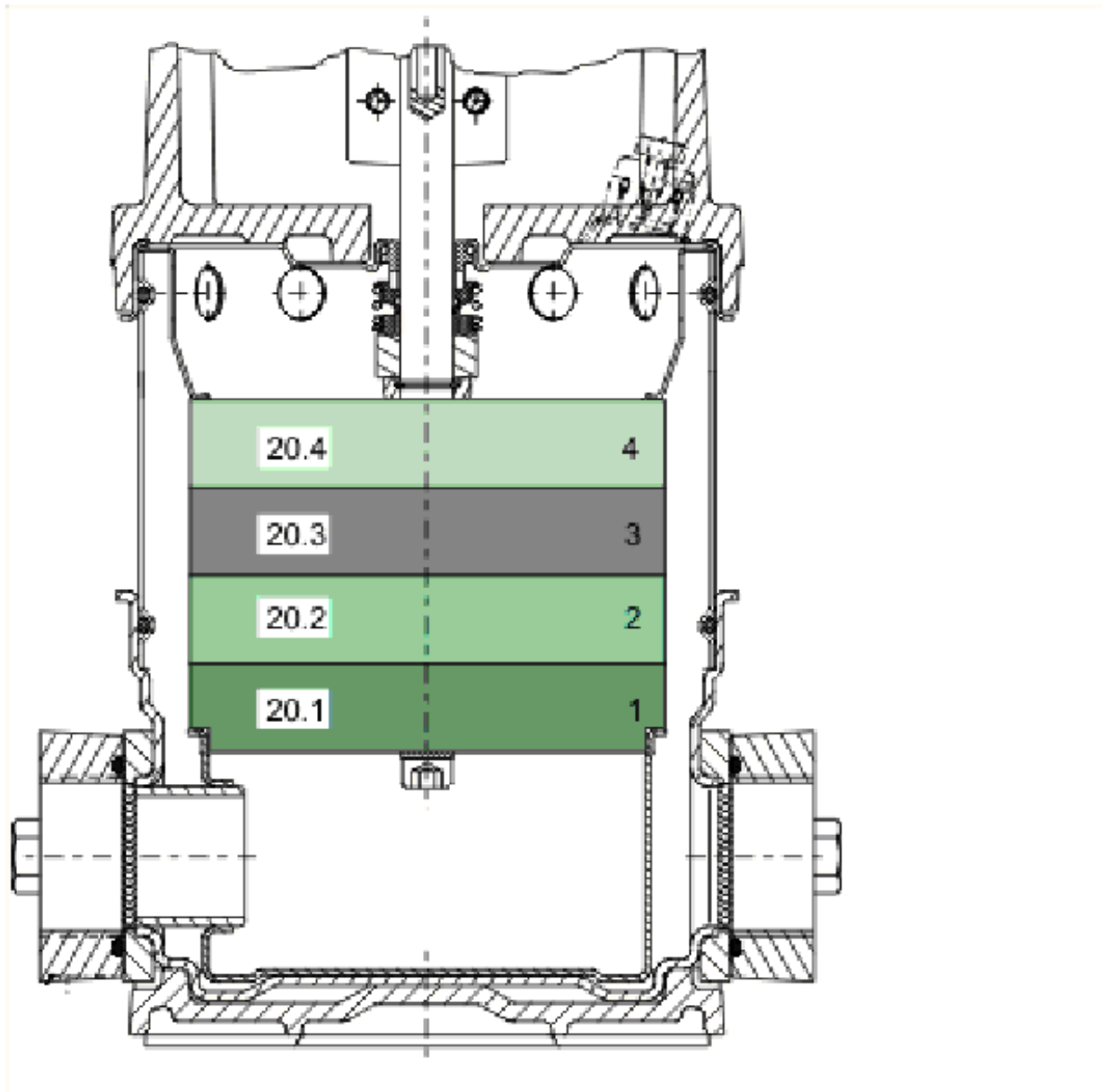
**MVIE204-2/P/V/3-2-2G (4077549)**

Item	Article no.	Description	Quantity
1	2114343	PUMP HOUSING MVI DN32 P 1.4404 KIT	1
1.1		> CASING-MVI-D32-PN25-D152-316L-VICTAULI	1
1.3	4234237	> O-RING 139X3 VITON VP.	1
1.4	4234240	> PRIMING/DRAIN PLUG MVI6" 316L VP.	1
3.2	4234239	> O-RING 13X2 VITON VP.	1
3.3	4234238	> O-RING 9X2 VITON VP.	1
2	4187925	BASEPLATE-VMI-1/2/4M3-VP.	1
3	4037295	MECHANICAL SEAL 16B MVI VITON	1
1.3	4234237	> O-RING 139X3 VITON VP.	1
3.1		> MECHANICAL SEAL MG12/14-G606-Q1BVGG-BURG	1
3.2	4234239	> O-RING 13X2 VITON VP.	1
3.3	4234238	> O-RING 9X2 VITON VP.	1
4	4015429	SHAFT-FIXING MVI2 KIT	1
4.1		> SCREW M6X14 ISO4762 8.8 ZN	1
4.2		> WASHER D.24 L6U ZINK	1
4.3	2090148	> CIRCLIP D14 MVI/MHI 316L (2 PIECES) VP.	1
		>> STOP-RUSH-1/2-D14-VMI/HMI-316	2
4.4		> STOP COLLAR OF IMPELLER L=8.7-Ø14-316L	1
4.5		> WASHER D.16/13,8x3 1.4401	1
4.6		> STAINLESS-STEEL-WASHER-DE8	1
4.7		> SCREW M8X16 ISO4762 A4	1
5	2018429	HOUSING PIPE D.152X119 1.4404 KIT	1
5.1		> HOUSING-PIPE-D152-VMI204/404-316L	1
1.3	4234237	> O-RING 139X3 VITON VP.	1
6	2018359	STUD BOLT M12X245 KIT	1
6.1		> TIE BOLT M12-245x18x30-1.4057	1
6.2	2094647	> NUT M12 M12 ISO4032 VP.	1
6.3	2123557	> WASHER CS-12.4-24-1.6-NFE25 (4 PIECES)	1
7		M1,1-2T638P55V18-80F10-SU-N19-ADAPT	1
Note: no longer available/nicht mehr lieferbar/n'est plus disponible			
8	4191470	LANTERN-MOTOR-VMI-FT100-MACHINED VP.	1
9	4092424	COUPLING GUARD FT85/130 MVI KIT	1
		> COUPLING PROTECTOR FT85/130-1.4016	1
		> CLIP COUPLING-GUARD-RF	1

**MVIE204-2/P/V/3-2-2G (4077549)**

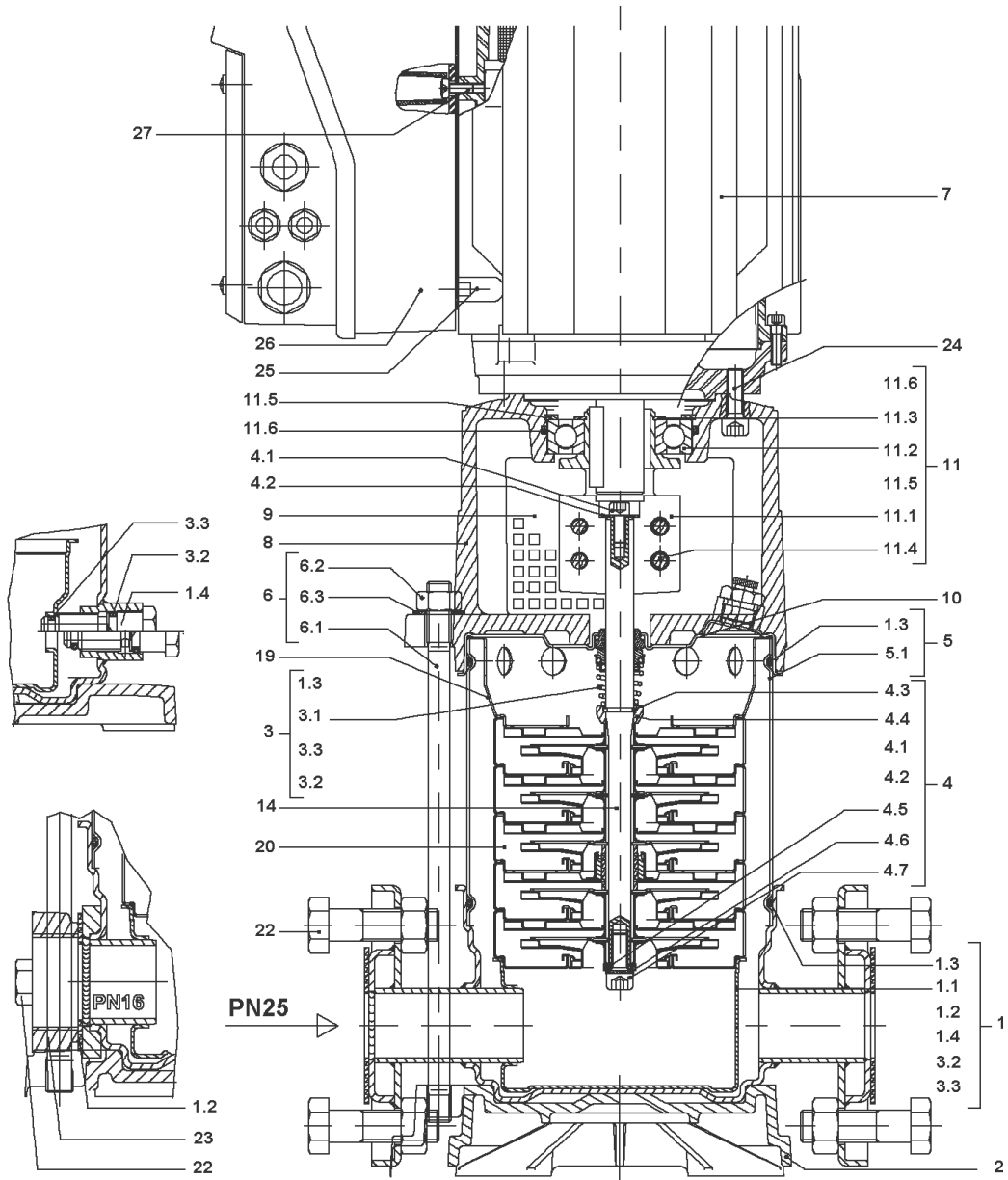
Item	Article no.	Description	Quantity
10	4217883	STAT.RING HOLDER MVI2/4/8 1.4435 VP.	1
11	4095207	3PH COUPLING KIT MVI D14XD19	1
11.1		> COUPLING-VMI-Ø14xØ19-FT100-USINE	1
11.2	2046966	> BALL BEARING 6206/2RS-C3 (HT) VP.	1
11.3	4234249	> CIRCLIP-FOR-SHAFT-D30x1.5 VP.	1
11.4	4212716	> SCREW M6X20 KIT (4PIECES)	1
11.5	4234250	> CIRCLIP-D62x2 VP.	1
11.6	4234245	> O-RING 63X3 VP.	1
		> CONTACT-WASHER-6ETR-6,1x12,2x1,8-STEEL	1
		> SCREW CHC-M6X14-8.8-ISO4762-GEOMET500A	1
		> WASHER D.24 L6U ZINK	1
12	4233131	PLUG-VMI-316L VP.	1
14	4233133	SHAFT D.14X198 1.4404 VP.	1
19	4233921	UPPER STAGE RFK.MVI2/4M3 1.4435 VP.	1
20		SPARE PARTS HYDRAULICS MVI/MVIE 1.4404	1
22	63699	SCREW M12x50x30	1
24	4212716	SCREW M6X20 KIT (4PIECES)	1
26		MODULE MVIE/MHIE-1,1KW TL1/2	1

Note: no longer available/nicht mehr lieferbar/n'est plus disponible



**SPARE PARTS HYDRAULICS MVI/MVIE 1.4404**

Item	Article no.	Description	Quantity
20.1	4026330	ASSEMBLY LR.STF.GH.MHI202-205MVI204-20 1	1
		> IMPELLER-VMI/HMI-SERIE.2-316L	1
		> STAGE CASING WITHOUT-R/G-2/4M3-316L	1
		> SPACER IMPELLER MVI2/4 1.4435	1
20.2	4026331	ASSEMBLY STF.GH./LAG.BU.RLF.MVI204-220 1	1
		> IMPELLER-VMI/HMI-SERIE.2-316L	1
		> SPACER IMPELLER MVI2/4 1.4435	1
		> SPACER SHAFT SLEEVE MVI2/4 1.4435	1
		> STAGE CASING-AV-C/R-2/4M3-316L	1
20.3	4026328	ASSEMBLY LR./LAG.BU.MHI206,MVI203-220 1.	1
		> IMPELLER-VMI/HMI-SERIE.2-316L	1
		> SPACER IMPELLER MVI2/4 1.4435	1
		> SPACER SHAFT SLEEVE MVI2/4 1.4435	1
		> STAGE CASING-AV-C/R-BEARING-2/4M3-L	1
		> SLEEVE-D14L13,8-VMI	1
20.4	4026329	ASSEMBLY STF.GH./LR.OHNE RLF MVI203-20 1	1
		> IMPELLER-VMI/HMI-SERIE.2-316L	1
		> SPACER IMPELLER MVI2/4 1.4435	1
		> WASHER D.24/14x1,5 1.4401	1
		> STAGE CASING-AV-C/R-2/4M3-316L	1

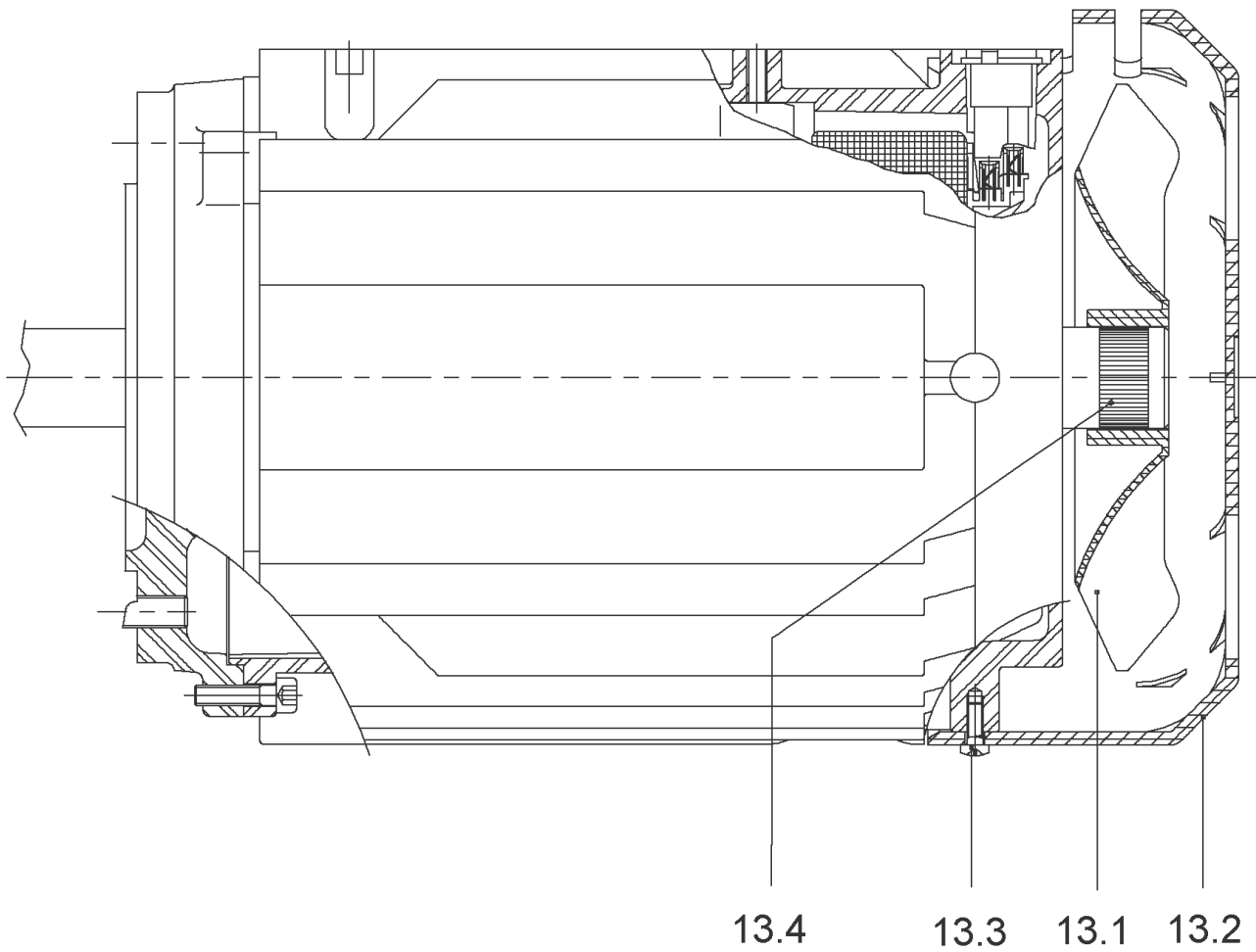


**MVIE206-1/16/E/3-2 (4040091)**

Item	Article no.	Description	Quantity
1	2023917	PUMP HOUSING MVI/MVIS DN32PN16 1.4301KIT	1
1.1		> CASING-MU-I-D32-PN16-D152-304	1
1.2	4191618	> O-RING ID.44,05x3,53 EPDM VP.	1
Note: FROM / AB / À PARTIR DE: 07/97			
1.3	4176513	> O-RING FOR PUMP JACKET VP.	1
1.4	4234235	> PRIMING/DRAIN PLUG MVI6" 304 VP.	1
3.2	4177800	> O-RING EPDM PLUG HELIX VP.	1
3.3	4234242	> O-RING 9X2 VP.	1
2	2127420	BASE PLATE 212X157 PN16 VP.	1
3	4027301	MECHANICAL SEAL MVI2/4/8/16-6" EP120°KIT	1
1.3	4176513	> O-RING FOR PUMP JACKET VP.	1
3.1		> MECHANICAL SEAL MG12/14-G606-Q1BE3GG-BU.	1
3.2	4177800	> O-RING EPDM PLUG HELIX VP.	1
3.3	4234242	> O-RING 9X2 VP.	1
4	4015429	SHAFT-FIXING MVI2 KIT	1
4.1		> SCREW M6X14 ISO4762 8.8 ZN	1
4.2		> WASHER D.24 L6U ZINK	1
4.3	2090148	> CIRCLIP D14 MVI/MHI 316L (2 PIECES) VP.	1
		>> STOP-RUSH-1/2-D14-VMI/HMI-316	2
4.4		> STOP COLLAR OF IMPELLER L=8.7-Ø14-316L	1
4.5		> WASHER D.16/13,8x3 1.4401	1
4.6		> STAINLESS-STEEL-WASHER-DE8	1
4.7		> SCREW M8X16 ISO4762 A4	1
5	2018377	HOUSING PIPE D.152X167 1.4301 KIT	1
1.3	4176513	> O-RING FOR PUMP JACKET VP.	1
5.1		> HOUSING-PIPE-D152-VMI206/406-304	1
6	2018361	STUD BOLT M12X293 KIT	1
6.1		> TIE BOLT M12-293x18x30-1.4057	1
6.2	2094647	> NUT M12 M12 ISO4032 VP.	1
6.3	2123557	> WASHER CS-12.4-24-1.6-NFE25 (4 PIECES)	1
7	2025382	MOTOR TL3/2200/2DM 65HZ V18 MVIE SERIE99	1
		SPARE PARTS MOTOR TL3/2200/2 3-400 65HZ	1
8	4190751	LANTERN-MOTOR-VMI-FT115-MACHINED VP.	1
9	4092424	COUPLING GUARD FT85/130 MVI KIT	1

**MVIE206-1/16/E/3-2 (4040091)**

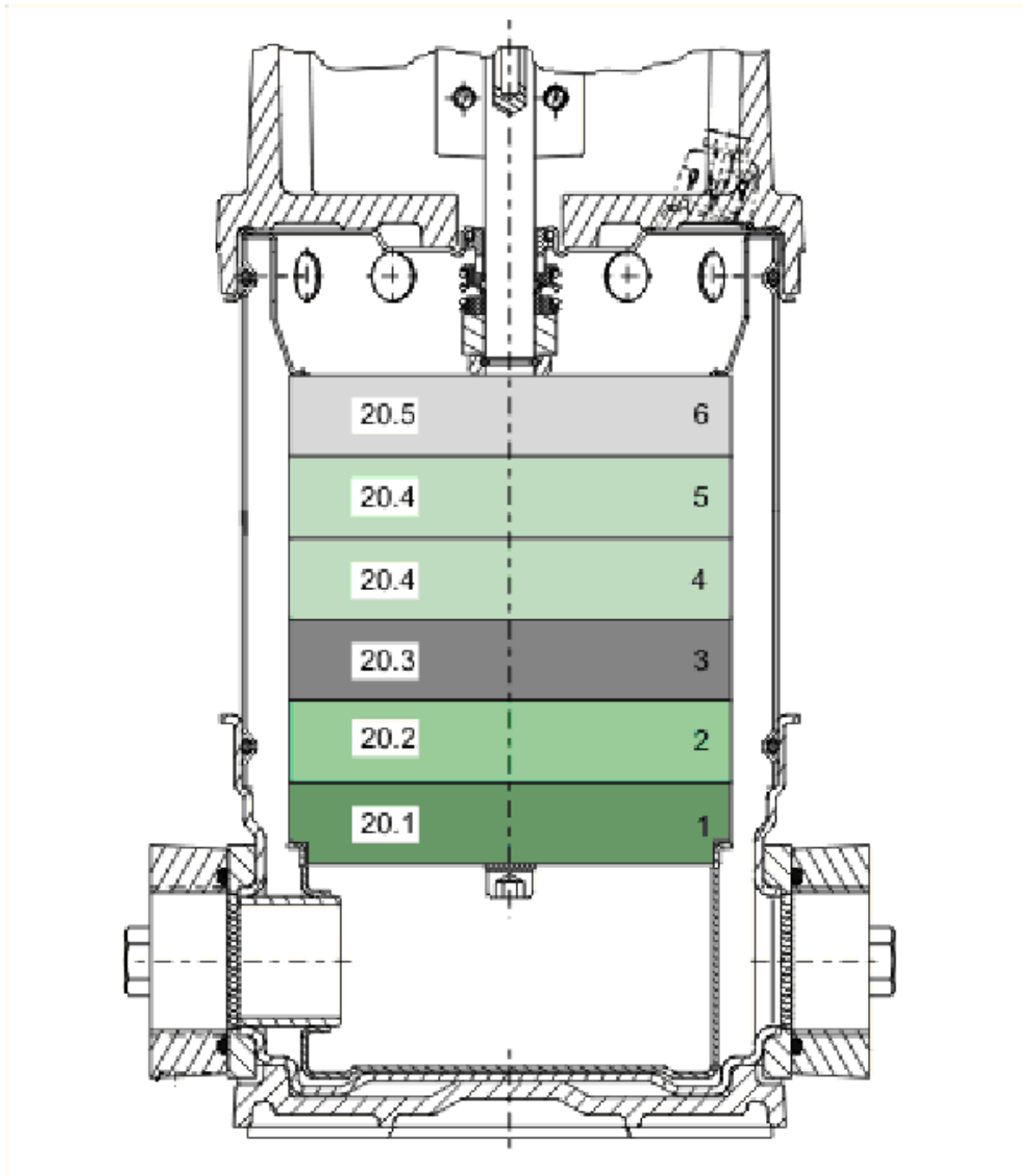
Item	Article no.	Description	Quantity
		> COUPLING PROTECTOR FT85/130-1.4016	1
		> CLIP COUPLING-GUARD-RF	1
10	4217881	STAT.RING HOLDER-GM-D14-304 VP.	1
11	4095214	3PH COUPLING KIT MVI D14XD24	1
11.1		> COUPLING-VMI-Ø14xØ24-FT115-MACHINED	1
11.2	2131023	> BALL BEARING 6207/ZZ-C3(HT)VP.	1
11.3	4234254	> CIRCLIP-FOR-SHAFT-D35x1.5 VP.	1
11.4	4157726	> SCREW KIT M8X30 (4 PIECES)	1
11.5	4234251	> CIRCLIP-D72x2.5 VP.	1
11.6	4234246	> O-RING 72X3 VP.	1
		> NOMEI CONTACT WASHER 8x16x1,4 STEEL ZC	1
		> SCREW CHC-M6X14-8.8-ISO4762-GEOMET500A	1
		> WASHER D.24 L6U ZINK	1
12	4233131	PLUG-VMI-316L VP.	1
14	4233086	SHAFT-D14-L246.6-1.4301 VP.	1
19	4234236	UPPER STAGE RFK.MVI2/4 1.4301 VP.	1
20		SPARE PARTS HYDRAULICS MVI/MVIE 1.4301	1
22	74750611106	SCREW M10X30 ISO4014 6.8 ZN	1
23	2132561	OVAL FLANGE G1" LK75 VP.	1
24	74760312103	SCREW M8X25 ISO4762 8.8 ZN	1
25	2048856	SCREW M5X12 ISO7045 4.8-Z GB.ZN	1
26		MODULE MVIE206 MVIE/MHIE405/803 2,2>7/01	1
Note: no longer available / nicht mehr lieferbar / ne plus disponible			
27	2048855	SCREW M5X16 ISO7045 4.8-Z ZN LSN.	1





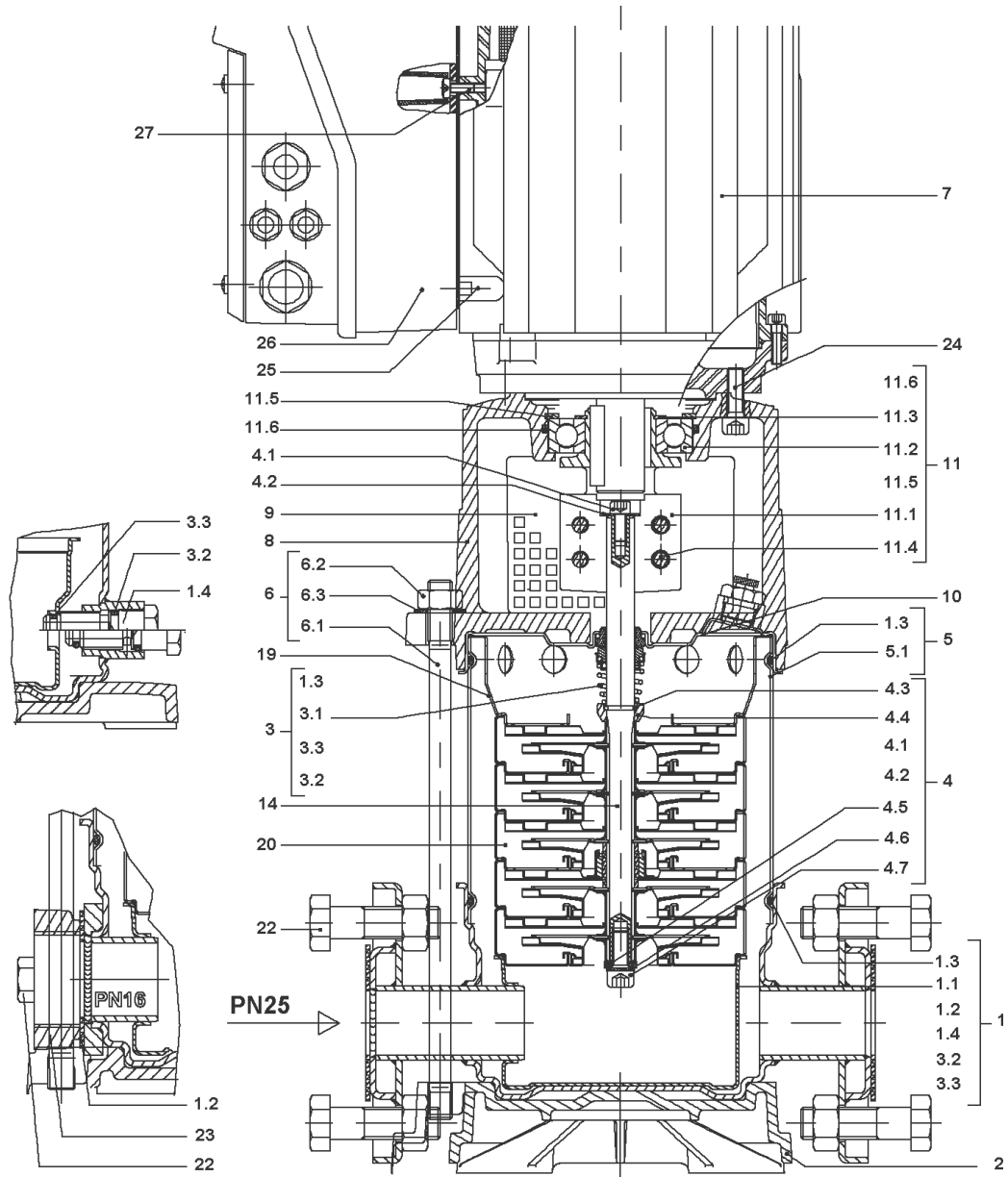
**SPARE PARTS MOTOR TL3/2200/2 3-400 65HZ**

Item	Article no.	Description	Quantity
13.1	2047017	FAN WHEEL AF90 2POL.ATB VP.	1
Note: Please give the data from type plate of the motor			
13.2		FAN HOOD TL4/3N NEUTRAL	1
Note: no longer available / nicht mehr lieferbar / ne plus disponible			
Note: Please give the data from type plate of the motor			
13.3		SCREW M4X8 ISO7045 4.8-H ZN	1
Note: no longer available / nicht mehr lieferbar / ne plus disponible			
13.4	2047016	CORRUGATED SLEEVE RING BG90/100 ATB VP.	1
Note: Please give the data from type plate of the motor			



**SPARE PARTS HYDRAULICS MVI/MVIE 1.4301**

Item	Article no.	Description	Quantity
20.1	4015439	STAGE MHI202/5MVI204 KIT	1
		> IMPELLER MVI2 D.98x2 1.4301	1
		> STAGE HOUSING O.RFK MVI2/4 1.4301	1
		> SPACER IMPELLER MVI2/4 1.4435	1
20.2	4015440	STAGE MVI204-220 1.4301 KIT	1
		> IMPELLER MVI2 D.98x2 1.4301	1
		> SPACER IMPELLER MVI2/4 1.4435	1
		> SPACER SHAFT SLEEVE MVI2/4 1.4435	1
		> STAGE HOUSING RFK.MVI2/4 1.4301	1
20.3	4015437	STAGE MHI206,MVI203-20 1.4301 KIT	1
		> IMPELLER MVI2 D.98x2 1.4301	1
		> SPACER IMPELLER MVI2/4 1.4435	1
		> SPACER SHAFT SLEEVE MVI2/4 1.4435	1
		> STAGE-CASING-WITH-R/C+BEARING-2/4M3-304	1
		> SLEEVE-D14L13,8-VMI	1
20.4	4015441	STAGE MHI2,MVI205-14 1.4301 KIT	1
		> IMPELLER MVI2 D.98x2 1.4301	1
		> SPACER IMPELLER MVI2/4 1.4435	1
		> STAGE HOUSING RFK.MVI2/4 1.4301	1
20.5	4015438	STAGE MVI203-220 1.4301 KIT	1
		> IMPELLER MVI2 D.98x2 1.4301	1
		> SPACER IMPELLER MVI2/4 1.4435	1
		> WASHER D.24/14x1,5 1.4401	1
		> STAGE HOUSING RFK.MVI2/4 1.4301	1

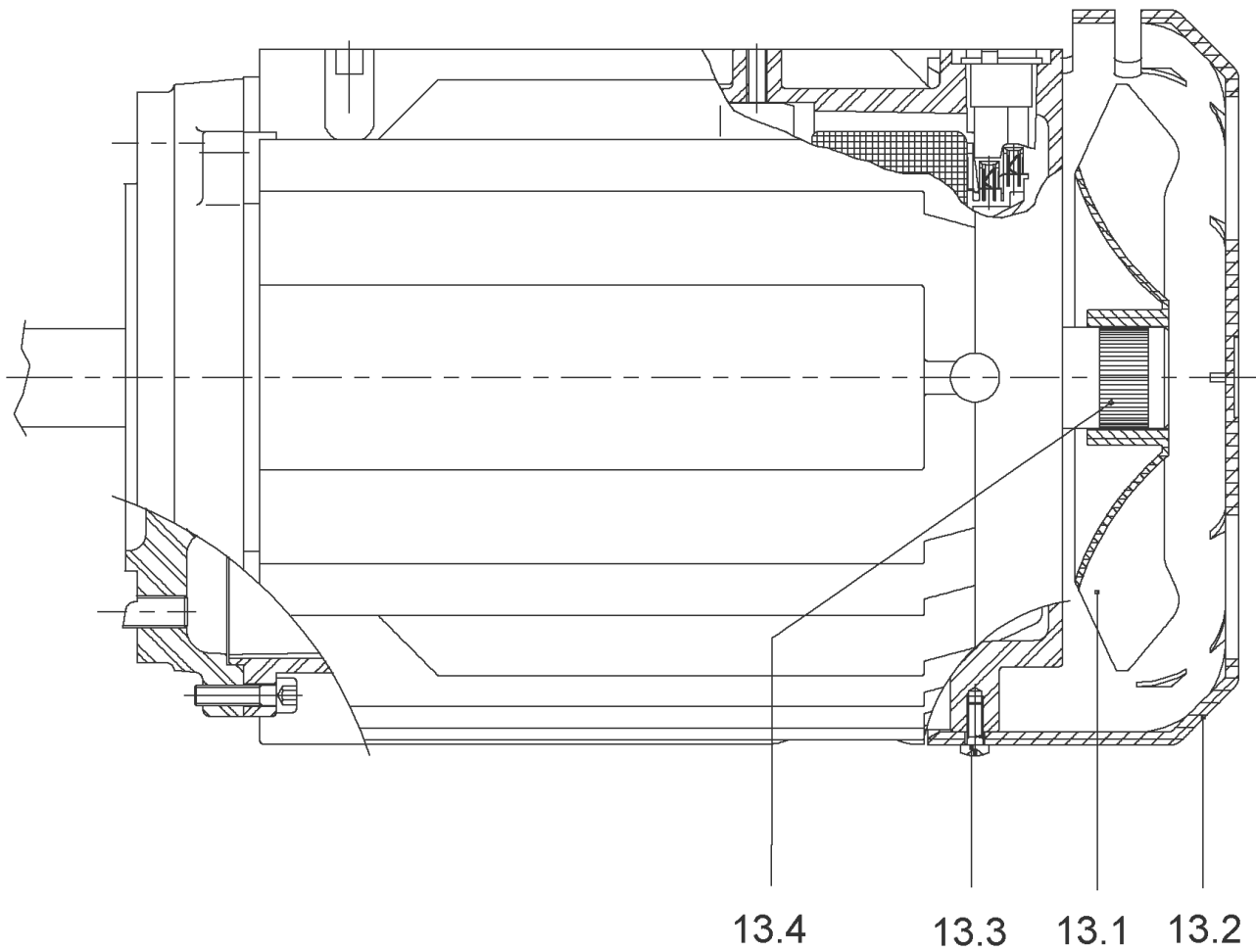


**MVIE206-1/25/E/3-2 (4040102)**

Item	Article no.	Description	Quantity
1	2086078	PUMP HOUSING MVI PN25 EPDM 1.4435 KIT	1
1.1		> PUMP HOUSING MVI D25 PN25 1.4435	1
1.2	4233952	> FLAT GASKET D.73 VP.	1
1.3	4176513	> O-RING FOR PUMP JACKET VP.	1
1.4	4234240	> PRIMING/DRAIN PLUG MVI6" 316L VP.	1
3.2	4177800	> O-RING EPDM PLUG HELIX VP.	1
3.3	4234242	> O-RING 9X2 VP.	1
2	4187925	BASEPLATE-VMI-1/2/4M3-VP.	1
3	4015431	MECHANICAL SEAL MVI2/4/8 PN25 120° KIT	1
1.3	4176513	> O-RING FOR PUMP JACKET VP.	1
3.1		> MECHANICAL SEAL RMG12/14-G606-U3BE3GG-BU	1
3.2	4177800	> O-RING EPDM PLUG HELIX VP.	1
3.3	4234242	> O-RING 9X2 VP.	1
4	4015429	SHAFT-FIXING MVI2 KIT	1
4.1		> SCREW M6X14 ISO4762 8.8 ZN	1
4.2		> WASHER D.24 L6U ZINK	1
4.3	2090148	> CIRCLIP D14 MVI/MHI 316L (2 PIECES) VP.	1
		>> STOP-RUSH-1/2-D14-VMI/HMI-316	2
4.4		> STOP COLLAR OF IMPELLER L=8.7-Ø14-316L	1
4.5		> WASHER D.16/13,8x3 1.4401	1
4.6		> STAINLESS-STEEL-WASHER-DE8	1
4.7		> SCREW M8X16 ISO4762 A4	1
5	2018377	HOUSING PIPE D.152X167 1.4301 KIT	1
1.3	4176513	> O-RING FOR PUMP JACKET VP.	1
5.1		> HOUSING-PIPE-D152-VMI206/406-304	1
6	2018361	STUD BOLT M12X293 KIT	1
6.1		> TIE BOLT M12-293x18x30-1.4057	1
6.2	2094647	> NUT M12 M12 ISO4032 VP.	1
6.3	2123557	> WASHER CS-12.4-24-1.6-NFE25 (4 PIECES)	1
7	2025382	MOTOR TL3/2200/2DM 65HZ V18 MVIE SERIE99	1
		SPARE PARTS MOTOR TL3/2200/2 3-400 65HZ	1
8	4190751	LANTERN-MOTOR-VMI-FT115-MACHINED VP.	1
9	4092424	COUPLING GUARD FT85/130 MVI KIT	1
		> COUPLING PROTECTOR FT85/130-1.4016	1

**MVIE206-1/25/E/3-2 (4040102)**

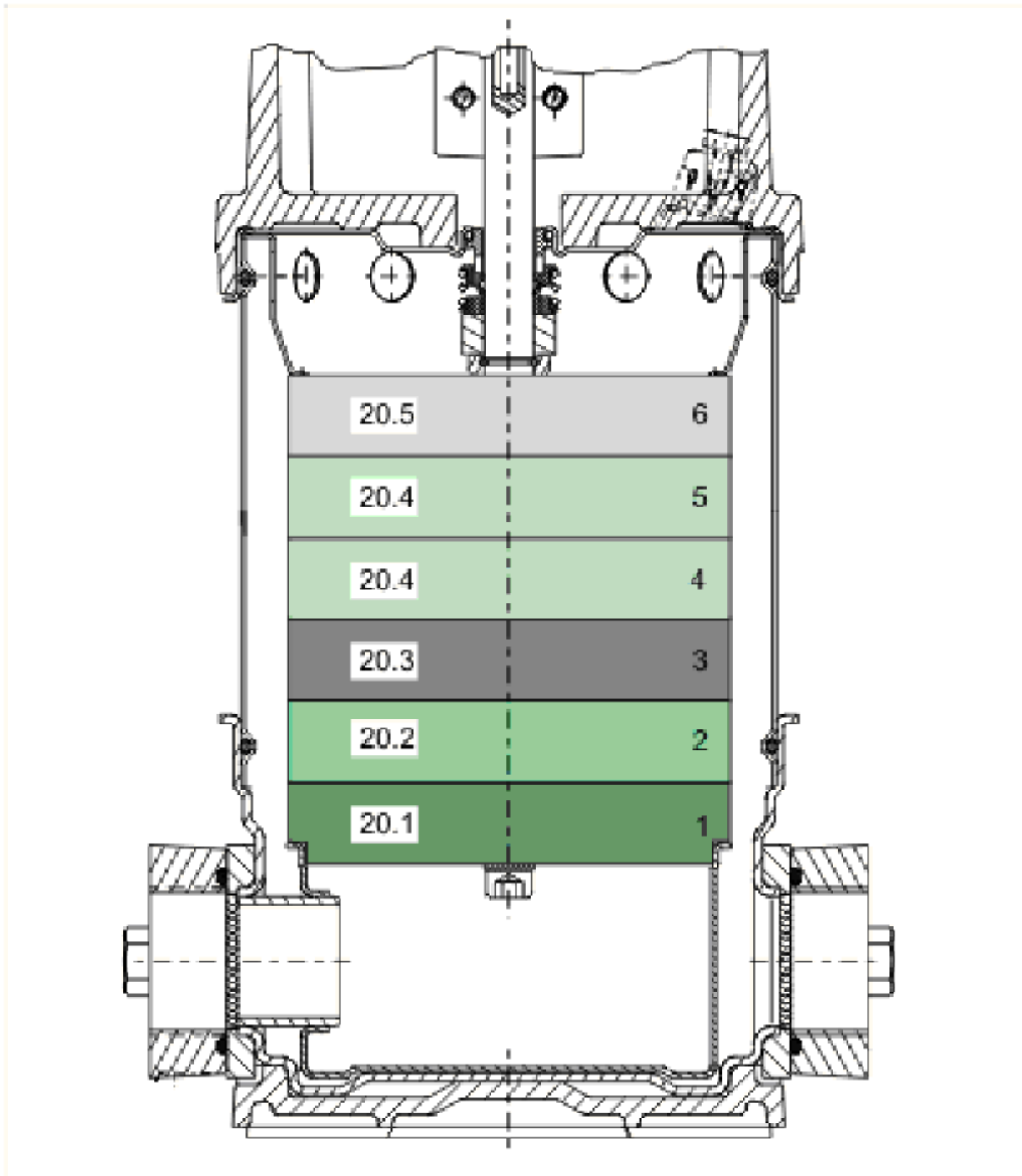
Item	Article no.	Description	Quantity
		> CLIP COUPLING-GUARD-RF	1
10	4217881	STAT.RING HOLDER-GM-D14-304 VP.	1
11	4095214	3PH COUPLING KIT MVI D14XD24	1
11.1		> COUPLING-VMI-Ø14xØ24-FT115-MACHINED	1
11.2	2131023	> BALL BEARING 6207/ZZ-C3(HT)VP.	1
11.3	4234254	> CIRCLIP-FOR-SHAFT-D35x1.5 VP.	1
11.4	4157726	> SCREW KIT M8X30 (4 PIECES)	1
11.5	4234251	> CIRCLIP-D72x2.5 VP.	1
11.6	4234246	> O-RING 72X3 VP.	1
		> NOME CONTACT WASHER 8x16x1,4 STEEL ZC	1
		> SCREW CHC-M6X14-8.8-ISO4762-GEOMET500A	1
		> WASHER D.24 L6U ZINK	1
12	4233131	PLUG-VMI-316L VP.	1
14	4233086	SHAFT-D14-L246.6-1.4301 VP.	1
19	4234236	UPPER STAGE RFK.MVI2/4 1.4301 VP.	1
20		SPARE PARTS HYDRAULICS MVI/MVIE 1.4301	1
22	63699	SCREW M12x50x30	1
24	74760312103	SCREW M8X25 ISO4762 8.8 ZN	1
25	2048856	SCREW M5X12 ISO7045 4.8-Z GB.ZN	1
26		MODULE MVIE206 MVIE/MHIE405/803 2,2>7/01	1
Note: no longer available / nicht mehr lieferbar / ne plus disponible			
27	2048855	SCREW M5X16 ISO7045 4.8-Z ZN LSN.	1



**SPARE PARTS MOTOR TL3/2200/2 3-400 65HZ**

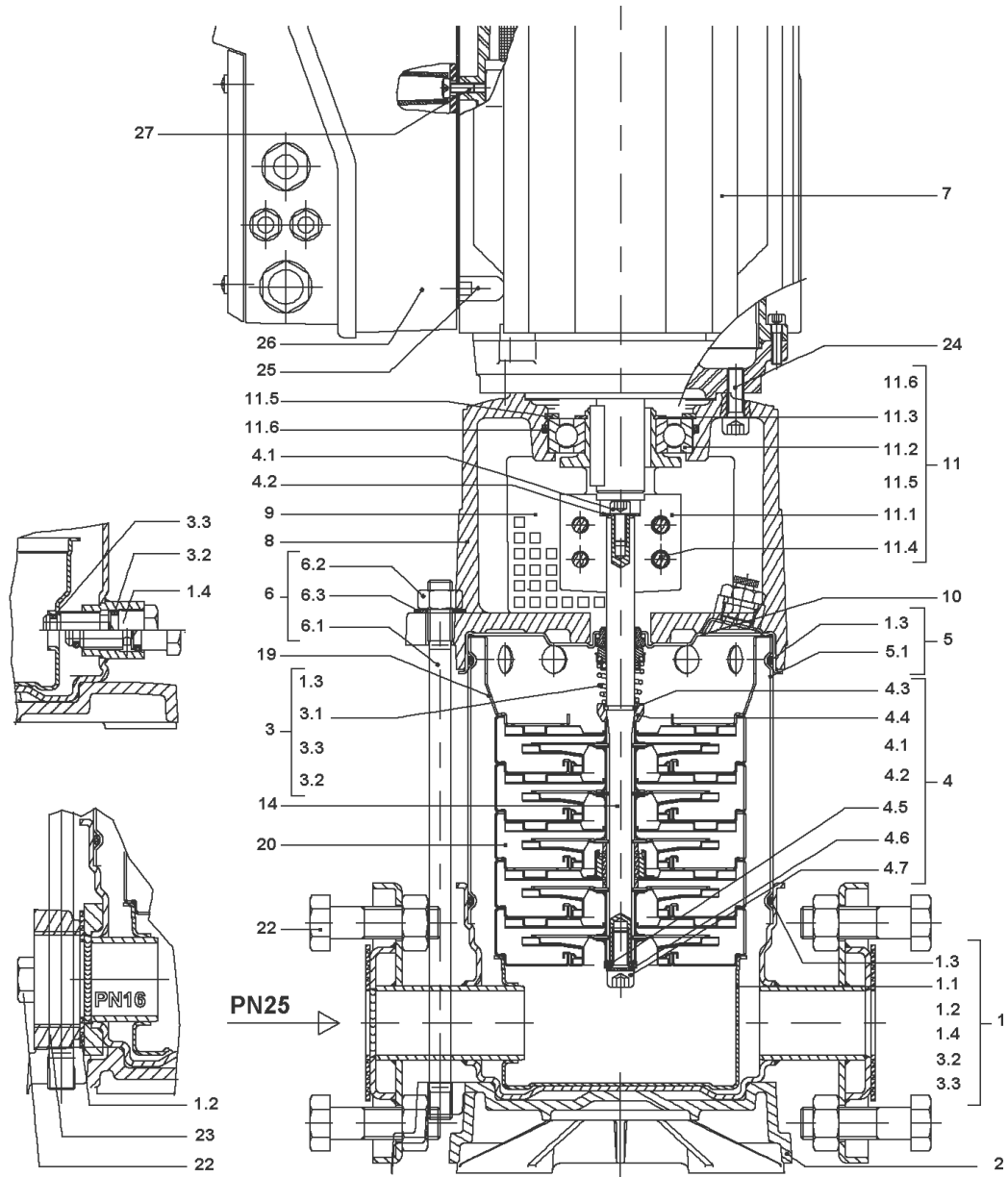
Item	Article no.	Description	Quantity
13.1	2047017	FAN WHEEL AF90 2POL.ATB VP.	1
Note: Please give the data from type plate of the motor			
13.2		FAN HOOD TL4/3N NEUTRAL	1
Note: no longer available / nicht mehr lieferbar / ne plus disponible			
Note: Please give the data from type plate of the motor			
13.3		SCREW M4X8 ISO7045 4.8-H ZN	1
Note: no longer available / nicht mehr lieferbar / ne plus disponible			
13.4	2047016	CORRUGATED SLEEVE RING BG90/100 ATB VP.	1
Note: Please give the data from type plate of the motor			





**SPARE PARTS HYDRAULICS MVI/MVIE 1.4301**

Item	Article no.	Description	Quantity
20.1	4015439	STAGE MHI202/5MVI204 KIT	1
		> IMPELLER MVI2 D.98x2 1.4301	1
		> STAGE HOUSING O.RFK MVI2/4 1.4301	1
		> SPACER IMPELLER MVI2/4 1.4435	1
20.2	4015440	STAGE MVI204-220 1.4301 KIT	1
		> IMPELLER MVI2 D.98x2 1.4301	1
		> SPACER IMPELLER MVI2/4 1.4435	1
		> SPACER SHAFT SLEEVE MVI2/4 1.4435	1
		> STAGE HOUSING RFK.MVI2/4 1.4301	1
20.3	4015437	STAGE MHI206,MVI203-20 1.4301 KIT	1
		> IMPELLER MVI2 D.98x2 1.4301	1
		> SPACER IMPELLER MVI2/4 1.4435	1
		> SPACER SHAFT SLEEVE MVI2/4 1.4435	1
		> STAGE-CASING-WITH-R/C+BEARING-2/4M3-304	1
		> SLEEVE-D14L13,8-VMI	1
20.4	4015441	STAGE MHI2,MVI205-14 1.4301 KIT	1
		> IMPELLER MVI2 D.98x2 1.4301	1
		> SPACER IMPELLER MVI2/4 1.4435	1
		> STAGE HOUSING RFK.MVI2/4 1.4301	1
20.5	4015438	STAGE MVI203-220 1.4301 KIT	1
		> IMPELLER MVI2 D.98x2 1.4301	1
		> SPACER IMPELLER MVI2/4 1.4435	1
		> WASHER D.24/14x1,5 1.4401	1
		> STAGE HOUSING RFK.MVI2/4 1.4301	1

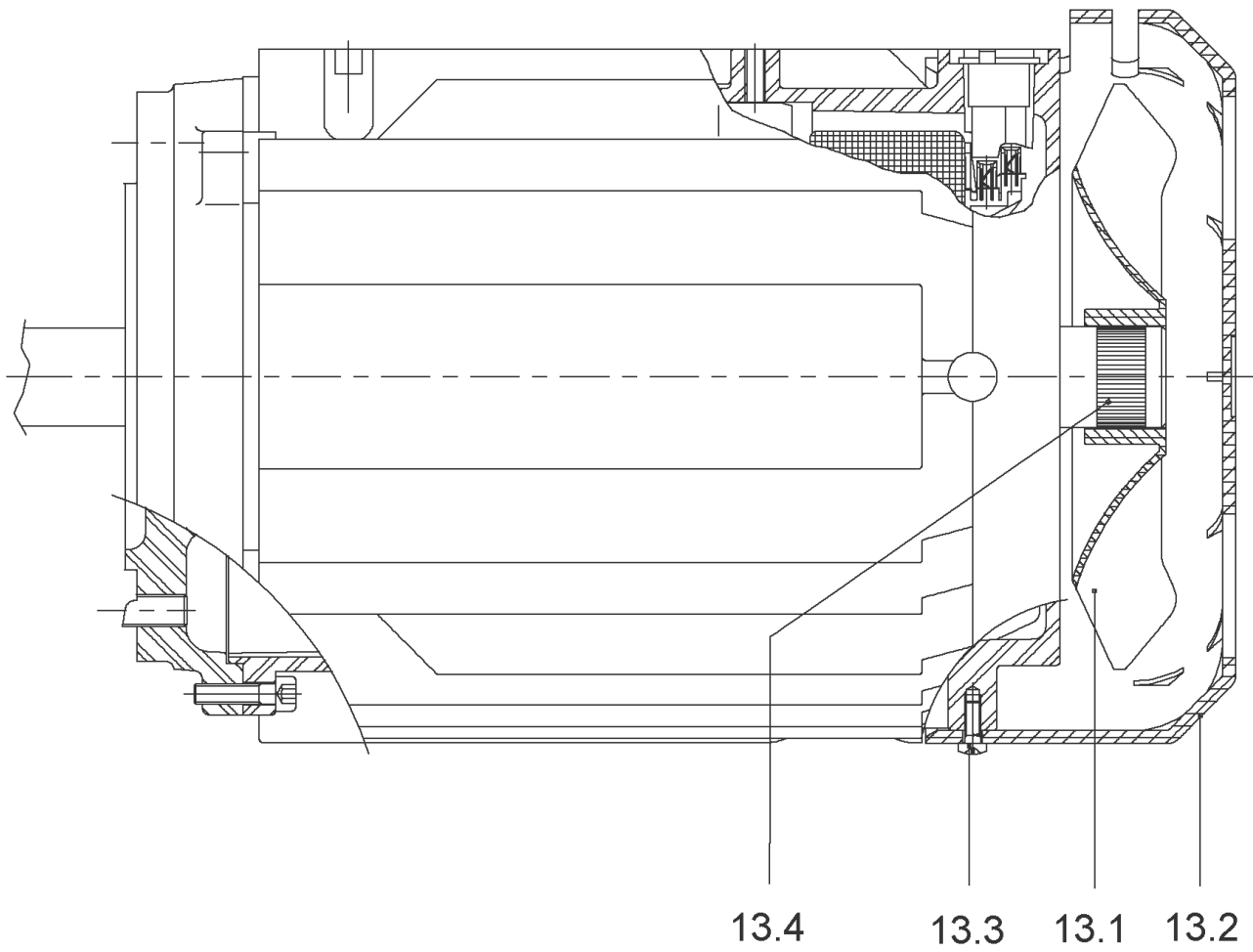


**MVIE206-2/25/V/3-2 (4040042)**

Item	Article no.	Description	Quantity
1	2018427	PUMP HOUSING MVI PN25 VITON 1.4435 KIT	1
1.1		> PUMP HOUSING MVI D25 PN25 1.4435	1
1.2	4233952	> FLAT GASKET D.73 VP.	1
1.3	4234237	> O-RING 139X3 VITON VP.	1
1.4	4234240	> PRIMING/DRAIN PLUG MVI6" 316L VP.	1
3.2	4234239	> O-RING 13X2 VITON VP.	1
3.3	4234238	> O-RING 9X2 VITON VP.	1
2	4187925	BASEPLATE-VMI-1/2/4M3-VP.	1
3	4027310	ASSEMBLY GRD.MVI2../4../8.. PN25 90° +VP	1
1.3	4234237	> O-RING 139X3 VITON VP.	1
3.1		> MECHANICAL SEAL RMG12/14-G606-U3BVGG-BUR	1
3.2	4234239	> O-RING 13X2 VITON VP.	1
3.3	4234238	> O-RING 9X2 VITON VP.	1
4	4015429	SHAFT-FIXING MVI2 KIT	1
4.1		> SCREW M6X14 ISO4762 8.8 ZN	1
4.2		> WASHER D.24 L6U ZINK	1
4.3	2090148	> CIRCLIP D14 MVI/MHI 316L (2 PIECES) VP.	1
		>> STOP-RUSH-1/2-D14-VMI/HMI-316	2
4.4		> STOP COLLAR OF IMPELLER L=8.7-Ø14-316L	1
4.5		> WASHER D.16/13,8x3 1.4401	1
4.6		> STAINLESS-STEEL-WASHER-DE8	1
4.7		> SCREW M8X16 ISO4762 A4	1
5	2018431	HOUSING PIPE D.152X167 1.4404 KIT	1
5.1		> HOUSING-PIPE-D152-VMI206/406-316L	1
1.3	4234237	> O-RING 139X3 VITON VP.	1
6	2018361	STUD BOLT M12X293 KIT	1
6.1		> TIE BOLT M12-293x18x30-1.4057	1
6.2	2094647	> NUT M12 M12 ISO4032 VP.	1
6.3	2123557	> WASHER CS-12.4-24-1.6-NFE25 (4 PIECES)	1
7	2025382	MOTOR TL3/2200/2DM 65HZ V18 MVIE SERIE99	1
		SPARE PARTS MOTOR TL3/2200/2 3-400 65HZ	1
8	4190751	LANTERN-MOTOR-VMI-FT115-MACHINED VP.	1
9	4092424	COUPLING GUARD FT85/130 MVI KIT	1
		> COUPLING PROTECTOR FT85/130-1.4016	1

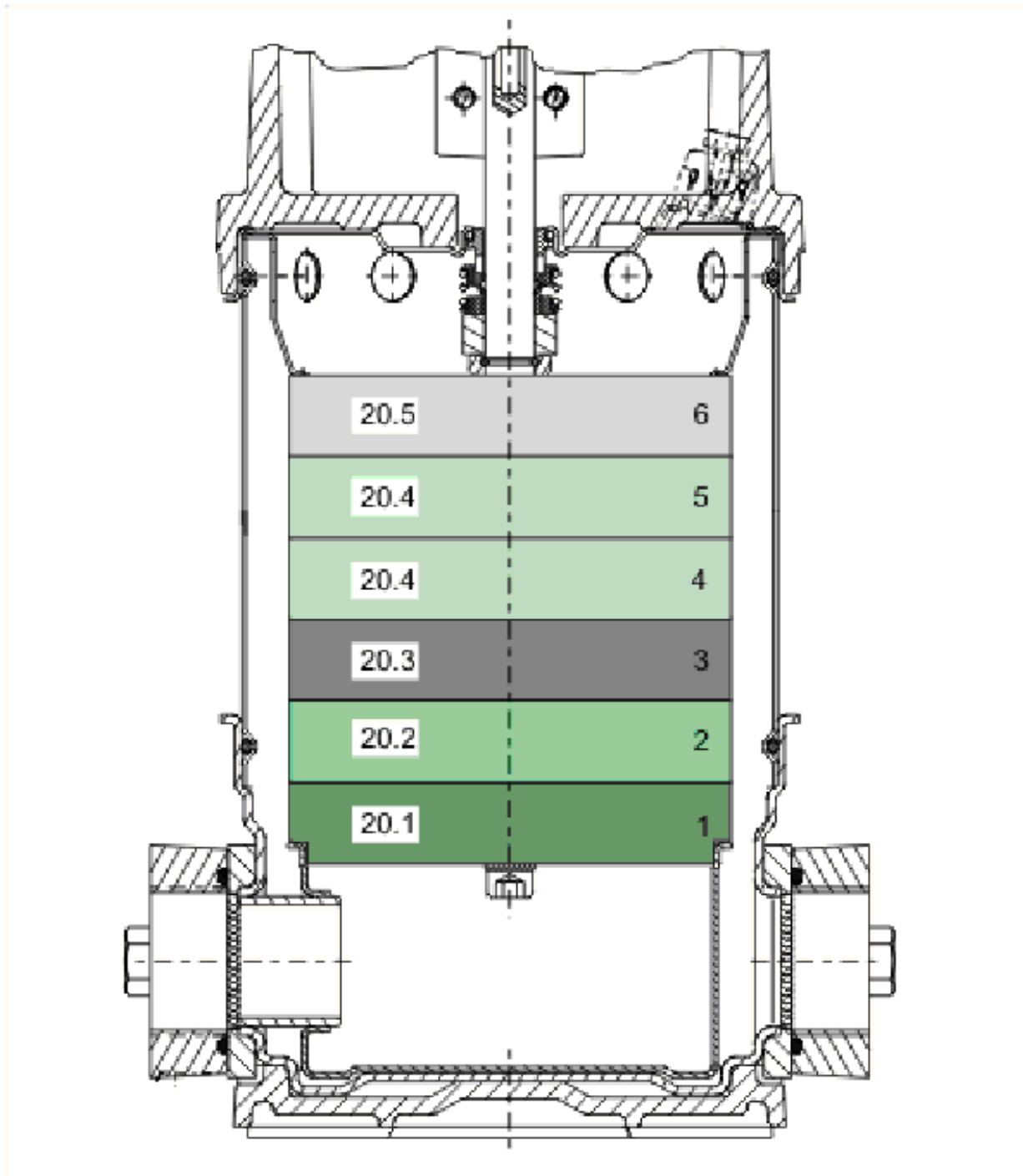
**MVIE206-2/25/V/3-2 (4040042)**

Item	Article no.	Description	Quantity
		> CLIP COUPLING-GUARD-RF	1
10	4217883	STAT.RING HOLDER MVI2/4/8 1.4435 VP.	1
11	4095214	3PH COUPLING KIT MVI D14XD24	1
11.1		> COUPLING-VMI-Ø14xØ24-FT115-MACHINED	1
11.2	2131023	> BALL BEARING 6207/ZZ-C3(HT)VP.	1
11.3	4234254	> CIRCLIP-FOR-SHAFT-D35x1.5 VP.	1
11.4	4157726	> SCREW KIT M8X30 (4 PIECES)	1
11.5	4234251	> CIRCLIP-D72x2.5 VP.	1
11.6	4234246	> O-RING 72X3 VP.	1
		> NOMEL CONTACT WASHER 8x16x1,4 STEEL ZC	1
		> SCREW CHC-M6X14-8.8-ISO4762-GEOMET500A	1
		> WASHER D.24 L6U ZINK	1
12	4233131	PLUG-VMI-316L VP.	1
14	4233135	SHAFT D.14X246 1.4404 VP.	1
19	4233921	UPPER STAGE RFK.MVI2/4M3 1.4435 VP.	1
20		SPARE PARTS HYDRAULICS MVI/MVIE 1.4404	1
22	63699	SCREW M12x50x30	1
24	74760312103	SCREW M8X25 ISO4762 8.8 ZN	1
25	2048856	SCREW M5X12 ISO7045 4.8-Z GB.ZN	1
26		MODULE MVIE206 MVIE/MHIE405/803 2,2>7/01	1
Note: no longer available / nicht mehr lieferbar / ne plus disponible			
27	2048855	SCREW M5X16 ISO7045 4.8-Z ZN LSN.	1



**SPARE PARTS MOTOR TL3/2200/2 3-400 65HZ**

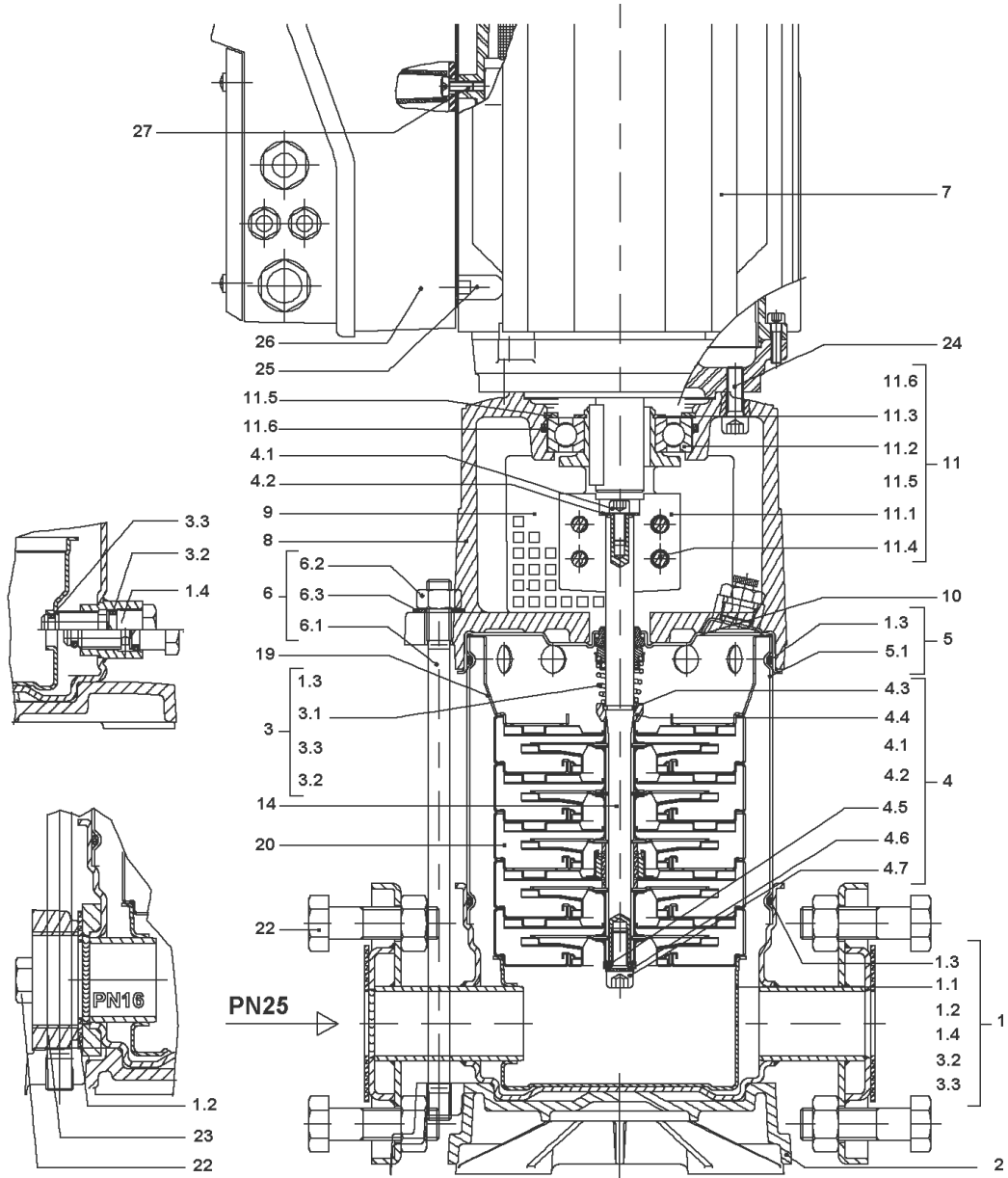
Item	Article no.	Description	Quantity
13.1	2047017	FAN WHEEL AF90 2POL.ATB VP.	1
Note: Please give the data from type plate of the motor			
13.2		FAN HOOD TL4/3N NEUTRAL	1
Note: no longer available / nicht mehr lieferbar / ne plus disponible			
Note: Please give the data from type plate of the motor			
13.3		SCREW M4X8 ISO7045 4.8-H ZN	1
Note: no longer available / nicht mehr lieferbar / ne plus disponible			
13.4	2047016	CORRUGATED SLEEVE RING BG90/100 ATB VP.	1
Note: Please give the data from type plate of the motor			





**SPARE PARTS HYDRAULICS MVI/MVIE 1.4404**

Item	Article no.	Description	Quantity
20.1	4026330	ASSEMBLY LR.STF.GH.MHI202-205MVI204-20 1	1
		> IMPELLER-VMI/HMI-SERIE.2-316L	1
		> STAGE CASING WITHOUT-R/G-2/4M3-316L	1
		> SPACER IMPELLER MVI2/4 1.4435	1
20.2	4026331	ASSEMBLY STF.GH./LAG.BU.RLF.MVI204-220 1	1
		> IMPELLER-VMI/HMI-SERIE.2-316L	1
		> SPACER IMPELLER MVI2/4 1.4435	1
		> SPACER SHAFT SLEEVE MVI2/4 1.4435	1
		> STAGE CASING-AV-C/R-2/4M3-316L	1
20.3	4026328	ASSEMBLY LR./LAG.BU.MHI206,MVI203-220 1.	1
		> IMPELLER-VMI/HMI-SERIE.2-316L	1
		> SPACER IMPELLER MVI2/4 1.4435	1
		> SPACER SHAFT SLEEVE MVI2/4 1.4435	1
		> STAGE CASING-AV-C/R-BEARING-2/4M3-L	1
		> SLEEVE-D14L13,8-VMI	1
20.4	4026333	ASSEMBLY LR.STF.GH.RFK.MHI2,MVI205-220 1	1
		> IMPELLER-VMI/HMI-SERIE.2-316L	1
		> SPACER IMPELLER MVI2/4 1.4435	1
		> STAGE CASING-AV-C/R-2/4M3-316L	1
20.5	4026329	ASSEMBLY STF.GH./LR.OHNE RLF MVI203-20 1	1
		> IMPELLER-VMI/HMI-SERIE.2-316L	1
		> SPACER IMPELLER MVI2/4 1.4435	1
		> WASHER D.24/14x1,5 1.4401	1
		> STAGE CASING-AV-C/R-2/4M3-316L	1

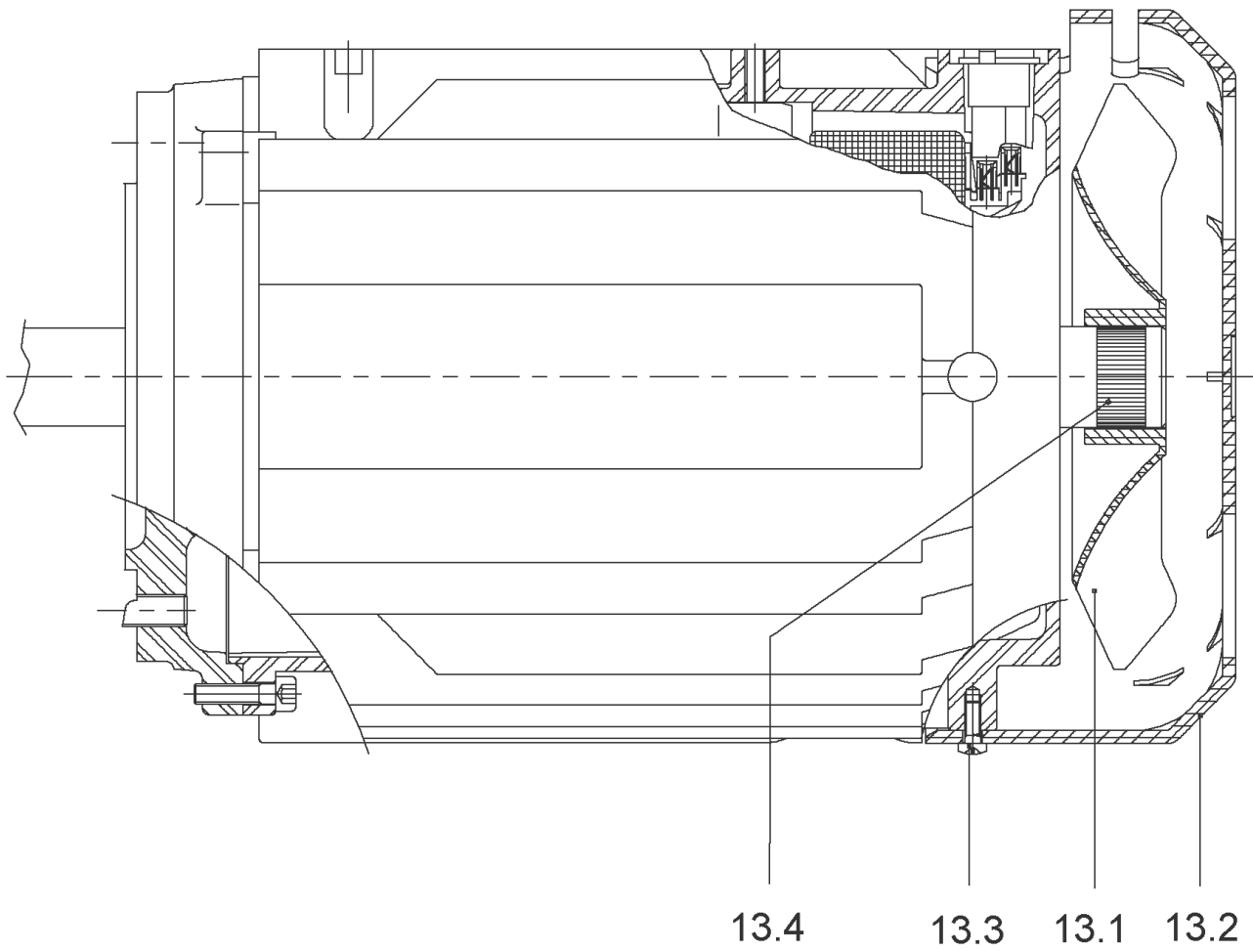


**MVIE206-2/P/V/3-2 (4040053)**

Item	Article no.	Description	Quantity
1	2114343	PUMP HOUSING MVI DN32 P 1.4404 KIT	1
1.1		> CASING-MVI-D32-PN25-D152-316L-VICTAULI	1
1.3	4234237	> O-RING 139X3 VITON VP.	1
1.4	4234240	> PRIMING/DRAIN PLUG MVI6" 316L VP.	1
3.2	4234239	> O-RING 13X2 VITON VP.	1
3.3	4234238	> O-RING 9X2 VITON VP.	1
2	4187925	BASEPLATE-VMI-1/2/4M3-VP.	1
3	4027310	ASSEMBLY GRD.MVI2../4../8.. PN25 90° +VP	1
1.3	4234237	> O-RING 139X3 VITON VP.	1
3.1		> MECHANICAL SEAL RMG12/14-G606-U3BVGG-BUR	1
3.2	4234239	> O-RING 13X2 VITON VP.	1
3.3	4234238	> O-RING 9X2 VITON VP.	1
4	4015429	SHAFT-FIXING MVI2 KIT	1
4.1		> SCREW M6X14 ISO4762 8.8 ZN	1
4.2		> WASHER D.24 L6U ZINK	1
4.3	2090148	> CIRCLIP D14 MVI/MHI 316L (2 PIECES) VP.	1
		>> STOP-RUSH-1/2-D14-VMI/HMI-316	2
4.4		> STOP COLLAR OF IMPELLER L=8.7-Ø14-316L	1
4.5		> WASHER D.16/13,8x3 1.4401	1
4.6		> STAINLESS-STEEL-WASHER-DE8	1
4.7		> SCREW M8X16 ISO4762 A4	1
5	2018431	HOUSING PIPE D.152X167 1.4404 KIT	1
5.1		> HOUSING-PIPE-D152-VMI206/406-316L	1
1.3	4234237	> O-RING 139X3 VITON VP.	1
6	2018361	STUD BOLT M12X293 KIT	1
6.1		> TIE BOLT M12-293x18x30-1.4057	1
6.2	2094647	> NUT M12 M12 ISO4032 VP.	1
6.3	2123557	> WASHER CS-12.4-24-1.6-NFE25 (4 PIECES)	1
7	2025382	MOTOR TL3/2200/2DM 65HZ V18 MVIE SERIE99	1
		SPARE PARTS MOTOR TL3/2200/2 3-400 65HZ	1
8	4190751	LANTERN-MOTOR-VMI-FT115-MACHINED VP.	1
9	4092424	COUPLING GUARD FT85/130 MVI KIT	1
		> COUPLING PROTECTOR FT85/130-1.4016	1
		> CLIP COUPLING-GUARD-RF	1

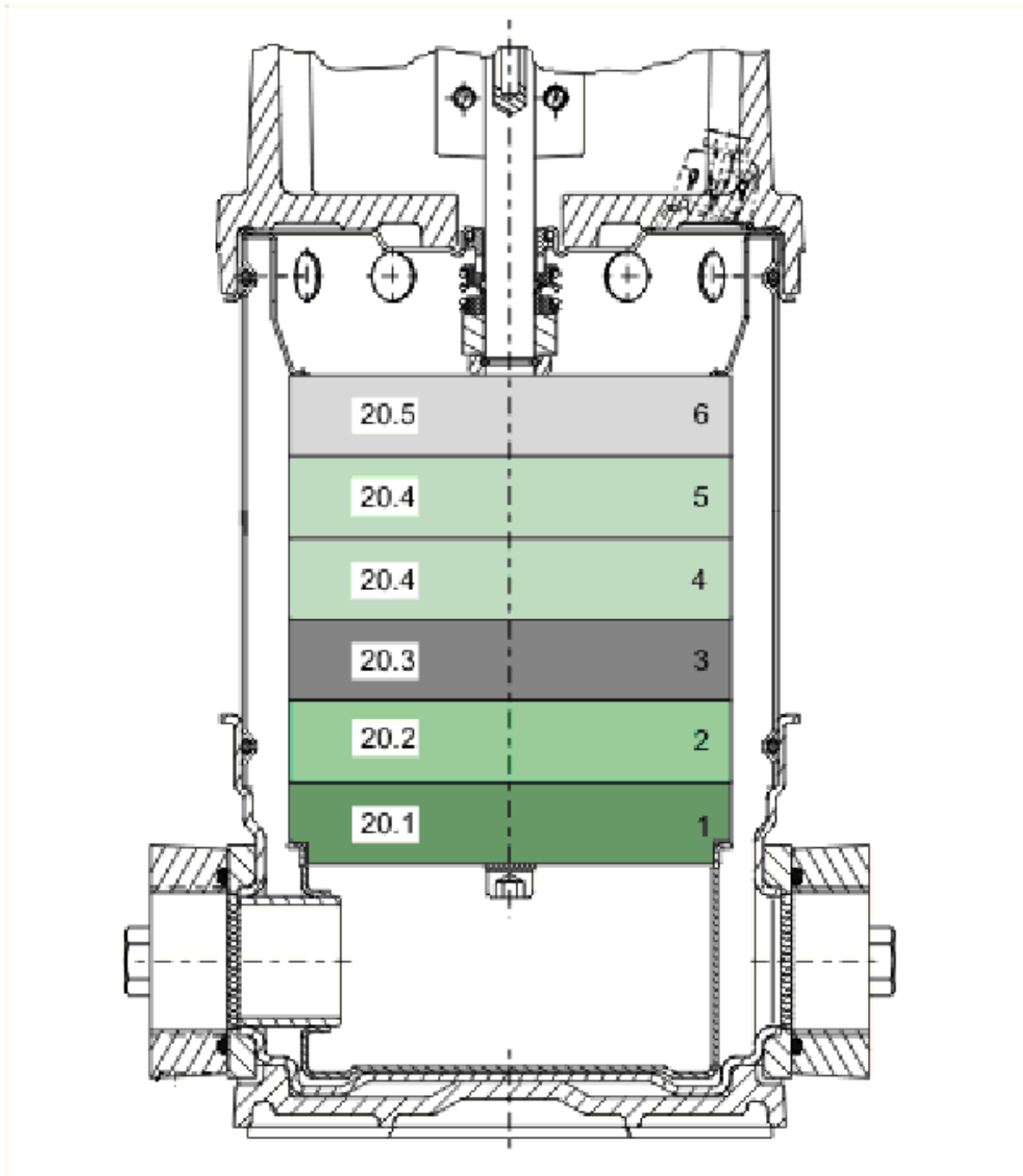
**MVIE206-2/P/V/3-2 (4040053)**

Item	Article no.	Description	Quantity
10	4217883	STAT.RING HOLDER MVI2/4/8 1.4435 VP.	1
11	4095214	3PH COUPLING KIT MVI D14XD24	1
11.1		> COUPLING-VMI-Ø14xØ24-FT115-MACHINED	1
11.2	2131023	> BALL BEARING 6207/ZZ-C3(HT)VP.	1
11.3	4234254	> CIRCLIP-FOR-SHAFT-D35x1.5 VP.	1
11.4	4157726	> SCREW KIT M8X30 (4 PIECES)	1
11.5	4234251	> CIRCLIP-D72x2.5 VP.	1
11.6	4234246	> O-RING 72X3 VP.	1
		> NOMEL CONTACT WASHER 8x16x1,4 STEEL ZC	1
		> SCREW CHC-M6X14-8.8-ISO4762-GEOMET500A	1
		> WASHER D.24 L6U ZINK	1
12	4233131	PLUG-VMI-316L VP.	1
14	4233135	SHAFT D.14X246 1.4404 VP.	1
19	4233921	UPPER STAGE RFK.MVI2/4M3 1.4435 VP.	1
20		SPARE PARTS HYDRAULICS MVI/MVIE 1.4404	1
22	63699	SCREW M12x50x30	1
23	2132561	OVAL FLANGE G1" LK75 VP.	1
24	74760312103	SCREW M8X25 ISO4762 8.8 ZN	1
25	2048856	SCREW M5X12 ISO7045 4.8-Z GB.ZN	1
26		MODULE MVIE206 MVIE/MHIE405/803 2,2>7/01	1
Note: no longer available / nicht mehr lieferbar / ne plus disponible			
27	2048855	SCREW M5X16 ISO7045 4.8-Z ZN LSN.	1



**SPARE PARTS MOTOR TL3/2200/2 3-400 65HZ**

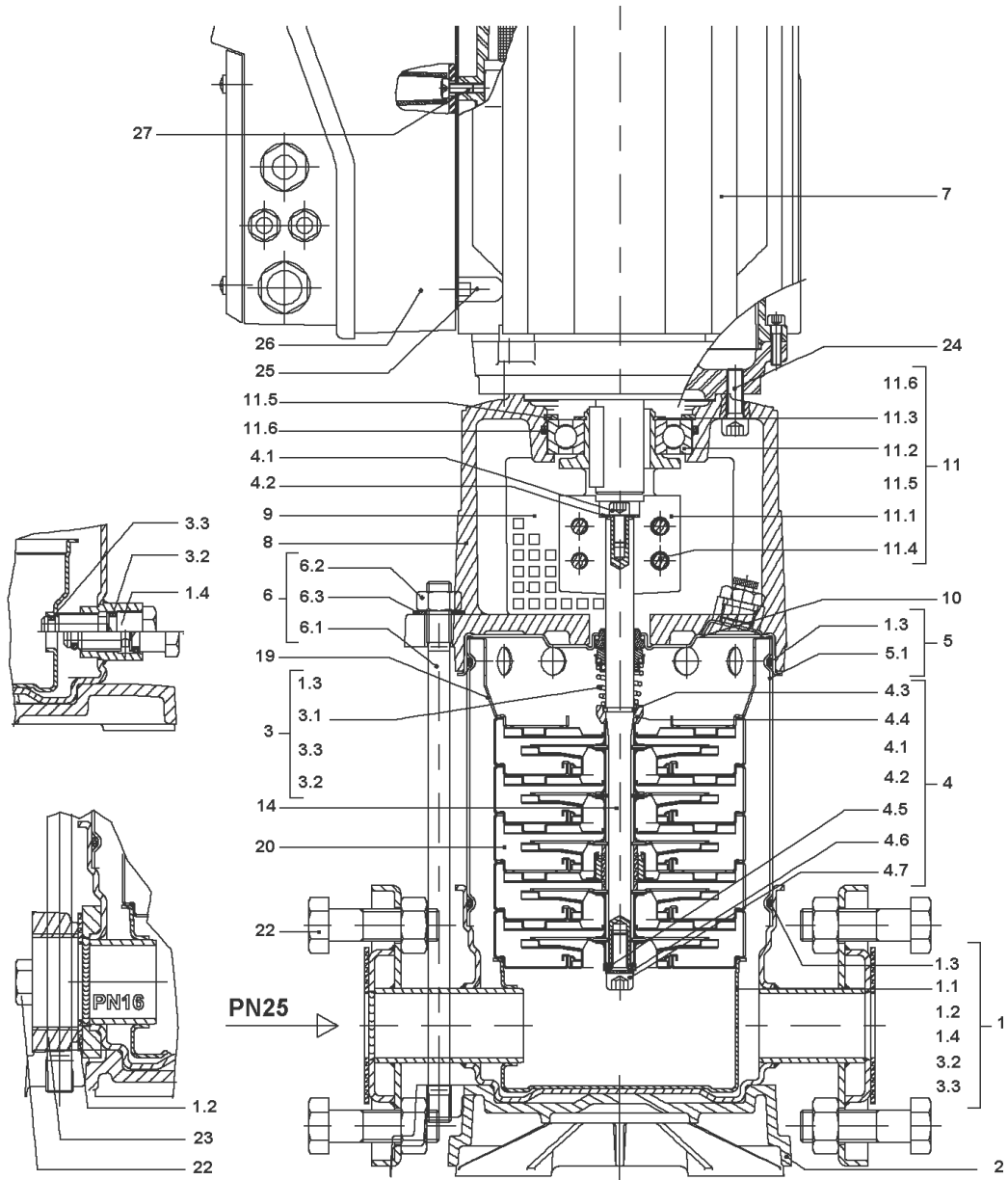
Item	Article no.	Description	Quantity
13.1	2047017	FAN WHEEL AF90 2POL.ATB VP.	1
Note: Please give the data from type plate of the motor			
13.2		FAN HOOD TL4/3N NEUTRAL	1
Note: no longer available / nicht mehr lieferbar / ne plus disponible			
Note: Please give the data from type plate of the motor			
13.3		SCREW M4X8 ISO7045 4.8-H ZN	1
Note: no longer available / nicht mehr lieferbar / ne plus disponible			
13.4	2047016	CORRUGATED SLEEVE RING BG90/100 ATB VP.	1
Note: Please give the data from type plate of the motor			



**SPARE PARTS HYDRAULICS MVI/MVIE 1.4404**

Item	Article no.	Description	Quantity
20.1	4026330	ASSEMBLY LR.STF.GH.MHI202-205MVI204-20 1	1
		> IMPELLER-VMI/HMI-SERIE.2-316L	1
		> STAGE CASING WITHOUT-R/G-2/4M3-316L	1
		> SPACER IMPELLER MVI2/4 1.4435	1
20.2	4026331	ASSEMBLY STF.GH./LAG.BU.RLF.MVI204-220 1	1
		> IMPELLER-VMI/HMI-SERIE.2-316L	1
		> SPACER IMPELLER MVI2/4 1.4435	1
		> SPACER SHAFT SLEEVE MVI2/4 1.4435	1
		> STAGE CASING-AV-C/R-2/4M3-316L	1
20.3	4026328	ASSEMBLY LR./LAG.BU.MHI206,MVI203-220 1.	1
		> IMPELLER-VMI/HMI-SERIE.2-316L	1
		> SPACER IMPELLER MVI2/4 1.4435	1
		> SPACER SHAFT SLEEVE MVI2/4 1.4435	1
		> STAGE CASING-AV-C/R-BEARING-2/4M3-L	1
		> SLEEVE-D14L13,8-VMI	1
20.4	4026333	ASSEMBLY LR.STF.GH.RFK.MHI2,MVI205-220 1	1
		> IMPELLER-VMI/HMI-SERIE.2-316L	1
		> SPACER IMPELLER MVI2/4 1.4435	1
		> STAGE CASING-AV-C/R-2/4M3-316L	1
20.5	4026329	ASSEMBLY STF.GH./LR.OHNE RLF MVI203-20 1	1
		> IMPELLER-VMI/HMI-SERIE.2-316L	1
		> SPACER IMPELLER MVI2/4 1.4435	1
		> WASHER D.24/14x1,5 1.4401	1
		> STAGE CASING-AV-C/R-2/4M3-316L	1





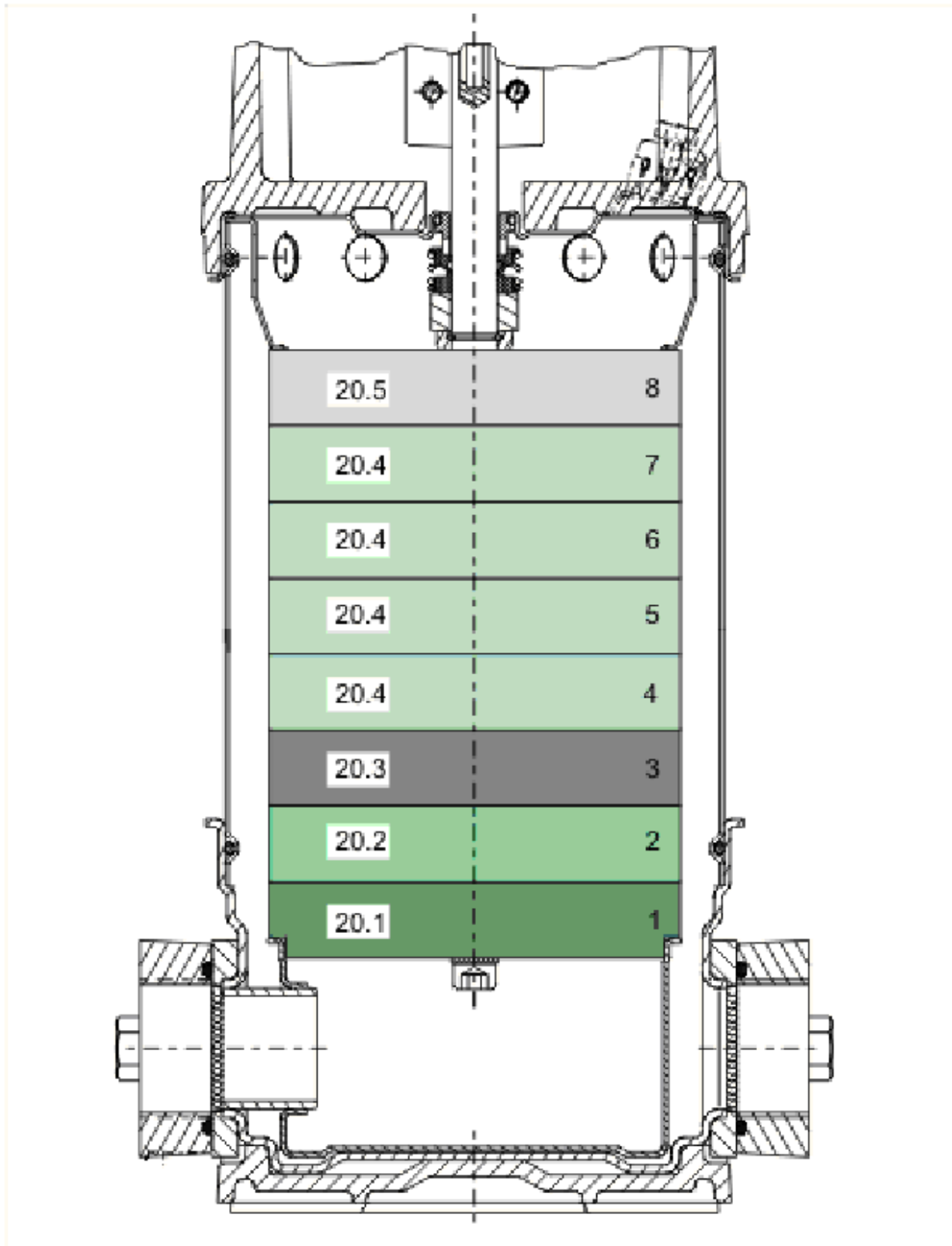
**MVIE208-1/16/E/3-2-2G (4077521)**

Item	Article no.	Description	Quantity
1	2023917	PUMP HOUSING MVI/MVIS DN32PN16 1.4301KIT	1
1.1		> CASING-MU-I-D32-PN16-D152-304	1
1.2	4191618	> O-RING ID.44,05x3,53 EPDM VP.	1
Note: FROM / AB / À PARTIR DE: 07/97			
1.3	4176513	> O-RING FOR PUMP JACKET VP.	1
1.4	4234235	> PRIMING/DRAIN PLUG MVI6" 304 VP.	1
3.2	4177800	> O-RING EPDM PLUG HELIX VP.	1
3.3	4234242	> O-RING 9X2 VP.	1
2	2127420	BASE PLATE 212X157 PN16 VP.	1
3	4027301	MECHANICAL SEAL MVI2/4/8/16-6" EP120°KIT	1
1.3	4176513	> O-RING FOR PUMP JACKET VP.	1
3.1		> MECHANICAL SEAL MG12/14-G606-Q1BE3GG-BU.	1
3.2	4177800	> O-RING EPDM PLUG HELIX VP.	1
3.3	4234242	> O-RING 9X2 VP.	1
4	4015429	SHAFT-FIXING MVI2 KIT	1
4.1		> SCREW M6X14 ISO4762 8.8 ZN	1
4.2		> WASHER D.24 L6U ZINK	1
4.3	2090148	> CIRCLIP D14 MVI/MHI 316L (2 PIECES) VP.	1
		>> STOP-RUSH-1/2-D14-VMI/HMI-316	2
4.4		> STOP COLLAR OF IMPELLER L=8.7-Ø14-316L	1
4.5		> WASHER D.16/13,8x3 1.4401	1
4.6		> STAINLESS-STEEL-WASHER-DE8	1
4.7		> SCREW M8X16 ISO4762 A4	1
5	2018381	HOUSING PIPE D.152X215 1.4301 KIT	1
5.1		> HOUSING-PIPE-D152-VMI208/408-1.4301	1
1.3	4176513	> O-RING FOR PUMP JACKET VP.	1
6	2018363	STUD BOLT M12X341 KIT	1
6.1		> TIE-ROD-M12-341x18x30 CLASS8.8 ZN+FINIG	1
6.2	2094647	> NUT M12 M12 ISO4032 VP.	1
6.3	2123557	> WASHER CS-12.4-24-1.6-NFE25 (4 PIECES)	1
7		M2,2-2T638P55V18-90F11-SU-N24-ADAPT	1
Note: no longer available/nicht mehrlieferbar/n'est plus disponible			
8	4190751	LANTERN-MOTOR-VMI-FT115-MACHINED VP.	1
9	4092424	COUPLING GUARD FT85/130 MVI KIT	1

## MVIE208-1/16/E/3-2-2G (4077521)

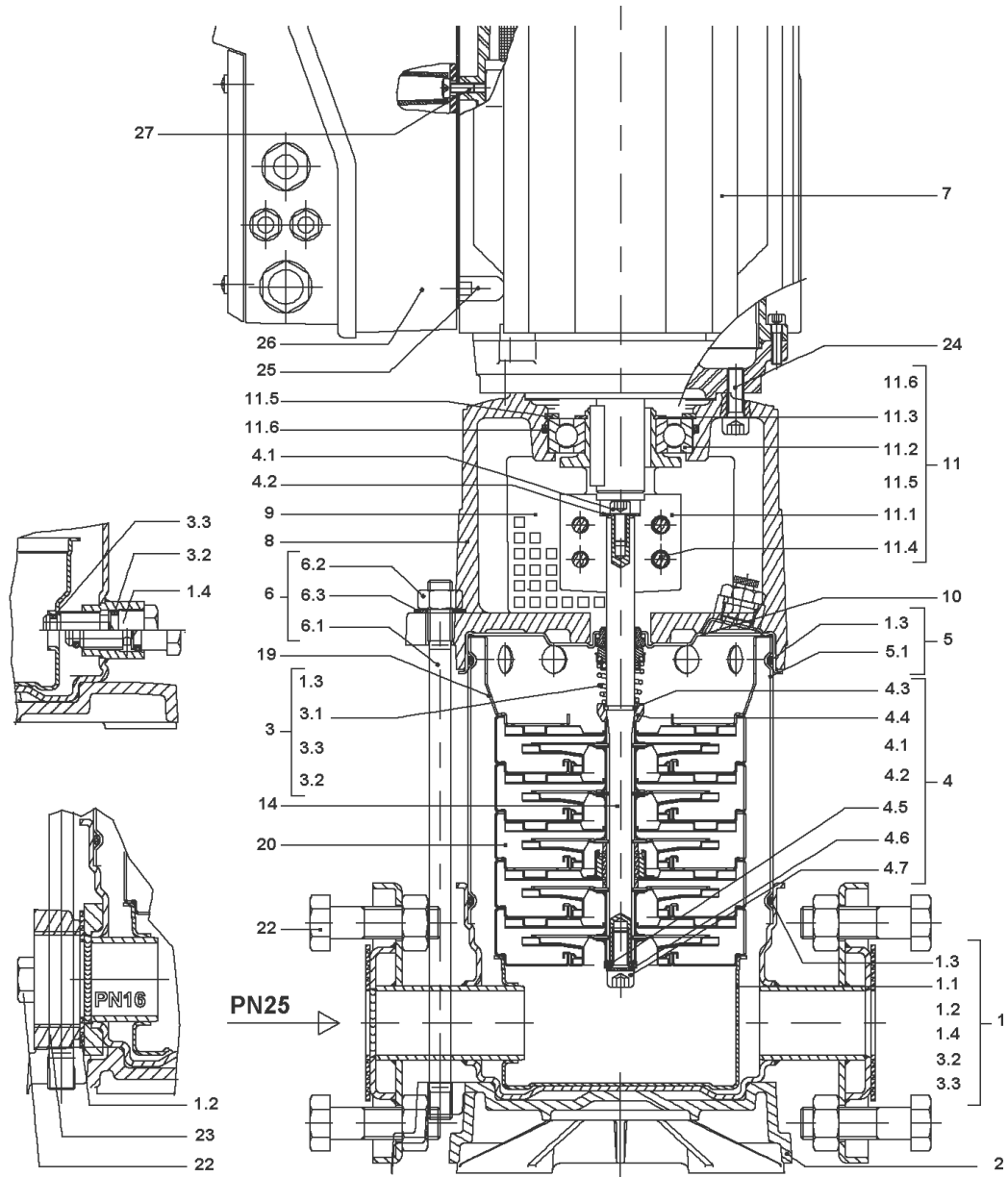
Item	Article no.	Description	Quantity
		> COUPLING PROTECTOR FT85/130-1.4016	1
		> CLIP COUPLING-GUARD-RF	1
10	4217881	STAT.RING HOLDER-GM-D14-304 VP.	1
11	4095214	3PH COUPLING KIT MVI D14XD24	1
11.1		> COUPLING-VMI-Ø14xØ24-FT115-MACHINED	1
11.2	2131023	> BALL BEARING 6207/ZZ-C3(HT)VP.	1
11.3	4234254	> CIRCLIP-FOR-SHAFT-D35x1.5 VP.	1
11.4	4157726	> SCREW KIT M8X30 (4 PIECES)	1
11.5	4234251	> CIRCLIP-D72x2.5 VP.	1
11.6	4234246	> O-RING 72X3 VP.	1
		> NOME CONTACT WASHER 8x16x1,4 STEEL ZC	1
		> SCREW CHC-M6X14-8.8-ISO4762-GEOMET500A	1
		> WASHER D.24 L6U ZINK	1
12	4233131	PLUG-VMI-316L VP.	1
14	4233904	SHAFT D.14X294 1.4057 VP.	1
19	4234236	UPPER STAGE RFK.MVI2/4 1.4301 VP.	1
20		SPARE PARTS HYDRAULICS MVI/MVIE 1.4301	1
22	74750611106	SCREW M10X30 ISO4014 6.8 ZN	1
23	2132561	OVAL FLANGE G1" LK75 VP.	1
24	74760212103	SCREW M6x16 ISO4762 12.9 DACROMET	1
26		MODULE MVIE/MHIE-2,2KW IE1	1

Note: no longer available/nicht mehr lieferbar/n'est plus disponible



**SPARE PARTS HYDRAULICS MVI/MVIE 1.4301**

Item	Article no.	Description	Quantity
20.1	4015439	STAGE MHI202/5MVI204 KIT	1
		> IMPELLER MVI2 D.98x2 1.4301	1
		> STAGE HOUSING O.RFK MVI2/4 1.4301	1
		> SPACER IMPELLER MVI2/4 1.4435	1
20.2	4015440	STAGE MVI204-220 1.4301 KIT	1
		> IMPELLER MVI2 D.98x2 1.4301	1
		> SPACER IMPELLER MVI2/4 1.4435	1
		> SPACER SHAFT SLEEVE MVI2/4 1.4435	1
		> STAGE HOUSING RFK.MVI2/4 1.4301	1
20.3	4015437	STAGE MHI206,MVI203-20 1.4301 KIT	1
		> IMPELLER MVI2 D.98x2 1.4301	1
		> SPACER IMPELLER MVI2/4 1.4435	1
		> SPACER SHAFT SLEEVE MVI2/4 1.4435	1
		> STAGE-CASING-WITH-R/C+BEARING-2/4M3-304	1
		> SLEEVE-D14L13,8-VMI	1
20.4	4015441	STAGE MHI2,MVI205-14 1.4301 KIT	1
		> IMPELLER MVI2 D.98x2 1.4301	1
		> SPACER IMPELLER MVI2/4 1.4435	1
		> STAGE HOUSING RFK.MVI2/4 1.4301	1
20.5	4015438	STAGE MVI203-220 1.4301 KIT	1
		> IMPELLER MVI2 D.98x2 1.4301	1
		> SPACER IMPELLER MVI2/4 1.4435	1
		> WASHER D.24/14x1,5 1.4401	1
		> STAGE HOUSING RFK.MVI2/4 1.4301	1



**MVIE208-1/25/E/3-2-2G (4077530)**

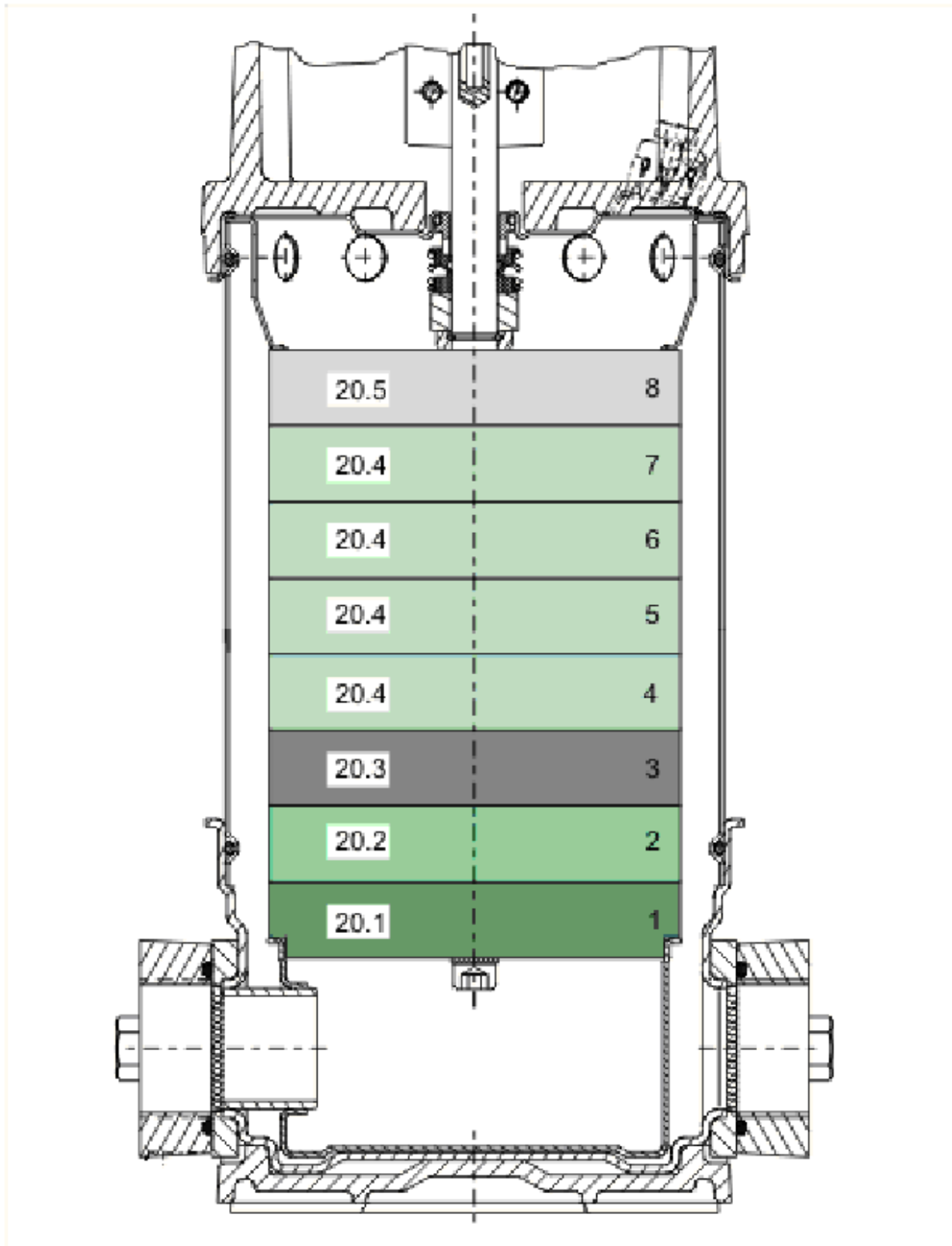
Item	Article no.	Description	Quantity
1	2086078	PUMP HOUSING MVI PN25 EPDM 1.4435 KIT	1
1.1		> PUMP HOUSING MVI D25 PN25 1.4435	1
1.2	4233952	> FLAT GASKET D.73 VP.	1
1.3	4176513	> O-RING FOR PUMP JACKET VP.	1
1.4	4234240	> PRIMING/DRAIN PLUG MVI6" 316L VP.	1
3.2	4177800	> O-RING EPDM PLUG HELIX VP.	1
3.3	4234242	> O-RING 9X2 VP.	1
2	4187925	BASEPLATE-VMI-1/2/4M3-VP.	1
3	4015431	MECHANICAL SEAL MVI2/4/8 PN25 120° KIT	1
1.3	4176513	> O-RING FOR PUMP JACKET VP.	1
3.1		> MECHANICAL SEAL RMG12/14-G606-U3BE3GG-BU	1
3.2	4177800	> O-RING EPDM PLUG HELIX VP.	1
3.3	4234242	> O-RING 9X2 VP.	1
4	4015429	SHAFT-FIXING MVI2 KIT	1
4.1		> SCREW M6X14 ISO4762 8.8 ZN	1
4.2		> WASHER D.24 L6U ZINK	1
4.3	2090148	> CIRCLIP D14 MVI/MHI 316L (2 PIECES) VP.	1
		>> STOP-RUSH-1/2-D14-VMI/HMI-316	2
4.4		> STOP COLLAR OF IMPELLER L=8.7-Ø14-316L	1
4.5		> WASHER D.16/13,8x3 1.4401	1
4.6		> STAINLESS-STEEL-WASHER-DE8	1
4.7		> SCREW M8X16 ISO4762 A4	1
5	2018381	HOUSING PIPE D.152X215 1.4301 KIT	1
5.1		> HOUSING-PIPE-D152-VMI208/408-1.4301	1
1.3	4176513	> O-RING FOR PUMP JACKET VP.	1
6	2018363	STUD BOLT M12X341 KIT	1
6.1		> TIE-ROD-M12-341x18x30 CLASS8.8 ZN+FINIG	1
6.2	2094647	> NUT M12 M12 ISO4032 VP.	1
6.3	2123557	> WASHER CS-12.4-24-1.6-NFE25 (4 PIECES)	1
7		M2,2-2T638P55V18-90F11-SU-N24-ADAPT	1
Note: no longer available/nicht mehr lieferbar/n'est plus disponible			
8	4190751	LANTERN-MOTOR-VMI-FT115-MACHINED VP.	1
9	4092424	COUPLING GUARD FT85/130 MVI KIT	1
		> COUPLING PROTECTOR FT85/130-1.4016	1

**MVIE208-1/25/E/3-2-2G (4077530)**

Item	Article no.	Description	Quantity
		> CLIP COUPLING-GUARD-RF	1
10	4217881	STAT.RING HOLDER-GM-D14-304 VP.	1
11	4095214	3PH COUPLING KIT MVI D14XD24	1
11.1		> COUPLING-VMI-Ø14xØ24-FT115-MACHINED	1
11.2	2131023	> BALL BEARING 6207/ZZ-C3(HT)VP.	1
11.3	4234254	> CIRCLIP-FOR-SHAFT-D35x1.5 VP.	1
11.4	4157726	> SCREW KIT M8X30 (4 PIECES)	1
11.5	4234251	> CIRCLIP-D72x2.5 VP.	1
11.6	4234246	> O-RING 72X3 VP.	1
		> NOMEL CONTACT WASHER 8x16x1,4 STEEL ZC	1
		> SCREW CHC-M6X14-8.8-ISO4762-GEOMET500A	1
		> WASHER D.24 L6U ZINK	1
12	4233131	PLUG-VMI-316L VP.	1
14	4233904	SHAFT D.14X294 1.4057 VP.	1
19	4234236	UPPER STAGE RFK.MVI2/4 1.4301 VP.	1
20		SPARE PARTS HYDRAULICS MVI/MVIE 1.4301	1
22	61476	SCREW M16X55X38	1
24	74760212103	SCREW M6x16 ISO4762 12.9 DACROMET	1
26		MODULE MVIE/MHIE-2,2KW IE1	1

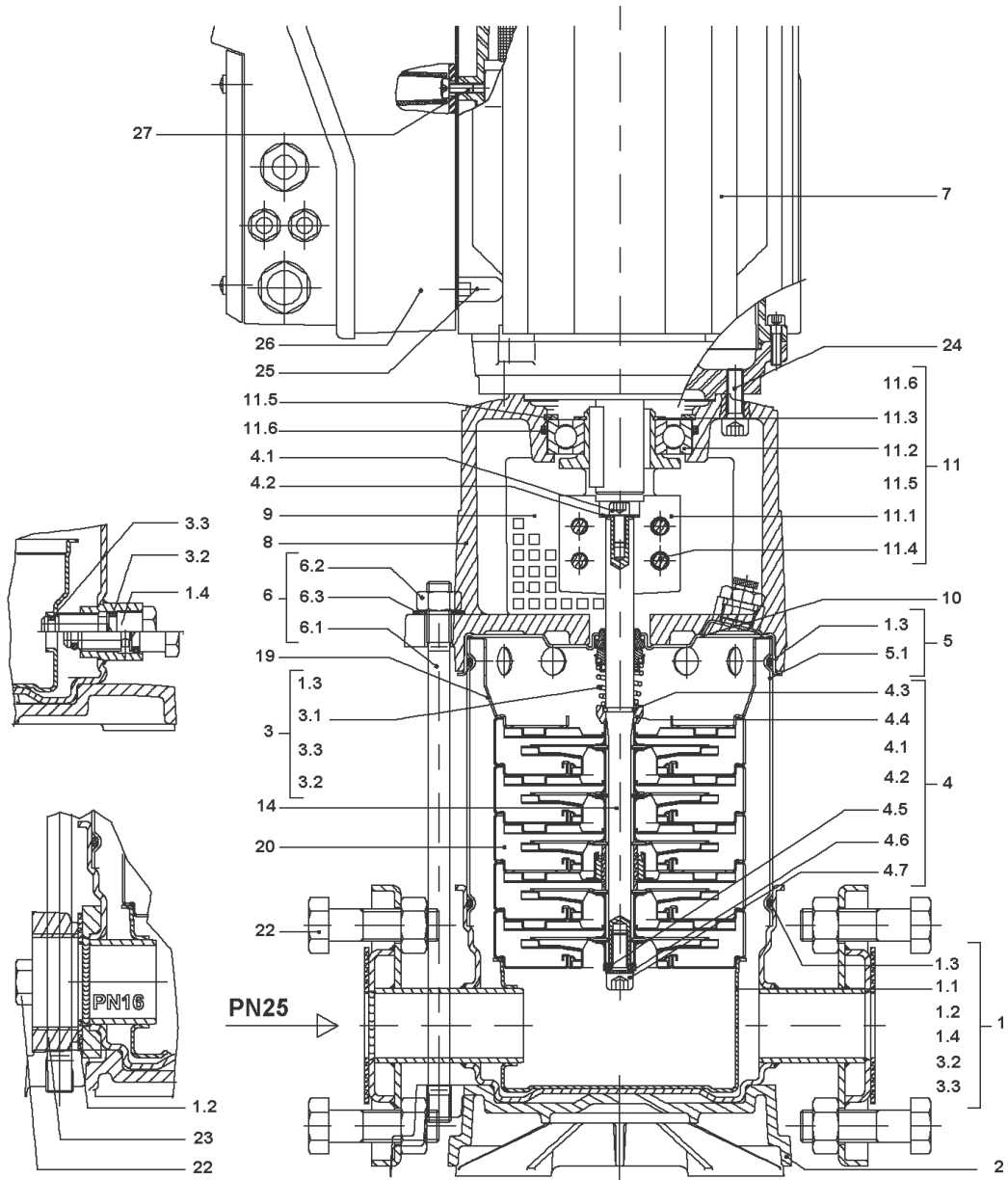
Note: no longer available/nicht mehr lieferbar/n'est plus disponible





**SPARE PARTS HYDRAULICS MVI/MVIE 1.4301**

Item	Article no.	Description	Quantity
20.1	4015439	STAGE MHI202/5MVI204 KIT	1
		> IMPELLER MVI2 D.98x2 1.4301	1
		> STAGE HOUSING O.RFK MVI2/4 1.4301	1
		> SPACER IMPELLER MVI2/4 1.4435	1
20.2	4015440	STAGE MVI204-220 1.4301 KIT	1
		> IMPELLER MVI2 D.98x2 1.4301	1
		> SPACER IMPELLER MVI2/4 1.4435	1
		> SPACER SHAFT SLEEVE MVI2/4 1.4435	1
		> STAGE HOUSING RFK.MVI2/4 1.4301	1
20.3	4015437	STAGE MHI206,MVI203-20 1.4301 KIT	1
		> IMPELLER MVI2 D.98x2 1.4301	1
		> SPACER IMPELLER MVI2/4 1.4435	1
		> SPACER SHAFT SLEEVE MVI2/4 1.4435	1
		> STAGE-CASING-WITH-R/C+BEARING-2/4M3-304	1
		> SLEEVE-D14L13,8-VMI	1
20.4	4015441	STAGE MHI2,MVI205-14 1.4301 KIT	1
		> IMPELLER MVI2 D.98x2 1.4301	1
		> SPACER IMPELLER MVI2/4 1.4435	1
		> STAGE HOUSING RFK.MVI2/4 1.4301	1
20.5	4015438	STAGE MVI203-220 1.4301 KIT	1
		> IMPELLER MVI2 D.98x2 1.4301	1
		> SPACER IMPELLER MVI2/4 1.4435	1
		> WASHER D.24/14x1,5 1.4401	1
		> STAGE HOUSING RFK.MVI2/4 1.4301	1



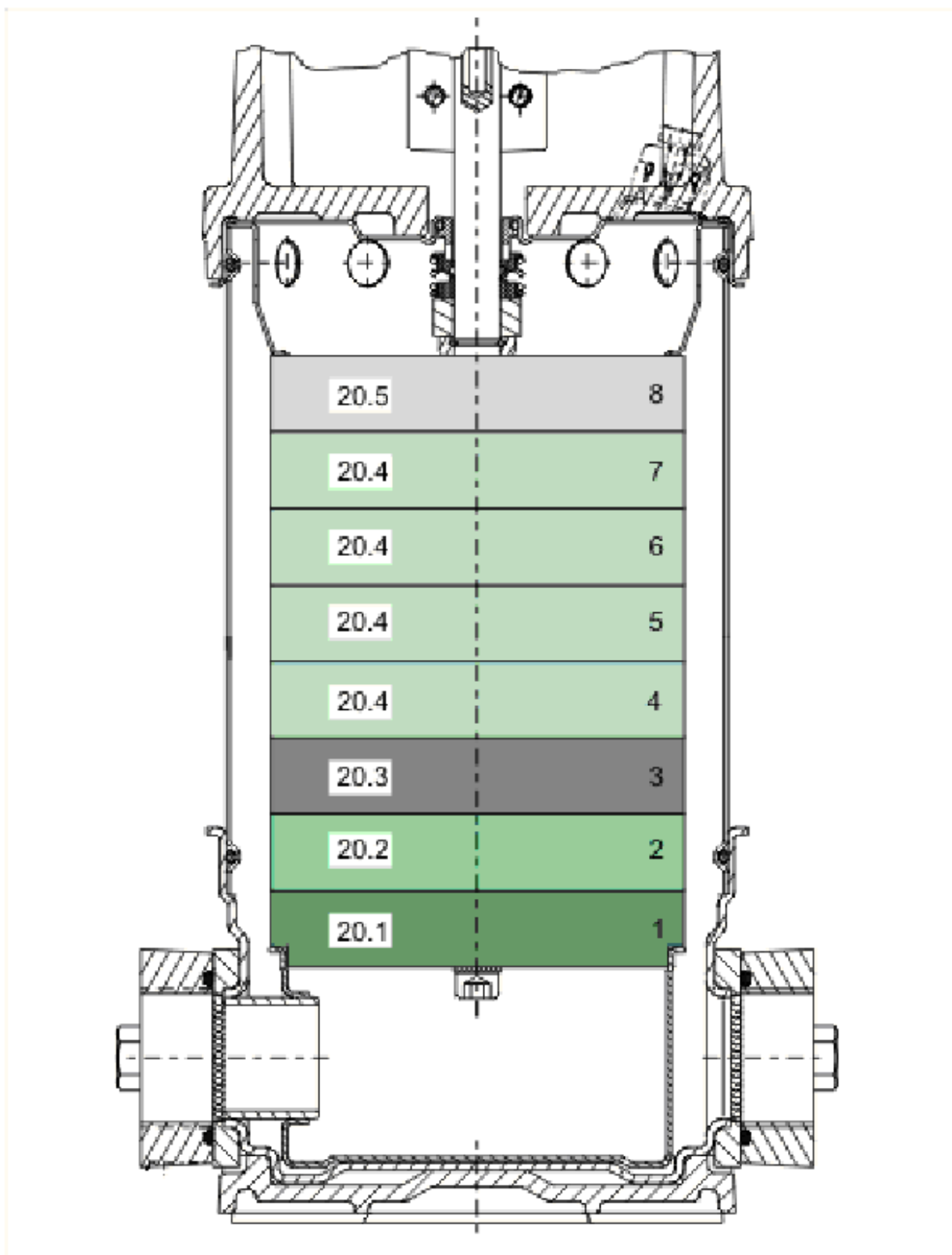
**MVIE208-2/25/V/3-2-2G (4077542)**

Item	Article no.	Description	Quantity
1	2018427	PUMP HOUSING MVI PN25 VITON 1.4435 KIT	1
1.1		> PUMP HOUSING MVI D25 PN25 1.4435	1
1.2	4233952	> FLAT GASKET D.73 VP.	1
1.3	4234237	> O-RING 139X3 VITON VP.	1
1.4	4234240	> PRIMING/DRAIN PLUG MVI6" 316L VP.	1
3.2	4234239	> O-RING 13X2 VITON VP.	1
3.3	4234238	> O-RING 9X2 VITON VP.	1
2	4187925	BASEPLATE-VMI-1/2/4M3-VP.	1
3	4027310	ASSEMBLY GRD.MVI2../4../8.. PN25 90° +VP	1
1.3	4234237	> O-RING 139X3 VITON VP.	1
3.1		> MECHANICAL SEAL RMG12/14-G606-U3BVGG-BUR	1
3.2	4234239	> O-RING 13X2 VITON VP.	1
3.3	4234238	> O-RING 9X2 VITON VP.	1
4	4015429	SHAFT-FIXING MVI2 KIT	1
4.1		> SCREW M6X14 ISO4762 8.8 ZN	1
4.2		> WASHER D.24 L6U ZINK	1
4.3	2090148	> CIRCLIP D14 MVI/MHI 316L (2 PIECES) VP.	1
		>> STOP-RUSH-1/2-D14-VMI/HMI-316	2
4.4		> STOP COLLAR OF IMPELLER L=8.7-Ø14-316L	1
4.5		> WASHER D.16/13,8x3 1.4401	1
4.6		> STAINLESS-STEEL-WASHER-DE8	1
4.7		> SCREW M8X16 ISO4762 A4	1
5	2018433	HOUSING PIPE D.152X215 1.4404 KIT	1
5.1		> HOUSING-PIPE-D152-VMI208/408-316L	1
1.3	4234237	> O-RING 139X3 VITON VP.	1
6	2018363	STUD BOLT M12X341 KIT	1
6.1		> TIE-ROD-M12-341x18x30 CLASS8.8 ZN+FINIG	1
6.2	2094647	> NUT M12 M12 ISO4032 VP.	1
6.3	2123557	> WASHER CS-12.4-24-1.6-NFE25 (4 PIECES)	1
7		M2,2-2T638P55V18-90F11-SU-N24-ADAPT	1
Note: no longer available/nicht mehr lieferbar/n'est plus disponible			
8	4190751	LANTERN-MOTOR-VMI-FT115-MACHINED VP.	1
9	4092424	COUPLING GUARD FT85/130 MVI KIT	1
		> COUPLING PROTECTOR FT85/130-1.4016	1

**MVIE208-2/25/V/3-2-2G (4077542)**

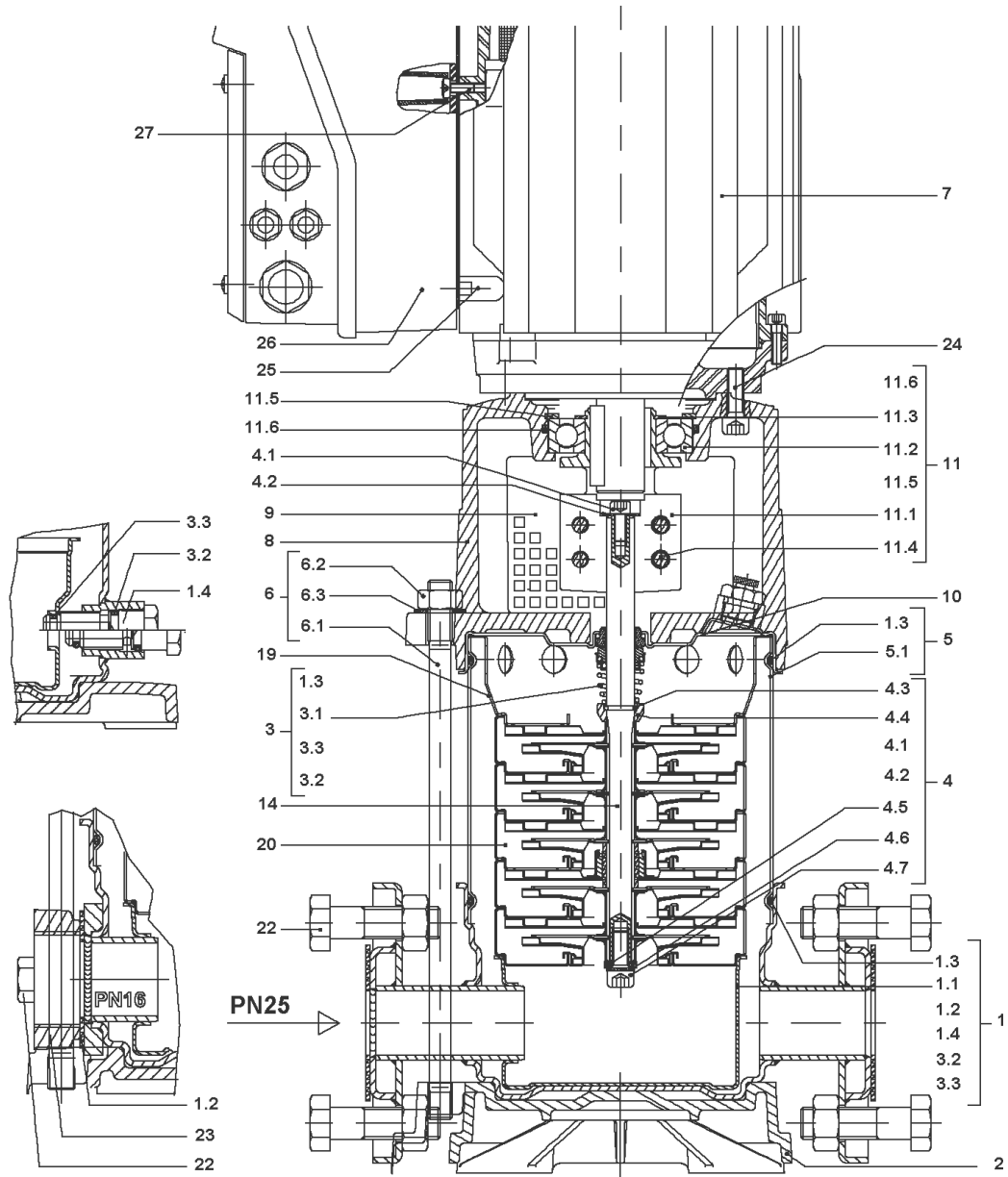
Item	Article no.	Description	Quantity
		> CLIP COUPLING-GUARD-RF	1
10	4217883	STAT.RING HOLDER MVI2/4/8 1.4435 VP.	1
11	4095214	3PH COUPLING KIT MVI D14XD24	1
11.1		> COUPLING-VMI-Ø14xØ24-FT115-MACHINED	1
11.2	2131023	> BALL BEARING 6207/ZZ-C3(HT)VP.	1
11.3	4234254	> CIRCLIP-FOR-SHAFT-D35x1.5 VP.	1
11.4	4157726	> SCREW KIT M8X30 (4 PIECES)	1
11.5	4234251	> CIRCLIP-D72x2.5 VP.	1
11.6	4234246	> O-RING 72X3 VP.	1
		> NOMEL CONTACT WASHER 8x16x1,4 STEEL ZC	1
		> SCREW CHC-M6X14-8.8-ISO4762-GEOMET500A	1
		> WASHER D.24 L6U ZINK	1
12	4233131	PLUG-VMI-316L VP.	1
14	4233139	SHAFT D.14X294 1.4404 VP.	1
19	4233921	UPPER STAGE RFK.MVI2/4M3 1.4435 VP.	1
20		SPARE PARTS HYDRAULICS MVI/MVIE 1.4404	1
22	63699	SCREW M12x50x30	1
24	74760212103	SCREW M6x16 ISO4762 12.9 DACROMET	1
26		MODULE MVIE/MHIE-2,2KW IE1	1

Note: no longer available/nicht mehr lieferbar/n'est plus disponible



**SPARE PARTS HYDRAULICS MVI/MVIE 1.4404**

Item	Article no.	Description	Quantity
20.1	4026330	ASSEMBLY LR.STF.GH.MHI202-205MVI204-20 1	1
		> IMPELLER-VMI/HMI-SERIE.2-316L	1
		> STAGE CASING WITHOUT-R/G-2/4M3-316L	1
		> SPACER IMPELLER MVI2/4 1.4435	1
20.2	4026331	ASSEMBLY STF.GH./LAG.BU.RLF.MVI204-220 1	1
		> IMPELLER-VMI/HMI-SERIE.2-316L	1
		> SPACER IMPELLER MVI2/4 1.4435	1
		> SPACER SHAFT SLEEVE MVI2/4 1.4435	1
		> STAGE CASING-AV-C/R-2/4M3-316L	1
20.3	4026328	ASSEMBLY LR./LAG.BU.MHI206,MVI203-220 1.	1
		> IMPELLER-VMI/HMI-SERIE.2-316L	1
		> SPACER IMPELLER MVI2/4 1.4435	1
		> SPACER SHAFT SLEEVE MVI2/4 1.4435	1
		> STAGE CASING-AV-C/R-BEARING-2/4M3-L	1
		> SLEEVE-D14L13,8-VMI	1
20.4	4026333	ASSEMBLY LR.STF.GH.RFK.MHI2,MVI205-220 1	1
		> IMPELLER-VMI/HMI-SERIE.2-316L	1
		> SPACER IMPELLER MVI2/4 1.4435	1
		> STAGE CASING-AV-C/R-2/4M3-316L	1
20.5	4026329	ASSEMBLY STF.GH./LR.OHNE RLF MVI203-20 1	1
		> IMPELLER-VMI/HMI-SERIE.2-316L	1
		> SPACER IMPELLER MVI2/4 1.4435	1
		> WASHER D.24/14x1,5 1.4401	1
		> STAGE CASING-AV-C/R-2/4M3-316L	1





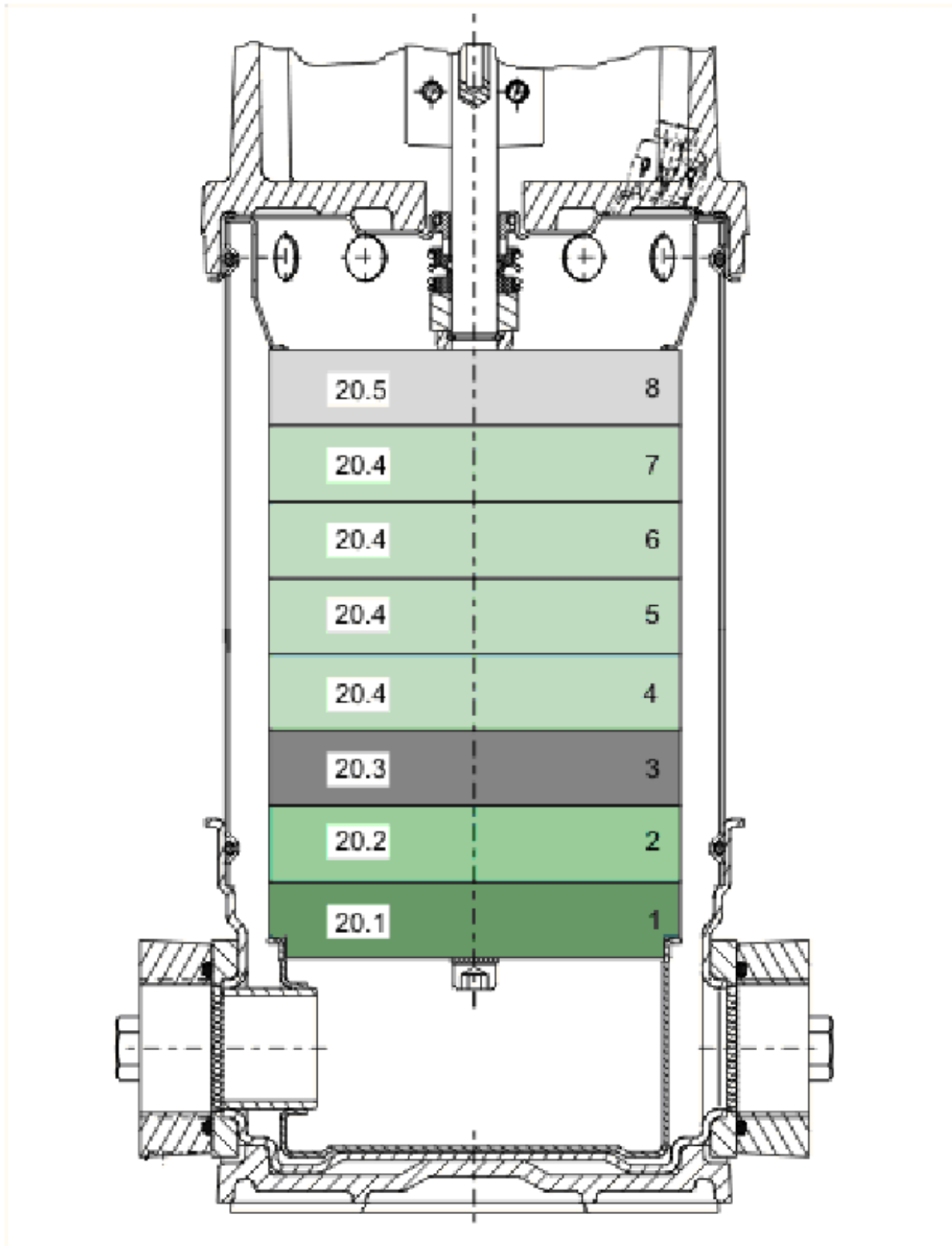
**MVIE208-2/P/V/3-2-2G (4077551)**

Item	Article no.	Description	Quantity
1	2114343	PUMP HOUSING MVI DN32 P 1.4404 KIT	1
1.1		> CASING-MVI-D32-PN25-D152-316L-VICTAULI	1
1.3	4234237	> O-RING 139X3 VITON VP.	1
1.4	4234240	> PRIMING/DRAIN PLUG MVI6" 316L VP.	1
3.2	4234239	> O-RING 13X2 VITON VP.	1
3.3	4234238	> O-RING 9X2 VITON VP.	1
2	4187925	BASEPLATE-VMI-1/2/4M3-VP.	1
3	4027310	ASSEMBLY GRD.MVI2../4../8.. PN25 90° +VP	1
1.3	4234237	> O-RING 139X3 VITON VP.	1
3.1		> MECHANICAL SEAL RMG12/14-G606-U3BVGG-BUR	1
3.2	4234239	> O-RING 13X2 VITON VP.	1
3.3	4234238	> O-RING 9X2 VITON VP.	1
4	4015429	SHAFT-FIXING MVI2 KIT	1
4.1		> SCREW M6X14 ISO4762 8.8 ZN	1
4.2		> WASHER D.24 L6U ZINK	1
4.3	2090148	> CIRCLIP D14 MVI/MHI 316L (2 PIECES) VP.	1
		>> STOP-RUSH-1/2-D14-VMI/HMI-316	2
4.4		> STOP COLLAR OF IMPELLER L=8.7-Ø14-316L	1
4.5		> WASHER D.16/13,8x3 1.4401	1
4.6		> STAINLESS-STEEL-WASHER-DE8	1
4.7		> SCREW M8X16 ISO4762 A4	1
5	2018433	HOUSING PIPE D.152X215 1.4404 KIT	1
5.1		> HOUSING-PIPE-D152-VMI208/408-316L	1
1.3	4234237	> O-RING 139X3 VITON VP.	1
6	2018363	STUD BOLT M12X341 KIT	1
6.1		> TIE-ROD-M12-341x18x30 CLASS8.8 ZN+FINIG	1
6.2	2094647	> NUT M12 M12 ISO4032 VP.	1
6.3	2123557	> WASHER CS-12.4-24-1.6-NFE25 (4 PIECES)	1
7		M2,2-2T638P55V18-90F11-SU-N24-ADAPT	1
Note: no longer available/nicht mehr lieferbar/n'est plus disponible			
8	4190751	LANTERN-MOTOR-VMI-FT115-MACHINED VP.	1
9	4092424	COUPLING GUARD FT85/130 MVI KIT	1
		> COUPLING PROTECTOR FT85/130-1.4016	1
		> CLIP COUPLING-GUARD-RF	1

**MVIE208-2/P/V/3-2-2G (4077551)**

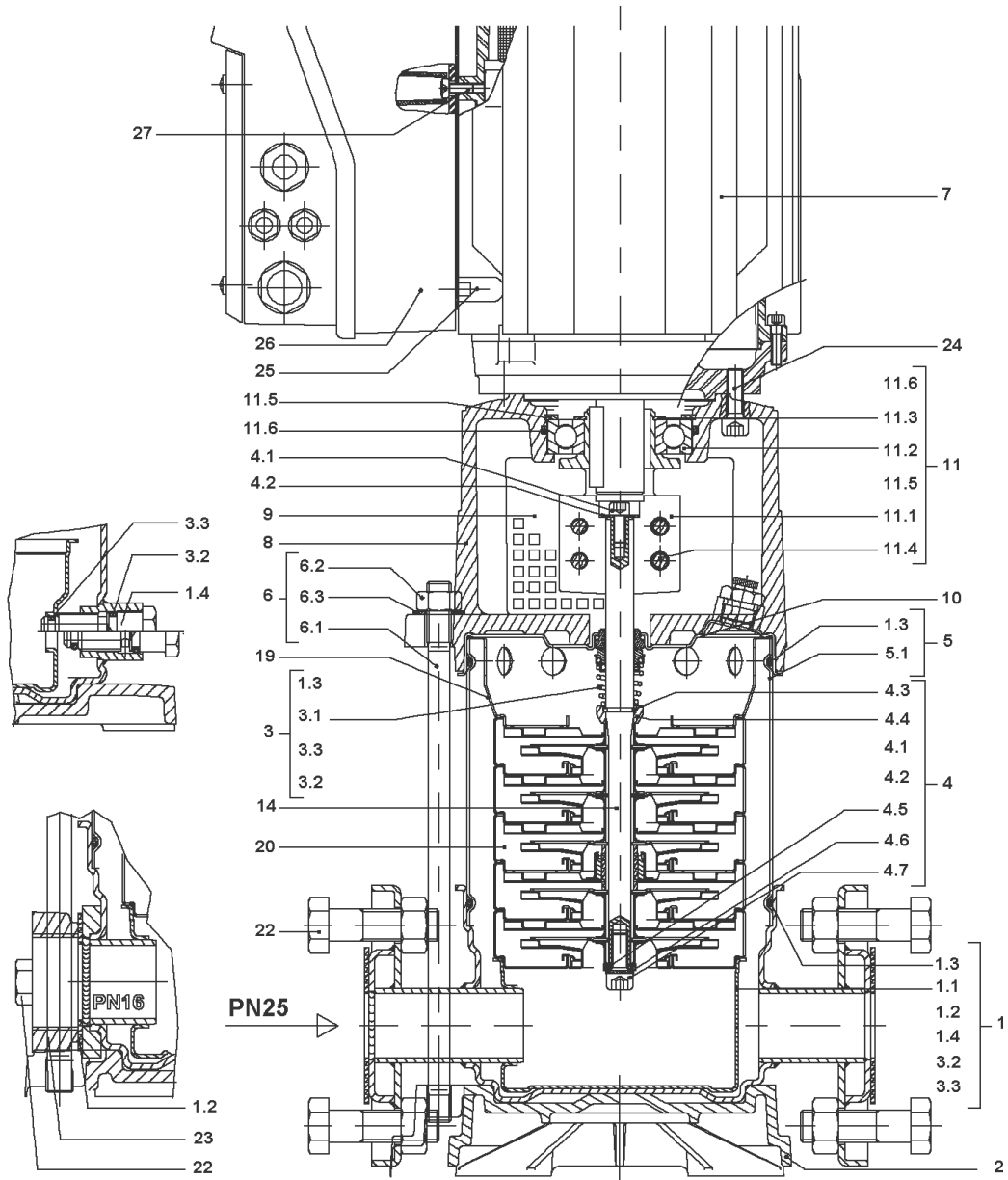
Item	Article no.	Description	Quantity
10	4217883	STAT.RING HOLDER MVI2/4/8 1.4435 VP.	1
11	4095214	3PH COUPLING KIT MVI D14XD24	1
11.1		> COUPLING-VMI-Ø14xØ24-FT115-MACHINED	1
11.2	2131023	> BALL BEARING 6207/ZZ-C3(HT)VP.	1
11.3	4234254	> CIRCLIP-FOR-SHAFT-D35x1.5 VP.	1
11.4	4157726	> SCREW KIT M8X30 (4 PIECES)	1
11.5	4234251	> CIRCLIP-D72x2.5 VP.	1
11.6	4234246	> O-RING 72X3 VP.	1
		> NOMEL CONTACT WASHER 8x16x1,4 STEEL ZC	1
		> SCREW CHC-M6X14-8.8-ISO4762-GEOMET500A	1
		> WASHER D.24 L6U ZINK	1
12	4233131	PLUG-VMI-316L VP.	1
14	4233139	SHAFT D.14X294 1.4404 VP.	1
19	4233921	UPPER STAGE RFK.MVI2/4M3 1.4435 VP.	1
20		SPARE PARTS HYDRAULICS MVI/MVIE 1.4404	1
22	63699	SCREW M12x50x30	1
24	74760212103	SCREW M6x16 ISO4762 12.9 DACROMET	1
26		MODULE MVIE/MHIE-2,2KW IE1	1

Note: no longer available/nicht mehr lieferbar/n'est plus disponible



**SPARE PARTS HYDRAULICS MVI/MVIE 1.4404**

Item	Article no.	Description	Quantity
20.1	4026330	ASSEMBLY LR.STF.GH.MHI202-205MVI204-20 1	1
		> IMPELLER-VMI/HMI-SERIE.2-316L	1
		> STAGE CASING WITHOUT-R/G-2/4M3-316L	1
		> SPACER IMPELLER MVI2/4 1.4435	1
20.2	4026331	ASSEMBLY STF.GH./LAG.BU.RLF.MVI204-220 1	1
		> IMPELLER-VMI/HMI-SERIE.2-316L	1
		> SPACER IMPELLER MVI2/4 1.4435	1
		> SPACER SHAFT SLEEVE MVI2/4 1.4435	1
		> STAGE CASING-AV-C/R-2/4M3-316L	1
20.3	4026328	ASSEMBLY LR./LAG.BU.MHI206,MVI203-220 1.	1
		> IMPELLER-VMI/HMI-SERIE.2-316L	1
		> SPACER IMPELLER MVI2/4 1.4435	1
		> SPACER SHAFT SLEEVE MVI2/4 1.4435	1
		> STAGE CASING-AV-C/R-BEARING-2/4M3-L	1
		> SLEEVE-D14L13,8-VMI	1
20.4	4026333	ASSEMBLY LR.STF.GH.RFK.MHI2,MVI205-220 1	1
		> IMPELLER-VMI/HMI-SERIE.2-316L	1
		> SPACER IMPELLER MVI2/4 1.4435	1
		> STAGE CASING-AV-C/R-2/4M3-316L	1
20.5	4026329	ASSEMBLY STF.GH./LR.OHNE RLF MVI203-20 1	1
		> IMPELLER-VMI/HMI-SERIE.2-316L	1
		> SPACER IMPELLER MVI2/4 1.4435	1
		> WASHER D.24/14x1,5 1.4401	1
		> STAGE CASING-AV-C/R-2/4M3-316L	1

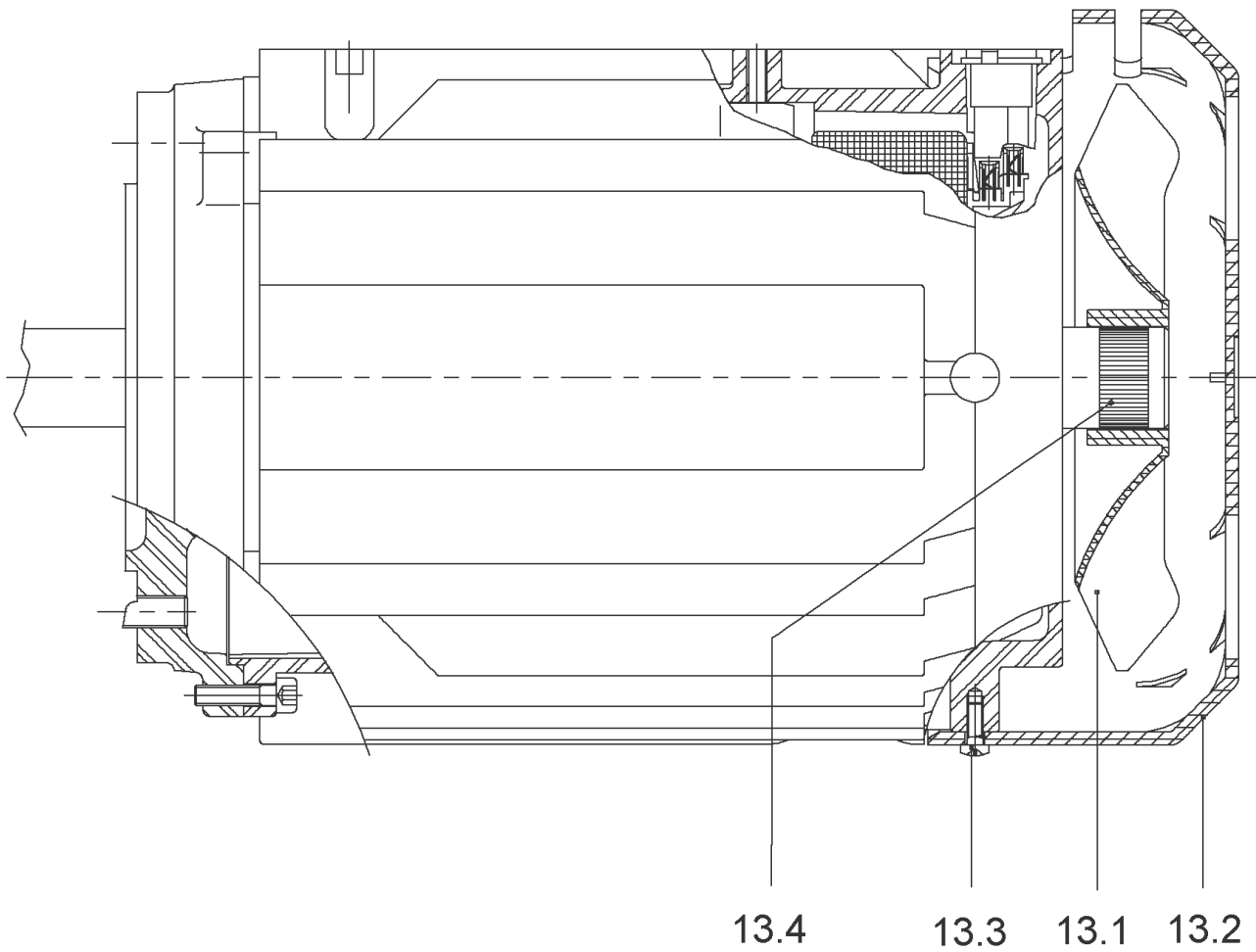


**MVIE212-1/25/E/3-2 (4040103)**

Item	Article no.	Description	Quantity
1	2086078	PUMP HOUSING MVI PN25 EPDM 1.4435 KIT	1
1.1		> PUMP HOUSING MVI D25 PN25 1.4435	1
1.2	4233952	> FLAT GASKET D.73 VP.	1
1.3	4176513	> O-RING FOR PUMP JACKET VP.	1
1.4	4234240	> PRIMING/DRAIN PLUG MVI6" 316L VP.	1
3.2	4177800	> O-RING EPDM PLUG HELIX VP.	1
3.3	4234242	> O-RING 9X2 VP.	1
2	4187925	BASEPLATE-VMI-1/2/4M3-VP.	1
3	4015431	MECHANICAL SEAL MVI2/4/8 PN25 120° KIT	1
1.3	4176513	> O-RING FOR PUMP JACKET VP.	1
3.1		> MECHANICAL SEAL RMG12/14-G606-U3BE3GG-BU	1
3.2	4177800	> O-RING EPDM PLUG HELIX VP.	1
3.3	4234242	> O-RING 9X2 VP.	1
4	4015429	SHAFT-FIXING MVI2 KIT	1
4.1		> SCREW M6X14 ISO4762 8.8 ZN	1
4.2		> WASHER D.24 L6U ZINK	1
4.3	2090148	> CIRCLIP D14 MVI/MHI 316L (2 PIECES) VP.	1
		>> STOP-RUSH-1/2-D14-VMI/HMI-316	2
4.4		> STOP COLLAR OF IMPELLER L=8.7-Ø14-316L	1
4.5		> WASHER D.16/13,8x3 1.4401	1
4.6		> STAINLESS-STEEL-WASHER-DE8	1
4.7		> SCREW M8X16 ISO4762 A4	1
5	2018417	HOUSING PIPE D.152X311 1.4301 KIT	1
5.1		> HOUSING-PIPE-D152-VMI212/412-304	1
1.3	4176513	> O-RING FOR PUMP JACKET VP.	1
6	2127554	STUD BOLT M12X437 KIT	1
6.1		> TIE BOLT M12-437x18x30-1.4057	1
6.2	2094647	> NUT M12 M12 ISO4032 VP.	1
6.3	2123557	> WASHER CS-12.4-24-1.6-NFE25 (4 PIECES)	1
7	4214476	MO.TL4/4000/2DM 65HZ V18 MVIE SER.99 VP.	1
		SPARE PARTS MOTOR TL4/4000/2 3-400 65HZ	1
8	4191471	LANTERN-MOTOR-VMI-FT130-MACHINED VP.	1
9	4092424	COUPLING GUARD FT85/130 MVI KIT	1
		> COUPLING PROTECTOR FT85/130-1.4016	1

**MVIE212-1/25/E/3-2 (4040103)**

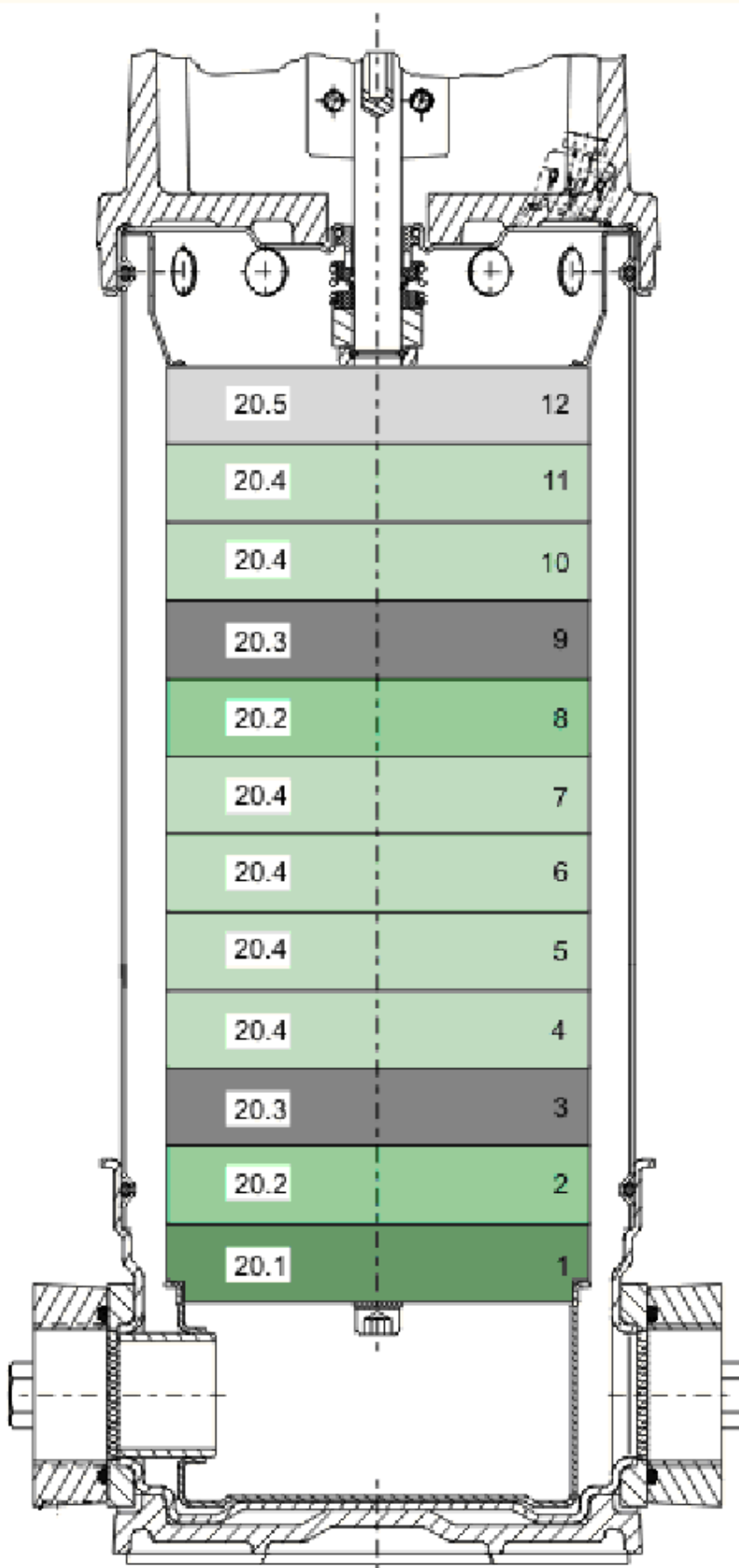
Item	Article no.	Description	Quantity
		> CLIP COUPLING-GUARD-RF	1
10	4217881	STAT.RING HOLDER-GM-D14-304 VP.	1
11	4095219	3PH COUPLING KIT MVI D14XD28	1
11.1		> COUPLING VMI-Ø14xØ28-FT130 MACHINING	1
11.2	122065996	> BALL BEARING 6209/2Z-C3 (HT) VP.	1
11.3	4233930	> CIRCLIP-FOR-BORES-D45x1,75 VP.	1
11.4	4157726	> SCREW KIT M8X30 (4 PIECES)	1
11.5	4234252	> CIRCLIPS 85X3 VP.	1
11.6	4234243	> O-RING 85X3 VP.	1
		> NOME CONTACT WASHER 8x16x1,4 STEEL ZC	1
		> SCREW CHC-M6X14-8.8-ISO4762-GEOMET500A	1
		> WASHER D.24 L6U ZINK	1
12	4233131	PLUG-VMI-316L VP.	1
14	4233907	SHAFT D.14X390 1.4057 VP.	1
19	4234236	UPPER STAGE RFK.MVI2/4 1.4301 VP.	1
20		SPARE PARTS HYDRAULICS MVI 1.4301	1
22	63699	SCREW M12x50x30	1
24	74760312103	SCREW M8X25 ISO4762 8.8 ZN	1
25	2048856	SCREW M5X12 ISO7045 4.8-Z GB.ZN	1
26		MODULE MVIE/MHIE 212/408/805 4KW	1
Note: no longer available / nicht mehrlieferbar / ne plus disponible			
27	2048855	SCREW M5X16 ISO7045 4.8-Z ZN LSN.	1





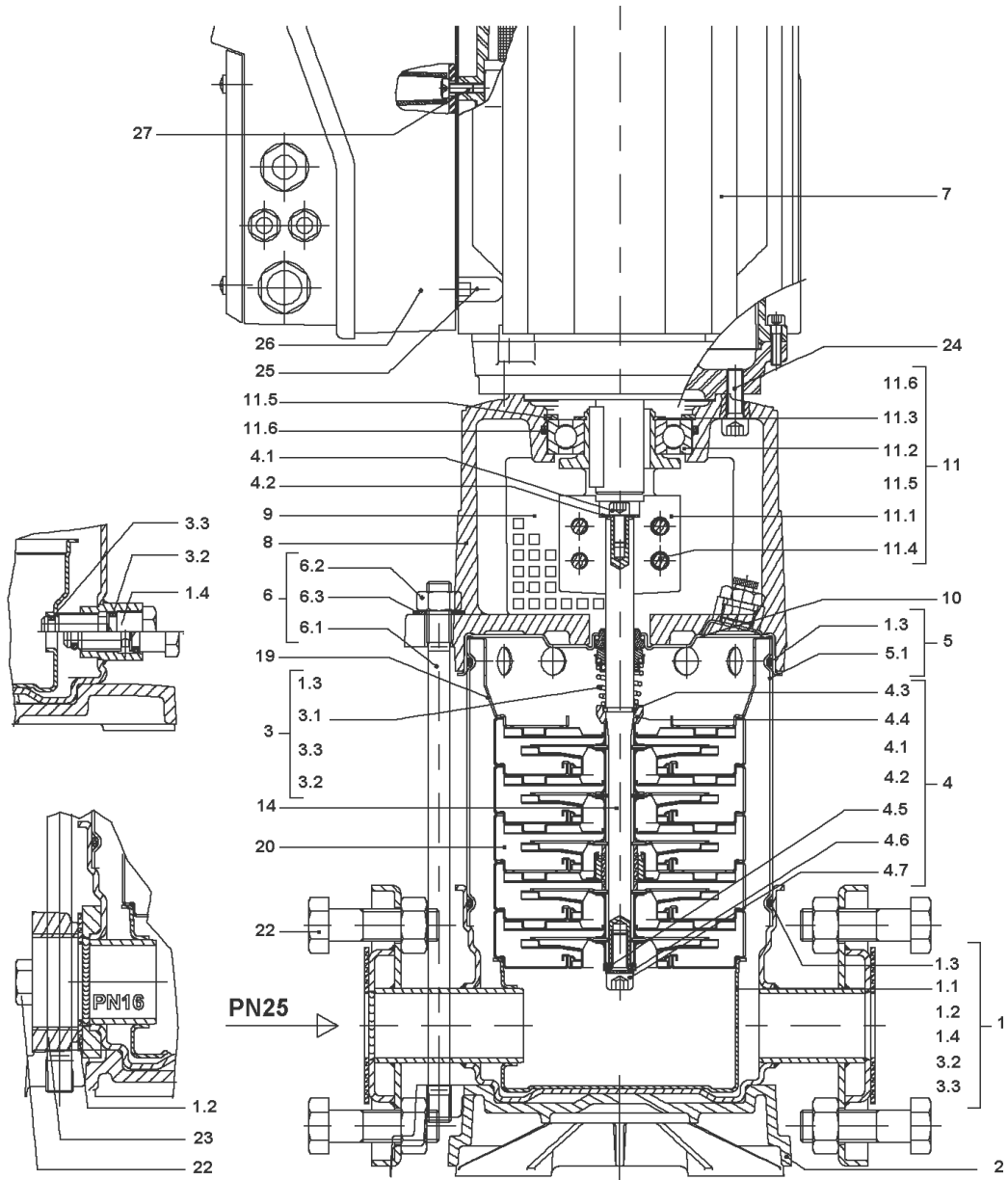
## SPARE PARTS MOTOR TL4/4000/2 3-400 65HZ

Item	Article no.	Description	Quantity
13.1	2047017	FAN WHEEL AF90 2POL.ATB VP.	1
Note: Please give the data from type plate of the motor			
13.2	4049393	CAPOT-VENTILATEUR-TL4N-NEUTRE-REPRIS	1
Note: Please give the data from type plate of the motor			
13.3		SCREW M4X8 ISO7045 4.8-H ZN	1
Note: no longer available / nicht mehr lieferbar / ne plus disponible			
13.4	2047016	CORRUGATED SLEEVE RING BG90/100 ATB VP.	1
Note: Please give the data from type plate of the motor			



**SPARE PARTS HYDRAULICS MVI 1.4301**

Item	Article no.	Description	Quantity
20.1	4015439	STAGE MHI202/5MVI204 KIT	1
		> IMPELLER MVI2 D.98x2 1.4301	1
		> STAGE HOUSING O.RFK MVI2/4 1.4301	1
		> SPACER IMPELLER MVI2/4 1.4435	1
20.2	4015440	STAGE MVI204-220 1.4301 KIT	1
		> IMPELLER MVI2 D.98x2 1.4301	1
		> SPACER IMPELLER MVI2/4 1.4435	1
		> SPACER SHAFT SLEEVE MVI2/4 1.4435	1
		> STAGE HOUSING RFK.MVI2/4 1.4301	1
20.3	4015437	STAGE MHI206,MVI203-20 1.4301 KIT	1
		> IMPELLER MVI2 D.98x2 1.4301	1
		> SPACER IMPELLER MVI2/4 1.4435	1
		> SPACER SHAFT SLEEVE MVI2/4 1.4435	1
		> STAGE-CASING-WITH-R/C+BEARING-2/4M3-304	1
		> SLEEVE-D14L13,8-VMI	1
20.4	4015441	STAGE MHI2,MVI205-14 1.4301 KIT	1
		> IMPELLER MVI2 D.98x2 1.4301	1
		> SPACER IMPELLER MVI2/4 1.4435	1
		> STAGE HOUSING RFK.MVI2/4 1.4301	1
20.5	4015438	STAGE MVI203-220 1.4301 KIT	1
		> IMPELLER MVI2 D.98x2 1.4301	1
		> SPACER IMPELLER MVI2/4 1.4435	1
		> WASHER D.24/14x1,5 1.4401	1
		> STAGE HOUSING RFK.MVI2/4 1.4301	1

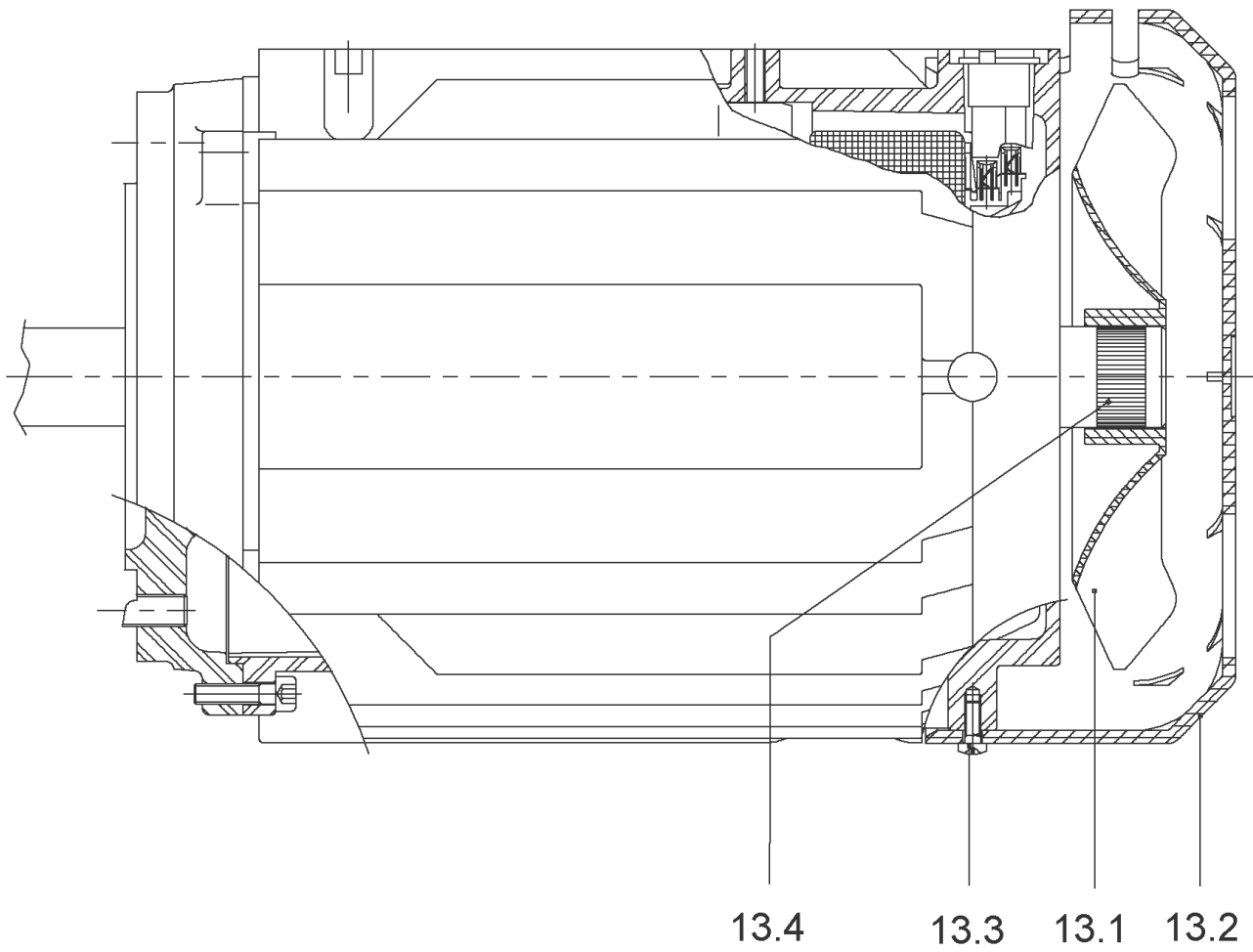


**MVIE212-2/25/V/3-2 (4040043)**

Item	Article no.	Description	Quantity
1	2018427	PUMP HOUSING MVI PN25 VITON 1.4435 KIT	1
1.1		> PUMP HOUSING MVI D25 PN25 1.4435	1
1.2	4233952	> FLAT GASKET D.73 VP.	1
1.3	4234237	> O-RING 139X3 VITON VP.	1
1.4	4234240	> PRIMING/DRAIN PLUG MVI6" 316L VP.	1
3.2	4234239	> O-RING 13X2 VITON VP.	1
3.3	4234238	> O-RING 9X2 VITON VP.	1
2	4187925	BASEPLATE-VMI-1/2/4M3-VP.	1
3	4027310	ASSEMBLY GRD.MVI2../4../8.. PN25 90° +VP	1
1.3	4234237	> O-RING 139X3 VITON VP.	1
3.1		> MECHANICAL SEAL RMG12/14-G606-U3BVGG-BUR	1
3.2	4234239	> O-RING 13X2 VITON VP.	1
3.3	4234238	> O-RING 9X2 VITON VP.	1
4	4015429	SHAFT-FIXING MVI2 KIT	1
4.1		> SCREW M6X14 ISO4762 8.8 ZN	1
4.2		> WASHER D.24 L6U ZINK	1
4.3	2090148	> CIRCLIP D14 MVI/MHI 316L (2 PIECES) VP.	1
		>> STOP-RUSH-1/2-D14-VMI/HMI-316	2
4.4		> STOP COLLAR OF IMPELLER L=8.7-Ø14-316L	1
4.5		> WASHER D.16/13,8x3 1.4401	1
4.6		> STAINLESS-STEEL-WASHER-DE8	1
4.7		> SCREW M8X16 ISO4762 A4	1
5	2018435	HOUSING PIPE D.152X311 1.4404 KIT	1
5.1		> HOUSING-PIPE-D152-VMI212/412-316L	1
1.3	4234237	> O-RING 139X3 VITON VP.	1
6	2127554	STUD BOLT M12X437 KIT	1
6.1		> TIE BOLT M12-437x18x30-1.4057	1
6.2	2094647	> NUT M12 M12 ISO4032 VP.	1
6.3	2123557	> WASHER CS-12.4-24-1.6-NFE25 (4 PIECES)	1
7	4214476	MO.TL4/4000/2DM 65HZ V18 MVIE SER.99 VP.	1
		SPARE PARTS MOTOR TL4/4000/2 3-400 65HZ	1
8	4191471	LANTERN-MOTOR-VMI-FT130-MACHINED VP.	1
9	4092424	COUPLING GUARD FT85/130 MVI KIT	1
		> COUPLING PROTECTOR FT85/130-1.4016	1

**MVIE212-2/25/V/3-2 (4040043)**

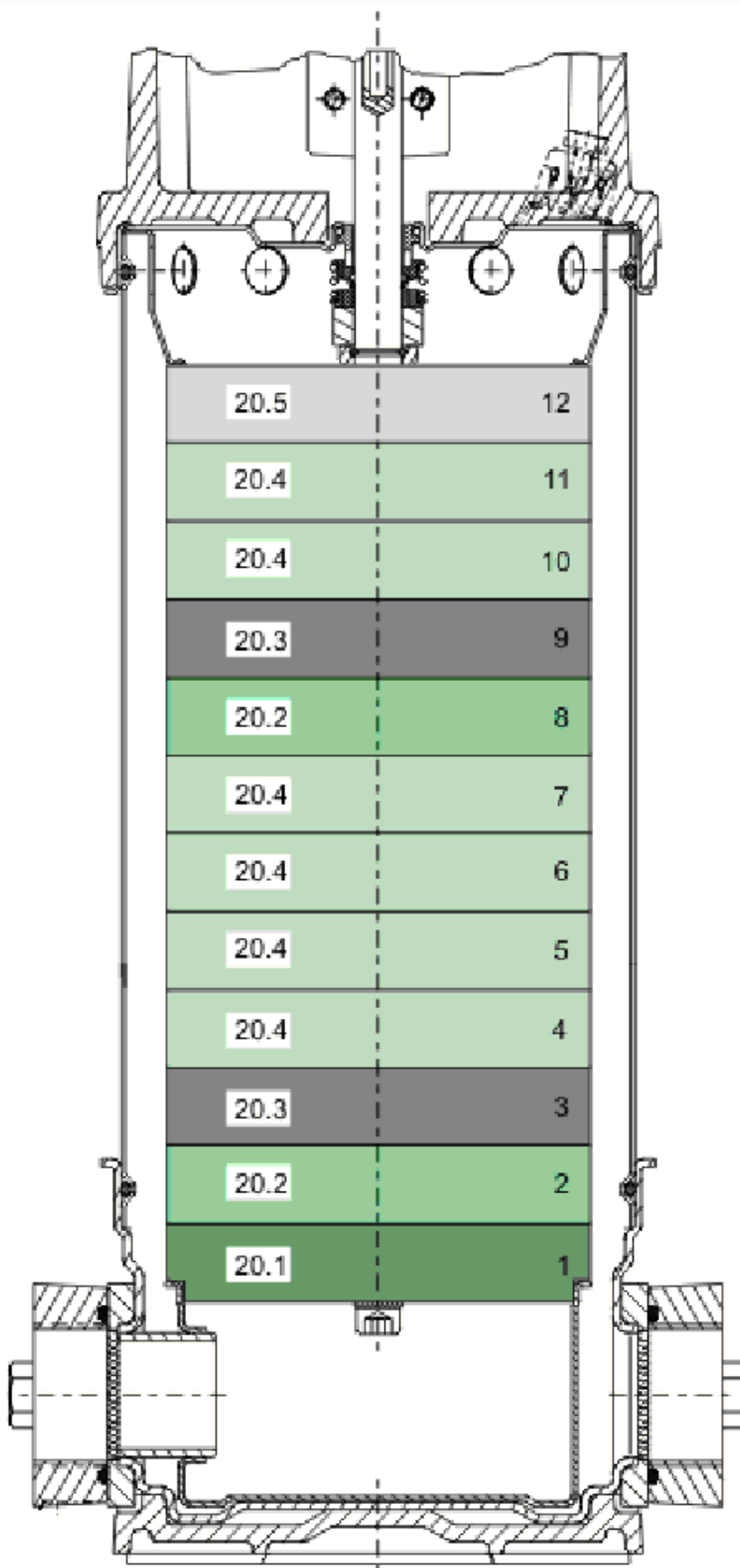
Item	Article no.	Description	Quantity
		> CLIP COUPLING-GUARD-RF	1
10	4217883	STAT.RING HOLDER MVI2/4/8 1.4435 VP.	1
11	4095219	3PH COUPLING KIT MVI D14XD28	1
11.1		> COUPLING VMI-Ø14xØ28-FT130 MACHINING	1
11.2	122065996	> BALL BEARING 6209/2Z-C3 (HT) VP.	1
11.3	4233930	> CIRCLIP-FOR-BORES-D45x1,75 VP.	1
11.4	4157726	> SCREW KIT M8X30 (4 PIECES)	1
11.5	4234252	> CIRCLIPS 85X3 VP.	1
11.6	4234243	> O-RING 85X3 VP.	1
		> NOME CONTACT WASHER 8x16x1,4 STEEL ZC	1
		> SCREW CHC-M6X14-8.8-ISO4762-GEOMET500A	1
		> WASHER D.24 L6U ZINK	1
12	4233131	PLUG-VMI-316L VP.	1
14	4233141	SHAFT D.14X390 1.4404 VP.	1
19	4233921	UPPER STAGE RFK.MVI2/4M3 1.4435 VP.	1
20		SPARE PARTS HYDRAULICS MVI 1.4404	1
22	63699	SCREW M12x50x30	1
24	74760312103	SCREW M8X25 ISO4762 8.8 ZN	1
25	2048856	SCREW M5X12 ISO7045 4.8-Z GB.ZN	1
26		MODULE MVIE/MHIE 212/408/805 4KW	1
Note: no longer available / nicht mehr lieferbar / ne plus disponible			
27	2048855	SCREW M5X16 ISO7045 4.8-Z ZN LSN.	1



**SPARE PARTS MOTOR TL4/4000/2 3-400 65HZ**

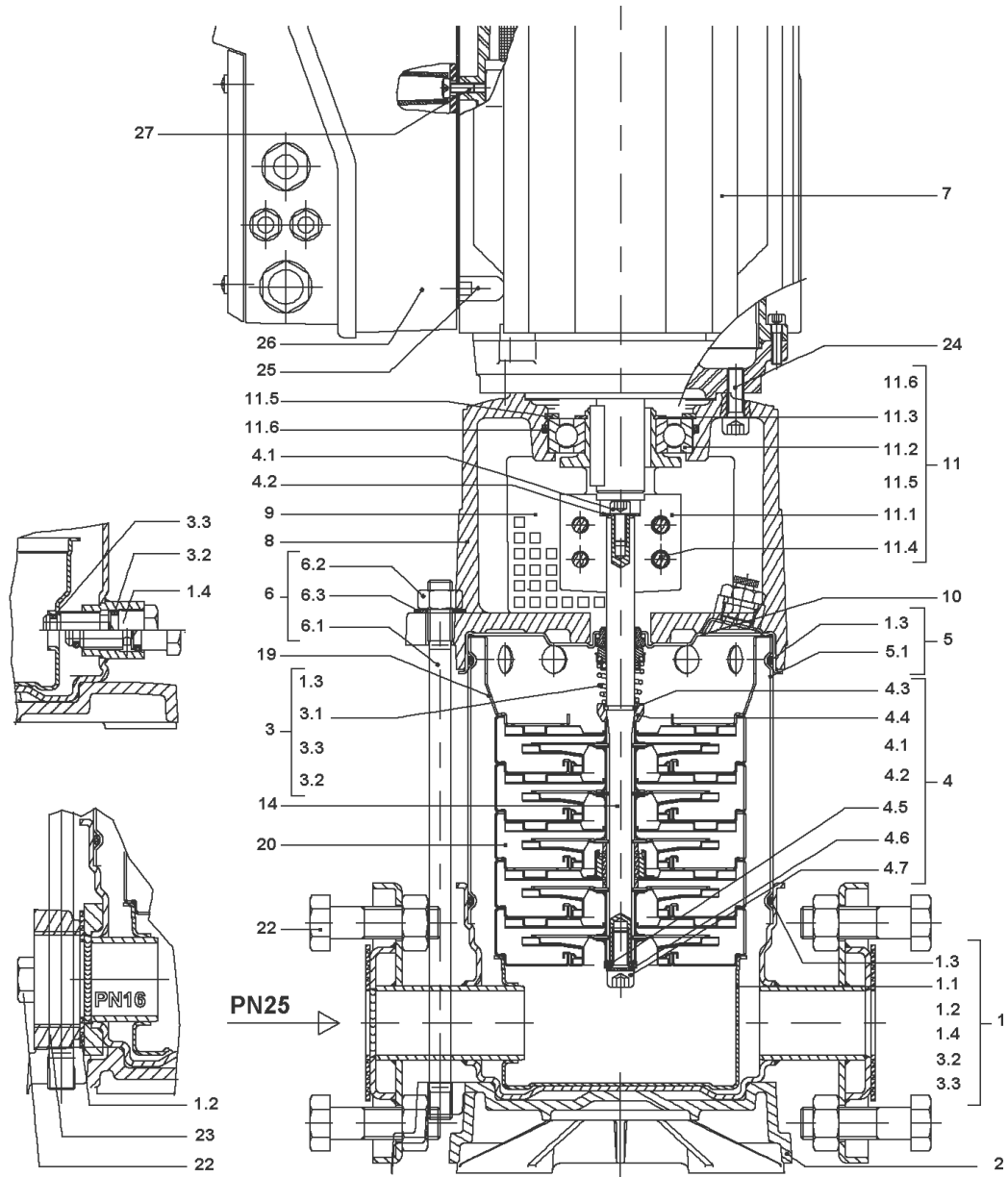
<b>Item</b>	<b>Article no.</b>	<b>Description</b>	<b>Quantity</b>
13.1	2047017	FAN WHEEL AF90 2POL.ATB VP.	1
Note: Please give the data from type plate of the motor			
13.2	4049393	CAPOT-VENTILATEUR-TL4N-NEUTRE-REPRIS	1
Note: Please give the data from type plate of the motor			
13.3		SCREW M4X8 ISO7045 4.8-H ZN	1
Note: no longer available / nicht mehr lieferbar / ne plus disponible			
13.4	2047016	CORRUGATED SLEEVE RING BG90/100 ATB VP.	1
Note: Please give the data from type plate of the motor			





**SPARE PARTS HYDRAULICS MVI 1.4404**

Item	Article no.	Description	Quantity
20.1	4026330	ASSEMBLY LR.STF.GH.MHI202-205MVI204-20 1	1
		> IMPELLER-VMI/HMI-SERIE.2-316L	1
		> STAGE CASING WITHOUT-R/G-2/4M3-316L	1
		> SPACER IMPELLER MVI2/4 1.4435	1
20.2	4026331	ASSEMBLY STF.GH./LAG.BU.RLF.MVI204-220 1	1
		> IMPELLER-VMI/HMI-SERIE.2-316L	1
		> SPACER IMPELLER MVI2/4 1.4435	1
		> SPACER SHAFT SLEEVE MVI2/4 1.4435	1
		> STAGE CASING-AV-C/R-2/4M3-316L	1
20.3	4026328	ASSEMBLY LR./LAG.BU.MHI206,MVI203-220 1.	1
		> IMPELLER-VMI/HMI-SERIE.2-316L	1
		> SPACER IMPELLER MVI2/4 1.4435	1
		> SPACER SHAFT SLEEVE MVI2/4 1.4435	1
		> STAGE CASING-AV-C/R-BEARING-2/4M3-L	1
		> SLEEVE-D14L13,8-VMI	1
20.4	4026333	ASSEMBLY LR.STF.GH.RFK.MHI2,MVI205-220 1	1
		> IMPELLER-VMI/HMI-SERIE.2-316L	1
		> SPACER IMPELLER MVI2/4 1.4435	1
		> STAGE CASING-AV-C/R-2/4M3-316L	1
20.5	4026329	ASSEMBLY STF.GH./LR.OHNE RLF MVI203-20 1	1
		> IMPELLER-VMI/HMI-SERIE.2-316L	1
		> SPACER IMPELLER MVI2/4 1.4435	1
		> WASHER D.24/14x1,5 1.4401	1
		> STAGE CASING-AV-C/R-2/4M3-316L	1

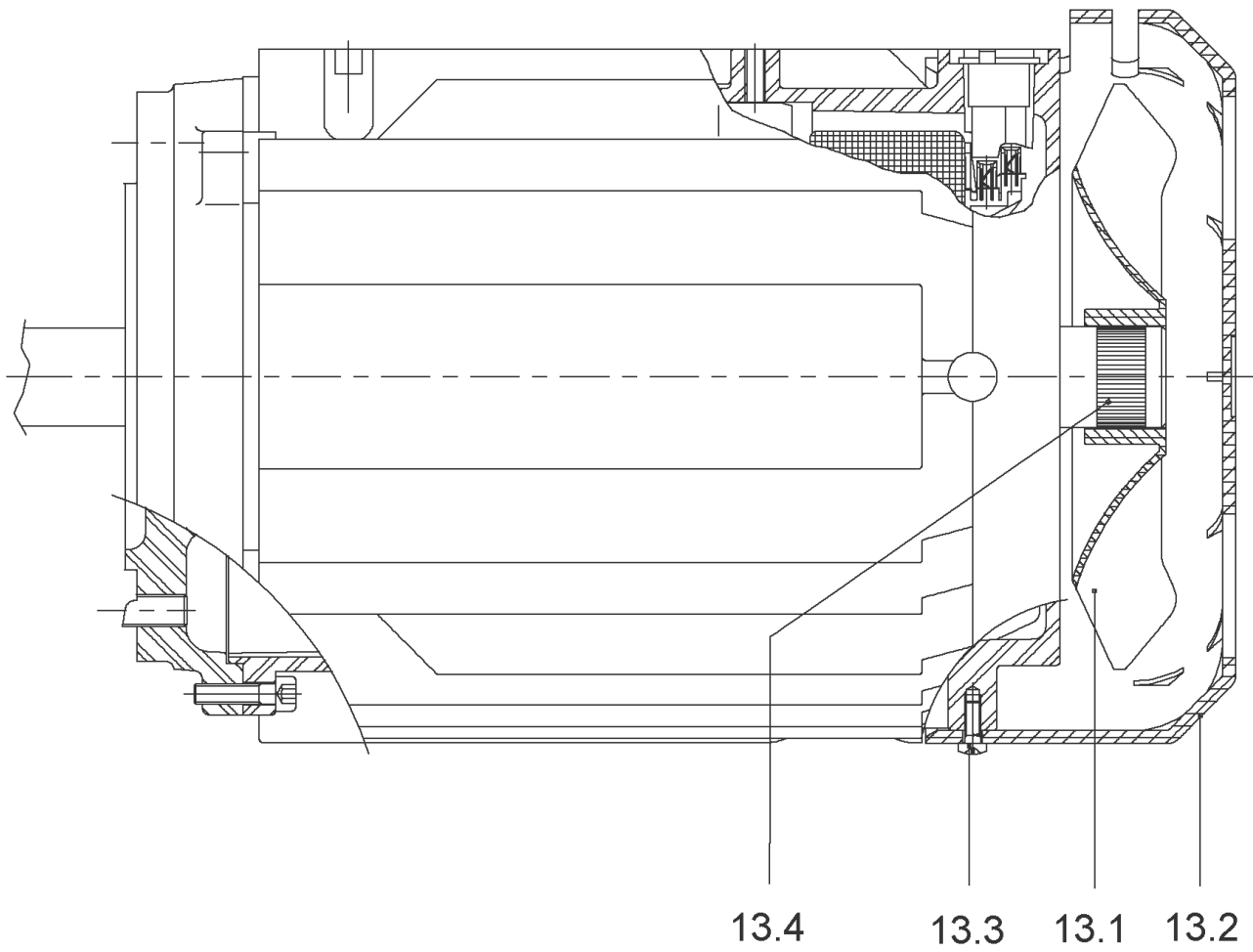


**MVIE212-2/P/V/3-2 (4040054)**

Item	Article no.	Description	Quantity
1	2114343	PUMP HOUSING MVI DN32 P 1.4404 KIT	1
1.1		> CASING-MVI-D32-PN25-D152-316L-VICTAULI	1
1.3	4234237	> O-RING 139X3 VITON VP.	1
1.4	4234240	> PRIMING/DRAIN PLUG MVI6" 316L VP.	1
3.2	4234239	> O-RING 13X2 VITON VP.	1
3.3	4234238	> O-RING 9X2 VITON VP.	1
2	4187925	BASEPLATE-VMI-1/2/4M3-VP.	1
3	4027310	ASSEMBLY GRD.MVI2../4../8.. PN25 90° +VP	1
1.3	4234237	> O-RING 139X3 VITON VP.	1
3.1		> MECHANICAL SEAL RMG12/14-G606-U3BVGG-BUR	1
3.2	4234239	> O-RING 13X2 VITON VP.	1
3.3	4234238	> O-RING 9X2 VITON VP.	1
4	4015429	SHAFT-FIXING MVI2 KIT	1
4.1		> SCREW M6X14 ISO4762 8.8 ZN	1
4.2		> WASHER D.24 L6U ZINK	1
4.3	2090148	> CIRCLIP D14 MVI/MHI 316L (2 PIECES) VP.	1
		>> STOP-RUSH-1/2-D14-VMI/HMI-316	2
4.4		> STOP COLLAR OF IMPELLER L=8.7-Ø14-316L	1
4.5		> WASHER D.16/13,8x3 1.4401	1
4.6		> STAINLESS-STEEL-WASHER-DE8	1
4.7		> SCREW M8X16 ISO4762 A4	1
5	2018435	HOUSING PIPE D.152X311 1.4404 KIT	1
5.1		> HOUSING-PIPE-D152-VMI212/412-316L	1
1.3	4234237	> O-RING 139X3 VITON VP.	1
6	2127554	STUD BOLT M12X437 KIT	1
6.1		> TIE BOLT M12-437x18x30-1.4057	1
6.2	2094647	> NUT M12 M12 ISO4032 VP.	1
6.3	2123557	> WASHER CS-12.4-24-1.6-NFE25 (4 PIECES)	1
7	4214476	MO.TL4/4000/2DM 65HZ V18 MVIE SER.99 VP.	1
		SPARE PARTS MOTOR TL4/4000/2 3-400 65HZ	1
8	4191471	LANTERN-MOTOR-VMI-FT130-MACHINED VP.	1
9	4092424	COUPLING GUARD FT85/130 MVI KIT	1
		> COUPLING PROTECTOR FT85/130-1.4016	1
		> CLIP COUPLING-GUARD-RF	1

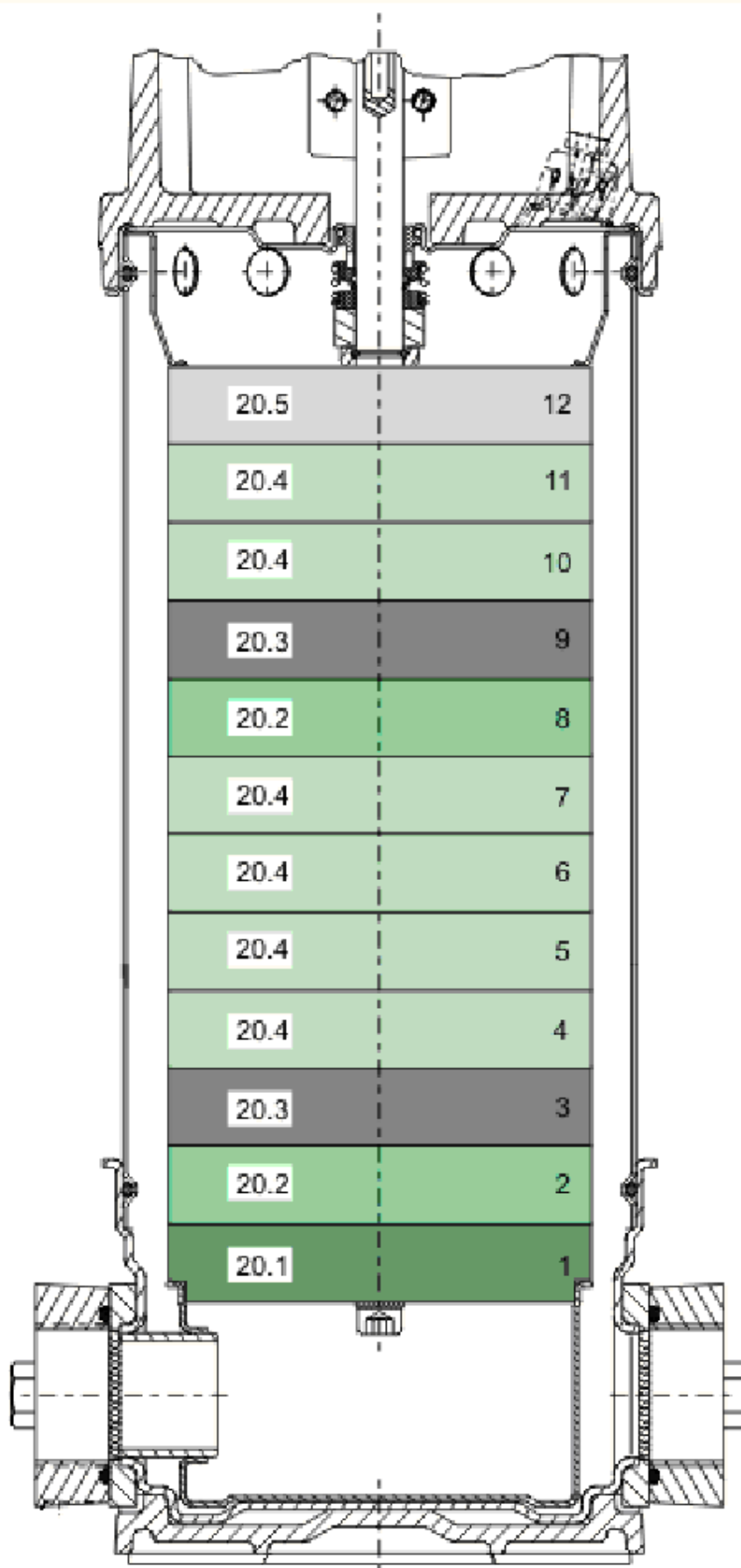
**MVIE212-2/P/V/3-2 (4040054)**

Item	Article no.	Description	Quantity
10	4217883	STAT.RING HOLDER MVI2/4/8 1.4435 VP.	1
11	4095219	3PH COUPLING KIT MVI D14XD28	1
11.1		> COUPLING VMI-Ø14xØ28-FT130 MACHINING	1
11.2	122065996	> BALL BEARING 6209/2Z-C3 (HT) VP.	1
11.3	4233930	> CIRCLIP-FOR-BORES-D45x1,75 VP.	1
11.4	4157726	> SCREW KIT M8X30 (4 PIECES)	1
11.5	4234252	> CIRCLIPS 85X3 VP.	1
11.6	4234243	> O-RING 85X3 VP.	1
		> NOMEL CONTACT WASHER 8x16x1,4 STEEL ZC	1
		> SCREW CHC-M6X14-8.8-ISO4762-GEOMET500A	1
		> WASHER D.24 L6U ZINK	1
12	4233131	PLUG-VMI-316L VP.	1
14	4233141	SHAFT D.14X390 1.4404 VP.	1
19	4233921	UPPER STAGE RFK.MVI2/4M3 1.4435 VP.	1
20		SPARE PARTS HYDRAULICS MVI 1.4404	1
22	63699	SCREW M12x50x30	1
23	2132561	OVAL FLANGE G1" LK75 VP.	1
24	74760312103	SCREW M8X25 ISO4762 8.8 ZN	1
25	2048856	SCREW M5X12 ISO7045 4.8-Z GB.ZN	1
26		MODULE MVIE/MHIE 212/408/805 4KW	1
Note: no longer available / nicht mehr lieferbar / ne plus disponible			
27	2048855	SCREW M5X16 ISO7045 4.8-Z ZN LSN.	1



**SPARE PARTS MOTOR TL4/4000/2 3-400 65HZ**

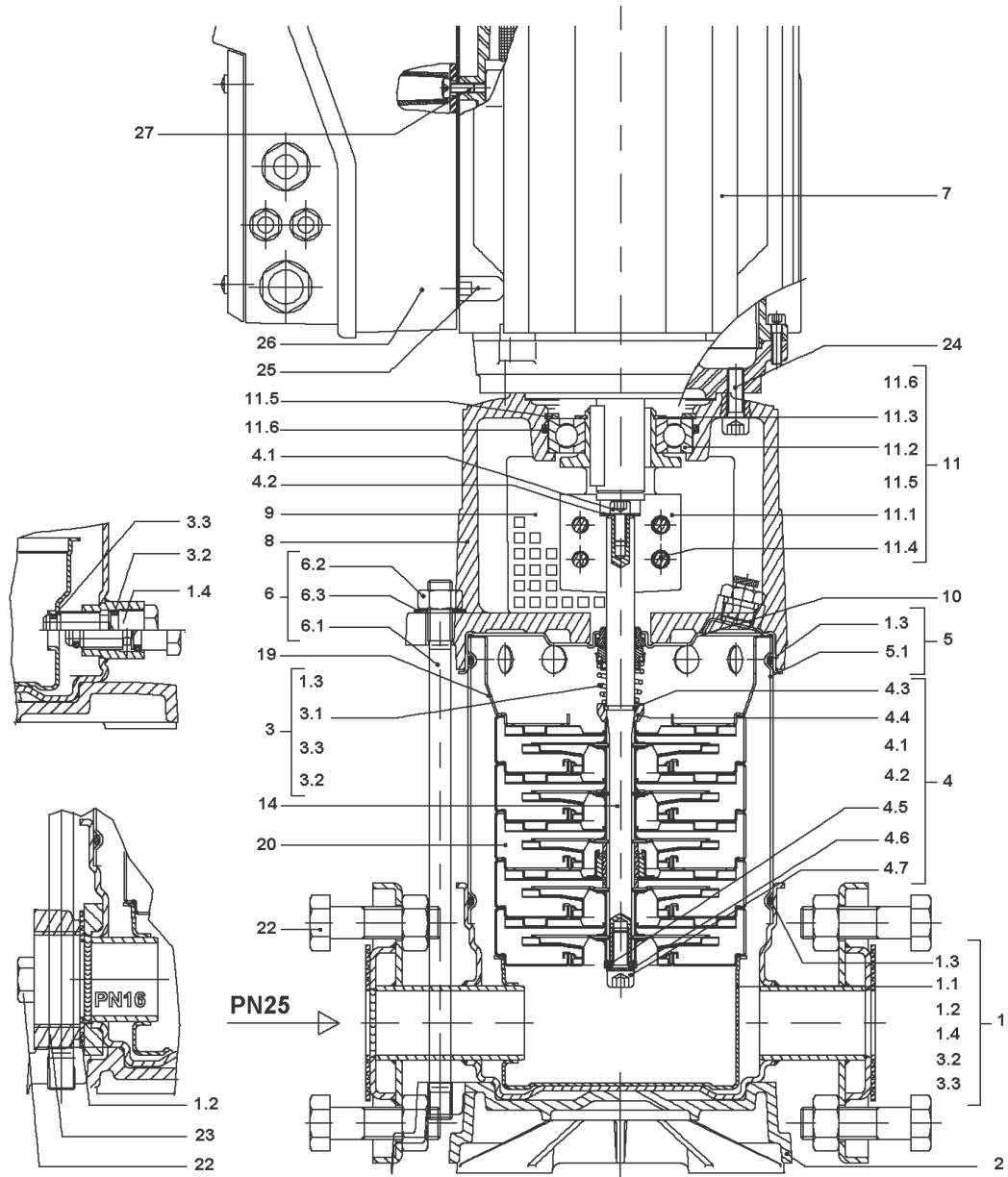
Item	Article no.	Description	Quantity
13.1	2047017	FAN WHEEL AF90 2POL.ATB VP.	1
Note: Please give the data from type plate of the motor			
13.2	4049393	CAPOT-VENTILATEUR-TL4N-NEUTRE-REPRIS	1
Note: Please give the data from type plate of the motor			
13.3		SCREW M4X8 ISO7045 4.8-H ZN	1
Note: no longer available / nicht mehr lieferbar / ne plus disponible			
13.4	2047016	CORRUGATED SLEEVE RING BG90/100 ATB VP.	1
Note: Please give the data from type plate of the motor			





**SPARE PARTS HYDRAULICS MVI 1.4404**

Item	Article no.	Description	Quantity
20.1	4026330	ASSEMBLY LR.STF.GH.MHI202-205MVI204-20 1	1
		> IMPELLER-VMI/HMI-SERIE.2-316L	1
		> STAGE CASING WITHOUT-R/G-2/4M3-316L	1
		> SPACER IMPELLER MVI2/4 1.4435	1
20.2	4026331	ASSEMBLY STF.GH./LAG.BU.RLF.MVI204-220 1	1
		> IMPELLER-VMI/HMI-SERIE.2-316L	1
		> SPACER IMPELLER MVI2/4 1.4435	1
		> SPACER SHAFT SLEEVE MVI2/4 1.4435	1
		> STAGE CASING-AV-C/R-2/4M3-316L	1
20.3	4026328	ASSEMBLY LR./LAG.BU.MHI206,MVI203-220 1.	1
		> IMPELLER-VMI/HMI-SERIE.2-316L	1
		> SPACER IMPELLER MVI2/4 1.4435	1
		> SPACER SHAFT SLEEVE MVI2/4 1.4435	1
		> STAGE CASING-AV-C/R-BEARING-2/4M3-L	1
		> SLEEVE-D14L13,8-VMI	1
20.4	4026333	ASSEMBLY LR.STF.GH.RFK.MHI2,MVI205-220 1	1
		> IMPELLER-VMI/HMI-SERIE.2-316L	1
		> SPACER IMPELLER MVI2/4 1.4435	1
		> STAGE CASING-AV-C/R-2/4M3-316L	1
20.5	4026329	ASSEMBLY STF.GH./LR.OHNE RLF MVI203-20 1	1
		> IMPELLER-VMI/HMI-SERIE.2-316L	1
		> SPACER IMPELLER MVI2/4 1.4435	1
		> WASHER D.24/14x1,5 1.4401	1
		> STAGE CASING-AV-C/R-2/4M3-316L	1



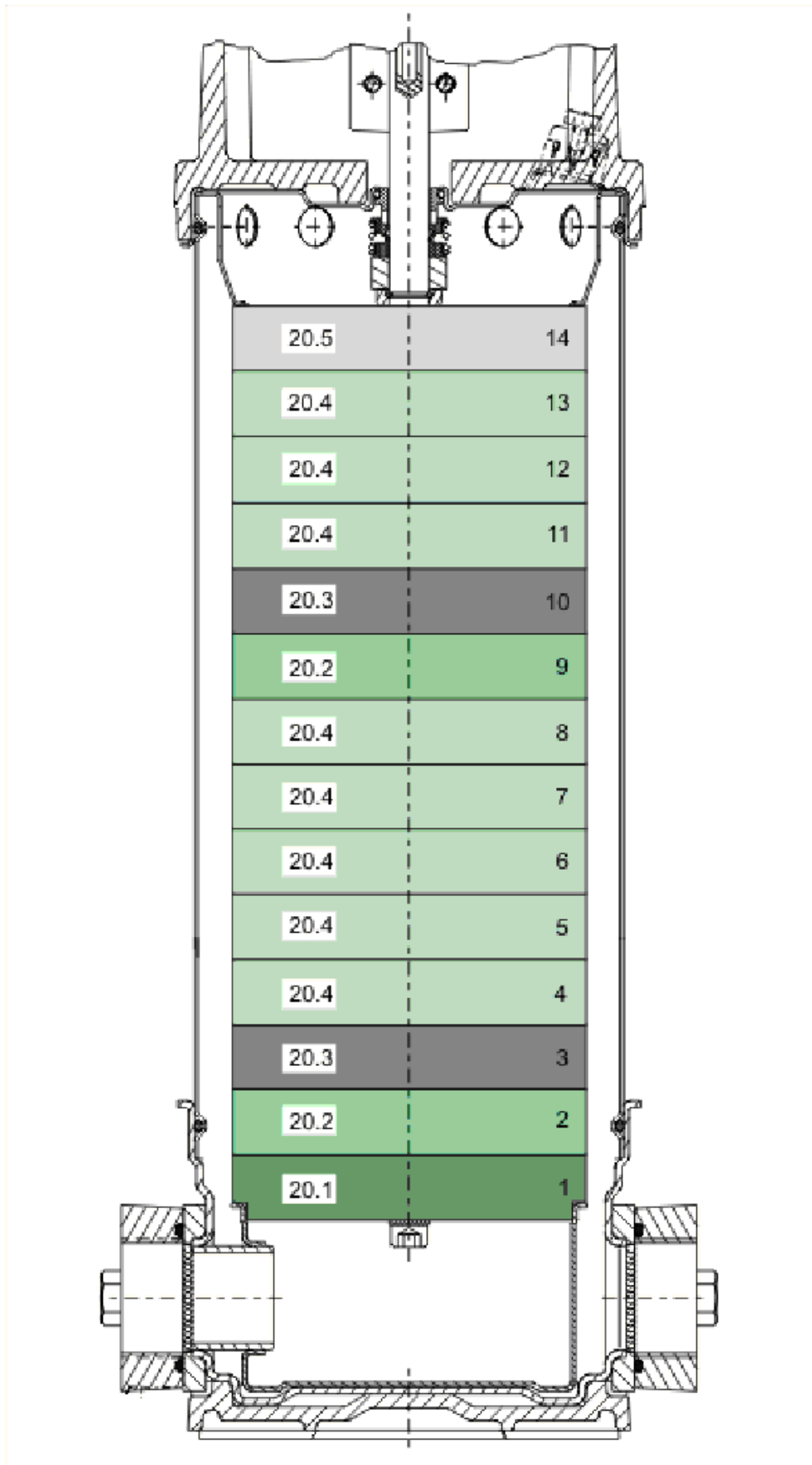
**MVIE214-1/25/E/3-2-2G (4077531)**

Item	Article no.	Description	Quantity
1	2086078	PUMP HOUSING MVI PN25 EPDM 1.4435 KIT	1
1.1		> PUMP HOUSING MVI D25 PN25 1.4435	1
1.2	4233952	> FLAT GASKET D.73 VP.	1
1.3	4176513	> O-RING FOR PUMP JACKET VP.	1
1.4	4234240	> PRIMING/DRAIN PLUG MVI6" 316L VP.	1
3.2	4177800	> O-RING EPDM PLUG HELIX VP.	1
3.3	4234242	> O-RING 9X2 VP.	1
2	4187925	BASEPLATE-VMI-1/2/4M3-VP.	1
3	4015431	MECHANICAL SEAL MVI2/4/8 PN25 120° KIT	1
1.3	4176513	> O-RING FOR PUMP JACKET VP.	1
3.1		> MECHANICAL SEAL RMG12/14-G606-U3BE3GG-BU	1
3.2	4177800	> O-RING EPDM PLUG HELIX VP.	1
3.3	4234242	> O-RING 9X2 VP.	1
4	4015429	SHAFT-FIXING MVI2 KIT	1
4.1		> SCREW M6X14 ISO4762 8.8 ZN	1
4.2		> WASHER D.24 L6U ZINK	1
4.3	2090148	> CIRCLIP D14 MVI/MHI 316L (2 PIECES) VP.	1
		>> STOP-RUSH-1/2-D14-VMI/HMI-316	2
4.4		> STOP COLLAR OF IMPELLER L=8.7-Ø14-316L	1
4.5		> WASHER D.16/13,8x3 1.4401	1
4.6		> STAINLESS-STEEL-WASHER-DE8	1
4.7		> SCREW M8X16 ISO4762 A4	1
5	2018418	HOUSING PIPE D.152X359 1.4301 KIT	1
5.1		> HOUSING-PIPE-D152-VMI214/414-304	1
1.3	4176513	> O-RING FOR PUMP JACKET VP.	1
6	2018422	STUD BOLT M12X485 MVI2 KIT	1
6.1		> TIE ROD-M12-485x18x30 CLASS8.8 ZN+FINIG	1
6.2	2094647	> NUT M12 M12 ISO4032 VP.	1
6.3	2123557	> WASHER CS-12.4-24-1.6-NFE25 (4 PIECES)	1
7		M4-2T638P55V18-112F13-SU-N28-ADAPT	1
Note: no longer available/nicht mehr lieferbar/n'est plus disponible			
8	4191471	LANTERN-MOTOR-VMI-FT130-MACHINED VP.	1
9	4092424	COUPLING GUARD FT85/130 MVI KIT	1
		> COUPLING PROTECTOR FT85/130-1.4016	1

**MVIE214-1/25/E/3-2-2G (4077531)**

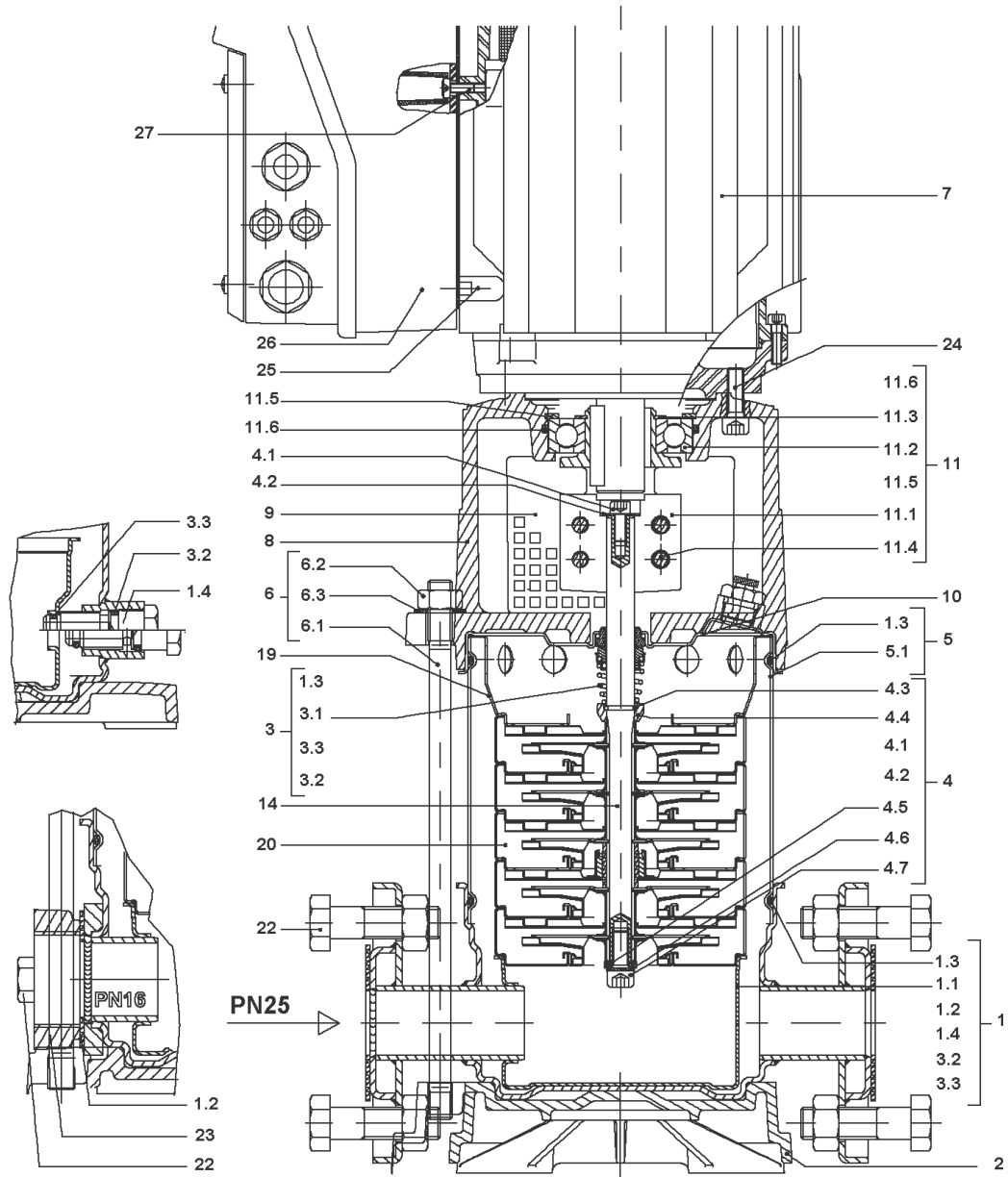
Item	Article no.	Description	Quantity
		> CLIP COUPLING-GUARD-RF	1
10	4217881	STAT.RING HOLDER-GM-D14-304 VP.	1
11	4095219	3PH COUPLING KIT MVI D14XD28	1
11.1		> COUPLING VMI-Ø14xØ28-FT130 MACHINING	1
11.2	122065996	> BALL BEARING 6209/2Z-C3 (HT) VP.	1
11.3	4233930	> CIRCLIP-FOR-BORES-D45x1,75 VP.	1
11.4	4157726	> SCREW KIT M8X30 (4 PIECES)	1
11.5	4234252	> CIRCLIPS 85X3 VP.	1
11.6	4234243	> O-RING 85X3 VP.	1
		> NOMEL CONTACT WASHER 8x16x1,4 STEEL ZC	1
		> SCREW CHC-M6X14-8.8-ISO4762-GEOMET500A	1
		> WASHER D.24 L6U ZINK	1
12	4233131	PLUG-VMI-316L VP.	1
14	4233909	SHAFT D.14X438 1.4057 VP.	1
19	4234236	UPPER STAGE RFK.MVI2/4 1.4301 VP.	1
20		SPARE PARTS HYDRAULICS MVI/MVIE 1.4301	1
22	61476	SCREW M16X55X38	1
24	74760212103	SCREW M6x16 ISO4762 12.9 DACROMET	1
26		MODULE MVIEMHIE-4KW TL3/4	1

Note: no longer available/nicht mehr lieferbar/n'est plus disponible



**SPARE PARTS HYDRAULICS MVI/MVIE 1.4301**

Item	Article no.	Description	Quantity
20.1	4015439	STAGE MHI202/5MVI204 KIT	1
		> IMPELLER MVI2 D.98x2 1.4301	1
		> STAGE HOUSING O.RFK MVI2/4 1.4301	1
		> SPACER IMPELLER MVI2/4 1.4435	1
20.2	4015440	STAGE MVI204-220 1.4301 KIT	1
		> IMPELLER MVI2 D.98x2 1.4301	1
		> SPACER IMPELLER MVI2/4 1.4435	1
		> SPACER SHAFT SLEEVE MVI2/4 1.4435	1
		> STAGE HOUSING RFK.MVI2/4 1.4301	1
20.3	4015437	STAGE MHI206,MVI203-20 1.4301 KIT	1
		> IMPELLER MVI2 D.98x2 1.4301	1
		> SPACER IMPELLER MVI2/4 1.4435	1
		> SPACER SHAFT SLEEVE MVI2/4 1.4435	1
		> STAGE-CASING-WITH-R/C+BEARING-2/4M3-304	1
		> SLEEVE-D14L13,8-VMI	1
20.4	4015441	STAGE MHI2,MVI205-14 1.4301 KIT	1
		> IMPELLER MVI2 D.98x2 1.4301	1
		> SPACER IMPELLER MVI2/4 1.4435	1
		> STAGE HOUSING RFK.MVI2/4 1.4301	1
20.5	4015438	STAGE MVI203-220 1.4301 KIT	1
		> IMPELLER MVI2 D.98x2 1.4301	1
		> SPACER IMPELLER MVI2/4 1.4435	1
		> WASHER D.24/14x1,5 1.4401	1
		> STAGE HOUSING RFK.MVI2/4 1.4301	1



**MVIE214-2/25/V/3-2-2G (4077543)**

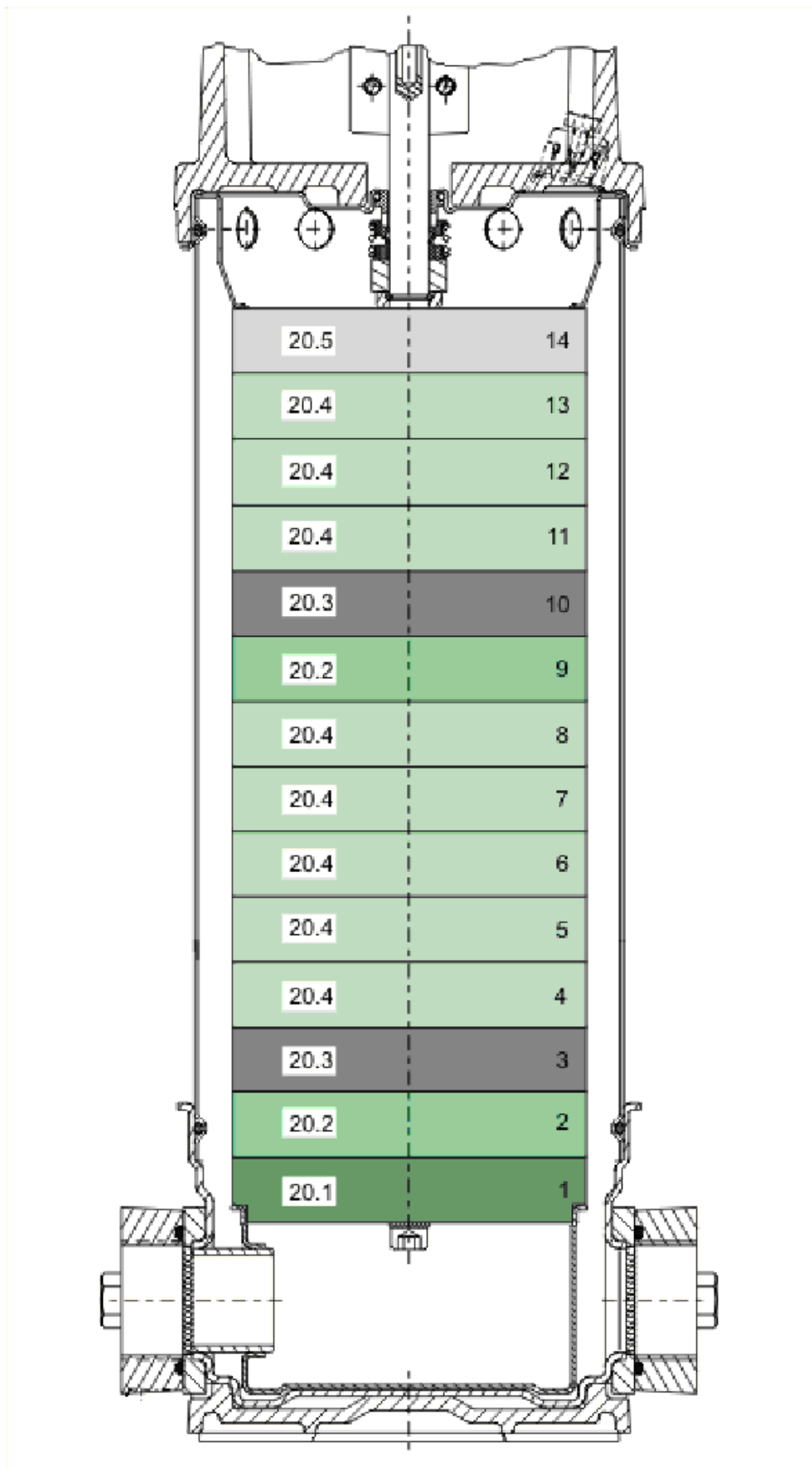
Item	Article no.	Description	Quantity
1	2018427	PUMP HOUSING MVI PN25 VITON 1.4435 KIT	1
1.1		> PUMP HOUSING MVI D25 PN25 1.4435	1
1.2	4233952	> FLAT GASKET D.73 VP.	1
1.3	4234237	> O-RING 139X3 VITON VP.	1
1.4	4234240	> PRIMING/DRAIN PLUG MVI6" 316L VP.	1
3.2	4234239	> O-RING 13X2 VITON VP.	1
3.3	4234238	> O-RING 9X2 VITON VP.	1
2	4187925	BASEPLATE-VMI-1/2/4M3-VP.	1
3	4027310	ASSEMBLY GRD.MVI2../4../8.. PN25 90° +VP	1
1.3	4234237	> O-RING 139X3 VITON VP.	1
3.1		> MECHANICAL SEAL RMG12/14-G606-U3BVGG-BUR	1
3.2	4234239	> O-RING 13X2 VITON VP.	1
3.3	4234238	> O-RING 9X2 VITON VP.	1
4	4015429	SHAFT-FIXING MVI2 KIT	1
4.1		> SCREW M6X14 ISO4762 8.8 ZN	1
4.2		> WASHER D.24 L6U ZINK	1
4.3	2090148	> CIRCLIP D14 MVI/MHI 316L (2 PIECES) VP.	1
		>> STOP-RUSH-1/2-D14-VMI/HMI-316	2
4.4		> STOP COLLAR OF IMPELLER L=8.7-Ø14-316L	1
4.5		> WASHER D.16/13,8x3 1.4401	1
4.6		> STAINLESS-STEEL-WASHER-DE8	1
4.7		> SCREW M8X16 ISO4762 A4	1
5	2018436	HOUSING PIPE D.152X359 1.4404 KIT	1
5.1		> HOUSING-PIPE-D152-VMI214/414-316L	1
1.3	4234237	> O-RING 139X3 VITON VP.	1
6	2018422	STUD BOLT M12X485 MVI2 KIT	1
6.1		> TIE ROD-M12-485x18x30 CLASS8.8 ZN+FINIG	1
6.2	2094647	> NUT M12 M12 ISO4032 VP.	1
6.3	2123557	> WASHER CS-12.4-24-1.6-NFE25 (4 PIECES)	1
7		M4-2T638P55V18-112F13-SU-N28-ADAPT	1
Note: no longer available/nicht mehr lieferbar/n'est plus disponible			
8	4191471	LANTERN-MOTOR-VMI-FT130-MACHINED VP.	1
9	4092424	COUPLING GUARD FT85/130 MVI KIT	1
		> COUPLING PROTECTOR FT85/130-1.4016	1



**MVIE214-2/25/V/3-2-2G (4077543)**

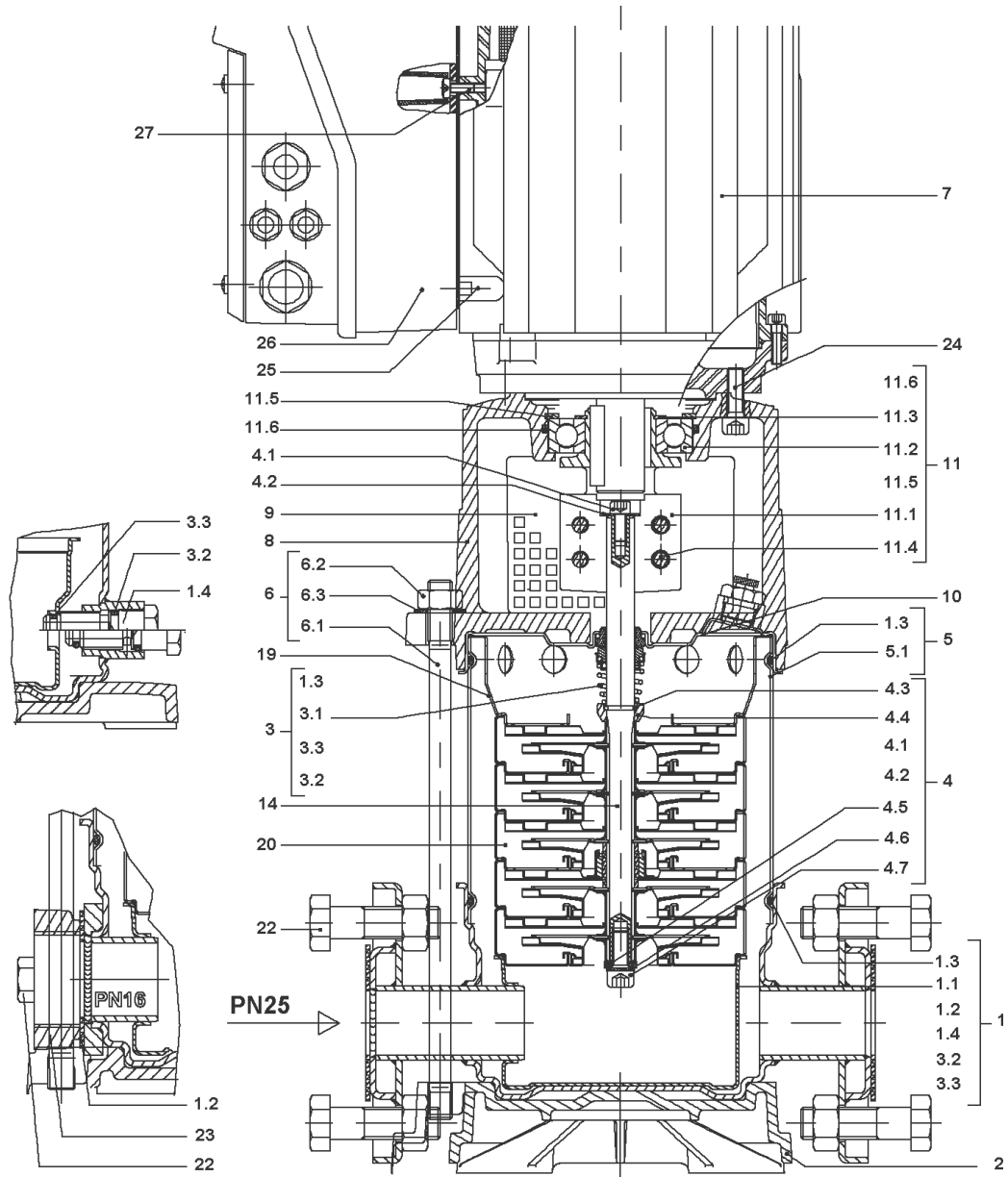
Item	Article no.	Description	Quantity
		> CLIP COUPLING-GUARD-RF	1
10	4217883	STAT.RING HOLDER MVI2/4/8 1.4435 VP.	1
11	4095219	3PH COUPLING KIT MVI D14XD28	1
11.1		> COUPLING VMI-Ø14xØ28-FT130 MACHINING	1
11.2	122065996	> BALL BEARING 6209/2Z-C3 (HT) VP.	1
11.3	4233930	> CIRCLIP-FOR-BORES-D45x1,75 VP.	1
11.4	4157726	> SCREW KIT M8X30 (4 PIECES)	1
11.5	4234252	> CIRCLIPS 85X3 VP.	1
11.6	4234243	> O-RING 85X3 VP.	1
		> NOMEL CONTACT WASHER 8x16x1,4 STEEL ZC	1
		> SCREW CHC-M6X14-8.8-ISO4762-GEOMET500A	1
		> WASHER D.24 L6U ZINK	1
12	4233131	PLUG-VMI-316L VP.	1
14	4233143	SHAFT D.14X438 1.4404 VP.	1
19	4233921	UPPER STAGE RFK.MVI2/4M3 1.4435 VP.	1
20		SPARE PARTS HYDRAULICS MVI/MVIE 1.4404	1
22	63699	SCREW M12x50x30	1
24	74760212103	SCREW M6x16 ISO4762 12.9 DACROMET	1
26		MODULE MVIEMHIE-4KW TL3/4	1

Note: no longer available/nicht mehr lieferbar/n'est plus disponible



**SPARE PARTS HYDRAULICS MVI/MVIE 1.4404**

Item	Article no.	Description	Quantity
20.1	4026330	ASSEMBLY LR.STF.GH.MHI202-205MVI204-20 1	1
		> IMPELLER-VMI/HMI-SERIE.2-316L	1
		> STAGE CASING WITHOUT-R/G-2/4M3-316L	1
		> SPACER IMPELLER MVI2/4 1.4435	1
20.2	4026331	ASSEMBLY STF.GH./LAG.BU.RLF.MVI204-220 1	1
		> IMPELLER-VMI/HMI-SERIE.2-316L	1
		> SPACER IMPELLER MVI2/4 1.4435	1
		> SPACER SHAFT SLEEVE MVI2/4 1.4435	1
		> STAGE CASING-AV-C/R-2/4M3-316L	1
20.3	4026328	ASSEMBLY LR./LAG.BU.MHI206,MVI203-220 1.	1
		> IMPELLER-VMI/HMI-SERIE.2-316L	1
		> SPACER IMPELLER MVI2/4 1.4435	1
		> SPACER SHAFT SLEEVE MVI2/4 1.4435	1
		> STAGE CASING-AV-C/R-BEARING-2/4M3-L	1
		> SLEEVE-D14L13,8-VMI	1
20.4	4026333	ASSEMBLY LR.STF.GH.RFK.MHI2,MVI205-220 1	1
		> IMPELLER-VMI/HMI-SERIE.2-316L	1
		> SPACER IMPELLER MVI2/4 1.4435	1
		> STAGE CASING-AV-C/R-2/4M3-316L	1
20.5	4026329	ASSEMBLY STF.GH./LR.OHNE RLF MVI203-20 1	1
		> IMPELLER-VMI/HMI-SERIE.2-316L	1
		> SPACER IMPELLER MVI2/4 1.4435	1
		> WASHER D.24/14x1,5 1.4401	1
		> STAGE CASING-AV-C/R-2/4M3-316L	1



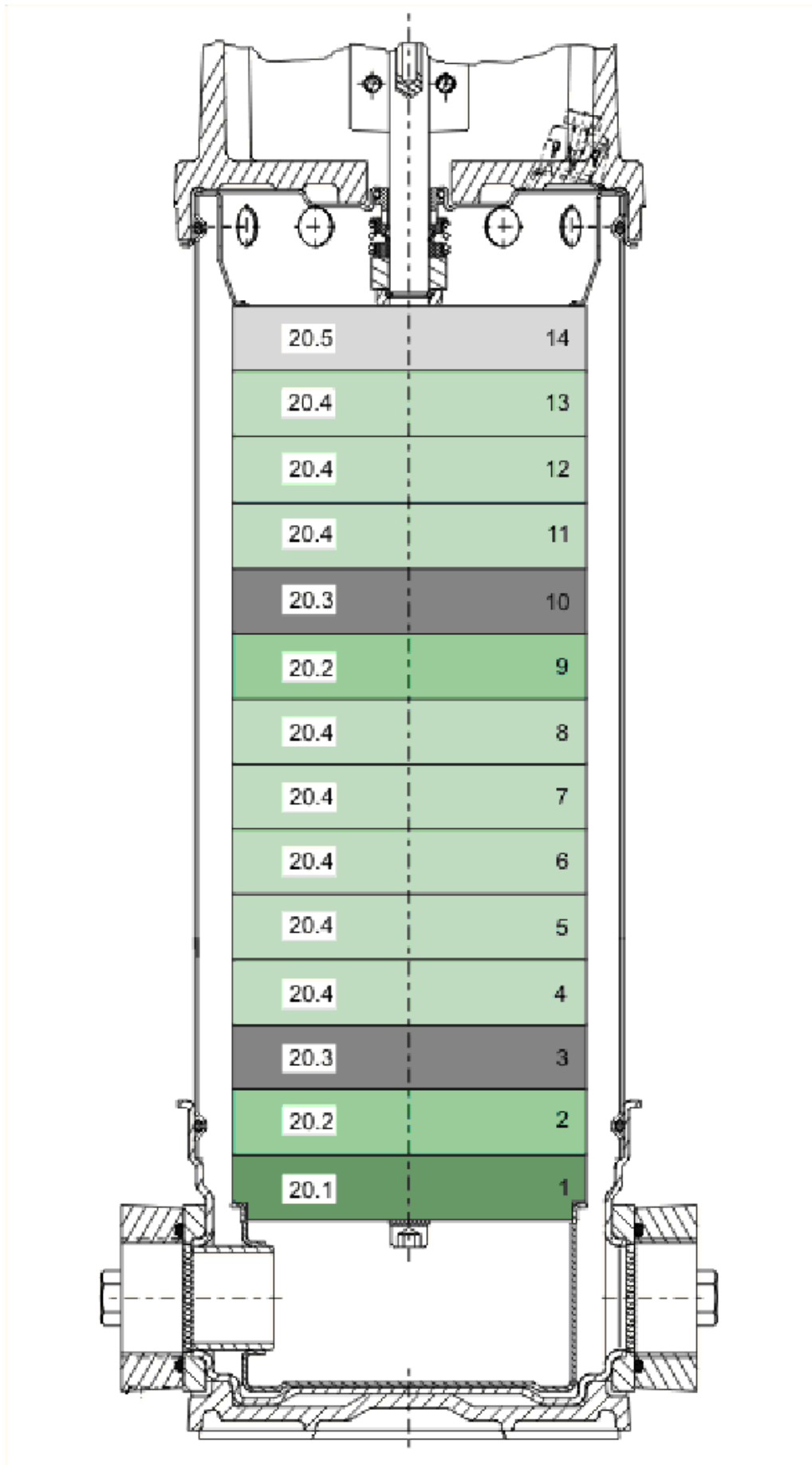
**MVIE214-2/P/V/3-2-2G (4077552)**

Item	Article no.	Description	Quantity
1	2114343	PUMP HOUSING MVI DN32 P 1.4404 KIT	1
1.1		> CASING-MVI-D32-PN25-D152-316L-VICTAULI	1
1.3	4234237	> O-RING 139X3 VITON VP.	1
1.4	4234240	> PRIMING/DRAIN PLUG MVI6" 316L VP.	1
3.2	4234239	> O-RING 13X2 VITON VP.	1
3.3	4234238	> O-RING 9X2 VITON VP.	1
2	4187925	BASEPLATE-VMI-1/2/4M3-VP.	1
3	4027310	ASSEMBLY GRD.MVI2../4../8.. PN25 90° +VP	1
1.3	4234237	> O-RING 139X3 VITON VP.	1
3.1		> MECHANICAL SEAL RMG12/14-G606-U3BVGG-BUR	1
3.2	4234239	> O-RING 13X2 VITON VP.	1
3.3	4234238	> O-RING 9X2 VITON VP.	1
4	4015429	SHAFT-FIXING MVI2 KIT	1
4.1		> SCREW M6X14 ISO4762 8.8 ZN	1
4.2		> WASHER D.24 L6U ZINK	1
4.3	2090148	> CIRCLIP D14 MVI/MHI 316L (2 PIECES) VP.	1
		>> STOP-RUSH-1/2-D14-VMI/HMI-316	2
4.4		> STOP COLLAR OF IMPELLER L=8.7-Ø14-316L	1
4.5		> WASHER D.16/13,8x3 1.4401	1
4.6		> STAINLESS-STEEL-WASHER-DE8	1
4.7		> SCREW M8X16 ISO4762 A4	1
5	2018436	HOUSING PIPE D.152X359 1.4404 KIT	1
5.1		> HOUSING-PIPE-D152-VMI214/414-316L	1
1.3	4234237	> O-RING 139X3 VITON VP.	1
6	2018422	STUD BOLT M12X485 MVI2 KIT	1
6.1		> TIE ROD-M12-485x18x30 CLASS8.8 ZN+FINIG	1
6.2	2094647	> NUT M12 M12 ISO4032 VP.	1
6.3	2123557	> WASHER CS-12.4-24-1.6-NFE25 (4 PIECES)	1
7		M4-2T638P55V18-112F13-SU-N28-ADAPT	1
Note: no longer available/nicht mehr lieferbar/n'est plus disponible			
8	4191471	LANTERN-MOTOR-VMI-FT130-MACHINED VP.	1
9	4092424	COUPLING GUARD FT85/130 MVI KIT	1
		> COUPLING PROTECTOR FT85/130-1.4016	1
		> CLIP COUPLING-GUARD-RF	1

**MVIE214-2/P/V/3-2-2G (4077552)**

Item	Article no.	Description	Quantity
10	4217883	STAT.RING HOLDER MVI2/4/8 1.4435 VP.	1
11	4095219	3PH COUPLING KIT MVI D14XD28	1
11.1		> COUPLING VMI-Ø14xØ28-FT130 MACHINING	1
11.2	122065996	> BALL BEARING 6209/2Z-C3 (HT) VP.	1
11.3	4233930	> CIRCLIP-FOR-BORES-D45x1,75 VP.	1
11.4	4157726	> SCREW KIT M8X30 (4 PIECES)	1
11.5	4234252	> CIRCLIPS 85X3 VP.	1
11.6	4234243	> O-RING 85X3 VP.	1
		> NOMEL CONTACT WASHER 8x16x1,4 STEEL ZC	1
		> SCREW CHC-M6X14-8.8-ISO4762-GEOMET500A	1
		> WASHER D.24 L6U ZINK	1
12	4233131	PLUG-VMI-316L VP.	1
14	4233143	SHAFT D.14X438 1.4404 VP.	1
19	4233921	UPPER STAGE RFK.MVI2/4M3 1.4435 VP.	1
20		SPARE PARTS HYDRAULICS MVI/MVIE 1.4404	1
22	63699	SCREW M12x50x30	1
24	74760212103	SCREW M6x16 ISO4762 12.9 DACROMET	1
26		MODULE MVIEMHIE-4KW TL3/4	1

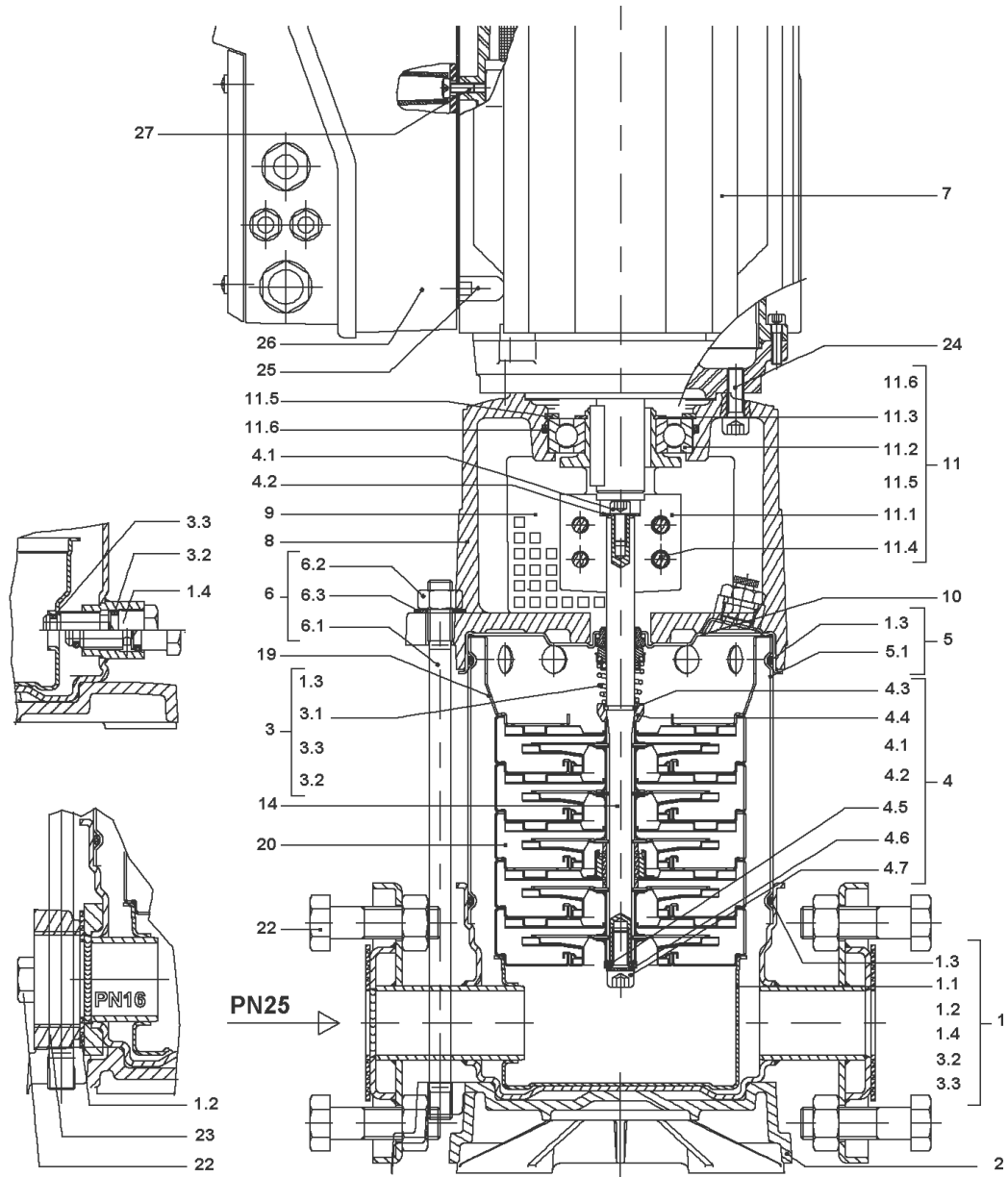
Note: no longer available/nicht mehr lieferbar/n'est plus disponible



**SPARE PARTS HYDRAULICS MVI/MVIE 1.4404**

Item	Article no.	Description	Quantity
20.1	4026330	ASSEMBLY LR.STF.GH.MHI202-205MVI204-20 1	1
		> IMPELLER-VMI/HMI-SERIE.2-316L	1
		> STAGE CASING WITHOUT-R/G-2/4M3-316L	1
		> SPACER IMPELLER MVI2/4 1.4435	1
20.2	4026331	ASSEMBLY STF.GH./LAG.BU.RLF.MVI204-220 1	1
		> IMPELLER-VMI/HMI-SERIE.2-316L	1
		> SPACER IMPELLER MVI2/4 1.4435	1
		> SPACER SHAFT SLEEVE MVI2/4 1.4435	1
		> STAGE CASING-AV-C/R-2/4M3-316L	1
20.3	4026328	ASSEMBLY LR./LAG.BU.MHI206,MVI203-220 1.	1
		> IMPELLER-VMI/HMI-SERIE.2-316L	1
		> SPACER IMPELLER MVI2/4 1.4435	1
		> SPACER SHAFT SLEEVE MVI2/4 1.4435	1
		> STAGE CASING-AV-C/R-BEARING-2/4M3-L	1
		> SLEEVE-D14L13,8-VMI	1
20.4	4026333	ASSEMBLY LR.STF.GH.RFK.MHI2,MVI205-220 1	1
		> IMPELLER-VMI/HMI-SERIE.2-316L	1
		> SPACER IMPELLER MVI2/4 1.4435	1
		> STAGE CASING-AV-C/R-2/4M3-316L	1
20.5	4026329	ASSEMBLY STF.GH./LR.OHNE RLF MVI203-20 1	1
		> IMPELLER-VMI/HMI-SERIE.2-316L	1
		> SPACER IMPELLER MVI2/4 1.4435	1
		> WASHER D.24/14x1,5 1.4401	1
		> STAGE CASING-AV-C/R-2/4M3-316L	1



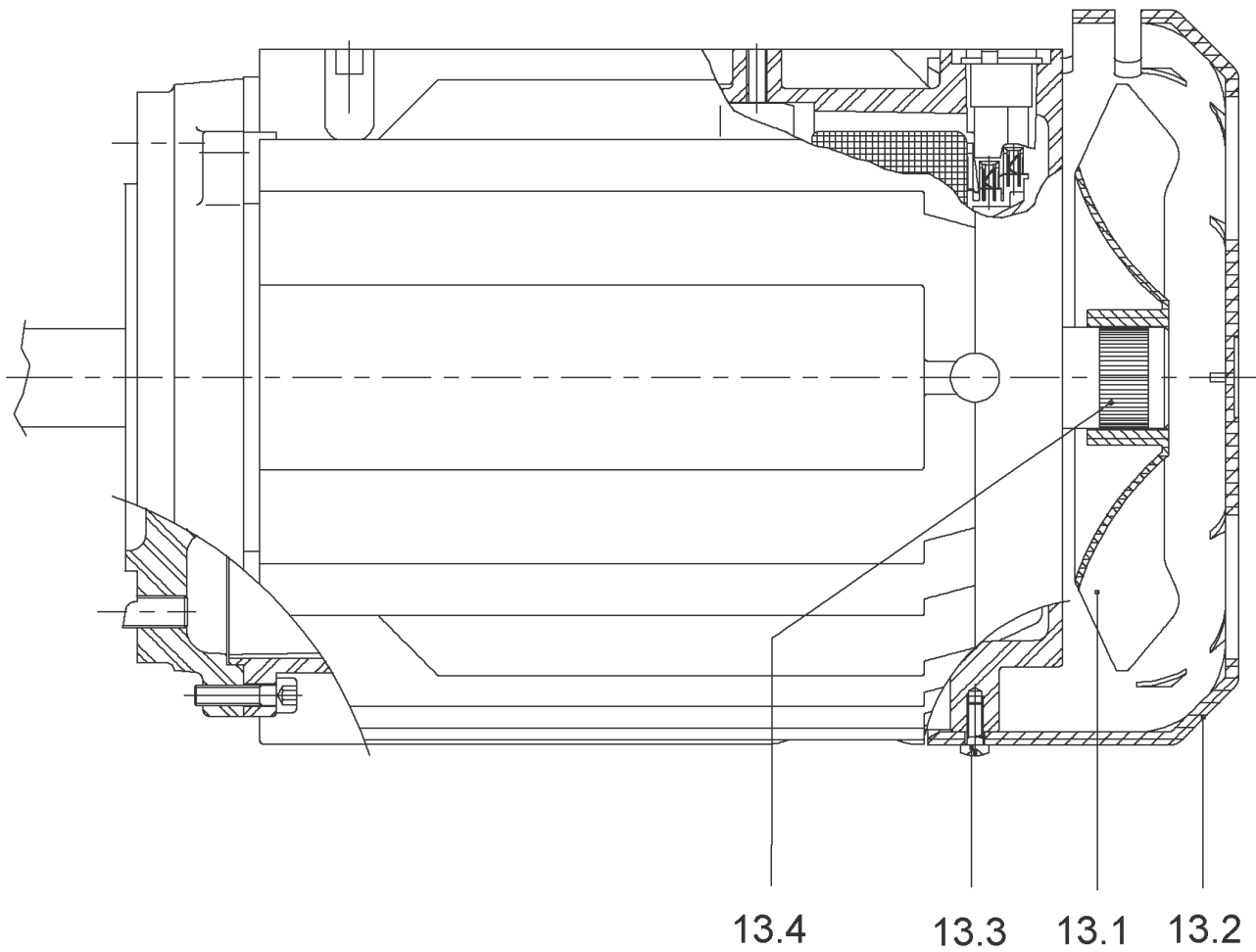


**MVIE402-1/16/E/3-2 (4040092)**

Item	Article no.	Description	Quantity
1	2023917	PUMP HOUSING MVI/MVIS DN32PN16 1.4301KIT	1
1.1		> CASING-MU-I-D32-PN16-D152-304	1
1.2	4191618	> O-RING ID.44,05x3,53 EPDM VP.	1
Note: FROM / AB / À PARTIR DE: 07/97			
1.3	4176513	> O-RING FOR PUMP JACKET VP.	1
1.4	4234235	> PRIMING/DRAIN PLUG MVI6" 304 VP.	1
3.2	4177800	> O-RING EPDM PLUG HELIX VP.	1
3.3	4234242	> O-RING 9X2 VP.	1
2	2127420	BASE PLATE 212X157 PN16 VP.	1
3	4027301	MECHANICAL SEAL MVI2/4/8/16-6" EP120°KIT	1
1.3	4176513	> O-RING FOR PUMP JACKET VP.	1
3.1		> MECHANICAL SEAL MG12/14-G606-Q1BE3GG-BU.	1
3.2	4177800	> O-RING EPDM PLUG HELIX VP.	1
3.3	4234242	> O-RING 9X2 VP.	1
4	4015442	SHAFT-FIXING MVI4/8 KIT	1
4.1		> SCREW CHC-M6X14-8.8-ISO4762-GEOMET500A	1
4.2		> WASHER D.24 L6U ZINK	1
4.3	2090148	> CIRCLIP D14 MVI/MHI 316L (2 PIECES) VP.	1
		>> STOP-RUSH-1/2-D14-VMI/HMI-316	2
4.4		> STOP COLLAR OF IMPELLER L=8.7-Ø14-316L	1
4.5		> FLAT WASHER-D8xD16x2.5-316L	1
4.6		> STAINLESS-STEEL-WASHER-DE8	1
4.7		> SCREW M8X16 ISO4762 A4	1
5	2018374	HOUSING PIPE D.152X 95 1.4301 KIT	1
5.1		> HOUSING-PIPE-D152-VMI203/403-304	1
1.3	4176513	> O-RING FOR PUMP JACKET VP.	1
6	2018358	STUD BOLT M12X221 KIT	1
6.1		> TIE BOLT M12-221x18x30-1.4057	1
6.2	2094647	> NUT M12 M12 ISO4032 VP.	1
6.3	2123557	> WASHER CS-12.4-24-1.6-NFE25 (4 PIECES)	1
7	2025382	MOTOR TL3/2200/2DM 65HZ V18 MVIE SERIE99	1
		SPARE PARTS MOTOR TL3/2200/2 3-400 65HZ	1
8	4190751	LANTERN-MOTOR-VMI-FT115-MACHINED VP.	1
9	4092424	COUPLING GUARD FT85/130 MVI KIT	1

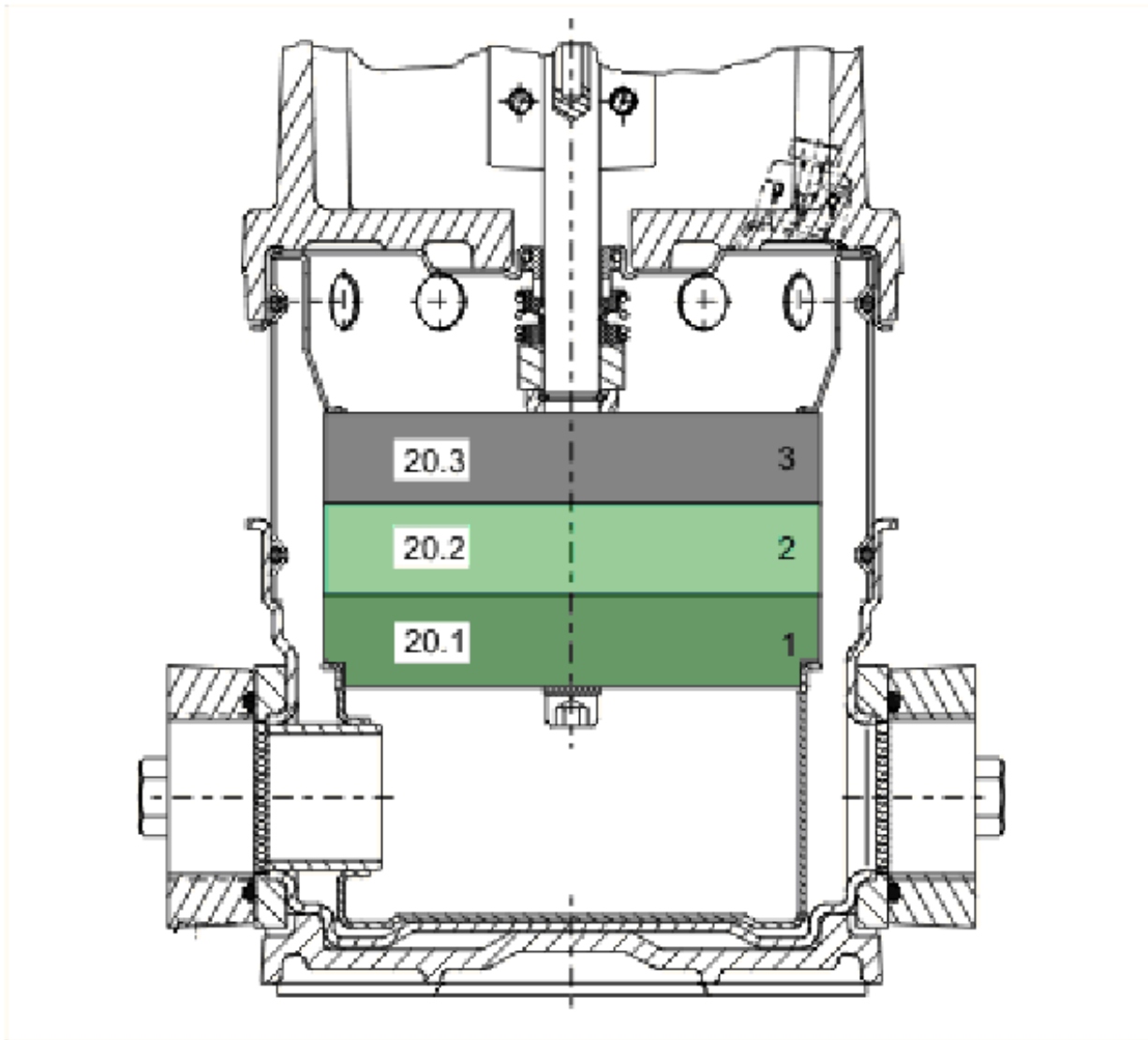
**MVIE402-1/16/E/3-2 (4040092)**

Item	Article no.	Description	Quantity
		> COUPLING PROTECTOR FT85/130-1.4016	1
		> CLIP COUPLING-GUARD-RF	1
10	4217881	STAT.RING HOLDER-GM-D14-304 VP.	1
11	4095214	3PH COUPLING KIT MVI D14XD24	1
11.1		> COUPLING-VMI-Ø14xØ24-FT115-MACHINED	1
11.2	2131023	> BALL BEARING 6207/ZZ-C3(HT)VP.	1
11.3	4234254	> CIRCLIP-FOR-SHAFT-D35x1.5 VP.	1
11.4	4157726	> SCREW KIT M8X30 (4 PIECES)	1
11.5	4234251	> CIRCLIP-D72x2.5 VP.	1
11.6	4234246	> O-RING 72X3 VP.	1
		> NOME CONTACT WASHER 8x16x1,4 STEEL ZC	1
		> SCREW CHC-M6X14-8.8-ISO4762-GEOMET500A	1
		> WASHER D.24 L6U ZINK	1
12	4233131	PLUG-VMI-316L VP.	1
14	4233897	SHAFT D.14X174 1.4057 VP.	1
19	4234236	UPPER STAGE RFK.MVI2/4 1.4301 VP.	1
20		SPARE PARTS HYDRAULICS MVI/MVIE 1.4301	1
22	74750611106	SCREW M10X30 ISO4014 6.8 ZN	1
23	2132562	OVAL FLANGE G1 1/4" LK75 VP.	1
24	74760312103	SCREW M8X25 ISO4762 8.8 ZN	1
25	2048856	SCREW M5X12 ISO7045 4.8-Z GB.ZN	1
26		MODULE MVIE/MHIE203/402 1,1KW >07/01	1
Note: no longer available / nicht mehr lieferbar / ne plus disponible			
27	2048855	SCREW M5X16 ISO7045 4.8-Z ZN LSN.	1



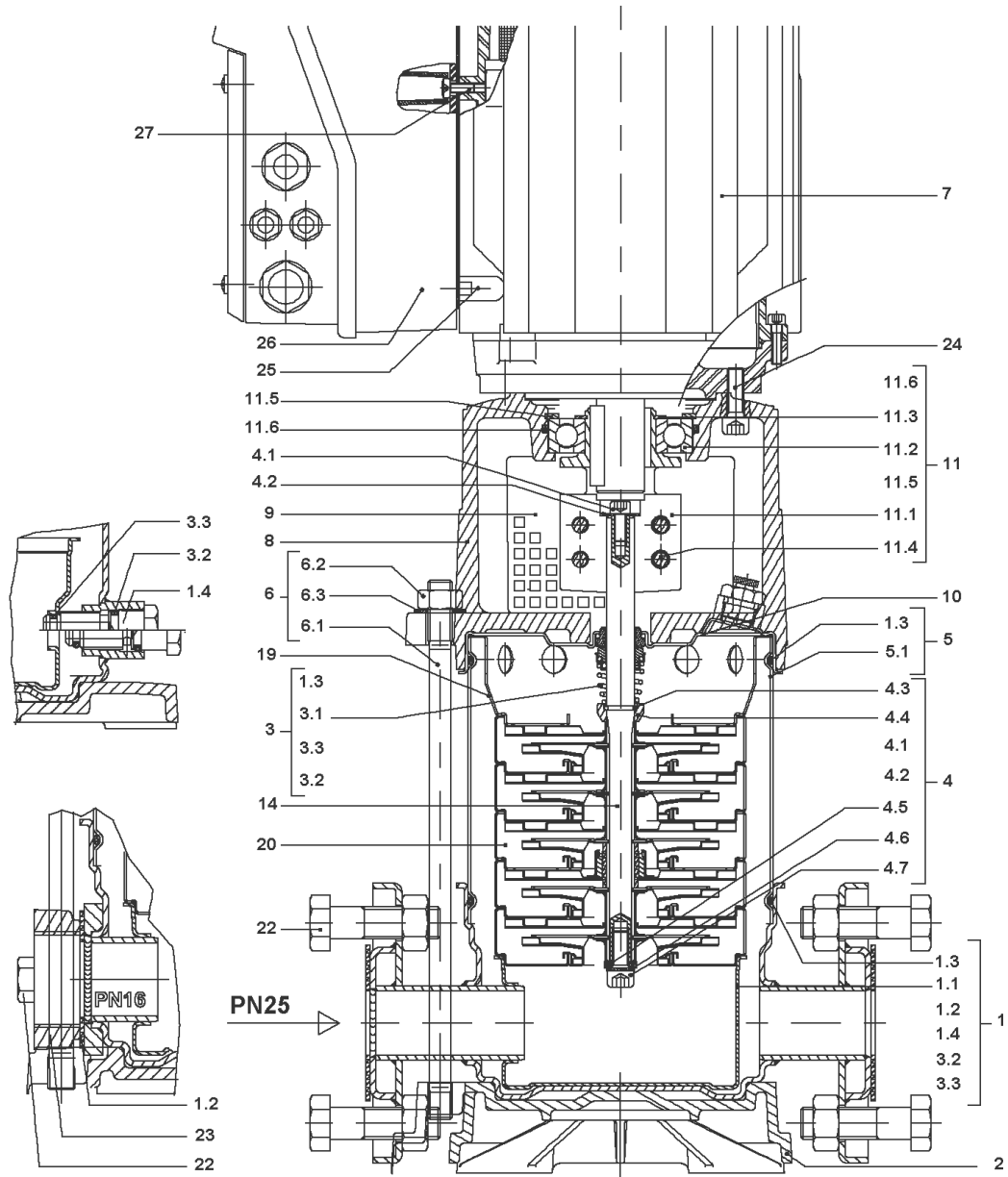
**SPARE PARTS MOTOR TL3/2200/2 3-400 65HZ**

Item	Article no.	Description	Quantity
13.1	2047017	FAN WHEEL AF90 2POL.ATB VP.	1
Note: Please give the data from type plate of the motor			
13.2		FAN HOOD TL4/3N NEUTRAL	1
Note: no longer available / nicht mehr lieferbar / ne plus disponible			
Note: Please give the data from type plate of the motor			
13.3		SCREW M4X8 ISO7045 4.8-H ZN	1
Note: no longer available / nicht mehr lieferbar / ne plus disponible			
13.4	2047016	CORRUGATED SLEEVE RING BG90/100 ATB VP.	1
Note: Please give the data from type plate of the motor			



**SPARE PARTS HYDRAULICS MVI/MVIE 1.4301**

Item	Article no.	Description	Quantity
20.1	4015443	STAGE MHI406,MVI402 KIT	1
		> IMPELLER MVI4 D.98,5x3,1 1.4301	1
		> STAGE HOUSING O.RFK MVI2/4 1.4301	1
		> SPACER IMPELLER MVI2/4 1.4435	1
		> SPACER SHAFT SLEEVE MVI2/4 1.4435	1
20.2	4015435	STAGE MVI202/402 1.4301 KIT	1
		> SPACER IMPELLER MVI2/4 1.4435	1
		> SPACER SHAFT SLEEVE MVI2/4 1.4435	1
		> STAGE-CASING-WITH-R/C+BEARING-2/4M3-304	1
		> WASHER D.24/14x1,5 1.4401	1
		> SLEEVE-D14L13,8-VMI	1
20.3	4015444	STAGE MHI402-405,MVI KIT	1
		> IMPELLER MVI4 D.98,5x3,1 1.4301	1
		> STAGE HOUSING O.RFK MVI2/4 1.4301	1
		> SPACER IMPELLER MVI2/4 1.4435	1



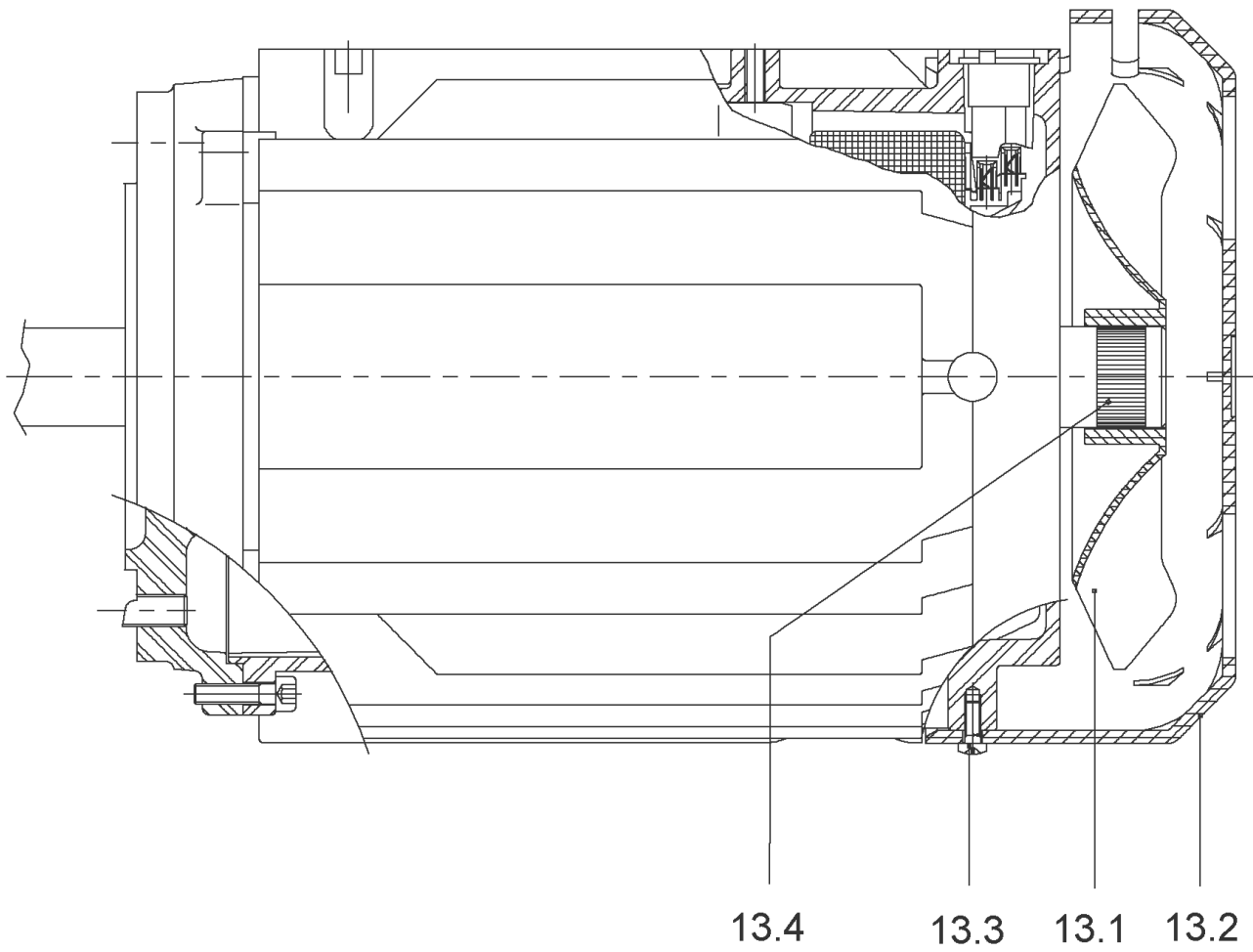


**MVIE402-1/25/E/3-2 (4040104)**

Item	Article no.	Description	Quantity
1	2018537	PUMP HOUSING MVI4 DN32 PN25 1.4404 KIT	1
1.1		> PUMP HOUSING MVI D32 PN25 ANSI300-4M3-31	1
1.2	4010031	> FLAT GASKET D.30/79	2
1.3	4176513	> O-RING FOR PUMP JACKET VP.	1
1.4	4234240	> PRIMING/DRAIN PLUG MVI6" 316L VP.	1
3.2	4177800	> O-RING EPDM PLUG HELIX VP.	1
3.3	4234242	> O-RING 9X2 VP.	1
2	4187925	BASEPLATE-VMI-1/2/4M3-VP.	1
3	4027301	MECHANICAL SEAL MVI2/4/8/16-6" EP120°KIT	1
1.3	4176513	> O-RING FOR PUMP JACKET VP.	1
3.1		> MECHANICAL SEAL MG12/14-G606-Q1BE3GG-BU.	1
3.2	4177800	> O-RING EPDM PLUG HELIX VP.	1
3.3	4234242	> O-RING 9X2 VP.	1
4	4015442	SHAFT-FIXING MVI4/8 KIT	1
4.1		> SCREW CHC-M6X14-8.8-ISO4762-GEOMET500A	1
4.2		> WASHER D.24 L6U ZINK	1
4.3	2090148	> CIRCLIP D14 MVI/MHI 316L (2 PIECES) VP.	1
		>> STOP-RUSH-1/2-D14-VMI/HMI-316	2
4.4		> STOP COLLAR OF IMPELLER L=8.7-Ø14-316L	1
4.5		> FLAT WASHER-D8xD16x2.5-316L	1
4.6		> STAINLESS-STEEL-WASHER-DE8	1
4.7		> SCREW M8X16 ISO4762 A4	1
5	2018374	HOUSING PIPE D.152X 95 1.4301 KIT	1
5.1		> HOUSING-PIPE-D152-VMI203/403-304	1
1.3	4176513	> O-RING FOR PUMP JACKET VP.	1
6	2018358	STUD BOLT M12X221 KIT	1
6.1		> TIE BOLT M12-221x18x30-1.4057	1
6.2	2094647	> NUT M12 M12 ISO4032 VP.	1
6.3	2123557	> WASHER CS-12.4-24-1.6-NFE25 (4 PIECES)	1
7	2025382	MOTOR TL3/2200/2DM 65HZ V18 MVIE SERIE99	1
		SPARE PARTS MOTOR TL3/2200/2 3-400 65HZ	1
8	4190751	LANTERN-MOTOR-VMI-FT115-MACHINED VP.	1
9	4092424	COUPLING GUARD FT85/130 MVI KIT	1
		> COUPLING PROTECTOR FT85/130-1.4016	1

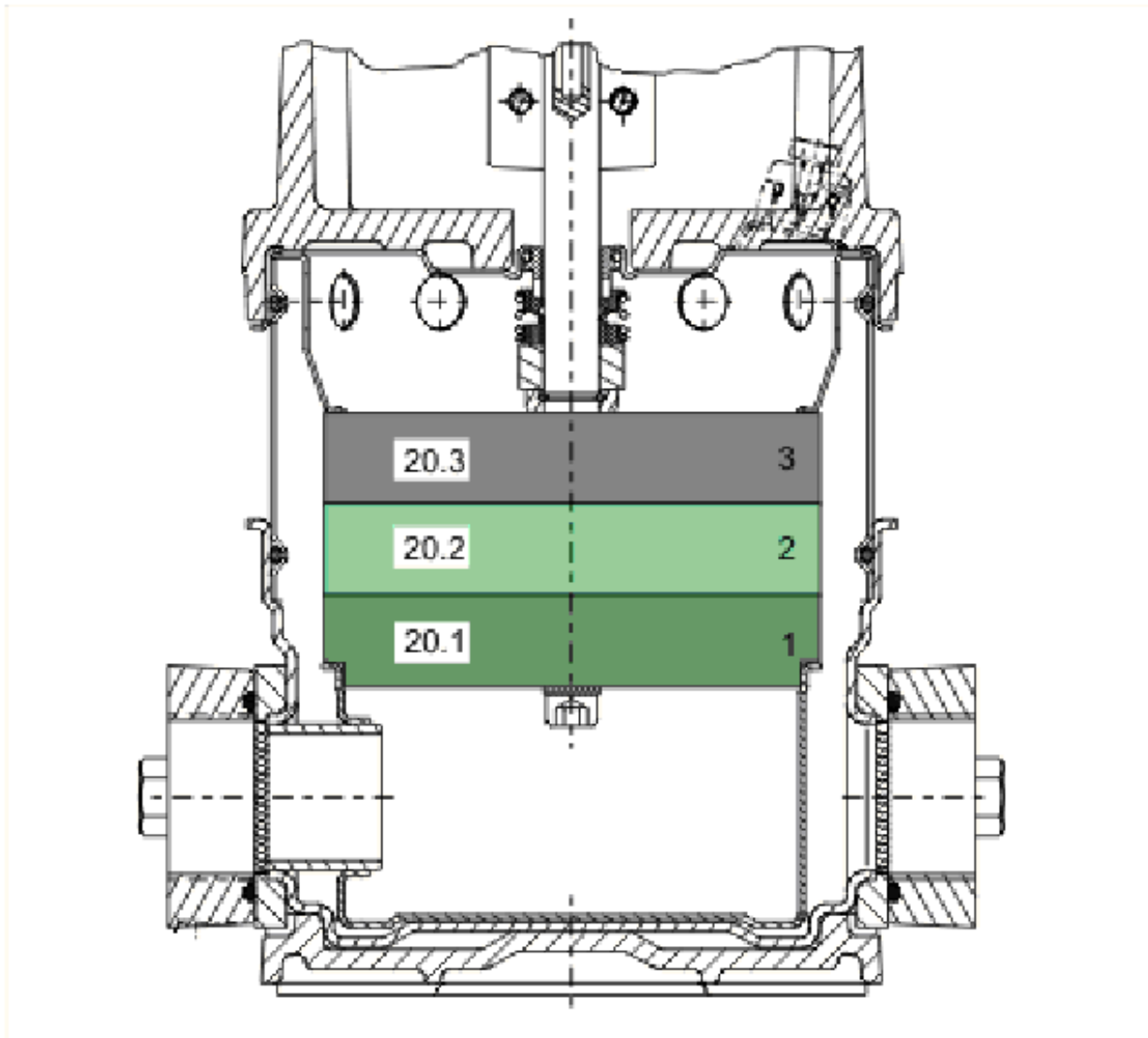
**MVIE402-1/25/E/3-2 (4040104)**

Item	Article no.	Description	Quantity
		> CLIP COUPLING-GUARD-RF	1
10	4217881	STAT.RING HOLDER-GM-D14-304 VP.	1
11	4095214	3PH COUPLING KIT MVI D14XD24	1
11.1		> COUPLING-VMI-Ø14xØ24-FT115-MACHINED	1
11.2	2131023	> BALL BEARING 6207/ZZ-C3(HT)VP.	1
11.3	4234254	> CIRCLIP-FOR-SHAFT-D35x1.5 VP.	1
11.4	4157726	> SCREW KIT M8X30 (4 PIECES)	1
11.5	4234251	> CIRCLIP-D72x2.5 VP.	1
11.6	4234246	> O-RING 72X3 VP.	1
		> NOME CONTACT WASHER 8x16x1,4 STEEL ZC	1
		> SCREW CHC-M6X14-8.8-ISO4762-GEOMET500A	1
		> WASHER D.24 L6U ZINK	1
12	4233131	PLUG-VMI-316L VP.	1
14	4233897	SHAFT D.14X174 1.4057 VP.	1
19	4234236	UPPER STAGE RFK.MVI2/4 1.4301 VP.	1
20		SPARE PARTS HYDRAULICS MVI/MVIE 1.4301	1
22	61476	SCREW M16X55X38	1
24	74760312103	SCREW M8X25 ISO4762 8.8 ZN	1
25	2048856	SCREW M5X12 ISO7045 4.8-Z GB.ZN	1
26		MODULE MVIE/MHIE203/402 1,1KW >07/01	1
Note: no longer available / nicht mehr lieferbar / ne plus disponible			
27	2048855	SCREW M5X16 ISO7045 4.8-Z ZN LSN.	1



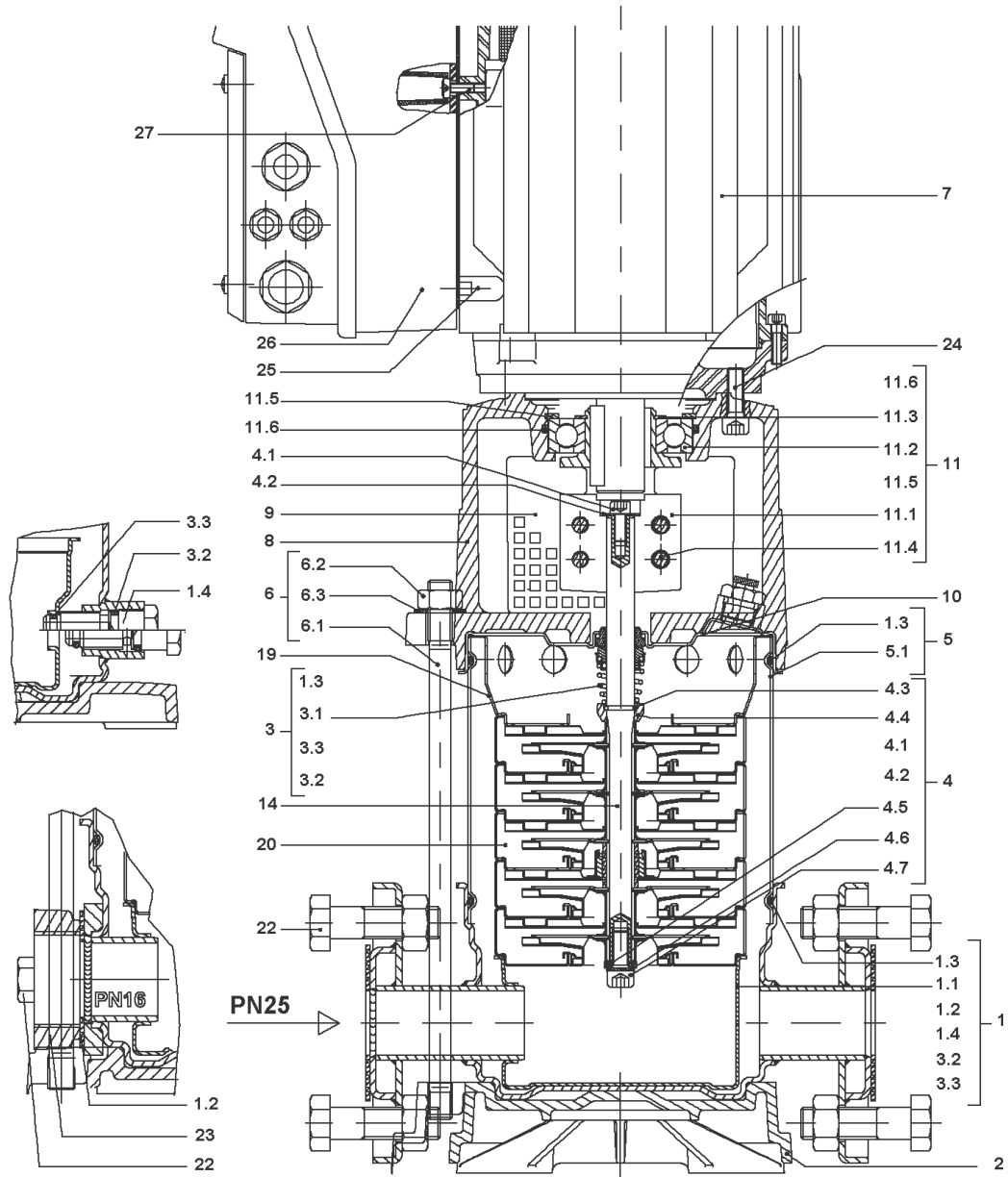
**SPARE PARTS MOTOR TL3/2200/2 3-400 65HZ**

Item	Article no.	Description	Quantity
13.1	2047017	FAN WHEEL AF90 2POL.ATB VP.	1
Note: Please give the data from type plate of the motor			
13.2		FAN HOOD TL4/3N NEUTRAL	1
Note: no longer available / nicht mehr lieferbar / ne plus disponible			
Note: Please give the data from type plate of the motor			
13.3		SCREW M4X8 ISO7045 4.8-H ZN	1
Note: no longer available / nicht mehr lieferbar / ne plus disponible			
13.4	2047016	CORRUGATED SLEEVE RING BG90/100 ATB VP.	1
Note: Please give the data from type plate of the motor			



**SPARE PARTS HYDRAULICS MVI/MVIE 1.4301**

Item	Article no.	Description	Quantity
20.1	4015443	STAGE MHI406,MVI402 KIT	1
		> IMPELLER MVI4 D.98,5x3,1 1.4301	1
		> STAGE HOUSING O.RFK MVI2/4 1.4301	1
		> SPACER IMPELLER MVI2/4 1.4435	1
		> SPACER SHAFT SLEEVE MVI2/4 1.4435	1
20.2	4015435	STAGE MVI202/402 1.4301 KIT	1
		> SPACER IMPELLER MVI2/4 1.4435	1
		> SPACER SHAFT SLEEVE MVI2/4 1.4435	1
		> STAGE-CASING-WITH-R/C+BEARING-2/4M3-304	1
		> WASHER D.24/14x1,5 1.4401	1
		> SLEEVE-D14L13,8-VMI	1
20.3	4015444	STAGE MHI402-405,MVI KIT	1
		> IMPELLER MVI4 D.98,5x3,1 1.4301	1
		> STAGE HOUSING O.RFK MVI2/4 1.4301	1
		> SPACER IMPELLER MVI2/4 1.4435	1



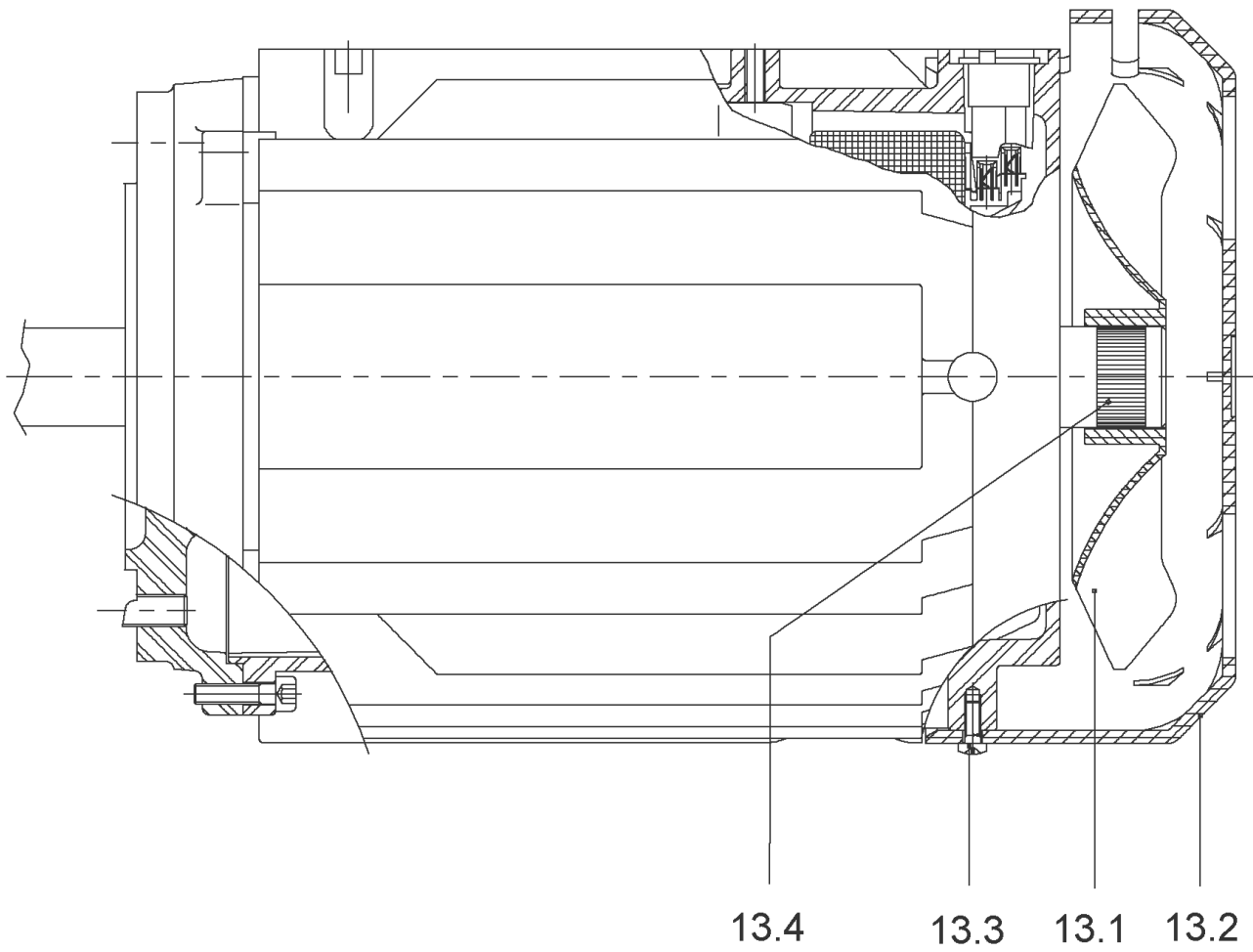
**MVIE402-2/25/V/3-2 (4040044)**

Item	Article no.	Description	Quantity
1	2018594	PUMP HOUSING MVI4 DN25 PN25/V 1.4404 KIT	1
1.1		> PUMP HOUSING MVI D32 PN25 ANSI300-4M3-31	1
1.2	4010031	> FLAT GASKET D.30/79	1
1.3	4234237	> O-RING 139X3 VITON VP.	1
1.4	4234240	> PRIMING/DRAIN PLUG MVI6" 316L VP.	1
3.2	4234239	> O-RING 13X2 VITON VP.	1
3.3	4234238	> O-RING 9X2 VITON VP.	1
2	4187925	BASEPLATE-VMI-1/2/4M3-VP.	1
3	4037295	MECHANICAL SEAL 16B MVI VITON	1
1.3	4234237	> O-RING 139X3 VITON VP.	1
3.1		> MECHANICAL SEAL MG12/14-G606-Q1BVGG-BURG	1
3.2	4234239	> O-RING 13X2 VITON VP.	1
3.3	4234238	> O-RING 9X2 VITON VP.	1
4	4015442	SHAFT-FIXING MVI4/8 KIT	1
4.1		> SCREW CHC-M6X14-8.8-ISO4762-GEOMET500A	1
4.2		> WASHER D.24 L6U ZINK	1
4.3	2090148	> CIRCLIP D14 MVI/MHI 316L (2 PIECES) VP.	1
		>> STOP-RUSH-1/2-D14-VMI/HMI-316	2
4.4		> STOP COLLAR OF IMPELLER L=8.7-Ø14-316L	1
4.5		> FLAT WASHER-D8xD16x2.5-316L	1
4.6		> STAINLESS-STEEL-WASHER-DE8	1
4.7		> SCREW M8X16 ISO4762 A4	1
5	2018428	HOUSING PIPE D.152X95 1.4404 KIT	1
5.1		> HOUSING-PIPE-D152-VMI203/403-316L	1
1.3	4234237	> O-RING 139X3 VITON VP.	1
6	2018358	STUD BOLT M12X221 KIT	1
6.1		> TIE BOLT M12-221x18x30-1.4057	1
6.2	2094647	> NUT M12 M12 ISO4032 VP.	1
6.3	2123557	> WASHER CS-12.4-24-1.6-NFE25 (4 PIECES)	1
7	2025382	MOTOR TL3/2200/2DM 65HZ V18 MVIE SERIE99	1
		SPARE PARTS MOTOR TL3/2200/2 3-400 65HZ	1
8	4190751	LANTERN-MOTOR-VMI-FT115-MACHINED VP.	1
9	4092424	COUPLING GUARD FT85/130 MVI KIT	1
		> COUPLING PROTECTOR FT85/130-1.4016	1



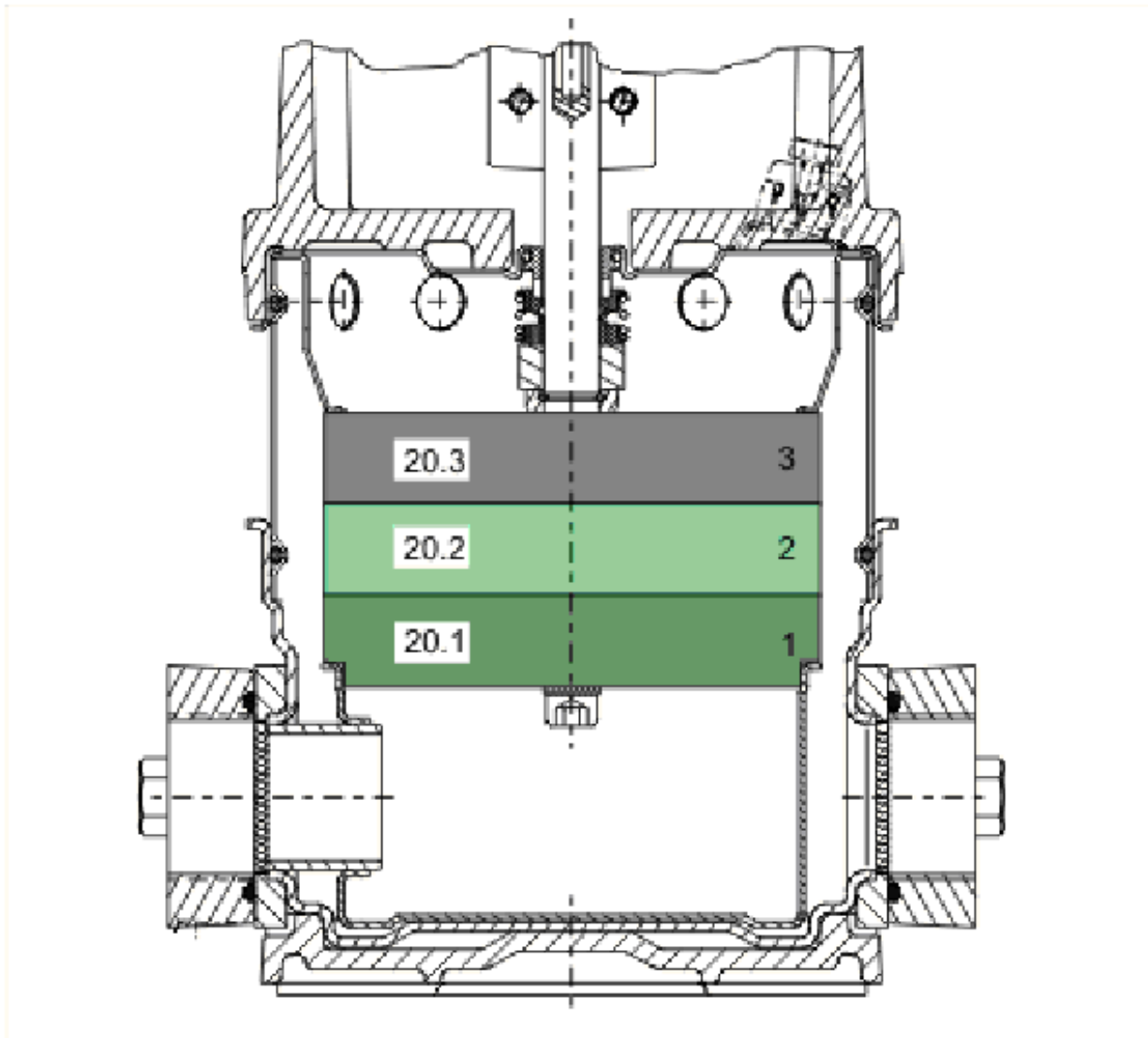
**MVIE402-2/25/V/3-2 (4040044)**

Item	Article no.	Description	Quantity
		> CLIP COUPLING-GUARD-RF	1
10	4217883	STAT.RING HOLDER MVI2/4/8 1.4435 VP.	1
11	4095214	3PH COUPLING KIT MVI D14XD24	1
11.1		> COUPLING-VMI-Ø14xØ24-FT115-MACHINED	1
11.2	2131023	> BALL BEARING 6207/ZZ-C3(HT)VP.	1
11.3	4234254	> CIRCLIP-FOR-SHAFT-D35x1.5 VP.	1
11.4	4157726	> SCREW KIT M8X30 (4 PIECES)	1
11.5	4234251	> CIRCLIP-D72x2.5 VP.	1
11.6	4234246	> O-RING 72X3 VP.	1
		> NOME CONTACT WASHER 8x16x1,4 STEEL ZC	1
		> SCREW CHC-M6X14-8.8-ISO4762-GEOMET500A	1
		> WASHER D.24 L6U ZINK	1
12	4233131	PLUG-VMI-316L VP.	1
14	4233159	SHAFT D.14X174 1.4404 VP.	1
19	4233921	UPPER STAGE RFK.MVI2/4M3 1.4435 VP.	1
20		SPARE PARTS HYDRAULICS MVI/MVIE 1.4404	1
22	61476	SCREW M16X55X38	1
24	74760312103	SCREW M8X25 ISO4762 8.8 ZN	1
25	2048856	SCREW M5X12 ISO7045 4.8-Z GB.ZN	1
26		MODULE MVIE/MHIE203/402 1,1KW >07/01	1
Note: no longer available / nicht mehr lieferbar / ne plus disponible			
27	2048855	SCREW M5X16 ISO7045 4.8-Z ZN LSN.	1



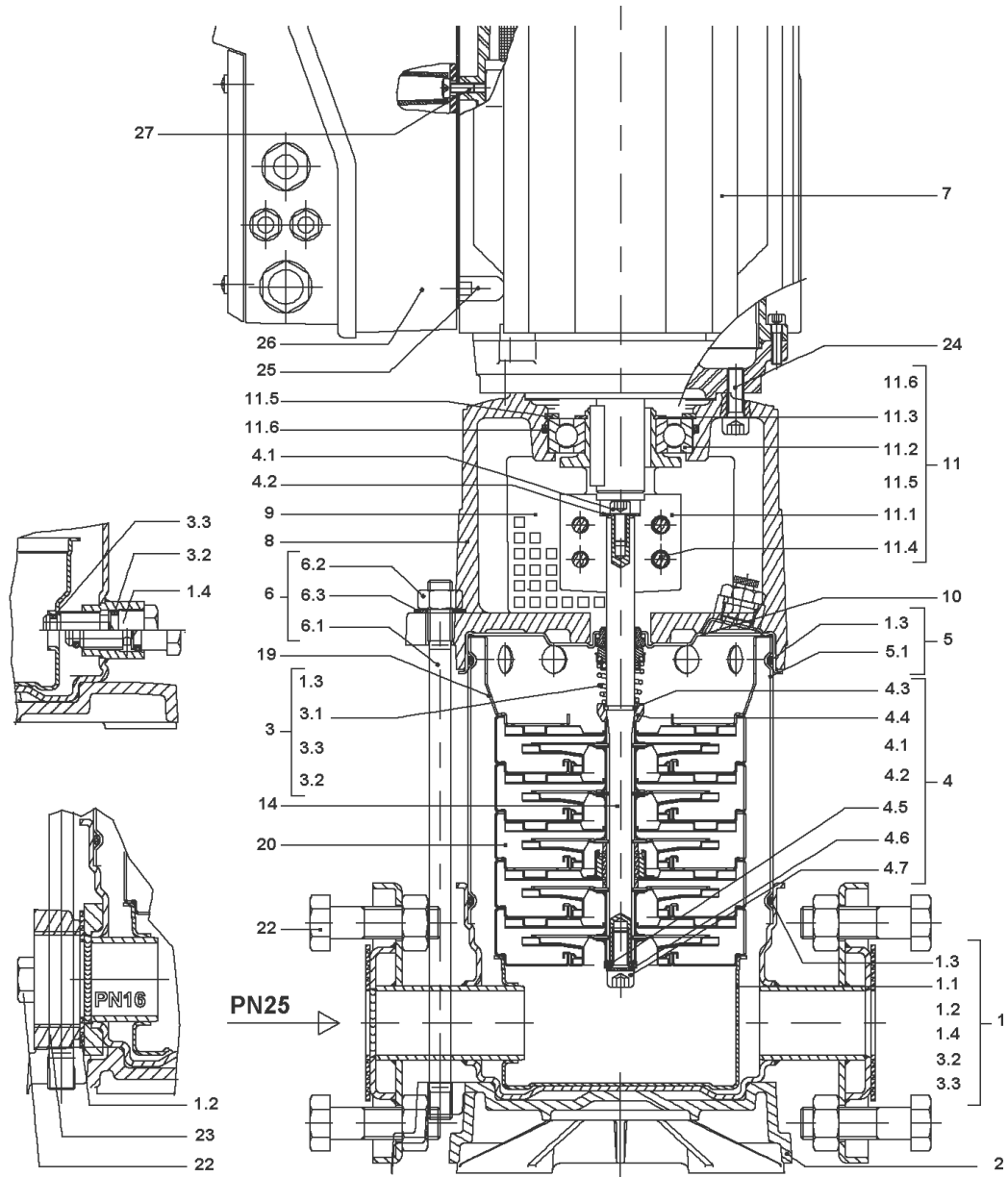
**SPARE PARTS MOTOR TL3/2200/2 3-400 65HZ**

Item	Article no.	Description	Quantity
13.1	2047017	FAN WHEEL AF90 2POL.ATB VP.	1
Note: Please give the data from type plate of the motor			
13.2		FAN HOOD TL4/3N NEUTRAL	1
Note: no longer available / nicht mehr lieferbar / ne plus disponible			
Note: Please give the data from type plate of the motor			
13.3		SCREW M4X8 ISO7045 4.8-H ZN	1
Note: no longer available / nicht mehr lieferbar / ne plus disponible			
13.4	2047016	CORRUGATED SLEEVE RING BG90/100 ATB VP.	1
Note: Please give the data from type plate of the motor			



**SPARE PARTS HYDRAULICS MVI/MVIE 1.4404**

Item	Article no.	Description	Quantity
20.1	4026334	ASSEMBLY LR./STF.GH.MHI406,MVI402/403 1.	1
		> IMPELLER-VMI/HMI-SERIE.4-316L	1
		> STAGE CASING WITHOUT-R/G-2/4M3-316L	1
		> SPACER IMPELLER MVI2/4 1.4435	1
		> SPACER SHAFT SLEEVE MVI2/4 1.4435	1
20.2	4026325	ASSEMBLY STF.GH./LAG.BU.RLK.MVI202 1.443	1
		> SPACER IMPELLER MVI2/4 1.4435	1
		> SPACER SHAFT SLEEVE MVI2/4 1.4435	1
		> STAGE CASING-AV-C/R-BEARING-2/4M3-L	1
		> WASHER D.24/14x1,5 1.4401	1
		> SLEEVE-D14L13,8-VMI	1
20.3	4026335	ASSEMBLY LR./STF.GH.MHI402-405,MVI402 1.	1
		> IMPELLER-VMI/HMI-SERIE.4-316L	1
		> STAGE CASING WITHOUT-R/G-2/4M3-316L	1
		> SPACER IMPELLER MVI2/4 1.4435	1



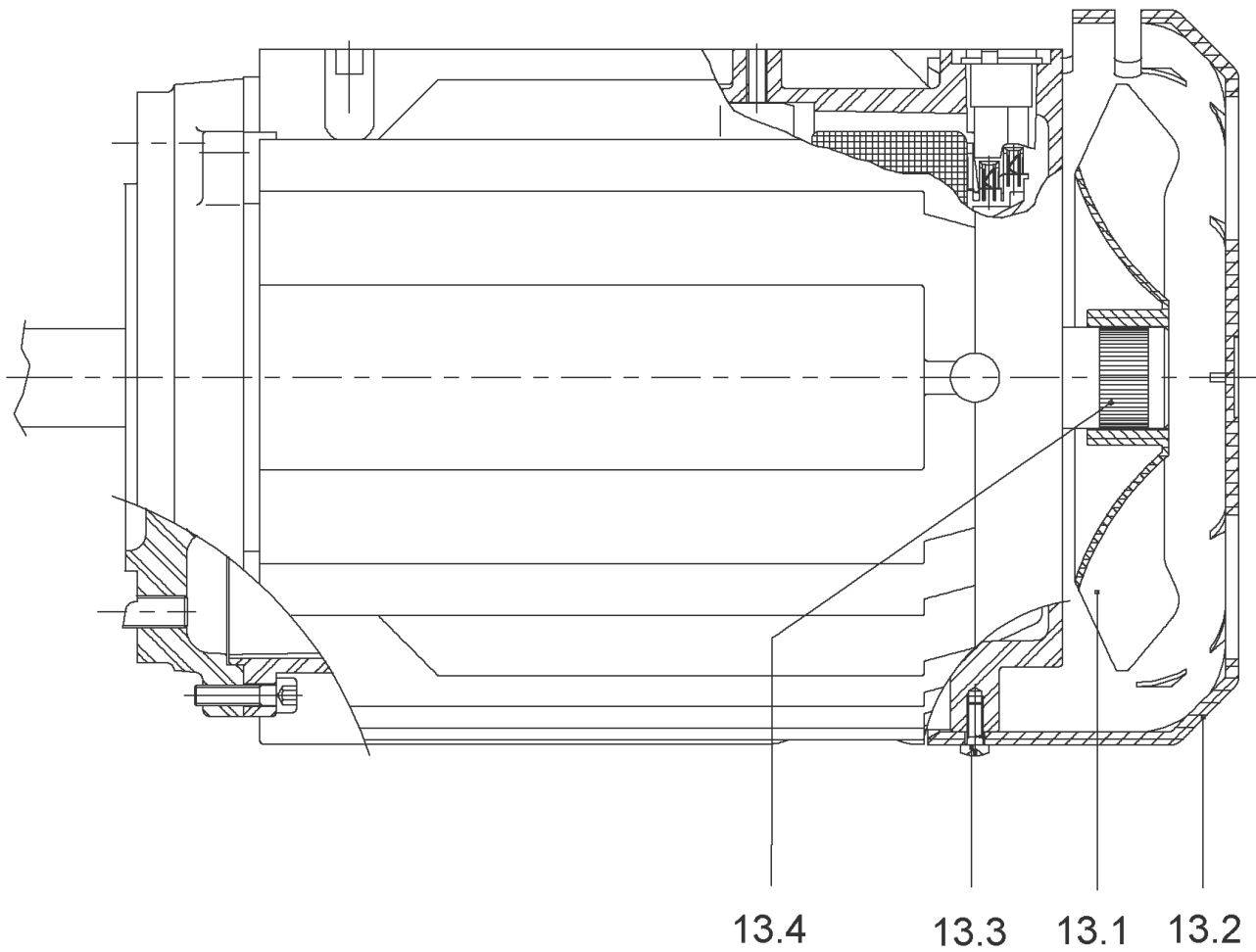
**MVIE402-2/P/V/3-2 (4040055)**

Item	Article no.	Description	Quantity
1	2114343	PUMP HOUSING MVI DN32 P 1.4404 KIT	1
1.1		> CASING-MVI-D32-PN25-D152-316L-VICTAULI	1
1.3	4234237	> O-RING 139X3 VITON VP.	1
1.4	4234240	> PRIMING/DRAIN PLUG MVI6" 316L VP.	1
3.2	4234239	> O-RING 13X2 VITON VP.	1
3.3	4234238	> O-RING 9X2 VITON VP.	1
2	4187925	BASEPLATE-VMI-1/2/4M3-VP.	1
3	4037295	MECHANICAL SEAL 16B MVI VITON	1
1.3	4234237	> O-RING 139X3 VITON VP.	1
3.1		> MECHANICAL SEAL MG12/14-G606-Q1BVGG-BURG	1
3.2	4234239	> O-RING 13X2 VITON VP.	1
3.3	4234238	> O-RING 9X2 VITON VP.	1
4	4015442	SHAFT-FIXING MVI4/8 KIT	1
4.1		> SCREW CHC-M6X14-8.8-ISO4762-GEOMET500A	1
4.2		> WASHER D.24 L6U ZINK	1
4.3	2090148	> CIRCLIP D14 MVI/MHI 316L (2 PIECES) VP.	1
		>> STOP-RUSH-1/2-D14-VMI/HMI-316	2
4.4		> STOP COLLAR OF IMPELLER L=8.7-Ø14-316L	1
4.5		> FLAT WASHER-D8xD16x2.5-316L	1
4.6		> STAINLESS-STEEL-WASHER-DE8	1
4.7		> SCREW M8X16 ISO4762 A4	1
5	2018428	HOUSING PIPE D.152X95 1.4404 KIT	1
5.1		> HOUSING-PIPE-D152-VMI203/403-316L	1
1.3	4234237	> O-RING 139X3 VITON VP.	1
6	2018358	STUD BOLT M12X221 KIT	1
6.1		> TIE BOLT M12-221x18x30-1.4057	1
6.2	2094647	> NUT M12 M12 ISO4032 VP.	1
6.3	2123557	> WASHER CS-12.4-24-1.6-NFE25 (4 PIECES)	1
7	2025382	MOTOR TL3/2200/2DM 65HZ V18 MVIE SERIE99	1
		SPARE PARTS MOTOR TL3/2200/2 3-400 65HZ	1
8	4190751	LANTERN-MOTOR-VMI-FT115-MACHINED VP.	1
9	4092424	COUPLING GUARD FT85/130 MVI KIT	1
		> COUPLING PROTECTOR FT85/130-1.4016	1
		> CLIP COUPLING-GUARD-RF	1

**MVIE402-2/P/V/3-2 (4040055)**

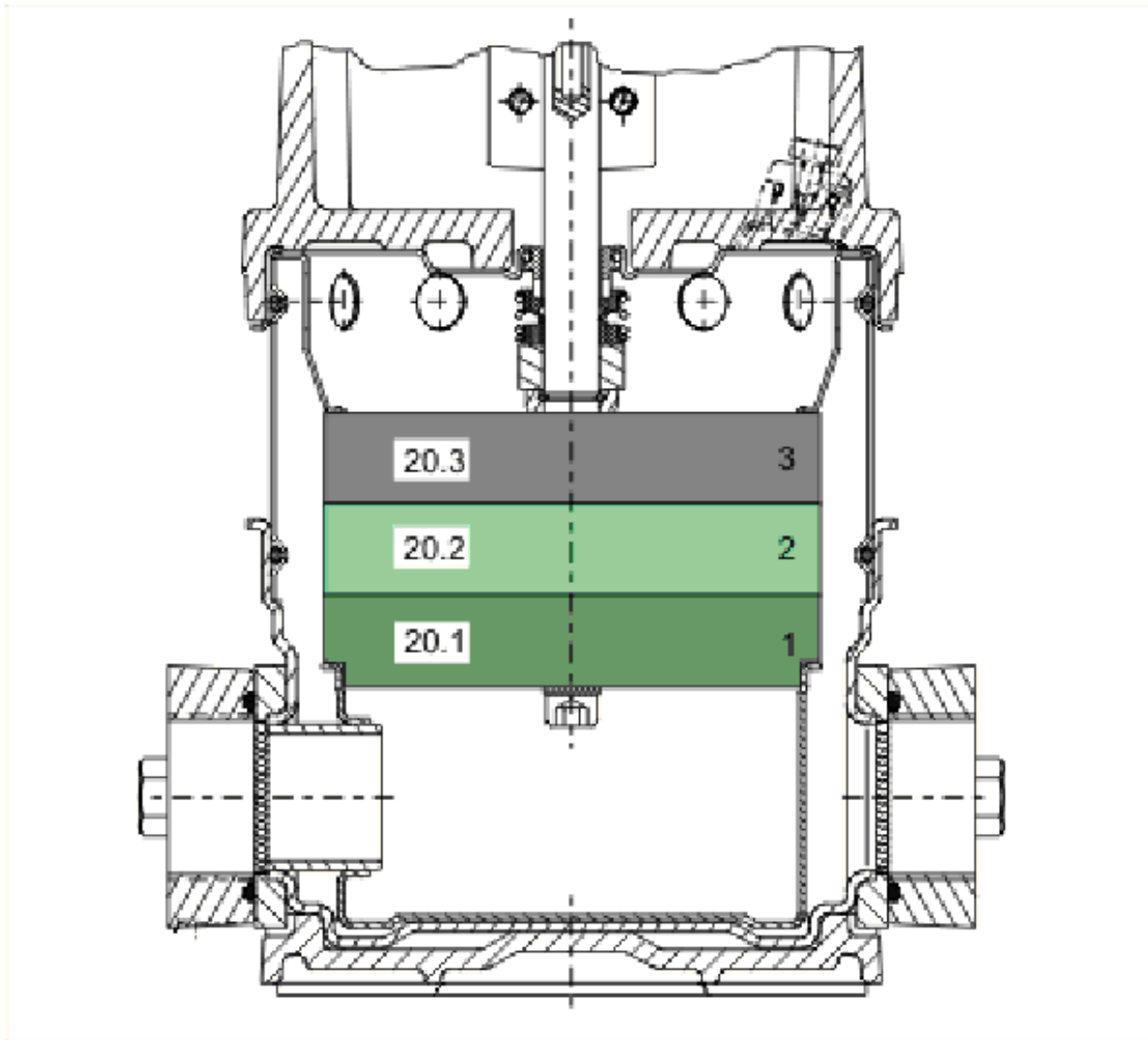
Item	Article no.	Description	Quantity
10	4217883	STAT.RING HOLDER MVI2/4/8 1.4435 VP.	1
11	4095214	3PH COUPLING KIT MVI D14XD24	1
11.1		> COUPLING-VMI-Ø14xØ24-FT115-MACHINED	1
11.2	2131023	> BALL BEARING 6207/ZZ-C3(HT)VP.	1
11.3	4234254	> CIRCLIP-FOR-SHAFT-D35x1.5 VP.	1
11.4	4157726	> SCREW KIT M8X30 (4 PIECES)	1
11.5	4234251	> CIRCLIP-D72x2.5 VP.	1
11.6	4234246	> O-RING 72X3 VP.	1
		> NOMEL CONTACT WASHER 8x16x1,4 STEEL ZC	1
		> SCREW CHC-M6X14-8.8-ISO4762-GEOMET500A	1
		> WASHER D.24 L6U ZINK	1
12	4233131	PLUG-VMI-316L VP.	1
14	4233159	SHAFT D.14X174 1.4404 VP.	1
19	4233921	UPPER STAGE RFK.MVI2/4M3 1.4435 VP.	1
20		SPARE PARTS HYDRAULICS MVI/MVIE 1.4404	1
22	61476	SCREW M16X55X38	1
23	2132562	OVAL FLANGE G1 1/4" LK75 VP.	1
24	74760312103	SCREW M8X25 ISO4762 8.8 ZN	1
25	2048856	SCREW M5X12 ISO7045 4.8-Z GB.ZN	1
26		MODULE MVIE/MHIE203/402 1,1KW >07/01	1
Note: no longer available / nicht mehr lieferbar / ne plus disponible			
27	2048855	SCREW M5X16 ISO7045 4.8-Z ZN LSN.	1





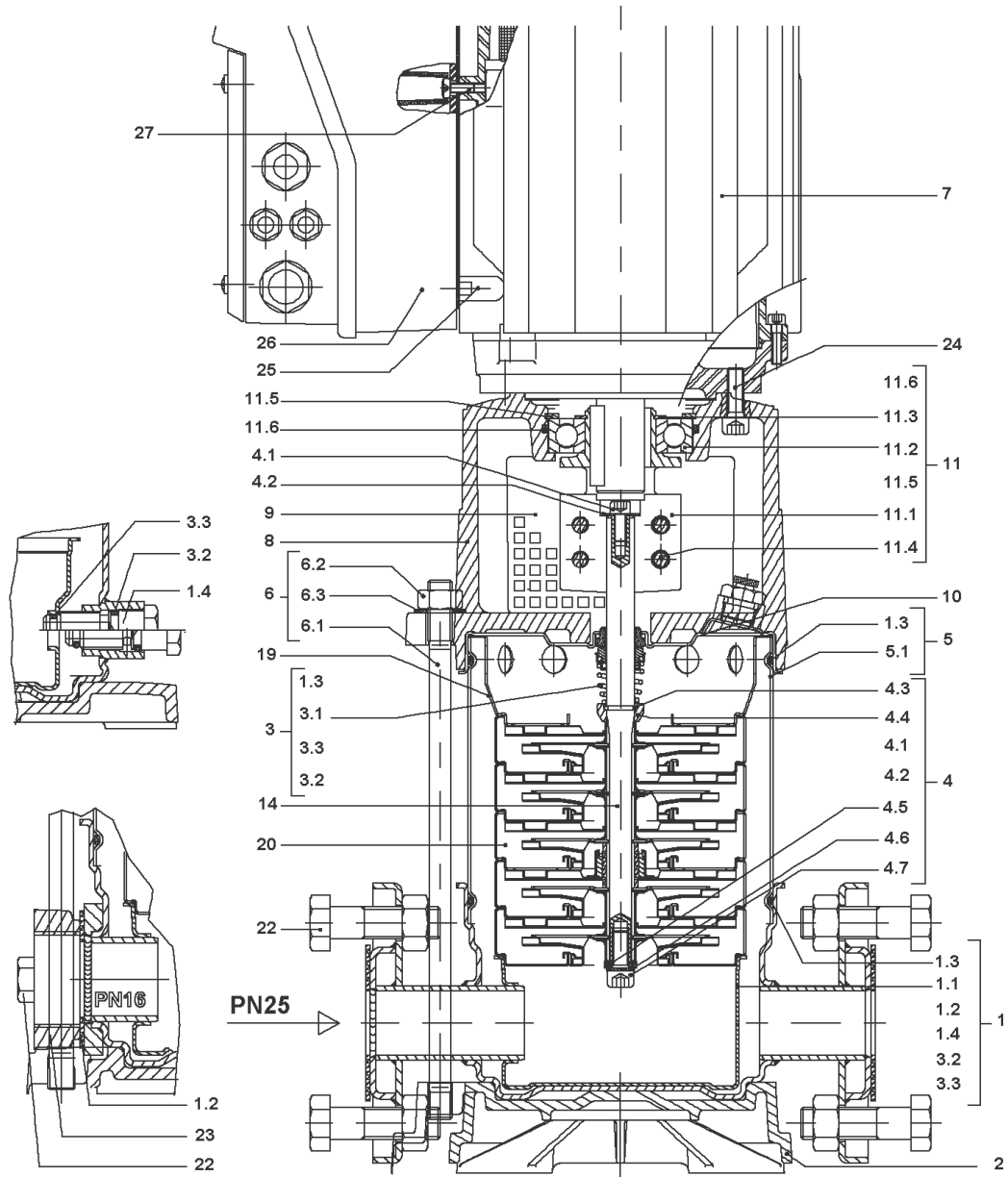
**SPARE PARTS MOTOR TL3/2200/2 3-400 65HZ**

Item	Article no.	Description	Quantity
13.1	2047017	FAN WHEEL AF90 2POL.ATB VP.	1
Note: Please give the data from type plate of the motor			
13.2		FAN HOOD TL4/3N NEUTRAL	1
Note: no longer available / nicht mehr lieferbar / ne plus disponible			
Note: Please give the data from type plate of the motor			
13.3		SCREW M4X8 ISO7045 4.8-H ZN	1
Note: no longer available / nicht mehr lieferbar / ne plus disponible			
13.4	2047016	CORRUGATED SLEEVE RING BG90/100 ATB VP.	1
Note: Please give the data from type plate of the motor			



**SPARE PARTS HYDRAULICS MVI/MVIE 1.4404**

Item	Article no.	Description	Quantity
20.1	4026334	ASSEMBLY LR./STF.GH.MHI406,MVI402/403 1.	1
		> IMPELLER-VMI/HMI-SERIE.4-316L	1
		> STAGE CASING WITHOUT-R/G-2/4M3-316L	1
		> SPACER IMPELLER MVI2/4 1.4435	1
		> SPACER SHAFT SLEEVE MVI2/4 1.4435	1
20.2	4026325	ASSEMBLY STF.GH./LAG.BU.RLK.MVI202 1.443	1
		> SPACER IMPELLER MVI2/4 1.4435	1
		> SPACER SHAFT SLEEVE MVI2/4 1.4435	1
		> STAGE CASING-AV-C/R-BEARING-2/4M3-L	1
		> WASHER D.24/14x1,5 1.4401	1
		> SLEEVE-D14L13,8-VMI	1
20.3	4026335	ASSEMBLY LR./STF.GH.MHI402-405,MVI402 1.	1
		> IMPELLER-VMI/HMI-SERIE.4-316L	1
		> STAGE CASING WITHOUT-R/G-2/4M3-316L	1
		> SPACER IMPELLER MVI2/4 1.4435	1

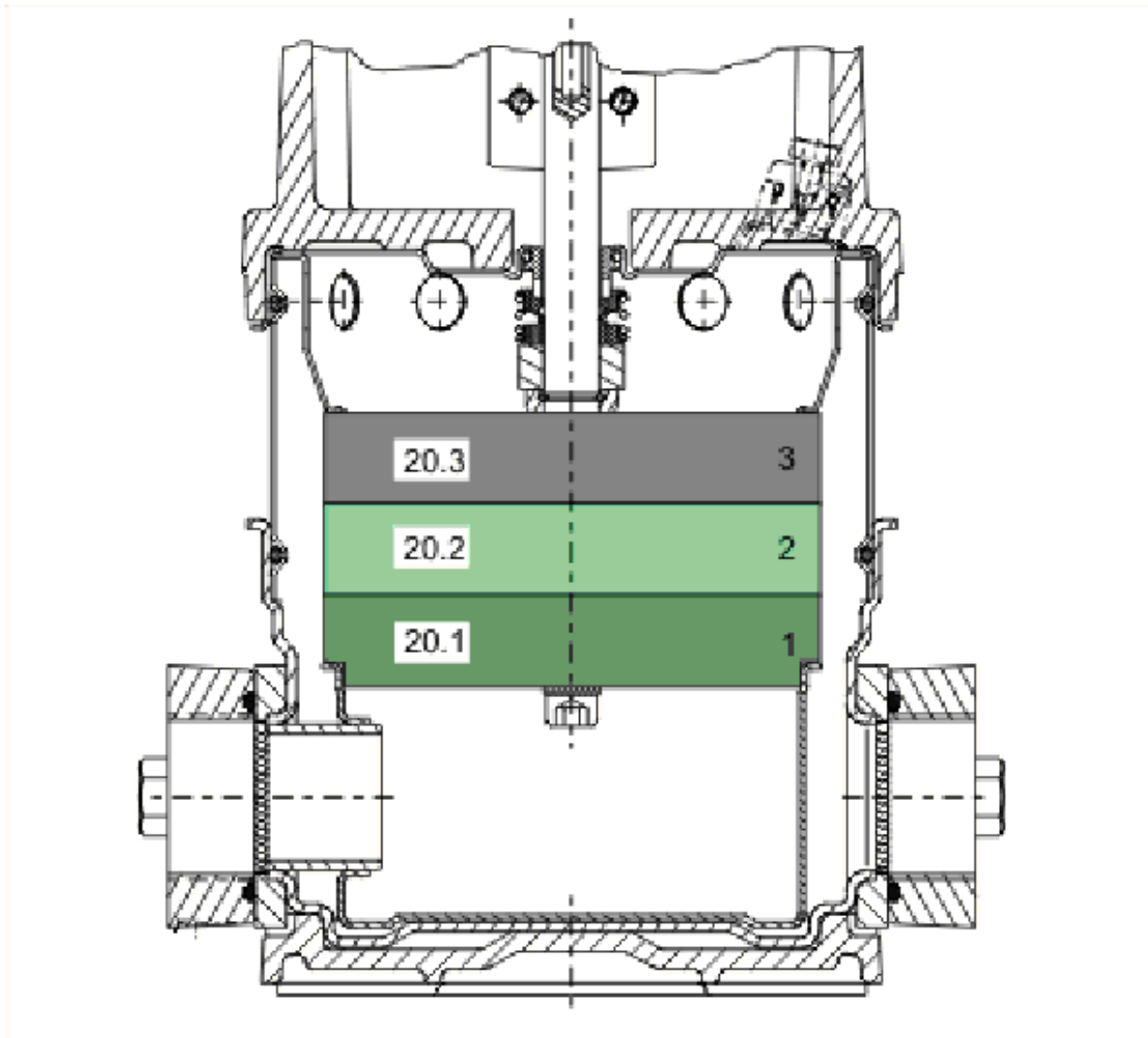


**MVIE403-1/16/E/1-2/M13 (4073054)**

Item	Article no.	Description	Quantity
1	2023917	PUMP HOUSING MVI/MVIS DN32PN16 1.4301KIT	1
1.1		> CASING-MU-I-D32-PN16-D152-304	1
1.2	4191618	> O-RING ID.44,05x3,53 EPDM VP.	1
Note: FROM / AB / À PARTIR DE: 07/97			
1.3	4176513	> O-RING FOR PUMP JACKET VP.	1
1.4	4234235	> PRIMING/DRAIN PLUG MVI6" 304 VP.	1
3.2	4177800	> O-RING EPDM PLUG HELIX VP.	1
3.3	4234242	> O-RING 9X2 VP.	1
2	2127420	BASE PLATE 212X157 PN16 VP.	1
3	4027301	MECHANICAL SEAL MVI2/4/8/16-6" EP120°KIT	1
1.3	4176513	> O-RING FOR PUMP JACKET VP.	1
3.1		> MECHANICAL SEAL MG12/14-G606-Q1BE3GG-BU.	1
3.2	4177800	> O-RING EPDM PLUG HELIX VP.	1
3.3	4234242	> O-RING 9X2 VP.	1
4	4015442	SHAFT-FIXING MVI4/8 KIT	1
4.1		> SCREW CHC-M6X14-8.8-ISO4762-GEOMET500A	1
4.2		> WASHER D.24 L6U ZINK	1
4.3	2090148	> CIRCLIP D14 MVI/MHI 316L (2 PIECES) VP.	1
		>> STOP-RUSH-1/2-D14-VMI/HMI-316	2
4.4		> STOP COLLAR OF IMPELLER L=8.7-Ø14-316L	1
4.5		> FLAT WASHER-D8xD16x2.5-316L	1
4.6		> STAINLESS-STEEL-WASHER-DE8	1
4.7		> SCREW M8X16 ISO4762 A4	1
5	2018374	HOUSING PIPE D.152X 95 1.4301 KIT	1
5.1		> HOUSING-PIPE-D152-VMI203/403-304	1
1.3	4176513	> O-RING FOR PUMP JACKET VP.	1
6	2018358	STUD BOLT M12X221 KIT	1
6.1		> TIE BOLT M12-221x18x30-1.4057	1
6.2	2094647	> NUT M12 M12 ISO4032 VP.	1
6.3	2123557	> WASHER CS-12.4-24-1.6-NFE25 (4 PIECES)	1
7		M1,1-2T24P55V18-80F10-NU-N19-LS	1
Note: no longer available/nicht mehrlieferbar/n'est plus disponible			
7	4209317	MOT.1.1/2/80F10 3~ 240V 50HZ IE2 LS VP.	1
8	4191470	LANTERN-MOTOR-VMI-FT100-MACHINED VP.	1

**MVIE403-1/16/E/1-2/M13 (4073054)**

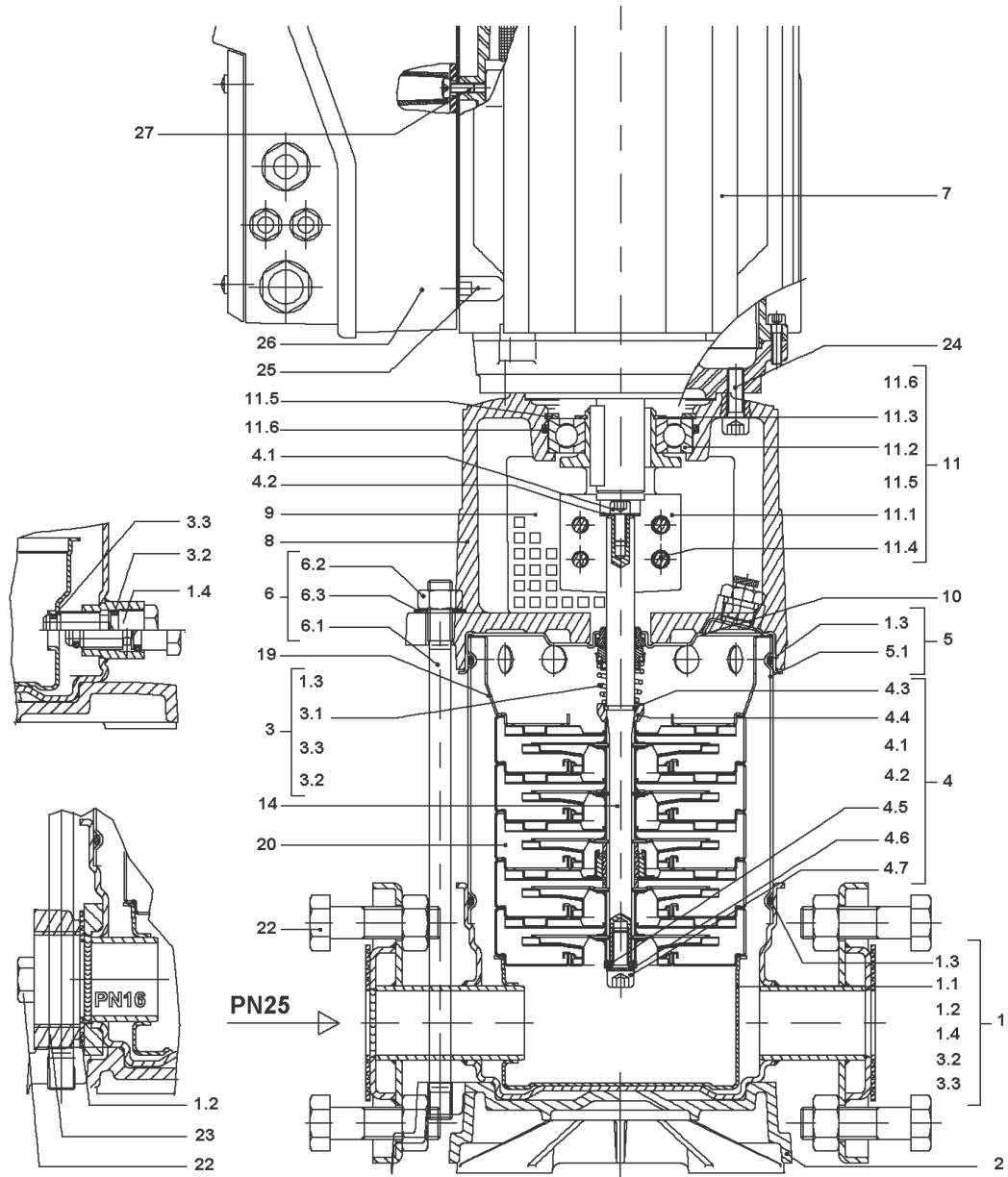
Item	Article no.	Description	Quantity
9	4092424	COUPLING GUARD FT85/130 MVI KIT	1
		> COUPLING PROTECTOR FT85/130-1.4016	1
		> CLIP COUPLING-GUARD-RF	1
10	4217881	STAT.RING HOLDER-GM-D14-304 VP.	1
11	4095207	3PH COUPLING KIT MVI D14XD19	1
11.1		> COUPLING-VMI-Ø14xØ19-FT100-USINE	1
11.2	2046966	> BALL BEARING 6206/2RS-C3 (HT) VP.	1
11.3	4234249	> CIRCLIP-FOR-SHAFT-D30x1.5 VP.	1
11.4	4212716	> SCREW M6X20 KIT (4PIECES)	1
11.5	4234250	> CIRCLIP-D62x2 VP.	1
11.6	4234245	> O-RING 63X3 VP.	1
		> CONTACT-WASHER-6ETR-6,1x12,2x1,8-STEEL	1
		> SCREW CHC-M6X14-8.8-ISO4762-GEOMET500A	1
		> WASHER D.24 L6U ZINK	1
12	4233131	PLUG-VMI-316L VP.	1
14	4233897	SHAFT D.14X174 1.4057 VP.	1
19	4234236	UPPER STAGE RFK.MVI2/4 1.4301 VP.	1
20		SPARE PARTS HYDRAULICS MVI/MVIE 1.4301	1
22	4233958	SCREW M10x35 VP.	1
23	2132562	OVAL FLANGE G1 1/4" LK75 VP.	1
24	4212716	SCREW M6X20 KIT (4PIECES)	1
26	4104419	Module MVIE-1,1KW-M13 KIT	1





**SPARE PARTS HYDRAULICS MVI/MVIE 1.4301**

Item	Article no.	Description	Quantity
20.1	4015443	STAGE MHI406,MVI402 KIT	1
		> IMPELLER MVI4 D.98,5x3,1 1.4301	1
		> STAGE HOUSING O.RFK MVI2/4 1.4301	1
		> SPACER IMPELLER MVI2/4 1.4435	1
		> SPACER SHAFT SLEEVE MVI2/4 1.4435	1
20.2	4015445	STAGE-KIT-MVI-MHI	1
		> IMPELLER MVI4 D.98,5x3,1 1.4301	1
		> SPACER IMPELLER MVI2/4 1.4435	1
		> SPACER SHAFT SLEEVE MVI2/4 1.4435	1
		> STAGE-CASING-WITH-R/C+BEARING-2/4M3-304	1
		> SLEEVE-D14L13,8-VMI	1
20.3	4015446	STAGE MHI4,MVI403-19 1.4301 KIT	1
		> IMPELLER MVI4 D.98,5x3,1 1.4301	1
		> SPACER IMPELLER MVI2/4 1.4435	1
		> STAGE HOUSING RFK.MVI2/4 1.4301	1

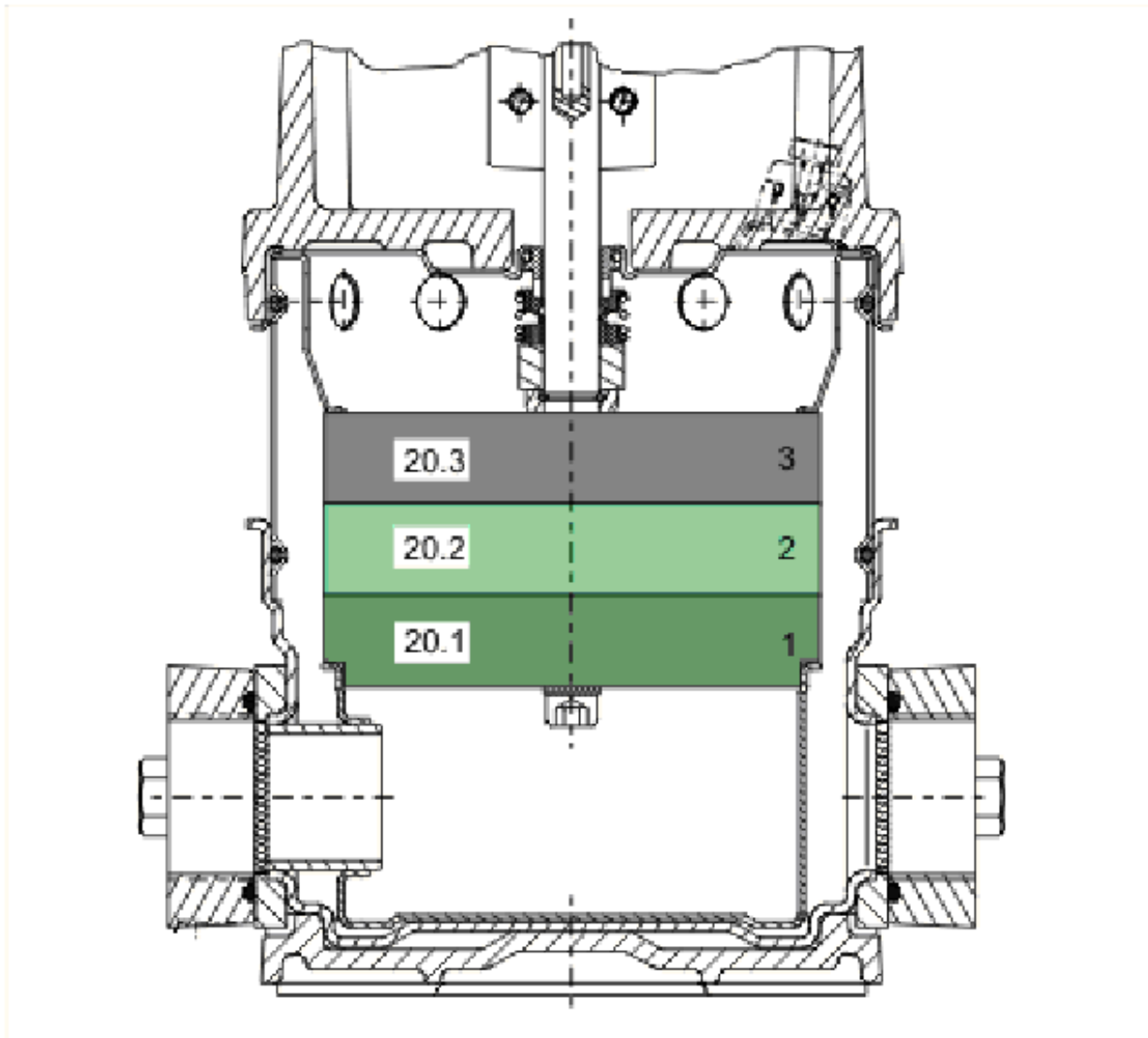


**MVIE403-1/16/E/1-2/M2 (4073055)**

Item	Article no.	Description	Quantity
1	2023917	PUMP HOUSING MVI/MVIS DN32PN16 1.4301KIT	1
1.1		> CASING-MU-I-D32-PN16-D152-304	1
1.2	4191618	> O-RING ID.44,05x3,53 EPDM VP.	1
Note: FROM / AB / À PARTIR DE: 07/97			
1.3	4176513	> O-RING FOR PUMP JACKET VP.	1
1.4	4234235	> PRIMING/DRAIN PLUG MVI6" 304 VP.	1
3.2	4177800	> O-RING EPDM PLUG HELIX VP.	1
3.3	4234242	> O-RING 9X2 VP.	1
2	2127420	BASE PLATE 212X157 PN16 VP.	1
3	4027301	MECHANICAL SEAL MVI2/4/8/16-6" EP120°KIT	1
1.3	4176513	> O-RING FOR PUMP JACKET VP.	1
3.1		> MECHANICAL SEAL MG12/14-G606-Q1BE3GG-BU.	1
3.2	4177800	> O-RING EPDM PLUG HELIX VP.	1
3.3	4234242	> O-RING 9X2 VP.	1
4	4015442	SHAFT-FIXING MVI4/8 KIT	1
4.1		> SCREW CHC-M6X14-8.8-ISO4762-GEOMET500A	1
4.2		> WASHER D.24 L6U ZINK	1
4.3	2090148	> CIRCLIP D14 MVI/MHI 316L (2 PIECES) VP.	1
		>> STOP-RUSH-1/2-D14-VMI/HMI-316	2
4.4		> STOP COLLAR OF IMPELLER L=8.7-Ø14-316L	1
4.5		> FLAT WASHER-D8xD16x2.5-316L	1
4.6		> STAINLESS-STEEL-WASHER-DE8	1
4.7		> SCREW M8X16 ISO4762 A4	1
5	2018374	HOUSING PIPE D.152X 95 1.4301 KIT	1
5.1		> HOUSING-PIPE-D152-VMI203/403-304	1
1.3	4176513	> O-RING FOR PUMP JACKET VP.	1
6	2018358	STUD BOLT M12X221 KIT	1
6.1		> TIE BOLT M12-221x18x30-1.4057	1
6.2	2094647	> NUT M12 M12 ISO4032 VP.	1
6.3	2123557	> WASHER CS-12.4-24-1.6-NFE25 (4 PIECES)	1
7		M1,1-2T24P55V18-80F10-NU-N19-LS	1
Note: no longer available/nicht mehrlieferbar/n'est plus disponible			
7	4209317	MOT.1.1/2/80F10 3~ 240V 50HZ IE2 LS VP.	1
8	4191470	LANTERN-MOTOR-VMI-FT100-MACHINED VP.	1

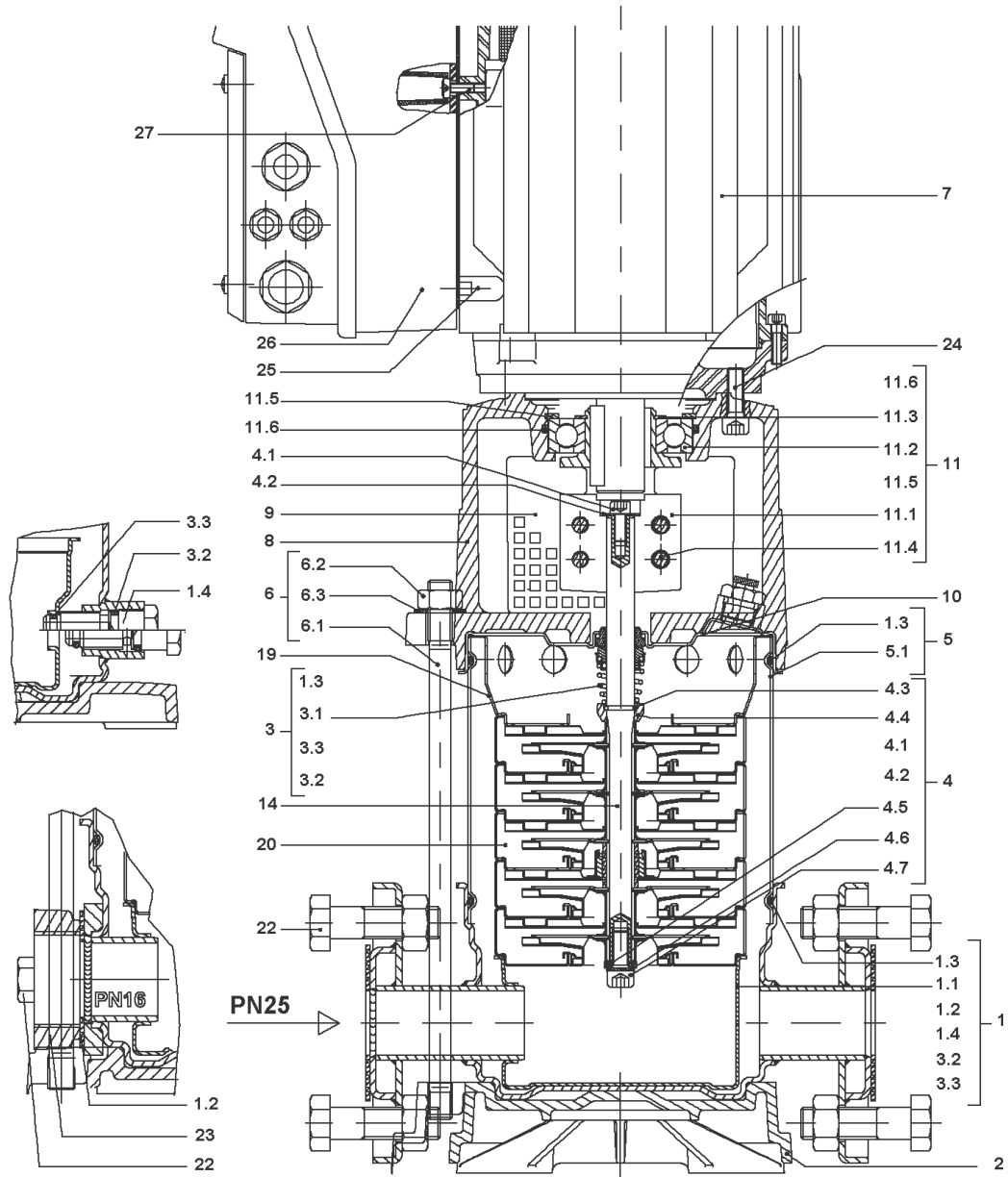
**MVIE403-1/16/E/1-2/M2 (4073055)**

Item	Article no.	Description	Quantity
9	4092424	COUPLING GUARD FT85/130 MVI KIT	1
		> COUPLING PROTECTOR FT85/130-1.4016	1
		> CLIP COUPLING-GUARD-RF	1
10	4217881	STAT.RING HOLDER-GM-D14-304 VP.	1
11	4095207	3PH COUPLING KIT MVI D14XD19	1
11.1		> COUPLING-VMI-Ø14xØ19-FT100-USINE	1
11.2	2046966	> BALL BEARING 6206/2RS-C3 (HT) VP.	1
11.3	4234249	> CIRCLIP-FOR-SHAFT-D30x1.5 VP.	1
11.4	4212716	> SCREW M6X20 KIT (4PIECES)	1
11.5	4234250	> CIRCLIP-D62x2 VP.	1
11.6	4234245	> O-RING 63X3 VP.	1
		> CONTACT-WASHER-6ETR-6,1x12,2x1,8-STEEL	1
		> SCREW CHC-M6X14-8.8-ISO4762-GEOMET500A	1
		> WASHER D.24 L6U ZINK	1
12	4233131	PLUG-VMI-316L VP.	1
14	4233897	SHAFT D.14X174 1.4057 VP.	1
19	4234236	UPPER STAGE RFK.MVI2/4 1.4301 VP.	1
20		SPARE PARTS HYDRAULICS MVI/MVIE 1.4301	1
22	4233958	SCREW M10x35 VP.	1
23	2132562	OVAL FLANGE G1 1/4" LK75 VP.	1
24	4212716	SCREW M6X20 KIT (4PIECES)	1
26	4099011	Module MVIE-1,1KW-M2 KIT	1



**SPARE PARTS HYDRAULICS MVI/MVIE 1.4301**

Item	Article no.	Description	Quantity
20.1	4015443	STAGE MHI406,MVI402 KIT	1
		> IMPELLER MVI4 D.98,5x3,1 1.4301	1
		> STAGE HOUSING O.RFK MVI2/4 1.4301	1
		> SPACER IMPELLER MVI2/4 1.4435	1
		> SPACER SHAFT SLEEVE MVI2/4 1.4435	1
20.2	4015445	STAGE-KIT-MVI-MHI	1
		> IMPELLER MVI4 D.98,5x3,1 1.4301	1
		> SPACER IMPELLER MVI2/4 1.4435	1
		> SPACER SHAFT SLEEVE MVI2/4 1.4435	1
		> STAGE-CASING-WITH-R/C+BEARING-2/4M3-304	1
		> SLEEVE-D14L13,8-VMI	1
20.3	4015446	STAGE MHI4,MVI403-19 1.4301 KIT	1
		> IMPELLER MVI4 D.98,5x3,1 1.4301	1
		> SPACER IMPELLER MVI2/4 1.4435	1
		> STAGE HOUSING RFK.MVI2/4 1.4301	1



**MVIE403-1/16/E/3-2-2G (4077522)**

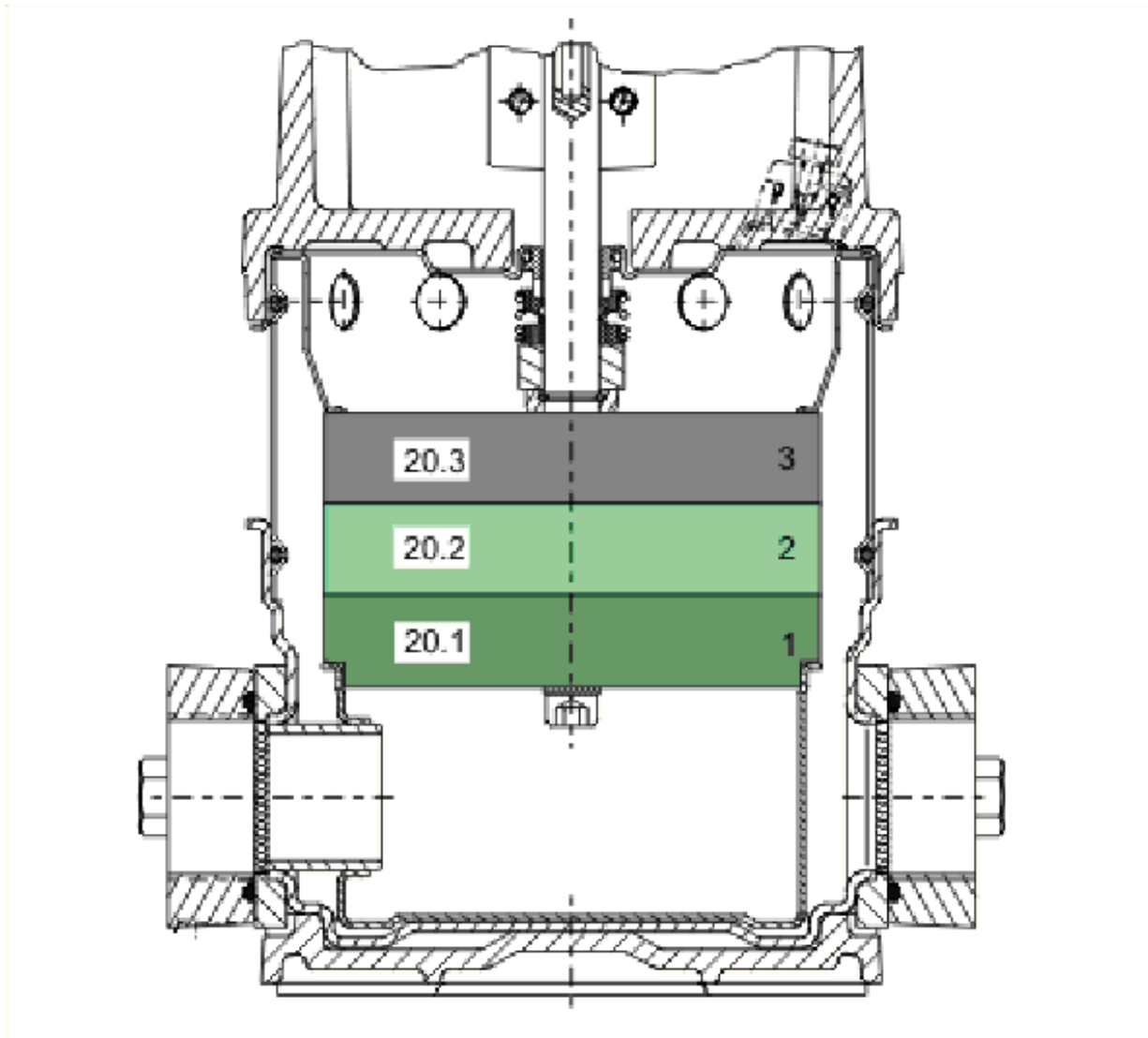
Item	Article no.	Description	Quantity
1	2023917	PUMP HOUSING MVI/MVIS DN32PN16 1.4301KIT	1
1.1		> CASING-MU-I-D32-PN16-D152-304	1
1.2	4191618	> O-RING ID.44,05x3,53 EPDM VP.	1
Note: FROM / AB / À PARTIR DE: 07/97			
1.3	4176513	> O-RING FOR PUMP JACKET VP.	1
1.4	4234235	> PRIMING/DRAIN PLUG MVI6" 304 VP.	1
3.2	4177800	> O-RING EPDM PLUG HELIX VP.	1
3.3	4234242	> O-RING 9X2 VP.	1
2	2127420	BASE PLATE 212X157 PN16 VP.	1
3	4027301	MECHANICAL SEAL MVI2/4/8/16-6" EP120°KIT	1
1.3	4176513	> O-RING FOR PUMP JACKET VP.	1
3.1		> MECHANICAL SEAL MG12/14-G606-Q1BE3GG-BU.	1
3.2	4177800	> O-RING EPDM PLUG HELIX VP.	1
3.3	4234242	> O-RING 9X2 VP.	1
4	4015442	SHAFT-FIXING MVI4/8 KIT	1
4.1		> SCREW CHC-M6X14-8.8-ISO4762-GEOMET500A	1
4.2		> WASHER D.24 L6U ZINK	1
4.3	2090148	> CIRCLIP D14 MVI/MHI 316L (2 PIECES) VP.	1
		>> STOP-RUSH-1/2-D14-VMI/HMI-316	2
4.4		> STOP COLLAR OF IMPELLER L=8.7-Ø14-316L	1
4.5		> FLAT WASHER-D8xD16x2.5-316L	1
4.6		> STAINLESS-STEEL-WASHER-DE8	1
4.7		> SCREW M8X16 ISO4762 A4	1
5	2018374	HOUSING PIPE D.152X 95 1.4301 KIT	1
5.1		> HOUSING-PIPE-D152-VMI203/403-304	1
1.3	4176513	> O-RING FOR PUMP JACKET VP.	1
6	2018358	STUD BOLT M12X221 KIT	1
6.1		> TIE BOLT M12-221x18x30-1.4057	1
6.2	2094647	> NUT M12 M12 ISO4032 VP.	1
6.3	2123557	> WASHER CS-12.4-24-1.6-NFE25 (4 PIECES)	1
7		M1,1-2T638P55V18-80F10-SU-N19-ADAPT	1
Note: no longer available/nicht mehrlieferbar/n'est plus disponible			
8	4191470	LANTERN-MOTOR-VMI-FT100-MACHINED VP.	1
9	4092424	COUPLING GUARD FT85/130 MVI KIT	1



**MVIE403-1/16/E/3-2-2G (4077522)**

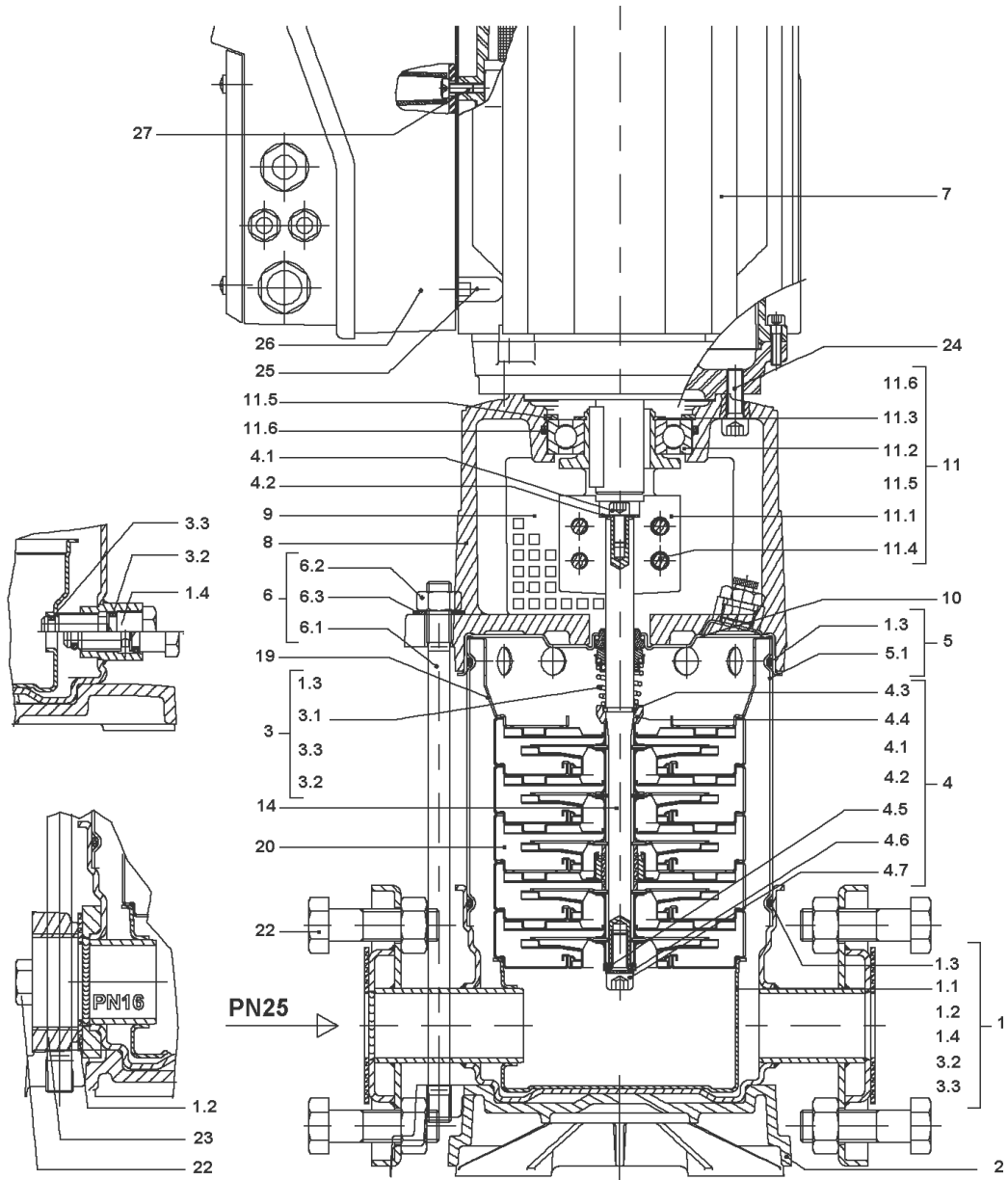
Item	Article no.	Description	Quantity
		> COUPLING PROTECTOR FT85/130-1.4016	1
		> CLIP COUPLING-GUARD-RF	1
10	4217881	STAT.RING HOLDER-GM-D14-304 VP.	1
11	4095207	3PH COUPLING KIT MVI D14XD19	1
11.1		> COUPLING-VMI-Ø14xØ19-FT100-USINE	1
11.2	2046966	> BALL BEARING 6206/2RS-C3 (HT) VP.	1
11.3	4234249	> CIRCLIP-FOR-SHAFT-D30x1.5 VP.	1
11.4	4212716	> SCREW M6X20 KIT (4PIECES)	1
11.5	4234250	> CIRCLIP-D62x2 VP.	1
11.6	4234245	> O-RING 63X3 VP.	1
		> CONTACT-WASHER-6ETR-6,1x12,2x1,8-STEEL	1
		> SCREW CHC-M6X14-8.8-ISO4762-GEOMET500A	1
		> WASHER D.24 L6U ZINK	1
12	4233131	PLUG-VMI-316L VP.	1
14	4233897	SHAFT D.14X174 1.4057 VP.	1
19	4234236	UPPER STAGE RFK.MVI2/4 1.4301 VP.	1
20		SPARE PARTS HYDRAULICS MVI/MVIE 1.4301	1
22	74750611106	SCREW M10X30 ISO4014 6.8 ZN	1
23	2132562	OVAL FLANGE G1 1/4" LK75 VP.	1
24	74760312103	SCREW M8X25 ISO4762 8.8 ZN	1
26		MODULE MVIE/MHIE-1,1KW TL1/2	1

Note: no longer available/nicht mehrlieferbar/n'est plus disponible



**SPARE PARTS HYDRAULICS MVI/MVIE 1.4301**

Item	Article no.	Description	Quantity
20.1	4015443	STAGE MHI406,MVI402 KIT	1
		> IMPELLER MVI4 D.98,5x3,1 1.4301	1
		> STAGE HOUSING O.RFK MVI2/4 1.4301	1
		> SPACER IMPELLER MVI2/4 1.4435	1
		> SPACER SHAFT SLEEVE MVI2/4 1.4435	1
20.2	4015445	STAGE-KIT-MVI-MHI	1
		> IMPELLER MVI4 D.98,5x3,1 1.4301	1
		> SPACER IMPELLER MVI2/4 1.4435	1
		> SPACER SHAFT SLEEVE MVI2/4 1.4435	1
		> STAGE-CASING-WITH-R/C+BEARING-2/4M3-304	1
		> SLEEVE-D14L13,8-VMI	1
20.3	4015446	STAGE MHI4,MVI403-19 1.4301 KIT	1
		> IMPELLER MVI4 D.98,5x3,1 1.4301	1
		> SPACER IMPELLER MVI2/4 1.4435	1
		> STAGE HOUSING RFK.MVI2/4 1.4301	1

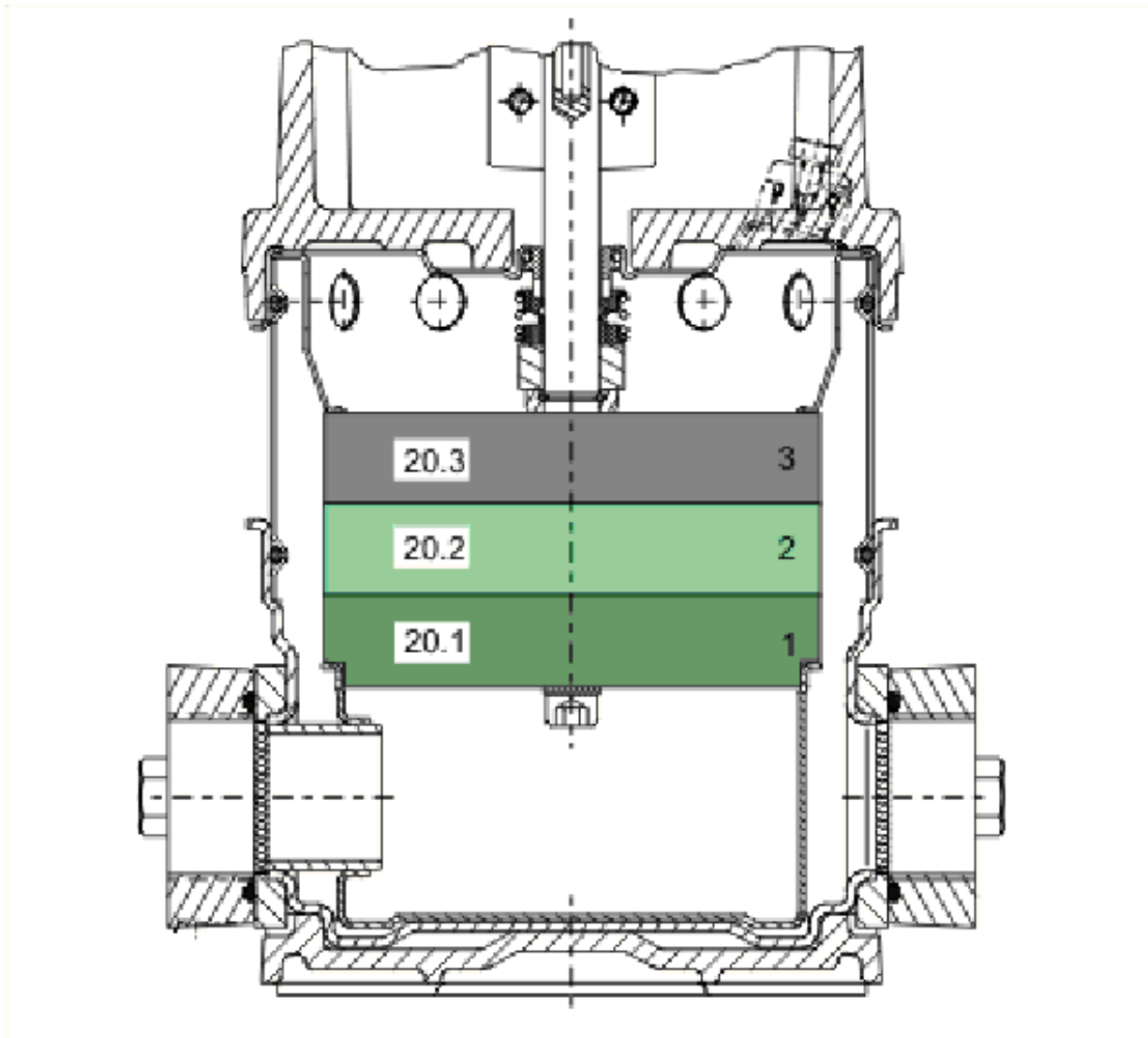


**MVIE403-1/25/E/1-2/M13 (4073058)**

Item	Article no.	Description	Quantity
1	2018537	PUMP HOUSING MVI4 DN32 PN25 1.4404 KIT	1
1.1		> PUMP HOUSING MVI D32 PN25 ANSI300-4M3-31	1
1.2	4010031	> FLAT GASKET D.30/79	2
1.3	4176513	> O-RING FOR PUMP JACKET VP.	1
1.4	4234240	> PRIMING/DRAIN PLUG MVI6" 316L VP.	1
3.2	4177800	> O-RING EPDM PLUG HELIX VP.	1
3.3	4234242	> O-RING 9X2 VP.	1
2	4187925	BASEPLATE-VMI-1/2/4M3-VP.	1
3	4027301	MECHANICAL SEAL MVI2/4/8/16-6" EP120°KIT	1
1.3	4176513	> O-RING FOR PUMP JACKET VP.	1
3.1		> MECHANICAL SEAL MG12/14-G606-Q1BE3GG-BU.	1
3.2	4177800	> O-RING EPDM PLUG HELIX VP.	1
3.3	4234242	> O-RING 9X2 VP.	1
4	4015442	SHAFT-FIXING MVI4/8 KIT	1
4.1		> SCREW CHC-M6X14-8.8-ISO4762-GEOMET500A	1
4.2		> WASHER D.24 L6U ZINK	1
4.3	2090148	> CIRCLIP D14 MVI/MHI 316L (2 PIECES) VP.	1
		>> STOP-RUSH-1/2-D14-VMI/HMI-316	2
4.4		> STOP COLLAR OF IMPELLER L=8.7-Ø14-316L	1
4.5		> FLAT WASHER-D8xD16x2.5-316L	1
4.6		> STAINLESS-STEEL-WASHER-DE8	1
4.7		> SCREW M8X16 ISO4762 A4	1
5	2018374	HOUSING PIPE D.152X 95 1.4301 KIT	1
5.1		> HOUSING-PIPE-D152-VMI203/403-304	1
1.3	4176513	> O-RING FOR PUMP JACKET VP.	1
6	2018358	STUD BOLT M12X221 KIT	1
6.1		> TIE BOLT M12-221x18x30-1.4057	1
6.2	2094647	> NUT M12 M12 ISO4032 VP.	1
6.3	2123557	> WASHER CS-12.4-24-1.6-NFE25 (4 PIECES)	1
7		M1,1-2T24P55V18-80F10-NU-N19-LS	1
Note: no longer available/nicht mehr lieferbar/n'est plus disponible			
7	4209317	MOT.1.1/2/80F10 3~ 240V 50HZ IE2 LS VP.	1
8	4191470	LANTERN-MOTOR-VMI-FT100-MACHINED VP.	1
9	4092424	COUPLING GUARD FT85/130 MVI KIT	1

**MVIE403-1/25/E/1-2/M13 (4073058)**

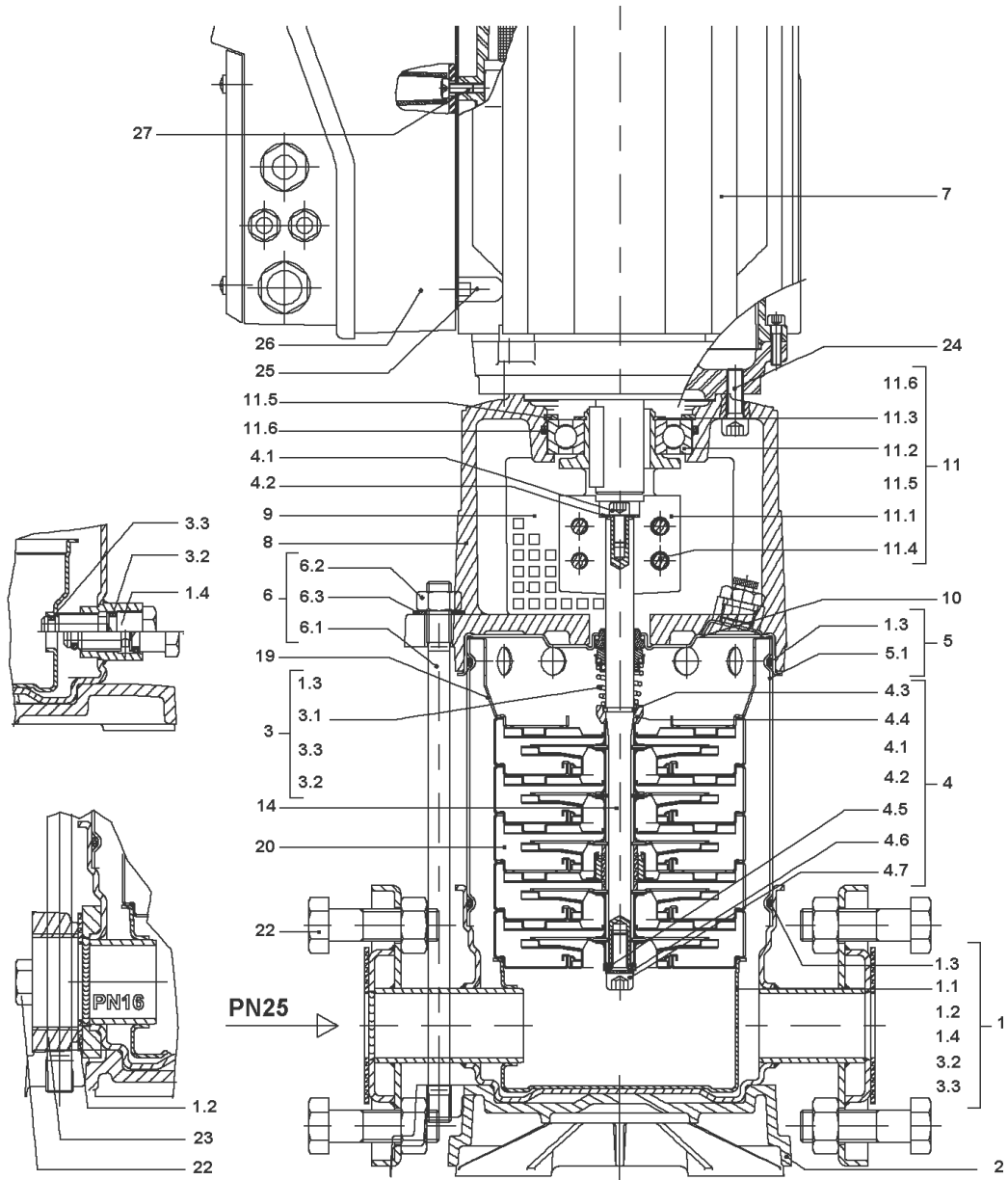
Item	Article no.	Description	Quantity
		> COUPLING PROTECTOR FT85/130-1.4016	1
		> CLIP COUPLING-GUARD-RF	1
10	4217881	STAT.RING HOLDER-GM-D14-304 VP.	1
11	4095207	3PH COUPLING KIT MVI D14XD19	1
11.1		> COUPLING-VMI-Ø14xØ19-FT100-USINE	1
11.2	2046966	> BALL BEARING 6206/2RS-C3 (HT) VP.	1
11.3	4234249	> CIRCLIP-FOR-SHAFT-D30x1.5 VP.	1
11.4	4212716	> SCREW M6X20 KIT (4PIECES)	1
11.5	4234250	> CIRCLIP-D62x2 VP.	1
11.6	4234245	> O-RING 63X3 VP.	1
		> CONTACT-WASHER-6ETR-6,1x12,2x1,8-STEEL	1
		> SCREW CHC-M6X14-8.8-ISO4762-GEOMET500A	1
		> WASHER D.24 L6U ZINK	1
12	4233131	PLUG-VMI-316L VP.	1
14	4233897	SHAFT D.14X174 1.4057 VP.	1
19	4234236	UPPER STAGE RFK.MVI2/4 1.4301 VP.	1
20		SPARE PARTS HYDRAULICS MVI/MVIE 1.4301	1
22	61477	SCREW M16 L60x38-ZINGUE	1
24	4212716	SCREW M6X20 KIT (4PIECES)	1
26	4104419	Module MVIE-1,1KW-M13 KIT	1



**SPARE PARTS HYDRAULICS MVI/MVIE 1.4301**

Item	Article no.	Description	Quantity
20.1	4015443	STAGE MHI406,MVI402 KIT	1
		> IMPELLER MVI4 D.98,5x3,1 1.4301	1
		> STAGE HOUSING O.RFK MVI2/4 1.4301	1
		> SPACER IMPELLER MVI2/4 1.4435	1
		> SPACER SHAFT SLEEVE MVI2/4 1.4435	1
20.2	4015445	STAGE-KIT-MVI-MHI	1
		> IMPELLER MVI4 D.98,5x3,1 1.4301	1
		> SPACER IMPELLER MVI2/4 1.4435	1
		> SPACER SHAFT SLEEVE MVI2/4 1.4435	1
		> STAGE-CASING-WITH-R/C+BEARING-2/4M3-304	1
		> SLEEVE-D14L13,8-VMI	1
20.3	4015446	STAGE MHI4,MVI403-19 1.4301 KIT	1
		> IMPELLER MVI4 D.98,5x3,1 1.4301	1
		> SPACER IMPELLER MVI2/4 1.4435	1
		> STAGE HOUSING RFK.MVI2/4 1.4301	1



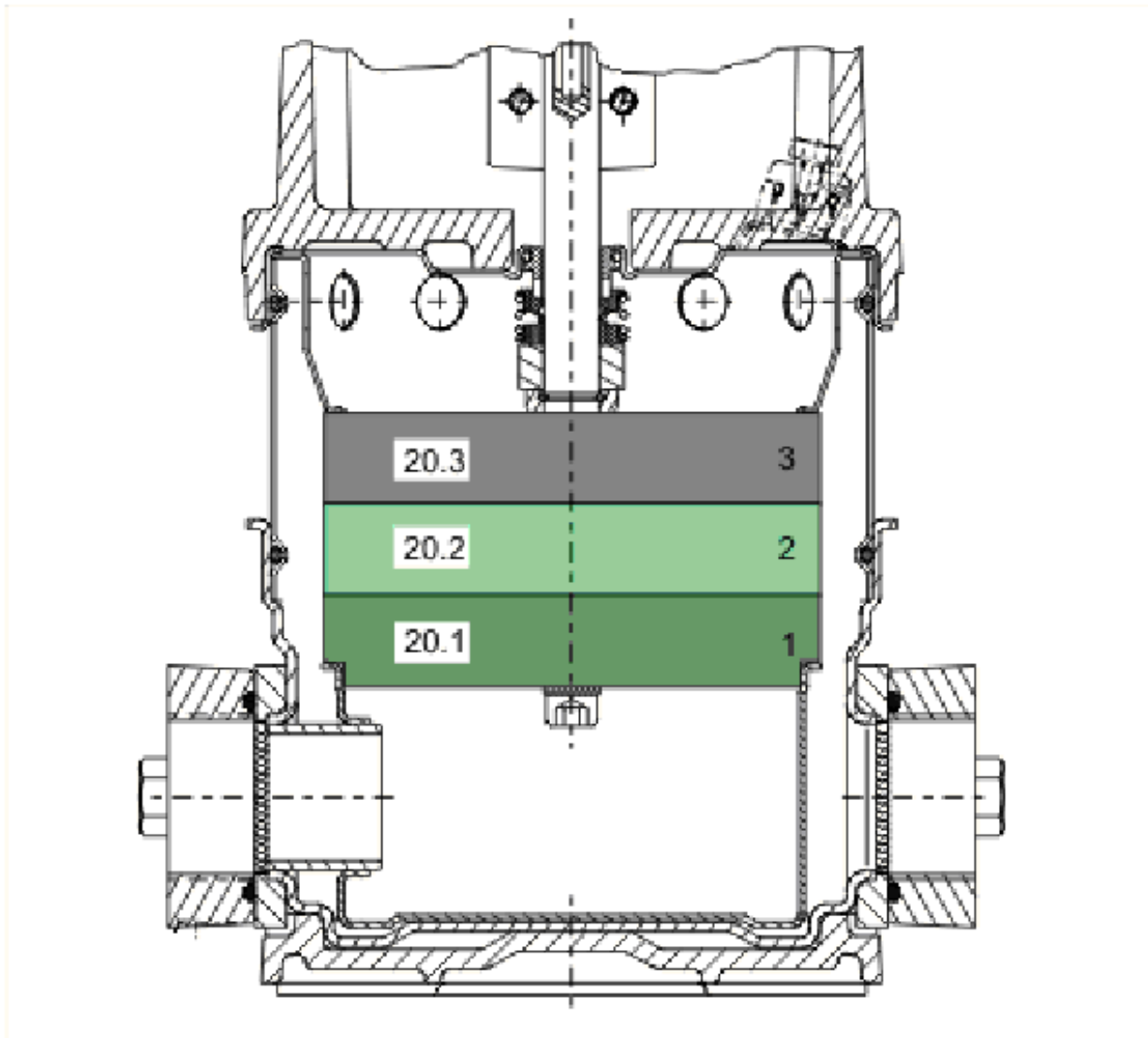


**MVIE403-1/25/E/1-2/M2 (4073059)**

Item	Article no.	Description	Quantity
1	2018537	PUMP HOUSING MVI4 DN32 PN25 1.4404 KIT	1
1.1		> PUMP HOUSING MVI D32 PN25 ANSI300-4M3-31	1
1.2	4010031	> FLAT GASKET D.30/79	2
1.3	4176513	> O-RING FOR PUMP JACKET VP.	1
1.4	4234240	> PRIMING/DRAIN PLUG MVI6" 316L VP.	1
3.2	4177800	> O-RING EPDM PLUG HELIX VP.	1
3.3	4234242	> O-RING 9X2 VP.	1
2	4187925	BASEPLATE-VMI-1/2/4M3-VP.	1
3	4027301	MECHANICAL SEAL MVI2/4/8/16-6" EP120°KIT	1
1.3	4176513	> O-RING FOR PUMP JACKET VP.	1
3.1		> MECHANICAL SEAL MG12/14-G606-Q1BE3GG-BU.	1
3.2	4177800	> O-RING EPDM PLUG HELIX VP.	1
3.3	4234242	> O-RING 9X2 VP.	1
4	4015442	SHAFT-FIXING MVI4/8 KIT	1
4.1		> SCREW CHC-M6X14-8.8-ISO4762-GEOMET500A	1
4.2		> WASHER D.24 L6U ZINK	1
4.3	2090148	> CIRCLIP D14 MVI/MHI 316L (2 PIECES) VP.	1
		>> STOP-RUSH-1/2-D14-VMI/HMI-316	2
4.4		> STOP COLLAR OF IMPELLER L=8.7-Ø14-316L	1
4.5		> FLAT WASHER-D8xD16x2.5-316L	1
4.6		> STAINLESS-STEEL-WASHER-DE8	1
4.7		> SCREW M8X16 ISO4762 A4	1
5	2018374	HOUSING PIPE D.152X 95 1.4301 KIT	1
5.1		> HOUSING-PIPE-D152-VMI203/403-304	1
1.3	4176513	> O-RING FOR PUMP JACKET VP.	1
6	2018358	STUD BOLT M12X221 KIT	1
6.1		> TIE BOLT M12-221x18x30-1.4057	1
6.2	2094647	> NUT M12 M12 ISO4032 VP.	1
6.3	2123557	> WASHER CS-12.4-24-1.6-NFE25 (4 PIECES)	1
7		M1,1-2T24P55V18-80F10-NU-N19-LS	1
Note: no longer available/nicht mehr lieferbar/n'est plus disponible			
7	4209317	MOT.1.1/2/80F10 3~ 240V 50HZ IE2 LS VP.	1
8	4191470	LANTERN-MOTOR-VMI-FT100-MACHINED VP.	1
9	4092424	COUPLING GUARD FT85/130 MVI KIT	1

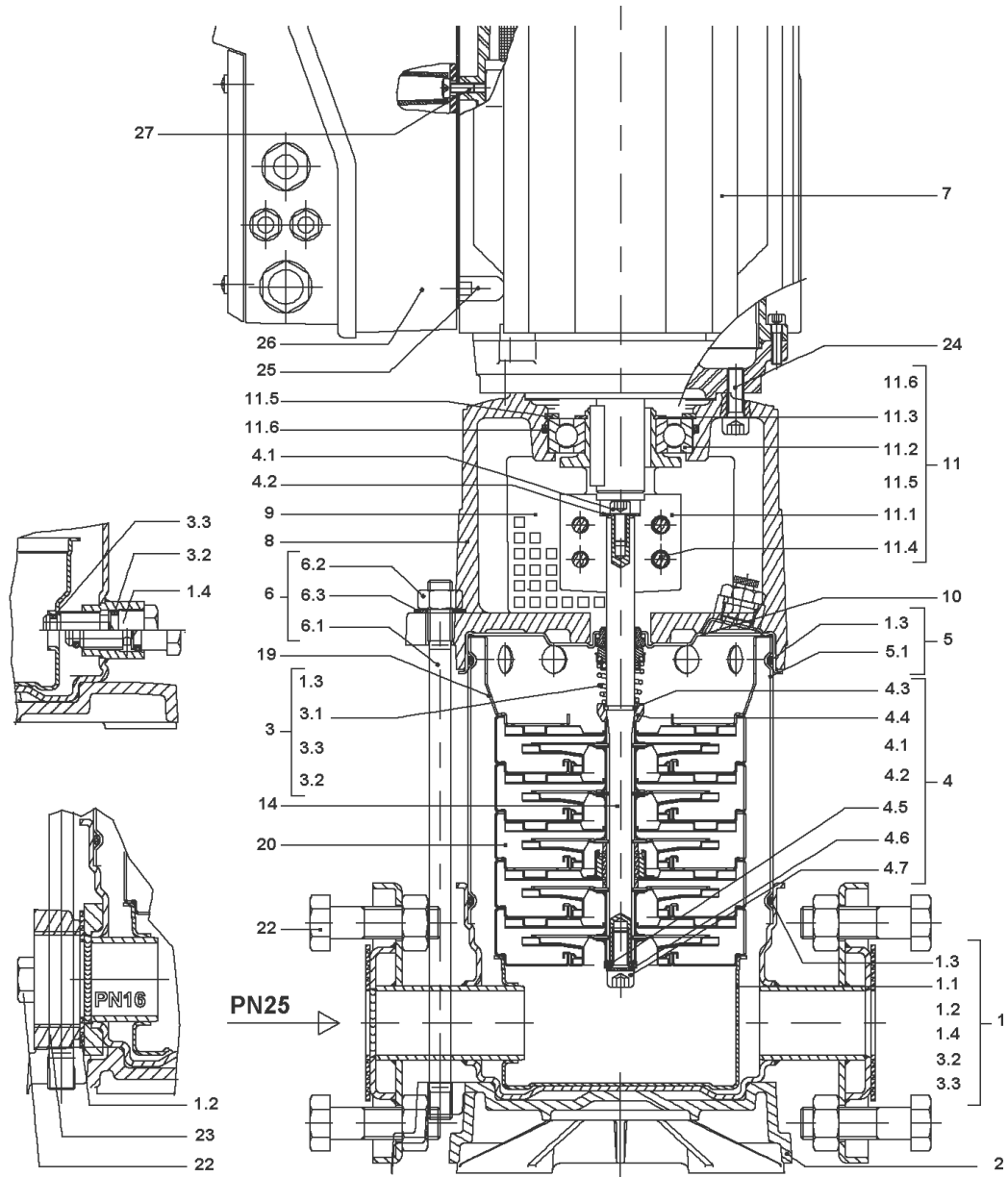
**MVIE403-1/25/E/1-2/M2 (4073059)**

Item	Article no.	Description	Quantity
		> COUPLING PROTECTOR FT85/130-1.4016	1
		> CLIP COUPLING-GUARD-RF	1
10	4217881	STAT.RING HOLDER-GM-D14-304 VP.	1
11	4095207	3PH COUPLING KIT MVI D14XD19	1
11.1		> COUPLING-VMI-Ø14xØ19-FT100-USINE	1
11.2	2046966	> BALL BEARING 6206/2RS-C3 (HT) VP.	1
11.3	4234249	> CIRCLIP-FOR-SHAFT-D30x1.5 VP.	1
11.4	4212716	> SCREW M6X20 KIT (4PIECES)	1
11.5	4234250	> CIRCLIP-D62x2 VP.	1
11.6	4234245	> O-RING 63X3 VP.	1
		> CONTACT-WASHER-6ETR-6,1x12,2x1,8-STEEL	1
		> SCREW CHC-M6X14-8.8-ISO4762-GEOMET500A	1
		> WASHER D.24 L6U ZINK	1
12	4233131	PLUG-VMI-316L VP.	1
14	4233897	SHAFT D.14X174 1.4057 VP.	1
19	4234236	UPPER STAGE RFK.MVI2/4 1.4301 VP.	1
20		SPARE PARTS HYDRAULICS MVI/MVIE 1.4301	1
22	61477	SCREW M16 L60x38-ZINGUE	1
24	4212716	SCREW M6X20 KIT (4PIECES)	1
26	4099011	Module MVIE-1,1KW-M2 KIT	1



**SPARE PARTS HYDRAULICS MVI/MVIE 1.4301**

Item	Article no.	Description	Quantity
20.1	4015443	STAGE MHI406,MVI402 KIT	1
		> IMPELLER MVI4 D.98,5x3,1 1.4301	1
		> STAGE HOUSING O.RFK MVI2/4 1.4301	1
		> SPACER IMPELLER MVI2/4 1.4435	1
		> SPACER SHAFT SLEEVE MVI2/4 1.4435	1
20.2	4015445	STAGE-KIT-MVI-MHI	1
		> IMPELLER MVI4 D.98,5x3,1 1.4301	1
		> SPACER IMPELLER MVI2/4 1.4435	1
		> SPACER SHAFT SLEEVE MVI2/4 1.4435	1
		> STAGE-CASING-WITH-R/C+BEARING-2/4M3-304	1
		> SLEEVE-D14L13,8-VMI	1
20.3	4015446	STAGE MHI4,MVI403-19 1.4301 KIT	1
		> IMPELLER MVI4 D.98,5x3,1 1.4301	1
		> SPACER IMPELLER MVI2/4 1.4435	1
		> STAGE HOUSING RFK.MVI2/4 1.4301	1



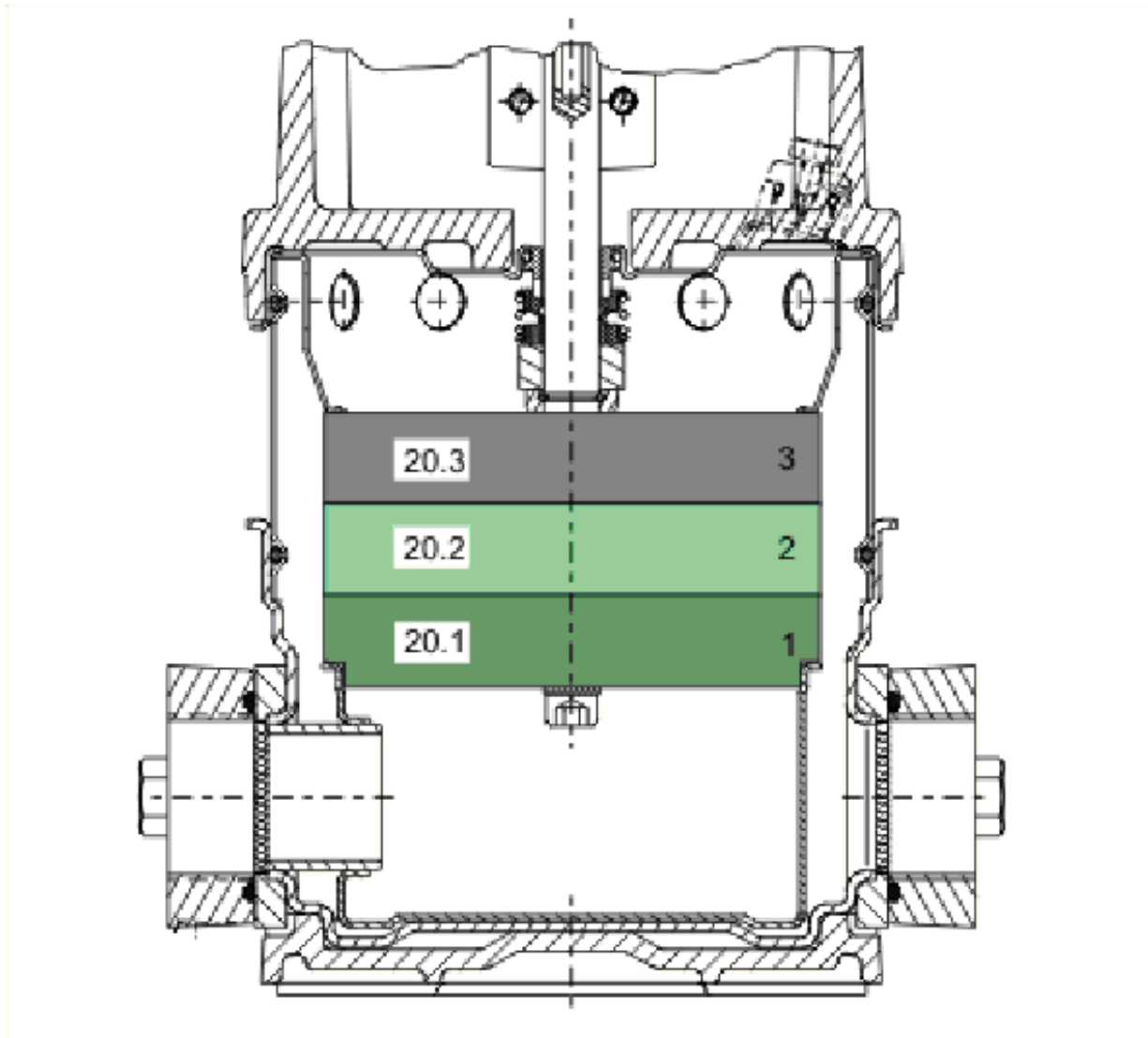
**MVIE403-1/25/E/3-2-2G (4077532)**

Item	Article no.	Description	Quantity
1	2018537	PUMP HOUSING MVI4 DN32 PN25 1.4404 KIT	1
1.1		> PUMP HOUSING MVI D32 PN25 ANSI300-4M3-31	1
1.2	4010031	> FLAT GASKET D.30/79	2
1.3	4176513	> O-RING FOR PUMP JACKET VP.	1
1.4	4234240	> PRIMING/DRAIN PLUG MVI6" 316L VP.	1
3.2	4177800	> O-RING EPDM PLUG HELIX VP.	1
3.3	4234242	> O-RING 9X2 VP.	1
2	4187925	BASEPLATE-VMI-1/2/4M3-VP.	1
3	4027301	MECHANICAL SEAL MVI2/4/8/16-6" EP120°KIT	1
1.3	4176513	> O-RING FOR PUMP JACKET VP.	1
3.1		> MECHANICAL SEAL MG12/14-G606-Q1BE3GG-BU.	1
3.2	4177800	> O-RING EPDM PLUG HELIX VP.	1
3.3	4234242	> O-RING 9X2 VP.	1
4	4015442	SHAFT-FIXING MVI4/8 KIT	1
4.1		> SCREW CHC-M6X14-8.8-ISO4762-GEOMET500A	1
4.2		> WASHER D.24 L6U ZINK	1
4.3	2090148	> CIRCLIP D14 MVI/MHI 316L (2 PIECES) VP.	1
		>> STOP-RUSH-1/2-D14-VMI/HMI-316	2
4.4		> STOP COLLAR OF IMPELLER L=8.7-Ø14-316L	1
4.5		> FLAT WASHER-D8xD16x2.5-316L	1
4.6		> STAINLESS-STEEL-WASHER-DE8	1
4.7		> SCREW M8X16 ISO4762 A4	1
5	2018374	HOUSING PIPE D.152X 95 1.4301 KIT	1
5.1		> HOUSING-PIPE-D152-VMI203/403-304	1
1.3	4176513	> O-RING FOR PUMP JACKET VP.	1
6	2018358	STUD BOLT M12X221 KIT	1
6.1		> TIE BOLT M12-221x18x30-1.4057	1
6.2	2094647	> NUT M12 M12 ISO4032 VP.	1
6.3	2123557	> WASHER CS-12.4-24-1.6-NFE25 (4 PIECES)	1
7		M1,1-2T638P55V18-80F10-SU-N19-ADAPT	1
Note: no longer available/nicht mehr lieferbar/n'est plus disponible			
8	4191470	LANTERN-MOTOR-VMI-FT100-MACHINED VP.	1
9	4092424	COUPLING GUARD FT85/130 MVI KIT	1
		> COUPLING PROTECTOR FT85/130-1.4016	1

**MVIE403-1/25/E/3-2-2G (4077532)**

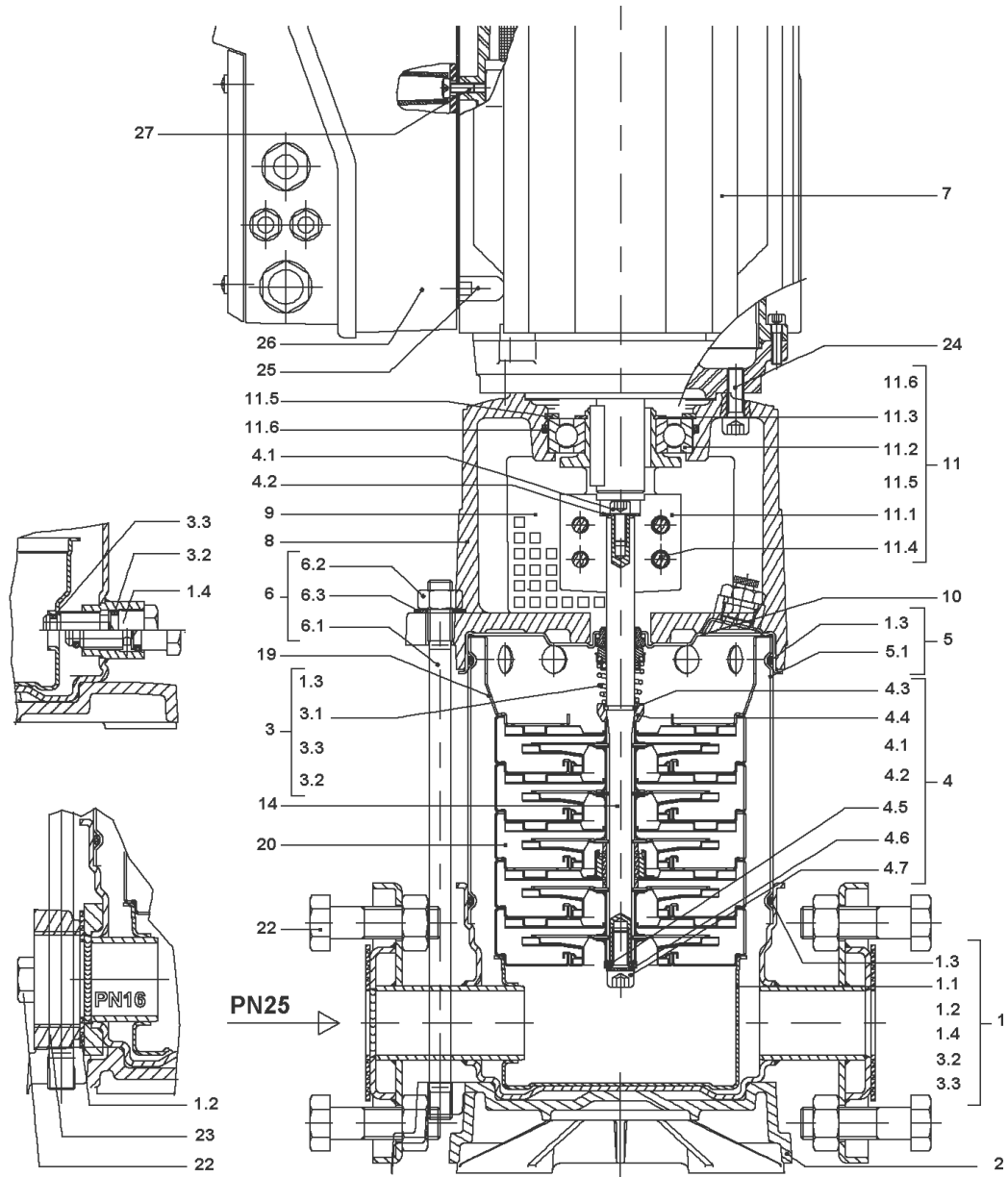
Item	Article no.	Description	Quantity
		> CLIP COUPLING-GUARD-RF	1
10	4217881	STAT.RING HOLDER-GM-D14-304 VP.	1
11	4095207	3PH COUPLING KIT MVI D14XD19	1
11.1		> COUPLING-VMI-Ø14xØ19-FT100-USINE	1
11.2	2046966	> BALL BEARING 6206/2RS-C3 (HT) VP.	1
11.3	4234249	> CIRCLIP-FOR-SHAFT-D30x1.5 VP.	1
11.4	4212716	> SCREW M6X20 KIT (4PIECES)	1
11.5	4234250	> CIRCLIP-D62x2 VP.	1
11.6	4234245	> O-RING 63X3 VP.	1
		> CONTACT-WASHER-6ETR-6,1x12,2x1,8-STEEL	1
		> SCREW CHC-M6X14-8.8-ISO4762-GEOMET500A	1
		> WASHER D.24 L6U ZINK	1
12	4233131	PLUG-VMI-316L VP.	1
14	4233897	SHAFT D.14X174 1.4057 VP.	1
19	4234236	UPPER STAGE RFK.MVI2/4 1.4301 VP.	1
20		SPARE PARTS HYDRAULICS MVI/MVIE 1.4301	1
22	61476	SCREW M16X55X38	1
24	74760312103	SCREW M8X25 ISO4762 8.8 ZN	1
26		MODULE MVIE/MHIE-1,1KW TL1/2	1
Note: no longer available/nicht mehr lieferbar/n'est plus disponible			





**SPARE PARTS HYDRAULICS MVI/MVIE 1.4301**

Item	Article no.	Description	Quantity
20.1	4015443	STAGE MHI406,MVI402 KIT	1
		> IMPELLER MVI4 D.98,5x3,1 1.4301	1
		> STAGE HOUSING O.RFK MVI2/4 1.4301	1
		> SPACER IMPELLER MVI2/4 1.4435	1
		> SPACER SHAFT SLEEVE MVI2/4 1.4435	1
20.2	4015445	STAGE-KIT-MVI-MHI	1
		> IMPELLER MVI4 D.98,5x3,1 1.4301	1
		> SPACER IMPELLER MVI2/4 1.4435	1
		> SPACER SHAFT SLEEVE MVI2/4 1.4435	1
		> STAGE-CASING-WITH-R/C+BEARING-2/4M3-304	1
		> SLEEVE-D14L13,8-VMI	1
20.3	4015446	STAGE MHI4,MVI403-19 1.4301 KIT	1
		> IMPELLER MVI4 D.98,5x3,1 1.4301	1
		> SPACER IMPELLER MVI2/4 1.4435	1
		> STAGE HOUSING RFK.MVI2/4 1.4301	1

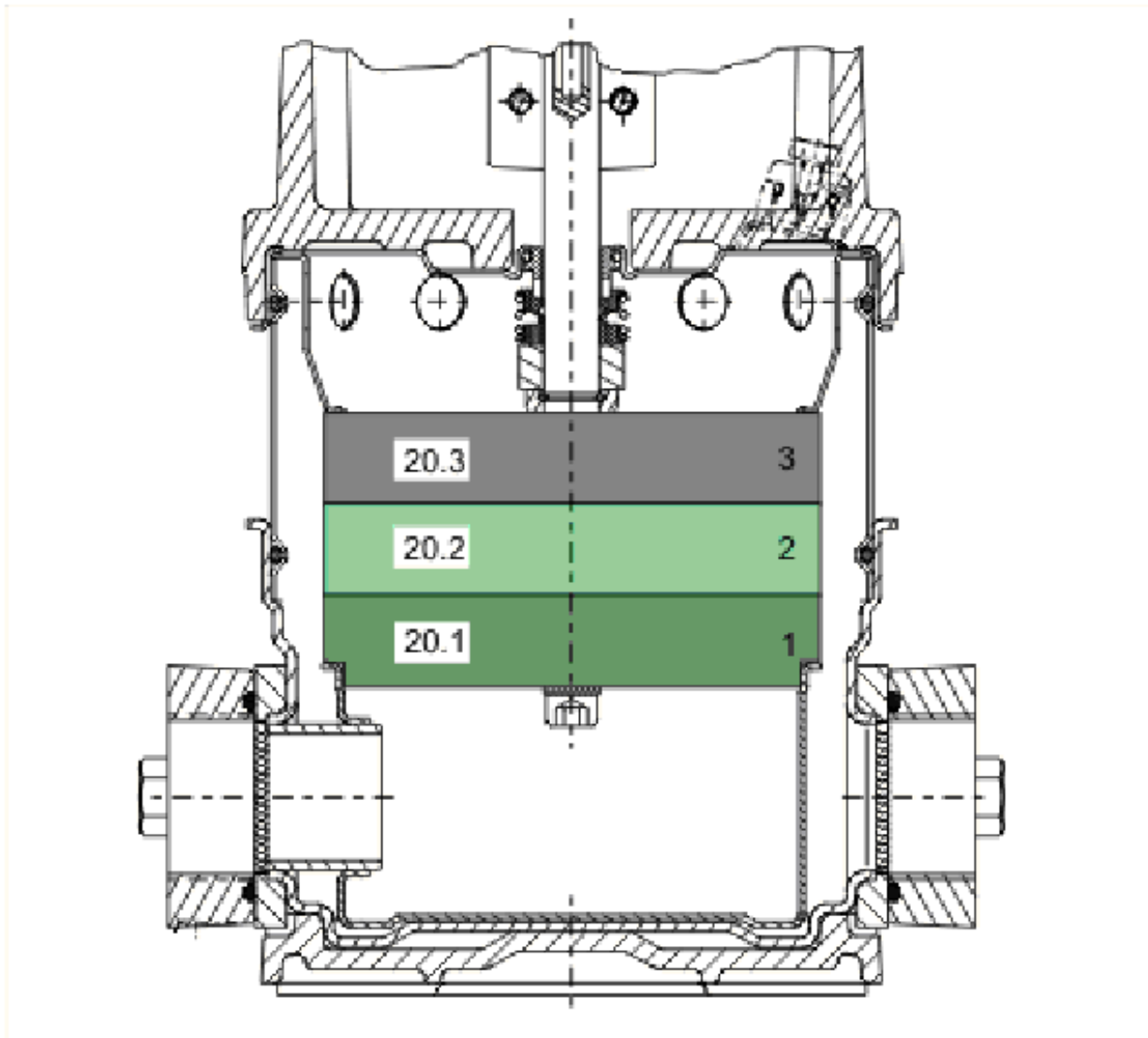


**MVIE403-2/25/V/1-2/M13 (4073062)**

Item	Article no.	Description	Quantity
1	2018594	PUMP HOUSING MVI4 DN25 PN25/V 1.4404 KIT	1
1.1		> PUMP HOUSING MVI D32 PN25 ANSI300-4M3-31	1
1.2	4010031	> FLAT GASKET D.30/79	1
1.3	4234237	> O-RING 139X3 VITON VP.	1
1.4	4234240	> PRIMING/DRAIN PLUG MVI6" 316L VP.	1
3.2	4234239	> O-RING 13X2 VITON VP.	1
3.3	4234238	> O-RING 9X2 VITON VP.	1
2	4187925	BASEPLATE-VMI-1/2/4M3-VP.	1
3	4037295	MECHANICAL SEAL 16B MVI VITON	1
1.3	4234237	> O-RING 139X3 VITON VP.	1
3.1		> MECHANICAL SEAL MG12/14-G606-Q1BVGG-BURG	1
3.2	4234239	> O-RING 13X2 VITON VP.	1
3.3	4234238	> O-RING 9X2 VITON VP.	1
4	4015442	SHAFT-FIXING MVI4/8 KIT	1
4.1		> SCREW CHC-M6X14-8.8-ISO4762-GEOMET500A	1
4.2		> WASHER D.24 L6U ZINK	1
4.3	2090148	> CIRCLIP D14 MVI/MHI 316L (2 PIECES) VP.	1
		>> STOP-RUSH-1/2-D14-VMI/HMI-316	2
4.4		> STOP COLLAR OF IMPELLER L=8.7-Ø14-316L	1
4.5		> FLAT WASHER-D8xD16x2.5-316L	1
4.6		> STAINLESS-STEEL-WASHER-DE8	1
4.7		> SCREW M8X16 ISO4762 A4	1
5	2018428	HOUSING PIPE D.152X95 1.4404 KIT	1
5.1		> HOUSING-PIPE-D152-VMI203/403-316L	1
1.3	4234237	> O-RING 139X3 VITON VP.	1
6	2018358	STUD BOLT M12X221 KIT	1
6.1		> TIE BOLT M12-221x18x30-1.4057	1
6.2	2094647	> NUT M12 M12 ISO4032 VP.	1
6.3	2123557	> WASHER CS-12.4-24-1.6-NFE25 (4 PIECES)	1
7		M1,1-2T24P55V18-80F10-NU-N19-LS	1
Note: no longer available/nicht mehr lieferbar/n'est plus disponible			
7	4209317	MOT.1.1/2/80F10 3~ 240V 50HZ IE2 LS VP.	1
8	4191470	LANTERN-MOTOR-VMI-FT100-MACHINED VP.	1
9	4092424	COUPLING GUARD FT85/130 MVI KIT	1

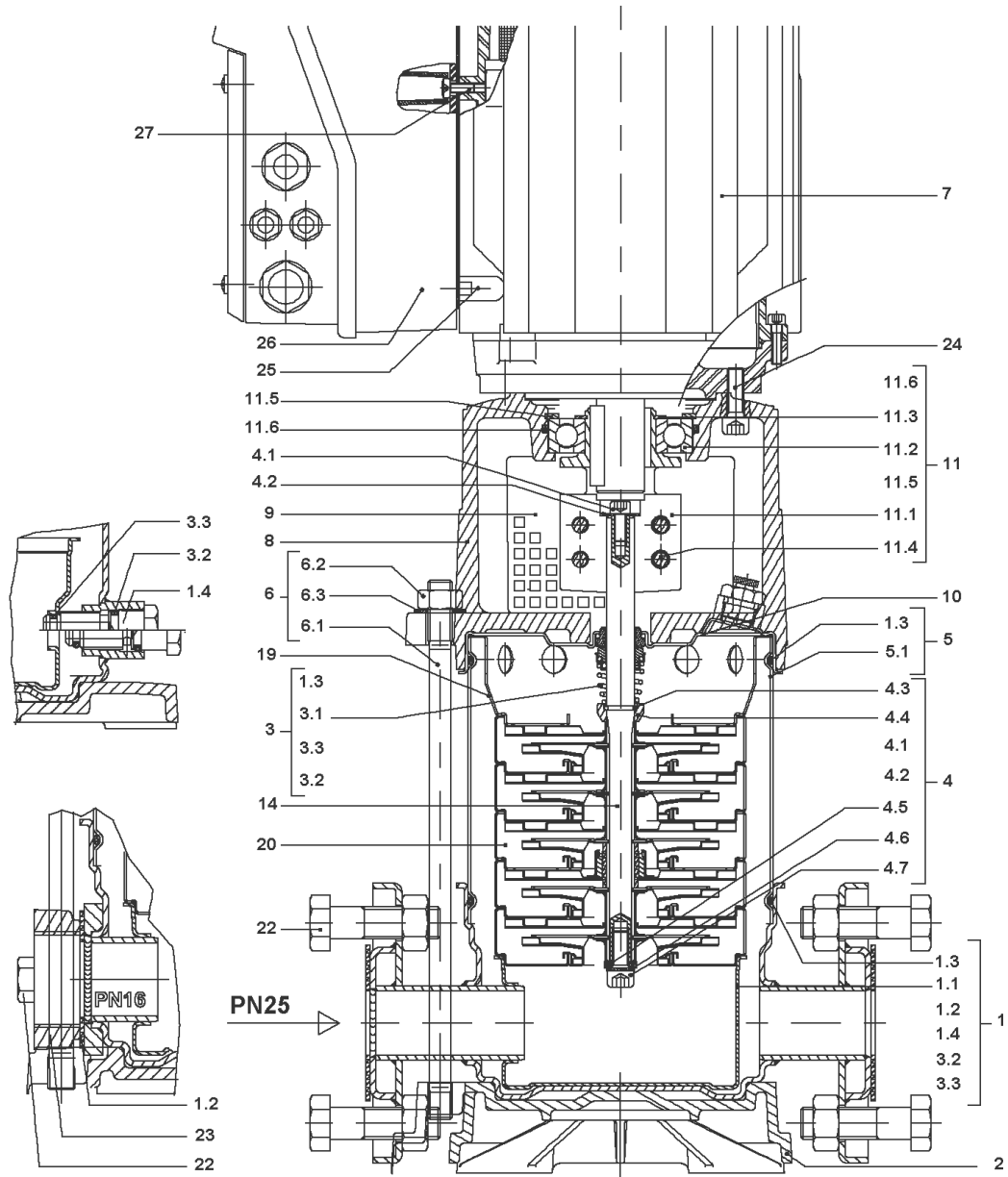
**MVIE403-2/25/V/1-2/M13 (4073062)**

Item	Article no.	Description	Quantity
		> COUPLING PROTECTOR FT85/130-1.4016	1
		> CLIP COUPLING-GUARD-RF	1
10	4217883	STAT.RING HOLDER MVI2/4/8 1.4435 VP.	1
11	4095207	3PH COUPLING KIT MVI D14XD19	1
11.1		> COUPLING-VMI-Ø14xØ19-FT100-USINE	1
11.2	2046966	> BALL BEARING 6206/2RS-C3 (HT) VP.	1
11.3	4234249	> CIRCLIP-FOR-SHAFT-D30x1.5 VP.	1
11.4	4212716	> SCREW M6X20 KIT (4PIECES)	1
11.5	4234250	> CIRCLIP-D62x2 VP.	1
11.6	4234245	> O-RING 63X3 VP.	1
		> CONTACT-WASHER-6ETR-6,1x12,2x1,8-STEEL	1
		> SCREW CHC-M6X14-8.8-ISO4762-GEOMET500A	1
		> WASHER D.24 L6U ZINK	1
12	4233131	PLUG-VMI-316L VP.	1
14	4233159	SHAFT D.14X174 1.4404 VP.	1
19	4233921	UPPER STAGE RFK.MVI2/4M3 1.4435 VP.	1
20		SPARE PARTS HYDRAULICS MVI/MVIE 1.4404	1
22	61477	SCREW M16 L60x38-ZINGUE	1
24	4212716	SCREW M6X20 KIT (4PIECES)	1
26	4104419	Module MVIE-1,1KW-M13 KIT	1



**SPARE PARTS HYDRAULICS MVI/MVIE 1.4404**

Item	Article no.	Description	Quantity
20.1	4026334	ASSEMBLY LR./STF.GH.MHI406,MVI402/403 1.	1
		> IMPELLER-VMI/HMI-SERIE.4-316L	1
		> STAGE CASING WITHOUT-R/G-2/4M3-316L	1
		> SPACER IMPELLER MVI2/4 1.4435	1
		> SPACER SHAFT SLEEVE MVI2/4 1.4435	1
20.2	4026336	ASSEMBLY LR./LAG.BU.RFK.MHI406,MVI403-19	1
		> IMPELLER-VMI/HMI-SERIE.4-316L	1
		> SPACER IMPELLER MVI2/4 1.4435	1
		> SPACER SHAFT SLEEVE MVI2/4 1.4435	1
		> STAGE CASING-AV-C/R-BEARING-2/4M3-L	1
		> SLEEVE-D14L13,8-VMI	1
20.3	4026337	ASSEMBLY LR.STF.GH.RFK.MHI4,MVI403-419 1	1
		> IMPELLER-VMI/HMI-SERIE.4-316L	1
		> SPACER IMPELLER MVI2/4 1.4435	1
		> STAGE CASING-AV-C/R-2/4M3-316L	1



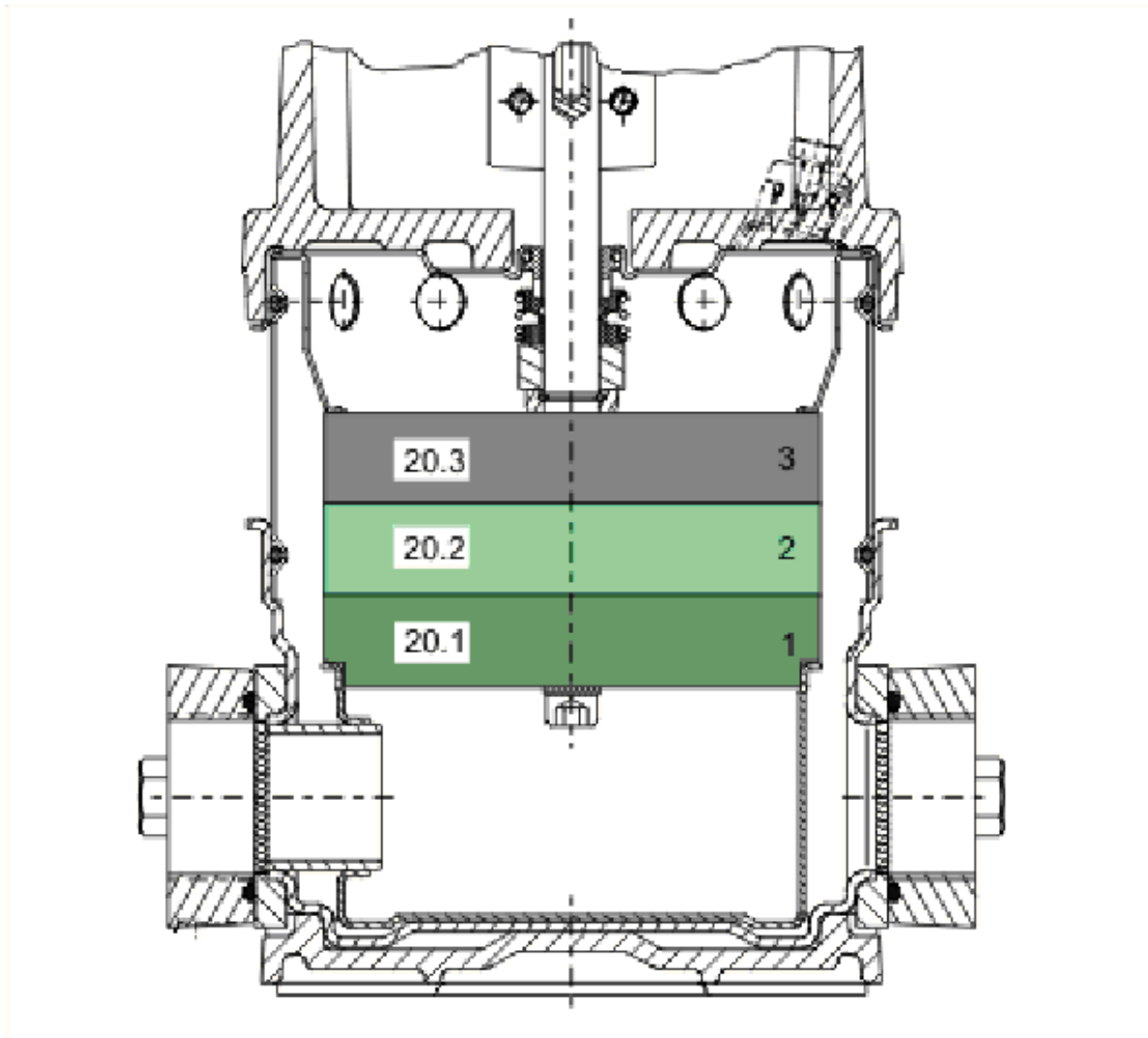


**MVIE403-2/25/V/1-2/M2 (4073063)**

Item	Article no.	Description	Quantity
1	2018594	PUMP HOUSING MVI4 DN25 PN25/V 1.4404 KIT	1
1.1		> PUMP HOUSING MVI D32 PN25 ANSI300-4M3-31	1
1.2	4010031	> FLAT GASKET D.30/79	1
1.3	4234237	> O-RING 139X3 VITON VP.	1
1.4	4234240	> PRIMING/DRAIN PLUG MVI6" 316L VP.	1
3.2	4234239	> O-RING 13X2 VITON VP.	1
3.3	4234238	> O-RING 9X2 VITON VP.	1
2	4187925	BASEPLATE-VMI-1/2/4M3-VP.	1
3	4037295	MECHANICAL SEAL 16B MVI VITON	1
1.3	4234237	> O-RING 139X3 VITON VP.	1
3.1		> MECHANICAL SEAL MG12/14-G606-Q1BVGG-BURG	1
3.2	4234239	> O-RING 13X2 VITON VP.	1
3.3	4234238	> O-RING 9X2 VITON VP.	1
4	4015442	SHAFT-FIXING MVI4/8 KIT	1
4.1		> SCREW CHC-M6X14-8.8-ISO4762-GEOMET500A	1
4.2		> WASHER D.24 L6U ZINK	1
4.3	2090148	> CIRCLIP D14 MVI/MHI 316L (2 PIECES) VP.	1
		>> STOP-RUSH-1/2-D14-VMI/HMI-316	2
4.4		> STOP COLLAR OF IMPELLER L=8.7-Ø14-316L	1
4.5		> FLAT WASHER-D8xD16x2.5-316L	1
4.6		> STAINLESS-STEEL-WASHER-DE8	1
4.7		> SCREW M8X16 ISO4762 A4	1
5	2018428	HOUSING PIPE D.152X95 1.4404 KIT	1
5.1		> HOUSING-PIPE-D152-VMI203/403-316L	1
1.3	4234237	> O-RING 139X3 VITON VP.	1
6	2018358	STUD BOLT M12X221 KIT	1
6.1		> TIE BOLT M12-221x18x30-1.4057	1
6.2	2094647	> NUT M12 M12 ISO4032 VP.	1
6.3	2123557	> WASHER CS-12.4-24-1.6-NFE25 (4 PIECES)	1
7		M1,1-2T24P55V18-80F10-NU-N19-LS	1
Note: no longer available/nicht mehr lieferbar/n'est plus disponible			
7	4209317	MOT.1.1/2/80F10 3~ 240V 50HZ IE2 LS VP.	1
8	4191470	LANTERN-MOTOR-VMI-FT100-MACHINED VP.	1
9	4092424	COUPLING GUARD FT85/130 MVI KIT	1

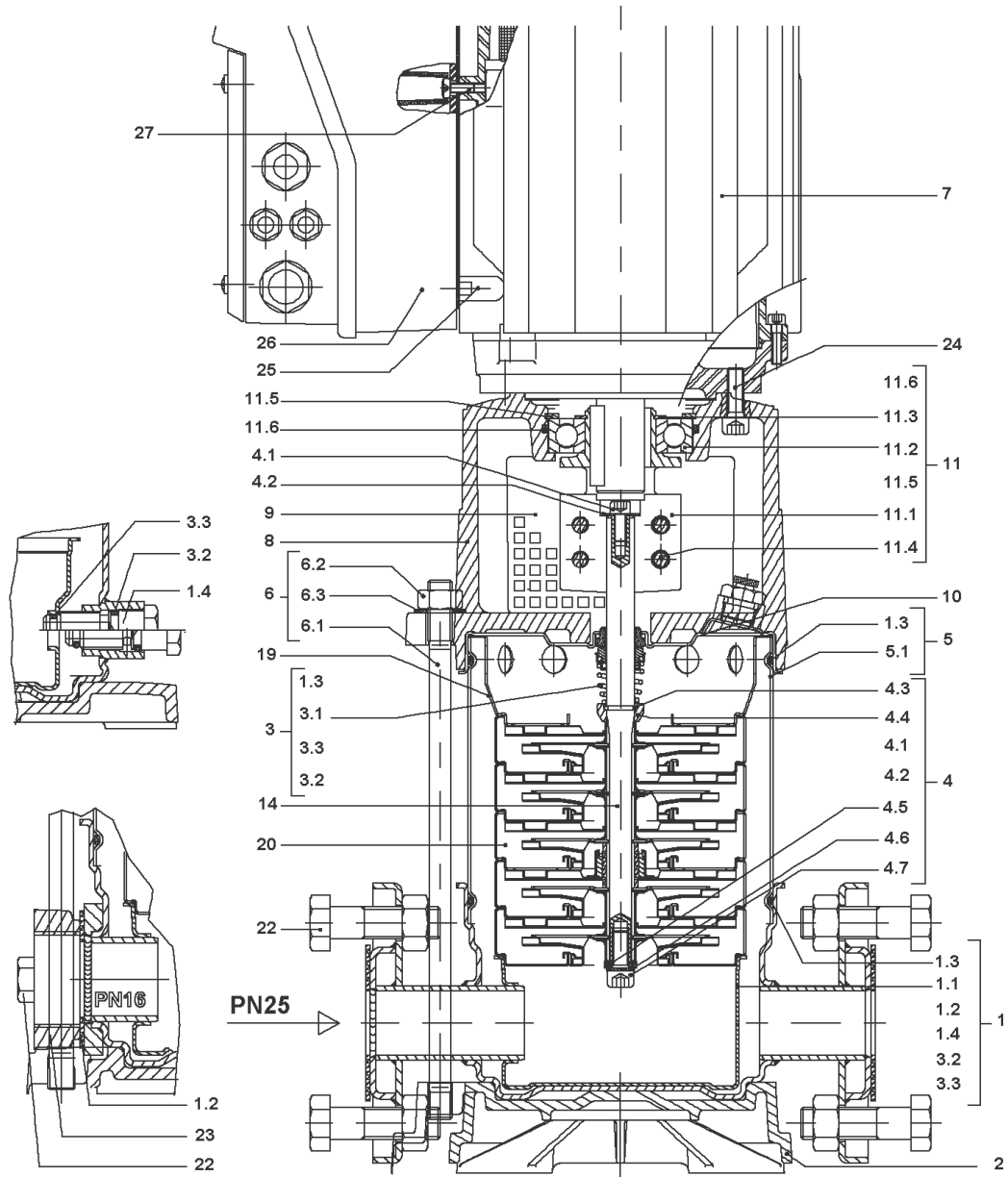
**MVIE403-2/25/V/1-2/M2 (4073063)**

Item	Article no.	Description	Quantity
		> COUPLING PROTECTOR FT85/130-1.4016	1
		> CLIP COUPLING-GUARD-RF	1
10	4217883	STAT.RING HOLDER MVI2/4/8 1.4435 VP.	1
11	4095207	3PH COUPLING KIT MVI D14XD19	1
11.1		> COUPLING-VMI-Ø14xØ19-FT100-USINE	1
11.2	2046966	> BALL BEARING 6206/2RS-C3 (HT) VP.	1
11.3	4234249	> CIRCLIP-FOR-SHAFT-D30x1.5 VP.	1
11.4	4212716	> SCREW M6X20 KIT (4PIECES)	1
11.5	4234250	> CIRCLIP-D62x2 VP.	1
11.6	4234245	> O-RING 63X3 VP.	1
		> CONTACT-WASHER-6ETR-6,1x12,2x1,8-STEEL	1
		> SCREW CHC-M6X14-8.8-ISO4762-GEOMET500A	1
		> WASHER D.24 L6U ZINK	1
12	4233131	PLUG-VMI-316L VP.	1
14	4233159	SHAFT D.14X174 1.4404 VP.	1
19	4233921	UPPER STAGE RFK.MVI2/4M3 1.4435 VP.	1
20		SPARE PARTS HYDRAULICS MVI/MVIE 1.4404	1
22	61477	SCREW M16 L60x38-ZINGUE	1
24	4212716	SCREW M6X20 KIT (4PIECES)	1
26	4099011	Module MVIE-1,1KW-M2 KIT	1



**SPARE PARTS HYDRAULICS MVI/MVIE 1.4404**

Item	Article no.	Description	Quantity
20.1	4026334	ASSEMBLY LR./STF.GH.MHI406,MVI402/403 1.	1
		> IMPELLER-VMI/HMI-SERIE.4-316L	1
		> STAGE CASING WITHOUT-R/G-2/4M3-316L	1
		> SPACER IMPELLER MVI2/4 1.4435	1
		> SPACER SHAFT SLEEVE MVI2/4 1.4435	1
20.2	4026336	ASSEMBLY LR./LAG.BU.RFK.MHI406,MVI403-19	1
		> IMPELLER-VMI/HMI-SERIE.4-316L	1
		> SPACER IMPELLER MVI2/4 1.4435	1
		> SPACER SHAFT SLEEVE MVI2/4 1.4435	1
		> STAGE CASING-AV-C/R-BEARING-2/4M3-L	1
		> SLEEVE-D14L13,8-VMI	1
20.3	4026337	ASSEMBLY LR.STF.GH.RFK.MHI4,MVI403-419 1	1
		> IMPELLER-VMI/HMI-SERIE.4-316L	1
		> SPACER IMPELLER MVI2/4 1.4435	1
		> STAGE CASING-AV-C/R-2/4M3-316L	1



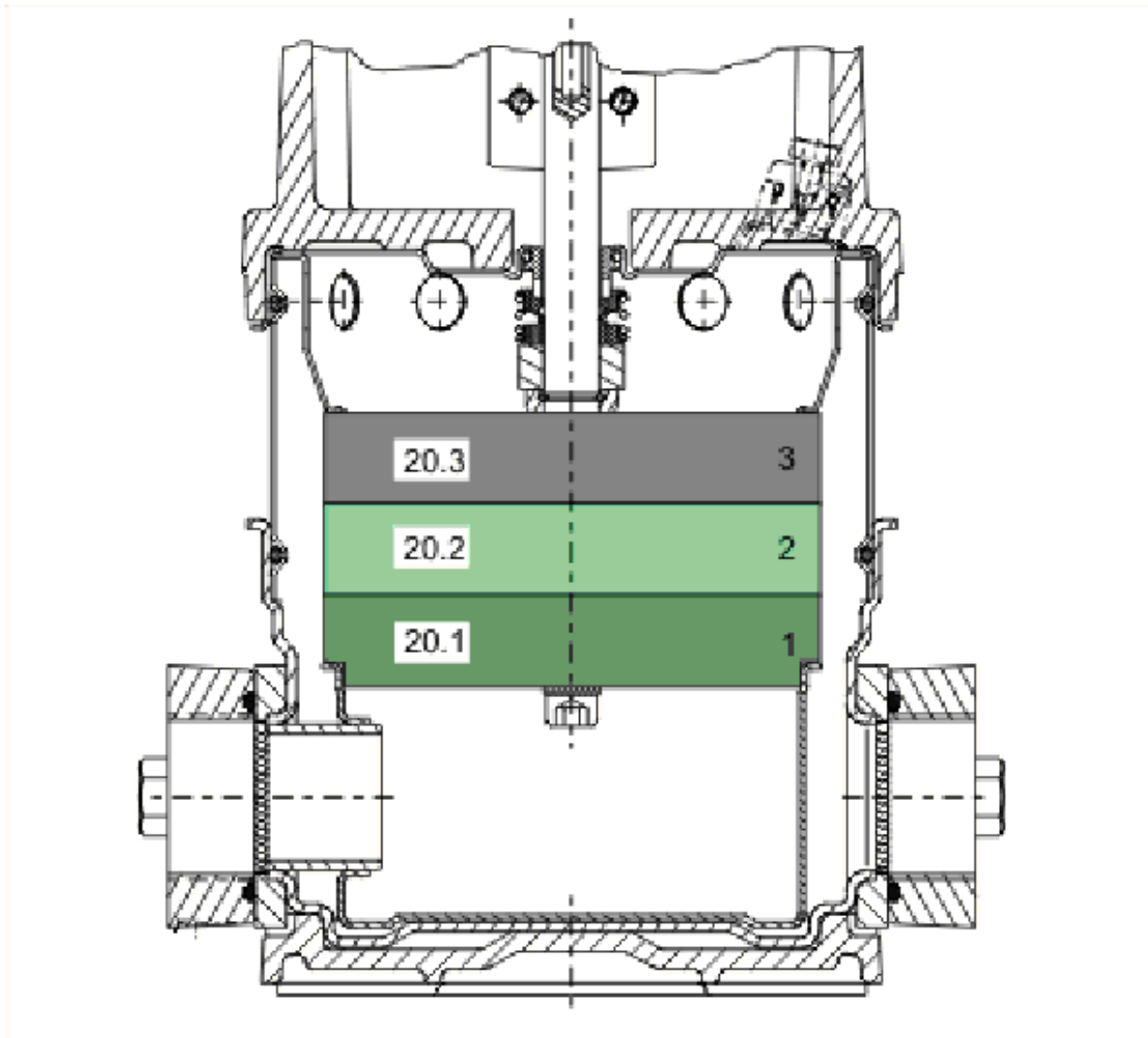
**MVIE403-2/25/V/3-2-2G (4077544)**

Item	Article no.	Description	Quantity
1	2018594	PUMP HOUSING MVI4 DN25 PN25/V 1.4404 KIT	1
1.1		> PUMP HOUSING MVI D32 PN25 ANSI300-4M3-31	1
1.2	4010031	> FLAT GASKET D.30/79	1
1.3	4234237	> O-RING 139X3 VITON VP.	1
1.4	4234240	> PRIMING/DRAIN PLUG MVI6" 316L VP.	1
3.2	4234239	> O-RING 13X2 VITON VP.	1
3.3	4234238	> O-RING 9X2 VITON VP.	1
1.3	4234237	O-RING 139X3 VITON VP.	1
2	4187925	BASEPLATE-VMI-1/2/4M3-VP.	1
3	4037295	MECHANICAL SEAL 16B MVI VITON	1
1.3	4234237	> O-RING 139X3 VITON VP.	1
3.1		> MECHANICAL SEAL MG12/14-G606-Q1BVGG-BURG	1
3.2	4234239	> O-RING 13X2 VITON VP.	1
3.3	4234238	> O-RING 9X2 VITON VP.	1
4	4015442	SHAFT-FIXING MVI4/8 KIT	1
4.1		> SCREW CHC-M6X14-8.8-ISO4762-GEOMET500A	1
4.2		> WASHER D.24 L6U ZINK	1
4.3	2090148	> CIRCLIP D14 MVI/MHI 316L (2 PIECES) VP.	1
		>> STOP-RUSH-1/2-D14-VMI/HMI-316	2
4.4		> STOP COLLAR OF IMPELLER L=8.7-Ø14-316L	1
4.5		> FLAT WASHER-D8xD16x2.5-316L	1
4.6		> STAINLESS-STEEL-WASHER-DE8	1
4.7		> SCREW M8X16 ISO4762 A4	1
5	2018428	HOUSING PIPE D.152X95 1.4404 KIT	1
5.1		> HOUSING-PIPE-D152-VMI203/403-316L	1
1.3	4234237	> O-RING 139X3 VITON VP.	1
6	2018358	STUD BOLT M12X221 KIT	1
6.1		> TIE BOLT M12-221x18x30-1.4057	1
6.2	2094647	> NUT M12 M12 ISO4032 VP.	1
6.3	2123557	> WASHER CS-12.4-24-1.6-NFE25 (4 PIECES)	1
7		M1,1-2T638P55V18-80F10-SU-N19-ADAPT	1
Note: no longer available/nicht mehr lieferbar/n'est plus disponible			
8	4191470	LANTERN-MOTOR-VMI-FT100-MACHINED VP.	1
9	4092424	COUPLING GUARD FT85/130 MVI KIT	1

**MVIE403-2/25/V/3-2-2G (4077544)**

Item	Article no.	Description	Quantity
		> COUPLING PROTECTOR FT85/130-1.4016	1
		> CLIP COUPLING-GUARD-RF	1
10	4217883	STAT.RING HOLDER MVI2/4/8 1.4435 VP.	1
11	4095207	3PH COUPLING KIT MVI D14XD19	1
11.1		> COUPLING-VMI-Ø14xØ19-FT100-USINE	1
11.2	2046966	> BALL BEARING 6206/2RS-C3 (HT) VP.	1
11.3	4234249	> CIRCLIP-FOR-SHAFT-D30x1.5 VP.	1
11.4	4212716	> SCREW M6X20 KIT (4PIECES)	1
11.5	4234250	> CIRCLIP-D62x2 VP.	1
11.6	4234245	> O-RING 63X3 VP.	1
		> CONTACT-WASHER-6ETR-6,1x12,2x1,8-STEEL	1
		> SCREW CHC-M6X14-8.8-ISO4762-GEOMET500A	1
		> WASHER D.24 L6U ZINK	1
12	4233131	PLUG-VMI-316L VP.	1
14	4233159	SHAFT D.14X174 1.4404 VP.	1
19	4233921	UPPER STAGE RFK.MVI2/4M3 1.4435 VP.	1
20		SPARE PARTS HYDRAULICS MVI/MVIE 1.4404	1
22	61476	SCREW M16X55X38	1
24	74760312103	SCREW M8X25 ISO4762 8.8 ZN	1
26		MODULE MVIE/MHIE-1,1KW TL1/2	1

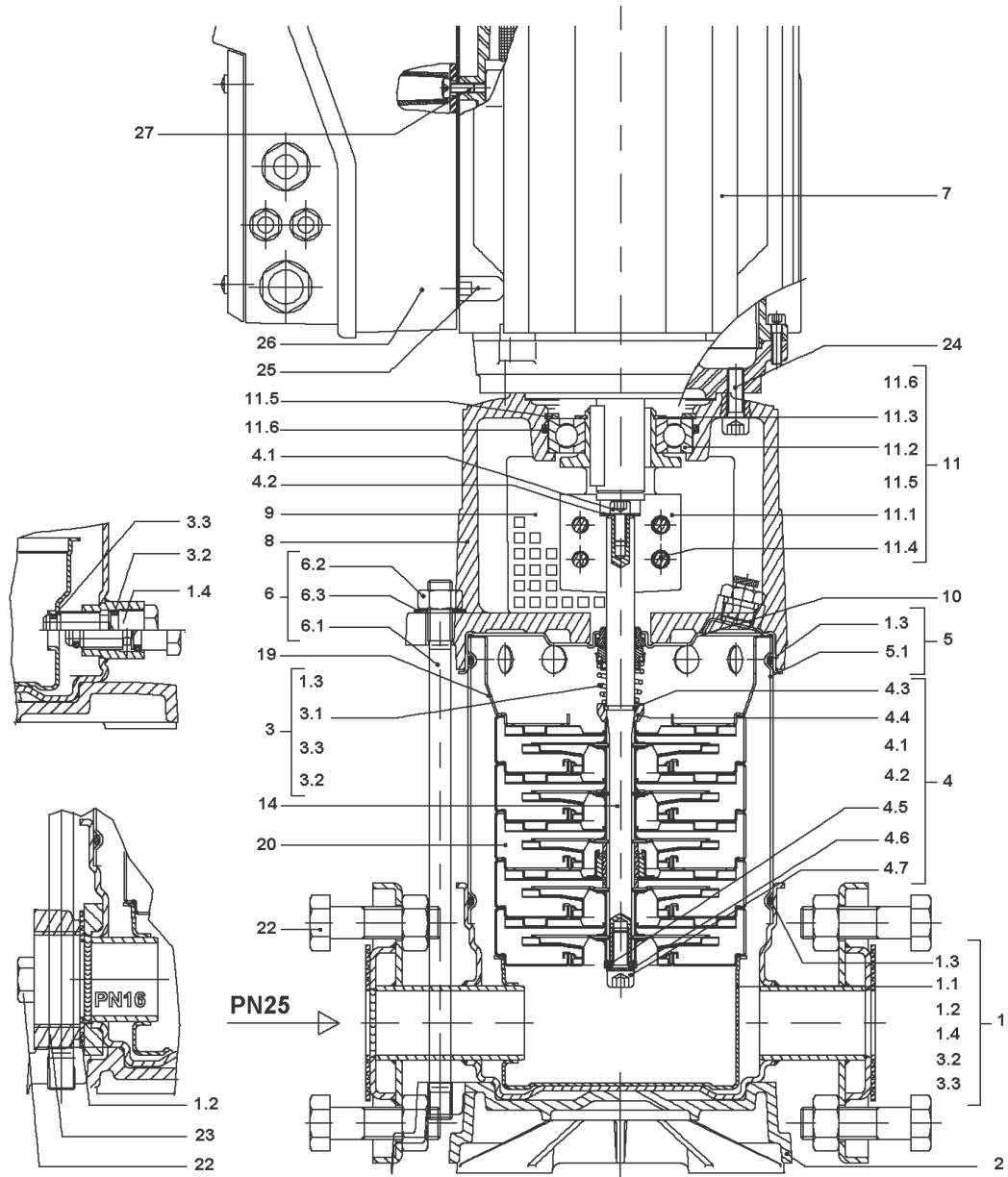
Note: no longer available/nicht mehrlieferbar/n'est plus disponible





**SPARE PARTS HYDRAULICS MVI/MVIE 1.4404**

Item	Article no.	Description	Quantity
20.1	4026334	ASSEMBLY LR./STF.GH.MHI406,MVI402/403 1.	1
		> IMPELLER-VMI/HMI-SERIE.4-316L	1
		> STAGE CASING WITHOUT-R/G-2/4M3-316L	1
		> SPACER IMPELLER MVI2/4 1.4435	1
		> SPACER SHAFT SLEEVE MVI2/4 1.4435	1
20.2	4026336	ASSEMBLY LR./LAG.BU.RFK.MHI406,MVI403-19	1
		> IMPELLER-VMI/HMI-SERIE.4-316L	1
		> SPACER IMPELLER MVI2/4 1.4435	1
		> SPACER SHAFT SLEEVE MVI2/4 1.4435	1
		> STAGE CASING-AV-C/R-BEARING-2/4M3-L	1
		> SLEEVE-D14L13,8-VMI	1
20.3	4026337	ASSEMBLY LR.STF.GH.RFK.MHI4,MVI403-419 1	1
		> IMPELLER-VMI/HMI-SERIE.4-316L	1
		> SPACER IMPELLER MVI2/4 1.4435	1
		> STAGE CASING-AV-C/R-2/4M3-316L	1

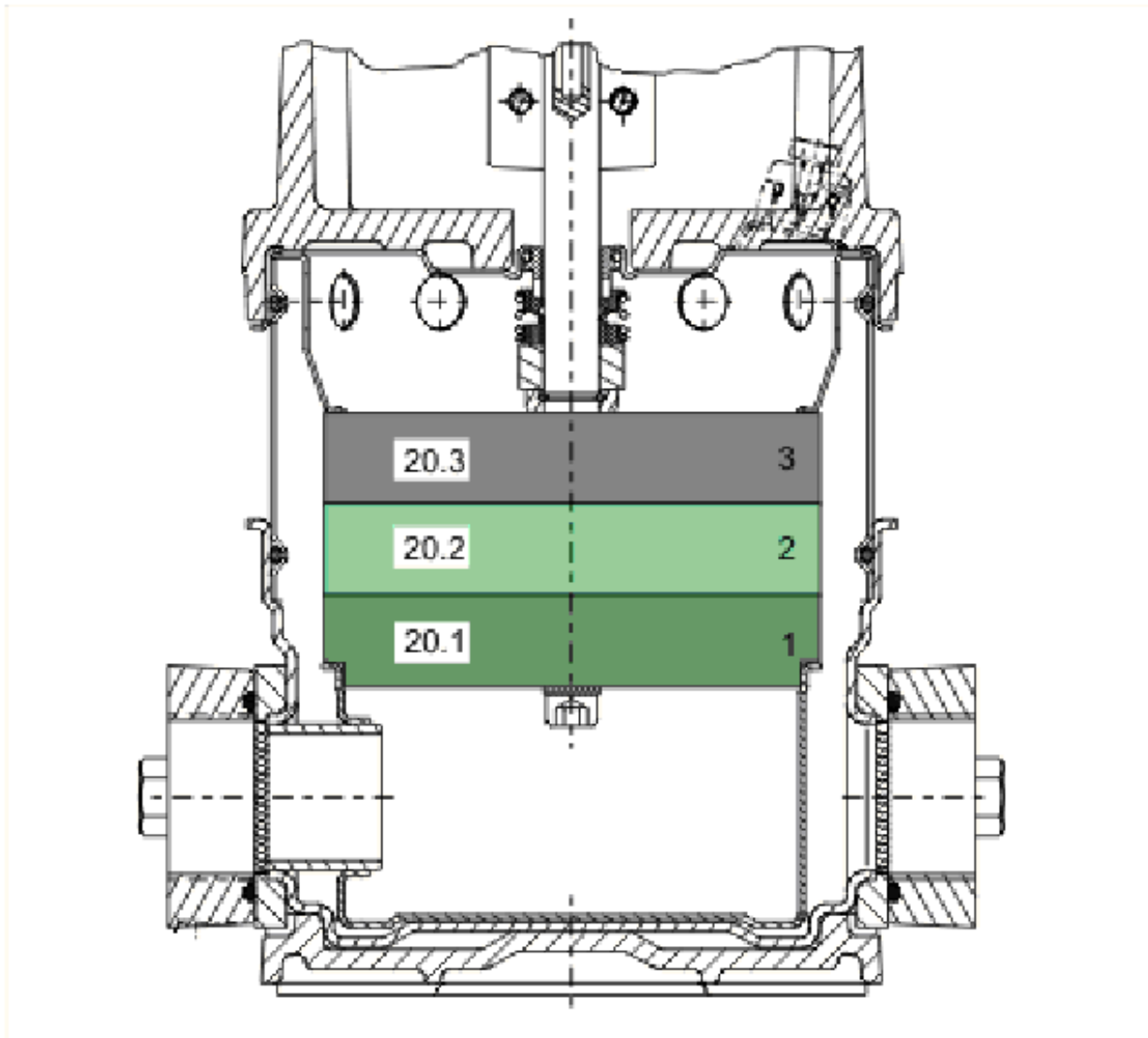


**MVIE403-2/P/V/1-2/M13 (4073066)**

Item	Article no.	Description	Quantity
1	2114343	PUMP HOUSING MVI DN32 P 1.4404 KIT	1
1.1		> CASING-MVI-D32-PN25-D152-316L-VICTAULI	1
1.3	4234237	> O-RING 139X3 VITON VP.	1
1.4	4234240	> PRIMING/DRAIN PLUG MVI6" 316L VP.	1
3.2	4234239	> O-RING 13X2 VITON VP.	1
3.3	4234238	> O-RING 9X2 VITON VP.	1
2	2127420	BASE PLATE 212X157 PN16 VP.	1
3	4037295	MECHANICAL SEAL 16B MVI VITON	1
1.3	4234237	> O-RING 139X3 VITON VP.	1
3.1		> MECHANICAL SEAL MG12/14-G606-Q1BVGG-BURG	1
3.2	4234239	> O-RING 13X2 VITON VP.	1
3.3	4234238	> O-RING 9X2 VITON VP.	1
4	4015442	SHAFT-FIXING MVI4/8 KIT	1
4.1		> SCREW CHC-M6X14-8.8-ISO4762-GEOMET500A	1
4.2		> WASHER D.24 L6U ZINK	1
4.3	2090148	> CIRCLIP D14 MVI/MHI 316L (2 PIECES) VP.	1
		>> STOP-RUSH-1/2-D14-VMI/HMI-316	2
4.4		> STOP COLLAR OF IMPELLER L=8.7-Ø14-316L	1
4.5		> FLAT WASHER-D8xD16x2.5-316L	1
4.6		> STAINLESS-STEEL-WASHER-DE8	1
4.7		> SCREW M8X16 ISO4762 A4	1
5	2018428	HOUSING PIPE D.152X95 1.4404 KIT	1
5.1		> HOUSING-PIPE-D152-VMI203/403-316L	1
1.3	4234237	> O-RING 139X3 VITON VP.	1
6	2018358	STUD BOLT M12X221 KIT	1
6.1		> TIE BOLT M12-221x18x30-1.4057	1
6.2	2094647	> NUT M12 M12 ISO4032 VP.	1
6.3	2123557	> WASHER CS-12.4-24-1.6-NFE25 (4 PIECES)	1
7		M1,1-2T24P55V18-80F10-NU-N19-LS	1
Note: no longer available/nicht mehrlieferbar/n'est plus disponible			
7	4209317	MOT.1.1/2/80F10 3~ 240V 50HZ IE2 LS VP.	1
8	4191470	LANTERN-MOTOR-VMI-FT100-MACHINED VP.	1
9	4092424	COUPLING GUARD FT85/130 MVI KIT	1
		> COUPLING PROTECTOR FT85/130-1.4016	1

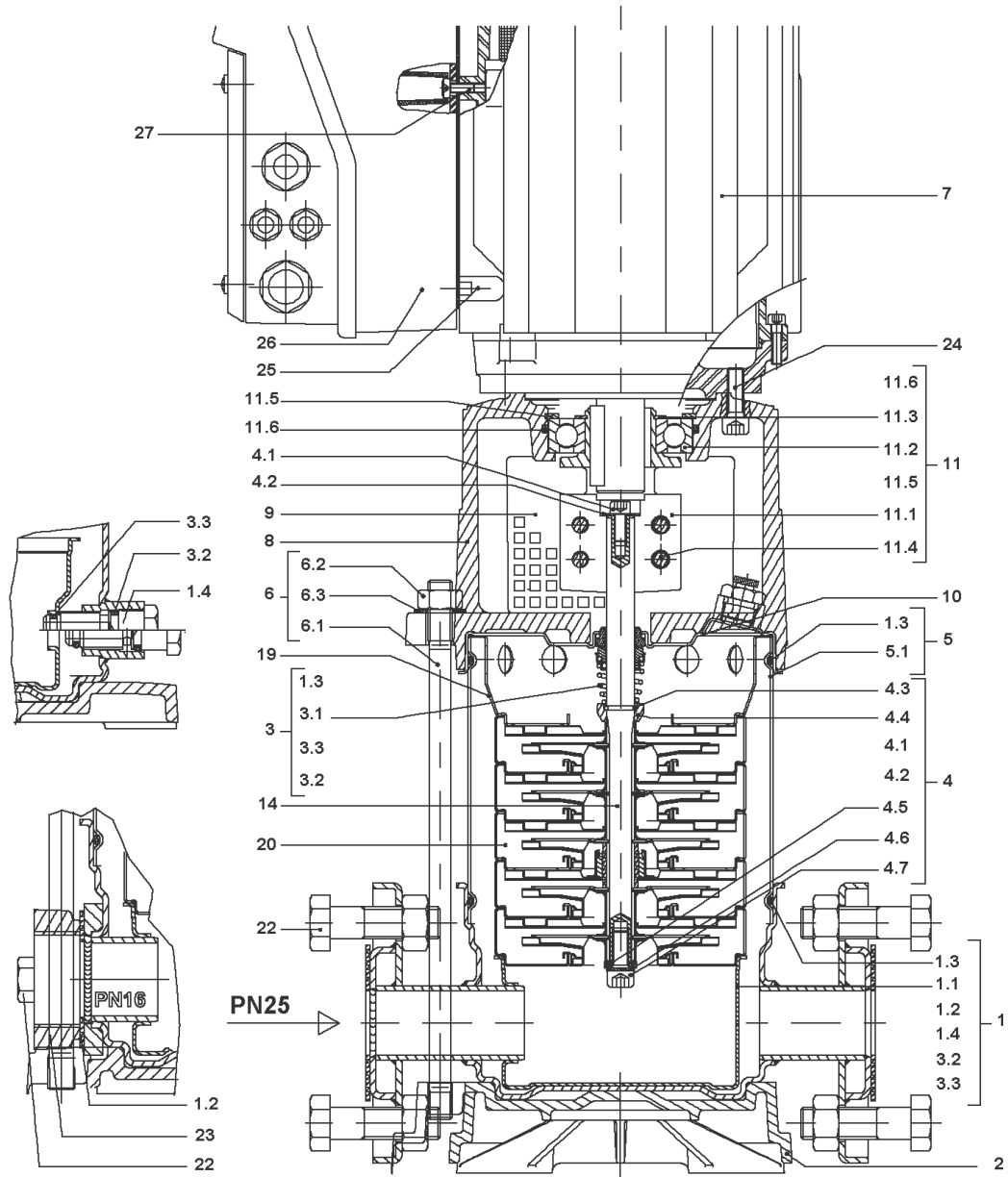
**MVIE403-2/P/V/1-2/M13 (4073066)**

Item	Article no.	Description	Quantity
		> CLIP COUPLING-GUARD-RF	1
10	4217883	STAT.RING HOLDER MVI2/4/8 1.4435 VP.	1
11	4095207	3PH COUPLING KIT MVI D14XD19	1
11.1		> COUPLING-VMI-Ø14xØ19-FT100-USINE	1
11.2	2046966	> BALL BEARING 6206/2RS-C3 (HT) VP.	1
11.3	4234249	> CIRCLIP-FOR-SHAFT-D30x1.5 VP.	1
11.4	4212716	> SCREW M6X20 KIT (4PIECES)	1
11.5	4234250	> CIRCLIP-D62x2 VP.	1
11.6	4234245	> O-RING 63X3 VP.	1
		> CONTACT-WASHER-6ETR-6,1x12,2x1,8-STEEL	1
		> SCREW CHC-M6X14-8.8-ISO4762-GEOMET500A	1
		> WASHER D.24 L6U ZINK	1
12	4233131	PLUG-VMI-316L VP.	1
14	4233159	SHAFT D.14X174 1.4404 VP.	1
19	4233921	UPPER STAGE RFK.MVI2/4M3 1.4435 VP.	1
20		SPARE PARTS HYDRAULICS MVI/MVIE 1.4404	1
24	4212716	SCREW M6X20 KIT (4PIECES)	1
26	4104419	Module MVIE-1,1KW-M13 KIT	1



**SPARE PARTS HYDRAULICS MVI/MVIE 1.4404**

Item	Article no.	Description	Quantity
20.1	4026334	ASSEMBLY LR./STF.GH.MHI406,MVI402/403 1.	1
		> IMPELLER-VMI/HMI-SERIE.4-316L	1
		> STAGE CASING WITHOUT-R/G-2/4M3-316L	1
		> SPACER IMPELLER MVI2/4 1.4435	1
		> SPACER SHAFT SLEEVE MVI2/4 1.4435	1
20.2	4026336	ASSEMBLY LR./LAG.BU.RFK.MHI406,MVI403-19	1
		> IMPELLER-VMI/HMI-SERIE.4-316L	1
		> SPACER IMPELLER MVI2/4 1.4435	1
		> SPACER SHAFT SLEEVE MVI2/4 1.4435	1
		> STAGE CASING-AV-C/R-BEARING-2/4M3-L	1
		> SLEEVE-D14L13,8-VMI	1
20.3	4026337	ASSEMBLY LR.STF.GH.RFK.MHI4,MVI403-419 1	1
		> IMPELLER-VMI/HMI-SERIE.4-316L	1
		> SPACER IMPELLER MVI2/4 1.4435	1
		> STAGE CASING-AV-C/R-2/4M3-316L	1



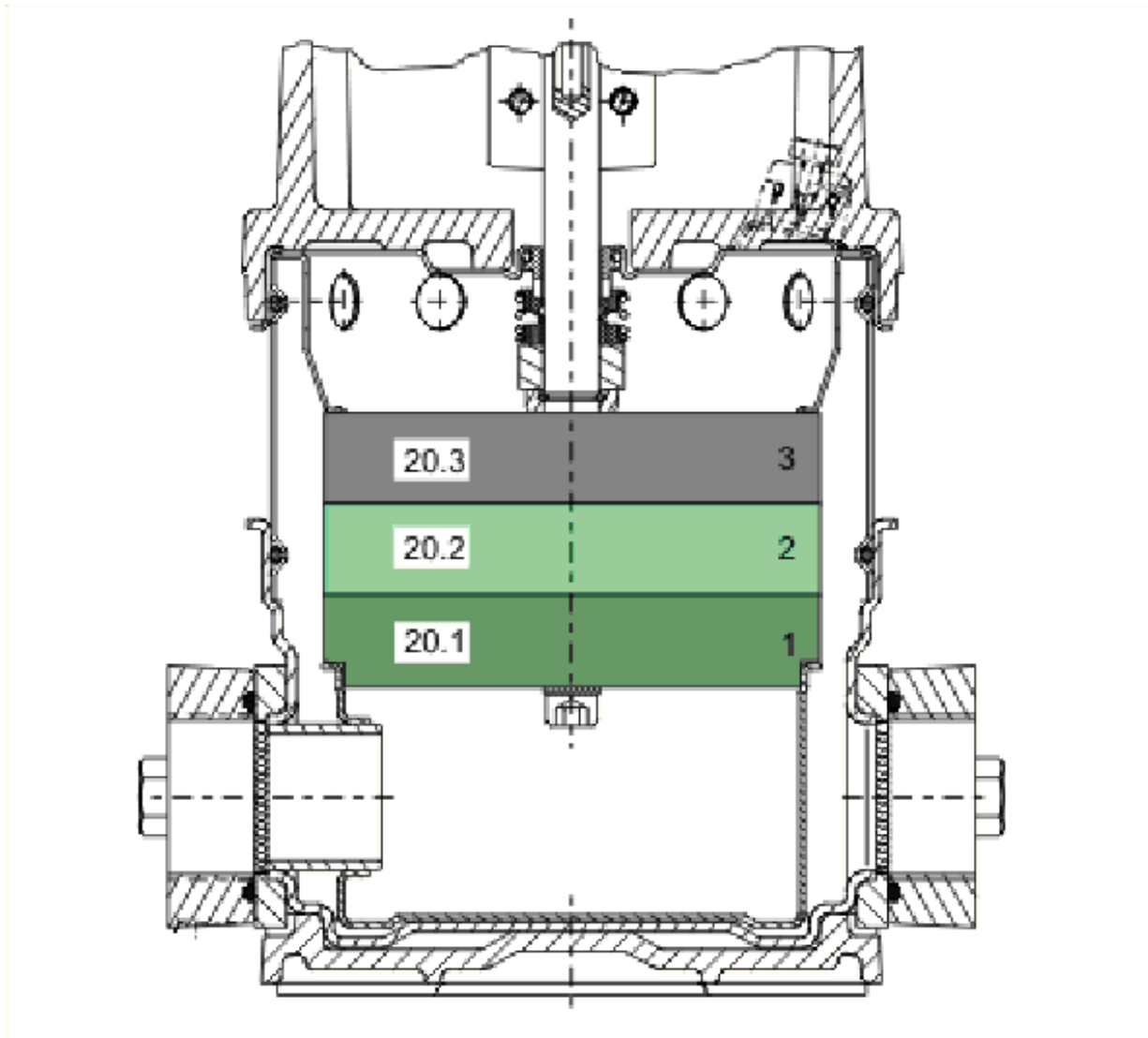
**MVIE403-2/P/V/1-2/M2 (4073067)**

Item	Article no.	Description	Quantity
1	2114343	PUMP HOUSING MVI DN32 P 1.4404 KIT	1
1.1		> CASING-MVI-D32-PN25-D152-316L-VICTAULI	1
1.3	4234237	> O-RING 139X3 VITON VP.	1
1.4	4234240	> PRIMING/DRAIN PLUG MVI6" 316L VP.	1
3.2	4234239	> O-RING 13X2 VITON VP.	1
3.3	4234238	> O-RING 9X2 VITON VP.	1
2	2127420	BASE PLATE 212X157 PN16 VP.	1
3	4037295	MECHANICAL SEAL 16B MVI VITON	1
1.3	4234237	> O-RING 139X3 VITON VP.	1
3.1		> MECHANICAL SEAL MG12/14-G606-Q1BVGG-BURG	1
3.2	4234239	> O-RING 13X2 VITON VP.	1
3.3	4234238	> O-RING 9X2 VITON VP.	1
4	4015442	SHAFT-FIXING MVI4/8 KIT	1
4.1		> SCREW CHC-M6X14-8.8-ISO4762-GEOMET500A	1
4.2		> WASHER D.24 L6U ZINK	1
4.3	2090148	> CIRCLIP D14 MVI/MHI 316L (2 PIECES) VP.	1
		>> STOP-RUSH-1/2-D14-VMI/HMI-316	2
4.4		> STOP COLLAR OF IMPELLER L=8.7-Ø14-316L	1
4.5		> FLAT WASHER-D8xD16x2.5-316L	1
4.6		> STAINLESS-STEEL-WASHER-DE8	1
4.7		> SCREW M8X16 ISO4762 A4	1
5	2018428	HOUSING PIPE D.152X95 1.4404 KIT	1
5.1		> HOUSING-PIPE-D152-VMI203/403-316L	1
1.3	4234237	> O-RING 139X3 VITON VP.	1
6	2018358	STUD BOLT M12X221 KIT	1
6.1		> TIE BOLT M12-221x18x30-1.4057	1
6.2	2094647	> NUT M12 M12 ISO4032 VP.	1
6.3	2123557	> WASHER CS-12.4-24-1.6-NFE25 (4 PIECES)	1
7		M1,1-2T24P55V18-80F10-NU-N19-LS	1
Note: no longer available/nicht mehr lieferbar/n'est plus disponible			
7	4209317	MOT.1.1/2/80F10 3~ 240V 50HZ IE2 LS VP.	1
8	4191470	LANTERN-MOTOR-VMI-FT100-MACHINED VP.	1
9	4092424	COUPLING GUARD FT85/130 MVI KIT	1
		> COUPLING PROTECTOR FT85/130-1.4016	1



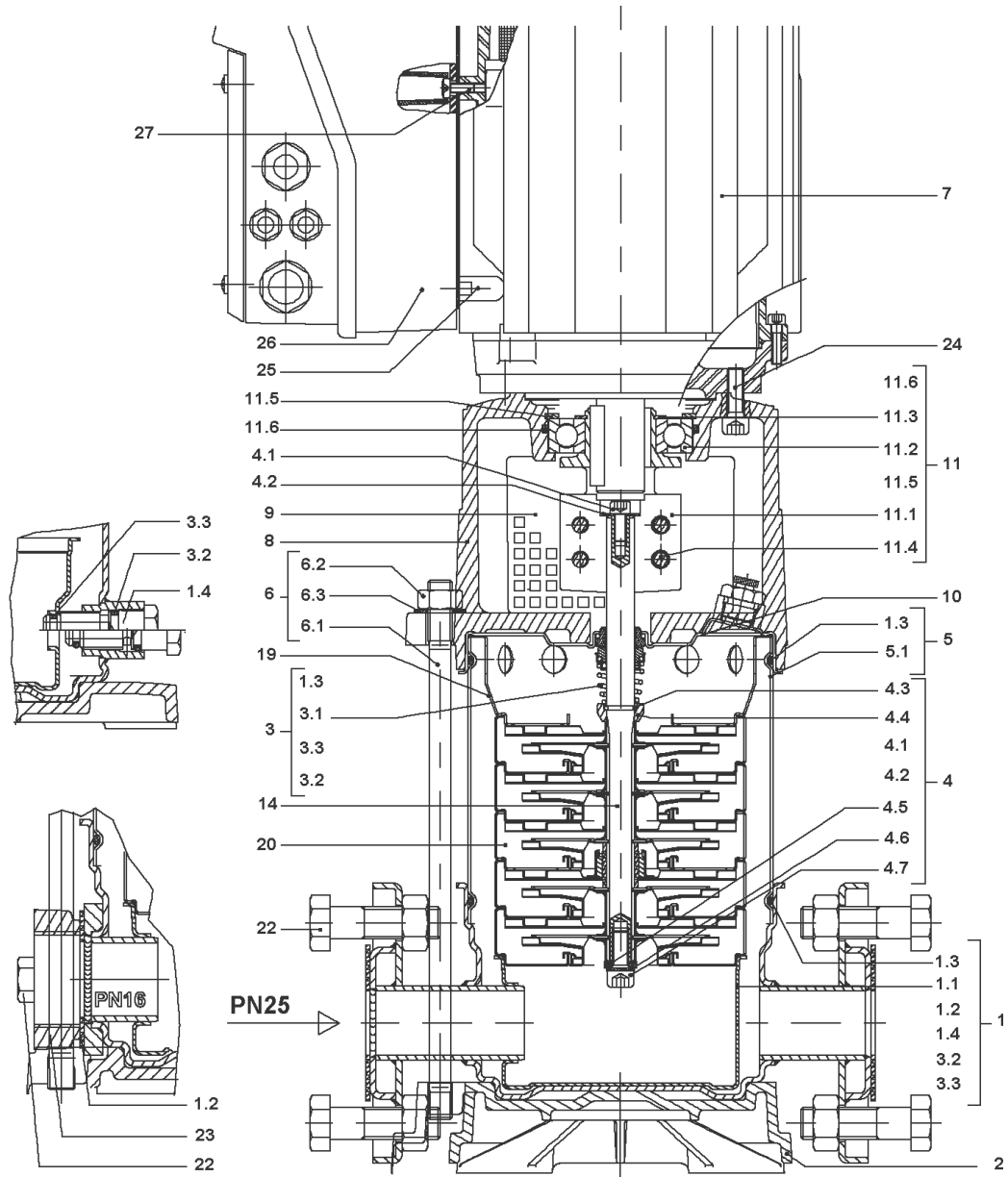
**MVIE403-2/P/V/1-2/M2 (4073067)**

Item	Article no.	Description	Quantity
		> CLIP COUPLING-GUARD-RF	1
10	4217883	STAT.RING HOLDER MVI2/4/8 1.4435 VP.	1
11	4095207	3PH COUPLING KIT MVI D14XD19	1
11.1		> COUPLING-VMI-Ø14xØ19-FT100-USINE	1
11.2	2046966	> BALL BEARING 6206/2RS-C3 (HT) VP.	1
11.3	4234249	> CIRCLIP-FOR-SHAFT-D30x1.5 VP.	1
11.4	4212716	> SCREW M6X20 KIT (4PIECES)	1
11.5	4234250	> CIRCLIP-D62x2 VP.	1
11.6	4234245	> O-RING 63X3 VP.	1
		> CONTACT-WASHER-6ETR-6,1x12,2x1,8-STEEL	1
		> SCREW CHC-M6X14-8.8-ISO4762-GEOMET500A	1
		> WASHER D.24 L6U ZINK	1
12	4233131	PLUG-VMI-316L VP.	1
14	4233159	SHAFT D.14X174 1.4404 VP.	1
19	4233921	UPPER STAGE RFK.MVI2/4M3 1.4435 VP.	1
20		SPARE PARTS HYDRAULICS MVI/MVIE 1.4404	1
24	4212716	SCREW M6X20 KIT (4PIECES)	1
26	4099011	Module MVIE-1,1KW-M2 KIT	1



**SPARE PARTS HYDRAULICS MVI/MVIE 1.4404**

Item	Article no.	Description	Quantity
20.1	4026334	ASSEMBLY LR./STF.GH.MHI406,MVI402/403 1.	1
		> IMPELLER-VMI/HMI-SERIE.4-316L	1
		> STAGE CASING WITHOUT-R/G-2/4M3-316L	1
		> SPACER IMPELLER MVI2/4 1.4435	1
		> SPACER SHAFT SLEEVE MVI2/4 1.4435	1
20.2	4026336	ASSEMBLY LR./LAG.BU.RFK.MHI406,MVI403-19	1
		> IMPELLER-VMI/HMI-SERIE.4-316L	1
		> SPACER IMPELLER MVI2/4 1.4435	1
		> SPACER SHAFT SLEEVE MVI2/4 1.4435	1
		> STAGE CASING-AV-C/R-BEARING-2/4M3-L	1
		> SLEEVE-D14L13,8-VMI	1
20.3	4026337	ASSEMBLY LR.STF.GH.RFK.MHI4,MVI403-419 1	1
		> IMPELLER-VMI/HMI-SERIE.4-316L	1
		> SPACER IMPELLER MVI2/4 1.4435	1
		> STAGE CASING-AV-C/R-2/4M3-316L	1



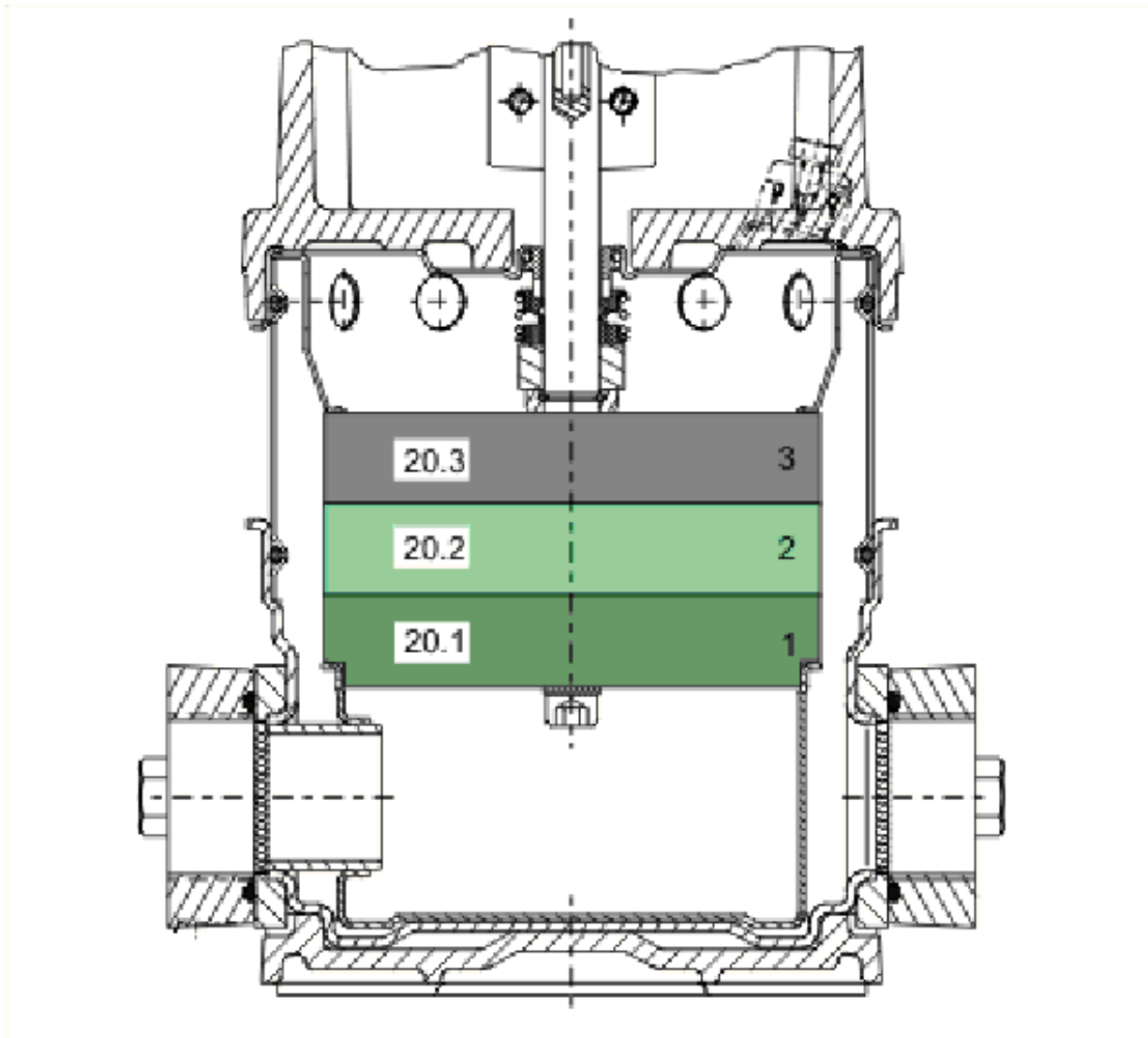
**MVIE403-2/P/V/3-2-2G (4077553)**

Item	Article no.	Description	Quantity
1	2114343	PUMP HOUSING MVI DN32 P 1.4404 KIT	1
1.1		> CASING-MVI-D32-PN25-D152-316L-VICTAULI	1
1.3	4234237	> O-RING 139X3 VITON VP.	1
1.4	4234240	> PRIMING/DRAIN PLUG MVI6" 316L VP.	1
3.2	4234239	> O-RING 13X2 VITON VP.	1
3.3	4234238	> O-RING 9X2 VITON VP.	1
2	4187925	BASEPLATE-VMI-1/2/4M3-VP.	1
3	4037295	MECHANICAL SEAL 16B MVI VITON	1
1.3	4234237	> O-RING 139X3 VITON VP.	1
3.1		> MECHANICAL SEAL MG12/14-G606-Q1BVGG-BURG	1
3.2	4234239	> O-RING 13X2 VITON VP.	1
3.3	4234238	> O-RING 9X2 VITON VP.	1
4	4015442	SHAFT-FIXING MVI4/8 KIT	1
4.1		> SCREW CHC-M6X14-8.8-ISO4762-GEOMET500A	1
4.2		> WASHER D.24 L6U ZINK	1
4.3	2090148	> CIRCLIP D14 MVI/MHI 316L (2 PIECES) VP.	1
		>> STOP-RUSH-1/2-D14-VMI/HMI-316	2
4.4		> STOP COLLAR OF IMPELLER L=8.7-Ø14-316L	1
4.5		> FLAT WASHER-D8xD16x2.5-316L	1
4.6		> STAINLESS-STEEL-WASHER-DE8	1
4.7		> SCREW M8X16 ISO4762 A4	1
5	2018428	HOUSING PIPE D.152X95 1.4404 KIT	1
5.1		> HOUSING-PIPE-D152-VMI203/403-316L	1
1.3	4234237	> O-RING 139X3 VITON VP.	1
6	2018358	STUD BOLT M12X221 KIT	1
6.1		> TIE BOLT M12-221x18x30-1.4057	1
6.2	2094647	> NUT M12 M12 ISO4032 VP.	1
6.3	2123557	> WASHER CS-12.4-24-1.6-NFE25 (4 PIECES)	1
7		M1,1-2T638P55V18-80F10-SU-N19-ADAPT	1
Note: no longer available/nicht mehr lieferbar/n'est plus disponible			
8	4191470	LANTERN-MOTOR-VMI-FT100-MACHINED VP.	1
9	4092424	COUPLING GUARD FT85/130 MVI KIT	1
		> COUPLING PROTECTOR FT85/130-1.4016	1
		> CLIP COUPLING-GUARD-RF	1

**MVIE403-2/P/V/3-2-2G (4077553)**

Item	Article no.	Description	Quantity
10	4217883	STAT.RING HOLDER MVI2/4/8 1.4435 VP.	1
11	4095207	3PH COUPLING KIT MVI D14XD19	1
11.1		> COUPLING-VMI-Ø14xØ19-FT100-USINE	1
11.2	2046966	> BALL BEARING 6206/2RS-C3 (HT) VP.	1
11.3	4234249	> CIRCLIP-FOR-SHAFT-D30x1.5 VP.	1
11.4	4212716	> SCREW M6X20 KIT (4PIECES)	1
11.5	4234250	> CIRCLIP-D62x2 VP.	1
11.6	4234245	> O-RING 63X3 VP.	1
		> CONTACT-WASHER-6ETR-6,1x12,2x1,8-STEEL	1
		> SCREW CHC-M6X14-8.8-ISO4762-GEOMET500A	1
		> WASHER D.24 L6U ZINK	1
12	4233131	PLUG-VMI-316L VP.	1
14	4233159	SHAFT D.14X174 1.4404 VP.	1
19	4233921	UPPER STAGE RFK.MVI2/4M3 1.4435 VP.	1
20		SPARE PARTS HYDRAULICS MVI/MVIE 1.4404	1
22	61476	SCREW M16X55X38	1
24	74760312103	SCREW M8X25 ISO4762 8.8 ZN	1
26		MODULE MVIE/MHIE-1,1KW TL1/2	1

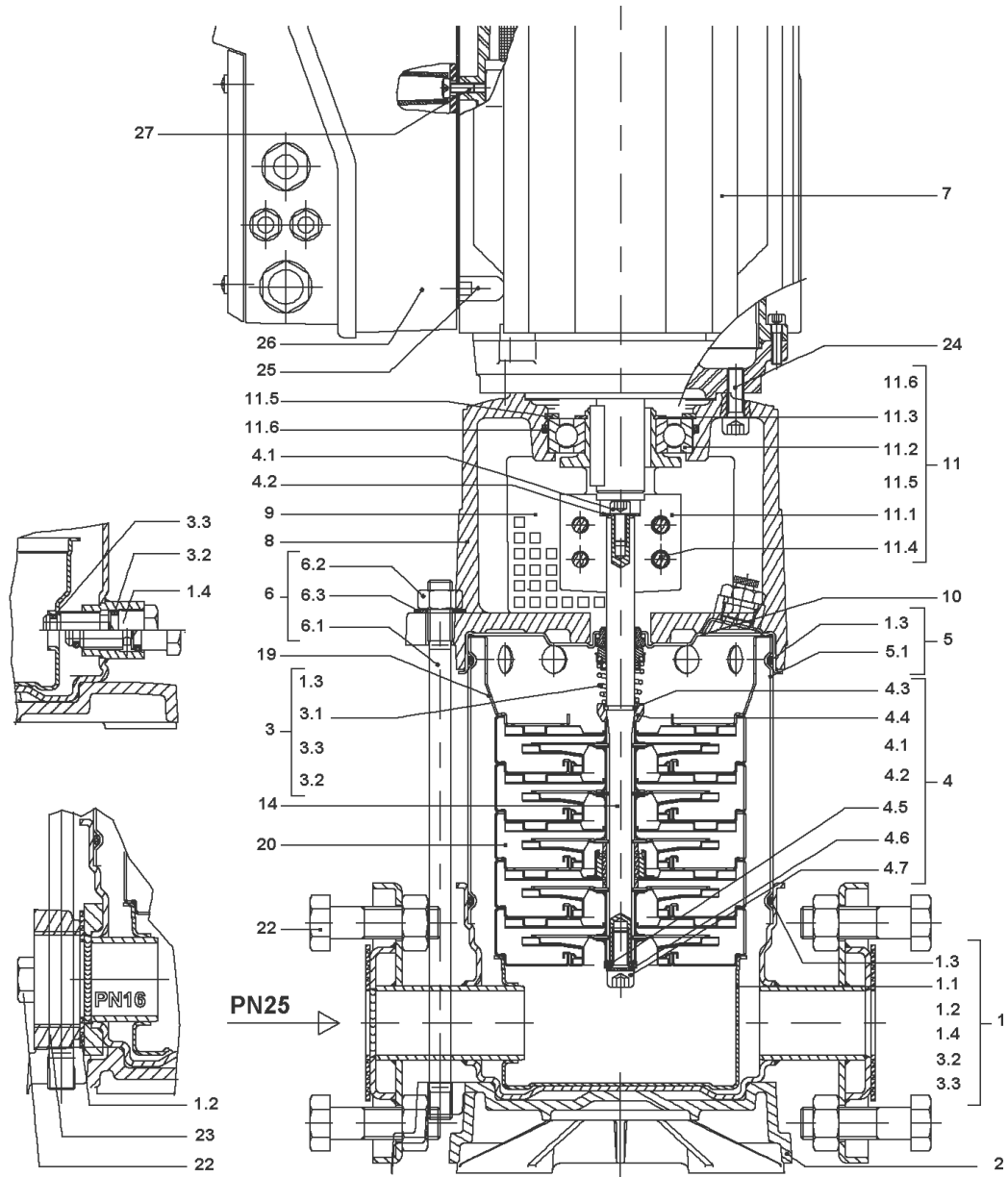
Note: no longer available/nicht mehr lieferbar/n'est plus disponible



**SPARE PARTS HYDRAULICS MVI/MVIE 1.4404**

Item	Article no.	Description	Quantity
20.1	4026334	ASSEMBLY LR./STF.GH.MHI406,MVI402/403 1.	1
		> IMPELLER-VMI/HMI-SERIE.4-316L	1
		> STAGE CASING WITHOUT-R/G-2/4M3-316L	1
		> SPACER IMPELLER MVI2/4 1.4435	1
		> SPACER SHAFT SLEEVE MVI2/4 1.4435	1
20.2	4026336	ASSEMBLY LR./LAG.BU.RFK.MHI406,MVI403-19	1
		> IMPELLER-VMI/HMI-SERIE.4-316L	1
		> SPACER IMPELLER MVI2/4 1.4435	1
		> SPACER SHAFT SLEEVE MVI2/4 1.4435	1
		> STAGE CASING-AV-C/R-BEARING-2/4M3-L	1
		> SLEEVE-D14L13,8-VMI	1
20.3	4026337	ASSEMBLY LR.STF.GH.RFK.MHI4,MVI403-419 1	1
		> IMPELLER-VMI/HMI-SERIE.4-316L	1
		> SPACER IMPELLER MVI2/4 1.4435	1
		> STAGE CASING-AV-C/R-2/4M3-316L	1



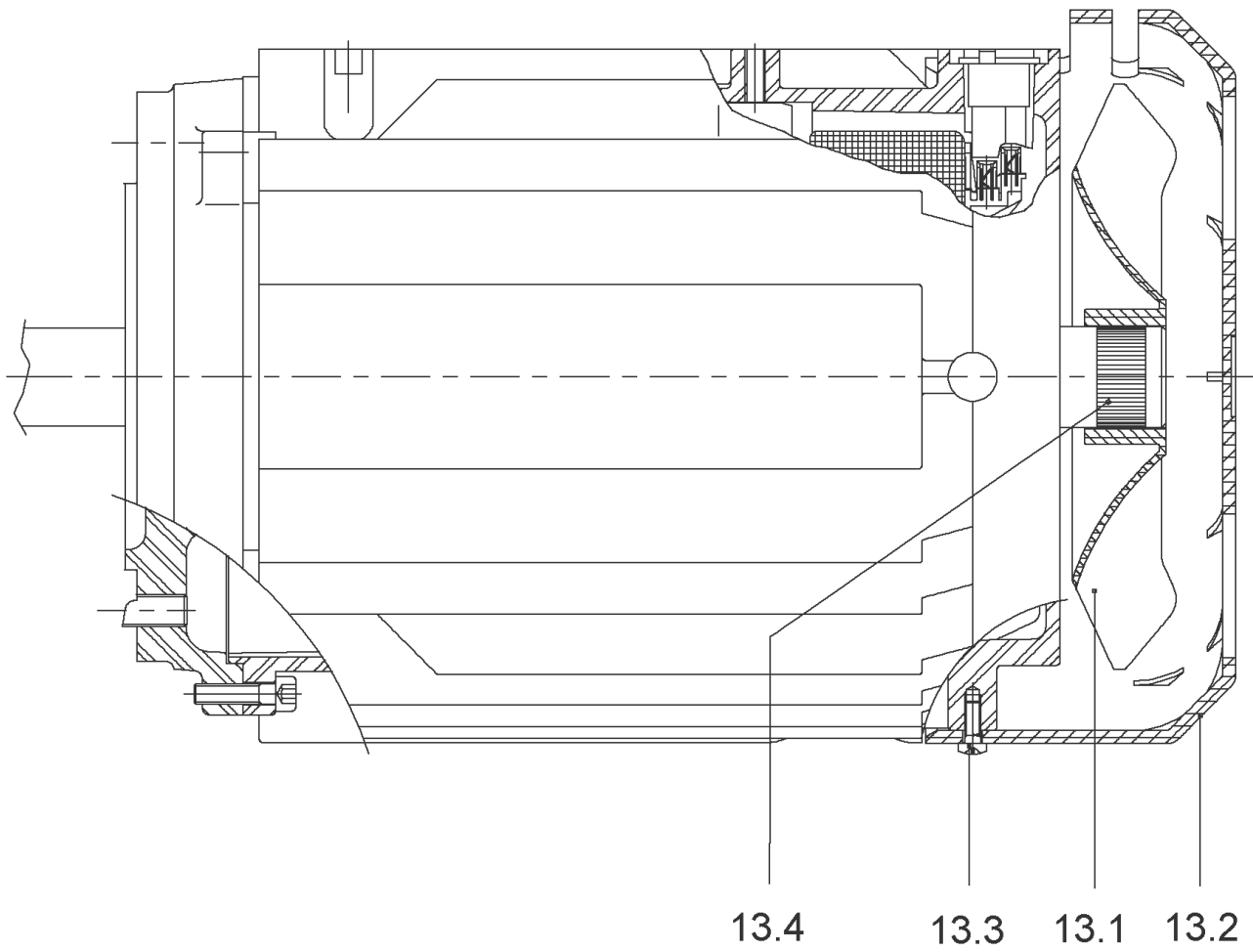


**MVIE405-1/16/E/3-2 (4040093)**

Item	Article no.	Description	Quantity
1	2023917	PUMP HOUSING MVI/MVIS DN32PN16 1.4301KIT	1
1.1		> CASING-MU-I-D32-PN16-D152-304	1
1.2	4191618	> O-RING ID.44,05x3,53 EPDM VP.	1
Note: FROM / AB / À PARTIR DE: 07/97			
1.3	4176513	> O-RING FOR PUMP JACKET VP.	1
1.4	4234235	> PRIMING/DRAIN PLUG MVI6" 304 VP.	1
3.2	4177800	> O-RING EPDM PLUG HELIX VP.	1
3.3	4234242	> O-RING 9X2 VP.	1
2	2127420	BASE PLATE 212X157 PN16 VP.	1
3	4027301	MECHANICAL SEAL MVI2/4/8/16-6" EP120°KIT	1
1.3	4176513	> O-RING FOR PUMP JACKET VP.	1
3.1		> MECHANICAL SEAL MG12/14-G606-Q1BE3GG-BU.	1
3.2	4177800	> O-RING EPDM PLUG HELIX VP.	1
3.3	4234242	> O-RING 9X2 VP.	1
4	4015442	SHAFT-FIXING MVI4/8 KIT	1
4.1		> SCREW CHC-M6X14-8.8-ISO4762-GEOMET500A	1
4.2		> WASHER D.24 L6U ZINK	1
4.3	2090148	> CIRCLIP D14 MVI/MHI 316L (2 PIECES) VP.	1
		>> STOP-RUSH-1/2-D14-VMI/HMI-316	2
4.4		> STOP COLLAR OF IMPELLER L=8.7-Ø14-316L	1
4.5		> FLAT WASHER-D8xD16x2.5-316L	1
4.6		> STAINLESS-STEEL-WASHER-DE8	1
4.7		> SCREW M8X16 ISO4762 A4	1
5	2018376	HOUSING PIPE D.152X143 1.4301 KIT	1
5.1		> HOUSING-PIPE-D152-VMI205/405-304	1
1.3	4176513	> O-RING FOR PUMP JACKET VP.	1
6	2018360	STUD BOLT M12 MVIS2/4 KIT	1
6.1		> TIE BOLT M12-269x18x30-1.4057	1
6.2	2094647	> NUT M12 M12 ISO4032 VP.	1
6.3	2123557	> WASHER CS-12.4-24-1.6-NFE25 (4 PIECES)	1
7	2025382	MOTOR TL3/2200/2DM 65HZ V18 MVIE SERIE99	1
		SPARE PARTS MOTOR TL3/2200/2 3-400 65HZ	1
8	4190751	LANTERN-MOTOR-VMI-FT115-MACHINED VP.	1
9	4092424	COUPLING GUARD FT85/130 MVI KIT	1

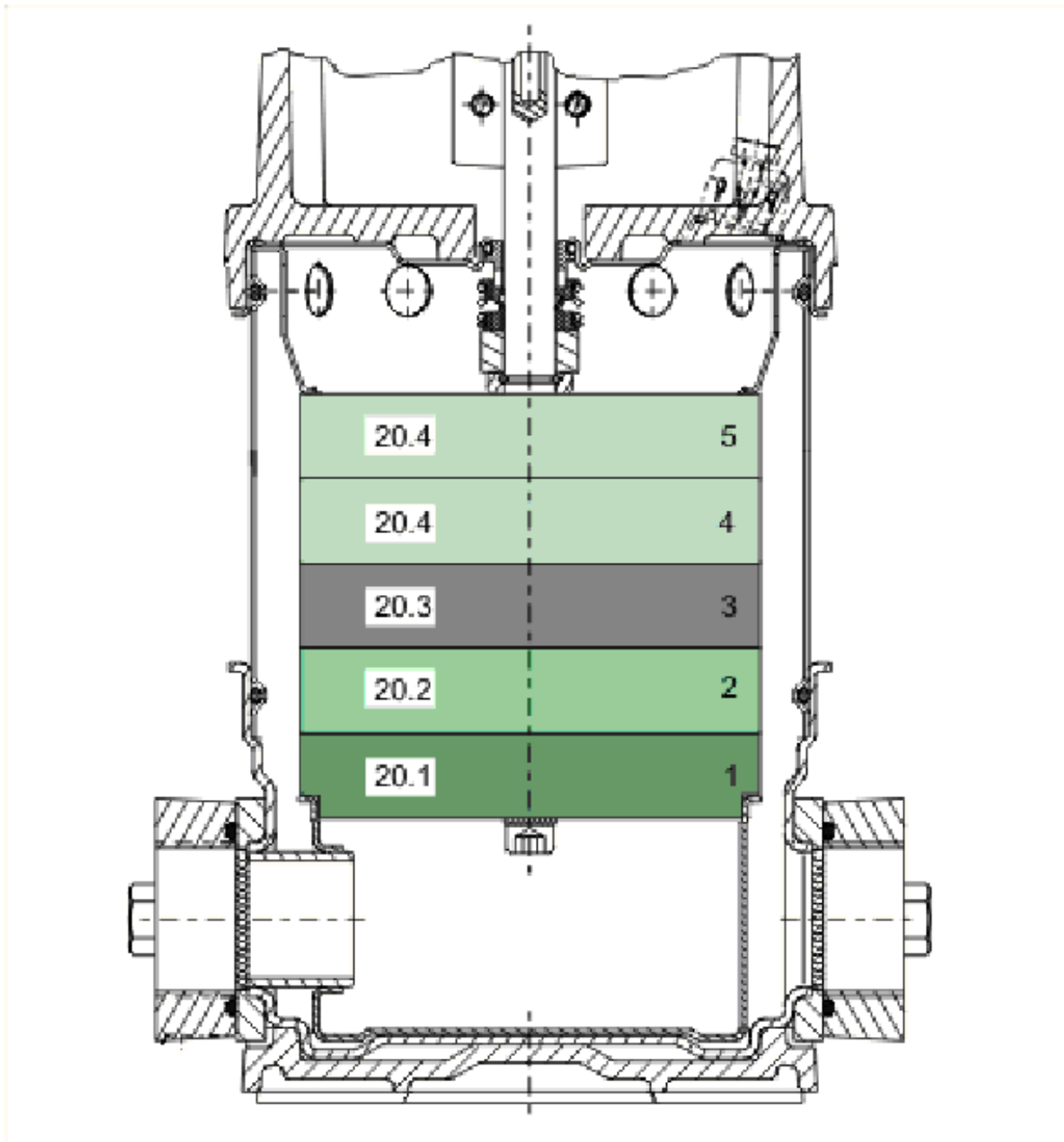
**MVIE405-1/16/E/3-2 (4040093)**

Item	Article no.	Description	Quantity
		> COUPLING PROTECTOR FT85/130-1.4016	1
		> CLIP COUPLING-GUARD-RF	1
10	4217881	STAT.RING HOLDER-GM-D14-304 VP.	1
11	4095214	3PH COUPLING KIT MVI D14XD24	1
11.1		> COUPLING-VMI-Ø14xØ24-FT115-MACHINED	1
11.2	2131023	> BALL BEARING 6207/ZZ-C3(HT)VP.	1
11.3	4234254	> CIRCLIP-FOR-SHAFT-D35x1.5 VP.	1
11.4	4157726	> SCREW KIT M8X30 (4 PIECES)	1
11.5	4234251	> CIRCLIP-D72x2.5 VP.	1
11.6	4234246	> O-RING 72X3 VP.	1
		> NOMEI CONTACT WASHER 8x16x1,4 STEEL ZC	1
		> SCREW CHC-M6X14-8.8-ISO4762-GEOMET500A	1
		> WASHER D.24 L6U ZINK	1
12	4233131	PLUG-VMI-316L VP.	1
14	4233900	SHAFT D.14X222 1.4057 VP.	1
19	4234236	UPPER STAGE RFK.MVI2/4 1.4301 VP.	1
20		SPARE PARTS HYDRAULICS MVI/MVIE 1.4301	1
22	74750611106	SCREW M10X30 ISO4014 6.8 ZN	1
23	2132562	OVAL FLANGE G1 1/4" LK75 VP.	1
24	74760312103	SCREW M8X25 ISO4762 8.8 ZN	1
25	2048856	SCREW M5X12 ISO7045 4.8-Z GB.ZN	1
26		MODULE MVIE206 MVIE/MHIE405/803 2,2>7/01	1
Note: no longer available / nicht mehr lieferbar / ne plus disponible			
27	2048855	SCREW M5X16 ISO7045 4.8-Z ZN LSN.	1



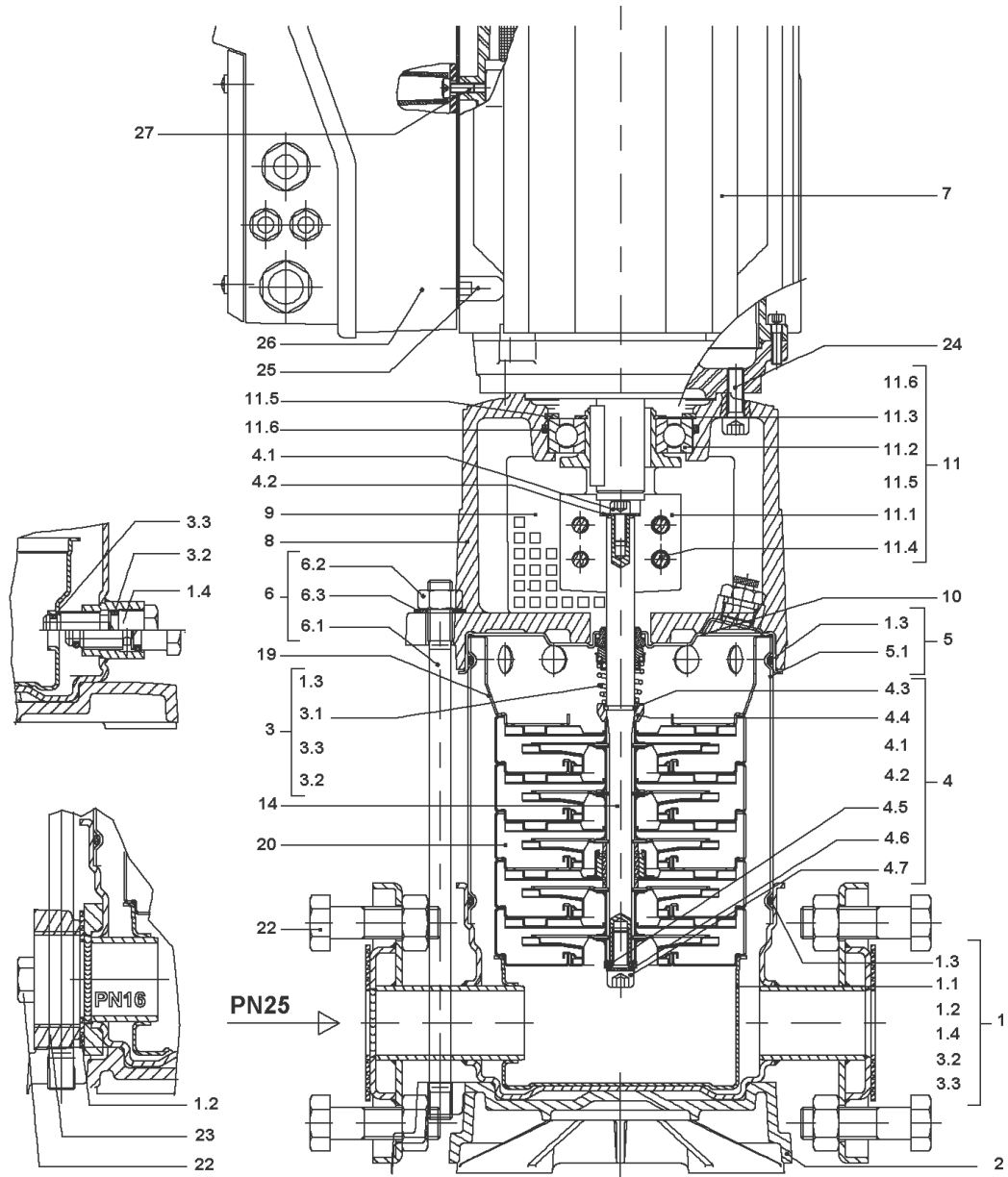
**SPARE PARTS MOTOR TL3/2200/2 3-400 65HZ**

Item	Article no.	Description	Quantity
13.1	2047017	FAN WHEEL AF90 2POL.ATB VP.	1
Note: Please give the data from type plate of the motor			
13.2		FAN HOOD TL4/3N NEUTRAL	1
Note: no longer available / nicht mehr lieferbar / ne plus disponible			
Note: Please give the data from type plate of the motor			
13.3		SCREW M4X8 ISO7045 4.8-H ZN	1
Note: no longer available / nicht mehr lieferbar / ne plus disponible			
13.4	2047016	CORRUGATED SLEEVE RING BG90/100 ATB VP.	1
Note: Please give the data from type plate of the motor			



**SPARE PARTS HYDRAULICS MVI/MVIE 1.4301**

Item	Article no.	Description	Quantity
20.1	4015444	STAGE MHI402-405,MVI KIT	1
		> IMPELLER MVI4 D.98,5x3,1 1.4301	1
		> STAGE HOUSING O.RFK MVI2/4 1.4301	1
		> SPACER IMPELLER MVI2/4 1.4435	1
20.2	4015447	STAGE MVI404-419 1.4301 KIT	1
		> IMPELLER MVI4 D.98,5x3,1 1.4301	1
		> SPACER IMPELLER MVI2/4 1.4435	1
		> SPACER SHAFT SLEEVE MVI2/4 1.4435	1
		> STAGE HOUSING RFK.MVI2/4 1.4301	1
20.3	4015445	STAGE-KIT-MVI-MHI	1
		> IMPELLER MVI4 D.98,5x3,1 1.4301	1
		> SPACER IMPELLER MVI2/4 1.4435	1
		> SPACER SHAFT SLEEVE MVI2/4 1.4435	1
		> STAGE-CASING-WITH-R/C+BEARING-2/4M3-304	1
		> SLEEVE-D14L13,8-VMI	1
20.4	4015446	STAGE MHI4,MVI403-19 1.4301 KIT	1
		> IMPELLER MVI4 D.98,5x3,1 1.4301	1
		> SPACER IMPELLER MVI2/4 1.4435	1
		> STAGE HOUSING RFK.MVI2/4 1.4301	1



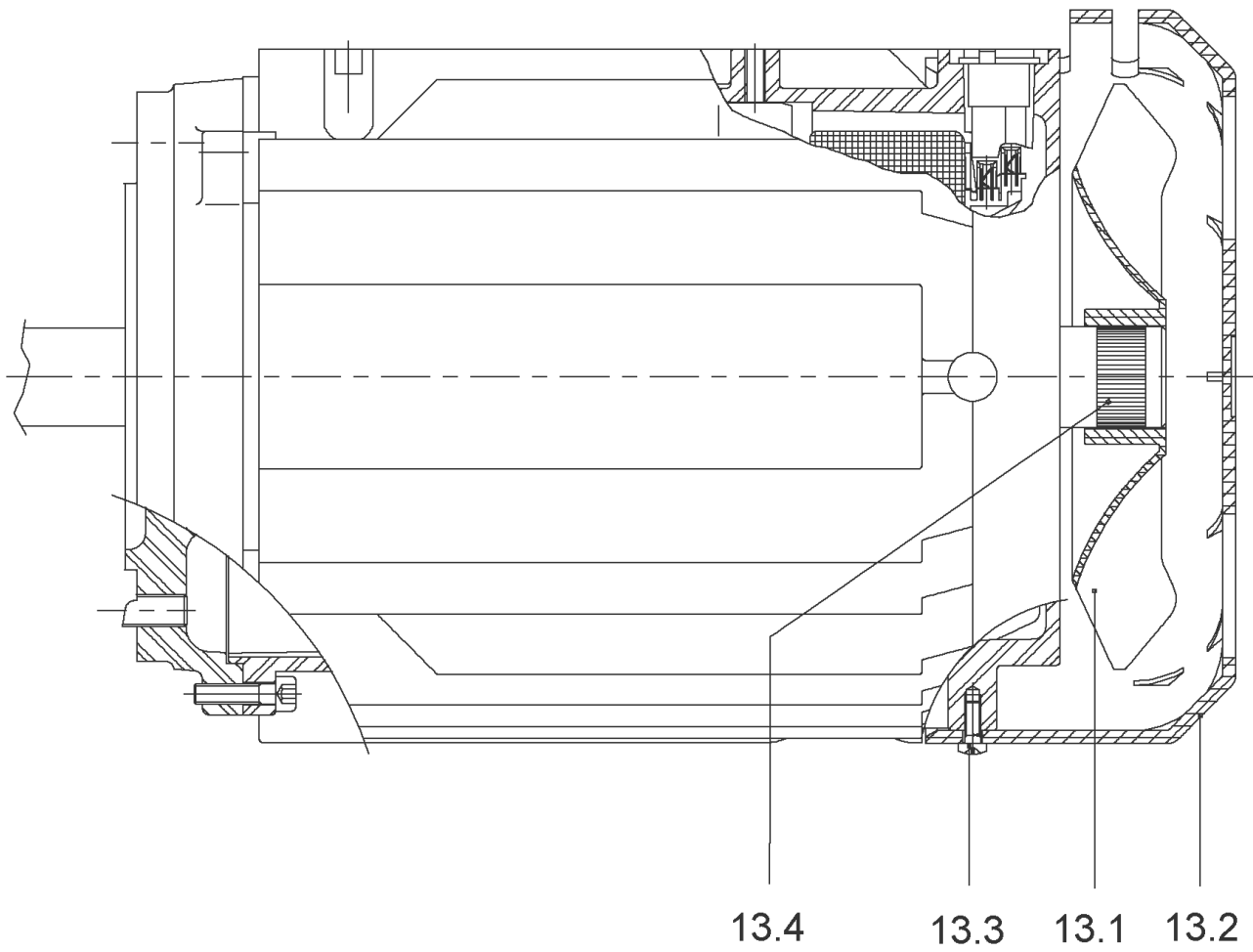


**MVIE405-1/25/E/3-2 (4040105)**

Item	Article no.	Description	Quantity
1	2018537	PUMP HOUSING MVI4 DN32 PN25 1.4404 KIT	1
1.1		> PUMP HOUSING MVI D32 PN25 ANSI300-4M3-31	1
1.2	4010031	> FLAT GASKET D.30/79	2
1.3	4176513	> O-RING FOR PUMP JACKET VP.	1
1.4	4234240	> PRIMING/DRAIN PLUG MVI6" 316L VP.	1
3.2	4177800	> O-RING EPDM PLUG HELIX VP.	1
3.3	4234242	> O-RING 9X2 VP.	1
2	4187925	BASEPLATE-VMI-1/2/4M3-VP.	1
3	4015431	MECHANICAL SEAL MVI2/4/8 PN25 120° KIT	1
1.3	4176513	> O-RING FOR PUMP JACKET VP.	1
3.1		> MECHANICAL SEAL RMG12/14-G606-U3BE3GG-BU	1
3.2	4177800	> O-RING EPDM PLUG HELIX VP.	1
3.3	4234242	> O-RING 9X2 VP.	1
4	4015442	SHAFT-FIXING MVI4/8 KIT	1
4.1		> SCREW CHC-M6X14-8.8-ISO4762-GEOMET500A	1
4.2		> WASHER D.24 L6U ZINK	1
4.3	2090148	> CIRCLIP D14 MVI/MHI 316L (2 PIECES) VP.	1
		>> STOP-RUSH-1/2-D14-VMI/HMI-316	2
4.4		> STOP COLLAR OF IMPELLER L=8.7-Ø14-316L	1
4.5		> FLAT WASHER-D8xD16x2.5-316L	1
4.6		> STAINLESS-STEEL-WASHER-DE8	1
4.7		> SCREW M8X16 ISO4762 A4	1
5	2018376	HOUSING PIPE D.152X143 1.4301 KIT	1
5.1		> HOUSING-PIPE-D152-VMI205/405-304	1
1.3	4176513	> O-RING FOR PUMP JACKET VP.	1
6	2018360	STUD BOLT M12 MVIS2/4 KIT	1
6.1		> TIE BOLT M12-269x18x30-1.4057	1
6.2	2094647	> NUT M12 M12 ISO4032 VP.	1
6.3	2123557	> WASHER CS-12.4-24-1.6-NFE25 (4 PIECES)	1
7	2025382	MOTOR TL3/2200/2DM 65HZ V18 MVIE SERIE99	1
		SPARE PARTS MOTOR TL3/2200/2 3-400 65HZ	1
8	4190751	LANTERN-MOTOR-VMI-FT115-MACHINED VP.	1
9	4092424	COUPLING GUARD FT85/130 MVI KIT	1
		> COUPLING PROTECTOR FT85/130-1.4016	1

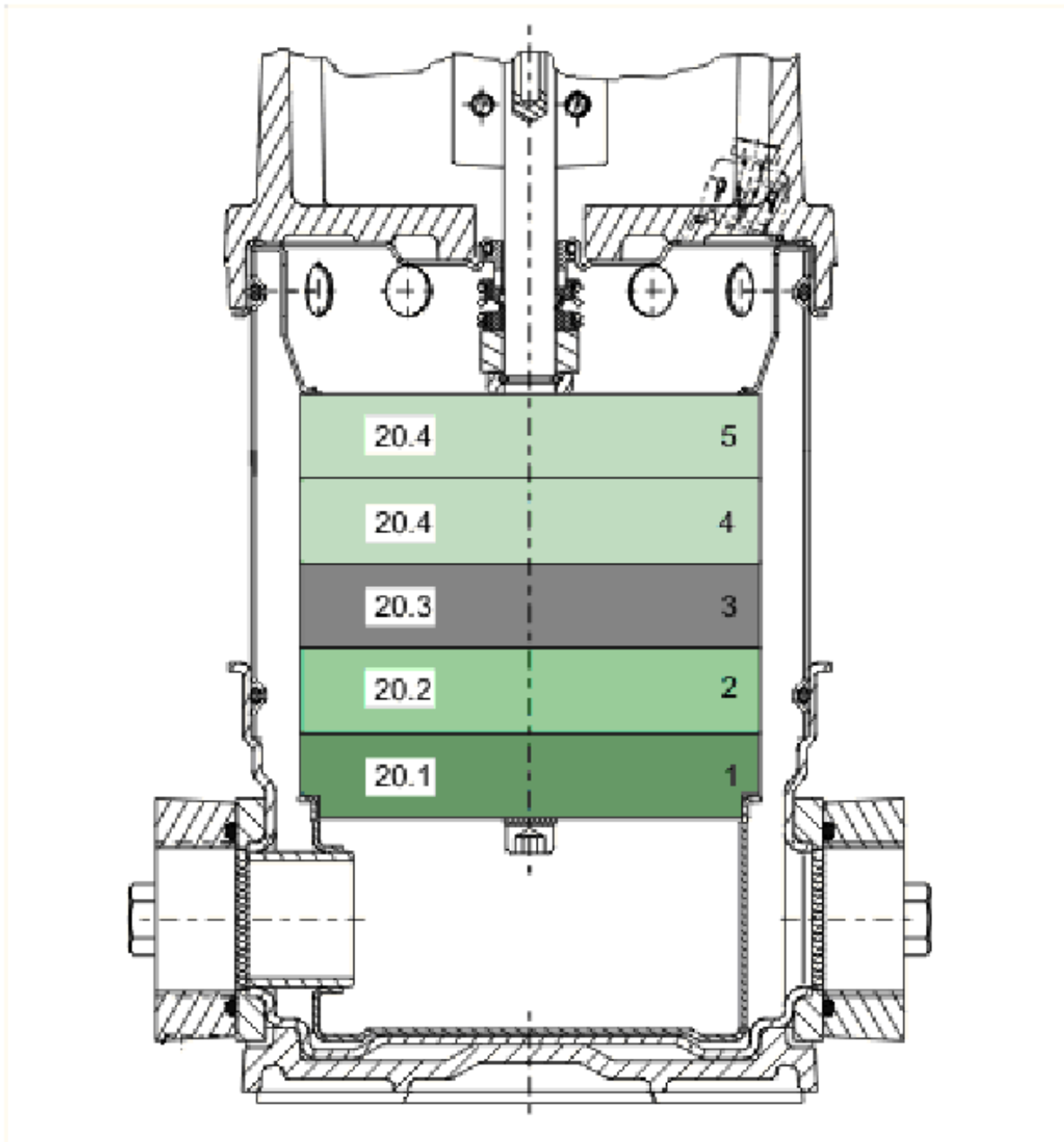
**MVIE405-1/25/E/3-2 (4040105)**

Item	Article no.	Description	Quantity
		> CLIP COUPLING-GUARD-RF	1
10	4217881	STAT.RING HOLDER-GM-D14-304 VP.	1
11	4095214	3PH COUPLING KIT MVI D14XD24	1
11.1		> COUPLING-VMI-Ø14xØ24-FT115-MACHINED	1
11.2	2131023	> BALL BEARING 6207/ZZ-C3(HT)VP.	1
11.3	4234254	> CIRCLIP-FOR-SHAFT-D35x1.5 VP.	1
11.4	4157726	> SCREW KIT M8X30 (4 PIECES)	1
11.5	4234251	> CIRCLIP-D72x2.5 VP.	1
11.6	4234246	> O-RING 72X3 VP.	1
		> NOME CONTACT WASHER 8x16x1,4 STEEL ZC	1
		> SCREW CHC-M6X14-8.8-ISO4762-GEOMET500A	1
		> WASHER D.24 L6U ZINK	1
12	4233131	PLUG-VMI-316L VP.	1
12	4233131	PLUG-VMI-316L VP.	1
14	4233900	SHAFT D.14X222 1.4057 VP.	1
19	4234236	UPPER STAGE RFK.MVI2/4 1.4301 VP.	1
20		SPARE PARTS HYDRAULICS MVI/MVIE 1.4301	1
22	61476	SCREW M16X55X38	1
24	74760312103	SCREW M8X25 ISO4762 8.8 ZN	1
25	2048856	SCREW M5X12 ISO7045 4.8-Z GB.ZN	1
26		MODULE MVIE206 MVIE/MHIE405/803 2,2>7/01	1
Note: no longer available / nicht mehr lieferbar / ne plus disponible			
27	2048855	SCREW M5X16 ISO7045 4.8-Z ZN LSN.	1



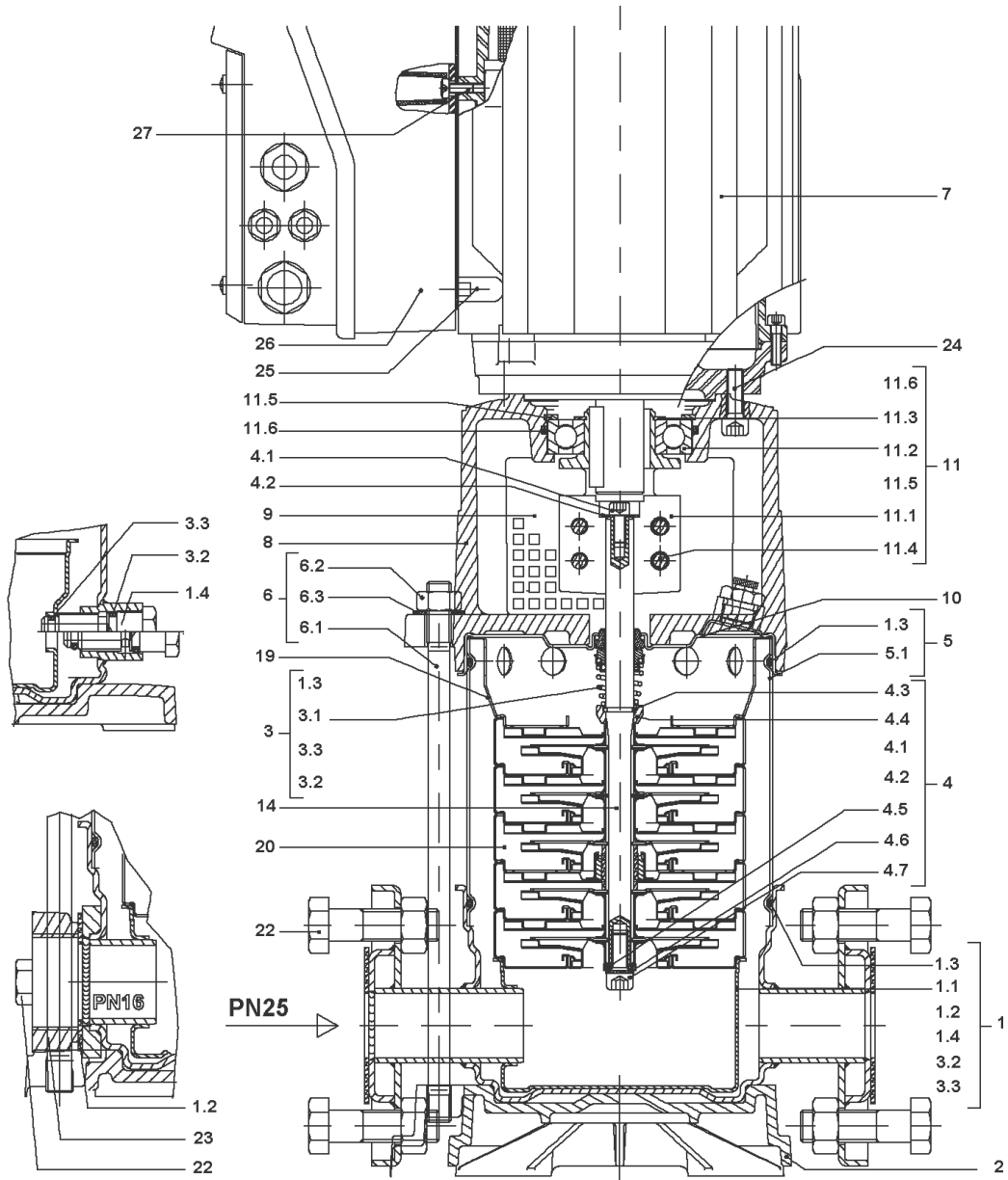
**SPARE PARTS MOTOR TL3/2200/2 3-400 65HZ**

Item	Article no.	Description	Quantity
13.1	2047017	FAN WHEEL AF90 2POL.ATB VP.	1
Note: Please give the data from type plate of the motor			
13.2		FAN HOOD TL4/3N NEUTRAL	1
Note: no longer available / nicht mehr lieferbar / ne plus disponible			
Note: Please give the data from type plate of the motor			
13.3		SCREW M4X8 ISO7045 4.8-H ZN	1
Note: no longer available / nicht mehr lieferbar / ne plus disponible			
13.4	2047016	CORRUGATED SLEEVE RING BG90/100 ATB VP.	1
Note: Please give the data from type plate of the motor			



**SPARE PARTS HYDRAULICS MVI/MVIE 1.4301**

Item	Article no.	Description	Quantity
20.1	4015444	STAGE MHI402-405,MVI KIT	1
		> IMPELLER MVI4 D.98,5x3,1 1.4301	1
		> STAGE HOUSING O.RFK MVI2/4 1.4301	1
		> SPACER IMPELLER MVI2/4 1.4435	1
20.2	4015447	STAGE MVI404-419 1.4301 KIT	1
		> IMPELLER MVI4 D.98,5x3,1 1.4301	1
		> SPACER IMPELLER MVI2/4 1.4435	1
		> SPACER SHAFT SLEEVE MVI2/4 1.4435	1
		> STAGE HOUSING RFK.MVI2/4 1.4301	1
20.3	4015445	STAGE-KIT-MVI-MHI	1
		> IMPELLER MVI4 D.98,5x3,1 1.4301	1
		> SPACER IMPELLER MVI2/4 1.4435	1
		> SPACER SHAFT SLEEVE MVI2/4 1.4435	1
		> STAGE-CASING-WITH-R/C+BEARING-2/4M3-304	1
		> SLEEVE-D14L13,8-VMI	1
20.4	4015446	STAGE MHI4,MVI403-19 1.4301 KIT	1
		> IMPELLER MVI4 D.98,5x3,1 1.4301	1
		> SPACER IMPELLER MVI2/4 1.4435	1
		> STAGE HOUSING RFK.MVI2/4 1.4301	1



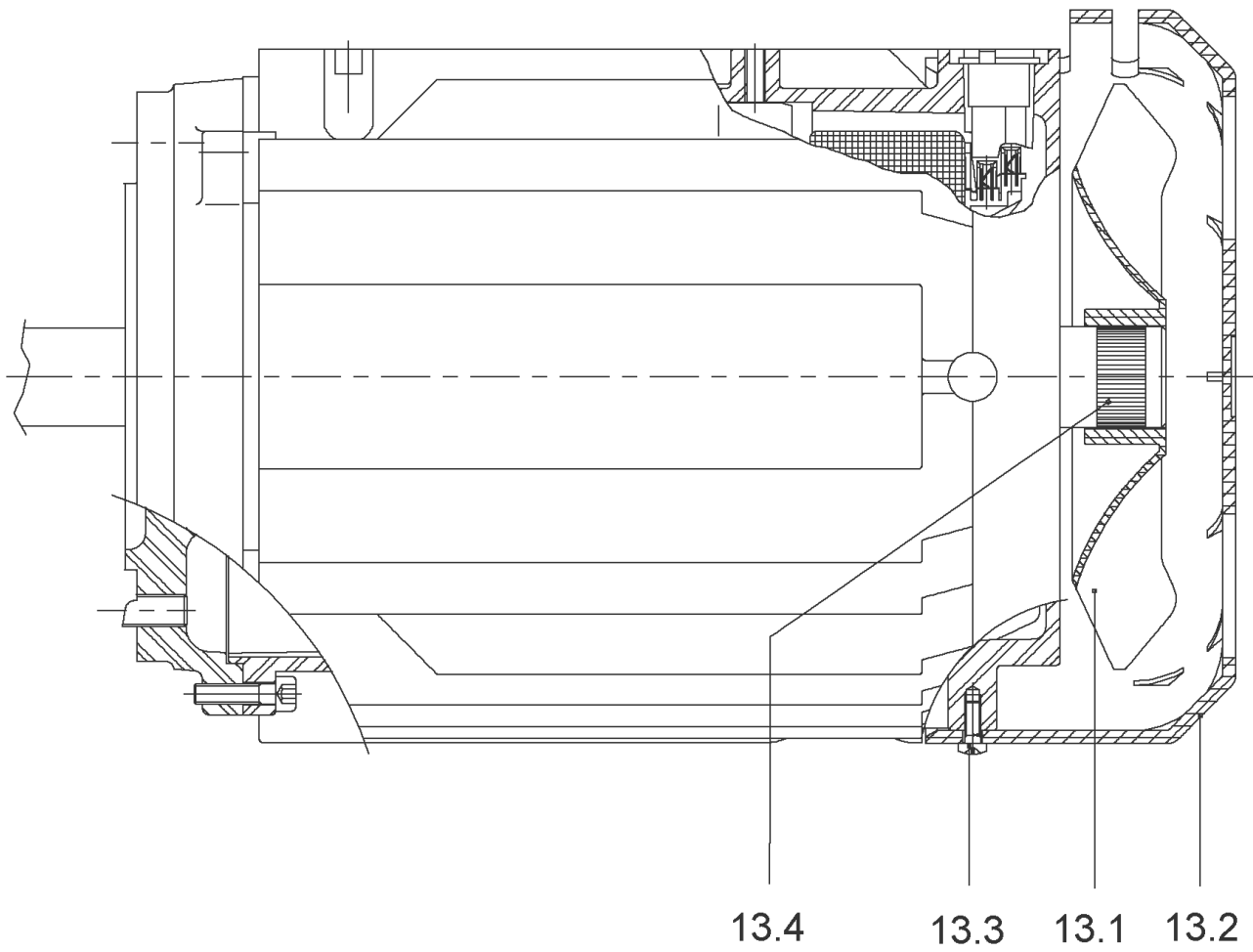
**MVIE405-2/25/V/3-2 (4040045)**

Item	Article no.	Description	Quantity
1	2018594	PUMP HOUSING MVI4 DN25 PN25/V 1.4404 KIT	1
1.1		> PUMP HOUSING MVI D32 PN25 ANSI300-4M3-31	1
1.2	4010031	> FLAT GASKET D.30/79	1
1.3	4234237	> O-RING 139X3 VITON VP.	1
1.4	4234240	> PRIMING/DRAIN PLUG MVI6" 316L VP.	1
3.2	4234239	> O-RING 13X2 VITON VP.	1
3.3	4234238	> O-RING 9X2 VITON VP.	1
2	4187925	BASEPLATE-VMI-1/2/4M3-VP.	1
3	4027310	ASSEMBLY GRD.MVI2../4../8.. PN25 90° +VP	1
1.3	4234237	> O-RING 139X3 VITON VP.	1
3.1		> MECHANICAL SEAL RMG12/14-G606-U3BVGG-BUR	1
3.2	4234239	> O-RING 13X2 VITON VP.	1
3.3	4234238	> O-RING 9X2 VITON VP.	1
4	4015442	SHAFT-FIXING MVI4/8 KIT	1
4.1		> SCREW CHC-M6X14-8.8-ISO4762-GEOMET500A	1
4.2		> WASHER D.24 L6U ZINK	1
4.3	2090148	> CIRCLIP D14 MVI/MHI 316L (2 PIECES) VP.	1
		>> STOP-RUSH-1/2-D14-VMI/HMI-316	2
4.4		> STOP COLLAR OF IMPELLER L=8.7-Ø14-316L	1
4.5		> FLAT WASHER-D8xD16x2.5-316L	1
4.6		> STAINLESS-STEEL-WASHER-DE8	1
4.7		> SCREW M8X16 ISO4762 A4	1
5	2018430	HOUSING PIPE D.152X143 1.4404 KIT	1
5.1		> HOUSING-PIPE-D152-VMI205/405-316L	1
1.3	4234237	> O-RING 139X3 VITON VP.	1
6	2018360	STUD BOLT M12 MVIS2/4 KIT	1
6.1		> TIE BOLT M12-269x18x30-1.4057	1
6.2	2094647	> NUT M12 M12 ISO4032 VP.	1
6.3	2123557	> WASHER CS-12.4-24-1.6-NFE25 (4 PIECES)	1
7	2025382	MOTOR TL3/2200/2DM 65HZ V18 MVIE SERIE99	1
		SPARE PARTS MOTOR TL3/2200/2 3-400 65HZ	1
8	4190751	LANTERN-MOTOR-VMI-FT115-MACHINED VP.	1
9	4092424	COUPLING GUARD FT85/130 MVI KIT	1
		> COUPLING PROTECTOR FT85/130-1.4016	1



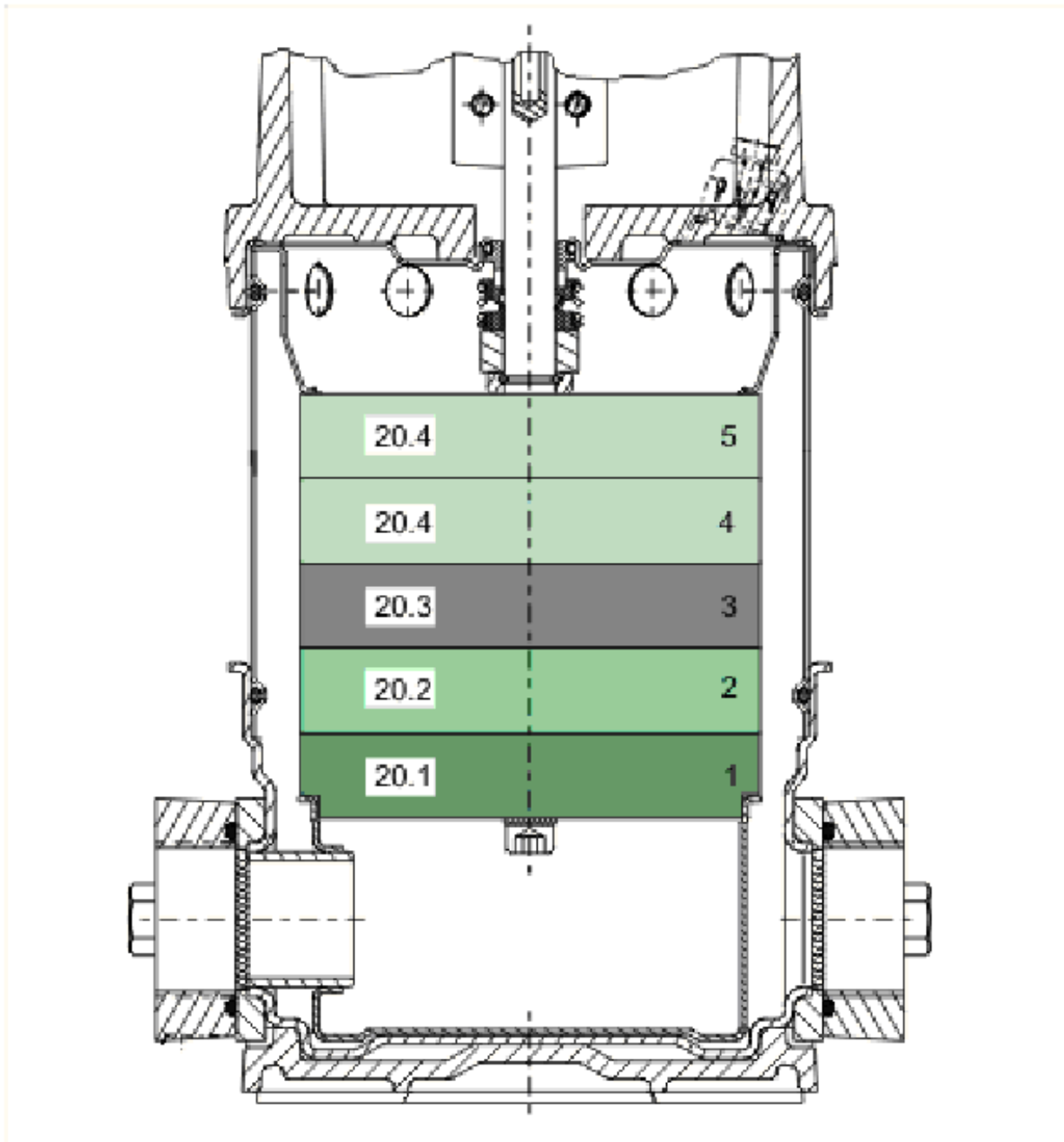
**MVIE405-2/25/V/3-2 (4040045)**

Item	Article no.	Description	Quantity
		> CLIP COUPLING-GUARD-RF	1
10	4217883	STAT.RING HOLDER MVI2/4/8 1.4435 VP.	1
11	4095214	3PH COUPLING KIT MVI D14XD24	1
11.1		> COUPLING-VMI-Ø14xØ24-FT115-MACHINED	1
11.2	2131023	> BALL BEARING 6207/ZZ-C3(HT)VP.	1
11.3	4234254	> CIRCLIP-FOR-SHAFT-D35x1.5 VP.	1
11.4	4157726	> SCREW KIT M8X30 (4 PIECES)	1
11.5	4234251	> CIRCLIP-D72x2.5 VP.	1
11.6	4234246	> O-RING 72X3 VP.	1
		> NOME CONTACT WASHER 8x16x1,4 STEEL ZC	1
		> SCREW CHC-M6X14-8.8-ISO4762-GEOMET500A	1
		> WASHER D.24 L6U ZINK	1
12	4233131	PLUG-VMI-316L VP.	1
14	4233134	SHAFT D.14X222 1.4404 VP.	1
19	4233921	UPPER STAGE RFK.MVI2/4M3 1.4435 VP.	1
20		SPARE PARTS HYDRAULICS MVI/MVIE 1.4404	1
22	61476	SCREW M16X55X38	1
24	74760312103	SCREW M8X25 ISO4762 8.8 ZN	1
25	2048856	SCREW M5X12 ISO7045 4.8-Z GB.ZN	1
26		MODULE MVIE206 MVIE/MHIE405/803 2,2>7/01	1
Note: no longer available / nicht mehr lieferbar / ne plus disponible			
27	2048855	SCREW M5X16 ISO7045 4.8-Z ZN LSN.	1



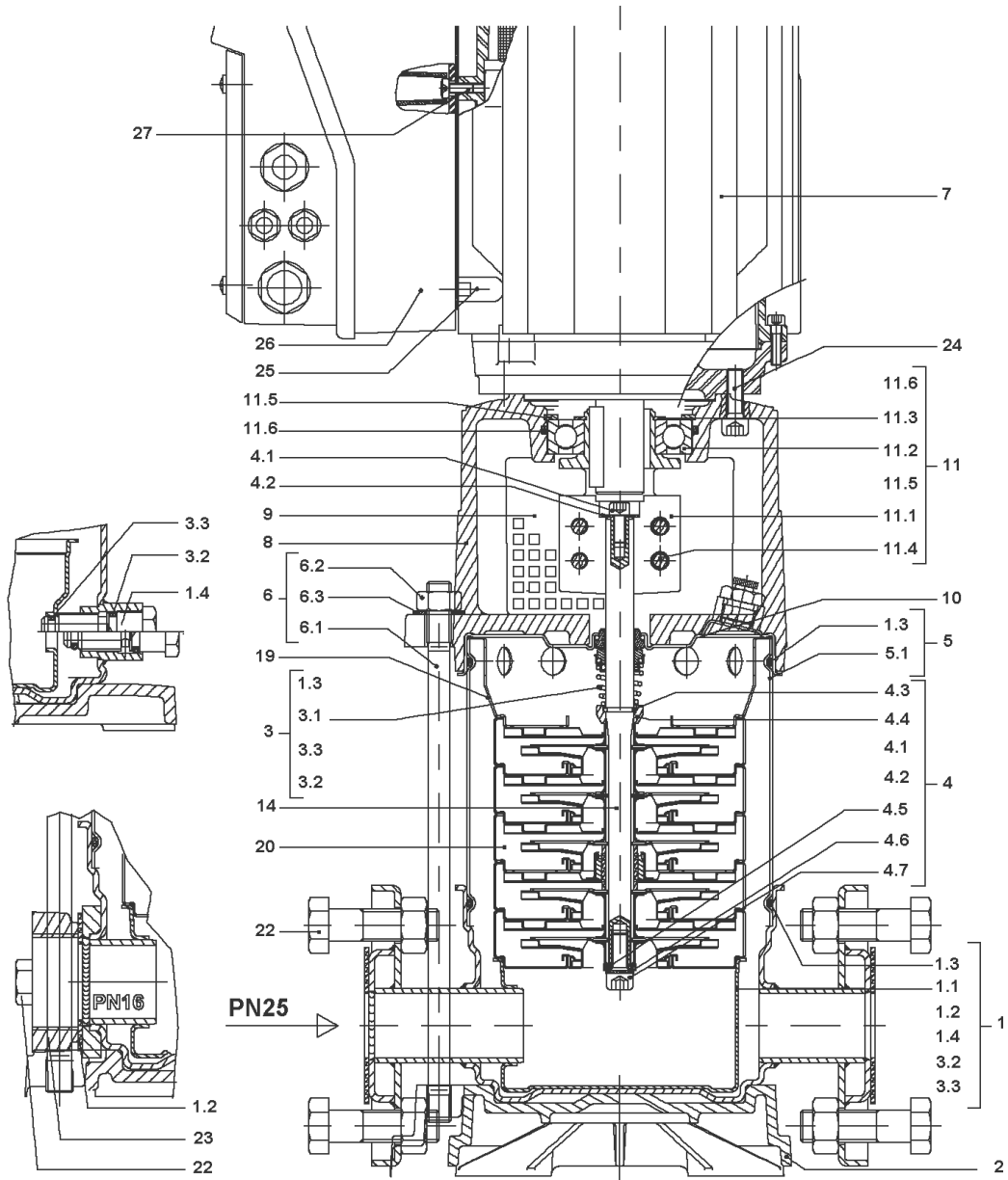
**SPARE PARTS MOTOR TL3/2200/2 3-400 65HZ**

Item	Article no.	Description	Quantity
13.1	2047017	FAN WHEEL AF90 2POL.ATB VP.	1
Note: Please give the data from type plate of the motor			
13.2		FAN HOOD TL4/3N NEUTRAL	1
Note: no longer available / nicht mehr lieferbar / ne plus disponible			
Note: Please give the data from type plate of the motor			
13.3		SCREW M4X8 ISO7045 4.8-H ZN	1
Note: no longer available / nicht mehr lieferbar / ne plus disponible			
13.4	2047016	CORRUGATED SLEEVE RING BG90/100 ATB VP.	1
Note: Please give the data from type plate of the motor			



**SPARE PARTS HYDRAULICS MVI/MVIE 1.4404**

Item	Article no.	Description	Quantity
20.1	4026335	ASSEMBLY LR./STF.GH.MHI402-405,MVI402 1.	1
		> IMPELLER-VMI/HMI-SERIE.4-316L	1
		> STAGE CASING WITHOUT-R/G-2/4M3-316L	1
		> SPACER IMPELLER MVI2/4 1.4435	1
20.2	4026338	ASSEMBLY STF.GH./LAG.BU.RLK.MVI404-419 1	1
		> IMPELLER-VMI/HMI-SERIE.4-316L	1
		> SPACER IMPELLER MVI2/4 1.4435	1
		> SPACER SHAFT SLEEVE MVI2/4 1.4435	1
		> STAGE CASING-AV-C/R-2/4M3-316L	1
20.3	4026336	ASSEMBLY LR./LAG.BU.RFK.MHI406,MVI403-19	1
		> IMPELLER-VMI/HMI-SERIE.4-316L	1
		> SPACER IMPELLER MVI2/4 1.4435	1
		> SPACER SHAFT SLEEVE MVI2/4 1.4435	1
		> STAGE CASING-AV-C/R-BEARING-2/4M3-L	1
		> SLEEVE-D14L13,8-VMI	1
20.4	4026337	ASSEMBLY LR.STF.GH.RFK.MHI4,MVI403-419 1	1
		> IMPELLER-VMI/HMI-SERIE.4-316L	1
		> SPACER IMPELLER MVI2/4 1.4435	1
		> STAGE CASING-AV-C/R-2/4M3-316L	1



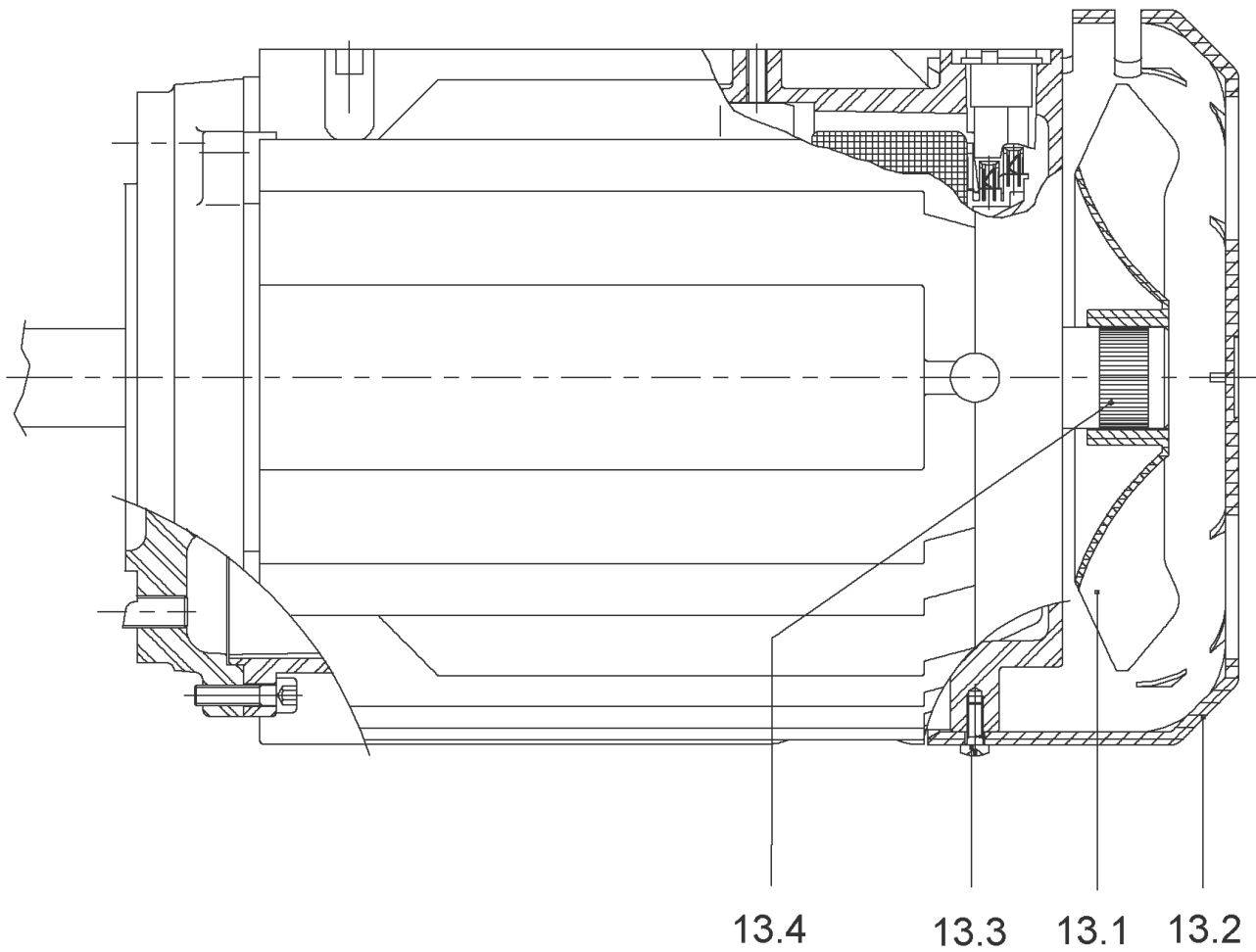
**MVIE405-2/P/V/3-2 (4040056)**

Item	Article no.	Description	Quantity
1	2114343	PUMP HOUSING MVI DN32 P 1.4404 KIT	1
1.1		> CASING-MVI-D32-PN25-D152-316L-VICTAULI	1
1.3	4234237	> O-RING 139X3 VITON VP.	1
1.4	4234240	> PRIMING/DRAIN PLUG MVI6" 316L VP.	1
3.2	4234239	> O-RING 13X2 VITON VP.	1
3.3	4234238	> O-RING 9X2 VITON VP.	1
2	4187925	BASEPLATE-VMI-1/2/4M3-VP.	1
3	4027310	ASSEMBLY GRD.MVI2../4../8.. PN25 90° +VP	1
1.3	4234237	> O-RING 139X3 VITON VP.	1
3.1		> MECHANICAL SEAL RMG12/14-G606-U3BVGG-BUR	1
3.2	4234239	> O-RING 13X2 VITON VP.	1
3.3	4234238	> O-RING 9X2 VITON VP.	1
4	4015442	SHAFT-FIXING MVI4/8 KIT	1
4.1		> SCREW CHC-M6X14-8.8-ISO4762-GEOMET500A	1
4.2		> WASHER D.24 L6U ZINK	1
4.3	2090148	> CIRCLIP D14 MVI/MHI 316L (2 PIECES) VP.	1
		>> STOP-RUSH-1/2-D14-VMI/HMI-316	2
4.4		> STOP COLLAR OF IMPELLER L=8.7-Ø14-316L	1
4.5		> FLAT WASHER-D8xD16x2.5-316L	1
4.6		> STAINLESS-STEEL-WASHER-DE8	1
4.7		> SCREW M8X16 ISO4762 A4	1
5	2018430	HOUSING PIPE D.152X143 1.4404 KIT	1
5.1		> HOUSING-PIPE-D152-VMI205/405-316L	1
1.3	4234237	> O-RING 139X3 VITON VP.	1
6	2018360	STUD BOLT M12 MVIS2/4 KIT	1
6.1		> TIE BOLT M12-269x18x30-1.4057	1
6.2	2094647	> NUT M12 M12 ISO4032 VP.	1
6.3	2123557	> WASHER CS-12.4-24-1.6-NFE25 (4 PIECES)	1
7	2025382	MOTOR TL3/2200/2DM 65HZ V18 MVIE SERIE99	1
		SPARE PARTS MOTOR TL3/2200/2 3-400 65HZ	1
8	4190751	LANTERN-MOTOR-VMI-FT115-MACHINED VP.	1
9	4092424	COUPLING GUARD FT85/130 MVI KIT	1
		> COUPLING PROTECTOR FT85/130-1.4016	1
		> CLIP COUPLING-GUARD-RF	1

**MVIE405-2/P/V/3-2 (4040056)**

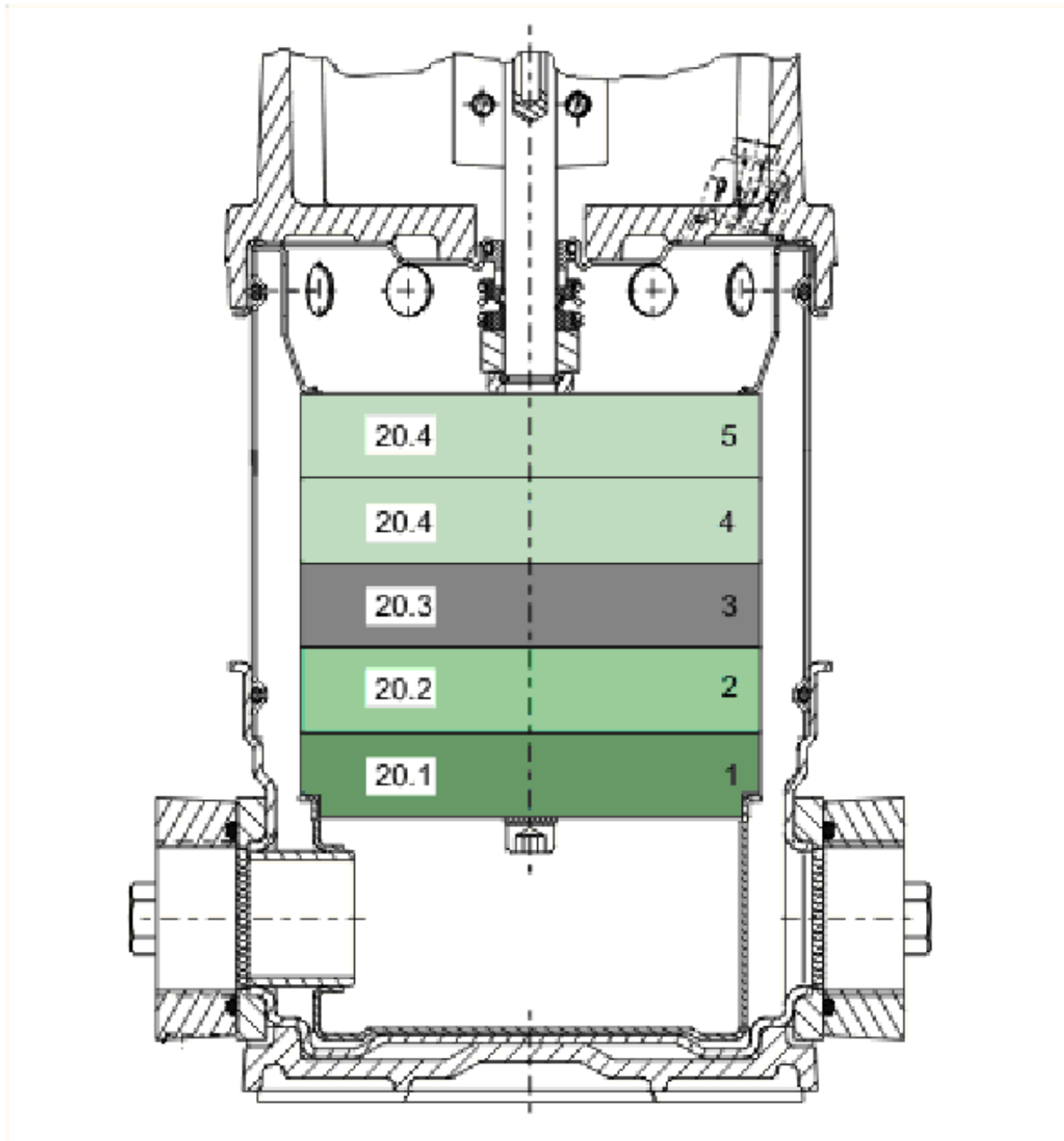
Item	Article no.	Description	Quantity
10	4217883	STAT.RING HOLDER MVI2/4/8 1.4435 VP.	1
11	4095214	3PH COUPLING KIT MVI D14XD24	1
11.1		> COUPLING-VMI-Ø14xØ24-FT115-MACHINED	1
11.2	2131023	> BALL BEARING 6207/ZZ-C3(HT)VP.	1
11.3	4234254	> CIRCLIP-FOR-SHAFT-D35x1.5 VP.	1
11.4	4157726	> SCREW KIT M8X30 (4 PIECES)	1
11.5	4234251	> CIRCLIP-D72x2.5 VP.	1
11.6	4234246	> O-RING 72X3 VP.	1
		> NOMEL CONTACT WASHER 8x16x1,4 STEEL ZC	1
		> SCREW CHC-M6X14-8.8-ISO4762-GEOMET500A	1
		> WASHER D.24 L6U ZINK	1
12	4233131	PLUG-VMI-316L VP.	1
14	4233134	SHAFT D.14X222 1.4404 VP.	1
19	4233921	UPPER STAGE RFK.MVI2/4M3 1.4435 VP.	1
20		SPARE PARTS HYDRAULICS MVI/MVIE 1.4404	1
22	61476	SCREW M16X55X38	1
23	2132562	OVAL FLANGE G1 1/4" LK75 VP.	1
24	74760312103	SCREW M8X25 ISO4762 8.8 ZN	1
25	2048856	SCREW M5X12 ISO7045 4.8-Z GB.ZN	1
26		MODULE MVIE206 MVIE/MHIE405/803 2,2>7/01	1
Note: no longer available / nicht mehr lieferbar / ne plus disponible			
27	2048855	SCREW M5X16 ISO7045 4.8-Z ZN LSN.	1





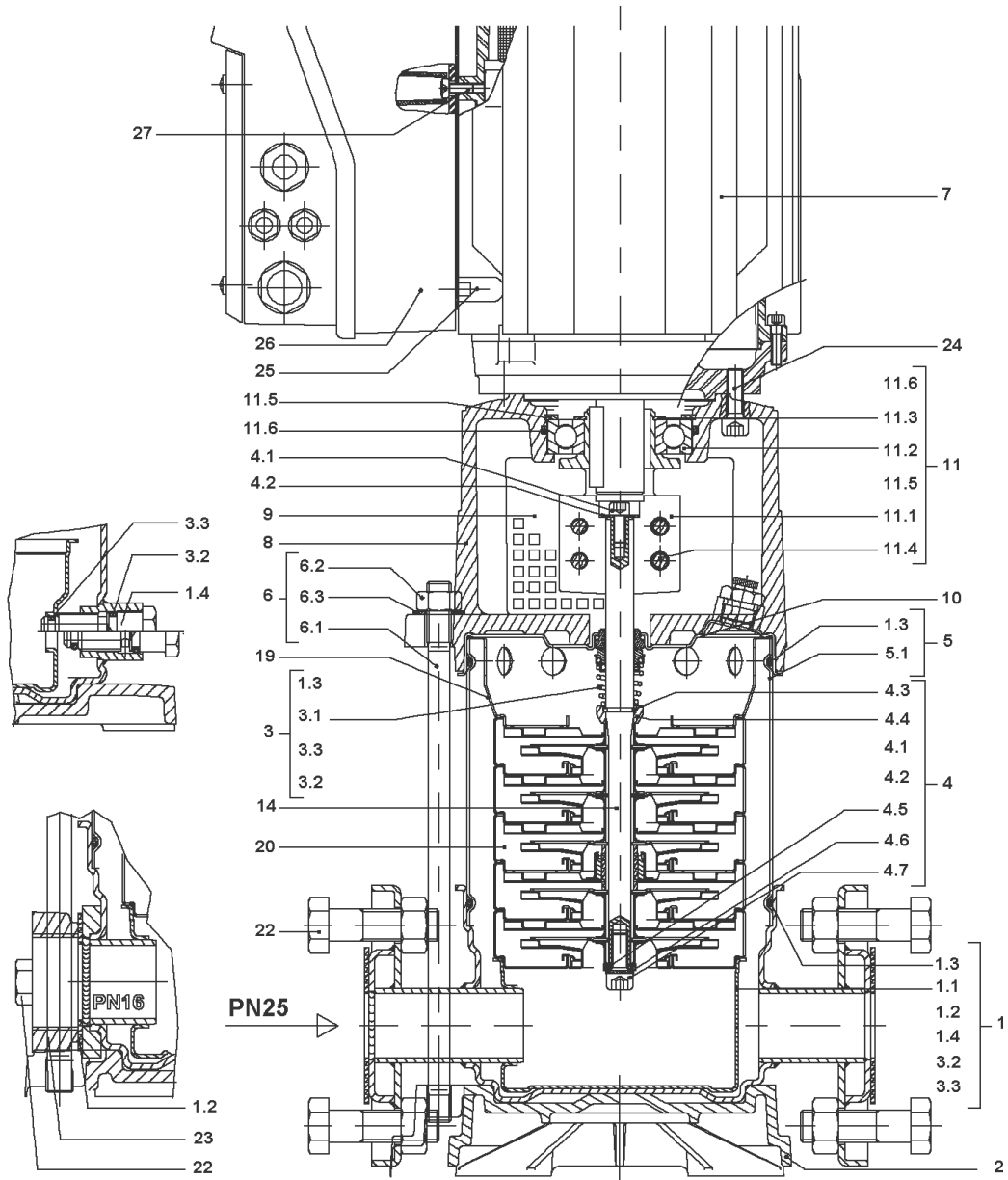
**SPARE PARTS MOTOR TL3/2200/2 3-400 65HZ**

Item	Article no.	Description	Quantity
13.1	2047017	FAN WHEEL AF90 2POL.ATB VP.	1
Note: Please give the data from type plate of the motor			
13.2		FAN HOOD TL4/3N NEUTRAL	1
Note: no longer available / nicht mehr lieferbar / ne plus disponible			
Note: Please give the data from type plate of the motor			
13.3		SCREW M4X8 ISO7045 4.8-H ZN	1
Note: no longer available / nicht mehr lieferbar / ne plus disponible			
13.4	2047016	CORRUGATED SLEEVE RING BG90/100 ATB VP.	1
Note: Please give the data from type plate of the motor			



**SPARE PARTS HYDRAULICS MVI/MVIE 1.4404**

Item	Article no.	Description	Quantity
20.1	4026335	ASSEMBLY LR./STF.GH.MHI402-405,MVI402 1.	1
		> IMPELLER-VMI/HMI-SERIE.4-316L	1
		> STAGE CASING WITHOUT-R/G-2/4M3-316L	1
		> SPACER IMPELLER MVI2/4 1.4435	1
20.2	4026338	ASSEMBLY STF.GH./LAG.BU.RLK.MVI404-419 1	1
		> IMPELLER-VMI/HMI-SERIE.4-316L	1
		> SPACER IMPELLER MVI2/4 1.4435	1
		> SPACER SHAFT SLEEVE MVI2/4 1.4435	1
		> STAGE CASING-AV-C/R-2/4M3-316L	1
20.3	4026336	ASSEMBLY LR./LAG.BU.RFK.MHI406,MVI403-19	1
		> IMPELLER-VMI/HMI-SERIE.4-316L	1
		> SPACER IMPELLER MVI2/4 1.4435	1
		> SPACER SHAFT SLEEVE MVI2/4 1.4435	1
		> STAGE CASING-AV-C/R-BEARING-2/4M3-L	1
		> SLEEVE-D14L13,8-VMI	1
20.4	4026337	ASSEMBLY LR.STF.GH.RFK.MHI4,MVI403-419 1	1
		> IMPELLER-VMI/HMI-SERIE.4-316L	1
		> SPACER IMPELLER MVI2/4 1.4435	1
		> STAGE CASING-AV-C/R-2/4M3-316L	1



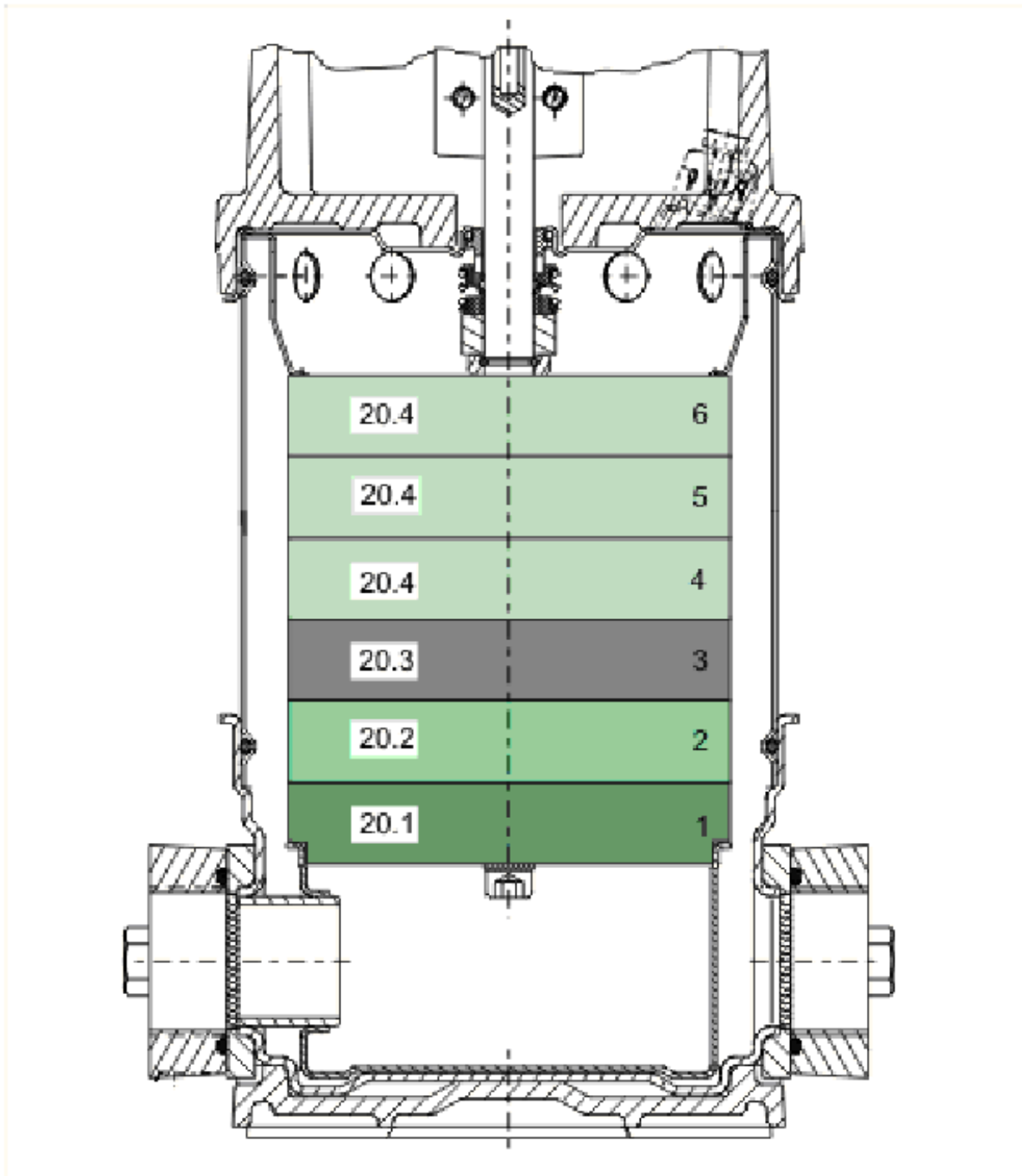
**MVIE406-1/16/E/3-2-2G (4077523)**

Item	Article no.	Description	Quantity
1	2023917	PUMP HOUSING MVI/MVIS DN32PN16 1.4301KIT	1
1.1		> CASING-MU-I-D32-PN16-D152-304	1
1.2	4191618	> O-RING ID.44,05x3,53 EPDM VP.	1
Note: FROM / AB / À PARTIR DE: 07/97			
1.3	4176513	> O-RING FOR PUMP JACKET VP.	1
1.4	4234235	> PRIMING/DRAIN PLUG MVI6" 304 VP.	1
3.2	4177800	> O-RING EPDM PLUG HELIX VP.	1
3.3	4234242	> O-RING 9X2 VP.	1
2	2127420	BASE PLATE 212X157 PN16 VP.	1
3	4027301	MECHANICAL SEAL MVI2/4/8/16-6" EP120°KIT	1
1.3	4176513	> O-RING FOR PUMP JACKET VP.	1
3.1		> MECHANICAL SEAL MG12/14-G606-Q1BE3GG-BU.	1
3.2	4177800	> O-RING EPDM PLUG HELIX VP.	1
3.3	4234242	> O-RING 9X2 VP.	1
4	4015442	SHAFT-FIXING MVI4/8 KIT	1
4.1		> SCREW CHC-M6X14-8.8-ISO4762-GEOMET500A	1
4.2		> WASHER D.24 L6U ZINK	1
4.3	2090148	> CIRCLIP D14 MVI/MHI 316L (2 PIECES) VP.	1
		>> STOP-RUSH-1/2-D14-VMI/HMI-316	2
4.4		> STOP COLLAR OF IMPELLER L=8.7-Ø14-316L	1
4.5		> FLAT WASHER-D8xD16x2.5-316L	1
4.6		> STAINLESS-STEEL-WASHER-DE8	1
4.7		> SCREW M8X16 ISO4762 A4	1
5	2018377	HOUSING PIPE D.152X167 1.4301 KIT	1
1.3	4176513	> O-RING FOR PUMP JACKET VP.	1
5.1		> HOUSING-PIPE-D152-VMI206/406-304	1
6	2018361	STUD BOLT M12X293 KIT	1
6.1		> TIE BOLT M12-293x18x30-1.4057	1
6.2	2094647	> NUT M12 M12 ISO4032 VP.	1
6.3	2123557	> WASHER CS-12.4-24-1.6-NFE25 (4 PIECES)	1
7		M2,2-2T638P55V18-90F11-SU-N24-ADAPT	1
Note: no longer available/nicht mehrlieferbar/n'est plus disponible			
8	4190751	LANTERN-MOTOR-VMI-FT115-MACHINED VP.	1
9	4092424	COUPLING GUARD FT85/130 MVI KIT	1

**MVIE406-1/16/E/3-2-2G (4077523)**

Item	Article no.	Description	Quantity
		> COUPLING PROTECTOR FT85/130-1.4016	1
		> CLIP COUPLING-GUARD-RF	1
10	4217881	STAT.RING HOLDER-GM-D14-304 VP.	1
11	4095214	3PH COUPLING KIT MVI D14XD24	1
11.1		> COUPLING-VMI-Ø14xØ24-FT115-MACHINED	1
11.2	2131023	> BALL BEARING 6207/ZZ-C3(HT)VP.	1
11.3	4234254	> CIRCLIP-FOR-SHAFT-D35x1.5 VP.	1
11.4	4157726	> SCREW KIT M8X30 (4 PIECES)	1
11.5	4234251	> CIRCLIP-D72x2.5 VP.	1
11.6	4234246	> O-RING 72X3 VP.	1
		> NOMEL CONTACT WASHER 8x16x1,4 STEEL ZC	1
		> SCREW CHC-M6X14-8.8-ISO4762-GEOMET500A	1
		> WASHER D.24 L6U ZINK	1
12	4233131	PLUG-VMI-316L VP.	1
14	4233086	SHAFT-D14-L246.6-1.4301 VP.	1
19	4234236	UPPER STAGE RFK.MVI2/4 1.4301 VP.	1
20		SPARE PARTS HYDRAULICS MVI/MVIE 1.4301	1
22	74750611106	SCREW M10X30 ISO4014 6.8 ZN	1
23	2132562	OVAL FLANGE G1 1/4" LK75 VP.	1
24	74760312103	SCREW M8X25 ISO4762 8.8 ZN	1
26		MODULE MVIE/MHIE-2,2KW IE1	1

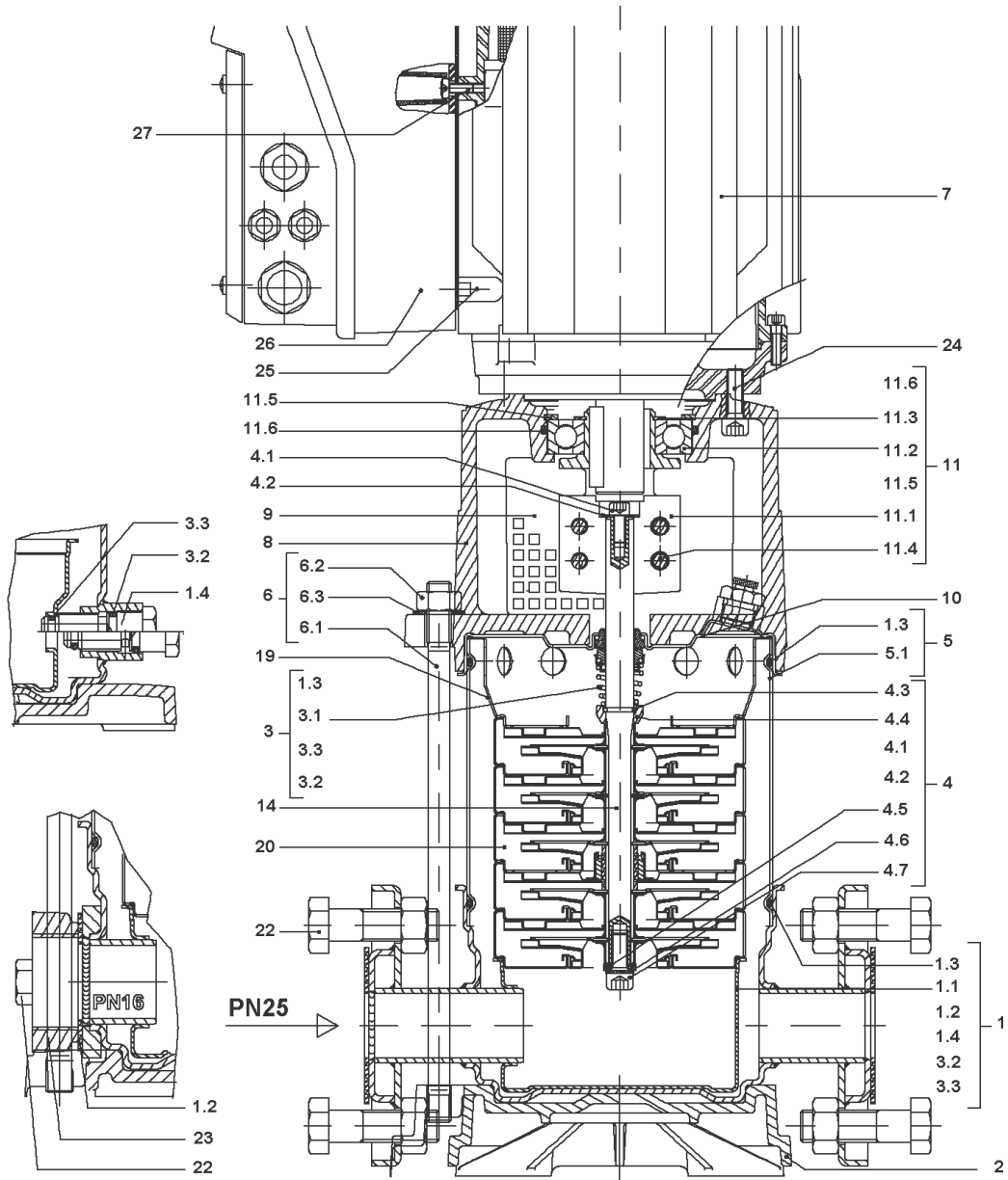
Note: no longer available/nicht mehrlieferbar/n'est plus disponible





**SPARE PARTS HYDRAULICS MVI/MVIE 1.4301**

Item	Article no.	Description	Quantity
20.1	4015444	STAGE MHI402-405,MVI KIT	1
		> IMPELLER MVI4 D.98,5x3,1 1.4301	1
		> STAGE HOUSING O.RFK MVI2/4 1.4301	1
		> SPACER IMPELLER MVI2/4 1.4435	1
20.2	4015447	STAGE MVI404-419 1.4301 KIT	1
		> IMPELLER MVI4 D.98,5x3,1 1.4301	1
		> SPACER IMPELLER MVI2/4 1.4435	1
		> SPACER SHAFT SLEEVE MVI2/4 1.4435	1
		> STAGE HOUSING RFK.MVI2/4 1.4301	1
20.3	4015445	STAGE-KIT-MVI-MHI	1
		> IMPELLER MVI4 D.98,5x3,1 1.4301	1
		> SPACER IMPELLER MVI2/4 1.4435	1
		> SPACER SHAFT SLEEVE MVI2/4 1.4435	1
		> STAGE-CASING-WITH-R/C+BEARING-2/4M3-304	1
		> SLEEVE-D14L13,8-VMI	1
20.4	4015446	STAGE MHI4,MVI403-19 1.4301 KIT	1
		> IMPELLER MVI4 D.98,5x3,1 1.4301	1
		> SPACER IMPELLER MVI2/4 1.4435	1
		> STAGE HOUSING RFK.MVI2/4 1.4301	1



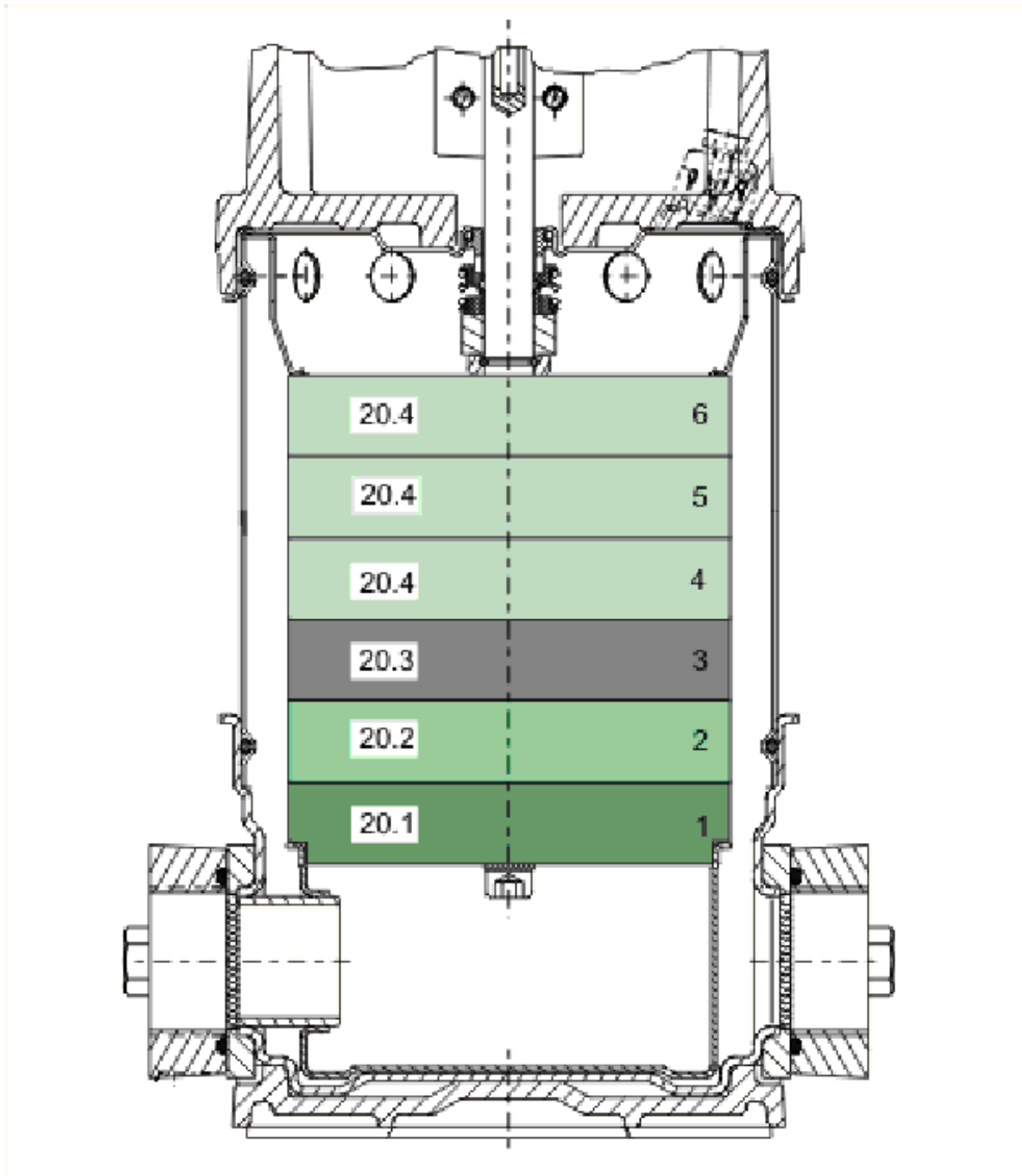
**MVIE406-1/25/E/3-2-2G (4077533)**

Item	Article no.	Description	Quantity
1	2018537	PUMP HOUSING MVI4 DN32 PN25 1.4404 KIT	1
1.1		> PUMP HOUSING MVI D32 PN25 ANSI300-4M3-31	1
1.2	4010031	> FLAT GASKET D.30/79	2
1.3	4176513	> O-RING FOR PUMP JACKET VP.	1
1.4	4234240	> PRIMING/DRAIN PLUG MVI6" 316L VP.	1
3.2	4177800	> O-RING EPDM PLUG HELIX VP.	1
3.3	4234242	> O-RING 9X2 VP.	1
2	4187925	BASEPLATE-VMI-1/2/4M3-VP.	1
3	4015431	MECHANICAL SEAL MVI2/4/8 PN25 120° KIT	1
1.3	4176513	> O-RING FOR PUMP JACKET VP.	1
3.1		> MECHANICAL SEAL RMG12/14-G606-U3BE3GG-BU	1
3.2	4177800	> O-RING EPDM PLUG HELIX VP.	1
3.3	4234242	> O-RING 9X2 VP.	1
4	4015442	SHAFT-FIXING MVI4/8 KIT	1
4.1		> SCREW CHC-M6X14-8.8-ISO4762-GEOMET500A	1
4.2		> WASHER D.24 L6U ZINK	1
4.3	2090148	> CIRCLIP D14 MVI/MHI 316L (2 PIECES) VP.	1
		>> STOP-RUSH-1/2-D14-VMI/HMI-316	2
4.4		> STOP COLLAR OF IMPELLER L=8.7-Ø14-316L	1
4.5		> FLAT WASHER-D8xD16x2.5-316L	1
4.6		> STAINLESS-STEEL-WASHER-DE8	1
4.7		> SCREW M8X16 ISO4762 A4	1
5	2018377	HOUSING PIPE D.152X167 1.4301 KIT	1
1.3	4176513	> O-RING FOR PUMP JACKET VP.	1
5.1		> HOUSING-PIPE-D152-VMI206/406-304	1
6	2018361	STUD BOLT M12X293 KIT	1
6.1		> TIE BOLT M12-293x18x30-1.4057	1
6.2	2094647	> NUT M12 M12 ISO4032 VP.	1
6.3	2123557	> WASHER CS-12.4-24-1.6-NFE25 (4 PIECES)	1
7		M2,2-2T638P55V18-90F11-SU-N24-ADAPT	1
Note: no longer available/nicht mehr lieferbar/n'est plus disponible			
8	4190751	LANTERN-MOTOR-VMI-FT115-MACHINED VP.	1
9	4092424	COUPLING GUARD FT85/130 MVI KIT	1
		> COUPLING PROTECTOR FT85/130-1.4016	1

**MVIE406-1/25/E/3-2-2G (4077533)**

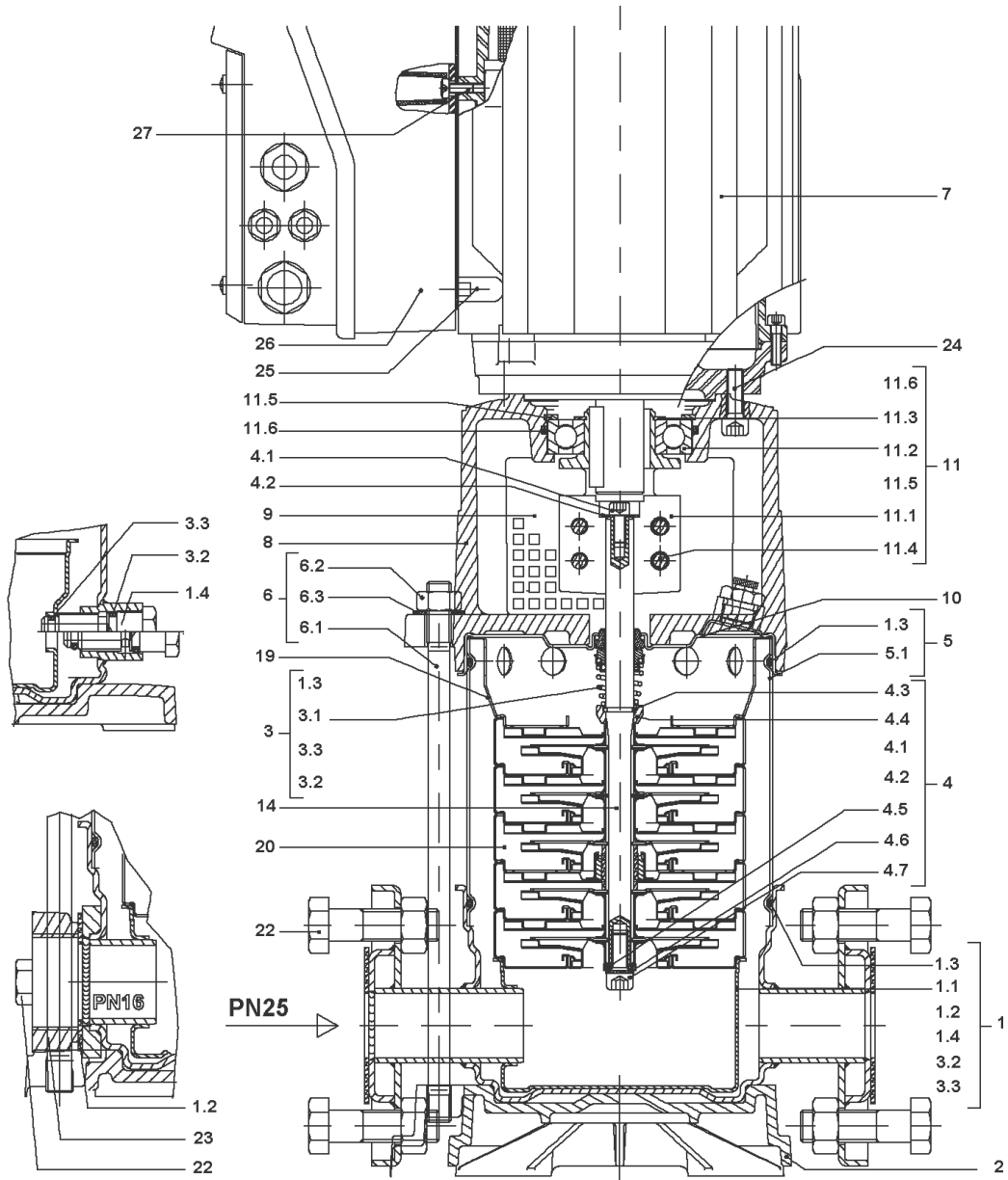
Item	Article no.	Description	Quantity
		> CLIP COUPLING-GUARD-RF	1
10	4217881	STAT.RING HOLDER-GM-D14-304 VP.	1
11	4095214	3PH COUPLING KIT MVI D14XD24	1
11.1		> COUPLING-VMI-Ø14xØ24-FT115-MACHINED	1
11.2	2131023	> BALL BEARING 6207/ZZ-C3(HT)VP.	1
11.3	4234254	> CIRCLIP-FOR-SHAFT-D35x1.5 VP.	1
11.4	4157726	> SCREW KIT M8X30 (4 PIECES)	1
11.5	4234251	> CIRCLIP-D72x2.5 VP.	1
11.6	4234246	> O-RING 72X3 VP.	1
		> NOME CONTACT WASHER 8x16x1,4 STEEL ZC	1
		> SCREW CHC-M6X14-8.8-ISO4762-GEOMET500A	1
		> WASHER D.24 L6U ZINK	1
12	4233131	PLUG-VMI-316L VP.	1
14	4233086	SHAFT-D14-L246.6-1.4301 VP.	1
19	4234236	UPPER STAGE RFK.MVI2/4 1.4301 VP.	1
20		SPARE PARTS HYDRAULICS MVI/MVIE 1.4301	1
22	61476	SCREW M16X55X38	1
24	74760312103	SCREW M8X25 ISO4762 8.8 ZN	1
26		MODULE MVIE/MHIE-2,2KW IE1	1

Note: no longer available/nicht mehr lieferbar/n'est plus disponible



**SPARE PARTS HYDRAULICS MVI/MVIE 1.4301**

Item	Article no.	Description	Quantity
20.1	4015444	STAGE MHI402-405,MVI KIT	1
		> IMPELLER MVI4 D.98,5x3,1 1.4301	1
		> STAGE HOUSING O.RFK MVI2/4 1.4301	1
		> SPACER IMPELLER MVI2/4 1.4435	1
20.2	4015447	STAGE MVI404-419 1.4301 KIT	1
		> IMPELLER MVI4 D.98,5x3,1 1.4301	1
		> SPACER IMPELLER MVI2/4 1.4435	1
		> SPACER SHAFT SLEEVE MVI2/4 1.4435	1
		> STAGE HOUSING RFK.MVI2/4 1.4301	1
20.3	4015445	STAGE-KIT-MVI-MHI	1
		> IMPELLER MVI4 D.98,5x3,1 1.4301	1
		> SPACER IMPELLER MVI2/4 1.4435	1
		> SPACER SHAFT SLEEVE MVI2/4 1.4435	1
		> STAGE-CASING-WITH-R/C+BEARING-2/4M3-304	1
		> SLEEVE-D14L13,8-VMI	1
20.4	4015446	STAGE MHI4,MVI403-19 1.4301 KIT	1
		> IMPELLER MVI4 D.98,5x3,1 1.4301	1
		> SPACER IMPELLER MVI2/4 1.4435	1
		> STAGE HOUSING RFK.MVI2/4 1.4301	1



**MVIE406-2/25/V/3-2-2G (4077545)**

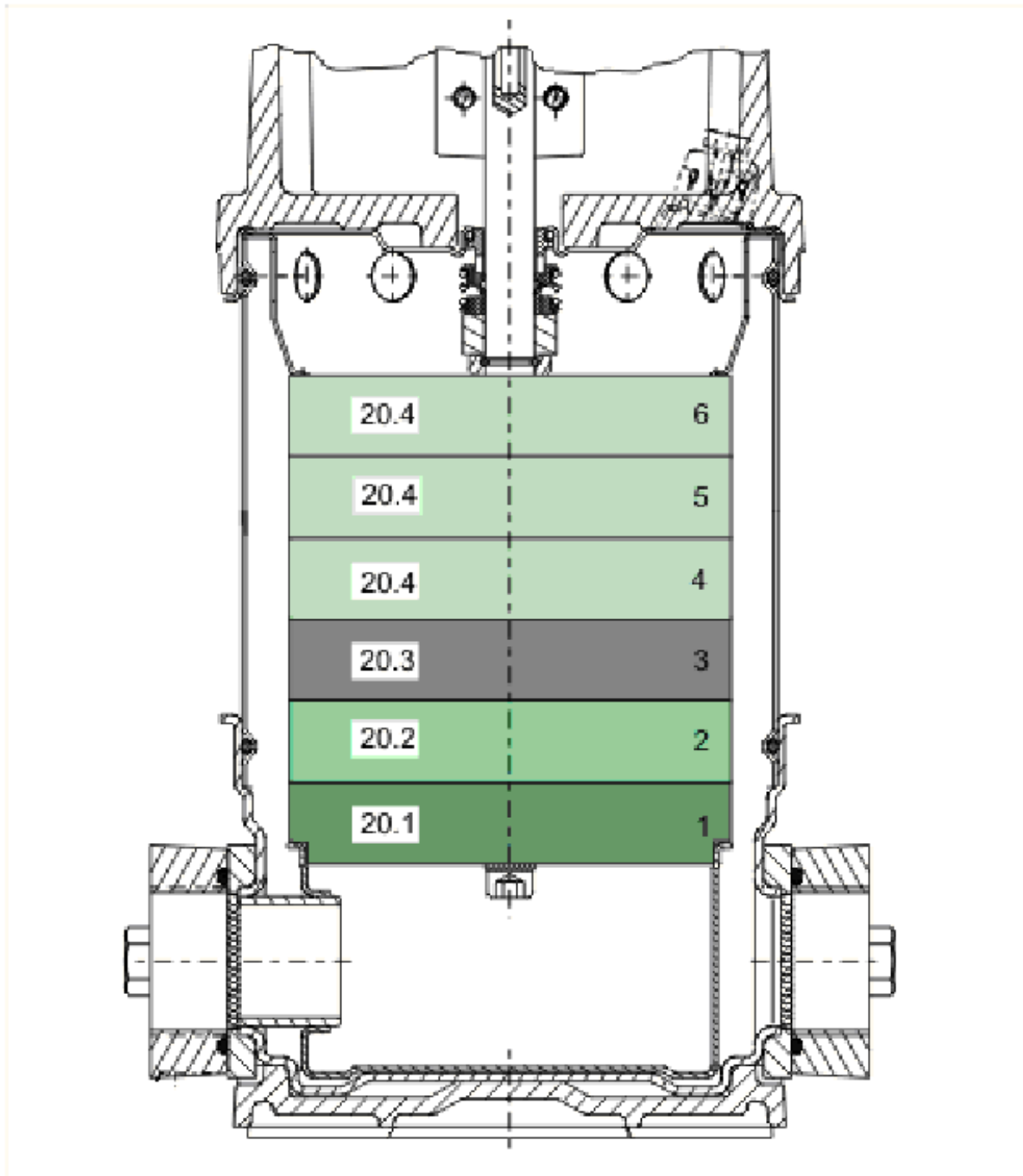
Item	Article no.	Description	Quantity
1	2018594	PUMP HOUSING MVI4 DN25 PN25/V 1.4404 KIT	1
1.1		> PUMP HOUSING MVI D32 PN25 ANSI300-4M3-31	1
1.2	4010031	> FLAT GASKET D.30/79	1
1.3	4234237	> O-RING 139X3 VITON VP.	1
1.4	4234240	> PRIMING/DRAIN PLUG MVI6" 316L VP.	1
3.2	4234239	> O-RING 13X2 VITON VP.	1
3.3	4234238	> O-RING 9X2 VITON VP.	1
2	4187925	BASEPLATE-VMI-1/2/4M3-VP.	1
3	4027310	ASSEMBLY GRD.MVI2../4../8.. PN25 90° +VP	1
1.3	4234237	> O-RING 139X3 VITON VP.	1
3.1		> MECHANICAL SEAL RMG12/14-G606-U3BVGG-BUR	1
3.2	4234239	> O-RING 13X2 VITON VP.	1
3.3	4234238	> O-RING 9X2 VITON VP.	1
4	4015442	SHAFT-FIXING MVI4/8 KIT	1
4.1		> SCREW CHC-M6X14-8.8-ISO4762-GEOMET500A	1
4.2		> WASHER D.24 L6U ZINK	1
4.3	2090148	> CIRCLIP D14 MVI/MHI 316L (2 PIECES) VP.	1
		>> STOP-RUSH-1/2-D14-VMI/HMI-316	2
4.4		> STOP COLLAR OF IMPELLER L=8.7-Ø14-316L	1
4.5		> FLAT WASHER-D8xD16x2.5-316L	1
4.6		> STAINLESS-STEEL-WASHER-DE8	1
4.7		> SCREW M8X16 ISO4762 A4	1
5	2018431	HOUSING PIPE D.152X167 1.4404 KIT	1
5.1		> HOUSING-PIPE-D152-VMI206/406-316L	1
1.3	4234237	> O-RING 139X3 VITON VP.	1
6	2018361	STUD BOLT M12X293 KIT	1
6.1		> TIE BOLT M12-293x18x30-1.4057	1
6.2	2094647	> NUT M12 M12 ISO4032 VP.	1
6.3	2123557	> WASHER CS-12.4-24-1.6-NFE25 (4 PIECES)	1
7		M2,2-2T638P55V18-90F11-SU-N24-ADAPT	1
Note: no longer available/nicht mehr lieferbar/n'est plus disponible			
8	4190751	LANTERN-MOTOR-VMI-FT115-MACHINED VP.	1
9	4092424	COUPLING GUARD FT85/130 MVI KIT	1
		> COUPLING PROTECTOR FT85/130-1.4016	1



**MVIE406-2/25/V/3-2-2G (4077545)**

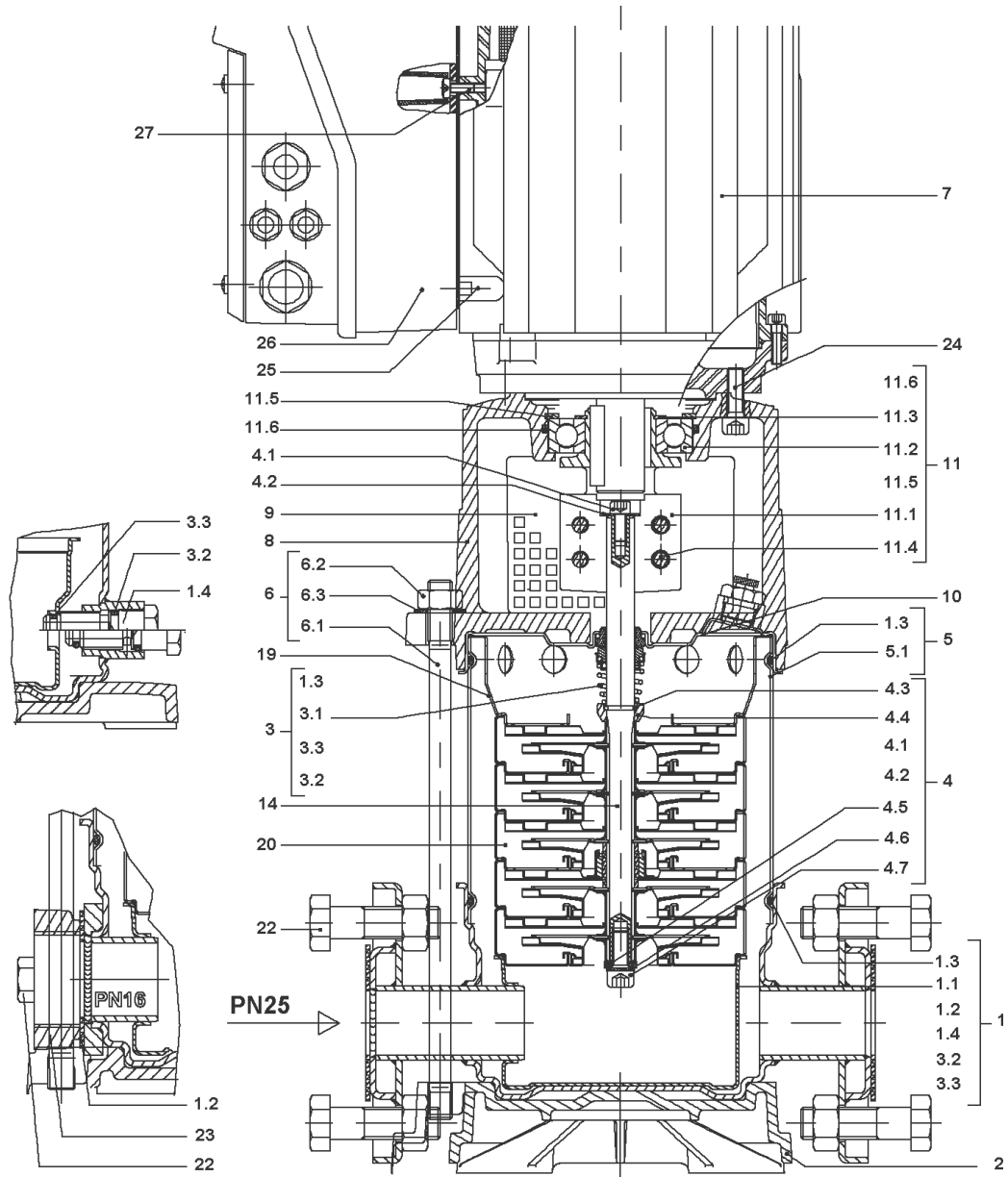
Item	Article no.	Description	Quantity
		> CLIP COUPLING-GUARD-RF	1
10	4217883	STAT.RING HOLDER MVI2/4/8 1.4435 VP.	1
11	4095214	3PH COUPLING KIT MVI D14XD24	1
11.1		> COUPLING-VMI-Ø14xØ24-FT115-MACHINED	1
11.2	2131023	> BALL BEARING 6207/ZZ-C3(HT)VP.	1
11.3	4234254	> CIRCLIP-FOR-SHAFT-D35x1.5 VP.	1
11.4	4157726	> SCREW KIT M8X30 (4 PIECES)	1
11.5	4234251	> CIRCLIP-D72x2.5 VP.	1
11.6	4234246	> O-RING 72X3 VP.	1
		> NOME CONTACT WASHER 8x16x1,4 STEEL ZC	1
		> SCREW CHC-M6X14-8.8-ISO4762-GEOMET500A	1
		> WASHER D.24 L6U ZINK	1
12	4233131	PLUG-VMI-316L VP.	1
14	4233135	SHAFT D.14X246 1.4404 VP.	1
19	4233921	UPPER STAGE RFK.MVI2/4M3 1.4435 VP.	1
20		SPARE PARTS HYDRAULICS MVI/MVIE 1.4404	1
22	61476	SCREW M16X55X38	1
24	74760312103	SCREW M8X25 ISO4762 8.8 ZN	1
26		MODULE MVIE/MHIE-2,2KW IE1	1

Note: no longer available/nicht mehr lieferbar/n'est plus disponible



**SPARE PARTS HYDRAULICS MVI/MVIE 1.4404**

Item	Article no.	Description	Quantity
20.1	4026335	ASSEMBLY LR./STF.GH.MHI402-405,MVI402 1.	1
		> IMPELLER-VMI/HMI-SERIE.4-316L	1
		> STAGE CASING WITHOUT-R/G-2/4M3-316L	1
		> SPACER IMPELLER MVI2/4 1.4435	1
20.2	4026338	ASSEMBLY STF.GH./LAG.BU.RLK.MVI404-419 1	1
		> IMPELLER-VMI/HMI-SERIE.4-316L	1
		> SPACER IMPELLER MVI2/4 1.4435	1
		> SPACER SHAFT SLEEVE MVI2/4 1.4435	1
		> STAGE CASING-AV-C/R-2/4M3-316L	1
20.3	4026336	ASSEMBLY LR./LAG.BU.RFK.MHI406,MVI403-19	1
		> IMPELLER-VMI/HMI-SERIE.4-316L	1
		> SPACER IMPELLER MVI2/4 1.4435	1
		> SPACER SHAFT SLEEVE MVI2/4 1.4435	1
		> STAGE CASING-AV-C/R-BEARING-2/4M3-L	1
		> SLEEVE-D14L13,8-VMI	1
20.4	4026337	ASSEMBLY LR.STF.GH.RFK.MHI4,MVI403-419 1	1
		> IMPELLER-VMI/HMI-SERIE.4-316L	1
		> SPACER IMPELLER MVI2/4 1.4435	1
		> STAGE CASING-AV-C/R-2/4M3-316L	1



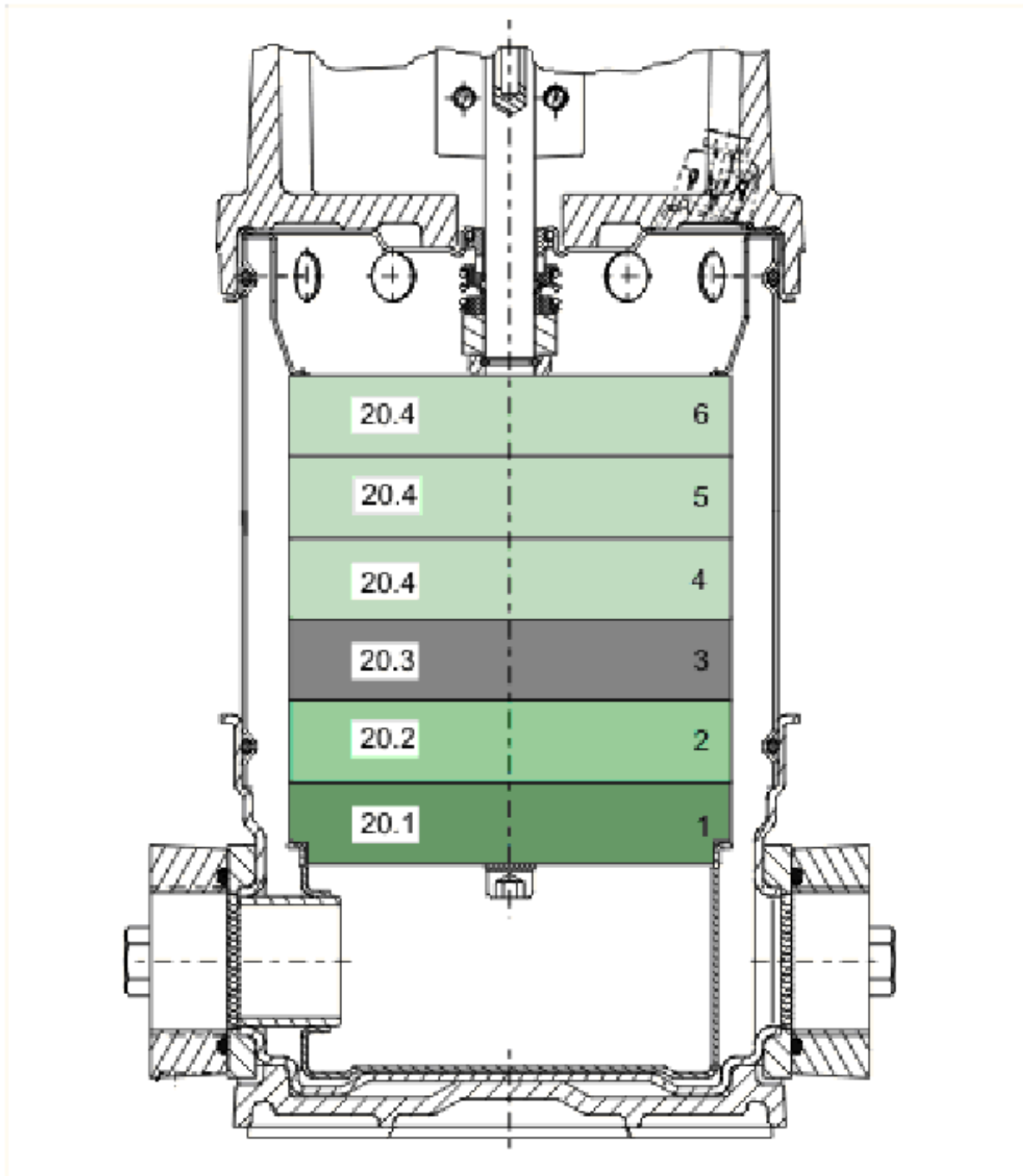
**MVIE406-2/P/V/3-2-2G (4077554)**

Item	Article no.	Description	Quantity
1	2114343	PUMP HOUSING MVI DN32 P 1.4404 KIT	1
1.1		> CASING-MVI-D32-PN25-D152-316L-VICTAULI	1
1.3	4234237	> O-RING 139X3 VITON VP.	1
1.4	4234240	> PRIMING/DRAIN PLUG MVI6" 316L VP.	1
3.2	4234239	> O-RING 13X2 VITON VP.	1
3.3	4234238	> O-RING 9X2 VITON VP.	1
2	4187925	BASEPLATE-VMI-1/2/4M3-VP.	1
3	4027310	ASSEMBLY GRD.MVI2../4../8.. PN25 90° +VP	1
1.3	4234237	> O-RING 139X3 VITON VP.	1
3.1		> MECHANICAL SEAL RMG12/14-G606-U3BVGG-BUR	1
3.2	4234239	> O-RING 13X2 VITON VP.	1
3.3	4234238	> O-RING 9X2 VITON VP.	1
4	4015442	SHAFT-FIXING MVI4/8 KIT	1
4.1		> SCREW CHC-M6X14-8.8-ISO4762-GEOMET500A	1
4.2		> WASHER D.24 L6U ZINK	1
4.3	2090148	> CIRCLIP D14 MVI/MHI 316L (2 PIECES) VP.	1
		>> STOP-RUSH-1/2-D14-VMI/HMI-316	2
4.4		> STOP COLLAR OF IMPELLER L=8.7-Ø14-316L	1
4.5		> FLAT WASHER-D8xD16x2.5-316L	1
4.6		> STAINLESS-STEEL-WASHER-DE8	1
4.7		> SCREW M8X16 ISO4762 A4	1
5	2018431	HOUSING PIPE D.152X167 1.4404 KIT	1
5.1		> HOUSING-PIPE-D152-VMI206/406-316L	1
1.3	4234237	> O-RING 139X3 VITON VP.	1
6	2018361	STUD BOLT M12X293 KIT	1
6.1		> TIE BOLT M12-293x18x30-1.4057	1
6.2	2094647	> NUT M12 M12 ISO4032 VP.	1
6.3	2123557	> WASHER CS-12.4-24-1.6-NFE25 (4 PIECES)	1
7		M2,2-2T638P55V18-90F11-SU-N24-ADAPT	1
Note: no longer available/nicht mehr lieferbar/n'est plus disponible			
8	4190751	LANTERN-MOTOR-VMI-FT115-MACHINED VP.	1
9	4092424	COUPLING GUARD FT85/130 MVI KIT	1
		> COUPLING PROTECTOR FT85/130-1.4016	1
		> CLIP COUPLING-GUARD-RF	1

**MVIE406-2/P/V/3-2-2G (4077554)**

Item	Article no.	Description	Quantity
10	4217883	STAT.RING HOLDER MVI2/4/8 1.4435 VP.	1
11	4095214	3PH COUPLING KIT MVI D14XD24	1
11.1		> COUPLING-VMI-Ø14xØ24-FT115-MACHINED	1
11.2	2131023	> BALL BEARING 6207/ZZ-C3(HT)VP.	1
11.3	4234254	> CIRCLIP-FOR-SHAFT-D35x1.5 VP.	1
11.4	4157726	> SCREW KIT M8X30 (4 PIECES)	1
11.5	4234251	> CIRCLIP-D72x2.5 VP.	1
11.6	4234246	> O-RING 72X3 VP.	1
		> NOMEL CONTACT WASHER 8x16x1,4 STEEL ZC	1
		> SCREW CHC-M6X14-8.8-ISO4762-GEOMET500A	1
		> WASHER D.24 L6U ZINK	1
12	4233131	PLUG-VMI-316L VP.	1
14	4233135	SHAFT D.14X246 1.4404 VP.	1
19	4233921	UPPER STAGE RFK.MVI2/4M3 1.4435 VP.	1
20		SPARE PARTS HYDRAULICS MVI/MVIE 1.4404	1
22	61476	SCREW M16X55X38	1
24	74760312103	SCREW M8X25 ISO4762 8.8 ZN	1
26		MODULE MVIE/MHIE-2,2KW IE1	1

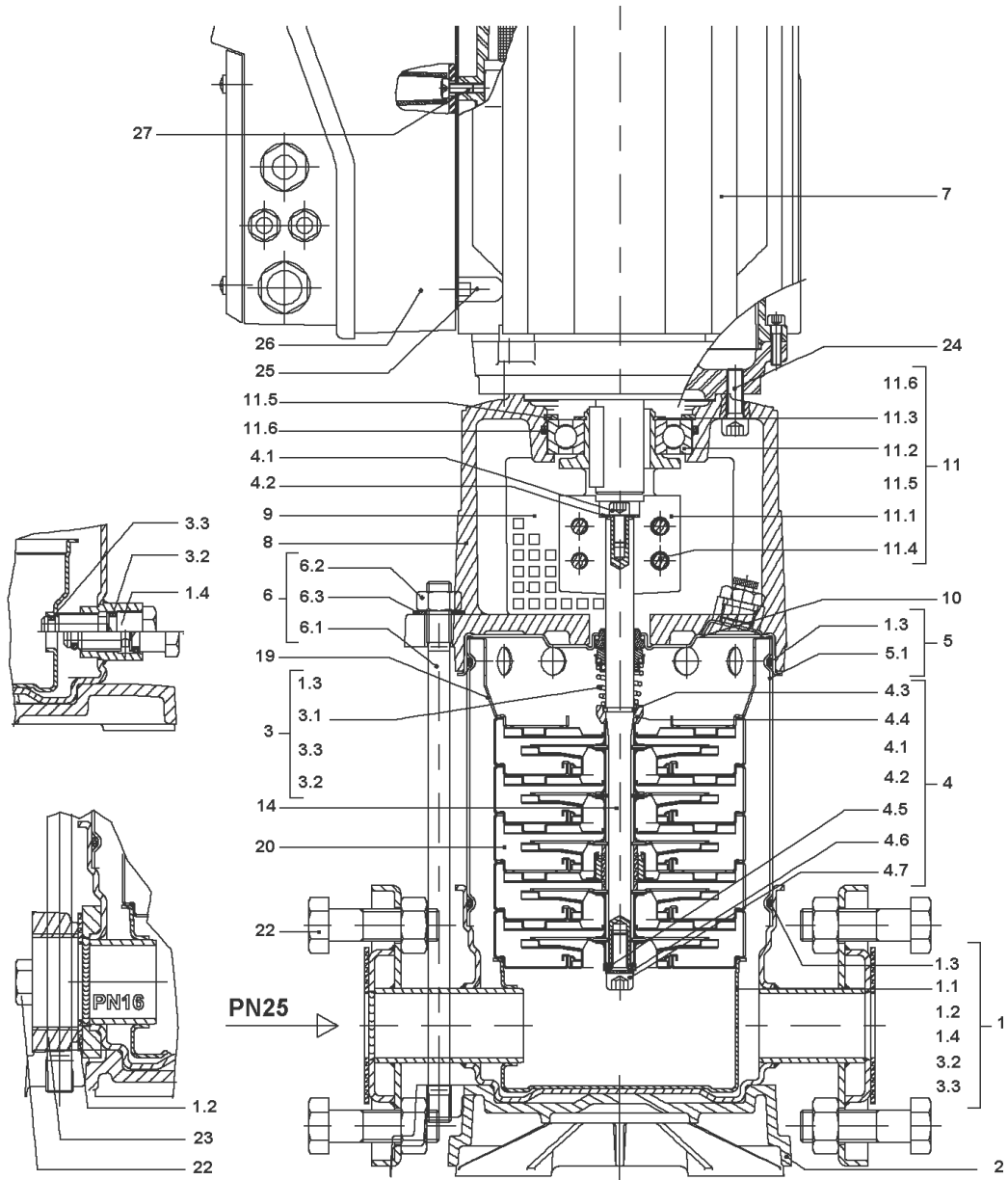
Note: no longer available/nicht mehr lieferbar/n'est plus disponible



**SPARE PARTS HYDRAULICS MVI/MVIE 1.4404**

Item	Article no.	Description	Quantity
20.1	4026335	ASSEMBLY LR./STF.GH.MHI402-405,MVI402 1.	1
		> IMPELLER-VMI/HMI-SERIE.4-316L	1
		> STAGE CASING WITHOUT-R/G-2/4M3-316L	1
		> SPACER IMPELLER MVI2/4 1.4435	1
20.2	4026338	ASSEMBLY STF.GH./LAG.BU.RLK.MVI404-419 1	1
		> IMPELLER-VMI/HMI-SERIE.4-316L	1
		> SPACER IMPELLER MVI2/4 1.4435	1
		> SPACER SHAFT SLEEVE MVI2/4 1.4435	1
		> STAGE CASING-AV-C/R-2/4M3-316L	1
20.3	4026336	ASSEMBLY LR./LAG.BU.RFK.MHI406,MVI403-19	1
		> IMPELLER-VMI/HMI-SERIE.4-316L	1
		> SPACER IMPELLER MVI2/4 1.4435	1
		> SPACER SHAFT SLEEVE MVI2/4 1.4435	1
		> STAGE CASING-AV-C/R-BEARING-2/4M3-L	1
		> SLEEVE-D14L13,8-VMI	1
20.4	4026337	ASSEMBLY LR.STF.GH.RFK.MHI4,MVI403-419 1	1
		> IMPELLER-VMI/HMI-SERIE.4-316L	1
		> SPACER IMPELLER MVI2/4 1.4435	1
		> STAGE CASING-AV-C/R-2/4M3-316L	1



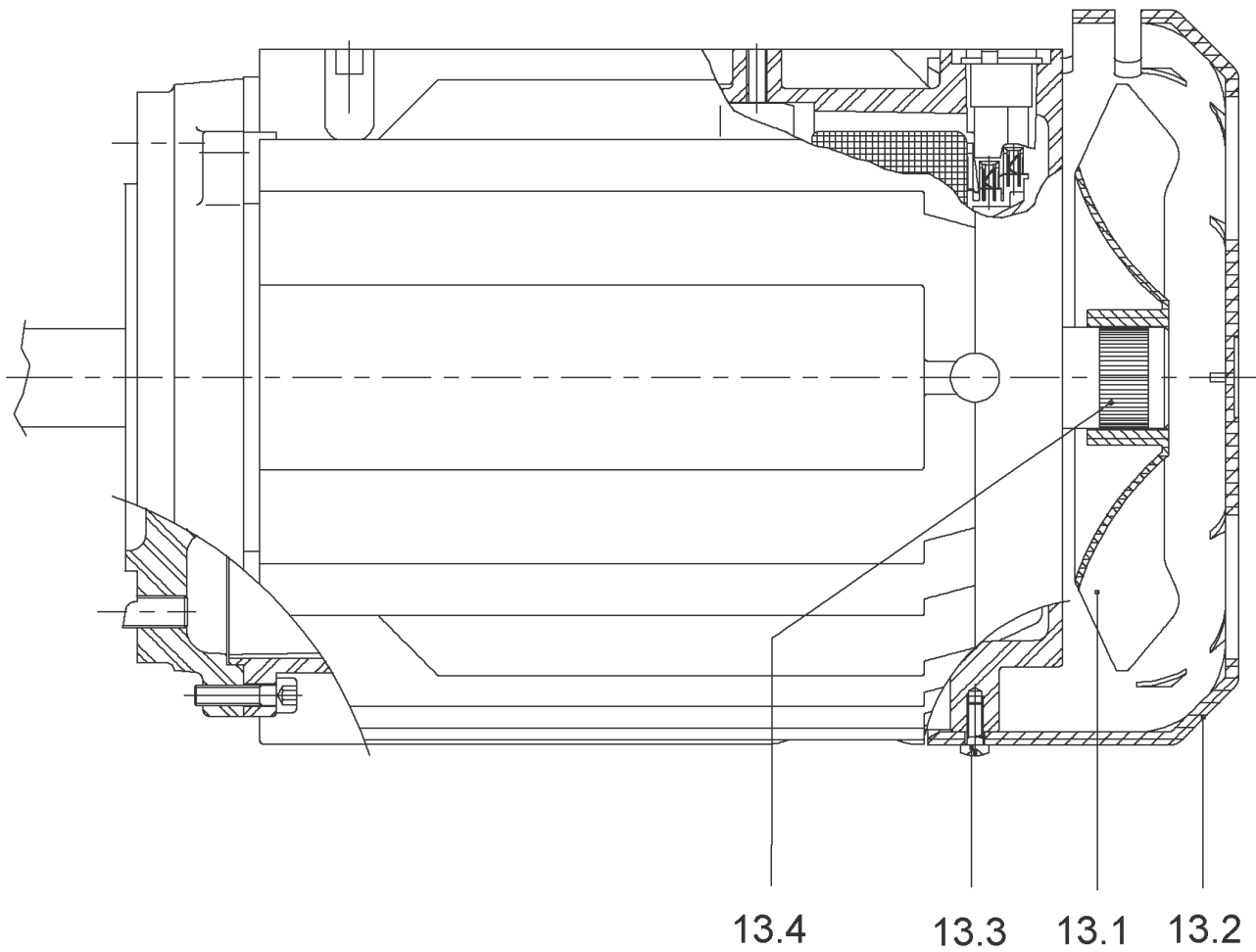


**MVIE408-1/16/E/3-2 (4074465)**

Item	Article no.	Description	Quantity
1	2023722	PUMP HOUSING D.32 PN16 MVISE 1.4301 KIT	1
1.1		> CASING-MU-I-D32-PN16-D152-304	1
1.2	4191618	> O-RING ID.44,05x3,53 EPDM VP.	1
1.3	4176513	> O-RING FOR PUMP JACKET VP.	1
2	2127420	BASE PLATE 212X157 PN16 VP.	1
3	4027301	MECHANICAL SEAL MVI2/4/8/16-6" EP120°KIT	1
1.3	4176513	> O-RING FOR PUMP JACKET VP.	1
3.1		> MECHANICAL SEAL MG12/14-G606-Q1BE3GG-BU.	1
3.2	4177800	> O-RING EPDM PLUG HELIX VP.	1
3.3	4234242	> O-RING 9X2 VP.	1
4	4015442	SHAFT-FIXING MVI4/8 KIT	1
4.1		> SCREW CHC-M6X14-8.8-ISO4762-GEOMET500A	1
4.2		> WASHER D.24 L6U ZINK	1
4.3	2090148	> CIRCLIP D14 MVI/MHI 316L (2 PIECES) VP.	1
		>> STOP-RUSH-1/2-D14-VMI/HMI-316	2
4.4		> STOP COLLAR OF IMPELLER L=8.7-Ø14-316L	1
4.5		> FLAT WASHER-D8xD16x2.5-316L	1
4.6		> STAINLESS-STEEL-WASHER-DE8	1
4.7		> SCREW M8X16 ISO4762 A4	1
5	2018381	HOUSING PIPE D.152X215 1.4301 KIT	1
5.1		> HOUSING-PIPE-D152-VMI208/408-1.4301	1
1.3	4176513	> O-RING FOR PUMP JACKET VP.	1
6	2018363	STUD BOLT M12X341 KIT	1
6.1		> TIE-ROD-M12-341x18x30 CLASS8.8 ZN+FINIG	1
6.2	2094647	> NUT M12 M12 ISO4032 VP.	1
6.3	2123557	> WASHER CS-12.4-24-1.6-NFE25 (4 PIECES)	1
7	4214476	MO.TL4/4000/2DM 65HZ V18 MVIE SER.99 VP.	1
		SPARE PARTS MOTOR TL4/4000/2 3-400 65HZ	1
8	4191471	LANTERN-MOTOR-VMI-FT130-MACHINED VP.	1
9	4092424	COUPLING GUARD FT85/130 MVI KIT	1
		> COUPLING PROTECTOR FT85/130-1.4016	1
		> CLIP COUPLING-GUARD-RF	1
10	4217881	STAT.RING HOLDER-GM-D14-304 VP.	1
11	4095219	3PH COUPLING KIT MVI D14XD28	1

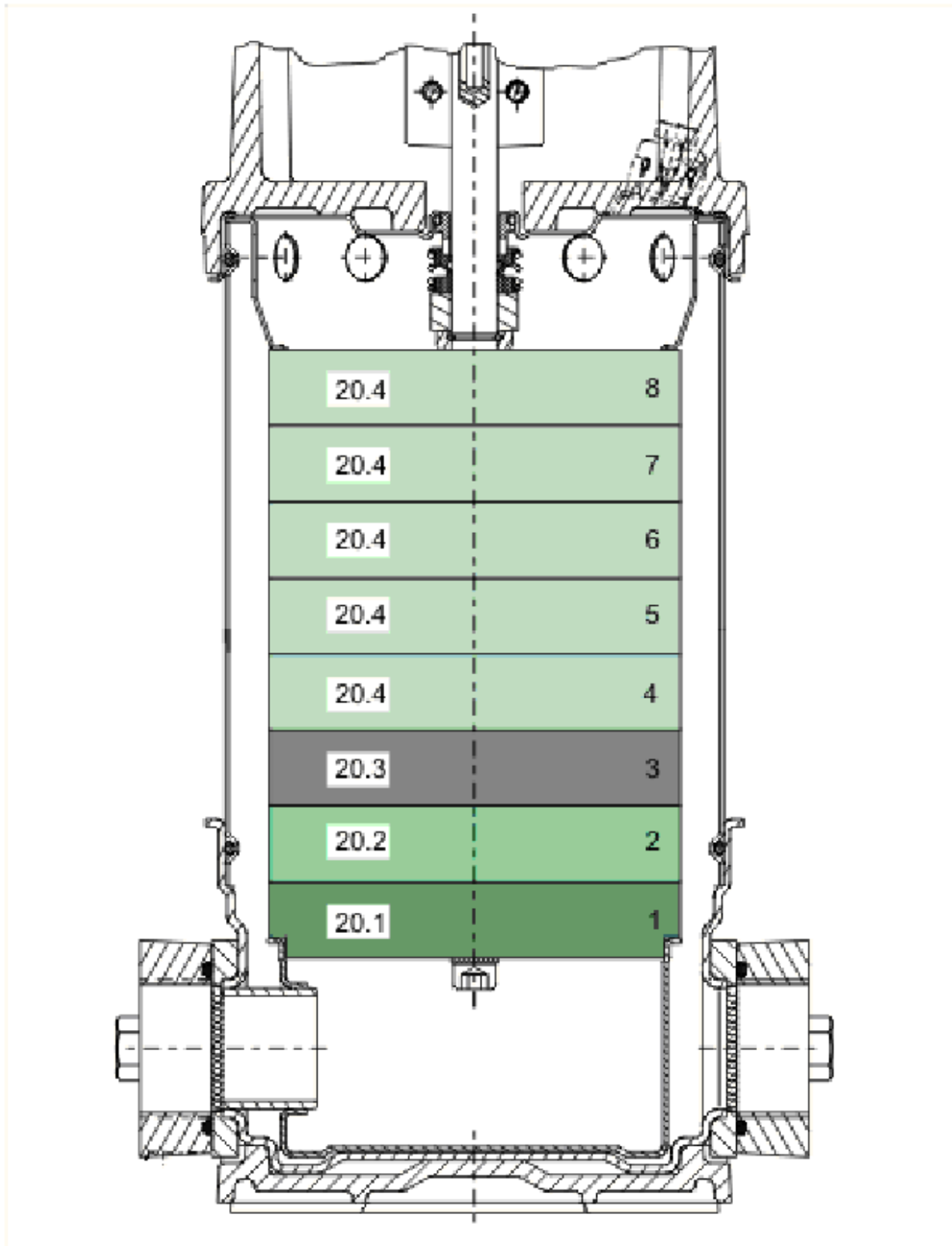
**MVIE408-1/16/E/3-2 (4074465)**

Item	Article no.	Description	Quantity
11.1		> COUPLING VMI-Ø14xØ28-FT130 MACHINING	1
11.2	122065996	> BALL BEARING 6209/2Z-C3 (HT) VP.	1
11.3	4233930	> CIRCLIP-FOR-BORES-D45x1,75 VP.	1
11.4	4157726	> SCREW KIT M8X30 (4 PIECES)	1
11.5	4234252	> CIRCLIPS 85X3 VP.	1
11.6	4234243	> O-RING 85X3 VP.	1
		> NOMEL CONTACT WASHER 8x16x1,4 STEEL ZC	1
		> SCREW CHC-M6X14-8.8-ISO4762-GEOMET500A	1
		> WASHER D.24 L6U ZINK	1
12	4233131	PLUG-VMI-316L VP.	1
14	4233904	SHAFT D.14X294 1.4057 VP.	1
19	4234236	UPPER STAGE RFK.MVI2/4 1.4301 VP.	1
20		SPARE PARTS HYDRAULICS MVI/MVIE 1.4301	1
22	61476	SCREW M16X55X38	1
23	2132562	OVAL FLANGE G1 1/4" LK75 VP.	1
24	74760312103	SCREW M8X25 ISO4762 8.8 ZN	1
25	2048856	SCREW M5X12 ISO7045 4.8-Z GB.ZN	1
26		MODULE MVIE/MHIE 212/408/805 4KW	1
Note: no longer available / nicht mehr lieferbar / ne plus disponible			
27	2048855	SCREW M5X16 ISO7045 4.8-Z ZN LSN.	1



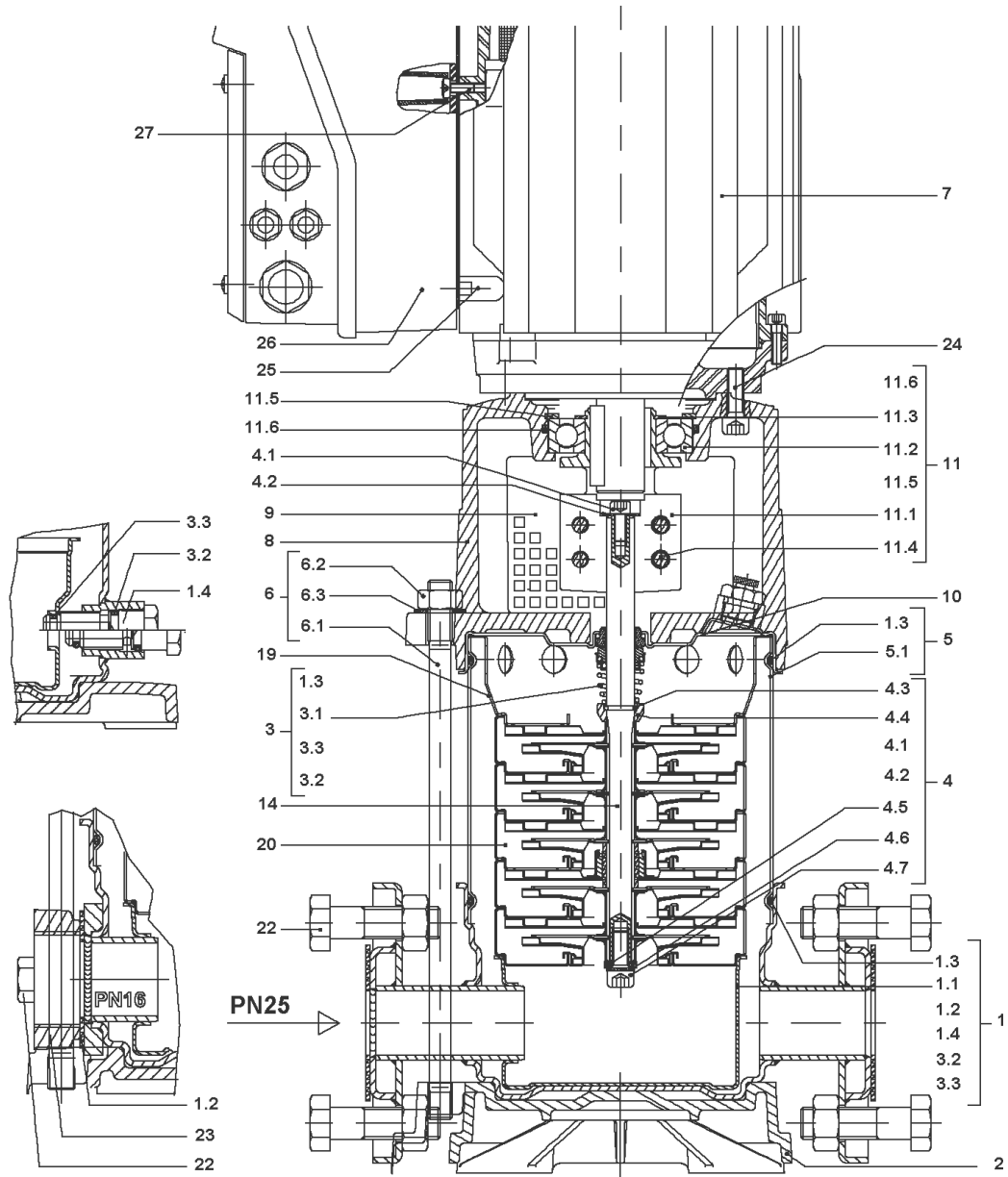
**SPARE PARTS MOTOR TL4/4000/2 3-400 65HZ**

Item	Article no.	Description	Quantity
13.1	2047017	FAN WHEEL AF90 2POL.ATB VP.	1
Note: Please give the data from type plate of the motor			
13.2	4049393	CAPOT-VENTILATEUR-TL4N-NEUTRE-REPRIS	1
Note: Please give the data from type plate of the motor			
13.3		SCREW M4X8 ISO7045 4.8-H ZN	1
Note: no longer available / nicht mehr lieferbar / ne plus disponible			
13.4	2047016	CORRUGATED SLEEVE RING BG90/100 ATB VP.	1
Note: Please give the data from type plate of the motor			



**SPARE PARTS HYDRAULICS MVI/MVIE 1.4301**

Item	Article no.	Description	Quantity
20.1	4015444	STAGE MHI402-405,MVI KIT	1
		> IMPELLER MVI4 D.98,5x3,1 1.4301	1
		> STAGE HOUSING O.RFK MVI2/4 1.4301	1
		> SPACER IMPELLER MVI2/4 1.4435	1
20.2	4015447	STAGE MVI404-419 1.4301 KIT	1
		> IMPELLER MVI4 D.98,5x3,1 1.4301	1
		> SPACER IMPELLER MVI2/4 1.4435	1
		> SPACER SHAFT SLEEVE MVI2/4 1.4435	1
		> STAGE HOUSING RFK.MVI2/4 1.4301	1
20.3	4015445	STAGE-KIT-MVI-MHI	1
		> IMPELLER MVI4 D.98,5x3,1 1.4301	1
		> SPACER IMPELLER MVI2/4 1.4435	1
		> SPACER SHAFT SLEEVE MVI2/4 1.4435	1
		> STAGE-CASING-WITH-R/C+BEARING-2/4M3-304	1
		> SLEEVE-D14L13,8-VMI	1
20.4	4015446	STAGE MHI4,MVI403-19 1.4301 KIT	1
		> IMPELLER MVI4 D.98,5x3,1 1.4301	1
		> SPACER IMPELLER MVI2/4 1.4435	1
		> STAGE HOUSING RFK.MVI2/4 1.4301	1



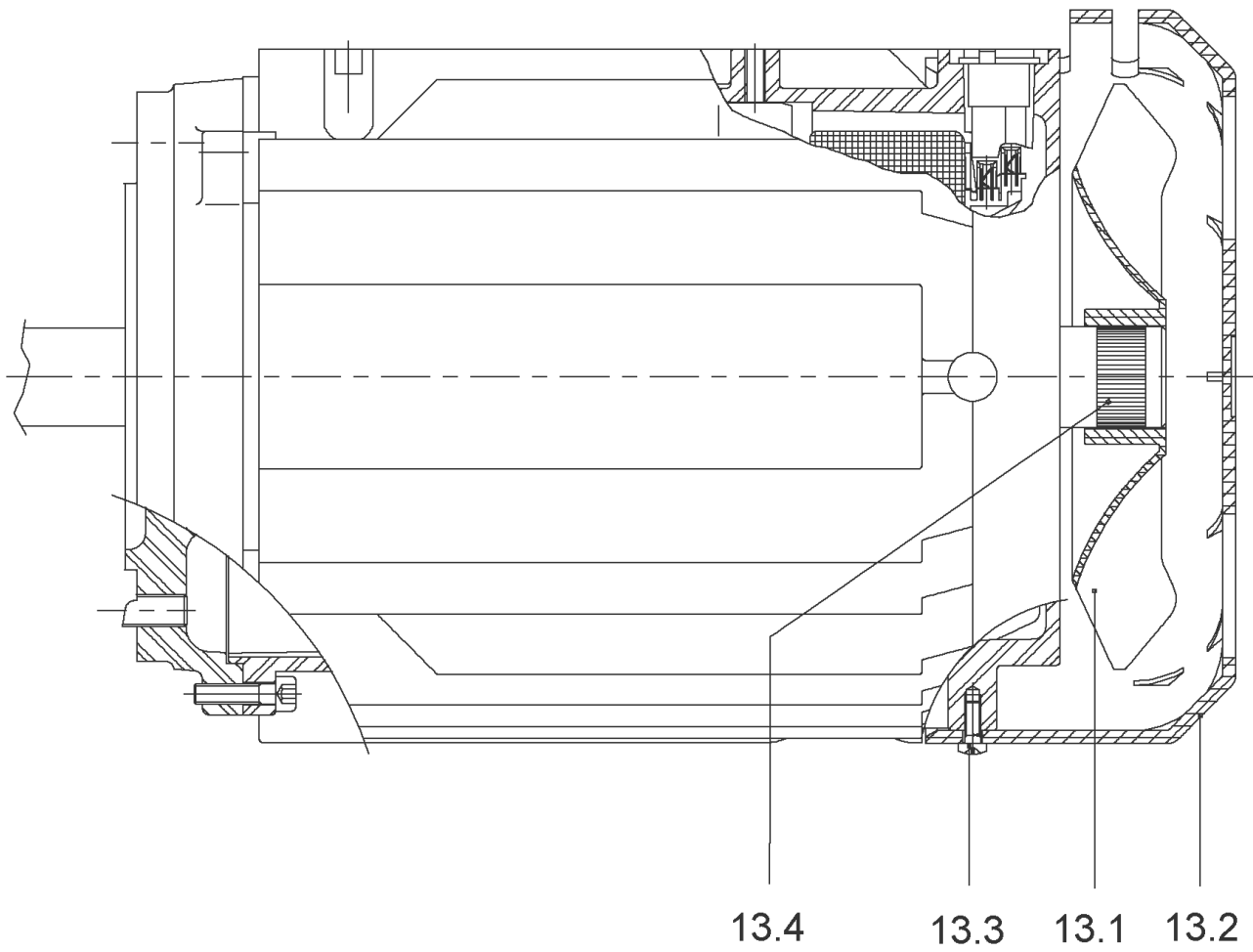


**MVIE408-1/25/E/3-2 (4040106)**

Item	Article no.	Description	Quantity
1	2018537	PUMP HOUSING MVI4 DN32 PN25 1.4404 KIT	1
1.1		> PUMP HOUSING MVI D32 PN25 ANSI300-4M3-31	1
1.2	4010031	> FLAT GASKET D.30/79	2
1.3	4176513	> O-RING FOR PUMP JACKET VP.	1
1.4	4234240	> PRIMING/DRAIN PLUG MVI6" 316L VP.	1
3.2	4177800	> O-RING EPDM PLUG HELIX VP.	1
3.3	4234242	> O-RING 9X2 VP.	1
2	4187925	BASEPLATE-VMI-1/2/4M3-VP.	1
3	4015431	MECHANICAL SEAL MVI2/4/8 PN25 120° KIT	1
1.3	4176513	> O-RING FOR PUMP JACKET VP.	1
3.1		> MECHANICAL SEAL RMG12/14-G606-U3BE3GG-BU	1
3.2	4177800	> O-RING EPDM PLUG HELIX VP.	1
3.3	4234242	> O-RING 9X2 VP.	1
4	4015442	SHAFT-FIXING MVI4/8 KIT	1
4.1		> SCREW CHC-M6X14-8.8-ISO4762-GEOMET500A	1
4.2		> WASHER D.24 L6U ZINK	1
4.3	2090148	> CIRCLIP D14 MVI/MHI 316L (2 PIECES) VP.	1
		>> STOP-RUSH-1/2-D14-VMI/HMI-316	2
4.4		> STOP COLLAR OF IMPELLER L=8.7-Ø14-316L	1
4.5		> FLAT WASHER-D8xD16x2.5-316L	1
4.6		> STAINLESS-STEEL-WASHER-DE8	1
4.7		> SCREW M8X16 ISO4762 A4	1
5	2018381	HOUSING PIPE D.152X215 1.4301 KIT	1
5.1		> HOUSING-PIPE-D152-VMI208/408-1.4301	1
1.3	4176513	> O-RING FOR PUMP JACKET VP.	1
6	2018363	STUD BOLT M12X341 KIT	1
6.1		> TIE-ROD-M12-341x18x30 CLASS8.8 ZN+FINIG	1
6.2	2094647	> NUT M12 M12 ISO4032 VP.	1
6.3	2123557	> WASHER CS-12.4-24-1.6-NFE25 (4 PIECES)	1
7	4214476	MO.TL4/4000/2DM 65HZ V18 MVIE SER.99 VP.	1
		SPARE PARTS MOTOR TL4/4000/2 3-400 65HZ	1
8	4191471	LANTERN-MOTOR-VMI-FT130-MACHINED VP.	1
9	4092424	COUPLING GUARD FT85/130 MVI KIT	1
		> COUPLING PROTECTOR FT85/130-1.4016	1

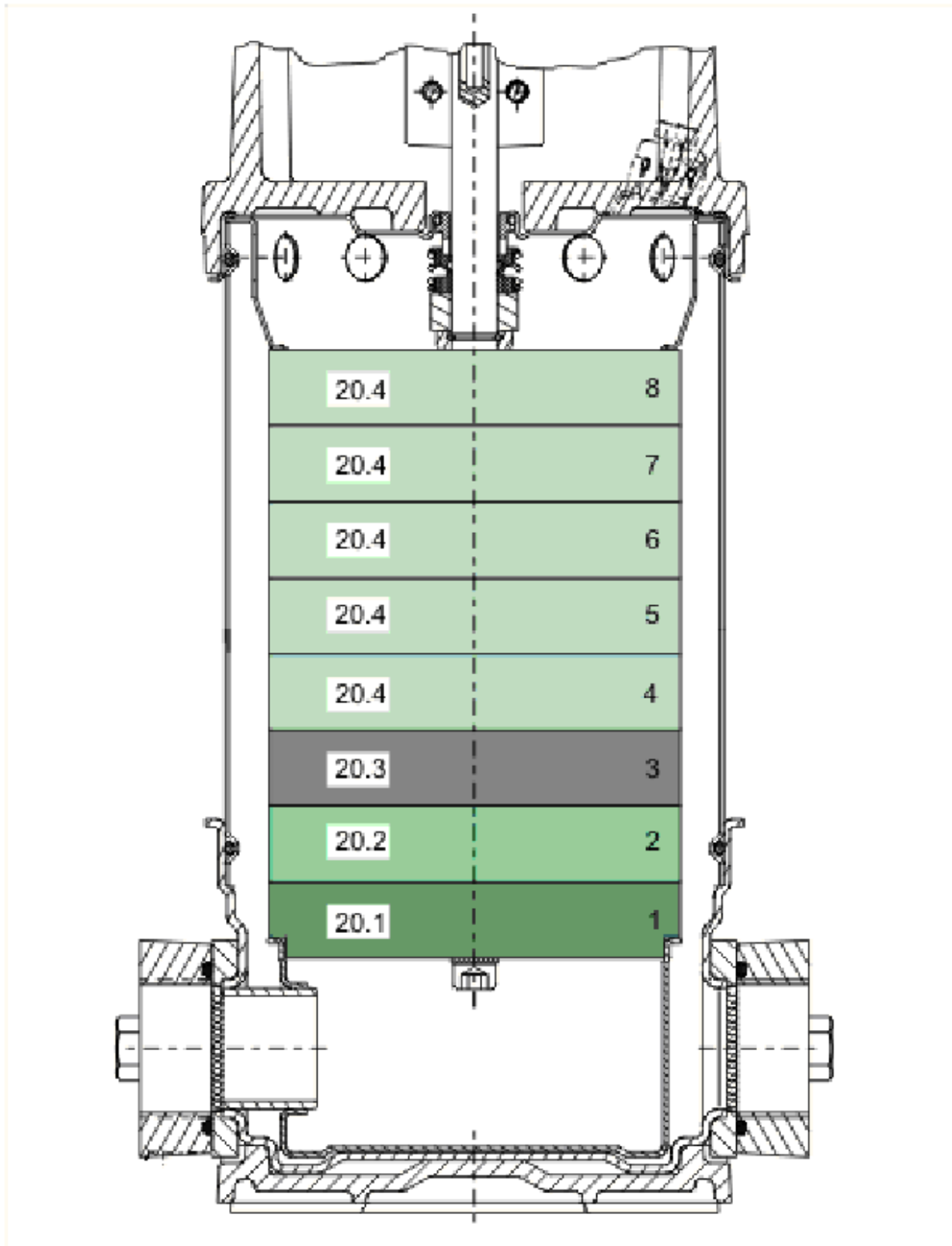
**MVIE408-1/25/E/3-2 (4040106)**

Item	Article no.	Description	Quantity
		> CLIP COUPLING-GUARD-RF	1
10	4217881	STAT.RING HOLDER-GM-D14-304 VP.	1
11	4095219	3PH COUPLING KIT MVI D14XD28	1
11.1		> COUPLING VMI-Ø14xØ28-FT130 MACHINING	1
11.2	122065996	> BALL BEARING 6209/2Z-C3 (HT) VP.	1
11.3	4233930	> CIRCLIP-FOR-BORES-D45x1,75 VP.	1
11.4	4157726	> SCREW KIT M8X30 (4 PIECES)	1
11.5	4234252	> CIRCLIPS 85X3 VP.	1
11.6	4234243	> O-RING 85X3 VP.	1
		> NOME CONTACT WASHER 8x16x1,4 STEEL ZC	1
		> SCREW CHC-M6X14-8.8-ISO4762-GEOMET500A	1
		> WASHER D.24 L6U ZINK	1
12	4233131	PLUG-VMI-316L VP.	1
14	4233904	SHAFT D.14X294 1.4057 VP.	1
19	4234236	UPPER STAGE RFK.MVI2/4 1.4301 VP.	1
20		SPARE PARTS HYDRAULICS MVI/MVIE 1.4301	1
22	61476	SCREW M16X55X38	1
24	74760312103	SCREW M8X25 ISO4762 8.8 ZN	1
25	2048856	SCREW M5X12 ISO7045 4.8-Z GB.ZN	1
26		MODULE MVIE/MHIE 212/408/805 4KW	1
Note: no longer available / nicht mehr lieferbar / ne plus disponible			
27	2048855	SCREW M5X16 ISO7045 4.8-Z ZN LSN.	1



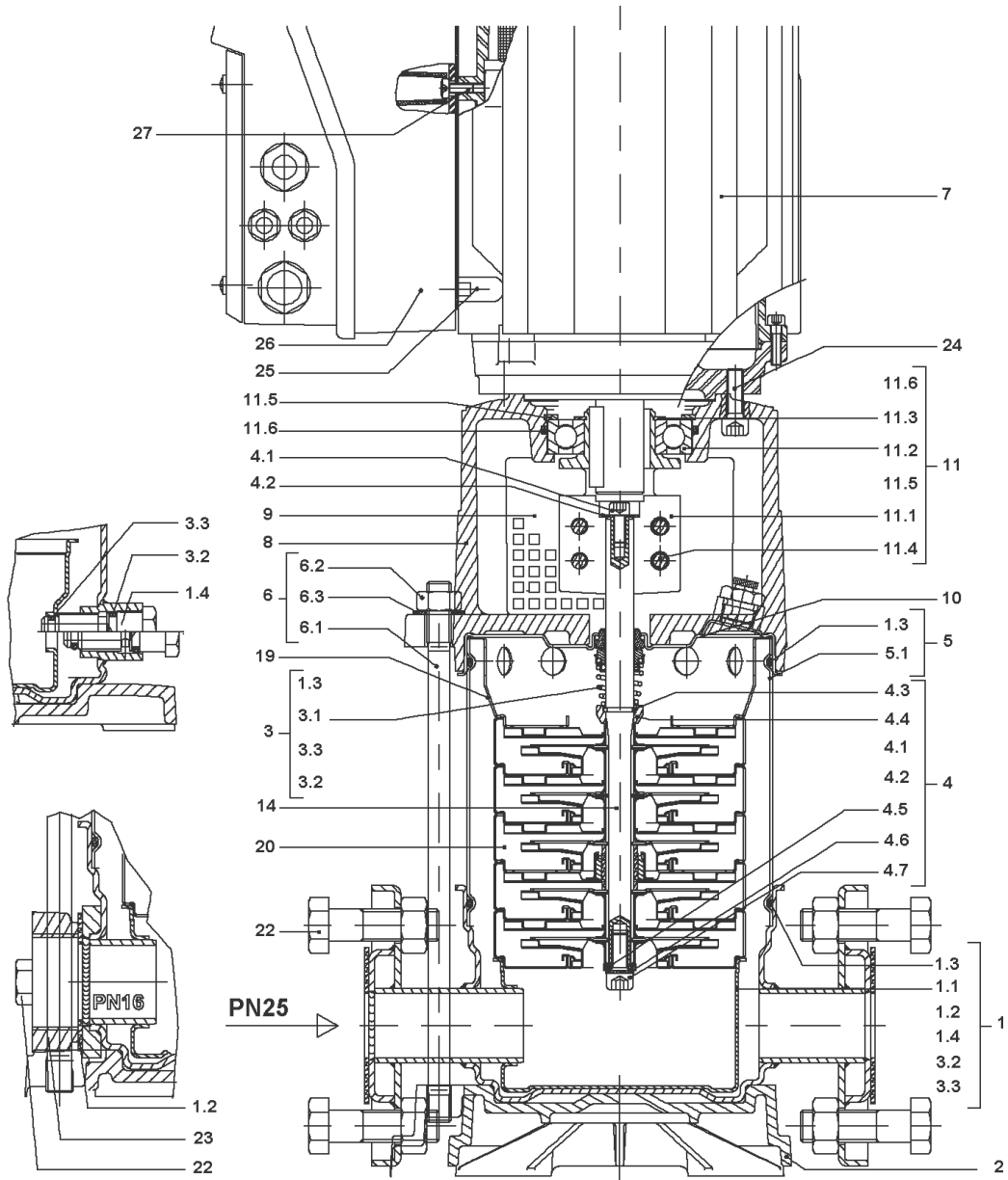
## SPARE PARTS MOTOR TL4/4000/2 3-400 65HZ

Item	Article no.	Description	Quantity
13.1	2047017	FAN WHEEL AF90 2POL.ATB VP.	1
Note: Please give the data from type plate of the motor			
13.2	4049393	CAPOT-VENTILATEUR-TL4N-NEUTRE-REPRIS	1
Note: Please give the data from type plate of the motor			
13.3		SCREW M4X8 ISO7045 4.8-H ZN	1
Note: no longer available / nicht mehr lieferbar / ne plus disponible			
13.4	2047016	CORRUGATED SLEEVE RING BG90/100 ATB VP.	1
Note: Please give the data from type plate of the motor			



**SPARE PARTS HYDRAULICS MVI/MVIE 1.4301**

Item	Article no.	Description	Quantity
20.1	4015444	STAGE MHI402-405,MVI KIT	1
		> IMPELLER MVI4 D.98,5x3,1 1.4301	1
		> STAGE HOUSING O.RFK MVI2/4 1.4301	1
		> SPACER IMPELLER MVI2/4 1.4435	1
20.2	4015447	STAGE MVI404-419 1.4301 KIT	1
		> IMPELLER MVI4 D.98,5x3,1 1.4301	1
		> SPACER IMPELLER MVI2/4 1.4435	1
		> SPACER SHAFT SLEEVE MVI2/4 1.4435	1
		> STAGE HOUSING RFK.MVI2/4 1.4301	1
20.3	4015445	STAGE-KIT-MVI-MHI	1
		> IMPELLER MVI4 D.98,5x3,1 1.4301	1
		> SPACER IMPELLER MVI2/4 1.4435	1
		> SPACER SHAFT SLEEVE MVI2/4 1.4435	1
		> STAGE-CASING-WITH-R/C+BEARING-2/4M3-304	1
		> SLEEVE-D14L13,8-VMI	1
20.4	4015446	STAGE MHI4,MVI403-19 1.4301 KIT	1
		> IMPELLER MVI4 D.98,5x3,1 1.4301	1
		> SPACER IMPELLER MVI2/4 1.4435	1
		> STAGE HOUSING RFK.MVI2/4 1.4301	1



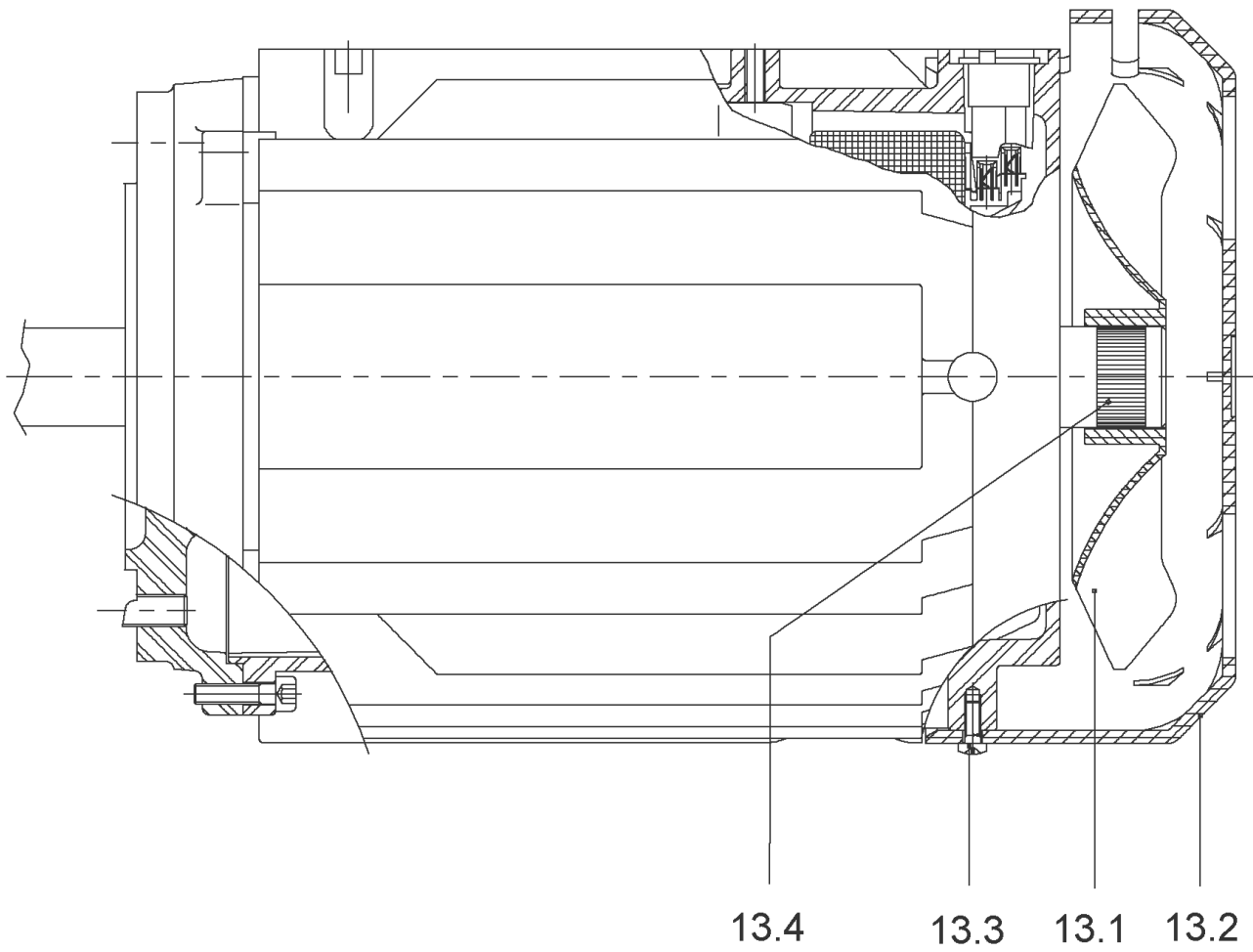
**MVIE408-2/25/V/3-2 (4040046)**

Item	Article no.	Description	Quantity
1	2018594	PUMP HOUSING MVI4 DN25 PN25/V 1.4404 KIT	1
1.1		> PUMP HOUSING MVI D32 PN25 ANSI300-4M3-31	1
1.2	4010031	> FLAT GASKET D.30/79	1
1.3	4234237	> O-RING 139X3 VITON VP.	1
1.4	4234240	> PRIMING/DRAIN PLUG MVI6" 316L VP.	1
3.2	4234239	> O-RING 13X2 VITON VP.	1
3.3	4234238	> O-RING 9X2 VITON VP.	1
2	4187925	BASEPLATE-VMI-1/2/4M3-VP.	1
3	4027310	ASSEMBLY GRD.MVI2../4../8.. PN25 90° +VP	1
1.3	4234237	> O-RING 139X3 VITON VP.	1
3.1		> MECHANICAL SEAL RMG12/14-G606-U3BVGG-BUR	1
3.2	4234239	> O-RING 13X2 VITON VP.	1
3.3	4234238	> O-RING 9X2 VITON VP.	1
4	4015442	SHAFT-FIXING MVI4/8 KIT	1
4.1		> SCREW CHC-M6X14-8.8-ISO4762-GEOMET500A	1
4.2		> WASHER D.24 L6U ZINK	1
4.3	2090148	> CIRCLIP D14 MVI/MHI 316L (2 PIECES) VP.	1
		>> STOP-RUSH-1/2-D14-VMI/HMI-316	2
4.4		> STOP COLLAR OF IMPELLER L=8.7-Ø14-316L	1
4.5		> FLAT WASHER-D8xD16x2.5-316L	1
4.6		> STAINLESS-STEEL-WASHER-DE8	1
4.7		> SCREW M8X16 ISO4762 A4	1
5	2018433	HOUSING PIPE D.152X215 1.4404 KIT	1
5.1		> HOUSING-PIPE-D152-VMI208/408-316L	1
1.3	4234237	> O-RING 139X3 VITON VP.	1
6	2018363	STUD BOLT M12X341 KIT	1
6.1		> TIE-ROD-M12-341x18x30 CLASS8.8 ZN+FINIG	1
6.2	2094647	> NUT M12 M12 ISO4032 VP.	1
6.3	2123557	> WASHER CS-12.4-24-1.6-NFE25 (4 PIECES)	1
7	4214476	MO.TL4/4000/2DM 65HZ V18 MVIE SER.99 VP.	1
		SPARE PARTS MOTOR TL4/4000/2 3-400 65HZ	1
8	4191471	LANTERN-MOTOR-VMI-FT130-MACHINED VP.	1
9	4092424	COUPLING GUARD FT85/130 MVI KIT	1
		> COUPLING PROTECTOR FT85/130-1.4016	1



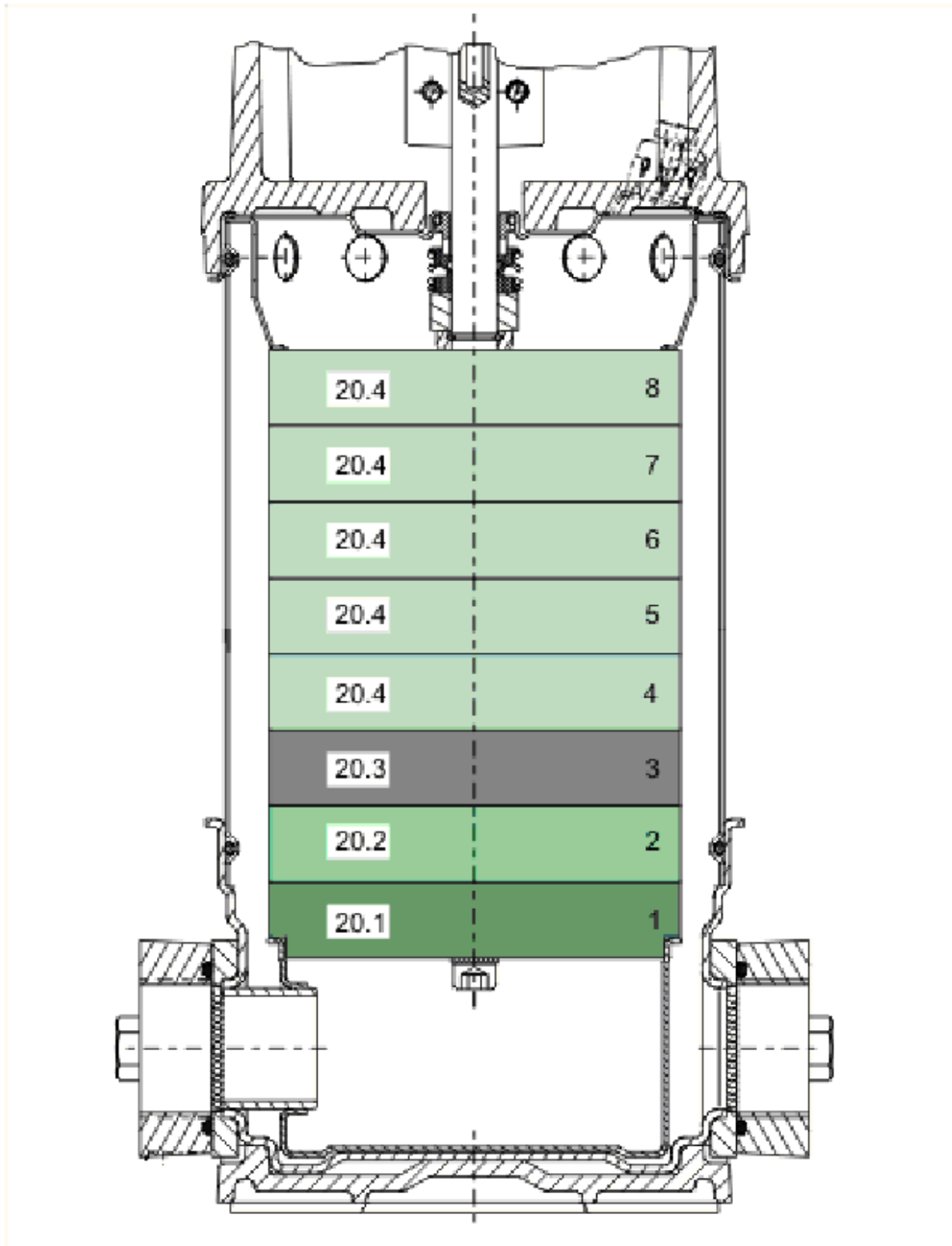
**MVIE408-2/25/V/3-2 (4040046)**

Item	Article no.	Description	Quantity
		> CLIP COUPLING-GUARD-RF	1
10	4217883	STAT.RING HOLDER MVI2/4/8 1.4435 VP.	1
11	4095219	3PH COUPLING KIT MVI D14XD28	1
11.1		> COUPLING VMI-Ø14xØ28-FT130 MACHINING	1
11.2	122065996	> BALL BEARING 6209/2Z-C3 (HT) VP.	1
11.3	4233930	> CIRCLIP-FOR-BORES-D45x1,75 VP.	1
11.4	4157726	> SCREW KIT M8X30 (4 PIECES)	1
11.5	4234252	> CIRCLIPS 85X3 VP.	1
11.6	4234243	> O-RING 85X3 VP.	1
		> NOME CONTACT WASHER 8x16x1,4 STEEL ZC	1
		> SCREW CHC-M6X14-8.8-ISO4762-GEOMET500A	1
		> WASHER D.24 L6U ZINK	1
12	4233131	PLUG-VMI-316L VP.	1
14	4233139	SHAFT D.14X294 1.4404 VP.	1
19	4233921	UPPER STAGE RFK.MVI2/4M3 1.4435 VP.	1
20		SPARE PARTS HYDRAULICS MVI/MVIE 1.4404	1
22	61476	SCREW M16X55X38	1
24	74760312103	SCREW M8X25 ISO4762 8.8 ZN	1
25	2048856	SCREW M5X12 ISO7045 4.8-Z GB.ZN	1
26		MODULE MVIE/MHIE 212/408/805 4KW	1
Note: no longer available / nicht mehr lieferbar / ne plus disponible			
27	2048855	SCREW M5X16 ISO7045 4.8-Z ZN LSN.	1



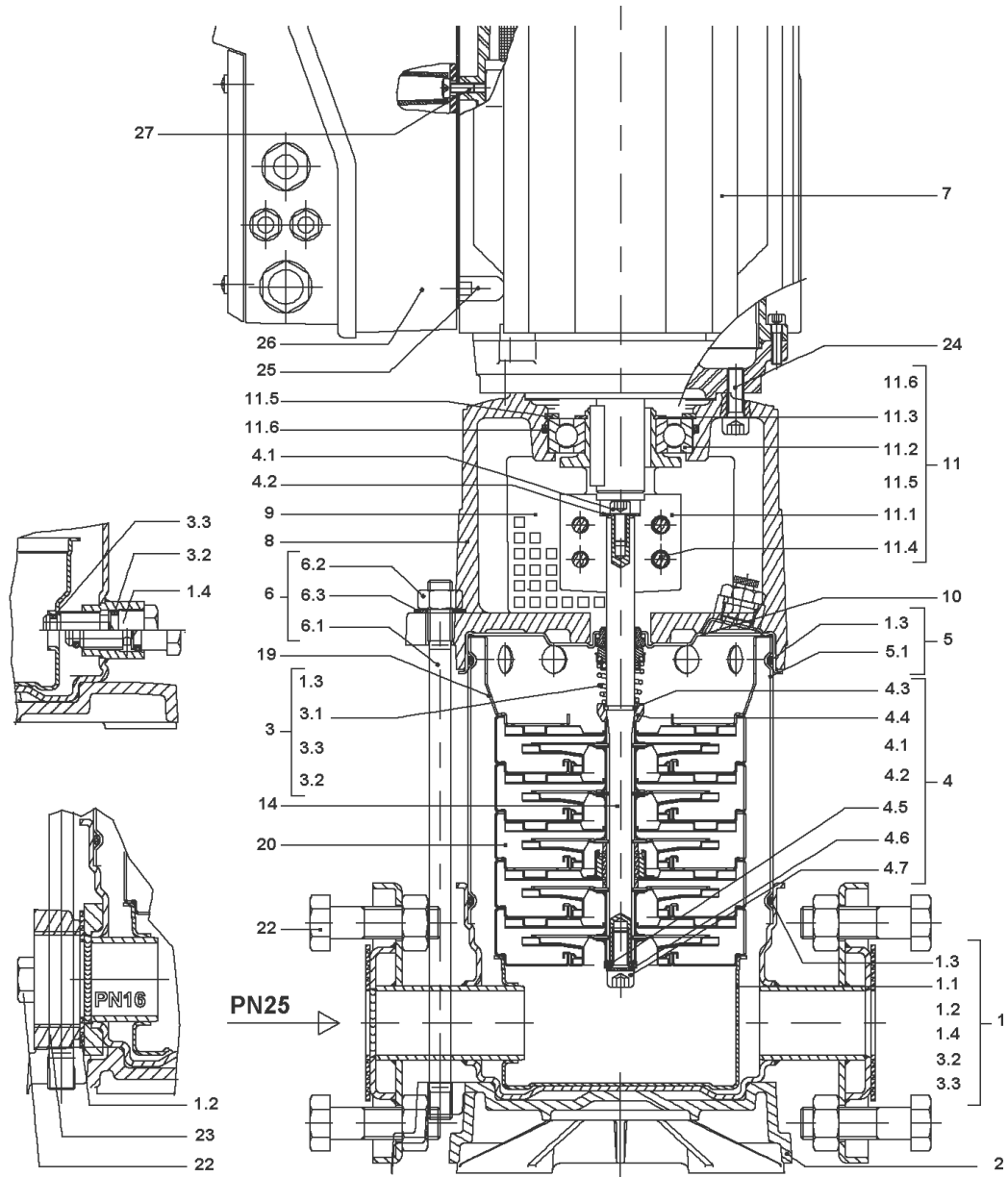
**SPARE PARTS MOTOR TL4/4000/2 3-400 65HZ**

Item	Article no.	Description	Quantity
13.1	2047017	FAN WHEEL AF90 2POL.ATB VP.	1
Note: Please give the data from type plate of the motor			
13.2	4049393	CAPOT-VENTILATEUR-TL4N-NEUTRE-REPRIS	1
Note: Please give the data from type plate of the motor			
13.3		SCREW M4X8 ISO7045 4.8-H ZN	1
Note: no longer available / nicht mehr lieferbar / ne plus disponible			
13.4	2047016	CORRUGATED SLEEVE RING BG90/100 ATB VP.	1
Note: Please give the data from type plate of the motor			



**SPARE PARTS HYDRAULICS MVI/MVIE 1.4404**

Item	Article no.	Description	Quantity
20.1	4026335	ASSEMBLY LR./STF.GH.MHI402-405,MVI402 1.	1
		> IMPELLER-VMI/HMI-SERIE.4-316L	1
		> STAGE CASING WITHOUT-R/G-2/4M3-316L	1
		> SPACER IMPELLER MVI2/4 1.4435	1
20.2	4026338	ASSEMBLY STF.GH./LAG.BU.RLK.MVI404-419 1	1
		> IMPELLER-VMI/HMI-SERIE.4-316L	1
		> SPACER IMPELLER MVI2/4 1.4435	1
		> SPACER SHAFT SLEEVE MVI2/4 1.4435	1
		> STAGE CASING-AV-C/R-2/4M3-316L	1
20.3	4026336	ASSEMBLY LR./LAG.BU.RFK.MHI406,MVI403-19	1
		> IMPELLER-VMI/HMI-SERIE.4-316L	1
		> SPACER IMPELLER MVI2/4 1.4435	1
		> SPACER SHAFT SLEEVE MVI2/4 1.4435	1
		> STAGE CASING-AV-C/R-BEARING-2/4M3-L	1
		> SLEEVE-D14L13,8-VMI	1
20.4	4026337	ASSEMBLY LR.STF.GH.RFK.MHI4,MVI403-419 1	1
		> IMPELLER-VMI/HMI-SERIE.4-316L	1
		> SPACER IMPELLER MVI2/4 1.4435	1
		> STAGE CASING-AV-C/R-2/4M3-316L	1



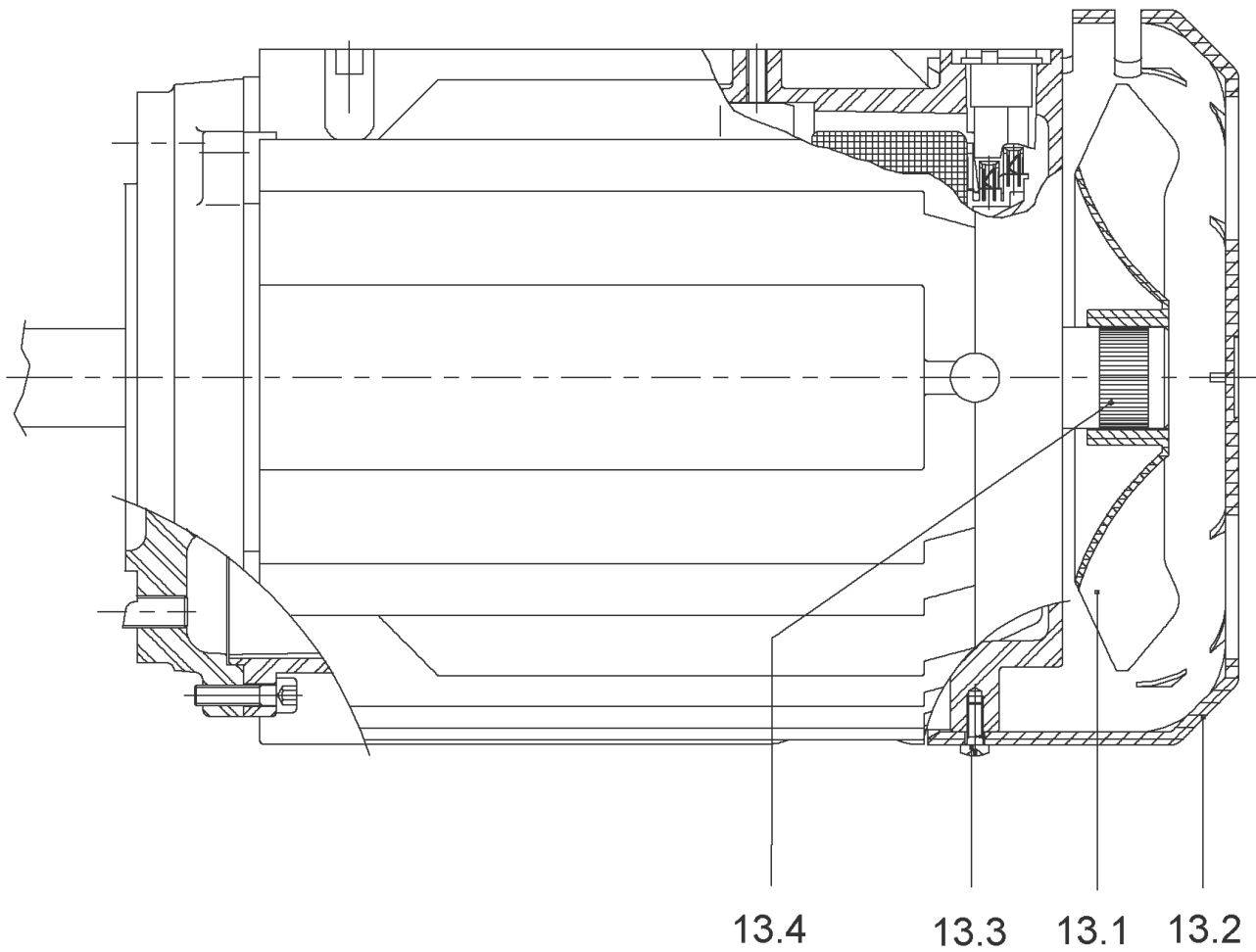
**MVIE408-2/P/V/3-2 (4040057)**

Item	Article no.	Description	Quantity
1	2114343	PUMP HOUSING MVI DN32 P 1.4404 KIT	1
1.1		> CASING-MVI-D32-PN25-D152-316L-VICTAULI	1
1.3	4234237	> O-RING 139X3 VITON VP.	1
1.4	4234240	> PRIMING/DRAIN PLUG MVI6" 316L VP.	1
3.2	4234239	> O-RING 13X2 VITON VP.	1
3.3	4234238	> O-RING 9X2 VITON VP.	1
2	4187925	BASEPLATE-VMI-1/2/4M3-VP.	1
3	4027310	ASSEMBLY GRD.MVI2../4../8.. PN25 90° +VP	1
1.3	4234237	> O-RING 139X3 VITON VP.	1
3.1		> MECHANICAL SEAL RMG12/14-G606-U3BVGG-BUR	1
3.2	4234239	> O-RING 13X2 VITON VP.	1
3.3	4234238	> O-RING 9X2 VITON VP.	1
4	4015442	SHAFT-FIXING MVI4/8 KIT	1
4.1		> SCREW CHC-M6X14-8.8-ISO4762-GEOMET500A	1
4.2		> WASHER D.24 L6U ZINK	1
4.3	2090148	> CIRCLIP D14 MVI/MHI 316L (2 PIECES) VP.	1
		>> STOP-RUSH-1/2-D14-VMI/HMI-316	2
4.4		> STOP COLLAR OF IMPELLER L=8.7-Ø14-316L	1
4.5		> FLAT WASHER-D8xD16x2.5-316L	1
4.6		> STAINLESS-STEEL-WASHER-DE8	1
4.7		> SCREW M8X16 ISO4762 A4	1
5	2018433	HOUSING PIPE D.152X215 1.4404 KIT	1
5.1		> HOUSING-PIPE-D152-VMI208/408-316L	1
1.3	4234237	> O-RING 139X3 VITON VP.	1
6	2018363	STUD BOLT M12X341 KIT	1
6.1		> TIE-ROD-M12-341x18x30 CLASS8.8 ZN+FINIG	1
6.2	2094647	> NUT M12 M12 ISO4032 VP.	1
6.3	2123557	> WASHER CS-12.4-24-1.6-NFE25 (4 PIECES)	1
7	4214476	MO.TL4/4000/2DM 65HZ V18 MVIE SER.99 VP.	1
		SPARE PARTS MOTOR TL4/4000/2 3-400 65HZ	1
8	4191471	LANTERN-MOTOR-VMI-FT130-MACHINED VP.	1
9	4092424	COUPLING GUARD FT85/130 MVI KIT	1
		> COUPLING PROTECTOR FT85/130-1.4016	1
		> CLIP COUPLING-GUARD-RF	1

**MVIE408-2/P/V/3-2 (4040057)**

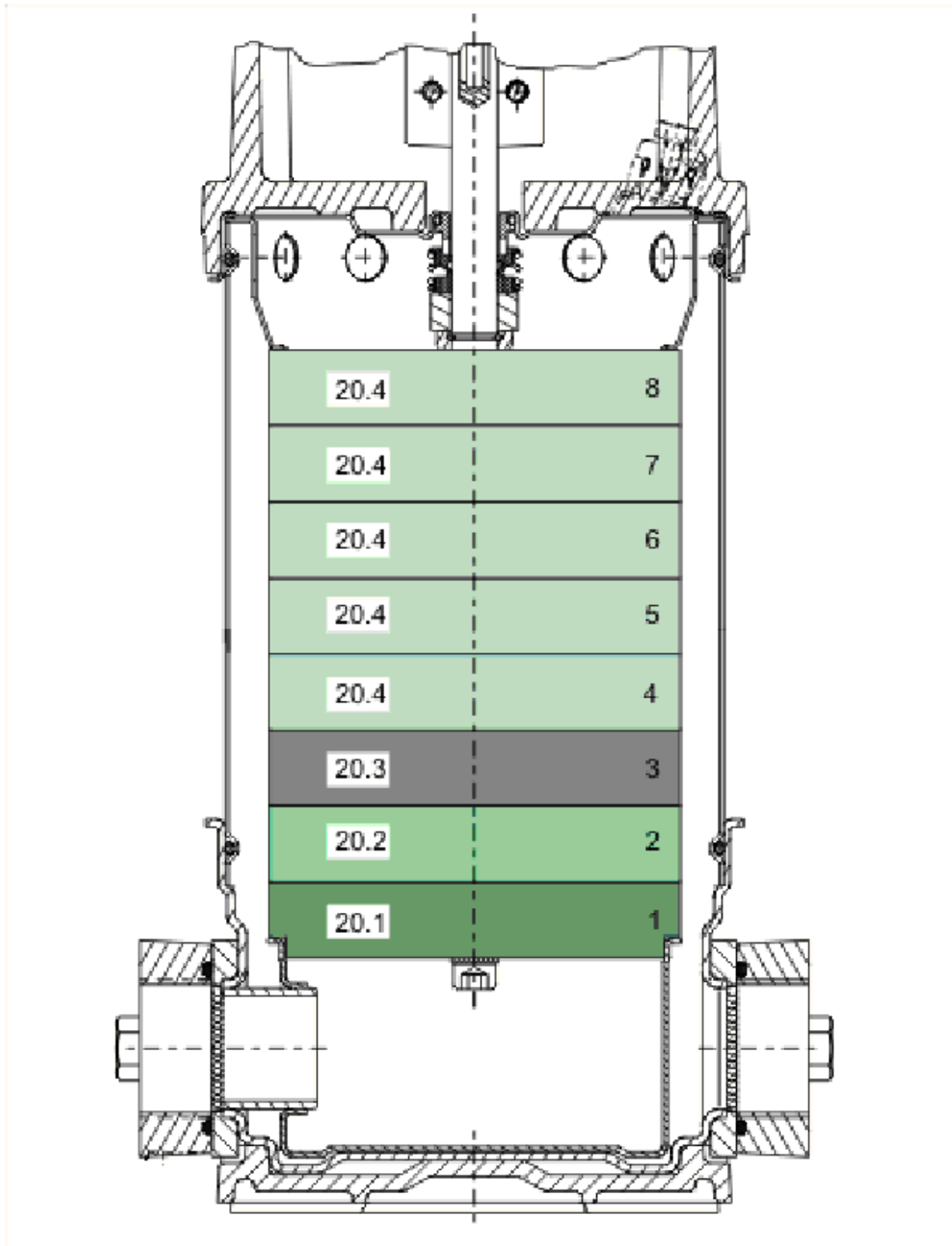
Item	Article no.	Description	Quantity
10	4217883	STAT.RING HOLDER MVI2/4/8 1.4435 VP.	1
11	4095219	3PH COUPLING KIT MVI D14XD28	1
11.1		> COUPLING VMI-Ø14xØ28-FT130 MACHINING	1
11.2	122065996	> BALL BEARING 6209/2Z-C3 (HT) VP.	1
11.3	4233930	> CIRCLIP-FOR-BORES-D45x1,75 VP.	1
11.4	4157726	> SCREW KIT M8X30 (4 PIECES)	1
11.5	4234252	> CIRCLIPS 85X3 VP.	1
11.6	4234243	> O-RING 85X3 VP.	1
		> NOMEL CONTACT WASHER 8x16x1,4 STEEL ZC	1
		> SCREW CHC-M6X14-8.8-ISO4762-GEOMET500A	1
		> WASHER D.24 L6U ZINK	1
12	4233131	PLUG-VMI-316L VP.	1
14	4233139	SHAFT D.14X294 1.4404 VP.	1
19	4233921	UPPER STAGE RFK.MVI2/4M3 1.4435 VP.	1
20		SPARE PARTS HYDRAULICS MVI/MVIE 1.4404	1
22	61476	SCREW M16X55X38	1
23	2132562	OVAL FLANGE G1 1/4" LK75 VP.	1
24	74760312103	SCREW M8X25 ISO4762 8.8 ZN	1
25	2048856	SCREW M5X12 ISO7045 4.8-Z GB.ZN	1
26		MODULE MVIE/MHIE 212/408/805 4KW	1
Note: no longer available / nicht mehr lieferbar / ne plus disponible			
27	2048855	SCREW M5X16 ISO7045 4.8-Z ZN LSN.	1





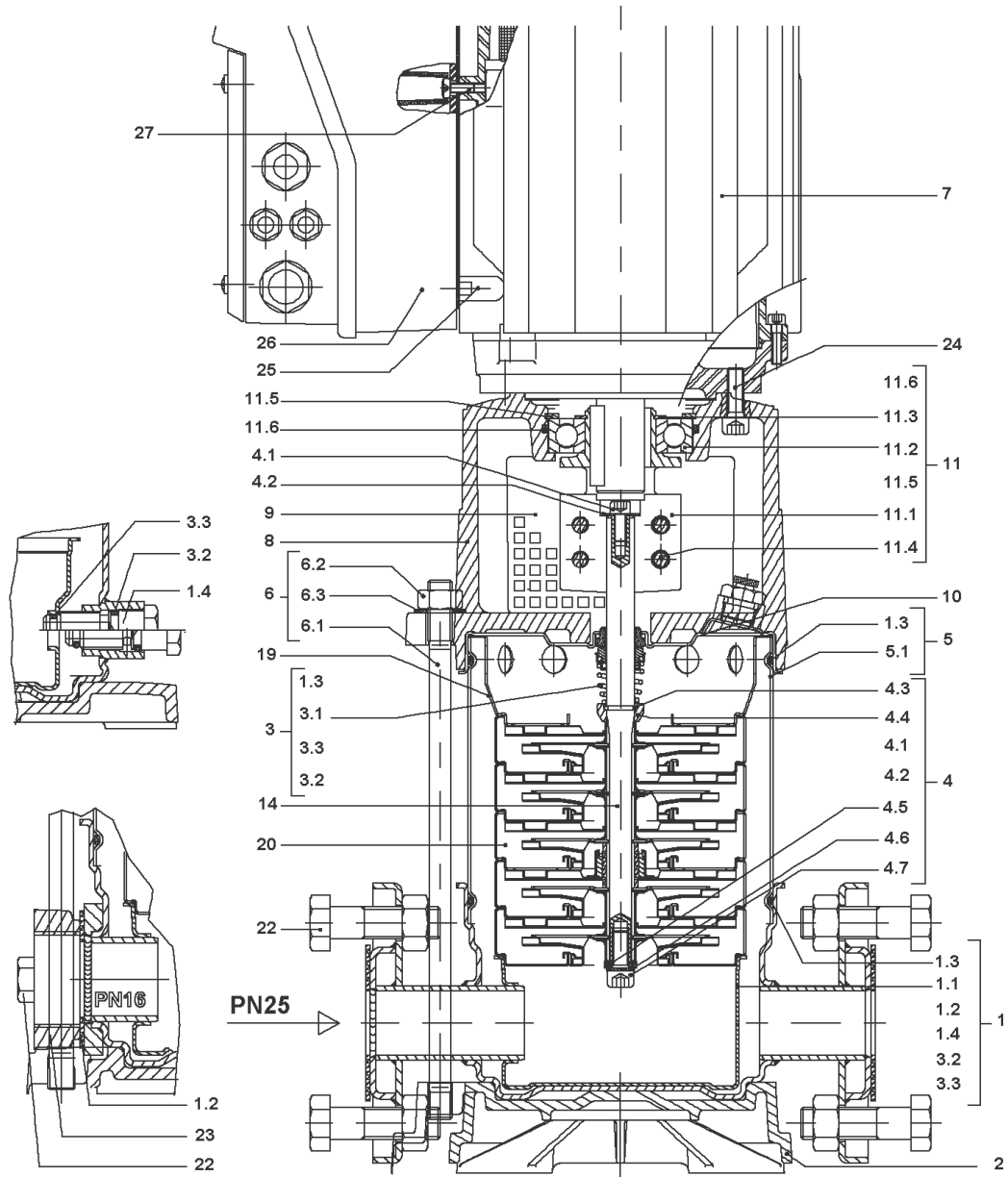
**SPARE PARTS MOTOR TL4/4000/2 3-400 65HZ**

Item	Article no.	Description	Quantity
13.1	2047017	FAN WHEEL AF90 2POL.ATB VP.	1
Note: Please give the data from type plate of the motor			
13.2	4049393	CAPOT-VENTILATEUR-TL4N-NEUTRE-REPRIS	1
Note: Please give the data from type plate of the motor			
13.3		SCREW M4X8 ISO7045 4.8-H ZN	1
Note: no longer available / nicht mehr lieferbar / ne plus disponible			
13.4	2047016	CORRUGATED SLEEVE RING BG90/100 ATB VP.	1
Note: Please give the data from type plate of the motor			



**SPARE PARTS HYDRAULICS MVI/MVIE 1.4404**

Item	Article no.	Description	Quantity
20.1	4026335	ASSEMBLY LR./STF.GH.MHI402-405,MVI402 1.	1
		> IMPELLER-VMI/HMI-SERIE.4-316L	1
		> STAGE CASING WITHOUT-R/G-2/4M3-316L	1
		> SPACER IMPELLER MVI2/4 1.4435	1
20.2	4026338	ASSEMBLY STF.GH./LAG.BU.RLK.MVI404-419 1	1
		> IMPELLER-VMI/HMI-SERIE.4-316L	1
		> SPACER IMPELLER MVI2/4 1.4435	1
		> SPACER SHAFT SLEEVE MVI2/4 1.4435	1
		> STAGE CASING-AV-C/R-2/4M3-316L	1
20.3	4026336	ASSEMBLY LR./LAG.BU.RFK.MHI406,MVI403-19	1
		> IMPELLER-VMI/HMI-SERIE.4-316L	1
		> SPACER IMPELLER MVI2/4 1.4435	1
		> SPACER SHAFT SLEEVE MVI2/4 1.4435	1
		> STAGE CASING-AV-C/R-BEARING-2/4M3-L	1
		> SLEEVE-D14L13,8-VMI	1
20.4	4026337	ASSEMBLY LR.STF.GH.RFK.MHI4,MVI403-419 1	1
		> IMPELLER-VMI/HMI-SERIE.4-316L	1
		> SPACER IMPELLER MVI2/4 1.4435	1
		> STAGE CASING-AV-C/R-2/4M3-316L	1



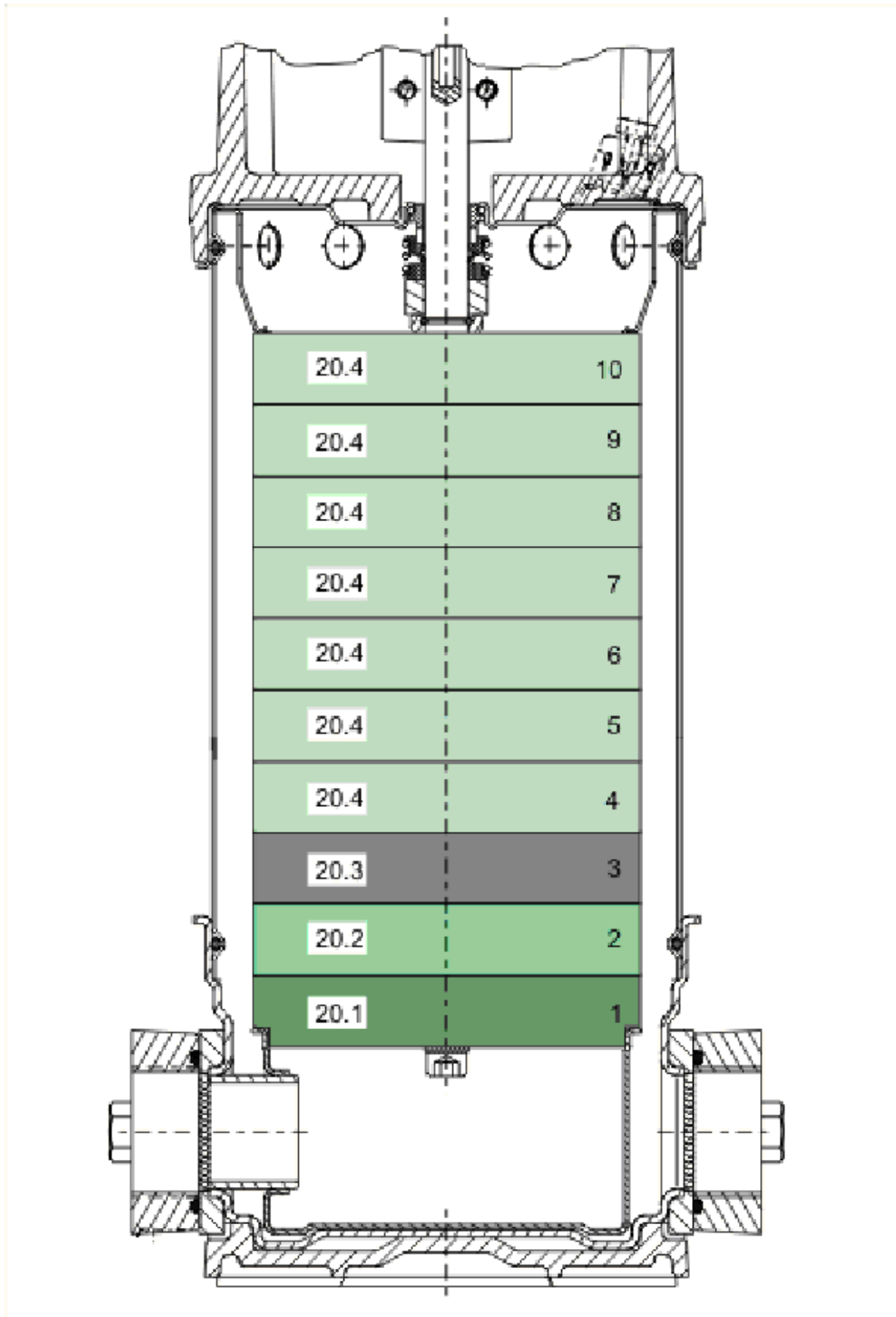
**MVIE410-1/16/E/3-2-2G (4089917)**

Item	Article no.	Description	Quantity
1	2023917	PUMP HOUSING MVI/MVIS DN32PN16 1.4301KIT	1
1.1		> CASING-MU-I-D32-PN16-D152-304	1
1.2	4191618	> O-RING ID.44,05x3,53 EPDM VP.	1
Note: FROM / AB / À PARTIR DE: 07/97			
1.3	4176513	> O-RING FOR PUMP JACKET VP.	1
1.4	4234235	> PRIMING/DRAIN PLUG MVI6" 304 VP.	1
3.2	4177800	> O-RING EPDM PLUG HELIX VP.	1
3.3	4234242	> O-RING 9X2 VP.	1
2	2127420	BASE PLATE 212X157 PN16 VP.	1
3	4027301	MECHANICAL SEAL MVI2/4/8/16-6" EP120°KIT	1
1.3	4176513	> O-RING FOR PUMP JACKET VP.	1
3.1		> MECHANICAL SEAL MG12/14-G606-Q1BE3GG-BU.	1
3.2	4177800	> O-RING EPDM PLUG HELIX VP.	1
3.3	4234242	> O-RING 9X2 VP.	1
4	4015442	SHAFT-FIXING MVI4/8 KIT	1
4.1		> SCREW CHC-M6X14-8.8-ISO4762-GEOMET500A	1
4.2		> WASHER D.24 L6U ZINK	1
4.3	2090148	> CIRCLIP D14 MVI/MHI 316L (2 PIECES) VP.	1
		>> STOP-RUSH-1/2-D14-VMI/HMI-316	2
4.4		> STOP COLLAR OF IMPELLER L=8.7-Ø14-316L	1
4.5		> FLAT WASHER-D8xD16x2.5-316L	1
4.6		> STAINLESS-STEEL-WASHER-DE8	1
4.7		> SCREW M8X16 ISO4762 A4	1
5	2018380	HOUSING PIPE D.152X263 1.4301 KIT	1
1.3	4176513	> O-RING FOR PUMP JACKET VP.	1
5.1		> HOUSING-PIPE-D152-VMI210/410-304	1
6	2018365	STUD BOLT M12X392 KIT	1
6.1		> TIE BOLT M12-392x18x30-1.4057	1
6.2	2094647	> NUT M12 M12 ISO4032 VP.	1
6.3	2123557	> WASHER CS-12.4-24-1.6-NFE25 (4 PIECES)	1
7		M4-2T638P55V18-112F13-SU-N28-ADAPT	1
Note: no longer available/nicht mehrlieferbarn'est plus disponible			
8	4191471	LANTERN-MOTOR-VMI-FT130-MACHINED VP.	1
9	4092424	COUPLING GUARD FT85/130 MVI KIT	1

**MVIE410-1/16/E/3-2-2G (4089917)**

Item	Article no.	Description	Quantity
		> COUPLING PROTECTOR FT85/130-1.4016	1
		> CLIP COUPLING-GUARD-RF	1
10	4217881	STAT.RING HOLDER-GM-D14-304 VP.	1
11	4095219	3PH COUPLING KIT MVI D14XD28	1
11.1		> COUPLING VMI-Ø14xØ28-FT130 MACHINING	1
11.2	122065996	> BALL BEARING 6209/2Z-C3 (HT) VP.	1
11.3	4233930	> CIRCLIP-FOR-BORES-D45x1,75 VP.	1
11.4	4157726	> SCREW KIT M8X30 (4 PIECES)	1
11.5	4234252	> CIRCLIPS 85X3 VP.	1
11.6	4234243	> O-RING 85X3 VP.	1
		> NOMEI CONTACT WASHER 8x16x1,4 STEEL ZC	1
		> SCREW CHC-M6X14-8.8-ISO4762-GEOMET500A	1
		> WASHER D.24 L6U ZINK	1
12	4233131	PLUG-VMI-316L VP.	1
14	4233906	SHAFT D.14X342 1.4057 VP.	1
19	4234236	UPPER STAGE RFK.MVI2/4 1.4301 VP.	1
20		SPARE PARTS HYDRAULICS MVI/MVIE 1.4301	1
22	74750611106	SCREW M10X30 ISO4014 6.8 ZN	1
23	2132562	OVAL FLANGE G1 1/4" LK75 VP.	1
24	74760312103	SCREW M8X25 ISO4762 8.8 ZN	1
26		MODULE MVIEMHIE-4KW TL3/4	1

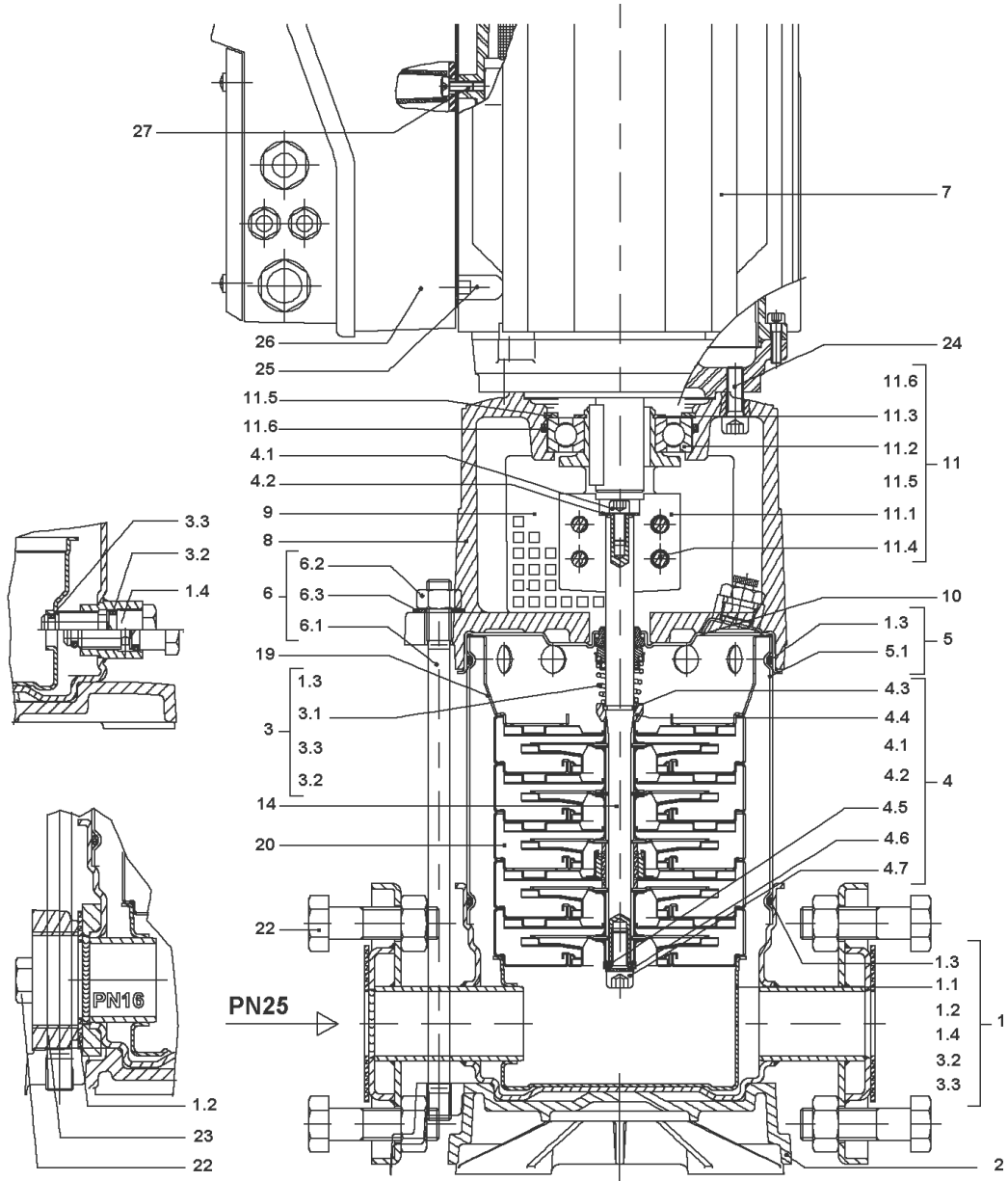
Note: no longer available/nicht mehrlieferbarn'est plus disponible





**SPARE PARTS HYDRAULICS MVI/MVIE 1.4301**

Item	Article no.	Description	Quantity
20.1	4015444	STAGE MHI402-405,MVI KIT	1
		> IMPELLER MVI4 D.98,5x3,1 1.4301	1
		> STAGE HOUSING O.RFK MVI2/4 1.4301	1
		> SPACER IMPELLER MVI2/4 1.4435	1
20.2	4015447	STAGE MVI404-419 1.4301 KIT	1
		> IMPELLER MVI4 D.98,5x3,1 1.4301	1
		> SPACER IMPELLER MVI2/4 1.4435	1
		> SPACER SHAFT SLEEVE MVI2/4 1.4435	1
		> STAGE HOUSING RFK.MVI2/4 1.4301	1
20.3	4015445	STAGE-KIT-MVI-MHI	1
		> IMPELLER MVI4 D.98,5x3,1 1.4301	1
		> SPACER IMPELLER MVI2/4 1.4435	1
		> SPACER SHAFT SLEEVE MVI2/4 1.4435	1
		> STAGE-CASING-WITH-R/C+BEARING-2/4M3-304	1
		> SLEEVE-D14L13,8-VMI	1
20.4	4015446	STAGE MHI4,MVI403-19 1.4301 KIT	1
		> IMPELLER MVI4 D.98,5x3,1 1.4301	1
		> SPACER IMPELLER MVI2/4 1.4435	1
		> STAGE HOUSING RFK.MVI2/4 1.4301	1



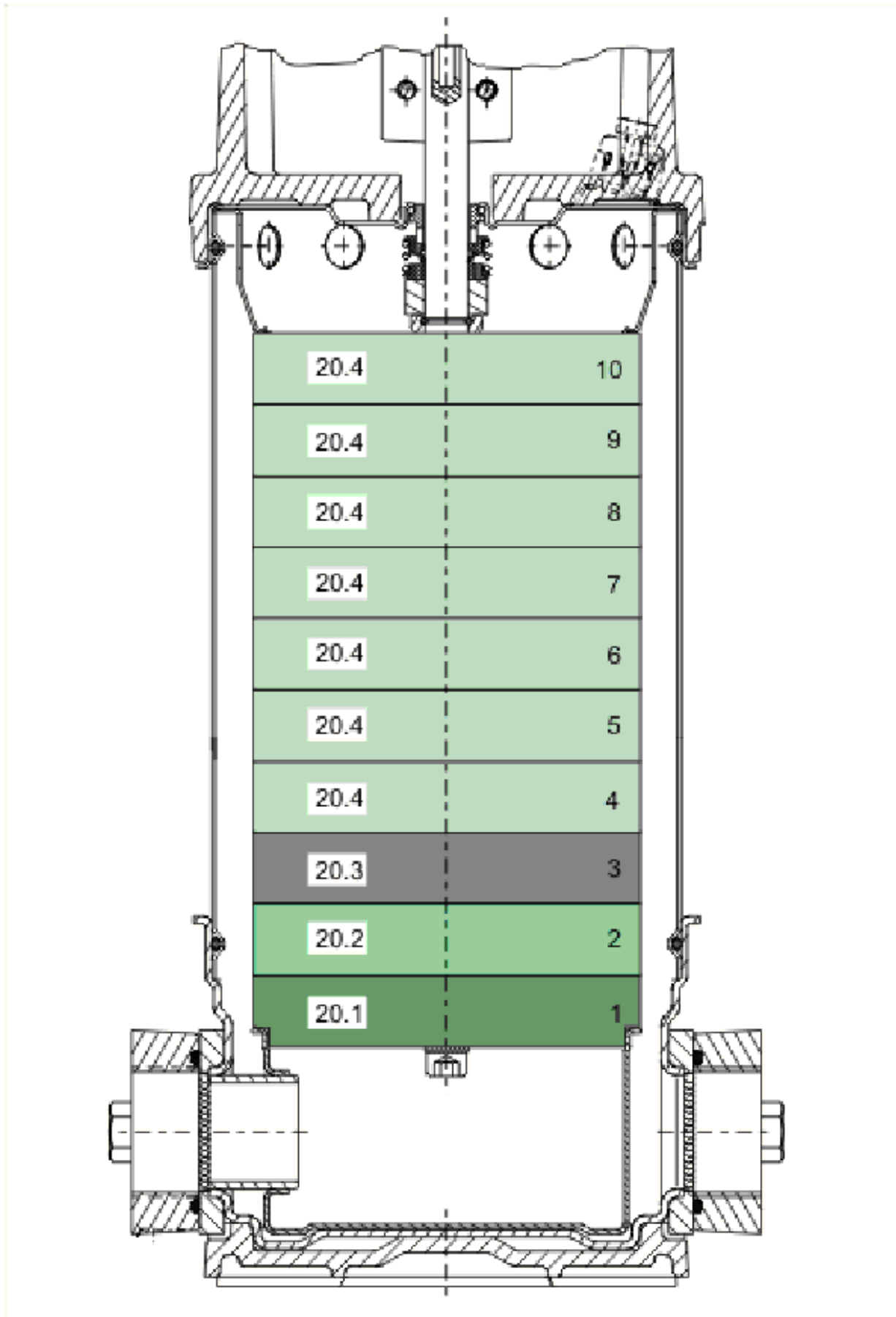
**MVIE410-1/25/E/3-2-2G (4077534)**

Item	Article no.	Description	Quantity
1	2018537	PUMP HOUSING MVI4 DN32 PN25 1.4404 KIT	1
1.1		> PUMP HOUSING MVI D32 PN25 ANSI300-4M3-31	1
1.2	4010031	> FLAT GASKET D.30/79	2
1.3	4176513	> O-RING FOR PUMP JACKET VP.	1
1.4	4234240	> PRIMING/DRAIN PLUG MVI6" 316L VP.	1
3.2	4177800	> O-RING EPDM PLUG HELIX VP.	1
3.3	4234242	> O-RING 9X2 VP.	1
2	4187925	BASEPLATE-VMI-1/2/4M3-VP.	1
3	4015431	MECHANICAL SEAL MVI2/4/8 PN25 120° KIT	1
1.3	4176513	> O-RING FOR PUMP JACKET VP.	1
3.1		> MECHANICAL SEAL RMG12/14-G606-U3BE3GG-BU	1
3.2	4177800	> O-RING EPDM PLUG HELIX VP.	1
3.3	4234242	> O-RING 9X2 VP.	1
4	4015442	SHAFT-FIXING MVI4/8 KIT	1
4.1		> SCREW CHC-M6X14-8.8-ISO4762-GEOMET500A	1
4.2		> WASHER D.24 L6U ZINK	1
4.3	2090148	> CIRCLIP D14 MVI/MHI 316L (2 PIECES) VP.	1
		>> STOP-RUSH-1/2-D14-VMI/HMI-316	2
4.4		> STOP COLLAR OF IMPELLER L=8.7-Ø14-316L	1
4.5		> FLAT WASHER-D8xD16x2.5-316L	1
4.6		> STAINLESS-STEEL-WASHER-DE8	1
4.7		> SCREW M8X16 ISO4762 A4	1
5	2018380	HOUSING PIPE D.152X263 1.4301 KIT	1
1.3	4176513	> O-RING FOR PUMP JACKET VP.	1
5.1		> HOUSING-PIPE-D152-VMI210/410-304	1
6	2018365	STUD BOLT M12X392 KIT	1
6.1		> TIE BOLT M12-392x18x30-1.4057	1
6.2	2094647	> NUT M12 M12 ISO4032 VP.	1
6.3	2123557	> WASHER CS-12.4-24-1.6-NFE25 (4 PIECES)	1
7		M4-2T638P55V18-112F13-SU-N28-ADAPT	1
Note: no longer available/nicht mehr lieferbar/n'est plus disponible			
8	4191471	LANTERN-MOTOR-VMI-FT130-MACHINED VP.	1
9	4092424	COUPLING GUARD FT85/130 MVI KIT	1
		> COUPLING PROTECTOR FT85/130-1.4016	1

**MVIE410-1/25/E/3-2-2G (4077534)**

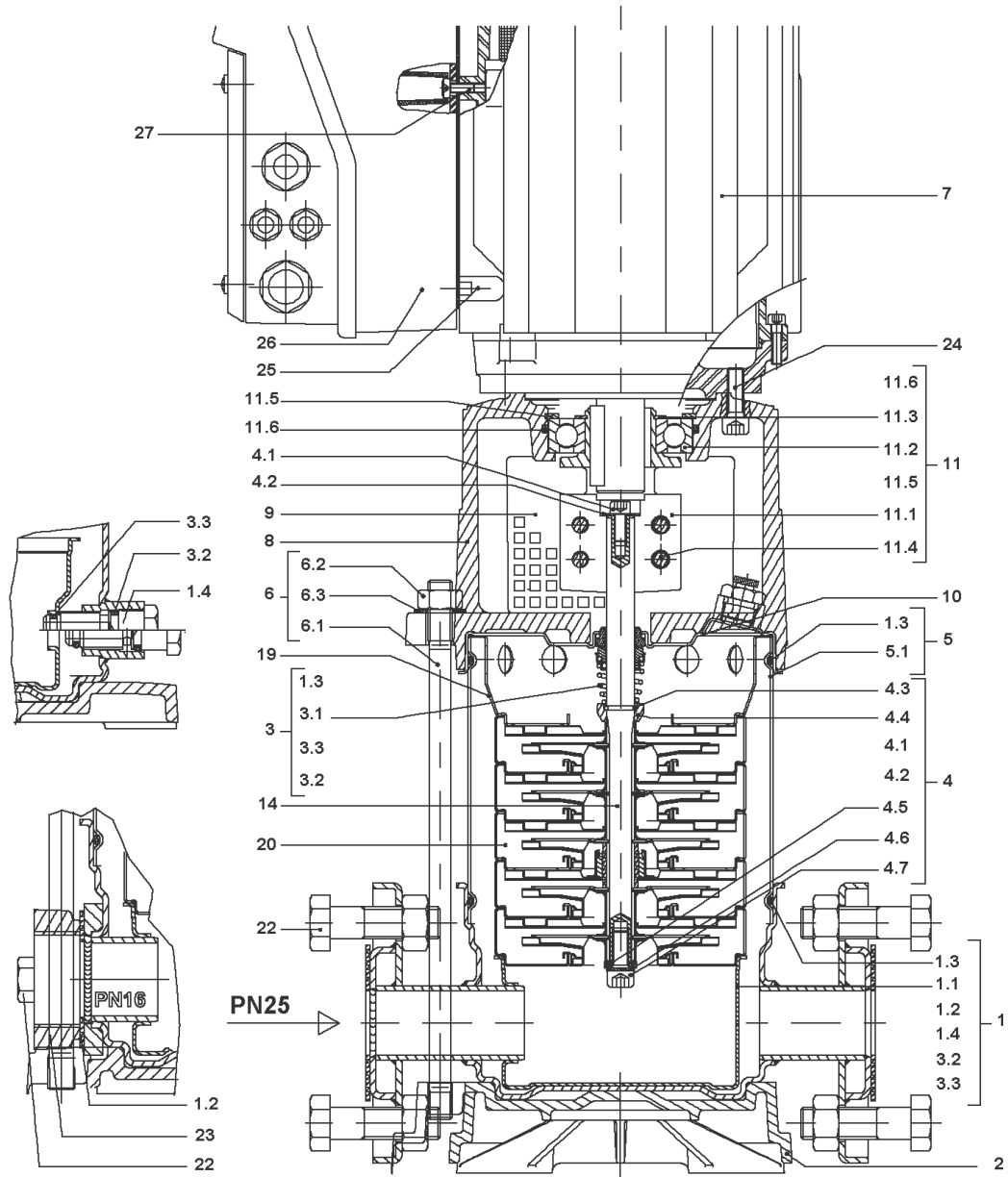
Item	Article no.	Description	Quantity
		> CLIP COUPLING-GUARD-RF	1
10	4217881	STAT.RING HOLDER-GM-D14-304 VP.	1
11	4095219	3PH COUPLING KIT MVI D14XD28	1
11.1		> COUPLING VMI-Ø14xØ28-FT130 MACHINING	1
11.2	122065996	> BALL BEARING 6209/2Z-C3 (HT) VP.	1
11.3	4233930	> CIRCLIP-FOR-BORES-D45x1,75 VP.	1
11.4	4157726	> SCREW KIT M8X30 (4 PIECES)	1
11.5	4234252	> CIRCLIPS 85X3 VP.	1
11.6	4234243	> O-RING 85X3 VP.	1
		> NOME CONTACT WASHER 8x16x1,4 STEEL ZC	1
		> SCREW CHC-M6X14-8.8-ISO4762-GEOMET500A	1
		> WASHER D.24 L6U ZINK	1
12	4233131	PLUG-VMI-316L VP.	1
14	4233906	SHAFT D.14X342 1.4057 VP.	1
19	4234236	UPPER STAGE RFK.MVI2/4 1.4301 VP.	1
20		SPARE PARTS HYDRAULICS MVI/MVIE 1.4301	1
22	61476	SCREW M16X55X38	1
24	74760312103	SCREW M8X25 ISO4762 8.8 ZN	1
26		MODULE MVIEMHIE-4KW TL3/4	1

Note: no longer available/nicht mehr lieferbar/n'est plus disponible



**SPARE PARTS HYDRAULICS MVI/MVIE 1.4301**

Item	Article no.	Description	Quantity
20.1	4015444	STAGE MHI402-405,MVI KIT	1
		> IMPELLER MVI4 D.98,5x3,1 1.4301	1
		> STAGE HOUSING O.RFK MVI2/4 1.4301	1
		> SPACER IMPELLER MVI2/4 1.4435	1
20.2	4015447	STAGE MVI404-419 1.4301 KIT	1
		> IMPELLER MVI4 D.98,5x3,1 1.4301	1
		> SPACER IMPELLER MVI2/4 1.4435	1
		> SPACER SHAFT SLEEVE MVI2/4 1.4435	1
		> STAGE HOUSING RFK.MVI2/4 1.4301	1
20.3	4015445	STAGE-KIT-MVI-MHI	1
		> IMPELLER MVI4 D.98,5x3,1 1.4301	1
		> SPACER IMPELLER MVI2/4 1.4435	1
		> SPACER SHAFT SLEEVE MVI2/4 1.4435	1
		> STAGE-CASING-WITH-R/C+BEARING-2/4M3-304	1
		> SLEEVE-D14L13,8-VMI	1
20.4	4015446	STAGE MHI4,MVI403-19 1.4301 KIT	1
		> IMPELLER MVI4 D.98,5x3,1 1.4301	1
		> SPACER IMPELLER MVI2/4 1.4435	1
		> STAGE HOUSING RFK.MVI2/4 1.4301	1



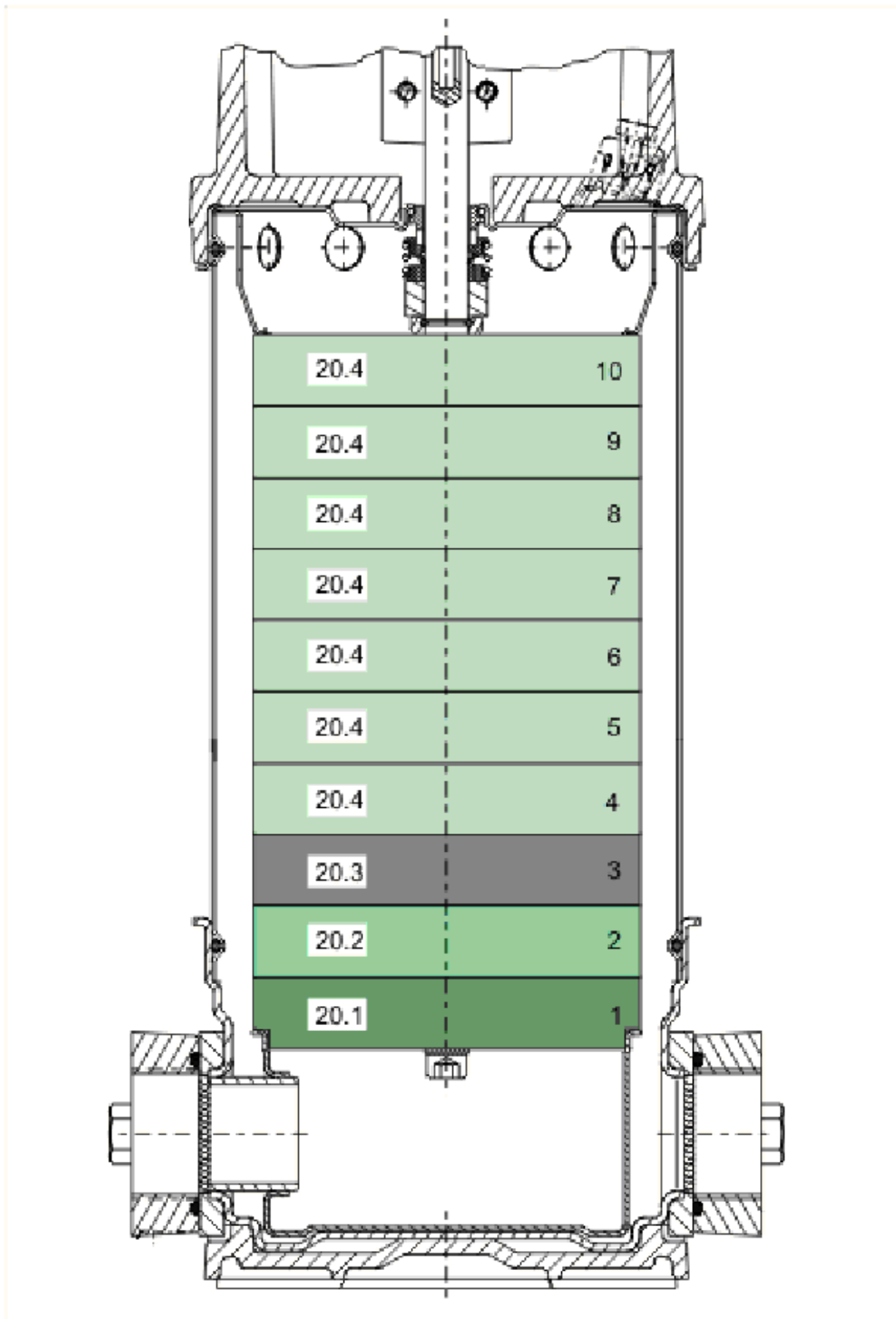
**MVIE410-2/25/V/3-2-2G (4077546)**

Item	Article no.	Description	Quantity
1	2018594	PUMP HOUSING MVI4 DN25 PN25/V 1.4404 KIT	1
1.1		> PUMP HOUSING MVI D32 PN25 ANSI300-4M3-31	1
1.2	4010031	> FLAT GASKET D.30/79	1
1.3	4234237	> O-RING 139X3 VITON VP.	1
1.4	4234240	> PRIMING/DRAIN PLUG MVI6" 316L VP.	1
3.2	4234239	> O-RING 13X2 VITON VP.	1
3.3	4234238	> O-RING 9X2 VITON VP.	1
2	4187925	BASEPLATE-VMI-1/2/4M3-VP.	1
3	4027310	ASSEMBLY GRD.MVI2../4../8.. PN25 90° +VP	1
1.3	4234237	> O-RING 139X3 VITON VP.	1
3.1		> MECHANICAL SEAL RMG12/14-G606-U3BVGG-BUR	1
3.2	4234239	> O-RING 13X2 VITON VP.	1
3.3	4234238	> O-RING 9X2 VITON VP.	1
4	4015442	SHAFT-FIXING MVI4/8 KIT	1
4.1		> SCREW CHC-M6X14-8.8-ISO4762-GEOMET500A	1
4.2		> WASHER D.24 L6U ZINK	1
4.3	2090148	> CIRCLIP D14 MVI/MHI 316L (2 PIECES) VP.	1
		>> STOP-RUSH-1/2-D14-VMI/HMI-316	2
4.4		> STOP COLLAR OF IMPELLER L=8.7-Ø14-316L	1
4.5		> FLAT WASHER-D8xD16x2.5-316L	1
4.6		> STAINLESS-STEEL-WASHER-DE8	1
4.7		> SCREW M8X16 ISO4762 A4	1
5	2018434	HOUSING PIPE D.152X263 1.4404 KIT	1
5.1		> HOUSING-PIPE-D152-VMI210/410-316L	1
1.3	4234237	> O-RING 139X3 VITON VP.	1
6	2018365	STUD BOLT M12X392 KIT	1
6.1		> TIE BOLT M12-392x18x30-1.4057	1
6.2	2094647	> NUT M12 M12 ISO4032 VP.	1
6.3	2123557	> WASHER CS-12.4-24-1.6-NFE25 (4 PIECES)	1
7		M4-2T638P55V18-112F13-SU-N28-ADAPT	1
Note: no longer available/nicht mehr lieferbar/n'est plus disponible			
8	4191471	LANTERN-MOTOR-VMI-FT130-MACHINED VP.	1
9	4092424	COUPLING GUARD FT85/130 MVI KIT	1
		> COUPLING PROTECTOR FT85/130-1.4016	1



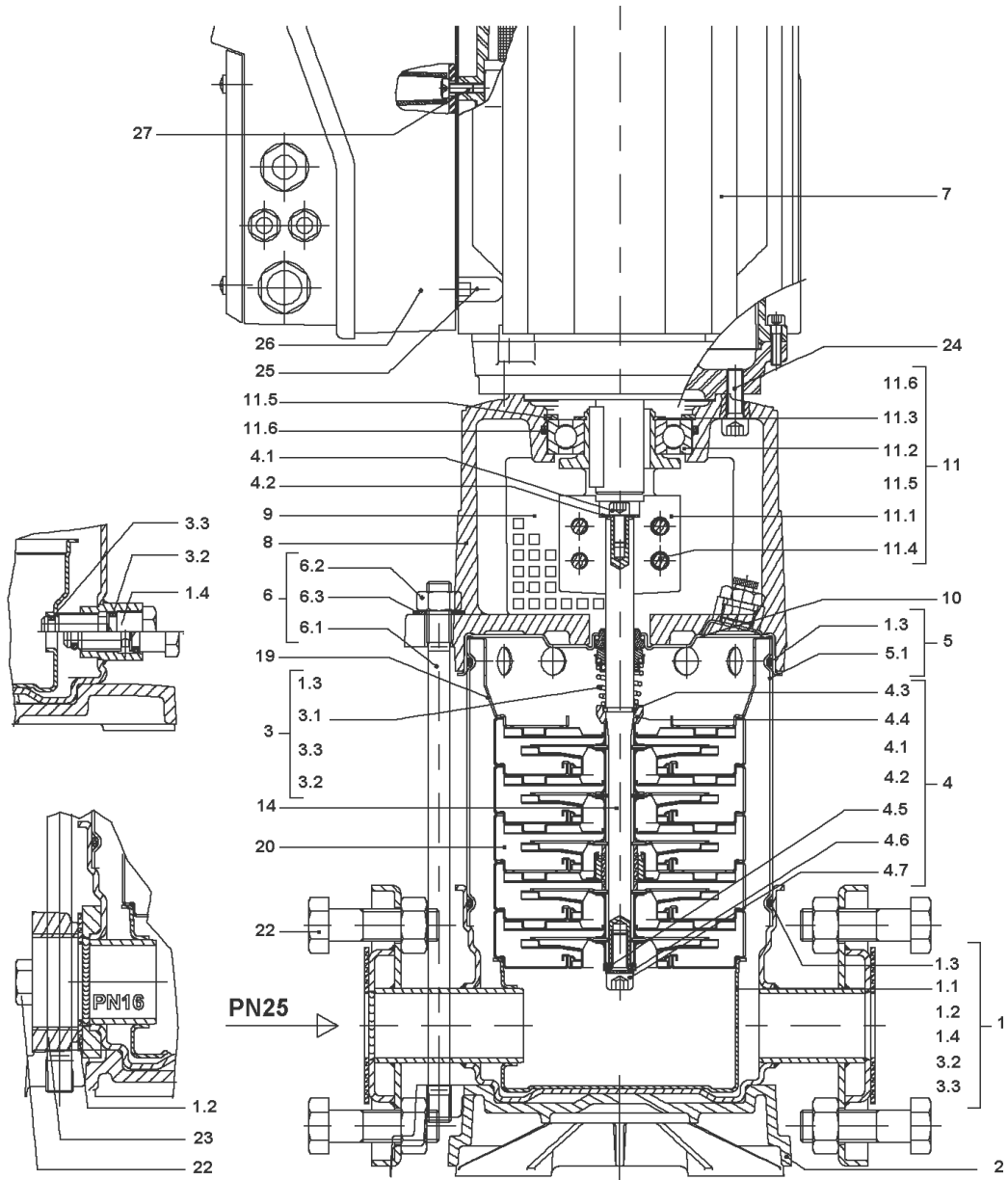
**MVIE410-2/25/V/3-2-2G (4077546)**

Item	Article no.	Description	Quantity
		> CLIP COUPLING-GUARD-RF	1
10	4217883	STAT.RING HOLDER MVI2/4/8 1.4435 VP.	1
11	4095219	3PH COUPLING KIT MVI D14XD28	1
11.1		> COUPLING VMI-Ø14xØ28-FT130 MACHINING	1
11.2	122065996	> BALL BEARING 6209/2Z-C3 (HT) VP.	1
11.3	4233930	> CIRCLIP-FOR-BORES-D45x1,75 VP.	1
11.4	4157726	> SCREW KIT M8X30 (4 PIECES)	1
11.5	4234252	> CIRCLIPS 85X3 VP.	1
11.6	4234243	> O-RING 85X3 VP.	1
		> NOMEL CONTACT WASHER 8x16x1,4 STEEL ZC	1
		> SCREW CHC-M6X14-8.8-ISO4762-GEOMET500A	1
		> WASHER D.24 L6U ZINK	1
12	4233131	PLUG-VMI-316L VP.	1
14	4233140	SHAFT D.14X342 1.4404 VP.	1
19	4233921	UPPER STAGE RFK.MVI2/4M3 1.4435 VP.	1
20		SPARE PARTS HYDRAULICS MVI/MVIE 1.4404	1
22	61476	SCREW M16X55X38	1
24	74760312103	SCREW M8X25 ISO4762 8.8 ZN	1
26		MODULE MVIEMHIE-4KW TL3/4	1
Note: no longer available/nicht mehr lieferbar/n'est plus disponible			



**SPARE PARTS HYDRAULICS MVI/MVIE 1.4404**

Item	Article no.	Description	Quantity
20.1	4026335	ASSEMBLY LR./STF.GH.MHI402-405,MVI402 1.	1
		> IMPELLER-VMI/HMI-SERIE.4-316L	1
		> STAGE CASING WITHOUT-R/G-2/4M3-316L	1
		> SPACER IMPELLER MVI2/4 1.4435	1
20.2	4026338	ASSEMBLY STF.GH./LAG.BU.RLK.MVI404-419 1	1
		> IMPELLER-VMI/HMI-SERIE.4-316L	1
		> SPACER IMPELLER MVI2/4 1.4435	1
		> SPACER SHAFT SLEEVE MVI2/4 1.4435	1
		> STAGE CASING-AV-C/R-2/4M3-316L	1
20.3	4026336	ASSEMBLY LR./LAG.BU.RFK.MHI406,MVI403-19	1
		> IMPELLER-VMI/HMI-SERIE.4-316L	1
		> SPACER IMPELLER MVI2/4 1.4435	1
		> SPACER SHAFT SLEEVE MVI2/4 1.4435	1
		> STAGE CASING-AV-C/R-BEARING-2/4M3-L	1
		> SLEEVE-D14L13,8-VMI	1
20.4	4026337	ASSEMBLY LR.STF.GH.RFK.MHI4,MVI403-419 1	1
		> IMPELLER-VMI/HMI-SERIE.4-316L	1
		> SPACER IMPELLER MVI2/4 1.4435	1
		> STAGE CASING-AV-C/R-2/4M3-316L	1



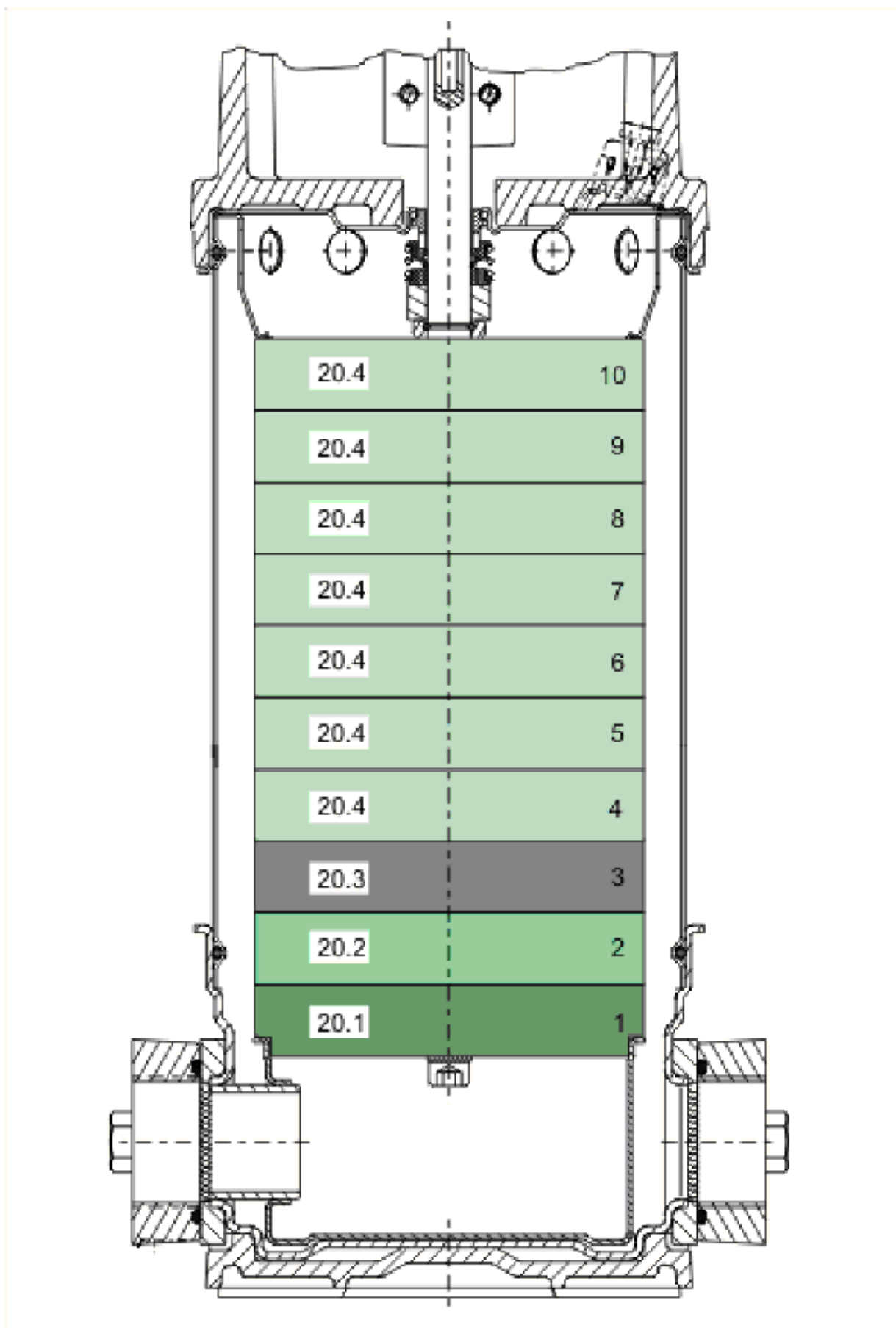
**MVIE410-2/P/V/3-2-2G (4077555)**

Item	Article no.	Description	Quantity
1	2114343	PUMP HOUSING MVI DN32 P 1.4404 KIT	1
1.1		> CASING-MVI-D32-PN25-D152-316L-VICTAULI	1
1.3	4234237	> O-RING 139X3 VITON VP.	1
1.4	4234240	> PRIMING/DRAIN PLUG MVI6" 316L VP.	1
3.2	4234239	> O-RING 13X2 VITON VP.	1
3.3	4234238	> O-RING 9X2 VITON VP.	1
2	4187925	BASEPLATE-VMI-1/2/4M3-VP.	1
3	4027310	ASSEMBLY GRD.MVI2../4../8.. PN25 90° +VP	1
1.3	4234237	> O-RING 139X3 VITON VP.	1
3.1		> MECHANICAL SEAL RMG12/14-G606-U3BVGG-BUR	1
3.2	4234239	> O-RING 13X2 VITON VP.	1
3.3	4234238	> O-RING 9X2 VITON VP.	1
4	4015442	SHAFT-FIXING MVI4/8 KIT	1
4.1		> SCREW CHC-M6X14-8.8-ISO4762-GEOMET500A	1
4.2		> WASHER D.24 L6U ZINK	1
4.3	2090148	> CIRCLIP D14 MVI/MHI 316L (2 PIECES) VP.	1
		>> STOP-RUSH-1/2-D14-VMI/HMI-316	2
4.4		> STOP COLLAR OF IMPELLER L=8.7-Ø14-316L	1
4.5		> FLAT WASHER-D8xD16x2.5-316L	1
4.6		> STAINLESS-STEEL-WASHER-DE8	1
4.7		> SCREW M8X16 ISO4762 A4	1
5	2018434	HOUSING PIPE D.152X263 1.4404 KIT	1
5.1		> HOUSING-PIPE-D152-VMI210/410-316L	1
1.3	4234237	> O-RING 139X3 VITON VP.	1
6	2018365	STUD BOLT M12X392 KIT	1
6.1		> TIE BOLT M12-392x18x30-1.4057	1
6.2	2094647	> NUT M12 M12 ISO4032 VP.	1
6.3	2123557	> WASHER CS-12.4-24-1.6-NFE25 (4 PIECES)	1
7		M4-2T638P55V18-112F13-SU-N28-ADAPT	1
Note: no longer available/nicht mehr lieferbar/n'est plus disponible			
8	4191471	LANTERN-MOTOR-VMI-FT130-MACHINED VP.	1
9	4092424	COUPLING GUARD FT85/130 MVI KIT	1
		> COUPLING PROTECTOR FT85/130-1.4016	1
		> CLIP COUPLING-GUARD-RF	1

**MVIE410-2/P/V/3-2-2G (4077555)**

Item	Article no.	Description	Quantity
10	4217883	STAT.RING HOLDER MVI2/4/8 1.4435 VP.	1
11	4095219	3PH COUPLING KIT MVI D14XD28	1
11.1		> COUPLING VMI-Ø14xØ28-FT130 MACHINING	1
11.2	122065996	> BALL BEARING 6209/2Z-C3 (HT) VP.	1
11.3	4233930	> CIRCLIP-FOR-BORES-D45x1,75 VP.	1
11.4	4157726	> SCREW KIT M8X30 (4 PIECES)	1
11.5	4234252	> CIRCLIPS 85X3 VP.	1
11.6	4234243	> O-RING 85X3 VP.	1
		> NOMEL CONTACT WASHER 8x16x1,4 STEEL ZC	1
		> SCREW CHC-M6X14-8.8-ISO4762-GEOMET500A	1
		> WASHER D.24 L6U ZINK	1
12	4233131	PLUG-VMI-316L VP.	1
14	4233140	SHAFT D.14X342 1.4404 VP.	1
19	4233921	UPPER STAGE RFK.MVI2/4M3 1.4435 VP.	1
20		SPARE PARTS HYDRAULICS MVI/MVIE 1.4404	1
22	61476	SCREW M16X55X38	1
24	74760312103	SCREW M8X25 ISO4762 8.8 ZN	1
26		MODULE MVIEMHIE-4KW TL3/4	1

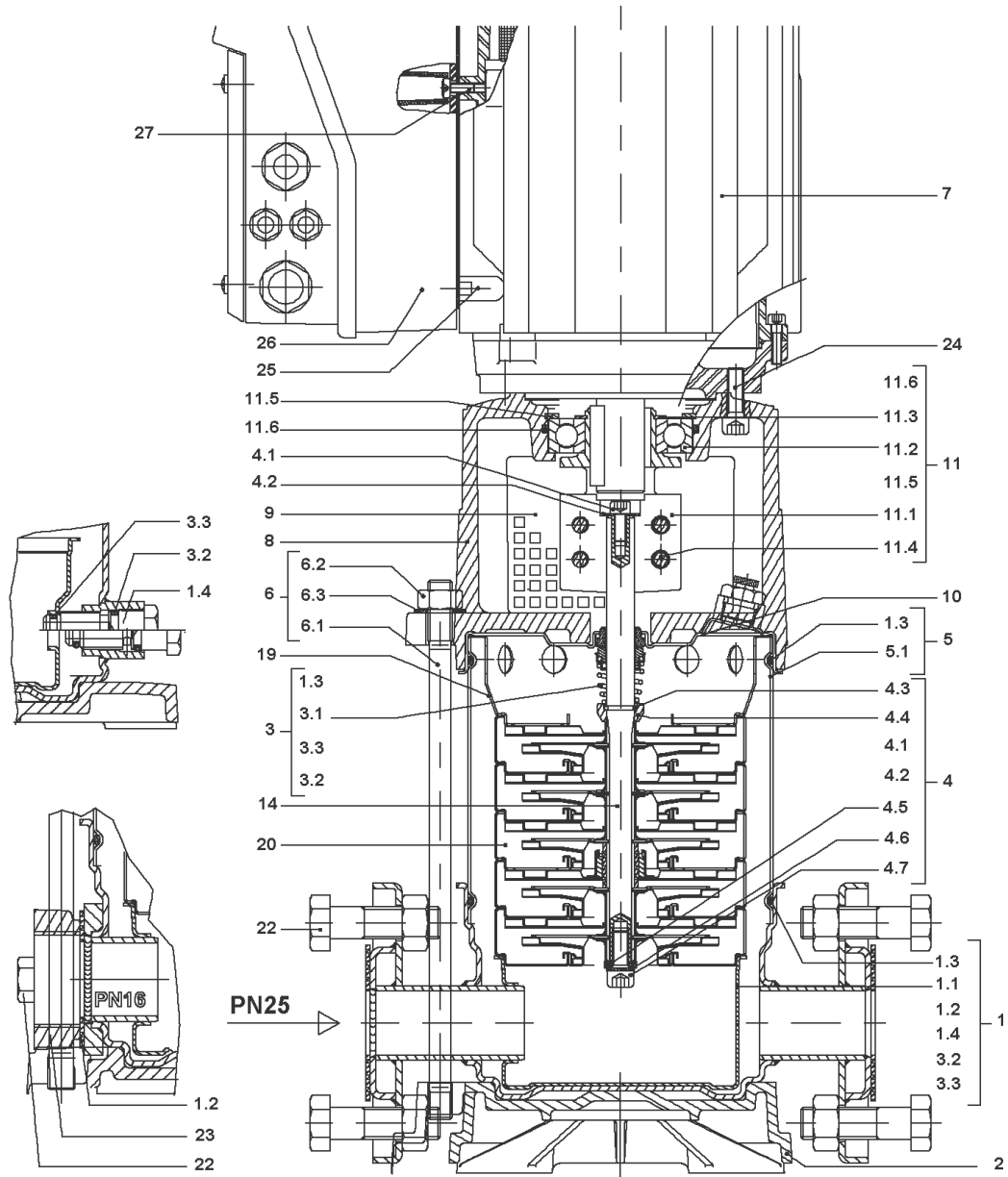
Note: no longer available/nicht mehr lieferbar/n'est plus disponible



**SPARE PARTS HYDRAULICS MVI/MVIE 1.4404**

Item	Article no.	Description	Quantity
20.1	4026335	ASSEMBLY LR./STF.GH.MHI402-405,MVI402 1.	1
		> IMPELLER-VMI/HMI-SERIE.4-316L	1
		> STAGE CASING WITHOUT-R/G-2/4M3-316L	1
		> SPACER IMPELLER MVI2/4 1.4435	1
20.2	4026338	ASSEMBLY STF.GH./LAG.BU.RLK.MVI404-419 1	1
		> IMPELLER-VMI/HMI-SERIE.4-316L	1
		> SPACER IMPELLER MVI2/4 1.4435	1
		> SPACER SHAFT SLEEVE MVI2/4 1.4435	1
		> STAGE CASING-AV-C/R-2/4M3-316L	1
20.3	4026336	ASSEMBLY LR./LAG.BU.RFK.MHI406,MVI403-19	1
		> IMPELLER-VMI/HMI-SERIE.4-316L	1
		> SPACER IMPELLER MVI2/4 1.4435	1
		> SPACER SHAFT SLEEVE MVI2/4 1.4435	1
		> STAGE CASING-AV-C/R-BEARING-2/4M3-L	1
		> SLEEVE-D14L13,8-VMI	1
20.4	4026337	ASSEMBLY LR.STF.GH.RFK.MHI4,MVI403-419 1	1
		> IMPELLER-VMI/HMI-SERIE.4-316L	1
		> SPACER IMPELLER MVI2/4 1.4435	1
		> STAGE CASING-AV-C/R-2/4M3-316L	1





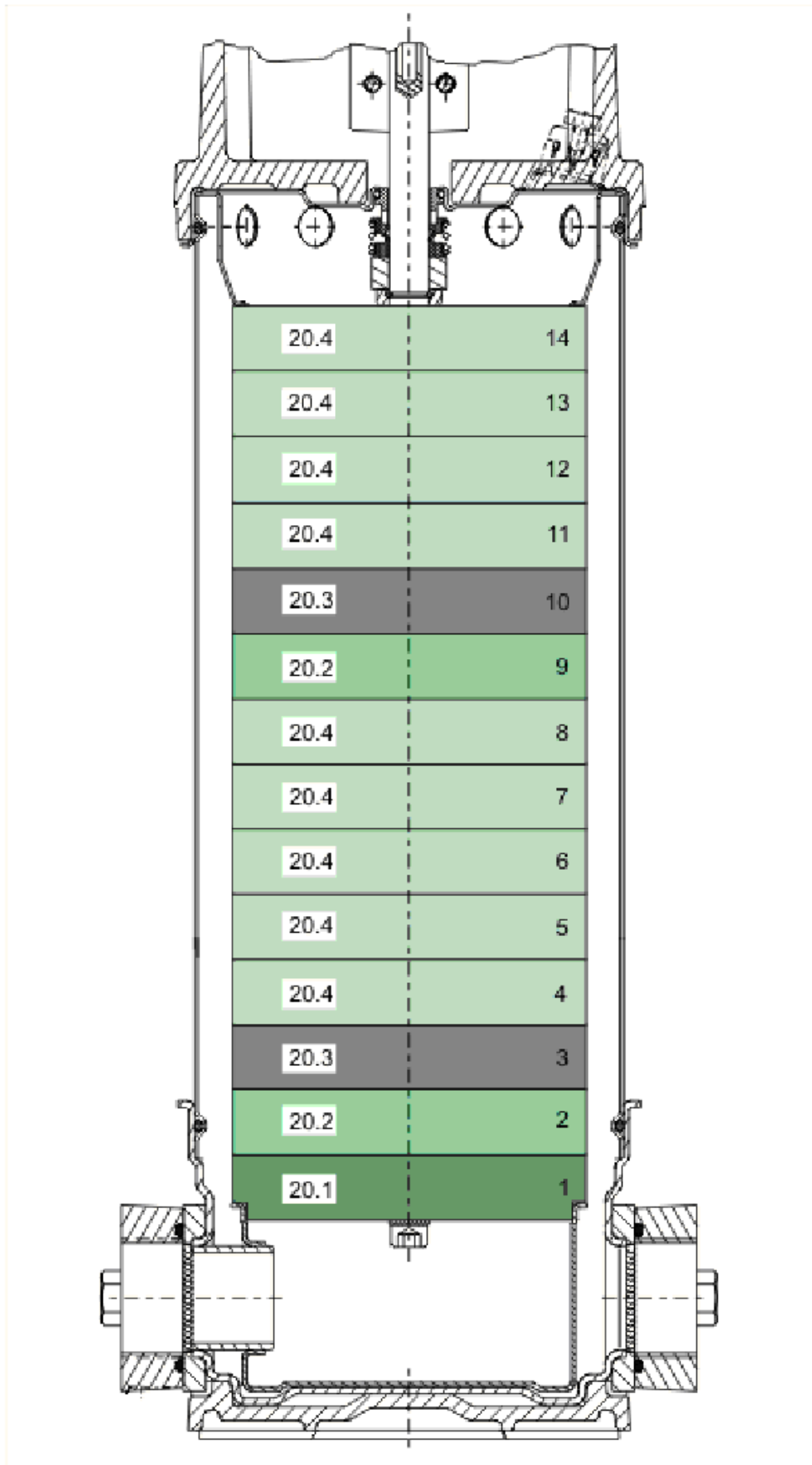
**MVIE414-1/25/E/3-2 (4059711)**

Item	Article no.	Description	Quantity
1	2018537	PUMP HOUSING MVI4 DN32 PN25 1.4404 KIT	1
1.1		> PUMP HOUSING MVI D32 PN25 ANSI300-4M3-31	1
1.2	4010031	> FLAT GASKET D.30/79	2
1.3	4176513	> O-RING FOR PUMP JACKET VP.	1
1.4	4234240	> PRIMING/DRAIN PLUG MVI6" 316L VP.	1
3.2	4177800	> O-RING EPDM PLUG HELIX VP.	1
3.3	4234242	> O-RING 9X2 VP.	1
2	4187925	BASEPLATE-VMI-1/2/4M3-VP.	1
3	4015431	MECHANICAL SEAL MVI2/4/8 PN25 120° KIT	1
1.3	4176513	> O-RING FOR PUMP JACKET VP.	1
3.1		> MECHANICAL SEAL RMG12/14-G606-U3BE3GG-BU	1
3.2	4177800	> O-RING EPDM PLUG HELIX VP.	1
3.3	4234242	> O-RING 9X2 VP.	1
4	4015442	SHAFT-FIXING MVI4/8 KIT	1
4.1		> SCREW CHC-M6X14-8.8-ISO4762-GEOMET500A	1
4.2		> WASHER D.24 L6U ZINK	1
4.3	2090148	> CIRCLIP D14 MVI/MHI 316L (2 PIECES) VP.	1
		>> STOP-RUSH-1/2-D14-VMI/HMI-316	2
4.4		> STOP COLLAR OF IMPELLER L=8.7-Ø14-316L	1
4.5		> FLAT WASHER-D8xD16x2.5-316L	1
4.6		> STAINLESS-STEEL-WASHER-DE8	1
4.7		> SCREW M8X16 ISO4762 A4	1
5	2018418	HOUSING PIPE D.152X359 1.4301 KIT	1
5.1		> HOUSING-PIPE-D152-VMI214/414-304	1
1.3	4176513	> O-RING FOR PUMP JACKET VP.	1
6	2018422	STUD BOLT M12X485 MVI2 KIT	1
6.1		> TIE ROD-M12-485x18x30 CLASS8.8 ZN+FINIG	1
6.2	2094647	> NUT M12 M12 ISO4032 VP.	1
6.3	2123557	> WASHER CS-12.4-24-1.6-NFE25 (4 PIECES)	1
7		MOTOR TL5 V1 5,5/2/132/300 60HZ SM.	1
Note: no longer available / nicht mehr lieferbar / ne plus disponible			
8	4196004	LANTERN-MOTOR-VMI-FF265 VP.	1
9	4092424	COUPLING GUARD FT85/130 MVI KIT	1
		> COUPLING PROTECTOR FT85/130-1.4016	1

**MVIE414-1/25/E/3-2 (4059711)**

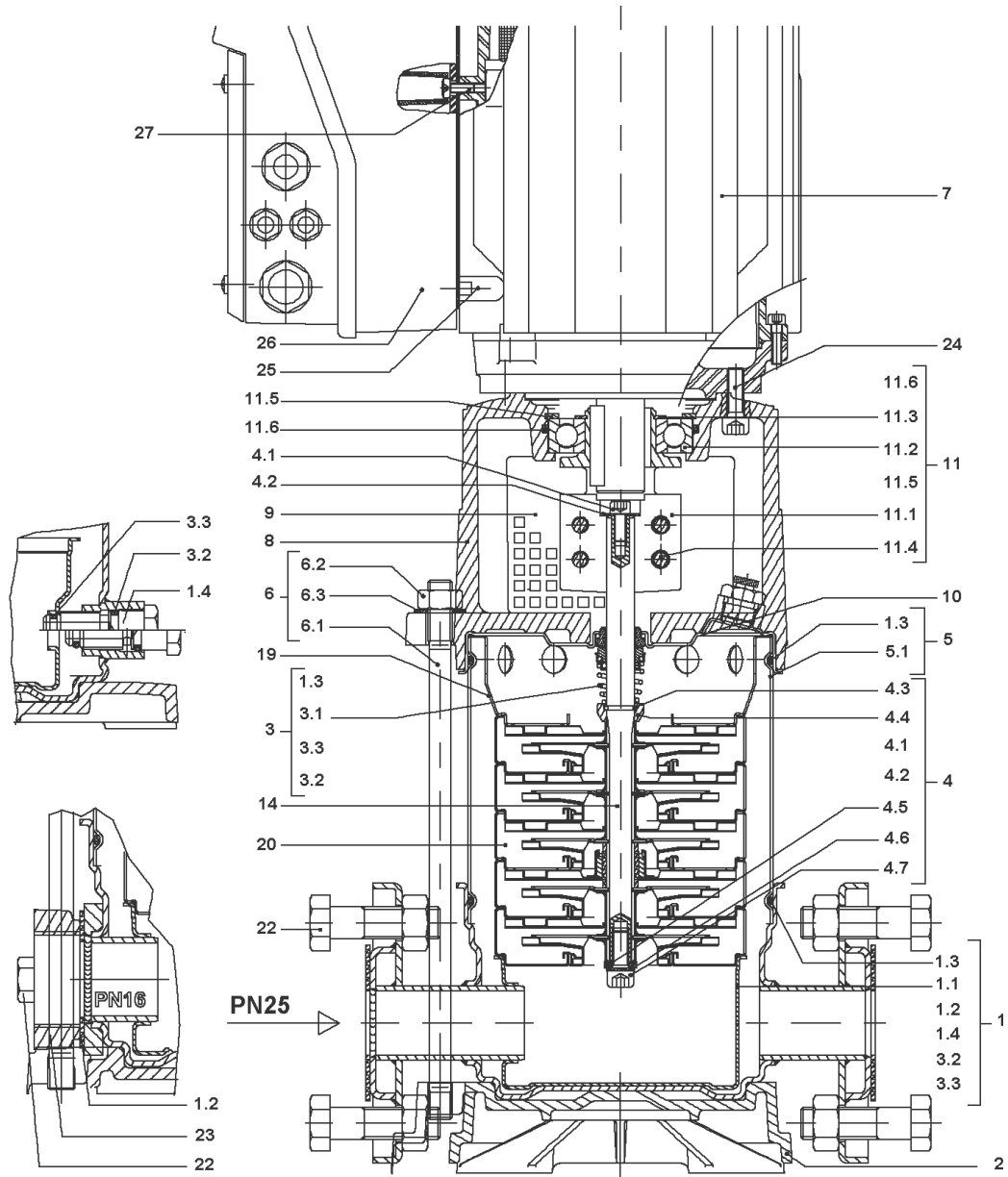
Item	Article no.	Description	Quantity
		> CLIP COUPLING-GUARD-RF	1
10	4217881	STAT.RING HOLDER-GM-D14-304 VP.	1
11	4095221	3PH COUPLING KIT MVI D14XD38	1
11.1		> COUPLING VMI-D14xD38-FF265 MACHINING	1
11.2	2044937	> BALL BEARING 6310/2Z-C3 (HT) VP.	1
11.3	4234253	> CIRCLIP-FOR-SHAFT-D50x2 VP.	1
11.4	4157726	> SCREW KIT M8X30 (4 PIECES)	1
11.5	4234255	> CIRCLIPS 110X4 VP.	1
11.6	4233944	> O-RING ID.110 VP.	1
		> NOME CONTACT WASHER 8x16x1,4 STEEL ZC	1
		> SCREW CHC-M6X14-8.8-ISO4762-GEOMET500A	1
		> WASHER D.24 L6U ZINK	1
12	4233131	PLUG-VMI-316L VP.	1
14	4233909	SHAFT D.14X438 1.4057 VP.	1
19	4234236	UPPER STAGE RFK.MVI2/4 1.4301 VP.	1
20		SPARE PARTS HYDRAULICS MVI/MVIE 1.4301	1
22	61476	SCREW M16X55X38	1
24	4157726	SCREW KIT M8X30 (4 PIECES)	1
25	2048853	SCREW M5X12 ISO4762 A2	1
26		MODULE TL5 NT.MVIE/MULTI-VE	1

Note: no longer available / nicht mehr lieferbar / ne plus disponible



**SPARE PARTS HYDRAULICS MVI/MVIE 1.4301**

Item	Article no.	Description	Quantity
20.1	4015444	STAGE MHI402-405,MVI KIT	1
		> IMPELLER MVI4 D.98,5x3,1 1.4301	1
		> STAGE HOUSING O.RFK MVI2/4 1.4301	1
		> SPACER IMPELLER MVI2/4 1.4435	1
20.2	4015447	STAGE MVI404-419 1.4301 KIT	1
		> IMPELLER MVI4 D.98,5x3,1 1.4301	1
		> SPACER IMPELLER MVI2/4 1.4435	1
		> SPACER SHAFT SLEEVE MVI2/4 1.4435	1
		> STAGE HOUSING RFK.MVI2/4 1.4301	1
20.3	4015445	STAGE-KIT-MVI-MHI	1
		> IMPELLER MVI4 D.98,5x3,1 1.4301	1
		> SPACER IMPELLER MVI2/4 1.4435	1
		> SPACER SHAFT SLEEVE MVI2/4 1.4435	1
		> STAGE-CASING-WITH-R/C+BEARING-2/4M3-304	1
		> SLEEVE-D14L13,8-VMI	1
20.4	4015446	STAGE MHI4,MVI403-19 1.4301 KIT	1
		> IMPELLER MVI4 D.98,5x3,1 1.4301	1
		> SPACER IMPELLER MVI2/4 1.4435	1
		> STAGE HOUSING RFK.MVI2/4 1.4301	1



**MVIE414-2/25/V/3-2 (4059718)**

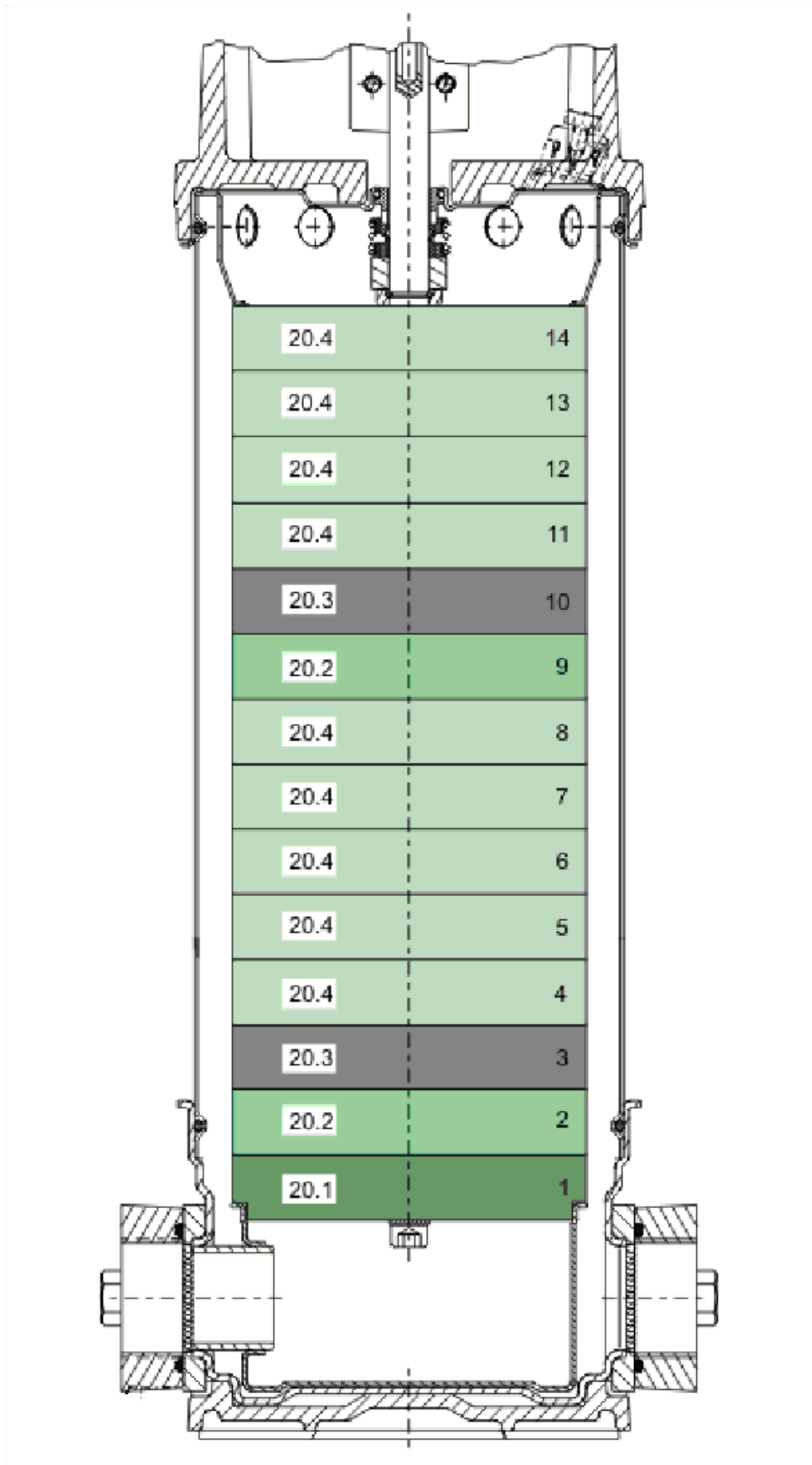
Item	Article no.	Description	Quantity
1	2018537	PUMP HOUSING MVI4 DN32 PN25 1.4404 KIT	1
1.1		> PUMP HOUSING MVI D32 PN25 ANSI300-4M3-31	1
1.2	4010031	> FLAT GASKET D.30/79	2
1.3	4176513	> O-RING FOR PUMP JACKET VP.	1
1.4	4234240	> PRIMING/DRAIN PLUG MVI6" 316L VP.	1
3.2	4177800	> O-RING EPDM PLUG HELIX VP.	1
3.3	4234242	> O-RING 9X2 VP.	1
2	4187925	BASEPLATE-VMI-1/2/4M3-VP.	1
3	4027310	ASSEMBLY GRD.MVI2../4../8.. PN25 90° +VP	1
1.3	4234237	> O-RING 139X3 VITON VP.	1
3.1		> MECHANICAL SEAL RMG12/14-G606-U3BVGG-BUR	1
3.2	4234239	> O-RING 13X2 VITON VP.	1
3.3	4234238	> O-RING 9X2 VITON VP.	1
4	4015442	SHAFT-FIXING MVI4/8 KIT	1
4.1		> SCREW CHC-M6X14-8.8-ISO4762-GEOMET500A	1
4.2		> WASHER D.24 L6U ZINK	1
4.3	2090148	> CIRCLIP D14 MVI/MHI 316L (2 PIECES) VP.	1
		>> STOP-RUSH-1/2-D14-VMI/HMI-316	2
4.4		> STOP COLLAR OF IMPELLER L=8.7-Ø14-316L	1
4.5		> FLAT WASHER-D8xD16x2.5-316L	1
4.6		> STAINLESS-STEEL-WASHER-DE8	1
4.7		> SCREW M8X16 ISO4762 A4	1
5	2018436	HOUSING PIPE D.152X359 1.4404 KIT	1
5.1		> HOUSING-PIPE-D152-VMI214/414-316L	1
1.3	4234237	> O-RING 139X3 VITON VP.	1
6	2018422	STUD BOLT M12X485 MVI2 KIT	1
6.1		> TIE ROD-M12-485x18x30 CLASS8.8 ZN+FINIG	1
6.2	2094647	> NUT M12 M12 ISO4032 VP.	1
6.3	2123557	> WASHER CS-12.4-24-1.6-NFE25 (4 PIECES)	1
7		MOTOR TL5 V1 5,5/2/132/300 60HZ SM.	1
Note: no longer available / nicht mehr lieferbar / ne plus disponible			
8	4196004	LANTERN-MOTOR-VMI-FF265 VP.	1
9	4092425	COUPLING GUARD FF265/300 MVI KIT	1
		> GUARD-MESH-COUPPING-FF265-300	1

**MVIE414-2/25/V/3-2 (4059718)**

Item	Article no.	Description	Quantity
		> CLIP COUPLING-GUARD-RF	1
10	4217883	STAT.RING HOLDER MVI2/4/8 1.4435 VP.	1
11	4095221	3PH COUPLING KIT MVI D14XD38	1
11.1		> COUPLING VMI-D14xD38-FF265 MACHINING	1
11.2	2044937	> BALL BEARING 6310/2Z-C3 (HT) VP.	1
11.3	4234253	> CIRCLIP-FOR-SHAFT-D50x2 VP.	1
11.4	4157726	> SCREW KIT M8X30 (4 PIECES)	1
11.5	4234255	> CIRCLIPS 110X4 VP.	1
11.6	4233944	> O-RING ID.110 VP.	1
		> NOME CONTACT WASHER 8x16x1,4 STEEL ZC	1
		> SCREW CHC-M6X14-8.8-ISO4762-GEOMET500A	1
		> WASHER D.24 L6U ZINK	1
12	4233131	PLUG-VMI-316L VP.	1
14	4233143	SHAFT D.14X438 1.4404 VP.	1
19	4233921	UPPER STAGE RFK.MVI2/4M3 1.4435 VP.	1
20		SPARE PARTS HYDRAULICS MVI/MVIE 1.4404	1
22	61476	SCREW M16X55X38	1
24	4157726	SCREW KIT M8X30 (4 PIECES)	1
25	2048853	SCREW M5X12 ISO4762 A2	1
26		MODULE TL5 NT.MVIE/MULTI-VE	1

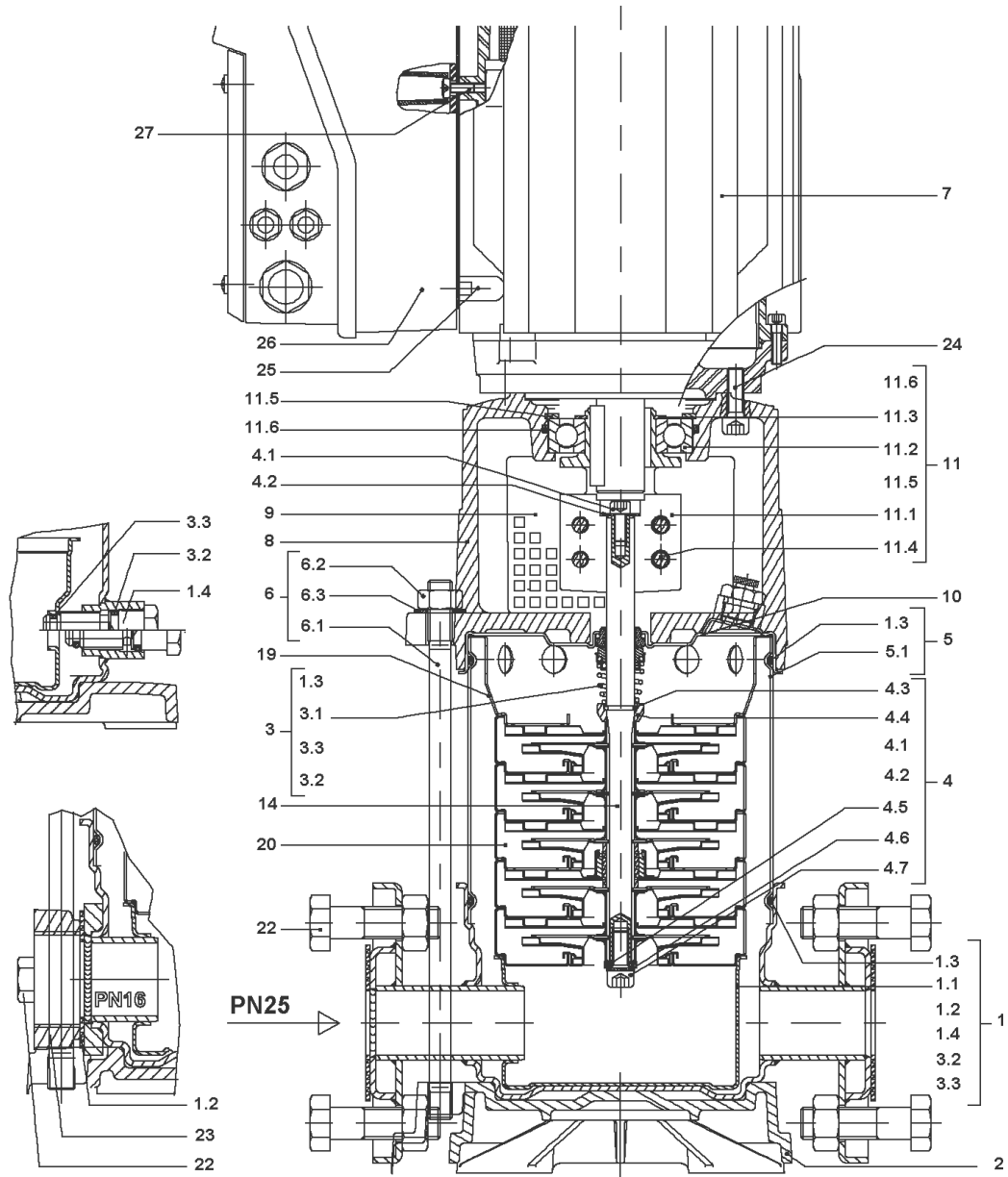
Note: no longer available / nicht mehr lieferbar / ne plus disponible





**SPARE PARTS HYDRAULICS MVI/MVIE 1.4404**

Item	Article no.	Description	Quantity
20.1	4026335	ASSEMBLY LR./STF.GH.MHI402-405,MVI402 1.	1
		> IMPELLER-VMI/HMI-SERIE.4-316L	1
		> STAGE CASING WITHOUT-R/G-2/4M3-316L	1
		> SPACER IMPELLER MVI2/4 1.4435	1
20.2	4026338	ASSEMBLY STF.GH./LAG.BU.RLK.MVI404-419 1	1
		> IMPELLER-VMI/HMI-SERIE.4-316L	1
		> SPACER IMPELLER MVI2/4 1.4435	1
		> SPACER SHAFT SLEEVE MVI2/4 1.4435	1
		> STAGE CASING-AV-C/R-2/4M3-316L	1
20.3	4026336	ASSEMBLY LR./LAG.BU.RFK.MHI406,MVI403-19	1
		> IMPELLER-VMI/HMI-SERIE.4-316L	1
		> SPACER IMPELLER MVI2/4 1.4435	1
		> SPACER SHAFT SLEEVE MVI2/4 1.4435	1
		> STAGE CASING-AV-C/R-BEARING-2/4M3-L	1
		> SLEEVE-D14L13,8-VMI	1
20.4	4026337	ASSEMBLY LR.STF.GH.RFK.MHI4,MVI403-419 1	1
		> IMPELLER-VMI/HMI-SERIE.4-316L	1
		> SPACER IMPELLER MVI2/4 1.4435	1
		> STAGE CASING-AV-C/R-2/4M3-316L	1



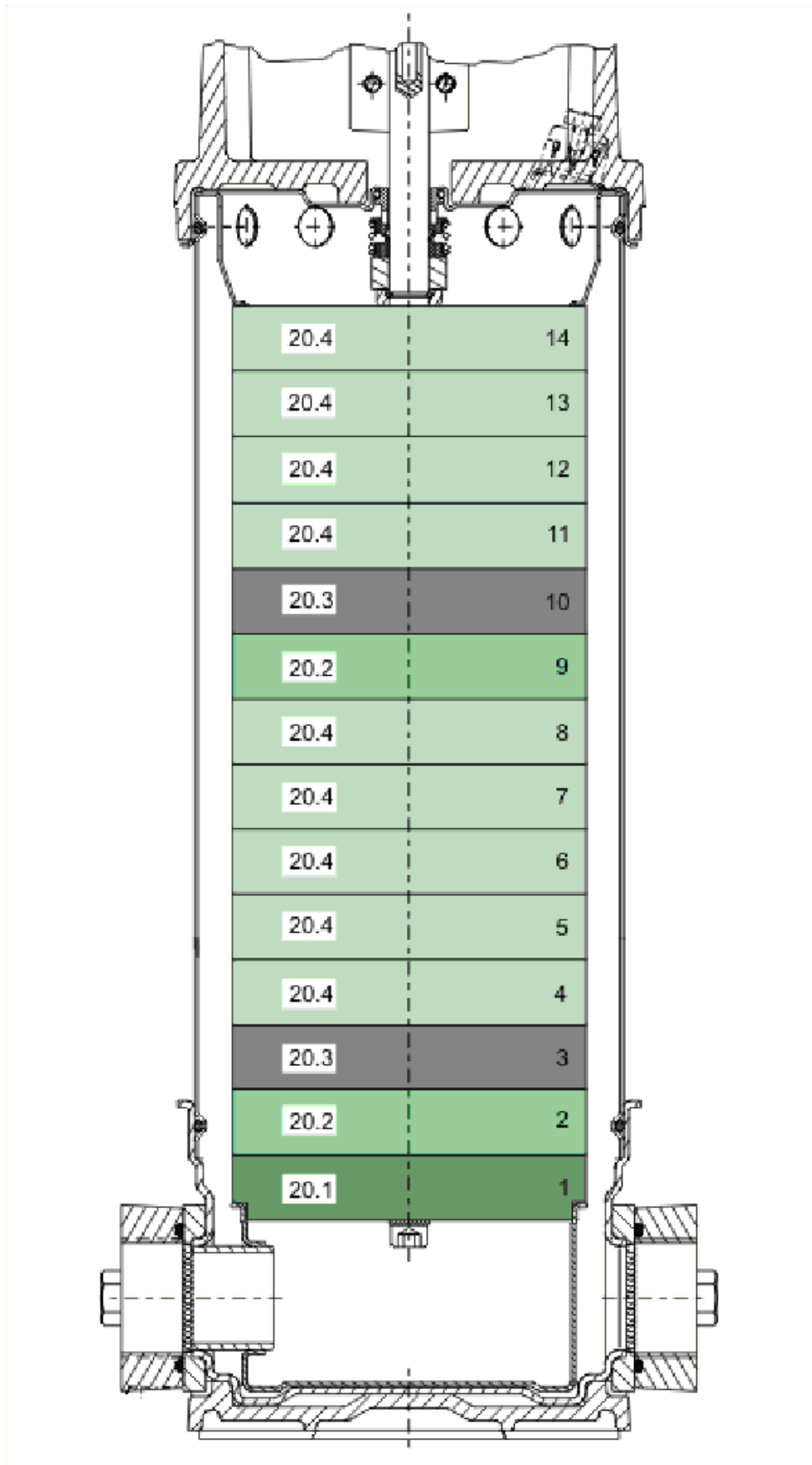
**MVIE414-2/P/V/3-2 (4063226)**

Item	Article no.	Description	Quantity
1	2114343	PUMP HOUSING MVI DN32 P 1.4404 KIT	1
1.1		> CASING-MVI-D32-PN25-D152-316L-VICTAULI	1
1.3	4234237	> O-RING 139X3 VITON VP.	1
1.4	4234240	> PRIMING/DRAIN PLUG MVI6" 316L VP.	1
3.2	4234239	> O-RING 13X2 VITON VP.	1
3.3	4234238	> O-RING 9X2 VITON VP.	1
2	4187925	BASEPLATE-VMI-1/2/4M3-VP.	1
3	4027310	ASSEMBLY GRD.MVI2../4../8.. PN25 90° +VP	1
1.3	4234237	> O-RING 139X3 VITON VP.	1
3.1		> MECHANICAL SEAL RMG12/14-G606-U3BVGG-BUR	1
3.2	4234239	> O-RING 13X2 VITON VP.	1
3.3	4234238	> O-RING 9X2 VITON VP.	1
4	4015442	SHAFT-FIXING MVI4/8 KIT	1
4.1		> SCREW CHC-M6X14-8.8-ISO4762-GEOMET500A	1
4.2		> WASHER D.24 L6U ZINK	1
4.3	2090148	> CIRCLIP D14 MVI/MHI 316L (2 PIECES) VP.	1
		>> STOP-RUSH-1/2-D14-VMI/HMI-316	2
4.4		> STOP COLLAR OF IMPELLER L=8.7-Ø14-316L	1
4.5		> FLAT WASHER-D8xD16x2.5-316L	1
4.6		> STAINLESS-STEEL-WASHER-DE8	1
4.7		> SCREW M8X16 ISO4762 A4	1
5	2018436	HOUSING PIPE D.152X359 1.4404 KIT	1
5.1		> HOUSING-PIPE-D152-VMI214/414-316L	1
1.3	4234237	> O-RING 139X3 VITON VP.	1
6	2018422	STUD BOLT M12X485 MVI2 KIT	1
6.1		> TIE ROD-M12-485x18x30 CLASS8.8 ZN+FINIG	1
6.2	2094647	> NUT M12 M12 ISO4032 VP.	1
6.3	2123557	> WASHER CS-12.4-24-1.6-NFE25 (4 PIECES)	1
7		MOTOR TL5 V1 5,5/2/132/300 60HZ SM.	1
Note: no longer available / nicht mehr lieferbar / ne plus disponible			
8	4196004	LANTERN-MOTOR-VMI-FF265 VP.	1
9	4092425	COUPLING GUARD FF265/300 MVI KIT	1
		> GUARD-MESH-COUPLING-FF265-300	1
		> CLIP COUPLING-GUARD-RF	1

**MVIE414-2/P/V/3-2 (4063226)**

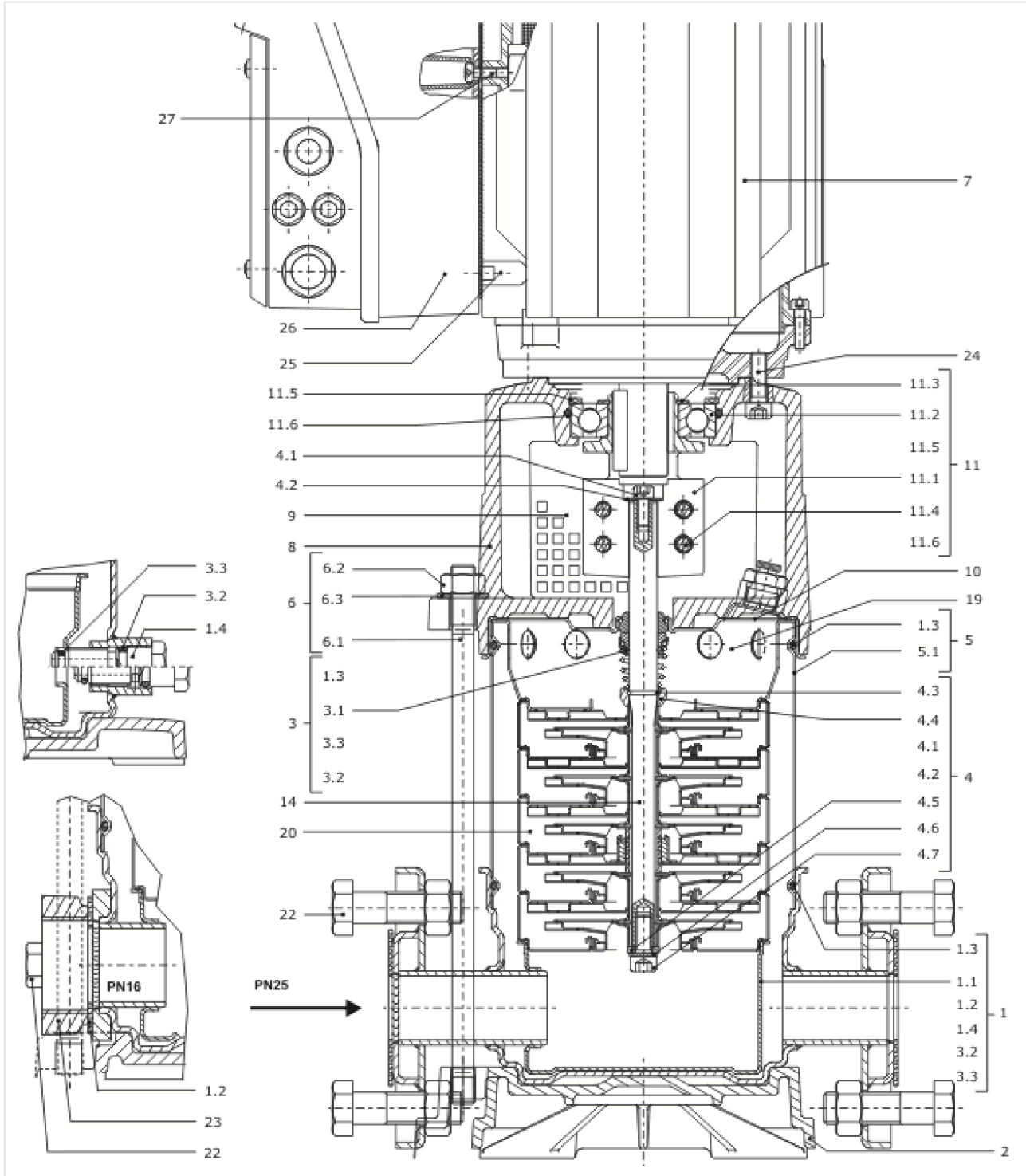
Item	Article no.	Description	Quantity
10	4217883	STAT.RING HOLDER MVI2/4/8 1.4435 VP.	1
11	4095221	3PH COUPLING KIT MVI D14XD38	1
11.1		> COUPLING VMI-D14xD38-FF265 MACHINING	1
11.2	2044937	> BALL BEARING 6310/2Z-C3 (HT) VP.	1
11.3	4234253	> CIRCLIP-FOR-SHAFT-D50x2 VP.	1
11.4	4157726	> SCREW KIT M8X30 (4 PIECES)	1
11.5	4234255	> CIRCLIPS 110X4 VP.	1
11.6	4233944	> O-RING ID.110 VP.	1
		> NOMEL CONTACT WASHER 8x16x1,4 STEEL ZC	1
		> SCREW CHC-M6X14-8.8-ISO4762-GEOMET500A	1
		> WASHER D.24 L6U ZINK	1
12	4233131	PLUG-VMI-316L VP.	1
14	4233143	SHAFT D.14X438 1.4404 VP.	1
19	4233921	UPPER STAGE RFK.MVI2/4M3 1.4435 VP.	1
20		SPARE PARTS HYDRAULICS MVI/MVIE 1.4404	1
22	61476	SCREW M16X55X38	1
24	4157726	SCREW KIT M8X30 (4 PIECES)	1
25	2048853	SCREW M5X12 ISO4762 A2	1
26		MODULE TL5 NT.MVIE/MULTI-VE	1

Note: no longer available / nicht mehrlieferbar / ne plus disponible



**SPARE PARTS HYDRAULICS MVI/MVIE 1.4404**

Item	Article no.	Description	Quantity
20.1	4026335	ASSEMBLY LR./STF.GH.MHI402-405,MVI402 1.	1
		> IMPELLER-VMI/HMI-SERIE.4-316L	1
		> STAGE CASING WITHOUT-R/G-2/4M3-316L	1
		> SPACER IMPELLER MVI2/4 1.4435	1
20.2	4026338	ASSEMBLY STF.GH./LAG.BU.RLK.MVI404-419 1	1
		> IMPELLER-VMI/HMI-SERIE.4-316L	1
		> SPACER IMPELLER MVI2/4 1.4435	1
		> SPACER SHAFT SLEEVE MVI2/4 1.4435	1
		> STAGE CASING-AV-C/R-2/4M3-316L	1
20.3	4026336	ASSEMBLY LR./LAG.BU.RFK.MHI406,MVI403-19	1
		> IMPELLER-VMI/HMI-SERIE.4-316L	1
		> SPACER IMPELLER MVI2/4 1.4435	1
		> SPACER SHAFT SLEEVE MVI2/4 1.4435	1
		> STAGE CASING-AV-C/R-BEARING-2/4M3-L	1
		> SLEEVE-D14L13,8-VMI	1
20.4	4026337	ASSEMBLY LR.STF.GH.RFK.MHI4,MVI403-419 1	1
		> IMPELLER-VMI/HMI-SERIE.4-316L	1
		> SPACER IMPELLER MVI2/4 1.4435	1
		> STAGE CASING-AV-C/R-2/4M3-316L	1



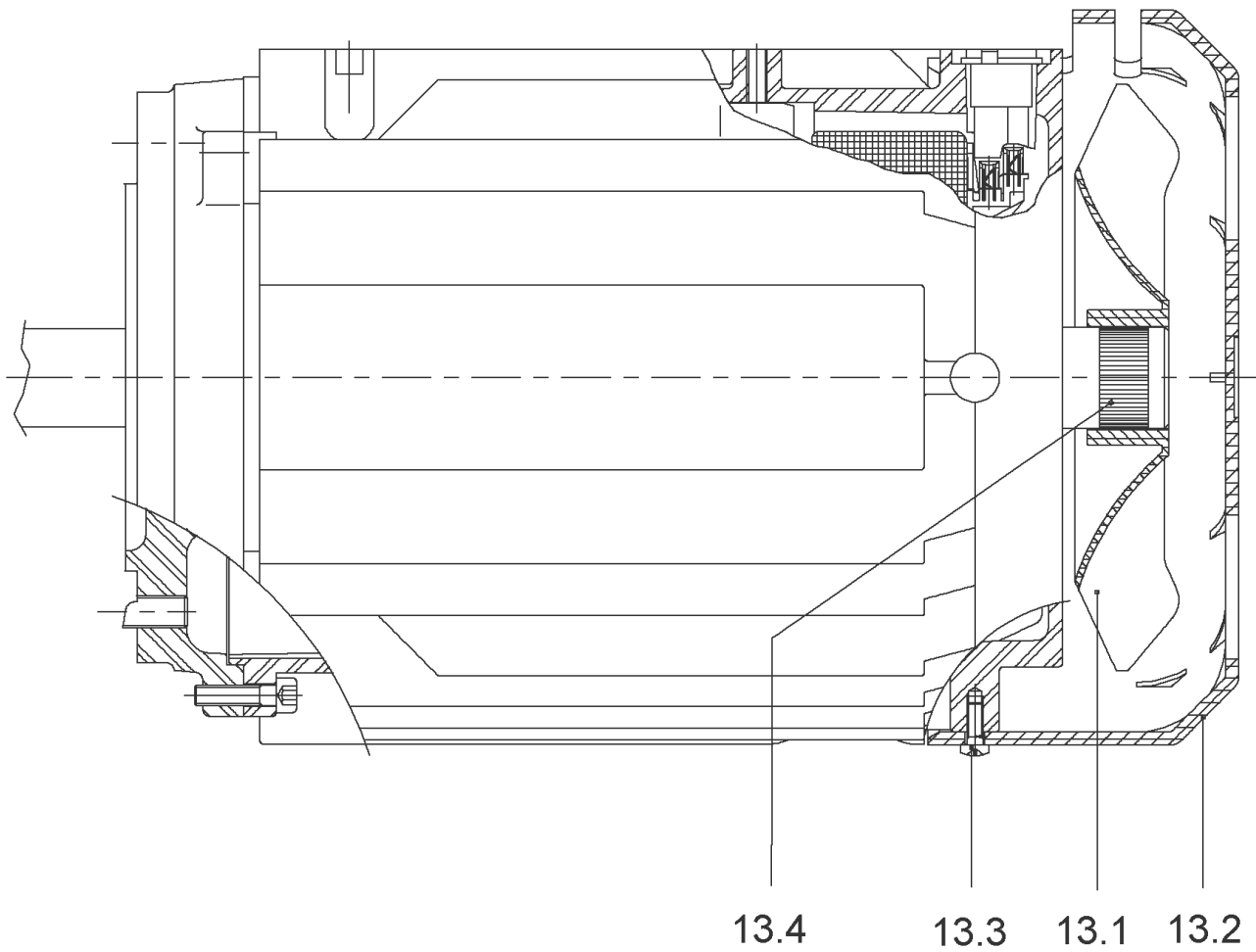


**MVIE803-1/16/E/3-2 (4040094)**

Item	Article no.	Description	Quantity
1	2027121	PUMP HOUSING MVI/MVIS DN50 PN16 KIT	1
1.1		> PUMP HOUSING MVI D.50 PN16 1.4301	1
1.2	4233954	> O-RING ID.66 EPDM VP.	1
Note: FROM / AB / À PARTIR DE: 07/97			
1.3	4176513	> O-RING FOR PUMP JACKET VP.	1
1.4	4234235	> PRIMING/DRAIN PLUG MVI6" 304 VP.	1
3.2	4177800	> O-RING EPDM PLUG HELIX VP.	1
3.3	4234242	> O-RING 9X2 VP.	1
2	4176517	BASEPLATE V8/10 VP.	1
3	4027301	MECHANICAL SEAL MVI2/4/8/16-6" EP120°KIT	1
1.3	4176513	> O-RING FOR PUMP JACKET VP.	1
3.1		> MECHANICAL SEAL MG12/14-G606-Q1BE3GG-BU.	1
3.2	4177800	> O-RING EPDM PLUG HELIX VP.	1
3.3	4234242	> O-RING 9X2 VP.	1
4	4015442	SHAFT-FIXING MVI4/8 KIT	1
4.1		> SCREW CHC-M6X14-8.8-ISO4762-GEOMET500A	1
4.2		> WASHER D.24 L6U ZINK	1
4.3	2090148	> CIRCLIP D14 MVI/MHI 316L (2 PIECES) VP.	1
		>> STOP-RUSH-1/2-D14-VMI/HMI-316	2
4.4		> STOP COLLAR OF IMPELLER L=8.7-Ø14-316L	1
4.5		> FLAT WASHER-D8xD16x2.5-316L	1
4.6		> STAINLESS-STEEL-WASHER-DE8	1
4.7		> SCREW M8X16 ISO4762 A4	1
5	2018383	HOUSING PIPE D.152X131 1.4301 KIT	1
1.3	4176513	> O-RING FOR PUMP JACKET VP.	1
5.1		> HOUSING-PIPE-D152-VMI803-304	1
6	2018367	STUD BOLT M12X257 KIT	1
6.1		> TIE BOLT M12-257x18x30-1.4057	1
6.2	2094647	> NUT M12 M12 ISO4032 VP.	1
6.3	2123557	> WASHER CS-12.4-24-1.6-NFE25 (4 PIECES)	1
7	2025382	MOTOR TL3/2200/2DM 65HZ V18 MVIE SERIE99	1
		SPARE PARTS MOTOR TL3/2200/2 3-400 65HZ	1
8	4190751	LANTERN-MOTOR-VMI-FT115-MACHINED VP.	1
9	4092424	COUPLING GUARD FT85/130 MVI KIT	1

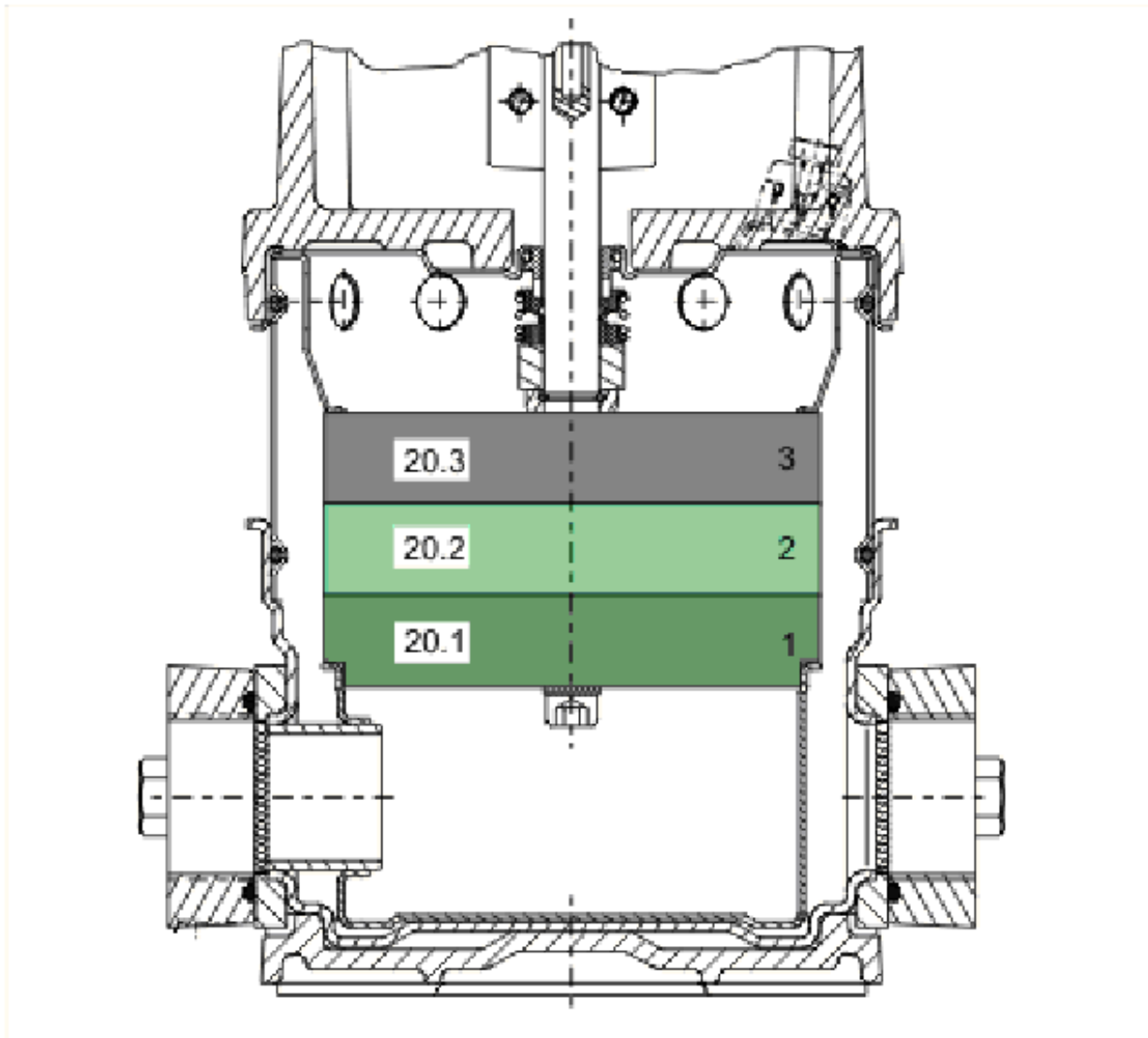
**MVIE803-1/16/E/3-2 (4040094)**

Item	Article no.	Description	Quantity
		> COUPLING PROTECTOR FT85/130-1.4016	1
		> CLIP COUPLING-GUARD-RF	1
10	4217881	STAT.RING HOLDER-GM-D14-304 VP.	1
11	4095214	3PH COUPLING KIT MVI D14XD24	1
11.1		> COUPLING-VMI-Ø14xØ24-FT115-MACHINED	1
11.2	2131023	> BALL BEARING 6207/ZZ-C3(HT)VP.	1
11.3	4234254	> CIRCLIP-FOR-SHAFT-D35x1.5 VP.	1
11.4	4157726	> SCREW KIT M8X30 (4 PIECES)	1
11.5	4234251	> CIRCLIP-D72x2.5 VP.	1
11.6	4234246	> O-RING 72X3 VP.	1
		> NOMEL CONTACT WASHER 8x16x1,4 STEEL ZC	1
		> SCREW CHC-M6X14-8.8-ISO4762-GEOMET500A	1
		> WASHER D.24 L6U ZINK	1
12	4233131	PLUG-VMI-316L VP.	1
14	4233898	SHAFT D.14X192 1.4057 VP.	1
19	4234241	UPPER STAGE RFK.MVI8 1.4301 VP.	1
20		SPARE PARTS HYDRAULICS MVI/MVIE 1.4301	1
22	74750711116	SCREW M12X55X55 ISO4017 6.8 ZN	1
23	4030164	COUNTER-FLANGE-VMI1"1/2	1
24	74760312103	SCREW M8X25 ISO4762 8.8 ZN	1
25	2048856	SCREW M5X12 ISO7045 4.8-Z GB.ZN	1
26		MODULE MVIE206 MVIE/MHIE405/803 2,2>7/01	1
Note: no longer available / nicht mehr lieferbar / ne plus disponible			
27	2048855	SCREW M5X16 ISO7045 4.8-Z ZN LSN.	1



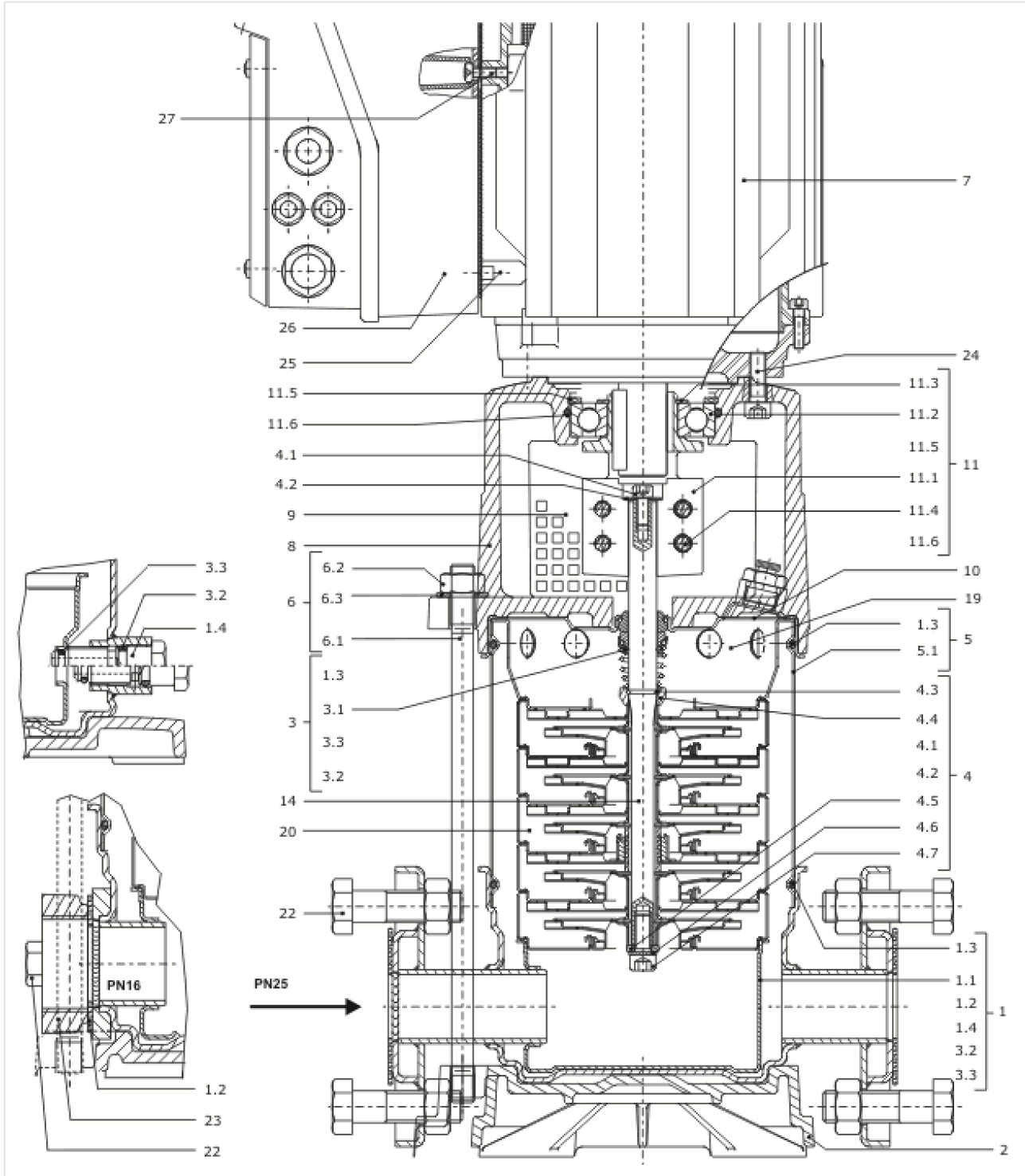
**SPARE PARTS MOTOR TL3/2200/2 3-400 65HZ**

Item	Article no.	Description	Quantity
13.1	2047017	FAN WHEEL AF90 2POL.ATB VP.	1
Note: Please give the data from type plate of the motor			
13.2		FAN HOOD TL4/3N NEUTRAL	1
Note: no longer available / nicht mehr lieferbar / ne plus disponible			
Note: Please give the data from type plate of the motor			
13.3		SCREW M4X8 ISO7045 4.8-H ZN	1
Note: no longer available / nicht mehr lieferbar / ne plus disponible			
13.4	2047016	CORRUGATED SLEEVE RING BG90/100 ATB VP.	1
Note: Please give the data from type plate of the motor			



**SPARE PARTS HYDRAULICS MVI/MVIE 1.4301**

Item	Article no.	Description	Quantity
20.1	4015449	STAGE MHI804/05,MVI802/03 1.4301 KIT	1
		> IMPELLER MVI8 D.100,5x5,5 1.4301	1
		> STAGE HOUSING O.RFK.MVI8 1.4301	1
		> SPACER IMPELLER MVI8 1.4435	1
		> SPACER SHAFT SLEEVE MVI8 1.4435	1
20.2	4015450	STAGE KIT MHI/MVI	1
		> IMPELLER MVI8 D.100,5x5,5 1.4301	1
		> SPACER IMPELLER MVI8 1.4435	1
		> SPACER SHAFT SLEEVE MVI8 1.4435	1
		> STAGE-CASING-W-R/C+BEARING-8M3-304	1
		> SLEEVE-D14L13,8-VMI	1
20.3	4015452	STAGE MHI8,MVI802-19 1.4301 KIT	1
		> IMPELLER MVI8 D.100,5x5,5 1.4301	1
		> SPACER IMPELLER MVI8 1.4435	1
		> STAGE HOUSING RFK.MVI8 1.4301	1



**MVIE803-1/16/E/3-2-2G (4077525)**

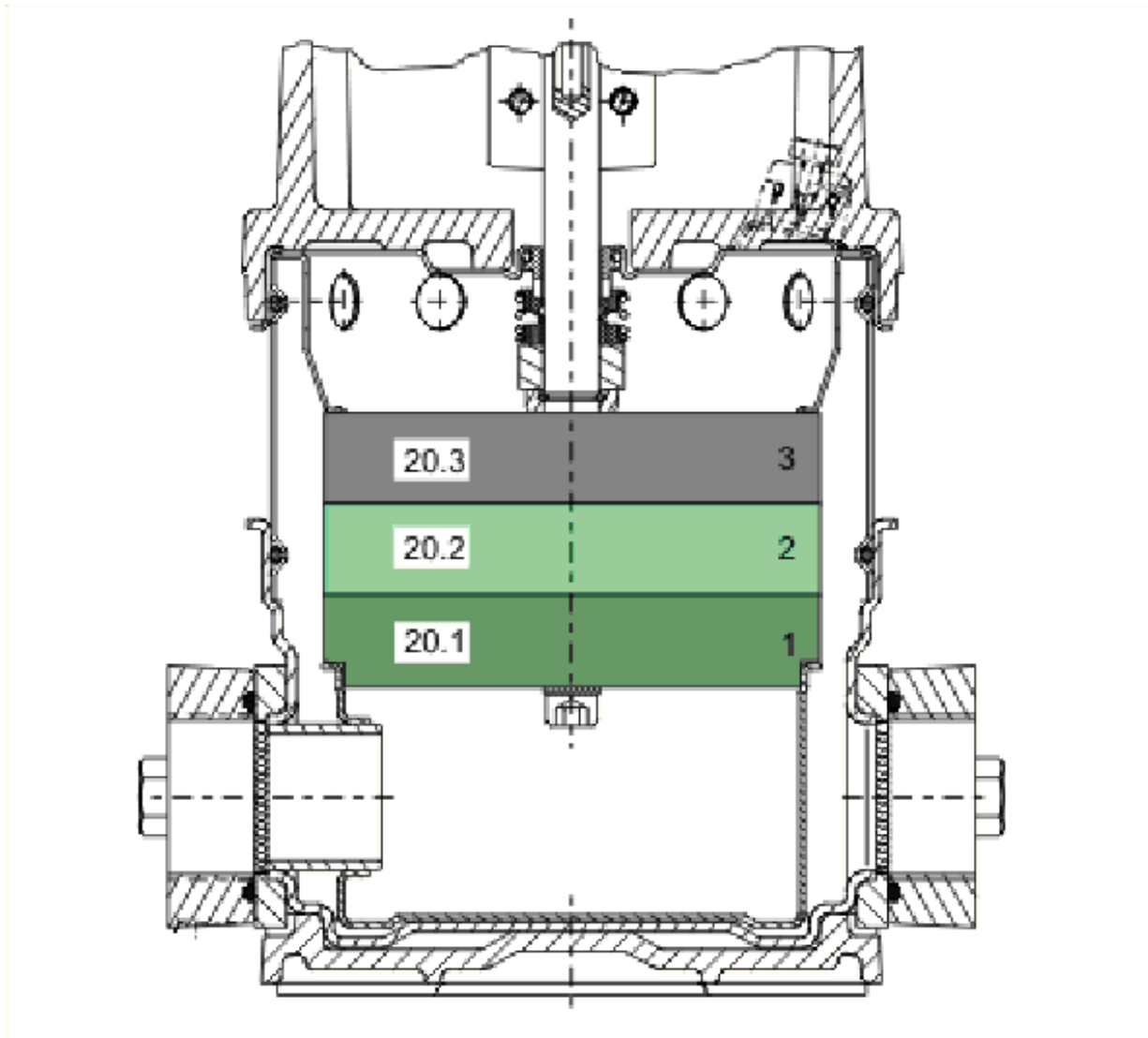
Item	Article no.	Description	Quantity
1	2027121	PUMP HOUSING MVI/MVIS DN50 PN16 KIT	1
1.1		> PUMP HOUSING MVI D.50 PN16 1.4301	1
1.2	4233954	> O-RING ID.66 EPDM VP.	1
Note: FROM / AB / À PARTIR DE: 07/97			
1.3	4176513	> O-RING FOR PUMP JACKET VP.	1
1.4	4234235	> PRIMING/DRAIN PLUG MVI6" 304 VP.	1
3.2	4177800	> O-RING EPDM PLUG HELIX VP.	1
3.3	4234242	> O-RING 9X2 VP.	1
2	4176517	BASEPLATE V8/10 VP.	1
3	4027301	MECHANICAL SEAL MVI2/4/8/16-6" EP120°KIT	1
1.3	4176513	> O-RING FOR PUMP JACKET VP.	1
3.1		> MECHANICAL SEAL MG12/14-G606-Q1BE3GG-BU.	1
3.2	4177800	> O-RING EPDM PLUG HELIX VP.	1
3.3	4234242	> O-RING 9X2 VP.	1
4	4015442	SHAFT-FIXING MVI4/8 KIT	1
4.1		> SCREW CHC-M6X14-8.8-ISO4762-GEOMET500A	1
4.2		> WASHER D.24 L6U ZINK	1
4.3	2090148	> CIRCLIP D14 MVI/MHI 316L (2 PIECES) VP.	1
		>> STOP-RUSH-1/2-D14-VMI/HMI-316	2
4.4		> STOP COLLAR OF IMPELLER L=8.7-Ø14-316L	1
4.5		> FLAT WASHER-D8xD16x2.5-316L	1
4.6		> STAINLESS-STEEL-WASHER-DE8	1
4.7		> SCREW M8X16 ISO4762 A4	1
5	2018383	HOUSING PIPE D.152X131 1.4301 KIT	1
1.3	4176513	> O-RING FOR PUMP JACKET VP.	1
5.1		> HOUSING-PIPE-D152-VMI803-304	1
6	2018367	STUD BOLT M12X257 KIT	1
6.1		> TIE BOLT M12-257x18x30-1.4057	1
6.2	2094647	> NUT M12 M12 ISO4032 VP.	1
6.3	2123557	> WASHER CS-12.4-24-1.6-NFE25 (4 PIECES)	1
7		M2,2-2T638P55V18-90F11-SU-N24-ADAPT	1
Note: no longer available/nicht mehrlieferbar/n'est plus disponible			
8	4190751	LANTERN-MOTOR-VMI-FT115-MACHINED VP.	1
9	4092424	COUPLING GUARD FT85/130 MVI KIT	1



**MVIE803-1/16/E/3-2-2G (4077525)**

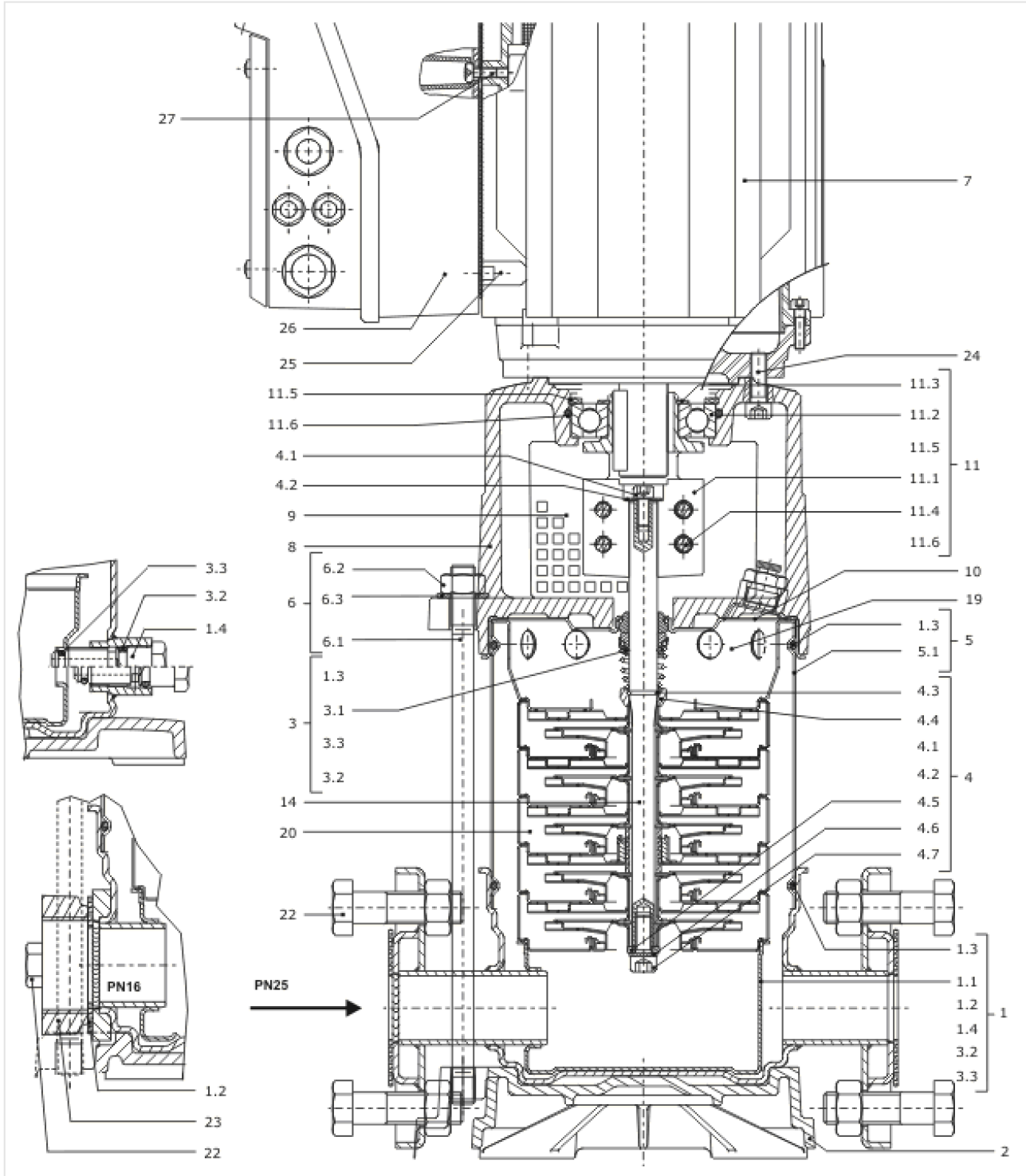
Item	Article no.	Description	Quantity
		> COUPLING PROTECTOR FT85/130-1.4016	1
		> CLIP COUPLING-GUARD-RF	1
10	4217881	STAT.RING HOLDER-GM-D14-304 VP.	1
11	4095214	3PH COUPLING KIT MVI D14XD24	1
11.1		> COUPLING-VMI-Ø14xØ24-FT115-MACHINED	1
11.2	2131023	> BALL BEARING 6207/ZZ-C3(HT)VP.	1
11.3	4234254	> CIRCLIP-FOR-SHAFT-D35x1.5 VP.	1
11.4	4157726	> SCREW KIT M8X30 (4 PIECES)	1
11.5	4234251	> CIRCLIP-D72x2.5 VP.	1
11.6	4234246	> O-RING 72X3 VP.	1
		> NOME CONTACT WASHER 8x16x1,4 STEEL ZC	1
		> SCREW CHC-M6X14-8.8-ISO4762-GEOMET500A	1
		> WASHER D.24 L6U ZINK	1
12	4233131	PLUG-VMI-316L VP.	1
14	4233898	SHAFT D.14X192 1.4057 VP.	1
19	4234241	UPPER STAGE RFK.MVI8 1.4301 VP.	1
20		SPARE PARTS HYDRAULICS MVI/MVIE 1.4301	1
22	74750711116	SCREW M12X55X55 ISO4017 6.8 ZN	1
23	4030164	COUNTER-FLANGE-VMI1"1/2	1
24	4157726	SCREW KIT M8X30 (4 PIECES)	1
26		MODULE MVIE/MHIE-2,2KW IE1	1

Note: no longer available/nicht mehr lieferbar/n'est plus disponible



**SPARE PARTS HYDRAULICS MVI/MVIE 1.4301**

Item	Article no.	Description	Quantity
20.1	4015449	STAGE MHI804/05,MVI802/03 1.4301 KIT	1
		> IMPELLER MVI8 D.100,5x5,5 1.4301	1
		> STAGE HOUSING O.RFK.MVI8 1.4301	1
		> SPACER IMPELLER MVI8 1.4435	1
		> SPACER SHAFT SLEEVE MVI8 1.4435	1
20.2	4015450	STAGE KIT MHI/MVI	1
		> IMPELLER MVI8 D.100,5x5,5 1.4301	1
		> SPACER IMPELLER MVI8 1.4435	1
		> SPACER SHAFT SLEEVE MVI8 1.4435	1
		> STAGE-CASING-W-R/C+BEARING-8M3-304	1
		> SLEEVE-D14L13,8-VMI	1
20.3	4015452	STAGE MHI8,MVI802-19 1.4301 KIT	1
		> IMPELLER MVI8 D.100,5x5,5 1.4301	1
		> SPACER IMPELLER MVI8 1.4435	1
		> STAGE HOUSING RFK.MVI8 1.4301	1

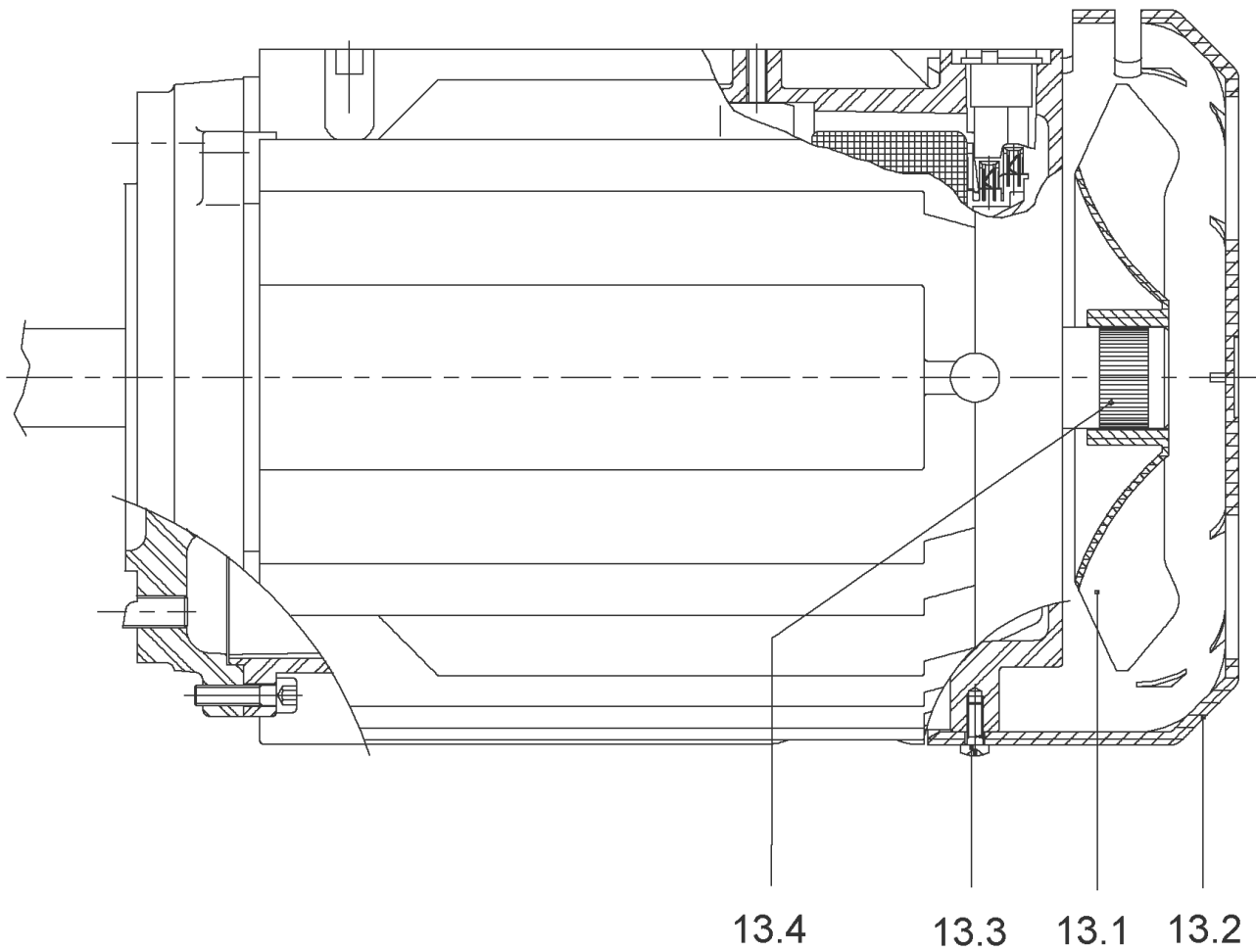


**MVIE803-1/25/E/3-2 (4040107)**

Item	Article no.	Description	Quantity
1	2018568	PUMP HOUS.MVI8 DN40 PN25 1.4435 EPDM KIT	1
1.1		> PUMP HOUSING MVI D40 PN25 1.4435	1
1.2	4010032	> FLAT GASKET_Ø40xØ92x2_DN40_PN25_FIBRE	1
1.3	4176513	> O-RING FOR PUMP JACKET VP.	1
1.4	4234240	> PRIMING/DRAIN PLUG MVI6" 316L VP.	1
3.2	4177800	> O-RING EPDM PLUG HELIX VP.	1
3.3	4234242	> O-RING 9X2 VP.	1
2	4176517	BASEPLATE V8/10 VP.	1
3	4027301	MECHANICAL SEAL MVI2/4/8/16-6" EP120°KIT	1
1.3	4176513	> O-RING FOR PUMP JACKET VP.	1
3.1		> MECHANICAL SEAL MG12/14-G606-Q1BE3GG-BU.	1
3.2	4177800	> O-RING EPDM PLUG HELIX VP.	1
3.3	4234242	> O-RING 9X2 VP.	1
4	4015442	SHAFT-FIXING MVI4/8 KIT	1
4.1		> SCREW CHC-M6X14-8.8-ISO4762-GEOMET500A	1
4.2		> WASHER D.24 L6U ZINK	1
4.3	2090148	> CIRCLIP D14 MVI/MHI 316L (2 PIECES) VP.	1
		>> STOP-RUSH-1/2-D14-VMI/HMI-316	2
4.4		> STOP COLLAR OF IMPELLER L=8.7-Ø14-316L	1
4.5		> FLAT WASHER-D8xD16x2.5-316L	1
4.6		> STAINLESS-STEEL-WASHER-DE8	1
4.7		> SCREW M8X16 ISO4762 A4	1
5	2018383	HOUSING PIPE D.152X131 1.4301 KIT	1
1.3	4176513	> O-RING FOR PUMP JACKET VP.	1
5.1		> HOUSING-PIPE-D152-VMI803-304	1
6	2018367	STUD BOLT M12X257 KIT	1
6.1		> TIE BOLT M12-257x18x30-1.4057	1
6.2	2094647	> NUT M12 M12 ISO4032 VP.	1
6.3	2123557	> WASHER CS-12.4-24-1.6-NFE25 (4 PIECES)	1
7	2025382	MOTOR TL3/2200/2DM 65HZ V18 MVIE SERIE99	1
		SPARE PARTS MOTOR TL3/2200/2 3-400 65HZ	1
8	4190751	LANTERN-MOTOR-VMI-FT115-MACHINED VP.	1
9	4092424	COUPLING GUARD FT85/130 MVI KIT	1
		> COUPLING PROTECTOR FT85/130-1.4016	1

**MVIE803-1/25/E/3-2 (4040107)**

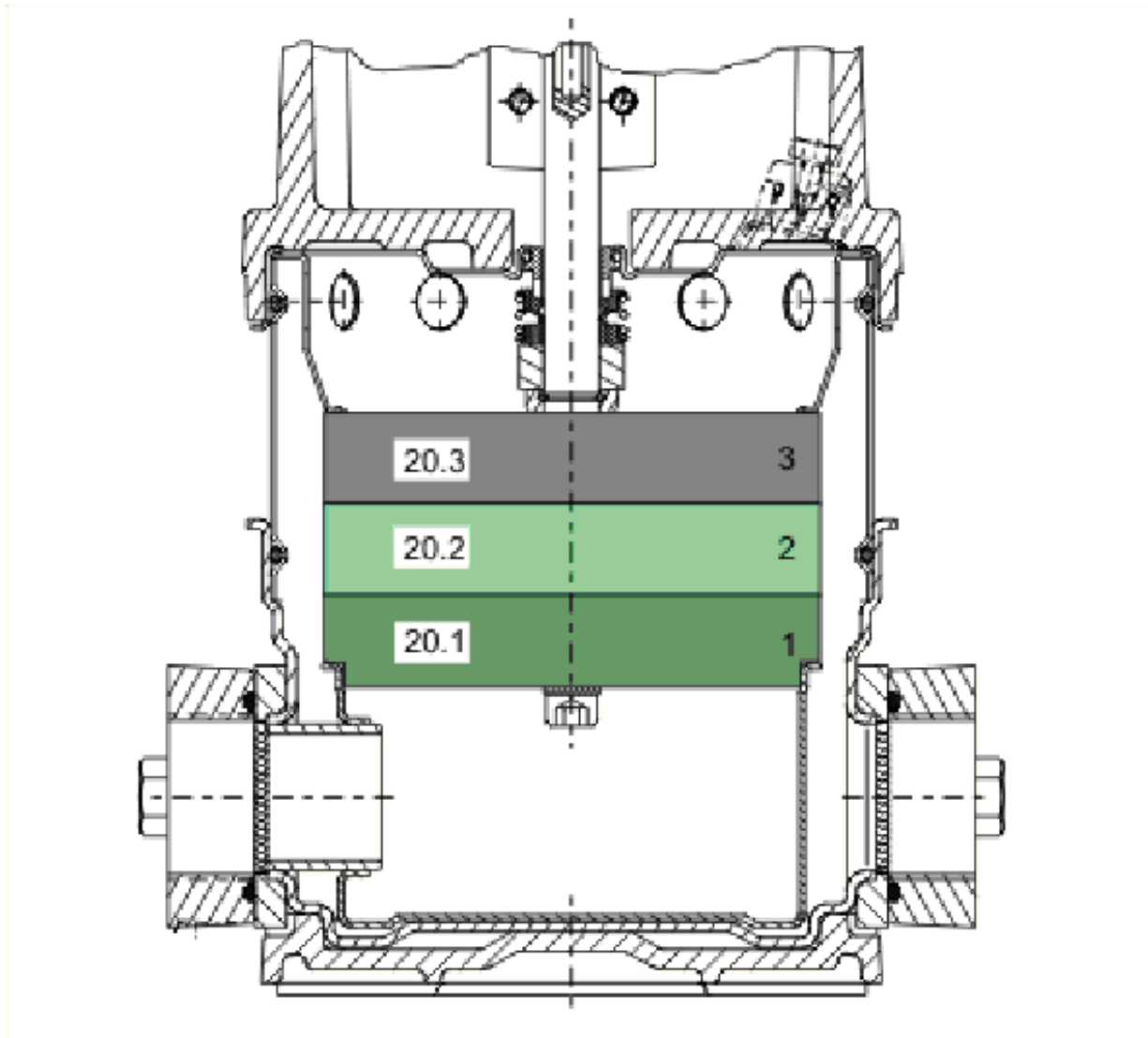
Item	Article no.	Description	Quantity
		> CLIP COUPLING-GUARD-RF	1
10	4217881	STAT.RING HOLDER-GM-D14-304 VP.	1
11	4095214	3PH COUPLING KIT MVI D14XD24	1
11.1		> COUPLING-VMI-Ø14xØ24-FT115-MACHINED	1
11.2	2131023	> BALL BEARING 6207/ZZ-C3(HT)VP.	1
11.3	4234254	> CIRCLIP-FOR-SHAFT-D35x1.5 VP.	1
11.4	4157726	> SCREW KIT M8X30 (4 PIECES)	1
11.5	4234251	> CIRCLIP-D72x2.5 VP.	1
11.6	4234246	> O-RING 72X3 VP.	1
		> NOME CONTACT WASHER 8x16x1,4 STEEL ZC	1
		> SCREW CHC-M6X14-8.8-ISO4762-GEOMET500A	1
		> WASHER D.24 L6U ZINK	1
12	4233131	PLUG-VMI-316L VP.	1
14	4233898	SHAFT D.14X192 1.4057 VP.	1
19	4234241	UPPER STAGE RFK.MVI8 1.4301 VP.	1
20		SPARE PARTS HYDRAULICS MVI/MVIE 1.4301	1
22	61476	SCREW M16X55X38	1
23	4030164	COUNTER-FLANGE-VMI1"1/2	1
24	74760312103	SCREW M8X25 ISO4762 8.8 ZN	1
25	2048856	SCREW M5X12 ISO7045 4.8-Z GB.ZN	1
26		MODULE MVIE206 MVIE/MHIE405/803 2,2>7/01	1
Note: no longer available / nicht mehr lieferbar / ne plus disponible			
27	2048855	SCREW M5X16 ISO7045 4.8-Z ZN LSN.	1



**SPARE PARTS MOTOR TL3/2200/2 3-400 65HZ**

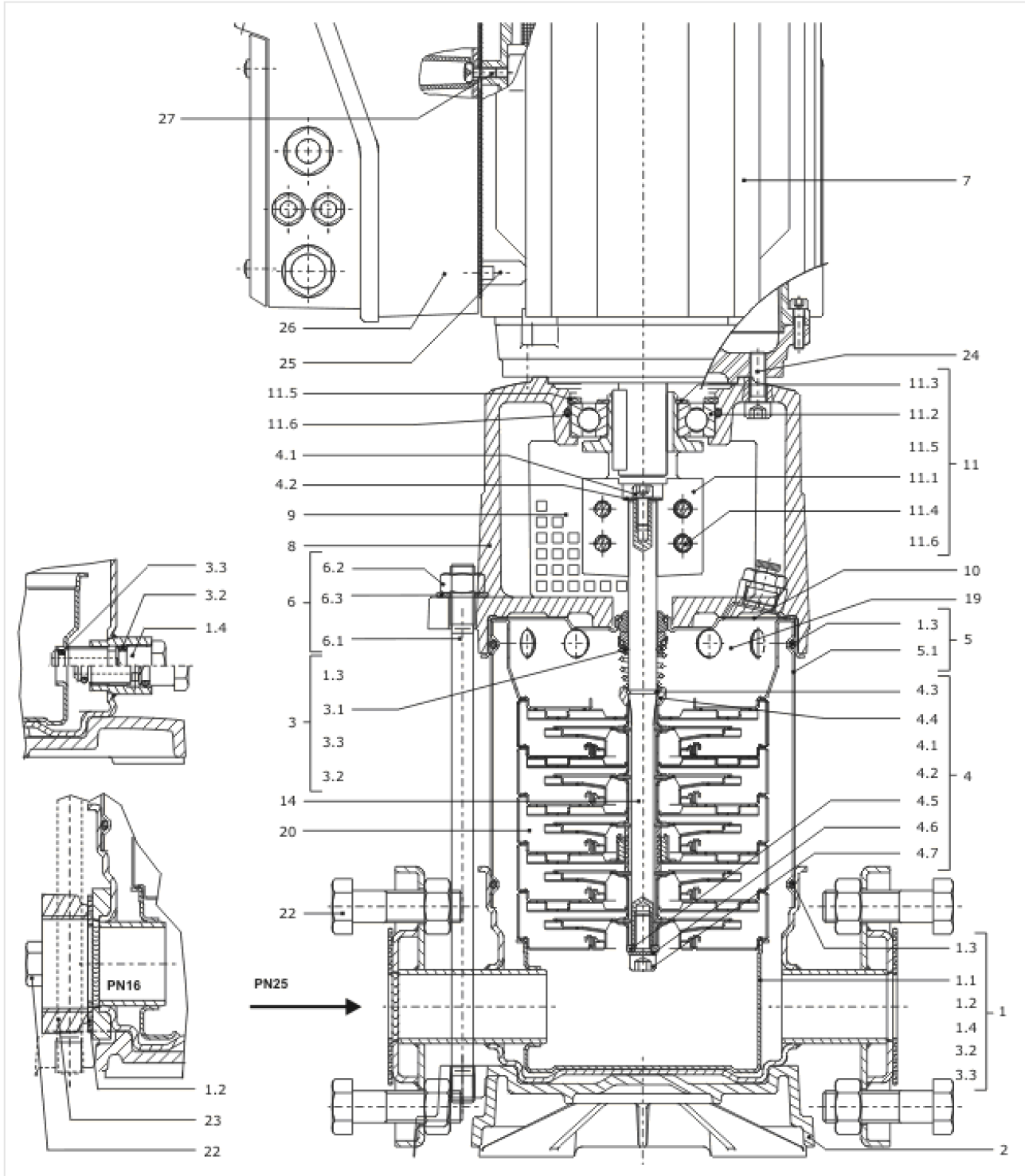
Item	Article no.	Description	Quantity
13.1	2047017	FAN WHEEL AF90 2POL.ATB VP.	1
Note: Please give the data from type plate of the motor			
13.2		FAN HOOD TL4/3N NEUTRAL	1
Note: no longer available / nicht mehr lieferbar / ne plus disponible			
Note: Please give the data from type plate of the motor			
13.3		SCREW M4X8 ISO7045 4.8-H ZN	1
Note: no longer available / nicht mehr lieferbar / ne plus disponible			
13.4	2047016	CORRUGATED SLEEVE RING BG90/100 ATB VP.	1
Note: Please give the data from type plate of the motor			





**SPARE PARTS HYDRAULICS MVI/MVIE 1.4301**

Item	Article no.	Description	Quantity
20.1	4015449	STAGE MHI804/05,MVI802/03 1.4301 KIT	1
		> IMPELLER MVI8 D.100,5x5,5 1.4301	1
		> STAGE HOUSING O.RFK.MVI8 1.4301	1
		> SPACER IMPELLER MVI8 1.4435	1
		> SPACER SHAFT SLEEVE MVI8 1.4435	1
20.2	4015450	STAGE KIT MHI/MVI	1
		> IMPELLER MVI8 D.100,5x5,5 1.4301	1
		> SPACER IMPELLER MVI8 1.4435	1
		> SPACER SHAFT SLEEVE MVI8 1.4435	1
		> STAGE-CASING-W-R/C+BEARING-8M3-304	1
		> SLEEVE-D14L13,8-VMI	1
20.3	4015452	STAGE MHI8,MVI802-19 1.4301 KIT	1
		> IMPELLER MVI8 D.100,5x5,5 1.4301	1
		> SPACER IMPELLER MVI8 1.4435	1
		> STAGE HOUSING RFK.MVI8 1.4301	1



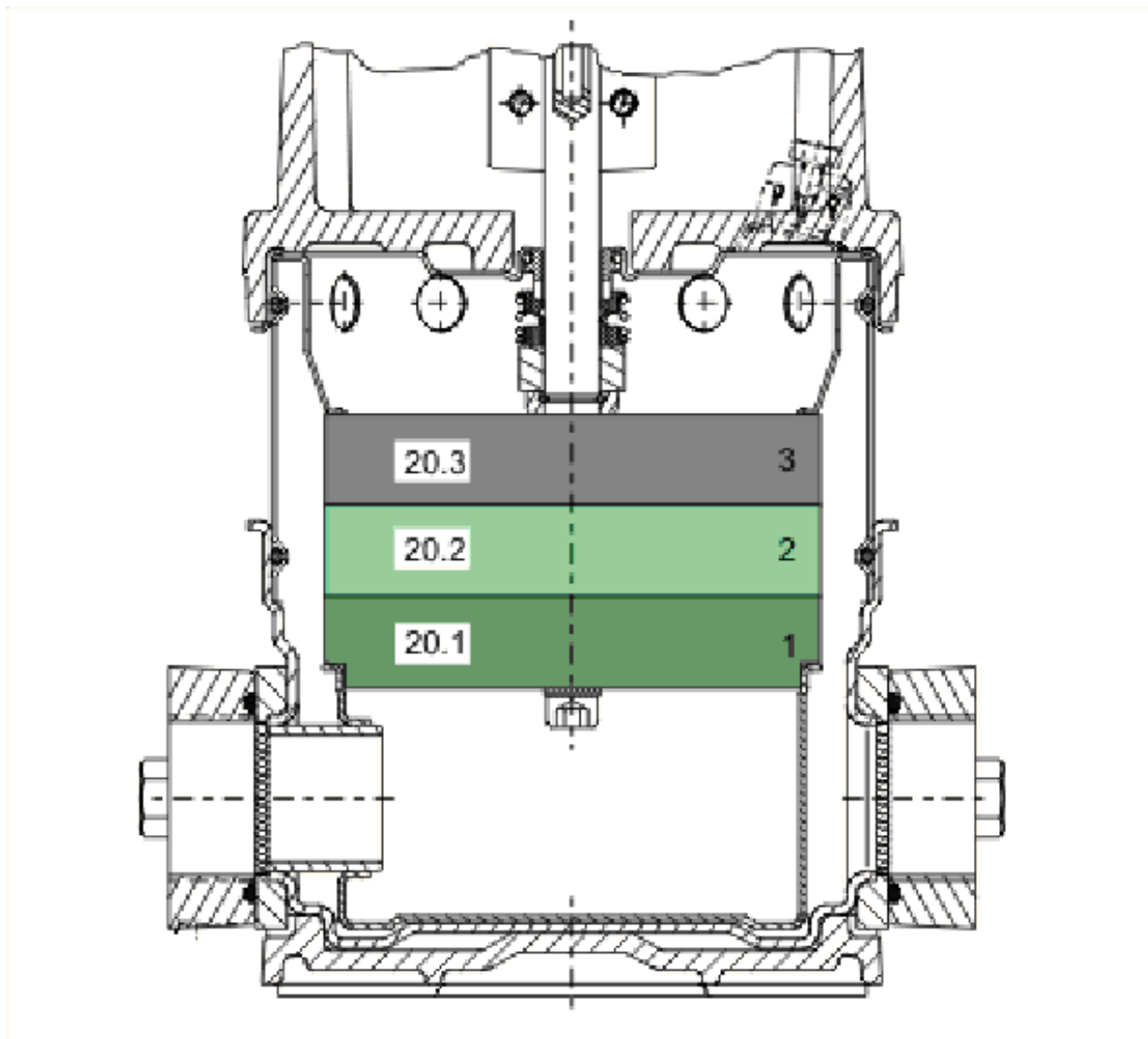
**MVIE803-1/25/E/3-2-2G (4077535)**

Item	Article no.	Description	Quantity
1	2018568	PUMP HOUS.MVI8 DN40 PN25 1.4435 EPDM KIT	1
1.1		> PUMP HOUSING MVI D40 PN25 1.4435	1
1.2	4010032	> FLAT GASKET_Ø40xØ92x2_DN40_PN25_FIBRE	1
1.3	4176513	> O-RING FOR PUMP JACKET VP.	1
1.4	4234240	> PRIMING/DRAIN PLUG MVI6" 316L VP.	1
3.2	4177800	> O-RING EPDM PLUG HELIX VP.	1
3.3	4234242	> O-RING 9X2 VP.	1
2	4176517	BASEPLATE V8/10 VP.	1
3	4015431	MECHANICAL SEAL MVI2/4/8 PN25 120° KIT	1
1.3	4176513	> O-RING FOR PUMP JACKET VP.	1
3.1		> MECHANICAL SEAL RMG12/14-G606-U3BE3GG-BU	1
3.2	4177800	> O-RING EPDM PLUG HELIX VP.	1
3.3	4234242	> O-RING 9X2 VP.	1
4	4015442	SHAFT-FIXING MVI4/8 KIT	1
4.1		> SCREW CHC-M6X14-8.8-ISO4762-GEOMET500A	1
4.2		> WASHER D.24 L6U ZINK	1
4.3	2090148	> CIRCLIP D14 MVI/MHI 316L (2 PIECES) VP.	1
		>> STOP-RUSH-1/2-D14-VMI/HMI-316	2
4.4		> STOP COLLAR OF IMPELLER L=8.7-Ø14-316L	1
4.5		> FLAT WASHER-D8xD16x2.5-316L	1
4.6		> STAINLESS-STEEL-WASHER-DE8	1
4.7		> SCREW M8X16 ISO4762 A4	1
5	2018383	HOUSING PIPE D.152X131 1.4301 KIT	1
1.3	4176513	> O-RING FOR PUMP JACKET VP.	1
5.1		> HOUSING-PIPE-D152-VMI803-304	1
6	2018367	STUD BOLT M12X257 KIT	1
6.1		> TIE BOLT M12-257x18x30-1.4057	1
6.2	2094647	> NUT M12 M12 ISO4032 VP.	1
6.3	2123557	> WASHER CS-12.4-24-1.6-NFE25 (4 PIECES)	1
7		M2,2-2T638P55V18-90F11-SU-N24-ADAPT	1
Note: no longer available/nicht mehr lieferbar/n'est plus disponible			
8	4190751	LANTERN-MOTOR-VMI-FT115-MACHINED VP.	1
9	4092424	COUPLING GUARD FT85/130 MVI KIT	1
		> COUPLING PROTECTOR FT85/130-1.4016	1

**MVIE803-1/25/E/3-2-2G (4077535)**

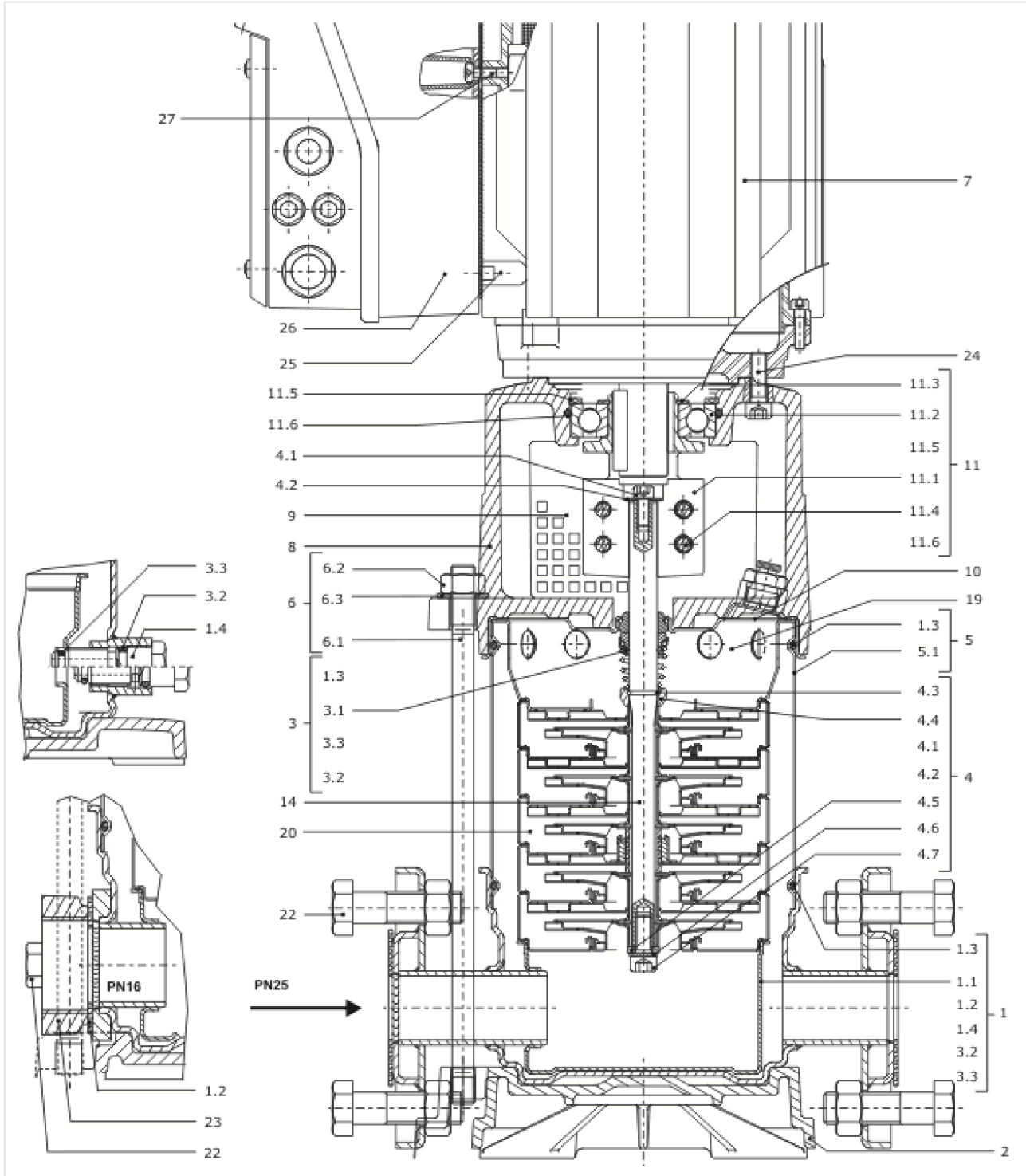
Item	Article no.	Description	Quantity
		> CLIP COUPLING-GUARD-RF	1
10	4217881	STAT.RING HOLDER-GM-D14-304 VP.	1
11	4095214	3PH COUPLING KIT MVI D14XD24	1
11.1		> COUPLING-VMI-Ø14xØ24-FT115-MACHINED	1
11.2	2131023	> BALL BEARING 6207/ZZ-C3(HT)VP.	1
11.3	4234254	> CIRCLIP-FOR-SHAFT-D35x1.5 VP.	1
11.4	4157726	> SCREW KIT M8X30 (4 PIECES)	1
11.5	4234251	> CIRCLIP-D72x2.5 VP.	1
11.6	4234246	> O-RING 72X3 VP.	1
		> NOME CONTACT WASHER 8x16x1,4 STEEL ZC	1
		> SCREW CHC-M6X14-8.8-ISO4762-GEOMET500A	1
		> WASHER D.24 L6U ZINK	1
12	4233131	PLUG-VMI-316L VP.	1
14	4233898	SHAFT D.14X192 1.4057 VP.	1
19	4234241	UPPER STAGE RFK.MVI8 1.4301 VP.	1
20		SPARE PARTS HYDRAULICS MVI/MVIE 1.4301	1
22	61476	SCREW M16X55X38	1
24	4157726	SCREW KIT M8X30 (4 PIECES)	1
26		MODULE MVIE/MHIE-2,2KW IE1	1

Note: no longer available/nicht mehr lieferbar/n'est plus disponible



**SPARE PARTS HYDRAULICS MVI/MVIE 1.4301**

Item	Article no.	Description	Quantity
20.1	4015449	STAGE MHI804/05,MVI802/03 1.4301 KIT	1
		> IMPELLER MVI8 D.100,5x5,5 1.4301	1
		> STAGE HOUSING O.RFK.MVI8 1.4301	1
		> SPACER IMPELLER MVI8 1.4435	1
		> SPACER SHAFT SLEEVE MVI8 1.4435	1
20.2	4015450	STAGE KIT MHI/MVI	1
		> IMPELLER MVI8 D.100,5x5,5 1.4301	1
		> SPACER IMPELLER MVI8 1.4435	1
		> SPACER SHAFT SLEEVE MVI8 1.4435	1
		> STAGE-CASING-W-R/C+BEARING-8M3-304	1
		> SLEEVE-D14L13,8-VMI	1
20.3	4015452	STAGE MHI8,MVI802-19 1.4301 KIT	1
		> IMPELLER MVI8 D.100,5x5,5 1.4301	1
		> SPACER IMPELLER MVI8 1.4435	1
		> STAGE HOUSING RFK.MVI8 1.4301	1



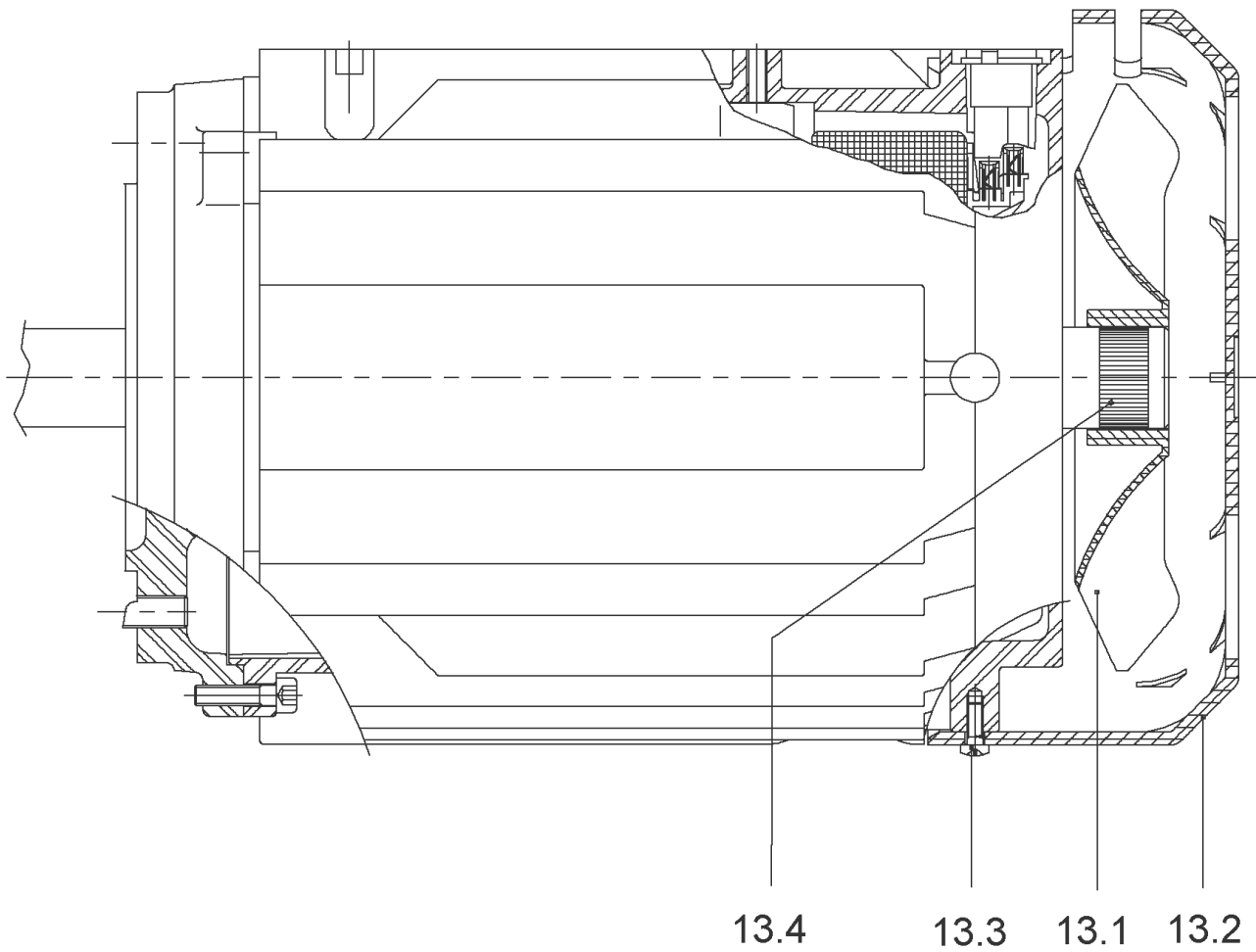


**MVIE803-2/25/V/3-2 (4042653)**

Item	Article no.	Description	Quantity
1	2018595	PUMP HOUSING MVI8 DN40 PN25 1.4435 KIT	1
1.1		> PUMP HOUSING MVI D40 PN25 1.4435	1
1.2	4010032	> FLAT GASKET_Ø40xØ92x2_DN40_PN25_FIBRE	1
1.3	4234237	> O-RING 139X3 VITON VP.	1
1.4	4234240	> PRIMING/DRAIN PLUG MVI6" 316L VP.	1
3.2	4234239	> O-RING 13X2 VITON VP.	1
3.3	4234238	> O-RING 9X2 VITON VP.	1
2	4176517	BASEPLATE V8/10 VP.	1
3	4037295	MECHANICAL SEAL 16B MVI VITON	1
1.3	4234237	> O-RING 139X3 VITON VP.	1
3.1		> MECHANICAL SEAL MG12/14-G606-Q1BVGG-BURG	1
3.2	4234239	> O-RING 13X2 VITON VP.	1
3.3	4234238	> O-RING 9X2 VITON VP.	1
4	4015442	SHAFT-FIXING MVI4/8 KIT	1
4.1		> SCREW CHC-M6X14-8.8-ISO4762-GEOMET500A	1
4.2		> WASHER D.24 L6U ZINK	1
4.3	2090148	> CIRCLIP D14 MVI/MHI 316L (2 PIECES) VP.	1
		>> STOP-RUSH-1/2-D14-VMI/HMI-316	2
4.4		> STOP COLLAR OF IMPELLER L=8.7-Ø14-316L	1
4.5		> FLAT WASHER-D8xD16x2.5-316L	1
4.6		> STAINLESS-STEEL-WASHER-DE8	1
4.7		> SCREW M8X16 ISO4762 A4	1
5	2018604	HOUSING PIPE D.152X131 1.4404 KIT	1
5.1		> HOUSING-PIPE-D152-VMI803-316L	1
1.3	4234237	> O-RING 139X3 VITON VP.	1
6	2018367	STUD BOLT M12X257 KIT	1
6.1		> TIE BOLT M12-257x18x30-1.4057	1
6.2	2094647	> NUT M12 M12 ISO4032 VP.	1
6.3	2123557	> WASHER CS-12.4-24-1.6-NFE25 (4 PIECES)	1
7	2025382	MOTOR TL3/2200/2DM 65HZ V18 MVIE SERIE99	1
		SPARE PARTS MOTOR TL3/2200/2 3-400 65HZ	1
8	4190751	LANTERN-MOTOR-VMI-FT115-MACHINED VP.	1
9	4092424	COUPLING GUARD FT85/130 MVI KIT	1
		> COUPLING PROTECTOR FT85/130-1.4016	1

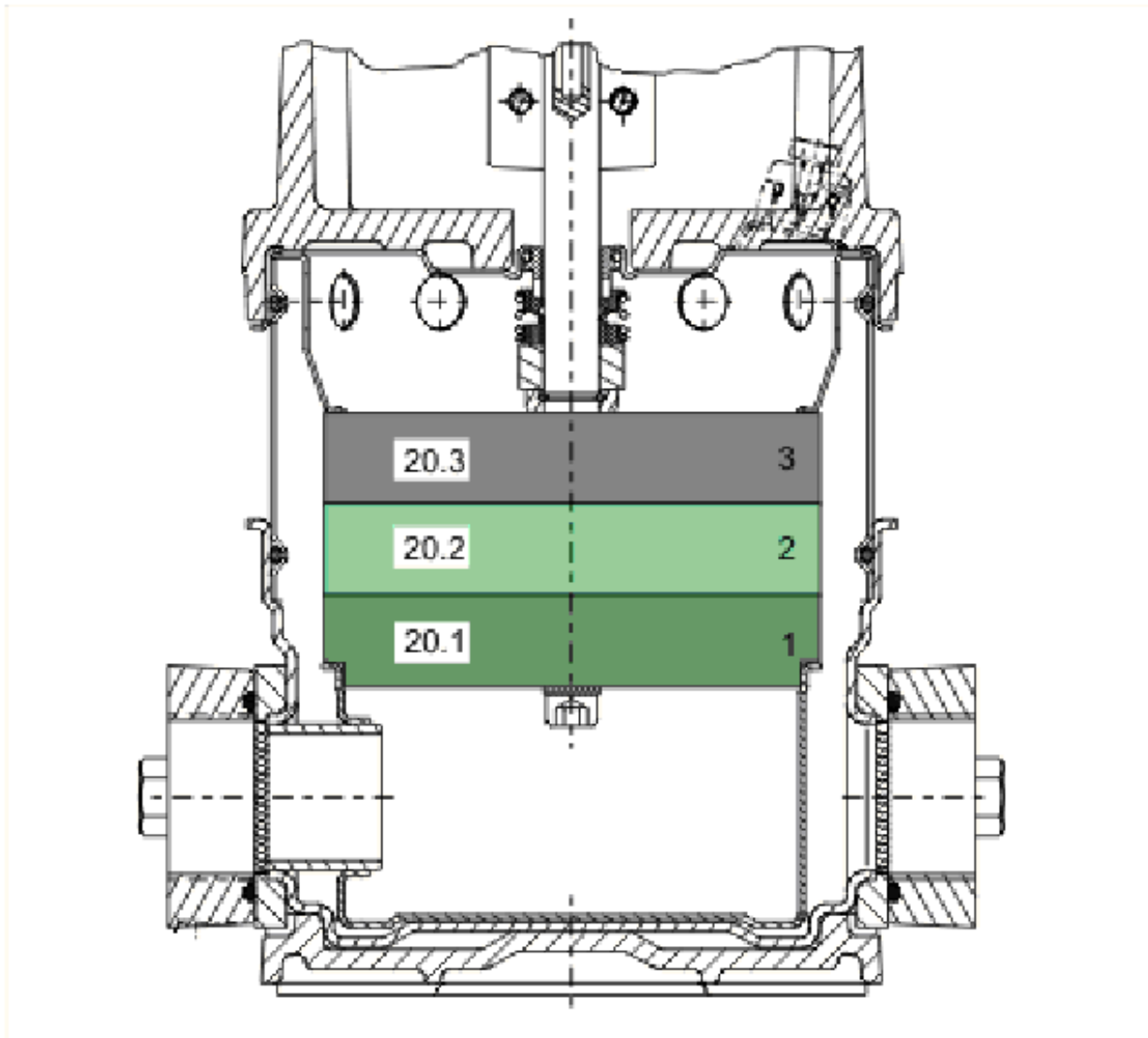
**MVIE803-2/25/V/3-2 (4042653)**

Item	Article no.	Description	Quantity
		> CLIP COUPLING-GUARD-RF	1
10	4217883	STAT.RING HOLDER MVI2/4/8 1.4435 VP.	1
11	4095214	3PH COUPLING KIT MVI D14XD24	1
11.1		> COUPLING-VMI-Ø14xØ24-FT115-MACHINED	1
11.2	2131023	> BALL BEARING 6207/ZZ-C3(HT)VP.	1
11.3	4234254	> CIRCLIP-FOR-SHAFT-D35x1.5 VP.	1
11.4	4157726	> SCREW KIT M8X30 (4 PIECES)	1
11.5	4234251	> CIRCLIP-D72x2.5 VP.	1
11.6	4234246	> O-RING 72X3 VP.	1
		> NOMEL CONTACT WASHER 8x16x1,4 STEEL ZC	1
		> SCREW CHC-M6X14-8.8-ISO4762-GEOMET500A	1
		> WASHER D.24 L6U ZINK	1
12	4233131	PLUG-VMI-316L VP.	1
14	4233132	SHAFT D.14X192 1.4404 VP.	1
19	4233922	UPPER STAGE RFK.MVI8M3 1.4435 VP.	1
20		SPARE PARTS HYDRAULICS MVI/MVIE 1.4404	1
22	61476	SCREW M16X55X38	1
23	4030164	COUNTER-FLANGE-VMI1"1/2	1
24	74760312103	SCREW M8X25 ISO4762 8.8 ZN	1
25	2048856	SCREW M5X12 ISO7045 4.8-Z GB.ZN	1
26		MODULE MVIE206 MVIE/MHIE405/803 2,2>7/01	1
Note: no longer available / nicht mehr lieferbar / ne plus disponible			
27	2048855	SCREW M5X16 ISO7045 4.8-Z ZN LSN.	1



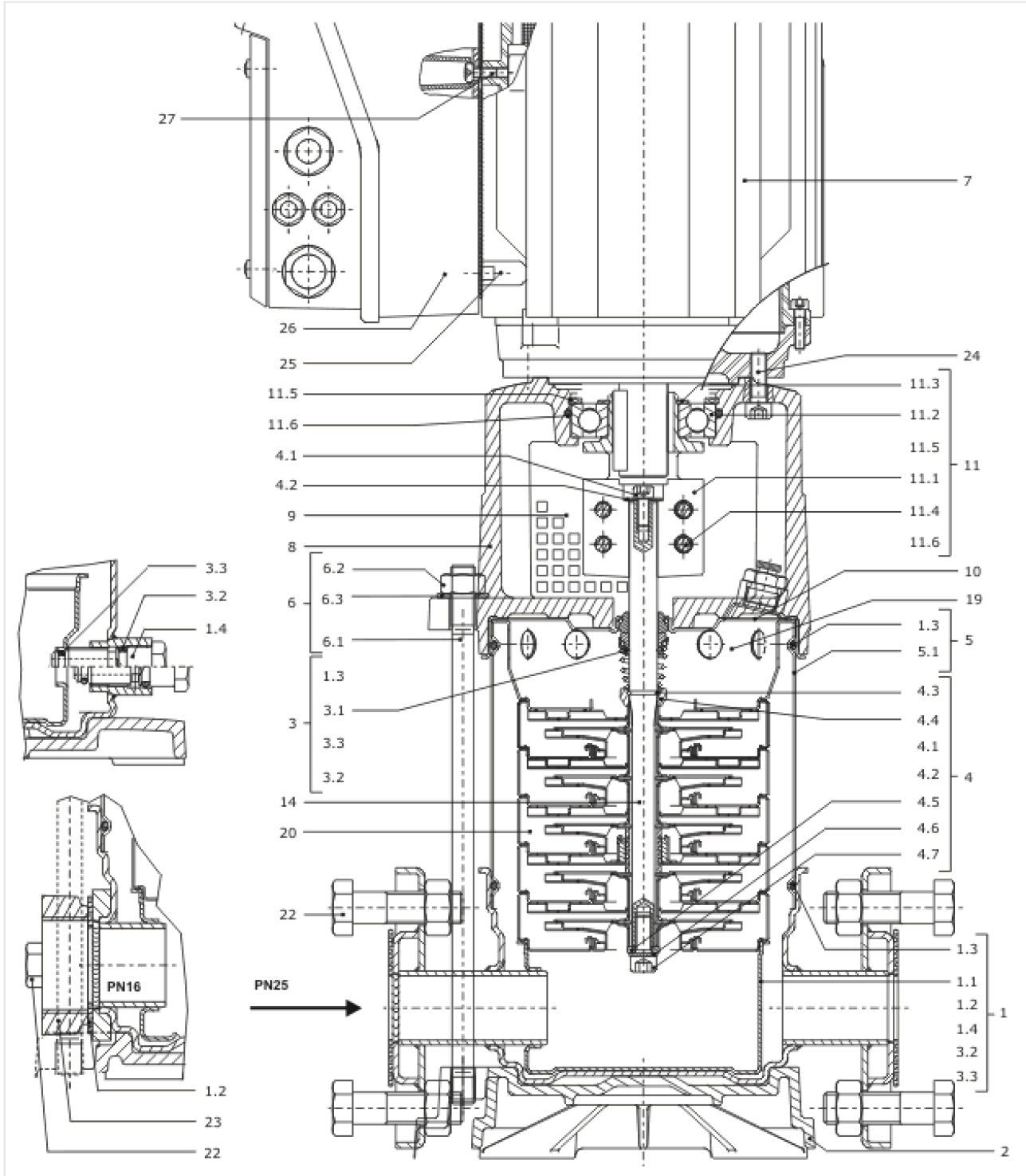
**SPARE PARTS MOTOR TL3/2200/2 3-400 65HZ**

Item	Article no.	Description	Quantity
13.1	2047017	FAN WHEEL AF90 2POL.ATB VP.	1
Note: Please give the data from type plate of the motor			
13.2		FAN HOOD TL4/3N NEUTRAL	1
Note: no longer available / nicht mehr lieferbar / ne plus disponible			
Note: Please give the data from type plate of the motor			
13.3		SCREW M4X8 ISO7045 4.8-H ZN	1
Note: no longer available / nicht mehr lieferbar / ne plus disponible			
13.4	2047016	CORRUGATED SLEEVE RING BG90/100 ATB VP.	1
Note: Please give the data from type plate of the motor			



**SPARE PARTS HYDRAULICS MVI/MVIE 1.4404**

Item	Article no.	Description	Quantity
20.1	4026341	ASSEMBLY LR./STF.GH.MHI804/05MVI802/03 1	1
		> IMPELLER-VMI/HMI-SERIE.8-316L	1
		> STAGE CASING-WITHOUT-C/R-8M3-316L	1
		> SPACER IMPELLER MVI8 1.4435	1
		> SPACER SHAFT SLEEVE MVI8 1.4435	1
20.2	4026342	ASSEMBLY LR.LAG.BU.MHI804/05,MVI802/20 1	1
		> IMPELLER-VMI/HMI-SERIE.8-316L	1
		> SPACER IMPELLER MVI8 1.4435	1
		> SPACER SHAFT SLEEVE MVI8 1.4435	1
		> STAGE CASING-AV-C/R-BEARING-8M3-L	1
		> SLEEVE-D14L13,8-VMI	1
20.3	4026343	ASSEMBLY LR./STF.GH.RFK.MHI8,MVI803-19 1	1
		> IMPELLER-VMI/HMI-SERIE.8-316L	1
		> SPACER IMPELLER MVI8 1.4435	1
		> STAGE CASING-AV-C/R-8M3-316L	1



**MVIE803-2/25/V/3-2-2G (4077547)**

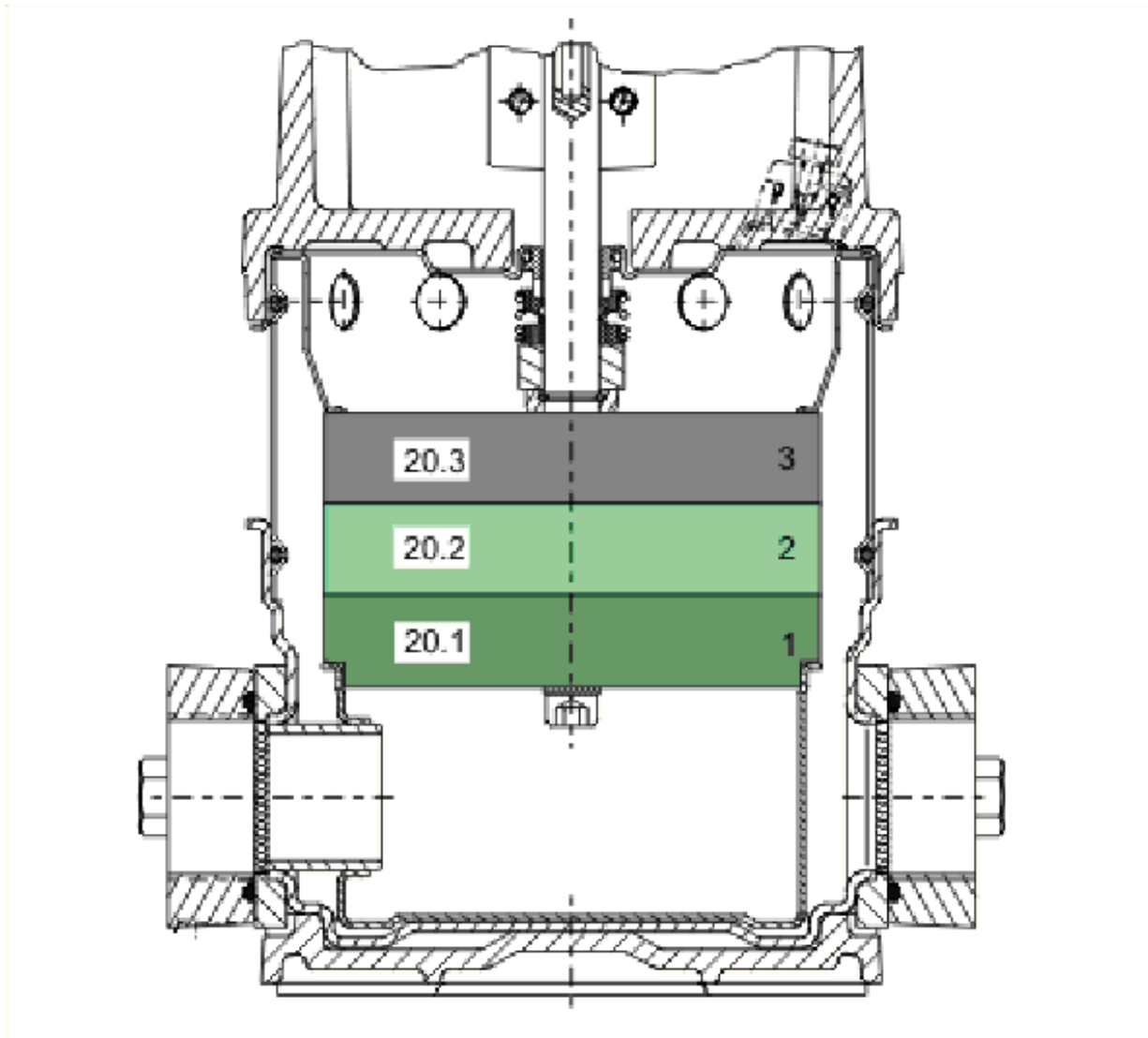
Item	Article no.	Description	Quantity
1	2018595	PUMP HOUSING MVI8 DN40 PN25 1.4435 KIT	1
1.1		> PUMP HOUSING MVI D40 PN25 1.4435	1
1.2	4010032	> FLAT GASKET_Ø40xØ92x2_DN40_PN25_FIBRE	1
1.3	4234237	> O-RING 139X3 VITON VP.	1
1.4	4234240	> PRIMING/DRAIN PLUG MVI6" 316L VP.	1
3.2	4234239	> O-RING 13X2 VITON VP.	1
3.3	4234238	> O-RING 9X2 VITON VP.	1
1.3	4234237	O-RING 139X3 VITON VP.	1
2	4176517	BASEPLATE V8/10 VP.	1
3	4037295	MECHANICAL SEAL 16B MVI VITON	1
1.3	4234237	> O-RING 139X3 VITON VP.	1
3.1		> MECHANICAL SEAL MG12/14-G606-Q1BVGG-BURG	1
3.2	4234239	> O-RING 13X2 VITON VP.	1
3.3	4234238	> O-RING 9X2 VITON VP.	1
4	4015442	SHAFT-FIXING MVI4/8 KIT	1
4.1		> SCREW CHC-M6X14-8.8-ISO4762-GEOMET500A	1
4.2		> WASHER D.24 L6U ZINK	1
4.3	2090148	> CIRCLIP D14 MVI/MHI 316L (2 PIECES) VP.	1
		>> STOP-RUSH-1/2-D14-VMI/HMI-316	2
4.4		> STOP COLLAR OF IMPELLER L=8.7-Ø14-316L	1
4.5		> FLAT WASHER-D8xD16x2.5-316L	1
4.6		> STAINLESS-STEEL-WASHER-DE8	1
4.7		> SCREW M8X16 ISO4762 A4	1
5	2018604	HOUSING PIPE D.152X131 1.4404 KIT	1
5.1		> HOUSING-PIPE-D152-VMI803-316L	1
1.3	4234237	> O-RING 139X3 VITON VP.	1
6	2018367	STUD BOLT M12X257 KIT	1
6.1		> TIE BOLT M12-257x18x30-1.4057	1
6.2	2094647	> NUT M12 M12 ISO4032 VP.	1
6.3	2123557	> WASHER CS-12.4-24-1.6-NFE25 (4 PIECES)	1
7		M2,2-2T638P55V18-90F11-SU-N24-ADAPT	1
Note: no longer available/nicht mehr lieferbar/n'est plus disponible			
8	4190751	LANTERN-MOTOR-VMI-FT115-MACHINED VP.	1
9	4092424	COUPLING GUARD FT85/130 MVI KIT	1



**MVIE803-2/25/V/3-2-2G (4077547)**

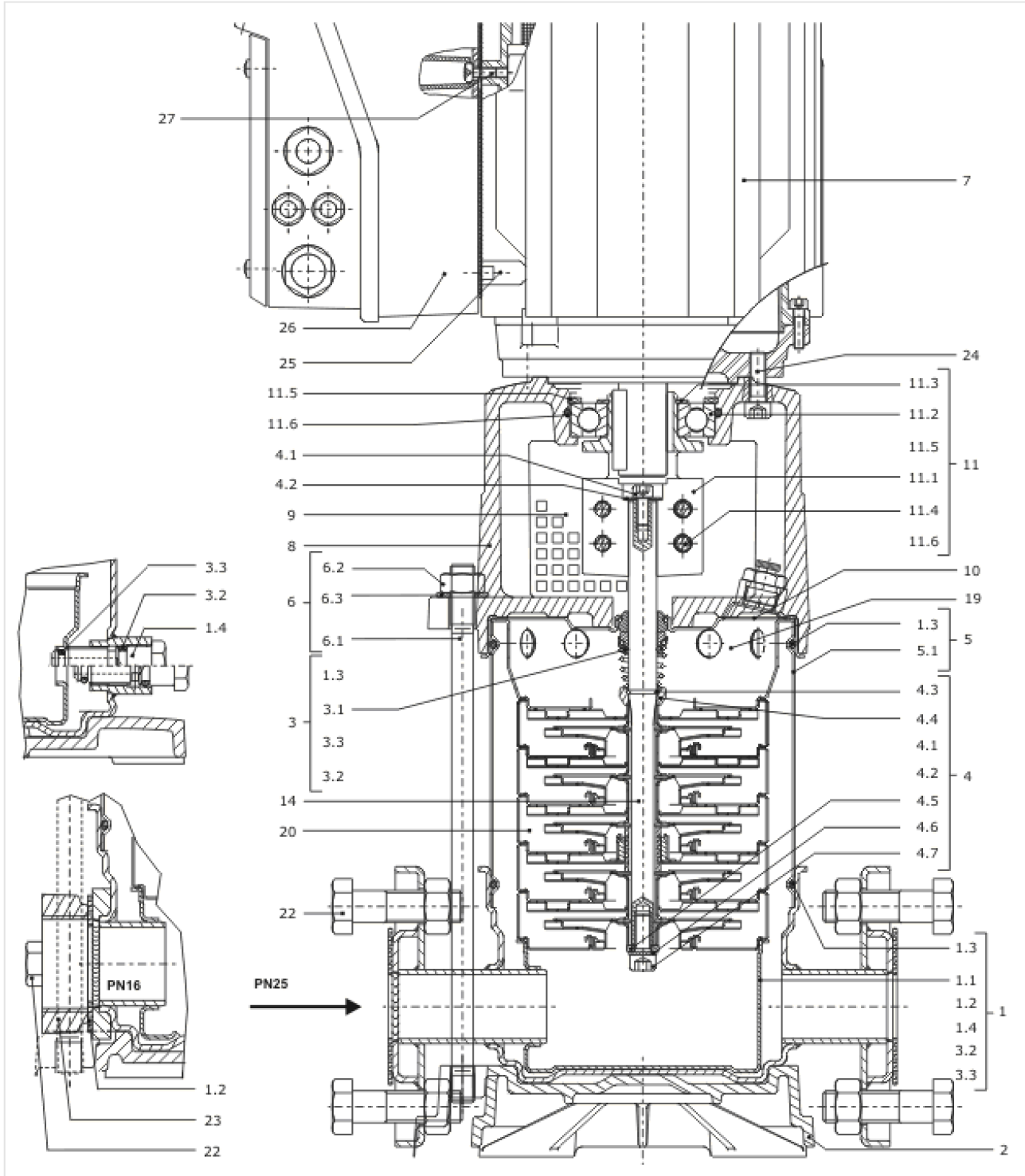
Item	Article no.	Description	Quantity
		> COUPLING PROTECTOR FT85/130-1.4016	1
		> CLIP COUPLING-GUARD-RF	1
10	4217883	STAT.RING HOLDER MVI2/4/8 1.4435 VP.	1
11	4095214	3PH COUPLING KIT MVI D14XD24	1
11.1		> COUPLING-VMI-Ø14xØ24-FT115-MACHINED	1
11.2	2131023	> BALL BEARING 6207/ZZ-C3(HT)VP.	1
11.3	4234254	> CIRCLIP-FOR-SHAFT-D35x1.5 VP.	1
11.4	4157726	> SCREW KIT M8X30 (4 PIECES)	1
11.5	4234251	> CIRCLIP-D72x2.5 VP.	1
11.6	4234246	> O-RING 72X3 VP.	1
		> NOME CONTACT WASHER 8x16x1,4 STEEL ZC	1
		> SCREW CHC-M6X14-8.8-ISO4762-GEOMET500A	1
		> WASHER D.24 L6U ZINK	1
12	4233131	PLUG-VMI-316L VP.	1
14	4233132	SHAFT D.14X192 1.4404 VP.	1
19	4233922	UPPER STAGE RFK.MVI8M3 1.4435 VP.	1
20		SPARE PARTS HYDRAULICS MVI/MVIE 1.4404	1
22	61476	SCREW M16X55X38	1
24	74760312103	SCREW M8X25 ISO4762 8.8 ZN	1
26		MODULE MVIE/MHIE-2,2KW IE1	1

Note: no longer available/nicht mehrlieferbar/n'est plus disponible



**SPARE PARTS HYDRAULICS MVI/MVIE 1.4404**

Item	Article no.	Description	Quantity
20.1	4026341	ASSEMBLY LR./STF.GH.MHI804/05MVI802/03 1	1
		> IMPELLER-VMI/HMI-SERIE.8-316L	1
		> STAGE CASING-WITHOUT-C/R-8M3-316L	1
		> SPACER IMPELLER MVI8 1.4435	1
		> SPACER SHAFT SLEEVE MVI8 1.4435	1
20.2	4026342	ASSEMBLY LR.LAG.BU.MHI804/05,MVI802/20 1	1
		> IMPELLER-VMI/HMI-SERIE.8-316L	1
		> SPACER IMPELLER MVI8 1.4435	1
		> SPACER SHAFT SLEEVE MVI8 1.4435	1
		> STAGE CASING-AV-C/R-BEARING-8M3-L	1
		> SLEEVE-D14L13,8-VMI	1
20.3	4026343	ASSEMBLY LR./STF.GH.RFK.MHI8,MVI803-19 1	1
		> IMPELLER-VMI/HMI-SERIE.8-316L	1
		> SPACER IMPELLER MVI8 1.4435	1
		> STAGE CASING-AV-C/R-8M3-316L	1

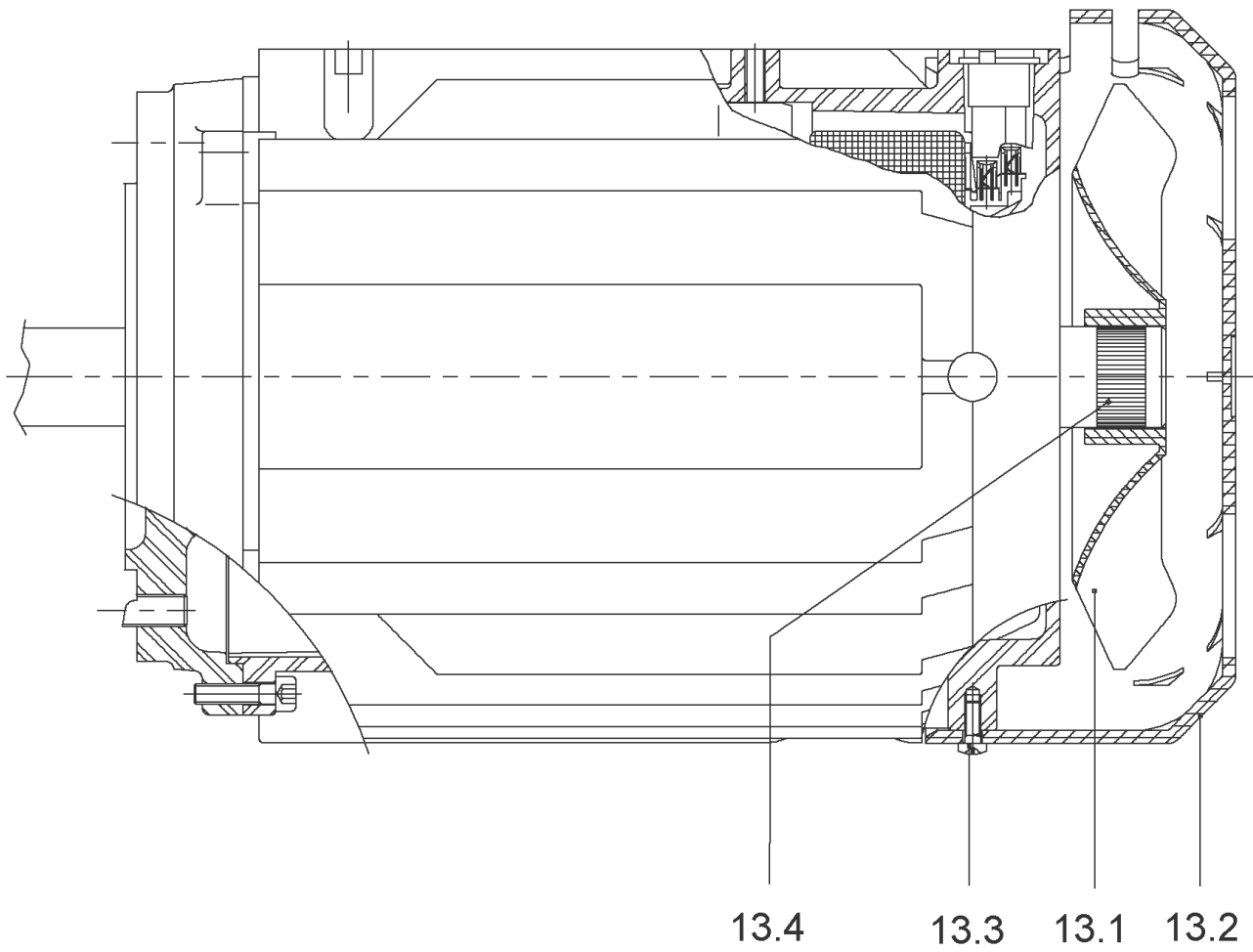


**MVIE803-2/P/V/3-2 (4042649)**

Item	Article no.	Description	Quantity
1	2114344	PUMP HOUSING MVI DN50 P 1.4404 KIT	1
1.1		> CASING-MVI-D50-PN25-D152-316L-VICTAULI	1
1.3	4234237	> O-RING 139X3 VITON VP.	1
1.4	4234240	> PRIMING/DRAIN PLUG MVI6" 316L VP.	1
3.2	4234239	> O-RING 13X2 VITON VP.	1
3.3	4234238	> O-RING 9X2 VITON VP.	1
2	4176517	BASEPLATE V8/10 VP.	1
3	4037295	MECHANICAL SEAL 16B MVI VITON	1
1.3	4234237	> O-RING 139X3 VITON VP.	1
3.1		> MECHANICAL SEAL MG12/14-G606-Q1BVGG-BURG	1
3.2	4234239	> O-RING 13X2 VITON VP.	1
3.3	4234238	> O-RING 9X2 VITON VP.	1
4	4015442	SHAFT-FIXING MVI4/8 KIT	1
4.1		> SCREW CHC-M6X14-8.8-ISO4762-GEOMET500A	1
4.2		> WASHER D.24 L6U ZINK	1
4.3	2090148	> CIRCLIP D14 MVI/MHI 316L (2 PIECES) VP.	1
		>> STOP-RUSH-1/2-D14-VMI/HMI-316	2
4.4		> STOP COLLAR OF IMPELLER L=8.7-Ø14-316L	1
4.5		> FLAT WASHER-D8xD16x2.5-316L	1
4.6		> STAINLESS-STEEL-WASHER-DE8	1
4.7		> SCREW M8X16 ISO4762 A4	1
5	2018604	HOUSING PIPE D.152X131 1.4404 KIT	1
5.1		> HOUSING-PIPE-D152-VMI803-316L	1
1.3	4234237	> O-RING 139X3 VITON VP.	1
6	2018367	STUD BOLT M12X257 KIT	1
6.1		> TIE BOLT M12-257x18x30-1.4057	1
6.2	2094647	> NUT M12 M12 ISO4032 VP.	1
6.3	2123557	> WASHER CS-12.4-24-1.6-NFE25 (4 PIECES)	1
7	2025382	MOTOR TL3/2200/2DM 65HZ V18 MVIE SERIE99	1
		SPARE PARTS MOTOR TL3/2200/2 3-400 65HZ	1
8	4190751	LANTERN-MOTOR-VMI-FT115-MACHINED VP.	1
9	4092424	COUPLING GUARD FT85/130 MVI KIT	1
		> COUPLING PROTECTOR FT85/130-1.4016	1
		> CLIP COUPLING-GUARD-RF	1

**MVIE803-2/P/V/3-2 (4042649)**

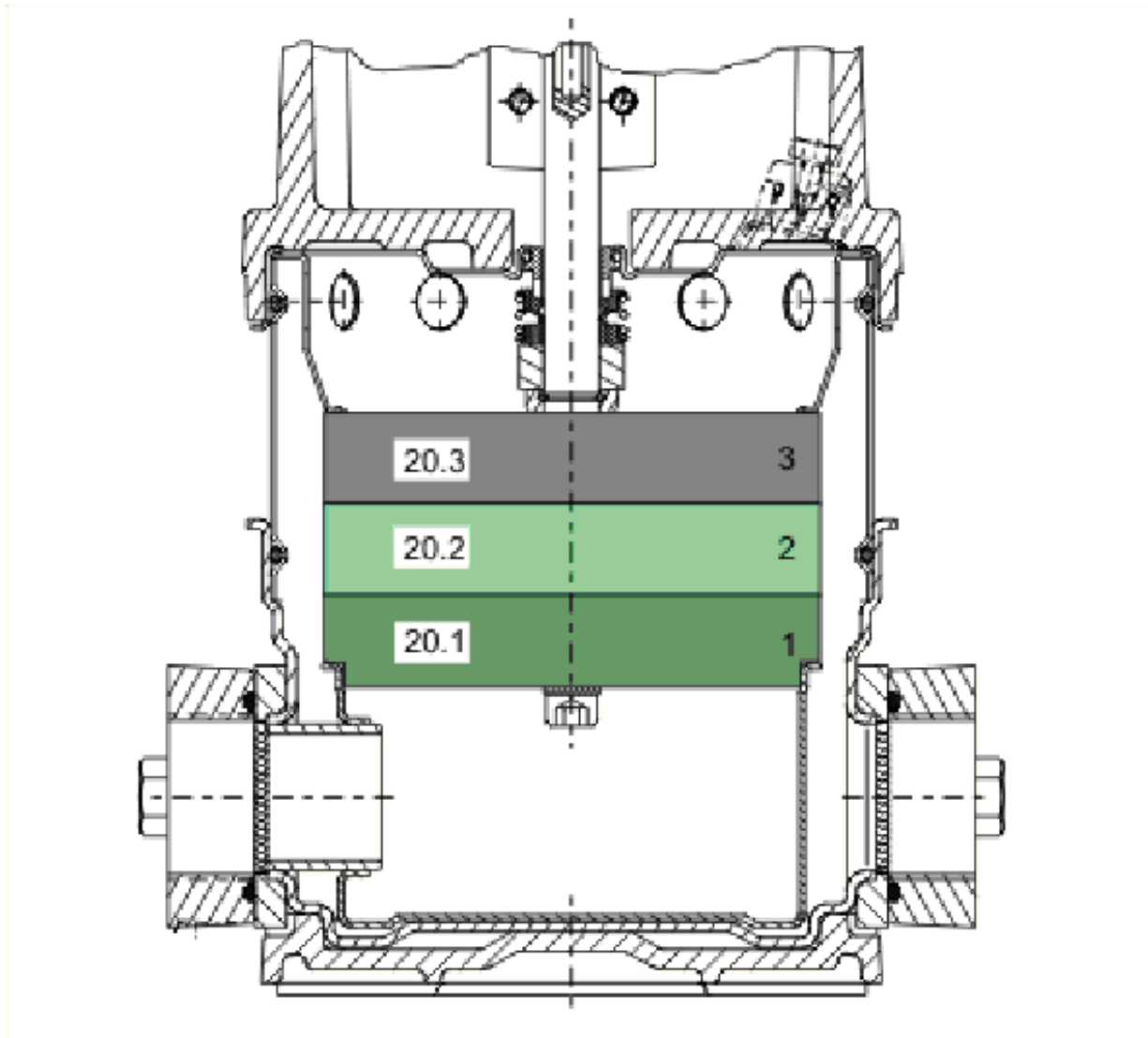
Item	Article no.	Description	Quantity
10	4217883	STAT.RING HOLDER MVI2/4/8 1.4435 VP.	1
11	4095214	3PH COUPLING KIT MVI D14XD24	1
11.1		> COUPLING-VMI-Ø14xØ24-FT115-MACHINED	1
11.2	2131023	> BALL BEARING 6207/ZZ-C3(HT)VP.	1
11.3	4234254	> CIRCLIP-FOR-SHAFT-D35x1.5 VP.	1
11.4	4157726	> SCREW KIT M8X30 (4 PIECES)	1
11.5	4234251	> CIRCLIP-D72x2.5 VP.	1
11.6	4234246	> O-RING 72X3 VP.	1
		> NOMEL CONTACT WASHER 8x16x1,4 STEEL ZC	1
		> SCREW CHC-M6X14-8.8-ISO4762-GEOMET500A	1
		> WASHER D.24 L6U ZINK	1
12	4233131	PLUG-VMI-316L VP.	1
14	4233132	SHAFT D.14X192 1.4404 VP.	1
19	4233922	UPPER STAGE RFK.MVI8M3 1.4435 VP.	1
20		SPARE PARTS HYDRAULICS MVI/MVIE 1.4404	1
22	61476	SCREW M16X55X38	1
23	4030164	COUNTER-FLANGE-VMI1"1/2	1
24	74760312103	SCREW M8X25 ISO4762 8.8 ZN	1
25	2048856	SCREW M5X12 ISO7045 4.8-Z GB.ZN	1
26		MODULE MVIE206 MVIE/MHIE405/803 2,2>7/01	1
Note: no longer available / nicht mehr lieferbar / ne plus disponible			
27	2048855	SCREW M5X16 ISO7045 4.8-Z ZN LSN.	1



**SPARE PARTS MOTOR TL3/2200/2 3-400 65HZ**

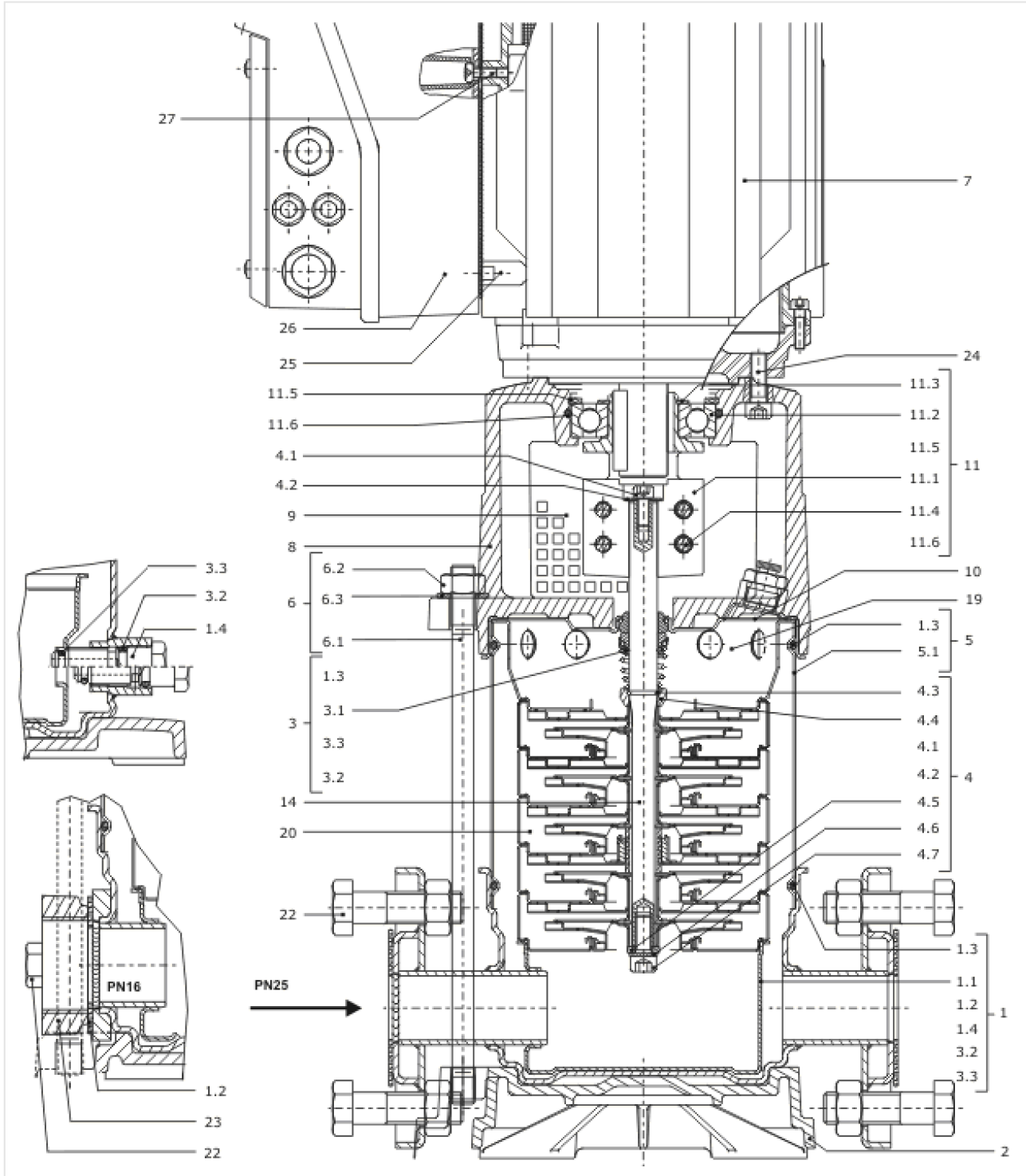
Item	Article no.	Description	Quantity
13.1	2047017	FAN WHEEL AF90 2POL.ATB VP.	1
Note: Please give the data from type plate of the motor			
13.2		FAN HOOD TL4/3N NEUTRAL	1
Note: no longer available / nicht mehr lieferbar / ne plus disponible			
Note: Please give the data from type plate of the motor			
13.3		SCREW M4X8 ISO7045 4.8-H ZN	1
Note: no longer available / nicht mehr lieferbar / ne plus disponible			
13.4	2047016	CORRUGATED SLEEVE RING BG90/100 ATB VP.	1
Note: Please give the data from type plate of the motor			





**SPARE PARTS HYDRAULICS MVI/MVIE 1.4404**

Item	Article no.	Description	Quantity
20.1	4026341	ASSEMBLY LR./STF.GH.MHI804/05MVI802/03 1	1
		> IMPELLER-VMI/HMI-SERIE.8-316L	1
		> STAGE CASING-WITHOUT-C/R-8M3-316L	1
		> SPACER IMPELLER MVI8 1.4435	1
		> SPACER SHAFT SLEEVE MVI8 1.4435	1
20.2	4026342	ASSEMBLY LR.LAG.BU.MHI804/05,MVI802/20 1	1
		> IMPELLER-VMI/HMI-SERIE.8-316L	1
		> SPACER IMPELLER MVI8 1.4435	1
		> SPACER SHAFT SLEEVE MVI8 1.4435	1
		> STAGE CASING-AV-C/R-BEARING-8M3-L	1
		> SLEEVE-D14L13,8-VMI	1
20.3	4026343	ASSEMBLY LR./STF.GH.RFK.MHI8,MVI803-19 1	1
		> IMPELLER-VMI/HMI-SERIE.8-316L	1
		> SPACER IMPELLER MVI8 1.4435	1
		> STAGE CASING-AV-C/R-8M3-316L	1



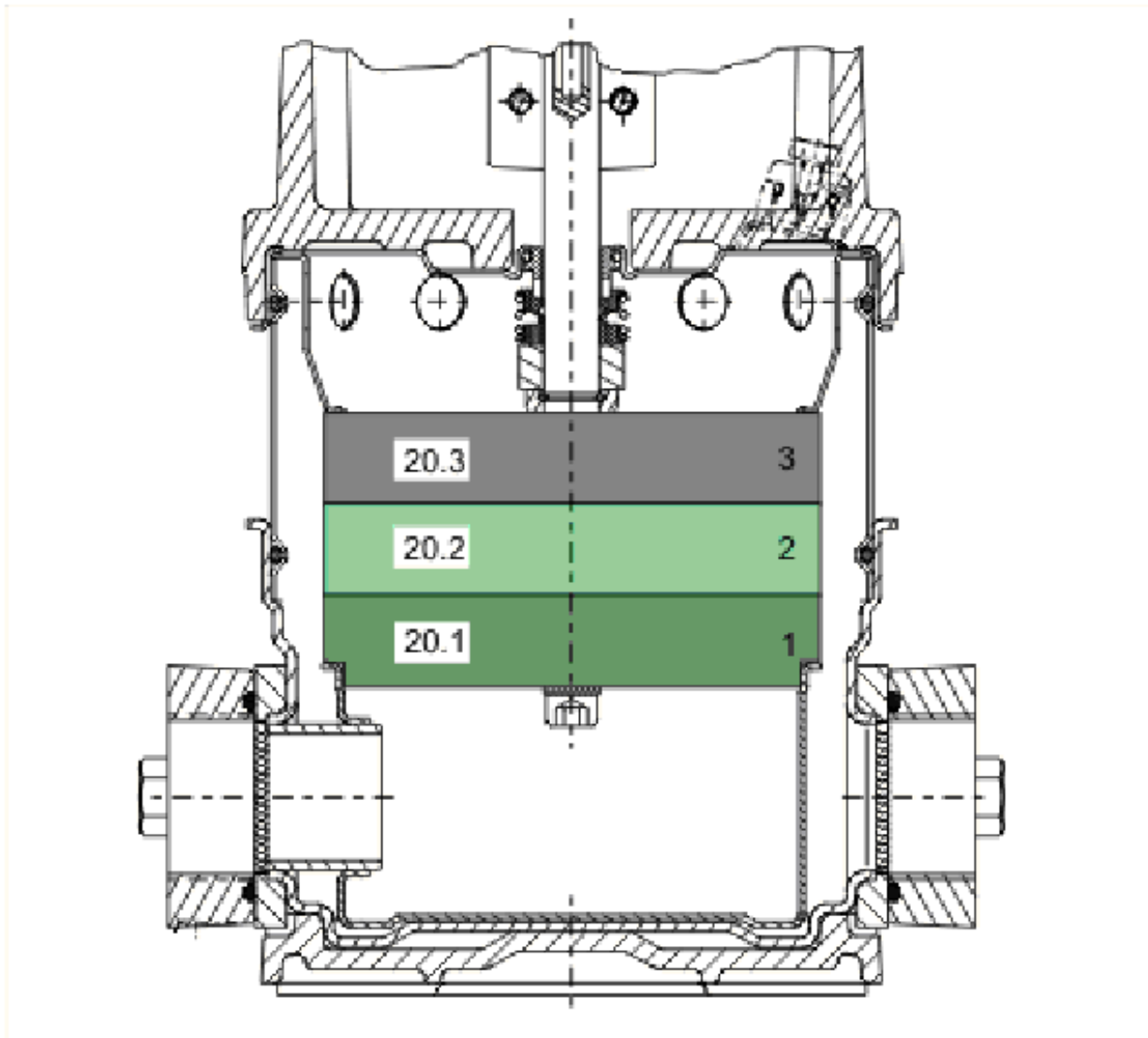
**MVIE803-2/P/V/3-2-2G (4077556)**

Item	Article no.	Description	Quantity
1	2114344	PUMP HOUSING MVI DN50 P 1.4404 KIT	1
1.1		> CASING-MVI-D50-PN25-D152-316L-VICTAULI	1
1.3	4234237	> O-RING 139X3 VITON VP.	1
1.4	4234240	> PRIMING/DRAIN PLUG MVI6" 316L VP.	1
3.2	4234239	> O-RING 13X2 VITON VP.	1
3.3	4234238	> O-RING 9X2 VITON VP.	1
2	4176517	BASEPLATE V8/10 VP.	1
3	4037295	MECHANICAL SEAL 16B MVI VITON	1
1.3	4234237	> O-RING 139X3 VITON VP.	1
3.1		> MECHANICAL SEAL MG12/14-G606-Q1BVGG-BURG	1
3.2	4234239	> O-RING 13X2 VITON VP.	1
3.3	4234238	> O-RING 9X2 VITON VP.	1
4	4015442	SHAFT-FIXING MVI4/8 KIT	1
4.1		> SCREW CHC-M6X14-8.8-ISO4762-GEOMET500A	1
4.2		> WASHER D.24 L6U ZINK	1
4.3	2090148	> CIRCLIP D14 MVI/MHI 316L (2 PIECES) VP.	1
		>> STOP-RUSH-1/2-D14-VMI/HMI-316	2
4.4		> STOP COLLAR OF IMPELLER L=8.7-Ø14-316L	1
4.5		> FLAT WASHER-D8xD16x2.5-316L	1
4.6		> STAINLESS-STEEL-WASHER-DE8	1
4.7		> SCREW M8X16 ISO4762 A4	1
5	2018604	HOUSING PIPE D.152X131 1.4404 KIT	1
5.1		> HOUSING-PIPE-D152-VMI803-316L	1
1.3	4234237	> O-RING 139X3 VITON VP.	1
6	2018367	STUD BOLT M12X257 KIT	1
6.1		> TIE BOLT M12-257x18x30-1.4057	1
6.2	2094647	> NUT M12 M12 ISO4032 VP.	1
6.3	2123557	> WASHER CS-12.4-24-1.6-NFE25 (4 PIECES)	1
7		M2,2-2T638P55V18-90F11-SU-N24-ADAPT	1
Note: no longer available/nicht mehr lieferbar/n'est plus disponible			
8	4190751	LANTERN-MOTOR-VMI-FT115-MACHINED VP.	1
9	4092424	COUPLING GUARD FT85/130 MVI KIT	1
		> COUPLING PROTECTOR FT85/130-1.4016	1
		> CLIP COUPLING-GUARD-RF	1

**MVIE803-2/P/V/3-2-2G (4077556)**

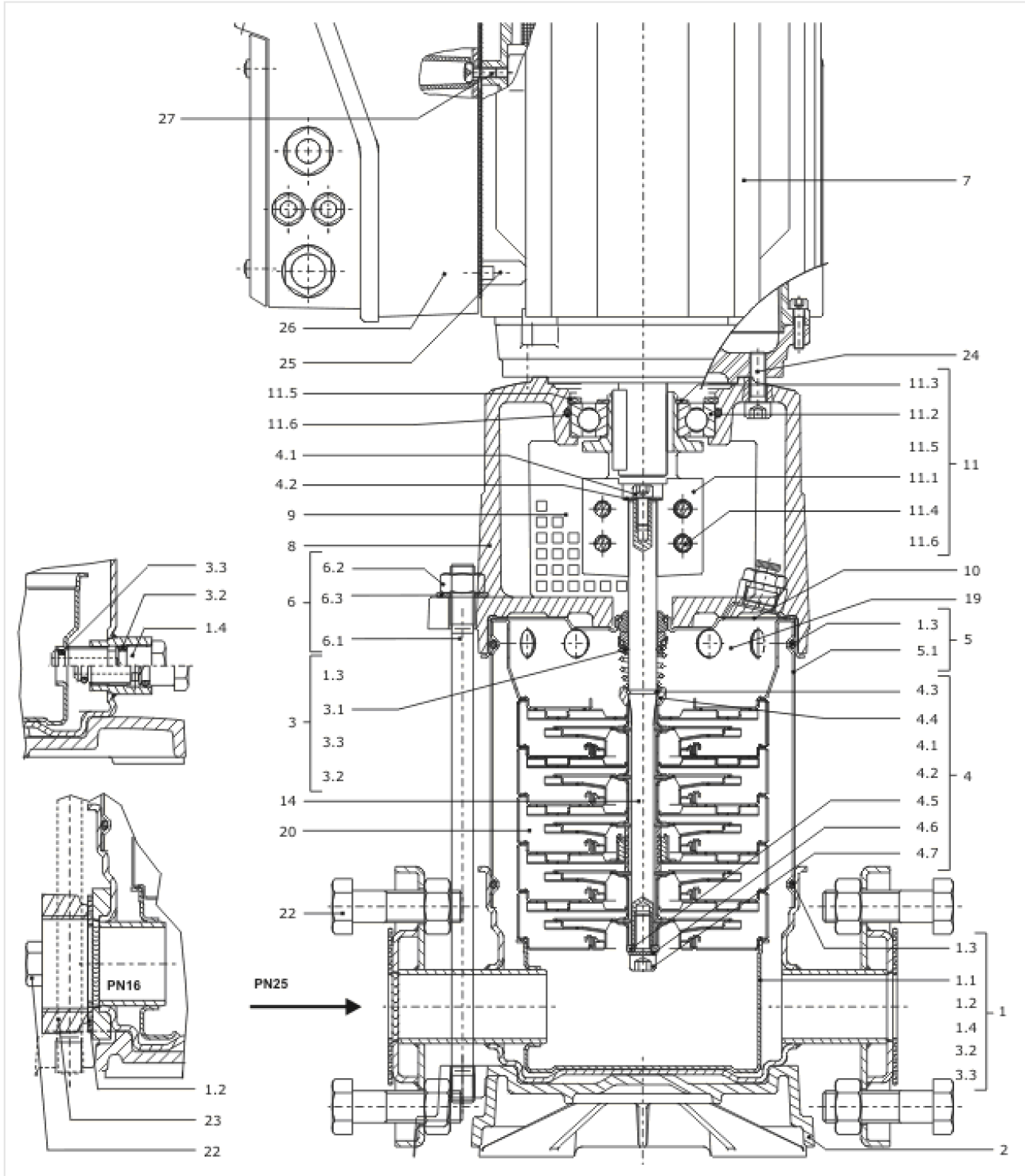
Item	Article no.	Description	Quantity
10	4217883	STAT.RING HOLDER MVI2/4/8 1.4435 VP.	1
11	4095214	3PH COUPLING KIT MVI D14XD24	1
11.1		> COUPLING-VMI-Ø14xØ24-FT115-MACHINED	1
11.2	2131023	> BALL BEARING 6207/ZZ-C3(HT)VP.	1
11.3	4234254	> CIRCLIP-FOR-SHAFT-D35x1.5 VP.	1
11.4	4157726	> SCREW KIT M8X30 (4 PIECES)	1
11.5	4234251	> CIRCLIP-D72x2.5 VP.	1
11.6	4234246	> O-RING 72X3 VP.	1
		> NOMEL CONTACT WASHER 8x16x1,4 STEEL ZC	1
		> SCREW CHC-M6X14-8.8-ISO4762-GEOMET500A	1
		> WASHER D.24 L6U ZINK	1
12	4233131	PLUG-VMI-316L VP.	1
14	4233132	SHAFT D.14X192 1.4404 VP.	1
19	4233922	UPPER STAGE RFK.MVI8M3 1.4435 VP.	1
20		SPARE PARTS HYDRAULICS MVI/MVIE 1.4404	1
22	61476	SCREW M16X55X38	1
24	74760312103	SCREW M8X25 ISO4762 8.8 ZN	1
26		MODULE MVIE/MHIE-2,2KW IE1	1

Note: no longer available/nicht mehr lieferbar/n'est plus disponible



**SPARE PARTS HYDRAULICS MVI/MVIE 1.4404**

Item	Article no.	Description	Quantity
20.1	4026341	ASSEMBLY LR./STF.GH.MHI804/05MVI802/03 1	1
		> IMPELLER-VMI/HMI-SERIE.8-316L	1
		> STAGE CASING-WITHOUT-C/R-8M3-316L	1
		> SPACER IMPELLER MVI8 1.4435	1
		> SPACER SHAFT SLEEVE MVI8 1.4435	1
20.2	4026342	ASSEMBLY LR.LAG.BU.MHI804/05,MVI802/20 1	1
		> IMPELLER-VMI/HMI-SERIE.8-316L	1
		> SPACER IMPELLER MVI8 1.4435	1
		> SPACER SHAFT SLEEVE MVI8 1.4435	1
		> STAGE CASING-AV-C/R-BEARING-8M3-L	1
		> SLEEVE-D14L13,8-VMI	1
20.3	4026343	ASSEMBLY LR./STF.GH.RFK.MHI8,MVI803-19 1	1
		> IMPELLER-VMI/HMI-SERIE.8-316L	1
		> SPACER IMPELLER MVI8 1.4435	1
		> STAGE CASING-AV-C/R-8M3-316L	1



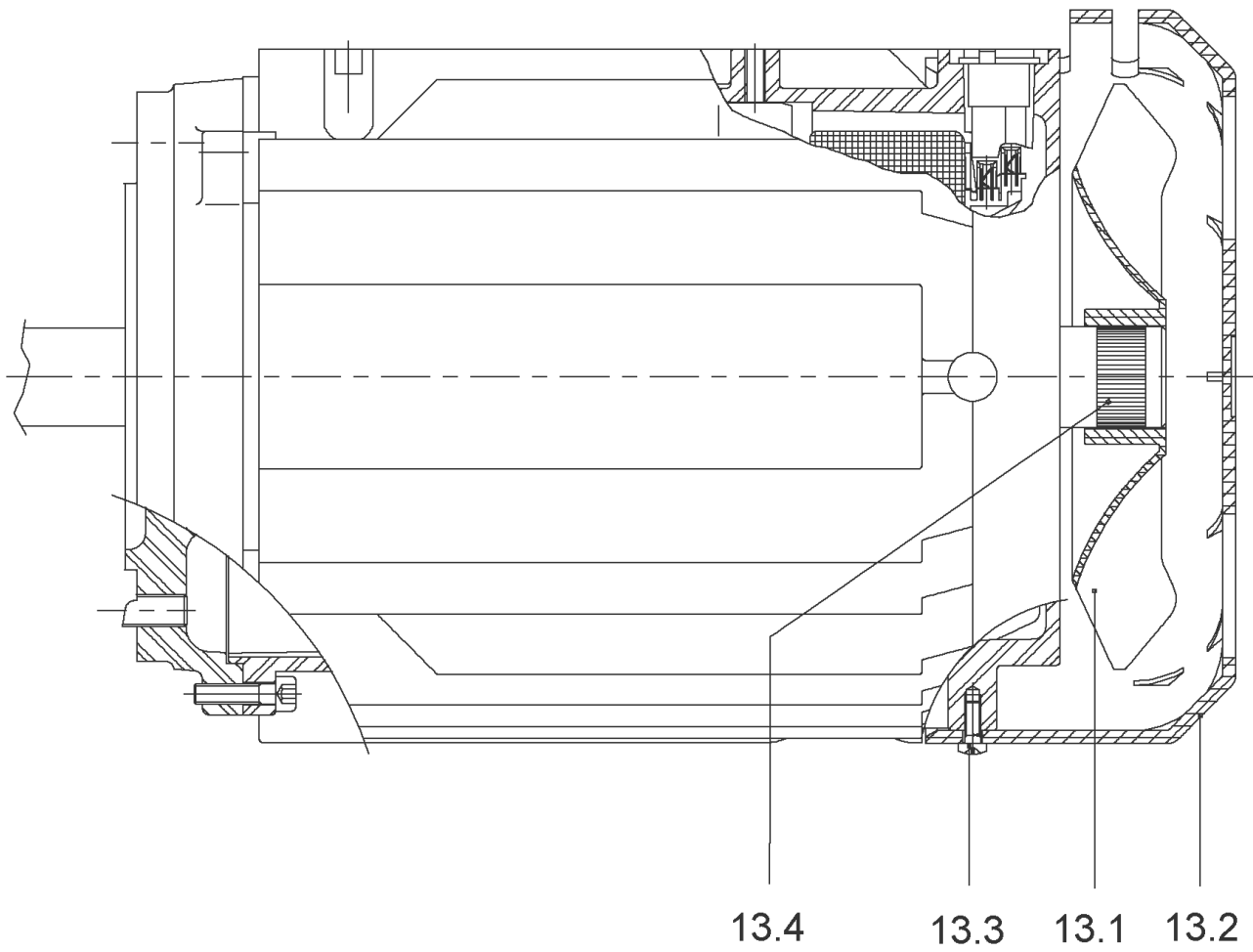


**MVIE805-1/16/E/3-2 (4043870)**

Item	Article no.	Description	Quantity
1	2027121	PUMP HOUSING MVI/MVIS DN50 PN16 KIT	1
1.1		> PUMP HOUSING MVI D.50 PN16 1.4301	1
1.2	4233954	> O-RING ID.66 EPDM VP.	1
Note: FROM / AB / À PARTIR DE: 07/97			
1.3	4176513	> O-RING FOR PUMP JACKET VP.	1
1.4	4234235	> PRIMING/DRAIN PLUG MVI6" 304 VP.	1
3.2	4177800	> O-RING EPDM PLUG HELIX VP.	1
3.3	4234242	> O-RING 9X2 VP.	1
2	4176517	BASEPLATE V8/10 VP.	1
3	4027301	MECHANICAL SEAL MVI2/4/8/16-6" EP120°KIT	1
1.3	4176513	> O-RING FOR PUMP JACKET VP.	1
3.1		> MECHANICAL SEAL MG12/14-G606-Q1BE3GG-BU.	1
3.2	4177800	> O-RING EPDM PLUG HELIX VP.	1
3.3	4234242	> O-RING 9X2 VP.	1
4	4015442	SHAFT-FIXING MVI4/8 KIT	1
4.1		> SCREW CHC-M6X14-8.8-ISO4762-GEOMET500A	1
4.2		> WASHER D.24 L6U ZINK	1
4.3	2090148	> CIRCLIP D14 MVI/MHI 316L (2 PIECES) VP.	1
		>> STOP-RUSH-1/2-D14-VMI/HMI-316	2
4.4		> STOP COLLAR OF IMPELLER L=8.7-Ø14-316L	1
4.5		> FLAT WASHER-D8xD16x2.5-316L	1
4.6		> STAINLESS-STEEL-WASHER-DE8	1
4.7		> SCREW M8X16 ISO4762 A4	1
5	2018378	HOUSING PIPE D.152X167 1.4301 KIT	1
5.1		> HOUSING-PIPE-D152-VMI207/805/1603/04-304	1
1.3	4176513	> O-RING FOR PUMP JACKET VP.	1
6	2018362	STUD BOLT M12X317 KIT	1
6.1		> TIE BOLT M12-317x18x30-1.4057	1
6.2	2094647	> NUT M12 M12 ISO4032 VP.	1
6.3	2123557	> WASHER CS-12.4-24-1.6-NFE25 (4 PIECES)	1
7	4214476	MO.TL4/4000/2DM 65HZ V18 MVIE SER.99 VP.	1
		SPARE PARTS MOTOR TL4/4000/2 3-400 65HZ	1
8	4191471	LANTERN-MOTOR-VMI-FT130-MACHINED VP.	1
9	4092424	COUPLING GUARD FT85/130 MVI KIT	1

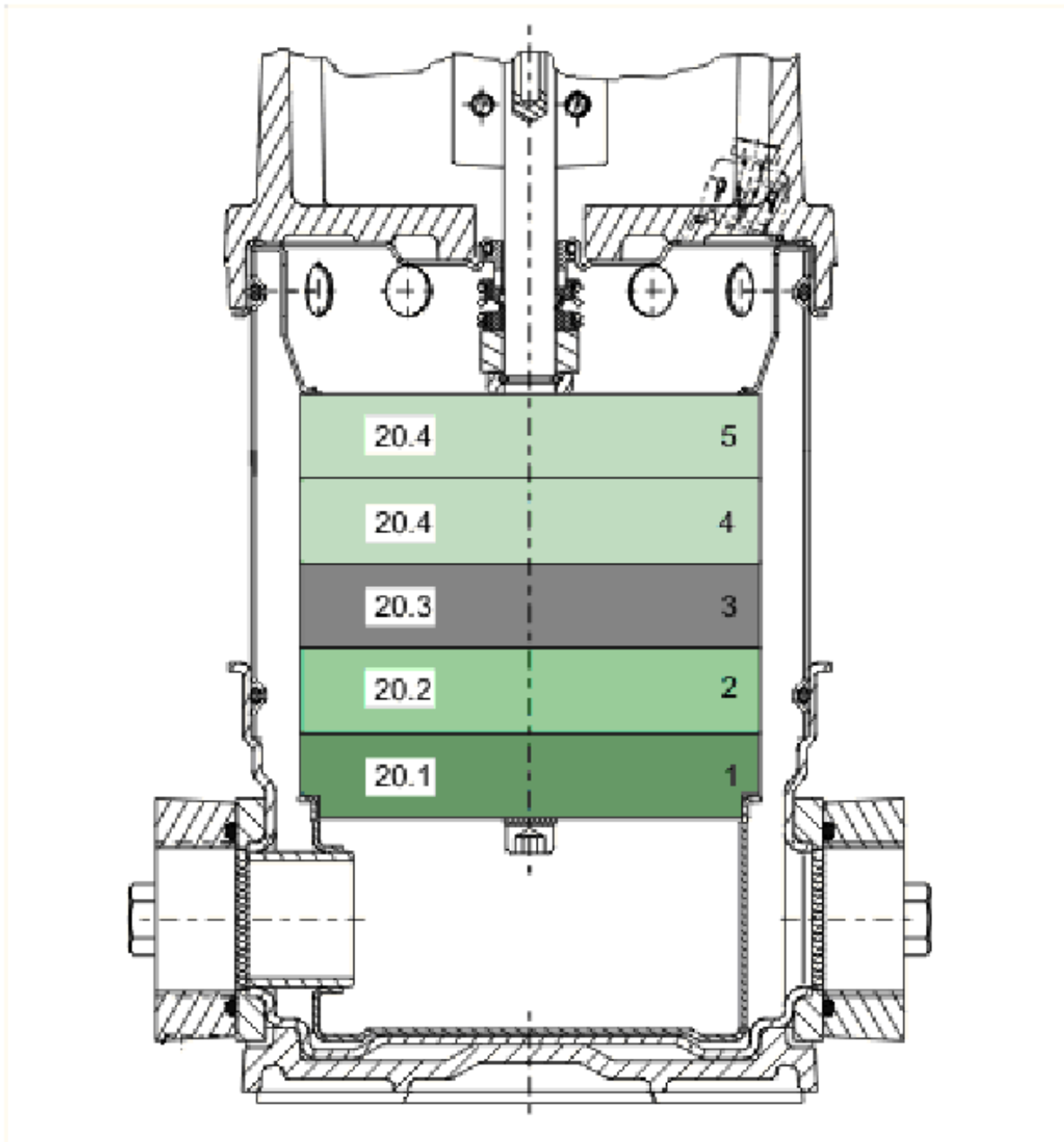
**MVIE805-1/16/E/3-2 (4043870)**

Item	Article no.	Description	Quantity
		> COUPLING PROTECTOR FT85/130-1.4016	1
		> CLIP COUPLING-GUARD-RF	1
10	4217881	STAT.RING HOLDER-GM-D14-304 VP.	1
11	4095219	3PH COUPLING KIT MVI D14XD28	1
11.1		> COUPLING VMI-Ø14xØ28-FT130 MACHINING	1
11.2	122065996	> BALL BEARING 6209/2Z-C3 (HT) VP.	1
11.3	4233930	> CIRCLIP-FOR-BORES-D45x1,75 VP.	1
11.4	4157726	> SCREW KIT M8X30 (4 PIECES)	1
11.5	4234252	> CIRCLIPS 85X3 VP.	1
11.6	4234243	> O-RING 85X3 VP.	1
		> NOMEI CONTACT WASHER 8x16x1,4 STEEL ZC	1
		> SCREW CHC-M6X14-8.8-ISO4762-GEOMET500A	1
		> WASHER D.24 L6U ZINK	1
12	4233131	PLUG-VMI-316L VP.	1
14	4233901	SHAFT D.14X252 1.4057 VP.	1
19	4234241	UPPER STAGE RFK.MVI8 1.4301 VP.	1
20		SPARE PARTS HYDRAULICS MVI/MVIE 1.4301	1
22	74750711116	SCREW M12X55X55 ISO4017 6.8 ZN	1
23	4030164	COUNTER-FLANGE-VMI1"1/2	1
24	74760312103	SCREW M8X25 ISO4762 8.8 ZN	1
25	2048856	SCREW M5X12 ISO7045 4.8-Z GB.ZN	1
26		MODULE MVIE/MHIE 212/408/805 4KW	1
Note: no longer available / nicht mehr lieferbar / ne plus disponible			
27	2048855	SCREW M5X16 ISO7045 4.8-Z ZN LSN.	1



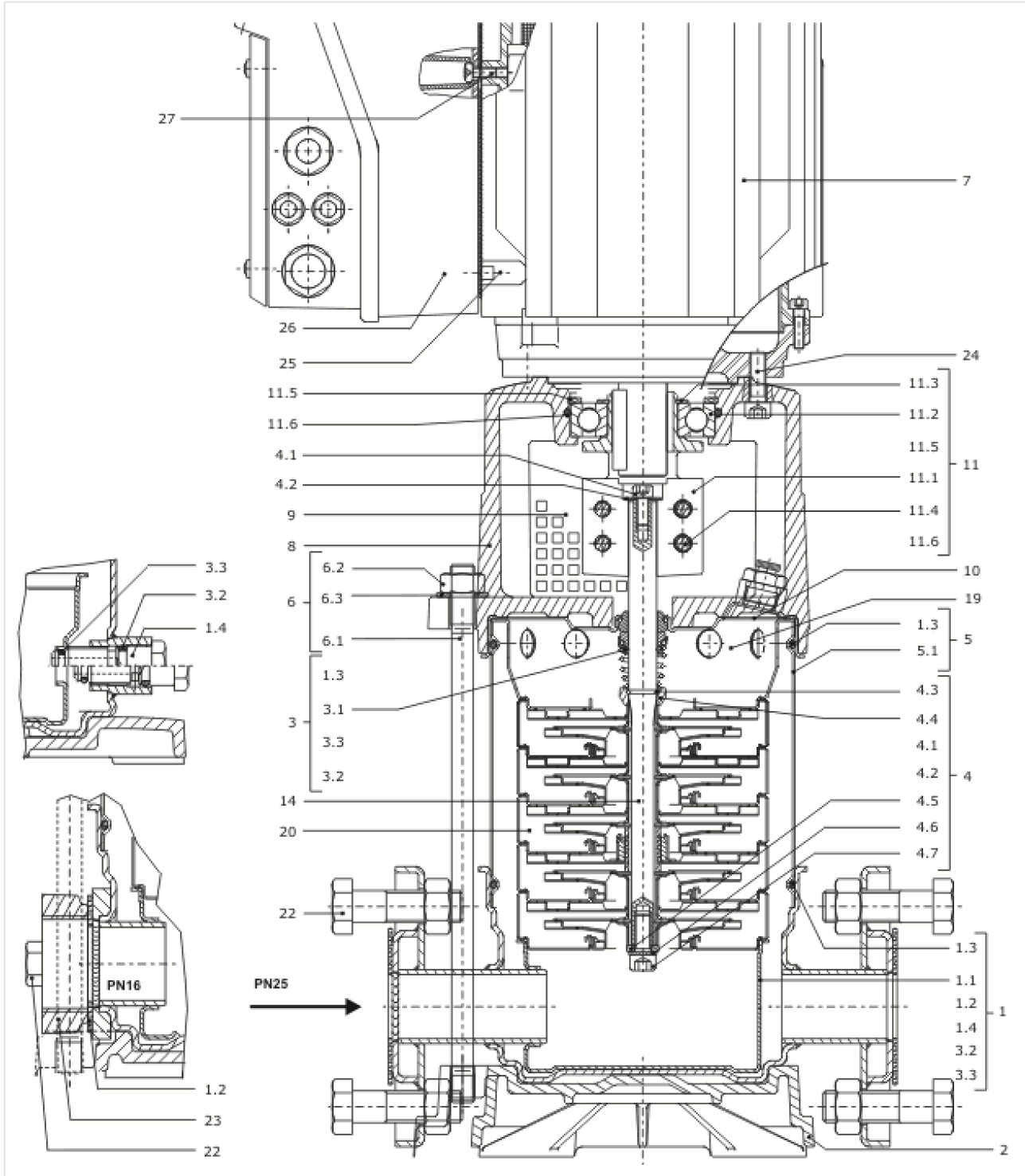
**SPARE PARTS MOTOR TL4/4000/2 3-400 65HZ**

Item	Article no.	Description	Quantity
13.1	2047017	FAN WHEEL AF90 2POL.ATB VP.	1
Note: Please give the data from type plate of the motor			
13.2	4049393	CAPOT-VENTILATEUR-TL4N-NEUTRE-REPRIS	1
Note: Please give the data from type plate of the motor			
13.3		SCREW M4X8 ISO7045 4.8-H ZN	1
Note: no longer available / nicht mehr lieferbar / ne plus disponible			
13.4	2047016	CORRUGATED SLEEVE RING BG90/100 ATB VP.	1
Note: Please give the data from type plate of the motor			



**SPARE PARTS HYDRAULICS MVI/MVIE 1.4301**

Item	Article no.	Description	Quantity
20.1	4015453	STAGE MHI802/03,MVI804-19 1.4301 KIT	1
		> IMPELLER MVI8 D.100,5x5,5 1.4301	1
		> STAGE HOUSING O.RFK.MVI8 1.4301	1
		> SPACER IMPELLER MVI8 1.4435	1
20.2	4015454	STAGE MVI804-19 1.4301 KIT	1
		> IMPELLER MVI8 D.100,5x5,5 1.4301	1
		> SPACER IMPELLER MVI8 1.4435	1
		> SPACER SHAFT SLEEVE MVI8 1.4435	1
		> STAGE HOUSING RFK.MVI8 1.4301	1
20.3	4015450	STAGE KIT MHI/MVI	1
		> IMPELLER MVI8 D.100,5x5,5 1.4301	1
		> SPACER IMPELLER MVI8 1.4435	1
		> SPACER SHAFT SLEEVE MVI8 1.4435	1
		> STAGE-CASING-W-R/C+BEARING-8M3-304	1
		> SLEEVE-D14L13,8-VMI	1
20.4	4015452	STAGE MHI8,MVI802-19 1.4301 KIT	1
		> IMPELLER MVI8 D.100,5x5,5 1.4301	1
		> SPACER IMPELLER MVI8 1.4435	1
		> STAGE HOUSING RFK.MVI8 1.4301	1



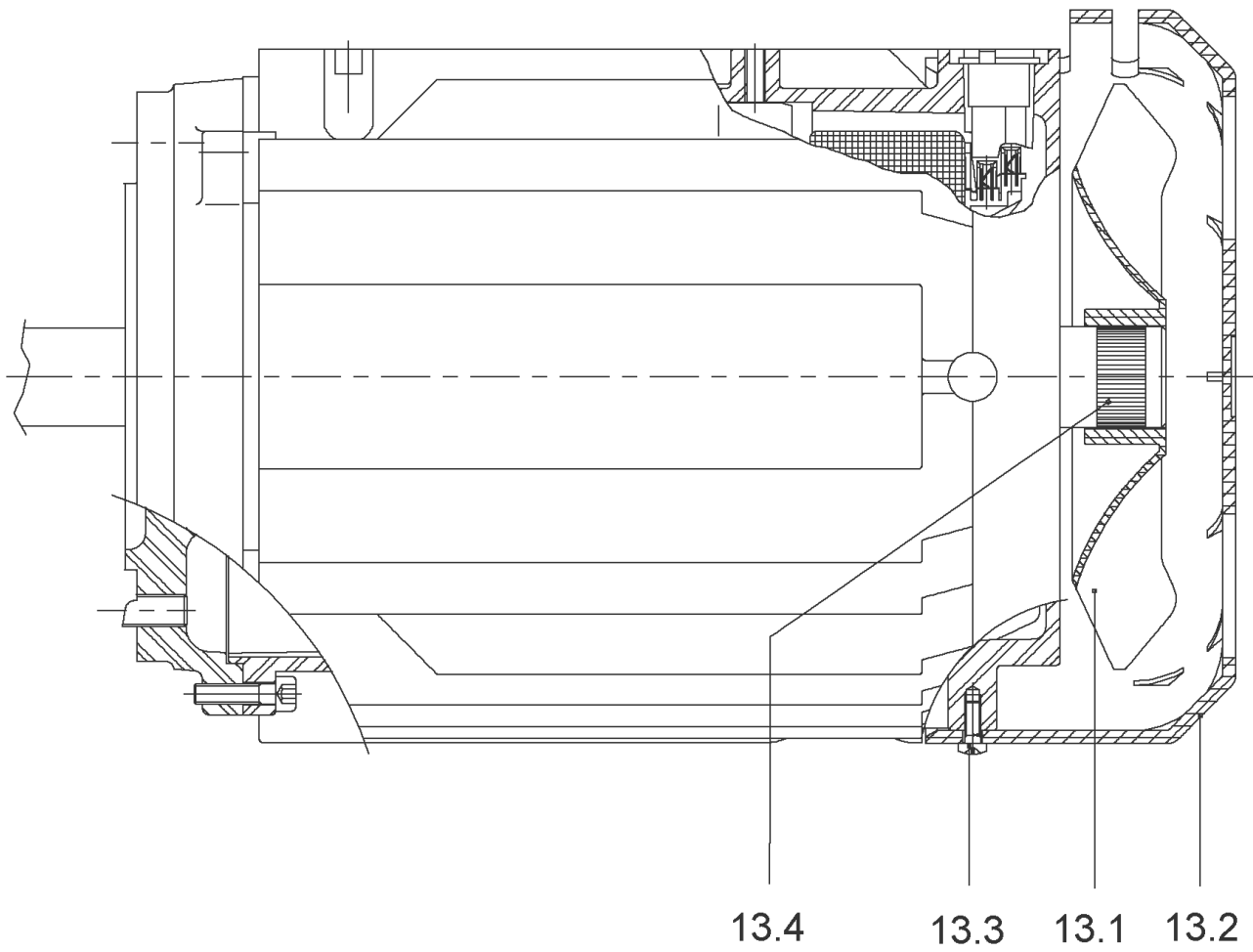
**MVIE805-1/25/E/3-2 (4034162)**

Item	Article no.	Description	Quantity
1	2018568	PUMP HOUS.MVI8 DN40 PN25 1.4435 EPDM KIT	1
1.1		> PUMP HOUSING MVI D40 PN25 1.4435	1
1.2	4010032	> FLAT GASKET_Ø40xØ92x2_DN40_PN25_FIBRE	1
1.3	4176513	> O-RING FOR PUMP JACKET VP.	1
1.4	4234240	> PRIMING/DRAIN PLUG MVI6" 316L VP.	1
3.2	4177800	> O-RING EPDM PLUG HELIX VP.	1
3.3	4234242	> O-RING 9X2 VP.	1
2	4176517	BASEPLATE V8/10 VP.	1
3	4015431	MECHANICAL SEAL MVI2/4/8 PN25 120° KIT	1
1.3	4176513	> O-RING FOR PUMP JACKET VP.	1
3.1		> MECHANICAL SEAL RMG12/14-G606-U3BE3GG-BU	1
3.2	4177800	> O-RING EPDM PLUG HELIX VP.	1
3.3	4234242	> O-RING 9X2 VP.	1
4	4015442	SHAFT-FIXING MVI4/8 KIT	1
4.1		> SCREW CHC-M6X14-8.8-ISO4762-GEOMET500A	1
4.2		> WASHER D.24 L6U ZINK	1
4.3	2090148	> CIRCLIP D14 MVI/MHI 316L (2 PIECES) VP.	1
		>> STOP-RUSH-1/2-D14-VMI/HMI-316	2
4.4		> STOP COLLAR OF IMPELLER L=8.7-Ø14-316L	1
4.5		> FLAT WASHER-D8xD16x2.5-316L	1
4.6		> STAINLESS-STEEL-WASHER-DE8	1
4.7		> SCREW M8X16 ISO4762 A4	1
5	2018378	HOUSING PIPE D.152X167 1.4301 KIT	1
5.1		> HOUSING-PIPE-D152-VMI207/805/1603/04-304	1
1.3	4176513	> O-RING FOR PUMP JACKET VP.	1
6	2018362	STUD BOLT M12X317 KIT	1
6.1		> TIE BOLT M12-317x18x30-1.4057	1
6.2	2094647	> NUT M12 M12 ISO4032 VP.	1
6.3	2123557	> WASHER CS-12.4-24-1.6-NFE25 (4 PIECES)	1
7	4214476	MO.TL4/4000/2DM 65HZ V18 MVIE SER.99 VP.	1
		SPARE PARTS MOTOR TL4/4000/2 3-400 65HZ	1
8	4191471	LANTERN-MOTOR-VMI-FT130-MACHINED VP.	1
9	4092424	COUPLING GUARD FT85/130 MVI KIT	1
		> COUPLING PROTECTOR FT85/130-1.4016	1



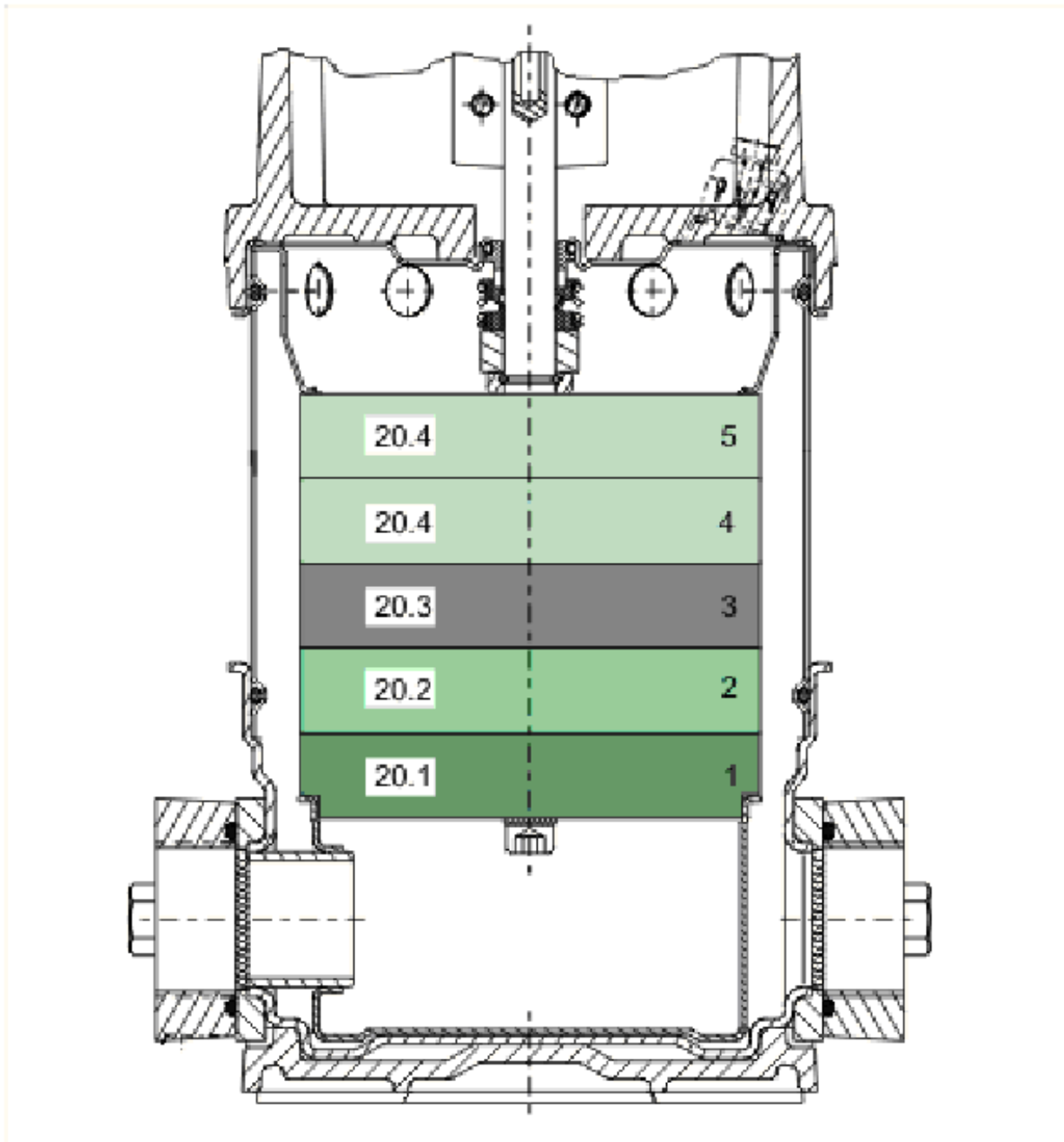
**MVIE805-1/25/E/3-2 (4034162)**

Item	Article no.	Description	Quantity
		> CLIP COUPLING-GUARD-RF	1
10	4217881	STAT.RING HOLDER-GM-D14-304 VP.	1
11	4095219	3PH COUPLING KIT MVI D14XD28	1
11.1		> COUPLING VMI-Ø14xØ28-FT130 MACHINING	1
11.2	122065996	> BALL BEARING 6209/2Z-C3 (HT) VP.	1
11.3	4233930	> CIRCLIP-FOR-BORES-D45x1,75 VP.	1
11.4	4157726	> SCREW KIT M8X30 (4 PIECES)	1
11.5	4234252	> CIRCLIPS 85X3 VP.	1
11.6	4234243	> O-RING 85X3 VP.	1
		> NOME CONTACT WASHER 8x16x1,4 STEEL ZC	1
		> SCREW CHC-M6X14-8.8-ISO4762-GEOMET500A	1
		> WASHER D.24 L6U ZINK	1
12	4233131	PLUG-VMI-316L VP.	1
14	4233901	SHAFT D.14X252 1.4057 VP.	1
19	4234241	UPPER STAGE RFK.MVI8 1.4301 VP.	1
20		SPARE PARTS HYDRAULICS MVI/MVIE 1.4301	1
22	61476	SCREW M16X55X38	1
23	4030164	COUNTER-FLANGE-VMI1"1/2	1
24	74760312103	SCREW M8X25 ISO4762 8.8 ZN	1
25	2048856	SCREW M5X12 ISO7045 4.8-Z GB.ZN	1
26		MODULE MVIE/MHIE 212/408/805 4KW	1
Note: no longer available / nicht mehr lieferbar / ne plus disponible			
27	2048855	SCREW M5X16 ISO7045 4.8-Z ZN LSN.	1



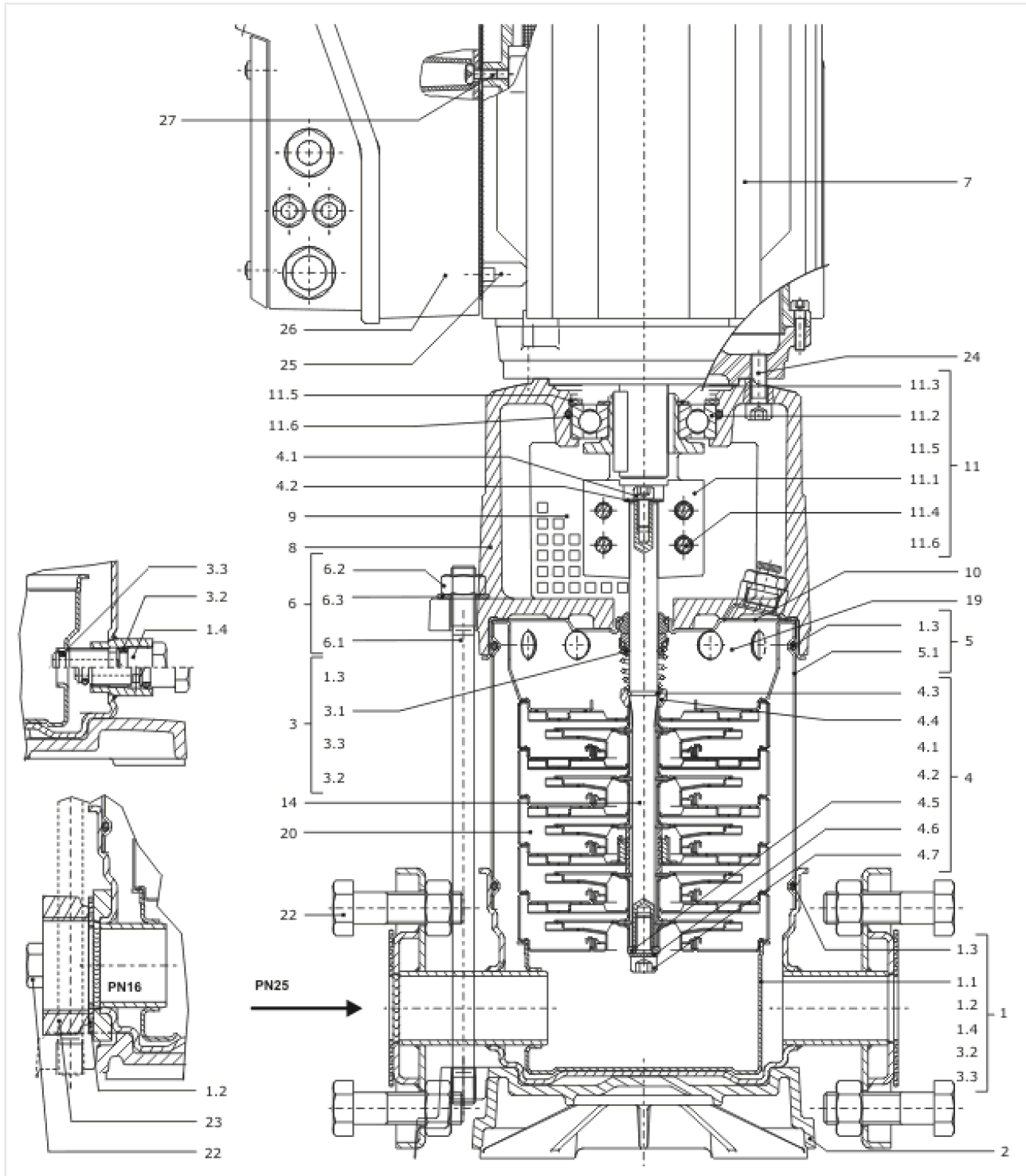
## SPARE PARTS MOTOR TL4/4000/2 3-400 65HZ

Item	Article no.	Description	Quantity
13.1	2047017	FAN WHEEL AF90 2POL.ATB VP.	1
Note: Please give the data from type plate of the motor			
13.2	4049393	CAPOT-VENTILATEUR-TL4N-NEUTRE-REPRIS	1
Note: Please give the data from type plate of the motor			
13.3		SCREW M4X8 ISO7045 4.8-H ZN	1
Note: no longer available / nicht mehr lieferbar / ne plus disponible			
13.4	2047016	CORRUGATED SLEEVE RING BG90/100 ATB VP.	1
Note: Please give the data from type plate of the motor			



**SPARE PARTS HYDRAULICS MVI/MVIE 1.4301**

Item	Article no.	Description	Quantity
20.1	4015453	STAGE MHI802/03,MVI804-19 1.4301 KIT	1
		> IMPELLER MVI8 D.100,5x5,5 1.4301	1
		> STAGE HOUSING O.RFK.MVI8 1.4301	1
		> SPACER IMPELLER MVI8 1.4435	1
20.2	4015454	STAGE MVI804-19 1.4301 KIT	1
		> IMPELLER MVI8 D.100,5x5,5 1.4301	1
		> SPACER IMPELLER MVI8 1.4435	1
		> SPACER SHAFT SLEEVE MVI8 1.4435	1
		> STAGE HOUSING RFK.MVI8 1.4301	1
20.3	4015450	STAGE KIT MHI/MVI	1
		> IMPELLER MVI8 D.100,5x5,5 1.4301	1
		> SPACER IMPELLER MVI8 1.4435	1
		> SPACER SHAFT SLEEVE MVI8 1.4435	1
		> STAGE-CASING-W-R/C+BEARING-8M3-304	1
		> SLEEVE-D14L13,8-VMI	1
20.4	4015452	STAGE MHI8,MVI802-19 1.4301 KIT	1
		> IMPELLER MVI8 D.100,5x5,5 1.4301	1
		> SPACER IMPELLER MVI8 1.4435	1
		> STAGE HOUSING RFK.MVI8 1.4301	1



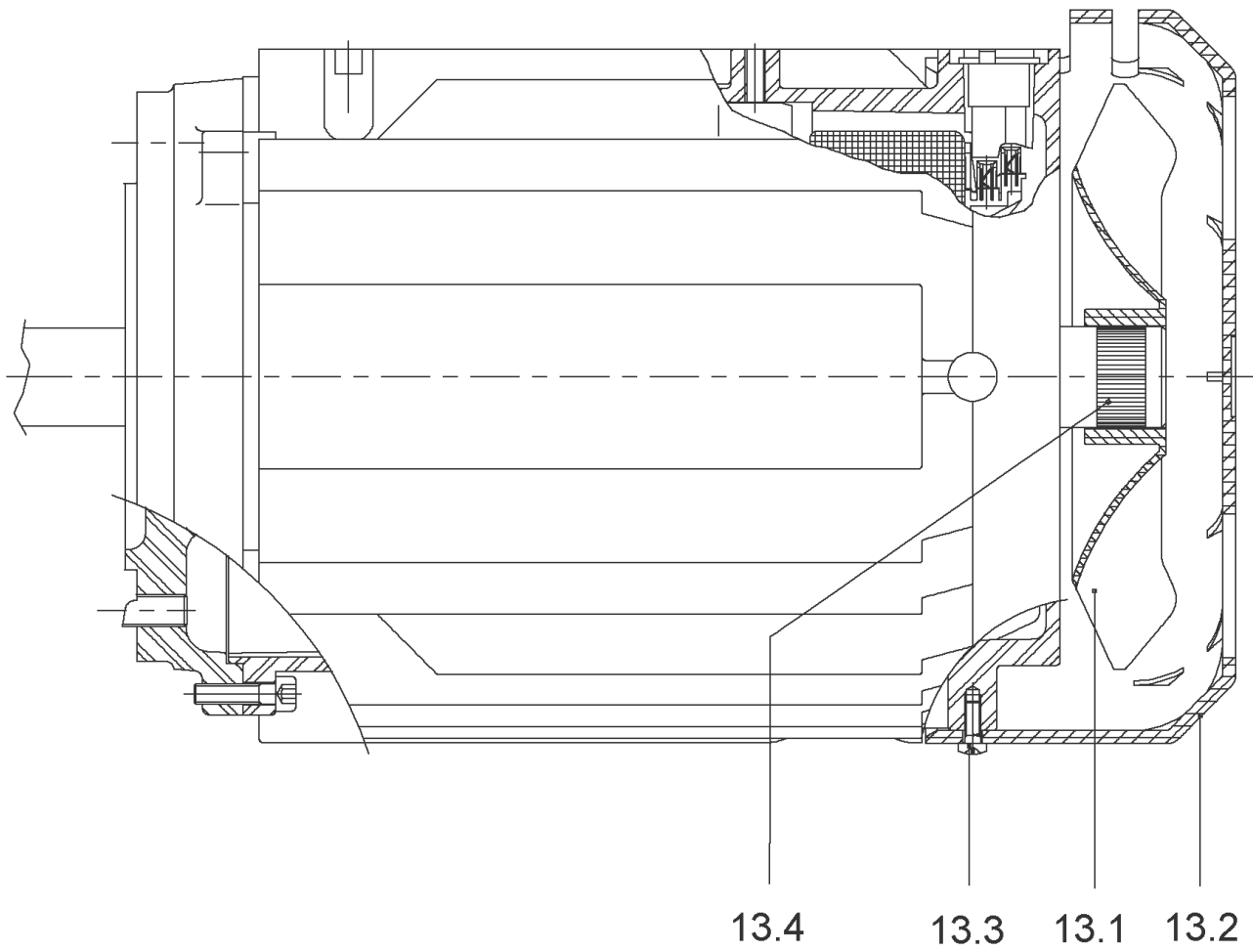
**MVIE805-2/25/V/3-2 (4042654)**

Item	Article no.	Description	Quantity
1	2018595	PUMP HOUSING MVI8 DN40 PN25 1.4435 KIT	1
1.1		> PUMP HOUSING MVI D40 PN25 1.4435	1
1.2	4010032	> FLAT GASKET_Ø40xØ92x2_DN40_PN25_FIBRE	1
1.3	4234237	> O-RING 139X3 VITON VP.	1
1.4	4234240	> PRIMING/DRAIN PLUG MVI6" 316L VP.	1
3.2	4234239	> O-RING 13X2 VITON VP.	1
3.3	4234238	> O-RING 9X2 VITON VP.	1
2	4176517	BASEPLATE V8/10 VP.	1
3	4027310	ASSEMBLY GRD.MVI2../4../8.. PN25 90° +VP	1
1.3	4234237	> O-RING 139X3 VITON VP.	1
3.1		> MECHANICAL SEAL RMG12/14-G606-U3BVGG-BUR	1
3.2	4234239	> O-RING 13X2 VITON VP.	1
3.3	4234238	> O-RING 9X2 VITON VP.	1
4	4015442	SHAFT-FIXING MVI4/8 KIT	1
4.1		> SCREW CHC-M6X14-8.8-ISO4762-GEOMET500A	1
4.2		> WASHER D.24 L6U ZINK	1
4.3	2090148	> CIRCLIP D14 MVI/MHI 316L (2 PIECES) VP.	1
		>> STOP-RUSH-1/2-D14-VMI/HMI-316	2
4.4		> STOP COLLAR OF IMPELLER L=8.7-Ø14-316L	1
4.5		> FLAT WASHER-D8xD16x2.5-316L	1
4.6		> STAINLESS-STEEL-WASHER-DE8	1
4.7		> SCREW M8X16 ISO4762 A4	1
5	2018432	HOUSING PIPE D.152X191 1.4404 KIT	1
5.1		> HOUSING-PIPE-D152-VMI207/407/805-316L	1
1.3	4234237	> O-RING 139X3 VITON VP.	1
6	2018362	STUD BOLT M12X317 KIT	1
6.1		> TIE BOLT M12-317x18x30-1.4057	1
6.2	2094647	> NUT M12 M12 ISO4032 VP.	1
6.3	2123557	> WASHER CS-12.4-24-1.6-NFE25 (4 PIECES)	1
7	4214476	MO.TL4/4000/2DM 65HZ V18 MVIE SER.99 VP.	1
		SPARE PARTS MOTOR TL4/4000/2 3-400 65HZ	1
8	4191471	LANTERN-MOTOR-VMI-FT130-MACHINED VP.	1
9	4092424	COUPLING GUARD FT85/130 MVI KIT	1
		> COUPLING PROTECTOR FT85/130-1.4016	1

**MVIE805-2/25/V/3-2 (4042654)**

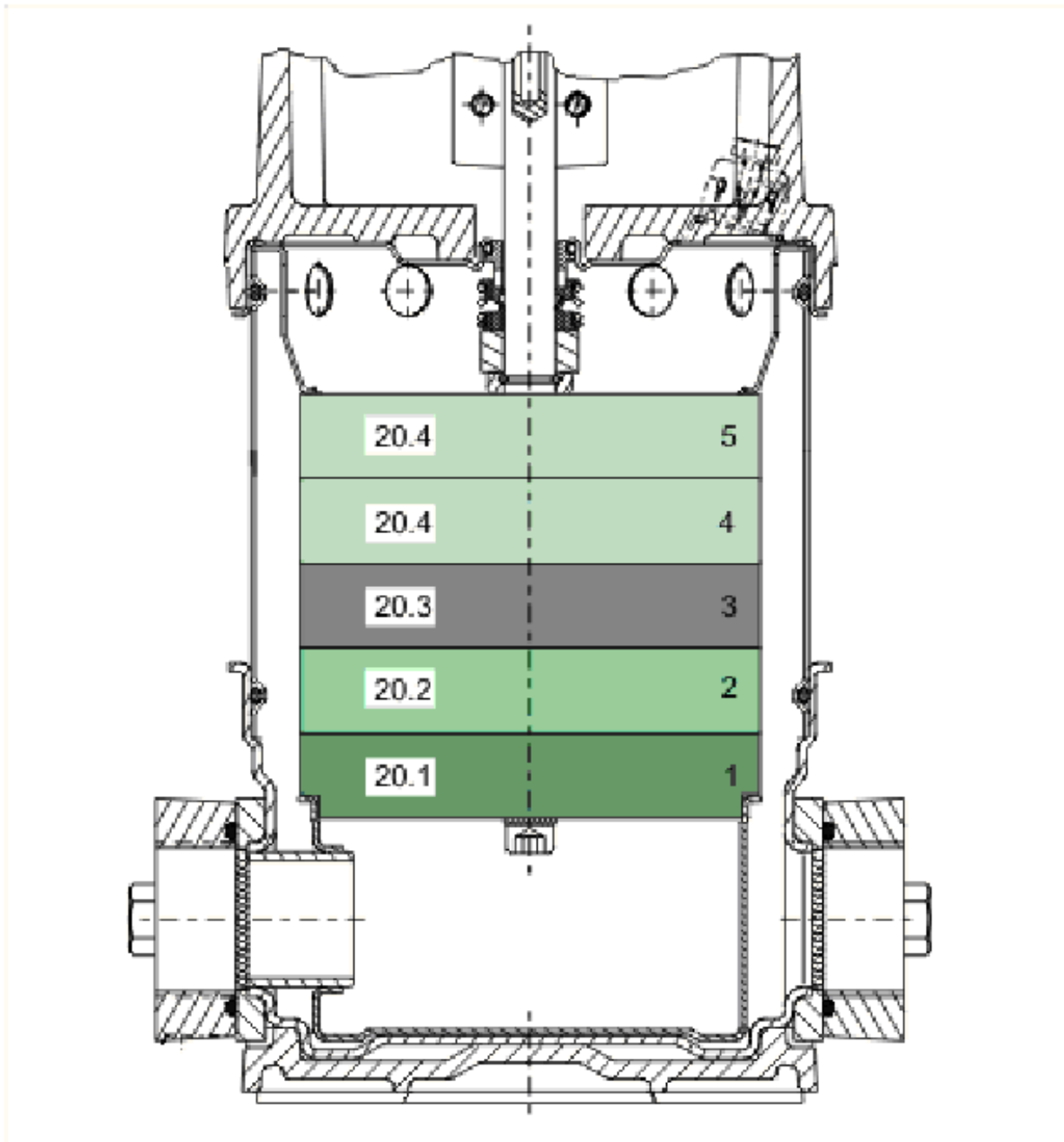
Item	Article no.	Description	Quantity
		> CLIP COUPLING-GUARD-RF	1
10	4217883	STAT.RING HOLDER MVI2/4/8 1.4435 VP.	1
11	4095219	3PH COUPLING KIT MVI D14XD28	1
11.1		> COUPLING VMI-Ø14xØ28-FT130 MACHINING	1
11.2	122065996	> BALL BEARING 6209/2Z-C3 (HT) VP.	1
11.3	4233930	> CIRCLIP-FOR-BORES-D45x1,75 VP.	1
11.4	4157726	> SCREW KIT M8X30 (4 PIECES)	1
11.5	4234252	> CIRCLIPS 85X3 VP.	1
11.6	4234243	> O-RING 85X3 VP.	1
		> NOME CONTACT WASHER 8x16x1,4 STEEL ZC	1
		> SCREW CHC-M6X14-8.8-ISO4762-GEOMET500A	1
		> WASHER D.24 L6U ZINK	1
12	4233131	PLUG-VMI-316L VP.	1
14	4233136	SHAFT D.14X252 1.4404 VP.	1
19	4233922	UPPER STAGE RFK.MVI8M3 1.4435 VP.	1
20		SPARE PARTS HYDRAULICS MVI/MVIE 1.4404	1
22	61476	SCREW M16X55X38	1
23	4030164	COUNTER-FLANGE-VMI1"1/2	1
24	74760312103	SCREW M8X25 ISO4762 8.8 ZN	1
25	2048856	SCREW M5X12 ISO7045 4.8-Z GB.ZN	1
26		MODULE MVIE/MHIE 212/408/805 4KW	1
Note: no longer available / nicht mehr lieferbar / ne plus disponible			
27	2048855	SCREW M5X16 ISO7045 4.8-Z ZN LSN.	1





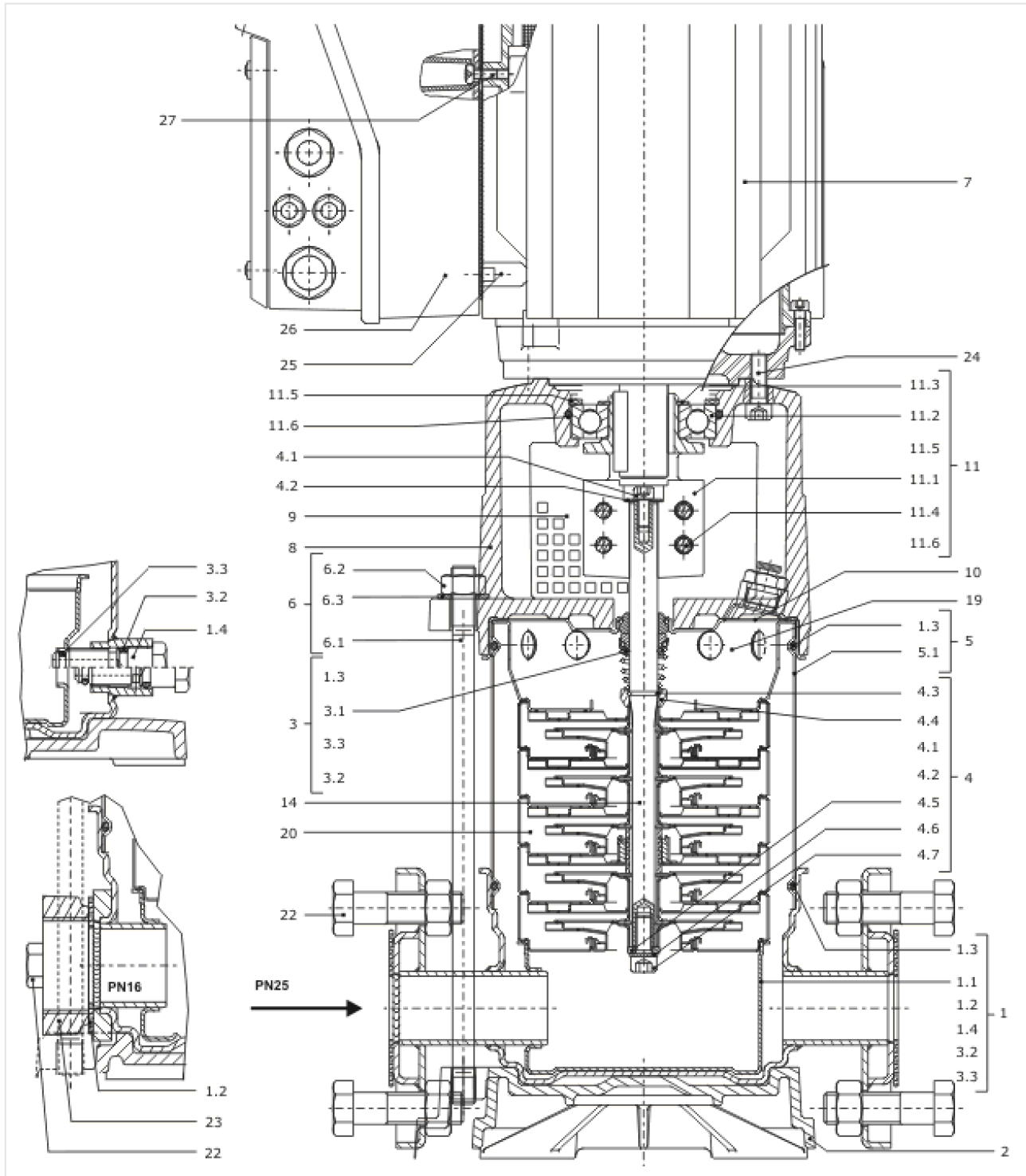
**SPARE PARTS MOTOR TL4/4000/2 3-400 65HZ**

Item	Article no.	Description	Quantity
13.1	2047017	FAN WHEEL AF90 2POL.ATB VP.	1
Note: Please give the data from type plate of the motor			
13.2	4049393	CAPOT-VENTILATEUR-TL4N-NEUTRE-REPRIS	1
Note: Please give the data from type plate of the motor			
13.3		SCREW M4X8 ISO7045 4.8-H ZN	1
Note: no longer available / nicht mehr lieferbar / ne plus disponible			
13.4	2047016	CORRUGATED SLEEVE RING BG90/100 ATB VP.	1
Note: Please give the data from type plate of the motor			



**SPARE PARTS HYDRAULICS MVI/MVIE 1.4404**

Item	Article no.	Description	Quantity
20.1	4026344	STAGE-KIT-MVI-MHI-316L	1
		> IMPELLER-VMI/HMI-SERIE.8-316L	1
		> STAGE CASING-WITHOUT-C/R-8M3-316L	1
		> SPACER IMPELLER MVI8 1.4435	1
20.2	4026345	ASSEMBLY LR./STF.GH.-RLF./SBE.MVI804-19	1
		> IMPELLER-VMI/HMI-SERIE.8-316L	1
		> SPACER IMPELLER MVI8 1.4435	1
		> SPACER SHAFT SLEEVE MVI8 1.4435	1
		> STAGE CASING-AV-C/R-8M3-316L	1
20.3	4026342	ASSEMBLY LR.LAG.BU.MHI804/05,MVI802/20 1	1
		> IMPELLER-VMI/HMI-SERIE.8-316L	1
		> SPACER IMPELLER MVI8 1.4435	1
		> SPACER SHAFT SLEEVE MVI8 1.4435	1
		> STAGE CASING-AV-C/R-BEARING-8M3-L	1
		> SLEEVE-D14L13,8-VMI	1
20.4	4026343	ASSEMBLY LR./STF.GH.RFK.MHI8,MVI803-19 1	1
		> IMPELLER-VMI/HMI-SERIE.8-316L	1
		> SPACER IMPELLER MVI8 1.4435	1
		> STAGE CASING-AV-C/R-8M3-316L	1

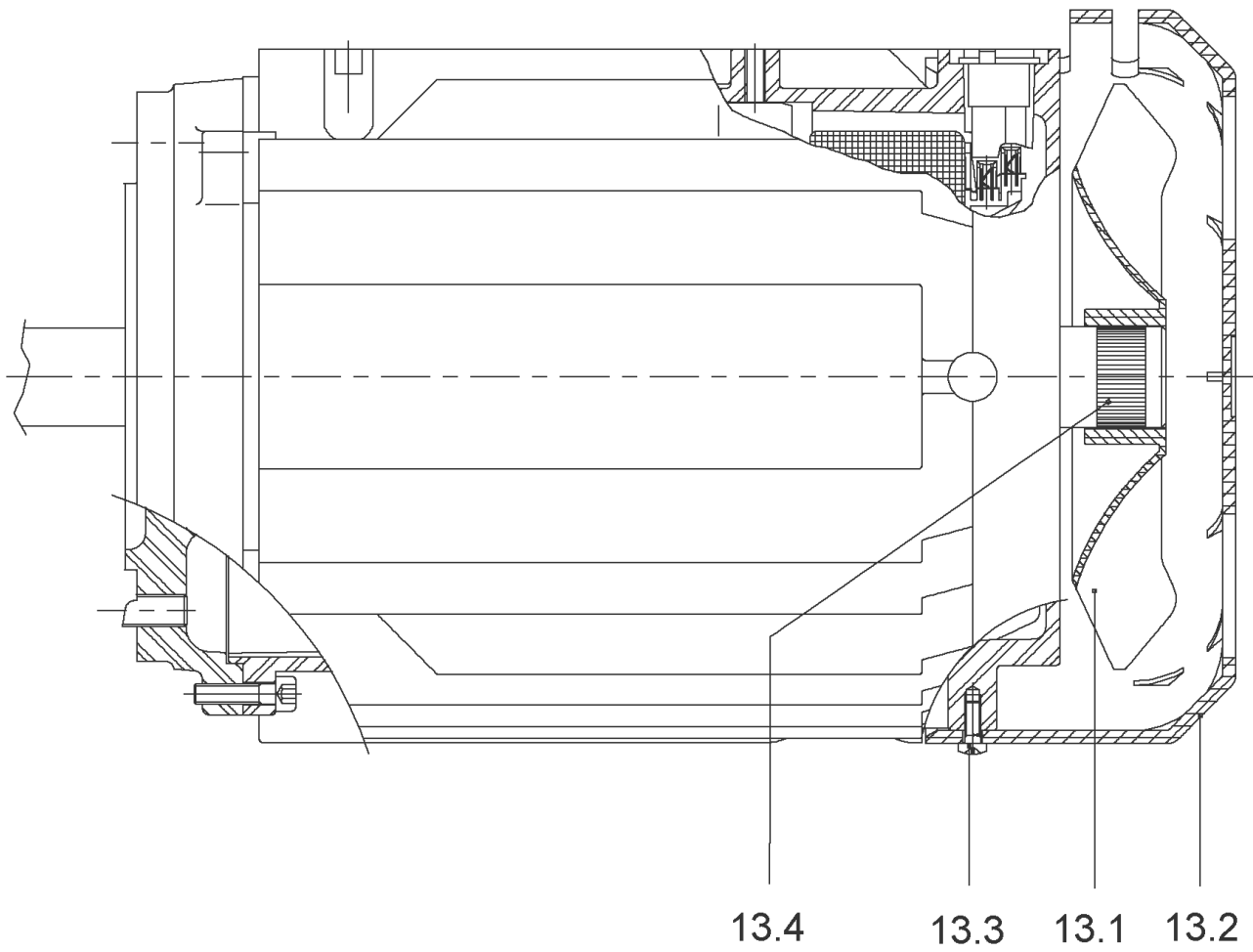


**MVIE805-2/P/V/3-2 (4042650)**

Item	Article no.	Description	Quantity
1	2114344	PUMP HOUSING MVI DN50 P 1.4404 KIT	1
1.1		> CASING-MVI-D50-PN25-D152-316L-VICTAULI	1
1.3	4234237	> O-RING 139X3 VITON VP.	1
1.4	4234240	> PRIMING/DRAIN PLUG MVI6" 316L VP.	1
3.2	4234239	> O-RING 13X2 VITON VP.	1
3.3	4234238	> O-RING 9X2 VITON VP.	1
2	4176517	BASEPLATE V8/10 VP.	1
3	4027310	ASSEMBLY GRD.MVI2../4../8.. PN25 90° +VP	1
1.3	4234237	> O-RING 139X3 VITON VP.	1
3.1		> MECHANICAL SEAL RMG12/14-G606-U3BVGG-BUR	1
3.2	4234239	> O-RING 13X2 VITON VP.	1
3.3	4234238	> O-RING 9X2 VITON VP.	1
4	4015442	SHAFT-FIXING MVI4/8 KIT	1
4.1		> SCREW CHC-M6X14-8.8-ISO4762-GEOMET500A	1
4.2		> WASHER D.24 L6U ZINK	1
4.3	2090148	> CIRCLIP D14 MVI/MHI 316L (2 PIECES) VP.	1
		>> STOP-RUSH-1/2-D14-VMI/HMI-316	2
4.4		> STOP COLLAR OF IMPELLER L=8.7-Ø14-316L	1
4.5		> FLAT WASHER-D8xD16x2.5-316L	1
4.6		> STAINLESS-STEEL-WASHER-DE8	1
4.7		> SCREW M8X16 ISO4762 A4	1
5	2018432	HOUSING PIPE D.152X191 1.4404 KIT	1
5.1		> HOUSING-PIPE-D152-VMI207/407/805-316L	1
1.3	4234237	> O-RING 139X3 VITON VP.	1
6	2018362	STUD BOLT M12X317 KIT	1
6.1		> TIE BOLT M12-317x18x30-1.4057	1
6.2	2094647	> NUT M12 M12 ISO4032 VP.	1
6.3	2123557	> WASHER CS-12.4-24-1.6-NFE25 (4 PIECES)	1
7	4214476	MO.TL4/4000/2DM 65HZ V18 MVIE SER.99 VP.	1
		SPARE PARTS MOTOR TL4/4000/2 3-400 65HZ	1
8	4191471	LANTERN-MOTOR-VMI-FT130-MACHINED VP.	1
9	4092424	COUPLING GUARD FT85/130 MVI KIT	1
		> COUPLING PROTECTOR FT85/130-1.4016	1
		> CLIP COUPLING-GUARD-RF	1

**MVIE805-2/P/V/3-2 (4042650)**

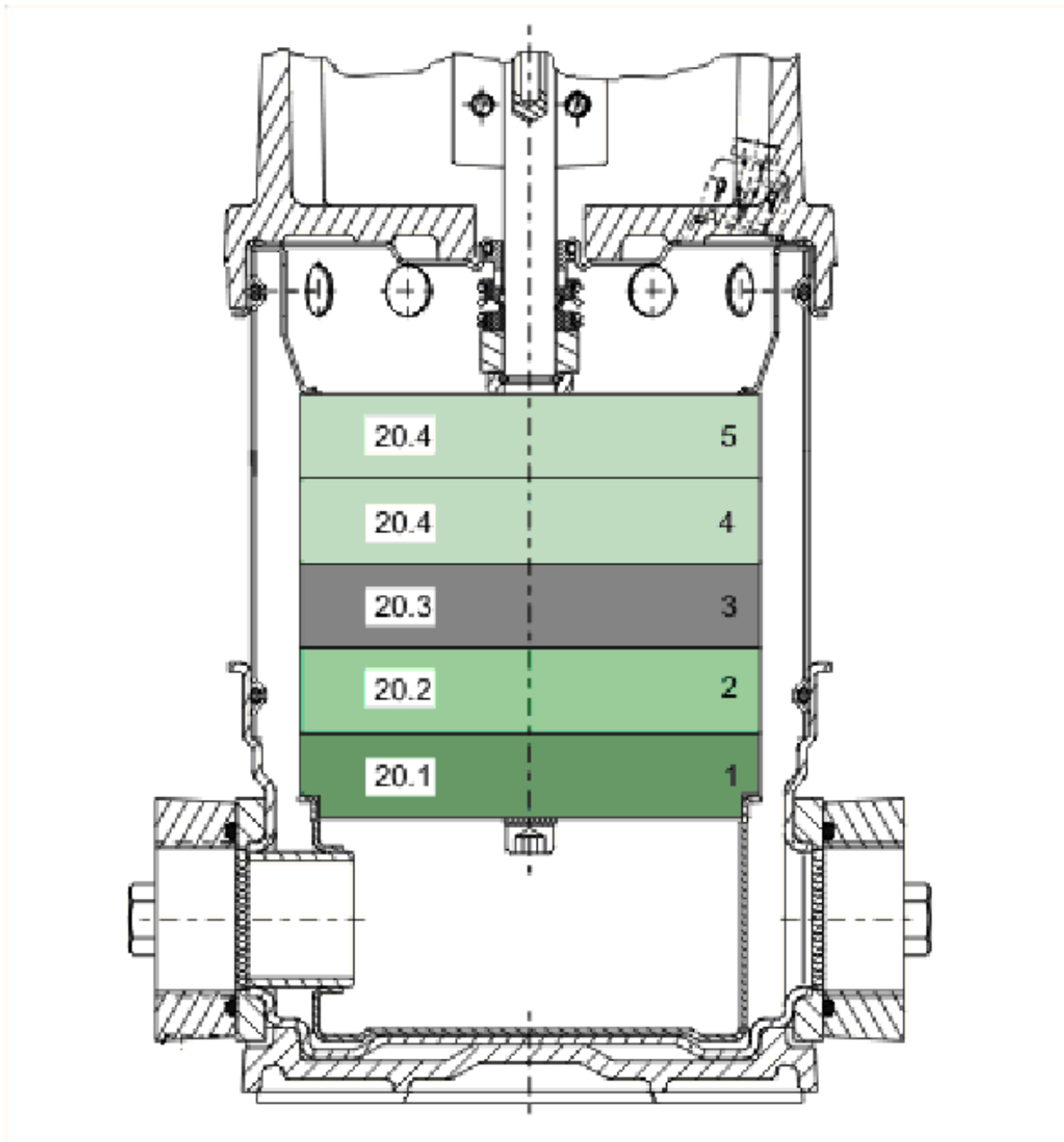
Item	Article no.	Description	Quantity
10	4217883	STAT.RING HOLDER MVI2/4/8 1.4435 VP.	1
11	4095219	3PH COUPLING KIT MVI D14XD28	1
11.1		> COUPLING VMI-Ø14xØ28-FT130 MACHINING	1
11.2	122065996	> BALL BEARING 6209/2Z-C3 (HT) VP.	1
11.3	4233930	> CIRCLIP-FOR-BORES-D45x1,75 VP.	1
11.4	4157726	> SCREW KIT M8X30 (4 PIECES)	1
11.5	4234252	> CIRCLIPS 85X3 VP.	1
11.6	4234243	> O-RING 85X3 VP.	1
		> NOMEL CONTACT WASHER 8x16x1,4 STEEL ZC	1
		> SCREW CHC-M6X14-8.8-ISO4762-GEOMET500A	1
		> WASHER D.24 L6U ZINK	1
12	4233131	PLUG-VMI-316L VP.	1
14	4233136	SHAFT D.14X252 1.4404 VP.	1
19	4233922	UPPER STAGE RFK.MVI8M3 1.4435 VP.	1
20		SPARE PARTS HYDRAULICS MVI/MVIE 1.4404	1
22	61476	SCREW M16X55X38	1
23	4030164	COUNTER-FLANGE-VMI1"1/2	1
24	74760312103	SCREW M8X25 ISO4762 8.8 ZN	1
25	2048856	SCREW M5X12 ISO7045 4.8-Z GB.ZN	1
26		MODULE MVIE/MHIE 212/408/805 4KW	1
Note: no longer available / nicht mehr lieferbar / ne plus disponible			
27	2048855	SCREW M5X16 ISO7045 4.8-Z ZN LSN.	1





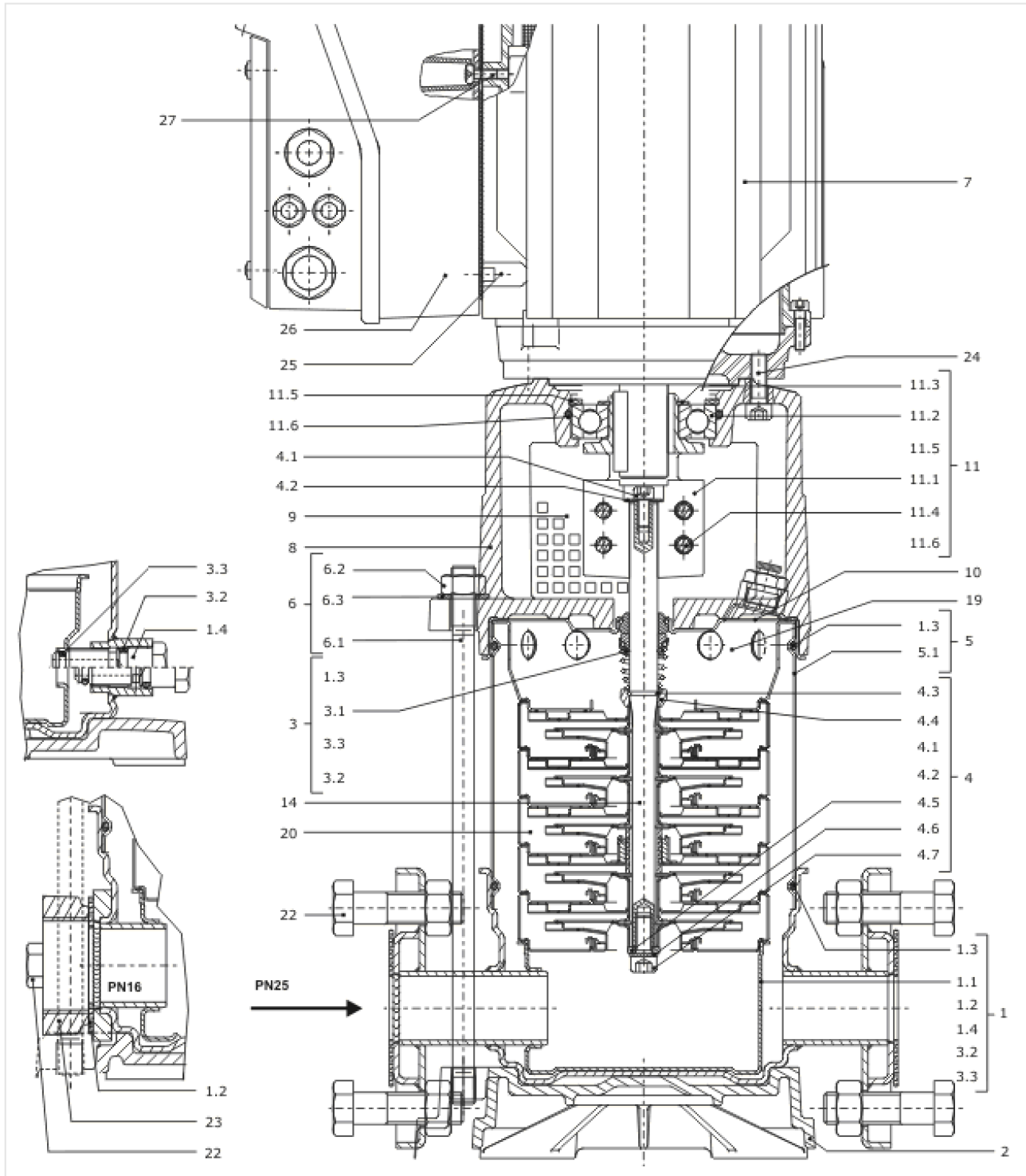
**SPARE PARTS MOTOR TL4/4000/2 3-400 65HZ**

Item	Article no.	Description	Quantity
13.1	2047017	FAN WHEEL AF90 2POL.ATB VP.	1
Note: Please give the data from type plate of the motor			
13.2	4049393	CAPOT-VENTILATEUR-TL4N-NEUTRE-REPRIS	1
Note: Please give the data from type plate of the motor			
13.3		SCREW M4X8 ISO7045 4.8-H ZN	1
Note: no longer available / nicht mehr lieferbar / ne plus disponible			
13.4	2047016	CORRUGATED SLEEVE RING BG90/100 ATB VP.	1
Note: Please give the data from type plate of the motor			



**SPARE PARTS HYDRAULICS MVI/MVIE 1.4404**

Item	Article no.	Description	Quantity
20.1	4026344	STAGE-KIT-MVI-MHI-316L	1
		> IMPELLER-VMI/HMI-SERIE.8-316L	1
		> STAGE CASING-WITHOUT-C/R-8M3-316L	1
		> SPACER IMPELLER MVI8 1.4435	1
20.2	4026345	ASSEMBLY LR./STF.GH.-RLF./SBE.MVI804-19	1
		> IMPELLER-VMI/HMI-SERIE.8-316L	1
		> SPACER IMPELLER MVI8 1.4435	1
		> SPACER SHAFT SLEEVE MVI8 1.4435	1
		> STAGE CASING-AV-C/R-8M3-316L	1
20.3	4026342	ASSEMBLY LR.LAG.BU.MHI804/05,MVI802/20 1	1
		> IMPELLER-VMI/HMI-SERIE.8-316L	1
		> SPACER IMPELLER MVI8 1.4435	1
		> SPACER SHAFT SLEEVE MVI8 1.4435	1
		> STAGE CASING-AV-C/R-BEARING-8M3-L	1
		> SLEEVE-D14L13,8-VMI	1
20.4	4026343	ASSEMBLY LR./STF.GH.RFK.MHI8,MVI803-19 1	1
		> IMPELLER-VMI/HMI-SERIE.8-316L	1
		> SPACER IMPELLER MVI8 1.4435	1
		> STAGE CASING-AV-C/R-8M3-316L	1



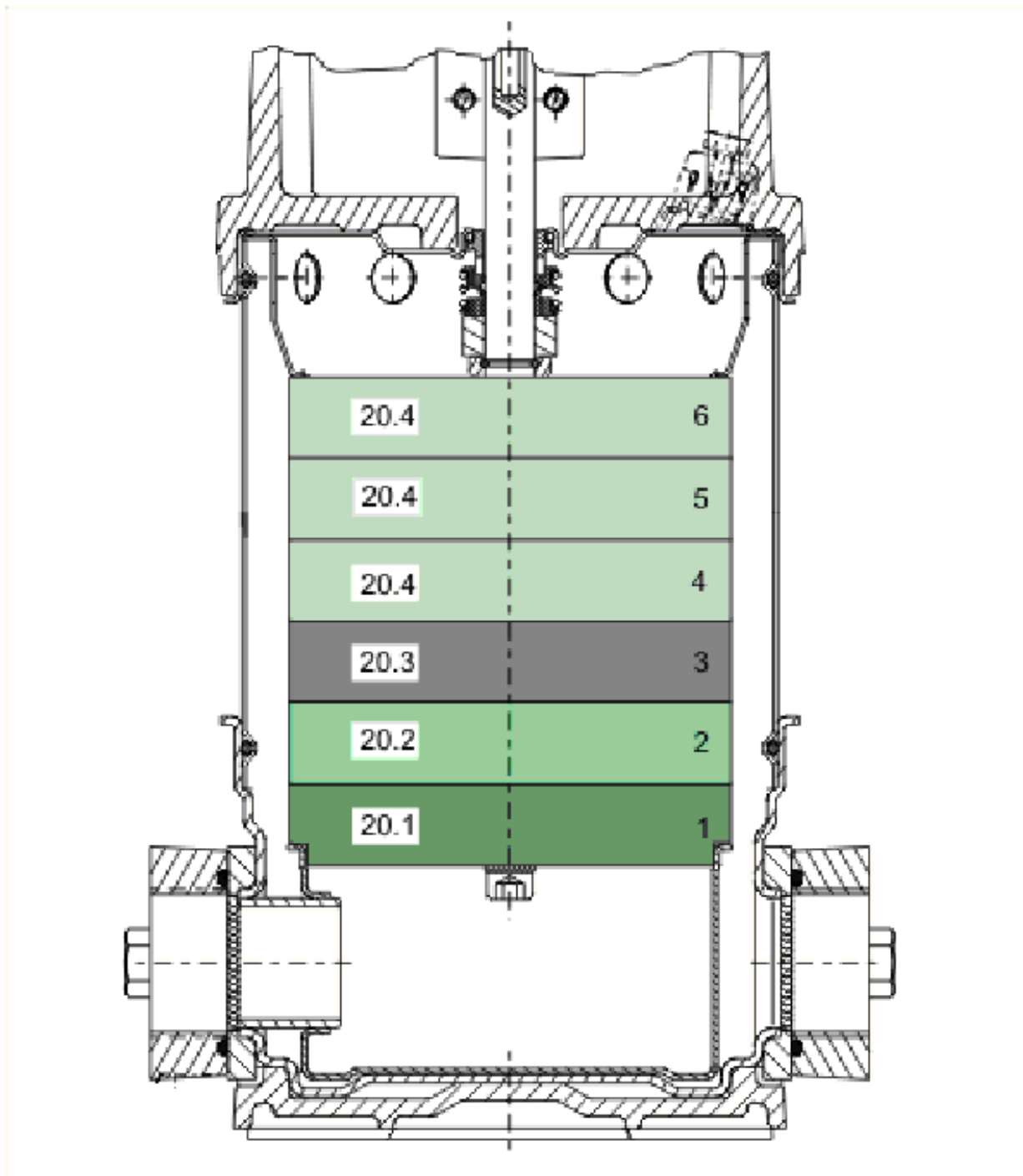
**MVIE806-1/16/E/3-2-2G (4077526)**

Item	Article no.	Description	Quantity
1	2027121	PUMP HOUSING MVI/MVIS DN50 PN16 KIT	1
1.1		> PUMP HOUSING MVI D.50 PN16 1.4301	1
1.2	4233954	> O-RING ID.66 EPDM VP.	1
Note: FROM / AB / À PARTIR DE: 07/97			
1.3	4176513	> O-RING FOR PUMP JACKET VP.	1
1.4	4234235	> PRIMING/DRAIN PLUG MVI6" 304 VP.	1
3.2	4177800	> O-RING EPDM PLUG HELIX VP.	1
3.3	4234242	> O-RING 9X2 VP.	1
2	4176517	BASEPLATE V8/10 VP.	1
3	4027301	MECHANICAL SEAL MVI2/4/8/16-6" EP120°KIT	1
1.3	4176513	> O-RING FOR PUMP JACKET VP.	1
3.1		> MECHANICAL SEAL MG12/14-G606-Q1BE3GG-BU.	1
3.2	4177800	> O-RING EPDM PLUG HELIX VP.	1
3.3	4234242	> O-RING 9X2 VP.	1
4	4015442	SHAFT-FIXING MVI4/8 KIT	1
4.1		> SCREW CHC-M6X14-8.8-ISO4762-GEOMET500A	1
4.2		> WASHER D.24 L6U ZINK	1
4.3	2090148	> CIRCLIP D14 MVI/MHI 316L (2 PIECES) VP.	1
		>> STOP-RUSH-1/2-D14-VMI/HMI-316	2
4.4		> STOP COLLAR OF IMPELLER L=8.7-Ø14-316L	1
4.5		> FLAT WASHER-D8xD16x2.5-316L	1
4.6		> STAINLESS-STEEL-WASHER-DE8	1
4.7		> SCREW M8X16 ISO4762 A4	1
5	2018385	HOUSING PIPE D.152X221 1.4301 KIT	1
1.3	4176513	> O-RING FOR PUMP JACKET VP.	1
5.1		> HOUSING-PIPE-D152-VMI806-304	1
6	2018369	STUD BOLT M12X347 KIT	1
6.1		> TIE BOLT M12-349x18x30-1.4057	1
6.2	2094647	> NUT M12 M12 ISO4032 VP.	1
6.3	2123557	> WASHER CS-12.4-24-1.6-NFE25 (4 PIECES)	1
7		M4-2T638P55V18-112F13-SU-N28-ADAPT	1
Note: no longer available/nicht mehrlieferbar/n'est plus disponible			
8	4191471	LANTERN-MOTOR-VMI-FT130-MACHINED VP.	1
9	4092424	COUPLING GUARD FT85/130 MVI KIT	1

**MVIE806-1/16/E/3-2-2G (4077526)**

Item	Article no.	Description	Quantity
		> COUPLING PROTECTOR FT85/130-1.4016	1
		> CLIP COUPLING-GUARD-RF	1
10	4217881	STAT.RING HOLDER-GM-D14-304 VP.	1
11	4095219	3PH COUPLING KIT MVI D14XD28	1
11.1		> COUPLING VMI-Ø14xØ28-FT130 MACHINING	1
11.2	122065996	> BALL BEARING 6209/2Z-C3 (HT) VP.	1
11.3	4233930	> CIRCLIP-FOR-BORES-D45x1,75 VP.	1
11.4	4157726	> SCREW KIT M8X30 (4 PIECES)	1
11.5	4234252	> CIRCLIPS 85X3 VP.	1
11.6	4234243	> O-RING 85X3 VP.	1
		> NOME CONTACT WASHER 8x16x1,4 STEEL ZC	1
		> SCREW CHC-M6X14-8.8-ISO4762-GEOMET500A	1
		> WASHER D.24 L6U ZINK	1
12	4233131	PLUG-VMI-316L VP.	1
14	4233903	SHAFT D.14X282 1.4057 VP.	1
19	4234241	UPPER STAGE RFK.MVI8 1.4301 VP.	1
20		SPARE PARTS HYDRAULICS MVI/MVIE 1.4301	1
22	74750711116	SCREW M12X55X55 ISO4017 6.8 ZN	1
23	4030164	COUNTER-FLANGE-VMI1"1/2	1
24	4157726	SCREW KIT M8X30 (4 PIECES)	1
26		MODULE MVIEMHIE-4KW TL3/4	1

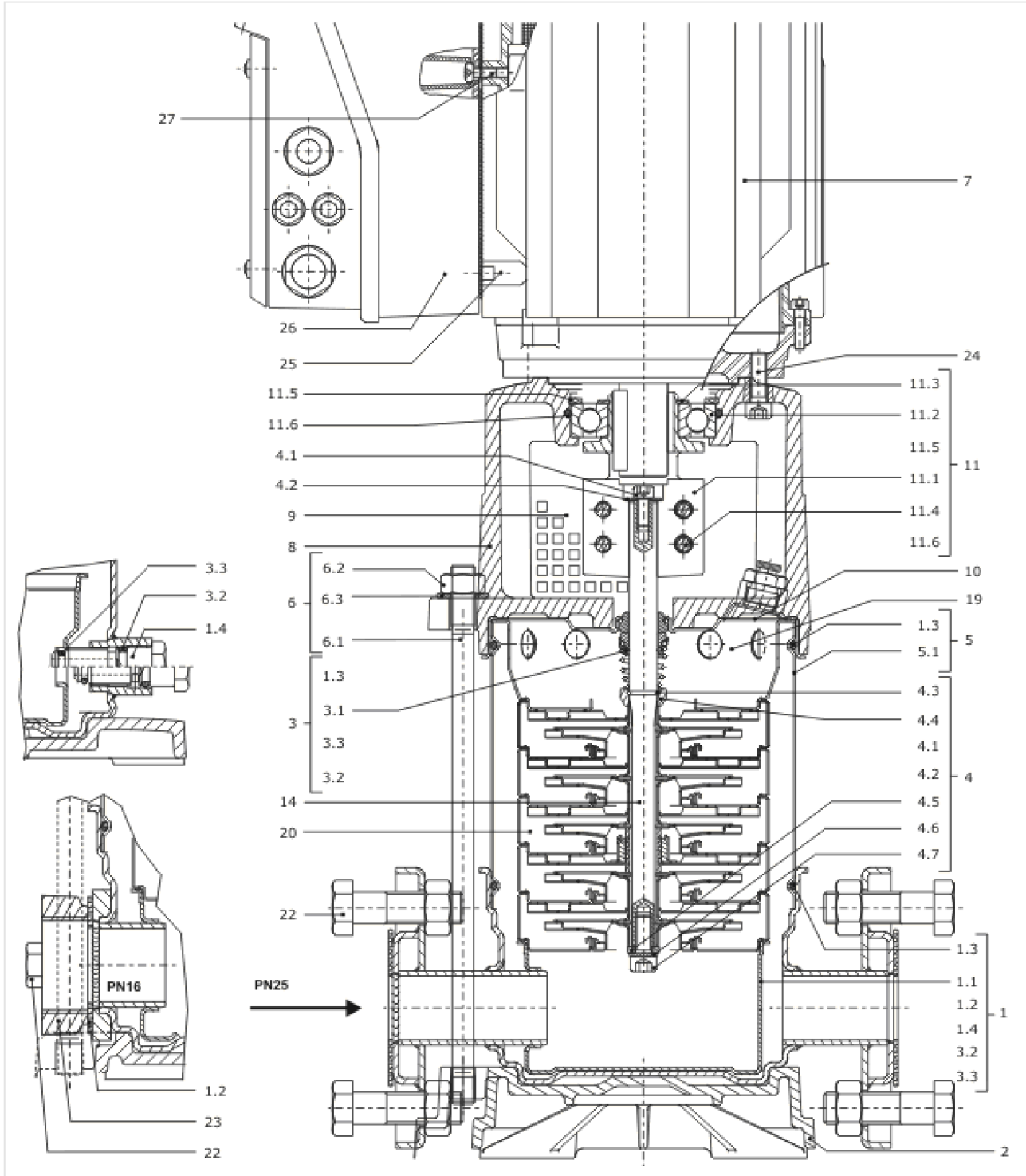
Note: no longer available/nicht mehrlieferbar/n'est plus disponible



**SPARE PARTS HYDRAULICS MVI/MVIE 1.4301**

Item	Article no.	Description	Quantity
20.1	4015453	STAGE MHI802/03,MVI804-19 1.4301 KIT	1
		> IMPELLER MVI8 D.100,5x5,5 1.4301	1
		> STAGE HOUSING O.RFK.MVI8 1.4301	1
		> SPACER IMPELLER MVI8 1.4435	1
20.2	4015454	STAGE MVI804-19 1.4301 KIT	1
		> IMPELLER MVI8 D.100,5x5,5 1.4301	1
		> SPACER IMPELLER MVI8 1.4435	1
		> SPACER SHAFT SLEEVE MVI8 1.4435	1
		> STAGE HOUSING RFK.MVI8 1.4301	1
20.3	4015450	STAGE KIT MHI/MVI	1
		> IMPELLER MVI8 D.100,5x5,5 1.4301	1
		> SPACER IMPELLER MVI8 1.4435	1
		> SPACER SHAFT SLEEVE MVI8 1.4435	1
		> STAGE-CASING-W-R/C+BEARING-8M3-304	1
		> SLEEVE-D14L13,8-VMI	1
20.4	4015452	STAGE MHI8,MVI802-19 1.4301 KIT	1
		> IMPELLER MVI8 D.100,5x5,5 1.4301	1
		> SPACER IMPELLER MVI8 1.4435	1
		> STAGE HOUSING RFK.MVI8 1.4301	1





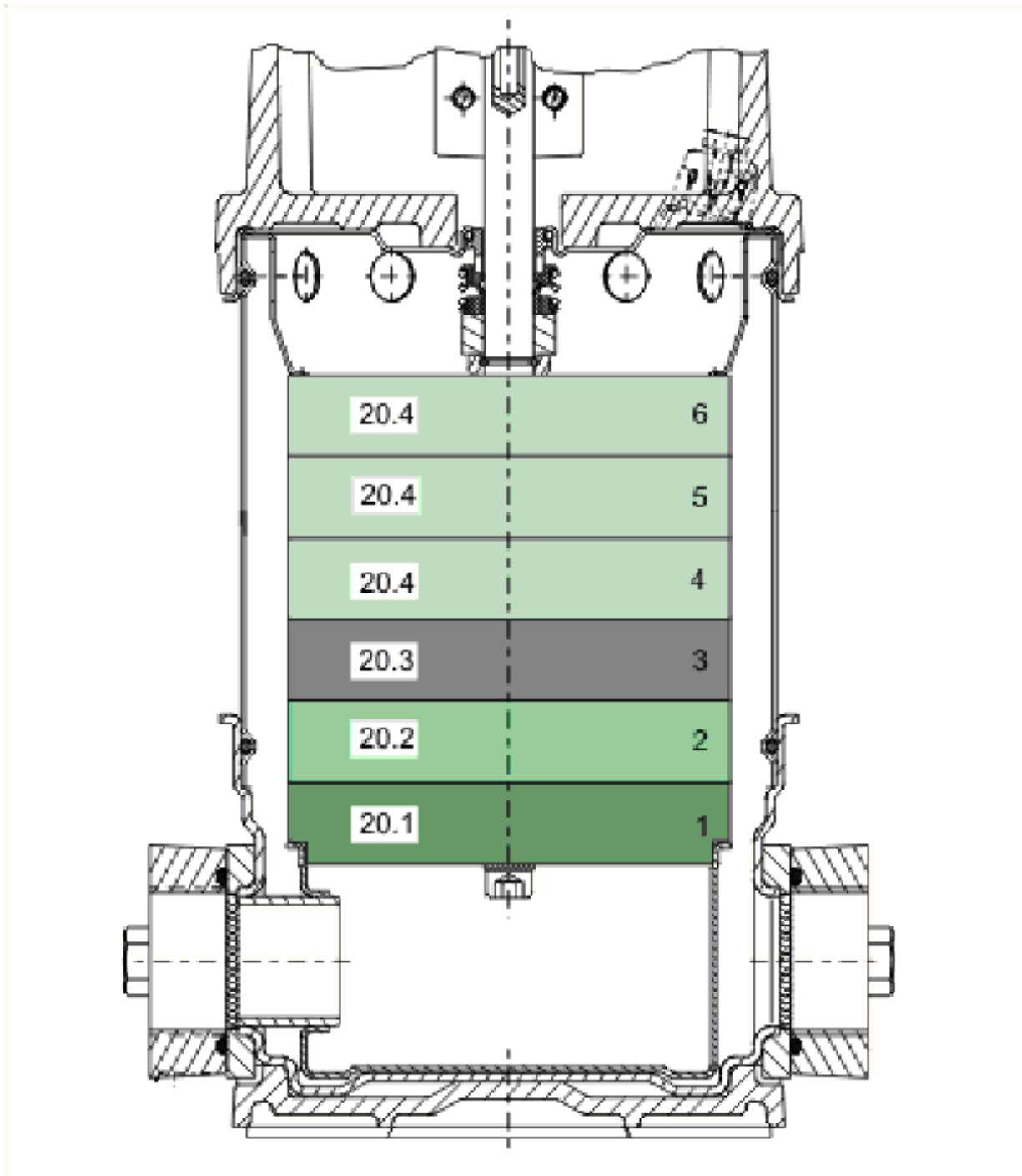
**MVIE806-1/25/E/3-2-2G (4077536)**

Item	Article no.	Description	Quantity
1	2018568	PUMP HOUS.MVI8 DN40 PN25 1.4435 EPDM KIT	1
1.1		> PUMP HOUSING MVI D40 PN25 1.4435	1
1.2	4010032	> FLAT GASKET_Ø40xØ92x2_DN40_PN25_FIBRE	1
1.3	4176513	> O-RING FOR PUMP JACKET VP.	1
1.4	4234240	> PRIMING/DRAIN PLUG MVI6" 316L VP.	1
3.2	4177800	> O-RING EPDM PLUG HELIX VP.	1
3.3	4234242	> O-RING 9X2 VP.	1
2	4176517	BASEPLATE V8/10 VP.	1
3	4015431	MECHANICAL SEAL MVI2/4/8 PN25 120° KIT	1
1.3	4176513	> O-RING FOR PUMP JACKET VP.	1
3.1		> MECHANICAL SEAL RMG12/14-G606-U3BE3GG-BU	1
3.2	4177800	> O-RING EPDM PLUG HELIX VP.	1
3.3	4234242	> O-RING 9X2 VP.	1
4	4015442	SHAFT-FIXING MVI4/8 KIT	1
4.1		> SCREW CHC-M6X14-8.8-ISO4762-GEOMET500A	1
4.2		> WASHER D.24 L6U ZINK	1
4.3	2090148	> CIRCLIP D14 MVI/MHI 316L (2 PIECES) VP.	1
		>> STOP-RUSH-1/2-D14-VMI/HMI-316	2
4.4		> STOP COLLAR OF IMPELLER L=8.7-Ø14-316L	1
4.5		> FLAT WASHER-D8xD16x2.5-316L	1
4.6		> STAINLESS-STEEL-WASHER-DE8	1
4.7		> SCREW M8X16 ISO4762 A4	1
5	2018385	HOUSING PIPE D.152X221 1.4301 KIT	1
1.3	4176513	> O-RING FOR PUMP JACKET VP.	1
5.1		> HOUSING-PIPE-D152-VMI806-304	1
6	2018369	STUD BOLT M12X347 KIT	1
6.1		> TIE BOLT M12-349x18x30-1.4057	1
6.2	2094647	> NUT M12 M12 ISO4032 VP.	1
6.3	2123557	> WASHER CS-12.4-24-1.6-NFE25 (4 PIECES)	1
7		M4-2T638P55V18-112F13-SU-N28-ADAPT	1
Note: no longer available/nicht mehr lieferbar/n'est plus disponible			
8	4191471	LANTERN-MOTOR-VMI-FT130-MACHINED VP.	1
9	4092424	COUPLING GUARD FT85/130 MVI KIT	1
		> COUPLING PROTECTOR FT85/130-1.4016	1

**MVIE806-1/25/E/3-2-2G (4077536)**

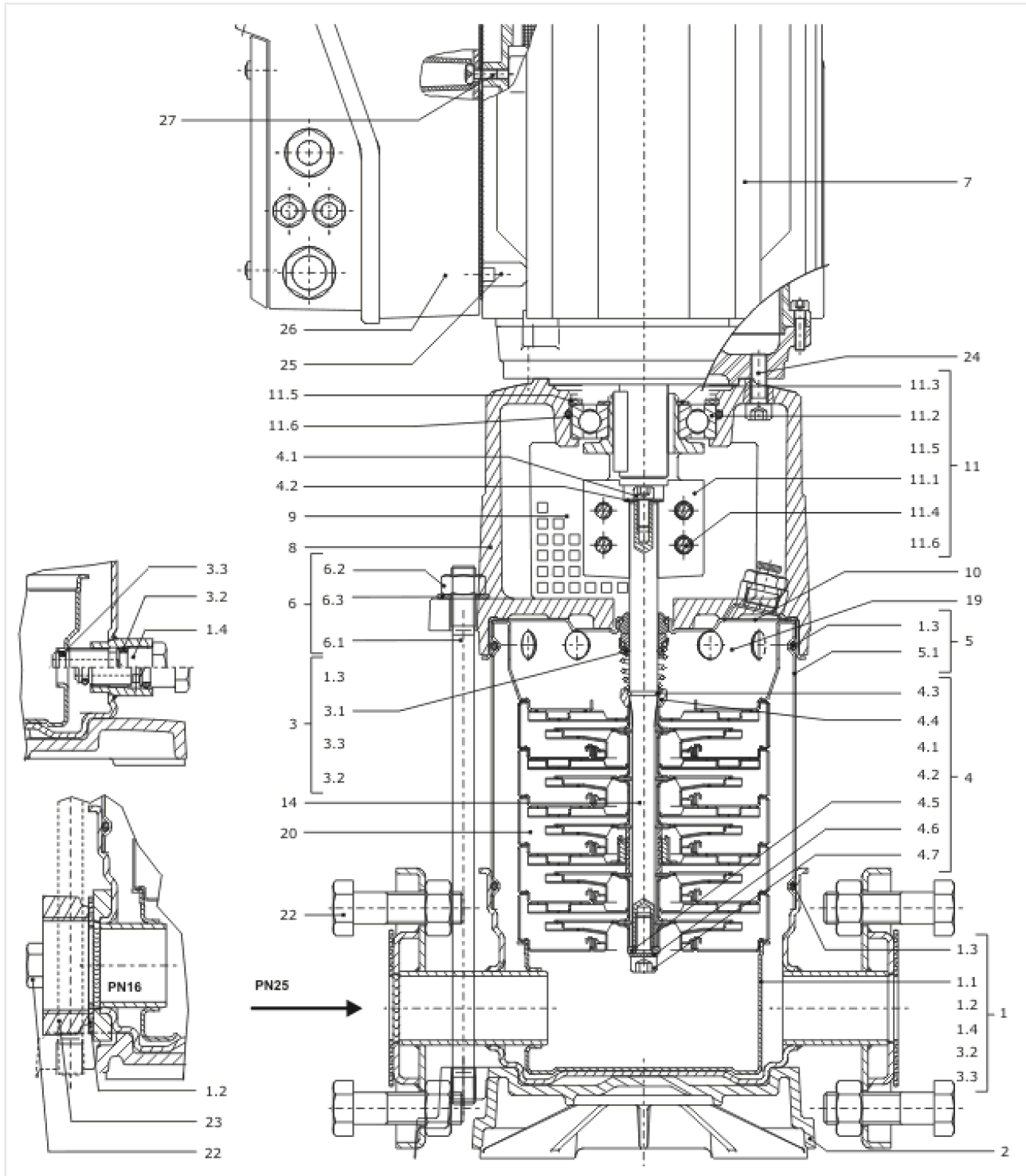
Item	Article no.	Description	Quantity
		> CLIP COUPLING-GUARD-RF	1
10	4217881	STAT.RING HOLDER-GM-D14-304 VP.	1
11	4095219	3PH COUPLING KIT MVI D14XD28	1
11.1		> COUPLING VMI-Ø14xØ28-FT130 MACHINING	1
11.2	122065996	> BALL BEARING 6209/2Z-C3 (HT) VP.	1
11.3	4233930	> CIRCLIP-FOR-BORES-D45x1,75 VP.	1
11.4	4157726	> SCREW KIT M8X30 (4 PIECES)	1
11.5	4234252	> CIRCLIPS 85X3 VP.	1
11.6	4234243	> O-RING 85X3 VP.	1
		> NOMEL CONTACT WASHER 8x16x1,4 STEEL ZC	1
		> SCREW CHC-M6X14-8.8-ISO4762-GEOMET500A	1
		> WASHER D.24 L6U ZINK	1
12	4233131	PLUG-VMI-316L VP.	1
14	4233903	SHAFT D.14X282 1.4057 VP.	1
19	4234241	UPPER STAGE RFK.MVI8 1.4301 VP.	1
20		SPARE PARTS HYDRAULICS MVI/MVIE 1.4301	1
22	61476	SCREW M16X55X38	1
24	4157726	SCREW KIT M8X30 (4 PIECES)	1
26		MODULE MVIEMHIE-4KW TL3/4	1

Note: no longer available/nicht mehr lieferbar/n'est plus disponible



**SPARE PARTS HYDRAULICS MVI/MVIE 1.4301**

Item	Article no.	Description	Quantity
20.1	4015453	STAGE MHI802/03,MVI804-19 1.4301 KIT	1
		> IMPELLER MVI8 D.100,5x5,5 1.4301	1
		> STAGE HOUSING O.RFK.MVI8 1.4301	1
		> SPACER IMPELLER MVI8 1.4435	1
20.2	4015454	STAGE MVI804-19 1.4301 KIT	1
		> IMPELLER MVI8 D.100,5x5,5 1.4301	1
		> SPACER IMPELLER MVI8 1.4435	1
		> SPACER SHAFT SLEEVE MVI8 1.4435	1
		> STAGE HOUSING RFK.MVI8 1.4301	1
20.3	4015450	STAGE KIT MHI/MVI	1
		> IMPELLER MVI8 D.100,5x5,5 1.4301	1
		> SPACER IMPELLER MVI8 1.4435	1
		> SPACER SHAFT SLEEVE MVI8 1.4435	1
		> STAGE-CASING-W-R/C+BEARING-8M3-304	1
		> SLEEVE-D14L13,8-VMI	1
20.4	4015452	STAGE MHI8,MVI802-19 1.4301 KIT	1
		> IMPELLER MVI8 D.100,5x5,5 1.4301	1
		> SPACER IMPELLER MVI8 1.4435	1
		> STAGE HOUSING RFK.MVI8 1.4301	1



**MVIE806-2/25/V/3-2-2G (4077548)**

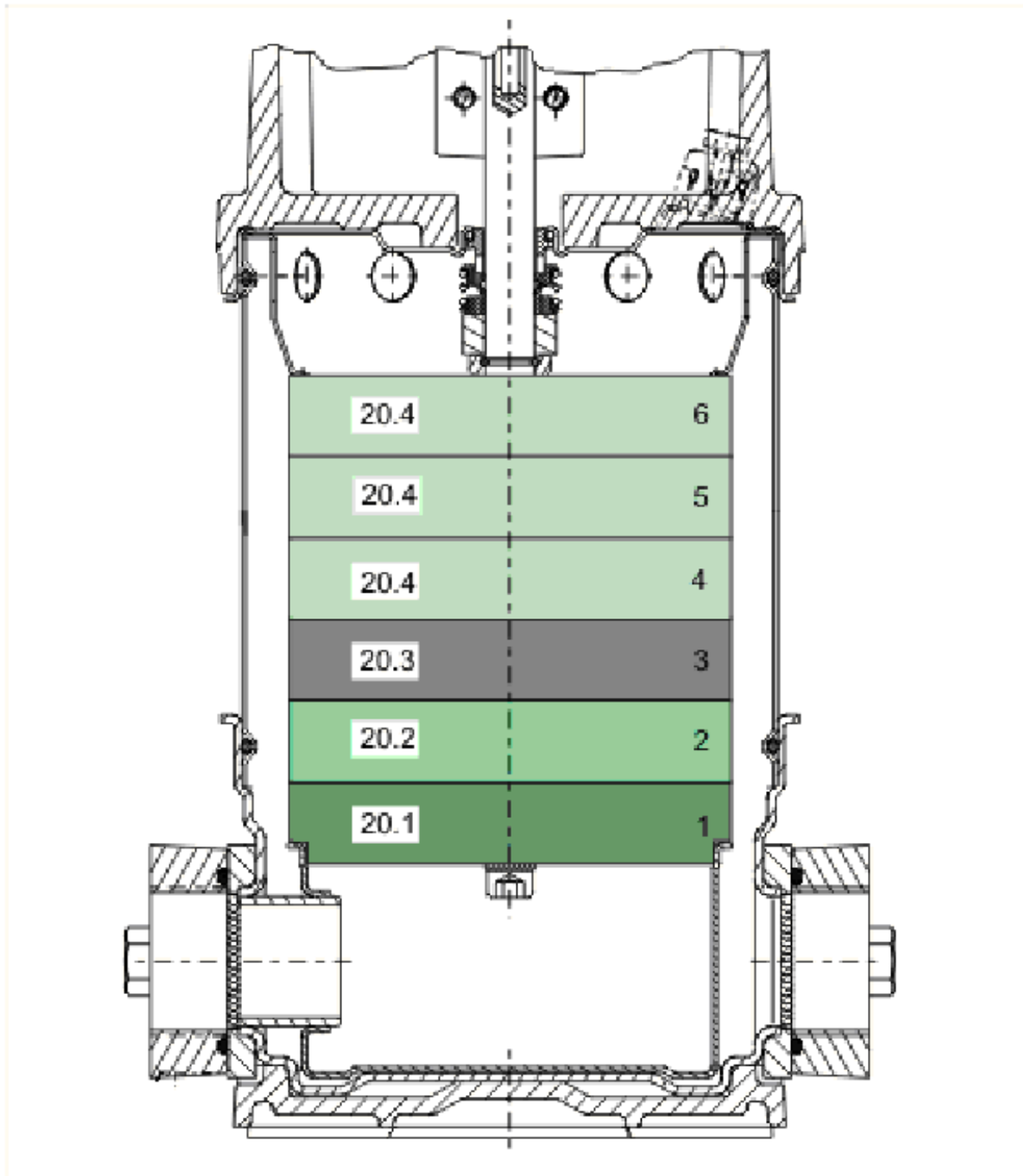
Item	Article no.	Description	Quantity
1	2018595	PUMP HOUSING MVI8 DN40 PN25 1.4435 KIT	1
1.1		> PUMP HOUSING MVI D40 PN25 1.4435	1
1.2	4010032	> FLAT GASKET_Ø40xØ92x2_DN40_PN25_FIBRE	1
1.3	4234237	> O-RING 139X3 VITON VP.	1
1.4	4234240	> PRIMING/DRAIN PLUG MVI6" 316L VP.	1
3.2	4234239	> O-RING 13X2 VITON VP.	1
3.3	4234238	> O-RING 9X2 VITON VP.	1
2	4176517	BASEPLATE V8/10 VP.	1
3	4027310	ASSEMBLY GRD.MVI2../4../8.. PN25 90° +VP	1
1.3	4234237	> O-RING 139X3 VITON VP.	1
3.1		> MECHANICAL SEAL RMG12/14-G606-U3BVGG-BUR	1
3.2	4234239	> O-RING 13X2 VITON VP.	1
3.3	4234238	> O-RING 9X2 VITON VP.	1
4	4015442	SHAFT-FIXING MVI4/8 KIT	1
4.1		> SCREW CHC-M6X14-8.8-ISO4762-GEOMET500A	1
4.2		> WASHER D.24 L6U ZINK	1
4.3	2090148	> CIRCLIP D14 MVI/MHI 316L (2 PIECES) VP.	1
		>> STOP-RUSH-1/2-D14-VMI/HMI-316	2
4.4		> STOP COLLAR OF IMPELLER L=8.7-Ø14-316L	1
4.5		> FLAT WASHER-D8xD16x2.5-316L	1
4.6		> STAINLESS-STEEL-WASHER-DE8	1
4.7		> SCREW M8X16 ISO4762 A4	1
5	2018606	HOUSING PIPE D.152X221 1.4404 KIT	1
5.1		> HOUSING-PIPE-D152-VMI806-316L	1
1.3	4234237	> O-RING 139X3 VITON VP.	1
6	2018369	STUD BOLT M12X347 KIT	1
6.1		> TIE BOLT M12-349x18x30-1.4057	1
6.2	2094647	> NUT M12 M12 ISO4032 VP.	1
6.3	2123557	> WASHER CS-12.4-24-1.6-NFE25 (4 PIECES)	1
7		M4-2T638P55V18-112F13-SU-N28-ADAPT	1
Note: no longer available/nicht mehr lieferbar/n'est plus disponible			
8	4191471	LANTERN-MOTOR-VMI-FT130-MACHINED VP.	1
9	4092424	COUPLING GUARD FT85/130 MVI KIT	1
		> COUPLING PROTECTOR FT85/130-1.4016	1

**MVIE806-2/25/V/3-2-2G (4077548)**

Item	Article no.	Description	Quantity
		> CLIP COUPLING-GUARD-RF	1
10	4217883	STAT.RING HOLDER MVI2/4/8 1.4435 VP.	1
11	4095219	3PH COUPLING KIT MVI D14XD28	1
11.1		> COUPLING VMI-Ø14xØ28-FT130 MACHINING	1
11.2	122065996	> BALL BEARING 6209/2Z-C3 (HT) VP.	1
11.3	4233930	> CIRCLIP-FOR-BORES-D45x1,75 VP.	1
11.4	4157726	> SCREW KIT M8X30 (4 PIECES)	1
11.5	4234252	> CIRCLIPS 85X3 VP.	1
11.6	4234243	> O-RING 85X3 VP.	1
		> NOME CONTACT WASHER 8x16x1,4 STEEL ZC	1
		> SCREW CHC-M6X14-8.8-ISO4762-GEOMET500A	1
		> WASHER D.24 L6U ZINK	1
12	4233131	PLUG-VMI-316L VP.	1
14	4233138	SHAFT D.14X282 1.4404 VP.	1
19	4233922	UPPER STAGE RFK.MVI8M3 1.4435 VP.	1
20		SPARE PARTS HYDRAULICS MVI/MVIE 1.4404	1
22	61476	SCREW M16X55X38	1
24	4157726	SCREW KIT M8X30 (4 PIECES)	1
26		MODULE MVIEMHIE-4KW TL3/4	1

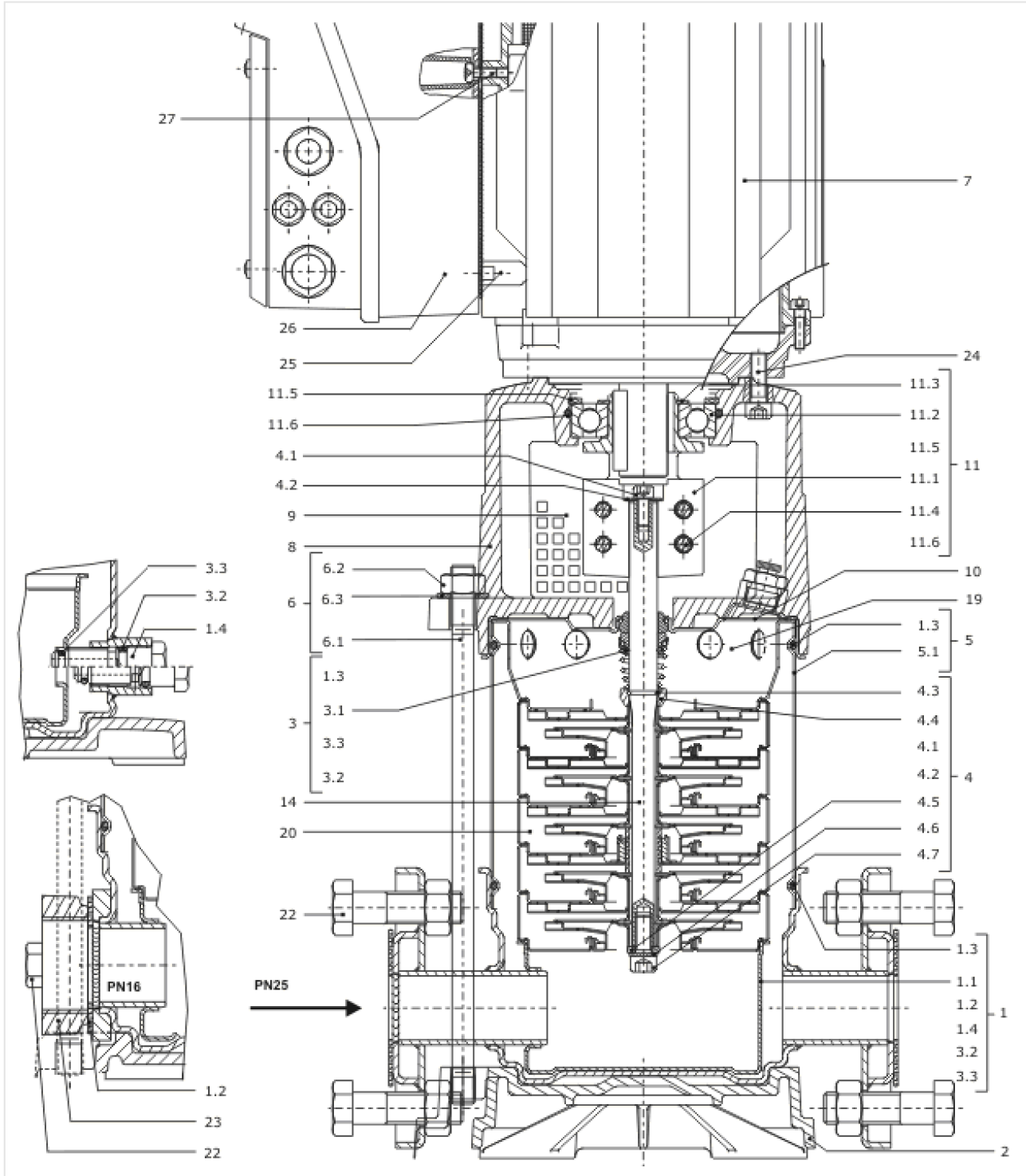
Note: no longer available/nicht mehr lieferbar/n'est plus disponible





**SPARE PARTS HYDRAULICS MVI/MVIE 1.4404**

Item	Article no.	Description	Quantity
20.1	4026344	STAGE-KIT-MVI-MHI-316L	1
		> IMPELLER-VMI/HMI-SERIE.8-316L	1
		> STAGE CASING-WITHOUT-C/R-8M3-316L	1
		> SPACER IMPELLER MVI8 1.4435	1
20.2	4026345	ASSEMBLY LR./STF.GH.-RLF./SBE.MVI804-19	1
		> IMPELLER-VMI/HMI-SERIE.8-316L	1
		> SPACER IMPELLER MVI8 1.4435	1
		> SPACER SHAFT SLEEVE MVI8 1.4435	1
		> STAGE CASING-AV-C/R-8M3-316L	1
20.3	4026342	ASSEMBLY LR.LAG.BU.MHI804/05,MVI802/20 1	1
		> IMPELLER-VMI/HMI-SERIE.8-316L	1
		> SPACER IMPELLER MVI8 1.4435	1
		> SPACER SHAFT SLEEVE MVI8 1.4435	1
		> STAGE CASING-AV-C/R-BEARING-8M3-L	1
		> SLEEVE-D14L13,8-VMI	1
20.4	4026343	ASSEMBLY LR./STF.GH.RFK.MHI8,MVI803-19 1	1
		> IMPELLER-VMI/HMI-SERIE.8-316L	1
		> SPACER IMPELLER MVI8 1.4435	1
		> STAGE CASING-AV-C/R-8M3-316L	1



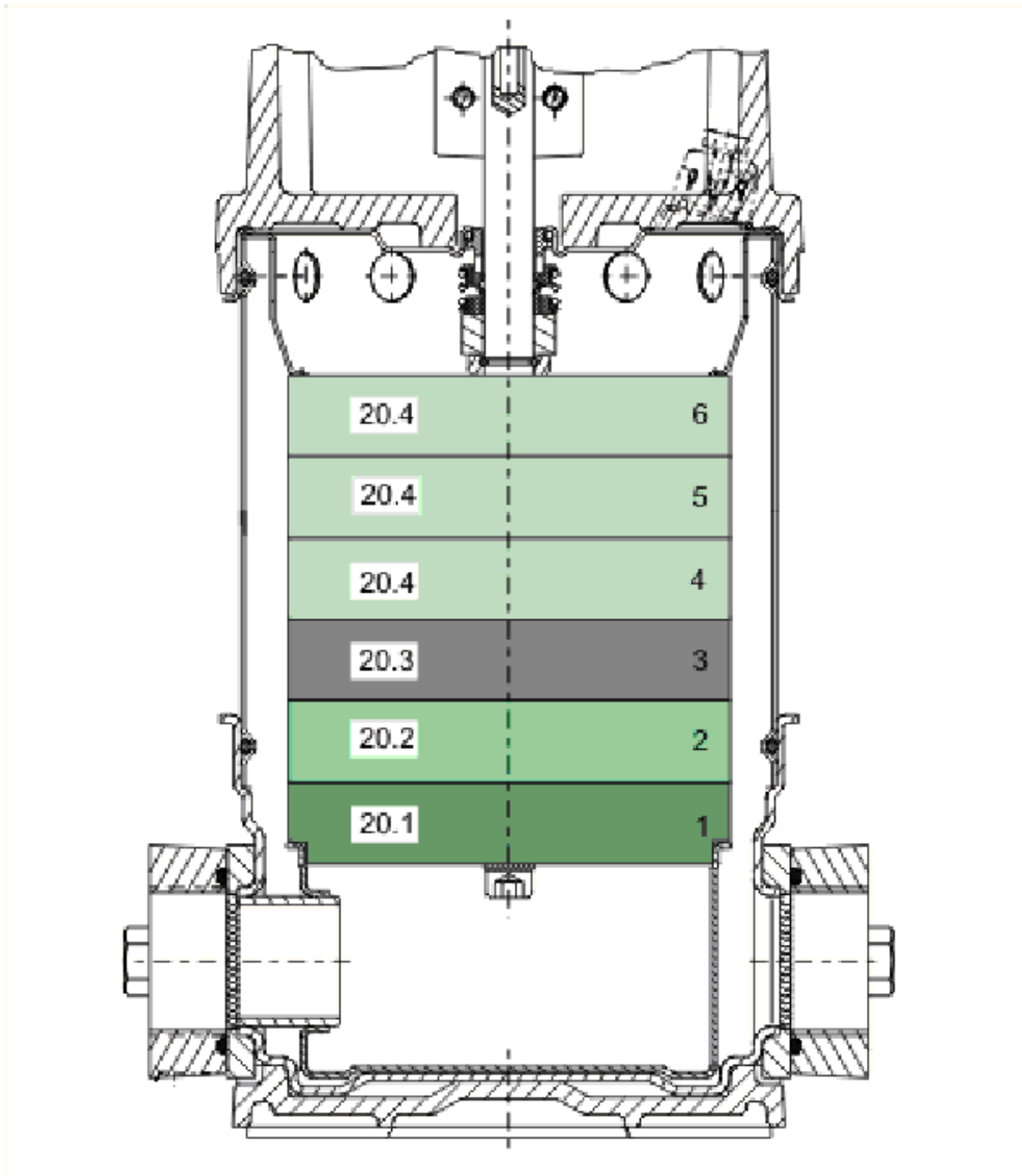
**MVIE806-2/P/V/3-2-2G (4077557)**

Item	Article no.	Description	Quantity
1	2114344	PUMP HOUSING MVI DN50 P 1.4404 KIT	1
1.1		> CASING-MVI-D50-PN25-D152-316L-VICTAULI	1
1.3	4234237	> O-RING 139X3 VITON VP.	1
1.4	4234240	> PRIMING/DRAIN PLUG MVI6" 316L VP.	1
3.2	4234239	> O-RING 13X2 VITON VP.	1
3.3	4234238	> O-RING 9X2 VITON VP.	1
2	4176517	BASEPLATE V8/10 VP.	1
3	4027310	ASSEMBLY GRD.MVI2../4../8.. PN25 90° +VP	1
1.3	4234237	> O-RING 139X3 VITON VP.	1
3.1		> MECHANICAL SEAL RMG12/14-G606-U3BVGG-BUR	1
3.2	4234239	> O-RING 13X2 VITON VP.	1
3.3	4234238	> O-RING 9X2 VITON VP.	1
4	4015442	SHAFT-FIXING MVI4/8 KIT	1
4.1		> SCREW CHC-M6X14-8.8-ISO4762-GEOMET500A	1
4.2		> WASHER D.24 L6U ZINK	1
4.3	2090148	> CIRCLIP D14 MVI/MHI 316L (2 PIECES) VP.	1
		>> STOP-RUSH-1/2-D14-VMI/HMI-316	2
4.4		> STOP COLLAR OF IMPELLER L=8.7-Ø14-316L	1
4.5		> FLAT WASHER-D8xD16x2.5-316L	1
4.6		> STAINLESS-STEEL-WASHER-DE8	1
4.7		> SCREW M8X16 ISO4762 A4	1
5	2018606	HOUSING PIPE D.152X221 1.4404 KIT	1
5.1		> HOUSING-PIPE-D152-VMI806-316L	1
1.3	4234237	> O-RING 139X3 VITON VP.	1
6	2018369	STUD BOLT M12X347 KIT	1
6.1		> TIE BOLT M12-349x18x30-1.4057	1
6.2	2094647	> NUT M12 M12 ISO4032 VP.	1
6.3	2123557	> WASHER CS-12.4-24-1.6-NFE25 (4 PIECES)	1
7		M4-2T638P55V18-112F13-SU-N28-ADAPT	1
Note: no longer available/nicht mehrlieferbarn'est plus disponible			
8	4191471	LANTERN-MOTOR-VMI-FT130-MACHINED VP.	1
9	4092424	COUPLING GUARD FT85/130 MVI KIT	1
		> COUPLING PROTECTOR FT85/130-1.4016	1
		> CLIP COUPLING-GUARD-RF	1

**MVIE806-2/P/V/3-2-2G (4077557)**

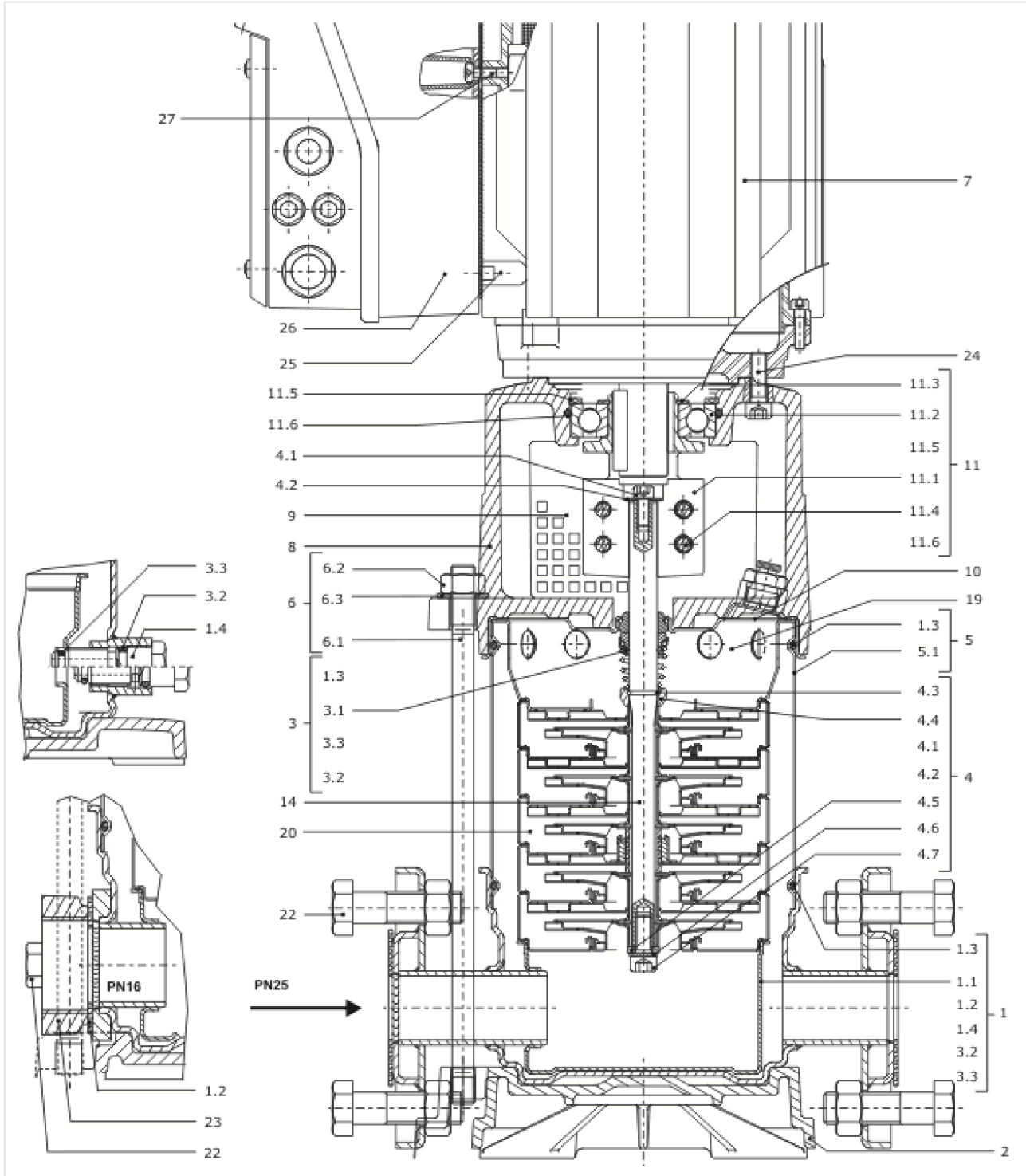
Item	Article no.	Description	Quantity
10	4217883	STAT.RING HOLDER MVI2/4/8 1.4435 VP.	1
11	4095219	3PH COUPLING KIT MVI D14XD28	1
11.1		> COUPLING VMI-Ø14xØ28-FT130 MACHINING	1
11.2	122065996	> BALL BEARING 6209/2Z-C3 (HT) VP.	1
11.3	4233930	> CIRCLIP-FOR-BORES-D45x1,75 VP.	1
11.4	4157726	> SCREW KIT M8X30 (4 PIECES)	1
11.5	4234252	> CIRCLIPS 85X3 VP.	1
11.6	4234243	> O-RING 85X3 VP.	1
		> NOMEL CONTACT WASHER 8x16x1,4 STEEL ZC	1
		> SCREW CHC-M6X14-8.8-ISO4762-GEOMET500A	1
		> WASHER D.24 L6U ZINK	1
12	4233131	PLUG-VMI-316L VP.	1
14	4233138	SHAFT D.14X282 1.4404 VP.	1
19	4233922	UPPER STAGE RFK.MVI8M3 1.4435 VP.	1
20		SPARE PARTS HYDRAULICS MVI/MVIE 1.4404	1
22	61476	SCREW M16X55X38	1
24	4157726	SCREW KIT M8X30 (4 PIECES)	1
26		MODULE MVIEMHIE-4KW TL3/4	1

Note: no longer available/nicht mehr lieferbar/n'est plus disponible



**SPARE PARTS HYDRAULICS MVI/MVIE 1.4404**

Item	Article no.	Description	Quantity
20.1	4026344	STAGE-KIT-MVI-MHI-316L	1
		> IMPELLER-VMI/HMI-SERIE.8-316L	1
		> STAGE CASING-WITHOUT-C/R-8M3-316L	1
		> SPACER IMPELLER MVI8 1.4435	1
20.2	4026345	ASSEMBLY LR./STF.GH.-RLF./SBE.MVI804-19	1
		> IMPELLER-VMI/HMI-SERIE.8-316L	1
		> SPACER IMPELLER MVI8 1.4435	1
		> SPACER SHAFT SLEEVE MVI8 1.4435	1
		> STAGE CASING-AV-C/R-8M3-316L	1
20.3	4026342	ASSEMBLY LR.LAG.BU.MHI804/05,MVI802/20 1	1
		> IMPELLER-VMI/HMI-SERIE.8-316L	1
		> SPACER IMPELLER MVI8 1.4435	1
		> SPACER SHAFT SLEEVE MVI8 1.4435	1
		> STAGE CASING-AV-C/R-BEARING-8M3-L	1
		> SLEEVE-D14L13,8-VMI	1
20.4	4026343	ASSEMBLY LR./STF.GH.RFK.MHI8,MVI803-19 1	1
		> IMPELLER-VMI/HMI-SERIE.8-316L	1
		> SPACER IMPELLER MVI8 1.4435	1
		> STAGE CASING-AV-C/R-8M3-316L	1



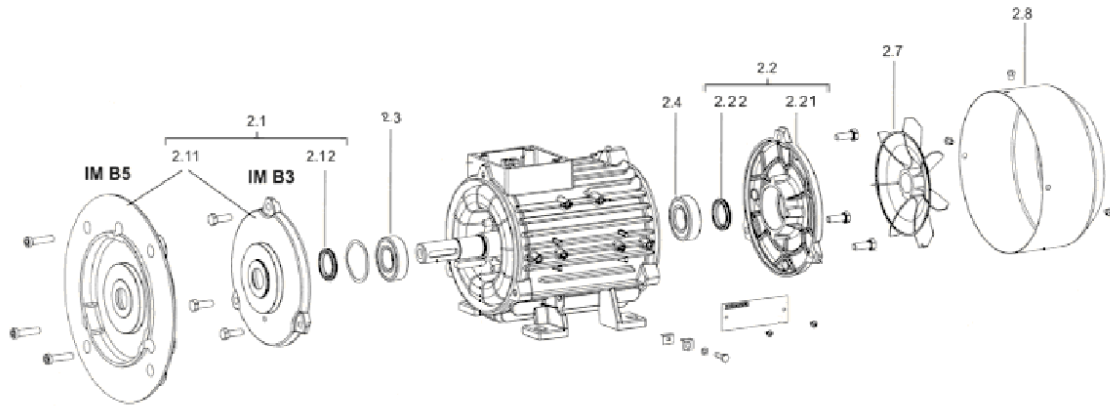


**MVIE808-1/16/E/3-2 (4059706)**

Item	Article no.	Description	Quantity
1	2027121	PUMP HOUSING MVI/MVIS DN50 PN16 KIT	1
1.1		> PUMP HOUSING MVI D.50 PN16 1.4301	1
1.2	4233954	> O-RING ID.66 EPDM VP.	1
Note: FROM / AB / À PARTIR DE: 07/97			
1.3	4176513	> O-RING FOR PUMP JACKET VP.	1
1.4	4234235	> PRIMING/DRAIN PLUG MVI6" 304 VP.	1
3.2	4177800	> O-RING EPDM PLUG HELIX VP.	1
3.3	4234242	> O-RING 9X2 VP.	1
2	4176517	BASEPLATE V8/10 VP.	1
3	4027301	MECHANICAL SEAL MVI2/4/8/16-6" EP120°KIT	1
1.3	4176513	> O-RING FOR PUMP JACKET VP.	1
3.1		> MECHANICAL SEAL MG12/14-G606-Q1BE3GG-BU.	1
3.2	4177800	> O-RING EPDM PLUG HELIX VP.	1
3.3	4234242	> O-RING 9X2 VP.	1
4	4015442	SHAFT-FIXING MVI4/8 KIT	1
4.1		> SCREW CHC-M6X14-8.8-ISO4762-GEOMET500A	1
4.2		> WASHER D.24 L6U ZINK	1
4.3	2090148	> CIRCLIP D14 MVI/MHI 316L (2 PIECES) VP.	1
		>> STOP-RUSH-1/2-D14-VMI/HMI-316	2
4.4		> STOP COLLAR OF IMPELLER L=8.7-Ø14-316L	1
4.5		> FLAT WASHER-D8xD16x2.5-316L	1
4.6		> STAINLESS-STEEL-WASHER-DE8	1
4.7		> SCREW M8X16 ISO4762 A4	1
5	2018570	HOUSING PIPE D.152X281 1.4301 KIT	1
5.1		> HOUSING-PIPE-D152-VMI808-304	1
1.3	4176513	> O-RING FOR PUMP JACKET VP.	1
6	2018577	STUD BOLT M12X407 MVI8 KIT	1
6.1		> TIE ROD-M12-407x18x30 CLASS8.8 ZN+FINIG	1
6.2	2094647	> NUT M12 M12 ISO4032 VP.	1
6.3	2123557	> WASHER CS-12.4-24-1.6-NFE25 (4 PIECES)	1
7		MOTOR TL5 V1 5,5/2/132/300 60HZ SM.	1
Note: no longer available / nicht mehrlieferbar / ne plus disponible			
		SPARE PARTS MOTOR TL5 V1 5,5/2/132/300	1
8	4196004	LANTERN-MOTOR-VMI-FF265 VP.	1

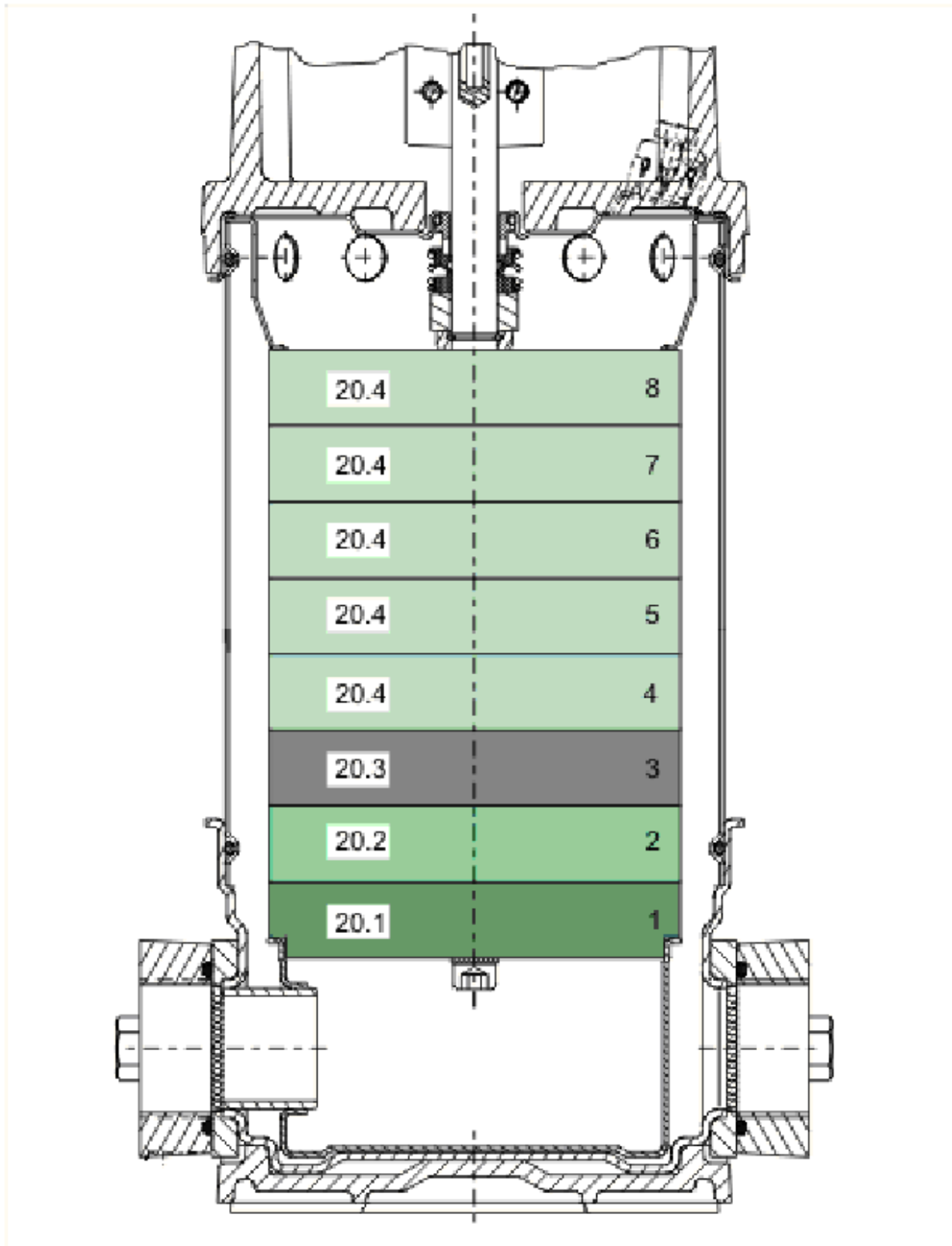
**MVIE808-1/16/E/3-2 (4059706)**

Item	Article no.	Description	Quantity
9	4092425	COUPLING GUARD FF265/300 MVI KIT	1
		> GUARD-MESH-COUPLING-FF265-300	1
		> CLIP COUPLING-GUARD-RF	1
10	4217881	STAT.RING HOLDER-GM-D14-304 VP.	1
11	4095221	3PH COUPLING KIT MVI D14XD38	1
11.1		> COUPLING VMI-D14xD38-FF265 MACHINING	1
11.2	2044937	> BALL BEARING 6310/2Z-C3 (HT) VP.	1
11.3	4234253	> CIRCLIP-FOR-SHAFT-D50x2 VP.	1
11.4	4157726	> SCREW KIT M8X30 (4 PIECES)	1
11.5	4234255	> CIRCLIPS 110X4 VP.	1
11.6	4233944	> O-RING ID.110 VP.	1
		> NOMEL CONTACT WASHER 8x16x1,4 STEEL ZC	1
		> SCREW CHC-M6X14-8.8-ISO4762-GEOMET500A	1
		> WASHER D.24 L6U ZINK	1
14	4233906	SHAFT D.14X342 1.4057 VP.	1
19	4234241	UPPER STAGE RFK.MVI8 1.4301 VP.	1
20		SPARE PARTS HYDRAULICS MVI/MVIE 1.4301	1
22	74750711116	SCREW M12X55X55 ISO4017 6.8 ZN	1
23	4030164	COUNTER-FLANGE-VMI1"1/2	1
26		MODULE TL5 NT.MVIE/MULTI-VE	1
Note: no longer available / nicht mehr lieferbar / ne plus disponible			
27	2046119	SCREW M5X16 DIN912 8.8 ZN (4 PIECES)	1
	4233131	PLUG-VMI-316L VP.	1
	4177800	O-RING EPDM PLUG HELIX VP.	1
	2175822	Screw M12X45 ISO4017 6.8 ZN (4 Pieces)	1
	2160934	Nut M12 VP.	1
	2057978	RONDELLE A5,3 DIN6797 FST ZN (4 PIECES)	1
	75110311204	KEY-2BT-10X8X60	1



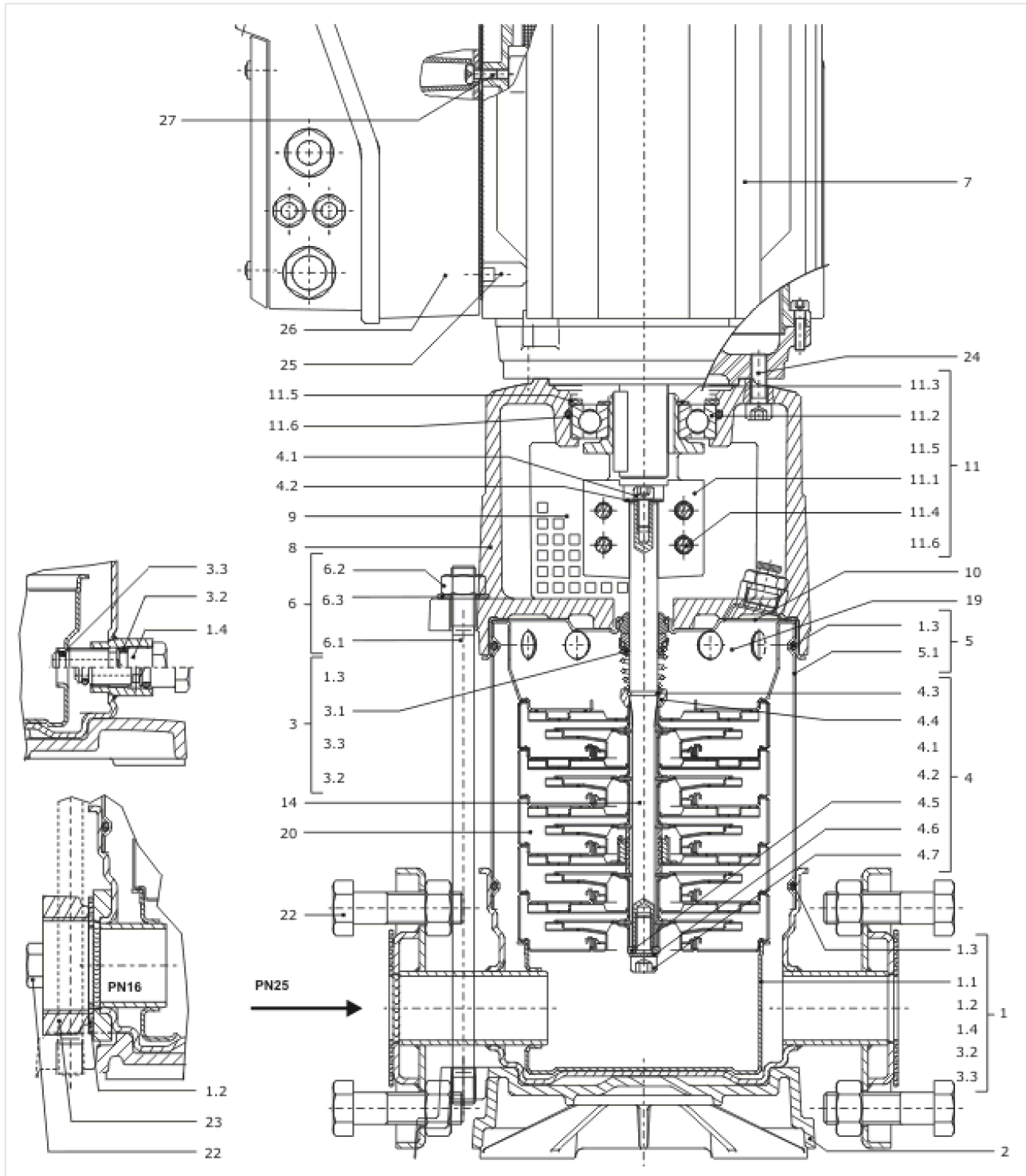
**SPARE PARTS MOTOR TL5 V1 5,5/2/132/300**

Item	Article no.	Description	Quantity
2.1	2162617	End shield 1LA7 BG132/300 D.E.SM.VP.	1
Note: Please give the data from type plate of the motor			
2.2	2029333	END SHIELD 1LA7 BG132/300 N.D.E.SM.KIT	1
Note: Please give the data from type plate of the motor			
2.21		> END SHIELD BS 1LA7130-2AA66-Z SIEMENS	1
2.22		> SHAFT SEAL RING EWN:10304006202000 SM.	1
2.3	121084293	BALL BEARING 6208/2Z-C3 (HT) VP.	1
Note: Please give the data from type plate of the motor			
2.4	121084293	BALL BEARING 6208/2Z-C3 (HT) VP.	1
Note: Please give the data from type plate of the motor			
2.7	2029729	FAN WHEEL 1LA7 2/132/300 SM.VP.	1
Note: Please give the data from type plate of the motor			
2.8	2112878	FAN HOUSING 1LA7130 BG132/300 SM.KIT	1
Note: Please give the data from type plate of the motor			
2.8A		> FAN HOUSING EWN:10742036821000 SM.	1
2.8B	2112822	> SCREW M5X8 ISO7045 (4 PIECES)	1



**SPARE PARTS HYDRAULICS MVI/MVIE 1.4301**

Item	Article no.	Description	Quantity
20.1	4015453	STAGE MHI802/03,MVI804-19 1.4301 KIT	1
		> IMPELLER MVI8 D.100,5x5,5 1.4301	1
		> STAGE HOUSING O.RFK.MVI8 1.4301	1
		> SPACER IMPELLER MVI8 1.4435	1
20.2	4015454	STAGE MVI804-19 1.4301 KIT	1
		> IMPELLER MVI8 D.100,5x5,5 1.4301	1
		> SPACER IMPELLER MVI8 1.4435	1
		> SPACER SHAFT SLEEVE MVI8 1.4435	1
		> STAGE HOUSING RFK.MVI8 1.4301	1
20.3	4015450	STAGE KIT MHI/MVI	1
		> IMPELLER MVI8 D.100,5x5,5 1.4301	1
		> SPACER IMPELLER MVI8 1.4435	1
		> SPACER SHAFT SLEEVE MVI8 1.4435	1
		> STAGE-CASING-W-R/C+BEARING-8M3-304	1
		> SLEEVE-D14L13,8-VMI	1
20.4	4015452	STAGE MHI8,MVI802-19 1.4301 KIT	1
		> IMPELLER MVI8 D.100,5x5,5 1.4301	1
		> SPACER IMPELLER MVI8 1.4435	1
		> STAGE HOUSING RFK.MVI8 1.4301	1



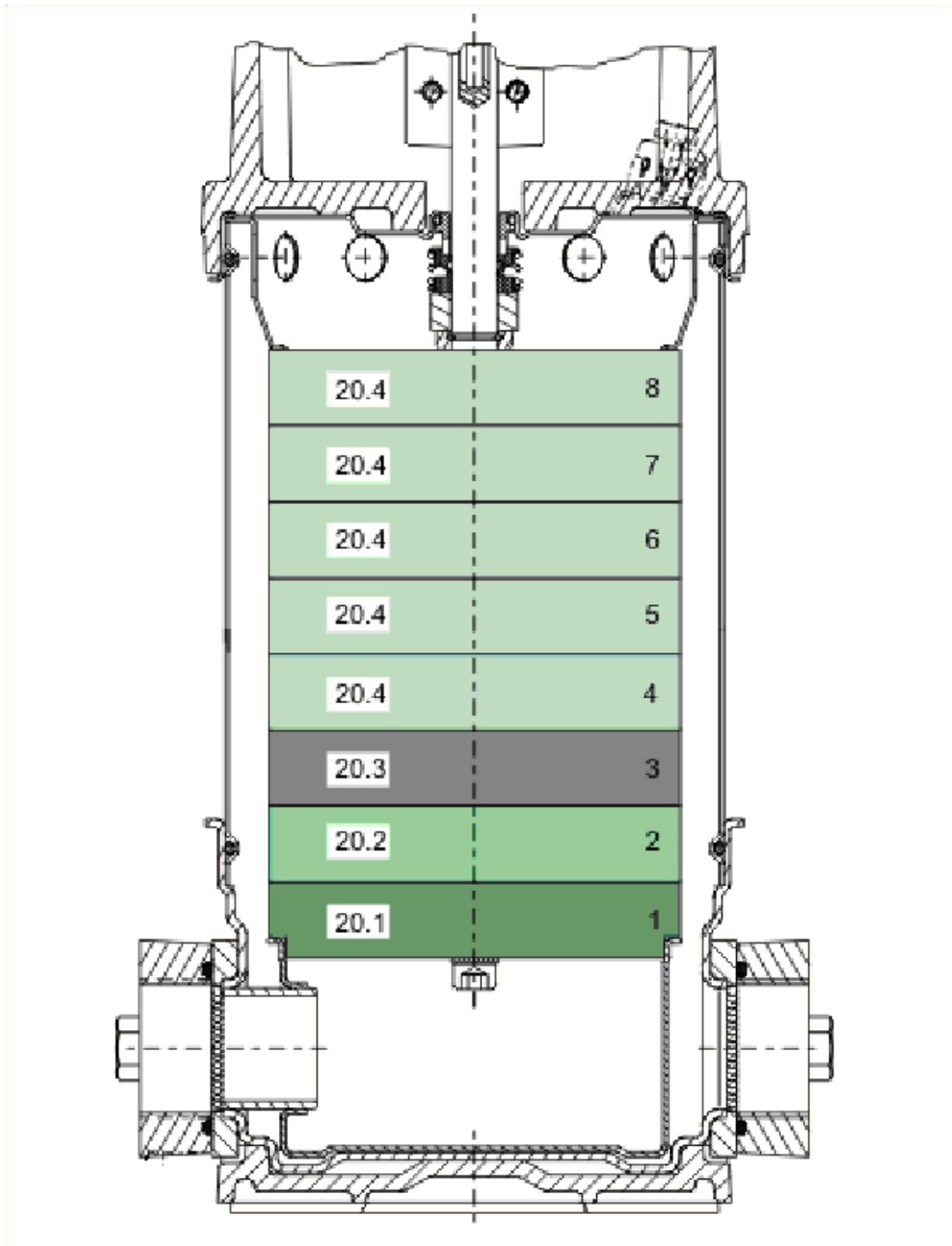
**MVIE808-1/25/E/3-2 (4059712)**

Item	Article no.	Description	Quantity
1	2018568	PUMP HOUS.MVI8 DN40 PN25 1.4435 EPDM KIT	1
1.1		> PUMP HOUSING MVI D40 PN25 1.4435	1
1.2	4010032	> FLAT GASKET_Ø40xØ92x2_DN40_PN25_FIBRE	1
1.3	4176513	> O-RING FOR PUMP JACKET VP.	1
1.4	4234240	> PRIMING/DRAIN PLUG MVI6" 316L VP.	1
3.2	4177800	> O-RING EPDM PLUG HELIX VP.	1
3.3	4234242	> O-RING 9X2 VP.	1
2	4176517	BASEPLATE V8/10 VP.	1
3	4015431	MECHANICAL SEAL MVI2/4/8 PN25 120° KIT	1
1.3	4176513	> O-RING FOR PUMP JACKET VP.	1
3.1		> MECHANICAL SEAL RMG12/14-G606-U3BE3GG-BU	1
3.2	4177800	> O-RING EPDM PLUG HELIX VP.	1
3.3	4234242	> O-RING 9X2 VP.	1
4	4015442	SHAFT-FIXING MVI4/8 KIT	1
4.1		> SCREW CHC-M6X14-8.8-ISO4762-GEOMET500A	1
4.2		> WASHER D.24 L6U ZINK	1
4.3	2090148	> CIRCLIP D14 MVI/MHI 316L (2 PIECES) VP.	1
		>> STOP-RUSH-1/2-D14-VMI/HMI-316	2
4.4		> STOP COLLAR OF IMPELLER L=8.7-Ø14-316L	1
4.5		> FLAT WASHER-D8xD16x2.5-316L	1
4.6		> STAINLESS-STEEL-WASHER-DE8	1
4.7		> SCREW M8X16 ISO4762 A4	1
5	2018570	HOUSING PIPE D.152X281 1.4301 KIT	1
5.1		> HOUSING-PIPE-D152-VMI808-304	1
1.3	4176513	> O-RING FOR PUMP JACKET VP.	1
6	2018577	STUD BOLT M12X407 MVI8 KIT	1
6.1		> TIE ROD-M12-407x18x30 CLASS8.8 ZN+FINIG	1
6.2	2094647	> NUT M12 M12 ISO4032 VP.	1
6.3	2123557	> WASHER CS-12.4-24-1.6-NFE25 (4 PIECES)	1
7		MOTOR TL5 V1 5,5/2/132/300 60HZ SM.	1
Note: no longer available / nicht mehr lieferbar / ne plus disponible			
8	4196004	LANTERN-MOTOR-VMI-FF265 VP.	1
9	4092425	COUPLING GUARD FF265/300 MVI KIT	1
		> GUARD-MESH-COUPLING-FF265-300	1



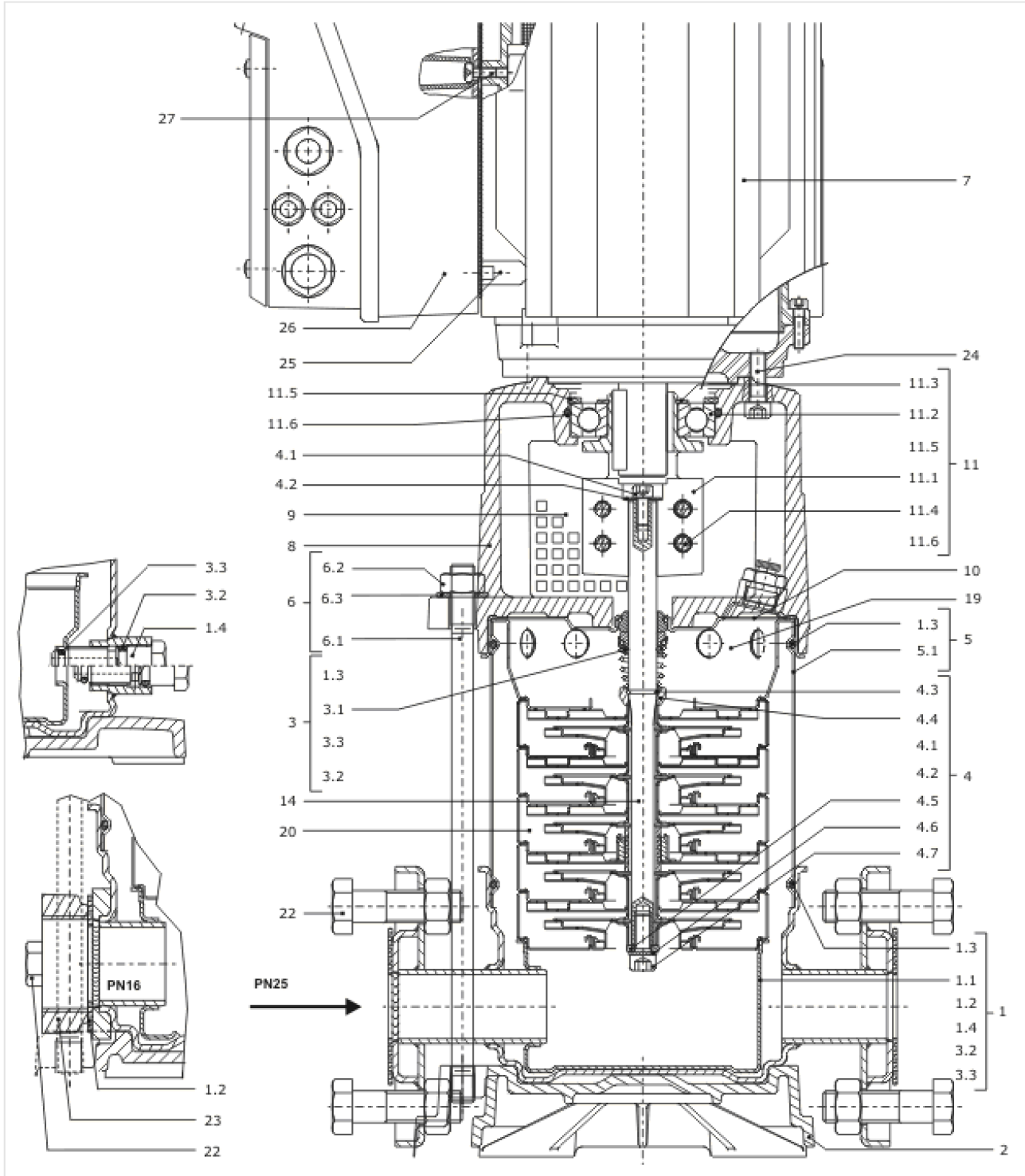
**MVIE808-1/25/E/3-2 (4059712)**

Item	Article no.	Description	Quantity
		> CLIP COUPLING-GUARD-RF	1
10	4217881	STAT.RING HOLDER-GM-D14-304 VP.	1
11	4095221	3PH COUPLING KIT MVI D14XD38	1
11.1		> COUPLING VMI-D14xD38-FF265 MACHINING	1
11.2	2044937	> BALL BEARING 6310/2Z-C3 (HT) VP.	1
11.3	4234253	> CIRCLIP-FOR-SHAFT-D50x2 VP.	1
11.4	4157726	> SCREW KIT M8X30 (4 PIECES)	1
11.5	4234255	> CIRCLIPS 110X4 VP.	1
11.6	4233944	> O-RING ID.110 VP.	1
		> NOMEL CONTACT WASHER 8x16x1,4 STEEL ZC	1
		> SCREW CHC-M6X14-8.8-ISO4762-GEOMET500A	1
		> WASHER D.24 L6U ZINK	1
14	4233906	SHAFT D.14X342 1.4057 VP.	1
19	4234241	UPPER STAGE RFK.MVI8 1.4301 VP.	1
20		SPARE PARTS HYDRAULICS MVI/MVIE 1.4301	1
22	61476	SCREW M16X55X38	1
26		MODULE TL5 NT.MVIE/MULTI-VE	1
Note: no longer available / nicht mehr lieferbar / ne plus disponible			
27	2046119	SCREW M5X16 DIN912 8.8 ZN (4 PIECES)	1
	2057978	RONDELLE A5,3 DIN6797 FST ZN (4 PIECES)	1
	4233131	PLUG-VMI-316L VP.	1
	4177800	O-RING EPDM PLUG HELIX VP.	1
	2175822	Screw M12X45 ISO4017 6.8 ZN (4 Pieces)	1
	2160934	Nut M12 VP.	1
	75110311204	KEY-2BT-10X8X60	1



**SPARE PARTS HYDRAULICS MVI/MVIE 1.4301**

Item	Article no.	Description	Quantity
20.1	4015453	STAGE MHI802/03,MVI804-19 1.4301 KIT	1
		> IMPELLER MVI8 D.100,5x5,5 1.4301	1
		> STAGE HOUSING O.RFK.MVI8 1.4301	1
		> SPACER IMPELLER MVI8 1.4435	1
20.2	4015454	STAGE MVI804-19 1.4301 KIT	1
		> IMPELLER MVI8 D.100,5x5,5 1.4301	1
		> SPACER IMPELLER MVI8 1.4435	1
		> SPACER SHAFT SLEEVE MVI8 1.4435	1
		> STAGE HOUSING RFK.MVI8 1.4301	1
20.3	4015450	STAGE KIT MHI/MVI	1
		> IMPELLER MVI8 D.100,5x5,5 1.4301	1
		> SPACER IMPELLER MVI8 1.4435	1
		> SPACER SHAFT SLEEVE MVI8 1.4435	1
		> STAGE-CASING-W-R/C+BEARING-8M3-304	1
		> SLEEVE-D14L13,8-VMI	1
20.4	4015452	STAGE MHI8,MVI802-19 1.4301 KIT	1
		> IMPELLER MVI8 D.100,5x5,5 1.4301	1
		> SPACER IMPELLER MVI8 1.4435	1
		> STAGE HOUSING RFK.MVI8 1.4301	1

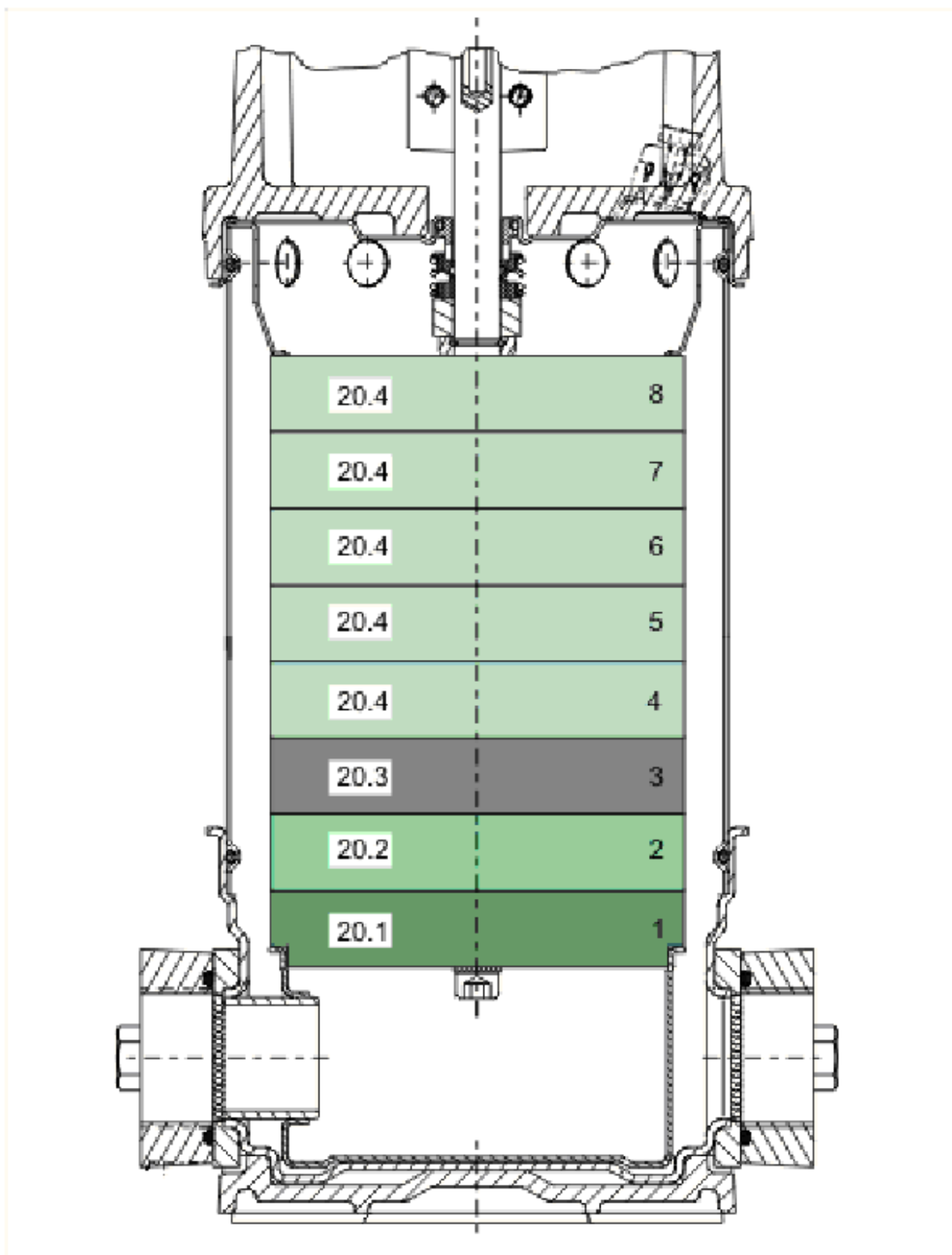


**MVIE808-2/25/V/3-2 (4059719)**

Item	Article no.	Description	Quantity
1	2018568	PUMP HOUS.MVI8 DN40 PN25 1.4435 EPDM KIT	1
1.1		> PUMP HOUSING MVI D40 PN25 1.4435	1
1.2	4010032	> FLAT GASKET_Ø40xØ92x2_DN40_PN25_FIBRE	1
1.3	4176513	> O-RING FOR PUMP JACKET VP.	1
1.4	4234240	> PRIMING/DRAIN PLUG MVI6" 316L VP.	1
3.2	4177800	> O-RING EPDM PLUG HELIX VP.	1
3.3	4234242	> O-RING 9X2 VP.	1
2	4176517	BASEPLATE V8/10 VP.	1
3	4027310	ASSEMBLY GRD.MVI2../4../8.. PN25 90° +VP	1
1.3	4234237	> O-RING 139X3 VITON VP.	1
3.1		> MECHANICAL SEAL RMG12/14-G606-U3BVGG-BUR	1
3.2	4234239	> O-RING 13X2 VITON VP.	1
3.3	4234238	> O-RING 9X2 VITON VP.	1
4	4015442	SHAFT-FIXING MVI4/8 KIT	1
4.1		> SCREW CHC-M6X14-8.8-ISO4762-GEOMET500A	1
4.2		> WASHER D.24 L6U ZINK	1
4.3	2090148	> CIRCLIP D14 MVI/MHI 316L (2 PIECES) VP.	1
		>> STOP-RUSH-1/2-D14-VMI/HMI-316	2
4.4		> STOP COLLAR OF IMPELLER L=8.7-Ø14-316L	1
4.5		> FLAT WASHER-D8xD16x2.5-316L	1
4.6		> STAINLESS-STEEL-WASHER-DE8	1
4.7		> SCREW M8X16 ISO4762 A4	1
5	2018608	HOUSING PIPE D.152X281 1.4404 KIT	1
5.1		> HOUSING-PIPE-D152-VMI808-316L	1
1.3	4234237	> O-RING 139X3 VITON VP.	1
6	2018577	STUD BOLT M12X407 MVI8 KIT	1
6.1		> TIE ROD-M12-407x18x30 CLASS8.8 ZN+FINIG	1
6.2	2094647	> NUT M12 M12 ISO4032 VP.	1
6.3	2123557	> WASHER CS-12.4-24-1.6-NFE25 (4 PIECES)	1
7		MOTOR TL5 V1 5,5/2/132/300 60HZ SM.	1
Note: no longer available / nicht mehr lieferbar / ne plus disponible			
8	4196004	LANTERN-MOTOR-VMI-FF265 VP.	1
9	4092425	COUPLING GUARD FF265/300 MVI KIT	1
		> GUARD-MESH-COUPLING-FF265-300	1

**MVIE808-2/25/V/3-2 (4059719)**

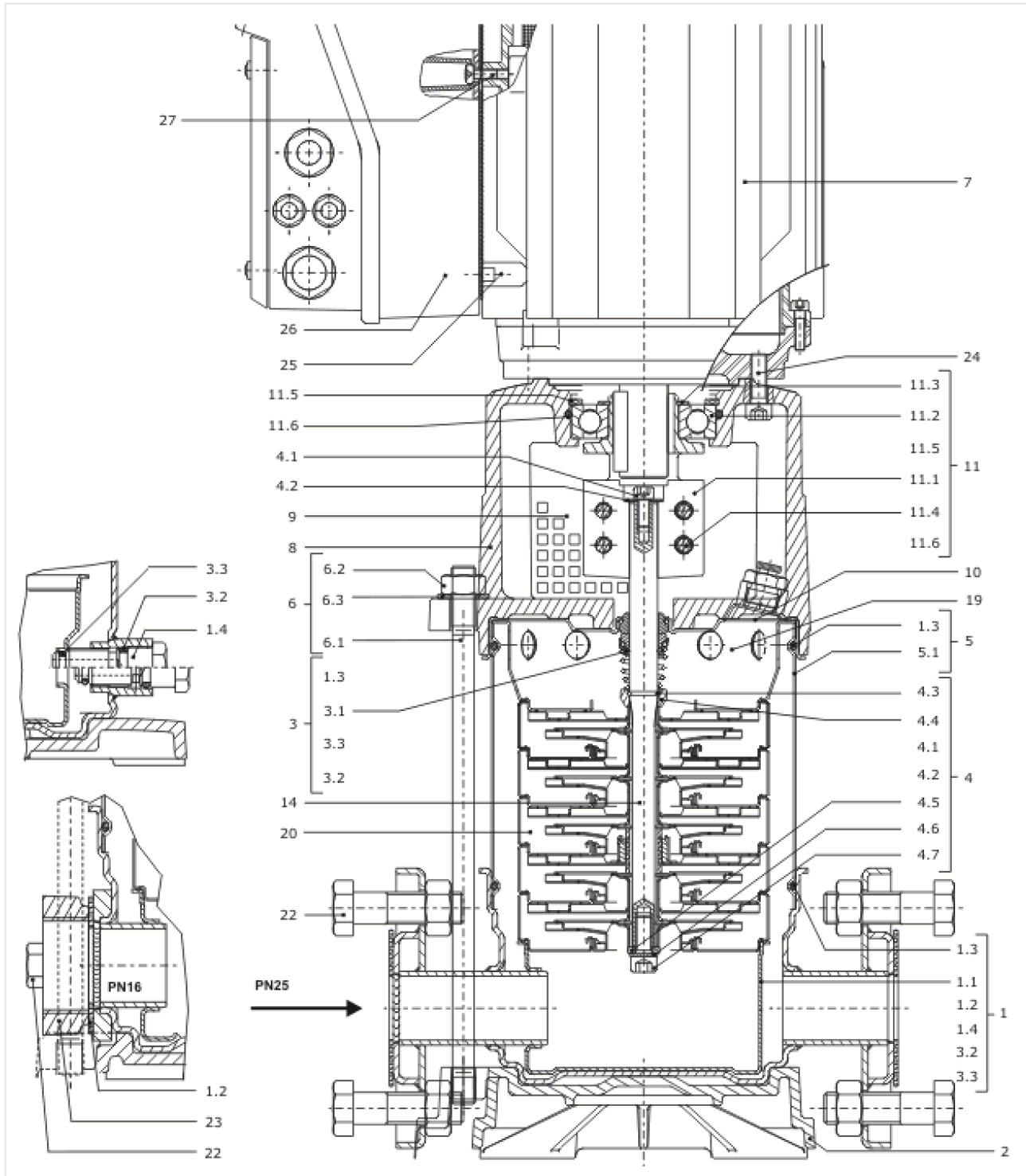
Item	Article no.	Description	Quantity
		> CLIP COUPLING-GUARD-RF	1
10	4217883	STAT.RING HOLDER MVI2/4/8 1.4435 VP.	1
11	4095221	3PH COUPLING KIT MVI D14XD38	1
11.1		> COUPLING VMI-D14xD38-FF265 MACHINING	1
11.2	2044937	> BALL BEARING 6310/2Z-C3 (HT) VP.	1
11.3	4234253	> CIRCLIP-FOR-SHAFT-D50x2 VP.	1
11.4	4157726	> SCREW KIT M8X30 (4 PIECES)	1
11.5	4234255	> CIRCLIPS 110X4 VP.	1
11.6	4233944	> O-RING ID.110 VP.	1
		> NOME CONTACT WASHER 8x16x1,4 STEEL ZC	1
		> SCREW CHC-M6X14-8.8-ISO4762-GEOMET500A	1
		> WASHER D.24 L6U ZINK	1
14	4233140	SHAFT D.14X342 1.4404 VP.	1
19	4233922	UPPER STAGE RFK.MVI8M3 1.4435 VP.	1
20		SPARE PARTS HYDRAULICS MVI/MVIE 1.4404	1
22	61476	SCREW M16X55X38	1
26		MODULE TL5 NT.MVIE/MULTI-VE	1
Note: no longer available / nicht mehr lieferbar / ne plus disponible			
27	2046119	SCREW M5X16 DIN912 8.8 ZN (4 PIECES)	1
	2057978	RONDELLE A5,3 DIN6797 FST ZN (4 PIECES)	1
	4233131	PLUG-VMI-316L VP.	1
	4234239	O-RING 13X2 VITON VP.	1
	2175822	Screw M12X45 ISO4017 6.8 ZN (4 Pieces)	1
	2160934	Nut M12 VP.	1
	75110311204	KEY-2BT-10X8X60	1



**SPARE PARTS HYDRAULICS MVI/MVIE 1.4404**

Item	Article no.	Description	Quantity
20.1	4026344	STAGE-KIT-MVI-MHI-316L	1
		> IMPELLER-VMI/HMI-SERIE.8-316L	1
		> STAGE CASING-WITHOUT-C/R-8M3-316L	1
		> SPACER IMPELLER MVI8 1.4435	1
20.2	4026345	ASSEMBLY LR./STF.GH.-RLF./SBE.MVI804-19	1
		> IMPELLER-VMI/HMI-SERIE.8-316L	1
		> SPACER IMPELLER MVI8 1.4435	1
		> SPACER SHAFT SLEEVE MVI8 1.4435	1
		> STAGE CASING-AV-C/R-8M3-316L	1
20.3	4026342	ASSEMBLY LR.LAG.BU.MHI804/05,MVI802/20 1	1
		> IMPELLER-VMI/HMI-SERIE.8-316L	1
		> SPACER IMPELLER MVI8 1.4435	1
		> SPACER SHAFT SLEEVE MVI8 1.4435	1
		> STAGE CASING-AV-C/R-BEARING-8M3-L	1
		> SLEEVE-D14L13,8-VMI	1
20.4	4026343	ASSEMBLY LR./STF.GH.RFK.MHI8,MVI803-19 1	1
		> IMPELLER-VMI/HMI-SERIE.8-316L	1
		> SPACER IMPELLER MVI8 1.4435	1
		> STAGE CASING-AV-C/R-8M3-316L	1



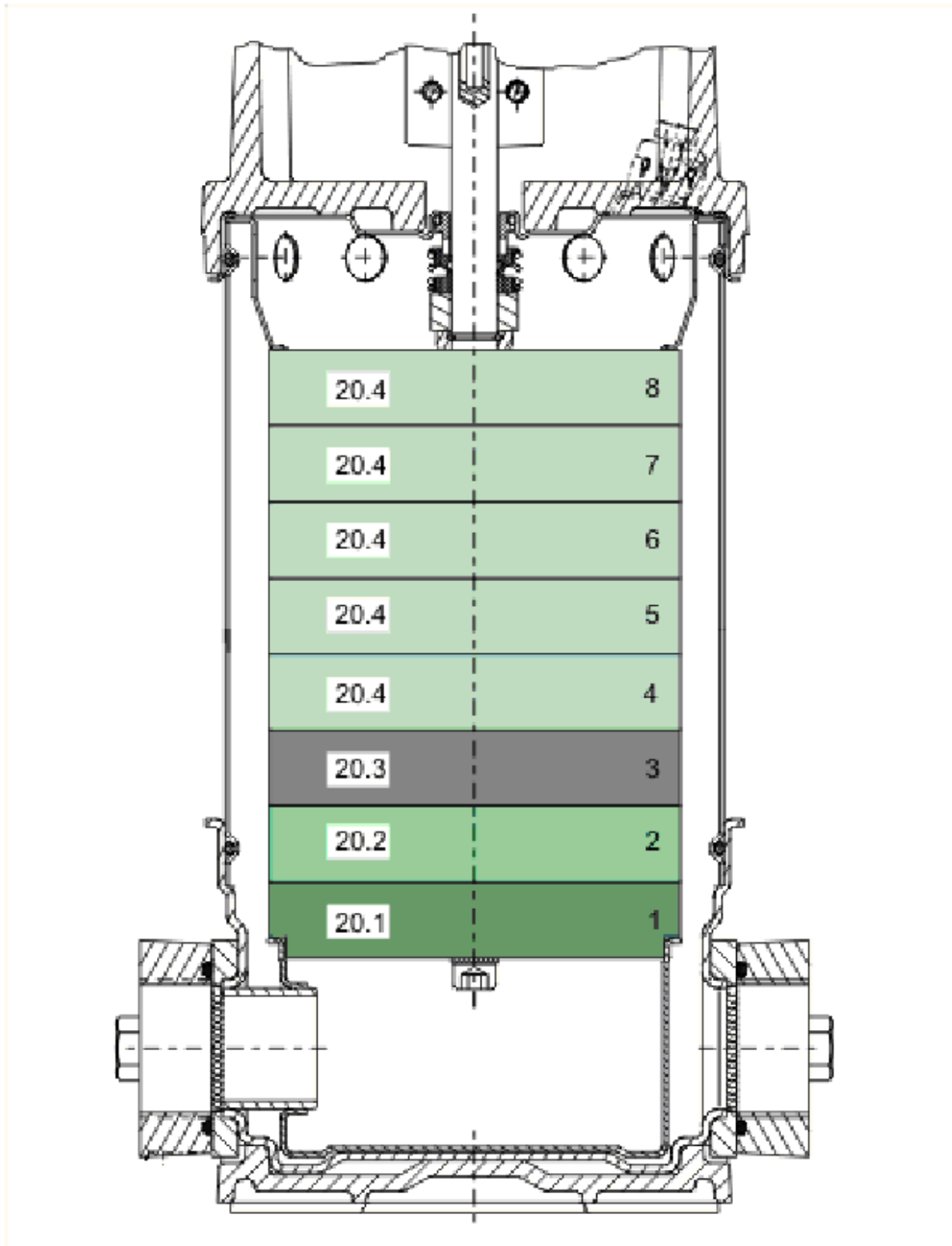


**MVIE808-2/P/V/3-2 (4063227)**

Item	Article no.	Description	Quantity
1	2114344	PUMP HOUSING MVI DN50 P 1.4404 KIT	1
1.1		> CASING-MVI-D50-PN25-D152-316L-VICTAULI	1
1.3	4234237	> O-RING 139X3 VITON VP.	1
1.4	4234240	> PRIMING/DRAIN PLUG MVI6" 316L VP.	1
3.2	4234239	> O-RING 13X2 VITON VP.	1
3.3	4234238	> O-RING 9X2 VITON VP.	1
2	4176517	BASEPLATE V8/10 VP.	1
3	4027310	ASSEMBLY GRD.MVI2../4../8.. PN25 90° +VP	1
1.3	4234237	> O-RING 139X3 VITON VP.	1
3.1		> MECHANICAL SEAL RMG12/14-G606-U3BVGG-BUR	1
3.2	4234239	> O-RING 13X2 VITON VP.	1
3.3	4234238	> O-RING 9X2 VITON VP.	1
4	4015442	SHAFT-FIXING MVI4/8 KIT	1
4.1		> SCREW CHC-M6X14-8.8-ISO4762-GEOMET500A	1
4.2		> WASHER D.24 L6U ZINK	1
4.3	2090148	> CIRCLIP D14 MVI/MHI 316L (2 PIECES) VP.	1
		>> STOP-RUSH-1/2-D14-VMI/HMI-316	2
4.4		> STOP COLLAR OF IMPELLER L=8.7-Ø14-316L	1
4.5		> FLAT WASHER-D8xD16x2.5-316L	1
4.6		> STAINLESS-STEEL-WASHER-DE8	1
4.7		> SCREW M8X16 ISO4762 A4	1
5	2018608	HOUSING PIPE D.152X281 1.4404 KIT	1
5.1		> HOUSING-PIPE-D152-VMI808-316L	1
1.3	4234237	> O-RING 139X3 VITON VP.	1
6	2018577	STUD BOLT M12X407 MVI8 KIT	1
6.1		> TIE ROD-M12-407x18x30 CLASS8.8 ZN+FINIG	1
6.2	2094647	> NUT M12 M12 ISO4032 VP.	1
6.3	2123557	> WASHER CS-12.4-24-1.6-NFE25 (4 PIECES)	1
7		MOTOR TL5 V1 5,5/2/132/300 60HZ SM.	1
Note: no longer available / nicht mehr lieferbar / ne plus disponible			
8	4196004	LANTERN-MOTOR-VMI-FF265 VP.	1
9	4092425	COUPLING GUARD FF265/300 MVI KIT	1
		> GUARD-MESH-COUPPING-FF265-300	1
		> CLIP COUPLING-GUARD-RF	1

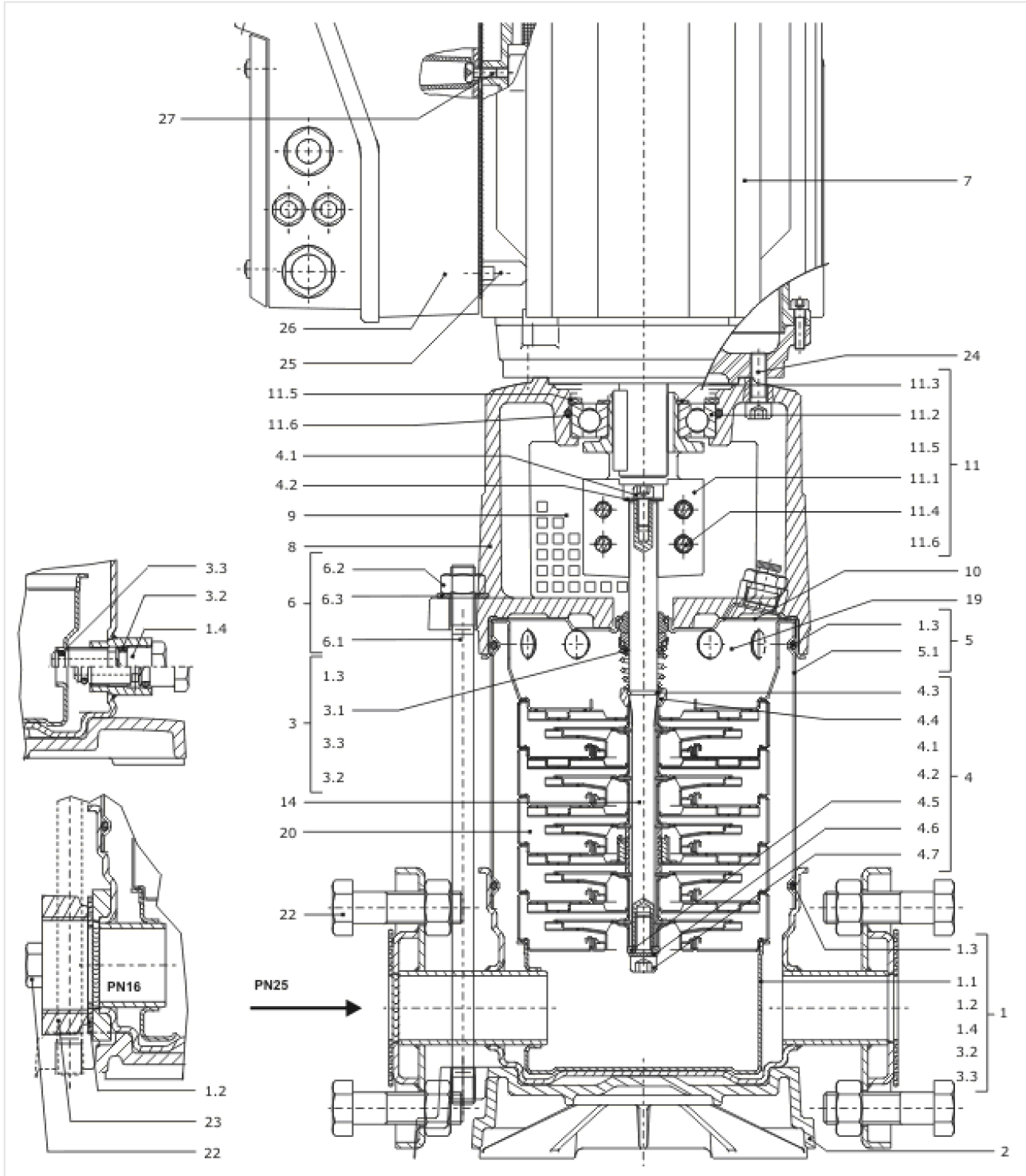
**MVIE808-2/P/V/3-2 (4063227)**

Item	Article no.	Description	Quantity
10	4217883	STAT.RING HOLDER MVI2/4/8 1.4435 VP.	1
11	4095221	3PH COUPLING KIT MVI D14XD38	1
11.1		> COUPLING VMI-D14xD38-FF265 MACHINING	1
11.2	2044937	> BALL BEARING 6310/2Z-C3 (HT) VP.	1
11.3	4234253	> CIRCLIP-FOR-SHAFT-D50x2 VP.	1
11.4	4157726	> SCREW KIT M8X30 (4 PIECES)	1
11.5	4234255	> CIRCLIPS 110X4 VP.	1
11.6	4233944	> O-RING ID.110 VP.	1
		> NOMEL CONTACT WASHER 8x16x1,4 STEEL ZC	1
		> SCREW CHC-M6X14-8.8-ISO4762-GEOMET500A	1
		> WASHER D.24 L6U ZINK	1
14	4233140	SHAFT D.14X342 1.4404 VP.	1
19	4233922	UPPER STAGE RFK.MVI8M3 1.4435 VP.	1
20		SPARE PARTS HYDRAULICS MVI/MVIE 1.4404	1
22	61476	SCREW M16X55X38	1
26		MODULE TL5 NT.MVIE/MULTI-VE	1
Note: no longer available / nicht mehr lieferbar / ne plus disponible			
27	2046119	SCREW M5X16 DIN912 8.8 ZN (4 PIECES)	1
	2057978	RONDELLE A5,3 DIN6797 FST ZN (4 PIECES)	1
	4233131	PLUG-VMI-316L VP.	1
	4234239	O-RING 13X2 VITON VP.	1
	2175822	Screw M12X45 ISO4017 6.8 ZN (4 Pieces)	1
	2160934	Nut M12 VP.	1
	75110311204	KEY-2BT-10X8X60	1



**SPARE PARTS HYDRAULICS MVI/MVIE 1.4404**

Item	Article no.	Description	Quantity
20.1	4026344	STAGE-KIT-MVI-MHI-316L	1
		> IMPELLER-VMI/HMI-SERIE.8-316L	1
		> STAGE CASING-WITHOUT-C/R-8M3-316L	1
		> SPACER IMPELLER MVI8 1.4435	1
20.2	4026345	ASSEMBLY LR./STF.GH.-RLF./SBE.MVI804-19	1
		> IMPELLER-VMI/HMI-SERIE.8-316L	1
		> SPACER IMPELLER MVI8 1.4435	1
		> SPACER SHAFT SLEEVE MVI8 1.4435	1
		> STAGE CASING-AV-C/R-8M3-316L	1
20.3	4026342	ASSEMBLY LR.LAG.BU.MHI804/05,MVI802/20 1	1
		> IMPELLER-VMI/HMI-SERIE.8-316L	1
		> SPACER IMPELLER MVI8 1.4435	1
		> SPACER SHAFT SLEEVE MVI8 1.4435	1
		> STAGE CASING-AV-C/R-BEARING-8M3-L	1
		> SLEEVE-D14L13,8-VMI	1
20.4	4026343	ASSEMBLY LR./STF.GH.RFK.MHI8,MVI803-19 1	1
		> IMPELLER-VMI/HMI-SERIE.8-316L	1
		> SPACER IMPELLER MVI8 1.4435	1
		> STAGE CASING-AV-C/R-8M3-316L	1



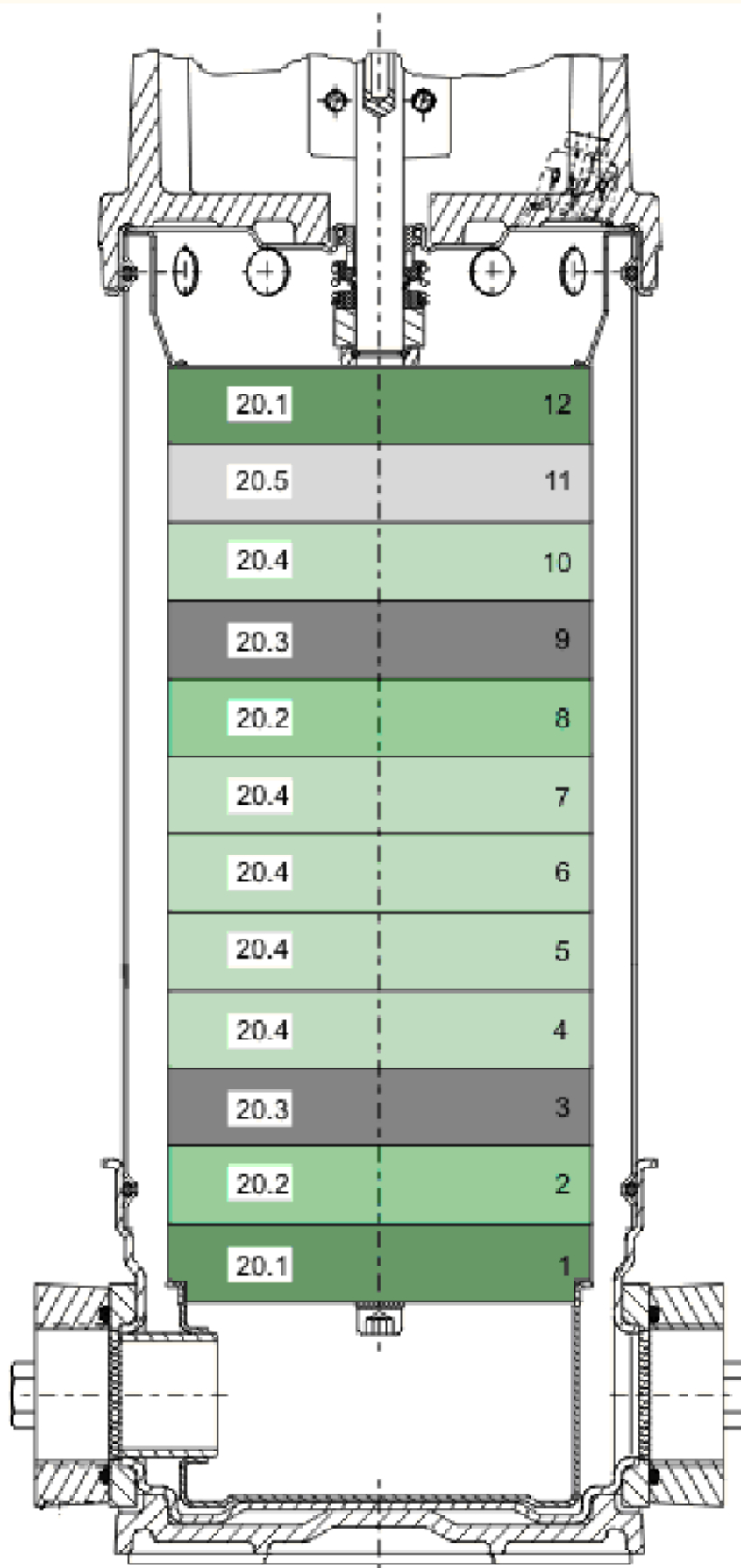
**MVIE811-1/25/E/3-2 (4059713)**

Item	Article no.	Description	Quantity
1	2018568	PUMP HOUS.MVI8 DN40 PN25 1.4435 EPDM KIT	1
1.1		> PUMP HOUSING MVI D40 PN25 1.4435	1
1.2	4010032	> FLAT GASKET_Ø40xØ92x2_DN40_PN25_FIBRE	1
1.3	4176513	> O-RING FOR PUMP JACKET VP.	1
1.4	4234240	> PRIMING/DRAIN PLUG MVI6" 316L VP.	1
3.2	4177800	> O-RING EPDM PLUG HELIX VP.	1
3.3	4234242	> O-RING 9X2 VP.	1
2	4176517	BASEPLATE V8/10 VP.	1
3	4015431	MECHANICAL SEAL MVI2/4/8 PN25 120° KIT	1
1.3	4176513	> O-RING FOR PUMP JACKET VP.	1
3.1		> MECHANICAL SEAL RMG12/14-G606-U3BE3GG-BU	1
3.2	4177800	> O-RING EPDM PLUG HELIX VP.	1
3.3	4234242	> O-RING 9X2 VP.	1
4	4015442	SHAFT-FIXING MVI4/8 KIT	1
4.1		> SCREW CHC-M6X14-8.8-ISO4762-GEOMET500A	1
4.2		> WASHER D.24 L6U ZINK	1
4.3	2090148	> CIRCLIP D14 MVI/MHI 316L (2 PIECES) VP.	1
		>> STOP-RUSH-1/2-D14-VMI/HMI-316	2
4.4		> STOP COLLAR OF IMPELLER L=8.7-Ø14-316L	1
4.5		> FLAT WASHER-D8xD16x2.5-316L	1
4.6		> STAINLESS-STEEL-WASHER-DE8	1
4.7		> SCREW M8X16 ISO4762 A4	1
5	2018572	HOUSING PIPE D.152X401 1.4301 KIT	1
5.1		> HOUSING-PIPE-D152-VMI812-304	1
1.3	4176513	> O-RING FOR PUMP JACKET VP.	1
6	2018579	STUD BOLT M12X527 MVI8 KIT	1
6.1		> TIE ROD-M12-527x18x30 CLASS8.8 ZN+FINIG	1
6.2	2094647	> NUT M12 M12 ISO4032 VP.	1
6.3	2123557	> WASHER CS-12.4-24-1.6-NFE25 (4 PIECES)	1
7	2048858	MOTOR TL5 V1 7,5/2/132/300 60HZ SM.	1
8	4196004	LANTERN-MOTOR-VMI-FF265 VP.	1
9	4092425	COUPLING GUARD FF265/300 MVI KIT	1
		> GUARD-MESH-COUPLING-FF265-300	1
		> CLIP COUPLING-GUARD-RF	1

**MVIE811-1/25/E/3-2 (4059713)**

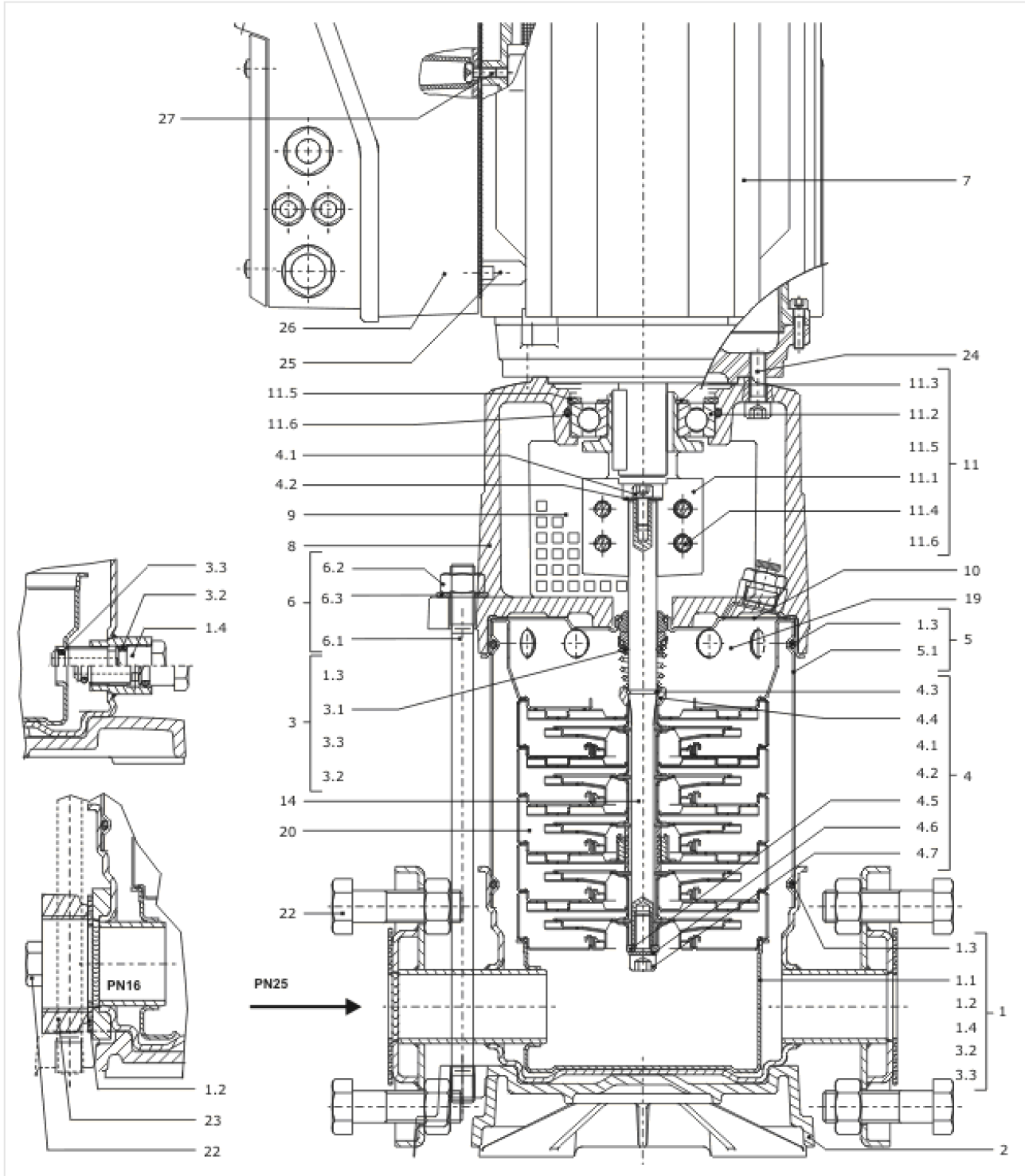
Item	Article no.	Description	Quantity
10	4217881	STAT.RING HOLDER-GM-D14-304 VP.	1
11	4095221	3PH COUPLING KIT MVI D14XD38	1
11.1		> COUPLING VMI-D14xD38-FF265 MACHINING	1
11.2	2044937	> BALL BEARING 6310/2Z-C3 (HT) VP.	1
11.3	4234253	> CIRCLIP-FOR-SHAFT-D50x2 VP.	1
11.4	4157726	> SCREW KIT M8X30 (4 PIECES)	1
11.5	4234255	> CIRCLIPS 110X4 VP.	1
11.6	4233944	> O-RING ID.110 VP.	1
		> NOMEL CONTACT WASHER 8x16x1,4 STEEL ZC	1
		> SCREW CHC-M6X14-8.8-ISO4762-GEOMET500A	1
		> WASHER D.24 L6U ZINK	1
14	4233910	SHAFT D.14X462 1.4057 VP.	1
19	4234241	UPPER STAGE RFK.MVI8 1.4301 VP.	1
20		SPARE PARTS HYDRAULICS MVI/MVIE 1.4301	1
22	61476	SCREW M16X55X38	1
26		MODULE TL5 NT.MVIE/MULTI-VE	1
Note: no longer available / nicht mehr lieferbar / ne plus disponible			
27	2046119	SCREW M5X16 DIN912 8.8 ZN (4 PIECES)	1
	2057978	RONDELLE A5,3 DIN6797 FST ZN (4 PIECES)	1
	4233131	PLUG-VMI-316L VP.	1
	4177800	O-RING EPDM PLUG HELIX VP.	1
	2175822	Screw M12X45 ISO4017 6.8 ZN (4 Pieces)	1
	2160934	Nut M12 VP.	1
	75110311204	KEY-2BT-10X8X60	1





**SPARE PARTS HYDRAULICS MVI/MVIE 1.4301**

Item	Article no.	Description	Quantity
20.1	4015453	STAGE MHI802/03,MVI804-19 1.4301 KIT	1
		> IMPELLER MVI8 D.100,5x5,5 1.4301	1
		> STAGE HOUSING O.RFK.MVI8 1.4301	1
		> SPACER IMPELLER MVI8 1.4435	1
20.2	4015454	STAGE MVI804-19 1.4301 KIT	1
		> IMPELLER MVI8 D.100,5x5,5 1.4301	1
		> SPACER IMPELLER MVI8 1.4435	1
		> SPACER SHAFT SLEEVE MVI8 1.4435	1
		> STAGE HOUSING RFK.MVI8 1.4301	1
20.3	4015450	STAGE KIT MHI/MVI	1
		> IMPELLER MVI8 D.100,5x5,5 1.4301	1
		> SPACER IMPELLER MVI8 1.4435	1
		> SPACER SHAFT SLEEVE MVI8 1.4435	1
		> STAGE-CASING-W-R/C+BEARING-8M3-304	1
		> SLEEVE-D14L13,8-VMI	1
20.4	4015452	STAGE MHI8,MVI802-19 1.4301 KIT	1
		> IMPELLER MVI8 D.100,5x5,5 1.4301	1
		> SPACER IMPELLER MVI8 1.4435	1
		> STAGE HOUSING RFK.MVI8 1.4301	1
20.5	4015455	EMPTY STAGE MVI811 1.4301 KIT	1
		> SPACER IMPELLER MVI8 1.4435	1
		> STAGE HOUSING RFK.MVI8 1.4301	1
		> WASHER IMPELLER E2,0-316	1

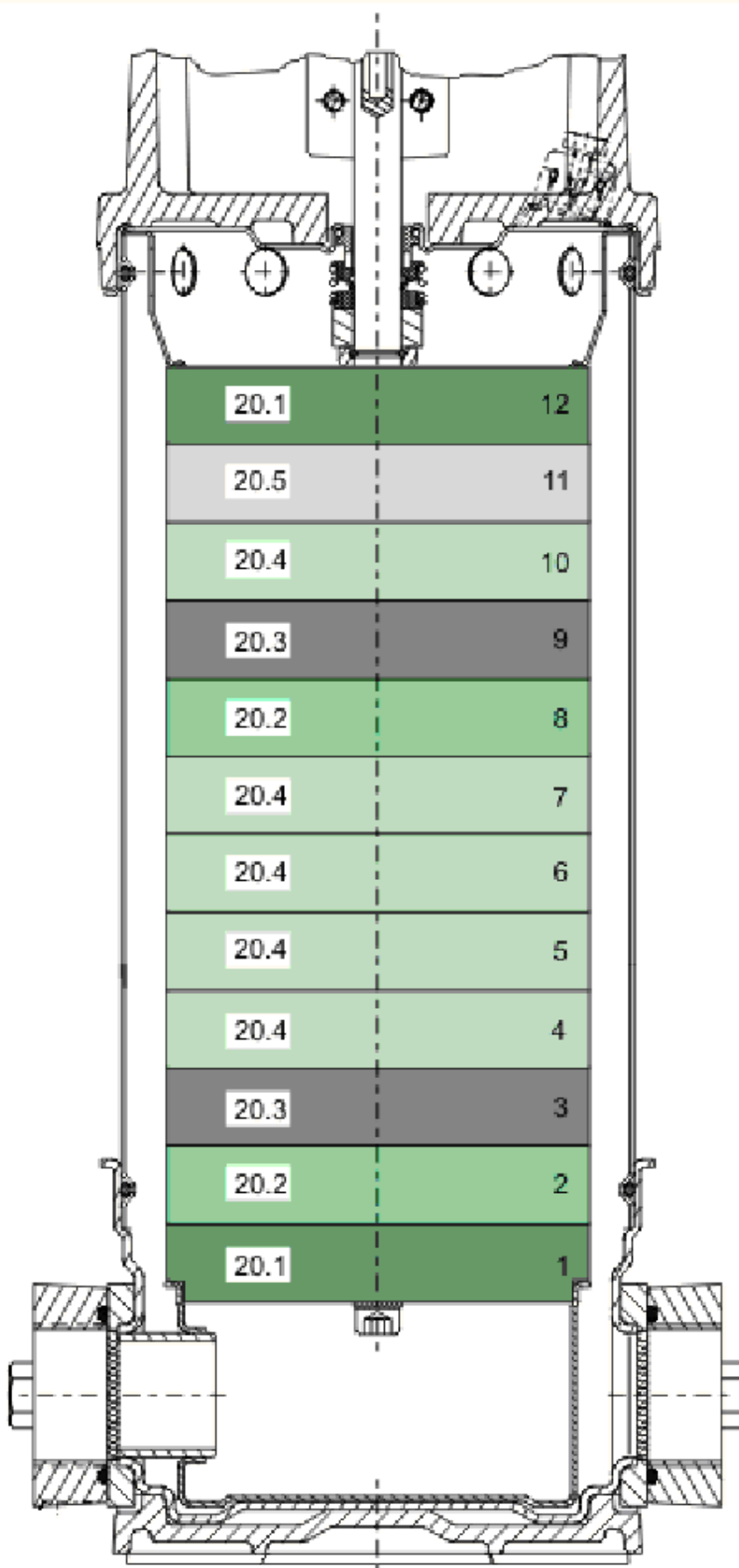


**MVIE811-2/25/V/3-2 (4059720)**

Item	Article no.	Description	Quantity
1	2018568	PUMP HOUS.MVI8 DN40 PN25 1.4435 EPDM KIT	1
1.1		> PUMP HOUSING MVI D40 PN25 1.4435	1
1.2	4010032	> FLAT GASKET_Ø40xØ92x2_DN40_PN25_FIBRE	1
1.3	4176513	> O-RING FOR PUMP JACKET VP.	1
1.4	4234240	> PRIMING/DRAIN PLUG MVI6" 316L VP.	1
3.2	4177800	> O-RING EPDM PLUG HELIX VP.	1
3.3	4234242	> O-RING 9X2 VP.	1
2	4176517	BASEPLATE V8/10 VP.	1
3	4027310	ASSEMBLY GRD.MVI2../4../8.. PN25 90° +VP	1
1.3	4234237	> O-RING 139X3 VITON VP.	1
3.1		> MECHANICAL SEAL RMG12/14-G606-U3BVGG-BUR	1
3.2	4234239	> O-RING 13X2 VITON VP.	1
3.3	4234238	> O-RING 9X2 VITON VP.	1
4	4015442	SHAFT-FIXING MVI4/8 KIT	1
4.1		> SCREW CHC-M6X14-8.8-ISO4762-GEOMET500A	1
4.2		> WASHER D.24 L6U ZINK	1
4.3	2090148	> CIRCLIP D14 MVI/MHI 316L (2 PIECES) VP.	1
		>> STOP-RUSH-1/2-D14-VMI/HMI-316	2
4.4		> STOP COLLAR OF IMPELLER L=8.7-Ø14-316L	1
4.5		> FLAT WASHER-D8xD16x2.5-316L	1
4.6		> STAINLESS-STEEL-WASHER-DE8	1
4.7		> SCREW M8X16 ISO4762 A4	1
5	2018610	HOUSING PIPE D.152X401 1.4404 KIT	1
5.1		> HOUSING-PIPE-D152-VMI812-316L	1
1.3	4234237	> O-RING 139X3 VITON VP.	1
6	2018579	STUD BOLT M12X527 MVI8 KIT	1
6.1		> TIE ROD-M12-527x18x30 CLASS8.8 ZN+FINIG	1
6.2	2094647	> NUT M12 M12 ISO4032 VP.	1
6.3	2123557	> WASHER CS-12.4-24-1.6-NFE25 (4 PIECES)	1
7	2048858	MOTOR TL5 V1 7,5/2/132/300 60HZ SM.	1
8	4196004	LANTERN-MOTOR-VMI-FF265 VP.	1
9	4092425	COUPLING GUARD FF265/300 MVI KIT	1
		> GUARD-MESH-COUPLING-FF265-300	1
		> CLIP COUPLING-GUARD-RF	1

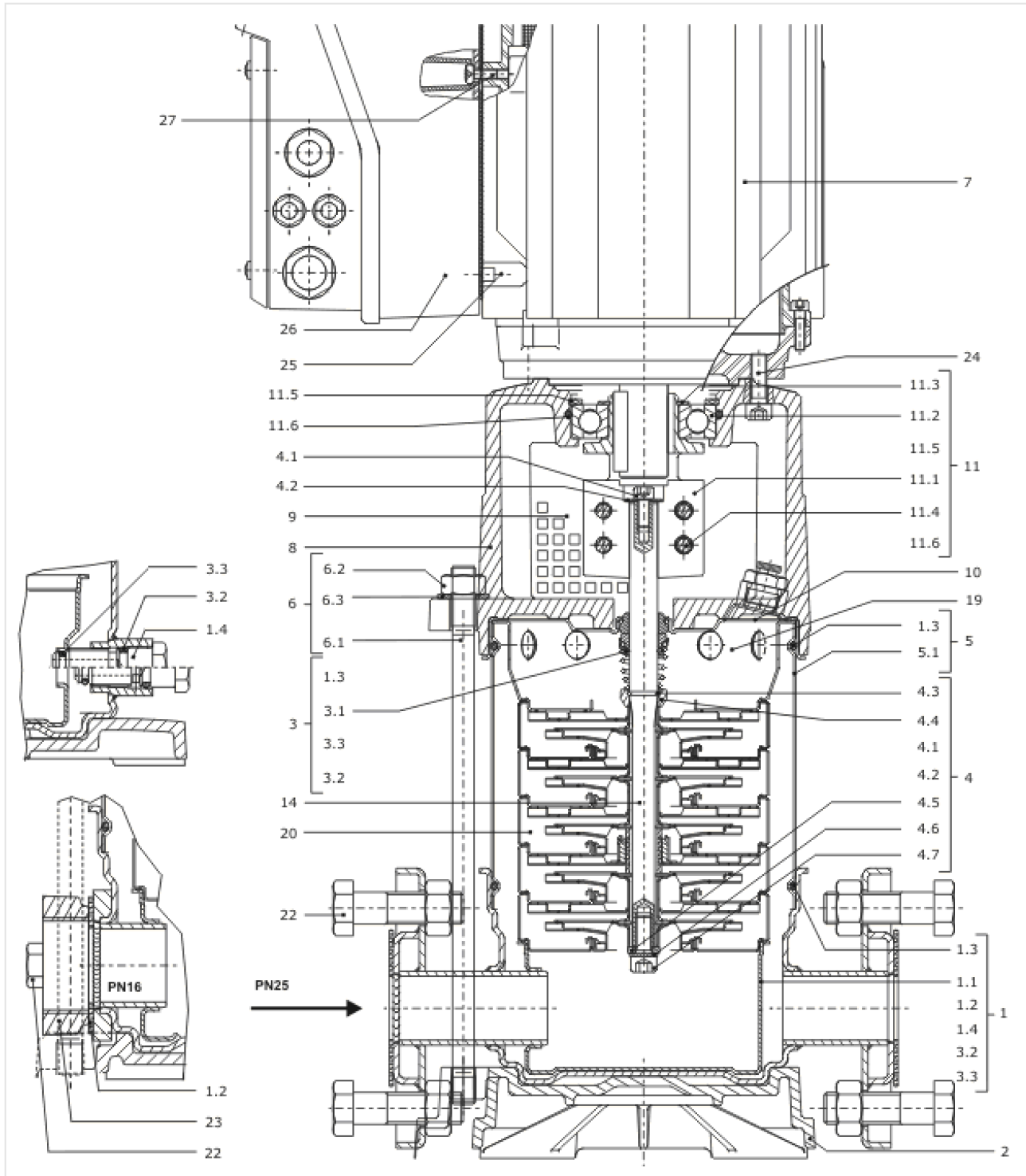
**MVIE811-2/25/V/3-2 (4059720)**

Item	Article no.	Description	Quantity
10	4217883	STAT.RING HOLDER MVI2/4/8 1.4435 VP.	1
11	4095221	3PH COUPLING KIT MVI D14XD38	1
11.1		> COUPLING VMI-D14xD38-FF265 MACHINING	1
11.2	2044937	> BALL BEARING 6310/2Z-C3 (HT) VP.	1
11.3	4234253	> CIRCLIP-FOR-SHAFT-D50x2 VP.	1
11.4	4157726	> SCREW KIT M8X30 (4 PIECES)	1
11.5	4234255	> CIRCLIPS 110X4 VP.	1
11.6	4233944	> O-RING ID.110 VP.	1
		> NOMEL CONTACT WASHER 8x16x1,4 STEEL ZC	1
		> SCREW CHC-M6X14-8.8-ISO4762-GEOMET500A	1
		> WASHER D.24 L6U ZINK	1
14	4233144	SHAFT D.14X462 1.4404 VP.	1
19	4233922	UPPER STAGE RFK.MVI8M3 1.4435 VP.	1
20		SPARE PARTS HYDRAULICS MVI/MVIE 1.4404	1
22	61476	SCREW M16X55X38	1
26		MODULE TL5 NT.MVIE/MULTI-VE	1
Note: no longer available / nicht mehr lieferbar / ne plus disponible			
27	2046119	SCREW M5X16 DIN912 8.8 ZN (4 PIECES)	1
	2057978	RONDELLE A5,3 DIN6797 FST ZN (4 PIECES)	1
	4233131	PLUG-VMI-316L VP.	1
	4234239	O-RING 13X2 VITON VP.	1
	2175822	Screw M12X45 ISO4017 6.8 ZN (4 Pieces)	1
	2160934	Nut M12 VP.	1
	75110311204	KEY-2BT-10X8X60	1



**SPARE PARTS HYDRAULICS MVI/MVIE 1.4404**

Item	Article no.	Description	Quantity
20.1	4026344	STAGE-KIT-MVI-MHI-316L	1
		> IMPELLER-VMI/HMI-SERIE.8-316L	1
		> STAGE CASING-WITHOUT-C/R-8M3-316L	1
		> SPACER IMPELLER MVI8 1.4435	1
20.2	4026345	ASSEMBLY LR./STF.GH.-RLF./SBE.MVI804-19	1
		> IMPELLER-VMI/HMI-SERIE.8-316L	1
		> SPACER IMPELLER MVI8 1.4435	1
		> SPACER SHAFT SLEEVE MVI8 1.4435	1
		> STAGE CASING-AV-C/R-8M3-316L	1
20.3	4026342	ASSEMBLY LR.LAG.BU.MHI804/05,MVI802/20 1	1
		> IMPELLER-VMI/HMI-SERIE.8-316L	1
		> SPACER IMPELLER MVI8 1.4435	1
		> SPACER SHAFT SLEEVE MVI8 1.4435	1
		> STAGE CASING-AV-C/R-BEARING-8M3-L	1
		> SLEEVE-D14L13,8-VMI	1
20.4	4026343	ASSEMBLY LR./STF.GH.RFK.MHI8,MVI803-19 1	1
		> IMPELLER-VMI/HMI-SERIE.8-316L	1
		> SPACER IMPELLER MVI8 1.4435	1
		> STAGE CASING-AV-C/R-8M3-316L	1
20.5	4026346	EMPTY STAGE MVI811 1.4435 KIT	1
		> SPACER IMPELLER MVI8 1.4435	1
		> STAGE CASING-AV-C/R-8M3-316L	1
		> WASHER IMPELLER E2,0-316	1



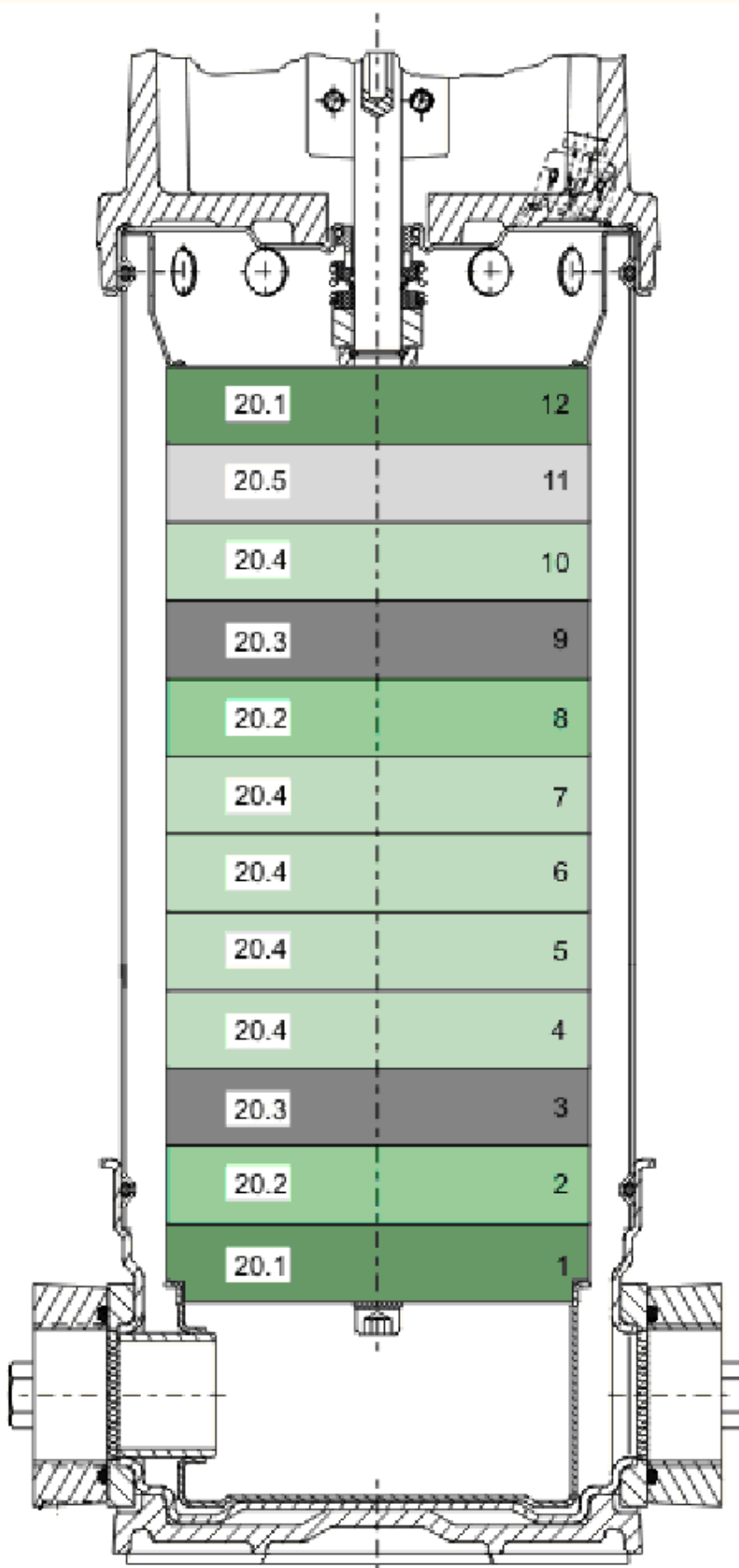


**MVIE811-2/P/V/3-2 (4063228)**

Item	Article no.	Description	Quantity
1	2114344	PUMP HOUSING MVI DN50 P 1.4404 KIT	1
1.1		> CASING-MVI-D50-PN25-D152-316L-VICTAULI	1
1.3	4234237	> O-RING 139X3 VITON VP.	1
1.4	4234240	> PRIMING/DRAIN PLUG MVI6" 316L VP.	1
3.2	4234239	> O-RING 13X2 VITON VP.	1
3.3	4234238	> O-RING 9X2 VITON VP.	1
2	4176517	BASEPLATE V8/10 VP.	1
3	4027310	ASSEMBLY GRD.MVI2../4../8.. PN25 90° +VP	1
1.3	4234237	> O-RING 139X3 VITON VP.	1
3.1		> MECHANICAL SEAL RMG12/14-G606-U3BVGG-BUR	1
3.2	4234239	> O-RING 13X2 VITON VP.	1
3.3	4234238	> O-RING 9X2 VITON VP.	1
4	4015442	SHAFT-FIXING MVI4/8 KIT	1
4.1		> SCREW CHC-M6X14-8.8-ISO4762-GEOMET500A	1
4.2		> WASHER D.24 L6U ZINK	1
4.3	2090148	> CIRCLIP D14 MVI/MHI 316L (2 PIECES) VP.	1
		>> STOP-RUSH-1/2-D14-VMI/HMI-316	2
4.4		> STOP COLLAR OF IMPELLER L=8.7-Ø14-316L	1
4.5		> FLAT WASHER-D8xD16x2.5-316L	1
4.6		> STAINLESS-STEEL-WASHER-DE8	1
4.7		> SCREW M8X16 ISO4762 A4	1
5	2018610	HOUSING PIPE D.152X401 1.4404 KIT	1
5.1		> HOUSING-PIPE-D152-VMI812-316L	1
1.3	4234237	> O-RING 139X3 VITON VP.	1
6	2018579	STUD BOLT M12X527 MVI8 KIT	1
6.1		> TIE ROD-M12-527x18x30 CLASS8.8 ZN+FINIG	1
6.2	2094647	> NUT M12 M12 ISO4032 VP.	1
6.3	2123557	> WASHER CS-12.4-24-1.6-NFE25 (4 PIECES)	1
7	2048858	MOTOR TL5 V1 7,5/2/132/300 60HZ SM.	1
8	4196004	LANTERN-MOTOR-VMI-FF265 VP.	1
9	4092425	COUPLING GUARD FF265/300 MVI KIT	1
		> GUARD-MESH-COUPLING-FF265-300	1
		> CLIP COUPLING-GUARD-RF	1
10	4217883	STAT.RING HOLDER MVI2/4/8 1.4435 VP.	1

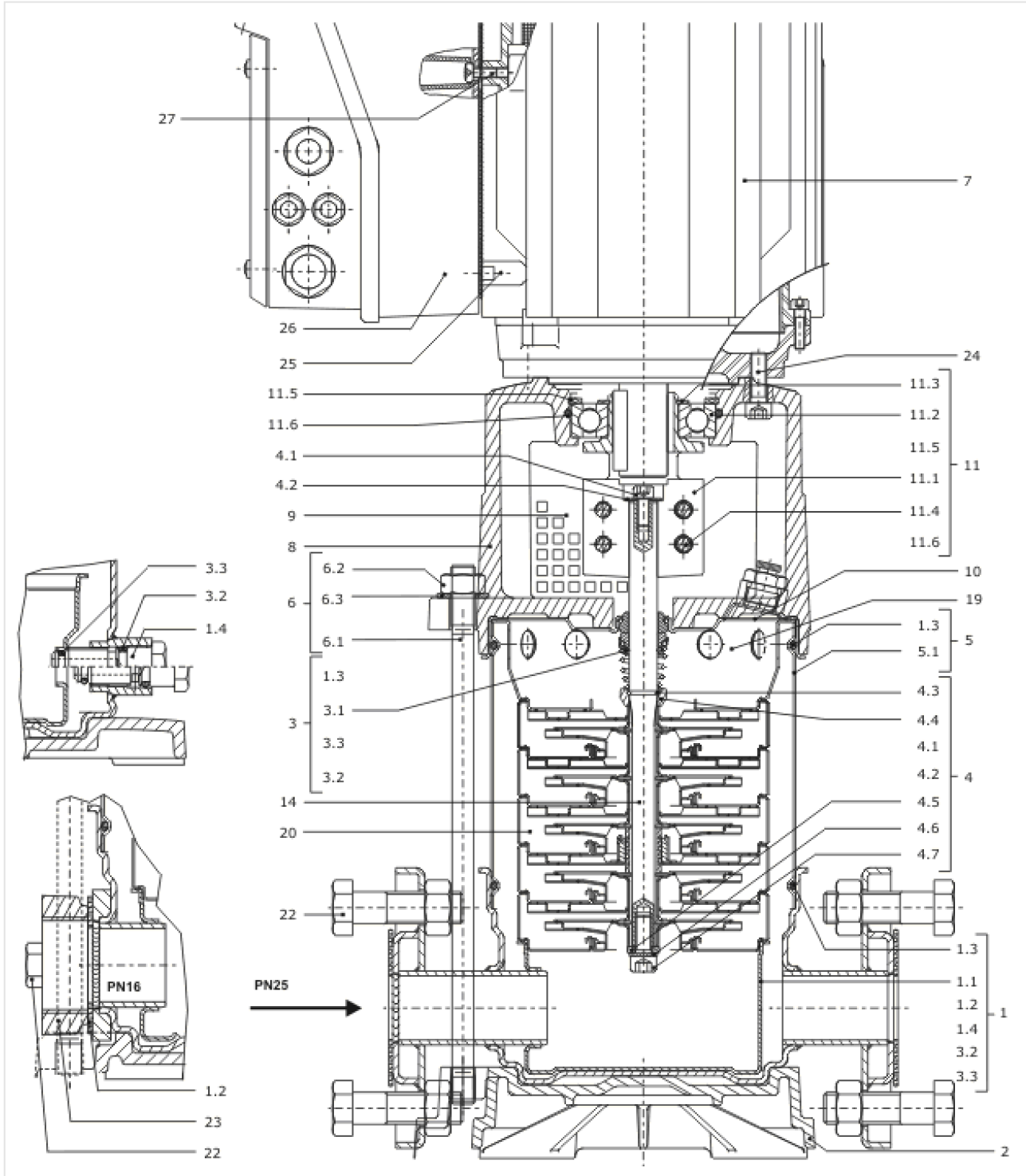
**MVIE811-2/P/V/3-2 (4063228)**

Item	Article no.	Description	Quantity
11	4095221	3PH COUPLING KIT MVI D14XD38	1
11.1		> COUPLING VMI-D14xD38-FF265 MACHINING	1
11.2	2044937	> BALL BEARING 6310/2Z-C3 (HT) VP.	1
11.3	4234253	> CIRCLIP-FOR-SHAFT-D50x2 VP.	1
11.4	4157726	> SCREW KIT M8X30 (4 PIECES)	1
11.5	4234255	> CIRCLIPS 110X4 VP.	1
11.6	4233944	> O-RING ID.110 VP.	1
		> NOMEI CONTACT WASHER 8x16x1,4 STEEL ZC	1
		> SCREW CHC-M6X14-8.8-ISO4762-GEOMET500A	1
		> WASHER D.24 L6U ZINK	1
14	4233144	SHAFT D.14X462 1.4404 VP.	1
19	4233922	UPPER STAGE RFK.MVI8M3 1.4435 VP.	1
20		SPARE PARTS HYDRAULICS MVI/MVIE 1.4404	1
22	61476	SCREW M16X55X38	1
26		MODULE TL5 NT.MVIE/MULTI-VE	1
Note: no longer available / nicht mehr lieferbar / ne plus disponible			
27	2046119	SCREW M5X16 DIN912 8.8 ZN (4 PIECES)	1
	2057978	RONDELLE A5,3 DIN6797 FST ZN (4 PIECES)	1
	4233131	PLUG-VMI-316L VP.	1
	4234239	O-RING 13X2 VITON VP.	1
	2175822	Screw M12X45 ISO4017 6.8 ZN (4 Pieces)	1
	2160934	Nut M12 VP.	1
	75110311204	KEY-2BT-10X8X60	1



**SPARE PARTS HYDRAULICS MVI/MVIE 1.4404**

Item	Article no.	Description	Quantity
20.1	4026344	STAGE-KIT-MVI-MHI-316L	1
		> IMPELLER-VMI/HMI-SERIE.8-316L	1
		> STAGE CASING-WITHOUT-C/R-8M3-316L	1
		> SPACER IMPELLER MVI8 1.4435	1
20.2	4026345	ASSEMBLY LR./STF.GH.-RLF./SBE.MVI804-19	1
		> IMPELLER-VMI/HMI-SERIE.8-316L	1
		> SPACER IMPELLER MVI8 1.4435	1
		> SPACER SHAFT SLEEVE MVI8 1.4435	1
		> STAGE CASING-AV-C/R-8M3-316L	1
20.3	4026342	ASSEMBLY LR.LAG.BU.MHI804/05,MVI802/20 1	1
		> IMPELLER-VMI/HMI-SERIE.8-316L	1
		> SPACER IMPELLER MVI8 1.4435	1
		> SPACER SHAFT SLEEVE MVI8 1.4435	1
		> STAGE CASING-AV-C/R-BEARING-8M3-L	1
		> SLEEVE-D14L13,8-VMI	1
20.4	4026343	ASSEMBLY LR./STF.GH.RFK.MHI8,MVI803-19 1	1
		> IMPELLER-VMI/HMI-SERIE.8-316L	1
		> SPACER IMPELLER MVI8 1.4435	1
		> STAGE CASING-AV-C/R-8M3-316L	1
20.5	4026346	EMPTY STAGE MVI811 1.4435 KIT	1
		> SPACER IMPELLER MVI8 1.4435	1
		> STAGE CASING-AV-C/R-8M3-316L	1
		> WASHER IMPELLER E2,0-316	1

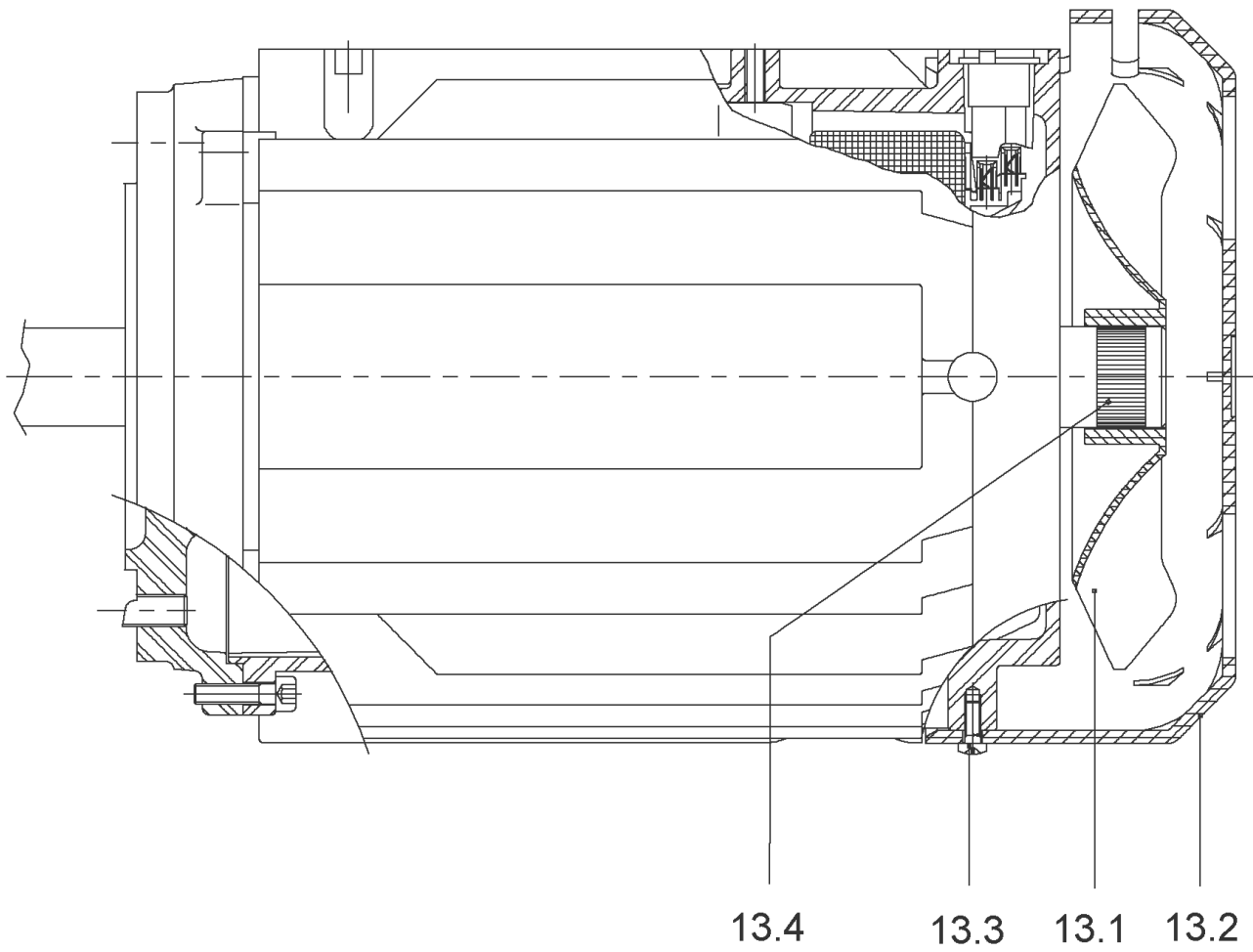


**MVIE1602/6-1/16/E/3-2 (4057578)**

Item	Article no.	Description	Quantity
1	2027121	PUMP HOUSING MVI/MVIS DN50 PN16 KIT	1
1.1		> PUMP HOUSING MVI D.50 PN16 1.4301	1
1.2	4233954	> O-RING ID.66 EPDM VP.	1
Note: FROM / AB / À PARTIR DE: 07/97			
1.3	4176513	> O-RING FOR PUMP JACKET VP.	1
1.4	4234235	> PRIMING/DRAIN PLUG MVI6" 304 VP.	1
3.2	4177800	> O-RING EPDM PLUG HELIX VP.	1
3.3	4234242	> O-RING 9X2 VP.	1
2	4204832	BASE MVIE/MVI 8/16 PN16/25 VP.	1
3	4027301	MECHANICAL SEAL MVI2/4/8/16-6" EP120°KIT	1
1.3	4176513	> O-RING FOR PUMP JACKET VP.	1
3.1		> MECHANICAL SEAL MG12/14-G606-Q1BE3GG-BU.	1
3.2	4177800	> O-RING EPDM PLUG HELIX VP.	1
3.3	4234242	> O-RING 9X2 VP.	1
4	4059951	SHAFT-EQUIPMENT-KIT-MVI 16 6"	1
4.1		> SCREW CHC-M6X14-8.8-ISO4762-GEOMET500A	1
4.2		> WASHER D.24 L6U ZINK	1
4.3	2090148	> CIRCLIP D14 MVI/MHI 316L (2 PIECES) VP.	1
		>> STOP-RUSH-1/2-D14-VMI/HMI-316	2
4.4		> STOP COLLAR OF IMPELLER L=28.8-Ø14-316L	1
4.5		> FLAT WASHER-D8xD16x2.5-316L	1
4.6		> STAINLESS-STEEL-WASHER-DE8	1
4.7		> SCREW M8X16 ISO4762 A4	1
5	2035617	HOUSING PIPE D.152X116 1.4301 KIT	1
5.1		> HOUSING-PIPE-D152-VMI1602-1.4301	1
1.3	4176513	> O-RING FOR PUMP JACKET VP.	1
6	2018359	STUD BOLT M12X245 KIT	1
6.1		> TIE BOLT M12-245x18x30-1.4057	1
6.2	2094647	> NUT M12 M12 ISO4032 VP.	1
6.3	2123557	> WASHER CS-12.4-24-1.6-NFE25 (4 PIECES)	1
7	2025382	MOTOR TL3/2200/2DM 65HZ V18 MVIE SERIE99	1
		SPARE PARTS MOTOR TL3/2200/2 3-400 65HZ	1
8	4190751	LANTERN-MOTOR-VMI-FT115-MACHINED VP.	1
9	4092424	COUPLING GUARD FT85/130 MVI KIT	1

**MVIE1602/6-1/16/E/3-2 (4057578)**

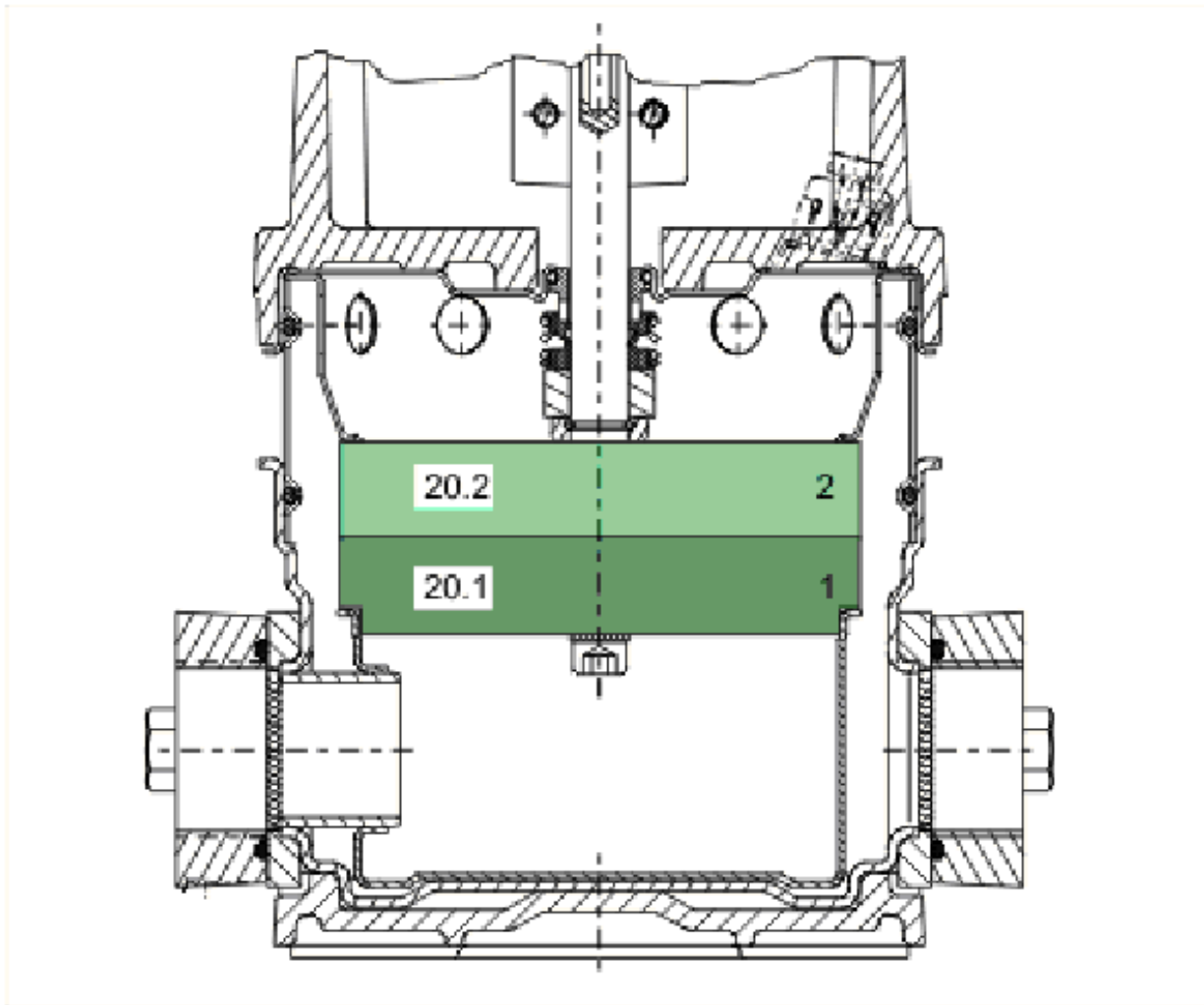
Item	Article no.	Description	Quantity
		> COUPLING PROTECTOR FT85/130-1.4016	1
		> CLIP COUPLING-GUARD-RF	1
10	4217881	STAT.RING HOLDER-GM-D14-304 VP.	1
11	4095214	3PH COUPLING KIT MVI D14XD24	1
11.1		> COUPLING-VMI-Ø14xØ24-FT115-MACHINED	1
11.2	2131023	> BALL BEARING 6207/ZZ-C3(HT)VP.	1
11.3	4234254	> CIRCLIP-FOR-SHAFT-D35x1.5 VP.	1
11.4	4157726	> SCREW KIT M8X30 (4 PIECES)	1
11.5	4234251	> CIRCLIP-D72x2.5 VP.	1
11.6	4234246	> O-RING 72X3 VP.	1
		> NOMEL CONTACT WASHER 8x16x1,4 STEEL ZC	1
		> SCREW CHC-M6X14-8.8-ISO4762-GEOMET500A	1
		> WASHER D.24 L6U ZINK	1
14	4088307	SHAFT Lg:177,5 MVI 1602/6 KIT	1
19	4212656	UPPER STAGEW/ORING MVI16M3-6"-1.4301 VP.	1
20	4181169	HYDRAULIC CPL.MVI1602-6" 1.4301 KIT	1
20		Hydraulic cpl.(Pos.19+20)without MS.	1
20		SPARE PARTS HYDRAULICS MVI/MVIE 1.4301	1
22	74750711116	SCREW M12X55X55 ISO4017 6.8 ZN	1
23	4052247	COUNTER-FLANGE-VMI2	1
24	4157726	SCREW KIT M8X30 (4 PIECES)	1
25	2048855	SCREW M5X16 ISO7045 4.8-Z ZN LSN.	1
26		MODULE MVIE206 MVIE/MHIE405/803 2,2>7/01	1
Note: no longer available / nicht mehr lieferbar / ne plus disponible			
27	2048856	SCREW M5X12 ISO7045 4.8-Z GB.ZN	1
	4233925	KEY SHAFT VP.	1
	4233131	PLUG-VMI-316L VP.	1





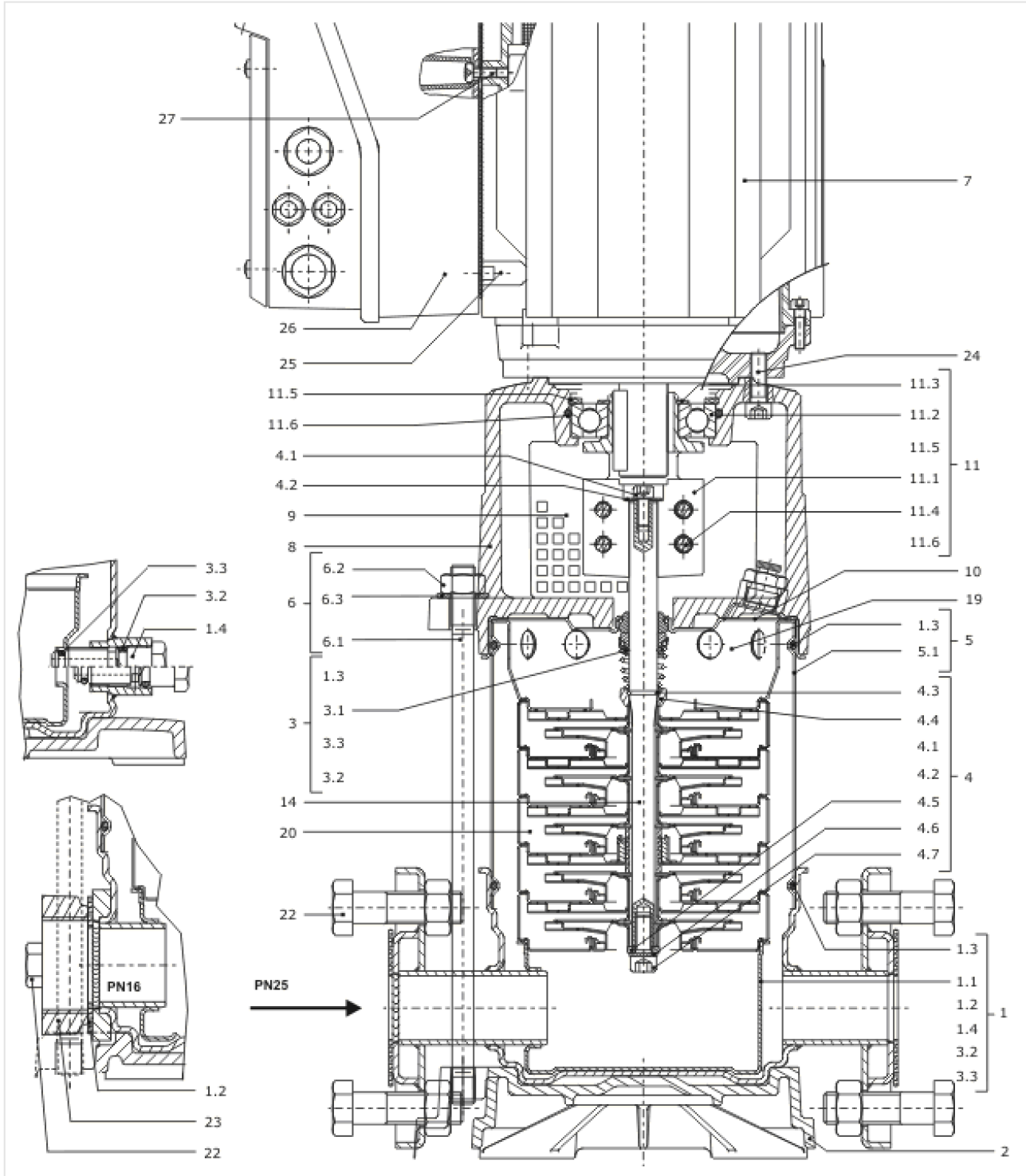
**SPARE PARTS MOTOR TL3/2200/2 3-400 65HZ**

Item	Article no.	Description	Quantity
13.1	2047017	FAN WHEEL AF90 2POL.ATB VP.	1
Note: Please give the data from type plate of the motor			
13.2		FAN HOOD TL4/3N NEUTRAL	1
Note: no longer available / nicht mehr lieferbar / ne plus disponible			
Note: Please give the data from type plate of the motor			
13.3		SCREW M4X8 ISO7045 4.8-H ZN	1
Note: no longer available / nicht mehr lieferbar / ne plus disponible			
13.4	2047016	CORRUGATED SLEEVE RING BG90/100 ATB VP.	1
Note: Please give the data from type plate of the motor			



**SPARE PARTS HYDRAULICS MVI/MVIE 1.4301**

<b>Item</b>	<b>Article no.</b>	<b>Description</b>	<b>Quantity</b>
20.1	4059944	STAGE-KIT-MVI 16 6"	1
		> STAGE CASING W/O RGV-MVI16M3/6"-1.4301	1
		> IMPELLER MVI/MHI 16M3/6"-1.4301	1
		> SPACER-D14L17.5-304	1
20.2	4059945	STAGE KIT MVI 16 6"	1
		> IMPELLER MVI/MHI 16M3/6"-1.4301	1
		> STAGE-CAS.W-R/CHA.&B.MVI/MHI16-6"-1.4301	1
		> SLEEVE-D14L13,8-VMI	1
		> SPACER D14L9.5-316L	1
		> SPACER D14L12.7-316L	1

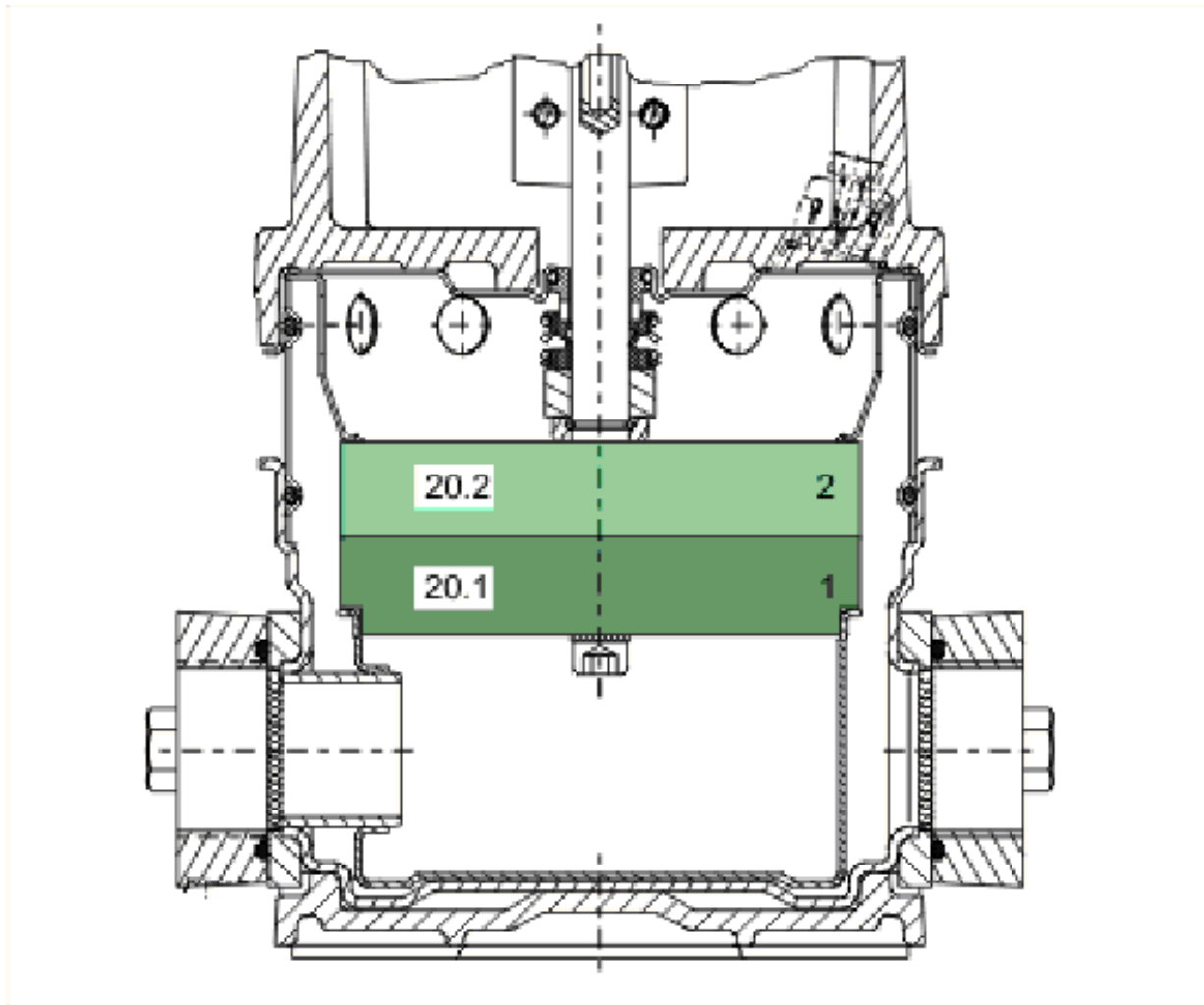


**MVIE1602/6-1/16/E/3-2-2G (4077527)**

Item	Article no.	Description	Quantity
1	2027121	PUMP HOUSING MVI/MVIS DN50 PN16 KIT	1
1.1		> PUMP HOUSING MVI D.50 PN16 1.4301	1
1.2	4233954	> O-RING ID.66 EPDM VP.	1
Note: FROM / AB / À PARTIR DE: 07/97			
1.3	4176513	> O-RING FOR PUMP JACKET VP.	1
1.4	4234235	> PRIMING/DRAIN PLUG MVI6" 304 VP.	1
3.2	4177800	> O-RING EPDM PLUG HELIX VP.	1
3.3	4234242	> O-RING 9X2 VP.	1
2	4204832	BASE MVIE/MVI 8/16 PN16/25 VP.	1
3	4027301	MECHANICAL SEAL MVI2/4/8/16-6" EP120°KIT	1
1.3	4176513	> O-RING FOR PUMP JACKET VP.	1
3.1		> MECHANICAL SEAL MG12/14-G606-Q1BE3GG-BU.	1
3.2	4177800	> O-RING EPDM PLUG HELIX VP.	1
3.3	4234242	> O-RING 9X2 VP.	1
4	4059951	SHAFT-EQUIPMENT-KIT-MVI 16 6"	1
4.1		> SCREW CHC-M6X14-8.8-ISO4762-GEOMET500A	1
4.2		> WASHER D.24 L6U ZINK	1
4.3	2090148	> CIRCLIP D14 MVI/MHI 316L (2 PIECES) VP.	1
		>> STOP-RUSH-1/2-D14-VMI/HMI-316	2
4.4		> STOP COLLAR OF IMPELLER L=28.8-Ø14-316L	1
4.5		> FLAT WASHER-D8xD16x2.5-316L	1
4.6		> STAINLESS-STEEL-WASHER-DE8	1
4.7		> SCREW M8X16 ISO4762 A4	1
5	2035617	HOUSING PIPE D.152X116 1.4301 KIT	1
5.1		> HOUSING-PIPE-D152-VMI1602-1.4301	1
1.3	4176513	> O-RING FOR PUMP JACKET VP.	1
6	2018359	STUD BOLT M12X245 KIT	1
6.1		> TIE BOLT M12-245x18x30-1.4057	1
6.2	2094647	> NUT M12 M12 ISO4032 VP.	1
6.3	2123557	> WASHER CS-12.4-24-1.6-NFE25 (4 PIECES)	1
7		M2,2-2T638P55V18-90F11-SU-N24-ADAPT	1
Note: no longer available/nicht mehr lieferbar/n'est plus disponible			
8	4190751	LANTERN-MOTOR-VMI-FT115-MACHINED VP.	1
9	4092424	COUPLING GUARD FT85/130 MVI KIT	1

**MVIE1602/6-1/16/E/3-2-2G (4077527)**

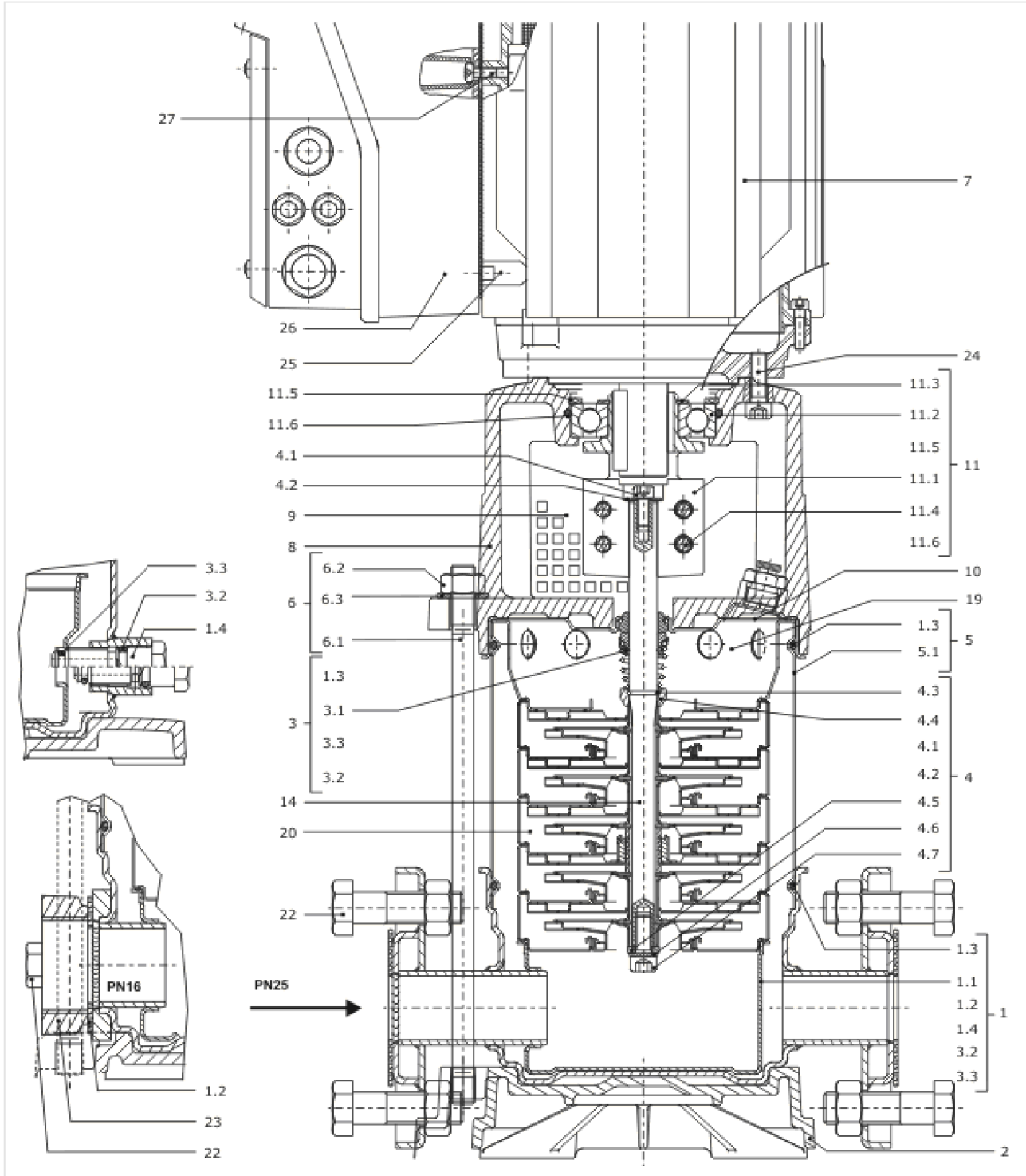
Item	Article no.	Description	Quantity
		> COUPLING PROTECTOR FT85/130-1.4016	1
		> CLIP COUPLING-GUARD-RF	1
10	4217881	STAT.RING HOLDER-GM-D14-304 VP.	1
11	4095214	3PH COUPLING KIT MVI D14XD24	1
11.1		> COUPLING-VMI-Ø14xØ24-FT115-MACHINED	1
11.2	2131023	> BALL BEARING 6207/ZZ-C3(HT)VP.	1
11.3	4234254	> CIRCLIP-FOR-SHAFT-D35x1.5 VP.	1
11.4	4157726	> SCREW KIT M8X30 (4 PIECES)	1
11.5	4234251	> CIRCLIP-D72x2.5 VP.	1
11.6	4234246	> O-RING 72X3 VP.	1
		> NOME CONTACT WASHER 8x16x1,4 STEEL ZC	1
		> SCREW CHC-M6X14-8.8-ISO4762-GEOMET500A	1
		> WASHER D.24 L6U ZINK	1
14	4088307	SHAFT Lg:177,5 MVI 1602/6 KIT	1
19	4212656	UPPER STAGEW/ORING MVI16M3-6"-1.4301 VP.	1
20	4181169	HYDRAULIC CPL.MVI1602-6" 1.4301 KIT	1
20		Hydraulic cpl.(Pos.19+20)without MS.	1
20		SPARE PARTS HYDRAULICS MVI/MVIE 1.4301	1
22	74750711116	SCREW M12X55X55 ISO4017 6.8 ZN	1
23	4052247	COUNTER-FLANGE-VMI2	1
24	4157726	SCREW KIT M8X30 (4 PIECES)	1
26		MODULE MVIE/MHIE-2,2KW IE1	1
Note: no longer available/nicht mehr lieferbar/n'est plus disponible			
	4233131	PLUG-VMI-316L VP.	1



**SPARE PARTS HYDRAULICS MVI/MVIE 1.4301**

<b>Item</b>	<b>Article no.</b>	<b>Description</b>	<b>Quantity</b>
20.1	4059944	STAGE-KIT-MVI 16 6"	1
		> STAGE CASING W/O RGV-MVI16M3/6"-1.4301	1
		> IMPELLER MVI/MHI 16M3/6"-1.4301	1
		> SPACER-D14L17.5-304	1
20.2	4059945	STAGE KIT MVI 16 6"	1
		> IMPELLER MVI/MHI 16M3/6"-1.4301	1
		> STAGE-CAS.W-R/CHA.&B.MVI/MHI16-6"-1.4301	1
		> SLEEVE-D14L13,8-VMI	1
		> SPACER D14L9.5-316L	1
		> SPACER D14L12.7-316L	1



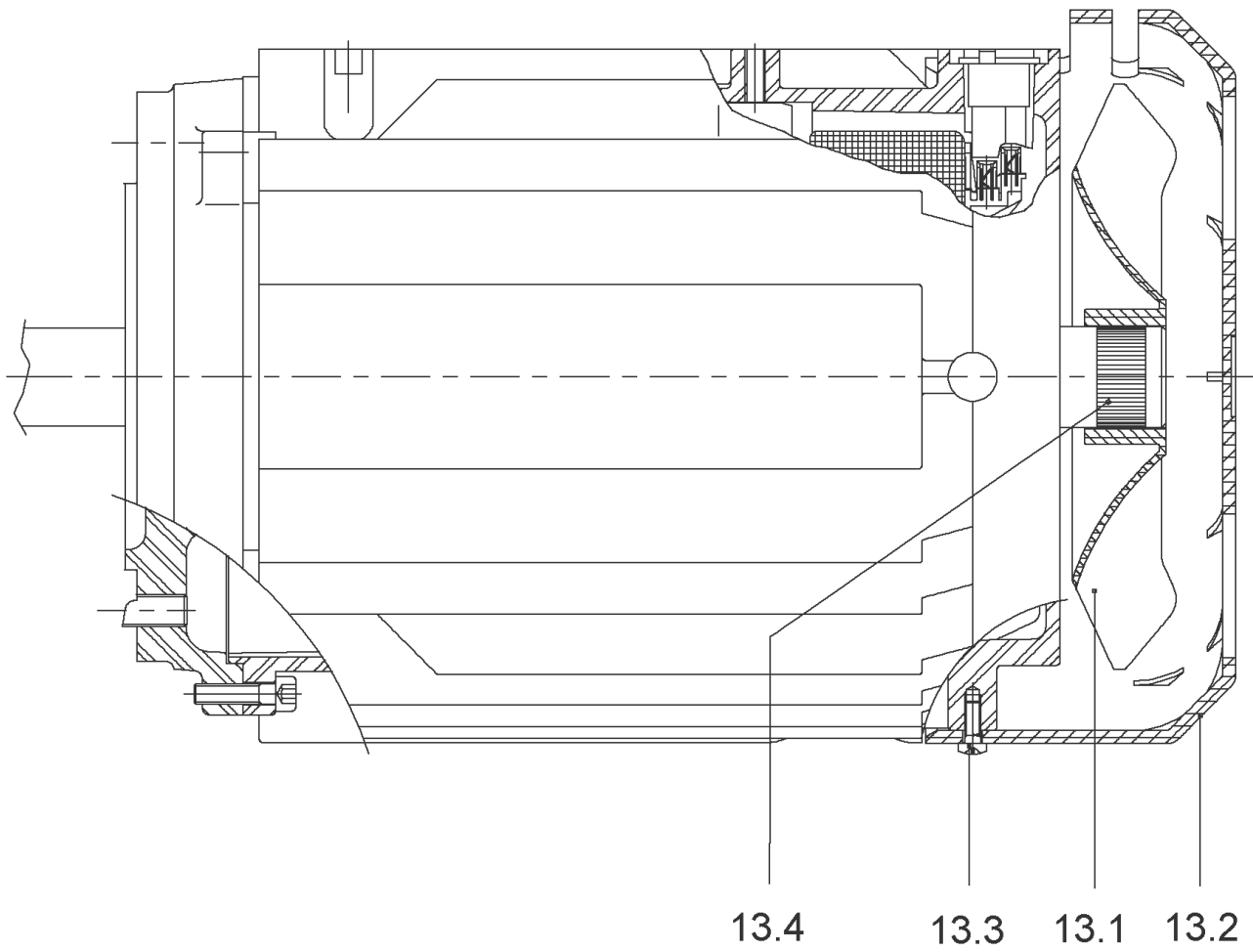


**MVIE1602/6-1/25/E/3-2 (4057580)**

Item	Article no.	Description	Quantity
1	2035466	PUMP HOUSING MVI16 6"DN50 PN25 1.4301KIT	1
1.1		> CASING-MVI-PN25-DN50-16M3-316L	1
1.2	4234257	> FLAT-GASKET 65X102X2 VP.	1
1.3	4176513	> O-RING FOR PUMP JACKET VP.	1
1.4	4234235	> PRIMING/DRAIN PLUG MVI6" 304 VP.	1
3.2	4177800	> O-RING EPDM PLUG HELIX VP.	1
3.3	4234242	> O-RING 9X2 VP.	1
2	4204832	BASE MVIE/MVI 8/16 PN16/25 VP.	1
3	4027301	MECHANICAL SEAL MVI2/4/8/16-6" EP120°KIT	1
1.3	4176513	> O-RING FOR PUMP JACKET VP.	1
3.1		> MECHANICAL SEAL MG12/14-G606-Q1BE3GG-BU.	1
3.2	4177800	> O-RING EPDM PLUG HELIX VP.	1
3.3	4234242	> O-RING 9X2 VP.	1
4	4059951	SHAFT-EQUIPMENT-KIT-MVI 16 6"	1
4.1		> SCREW CHC-M6X14-8.8-ISO4762-GEOMET500A	1
4.2		> WASHER D.24 L6U ZINK	1
4.3	2090148	> CIRCLIP D14 MVI/MHI 316L (2 PIECES) VP.	1
		>> STOP-RUSH-1/2-D14-VMI/HMI-316	2
4.4		> STOP COLLAR OF IMPELLER L=28.8-Ø14-316L	1
4.5		> FLAT WASHER-D8xD16x2.5-316L	1
4.6		> STAINLESS-STEEL-WASHER-DE8	1
4.7		> SCREW M8X16 ISO4762 A4	1
5	2035617	HOUSING PIPE D.152X116 1.4301 KIT	1
5.1		> HOUSING-PIPE-D152-VMI1602-1.4301	1
1.3	4176513	> O-RING FOR PUMP JACKET VP.	1
6	2018359	STUD BOLT M12X245 KIT	1
6.1		> TIE BOLT M12-245x18x30-1.4057	1
6.2	2094647	> NUT M12 M12 ISO4032 VP.	1
6.3	2123557	> WASHER CS-12.4-24-1.6-NFE25 (4 PIECES)	1
7	2025382	MOTOR TL3/2200/2DM 65HZ V18 MVIE SERIE99	1
		SPARE PARTS MOTOR TL3/2200/2 3-400 65HZ	1
8	4190751	LANTERN-MOTOR-VMI-FT115-MACHINED VP.	1
9	4092424	COUPLING GUARD FT85/130 MVI KIT	1
		> COUPLING PROTECTOR FT85/130-1.4016	1

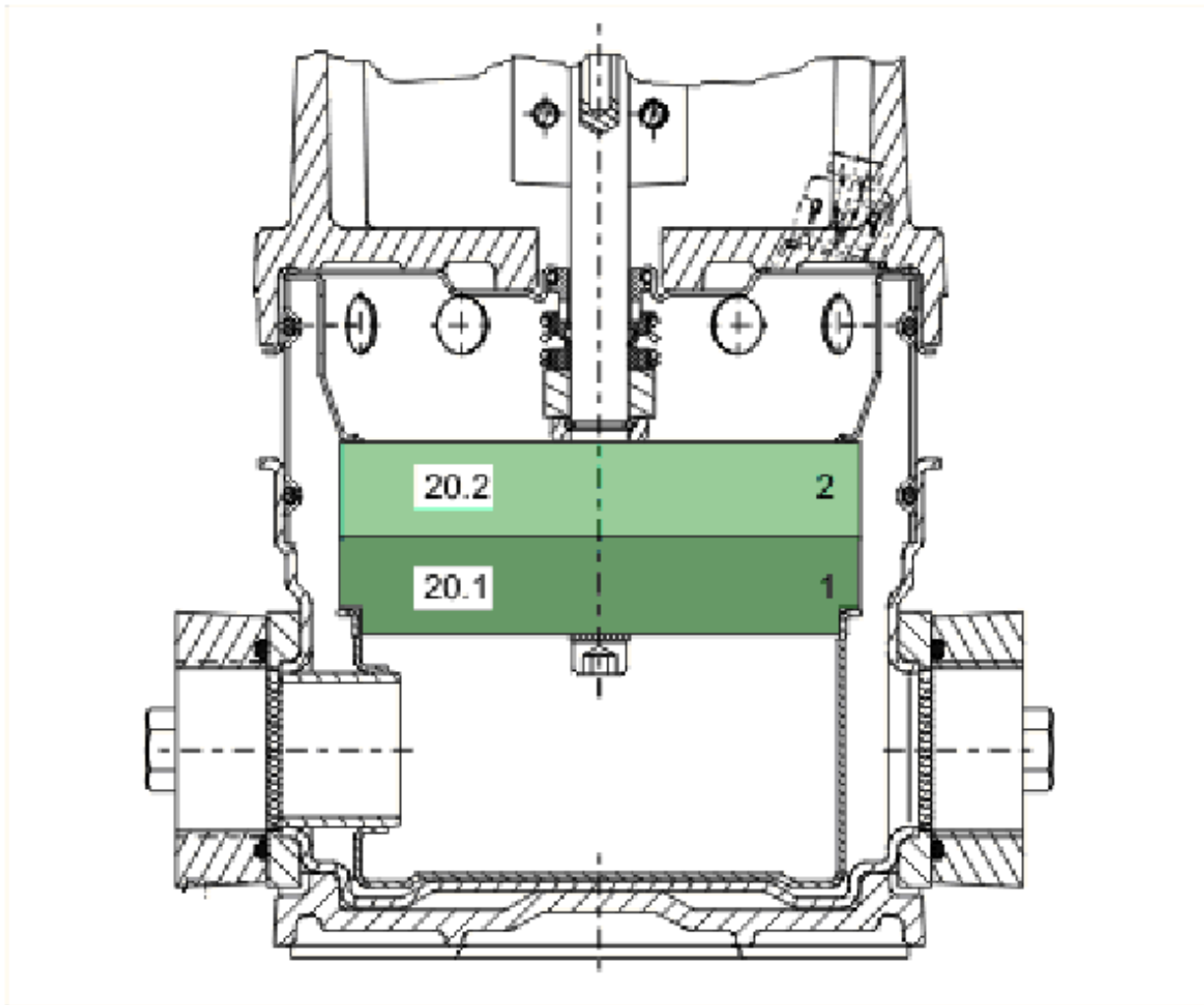
**MVIE1602/6-1/25/E/3-2 (4057580)**

Item	Article no.	Description	Quantity
		> CLIP COUPLING-GUARD-RF	1
10	4217881	STAT.RING HOLDER-GM-D14-304 VP.	1
11	4095214	3PH COUPLING KIT MVI D14XD24	1
11.1		> COUPLING-VMI-Ø14xØ24-FT115-MACHINED	1
11.2	2131023	> BALL BEARING 6207/ZZ-C3(HT)VP.	1
11.3	4234254	> CIRCLIP-FOR-SHAFT-D35x1.5 VP.	1
11.4	4157726	> SCREW KIT M8X30 (4 PIECES)	1
11.5	4234251	> CIRCLIP-D72x2.5 VP.	1
11.6	4234246	> O-RING 72X3 VP.	1
		> NOME CONTACT WASHER 8x16x1,4 STEEL ZC	1
		> SCREW CHC-M6X14-8.8-ISO4762-GEOMET500A	1
		> WASHER D.24 L6U ZINK	1
14	4088307	SHAFT Lg:177,5 MVI 1602/6 KIT	1
19	4212656	UPPER STAGEW/ORING MVI16M3-6"-1.4301 VP.	1
20	4181169	HYDRAULIC CPL.MVI1602-6" 1.4301 KIT	1
20		Hydraulic cpl.(Pos.19+20)without MS.	1
20		SPARE PARTS HYDRAULICS MVI/MVIE 1.4301	1
22	61477	SCREW M16 L60x38-ZINGUE	1
24	4157726	SCREW KIT M8X30 (4 PIECES)	1
25	2048855	SCREW M5X16 ISO7045 4.8-Z ZN LSN.	1
26		MODULE MVIE206 MVIE/MHIE405/803 2,2>7/01	1
Note: no longer available / nicht mehr lieferbar / ne plus disponible			
27	2048856	SCREW M5X12 ISO7045 4.8-Z GB.ZN	1
	4233925	KEY SHAFT VP.	1
	4233131	PLUG-VMI-316L VP.	1



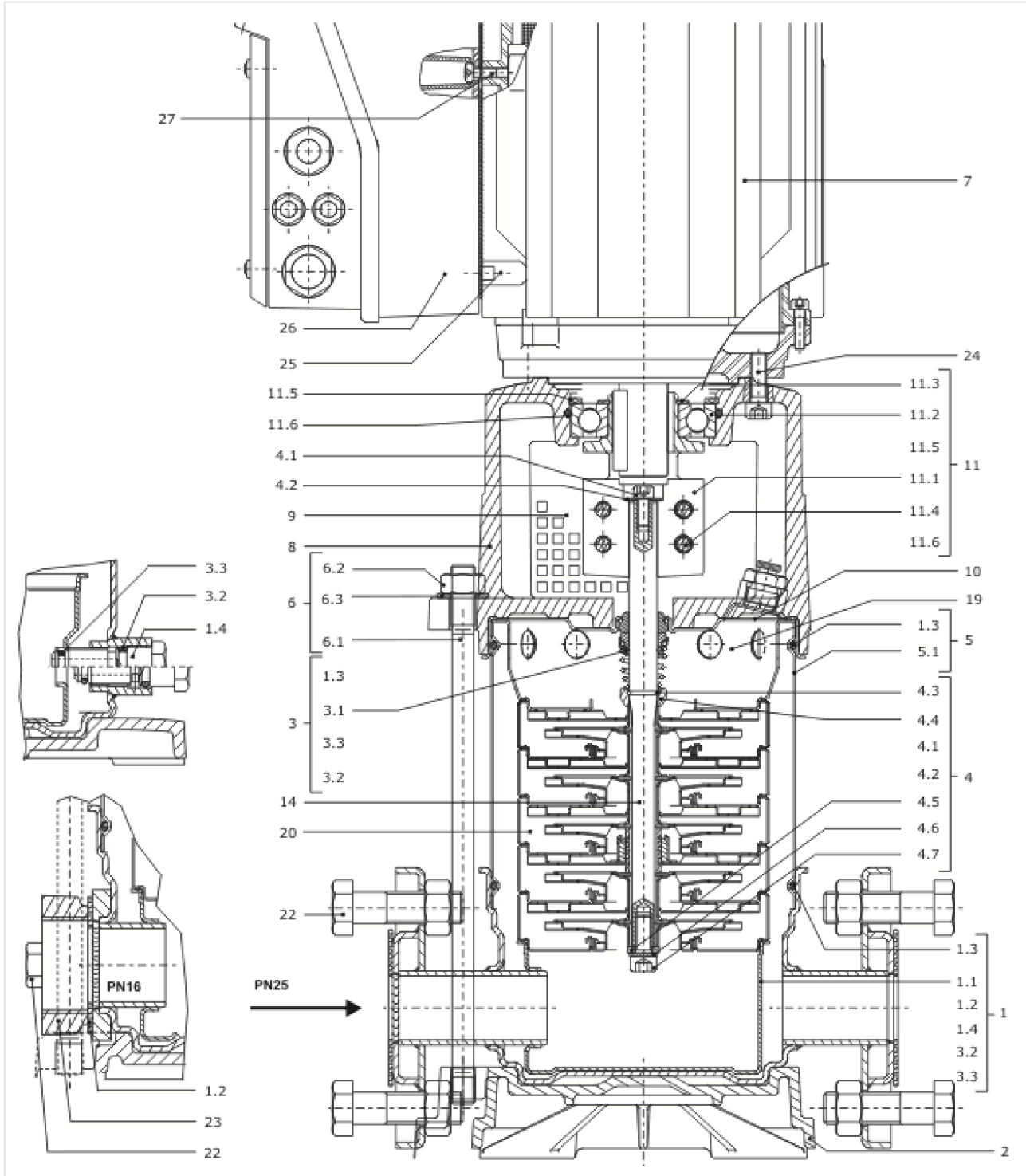
**SPARE PARTS MOTOR TL3/2200/2 3-400 65HZ**

Item	Article no.	Description	Quantity
13.1	2047017	FAN WHEEL AF90 2POL.ATB VP.	1
Note: Please give the data from type plate of the motor			
13.2		FAN HOOD TL4/3N NEUTRAL	1
Note: no longer available / nicht mehr lieferbar / ne plus disponible			
Note: Please give the data from type plate of the motor			
13.3		SCREW M4X8 ISO7045 4.8-H ZN	1
Note: no longer available / nicht mehr lieferbar / ne plus disponible			
13.4	2047016	CORRUGATED SLEEVE RING BG90/100 ATB VP.	1
Note: Please give the data from type plate of the motor			



**SPARE PARTS HYDRAULICS MVI/MVIE 1.4301**

<b>Item</b>	<b>Article no.</b>	<b>Description</b>	<b>Quantity</b>
20.1	4059944	STAGE-KIT-MVI 16 6"	1
		> STAGE CASING W/O RGV-MVI16M3/6"-1.4301	1
		> IMPELLER MVI/MHI 16M3/6"-1.4301	1
		> SPACER-D14L17.5-304	1
20.2	4059945	STAGE KIT MVI 16 6"	1
		> IMPELLER MVI/MHI 16M3/6"-1.4301	1
		> STAGE-CAS.W-R/CHA.&B.MVI/MHI16-6"-1.4301	1
		> SLEEVE-D14L13,8-VMI	1
		> SPACER D14L9.5-316L	1
		> SPACER D14L12.7-316L	1



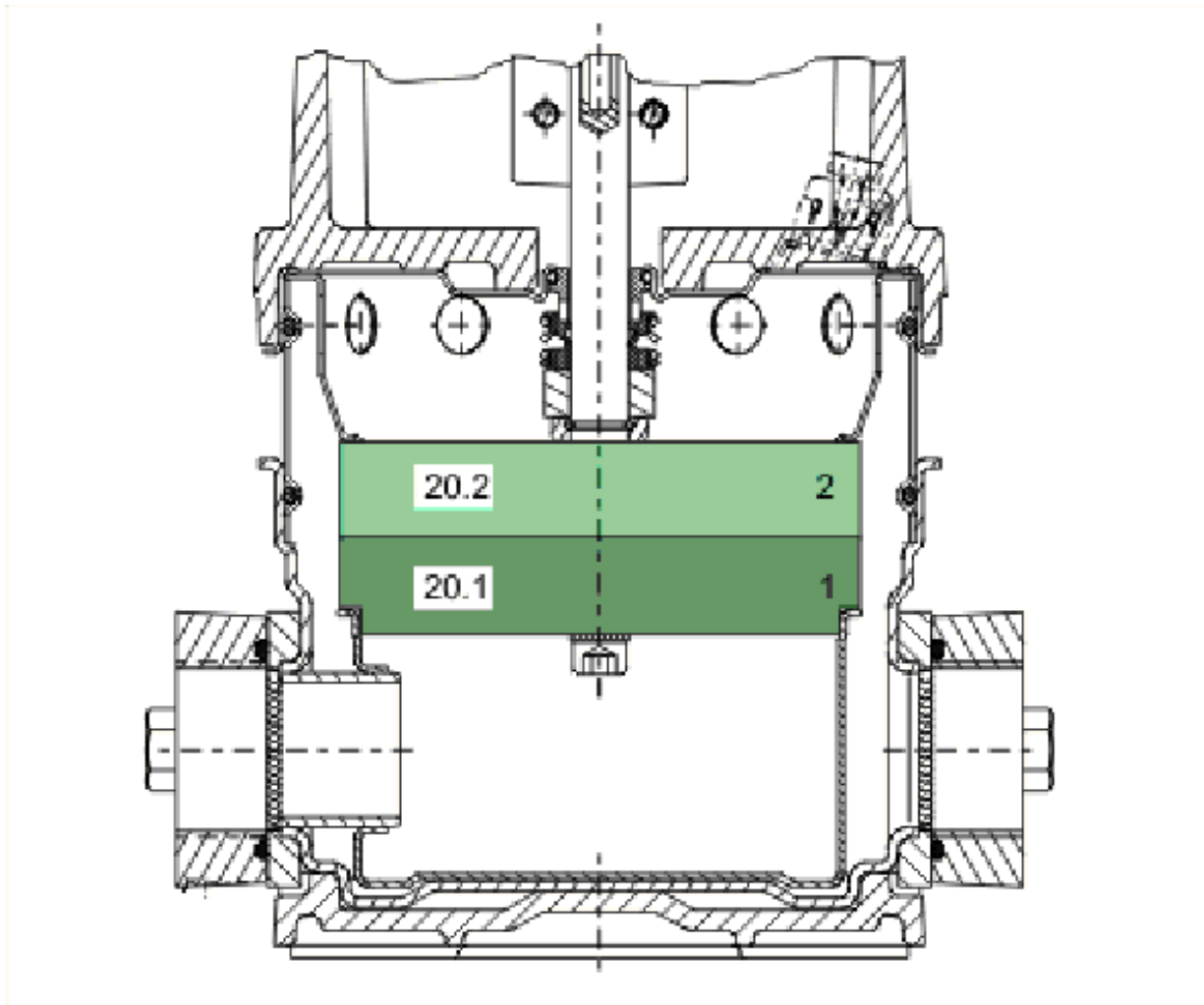


**MVIE1602/6-1/25/E/3-2-2G (4077537)**

Item	Article no.	Description	Quantity
1	2035466	PUMP HOUSING MVI16 6"DN50 PN25 1.4301KIT	1
1.1		> CASING-MVI-PN25-DN50-16M3-316L	1
1.2	4234257	> FLAT-GASKET 65X102X2 VP.	1
1.3	4176513	> O-RING FOR PUMP JACKET VP.	1
1.4	4234235	> PRIMING/DRAIN PLUG MVI6" 304 VP.	1
3.2	4177800	> O-RING EPDM PLUG HELIX VP.	1
3.3	4234242	> O-RING 9X2 VP.	1
2	4204832	BASE MVIE/MVI 8/16 PN16/25 VP.	1
3	4027301	MECHANICAL SEAL MVI2/4/8/16-6" EP120°KIT	1
1.3	4176513	> O-RING FOR PUMP JACKET VP.	1
3.1		> MECHANICAL SEAL MG12/14-G606-Q1BE3GG-BU.	1
3.2	4177800	> O-RING EPDM PLUG HELIX VP.	1
3.3	4234242	> O-RING 9X2 VP.	1
4	4059951	SHAFT-EQUIPMENT-KIT-MVI 16 6"	1
4.1		> SCREW CHC-M6X14-8.8-ISO4762-GEOMET500A	1
4.2		> WASHER D.24 L6U ZINK	1
4.3	2090148	> CIRCLIP D14 MVI/MHI 316L (2 PIECES) VP.	1
		>> STOP-RUSH-1/2-D14-VMI/HMI-316	2
4.4		> STOP COLLAR OF IMPELLER L=28.8-Ø14-316L	1
4.5		> FLAT WASHER-D8xD16x2.5-316L	1
4.6		> STAINLESS-STEEL-WASHER-DE8	1
4.7		> SCREW M8X16 ISO4762 A4	1
5	2035617	HOUSING PIPE D.152X116 1.4301 KIT	1
5.1		> HOUSING-PIPE-D152-VMI1602-1.4301	1
1.3	4176513	> O-RING FOR PUMP JACKET VP.	1
6	2018359	STUD BOLT M12X245 KIT	1
6.1		> TIE BOLT M12-245x18x30-1.4057	1
6.2	2094647	> NUT M12 M12 ISO4032 VP.	1
6.3	2123557	> WASHER CS-12.4-24-1.6-NFE25 (4 PIECES)	1
7		M2,2-2T638P55V18-90F11-SU-N24-ADAPT	1
Note: no longer available/nicht mehr lieferbar/n'est plus disponible			
8	4190751	LANTERN-MOTOR-VMI-FT115-MACHINED VP.	1
9	4092424	COUPLING GUARD FT85/130 MVI KIT	1
		> COUPLING PROTECTOR FT85/130-1.4016	1

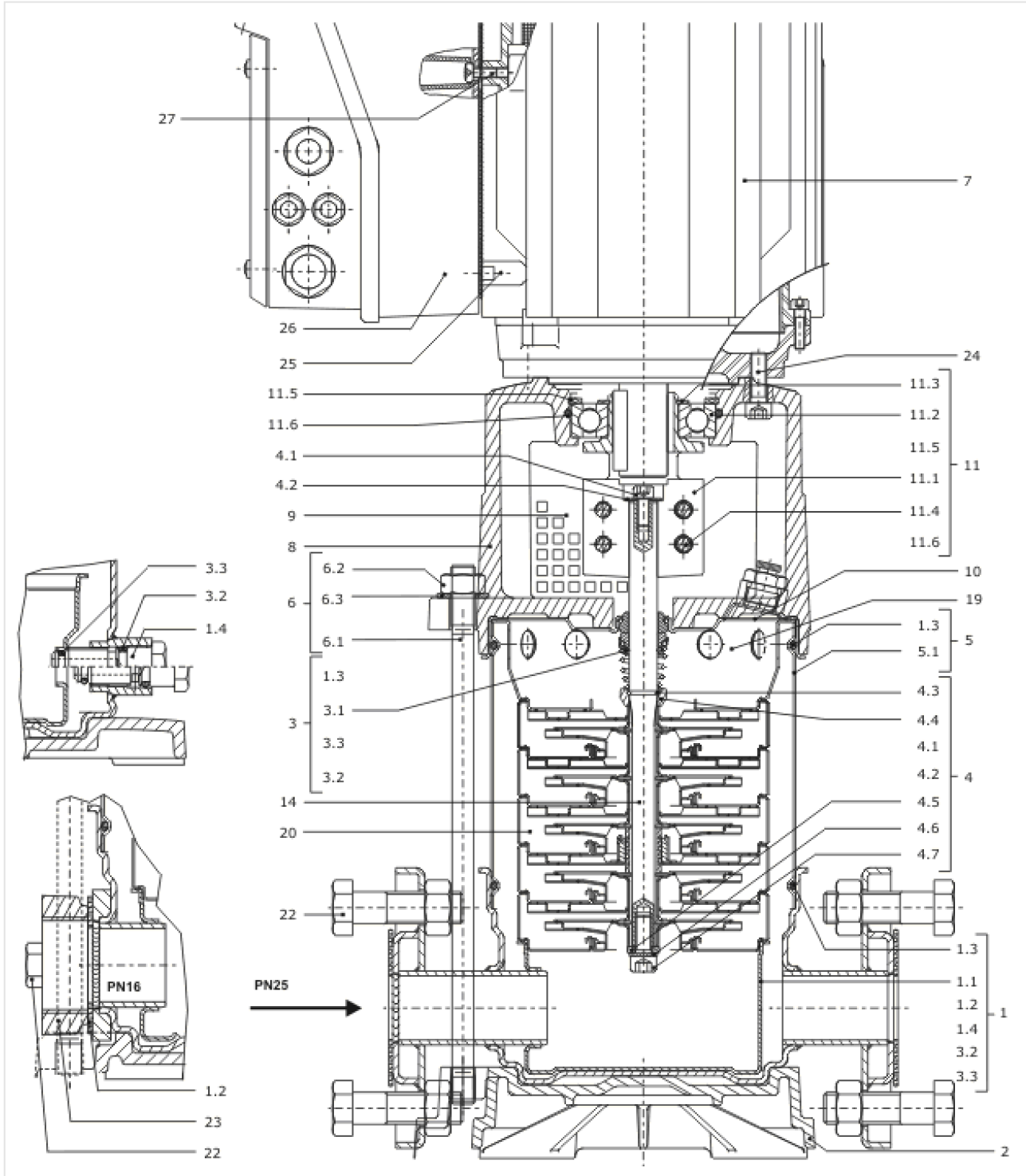
**MVIE1602/6-1/25/E/3-2-2G (4077537)**

Item	Article no.	Description	Quantity
		> CLIP COUPLING-GUARD-RF	1
10	4217881	STAT.RING HOLDER-GM-D14-304 VP.	1
11	4095214	3PH COUPLING KIT MVI D14XD24	1
11.1		> COUPLING-VMI-Ø14xØ24-FT115-MACHINED	1
11.2	2131023	> BALL BEARING 6207/ZZ-C3(HT)VP.	1
11.3	4234254	> CIRCLIP-FOR-SHAFT-D35x1.5 VP.	1
11.4	4157726	> SCREW KIT M8X30 (4 PIECES)	1
11.5	4234251	> CIRCLIP-D72x2.5 VP.	1
11.6	4234246	> O-RING 72X3 VP.	1
		> NOME CONTACT WASHER 8x16x1,4 STEEL ZC	1
		> SCREW CHC-M6X14-8.8-ISO4762-GEOMET500A	1
		> WASHER D.24 L6U ZINK	1
14	4088307	SHAFT Lg:177,5 MVI 1602/6 KIT	1
19	4212656	UPPER STAGEW/ORING MVI16M3-6"-1.4301 VP.	1
20	4181169	HYDRAULIC CPL.MVI1602-6" 1.4301 KIT	1
20	4181169	HYDRAULIC CPL.MVI1602-6" 1.4301 KIT	1
20		SPARE PARTS HYDRAULICS MVI/MVIE 1.4301	1
22	61477	SCREW M16 L60x38-ZINGUE	1
24	4157726	SCREW KIT M8X30 (4 PIECES)	1
26		MODULE MVIE/MHIE-2,2KW IE1	1
Note: no longer available/nicht mehrlieferbar/n'est plus disponible			
	4233131	PLUG-VMI-316L VP.	1



**SPARE PARTS HYDRAULICS MVI/MVIE 1.4301**

<b>Item</b>	<b>Article no.</b>	<b>Description</b>	<b>Quantity</b>
20.1	4059944	STAGE-KIT-MVI 16 6"	1
		> STAGE CASING W/O RGV-MVI16M3/6"-1.4301	1
		> IMPELLER MVI/MHI 16M3/6"-1.4301	1
		> SPACER-D14L17.5-304	1
20.2	4059945	STAGE KIT MVI 16 6"	1
		> IMPELLER MVI/MHI 16M3/6"-1.4301	1
		> STAGE-CAS.W-R/CHA.&B.MVI/MHI16-6"-1.4301	1
		> SLEEVE-D14L13,8-VMI	1
		> SPACER D14L9.5-316L	1
		> SPACER D14L12.7-316L	1

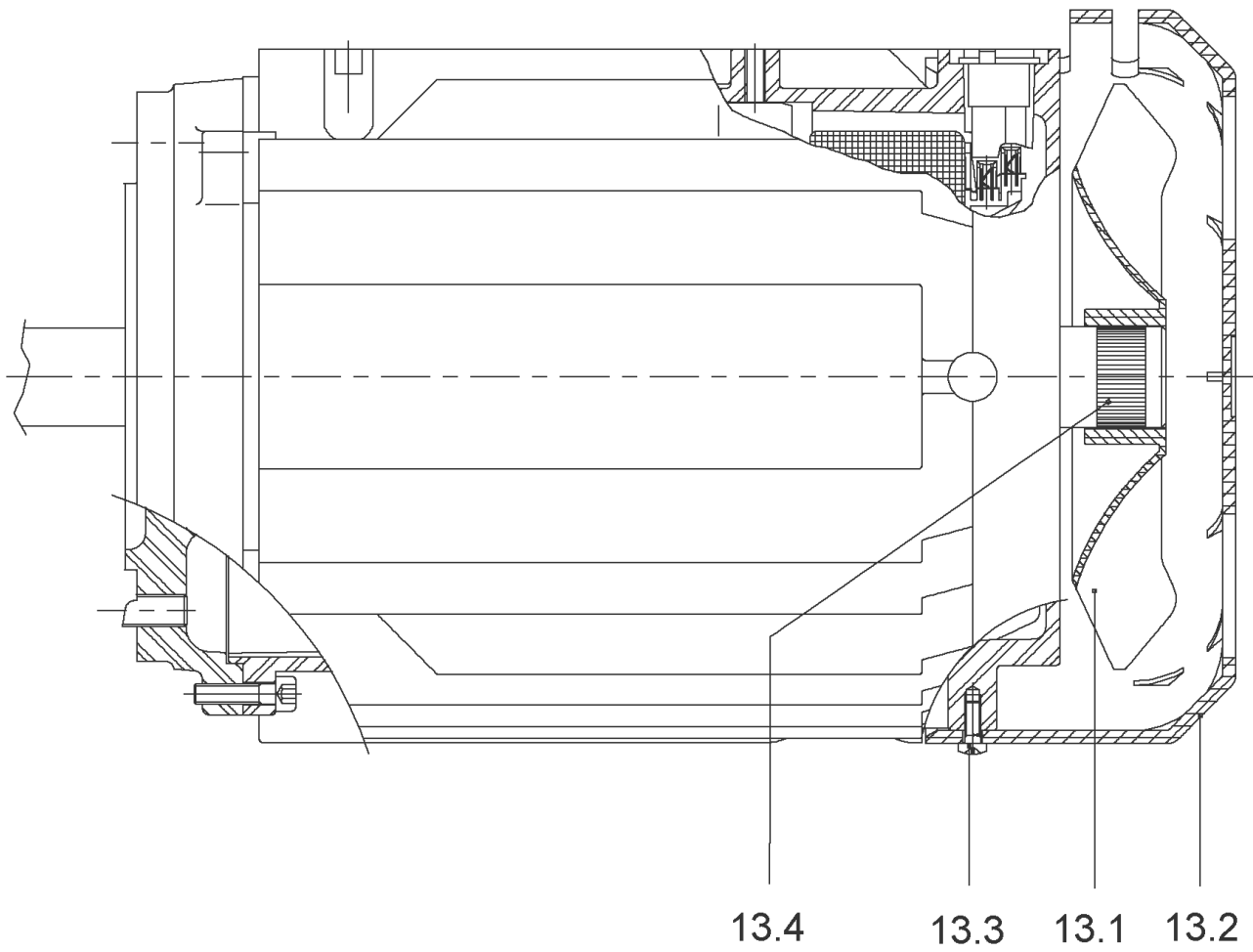


**MVIE1603/6-1/16/E/3-2 (4057579)**

Item	Article no.	Description	Quantity
1	2027121	PUMP HOUSING MVI/MVIS DN50 PN16 KIT	1
1.1		> PUMP HOUSING MVI D.50 PN16 1.4301	1
1.2	4233954	> O-RING ID.66 EPDM VP.	1
Note: FROM / AB / À PARTIR DE: 07/97			
1.3	4176513	> O-RING FOR PUMP JACKET VP.	1
1.4	4234235	> PRIMING/DRAIN PLUG MVI6" 304 VP.	1
3.2	4177800	> O-RING EPDM PLUG HELIX VP.	1
3.3	4234242	> O-RING 9X2 VP.	1
2	4204832	BASE MVIE/MVI 8/16 PN16/25 VP.	1
3	4027301	MECHANICAL SEAL MVI2/4/8/16-6" EP120°KIT	1
1.3	4176513	> O-RING FOR PUMP JACKET VP.	1
3.1		> MECHANICAL SEAL MG12/14-G606-Q1BE3GG-BU.	1
3.2	4177800	> O-RING EPDM PLUG HELIX VP.	1
3.3	4234242	> O-RING 9X2 VP.	1
4	4059951	SHAFT-EQUIPMENT-KIT-MVI 16 6"	1
4.1		> SCREW CHC-M6X14-8.8-ISO4762-GEOMET500A	1
4.2		> WASHER D.24 L6U ZINK	1
4.3	2090148	> CIRCLIP D14 MVI/MHI 316L (2 PIECES) VP.	1
		>> STOP-RUSH-1/2-D14-VMI/HMI-316	2
4.4		> STOP COLLAR OF IMPELLER L=28.8-Ø14-316L	1
4.5		> FLAT WASHER-D8xD16x2.5-316L	1
4.6		> STAINLESS-STEEL-WASHER-DE8	1
4.7		> SCREW M8X16 ISO4762 A4	1
5	2018378	HOUSING PIPE D.152X167 1.4301 KIT	1
5.1		> HOUSING-PIPE-D152-VMI207/805/1603/04-304	1
1.3	4176513	> O-RING FOR PUMP JACKET VP.	1
6	2018362	STUD BOLT M12X317 KIT	1
6.1		> TIE BOLT M12-317x18x30-1.4057	1
6.2	2094647	> NUT M12 M12 ISO4032 VP.	1
6.3	2123557	> WASHER CS-12.4-24-1.6-NFE25 (4 PIECES)	1
7	4214476	MO.TL4/4000/2DM 65HZ V18 MVIE SER.99 VP.	1
		SPARE PARTS MOTOR TL4/4000/2 3-400 65HZ	1
8	4196004	LANTERN-MOTOR-VMI-FF265 VP.	1
9	4092424	COUPLING GUARD FT85/130 MVI KIT	1

**MVIE1603/6-1/16/E/3-2 (4057579)**

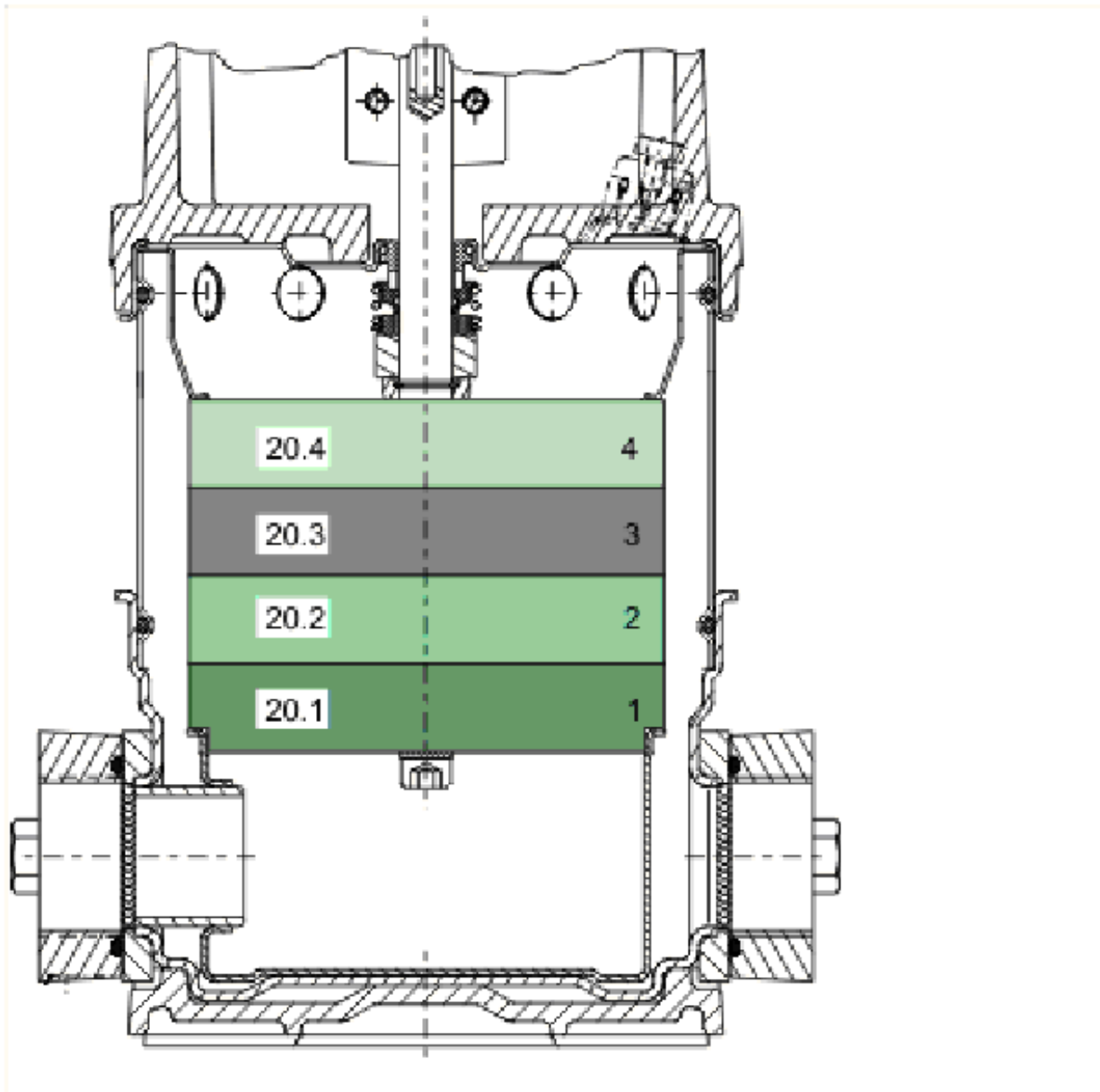
Item	Article no.	Description	Quantity
		> COUPLING PROTECTOR FT85/130-1.4016	1
		> CLIP COUPLING-GUARD-RF	1
10	4217881	STAT.RING HOLDER-GM-D14-304 VP.	1
11	4095219	3PH COUPLING KIT MVI D14XD28	1
11.1		> COUPLING VMI-Ø14xØ28-FT130 MACHINING	1
11.2	122065996	> BALL BEARING 6209/2Z-C3 (HT) VP.	1
11.3	4233930	> CIRCLIP-FOR-BORES-D45x1,75 VP.	1
11.4	4157726	> SCREW KIT M8X30 (4 PIECES)	1
11.5	4234252	> CIRCLIPS 85X3 VP.	1
11.6	4234243	> O-RING 85X3 VP.	1
		> NOMELO CONTACT WASHER 8x16x1,4 STEEL ZC	1
		> SCREW CHC-M6X14-8.8-ISO4762-GEOMET500A	1
		> WASHER D.24 L6U ZINK	1
14	4233901	SHAFT D.14X252 1.4057 VP.	1
19	4212656	UPPER STAGEW/ORING MVI16M3-6"-1.4301 VP.	1
20	4181170	HYDRAULIC CPL.MVI1603-6" 1.4301 KIT	1
20		Hydraulic cpl.(Pos.19+20)without MS.	1
20		SPARE PARTS HYDRAULICS MVI/MVIE 1.4301	1
22	74750711116	SCREW M12X55X55 ISO4017 6.8 ZN	1
23	4052247	COUNTER-FLANGE-VMI2	1
24	4157726	SCREW KIT M8X30 (4 PIECES)	1
25	2048855	SCREW M5X16 ISO7045 4.8-Z ZN LSN.	1
26		MODULE MVIE/MHIE 212/408/805 4KW	1
Note: no longer available / nicht mehr lieferbar / ne plus disponible			
27	2048856	SCREW M5X12 ISO7045 4.8-Z GB.ZN	1
	2175824	Key C 8X7X39-112 VP.	1
	4233131	PLUG-VMI-316L VP.	1





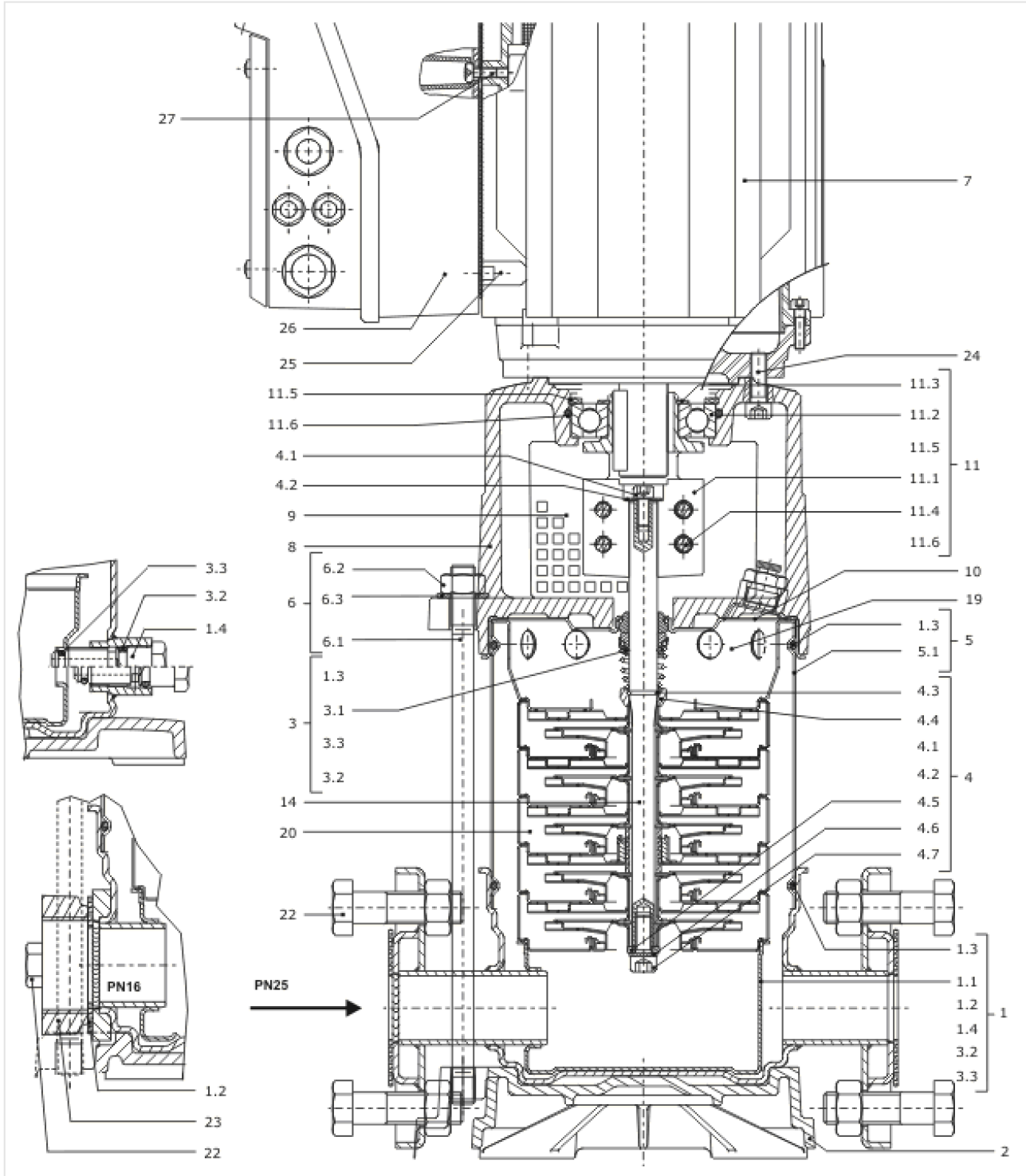
**SPARE PARTS MOTOR TL4/4000/2 3-400 65HZ**

Item	Article no.	Description	Quantity
13.1	2047017	FAN WHEEL AF90 2POL.ATB VP.	1
Note: Please give the data from type plate of the motor			
13.2	4049393	CAPOT-VENTILATEUR-TL4N-NEUTRE-REPRIS	1
Note: Please give the data from type plate of the motor			
13.3		SCREW M4X8 ISO7045 4.8-H ZN	1
Note: no longer available / nicht mehr lieferbar / ne plus disponible			
13.4	2047016	CORRUGATED SLEEVE RING BG90/100 ATB VP.	1
Note: Please give the data from type plate of the motor			



**SPARE PARTS HYDRAULICS MVI/MVIE 1.4301**

Item	Article no.	Description	Quantity
20.1	4059944	STAGE-KIT-MVI 16 6"	1
		> STAGE CASING W/O RGV-MVI16M3/6"-1.4301	1
		> IMPELLER MVI/MHI 16M3/6"-1.4301	1
		> SPACER-D14L17.5-304	1
20.2	4059946	STAGE-KIT-MVI 16 6"	1
		> IMPELLER MVI/MHI 16M3/6"-1.4301	1
		> STAGE CASING W RGV-MVI/MHI16M3-6"-1.4301	1
		> SPACER L=36-304	1
20.3	4059949	STAGE-KIT-MVI 16 6"	1
		> STAGE-CAS.W-R/CHA.&B.MVI/MHI16-6"-1.4301	1
		> SLEEVE-D14L13,8-VMI	1
		> SPACER D14L9.5-316L	1
		> SPACER D14L12.7-316L	1
		> WASHER D.24/14x1,5 1.4401	1
20.4	4059947	STAGE-KIT-MVI 16 6"	1
		> STAGE CASING W/O RGV-MVI16M3/6"-1.4301	1
		> IMPELLER MVI/MHI 16M3/6"-1.4301	1
		> SPACER L=36-304	1

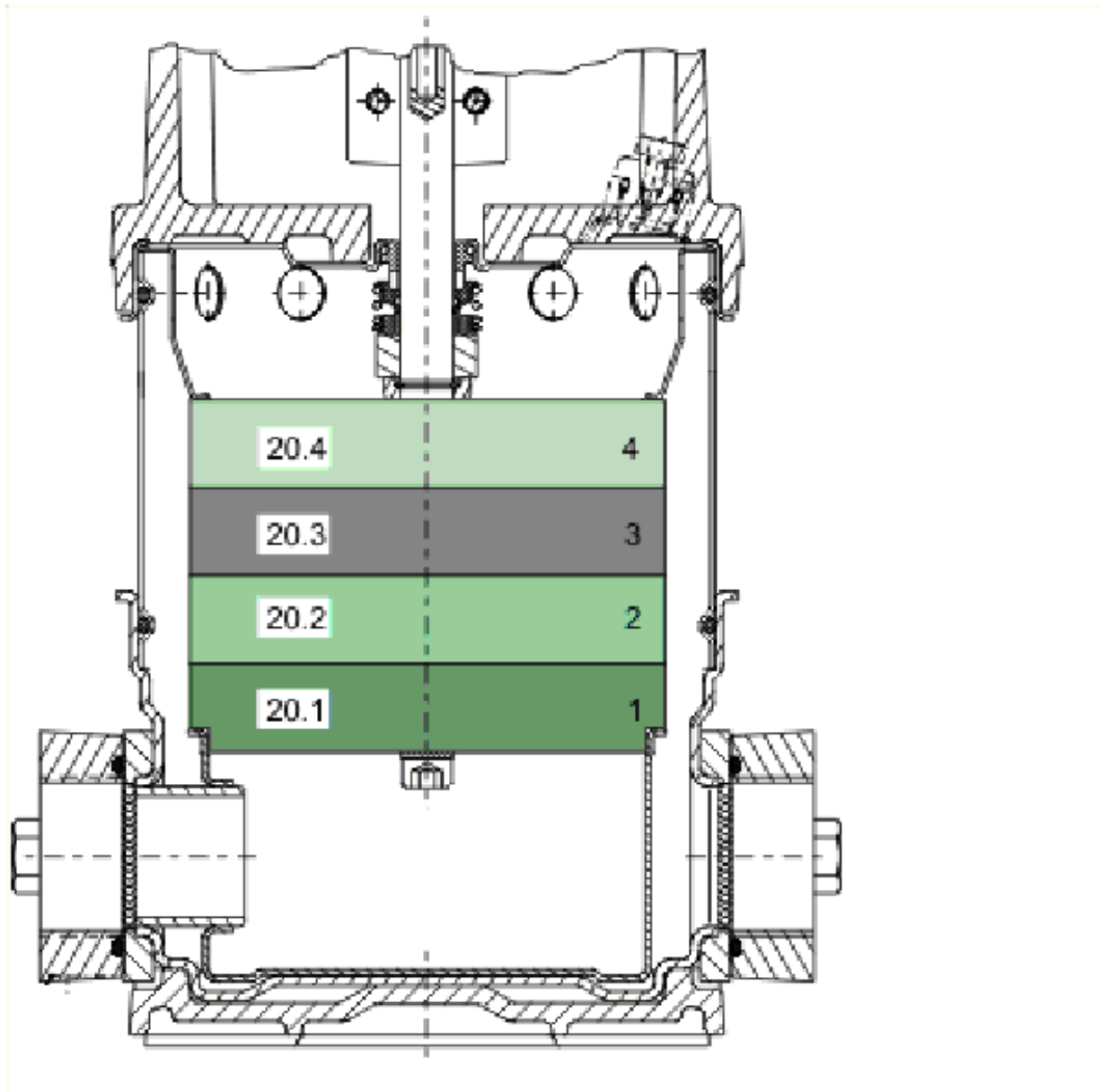


**MVIE1603/6-1/16/E/3-2-2G (4077528)**

Item	Article no.	Description	Quantity
1	2027121	PUMP HOUSING MVI/MVIS DN50 PN16 KIT	1
1.1		> PUMP HOUSING MVI D.50 PN16 1.4301	1
1.2	4233954	> O-RING ID.66 EPDM VP.	1
Note: FROM / AB / À PARTIR DE: 07/97			
1.3	4176513	> O-RING FOR PUMP JACKET VP.	1
1.4	4234235	> PRIMING/DRAIN PLUG MVI6" 304 VP.	1
3.2	4177800	> O-RING EPDM PLUG HELIX VP.	1
3.3	4234242	> O-RING 9X2 VP.	1
2	4204832	BASE MVIE/MVI 8/16 PN16/25 VP.	1
3	4027301	MECHANICAL SEAL MVI2/4/8/16-6" EP120°KIT	1
1.3	4176513	> O-RING FOR PUMP JACKET VP.	1
3.1		> MECHANICAL SEAL MG12/14-G606-Q1BE3GG-BU.	1
3.2	4177800	> O-RING EPDM PLUG HELIX VP.	1
3.3	4234242	> O-RING 9X2 VP.	1
4	4059951	SHAFT-EQUIPMENT-KIT-MVI 16 6"	1
4.1		> SCREW CHC-M6X14-8.8-ISO4762-GEOMET500A	1
4.2		> WASHER D.24 L6U ZINK	1
4.3	2090148	> CIRCLIP D14 MVI/MHI 316L (2 PIECES) VP.	1
		>> STOP-RUSH-1/2-D14-VMI/HMI-316	2
4.4		> STOP COLLAR OF IMPELLER L=28.8-Ø14-316L	1
4.5		> FLAT WASHER-D8xD16x2.5-316L	1
4.6		> STAINLESS-STEEL-WASHER-DE8	1
4.7		> SCREW M8X16 ISO4762 A4	1
5	2018378	HOUSING PIPE D.152X167 1.4301 KIT	1
5.1		> HOUSING-PIPE-D152-VMI207/805/1603/04-304	1
1.3	4176513	> O-RING FOR PUMP JACKET VP.	1
6	2018362	STUD BOLT M12X317 KIT	1
6.1		> TIE BOLT M12-317x18x30-1.4057	1
6.2	2094647	> NUT M12 M12 ISO4032 VP.	1
6.3	2123557	> WASHER CS-12.4-24-1.6-NFE25 (4 PIECES)	1
7		M4-2T638P55V18-112F13-SU-N28-ADAPT	1
Note: no longer available/nicht mehrlieferbar/n'est plus disponible			
8	4191471	LANTERN-MOTOR-VMI-FT130-MACHINED VP.	1
9	4092424	COUPLING GUARD FT85/130 MVI KIT	1

**MVIE1603/6-1/16/E/3-2-2G (4077528)**

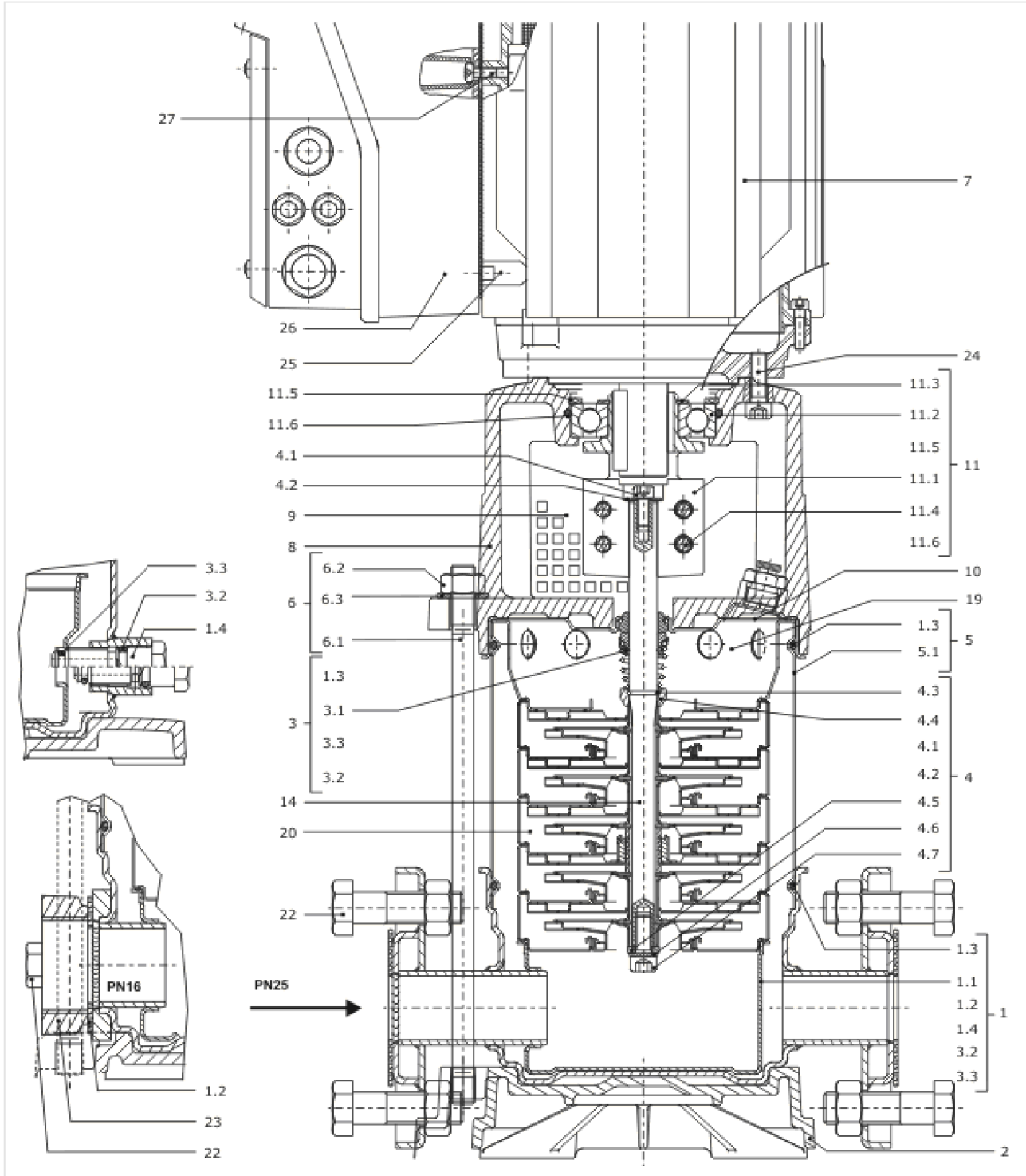
Item	Article no.	Description	Quantity
		> COUPLING PROTECTOR FT85/130-1.4016	1
		> CLIP COUPLING-GUARD-RF	1
10	4217881	STAT.RING HOLDER-GM-D14-304 VP.	1
11	4095219	3PH COUPLING KIT MVI D14XD28	1
11.1		> COUPLING VMI-Ø14xØ28-FT130 MACHINING	1
11.2	122065996	> BALL BEARING 6209/2Z-C3 (HT) VP.	1
11.3	4233930	> CIRCLIP-FOR-BORES-D45x1,75 VP.	1
11.4	4157726	> SCREW KIT M8X30 (4 PIECES)	1
11.5	4234252	> CIRCLIPS 85X3 VP.	1
11.6	4234243	> O-RING 85X3 VP.	1
		> NOMEI CONTACT WASHER 8x16x1,4 STEEL ZC	1
		> SCREW CHC-M6X14-8.8-ISO4762-GEOMET500A	1
		> WASHER D.24 L6U ZINK	1
14	4233901	SHAFT D.14X252 1.4057 VP.	1
19	4212656	UPPER STAGEW/ORING MVI16M3-6"-1.4301 VP.	1
20	4181170	HYDRAULIC CPL.MVI1603-6" 1.4301 KIT	1
20		Hydraulic cpl.(Pos.19+20)without MS.	1
20		SPARE PARTS HYDRAULICS MVI/MVIE 1.4301	1
22	74750711116	SCREW M12X55X55 ISO4017 6.8 ZN	1
23	4052247	COUNTER-FLANGE-VMI2	1
24	4157726	SCREW KIT M8X30 (4 PIECES)	1
26		MODULE MVIEMHIE-4KW TL3/4	1
Note: no longer available/nicht mehr lieferbar/n'est plus disponible			
	4233131	PLUG-VMI-316L VP.	1



**SPARE PARTS HYDRAULICS MVI/MVIE 1.4301**

Item	Article no.	Description	Quantity
20.1	4059944	STAGE-KIT-MVI 16 6"	1
		> STAGE CASING W/O RGV-MVI16M3/6"-1.4301	1
		> IMPELLER MVI/MHI 16M3/6"-1.4301	1
		> SPACER-D14L17.5-304	1
20.2	4059946	STAGE-KIT-MVI 16 6"	1
		> IMPELLER MVI/MHI 16M3/6"-1.4301	1
		> STAGE CASING W RGV-MVI/MHI16M3-6"-1.4301	1
		> SPACER L=36-304	1
20.3	4059949	STAGE-KIT-MVI 16 6"	1
		> STAGE-CAS.W-R/CHA.&B.MVI/MHI16-6"-1.4301	1
		> SLEEVE-D14L13,8-VMI	1
		> SPACER D14L9.5-316L	1
		> SPACER D14L12.7-316L	1
		> WASHER D.24/14x1,5 1.4401	1
20.4	4059947	STAGE-KIT-MVI 16 6"	1
		> STAGE CASING W/O RGV-MVI16M3/6"-1.4301	1
		> IMPELLER MVI/MHI 16M3/6"-1.4301	1
		> SPACER L=36-304	1



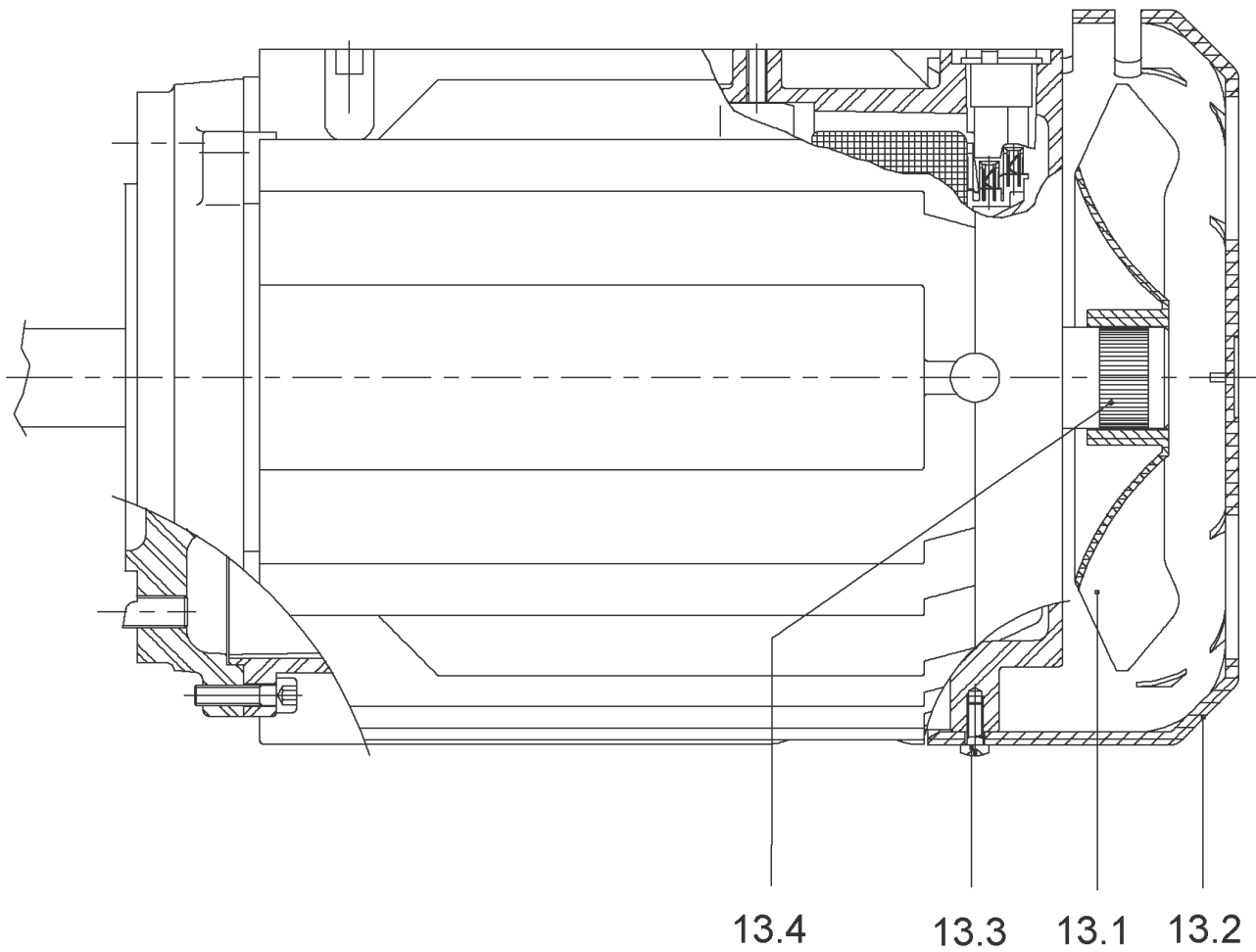


**MVIE1603/6-1/25/E/3-2 (4057581)**

Item	Article no.	Description	Quantity
1	2035466	PUMP HOUSING MVI16 6"DN50 PN25 1.4301KIT	1
1.1		> CASING-MVI-PN25-DN50-16M3-316L	1
1.2	4234257	> FLAT-GASKET 65X102X2 VP.	1
1.3	4176513	> O-RING FOR PUMP JACKET VP.	1
1.4	4234235	> PRIMING/DRAIN PLUG MVI6" 304 VP.	1
3.2	4177800	> O-RING EPDM PLUG HELIX VP.	1
3.3	4234242	> O-RING 9X2 VP.	1
2	4204832	BASE MVIE/MVI 8/16 PN16/25 VP.	1
3	4027301	MECHANICAL SEAL MVI2/4/8/16-6" EP120°KIT	1
1.3	4176513	> O-RING FOR PUMP JACKET VP.	1
3.1		> MECHANICAL SEAL MG12/14-G606-Q1BE3GG-BU.	1
3.2	4177800	> O-RING EPDM PLUG HELIX VP.	1
3.3	4234242	> O-RING 9X2 VP.	1
4	4059951	SHAFT-EQUIPMENT-KIT-MVI 16 6"	1
4.1		> SCREW CHC-M6X14-8.8-ISO4762-GEOMET500A	1
4.2		> WASHER D.24 L6U ZINK	1
4.3	2090148	> CIRCLIP D14 MVI/MHI 316L (2 PIECES) VP.	1
		>> STOP-RUSH-1/2-D14-VMI/HMI-316	2
4.4		> STOP COLLAR OF IMPELLER L=28.8-Ø14-316L	1
4.5		> FLAT WASHER-D8xD16x2.5-316L	1
4.6		> STAINLESS-STEEL-WASHER-DE8	1
4.7		> SCREW M8X16 ISO4762 A4	1
5	2018378	HOUSING PIPE D.152X167 1.4301 KIT	1
5.1		> HOUSING-PIPE-D152-VMI207/805/1603/04-304	1
1.3	4176513	> O-RING FOR PUMP JACKET VP.	1
6	2018362	STUD BOLT M12X317 KIT	1
6.1		> TIE BOLT M12-317x18x30-1.4057	1
6.2	2094647	> NUT M12 M12 ISO4032 VP.	1
6.3	2123557	> WASHER CS-12.4-24-1.6-NFE25 (4 PIECES)	1
7	4214476	MO.TL4/4000/2DM 65HZ V18 MVIE SER.99 VP.	1
		SPARE PARTS MOTOR TL4/4000/2 3-400 65HZ	1
8	4196004	LANTERN-MOTOR-VMI-FF265 VP.	1
9	4092424	COUPLING GUARD FT85/130 MVI KIT	1
		> COUPLING PROTECTOR FT85/130-1.4016	1

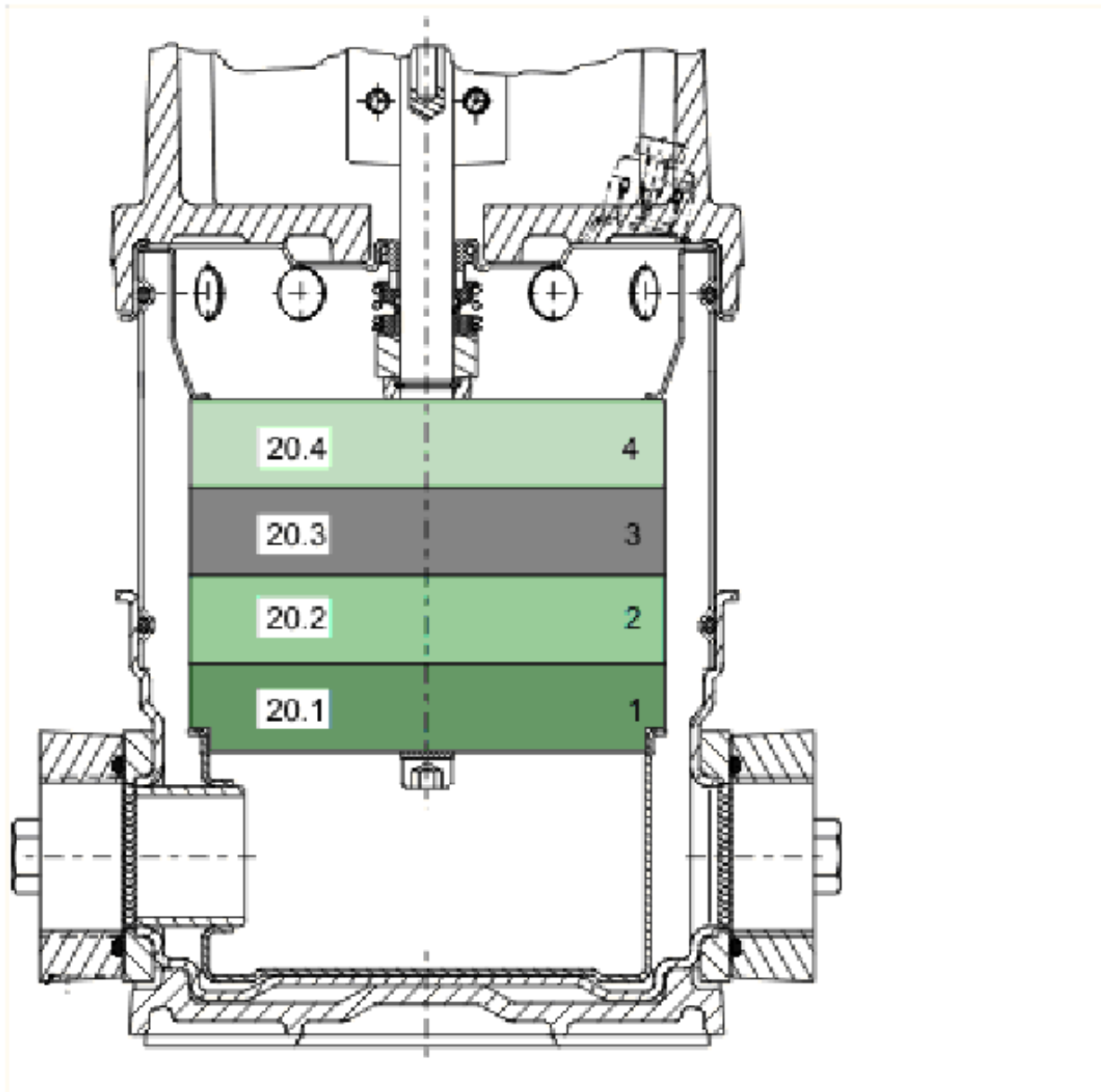
**MVIE1603/6-1/25/E/3-2 (4057581)**

Item	Article no.	Description	Quantity
		> CLIP COUPLING-GUARD-RF	1
10	4217881	STAT.RING HOLDER-GM-D14-304 VP.	1
11	4095219	3PH COUPLING KIT MVI D14XD28	1
11.1		> COUPLING VMI-Ø14xØ28-FT130 MACHINING	1
11.2	122065996	> BALL BEARING 6209/2Z-C3 (HT) VP.	1
11.3	4233930	> CIRCLIP-FOR-BORES-D45x1,75 VP.	1
11.4	4157726	> SCREW KIT M8X30 (4 PIECES)	1
11.5	4234252	> CIRCLIPS 85X3 VP.	1
11.6	4234243	> O-RING 85X3 VP.	1
		> NOME CONTACT WASHER 8x16x1,4 STEEL ZC	1
		> SCREW CHC-M6X14-8.8-ISO4762-GEOMET500A	1
		> WASHER D.24 L6U ZINK	1
14	4233901	SHAFT D.14X252 1.4057 VP.	1
19	4212656	UPPER STAGEW/ORING MVI16M3-6"-1.4301 VP.	1
20	4181170	HYDRAULIC CPL.MVI1603-6" 1.4301 KIT	1
20		Hydraulic cpl.(Pos.19+20)without MS.	1
20		SPARE PARTS HYDRAULICS MVI/MVIE 1.4301	1
22	61477	SCREW M16 L60x38-ZINGUE	1
24	4157726	SCREW KIT M8X30 (4 PIECES)	1
25	2048855	SCREW M5X16 ISO7045 4.8-Z ZN LSN.	1
26		MODULE MVIE/MHIE 212/408/805 4KW	1
Note: no longer available / nicht mehr lieferbar / ne plus disponible			
27	2048856	SCREW M5X12 ISO7045 4.8-Z GB.ZN	1
	2175824	Key C 8X7X39-112 VP.	1
	4233131	PLUG-VMI-316L VP.	1



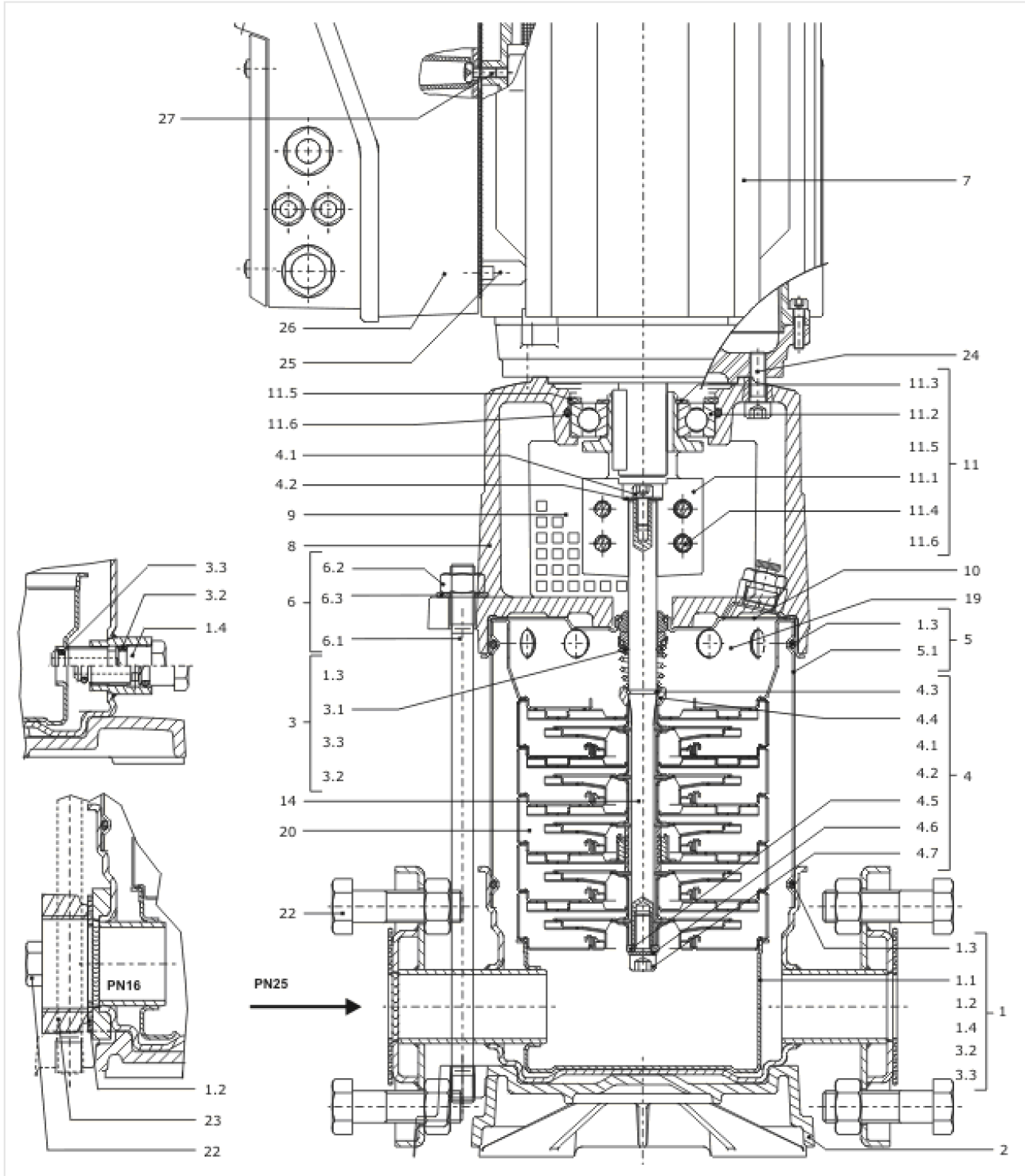
**SPARE PARTS MOTOR TL4/4000/2 3-400 65HZ**

<b>Item</b>	<b>Article no.</b>	<b>Description</b>	<b>Quantity</b>
13.1	2047017	FAN WHEEL AF90 2POL.ATB VP.	1
Note: Please give the data from type plate of the motor			
13.2	4049393	CAPOT-VENTILATEUR-TL4N-NEUTRE-REPRIS	1
Note: Please give the data from type plate of the motor			
13.3		SCREW M4X8 ISO7045 4.8-H ZN	1
Note: no longer available / nicht mehr lieferbar / ne plus disponible			
13.4	2047016	CORRUGATED SLEEVE RING BG90/100 ATB VP.	1
Note: Please give the data from type plate of the motor			



**SPARE PARTS HYDRAULICS MVI/MVIE 1.4301**

Item	Article no.	Description	Quantity
20.1	4059944	STAGE-KIT-MVI 16 6"	1
		> STAGE CASING W/O RGV-MVI16M3/6"-1.4301	1
		> IMPELLER MVI/MHI 16M3/6"-1.4301	1
		> SPACER-D14L17.5-304	1
20.2	4059946	STAGE-KIT-MVI 16 6"	1
		> IMPELLER MVI/MHI 16M3/6"-1.4301	1
		> STAGE CASING W RGV-MVI/MHI16M3-6"-1.4301	1
		> SPACER L=36-304	1
20.3	4059949	STAGE-KIT-MVI 16 6"	1
		> STAGE-CAS.W-R/CHA.&B.MVI/MHI16-6"-1.4301	1
		> SLEEVE-D14L13,8-VMI	1
		> SPACER D14L9.5-316L	1
		> SPACER D14L12.7-316L	1
		> WASHER D.24/14x1,5 1.4401	1
20.4	4059947	STAGE-KIT-MVI 16 6"	1
		> STAGE CASING W/O RGV-MVI16M3/6"-1.4301	1
		> IMPELLER MVI/MHI 16M3/6"-1.4301	1
		> SPACER L=36-304	1



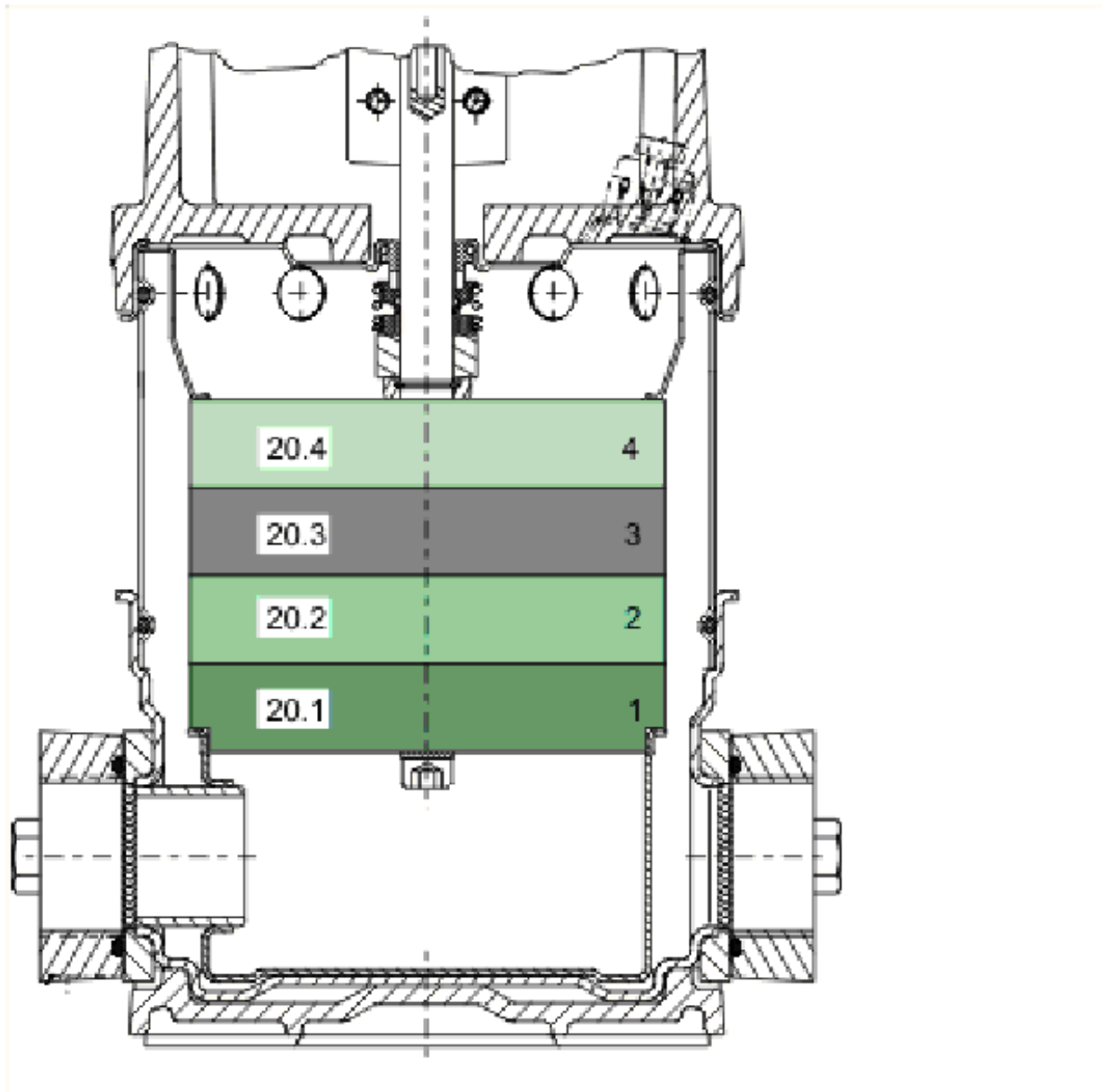


**MVIE1603/6-1/25/E/3-2-2G (4077538)**

Item	Article no.	Description	Quantity
1	2035466	PUMP HOUSING MVI16 6"DN50 PN25 1.4301KIT	1
1.1		> CASING-MVI-PN25-DN50-16M3-316L	1
1.2	4234257	> FLAT-GASKET 65X102X2 VP.	1
1.3	4176513	> O-RING FOR PUMP JACKET VP.	1
1.4	4234235	> PRIMING/DRAIN PLUG MVI6" 304 VP.	1
3.2	4177800	> O-RING EPDM PLUG HELIX VP.	1
3.3	4234242	> O-RING 9X2 VP.	1
2	4204832	BASE MVIE/MVI 8/16 PN16/25 VP.	1
3	4027301	MECHANICAL SEAL MVI2/4/8/16-6" EP120°KIT	1
1.3	4176513	> O-RING FOR PUMP JACKET VP.	1
3.1		> MECHANICAL SEAL MG12/14-G606-Q1BE3GG-BU.	1
3.2	4177800	> O-RING EPDM PLUG HELIX VP.	1
3.3	4234242	> O-RING 9X2 VP.	1
4	4059951	SHAFT-EQUIPMENT-KIT-MVI 16 6"	1
4.1		> SCREW CHC-M6X14-8.8-ISO4762-GEOMET500A	1
4.2		> WASHER D.24 L6U ZINK	1
4.3	2090148	> CIRCLIP D14 MVI/MHI 316L (2 PIECES) VP.	1
		>> STOP-RUSH-1/2-D14-VMI/HMI-316	2
4.4		> STOP COLLAR OF IMPELLER L=28.8-Ø14-316L	1
4.5		> FLAT WASHER-D8xD16x2.5-316L	1
4.6		> STAINLESS-STEEL-WASHER-DE8	1
4.7		> SCREW M8X16 ISO4762 A4	1
5	2018378	HOUSING PIPE D.152X167 1.4301 KIT	1
5.1		> HOUSING-PIPE-D152-VMI207/805/1603/04-304	1
1.3	4176513	> O-RING FOR PUMP JACKET VP.	1
6	2018362	STUD BOLT M12X317 KIT	1
6.1		> TIE BOLT M12-317x18x30-1.4057	1
6.2	2094647	> NUT M12 M12 ISO4032 VP.	1
6.3	2123557	> WASHER CS-12.4-24-1.6-NFE25 (4 PIECES)	1
7		M4-2T638P55V18-112F13-SU-N28-ADAPT	1
Note: no longer available/nicht mehr lieferbar/n'est plus disponible			
8	4191471	LANTERN-MOTOR-VMI-FT130-MACHINED VP.	1
9	4092424	COUPLING GUARD FT85/130 MVI KIT	1
		> COUPLING PROTECTOR FT85/130-1.4016	1

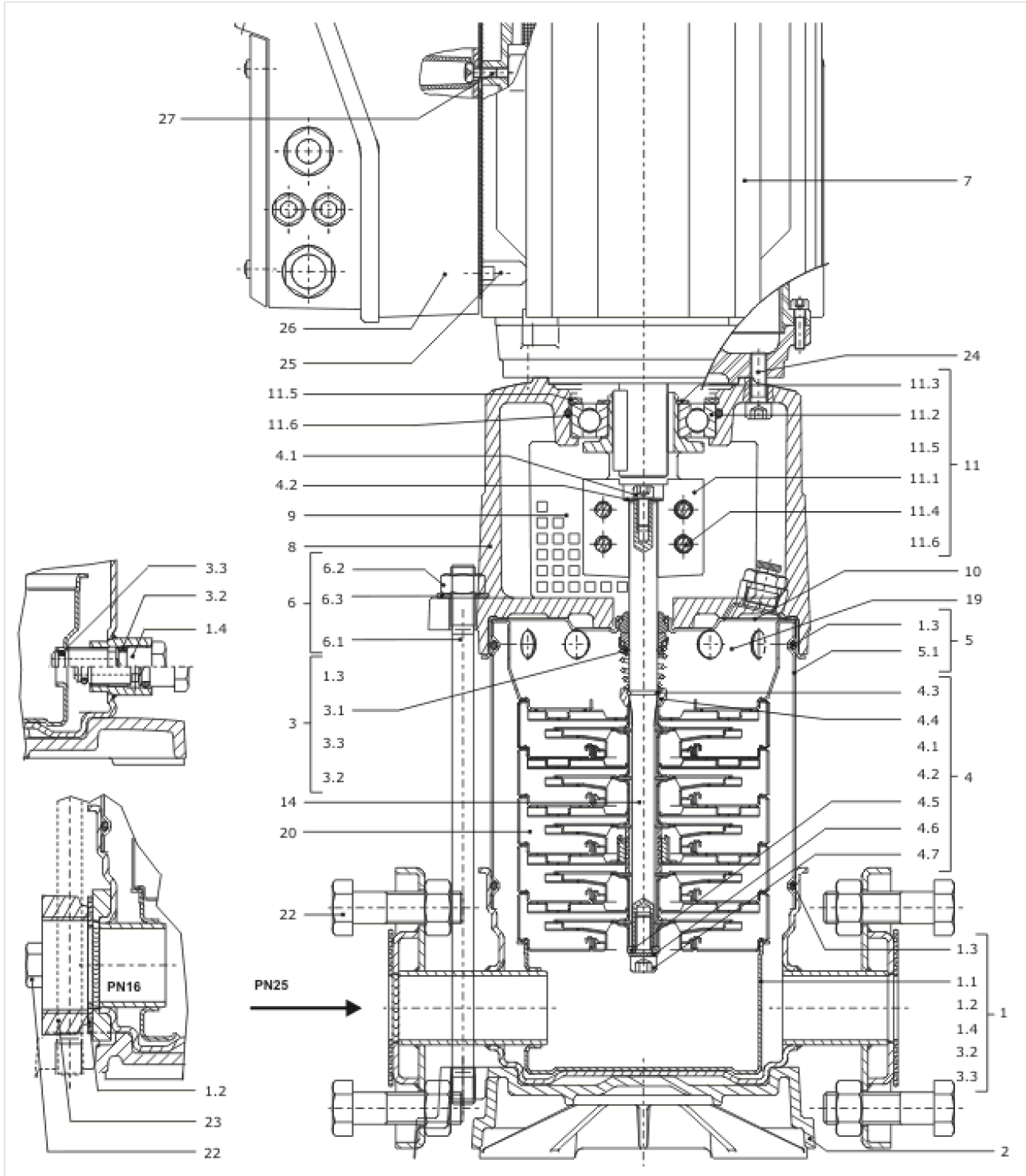
**MVIE1603/6-1/25/E/3-2-2G (4077538)**

Item	Article no.	Description	Quantity
		> CLIP COUPLING-GUARD-RF	1
10	4217881	STAT.RING HOLDER-GM-D14-304 VP.	1
11	4095219	3PH COUPLING KIT MVI D14XD28	1
11.1		> COUPLING VMI-Ø14xØ28-FT130 MACHINING	1
11.2	122065996	> BALL BEARING 6209/2Z-C3 (HT) VP.	1
11.3	4233930	> CIRCLIP-FOR-BORES-D45x1,75 VP.	1
11.4	4157726	> SCREW KIT M8X30 (4 PIECES)	1
11.5	4234252	> CIRCLIPS 85X3 VP.	1
11.6	4234243	> O-RING 85X3 VP.	1
		> NOME CONTACT WASHER 8x16x1,4 STEEL ZC	1
		> SCREW CHC-M6X14-8.8-ISO4762-GEOMET500A	1
		> WASHER D.24 L6U ZINK	1
14	4233901	SHAFT D.14X252 1.4057 VP.	1
19	4212656	UPPER STAGEW/ORING MVI16M3-6"-1.4301 VP.	1
20	4181170	HYDRAULIC CPL.MVI1603-6" 1.4301 KIT	1
20		Hydraulic cpl.(Pos.19+20)without MS.	1
20		SPARE PARTS HYDRAULICS MVI/MVIE 1.4301	1
22	61477	SCREW M16 L60x38-ZINGUE	1
24	4157726	SCREW KIT M8X30 (4 PIECES)	1
26		MODULE MVIEMHIE-4KW TL3/4	1
Note: no longer available/nicht mehrlieferbar/n'est plus disponible			
	4233131	PLUG-VMI-316L VP.	1



**SPARE PARTS HYDRAULICS MVI/MVIE 1.4301**

Item	Article no.	Description	Quantity
20.1	4059944	STAGE-KIT-MVI 16 6"	1
		> STAGE CASING W/O RGV-MVI16M3/6"-1.4301	1
		> IMPELLER MVI/MHI 16M3/6"-1.4301	1
		> SPACER-D14L17.5-304	1
20.2	4059946	STAGE-KIT-MVI 16 6"	1
		> IMPELLER MVI/MHI 16M3/6"-1.4301	1
		> STAGE CASING W RGV-MVI/MHI16M3-6"-1.4301	1
		> SPACER L=36-304	1
20.3	4059949	STAGE-KIT-MVI 16 6"	1
		> STAGE-CAS.W-R/CHA.&B.MVI/MHI16-6"-1.4301	1
		> SLEEVE-D14L13,8-VMI	1
		> SPACER D14L9.5-316L	1
		> SPACER D14L12.7-316L	1
		> WASHER D.24/14x1,5 1.4401	1
20.4	4059947	STAGE-KIT-MVI 16 6"	1
		> STAGE CASING W/O RGV-MVI16M3/6"-1.4301	1
		> IMPELLER MVI/MHI 16M3/6"-1.4301	1
		> SPACER L=36-304	1

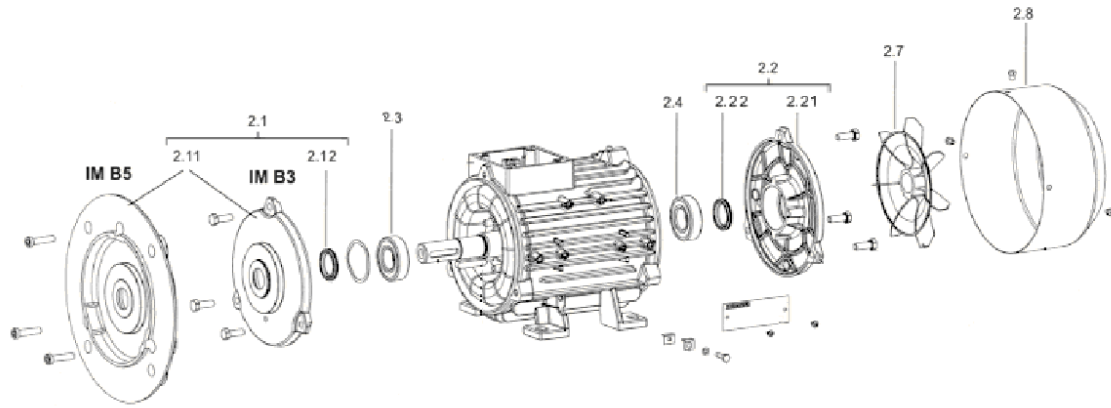


**MVIE1605/6-1/16/E/3-2 (4059707)**

Item	Article no.	Description	Quantity
1	2027121	PUMP HOUSING MVI/MVIS DN50 PN16 KIT	1
1.1		> PUMP HOUSING MVI D.50 PN16 1.4301	1
1.2	4233954	> O-RING ID.66 EPDM VP.	1
Note: FROM / AB / À PARTIR DE: 07/97			
1.3	4176513	> O-RING FOR PUMP JACKET VP.	1
1.4	4234235	> PRIMING/DRAIN PLUG MVI6" 304 VP.	1
3.2	4177800	> O-RING EPDM PLUG HELIX VP.	1
3.3	4234242	> O-RING 9X2 VP.	1
2	4204832	BASE MVIE/MVI 8/16 PN16/25 VP.	1
3	4027301	MECHANICAL SEAL MVI2/4/8/16-6" EP120°KIT	1
1.3	4176513	> O-RING FOR PUMP JACKET VP.	1
3.1		> MECHANICAL SEAL MG12/14-G606-Q1BE3GG-BU.	1
3.2	4177800	> O-RING EPDM PLUG HELIX VP.	1
3.3	4234242	> O-RING 9X2 VP.	1
4	4059951	SHAFT-EQUIPMENT-KIT-MVI 16 6"	1
4.1		> SCREW CHC-M6X14-8.8-ISO4762-GEOMET500A	1
4.2		> WASHER D.24 L6U ZINK	1
4.3	2090148	> CIRCLIP D14 MVI/MHI 316L (2 PIECES) VP.	1
		>> STOP-RUSH-1/2-D14-VMI/HMI-316	2
4.4		> STOP COLLAR OF IMPELLER L=28.8-Ø14-316L	1
4.5		> FLAT WASHER-D8xD16x2.5-316L	1
4.6		> STAINLESS-STEEL-WASHER-DE8	1
4.7		> SCREW M8X16 ISO4762 A4	1
5	2035613	HOUSING PIPE D.152X266 1.4301 KIT	1
5.1		> HOUSING-PIPE-D152-VMI1605/06-1.4301	1
1.3	4176513	> O-RING FOR PUMP JACKET VP.	1
6	2018365	STUD BOLT M12X392 KIT	1
6.1		> TIE BOLT M12-392x18x30-1.4057	1
6.2	2094647	> NUT M12 M12 ISO4032 VP.	1
6.3	2123557	> WASHER CS-12.4-24-1.6-NFE25 (4 PIECES)	1
7		MOTOR TL5 V1 5,5/2/132/300 60HZ SM.	1
Note: no longer available / nicht mehrlieferbar / ne plus disponible			
		SPARE PARTS MOTOR TL5 V1 5,5/2/132/300	1
8	4196004	LANTERN-MOTOR-VMI-FF265 VP.	1

**MVIE1605/6-1/16/E/3-2 (4059707)**

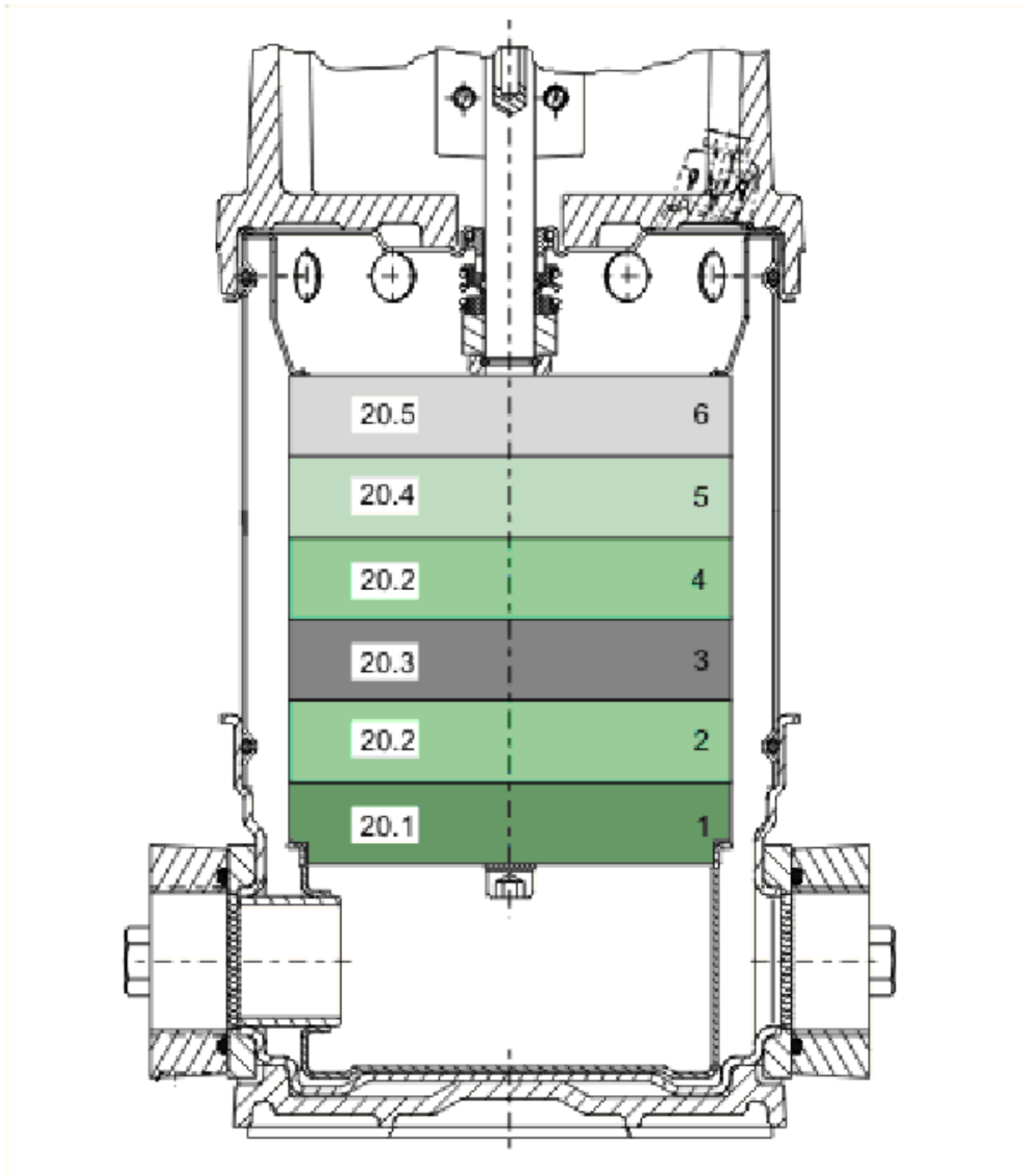
Item	Article no.	Description	Quantity
9	4092424	COUPLING GUARD FT85/130 MVI KIT	1
		> COUPLING PROTECTOR FT85/130-1.4016	1
		> CLIP COUPLING-GUARD-RF	1
10	4217881	STAT.RING HOLDER-GM-D14-304 VP.	1
11	4095221	3PH COUPLING KIT MVI D14XD38	1
11.1		> COUPLING VMI-D14xD38-FF265 MACHINING	1
11.2	2044937	> BALL BEARING 6310/2Z-C3 (HT) VP.	1
11.3	4234253	> CIRCLIP-FOR-SHAFT-D50x2 VP.	1
11.4	4157726	> SCREW KIT M8X30 (4 PIECES)	1
11.5	4234255	> CIRCLIPS 110X4 VP.	1
11.6	4233944	> O-RING ID.110 VP.	1
		> NOMEL CONTACT WASHER 8x16x1,4 STEEL ZC	1
		> SCREW CHC-M6X14-8.8-ISO4762-GEOMET500A	1
		> WASHER D.24 L6U ZINK	1
14	4092804	SHAFT VMI D14-L327.5-1.4301-LEFT TAPPI	1
19	4212656	UPPER STAGEW/ORING MVI16M3-6"-1.4301 VP.	1
20	4181172	HYDRAULIC CPL.MVI1605-6" 1.4301 KIT	1
20		Hydraulic cpl.(Pos.19+20)without MS.	1
20		SPARE PARTS HYDRAULICS MVI/MVIE 1.4301	1
22	74750711116	SCREW M12X55X55 ISO4017 6.8 ZN	1
23	4052247	COUNTER-FLANGE-VMI2	1
26		MODULE TL5 NT.MVIE/MULTI-VE	1
Note: no longer available / nicht mehrlieferbar / ne plus disponible			
27	2046119	SCREW M5X16 DIN912 8.8 ZN (4 PIECES)	1
	2175822	Screw M12X45 ISO4017 6.8 ZN (4 Pieces)	1
	2160934	Nut M12 VP.	1
	4233131	PLUG-VMI-316L VP.	1
	4177800	O-RING EPDM PLUG HELIX VP.	1
	2057978	RONDELLE A5,3 DIN6797 FST ZN (4 PIECES)	1
	2175824	Key C 8X7X39-112 VP.	1
	4233131	PLUG-VMI-316L VP.	1





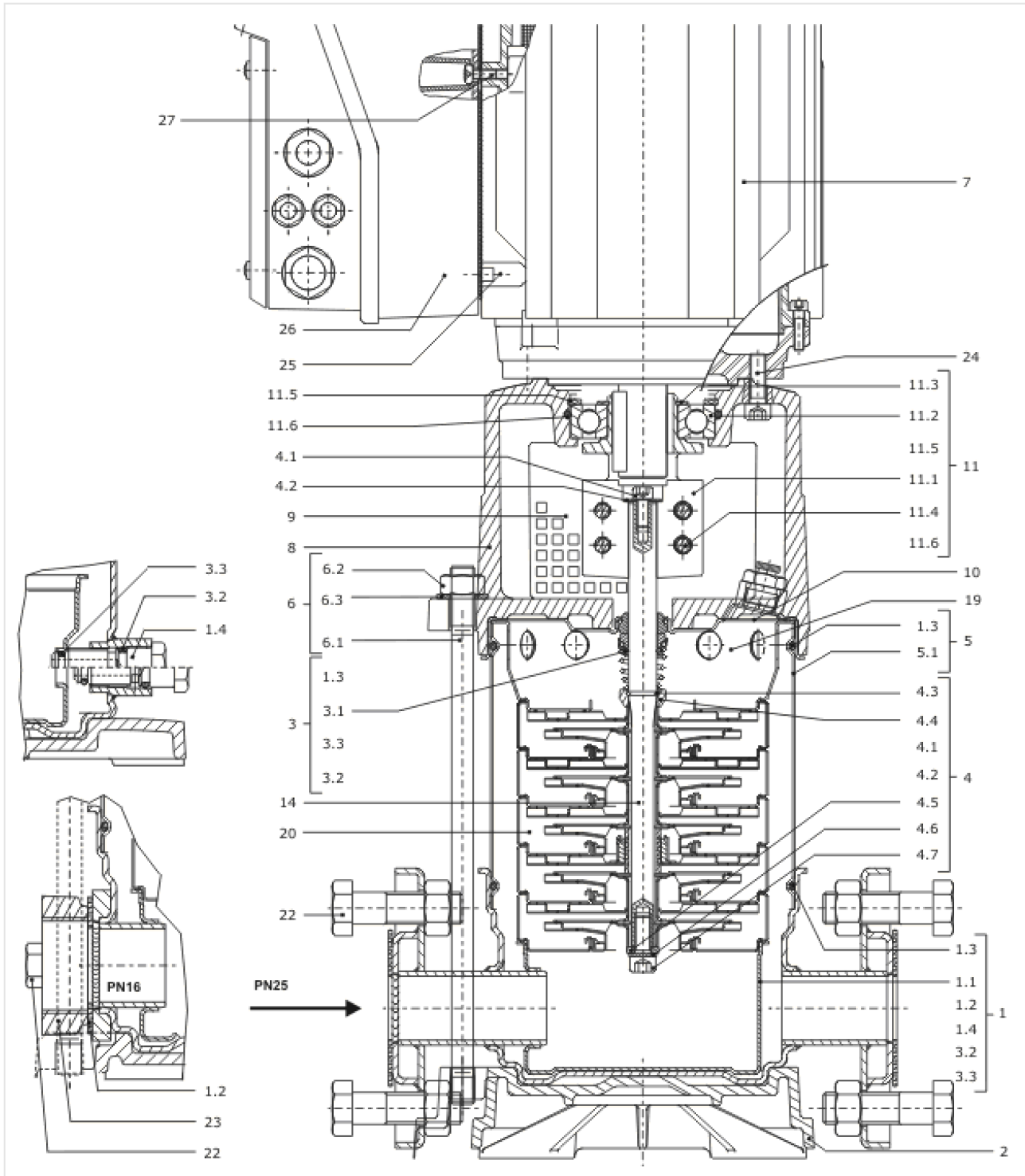
**SPARE PARTS MOTOR TL5 V1 5,5/2/132/300**

Item	Article no.	Description	Quantity
2.1	2162617	End shield 1LA7 BG132/300 D.E.SM.VP.	1
Note: Please give the data from type plate of the motor			
2.2	2029333	END SHIELD 1LA7 BG132/300 N.D.E.SM.KIT	1
Note: Please give the data from type plate of the motor			
2.21		> END SHIELD BS 1LA7130-2AA66-Z SIEMENS	1
2.22		> SHAFT SEAL RING EWN:10304006202000 SM.	1
2.3	121084293	BALL BEARING 6208/2Z-C3 (HT) VP.	1
Note: Please give the data from type plate of the motor			
2.4	121084293	BALL BEARING 6208/2Z-C3 (HT) VP.	1
Note: Please give the data from type plate of the motor			
2.7	2029729	FAN WHEEL 1LA7 2/132/300 SM.VP.	1
Note: Please give the data from type plate of the motor			
2.8	2112878	FAN HOUSING 1LA7130 BG132/300 SM.KIT	1
Note: Please give the data from type plate of the motor			
2.8A		> FAN HOUSING EWN:10742036821000 SM.	1
2.8B	2112822	> SCREW M5X8 ISO7045 (4 PIECES)	1



**SPARE PARTS HYDRAULICS MVI/MVIE 1.4301**

Item	Article no.	Description	Quantity
20.1	4059944	STAGE-KIT-MVI 16 6"	1
		> STAGE CASING W/O RGV-MVI16M3/6"-1.4301	1
		> IMPELLER MVI/MHI 16M3/6"-1.4301	1
		> SPACER-D14L17.5-304	1
20.2	4059946	STAGE-KIT-MVI 16 6"	1
		> IMPELLER MVI/MHI 16M3/6"-1.4301	1
		> STAGE CASING W RGV-MVI/MHI16M3-6"-1.4301	1
		> SPACER L=36-304	1
20.3	4059945	STAGE KIT MVI 16 6"	1
		> IMPELLER MVI/MHI 16M3/6"-1.4301	1
		> STAGE-CAS.W-R/CHA.&B.MVI/MHI16-6"-1.4301	1
		> SLEEVE-D14L13,8-VMI	1
		> SPACER D14L9.5-316L	1
		> SPACER D14L12.7-316L	1
20.4	4059948	STAGE-KIT-MVI 16 6"	1
		> STAGE CASING W RGV-MVI/MHI16M3-6"-1.4301	1
		> SPACER L=36-304	1
		> WASHER D.24/14x1,5 1.4401	1
20.5	4059947	STAGE-KIT-MVI 16 6"	1
		> STAGE CASING W/O RGV-MVI16M3/6"-1.4301	1
		> IMPELLER MVI/MHI 16M3/6"-1.4301	1
		> SPACER L=36-304	1

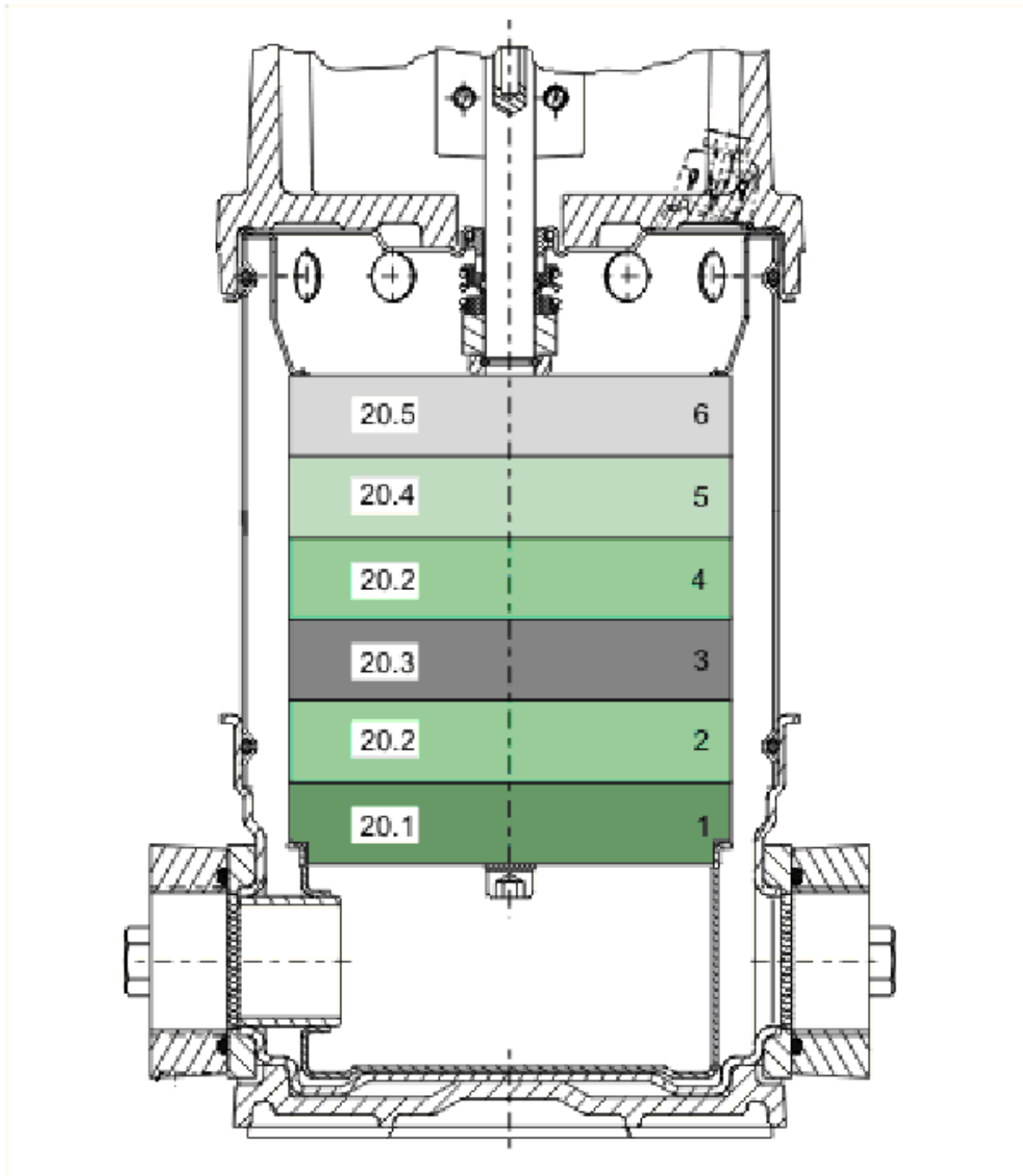


**MVIE1605/6-1/25/E/3-2 (4059714)**

Item	Article no.	Description	Quantity
1	2035466	PUMP HOUSING MVI16 6"DN50 PN25 1.4301KIT	1
1.1		> CASING-MVI-PN25-DN50-16M3-316L	1
1.2	4234257	> FLAT-GASKET 65X102X2 VP.	1
1.3	4176513	> O-RING FOR PUMP JACKET VP.	1
1.4	4234235	> PRIMING/DRAIN PLUG MVI6" 304 VP.	1
3.2	4177800	> O-RING EPDM PLUG HELIX VP.	1
3.3	4234242	> O-RING 9X2 VP.	1
2	4204832	BASE MVIE/MVI 8/16 PN16/25 VP.	1
3	4015431	MECHANICAL SEAL MVI2/4/8 PN25 120° KIT	1
1.3	4176513	> O-RING FOR PUMP JACKET VP.	1
3.1		> MECHANICAL SEAL RMG12/14-G606-U3BE3GG-BU	1
3.2	4177800	> O-RING EPDM PLUG HELIX VP.	1
3.3	4234242	> O-RING 9X2 VP.	1
4	4059951	SHAFT-EQUIPMENT-KIT-MVI 16 6"	1
4.1		> SCREW CHC-M6X14-8.8-ISO4762-GEOMET500A	1
4.2		> WASHER D.24 L6U ZINK	1
4.3	2090148	> CIRCLIP D14 MVI/MHI 316L (2 PIECES) VP.	1
		>> STOP-RUSH-1/2-D14-VMI/HMI-316	2
4.4		> STOP COLLAR OF IMPELLER L=28.8-Ø14-316L	1
4.5		> FLAT WASHER-D8xD16x2.5-316L	1
4.6		> STAINLESS-STEEL-WASHER-DE8	1
4.7		> SCREW M8X16 ISO4762 A4	1
5	2035613	HOUSING PIPE D.152X266 1.4301 KIT	1
5.1		> HOUSING-PIPE-D152-VMI1605/06-1.4301	1
1.3	4176513	> O-RING FOR PUMP JACKET VP.	1
6	2018365	STUD BOLT M12X392 KIT	1
6.1		> TIE BOLT M12-392x18x30-1.4057	1
6.2	2094647	> NUT M12 M12 ISO4032 VP.	1
6.3	2123557	> WASHER CS-12.4-24-1.6-NFE25 (4 PIECES)	1
7		MOTOR TL5 V1 5,5/2/132/300 60HZ SM.	1
Note: no longer available / nicht mehr lieferbar / ne plus disponible			
8	4196004	LANTERN-MOTOR-VMI-FF265 VP.	1
9	4092424	COUPLING GUARD FT85/130 MVI KIT	1
		> COUPLING PROTECTOR FT85/130-1.4016	1

**MVIE1605/6-1/25/E/3-2 (4059714)**

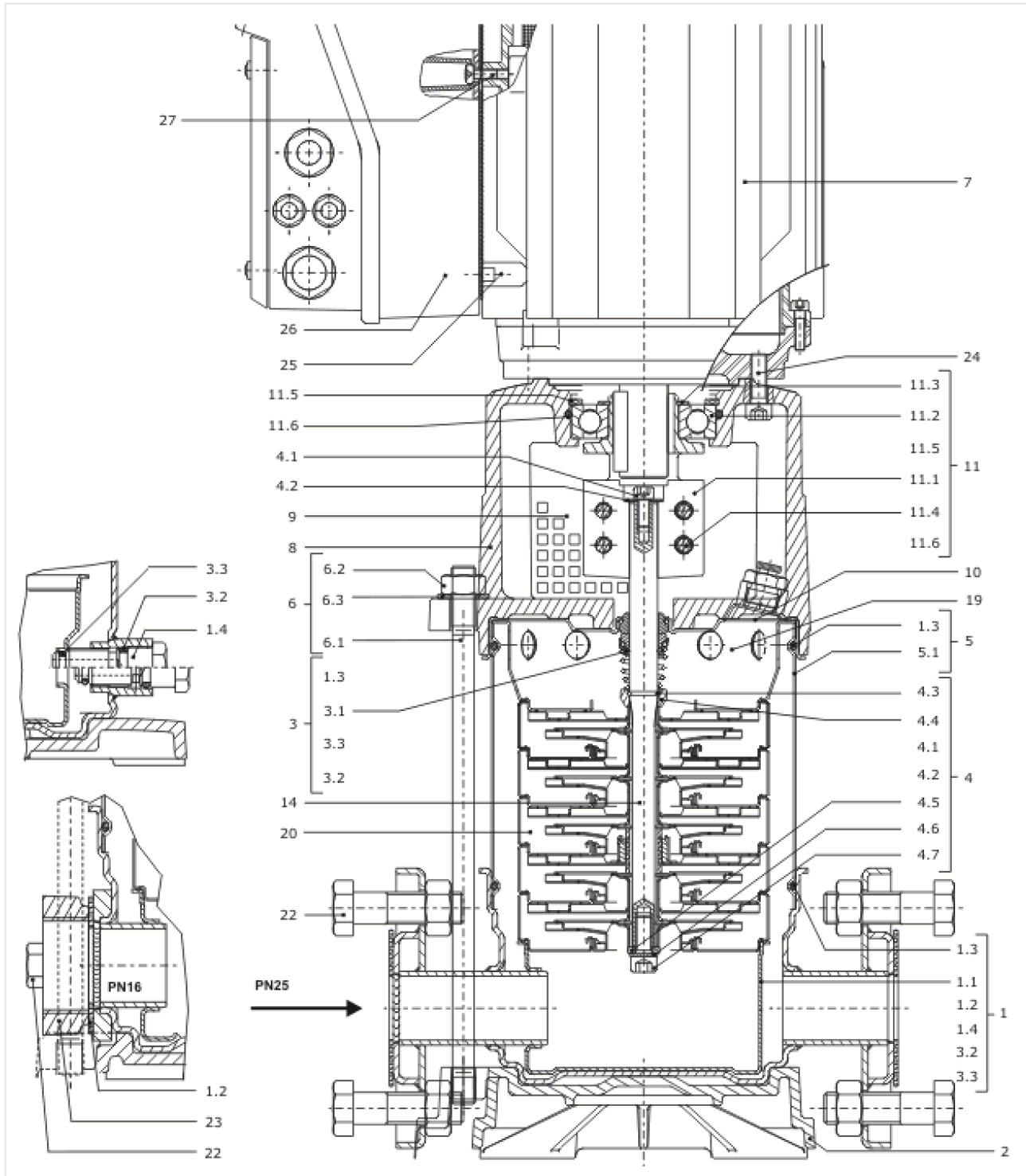
Item	Article no.	Description	Quantity
		> CLIP COUPLING-GUARD-RF	1
10	4217881	STAT.RING HOLDER-GM-D14-304 VP.	1
11	4095221	3PH COUPLING KIT MVI D14XD38	1
11.1		> COUPLING VMI-D14xD38-FF265 MACHINING	1
11.2	2044937	> BALL BEARING 6310/2Z-C3 (HT) VP.	1
11.3	4234253	> CIRCLIP-FOR-SHAFT-D50x2 VP.	1
11.4	4157726	> SCREW KIT M8X30 (4 PIECES)	1
11.5	4234255	> CIRCLIPS 110X4 VP.	1
11.6	4233944	> O-RING ID.110 VP.	1
		> NOME CONTACT WASHER 8x16x1,4 STEEL ZC	1
		> SCREW CHC-M6X14-8.8-ISO4762-GEOMET500A	1
		> WASHER D.24 L6U ZINK	1
14	4092804	SHAFT VMI D14-L327.5-1.4301-LEFT TAPPI	1
19	4212656	UPPER STAGEW/ORING MVI16M3-6"-1.4301 VP.	1
20	4181172	HYDRAULIC CPL.MVI1605-6" 1.4301 KIT	1
20		Hydraulic cpl.(Pos.19+20)without MS.	1
20		SPARE PARTS HYDRAULICS MVI/MVIE 1.4301	1
22	61477	SCREW M16 L60x38-ZINGUE	1
24	4157726	SCREW KIT M8X30 (4 PIECES)	1
25	2048853	SCREW M5X12 ISO4762 A2	1
26		MODULE TL5 NT.MVIE/MULTI-VE	1
Note: no longer available / nicht mehr lieferbar / ne plus disponible			
	4233131	PLUG-VMI-316L VP.	1



**SPARE PARTS HYDRAULICS MVI/MVIE 1.4301**

Item	Article no.	Description	Quantity
20.1	4059944	STAGE-KIT-MVI 16 6"	1
		> STAGE CASING W/O RGV-MVI16M3/6"-1.4301	1
		> IMPELLER MVI/MHI 16M3/6"-1.4301	1
		> SPACER-D14L17.5-304	1
20.2	4059946	STAGE-KIT-MVI 16 6"	1
		> IMPELLER MVI/MHI 16M3/6"-1.4301	1
		> STAGE CASING W RGV-MVI/MHI16M3-6"-1.4301	1
		> SPACER L=36-304	1
20.3	4059945	STAGE KIT MVI 16 6"	1
		> IMPELLER MVI/MHI 16M3/6"-1.4301	1
		> STAGE-CAS.W-R/CHA.&B.MVI/MHI16-6"-1.4301	1
		> SLEEVE-D14L13,8-VMI	1
		> SPACER D14L9.5-316L	1
		> SPACER D14L12.7-316L	1
20.4	4059948	STAGE-KIT-MVI 16 6"	1
		> STAGE CASING W RGV-MVI/MHI16M3-6"-1.4301	1
		> SPACER L=36-304	1
		> WASHER D.24/14x1,5 1.4401	1
20.5	4059947	STAGE-KIT-MVI 16 6"	1
		> STAGE CASING W/O RGV-MVI16M3/6"-1.4301	1
		> IMPELLER MVI/MHI 16M3/6"-1.4301	1
		> SPACER L=36-304	1



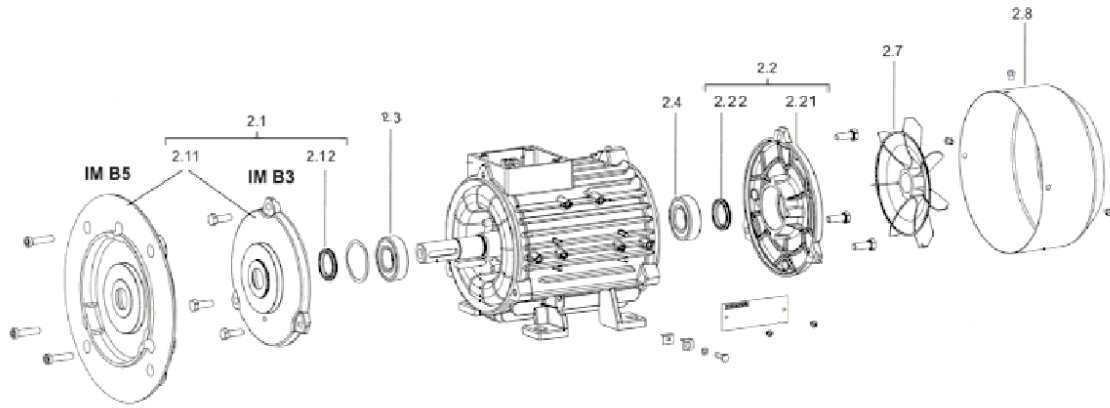


**MVIE1607/6-1/16/E/3-2 (4059708)**

Item	Article no.	Description	Quantity
1	2027121	PUMP HOUSING MVI/MVIS DN50 PN16 KIT	1
1.1		> PUMP HOUSING MVI D.50 PN16 1.4301	1
1.2	4233954	> O-RING ID.66 EPDM VP.	1
Note: FROM / AB / À PARTIR DE: 07/97			
1.3	4176513	> O-RING FOR PUMP JACKET VP.	1
1.4	4234235	> PRIMING/DRAIN PLUG MVI6" 304 VP.	1
3.2	4177800	> O-RING EPDM PLUG HELIX VP.	1
3.3	4234242	> O-RING 9X2 VP.	1
2	4204832	BASE MVIE/MVI 8/16 PN16/25 VP.	1
3	4027301	MECHANICAL SEAL MVI2/4/8/16-6" EP120°KIT	1
1.3	4176513	> O-RING FOR PUMP JACKET VP.	1
3.1		> MECHANICAL SEAL MG12/14-G606-Q1BE3GG-BU.	1
3.2	4177800	> O-RING EPDM PLUG HELIX VP.	1
3.3	4234242	> O-RING 9X2 VP.	1
4	4059951	SHAFT-EQUIPMENT-KIT-MVI 16 6"	1
4.1		> SCREW CHC-M6X14-8.8-ISO4762-GEOMET500A	1
4.2		> WASHER D.24 L6U ZINK	1
4.3	2090148	> CIRCLIP D14 MVI/MHI 316L (2 PIECES) VP.	1
		>> STOP-RUSH-1/2-D14-VMI/HMI-316	2
4.4		> STOP COLLAR OF IMPELLER L=28.8-Ø14-316L	1
4.5		> FLAT WASHER-D8xD16x2.5-316L	1
4.6		> STAINLESS-STEEL-WASHER-DE8	1
4.7		> SCREW M8X16 ISO4762 A4	1
5	2018571	HOUSING PIPE D.152X341 1.4301 KIT	1
5.1		> HOUSING-PIPE-D152-VMI810/1607/1608-304	1
1.3	4176513	> O-RING FOR PUMP JACKET VP.	1
6	2018578	STUD BOLT M12X469 MVI8/16 6" KIT	1
6.1		> TIE BOLT M12-469x18x30-1.4057	1
6.2	2094647	> NUT M12 M12 ISO4032 VP.	1
6.3	2123557	> WASHER CS-12.4-24-1.6-NFE25 (4 PIECES)	1
7	2048858	MOTOR TL5 V1 7,5/2/132/300 60HZ SM.	1
		SPARE PARTS MOTOR TL5 V1 7,5/2/132/300	1
8	4196004	LANTERN-MOTOR-VMI-FF265 VP.	1
9	4092424	COUPLING GUARD FT85/130 MVI KIT	1

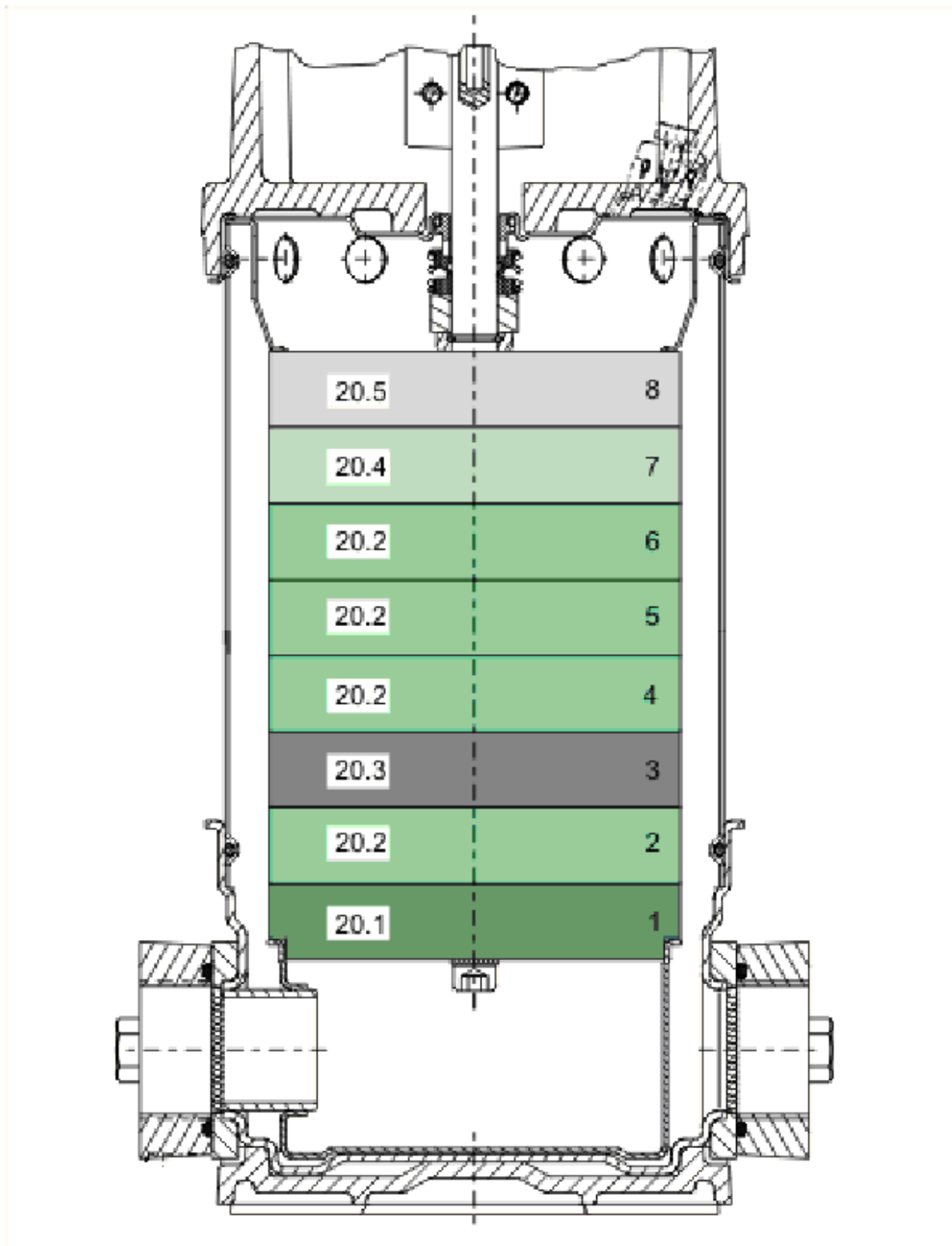
**MVIE1607/6-1/16/E/3-2 (4059708)**

Item	Article no.	Description	Quantity
		> COUPLING PROTECTOR FT85/130-1.4016	1
		> CLIP COUPLING-GUARD-RF	1
10	4217881	STAT.RING HOLDER-GM-D14-304 VP.	1
11	4095221	3PH COUPLING KIT MVI D14XD38	1
11.1		> COUPLING VMI-D14xD38-FF265 MACHINING	1
11.2	2044937	> BALL BEARING 6310/2Z-C3 (HT) VP.	1
11.3	4234253	> CIRCLIP-FOR-SHAFT-D50x2 VP.	1
11.4	4157726	> SCREW KIT M8X30 (4 PIECES)	1
11.5	4234255	> CIRCLIPS 110X4 VP.	1
11.6	4233944	> O-RING ID.110 VP.	1
		> NOMEI CONTACT WASHER 8x16x1,4 STEEL ZC	1
		> SCREW CHC-M6X14-8.8-ISO4762-GEOMET500A	1
		> WASHER D.24 L6U ZINK	1
14	4233908	SHAFT D.14X402 1.4057 VP.	1
19	4212656	UPPER STAGEW/ORING MVI16M3-6"-1.4301 VP.	1
20	4181174	HYDRAULIC CPL.MVI1607-6" 1.4301 KIT	1
20		Hydraulic cpl.(Pos.19+20)without MS.	1
20		SPARE PARTS HYDRAULICS MVI/MVIE 1.4301	1
22	74750711116	SCREW M12X55X55 ISO4017 6.8 ZN	1
23	4052247	COUNTER-FLANGE-VMI2	1
26		MODULE TL5 NT.MVIE/MULTI-VE	1
Note: no longer available / nicht mehrlieferbar / ne plus disponible			
27	2046119	SCREW M5X16 DIN912 8.8 ZN (4 PIECES)	1
	2175822	Screw M12X45 ISO4017 6.8 ZN (4 Pieces)	1
	2160934	Nut M12 VP.	1
	4233131	PLUG-VMI-316L VP.	1
	4177800	O-RING EPDM PLUG HELIX VP.	1
	2057978	RONDELLE A5,3 DIN6797 FST ZN (4 PIECES)	1
	2175824	Key C 8X7X39-112 VP.	1
	4233131	PLUG-VMI-316L VP.	1



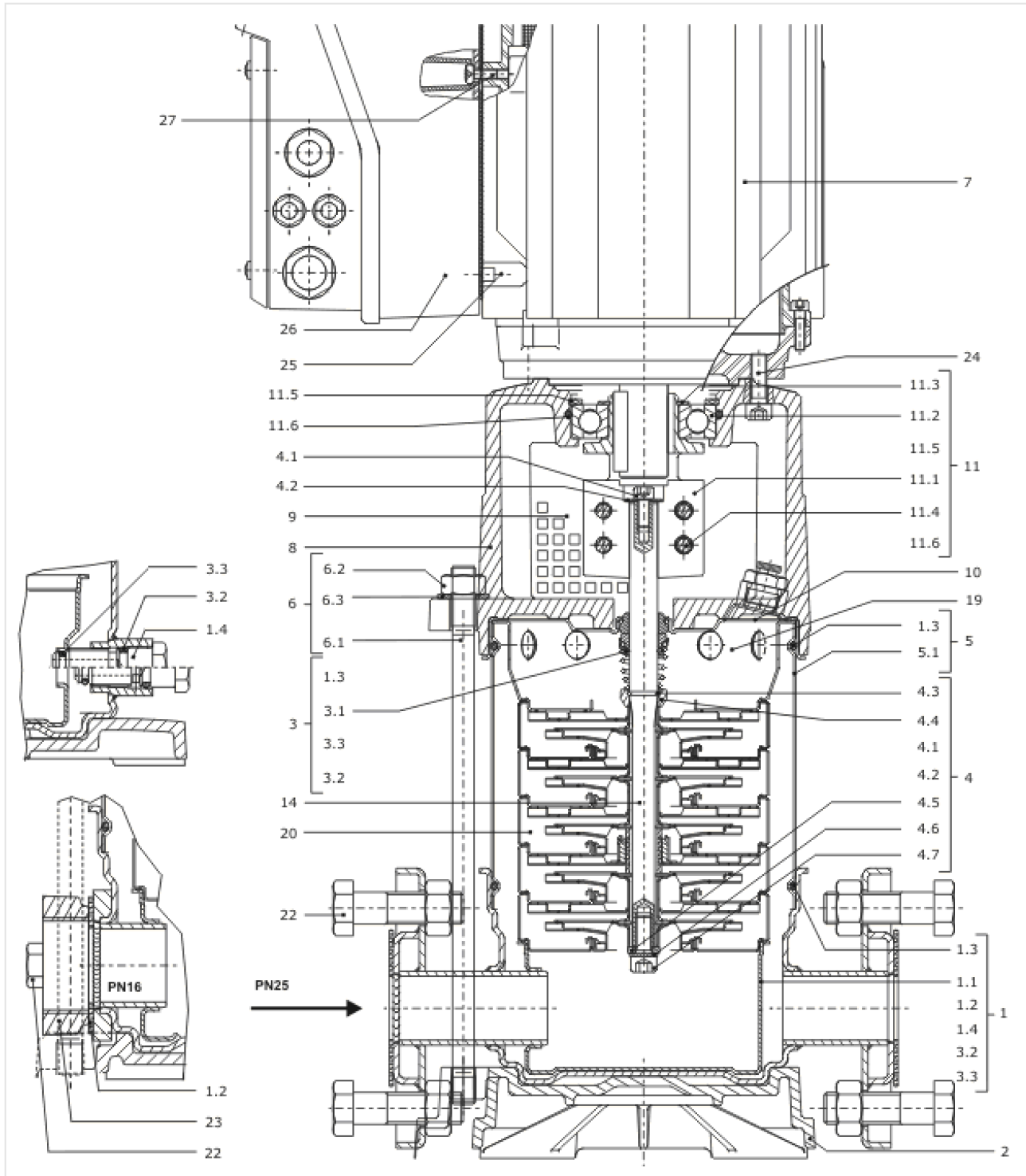
**SPARE PARTS MOTOR TL5 V1 7,5/2/132/300**

Item	Article no.	Description	Quantity
2.1	2162617	End shield 1LA7 BG132/300 D.E.SM.VP.	1
Note: Please give the data from type plate of the motor			
2.2	2029333	END SHIELD 1LA7 BG132/300 N.D.E.SM.KIT	1
Note: Please give the data from type plate of the motor			
2.21		> END SHIELD BS 1LA7130-2AA66-Z SIEMENS	1
2.22		> SHAFT SEAL RING EWN:10304006202000 SM.	1
2.3	121084293	BALL BEARING 6208/2Z-C3 (HT) VP.	1
Note: Please give the data from type plate of the motor			
2.4	121084293	BALL BEARING 6208/2Z-C3 (HT) VP.	1
Note: Please give the data from type plate of the motor			
2.7	2029729	FAN WHEEL 1LA7 2/132/300 SM.VP.	1
Note: Please give the data from type plate of the motor			
2.8	2112878	FAN HOUSING 1LA7130 BG132/300 SM.KIT	1
Note: Please give the data from type plate of the motor			
2.8A		> FAN HOUSING EWN:10742036821000 SM.	1
2.8B	2112822	> SCREW M5X8 ISO7045 (4 PIECES)	1



**SPARE PARTS HYDRAULICS MVI/MVIE 1.4301**

Item	Article no.	Description	Quantity
20.1	4059944	STAGE-KIT-MVI 16 6"	1
		> STAGE CASING W/O RGV-MVI16M3/6"-1.4301	1
		> IMPELLER MVI/MHI 16M3/6"-1.4301	1
		> SPACER-D14L17.5-304	1
20.2	4059946	STAGE-KIT-MVI 16 6"	1
		> IMPELLER MVI/MHI 16M3/6"-1.4301	1
		> STAGE CASING W RGV-MVI/MHI16M3-6"-1.4301	1
		> SPACER L=36-304	1
20.3	4059945	STAGE KIT MVI 16 6"	1
		> IMPELLER MVI/MHI 16M3/6"-1.4301	1
		> STAGE-CAS.W-R/CHA.&B.MVI/MHI16-6"-1.4301	1
		> SLEEVE-D14L13,8-VMI	1
		> SPACER D14L9.5-316L	1
		> SPACER D14L12.7-316L	1
20.4	4059948	STAGE-KIT-MVI 16 6"	1
		> STAGE CASING W RGV-MVI/MHI16M3-6"-1.4301	1
		> SPACER L=36-304	1
		> WASHER D.24/14x1,5 1.4401	1
20.5	4059947	STAGE-KIT-MVI 16 6"	1
		> STAGE CASING W/O RGV-MVI16M3/6"-1.4301	1
		> IMPELLER MVI/MHI 16M3/6"-1.4301	1
		> SPACER L=36-304	1



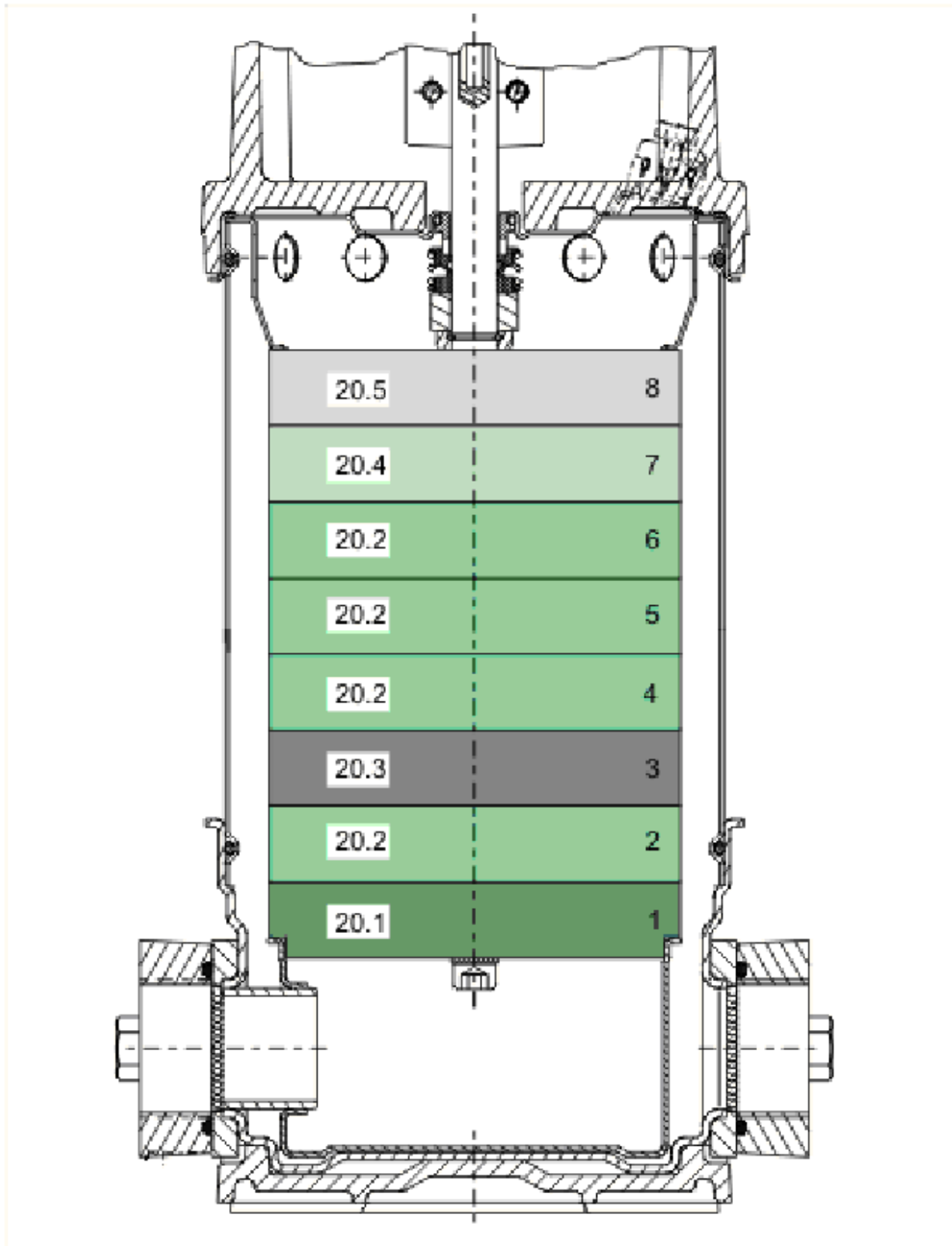


**MVIE1607/6-1/25/E/3-2 (4059715)**

Item	Article no.	Description	Quantity
1	2035466	PUMP HOUSING MVI16 6"DN50 PN25 1.4301KIT	1
1.1		> CASING-MVI-PN25-DN50-16M3-316L	1
1.2	4234257	> FLAT-GASKET 65X102X2 VP.	1
1.3	4176513	> O-RING FOR PUMP JACKET VP.	1
1.4	4234235	> PRIMING/DRAIN PLUG MVI6" 304 VP.	1
3.2	4177800	> O-RING EPDM PLUG HELIX VP.	1
3.3	4234242	> O-RING 9X2 VP.	1
2	4204832	BASE MVIE/MVI 8/16 PN16/25 VP.	1
3	4015431	MECHANICAL SEAL MVI2/4/8 PN25 120° KIT	1
1.3	4176513	> O-RING FOR PUMP JACKET VP.	1
3.1		> MECHANICAL SEAL RMG12/14-G606-U3BE3GG-BU	1
3.2	4177800	> O-RING EPDM PLUG HELIX VP.	1
3.3	4234242	> O-RING 9X2 VP.	1
4	4059951	SHAFT-EQUIPMENT-KIT-MVI 16 6"	1
4.1		> SCREW CHC-M6X14-8.8-ISO4762-GEOMET500A	1
4.2		> WASHER D.24 L6U ZINK	1
4.3	2090148	> CIRCLIP D14 MVI/MHI 316L (2 PIECES) VP.	1
		>> STOP-RUSH-1/2-D14-VMI/HMI-316	2
4.4		> STOP COLLAR OF IMPELLER L=28.8-Ø14-316L	1
4.5		> FLAT WASHER-D8xD16x2.5-316L	1
4.6		> STAINLESS-STEEL-WASHER-DE8	1
4.7		> SCREW M8X16 ISO4762 A4	1
5	2018571	HOUSING PIPE D.152X341 1.4301 KIT	1
5.1		> HOUSING-PIPE-D152-VMI810/1607/1608-304	1
1.3	4176513	> O-RING FOR PUMP JACKET VP.	1
6	2018578	STUD BOLT M12X469 MVI8/16 6" KIT	1
6.1		> TIE BOLT M12-469x18x30-1.4057	1
6.2	2094647	> NUT M12 M12 ISO4032 VP.	1
6.3	2123557	> WASHER CS-12.4-24-1.6-NFE25 (4 PIECES)	1
7	2048858	MOTOR TL5 V1 7,5/2/132/300 60HZ SM.	1
8	4196004	LANTERN-MOTOR-VMI-FF265 VP.	1
9	4092424	COUPLING GUARD FT85/130 MVI KIT	1
		> COUPLING PROTECTOR FT85/130-1.4016	1
		> CLIP COUPLING-GUARD-RF	1

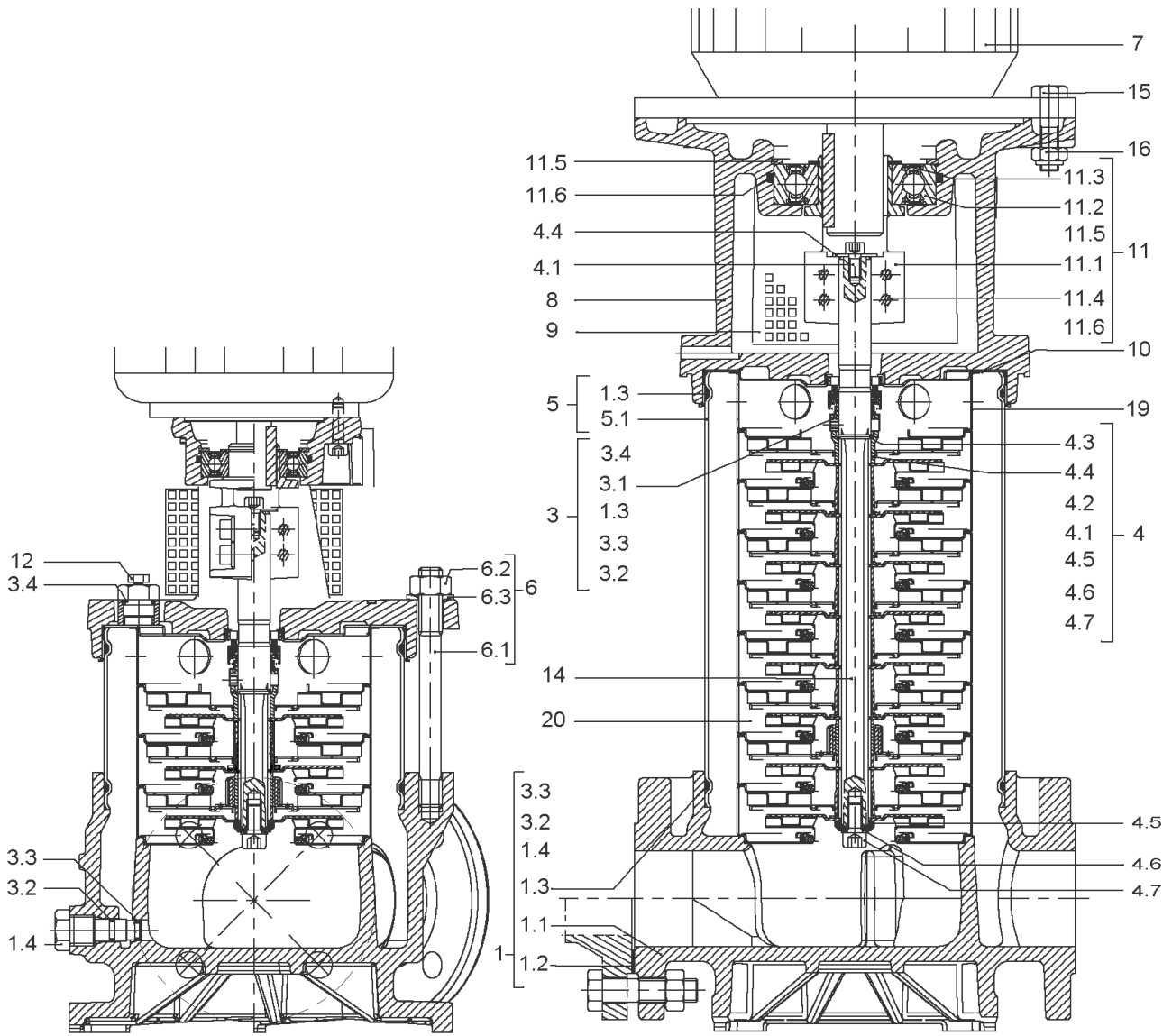
**MVIE1607/6-1/25/E/3-2 (4059715)**

Item	Article no.	Description	Quantity
10	4217881	STAT.RING HOLDER-GM-D14-304 VP.	1
11	4095221	3PH COUPLING KIT MVI D14XD38	1
11.1		> COUPLING VMI-D14xD38-FF265 MACHINING	1
11.2	2044937	> BALL BEARING 6310/2Z-C3 (HT) VP.	1
11.3	4234253	> CIRCLIP-FOR-SHAFT-D50x2 VP.	1
11.4	4157726	> SCREW KIT M8X30 (4 PIECES)	1
11.5	4234255	> CIRCLIPS 110X4 VP.	1
11.6	4233944	> O-RING ID.110 VP.	1
		> NOMEL CONTACT WASHER 8x16x1,4 STEEL ZC	1
		> SCREW CHC-M6X14-8.8-ISO4762-GEOMET500A	1
		> WASHER D.24 L6U ZINK	1
14	4233908	SHAFT D.14X402 1.4057 VP.	1
19	4212656	UPPER STAGEW/ORING MVI16M3-6"-1.4301 VP.	1
20	4181174	HYDRAULIC CPL.MVI1607-6" 1.4301 KIT	1
20		Hydraulic cpl.(Pos.19+20)without MS.	1
20		SPARE PARTS HYDRAULICS MVI/MVIE 1.4301	1
22	61477	SCREW M16 L60x38-ZINGUE	1
24	4157726	SCREW KIT M8X30 (4 PIECES)	1
25	2048853	SCREW M5X12 ISO4762 A2	1
26		MODULE TL5 NT.MVIE/MULTI-VE	1
Note: no longer available / nicht mehr lieferbar / ne plus disponible			
	4233131	PLUG-VMI-316L VP.	1



**SPARE PARTS HYDRAULICS MVI/MVIE 1.4301**

Item	Article no.	Description	Quantity
20.1	4059944	STAGE-KIT-MVI 16 6"	1
		> STAGE CASING W/O RGV-MVI16M3/6"-1.4301	1
		> IMPELLER MVI/MHI 16M3/6"-1.4301	1
		> SPACER-D14L17.5-304	1
20.2	4059946	STAGE-KIT-MVI 16 6"	1
		> IMPELLER MVI/MHI 16M3/6"-1.4301	1
		> STAGE CASING W RGV-MVI/MHI16M3-6"-1.4301	1
		> SPACER L=36-304	1
20.3	4059945	STAGE KIT MVI 16 6"	1
		> IMPELLER MVI/MHI 16M3/6"-1.4301	1
		> STAGE-CAS.W-R/CHA.&B.MVI/MHI16-6"-1.4301	1
		> SLEEVE-D14L13,8-VMI	1
		> SPACER D14L9.5-316L	1
		> SPACER D14L12.7-316L	1
20.4	4059948	STAGE-KIT-MVI 16 6"	1
		> STAGE CASING W RGV-MVI/MHI16M3-6"-1.4301	1
		> SPACER L=36-304	1
		> WASHER D.24/14x1,5 1.4401	1
20.5	4059947	STAGE-KIT-MVI 16 6"	1
		> STAGE CASING W/O RGV-MVI16M3/6"-1.4301	1
		> IMPELLER MVI/MHI 16M3/6"-1.4301	1
		> SPACER L=36-304	1

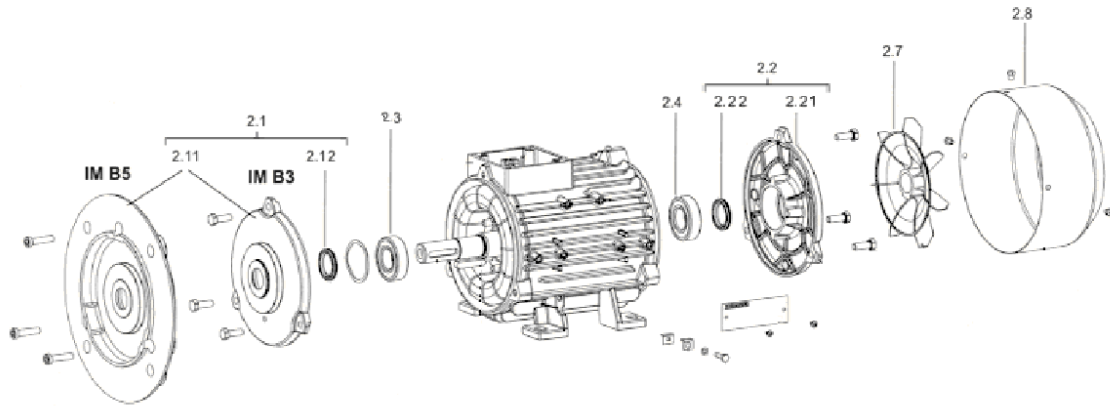


**MVIE3202-2/16/V/3-2 (4059716)**

Item	Article no.	Description	Quantity
1	4052347	MVI32-PN16-PUMP-CASING-KIT	1
1.1		> HOUSING-VMI-DN65/PN16-1.4408-MACHINED	1
1.2	2119912	> GASKET D.77/127X2 DN65 C4430 VP.	1
1.3	4032287	> GASKET-185x4-VITON-75SH	1
1.4	4032376	> DRAIN-AND-PRIMING-PLUG-VMI8"-316L	1
3.2	4032294	> GASKET-10x3-VITON	1
3.3	4042330	> GASKET-D7.52xD3.52-VITON	1
3	4043158	MECHANICAL SEAL VITON MVI16/32/52 KIT	1
1.3	4032287	> GASKET-185x4-VITON-75SH	1
3.1		> MECHANICAL SEAL MG12/22-G606-Q1BVGG-BURG	1
3.2	4032294	> GASKET-10x3-VITON	1
3.3	4042330	> GASKET-D7.52xD3.52-VITON	1
3.4	4032292	> GASKET-17x3-VITON	1
4	4043168	SHAFT EQUIPMENT KIT MVI32	1
4.1		> SCREW M8x16 ISO4762 8.8 ZN	1
4.2		> WASHER D.10 INOX	1
4.3		> STOP-RUSH 1/2 D22-MULTI-V-316	1
4.4		> STOP COLLAR OF IMPELLER L=28.8-Ø22-316L	1
4.5		> WASHER-8,25x26x1,5-STEEL	1
4.6		> SERRATED LOCK WASHER D10xD22-316L	1
4.7		> SCREW M10X20 ISO4762 A4.70	1
5	4052349	HOUSING PIPE D.204X112,5 1.4404 KIT	1
5.1		> HOUSING-PIPE-D204-VMI3002-1.4404	1
1.3	4032287	> GASKET-185x4-VITON-75SH	1
6	4052360	MVI16/32-STUD-BOLT-KIT	1
6.1		> STUD-BOLT-M16-152x24x44 CLASS8.8 ZN+FINI	1
6.2	4233951	> NUT H M VP.	1
6.3	61701	> DISC 16MOY.NOMEL	1
7		MOTOR TL5 V1 5,5/2/132/300 60HZ SM.	1
		Note: no longer available / nicht mehr lieferbar / ne plus disponible	
		SPARE PARTS MOTOR TL5 V1 5,5/2/132/300	1
8	4186440	LANTERN-MOTOR-MVI16/30-FF265-VP.	1
9	4092425	COUPLING GUARD FF265/300 MVI KIT	1
		> GUARD-MESH-COUPPING-FF265-300	1

**MVIE3202-2/16/V/3-2 (4059716)**

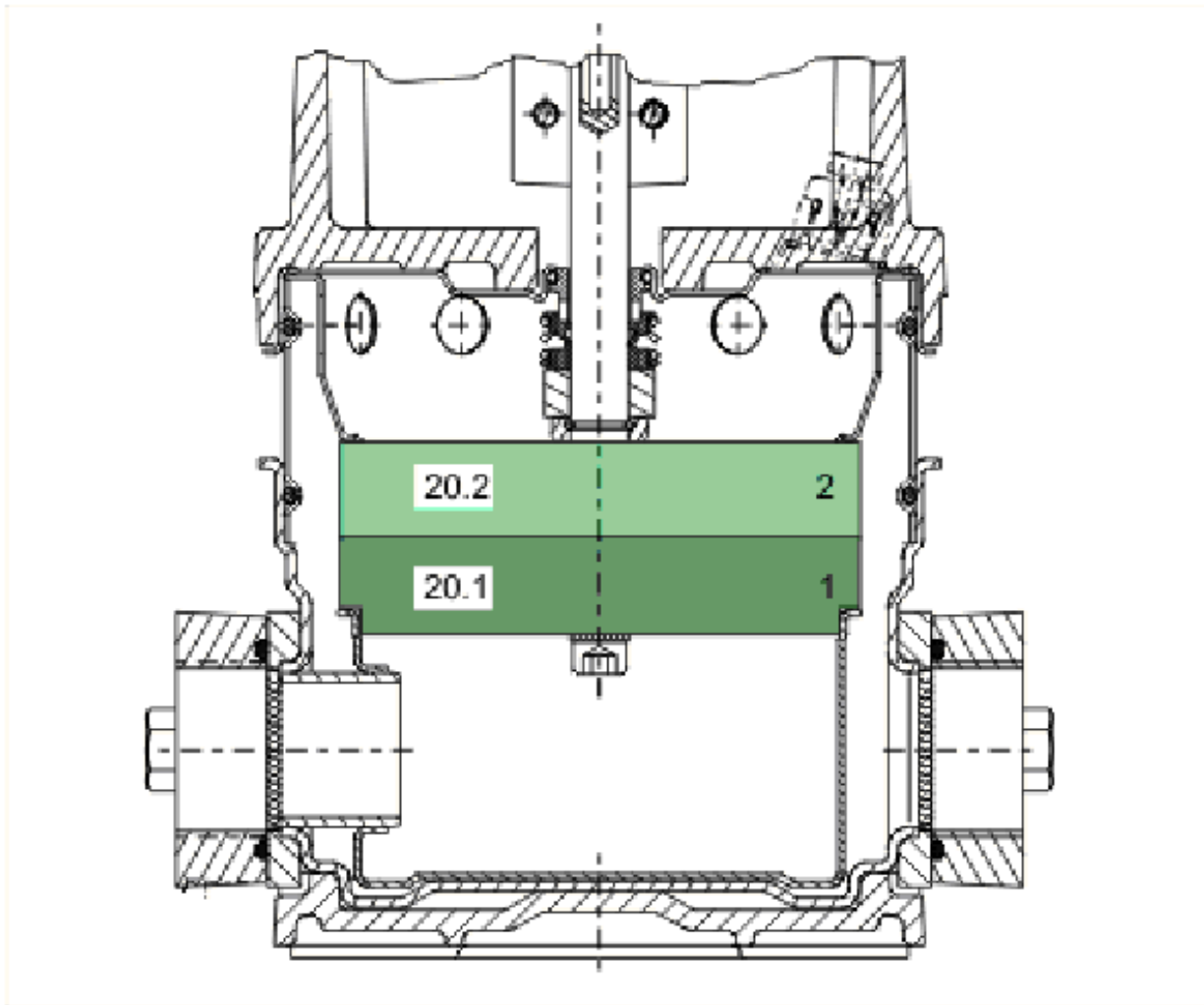
Item	Article no.	Description	Quantity
		> CLIP COUPLING-GUARD-RF	1
10	4217879	INTERMEDIATE PIECE GM-D22-8"-316 VP.	1
11	4095228	3PH COUPLING KIT MVI D22XD38	1
4.1		> SCREW M8x16 ISO4762 8.8 ZN	1
4.2		> WASHER-8,25x26x1,5-STEEL	1
11.1		> COUPLING-VMI-D22xD38-FF265-MACHINED	1
11.2	2044937	> BALL BEARING 6310/2Z-C3 (HT) VP.	1
11.3	4234253	> CIRCLIP-FOR-SHAFT-D50x2 VP.	1
11.4	4157726	> SCREW KIT M8X30 (4 PIECES)	1
11.5	4234255	> CIRCLIPS 110X4 VP.	1
11.6	4233944	> O-RING ID.110 VP.	1
		> NOMEL CONTACT WASHER 8x16x1,4 STEEL ZC	1
12	4032373	FILLING/VENTING-PLUG-VMI8/10-316L	1
14	4030396	PUMP SHAFT-MVI-D22-3002-316L	1
15	2175822	Screw M12X45 ISO4017 6.8 ZN (4 Pieces)	1
16	2160934	Nut M12 VP.	1
19	4032354	UPPER STAGE-MVI32-8"-316L	1
20		SPARE PARTS HYDRAULICS MVI/MVIE 1.4404	1
		MODULE TL5 NT.MVIE/MULTI-VE	1
Note: no longer available / nicht mehr lieferbar / ne plus disponible			
	2046119	SCREW M5X16 DIN912 8.8 ZN (4 PIECES)	1
	2057978	RONDELLE A5,3 DIN6797 FST ZN (4 PIECES)	1
	75110311204	KEY-2BT-10X8X60	1





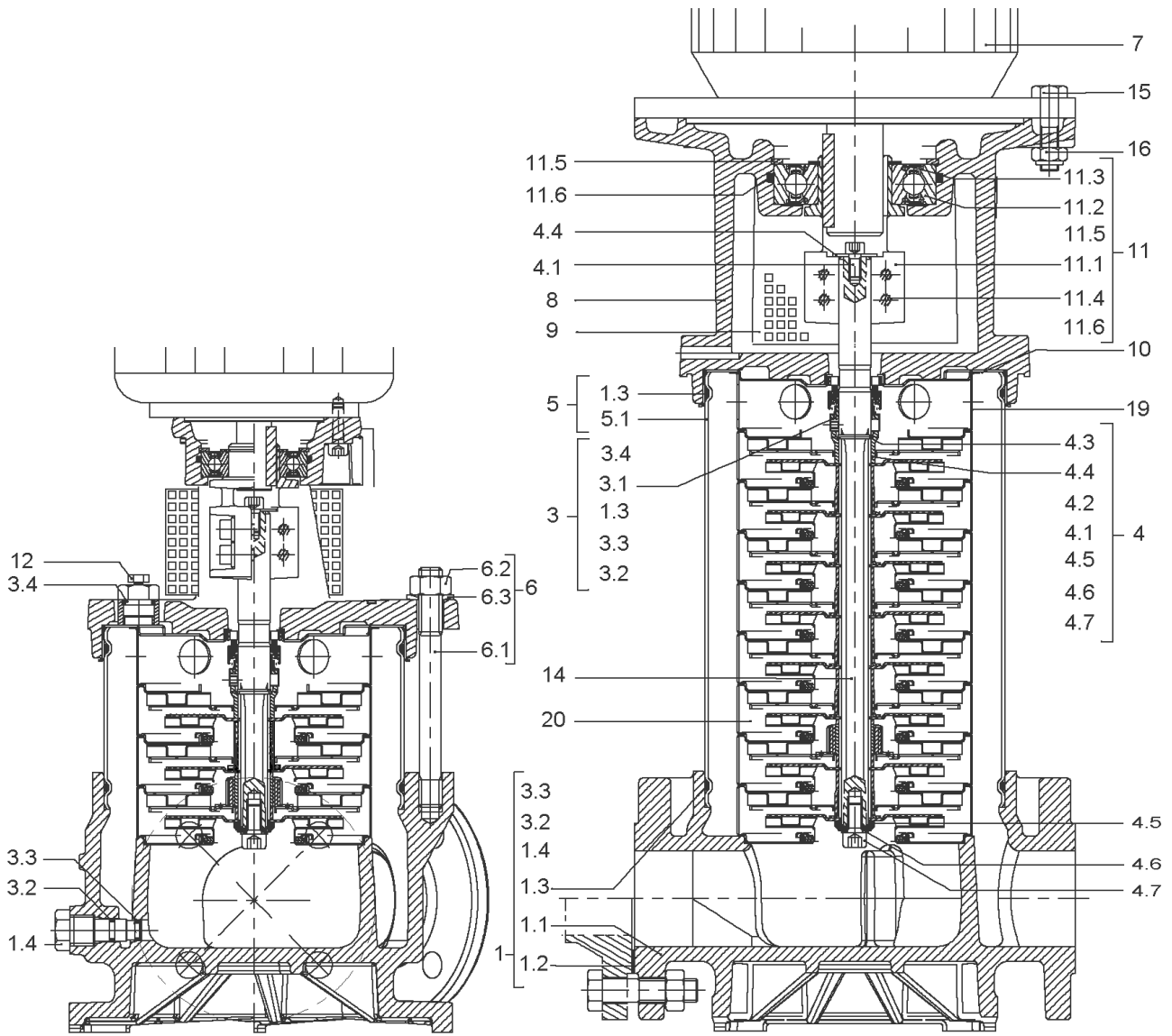
**SPARE PARTS MOTOR TL5 V1 5,5/2/132/300**

Item	Article no.	Description	Quantity
2.1	2162617	End shield 1LA7 BG132/300 D.E.SM.VP.	1
Note: Please give the data from type plate of the motor			
2.2	2029333	END SHIELD 1LA7 BG132/300 N.D.E.SM.KIT	1
Note: Please give the data from type plate of the motor			
2.21		> END SHIELD BS 1LA7130-2AA66-Z SIEMENS	1
2.22		> SHAFT SEAL RING EWN:10304006202000 SM.	1
2.3	121084293	BALL BEARING 6208/2Z-C3 (HT) VP.	1
Note: Please give the data from type plate of the motor			
2.4	121084293	BALL BEARING 6208/2Z-C3 (HT) VP.	1
Note: Please give the data from type plate of the motor			
2.7	2029729	FAN WHEEL 1LA7 2/132/300 SM.VP.	1
Note: Please give the data from type plate of the motor			
2.8	2112878	FAN HOUSING 1LA7130 BG132/300 SM.KIT	1
Note: Please give the data from type plate of the motor			
2.8A		> FAN HOUSING EWN:10742036821000 SM.	1
2.8B	2112822	> SCREW M5X8 ISO7045 (4 PIECES)	1



**SPARE PARTS HYDRAULICS MVI/MVIE 1.4404**

Item	Article no.	Description	Quantity
20.1	4043193	STAGE-KIT-MVI-32-316L	1
		> SLEEVE-SPACER-D22xL8,7-316L	1
		> STAGE CASING WITHOUT G/V-30M3-8"-316L	1
		> IMPELLER-MULTI-V-30M3-8"-316L	1
20.2	4043194	STAGE-KIT-MVI-32-316L	1
		> SLEEVE-SPACER-D22xL13,8-316L	1
		> IMPELLER-MULTI-V-30M3-8"-316L	1
		> STAGE-CASING-AV-C/R-COU-30M-8"-L	1
		> SHAFT SLEEVE D22-L21-VM16/30	1

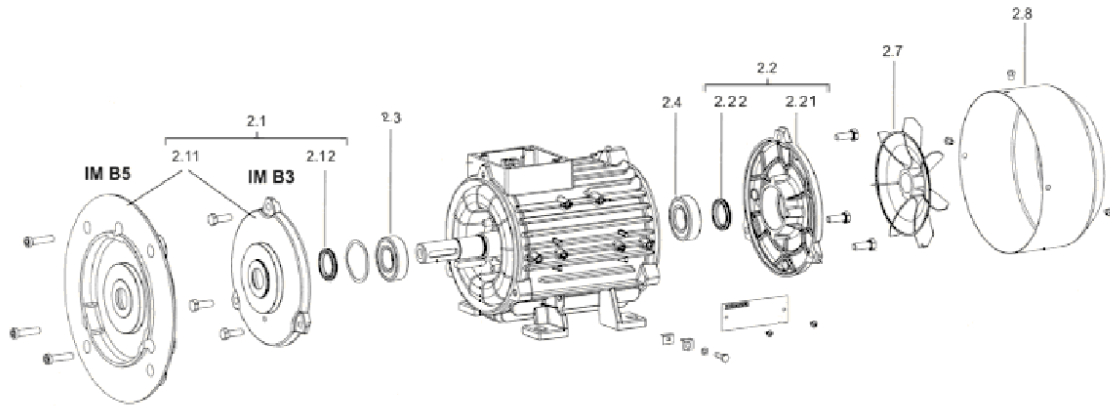


**MVIE3202-3/16/E/3-2 (4059709)**

Item	Article no.	Description	Quantity
1	4052335	MVI16-PUMP-CASING-KIT	1
1.1		> HOUSING-VMI-DN65/PN16-FGL-PEINT/INTERN	1
1.2	2119912	> GASKET D.77/127X2 DN65 C4430 VP.	1
1.3	4233955	> O-RING ID.185 EPDM VP.	1
1.4	4144692	> PRIMING/DRAIN PLUG MVI8"-304	1
3.2	4032293	> O-RING-10x3-EPDM-KTW/WRC	1
3.3	4042329	> O-RING-D7,52xD3,52-EPDM-KTW/WRC	1
3.3	4233957	> O-RING ID.9 EPDM VP.	1
3	4043156	SEAL-KIT-PN16-EPDM-MVI16-32-52	1
1.3	4233955	> O-RING ID.185 EPDM VP.	1
3.1		> MECHANICAL SEAL MG12/22-G606-Q1BE3GG-BUR	1
3.2	4032293	> O-RING-10x3-EPDM-KTW/WRC	1
3.3	4233957	> O-RING ID.9 EPDM VP.	1
3.4	4032291	> O-RING 17x3 EPDM KTW/WRC	1
4	4043168	SHAFT EQUIPMENT KIT MVI32	1
4.1		> SCREW M8x16 ISO4762 8.8 ZN	1
4.2		> WASHER D.10 INOX	1
4.3		> STOP-RUSH 1/2 D22-MULTI-V-316	1
4.4		> STOP COLLAR OF IMPELLER L=28.8-Ø22-316L	1
4.5		> WASHER-8,25x26x1,5-STEEL	1
4.6		> SERRATED LOCK WASHER D10xD22-316L	1
4.7		> SCREW M10X20 ISO4762 A4.70	1
5	4052337	HOUSING PIPE D.204X112,5 1.4301 KIT	1
5.1		> HOUSING-PIPE-D204-VMI3002-1.4301	1
1.3	4233955	> O-RING ID.185 EPDM VP.	1
6	4052360	MVI16/32-STUD-BOLT-KIT	1
6.1		> STUD-BOLT-M16-152x24x44 CLASS8.8 ZN+FINI	1
6.2	4233951	> NUT H M VP.	1
6.3	61701	> DISC 16MOY.NOMEL	1
7		MOTOR TL5 V1 5,5/2/132/300 60HZ SM.	1
		Note: no longer available / nicht mehr lieferbar / ne plus disponible	
		SPARE PARTS MOTOR TL5 V1 5,5/2/132/300	1
8	4186440	LANTERN-MOTOR-MVI16/30-FF265-VP.	1
9	4092425	COUPLING GUARD FF265/300 MVI KIT	1

**MVIE3202-3/16/E/3-2 (4059709)**

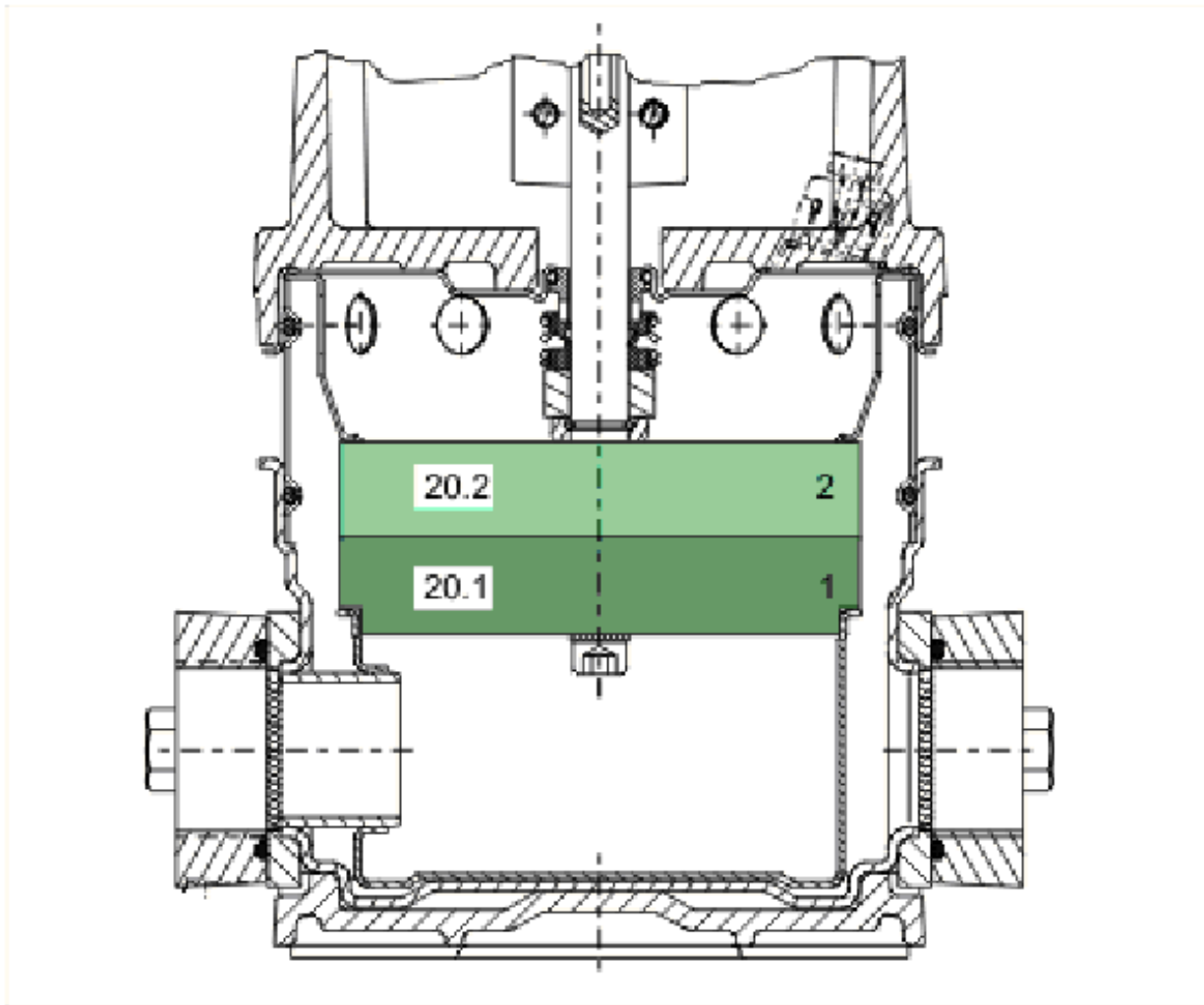
Item	Article no.	Description	Quantity
		> GUARD-MESH-COUPLING-FF265-300	1
		> CLIP COUPLING-GUARD-RF	1
10	4217877	STATIONARY RING HOLDER FOR MVI16/32 VP.	1
11	4095228	3PH COUPLING KIT MVI D22XD38	1
4.1		> SCREW M8x16 ISO4762 8.8 ZN	1
4.2		> WASHER-8,25x26x1,5-STEEL	1
11.1		> COUPLING-VMI-D22xD38-FF265-MACHINED	1
11.2	2044937	> BALL BEARING 6310/2Z-C3 (HT) VP.	1
11.3	4234253	> CIRCLIP-FOR-SHAFT-D50x2 VP.	1
11.4	4157726	> SCREW KIT M8X30 (4 PIECES)	1
11.5	4234255	> CIRCLIPS 110X4 VP.	1
11.6	4233944	> O-RING ID.110 VP.	1
		> NOME CONTACT WASHER 8x16x1,4 STEEL ZC	1
12	4032373	FILLING/VENTING-PLUG-VMI8/10-316L	1
14	4088322	SHAFT Lg:204,5 MVI 3202 KIT	1
		> PUMP SHAFT-D22-3202-316L-LEFT TAPPING	1
		> SCREW M10x25 ISO4762 A4.70 LEFT	1
15	2175822	Screw M12X45 ISO4017 6.8 ZN (4 Pieces)	1
16	2160934	Nut M12 VP.	1
19	4032353	CENTERING END STAGE G/V 30M3-8"-304	1
20	4194722	HYDRAULIC CPL.MVI3202-8" 1.4301 KIT	1
20		Hydraulic cpl.(Pos.19+20)without MS.	1
20		SPARE PARTS HYDRAULICS MVI/MVIE 1.4301	1
		MODULE TL5 NT.MVIE/MULTI-VE	1
Note: no longer available / nicht mehrlieferbar / ne plus disponible			
	2046119	SCREW M5X16 DIN912 8.8 ZN (4 PIECES)	1
	2057978	RONDELLE A5,3 DIN6797 FST ZN (4 PIECES)	1
	75110311204	KEY-2BT-10X8X60	1



**SPARE PARTS MOTOR TL5 V1 5,5/2/132/300**

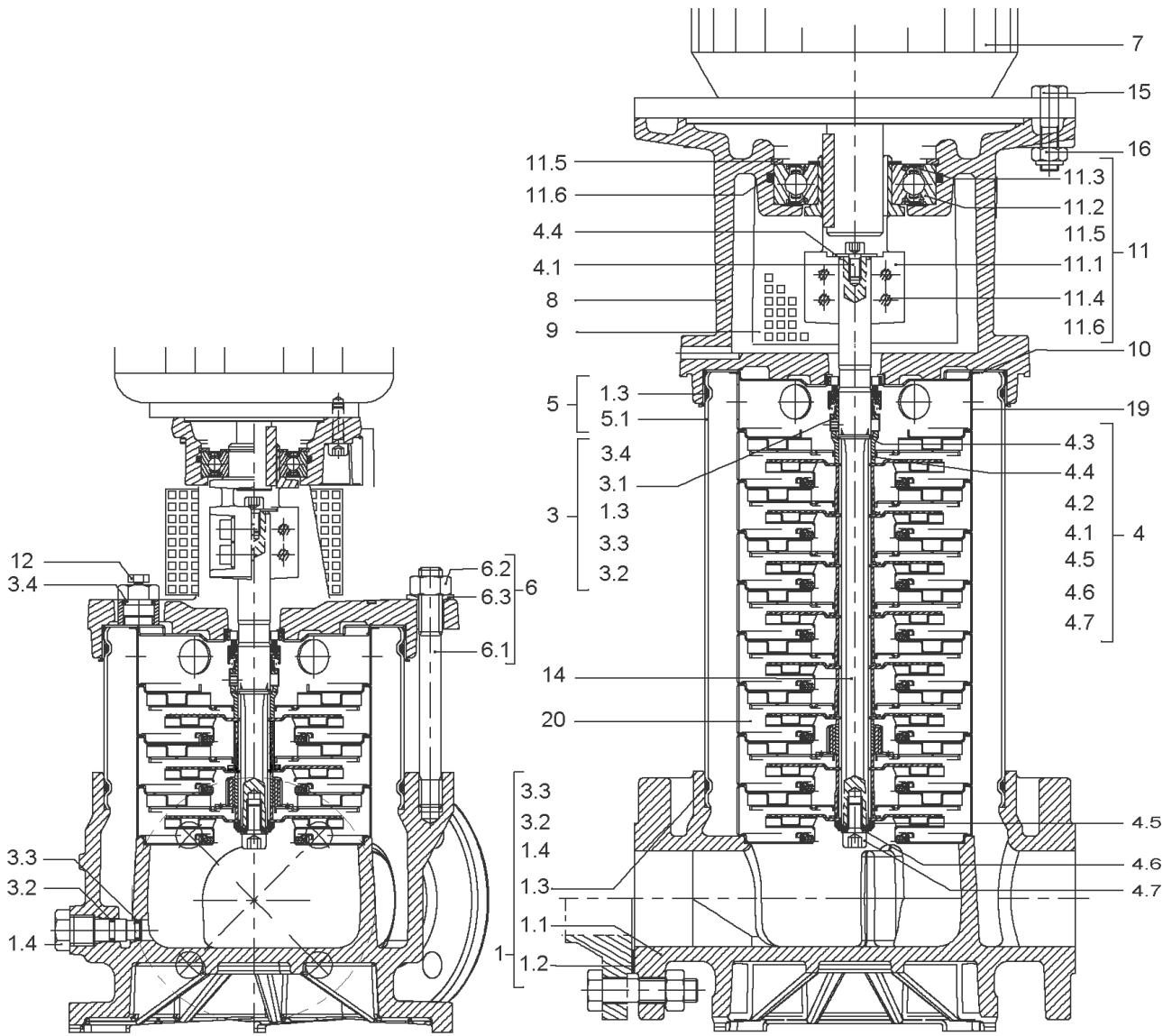
Item	Article no.	Description	Quantity
2.1	2162617	End shield 1LA7 BG132/300 D.E.SM.VP.	1
Note: Please give the data from type plate of the motor			
2.2	2029333	END SHIELD 1LA7 BG132/300 N.D.E.SM.KIT	1
Note: Please give the data from type plate of the motor			
2.21		> END SHIELD BS 1LA7130-2AA66-Z SIEMENS	1
2.22		> SHAFT SEAL RING EWN:10304006202000 SM.	1
2.3	121084293	BALL BEARING 6208/2Z-C3 (HT) VP.	1
Note: Please give the data from type plate of the motor			
2.4	121084293	BALL BEARING 6208/2Z-C3 (HT) VP.	1
Note: Please give the data from type plate of the motor			
2.7	2029729	FAN WHEEL 1LA7 2/132/300 SM.VP.	1
Note: Please give the data from type plate of the motor			
2.8	2112878	FAN HOUSING 1LA7130 BG132/300 SM.KIT	1
Note: Please give the data from type plate of the motor			
2.8A		> FAN HOUSING EWN:10742036821000 SM.	1
2.8B	2112822	> SCREW M5X8 ISO7045 (4 PIECES)	1





**SPARE PARTS HYDRAULICS MVI/MVIE 1.4301**

<b>Item</b>	<b>Article no.</b>	<b>Description</b>	<b>Quantity</b>
20.1	4043173	STAGE-KIT-MVI-32-304	1
		> SLEEVE-SPACER-D22xL8,7-316L	1
		> STAGE CASING-SS-C/R-30M3-8"-304	1
		> IMPELLER-MULTI-V-30M3-8"-304	1
20.2	4043174	STAGE-KIT-MVI-32-304	1
		> SLEEVE-SPACER-D22xL13,8-316L	1
		> IMPELLER-MULTI-V-30M3-8"-304	1
		> STAGE CASING-AV-C/R-COU-30M-8"	1
		> SHAFT SLEEVE D22-L21-VM16/30	1

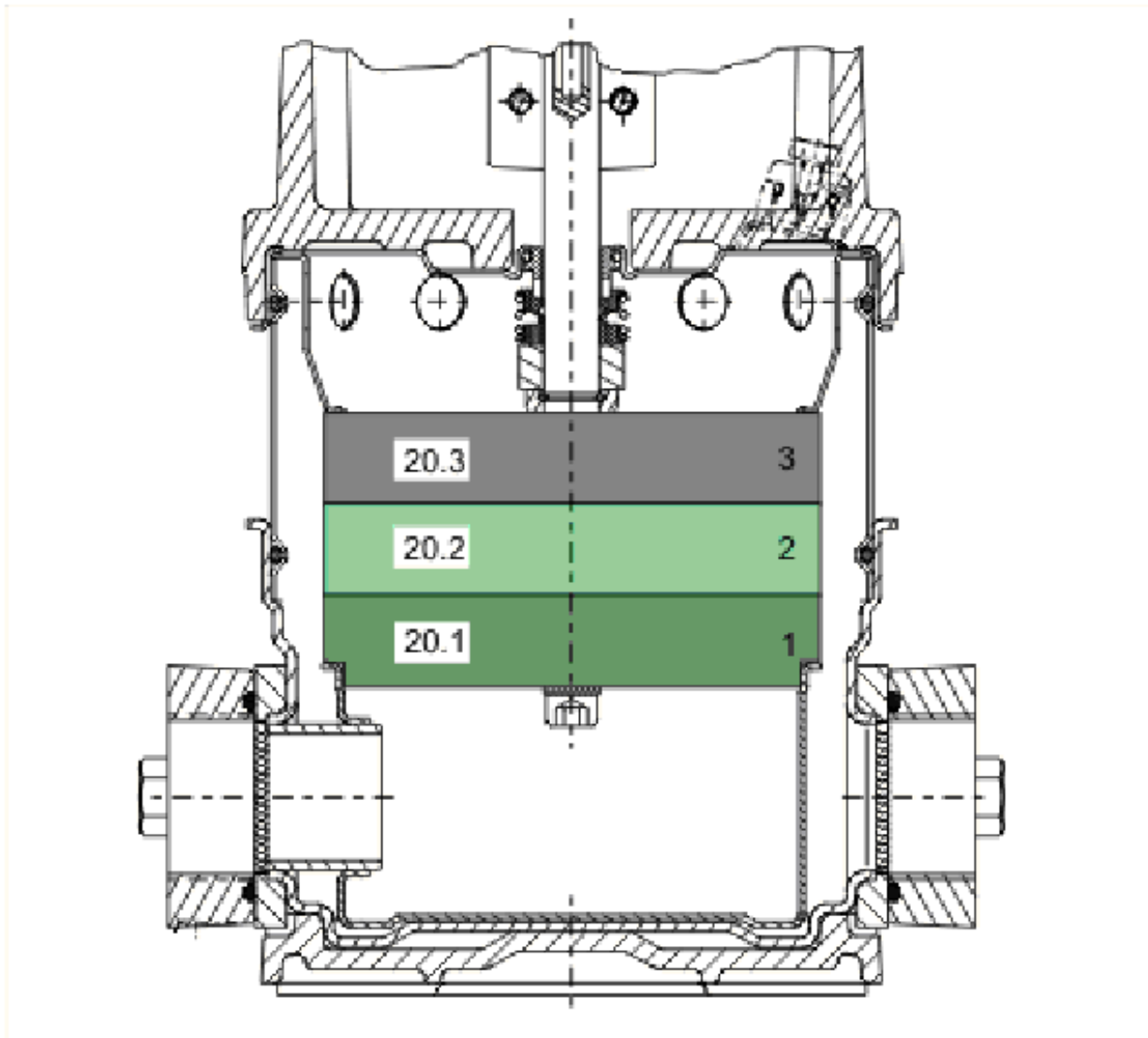


**MVIE3203-11-2/16/V/3-2 (4065541)**

Item	Article no.	Description	Quantity
1	4052347	MVI32-PN16-PUMP-CASING-KIT	1
1.1		> HOUSING-VMI-DN65/PN16-1.4408-MACHINED	1
1.2	2119912	> GASKET D.77/127X2 DN65 C4430 VP.	1
1.3	4032287	> GASKET-185x4-VITON-75SH	1
1.4	4032376	> DRAIN-AND-PRIMING-PLUG-VMI8"-316L	1
3.2	4032294	> GASKET-10x3-VITON	1
3.3	4042330	> GASKET-D7.52xD3.52-VITON	1
3	4043158	MECHANICAL SEAL VITON MVI16/32/52 KIT	1
1.3	4032287	> GASKET-185x4-VITON-75SH	1
3.1		> MECHANICAL SEAL MG12/22-G606-Q1BVGG-BURG	1
3.2	4032294	> GASKET-10x3-VITON	1
3.3	4042330	> GASKET-D7.52xD3.52-VITON	1
3.4	4032292	> GASKET-17x3-VITON	1
4	4043168	SHAFT EQUIPMENT KIT MVI32	1
4.1		> SCREW M8x16 ISO4762 8.8 ZN	1
4.2		> WASHER D.10 INOX	1
4.3		> STOP-RUSH 1/2 D22-MULTI-V-316	1
4.4		> STOP COLLAR OF IMPELLER L=28.8-Ø22-316L	1
4.5		> WASHER-8,25x26x1,5-STEEL	1
4.6		> SERRATED LOCK WASHER D10xD22-316L	1
4.7		> SCREW M10X20 ISO4762 A4.70	1
5	4052351	HOUSING PIPE D.204X158,5 1.4404 KIT	1
5.1		> HOUSING-PIPE-D204-VMI1604/3003-1.4404	1
1.3	4032287	> GASKET-185x4-VITON-75SH	1
6	4052361	MVI16/32-STUD-BOLT-KIT	1
6.1		> STUD-BOLT-M16-198x24x44 CLASS8.8 ZN+FINI	1
6.2	4233951	> NUT H M VP.	1
6.3	61701	> DISC 16MOY.NOMEL	1
7	4065631	MOT-VAR11-2T40P54V1-160M2-FF300-N42-VEM	1
8	4193324	LANTERN-MOT.VMI16/30-FF300-D42 VP.	1
9	4092425	COUPLING GUARD FF265/300 MVI KIT	1
		> GUARD-MESH-COUPPING-FF265-300	1
		> CLIP COUPLING-GUARD-RF	1
10	4217879	INTERMEDIATE PIECE GM-D22-8"-316 VP.	1

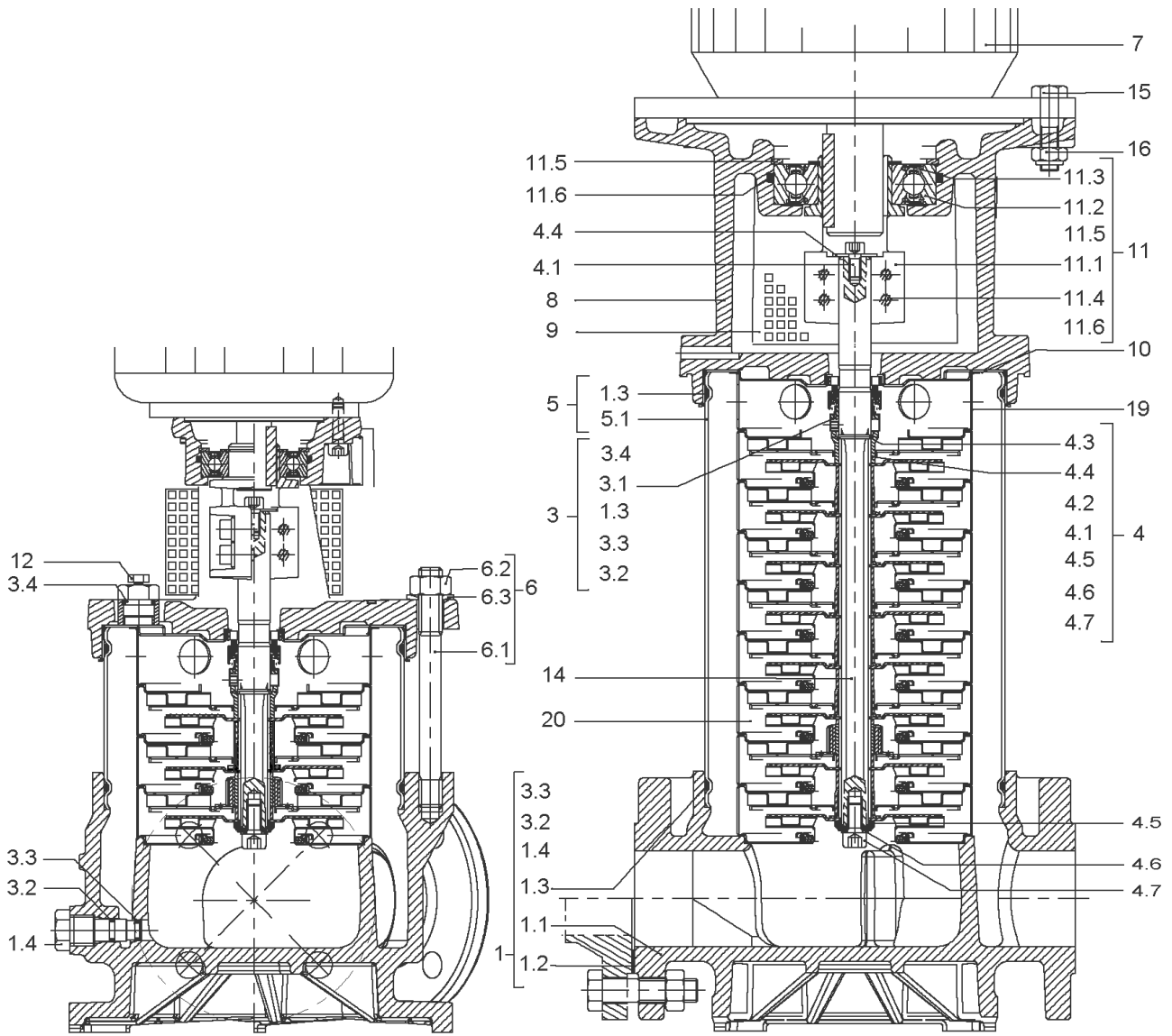
**MVIE3203-11-2/16/V/3-2 (4065541)**

Item	Article no.	Description	Quantity
11	4095230	3PH COUPLING KIT MVI D22XD42	1
11.1		> COUPLING-VMI-D22XD42-FF300-MACHINED	1
11.2	121083895	> BALL BEARING 6312/2Z-C3 (HT) VP.	1
11.3	63428	> CIRCLIP-FOR-SHAFT-D60x2	1
11.4	4094462	> SCREWS M10 ( 4 PIECES )	1
11.5	4032277	> CIRCLIP-HOLE-130x4	1
11.6	4006725	> O-RING ID.132,94x3,53 NBR70SR	1
		> CONTACT-WASHER-10MOY-10,2x22,25x1,6-STEE	1
		> SCREW M8x16 ISO4762 8.8 ZN	1
		> WASHER-8,25x26x1,5-STEEL	1
12	4032373	FILLING/VENTING-PLUG-VMI8/10-316L	1
14	4030398	PUMP SHAFT-MVI-D22-1604/3003-316	1
15	74750911106	SCREW M16x55x35 ISO4014 6.8 ZN	1
16	4233951	NUT H M VP.	1
19	4032354	UPPER STAGE-MVI32-8"-316L	1
20		SPARE PARTS HYDRAULICS MVI/MVIE 1.4404	1
	75110311204	KEY-2BT-10X8X60	1



**SPARE PARTS HYDRAULICS MVI/MVIE 1.4404**

Item	Article no.	Description	Quantity
20.1	4043193	STAGE-KIT-MVI-32-316L	1
		> SLEEVE-SPACER-D22xL8,7-316L	1
		> STAGE CASING WITHOUT G/V-30M3-8"-316L	1
		> IMPELLER-MULTI-V-30M3-8"-316L	1
20.2	4043194	STAGE-KIT-MVI-32-316L	1
		> SLEEVE-SPACER-D22xL13,8-316L	1
		> IMPELLER-MULTI-V-30M3-8"-316L	1
		> STAGE-CASING-AV-C/R-COU-30M-8"-L	1
		> SHAFT SLEEVE D22-L21-VM16/30	1
20.3	4043195	STAGE-KIT-MVI-32-316L	1
		> IMPELLER-MULTI-V-30M3-8"-316L	1
		> SPACER IMPELLER-MULTI-V-30M3-8"	1
		> STAGE-CASING-WITH RET.G/V-30M3-8"-316L	1



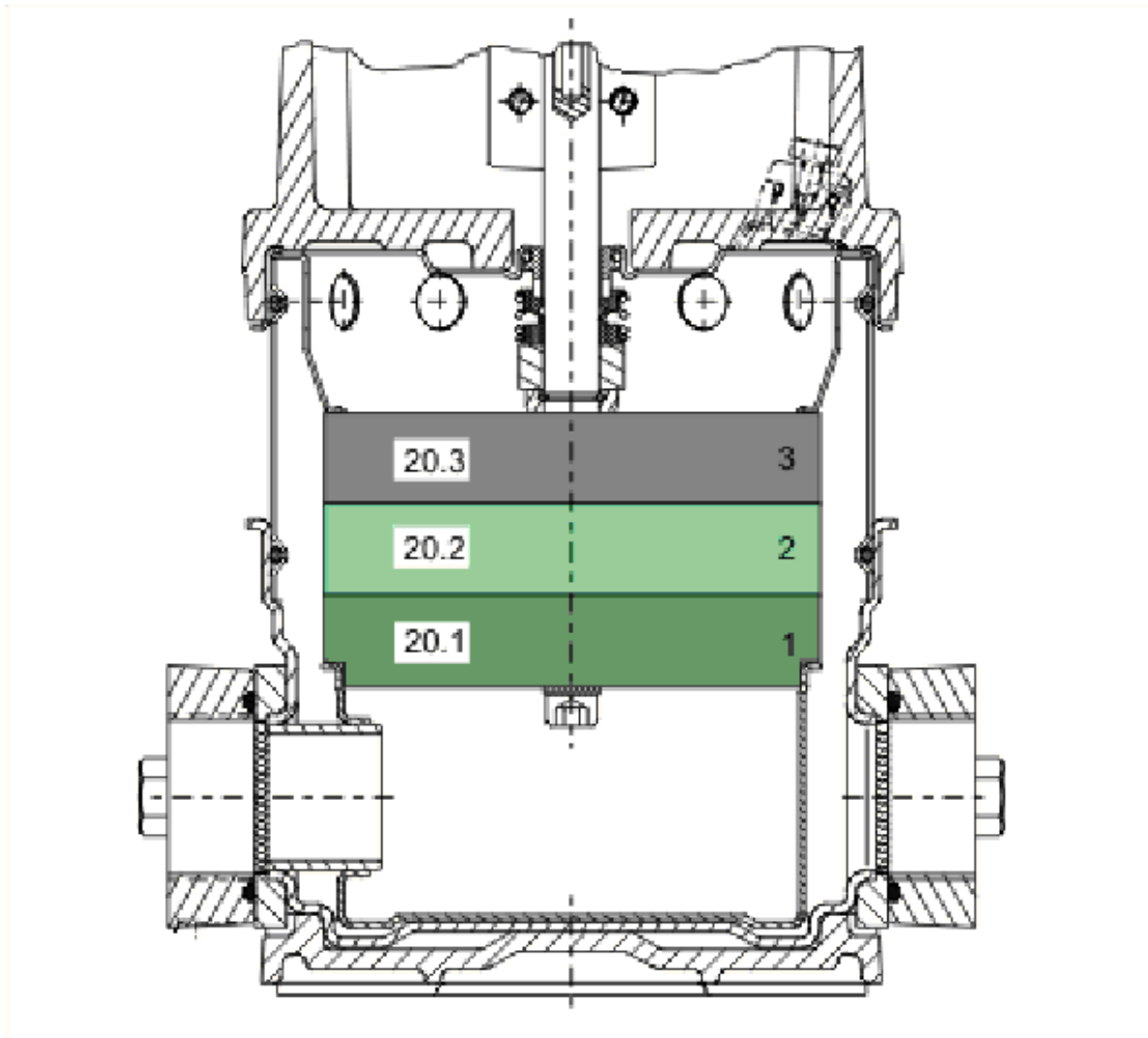


**MVIE3203-11-2/25/V/3-2 (4065557)**

Item	Article no.	Description	Quantity
1	4052348	MVI16-PUMP-CASING-KIT	1
1.1		> HOUSING-VMI-DN65/PN25-1.4408-MACHINED	1
1.2	2119912	> GASKET D.77/127X2 DN65 C4430 VP.	1
1.3	4032287	> GASKET-185x4-VITON-75SH	1
1.4	4032376	> DRAIN-AND-PRIMING-PLUG-VMI8"-316L	1
3.2	4032294	> GASKET-10x3-VITON	1
3.3	4042330	> GASKET-D7.52xD3.52-VITON	1
3	4043159	MECH.SEAL PN25 VITON MVI16/32/52 KIT	1
1.3	4032287	> GASKET-185x4-VITON-75SH	1
3.1		> MECHANICAL SEAL RMG12/22-G606-U3BVGG-BUR	1
3.2	4032294	> GASKET-10x3-VITON	1
3.3	4042330	> GASKET-D7.52xD3.52-VITON	1
3.4	4032292	> GASKET-17x3-VITON	1
4	4043168	SHAFT EQUIPMENT KIT MVI32	1
4.1		> SCREW M8x16 ISO4762 8.8 ZN	1
4.2		> WASHER D.10 INOX	1
4.3		> STOP-RUSH 1/2 D22-MULTI-V-316	1
4.4		> STOP COLLAR OF IMPELLER L=28.8-Ø22-316L	1
4.5		> WASHER-8,25x26x1,5-STEEL	1
4.6		> SERRATED LOCK WASHER D10xD22-316L	1
4.7		> SCREW M10X20 ISO4762 A4.70	1
5	4052351	HOUSING PIPE D.204X158,5 1.4404 KIT	1
5.1		> HOUSING-PIPE-D204-VMI1604/3003-1.4404	1
1.3	4032287	> GASKET-185x4-VITON-75SH	1
6	4052361	MVI16/32-STUD-BOLT-KIT	1
6.1		> STUD-BOLT-M16-198x24x44 CLASS8.8 ZN+FINI	1
6.2	4233951	> NUT H M VP.	1
6.3	61701	> DISC 16MOY.NOMEL	1
7	4065631	MOT-VAR11-2T40P54V1-160M2-FF300-N42-VEM	1
8	4193324	LANTERN-MOT.VMI16/30-FF300-D42 VP.	1
9	4092425	COUPLING GUARD FF265/300 MVI KIT	1
		> GUARD-MESH-COUPPING-FF265-300	1
		> CLIP COUPLING-GUARD-RF	1
10	4217879	INTERMEDIATE PIECE GM-D22-8"-316 VP.	1

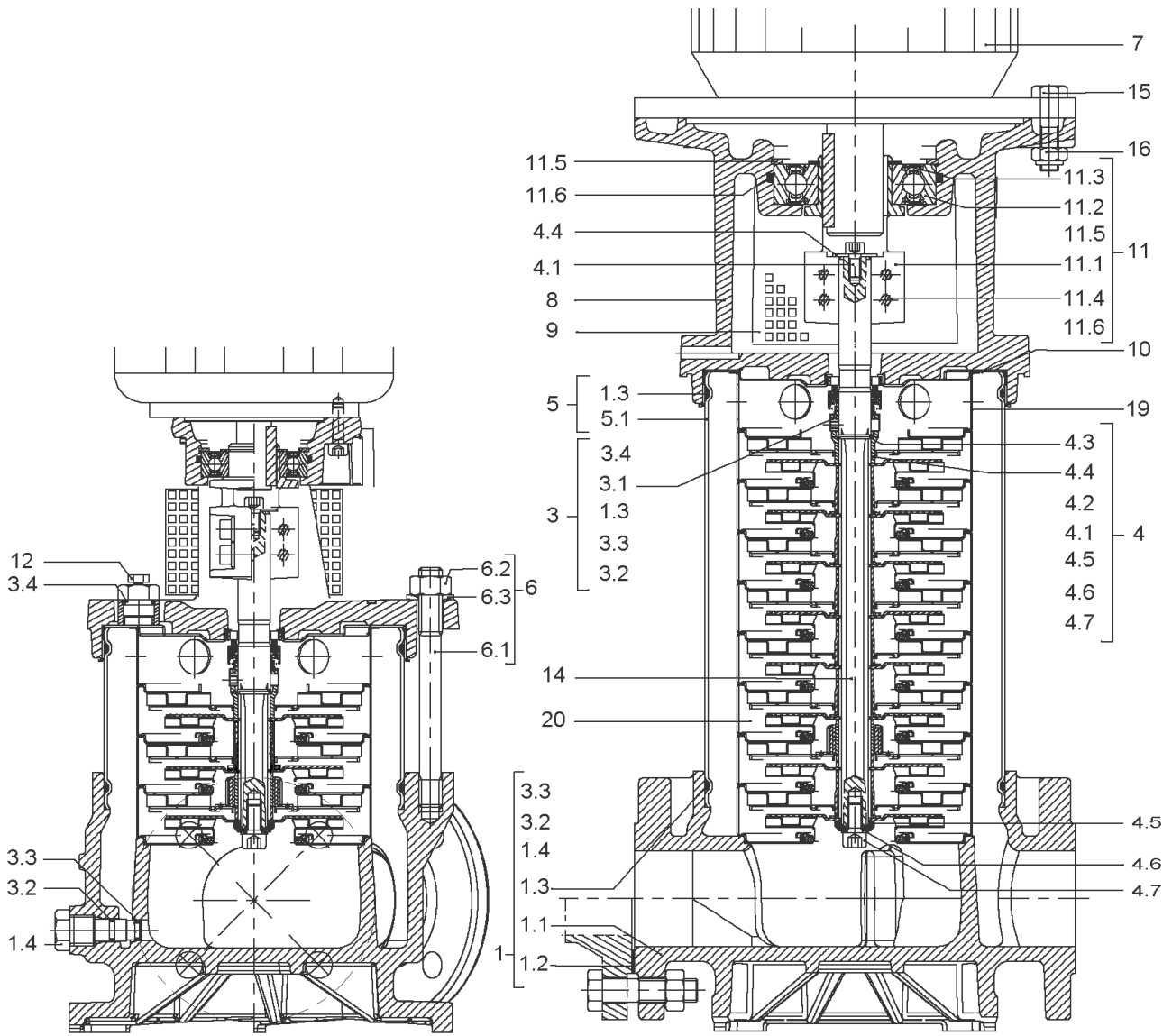
**MVIE3203-11-2/25/V/3-2 (4065557)**

Item	Article no.	Description	Quantity
11	4095230	3PH COUPLING KIT MVI D22XD42	1
11.1		> COUPLING-VMI-D22XD42-FF300-MACHINED	1
11.2	121083895	> BALL BEARING 6312/2Z-C3 (HT) VP.	1
11.3	63428	> CIRCLIP-FOR-SHAFT-D60x2	1
11.4	4094462	> SCREWS M10 ( 4 PIECES )	1
11.5	4032277	> CIRCLIP-HOLE-130x4	1
11.6	4006725	> O-RING ID.132,94x3,53 NBR70SR	1
		> CONTACT-WASHER-10MOY-10,2x22,25x1,6-STEE	1
		> SCREW M8x16 ISO4762 8.8 ZN	1
		> WASHER-8,25x26x1,5-STEEL	1
12	4032373	FILLING/VENTING-PLUG-VMI8/10-316L	1
14	4030398	PUMP SHAFT-MVI-D22-1604/3003-316	1
15	74750911106	SCREW M16x55x35 ISO4014 6.8 ZN	1
16	4233951	NUT H M VP.	1
19	4032354	UPPER STAGE-MVI32-8"-316L	1
20		SPARE PARTS HYDRAULICS MVI/MVIE 1.4404	1
	75110311204	KEY-2BT-10X8X60	1



**SPARE PARTS HYDRAULICS MVI/MVIE 1.4404**

<b>Item</b>	<b>Article no.</b>	<b>Description</b>	<b>Quantity</b>
20.1	4043193	STAGE-KIT-MVI-32-316L	1
		> SLEEVE-SPACER-D22xL8,7-316L	1
		> STAGE CASING WITHOUT G/V-30M3-8"-316L	1
		> IMPELLER-MULTI-V-30M3-8"-316L	1
20.2	4043194	STAGE-KIT-MVI-32-316L	1
		> SLEEVE-SPACER-D22xL13,8-316L	1
		> IMPELLER-MULTI-V-30M3-8"-316L	1
		> STAGE-CASING-AV-C/R-COU-30M-8"-L	1
		> SHAFT SLEEVE D22-L21-VM16/30	1
20.3	4043195	STAGE-KIT-MVI-32-316L	1
		> IMPELLER-MULTI-V-30M3-8"-316L	1
		> SPACER IMPELLER-MULTI-V-30M3-8"	1
		> STAGE-CASING-WITH RET.G/V-30M3-8"-316L	1

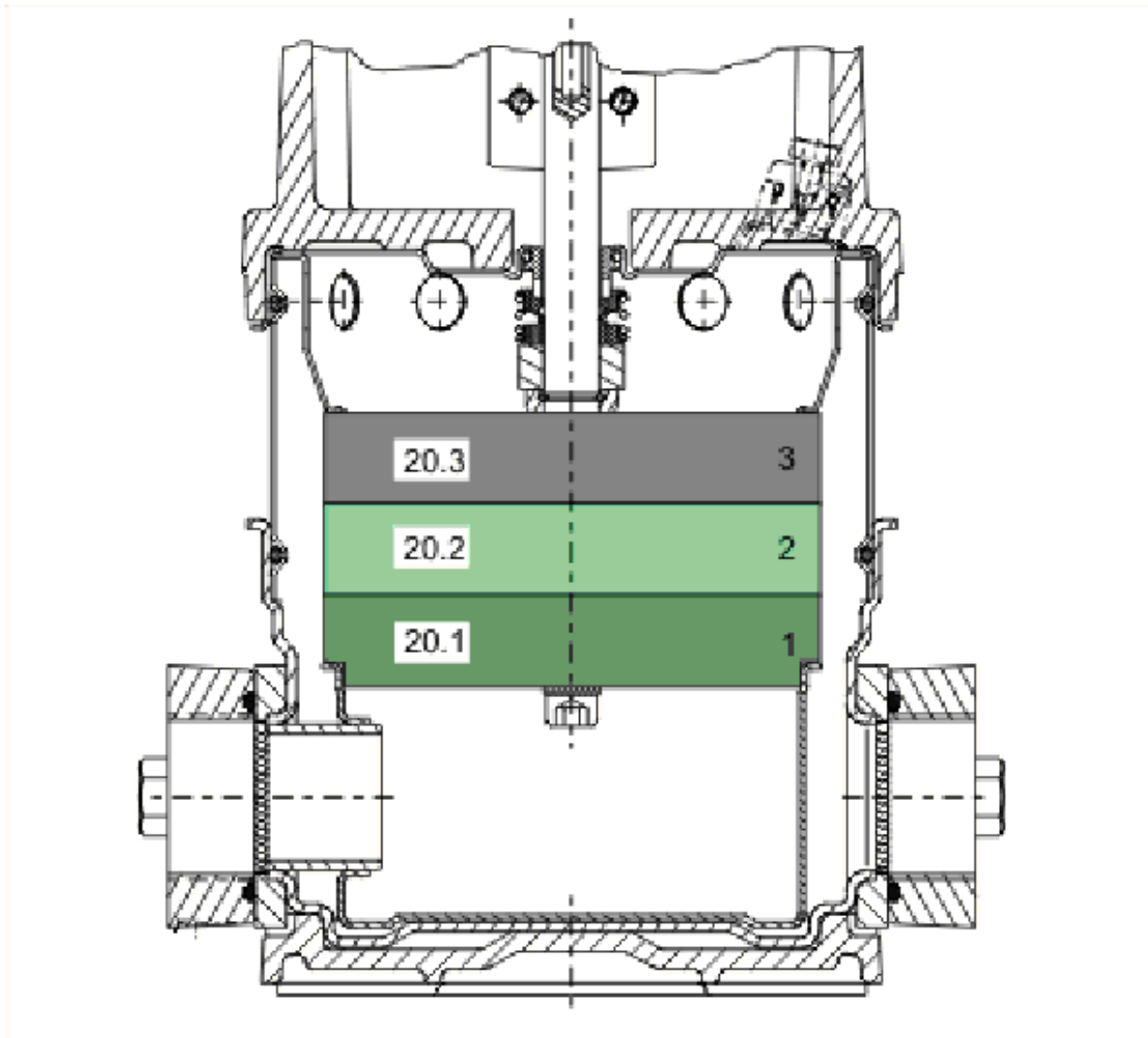


**MVIE3203-11-3/16/E/3-2 (4065533)**

Item	Article no.	Description	Quantity
1	4052335	MVI16-PUMP-CASING-KIT	1
1.1		> HOUSING-VMI-DN65/PN16-FGL-PEINT/INTERN	1
1.2	2119912	> GASKET D.77/127X2 DN65 C4430 VP.	1
1.3	4233955	> O-RING ID.185 EPDM VP.	1
1.4	4144692	> PRIMING/DRAIN PLUG MVI8"-304	1
3.2	4032293	> O-RING-10x3-EPDM-KTW/WRC	1
3.3	4042329	> O-RING-D7,52xD3,52-EPDM-KTW/WRC	1
3.3	4233957	> O-RING ID.9 EPDM VP.	1
3	4043156	SEAL-KIT-PN16-EPDM-MVI16-32-52	1
1.3	4233955	> O-RING ID.185 EPDM VP.	1
3.1		> MECHANICAL SEAL MG12/22-G606-Q1BE3GG-BUR	1
3.2	4032293	> O-RING-10x3-EPDM-KTW/WRC	1
3.3	4233957	> O-RING ID.9 EPDM VP.	1
3.4	4032291	> O-RING 17x3 EPDM KTW/WRC	1
4	4043168	SHAFT EQUIPMENT KIT MVI32	1
4.1		> SCREW M8x16 ISO4762 8.8 ZN	1
4.2		> WASHER D.10 INOX	1
4.3		> STOP-RUSH 1/2 D22-MULTI-V-316	1
4.4		> STOP COLLAR OF IMPELLER L=28.8-Ø22-316L	1
4.5		> WASHER-8,25x26x1,5-STEEL	1
4.6		> SERRATED LOCK WASHER D10xD22-316L	1
4.7		> SCREW M10X20 ISO4762 A4.70	1
5	4052339	HOUSING PIPE D.204X158,5 1.4301 KIT	1
5.1		> HOUSING-PIPE-D204-VMI1604/3003-1.4301	1
1.3	4233955	> O-RING ID.185 EPDM VP.	1
6	4052361	MVI16/32-STUD-BOLT-KIT	1
6.1		> STUD-BOLT-M16-198x24x44 CLASS8.8 ZN+FINI	1
6.2	4233951	> NUT H M VP.	1
6.3	61701	> DISC 16MOY.NOMEL	1
7	4065631	MOT-VAR11-2T40P54V1-160M2-FF300-N42-VEM	1
8	4193324	LANTERN-MOT.VMI16/30-FF300-D42 VP.	1
9	4092425	COUPLING GUARD FF265/300 MVI KIT	1
		> GUARD-MESH-COUPLING-FF265-300	1
		> CLIP COUPLING-GUARD-RF	1

**MVIE3203-11-3/16/E/3-2 (4065533)**

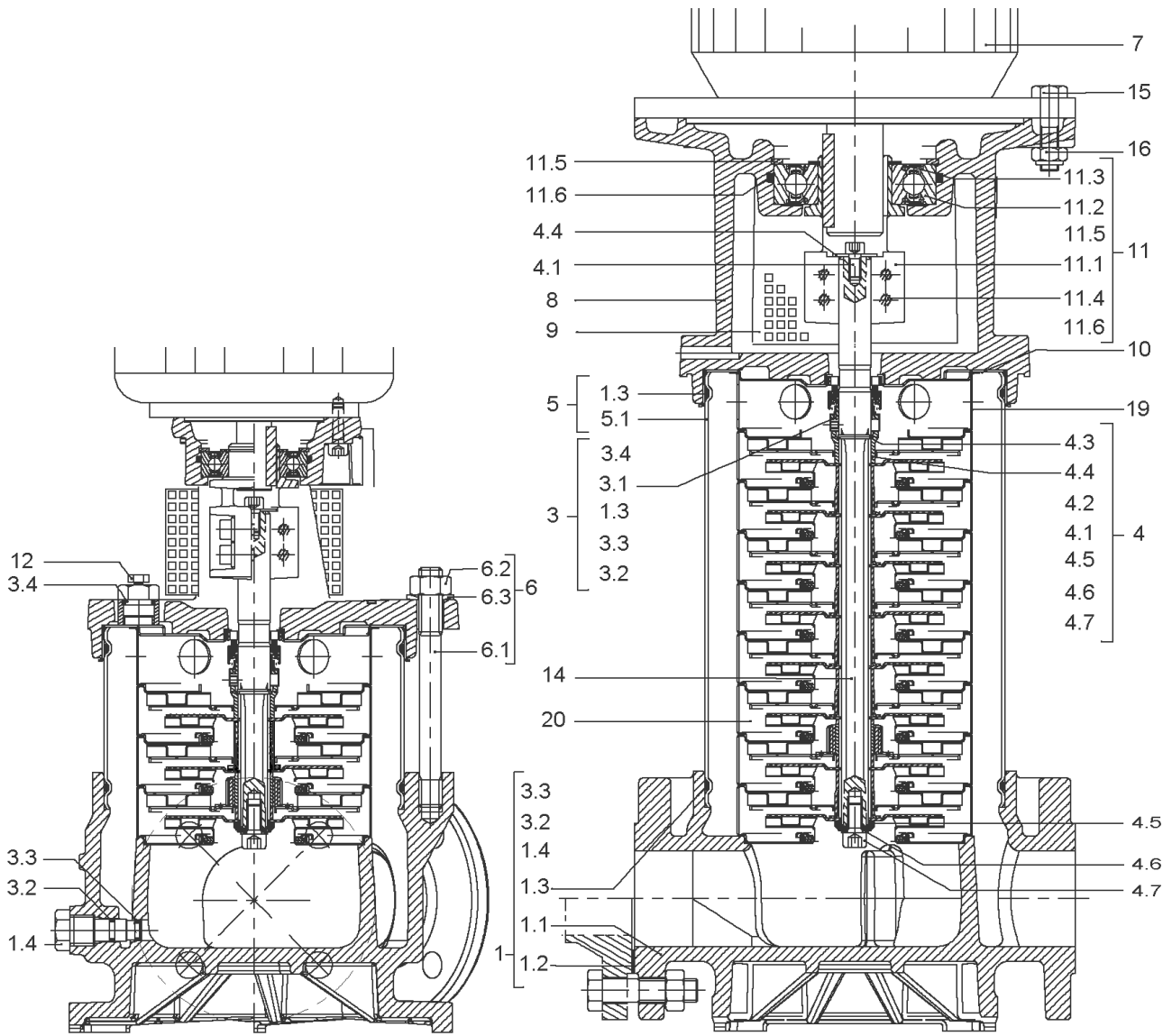
Item	Article no.	Description	Quantity
10	4217877	STATIONARY RING HOLDER FOR MVI16/32 VP.	1
11	4095230	3PH COUPLING KIT MVI D22XD42	1
11.1		> COUPLING-VMI-D22XD42-FF300-MACHINED	1
11.2	121083895	> BALL BEARING 6312/2Z-C3 (HT) VP.	1
11.3	63428	> CIRCLIP-FOR-SHAFT-D60x2	1
11.4	4094462	> SCREWS M10 ( 4 PIECES )	1
11.5	4032277	> CIRCLIP-HOLE-130x4	1
11.6	4006725	> O-RING ID.132,94x3,53 NBR70SR	1
		> CONTACT-WASHER-10MOY-10,2x22,25x1,6-STEE	1
		> SCREW M8x16 ISO4762 8.8 ZN	1
		> WASHER-8,25x26x1,5-STEEL	1
12	4032373	FILLING/VENTING-PLUG-VMI8/10-316L	1
14	4088314	SHAFT Lg:250,5 MVI 1604/3203 KIT	1
		> PUMP SHAFT-VMI-D22-1604/3203-316-LEFT TA	1
		> SCREW M10x25 ISO4762 A4.70 LEFT	1
15	74750911106	SCREW M16x55x35 ISO4014 6.8 ZN	1
16	4233951	NUT H M VP.	1
19	4032353	CENTERING END STAGE G/V 30M3-8"-304	1
20	4194723	HYDRAULIC CPL.MVI3203-8" 1.4301 KIT	1
20		Hydraulic cpl.(Pos.19+20)without MS.	1
20		SPARE PARTS HYDRAULICS MVI/MVIE 1.4301	1
	75110311204	KEY-2BT-10X8X60	1





**SPARE PARTS HYDRAULICS MVI/MVIE 1.4301**

Item	Article no.	Description	Quantity
20.1	4043173	STAGE-KIT-MVI-32-304	1
		> SLEEVE-SPACER-D22xL8,7-316L	1
		> STAGE CASING-SS-C/R-30M3-8"-304	1
		> IMPELLER-MULTI-V-30M3-8"-304	1
20.2	4043174	STAGE-KIT-MVI-32-304	1
		> SLEEVE-SPACER-D22xL13,8-316L	1
		> IMPELLER-MULTI-V-30M3-8"-304	1
		> STAGE CASING-AV-C/R-COU-30M-8"	1
		> SHAFT SLEEVE D22-L21-VM16/30	1
20.3	4043175	STAGE-KIT-MVI-32-304	1
		> IMPELLER-MULTI-V-30M3-8"-304	1
		> SPACER IMPELLER-MULTI-V-30M3-8"	1
		> STAGE CASING-AV-C/R-30M3-8"-304	1

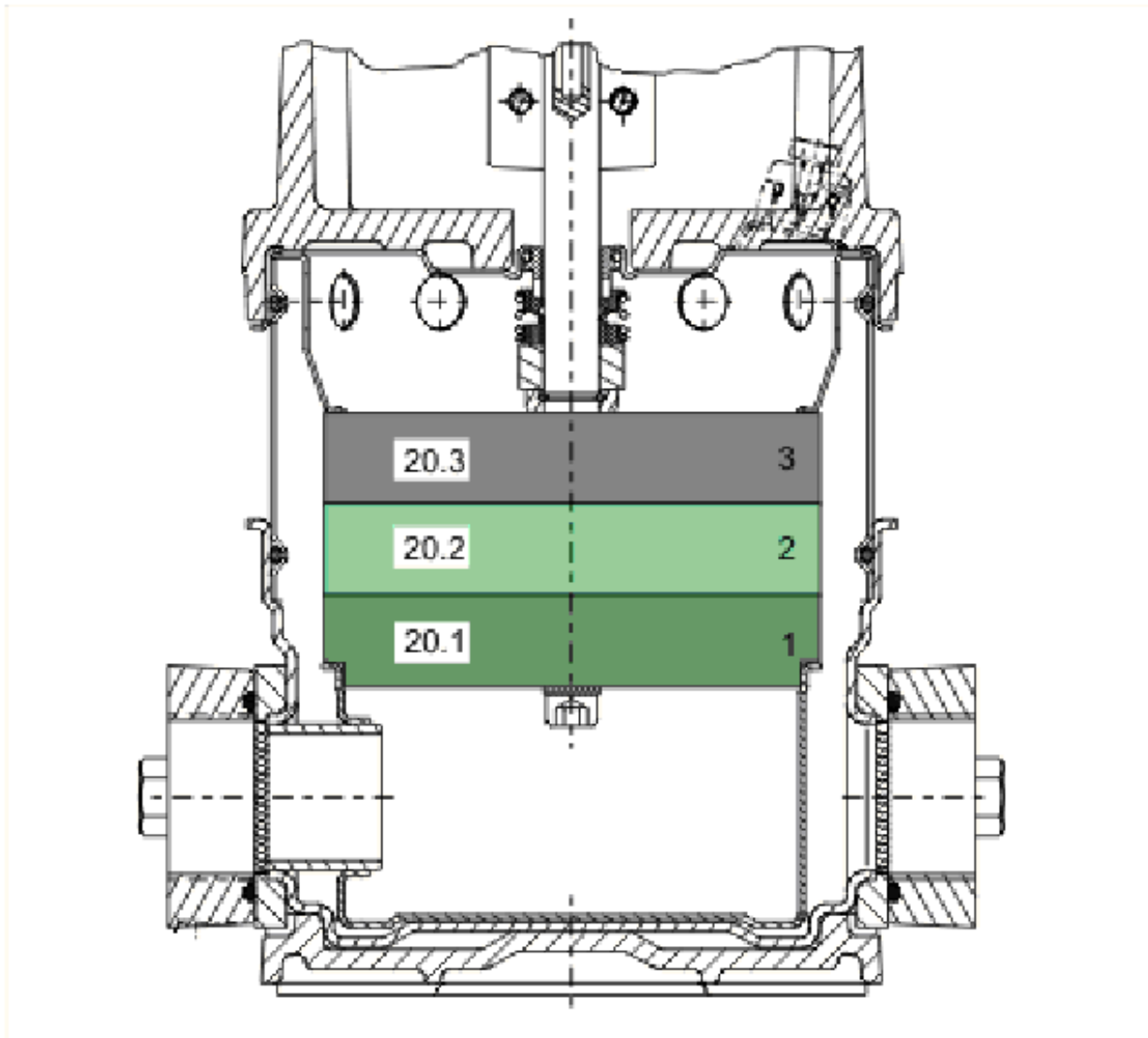


**MVIE3203-11-3/25/E/3-2 (4065547)**

Item	Article no.	Description	Quantity
1	2057982	MVIE25-PUMP-CASING-KIT	1
1.1		> PUMP HOUSING MVIE32 PN25 GJ250	1
1.2	2119912	> GASKET D.77/127X2 DN65 C4430 VP.	1
1.3	4233955	> O-RING ID.185 EPDM VP.	1
1.4	4144692	> PRIMING/DRAIN PLUG MVI8"-304	1
3.2	4032293	> O-RING-10x3-EPDM-KTW/WRC	1
3.3	4042329	> O-RING-D7,52xD3,52-EPDM-KTW/WRC	1
3.3	4233957	> O-RING ID.9 EPDM VP.	1
3	4043157	MECH.SEAL PN25 EPDM MVI16/32/52 KIT	1
1.3	4233955	> O-RING ID.185 EPDM VP.	1
3.1		> MECHANICAL-SEAL-RMG12/22-G606-U3BEGG-BUR	1
3.2	4032293	> O-RING-10x3-EPDM-KTW/WRC	1
3.3	4233957	> O-RING ID.9 EPDM VP.	1
3.4	4032291	> O-RING 17x3 EPDM KTW/WRC	1
4	4043168	SHAFT EQUIPMENT KIT MVI32	1
4.1		> SCREW M8x16 ISO4762 8.8 ZN	1
4.2		> WASHER D.10 INOX	1
4.3		> STOP-RUSH 1/2 D22-MULTI-V-316	1
4.4		> STOP COLLAR OF IMPELLER L=28.8-Ø22-316L	1
4.5		> WASHER-8,25x26x1,5-STEEL	1
4.6		> SERRATED LOCK WASHER D10xD22-316L	1
4.7		> SCREW M10X20 ISO4762 A4.70	1
5	4052339	HOUSING PIPE D.204X158,5 1.4301 KIT	1
5.1		> HOUSING-PIPE-D204-VMI1604/3003-1.4301	1
1.3	4233955	> O-RING ID.185 EPDM VP.	1
6	4052361	MVI16/32-STUD-BOLT-KIT	1
6.1		> STUD-BOLT-M16-198x24x44 CLASS8.8 ZN+FINI	1
6.2	4233951	> NUT H M VP.	1
6.3	61701	> DISC 16MOY.NOMEL	1
7	4065631	MOT-VAR11-2T40P54V1-160M2-FF300-N42-VEM	1
8	4193324	LANTERN-MOT.VMI16/30-FF300-D42 VP.	1
9	4092425	COUPLING GUARD FF265/300 MVI KIT	1
		> GUARD-MESH-COUPLING-FF265-300	1
		> CLIP COUPLING-GUARD-RF	1

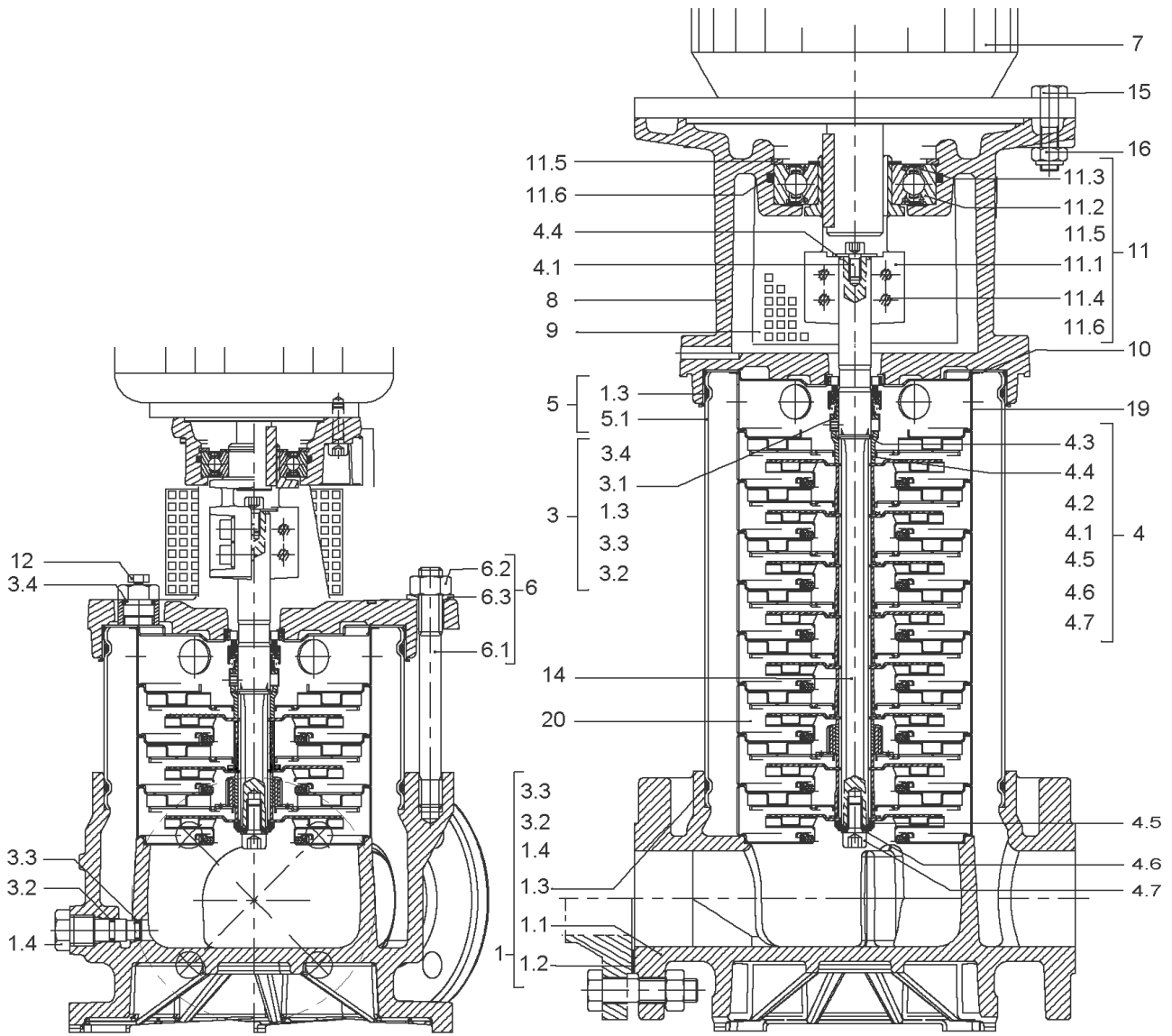
**MVIE3203-11-3/25/E/3-2 (4065547)**

Item	Article no.	Description	Quantity
10	4217877	STATIONARY RING HOLDER FOR MVI16/32 VP.	1
11	4095230	3PH COUPLING KIT MVI D22XD42	1
11.1		> COUPLING-VMI-D22XD42-FF300-MACHINED	1
11.2	121083895	> BALL BEARING 6312/2Z-C3 (HT) VP.	1
11.3	63428	> CIRCLIP-FOR-SHAFT-D60x2	1
11.4	4094462	> SCREWS M10 ( 4 PIECES )	1
11.5	4032277	> CIRCLIP-HOLE-130x4	1
11.6	4006725	> O-RING ID.132,94x3,53 NBR70SR	1
		> CONTACT-WASHER-10MOY-10,2x22,25x1,6-STEE	1
		> SCREW M8x16 ISO4762 8.8 ZN	1
		> WASHER-8,25x26x1,5-STEEL	1
12	4032373	FILLING/VENTING-PLUG-VMI8/10-316L	1
14	4088314	SHAFT Lg:250,5 MVI 1604/3203 KIT	1
		> PUMP SHAFT-VMI-D22-1604/3203-316-LEFT TA	1
		> SCREW M10x25 ISO4762 A4.70 LEFT	1
15	74750911106	SCREW M16x55x35 ISO4014 6.8 ZN	1
16	4233951	NUT H M VP.	1
19	4032353	CENTERING END STAGE G/V 30M3-8"-304	1
20	4194723	HYDRAULIC CPL.MVI3203-8" 1.4301 KIT	1
20		Hydraulic cpl.(Pos.19+20)without MS.	1
20		SPARE PARTS HYDRAULICS MVI/MVIE 1.4301	1
	75110311204	KEY-2BT-10X8X60	1



**SPARE PARTS HYDRAULICS MVI/MVIE 1.4301**

<b>Item</b>	<b>Article no.</b>	<b>Description</b>	<b>Quantity</b>
20.1	4043173	STAGE-KIT-MVI-32-304	1
		> SLEEVE-SPACER-D22xL8,7-316L	1
		> STAGE CASING-SS-C/R-30M3-8"-304	1
		> IMPELLER-MULTI-V-30M3-8"-304	1
20.2	4043174	STAGE-KIT-MVI-32-304	1
		> SLEEVE-SPACER-D22xL13,8-316L	1
		> IMPELLER-MULTI-V-30M3-8"-304	1
		> STAGE CASING-AV-C/R-COU-30M-8"	1
		> SHAFT SLEEVE D22-L21-VM16/30	1
20.3	4043175	STAGE-KIT-MVI-32-304	1
		> IMPELLER-MULTI-V-30M3-8"-304	1
		> SPACER IMPELLER-MULTI-V-30M3-8"	1
		> STAGE CASING-AV-C/R-30M3-8"-304	1



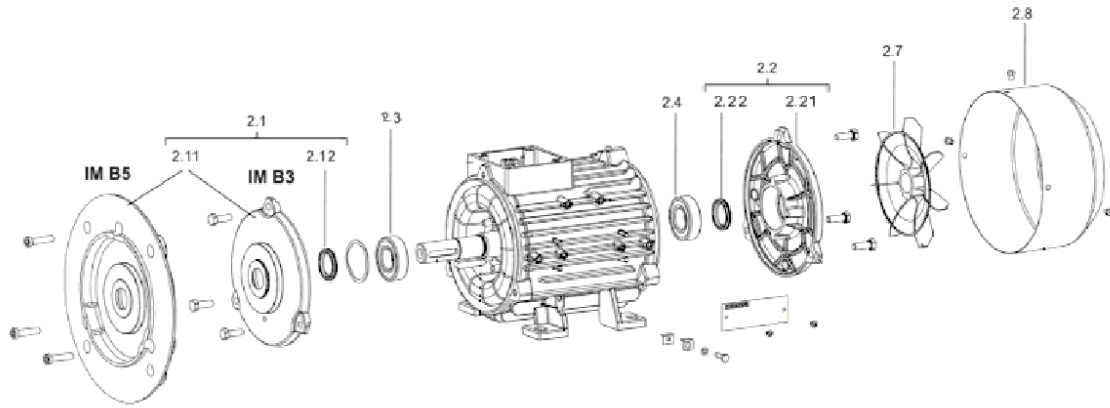
**MVIE3203-7,5-2/16/V/3-2 (4059717)**

Item	Article no.	Description	Quantity
1	4052347	MVI32-PN16-PUMP-CASING-KIT	1
1.1		> HOUSING-VMI-DN65/PN16-1.4408-MACHINED	1
1.2	2119912	> GASKET D.77/127X2 DN65 C4430 VP.	1
1.3	4032287	> GASKET-185x4-VITON-75SH	1
1.4	4032376	> DRAIN-AND-PRIMING-PLUG-VMI8"-316L	1
3.2	4032294	> GASKET-10x3-VITON	1
3.3	4042330	> GASKET-D7.52xD3.52-VITON	1
3	4043158	MECHANICAL SEAL VITON MVI16/32/52 KIT	1
1.3	4032287	> GASKET-185x4-VITON-75SH	1
3.1		> MECHANICAL SEAL MG12/22-G606-Q1BVGG-BURG	1
3.2	4032294	> GASKET-10x3-VITON	1
3.3	4042330	> GASKET-D7.52xD3.52-VITON	1
3.4	4032292	> GASKET-17x3-VITON	1
4	4043168	SHAFT EQUIPMENT KIT MVI32	1
4.1		> SCREW M8x16 ISO4762 8.8 ZN	1
4.2		> WASHER D.10 INOX	1
4.3		> STOP-RUSH 1/2 D22-MULTI-V-316	1
4.4		> STOP COLLAR OF IMPELLER L=28.8-Ø22-316L	1
4.5		> WASHER-8,25x26x1,5-STEEL	1
4.6		> SERRATED LOCK WASHER D10xD22-316L	1
4.7		> SCREW M10X20 ISO4762 A4.70	1
5	4052351	HOUSING PIPE D.204X158,5 1.4404 KIT	1
5.1		> HOUSING-PIPE-D204-VMI1604/3003-1.4404	1
1.3	4032287	> GASKET-185x4-VITON-75SH	1
6	4052361	MVI16/32-STUD-BOLT-KIT	1
6.1		> STUD-BOLT-M16-198x24x44 CLASS8.8 ZN+FINI	1
6.2	4233951	> NUT H M VP.	1
6.3	61701	> DISC 16MOY.NOMEL	1
7	2048858	MOTOR TL5 V1 7,5/2/132/300 60HZ SM.	1
		SPARE PARTS MOTOR TL5 V1 7,5/2/132/300	1
8	4186440	LANTERN-MOTOR-MVI16/30-FF265-VP.	1
9	4092425	COUPLING GUARD FF265/300 MVI KIT	1
		> GUARD-MESH-COUPLING-FF265-300	1
		> CLIP COUPLING-GUARD-RF	1



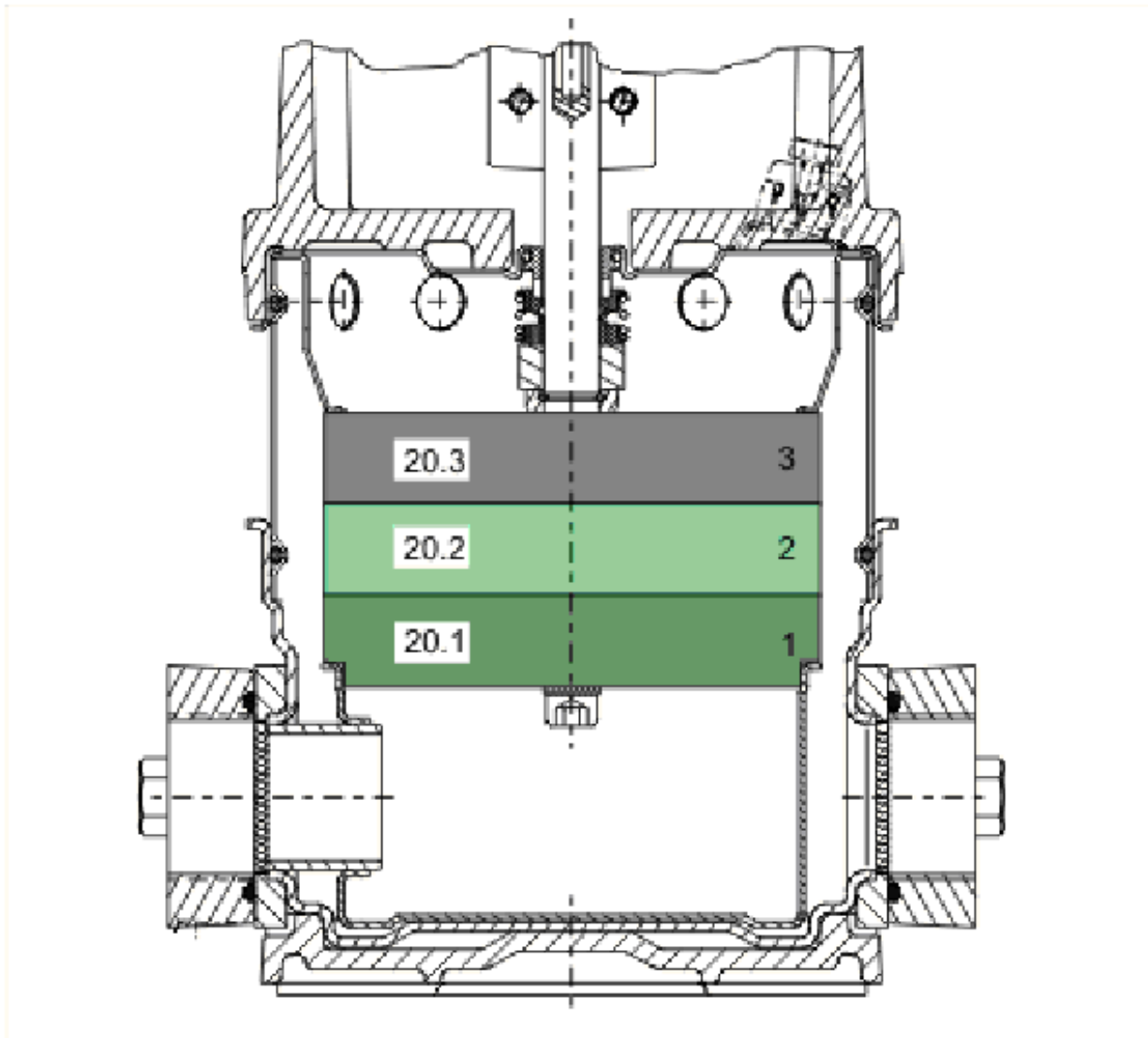
**MVIE3203-7,5-2/16/V/3-2 (4059717)**

Item	Article no.	Description	Quantity
10	4217879	INTERMEDIATE PIECE GM-D22-8"-316 VP.	1
11	4095228	3PH COUPLING KIT MVI D22XD38	1
4.1		> SCREW M8x16 ISO4762 8.8 ZN	1
4.2		> WASHER-8,25x26x1,5-STEEL	1
11.1		> COUPLING-VMI-D22xD38-FF265-MACHINED	1
11.2	2044937	> BALL BEARING 6310/2Z-C3 (HT) VP.	1
11.3	4234253	> CIRCLIP-FOR-SHAFT-D50x2 VP.	1
11.4	4157726	> SCREW KIT M8X30 (4 PIECES)	1
11.5	4234255	> CIRCLIPS 110X4 VP.	1
11.6	4233944	> O-RING ID.110 VP.	1
		> NOMEI CONTACT WASHER 8x16x1,4 STEEL ZC	1
12	4032373	FILLING/VENTING-PLUG-VMI8/10-316L	1
14	4030398	PUMP SHAFT-MVI-D22-1604/3003-316	1
15	2175822	Screw M12X45 ISO4017 6.8 ZN (4 Pieces)	1
16	2160934	Nut M12 VP.	1
19	4032354	UPPER STAGE-MVI32-8"-316L	1
20		SPARE PARTS HYDRAULICS MVI/MVIE 1.4404	1
		MODULE TL5 NT.MVIE/MULTI-VE	1
Note: no longer available / nicht mehr lieferbar / ne plus disponible			
	2046119	SCREW M5X16 DIN912 8.8 ZN (4 PIECES)	1
	2057978	RONDELLE A5,3 DIN6797 FST ZN (4 PIECES)	1
	75110311204	KEY-2BT-10X8X60	1



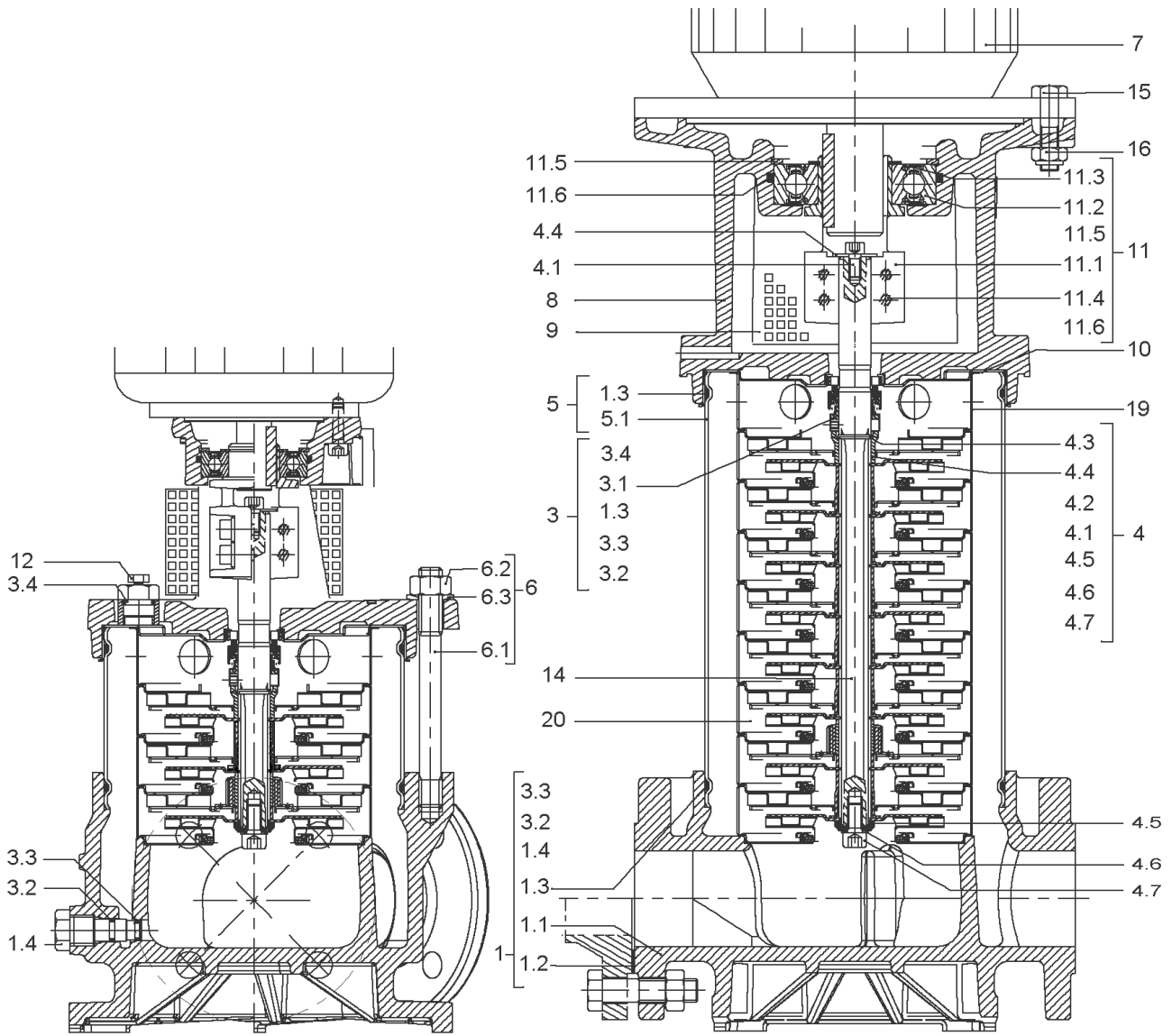
**SPARE PARTS MOTOR TL5 V1 7,5/2/132/300**

Item	Article no.	Description	Quantity
2.1	2162617	End shield 1LA7 BG132/300 D.E.SM.VP.	1
Note: Please give the data from type plate of the motor			
2.2	2029333	END SHIELD 1LA7 BG132/300 N.D.E.SM.KIT	1
Note: Please give the data from type plate of the motor			
2.21		> END SHIELD BS 1LA7130-2AA66-Z SIEMENS	1
2.22		> SHAFT SEAL RING EWN:10304006202000 SM.	1
2.3	121084293	BALL BEARING 6208/2Z-C3 (HT) VP.	1
Note: Please give the data from type plate of the motor			
2.4	121084293	BALL BEARING 6208/2Z-C3 (HT) VP.	1
Note: Please give the data from type plate of the motor			
2.7	2029729	FAN WHEEL 1LA7 2/132/300 SM.VP.	1
Note: Please give the data from type plate of the motor			
2.8	2112878	FAN HOUSING 1LA7130 BG132/300 SM.KIT	1
Note: Please give the data from type plate of the motor			
2.8A		> FAN HOUSING EWN:10742036821000 SM.	1
2.8B	2112822	> SCREW M5X8 ISO7045 (4 PIECES)	1



**SPARE PARTS HYDRAULICS MVI/MVIE 1.4404**

Item	Article no.	Description	Quantity
20.1	4043193	STAGE-KIT-MVI-32-316L	1
		> SLEEVE-SPACER-D22xL8,7-316L	1
		> STAGE CASING WITHOUT G/V-30M3-8"-316L	1
		> IMPELLER-MULTI-V-30M3-8"-316L	1
20.2	4043194	STAGE-KIT-MVI-32-316L	1
		> SLEEVE-SPACER-D22xL13,8-316L	1
		> IMPELLER-MULTI-V-30M3-8"-316L	1
		> STAGE-CASING-AV-C/R-COU-30M-8"-L	1
		> SHAFT SLEEVE D22-L21-VM16/30	1
20.3	4043195	STAGE-KIT-MVI-32-316L	1
		> IMPELLER-MULTI-V-30M3-8"-316L	1
		> SPACER IMPELLER-MULTI-V-30M3-8"	1
		> STAGE-CASING-WITH RET.G/V-30M3-8"-316L	1



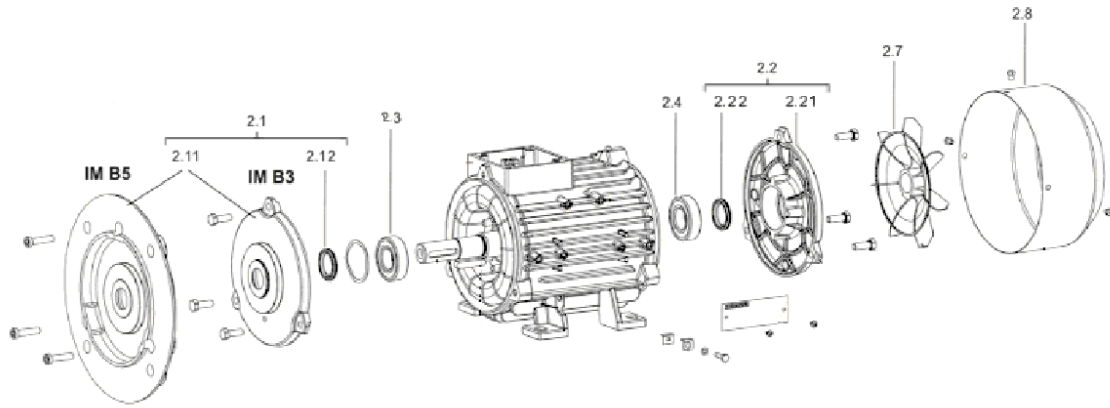
**MVIE3203-7,5-3/16/E/3-2 (4059710)**

Item	Article no.	Description	Quantity
1	4052335	MVI16-PUMP-CASING-KIT	1
1.1		> HOUSING-VMI-DN65/PN16-FGL-PEINT/INTERN	1
1.2	2119912	> GASKET D.77/127X2 DN65 C4430 VP.	1
1.3	4233955	> O-RING ID.185 EPDM VP.	1
1.4	4144692	> PRIMING/DRAIN PLUG MVI8"-304	1
3.2	4032293	> O-RING-10x3-EPDM-KTW/WRC	1
3.3	4042329	> O-RING-D7,52xD3,52-EPDM-KTW/WRC	1
3.3	4233957	> O-RING ID.9 EPDM VP.	1
3	4043156	SEAL-KIT-PN16-EPDM-MVI16-32-52	1
1.3	4233955	> O-RING ID.185 EPDM VP.	1
3.1		> MECHANICAL SEAL MG12/22-G606-Q1BE3GG-BUR	1
3.2	4032293	> O-RING-10x3-EPDM-KTW/WRC	1
3.3	4233957	> O-RING ID.9 EPDM VP.	1
3.4	4032291	> O-RING 17x3 EPDM KTW/WRC	1
4	4043168	SHAFT EQUIPMENT KIT MVI32	1
4.1		> SCREW M8x16 ISO4762 8.8 ZN	1
4.2		> WASHER D.10 INOX	1
4.3		> STOP-RUSH 1/2 D22-MULTI-V-316	1
4.4		> STOP COLLAR OF IMPELLER L=28.8-Ø22-316L	1
4.5		> WASHER-8,25x26x1,5-STEEL	1
4.6		> SERRATED LOCK WASHER D10xD22-316L	1
4.7		> SCREW M10X20 ISO4762 A4.70	1
5	4052339	HOUSING PIPE D.204X158,5 1.4301 KIT	1
5.1		> HOUSING-PIPE-D204-VMI1604/3003-1.4301	1
1.3	4233955	> O-RING ID.185 EPDM VP.	1
6	4052361	MVI16/32-STUD-BOLT-KIT	1
6.1		> STUD-BOLT-M16-198x24x44 CLASS8.8 ZN+FINI	1
6.2	4233951	> NUT H M VP.	1
6.3	61701	> DISC 16MOY.NOMEL	1
7	2048858	MOTOR TL5 V1 7,5/2/132/300 60HZ SM.	1
		SPARE PARTS MOTOR TL5 V1 7,5/2/132/300	1
8	4186440	LANTERN-MOTOR-MVI16/30-FF265-VP.	1
9	4092425	COUPLING GUARD FF265/300 MVI KIT	1
		> GUARD-MESH-COUPPING-FF265-300	1

**MVIE3203-7,5-3/16/E/3-2 (4059710)**

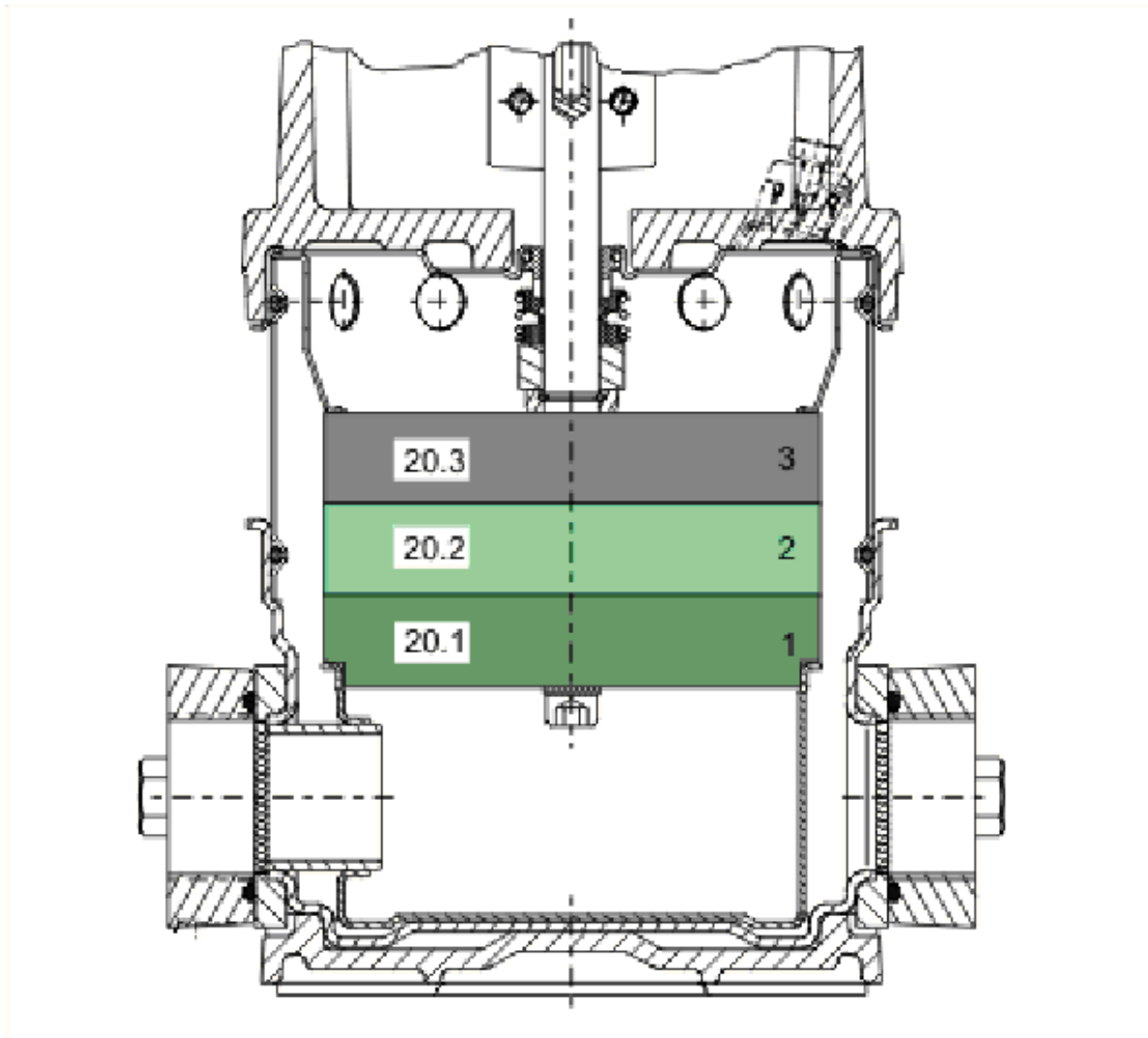
Item	Article no.	Description	Quantity
		> CLIP COUPLING-GUARD-RF	1
10	4217877	STATIONARY RING HOLDER FOR MVI16/32 VP.	1
11	4095228	3PH COUPLING KIT MVI D22XD38	1
4.1		> SCREW M8x16 ISO4762 8.8 ZN	1
4.2		> WASHER-8,25x26x1,5-STEEL	1
11.1		> COUPLING-VMI-D22xD38-FF265-MACHINED	1
11.2	2044937	> BALL BEARING 6310/2Z-C3 (HT) VP.	1
11.3	4234253	> CIRCLIP-FOR-SHAFT-D50x2 VP.	1
11.4	4157726	> SCREW KIT M8X30 (4 PIECES)	1
11.5	4234255	> CIRCLIPS 110X4 VP.	1
11.6	4233944	> O-RING ID.110 VP.	1
		> NOMEI CONTACT WASHER 8x16x1,4 STEEL ZC	1
12	4032373	FILLING/VENTING-PLUG-VMI8/10-316L	1
14	4088314	SHAFT Lg:250,5 MVI 1604/3203 KIT	1
		> PUMP SHAFT-VMI-D22-1604/3203-316-LEFT TA	1
		> SCREW M10x25 ISO4762 A4.70 LEFT	1
15	2175822	Screw M12X45 ISO4017 6.8 ZN (4 Pieces)	1
16	2160934	Nut M12 VP.	1
19	4032353	CENTERING END STAGE G/V 30M3-8"-304	1
20	4194723	HYDRAULIC CPL.MVI3203-8" 1.4301 KIT	1
20		Hydraulic cpl.(Pos.19+20)without MS.	1
20		SPARE PARTS HYDRAULICS MVI/MVIE 1.4301	1
		MODULE TL5 NT.MVIE/MULTI-VE	1
Note: no longer available / nicht mehr lieferbar / ne plus disponible			
	2046119	SCREW M5X16 DIN912 8.8 ZN (4 PIECES)	1
	2057978	RONDELLE A5,3 DIN6797 FST ZN (4 PIECES)	1
	75110311204	KEY-2BT-10X8X60	1





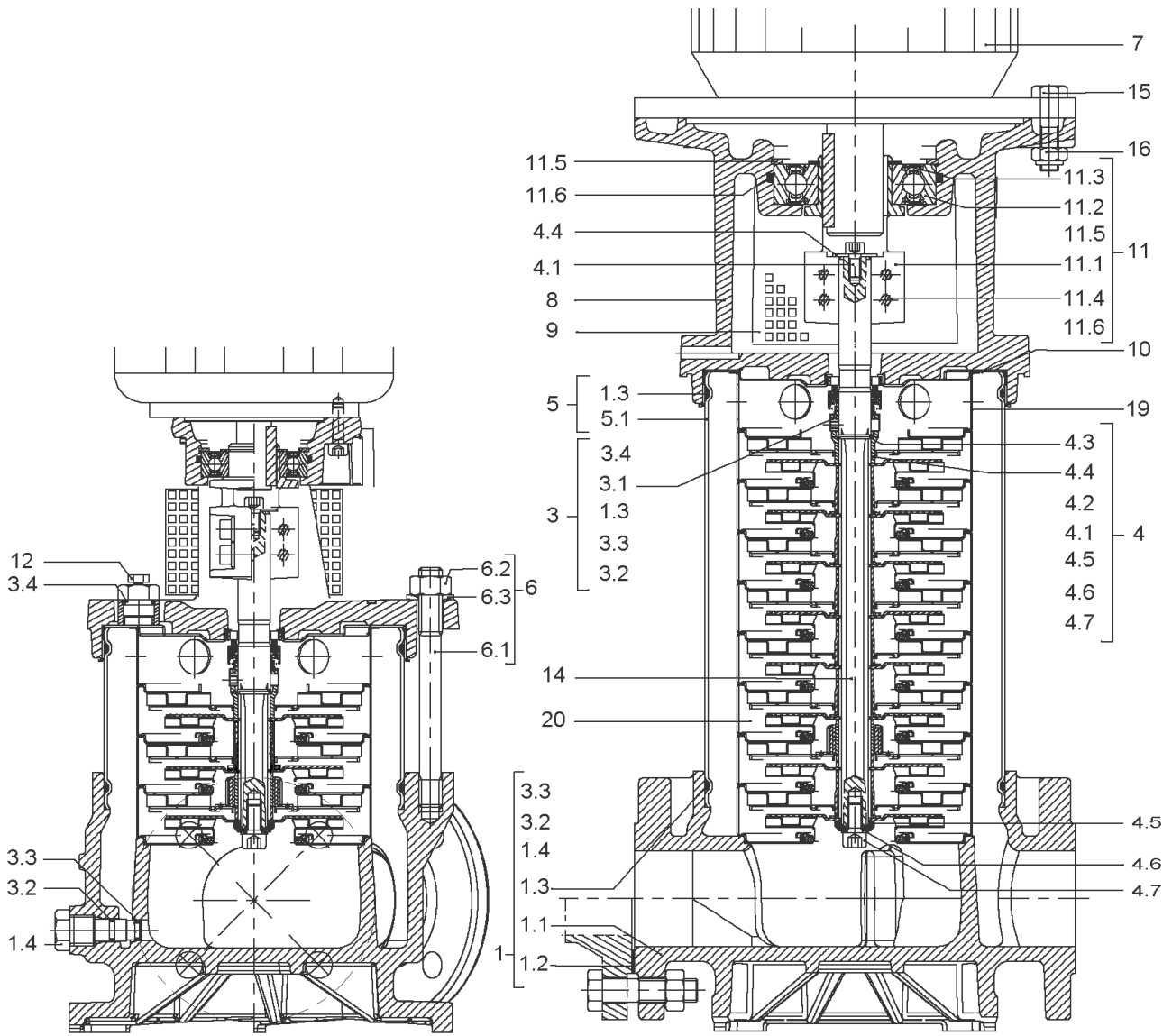
**SPARE PARTS MOTOR TL5 V1 7,5/2/132/300**

Item	Article no.	Description	Quantity
2.1	2162617	End shield 1LA7 BG132/300 D.E.SM.VP.	1
Note: Please give the data from type plate of the motor			
2.2	2029333	END SHIELD 1LA7 BG132/300 N.D.E.SM.KIT	1
Note: Please give the data from type plate of the motor			
2.21		> END SHIELD BS 1LA7130-2AA66-Z SIEMENS	1
2.22		> SHAFT SEAL RING EWN:10304006202000 SM.	1
2.3	121084293	BALL BEARING 6208/2Z-C3 (HT) VP.	1
Note: Please give the data from type plate of the motor			
2.4	121084293	BALL BEARING 6208/2Z-C3 (HT) VP.	1
Note: Please give the data from type plate of the motor			
2.7	2029729	FAN WHEEL 1LA7 2/132/300 SM.VP.	1
Note: Please give the data from type plate of the motor			
2.8	2112878	FAN HOUSING 1LA7130 BG132/300 SM.KIT	1
Note: Please give the data from type plate of the motor			
2.8A		> FAN HOUSING EWN:10742036821000 SM.	1
2.8B	2112822	> SCREW M5X8 ISO7045 (4 PIECES)	1



**SPARE PARTS HYDRAULICS MVI/MVIE 1.4301**

<b>Item</b>	<b>Article no.</b>	<b>Description</b>	<b>Quantity</b>
20.1	4043173	STAGE-KIT-MVI-32-304	1
		> SLEEVE-SPACER-D22xL8,7-316L	1
		> STAGE CASING-SS-C/R-30M3-8"-304	1
		> IMPELLER-MULTI-V-30M3-8"-304	1
20.2	4043174	STAGE-KIT-MVI-32-304	1
		> SLEEVE-SPACER-D22xL13,8-316L	1
		> IMPELLER-MULTI-V-30M3-8"-304	1
		> STAGE CASING-AV-C/R-COU-30M-8"	1
		> SHAFT SLEEVE D22-L21-VM16/30	1
20.3	4043175	STAGE-KIT-MVI-32-304	1
		> IMPELLER-MULTI-V-30M3-8"-304	1
		> SPACER IMPELLER-MULTI-V-30M3-8"	1
		> STAGE CASING-AV-C/R-30M3-8"-304	1

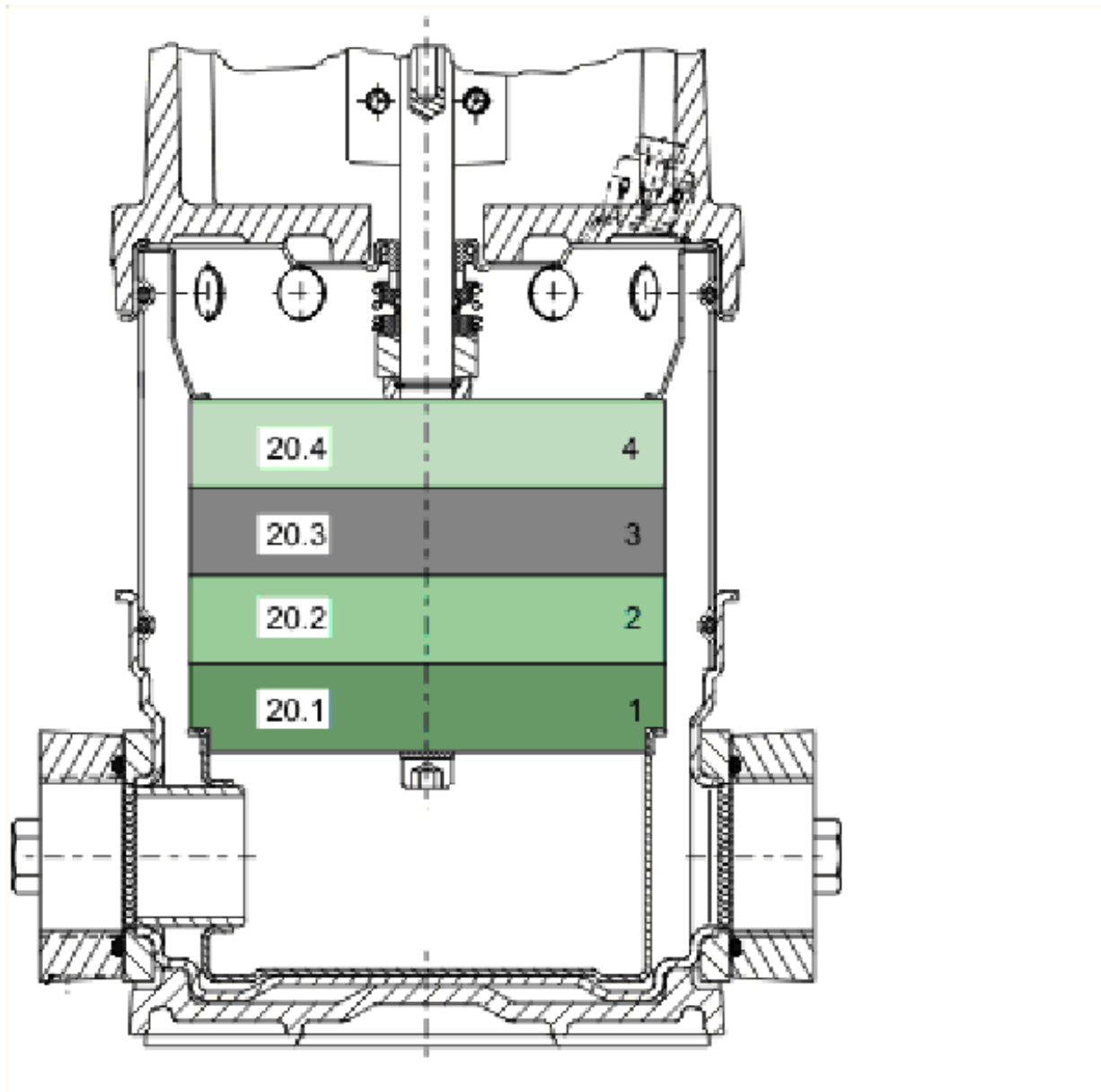


**MVIE3204-2/16/V/3-2 (4065542)**

Item	Article no.	Description	Quantity
1	4052347	MVI32-PN16-PUMP-CASING-KIT	1
1.1		> HOUSING-VMI-DN65/PN16-1.4408-MACHINED	1
1.2	2119912	> GASKET D.77/127X2 DN65 C4430 VP.	1
1.3	4032287	> GASKET-185x4-VITON-75SH	1
1.4	4032376	> DRAIN-AND-PRIMING-PLUG-VMi8"-316L	1
3.2	4032294	> GASKET-10x3-VITON	1
3.3	4042330	> GASKET-D7.52xD3.52-VITON	1
3	4043158	MECHANICAL SEAL VITON MVI16/32/52 KIT	1
1.3	4032287	> GASKET-185x4-VITON-75SH	1
3.1		> MECHANICAL SEAL MG12/22-G606-Q1BVGG-BURG	1
3.2	4032294	> GASKET-10x3-VITON	1
3.3	4042330	> GASKET-D7.52xD3.52-VITON	1
3.4	4032292	> GASKET-17x3-VITON	1
4	4043168	SHAFT EQUIPMENT KIT MVI32	1
4.1		> SCREW M8x16 ISO4762 8.8 ZN	1
4.2		> WASHER D.10 INOX	1
4.3		> STOP-RUSH 1/2 D22-MULTI-V-316	1
4.4		> STOP COLLAR OF IMPELLER L=28.8-Ø22-316L	1
4.5		> WASHER-8,25x26x1,5-STEEL	1
4.6		> SERRATED LOCK WASHER D10xD22-316L	1
4.7		> SCREW M10X20 ISO4762 A4.70	1
5	4052351	HOUSING PIPE D.204X158,5 1.4404 KIT	1
5.1		> HOUSING-PIPE-D204-VMi1604/3003-1.4404	1
1.3	4032287	> GASKET-185x4-VITON-75SH	1
6	4052362	MVI16/32-STUD-BOLT-KIT	1
6.1		> STUD-BOLT-M16-244x24x44 CLASS8.8 ZN+FINI	1
6.2	4233951	> NUT H M VP.	1
6.3	61701	> DISC 16MOY.NOMEL	1
7		MOT-VAR15-2T40P54V1-160MX2-FF300-N42-VEM	1
Note: no longer available/nicht mehr lieferbar/n'est plus disponible			
8	4193324	LANTERN-MOT.VMI16/30-FF300-D42 VP.	1
9	4092425	COUPLING GUARD FF265/300 MVI KIT	1
		> GUARD-MESH-COUPLING-FF265-300	1
		> CLIP COUPLING-GUARD-RF	1

**MVIE3204-2/16/V/3-2 (4065542)**

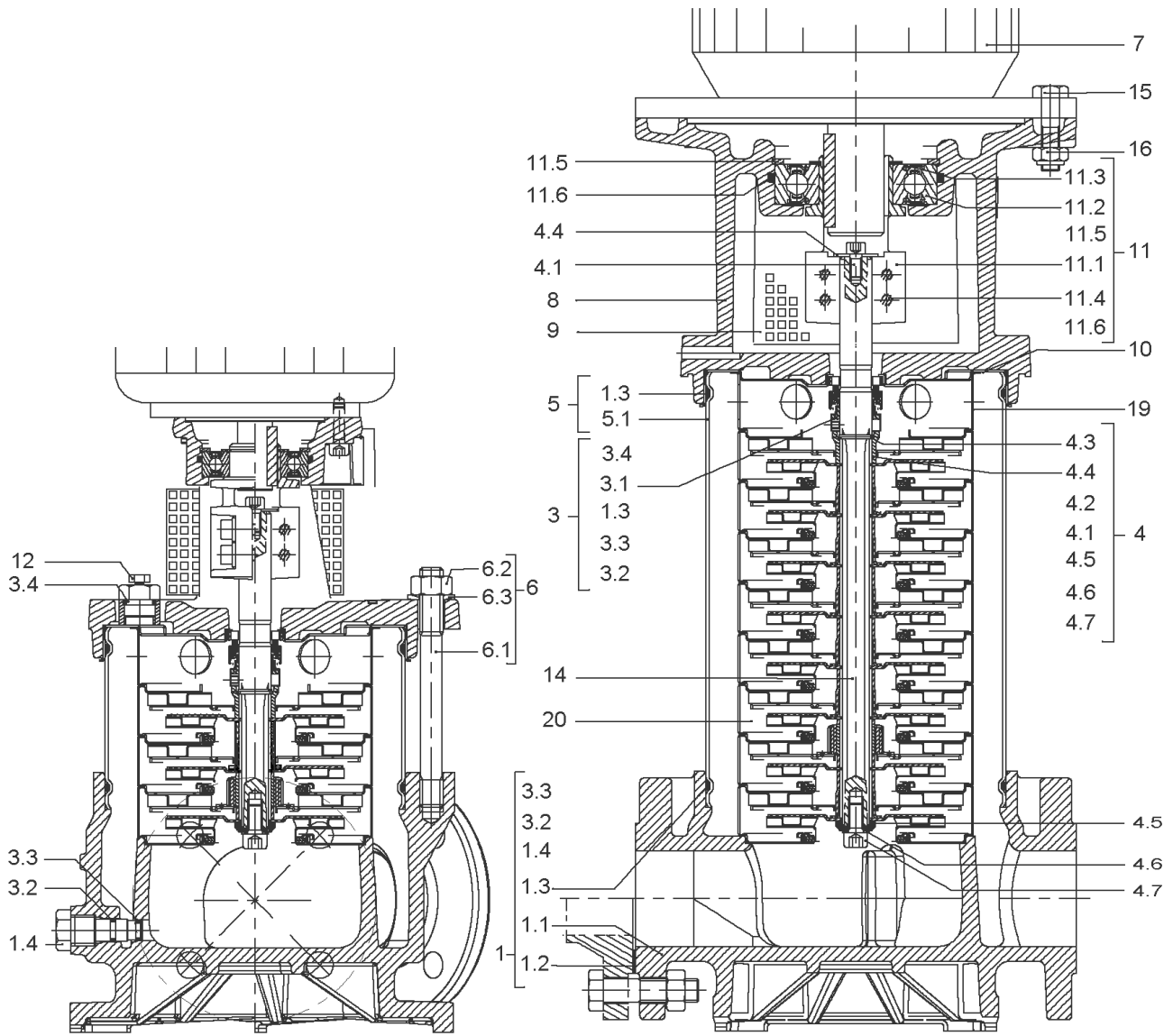
Item	Article no.	Description	Quantity
10	4217879	INTERMEDIATE PIECE GM-D22-8"-316 VP.	1
11	4095230	3PH COUPLING KIT MVI D22XD42	1
11.1		> COUPLING-VMI-D22XD42-FF300-MACHINED	1
11.2	121083895	> BALL BEARING 6312/2Z-C3 (HT) VP.	1
11.3	63428	> CIRCLIP-FOR-SHAFT-D60x2	1
11.4	4094462	> SCREWS M10 ( 4 PIECES )	1
11.5	4032277	> CIRCLIP-HOLE-130x4	1
11.6	4006725	> O-RING ID.132,94x3,53 NBR70SR	1
		> CONTACT-WASHER-10MOY-10,2x22,25x1,6-STEE	1
		> SCREW M8x16 ISO4762 8.8 ZN	1
		> WASHER-8,25x26x1,5-STEEL	1
12	4032373	FILLING/VENTING-PLUG-VMI8/10-316L	1
14	4088323	SHAFT Lg:295,8 MVI 3204/5203 KIT	1
		> PUMP SHAFT-MVI-Ø22-3204/5203-316L-LEFT	1
		> SCREW M10x25 ISO4762 A4.70 LEFT	1
15	74750911106	SCREW M16x55x35 ISO4014 6.8 ZN	1
16	4233951	NUT H M VP.	1
19	4032354	UPPER STAGE-MVI32-8"-316L	1
20		SPARE PARTS HYDRAULICS MVI/MVIE 1.4404	1
	75110311204	KEY-2BT-10X8X60	1





**SPARE PARTS HYDRAULICS MVI/MVIE 1.4404**

Item	Article no.	Description	Quantity
20.1	4043196	STAGE-KIT-MVI32-316L	1
		> STAGE CASING WITHOUT G/V-30M3-8"-316L	1
		> IMPELLER-MULTI-V-30M3-8"-316L	1
		> SPACER IMPELLER-MULTI-V-30M3-8"	1
20.2	4043197	STAGE-KIT-MVI32-316L	1
		> SLEEVE-SPACER-D22xL8,7-316L	1
		> IMPELLER-MULTI-V-30M3-8"-316L	1
		> STAGE-CASING-WITH RET.G/V-30M3-8"-316L	1
20.3	4043194	STAGE-KIT-MVI-32-316L	1
		> SLEEVE-SPACER-D22xL13,8-316L	1
		> IMPELLER-MULTI-V-30M3-8"-316L	1
		> STAGE-CASING-AV-C/R-COU-30M-8"-L	1
		> SHAFT SLEEVE D22-L21-VM116/30	1
20.4	4043195	STAGE-KIT-MVI-32-316L	1
		> IMPELLER-MULTI-V-30M3-8"-316L	1
		> SPACER IMPELLER-MULTI-V-30M3-8"	1
		> STAGE-CASING-WITH RET.G/V-30M3-8"-316L	1

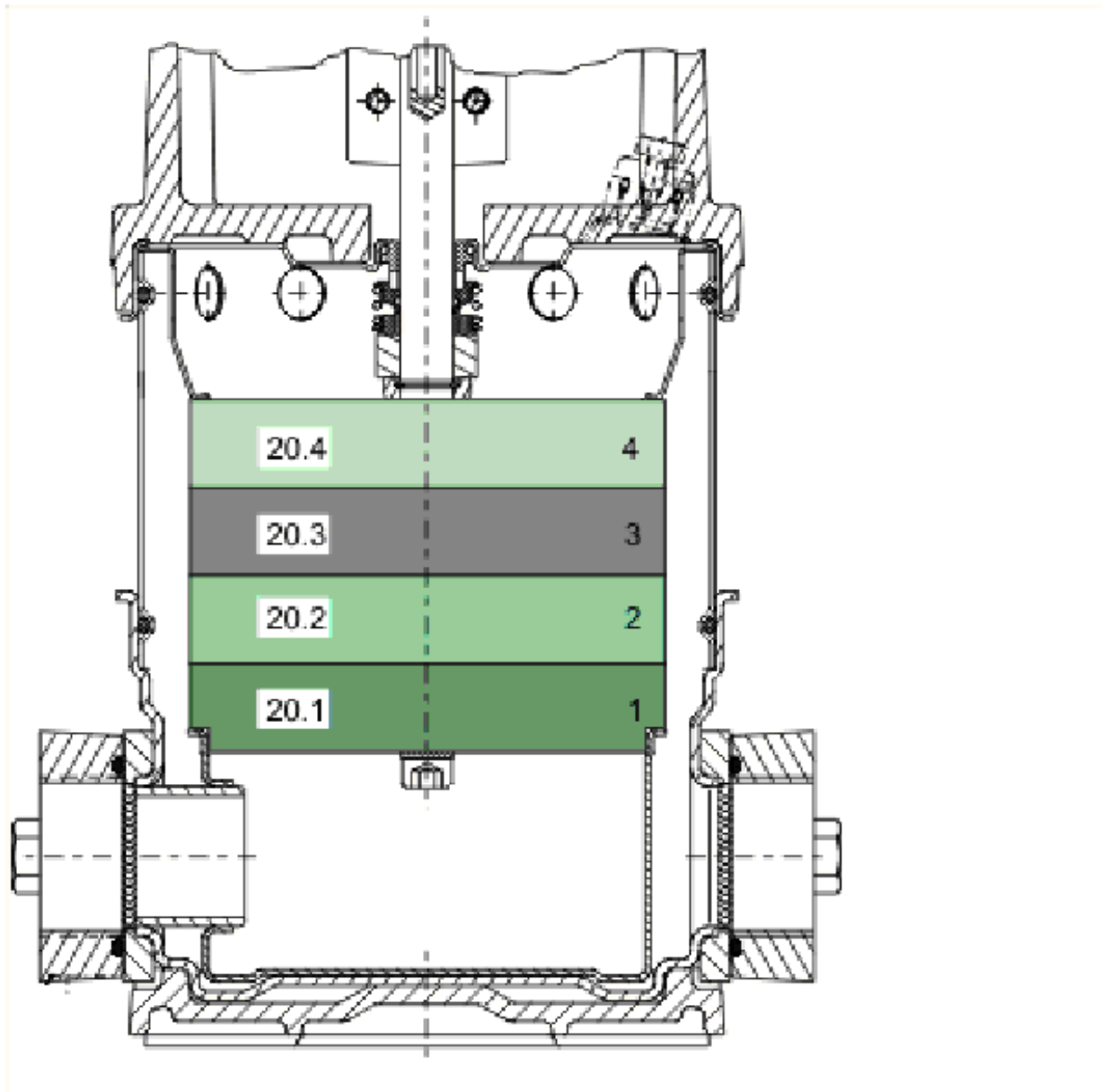


**MVIE3204-2/25/V/3-2 (4065558)**

Item	Article no.	Description	Quantity
1	4052348	MVI16-PUMP-CASING-KIT	1
1.1		> HOUSING-VMI-DN65/PN25-1.4408-MACHINED	1
1.2	2119912	> GASKET D.77/127X2 DN65 C4430 VP.	1
1.3	4032287	> GASKET-185x4-VITON-75SH	1
1.4	4032376	> DRAIN-AND-PRIMING-PLUG-VMI8"-316L	1
3.2	4032294	> GASKET-10x3-VITON	1
3.3	4042330	> GASKET-D7.52xD3.52-VITON	1
3	4043159	MECH.SEAL PN25 VITON MVI16/32/52 KIT	1
1.3	4032287	> GASKET-185x4-VITON-75SH	1
3.1		> MECHANICAL SEAL RMG12/22-G606-U3BVGG-BUR	1
3.2	4032294	> GASKET-10x3-VITON	1
3.3	4042330	> GASKET-D7.52xD3.52-VITON	1
3.4	4032292	> GASKET-17x3-VITON	1
4	4043168	SHAFT EQUIPMENT KIT MVI32	1
4.1		> SCREW M8x16 ISO4762 8.8 ZN	1
4.2		> WASHER D.10 INOX	1
4.3		> STOP-RUSH 1/2 D22-MULTI-V-316	1
4.4		> STOP COLLAR OF IMPELLER L=28.8-Ø22-316L	1
4.5		> WASHER-8,25x26x1,5-STEEL	1
4.6		> SERRATED LOCK WASHER D10xD22-316L	1
4.7		> SCREW M10X20 ISO4762 A4.70	1
5	4052351	HOUSING PIPE D.204X158,5 1.4404 KIT	1
5.1		> HOUSING-PIPE-D204-VMI1604/3003-1.4404	1
1.3	4032287	> GASKET-185x4-VITON-75SH	1
6	4052362	MVI16/32-STUD-BOLT-KIT	1
6.1		> STUD-BOLT-M16-244x24x44 CLASS8.8 ZN+FINI	1
6.2	4233951	> NUT H M VP.	1
6.3	61701	> DISC 16MOY.NOMEL	1
7		MOT-VAR15-2T40P54V1-160MX2-FF300-N42-VEM	1
Note: no longer available/nicht mehr lieferbar/n'est plus disponible			
8	4193324	LANTERN-MOT.VMI16/30-FF300-D42 VP.	1
9	4092425	COUPLING GUARD FF265/300 MVI KIT	1
		> GUARD-MESH-COUPLING-FF265-300	1
		> CLIP COUPLING-GUARD-RF	1

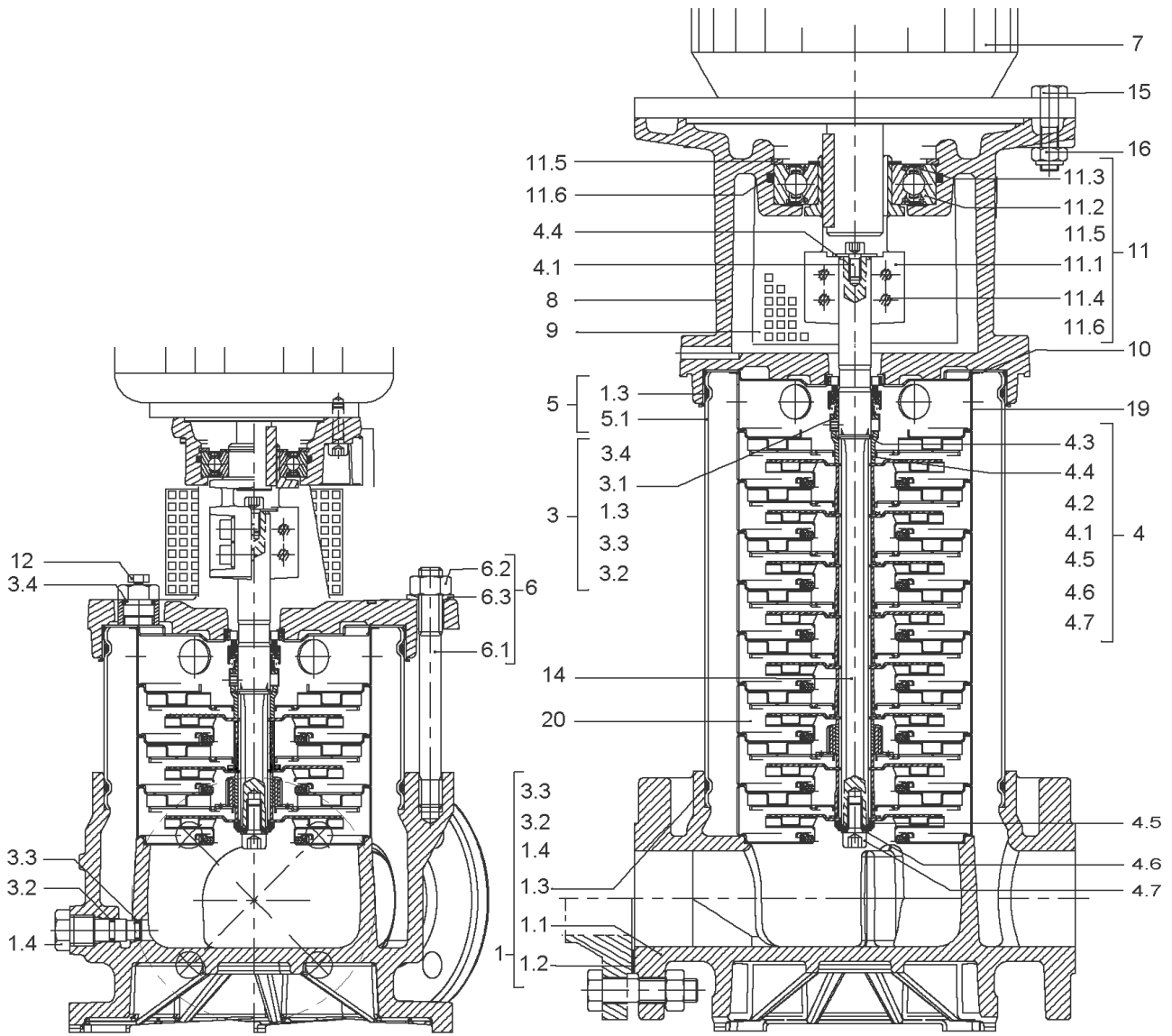
**MVIE3204-2/25/V/3-2 (4065558)**

Item	Article no.	Description	Quantity
10	4217879	INTERMEDIATE PIECE GM-D22-8"-316 VP.	1
11	4095230	3PH COUPLING KIT MVI D22XD42	1
11.1		> COUPLING-VMI-D22XD42-FF300-MACHINED	1
11.2	121083895	> BALL BEARING 6312/2Z-C3 (HT) VP.	1
11.3	63428	> CIRCLIP-FOR-SHAFT-D60x2	1
11.4	4094462	> SCREWS M10 ( 4 PIECES )	1
11.5	4032277	> CIRCLIP-HOLE-130x4	1
11.6	4006725	> O-RING ID.132,94x3,53 NBR70SR	1
		> CONTACT-WASHER-10MOY-10,2x22,25x1,6-STEE	1
		> SCREW M8x16 ISO4762 8.8 ZN	1
		> WASHER-8,25x26x1,5-STEEL	1
12	4032373	FILLING/VENTING-PLUG-VMI8/10-316L	1
14	4088323	SHAFT Lg:295,8 MVI 3204/5203 KIT	1
		> PUMP SHAFT-MVI-Ø22-3204/5203-316L-LEFT	1
		> SCREW M10x25 ISO4762 A4.70 LEFT	1
15	74750911106	SCREW M16x55x35 ISO4014 6.8 ZN	1
16	4233951	NUT H M VP.	1
19	4032354	UPPER STAGE-MVI32-8"-316L	1
20		SPARE PARTS HYDRAULICS MVI/MVIE 1.4404	1
	75110311204	KEY-2BT-10X8X60	1



**SPARE PARTS HYDRAULICS MVI/MVIE 1.4404**

Item	Article no.	Description	Quantity
20.1	4043196	STAGE-KIT-MVI32-316L	1
		> STAGE CASING WITHOUT G/V-30M3-8"-316L	1
		> IMPELLER-MULTI-V-30M3-8"-316L	1
		> SPACER IMPELLER-MULTI-V-30M3-8"	1
20.2	4043197	STAGE-KIT-MVI32-316L	1
		> SLEEVE-SPACER-D22xL8,7-316L	1
		> IMPELLER-MULTI-V-30M3-8"-316L	1
		> STAGE-CASING-WITH RET.G/V-30M3-8"-316L	1
20.3	4043194	STAGE-KIT-MVI-32-316L	1
		> SLEEVE-SPACER-D22xL13,8-316L	1
		> IMPELLER-MULTI-V-30M3-8"-316L	1
		> STAGE-CASING-AV-C/R-COU-30M-8"-L	1
		> SHAFT SLEEVE D22-L21-VM116/30	1
20.4	4043195	STAGE-KIT-MVI-32-316L	1
		> IMPELLER-MULTI-V-30M3-8"-316L	1
		> SPACER IMPELLER-MULTI-V-30M3-8"	1
		> STAGE-CASING-WITH RET.G/V-30M3-8"-316L	1



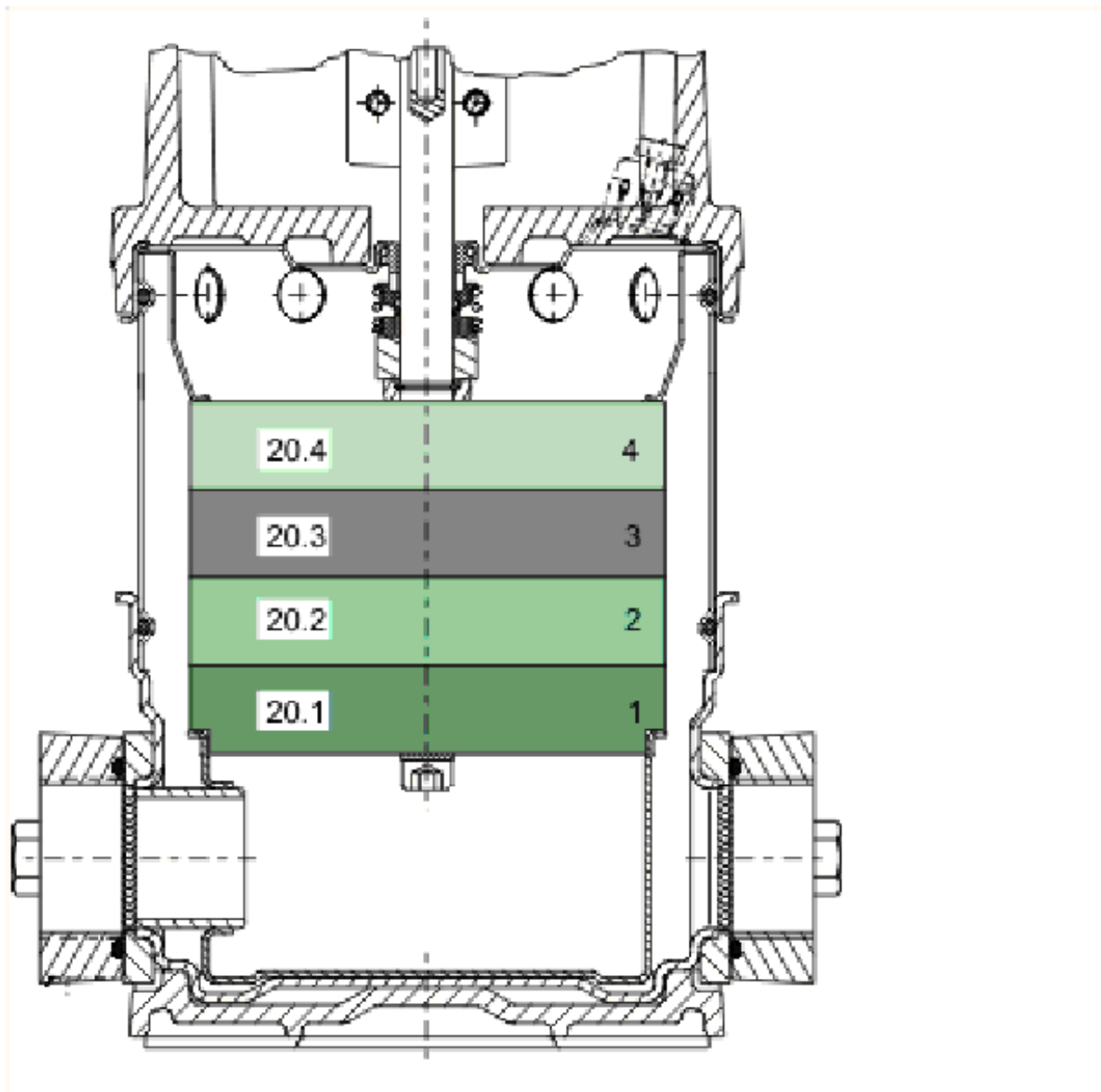
**MVIE3204-3/16/E/3-2 (4065534)**

Item	Article no.	Description	Quantity
1	4052335	MVI16-PUMP-CASING-KIT	1
1.1		> HOUSING-VMI-DN65/PN16-FGL-PEINT/INTERN	1
1.2	2119912	> GASKET D.77/127X2 DN65 C4430 VP.	1
1.3	4233955	> O-RING ID.185 EPDM VP.	1
1.4	4144692	> PRIMING/DRAIN PLUG MVI8"-304	1
3.2	4032293	> O-RING-10x3-EPDM-KTW/WRC	1
3.3	4042329	> O-RING-D7,52xD3,52-EPDM-KTW/WRC	1
3.3	4233957	> O-RING ID.9 EPDM VP.	1
3	4043156	SEAL-KIT-PN16-EPDM-MVI16-32-52	1
1.3	4233955	> O-RING ID.185 EPDM VP.	1
3.1		> MECHANICAL SEAL MG12/22-G606-Q1BE3GG-BUR	1
3.2	4032293	> O-RING-10x3-EPDM-KTW/WRC	1
3.3	4233957	> O-RING ID.9 EPDM VP.	1
3.4	4032291	> O-RING 17x3 EPDM KTW/WRC	1
4	4043168	SHAFT EQUIPMENT KIT MVI32	1
4.1		> SCREW M8x16 ISO4762 8.8 ZN	1
4.2		> WASHER D.10 INOX	1
4.3		> STOP-RUSH 1/2 D22-MULTI-V-316	1
4.4		> STOP COLLAR OF IMPELLER L=28.8-Ø22-316L	1
4.5		> WASHER-8,25x26x1,5-STEEL	1
4.6		> SERRATED LOCK WASHER D10xD22-316L	1
4.7		> SCREW M10X20 ISO4762 A4.70	1
5	4052341	HOUSING PIPE D.204X204,5 1.4301 KIT	1
5.1		> HOUSING-PIPE-FAB-D204-VMI3004/5203-304	1
1.3	4233955	> O-RING ID.185 EPDM VP.	1
6	4052362	MVI16/32-STUD-BOLT-KIT	1
6.1		> STUD-BOLT-M16-244x24x44 CLASS8.8 ZN+FINI	1
6.2	4233951	> NUT H M VP.	1
6.3	61701	> DISC 16MOY.NOMEL	1
7		MOT-VAR15-2T40P54V1-160MX2-FF300-N42-VEM	1
Note: no longer available/nicht mehr lieferbar/n'est plus disponible			
8	4193324	LANTERN-MOT.VMI16/30-FF300-D42 VP.	1
9	4092425	COUPLING GUARD FF265/300 MVI KIT	1
		> GUARD-MESH-COUPLING-FF265-300	1



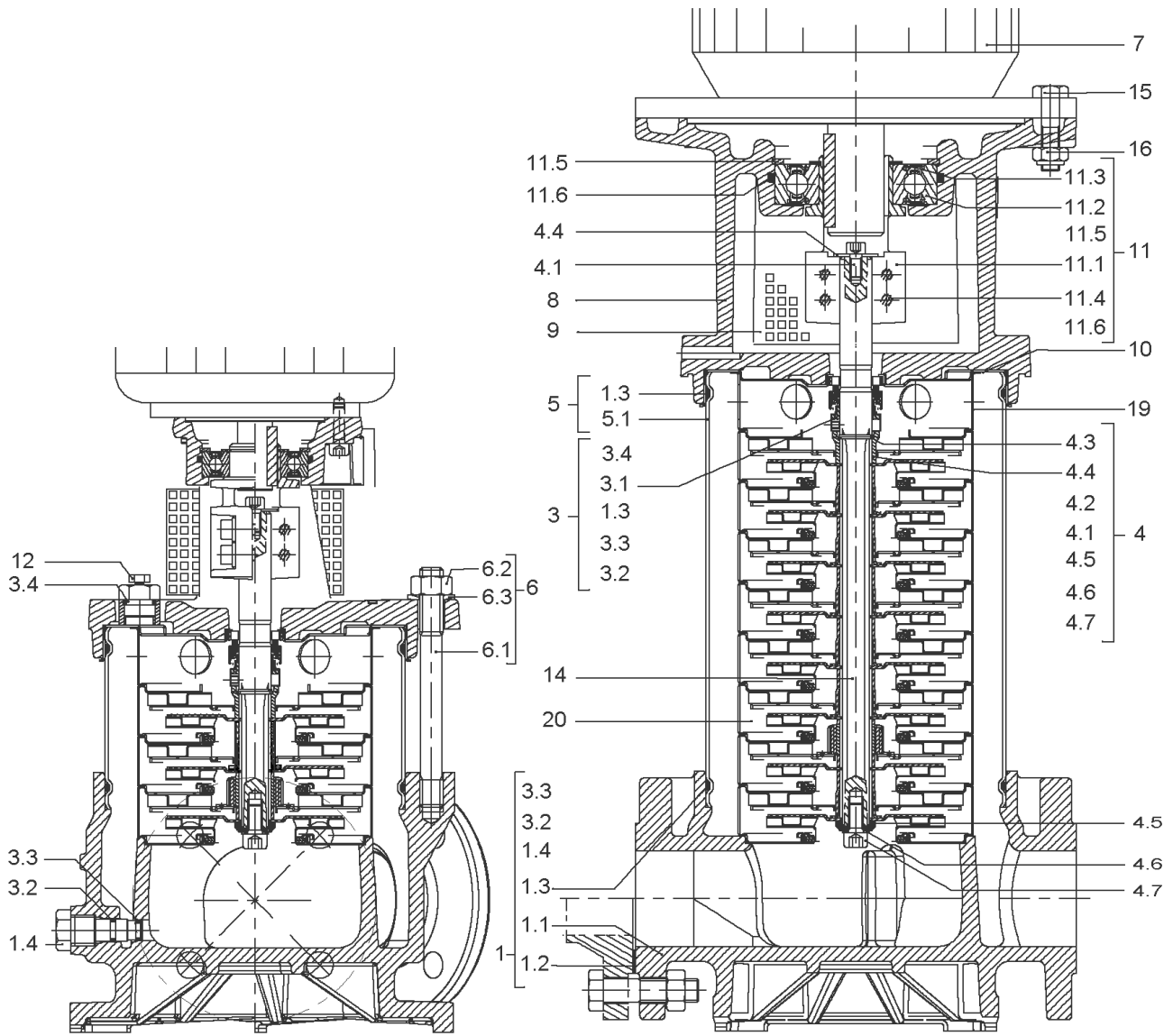
**MVIE3204-3/16/E/3-2 (4065534)**

Item	Article no.	Description	Quantity
		> CLIP COUPLING-GUARD-RF	1
10	4217877	STATIONARY RING HOLDER FOR MVI16/32 VP.	1
11	4095230	3PH COUPLING KIT MVI D22XD42	1
11.1		> COUPLING-VMI-D22XD42-FF300-MACHINED	1
11.2	121083895	> BALL BEARING 6312/2Z-C3 (HT) VP.	1
11.3	63428	> CIRCLIP-FOR-SHAFT-D60x2	1
11.4	4094462	> SCREWS M10 ( 4 PIECES )	1
11.5	4032277	> CIRCLIP-HOLE-130x4	1
11.6	4006725	> O-RING ID.132,94x3,53 NBR70SR	1
		> CONTACT-WASHER-10MOY-10,2x22,25x1,6-STEE	1
		> SCREW M8x16 ISO4762 8.8 ZN	1
		> WASHER-8,25x26x1,5-STEEL	1
12	4032373	FILLING/VENTING-PLUG-VMI8/10-316L	1
14	4088323	SHAFT Lg:295,8 MVI 3204/5203 KIT	1
		> PUMP SHAFT-MVI-Ø22-3204/5203-316L-LEFT	1
		> SCREW M10x25 ISO4762 A4.70 LEFT	1
15	74750911106	SCREW M16x55x35 ISO4014 6.8 ZN	1
16	4233951	NUT H M VP.	1
19	4032353	CENTERING END STAGE G/V 30M3-8"-304	1
20	4194724	HYDRAULIC CPL.MVI3204-8" 1.4301 KIT	1
20		Hydraulic cpl.(Pos.19+20)without MS.	1
20		SPARE PARTS HYDRAULICS MVI/MVIE 1.4301	1
	75110311204	KEY-2BT-10X8X60	1



**SPARE PARTS HYDRAULICS MVI/MVIE 1.4301**

Item	Article no.	Description	Quantity
20.1	4043176	STAGE-KIT-MVI32-304	1
		> STAGE CASING-SS-C/R-30M3-8"-304	1
		> IMPELLER-MULTI-V-30M3-8"-304	1
		> SPACER IMPELLER-MULTI-V-30M3-8"	1
20.2	4043177	STAGE-KIT-MVI32-304	1
		> SLEEVE-SPACER-D22xL8,7-316L	1
		> IMPELLER-MULTI-V-30M3-8"-304	1
		> STAGE CASING-AV-C/R-30M3-8"-304	1
20.3	4043174	STAGE-KIT-MVI-32-304	1
		> SLEEVE-SPACER-D22xL13,8-316L	1
		> IMPELLER-MULTI-V-30M3-8"-304	1
		> STAGE CASING-AV-C/R-COU-30M-8"	1
		> SHAFT SLEEVE D22-L21-VM116/30	1
20.4	4043175	STAGE-KIT-MVI-32-304	1
		> IMPELLER-MULTI-V-30M3-8"-304	1
		> SPACER IMPELLER-MULTI-V-30M3-8"	1
		> STAGE CASING-AV-C/R-30M3-8"-304	1

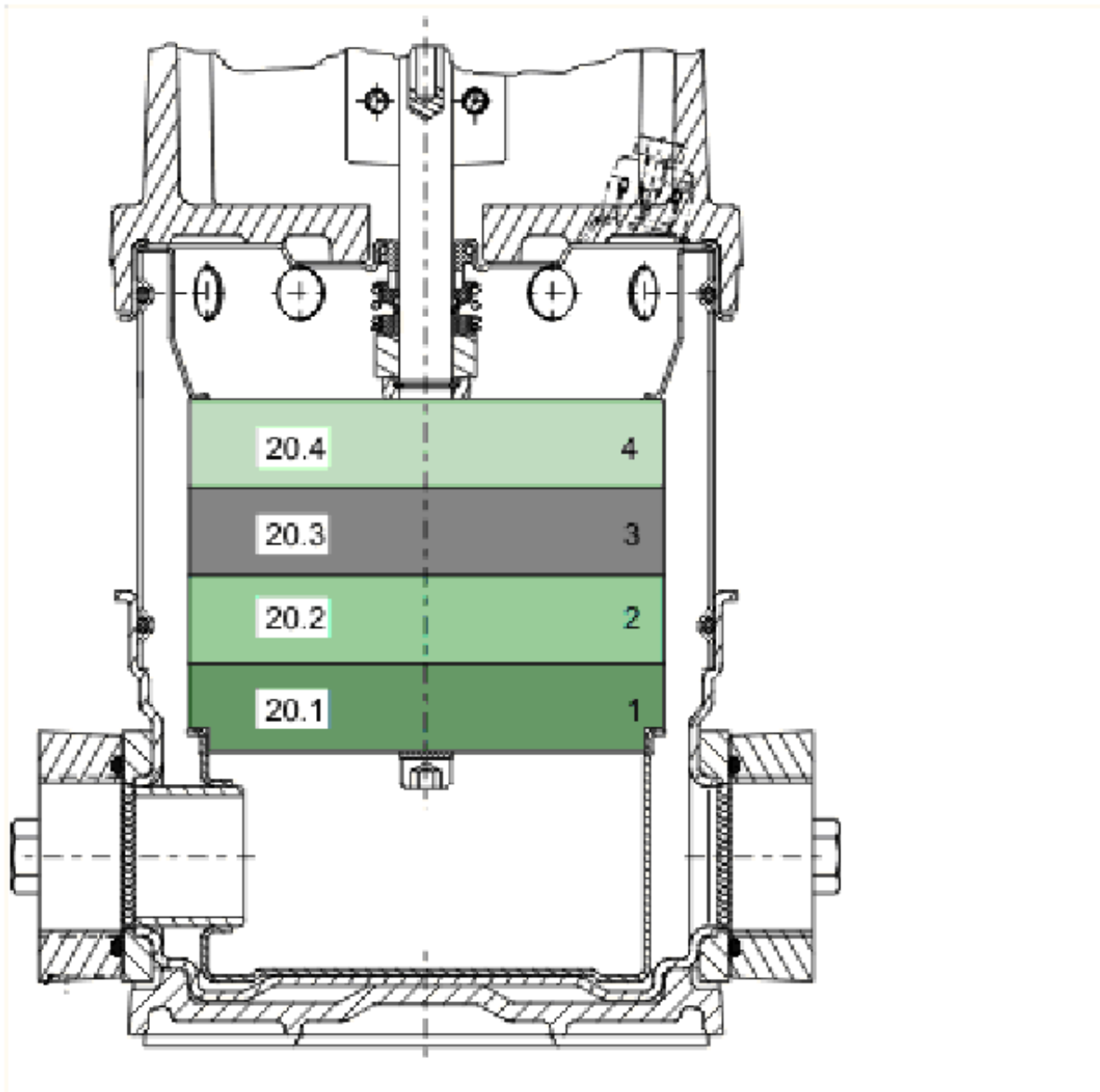


**MVIE3204-3/25/E/3-2 (4065548)**

Item	Article no.	Description	Quantity
1	2057982	MVIE25-PUMP-CASING-KIT	1
1.1		> PUMP HOUSING MVIE32 PN25 GJ250	1
1.2	2119912	> GASKET D.77/127X2 DN65 C4430 VP.	1
1.3	4233955	> O-RING ID.185 EPDM VP.	1
1.4	4144692	> PRIMING/DRAIN PLUG MVI8"-304	1
3.2	4032293	> O-RING-10x3-EPDM-KTW/WRC	1
3.3	4042329	> O-RING-D7,52xD3,52-EPDM-KTW/WRC	1
3.3	4233957	> O-RING ID.9 EPDM VP.	1
3	4043157	MECH.SEAL PN25 EPDM MVI16/32/52 KIT	1
1.3	4233955	> O-RING ID.185 EPDM VP.	1
3.1		> MECHANICAL-SEAL-RMG12/22-G606-U3BEGG-BUR	1
3.2	4032293	> O-RING-10x3-EPDM-KTW/WRC	1
3.3	4233957	> O-RING ID.9 EPDM VP.	1
3.4	4032291	> O-RING 17x3 EPDM KTW/WRC	1
4	4043168	SHAFT EQUIPMENT KIT MVI32	1
4.1		> SCREW M8x16 ISO4762 8.8 ZN	1
4.2		> WASHER D.10 INOX	1
4.3		> STOP-RUSH 1/2 D22-MULTI-V-316	1
4.4		> STOP COLLAR OF IMPELLER L=28.8-Ø22-316L	1
4.5		> WASHER-8,25x26x1,5-STEEL	1
4.6		> SERRATED LOCK WASHER D10xD22-316L	1
4.7		> SCREW M10X20 ISO4762 A4.70	1
5	4052341	HOUSING PIPE D.204X204,5 1.4301 KIT	1
5.1		> HOUSING-PIPE-FAB-D204-VMI3004/5203-304	1
1.3	4233955	> O-RING ID.185 EPDM VP.	1
6	4052362	MVI16/32-STUD-BOLT-KIT	1
6.1		> STUD-BOLT-M16-244x24x44 CLASS8.8 ZN+FINI	1
6.2	4233951	> NUT H M VP.	1
6.3	61701	> DISC 16MOY.NOMEL	1
7		MOT-VAR15-2T40P54V1-160MX2-FF300-N42-VEM	1
Note: no longer available/nicht mehr lieferbar/n'est plus disponible			
8	4193324	LANTERN-MOT.VMI16/30-FF300-D42 VP.	1
9	4092425	COUPLING GUARD FF265/300 MVI KIT	1
		> GUARD-MESH-COUPLING-FF265-300	1

**MVIE3204-3/25/E/3-2 (4065548)**

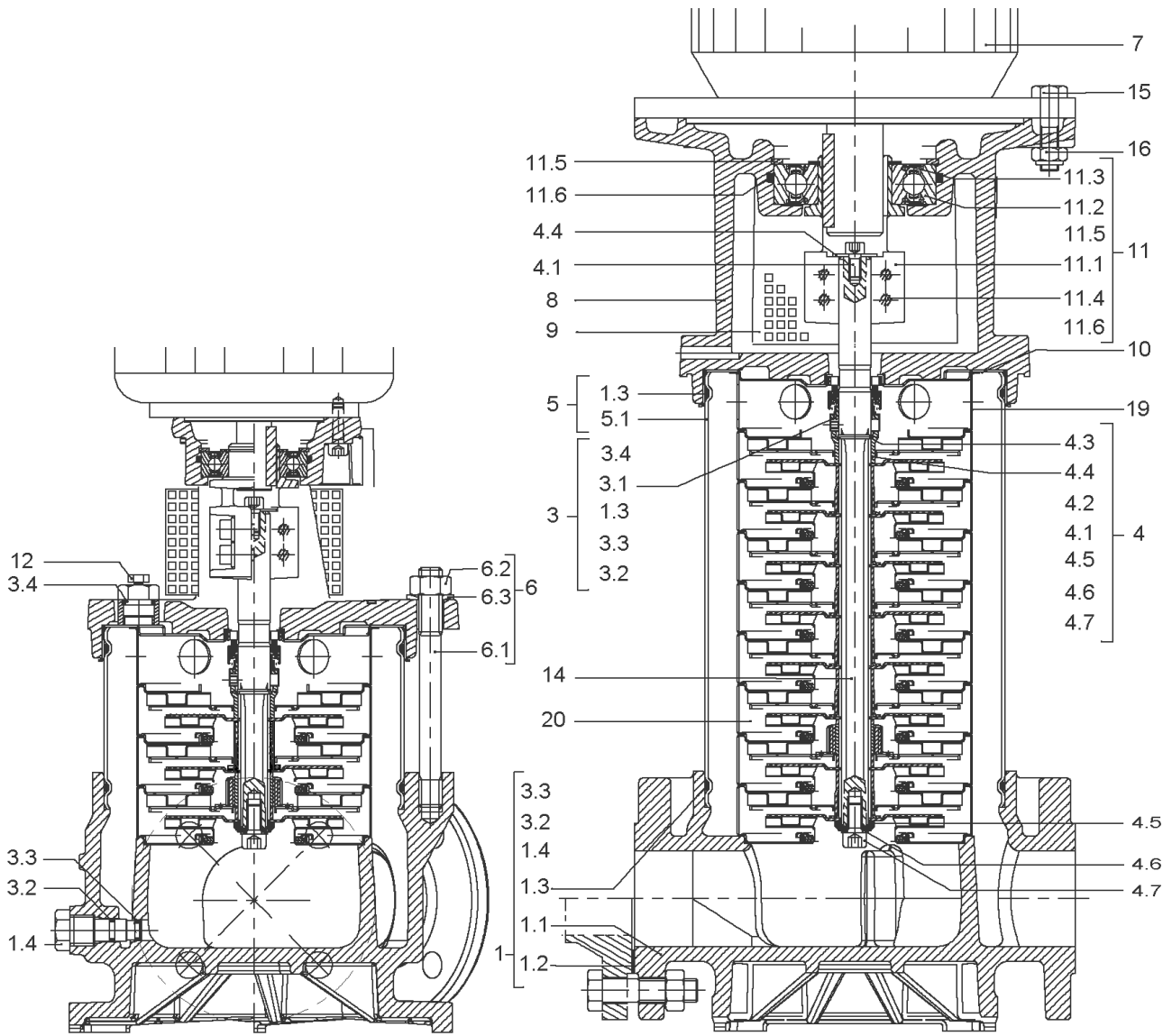
Item	Article no.	Description	Quantity
		> CLIP COUPLING-GUARD-RF	1
10	4217877	STATIONARY RING HOLDER FOR MVI16/32 VP.	1
11	4095230	3PH COUPLING KIT MVI D22XD42	1
11.1		> COUPLING-VMI-D22XD42-FF300-MACHINED	1
11.2	121083895	> BALL BEARING 6312/2Z-C3 (HT) VP.	1
11.3	63428	> CIRCLIP-FOR-SHAFT-D60x2	1
11.4	4094462	> SCREWS M10 ( 4 PIECES )	1
11.5	4032277	> CIRCLIP-HOLE-130x4	1
11.6	4006725	> O-RING ID.132,94x3,53 NBR70SR	1
		> CONTACT-WASHER-10MOY-10,2x22,25x1,6-STEE	1
		> SCREW M8x16 ISO4762 8.8 ZN	1
		> WASHER-8,25x26x1,5-STEEL	1
12	4032373	FILLING/VENTING-PLUG-VMI8/10-316L	1
14	4088323	SHAFT Lg:295,8 MVI 3204/5203 KIT	1
		> PUMP SHAFT-MVI-Ø22-3204/5203-316L-LEFT	1
		> SCREW M10x25 ISO4762 A4.70 LEFT	1
15	74750911106	SCREW M16x55x35 ISO4014 6.8 ZN	1
16	4233951	NUT H M VP.	1
19	4032353	CENTERING END STAGE G/V 30M3-8"-304	1
20	4194724	HYDRAULIC CPL.MVI3204-8" 1.4301 KIT	1
20		Hydraulic cpl.(Pos.19+20)without MS.	1
20		SPARE PARTS HYDRAULICS MVI/MVIE 1.4301	1
	75110311204	KEY-2BT-10X8X60	1



**SPARE PARTS HYDRAULICS MVI/MVIE 1.4301**

Item	Article no.	Description	Quantity
20.1	4043176	STAGE-KIT-MVI32-304	1
		> STAGE CASING-SS-C/R-30M3-8"-304	1
		> IMPELLER-MULTI-V-30M3-8"-304	1
		> SPACER IMPELLER-MULTI-V-30M3-8"	1
20.2	4043177	STAGE-KIT-MVI32-304	1
		> SLEEVE-SPACER-D22xL8,7-316L	1
		> IMPELLER-MULTI-V-30M3-8"-304	1
		> STAGE CASING-AV-C/R-30M3-8"-304	1
20.3	4043174	STAGE-KIT-MVI-32-304	1
		> SLEEVE-SPACER-D22xL13,8-316L	1
		> IMPELLER-MULTI-V-30M3-8"-304	1
		> STAGE CASING-AV-C/R-COU-30M-8"	1
		> SHAFT SLEEVE D22-L21-VM116/30	1
20.4	4043175	STAGE-KIT-MVI-32-304	1
		> IMPELLER-MULTI-V-30M3-8"-304	1
		> SPACER IMPELLER-MULTI-V-30M3-8"	1
		> STAGE CASING-AV-C/R-30M3-8"-304	1



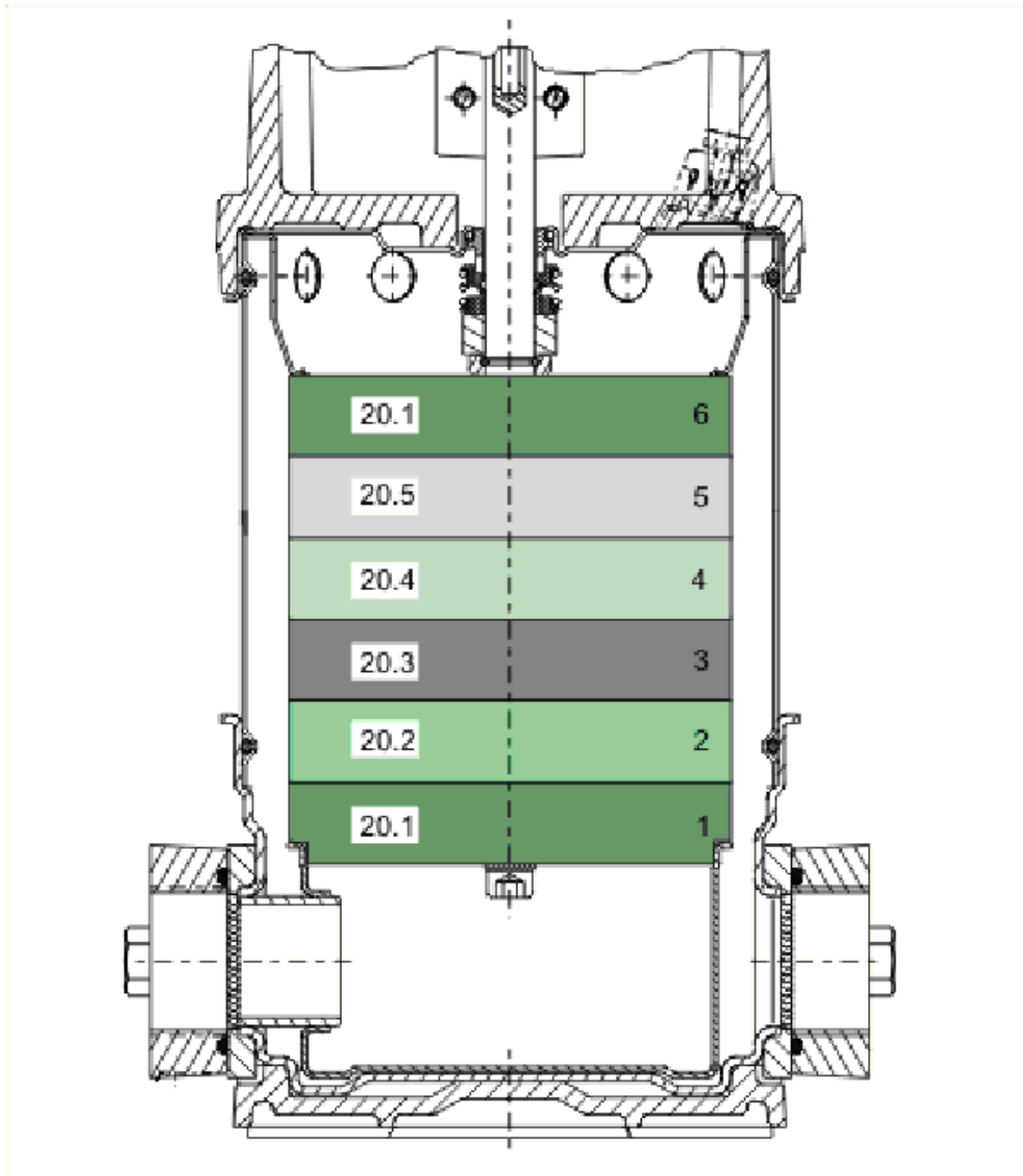


**MVIE3205-2/16/V/3-2 (4065543)**

Item	Article no.	Description	Quantity
1	4052347	MVI32-PN16-PUMP-CASING-KIT	1
1.1		> HOUSING-VMI-DN65/PN16-1.4408-MACHINED	1
1.2	2119912	> GASKET D.77/127X2 DN65 C4430 VP.	1
1.3	4032287	> GASKET-185x4-VITON-75SH	1
1.4	4032376	> DRAIN-AND-PRIMING-PLUG-VMI8"-316L	1
3.2	4032294	> GASKET-10x3-VITON	1
3.3	4042330	> GASKET-D7.52xD3.52-VITON	1
3	4043158	MECHANICAL SEAL VITON MVI16/32/52 KIT	1
1.3	4032287	> GASKET-185x4-VITON-75SH	1
3.1		> MECHANICAL SEAL MG12/22-G606-Q1BVGG-BURG	1
3.2	4032294	> GASKET-10x3-VITON	1
3.3	4042330	> GASKET-D7.52xD3.52-VITON	1
3.4	4032292	> GASKET-17x3-VITON	1
4	4043168	SHAFT EQUIPMENT KIT MVI32	1
4.1		> SCREW M8x16 ISO4762 8.8 ZN	1
4.2		> WASHER D.10 INOX	1
4.3		> STOP-RUSH 1/2 D22-MULTI-V-316	1
4.4		> STOP COLLAR OF IMPELLER L=28.8-Ø22-316L	1
4.5		> WASHER-8,25x26x1,5-STEEL	1
4.6		> SERRATED LOCK WASHER D10xD22-316L	1
4.7		> SCREW M10X20 ISO4762 A4.70	1
5	4052355	HOUSING PIPE D.204X296,5 1.4404 KIT	1
5.1		> HOUSING-PIPE-D204-VMI1608/3006-1.4404	1
1.3	4032287	> GASKET-185x4-VITON-75SH	1
6	4052363	MVI16/32-STUD-BOLT-KIT	1
6.1		> STUD-BOLT-M16-338x24x44 CLASS8.8 ZN+FINI	1
6.2	4233951	> NUT H M VP.	1
6.3	61701	> DISC 16MOY.NOMEL	1
7		MOT-VAR18,5-2T40P54V1-160L2-FF300-N42-VE	1
Note: no longer available/nicht mehr lieferbar/n'est plus disponible			
8	4193324	LANTERN-MOT.VMI16/30-FF300-D42 VP.	1
9	4092425	COUPLING GUARD FF265/300 MVI KIT	1
		> GUARD-MESH-COUPLING-FF265-300	1
		> CLIP COUPLING-GUARD-RF	1

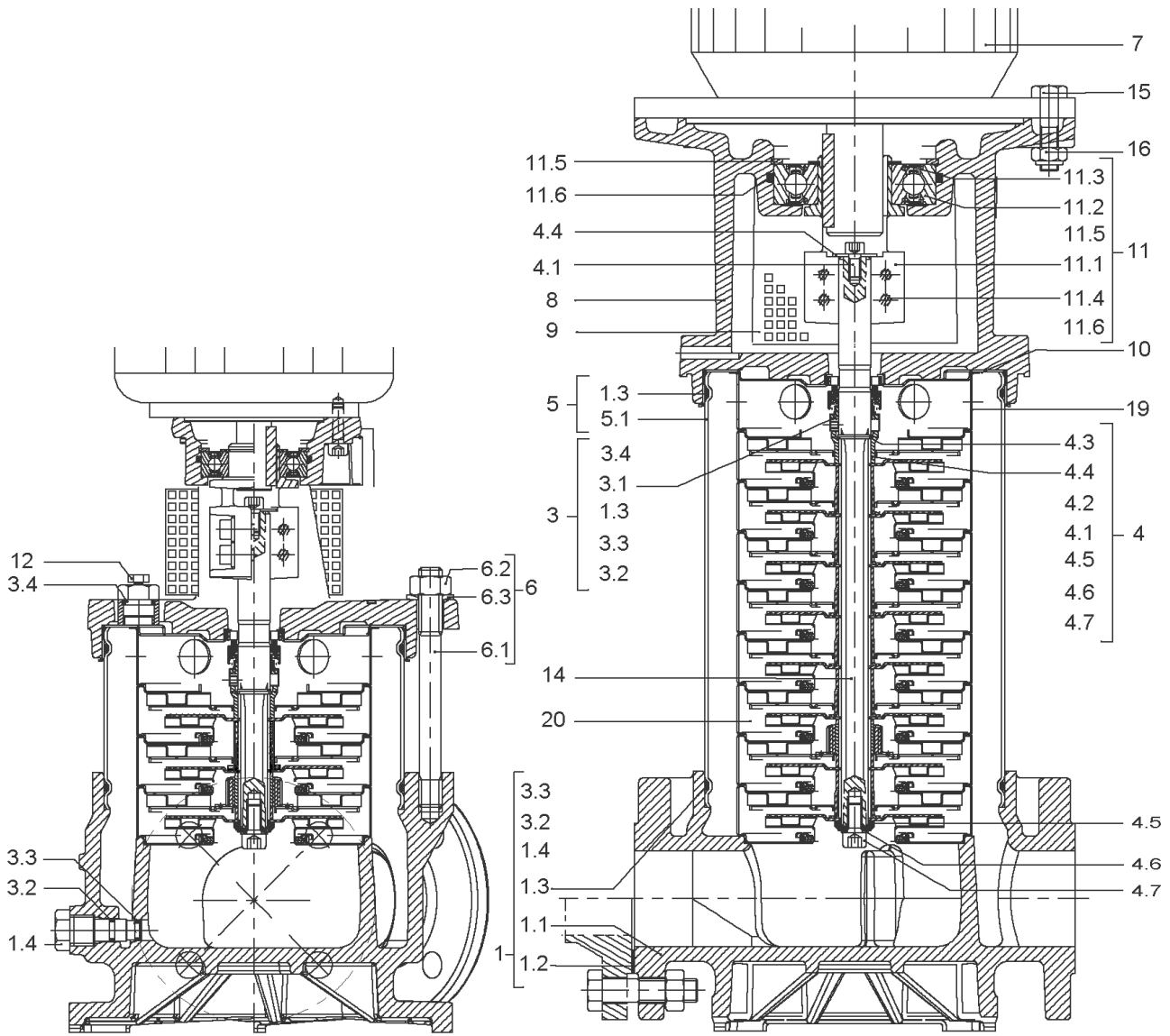
**MVIE3205-2/16/V/3-2 (4065543)**

Item	Article no.	Description	Quantity
10	4217879	INTERMEDIATE PIECE GM-D22-8"-316 VP.	1
11	4095230	3PH COUPLING KIT MVI D22XD42	1
11.1		> COUPLING-VMI-D22XD42-FF300-MACHINED	1
11.2	121083895	> BALL BEARING 6312/2Z-C3 (HT) VP.	1
11.3	63428	> CIRCLIP-FOR-SHAFT-D60x2	1
11.4	4094462	> SCREWS M10 ( 4 PIECES )	1
11.5	4032277	> CIRCLIP-HOLE-130x4	1
11.6	4006725	> O-RING ID.132,94x3,53 NBR70SR	1
		> CONTACT-WASHER-10MOY-10,2x22,25x1,6-STEE	1
		> SCREW M8x16 ISO4762 8.8 ZN	1
		> WASHER-8,25x26x1,5-STEEL	1
12	4032373	FILLING/VENTING-PLUG-VMI8/10-316L	1
14	4088317	SHAFT L:388,5 MVI1607/1608/3205/3206 KIT	1
		> PUMP SHAFT-VMI-D22-1608/3206-316-LEFT TA	1
		> SCREW M10x25 ISO4762 A4.70 LEFT	1
15	74750911106	SCREW M16x55x35 ISO4014 6.8 ZN	1
16	4233951	NUT H M VP.	1
19	4032354	UPPER STAGE-MVI32-8"-316L	1
20		SPARE PARTS HYDRAULICS MVI/MVIE 1.4404	1
	75110311204	KEY-2BT-10X8X60	1



**SPARE PARTS HYDRAULICS MVI/MVIE 1.4404**

Item	Article no.	Description	Quantity
20.1	4043196	STAGE-KIT-MVI32-316L	1
		> STAGE CASING WITHOUT G/V-30M3-8"-316L	1
		> IMPELLER-MULTI-V-30M3-8"-316L	1
		> SPACER IMPELLER-MULTI-V-30M3-8"	1
20.2	4043197	STAGE-KIT-MVI32-316L	1
		> SLEEVE-SPACER-D22xL8,7-316L	1
		> IMPELLER-MULTI-V-30M3-8"-316L	1
		> STAGE-CASING-WITH RET.G/V-30M3-8"-316L	1
20.3	4043194	STAGE-KIT-MVI-32-316L	1
		> SLEEVE-SPACER-D22xL13,8-316L	1
		> IMPELLER-MULTI-V-30M3-8"-316L	1
		> STAGE-CASING-AV-C/R-COU-30M-8"-L	1
		> SHAFT SLEEVE D22-L21-VM116/30	1
20.4	4043195	STAGE-KIT-MVI-32-316L	1
		> IMPELLER-MULTI-V-30M3-8"-316L	1
		> SPACER IMPELLER-MULTI-V-30M3-8"	1
		> STAGE-CASING-WITH RET.G/V-30M3-8"-316L	1
20.5	4043198	STAGE-KIT-MVI32-316L	1
		> SPACER IMPELLER-MULTI-V-30M3-8"	1
		> STAGE-CASING-WITH RET.G/V-30M3-8"-316L	1
		> BIG WASHER IMPELLER D22E2.5-316L	1



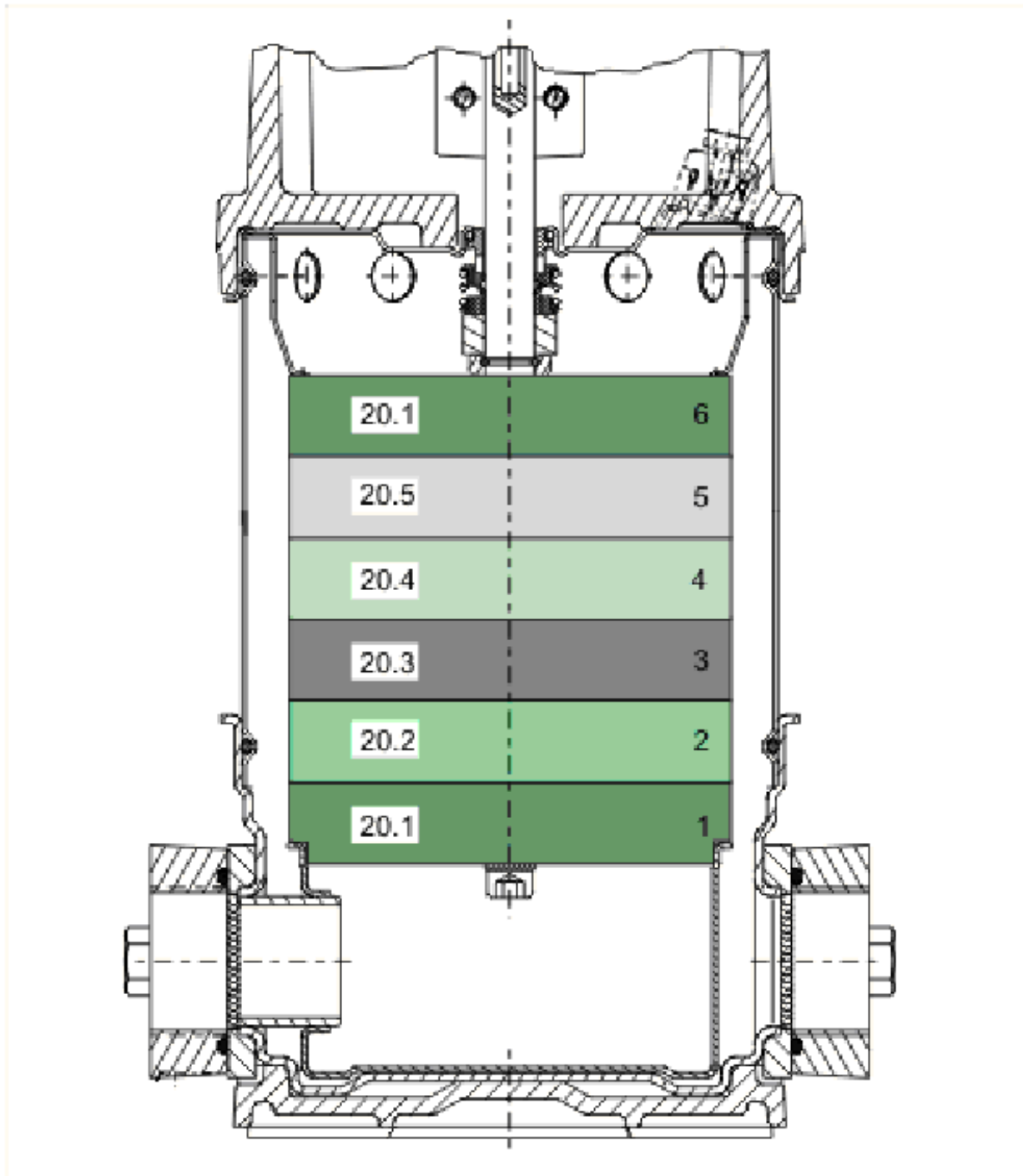
**MVIE3205-2/25/V/3-2 (4065559)**

Item	Article no.	Description	Quantity
1	4052348	MVI16-PUMP-CASING-KIT	1
1.1		> HOUSING-VMI-DN65/PN25-1.4408-MACHINED	1
1.2	2119912	> GASKET D.77/127X2 DN65 C4430 VP.	1
1.3	4032287	> GASKET-185x4-VITON-75SH	1
1.4	4032376	> DRAIN-AND-PRIMING-PLUG-VMI8"-316L	1
3.2	4032294	> GASKET-10x3-VITON	1
3.3	4042330	> GASKET-D7.52xD3.52-VITON	1
3	4043159	MECH.SEAL PN25 VITON MVI16/32/52 KIT	1
1.3	4032287	> GASKET-185x4-VITON-75SH	1
3.1		> MECHANICAL SEAL RMG12/22-G606-U3BVGG-BUR	1
3.2	4032294	> GASKET-10x3-VITON	1
3.3	4042330	> GASKET-D7.52xD3.52-VITON	1
3.4	4032292	> GASKET-17x3-VITON	1
4	4043168	SHAFT EQUIPMENT KIT MVI32	1
4.1		> SCREW M8x16 ISO4762 8.8 ZN	1
4.2		> WASHER D.10 INOX	1
4.3		> STOP-RUSH 1/2 D22-MULTI-V-316	1
4.4		> STOP COLLAR OF IMPELLER L=28.8-Ø22-316L	1
4.5		> WASHER-8,25x26x1,5-STEEL	1
4.6		> SERRATED LOCK WASHER D10xD22-316L	1
4.7		> SCREW M10X20 ISO4762 A4.70	1
5	4052355	HOUSING PIPE D.204X296,5 1.4404 KIT	1
5.1		> HOUSING-PIPE-D204-VMI1608/3006-1.4404	1
1.3	4032287	> GASKET-185x4-VITON-75SH	1
6	4052363	MVI16/32-STUD-BOLT-KIT	1
6.1		> STUD-BOLT-M16-338x24x44 CLASS8.8 ZN+FINI	1
6.2	4233951	> NUT H M VP.	1
6.3	61701	> DISC 16MOY.NOMEL	1
7		MOT-VAR18,5-2T40P54V1-160L2-FF300-N42-VE	1
Note: no longer available/nicht mehr lieferbar/n'est plus disponible			
8	4193324	LANTERN-MOT.VMI16/30-FF300-D42 VP.	1
9	4092425	COUPLING GUARD FF265/300 MVI KIT	1
		> GUARD-MESH-COUPLING-FF265-300	1
		> CLIP COUPLING-GUARD-RF	1

**MVIE3205-2/25/V/3-2 (4065559)**

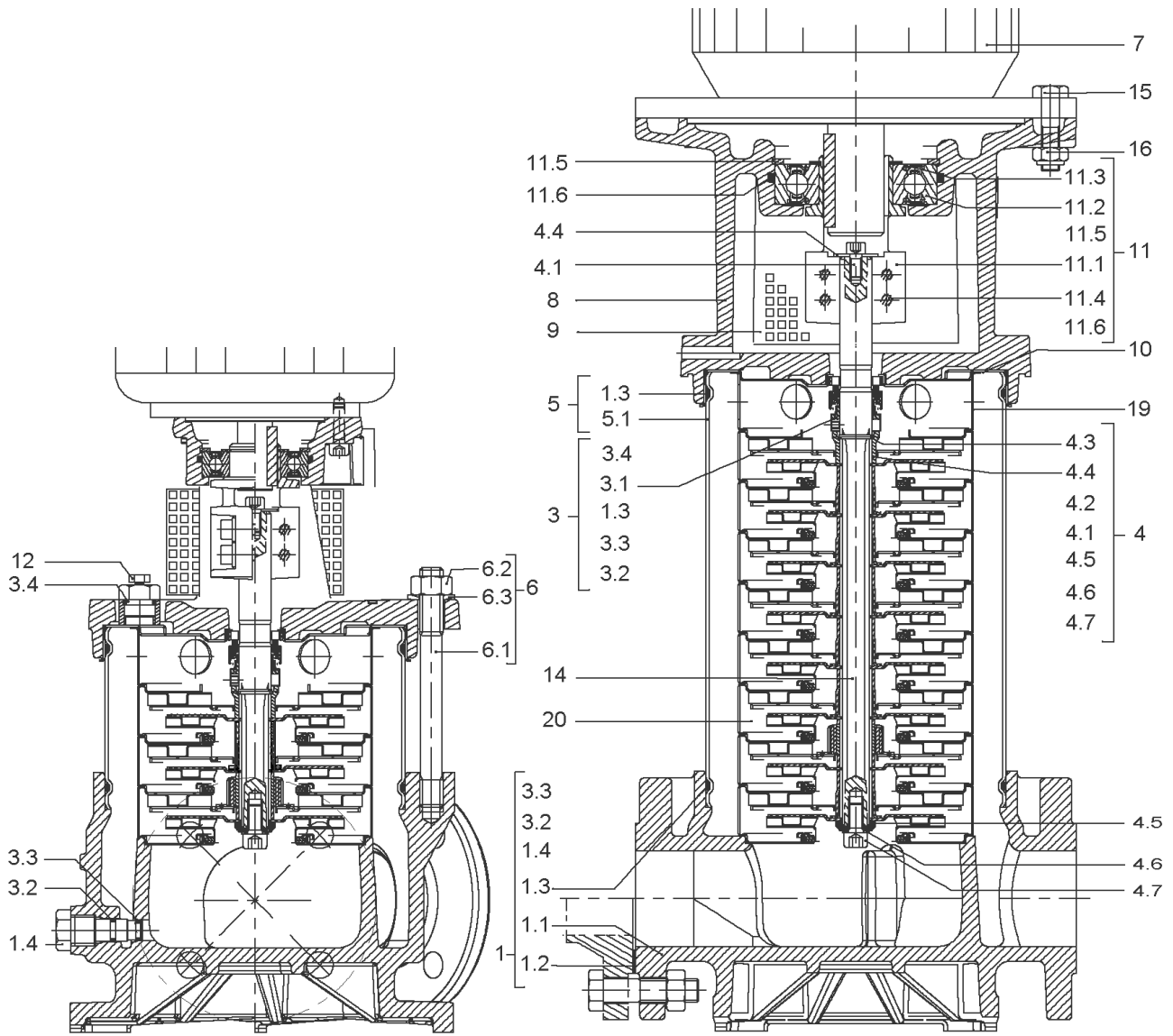
Item	Article no.	Description	Quantity
10	4217879	INTERMEDIATE PIECE GM-D22-8"-316 VP.	1
11	4095230	3PH COUPLING KIT MVI D22XD42	1
11.1		> COUPLING-VMI-D22XD42-FF300-MACHINED	1
11.2	121083895	> BALL BEARING 6312/2Z-C3 (HT) VP.	1
11.3	63428	> CIRCLIP-FOR-SHAFT-D60x2	1
11.4	4094462	> SCREWS M10 ( 4 PIECES )	1
11.5	4032277	> CIRCLIP-HOLE-130x4	1
11.6	4006725	> O-RING ID.132,94x3,53 NBR70SR	1
		> CONTACT-WASHER-10MOY-10,2x22,25x1,6-STEE	1
		> SCREW M8x16 ISO4762 8.8 ZN	1
		> WASHER-8,25x26x1,5-STEEL	1
12	4032373	FILLING/VENTING-PLUG-VMI8/10-316L	1
14	4088317	SHAFT L:388,5 MVI1607/1608/3205/3206 KIT	1
		> PUMP SHAFT-VMI-D22-1608/3206-316-LEFT TA	1
		> SCREW M10x25 ISO4762 A4.70 LEFT	1
15	74750911106	SCREW M16x55x35 ISO4014 6.8 ZN	1
16	4233951	NUT H M VP.	1
19	4032354	UPPER STAGE-MVI32-8"-316L	1
20		SPARE PARTS HYDRAULICS MVI/MVIE 1.4404	1
	75110311204	KEY-2BT-10X8X60	1





**SPARE PARTS HYDRAULICS MVI/MVIE 1.4404**

Item	Article no.	Description	Quantity
20.1	4043196	STAGE-KIT-MVI32-316L	1
		> STAGE CASING WITHOUT G/V-30M3-8"-316L	1
		> IMPELLER-MULTI-V-30M3-8"-316L	1
		> SPACER IMPELLER-MULTI-V-30M3-8"	1
20.2	4043197	STAGE-KIT-MVI32-316L	1
		> SLEEVE-SPACER-D22xL8,7-316L	1
		> IMPELLER-MULTI-V-30M3-8"-316L	1
		> STAGE-CASING-WITH RET.G/V-30M3-8"-316L	1
20.3	4043194	STAGE-KIT-MVI-32-316L	1
		> SLEEVE-SPACER-D22xL13,8-316L	1
		> IMPELLER-MULTI-V-30M3-8"-316L	1
		> STAGE-CASING-AV-C/R-COU-30M-8"-L	1
		> SHAFT SLEEVE D22-L21-VM116/30	1
20.4	4043195	STAGE-KIT-MVI-32-316L	1
		> IMPELLER-MULTI-V-30M3-8"-316L	1
		> SPACER IMPELLER-MULTI-V-30M3-8"	1
		> STAGE-CASING-WITH RET.G/V-30M3-8"-316L	1
20.5	4043198	STAGE-KIT-MVI32-316L	1
		> SPACER IMPELLER-MULTI-V-30M3-8"	1
		> STAGE-CASING-WITH RET.G/V-30M3-8"-316L	1
		> BIG WASHER IMPELLER D22E2.5-316L	1

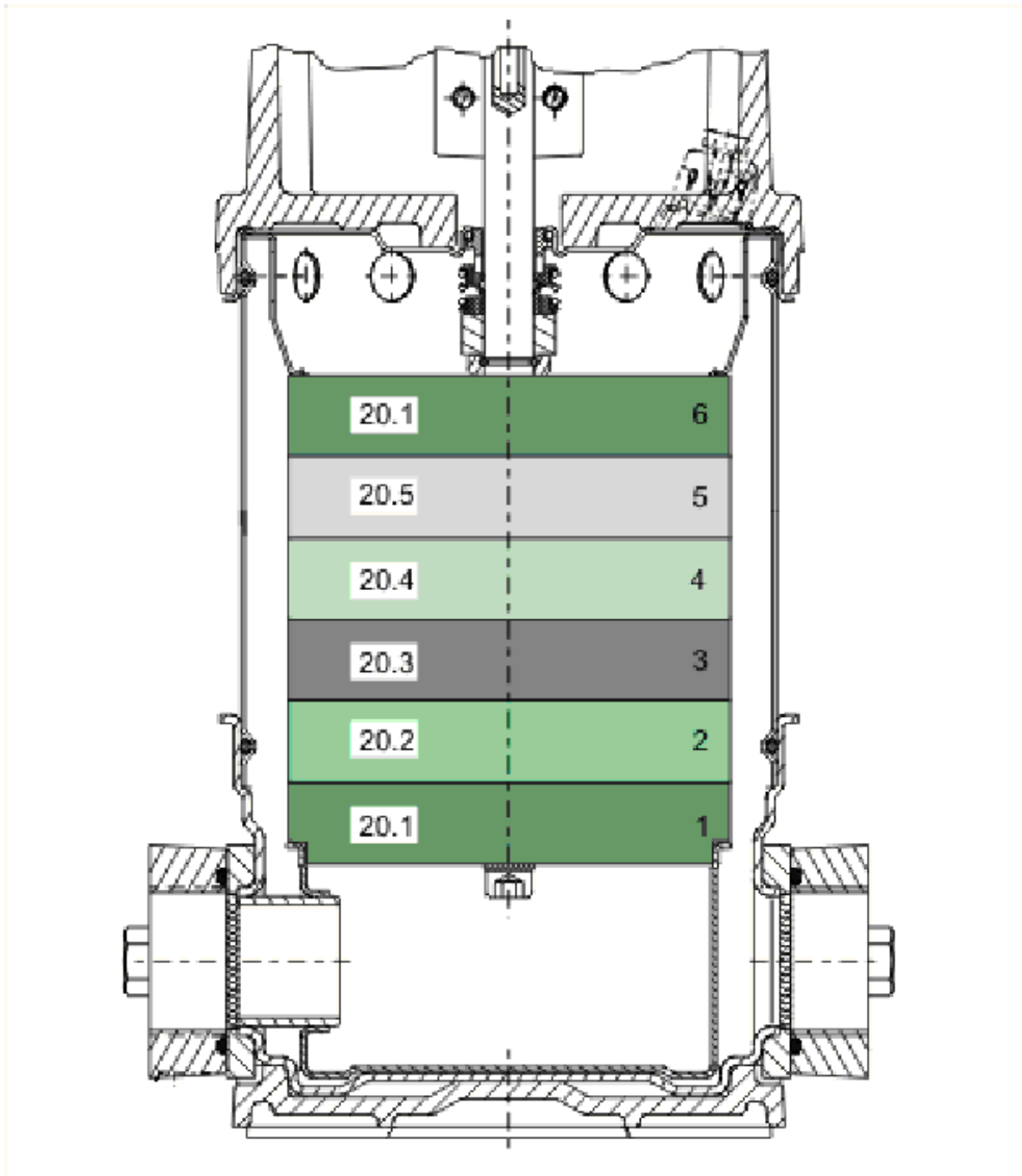


**MVIE3205-3/16/E/3-2 (4065535)**

Item	Article no.	Description	Quantity
1	4052335	MVI16-PUMP-CASING-KIT	1
1.1		> HOUSING-VMI-DN65/PN16-FGL-PEINT/INTERN	1
1.2	2119912	> GASKET D.77/127X2 DN65 C4430 VP.	1
1.3	4233955	> O-RING ID.185 EPDM VP.	1
1.4	4144692	> PRIMING/DRAIN PLUG MVI8"-304	1
3.2	4032293	> O-RING-10x3-EPDM-KTW/WRC	1
3.3	4042329	> O-RING-D7,52xD3,52-EPDM-KTW/WRC	1
3.3	4233957	> O-RING ID.9 EPDM VP.	1
3	4043156	SEAL-KIT-PN16-EPDM-MVI16-32-52	1
1.3	4233955	> O-RING ID.185 EPDM VP.	1
3.1		> MECHANICAL SEAL MG12/22-G606-Q1BE3GG-BUR	1
3.2	4032293	> O-RING-10x3-EPDM-KTW/WRC	1
3.3	4233957	> O-RING ID.9 EPDM VP.	1
3.4	4032291	> O-RING 17x3 EPDM KTW/WRC	1
4	4043168	SHAFT EQUIPMENT KIT MVI32	1
4.1		> SCREW M8x16 ISO4762 8.8 ZN	1
4.2		> WASHER D.10 INOX	1
4.3		> STOP-RUSH 1/2 D22-MULTI-V-316	1
4.4		> STOP COLLAR OF IMPELLER L=28.8-Ø22-316L	1
4.5		> WASHER-8,25x26x1,5-STEEL	1
4.6		> SERRATED LOCK WASHER D10xD22-316L	1
4.7		> SCREW M10X20 ISO4762 A4.70	1
5	4052343	HOUSING PIPE D.204X296,5 1.4301 KIT	1
5.1		> HOUSING-PIPE-D204-VMI1608/3006-1.4301	1
1.3	4233955	> O-RING ID.185 EPDM VP.	1
6	4052363	MVI16/32-STUD-BOLT-KIT	1
6.1		> STUD-BOLT-M16-338x24x44 CLASS8.8 ZN+FINI	1
6.2	4233951	> NUT H M VP.	1
6.3	61701	> DISC 16MOY.NOMEL	1
7		MOT-VAR18,5-2T40P54V1-160L2-FF300-N42-VE	1
Note: no longer available/nicht mehr lieferbar/n'est plus disponible			
8	4193324	LANTERN-MOT.VMI16/30-FF300-D42 VP.	1
9	4092425	COUPLING GUARD FF265/300 MVI KIT	1
		> GUARD-MESH-COUPLING-FF265-300	1

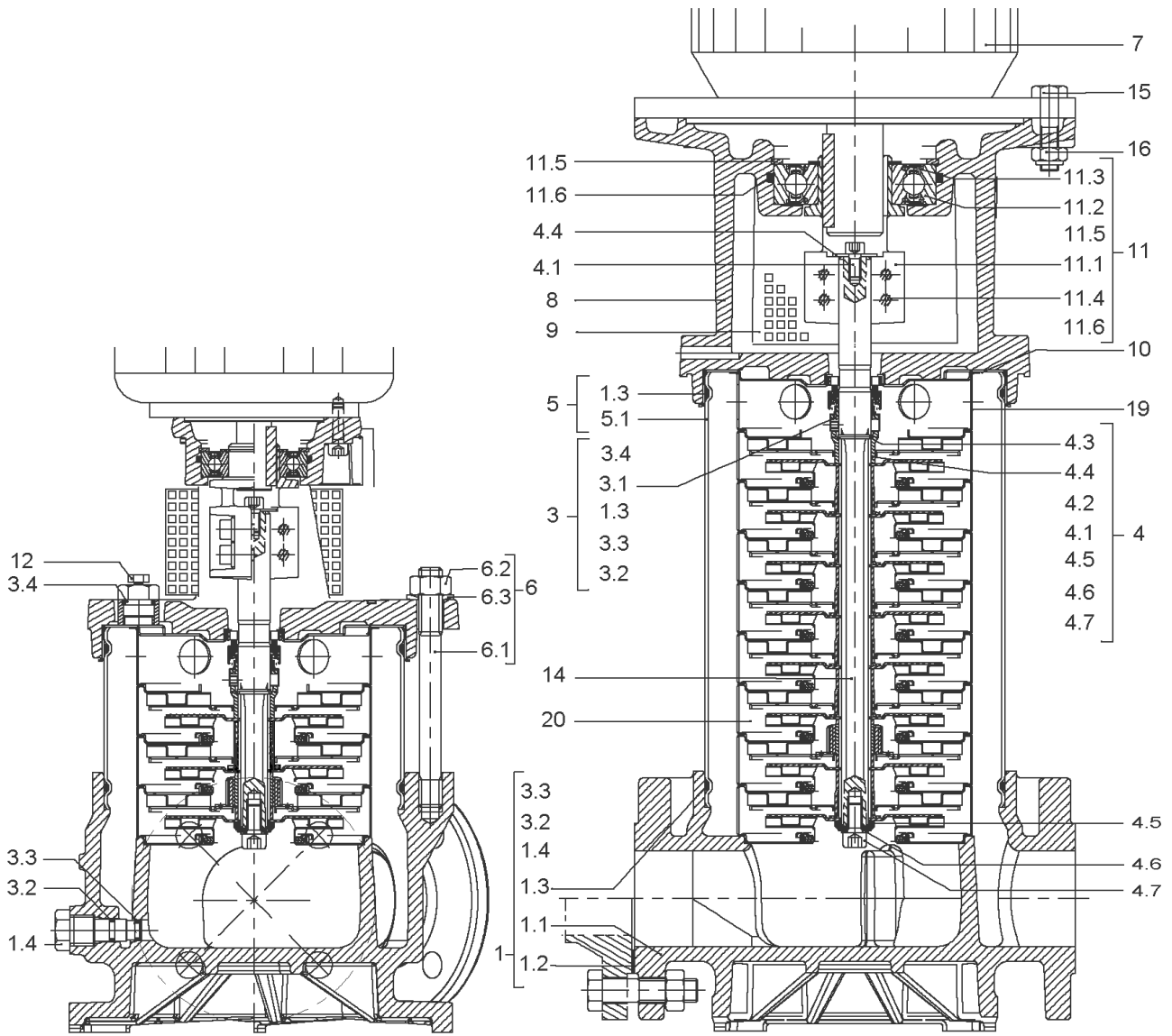
**MVIE3205-3/16/E/3-2 (4065535)**

Item	Article no.	Description	Quantity
		> CLIP COUPLING-GUARD-RF	1
10	4217877	STATIONARY RING HOLDER FOR MVI16/32 VP.	1
11	4095230	3PH COUPLING KIT MVI D22XD42	1
11.1		> COUPLING-VMI-D22XD42-FF300-MACHINED	1
11.2	121083895	> BALL BEARING 6312/2Z-C3 (HT) VP.	1
11.3	63428	> CIRCLIP-FOR-SHAFT-D60x2	1
11.4	4094462	> SCREWS M10 ( 4 PIECES )	1
11.5	4032277	> CIRCLIP-HOLE-130x4	1
11.6	4006725	> O-RING ID.132,94x3,53 NBR70SR	1
		> CONTACT-WASHER-10MOY-10,2x22,25x1,6-STEE	1
		> SCREW M8x16 ISO4762 8.8 ZN	1
		> WASHER-8,25x26x1,5-STEEL	1
12	4032373	FILLING/VENTING-PLUG-VMI8/10-316L	1
14	4088317	SHAFT L:388,5 MVI1607/1608/3205/3206 KIT	1
		> PUMP SHAFT-VMI-D22-1608/3206-316-LEFT TA	1
		> SCREW M10x25 ISO4762 A4.70 LEFT	1
15	74750911106	SCREW M16x55x35 ISO4014 6.8 ZN	1
16	4233951	NUT H M VP.	1
19	4032353	CENTERING END STAGE G/V 30M3-8"-304	1
20	4194725	HYDRAULIC CPL.MVI3205-8" 1.4301 KIT	1
20		Hydraulic cpl.(Pos.19+20)without MS.	1
20		SPARE PARTS HYDRAULICS MVI/MVIE 1.4301	1
	75110311204	KEY-2BT-10X8X60	1



**SPARE PARTS HYDRAULICS MVI/MVIE 1.4301**

Item	Article no.	Description	Quantity
20.1	4043176	STAGE-KIT-MVI32-304	1
		> STAGE CASING-SS-C/R-30M3-8"-304	1
		> IMPELLER-MULTI-V-30M3-8"-304	1
		> SPACER IMPELLER-MULTI-V-30M3-8"	1
20.2	4043177	STAGE-KIT-MVI32-304	1
		> SLEEVE-SPACER-D22xL8,7-316L	1
		> IMPELLER-MULTI-V-30M3-8"-304	1
		> STAGE CASING-AV-C/R-30M3-8"-304	1
20.3	4043174	STAGE-KIT-MVI-32-304	1
		> SLEEVE-SPACER-D22xL13,8-316L	1
		> IMPELLER-MULTI-V-30M3-8"-304	1
		> STAGE CASING-AV-C/R-COU-30M-8"	1
		> SHAFT SLEEVE D22-L21-VM116/30	1
20.4	4043175	STAGE-KIT-MVI-32-304	1
		> IMPELLER-MULTI-V-30M3-8"-304	1
		> SPACER IMPELLER-MULTI-V-30M3-8"	1
		> STAGE CASING-AV-C/R-30M3-8"-304	1
20.5	4043183	STAGE-KIT-MVI32-304	1
		> SPACER IMPELLER-MULTI-V-30M3-8"	1
		> STAGE CASING-AV-C/R-30M3-8"-304	1
		> BIG WASHER IMPELLER D22E2.5-316L	1



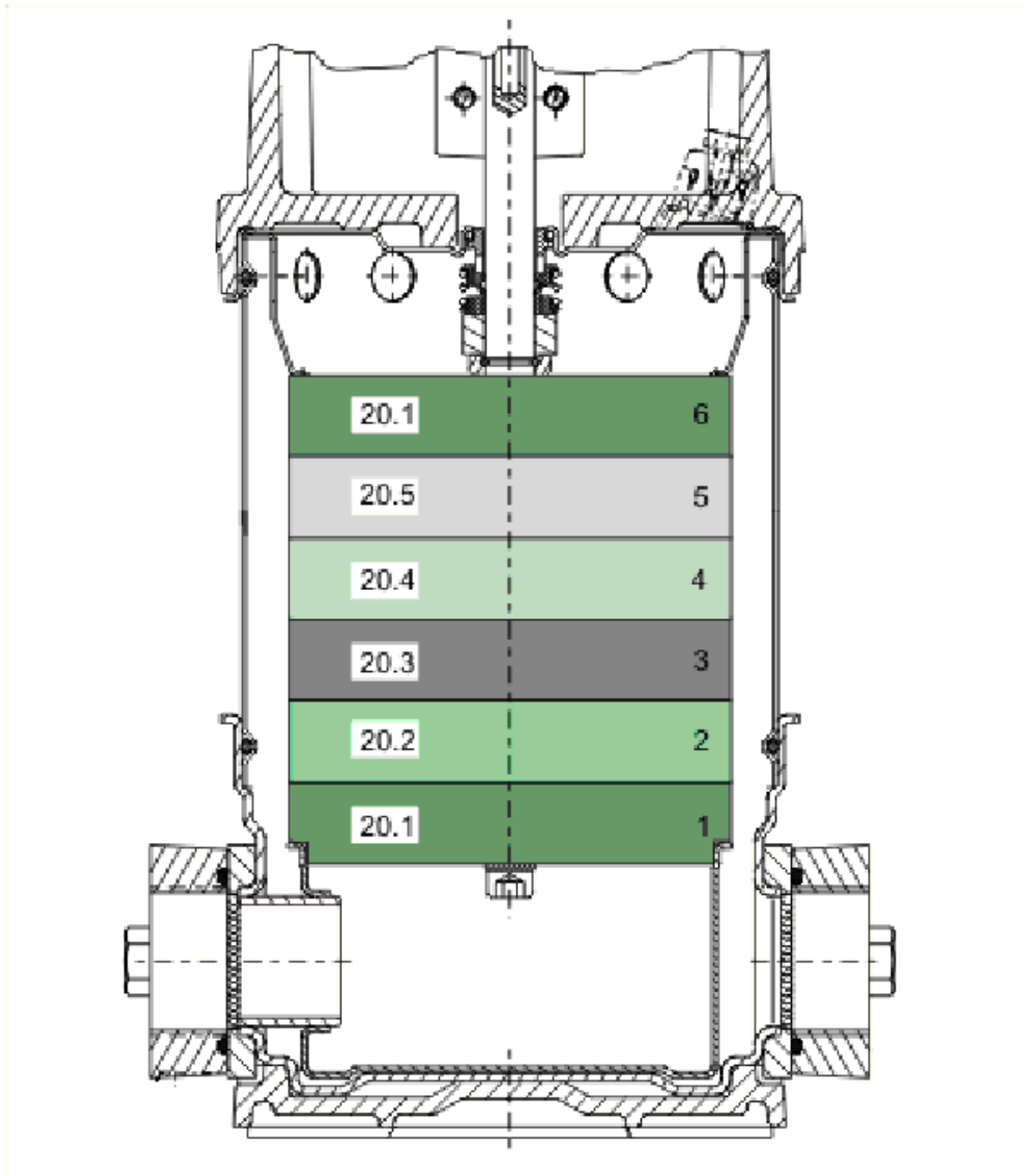


**MVIE3205-3/25/E/3-2 (4065549)**

Item	Article no.	Description	Quantity
1	2057982	MVIE25-PUMP-CASING-KIT	1
1.1		> PUMP HOUSING MVIE32 PN25 GJ250	1
1.2	2119912	> GASKET D.77/127X2 DN65 C4430 VP.	1
1.3	4233955	> O-RING ID.185 EPDM VP.	1
1.4	4144692	> PRIMING/DRAIN PLUG MVI8"-304	1
3.2	4032293	> O-RING-10x3-EPDM-KTW/WRC	1
3.3	4042329	> O-RING-D7,52xD3,52-EPDM-KTW/WRC	1
3.3	4233957	> O-RING ID.9 EPDM VP.	1
3	4043157	MECH.SEAL PN25 EPDM MVI16/32/52 KIT	1
1.3	4233955	> O-RING ID.185 EPDM VP.	1
3.1		> MECHANICAL-SEAL-RMG12/22-G606-U3BEGG-BUR	1
3.2	4032293	> O-RING-10x3-EPDM-KTW/WRC	1
3.3	4233957	> O-RING ID.9 EPDM VP.	1
3.4	4032291	> O-RING 17x3 EPDM KTW/WRC	1
4	4043168	SHAFT EQUIPMENT KIT MVI32	1
4.1		> SCREW M8x16 ISO4762 8.8 ZN	1
4.2		> WASHER D.10 INOX	1
4.3		> STOP-RUSH 1/2 D22-MULTI-V-316	1
4.4		> STOP COLLAR OF IMPELLER L=28.8-Ø22-316L	1
4.5		> WASHER-8,25x26x1,5-STEEL	1
4.6		> SERRATED LOCK WASHER D10xD22-316L	1
4.7		> SCREW M10X20 ISO4762 A4.70	1
5	4052343	HOUSING PIPE D.204X296,5 1.4301 KIT	1
5.1		> HOUSING-PIPE-D204-VMI1608/3006-1.4301	1
1.3	4233955	> O-RING ID.185 EPDM VP.	1
6	4052363	MVI16/32-STUD-BOLT-KIT	1
6.1		> STUD-BOLT-M16-338x24x44 CLASS8.8 ZN+FINI	1
6.2	4233951	> NUT H M VP.	1
6.3	61701	> DISC 16MOY.NOMEL	1
7		MOT-VAR18,5-2T40P54V1-160L2-FF300-N42-VE	1
Note: no longer available/nicht mehr lieferbar/n'est plus disponible			
8	4193324	LANTERN-MOT.VMI16/30-FF300-D42 VP.	1
9	4092425	COUPLING GUARD FF265/300 MVI KIT	1
		> GUARD-MESH-COUPLING-FF265-300	1

**MVIE3205-3/25/E/3-2 (4065549)**

Item	Article no.	Description	Quantity
		> CLIP COUPLING-GUARD-RF	1
10	4217877	STATIONARY RING HOLDER FOR MVI16/32 VP.	1
11	4095230	3PH COUPLING KIT MVI D22XD42	1
11.1		> COUPLING-VMI-D22XD42-FF300-MACHINED	1
11.2	121083895	> BALL BEARING 6312/2Z-C3 (HT) VP.	1
11.3	63428	> CIRCLIP-FOR-SHAFT-D60x2	1
11.4	4094462	> SCREWS M10 ( 4 PIECES )	1
11.5	4032277	> CIRCLIP-HOLE-130x4	1
11.6	4006725	> O-RING ID.132,94x3,53 NBR70SR	1
		> CONTACT-WASHER-10MOY-10,2x22,25x1,6-STEE	1
		> SCREW M8x16 ISO4762 8.8 ZN	1
		> WASHER-8,25x26x1,5-STEEL	1
12	4032373	FILLING/VENTING-PLUG-VMI8/10-316L	1
14	4088317	SHAFT L:388,5 MVI1607/1608/3205/3206 KIT	1
		> PUMP SHAFT-VMI-D22-1608/3206-316-LEFT TA	1
		> SCREW M10x25 ISO4762 A4.70 LEFT	1
15	74750911106	SCREW M16x55x35 ISO4014 6.8 ZN	1
16	4233951	NUT H M VP.	1
19	4032353	CENTERING END STAGE G/V 30M3-8"-304	1
20	4194725	HYDRAULIC CPL.MVI3205-8" 1.4301 KIT	1
20	4190520	Hydraulic cpl.(Pos.19+20)without MS.	1
20		SPARE PARTS HYDRAULICS MVI/MVIE 1.4301	1
	75110311204	KEY-2BT-10X8X60	1



**SPARE PARTS HYDRAULICS MVI/MVIE 1.4301**

Item	Article no.	Description	Quantity
20.1	4043176	STAGE-KIT-MVI32-304	1
		> STAGE CASING-SS-C/R-30M3-8"-304	1
		> IMPELLER-MULTI-V-30M3-8"-304	1
		> SPACER IMPELLER-MULTI-V-30M3-8"	1
20.2	4043177	STAGE-KIT-MVI32-304	1
		> SLEEVE-SPACER-D22xL8,7-316L	1
		> IMPELLER-MULTI-V-30M3-8"-304	1
		> STAGE CASING-AV-C/R-30M3-8"-304	1
20.3	4043174	STAGE-KIT-MVI-32-304	1
		> SLEEVE-SPACER-D22xL13,8-316L	1
		> IMPELLER-MULTI-V-30M3-8"-304	1
		> STAGE CASING-AV-C/R-COU-30M-8"	1
		> SHAFT SLEEVE D22-L21-VM116/30	1
20.4	4043175	STAGE-KIT-MVI-32-304	1
		> IMPELLER-MULTI-V-30M3-8"-304	1
		> SPACER IMPELLER-MULTI-V-30M3-8"	1
		> STAGE CASING-AV-C/R-30M3-8"-304	1
20.5	4043183	STAGE-KIT-MVI32-304	1
		> SPACER IMPELLER-MULTI-V-30M3-8"	1
		> STAGE CASING-AV-C/R-30M3-8"-304	1
		> BIG WASHER IMPELLER D22E2.5-316L	1