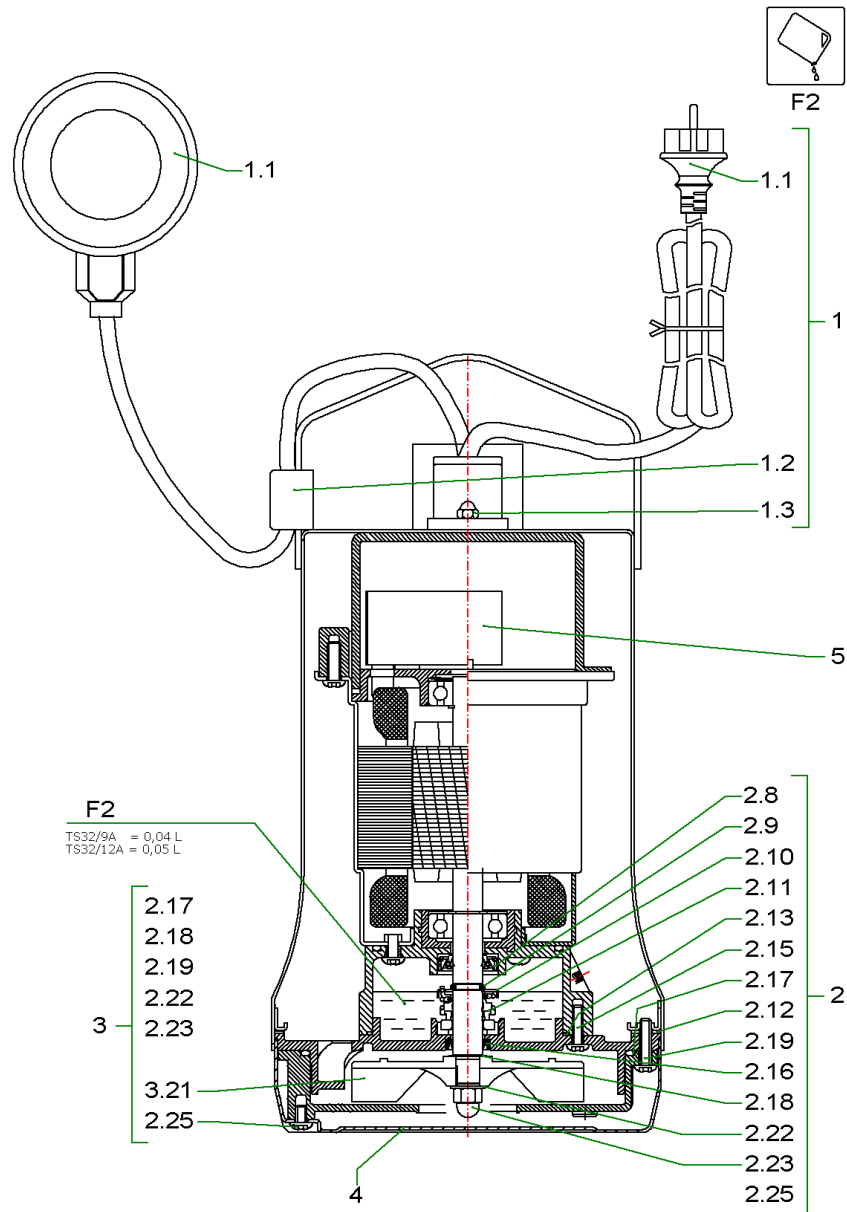




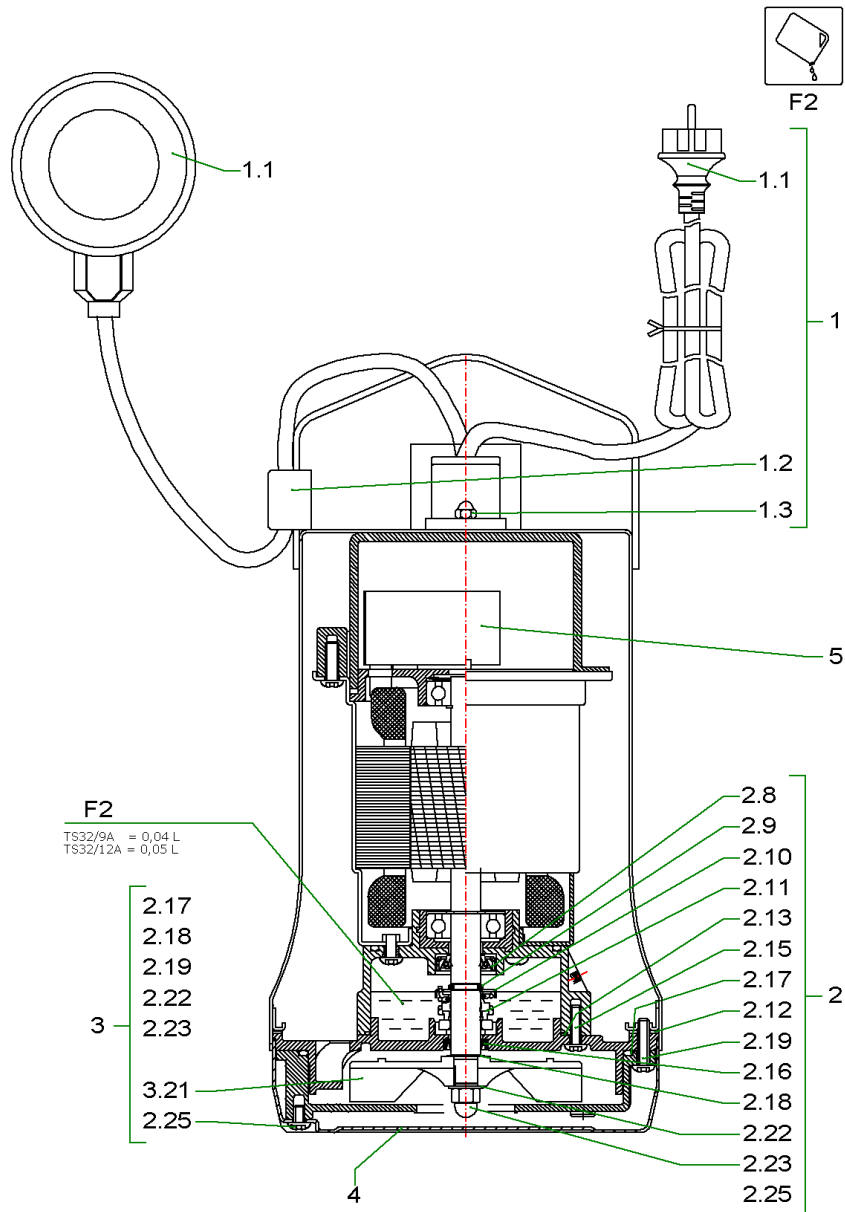
Drain TS 32/TSW 32

Article no.	Description
2069350	TS32/8A 10M KA.
6043943	TS32/9A/B 10M KA
6043945	TS32/12A/B 10M KA
6045167	TSW32/8A 10M CA
6045166	TSW32/11A 10M CA



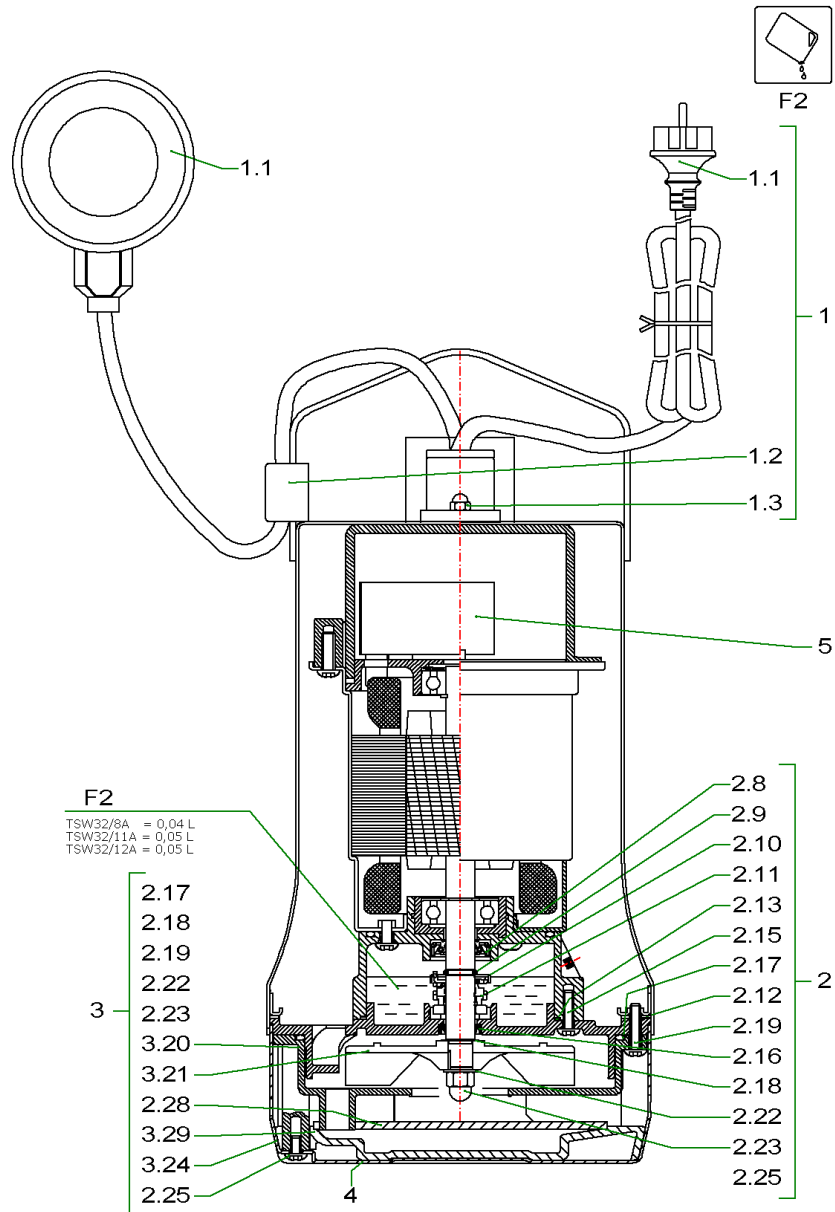
TS32/8A 10M KA. (2069350)

Item	Article no.	Description	Quantity
1	2096425	CABLE/FLOAT SWITCH TS32 3020765 KIT	1
1.1		> CABLE ASSY, 10M, AUTO, H07RN-F	1
1.2		> HOLDER,CABLE__TWISTER	1
1.3		> NUT, 1GRADE HEXAGON CAP[1-2] 3-H D5.0 SU	2
2	2096419	MECHANICAL SEAL TS32/SUBSON 3020750 KIT	1
2.8		> SEAL,OIL D/12/25X7/NBR709	1
2.9		> STOPPER	1
2.10		> RING,STOP	1
2.11		> MECHANICAL SEAL	1
2.12		> HOUSING GASKET	1
2.13		> O-RING, NBR607 W3.1, ID77.4	1
2.15		> SCREW TAPPING,TRUSS HEAD	4
2.16		> SEAL,OIL KC/12/18X4/NBR709	1
2.17		> Oring GB3452.1 D128.4x3.1 -NBR 60SH RoHS	1
2.18		> RING,DISTANCE	1
2.19		> SCREW,__M5*L28 WITH WASHER, STS304	4
2.22		> WASHER,PLAIN D8/STS304	1
2.23		> NUT,HEXAGON CAP[1-2]	1
2.25		> TAPPING SCREW, TRUSS HEAD, +2, D5.5, L10	2
3	2096420	IMPELLER D.98 TS32/SUBSON 3020753 KIT	1
2.17		> Oring GB3452.1 D128.4x3.1 -NBR 60SH RoHS	1
2.18		> RING,DISTANCE	1
2.19		> SCREW,__M5*L28 WITH WASHER, STS304	4
3.21		> IMPELLER TS/10/SPG+GF30%/RAW	1
2.22		> WASHER,PLAIN D8/STS304	1
2.23		> NUT,HEXAGON CAP[1-2]	1
2.25		> TAPPING SCREW, TRUSS HEAD, +2, D5.5, L10	2
5	2118646	CAPACITOR 12mF VP.	1
	2096424	COUPLING/NON-RET.-FLAP TS32/SUB.3020757	1
		> HOSE COUPLING	1
		> VALVE BASE	1
		> VALVE COVER	1
F2	6025460	medical white oil 1L KIT	1



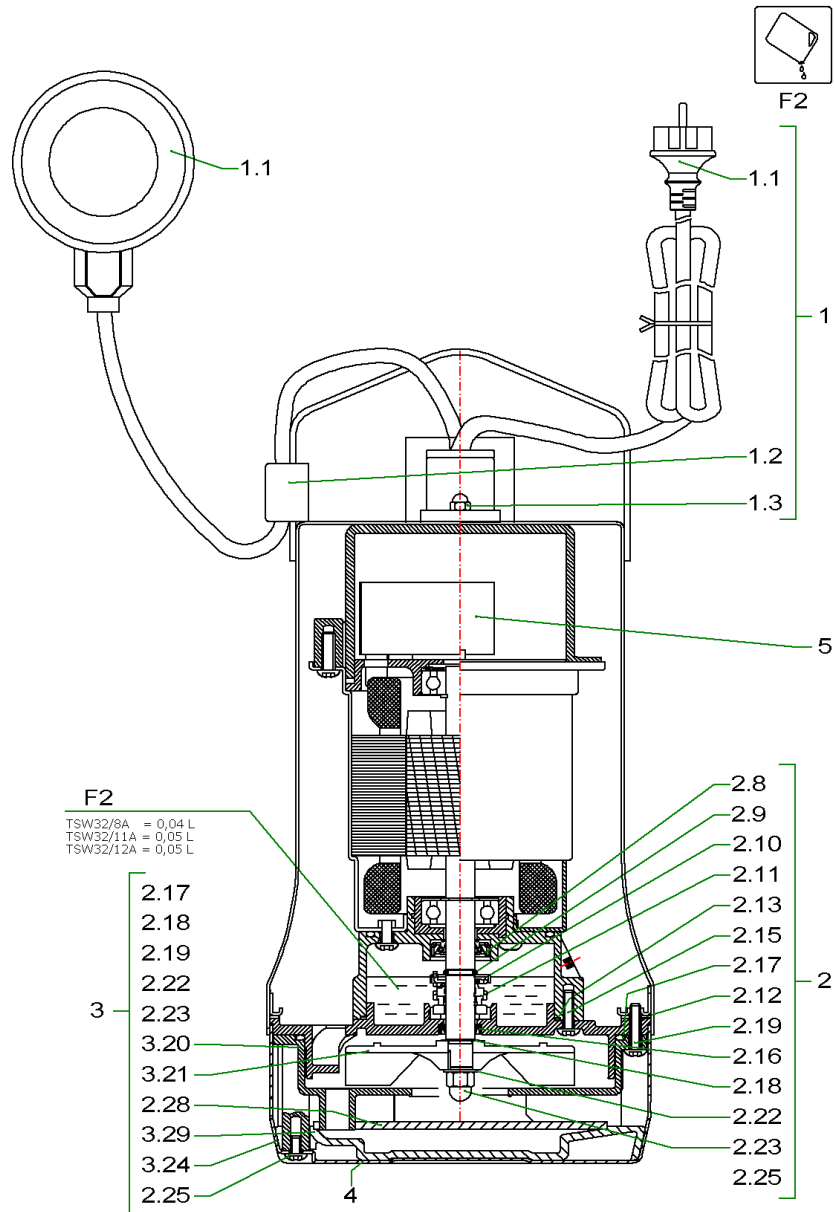
TS32/9A/B 10M KA (6043943)

Item	Article no.	Description	Quantity
1	2096425	CABLE/FLOAT SWITCH TS32 3020765 KIT	1
1.1		> CABLE ASSY, 10M, AUTO, H07RN-F	1
1.2		> HOLDER,CABLE__TWISTER	1
1.3		> NUT, 1GRADE HEXAGON CAP[1-2] 3-H D5.0 SU	2
2	2096419	MECHANICAL SEAL TS32/SUBSON 3020750 KIT	1
2.8		> SEAL,OIL D/12/25X7/NBR709	1
2.9		> STOPPER	1
2.10		> RING,STOP	1
2.11		> MECHANICAL SEAL	1
2.12		> HOUSING GASKET	1
2.13		> O-RING, NBR607 W3.1, ID77.4	1
2.15		> SCREW TAPPING,TRUSS HEAD	4
2.16		> SEAL,OIL KC/12/18X4/NBR709	1
2.17		> Oring GB3452.1 D128.4x3.1 -NBR 60SH RoHS	1
2.18		> RING,DISTANCE	1
2.19		> SCREW,__M5*L28 WITH WASHER, STS304	4
2.22		> WASHER,PLAIN D8/STS304	1
2.23		> NUT,HEXAGON CAP[1-2]	1
2.25		> TAPPING SCREW, TRUSS HEAD, +2, D5.5, L10	2
3	2096420	IMPELLER D.98 TS32/SUBSON 3020753 KIT	1
2.17		> Oring GB3452.1 D128.4x3.1 -NBR 60SH RoHS	1
2.18		> RING,DISTANCE	1
2.19		> SCREW,__M5*L28 WITH WASHER, STS304	4
3.21		> IMPELLER TS/10/SPG+GF30%/RAW	1
2.22		> WASHER,PLAIN D8/STS304	1
2.23		> NUT,HEXAGON CAP[1-2]	1
2.25		> TAPPING SCREW, TRUSS HEAD, +2, D5.5, L10	2
5	2118646	CAPACITOR 12mF VP.	1
	2096424	COUPLING/NON-RET.-FLAP TS32/SUB.3020757	1
		> HOSE COUPLING	1
		> VALVE BASE	1
		> VALVE COVER	1
F2	6025460	medical white oil 1L KIT	1



TS32/12A/B 10M KA (6043945)

Item	Article no.	Description	Quantity
1	2096425	CABLE/FLOAT SWITCH TS32 3020765 KIT	1
1.1		> CABLE ASSY, 10M, AUTO, H07RN-F	1
1.2		> HOLDER,CABLE__TWISTER	1
1.3		> NUT, 1GRADE HEXAGON CAP[1-2] 3-H D5.0 SU	2
2	2096419	MECHANICAL SEAL TS32/SUBSON 3020750 KIT	1
2.8		> SEAL,OIL D/12/25X7/NBR709	1
2.9		> STOPPER	1
2.10		> RING,STOP	1
2.11		> MECHANICAL SEAL	1
2.12		> HOUSING GASKET	1
2.13		> O-RING, NBR607 W3.1, ID77.4	1
2.15		> SCREW TAPPING,TRUSS HEAD	4
2.16		> SEAL,OIL KC/12/18X4/NBR709	1
2.17		> Oring GB3452.1 D128.4x3.1 -NBR 60SH RoHS	1
2.18		> RING,DISTANCE	1
2.19		> SCREW,__M5*L28 WITH WASHER, STS304	4
2.22		> WASHER,PLAIN D8/STS304	1
2.23		> NUT,HEXAGON CAP[1-2]	1
2.25		> TAPPING SCREW, TRUSS HEAD, +2, D5.5, L10	2
3	2096421	IMPELLER D.108 TS32/SUBSON 3020754 KIT	1
2.17		> O-RING, ID129.4 WD3.1 NBR607 BK	1
2.18		> RING,DISTANCE	1
2.19		> SCREW,__M5*L28 WITH WASHER, STS304	4
3.21		> IMPELLER, SEMI OPEN	1
2.22		> WASHER,PLAIN D8/STS304	1
2.23		> NUT,HEXAGON CAP[1-2]	1
2.25		> SCREW TAPPING,TRUSS HEAD	2
4	6069555	suction strainer TS32/12A SET	1
5	2118635	CAPACITOR 16mF VP.	1
	2096424	COUPLING/NON-RET.-FLAP TS32/SUB.3020757	1
		> HOSE COUPLING	1
		> VALVE BASE	1
		> VALVE COVER	1
F2	6025460	medical white oil 1L KIT	1

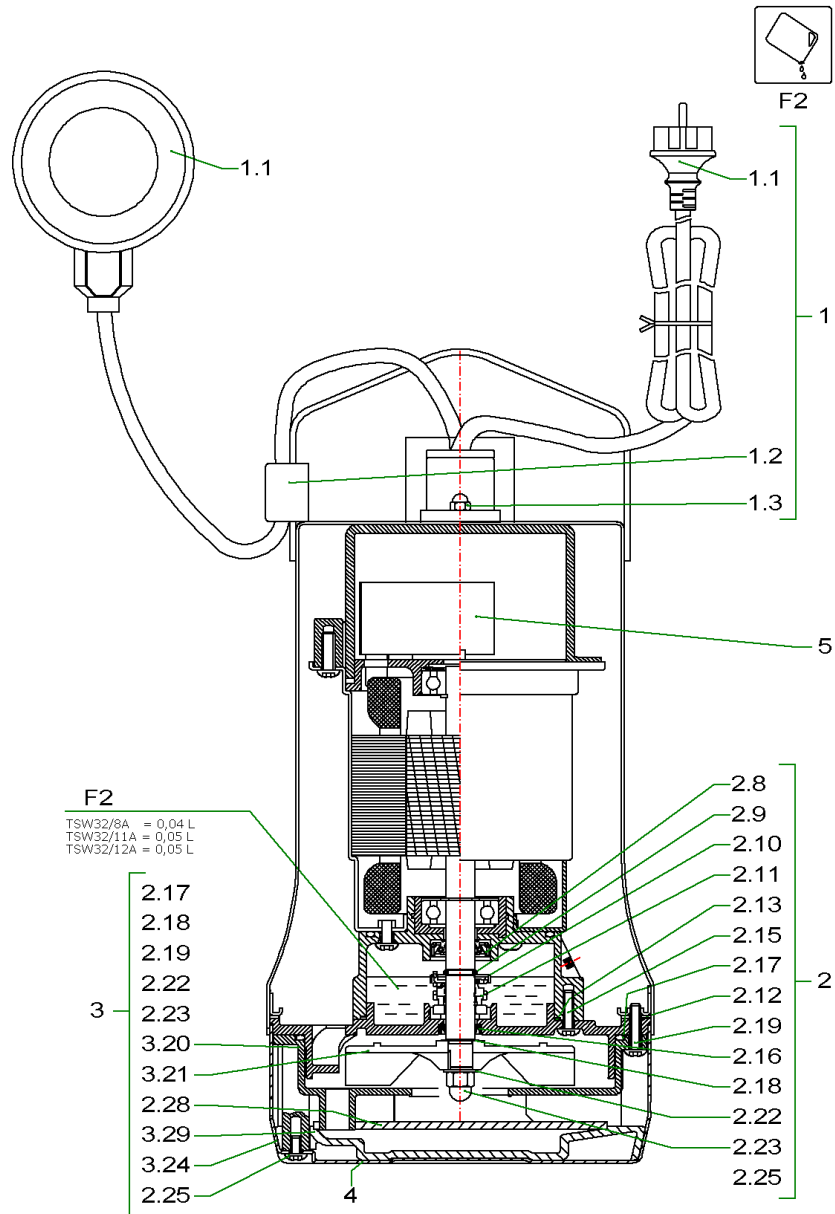


TSW32/8A 10M CA (6045167)

Item	Article no.	Description	Quantity
1	2096425	CABLE/FLOAT SWITCH TS32 3020765 KIT	1
1.1		> CABLE ASSY, 10M, AUTO, H07RN-F	1
1.2		> HOLDER,CABLE__TWISTER	1
1.3		> NUT, 1GRADE HEXAGON CAP[1-2] 3-H D5.0 SU	2
2	2096419	MECHANICAL SEAL TS32/SUBSON 3020750 KIT	1
2.8		> SEAL,OIL D/12/25X7/NBR709	1
2.9		> STOPPER	1
2.10		> RING,STOP	1
2.11		> MECHANICAL SEAL	1
2.12		> HOUSING GASKET	1
2.13		> O-RING, NBR607 W3.1, ID77.4	1
2.15		> SCREW TAPPING,TRUSS HEAD	4
2.16		> SEAL,OIL KC/12/18X4/NBR709	1
2.17		> Oring GB3452.1 D128.4x3.1 -NBR 60SH RoHS	1
2.18		> RING,DISTANCE	1
2.19		> SCREW,__M5*L28 WITH WASHER, STS304	4
2.22		> WASHER,PLAIN D8/STS304	1
2.23		> NUT,HEXAGON CAP[1-2]	1
2.25		> TAPPING SCREW, TRUSS HEAD, +2, D5.5, L10	2
3	2096422	IMPELLER D.98/CAS.TSW32/SUB.3020755 KIT	1
2.17		> Oring GB3452.1 D128.4x3.1 -NBR 60SH RoHS	1
2.18		> RING,DISTANCE	1
2.19		> SCREW,__M5*L28 WITH WASHER, STS304	4
3.21		> IMPELLER TS/10/SPG+GF30%/RAW	1
2.22		> WASHER,PLAIN D8/STS304	1
2.23		> NUT,HEXAGON CAP[1-2]	1
3.24		> STRAINER	1
2.25		> TAPPING SCREW, TRUSS HEAD, +2, D5.5, L10	2
3.28		> MIDDLE PLATE	1
3.29		> SELF CLEANER	1
3.20		> CASING	1
4	6069555	suction strainer TS32/12A SET	1
5	2118646	CAPACITOR 12mF VP.	1
	2096424	COUPLING/NON-RET.-FLAP TS32/SUB.3020757	1

TSW32/8A 10M CA (6045167)

Item	Article no.	Description	Quantity
		> HOSE COUPLING	1
		> VALVE BASE	1
		> VALVE COVER	1
F2	6025460	medical white oil 1L KIT	1



TSW32/11A 10M CA (6045166)

Item	Article no.	Description	Quantity
1	2096425	CABLE/FLOAT SWITCH TS32 3020765 KIT	1
1.1		> CABLE ASSY, 10M, AUTO, H07RN-F	1
1.2		> HOLDER,CABLE__TWISTER	1
1.3		> NUT, 1GRADE HEXAGON CAP[1-2] 3-H D5.0 SU	2
2	2096419	MECHANICAL SEAL TS32/SUBSON 3020750 KIT	1
2.8		> SEAL,OIL D/12/25X7/NBR709	1
2.9		> STOPPER	1
2.10		> RING,STOP	1
2.11		> MECHANICAL SEAL	1
2.12		> HOUSING GASKET	1
2.13		> O-RING, NBR607 W3.1, ID77.4	1
2.15		> SCREW TAPPING,TRUSS HEAD	4
2.16		> SEAL,OIL KC/12/18X4/NBR709	1
2.17		> Oring GB3452.1 D128.4x3.1 -NBR 60SH RoHS	1
2.18		> RING,DISTANCE	1
2.19		> SCREW,__M5*L28 WITH WASHER, STS304	4
2.22		> WASHER,PLAIN D8/STS304	1
2.23		> NUT,HEXAGON CAP[1-2]	1
2.25		> TAPPING SCREW, TRUSS HEAD, +2, D5.5, L10	2
3	2096423	IMPELLER D.108/CAS.TSW32/SUB.3020756 KIT	1
2.17		> O-RING, ID129.4 WD3.1 NBR607 BK	1
2.18		> RING,DISTANCE	1
2.19		> SCREW,__M5*L28 WITH WASHER, STS304	4
3.21		> IMPELLER, SEMI OPEN	1
2.22		> WASHER,PLAIN D8/STS304	1
2.23		> NUT,HEXAGON CAP[1-2]	1
3.24		> STRAINER, STS	1
2.25		> SCREW TAPPING,TRUSS HEAD	2
3.28		> MIDDLE PLATE	1
3.29		> SELF CLEANER	1
3.20		> CASING	1
4	6069555	suction strainer TS32/12A SET	1
5	2118635	CAPACITOR 16mF VP.	1
	2096424	COUPLING/NON-RET.-FLAP TS32/SUB.3020757	1

TSW32/11A 10M CA (6045166)

Item	Article no.	Description	Quantity
		> HOSE COUPLING	1
		> VALVE BASE	1
		> VALVE COVER	1
F2	6025460	medical white oil 1L KIT	1