

APEX EMF End-suction Mixed Flow Pumps

EMF pumps have been designed for efficiently handling large volumes of water at low and medium heads.

FEATURES

- ◆ Heavy duty construction
- ◆ Stable head-capacity
- ◆ Multiple suction and discharge arrangements
- ◆ Oil lubricated bearing option

BENEFITS

- ◆ Supplied bareshaft or with IE3 motors for energy saving
- ◆ Engineered bedplate design
- ◆ High efficiency, Low NPSHr
- ◆ Suspended solids capability up to 40 gm/m³
- ◆ Liquid temperature maximum temperature 80°C

OPERATING RANGE

- ◆ Comprehensive range with 4 sizes with variable speed.
- ◆ Maximum flow: rates up to 1650 m³/hr
- ◆ Head: Up to 16m
- ◆ RPM: Up to 1500
- ◆ Discharge flange sizes 200mm – 400mm
- ◆ Flange ratings to BS and ANSI

APPLICATIONS

- Food Irrigation
- Water Harvesting
- Drainage
- Waste disposal

WORKING PRESSURE

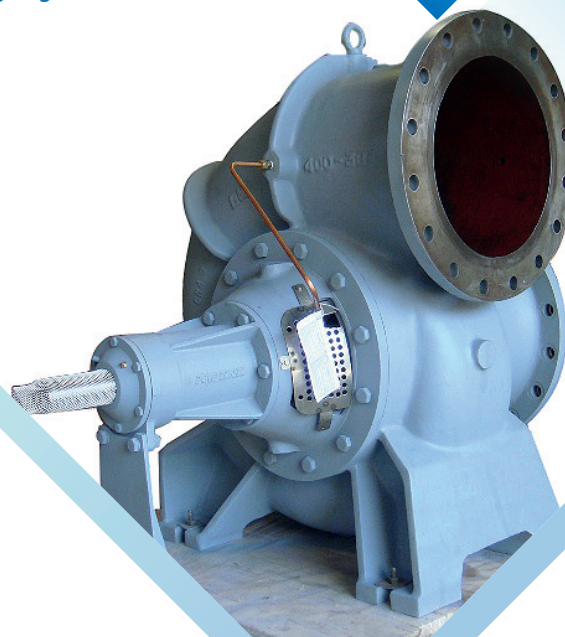
All pumps are hydrostatically tested to 1.5 times the rated working pressure.

MECHANICAL SEAL

Virtually any make and type of single or cartridge mechanical seal and packed gland options available.

SPARE PARTS

All EMF pumps are fully supported by Apex Pumps dedicated spares team.
Contact: spares@apexpumps.com



PolyPump Ltd

Providing your pumping solutions

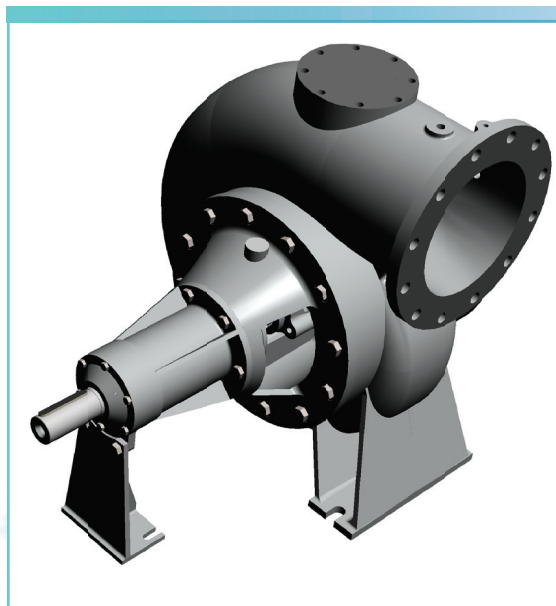
sales@polypump.co.uk
01296 488 294

MATERIALS

Cast Iron
Ductile Iron
Cast steel
Stainless Steel
Ni Resist

Other grades available on request.

BS-1561:2011
ISO 1083:2005
ASTM A216 Grade WCB
ASTM A351 CF8M
A436 Type 1



APEXPUMPS
CENTRIFUGAL PUMP MANUFACTURERS

For further information on any APEX product,
please contact the APEX sales office:
tel: 0117 9077555
enquiries@apexpumps.com

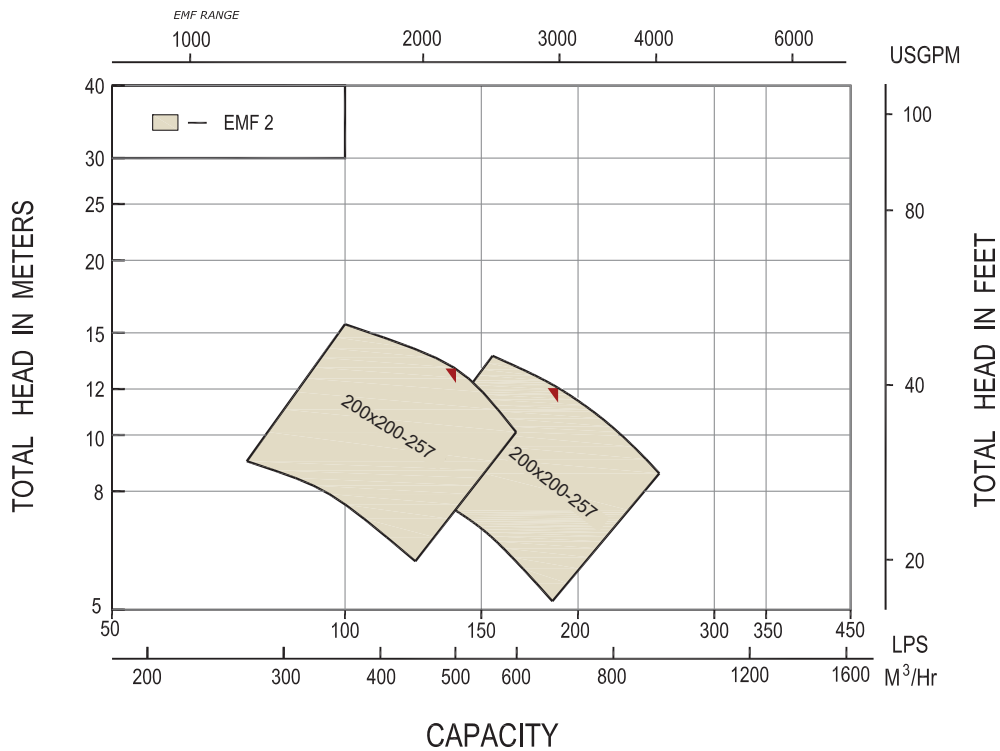
APEX FLUID ENGINEERING LTD
MORLEY ROAD, STAPLE HILL
BRISTOL, BS16 4QT

APEX EMF Range Charts 50hz

Doc. No. : PSE/RAN/EMF/1500/R1
Date : 06/11/2016

RANGE CHART OF END SUCTION MIXED FLOW PUMPS-SERIES EMF

SINGLE STAGE END SUCTION PUMPS WITH SINGLE ENTRY IMPELLERS
SPEED 1500 RPM - 50Hz , 4 POLE



RANGE CHART OF END SUCTION MIXED FLOW PUMPS-SERIES EMF

SINGLE STAGE END SUCTION PUMPS WITH SINGLE ENTRY IMPELLERS
SPEED 1000 RPM - 50Hz , 6POLE

Doc. No. : PSE/RAN/EMF/1000/R1
Date : 06/11/2016

