

SKS 1000

POLY-SUMPS FOR DRAINAGE WATER



- According EN 13598-2
- Suitable for traffic up to class D 400
- Corrosion-proof
- Buoyancy-proof and ground water proof
- Max. installation depth 4.90 m

DESCRIPTION

The buoyancy proof and practicable plastic sump in high-grade polypropylene (PP) corresponds to EN 13598-2. It is suitable for use in areas with traffic load up to 40 tons. (DIN EN 124, group 4). The SKS 1000 can be placed on natural ground without concrete works. The modular design offers easy transport and installation.

In order to adjust the pumping stations to the required pumping conditions a wide range of drainage pumps is available.

Both versions (single- and duplex units) have a spigot for inlet, two sockets with seal for ventilation/cable pipe, a facility for installing a flushing connection and a pressure outlet DN 50.

The standard installation depth without a cover is 2.27 m. The installation depth can be extended to 4.90 m by the use of sump extensions (installation depth in ground water not more than 5 m). The total volume is 1372 litres. The volume storage below the inlet is 396 litres.

If extensions are used, one of the extensions must be ordered with a tie-bar.

SKS 1000

POLY-SUMPS FOR DRAINAGE WATER

SCOPE OF SUPPLY

SKS-D 1000-50 (Single unit)

The poly-sump consist of an underpart with an inlet and a discharge branch, an extension element, a cone 1000/625 and a concrete support ring for the manhole cover (accessory). The segments are sealed with sealing rings.

Inlet socket DN/OD 160 (DN 150) for PVC collar (KGU), 2 sockets DN 100 for ventilation/cable duct, 1 socket plug DN 100.

Guide rail system, pipework DN 50, elbow ball check valve DN 50, stop valve in DN 50 in stainless steel

SKS-D 1000-D50 (Duplex unit)

The poly-sump consist of an underpart with an inlet and a discharge branch, an extension element, a cone 1000/625 and a concrete support ring for the manhole cover (accessory). The segments are sealed with sealing rings.

Inlet socket DN/OD 160 (DN 150) for PVC collar (KGU), 2 sockets DN 100 for ventilation/cable duct, 1 socket plug DN 100, coupling feets, pressure outlet DN 50, ball check valve DN 50, maintenance stop valve DN 50.

SKS 1000

Type	Code No.	Weight
SKS-D 1000-50	JP50303	285 kg
SKS-D 1000-D50	JP50304	305 kg

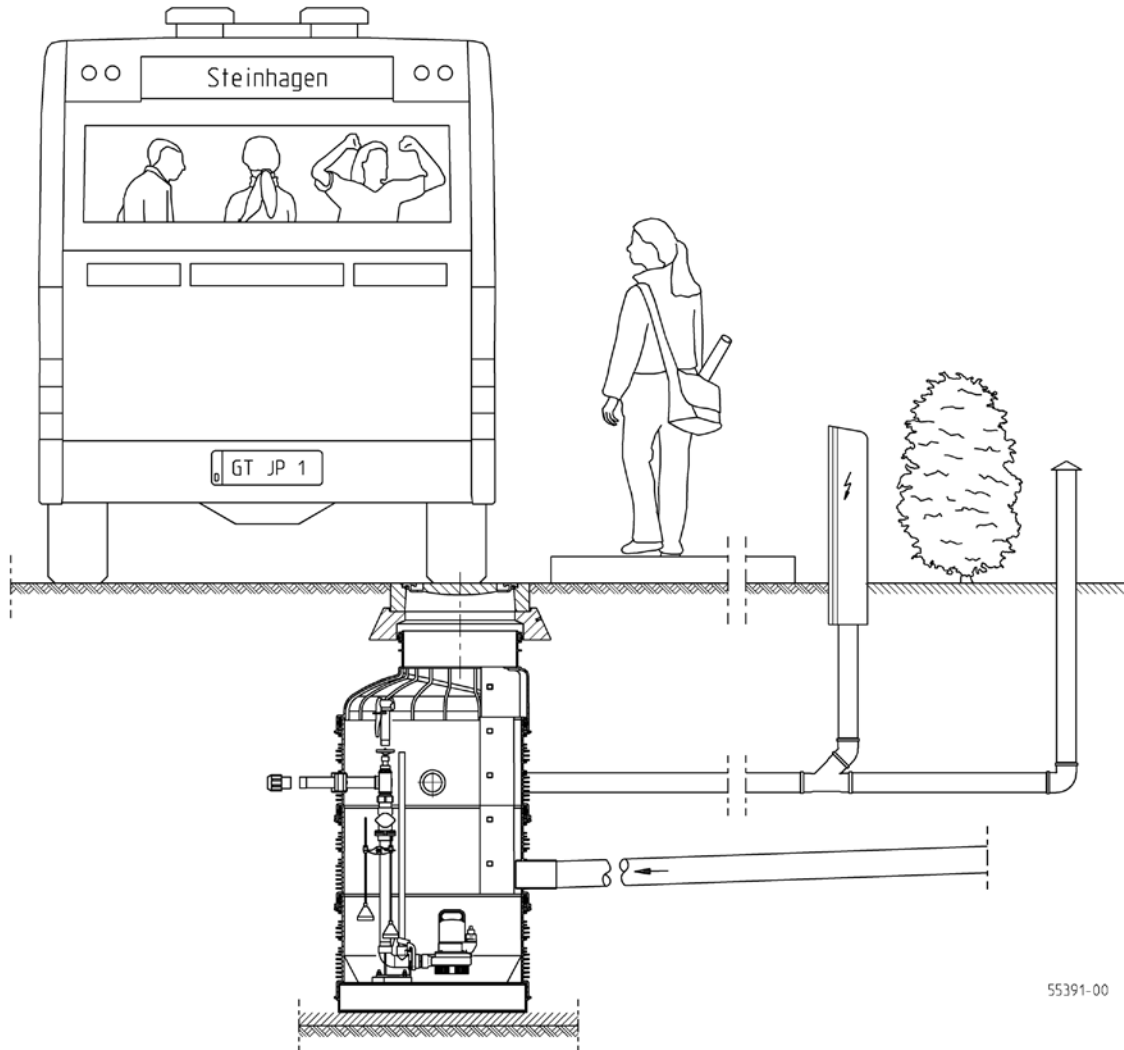
POSSIBLE PUMPS

SKS-D 1000-50	UV 620-1 S	US 251 D
US 62 ES/DS	UV 620-3 S	US 73 E/D
US 102 ES/DS	UV 625-3 S	US 103 E/D
US 152 ES/DS	UV 635-3 S	US 153 E/D
US 73 ES/DS	SKS-D 1000-D50	US 253 D
US 103 ES/DS	U3K/U3K spezial	US 75 E/D
US 153 ES/DS	U5K	US 105 E/D
US 253 DS	U6K E/D	US 155 E/D
US 75 ES/DS	US 62 E/D	UV 620-1
US 105 ES/DS	US 102 E/D	UV 620-3
US 155 ES/DS	US 152 E/D	UV 625-3
US 151 ES/DS	US 151 E/D	UV 635-3

SKS 1000

POLY-SUMPS FOR DRAINAGE WATER

SKS-D1000

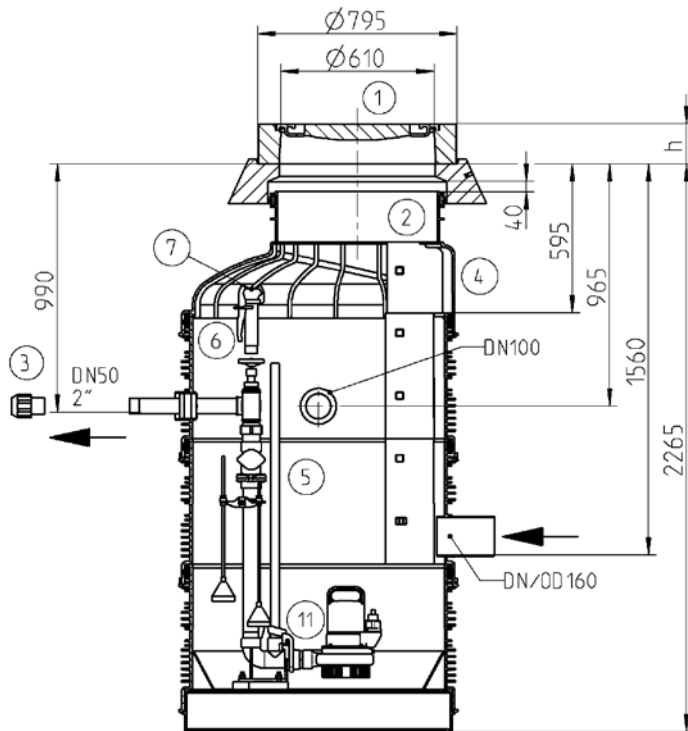


Achtung! Aus Platzgründen ist der Einsatz von Tauchschaltern nicht möglich.

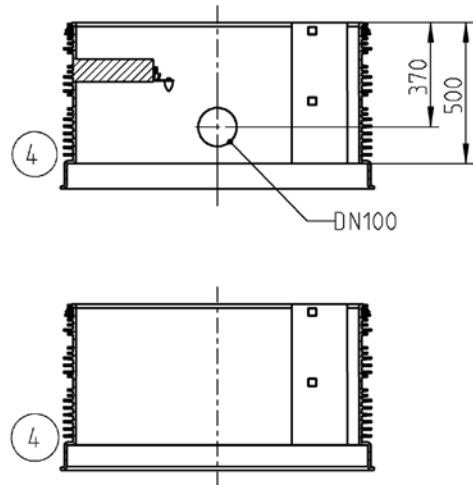
SKS 1000

POLY-SUMPS FOR DRAINAGE WATER

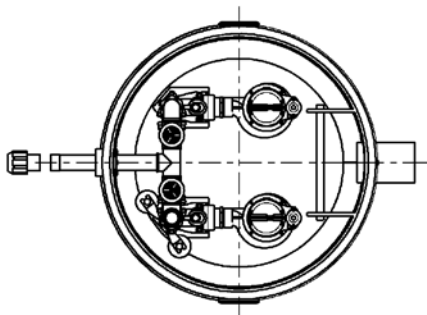
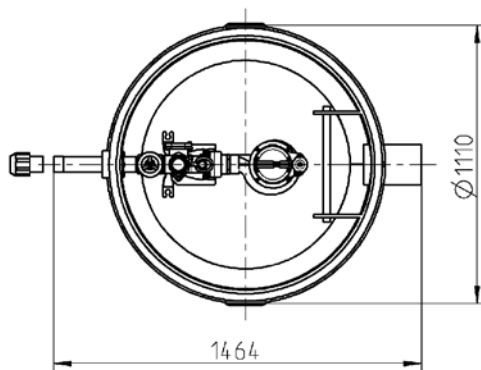
SKS-D 1000/SKS-D 1000-D50



mit Steigang



44598-01








49757-02

SKS 1000

POLY-SUMPS FOR DRAINAGE WATER

SUMP ACCESSORIES

				Code No.
	① Concrete cover			
	Cover cl. B	without ventilation, Ø 610, h= 125	110 kg	JP44972
	Cover cl. D	without ventilation, Ø 610, h=160	190 kg	JP29175
	② Access aid			
	Access aid, grab handle			JP44610
	Access aid, sleeve			JP44611
	③ Screwed joint			
	2" to Ø 63 mm (DN 50)			JP45950
	④ Sump extension			
	PSV-D 1000x500	Tie-bar, ladder	34,0 kg	JP44407
	SGT			
	PSV-D 1000x500 SG	Ladder	16,6 kg	JP44403
	⑤ Guide rail, stainless steel			
	1", 1150 mm, sump depth 2,27 m		2,8 kg	JP50268
	1", 1650 mm, sump depth 2,77 m		4,0 kg	JP50269
	1", 2150 mm, sump depth 3,27 m		5,2 kg	JP50270
	1", 2650 mm, sump depth 3,77 m		6,5 kg	JP50271
	1", 3150 mm, sump depth 4,27 m		7,5 kg	JP50272
	1", 3650 mm, sump depth 4,77 m		9,0 kg	JP50273
	⑥ Perrot	Flushing connection -65/80, 1½"	3,2 kg	JP22353
	⑦ Accessories for Perrot flushing connection			
	Perrot hose connection	Ø 50 mm		JP19202
	Perrot breathing valve			JP22422
	Perrot pressure gauge			JP44854
	Perrot claw coupling			JP22420
	⑧ Ventilation pipe	DN 100 stainless steel, , 700 mm		JP44858
	⑨ Second or changed inlet			
		DN 150		JP44523
		DN 200		JP44524
		DN 250		JP44525
	⑩ Seal lubricant			
		1 kg tube (enough for 2 gaskets)		JP44605
		3 kg bucket		JP44606
	⑪ Reducing socket	1½"-2" for mounting pumps with 1½" discharge		JP48069