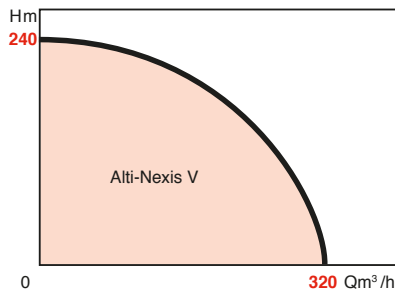


OPERATING LIMITS

Flow rates up to:	320 m ³ /h
Delivery head up to:	240 m CE*
Maximum operating pressure:	16 bar option 25 bar*
Maximum water temperature:	70°C
Ambient temperature:	40°C
DN threaded manifold:	DN 1½" to 3"
DN flange manifold:	DN 100 to 200

* on demand



ADVANTAGES

- Compact modules, preset at the factory and ready to be installed.
- Reduced footprint.
- Easy installation: two hydraulic connections and one electrical connection.
- Controls and protection brought together in the switch board.
- Complete system with maximum efficiency (high hydraulic efficiency, controls, IE2 motor) in order to obtain a highly energy-efficient performance overall.
- Hydraulics section in stainless steel with stainless steel pipes: protection against corrosion and longer life.
- Booster pump certified for use with drinking water: Certificate of Sanitary Conformity (ACS).
- Booster unit available as standard for up to 4 pumps.

ALTI-NEXIS V

HIGH-EFFICIENCY PRESSURE BOOSTERS

Series of pressure boosters fitted with multi-stage stainless steel NEXIS V pumps: Collective and industrial use 2 poles - 50 Hz

APPLICATIONS

Pressurising and maintaining pressure in water distribution systems with insufficient or non-existent pressure, for:

- housing blocks, offices,
- private residences,
- hotels, hospitals,
- shopping centres, shops,
- schools, colleges, universities, barracks,
- industrial and agricultural buildings,
- irrigation, watering, etc...

• ALTI-NEXIS-V608-3-SC



• ALTI-NEXIS-V604-2-CC

• ALTI-NEXIS-V604-2-CE+



ALTI-NEXIS V

DESIGN

• ALTi-Nexis V Range

Compact booster pumps, designed for direct or standard boosting systems, fitted with:

- 2 to 4 Nexis V pumps, with pre-set hydraulic features.
- Nexis V pump 22 to V52 with front access to the mechanical seal with standard cartridge for easier maintenance.
- Nexis pump V4 to V16 without cartridge as standard on booster pumps fitted with switch boxes CE+, SC, SCFC.
- Nexis pump V4 to V16 with standard cartridge on booster pumps fitted with CC and CCFC switch boxes (contact us for further details).
- Valves at the outlet and the intake on each pump.
- Quiet-running non-return valve at the outlet of each pump (fitted with interchangeable cartridges on the ALTi Nexis-V range up to 16m³/h).
- A pressure transmitter to control the pumps.
- A low water level pressure switch (compulsory accessory – mains water supply version).
- A low water level float switch (compulsory accessory – storage tank version).
- Pressure gauge on the outlet.
- A supporting frame mounted on adjustable vibration-absorbing feet.
- Lifting rings on the pump and on the frame (screw-in rings on booster pumps fitted with CE, CC or CCFC logic controller systems; built-in rings on the SC and SCFC).
- Switch box available with three settings and control display:
 - CE+ : simplified electronics unit
 - SC : advanced electronics unit
 - SCFC : SC unit with a frequency converter in the switch board
 - CC : PLC (Programmable logic controller)
 - CCFC : PLC + a frequency converter in the switch board

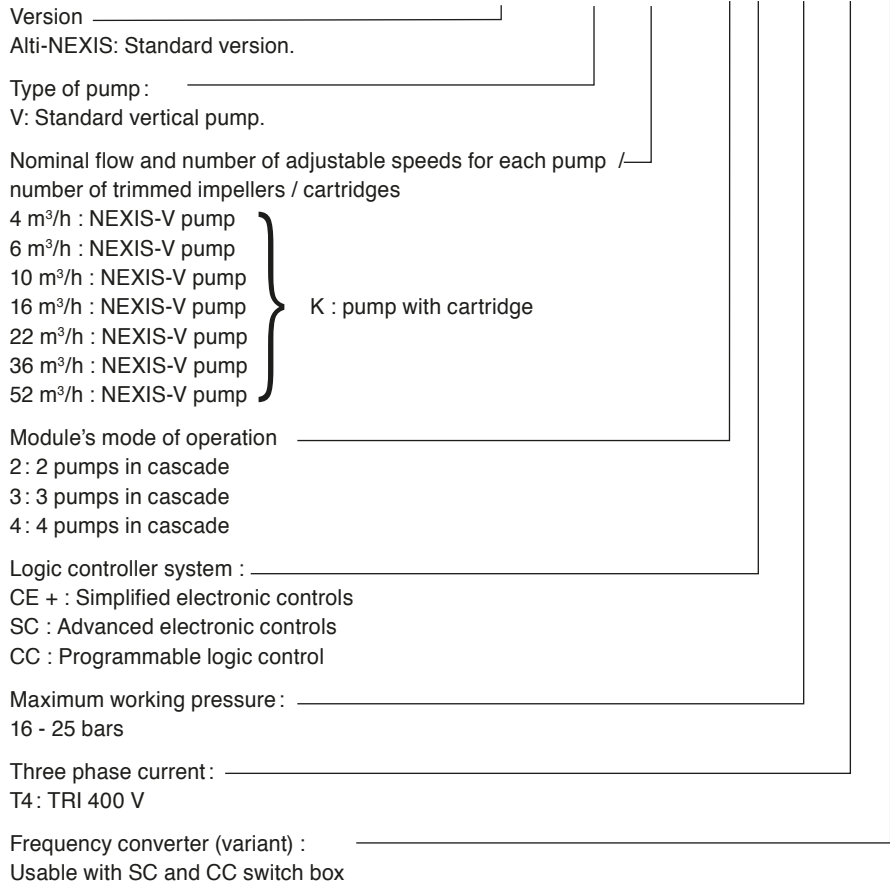
Available on request

(contact us for further details) :

- ELiNOX version: 316 grade stainless steel version.
- Booster pumps for five pumps or more, jockey pumps.

IDENTIFICATION

ALTI-NEXIS - V 2205/2/K - 2 CC - 16 - T4 - FC



STANDARDS AND SPECIFICATIONS

• Complies with European Marking Directives CE :

- Directive on Machinery 2006/42/CE and Low Voltage Directive 2006/95/CE
- Electromagnetic Compatibility Directive (EMC) 2004/108/CE
- And the appropriate harmonised European standards (HEN): EN ISO 12100, EN 60204-1, EN 61000-6-1, EN 61000-6-2, EN 61000-6-3, EN 61000-6-4

• Certified for use with drinking water: Certificate of Sanitary Conformity (ACS)

• Suitable for Electrical Installations in buildings:

IEC 60364-1 or its French version NF C 15-100

• The pumps comply with:

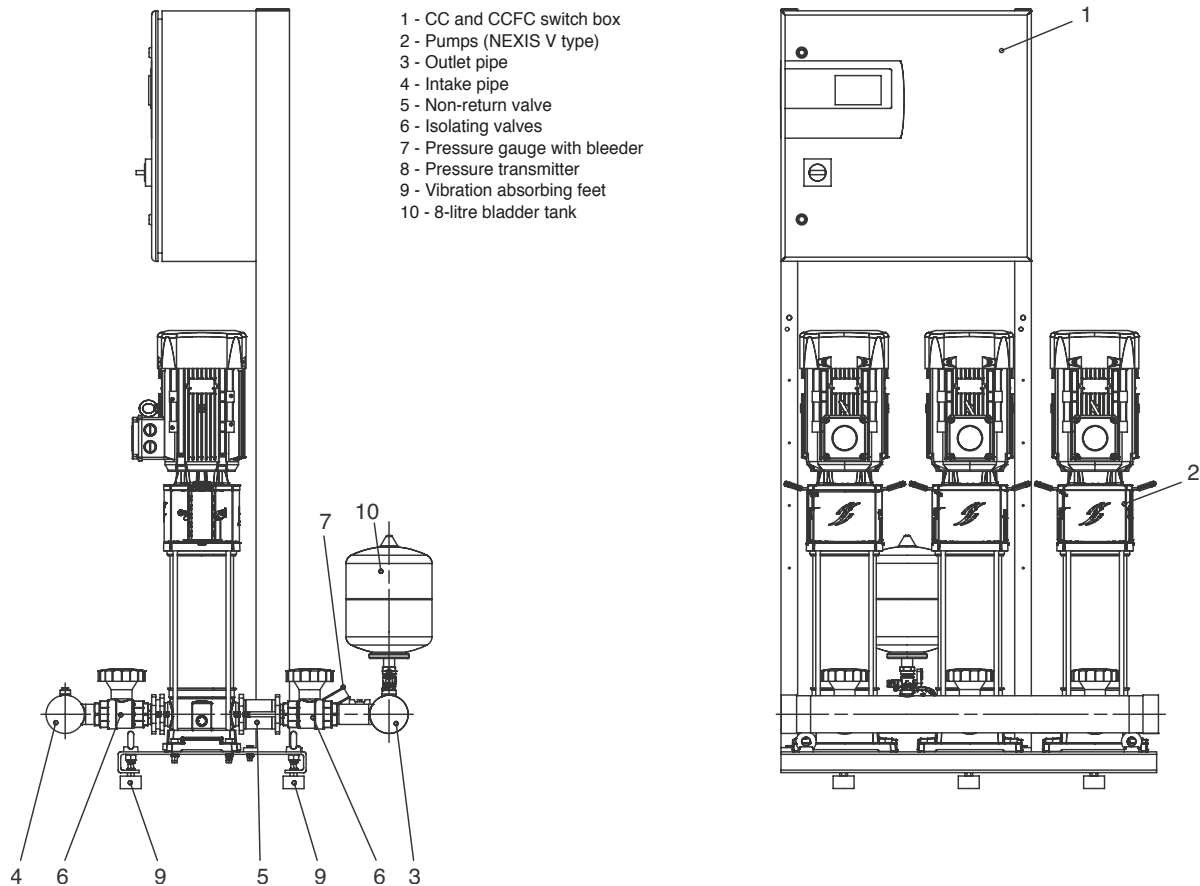
- Regulation 547/2012/UE on the hydraulic efficiency of water pumps, the Directives for Energy related Products (ErP) 2009/125/CE: MEI≥0.70
- Regulation 640/2009/CE on the efficiency of three-phase electric motors (from 0.75 to 375 kW), in the ErP Directive: IE2 or more.
- A the Machinery Directives and to the HEN standard for pumps: EN 809+A1

• Switch boxes comply with :

- The Low Voltage Directive and the HEN standards: EN 61439-1 & EN 61439-2
- The EMC Directive and the HEN standards: EN 61000-6-1, EN 61000-6-2, EN 61000-6-3, EN 61000-6-4

DESCRIPTION OF THE BOOSTER PUMP

• ALTI-NEXIS V fitted with CC and CCFC switch boxes



BASIC CONSTRUCTION

	ALTI-Nexis V avec coffret CC et CCFC						
	4	6	10	16	22	36	52
Nexis V pump	Fitted with mechanical seal with standard cartridge						
Non-return valves	Butterfly valve (low loss of pressure) Interchangeable cartridges				Butterfly valve (low loss of pressure)		
Isolating valve	Full bore ball valve						butterfly
	Geared handle				quarter turn		
Pipes	316 grade stainless steel				304 grade stainless steel		
Pipe/valve assembly	Screwed + O-ring seal				Screwed and glued		Seal + flange
8-litre bladder tank on the outlet pipe	Supplied as standard				Optional		

* a tank must be installed close to the booster pump for optimum operation. Its capacity must be appropriate for the installation.

COMPULSORY ACCESSORIES DEPENDING ON THE TYPE OF WATER SUPPLY

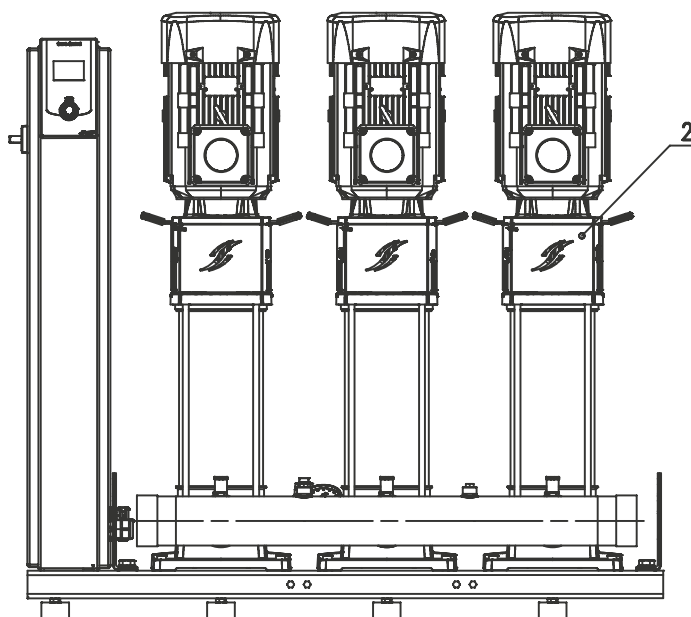
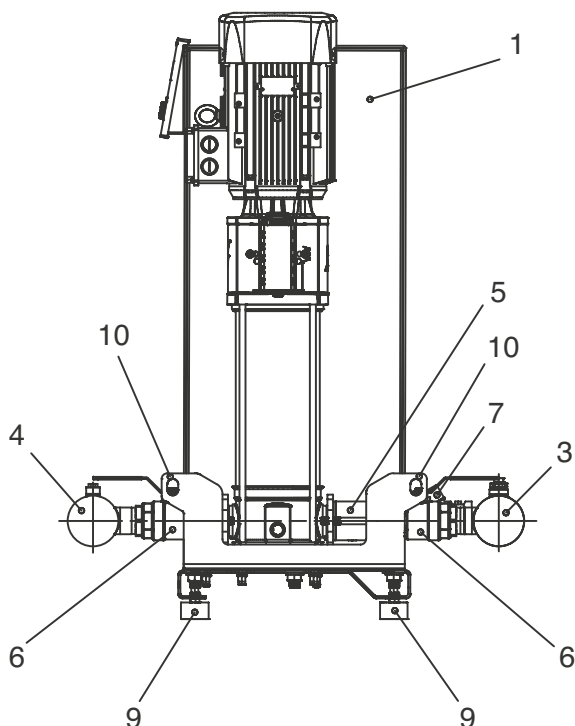
Components	ALTI-Nexis V			
	2 pumps	3 pumps	4 pumps	
Protection against low water levels	Pressure switch (connected to the mains water supply)	1	1	1
	Float (connected to a tank)	1	1	1

ALTI-NEXIS V

DESCRIPTION OF THE BOOSTER PUMP

•ALTI-NEXIS V fitted with SC and SCFC switch boxes

- 1 - SC and SCFC switch box
- 2 - Pumps (NEXIS V type)
- 3 - Outlet pipe
- 4 - Intake pipe
- 5 - Non-return valve
- 6 - Isolating valves
- 7 - Pressure gauge with bleeder
- 8 - Pressure transmitter
- 9 - Vibration absorbing feet
- 10 - Lifting rings



BASIC CONSTRUCTION

	Alti-Nexis V with SC and SCFC switch box						
	4	6	10	16	22	36	52
Nexis V pump	Fitted with mechanical seal without cartridge						
Non-return valves	Non-return valves Butterfly valve (low loss of pressure)						
	Interchangeable cartridge			With flanges			
Isolating valve	Mounting with flanges						Butterfly
	quarter turn						
Pipes	304 grade stainless steel						
Valve / pipe assembly	Screwed + O-ring seal						With flanges
8-litre bladder tank on the outlet pipe	Supplied as an option*						

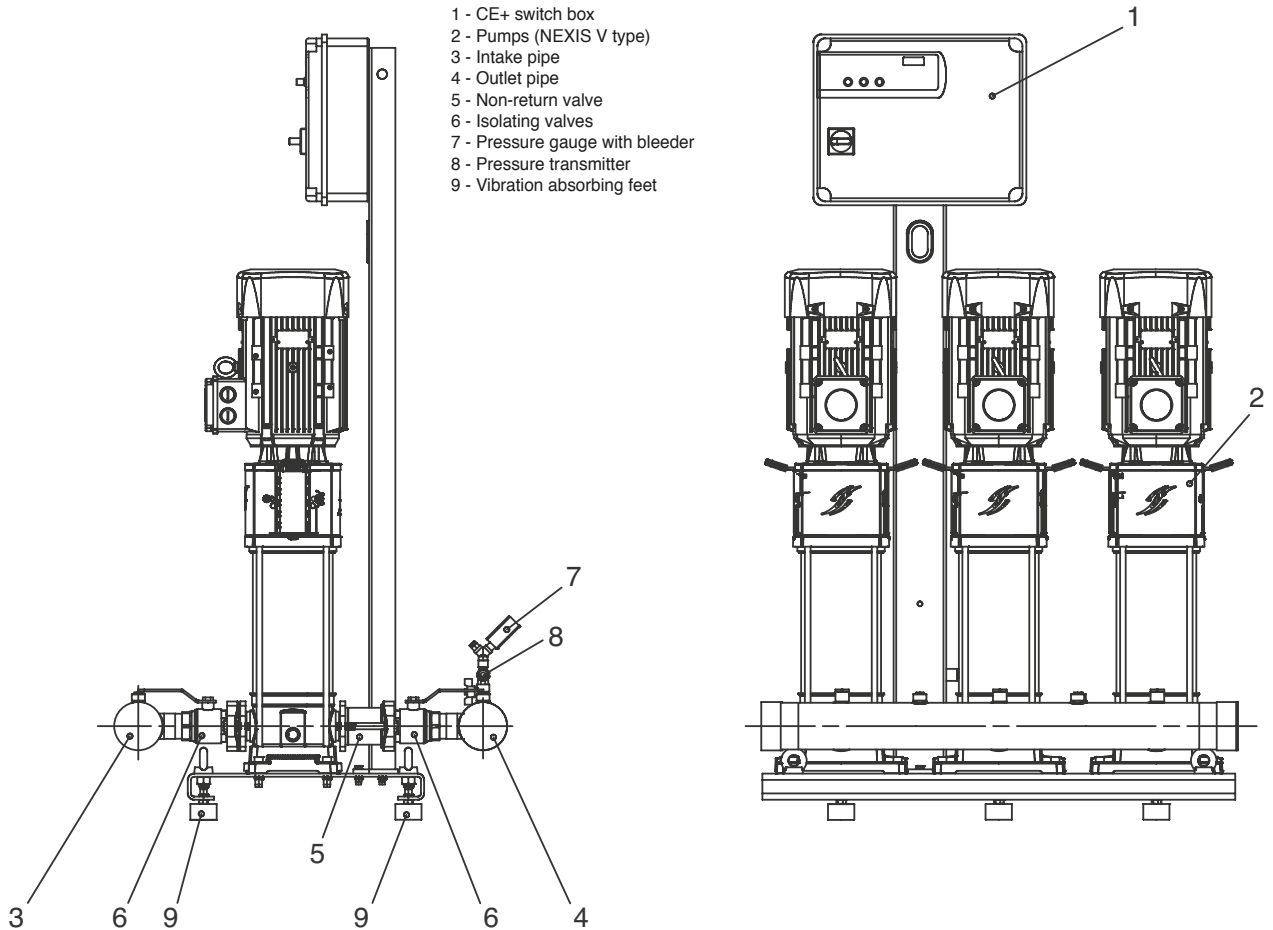
* a tank must be installed close to the booster pump for optimum operation. Its capacity must be suitable for the installation.

COMPULSORY ACCESSORIES DEPENDING ON THE TYPE OF WATER SUPPLY

Components		ALTI-Nexis V		
		2 pumps	3 pumps	4 pumps
Protection against low water levels	Pressure switch (connected to the mains water supply)	1	1	1
	Float (connected to the tank)	1	1	1

DESCRIPTION OF THE BOOSTER PUMP

• ALTI-NEXIS V fitted with CE+ switch boxes



BASIC CONSTRUCTION

	ALti-Nexis V with CE+ switch box						
	4	6	10	16	22	36	52
Nexis V pump	Fitted with mechanical seal without cartridge			With cartridge			
Non-return valves	Butterfly valve (low loss of pressure) Interchangeable cartridges				Butterfly valve (low loss of pressure)		
Isolating valves	Full bore ball valve quarter turn					butterfly	
Pipes	304 grade stainless steel						
Valve / pipe assembly	Screwed glued					Seal + flange	
8-litre bladder tank on the outlet pipe	Not available						

* un réservoir doit être installé près du surpresseur pour un fonctionnement optimal. Sa contenance doit être adapté à l'installation.

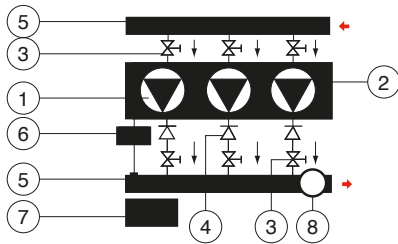
COMPULSORY ACCESSORIES DEPENDING ON THE TYPE OF WATER SUPPLY

Components	ALTi-Nexis V		
	2 pumps	3 pumps	4 pumps
Protection against low water levels	1	1	1
	1	1	1

ALTI-NEXIS V

COMPONENTS

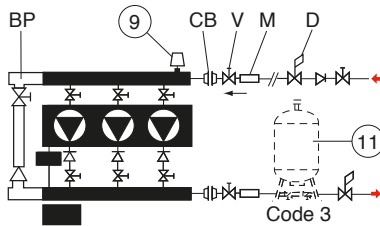
• Example for a 3-pump ALTI-Nexis. The same settings for an ALTI-Nexis with 2 or 4 pumps.



SUPPLIED AS STANDARD (1 to 8):

- 1 - Two, three or four multistage pumps.
- 2 - Frame support.
- 3 - Isolating valves at the intake and outlet of the pumps.
- 4 - Non-return valves at the outlet of the pumps.
- 5 - Intake-outlet pipes.
- 6 - Pressure transmitter for pump controls.
- 7 - Control and protection cabinet.
- 8 - Eight-litre bladder tank on the versions fitted with CC and CCFC switch boxes

• From the mains water supply



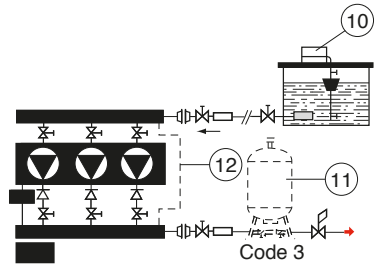
COMPULSORY COMPONENTS:

(depending on the water supply to the booster pump)

- 9 - Pressure switch to warn against low water levels, booster pump fed from the mains water supply. Or
- 10 - Float switch, delivered unmounted, booster pump fed from tank under pressure.
- 11 - Eight- to 2000-litre bladder tank, state max. operating pressure and capacity (optional for an extra charge)
- 12 - Balance pipe for tank intake.

Note: When a by-pass and a pressure reducing valve are installed on the intake to the booster pump, you are advised to install the pressure reducing valve between the by-pass and the booster pump

• From a storage tank (under pressure)



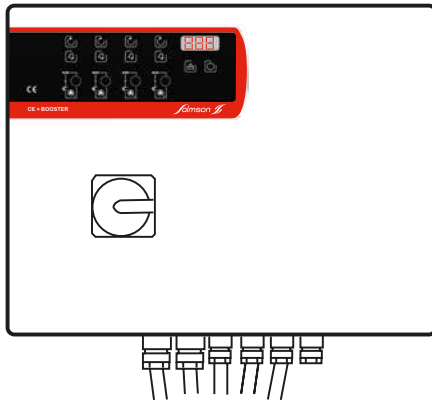
OPTIONAL COMPONENTS:

(options en supplément de prix)

- By-pass for direct water supply, when the mains supply pressure is adequate.
- Vibration damping rubber sleeves (supplied in pairs).
- Back flanges to be screwed or soldered onto pipes (supplied in pairs) depending on the size of the pipes.
- Pressure reducing valve-pressure regulator on intake and/or outlet.
- Isolating valves.

CE + SWITCH BOXES

Electronics unit



Water-tightness : IP 54
 Three-phase supply : 230/400V (50 Hz)
 220 /380 V (60 Hz-option)

Features of the CE+ switch box :

(2 to 4 pumps).

This logic controller system in a plastic switch box uses a microcontroller to control the pumps.
 • It covers pumps for ratings from 1.1 to 15kW.

- It controls pumps in cascade mode using a 4-20mA pressure transmitter.
- The CE+ switch box is suitable for 5 versions of the available transmitters; 0-6, 0-10, 0-16, 0- 25, 0-40 bars.
- The delay time for high-pressure shut-off of the main pump is adjustable from 5 to 180 secs.
- The 7-segment screen on the switch box means that the pressure setting can be read so that the booster pump is easy to configure
- A high protection class (IP54) gives better protection for the system

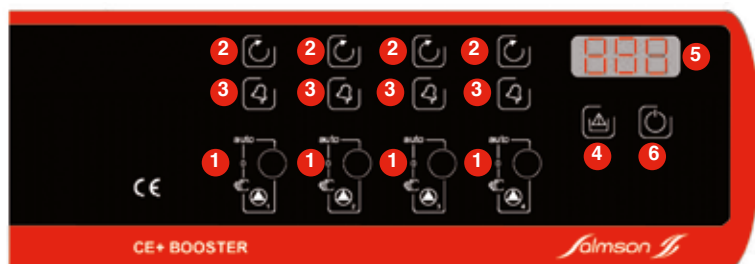
- A function test is automatically performed every 6 hours to check that the booster pump is in good working order (can be deactivated).
- The remote control can shut down the booster pump.

The CE+ switch box includes a number of warning devices, including:

- Dry running
- Blocked pump
- Missing phase
- Function test fault
- Short circuit
- Electrical overload
- Under-load (if current < 0.5A)
- Main switch on the front of switch box
- Low pressure alarm

Error messages may be sent either for each pump, or for the booster unit as a whole, depending on whether there is a fault on one pump or a general fault.

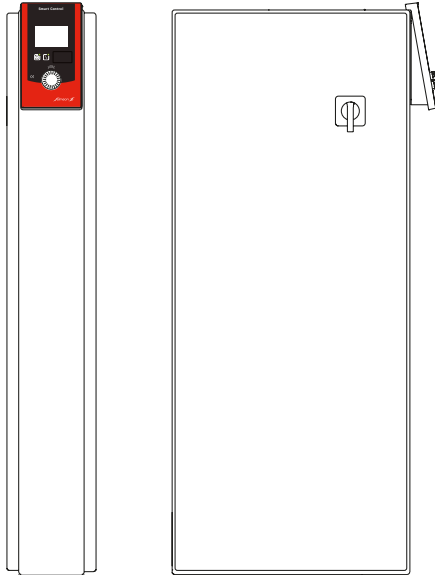
Control panel



- 1 - 3-position switch Auto-Reset-Manu.
- 2 - Indicator: pump-on indicator.
- 3 - Indicator: pump fault indicator.
- 4 - Indicator: low water level.
- 5 - 7-segment display.
- 6 - General supply indicator

CONTROL CABINET SC (FIXED SPEED), AND SCFC (VARIABLE SPEED)

Switch box with integral logic controller



3~ supply: 230/400V (50 Hz)
220 /380 V (60 Hz-option)

DESCRIPTION

On the front:

- Back-lit control and viewing LCD screen.
- power on LED for the booster pump and general fault indicator.
- Browse button for selecting and adjusting the installation's settings.
- infrared-emitting communication diodes for access to Salmson Services data.
- Isolating knob for safety and turning power on.

Inside:

- Thermal magnetic circuit breaker with slider for adjusting current strength to the motor (and reset button)..
- Two contacts for each pump (one for fixed speed and one for variable speed on SCFC version).
- Safety and insulating transformer.
- Externally controlled general isolating switch with lockable handle.
- A logic controller fitted with a microprocessor for the full control of the booster pump (starts, stops, protections...).
- A speed controller (SCFC version PDI function).
- A motor filter (SCFC version).
- A power connection terminal block (General supply, motors).
- A terminal block for the external controls (pressure transmitter, float switch or pressure safety switch, etc..).
- a document holder built into the door.

OPERATION

The pressure transmitter records the existing pressure in the outlet pipe and sends signals to the switch box which controls the stopping and starting of the pumps in cascade.

Features of the switch box:

- ability to designate a reserve pump.
- function test for pumps.
- configurable low water level alarm.
- adjustment of the starting and stopping thresholds for each pump.
- setting delay times for starting and stopping the pump.
- remote control for stopping (optional BUS communication needed).
- 2 control settings with remote switching between them (optional BUS communication needed).
- adjustment of the starting and stopping thresholds for each pump.
- Adjustable remote setting.
- 2 speeds for filling the pipes for greater safety.
- Bus communication with supervision system (Bacnet, Modbus) (optional).
- possible to readjust the booster behaviour after an alarm.
- operating statistics.
- cyclical changeover between the main pumps and back-up pumps using various modes (timer, number of starts).
- 2 menus: easy menu for simple and fast start-up and expert menu to deal with all the settings.
- selection of the Auto, Manual or Stop mode for each pump.

Control panel

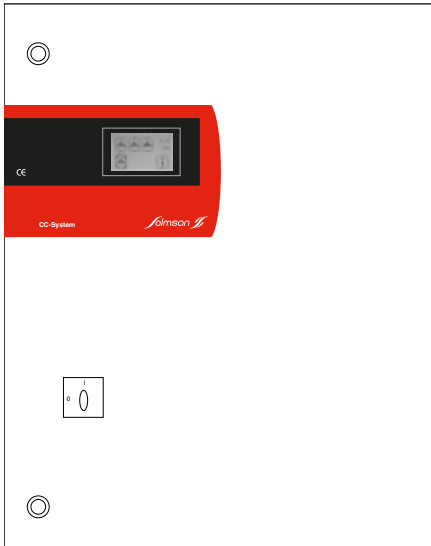


Viewing screen and settings knob

ALTI-NEXIS V

CONTROL SWITCH BOARD CC (FIXED SPEED) AND CCFC (VARIABLE SPEED)

Switch box with programmable logic controller



3~ supply: 230/400V (50 Hz)
220 /380 V (60 Hz-option)

DESCRIPTION

On the front :

- Back-lit LCD touch screen for control and viewing.
- Locks.
- Safety isolating and power-up knob.

Inside:

- Thermal magnetic circuit breaker with slider for adjusting current strength to the motor (and reset button).
- Two contacts for each pump (one for fixed speed and one for variable speed on CCFC version).
- Safety and insulating transformer.
- General isolating switch with lockable handle for external controls.
- Three-position switch Auto/Stop/Manual for each pump.
- A Programmable logic controller (PLC).
- A speed controller (version CCFC).
- A motor filter (version CCFC).
- A inlet filter card.
- A power connection terminal block (general supply, motors).
- A terminal block for external controls (pressure transmitter, float switch or pressure safety switch, remote controls etc.).

FONCTIONNEMENT :

The pressure transmitter records the existing pressure in the outlet pipe and sends signals to the programmable logic controller.

If the pressure becomes lower than the value of setting, the regulator sends a message to the pressure controller to increase the speed of the pump being used, referred to as "controlled".

If the controlled pump has reached its maximum rotation speed but the pressure is still too low, the logic controller cuts-in pump P2 at a fixed speed; P1's speed adjusts to maintain the selected setting. If the combined flow of P1 and P2 is not sufficient, then P3 and P4 are cut in successively.

If the pressure becomes too high, the logic controller adjusts P1 to the minimum selected speed, and if the pressure is still too high, it stops the last fixed-speed pump to be cut in. Then, P1 is returned to its maximum speed before being reduced to the minimum speed, then the last-but-one pump is stepped down to a fixed speed (where necessary), and so on until the required setting is reached.

At the end of the cycle, if there is no more demand, the logic controller will detect that there is now no flow and will cut out pump P1.

Note :

On all booster pump models (2 to 4 pumps), the starting order of the pumps changes after each stop, or after a adjustable time or after an adjustable operating period.

Control panel



Touch viewing and settings screen

ELECTRICAL FEATURES AT 2900 RPM

Type	Motor rating P2 installed		Max service rating	Voltage	I total 2 pumps	I total 3 pumps	I total 4 pumps
		kW	bar		A	A	A
ALTI-NEXIS-V403	2, 3 ou 4x	0,37	16	400V-3-50Hz	1,78	2,67	3,56
ALTI-NEXIS-V404	2, 3 ou 4x	0,55	16	400V-3-50Hz	2,66	3,99	5,32
ALTI-NEXIS-V406	2, 3 ou 4x	0,75	16	400V-3-50Hz	3,24	4,86	6,48
ALTI-NEXIS-V407	2, 3 ou 4x	1,1	16	400V-3-50Hz	4,8	7,2	9,6
ALTI-NEXIS-V409	2, 3 ou 4x	1,1	16	400V-3-50Hz	4,8	7,2	9,6
ALTI-NEXIS-V410	2, 3 ou 4x	1,5	16	400V-3-50Hz	6,2	9,3	12,4
ALTI-NEXIS-V412	2, 3 ou 4x	1,5	16	400V-3-50Hz	6,2	9,3	12,4
ALTI-NEXIS-V414	2, 3 ou 4x	2,2	16	400V-3-50Hz	8,8	13,2	17,6
ALTI-NEXIS-V416	2, 3 ou 4x	2,2	16	400V-3-50Hz	8,8	13,2	17,6
ALTI-NEXIS-V418	2, 3 ou 4x	2,2	16	400V-3-50Hz	8,8	13,2	17,6
ALTI-NEXIS-V603	2, 3 ou 4x	0,55	16	400V-3-50Hz	2,66	3,99	5,32
ALTI-NEXIS-V604	2, 3 ou 4x	0,75	16	400V-3-50Hz	3,24	4,86	6,48
ALTI-NEXIS-V605	2, 3 ou 4x	1,1	16	400V-3-50Hz	4,8	7,2	9,6
ALTI-NEXIS-V606	2, 3 ou 4x	1,1	16	400V-3-50Hz	4,8	7,2	9,6
ALTI-NEXIS-V607	2, 3 ou 4x	1,5	16	400V-3-50Hz	6,2	9,3	12,4
ALTI-NEXIS-V608	2, 3 ou 4x	1,5	16	400V-3-50Hz	6,2	9,3	12,4
ALTI-NEXIS-V609	2, 3 ou 4x	2,2	16	400V-3-50Hz	8,8	13,2	17,6
ALTI-NEXIS-V610	2, 3 ou 4x	2,2	16	400V-3-50Hz	8,8	13,2	17,6
ALTI-NEXIS-V611	2, 3 ou 4x	2,2	16	400V-3-50Hz	8,8	13,2	17,6
ALTI-NEXIS-V612	2, 3 ou 4x	3	16	400V-3-50Hz	11,6	17,4	23,2
ALTI-NEXIS-V613	2, 3 ou 4x	3	16	400V-3-50Hz	11,6	17,4	23,2
ALTI-NEXIS-V614	2, 3 ou 4x	3	16	400V-3-50Hz	11,6	17,4	23,2
ALTI-NEXIS-V615	2, 3 ou 4x	3	16	400V-3-50Hz	11,6	17,4	23,2
ALTI-NEXIS-V616	2, 3 ou 4x	4	16	400V-3-50Hz	16,4	24,6	32,8
ALTI-NEXIS-V1002	2, 3 ou 4x	0,75	16	400V-3-50Hz	3,24	4,86	6,48
ALTI-NEXIS-V1003	2, 3 ou 4x	1,1	16	400V-3-50Hz	4,8	7,2	9,6
ALTI-NEXIS-V1004	2, 3 ou 4x	1,5	16	400V-3-50Hz	6,2	9,3	12,4
ALTI-NEXIS-V1005	2, 3 ou 4x	2,2	16	400V-3-50Hz	8,8	13,2	17,6
ALTI-NEXIS-V1006	2, 3 ou 4x	2,2	16	400V-3-50Hz	8,8	13,2	17,6
ALTI-NEXIS-V1007	2, 3 ou 4x	3	16	400V-3-50Hz	11,6	17,4	23,2
ALTI-NEXIS-V1008	2, 3 ou 4x	3	16	400V-3-50Hz	11,6	17,4	23,2
ALTI-NEXIS-V1009	2, 3 ou 4x	4	16	400V-3-50Hz	16,4	24,6	32,8
ALTI-NEXIS-V1010	2, 3 ou 4x	4	16	400V-3-50Hz	16,4	24,6	32,8
ALTI-NEXIS-V1011	2, 3 ou 4x	4	16	400V-3-50Hz	16,4	24,6	32,8
ALTI-NEXIS-V1012	2, 3 ou 4x	5,5	16	400V-3-50Hz	22,4	33,6	44,8
ALTI-NEXIS-V1013	2, 3 ou 4x	5,5	16	400V-3-50Hz	22,4	33,6	44,8
ALTI-NEXIS-V1015	2, 3 ou 4x	5,5	16	400V-3-50Hz	22,4	33,6	44,8

ALTI-NEXIS V

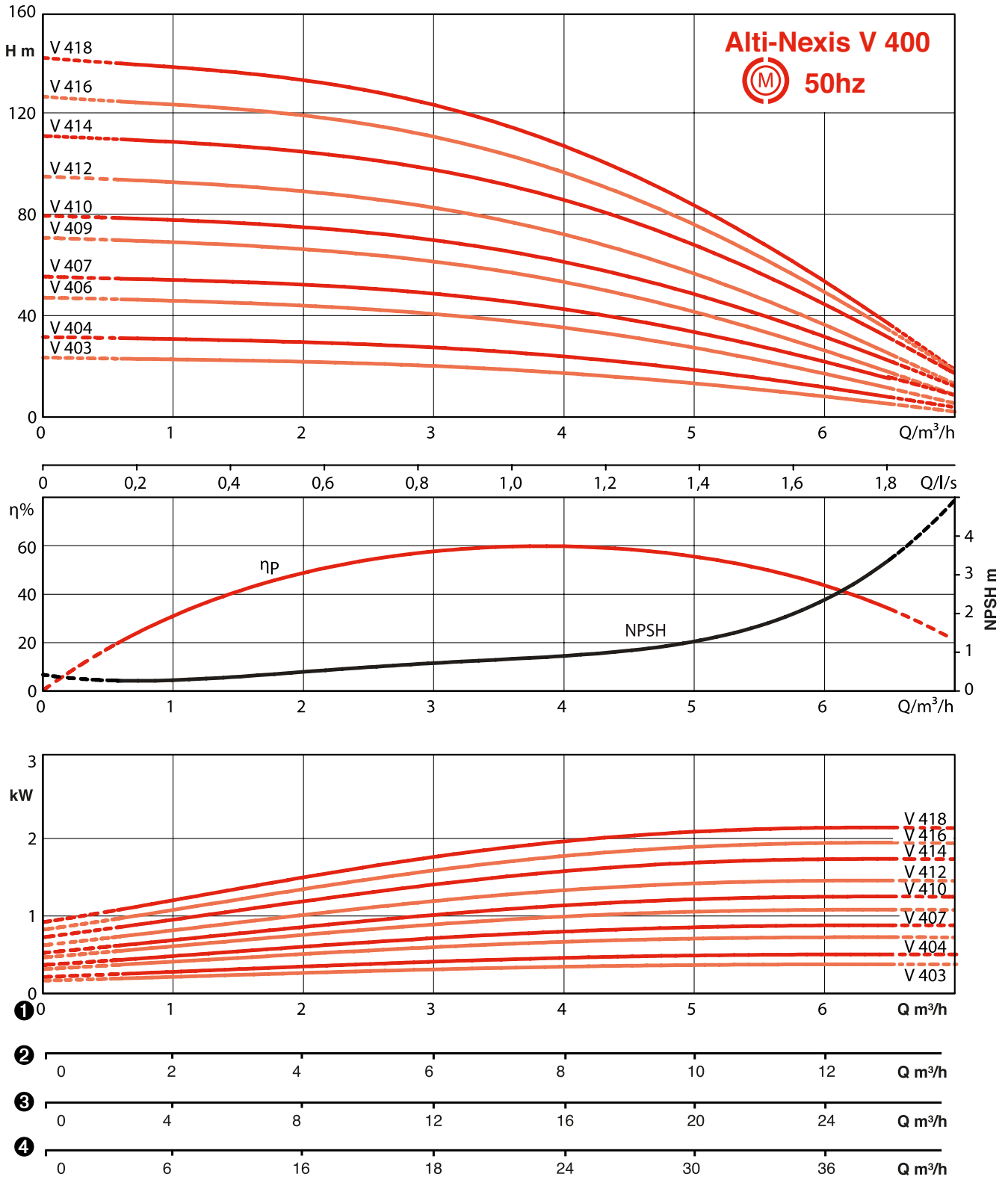
ELECTRICAL FEATURES AT 2900 RPM

Type	Motor rating P2 installed		Max service rating	Voltage	I total 2 pumps	I total 3 pumps	I total 4 pumps
	kW						
ALTI-NEXIS-V1603	2, 3 ou 4x	2,2	16	400V-3-50Hz	8,8	13,2	17,6
ALTI-NEXIS-V1604	2, 3 ou 4x	3	16	400V-3-50Hz	11,6	17,4	23,2
ALTI-NEXIS-V1605	2, 3 ou 4x	4	16	400V-3-50Hz	15	22,5	30
ALTI-NEXIS-V1606	2, 3 ou 4x	4	16	400V-3-50Hz	15	22,5	30
ALTI-NEXIS-V1607	2, 3 ou 4x	5,5	16	400V-3-50Hz	20,2	30,3	40,4
ALTI-NEXIS-V1608	2, 3 ou 4x	5,5	16	400V-3-50Hz	20,2	30,3	40,4
ALTI-NEXIS-V1609	2, 3 ou 4x	7,5	16	400V-3-50Hz	27	40,5	54
ALTI-NEXIS-V1610	2, 3 ou 4x	7,5	16	400V-3-50Hz	27	40,5	54
ALTI-NEXIS-V1611	2, 3 ou 4x	7,5	16	400V-3-50Hz	27	40,5	54
ALTI-NEXIS-V2202	2, 3 ou 4x	3	16	400V-3-50Hz	8,8	13,2	17,6
ALTI-NEXIS-V2203	2, 3 ou 4x	4	16	400V-3-50Hz	15,4	23,1	30,8
ALTI-NEXIS-V2204	2, 3 ou 4x	5,5	16	400V-3-50Hz	20,2	30,3	40,4
ALTI-NEXIS-V2205	2, 3 ou 4x	7,5	16	400V-3-50Hz	27	40,5	54
ALTI-NEXIS-V2206	2, 3 ou 4x	7,5	16	400V-3-50Hz	27	40,5	54
ALTI-NEXIS-V2207	2, 3 ou 4x	9	16	400V-3-50Hz	32,6	48,9	65,2
ALTI-NEXIS-V2208	2, 3 ou 4x	11	16	400V-3-50Hz	39,6	59,4	79,2
ALTI-NEXIS-V3602/2	2, 3 ou 4x	4	16	400V-3-50Hz	8,6	12,9	17,2
ALTI-NEXIS-V3602/1	2, 3 ou 4x	5,5	16	400V-3-50Hz	20,2	30,3	40,4
ALTI-NEXIS-V3602	2, 3 ou 4x	5,5	16	400V-3-50Hz	20,2	30,3	40,4
ALTI-NEXIS-V3603/2	2, 3 ou 4x	7,5	16	400V-3-50Hz	27	40,5	54
ALTI-NEXIS-V3603/1	2, 3 ou 4x	7,5	16	400V-3-50Hz	27	40,5	54
ALTI-NEXIS-V3603	2, 3 ou 4x	9	16	400V-3-50Hz	32,6	48,9	65,2
ALTI-NEXIS-V3604/2	2, 3 ou 4x	11	16	400V-3-50Hz	40	60	80
ALTI-NEXIS-V3604	2, 3 ou 4x	11	16	400V-3-50Hz	40	60	80
ALTI-NEXIS-V3605/2	2, 3 ou 4x	15	16	400V-3-50Hz	52,4	78,6	104,8
ALTI-NEXIS-V3605	2, 3 ou 4x	15	16	400V-3-50Hz	52,4	78,6	104,8
ALTI-NEXIS-V3606/2	2, 3 ou 4x	15	16	400V-3-50Hz	52,4	78,6	104,8
ALTI-NEXIS-V3606 *	2, 3 ou 4x	18,5	16	400V-3-50Hz	64	96	128
ALTI-NEXIS-V5202/2	2, 3 ou 4x	5,5	16	400V-3-50Hz	20,2	30,3	40,4
ALTI-NEXIS-V5202	2, 3 ou 4x	7,5	16	400V-3-50Hz	27	40,5	54
ALTI-NEXIS-V5203/2	2, 3 ou 4x	11	16	400V-3-50Hz	40	60	80
ALTI-NEXIS-V5203	2, 3 ou 4x	11	16	400V-3-50Hz	40	60	80
ALTI-NEXIS-V5204/2	2, 3 ou 4x	15	16	400V-3-50Hz	52,4	78,6	104,8
ALTI-NEXIS-V5204	2, 3 ou 4x	15	16	400V-3-50Hz	52,4	78,6	104,8
ALTI-NEXIS-V5205/2 *	2, 3 ou 4x	18,5	16	400V-3-50Hz	64	96	128
ALTI-NEXIS-V5205 *	2, 3 ou 4x	18,5	16	400V-3-50Hz	64	96	128
ALTI-NEXIS-V5206/2 *	2, 3 ou 4x	22	16	400V-3-50Hz	76	114	152

*only with CC and SC switch box

ALTI-NEXIS V

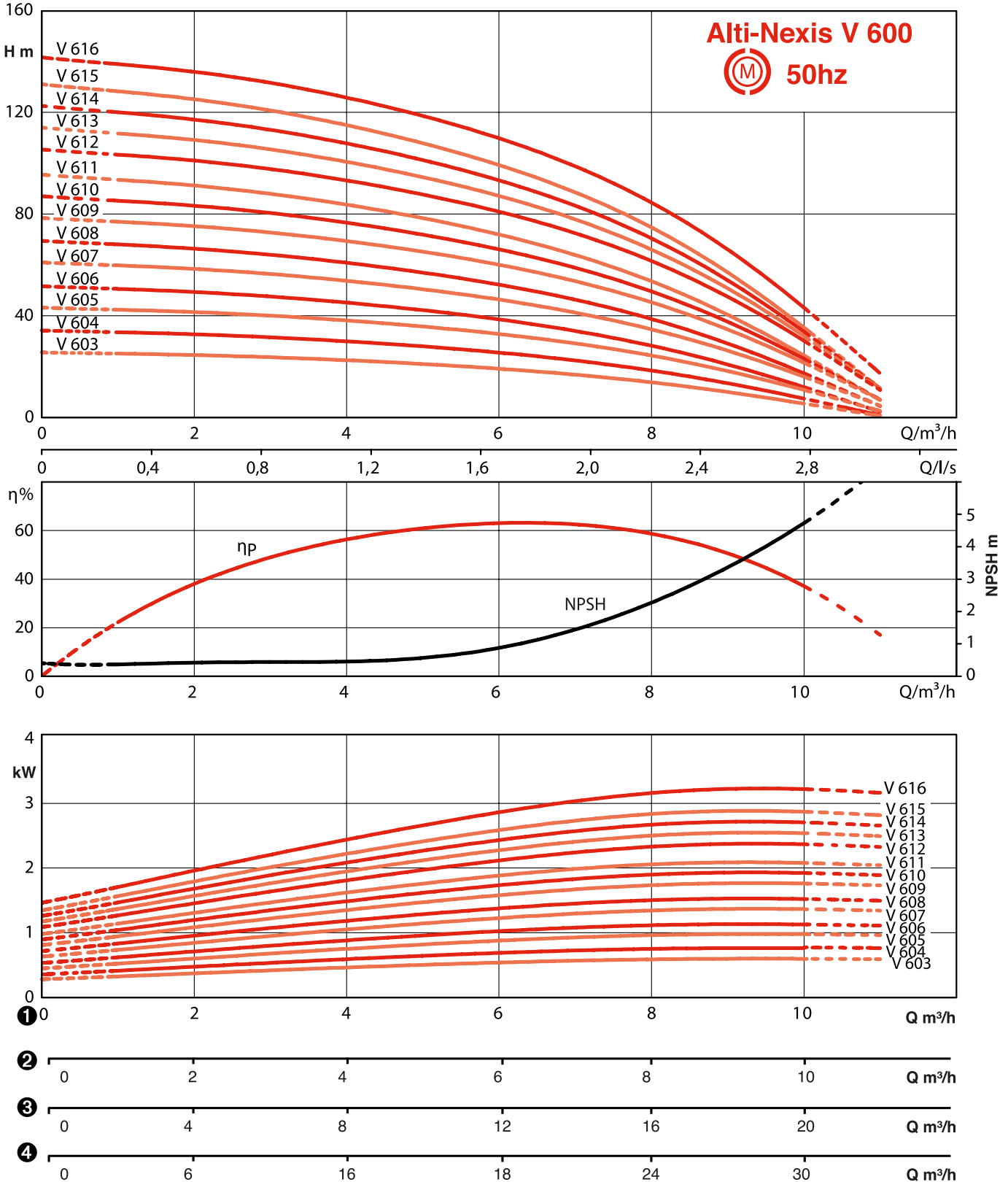
HYDRAULIC PERFORMANCE - ALTI-NEXIS V - SERIES 400*



* data derived from the graphs for the pump

ALTI-NEXIS V

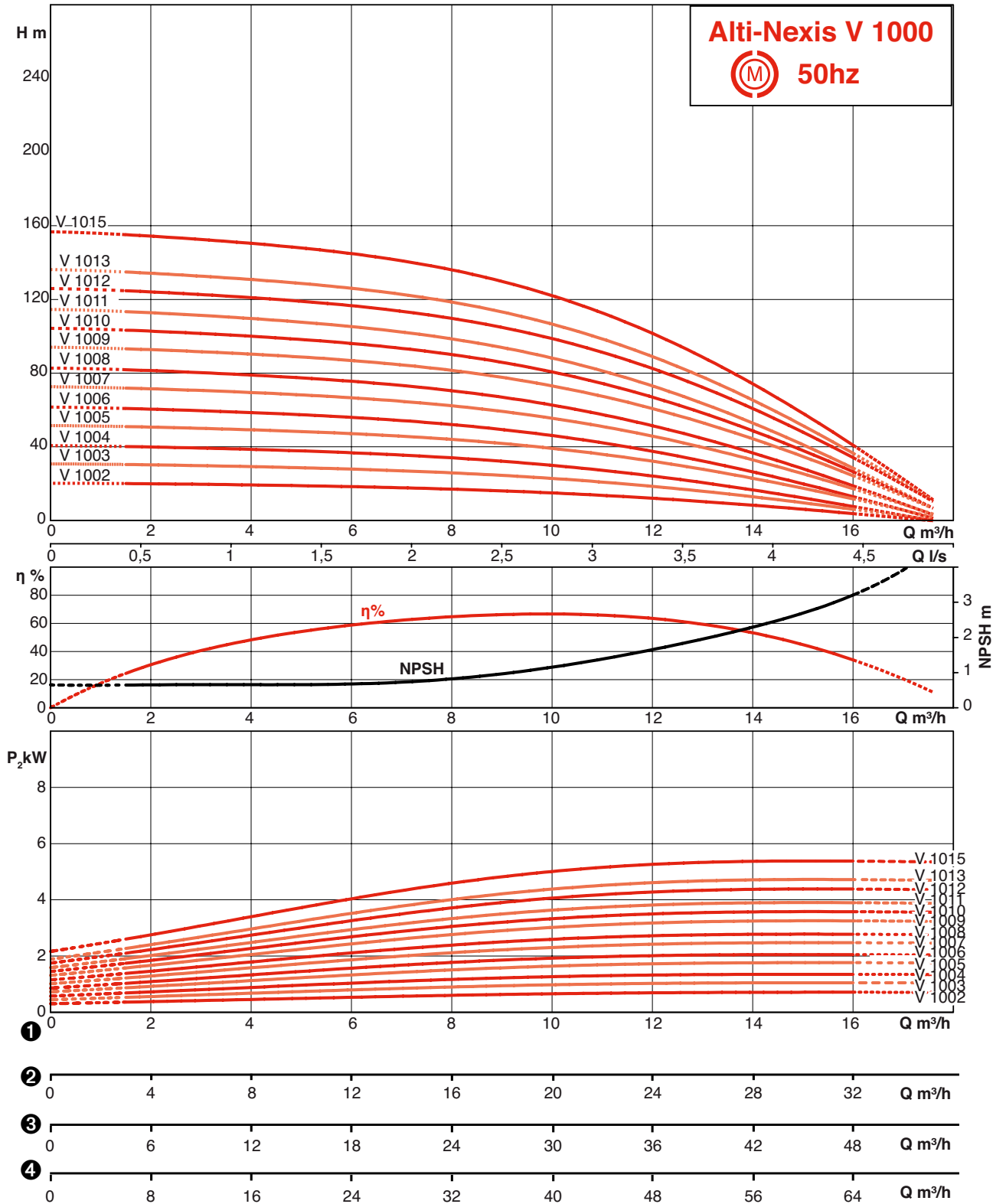
HYDRAULIC PERFORMANCE - ALTI-NEXIS V - SERIES 600*



* data derived from the graphs for the pump

ALTI-NEXIS V

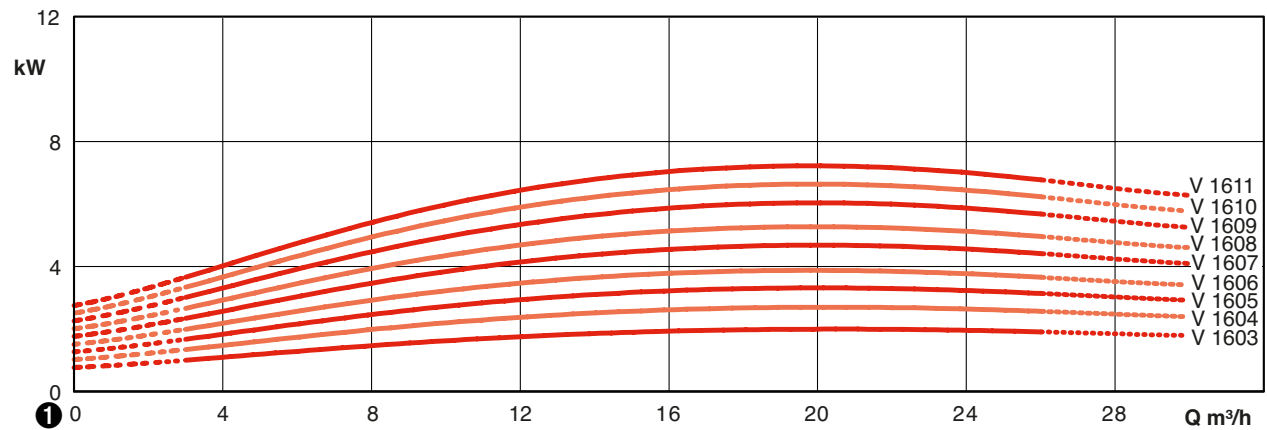
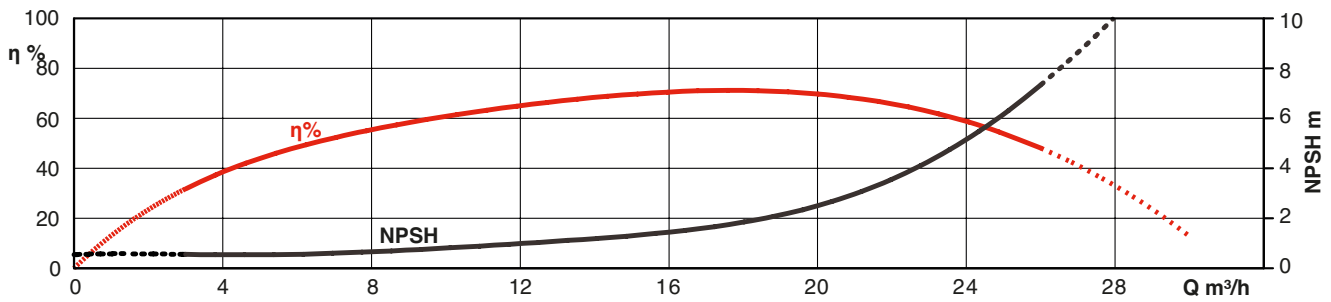
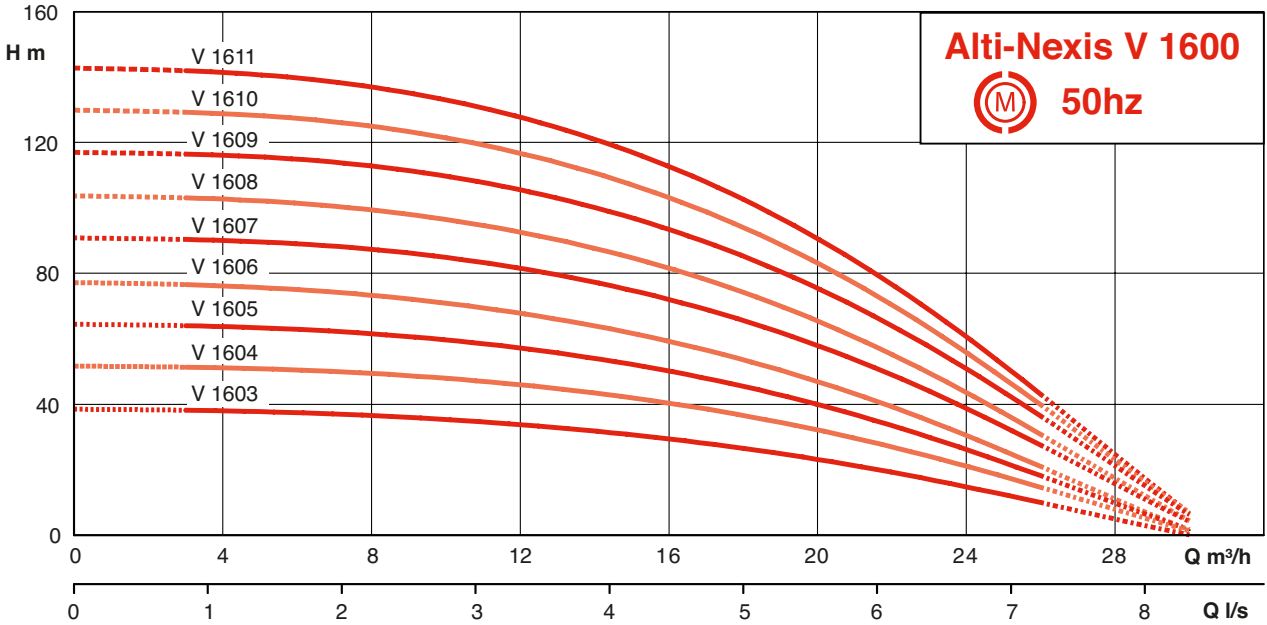
HYDRAULIC PERFORMANCE - ALTI-NEXIS V - SERIES 1000*



* data derived from the graphs for the pump

ALTI-NEXIS V

HYDRAULIC PERFORMANCE - ALTI-NEXIS V - SERIES 1600*



① 0 4 8 12 16 20 24 28 Q m³/h

② 0 8 16 24 32 40 48 56 Q m³/h

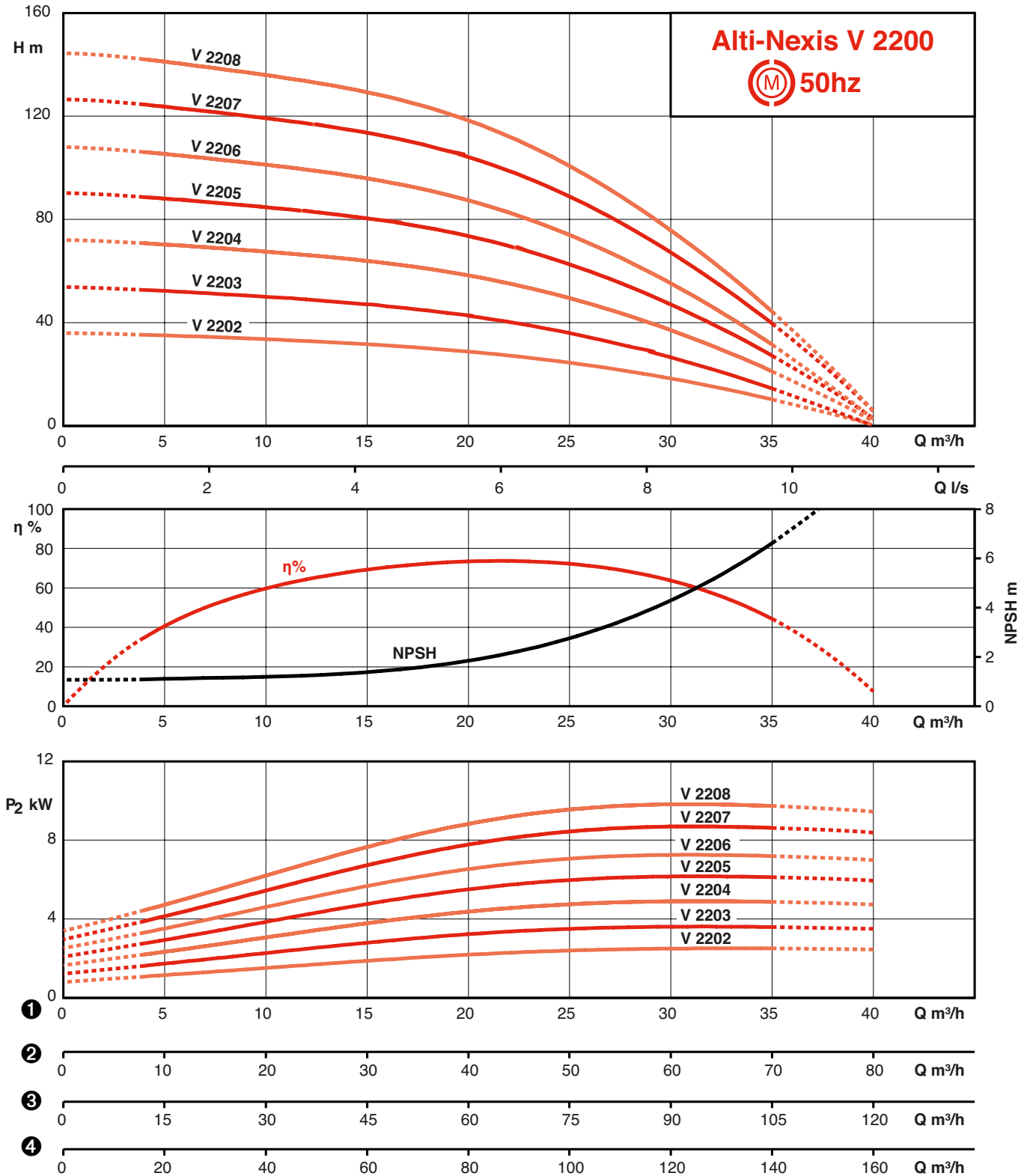
③ 0 12 24 36 48 60 72 84 Q m³/h

④ 0 16 32 48 64 80 96 112 Q m³/h

* data derived from the graphs for the pump

ALTI-NEXIS V

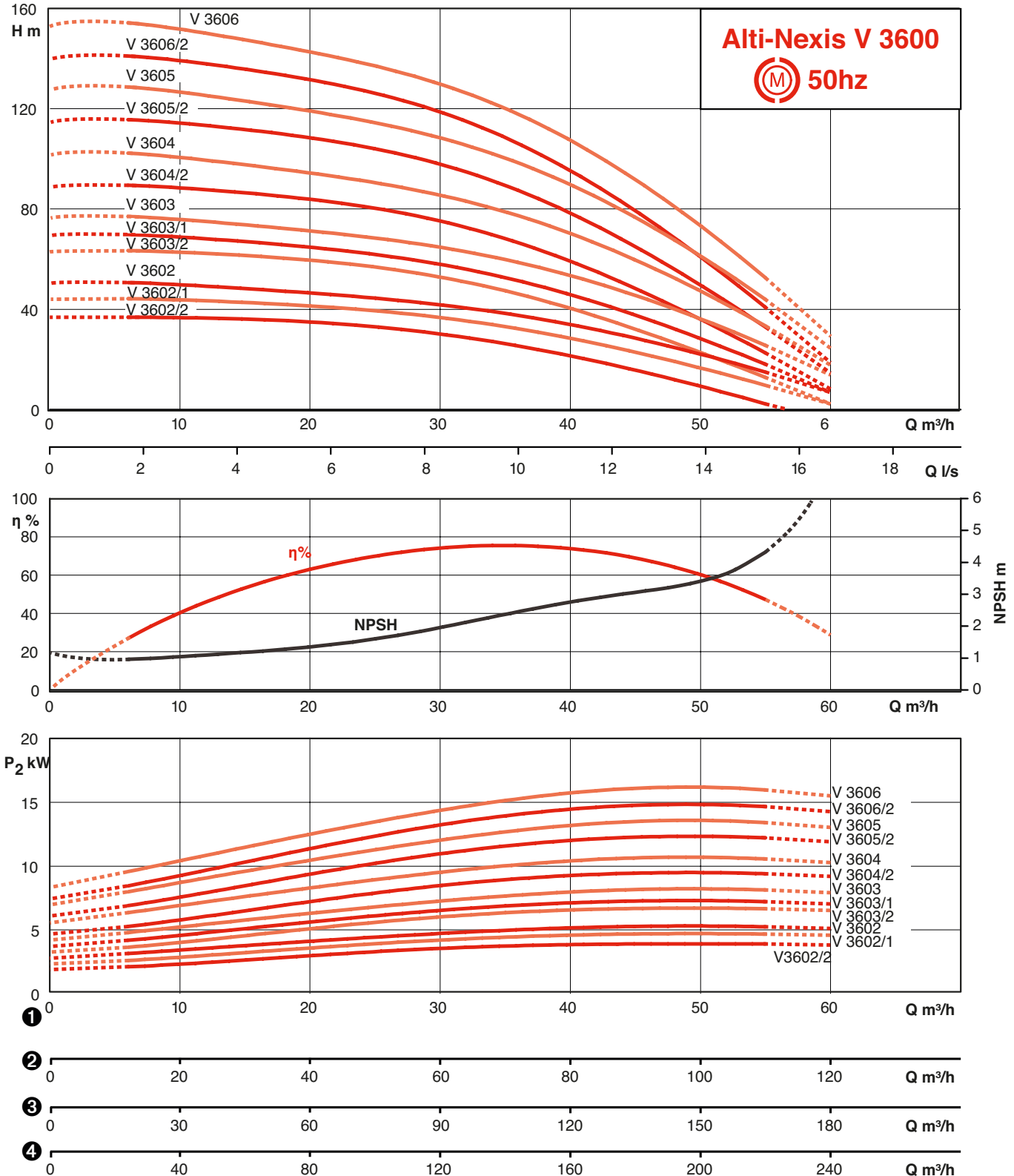
HYDRAULIC PERFORMANCE - ALTI-NEXIS V - SERIES 2200*



* data derived from the graphs for the pump

ALTI-NEXIS V

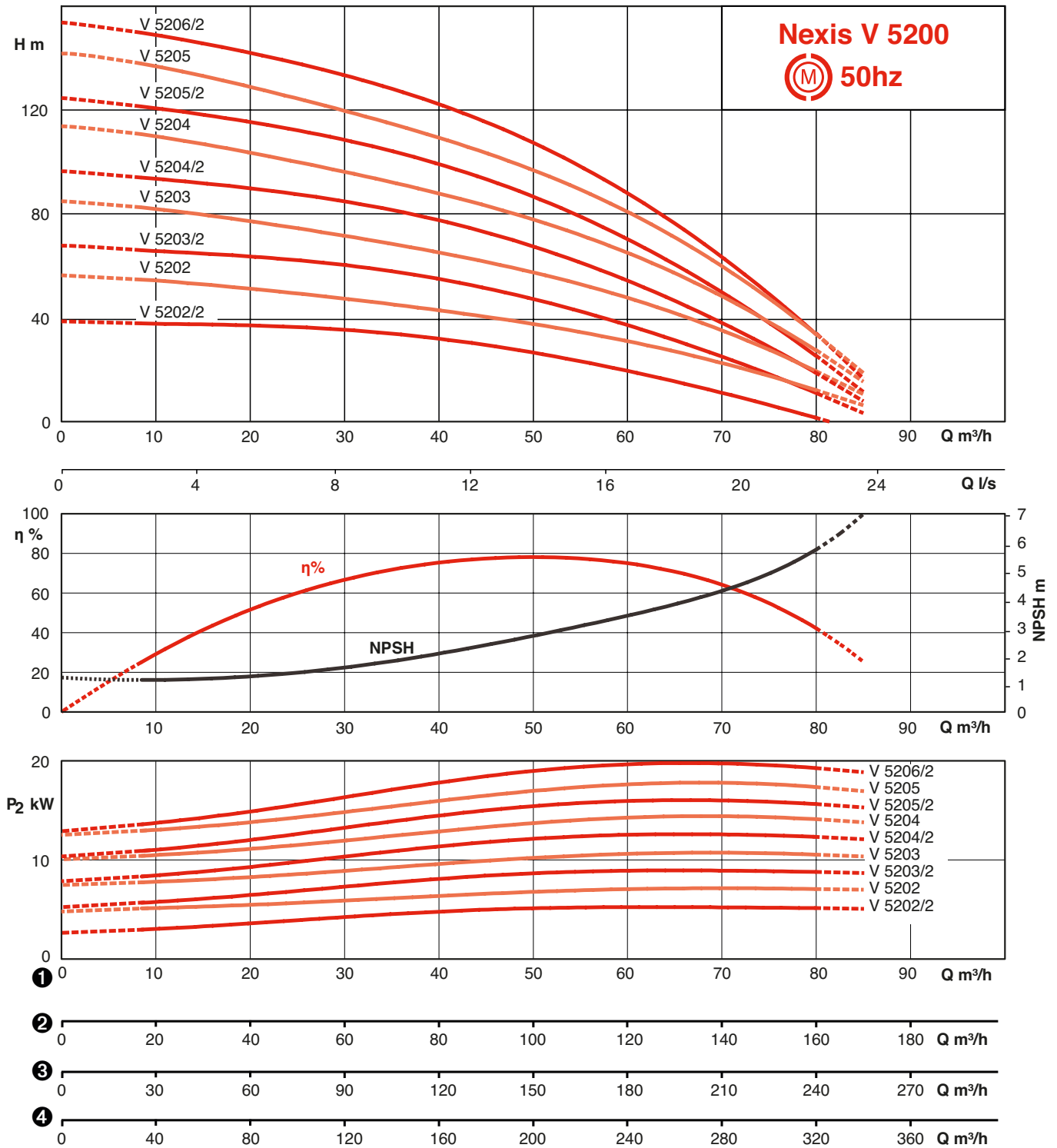
HYDRAULIC PERFORMANCE - ALTI-NEXIS V - SERIES 3600*



* data derived from the graphs for the pump

ALTI-NEXIS V

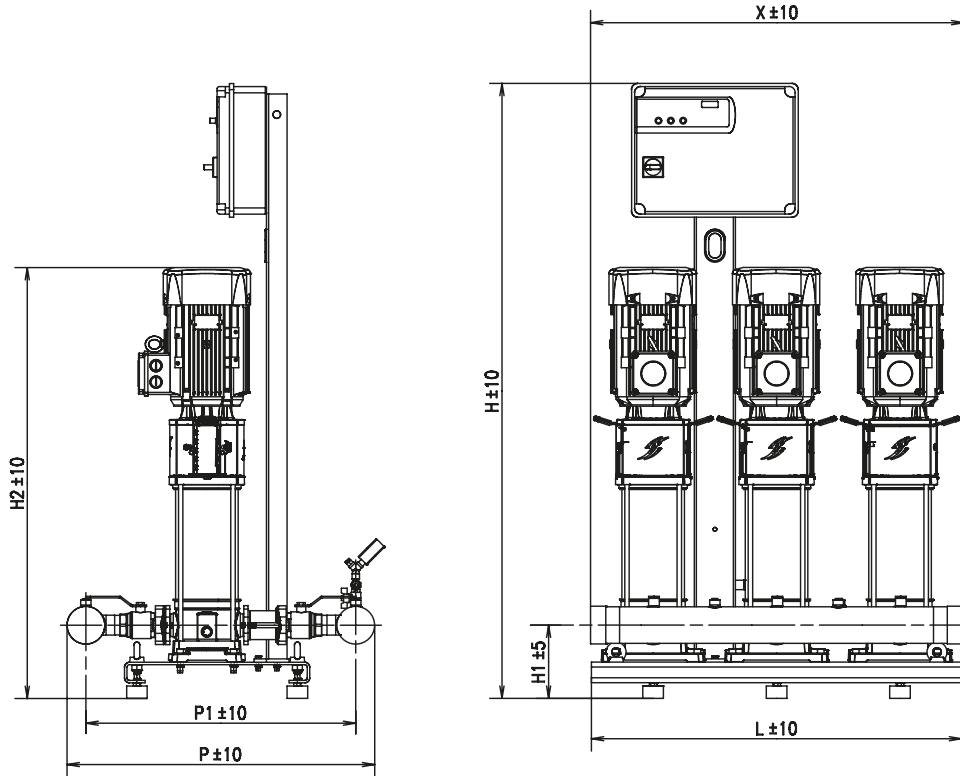
HYDRAULIC PERFORMANCE - ALTI-NEXIS V - SERIES 5200*



* data derived from the graphs for the pump

ALTI-NEXIS V

DIMENSIONS - ALTI-NEXIS V SERIES - CE+ VERSION



TYPE	Ø	H	L	P	H1	H2	X	P1	Mass	
	Pipes	mm	mm	mm	mm	mm	mm	mm	Incl.packaging	Net
2 PUMPS										
ALTI-NEXIS-V403-2-CE-16-T4-03	1"1/2	1360	600	580	138	709	600	532	114	88
ALTI-NEXIS-V404-2-CE-16-T4-03	1"1/2	1360	600	580	138	734	600	532	116	90
ALTI-NEXIS-V406-2-CE-16-T4-03	1"1/2	1360	600	580	138	804	600	532	122	96
ALTI-NEXIS-V407-2-CE-16-T4-03	1"1/2	1360	600	580	138	829	600	532	126	100
ALTI-NEXIS-V409-2-CE-16-T4-03	1"1/2	1360	600	580	138	879	600	532	128	102
ALTI-NEXIS-V410-2-CE-16-T4-03	1"1/2	1360	600	580	138	936	600	532	142	116
ALTI-NEXIS-V412-2-CE-16-T4-03	1"1/2	1360	600	580	138	986	600	532	144	118
ALTI-NEXIS-V414-2-CE-16-T4-03	1"1/2	1360	600	580	138	1036	600	532	152	126
ALTI-NEXIS-V416-2-CE-16-T4-03	1"1/2	1485	600	580	138	1086	600	532	157	131
ALTI-NEXIS-V418-2-CE-16-T4-03	1"1/2	1485	600	580	138	1136	600	532	159	133
ALTI-NEXIS-V603-2-CE-16-T4-03	2"	1360	600	605	138	746	600	545	119	92
ALTI-NEXIS-V604-2-CE-16-T4-03	2"	1360	600	605	138	803	600	545	125	98
ALTI-NEXIS-V605-2-CE-16-T4-03	2"	1360	600	605	138	841	600	545	129	102
ALTI-NEXIS-V606-2-CE-16-T4-03	2"	1360	600	605	138	878	600	545	131	104
ALTI-NEXIS-V607-2-CE-16-T4-03	2"	1360	600	605	138	948	600	545	141	114
ALTI-NEXIS-V608-2-CE-16-T4-03	2"	1360	600	605	138	986	600	545	143	116
ALTI-NEXIS-V609-2-CE-16-T4-03	2"	1360	600	605	138	1023	600	545	149	122
ALTI-NEXIS-V610-2-CE-16-T4-03	2"	1485	600	605	138	1061	600	545	158	131
ALTI-NEXIS-V611-2-CE-16-T4-03	2"	1485	600	605	138	1136	600	545	160	133
ALTI-NEXIS-V612-2-CE-16-T4-03	2"	1635	600	605	138	1171	600	545	168	141
ALTI-NEXIS-V613-2-CE-16-T4-03	2"	1485	600	605	138	1246	600	545	170	143
ALTI-NEXIS-V614-2-CE-16-T4-03	2"	1485	600	605	138	1246	600	545	172	145

DIMENSIONS - ALTI-NEXIS V SERIES - CE+ VERSION

TYPE	Ø	H	L	P	H1	H2	X	P1	Mass	
	Pipes	mm	mm	mm	mm	mm	mm	mm	Incl.packaging	Net
2 PUMPS										
ALTI-NEXIS-V615-2-CE-16-T4-03	2"	1485	600	605	138	1321	600	545	172	145
ALTI-NEXIS-V616-2-CE-16-T4-03	2"	1485	600	605	138	1365	600	545	194	167
ALTI-NEXIS-V1002-2-CE-16-T4-03	2"1/2	1360	600	730	178	749	600	641	135	108
ALTI-NEXIS-V1003-2-CE-16-T4-03	2"1/2	1360	600	730	178	787	600	641	139	112
ALTI-NEXIS-V1004-2-CE-16-T4-03	2"1/2	1360	600	730	178	894	600	641	151	124
ALTI-NEXIS-V1005-2-CE-16-T4-03	2"1/2	1360	600	730	178	894	600	641	17	130
ALTI-NEXIS-V1006-2-CE-16-T4-03	2"1/2	1360	600	730	178	932	600	641	159	132
ALTI-NEXIS-V1007-2-CE-16-T4-03	2"1/2	1635	600	730	178	1004	600	641	170	143
ALTI-NEXIS-V1008-2-CE-16-T4-03	2"1/2	1635	600	730	178	1042	600	641	172	145
ALTI-NEXIS-V1009-2-CE-16-T4-03	2"1/2	1635	600	730	178	1123	600	641	196	169
ALTI-NEXIS-V1010-2-CE-16-T4-03	2"1/2	1635	600	730	178	1161	600	641	198	171
ALTI-NEXIS-V1011-2-CE-16-T4-03	2"1/2	1635	600	730	178	1236	600	641	200	173
ALTI-NEXIS-V1012-2-CE-16-T4-03	2"1/2	1635	600	730	178	1228	600	641	214	187
ALTI-NEXIS-V1013-2-CE-16-T4-03	2"1/2	1485	600	730	178	1303	600	641	214	187
ALTI-NEXIS-V1015-2-CE-16-T4-03	2"1/2	1485	600	730	178	1378	600	641	218	191
ALTI-NEXIS-V1603-2-CE-16-T4-03	2"1/2	1360	600	732	178	867	600	656	167	131
ALTI-NEXIS-V1604-2-CE-16-T4-03	2"1/2	1360	600	732	178	952	600	656	177	142
ALTI-NEXIS-V1605-2-CE-16-T4-03	2"1/2	1635	600	732	178	1046	600	656	193	167
ALTI-NEXIS-V1606-2-CE-16-T4-03	2"1/2	1635	600	732	178	1096	600	656	195	169
ALTI-NEXIS-V1607-2-CE-16-T4-03	2"1/2	1635	600	732	178	1173	600	656	233	207
ALTI-NEXIS-V1608-2-CE-16-T4-03	2"1/2	1635	600	732	178	1223	600	656	237	211
ALTI-NEXIS-V1609/K-2-CE-16-T4-03	2"1/2	1670	1080	732	213	1460	1000	656	287	256
ALTI-NEXIS-V1610/K-2-CE-16-T4-03	2"1/2	1670	1080	732	213	1610	1000	656	291	260
ALTI-NEXIS-V1611/K-2-CE-16-T4-03	2"1/2	1670	1080	732	213	1610	1000	656	293	262
ALTI-NEXIS-V2202/K-2-CE-16-T4-03	3"	1390	1080	955	213	967	1000	850	312	252
ALTI-NEXIS-V2203/K-2-CE-16-T4-03	3"	1390	1080	955	213	1060	1000	850	326	266
ALTI-NEXIS-V2204/K-2-CE-16-T4-03	3"	1657	1080	955	213	1251	1000	850	391	328
ALTI-NEXIS-V2205/K-2-CE-16-T4-03	3"	1657	1080	955	213	1336	1000	850	406	343
ALTI-NEXIS-V2206/K-2-CE-16-T4-03	3"	1517	1080	955	213	1386	1000	850	410	347
ALTI-NEXIS-V2207/K-2-CE-16-T4-03	3"	1517	1080	955	213	1436	1000	850	414	351
ALTI-NEXIS-V2208/K-2-CE-16-T4-03	3"	1517	1080	955	213	1597	1000	850	480	417
ALTI-NEXIS-V3602/1/K-2-CE-16-T4-03	DN100	1657	1080	1288	228	1199	1000	1068	447	384
ALTI-NEXIS-V3602/2/K-2-CE-16-T4-03	DN100	1390	1080	1288	228	1058	1000	1068	384	324
ALTI-NEXIS-V3602/K-2-CE-16-T4-03	DN100	1657	1080	1288	228	1199	1000	1068	447	384
ALTI-NEXIS-V3603/1/K-2-CE-16-T4-03	DN100	1517	1080	1288	228	1301	1000	1068	465	402
ALTI-NEXIS-V3603/2/K-2-CE-16-T4-03	DN100	1517	1080	1288	228	1301	1000	1068	465	402
ALTI-NEXIS-V3603/K-2-CE-16-T4-03	DN100	1517	1080	1288	228	1301	1000	1068	465	402
ALTI-NEXIS-V3604/2/K-2-CE-16-T4-03	DN100	1517	1080	1288	228	1478	1000	1068	537	474
ALTI-NEXIS-V3604/K-2-CE-16-T4-03	DN100	1517	1080	1288	228	1478	1000	1068	537	474
ALTI-NEXIS-V3605/2/K-2-CE-16-T4-03	DN100	1657	1080	1288	228	1545	1000	1068	566	503
ALTI-NEXIS-V3605/K-2-CE-16-T4-03	DN100	1657	1080	1288	228	1542	1000	1068	566	503
ALTI-NEXIS-V3606/2/K-2-CE-16-T4-03	DN100	1657	1080	1288	228	1612	1000	1068	572	509
ALTI-NEXIS-V5202/2/K-2-CE-16-T4-03	DN125	1660	1080	1286	263	1301	1000	1036	494	431
ALTI-NEXIS-V5202/K-2-CE-16-T4-03	DN125	1520	1080	1286	263	1301	1000	1036	508	445
ALTI-NEXIS-V5203/2/K-2-CE-16-T4-03	DN125	1520	1080	1286	263	1512	1000	1036	578	515
ALTI-NEXIS-V5203/K-2-CE-16-T4-03	DN125	1520	1080	1286	263	1512	1000	1036	578	515
ALTI-NEXIS-V5204/2/K-2-CE-16-T4-03	DN125	1660	1080	1286	263	1612	1000	1036	611	548
ALTI-NEXIS-V5204/K-2-CE-16-T4-03	DN125	1660	1080	1286	263	1612	1000	1036	611	548

ALTI-NEXIS V

DIMENSIONS - ALTI-NEXIS V SERIES - CE+ VERSION

TYPE	Ø	H	L	P	H1	H2	X	P1	Mass	
	Pipes	mm	mm	mm	mm	mm	mm	mm	Incl.packaging	Net
3 PUMPS										
ALTI-NEXIS-V403-3-CE-16-T4-03	1"1/2	1370	900	580	138	709	900	532	198	124
ALTI-NEXIS-V404-3-CE-16-T4-03	1"1/2	1370	900	580	138	734	900	532	201	127
ALTI-NEXIS-V406-3-CE-16-T4-03	1"1/2	1370	900	580	138	804	900	532	211	137
ALTI-NEXIS-V407-3-CE-16-T4-03	1"1/2	1370	900	580	138	829	900	532	216	142
ALTI-NEXIS-V409-3-CE-16-T4-03	1"1/2	1370	900	580	138	879	900	532	219	145
ALTI-NEXIS-V410-3-CE-16-T4-03	1"1/2	1370	900	580	138	936	900	532	240	166
ALTI-NEXIS-V412-3-CE-16-T4-03	1"1/2	1495	900	580	138	986	900	532	245	171
ALTI-NEXIS-V414-3-CE-16-T4-03	1"1/2	1495	900	580	138	1036	900	532	258	184
ALTI-NEXIS-V416-3-CE-16-T4-03	1"1/2	1495	900	580	138	1086	900	532	260	186
ALTI-NEXIS-V418-3-CE-16-T4-03	1"1/2	1635	900	580	138	1136	900	532	263	190
ALTI-NEXIS-V603-3-CE-16-T4-03	2"1/2	1370	900	632	138	746	900	555	208	134
ALTI-NEXIS-V604-3-CE-16-T4-03	2"1/2	1370	900	632	138	803	900	555	217	143
ALTI-NEXIS-V605-3-CE-16-T4-03	2"1/2	1370	900	632	138	841	900	555	223	149
ALTI-NEXIS-V606-3-CE-16-T4-03	2"1/2	1370	900	632	138	878	900	555	226	152
ALTI-NEXIS-V607-3-CE-16-T4-03	2"1/2	1370	900	632	138	948	900	555	241	167
ALTI-NEXIS-V608-3-CE-16-T4-03	2"1/2	1495	900	632	138	986	900	555	244	170
ALTI-NEXIS-V609-3-CE-16-T4-03	2"1/2	1495	900	632	138	1023	900	555	253	179
ALTI-NEXIS-V610-3-CE-16-T4-03	2"1/2	1495	900	632	138	1061	900	555	264	190
ALTI-NEXIS-V611-3-CE-16-T4-03	2"1/2	1635	900	632	138	1136	900	555	267	193
ALTI-NEXIS-V612-3-CE-16-T4-03	2"1/2	1635	900	632	138	1171	900	555	279	205
ALTI-NEXIS-V613-3-CE-16-T4-03	2"1/2	1495	900	632	138	1246	900	555	280	206
ALTI-NEXIS-V614-3-CE-16-T4-03	2"1/2	1495	900	632	138	1246	900	555	283	209
ALTI-NEXIS-V615-3-CE-16-T4-03	2"1/2	1495	900	632	138	1321	900	555	288	214
ALTI-NEXIS-V616-3-CE-16-T4-03	2"1/2	1495	900	632	138	1365	900	555	321	247
ALTI-NEXIS-V1002-3-CE-16-T4-03	2"1/2	1370	900	730	178	749	900	641	231	157
ALTI-NEXIS-V1003-3-CE-16-T4-03	2"1/2	1370	900	730	178	787	900	641	237	163
ALTI-NEXIS-V1004-3-CE-16-T4-03	2"1/2	1370	900	730	178	894	900	641	255	181
ALTI-NEXIS-V1005-3-CE-16-T4-03	2"1/2	1370	900	730	178	894	900	641	264	190
ALTI-NEXIS-V1006-3-CE-16-T4-03	2"1/2	1370	900	730	178	932	900	641	267	193
ALTI-NEXIS-V1007-3-CE-16-T4-03	2"1/2	1635	900	730	178	1005	900	641	281	207
ALTI-NEXIS-V1008-3-CE-16-T4-03	2"1/2	1635	900	730	178	1042	900	641	284	210
ALTI-NEXIS-V1009-3-CE-16-T4-03	2"1/2	1635	900	730	178	1123	900	641	320	246
ALTI-NEXIS-V1010-3-CE-16-T4-03	2"1/2	1635	900	730	178	1161	900	641	323	249
ALTI-NEXIS-V1011-3-CE-16-T4-03	2"1/2	1495	900	730	178	1236	900	641	324	250
ALTI-NEXIS-V1012-3-CE-16-T4-03	2"1/2	1495	900	730	178	1228	900	641	345	271
ALTI-NEXIS-V1013-3-CE-16-T4-03	2"1/2	1495	900	730	178	1303	900	641	348	274
ALTI-NEXIS-V1015-3-CE-16-T4-03	2"1/2	1495	900	730	178	1378	900	641	354	280
ALTI-NEXIS-V1603-3-CE-16-T4-03	3"	1370	900	759	178	867	900	670	250	193
ALTI-NEXIS-V1604-3-CE-16-T4-03	3"	1370	900	759	178	952	900	670	265	208
ALTI-NEXIS-V1605-3-CE-16-T4-03	3"	1495	900	759	178	1046	900	670	316	241
ALTI-NEXIS-V1606-3-CE-16-T4-03	3"	1635	900	759	178	1096	900	670	321	246
ALTI-NEXIS-V1607-3-CE-16-T4-03	3"	1635	900	759	178	1173	900	670	378	303
ALTI-NEXIS-V1608-3-CE-16-T4-03	3"	1635	900	759	178	1223	900	670	384	309
ALTI-NEXIS-V1609/K-3-CE-16-T4-03	3"	1230	2080	759	213	1460	1500	670	563	392
ALTI-NEXIS-V1610/K-3-CE-16-T4-03	3"	1230	2080	759	213	1610	1500	670	569	398

DIMENSIONS - ALTI-NEXIS V SERIES - CE+ VERSION

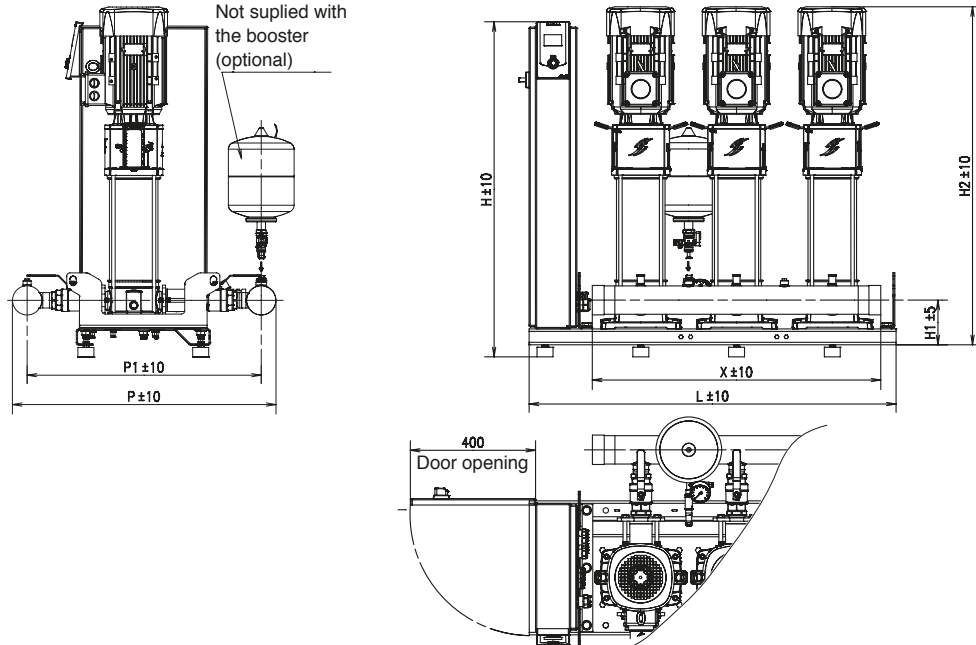
TYPE	Ø	H	L	P	H1	H2	X	P1	Mass	
	Pipes	mm	mm	mm	mm	mm	mm	mm	Incl.packaging	Net
3 PUMPS										
ALTI-NEXIS-V1611/K-3-CE-16-T4-03	3"	1230	2080	759	213	1610	1500	670	572	401
ALTI-NEXIS-V2202/K-3-CE-16-T4-03	DN100	1396	1580	1100	213	967	1500	880	500	406
ALTI-NEXIS-V2203/K-3-CE-16-T4-03	DN100	1523	1580	1100	213	1060	1500	880	521	427
ALTI-NEXIS-V2204/K-3-CE-16-T4-03	DN100	1663	1580	1100	213	1251	1500	880	618	520
ALTI-NEXIS-V2205/K-3-CE-16-T4-03	DN100	1523	1580	1100	213	1336	1500	880	640	542
ALTI-NEXIS-V2206/K-3-CE-16-T4-03	DN100	1523	1580	1100	213	1386	1500	880	646	548
ALTI-NEXIS-V2207/K-3-CE-16-T4-03	DN100	1523	1580	1100	213	1436	1500	880	651	553
ALTI-NEXIS-V2208/K-3-CE-16-T4-03	DN100	1663	1580	1100	213	1597	1500	880	752	654
ALTI-NEXIS-V3602/1/K-3-CE-16-T4-03	DN125	1663	1580	1343	228	1199	1500	1093	669	571
ALTI-NEXIS-V3602/2/K-3-CE-16-T4-03	DN125	1523	1580	1343	228	1058	1500	1093	577	483
ALTI-NEXIS-V3602/K-3-CE-16-T4-03	DN125	1663	1580	1343	228	1199	1500	1093	669	571
ALTI-NEXIS-V3603/1/K-3-CE-16-T4-03	DN125	1523	1580	1343	228	1301	1500	1093	696	598
ALTI-NEXIS-V3603/2/K-3-CE-16-T4-03	DN125	1523	1580	1343	228	1301	1500	1093	696	598
ALTI-NEXIS-V3603/K-3-CE-16-T4-03	DN125	1523	1580	1343	228	1301	1500	1093	696	598
ALTI-NEXIS-V3604/2/K-3-CE-16-T4-03	DN125	1523	1580	1343	228	1478	1500	1093	804	706
ALTI-NEXIS-V3604/K-3-CE-16-T4-03	DN125	1523	1580	1343	228	1478	1500	1093	804	706
ALTI-NEXIS-V3605/2/K-3-CE-16-T4-03	DN125	1705	1580	1343	228	1545	1500	1093	847	749
ALTI-NEXIS-V3605/K-3-CE-16-T4-03	DN125	1705	1580	1343	228	1542	1500	1093	847	749
ALTI-NEXIS-V3606/2/K-3-CE-16-T4-03	DN125	1705	1580	1343	228	1612	1500	1093	856	758
ALTI-NEXIS-V5202/2/K-3-CE-16-T4-03	DN150	1520	1580	1351	263	1301	1500	1066	743	645
ALTI-NEXIS-V5202/K-3-CE-16-T4-03	DN150	1520	1580	1351	263	1301	1500	1066	765	667
ALTI-NEXIS-V5203/2/K-3-CE-16-T4-03	DN150	1520	1580	1351	263	1512	1500	1066	870	772
ALTI-NEXIS-V5203/K-3-CE-16-T4-03	DN150	1520	1580	1351	263	1512	1500	1066	870	772
ALTI-NEXIS-V5204/2/K-3-CE-16-T4-03	DN150	1660	1580	1351	263	1612	1500	1066	919	821
ALTI-NEXIS-V5204/K-3-CE-16-T4-03	DN150	1660	1580	1351	263	1612	1500	1066	919	821
4 PUMPS										
ALTI-NEXIS-V403-4-CE-16-T4-03	2"	1370	1200	605	138	709	1200	545	243	160
ALTI-NEXIS-V404-4-CE-16-T4-03	2"	1370	1200	605	138	734	1200	545	247	164
ALTI-NEXIS-V406-4-CE-16-T4-03	2"	1370	1200	605	138	804	1200	545	261	178
ALTI-NEXIS-V407-4-CE-16-T4-03	2"	1370	1200	605	138	829	1200	545	267	184
ALTI-NEXIS-V409-4-CE-16-T4-03	2"	1370	1200	605	138	879	1200	545	271	188
ALTI-NEXIS-V410-4-CE-16-T4-03	2"	1370	1200	605	138	936	1200	545	300	217
ALTI-NEXIS-V412-4-CE-16-T4-03	2"	1495	1200	605	138	986	1200	545	305	222
ALTI-NEXIS-V414-4-CE-16-T4-03	2"	1495	1200	605	138	1036	1200	545	323	240
ALTI-NEXIS-V416-4-CE-16-T4-03	2"	1495	1200	605	138	1086	1200	545	325	242
ALTI-NEXIS-V418-4-CE-16-T4-03	2"	1635	1200	605	138	1136	1200	545	329	246
ALTI-NEXIS-V603-4-CE-16-T4-03	2"1/2	1370	1200	632	138	746	1200	555	255	172
ALTI-NEXIS-V604-4-CE-16-T4-03	2"1/2	1370	1200	632	138	803	1200	555	267	184
ALTI-NEXIS-V605-4-CE-16-T4-03	2"1/2	1370	1200	632	138	841	1200	555	275	192
ALTI-NEXIS-V606-4-CE-16-T4-03	2"1/2	1370	1200	632	138	878	1200	555	279	196
ALTI-NEXIS-V607-4-CE-16-T4-03	2"1/2	1370	1200	632	138	948	1200	555	299	216
ALTI-NEXIS-V608-4-CE-16-T4-03	2"1/2	1495	1200	632	138	986	1200	555	303	220
ALTI-NEXIS-V609-4-CE-16-T4-03	2"1/2	1495	1200	632	138	1023	1200	555	315	232
ALTI-NEXIS-V610-4-CE-16-T4-03	2"1/2	1495	1200	632	138	1061	1200	555	329	246
ALTI-NEXIS-V611-4-CE-16-T4-03	2"1/2	1635	1200	632	138	1136	1200	555	333	250
ALTI-NEXIS-V612-4-CE-16-T4-03	2"1/2	1635	1200	632	138	1171	1200	555	349	266
ALTI-NEXIS-V613-4-CE-16-T4-03	2"1/2	1495	1200	632	138	1246	1200	555	353	270
ALTI-NEXIS-V614-4-CE-16-T4-03	2"1/2	1495	1200	632	138	1246	1200	555	357	274

ALTI-NEXIS V

DIMENSIONS - ALTI-NEXIS V SERIES - CE+ VERSION

TYPE	Ø	H	L	P	H1	H2	X	P1	Mass	
	Pipes	mm	mm	mm	mm	mm	mm	mm	Incl.packaging	Net
ALTI-NEXIS-V615-4-CE-16-T4-03	2"1/2	1495	1200	632	138	1321	1200	555	363	280
ALTI-NEXIS-V616-4-CE-16-T4-03	2"1/2	1495	1200	632	138	1365	1200	555	407	324
ALTI-NEXIS-V1002-4-CE-16-T4-03	3"	1370	1200	757	178	749	1200	655	289	206
ALTI-NEXIS-V1003-4-CE-16-T4-03	3"	1370	1200	757	178	787	1200	655	297	214
ALTI-NEXIS-V1004-4-CE-16-T4-03	3"	1370	1200	757	178	894	1200	655	321	238
ALTI-NEXIS-V1005-4-CE-16-T4-03	3"	1370	1200	757	178	894	1200	655	333	250
ALTI-NEXIS-V1006-4-CE-16-T4-03	3"	1370	1200	757	178	932	1200	655	337	254
ALTI-NEXIS-V1007-4-CE-16-T4-03	3"	1635	1200	757	178	1005	1200	655	356	273
ALTI-NEXIS-V1008-4-CE-16-T4-03	3"	1635	1200	757	178	1042	1200	655	360	277
ALTI-NEXIS-V1009-4-CE-16-T4-03	3"	1635	1200	757	178	1123	1200	655	408	325
ALTI-NEXIS-V1010-4-CE-16-T4-03	3"	1635	1200	757	178	1161	1200	655	412	329
ALTI-NEXIS-V1011-4-CE-16-T4-03	3"	1495	1200	757	178	1236	1200	655	414	331
ALTI-NEXIS-V1012-4-CE-16-T4-03	3"	1495	1200	757	178	1228	1200	655	442	359
ALTI-NEXIS-V1013-4-CE-16-T4-03	3"	1495	1200	757	178	1303	1200	655	446	363
ALTI-NEXIS-V1015-4-CE-16-T4-03	3"	1495	1200	757	178	1378	1200	655	454	371
ALTI-NEXIS-V1603-4-CE-16-T4-03	DN100	1370	1200	920	178	867	1200	700	351	286
ALTI-NEXIS-V1604-4-CE-16-T4-03	DN100	1370	1200	920	178	952	1200	700	371	306
ALTI-NEXIS-V1605-4-CE-16-T4-03	DN100	1495	1200	920	178	1046	1200	700	434	351
ALTI-NEXIS-V1606-4-CE-16-T4-03	DN100	1635	1200	920	178	1096	1200	700	440	357
ALTI-NEXIS-V1607-4-CE-16-T4-03	DN100	1635	1200	920	178	1173	1200	700	516	433
ALTI-NEXIS-V1608-4-CE-16-T4-03	DN100	1635	1200	920	178	1223	1200	700	524	441
ALTI-NEXIS-V1609/K-4-CE-16-T4-03	DN100	1340	2580	920	213	1460	2000	700	759	561
ALTI-NEXIS-V1610/K-4-CE-16-T4-03	DN100	1340	2580	920	213	1610	2000	700	767	569
ALTI-NEXIS-V1611/K-4-CE-16-T4-03	DN100	1340	2580	920	213	1610	2000	700	771	573
ALTI-NEXIS-V2202/K-4-CE-16-T4-03	DN125	1396	2080	1160	213	967	2000	910	675	545
ALTI-NEXIS-V2203/K-4-CE-16-T4-03	DN125	1523	2080	1160	213	1060	2000	910	703	573
ALTI-NEXIS-V2204/K-4-CE-16-T4-03	DN125	1663	2080	1160	213	1251	2000	910	831	695
ALTI-NEXIS-V2205/K-4-CE-16-T4-03	DN125	1633,5	2080	1160	213	1336	2000	910	866	730
ALTI-NEXIS-V2206/K-4-CE-16-T4-03	DN125	1633,5	2080	1160	213	1386	2000	910	874	738
ALTI-NEXIS-V2207/K-4-CE-16-T4-03	DN125	1633,5	2080	1160	213	1436	2000	910	881	745
ALTI-NEXIS-V2208/K-4-CE-16-T4-03	DN125	1773,5	2080	1160	213	1597	2000	910	1015	879
ALTI-NEXIS-V3602/1/K-4-CE-16-T4-03	DN150	1905	2080	1397	228	1199	2000	1112	901	765
ALTI-NEXIS-V3602/2/K-4-CE-16-T4-03	DN150	1705	2080	1397	228	1058	2000	1112	778	648
ALTI-NEXIS-V3602/K-4-CE-16-T4-03	DN150	1905	2080	1397	228	1199	2000	1112	901	765
ALTI-NEXIS-V3603/1/K-4-CE-16-T4-03	DN150	1633,5	2080	1397	228	1301	2000	1112	941	805
ALTI-NEXIS-V3603/2/K-4-CE-16-T4-03	DN150	1633,5	2080	1397	228	1301	2000	1112	941	805
ALTI-NEXIS-V3603/K-4-CE-16-T4-03	DN150	1633,5	2080	1397	228	1301	2000	1112	941	805
ALTI-NEXIS-V3604/2/K-4-CE-16-T4-03	DN150	1633,5	2080	1397	228	1478	2000	1112	1085	849
ALTI-NEXIS-V3604/K-4-CE-16-T4-03	DN150	1633,5	2080	1397	228	1478	2000	1112	1085	849
ALTI-NEXIS-V3605/2/K-4-CE-16-T4-03	DN150	1773,5	2080	1397	228	1545	2000	1112	1142	1006
ALTI-NEXIS-V3605/K-4-CE-16-T4-03	DN150	1773,5	2080	1397	228	1542	2000	1112	1142	1006
ALTI-NEXIS-V3606/2/K-4-CE-16-T4-03	DN150	1773,5	2080	1397	228	1612	2000	1112	1154	1018
ALTI-NEXIS-V5202/2/K-4-CE-16-T4-03	DN200	1660	2080	1456	263	1301	2000	1116	1002	866
ALTI-NEXIS-V5202/K-4-CE-16-T4-03	DN200	1634	2080	1456	263	1301	2000	1116	1034	898
ALTI-NEXIS-V5203/2/K-4-CE-16-T4-03	DN200	1634	2080	1456	263	1512	2000	1116	1174	1038
ALTI-NEXIS-V5203/K-4-CE-16-T4-03	DN200	1634	2080	1456	263	1512	2000	1116	1174	1038
ALTI-NEXIS-V5204/2/K-4-CE-16-T4-03	DN200	1774	2080	1456	263	1612	2000	1116	1239	1103
ALTI-NEXIS-V5204/K-4-CE-16-T4-03	DN200	1774	2080	1456	263	1612	2000	1116	1239	1103

DIMENSIONS - ALTI-NEXIS V SERIES - SC VERSION



TYPE	Ø	H	L	P	H1	H2	X	P1	Mass	
	Pipes	mm	mm	mm	mm	mm	mm	mm	Incl. packaging	Net
2 PUMPS										
ALTI-NEXIS-V403-2-SC-16-T4	1"1/2	1055	850	610	138	709	600	561	206	132
ALTI-NEXIS-V404-2-SC-16-T4	1"1/2	1055	850	610	138	734	600	561	208	134
ALTI-NEXIS-V406-2-SC-16-T4	1"1/2	1055	850	610	138	804	600	561	214	140
ALTI-NEXIS-V407-2-SC-16-T4	1"1/2	1055	850	610	138	829	600	561	218	144
ALTI-NEXIS-V409-2-SC-16-T4	1"1/2	1055	850	610	138	879	600	561	220	146
ALTI-NEXIS-V410-2-SC-16-T4	1"1/2	1055	850	610	138	936	600	561	230	156
ALTI-NEXIS-V412-2-SC-16-T4	1"1/2	1055	850	610	138	986	600	561	232	158
ALTI-NEXIS-V414-2-SC-16-T4	1"1/2	1055	850	610	138	1036	600	561	240	166
ALTI-NEXIS-V416-2-SC-16-T4	1"1/2	1055	850	610	138	1086	600	561	242	168
ALTI-NEXIS-V418-2-SC-16-T4	1"1/2	1055	850	610	138	1136	600	561	244	170
ALTI-NEXIS-V603-2-SC-16-T4	2"	1055	850	634	138	746	600	573	211	137
ALTI-NEXIS-V604-2-SC-16-T4	2"	1055	850	634	138	803	600	573	217	143
ALTI-NEXIS-V605-2-SC-16-T4	2"	1055	850	634	138	841	600	573	221	147
ALTI-NEXIS-V606-2-SC-16-T4	2"	1055	850	634	138	878	600	573	223	149
ALTI-NEXIS-V607-2-SC-16-T4	2"	1055	850	634	138	948	600	573	233	159
ALTI-NEXIS-V608-2-SC-16-T4	2"	1055	850	634	138	986	600	573	235	161
ALTI-NEXIS-V609-2-SC-16-T4	2"	1055	850	634	138	1023	600	573	241	167
ALTI-NEXIS-V610-2-SC-16-T4	2"	1055	850	634	138	1061	600	573	243	169
ALTI-NEXIS-V611-2-SC-16-T4	2"	1055	850	634	138	1136	600	573	245	171
ALTI-NEXIS-V612-2-SC-16-T4	2"	1055	850	634	138	1171	600	573	253	179
ALTI-NEXIS-V613-2-SC-16-T4	2"	1055	850	634	138	1246	600	573	255	181
ALTI-NEXIS-V614-2-SC-16-T4	2"	1055	850	634	138	1246	600	573	257	183
ALTI-NEXIS-V615-2-SC-16-T4	2"	1055	850	634	138	1321	600	573	259	185
ALTI-NEXIS-V616-2-SC-16-T4	2"	1055	850	634	138	1365	600	573	281	207
ALTI-NEXIS-V1002-2-SC-16-T4	2"1/2	1055	950	796	178	1425	600	720	321	262
ALTI-NEXIS-V1003-2-SC-16-T4	2"1/2	1055	950	796	178	1575	600	720	326	267
ALTI-NEXIS-V1004-2-SC-16-T4	2"1/2	1055	950	796	178	1575	600	720	329	270
ALTI-NEXIS-V1005-2-SC-16-T4	3"	1055	850	1039	178	838	600	950	331	260
ALTI-NEXIS-V1006-2-SC-16-T4	3"	1055	850	1039	178	920	600	950	345	274
ALTI-NEXIS-V1007-2-SC-16-T4	3"	1055	850	1039	178	949	600	950	357	286
ALTI-NEXIS-V1008-2-SC-16-T4	3"	1055	850	1039	178	1086	600	950	412	341
ALTI-NEXIS-V1009-2-SC-16-T4	3"	1055	850	1039	178	1136	600	950	416	345

ALTI-NEXIS V

DIMENSIONS - ALTI-NEXIS V SERIES - SC VERSION

TYPE	Ø	H	L	P	H1	H2	X	P1	Mass	
	Pipes	mm	mm	mm	mm	mm	mm	mm	Incl.packaging	Net
2 PUMPS										
ALTI-NEXIS-V1010-2-SC-16-T4	3"	1055	850	1039	178	1186	600	950	430	359
ALTI-NEXIS-V1011-2-SC-16-T4	3"	1055	850	1039	178	1236	600	950	496	425
ALTI-NEXIS-V1012-2-SC-16-T4	DN100	1055	900	1249	193	923	800	1029	405	330
ALTI-NEXIS-V1013-2-SC-16-T4	DN100	1055	900	1249	193	902	800	1029	415	340
ALTI-NEXIS-V1015-2-SC-16-T4	DN100	1055	900	1249	193	1056	800	1029	476	401
ALTI-NEXIS-V1603-2-SC-16-T4	DN100	1055	900	1249	193	1056	800	1029	486	411
ALTI-NEXIS-V1604-2-SC-16-T4	DN100	1055	900	1249	193	1122	800	1029	562	487
ALTI-NEXIS-V1605-2-SC-16-T4	DN100	1055	900	1249	193	1122	800	1029	562	487
ALTI-NEXIS-V1606-2-SC-16-T4	DN100	1070	1250	1249	208	1464	1000	1029	646	541
ALTI-NEXIS-V1607-2-SC-16-T4	DN100	1070	1250	1249	208	1464	1000	1029	646	541
ALTI-NEXIS-V1608-2-SC-16-T4	DN125	1420	1250	1287	243	1761	1000	1037	810	705
ALTI-NEXIS-V1609/K-2-SC-16-T4	2"1/2	1055	950	796	178	1425	600	720	321	262
ALTI-NEXIS-V1610/K-2-SC-16-T4	2"1/2	1055	950	796	178	1575	600	720	326	267
ALTI-NEXIS-V1611/K-2-SC-16-T4	2"1/2	1055	950	796	178	1575	600	720	329	270
ALTI-NEXIS-V2202-2-SC-16-T4	3"	1055	850	1039	178	838	600	950	331	260
ALTI-NEXIS-V2203-2-SC-16-T4	3"	1055	850	1039	178	920	600	950	345	274
ALTI-NEXIS-V2204-2-SC-16-T4	3"	1055	850	1039	178	949	600	950	357	286
ALTI-NEXIS-V2205-2-SC-16-T4	3"	1055	850	1039	178	1086	600	950	412	341
ALTI-NEXIS-V2206-2-SC-16-T4	3"	1055	850	1039	178	1136	600	950	416	345
ALTI-NEXIS-V2207-2-SC-16-T4	3"	1055	850	1039	178	1186	600	950	430	359
ALTI-NEXIS-V2208-2-SC-16-T4	3"	1055	850	1039	178	1236	600	950	496	425
ALTI-NEXIS-V3602/2-2-SC-16-T4	DN100	1055	900	1249	193	923	800	1029	405	330
ALTI-NEXIS-V3602-2-SC-16-T4	DN100	1055	900	1249	193	902	800	1029	415	340
ALTI-NEXIS-V3603/1-2-SC-16-T4	DN100	1055	900	1249	193	1056	800	1029	476	401
ALTI-NEXIS-V3603-2-SC-16-T4	DN100	1055	900	1249	193	1056	800	1029	486	411
ALTI-NEXIS-V3604/2-2-SC-16-T4	DN100	1055	900	1249	193	1122	800	1029	562	487
ALTI-NEXIS-V3604-2-SC-16-T4	DN100	1055	900	1249	193	1122	800	1029	562	487
ALTI-NEXIS-V3605/2/K-2-SC-16-T4	DN100	1070	1250	1249	208	1464	1000	1029	646	541
ALTI-NEXIS-V3605/K-2-SC-16-T4	DN100	1070	1250	1249	208	1464	1000	1029	646	541
ALTI-NEXIS-V3606/2/K-2-SC-16-T4	DN100	1070	1250	1249	208	1531	1000	1029	654	549
ALTI-NEXIS-V3606/K-2-SC-16-T4	DN100	1420	1250	1249	208	1531	1000	1029	690	585
ALTI-NEXIS-V5202/2-2-SC-16-T4	DN125	1070	1250	1287	243	1014	1000	1037	525	425
ALTI-NEXIS-V5202-2-SC-16-T4	DN125	1070	1250	1287	243	1101	1000	1037	578	478
ALTI-NEXIS-V5203/2-2-SC-16-T4	DN125	1070	1250	1287	243	1201	1000	1037	662	562
ALTI-NEXIS-V5203-2-SC-16-T4	DN125	1070	1250	1287	243	1201	1000	1037	662	562
ALTI-NEXIS-V5204/2/K-2-SC-16-T4	DN125	1070	1250	1287	243	1561	1000	1037	711	606
ALTI-NEXIS-V5204/K-2-SC-16-T4	DN125	1070	1250	1287	243	1561	1000	1037	711	606
ALTI-NEXIS-V5205/2/K-2-SC-16-T4	DN125	1420	1250	1287	243	1661	1000	1037	760	655
ALTI-NEXIS-V5205/K-2-SC-16-T4	DN125	1420	1250	1287	243	1661	1000	1037	760	655
ALTI-NEXIS-V5206/2/K-2-SC-16-T4	DN125	1420	1250	1287	243	1761	1000	1037	810	705
3 PUMPS										
ALTI-NEXIS-V403-3-SC-16-T4	1"1/2	1055	1150	610	138	709	900	561	254	172
ALTI-NEXIS-V404-3-SC-16-T4	1"1/2	1055	1150	610	138	734	900	561	257	175
ALTI-NEXIS-V406-3-SC-16-T4	1"1/2	1055	1150	610	138	804	900	561	267	185
ALTI-NEXIS-V407-3-SC-16-T4	1"1/2	1055	1150	610	138	829	900	561	272	190
ALTI-NEXIS-V409-3-SC-16-T4	1"1/2	1055	1150	610	138	879	900	561	275	193
ALTI-NEXIS-V410-3-SC-16-T4	1"1/2	1055	1150	610	138	936	900	561	290	208
ALTI-NEXIS-V412-3-SC-16-T4	1"1/2	1055	1150	610	138	986	900	561	293	211
ALTI-NEXIS-V414-3-SC-16-T4	1"1/2	1055	1150	610	138	1036	900	561	306	224
ALTI-NEXIS-V416-3-SC-16-T4	1"1/2	1055	1150	610	138	1086	900	561	308	226
ALTI-NEXIS-V418-3-SC-16-T4	1"1/2	1055	1150	610	138	1136	900	561	319	236
ALTI-NEXIS-V603-3-SC-16-T4	2"1/2	1055	1150	665	138	746	900	589	264	181
ALTI-NEXIS-V604-3-SC-16-T4	2"1/2	1055	1150	665	138	803	900	589	273	190
ALTI-NEXIS-V605-3-SC-16-T4	2"1/2	1055	1150	665	138	841	900	589	279	196
ALTI-NEXIS-V606-3-SC-16-T4	2"1/2	1055	1150	665	138	878	900	589	282	199
ALTI-NEXIS-V607-3-SC-16-T4	2"1/2	1055	1150	665	138	948	900	589	297	214
ALTI-NEXIS-V608-3-SC-16-T4	2"1/2	1055	1150	665	138	986	900	589	300	217
ALTI-NEXIS-V609-3-SC-16-T4	2"1/2	1055	1150	665	138	1023	900	589	309	226
ALTI-NEXIS-V610-3-SC-16-T4	2"1/2	1055	1150	665	138	1061	900	589	312	229
ALTI-NEXIS-V611-3-SC-16-T4	2"1/2	1055	1150	665	138	1136	900	589	315	232
ALTI-NEXIS-V612-3-SC-16-T4	2"1/2	1055	1150	665	138	1171	900	589	327	245
ALTI-NEXIS-V613-3-SC-16-T4	2"1/2	1055	1150	665	138	1246	900	589	330	248
ALTI-NEXIS-V614-3-SC-16-T4	2"1/2	1055	1150	665	138	1246	900	589	333	250
ALTI-NEXIS-V615-3-SC-16-T4	2"1/2	1055	1150	665	138	1321	900	589	336	254
ALTI-NEXIS-V616-3-SC-16-T4	2"1/2	1055	1150	665	138	1365	900	589	369	287

DIMENSIONS - ALTI-NEXIS V SERIES - SC VERSION

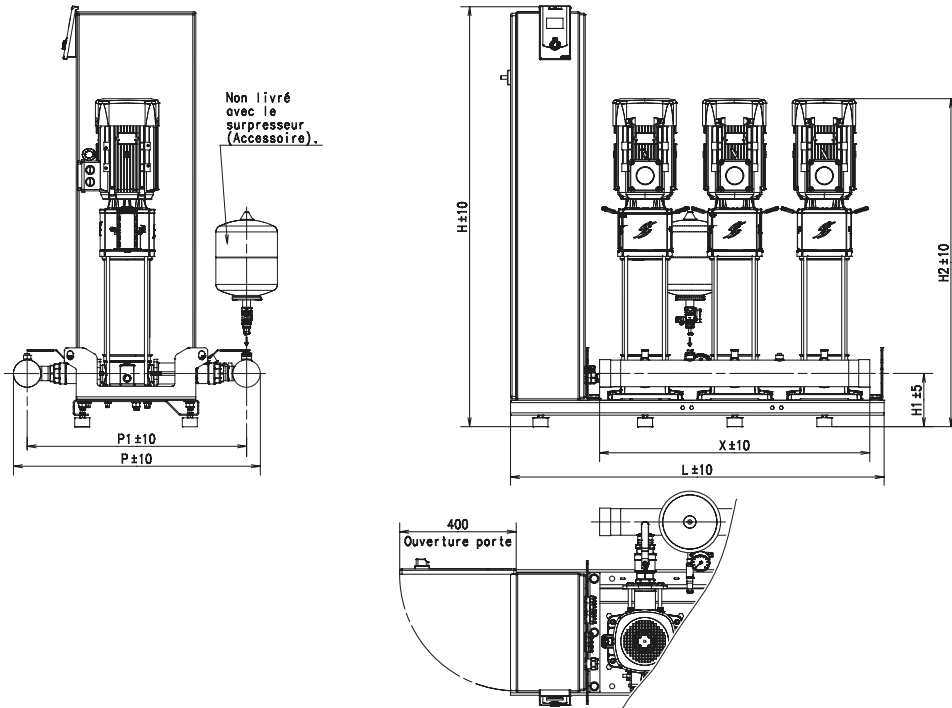
TYPE	Ø	H	L	P	H1	H2	X	P1	Mass	
	Pipes	mm	mm	mm	mm	mm	mm	mm	Incl. packaging	Net
3 PUMPS										
ALTI-NEXIS-V1002-3-SC-16-T4	2"1/2	1055	1150	780	168	749	900	704	283	201
ALTI-NEXIS-V1003-3-SC-16-T4	2"1/2	1055	1150	780	168	787	900	704	290	207
ALTI-NEXIS-V1004-3-SC-16-T4	2"1/2	1055	1150	780	168	857	900	704	308	225
ALTI-NEXIS-V1005-3-SC-16-T4	2"1/2	1055	1150	780	168	894	900	704	316	234
ALTI-NEXIS-V1006-3-SC-16-T4	2"1/2	1055	1150	780	168	932	900	704	319	237
ALTI-NEXIS-V1007-3-SC-16-T4	2"1/2	1055	1150	780	168	1005	900	704	332	249
ALTI-NEXIS-V1008-3-SC-16-T4	2"1/2	1055	1150	780	168	1042	900	704	335	252
ALTI-NEXIS-V1009-3-SC-16-T4	2"1/2	1055	1150	780	168	1123	900	704	371	288
ALTI-NEXIS-V1010-3-SC-16-T4	2"1/2	1055	1150	780	168	1161	900	704	374	291
ALTI-NEXIS-V1011-3-SC-16-T4	2"1/2	1055	1150	780	168	1236	900	704	377	294
ALTI-NEXIS-V1012-3-SC-16-T4	2"1/2	1055	1150	780	168	1228	900	704	398	316
ALTI-NEXIS-V1013-3-SC-16-T4	2"1/2	1055	1150	780	168	1303	900	704	401	319
ALTI-NEXIS-V1015-3-SC-16-T4	2"1/2	1055	1150	780	168	1378	900	704	407	325
ALTI-NEXIS-V1603-3-SC-16-T4	3"	1055	1150	824	178	867	900	735	472	389
ALTI-NEXIS-V1604-3-SC-16-T4	3"	1055	1150	824	178	952	900	735	478	396
ALTI-NEXIS-V1605-3-SC-16-T4	3"	1055	1150	824	178	1046	900	735	481	399
ALTI-NEXIS-V1606-3-SC-16-T4	3"	1055	1150	824	178	1096	900	735	322	240
ALTI-NEXIS-V1607-3-SC-16-T4	3"	1055	1150	824	178	1138	900	735	338	255
ALTI-NEXIS-V1608-3-SC-16-T4	3"	1055	1150	824	178	1188	900	735	371	288
ALTI-NEXIS-V1609/K-3-SC-16-T4	3"	1055	1250	824	178	1425	900	735	435	369
ALTI-NEXIS-V1610/K-3-SC-16-T4	3"	1055	1250	824	178	1575	900	735	442	376
ALTI-NEXIS-V1611/K-3-SC-16-T4	3"	1055	1250	824	178	1575	900	735	446	380
ALTI-NEXIS-V2202-3-SC-16-T4	DN100	1055	1150	1195	178	838	900	950	453	382
ALTI-NEXIS-V2203-3-SC-16-T4	DN100	1055	1150	1195	178	920	900	950	474	403
ALTI-NEXIS-V2204-3-SC-16-T4	DN100	1055	1150	1195	178	949	900	950	492	421
ALTI-NEXIS-V2205-3-SC-16-T4	DN100	1055	1150	1195	178	1086	900	950	574	503
ALTI-NEXIS-V2206-3-SC-16-T4	DN100	1055	1150	1195	178	1136	900	950	580	509
ALTI-NEXIS-V2207-3-SC-16-T4	DN100	1405	1250	1195	178	1186	900	950	622	551
ALTI-NEXIS-V2208-3-SC-16-T4	DN100	1405	1250	1195	178	1236	900	950	721	650
ALTI-NEXIS-V3602/2-3-SC-16-T4	DN125	1055	1200	1306	193	923	1100	1056	580	480
ALTI-NEXIS-V3602-3-SC-16-T4	DN125	1055	1200	1306	193	902	1100	1056	595	495
ALTI-NEXIS-V3603/1-3-SC-16-T4	DN125	1055	1200	1306	193	1056	1100	1056	686	586
ALTI-NEXIS-V3603-3-SC-16-T4	DN125	1405	1300	1306	193	1056	1100	1056	717	617
ALTI-NEXIS-V3604/2-3-SC-16-T4	DN125	1405	1300	1306	193	1122	1100	1056	831	731
ALTI-NEXIS-V3604-3-SC-16-T4	DN125	1405	1300	1306	193	1122	1100	1056	831	731
ALTI-NEXIS-V3605/2/K-3-SC-16-T4	DN125	1420	1750	1306	208	1464	1500	1056	966	816
ALTI-NEXIS-V3605/K-3-SC-16-T4	DN125	1420	1750	1306	208	1464	1500	1056	966	816
ALTI-NEXIS-V3606/2/K-3-SC-16-T4	DN125	1420	1750	1306	208	1531	1500	1056	978	828
ALTI-NEXIS-V3606/K-3-SC-16-T4	DN125	1900*	1580	1306	228	1531	1500	1056	1050	945
ALTI-NEXIS-V5202/2-3-SC-16-T4	DN150	1070	1750	1349	243	1014	1500	1064	753	613
ALTI-NEXIS-V5202-3-SC-16-T4	DN150	1070	1750	1349	243	1101	1500	1064	832	692
ALTI-NEXIS-V5203/2-3-SC-16-T4	DN150	1420	1750	1349	243	1201	1500	1064	977	837
ALTI-NEXIS-V5203-3-SC-16-T4	DN150	1420	1750	1349	243	1201	1500	1064	977	837
ALTI-NEXIS-V5204/2/K-3-SC-16-T4	DN150	1420	1750	1349	243	1561	1500	1064	1053	903
ALTI-NEXIS-V5204/K-3-SC-16-T4	DN150	1420	1750	1349	243	1561	1500	1064	1053	903
ALTI-NEXIS-V5205/2/K-3-SC-16-T4	DN150	1900*	1580	1349	263	1681	1500	1064	1191	1041
ALTI-NEXIS-V5205/K-3-SC-16-T4	DN150	1900*	1580	1349	263	1681	1500	1064	1191	1041
ALTI-NEXIS-V5206/2/K-3-SC-16-T4	DN150	1900*	1580	1349	263	1781	1500	1064	1266	1116
4 PUMPS										
ALTI-NEXIS-V403-4-SC-16-T4	2"	1055	1450	634	138	709	1200	573	355	212
ALTI-NEXIS-V404-4-SC-16-T4	2"	1055	1450	634	138	734	1200	573	359	216
ALTI-NEXIS-V406-4-SC-16-T4	2"	1055	1450	634	138	804	1200	573	373	230
ALTI-NEXIS-V407-4-SC-16-T4	2"	1055	1450	634	138	829	1200	573	379	236
ALTI-NEXIS-V409-4-SC-16-T4	2"	1055	1450	634	138	879	1200	573	383	240
ALTI-NEXIS-V410-4-SC-16-T4	2"	1055	1450	634	138	936	1200	573	403	260
ALTI-NEXIS-V412-4-SC-16-T4	2"	1055	1450	634	138	986	1200	573	407	264
ALTI-NEXIS-V414-4-SC-16-T4	2"	1055	1450	634	138	1036	1200	573	425	282
ALTI-NEXIS-V416-4-SC-16-T4	2"	1055	1450	634	138	1086	1200	573	427	284
ALTI-NEXIS-V418-4-SC-16-T4	2"	1055	1450	634	138	1136	1200	573	431	288
ALTI-NEXIS-V603-4-SC-16-T4	2"1/2	1055	1450	665	138	746	1200	589	367	224

ALTI-NEXIS V

DIMENSIONS - ALTI-NEXIS V SERIES - SC VERSION

TYPE	Ø	H	L	P	H1	H2	X	P1	Mass	
	Pipes	mm	mm	mm	mm	mm	mm	mm	Incl.packaging	Net
4 PUMPS										
ALTI-NEXIS-V603-4-SC-16-T4	2"1/2	1055	1450	665	138	746	1200	589	367	224
ALTI-NEXIS-V604-4-SC-16-T4	2"1/2	1055	1450	665	138	803	1200	589	379	236
ALTI-NEXIS-V605-4-SC-16-T4	2"1/2	1055	1450	665	138	841	1200	589	387	244
ALTI-NEXIS-V606-4-SC-16-T4	2"1/2	1055	1450	665	138	878	1200	589	391	248
ALTI-NEXIS-V607-4-SC-16-T4	2"1/2	1055	1450	665	138	948	1200	589	411	268
ALTI-NEXIS-V608-4-SC-16-T4	2"1/2	1055	1450	665	138	986	1200	589	415	272
ALTI-NEXIS-V609-4-SC-16-T4	2"1/2	1055	1450	665	138	1023	1200	589	427	284
ALTI-NEXIS-V610-4-SC-16-T4	2"1/2	1055	1450	665	138	1061	1200	589	431	288
ALTI-NEXIS-V611-4-SC-16-T4	2"1/2	1055	1450	665	138	1136	1200	589	435	292
ALTI-NEXIS-V612-4-SC-16-T4	2"1/2	1055	1450	665	138	1171	1200	589	452	309
ALTI-NEXIS-V613-4-SC-16-T4	2"1/2	1055	1450	665	138	1246	1200	589	456	313
ALTI-NEXIS-V614-4-SC-16-T4	2"1/2	1055	1450	665	138	1246	1200	589	460	317
ALTI-NEXIS-V615-4-SC-16-T4	2"1/2	1055	1450	665	138	1321	1200	589	464	321
ALTI-NEXIS-V616-4-SC-16-T4	2"1/2	1055	1450	665	138	1365	1200	589	508	365
ALTI-NEXIS-V1002-4-SC-16-T4	3"	1055	1450	806	168	749	1200	717	395	253
ALTI-NEXIS-V1003-4-SC-16-T4	3"	1055	1450	806	168	787	1200	717	403	261
ALTI-NEXIS-V1004-4-SC-16-T4	3"	1055	1450	806	168	857	1200	717	427	285
ALTI-NEXIS-V1005-4-SC-16-T4	3"	1055	1450	806	168	894	1200	717	439	297
ALTI-NEXIS-V1006-4-SC-16-T4	3"	1055	1450	806	168	932	1200	717	443	301
ALTI-NEXIS-V1007-4-SC-16-T4	3"	1055	1450	806	168	1005	1200	717	460	317
ALTI-NEXIS-V1008-4-SC-16-T4	3"	1055	1450	806	168	1042	1200	717	464	321
ALTI-NEXIS-V1009-4-SC-16-T4	3"	1055	1450	806	168	1123	1200	717	512	370
ALTI-NEXIS-V1010-4-SC-16-T4	3"	1055	1450	806	168	1161	1200	717	516	374
ALTI-NEXIS-V1011-4-SC-16-T4	3"	1055	1450	806	168	1236	1200	717	520	378
ALTI-NEXIS-V1012-4-SC-16-T4	3"	1055	1450	806	168	1228	1200	717	549	406
ALTI-NEXIS-V1013-4-SC-16-T4	3"	1055	1450	806	168	1303	1200	717	553	410
ALTI-NEXIS-V1015-4-SC-16-T4	3"	1055	1450	806	168	1378	1200	717	561	418
ALTI-NEXIS-V1603-4-SC-16-T4	DN100	1055	1450	986	178	867	1200	766	544	402
ALTI-NEXIS-V1604-4-SC-16-T4	DN100	1055	1450	986	178	952	1200	766	621	478
ALTI-NEXIS-V1605-4-SC-16-T4	DN100	1055	1450	986	178	1046	1200	766	629	487
ALTI-NEXIS-V1606-4-SC-16-T4	DN100	1055	1450	986	178	1096	1200	766	677	535
ALTI-NEXIS-V1607-4-SC-16-T4	DN100	1055	1450	986	178	1138	1200	766	686	543
ALTI-NEXIS-V1608-4-SC-16-T4	DN100	1055	1450	986	178	1188	1200	766	690	547
ALTI-NEXIS-V1609/K-4-SC-16-T4	DN100	1055	1550	986	178	1425	1200	766	625	506
ALTI-NEXIS-V1610/K-4-SC-16-T4	DN100	1055	1550	986	178	1575	1200	766	634	515
ALTI-NEXIS-V1611/K-4-SC-16-T4	DN100	1055	1550	986	178	1575	1200	766	639	520
ALTI-NEXIS-V2202-4-SC-16-T4	DN125	1055	1450	1257	178	838	1200	1007	606	506
ALTI-NEXIS-V2203-4-SC-16-T4	DN125	1055	1450	1257	178	920	1200	1007	634	534
ALTI-NEXIS-V2204-4-SC-16-T4	DN125	1055	1450	1257	178	949	1200	1007	659	559
ALTI-NEXIS-V2205-4-SC-16-T4	DN125	1055	1450	1257	178	1086	1200	1007	768	668
ALTI-NEXIS-V2206-4-SC-16-T4	DN125	1055	1450	1257	178	1136	1200	1007	776	676
ALTI-NEXIS-V2207-4-SC-16-T4	DN125	1405	1550	1257	178	1186	1200	1007	824	724
ALTI-NEXIS-V2208-4-SC-16-T4	DN125	1405	1550	1257	178	1236	1200	1007	957	857
ALTI-NEXIS-V3602/2-4-SC-16-T4	DN150	1055	1500	1372	193	923	1400	1087	727	627
ALTI-NEXIS-V3602-4-SC-16-T4	DN150	1055	1500	1372	193	902	1400	1087	747	647
ALTI-NEXIS-V3603/1-4-SC-16-T4	DN150	1055	1500	1372	193	1056	1400	1087	868	768
ALTI-NEXIS-V3603-4-SC-16-T4	DN150	1405	1600	1372	193	1056	1400	1087	909	809
ALTI-NEXIS-V3604/2-4-SC-16-T4	DN150	1405	1600	1372	193	1122	1400	1087	1062	962
ALTI-NEXIS-V3604-4-SC-16-T4	DN150	1405	1600	1372	193	1122	1400	1087	1062	962
ALTI-NEXIS-V3605/2/K-4-SC-16-T4	DN150	1420	2250	1372	208	1464	2000	1087	1225	1075
ALTI-NEXIS-V3605/K-4-SC-16-T4	DN150	1420	2250	1372	208	1464	2000	1087	1225	1075
ALTI-NEXIS-V3606/2/K-4-SC-16-T4	DN150	1420	2250	1372	208	1531	2000	1087	1241	1091
ALTI-NEXIS-V3606/K-4-SC-16-T4	DN150	1900*	2080	1372	228	1551	2000	1087	1375	1225
ALTI-NEXIS-V5202/2-4-SC-16-T4	DN200	1070	2250	1455	243	1014	2000	1115	1038	808
ALTI-NEXIS-V5202-4-SC-16-T4	DN200	1070	2250	1455	243	1101	2000	1115	1143	913
ALTI-NEXIS-V5203/2-4-SC-16-T4	DN200	1420	2250	1455	243	1201	2000	1115	1330	1100
ALTI-NEXIS-V5203-4-SC-16-T4	DN200	1420	2250	1455	243	1201	2000	1115	1330	1100
ALTI-NEXIS-V5204/2/K-4-SC-16-T4	DN200	1420	2250	1455	243	1561	2000	1115	1417	1187
ALTI-NEXIS-V5204/K-4-SC-16-T4	DN200	1420	2250	1455	243	1561	2000	1115	1417	1187
ALTI-NEXIS-V5205/2/K-4-SC-16-T4	DN200	1900*	2080	1455	263	1681	2000	1115	1579	1349
ALTI-NEXIS-V5205/K-4-SC-16-T4	DN200	1900*	2080	1455	263	1681	2000	1115	1579	1349
ALTI-NEXIS-V5206/2/K-4-SC-16-T4	DN200	1900*	2080	1455	263	1781	2000	1115	1679	1449

DIMENSIONS - ALTI-NEXIS V SERIES - SCFC VERSION



TYPE	Ø	H	L	P	H1	H2	X	P1	Mass	
	Pipes	mm	mm	mm	mm	mm	mm	mm	Incl. packaging	Net
2 PUMPS										
ALTI-NEXIS-V403-2-SC-16-T4-FC	1"1/2	1405	950	610	138	709	600	561	229	155
ALTI-NEXIS-V404-2-SC-16-T4-FC	1"1/2	1405	950	610	138	734	600	561	231	157
ALTI-NEXIS-V406-2-SC-16-T4-FC	1"1/2	1405	950	610	138	804	600	561	237	163
ALTI-NEXIS-V407-2-SC-16-T4-FC	1"1/2	1405	950	610	138	829	600	561	241	167
ALTI-NEXIS-V409-2-SC-16-T4-FC	1"1/2	1405	950	610	138	879	600	561	243	169
ALTI-NEXIS-V410-2-SC-16-T4-FC	1"1/2	1405	950	610	138	936	600	561	252	178
ALTI-NEXIS-V412-2-SC-16-T4-FC	1"1/2	1405	950	610	138	986	600	561	254	180
ALTI-NEXIS-V414-2-SC-16-T4-FC	1"1/2	1405	950	610	138	1036	600	561	266	192
ALTI-NEXIS-V416-2-SC-16-T4-FC	1"1/2	1405	950	610	138	1086	600	561	268	194
ALTI-NEXIS-V418-2-SC-16-T4-FC	1"1/2	1405	950	610	138	1136	600	561	270	196
ALTI-NEXIS-V603-2-SC-16-T4-FC	2"	1405	950	634	138	746	600	573	234	160
ALTI-NEXIS-V604-2-SC-16-T4-FC	2"	1405	950	634	138	803	600	573	240	166
ALTI-NEXIS-V605-2-SC-16-T4-FC	2"	1405	950	634	138	841	600	573	244	170
ALTI-NEXIS-V606-2-SC-16-T4-FC	2"	1405	950	634	138	878	600	573	246	172
ALTI-NEXIS-V607-2-SC-16-T4-FC	2"	1405	950	634	138	948	600	573	254	181
ALTI-NEXIS-V608-2-SC-16-T4-FC	2"	1405	950	634	138	986	600	573	257	183
ALTI-NEXIS-V609-2-SC-16-T4-FC	2"	1405	950	634	138	1023	600	573	266	192
ALTI-NEXIS-V610-2-SC-16-T4-FC	2"	1405	950	634	138	1061	600	573	268	194
ALTI-NEXIS-V611-2-SC-16-T4-FC	2"	1405	950	634	138	1136	600	573	270	196
ALTI-NEXIS-V612-2-SC-16-T4-FC	2"	1405	950	634	138	1171	600	573	276	202
ALTI-NEXIS-V613-2-SC-16-T4-FC	2"	1405	950	634	138	1246	600	573	278	204
ALTI-NEXIS-V614-2-SC-16-T4-FC	2"	1405	950	634	138	1246	600	573	280	206
ALTI-NEXIS-V615-2-SC-16-T4-FC	2"	1405	950	634	138	1321	600	573	282	208
ALTI-NEXIS-V616-2-SC-16-T4-FC	2"	1405	950	634	138	1365	600	573	304	230

ALTI-NEXIS V

DIMENSIONS - ALTI-NEXIS V SERIES - SCFC VERSION

TYPE	Ø	H	L	P	H1	H2	X	P1	Mass	
	Pipes	mm	mm	mm	mm	mm	mm	mm	Incl.packaging	Net
2 PUMPS										
ALTI-NEXIS-V1002-2-SC-16-T4-FC	2"1/2	1405	950	780	168	749	600	704	248	174
ALTI-NEXIS-V1003-2-SC-16-T4-FC	2"1/2	1405	950	780	168	787	600	704	252	178
ALTI-NEXIS-V1004-2-SC-16-T4-FC	2"1/2	1405	950	780	168	857	600	704	263	189
ALTI-NEXIS-V1005-2-SC-16-T4-FC	2"1/2	1405	950	780	168	894	600	704	273	199
ALTI-NEXIS-V1006-2-SC-16-T4-FC	2"1/2	1405	950	780	168	932	600	704	275	201
ALTI-NEXIS-V1007-2-SC-16-T4-FC	2"1/2	1405	950	780	168	1005	600	704	281	207
ALTI-NEXIS-V1008-2-SC-16-T4-FC	2"1/2	1405	950	780	168	1042	600	704	283	209
ALTI-NEXIS-V1009-2-SC-16-T4-FC	2"1/2	1405	950	780	168	1123	600	704	307	233
ALTI-NEXIS-V1010-2-SC-16-T4-FC	2"1/2	1405	950	780	168	1161	600	704	309	235
ALTI-NEXIS-V1011-2-SC-16-T4-FC	2"1/2	1405	950	780	168	1236	600	704	311	237
ALTI-NEXIS-V1012-2-SC-16-T4-FC	2"1/2	1405	950	780	168	1228	600	704	431	357
ALTI-NEXIS-V1013-2-SC-16-T4-FC	2"1/2	1405	950	780	168	1303	600	704	433	359
ALTI-NEXIS-V1015-2-SC-16-T4-FC	2"1/2	1405	950	780	168	1378	600	704	437	363
ALTI-NEXIS-V1603-2-SC-16-T4-FC	2"1/2	1405	950	796	178	867	600	720	275	201
ALTI-NEXIS-V1604-2-SC-16-T4-FC	2"1/2	1405	950	796	178	952	600	720	283	209
ALTI-NEXIS-V1605-2-SC-16-T4-FC	2"1/2	1405	950	796	178	1046	600	720	305	231
ALTI-NEXIS-V1606-2-SC-16-T4-FC	2"1/2	1405	950	796	178	1096	600	720	307	233
ALTI-NEXIS-V1607-2-SC-16-T4-FC	2"1/2	1405	950	796	178	1138	600	720	451	377
ALTI-NEXIS-V1608-2-SC-16-T4-FC	2"1/2	1405	950	796	178	1188	600	720	455	381
ALTI-NEXIS-V1609/K-2-SC-16-T4-FC	2"1/2	1405	950	796	178	1425	600	720	356	297
ALTI-NEXIS-V1610/K-2-SC-16-T4-FC	2"1/2	1405	950	796	178	1575	600	720	361	302
ALTI-NEXIS-V1611/K-2-SC-16-T4-FC	2"1/2	1405	950	796	178	1575	600	720	364	305
ALTI-NEXIS-V2202-2-SC-16-T4-FC	3"	1405	950	1039	178	838	600	950	364	293
ALTI-NEXIS-V2203-2-SC-16-T4-FC	3"	1405	950	1039	178	920	600	950	380	309
ALTI-NEXIS-V2204-2-SC-16-T4-FC	3"	1405	950	1039	178	949	600	950	396	325
ALTI-NEXIS-V2205-2-SC-16-T4-FC	3"	1405	950	1039	178	1086	600	950	450	379
ALTI-NEXIS-V2206-2-SC-16-T4-FC	3"	1405	950	1039	178	1136	600	950	454	383
ALTI-NEXIS-V2207-2-SC-16-T4-FC	3"	1900*	600	1039	178	1186	600	950	578	507
ALTI-NEXIS-V2208-2-SC-16-T4-FC	3"	1900*	600	1039	178	1236	600	950	645	574
ALTI-NEXIS-V3602/2-2-SC-16-T4-FC	DN100	1405	1000	1249	193	923	800	1029	440	365
ALTI-NEXIS-V3602-2-SC-16-T4-FC	DN100	1405	1000	1249	193	902	800	1029	454	379
ALTI-NEXIS-V3603/1-2-SC-16-T4-FC	DN100	1405	1000	1249	193	1056	800	1029	514	439
ALTI-NEXIS-V3603-2-SC-16-T4-FC	DN100	1900*	600	1249	193	1056	800	1029	634	559
ALTI-NEXIS-V3604/2-2-SC-16-T4-FC	DN100	1900*	600	1249	193	1122	800	1029	711	636
ALTI-NEXIS-V3604-2-SC-16-T4-FC	DN100	1900*	600	1249	193	1122	800	1029	711	636
ALTI-NEXIS-V3605/2/K-2-SC-16-T4-FC	DN100	1900*	1080	1249	228	1484	1000	1029	784	709
ALTI-NEXIS-V3605/K-2-SC-16-T4-FC	DN100	1900*	1080	1249	228	1484	1000	1029	784	709
ALTI-NEXIS-V3606/2/K-2-SC-16-T4-FC	DN100	1900*	1080	1249	228	1551	1000	1029	792	717
ALTI-NEXIS-V3606/K-2-SC-16-T4-FC	DN100	1900*	1080	1249	228	1551	1000	1029	836	761
ALTI-NEXIS-V5202/2-2-SC-16-T4-FC	DN125	1420	1250	1287	243	1014	1000	1037	562	462
ALTI-NEXIS-V5202-2-SC-16-T4-FC	DN125	1420	1250	1287	243	1101	1000	1037	614	514
ALTI-NEXIS-V5203/2-2-SC-16-T4-FC	DN125	1900*	1080	1287	263	1221	1000	1037	825	725
ALTI-NEXIS-V5203-2-SC-16-T4-FC	DN125	1900*	1080	1287	263	1221	1000	1037	825	725
ALTI-NEXIS-V5204/2/K-2-SC-16-T4-FC	DN125	1900*	1080	1287	263	1581	1000	1037	878	773
ALTI-NEXIS-V5204/K-2-SC-16-T4-FC	DN125	1900*	1080	1287	263	1581	1000	1037	878	773
ALTI-NEXIS-V5205/2/K-2-SC-16-T4-FC	DN125	1900*	1080	1287	263	1681	1000	1037	936	831
ALTI-NEXIS-V5205/K-2-SC-16-T4-FC	DN125	1900*	1080	1287	263	1681	1000	1037	936	831
ALTI-NEXIS-V5206/2/K-2-SC-16-T4-FC	DN125	1900*	1080	1287	263	1781	1000	1037	1015	910
3 PUMPS										
ALTI-NEXIS-V403-3-SC-16-T4-FC	1"1/2	1405	1250	610	138	709	900	561	278	196
ALTI-NEXIS-V404-3-SC-16-T4-FC	1"1/2	1405	1250	610	138	734	900	561	281	199
ALTI-NEXIS-V406-3-SC-16-T4-FC	1"1/2	1405	1250	610	138	804	900	561	291	209
ALTI-NEXIS-V407-3-SC-16-T4-FC	1"1/2	1405	1250	610	138	829	900	561	296	214
ALTI-NEXIS-V409-3-SC-16-T4-FC	1"1/2	1405	1250	610	138	879	900	561	299	217
ALTI-NEXIS-V410-3-SC-16-T4-FC	1"1/2	1405	1250	610	138	936	900	561	314	231
ALTI-NEXIS-V412-3-SC-16-T4-FC	1"1/2	1405	1250	610	138	986	900	561	317	234
ALTI-NEXIS-V414-3-SC-16-T4-FC	1"1/2	1405	1250	610	138	1036	900	561	333	251
ALTI-NEXIS-V416-3-SC-16-T4-FC	1"1/2	1405	1250	610	138	1086	900	561	335	252
ALTI-NEXIS-V418-3-SC-16-T4-FC	1"1/2	1405	1250	610	138	1136	900	561	345	263

DIMENSIONS - ALTI-NEXIS V SERIES - SCFC VERSION

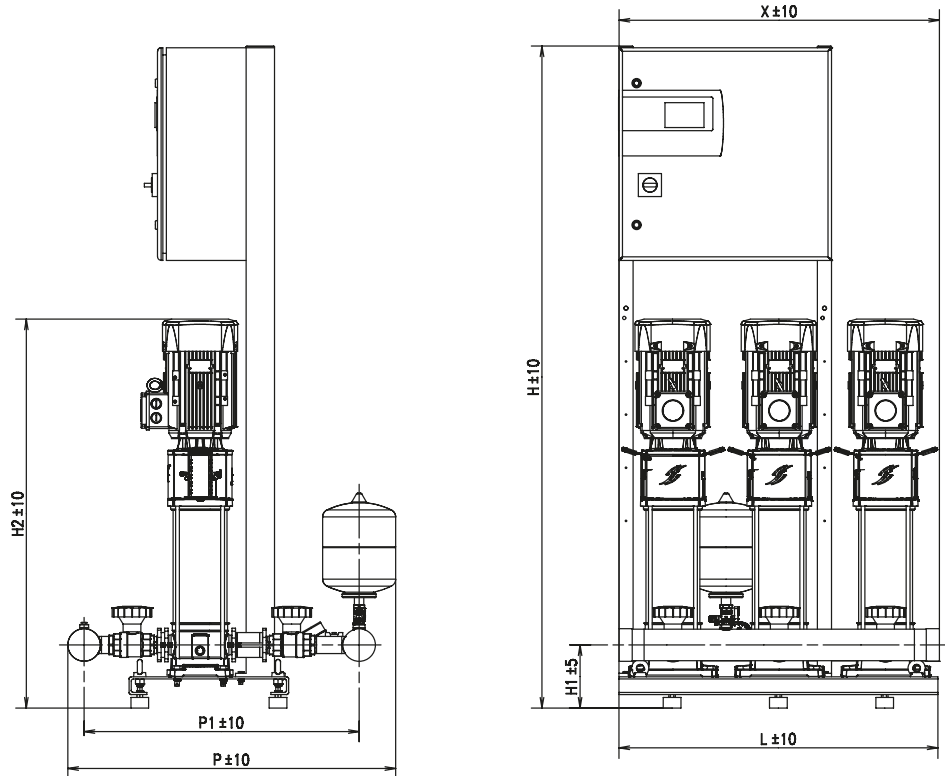
TYPE	Ø	H	L	P	H1	H2	X	P1	Mass	
	Pipes	mm	mm	mm	mm	mm	mm	mm	Incl. packaging	Net
3 PUMPS										
ALTI-NEXIS-V603-3-SC-16-T4-FC	2"1/2	1405	1250	665	138	746	900	589	288	205
ALTI-NEXIS-V604-3-SC-16-T4-FC	2"1/2	1405	1250	665	138	803	900	589	297	214
ALTI-NEXIS-V605-3-SC-16-T4-FC	2"1/2	1405	1250	665	138	841	900	589	303	220
ALTI-NEXIS-V606-3-SC-16-T4-FC	2"1/2	1405	1250	665	138	878	900	589	306	223
ALTI-NEXIS-V607-3-SC-16-T4-FC	2"1/2	1405	1250	665	138	948	900	589	320	238
ALTI-NEXIS-V608-3-SC-16-T4-FC	2"1/2	1405	1250	665	138	986	900	589	323	241
ALTI-NEXIS-V609-3-SC-16-T4-FC	2"1/2	1405	1250	665	138	1023	900	589	336	253
ALTI-NEXIS-V610-3-SC-16-T4-FC	2"1/2	1405	1250	665	138	1061	900	589	339	256
ALTI-NEXIS-V611-3-SC-16-T4-FC	2"1/2	1405	1250	665	138	1136	900	589	342	259
ALTI-NEXIS-V612-3-SC-16-T4-FC	2"1/2	1405	1250	665	138	1171	900	589	351	269
ALTI-NEXIS-V613-3-SC-16-T4-FC	2"1/2	1405	1250	665	138	1246	900	589	354	272
ALTI-NEXIS-V614-3-SC-16-T4-FC	2"1/2	1405	1250	665	138	1246	900	589	357	275
ALTI-NEXIS-V615-3-SC-16-T4-FC	2"1/2	1405	1250	665	138	1321	900	589	360	278
ALTI-NEXIS-V616-3-SC-16-T4-FC	2"1/2	1405	1250	665	138	1365	900	589	393	311
ALTI-NEXIS-V1002-3-SC-16-T4-FC	2"1/2	1405	1250	780	168	749	900	704	307	225
ALTI-NEXIS-V1003-3-SC-16-T4-FC	2"1/2	1405	1250	780	168	787	900	704	313	231
ALTI-NEXIS-V1004-3-SC-16-T4-FC	2"1/2	1405	1250	780	168	857	900	704	331	248
ALTI-NEXIS-V1005-3-SC-16-T4-FC	2"1/2	1405	1250	780	168	894	900	704	343	261
ALTI-NEXIS-V1006-3-SC-16-T4-FC	2"1/2	1405	1250	780	168	932	900	704	346	264
ALTI-NEXIS-V1007-3-SC-16-T4-FC	2"1/2	1405	1250	780	168	1005	900	704	356	273
ALTI-NEXIS-V1008-3-SC-16-T4-FC	2"1/2	1405	1250	780	168	1042	900	704	359	276
ALTI-NEXIS-V1009-3-SC-16-T4-FC	2"1/2	1405	1250	780	168	1123	900	704	395	312
ALTI-NEXIS-V1010-3-SC-16-T4-FC	2"1/2	1405	1250	780	168	1161	900	704	398	315
ALTI-NEXIS-V1011-3-SC-16-T4-FC	2"1/2	1405	1250	780	168	1236	900	704	401	318
ALTI-NEXIS-V1012-3-SC-16-T4-FC	2"1/2	1405	1250	780	168	1228	900	704	529	447
ALTI-NEXIS-V1013-3-SC-16-T4-FC	2"1/2	1405	1250	780	168	1303	900	704	532	450
ALTI-NEXIS-V1015-3-SC-16-T4-FC	2"1/2	1405	1250	780	168	1378	900	704	538	456
ALTI-NEXIS-V1603-3-SC-16-T4-FC	3"	1405	1250	824	178	867	900	735	499	416
ALTI-NEXIS-V1604-3-SC-16-T4-FC	3"	1405	1250	824	178	952	900	735	502	420
ALTI-NEXIS-V1605-3-SC-16-T4-FC	3"	1405	1250	824	178	1046	900	735	505	423
ALTI-NEXIS-V1606-3-SC-16-T4-FC	3"	1405	1250	824	178	1096	900	735	346	264
ALTI-NEXIS-V1607-3-SC-16-T4-FC	3"	1405	1250	824	178	1138	900	735	469	386
ALTI-NEXIS-V1608-3-SC-16-T4-FC	3"	1405	1250	824	178	1188	900	735	502	419
ALTI-NEXIS-V1609/K-3-SC-16-T4-FC	3"	1405	1250	824	178	1425	900	735	471	405
ALTI-NEXIS-V1610/K-3-SC-16-T4-FC	3"	1405	1250	824	178	1575	900	735	478	412
ALTI-NEXIS-V1611/K-3-SC-16-T4-FC	3"	1405	1250	824	178	1575	900	735	482	416
ALTI-NEXIS-V2202-3-SC-16-T4-FC	DN100	1405	1250	1195	178	838	900	950	489	418
ALTI-NEXIS-V2203-3-SC-16-T4-FC	DN100	1405	1250	1195	178	920	900	950	511	440
ALTI-NEXIS-V2204-3-SC-16-T4-FC	DN100	1405	1250	1195	178	949	900	950	533	462
ALTI-NEXIS-V2205-3-SC-16-T4-FC	DN100	1405	1250	1195	178	1086	900	950	614	543
ALTI-NEXIS-V2206-3-SC-16-T4-FC	DN100	1405	1250	1195	178	1136	900	950	620	549
ALTI-NEXIS-V5203-3-SC-16-T4-FC	DN150	1900*	1580	1349	263	1221	1500	1064	1156	1016
ALTI-NEXIS-V5204/2/K-3-SC-16-T4-FC	DN150	1900*	1580	1349	263	1581	1500	1064	1236	1086
ALTI-NEXIS-V5204/K-3-SC-16-T4-FC	DN150	1900*	1580	1349	263	1581	1500	1064	1236	1086
ALTI-NEXIS-V5205/2/K-3-SC-16-T4-FC	DN150	1900*	1580	1349	263	1681	1500	1064	1311	1161
ALTI-NEXIS-V5205/K-3-SC-16-T4-FC	DN150	1900*	1580	1349	263	1681	1500	1064	1311	1161
ALTI-NEXIS-V5206/2/K-3-SC-16-T4-FC	DN150	1900*	1580	1349	263	1781	1500	1064	1414	1264
ALTI-NEXIS-V2207-3-SC-16-T4-FC	DN100	1900*	900	1195	178	1186	900	950	775	704
ALTI-NEXIS-V2208-3-SC-16-T4-FC	DN100	1900*	900	1195	178	1236	900	950	875	804
ALTI-NEXIS-V3602/2-3-SC-16-T4-FC	DN125	1405	1300	1306	193	923	1100	1056	612	512
ALTI-NEXIS-V3602-3-SC-16-T4-FC	DN125	1405	1300	1306	193	902	1100	1056	631	531
ALTI-NEXIS-V3603/1-3-SC-16-T4-FC	DN125	1405	1300	1306	193	1056	1100	1056	721	621
ALTI-NEXIS-V3603-3-SC-16-T4-FC	DN125	1900*	900	1306	193	1056	1100	1056	850	775
ALTI-NEXIS-V3604/2-3-SC-16-T4-FC	DN125	1900*	900	1306	193	1122	1100	1056	965	890
ALTI-NEXIS-V3604-3-SC-16-T4-FC	DN125	1900*	900	1306	193	1122	1100	1056	980	890
ALTI-NEXIS-V3605/2/K-3-SC-16-T4-FC	DN125	1900*	1580	1306	228	1484	1500	1056	1104	999
ALTI-NEXIS-V3605/K-3-SC-16-T4-FC	DN125	1900*	1580	1306	228	1484	1500	1056	1104	999
ALTI-NEXIS-V3606/2/K-3-SC-16-T4-FC	DN125	1900*	1580	1306	228	1551	1500	1056	1116	1011
ALTI-NEXIS-V3606/K-3-SC-16-T4-FC	DN125	1900*	1580	1306	228	1551	1500	1056	1170	1065
ALTI-NEXIS-V5202/2-3-SC-16-T4-FC	DN150	1420	1750	1349	243	1014	1500	1064	791	651
ALTI-NEXIS-V5202-3-SC-16-T4-FC	DN150	1420	1750	1349	243	1101	1500	1064	870	730
ALTI-NEXIS-V5203/2-3-SC-16-T4-FC	DN150	1900*	1580	1349	263	1221	1500	1064	1156	1016

ALTI-NEXIS V

DIMENSIONS - ALTI-NEXIS V SERIES - SCFC VERSION

TYPE	Ø	H	L	P	H1	H2	X	P1	Mass	
	Pipes	mm	mm	mm	mm	mm	mm	mm	Incl. packaging	Net
4 PUMPS										
ALTI-NEXIS-V403-4-SC-16-T4-FC	2"	1405	1550	634	138	709	1200	573	380	237
ALTI-NEXIS-V404-4-SC-16-T4-FC	2"	1405	1550	634	138	734	1200	573	384	241
ALTI-NEXIS-V406-4-SC-16-T4-FC	2"	1405	1550	634	138	804	1200	573	398	255
ALTI-NEXIS-V407-4-SC-16-T4-FC	2"	1405	1550	634	138	829	1200	573	404	261
ALTI-NEXIS-V409-4-SC-16-T4-FC	2"	1405	1550	634	138	879	1200	573	408	265
ALTI-NEXIS-V410-4-SC-16-T4-FC	2"	1405	1550	634	138	936	1200	573	427	284
ALTI-NEXIS-V412-4-SC-16-T4-FC	2"	1405	1550	634	138	986	1200	573	431	288
ALTI-NEXIS-V414-4-SC-16-T4-FC	2"	1405	1550	634	138	1036	1200	573	453	309
ALTI-NEXIS-V416-4-SC-16-T4-FC	2"	1405	1550	634	138	1086	1200	573	455	311
ALTI-NEXIS-V418-4-SC-16-T4-FC	2"	1405	1550	634	138	1136	1200	573	459	316
ALTI-NEXIS-V603-4-SC-16-T4-FC	2 1/2	1405	1550	665	138	746	1200	589	392	249
ALTI-NEXIS-V604-4-SC-16-T4-FC	2 1/2	1405	1550	665	138	803	1200	589	404	261
ALTI-NEXIS-V605-4-SC-16-T4-FC	2 1/2	1405	1550	665	138	841	1200	589	412	269
ALTI-NEXIS-V606-4-SC-16-T4-FC	2 1/2	1405	1550	665	138	878	1200	589	416	273
ALTI-NEXIS-V607-4-SC-16-T4-FC	2 1/2	1405	1550	665	138	948	1200	589	435	292
ALTI-NEXIS-V608-4-SC-16-T4-FC	2 1/2	1405	1550	665	138	986	1200	589	439	296
ALTI-NEXIS-V609-4-SC-16-T4-FC	2 1/2	1405	1550	665	138	1023	1200	589	455	312
ALTI-NEXIS-V610-4-SC-16-T4-FC	2 1/2	1405	1550	665	138	1061	1200	589	459	316
ALTI-NEXIS-V611-4-SC-16-T4-FC	2 1/2	1405	1550	665	138	1136	1200	589	463	320
ALTI-NEXIS-V612-4-SC-16-T4-FC	2 1/2	1405	1550	665	138	1171	1200	589	476	333
ALTI-NEXIS-V613-4-SC-16-T4-FC	2 1/2	1405	1550	665	138	1246	1200	589	480	337
ALTI-NEXIS-V614-4-SC-16-T4-FC	2 1/2	1405	1550	665	138	1246	1200	589	484	341
ALTI-NEXIS-V615-4-SC-16-T4-FC	2 1/2	1405	1550	665	138	1321	1200	589	488	345
ALTI-NEXIS-V616-4-SC-16-T4-FC	2 1/2	1405	1550	665	138	1365	1200	589	533	390
ALTI-NEXIS-V1002-4-SC-16-T4-FC	3"	1405	1550	806	168	749	1200	717	420	277
ALTI-NEXIS-V1003-4-SC-16-T4-FC	3"	1405	1550	806	168	787	1200	717	428	285
ALTI-NEXIS-V1004-4-SC-16-T4-FC	3"	1405	1550	806	168	857	1200	717	451	309
ALTI-NEXIS-V1005-4-SC-16-T4-FC	3"	1405	1550	806	168	894	1200	717	467	324
ALTI-NEXIS-V1006-4-SC-16-T4-FC	3"	1405	1550	806	168	932	1200	717	471	328
ALTI-NEXIS-V1007-4-SC-16-T4-FC	3"	1405	1550	806	168	1005	1200	717	484	342
ALTI-NEXIS-V1008-4-SC-16-T4-FC	3"	1405	1550	806	168	1042	1200	717	488	346
ALTI-NEXIS-V1009-4-SC-16-T4-FC	3"	1405	1550	806	168	1123	1200	717	537	395
ALTI-NEXIS-V1010-4-SC-16-T4-FC	3"	1405	1550	806	168	1161	1200	717	541	399
ALTI-NEXIS-V1011-4-SC-16-T4-FC	3"	1405	1550	806	168	1236	1200	717	545	403
ALTI-NEXIS-V1012-4-SC-16-T4-FC	3"	1405	1550	806	168	1228	1200	717	682	539
ALTI-NEXIS-V1013-4-SC-16-T4-FC	3"	1405	1550	806	168	1303	1200	717	686	543
ALTI-NEXIS-V1015-4-SC-16-T4-FC	3"	1405	1550	806	168	1378	1200	717	694	551
ALTI-NEXIS-V1603-4-SC-16-T4-FC	DN100	1405	1550	986	178	867	1200	766	572	429
ALTI-NEXIS-V1604-4-SC-16-T4-FC	DN100	1405	1550	986	178	952	1200	766	645	503
ALTI-NEXIS-V1605-4-SC-16-T4-FC	DN100	1405	1550	986	178	1046	1200	766	654	512
ALTI-NEXIS-V1606-4-SC-16-T4-FC	DN100	1405	1550	986	178	1096	1200	766	702	560
ALTI-NEXIS-V1607-4-SC-16-T4-FC	DN100	1405	1550	986	178	1138	1200	766	819	676
ALTI-NEXIS-V1608-4-SC-16-T4-FC	DN100	1405	1550	986	178	1188	1200	766	823	680
ALTI-NEXIS-V1609/K-4-SC-16-T4-FC	DN100	1405	1550	986	178	1425	1200	766	662	543
ALTI-NEXIS-V1610/K-4-SC-16-T4-FC	DN100	1405	1550	986	178	1575	1200	766	671	552
ALTI-NEXIS-V1611/K-4-SC-16-T4-FC	DN100	1405	1550	986	178	1575	1200	766	676	557
ALTI-NEXIS-V2202-4-SC-16-T4-FC	DN125	1405	1550	1257	178	838	1200	1007	643	543
ALTI-NEXIS-V2203-4-SC-16-T4-FC	DN125	1405	1550	1257	178	920	1200	1007	672	572
ALTI-NEXIS-V2204-4-SC-16-T4-FC	DN125	1405	1550	1257	178	949	1200	1007	700	600
ALTI-NEXIS-V2205-4-SC-16-T4-FC	DN125	1405	1550	1257	178	1086	1200	1007	809	709
ALTI-NEXIS-V2206-4-SC-16-T4-FC	DN125	1405	1550	1257	178	1136	1200	1007	817	717
ALTI-NEXIS-V2207-4-SC-16-T4-FC	DN125	1900*	1200	1257	178	1186	1200	1007	983	883
ALTI-NEXIS-V2208-4-SC-16-T4-FC	DN125	1900*	1200	1257	178	1236	1200	1007	1116	1016
ALTI-NEXIS-V3602/2-4-SC-16-T4-FC	DN150	1405	1600	1372	193	923	1400	1087	765	665
ALTI-NEXIS-V3602-4-SC-16-T4-FC	DN150	1405	1600	1372	193	902	1400	1087	789	689
ALTI-NEXIS-V3603/1-4-SC-16-T4-FC	DN150	1405	1600	1372	193	1056	1400	1087	910	810
ALTI-NEXIS-V3603-4-SC-16-T4-FC	DN150	1900*	1200	1372	193	1056	1400	1087	1067	967
ALTI-NEXIS-V3604/2-4-SC-16-T4-FC	DN150	1900*	1200	1372	193	1122	1400	1087	1221	1121
ALTI-NEXIS-V3604-4-SC-16-T4-FC	DN150	1900*	1200	1372	193	1122	1400	1087	1221	1121
ALTI-NEXIS-V3605/2/K-4-SC-16-T4-FC	DN150	1900*	2080	1372	228	1484	2000	1087	1418	1268
ALTI-NEXIS-V3605/K-4-SC-16-T4-FC	DN150	1900*	2080	1372	228	1484	2000	1087	1418	1268
ALTI-NEXIS-V3606/2/K-4-SC-16-T4-FC	DN150	1900*	2080	1372	228	1551	2000	1087	1434	1284
ALTI-NEXIS-V3606/K-4-SC-16-T4-FC	DN150	1900*	2080	1372	228	1551	2000	1087	1493	1343
ALTI-NEXIS-V5202/2-4-SC-16-T4-FC	DN200	1420	2250	1455	243	1014	2000	1115	1077	847
ALTI-NEXIS-V5202-4-SC-16-T4-FC	DN200	1420	2250	1455	243	1101	2000	1115	1181	951
ALTI-NEXIS-V5203/2-4-SC-16-T4-FC	DN200	1900*	2080	1455	263	1221	2000	1115	1468	1288
ALTI-NEXIS-V5203-4-SC-16-T4-FC	DN200	1900*	2080	1455	263	1221	2000	1115	1468	1288
ALTI-NEXIS-V5204/2/K-4-SC-16-T4-FC	DN200	1900*	2080	1455	263	1581	2000	1115	1570	1380
ALTI-NEXIS-V5204/K-4-SC-16-T4-FC	DN200	1900*	2080	1455	263	1581	2000	1115	1570	1380
ALTI-NEXIS-V5205/2/K-4-SC-16-T4-FC	DN200	1900*	2080	1455	263	1681	2000	1115	1657	1467
ALTI-NEXIS-V5205/K-4-SC-16-T4-FC	DN200	1900*	2080	1455	263	1681	2000	1115	1657	1467
ALTI-NEXIS-V5206/2/K-4-SC-16-T4-FC	DN200	1900*	2080	1455	263	1781	2000	1115	1786	1596

DIMENSIONS - ALTI-NEXIS V SERIES - CC VERSION



TYPE	Ø	H	L	P	H1	H2	X	P1	Mass	
	Pipes	mm	mm	mm	mm	mm	mm	mm	Incl. packaging	Net
2 PUMPS										
ALTI-NEXIS-V403/K-2-CC-16-T4-01	1"1/2	1670	600	738	138	709	600	611	147	120
ALTI-NEXIS-V404/K-2-CC-16-T4-01	1"1/2	1670	600	738	138	734	600	611	149	122
ALTI-NEXIS-V406/K-2-CC-16-T4-01	1"1/2	1670	600	738	138	804	600	611	155	128
ALTI-NEXIS-V407/K-2-CC-16-T4-01	1"1/2	1670	600	738	138	829	600	611	159	132
ALTI-NEXIS-V409/K-2-CC-16-T4-01	1"1/2	1670	600	738	138	879	600	611	161	134
ALTI-NEXIS-V410/K-2-CC-16-T4-01	1"1/2	1670	600	738	138	936	600	611	171	144
ALTI-NEXIS-V412/K-2-CC-16-T4-01	1"1/2	1870	600	738	138	986	600	611	173	146
ALTI-NEXIS-V414/K-2-CC-16-T4-01	1"1/2	1870	600	738	138	1036	600	611	181	154
ALTI-NEXIS-V416/K-2-CC-16-T4-01	1"1/2	1870	600	738	138	1086	600	611	183	156
ALTI-NEXIS-V418/K-2-CC-16-T4-01	1"1/2	1870	600	738	138	1136	600	611	185	158
ALTI-NEXIS-V603/K-2-CC-16-T4-01	2"	1670	600	758	138	746	600	624	152	125
ALTI-NEXIS-V604/K-2-CC-16-T4-01	2"	1670	600	758	138	803	600	624	158	131
ALTI-NEXIS-V605/K-2-CC-16-T4-01	2"	1670	600	758	138	841	600	624	162	135
ALTI-NEXIS-V606/K-2-CC-16-T4-01	2"	1670	600	758	138	878	600	624	164	137
ALTI-NEXIS-V607/K-2-CC-16-T4-01	2"	1670	600	758	138	948	600	624	174	147
ALTI-NEXIS-V608/K-2-CC-16-T4-01	2"	1870	600	758	138	986	600	624	178	151
ALTI-NEXIS-V609/K-2-CC-16-T4-01	2"	1870	600	758	138	1023	600	624	184	157
ALTI-NEXIS-V610/K-2-CC-16-T4-01	2"	1870	600	758	138	1061	600	624	184	157
ALTI-NEXIS-V611/K-2-CC-16-T4-01	2"	1870	600	758	138	1136	600	624	186	159
ALTI-NEXIS-V612/K-2-CC-16-T4-01	2"	1670	1200	758	138	1171	600	624	274	191
ALTI-NEXIS-V613/K-2-CC-16-T4-01	2"	1670	1200	758	138	1246	600	624	276	193
ALTI-NEXIS-V614/K-2-CC-16-T4-01	2"	1670	1200	758	138	1246	600	624	278	195
ALTI-NEXIS-V615/K-2-CC-16-T4-01	2"	1670	1200	758	138	1321	600	624	280	197
ALTI-NEXIS-V616/K-2-CC-16-T4-01	2"	1670	1200	758	138	1365	600	624	302	219

ALTI-NEXIS V

DIMENSIONS - ALTI-NEXIS V SERIES - CC VERSION

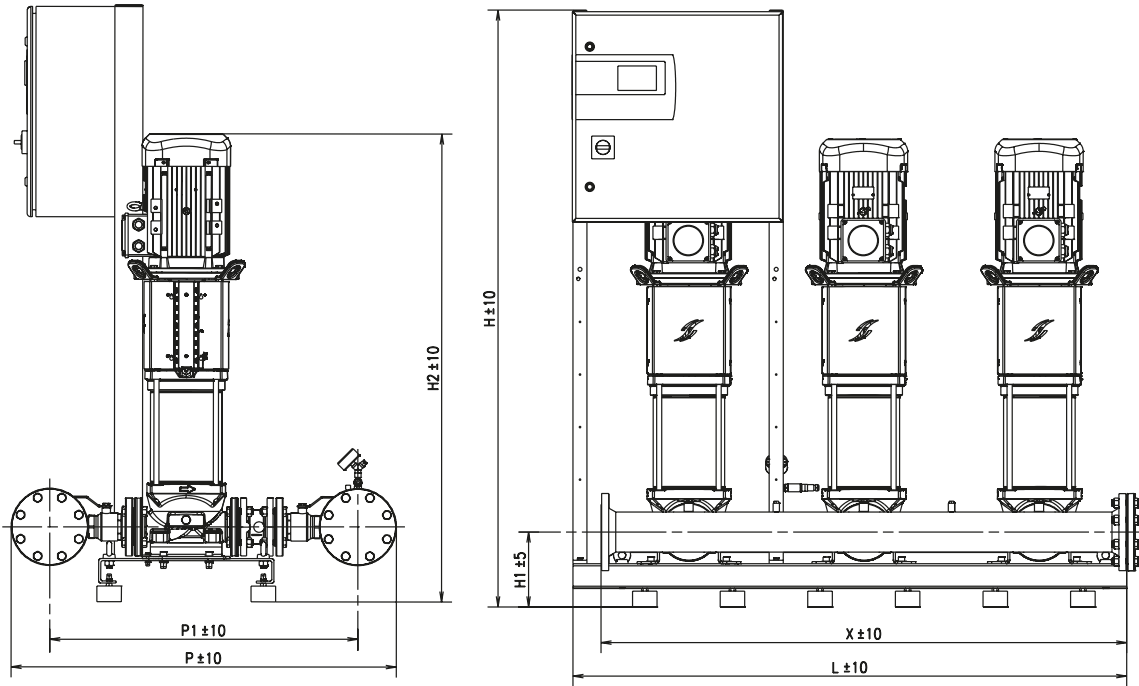
TYPE	Ø	H	L	P	H1	H2	X	P1	Mass	
	Pipes	mm	mm	mm	mm	mm	mm	mm	Incl.packaging	Net
ALTI-NEXIS-V1002/K-2-CC-16-T4-01	2"1/2	1670	600	895	178	749	600	754	161	134
ALTI-NEXIS-V1003/K-2-CC-16-T4-01	2"1/2	1670	600	895	178	787	600	754	165	138
ALTI-NEXIS-V1004/K-2-CC-16-T4-01	2"1/2	1670	600	895	178	894	600	754	177	150
ALTI-NEXIS-V1005/K-2-CC-16-T4-01	2"1/2	1670	600	895	178	894	600	754	183	156
ALTI-NEXIS-V1006/K-2-CC-16-T4-01	2"1/2	1670	600	895	178	932	600	754	185	158
ALTI-NEXIS-V1007/K-2-CC-16-T4-01	2"1/2	1870	600	895	178	1005	600	754	193	166
ALTI-NEXIS-V1008/K-2-CC-16-T4-01	2"1/2	1870	600	895	178	1042	600	754	195	168
ALTI-NEXIS-V1009/K-2-CC-16-T4-01	2"1/2	1870	600	895	178	1123	600	754	219	192
ALTI-NEXIS-V1010/K-2-CC-16-T4-01	2"1/2	1870	600	895	178	1161	600	754	221	194
ALTI-NEXIS-V1011/K-2-CC-16-T4-01	2"1/2	1670	1200	895	178	1236	600	754	247	221
ALTI-NEXIS-V1012/K-2-CC-16-T4-01	2"1/2	1670	1200	895	178	1228	600	754	262	235
ALTI-NEXIS-V1013/K-2-CC-16-T4-01	2"1/2	1670	1200	895	178	1303	600	754	264	237
ALTI-NEXIS-V1015/K-2-CC-16-T4-01	2"1/2	1670	1200	895	178	1378	600	754	315	241
ALTI-NEXIS-V1603/K-2-CC-16-T4-01	2"1/2	1670	600	770	178	867	600	912	193	158
ALTI-NEXIS-V1604/K-2-CC-16-T4-01	2"1/2	1670	600	770	178	952	600	912	203	168
ALTI-NEXIS-V1605/K-2-CC-16-T4-01	2"1/2	1870	600	770	178	1046	600	912	216	190
ALTI-NEXIS-V1606/K-2-CC-16-T4-01	2"1/2	1870	600	770	178	1096	600	912	218	192
ALTI-NEXIS-V1607/K-2-CC-16-T4-01	2"1/2	1870	600	770	178	1173	600	912	257	230
ALTI-NEXIS-V1608/K-2-CC-16-T4-01	2"1/2	1670	1200	770	178	1223	600	912	341	258
ALTI-NEXIS-V1609/K-2-CC-16-T4-01	2"1/2	1705	1580	770	213	1460	1000	912	451	305
ALTI-NEXIS-V1610/K-2-CC-16-T4-01	2"1/2	1705	1580	770	213	1610	1000	912	455	309
ALTI-NEXIS-V1611/K-2-CC-16-T4-01	2"1/2	1705	1580	770	213	1610	1000	912	457	311
3 POMPES										
ALTI-NEXIS-V403/K-3-CC-16-T4-01	1"1/2	1670	900	738	138	709	900	611	229	155
ALTI-NEXIS-V404/K-3-CC-16-T4-01	1"1/2	1670	900	738	138	734	900	611	232	158
ALTI-NEXIS-V406/K-3-CC-16-T4-01	1"1/2	1670	900	738	138	804	900	611	242	168
ALTI-NEXIS-V407/K-3-CC-16-T4-01	1"1/2	1670	900	738	138	829	900	611	247	173
ALTI-NEXIS-V409/K-3-CC-16-T4-01	1"1/2	1670	900	738	138	879	900	611	250	176
ALTI-NEXIS-V410/K-3-CC-16-T4-01	1"1/2	1670	900	738	138	936	900	611	267	193
ALTI-NEXIS-V412/K-3-CC-16-T4-01	1"1/2	1870	900	738	138	986	900	611	271	197
ALTI-NEXIS-V414/K-3-CC-16-T4-01	1"1/2	1870	900	738	138	1036	900	611	284	210
ALTI-NEXIS-V416/K-3-CC-16-T4-01	1"1/2	1870	900	738	138	1086	900	611	286	212
ALTI-NEXIS-V418/K-3-CC-16-T4-01	1"1/2	1870	900	738	138	1136	900	611	289	215
ALTI-NEXIS-V603/K-3-CC-16-T4-01	2"1/2	1670	900	780	138	746	900	639	238	164
ALTI-NEXIS-V604/K-3-CC-16-T4-01	2"1/2	1670	900	780	138	803	900	639	247	173
ALTI-NEXIS-V605/K-3-CC-16-T4-01	2"1/2	1670	900	780	138	841	900	639	253	179
ALTI-NEXIS-V606/K-3-CC-16-T4-01	2"1/2	1670	900	780	138	878	900	639	256	182
ALTI-NEXIS-V607/K-3-CC-16-T4-01	2"1/2	1670	900	780	138	948	900	639	271	197
ALTI-NEXIS-V608/K-3-CC-16-T4-01	2"1/2	1870	900	780	138	986	900	639	276	202
ALTI-NEXIS-V609/K-3-CC-16-T4-01	2"1/2	1870	900	780	138	1023	900	639	285	211
ALTI-NEXIS-V610/K-3-CC-16-T4-01	2"1/2	1870	900	780	138	1061	900	639	289	215
ALTI-NEXIS-V611/K-3-CC-16-T4-01	2"1/2	1870	900	780	138	1136	900	639	292	218
ALTI-NEXIS-V612/K-3-CC-16-T4-01	2"1/2	1670	1500	780	138	1171	900	639	386	244
ALTI-NEXIS-V613/K-3-CC-16-T4-01	2"1/2	1670	1500	780	138	1246	900	639	389	247
ALTI-NEXIS-V614/K-3-CC-16-T4-01	2"1/2	1670	1500	780	138	1246	900	639	392	250
ALTI-NEXIS-V615/K-3-CC-16-T4-01	2"1/2	1670	1500	780	138	1321	900	639	395	253
ALTI-NEXIS-V616/K-3-CC-16-T4-01	2"1/2	1670	1500	780	138	1365	900	639	428	286
ALTI-NEXIS-V1002/K-3-CC-16-T4-01	2"1/2	1670	900	895	178	749	900	754	255	181
ALTI-NEXIS-V1003/K-3-CC-16-T4-01	2"1/2	1670	900	895	178	787	900	754	261	187
ALTI-NEXIS-V1004/K-3-CC-16-T4-01	2"1/2	1670	900	895	178	894	900	754	279	205
ALTI-NEXIS-V1005/K-3-CC-16-T4-01	2"1/2	1670	900	895	178	894	900	754	288	214
ALTI-NEXIS-V1006/K-3-CC-16-T4-01	2"1/2	1670	900	895	178	932	900	754	291	217
ALTI-NEXIS-V1007/K-3-CC-16-T4-01	2"1/2	1870	900	895	178	1005	900	754	305	230
ALTI-NEXIS-V1008/K-3-CC-16-T4-01	2"1/2	1870	900	895	178	1042	900	754	308	233
ALTI-NEXIS-V1009/K-3-CC-16-T4-01	2"1/2	1870	900	895	178	1123	900	754	344	269
ALTI-NEXIS-V1010/K-3-CC-16-T4-01	2"1/2	1870	900	895	178	1161	900	754	347	272
ALTI-NEXIS-V1011/K-3-CC-16-T4-01	2"1/2	1670	1500	895	178	1236	900	754	363	289
ALTI-NEXIS-V1012/K-3-CC-16-T4-01	2"1/2	1670	1500	895	178	1228	900	754	384	310
ALTI-NEXIS-V1013/K-3-CC-16-T4-01	2"1/2	1670	1500	895	178	1303	900	754	387	313
ALTI-NEXIS-V1015/K-3-CC-16-T4-01	2"1/2	1670	1500	895	178	1378	900	754	393	319
ALTI-NEXIS-V1603/K-3-CC-16-T4-01	3"	1670	900	785	178	867	900	980	274	218

DIMENSIONS - ALTI-NEXIS V SERIES - CC VERSION

TYPE	Ø	H	L	P	H1	H2	X	P1	Mass	
	Pipes	mm	mm	mm	mm	mm	mm	mm	Incl. packaging	Net
ALTI-NEXIS-V1604/K-3-CC-16-T4-01	3"	1670	900	785	178	952	900	980	290	233
ALTI-NEXIS-V1605/K-3-CC-16-T4-01	3"	1870	900	785	178	1046	900	980	341	267
ALTI-NEXIS-V1606/K-3-CC-16-T4-01	3"	1870	900	785	178	1096	900	980	344	270
ALTI-NEXIS-V1607/K-3-CC-16-T4-01	3"	1870	900	785	178	1173	900	980	402	328
ALTI-NEXIS-V1608/K-3-CC-16-T4-01	3"	1905	1500	785	178	1223	900	980	490	347
ALTI-NEXIS-V1609/K-3-CC-16-T4-01	3"	1705	2080	785	213	1460	1500	980	597	426
ALTI-NEXIS-V1610/K-3-CC-16-T4-01	3"	1705	2080	785	213	1610	1500	980	603	432
ALTI-NEXIS-V1611/K-3-CC-16-T4-01	3"	1705	2080	785	213	1610	1500	980	606	435
4 POMPES										
ALTI-NEXIS-V403/K-4-CC-16-T4-01	2"	1670	1200	764	138	709	1200	631	276	193
ALTI-NEXIS-V404/K-4-CC-16-T4-01	2"	1670	1200	764	138	734	1200	631	280	197
ALTI-NEXIS-V406/K-4-CC-16-T4-01	2"	1670	1200	764	138	804	1200	631	294	211
ALTI-NEXIS-V407/K-4-CC-16-T4-01	2"	1670	1200	764	138	829	1200	631	300	217
ALTI-NEXIS-V409/K-4-CC-16-T4-01	2"	1670	1200	764	138	879	1200	631	304	221
ALTI-NEXIS-V410/K-4-CC-16-T4-01	2"	1670	1200	764	138	936	1200	631	330	247
ALTI-NEXIS-V412/K-4-CC-16-T4-01	2"	1870	1200	764	138	986	1200	631	334	251
ALTI-NEXIS-V414/K-4-CC-16-T4-01	2"	1870	1200	764	138	1036	1200	631	352	269
ALTI-NEXIS-V416/K-4-CC-16-T4-01	2"	1870	1200	764	138	1086	1200	631	354	271
ALTI-NEXIS-V418/K-4-CC-16-T4-01	2"	1870	1200	764	138	1136	1200	631	358	275
ALTI-NEXIS-V603/K-4-CC-16-T4-01	2"1/2	1670	1200	780	138	746	1200	639	287	205
ALTI-NEXIS-V604/K-4-CC-16-T4-01	2"1/2	1670	1200	780	138	803	1200	639	299	217
ALTI-NEXIS-V605/K-4-CC-16-T4-01	2"1/2	1670	1200	780	138	841	1200	639	307	225
ALTI-NEXIS-V606/K-4-CC-16-T4-01	2"1/2	1670	1200	780	138	878	1200	639	311	229
ALTI-NEXIS-V607/K-4-CC-16-T4-01	2"1/2	1670	1200	780	138	948	1200	639	331	249
ALTI-NEXIS-V608/K-4-CC-16-T4-01	2"1/2	1870	1200	780	138	986	1200	639	337	255
ALTI-NEXIS-V609/K-4-CC-16-T4-01	2"1/2	1870	1200	780	138	1023	1200	639	349	267
ALTI-NEXIS-V610/K-4-CC-16-T4-01	2"1/2	1870	1200	780	138	1061	1200	639	357	275
ALTI-NEXIS-V611/K-4-CC-16-T4-01	2"1/2	1870	1200	780	138	1136	1200	639	361	279
ALTI-NEXIS-V612/K-4-CC-16-T4-01	2"1/2	1670	1800	780	138	1171	1200	639	496	331
ALTI-NEXIS-V613/K-4-CC-16-T4-01	2"1/2	1670	1800	780	138	1246	1200	639	500	335
ALTI-NEXIS-V614/K-4-CC-16-T4-01	2"1/2	1670	1800	780	138	1246	1200	639	504	339
ALTI-NEXIS-V615/K-4-CC-16-T4-01	2"1/2	1670	1800	780	138	1321	1200	639	508	343
ALTI-NEXIS-V616/K-4-CC-16-T4-01	2"1/2	1670	1800	780	138	1365	1200	639	553	387
ALTI-NEXIS-V1002/K-4-CC-16-T4-01	3"	1670	1200	767	178	749	1200	915	314	231
ALTI-NEXIS-V1003/K-4-CC-16-T4-01	3"	1670	1200	767	178	787	1200	915	322	239
ALTI-NEXIS-V1004/K-4-CC-16-T4-01	3"	1670	1200	767	178	894	1200	915	346	263
ALTI-NEXIS-V1005/K-4-CC-16-T4-01	3"	1670	1200	767	178	894	1200	915	358	275
ALTI-NEXIS-V1006/K-4-CC-16-T4-01	3"	1670	1200	767	178	932	1200	915	362	279
ALTI-NEXIS-V1007/K-4-CC-16-T4-01	3"	1870	1200	767	178	1005	1200	915	378	296
ALTI-NEXIS-V1008/K-4-CC-16-T4-01	3"	1870	1200	767	178	1042	1200	915	382	300
ALTI-NEXIS-V1009/K-4-CC-16-T4-01	3"	1870	1200	767	178	1123	1200	915	431	348
ALTI-NEXIS-V1010/K-4-CC-16-T4-01	3"	1870	1200	767	178	1161	1200	915	435	352
ALTI-NEXIS-V1011/K-4-CC-16-T4-01	3"	1670	1800	767	178	1236	1200	915	474	392
ALTI-NEXIS-V1012/K-4-CC-16-T4-01	3"	1670	1800	767	178	1228	1200	915	503	420
ALTI-NEXIS-V1013/K-4-CC-16-T4-01	3"	1670	1800	767	178	1303	1200	915	507	424
ALTI-NEXIS-V1015/K-4-CC-16-T4-01	3"	1670	1800	767	178	1378	1200	915	515	432
ALTI-NEXIS-V1603/K-4-CC-16-T4-01	DN100	1670	1200	816	178	867	1200	1036	377	311
ALTI-NEXIS-V1604/K-4-CC-16-T4-01	DN100	1670	1200	816	178	952	1200	1036	397	332
ALTI-NEXIS-V1605/K-4-CC-16-T4-01	DN100	1870	1200	816	178	1046	1200	1036	459	376
ALTI-NEXIS-V1606/K-4-CC-16-T4-01	DN100	1870	1200	816	178	1096	1200	1036	463	380
ALTI-NEXIS-V1607/K-4-CC-16-T4-01	DN100	1870	1200	816	178	1173	1200	1036	539	457
ALTI-NEXIS-V1608/K-4-CC-16-T4-01	DN100	1905	1800	816	178	1223	1200	1036	666	500
ALTI-NEXIS-V1609/K-4-CC-16-T4-01	DN100	1705	2580	816	213	1460	2000	1036	791	594
ALTI-NEXIS-V1610/K-4-CC-16-T4-01	DN100	1705	2580	816	213	1610	2000	1036	799	602
ALTI-NEXIS-V1611/K-4-CC-16-T4-01	DN100	1705	2580	816	213	1610	2000	1036	803	606

ALTI-NEXIS V

DIMENSIONS - ALTI-NEXIS V SERIES - CC VERSION



TYPE	Ø	H	L	P	H1	H2	X	P1	LS	Mass	
	pipes	mm	mm	mm	mm	mm	mm	mm	mm	Brute	Net
2 PUMPS											
ALTI-NEXIS-V2202/K-2-CC-16-T4-03	3"	1705	1080	955	213	967	1000	850	–	343	283
ALTI-NEXIS-V2203/K-2-CC-16-T4-03	3"	1905	1080	955	213	1060	1000	850	–	358	298
ALTI-NEXIS-V2204/K-2-CC-16-T4-03	3"	1705	1080	955	213	1251	1000	850	–	421	358
ALTI-NEXIS-V2205/K-2-CC-16-T4-03	3"	1705	1080	955	213	1336	1000	850	–	437	374
ALTI-NEXIS-V2206/K-2-CC-16-T4-03	3"	1905	1080	955	213	1386	1000	850	–	441	378
ALTI-NEXIS-V2207/K-2-CC-16-T4-03	3"	1705	1580	955	213	1436	1000	850	–	505	409
ALTI-NEXIS-V2208/K-2-CC-16-T4-03	3"	1705	1580	955	213	1597	1000	850	–	573	477
ALTI-NEXIS-V3602/1/K-2-CC-16-T4-03	DN100	1705	1080	1288	228	1199	1000	1068	–	477	414
ALTI-NEXIS-V3602/2/K-2-CC-16-T4-03	DN100	1905	1080	1288	228	1058	1000	1068	–	417	357
ALTI-NEXIS-V3602/K-2-CC-16-T4-03	DN100	1705	1080	1288	228	1199	1000	1068	–	477	414
ALTI-NEXIS-V3603/1/K-2-CC-16-T4-03	DN100	1705	1080	1288	228	1301	1000	1068	–	495	432
ALTI-NEXIS-V3603/2/K-2-CC-16-T4-03	DN100	1705	1080	1288	228	1301	1000	1068	–	495	432
ALTI-NEXIS-V3603/K-2-CC-16-T4-03	DN100	1905	1080	1288	228	1301	1000	1068	–	502	439
ALTI-NEXIS-V3604/2/K-2-CC-16-T4-03	DN100	1705	1580	1288	228	1478	1000	1068	–	630	534
ALTI-NEXIS-V3604/K-2-CC-16-T4-03	DN100	1705	1580	1288	228	1478	1000	1068	–	630	534
ALTI-NEXIS-V3605/2/K-2-CC-16-T4-03	DN100	1705	1580	1288	228	1545	1000	1068	–	659	563
ALTI-NEXIS-V3605/K-2-CC-16-T4-03	DN100	1705	1580	1288	228	1542	1000	1068	–	659	563
ALTI-NEXIS-V3606/2/K-2-CC-16-T4-03	DN100	1705	1580	1288	228	1612	1000	1068	–	665	569
ALTI-NEXIS-V3606/K-2-CC-16-T4-03	DN100	1705	1580	1288	228	1612	1000	1068	–	688	592
ALTI-NEXIS-V5202/2/K-2-CC-16-T4-03	DN125	1705	1080	1286	263	1301	1000	1036	–	524	461
ALTI-NEXIS-V5202/K-2-CC-16-T4-03	DN125	1705	1080	1286	263	1301	1000	1036	–	538	475
ALTI-NEXIS-V5203/2/K-2-CC-16-T4-03	DN125	1705	1580	1286	263	1512	1000	1036	–	671	575
ALTI-NEXIS-V5203/K-2-CC-16-T4-03	DN125	1705	1580	1286	263	1512	1000	1036	–	671	575
ALTI-NEXIS-V5204/2/K-2-CC-16-T4-03	DN125	1705	1580	1286	263	1612	1000	1036	–	704	608
ALTI-NEXIS-V5204/K-2-CC-16-T4-03	DN125	1705	1580	1286	263	1612	1000	1036	–	704	608
ALTI-NEXIS-V5205/2/K-2-CC-16-T4-03	DN125	1705	1580	1286	263	1712	1000	1036	–	733	637
ALTI-NEXIS-V5205/K-2-CC-16-T4-03	DN125	1705	1580	1286	263	1712	1000	1036	–	733	637
ALTI-NEXIS-V5206/2/K-2-CC-16-T4-03	DN125	1705	1580	1286	263	1855	1000	1036	–	786	690

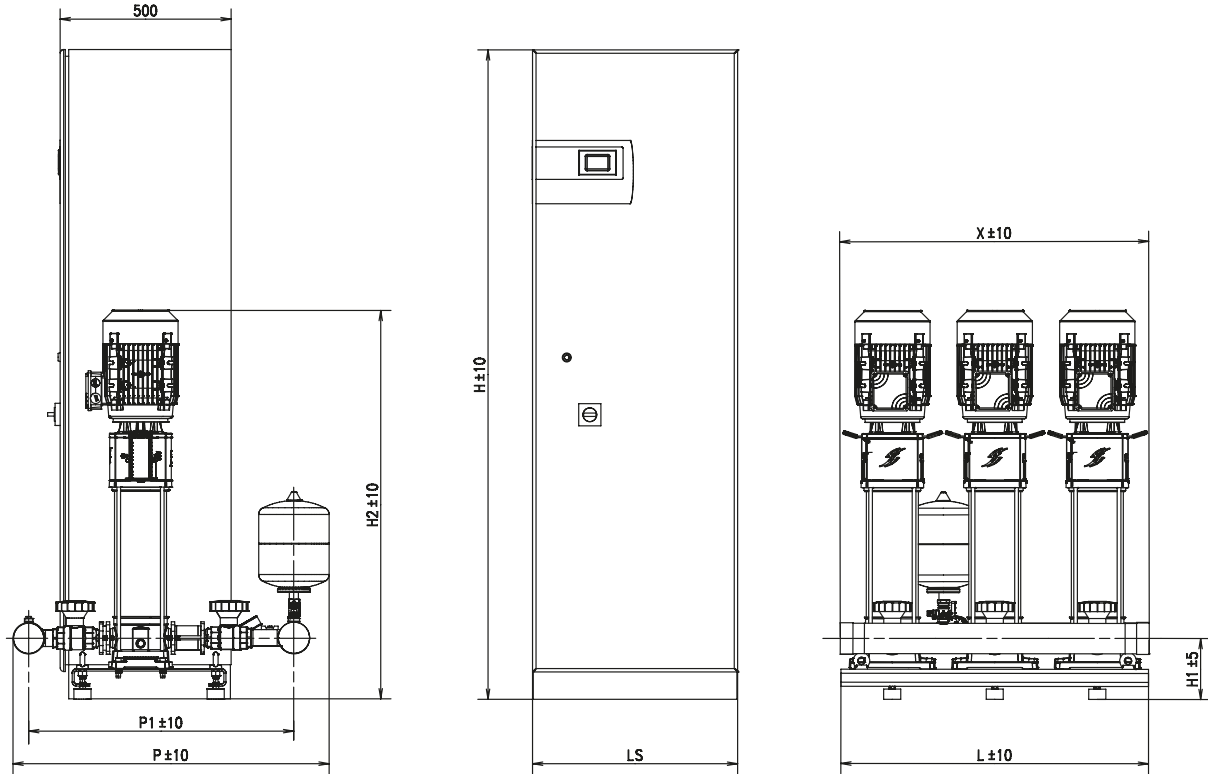
DIMENSIONS - ALTI-NEXIS V SERIES - CC VERSION

TYPE	Ø	H	L	P	H1	H2	X	P1	LS	Mass	
	pipes	mm	mm	mm	mm	mm	mm	mm	mm	Brute	Net
3 PUMPS											
ALTI-NEXIS-V2202/K-3-CC-16-T4-03	DN100	1705	1580	1100	213	967	1500	880	–	530	436
ALTI-NEXIS-V2203/K-3-CC-16-T4-03	DN100	1905	1580	1100	213	1060	1500	880	–	551	457
ALTI-NEXIS-V2204/K-3-CC-16-T4-03	DN100	1705	1580	1100	213	1251	1500	880	–	646	548
ALTI-NEXIS-V2205/K-3-CC-16-T4-03	DN100	1705	1580	1100	213	1336	1500	880	–	669	571
ALTI-NEXIS-V2206/K-3-CC-16-T4-03	DN100	1905	1580	1100	213	1386	1500	880	–	675	577
ALTI-NEXIS-V2207/K-3-CC-16-T4-03	DN100	1705	2080	1100	213	1436	1500	880	–	744	610
ALTI-NEXIS-V2208/K-3-CC-16-T4-03	DN100	1705	2080	1100	213	1597	1500	880	–	846	712
ALTI-NEXIS-V3602/1/K-3-CC-16-T4-03	DN125	1705	1580	1343	228	1199	1500	1093	–	698	600
ALTI-NEXIS-V3602/2/K-3-CC-16-T4-03	DN125	1905	1580	1343	228	1058	1500	1093	–	607	513
ALTI-NEXIS-V3602/K-3-CC-16-T4-03	DN125	1705	1580	1343	228	1199	1500	1093	–	698	600
ALTI-NEXIS-V3603/1/K-3-CC-16-T4-03	DN125	1705	1580	1343	228	1301	1500	1093	–	725	627
ALTI-NEXIS-V3603/2/K-3-CC-16-T4-03	DN125	1705	1580	1343	228	1301	1500	1093	–	725	627
ALTI-NEXIS-V3603/K-3-CC-16-T4-03	DN125	1905	1580	1343	228	1301	1500	1093	–	732	634
ALTI-NEXIS-V3604/2/K-3-CC-16-T4-03	DN125	1705	2080	1343	228	1478	1500	1093	–	900	766
ALTI-NEXIS-V3604/K-3-CC-16-T4-03	DN125	1705	2080	1343	228	1478	1500	1093	–	900	766
ALTI-NEXIS-V3605/2/K-3-CC-16-T4-03	DN125	1705	2080	1343	228	1545	1500	1093	–	943	809
ALTI-NEXIS-V3605/K-3-CC-16-T4-03	DN125	1705	2080	1343	228	1542	1500	1093	–	943	809
ALTI-NEXIS-V3606/2/K-3-CC-16-T4-03	DN125	1705	2080	1343	228	1612	1500	1093	–	952	818
ALTI-NEXIS-V3606/K-3-CC-16-T4-03	DN125	1900*	2080	1343	228	1612	1500	1093	–	1016	918
ALTI-NEXIS-V5202/2/K-3-CC-16-T4-03	DN150	1705	1580	1351	263	1301	1500	1066	–	773	675
ALTI-NEXIS-V5202/K-3-CC-16-T4-03	DN150	1705	1580	1351	263	1301	1500	1066	–	794	696
ALTI-NEXIS-V5203/2/K-3-CC-16-T4-03	DN150	1705	2080	1351	263	1512	1500	1066	–	966	832
ALTI-NEXIS-V5203/K-3-CC-16-T4-03	DN150	1705	2080	1351	263	1512	1500	1066	–	966	832
ALTI-NEXIS-V5204/2/K-3-CC-16-T4-03	DN150	1705	2080	1351	263	1612	1500	1066	–	1015	881
ALTI-NEXIS-V5204/K-3-CC-16-T4-03	DN150	1705	2080	1351	263	1612	1500	1066	–	1015	881
ALTI-NEXIS-V5205/2/K-3-CC-16-T4-03*	DN150	1705	2080	1351	263	1712	1500	1066	800	1088	990
ALTI-NEXIS-V5205/K-3-CC-16-T4-03*	DN150	1705	2080	1351	263	1712	1500	1066	800	1088	990
ALTI-NEXIS-V5206/2/K-3-CC-16-T4-03*	DN150	1705	2080	1351	263	1855	1500	1066	800	1168	1070
4 PUMPS											
ALTI-NEXIS-V2202/K-4-CC-16-T4-03	DN125	1705	2080	1160	213	967	2000	910	–	704	574
ALTI-NEXIS-V2203/K-4-CC-16-T4-03	DN125	1905	2080	1160	213	1060	2000	910	–	733	603
ALTI-NEXIS-V2204/K-4-CC-16-T4-03	DN125	1705	2080	1160	213	1251	2000	910	–	860	724
ALTI-NEXIS-V2205/K-4-CC-16-T4-03	DN125	1705	2080	1160	213	1336	2000	910	–	921	755
ALTI-NEXIS-V2206/K-4-CC-16-T4-03	DN125	1905	2080	1160	213	1386	2000	910	–	900	764
ALTI-NEXIS-V2207/K-4-CC-16-T4-03	DN125	1705	2580	1160	213	1436	2000	910	–	972	808
ALTI-NEXIS-V2208/K-4-CC-16-T4-03	DN125	1705	2580	1160	213	1597	2000	910	–	1108	944
ALTI-NEXIS-V3602/1/K-4-CC-16-T4-03	DN150	1705	2080	1397	228	1199	2000	1112	–	930	794
ALTI-NEXIS-V3602/2/K-4-CC-16-T4-03	DN150	1905	2080	1397	228	1058	2000	1112	–	808	678
ALTI-NEXIS-V3602/K-4-CC-16-T4-03	DN150	1705	2080	1397	228	1199	2000	1112	–	930	794
ALTI-NEXIS-V3603/1/K-4-CC-16-T4-03	DN150	1705	2080	1397	228	1301	2000	1112	–	966	830
ALTI-NEXIS-V3603/2/K-4-CC-16-T4-03	DN150	1705	2080	1397	228	1301	2000	1112	–	966	830
ALTI-NEXIS-V3603/K-4-CC-16-T4-03	DN150	1905	2080	1397	228	1301	2000	1112	–	977	841
ALTI-NEXIS-V3604/2/K-4-CC-16-T4-03	DN150	1705	2580	1397	228	1478	2000	1112	–	1180	1016
ALTI-NEXIS-V3604/K-4-CC-16-T4-03	DN150	1705	2580	1397	228	1478	2000	1112	–	1180	1016
ALTI-NEXIS-V3605/2/K-4-CC-16-T4-03	DN150	1705	2580	1397	228	1545	2000	1112	–	1237	1073
ALTI-NEXIS-V3605/K-4-CC-16-T4-03	DN150	1705	2580	1397	228	1542	2000	1112	–	1237	1073
ALTI-NEXIS-V3606/2/K-4-CC-16-T4-03	DN150	1705	2580	1397	228	1612	2000	1112	–	1249	1085
ALTI-NEXIS-V3606/K-4-CC-16-T4-03	DN150	1900*	2580	1397	228	1612	2000	1112	–	1324	1188
ALTI-NEXIS-V5202/2/K-4-CC-16-T4-03	DN200	1705	2080	1456	263	1301	2000	1116	–	1031	895
ALTI-NEXIS-V5202/K-4-CC-16-T4-03	DN200	1705	2080	1456	263	1301	2000	1116	–	1057	921
ALTI-NEXIS-V5203/2/K-4-CC-16-T4-03	DN200	1705	2580	1456	263	1512	2000	1116	–	1269	1105
ALTI-NEXIS-V5203/K-4-CC-16-T4-03	DN200	1705	2580	1456	263	1512	2000	1116	–	1269	1105
ALTI-NEXIS-V5204/2/K-4-CC-16-T4-03	DN200	1705	2580	1456	263	1612	2000	1116	–	1334	1170
ALTI-NEXIS-V5204/K-4-CC-16-T4-03	DN200	1705	2580	1456	263	1612	2000	1116	–	1334	1170
ALTI-NEXIS-V5205/2/K-4-CC-16-T4-03*	DN200	1705	2580	1456	263	1712	2000	1116	800	1421	1285
ALTI-NEXIS-V5205/K-4-CC-16-T4-03*	DN200	1705	2580	1456	263	1712	2000	1116	800	1421	1285
ALTI-NEXIS-V5206/2/K-4-CC-16-T4-03*	DN200	1705	2580	1456	263	1855	2000	1116	800	1527	1391

* remote cabinet

ALTI-NEXIS V

DIMENSIONS - ALTI-NEXIS V SERIES - CCFC VERSION



TYPE	Ø	H	L	P	H1	H2	X	P1	LS	Mass		
	pipes	mm	mm	mm	mm	mm	mm	mm	mm	Brute	Net	
2 PUMPS												
ALTI-NEXIS-V403/K-2-CC-16-T4-FC-01	1"1/2	1670	600	738	138	709	600	611	–	158	131	
ALTI-NEXIS-V404/K-2-CC-16-T4-FC-01	1"1/2	1670	600	738	138	734	600	611	–	160	133	
ALTI-NEXIS-V406/K-2-CC-16-T4-FC-01	1"1/2	1670	600	738	138	804	600	611	–	166	139	
ALTI-NEXIS-V407/K-2-CC-16-T4-FC-01	1"1/2	1870	600	738	138	829	600	611	–	172	145	
ALTI-NEXIS-V409/K-2-CC-16-T4-FC-01	1"1/2	1870	600	738	138	879	600	611	–	174	147	
ALTI-NEXIS-V410/K-2-CC-16-T4-FC-01	1"1/2	1870	600	738	138	936	600	611	–	182	155	
ALTI-NEXIS-V412/K-2-CC-16-T4-FC-01	1"1/2	1870	600	738	138	986	600	611	–	184	157	
ALTI-NEXIS-V414/K-2-CC-16-T4-FC-01	1"1/2	1670	1200	738	138	1036	600	611	–	276	193	
ALTI-NEXIS-V416/K-2-CC-16-T4-FC-01	1"1/2	1670	1200	738	138	1086	600	611	–	278	195	
ALTI-NEXIS-V418/K-2-CC-16-T4-FC-01	1"1/2	1670	1200	738	138	1136	600	611	–	280	197	
ALTI-NEXIS-V603/K-2-CC-16-T4-FC-01	2"	1670	600	758	138	746	600	624	–	163	136	
ALTI-NEXIS-V604/K-2-CC-16-T4-FC-01	2"	1670	600	758	138	803	600	624	–	169	142	
ALTI-NEXIS-V605/K-2-CC-16-T4-FC-01	2"	1870	600	758	138	841	600	624	–	175	148	
ALTI-NEXIS-V606/K-2-CC-16-T4-FC-01	2"	1870	600	758	138	878	600	624	–	177	150	
ALTI-NEXIS-V607/K-2-CC-16-T4-FC-01	2"	1870	600	758	138	948	600	624	–	187	160	
ALTI-NEXIS-V608/K-2-CC-16-T4-FC-01	2"	1870	600	758	138	986	600	624	–	189	162	
ALTI-NEXIS-V609/K-2-CC-16-T4-FC-01	2"	1670	1200	758	138	1023	600	624	–	261	178	
ALTI-NEXIS-V610/K-2-CC-16-T4-FC-01	2"	1670	1200	758	138	1061	600	624	–	278	196	
ALTI-NEXIS-V611/K-2-CC-16-T4-FC-01	2"	1670	1200	758	138	1136	600	624	–	280	198	
ALTI-NEXIS-V612/K-2-CC-16-T4-FC-01	2"	1670	1200	758	138	1171	600	624	–	289	206	
ALTI-NEXIS-V613/K-2-CC-16-T4-FC-01	2"	1670	1200	758	138	1246	600	624	–	291	208	
ALTI-NEXIS-V614/K-2-CC-16-T4-FC-01	2"	1670	1200	758	138	1246	600	624	–	293	210	
ALTI-NEXIS-V615/K-2-CC-16-T4-FC-01	2"	1670	1200	758	138	1321	600	624	–	295	212	
ALTI-NEXIS-V616/K-2-CC-16-T4-FC-01	2"	1670	1200	758	138	1365	600	624	–	317	234	
ALTI-NEXIS-V1002/K-2-CC-16-T4-FC-01	2"1/2	1670	600	895	178	749	600	754	–	172	145	

DIMENSIONS - ALTI-NEXIS V SERIES - CCFC VERSION

TYPE	Ø	H	L	P	H1	H2	X	P1	LS	Mass	
	pipes	mm	mm	mm	mm	mm	mm	mm	mm	Brute	Net
ALTI-NEXIS-V1003/K-2-CC-16-T4-FC-01	2"1/2	1870	600	895	178	787	600	754	-	176	149
ALTI-NEXIS-V1004/K-2-CC-16-T4-FC-01	2"1/2	1870	600	895	178	894	600	754	-	188	161
ALTI-NEXIS-V1005/K-2-CC-16-T4-FC-01	2"1/2	1870	600	895	178	894	600	754	-	198	171
ALTI-NEXIS-V1006/K-2-CC-16-T4-FC-01	2"1/2	1870	600	895	178	932	600	754	-	200	173
ALTI-NEXIS-V1007/K-2-CC-16-T4-FC-01	2"1/2	1870	600	895	178	1005	600	754	-	208	181
ALTI-NEXIS-V1008/K-2-CC-16-T4-FC-01	2"1/2	1670	1200	895	178	1042	600	754	-	234	208
ALTI-NEXIS-V1009/K-2-CC-16-T4-FC-01	2"1/2	1670	1200	895	178	1123	600	754	-	258	232
ALTI-NEXIS-V1010/K-2-CC-16-T4-FC-01	2"1/2	1670	1200	895	178	1161	600	754	-	260	234
ALTI-NEXIS-V1011/K-2-CC-16-T4-FC-01	2"1/2	1670	1200	895	178	1236	600	754	-	262	236
ALTI-NEXIS-V1012/K-2-CC-16-T4-FC-01*	2"1/2	1900	600	895	178	1228	600	754	600	374	347
ALTI-NEXIS-V1013/K-2-CC-16-T4-FC-01*	2"1/2	1900	600	895	178	1303	600	754	600	376	349
ALTI-NEXIS-V1015/K-2-CC-16-T4-FC-01*	2"1/2	1900	600	895	178	1378	600	754	600	428	353
ALTI-NEXIS-V1603/K-2-CC-16-T4-FC-01	2"1/2	1870	600	770	178	867	600	912	-	208	172
ALTI-NEXIS-V1604/K-2-CC-16-T4-FC-01	2"1/2	1870	600	770	178	952	600	912	-	218	183
ALTI-NEXIS-V1605/K-2-CC-16-T4-FC-01	2"1/2	1670	1200	770	178	1046	600	912	-	312	229
ALTI-NEXIS-V1606/K-2-CC-16-T4-FC-01*	2"1/2	1670	1200	770	178	1096	600	912	-	314	231
ALTI-NEXIS-V1607/K-2-CC-16-T4-FC-01*	2"1/2	1900	600	770	178	1173	600	912	600	374	348
ALTI-NEXIS-V1608/K-2-CC-16-T4-FC-01*	2"1/2	1900	600	770	178	1223	600	912	600	378	351
ALTI-NEXIS-V1609/K-2-CC-16-T4-FC-01*	2"1/2	1900	1080	770	213	1460	1000	912	600	477	399
ALTI-NEXIS-V1610/K-2-CC-16-T4-FC-01*	2"1/2	1900	1080	770	213	1610	1000	912	600	481	403
ALTI-NEXIS-V1611/K-2-CC-16-T4-FC-01*	2"1/2	1900	1080	770	213	1610	1000	912	600	483	405
3 PUMPS											
ALTI-NEXIS-V403/K-3-CC-16-T4-FC-01	1"1/2	1670	900	738	138	709	900	611	-	242	168
ALTI-NEXIS-V404/K-3-CC-16-T4-FC-01	1"1/2	1670	900	738	138	734	900	611	-	245	171
ALTI-NEXIS-V406/K-3-CC-16-T4-FC-01	1"1/2	1670	900	738	138	804	900	611	-	255	181
ALTI-NEXIS-V407/K-3-CC-16-T4-FC-01	1"1/2	1870	900	738	138	829	900	611	-	262	188
ALTI-NEXIS-V409/K-3-CC-16-T4-FC-01	1"1/2	1870	900	738	138	879	900	611	-	265	191
ALTI-NEXIS-V410/K-3-CC-16-T4-FC-01	1"1/2	1870	900	738	138	936	900	611	-	281	207
ALTI-NEXIS-V412/K-3-CC-16-T4-FC-01	1"1/2	1870	900	738	138	986	900	611	-	284	210
ALTI-NEXIS-V414/K-3-CC-16-T4-FC-01	1"1/2	1670	1500	738	138	1036	900	611	-	382	240
ALTI-NEXIS-V416/K-3-CC-16-T4-FC-01	1"1/2	1670	1500	738	138	1086	900	611	-	384	242
ALTI-NEXIS-V418/K-3-CC-16-T4-FC-01	1"1/2	1670	1500	738	138	1136	900	611	-	387	245
ALTI-NEXIS-V603/K-3-CC-16-T4-FC-01	2"1/2	1670	900	780	138	746	900	639	-	250	177
ALTI-NEXIS-V604/K-3-CC-16-T4-FC-01	2"1/2	1670	900	780	138	803	900	639	-	259	185
ALTI-NEXIS-V605/K-3-CC-16-T4-FC-01	2"1/2	1870	900	780	138	841	900	639	-	267	193
ALTI-NEXIS-V606/K-3-CC-16-T4-FC-01	2"1/2	1870	900	780	138	878	900	639	-	270	196
ALTI-NEXIS-V607/K-3-CC-16-T4-FC-01	2"1/2	1870	900	780	138	948	900	639	-	285	211
ALTI-NEXIS-V608/K-3-CC-16-T4-FC-01	2"1/2	1870	900	780	138	986	900	639	-	288	214
ALTI-NEXIS-V609/K-3-CC-16-T4-FC-01	2"1/2	1670	1500	780	138	1023	900	639	-	378	235
ALTI-NEXIS-V610/K-3-CC-16-T4-FC-01	2"1/2	1670	1500	780	138	1061	900	639	-	387	244
ALTI-NEXIS-V611/K-3-CC-16-T4-FC-01	2"1/2	1670	1500	780	138	1136	900	639	-	390	247
ALTI-NEXIS-V612/K-3-CC-16-T4-FC-01	2"1/2	1670	1500	780	138	1171	900	639	-	402	259
ALTI-NEXIS-V613/K-3-CC-16-T4-FC-01	2"1/2	1670	1500	780	138	1246	900	639	-	405	262
ALTI-NEXIS-V614/K-3-CC-16-T4-FC-01	2"1/2	1670	1500	780	138	1246	900	639	-	408	265
ALTI-NEXIS-V615/K-3-CC-16-T4-FC-01	2"1/2	1670	1500	780	138	1321	900	639	-	411	268
ALTI-NEXIS-V616/K-3-CC-16-T4-FC-01	2"1/2	1670	1500	780	138	1365	900	639	-	444	301
ALTI-NEXIS-V1002/K-3-CC-16-T4-FC-01	2"1/2	1670	900	895	178	749	900	754	-	268	193
ALTI-NEXIS-V1003/K-3-CC-16-T4-FC-01	2"1/2	1870	900	895	178	787	900	754	-	275	200
ALTI-NEXIS-V1004/K-3-CC-16-T4-FC-01	2"1/2	1870	900	895	178	894	900	754	-	293	218
ALTI-NEXIS-V1005/K-3-CC-16-T4-FC-01	2"1/2	1870	900	895	178	894	900	754	-	306	231
ALTI-NEXIS-V1006/K-3-CC-16-T4-FC-01	2"1/2	1870	900	895	178	932	900	754	-	308	234
ALTI-NEXIS-V1007/K-3-CC-16-T4-FC-01	2"1/2	1870	900	895	178	1005	900	754	-	320	246
ALTI-NEXIS-V1008/K-3-CC-16-T4-FC-01	2"1/2	1670	1500	895	178	1042	900	754	-	336	262
ALTI-NEXIS-V1009/K-3-CC-16-T4-FC-01	2"1/2	1670	1500	895	178	1123	900	754	-	372	298
ALTI-NEXIS-V1010/K-3-CC-16-T4-FC-01	2"1/2	1670	1500	895	178	1161	900	754	-	375	301

ALTI-NEXIS V

DIMENSIONS - ALTI-NEXIS V SERIES - CCFC VERSION

TYPE	Ø	H	L	P	H1	H2	X	P1	LS	Mass	
	pipes	mm	mm	mm	mm	mm	mm	mm	mm	Brute	Net
3 PUMPS											
ALTI-NEXIS-V1011/K-3-CC-16-T4-FC-01	2"1/2	1670	1500	895	178	1236	900	754	–	378	304
ALTI-NEXIS-V1012/K-3-CC-16-T4-FC-01*	2"1/2	1900	1580	895	178	1228	900	754	600	519	445
ALTI-NEXIS-V1013/K-3-CC-16-T4-FC-01*	2"1/2	1900	1580	895	178	1303	900	754	600	522	448
ALTI-NEXIS-V1015/K-3-CC-16-T4-FC-01*	2"1/2	1900	1580	895	178	1378	900	754	600	528	454
ALTI-NEXIS-V1603/K-3-CC-16-T4-FC-01	3"	1870	900	785	178	867	900	980	–	292	235
ALTI-NEXIS-V1604/K-3-CC-16-T4-FC-01	3"	1870	900	785	178	952	900	980	–	307	250
ALTI-NEXIS-V1605/K-3-CC-16-T4-FC-01	3"	1670	1500	785	178	1046	900	980	–	439	296
ALTI-NEXIS-V1606/K-3-CC-16-T4-FC-01	3"	1670	1500	785	178	1096	900	980	–	442	299
ALTI-NEXIS-V1607/K-3-CC-16-T4-FC-01*	3"	1900	900	785	178	1173	900	980	600	520	446
ALTI-NEXIS-V1608/K-3-CC-16-T4-FC-01*	3"	1900	900	785	178	1223	900	980	600	526	452
ALTI-NEXIS-V1609/K-3-CC-16-T4-FC-01*	3"	1900	1580	785	213	1460	1500	980	600	667	519
ALTI-NEXIS-V1610/K-3-CC-16-T4-FC-01*	3"	1900	1580	785	213	1610	1500	980	600	673	525
ALTI-NEXIS-V1611/K-3-CC-16-T4-FC-01*	3"	1900	1580	785	213	1610	1500	980	600	676	528
4 PUMPS											
ALTI-NEXIS-V403/K-4-CC-16-T4-FC-01	2"	1670	1200	764	138	709	1200	631	–	289	206
ALTI-NEXIS-V404/K-4-CC-16-T4-FC-01	2"	1670	1200	764	138	734	1200	631	–	293	210
ALTI-NEXIS-V406/K-4-CC-16-T4-FC-01	2"	1670	1200	764	138	804	1200	631	–	307	224
ALTI-NEXIS-V407/K-4-CC-16-T4-FC-01	2"	1870	1200	764	138	829	1200	631	–	315	232
ALTI-NEXIS-V409/K-4-CC-16-T4-FC-01	2"	1870	1200	764	138	879	1200	631	–	319	236
ALTI-NEXIS-V410/K-4-CC-16-T4-FC-01	2"	1870	1200	764	138	936	1200	631	–	343	260
ALTI-NEXIS-V412/K-4-CC-16-T4-FC-01	2"	1870	1200	764	138	986	1200	631	–	347	264
ALTI-NEXIS-V414/K-4-CC-16-T4-FC-01	2"	1670	1800	764	138	1036	1200	631	–	487	321
ALTI-NEXIS-V416/K-4-CC-16-T4-FC-01	2"	1670	1800	764	138	1086	1200	631	–	489	323
ALTI-NEXIS-V418/K-4-CC-16-T4-FC-01	2"	1670	1800	764	138	1136	1200	631	–	493	327
ALTI-NEXIS-V603/K-4-CC-16-T4-FC-01	2"1/2	1670	1200	780	138	746	1200	639	–	300	218
ALTI-NEXIS-V604/K-4-CC-16-T4-FC-01	2"1/2	1670	1200	780	138	803	1200	639	–	312	230
ALTI-NEXIS-V605/K-4-CC-16-T4-FC-01	2"1/2	1870	1200	780	138	841	1200	639	–	322	240
ALTI-NEXIS-V606/K-4-CC-16-T4-FC-01	2"1/2	1870	1200	780	138	878	1200	639	–	326	244
ALTI-NEXIS-V607/K-4-CC-16-T4-FC-01	2"1/2	1870	1200	780	138	948	1200	639	–	346	264
ALTI-NEXIS-V608/K-4-CC-16-T4-FC-01	2"1/2	1870	1200	780	138	986	1200	639	–	350	268
ALTI-NEXIS-V609/K-4-CC-16-T4-FC-01	2"1/2	1670	1800	780	138	1023	1200	639	–	458	292
ALTI-NEXIS-V610/K-4-CC-16-T4-FC-01	2"1/2	1670	1800	780	138	1061	1200	639	–	392	327
ALTI-NEXIS-V611/K-4-CC-16-T4-FC-01	2"1/2	1670	1800	780	138	1136	1200	639	–	496	331
ALTI-NEXIS-V612/K-4-CC-16-T4-FC-01	2"1/2	1670	1800	780	138	1171	1200	639	–	512	347
ALTI-NEXIS-V613/K-4-CC-16-T4-FC-01	2"1/2	1670	1800	780	138	1246	1200	639	–	516	351
ALTI-NEXIS-V614/K-4-CC-16-T4-FC-01	2"1/2	1670	1800	780	138	1246	1200	639	–	520	355
ALTI-NEXIS-V615/K-4-CC-16-T4-FC-01	2"1/2	1670	1800	780	138	1321	1200	639	–	524	359
ALTI-NEXIS-V616/K-4-CC-16-T4-FC-01	2"1/2	1670	1800	780	138	1365	1200	639	–	569	404
ALTI-NEXIS-V1002/K-4-CC-16-T4-FC-01	3"	1670	1200	767	178	749	1200	915	–	327	244
ALTI-NEXIS-V1003/K-4-CC-16-T4-FC-01	3"	1870	1200	767	178	787	1200	915	–	335	252
ALTI-NEXIS-V1004/K-4-CC-16-T4-FC-01	3"	1870	1200	767	178	894	1200	915	–	359	276
ALTI-NEXIS-V1005/K-4-CC-16-T4-FC-01	3"	1870	1200	767	178	894	1200	915	–	374	292
ALTI-NEXIS-V1006/K-4-CC-16-T4-FC-01	3"	1870	1200	767	178	932	1200	915	–	378	296
ALTI-NEXIS-V1007/K-4-CC-16-T4-FC-01	3"	1870	1200	767	178	1005	1200	915	–	394	312
ALTI-NEXIS-V1008/K-4-CC-16-T4-FC-01	3"	1670	1800	767	178	1042	1200	915	–	434	351
ALTI-NEXIS-V1009/K-4-CC-16-T4-FC-01	3"	1670	1800	767	178	1123	1200	915	–	483	400
ALTI-NEXIS-V1010/K-4-CC-16-T4-FC-01	3"	1670	1800	767	178	1161	1200	915	–	487	404
ALTI-NEXIS-V1011/K-4-CC-16-T4-FC-01	3"	1670	1800	767	178	1236	1200	915	–	491	408
ALTI-NEXIS-V1012/K-4-CC-16-T4-FC-01*	3"	1900	2080	767	178	1228	1200	915	600	627	545

*Remote cabinet

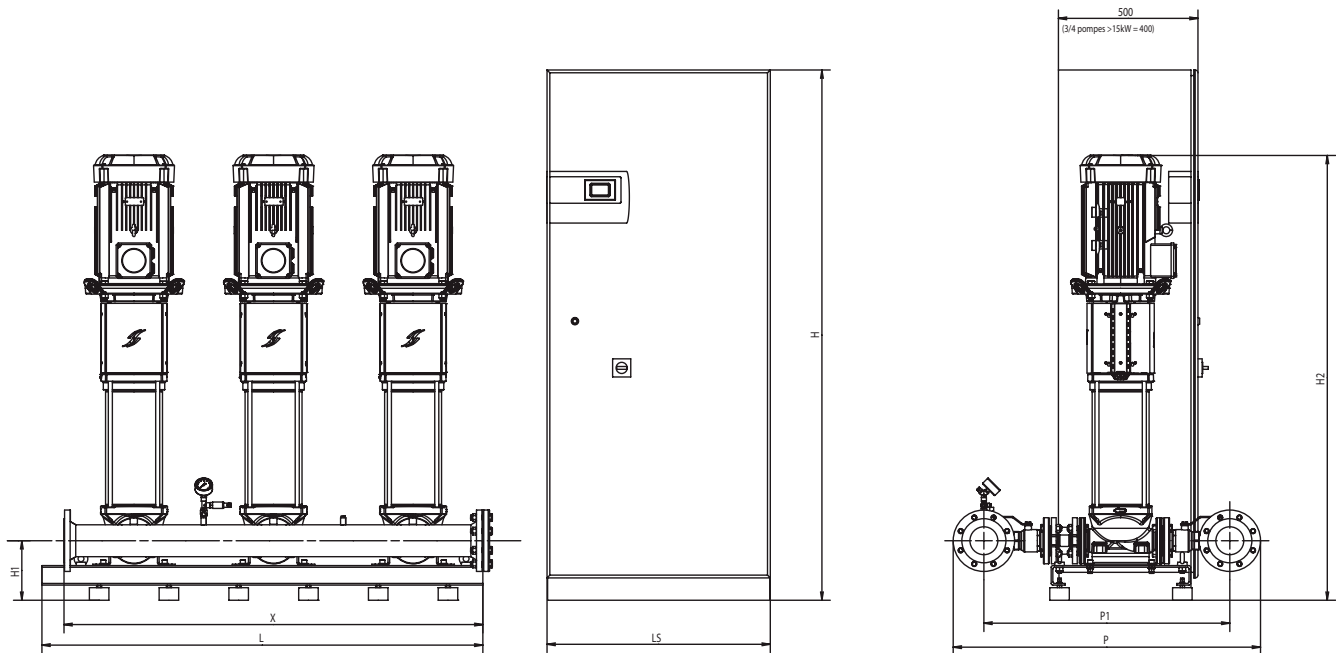
DIMENSIONS - ALTI-NEXIS V SERIES - CCFC VERSION

TYPE	Ø	H	L	P	H1	H2	X	P1	LS	Mass	
	pipes	mm	mm	mm	mm	mm	mm	mm	mm	Brute	Net
4 PUMPS											
ALTI-NEXIS-V1013/K-4-CC-16-T4-FC-01*	3"	1900	2080	767	178	1303	1200	915	600	631	549
ALTI-NEXIS-V1015/K-4-CC-16-T4-FC-01*	3"	1900	2080	767	178	1378	1200	915	600	639	557
ALTI-NEXIS-V1603/K-4-CC-16-T4-FC-01	DN100	1870	1200	816	178	867	1200	1036	–	393	328
ALTI-NEXIS-V1604/K-4-CC-16-T4-FC-01	DN100	1870	1200	816	178	952	1200	1036	–	413	348
ALTI-NEXIS-V1605/K-4-CC-16-T4-FC-01	DN100	1670	1800	816	178	1046	1200	1036	–	594	429
ALTI-NEXIS-V1606/K-4-CC-16-T4-FC-01	DN100	1670	1800	816	178	1096	1200	1036	–	598	432
ALTI-NEXIS-V1607/K-4-CC-16-T4-FC-01*	DN100	1900	1200	816	178	1173	1200	1036	600	660	578
ALTI-NEXIS-V1608/K-4-CC-16-T4-FC-01*	DN100	1900	1200	816	178	1223	1200	1036	600	668	586
ALTI-NEXIS-V1609/K-4-CC-16-T4-FC-01*	DN100	1900	2080	816	213	1460	2000	1036	600	857	684
ALTI-NEXIS-V1610/K-4-CC-16-T4-FC-01*	DN100	1900	2080	816	213	1610	2000	1036	600	865	692
ALTI-NEXIS-V1611/K-4-CC-16-T4-FC-01*	DN100	1900	2080	816	213	1610	2000	1036	600	869	696

*Remote cabinet

ALTI-NEXIS V

DIMENSIONS - ALTI-NEXIS V SERIES - CCFC VERSION



TYPE	Ø	H	L	P	H1	H2	X	P1	LS	Mass	
	pipes	mm	mm	mm	mm	mm	mm	mm	mm	Brute	Net
2 PUMPS											
ALTI-NEXIS-V2202/K-2-CC-16-T4-FC-03	3"	1905	1080	955	213	967	1000	850	–	359	299
ALTI-NEXIS-V2203/K-2-CC-16-T4-FC-03	3"	1705	1080	955	213	1060	1000	850	–	372	312
ALTI-NEXIS-V2204/K-2-CC-16-T4-FC-03*	3"	1900	1080	955	213	1251	1000	850	600	532	469
ALTI-NEXIS-V2205/K-2-CC-16-T4-FC-03*	3"	1900	1080	955	213	1336	1000	850	600	549	486
ALTI-NEXIS-V2206/K-2-CC-16-T4-FC-03*	3"	1900	1080	955	213	1386	1000	850	600	553	490
ALTI-NEXIS-V2207/K-2-CC-16-T4-FC-03*	3"	1900	1080	955	213	1436	1000	850	600	577	514
ALTI-NEXIS-V2208/K-2-CC-16-T4-FC-03*	3"	1900	1080	955	213	1597	1000	850	600	644	581
ALTI-NEXIS-V3602/1/K-2-CC-16-T4-FC-03*	DN100	1900	1080	1288	228	1199	1000	1068	600	588	525
ALTI-NEXIS-V3602/2/K-2-CC-16-T4-FC-03	DN100	1705	1080	1288	228	1058	1000	1068	–	539	473
ALTI-NEXIS-V3602/K-2-CC-16-T4-FC-03*	DN100	1900	1080	1288	228	1199	1000	1068	600	588	525
ALTI-NEXIS-V3603/1/K-2-CC-16-T4-FC-03*	DN100	1900	1080	1288	228	1301	1000	1068	600	608	545
ALTI-NEXIS-V3603/2/K-2-CC-16-T4-FC-03*	DN100	1900	1080	1288	228	1301	1000	1068	600	608	545
ALTI-NEXIS-V3603/K-2-CC-16-T4-FC-03*	DN100	1900	1080	1288	228	1301	1000	1068	600	629	566
ALTI-NEXIS-V3604/2/K-2-CC-16-T4-FC-03*	DN100	1900	1080	1288	228	1478	1000	1068	600	701	638
ALTI-NEXIS-V3604/K-2-CC-16-T4-FC-03*	DN100	1900	1080	1288	228	1478	1000	1068	600	701	638
ALTI-NEXIS-V3605/2/K-2-CC-16-T4-FC-03*	DN100	1900	1080	1288	228	1545	1000	1068	600	733	670
ALTI-NEXIS-V3605/K-2-CC-16-T4-FC-03*	DN100	1900	1080	1288	228	1542	1000	1068	600	733	670
ALTI-NEXIS-V3606/2/K-2-CC-16-T4-FC-03*	DN100	1900	1080	1288	228	1612	1000	1068	600	739	676
ALTI-NEXIS-V3606/K-2-CC-16-T4-FC-03*	DN100	1900	1080	1288	228	1612	1000	1068	800	801	738
ALTI-NEXIS-V5202/2/K-2-CC-16-T4-FC-04*	DN125	1900	1080	1286	263	1301	1000	1036	600	635	572
ALTI-NEXIS-V5202/K-2-CC-16-T4-FC-04*	DN125	1900	1080	1286	263	1301	1000	1036	600	651	588
ALTI-NEXIS-V5203/2/K-2-CC-16-T4-FC-04*	DN125	1900	1080	1286	263	1512	1000	1036	600	742	679
ALTI-NEXIS-V5203/K-2-CC-16-T4-FC-04*	DN125	1900	1080	1286	263	1512	1000	1036	600	742	679
ALTI-NEXIS-V5204/2/K-2-CC-16-T4-FC-04*	DN125	1900	1080	1286	263	1612	1000	1036	600	778	715
ALTI-NEXIS-V5204/K-2-CC-16-T4-FC-04*	DN125	1900	1080	1286	263	1612	1000	1036	600	778	715
ALTI-NEXIS-V5205/2/K-2-CC-16-T4-FC-04*	DN125	1900	1080	1286	263	1712	1000	1036	800	846	783
ALTI-NEXIS-V5205/K-2-CC-16-T4-FC-04*	DN125	1900	1080	1286	263	1712	1000	1036	800	846	783
ALTI-NEXIS-V5206/2/K-2-CC-16-T4-FC-04*	DN125	1900	1080	1286	263	1855	1000	1036	800	902	839

DIMENSIONS - ALTI-NEXIS V SERIES - CCFC VERSION

TYPE	Ø pipes	H mm	L mm	P mm	H1 mm	H2 mm	X mm	P1 mm	LS mm	Mass	
										Brute	Net
3 PUMPS											
ALTI-NEXIS-V2202/K-3-CC-16-T4-FC-03	DN100	1905	1580	1100	213	967	1500	880	–	546	452
ALTI-NEXIS-V2203/K-3-CC-16-T4-FC-03	DN100	1705	1580	1100	213	1060	1500	880	–	566	472
ALTI-NEXIS-V2204/K-3-CC-16-T4-FC-03*	DN100	1900	1580	1100	213	1251	1500	880	600	759	661
ALTI-NEXIS-V2205/K-3-CC-16-T4-FC-03*	DN100	1900	1580	1100	213	1336	1500	880	600	783	685
ALTI-NEXIS-V2206/K-3-CC-16-T4-FC-03*	DN100	1900	1580	1100	213	1386	1500	880	600	788	690
ALTI-NEXIS-V2207/K-3-CC-16-T4-FC-03*	DN100	1900	1580	1100	213	1436	1500	880	800	825	727
ALTI-NEXIS-V2208/K-3-CC-16-T4-FC-03*	DN100	1900	1580	1100	213	1597	1500	880	800	924	826
ALTI-NEXIS-V3602/1/K-3-CC-16-T4-FC-03*	DN125	1900	1580	1343	228	1199	1500	1093	600	891	713
ALTI-NEXIS-V3602/2/K-3-CC-16-T4-FC-03	DN125	1705	1580	1343	228	1058	1500	1093	–	622	528
ALTI-NEXIS-V3602/K-3-CC-16-T4-FC-03*	DN125	1900*	1580	1343	228	1199	1500	1093	600	811	713
ALTI-NEXIS-V3603/1/K-3-CC-16-T4-FC-03*	DN125	1900*	1580	1343	228	1301	1500	1093	600	839	741
ALTI-NEXIS-V3603/2/K-3-CC-16-T4-FC-03*	DN125	1900*	1580	1343	228	1301	1500	1093	600	839	741
ALTI-NEXIS-V3603/K-3-CC-16-T4-FC-03*	DN125	1900*	1580	1343	228	1301	1500	1093	800	870	772
ALTI-NEXIS-V3604/2/K-3-CC-16-T4-FC-03*	DN125	1900*	1580	1343	228	1478	1500	1093	800	978	880
ALTI-NEXIS-V3604/K-3-CC-16-T4-FC-03*	DN125	1900*	1580	1343	228	1478	1500	1093	800	978	880
ALTI-NEXIS-V3605/2/K-3-CC-16-T4-FC-03*	DN125	1900*	1580	1343	228	1545	1500	1093	800	1033	935
ALTI-NEXIS-V3605/K-3-CC-16-T4-FC-03*	DN125	1900*	1580	1343	228	1542	1500	1093	800	1033	935
ALTI-NEXIS-V3606/2/K-3-CC-16-T4-FC-03*	DN125	1900*	1580	1343	228	1612	1500	1093	800	1042	944
ALTI-NEXIS-V3606/K-3-CC-16-T4-FC-03*	DN125	1900*	1580	1343	228	1612	1500	1093	1000	1113	1015
ALTI-NEXIS-V5202/2/K-3-CC-16-T4-FC-04*	DN150	1900*	1580	1351	263	1301	1500	1066	600	886	788
ALTI-NEXIS-V5202/K-3-CC-16-T4-FC-04*	DN150	1900*	1580	1351	263	1301	1500	1066	600	908	810
ALTI-NEXIS-V5203/2/K-3-CC-16-T4-FC-04*	DN150	1900*	1580	1351	263	1512	1500	1066	800	1044	946
ALTI-NEXIS-V5203/K-3-CC-16-T4-FC-04*	DN150	1900*	1580	1351	263	1512	1500	1066	800	1044	946
ALTI-NEXIS-V5204/2/K-3-CC-16-T4-FC-04*	DN150	1900*	1580	1351	263	1612	1500	1066	800	1105	1007
ALTI-NEXIS-V5204/K-3-CC-16-T4-FC-04*	DN150	1900*	1580	1351	263	1612	1500	1066	800	1105	1007
ALTI-NEXIS-V5205/2/K-3-CC-16-T4-FC-04*	DN150	1900*	1580	1351	263	1712	1500	1066	1000	1185	1087
ALTI-NEXIS-V5205/K-3-CC-16-T4-FC-04*	DN150	1900*	1580	1351	263	1712	1500	1066	1000	1185	1087
ALTI-NEXIS-V5206/2/K-3-CC-16-T4-FC-04*	DN150	1900*	1580	1351	263	1855	1500	1066	1000	1265	1167
4 PUMPS											
ALTI-NEXIS-V2202/K-4-CC-16-T4-FC-03	DN125	1905	2080	1160	213	967	2000	910	–	721	591
ALTI-NEXIS-V2203/K-4-CC-16-T4-FC-03	DN125	1705	2080	1160	213	1060	2000	910	–	749	619
ALTI-NEXIS-V2204/K-4-CC-16-T4-FC-03*	DN125	1900	2080	1160	213	1251	2000	910	600	974	838
ALTI-NEXIS-V2205/K-4-CC-16-T4-FC-03*	DN125	1900	2080	1160	213	1336	2000	910	600	1006	870
ALTI-NEXIS-V2206/K-4-CC-16-T4-FC-03*	DN125	1900	2080	1160	213	1386	2000	910	600	1013	877
ALTI-NEXIS-V2207/K-4-CC-16-T4-FC-03*	DN125	1900	2080	1160	213	1436	2000	910	800	1050	914
ALTI-NEXIS-V2208/K-4-CC-16-T4-FC-03*	DN125	1900	2080	1160	213	1597	2000	910	800	1184	1048
ALTI-NEXIS-V3602/1/K-4-CC-16-T4-FC-03*	DN150	1900	2080	1397	228	1199	2000	1112	600	1044	908
ALTI-NEXIS-V3602/2/K-4-CC-16-T4-FC-03	DN150	1705	2080	1397	228	1058	2000	1112	–	824	694
ALTI-NEXIS-V3602/K-4-CC-16-T4-FC-03*	DN150	1900	2080	1397	228	1199	2000	1112	600	1044	908
ALTI-NEXIS-V3603/1/K-4-CC-16-T4-FC-03*	DN150	1900	2080	1397	228	1301	2000	1112	600	1081	945
ALTI-NEXIS-V3603/2/K-4-CC-16-T4-FC-03*	DN150	1900	2080	1397	228	1301	2000	1112	600	1081	945
ALTI-NEXIS-V3603/K-4-CC-16-T4-FC-03*	DN150	1900	2080	1397	228	1301	2000	1112	800	1111	975
ALTI-NEXIS-V3604/2/K-4-CC-16-T4-FC-03*	DN150	1900	2080	1397	228	1478	2000	1112	800	1256	1120
ALTI-NEXIS-V3604/K-4-CC-16-T4-FC-03*	DN150	1900	2080	1397	228	1478	2000	1112	800	1256	1120
ALTI-NEXIS-V3605/2/K-4-CC-16-T4-FC-03*	DN150	1900	2080	1397	228	1545	2000	1112	800	1326	1190
ALTI-NEXIS-V3605/K-4-CC-16-T4-FC-03*	DN150	1900	2080	1397	228	1542	2000	1112	800	1326	1190
ALTI-NEXIS-V3606/2/K-4-CC-16-T4-FC-03*	DN150	1900	2080	1397	228	1612	2000	1112	800	1338	1202
ALTI-NEXIS-V3606/K-4-CC-16-T4-FC-03*	DN150	1900	2080	1397	228	1612	2000	1112	1000	1421	1285
ALTI-NEXIS-V5202/2/K-4-CC-16-T4-FC-04*	DN200	1900	2080	1456	263	1301	2000	1116	600	1145	1009
ALTI-NEXIS-V5202/K-4-CC-16-T4-FC-04*	DN200	1900	2080	1456	263	1301	2000	1116	600	1174	1038
ALTI-NEXIS-V5203/2/K-4-CC-16-T4-FC-04*	DN200	1900	2080	1456	263	1512	2000	1116	800	1345	1209
ALTI-NEXIS-V5203/K-4-CC-16-T4-FC-04*	DN200	1900	2080	1456	263	1512	2000	1116	800	1345	1209
ALTI-NEXIS-V5204/2/K-4-CC-16-T4-FC-04*	DN200	1900	2080	1456	263	1612	2000	1116	800	1423	1287
ALTI-NEXIS-V5204/K-4-CC-16-T4-FC-04*	DN200	1900	2080	1456	263	1612	2000	1116	800	1423	1287
ALTI-NEXIS-V5205/2/K-4-CC-16-T4-FC-04*	DN200	1900	2080	1456	263	1712	2000	1116	1000	1518	1382
ALTI-NEXIS-V5205/K-4-CC-16-T4-FC-04*	DN200	1900	2080	1456	263	1712	2000	1116	1000	1518	1382
ALTI-NEXIS-V5206/2/K-4-CC-16-T4-FC-04*	DN200	1900	2080	1456	263	1855	2000	1116	1000	1623	1488

*Remote cabinet

ALTI-NEXIS V

ACCESSORIES

• Water supply by-pass, for direct connection to the mains water supply.

Can be used on booster pumps fitted with the CE+ switch box only.

(for other switch boxes, contact us for further details.

- BY-PASS-1"1/2-ALTI-NEXIS-4M3

Item no. 4173393

- BY-PASS-2"-ALTI-NEXIS-4-6M3

Item no. 4173394

- BY-PASS-2"1/2-ALTI-NEXIS-6M3

Item no. 4173395

- BY-PASS-2"1/2-ALTI-NEXIS-10-16M3

Item no. 4173746

- BY-PASS-3"-ALTI-NEXIS-10-16M3

Item no. 4173396

- BY-PASS-DN100-ALTI-NEXIS-16M3

Item no. 4173397

• Vibration damping rubber sleeves

• Pressure regulators

• Isolating valves

• Kit to protect against low water levels (mains supply)

• Kit to protect against low water levels (from tank)

• Back flange kit, stainless steel (sold in pairs)

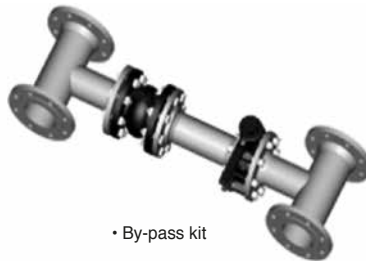
• Plug kit for stainless steel pipes

• Plug kit for pipes electro-galvanised steel

• 8-litre to 500-litre bladder tank



• Vibration-damping sleeves



• By-pass kit



• Kit Protection against low water levels (mains supply)



• Back flange kit



• Isolating valve



• Plug for stainless steel pipes



• Pressure regulators

SPECIAL FEATURES

a) Assembly

– On a flat surface, booster pump placed on vibration absorbing feet.

– Intake and outlet pipes can be connection either on the right or on the left.

– separately installed switch board depending on the rating.

– one metre of free space must be left around the booster pump to ensure complete safety.

b) Packaging

On pallet.