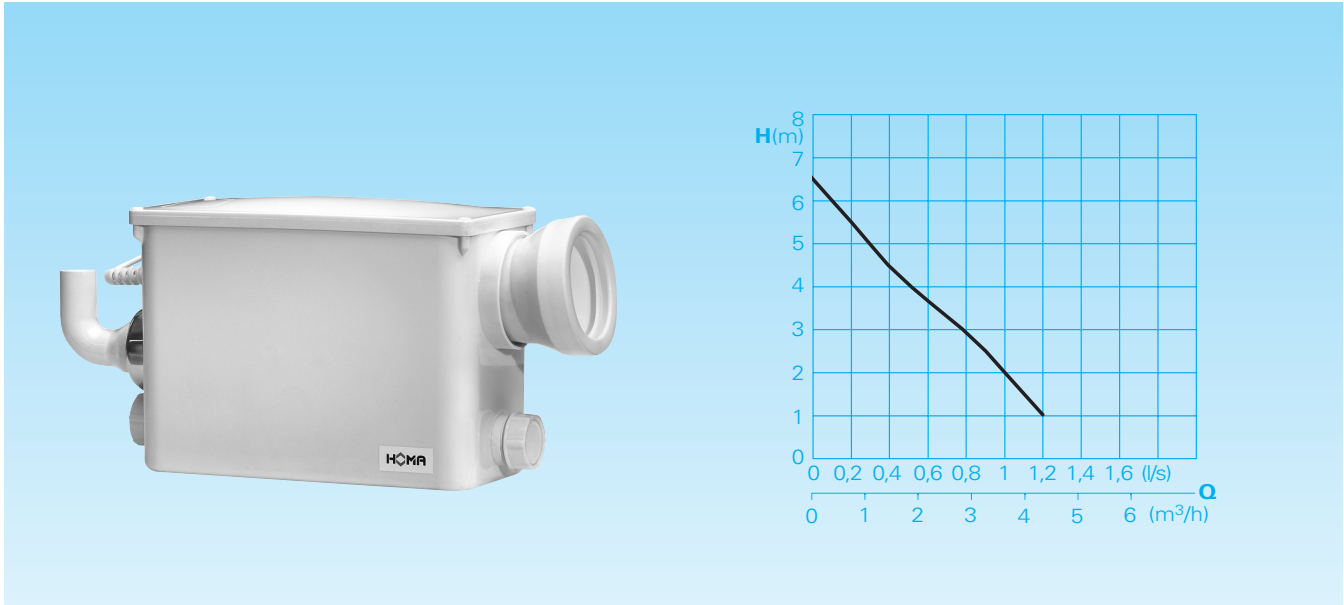


**WC disposal unit with cutter pump
 for front-wall installation**

Saniflux V

Conveying capacities



Application

Compact disposal unit for front-wall installation. Waste water disposal from WC, hand basin and shower below the sewer backflow level. Saniflux V is also ideal for subsequent installation of sanitary facilities. The symmetrical design of the collection tank allows an installation alternatively on right or left side of the WC. The built-in submersible pump with its stainless steel cutter system reduces soft solids to small pieces. A discharge pipe with 1" minimum diameter can be easily installed with minimum construction work.

DIN EN 12050-3: Design tested and monitored.

Pumped medium: Drainage water and feces. Max. temperature of pumped medium: 35°C, for brief periods up to 60°C.

Operating mode: Intermittent operation.

Design

Compact waste water disposal unit ready for connection, consisting of:
Collection tank: Odour-tight plastic collection tank. Maximum utility volume 11,5 liter. Flushing volume 6 liter. Angled WC-inlet DN 100 for easy height adjustment to the toilet. Two lateral inlets DN 40 with integrated non-return valve, inlet height 40 mm for the connection of shower and sink at the same height. Discharge Ø 25 mm with integrated non-return valve. Air vent with activated carbon filter.

Pump: Single stage centrifugal pump with horizontal discharge. Open multi-blade impeller with cutter system for the comminution of solids.

Motor: Single-phase electric motor. Thermal sensor for temperature monitoring in the winding. Insulation class B. Protection rating IP 68. Stainless steel motor shaft, prelubricated bearings, double mechanical seal.

Pump Operation Control: Water level dependent, pneumatic level control.

Materials

Collection tank	Plastic (ABS)
Pump housing	Plastic (PP) glass fiber reinforced
Impeller	Plastic (POM)
Motor housing, cutting system, motor shaft	Stainless steel

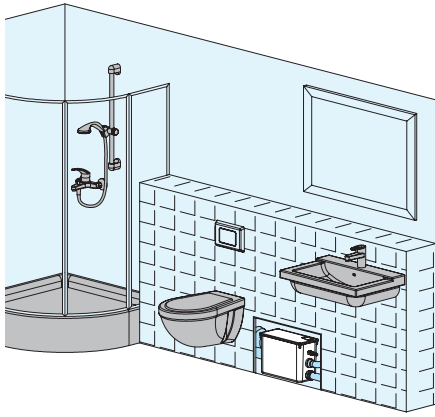
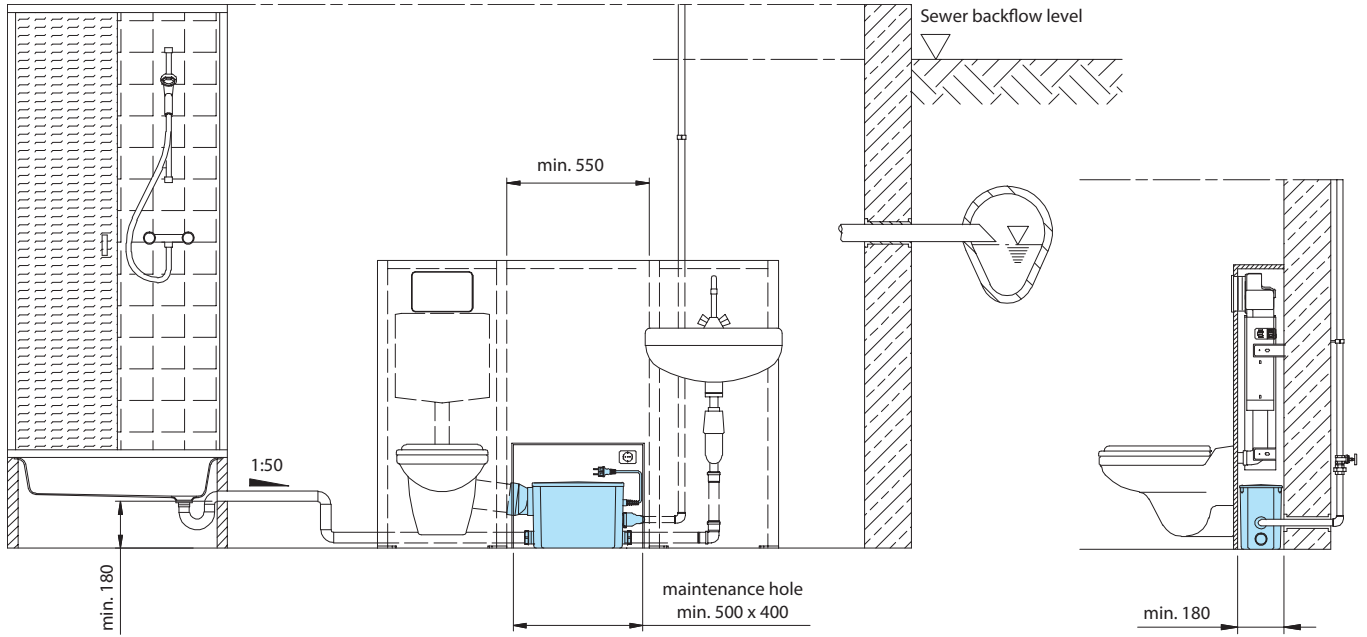
Technical data

Motor input P ₁	650 W
Motor input P ₂	350 W
Voltage	230V/1Ph 50Hz
Rotational speed	2900 rpm
Nominal current	2,1 A
Connecting cable	H 03VVf3x0,75
Protection rating (complete appliance)	IP 44
Weight	8 kg
Discharge	Ø 25 mm

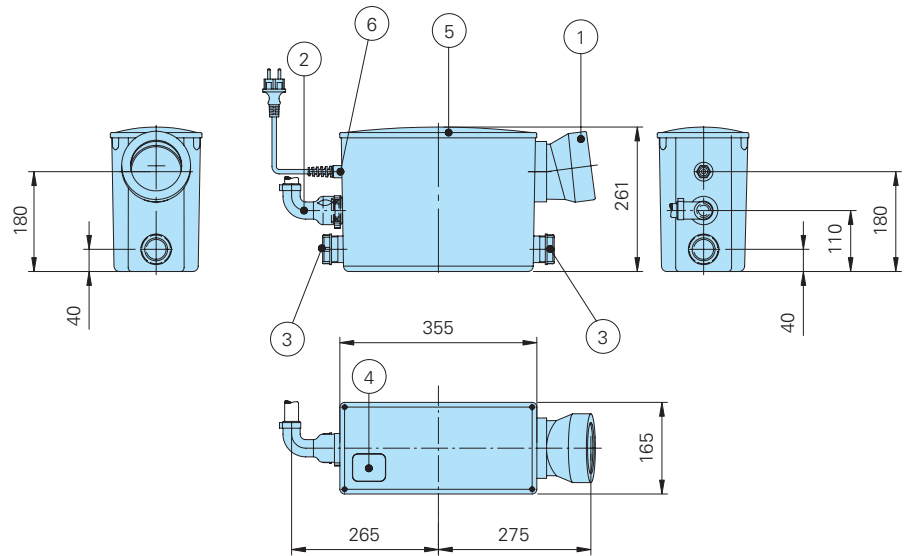
Scope of supply

Tank with pump, 1,4 m of connecting cable with plug.

Installation example



Dimensions (all dimensions in mm)



Accessories

Description	Size	Part no.
Shut-off gate valve, brass	BSP 1" F	2216010
	BSP 1¼" F	2216012
	BSP 1½" F	2216015
Bend 90°, galvanized	BSP 1" F/M	2111305
	BSP 1¼" F/M	2111405
	BSP 1½" F/M	2111505
Transition screw connection, galvanized	BSP 1" M/F	2114303
	BSP 1¼" M/F	2114304
	BSP 1½" M/F	2114305
Hose spigot	1"	2001313
	1¼"	2001413
	1½"	2001513
Alarm device AL3 with water level collecting tank		1586146

- ① Connection for universal low- and flat flush WC, DIN1382, Form E and F according to EN 38
- ② Connection for discharge $\varnothing 25$
- ③ Screw connection for inlet DN40 ($\varnothing 40$)
- ④ Ventilation and deaeration with activated carbon filter
- ⑤ Tank cover (screwed)
- ⑥ Cable inlet



We reserve the right to alter our specifications without notice!