

Flygt 2250.011

DEWATERING PUMP

50 Hz



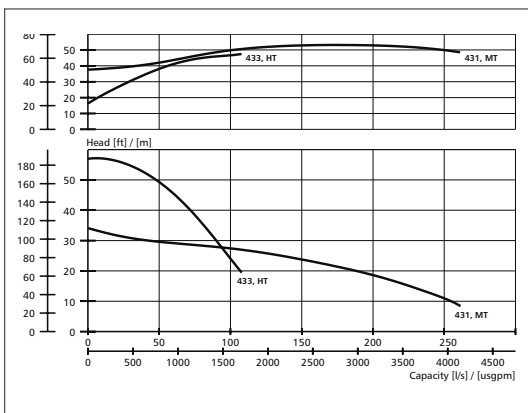
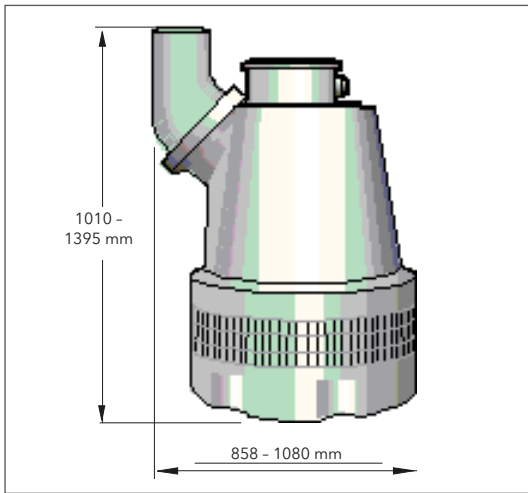
Tough pumps for dewatering

The Flygt dewatering pumps from Xylem are designed for tough operating conditions. The pumps are ideal for applications in which the water or liquid contains high amounts of clay, stone chips, drilling fines etc, or to pump heavy sediment from tanks, sumps and containers.

These portable and robust aluminium pumps are found in operation in all types of dewatering applications.

Our dewatering pumps are backed by an outstanding support and world-wide presence. Operating in over 150 countries, we bring many years of experience to bear in order to keep your business moving.





Voltage (V)	Rated current (A)	Starting current (A)
200D	203	1175
220D	181	930
380Y	105	535
440D	91	505
550D	74	425



xylem
Let's Solve Water

www.flygt.com
www.xyleminc.com

Flygt 2250.011

Submersible pump for dewatering building yards, draining water in flooded areas, and other similar applications. The pump can handle water containing relatively abrasive solids.

Denomination

Product code	2250.011
Installation	S
Impeller characteristics	MT, HT
Discharge connection	6", 8", 10"

Process data

Liquid temperature	max +40° C
Depth of immersion	max 20 m
The pH of the pumped liquid	pH 5 - 8
Liquid density	max 1100 kg/m ³
Strainer hole size	15 mm x 45 mm

Motor data

Squirrel cage 3-phase induction motor.

Frequency	50 Hz
Insulation class	H (+180° C)
Voltage variation	
- continuously running	max ± 5%
- intermittent running	max ± 10%
Voltage imbalance between phases	max 2%
No. of starts/hour	max 15

Monitoring equipment

Thermal contacts

Cable

Direct-on-line start SUBCAB®

Material

Outer casing	Aluminium
Impeller	Alloyed white cast iron
Wear parts	Nitrile rubber
Stator housing	Aluminium
Strainer	Steel
Shaft	Stainless steel
O-rings	Nitrile rubber

Mechanical face seals

Inner	Corrosion resistant cemented carbide
Outer	Corrosion resistant cemented carbide

Weight

Total (excl. cable) 540 kg

Options

Polyurethane-lined wear parts	POLY-LIFE®
Discharge connector with coupling 6"	
Various cable sizes	
Various cable sizes	
Tandem connection	

Accessories

Adapters, hose connections and other mechanical accessories.
Electrical accessories such as pump controller, control panels, starters, monitoring relays, cables.

Rating

3~	
Rated output	54 kW
Speed of rotation	1470 rpm