

Product Information Diaphragm dosing pump MIDIDOS E

Reliable dosing of chemicals

Motor-driven diaphragm dosing pumps play an important role in the reliable and accurate dosing of liquids in the process cycles. They are appropriate for applications up to 10 bar.

Dosing pumps are used in many branches of industry that work with liquid chemicals - not excluding toxic and aggressive media.

Unbeatable in price and performance

The MIDIDOS E combines good dosing qualities with a robust design – at an affordable price. It is based on an operating mechanical dosing principle that has been successful for many years, with minimal maintenance costs. As an almost silent and leak free diaphragm dosing pump, all four models reach a dosing range of up to 114 l/hr. In addition its performance has a variable speed from 0 to 100%.

The MIDIDOS E is a simple dosing pump with a dosing head mounted on the left-hand side. The dosing head and valves are available in different materials. The electrical connection for the three-phase motor goes direct to the terminal box. It is also possible to operate it on alternating voltage.

In short

- Easy to use
- Gear parts and storage are lubricated for life
- Hub length is manually adjustable from 0...100%
- Max. dosing range: 114 l/hr
- Suitable for toxic and aggressive substances
- Materials: PVC, PP, PVDF, stainless dosing head and valves; seal FPM
- Valves as double-ball valves
- Coated in EPDM - PTFE lining
- Gearbox with one-level worm-wheel gear-ratio



Technical data

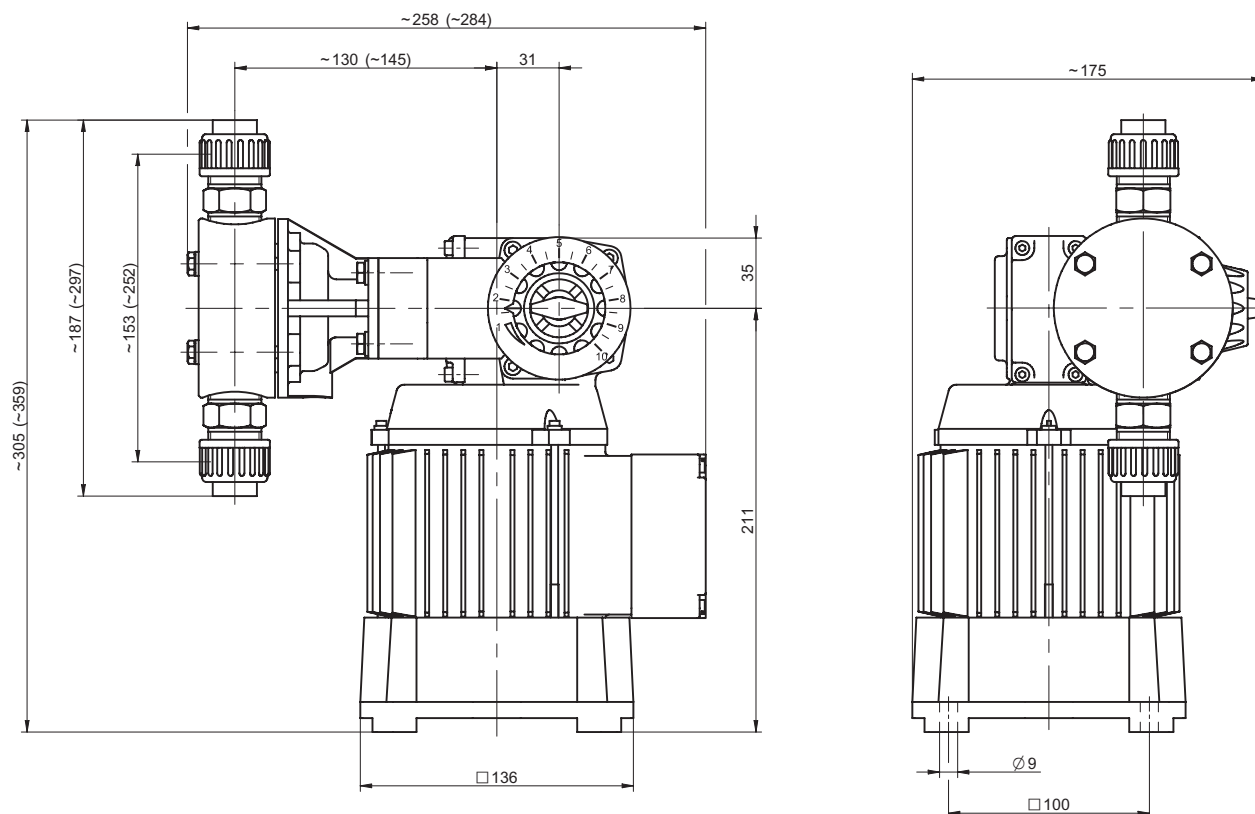
MIDIDOS	E 24	E 48	E 72	E 120
Flow rate	24 l/hr	48 l/hr	80 l/hr	114 l/hr
max. pressure	10 bar	10 bar	6 bar	4 bar
Max. pressure at 1~ mode	10 bar	5 bar	3 bar	2 bar
Stroke frequency	48/min	96/min	142/min	96/min
Stroke volume	8.5 ml/Hub	8.5 ml/Hub	8.5 ml/Hub	20.8 ml/Hub
Diaphragm-Ø	64 mm	64 mm	64 mm	90 mm
Suction lift	700 mbar	700 mbar	700 mbar	300 mbar
Double ball valve in pipe diameter	DN 6	DN 6	DN 6	DN 10
Environment temperature	Max. 45 °C (with PVC max. 40 °C)			
Medium temperature	Max 50 °C (with PVC max. 35 °C)			
Motor specifications 3-phase	400 V/ 50 Hz - 440 V/ 60 Hz - 0.05 kW - 0.5 A			
Motor specifications 1-phase	230 V/ 50 Hz - 0.05 kW - 0.85 A			
Weight of plastic model	7 kg	7 kg	7 kg	8 kg

Model variants

Product name	Material	Connections	Order no.	
			with 3~ Motor	with 1~ Motor
MIDIDOS E 24	PVC	Terminal connection \varnothing 6/12 plus bonding socket \varnothing 16	10302201	10302101
	PP	Terminal connection \varnothing 6/12 plus welding socket \varnothing 16	10302202	10302102
	PVDF	Welding socket \varnothing 16	10302203	10302103
	Stainless steel	Insert nut G 1/4 internal	10302204	10302104
MIDIDOS E 48	PVC	Terminal connection \varnothing 6/12 plus bonding socket \varnothing 16	10302205	10302105
	PP	Terminal connection \varnothing 6/12 plus welding socket \varnothing 16	10302206	10302106
	PVDF	Welding socket \varnothing 16	10302207	10302107
	Stainless steel	Insert nut G 1/4 internal	10302208	10302108
MIDIDOS E 72	PVC	Terminal connection \varnothing 9/15 plus bonding socket \varnothing 16	10302209	10302109
	PP	Terminal connection \varnothing 9/15 plus welding socket \varnothing 16	10302210	10302110
	PVDF	Welding socket \varnothing 16	10302211	10302111
	Stainless steel	Insert nut G 1/4 internal	10302212	10302112
MIDIDOS E 120	PVC	Terminal connection \varnothing 13/20 plus bonding socket \varnothing 25	10302213	10302113
	PP	Terminal connection \varnothing 13/20 plus welding socket \varnothing 25	10302214	10302114
	PVDF	Welding socket \varnothing 25	10302215	10302115
	Stainless steel	Insert nut G 1/2 internal	10302216	10302116

- All the operational pumps have seals made from FPM, other materials on request
- Suction and discharge sides have the same size connection

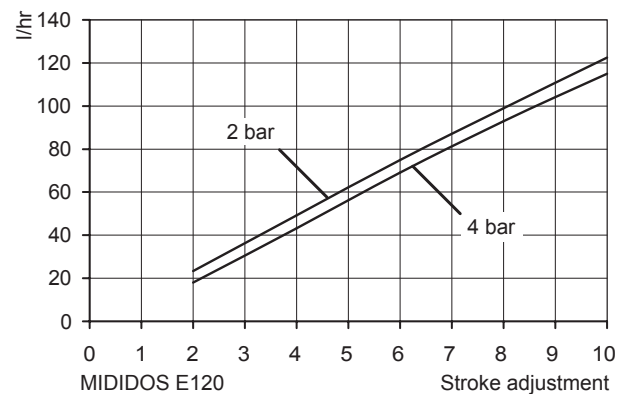
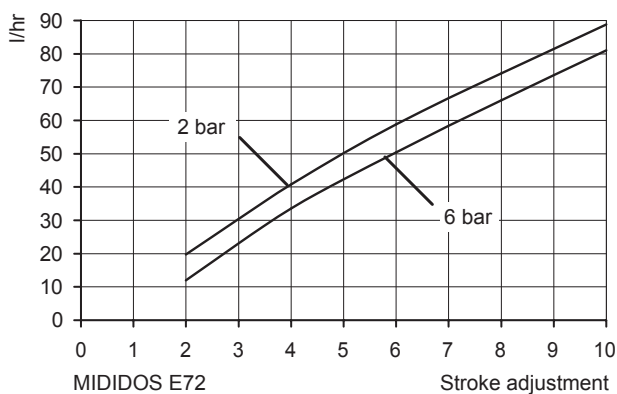
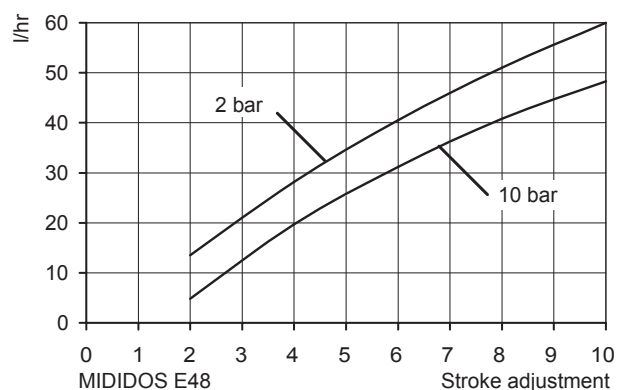
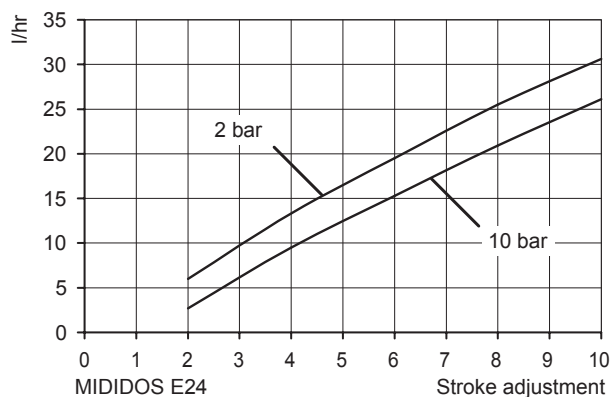
Dimensional figure



MIDIDOS E 24 and (MIDIDOS E 120) - all measurements are given in mm

Performance curves

The performance curves refer to water at 20 °C (68 °F). The performance of the dosing pump depends on the viscosity of the process fluid and hydraulic installation conditions. Dosing pumps must therefore be gauged in litres during application.



Accessories

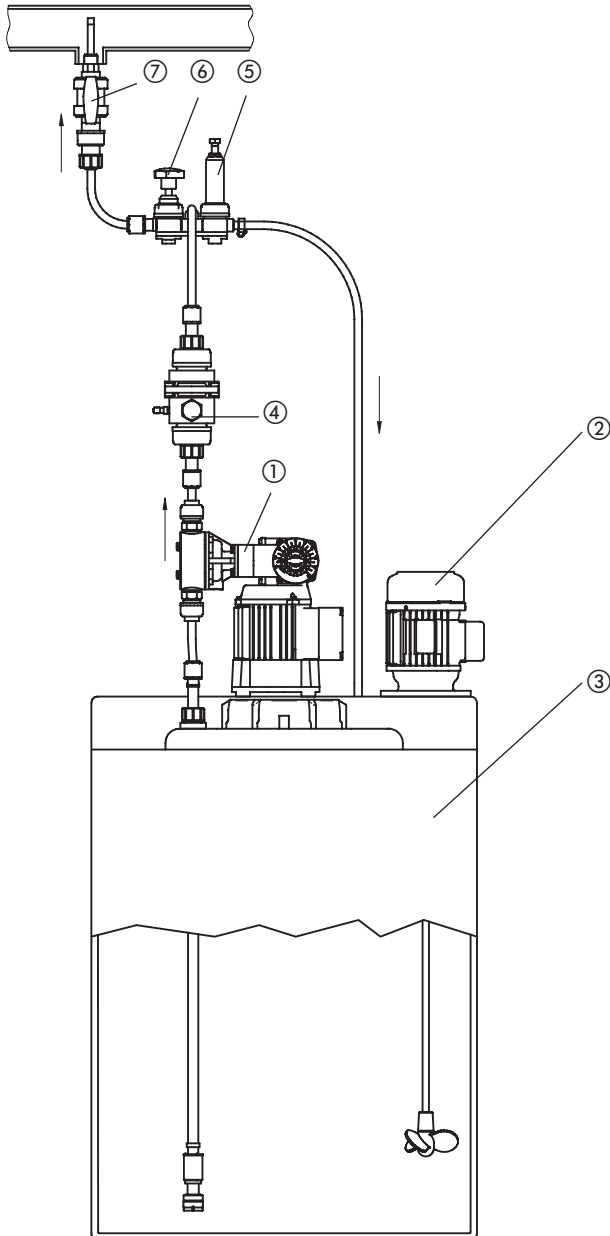
In addition to the dosing pump, the following accessories are available for the assembly and operation:

Description				Order no.
Wall bracket				21967
Suction line for MIDIDOS E 24 and E 48 SA: flexible, DN 6/ PVC, hose 6/12 mm length ca. 2500 mm, with ceramic weight				12224761
Foot valve for	MIDIDOS E 24...E 72	Type FC-DN 10	PVC/ glue connection \varnothing 16	12224314
		Type FD-DN 10	Stainless steel/ FPM threaded connection G 1/4 F	12200201
	MIDIDOS E 72	Type FB-DN 10	PVC/ FPM hose liner 9/12	12200204
	MIDIDOS E 120	Type FC-DN 15	PVC/ glue connection \varnothing 25	12200202
		Type FD-DN 15	Stainless steel/ FPM threaded connection G 1/2 F	12200203
Suction and discharge line	PVC, \varnothing 6/12 (PA fabric-reinforced)			97120
	PVC, \varnothing 9/15 (PA fabric-reinforced)			97121
	PVC, \varnothing 13/20 (PA fabric-reinforced)			97802

We shall be pleased to assist in selecting further material: e.g. injection nozzles, pulsation dampeners and back pressure and pressure relief valves.

Product Information Diaphragm dosing pump MIDIDOS E

Installation example



Legend

- ① MIDIDOS E
- ② Electric agitator
- ③ Chemical tank
- ④ Pulsation dampener
- ⑤ Pressure relief valve (safety valve)
- ⑥ Diaphragm stop-valve
- ⑦ Injection nozzle