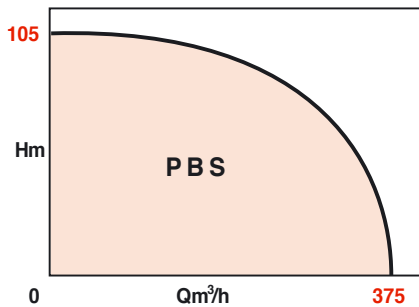


RANGE OF USE

Flow rate up to:	375 m ³ /h
Mano. head up to:	105 m
Max. operating pressure:	13 bar up to +140°C 16 bar up to +120°C
Frequency range:	-20° to +140°C
Opening DN:	25 to 125
Reference of MEI*:	≥ 0,10

*Minimum Efficiency Index



ADVANTAGES

- High hydraulic output
- Low electrical consumption
- Reduced space requirement
- Low sound level
- No risk of pump/motor misalignment

PBS

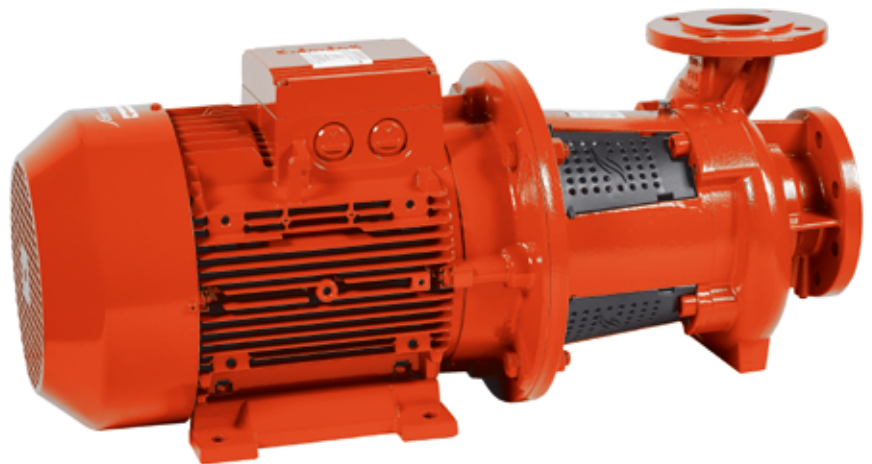
STANDARDISED HORIZONTAL MONOBLOC PUMPS

Heating – Air conditioning
Adduction – over pressure
50 Hz

APPLICATIONS

- Hot water circulation according to VDI2035 or cold water circulation
- Glycol or cold water circuits up to 40% of glycol and temperature of 40°C
- Cooling water circuits
- Irrigation, washing
- Drain, filling, overpressure
- All industries involved in the pumping of clear, non-abrasive, chemically neutral liquids.

Certified
ACS



BASIC CONSTRUCTION

•Hydraulic section

- Single stage centrifugal pump
- Flange housing, axial suction and vertical discharge
- Flanges equipped with pressure intake openings
- Sealed with standardised mechanical seals
- Housing dimensions according to EN 733 (DIN-24255)

•Lantern

Equipped with condensate collection holes in vertical and horizontal position

•Motor

High output IE2
Standardised flanges coupled with pump with rigid coupling

- Speed: 2 pole: 2900 rpm.
4 pole: 1450 rpm.
- 3 ~ winding ≤ 3 kW: 230 V Δ 50 Hz
400 V Y 50 Hz
- 3 ~ winding ≥ 4 kW: 400 V Δ 50 Hz
- Insulation: 155 (F)
- Protection index: IP55
- CE conformity: EN 809
- Options ipsothermal protection, 60 Hz... (contact us).

BASIC STRUCTURE

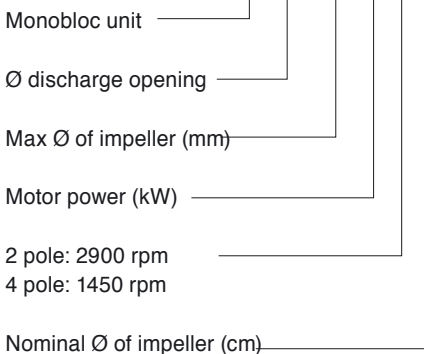
Main parts	Material
Pump housing	Cast iron EN GJL 250 * EN GJS 400-18-LT
Impeller	Cast iron EN GJL 200 Bronze*
Lantern	Cast iron EN GJL 250
Shaft	Steel X39 Cr Mo 17.1
Mechanical seal**	Graphite/Carbide Si/EP

* Options, contact us

** Please consult us for other mechanical seals

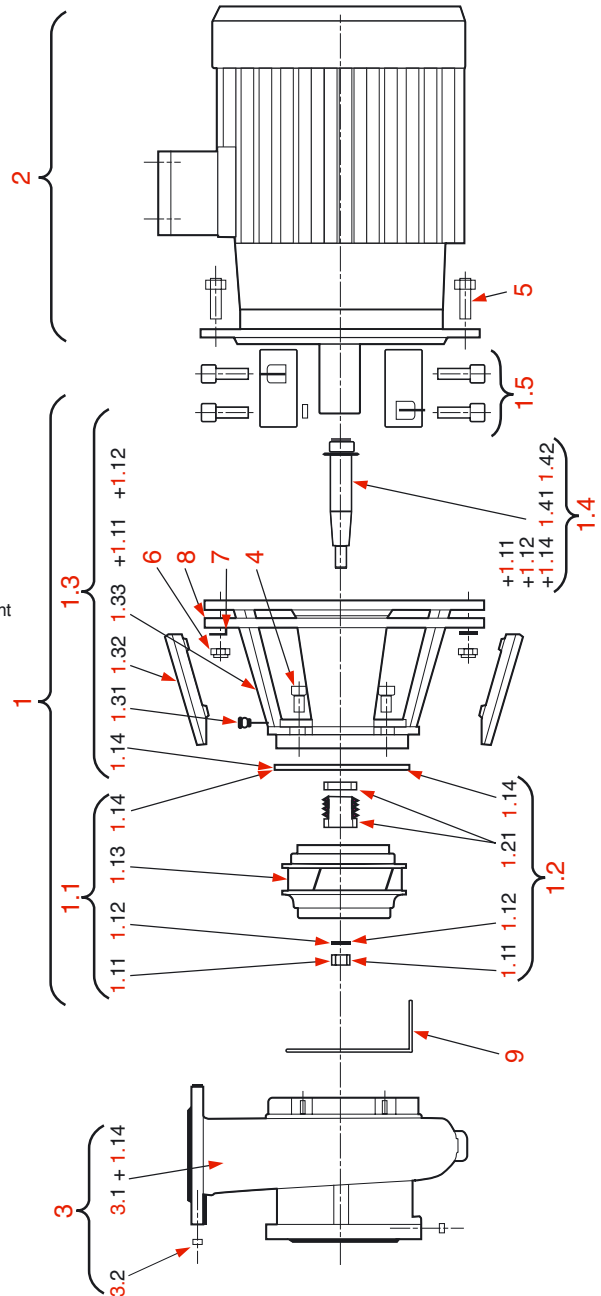
IDENTIFICATION

PBS 50 - 170/7,5/2/15



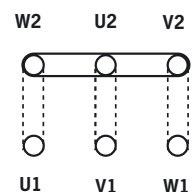
REPRESENTATIVE CROSS-SECTION

- Complete spare kit
 - Set of spare parts with
 - Nut
 - Washer
 - Impeller
 - O-ring
 - Set of mechanical seal spare parts with
 - Complete mechanical seal
 - Set of spare lantern parts with
 - Bleeder screw
 - Coupling protector
 - Lantern
 - Set of shaft spare parts with
 - Shaft
 - Spring retaining ring
 - Complete coupling
- Motor
- Complete pump housing with
 - Pump housing
 - Plug for pressure openings
- Attachment screw for lantern/pump
- Attachment screw for motor/lantern
- Nut for motor/lantern attachment
- Washer for motor/lantern attachment
- Adapter ring
- Pump stand for motor ≤ 4kW
Support for motor ≥ 5,5 kW

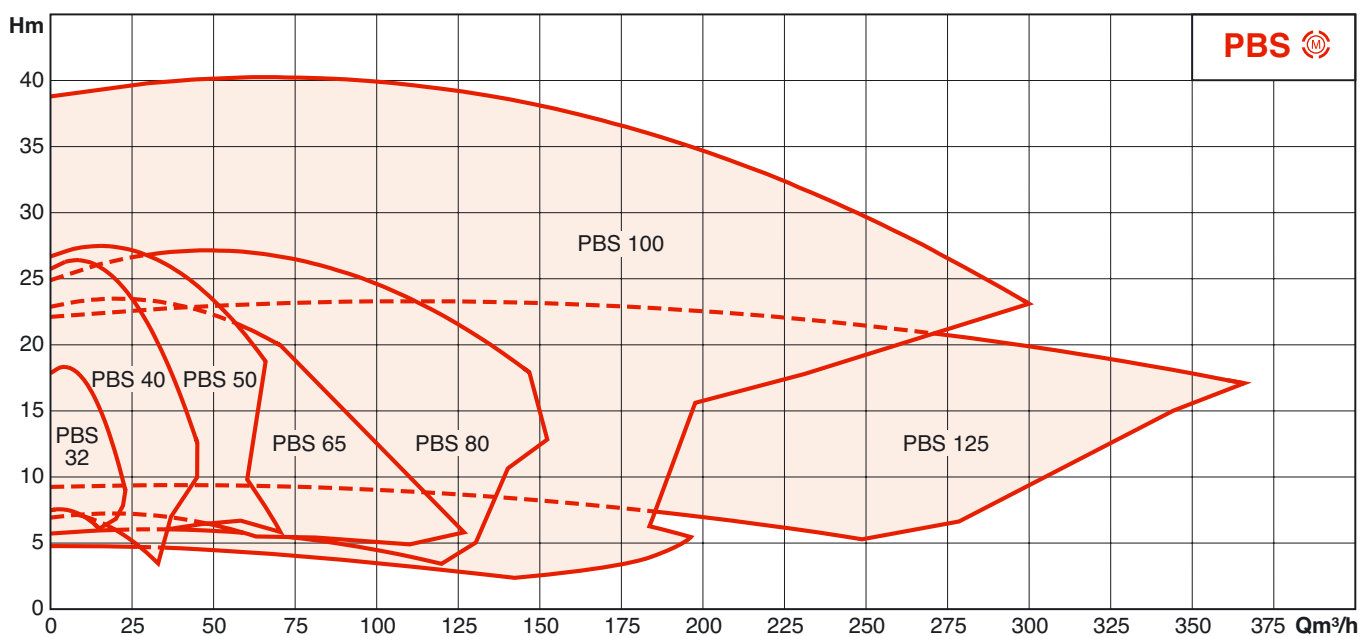


CONNECTION DIAGRAM

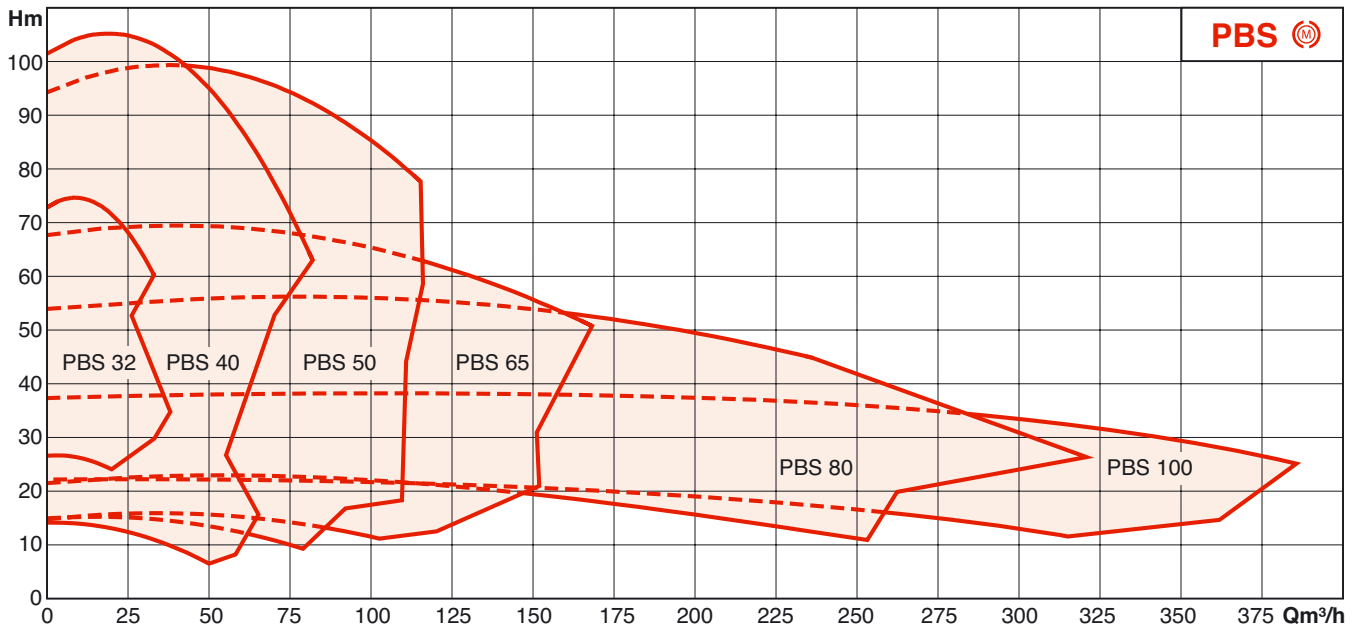
- Solid line: Y
Dotted line: Δ
- P2 ≤ 3 kW 3 ~ 400 V = Y
3 ~ 230 V = Δ
- P2 ≥ 4 kW 3 ~ 400 V = Δ
- For activation star – triangle, remove slides



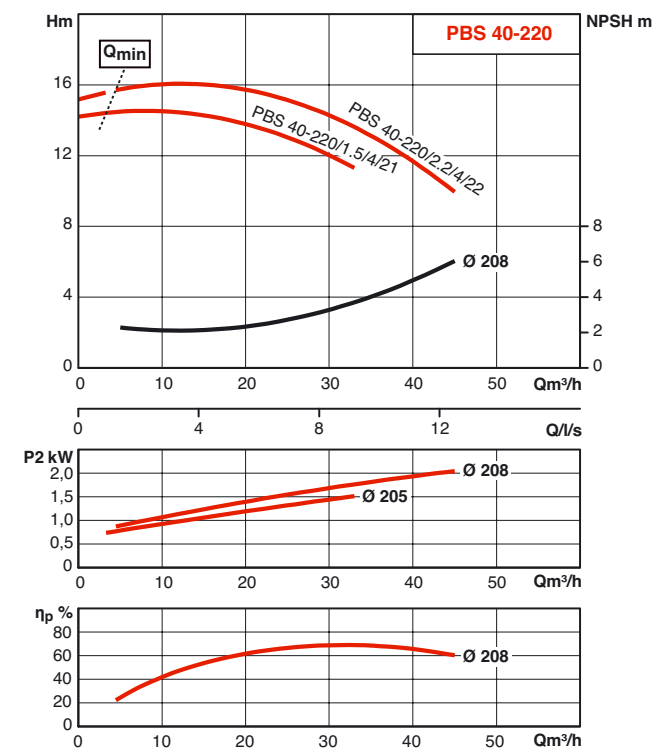
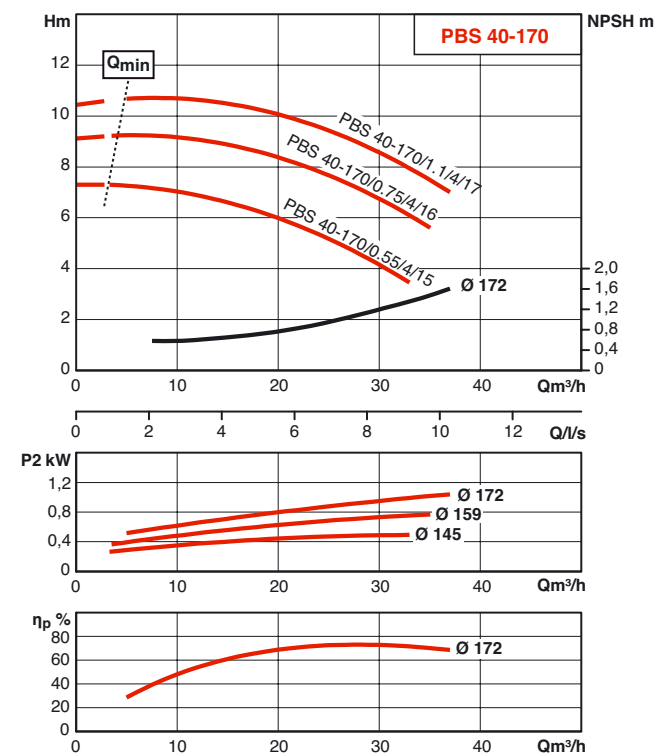
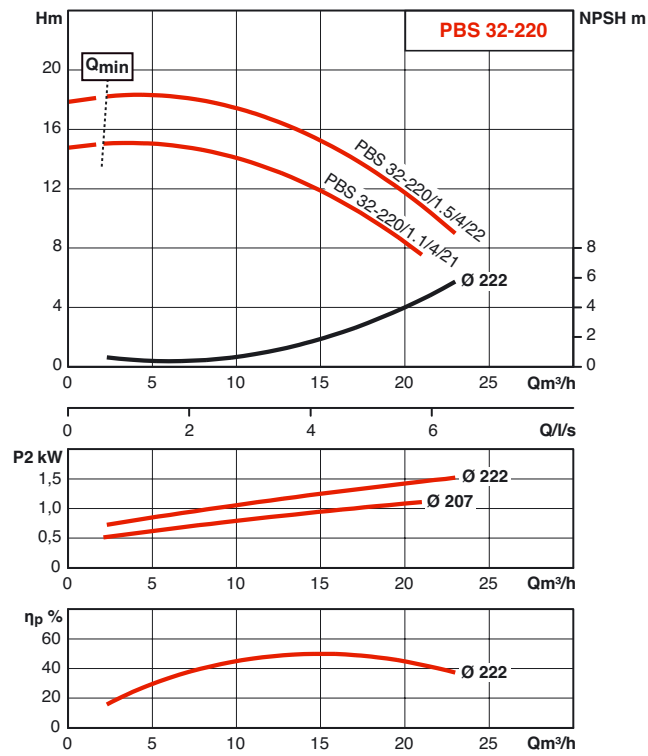
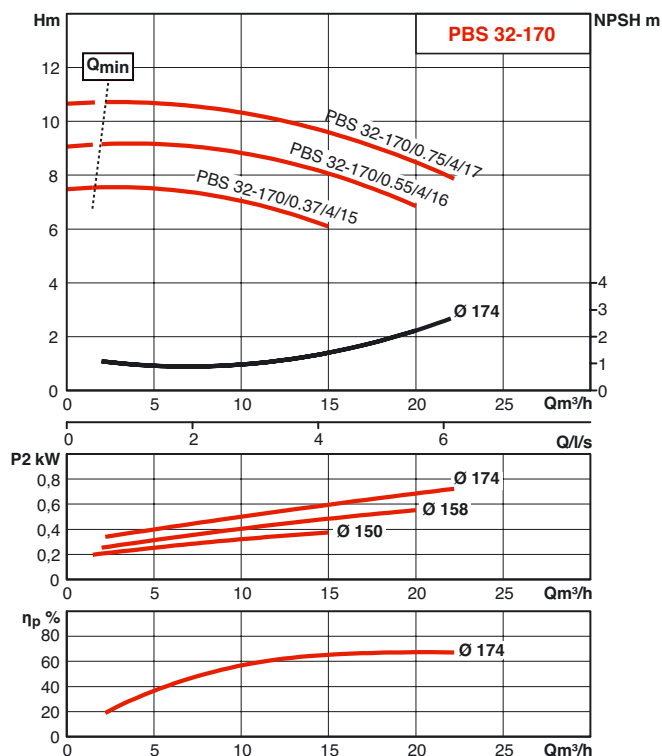
GENERAL PRESELECTION NOMOGRAM 4 POLE



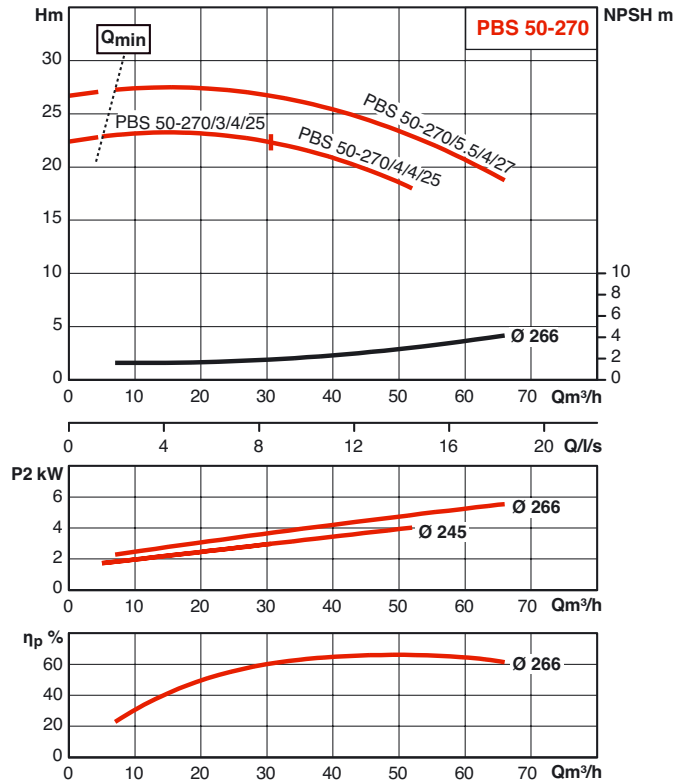
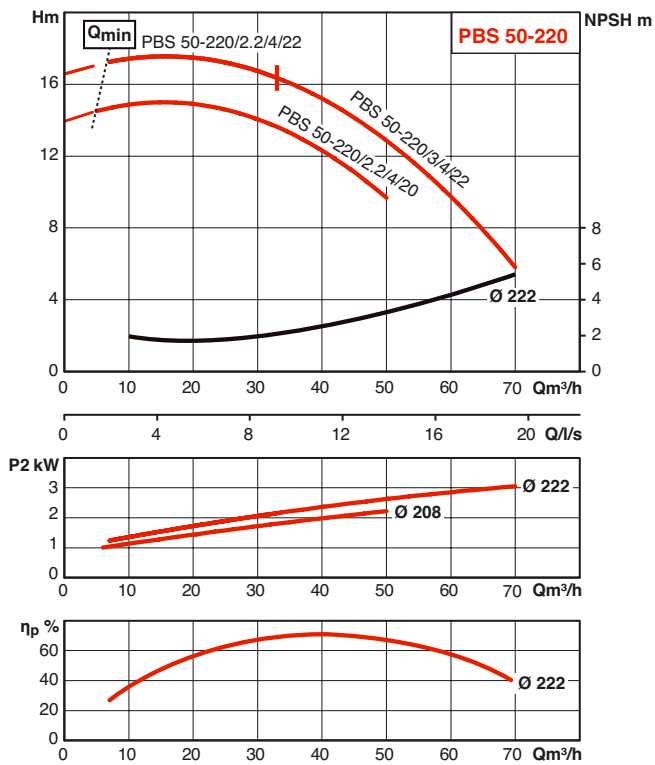
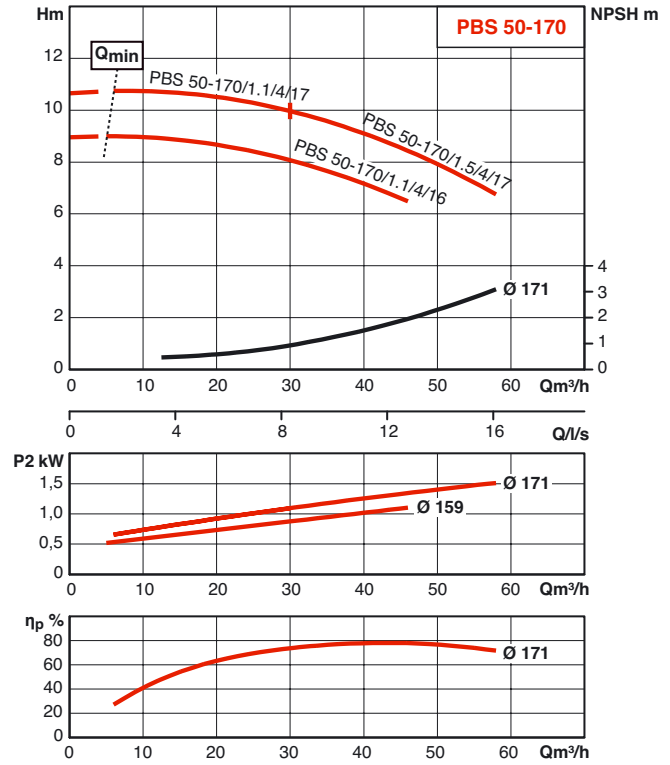
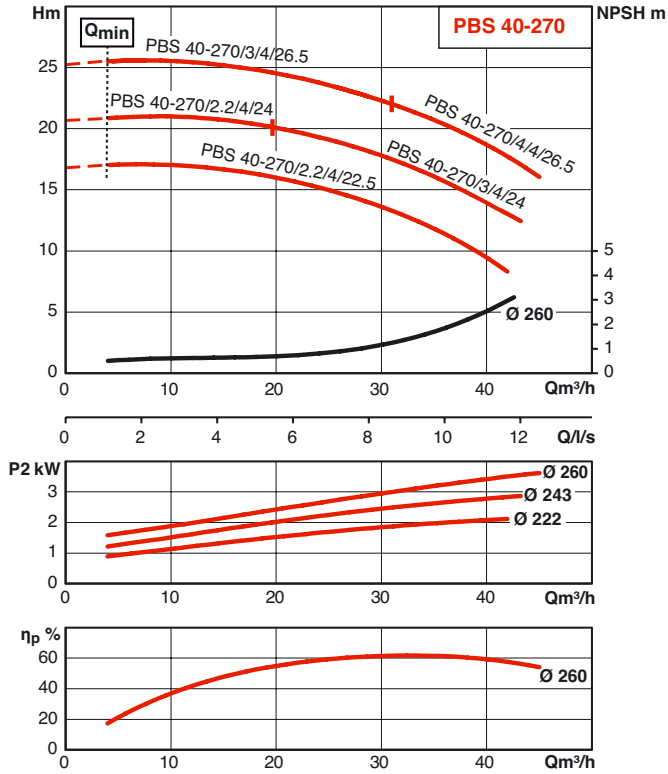
GENERAL PRESELECTION NOMOGRAM 2 POLE



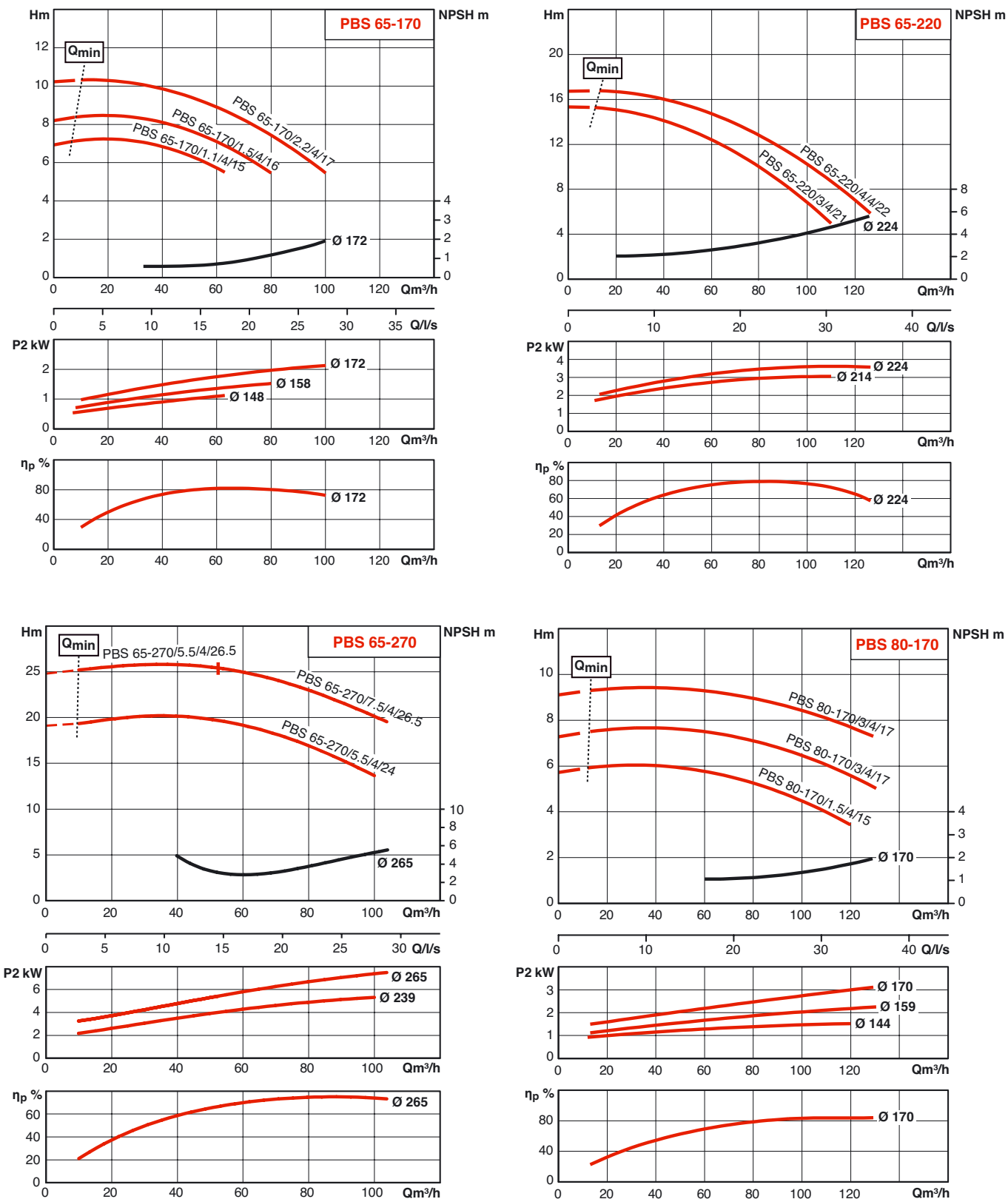
HYDRAULIC PERFORMANCES – 4 POLE



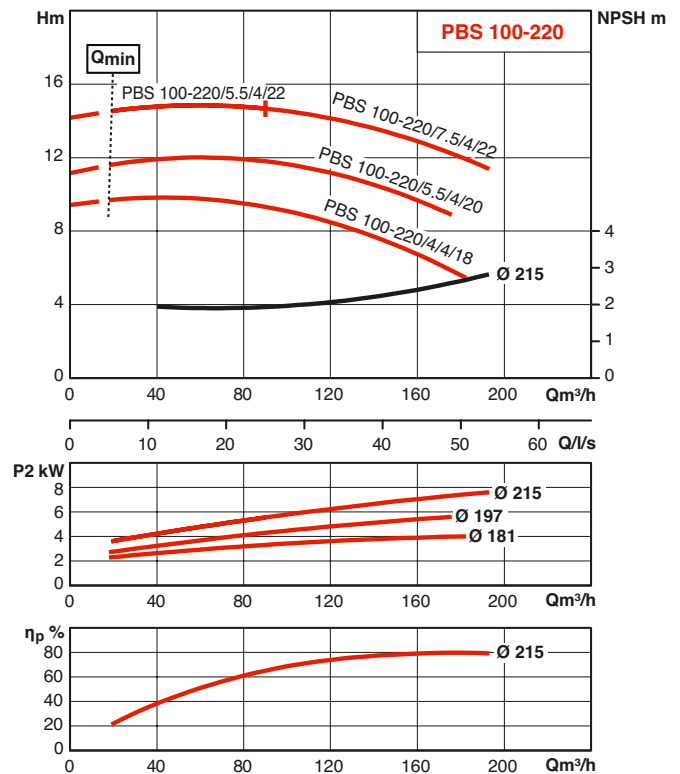
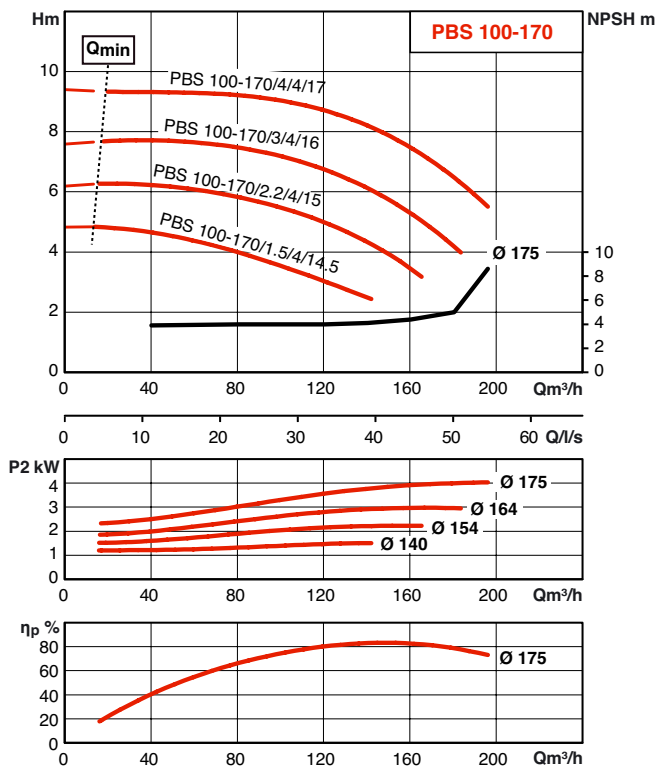
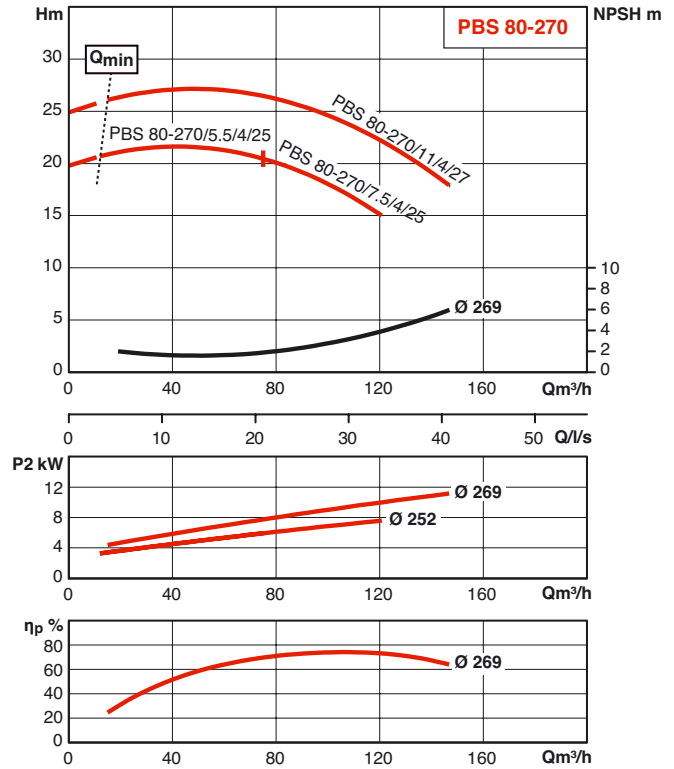
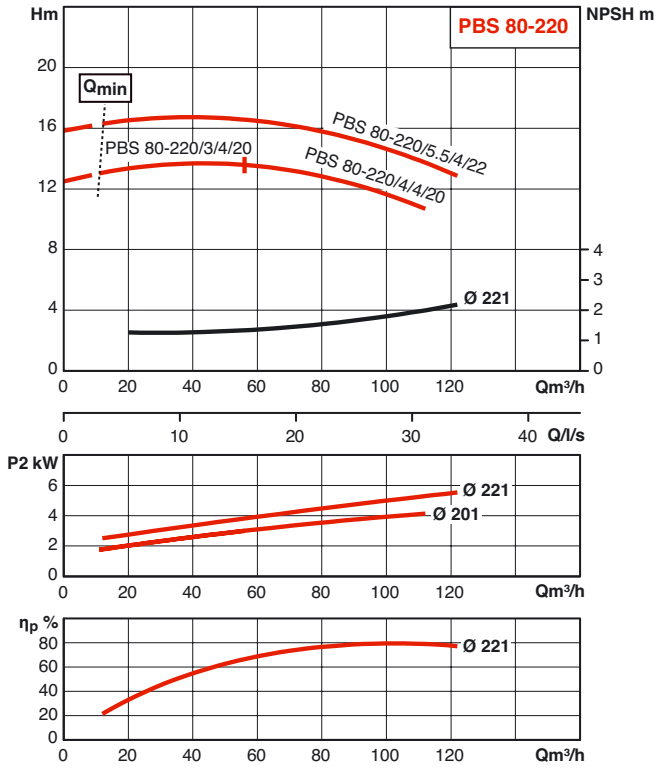
HYDRAULIC PERFORMANCES – 4 POLE



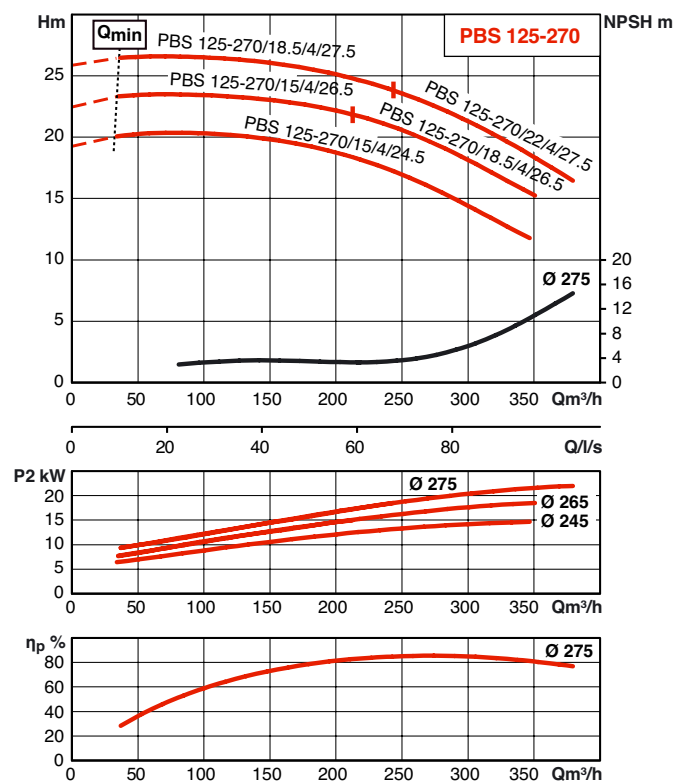
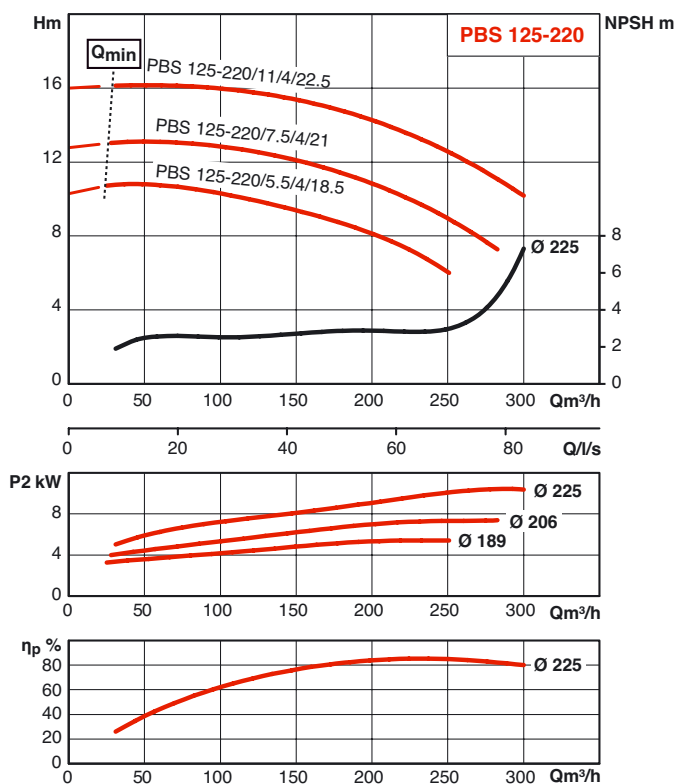
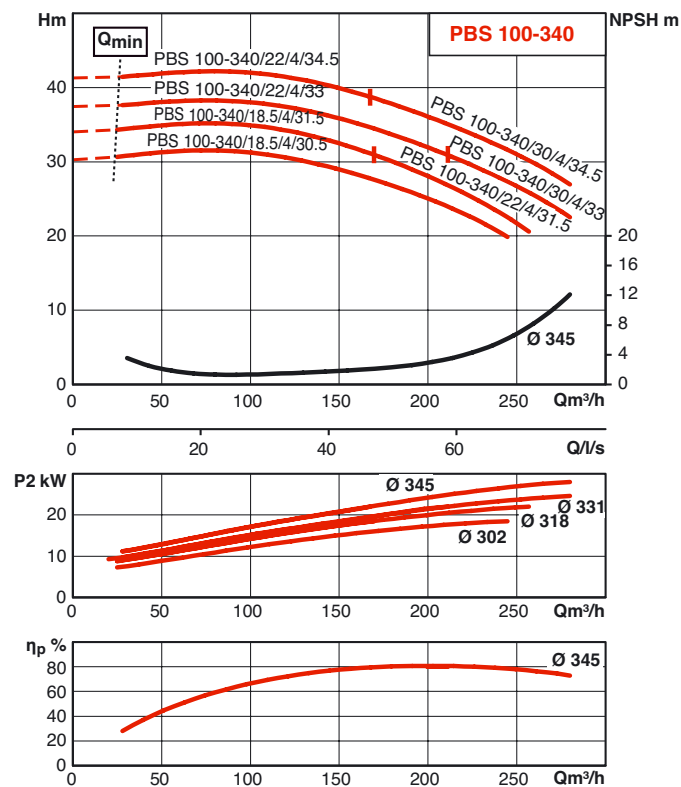
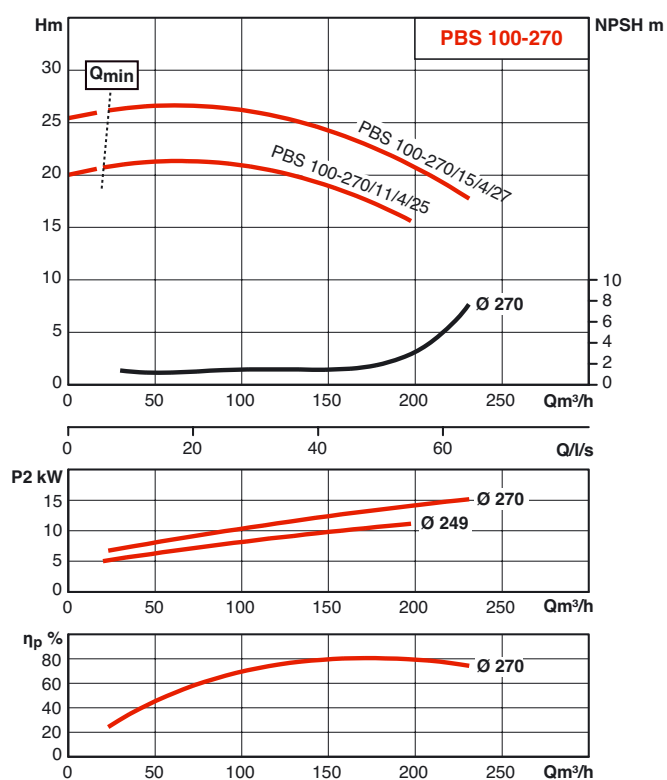
HYDRAULIC PERFORMANCES – 4 POLE



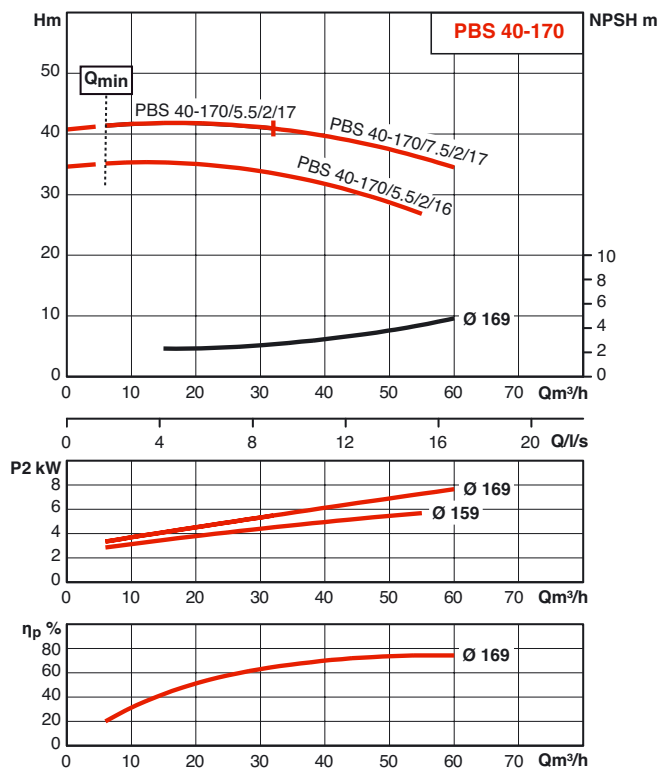
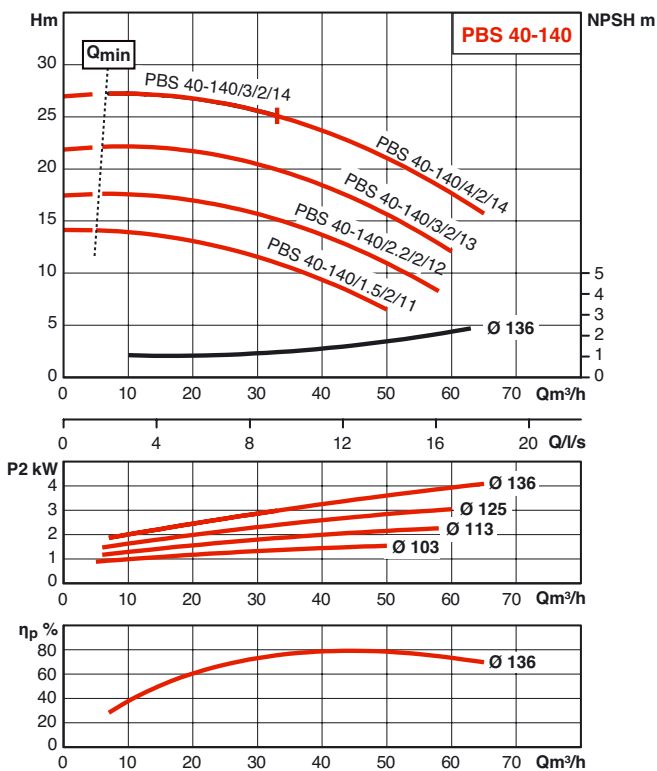
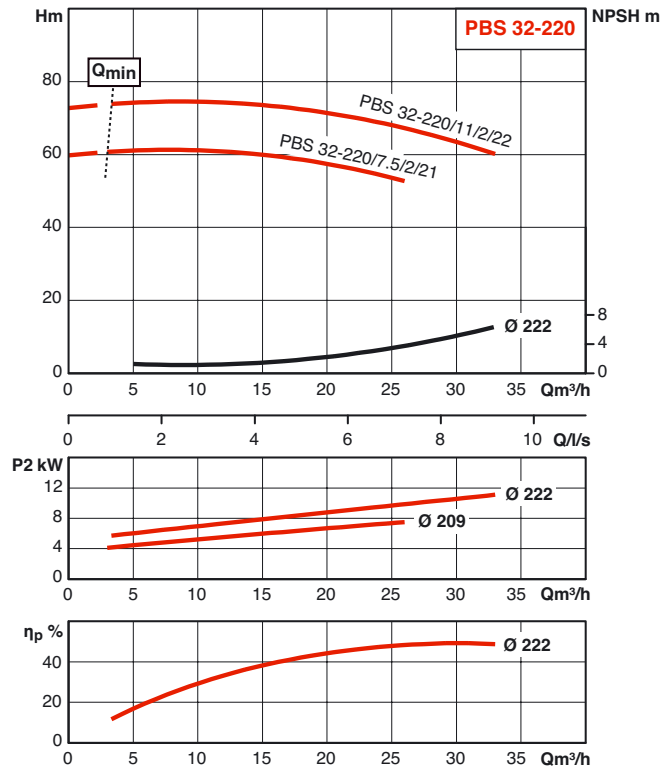
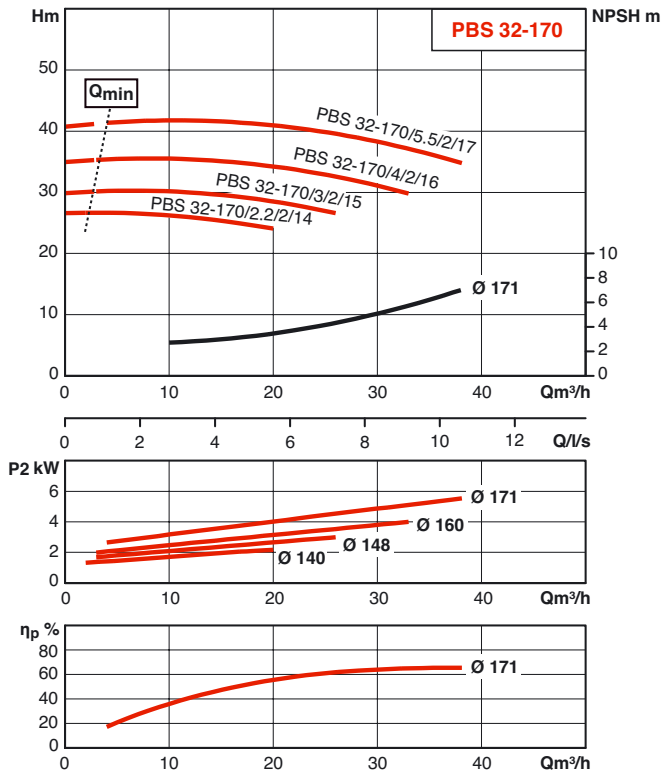
HYDRAULIC PERFORMANCES – 4 POLE



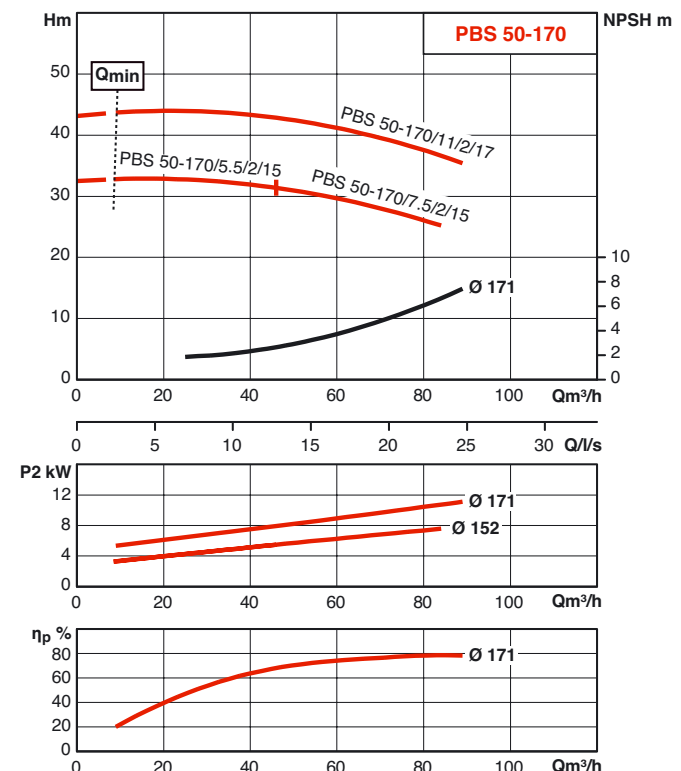
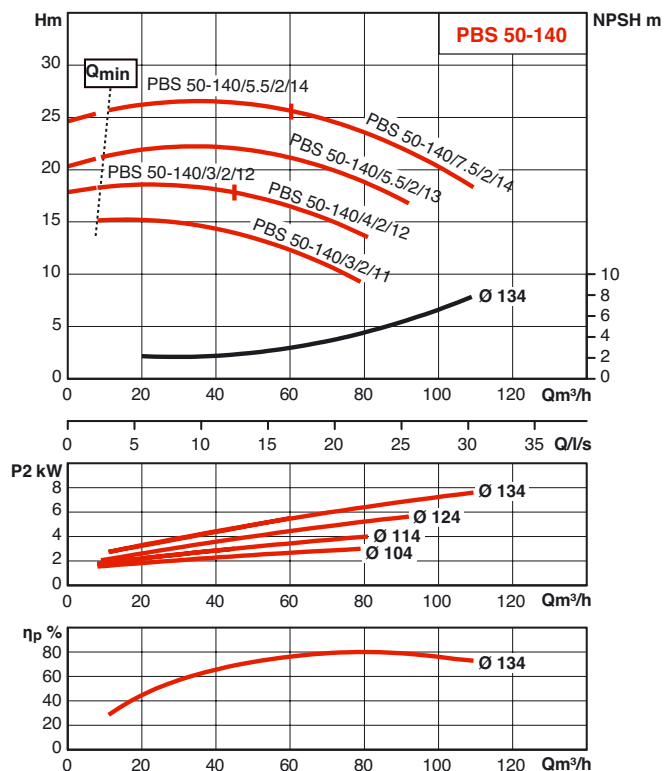
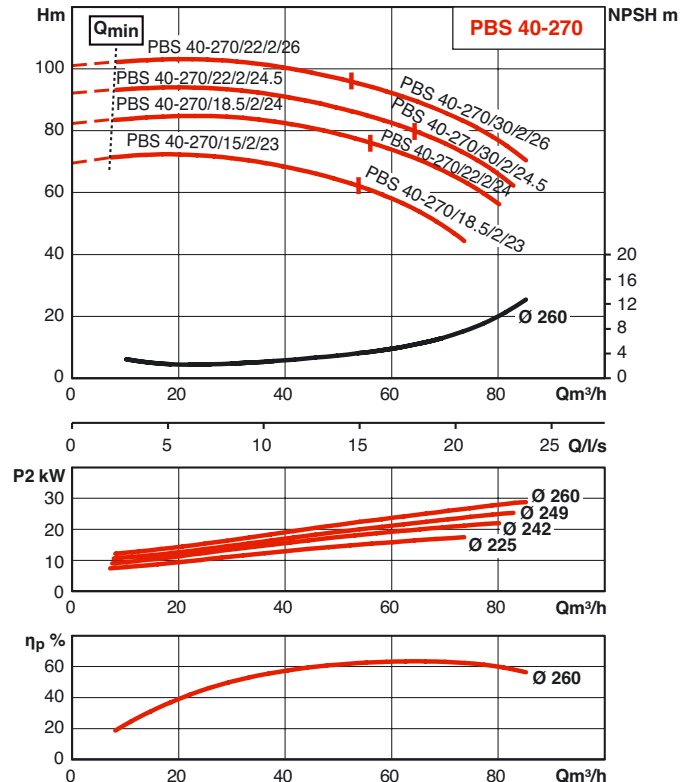
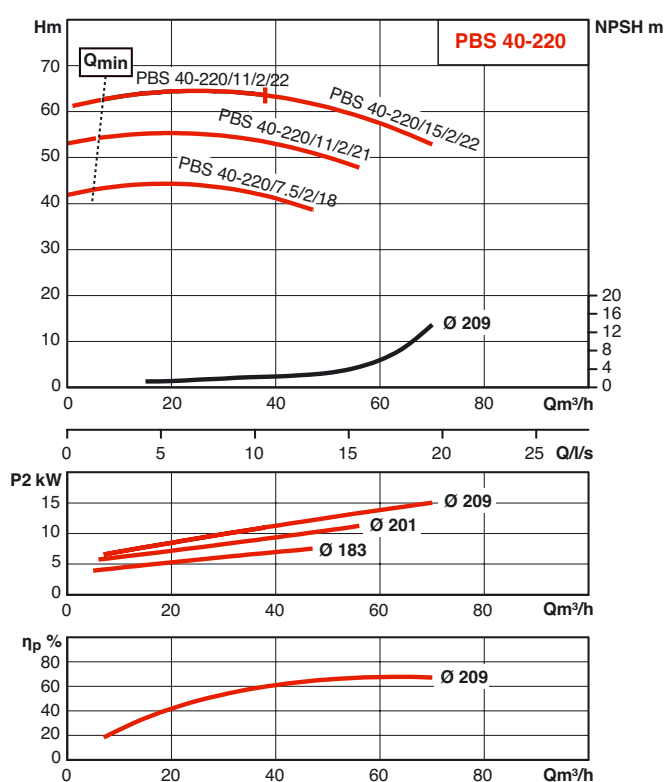
HYDRAULIC PERFORMANCES – 4 POLE



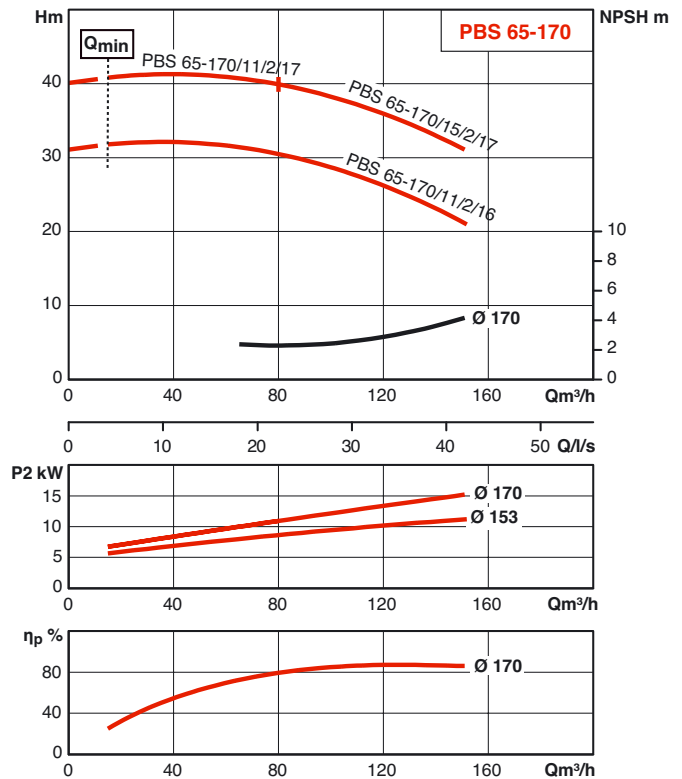
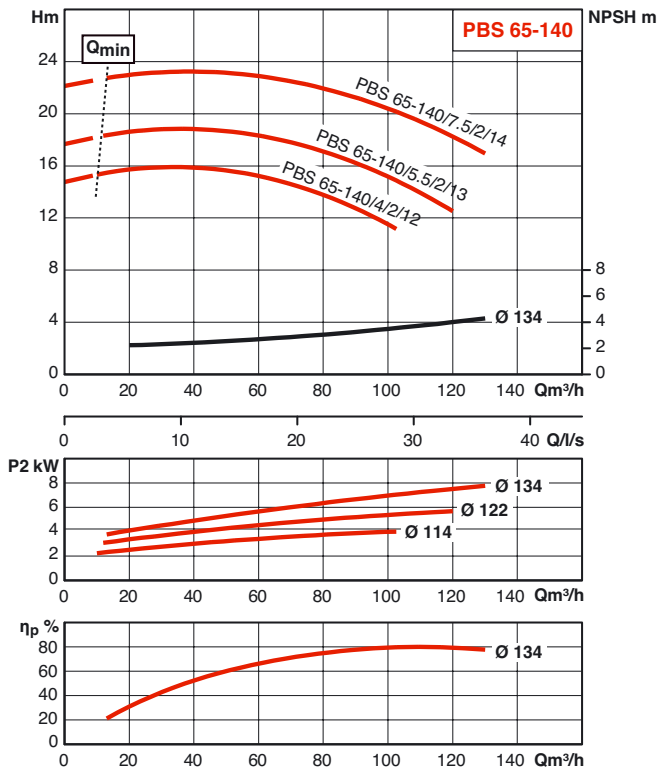
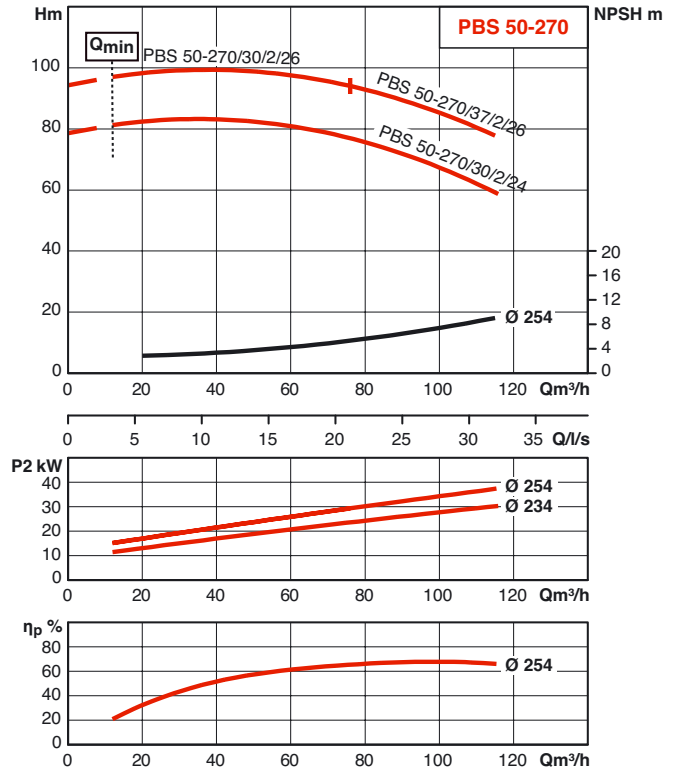
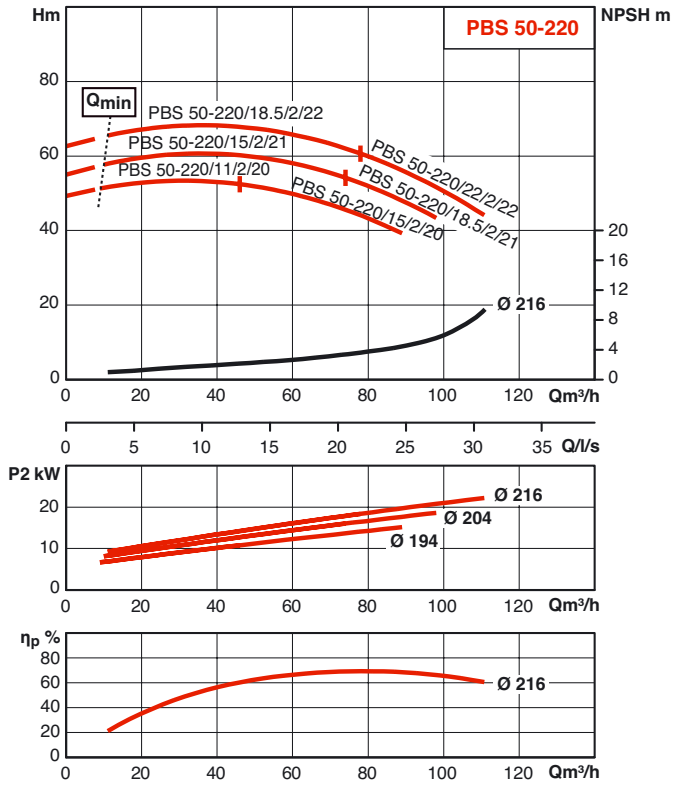
HYDRAULIC PERFORMANCES – 2 POLE



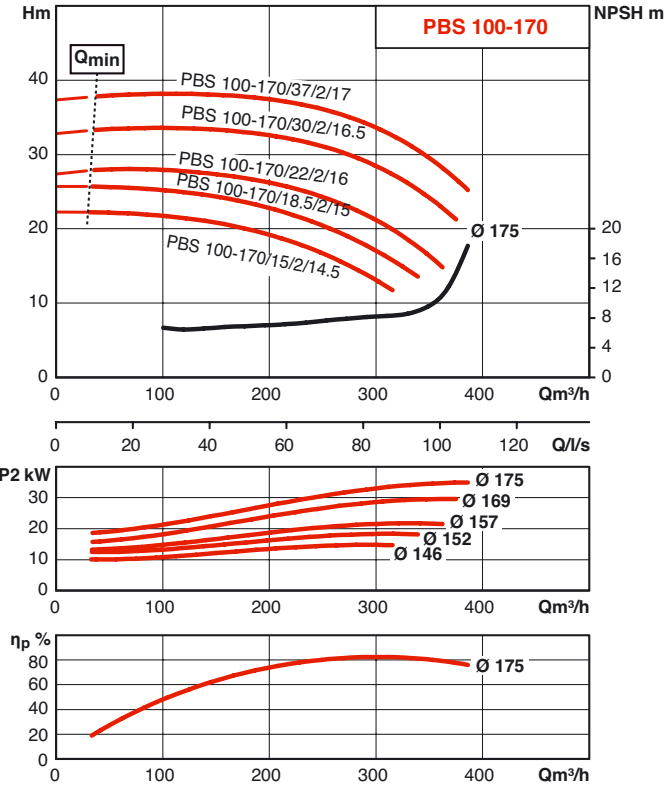
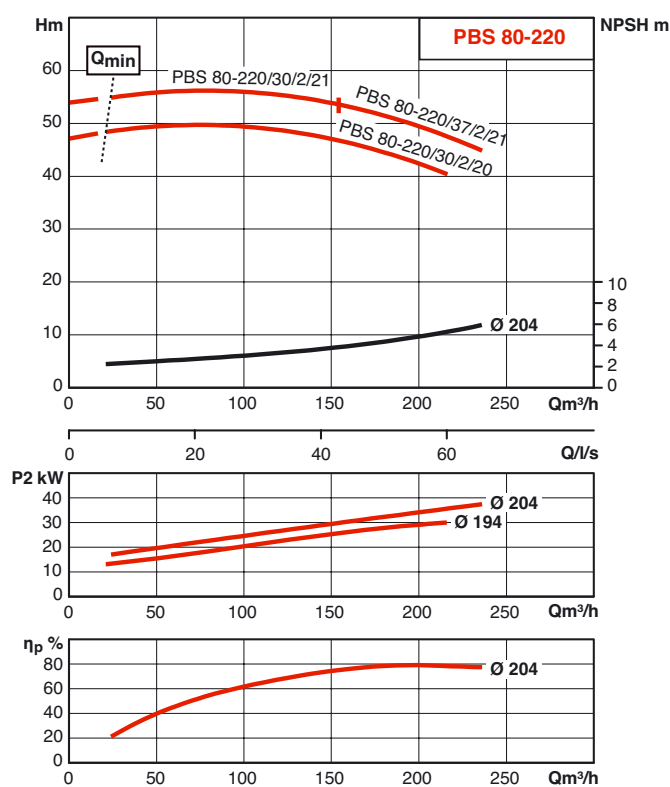
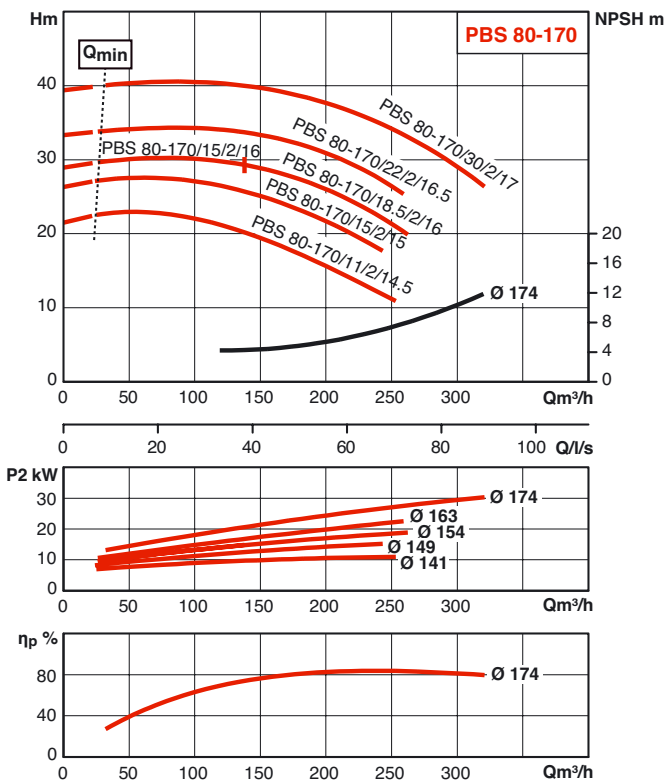
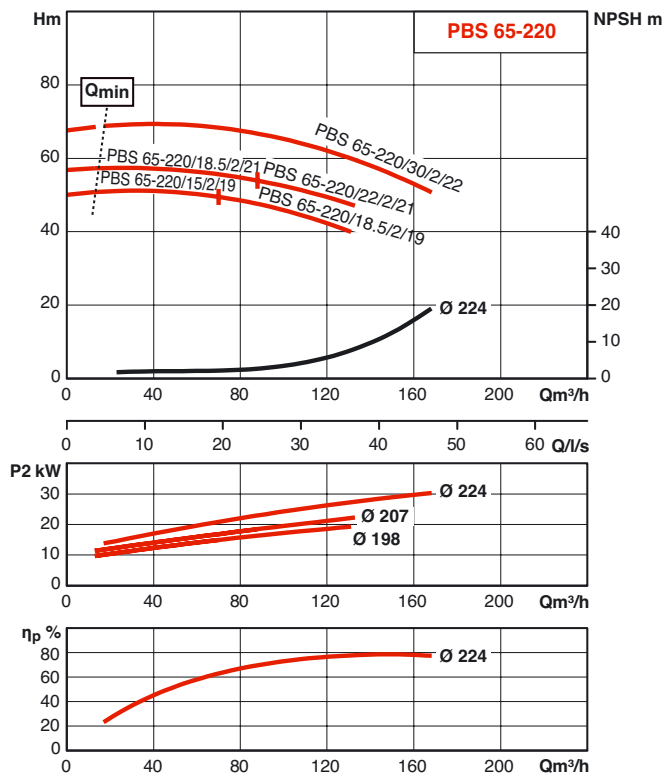
HYDRAULIC PERFORMANCES – 2 POLE



HYDRAULIC PERFORMANCES – 2 POLE

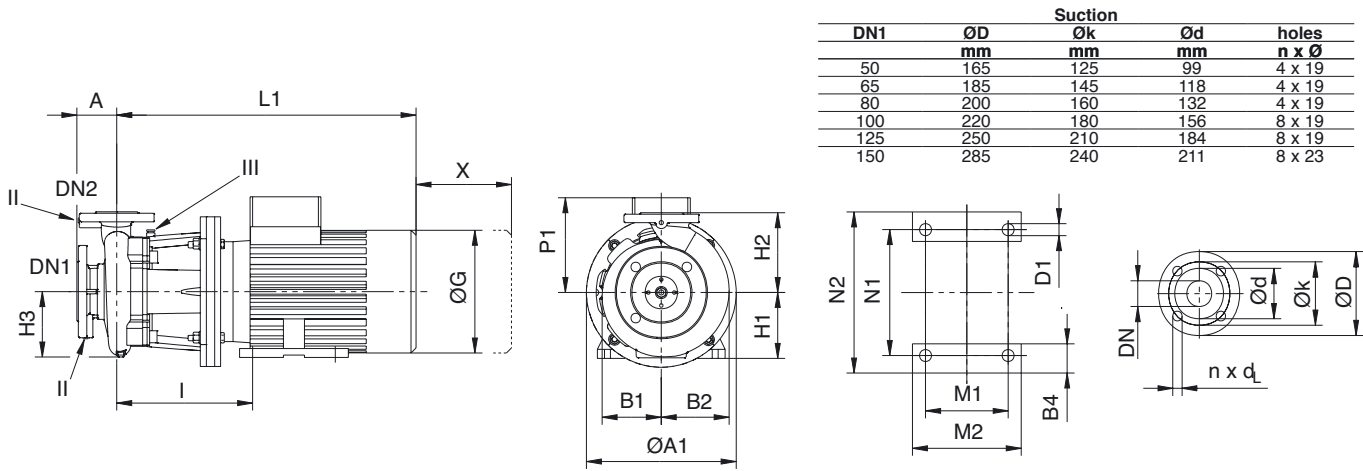


HYDRAULIC PERFORMANCES – 2 POLE



ELECTRICAL AND DIMENSIONAL CHARACTERISTICS

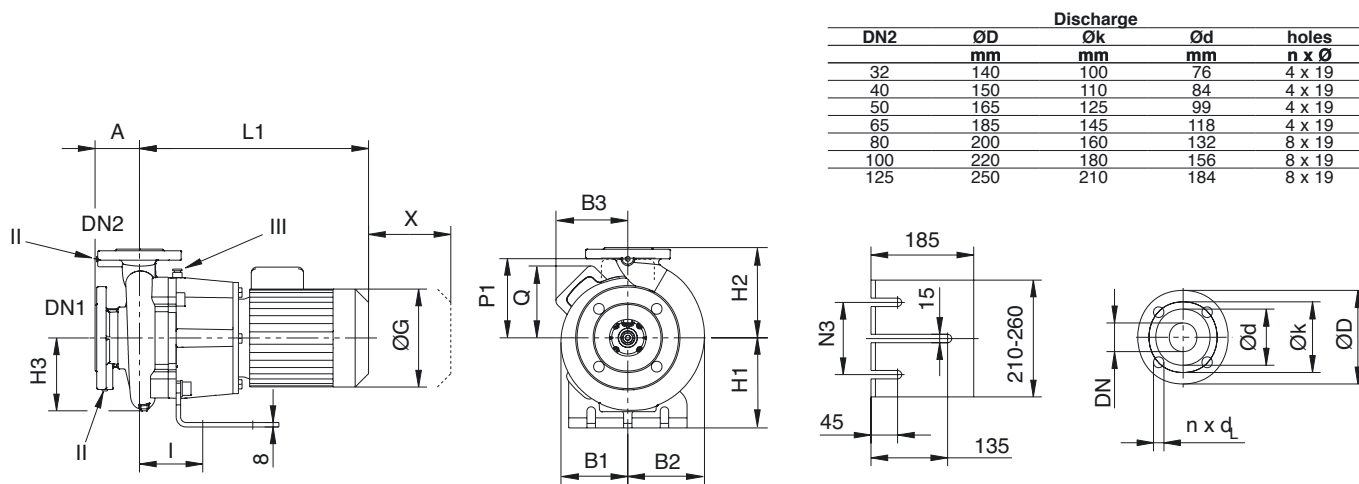
Diagram A



Description	MOTOR					PUMP								
	Nominal power Motor	Motor output %	Power factor	Rotation speed	Nominal current (env.)	DN1	DN2	L1	A	B1	B2	B3	Q	P1
	P2 W	η	cos φ	rpm	in A	Suction	Discharge	mm	mm	mm	mm	mm	mm	mm
PBS32-170/2.2/2/14	2200	83.2	0.82	2900	4.4	50	32	476	80	113	129	144	144	-
PBS32-170/0.37/4/15	370	76.1	0.71	1450	1.06	50	32	388	80	113	129	110	110	-
PBS32-170/3/2/15	3000	84.6	0.84	2900	5.8	50	32	531	80	113	129	150	150	-
PBS32-170/0.55/4/16	550	78.1	0.66	1450	1.4	50	32	423	80	113	129	123	123	-
PBS32-170/4/2/16	4000	85.8	0.84	2900	7.7	50	32	555	80	113	129	156	156	-
PBS32-170/0.75/4/17	750	79.6	0.72	1450	1.9	50	32	437	80	113	129	123	123	-
PBS32-170/5.5/2/17	5500	87	0.87	2900	10.2	50	32	600	80	113	129	-	-	188
PBS32-220/1.1/4/21	1100	81.4	0.77	1450	2.55	50	32	446	80	145	149	-	-	151
PBS32-220/1.5/4/22	1500	82.8	0.75	1450	3.4	50	32	473	80	145	149	-	-	151
PBS32-220/7.5/2/21	7500	88.1	0.89	2900	13.7	50	32	614	80	145	149	-	-	188
PBS32-220/11/2/22	11000	89.4	0.81	2900	22	50	32	761	80	145	149	-	-	250
PBS40-140/1.5/2/11	1500	81.3	0.78	2900	3.3	65	40	447	80	101	119	144	144	-
PBS40-140/2.2/2/12	2200	83.2	0.82	2900	4.4	65	40	474	80	101	119	144	144	-
PBS40-140/3/2/13	3000	84.6	0.84	2900	5.8	65	40	530	80	101	119	150	150	-
PBS40-140/3/2/14	3000	84.6	0.84	2900	5.8	65	40	530	80	101	119	150	150	-
PBS40-140/4/2/14	4000	85.8	0.84	2900	7.7	65	40	554	80	101	119	156	156	-
PBS40-170/0.55/4/15	550	78.1	0.66	1450	1.4	65	40	423	80	120	135	123	123	-
PBS40-170/0.75/4/16	750	79.6	0.72	1450	1.9	65	40	437	80	120	135	123	123	-
PBS40-170/5.5/2/16	5500	87	0.87	2900	10.2	65	40	601	80	120	135	-	-	188
PBS40-170/1.1/4/17	1100	81.4	0.77	1450	2.55	65	40	449	80	120	135	144	144	-
PBS40-170/5.5/2/17	5500	87	0.87	2900	10.2	65	40	601	80	120	135	-	-	188
PBS40-170/7.5/2/17	7500	88.1	0.89	2900	13.7	65	40	607	80	120	135	-	-	188
PBS40-220/1.5/4/21	1500	82.8	0.75	1450	3.4	65	40	480	100	145	151	-	-	151
PBS40-220/2.2/4/22	2200	84.3	0.73	1450	5	65	40	536	100	145	151	-	-	160
PBS40-220/7.5/2/18	7500	88.1	0.89	2900	13.7	65	40	621	100	145	151	-	-	188
PBS40-220/11/2/21	11000	89.4	0.81	2900	22	65	40	768	100	145	151	-	-	250
PBS40-220/11/2/22	11000	89.4	0.81	2900	22	65	40	768	100	145	151	-	-	250
PBS40-220/15/2/22	15000	90.3	0.84	2900	28.5	65	40	768	100	145	151	-	-	250
PBS40-270/15/2/23	15000	90.3	0.84	2900	28.5	65	40	772	100	174	174	-	-	250
PBS40-270/18.5/2/23	18500	90.9	0.86	2900	34.2	65	40	773	100	174	174	-	-	250
PBS40-270/22/2/24.5	22000	91.3	0.85	2900	40.7	65	40	857	100	174	174	-	-	291
PBS40-270/18.5/2/24	18500	90.9	0.86	2900	34.2	65	40	773	100	174	174	-	-	250
PBS40-270/2.2/4/22.5	2200	84.3	0.73	1450	5	65	40	538	100	174	174	-	-	160
PBS40-270/22/2/24	22000	91.3	0.85	2900	40.7	65	40	857	100	174	174	-	-	291
PBS40-270/2.2/4/24	2200	84.3	0.73	1450	5	65	40	538	100	174	174	-	-	160
PBS40-270/3/4/24	3000	85.5	0.75	1450	6.6	65	40	573	100	174	174	-	-	168
PBS40-270/30/2/24.5	30000	92	0.85	2900	53	65	40	931	100	174	174	-	-	305
PBS40-270/22/2/26	22000	91.3	0.85	2900	40.7	65	40	857	100	174	174	-	-	291
PBS40-270/3/4/26.5	3000	85.5	0.75	1450	6.6	65	40	573	100	174	174	-	-	168
PBS40-270/30/2/26	30000	92	0.85	2900	53	65	40	931	100	174	174	-	-	305
PBS40-270/4/4/26.5	4000	86.6	0.79	1450	8.4	65	40	616	100	174	174	-	-	188
PBS50-140/3/2/11	3000	84.6	0.84	2900	5.8	65	50	537	100	111	133	150	150	-

ELECTRICAL AND DIMENSIONAL CHARACTERISTICS

Diagram B



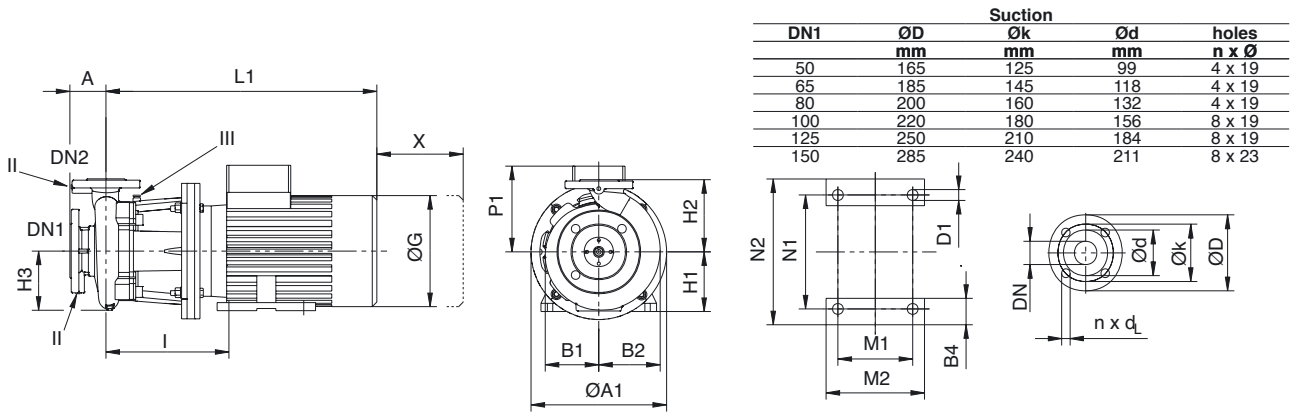
DN2	Discharge			
	ØD mm	Øk mm	Ød mm	holes n x Ø
32	140	100	76	4 x 19
40	150	110	84	4 x 19
50	165	125	99	4 x 19
65	185	145	118	4 x 19
80	200	160	132	8 x 19
100	220	180	156	8 x 19
125	250	210	184	8 x 19

PUMP

Description	B4	ØA1	H1	H2	H3	I	N2	N1	M2	M1	D1	X	Ø G	mass	Diagram
	mm	mm	mm	mm	mm	mm	mm	mm	mm	mm	mm	mm	mm	kg	
PBS32-170/2.2/2/14	-	200	160	160	122	110	-	-	-	-	-	95	193	54	B
PBS32-170/0.37/4/15	-	160	160	160	122	110	-	-	-	-	-	95	164	37	B
PBS32-170/3/2/15	-	250	160	160	122	110	-	-	-	-	-	95	217	61	B
PBS32-170/0.55/4/16	-	200	160	160	122	110	-	-	-	-	-	95	185	42	B
PBS32-170/4/2/16	-	250	160	160	122	110	-	-	-	-	-	95	232	72	B
PBS32-170/0.75/4/17	-	200	160	160	122	110	-	-	-	-	-	95	185	45	B
PBS32-170/5.5/2/17	53	325	132	160	122	284.4	256	216	180	140	12	95	267	87	A
PBS32-220/1.1/4/21	-	200	180	180	145	117	-	-	-	-	-	100	193	56	A
PBS32-220/1.5/4/22	53	300	132	180	145	292	256	216	180	140	12	100	267	99	A
PBS32-220/7.5/2/21	-	200	180	180	145	117	-	-	-	-	-	100	193	57	A
PBS32-220/11/2/22	60	350	160	180	145	352	300	254	256	210	15	100	320	154	A
PBS40-140/1.5/2/11	-	200	160	140	111	114	-	-	-	-	-	100	193	47	B
PBS40-140/2.2/2/12	-	200	160	140	111	114	-	-	-	-	-	100	193	50	B
PBS40-140/3/2/13	-	250	160	140	111	114	-	-	-	-	-	100	217	55	B
PBS40-140/3/2/14	-	250	160	140	111	114	-	-	-	-	-	100	217	57	B
PBS40-140/4/2/14	-	250	160	140	111	114	-	-	-	-	-	100	232	69	B
PBS40-170/0.55/4/15	-	200	160	160	132	114	-	-	-	-	-	100	185	44	B
PBS40-170/0.75/4/16	-	200	160	160	132	114	-	-	-	-	-	100	185	48	B
PBS40-170/5.5/2/16	53	325	132	160	132	285.4	256	216	180	140	12	100	267	89	A
PBS40-170/1.1/4/17	-	200	160	160	132	114	-	-	-	-	-	100	193	52	B
PBS40-170/5.5/2/17	53	325	132	160	132	285.4	256	216	180	140	12	100	267	89	A
PBS40-170/7.5/2/17	53	325	132	160	132	285.4	256	216	180	140	12	100	267	93	A
PBS40-220/1.5/4/21	-	200	180	180	145	124	-	-	-	-	-	100	193	63	A
PBS40-220/2.2/4/22	-	250	180	180	145	124	-	-	-	-	-	100	217	72	A
PBS40-220/7.5/2/18	53	300	132	180	145	299	256	216	180	140	12	100	267	103	A
PBS40-220/11/2/21	60	350	160	180	145	359	300	254	256	210	15	100	320	157	A
PBS40-220/11/2/22	60	350	160	180	145	359	300	254	256	210	15	100	320	157	A
PBS40-220/15/2/22	60	350	160	180	145	359	320	254	260	210	14	100	320	165	A
PBS40-270/15/2/23	60	350	160	225	174	363	300	254	256	210	14	120	320	177	A
PBS40-270/18.5/2/23	60	350	160	225	174	363	300	254	300	210	14	120	320	181	A
PBS40-270/22/2/24.5	69.5	350	180	225	174	376	339	279	287	241	14	120	363	210	A
PBS40-270/18.5/2/24	60	350	160	225	174	363	300	254	300	210	14	120	320	181	A
PBS40-270/2.2/4/22.5	-	250	200	225	174	126	-	-	-	-	-	70	217	82	A
PBS40-270/22/2/24	69.5	350	180	225	174	376	339	279	287	241	15	120	363	210	A
PBS40-270/2.2/4/24	-	250	200	225	174	126	-	-	-	-	-	70	217	82	A
PBS40-270/3/4/24	-	250	200	225	174	126	-	-	-	-	-	70	220	90	A
PBS40-270/30/2/24.5	83	400	200	225	174	405	388	318	355	305	19	120	402	266	A
PBS40-270/22/2/26	69.5	350	180	225	174	376	339	279	287	241	15	120	363	210	A
PBS40-270/3/4/26.5	-	250	200	225	174	126	-	-	-	-	-	70	220	90	A
PBS40-270/30/2/26	83	400	200	225	174	405	403	318	380	305	19	120	402	266	A
PBS40-270/4/4/26.5	-	250	200	225	174	126	-	-	-	-	-	70	246	93	A
PBS50-140/3/2/11	-	250	160	160	124	121	-	-	-	-	-	110	217	60	B

ELECTRICAL AND DIMENSIONAL CHARACTERISTICS

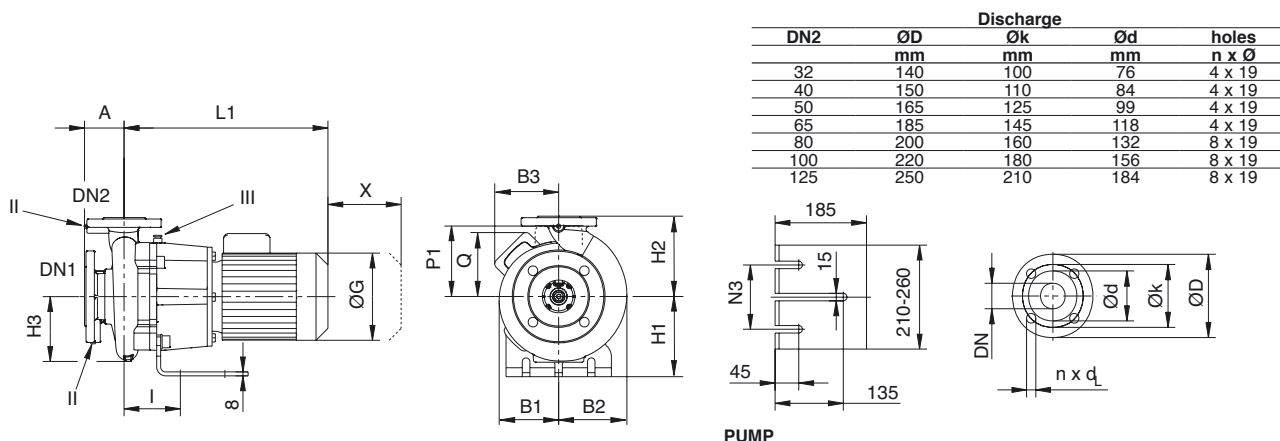
Diagram A



Description	MOTOR					PUMP								
	Nominal power Motor	Motor output %	Power factor	Rotation speed	Nominal current (env.)	DN1	DN2	L1	A	B1	B2	B3	Q	P1
	P2 W	η	cos φ	rpm	in A	Suction	Discharge	mm	mm	mm	mm	mm	mm	mm
PBS50-140/3/2/12	3000	84.6	0.84	2900	5.8	65	50	537	100	111	133	150	150	-
PBS50-140/4/2/12	4000	85.8	0.84	2900	7.7	65	50	561	100	111	133	156	156	-
PBS50-140/5.5/2/13	5500	87	0.87	2900	10.2	65	50	612	100	111	133	-	-	188
PBS50-140/5.5/2/14	5500	87	0.87	2900	10.2	65	50	612	100	111	133	-	-	188
PBS50-140/7.5/2/14	7500	88.1	0.89	2900	13.7	65	50	618	100	111	133	-	-	188
PBS50-170/1.1/4/16	1100	81.4	0.77	1450	2.55	65	50	457	100	127	147	144	144	-
PBS50-170/1.1/4/17	1100	81.4	0.77	1450	2.55	65	50	457	100	127	147	144	144	-
PBS50-170/1.5/4/17	1500	82.8	0.75	1450	3.4	65	50	484	100	127	147	144	144	-
PBS50-170/5.5/2/15	5500	87	0.87	2900	10.2	65	50	609	100	127	147	-	-	188
PBS50-170/7.5/2/15	7500	88.1	0.89	2900	13.7	65	50	615	100	127	147	-	-	188
PBS50-170/11/2/17	11000	89.4	0.81	2900	22	65	50	771	100	127	147	-	-	250
PBS50-220/11/2/20	11000	89.4	0.81	2900	22	65	50	768	100	153	172	-	-	250
PBS50-220/15/2/20	15000	90.3	0.84	2900	28.5	65	50	768	100	153	172	-	-	250
PBS50-220/2.2/4/20	2200	84.3	0.73	1450	5	65	50	536	100	153	172	-	-	160
PBS50-220/15/2/21	15000	90.3	0.84	2900	28.5	65	50	768	100	153	172	-	-	250
PBS50-220/18.5/2/21	18500	90.9	0.86	2900	34.2	65	50	769	100	153	172	-	-	250
PBS50-220/18.5/2/22	18500	90.9	0.86	2900	34.2	65	50	769	100	153	172	-	-	250
PBS50-220/2.2/4/22	2200	84.3	0.73	1450	5	65	50	536	100	153	172	-	-	160
PBS50-220/22/2/22	22000	91.3	0.85	2900	40.7	65	50	853	100	153	172	-	-	291
PBS50-220/3/4/22	3000	85.5	0.75	1450	6.6	65	50	571	100	153	172	-	-	168
PBS50-270/30/2/24	30000	92	0.85	2900	53	65	50	936	100	174	186	-	-	305
PBS50-270/3/4/25	3000	85.5	0.75	1450	6.6	65	50	578	100	174	186	-	-	168
PBS50-270/4/4/25	4000	86.6	0.79	1450	8.4	65	50	621	100	174	186	-	-	188
PBS50-270/30/2/26	30000	92	0.85	2900	53	65	50	936	100	174	186	-	-	305
PBS50-270/37/2/26	37000	92.5	0.88	2900	65	65	50	936	100	174	186	-	-	305
PBS50-270/5.5/4/27	5500	87.7	0.78	1450	11	65	50	622	100	174	186	-	-	188
PBS65-140/4/2/12	4000	85.8	0.84	2900	7.7	80	65	566	100	123	151	156	156	-
PBS65-140/5.5/2/13	5500	87	0.87	2900	10.2	80	65	617	100	123	151	-	-	188
PBS65-140/7.5/2/14	7500	88.1	0.89	2900	13.7	80	65	623	100	123	151	-	-	188
PBS65-170/1.1/4/15	1100	81.4	0.77	1450	2.55	80	65	465	100	136	162	144	144	-
PBS65-170/1.5/4/16	1500	82.8	0.75	1450	3.4	80	65	492	100	136	162	144	144	-
PBS65-170/11/2/16	11000	89.4	0.81	2900	22	80	65	779	100	136	162	-	-	250
PBS65-170/11/2/17	11000	89.4	0.81	2900	22	80	65	779	100	136	162	-	-	250
PBS65-170/15/2/17	15000	90.3	0.84	2900	28.5	80	65	779	100	136	162	-	-	250
PBS65-170/2.2/4/17	2200	84.3	0.73	1450	5	80	65	548	100	136	162	150	150	-
PBS65-220/15/2/19	15000	90.3	0.84	2900	28.5	80	65	783	100	156	181	-	-	250
PBS65-220/18.5/2/19	18500	90.9	0.86	2900	34.2	80	65	784	100	156	181	-	-	250
PBS65-220/18.5/2/21	18500	90.9	0.86	2900	34.2	80	65	784	100	156	181	-	-	250
PBS65-220/22/2/21	22000	91.3	0.85	2900	40.7	80	65	868	100	156	181	-	-	291
PBS65-220/3/4/21	3000	85.5	0.75	1450	6.6	80	65	585	100	156	181	-	-	168
PBS65-220/30/2/22	30000	92	0.85	2900	53	80	65	925	100	156	181	-	-	305
PBS65-220/4/4/22	4000	86.6	0.79	1450	8.4	80	65	628	100	156	181	-	-	188
PBS65-270/5.5/4/24	5500	87.7	0.78	1450	11	80	65	629	100	214	237	-	-	188
PBS65-270/5.5/4/26.5	5500	87.7	0.78	1450	11	80	65	629	100	187	210	-	-	188
PBS65-270/7.5/4/26.5	7500	88.7	0.81	1450	15	80	65	680	100	214	237	-	-	250
PBS80-170/11/2/14.5	11000	89.4	0.81	2900	22	100	80	786	125	160	196	-	-	250

ELECTRICAL AND DIMENSIONAL CHARACTERISTICS

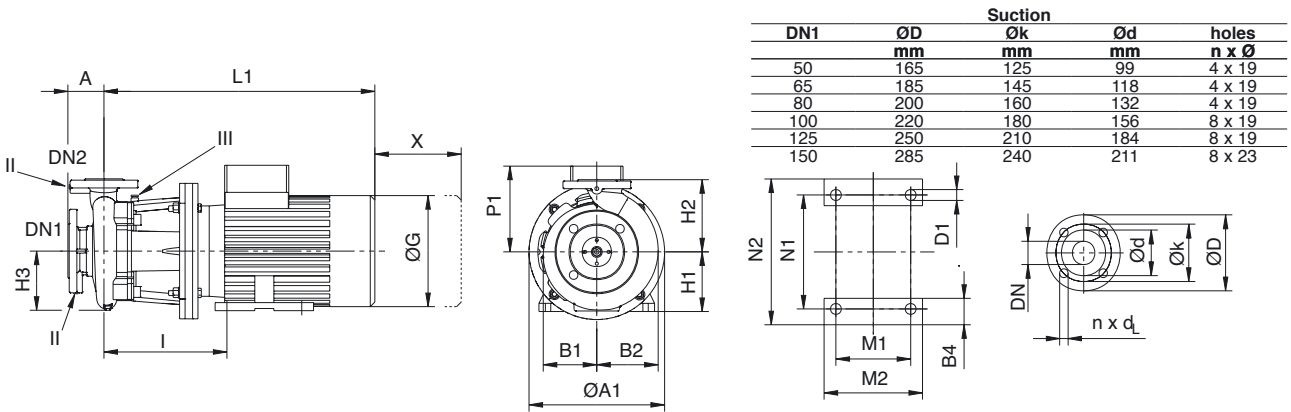
Diagram B



Description	B4	ØA1	H1	H2	H3	I	N2	N1	M2	M1	D1	X	Ø G	mass	Diagram
	mm	mm	mm	mm	mm	mm	mm	mm	mm	mm	mm	mm	mm	kg	
PBS50-140/3/2/12	-	250	160	160	124	121	-	-	-	-	-	110	217	60	B
PBS50-140/4/2/12	-	250	160	160	124	121	-	-	-	-	-	110	232	72	B
PBS50-140/5.5/2/13	53	300	132	160	124	295.6	256	216	180	140	12	110	267	84	A
PBS50-140/5.5/2/14	53	300	132	160	124	295.6	256	216	180	140	12	110	267	84	A
PBS50-140/7.5/2/14	53	300	132	160	124	295.6	256	216	180	140	12	110	267	88	A
PBS50-170/1.1/4/16	-	200	160	180	152	122	-	-	-	-	-	120	193	55	B
PBS50-170/1.1/4/17	-	200	160	180	152	122	-	-	-	-	-	120	193	55	B
PBS50-170/1.5/4/17	-	200	160	180	152	122	-	-	-	-	-	120	193	56	B
PBS50-170/5.5/2/15	53	325	132	180	152	293.4	256	216	180	140	12	120	267	92	A
PBS50-170/7.5/2/15	53	325	132	180	152	293.4	256	216	180	140	12	120	267	96	A
PBS50-170/11/2/17	60	350	160	180	152	361.8	300	254	256	210	15	120	320	142	A
PBS50-220/11/2/20	60	350	160	200	159	359	300	254	256	210	15	110	320	159	A
PBS50-220/15/2/20	60	350	160	200	159	359	320	254	260	210	14	110	320	166	A
PBS50-220/2.2/4/20	-	250	180	200	159	124	-	-	-	-	-	110	217	71	A
PBS50-220/15/2/21	60	350	160	200	159	359	320	254	260	210	14	110	320	166	A
PBS50-220/18.5/2/21	60	350	160	200	159	359	320	254	304	210	14	110	320	170	A
PBS50-220/18.5/2/22	60	350	160	200	159	359	320	254	304	210	14	110	320	170	A
PBS50-220/2.2/4/22	-	250	180	200	159	124	-	-	-	-	-	110	217	71	A
PBS50-220/22/2/22	69.5	350	180	200	159	372	352	279	300	241	14	110	363	200	A
PBS50-220/3/4/22	-	250	180	200	159	124	-	-	-	-	-	110	220	79	A
PBS50-270/30/2/24	83	400	200	225	179	410	403	318	380	305	19	110	402	265	A
PBS50-270/3/4/25	-	250	200	225	179	131	-	-	-	-	-	110	220	85	A
PBS50-270/4/4/25	-	250	200	225	179	131	-	-	-	-	-	110	246	88	A
PBS50-270/30/2/26	83	400	200	225	179	410	403	318	380	305	19	110	402	265	A
PBS50-270/37/2/26	83	400	200	225	179	410	403	318	380	305	18	110	402	294	A
PBS50-270/5.5/4/27	53	300	132	225	179	306	256	216	180	140	12	110	279	112	A
PBS65-140/4/2/12	-	250	160	180	155	126.5	-	-	-	-	-	120	232	77	B
PBS65-140/5.5/2/13	53	300	132	180	155	301	256	216	180	140	12	120	267	89	A
PBS65-140/7.5/2/14	53	300	132	180	155	301	256	216	180	140	12	120	267	93	A
PBS65-170/1.1/4/15	-	200	160	200	155	130	-	-	-	-	-	120	193	61	B
PBS65-170/1.5/4/16	-	200	160	200	155	130	-	-	-	-	-	120	193	62	B
PBS65-170/11/2/16	60	350	160	200	155	369.5	300	254	256	210	15	120	320	148	A
PBS65-170/11/2/17	60	350	160	200	155	369.5	300	254	256	210	15	120	320	148	A
PBS65-170/15/2/17	60	350	160	200	155	369.5	320	254	260	210	14	120	320	155	A
PBS65-170/2.2/4/17	-	250	160	200	155	130	-	-	-	-	-	120	217	72	B
PBS65-220/15/2/19	60	350	160	225	170	374	320	254	260	210	14	120	320	172	A
PBS65-220/18.5/2/19	60	350	160	225	170	374	320	254	304	210	14	120	320	176	A
PBS65-220/18.5/2/21	60	350	160	225	170	374	320	254	304	210	14	120	320	176	A
PBS65-220/22/2/21	69.5	350	180	225	170	387	352	279	300	241	14	120	363	209	A
PBS65-220/3/4/21	-	250	200	225	170	139	-	-	-	-	-	120	220	85	A
PBS65-220/30/2/22	83	400	200	225	170	399	403	318	380	305	19	120	402	255	A
PBS65-220/4/4/22	-	250	200	225	170	139	-	-	-	-	-	120	246	88	A
PBS65-270/5.5/4/24	53	300	132	250	200	313	256	216	180	140	12	90	279	124	A
PBS65-270/5.5/4/26.5	53	300	132	250	200	313	256	216	180	140	12	90	279	124	A
PBS65-270/7.5/4/26.5	53	300	132	250	200	313	256	216	218	178	12	90	312	128	A
PBS80-170/11/2/14.5	60	350	160	225	178	376.8	300	254	256	210	15	135	320	158	A

ELECTRICAL AND DIMENSIONAL CHARACTERISTICS

Diagram A

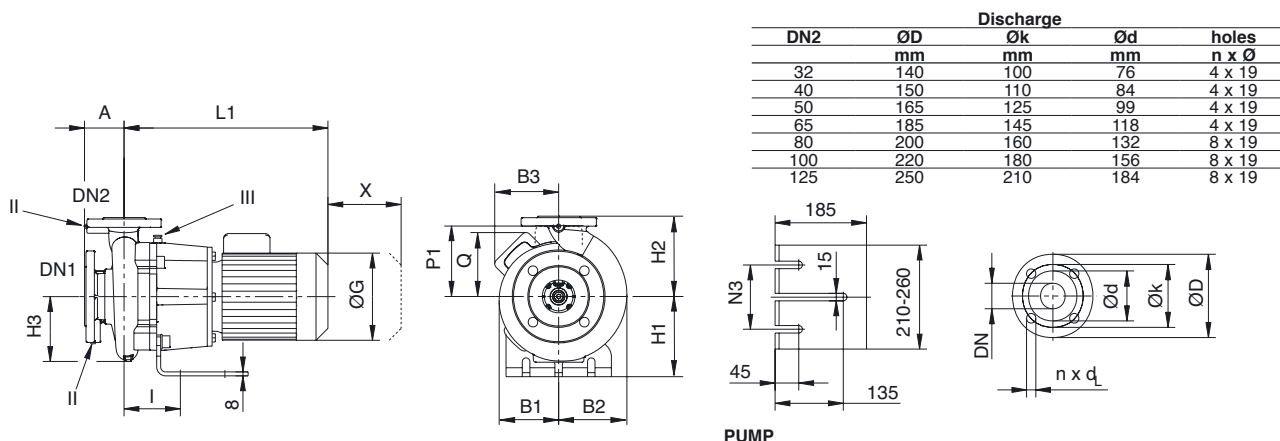


Suction				
DN1	ØD	Øk	Ød	holes
	mm	mm	mm	n x Ø
50	165	125	99	4 x 19
65	185	145	118	4 x 19
80	200	160	132	4 x 19
100	220	180	156	8 x 19
125	250	210	184	8 x 19
150	285	240	211	8 x 23

Description	MOTOR					PUMP								
	Nominal power Motor	Motor output %	Power factor	Rotation speed	Nominal current (env.)	DN1	DN2	L1	A	B1	B2	B3	Q	P1
	P2 W	η	cos φ	rpm	in A	Suction	Discharge	mm	mm	mm	mm	mm	mm	mm
PBS80-170/1.5/4/15	1500	82.8	0.75	1450	3.4	100	80	499	125	160	196	144	144	-
PBS80-170/15/2/15	15000	90.3	0.84	2900	28.5	100	80	786	125	160	196	-	-	250
PBS80-170/15/2/16	15000	90.3	0.84	2900	28.5	100	80	786	125	160	196	-	-	250
PBS80-170/18.5/2/16	18500	90.9	0.86	2900	34.2	100	80	787	125	160	196	-	-	250
PBS80-170/2.2/4/16	2200	84.3	0.73	1450	5	100	80	555	125	160	196	150	150	-
PBS80-170/22/2/16.5	22000	91.3	0.85	2900	40.7	100	80	871	125	160	196	-	-	291
PBS80-170/3/4/17	3000	85.5	0.75	1450	6.6	100	80	590	125	160	196	155	155	-
PBS80-170/30/2/17	30000	92	0.85	2900	53	100	80	928	125	160	196	-	-	305
PBS80-220/3/4/20	3000	85.5	0.75	1450	6.6	100	80	590	125	170	197	-	-	168
PBS80-220/30/2/20	30000	92	0.85	2900	53	100	80	929	125	170	197	-	-	305
PBS80-220/4/4/20	4000	86.6	0.79	1450	8.4	100	80	633	125	170	197	-	-	188
PBS80-220/30/2/21	30000	92	0.85	2900	53	100	80	929	125	170	197	-	-	305
PBS80-220/37/2/21	37000	92.5	0.88	2900	65	100	80	929	125	170	197	-	-	305
PBS80-220/5.5/4/22	5500	87.7	0.78	1450	11	100	80	634	125	170	197	-	-	188
PBS80-270/5.5/4/25	5500	87.7	0.78	1450	11	100	80	625	125	192	218	-	-	188
PBS80-270/7.5/4/25	7500	88.7	0.81	1450	15	100	80	676	125	192	218	-	-	250
PBS80-270/11/4/27	11000	89.8	0.8	1450	22.2	100	80	739	125	192	218	-	-	250
PBS100-170/1.5/4/14.5	1500	82.8	0.75	1450	3.4	125	100	510	125	167	206	144	144	-
PBS100-170/15/2/14.5	15000	90.3	0.84	2900	28.5	125	100	796	125	167	206	-	-	250
PBS100-170/18.5/2/15	18500	90.9	0.86	2900	34.2	125	100	797	125	167	206	-	-	250
PBS100-170/2.2/4/15	2200	84.3	0.73	1450	5	125	100	565	125	167	206	150	150	-
PBS100-170/22/2/16	22000	91.3	0.85	2900	40.7	125	100	881	125	167	206	-	-	291
PBS100-170/3/4/16	3000	85.5	0.75	1450	6.6	125	100	600	125	167	206	155	155	-
PBS100-170/30/2/16.5	30000	92	0.85	2900	53	125	100	938	125	167	206	-	-	305
PBS100-170/37/2/17	37000	92.5	0.88	2900	65	125	100	938	125	167	206	-	-	305
PBS100-170/4/4/17	4000	86.6	0.79	1450	8.4	125	100	643	125	167	206	170	170	-
PBS100-220/4/4/18	4000	86.6	0.79	1450	8.4	125	100	646	125	176	211	-	-	188
PBS100-220/5.5/4/20	5500	87.7	0.78	1450	11	125	100	647	125	176	211	-	-	188
PBS100-220/5.5/4/22	5500	87.7	0.78	1450	11	125	100	647	125	176	211	-	-	188
PBS100-220/7.5/4/22	7500	88.7	0.81	1450	15	125	100	698	125	176	211	-	-	250
PBS100-270/11/4/25	11000	89.8	0.8	1450	22.2	125	100	753	140	200	232	-	-	250
PBS100-270/15/4/27	15000	90.6	0.83	1450	28.8	125	100	793	140	200	232	-	-	250
PBS100-340/18.5/4/30.5	18500	91.2	0.84	1450	35	125	100	912	140	263	297	-	-	258
PBS100-340/18.5/4/31.5	18500	91.2	0.84	1450	35	125	100	912	140	263	297	-	-	258
PBS100-340/22/4/31.5	22000	91.6	0.84	1450	41.5	125	100	912	140	263	297	-	-	258
PBS100-340/22/4/33	22000	91.6	0.84	1450	41.5	125	100	912	140	263	297	-	-	258
PBS100-340/30/4/33	30000	92.3	0.85	1450	55.7	125	100	969	140	263	297	-	-	305
PBS100-340/22/4/34.5	22000	91.6	0.84	1450	41.5	125	100	912	140	263	297	-	-	258
PBS100-340/30/4/34.5	30000	92.3	0.85	1450	55.7	125	100	969	140	263	297	-	-	305
PBS125-220/5.5/4/18.5	5500	87.7	0.78	1450	11	150	125	659	140	207	254	-	-	188
PBS125-220/7.5/4/21	7500	88.7	0.81	1450	15	150	125	710	140	207	254	-	-	250
PBS125-220/11/4/22.5	11000	89.8	0.8	1450	22.2	150	125	774	140	207	254	-	-	250
PBS125-270/15/4/24.5	15000	90.6	0.83	1450	28.8	150	125	832	140	252	294	-	-	250
PBS125-270/15/4/26.5	15000	90.6	0.83	1450	28.8	150	125	916	140	252	294	-	-	250
PBS125-270/18.5/4/26.5	18500	90.6	0.83	1450	28.8	150	125	916	140	252	294	-	-	250
PBS125-270/18.5/4/27.5	18500	91.2	0.84	1450	35	150	125	916	140	252	294	-	-	258
PBS125-270/22/4/27.5	22000	90.6	0.83	1450	28.8	150	125	832	140	252	294	-	-	250

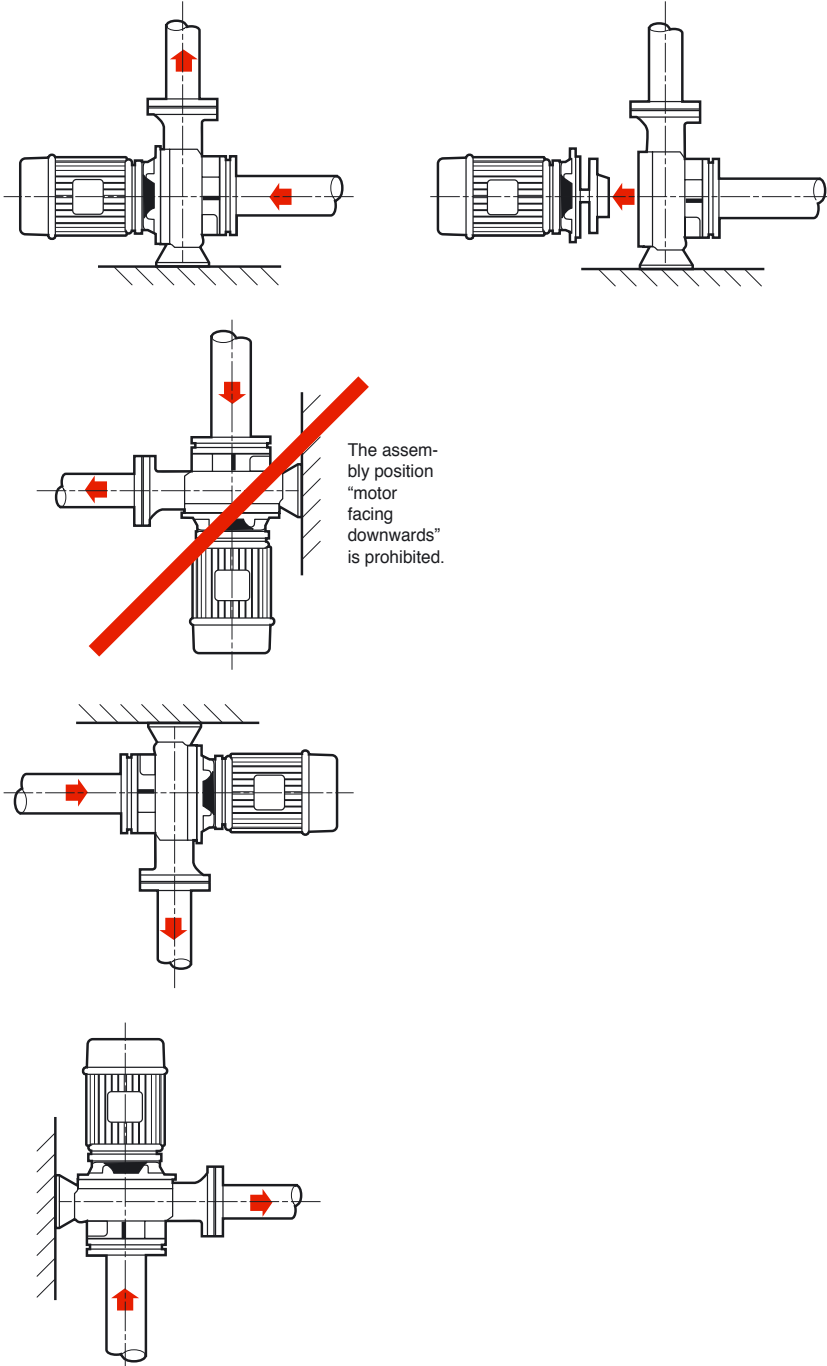
ELECTRICAL AND DIMENSIONAL CHARACTERISTICS

Diagram B



Description	B4	ØA1	H1	H2	H3	I	N2	N1	M2	M1	D1	X	Ø G	mass	Diagram
	mm	mm	mm	mm	mm	mm	mm	mm	mm	mm	mm	mm	mm	kg	
PBS80-170/1.5/4/15	-	200	180	225	178	137	-	-	-	-	-	135	193	73	B
PBS80-170/15/2/15	60	350	160	225	178	376.8	320	254	260	210	14	135	320	165	A
PBS80-170/15/2/16	60	350	160	225	178	376.8	320	254	260	210	14	135	320	165	A
PBS80-170/18.5/2/16	60	350	160	225	178	376.8	320	254	304	210	14	135	320	169	A
PBS80-170/2.2/4/16	-	250	180	225	178	137	-	-	-	-	-	135	217	81	B
PBS80-170/22/2/16.5	69.5	350	180	225	178	389.8	352	279	300	241	14	135	363	199	A
PBS80-170/3/4/17	-	250	180	225	178	137	-	-	-	-	-	135	220	91	B
PBS80-170/30/2/17	83	400	200	225	178	401.8	403	318	380	305	19	135	402	250	A
PBS80-220/3/4/20	-	250	200	250	178	143	-	-	-	-	-	120	220	95	A
PBS80-220/30/2/20	83	400	200	250	178	403	403	318	380	305	19	120	402	268	A
PBS80-220/4/4/20	-	250	200	250	178	143	-	-	-	-	-	120	246	98	A
PBS80-220/30/2/21	83	400	200	250	178	403	403	318	380	305	19	120	402	268	A
PBS80-220/37/2/21	83	400	200	250	178	403	403	318	380	305	18	120	402	297	A
PBS80-220/5.5/4/22	53	300	132	250	178	318	256	216	180	140	12	120	279	119	A
PBS80-270/5.5/4/25	53	300	132	280	199	309	256	216	180	140	12	120	279	130	A
PBS80-270/7.5/4/25	53	300	132	280	199	309	256	216	218	178	12	120	312	141	A
PBS80-270/11/4/27	60	350	160	280	199	369	300	254	256	210	15	120	320	191	A
PBS100-170/1.5/4/14.5	-	200	200	280	189	146.5	-	-	-	-	-	60	193	81	B
PBS100-170/15/2/14.5	60	350	160	280	189	387	320	254	260	210	14	120	320	178	A
PBS100-170/18.5/2/15	60	350	160	280	189	387	320	254	304	210	14	120	320	182	A
PBS100-170/2.2/4/15	-	250	200	280	189	146.5	-	-	-	-	-	60	217	91	B
PBS100-170/22/2/16	69.5	350	180	280	189	400	352	279	300	241	14	120	363	212	A
PBS100-170/3/4/16	-	250	200	280	189	146.5	-	-	-	-	-	70	220	99	B
PBS100-170/30/2/16.5	83	400	200	280	189	412	403	318	380	305	19	120	402	258	A
PBS100-170/37/2/17	83	400	200	280	189	412	403	318	380	305	18	120	402	287	A
PBS100-170/4/4/17	-	250	200	280	189	146.5	-	-	-	-	-	70	246	102	B
PBS100-220/4/4/18	-	250	200	280	196	156	-	-	-	-	-	120	246	102	A
PBS100-220/5.5/4/20	53	300	132	280	196	331	256	216	180	140	12	120	279	125	A
PBS100-220/5.5/4/22	53	300	132	280	196	331	256	216	180	140	12	120	279	125	A
PBS100-220/7.5/4/22	53	300	132	280	196	331	256	216	218	178	12	120	312	136	A
PBS100-270/11/4/25	60	350	160	280	219	383	300	254	256	210	15	130	320	205	A
PBS100-270/15/4/27	60	350	160	280	219	383	300	254	300	254	15	130	320	210	A
PBS100-340/18.5/4/30.5	69.5	350	180	315	250	431	339	279	287	241	15	120	370	272	A
PBS100-340/18.5/4/31.5	69.5	350	180	315	250	431	339	279	287	241	15	120	370	272	A
PBS100-340/22/4/31.5	69.5	350	180	315	250	431	339	279	325	279	15	120	370	289	A
PBS100-340/22/4/33	69.5	350	180	315	250	431	339	279	325	279	15	120	370	289	A
PBS100-340/30/4/33	83	400	200	315	250	443	388	318	355	305	19	120	415	366	A
PBS100-340/22/4/34.5	69.5	350	180	315	250	431	339	279	325	279	15	120	370	289	A
PBS100-340/30/4/34.5	83	400	200	315	250	443	388	318	355	305	19	120	415	366	A
PBS125-220/5.5/4/18.5	53	300	132	315	232	343	256	216	180	140	12	90	279	160	A
PBS125-220/7.5/4/21	53	300	132	315	232	343	256	216	218	178	12	90	312	165	A
PBS125-220/11/4/22.5	60	350	160	315	232	404	300	254	256	210	15	120	320	221	A
PBS125-270/15/4/24.5	60	350	180	355	250	345	300	254	300	254	15	120	320	249	A
PBS125-270/15/4/26.5	60	350	180	355	250	435	300	254	300	254	15	120	320	285	A
PBS125-270/18.5/4/26.5	60	350	180	355	250	435	300	254	300	254	15	120	320	268	A
PBS125-270/18.5/4/27.5	69.5	350	180	355	250	435	339	279	287	241	15	120	370	268	A
PBS125-270/22/4/27.5	60	350	180	355	250	435	300	254	300	254	15	120	320	249	A

ASSEMBLY POSITIONS



SPECIFIC FEATURES

a) Electrical

P2 ≤ 3 kW: Three-phase 400 V **Y** 50 Hz
 Three-phase 230 V **Δ** 50 Hz
 P2 ≥ 4 kW: Three-phase 400 V **Δ** 50 Hz.

b) Installation

Assembly on solid base, horizontal or vertical axis motor facing upwards.
 The installation must allow for protection of the pump against adverse weather and frost (no direct exposure to rain or sun).

c) Packaging

Pump delivered with backflange seals.

d) Maintenance

-Repair See recommended spare parts.

RECOMMENDED ACCESSORIES

- Backflanges
- Pressure kit
- Protective overcurrent release
- Shut-off valves
- Rubber anti-vibration sleeves
- Anti-return valves.

Optional special mechanical seal for 20 - 40% glycol water if temperature in excess of 40°C (contact us).