



## Helix V2

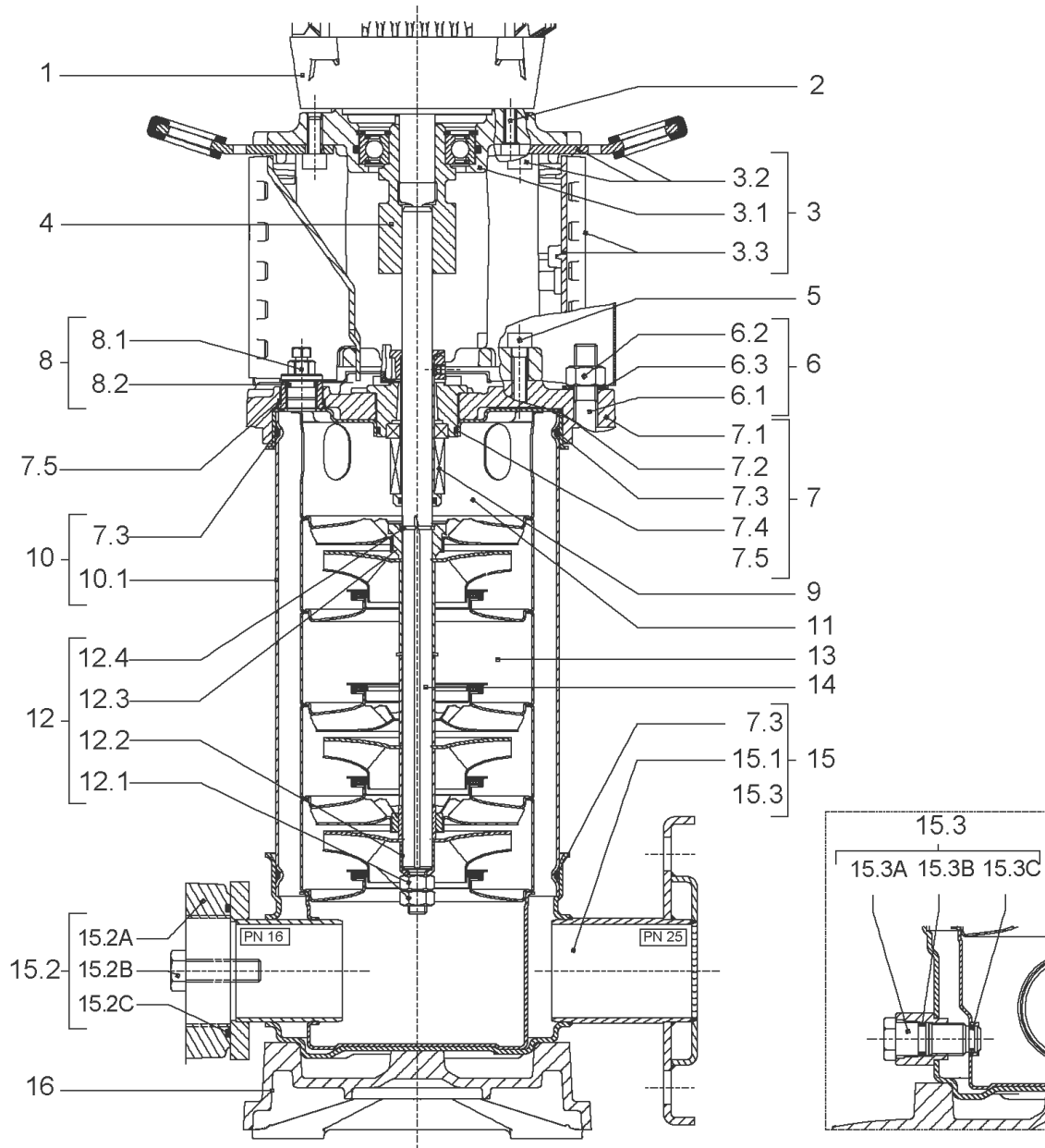
Article no.	Description
4161704	HELIX V202-1/16/E/KS/400-50
4162823	HELIX V202-1/16/E/S/400-50
4201337	HELIX V202-1/16/E/S/400-50
4161735	HELIX V202-2/25/V/KS/400-50
4161705	HELIX V203-1/16/E/KS/400-50
4162824	HELIX V203-1/16/E/S/400-50
4201339	HELIX V203-1/16/E/S/400-50
4161736	HELIX V203-2/25/V/KS/400-50
4161706	HELIX V204-1/16/E/KS/400-50
4162825	HELIX V204-1/16/E/S/400-50
4201341	HELIX V204-1/16/E/S/400-50
4161737	HELIX V204-2/25/V/KS/400-50
4161707	HELIX V205-1/16/E/KS/400-50
4201343	HELIX V205-1/16/E/S/400-50
4164295	HELIX V205-1/16/E/S/400-50
4161738	HELIX V205-2/25/V/KS/400-50
4161708	HELIX V206-1/16/E/KS/400-50
4201345	HELIX V206-1/16/E/S/400-50
4164296	HELIX V206-1/16/E/S/400-50
4161739	HELIX V206-2/25/V/KS/400-50
4161709	HELIX V207-1/16/E/KS/400-50
4201347	HELIX V207-1/16/E/S/400-50
4164297	HELIX V207-1/16/E/S/400-50
4161740	HELIX V207-2/25/V/KS/400-50
4161710	HELIX V208-1/16/E/KS/400-50
4201349	HELIX V208-1/16/E/S/400-50
4164298	HELIX V208-1/16/E/S/400-50
4161741	HELIX V208-2/25/V/KS/400-50
4161711	HELIX V209-1/16/E/KS/400-50
4201351	HELIX V209-1/16/E/S/400-50
4164299	HELIX V209-1/16/E/S/400-50
4161712	HELIX V209-1/25/E/KS/400-50
4161742	HELIX V209-2/25/V/KS/400-50
4161713	HELIX V210-1/16/E/KS/400-50

## Helix V2

Article no.	Description
4201353	HELIX V210-1/16/E/S/400-50
4164300	HELIX V210-1/16/E/S/400-50
4161714	HELIX V210-1/25/E/KS/400-50
4161743	HELIX V210-2/25/V/KS/400-50
4161715	HELIX V211-1/16/E/KS/400-50
4201355	HELIX V211-1/16/E/S/400-50
4164301	HELIX V211-1/16/E/S/400-50
4161716	HELIX V211-1/25/E/KS/400-50
4161744	HELIX V211-2/25/V/KS/400-50
4161717	HELIX V212-1/16/E/KS/400-50
4201357	HELIX V212-1/16/E/S/400-50
4164302	HELIX V212-1/16/E/S/400-50
4161718	HELIX V212-1/25/E/KS/400-50
4161745	HELIX V212-2/25/V/KS/400-50
4161719	HELIX V213-1/16/E/KS/400-50
4201359	HELIX V213-1/16/E/S/400-50
4164303	HELIX V213-1/16/E/S/400-50
4161720	HELIX V213-1/25/E/KS/400-50
4161746	HELIX V213-2/25/V/KS/400-50
4161721	HELIX V214-1/16/E/KS/400-50
4201360	HELIX V214-1/16/E/S/400-50
4164304	HELIX V214-1/16/E/S/400-50
4161722	HELIX V214-1/25/E/KS/400-50
4161747	HELIX V214-2/25/V/KS/400-50
4161723	HELIX V216-1/16/E/KS/400-50
4162836	HELIX V216-1/16/E/S/400-50
4201361	HELIX V216-1/16/E/S/400-50
4161724	HELIX V216-1/25/E/KS/400-50
4161748	HELIX V216-2/25/V/KS/400-50
4161725	HELIX V218-1/16/E/KS/400-50
4201362	HELIX V218-1/16/E/S/400-50
4164305	HELIX V218-1/16/E/S/400-50
4161726	HELIX V218-1/25/E/KS/400-50
4161749	HELIX V218-2/25/V/KS/400-50

## Helix V2

Article no.	Description
4161727	HELIX V220-1/16/E/KS/400-50
4201363	HELIX V220-1/16/E/S/400-50
4164306	HELIX V220-1/16/E/S/400-50
4161728	HELIX V220-1/25/E/KS/400-50
4161750	HELIX V220-2/25/V/KS/400-50
4161729	HELIX V222-1/25/E/KS/400-50
4161751	HELIX V222-2/25/V/KS/400-50
4161730	HELIX V224-1/25/E/KS/400-50
4161752	HELIX V224-2/25/V/KS/400-50
4161731	HELIX V226-1/25/E/KS/400-50
4161753	HELIX V226-2/25/V/KS/400-50
4161732	HELIX V229-1/25/E/KS/400-50
4161754	HELIX V229-2/25/V/KS/400-50
4175090	HELIX V229-3/30/E/KS/400-50
4161733	HELIX V231-1/25/E/KS/400-50
4161755	HELIX V231-2/25/V/KS/400-50
4175091	HELIX V231-3/30/E/KS/400-50
4161734	HELIX V233-1/25/E/KS/400-50
4161756	HELIX V233-2/25/V/KS/400-50
4175092	HELIX V233-3/30/E/KS/400-50
4175088	HELIX V236-3/30/E/KS/400-50
4175089	HELIX V239-3/30/E/KS/400-50

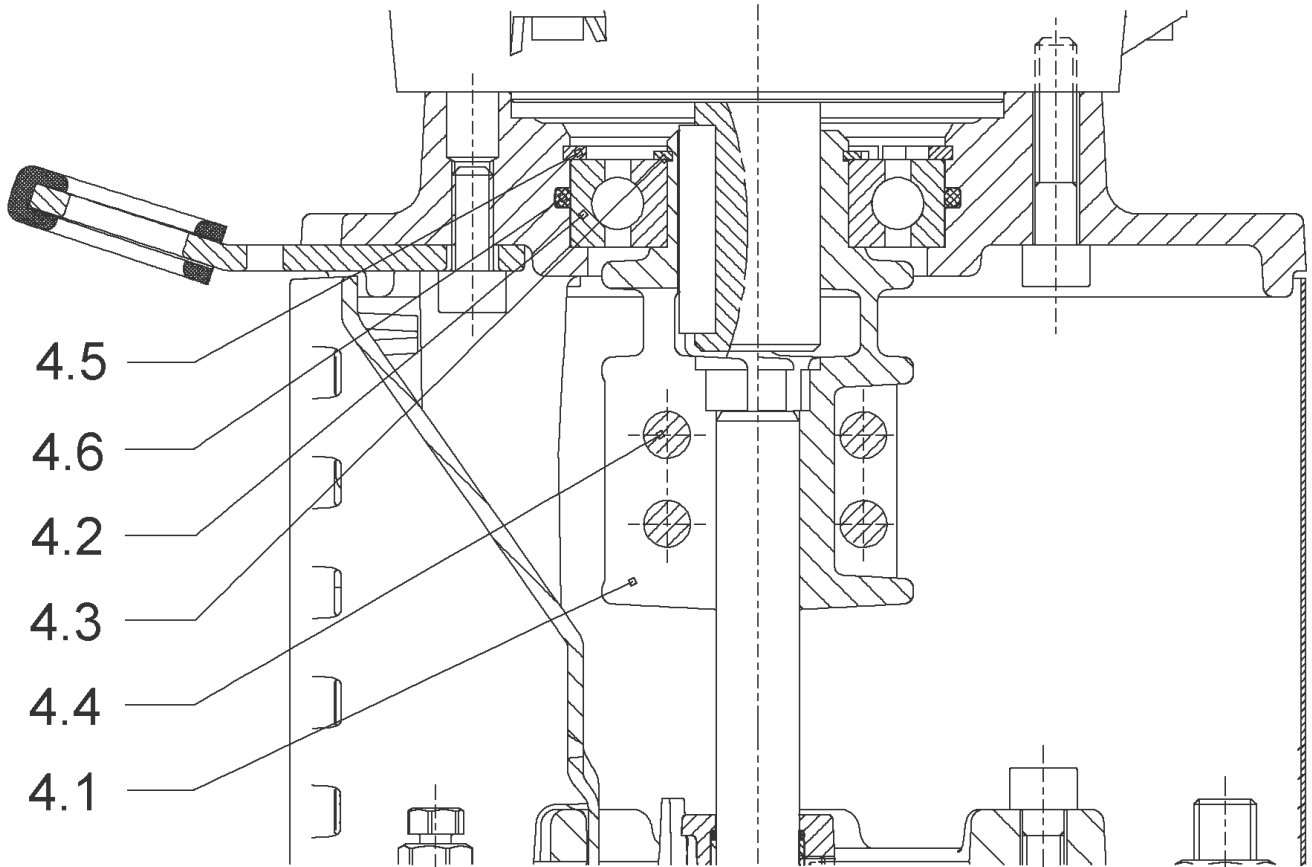


**HELIX V202-1/16/E/KS/400-50 (4161704)**

Item	Article no.	Description	Quantity
1	4169946	MOTOR 0,37/2/71 3~230/400V 50HZ IE2 VP.	1
		SPARE PARTS MOTOR:ON REQUEST	1
2	4159702	SCREW M6X30 (4 PIECES)	1
3	4171323	LANTERN FT85 HELIX KIT	1
3.1		> LANTERN FT85 M+6" GJL MACHINING+CATA	1
3.2	2127604	> EYELET CPL.FT HELIX(2 PIECES)	1
3.3	4159692	> COUPLING PROTECTOR FT HELIX KIT	1
4	4178554	COUPLING FT 85 Ø12XØ14 KIT	1
5	4159707	SCREW M8X30 (4 PIECES)	1
6	2018359	STUD BOLT M12X245 KIT	1
6.1		> TIE BOLT M12-245x18x30-1.4057	1
6.2	2094647	> NUT M12 M12 ISO4032 VP.	1
6.3	2123557	> WASHER CS-12.4-24-1.6-NFE25 (4 PIECES)	1
7	4159685	END SHIELD HELIX EPDM KIT	1
7.1		> END SHIELD M+6" GJL250 MACHINING+CATA	1
7.2	2127607	> STATIONARY RING HOLDER 6" HELIX 1.4301 V	1
7.3	4176513	> O-RING FOR PUMP JACKET VP.	1
7.4	2127603	> O-RING ID.37,6x2,4 EPDM VP.	1
7.5	2127602	> O-RING ID.21,35x2 EPDM VP.	1
8	4159686	FILING/PURGING PLUG HELIX EPDM KIT	1
9	4178559	KART.HELIX2-4 O/E SET	1
10	4178565	HOUSING PIPES D.152X109 1.4301 KIT	1
7.3	4176513	> O-RING FOR PUMP JACKET VP.	1
10.1		> HOUSING-PIPE Ø152-M+202/402-304	1
11	4179315	CENTERING STAGE HELIX V2 1.4307 VP.	1
12	4178567	SHAFT EQUIPMENT HELIX V2/V4 KIT	1
12.1		> NUT-H-M8-STAINLESS-STEEL A4-70	1
12.2		> SHAFT END WASHER Ø8/Ø12 316L	1
12.3		> STOP COLLAR OF IMPELLER L12,6-Ø12-316L	1
12.4		> STOP-RUSH-1/2-D12xd2-M+316	1
13		HYDRAULIC HELIX V 202 1.4307	1
14	4178571	SHAFT D.12X233 1.4057 VP.	1
15	4174079	PUMP HOUSING HELIX DN32 PN16 1.4301 KIT	1
7.3	4176513	> O-RING FOR PUMP JACKET VP.	1

**HELIX V202-1/16/E/KS/400-50 (4161704)**

<b>Item</b>	<b>Article no.</b>	<b>Description</b>	<b>Quantity</b>
15.1		> BLASTING PPE HOUSING V-PN16-DN32-5"-304	1
15.2	4217889	> COUNTER FLANGE-G1"-PN16-GJL KIT	1
15.3	4171321	> PRIMING/DRAIN PLUG EPDM HELIX KIT	1
16	4177964	BASEPLATE HELIX V2/4/6 PN16 VP.	1





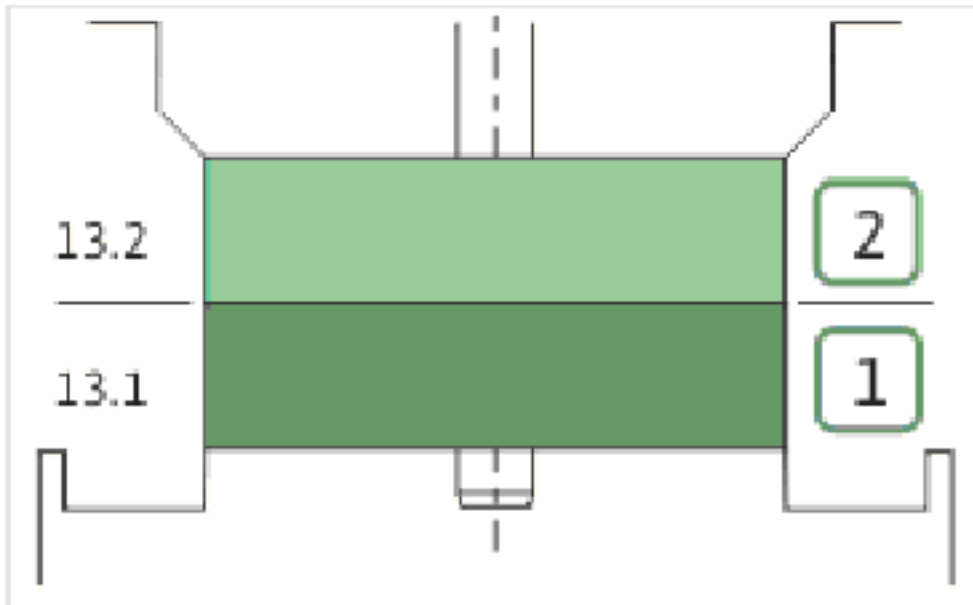
**COUPLING FT 85 Ø12XØ14 KIT (4178554)**

Item	Article no.	Description	Quantity
4.1		COUPLING-M+ Ø12XØ14-FT85-MACHINED	1
4.3	4208923	CIRCLIP D25X1.2 VP.	1
4.2	4177802	BALL BEARING 6205C3-ZZ HTVP.	1
4.4	4212716	SCREW M6X20 KIT (4PIECES)	1
4.5	4233124	CIRCLIP-FOR-BORES-D52x2 VP.	1
4.6	4234244	O-RING 52X2 VP.	1
		CONTACT-WASHER-6ETR-6,1x12,2x1,8-STEEL	4

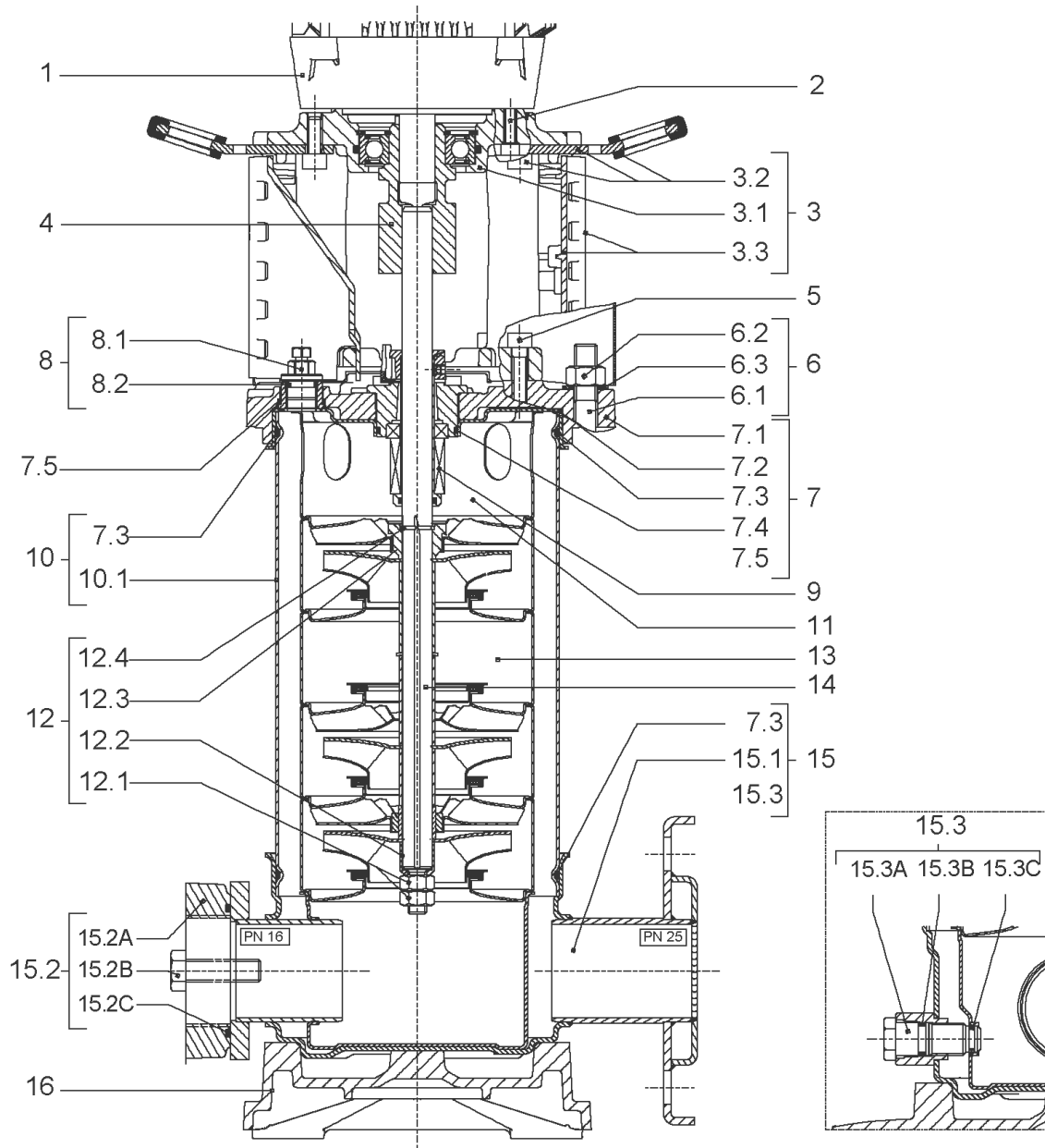


**KART.HELIX2-4 O/E SET (4178559)**

Item	Article no.	Description	Quantity
9.1	4178560	SEAL-KIT-HELIX2-4 O/E	1
7.3	4176513	> O-RING FOR PUMP JACKET VP.	1
7.4	2127603	> O-RING ID.37,6x2,4 EPDM VP.	1
9.1A	2130966	> MECH.SEAL HELIX2-4-6-10-16 O/E VP.	1
9.1B	4178558	> O-RING ID.12X2 EPDM VP.	1
9.1C	4178558	> O-RING ID.12X2 EPDM VP.	1
9.2	4178557	SHAFT SLEEVE Ø12XØ18-PN16 1.4404 VP.	1
9.3	2130962	RING HOLDER D.18 G606/G6 1.4301 VP.	1
9.4	4176520	SCREW CH M5x5 A4-70 ( 3PIECES )	1
9.5	4178556	DRIVE RING D.29/15.5x13,2 MACH.VP.	1
9.6	2130964	TOOL M.S.CART.HELIX VP.	1
9.7	2130965	SCREW CHC M5X12 ISO4762 A2.70(4 PIECES)	1



Item	Article no.	Description	Quantity
13.1	4179316	STAGE HELIX 2 1.4301 KIT	1
		> MACH.STG-CASING-WOGV-WNR-M+2-4-304	1
		> IMPELLER-M+2-304	1
13.2	4179317	STAGE BEARING HELIX 2 1.4307 KIT	1
		> MACH.BEARING-STG-CASING-WNR-M+2-304	1
		> IMPELLER-M+2-304	1
		> SHAFT SLEEVE SPACER Ø15,35x10,305-304	1
		> SHAFT-SLEEVE-D12xD16x14-CW	1



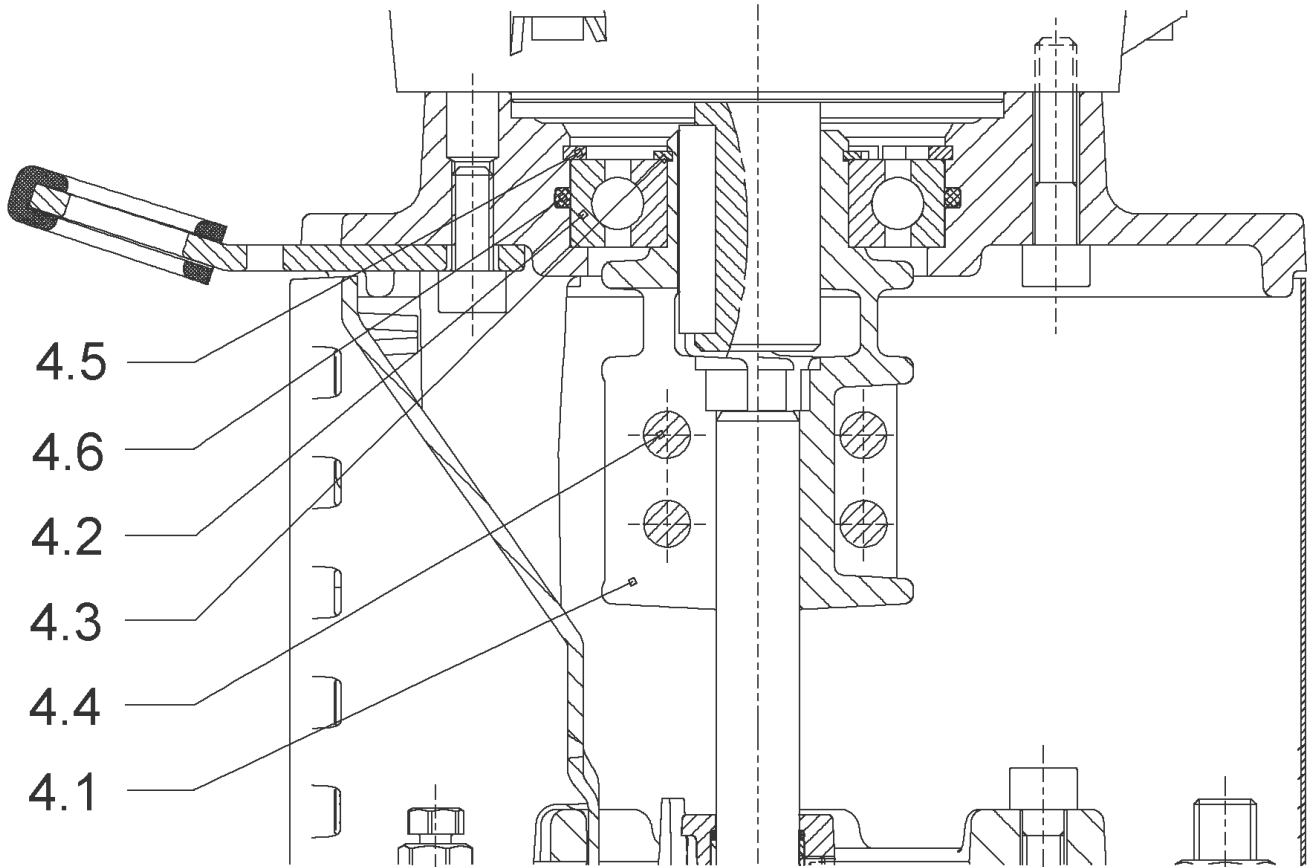
**HELIX V203-1/16/E/KS/400-50 (4161705)**

Item	Article no.	Description	Quantity
1	4169946	MOTOR 0,37/2/71 3~230/400V 50HZ IE2 VP.	1
		SPARE PARTS MOTOR:ON REQUEST	1
2	4159702	SCREW M6X30 (4 PIECES)	1
3	4171323	LANTERN FT85 HELIX KIT	1
3.1		> LANTERN FT85 M+6" GJL MACHINING+CATA	1
3.2	2127604	> EYELET CPL.FT HELIX(2 PIECES)	1
3.3	4159692	> COUPLING PROTECTOR FT HELIX KIT	1
4	4178554	COUPLING FT 85 Ø12XØ14 KIT	1
5	4159707	SCREW M8X30 (4 PIECES)	1
6	4177803	STUD BOLT M12X263 KIT	1
6.1		> TIE BOLT M12-263x18x30-1.4057	1
6.2	2094647	> NUT M12 M12 ISO4032 VP.	1
6.3	2123557	> WASHER CS-12.4-24-1.6-NFE25 (4 PIECES)	1
7	4159685	END SHIELD HELIX EPDM KIT	1
7.1		> END SHIELD M+6" GJL250 MACHINING+CATA	1
7.2	2127607	> STATIONARY RING HOLDER 6" HELIX 1.4301 V	1
7.3	4176513	> O-RING FOR PUMP JACKET VP.	1
7.4	2127603	> O-RING ID.37,6x2,4 EPDM VP.	1
7.5	2127602	> O-RING ID.21,35x2 EPDM VP.	1
8	4159686	FILING/PURGING PLUG HELIX EPDM KIT	1
9	4178559	KART.HELIX2-4 O/E SET	1
10	4177804	HOUSING PIPES D.152X134 1.4301 KIT	1
7.3	4176513	> O-RING FOR PUMP JACKET VP.	1
10.1		> HOUSING-PIPE Ø152-M+1001/02-304	1
11	4179315	CENTERING STAGE HELIX V2 1.4307 VP.	1
12	4178567	SHAFT EQUIPMENT HELIX V2/V4 KIT	1
12.1		> NUT-H-M8-STAINLESS-STEEL A4-70	1
12.2		> SHAFT END WASHER Ø8/Ø12 316L	1
12.3		> STOP COLLAR OF IMPELLER L12,6-Ø12-316L	1
12.4		> STOP-RUSH-1/2-D12xd2-M+316	1
13		HYDRAULIC HELIX V 203 1.4307	1
14	4179321	SHAFT D.12X258 1.4301 VP.	1
15	4174079	PUMP HOUSING HELIX DN32 PN16 1.4301 KIT	1
7.3	4176513	> O-RING FOR PUMP JACKET VP.	1

**HELIX V203-1/16/E/KS/400-50 (4161705)**

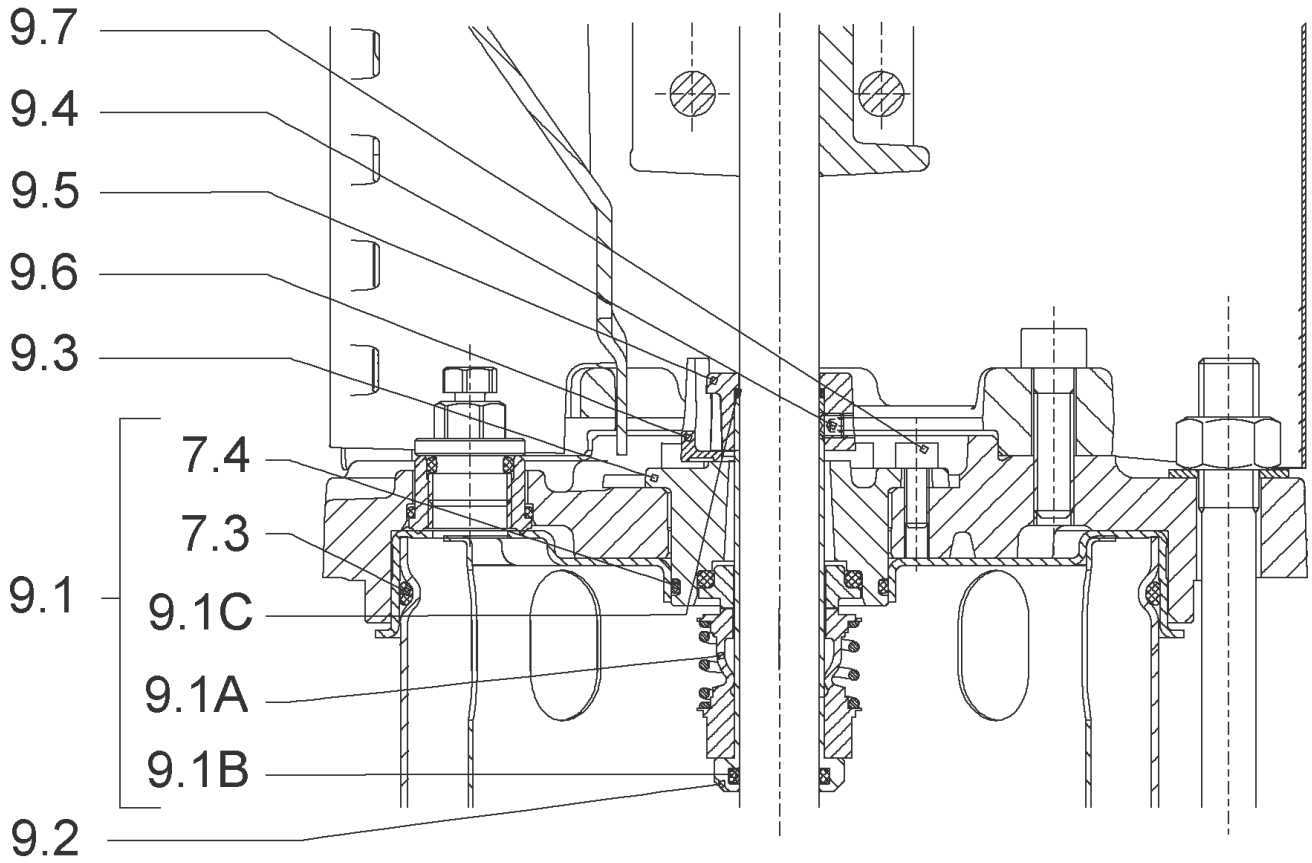
<b>Item</b>	<b>Article no.</b>	<b>Description</b>	<b>Quantity</b>
15.1		> BLASTING PPE HOUSING V-PN16-DN32-5"-304	1
15.2	4217889	> COUNTER FLANGE-G1"-PN16-GJL KIT	1
15.3	4171321	> PRIMING/DRAIN PLUG EPDM HELIX KIT	1
16	4177964	BASEPLATE HELIX V2/4/6 PN16 VP.	1





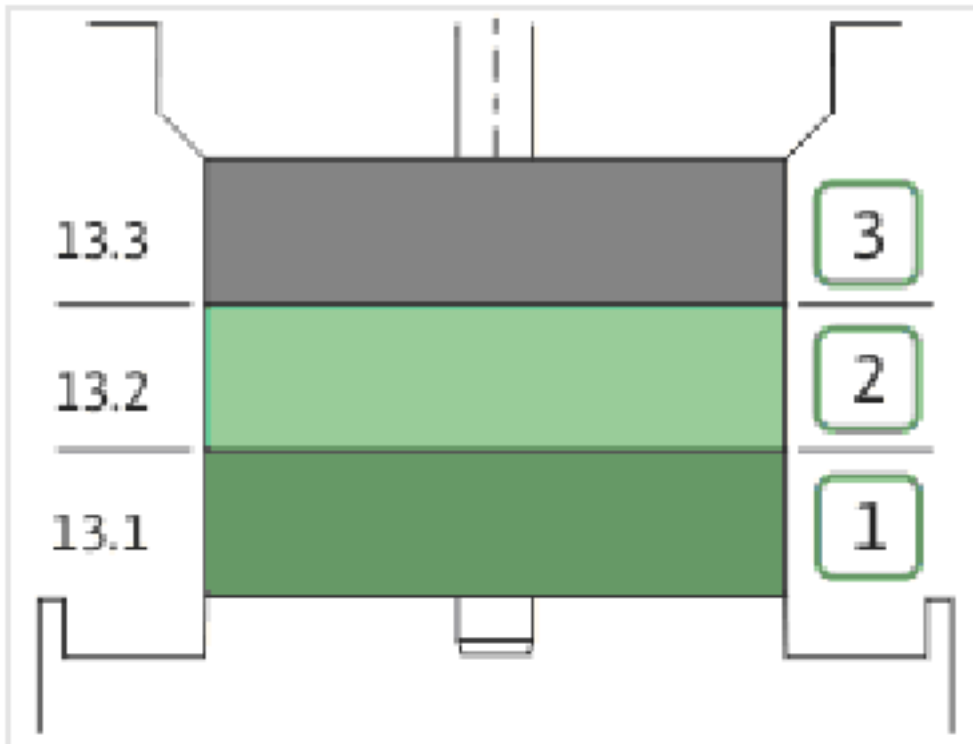
**COUPLING FT 85 Ø12XØ14 KIT (4178554)**

Item	Article no.	Description	Quantity
4.1		COUPLING-M+ Ø12XØ14-FT85-MACHINED	1
4.3	4208923	CIRCLIP D25X1.2 VP.	1
4.2	4177802	BALL BEARING 6205C3-ZZ HTVP.	1
4.4	4212716	SCREW M6X20 KIT (4PIECES)	1
4.5	4233124	CIRCLIP-FOR-BORES-D52x2 VP.	1
4.6	4234244	O-RING 52X2 VP.	1
		CONTACT-WASHER-6ETR-6,1x12,2x1,8-STEEL	4



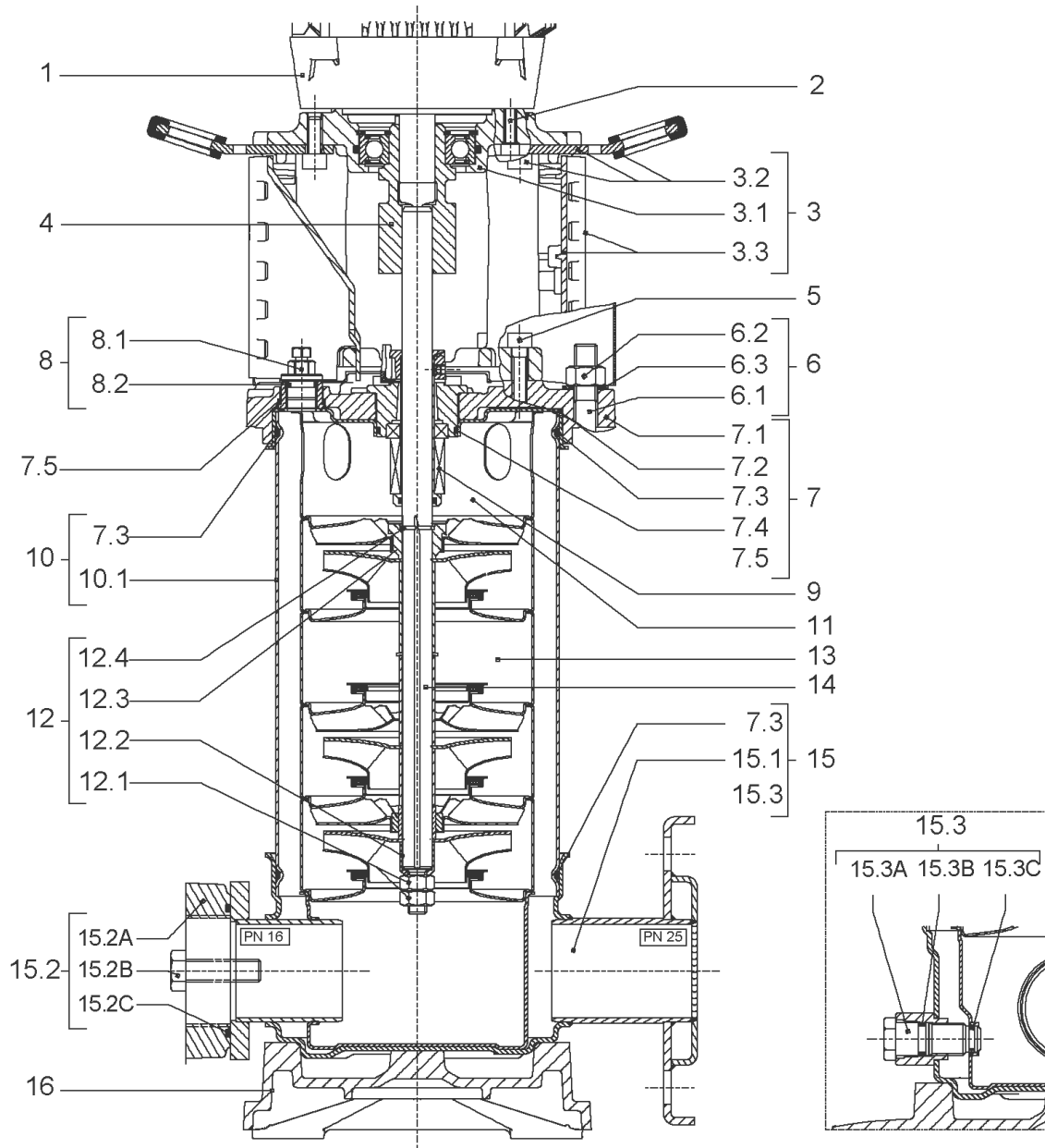
**KART.HELIX2-4 O/E SET (4178559)**

Item	Article no.	Description	Quantity
9.1	4178560	SEAL-KIT-HELIX2-4 O/E	1
7.3	4176513	> O-RING FOR PUMP JACKET VP.	1
7.4	2127603	> O-RING ID.37,6x2,4 EPDM VP.	1
9.1A	2130966	> MECH.SEAL HELIX2-4-6-10-16 O/E VP.	1
9.1B	4178558	> O-RING ID.12X2 EPDM VP.	1
9.1C	4178558	> O-RING ID.12X2 EPDM VP.	1
9.2	4178557	SHAFT SLEEVE Ø12XØ18-PN16 1.4404 VP.	1
9.3	2130962	RING HOLDER D.18 G606/G6 1.4301 VP.	1
9.4	4176520	SCREW CH M5x5 A4-70 ( 3PIECES )	1
9.5	4178556	DRIVE RING D.29/15.5x13,2 MACH.VP.	1
9.6	2130964	TOOL M.S.CART.HELIX VP.	1
9.7	2130965	SCREW CHC M5X12 ISO4762 A2.70(4 PIECES)	1



**HYDRAULIC HELIX V 203 1.4307**

Item	Article no.	Description	Quantity
13.1	4179316	STAGE HELIX 2 1.4301 KIT	1
		> MACH.STG-CASING-WOGV-WNR-M+2-4-304	1
		> IMPELLER-M+2-304	1
13.2	4179317	STAGE BEARING HELIX 2 1.4307 KIT	1
		> MACH.BEARING-STG-CASING-WNR-M+2-304	1
		> IMPELLER-M+2-304	1
		> SHAFT SLEEVE SPACER Ø15,35x10,305-304	1
		> SHAFT-SLEEVE-D12xD16x14-CW	1
13.3	4179319	INTERMEDIATE STAGE HELIX 2 1.4301 KIT	1
		> CORPS-ETG-STD-ACR-AJR-USIN.M+2-304	1
		> IMPELLER-M+2-304	1
		> IMPELLER SPACER Ø12,05X14,85-L24,285-304	1



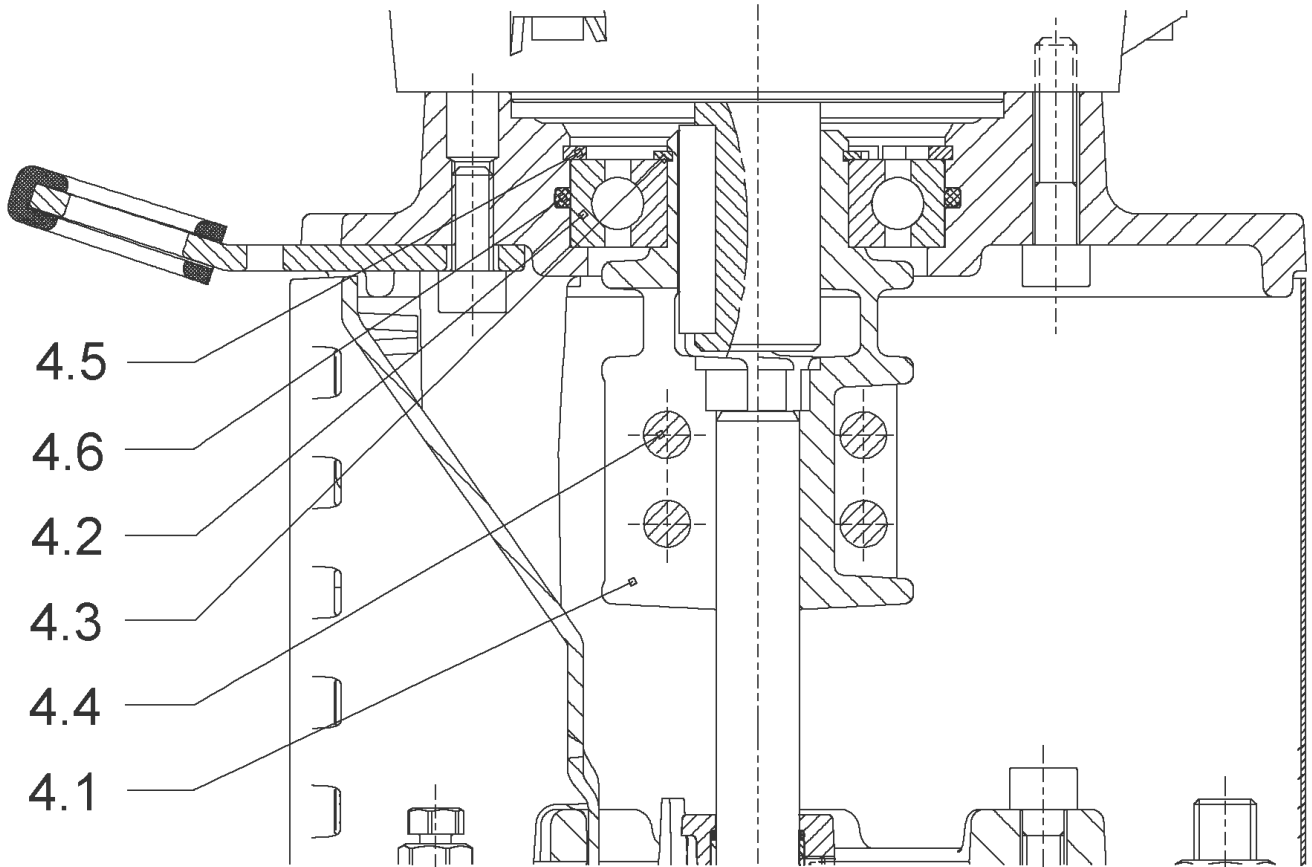
**HELIX V204-1/16/E/KS/400-50 (4161706)**

Item	Article no.	Description	Quantity
1	4169946	MOTOR 0,37/2/71 3~230/400V 50HZ IE2 VP.	1
		SPARE PARTS MOTOR:ON REQUEST	1
2	4159702	SCREW M6X30 (4 PIECES)	1
3	4171323	LANTERN FT85 HELIX KIT	1
3.1		> LANTERN FT85 M+6" GJL MACHINING+CATA	1
3.2	2127604	> EYELET CPL.FT HELIX(2 PIECES)	1
3.3	4159692	> COUPLING PROTECTOR FT HELIX KIT	1
4	4178554	COUPLING FT 85 Ø12XØ14 KIT	1
5	4159707	SCREW M8X30 (4 PIECES)	1
6	2018368	STUD BOLT M12X289 KIT	1
6.1		> TIE BOLT M12-289x18x30-1.4057	1
6.2	2094647	> NUT M12 M12 ISO4032 VP.	1
6.3	2123557	> WASHER CS-12.4-24-1.6-NFE25 (4 PIECES)	1
7	4159685	END SHIELD HELIX EPDM KIT	1
7.1		> END SHIELD M+6" GJL250 MACHINING+CATA	1
7.2	2127607	> STATIONARY RING HOLDER 6" HELIX 1.4301 V	1
7.3	4176513	> O-RING FOR PUMP JACKET VP.	1
7.4	2127603	> O-RING ID.37,6x2,4 EPDM VP.	1
7.5	2127602	> O-RING ID.21,35x2 EPDM VP.	1
8	4159686	FILING/PURGING PLUG HELIX EPDM KIT	1
9	4178559	KART.HELIX2-4 O/E SET	1
10	2127574	HOUSING PIPE D.152x160 1.4301 KIT	1
7.3	4176513	> O-RING FOR PUMP JACKET VP.	1
10.1		> HOUSING-PIPE Ø152-M+1601/02-304	1
11	4179315	CENTERING STAGE HELIX V2 1.4307 VP.	1
12	4178567	SHAFT EQUIPMENT HELIX V2/V4 KIT	1
12.1		> NUT-H-M8-STAINLESS-STEEL A4-70	1
12.2		> SHAFT END WASHER Ø8/Ø12 316L	1
12.3		> STOP COLLAR OF IMPELLER L12,6-Ø12-316L	1
12.4		> STOP-RUSH-1/2-D12xd2-M+316	1
13		HYDRAULIC HELIX V 204 1.4307	1
14	4178576	SHAFT D.12X283 1.4301 VP.	1
15	4174079	PUMP HOUSING HELIX DN32 PN16 1.4301 KIT	1
7.3	4176513	> O-RING FOR PUMP JACKET VP.	1



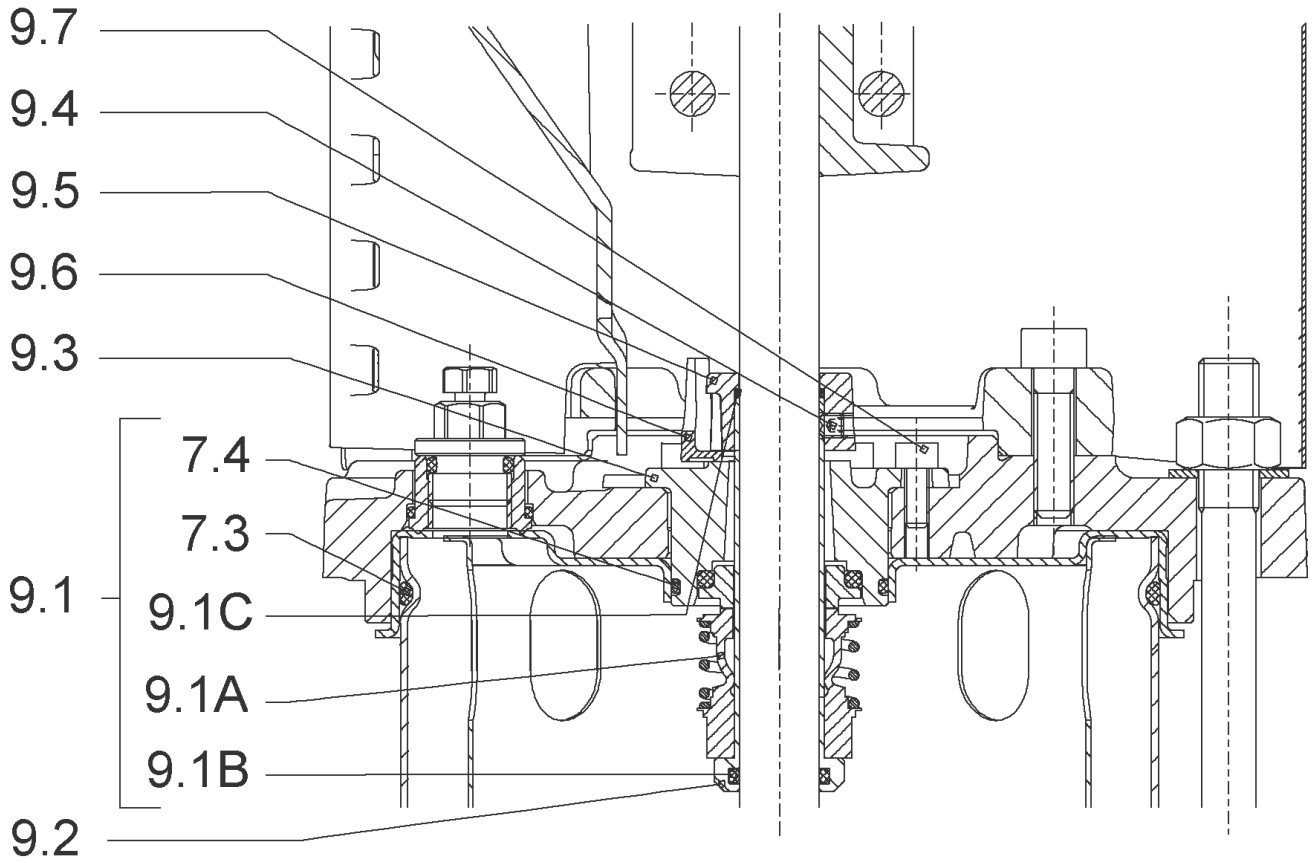
**HELIX V204-1/16/E/KS/400-50 (4161706)**

<b>Item</b>	<b>Article no.</b>	<b>Description</b>	<b>Quantity</b>
15.1		> BLASTING PPE HOUSING V-PN16-DN32-5"-304	1
15.2	4217889	> COUNTER FLANGE-G1"-PN16-GJL KIT	1
15.3	4171321	> PRIMING/DRAIN PLUG EPDM HELIX KIT	1
16	4177964	BASEPLATE HELIX V2/4/6 PN16 VP.	1



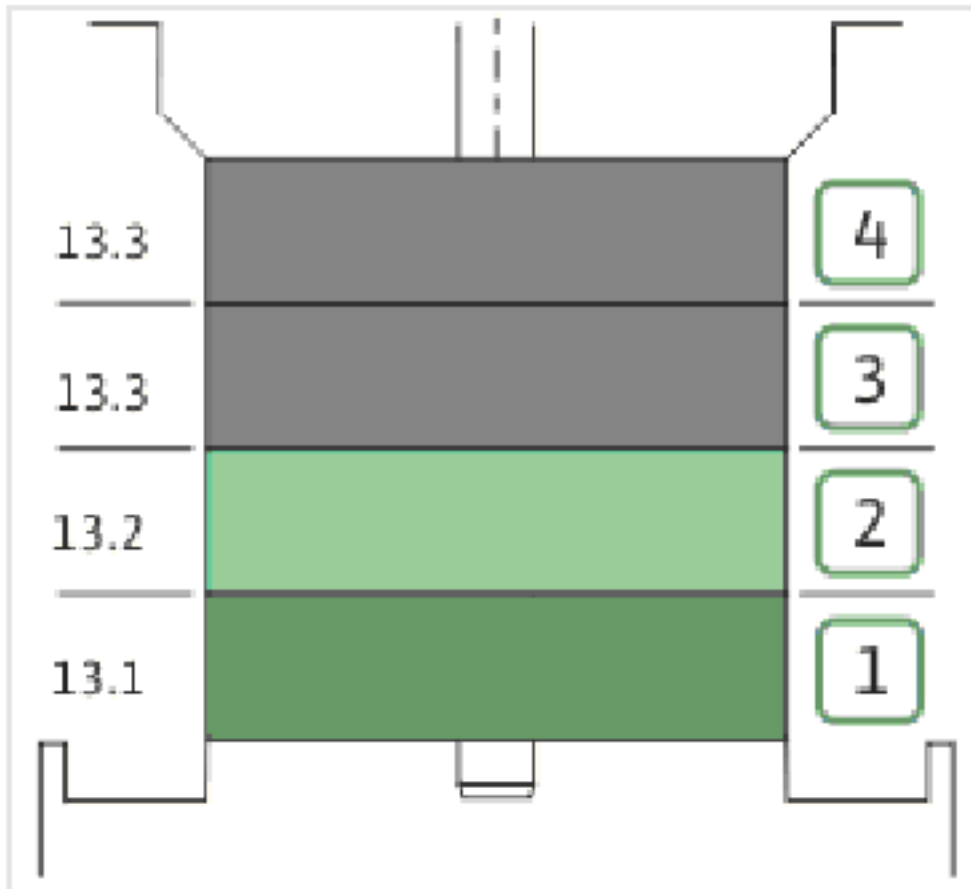
**COUPLING FT 85 Ø12XØ14 KIT (4178554)**

Item	Article no.	Description	Quantity
4.1		COUPLING-M+ Ø12XØ14-FT85-MACHINED	1
4.3	4208923	CIRCLIP D25X1.2 VP.	1
4.2	4177802	BALL BEARING 6205C3-ZZ HTVP.	1
4.4	4212716	SCREW M6X20 KIT (4PIECES)	1
4.5	4233124	CIRCLIP-FOR-BORES-D52x2 VP.	1
4.6	4234244	O-RING 52X2 VP.	1
		CONTACT-WASHER-6ETR-6,1x12,2x1,8-STEEL	4



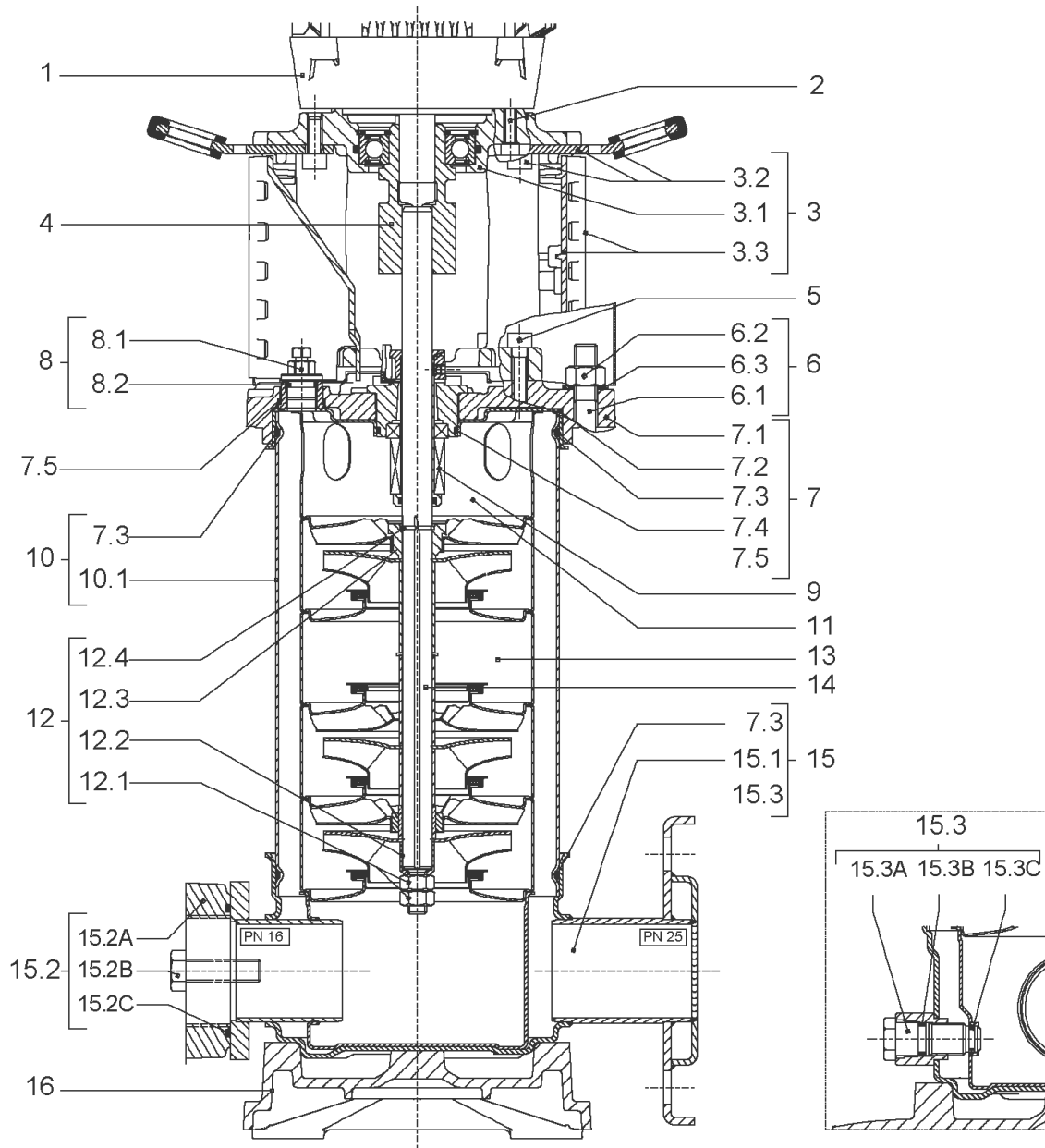
**KART.HELIX2-4 O/E SET (4178559)**

Item	Article no.	Description	Quantity
9.1	4178560	SEAL-KIT-HELIX2-4 O/E	1
7.3	4176513	> O-RING FOR PUMP JACKET VP.	1
7.4	2127603	> O-RING ID.37,6x2,4 EPDM VP.	1
9.1A	2130966	> MECH.SEAL HELIX2-4-6-10-16 O/E VP.	1
9.1B	4178558	> O-RING ID.12X2 EPDM VP.	1
9.1C	4178558	> O-RING ID.12X2 EPDM VP.	1
9.2	4178557	SHAFT SLEEVE Ø12XØ18-PN16 1.4404 VP.	1
9.3	2130962	RING HOLDER D.18 G606/G6 1.4301 VP.	1
9.4	4176520	SCREW CH M5x5 A4-70 ( 3PIECES )	1
9.5	4178556	DRIVE RING D.29/15.5x13,2 MACH.VP.	1
9.6	2130964	TOOL M.S.CART.HELIX VP.	1
9.7	2130965	SCREW CHC M5X12 ISO4762 A2.70(4 PIECES)	1



**HYDRAULIC HELIX V 204 1.4307**

Item	Article no.	Description	Quantity
13.1	4179316	STAGE HELIX 2 1.4301 KIT	1
		> MACH.STG-CASING-WOGV-WNR-M+2-4-304	1
		> IMPELLER-M+2-304	1
13.2	4179317	STAGE BEARING HELIX 2 1.4307 KIT	1
		> MACH.BEARING-STG-CASING-WNR-M+2-304	1
		> IMPELLER-M+2-304	1
		> SHAFT SLEEVE SPACER Ø15,35x10,305-304	1
		> SHAFT-SLEEVE-D12xD16x14-CW	1
13.3	4179319	INTERMEDIATE STAGE HELIX 2 1.4301 KIT	1
		> CORPS-ETG-STD-ACR-AJR-USIN.M+2-304	1
		> IMPELLER-M+2-304	1
		> IMPELLER SPACER Ø12,05X14,85-L24,285-304	1



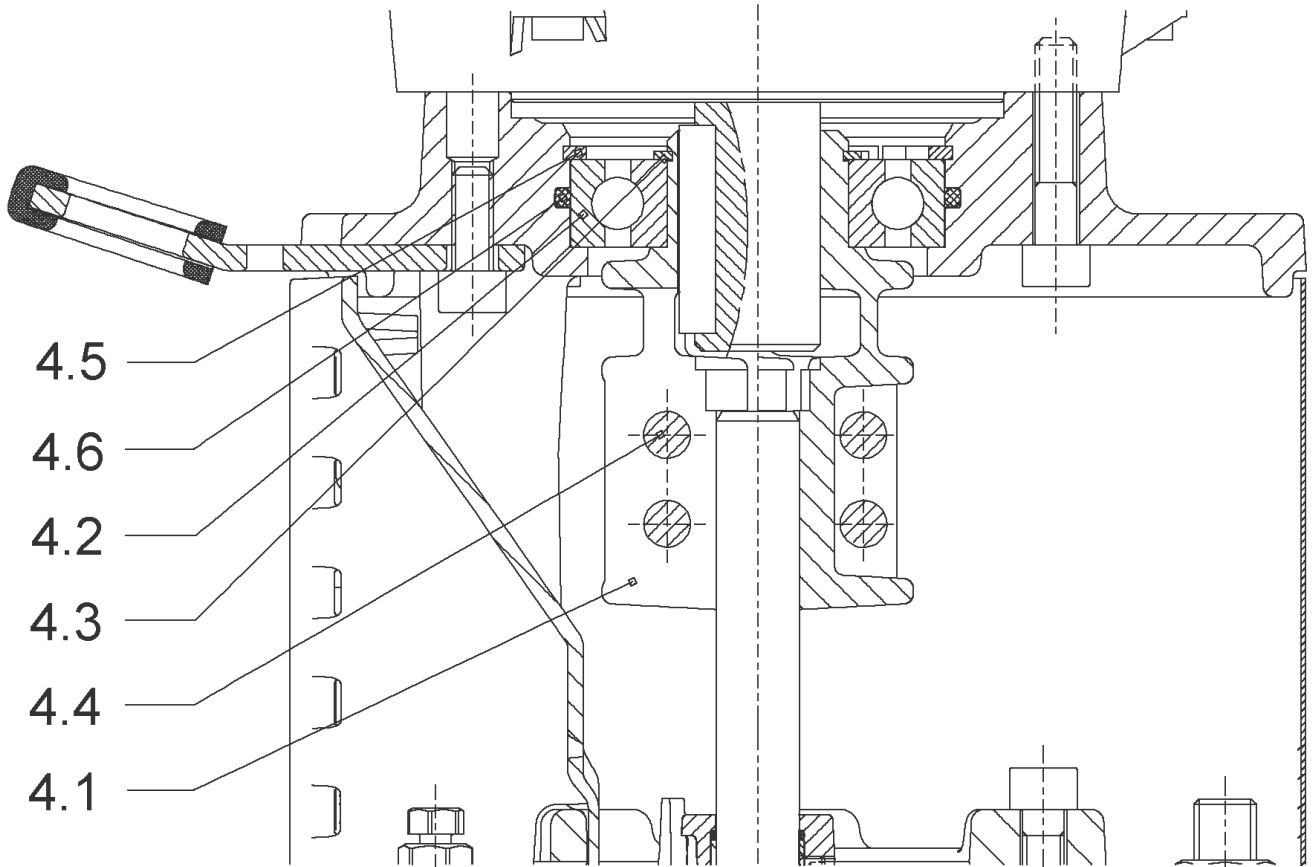


**HELIX V205-1/16/E/KS/400-50 (4161707)**

Item	Article no.	Description	Quantity
1	4169939	MO.0,55/2/71 3~400V 50HZ 460V 60HZ IE2VP	1
		SPARE PARTS MOTOR:ON REQUEST	1
2	4159702	SCREW M6X30 (4 PIECES)	1
3	4171323	LANTERN FT85 HELIX KIT	1
3.1		> LANTERN FT85 M+6" GJL MACHINING+CATA	1
3.2	2127604	> EYELET CPL.FT HELIX(2 PIECES)	1
3.3	4159692	> COUPLING PROTECTOR FT HELIX KIT	1
4	4178554	COUPLING FT 85 Ø12XØ14 KIT	1
5	4159707	SCREW M8X30 (4 PIECES)	1
6	4178579	STUD BOLT M12X317 KIT	1
6.1		> TIE BOLT M12-317x18x30-1.4057	1
6.2	2094647	> NUT M12 M12 ISO4032 VP.	1
6.3	2123557	> WASHER CS-12.4-24-1.6-NFE25 (4 PIECES)	1
7	4159685	END SHIELD HELIX EPDM KIT	1
7.1		> END SHIELD M+6" GJL250 MACHINING+CATA	1
7.2	2127607	> STATIONARY RING HOLDER 6" HELIX 1.4301 V	1
7.3	4176513	> O-RING FOR PUMP JACKET VP.	1
7.4	2127603	> O-RING ID.37,6x2,4 EPDM VP.	1
7.5	2127602	> O-RING ID.21,35x2 EPDM VP.	1
8	4159686	FILING/PURGING PLUG HELIX EPDM KIT	1
9	4178559	KART.HELIX2-4 O/E SET	1
10	4178580	HOUSING PIPE D.152X184 1.4301 KIT	1
7.3	4176513	> O-RING FOR PUMP JACKET VP.	1
10.1		> HOUSING-PIPE Ø152-M+205/405-304	1
11	4179315	CENTERING STAGE HELIX V2 1.4307 VP.	1
12	4178567	SHAFT EQUIPMENT HELIX V2/V4 KIT	1
12.1		> NUT-H-M8-STAINLESS-STEEL A4-70	1
12.2		> SHAFT END WASHER Ø8/Ø12 316L	1
12.3		> STOP COLLAR OF IMPELLER L12,6-Ø12-316L	1
12.4		> STOP-RUSH-1/2-D12xd2-M+316	1
13		HYDRAULIC HELIX V 205 1.4307	1
14	4178582	SHAFT D.12X308 1.4301 VP.	1
15	4174079	PUMP HOUSING HELIX DN32 PN16 1.4301 KIT	1
7.3	4176513	> O-RING FOR PUMP JACKET VP.	1

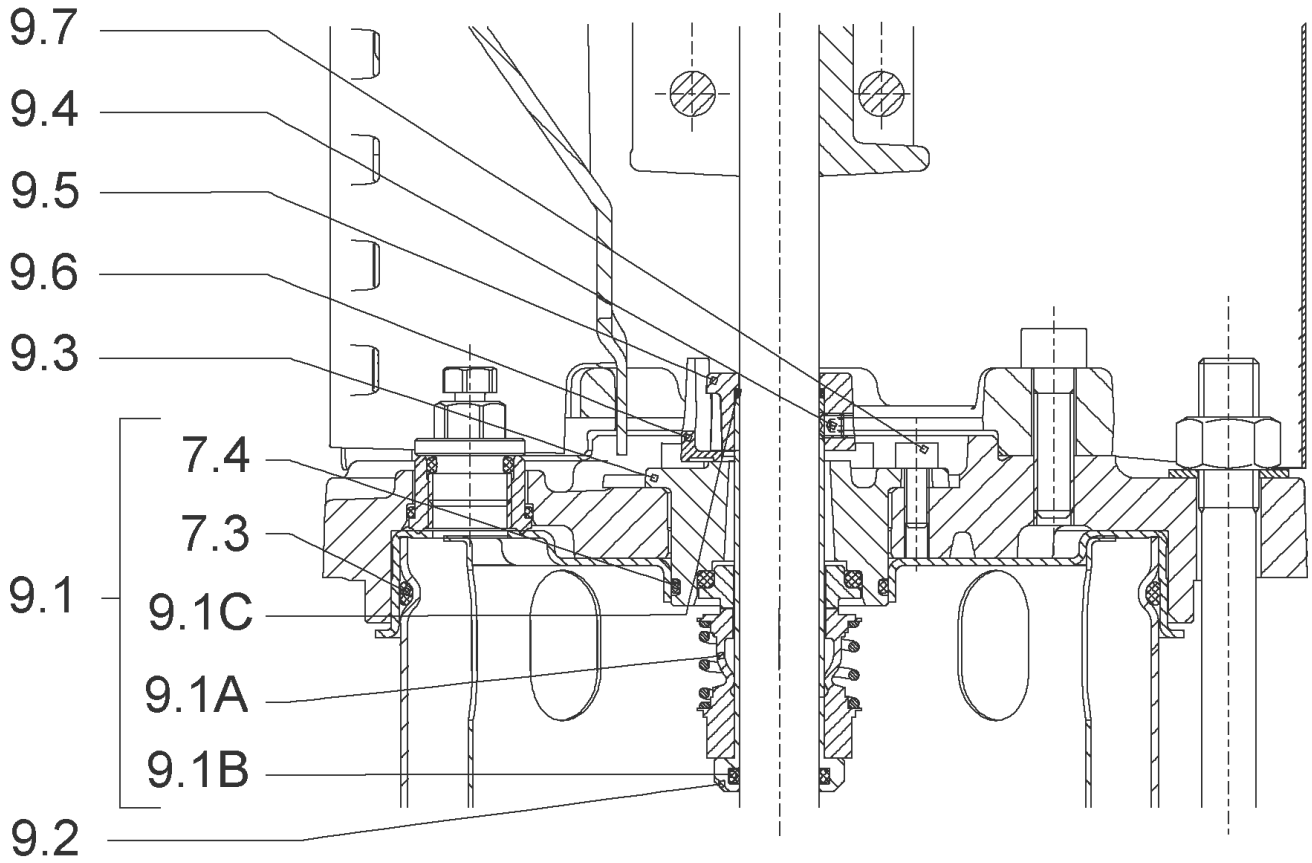
**HELIX V205-1/16/E/KS/400-50 (4161707)**

<b>Item</b>	<b>Article no.</b>	<b>Description</b>	<b>Quantity</b>
15.1		> BLASTING PPE HOUSING V-PN16-DN32-5"-304	1
15.2	4217889	> COUNTER FLANGE-G1"-PN16-GJL KIT	1
15.3	4171321	> PRIMING/DRAIN PLUG EPDM HELIX KIT	1
16	4177964	BASEPLATE HELIX V2/4/6 PN16 VP.	1



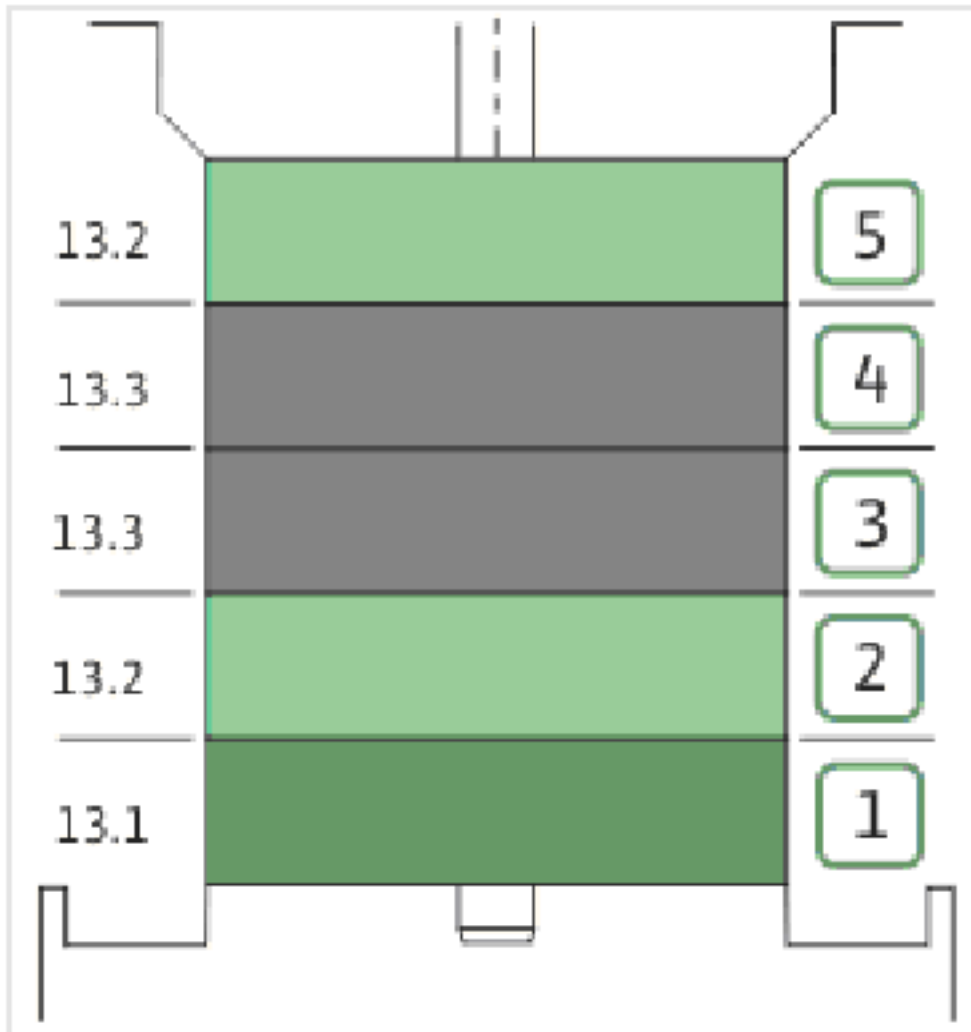
**COUPLING FT 85 Ø12XØ14 KIT (4178554)**

Item	Article no.	Description	Quantity
4.1		COUPLING-M+ Ø12XØ14-FT85-MACHINED	1
4.3	4208923	CIRCLIP D25X1.2 VP.	1
4.2	4177802	BALL BEARING 6205C3-ZZ HTVP.	1
4.4	4212716	SCREW M6X20 KIT (4PIECES)	1
4.5	4233124	CIRCLIP-FOR-BORES-D52x2 VP.	1
4.6	4234244	O-RING 52X2 VP.	1
		CONTACT-WASHER-6ETR-6,1x12,2x1,8-STEEL	4



**KART.HELIX2-4 O/E SET (4178559)**

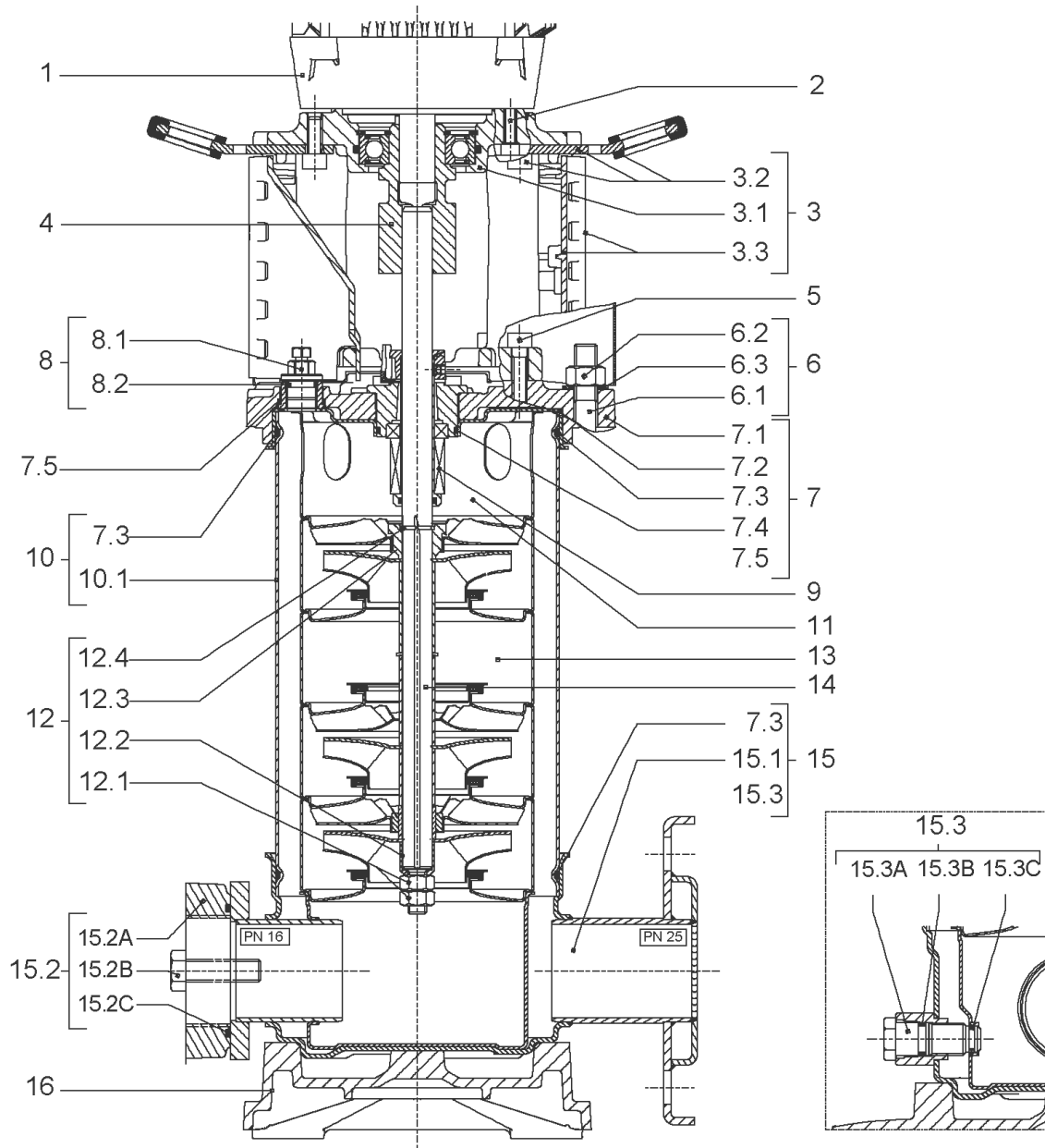
Item	Article no.	Description	Quantity
9.1	4178560	SEAL-KIT-HELIX2-4 O/E	1
7.3	4176513	> O-RING FOR PUMP JACKET VP.	1
7.4	2127603	> O-RING ID.37,6x2,4 EPDM VP.	1
9.1A	2130966	> MECH.SEAL HELIX2-4-6-10-16 O/E VP.	1
9.1B	4178558	> O-RING ID.12X2 EPDM VP.	1
9.1C	4178558	> O-RING ID.12X2 EPDM VP.	1
9.2	4178557	SHAFT SLEEVE Ø12XØ18-PN16 1.4404 VP.	1
9.3	2130962	RING HOLDER D.18 G606/G6 1.4301 VP.	1
9.4	4176520	SCREW CH M5x5 A4-70 ( 3PIECES )	1
9.5	4178556	DRIVE RING D.29/15.5x13,2 MACH.VP.	1
9.6	2130964	TOOL M.S.CART.HELIX VP.	1
9.7	2130965	SCREW CHC M5X12 ISO4762 A2.70(4 PIECES)	1



**HYDRAULIC HELIX V 205 1.4307**

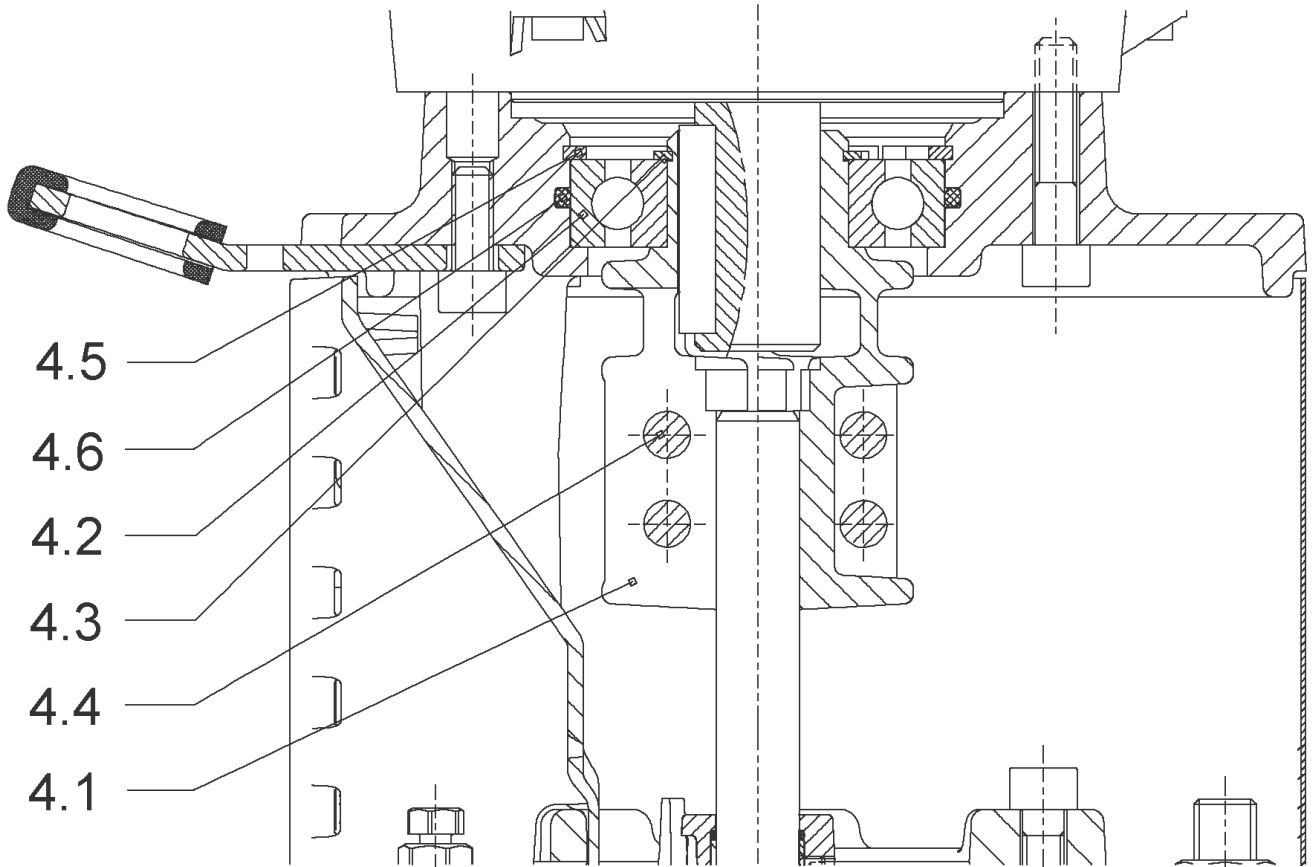
Item	Article no.	Description	Quantity
13.1	4179316	STAGE HELIX 2 1.4301 KIT	1
		> MACH.STG-CASING-WOGV-WNR-M+2-4-304	1
		> IMPELLER-M+2-304	1
13.2	4179317	STAGE BEARING HELIX 2 1.4307 KIT	1
		> MACH.BEARING-STG-CASING-WNR-M+2-304	1
		> IMPELLER-M+2-304	1
		> SHAFT SLEEVE SPACER Ø15,35x10,305-304	1
		> SHAFT-SLEEVE-D12xD16x14-CW	1
13.3	4179319	INTERMEDIATE STAGE HELIX 2 1.4301 KIT	1
		> CORPS-ETG-STD-ACR-AJR-USIN.M+2-304	1
		> IMPELLER-M+2-304	1
		> IMPELLER SPACER Ø12,05X14,85-L24,285-304	1





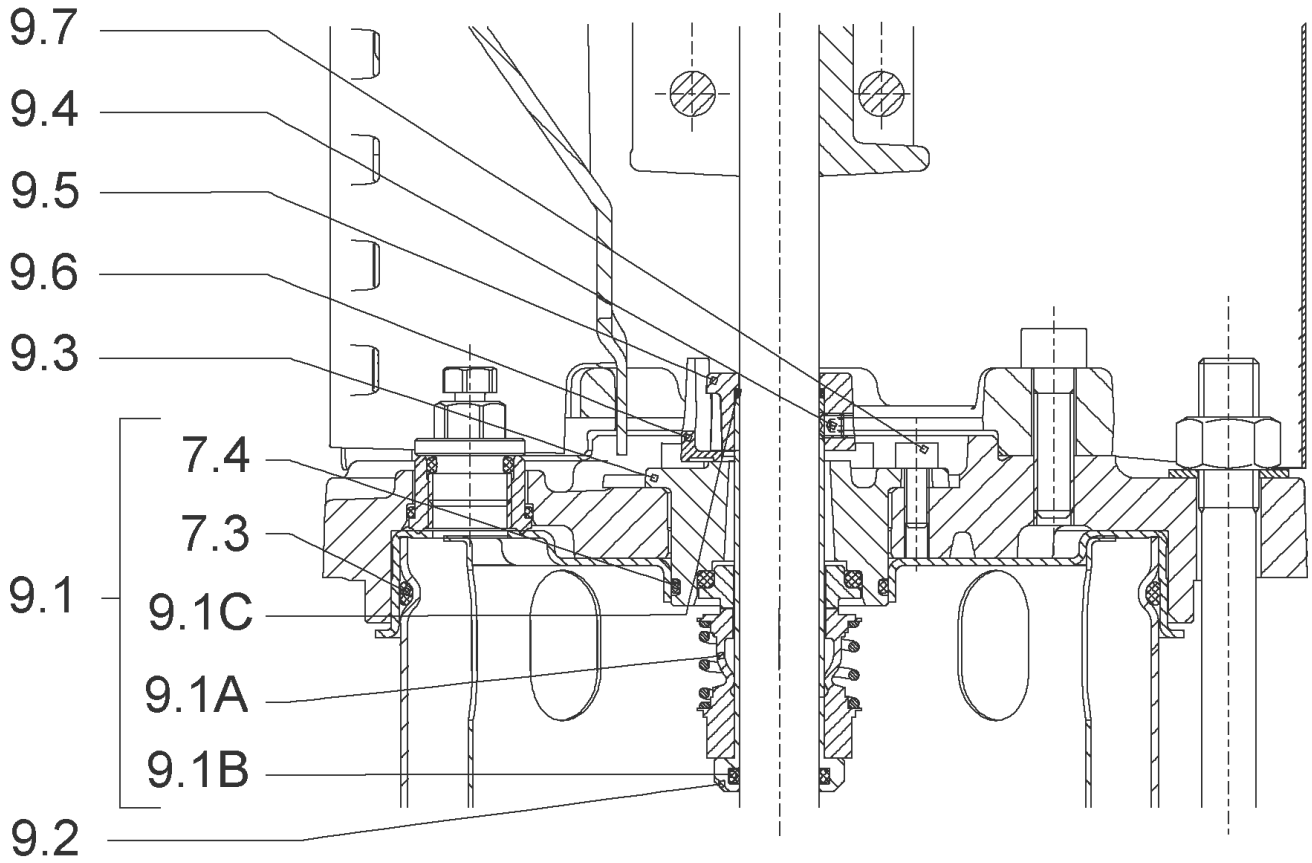
**HELIX V206-1/16/E/KS/400-50 (4161708)**

Item	Article no.	Description	Quantity
1	4169939	MO.0,55/2/71 3~400V 50HZ 460V 60HZ IE2VP	1
		SPARE PARTS MOTOR:ON REQUEST	1
2	4159702	SCREW M6X30 (4 PIECES)	1
3	4171323	LANTERN FT85 HELIX KIT	1
3.1		> LANTERN FT85 M+6" GJL MACHINING+CATA	1
3.2	2127604	> EYELET CPL.FT HELIX(2 PIECES)	1
3.3	4159692	> COUPLING PROTECTOR FT HELIX KIT	1
4	4178554	COUPLING FT 85 Ø12XØ14 KIT	1
5	4159707	SCREW M8X30 (4 PIECES)	1
6	2127553	STUD BOLT M12X341 KIT	1
7	4159685	END SHIELD HELIX EPDM KIT	1
7.1		> END SHIELD M+6" GJL250 MACHINING+CATA	1
7.2	2127607	> STATIONARY RING HOLDER 6" HELIX 1.4301 V	1
7.3	4176513	> O-RING FOR PUMP JACKET VP.	1
7.4	2127603	> O-RING ID.37,6x2,4 EPDM VP.	1
7.5	2127602	> O-RING ID.21,35x2 EPDM VP.	1
8	4159686	FILING/PURGING PLUG HELIX EPDM KIT	1
9	4178559	KART.HELIX2-4 O/E SET	1
10	2127575	HOUSING PIPE D.152x210 1.4301 KIT	1
11	4179315	CENTERING STAGE HELIX V2 1.4307 VP.	1
12	4178567	SHAFT EQUIPMENT HELIX V2/V4 KIT	1
12.1		> NUT-H-M8-STAINLESS-STEEL A4-70	1
12.2		> SHAFT END WASHER Ø8/Ø12 316L	1
12.3		> STOP COLLAR OF IMPELLER L12,6-Ø12-316L	1
12.4		> STOP-RUSH-1/2-D12xd2-M+316	1
13		HYDRAULIC HELIX V 206 1.4307	1
14	4178584	SHAFT D.12X333 1.4301 VP.	1
15	4174079	PUMP HOUSING HELIX DN32 PN16 1.4301 KIT	1
7.3	4176513	> O-RING FOR PUMP JACKET VP.	1
15.1		> BLASTING PPE HOUSING V-PN16-DN32-5"-304	1
15.2	4217889	> COUNTER FLANGE-G1"-PN16-GJL KIT	1
15.3	4171321	> PRIMING/DRAIN PLUG EPDM HELIX KIT	1
16	4177964	BASEPLATE HELIX V2/4/6 PN16 VP.	1



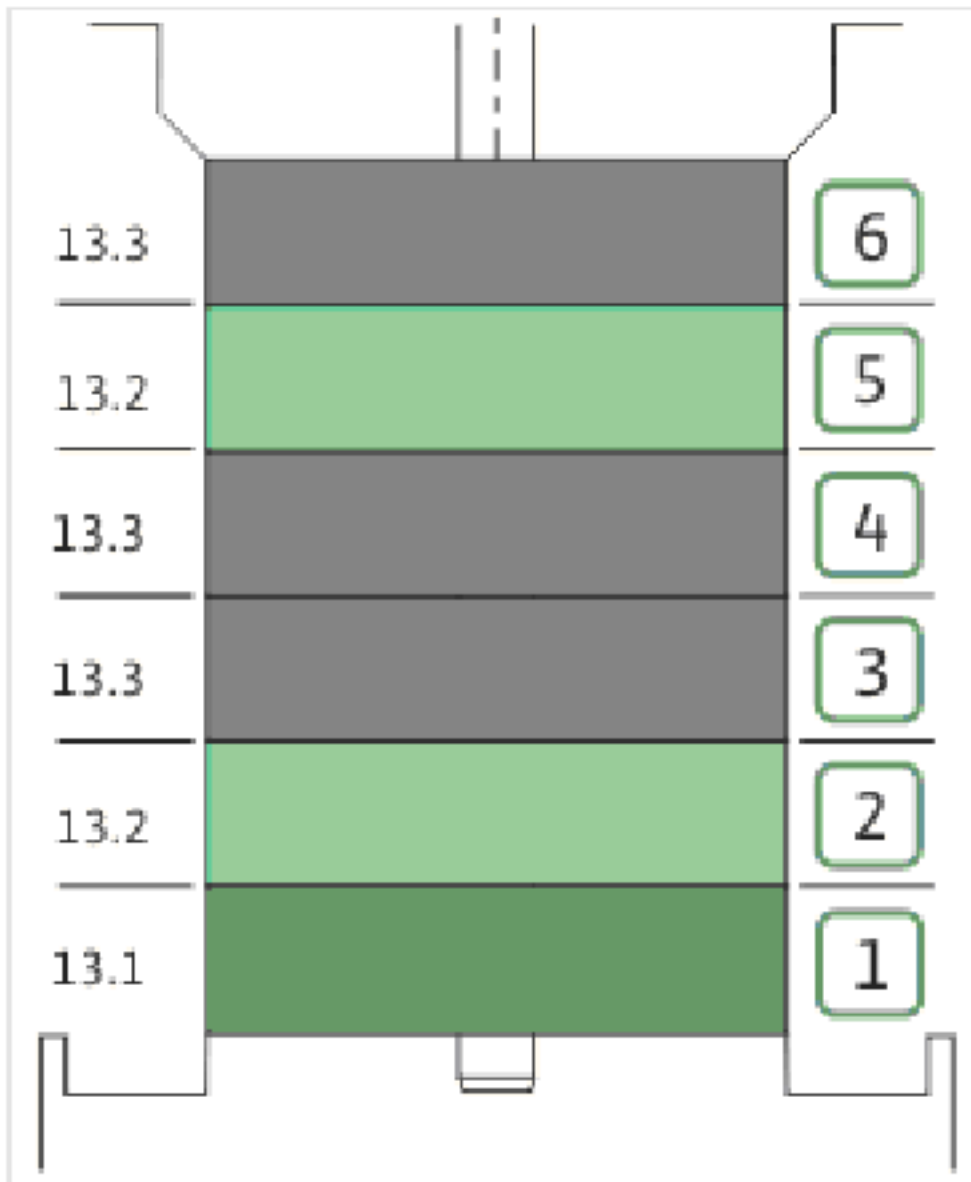
**COUPLING FT 85 Ø12XØ14 KIT (4178554)**

Item	Article no.	Description	Quantity
4.1		COUPLING-M+ Ø12XØ14-FT85-MACHINED	1
4.3	4208923	CIRCLIP D25X1.2 VP.	1
4.2	4177802	BALL BEARING 6205C3-ZZ HTVP.	1
4.4	4212716	SCREW M6X20 KIT (4PIECES)	1
4.5	4233124	CIRCLIP-FOR-BORES-D52x2 VP.	1
4.6	4234244	O-RING 52X2 VP.	1
		CONTACT-WASHER-6ETR-6,1x12,2x1,8-STEEL	4



**KART.HELIX2-4 O/E SET (4178559)**

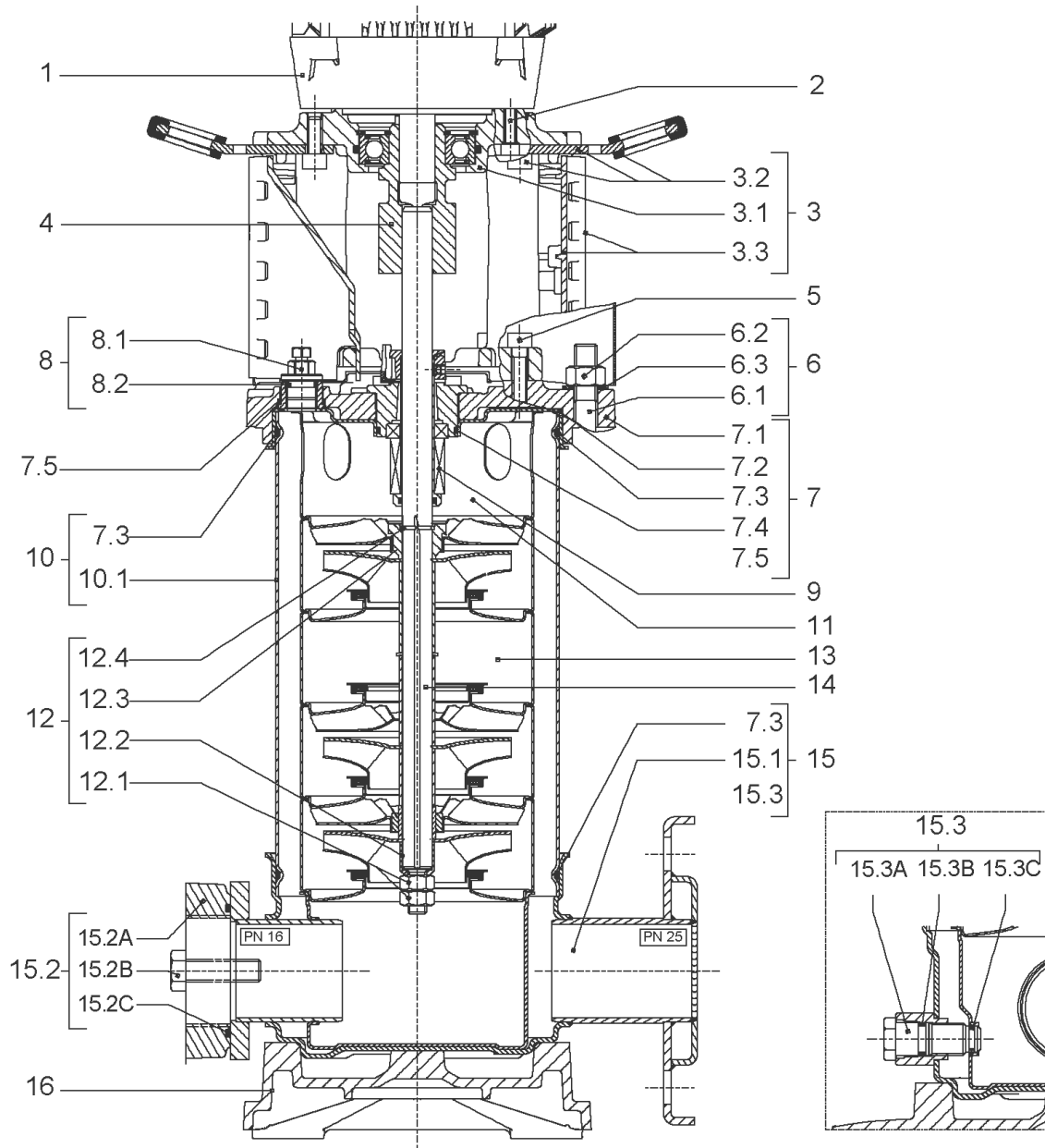
Item	Article no.	Description	Quantity
9.1	4178560	SEAL-KIT-HELIX2-4 O/E	1
7.3	4176513	> O-RING FOR PUMP JACKET VP.	1
7.4	2127603	> O-RING ID.37,6x2,4 EPDM VP.	1
9.1A	2130966	> MECH.SEAL HELIX2-4-6-10-16 O/E VP.	1
9.1B	4178558	> O-RING ID.12X2 EPDM VP.	1
9.1C	4178558	> O-RING ID.12X2 EPDM VP.	1
9.2	4178557	SHAFT SLEEVE Ø12XØ18-PN16 1.4404 VP.	1
9.3	2130962	RING HOLDER D.18 G606/G6 1.4301 VP.	1
9.4	4176520	SCREW CH M5x5 A4-70 ( 3PIECES )	1
9.5	4178556	DRIVE RING D.29/15.5x13,2 MACH.VP.	1
9.6	2130964	TOOL M.S.CART.HELIX VP.	1
9.7	2130965	SCREW CHC M5X12 ISO4762 A2.70(4 PIECES)	1



**HYDRAULIC HELIX V 206 1.4307**

Item	Article no.	Description	Quantity
13.1	4179316	STAGE HELIX 2 1.4301 KIT	1
		> MACH.STG-CASING-WOGV-WNR-M+2-4-304	1
		> IMPELLER-M+2-304	1
13.2	4179317	STAGE BEARING HELIX 2 1.4307 KIT	1
		> MACH.BEARING-STG-CASING-WNR-M+2-304	1
		> IMPELLER-M+2-304	1
		> SHAFT SLEEVE SPACER Ø15,35x10,305-304	1
		> SHAFT-SLEEVE-D12xD16x14-CW	1
13.3	4179319	INTERMEDIATE STAGE HELIX 2 1.4301 KIT	1
		> CORPS-ETG-STD-ACR-AJR-USIN.M+2-304	1
		> IMPELLER-M+2-304	1
		> IMPELLER SPACER Ø12,05X14,85-L24,285-304	1



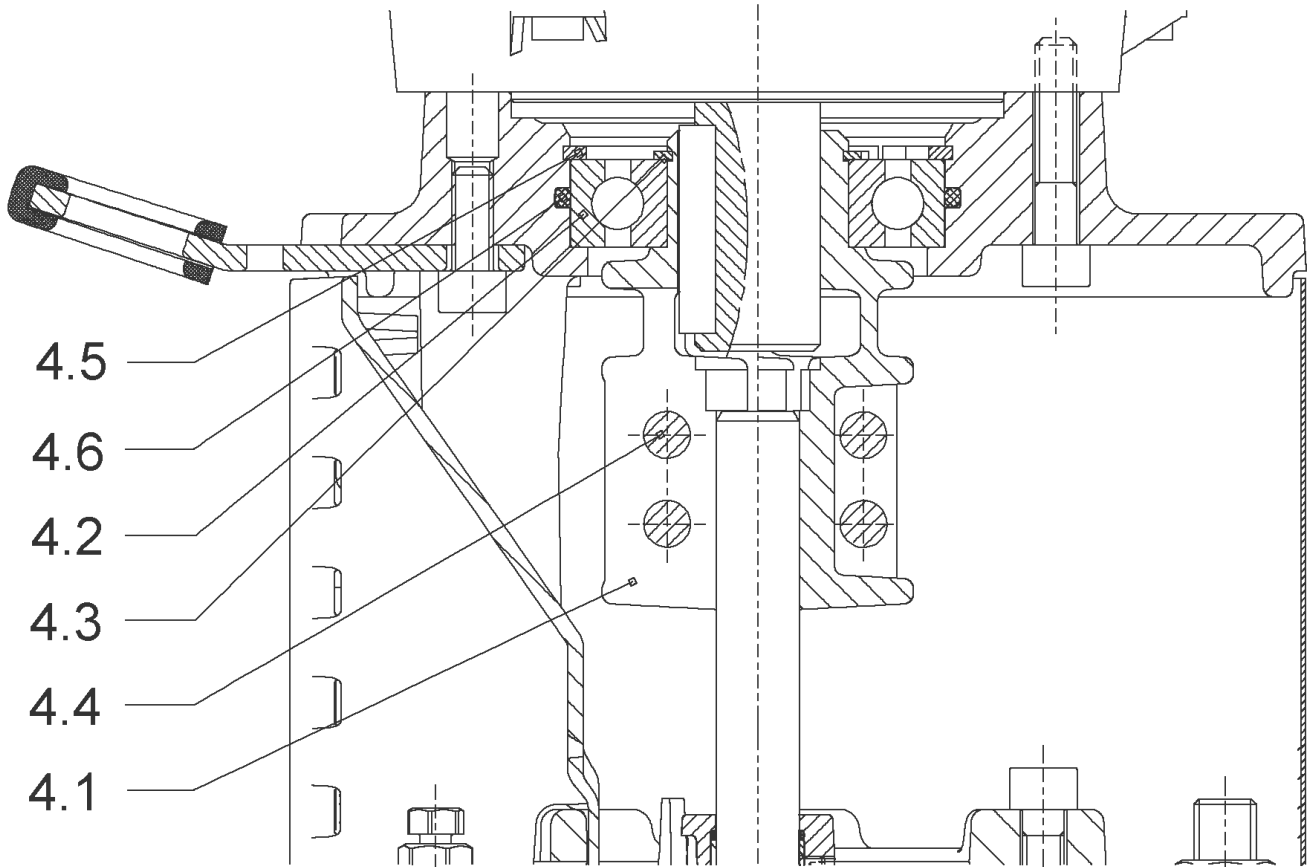


**HELIX V207-1/16/E/KS/400-50 (4161709)**

Item	Article no.	Description	Quantity
1	4169939	MO.0,55/2/71 3~400V 50HZ 460V 60HZ IE2VP	1
		SPARE PARTS MOTOR:ON REQUEST	1
2	4159702	SCREW M6X30 (4 PIECES)	1
3	4171323	LANTERN FT85 HELIX KIT	1
3.1		> LANTERN FT85 M+6" GJL MACHINING+CATA	1
3.2	2127604	> EYELET CPL.FT HELIX(2 PIECES)	1
3.3	4159692	> COUPLING PROTECTOR FT HELIX KIT	1
4	4178554	COUPLING FT 85 Ø12XØ14 KIT	1
5	4159707	SCREW M8X30 (4 PIECES)	1
6	4178585	STUD BOLT M12X365 KIT	1
6.1		> TIE BOLT M12-365x18x30-1.4057	1
6.2	2094647	> NUT M12 M12 ISO4032 VP.	1
6.3	2123557	> WASHER CS-12.4-24-1.6-NFE25 (4 PIECES)	1
7	4159685	END SHIELD HELIX EPDM KIT	1
7.1		> END SHIELD M+6" GJL250 MACHINING+CATA	1
7.2	2127607	> STATIONARY RING HOLDER 6" HELIX 1.4301 V	1
7.3	4176513	> O-RING FOR PUMP JACKET VP.	1
7.4	2127603	> O-RING ID.37,6x2,4 EPDM VP.	1
7.5	2127602	> O-RING ID.21,35x2 EPDM VP.	1
8	4159686	FILING/PURGING PLUG HELIX EPDM KIT	1
9	4178559	KART.HELIX2-4 O/E SET	1
10	4178586	HOUSING-PIPE D.152X235 1.4301 KIT	1
7.3	4176513	> O-RING FOR PUMP JACKET VP.	1
10.1		> HOUSING-PIPE Ø152-M+207/407-304	1
11	4179315	CENTERING STAGE HELIX V2 1.4307 VP.	1
12	4178567	SHAFT EQUIPMENT HELIX V2/V4 KIT	1
12.1		> NUT-H-M8-STAINLESS-STEEL A4-70	1
12.2		> SHAFT END WASHER Ø8/Ø12 316L	1
12.3		> STOP COLLAR OF IMPELLER L12,6-Ø12-316L	1
12.4		> STOP-RUSH-1/2-D12xd2-M+316	1
13		HYDRAULIC HELIX V 207 1.4307	1
14	4178587	SHAFT D.12X358 1.4301 VP.	1
15	4174079	PUMP HOUSING HELIX DN32 PN16 1.4301 KIT	1
7.3	4176513	> O-RING FOR PUMP JACKET VP.	1

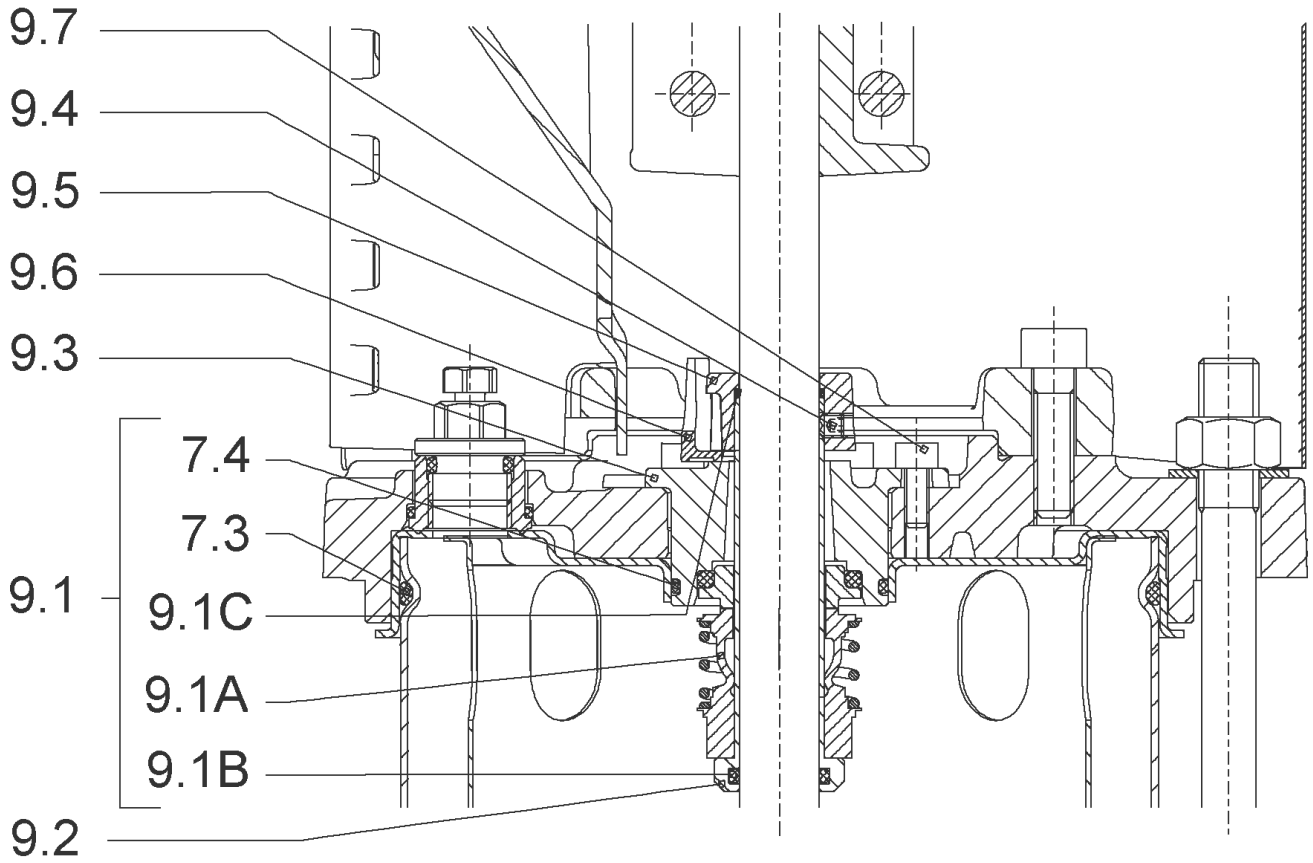
**HELIX V207-1/16/E/KS/400-50 (4161709)**

<b>Item</b>	<b>Article no.</b>	<b>Description</b>	<b>Quantity</b>
15.1		> BLASTING PPE HOUSING V-PN16-DN32-5"-304	1
15.2	4217889	> COUNTER FLANGE-G1"-PN16-GJL KIT	1
15.3	4171321	> PRIMING/DRAIN PLUG EPDM HELIX KIT	1
16	4177964	BASEPLATE HELIX V2/4/6 PN16 VP.	1



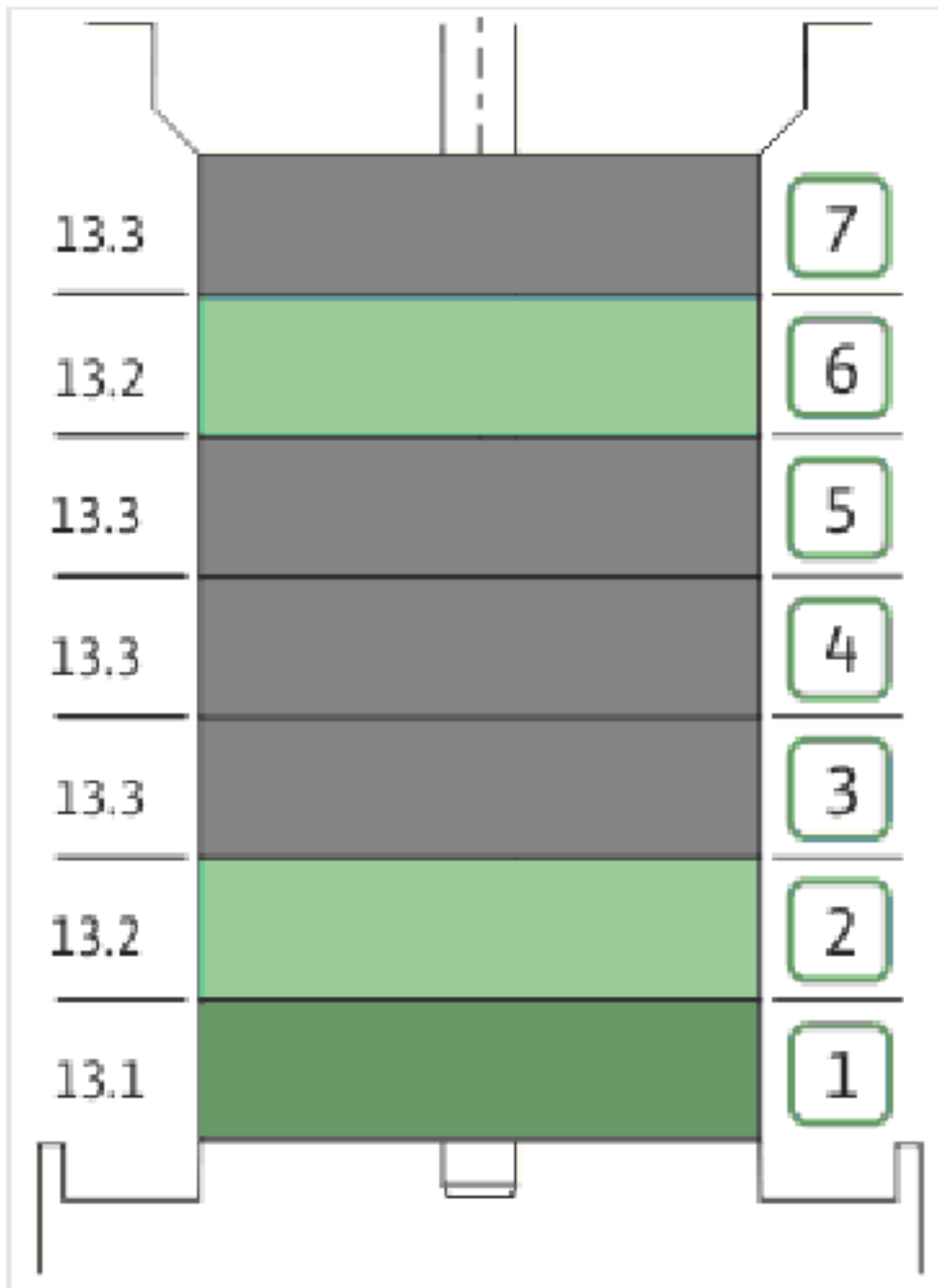
**COUPLING FT 85 Ø12XØ14 KIT (4178554)**

Item	Article no.	Description	Quantity
4.1		COUPLING-M+ Ø12XØ14-FT85-MACHINED	1
4.3	4208923	CIRCLIP D25X1.2 VP.	1
4.2	4177802	BALL BEARING 6205C3-ZZ HTVP.	1
4.4	4212716	SCREW M6X20 KIT (4PIECES)	1
4.5	4233124	CIRCLIP-FOR-BORES-D52x2 VP.	1
4.6	4234244	O-RING 52X2 VP.	1
		CONTACT-WASHER-6ETR-6,1x12,2x1,8-STEEL	4



**KART.HELIX2-4 O/E SET (4178559)**

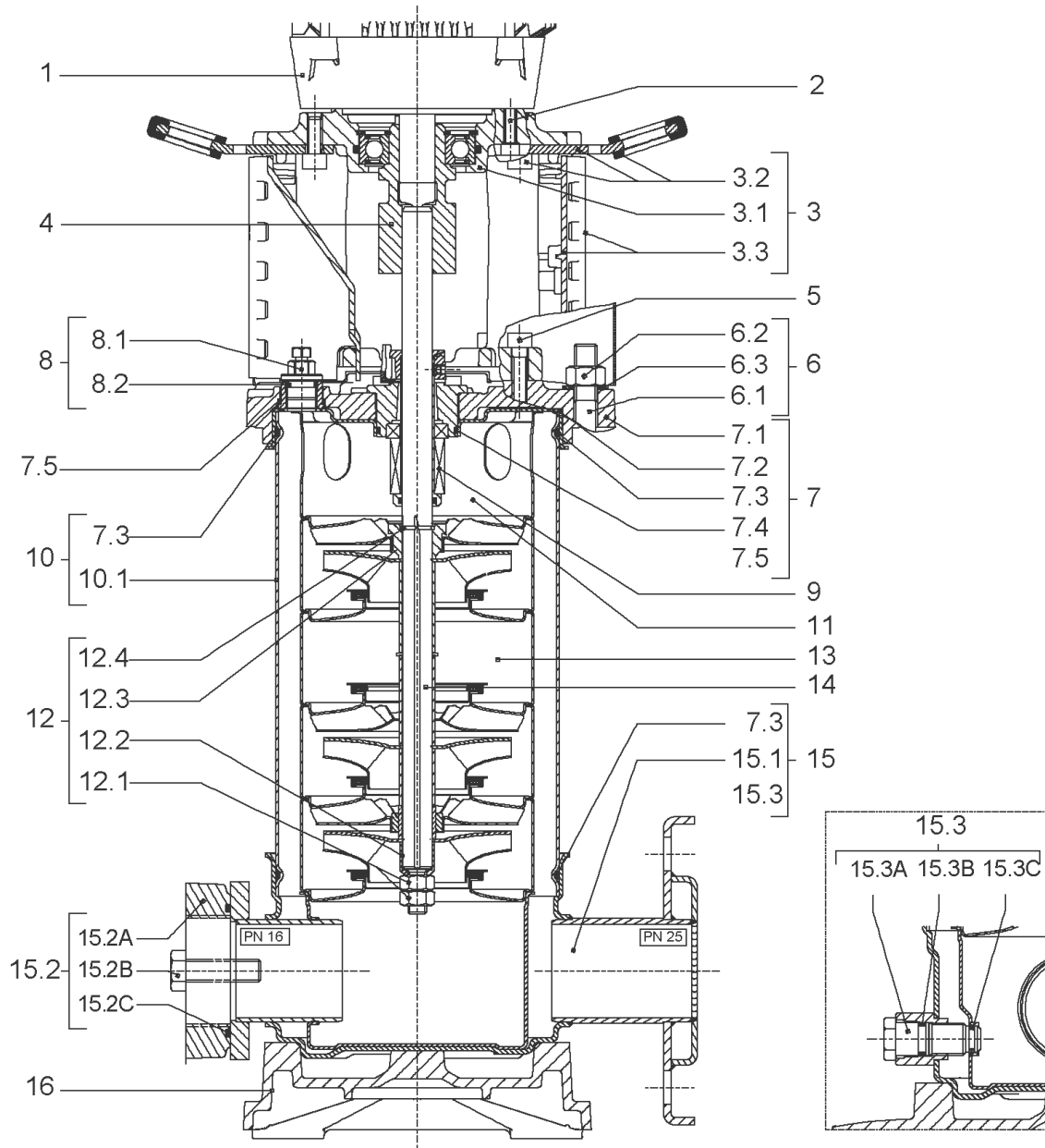
Item	Article no.	Description	Quantity
9.1	4178560	SEAL-KIT-HELIX2-4 O/E	1
7.3	4176513	> O-RING FOR PUMP JACKET VP.	1
7.4	2127603	> O-RING ID.37,6x2,4 EPDM VP.	1
9.1A	2130966	> MECH.SEAL HELIX2-4-6-10-16 O/E VP.	1
9.1B	4178558	> O-RING ID.12X2 EPDM VP.	1
9.1C	4178558	> O-RING ID.12X2 EPDM VP.	1
9.2	4178557	SHAFT SLEEVE Ø12XØ18-PN16 1.4404 VP.	1
9.3	2130962	RING HOLDER D.18 G606/G6 1.4301 VP.	1
9.4	4176520	SCREW CH M5x5 A4-70 ( 3PIECES )	1
9.5	4178556	DRIVE RING D.29/15.5x13,2 MACH.VP.	1
9.6	2130964	TOOL M.S.CART.HELIX VP.	1
9.7	2130965	SCREW CHC M5X12 ISO4762 A2.70(4 PIECES)	1





**HYDRAULIC HELIX V 207 1.4307**

Item	Article no.	Description	Quantity
13.1	4179316	STAGE HELIX 2 1.4301 KIT	1
		> MACH.STG-CASING-WOGV-WNR-M+2-4-304	1
		> IMPELLER-M+2-304	1
13.2	4179317	STAGE BEARING HELIX 2 1.4307 KIT	1
		> MACH.BEARING-STG-CASING-WNR-M+2-304	1
		> IMPELLER-M+2-304	1
		> SHAFT SLEEVE SPACER Ø15,35x10,305-304	1
		> SHAFT-SLEEVE-D12xD16x14-CW	1
13.3	4179319	INTERMEDIATE STAGE HELIX 2 1.4301 KIT	1
		> CORPS-ETG-STD-ACR-AJR-USIN.M+2-304	1
		> IMPELLER-M+2-304	1
		> IMPELLER SPACER Ø12,05X14,85-L24,285-304	1



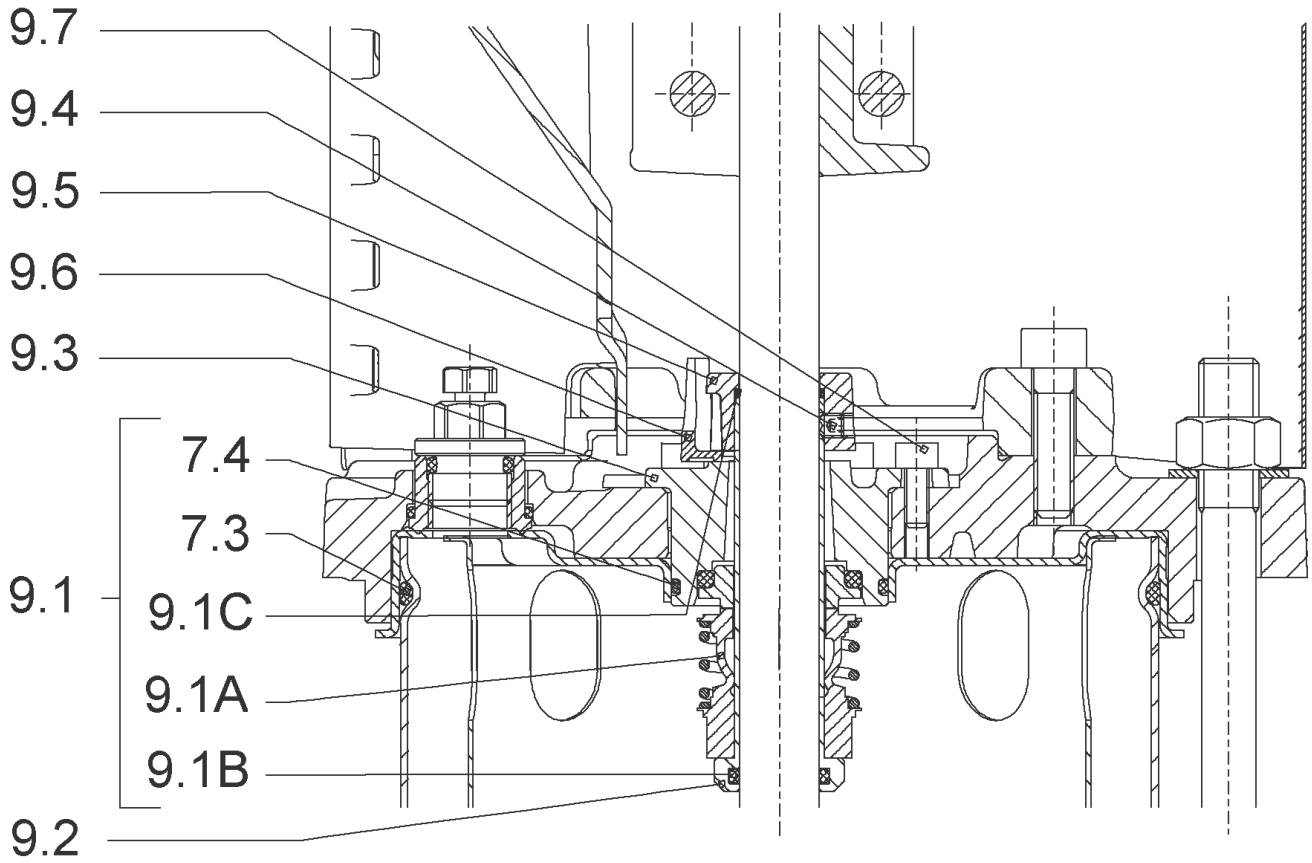
**HELIX V208-1/16/E/KS/400-50 (4161710)**

Item	Article no.	Description	Quantity
1	4169940	MOTOR 0,75/2/80 3~230/400V 50HZ IE3 VP.	1
		SPARE PARTS MOTOR:ON REQUEST	1
2	4159702	SCREW M6X30 (4 PIECES)	1
3	4172788	LANTERN FT100 HELIX KIT	1
3.1		> LANTERN FT100 M+6" GJL MACHINING+CATA	1
3.2	2127604	> EYELET CPL.FT HELIX(2 PIECES)	1
3.3	4159692	> COUPLING PROTECTOR FT HELIX KIT	1
4	4178578	COUPLING D.12XD.19 FT100 KIT	1
5	4159707	SCREW M8X30 (4 PIECES)	1
6	2018365	STUD BOLT M12X392 KIT	1
7	4159685	END SHIELD HELIX EPDM KIT	1
7.1		> END SHIELD M+6" GJL250 MACHINING+CATA	1
7.2	2127607	> STATIONARY RING HOLDER 6" HELIX 1.4301 V	1
7.3	4176513	> O-RING FOR PUMP JACKET VP.	1
7.4	2127603	> O-RING ID.37,6x2,4 EPDM VP.	1
7.5	2127602	> O-RING ID.21,35x2 EPDM VP.	1
8	4159686	FILING/PURGING PLUG HELIX EPDM KIT	1
9	4178559	KART.HELIX2-4 O/E SET	1
10	2127576	HOUSING PIPE D.152x260 1.4301 KIT	1
11	4179315	CENTERING STAGE HELIX V2 1.4307 VP.	1
12	4178567	SHAFT EQUIPMENT HELIX V2/V4 KIT	1
12.1		> NUT-H-M8-STAINLESS-STEEL A4-70	1
12.2		> SHAFT END WASHER Ø8/Ø12 316L	1
12.3		> STOP COLLAR OF IMPELLER L12,6-Ø12-316L	1
12.4		> STOP-RUSH-1/2-D12xd2-M+316	1
13		HYDRAULIC HELIX V 208 1.4307	1
14	4178592	SHAFT D.12X383 1.4301 VP.	1
15	4174079	PUMP HOUSING HELIX DN32 PN16 1.4301 KIT	1
7.3	4176513	> O-RING FOR PUMP JACKET VP.	1
15.1		> BLASTING PPE HOUSING V-PN16-DN32-5"-304	1
15.2	4217889	> COUNTER FLANGE-G1"-PN16-GJL KIT	1
15.3	4171321	> PRIMING/DRAIN PLUG EPDM HELIX KIT	1
16	4177964	BASEPLATE HELIX V2/4/6 PN16 VP.	1



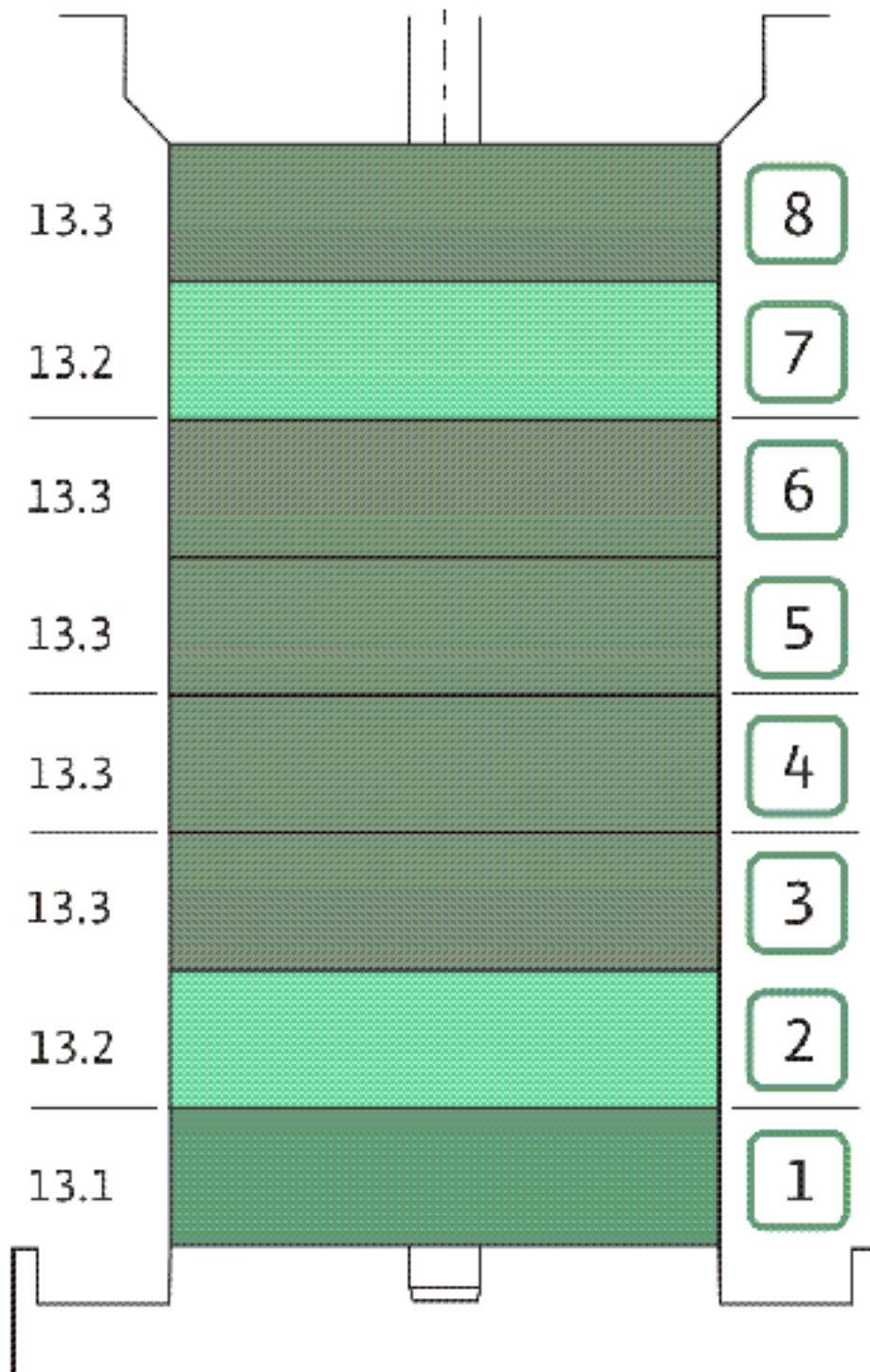
**COUPLING D.12XD.19 FT100 KIT (4178578)**

Item	Article no.	Description	Quantity
4.1		COUPLING-M+ Ø12XØ19-FT100-MACHINED	1
4.3	4234249	CIRCLIP-FOR-SHAFT-D30x1.5 VP.	1
4.2	2130977	BALL BEARING 6206/ZZ-C3(HT)VP.	1
4.4	4212716	SCREW M6X20 KIT (4PIECES)	1
4.5	4234250	CIRCLIP-D62x2 VP.	1
4.6	4234245	O-RING 63X3 VP.	1
		CONTACT-WASHER-6ETR-6,1x12,2x1,8-STEEL	4



**KART.HELIX2-4 O/E SET (4178559)**

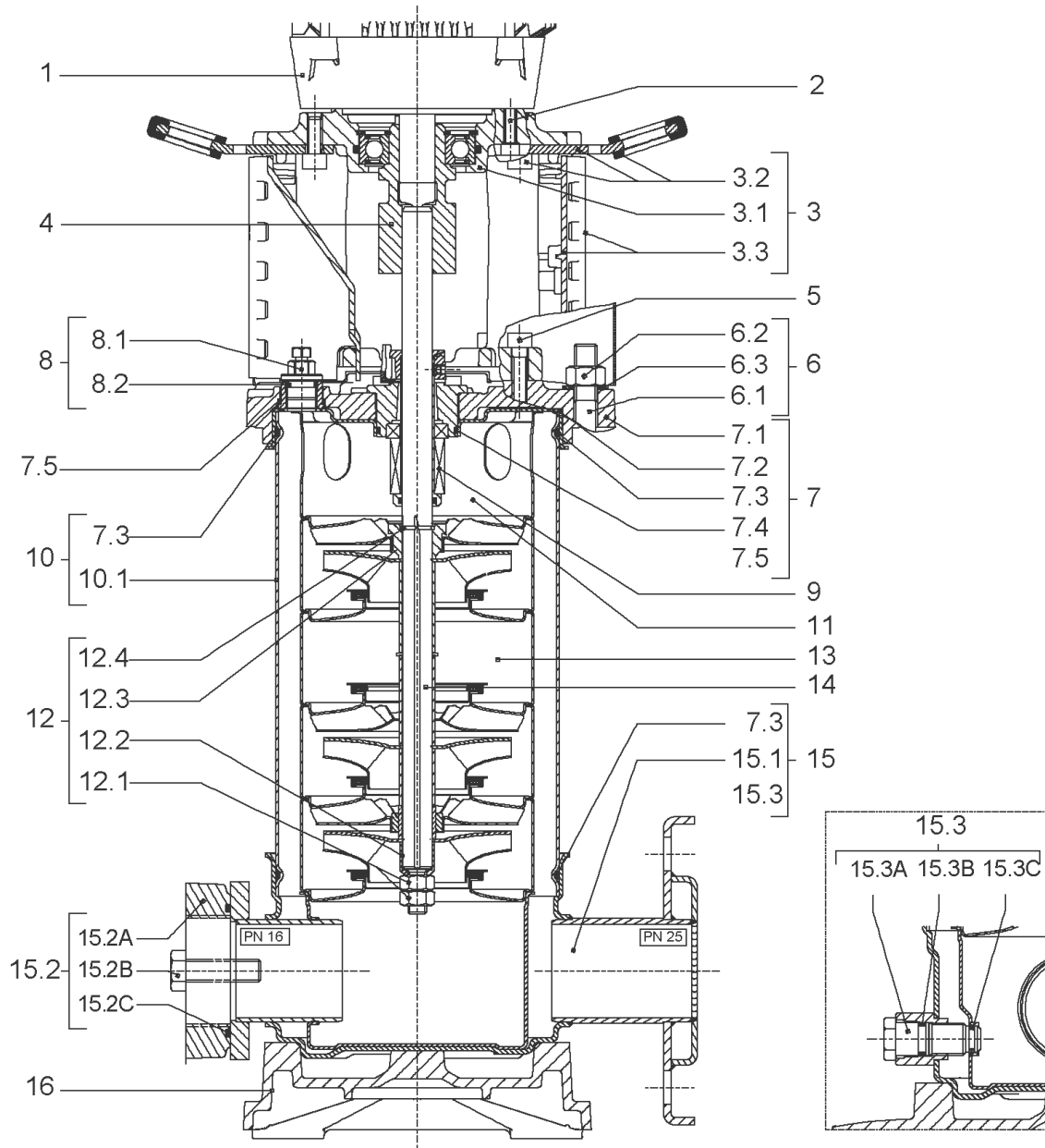
Item	Article no.	Description	Quantity
9.1	4178560	SEAL-KIT-HELIX2-4 O/E	1
7.3	4176513	> O-RING FOR PUMP JACKET VP.	1
7.4	2127603	> O-RING ID.37,6x2,4 EPDM VP.	1
9.1A	2130966	> MECH.SEAL HELIX2-4-6-10-16 O/E VP.	1
9.1B	4178558	> O-RING ID.12X2 EPDM VP.	1
9.1C	4178558	> O-RING ID.12X2 EPDM VP.	1
9.2	4178557	SHAFT SLEEVE Ø12XØ18-PN16 1.4404 VP.	1
9.3	2130962	RING HOLDER D.18 G606/G6 1.4301 VP.	1
9.4	4176520	SCREW CH M5x5 A4-70 ( 3PIECES )	1
9.5	4178556	DRIVE RING D.29/15.5x13,2 MACH.VP.	1
9.6	2130964	TOOL M.S.CART.HELIX VP.	1
9.7	2130965	SCREW CHC M5X12 ISO4762 A2.70(4 PIECES)	1





**HYDRAULIC HELIX V 208 1.4307**

Item	Article no.	Description	Quantity
13.1	4179316	STAGE HELIX 2 1.4301 KIT	1
		> MACH.STG-CASING-WOGV-WNR-M+2-4-304	1
		> IMPELLER-M+2-304	1
13.2	4179317	STAGE BEARING HELIX 2 1.4307 KIT	1
		> MACH.BEARING-STG-CASING-WNR-M+2-304	1
		> IMPELLER-M+2-304	1
		> SHAFT SLEEVE SPACER Ø15,35x10,305-304	1
		> SHAFT-SLEEVE-D12xD16x14-CW	1
13.3	4179319	INTERMEDIATE STAGE HELIX 2 1.4301 KIT	1
		> CORPS-ETG-STD-ACR-AJR-USIN.M+2-304	1
		> IMPELLER-M+2-304	1
		> IMPELLER SPACER Ø12,05X14,85-L24,285-304	1



**HELIX V209-1/16/E/KS/400-50 (4161711)**

Item	Article no.	Description	Quantity
1	4169940	MOTOR 0,75/2/80 3~230/400V 50HZ IE3 VP.	1
		SPARE PARTS MOTOR:ON REQUEST	1
2	4159702	SCREW M6X30 (4 PIECES)	1
3	4172788	LANTERN FT100 HELIX KIT	1
3.1		> LANTERN FT100 M+6" GJL MACHINING+CATA	1
3.2	2127604	> EYELET CPL.FT HELIX(2 PIECES)	1
3.3	4159692	> COUPLING PROTECTOR FT HELIX KIT	1
4	4178578	COUPLING D.12XD.19 FT100 KIT	1
5	4159707	SCREW M8X30 (4 PIECES)	1
6	4177822	STUD BOLT M12X413 KIT	1
6.1		> TIE BOLT M12-413x18x30-1.4057	1
6.2	2094647	> NUT M12 M12 ISO4032 VP.	1
6.3	2123557	> WASHER CS-12.4-24-1.6-NFE25 (4 PIECES)	1
7	4159685	END SHIELD HELIX EPDM KIT	1
7.1		> END SHIELD M+6" GJL250 MACHINING+CATA	1
7.2	2127607	> STATIONARY RING HOLDER 6" HELIX 1.4301 V	1
7.3	4176513	> O-RING FOR PUMP JACKET VP.	1
7.4	2127603	> O-RING ID.37,6x2,4 EPDM VP.	1
7.5	2127602	> O-RING ID.21,35x2 EPDM VP.	1
8	4159686	FILING/PURGING PLUG HELIX EPDM KIT	1
9	4178559	KART.HELIX2-4 O/E SET	1
10	4177823	HOUSING PIPES D.152X285 1.4301 KIT	1
7.3	4176513	> O-RING FOR PUMP JACKET VP.	1
10.1		> HOUSING-PIPE Ø152-M+1006-304	1
11	4179315	CENTERING STAGE HELIX V2 1.4307 VP.	1
12	4178567	SHAFT EQUIPMENT HELIX V2/V4 KIT	1
12.1		> NUT-H-M8-STAINLESS-STEEL A4-70	1
12.2		> SHAFT END WASHER Ø8/Ø12 316L	1
12.3		> STOP COLLAR OF IMPELLER L12,6-Ø12-316L	1
12.4		> STOP-RUSH-1/2-D12xd2-M+316	1
13		HYDRAULIC HELIX V 209 1.4307	1
14	4178598	SHAFT D.12X408 1.4301 VP.	1
15	4174079	PUMP HOUSING HELIX DN32 PN16 1.4301 KIT	1
7.3	4176513	> O-RING FOR PUMP JACKET VP.	1

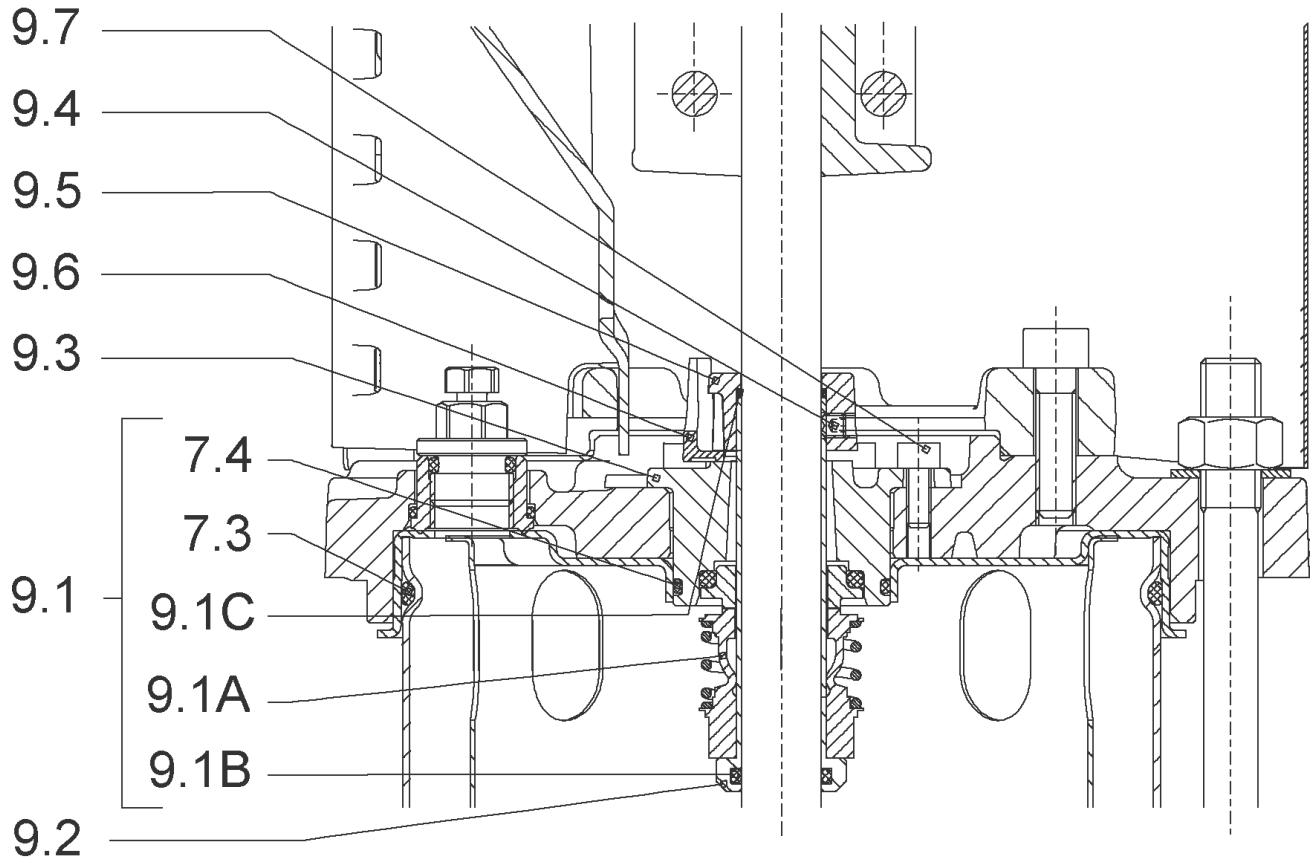
**HELIX V209-1/16/E/KS/400-50 (4161711)**

<b>Item</b>	<b>Article no.</b>	<b>Description</b>	<b>Quantity</b>
15.1		> BLASTING PPE HOUSING V-PN16-DN32-5"-304	1
15.2	4217889	> COUNTER FLANGE-G1"-PN16-GJL KIT	1
15.3	4171321	> PRIMING/DRAIN PLUG EPDM HELIX KIT	1
16	4177964	BASEPLATE HELIX V2/4/6 PN16 VP.	1



**COUPLING D.12XD.19 FT100 KIT (4178578)**

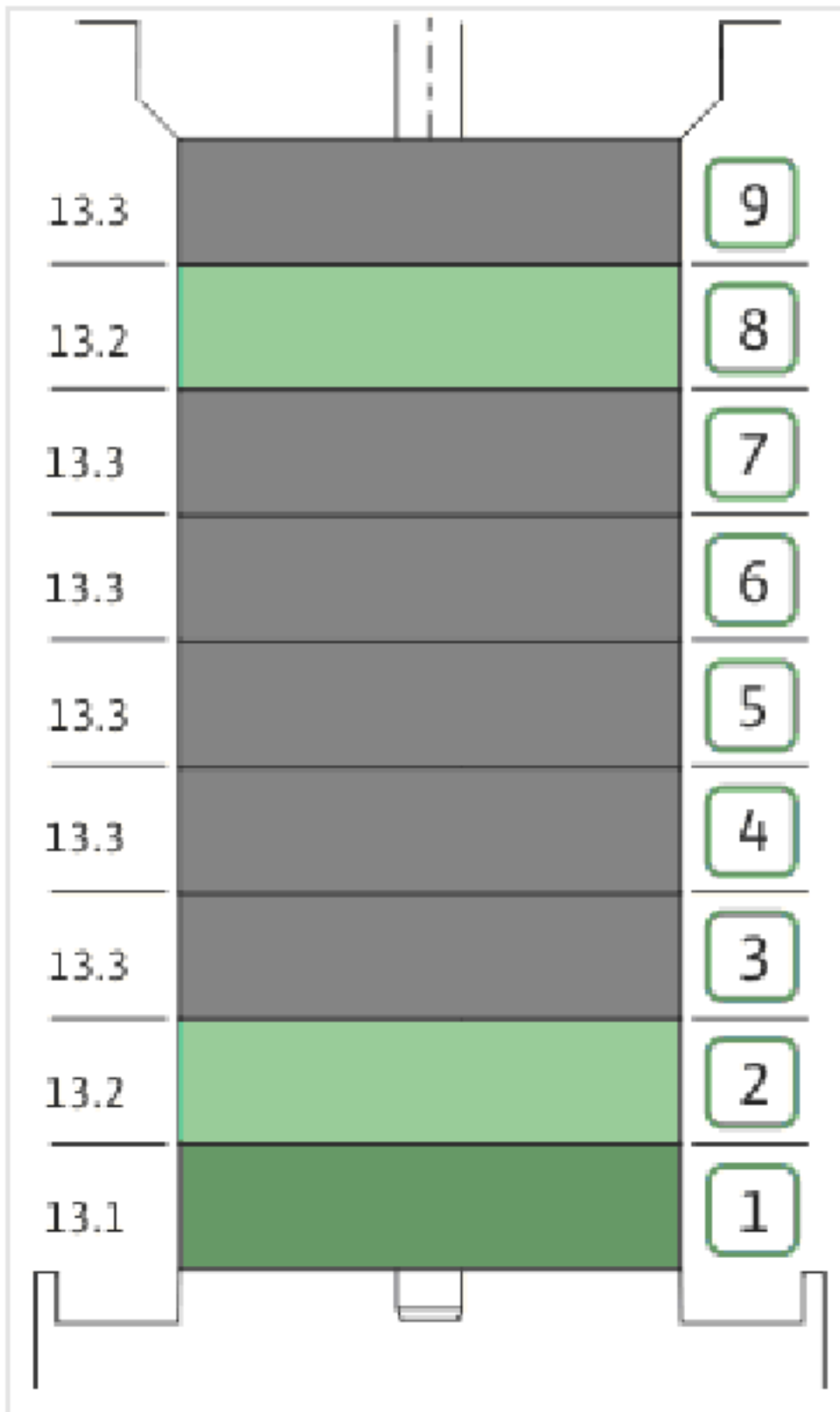
Item	Article no.	Description	Quantity
4.1		COUPLING-M+ Ø12XØ19-FT100-MACHINED	1
4.3	4234249	CIRCLIP-FOR-SHAFT-D30x1.5 VP.	1
4.2	2130977	BALL BEARING 6206/ZZ-C3(HT)VP.	1
4.4	4212716	SCREW M6X20 KIT (4PIECES)	1
4.5	4234250	CIRCLIP-D62x2 VP.	1
4.6	4234245	O-RING 63X3 VP.	1
		CONTACT-WASHER-6ETR-6,1x12,2x1,8-STEEL	4



**KART.HELIX2-4 O/E SET (4178559)**

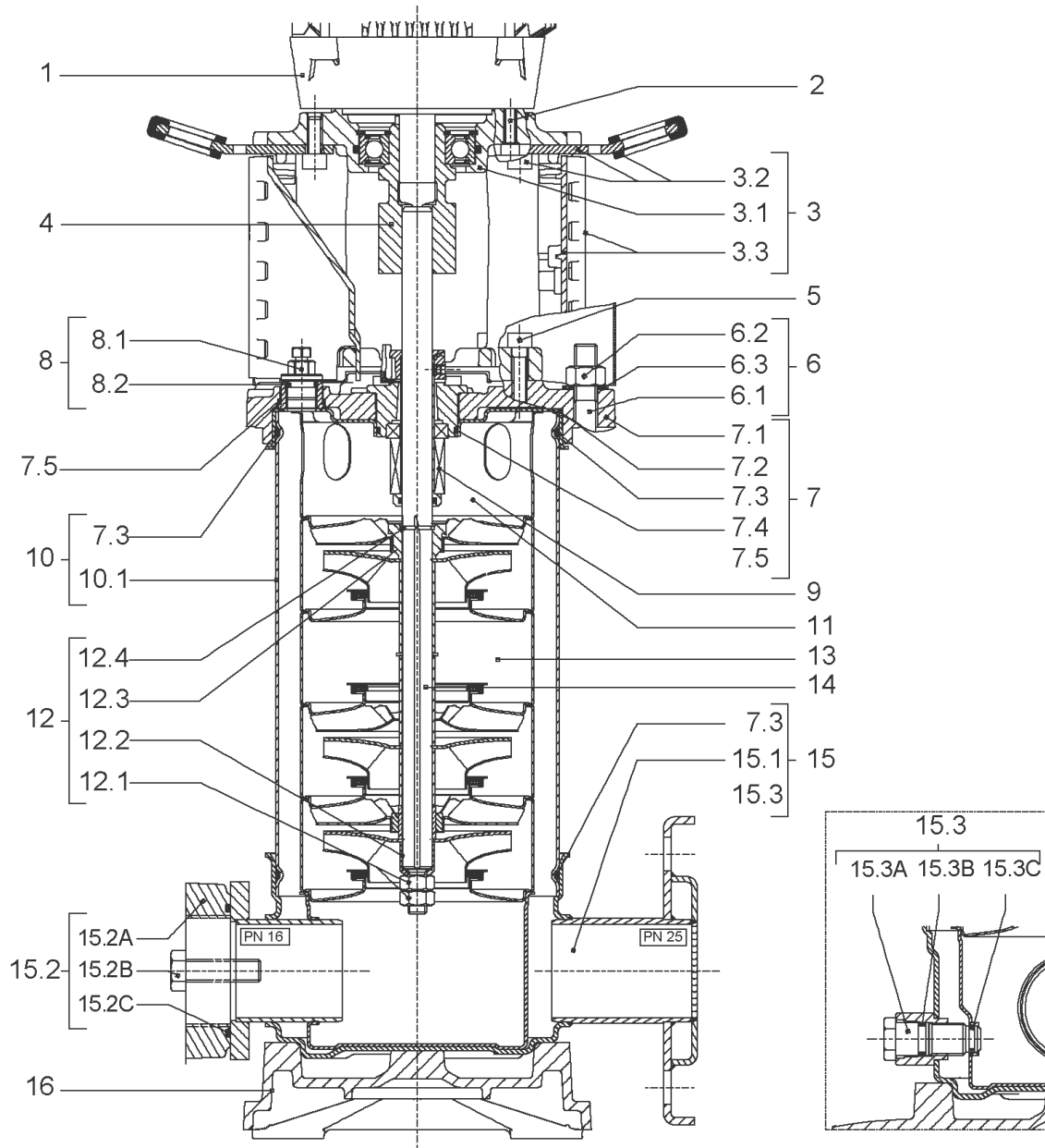
Item	Article no.	Description	Quantity
9.1	4178560	SEAL-KIT-HELIX2-4 O/E	1
7.3	4176513	> O-RING FOR PUMP JACKET VP.	1
7.4	2127603	> O-RING ID.37,6x2,4 EPDM VP.	1
9.1A	2130966	> MECH.SEAL HELIX2-4-6-10-16 O/E VP.	1
9.1B	4178558	> O-RING ID.12X2 EPDM VP.	1
9.1C	4178558	> O-RING ID.12X2 EPDM VP.	1
9.2	4178557	SHAFT SLEEVE Ø12XØ18-PN16 1.4404 VP.	1
9.3	2130962	RING HOLDER D.18 G606/G6 1.4301 VP.	1
9.4	4176520	SCREW CH M5x5 A4-70 ( 3PIECES )	1
9.5	4178556	DRIVE RING D.29/15.5x13,2 MACH.VP.	1
9.6	2130964	TOOL M.S.CART.HELIX VP.	1
9.7	2130965	SCREW CHC M5X12 ISO4762 A2.70(4 PIECES)	1





**HYDRAULIC HELIX V 209 1.4307**

Item	Article no.	Description	Quantity
13.1	4179316	STAGE HELIX 2 1.4301 KIT	1
		> MACH.STG-CASING-WOGV-WNR-M+2-4-304	1
		> IMPELLER-M+2-304	1
13.2	4179317	STAGE BEARING HELIX 2 1.4307 KIT	1
		> MACH.BEARING-STG-CASING-WNR-M+2-304	1
		> IMPELLER-M+2-304	1
		> SHAFT SLEEVE SPACER Ø15,35x10,305-304	1
		> SHAFT-SLEEVE-D12xD16x14-CW	1
13.3	4179319	INTERMEDIATE STAGE HELIX 2 1.4301 KIT	1
		> CORPS-ETG-STD-ACR-AJR-USIN.M+2-304	1
		> IMPELLER-M+2-304	1
		> IMPELLER SPACER Ø12,05X14,85-L24,285-304	1



**HELIX V209-1/25/E/KS/400-50 (4161712)**

Item	Article no.	Description	Quantity
1	4169940	MOTOR 0,75/2/80 3~230/400V 50HZ IE3 VP.	1
		SPARE PARTS MOTOR:ON REQUEST	1
2	4159702	SCREW M6X30 (4 PIECES)	1
3	4172788	LANTERN FT100 HELIX KIT	1
3.1		> LANTERN FT100 M+6" GJL MACHINING+CATA	1
3.2	2127604	> EYELET CPL.FT HELIX(2 PIECES)	1
3.3	4159692	> COUPLING PROTECTOR FT HELIX KIT	1
4	4178578	COUPLING D.12XD.19 FT100 KIT	1
5	4159707	SCREW M8X30 (4 PIECES)	1
6	4177822	STUD BOLT M12X413 KIT	1
6.1		> TIE BOLT M12-413x18x30-1.4057	1
6.2	2094647	> NUT M12 M12 ISO4032 VP.	1
6.3	2123557	> WASHER CS-12.4-24-1.6-NFE25 (4 PIECES)	1
7	4159685	END SHIELD HELIX EPDM KIT	1
7.1		> END SHIELD M+6" GJL250 MACHINING+CATA	1
7.2	2127607	> STATIONARY RING HOLDER 6" HELIX 1.4301 V	1
7.3	4176513	> O-RING FOR PUMP JACKET VP.	1
7.4	2127603	> O-RING ID.37,6x2,4 EPDM VP.	1
7.5	2127602	> O-RING ID.21,35x2 EPDM VP.	1
8	4159686	FILING/PURGING PLUG HELIX EPDM KIT	1
9	4178597	CARTRIDGE HELIX2-4 F/E KIT	1
10	4177823	HOUSING PIPES D.152X285 1.4301 KIT	1
7.3	4176513	> O-RING FOR PUMP JACKET VP.	1
10.1		> HOUSING-PIPE Ø152-M+1006-304	1
11	4179315	CENTERING STAGE HELIX V2 1.4307 VP.	1
12	4178567	SHAFT EQUIPMENT HELIX V2/V4 KIT	1
12.1		> NUT-H-M8-STAINLESS-STEEL A4-70	1
12.2		> SHAFT END WASHER Ø8/Ø12 316L	1
12.3		> STOP COLLAR OF IMPELLER L12,6-Ø12-316L	1
12.4		> STOP-RUSH-1/2-D12xd2-M+316	1
13		HYDRAULIC HELIX V 209 1.4307	1
14	4178598	SHAFT D.12X408 1.4301 VP.	1
15	4178593	PUMP HOUSING HELIX DN25 PN25 1.4301 KIT	1
7.3	4176513	> O-RING FOR PUMP JACKET VP.	1

**HELIX V209-1/25/E/KS/400-50 (4161712)**

<b>Item</b>	<b>Article no.</b>	<b>Description</b>	<b>Quantity</b>
15.1		> BLASTING PPE HOUSING V PN25-DN25-5"-304	1
15.3	4171321	> PRIMING/DRAIN PLUG EPDM HELIX KIT	1
16	4177970	BASEPLATE HELIX V2/4/6 PN25 VP.	1



**COUPLING D.12XD.19 FT100 KIT (4178578)**

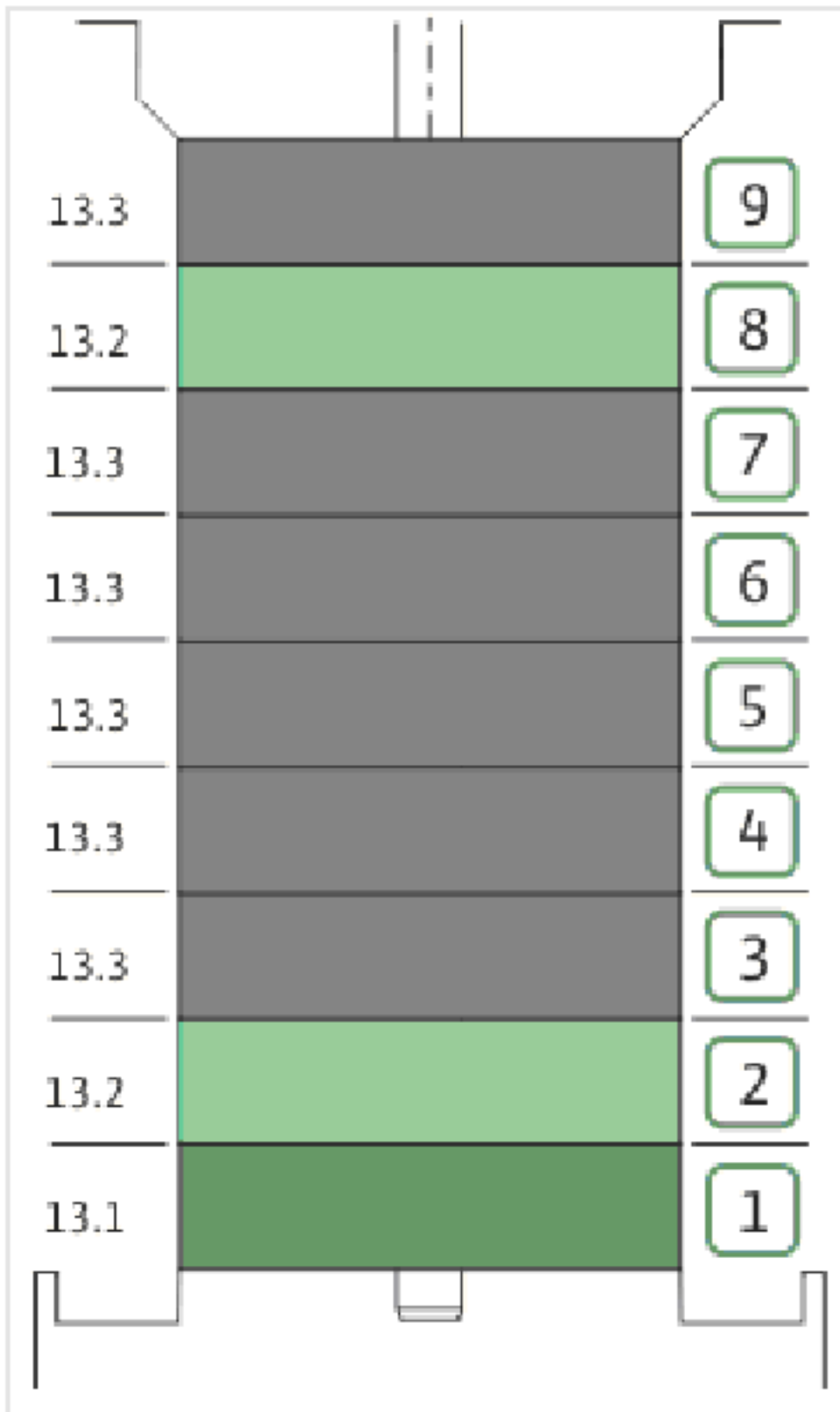
Item	Article no.	Description	Quantity
4.1		COUPLING-M+ Ø12XØ19-FT100-MACHINED	1
4.3	4234249	CIRCLIP-FOR-SHAFT-D30x1.5 VP.	1
4.2	2130977	BALL BEARING 6206/ZZ-C3(HT)VP.	1
4.4	4212716	SCREW M6X20 KIT (4PIECES)	1
4.5	4234250	CIRCLIP-D62x2 VP.	1
4.6	4234245	O-RING 63X3 VP.	1
		CONTACT-WASHER-6ETR-6,1x12,2x1,8-STEEL	4





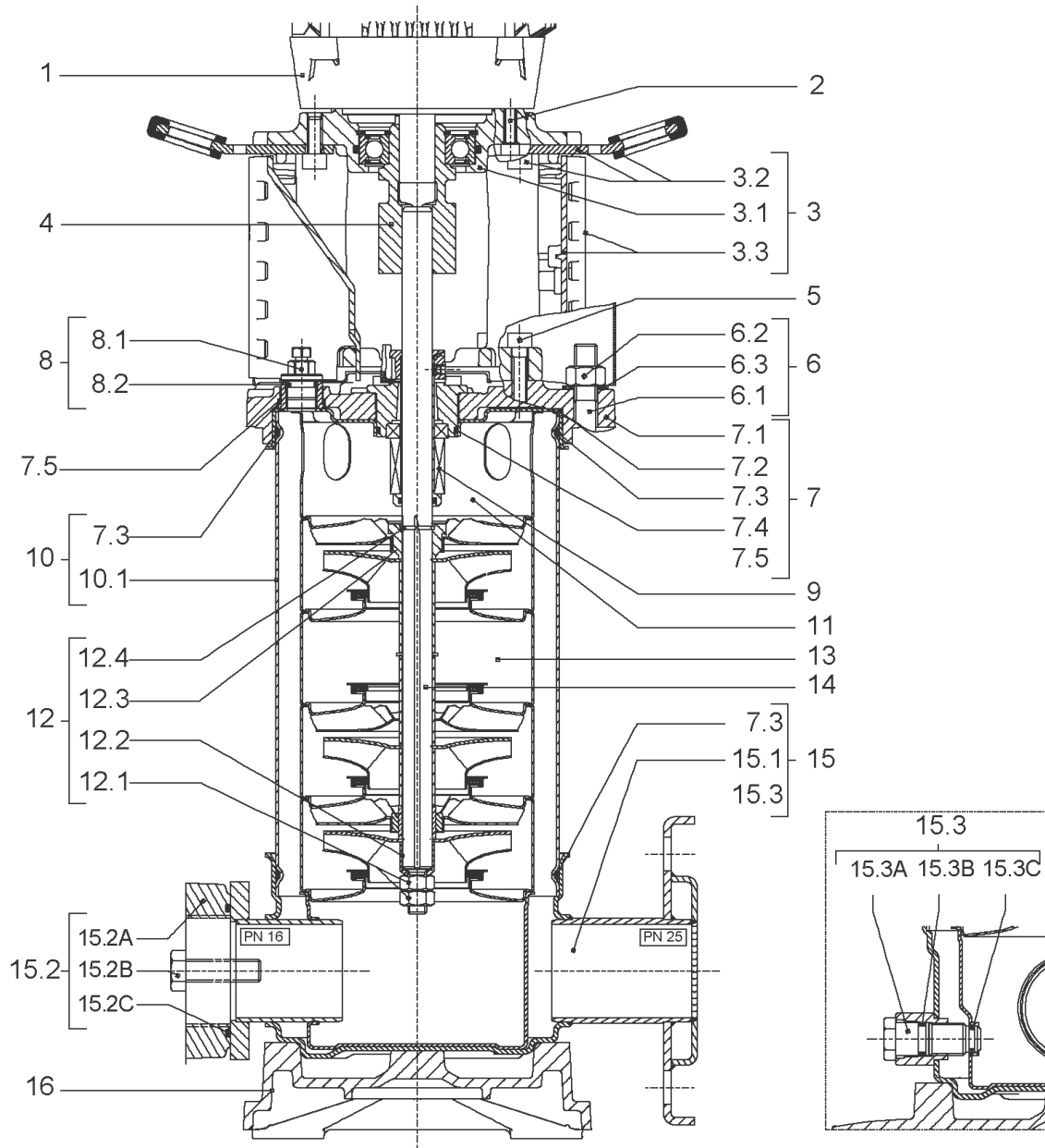
**CARTRIDGE HELIX2-4 F/E KIT (4178597)**

Item	Article no.	Description	Quantity
9.1	4178594	SEAL-KIT-HELIX2-4 F/E	1
7.3	4176513	> O-RING FOR PUMP JACKET VP.	1
7.4	2127603	> O-RING ID.37,6x2,4 EPDM VP.	1
9.1A	4176521	> MECH.SEAL HELIX2-4-6-10-16 F/E VP.	1
9.1B	4178558	> O-RING ID.12X2 EPDM VP.	1
9.1C	4178558	> O-RING ID.12X2 EPDM VP.	1
9.2	4178596	SHAFT SLEEVE D.18/12X72,2 1.4404 VP.	1
9.3	2130962	RING HOLDER D.18 G606/G6 1.4301 VP.	1
9.4	4176520	SCREW CH M5x5 A4-70 ( 3PIECES )	1
9.5	4178595	DRIVE RING D.29/15.5x13,2 MACH.VP.	1
9.6	2130964	TOOL M.S.CART.HELIX VP.	1
9.7	2130965	SCREW CHC M5X12 ISO4762 A2.70(4 PIECES)	1



**HYDRAULIC HELIX V 209 1.4307**

Item	Article no.	Description	Quantity
13.1	4179316	STAGE HELIX 2 1.4301 KIT	1
		> MACH.STG-CASING-WOGV-WNR-M+2-4-304	1
		> IMPELLER-M+2-304	1
13.2	4179317	STAGE BEARING HELIX 2 1.4307 KIT	1
		> MACH.BEARING-STG-CASING-WNR-M+2-304	1
		> IMPELLER-M+2-304	1
		> SHAFT SLEEVE SPACER Ø15,35x10,305-304	1
		> SHAFT-SLEEVE-D12xD16x14-CW	1
13.3	4179319	INTERMEDIATE STAGE HELIX 2 1.4301 KIT	1
		> CORPS-ETG-STD-ACR-AJR-USIN.M+2-304	1
		> IMPELLER-M+2-304	1
		> IMPELLER SPACER Ø12,05X14,85-L24,285-304	1



**HELIX V210-1/16/E/KS/400-50 (4161713)**

Item	Article no.	Description	Quantity
1	4169940	MOTOR 0,75/2/80 3~230/400V 50HZ IE3 VP.	1
		SPARE PARTS MOTOR:ON REQUEST	1
2	4159702	SCREW M6X30 (4 PIECES)	1
3	4172788	LANTERN FT100 HELIX KIT	1
3.1		> LANTERN FT100 M+6" GJL MACHINING+CATA	1
3.2	2127604	> EYELET CPL.FT HELIX(2 PIECES)	1
3.3	4159692	> COUPLING PROTECTOR FT HELIX KIT	1
4	4178578	COUPLING D.12XD.19 FT100 KIT	1
5	4159707	SCREW M8X30 (4 PIECES)	1
6	2127554	STUD BOLT M12X437 KIT	1
7	4159685	END SHIELD HELIX EPDM KIT	1
7.1		> END SHIELD M+6" GJL250 MACHINING+CATA	1
7.2	2127607	> STATIONARY RING HOLDER 6" HELIX 1.4301 V	1
7.3	4176513	> O-RING FOR PUMP JACKET VP.	1
7.4	2127603	> O-RING ID.37,6x2,4 EPDM VP.	1
7.5	2127602	> O-RING ID.21,35x2 EPDM VP.	1
8	4159686	FILING/PURGING PLUG HELIX EPDM KIT	1
9	4178559	KART.HELIX2-4 O/E SET	1
10	2127577	HOUSING PIPE D.152x310 1.4301 KIT	1
11	4179315	CENTERING STAGE HELIX V2 1.4307 VP.	1
12	4178567	SHAFT EQUIPMENT HELIX V2/V4 KIT	1
12.1		> NUT-H-M8-STAINLESS-STEEL A4-70	1
12.2		> SHAFT END WASHER Ø8/Ø12 316L	1
12.3		> STOP COLLAR OF IMPELLER L12,6-Ø12-316L	1
12.4		> STOP-RUSH-1/2-D12xd2-M+316	1
13		HYDRAULIC HELIX V 210 1.4307	1
14	4178604	SHAFT D.12X433 1.4301 VP.	1
15	4174079	PUMP HOUSING HELIX DN32 PN16 1.4301 KIT	1
7.3	4176513	> O-RING FOR PUMP JACKET VP.	1
15.1		> BLASTING PPE HOUSING V-PN16-DN32-5"-304	1
15.2	4217889	> COUNTER FLANGE-G1"-PN16-GJL KIT	1
15.3	4171321	> PRIMING/DRAIN PLUG EPDM HELIX KIT	1
16	4177964	BASEPLATE HELIX V2/4/6 PN16 VP.	1



**COUPLING D.12XD.19 FT100 KIT (4178578)**

Item	Article no.	Description	Quantity
4.1		COUPLING-M+ Ø12XØ19-FT100-MACHINED	1
4.3	4234249	CIRCLIP-FOR-SHAFT-D30x1.5 VP.	1
4.2	2130977	BALL BEARING 6206/ZZ-C3(HT)VP.	1
4.4	4212716	SCREW M6X20 KIT (4PIECES)	1
4.5	4234250	CIRCLIP-D62x2 VP.	1
4.6	4234245	O-RING 63X3 VP.	1
		CONTACT-WASHER-6ETR-6,1x12,2x1,8-STEEL	4





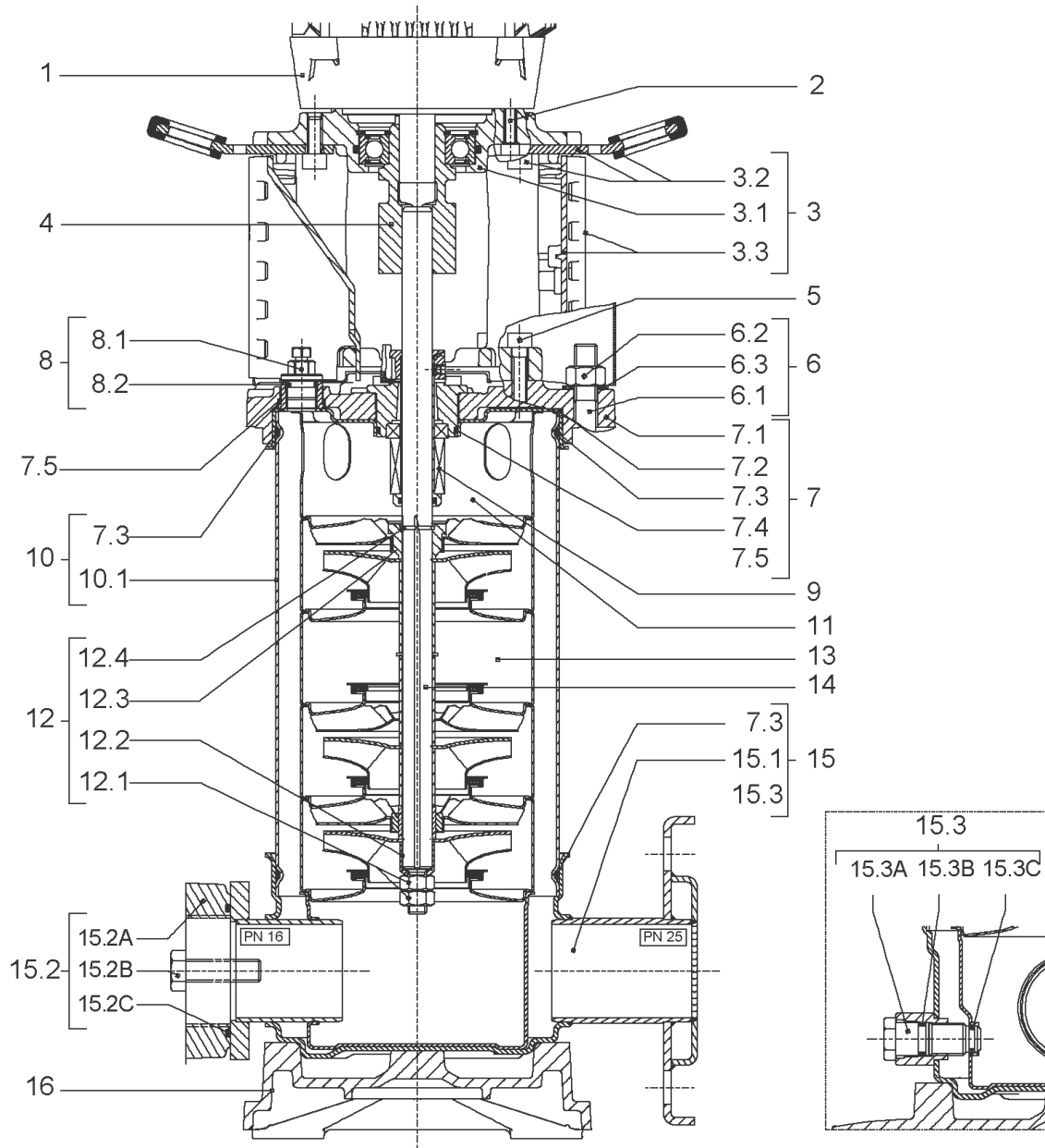
**KART.HELIX2-4 O/E SET (4178559)**

Item	Article no.	Description	Quantity
9.1	4178560	SEAL-KIT-HELIX2-4 O/E	1
7.3	4176513	> O-RING FOR PUMP JACKET VP.	1
7.4	2127603	> O-RING ID.37,6x2,4 EPDM VP.	1
9.1A	2130966	> MECH.SEAL HELIX2-4-6-10-16 O/E VP.	1
9.1B	4178558	> O-RING ID.12X2 EPDM VP.	1
9.1C	4178558	> O-RING ID.12X2 EPDM VP.	1
9.2	4178557	SHAFT SLEEVE Ø12XØ18-PN16 1.4404 VP.	1
9.3	2130962	RING HOLDER D.18 G606/G6 1.4301 VP.	1
9.4	4176520	SCREW CH M5x5 A4-70 ( 3PIECES )	1
9.5	4178556	DRIVE RING D.29/15.5x13,2 MACH.VP.	1
9.6	2130964	TOOL M.S.CART.HELIX VP.	1
9.7	2130965	SCREW CHC M5X12 ISO4762 A2.70(4 PIECES)	1



**HYDRAULIC HELIX V 210 1.4307**

Item	Article no.	Description	Quantity
13.1	4179316	STAGE HELIX 2 1.4301 KIT	1
		> MACH.STG-CASING-WOGV-WNR-M+2-4-304	1
		> IMPELLER-M+2-304	1
13.2	4179317	STAGE BEARING HELIX 2 1.4307 KIT	1
		> MACH.BEARING-STG-CASING-WNR-M+2-304	1
		> IMPELLER-M+2-304	1
		> SHAFT SLEEVE SPACER Ø15,35x10,305-304	1
		> SHAFT-SLEEVE-D12xD16x14-CW	1
13.3	4179319	INTERMEDIATE STAGE HELIX 2 1.4301 KIT	1
		> CORPS-ETG-STD-ACR-AJR-USIN.M+2-304	1
		> IMPELLER-M+2-304	1
		> IMPELLER SPACER Ø12,05X14,85-L24,285-304	1



**HELIX V210-1/25/E/KS/400-50 (4161714)**

Item	Article no.	Description	Quantity
1	4169940	MOTOR 0,75/2/80 3~230/400V 50HZ IE3 VP.	1
		SPARE PARTS MOTOR:ON REQUEST	1
2	4159702	SCREW M6X30 (4 PIECES)	1
3	4172788	LANTERN FT100 HELIX KIT	1
3.1		> LANTERN FT100 M+6" GJL MACHINING+CATA	1
3.2	2127604	> EYELET CPL.FT HELIX(2 PIECES)	1
3.3	4159692	> COUPLING PROTECTOR FT HELIX KIT	1
4	4178578	COUPLING D.12XD.19 FT100 KIT	1
5	4159707	SCREW M8X30 (4 PIECES)	1
6	2127554	STUD BOLT M12X437 KIT	1
7	4159685	END SHIELD HELIX EPDM KIT	1
7.1		> END SHIELD M+6" GJL250 MACHINING+CATA	1
7.2	2127607	> STATIONARY RING HOLDER 6" HELIX 1.4301 V	1
7.3	4176513	> O-RING FOR PUMP JACKET VP.	1
7.4	2127603	> O-RING ID.37,6x2,4 EPDM VP.	1
7.5	2127602	> O-RING ID.21,35x2 EPDM VP.	1
8	4159686	FILING/PURGING PLUG HELIX EPDM KIT	1
9	4178597	CARTRIDGE HELIX2-4 F/E KIT	1
10	2127577	HOUSING PIPE D.152x310 1.4301 KIT	1
11	4179315	CENTERING STAGE HELIX V2 1.4307 VP.	1
12	4178567	SHAFT EQUIPMENT HELIX V2/V4 KIT	1
12.1		> NUT-H-M8-STAINLESS-STEEL A4-70	1
12.2		> SHAFT END WASHER Ø8/Ø12 316L	1
12.3		> STOP COLLAR OF IMPELLER L12,6-Ø12-316L	1
12.4		> STOP-RUSH-1/2-D12xd2-M+316	1
13		HYDRAULIC HELIX V 210 1.4307	1
14	4178604	SHAFT D.12X433 1.4301 VP.	1
15	4178593	PUMP HOUSING HELIX DN25 PN25 1.4301 KIT	1
7.3	4176513	> O-RING FOR PUMP JACKET VP.	1
15.1		> BLASTING PPE HOUSING V PN25-DN25-5"-304	1
15.3	4171321	> PRIMING/DRAIN PLUG EPDM HELIX KIT	1
16	4177970	BASEPLATE HELIX V2/4/6 PN25 VP.	1



**COUPLING D.12XD.19 FT100 KIT (4178578)**

Item	Article no.	Description	Quantity
4.1		COUPLING-M+ Ø12XØ19-FT100-MACHINED	1
4.3	4234249	CIRCLIP-FOR-SHAFT-D30x1.5 VP.	1
4.2	2130977	BALL BEARING 6206/ZZ-C3(HT)VP.	1
4.4	4212716	SCREW M6X20 KIT (4PIECES)	1
4.5	4234250	CIRCLIP-D62x2 VP.	1
4.6	4234245	O-RING 63X3 VP.	1
		CONTACT-WASHER-6ETR-6,1x12,2x1,8-STEEL	4





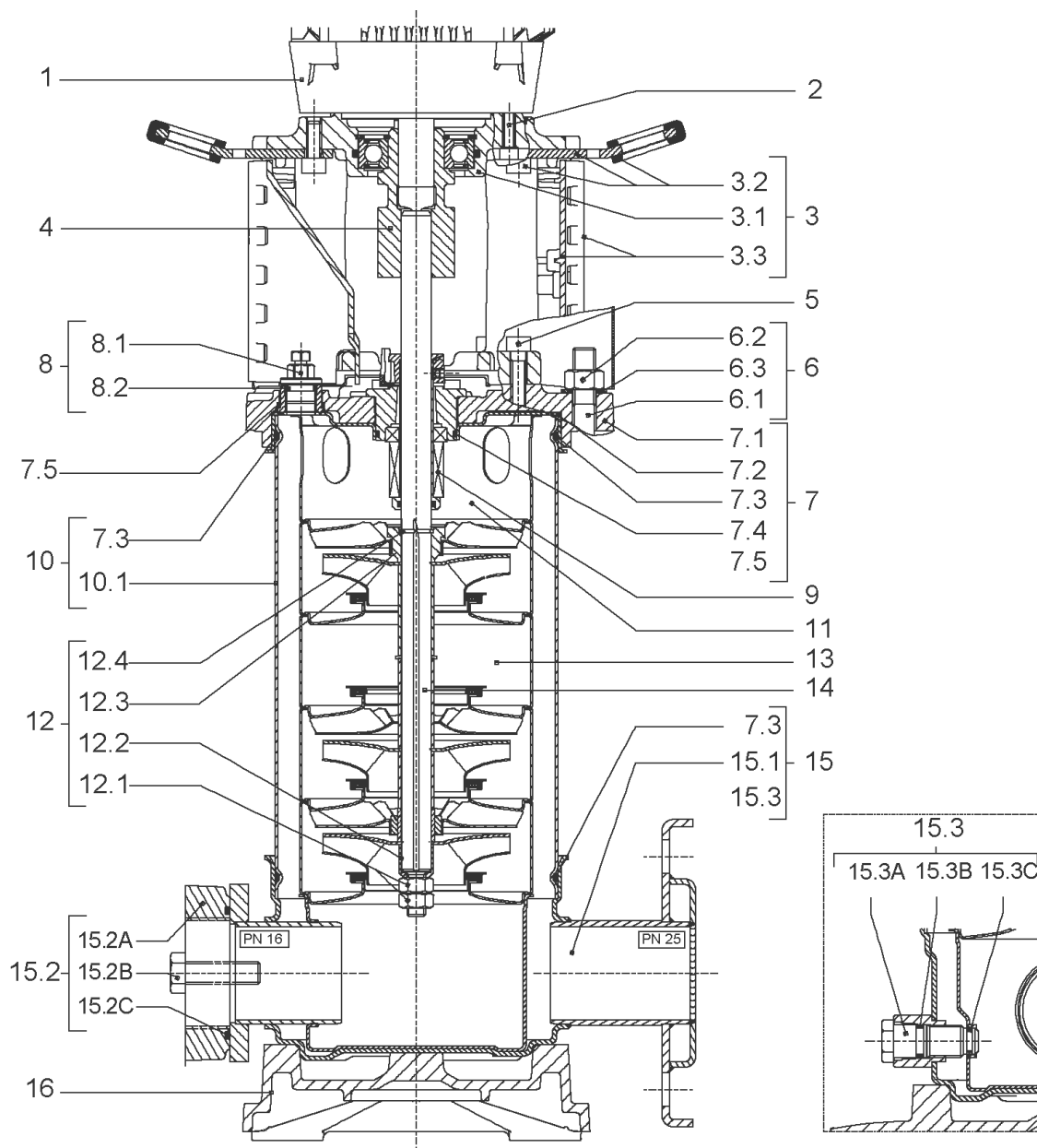
**CARTRIDGE HELIX2-4 F/E KIT (4178597)**

Item	Article no.	Description	Quantity
9.1	4178594	SEAL-KIT-HELIX2-4 F/E	1
7.3	4176513	> O-RING FOR PUMP JACKET VP.	1
7.4	2127603	> O-RING ID.37,6x2,4 EPDM VP.	1
9.1A	4176521	> MECH.SEAL HELIX2-4-6-10-16 F/E VP.	1
9.1B	4178558	> O-RING ID.12X2 EPDM VP.	1
9.1C	4178558	> O-RING ID.12X2 EPDM VP.	1
9.2	4178596	SHAFT SLEEVE D.18/12X72,2 1.4404 VP.	1
9.3	2130962	RING HOLDER D.18 G606/G6 1.4301 VP.	1
9.4	4176520	SCREW CH M5x5 A4-70 ( 3PIECES )	1
9.5	4178595	DRIVE RING D.29/15.5x13,2 MACH.VP.	1
9.6	2130964	TOOL M.S.CART.HELIX VP.	1
9.7	2130965	SCREW CHC M5X12 ISO4762 A2.70(4 PIECES)	1



**HYDRAULIC HELIX V 210 1.4307**

Item	Article no.	Description	Quantity
13.1	4179316	STAGE HELIX 2 1.4301 KIT	1
		> MACH.STG-CASING-WOGV-WNR-M+2-4-304	1
		> IMPELLER-M+2-304	1
13.2	4179317	STAGE BEARING HELIX 2 1.4307 KIT	1
		> MACH.BEARING-STG-CASING-WNR-M+2-304	1
		> IMPELLER-M+2-304	1
		> SHAFT SLEEVE SPACER Ø15,35x10,305-304	1
		> SHAFT-SLEEVE-D12xD16x14-CW	1
13.3	4179319	INTERMEDIATE STAGE HELIX 2 1.4301 KIT	1
		> CORPS-ETG-STD-ACR-AJR-USIN.M+2-304	1
		> IMPELLER-M+2-304	1
		> IMPELLER SPACER Ø12,05X14,85-L24,285-304	1



**HELIX V211-1/16/E/KS/400-50 (4161715)**

Item	Article no.	Description	Quantity
1	4169941	MOTOR 1,1/2/80 3~230/400V 50HZ IE3 VP.	1
		SPARE PARTS MOTOR:ON REQUEST	1
2	4159702	SCREW M6X30 (4 PIECES)	1
3	4172788	LANTERN FT100 HELIX KIT	1
3.1		> LANTERN FT100 M+6" GJL MACHINING+CATA	1
3.2	2127604	> EYELET CPL.FT HELIX(2 PIECES)	1
3.3	4159692	> COUPLING PROTECTOR FT HELIX KIT	1
4	4178578	COUPLING D.12XD.19 FT100 KIT	1
5	4159707	SCREW M8X30 (4 PIECES)	1
6	4178605	STUD BOLT M12X469 KIT	1
6.1		> TIE BOLT M12-469x18x30-1.4057	1
6.2	2094647	> NUT M12 M12 ISO4032 VP.	1
6.3	2123557	> WASHER CS-12.4-24-1.6-NFE25 (4 PIECES)	1
7	4159685	END SHIELD HELIX EPDM KIT	1
7.1		> END SHIELD M+6" GJL250 MACHINING+CATA	1
7.2	2127607	> STATIONARY RING HOLDER 6" HELIX 1.4301 V	1
7.3	4176513	> O-RING FOR PUMP JACKET VP.	1
7.4	2127603	> O-RING ID.37,6x2,4 EPDM VP.	1
7.5	2127602	> O-RING ID.21,35x2 EPDM VP.	1
8	4159686	FILING/PURGING PLUG HELIX EPDM KIT	1
9	4178559	KART.HELIX2-4 O/E SET	1
10	4178606	HOUSING-PIPE D.152X335 1.4304 KIT	1
7.3	4176513	> O-RING FOR PUMP JACKET VP.	1
10.1		> HOUSING-PIPE Ø152-M+211/411-304	1
11	4179315	CENTERING STAGE HELIX V2 1.4307 VP.	1
12	4178567	SHAFT EQUIPMENT HELIX V2/V4 KIT	1
12.1		> NUT-H-M8-STAINLESS-STEEL A4-70	1
12.2		> SHAFT END WASHER Ø8/Ø12 316L	1
12.3		> STOP COLLAR OF IMPELLER L12,6-Ø12-316L	1
12.4		> STOP-RUSH-1/2-D12xd2-M+316	1
13		HYDRAULIC HELIX V 211 1.4307	1
14	4178608	SHAFT D.12X458 1.4301 VP.	1
15	4174079	PUMP HOUSING HELIX DN32 PN16 1.4301 KIT	1
7.3	4176513	> O-RING FOR PUMP JACKET VP.	1

**HELIX V211-1/16/E/KS/400-50 (4161715)**

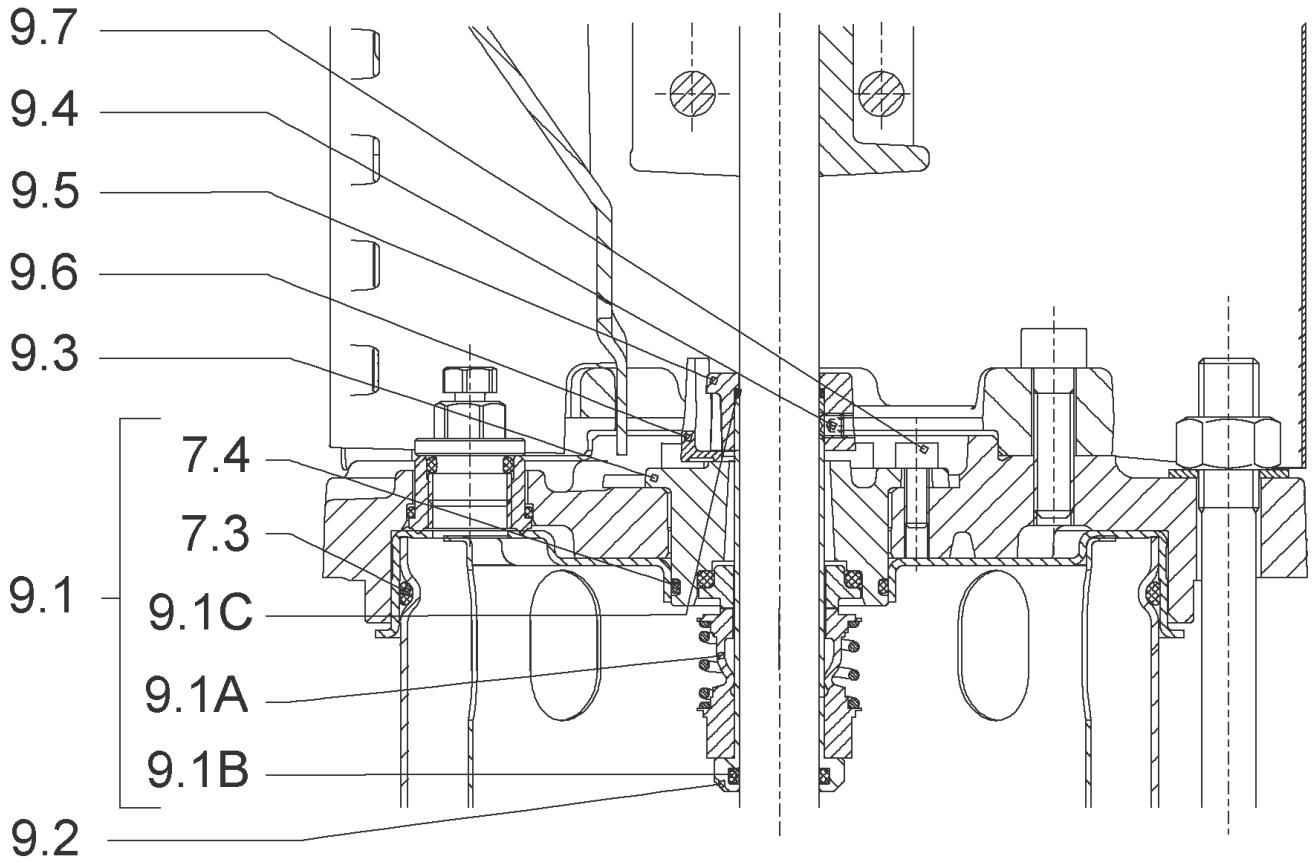
<b>Item</b>	<b>Article no.</b>	<b>Description</b>	<b>Quantity</b>
15.1		> BLASTING PPE HOUSING V-PN16-DN32-5"-304	1
15.2	4217889	> COUNTER FLANGE-G1"-PN16-GJL KIT	1
15.3	4171321	> PRIMING/DRAIN PLUG EPDM HELIX KIT	1
16	4177964	BASEPLATE HELIX V2/4/6 PN16 VP.	1



**COUPLING D.12XD.19 FT100 KIT (4178578)**

Item	Article no.	Description	Quantity
4.1		COUPLING-M+ Ø12XØ19-FT100-MACHINED	1
4.3	4234249	CIRCLIP-FOR-SHAFT-D30x1.5 VP.	1
4.2	2130977	BALL BEARING 6206/ZZ-C3(HT)VP.	1
4.4	4212716	SCREW M6X20 KIT (4PIECES)	1
4.5	4234250	CIRCLIP-D62x2 VP.	1
4.6	4234245	O-RING 63X3 VP.	1
		CONTACT-WASHER-6ETR-6,1x12,2x1,8-STEEL	4





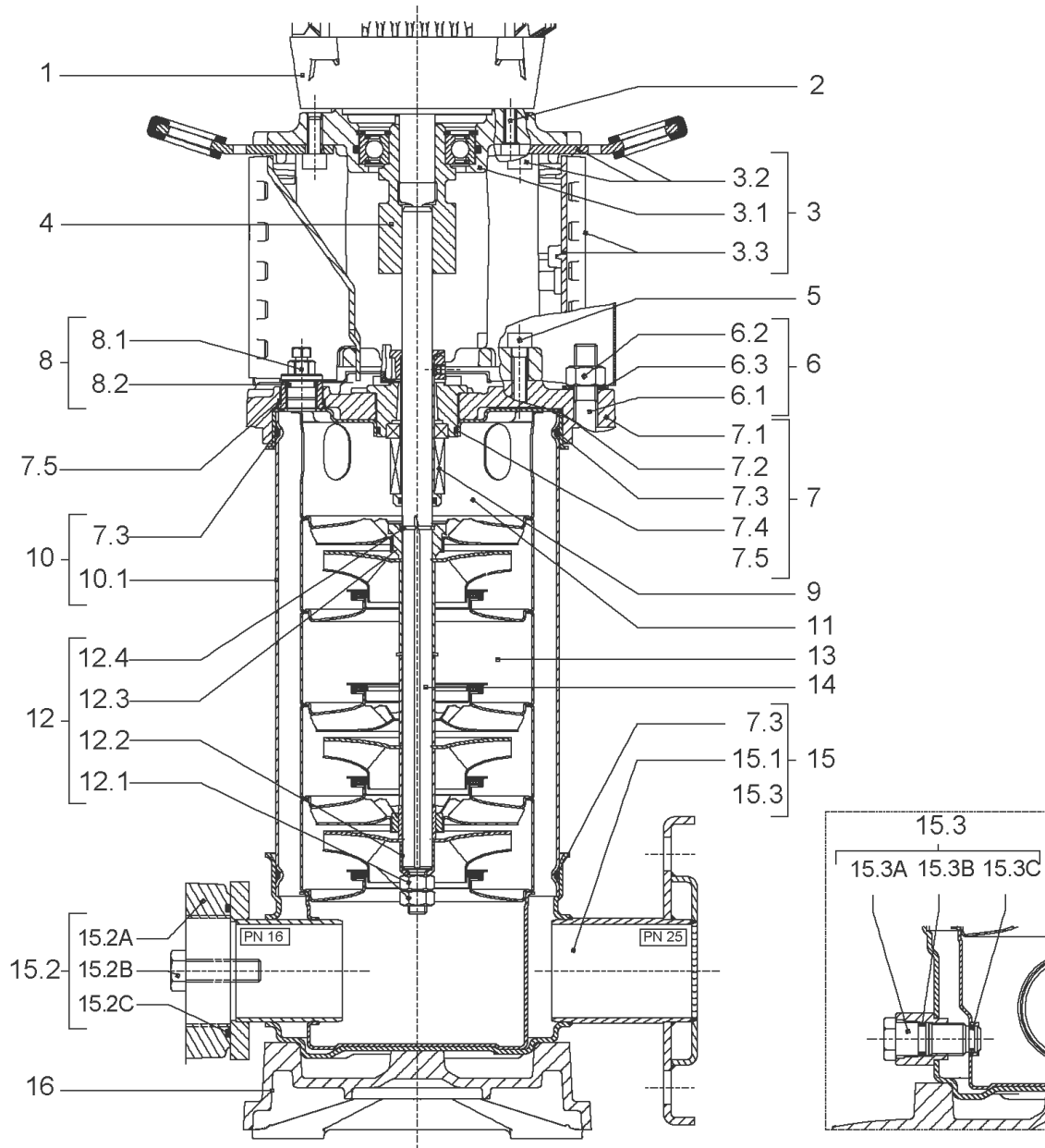
**KART.HELIX2-4 O/E SET (4178559)**

Item	Article no.	Description	Quantity
9.1	4178560	SEAL-KIT-HELIX2-4 O/E	1
7.3	4176513	> O-RING FOR PUMP JACKET VP.	1
7.4	2127603	> O-RING ID.37,6x2,4 EPDM VP.	1
9.1A	2130966	> MECH.SEAL HELIX2-4-6-10-16 O/E VP.	1
9.1B	4178558	> O-RING ID.12X2 EPDM VP.	1
9.1C	4178558	> O-RING ID.12X2 EPDM VP.	1
9.2	4178557	SHAFT SLEEVE Ø12XØ18-PN16 1.4404 VP.	1
9.3	2130962	RING HOLDER D.18 G606/G6 1.4301 VP.	1
9.4	4176520	SCREW CH M5x5 A4-70 ( 3PIECES )	1
9.5	4178556	DRIVE RING D.29/15.5x13,2 MACH.VP.	1
9.6	2130964	TOOL M.S.CART.HELIX VP.	1
9.7	2130965	SCREW CHC M5X12 ISO4762 A2.70(4 PIECES)	1



**HYDRAULIC HELIX V 211 1.4307**

Item	Article no.	Description	Quantity
13.1	4179316	STAGE HELIX 2 1.4301 KIT	1
		> MACH.STG-CASING-WOGV-WNR-M+2-4-304	1
		> IMPELLER-M+2-304	1
13.2	4179317	STAGE BEARING HELIX 2 1.4307 KIT	1
		> MACH.BEARING-STG-CASING-WNR-M+2-304	1
		> IMPELLER-M+2-304	1
		> SHAFT SLEEVE SPACER Ø15,35x10,305-304	1
		> SHAFT-SLEEVE-D12xD16x14-CW	1
13.3	4179319	INTERMEDIATE STAGE HELIX 2 1.4301 KIT	1
		> CORPS-ETG-STD-ACR-AJR-USIN.M+2-304	1
		> IMPELLER-M+2-304	1
		> IMPELLER SPACER Ø12,05X14,85-L24,285-304	1



**HELIX V211-1/25/E/KS/400-50 (4161716)**

Item	Article no.	Description	Quantity
1	4169941	MOTOR 1,1/2/80 3~230/400V 50HZ IE3 VP.	1
		SPARE PARTS MOTOR:ON REQUEST	1
2	4159702	SCREW M6X30 (4 PIECES)	1
3	4172788	LANTERN FT100 HELIX KIT	1
3.1		> LANTERN FT100 M+6" GJL MACHINING+CATA	1
3.2	2127604	> EYELET CPL.FT HELIX(2 PIECES)	1
3.3	4159692	> COUPLING PROTECTOR FT HELIX KIT	1
4	4178578	COUPLING D.12XD.19 FT100 KIT	1
5	4159707	SCREW M8X30 (4 PIECES)	1
6	4178605	STUD BOLT M12X469 KIT	1
6.1		> TIE BOLT M12-469x18x30-1.4057	1
6.2	2094647	> NUT M12 M12 ISO4032 VP.	1
6.3	2123557	> WASHER CS-12.4-24-1.6-NFE25 (4 PIECES)	1
7	4159685	END SHIELD HELIX EPDM KIT	1
7.1		> END SHIELD M+6" GJL250 MACHINING+CATA	1
7.2	2127607	> STATIONARY RING HOLDER 6" HELIX 1.4301 V	1
7.3	4176513	> O-RING FOR PUMP JACKET VP.	1
7.4	2127603	> O-RING ID.37,6x2,4 EPDM VP.	1
7.5	2127602	> O-RING ID.21,35x2 EPDM VP.	1
8	4159686	FILING/PURGING PLUG HELIX EPDM KIT	1
9	4178597	CARTRIDGE HELIX2-4 F/E KIT	1
10	4178606	HOUSING-PIPE D.152X335 1.4304 KIT	1
7.3	4176513	> O-RING FOR PUMP JACKET VP.	1
10.1		> HOUSING-PIPE Ø152-M+211/411-304	1
11	4179315	CENTERING STAGE HELIX V2 1.4307 VP.	1
12	4178567	SHAFT EQUIPMENT HELIX V2/V4 KIT	1
12.1		> NUT-H-M8-STAINLESS-STEEL A4-70	1
12.2		> SHAFT END WASHER Ø8/Ø12 316L	1
12.3		> STOP COLLAR OF IMPELLER L12,6-Ø12-316L	1
12.4		> STOP-RUSH-1/2-D12xd2-M+316	1
13		HYDRAULIC HELIX V 211 1.4307	1
14	4178608	SHAFT D.12X458 1.4301 VP.	1
15	4178593	PUMP HOUSING HELIX DN25 PN25 1.4301 KIT	1
7.3	4176513	> O-RING FOR PUMP JACKET VP.	1

**HELIX V211-1/25/E/KS/400-50 (4161716)**

<b>Item</b>	<b>Article no.</b>	<b>Description</b>	<b>Quantity</b>
15.1		> BLASTING PPE HOUSING V PN25-DN25-5"-304	1
15.3	4171321	> PRIMING/DRAIN PLUG EPDM HELIX KIT	1
16	4177970	BASEPLATE HELIX V2/4/6 PN25 VP.	1





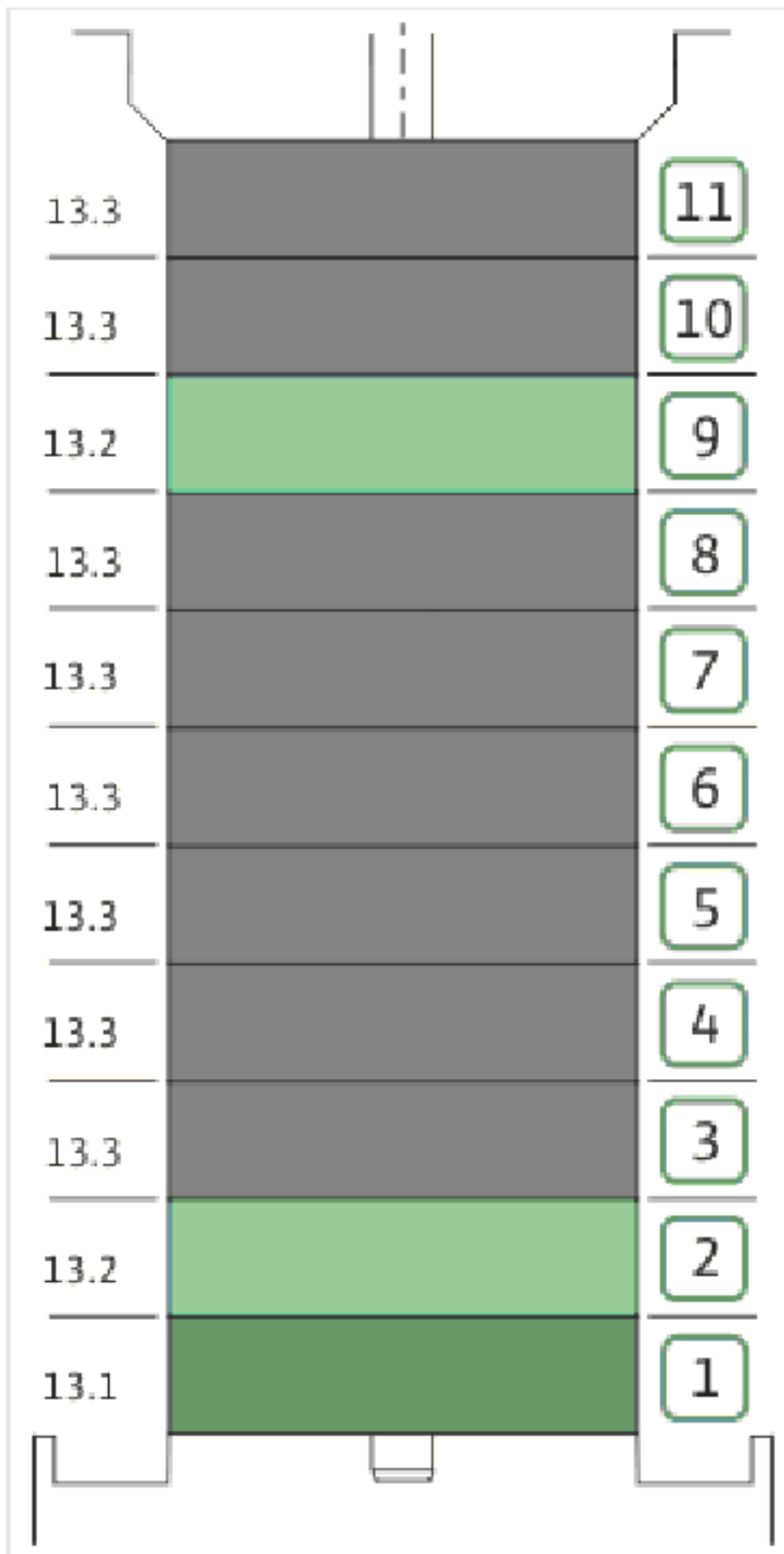
**COUPLING D.12XD.19 FT100 KIT (4178578)**

Item	Article no.	Description	Quantity
4.1		COUPLING-M+ Ø12XØ19-FT100-MACHINED	1
4.3	4234249	CIRCLIP-FOR-SHAFT-D30x1.5 VP.	1
4.2	2130977	BALL BEARING 6206/ZZ-C3(HT)VP.	1
4.4	4212716	SCREW M6X20 KIT (4PIECES)	1
4.5	4234250	CIRCLIP-D62x2 VP.	1
4.6	4234245	O-RING 63X3 VP.	1
		CONTACT-WASHER-6ETR-6,1x12,2x1,8-STEEL	4



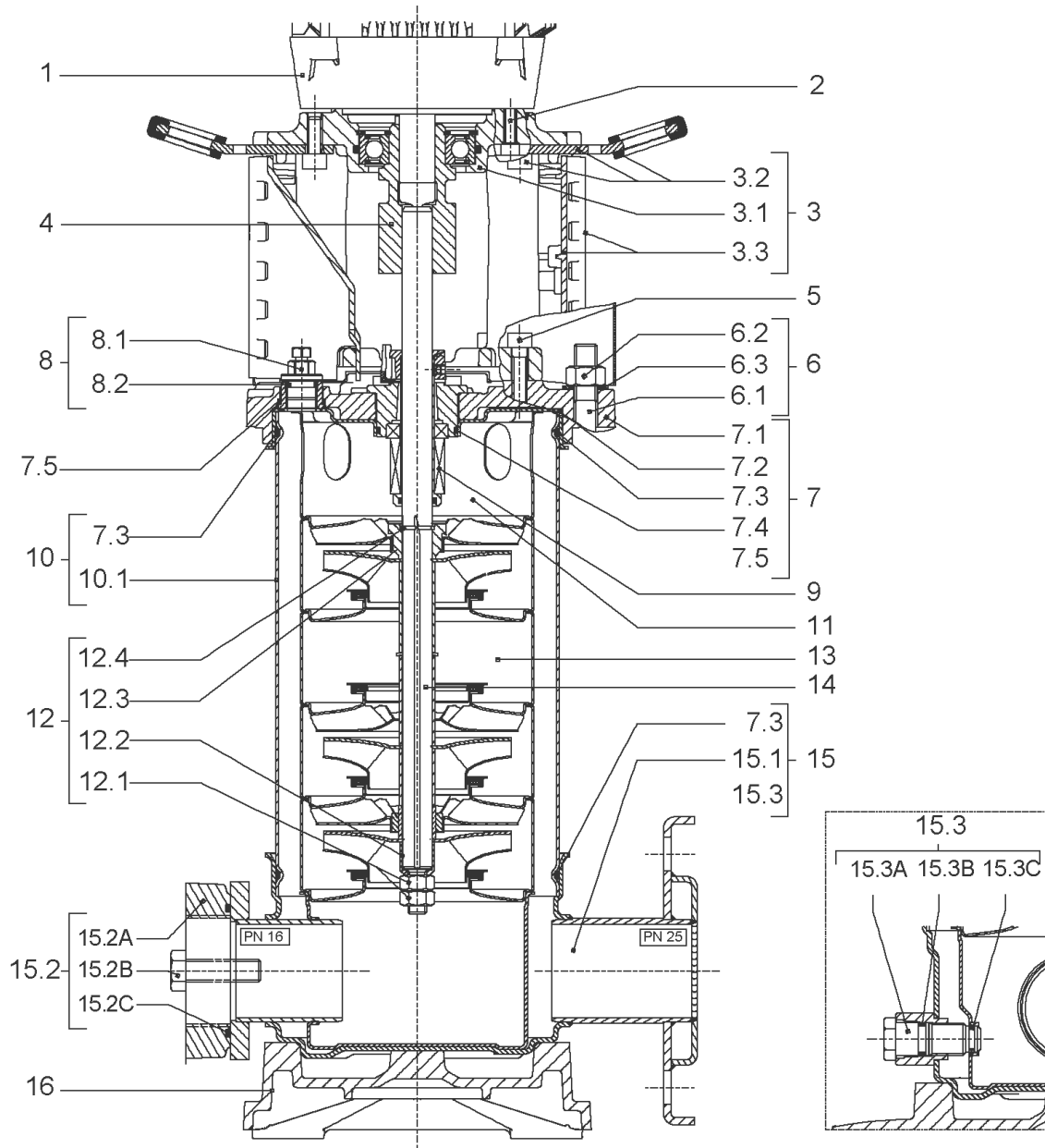
**CARTRIDGE HELIX2-4 F/E KIT (4178597)**

Item	Article no.	Description	Quantity
9.1	4178594	SEAL-KIT-HELIX2-4 F/E	1
7.3	4176513	> O-RING FOR PUMP JACKET VP.	1
7.4	2127603	> O-RING ID.37,6x2,4 EPDM VP.	1
9.1A	4176521	> MECH.SEAL HELIX2-4-6-10-16 F/E VP.	1
9.1B	4178558	> O-RING ID.12X2 EPDM VP.	1
9.1C	4178558	> O-RING ID.12X2 EPDM VP.	1
9.2	4178596	SHAFT SLEEVE D.18/12X72,2 1.4404 VP.	1
9.3	2130962	RING HOLDER D.18 G606/G6 1.4301 VP.	1
9.4	4176520	SCREW CH M5x5 A4-70 ( 3PIECES )	1
9.5	4178595	DRIVE RING D.29/15.5x13,2 MACH.VP.	1
9.6	2130964	TOOL M.S.CART.HELIX VP.	1
9.7	2130965	SCREW CHC M5X12 ISO4762 A2.70(4 PIECES)	1



**HYDRAULIC HELIX V 211 1.4307**

Item	Article no.	Description	Quantity
13.1	4179316	STAGE HELIX 2 1.4301 KIT	1
		> MACH.STG-CASING-WOGV-WNR-M+2-4-304	1
		> IMPELLER-M+2-304	1
13.2	4179317	STAGE BEARING HELIX 2 1.4307 KIT	1
		> MACH.BEARING-STG-CASING-WNR-M+2-304	1
		> IMPELLER-M+2-304	1
		> SHAFT SLEEVE SPACER Ø15,35x10,305-304	1
		> SHAFT-SLEEVE-D12xD16x14-CW	1
13.3	4179319	INTERMEDIATE STAGE HELIX 2 1.4301 KIT	1
		> CORPS-ETG-STD-ACR-AJR-USIN.M+2-304	1
		> IMPELLER-M+2-304	1
		> IMPELLER SPACER Ø12,05X14,85-L24,285-304	1



**HELIX V212-1/16/E/KS/400-50 (4161717)**

Item	Article no.	Description	Quantity
1	4169941	MOTOR 1,1/2/80 3~230/400V 50HZ IE3 VP.	1
		SPARE PARTS MOTOR:ON REQUEST	1
2	4159702	SCREW M6X30 (4 PIECES)	1
3	4172788	LANTERN FT100 HELIX KIT	1
3.1		> LANTERN FT100 M+6" GJL MACHINING+CATA	1
3.2	2127604	> EYELET CPL.FT HELIX(2 PIECES)	1
3.3	4159692	> COUPLING PROTECTOR FT HELIX KIT	1
4	4178578	COUPLING D.12XD.19 FT100 KIT	1
5	4159707	SCREW M8X30 (4 PIECES)	1
6	2127555	STUD BOLT M12X485 KIT	1
7	4159685	END SHIELD HELIX EPDM KIT	1
7.1		> END SHIELD M+6" GJL250 MACHINING+CATA	1
7.2	2127607	> STATIONARY RING HOLDER 6" HELIX 1.4301 V	1
7.3	4176513	> O-RING FOR PUMP JACKET VP.	1
7.4	2127603	> O-RING ID.37,6x2,4 EPDM VP.	1
7.5	2127602	> O-RING ID.21,35x2 EPDM VP.	1
8	4159686	FILING/PURGING PLUG HELIX EPDM KIT	1
9	4178559	KART.HELIX2-4 O/E SET	1
10	2127578	HOUSING PIPE D.152x360 1.4307 KIT	1
7.3	4176513	> O-RING FOR PUMP JACKET VP.	1
10.1		> HOUSING-PIPE Ø152-M+1008/1606-304	1
11	4179315	CENTERING STAGE HELIX V2 1.4307 VP.	1
12	4178567	SHAFT EQUIPMENT HELIX V2/V4 KIT	1
12.1		> NUT-H-M8-STAINLESS-STEEL A4-70	1
12.2		> SHAFT END WASHER Ø8/Ø12 316L	1
12.3		> STOP COLLAR OF IMPELLER L12,6-Ø12-316L	1
12.4		> STOP-RUSH-1/2-D12xd2-M+316	1
13		HYDRAULIC HELIX V 212 1.4307	1
14	4178610	SHAFT D.12X483 1.4301 VP.	1
15	4174079	PUMP HOUSING HELIX DN32 PN16 1.4301 KIT	1
7.3	4176513	> O-RING FOR PUMP JACKET VP.	1
15.1		> BLASTING PPE HOUSING V-PN16-DN32-5"-304	1
15.2	4217889	> COUNTER FLANGE-G1"-PN16-GJL KIT	1
15.3	4171321	> PRIMING/DRAIN PLUG EPDM HELIX KIT	1

**HELIX V212-1/16/E/KS/400-50 (4161717)**

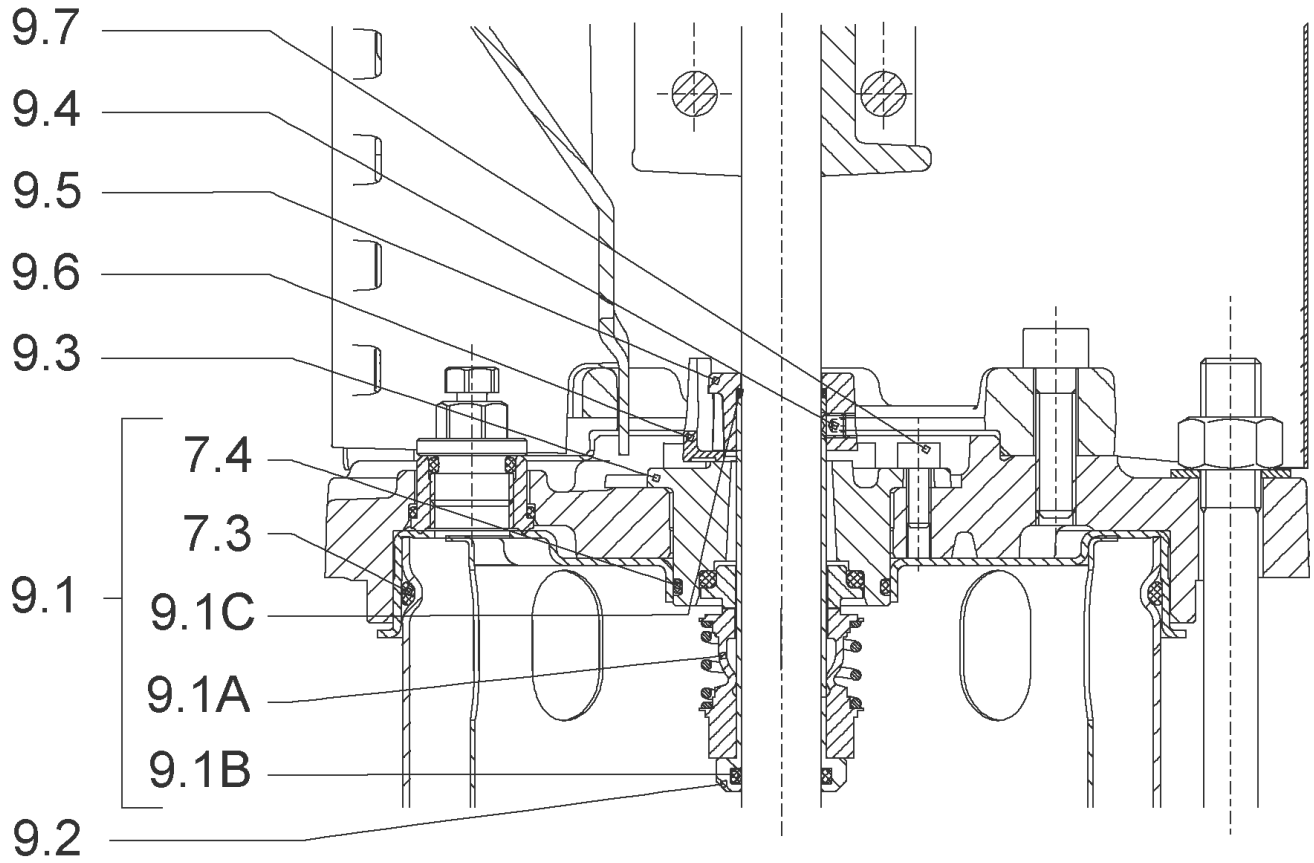
<b>Item</b>	<b>Article no.</b>	<b>Description</b>	<b>Quantity</b>
16	4177964	BASEPLATE HELIX V2/4/6 PN16 VP.	1





**COUPLING D.12XD.19 FT100 KIT (4178578)**

Item	Article no.	Description	Quantity
4.1		COUPLING-M+ Ø12XØ19-FT100-MACHINED	1
4.3	4234249	CIRCLIP-FOR-SHAFT-D30x1.5 VP.	1
4.2	2130977	BALL BEARING 6206/ZZ-C3(HT)VP.	1
4.4	4212716	SCREW M6X20 KIT (4PIECES)	1
4.5	4234250	CIRCLIP-D62x2 VP.	1
4.6	4234245	O-RING 63X3 VP.	1
		CONTACT-WASHER-6ETR-6,1x12,2x1,8-STEEL	4



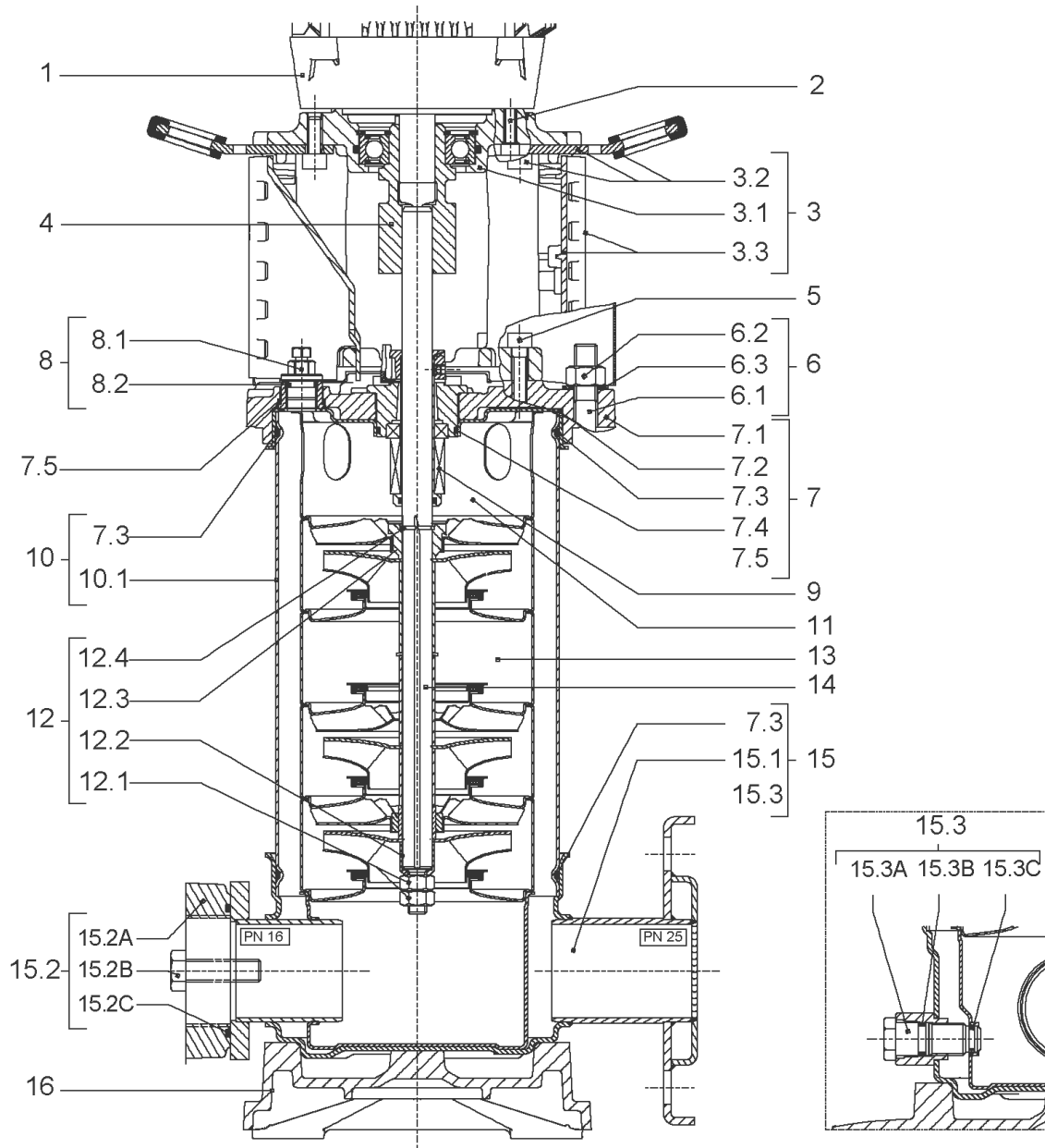
**KART.HELIX2-4 O/E SET (4178559)**

Item	Article no.	Description	Quantity
9.1	4178560	SEAL-KIT-HELIX2-4 O/E	1
7.3	4176513	> O-RING FOR PUMP JACKET VP.	1
7.4	2127603	> O-RING ID.37,6x2,4 EPDM VP.	1
9.1A	2130966	> MECH.SEAL HELIX2-4-6-10-16 O/E VP.	1
9.1B	4178558	> O-RING ID.12X2 EPDM VP.	1
9.1C	4178558	> O-RING ID.12X2 EPDM VP.	1
9.2	4178557	SHAFT SLEEVE Ø12XØ18-PN16 1.4404 VP.	1
9.3	2130962	RING HOLDER D.18 G606/G6 1.4301 VP.	1
9.4	4176520	SCREW CH M5x5 A4-70 ( 3PIECES )	1
9.5	4178556	DRIVE RING D.29/15.5x13,2 MACH.VP.	1
9.6	2130964	TOOL M.S.CART.HELIX VP.	1
9.7	2130965	SCREW CHC M5X12 ISO4762 A2.70(4 PIECES)	1



**HYDRAULIC HELIX V 212 1.4307**

Item	Article no.	Description	Quantity
13.1	4179316	STAGE HELIX 2 1.4301 KIT	1
		> MACH.STG-CASING-WOGV-WNR-M+2-4-304	1
		> IMPELLER-M+2-304	1
13.2	4179317	STAGE BEARING HELIX 2 1.4307 KIT	1
		> MACH.BEARING-STG-CASING-WNR-M+2-304	1
		> IMPELLER-M+2-304	1
		> SHAFT SLEEVE SPACER Ø15,35x10,305-304	1
		> SHAFT-SLEEVE-D12xD16x14-CW	1
13.3	4179319	INTERMEDIATE STAGE HELIX 2 1.4301 KIT	1
		> CORPS-ETG-STD-ACR-AJR-USIN.M+2-304	1
		> IMPELLER-M+2-304	1
		> IMPELLER SPACER Ø12,05X14,85-L24,285-304	1



**HELIX V212-1/25/E/KS/400-50 (4161718)**

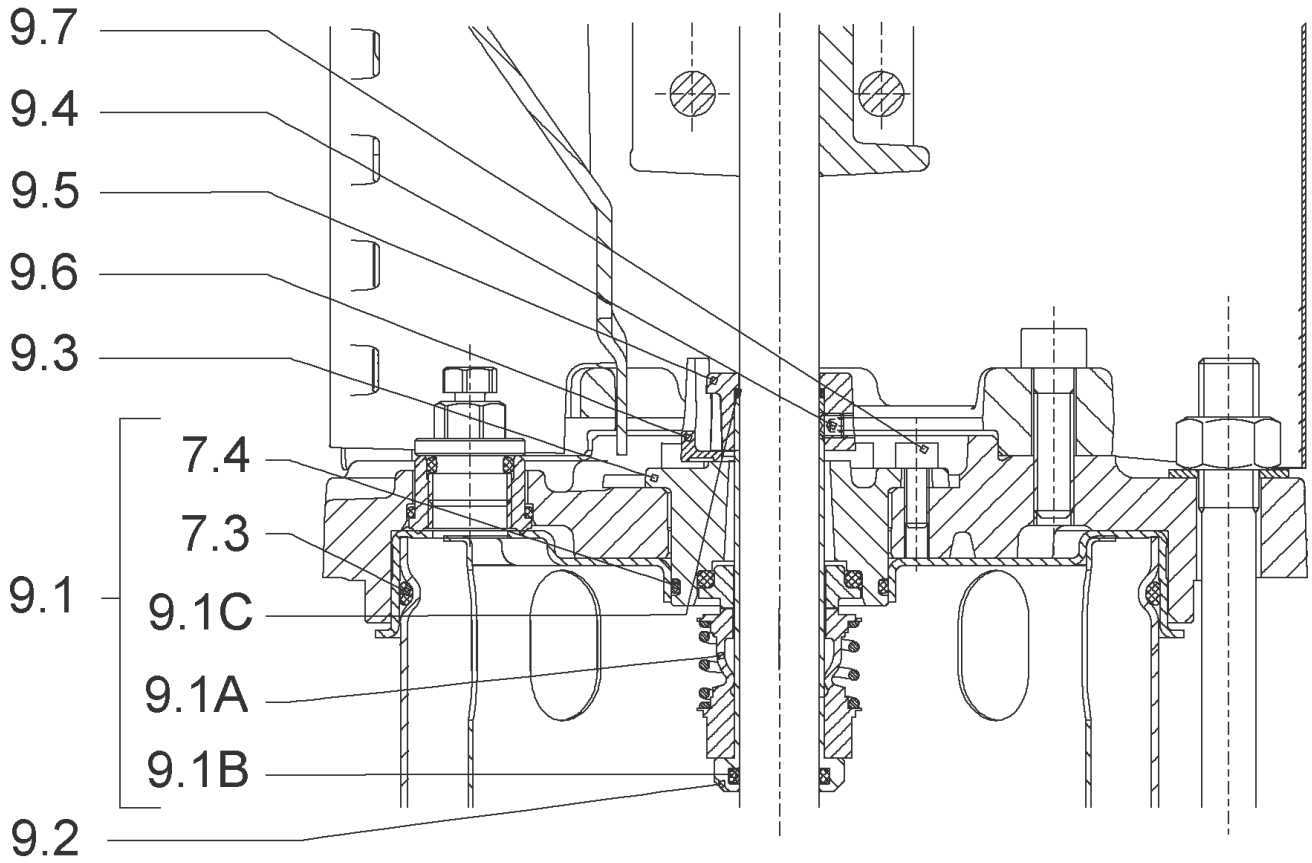
Item	Article no.	Description	Quantity
1	4169941	MOTOR 1,1/2/80 3~230/400V 50HZ IE3 VP.	1
		SPARE PARTS MOTOR:ON REQUEST	1
2	4159702	SCREW M6X30 (4 PIECES)	1
3	4172788	LANTERN FT100 HELIX KIT	1
3.1		> LANTERN FT100 M+6" GJL MACHINING+CATA	1
3.2	2127604	> EYELET CPL.FT HELIX(2 PIECES)	1
3.3	4159692	> COUPLING PROTECTOR FT HELIX KIT	1
4	4178578	COUPLING D.12XD.19 FT100 KIT	1
5	4159707	SCREW M8X30 (4 PIECES)	1
6	2127555	STUD BOLT M12X485 KIT	1
7	4159685	END SHIELD HELIX EPDM KIT	1
7.1		> END SHIELD M+6" GJL250 MACHINING+CATA	1
7.2	2127607	> STATIONARY RING HOLDER 6" HELIX 1.4301 V	1
7.3	4176513	> O-RING FOR PUMP JACKET VP.	1
7.4	2127603	> O-RING ID.37,6x2,4 EPDM VP.	1
7.5	2127602	> O-RING ID.21,35x2 EPDM VP.	1
8	4159686	FILING/PURGING PLUG HELIX EPDM KIT	1
9	4178597	CARTRIDGE HELIX2-4 F/E KIT	1
10	2127578	HOUSING PIPE D.152x360 1.4307 KIT	1
7.3	4176513	> O-RING FOR PUMP JACKET VP.	1
10.1		> HOUSING-PIPE Ø152-M+1008/1606-304	1
11	4179315	CENTERING STAGE HELIX V2 1.4307 VP.	1
12	4178567	SHAFT EQUIPMENT HELIX V2/V4 KIT	1
12.1		> NUT-H-M8-STAINLESS-STEEL A4-70	1
12.2		> SHAFT END WASHER Ø8/Ø12 316L	1
12.3		> STOP COLLAR OF IMPELLER L12,6-Ø12-316L	1
12.4		> STOP-RUSH-1/2-D12xd2-M+316	1
13		HYDRAULIC HELIX V 212 1.4307	1
14	4178610	SHAFT D.12X483 1.4301 VP.	1
15	4178593	PUMP HOUSING HELIX DN25 PN25 1.4301 KIT	1
7.3	4176513	> O-RING FOR PUMP JACKET VP.	1
15.1		> BLASTING PPE HOUSING V PN25-DN25-5"-304	1
15.3	4171321	> PRIMING/DRAIN PLUG EPDM HELIX KIT	1
16	4177970	BASEPLATE HELIX V2/4/6 PN25 VP.	1





**COUPLING D.12XD.19 FT100 KIT (4178578)**

Item	Article no.	Description	Quantity
4.1		COUPLING-M+ Ø12XØ19-FT100-MACHINED	1
4.3	4234249	CIRCLIP-FOR-SHAFT-D30x1.5 VP.	1
4.2	2130977	BALL BEARING 6206/ZZ-C3(HT)VP.	1
4.4	4212716	SCREW M6X20 KIT (4PIECES)	1
4.5	4234250	CIRCLIP-D62x2 VP.	1
4.6	4234245	O-RING 63X3 VP.	1
		CONTACT-WASHER-6ETR-6,1x12,2x1,8-STEEL	4



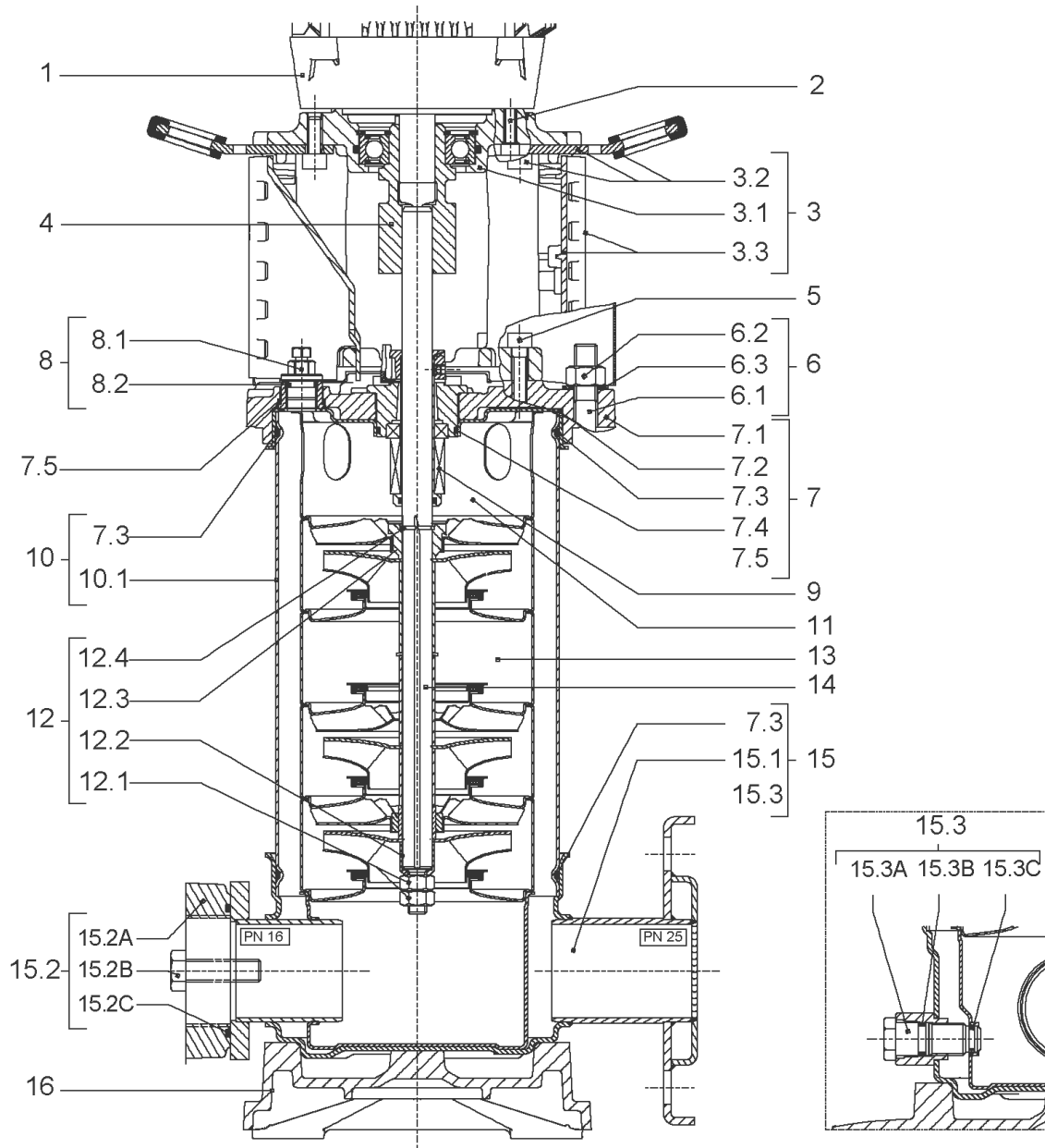
**CARTRIDGE HELIX2-4 F/E KIT (4178597)**

Item	Article no.	Description	Quantity
9.1	4178594	SEAL-KIT-HELIX2-4 F/E	1
7.3	4176513	> O-RING FOR PUMP JACKET VP.	1
7.4	2127603	> O-RING ID.37,6x2,4 EPDM VP.	1
9.1A	4176521	> MECH.SEAL HELIX2-4-6-10-16 F/E VP.	1
9.1B	4178558	> O-RING ID.12X2 EPDM VP.	1
9.1C	4178558	> O-RING ID.12X2 EPDM VP.	1
9.2	4178596	SHAFT SLEEVE D.18/12X72,2 1.4404 VP.	1
9.3	2130962	RING HOLDER D.18 G606/G6 1.4301 VP.	1
9.4	4176520	SCREW CH M5x5 A4-70 ( 3PIECES )	1
9.5	4178595	DRIVE RING D.29/15.5x13,2 MACH.VP.	1
9.6	2130964	TOOL M.S.CART.HELIX VP.	1
9.7	2130965	SCREW CHC M5X12 ISO4762 A2.70(4 PIECES)	1



**HYDRAULIC HELIX V 212 1.4307**

Item	Article no.	Description	Quantity
13.1	4179316	STAGE HELIX 2 1.4301 KIT	1
		> MACH.STG-CASING-WOGV-WNR-M+2-4-304	1
		> IMPELLER-M+2-304	1
13.2	4179317	STAGE BEARING HELIX 2 1.4307 KIT	1
		> MACH.BEARING-STG-CASING-WNR-M+2-304	1
		> IMPELLER-M+2-304	1
		> SHAFT SLEEVE SPACER Ø15,35x10,305-304	1
		> SHAFT-SLEEVE-D12xD16x14-CW	1
13.3	4179319	INTERMEDIATE STAGE HELIX 2 1.4301 KIT	1
		> CORPS-ETG-STD-ACR-AJR-USIN.M+2-304	1
		> IMPELLER-M+2-304	1
		> IMPELLER SPACER Ø12,05X14,85-L24,285-304	1



**HELIX V213-1/16/E/KS/400-50 (4161719)**

Item	Article no.	Description	Quantity
1	4169941	MOTOR 1,1/2/80 3~230/400V 50HZ IE3 VP.	1
		SPARE PARTS MOTOR:ON REQUEST	1
2	4159702	SCREW M6X30 (4 PIECES)	1
3	4172788	LANTERN FT100 HELIX KIT	1
3.1		> LANTERN FT100 M+6" GJL MACHINING+CATA	1
3.2	2127604	> EYELET CPL.FT HELIX(2 PIECES)	1
3.3	4159692	> COUPLING PROTECTOR FT HELIX KIT	1
4	4178578	COUPLING D.12XD.19 FT100 KIT	1
5	4159707	SCREW M8X30 (4 PIECES)	1
6	2127556	STUD BOLT M12X542 KIT	1
7	4159685	END SHIELD HELIX EPDM KIT	1
7.1		> END SHIELD M+6" GJL250 MACHINING+CATA	1
7.2	2127607	> STATIONARY RING HOLDER 6" HELIX 1.4301 V	1
7.3	4176513	> O-RING FOR PUMP JACKET VP.	1
7.4	2127603	> O-RING ID.37,6x2,4 EPDM VP.	1
7.5	2127602	> O-RING ID.21,35x2 EPDM VP.	1
8	4159686	FILING/PURGING PLUG HELIX EPDM KIT	1
9	4178559	KART.HELIX2-4 O/E SET	1
10	2127579	HOUSING PIPE D.152x410 1.4301 KIT	1
7.3	4176513	> O-RING FOR PUMP JACKET VP.	1
10.1		> HOUSING-PIPE Ø152-M+1607-304	1
11	4179315	CENTERING STAGE HELIX V2 1.4307 VP.	1
12	4178567	SHAFT EQUIPMENT HELIX V2/V4 KIT	1
12.1		> NUT-H-M8-STAINLESS-STEEL A4-70	1
12.2		> SHAFT END WASHER Ø8/Ø12 316L	1
12.3		> STOP COLLAR OF IMPELLER L12,6-Ø12-316L	1
12.4		> STOP-RUSH-1/2-D12xd2-M+316	1
13		HYDRAULIC HELIX V 213 1.4307	1
14	4178614	SHAFT D.12X533 1.4301 VP.	1
15	4174079	PUMP HOUSING HELIX DN32 PN16 1.4301 KIT	1
7.3	4176513	> O-RING FOR PUMP JACKET VP.	1
15.1		> BLASTING PPE HOUSING V-PN16-DN32-5"-304	1
15.2	4217889	> COUNTER FLANGE-G1"-PN16-GJL KIT	1
15.3	4171321	> PRIMING/DRAIN PLUG EPDM HELIX KIT	1



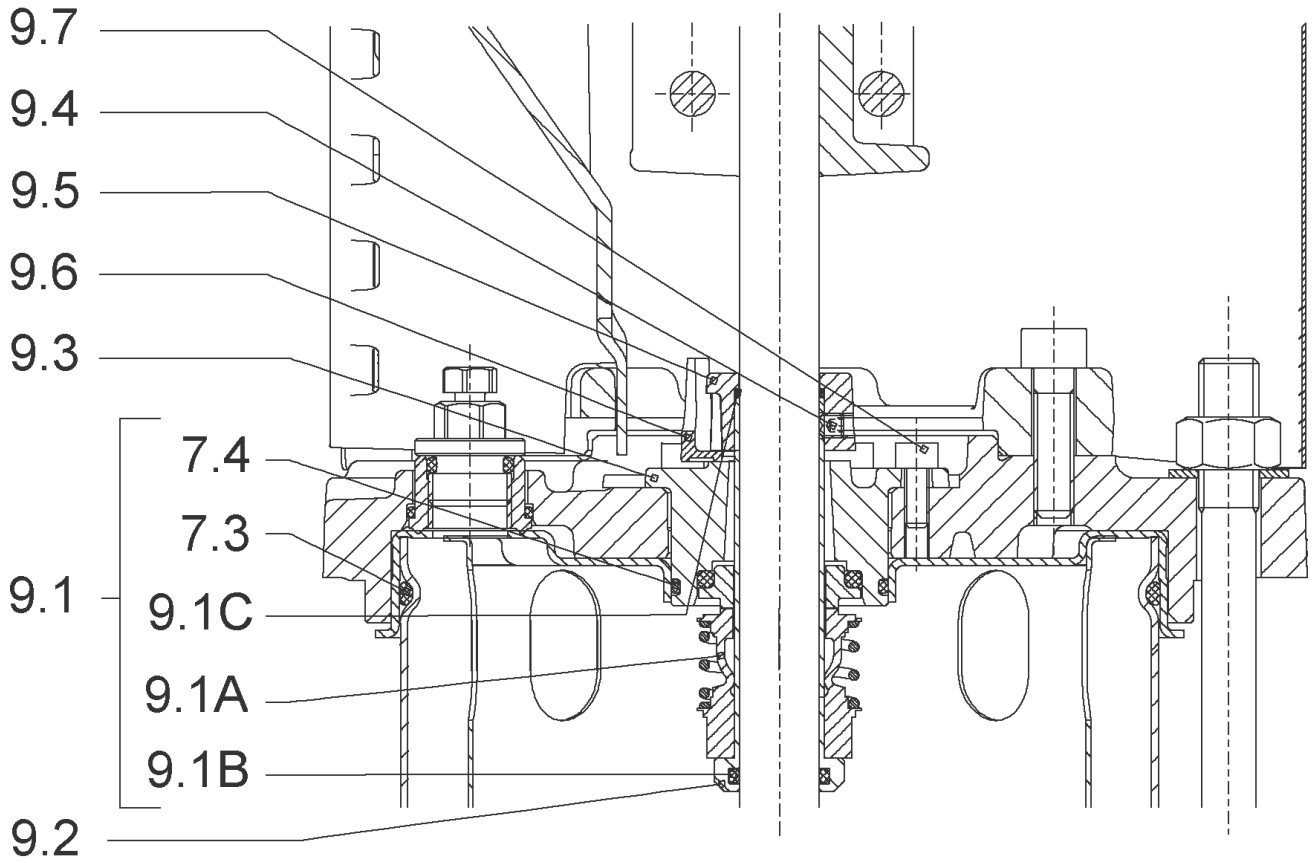
**HELIX V213-1/16/E/KS/400-50 (4161719)**

<b>Item</b>	<b>Article no.</b>	<b>Description</b>	<b>Quantity</b>
16	4177964	BASEPLATE HELIX V2/4/6 PN16 VP.	1



**COUPLING D.12XD.19 FT100 KIT (4178578)**

Item	Article no.	Description	Quantity
4.1		COUPLING-M+ Ø12XØ19-FT100-MACHINED	1
4.3	4234249	CIRCLIP-FOR-SHAFT-D30x1.5 VP.	1
4.2	2130977	BALL BEARING 6206/ZZ-C3(HT)VP.	1
4.4	4212716	SCREW M6X20 KIT (4PIECES)	1
4.5	4234250	CIRCLIP-D62x2 VP.	1
4.6	4234245	O-RING 63X3 VP.	1
		CONTACT-WASHER-6ETR-6,1x12,2x1,8-STEEL	4



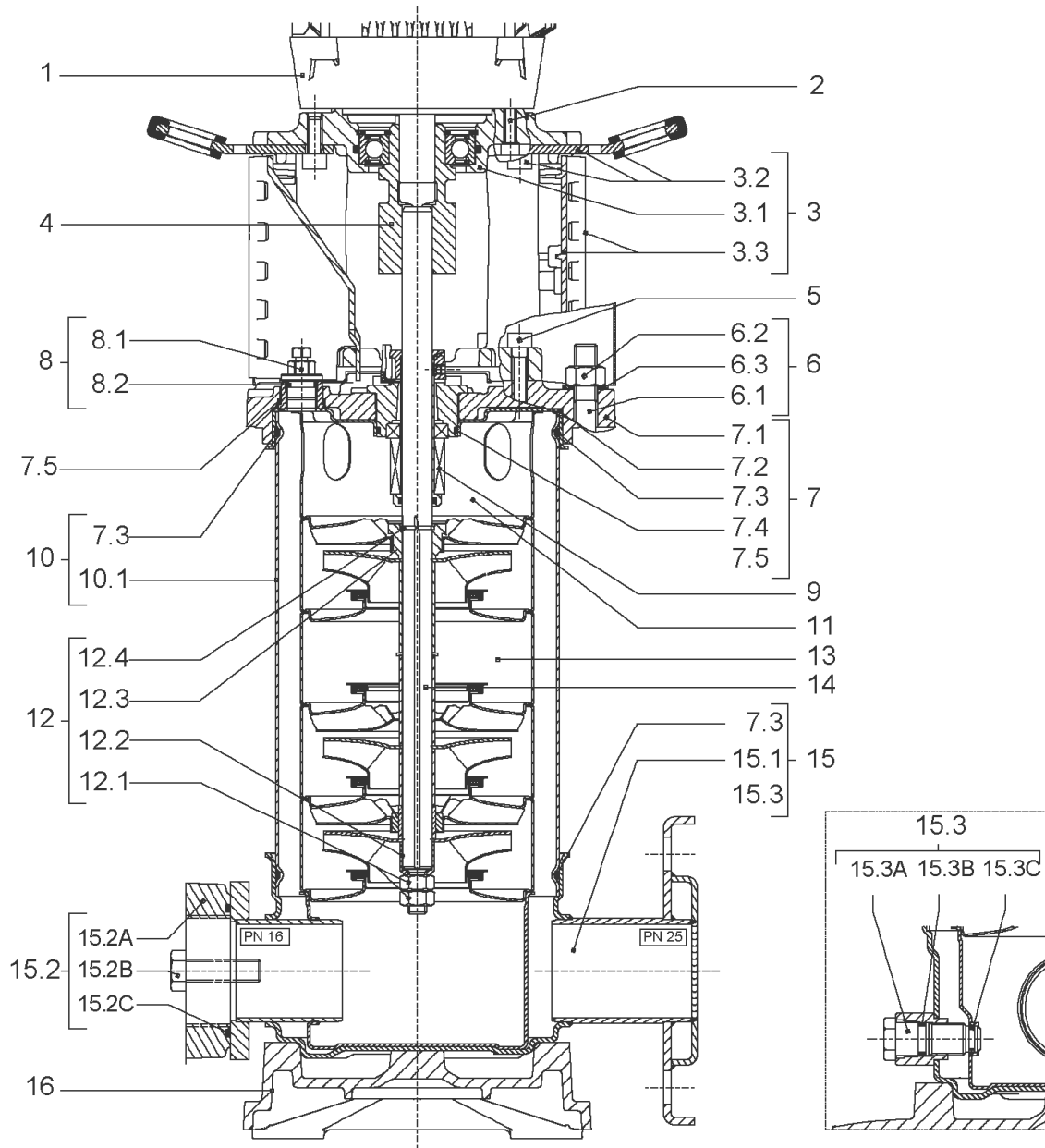
**KART.HELIX2-4 O/E SET (4178559)**

Item	Article no.	Description	Quantity
9.1	4178560	SEAL-KIT-HELIX2-4 O/E	1
7.3	4176513	> O-RING FOR PUMP JACKET VP.	1
7.4	2127603	> O-RING ID.37,6x2,4 EPDM VP.	1
9.1A	2130966	> MECH.SEAL HELIX2-4-6-10-16 O/E VP.	1
9.1B	4178558	> O-RING ID.12X2 EPDM VP.	1
9.1C	4178558	> O-RING ID.12X2 EPDM VP.	1
9.2	4178557	SHAFT SLEEVE Ø12XØ18-PN16 1.4404 VP.	1
9.3	2130962	RING HOLDER D.18 G606/G6 1.4301 VP.	1
9.4	4176520	SCREW CH M5x5 A4-70 ( 3PIECES )	1
9.5	4178556	DRIVE RING D.29/15.5x13,2 MACH.VP.	1
9.6	2130964	TOOL M.S.CART.HELIX VP.	1
9.7	2130965	SCREW CHC M5X12 ISO4762 A2.70(4 PIECES)	1



**HYDRAULIC HELIX V 213 1.4307**

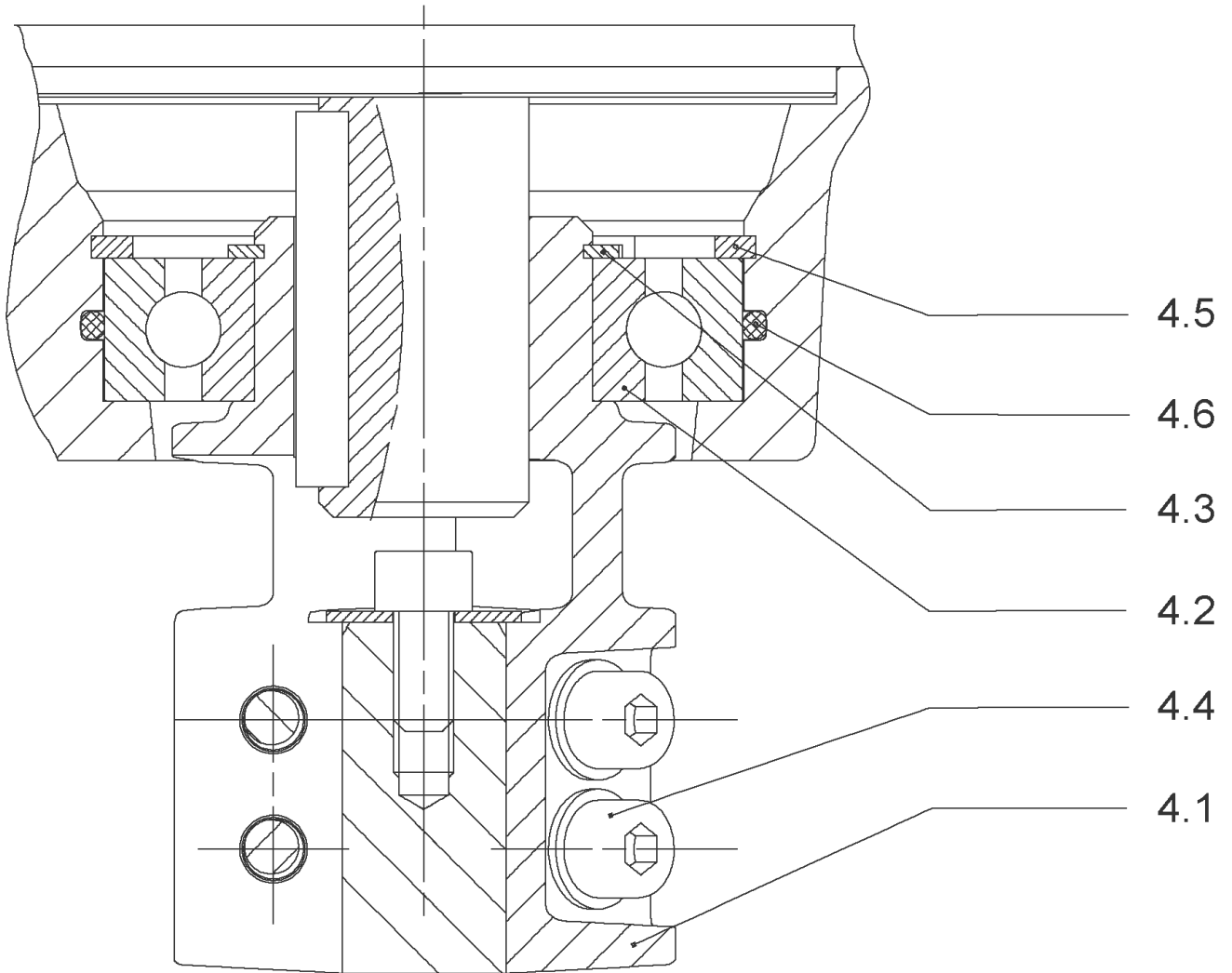
Item	Article no.	Description	Quantity
13.1	4179316	STAGE HELIX 2 1.4301 KIT	1
		> MACH.STG-CASING-WOGV-WNR-M+2-4-304	1
		> IMPELLER-M+2-304	1
13.2	4179317	STAGE BEARING HELIX 2 1.4307 KIT	1
		> MACH.BEARING-STG-CASING-WNR-M+2-304	1
		> IMPELLER-M+2-304	1
		> SHAFT SLEEVE SPACER Ø15,35x10,305-304	1
		> SHAFT-SLEEVE-D12xD16x14-CW	1
13.3	4179319	INTERMEDIATE STAGE HELIX 2 1.4301 KIT	1
		> CORPS-ETG-STD-ACR-AJR-USIN.M+2-304	1
		> IMPELLER-M+2-304	1
		> IMPELLER SPACER Ø12,05X14,85-L24,285-304	1
13.4	4179503	EMPTY STAGE HELIX 2 1.4301 <15 stage Kit	1
		> CORPS-ETG-STD-ACR-AJR-USIN.M+2-304	1
		> FLAT WASHER-D12.1XD16X0.8-316L	1
		> IMPELLER SPACER Ø12,05X14,85-L24,285-304	1
13.5	4179504	STAGE HELIX 2 1.4301 < 15 stages Kit	1
		> MACH.STG-CASING-WOGV-WNR-M+2-4-304	1
		> IMPELLER-M+2-304	1
		> IMPELLER SPACER Ø12,05X14,85-L24,285-304	1





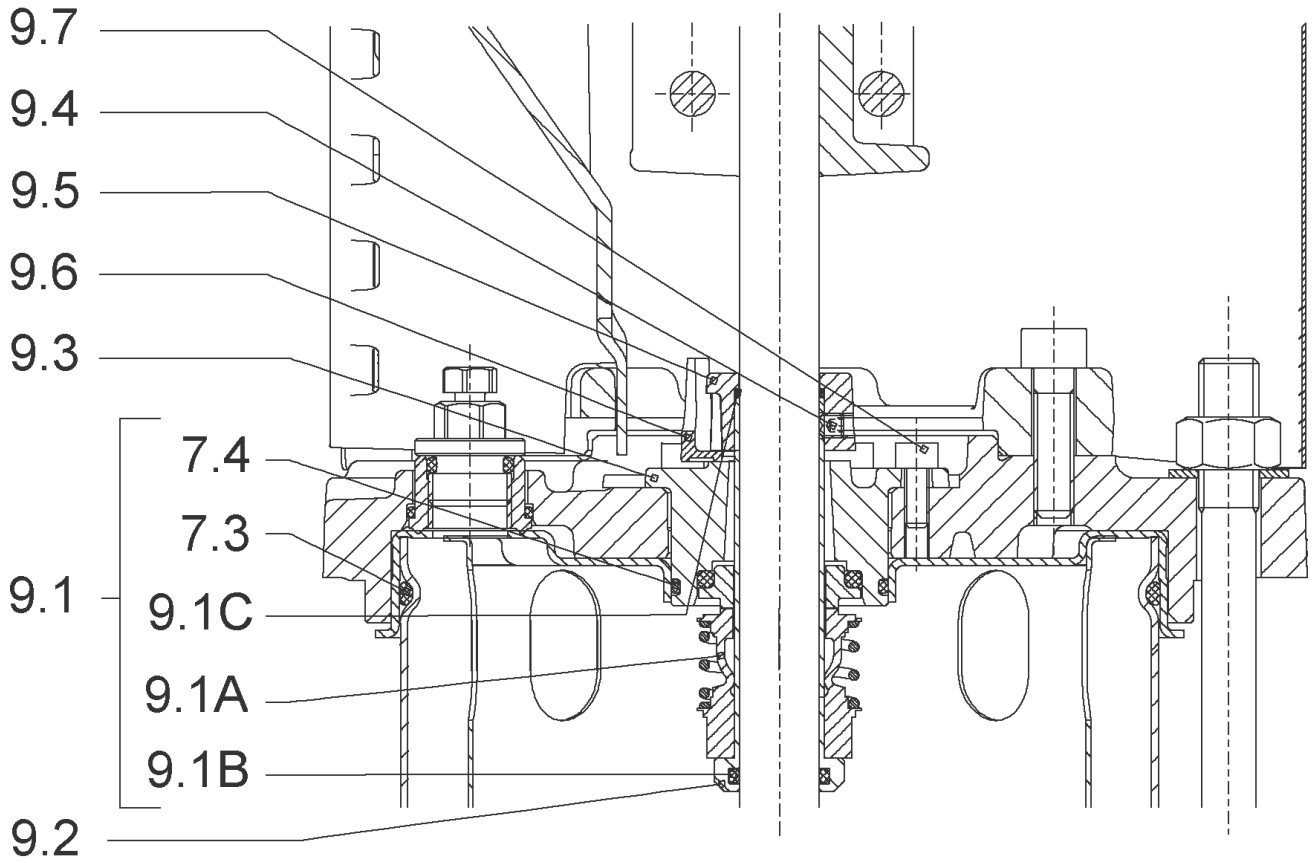
**HELIX V213-1/25/E/KS/400-50 (4161720)**

Item	Article no.	Description	Quantity
1	4169941	MOTOR 1,1/2/80 3~230/400V 50HZ IE3 VP.	1
		SPARE PARTS MOTOR:ON REQUEST	1
2	4159702	SCREW M6X30 (4 PIECES)	1
3	4172788	LANTERN FT100 HELIX KIT	1
3.1		> LANTERN FT100 M+6" GJL MACHINING+CATA	1
3.2	2127604	> EYELET CPL.FT HELIX(2 PIECES)	1
3.3	4159692	> COUPLING PROTECTOR FT HELIX KIT	1
4	4178578	COUPLING D.12XD.19 FT100 KIT	1
5	4159707	SCREW M8X30 (4 PIECES)	1
6	2127556	STUD BOLT M12X542 KIT	1
7	4159685	END SHIELD HELIX EPDM KIT	1
7.1		> END SHIELD M+6" GJL250 MACHINING+CATA	1
7.2	2127607	> STATIONARY RING HOLDER 6" HELIX 1.4301 V	1
7.3	4176513	> O-RING FOR PUMP JACKET VP.	1
7.4	2127603	> O-RING ID.37,6x2,4 EPDM VP.	1
7.5	2127602	> O-RING ID.21,35x2 EPDM VP.	1
8	4159686	FILING/PURGING PLUG HELIX EPDM KIT	1
9	4178597	CARTRIDGE HELIX2-4 F/E KIT	1
10	2127579	HOUSING PIPE D.152x410 1.4301 KIT	1
7.3	4176513	> O-RING FOR PUMP JACKET VP.	1
10.1		> HOUSING-PIPE Ø152-M+1607-304	1
11	4179315	CENTERING STAGE HELIX V2 1.4307 VP.	1
12	4178567	SHAFT EQUIPMENT HELIX V2/V4 KIT	1
12.1		> NUT-H-M8-STAINLESS-STEEL A4-70	1
12.2		> SHAFT END WASHER Ø8/Ø12 316L	1
12.3		> STOP COLLAR OF IMPELLER L12,6-Ø12-316L	1
12.4		> STOP-RUSH-1/2-D12xd2-M+316	1
13		HYDRAULIC HELIX V 213 1.4307	1
14	4178614	SHAFT D.12X533 1.4301 VP.	1
15	4178593	PUMP HOUSING HELIX DN25 PN25 1.4301 KIT	1
7.3	4176513	> O-RING FOR PUMP JACKET VP.	1
15.1		> BLASTING PPE HOUSING V PN25-DN25-5"-304	1
15.3	4171321	> PRIMING/DRAIN PLUG EPDM HELIX KIT	1
16	4177970	BASEPLATE HELIX V2/4/6 PN25 VP.	1



**COUPLING D.12XD.19 FT100 KIT (4178578)**

Item	Article no.	Description	Quantity
4.1		COUPLING-M+ Ø12XØ19-FT100-MACHINED	1
4.3	4234249	CIRCLIP-FOR-SHAFT-D30x1.5 VP.	1
4.2	2130977	BALL BEARING 6206/ZZ-C3(HT)VP.	1
4.4	4212716	SCREW M6X20 KIT (4PIECES)	1
4.5	4234250	CIRCLIP-D62x2 VP.	1
4.6	4234245	O-RING 63X3 VP.	1
		CONTACT-WASHER-6ETR-6,1x12,2x1,8-STEEL	4



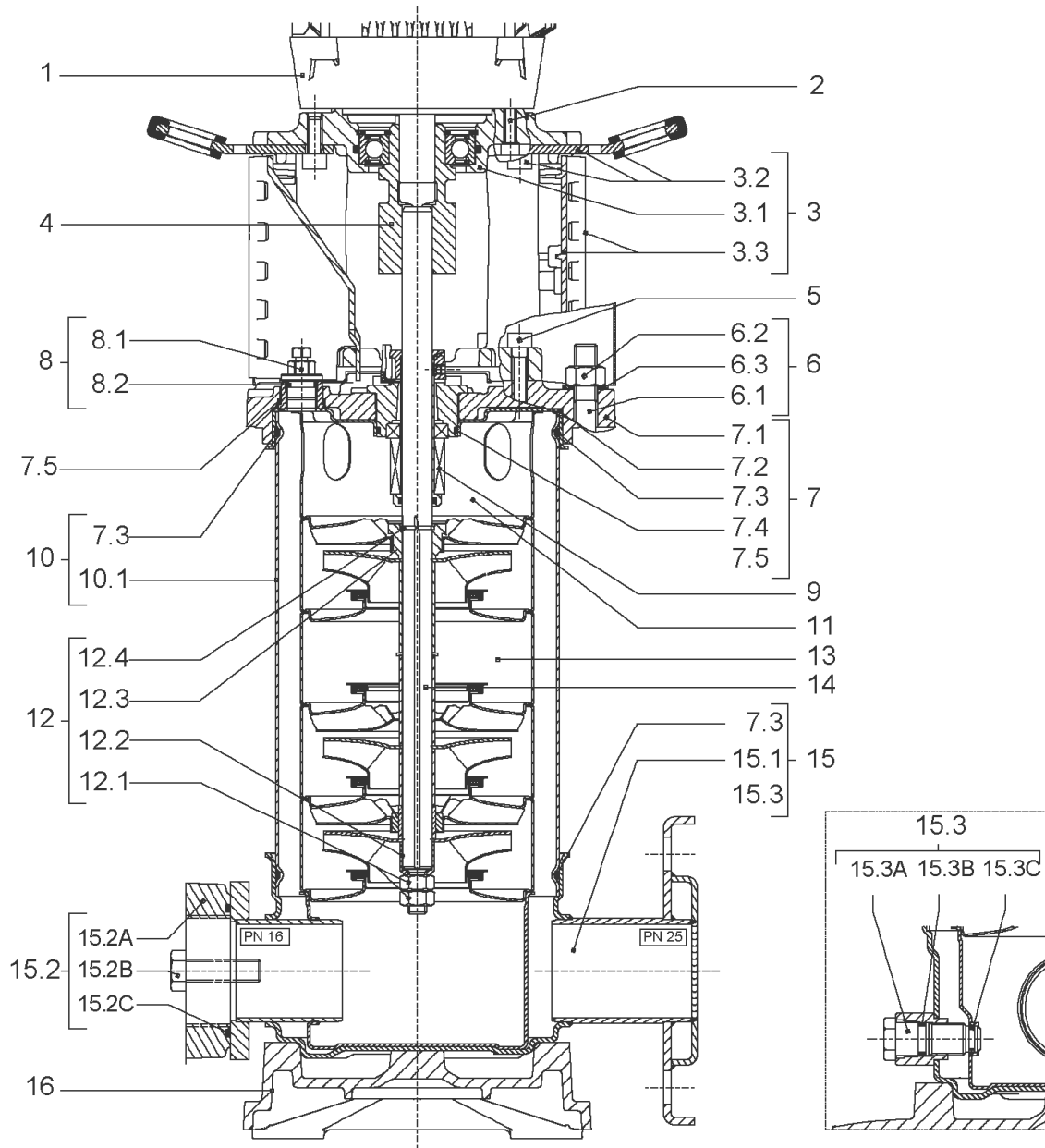
**CARTRIDGE HELIX2-4 F/E KIT (4178597)**

Item	Article no.	Description	Quantity
9.1	4178594	SEAL-KIT-HELIX2-4 F/E	1
7.3	4176513	> O-RING FOR PUMP JACKET VP.	1
7.4	2127603	> O-RING ID.37,6x2,4 EPDM VP.	1
9.1A	4176521	> MECH.SEAL HELIX2-4-6-10-16 F/E VP.	1
9.1B	4178558	> O-RING ID.12X2 EPDM VP.	1
9.1C	4178558	> O-RING ID.12X2 EPDM VP.	1
9.2	4178596	SHAFT SLEEVE D.18/12X72,2 1.4404 VP.	1
9.3	2130962	RING HOLDER D.18 G606/G6 1.4301 VP.	1
9.4	4176520	SCREW CH M5x5 A4-70 ( 3PIECES )	1
9.5	4178595	DRIVE RING D.29/15.5x13,2 MACH.VP.	1
9.6	2130964	TOOL M.S.CART.HELIX VP.	1
9.7	2130965	SCREW CHC M5X12 ISO4762 A2.70(4 PIECES)	1



**HYDRAULIC HELIX V 213 1.4307**

Item	Article no.	Description	Quantity
13.1	4179316	STAGE HELIX 2 1.4301 KIT	1
		> MACH.STG-CASING-WOGV-WNR-M+2-4-304	1
		> IMPELLER-M+2-304	1
13.2	4179317	STAGE BEARING HELIX 2 1.4307 KIT	1
		> MACH.BEARING-STG-CASING-WNR-M+2-304	1
		> IMPELLER-M+2-304	1
		> SHAFT SLEEVE SPACER Ø15,35x10,305-304	1
		> SHAFT-SLEEVE-D12xD16x14-CW	1
13.3	4179319	INTERMEDIATE STAGE HELIX 2 1.4301 KIT	1
		> CORPS-ETG-STD-ACR-AJR-USIN.M+2-304	1
		> IMPELLER-M+2-304	1
		> IMPELLER SPACER Ø12,05X14,85-L24,285-304	1
13.4	4179503	EMPTY STAGE HELIX 2 1.4301 <15 stage Kit	1
		> CORPS-ETG-STD-ACR-AJR-USIN.M+2-304	1
		> FLAT WASHER-D12.1XD16X0.8-316L	1
		> IMPELLER SPACER Ø12,05X14,85-L24,285-304	1
13.5	4179504	STAGE HELIX 2 1.4301 < 15 stages Kit	1
		> MACH.STG-CASING-WOGV-WNR-M+2-4-304	1
		> IMPELLER-M+2-304	1
		> IMPELLER SPACER Ø12,05X14,85-L24,285-304	1





**HELIX V214-1/16/E/KS/400-50 (4161721)**

Item	Article no.	Description	Quantity
1	4169941	MOTOR 1,1/2/80 3~230/400V 50HZ IE3 VP.	1
		SPARE PARTS MOTOR:ON REQUEST	1
2	4159702	SCREW M6X30 (4 PIECES)	1
3	4172788	LANTERN FT100 HELIX KIT	1
3.1		> LANTERN FT100 M+6" GJL MACHINING+CATA	1
3.2	2127604	> EYELET CPL.FT HELIX(2 PIECES)	1
3.3	4159692	> COUPLING PROTECTOR FT HELIX KIT	1
4	4178578	COUPLING D.12XD.19 FT100 KIT	1
5	4159707	SCREW M8X30 (4 PIECES)	1
6	2127556	STUD BOLT M12X542 KIT	1
7	4159685	END SHIELD HELIX EPDM KIT	1
7.1		> END SHIELD M+6" GJL250 MACHINING+CATA	1
7.2	2127607	> STATIONARY RING HOLDER 6" HELIX 1.4301 V	1
7.3	4176513	> O-RING FOR PUMP JACKET VP.	1
7.4	2127603	> O-RING ID.37,6x2,4 EPDM VP.	1
7.5	2127602	> O-RING ID.21,35x2 EPDM VP.	1
8	4159686	FILING/PURGING PLUG HELIX EPDM KIT	1
9	4178559	KART.HELIX2-4 O/E SET	1
10	2127579	HOUSING PIPE D.152x410 1.4301 KIT	1
7.3	4176513	> O-RING FOR PUMP JACKET VP.	1
10.1		> HOUSING-PIPE Ø152-M+1607-304	1
11	4179315	CENTERING STAGE HELIX V2 1.4307 VP.	1
12	4178567	SHAFT EQUIPMENT HELIX V2/V4 KIT	1
12.1		> NUT-H-M8-STAINLESS-STEEL A4-70	1
12.2		> SHAFT END WASHER Ø8/Ø12 316L	1
12.3		> STOP COLLAR OF IMPELLER L12,6-Ø12-316L	1
12.4		> STOP-RUSH-1/2-D12xd2-M+316	1
13		HYDRAULIC HELIX V 214 1.4307	1
14	4178614	SHAFT D.12X533 1.4301 VP.	1
15	4174079	PUMP HOUSING HELIX DN32 PN16 1.4301 KIT	1
7.3	4176513	> O-RING FOR PUMP JACKET VP.	1
15.1		> BLASTING PPE HOUSING V-PN16-DN32-5"-304	1
15.2	4217889	> COUNTER FLANGE-G1"-PN16-GJL KIT	1
15.3	4171321	> PRIMING/DRAIN PLUG EPDM HELIX KIT	1

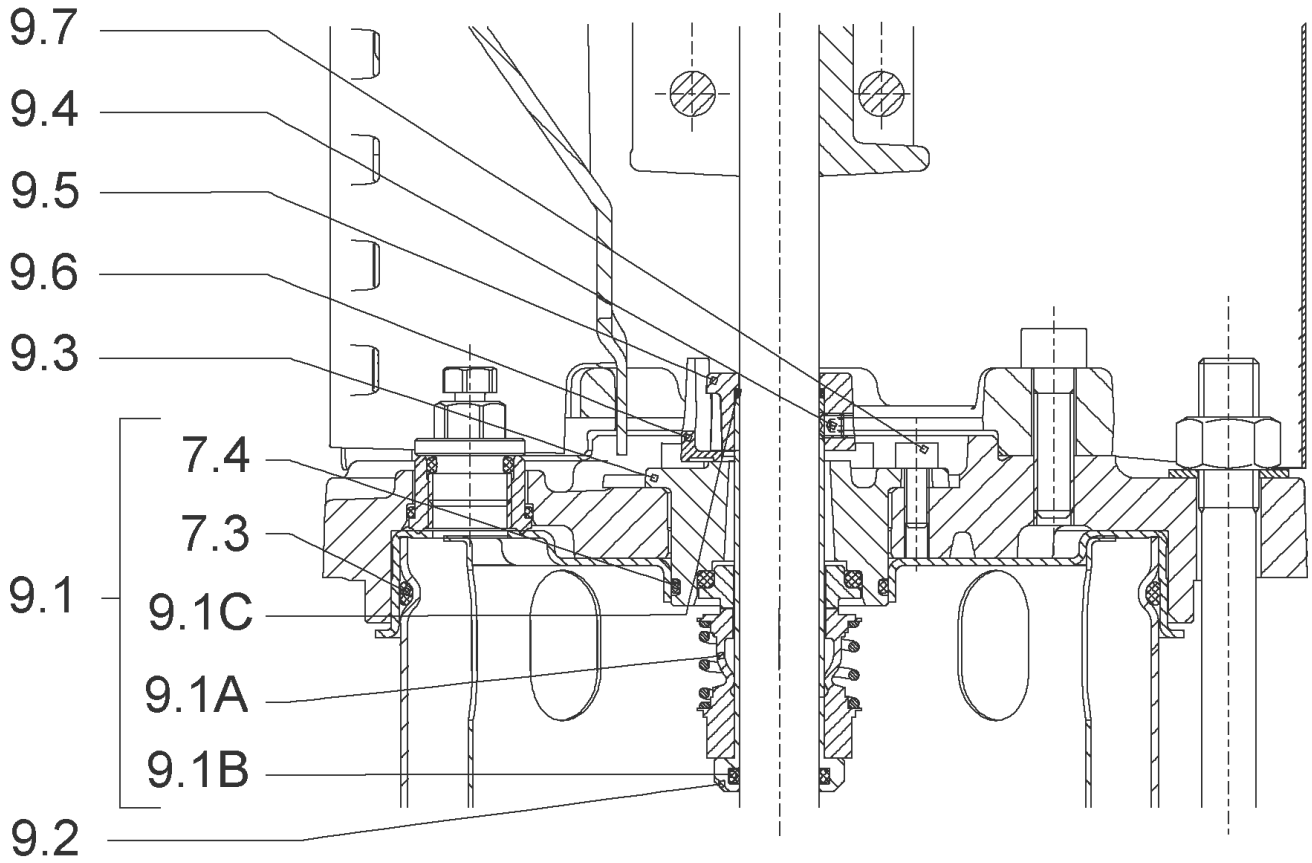
**HELIX V214-1/16/E/KS/400-50 (4161721)**

<b>Item</b>	<b>Article no.</b>	<b>Description</b>	<b>Quantity</b>
16	4177964	BASEPLATE HELIX V2/4/6 PN16 VP.	1



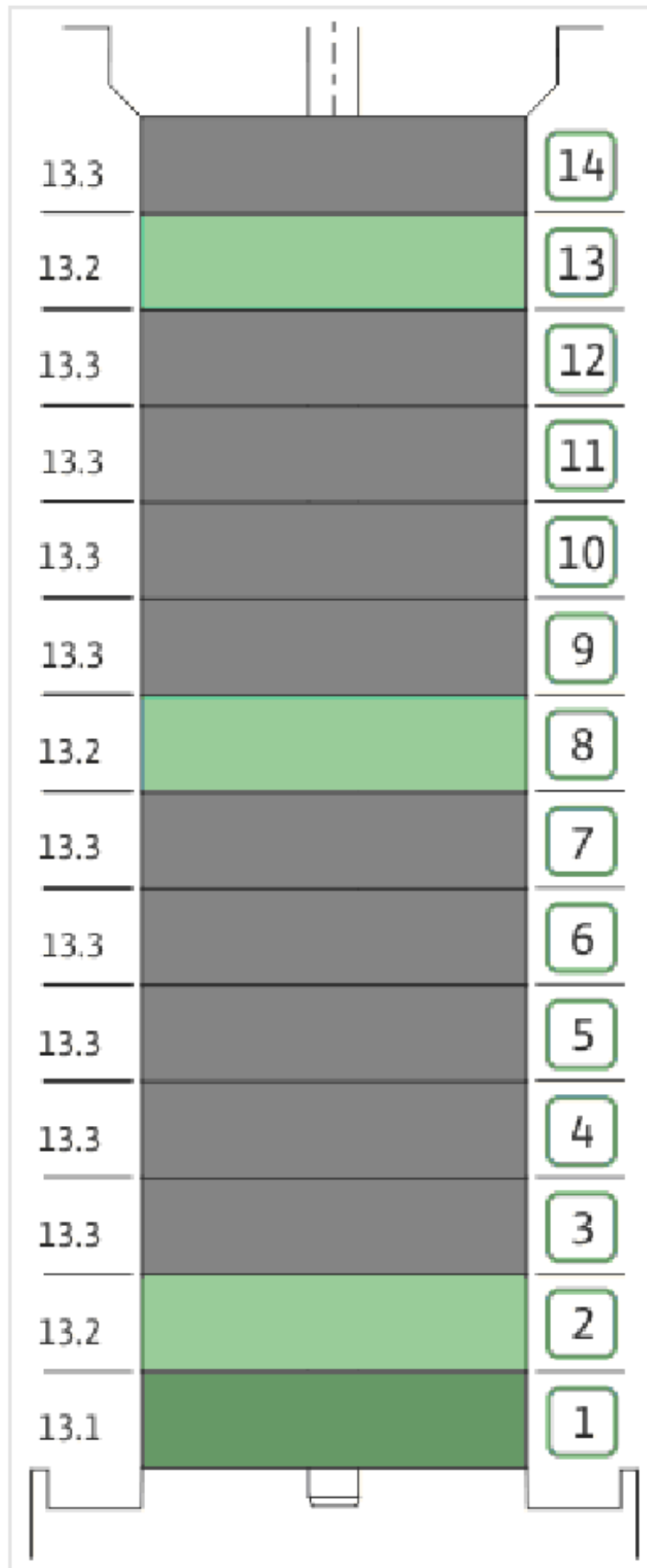
**COUPLING D.12XD.19 FT100 KIT (4178578)**

Item	Article no.	Description	Quantity
4.1		COUPLING-M+ Ø12XØ19-FT100-MACHINED	1
4.3	4234249	CIRCLIP-FOR-SHAFT-D30x1.5 VP.	1
4.2	2130977	BALL BEARING 6206/ZZ-C3(HT)VP.	1
4.4	4212716	SCREW M6X20 KIT (4PIECES)	1
4.5	4234250	CIRCLIP-D62x2 VP.	1
4.6	4234245	O-RING 63X3 VP.	1
		CONTACT-WASHER-6ETR-6,1x12,2x1,8-STEEL	4



**KART.HELIX2-4 O/E SET (4178559)**

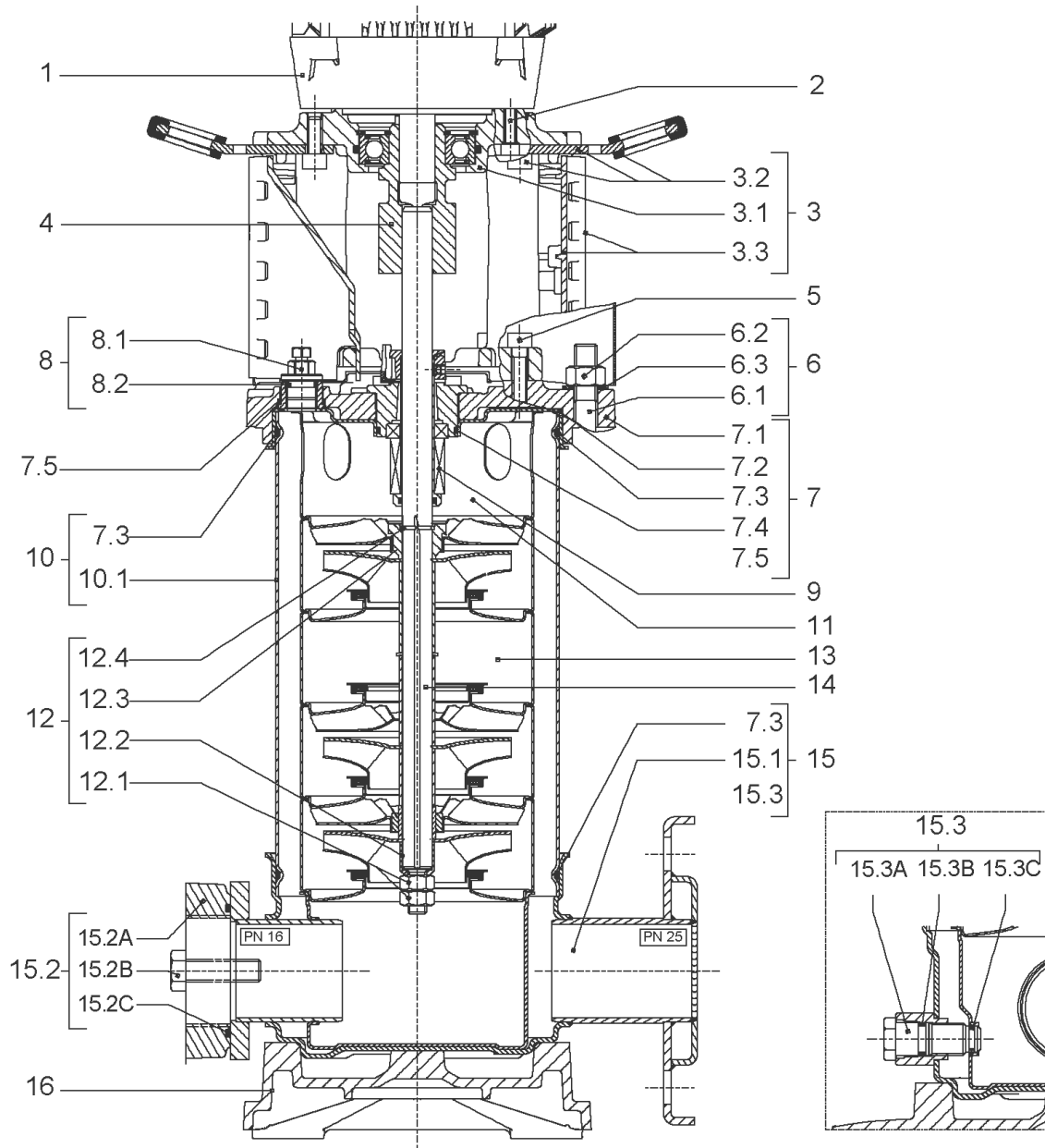
Item	Article no.	Description	Quantity
9.1	4178560	SEAL-KIT-HELIX2-4 O/E	1
7.3	4176513	> O-RING FOR PUMP JACKET VP.	1
7.4	2127603	> O-RING ID.37,6x2,4 EPDM VP.	1
9.1A	2130966	> MECH.SEAL HELIX2-4-6-10-16 O/E VP.	1
9.1B	4178558	> O-RING ID.12X2 EPDM VP.	1
9.1C	4178558	> O-RING ID.12X2 EPDM VP.	1
9.2	4178557	SHAFT SLEEVE Ø12XØ18-PN16 1.4404 VP.	1
9.3	2130962	RING HOLDER D.18 G606/G6 1.4301 VP.	1
9.4	4176520	SCREW CH M5x5 A4-70 ( 3PIECES )	1
9.5	4178556	DRIVE RING D.29/15.5x13,2 MACH.VP.	1
9.6	2130964	TOOL M.S.CART.HELIX VP.	1
9.7	2130965	SCREW CHC M5X12 ISO4762 A2.70(4 PIECES)	1



**HYDRAULIC HELIX V 214 1.4307**

Item	Article no.	Description	Quantity
13.1	4179316	STAGE HELIX 2 1.4301 KIT	1
		> MACH.STG-CASING-WOGV-WNR-M+2-4-304	1
		> IMPELLER-M+2-304	1
13.2	4179317	STAGE BEARING HELIX 2 1.4307 KIT	1
		> MACH.BEARING-STG-CASING-WNR-M+2-304	1
		> IMPELLER-M+2-304	1
		> SHAFT SLEEVE SPACER Ø15,35x10,305-304	1
		> SHAFT-SLEEVE-D12xD16x14-CW	1
13.3	4179319	INTERMEDIATE STAGE HELIX 2 1.4301 KIT	1
		> CORPS-ETG-STD-ACR-AJR-USIN.M+2-304	1
		> IMPELLER-M+2-304	1
		> IMPELLER SPACER Ø12,05X14,85-L24,285-304	1





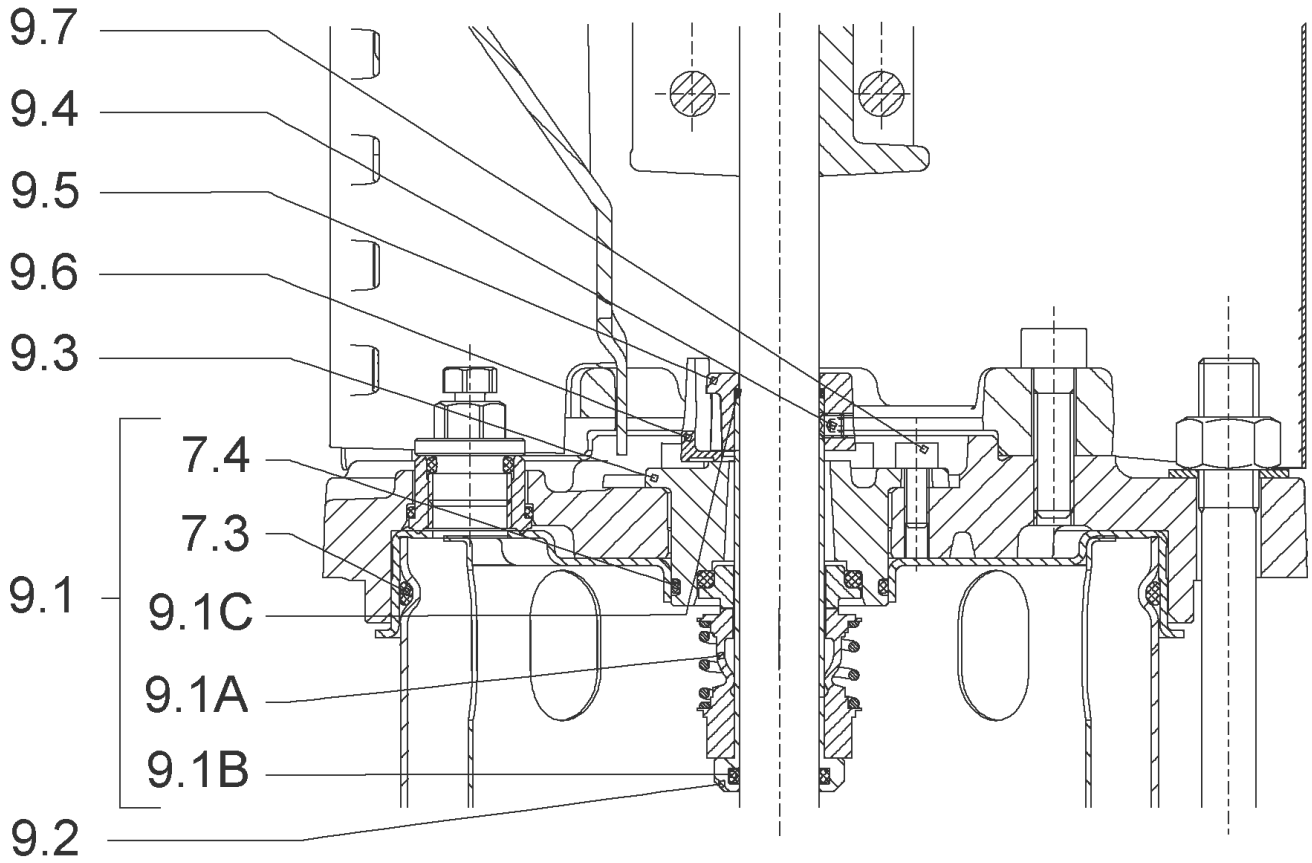
**HELIX V214-1/25/E/KS/400-50 (4161722)**

Item	Article no.	Description	Quantity
1	4169941	MOTOR 1,1/2/80 3~230/400V 50HZ IE3 VP.	1
		SPARE PARTS MOTOR:ON REQUEST	1
2	4159702	SCREW M6X30 (4 PIECES)	1
3	4172788	LANTERN FT100 HELIX KIT	1
3.1		> LANTERN FT100 M+6" GJL MACHINING+CATA	1
3.2	2127604	> EYELET CPL.FT HELIX(2 PIECES)	1
3.3	4159692	> COUPLING PROTECTOR FT HELIX KIT	1
4	4178578	COUPLING D.12XD.19 FT100 KIT	1
5	4159707	SCREW M8X30 (4 PIECES)	1
6	2127556	STUD BOLT M12X542 KIT	1
7	4159685	END SHIELD HELIX EPDM KIT	1
7.1		> END SHIELD M+6" GJL250 MACHINING+CATA	1
7.2	2127607	> STATIONARY RING HOLDER 6" HELIX 1.4301 V	1
7.3	4176513	> O-RING FOR PUMP JACKET VP.	1
7.4	2127603	> O-RING ID.37,6x2,4 EPDM VP.	1
7.5	2127602	> O-RING ID.21,35x2 EPDM VP.	1
8	4159686	FILING/PURGING PLUG HELIX EPDM KIT	1
9	4178597	CARTRIDGE HELIX2-4 F/E KIT	1
10	2127579	HOUSING PIPE D.152x410 1.4301 KIT	1
7.3	4176513	> O-RING FOR PUMP JACKET VP.	1
10.1		> HOUSING-PIPE Ø152-M+1607-304	1
11	4179315	CENTERING STAGE HELIX V2 1.4307 VP.	1
12	4178567	SHAFT EQUIPMENT HELIX V2/V4 KIT	1
12.1		> NUT-H-M8-STAINLESS-STEEL A4-70	1
12.2		> SHAFT END WASHER Ø8/Ø12 316L	1
12.3		> STOP COLLAR OF IMPELLER L12,6-Ø12-316L	1
12.4		> STOP-RUSH-1/2-D12xd2-M+316	1
13		HYDRAULIC HELIX V 214 1.4307	1
14	4178614	SHAFT D.12X533 1.4301 VP.	1
15	4178593	PUMP HOUSING HELIX DN25 PN25 1.4301 KIT	1
7.3	4176513	> O-RING FOR PUMP JACKET VP.	1
15.1		> BLASTING PPE HOUSING V PN25-DN25-5"-304	1
15.3	4171321	> PRIMING/DRAIN PLUG EPDM HELIX KIT	1
16	4177970	BASEPLATE HELIX V2/4/6 PN25 VP.	1



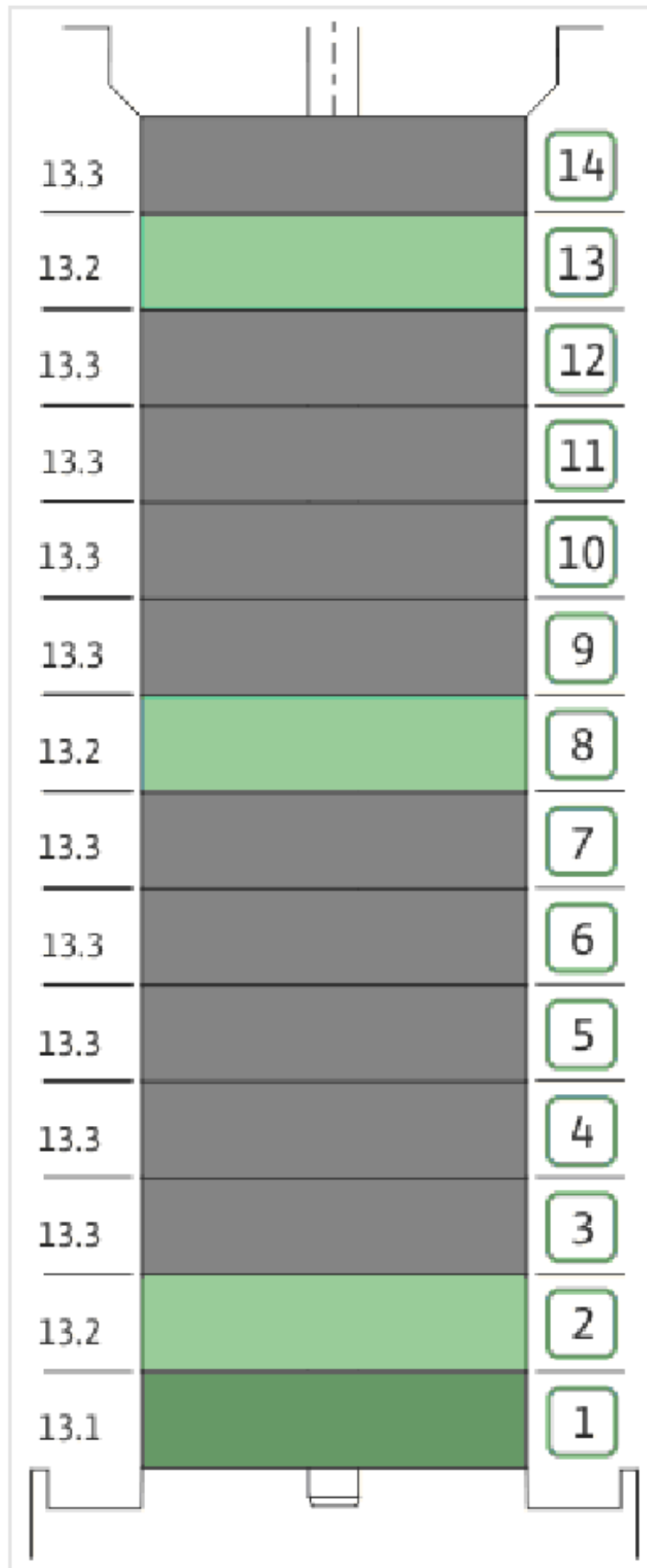
**COUPLING D.12XD.19 FT100 KIT (4178578)**

Item	Article no.	Description	Quantity
4.1		COUPLING-M+ Ø12XØ19-FT100-MACHINED	1
4.3	4234249	CIRCLIP-FOR-SHAFT-D30x1.5 VP.	1
4.2	2130977	BALL BEARING 6206/ZZ-C3(HT)VP.	1
4.4	4212716	SCREW M6X20 KIT (4PIECES)	1
4.5	4234250	CIRCLIP-D62x2 VP.	1
4.6	4234245	O-RING 63X3 VP.	1
		CONTACT-WASHER-6ETR-6,1x12,2x1,8-STEEL	4



**CARTRIDGE HELIX2-4 F/E KIT (4178597)**

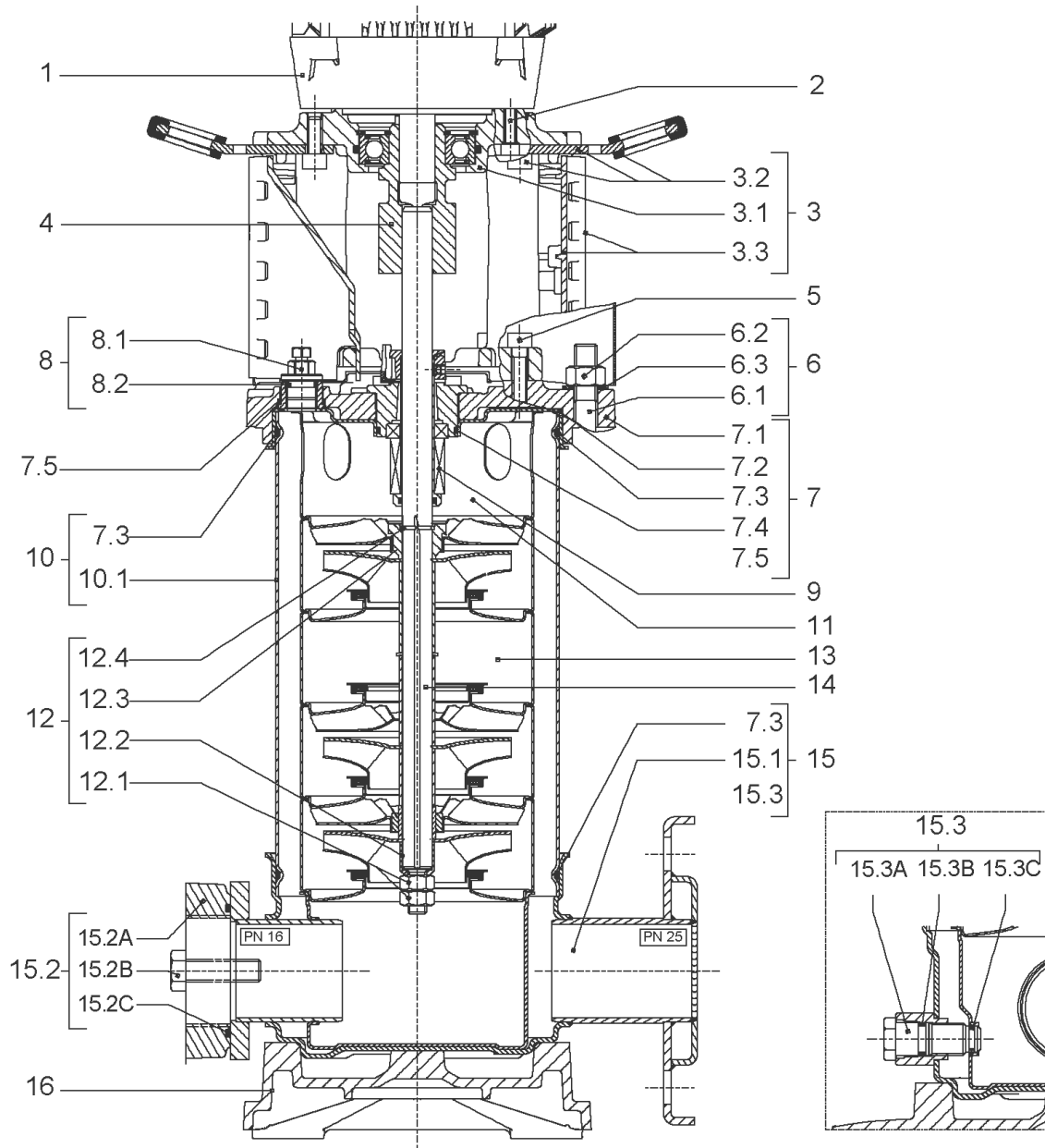
Item	Article no.	Description	Quantity
9.1	4178594	SEAL-KIT-HELIX2-4 F/E	1
7.3	4176513	> O-RING FOR PUMP JACKET VP.	1
7.4	2127603	> O-RING ID.37,6x2,4 EPDM VP.	1
9.1A	4176521	> MECH.SEAL HELIX2-4-6-10-16 F/E VP.	1
9.1B	4178558	> O-RING ID.12X2 EPDM VP.	1
9.1C	4178558	> O-RING ID.12X2 EPDM VP.	1
9.2	4178596	SHAFT SLEEVE D.18/12X72,2 1.4404 VP.	1
9.3	2130962	RING HOLDER D.18 G606/G6 1.4301 VP.	1
9.4	4176520	SCREW CH M5x5 A4-70 ( 3PIECES )	1
9.5	4178595	DRIVE RING D.29/15.5x13,2 MACH.VP.	1
9.6	2130964	TOOL M.S.CART.HELIX VP.	1
9.7	2130965	SCREW CHC M5X12 ISO4762 A2.70(4 PIECES)	1



**HYDRAULIC HELIX V 214 1.4307**

Item	Article no.	Description	Quantity
13.1	4179316	STAGE HELIX 2 1.4301 KIT	1
		> MACH.STG-CASING-WOGV-WNR-M+2-4-304	1
		> IMPELLER-M+2-304	1
13.2	4179317	STAGE BEARING HELIX 2 1.4307 KIT	1
		> MACH.BEARING-STG-CASING-WNR-M+2-304	1
		> IMPELLER-M+2-304	1
		> SHAFT SLEEVE SPACER Ø15,35x10,305-304	1
		> SHAFT-SLEEVE-D12xD16x14-CW	1
13.3	4179319	INTERMEDIATE STAGE HELIX 2 1.4301 KIT	1
		> CORPS-ETG-STD-ACR-AJR-USIN.M+2-304	1
		> IMPELLER-M+2-304	1
		> IMPELLER SPACER Ø12,05X14,85-L24,285-304	1





**HELIX V216-1/16/E/KS/400-50 (4161723)**

Item	Article no.	Description	Quantity
1	4169942	MO.1,5/2 3~230/400(440)V 50(60)HZ IE3 VP	1
		SPARE PARTS MOTOR:ON REQUEST	1
2	4159703	SCREW M8X40 (4 PIECES)	1
3	4159690	LANTERN FT115 HELIX KIT	1
3.1		> LANTERN FT115 M+6" GJL MACHINING+CATA	1
3.2	2127604	> EYELET CPL.FT HELIX(2 PIECES)	1
3.3	4159692	> COUPLING PROTECTOR FT HELIX KIT	1
4	4178600	COUPLING D.12XD.24 FT115 KIT	1
5	4159707	SCREW M8X30 (4 PIECES)	1
6	2127557	STUD BOLT M12X587 KIT	1
6.1		> TIE BOLT M12-587x18x30-1.4057	1
6.2	2094647	> NUT M12 M12 ISO4032 VP.	1
6.3	2123557	> WASHER CS-12.4-24-1.6-NFE25 (4 PIECES)	1
7	4159685	END SHIELD HELIX EPDM KIT	1
7.1		> END SHIELD M+6" GJL250 MACHINING+CATA	1
7.2	2127607	> STATIONARY RING HOLDER 6" HELIX 1.4301 V	1
7.3	4176513	> O-RING FOR PUMP JACKET VP.	1
7.4	2127603	> O-RING ID.37,6x2,4 EPDM VP.	1
7.5	2127602	> O-RING ID.21,35x2 EPDM VP.	1
8	4159686	FILING/PURGING PLUG HELIX EPDM KIT	1
9	4178559	KART.HELIX2-4 O/E SET	1
10	2127580	HOUSING PIPE D.152x460 1.4301 KIT	1
7.3	4176513	> O-RING FOR PUMP JACKET VP.	1
10.1		> HOUSING-PIPE Ø152-M+1608-304	1
11	4179315	CENTERING STAGE HELIX V2 1.4307 VP.	1
12	4178567	SHAFT EQUIPMENT HELIX V2/V4 KIT	1
12.1		> NUT-H-M8-STAINLESS-STEEL A4-70	1
12.2		> SHAFT END WASHER Ø8/Ø12 316L	1
12.3		> STOP COLLAR OF IMPELLER L12,6-Ø12-316L	1
12.4		> STOP-RUSH-1/2-D12xd2-M+316	1
13		HYDRAULIC HELIX V 216 1.4307	1
14	4178621	SHAFT D.12X583 1.4301 VP.	1
15	4174079	PUMP HOUSING HELIX DN32 PN16 1.4301 KIT	1
7.3	4176513	> O-RING FOR PUMP JACKET VP.	1

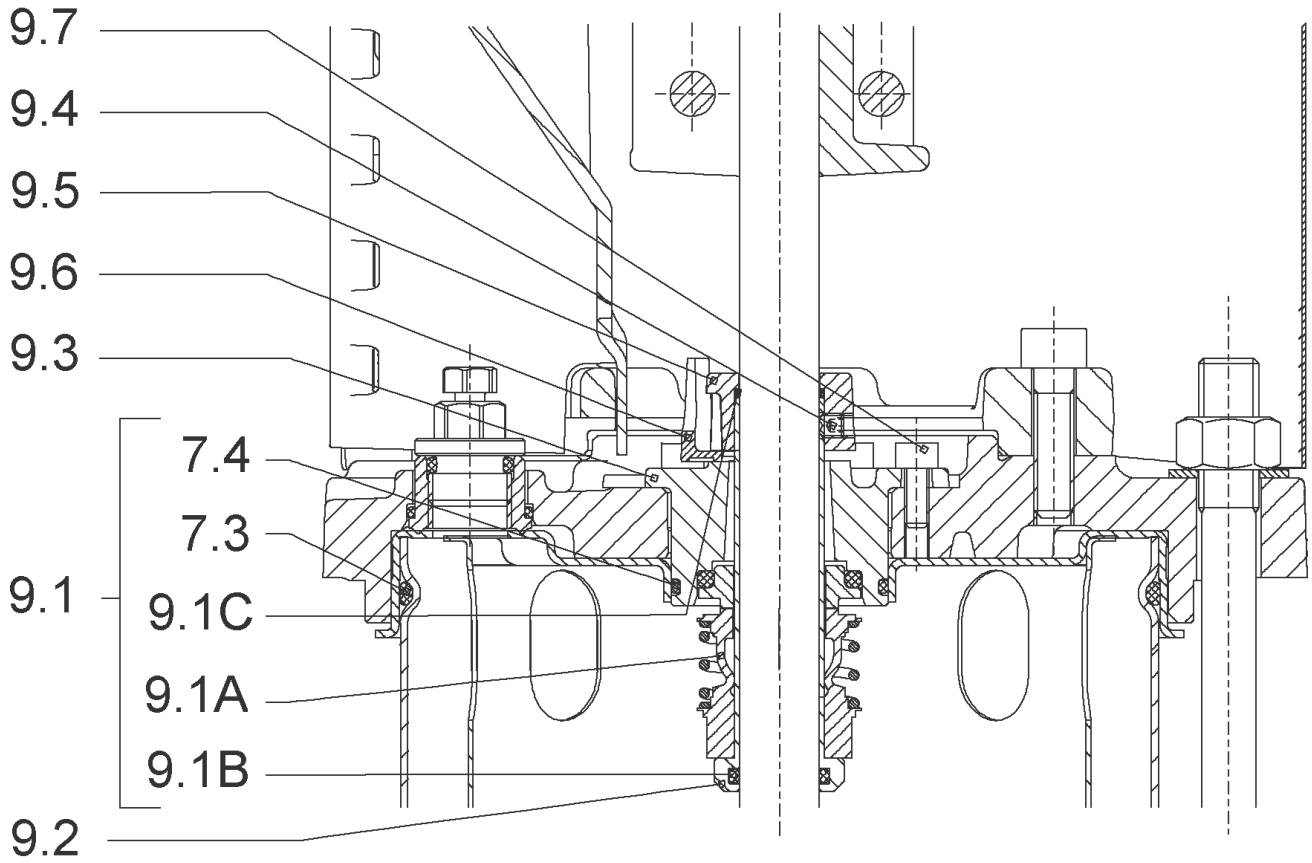
**HELIX V216-1/16/E/KS/400-50 (4161723)**

<b>Item</b>	<b>Article no.</b>	<b>Description</b>	<b>Quantity</b>
15.1		> BLASTING PPE HOUSING V-PN16-DN32-5"-304	1
15.2	4217889	> COUNTER FLANGE-G1"-PN16-GJL KIT	1
15.3	4171321	> PRIMING/DRAIN PLUG EPDM HELIX KIT	1
16	4177964	BASEPLATE HELIX V2/4/6 PN16 VP.	1



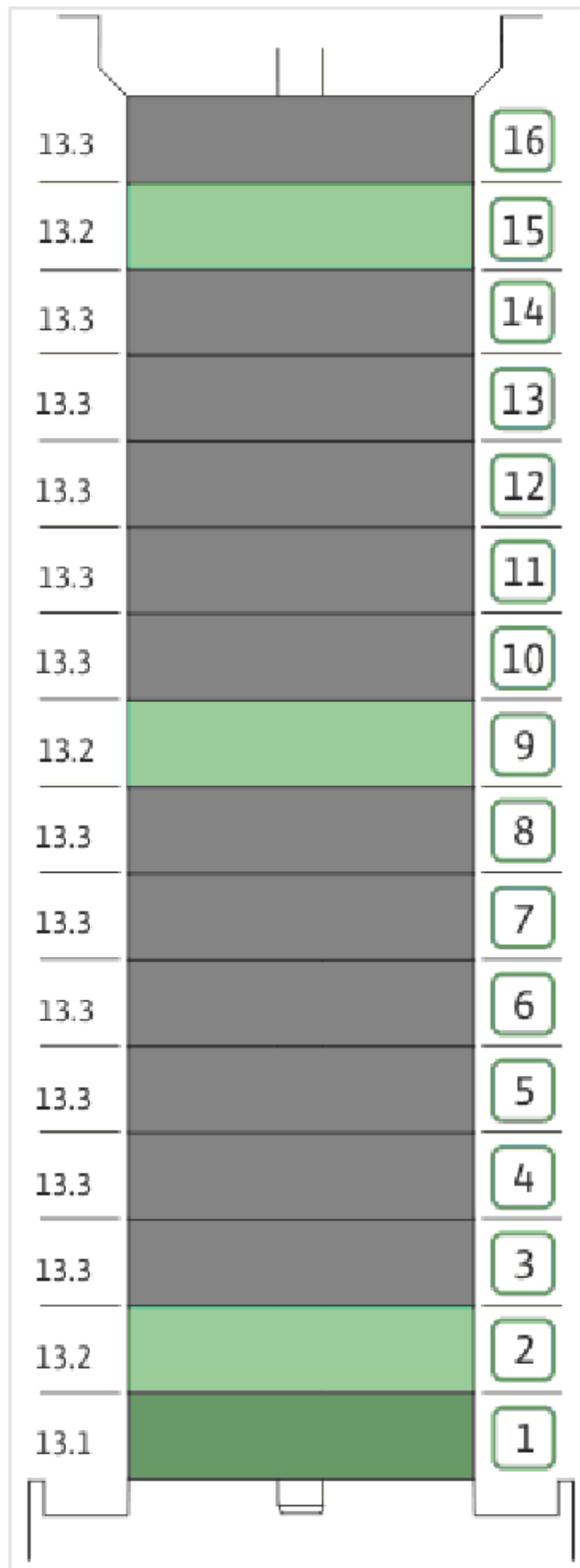
**COUPLING D.12XD.24 FT115 KIT (4178600)**

Item	Article no.	Description	Quantity
4.1		COUPLING-M+ Ø12XØ24-FT115-MACHINED	1
4.2	2131023	BALL BEARING 6207/ZZ-C3(HT)VP.	1
4.3	4234254	CIRCLIP-FOR-SHAFT-D35x1.5 VP.	1
4.4	4157726	SCREW KIT M8X30 (4 PIECES)	1
4.5	4234251	CIRCLIP-D72x2.5 VP.	1
4.6	4234246	O-RING 72X3 VP.	1
		NOMEL CONTACT WASHER 8x16x1,4 STEEL ZC	1



**KART.HELIX2-4 O/E SET (4178559)**

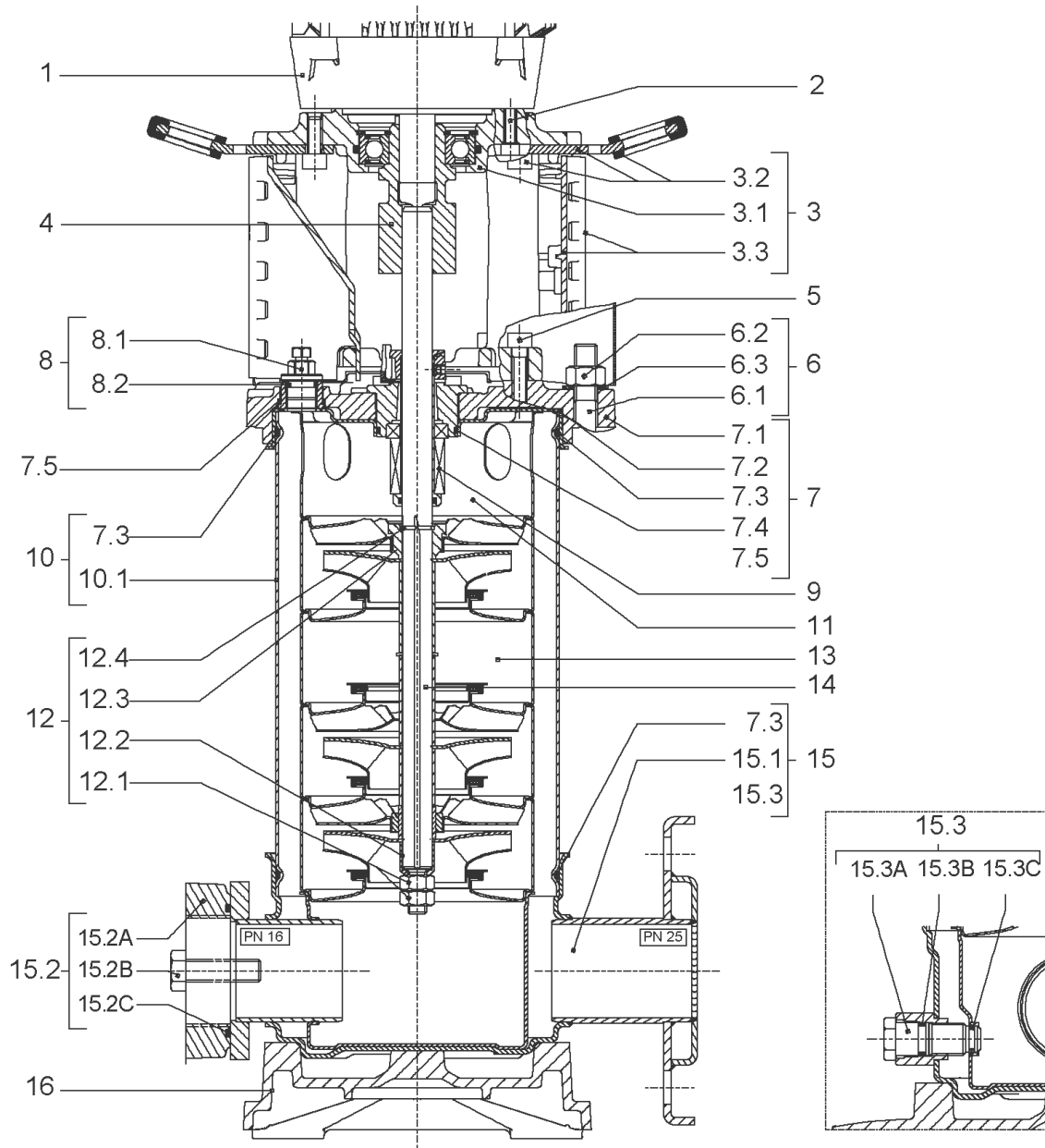
Item	Article no.	Description	Quantity
9.1	4178560	SEAL-KIT-HELIX2-4 O/E	1
7.3	4176513	> O-RING FOR PUMP JACKET VP.	1
7.4	2127603	> O-RING ID.37,6x2,4 EPDM VP.	1
9.1A	2130966	> MECH.SEAL HELIX2-4-6-10-16 O/E VP.	1
9.1B	4178558	> O-RING ID.12X2 EPDM VP.	1
9.1C	4178558	> O-RING ID.12X2 EPDM VP.	1
9.2	4178557	SHAFT SLEEVE Ø12XØ18-PN16 1.4404 VP.	1
9.3	2130962	RING HOLDER D.18 G606/G6 1.4301 VP.	1
9.4	4176520	SCREW CH M5x5 A4-70 ( 3PIECES )	1
9.5	4178556	DRIVE RING D.29/15.5x13,2 MACH.VP.	1
9.6	2130964	TOOL M.S.CART.HELIX VP.	1
9.7	2130965	SCREW CHC M5X12 ISO4762 A2.70(4 PIECES)	1





**HYDRAULIC HELIX V 216 1.4307**

Item	Article no.	Description	Quantity
13.1	4179316	STAGE HELIX 2 1.4301 KIT	1
		> MACH.STG-CASING-WOGV-WNR-M+2-4-304	1
		> IMPELLER-M+2-304	1
13.2	4179317	STAGE BEARING HELIX 2 1.4307 KIT	1
		> MACH.BEARING-STG-CASING-WNR-M+2-304	1
		> IMPELLER-M+2-304	1
		> SHAFT SLEEVE SPACER Ø15,35x10,305-304	1
		> SHAFT-SLEEVE-D12xD16x14-CW	1
13.3	4213786	INTERM. STAGE HELIX 2 >14 ST. 1.4307 KIT	1
		> CORPS-ETG-STD-ACR-AJR-USIN.M+2-304	1
		> IMPELLER-M+2-304	1
		> IMPELLER SPACER Ø12,1x14,1-L24,25-316L	1



**HELIX V216-1/25/E/KS/400-50 (4161724)**

Item	Article no.	Description	Quantity
1	4169942	MO.1,5/2 3~230/400(440)V 50(60)HZ IE3 VP	1
		SPARE PARTS MOTOR:ON REQUEST	1
2	4159703	SCREW M8X40 (4 PIECES)	1
3	4159690	LANTERN FT115 HELIX KIT	1
3.1		> LANTERN FT115 M+6" GJL MACHINING+CATA	1
3.2	2127604	> EYELET CPL.FT HELIX(2 PIECES)	1
3.3	4159692	> COUPLING PROTECTOR FT HELIX KIT	1
4	4178600	COUPLING D.12XD.24 FT115 KIT	1
5	4159707	SCREW M8X30 (4 PIECES)	1
6	2127557	STUD BOLT M12X587 KIT	1
6.1		> TIE BOLT M12-587x18x30-1.4057	1
6.2	2094647	> NUT M12 M12 ISO4032 VP.	1
6.3	2123557	> WASHER CS-12.4-24-1.6-NFE25 (4 PIECES)	1
7	4159685	END SHIELD HELIX EPDM KIT	1
7.1		> END SHIELD M+6" GJL250 MACHINING+CATA	1
7.2	2127607	> STATIONARY RING HOLDER 6" HELIX 1.4301 V	1
7.3	4176513	> O-RING FOR PUMP JACKET VP.	1
7.4	2127603	> O-RING ID.37,6x2,4 EPDM VP.	1
7.5	2127602	> O-RING ID.21,35x2 EPDM VP.	1
8	4159686	FILING/PURGING PLUG HELIX EPDM KIT	1
9	4178597	CARTRIDGE HELIX2-4 F/E KIT	1
10	2127580	HOUSING PIPE D.152x460 1.4301 KIT	1
7.3	4176513	> O-RING FOR PUMP JACKET VP.	1
10.1		> HOUSING-PIPE Ø152-M+1608-304	1
11	4179315	CENTERING STAGE HELIX V2 1.4307 VP.	1
12	4178567	SHAFT EQUIPMENT HELIX V2/V4 KIT	1
12.1		> NUT-H-M8-STAINLESS-STEEL A4-70	1
12.2		> SHAFT END WASHER Ø8/Ø12 316L	1
12.3		> STOP COLLAR OF IMPELLER L12,6-Ø12-316L	1
12.4		> STOP-RUSH-1/2-D12xd2-M+316	1
13		HYDRAULIC HELIX V 216 1.4307	1
14	4178621	SHAFT D.12X583 1.4301 VP.	1
15	4178593	PUMP HOUSING HELIX DN25 PN25 1.4301 KIT	1
7.3	4176513	> O-RING FOR PUMP JACKET VP.	1

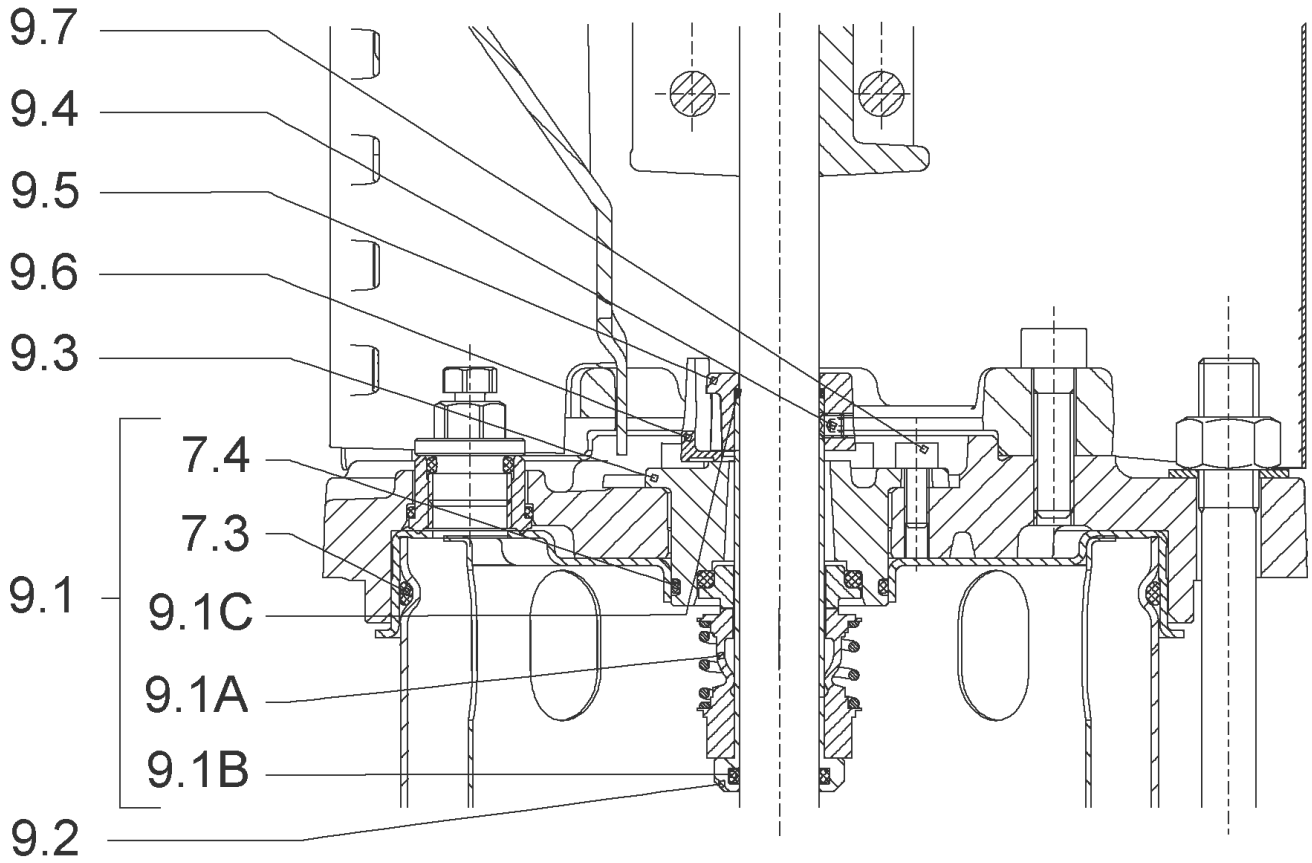
**HELIX V216-1/25/E/KS/400-50 (4161724)**

<b>Item</b>	<b>Article no.</b>	<b>Description</b>	<b>Quantity</b>
15.1		> BLASTING PPE HOUSING V PN25-DN25-5"-304	1
15.3	4171321	> PRIMING/DRAIN PLUG EPDM HELIX KIT	1
16	4177970	BASEPLATE HELIX V2/4/6 PN25 VP.	1



**COUPLING D.12XD.24 FT115 KIT (4178600)**

Item	Article no.	Description	Quantity
4.1		COUPLING-M+ Ø12XØ24-FT115-MACHINED	1
4.2	2131023	BALL BEARING 6207/ZZ-C3(HT)VP.	1
4.3	4234254	CIRCLIP-FOR-SHAFT-D35x1.5 VP.	1
4.4	4157726	SCREW KIT M8X30 (4 PIECES)	1
4.5	4234251	CIRCLIP-D72x2.5 VP.	1
4.6	4234246	O-RING 72X3 VP.	1
		NOMEL CONTACT WASHER 8x16x1,4 STEEL ZC	1



**CARTRIDGE HELIX2-4 F/E KIT (4178597)**

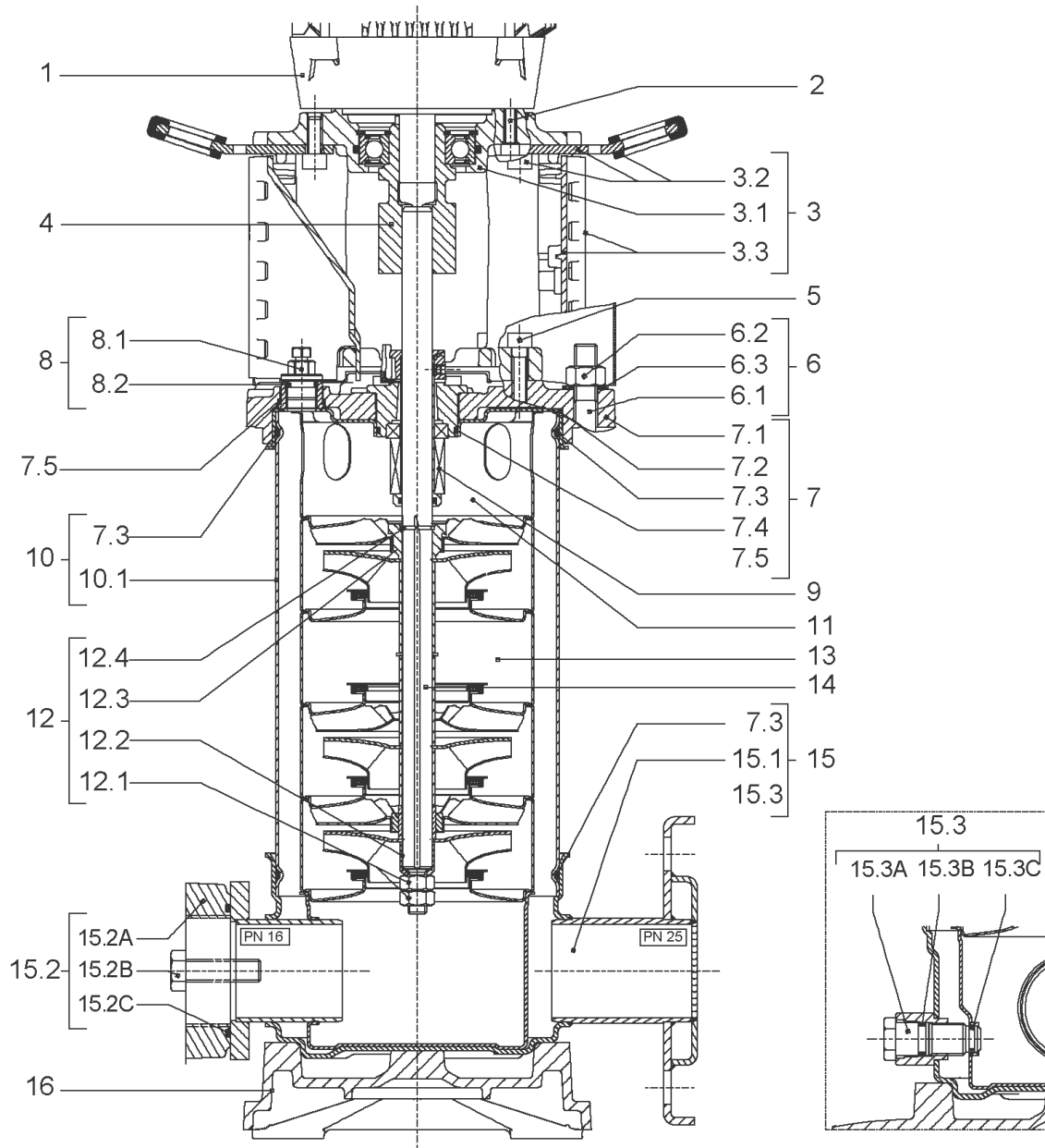
Item	Article no.	Description	Quantity
9.1	4178594	SEAL-KIT-HELIX2-4 F/E	1
7.3	4176513	> O-RING FOR PUMP JACKET VP.	1
7.4	2127603	> O-RING ID.37,6x2,4 EPDM VP.	1
9.1A	4176521	> MECH.SEAL HELIX2-4-6-10-16 F/E VP.	1
9.1B	4178558	> O-RING ID.12X2 EPDM VP.	1
9.1C	4178558	> O-RING ID.12X2 EPDM VP.	1
9.2	4178596	SHAFT SLEEVE D.18/12X72,2 1.4404 VP.	1
9.3	2130962	RING HOLDER D.18 G606/G6 1.4301 VP.	1
9.4	4176520	SCREW CH M5x5 A4-70 ( 3PIECES )	1
9.5	4178595	DRIVE RING D.29/15.5x13,2 MACH.VP.	1
9.6	2130964	TOOL M.S.CART.HELIX VP.	1
9.7	2130965	SCREW CHC M5X12 ISO4762 A2.70(4 PIECES)	1





**HYDRAULIC HELIX V 216 1.4307**

Item	Article no.	Description	Quantity
13.1	4179316	STAGE HELIX 2 1.4301 KIT	1
		> MACH.STG-CASING-WOGV-WNR-M+2-4-304	1
		> IMPELLER-M+2-304	1
13.2	4179317	STAGE BEARING HELIX 2 1.4307 KIT	1
		> MACH.BEARING-STG-CASING-WNR-M+2-304	1
		> IMPELLER-M+2-304	1
		> SHAFT SLEEVE SPACER Ø15,35x10,305-304	1
		> SHAFT-SLEEVE-D12xD16x14-CW	1
13.3	4213786	INTERM. STAGE HELIX 2 >14 ST. 1.4307 KIT	1
		> CORPS-ETG-STD-ACR-AJR-USIN.M+2-304	1
		> IMPELLER-M+2-304	1
		> IMPELLER SPACER Ø12,1X14,1-L24,25-316L	1



**HELIX V218-1/16/E/KS/400-50 (4161725)**

Item	Article no.	Description	Quantity
1	4169942	MO.1,5/2 3~230/400(440)V 50(60)HZ IE3 VP	1
		SPARE PARTS MOTOR:ON REQUEST	1
2	4159703	SCREW M8X40 (4 PIECES)	1
3	4159690	LANTERN FT115 HELIX KIT	1
3.1		> LANTERN FT115 M+6" GJL MACHINING+CATA	1
3.2	2127604	> EYELET CPL.FT HELIX(2 PIECES)	1
3.3	4159692	> COUPLING PROTECTOR FT HELIX KIT	1
4	4178600	COUPLING D.12XD.24 FT115 KIT	1
5	4159707	SCREW M8X30 (4 PIECES)	1
6	4177842	STUD BOLT M12X638KIT	1
6.1		> TIE BOLT M12-638x18x30-1.4057	1
6.2	2094647	> NUT M12 M12 ISO4032 VP.	1
6.3	2123557	> WASHER CS-12.4-24-1.6-NFE25 (4 PIECES)	1
7	4159685	END SHIELD HELIX EPDM KIT	1
7.1		> END SHIELD M+6" GJL250 MACHINING+CATA	1
7.2	2127607	> STATIONARY RING HOLDER 6" HELIX 1.4301 V	1
7.3	4176513	> O-RING FOR PUMP JACKET VP.	1
7.4	2127603	> O-RING ID.37,6x2,4 EPDM VP.	1
7.5	2127602	> O-RING ID.21,35x2 EPDM VP.	1
8	4159686	FILING/PURGING PLUG HELIX EPDM KIT	1
9	4178559	KART.HELIX2-4 O/E SET	1
10	4177843	HOUSING PIPES D.152X510 1.4307 KIT	1
7.3	4176513	> O-RING FOR PUMP JACKET VP.	1
10.1		> HOUSING-PIPE Ø152-M+1012/1609-304	1
11	4179315	CENTERING STAGE HELIX V2 1.4307 VP.	1
12	4178567	SHAFT EQUIPMENT HELIX V2/V4 KIT	1
12.1		> NUT-H-M8-STAINLESS-STEEL A4-70	1
12.2		> SHAFT END WASHER Ø8/Ø12 316L	1
12.3		> STOP COLLAR OF IMPELLER L12,6-Ø12-316L	1
12.4		> STOP-RUSH-1/2-D12xd2-M+316	1
13		HYDRAULIC HELIX V 218 1.4307	1
14	4178623	SHAFT D.12X633 1.4301 VP.	1
15	4174079	PUMP HOUSING HELIX DN32 PN16 1.4301 KIT	1
7.3	4176513	> O-RING FOR PUMP JACKET VP.	1

**HELIX V218-1/16/E/KS/400-50 (4161725)**

<b>Item</b>	<b>Article no.</b>	<b>Description</b>	<b>Quantity</b>
15.1		> BLASTING PPE HOUSING V-PN16-DN32-5"-304	1
15.2	4217889	> COUNTER FLANGE-G1"-PN16-GJL KIT	1
15.3	4171321	> PRIMING/DRAIN PLUG EPDM HELIX KIT	1
16	4177964	BASEPLATE HELIX V2/4/6 PN16 VP.	1



**COUPLING D.12XD.24 FT115 KIT (4178600)**

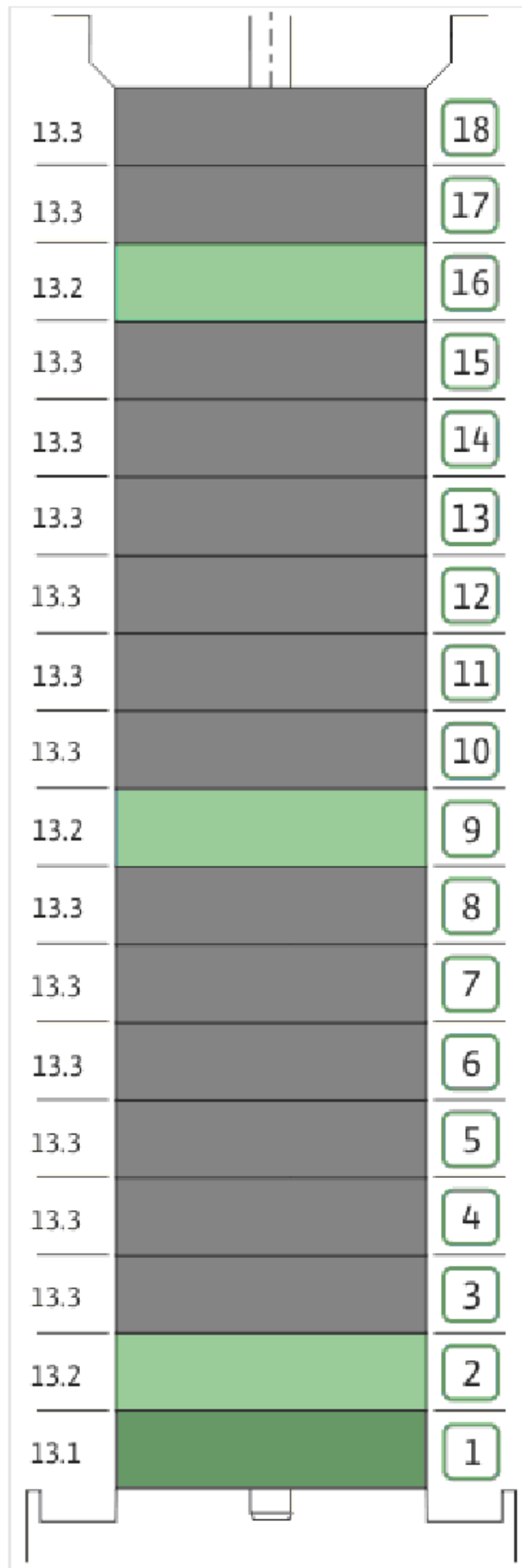
Item	Article no.	Description	Quantity
4.1		COUPLING-M+ Ø12XØ24-FT115-MACHINED	1
4.2	2131023	BALL BEARING 6207/ZZ-C3(HT)VP.	1
4.3	4234254	CIRCLIP-FOR-SHAFT-D35x1.5 VP.	1
4.4	4157726	SCREW KIT M8X30 (4 PIECES)	1
4.5	4234251	CIRCLIP-D72x2.5 VP.	1
4.6	4234246	O-RING 72X3 VP.	1
		NOMEL CONTACT WASHER 8x16x1,4 STEEL ZC	1





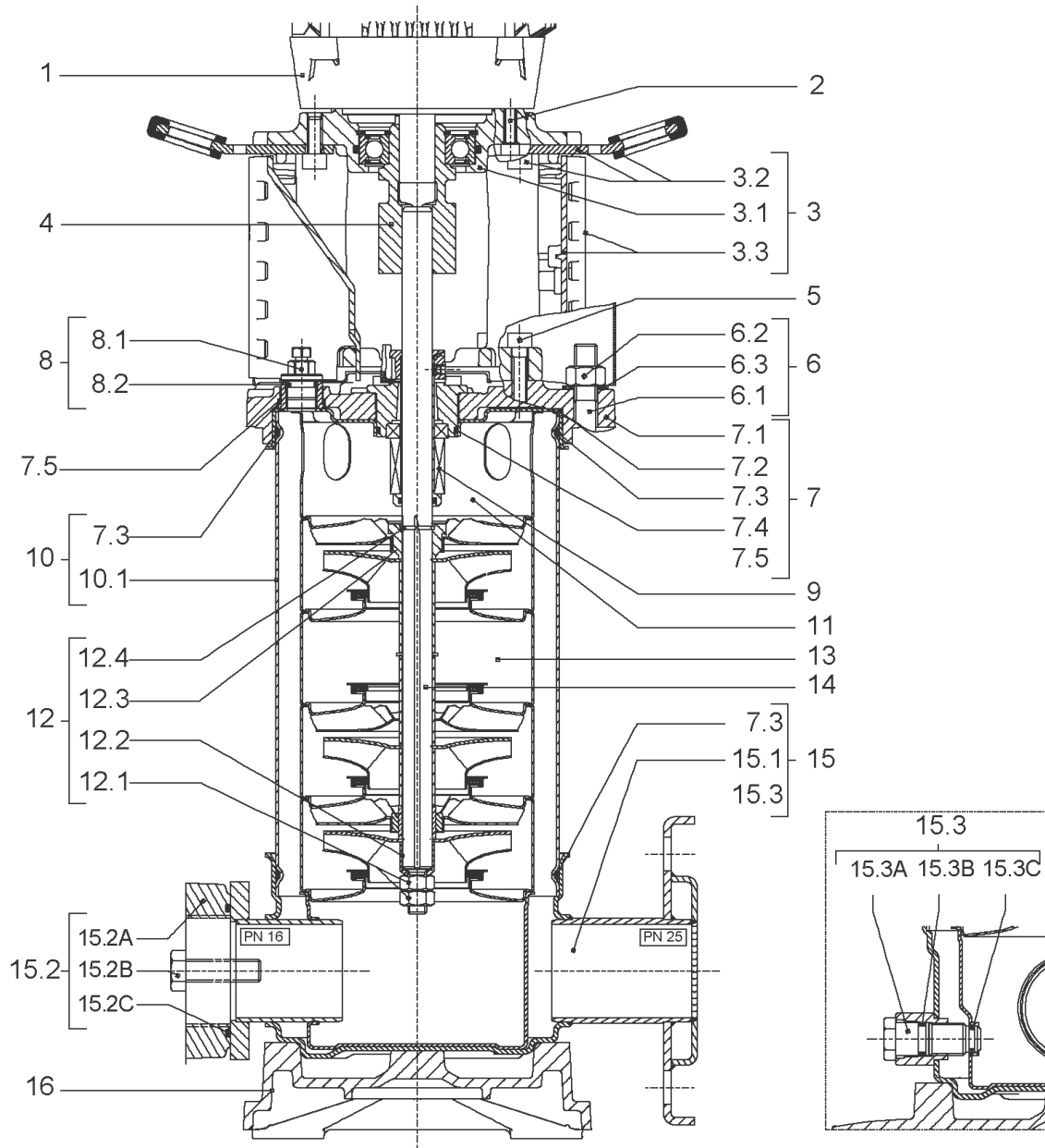
**KART.HELIX2-4 O/E SET (4178559)**

Item	Article no.	Description	Quantity
9.1	4178560	SEAL-KIT-HELIX2-4 O/E	1
7.3	4176513	> O-RING FOR PUMP JACKET VP.	1
7.4	2127603	> O-RING ID.37,6x2,4 EPDM VP.	1
9.1A	2130966	> MECH.SEAL HELIX2-4-6-10-16 O/E VP.	1
9.1B	4178558	> O-RING ID.12X2 EPDM VP.	1
9.1C	4178558	> O-RING ID.12X2 EPDM VP.	1
9.2	4178557	SHAFT SLEEVE Ø12XØ18-PN16 1.4404 VP.	1
9.3	2130962	RING HOLDER D.18 G606/G6 1.4301 VP.	1
9.4	4176520	SCREW CH M5x5 A4-70 ( 3PIECES )	1
9.5	4178556	DRIVE RING D.29/15.5x13,2 MACH.VP.	1
9.6	2130964	TOOL M.S.CART.HELIX VP.	1
9.7	2130965	SCREW CHC M5X12 ISO4762 A2.70(4 PIECES)	1



**HYDRAULIC HELIX V 218 1.4307**

Item	Article no.	Description	Quantity
13.1	4179316	STAGE HELIX 2 1.4301 KIT	1
		> MACH.STG-CASING-WOGV-WNR-M+2-4-304	1
		> IMPELLER-M+2-304	1
13.2	4179317	STAGE BEARING HELIX 2 1.4307 KIT	1
		> MACH.BEARING-STG-CASING-WNR-M+2-304	1
		> IMPELLER-M+2-304	1
		> SHAFT SLEEVE SPACER Ø15,35x10,305-304	1
		> SHAFT-SLEEVE-D12xD16x14-CW	1
13.3	4213786	INTERM. STAGE HELIX 2 >14 ST. 1.4307 KIT	1
		> CORPS-ETG-STD-ACR-AJR-USIN.M+2-304	1
		> IMPELLER-M+2-304	1
		> IMPELLER SPACER Ø12,1x14,1-L24,25-316L	1



**HELIX V218-1/25/E/KS/400-50 (4161726)**

Item	Article no.	Description	Quantity
1	4169942	MO.1,5/2 3~230/400(440)V 50(60)HZ IE3 VP	1
		SPARE PARTS MOTOR:ON REQUEST	1
2	4159703	SCREW M8X40 (4 PIECES)	1
3	4159690	LANTERN FT115 HELIX KIT	1
3.1		> LANTERN FT115 M+6" GJL MACHINING+CATA	1
3.2	2127604	> EYELET CPL.FT HELIX(2 PIECES)	1
3.3	4159692	> COUPLING PROTECTOR FT HELIX KIT	1
4	4178600	COUPLING D.12XD.24 FT115 KIT	1
5	4159707	SCREW M8X30 (4 PIECES)	1
6	4177842	STUD BOLT M12X638KIT	1
6.1		> TIE BOLT M12-638x18x30-1.4057	1
6.2	2094647	> NUT M12 M12 ISO4032 VP.	1
6.3	2123557	> WASHER CS-12.4-24-1.6-NFE25 (4 PIECES)	1
7	4159685	END SHIELD HELIX EPDM KIT	1
7.1		> END SHIELD M+6" GJL250 MACHINING+CATA	1
7.2	2127607	> STATIONARY RING HOLDER 6" HELIX 1.4301 V	1
7.3	4176513	> O-RING FOR PUMP JACKET VP.	1
7.4	2127603	> O-RING ID.37,6x2,4 EPDM VP.	1
7.5	2127602	> O-RING ID.21,35x2 EPDM VP.	1
8	4159686	FILING/PURGING PLUG HELIX EPDM KIT	1
9	4178597	CARTRIDGE HELIX2-4 F/E KIT	1
10	4177843	HOUSING PIPES D.152X510 1.4307 KIT	1
7.3	4176513	> O-RING FOR PUMP JACKET VP.	1
10.1		> HOUSING-PIPE Ø152-M+1012/1609-304	1
11	4179315	CENTERING STAGE HELIX V2 1.4307 VP.	1
12	4178567	SHAFT EQUIPMENT HELIX V2/V4 KIT	1
12.1		> NUT-H-M8-STAINLESS-STEEL A4-70	1
12.2		> SHAFT END WASHER Ø8/Ø12 316L	1
12.3		> STOP COLLAR OF IMPELLER L12,6-Ø12-316L	1
12.4		> STOP-RUSH-1/2-D12xd2-M+316	1
13		HYDRAULIC HELIX V 218 1.4307	1
14	4178623	SHAFT D.12X633 1.4301 VP.	1
15	4178593	PUMP HOUSING HELIX DN25 PN25 1.4301 KIT	1
7.3	4176513	> O-RING FOR PUMP JACKET VP.	1

**HELIX V218-1/25/E/KS/400-50 (4161726)**

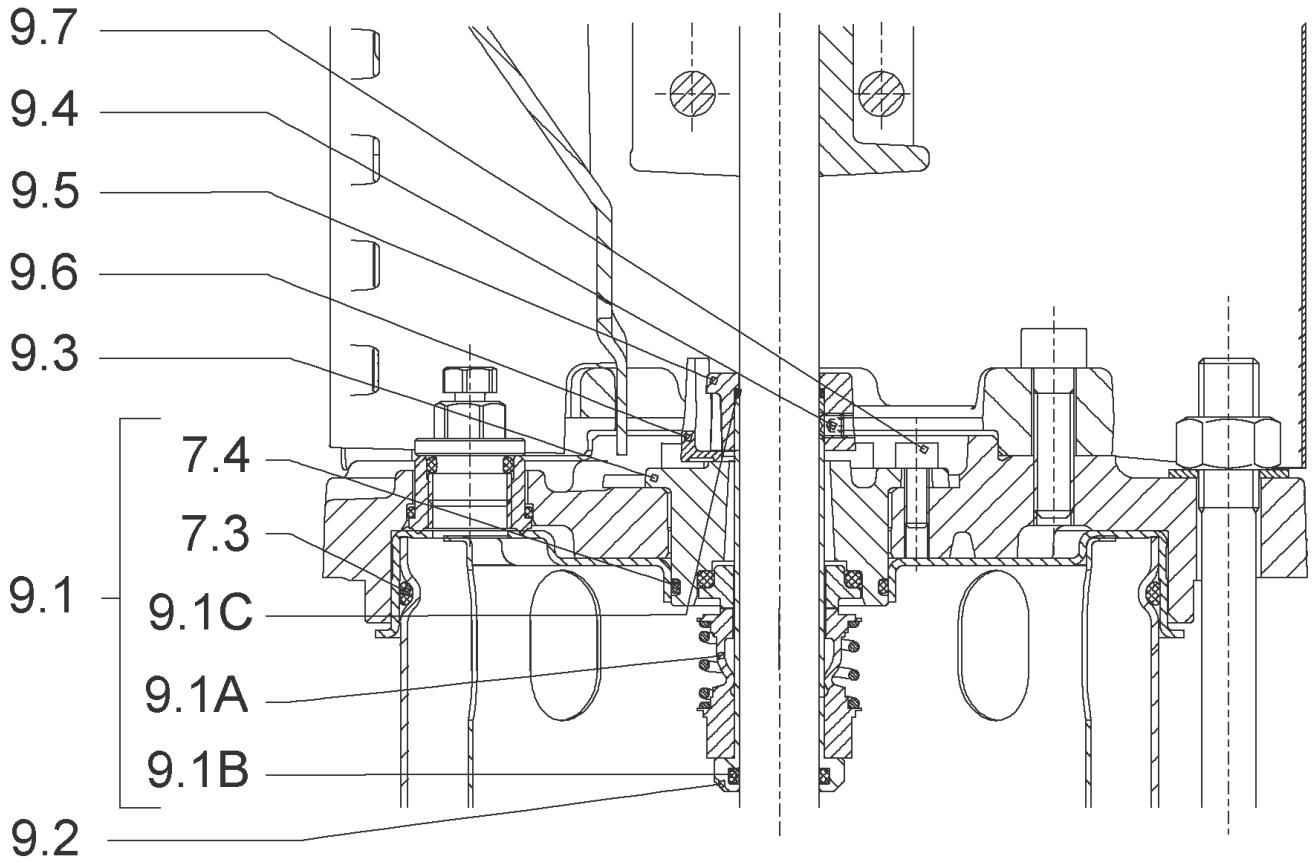
<b>Item</b>	<b>Article no.</b>	<b>Description</b>	<b>Quantity</b>
15.1		> BLASTING PPE HOUSING V PN25-DN25-5"-304	1
15.3	4171321	> PRIMING/DRAIN PLUG EPDM HELIX KIT	1
16	4177970	BASEPLATE HELIX V2/4/6 PN25 VP.	1



**COUPLING D.12XD.24 FT115 KIT (4178600)**

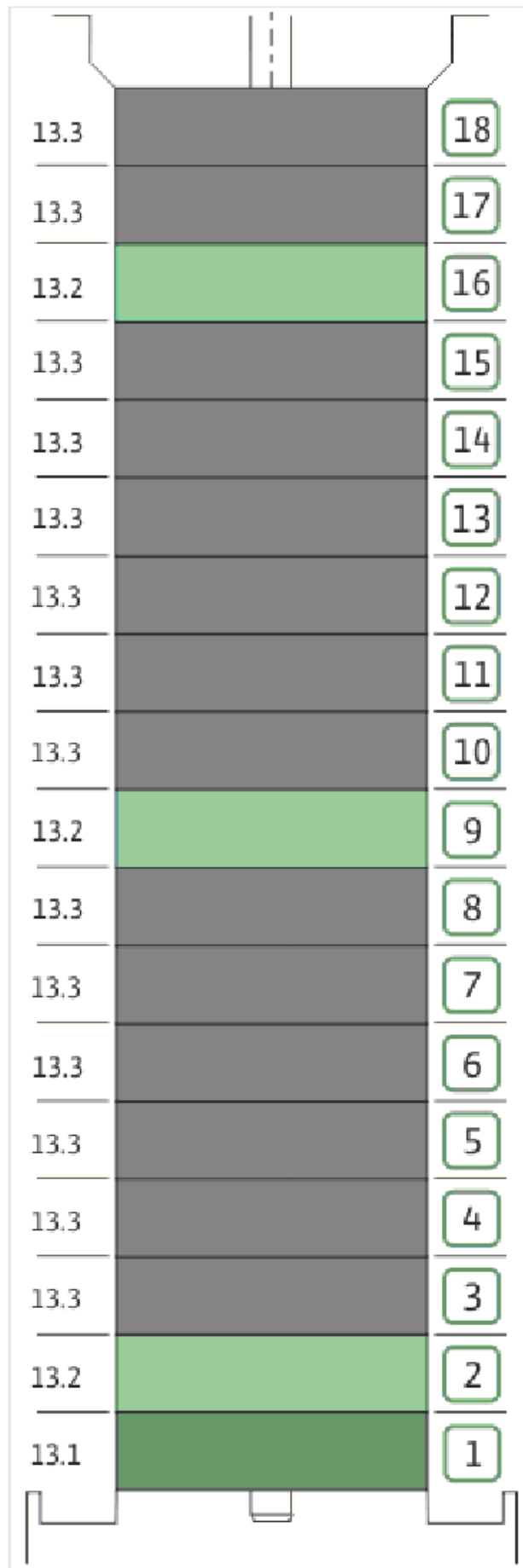
Item	Article no.	Description	Quantity
4.1		COUPLING-M+ Ø12XØ24-FT115-MACHINED	1
4.2	2131023	BALL BEARING 6207/ZZ-C3(HT)VP.	1
4.3	4234254	CIRCLIP-FOR-SHAFT-D35x1.5 VP.	1
4.4	4157726	SCREW KIT M8X30 (4 PIECES)	1
4.5	4234251	CIRCLIP-D72x2.5 VP.	1
4.6	4234246	O-RING 72X3 VP.	1
		NOMEL CONTACT WASHER 8x16x1,4 STEEL ZC	1





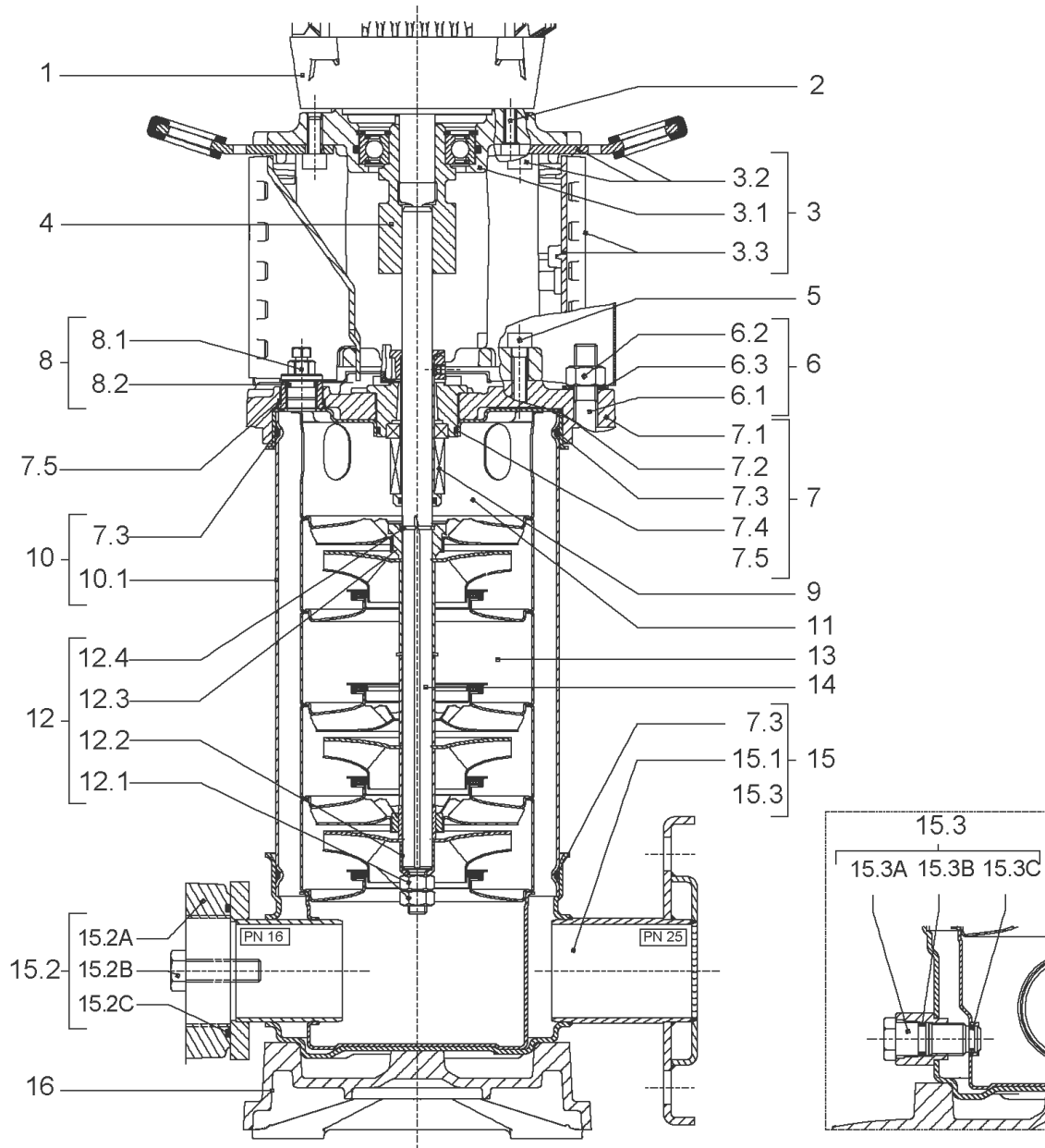
**CARTRIDGE HELIX2-4 F/E KIT (4178597)**

Item	Article no.	Description	Quantity
9.1	4178594	SEAL-KIT-HELIX2-4 F/E	1
7.3	4176513	> O-RING FOR PUMP JACKET VP.	1
7.4	2127603	> O-RING ID.37,6x2,4 EPDM VP.	1
9.1A	4176521	> MECH.SEAL HELIX2-4-6-10-16 F/E VP.	1
9.1B	4178558	> O-RING ID.12X2 EPDM VP.	1
9.1C	4178558	> O-RING ID.12X2 EPDM VP.	1
9.2	4178596	SHAFT SLEEVE D.18/12X72,2 1.4404 VP.	1
9.3	2130962	RING HOLDER D.18 G606/G6 1.4301 VP.	1
9.4	4176520	SCREW CH M5x5 A4-70 ( 3PIECES )	1
9.5	4178595	DRIVE RING D.29/15.5x13,2 MACH.VP.	1
9.6	2130964	TOOL M.S.CART.HELIX VP.	1
9.7	2130965	SCREW CHC M5X12 ISO4762 A2.70(4 PIECES)	1



**HYDRAULIC HELIX V 218 1.4307**

Item	Article no.	Description	Quantity
13.1	4179316	STAGE HELIX 2 1.4301 KIT	1
		> MACH.STG-CASING-WOGV-WNR-M+2-4-304	1
		> IMPELLER-M+2-304	1
13.2	4179317	STAGE BEARING HELIX 2 1.4307 KIT	1
		> MACH.BEARING-STG-CASING-WNR-M+2-304	1
		> IMPELLER-M+2-304	1
		> SHAFT SLEEVE SPACER Ø15,35x10,305-304	1
		> SHAFT-SLEEVE-D12xD16x14-CW	1
13.3	4213786	INTERM. STAGE HELIX 2 >14 ST. 1.4307 KIT	1
		> CORPS-ETG-STD-ACR-AJR-USIN.M+2-304	1
		> IMPELLER-M+2-304	1
		> IMPELLER SPACER Ø12,1x14,1-L24,25-316L	1



**HELIX V220-1/16/E/KS/400-50 (4161727)**

Item	Article no.	Description	Quantity
1	4169943	MOTOR 2,2/2/90 3~230/400V 50HZ IE3 VP.	1
		SPARE PARTS MOTOR:ON REQUEST	1
2	4159703	SCREW M8X40 (4 PIECES)	1
3	4159690	LANTERN FT115 HELIX KIT	1
3.1		> LANTERN FT115 M+6" GJL MACHINING+CATA	1
3.2	2127604	> EYELET CPL.FT HELIX(2 PIECES)	1
3.3	4159692	> COUPLING PROTECTOR FT HELIX KIT	1
4	4178600	COUPLING D.12XD.24 FT115 KIT	1
5	4159707	SCREW M8X30 (4 PIECES)	1
6	4178624	STUD BOLT M12X693 KIT	1
7	4159685	END SHIELD HELIX EPDM KIT	1
7.1		> END SHIELD M+6" GJL250 MACHINING+CATA	1
7.2	2127607	> STATIONARY RING HOLDER 6" HELIX 1.4301 V	1
7.3	4176513	> O-RING FOR PUMP JACKET VP.	1
7.4	2127603	> O-RING ID.37,6x2,4 EPDM VP.	1
7.5	2127602	> O-RING ID.21,35x2 EPDM VP.	1
8	4159686	FILING/PURGING PLUG HELIX EPDM KIT	1
9	4178559	KART.HELIX2-4 O/E SET	1
10	4178627	HOUSING PIPE D.152x560 1.4301 KIT	1
7.3	4176513	> O-RING FOR PUMP JACKET VP.	1
10.1		> HOUSING-PIPE Ø152-M+220/420-304	1
11	4179315	CENTERING STAGE HELIX V2 1.4307 VP.	1
12	4178567	SHAFT EQUIPMENT HELIX V2/V4 KIT	1
12.1		> NUT-H-M8-STAINLESS-STEEL A4-70	1
12.2		> SHAFT END WASHER Ø8/Ø12 316L	1
12.3		> STOP COLLAR OF IMPELLER L12,6-Ø12-316L	1
12.4		> STOP-RUSH-1/2-D12xd2-M+316	1
13		HYDRAULIC HELIX V 220 1.4307	1
14	4179231	SHAFT D.12X683 1.4301 VP.	1
15	4174079	PUMP HOUSING HELIX DN32 PN16 1.4301 KIT	1
7.3	4176513	> O-RING FOR PUMP JACKET VP.	1
15.1		> BLASTING PPE HOUSING V-PN16-DN32-5"-304	1
15.2	4217889	> COUNTER FLANGE-G1"-PN16-GJL KIT	1
15.3	4171321	> PRIMING/DRAIN PLUG EPDM HELIX KIT	1

**HELIX V220-1/16/E/KS/400-50 (4161727)**

<b>Item</b>	<b>Article no.</b>	<b>Description</b>	<b>Quantity</b>
16	4177964	BASEPLATE HELIX V2/4/6 PN16 VP.	1





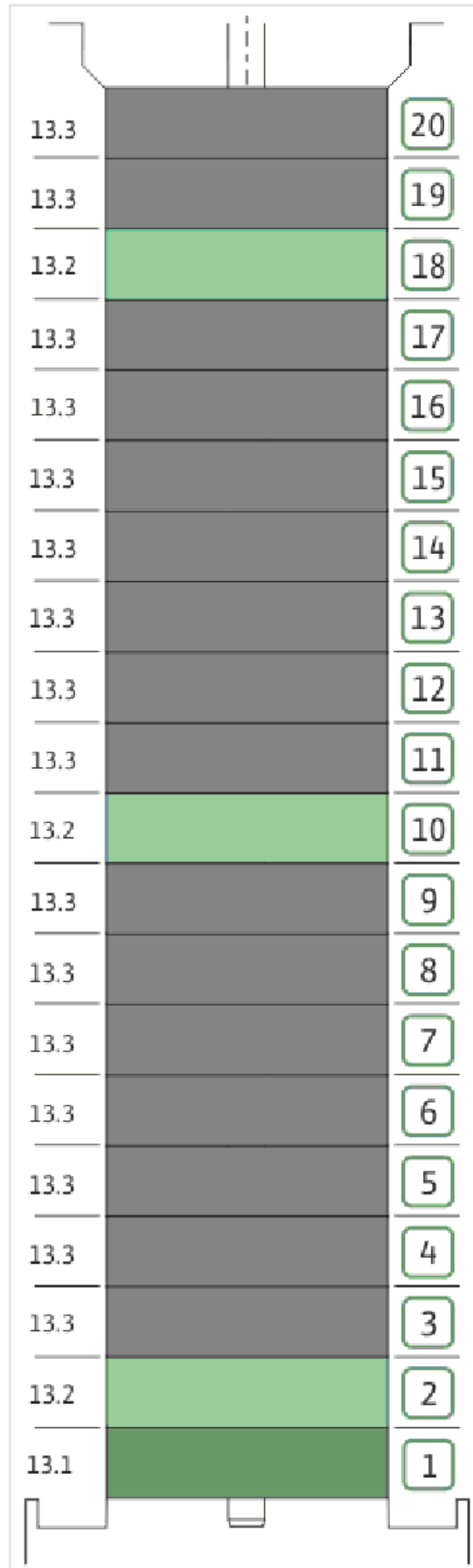
**COUPLING D.12XD.24 FT115 KIT (4178600)**

Item	Article no.	Description	Quantity
4.1		COUPLING-M+ Ø12XØ24-FT115-MACHINED	1
4.2	2131023	BALL BEARING 6207/ZZ-C3(HT)VP.	1
4.3	4234254	CIRCLIP-FOR-SHAFT-D35x1.5 VP.	1
4.4	4157726	SCREW KIT M8X30 (4 PIECES)	1
4.5	4234251	CIRCLIP-D72x2.5 VP.	1
4.6	4234246	O-RING 72X3 VP.	1
		NOMEL CONTACT WASHER 8x16x1,4 STEEL ZC	1



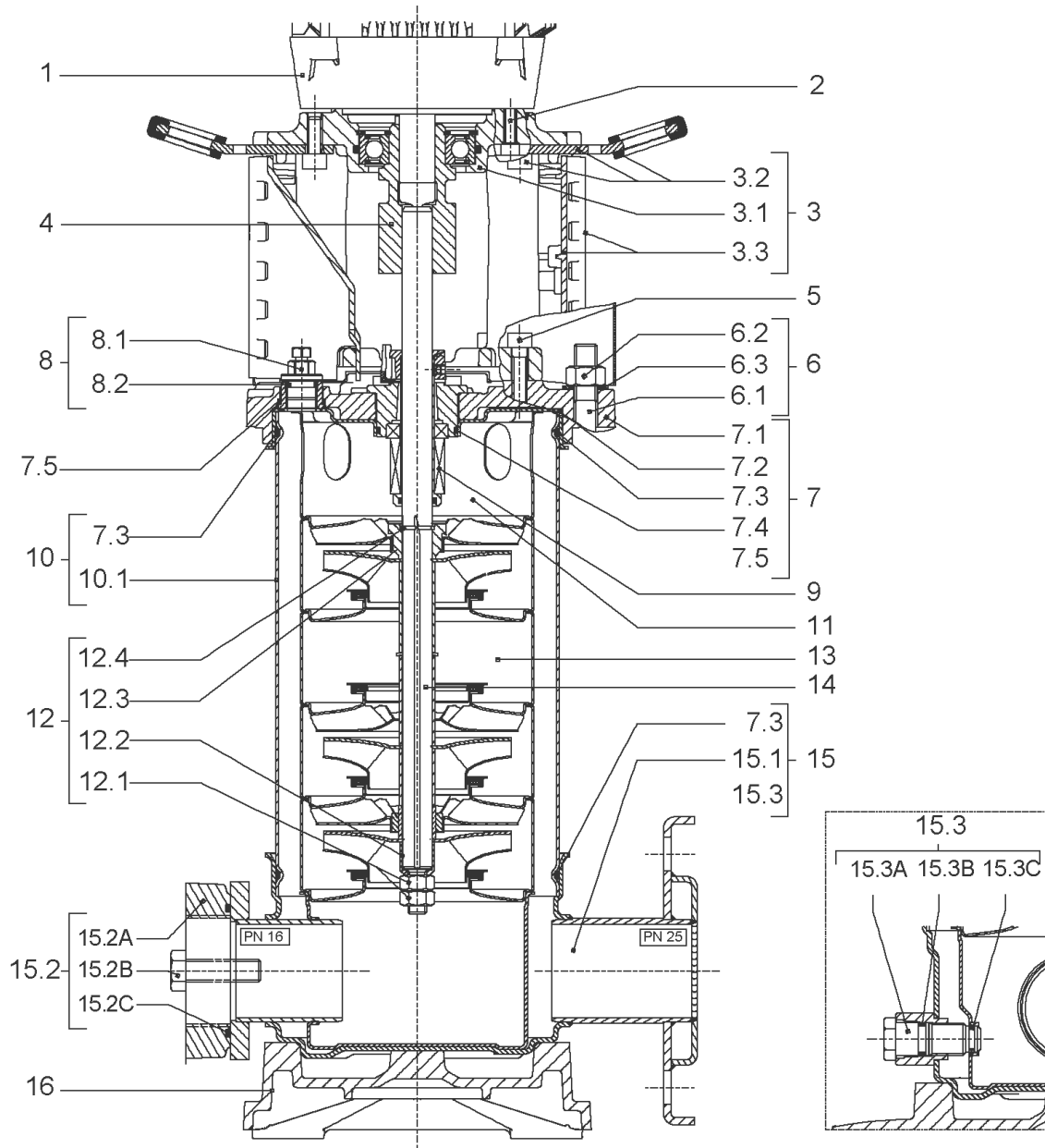
**KART.HELIX2-4 O/E SET (4178559)**

Item	Article no.	Description	Quantity
9.1	4178560	SEAL-KIT-HELIX2-4 O/E	1
7.3	4176513	> O-RING FOR PUMP JACKET VP.	1
7.4	2127603	> O-RING ID.37,6x2,4 EPDM VP.	1
9.1A	2130966	> MECH.SEAL HELIX2-4-6-10-16 O/E VP.	1
9.1B	4178558	> O-RING ID.12X2 EPDM VP.	1
9.1C	4178558	> O-RING ID.12X2 EPDM VP.	1
9.2	4178557	SHAFT SLEEVE Ø12XØ18-PN16 1.4404 VP.	1
9.3	2130962	RING HOLDER D.18 G606/G6 1.4301 VP.	1
9.4	4176520	SCREW CH M5x5 A4-70 ( 3PIECES )	1
9.5	4178556	DRIVE RING D.29/15.5x13,2 MACH.VP.	1
9.6	2130964	TOOL M.S.CART.HELIX VP.	1
9.7	2130965	SCREW CHC M5X12 ISO4762 A2.70(4 PIECES)	1



**HYDRAULIC HELIX V 220 1.4307**

Item	Article no.	Description	Quantity
13.1	4179316	STAGE HELIX 2 1.4301 KIT	1
		> MACH.STG-CASING-WOGV-WNR-M+2-4-304	1
		> IMPELLER-M+2-304	1
13.2	4179317	STAGE BEARING HELIX 2 1.4307 KIT	1
		> MACH.BEARING-STG-CASING-WNR-M+2-304	1
		> IMPELLER-M+2-304	1
		> SHAFT SLEEVE SPACER Ø15,35x10,305-304	1
		> SHAFT-SLEEVE-D12xD16x14-CW	1
13.3	4213786	INTERM. STAGE HELIX 2 >14 ST. 1.4307 KIT	1
		> CORPS-ETG-STD-ACR-AJR-USIN.M+2-304	1
		> IMPELLER-M+2-304	1
		> IMPELLER SPACER Ø12,1x14,1-L24,25-316L	1



**HELIX V220-1/25/E/KS/400-50 (4161728)**

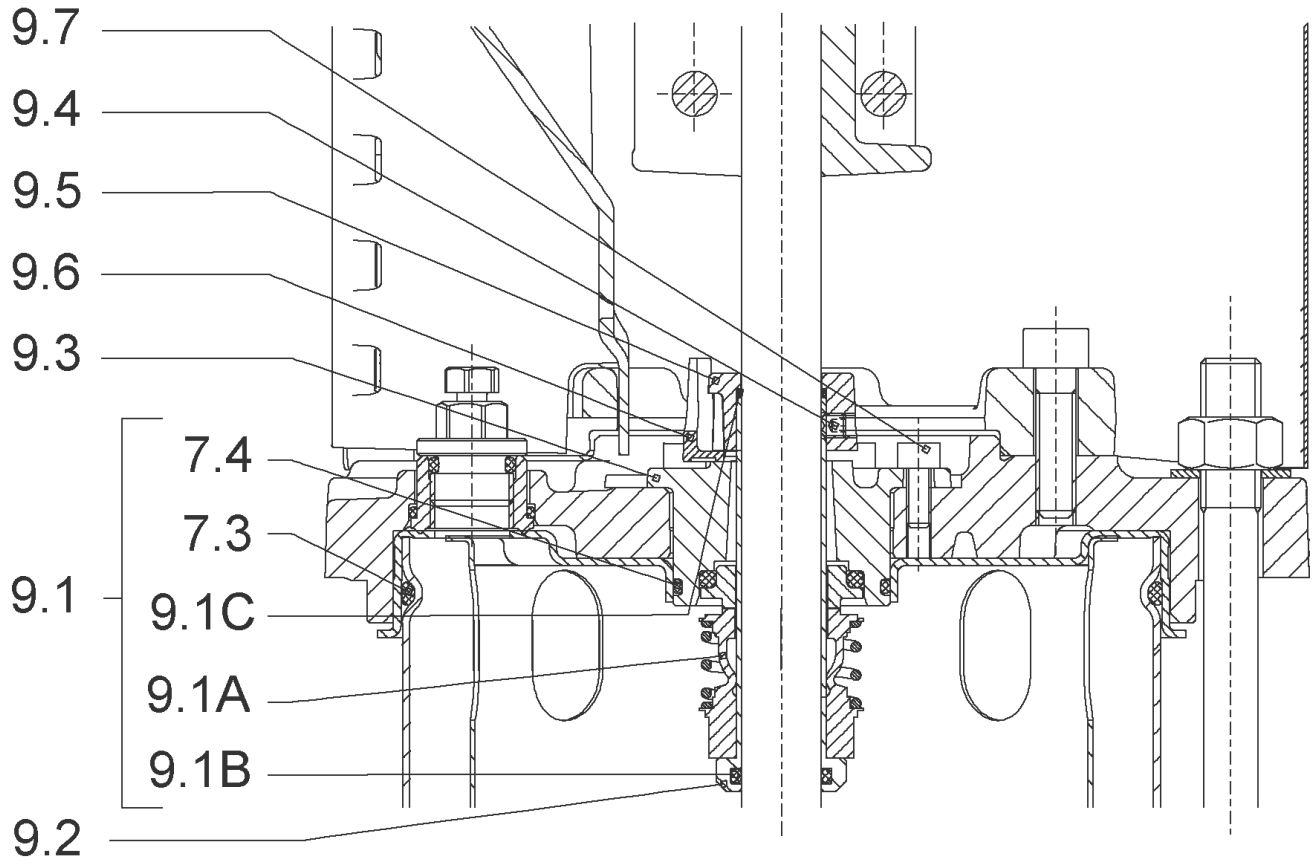
Item	Article no.	Description	Quantity
1	4169943	MOTOR 2,2/2/90 3~230/400V 50HZ IE3 VP.	1
		SPARE PARTS MOTOR:ON REQUEST	1
2	4159703	SCREW M8X40 (4 PIECES)	1
3	4159690	LANTERN FT115 HELIX KIT	1
3.1		> LANTERN FT115 M+6" GJL MACHINING+CATA	1
3.2	2127604	> EYELET CPL.FT HELIX(2 PIECES)	1
3.3	4159692	> COUPLING PROTECTOR FT HELIX KIT	1
4	4178600	COUPLING D.12XD.24 FT115 KIT	1
5	4159707	SCREW M8X30 (4 PIECES)	1
6	4178624	STUD BOLT M12X693 KIT	1
7	4159685	END SHIELD HELIX EPDM KIT	1
7.1		> END SHIELD M+6" GJL250 MACHINING+CATA	1
7.2	2127607	> STATIONARY RING HOLDER 6" HELIX 1.4301 V	1
7.3	4176513	> O-RING FOR PUMP JACKET VP.	1
7.4	2127603	> O-RING ID.37,6x2,4 EPDM VP.	1
7.5	2127602	> O-RING ID.21,35x2 EPDM VP.	1
8	4159686	FILING/PURGING PLUG HELIX EPDM KIT	1
9	4178597	CARTRIDGE HELIX2-4 F/E KIT	1
10	4178627	HOUSING PIPE D.152x560 1.4301 KIT	1
7.3	4176513	> O-RING FOR PUMP JACKET VP.	1
10.1		> HOUSING-PIPE Ø152-M+220/420-304	1
11	4179315	CENTERING STAGE HELIX V2 1.4307 VP.	1
12	4178567	SHAFT EQUIPMENT HELIX V2/V4 KIT	1
12.1		> NUT-H-M8-STAINLESS-STEEL A4-70	1
12.2		> SHAFT END WASHER Ø8/Ø12 316L	1
12.3		> STOP COLLAR OF IMPELLER L12,6-Ø12-316L	1
12.4		> STOP-RUSH-1/2-D12xd2-M+316	1
13		HYDRAULIC HELIX V 220 1.4307	1
14	4179231	SHAFT D.12X683 1.4301 VP.	1
15	4178593	PUMP HOUSING HELIX DN25 PN25 1.4301 KIT	1
7.3	4176513	> O-RING FOR PUMP JACKET VP.	1
15.1		> BLASTING PPE HOUSING V PN25-DN25-5"-304	1
15.3	4171321	> PRIMING/DRAIN PLUG EPDM HELIX KIT	1
16	4177970	BASEPLATE HELIX V2/4/6 PN25 VP.	1





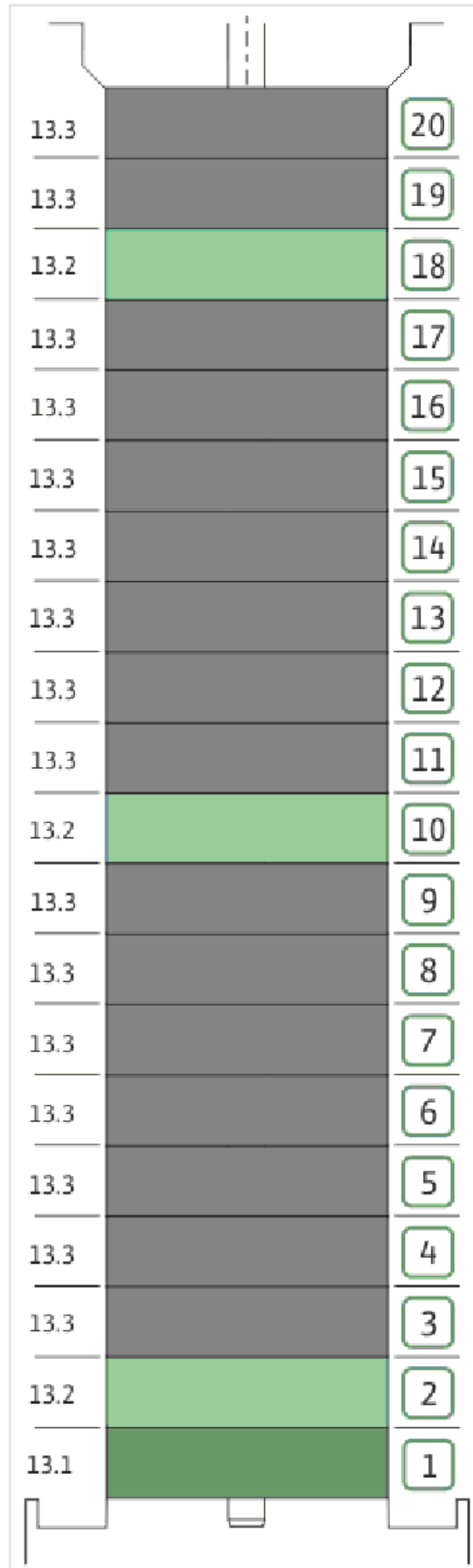
**COUPLING D.12XD.24 FT115 KIT (4178600)**

<b>Item</b>	<b>Article no.</b>	<b>Description</b>	<b>Quantity</b>
4.1		COUPLING-M+ Ø12XØ24-FT115-MACHINED	1
4.2	2131023	BALL BEARING 6207/ZZ-C3(HT)VP.	1
4.3	4234254	CIRCLIP-FOR-SHAFT-D35x1.5 VP.	1
4.4	4157726	SCREW KIT M8X30 (4 PIECES)	1
4.5	4234251	CIRCLIP-D72x2.5 VP.	1
4.6	4234246	O-RING 72X3 VP.	1
		NOMEL CONTACT WASHER 8x16x1,4 STEEL ZC	1



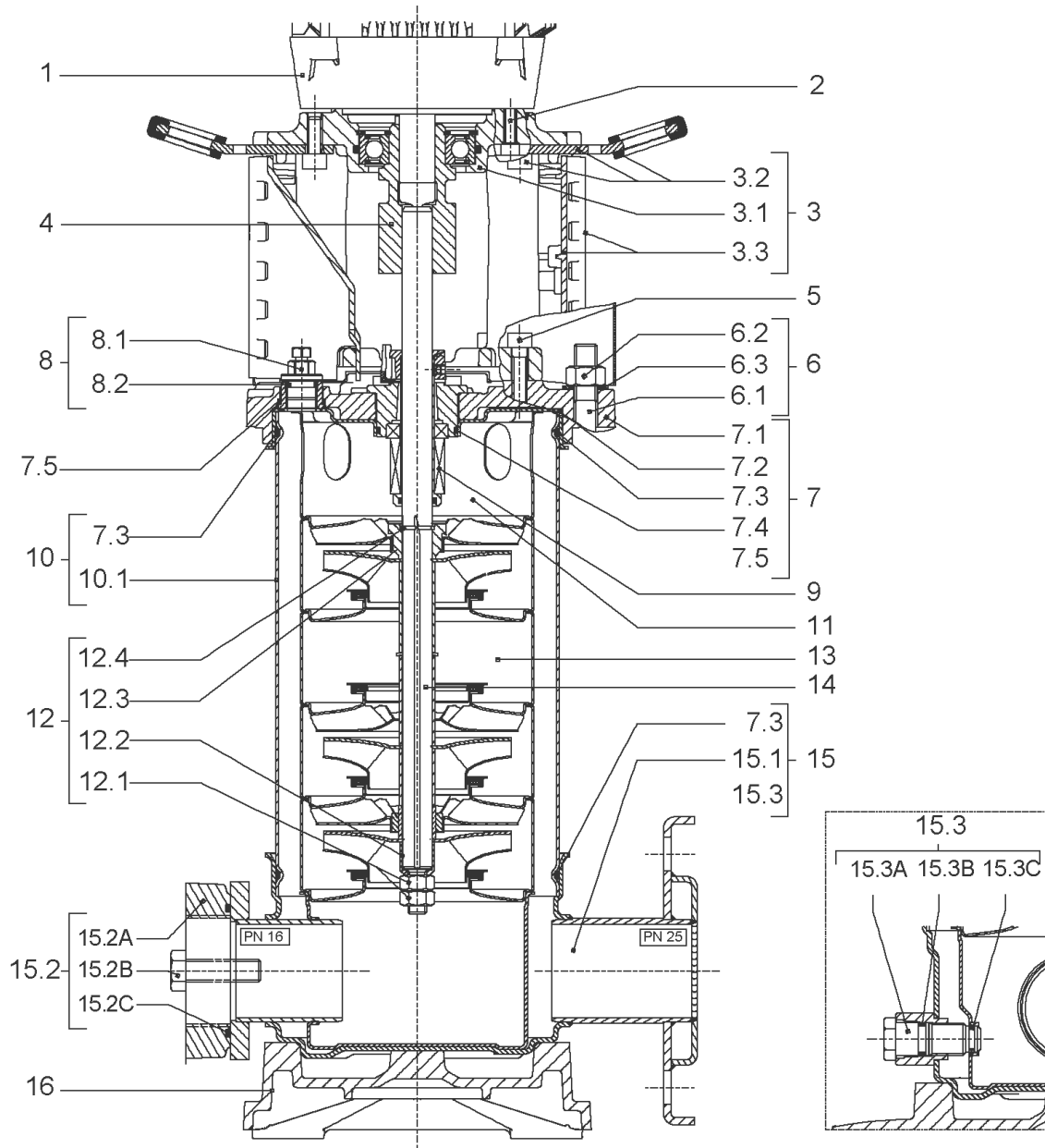
**CARTRIDGE HELIX2-4 F/E KIT (4178597)**

Item	Article no.	Description	Quantity
9.1	4178594	SEAL-KIT-HELIX2-4 F/E	1
7.3	4176513	> O-RING FOR PUMP JACKET VP.	1
7.4	2127603	> O-RING ID.37,6x2,4 EPDM VP.	1
9.1A	4176521	> MECH.SEAL HELIX2-4-6-10-16 F/E VP.	1
9.1B	4178558	> O-RING ID.12X2 EPDM VP.	1
9.1C	4178558	> O-RING ID.12X2 EPDM VP.	1
9.2	4178596	SHAFT SLEEVE D.18/12X72,2 1.4404 VP.	1
9.3	2130962	RING HOLDER D.18 G606/G6 1.4301 VP.	1
9.4	4176520	SCREW CH M5x5 A4-70 ( 3PIECES )	1
9.5	4178595	DRIVE RING D.29/15.5x13,2 MACH.VP.	1
9.6	2130964	TOOL M.S.CART.HELIX VP.	1
9.7	2130965	SCREW CHC M5X12 ISO4762 A2.70(4 PIECES)	1



**HYDRAULIC HELIX V 220 1.4307**

Item	Article no.	Description	Quantity
13.1	4179316	STAGE HELIX 2 1.4301 KIT	1
		> MACH.STG-CASING-WOGV-WNR-M+2-4-304	1
		> IMPELLER-M+2-304	1
13.2	4179317	STAGE BEARING HELIX 2 1.4307 KIT	1
		> MACH.BEARING-STG-CASING-WNR-M+2-304	1
		> IMPELLER-M+2-304	1
		> SHAFT SLEEVE SPACER Ø15,35x10,305-304	1
		> SHAFT-SLEEVE-D12xD16x14-CW	1
13.3	4213786	INTERM. STAGE HELIX 2 >14 ST. 1.4307 KIT	1
		> CORPS-ETG-STD-ACR-AJR-USIN.M+2-304	1
		> IMPELLER-M+2-304	1
		> IMPELLER SPACER Ø12,1x14,1-L24,25-316L	1



**HELIX V222-1/25/E/KS/400-50 (4161729)**

Item	Article no.	Description	Quantity
1	4169943	MOTOR 2,2/2/90 3~230/400V 50HZ IE3 VP.	1
		SPARE PARTS MOTOR:ON REQUEST	1
2	4159703	SCREW M8X40 (4 PIECES)	1
3	4159690	LANTERN FT115 HELIX KIT	1
3.1		> LANTERN FT115 M+6" GJL MACHINING+CATA	1
3.2	2127604	> EYELET CPL.FT HELIX(2 PIECES)	1
3.3	4159692	> COUPLING PROTECTOR FT HELIX KIT	1
4	4178600	COUPLING D.12XD.24 FT115 KIT	1
5	4159707	SCREW M8X30 (4 PIECES)	1
6	4177852	STUD BOLT M12X788KIT	1
6.1		> TIE BOLT M12-788x18x30-1.4057	1
6.2	2094647	> NUT M12 M12 ISO4032 VP.	1
6.3	2123557	> WASHER CS-12.4-24-1.6-NFE25 (4 PIECES)	1
7	4159685	END SHIELD HELIX EPDM KIT	1
7.1		> END SHIELD M+6" GJL250 MACHINING+CATA	1
7.2	2127607	> STATIONARY RING HOLDER 6" HELIX 1.4301 V	1
7.3	4176513	> O-RING FOR PUMP JACKET VP.	1
7.4	2127603	> O-RING ID.37,6x2,4 EPDM VP.	1
7.5	2127602	> O-RING ID.21,35x2 EPDM VP.	1
8	4159686	FILING/PURGING PLUG HELIX EPDM KIT	1
9	4178597	CARTRIDGE HELIX2-4 F/E KIT	1
10	4177853	HOUSING PIPES D.152X660 1.4307 KIT	1
7.3	4176513	> O-RING FOR PUMP JACKET VP.	1
10.1		> HOUSING-PIPE Ø152-M+1016/1610-304	1
11	4179315	CENTERING STAGE HELIX V2 1.4307 VP.	1
12	4178567	SHAFT EQUIPMENT HELIX V2/V4 KIT	1
12.1		> NUT-H-M8-STAINLESS-STEEL A4-70	1
12.2		> SHAFT END WASHER Ø8/Ø12 316L	1
12.3		> STOP COLLAR OF IMPELLER L12,6-Ø12-316L	1
12.4		> STOP-RUSH-1/2-D12xd2-M+316	1
13		HYDRAULIC HELIX V 222 1.4307	1
14	4179234	SHAFT D.12X783,8 1.4301 VP.	1
15	4178593	PUMP HOUSING HELIX DN25 PN25 1.4301 KIT	1
7.3	4176513	> O-RING FOR PUMP JACKET VP.	1

**HELIX V222-1/25/E/KS/400-50 (4161729)**

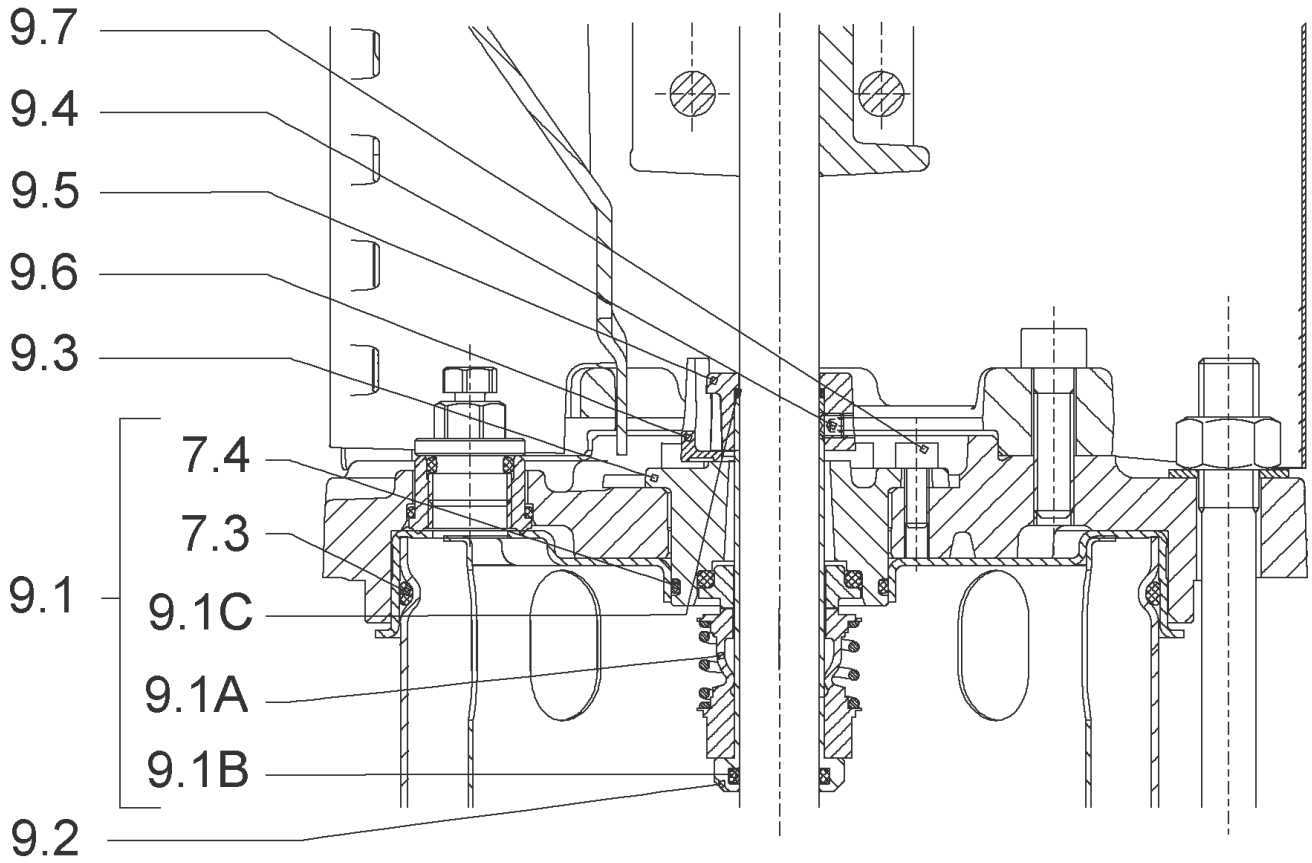
<b>Item</b>	<b>Article no.</b>	<b>Description</b>	<b>Quantity</b>
15.1		> BLASTING PPE HOUSING V PN25-DN25-5"-304	1
15.3	4171321	> PRIMING/DRAIN PLUG EPDM HELIX KIT	1
16	4177970	BASEPLATE HELIX V2/4/6 PN25 VP.	1





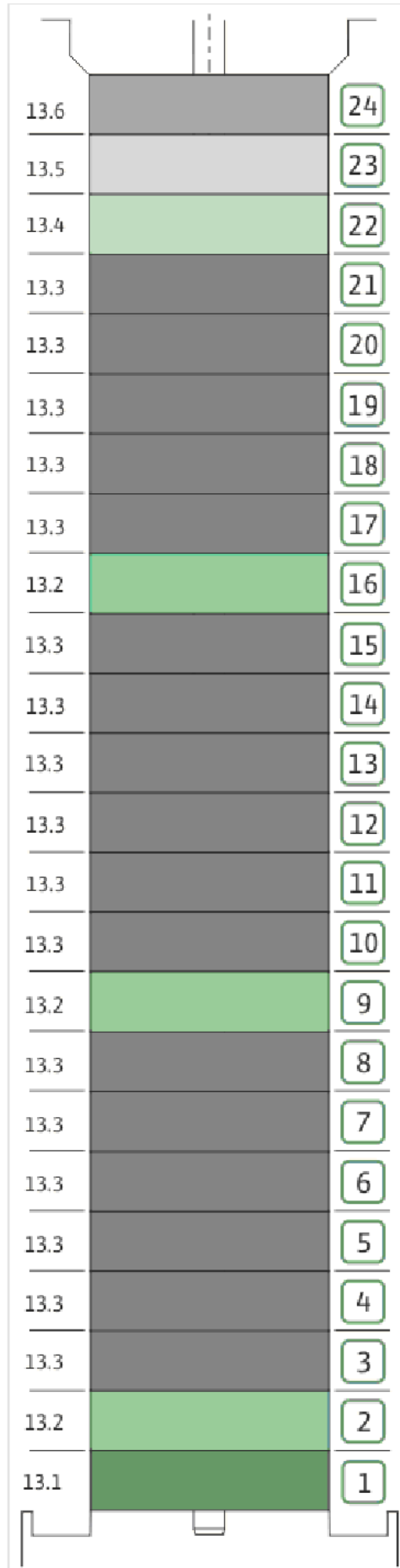
**COUPLING D.12XD.24 FT115 KIT (4178600)**

Item	Article no.	Description	Quantity
4.1		COUPLING-M+ Ø12XØ24-FT115-MACHINED	1
4.2	2131023	BALL BEARING 6207/ZZ-C3(HT)VP.	1
4.3	4234254	CIRCLIP-FOR-SHAFT-D35x1.5 VP.	1
4.4	4157726	SCREW KIT M8X30 (4 PIECES)	1
4.5	4234251	CIRCLIP-D72x2.5 VP.	1
4.6	4234246	O-RING 72X3 VP.	1
		NOMEL CONTACT WASHER 8x16x1,4 STEEL ZC	1

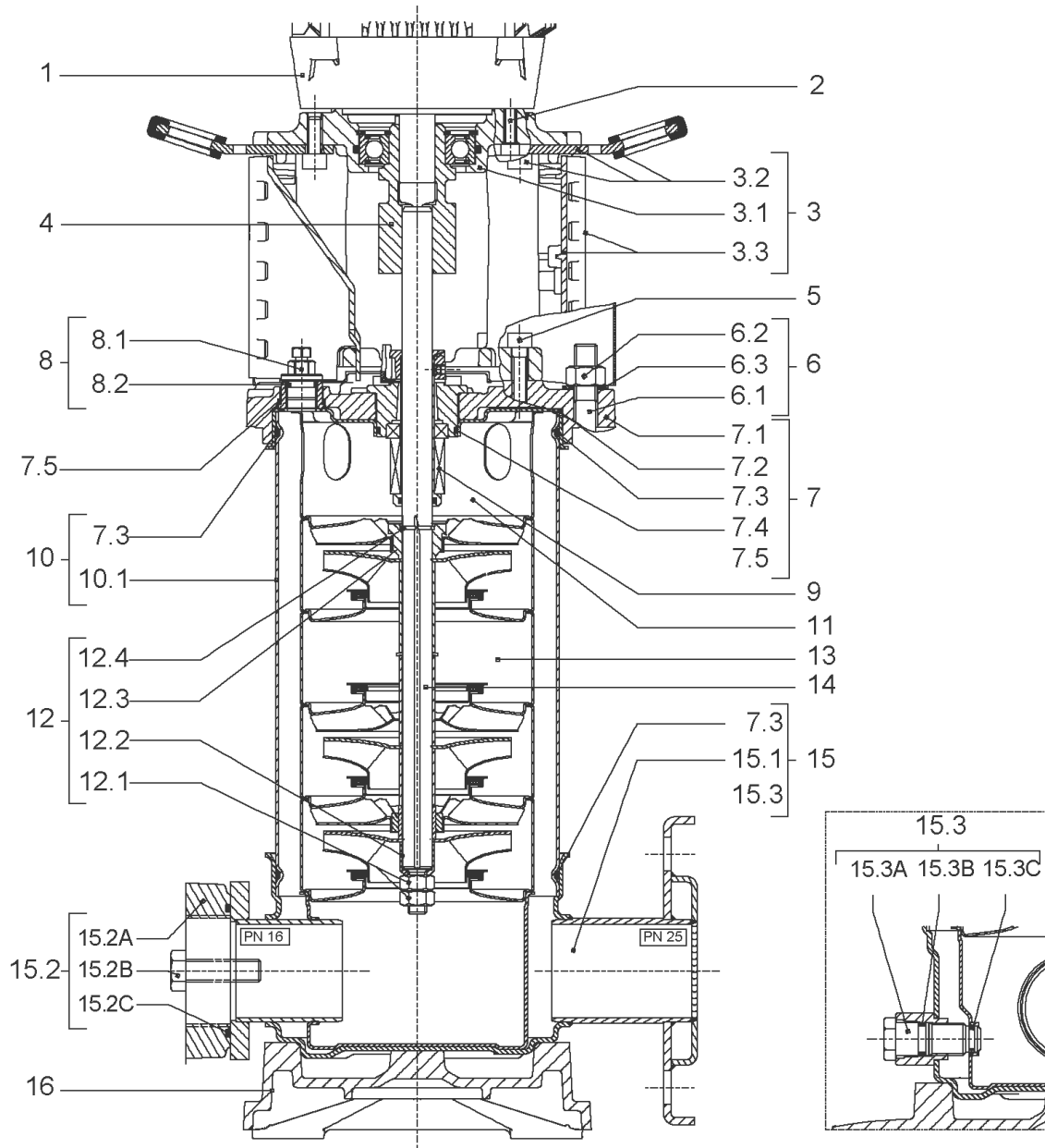


**CARTRIDGE HELIX2-4 F/E KIT (4178597)**

Item	Article no.	Description	Quantity
9.1	4178594	SEAL-KIT-HELIX2-4 F/E	1
7.3	4176513	> O-RING FOR PUMP JACKET VP.	1
7.4	2127603	> O-RING ID.37,6x2,4 EPDM VP.	1
9.1A	4176521	> MECH.SEAL HELIX2-4-6-10-16 F/E VP.	1
9.1B	4178558	> O-RING ID.12X2 EPDM VP.	1
9.1C	4178558	> O-RING ID.12X2 EPDM VP.	1
9.2	4178596	SHAFT SLEEVE D.18/12X72,2 1.4404 VP.	1
9.3	2130962	RING HOLDER D.18 G606/G6 1.4301 VP.	1
9.4	4176520	SCREW CH M5x5 A4-70 ( 3PIECES )	1
9.5	4178595	DRIVE RING D.29/15.5x13,2 MACH.VP.	1
9.6	2130964	TOOL M.S.CART.HELIX VP.	1
9.7	2130965	SCREW CHC M5X12 ISO4762 A2.70(4 PIECES)	1



Item	Article no.	Description	Quantity
13.1	4179316	STAGE HELIX 2 1.4301 KIT	1
		> MACH.STG-CASING-WOGV-WNR-M+2-4-304	1
		> IMPELLER-M+2-304	1
13.2	4179317	STAGE BEARING HELIX 2 1.4307 KIT	1
		> MACH.BEARING-STG-CASING-WNR-M+2-304	1
		> IMPELLER-M+2-304	1
		> SHAFT SLEEVE SPACER Ø15,35x10,305-304	1
		> SHAFT-SLEEVE-D12xD16x14-CW	1
13.3	4213786	INTERM. STAGE HELIX 2 >14 ST. 1.4307 KIT	1
		> CORPS-ETG-STD-ACR-AJR-USIN.M+2-304	1
		> IMPELLER-M+2-304	1
		> IMPELLER SPACER Ø12,1X14,1-L24,25-316L	1
13.4	4179553	EMPTY STAGE BEARING HELIX 2 1.4301 KIT	1
		> MACH.BEARING-STG-CASING-WNR-M+2-304	1
		> FLAT WASHER-D12.1XD16X0.8-316L	1
		> SHAFT SLEEVE SPACER Ø15,35x10,305-304	1
		> SHAFT-SLEEVE-D12xD16x14-CW	1
13.5	4179523	EMPTY STAGE HELIX 2 1.4301 KIT	1
		> MACH.STG-CASING-WOGV-WNR-M+2-4-304	1
		> FLAT WASHER-D12.1XD16X0.8-316L	1
		> IMPELLER SPACER Ø12,05X14,85-L24,285-304	1
13.6	4220512	INTERMED STAGE>15 HELIX 2 1.4301 KIT	1
		> MACH.STG-CASING-WOGV-WNR-M+2-4-304	1
		> IMPELLER-M+2-304	1
		> IMPELLER SPACER Ø12,1X14,1-L24,25-316L	1



**HELIX V224-1/25/E/KS/400-50 (4161730)**

Item	Article no.	Description	Quantity
1	4169943	MOTOR 2,2/2/90 3~230/400V 50HZ IE3 VP.	1
		SPARE PARTS MOTOR:ON REQUEST	1
2	4159703	SCREW M8X40 (4 PIECES)	1
3	4159690	LANTERN FT115 HELIX KIT	1
3.1		> LANTERN FT115 M+6" GJL MACHINING+CATA	1
3.2	2127604	> EYELET CPL.FT HELIX(2 PIECES)	1
3.3	4159692	> COUPLING PROTECTOR FT HELIX KIT	1
4	4178600	COUPLING D.12XD.24 FT115 KIT	1
5	4159707	SCREW M8X30 (4 PIECES)	1
6	4177852	STUD BOLT M12X788KIT	1
6.1		> TIE BOLT M12-788x18x30-1.4057	1
6.2	2094647	> NUT M12 M12 ISO4032 VP.	1
6.3	2123557	> WASHER CS-12.4-24-1.6-NFE25 (4 PIECES)	1
7	4159685	END SHIELD HELIX EPDM KIT	1
7.1		> END SHIELD M+6" GJL250 MACHINING+CATA	1
7.2	2127607	> STATIONARY RING HOLDER 6" HELIX 1.4301 V	1
7.3	4176513	> O-RING FOR PUMP JACKET VP.	1
7.4	2127603	> O-RING ID.37,6x2,4 EPDM VP.	1
7.5	2127602	> O-RING ID.21,35x2 EPDM VP.	1
8	4159686	FILING/PURGING PLUG HELIX EPDM KIT	1
9	4178597	CARTRIDGE HELIX2-4 F/E KIT	1
10	4177853	HOUSING PIPES D.152X660 1.4307 KIT	1
7.3	4176513	> O-RING FOR PUMP JACKET VP.	1
10.1		> HOUSING-PIPE Ø152-M+1016/1610-304	1
11	4179315	CENTERING STAGE HELIX V2 1.4307 VP.	1
12	4178567	SHAFT EQUIPMENT HELIX V2/V4 KIT	1
12.1		> NUT-H-M8-STAINLESS-STEEL A4-70	1
12.2		> SHAFT END WASHER Ø8/Ø12 316L	1
12.3		> STOP COLLAR OF IMPELLER L12,6-Ø12-316L	1
12.4		> STOP-RUSH-1/2-D12xd2-M+316	1
13		HYDRAULIC HELIX V 224 1.4307	1
14	4179234	SHAFT D.12X783,8 1.4301 VP.	1
15	4178593	PUMP HOUSING HELIX DN25 PN25 1.4301 KIT	1
7.3	4176513	> O-RING FOR PUMP JACKET VP.	1



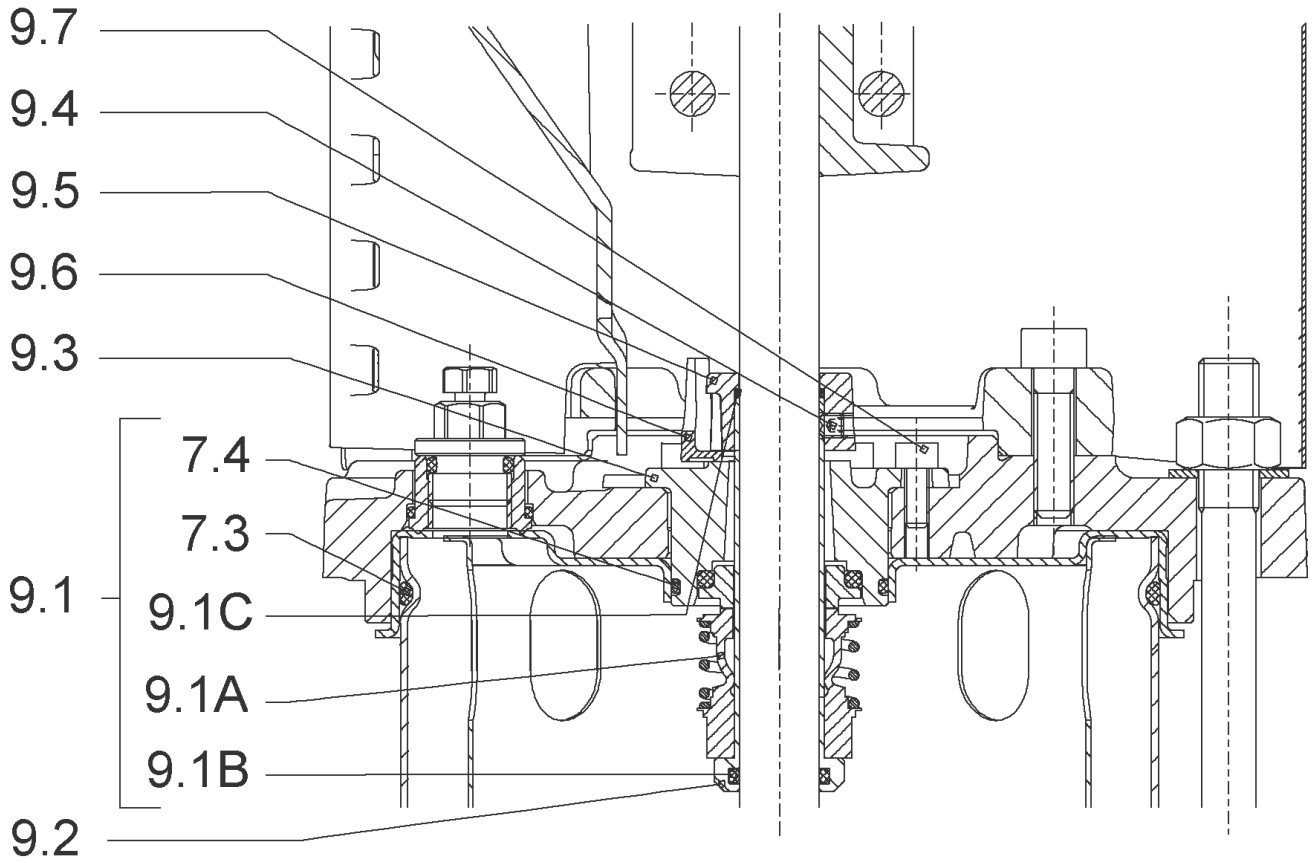
**HELIX V224-1/25/E/KS/400-50 (4161730)**

<b>Item</b>	<b>Article no.</b>	<b>Description</b>	<b>Quantity</b>
15.1		> BLASTING PPE HOUSING V PN25-DN25-5"-304	1
15.3	4171321	> PRIMING/DRAIN PLUG EPDM HELIX KIT	1
16	4177970	BASEPLATE HELIX V2/4/6 PN25 VP.	1



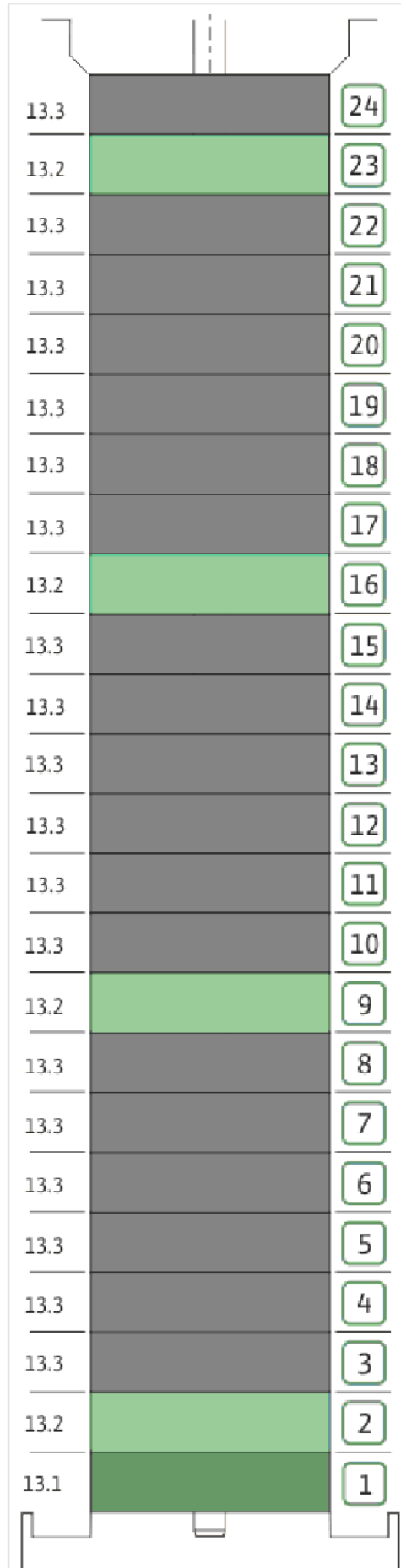
**COUPLING D.12XD.24 FT115 KIT (4178600)**

Item	Article no.	Description	Quantity
4.1		COUPLING-M+ Ø12XØ24-FT115-MACHINED	1
4.2	2131023	BALL BEARING 6207/ZZ-C3(HT)VP.	1
4.3	4234254	CIRCLIP-FOR-SHAFT-D35x1.5 VP.	1
4.4	4157726	SCREW KIT M8X30 (4 PIECES)	1
4.5	4234251	CIRCLIP-D72x2.5 VP.	1
4.6	4234246	O-RING 72X3 VP.	1
		NOMEL CONTACT WASHER 8x16x1,4 STEEL ZC	1



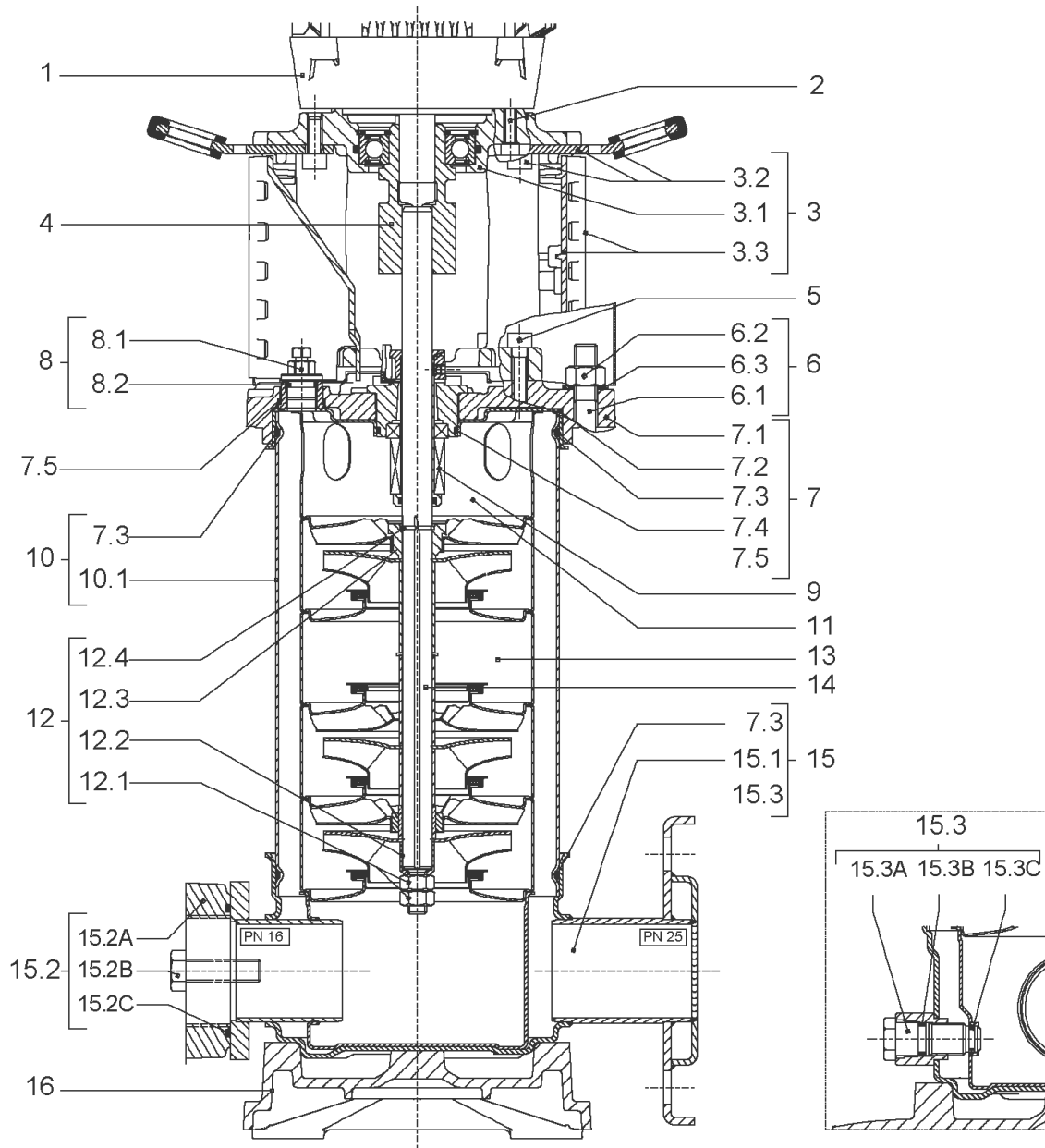
**CARTRIDGE HELIX2-4 F/E KIT (4178597)**

Item	Article no.	Description	Quantity
9.1	4178594	SEAL-KIT-HELIX2-4 F/E	1
7.3	4176513	> O-RING FOR PUMP JACKET VP.	1
7.4	2127603	> O-RING ID.37,6x2,4 EPDM VP.	1
9.1A	4176521	> MECH.SEAL HELIX2-4-6-10-16 F/E VP.	1
9.1B	4178558	> O-RING ID.12X2 EPDM VP.	1
9.1C	4178558	> O-RING ID.12X2 EPDM VP.	1
9.2	4178596	SHAFT SLEEVE D.18/12X72,2 1.4404 VP.	1
9.3	2130962	RING HOLDER D.18 G606/G6 1.4301 VP.	1
9.4	4176520	SCREW CH M5x5 A4-70 ( 3PIECES )	1
9.5	4178595	DRIVE RING D.29/15.5x13,2 MACH.VP.	1
9.6	2130964	TOOL M.S.CART.HELIX VP.	1
9.7	2130965	SCREW CHC M5X12 ISO4762 A2.70(4 PIECES)	1



**HYDRAULIC HELIX V 224 1.4307**

Item	Article no.	Description	Quantity
13.1	4179316	STAGE HELIX 2 1.4301 KIT	1
		> MACH.STG-CASING-WOGV-WNR-M+2-4-304	1
		> IMPELLER-M+2-304	1
13.2	4179317	STAGE BEARING HELIX 2 1.4307 KIT	1
		> MACH.BEARING-STG-CASING-WNR-M+2-304	1
		> IMPELLER-M+2-304	1
		> SHAFT SLEEVE SPACER Ø15,35x10,305-304	1
		> SHAFT-SLEEVE-D12xD16x14-CW	1
13.3	4213786	INTERM. STAGE HELIX 2 >14 ST. 1.4307 KIT	1
		> CORPS-ETG-STD-ACR-AJR-USIN.M+2-304	1
		> IMPELLER-M+2-304	1
		> IMPELLER SPACER Ø12,1x14,1-L24,25-316L	1





**HELIX V226-1/25/E/KS/400-50 (4161731)**

Item	Article no.	Description	Quantity
1	4169943	MOTOR 2,2/2/90 3~230/400V 50HZ IE3 VP.	1
		SPARE PARTS MOTOR:ON REQUEST	1
2	4159703	SCREW M8X40 (4 PIECES)	1
3	4159690	LANTERN FT115 HELIX KIT	1
3.1		> LANTERN FT115 M+6" GJL MACHINING+CATA	1
3.2	2127604	> EYELET CPL.FT HELIX(2 PIECES)	1
3.3	4159692	> COUPLING PROTECTOR FT HELIX KIT	1
4	4178600	COUPLING D.12XD.24 FT115 KIT	1
5	4159707	SCREW M8X30 (4 PIECES)	1
6	4177859	STUD BOLT M12X863KIT	1
6.1		> TIE BOLT M12-863x18x30-1.4057	1
6.2	2094647	> NUT M12 M12 ISO4032 VP.	1
6.3	2123557	> WASHER CS-12.4-24-1.6-NFE25 (4 PIECES)	1
7	4159685	END SHIELD HELIX EPDM KIT	1
7.1		> END SHIELD M+6" GJL250 MACHINING+CATA	1
7.2	2127607	> STATIONARY RING HOLDER 6" HELIX 1.4301 V	1
7.3	4176513	> O-RING FOR PUMP JACKET VP.	1
7.4	2127603	> O-RING ID.37,6x2,4 EPDM VP.	1
7.5	2127602	> O-RING ID.21,35x2 EPDM VP.	1
8	4159686	FILING/PURGING PLUG HELIX EPDM KIT	1
9	4178597	CARTRIDGE HELIX2-4 F/E KIT	1
10	4177860	HOUSING PIPES D.152X735 1.4301 KIT	1
7.3	4176513	> O-RING FOR PUMP JACKET VP.	1
10.1		> HOUSING-PIPE Ø152-M+1017/18-304	1
11	4179315	CENTERING STAGE HELIX V2 1.4307 VP.	1
12	4178567	SHAFT EQUIPMENT HELIX V2/V4 KIT	1
12.1		> NUT-H-M8-STAINLESS-STEEL A4-70	1
12.2		> SHAFT END WASHER Ø8/Ø12 316L	1
12.3		> STOP COLLAR OF IMPELLER L12,6-Ø12-316L	1
12.4		> STOP-RUSH-1/2-D12xd2-M+316	1
13		HYDRAULIC HELIX V 226 1.4307	1
14	4179514	SHAFT D.12X858,8 1.4301 VP.	1
15	4178593	PUMP HOUSING HELIX DN25 PN25 1.4301 KIT	1
7.3	4176513	> O-RING FOR PUMP JACKET VP.	1

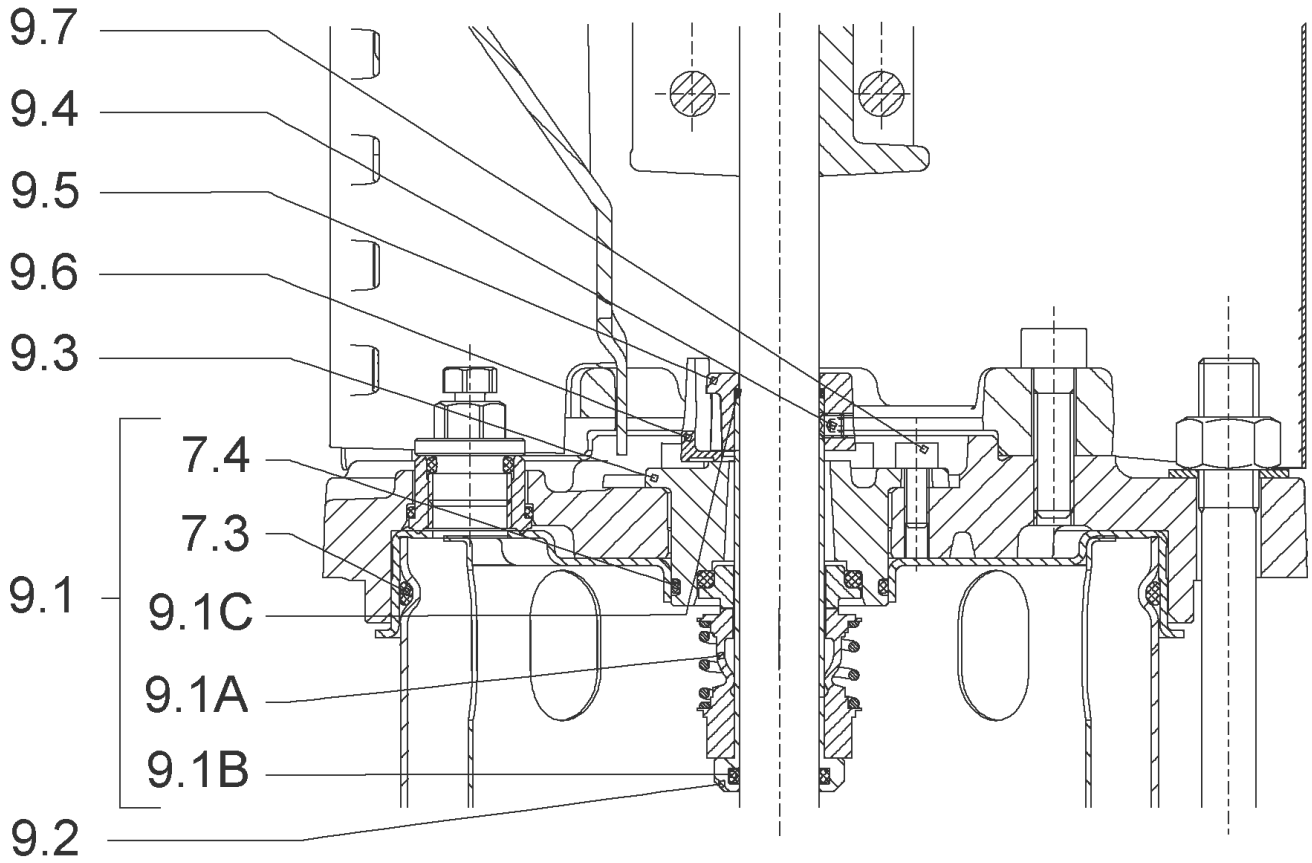
**HELIX V226-1/25/E/KS/400-50 (4161731)**

<b>Item</b>	<b>Article no.</b>	<b>Description</b>	<b>Quantity</b>
15.1		> BLASTING PPE HOUSING V PN25-DN25-5"-304	1
15.3	4171321	> PRIMING/DRAIN PLUG EPDM HELIX KIT	1
16	4177970	BASEPLATE HELIX V2/4/6 PN25 VP.	1



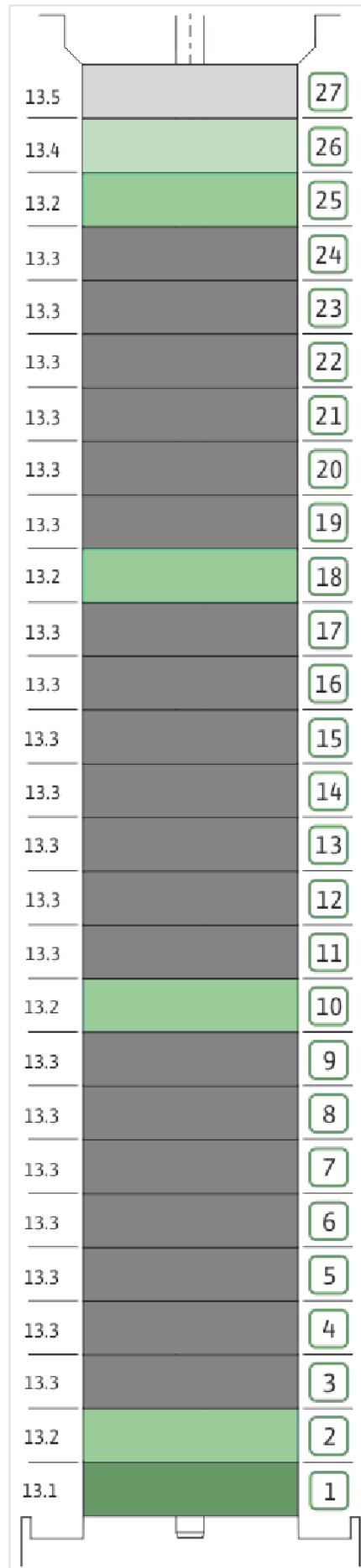
**COUPLING D.12XD.24 FT115 KIT (4178600)**

Item	Article no.	Description	Quantity
4.1		COUPLING-M+ Ø12XØ24-FT115-MACHINED	1
4.2	2131023	BALL BEARING 6207/ZZ-C3(HT)VP.	1
4.3	4234254	CIRCLIP-FOR-SHAFT-D35x1.5 VP.	1
4.4	4157726	SCREW KIT M8X30 (4 PIECES)	1
4.5	4234251	CIRCLIP-D72x2.5 VP.	1
4.6	4234246	O-RING 72X3 VP.	1
		NOMEL CONTACT WASHER 8x16x1,4 STEEL ZC	1



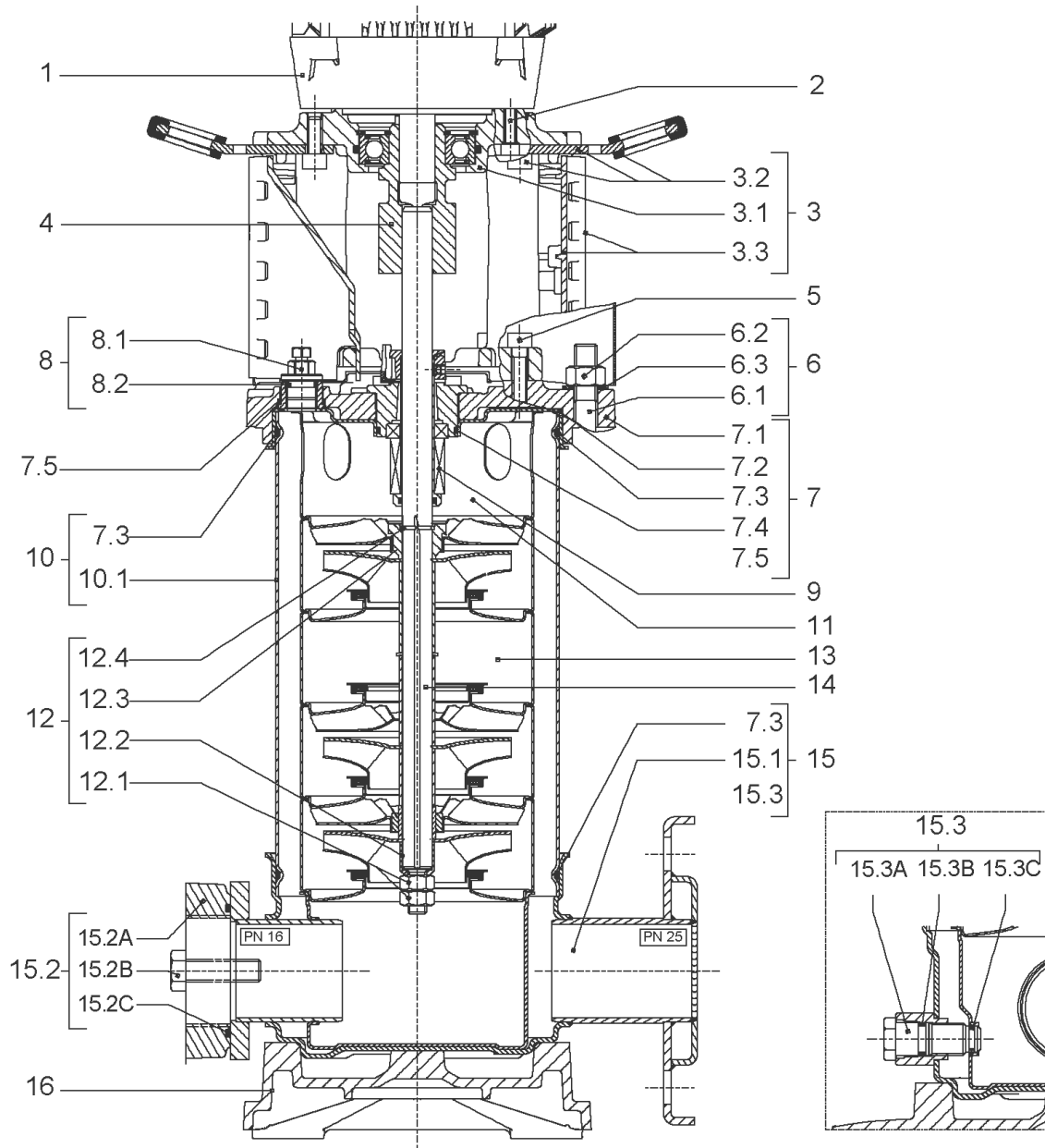
**CARTRIDGE HELIX2-4 F/E KIT (4178597)**

Item	Article no.	Description	Quantity
9.1	4178594	SEAL-KIT-HELIX2-4 F/E	1
7.3	4176513	> O-RING FOR PUMP JACKET VP.	1
7.4	2127603	> O-RING ID.37,6x2,4 EPDM VP.	1
9.1A	4176521	> MECH.SEAL HELIX2-4-6-10-16 F/E VP.	1
9.1B	4178558	> O-RING ID.12X2 EPDM VP.	1
9.1C	4178558	> O-RING ID.12X2 EPDM VP.	1
9.2	4178596	SHAFT SLEEVE D.18/12X72,2 1.4404 VP.	1
9.3	2130962	RING HOLDER D.18 G606/G6 1.4301 VP.	1
9.4	4176520	SCREW CH M5x5 A4-70 ( 3PIECES )	1
9.5	4178595	DRIVE RING D.29/15.5x13,2 MACH.VP.	1
9.6	2130964	TOOL M.S.CART.HELIX VP.	1
9.7	2130965	SCREW CHC M5X12 ISO4762 A2.70(4 PIECES)	1



Item	Article no.	Description	Quantity
13.1	4179316	STAGE HELIX 2 1.4301 KIT	1
		> MACH.STG-CASING-WOGV-WNR-M+2-4-304	1
		> IMPELLER-M+2-304	1
13.2	4179317	STAGE BEARING HELIX 2 1.4307 KIT	1
		> MACH.BEARING-STG-CASING-WNR-M+2-304	1
		> IMPELLER-M+2-304	1
		> SHAFT SLEEVE SPACER Ø15,35x10,305-304	1
		> SHAFT-SLEEVE-D12xD16x14-CW	1
13.3	4213786	INTERM. STAGE HELIX 2 >14 ST. 1.4307 KIT	1
		> CORPS-ETG-STD-ACR-AJR-USIN.M+2-304	1
		> IMPELLER-M+2-304	1
		> IMPELLER SPACER Ø12,1X14,1-L24,25-316L	1
13.4	4220515	EMPTY STAGE HELIX 2 1.4301>15 stage Kit	1
		> CORPS-ETG-STD-ACR-AJR-USIN.M+2-304	1
		> FLAT WASHER-D12.1XD16X0.8-316L	1
		> IMPELLER SPACER Ø12,1X14,1-L24,25-316L	1
13.5	4220512	INTERMED STAGE>15 HELIX 2 1.4301 KIT	1
		> MACH.STG-CASING-WOGV-WNR-M+2-4-304	1
		> IMPELLER-M+2-304	1
		> IMPELLER SPACER Ø12,1X14,1-L24,25-316L	1





**HELIX V229-1/25/E/KS/400-50 (4161732)**

Item	Article no.	Description	Quantity
1	4169943	MOTOR 2,2/2/90 3~230/400V 50HZ IE3 VP.	1
		SPARE PARTS MOTOR:ON REQUEST	1
2	4159703	SCREW M8X40 (4 PIECES)	1
3	4159690	LANTERN FT115 HELIX KIT	1
3.1		> LANTERN FT115 M+6" GJL MACHINING+CATA	1
3.2	2127604	> EYELET CPL.FT HELIX(2 PIECES)	1
3.3	4159692	> COUPLING PROTECTOR FT HELIX KIT	1
4	4178600	COUPLING D.12XD.24 FT115 KIT	1
5	4159707	SCREW M8X30 (4 PIECES)	1
6	4177863	STUD BOLT M12X938 KIT	1
6.1		> TIE BOLT M12-938x18x30-1.4057	1
6.2	2094647	> NUT M12 M12 ISO4032 VP.	1
6.3	2123557	> WASHER CS-12.4-24-1.6-NFE25 (4 PIECES)	1
7	4159685	END SHIELD HELIX EPDM KIT	1
7.1		> END SHIELD M+6" GJL250 MACHINING+CATA	1
7.2	2127607	> STATIONARY RING HOLDER 6" HELIX 1.4301 V	1
7.3	4176513	> O-RING FOR PUMP JACKET VP.	1
7.4	2127603	> O-RING ID.37,6x2,4 EPDM VP.	1
7.5	2127602	> O-RING ID.21,35x2 EPDM VP.	1
8	4159686	FILING/PURGING PLUG HELIX EPDM KIT	1
9	4178597	CARTRIDGE HELIX2-4 F/E KIT	1
10	2127583	HOUSING PIPE D.152x810 1.4301 KIT	1
7.3	4176513	> O-RING FOR PUMP JACKET VP.	1
10.1		> HOUSING-PIPE Ø152-M+1020/1613-304	1
11	4179315	CENTERING STAGE HELIX V2 1.4307 VP.	1
12	4178567	SHAFT EQUIPMENT HELIX V2/V4 KIT	1
12.1		> NUT-H-M8-STAINLESS-STEEL A4-70	1
12.2		> SHAFT END WASHER Ø8/Ø12 316L	1
12.3		> STOP COLLAR OF IMPELLER L12,6-Ø12-316L	1
12.4		> STOP-RUSH-1/2-D12xd2-M+316	1
13		HYDRAULIC HELIX V 229 1.4307	1
14	4179516	SHAFT D.12X933,8 1.4301 VP.	1
15	4178593	PUMP HOUSING HELIX DN25 PN25 1.4301 KIT	1
7.3	4176513	> O-RING FOR PUMP JACKET VP.	1

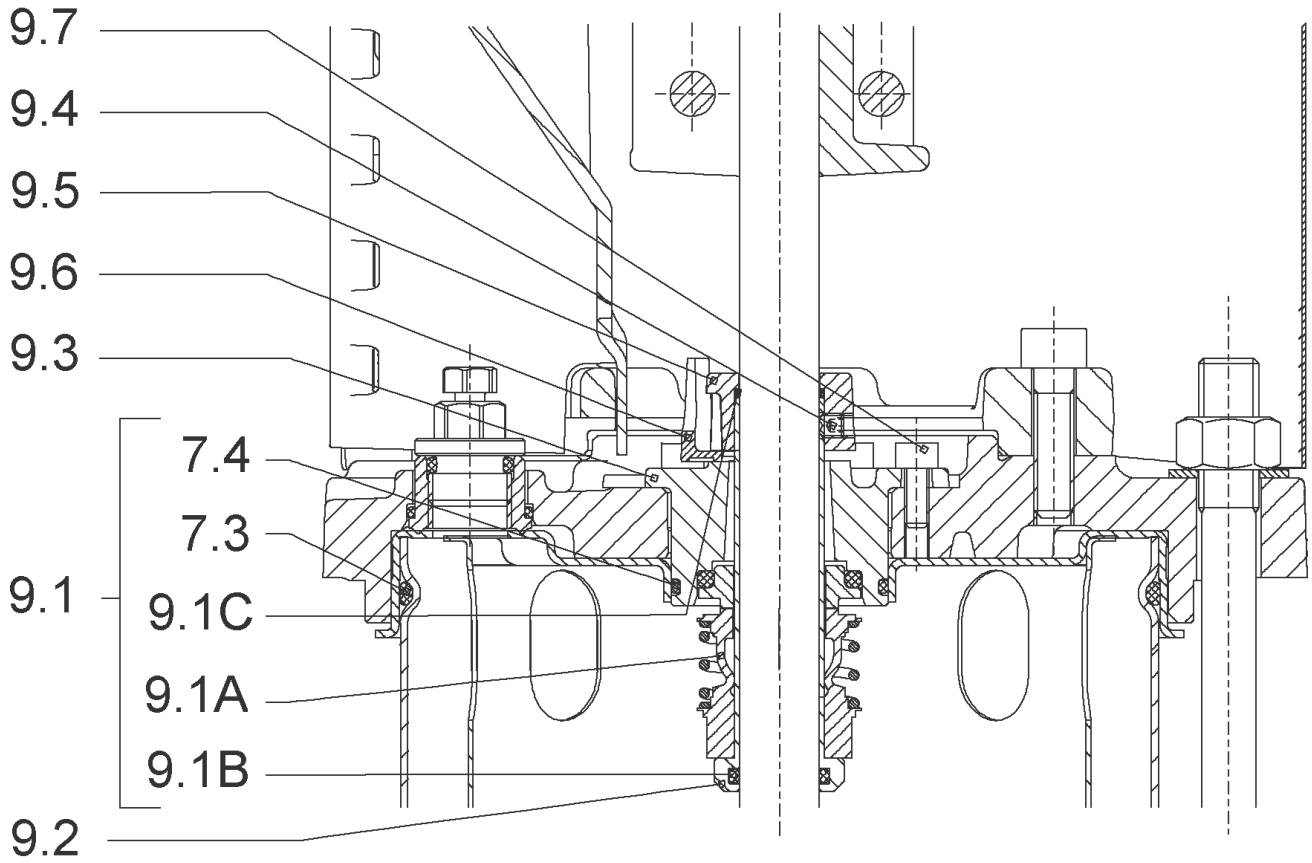
**HELIX V229-1/25/E/KS/400-50 (4161732)**

<b>Item</b>	<b>Article no.</b>	<b>Description</b>	<b>Quantity</b>
15.1		> BLASTING PPE HOUSING V PN25-DN25-5"-304	1
15.3	4171321	> PRIMING/DRAIN PLUG EPDM HELIX KIT	1
16	4177970	BASEPLATE HELIX V2/4/6 PN25 VP.	1



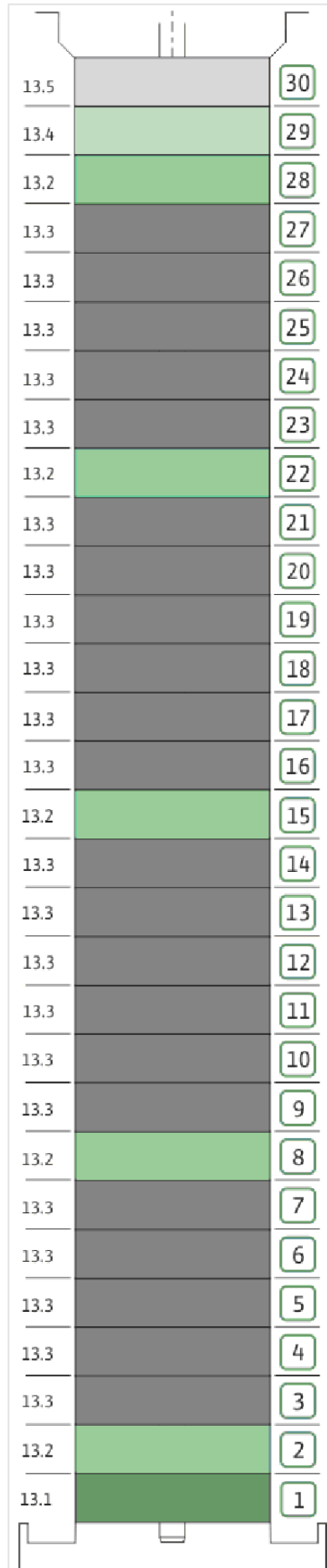
**COUPLING D.12XD.24 FT115 KIT (4178600)**

Item	Article no.	Description	Quantity
4.1		COUPLING-M+ Ø12XØ24-FT115-MACHINED	1
4.2	2131023	BALL BEARING 6207/ZZ-C3(HT)VP.	1
4.3	4234254	CIRCLIP-FOR-SHAFT-D35x1.5 VP.	1
4.4	4157726	SCREW KIT M8X30 (4 PIECES)	1
4.5	4234251	CIRCLIP-D72x2.5 VP.	1
4.6	4234246	O-RING 72X3 VP.	1
		NOMEL CONTACT WASHER 8x16x1,4 STEEL ZC	1



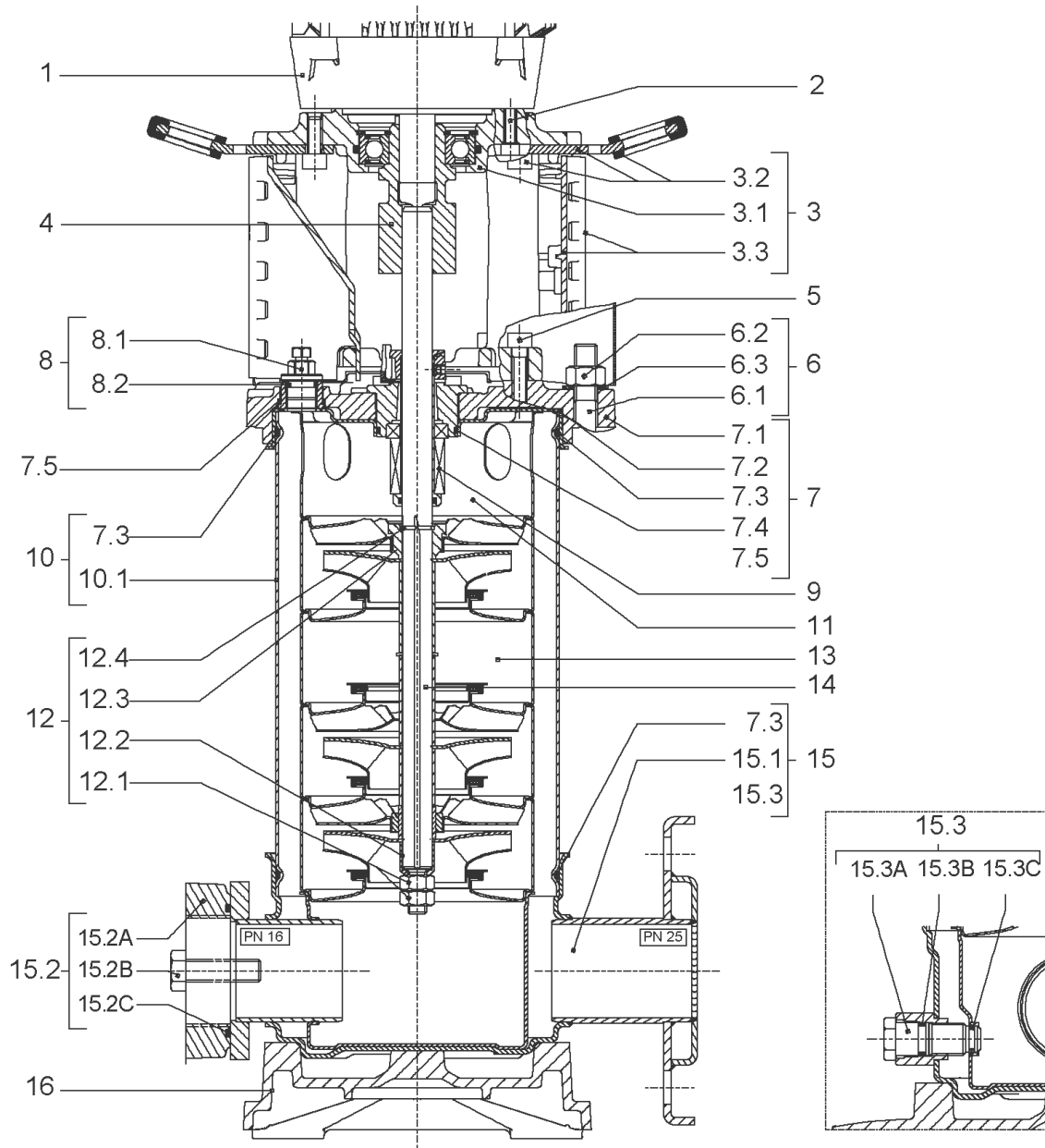
**CARTRIDGE HELIX2-4 F/E KIT (4178597)**

Item	Article no.	Description	Quantity
9.1	4178594	SEAL-KIT-HELIX2-4 F/E	1
7.3	4176513	> O-RING FOR PUMP JACKET VP.	1
7.4	2127603	> O-RING ID.37,6x2,4 EPDM VP.	1
9.1A	4176521	> MECH.SEAL HELIX2-4-6-10-16 F/E VP.	1
9.1B	4178558	> O-RING ID.12X2 EPDM VP.	1
9.1C	4178558	> O-RING ID.12X2 EPDM VP.	1
9.2	4178596	SHAFT SLEEVE D.18/12X72,2 1.4404 VP.	1
9.3	2130962	RING HOLDER D.18 G606/G6 1.4301 VP.	1
9.4	4176520	SCREW CH M5x5 A4-70 ( 3PIECES )	1
9.5	4178595	DRIVE RING D.29/15.5x13,2 MACH.VP.	1
9.6	2130964	TOOL M.S.CART.HELIX VP.	1
9.7	2130965	SCREW CHC M5X12 ISO4762 A2.70(4 PIECES)	1





Item	Article no.	Description	Quantity
13.1	4179316	STAGE HELIX 2 1.4301 KIT	1
		> MACH.STG-CASING-WOGV-WNR-M+2-4-304	1
		> IMPELLER-M+2-304	1
13.2	4179317	STAGE BEARING HELIX 2 1.4307 KIT	1
		> MACH.BEARING-STG-CASING-WNR-M+2-304	1
		> IMPELLER-M+2-304	1
		> SHAFT SLEEVE SPACER Ø15,35x10,305-304	1
		> SHAFT-SLEEVE-D12xD16x14-CW	1
13.3	4213786	INTERM. STAGE HELIX 2 >14 ST. 1.4307 KIT	1
		> CORPS-ETG-STD-ACR-AJR-USIN.M+2-304	1
		> IMPELLER-M+2-304	1
		> IMPELLER SPACER Ø12,1X14,1-L24,25-316L	1
13.4	4220515	EMPTY STAGE HELIX 2 1.4301>15 stage Kit	1
		> CORPS-ETG-STD-ACR-AJR-USIN.M+2-304	1
		> FLAT WASHER-D12.1XD16X0.8-316L	1
		> IMPELLER SPACER Ø12,1X14,1-L24,25-316L	1
13.5	4220512	INTERMED STAGE>15 HELIX 2 1.4301 KIT	1
		> MACH.STG-CASING-WOGV-WNR-M+2-4-304	1
		> IMPELLER-M+2-304	1
		> IMPELLER SPACER Ø12,1X14,1-L24,25-316L	1



**HELIX V231-1/25/E/KS/400-50 (4161733)**

Item	Article no.	Description	Quantity
1	4169944	MOTOR 3/2/100 3~230/400V 50HZ IE3 VP.	1
		SPARE PARTS MOTOR:ON REQUEST	1
2	4206025	SCREW M8X45 (4 PIECES)	1
3	4171326	LANTERN FT130 HELIX KIT	1
3.1		> LANTERN FT130 M+6" GJL MACHINING+CATA	1
3.2	2127604	> EYELET CPL.FT HELIX(2 PIECES)	1
3.3	4159692	> COUPLING PROTECTOR FT HELIX KIT	1
4	4178626	COUPLING D.12XD.28 FT130 KIT	1
5	4159707	SCREW M8X30 (4 PIECES)	1
6	4179247	STUD BOLT M12X963 KIT	1
6.1		> TIE BOLT M12-963x18x30-AISI431	1
6.2	2094647	> NUT M12 M12 ISO4032 VP.	1
6.3	2123557	> WASHER CS-12.4-24-1.6-NFE25 (4 PIECES)	1
7	4159685	END SHIELD HELIX EPDM KIT	1
7.1		> END SHIELD M+6" GJL250 MACHINING+CATA	1
7.2	2127607	> STATIONARY RING HOLDER 6" HELIX 1.4301 V	1
7.3	4176513	> O-RING FOR PUMP JACKET VP.	1
7.4	2127603	> O-RING ID.37,6x2,4 EPDM VP.	1
7.5	2127602	> O-RING ID.21,35x2 EPDM VP.	1
8	4159686	FILING/PURGING PLUG HELIX EPDM KIT	1
9	4178597	CARTRIDGE HELIX2-4 F/E KIT	1
10	4179250	HOUSING PIPE D.152X835 1.4301 KIT	1
7.3	4176513	> O-RING FOR PUMP JACKET VP.	1
10.1		> HOUSING-PIPE Ø152-M+231/431-304	1
11	4179315	CENTERING STAGE HELIX V2 1.4307 VP.	1
12	4178567	SHAFT EQUIPMENT HELIX V2/V4 KIT	1
12.1		> NUT-H-M8-STAINLESS-STEEL A4-70	1
12.2		> SHAFT END WASHER Ø8/Ø12 316L	1
12.3		> STOP COLLAR OF IMPELLER L12,6-Ø12-316L	1
12.4		> STOP-RUSH-1/2-D12xd2-M+316	1
13		HYDRAULIC HELIX V 231 1.4307	1
14	4179518	SHAFT D.12X958,8 1.4301 VP.	1
15	4178593	PUMP HOUSING HELIX DN25 PN25 1.4301 KIT	1
7.3	4176513	> O-RING FOR PUMP JACKET VP.	1

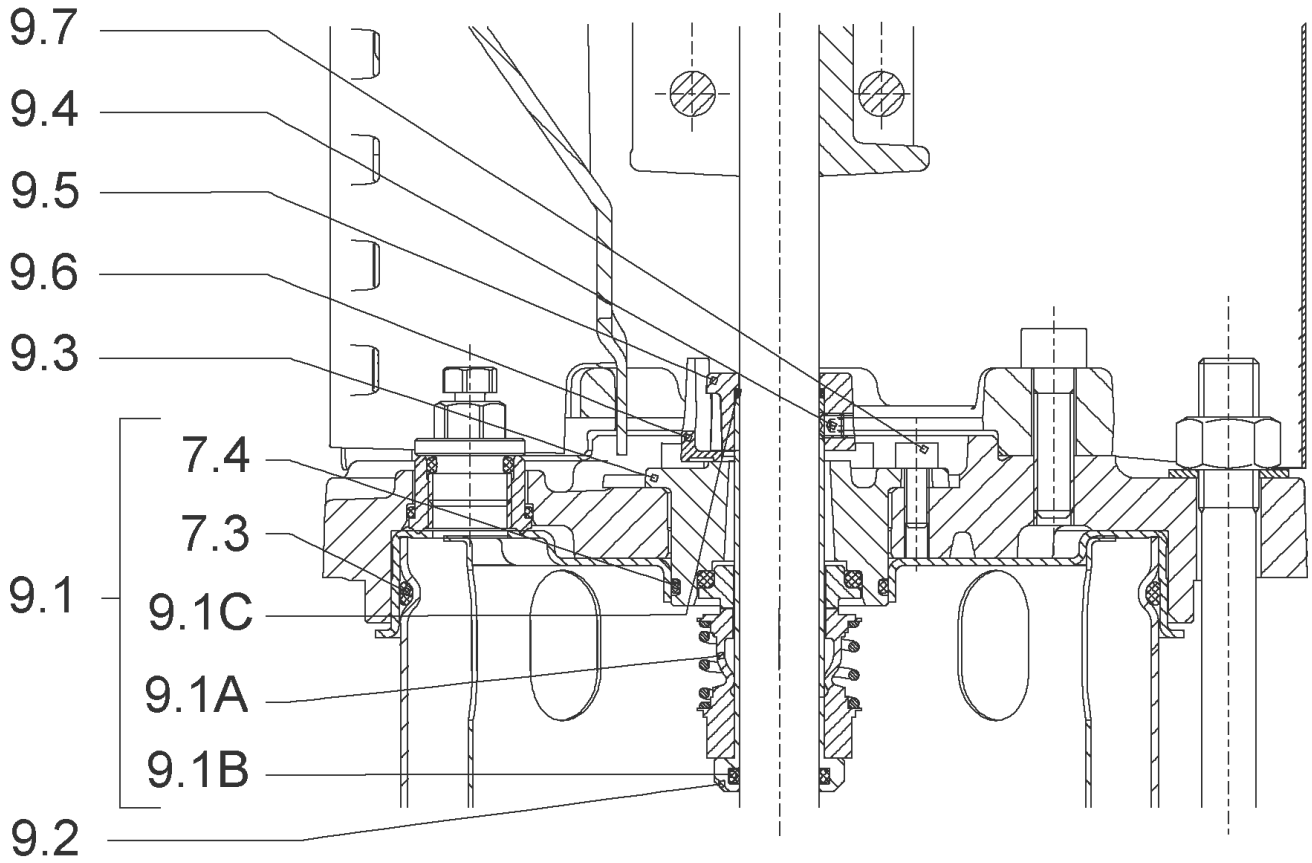
**HELIX V231-1/25/E/KS/400-50 (4161733)**

<b>Item</b>	<b>Article no.</b>	<b>Description</b>	<b>Quantity</b>
15.1		> BLASTING PPE HOUSING V PN25-DN25-5"-304	1
15.3	4171321	> PRIMING/DRAIN PLUG EPDM HELIX KIT	1
16	4177970	BASEPLATE HELIX V2/4/6 PN25 VP.	1



**COUPLING D.12XD.28 FT130 KIT (4178626)**

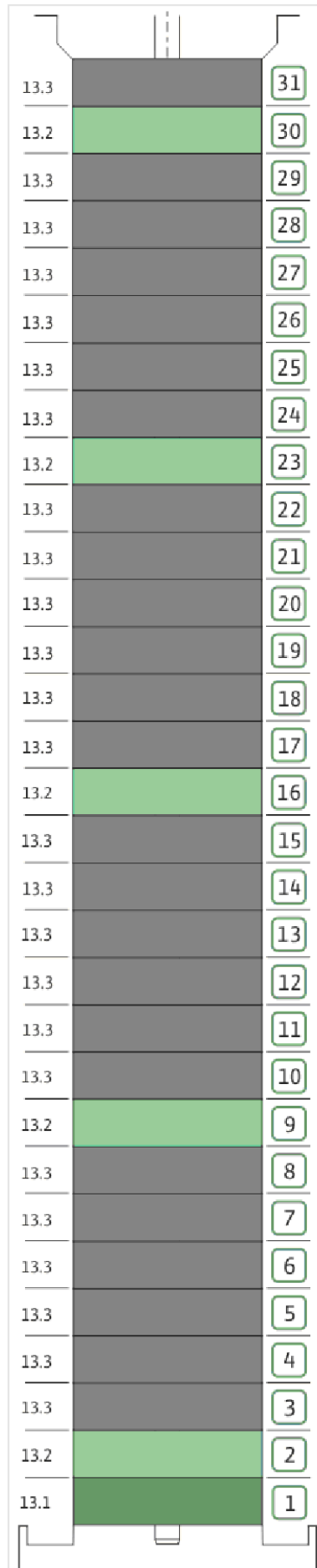
Item	Article no.	Description	Quantity
4.1		COUPLING-M+ Ø12XØ28-FT130-MACHINED	1
4.2	2131022	BALL BEARING 6209/ZZ-C3(HT)VP.	1
4.3	4233930	CIRCLIP-FOR-BORES-D45x1,75 VP.	1
4.4	4157726	SCREW KIT M8X30 (4 PIECES)	1
4.5	4234252	CIRCLIPS 85X3 VP.	1
4.6	4234243	O-RING 85X3 VP.	1
		NOMEL CONTACT WASHER 8x16x1,4 STEEL ZC	1



**CARTRIDGE HELIX2-4 F/E KIT (4178597)**

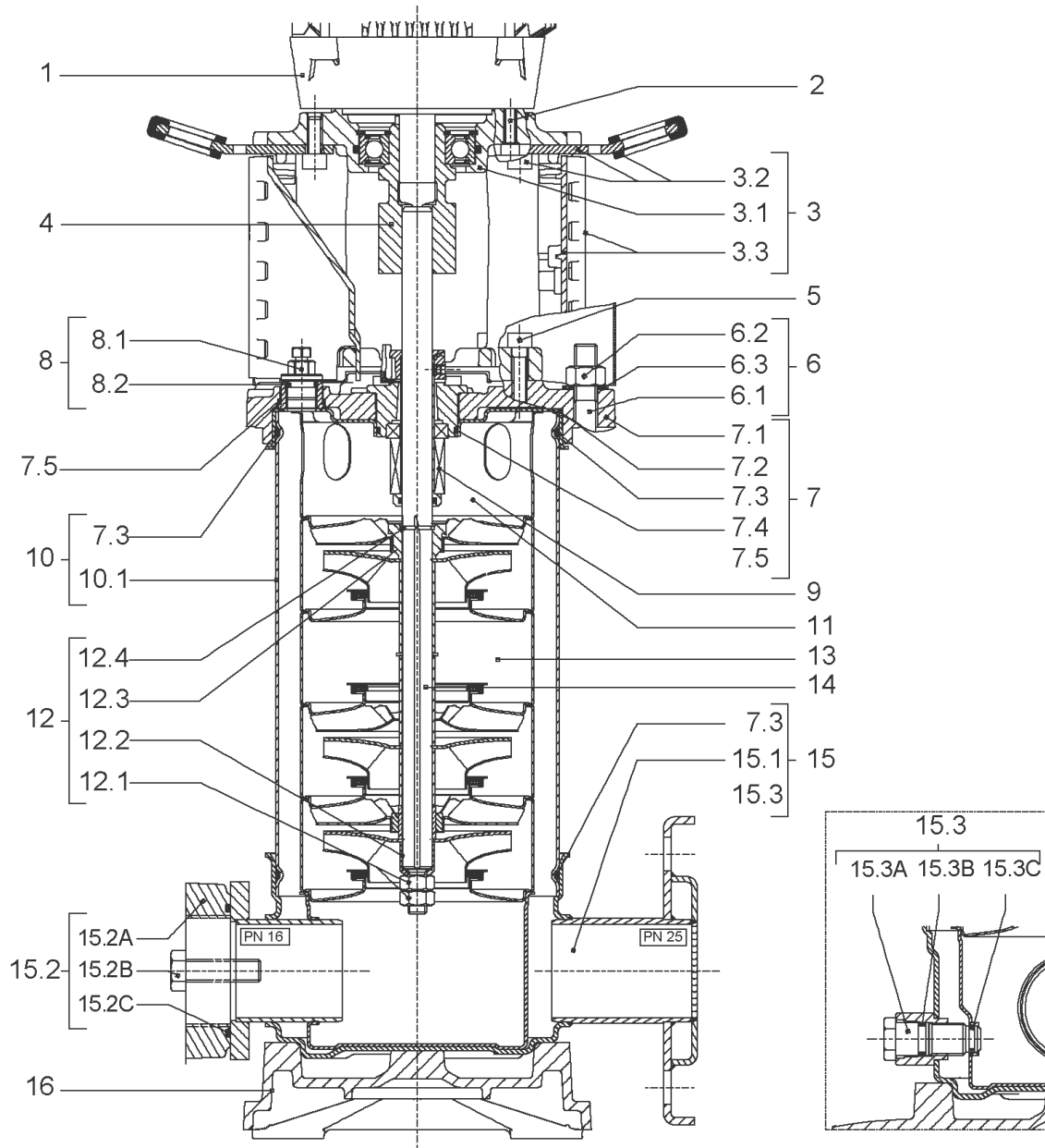
Item	Article no.	Description	Quantity
9.1	4178594	SEAL-KIT-HELIX2-4 F/E	1
7.3	4176513	> O-RING FOR PUMP JACKET VP.	1
7.4	2127603	> O-RING ID.37,6x2,4 EPDM VP.	1
9.1A	4176521	> MECH.SEAL HELIX2-4-6-10-16 F/E VP.	1
9.1B	4178558	> O-RING ID.12X2 EPDM VP.	1
9.1C	4178558	> O-RING ID.12X2 EPDM VP.	1
9.2	4178596	SHAFT SLEEVE D.18/12X72,2 1.4404 VP.	1
9.3	2130962	RING HOLDER D.18 G606/G6 1.4301 VP.	1
9.4	4176520	SCREW CH M5x5 A4-70 ( 3PIECES )	1
9.5	4178595	DRIVE RING D.29/15.5x13,2 MACH.VP.	1
9.6	2130964	TOOL M.S.CART.HELIX VP.	1
9.7	2130965	SCREW CHC M5X12 ISO4762 A2.70(4 PIECES)	1





**HYDRAULIC HELIX V 231 1.4307**

Item	Article no.	Description	Quantity
13.1	4179316	STAGE HELIX 2 1.4301 KIT	1
		> MACH.STG-CASING-WOGV-WNR-M+2-4-304	1
		> IMPELLER-M+2-304	1
13.2	4179317	STAGE BEARING HELIX 2 1.4307 KIT	1
		> MACH.BEARING-STG-CASING-WNR-M+2-304	1
		> IMPELLER-M+2-304	1
		> SHAFT SLEEVE SPACER Ø15,35x10,305-304	1
		> SHAFT-SLEEVE-D12xD16x14-CW	1
13.3	4213786	INTERM. STAGE HELIX 2 >14 ST. 1.4307 KIT	1
		> CORPS-ETG-STD-ACR-AJR-USIN.M+2-304	1
		> IMPELLER-M+2-304	1
		> IMPELLER SPACER Ø12,1x14,1-L24,25-316L	1



**HELIX V233-1/25/E/KS/400-50 (4161734)**

Item	Article no.	Description	Quantity
1	4169944	MOTOR 3/2/100 3~230/400V 50HZ IE3 VP.	1
		SPARE PARTS MOTOR:ON REQUEST	1
2	4206025	SCREW M8X45 (4 PIECES)	1
3	4171326	LANTERN FT130 HELIX KIT	1
3.1		> LANTERN FT130 M+6" GJL MACHINING+CATA	1
3.2	2127604	> EYELET CPL.FT HELIX(2 PIECES)	1
3.3	4159692	> COUPLING PROTECTOR FT HELIX KIT	1
4	4178626	COUPLING D.12XD.28 FT130 KIT	1
5	4159707	SCREW M8X30 (4 PIECES)	1
6	4177865	STUD BOLT M12X1013 KIT	1
6.1		> TIE BOLT M12-1013x18x30-1.4057	1
6.2	2094647	> NUT M12 M12 ISO4032 VP.	1
6.3	2123557	> WASHER CS-12.4-24-1.6-NFE25 (4 PIECES)	1
7	4159685	END SHIELD HELIX EPDM KIT	1
7.1		> END SHIELD M+6" GJL250 MACHINING+CATA	1
7.2	2127607	> STATIONARY RING HOLDER 6" HELIX 1.4301 V	1
7.3	4176513	> O-RING FOR PUMP JACKET VP.	1
7.4	2127603	> O-RING ID.37,6x2,4 EPDM VP.	1
7.5	2127602	> O-RING ID.21,35x2 EPDM VP.	1
8	4159686	FILING/PURGING PLUG HELIX EPDM KIT	1
9	4178597	CARTRIDGE HELIX2-4 F/E KIT	1
10	4177873	HOUSING PIPE D.152x885,5 1.4301 KIT	1
7.3	4176513	> O-RING FOR PUMP JACKET VP.	1
10.1		> HOUSING-PIPE Ø152-M+1021/22-304	1
11	4179315	CENTERING STAGE HELIX V2 1.4307 VP.	1
12	4178567	SHAFT EQUIPMENT HELIX V2/V4 KIT	1
12.1		> NUT-H-M8-STAINLESS-STEEL A4-70	1
12.2		> SHAFT END WASHER Ø8/Ø12 316L	1
12.3		> STOP COLLAR OF IMPELLER L12,6-Ø12-316L	1
12.4		> STOP-RUSH-1/2-D12xd2-M+316	1
13		HYDRAULIC HELIX V 233 1.4307	1
14	4179519	SHAFT D.12X1008,8 1.4301 VP.	1
15	4178593	PUMP HOUSING HELIX DN25 PN25 1.4301 KIT	1
7.3	4176513	> O-RING FOR PUMP JACKET VP.	1

**HELIX V233-1/25/E/KS/400-50 (4161734)**

<b>Item</b>	<b>Article no.</b>	<b>Description</b>	<b>Quantity</b>
15.1		> BLASTING PPE HOUSING V PN25-DN25-5"-304	1
15.3	4171321	> PRIMING/DRAIN PLUG EPDM HELIX KIT	1
16	4177970	BASEPLATE HELIX V2/4/6 PN25 VP.	1



**COUPLING D.12XD.28 FT130 KIT (4178626)**

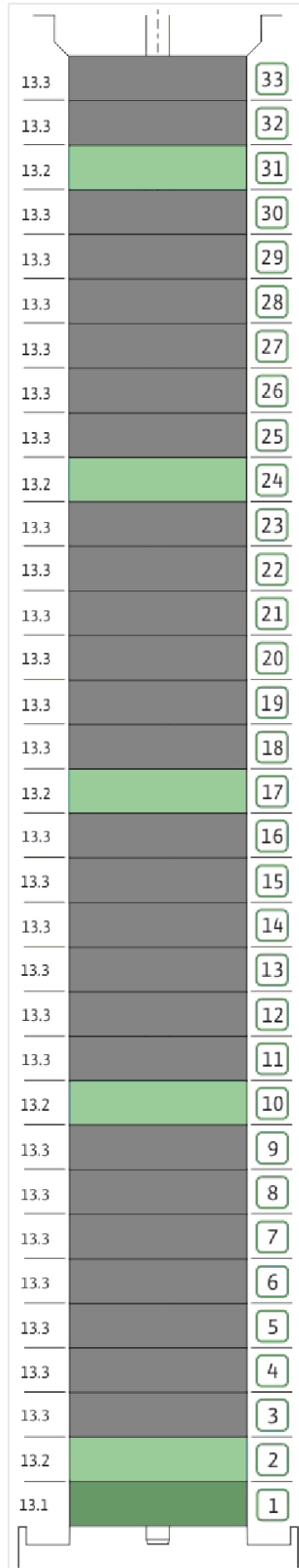
Item	Article no.	Description	Quantity
4.1		COUPLING-M+ Ø12XØ28-FT130-MACHINED	1
4.2	2131022	BALL BEARING 6209/ZZ-C3(HT)VP.	1
4.3	4233930	CIRCLIP-FOR-BORES-D45x1,75 VP.	1
4.4	4157726	SCREW KIT M8X30 (4 PIECES)	1
4.5	4234252	CIRCLIPS 85X3 VP.	1
4.6	4234243	O-RING 85X3 VP.	1
		NOMEL CONTACT WASHER 8x16x1,4 STEEL ZC	1





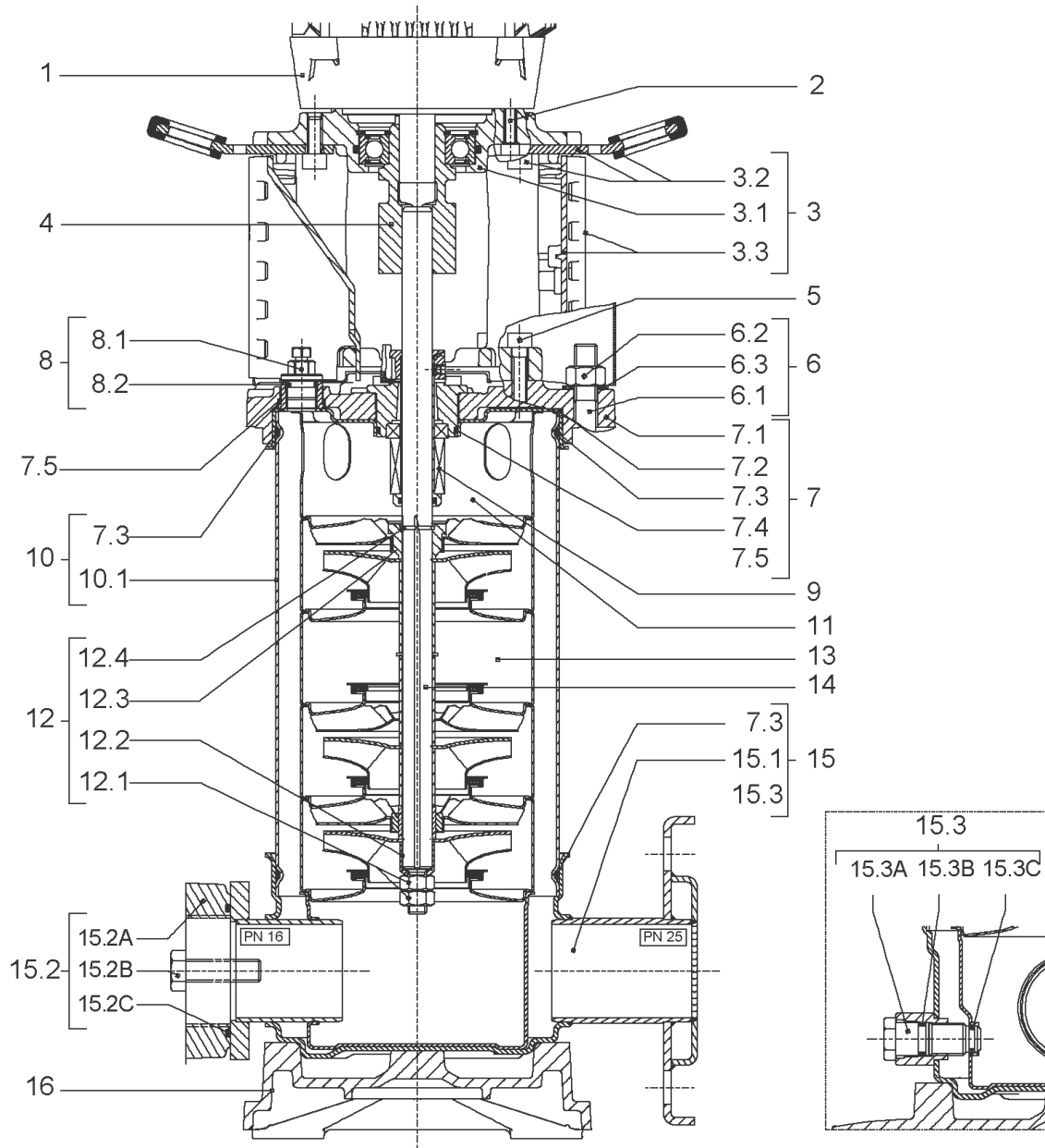
**CARTRIDGE HELIX2-4 F/E KIT (4178597)**

Item	Article no.	Description	Quantity
9.1	4178594	SEAL-KIT-HELIX2-4 F/E	1
7.3	4176513	> O-RING FOR PUMP JACKET VP.	1
7.4	2127603	> O-RING ID.37,6x2,4 EPDM VP.	1
9.1A	4176521	> MECH.SEAL HELIX2-4-6-10-16 F/E VP.	1
9.1B	4178558	> O-RING ID.12X2 EPDM VP.	1
9.1C	4178558	> O-RING ID.12X2 EPDM VP.	1
9.2	4178596	SHAFT SLEEVE D.18/12X72,2 1.4404 VP.	1
9.3	2130962	RING HOLDER D.18 G606/G6 1.4301 VP.	1
9.4	4176520	SCREW CH M5x5 A4-70 ( 3PIECES )	1
9.5	4178595	DRIVE RING D.29/15.5x13,2 MACH.VP.	1
9.6	2130964	TOOL M.S.CART.HELIX VP.	1
9.7	2130965	SCREW CHC M5X12 ISO4762 A2.70(4 PIECES)	1



**HYDRAULIC HELIX V 233 1.4307**

Item	Article no.	Description	Quantity
13.1	4179316	STAGE HELIX 2 1.4301 KIT	1
		> MACH.STG-CASING-WOGV-WNR-M+2-4-304	1
		> IMPELLER-M+2-304	1
13.2	4179317	STAGE BEARING HELIX 2 1.4307 KIT	1
		> MACH.BEARING-STG-CASING-WNR-M+2-304	1
		> IMPELLER-M+2-304	1
		> SHAFT SLEEVE SPACER Ø15,35x10,305-304	1
		> SHAFT-SLEEVE-D12xD16x14-CW	1
13.3	4213786	INTERM. STAGE HELIX 2 >14 ST. 1.4307 KIT	1
		> CORPS-ETG-STD-ACR-AJR-USIN.M+2-304	1
		> IMPELLER-M+2-304	1
		> IMPELLER SPACER Ø12,1x14,1-L24,25-316L	1

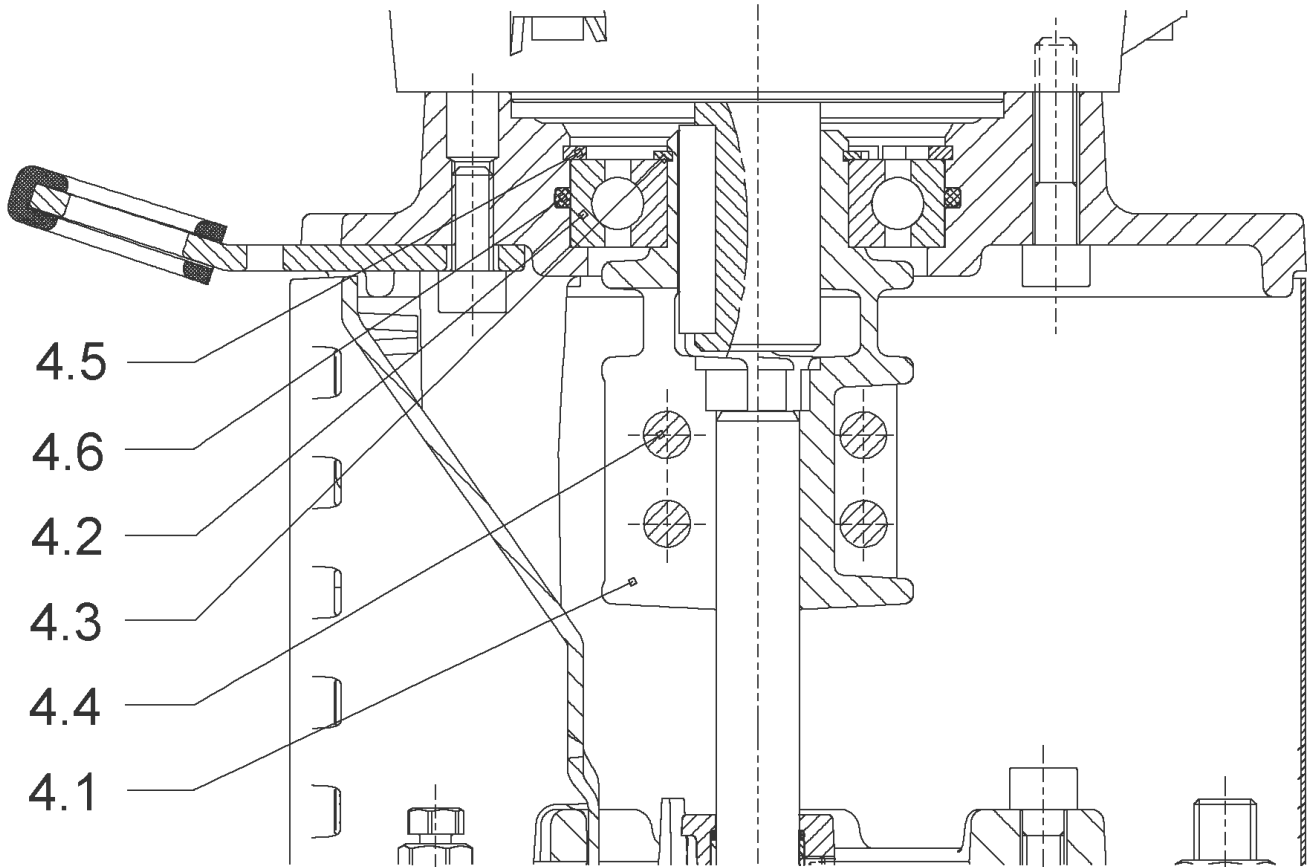


**HELIX V202-2/25/V/KS/400-50 (4161735)**

Item	Article no.	Description	Quantity
1	4169946	MOTOR 0,37/2/71 3~230/400V 50HZ IE2 VP.	1
		SPARE PARTS MOTOR:ON REQUEST	1
2	4159702	SCREW M6X30 (4 PIECES)	1
3	4171323	LANTERN FT85 HELIX KIT	1
3.1		> LANTERN FT85 M+6" GJL MACHINING+CATA	1
3.2	2127604	> EYELET CPL.FT HELIX(2 PIECES)	1
3.3	4159692	> COUPLING PROTECTOR FT HELIX KIT	1
4	4178554	COUPLING FT 85 Ø12XØ14 KIT	1
5	4159707	SCREW M8X30 (4 PIECES)	1
6	2018359	STUD BOLT M12X245 KIT	1
6.1		> TIE BOLT M12-245x18x30-1.4057	1
6.2	2094647	> NUT M12 M12 ISO4032 VP.	1
6.3	2123557	> WASHER CS-12.4-24-1.6-NFE25 (4 PIECES)	1
7	4159783	END SHIELD HELIX FKM 1.4404 KIT	1
7.1		> END SHIELD M+6" GJL250 MACHINING+CATA	1
7.2	2131056	> STATIONARY RING HOLDER 6" HELIX 1.4404 V	1
7.3	4234237	> O-RING 139X3 VITON VP.	1
7.4	2131026	> O-RING ID.37,6X2,4 FKM VP.	1
7.5	2131057	> O-RING ID.21,35X2 FKM VP.	1
8	4159784	FILING/PURGING PLUG HELIX FKM KIT	1
9	4178620	CARTRIDGE HELIX2-4 F/V KIT	1
10	4179251	HOUSING-PIPE D.152X109 1.4404 KIT	1
7.3	4234237	> O-RING 139X3 VITON VP.	1
10.1		> HOUSING-PIPE Ø152-M+202/402-316L	1
11	4179525	CENTERING STAGE-RETURN HELIX2 1.4404 VP	1
12	4178567	SHAFT EQUIPMENT HELIX V2/V4 KIT	1
12.1		> NUT-H-M8-STAINLESS-STEEL A4-70	1
12.2		> SHAFT END WASHER Ø8/Ø12 316L	1
12.3		> STOP COLLAR OF IMPELLER L12,6-Ø12-316L	1
12.4		> STOP-RUSH-1/2-D12xd2-M+316	1
13		HYDRAULIC HELIX V 202 316L	1
14	4179256	SHAFT Ø12 X 233 1.4404 VP.	1
15	4179257	PUMP HOUSING HELIX DN25 PN25 1.4409 KIT	1
7.3	4177887	> O-RING ID.145,65X3,53 VITON VP.	1

**HELIX V202-2/25/V/KS/400-50 (4161735)**

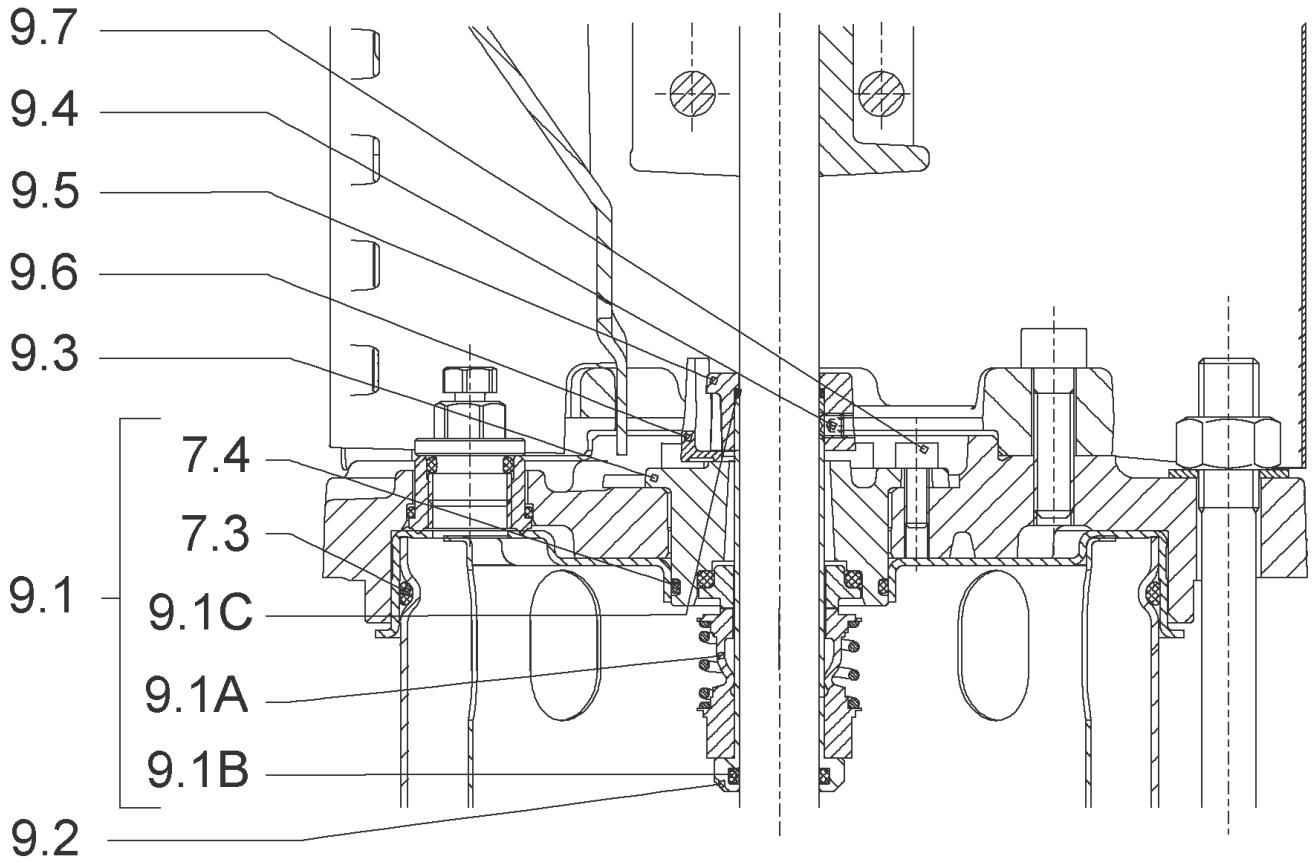
<b>Item</b>	<b>Article no.</b>	<b>Description</b>	<b>Quantity</b>
15.1		> BLASTING PPE HOUSING V PN25-DN25-5"-316L	1
15.3	4159781	> PRIMING/DRAIN PLUG HELIX 16 FKM KIT	1
16	4177970	BASEPLATE HELIX V2/4/6 PN25 VP.	1



**COUPLING FT 85 Ø12XØ14 KIT (4178554)**

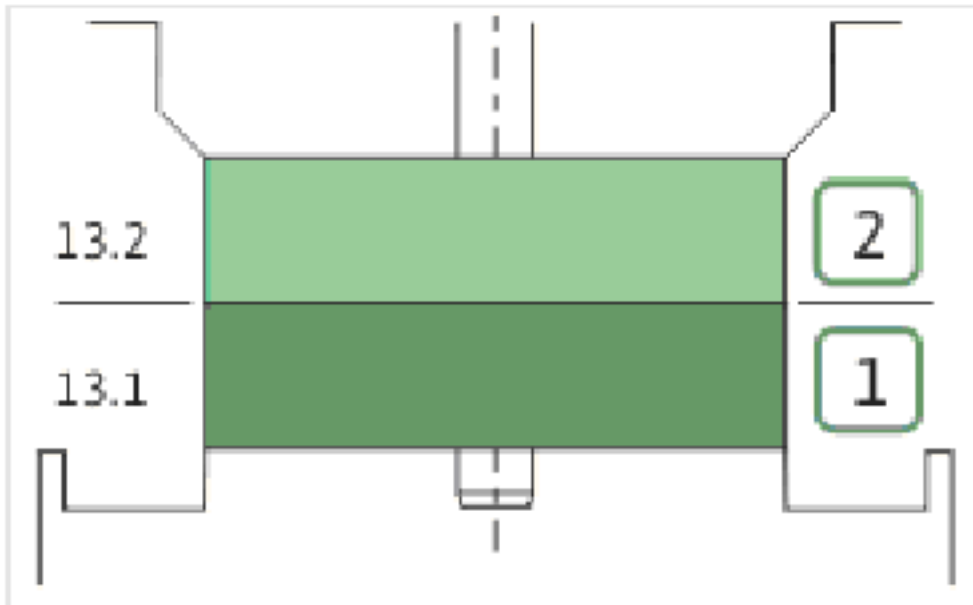
Item	Article no.	Description	Quantity
4.1		COUPLING-M+ Ø12XØ14-FT85-MACHINED	1
4.3	4208923	CIRCLIP D25X1.2 VP.	1
4.2	4177802	BALL BEARING 6205C3-ZZ HTVP.	1
4.4	4212716	SCREW M6X20 KIT (4PIECES)	1
4.5	4233124	CIRCLIP-FOR-BORES-D52x2 VP.	1
4.6	4234244	O-RING 52X2 VP.	1
		CONTACT-WASHER-6ETR-6,1x12,2x1,8-STEEL	4



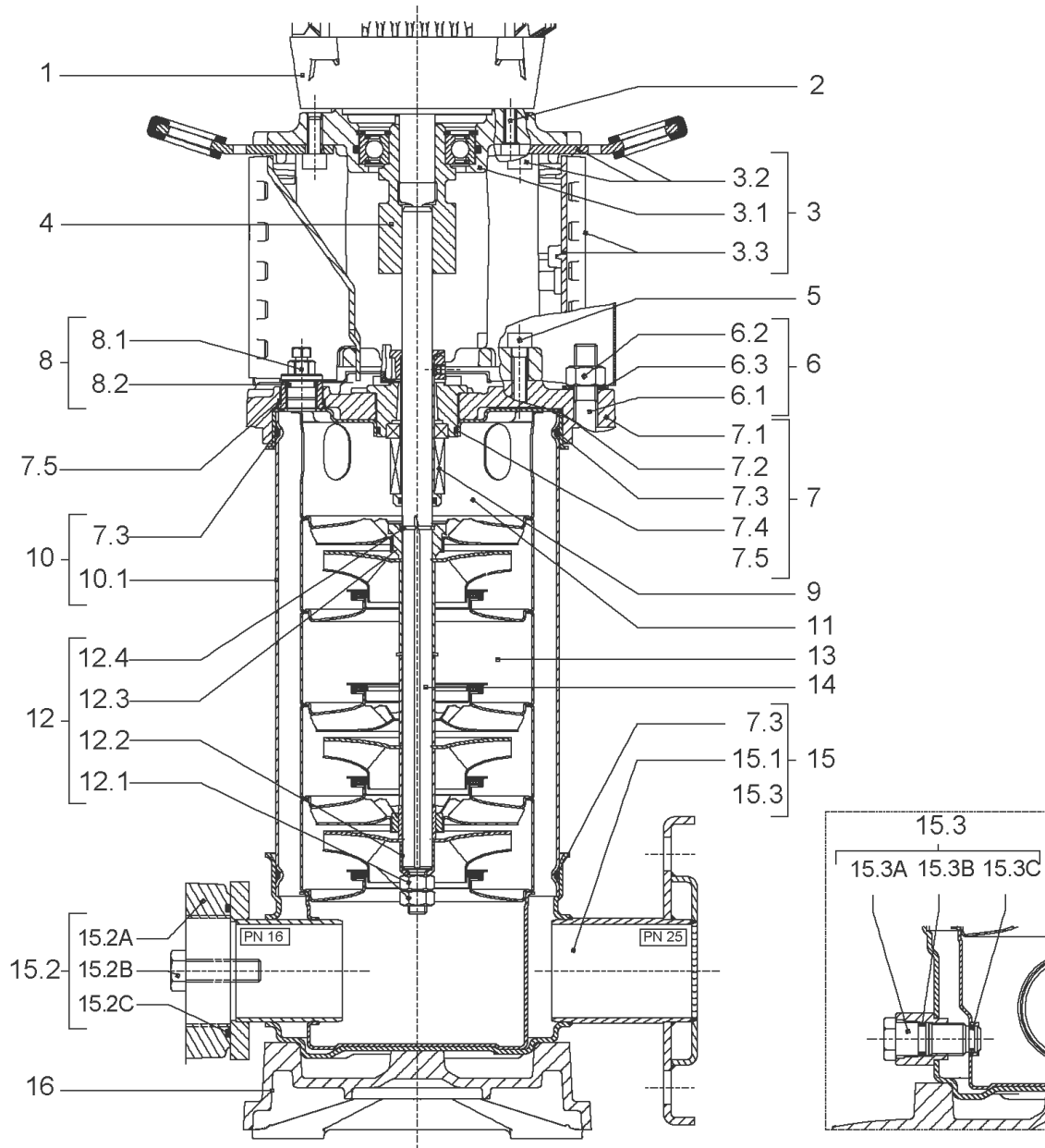


**CARTRIDGE HELIX2-4 F/V KIT (4178620)**

Item	Article no.	Description	Quantity
9.1	4178619	SEAL-KIT-HELIX2-4 F/V	1
7.3	4177887	> O-RING ID.145,65X3,53 VITON VP.	1
7.4	4177888	> O-RING ID.37.6xØ2.4 VITON VP.	1
9.1A	2131025	> MECH.SEAL HELIX2-4-6-10-16 F/V VP.	1
9.1B	4178618	> O-RING ID.12x2 VITON VP.	1
9.1C	4178618	> O-RING ID.12x2 VITON VP.	1
9.2	4178557	SHAFT SLEEVE Ø12XØ18-PN16 1.4404 VP.	1
9.3	2131024	RING HOLDER D.18 G606/G6 1.4404 VP.	1
9.4	4176520	SCREW CH M5x5 A4-70 ( 3PIECES )	1
9.5	4178595	DRIVE RING D.29/15.5x13,2 MACH.VP.	1
9.6	2130964	TOOL M.S.CART.HELIX VP.	1
9.7	2130965	SCREW CHC M5X12 ISO4762 A2.70(4 PIECES)	1



Item	Article no.	Description	Quantity
13.1	4179527	STAGE HELIX 2 1.4404 KIT	1
		> MACH.STG-CASING-WOGV-WNR-M+2-4-316	1
		> IMPELLER-M+2-316	1
13.2	4179526	STAGE BEARING HELIX 2 1.4404 KIT	1
		> MACH.BEARING-STG-CASING-WNR-M+2-316	1
		> IMPELLER-M+2-316	1
		> SHAFT SLEEVE SPACER Ø15,35x10,305-316	1
		> SHAFT-SLEEVE-D12xD16x14-CW	1

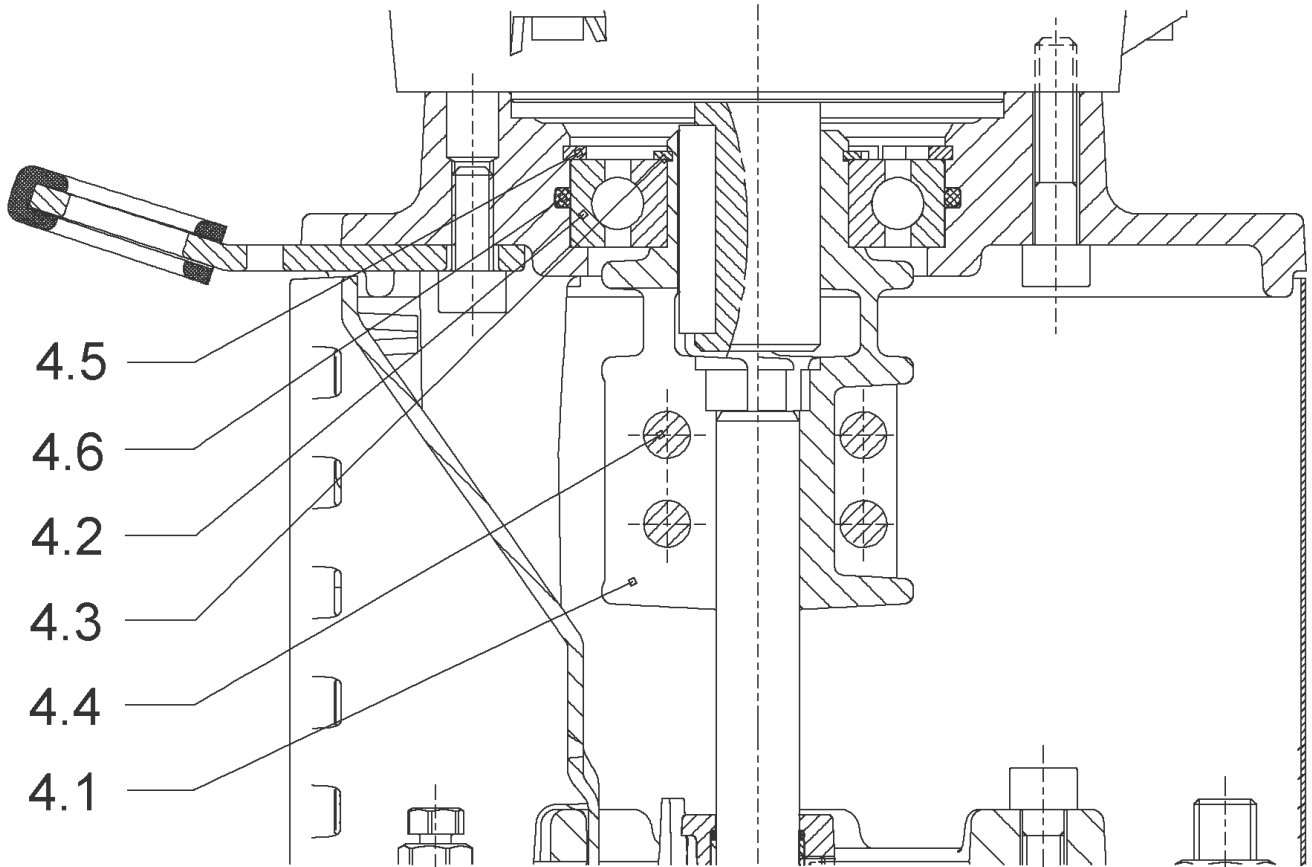


**HELIX V203-2/25/V/KS/400-50 (4161736)**

Item	Article no.	Description	Quantity
1	4169946	MOTOR 0,37/2/71 3~230/400V 50HZ IE2 VP.	1
		SPARE PARTS MOTOR:ON REQUEST	1
2	4159702	SCREW M6X30 (4 PIECES)	1
3	4171323	LANTERN FT85 HELIX KIT	1
3.1		> LANTERN FT85 M+6" GJL MACHINING+CATA	1
3.2	2127604	> EYELET CPL.FT HELIX(2 PIECES)	1
3.3	4159692	> COUPLING PROTECTOR FT HELIX KIT	1
4	4178554	COUPLING FT 85 Ø12XØ14 KIT	1
5	4159707	SCREW M8X30 (4 PIECES)	1
6	4177803	STUD BOLT M12X263 KIT	1
6.1		> TIE BOLT M12-263x18x30-1.4057	1
6.2	2094647	> NUT M12 M12 ISO4032 VP.	1
6.3	2123557	> WASHER CS-12.4-24-1.6-NFE25 (4 PIECES)	1
7	4159783	END SHIELD HELIX FKM 1.4404 KIT	1
7.1		> END SHIELD M+6" GJL250 MACHINING+CATA	1
7.2	2131056	> STATIONARY RING HOLDER 6" HELIX 1.4404 V	1
7.3	4234237	> O-RING 139X3 VITON VP.	1
7.4	2131026	> O-RING ID.37,6X2,4 FKM VP.	1
7.5	2131057	> O-RING ID.21,35X2 FKM VP.	1
8	4159784	FILING/PURGING PLUG HELIX FKM KIT	1
9	4178620	CARTRIDGE HELIX2-4 F/V KIT	1
10	4177890	HOUSING PIPES D.152X134 1.4404 KIT	1
7.3	4234237	> O-RING 139X3 VITON VP.	1
10.1		> HOUSING-PIPE Ø152-M+1001/02-316L	1
11	4179525	CENTERING STAGE-RETURN HELIX2 1.4404 VP	1
12	4178567	SHAFT EQUIPMENT HELIX V2/V4 KIT	1
12.1		> NUT-H-M8-STAINLESS-STEEL A4-70	1
12.2		> SHAFT END WASHER Ø8/Ø12 316L	1
12.3		> STOP COLLAR OF IMPELLER L12,6-Ø12-316L	1
12.4		> STOP-RUSH-1/2-D12xd2-M+316	1
13		HYDRAULIC HELIX V 203	1
14	4179260	SHAFT D.12X258 1.4404 VP.	1
15	4179257	PUMP HOUSING HELIX DN25 PN25 1.4409 KIT	1
7.3	4177887	> O-RING ID.145,65X3,53 VITON VP.	1

**HELIX V203-2/25/V/KS/400-50 (4161736)**

<b>Item</b>	<b>Article no.</b>	<b>Description</b>	<b>Quantity</b>
15.1		> BLASTING PPE HOUSING V PN25-DN25-5"-316L	1
15.3	4159781	> PRIMING/DRAIN PLUG HELIX 16 FKM KIT	1
16	4177970	BASEPLATE HELIX V2/4/6 PN25 VP.	1





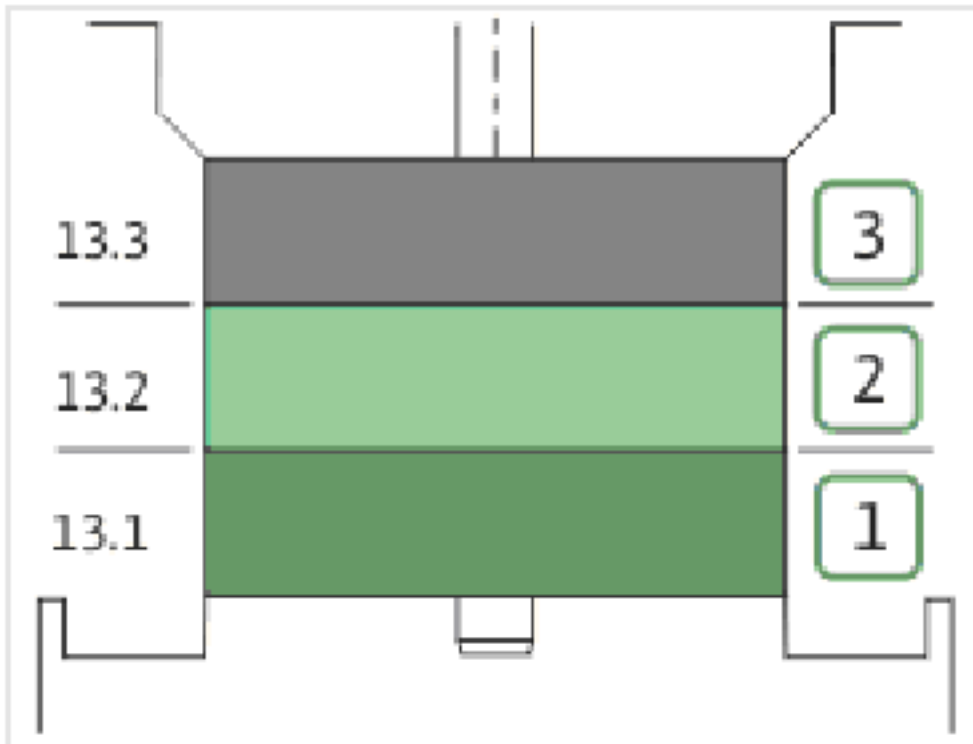
**COUPLING FT 85 Ø12XØ14 KIT (4178554)**

Item	Article no.	Description	Quantity
4.1		COUPLING-M+ Ø12XØ14-FT85-MACHINED	1
4.3	4208923	CIRCLIP D25X1.2 VP.	1
4.2	4177802	BALL BEARING 6205C3-ZZ HTVP.	1
4.4	4212716	SCREW M6X20 KIT (4PIECES)	1
4.5	4233124	CIRCLIP-FOR-BORES-D52x2 VP.	1
4.6	4234244	O-RING 52X2 VP.	1
		CONTACT-WASHER-6ETR-6,1x12,2x1,8-STEEL	4

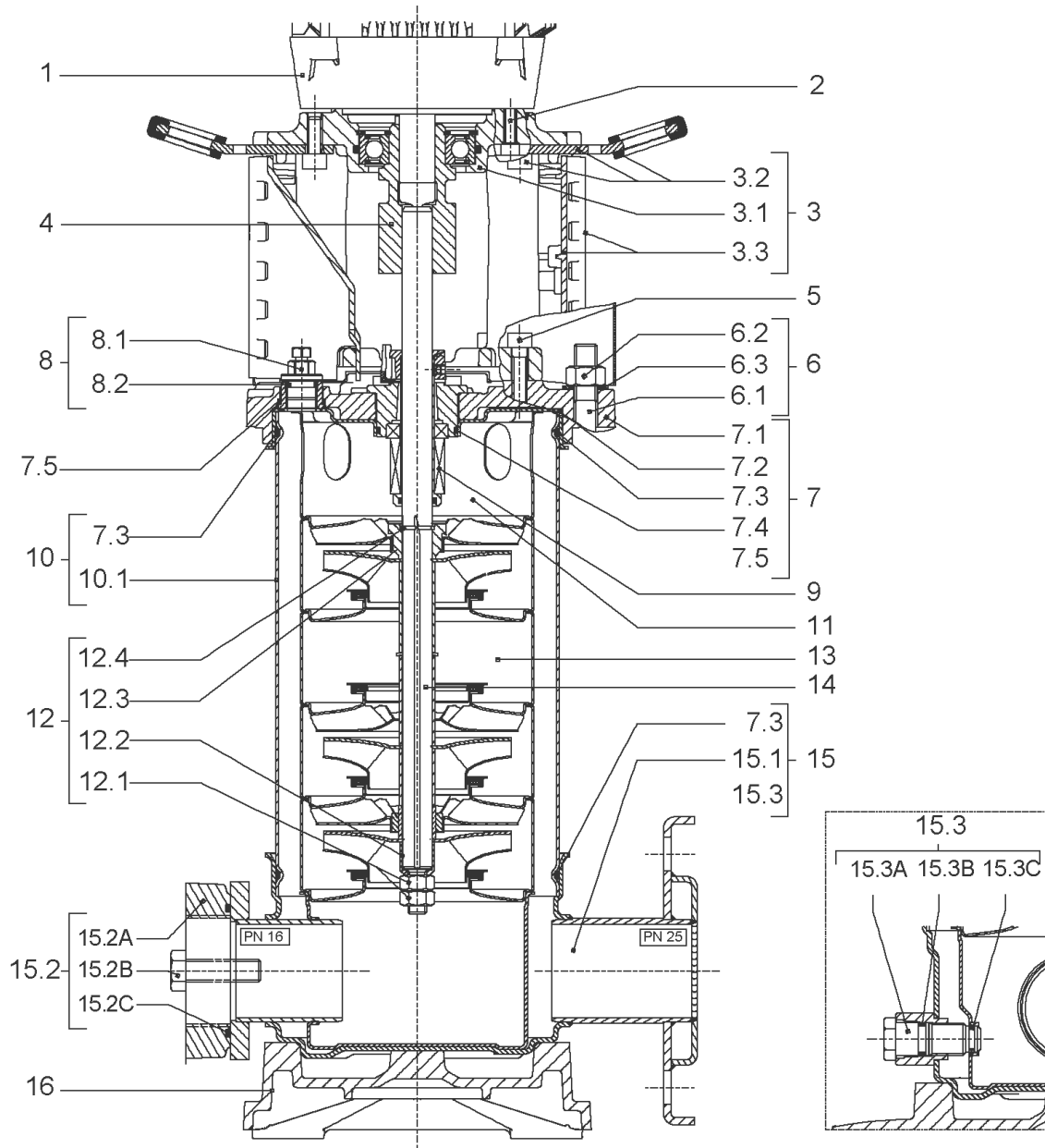


**CARTRIDGE HELIX2-4 F/V KIT (4178620)**

Item	Article no.	Description	Quantity
9.1	4178619	SEAL-KIT-HELIX2-4 F/V	1
7.3	4177887	> O-RING ID.145,65X3,53 VITON VP.	1
7.4	4177888	> O-RING ID.37.6xØ2.4 VITON VP.	1
9.1A	2131025	> MECH.SEAL HELIX2-4-6-10-16 F/V VP.	1
9.1B	4178618	> O-RING ID.12x2 VITON VP.	1
9.1C	4178618	> O-RING ID.12x2 VITON VP.	1
9.2	4178557	SHAFT SLEEVE Ø12XØ18-PN16 1.4404 VP.	1
9.3	2131024	RING HOLDER D.18 G606/G6 1.4404 VP.	1
9.4	4176520	SCREW CH M5x5 A4-70 ( 3PIECES )	1
9.5	4178595	DRIVE RING D.29/15.5x13,2 MACH.VP.	1
9.6	2130964	TOOL M.S.CART.HELIX VP.	1
9.7	2130965	SCREW CHC M5X12 ISO4762 A2.70(4 PIECES)	1



Item	Article no.	Description	Quantity
13.1	4179527	STAGE HELIX 2 1.4404 KIT	1
		> MACH.STG-CASING-WOGV-WNR-M+2-4-316	1
		> IMPELLER-M+2-316	1
13.2	4179526	STAGE BEARING HELIX 2 1.4404 KIT	1
		> MACH.BEARING-STG-CASING-WNR-M+2-316	1
		> IMPELLER-M+2-316	1
		> SHAFT SLEEVE SPACER Ø15,35x10,305-316	1
		> SHAFT-SLEEVE-D12xD16x14-CW	1
13.3	4179529	INTERMED STAGE < 15 HELIX 2 1.4404 KIT	1
		> MACH.STD-STG-CASING-WGV+NR-M+2-316	1
		> IMPELLER-M+2-316	1
		> IMPELLER SPACER Ø12,05X14,85-L24,305-316	1



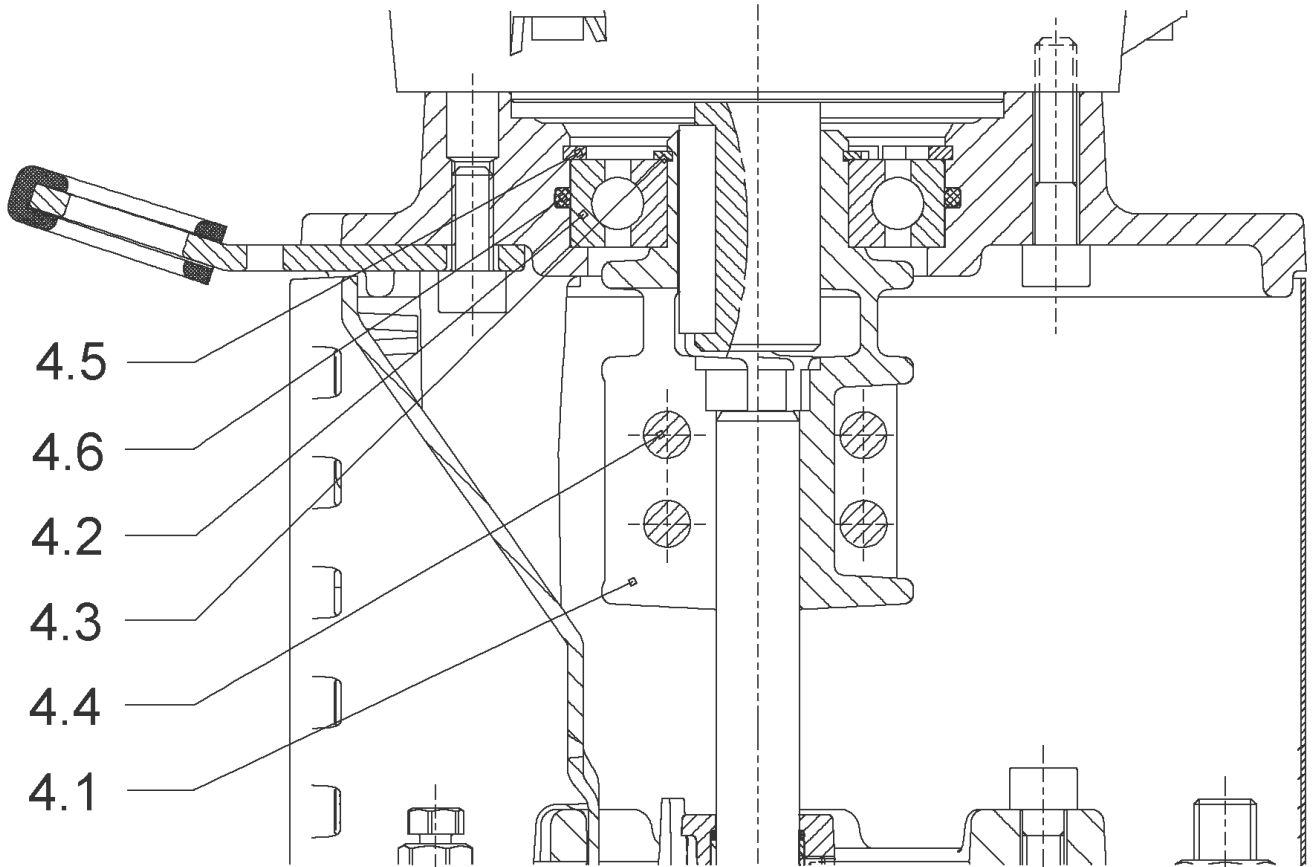
**HELIX V204-2/25/V/KS/400-50 (4161737)**

Item	Article no.	Description	Quantity
1	4169946	MOTOR 0,37/2/71 3~230/400V 50HZ IE2 VP.	1
		SPARE PARTS MOTOR:ON REQUEST	1
2	4159702	SCREW M6X30 (4 PIECES)	1
3	4171323	LANTERN FT85 HELIX KIT	1
3.1		> LANTERN FT85 M+6" GJL MACHINING+CATA	1
3.2	2127604	> EYELET CPL.FT HELIX(2 PIECES)	1
3.3	4159692	> COUPLING PROTECTOR FT HELIX KIT	1
4	4178554	COUPLING FT 85 Ø12XØ14 KIT	1
5	4159707	SCREW M8X30 (4 PIECES)	1
6	2018368	STUD BOLT M12X289 KIT	1
6.1		> TIE BOLT M12-289x18x30-1.4057	1
6.2	2094647	> NUT M12 M12 ISO4032 VP.	1
6.3	2123557	> WASHER CS-12.4-24-1.6-NFE25 (4 PIECES)	1
7	4159783	END SHIELD HELIX FKM 1.4404 KIT	1
7.1		> END SHIELD M+6" GJL250 MACHINING+CATA	1
7.2	2131056	> STATIONARY RING HOLDER 6" HELIX 1.4404 V	1
7.3	4234237	> O-RING 139X3 VITON VP.	1
7.4	2131026	> O-RING ID.37,6X2,4 FKM VP.	1
7.5	2131057	> O-RING ID.21,35X2 FKM VP.	1
8	4159784	FILING/PURGING PLUG HELIX FKM KIT	1
9	4178620	CARTRIDGE HELIX2-4 F/V KIT	1
10	4179261	HOUSING-PIPE D.152X159 1.4404 KIT	1
7.3	4234237	> O-RING 139X3 VITON VP.	1
10.1		> HOUSING-PIPE Ø152-M+1601/02-316L	1
11	4179525	CENTERING STAGE-RETURN HELIX2 1.4404 VP	1
12	4178567	SHAFT EQUIPMENT HELIX V2/V4 KIT	1
12.1		> NUT-H-M8-STAINLESS-STEEL A4-70	1
12.2		> SHAFT END WASHER Ø8/Ø12 316L	1
12.3		> STOP COLLAR OF IMPELLER L12,6-Ø12-316L	1
12.4		> STOP-RUSH-1/2-D12xd2-M+316	1
13		HYDRAULIC HELIX V 204	1
14	4179260	SHAFT D.12X258 1.4404 VP.	1
15	4179257	PUMP HOUSING HELIX DN25 PN25 1.4409 KIT	1
7.3	4177887	> O-RING ID.145,65X3,53 VITON VP.	1

**HELIX V204-2/25/V/KS/400-50 (4161737)**

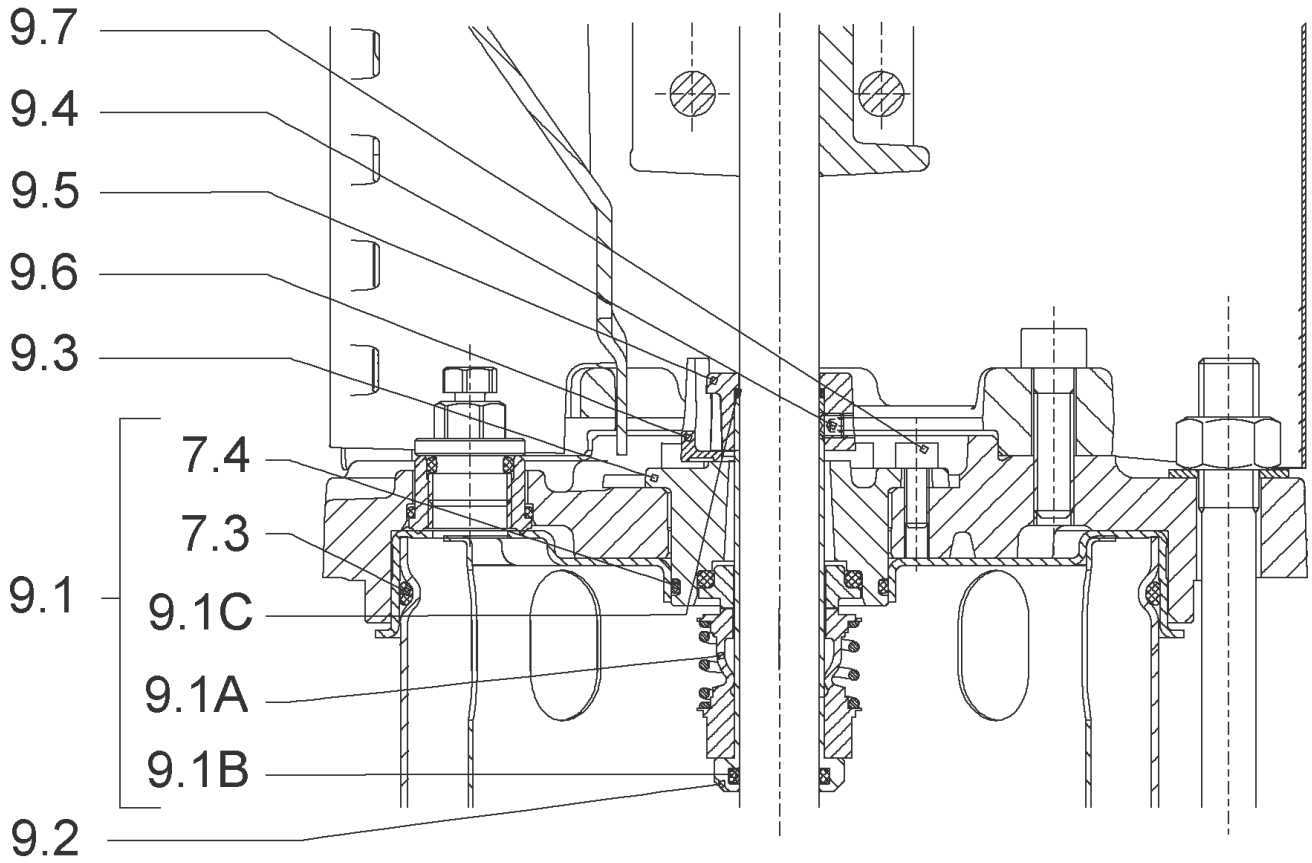
<b>Item</b>	<b>Article no.</b>	<b>Description</b>	<b>Quantity</b>
15.1		> BLASTING PPE HOUSING V PN25-DN25-5"-316L	1
15.3	4159781	> PRIMING/DRAIN PLUG HELIX 16 FKM KIT	1
16	4177970	BASEPLATE HELIX V2/4/6 PN25 VP.	1





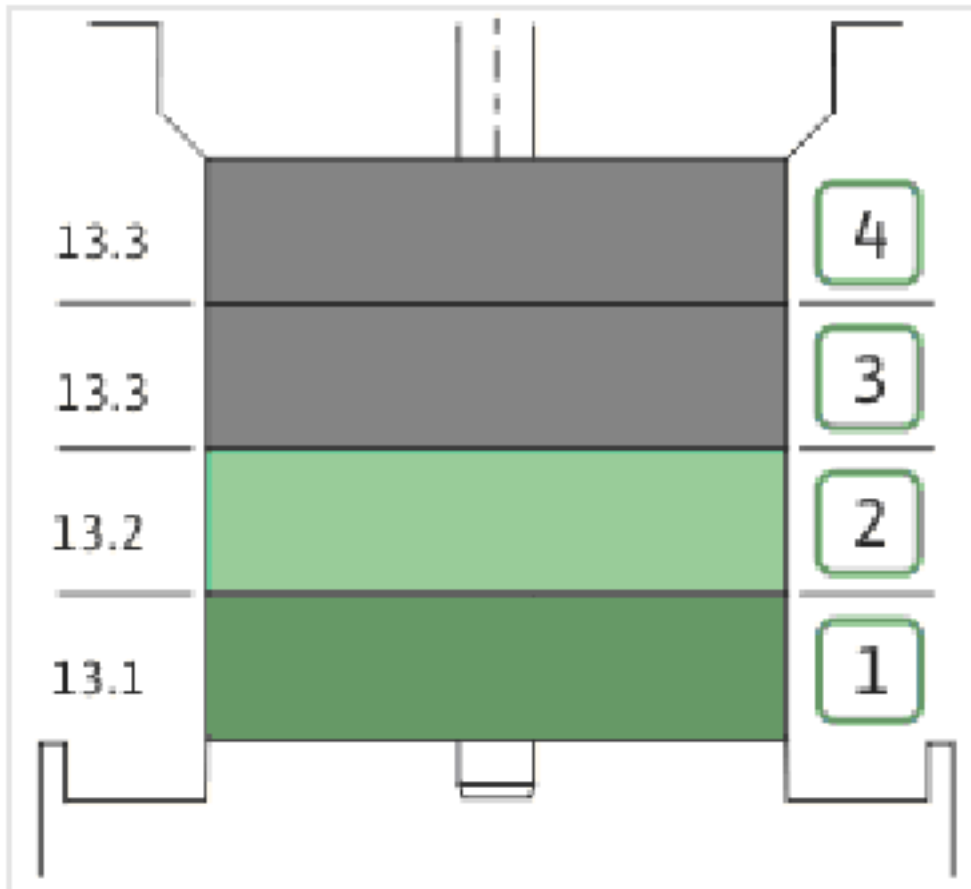
**COUPLING FT 85 Ø12XØ14 KIT (4178554)**

Item	Article no.	Description	Quantity
4.1		COUPLING-M+ Ø12XØ14-FT85-MACHINED	1
4.3	4208923	CIRCLIP D25X1.2 VP.	1
4.2	4177802	BALL BEARING 6205C3-ZZ HTVP.	1
4.4	4212716	SCREW M6X20 KIT (4PIECES)	1
4.5	4233124	CIRCLIP-FOR-BORES-D52x2 VP.	1
4.6	4234244	O-RING 52X2 VP.	1
		CONTACT-WASHER-6ETR-6,1x12,2x1,8-STEEL	4

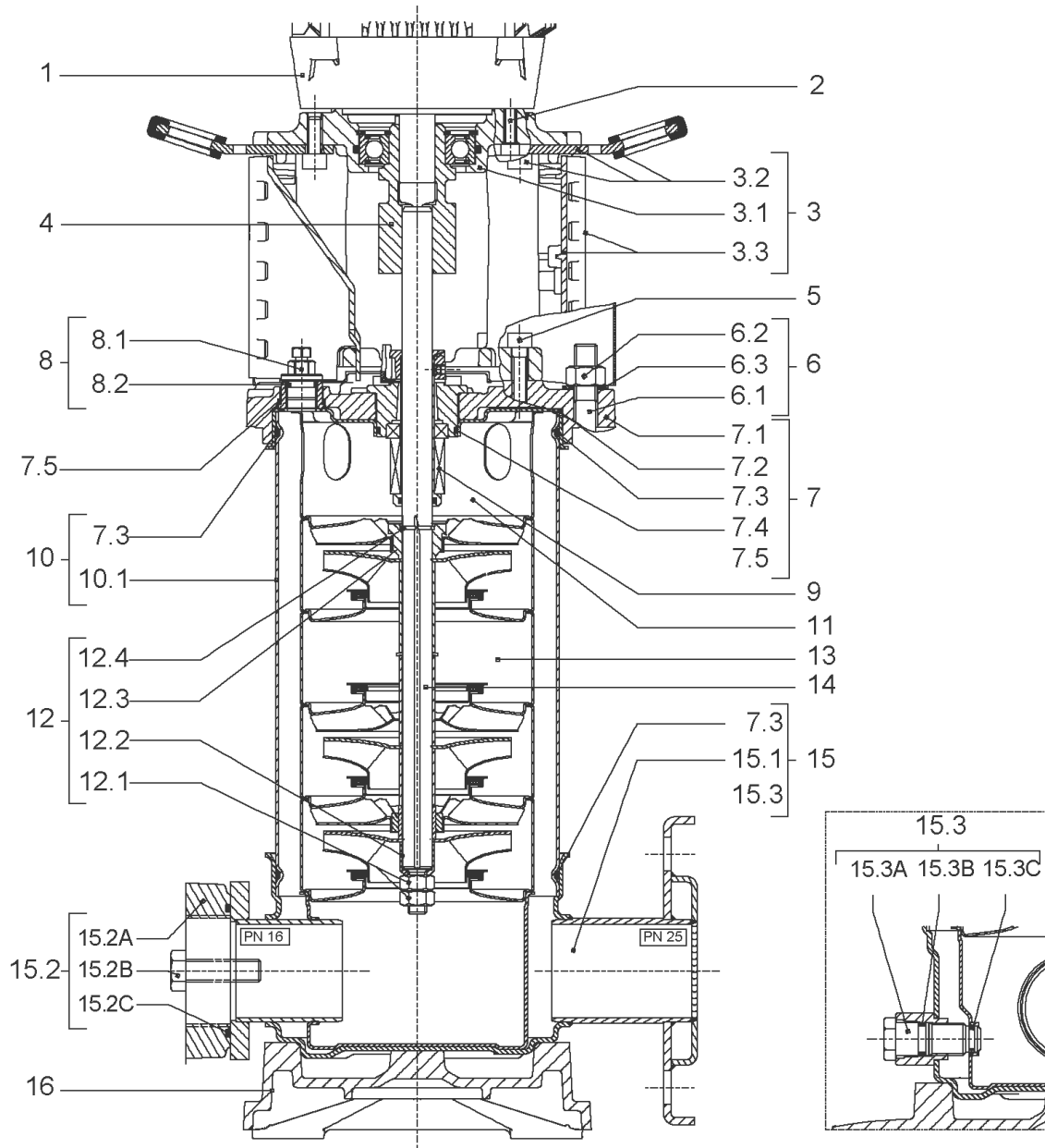


**CARTRIDGE HELIX2-4 F/V KIT (4178620)**

Item	Article no.	Description	Quantity
9.1	4178619	SEAL-KIT-HELIX2-4 F/V	1
7.3	4177887	> O-RING ID.145,65X3,53 VITON VP.	1
7.4	4177888	> O-RING ID.37.6xØ2.4 VITON VP.	1
9.1A	2131025	> MECH.SEAL HELIX2-4-6-10-16 F/V VP.	1
9.1B	4178618	> O-RING ID.12x2 VITON VP.	1
9.1C	4178618	> O-RING ID.12x2 VITON VP.	1
9.2	4178557	SHAFT SLEEVE Ø12XØ18-PN16 1.4404 VP.	1
9.3	2131024	RING HOLDER D.18 G606/G6 1.4404 VP.	1
9.4	4176520	SCREW CH M5x5 A4-70 ( 3PIECES )	1
9.5	4178595	DRIVE RING D.29/15.5x13,2 MACH.VP.	1
9.6	2130964	TOOL M.S.CART.HELIX VP.	1
9.7	2130965	SCREW CHC M5X12 ISO4762 A2.70(4 PIECES)	1



Item	Article no.	Description	Quantity
13.1	4179527	STAGE HELIX 2 1.4404 KIT	1
		> MACH.STG-CASING-WOGV-WNR-M+2-4-316	1
		> IMPELLER-M+2-316	1
13.2	4179526	STAGE BEARING HELIX 2 1.4404 KIT	1
		> MACH.BEARING-STG-CASING-WNR-M+2-316	1
		> IMPELLER-M+2-316	1
		> SHAFT SLEEVE SPACER Ø15,35x10,305-316	1
		> SHAFT-SLEEVE-D12xD16x14-CW	1
13.3	4179529	INTERMED STAGE < 15 HELIX 2 1.4404 KIT	1
		> MACH.STD-STG-CASING-WGV+NR-M+2-316	1
		> IMPELLER-M+2-316	1
		> IMPELLER SPACER Ø12,05X14,85-L24,305-316	1



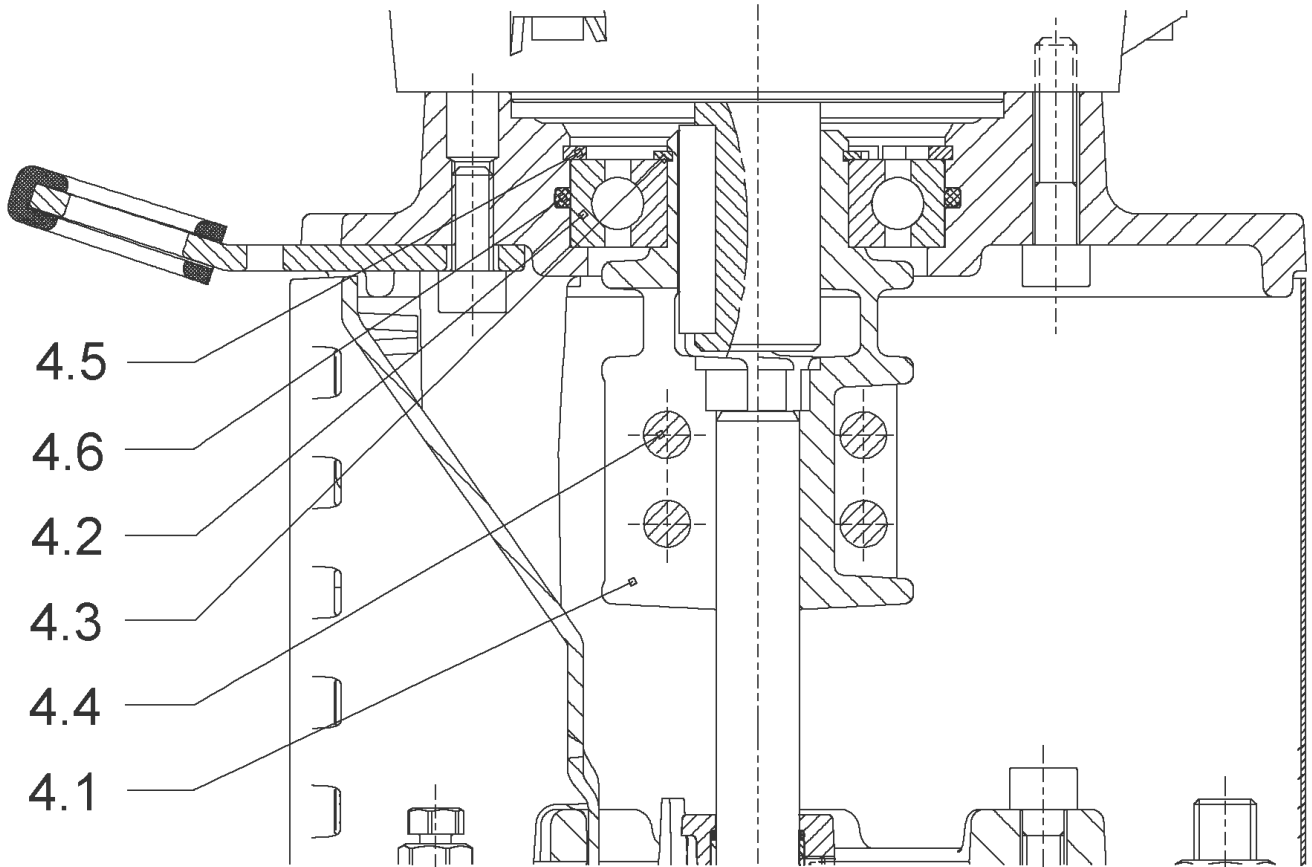
**HELIX V205-2/25/V/KS/400-50 (4161738)**

Item	Article no.	Description	Quantity
1	4169939	MO.0,55/2/71 3~400V 50HZ 460V 60HZ IE2VP	1
		SPARE PARTS MOTOR:ON REQUEST	1
2	4159702	SCREW M6X30 (4 PIECES)	1
3	4171323	LANTERN FT85 HELIX KIT	1
3.1		> LANTERN FT85 M+6" GJL MACHINING+CATA	1
3.2	2127604	> EYELET CPL.FT HELIX(2 PIECES)	1
3.3	4159692	> COUPLING PROTECTOR FT HELIX KIT	1
4	4178554	COUPLING FT 85 Ø12XØ14 KIT	1
5	4159707	SCREW M8X30 (4 PIECES)	1
6	4178579	STUD BOLT M12X317 KIT	1
6.1		> TIE BOLT M12-317x18x30-1.4057	1
6.2	2094647	> NUT M12 M12 ISO4032 VP.	1
6.3	2123557	> WASHER CS-12.4-24-1.6-NFE25 (4 PIECES)	1
7	4159783	END SHIELD HELIX FKM 1.4404 KIT	1
7.1		> END SHIELD M+6" GJL250 MACHINING+CATA	1
7.2	2131056	> STATIONARY RING HOLDER 6" HELIX 1.4404 V	1
7.3	4234237	> O-RING 139X3 VITON VP.	1
7.4	2131026	> O-RING ID.37,6X2,4 FKM VP.	1
7.5	2131057	> O-RING ID.21,35X2 FKM VP.	1
8	4159784	FILING/PURGING PLUG HELIX FKM KIT	1
9	4178620	CARTRIDGE HELIX2-4 F/V KIT	1
10	4179264	HOUSING-PIPE D.152X109 1.4404 KIT	1
7.3	4234237	> O-RING 139X3 VITON VP.	1
10.1		> HOUSING-PIPE Ø152-M+205/405-316L	1
11	4179525	CENTERING STAGE-RETURN HELIX2 1.4404 VP	1
12	4178567	SHAFT EQUIPMENT HELIX V2/V4 KIT	1
12.1		> NUT-H-M8-STAINLESS-STEEL A4-70	1
12.2		> SHAFT END WASHER Ø8/Ø12 316L	1
12.3		> STOP COLLAR OF IMPELLER L12,6-Ø12-316L	1
12.4		> STOP-RUSH-1/2-D12xd2-M+316	1
13		HYDRAULIC HELIX V 205	1
14	4179266	SHAFT D.12X308 1.4404 VP.	1
15	4179257	PUMP HOUSING HELIX DN25 PN25 1.4409 KIT	1
7.3	4177887	> O-RING ID.145,65X3,53 VITON VP.	1



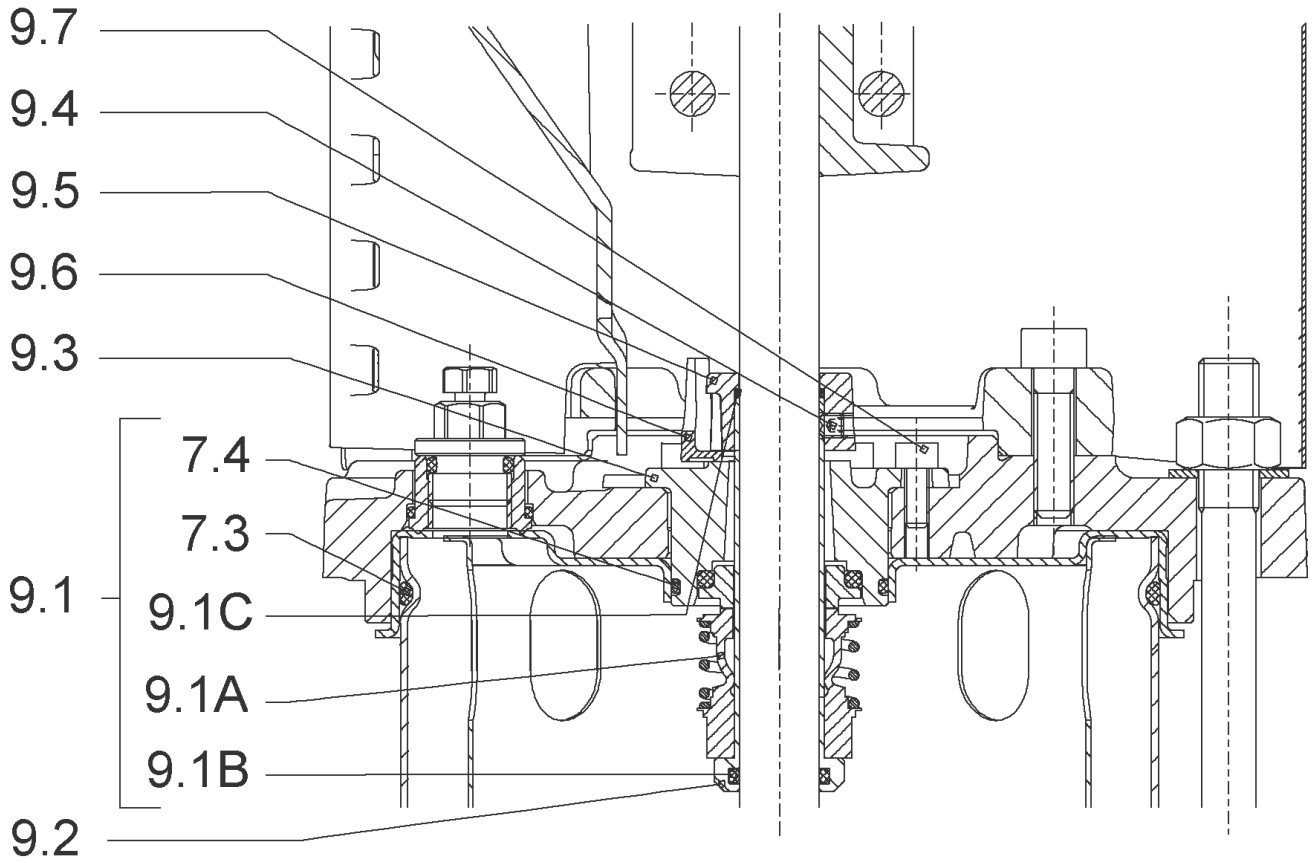
**HELIX V205-2/25/V/KS/400-50 (4161738)**

<b>Item</b>	<b>Article no.</b>	<b>Description</b>	<b>Quantity</b>
15.1		> BLASTING PPE HOUSING V PN25-DN25-5"-316L	1
15.3	4159781	> PRIMING/DRAIN PLUG HELIX 16 FKM KIT	1
16	4177970	BASEPLATE HELIX V2/4/6 PN25 VP.	1



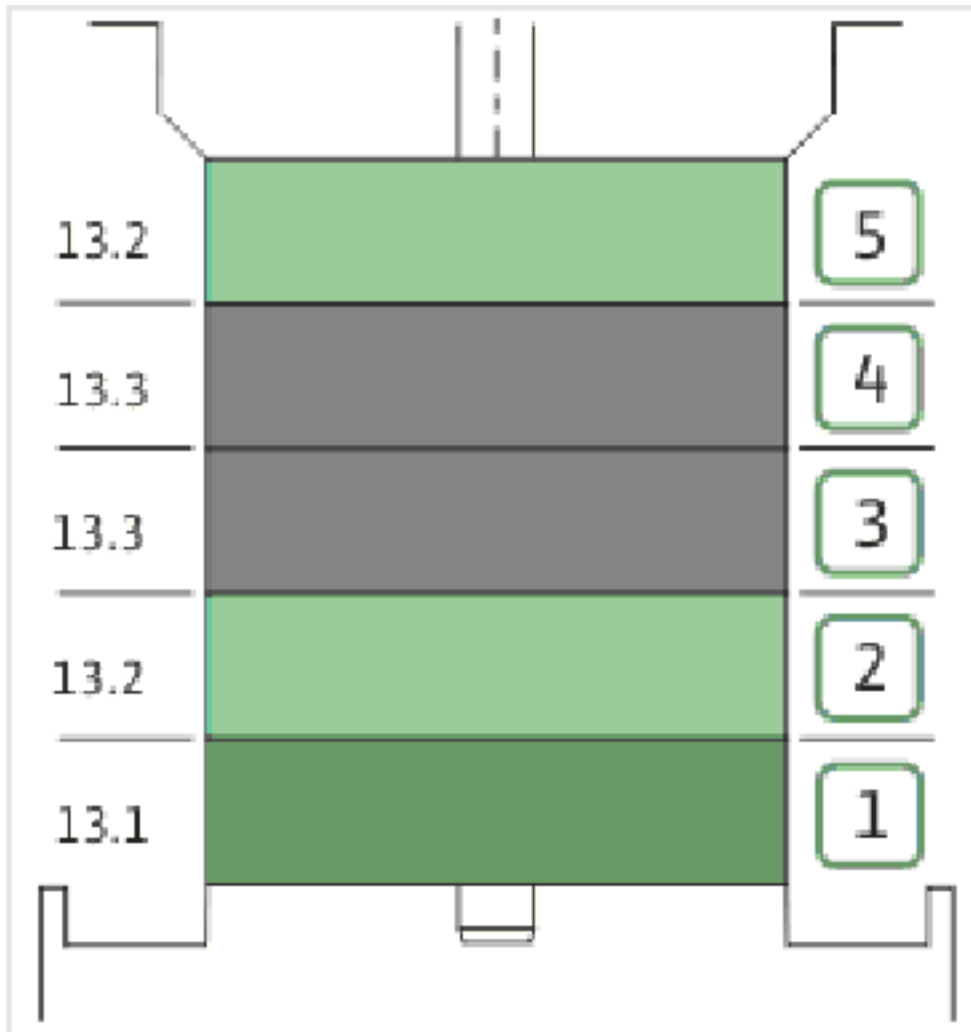
**COUPLING FT 85 Ø12XØ14 KIT (4178554)**

Item	Article no.	Description	Quantity
4.1		COUPLING-M+ Ø12XØ14-FT85-MACHINED	1
4.3	4208923	CIRCLIP D25X1.2 VP.	1
4.2	4177802	BALL BEARING 6205C3-ZZ HTVP.	1
4.4	4212716	SCREW M6X20 KIT (4PIECES)	1
4.5	4233124	CIRCLIP-FOR-BORES-D52x2 VP.	1
4.6	4234244	O-RING 52X2 VP.	1
		CONTACT-WASHER-6ETR-6,1x12,2x1,8-STEEL	4

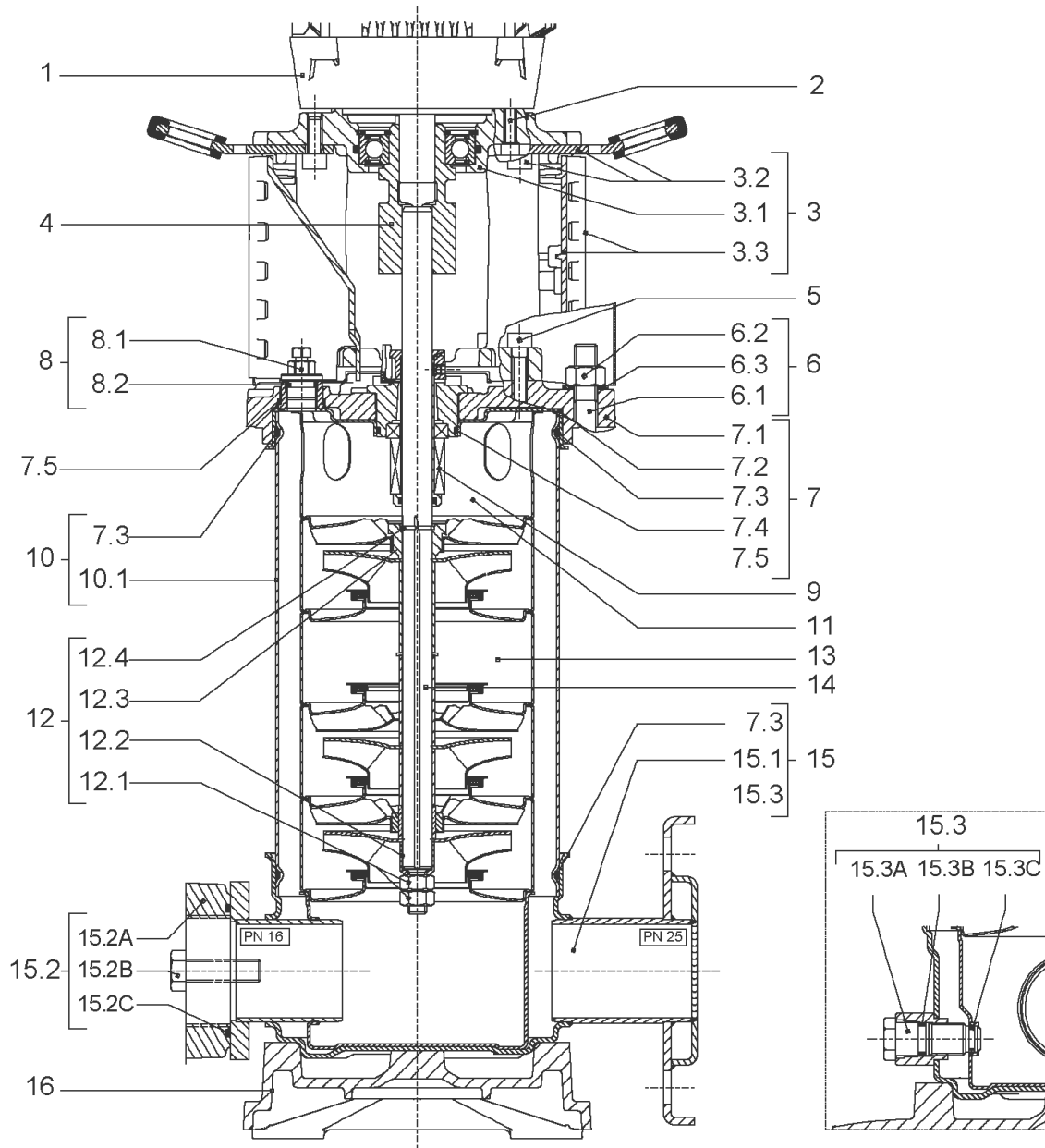


**CARTRIDGE HELIX2-4 F/V KIT (4178620)**

Item	Article no.	Description	Quantity
9.1	4178619	SEAL-KIT-HELIX2-4 F/V	1
7.3	4177887	> O-RING ID.145,65X3,53 VITON VP.	1
7.4	4177888	> O-RING ID.37.6xØ2.4 VITON VP.	1
9.1A	2131025	> MECH.SEAL HELIX2-4-6-10-16 F/V VP.	1
9.1B	4178618	> O-RING ID.12x2 VITON VP.	1
9.1C	4178618	> O-RING ID.12x2 VITON VP.	1
9.2	4178557	SHAFT SLEEVE Ø12XØ18-PN16 1.4404 VP.	1
9.3	2131024	RING HOLDER D.18 G606/G6 1.4404 VP.	1
9.4	4176520	SCREW CH M5x5 A4-70 ( 3PIECES )	1
9.5	4178595	DRIVE RING D.29/15.5x13,2 MACH.VP.	1
9.6	2130964	TOOL M.S.CART.HELIX VP.	1
9.7	2130965	SCREW CHC M5X12 ISO4762 A2.70(4 PIECES)	1



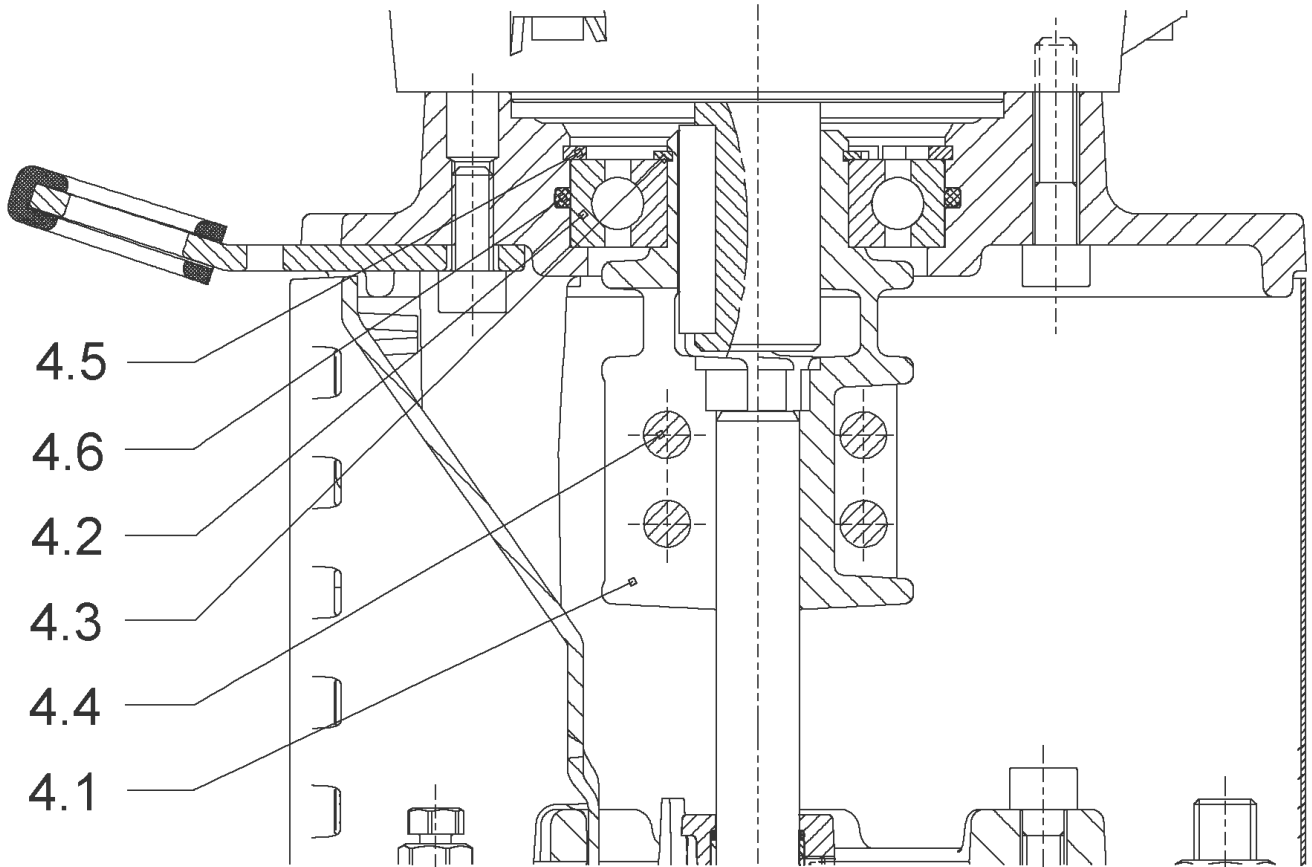
Item	Article no.	Description	Quantity
13.1	4179527	STAGE HELIX 2 1.4404 KIT	1
		> MACH.STG-CASING-WOGV-WNR-M+2-4-316	1
		> IMPELLER-M+2-316	1
13.2	4179526	STAGE BEARING HELIX 2 1.4404 KIT	1
		> MACH.BEARING-STG-CASING-WNR-M+2-316	1
		> IMPELLER-M+2-316	1
		> SHAFT SLEEVE SPACER Ø15,35x10,305-316	1
		> SHAFT-SLEEVE-D12xD16x14-CW	1
13.3	4179529	INTERMED STAGE < 15 HELIX 2 1.4404 KIT	1
		> MACH.STD-STG-CASING-WGV+NR-M+2-316	1
		> IMPELLER-M+2-316	1
		> IMPELLER SPACER Ø12,05X14,85-L24,305-316	1





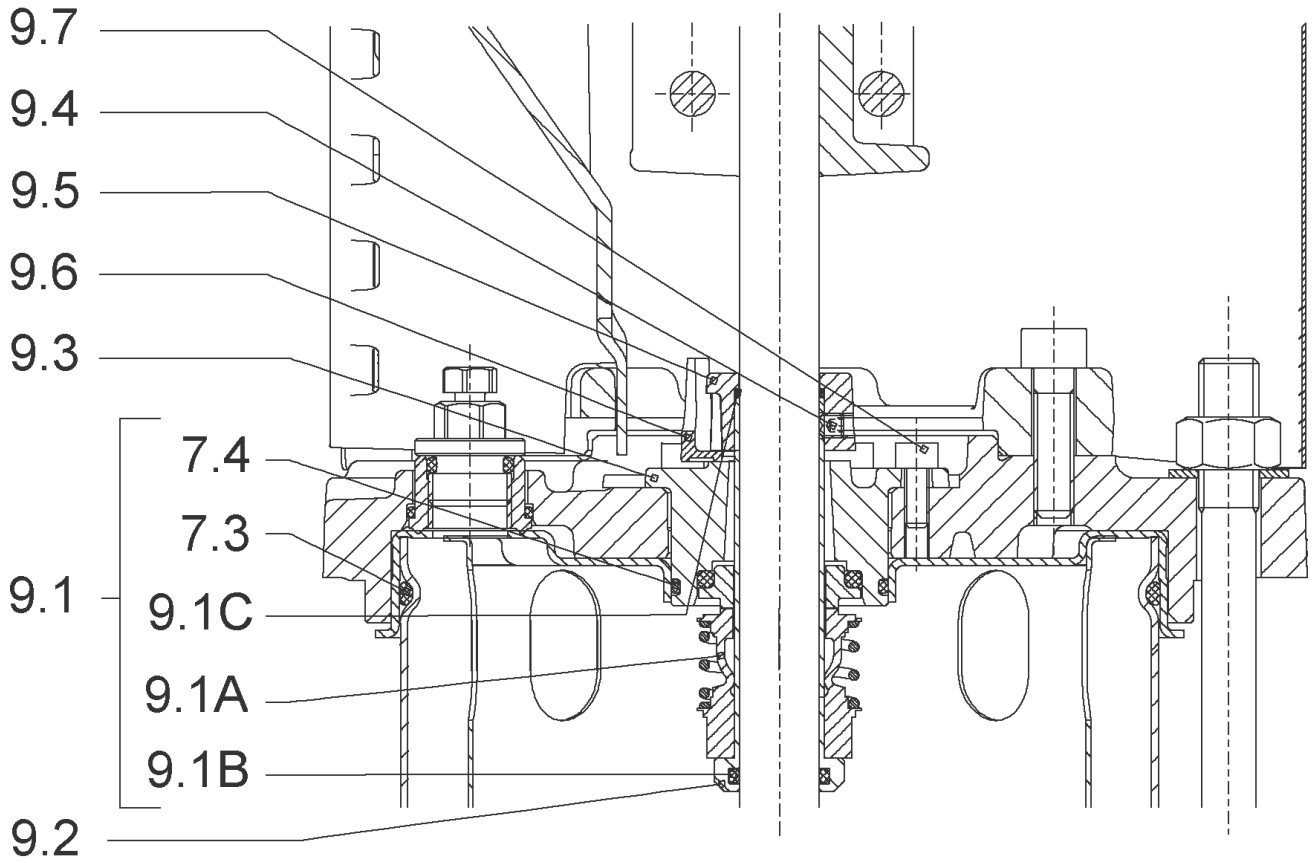
**HELIX V206-2/25/V/KS/400-50 (4161739)**

Item	Article no.	Description	Quantity
1	4169939	MO.0,55/2/71 3~400V 50HZ 460V 60HZ IE2VP	1
		SPARE PARTS MOTOR:ON REQUEST	1
2	4159702	SCREW M6X30 (4 PIECES)	1
3	4171323	LANTERN FT85 HELIX KIT	1
3.1		> LANTERN FT85 M+6" GJL MACHINING+CATA	1
3.2	2127604	> EYELET CPL.FT HELIX(2 PIECES)	1
3.3	4159692	> COUPLING PROTECTOR FT HELIX KIT	1
4	4178554	COUPLING FT 85 Ø12XØ14 KIT	1
5	4159707	SCREW M8X30 (4 PIECES)	1
6	2127553	STUD BOLT M12X341 KIT	1
7	4159783	END SHIELD HELIX FKM 1.4404 KIT	1
7.1		> END SHIELD M+6" GJL250 MACHINING+CATA	1
7.2	2131056	> STATIONARY RING HOLDER 6" HELIX 1.4404 V	1
7.3	4234237	> O-RING 139X3 VITON VP.	1
7.4	2131026	> O-RING ID.37,6X2,4 FKM VP.	1
7.5	2131057	> O-RING ID.21,35X2 FKM VP.	1
8	4159784	FILING/PURGING PLUG HELIX FKM KIT	1
9	4178620	CARTRIDGE HELIX2-4 F/V KIT	1
10	4177921	HOUSING PIPES D.152X209 1.4404 KIT	1
7.3	4234237	> O-RING 139X3 VITON VP.	1
10.1		> HOUSING-PIPE Ø152-M+1004/1603-316L	1
11	4179525	CENTERING STAGE-RETURN HELIX2 1.4404 VP	1
12	4178567	SHAFT EQUIPMENT HELIX V2/V4 KIT	1
12.1		> NUT-H-M8-STAINLESS-STEEL A4-70	1
12.2		> SHAFT END WASHER Ø8/Ø12 316L	1
12.3		> STOP COLLAR OF IMPELLER L12,6-Ø12-316L	1
12.4		> STOP-RUSH-1/2-D12xd2-M+316	1
13		HYDRAULIC HELIX V 206	1
14	4179268	SHAFT D.12X333 1.4404 VP.	1
15	4179257	PUMP HOUSING HELIX DN25 PN25 1.4409 KIT	1
7.3	4177887	> O-RING ID.145,65X3,53 VITON VP.	1
15.1		> BLASTING PPE HOUSING V PN25-DN25-5"-316L	1
15.3	4159781	> PRIMING/DRAIN PLUG HELIX 16 FKM KIT	1
16	4177970	BASEPLATE HELIX V2/4/6 PN25 VP.	1



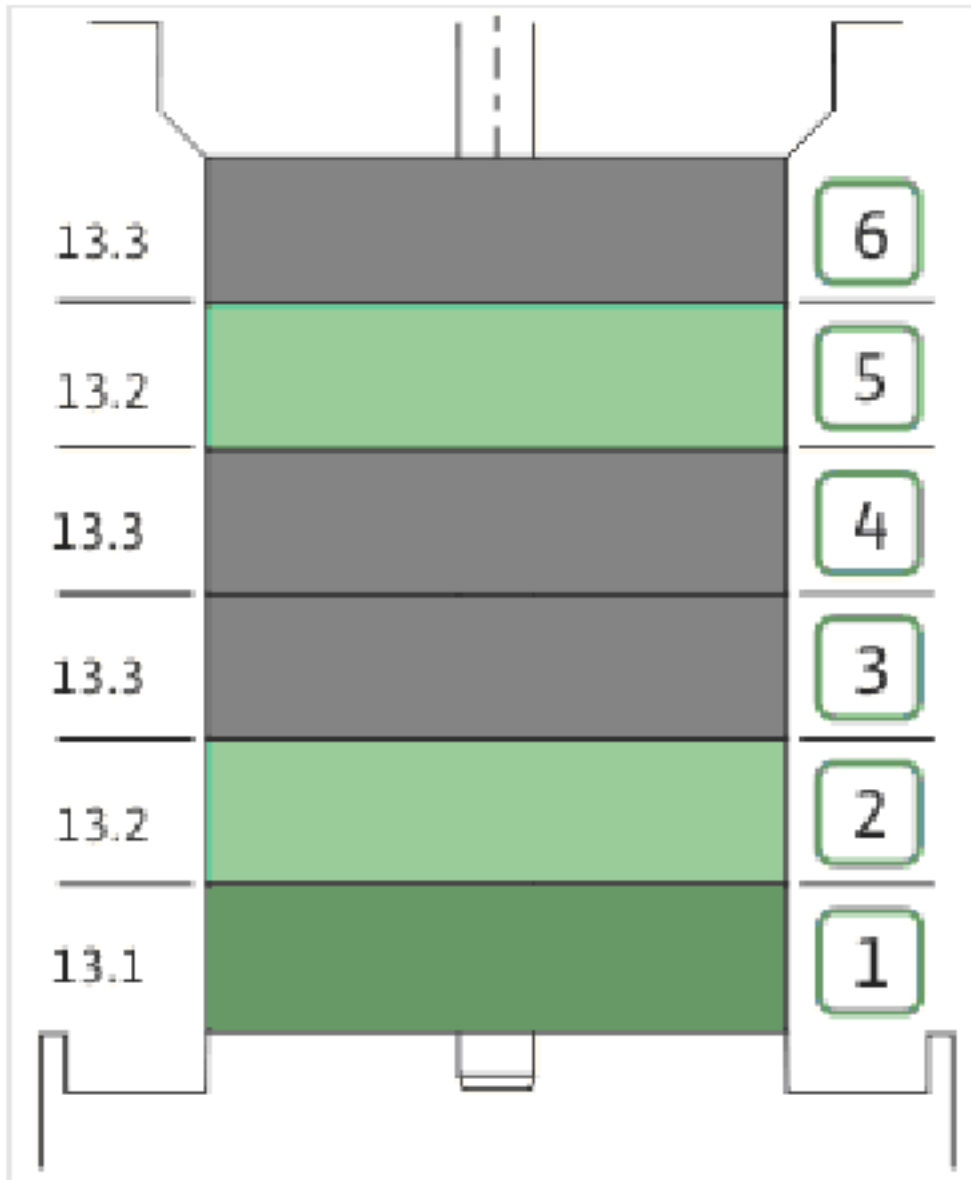
**COUPLING FT 85 Ø12XØ14 KIT (4178554)**

Item	Article no.	Description	Quantity
4.1		COUPLING-M+ Ø12XØ14-FT85-MACHINED	1
4.3	4208923	CIRCLIP D25X1.2 VP.	1
4.2	4177802	BALL BEARING 6205C3-ZZ HTVP.	1
4.4	4212716	SCREW M6X20 KIT (4PIECES)	1
4.5	4233124	CIRCLIP-FOR-BORES-D52x2 VP.	1
4.6	4234244	O-RING 52X2 VP.	1
		CONTACT-WASHER-6ETR-6,1x12,2x1,8-STEEL	4

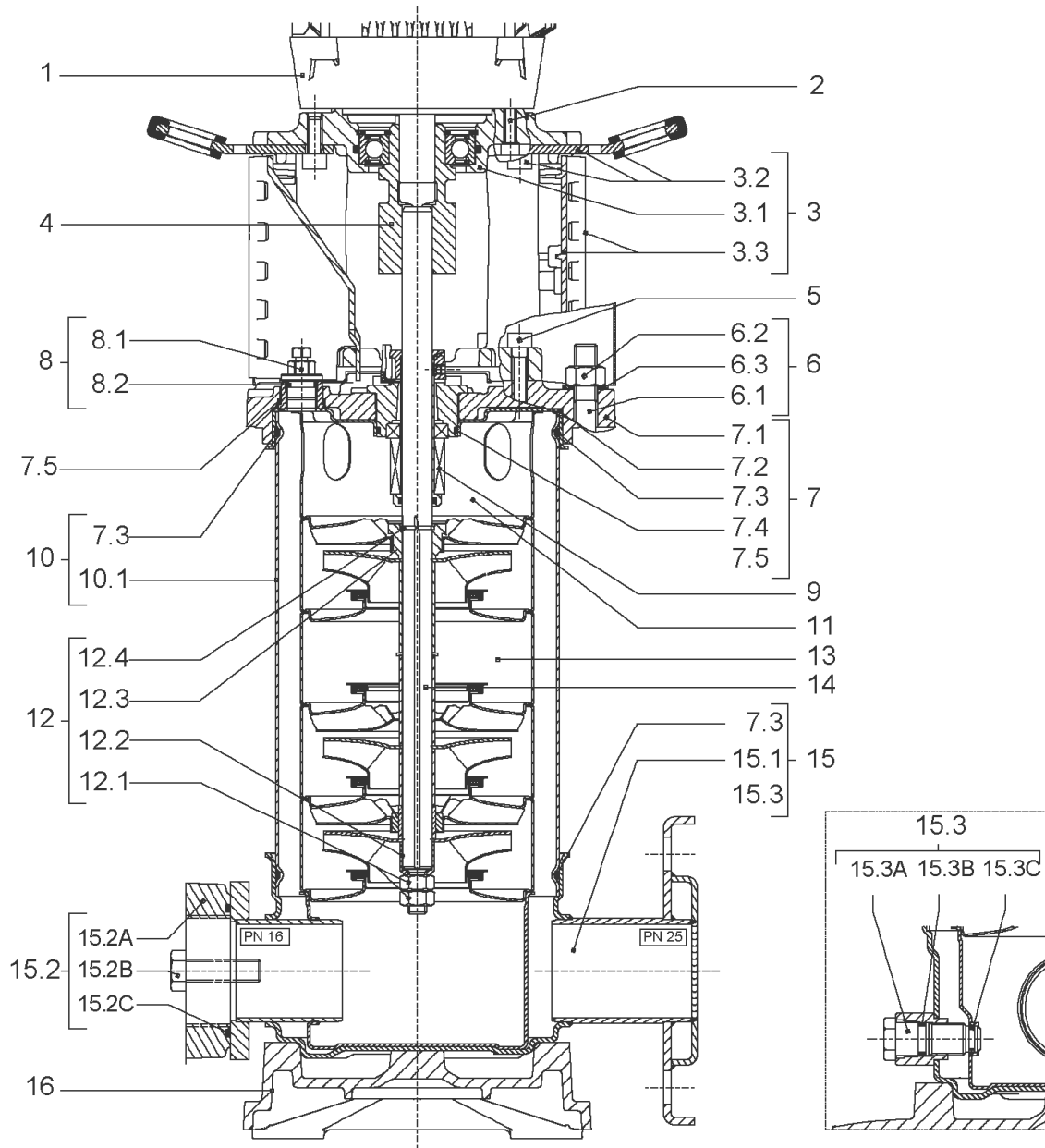


**CARTRIDGE HELIX2-4 F/V KIT (4178620)**

Item	Article no.	Description	Quantity
9.1	4178619	SEAL-KIT-HELIX2-4 F/V	1
7.3	4177887	> O-RING ID.145,65X3,53 VITON VP.	1
7.4	4177888	> O-RING ID.37.6xØ2.4 VITON VP.	1
9.1A	2131025	> MECH.SEAL HELIX2-4-6-10-16 F/V VP.	1
9.1B	4178618	> O-RING ID.12x2 VITON VP.	1
9.1C	4178618	> O-RING ID.12x2 VITON VP.	1
9.2	4178557	SHAFT SLEEVE Ø12XØ18-PN16 1.4404 VP.	1
9.3	2131024	RING HOLDER D.18 G606/G6 1.4404 VP.	1
9.4	4176520	SCREW CH M5x5 A4-70 ( 3PIECES )	1
9.5	4178595	DRIVE RING D.29/15.5x13,2 MACH.VP.	1
9.6	2130964	TOOL M.S.CART.HELIX VP.	1
9.7	2130965	SCREW CHC M5X12 ISO4762 A2.70(4 PIECES)	1



Item	Article no.	Description	Quantity
13.1	4179527	STAGE HELIX 2 1.4404 KIT	1
		> MACH.STG-CASING-WOGV-WNR-M+2-4-316	1
		> IMPELLER-M+2-316	1
13.2	4179526	STAGE BEARING HELIX 2 1.4404 KIT	1
		> MACH.BEARING-STG-CASING-WNR-M+2-316	1
		> IMPELLER-M+2-316	1
		> SHAFT SLEEVE SPACER Ø15,35x10,305-316	1
		> SHAFT-SLEEVE-D12xD16x14-CW	1
13.3	4179529	INTERMED STAGE < 15 HELIX 2 1.4404 KIT	1
		> MACH.STD-STG-CASING-WGV+NR-M+2-316	1
		> IMPELLER-M+2-316	1
		> IMPELLER SPACER Ø12,05X14,85-L24,305-316	1



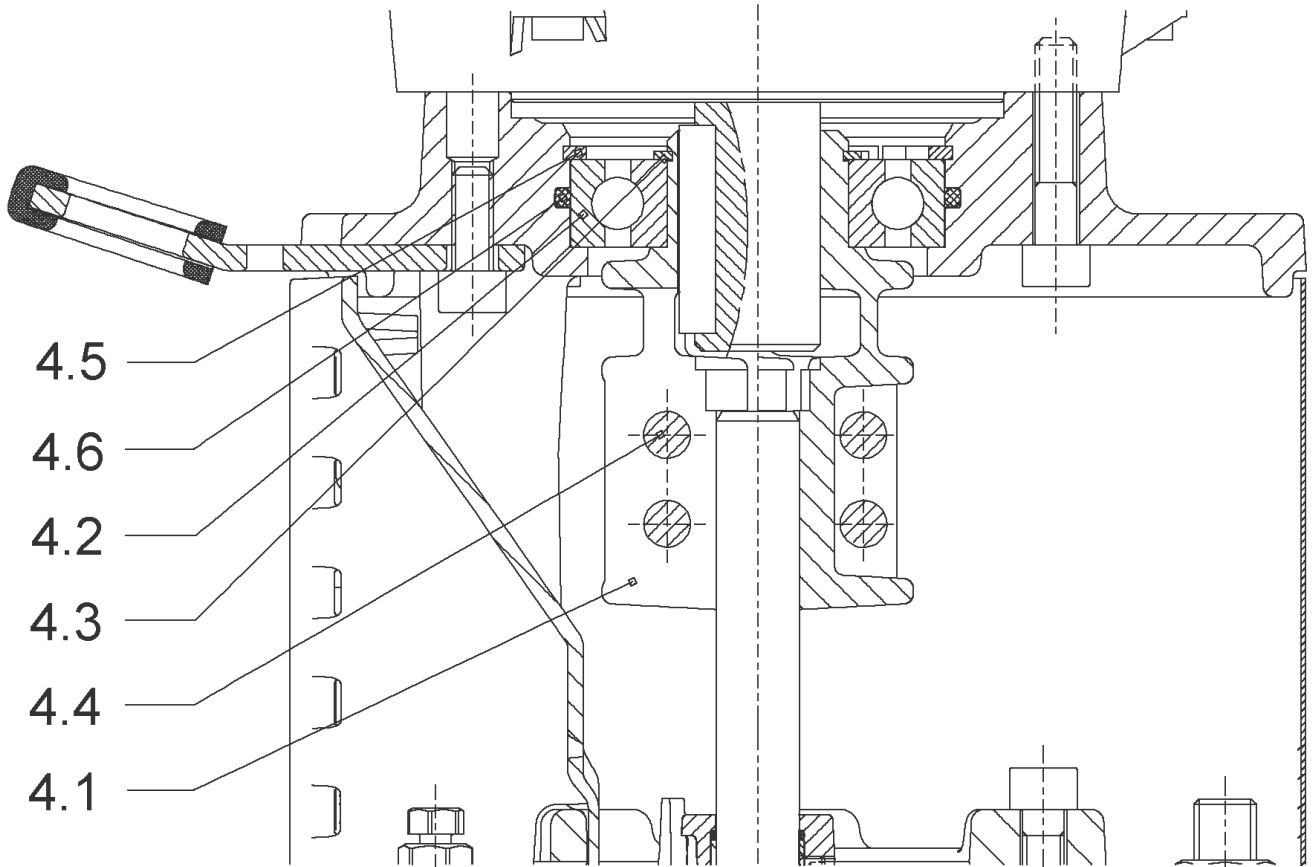


**HELIX V207-2/25/V/KS/400-50 (4161740)**

Item	Article no.	Description	Quantity
1	4169939	MO.0,55/2/71 3~400V 50HZ 460V 60HZ IE2VP	1
		SPARE PARTS MOTOR:ON REQUEST	1
2	4159702	SCREW M6X30 (4 PIECES)	1
3	4171323	LANTERN FT85 HELIX KIT	1
3.1		> LANTERN FT85 M+6" GJL MACHINING+CATA	1
3.2	2127604	> EYELET CPL.FT HELIX(2 PIECES)	1
3.3	4159692	> COUPLING PROTECTOR FT HELIX KIT	1
4	4178554	COUPLING FT 85 Ø12XØ14 KIT	1
5	4159707	SCREW M8X30 (4 PIECES)	1
6	4178585	STUD BOLT M12X365 KIT	1
6.1		> TIE BOLT M12-365x18x30-1.4057	1
6.2	2094647	> NUT M12 M12 ISO4032 VP.	1
6.3	2123557	> WASHER CS-12.4-24-1.6-NFE25 (4 PIECES)	1
7	4159783	END SHIELD HELIX FKM 1.4404 KIT	1
7.1		> END SHIELD M+6" GJL250 MACHINING+CATA	1
7.2	2131056	> STATIONARY RING HOLDER 6" HELIX 1.4404 V	1
7.3	4234237	> O-RING 139X3 VITON VP.	1
7.4	2131026	> O-RING ID.37,6X2,4 FKM VP.	1
7.5	2131057	> O-RING ID.21,35X2 FKM VP.	1
8	4159784	FILING/PURGING PLUG HELIX FKM KIT	1
9	4178620	CARTRIDGE HELIX2-4 F/V KIT	1
10	4179269	HOUSING-PIPE D.152X235 1.4404 KIT	1
7.3	4234237	> O-RING 139X3 VITON VP.	1
10.1		> HOUSING-PIPE Ø152-M+207/407-316L	1
11	4179525	CENTERING STAGE-RETURN HELIX2 1.4404 VP	1
12	4178567	SHAFT EQUIPMENT HELIX V2/V4 KIT	1
12.1		> NUT-H-M8-STAINLESS-STEEL A4-70	1
12.2		> SHAFT END WASHER Ø8/Ø12 316L	1
12.3		> STOP COLLAR OF IMPELLER L12,6-Ø12-316L	1
12.4		> STOP-RUSH-1/2-D12xd2-M+316	1
13		HYDRAULIC HELIX V 207	1
14	4179271	SHAFT D.12X358 1.4404 VP.	1
15	4179257	PUMP HOUSING HELIX DN25 PN25 1.4409 KIT	1
7.3	4177887	> O-RING ID.145,65X3,53 VITON VP.	1

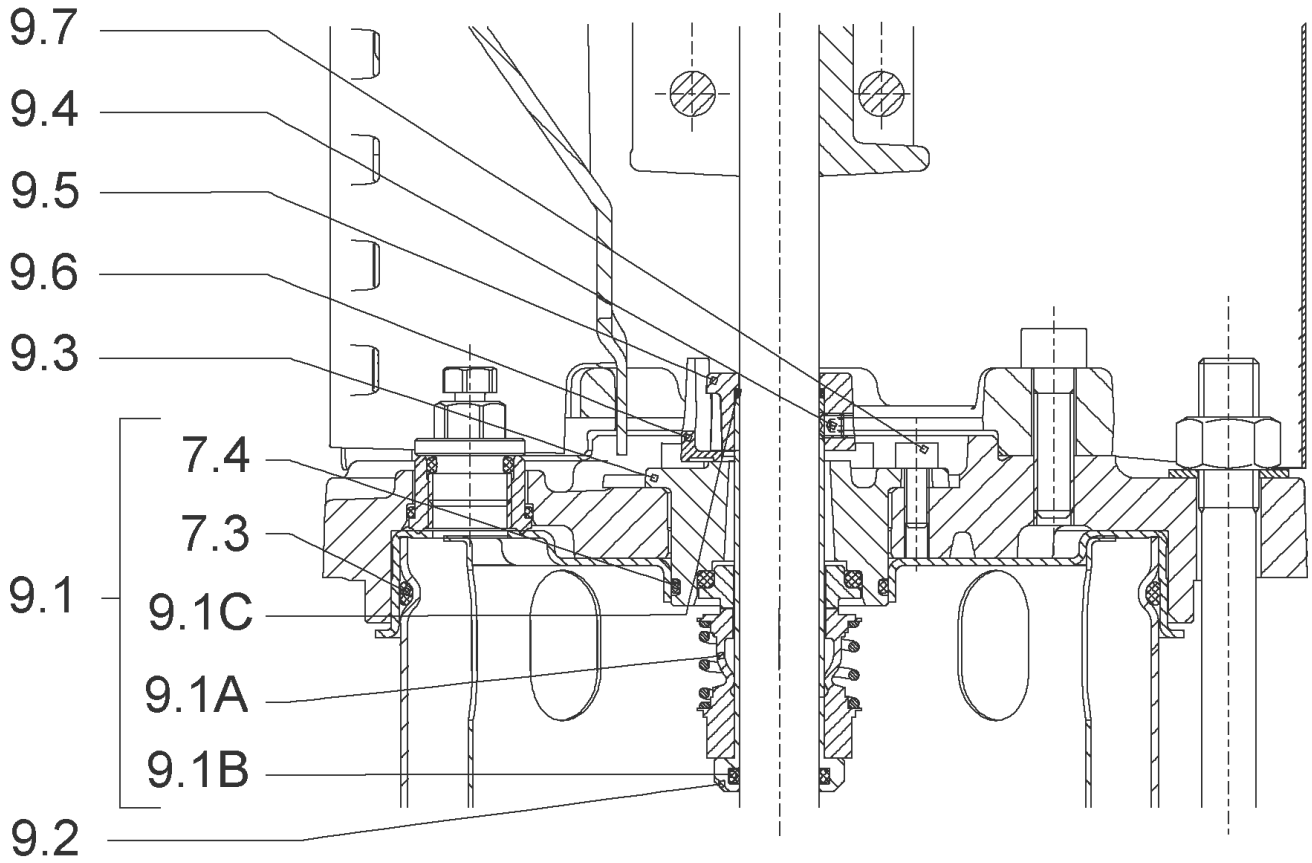
**HELIX V207-2/25/V/KS/400-50 (4161740)**

<b>Item</b>	<b>Article no.</b>	<b>Description</b>	<b>Quantity</b>
15.1		> BLASTING PPE HOUSING V PN25-DN25-5"-316L	1
15.3	4159781	> PRIMING/DRAIN PLUG HELIX 16 FKM KIT	1
16	4177970	BASEPLATE HELIX V2/4/6 PN25 VP.	1



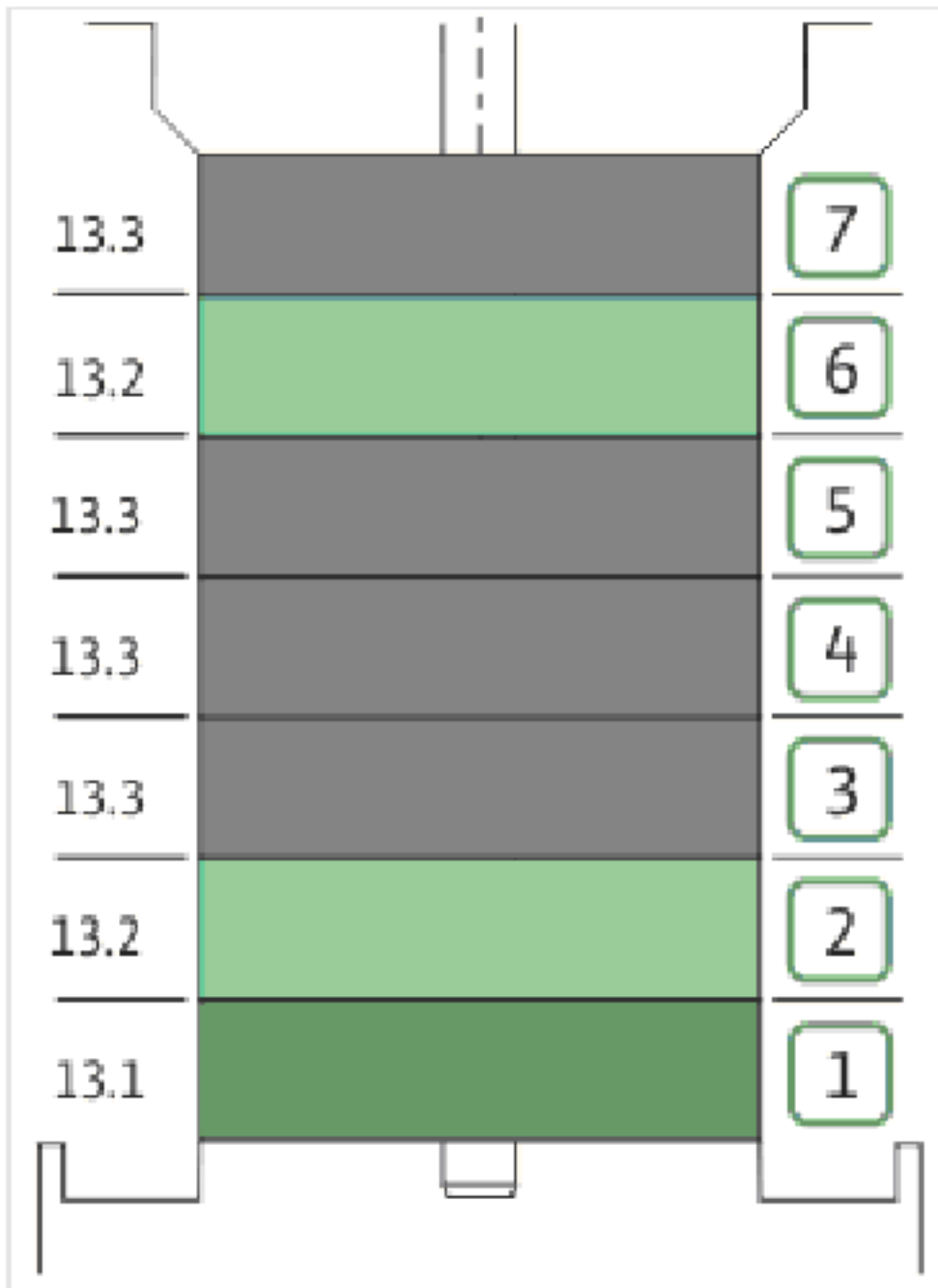
**COUPLING FT 85 Ø12XØ14 KIT (4178554)**

Item	Article no.	Description	Quantity
4.1		COUPLING-M+ Ø12XØ14-FT85-MACHINED	1
4.3	4208923	CIRCLIP D25X1.2 VP.	1
4.2	4177802	BALL BEARING 6205C3-ZZ HTVP.	1
4.4	4212716	SCREW M6X20 KIT (4PIECES)	1
4.5	4233124	CIRCLIP-FOR-BORES-D52x2 VP.	1
4.6	4234244	O-RING 52X2 VP.	1
		CONTACT-WASHER-6ETR-6,1x12,2x1,8-STEEL	4



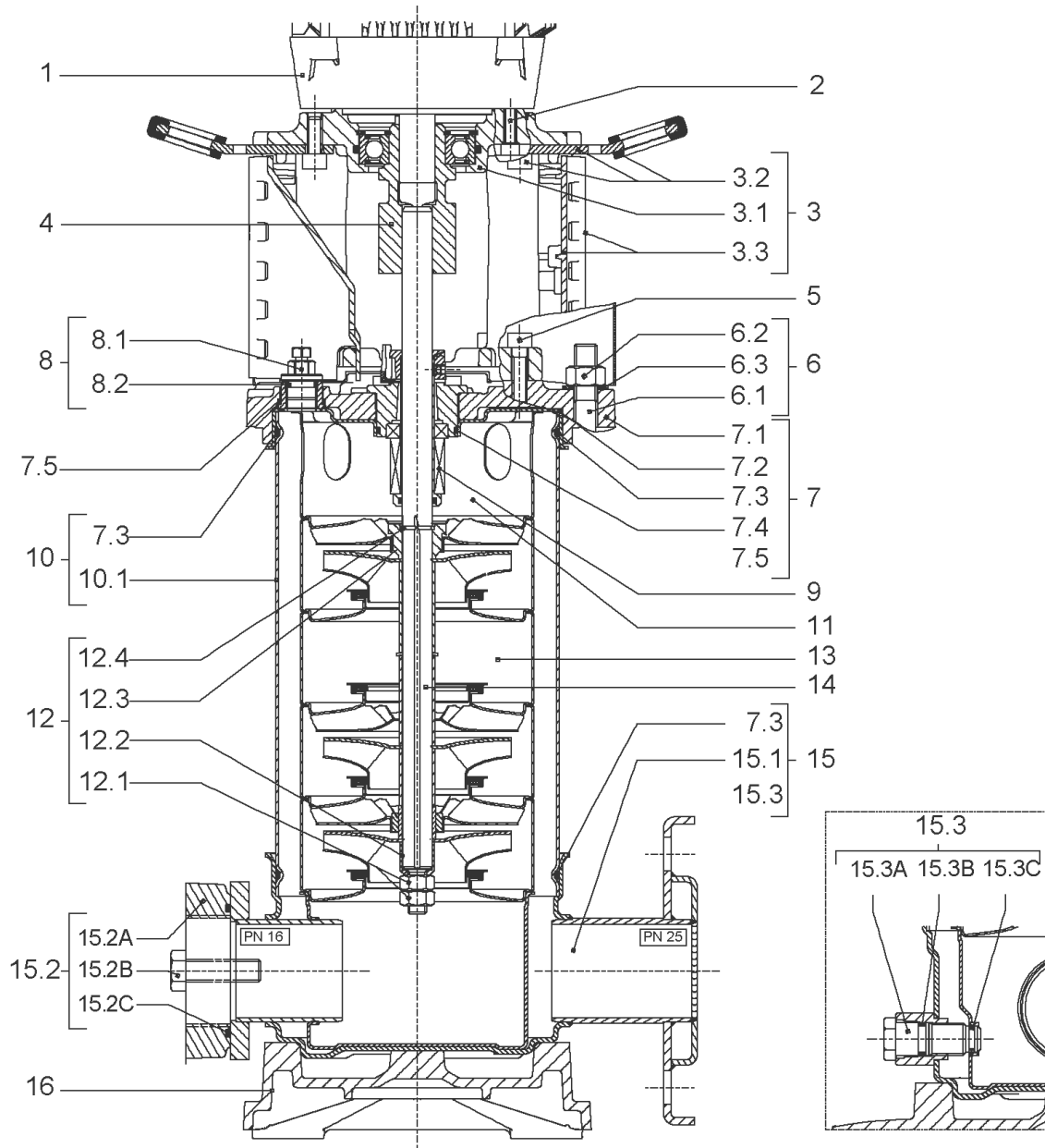
**CARTRIDGE HELIX2-4 F/V KIT (4178620)**

Item	Article no.	Description	Quantity
9.1	4178619	SEAL-KIT-HELIX2-4 F/V	1
7.3	4177887	> O-RING ID.145,65X3,53 VITON VP.	1
7.4	4177888	> O-RING ID.37.6xØ2.4 VITON VP.	1
9.1A	2131025	> MECH.SEAL HELIX2-4-6-10-16 F/V VP.	1
9.1B	4178618	> O-RING ID.12x2 VITON VP.	1
9.1C	4178618	> O-RING ID.12x2 VITON VP.	1
9.2	4178557	SHAFT SLEEVE Ø12XØ18-PN16 1.4404 VP.	1
9.3	2131024	RING HOLDER D.18 G606/G6 1.4404 VP.	1
9.4	4176520	SCREW CH M5x5 A4-70 ( 3PIECES )	1
9.5	4178595	DRIVE RING D.29/15.5x13,2 MACH.VP.	1
9.6	2130964	TOOL M.S.CART.HELIX VP.	1
9.7	2130965	SCREW CHC M5X12 ISO4762 A2.70(4 PIECES)	1



Item	Article no.	Description	Quantity
13.1	4179527	STAGE HELIX 2 1.4404 KIT	1
		> MACH.STG-CASING-WOGV-WNR-M+2-4-316	1
		> IMPELLER-M+2-316	1
13.2	4179526	STAGE BEARING HELIX 2 1.4404 KIT	1
		> MACH.BEARING-STG-CASING-WNR-M+2-316	1
		> IMPELLER-M+2-316	1
		> SHAFT SLEEVE SPACER Ø15,35x10,305-316	1
		> SHAFT-SLEEVE-D12xD16x14-CW	1
13.3	4179529	INTERMED STAGE < 15 HELIX 2 1.4404 KIT	1
		> MACH.STD-STG-CASING-WGV+NR-M+2-316	1
		> IMPELLER-M+2-316	1
		> IMPELLER SPACER Ø12,05X14,85-L24,305-316	1





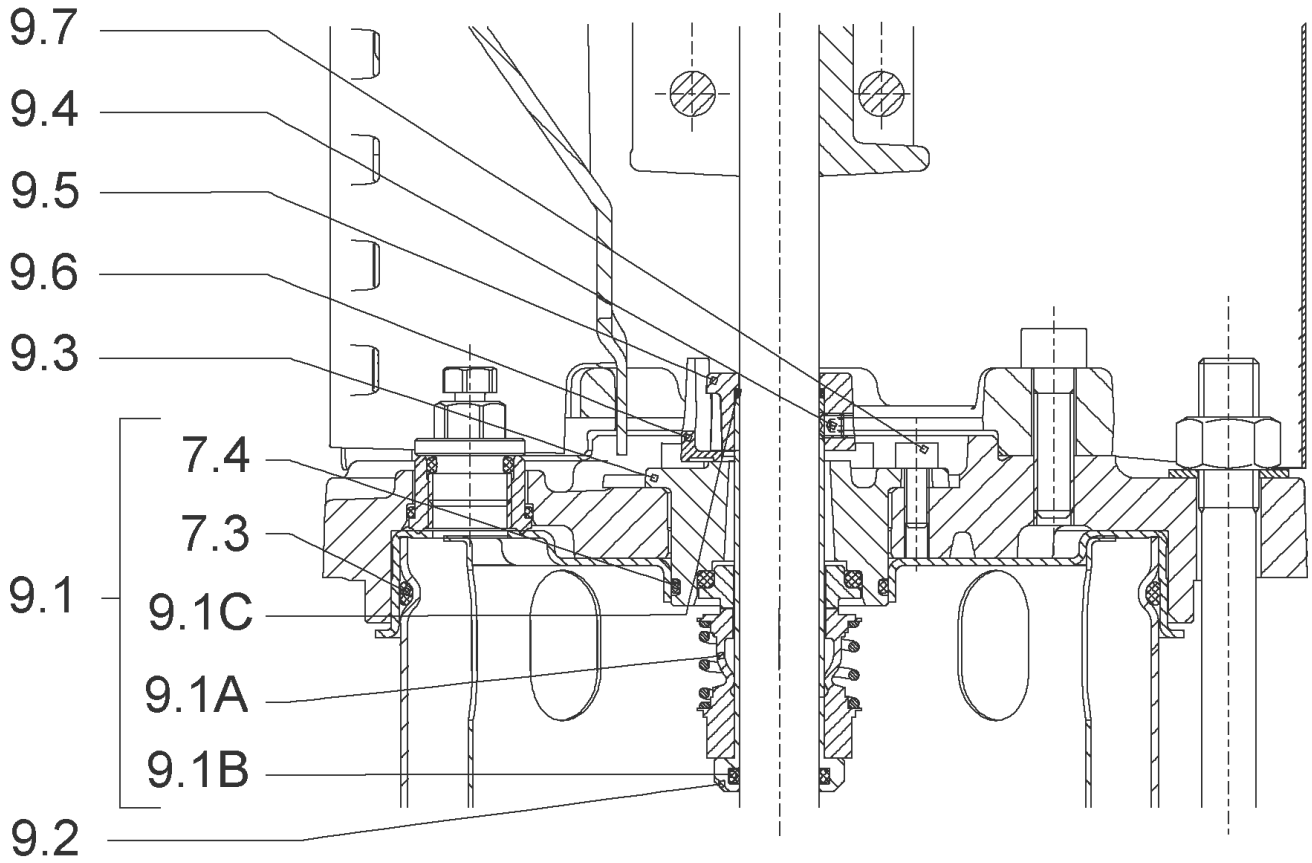
**HELIX V208-2/25/V/KS/400-50 (4161741)**

Item	Article no.	Description	Quantity
1	4169940	MOTOR 0,75/2/80 3~230/400V 50HZ IE3 VP.	1
		SPARE PARTS MOTOR:ON REQUEST	1
2	4159702	SCREW M6X30 (4 PIECES)	1
3	4172788	LANTERN FT100 HELIX KIT	1
3.1		> LANTERN FT100 M+6" GJL MACHINING+CATA	1
3.2	2127604	> EYELET CPL.FT HELIX(2 PIECES)	1
3.3	4159692	> COUPLING PROTECTOR FT HELIX KIT	1
4	4178578	COUPLING D.12XD.19 FT100 KIT	1
5	4159707	SCREW M8X30 (4 PIECES)	1
6	2018365	STUD BOLT M12X392 KIT	1
7	4159783	END SHIELD HELIX FKM 1.4404 KIT	1
7.1		> END SHIELD M+6" GJL250 MACHINING+CATA	1
7.2	2131056	> STATIONARY RING HOLDER 6" HELIX 1.4404 V	1
7.3	4234237	> O-RING 139X3 VITON VP.	1
7.4	2131026	> O-RING ID.37,6X2,4 FKM VP.	1
7.5	2131057	> O-RING ID.21,35X2 FKM VP.	1
8	4159784	FILING/PURGING PLUG HELIX FKM KIT	1
9	4178620	CARTRIDGE HELIX2-4 F/V KIT	1
10	4179272	HOUSING-PIPE D.152X259 1.4404 KIT	1
7.3	4234237	> O-RING 139X3 VITON VP.	1
10.1		> HOUSING-PIPE Ø152-M+1604-316L	1
11	4179525	CENTERING STAGE-RETURN HELIX2 1.4404 VP	1
12	4178567	SHAFT EQUIPMENT HELIX V2/V4 KIT	1
12.1		> NUT-H-M8-STAINLESS-STEEL A4-70	1
12.2		> SHAFT END WASHER Ø8/Ø12 316L	1
12.3		> STOP COLLAR OF IMPELLER L12,6-Ø12-316L	1
12.4		> STOP-RUSH-1/2-D12xd2-M+316	1
13		HYDRAULIC HELIX V 208	1
14	4179274	SHAFT D.12X383 1.4404 VP.	1
15	4179257	PUMP HOUSING HELIX DN25 PN25 1.4409 KIT	1
7.3	4177887	> O-RING ID.145,65X3,53 VITON VP.	1
15.1		> BLASTING PPE HOUSING V PN25-DN25-5"-316L	1
15.3	4159781	> PRIMING/DRAIN PLUG HELIX 16 FKM KIT	1
16	4177970	BASEPLATE HELIX V2/4/6 PN25 VP.	1



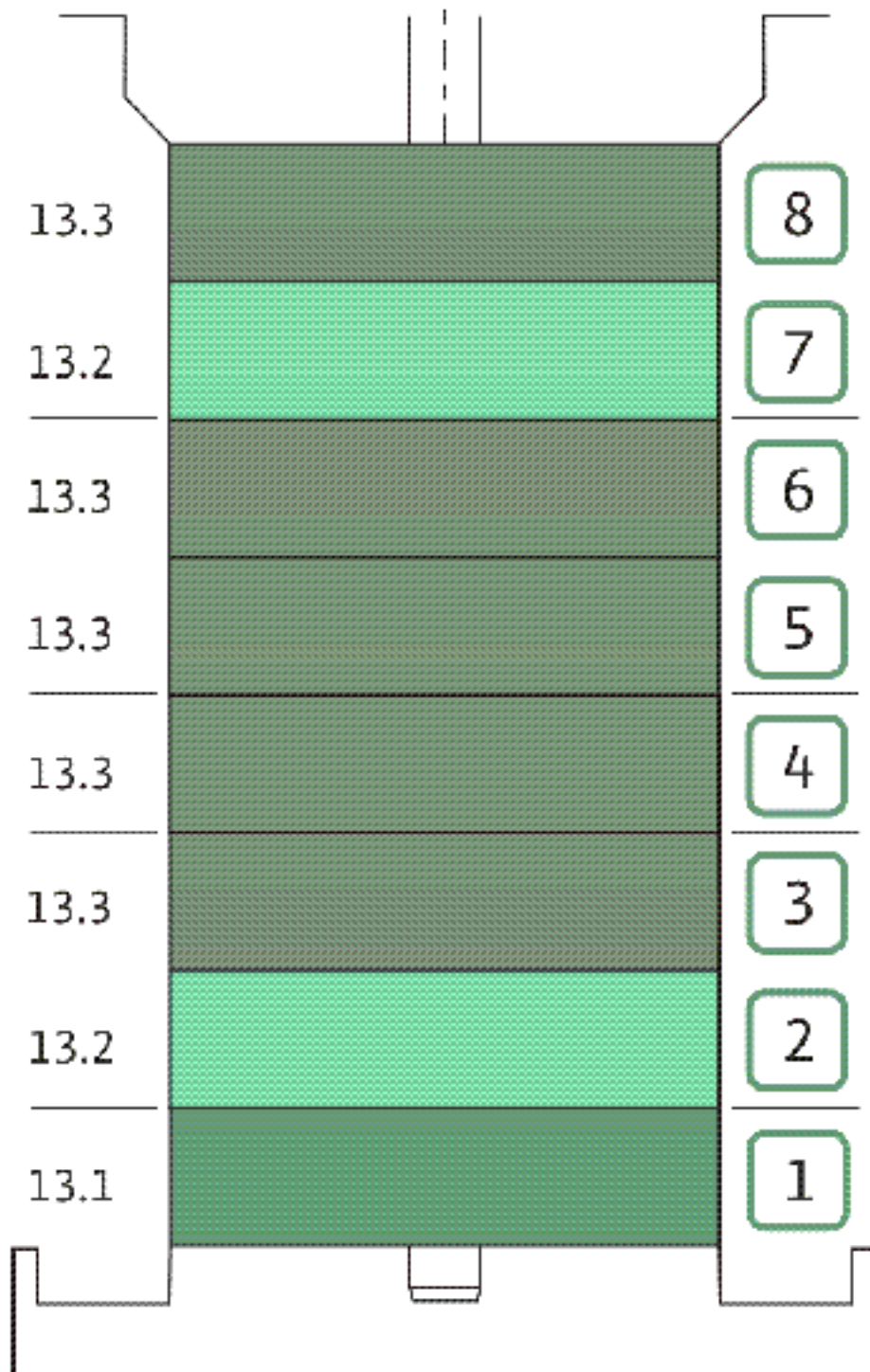
**COUPLING D.12XD.19 FT100 KIT (4178578)**

Item	Article no.	Description	Quantity
4.1		COUPLING-M+ Ø12XØ19-FT100-MACHINED	1
4.3	4234249	CIRCLIP-FOR-SHAFT-D30x1.5 VP.	1
4.2	2130977	BALL BEARING 6206/ZZ-C3(HT)VP.	1
4.4	4212716	SCREW M6X20 KIT (4PIECES)	1
4.5	4234250	CIRCLIP-D62x2 VP.	1
4.6	4234245	O-RING 63X3 VP.	1
		CONTACT-WASHER-6ETR-6,1x12,2x1,8-STEEL	4



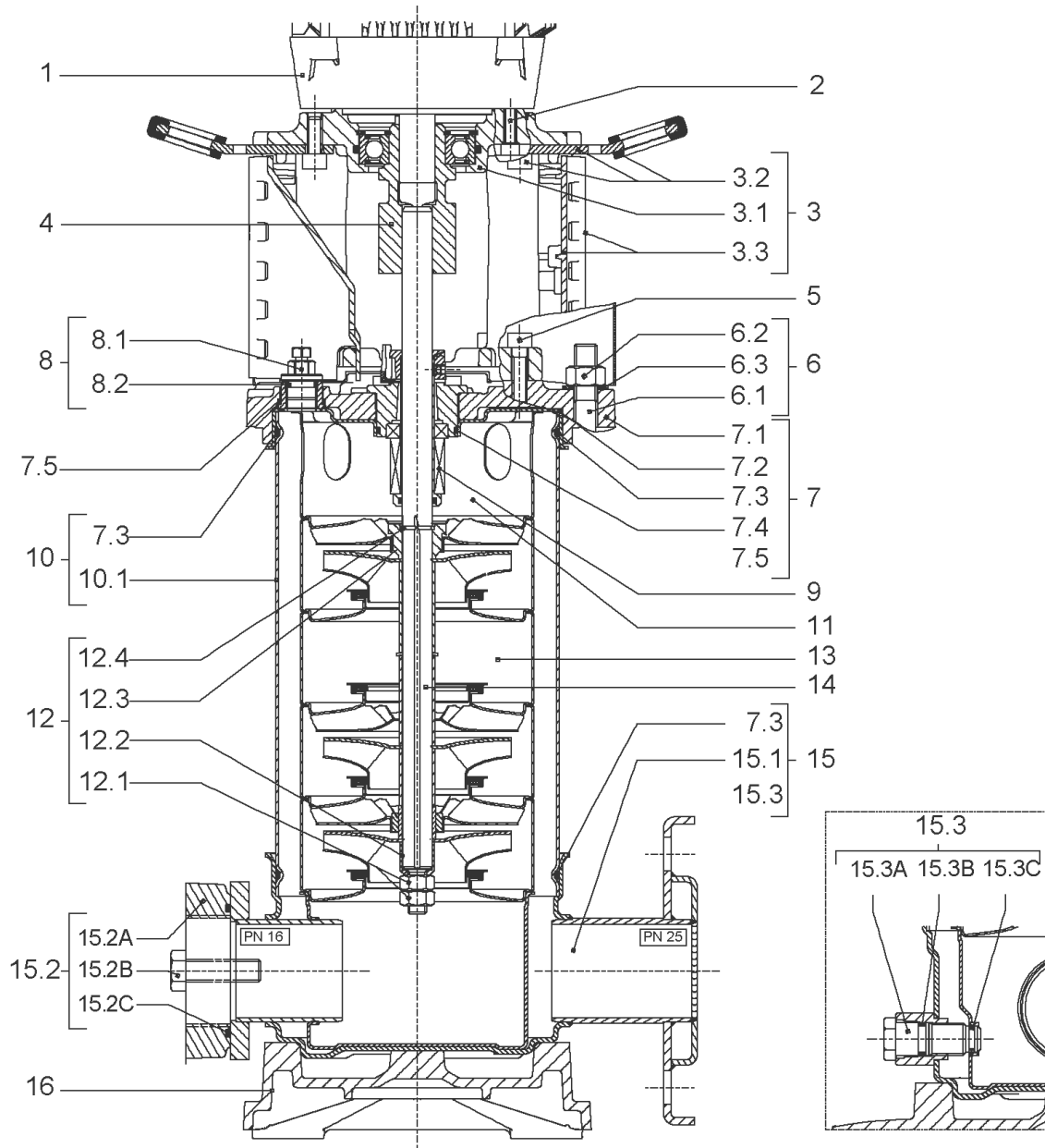
**CARTRIDGE HELIX2-4 F/V KIT (4178620)**

Item	Article no.	Description	Quantity
9.1	4178619	SEAL-KIT-HELIX2-4 F/V	1
7.3	4177887	> O-RING ID.145,65X3,53 VITON VP.	1
7.4	4177888	> O-RING ID.37.6xØ2.4 VITON VP.	1
9.1A	2131025	> MECH.SEAL HELIX2-4-6-10-16 F/V VP.	1
9.1B	4178618	> O-RING ID.12x2 VITON VP.	1
9.1C	4178618	> O-RING ID.12x2 VITON VP.	1
9.2	4178557	SHAFT SLEEVE Ø12XØ18-PN16 1.4404 VP.	1
9.3	2131024	RING HOLDER D.18 G606/G6 1.4404 VP.	1
9.4	4176520	SCREW CH M5x5 A4-70 ( 3PIECES )	1
9.5	4178595	DRIVE RING D.29/15.5x13,2 MACH.VP.	1
9.6	2130964	TOOL M.S.CART.HELIX VP.	1
9.7	2130965	SCREW CHC M5X12 ISO4762 A2.70(4 PIECES)	1



Item	Article no.	Description	Quantity
13.1	4179527	STAGE HELIX 2 1.4404 KIT	1
		> MACH.STG-CASING-WOGV-WNR-M+2-4-316	1
		> IMPELLER-M+2-316	1
13.2	4179526	STAGE BEARING HELIX 2 1.4404 KIT	1
		> MACH.BEARING-STG-CASING-WNR-M+2-316	1
		> IMPELLER-M+2-316	1
		> SHAFT SLEEVE SPACER Ø15,35x10,305-316	1
		> SHAFT-SLEEVE-D12xD16x14-CW	1
13.3	4179529	INTERMED STAGE < 15 HELIX 2 1.4404 KIT	1
		> MACH.STD-STG-CASING-WGV+NR-M+2-316	1
		> IMPELLER-M+2-316	1
		> IMPELLER SPACER Ø12,05X14,85-L24,305-316	1





**HELIX V209-2/25/V/KS/400-50 (4161742)**

Item	Article no.	Description	Quantity
1	4169940	MOTOR 0,75/2/80 3~230/400V 50HZ IE3 VP.	1
		SPARE PARTS MOTOR:ON REQUEST	1
2	4159702	SCREW M6X30 (4 PIECES)	1
3	4172788	LANTERN FT100 HELIX KIT	1
3.1		> LANTERN FT100 M+6" GJL MACHINING+CATA	1
3.2	2127604	> EYELET CPL.FT HELIX(2 PIECES)	1
3.3	4159692	> COUPLING PROTECTOR FT HELIX KIT	1
4	4178578	COUPLING D.12XD.19 FT100 KIT	1
5	4159707	SCREW M8X30 (4 PIECES)	1
6	4177822	STUD BOLT M12X413 KIT	1
6.1		> TIE BOLT M12-413x18x30-1.4057	1
6.2	2094647	> NUT M12 M12 ISO4032 VP.	1
6.3	2123557	> WASHER CS-12.4-24-1.6-NFE25 (4 PIECES)	1
7	4159783	END SHIELD HELIX FKM 1.4404 KIT	1
7.1		> END SHIELD M+6" GJL250 MACHINING+CATA	1
7.2	2131056	> STATIONARY RING HOLDER 6" HELIX 1.4404 V	1
7.3	4234237	> O-RING 139X3 VITON VP.	1
7.4	2131026	> O-RING ID.37,6X2,4 FKM VP.	1
7.5	2131057	> O-RING ID.21,35X2 FKM VP.	1
8	4159784	FILING/PURGING PLUG HELIX FKM KIT	1
9	4178620	CARTRIDGE HELIX2-4 F/V KIT	1
10	4172796	HOUSING PIPE D.152x285 1.4404 KIT	1
7.3	4234237	> O-RING 139X3 VITON VP.	1
10.1		> HOUSING-PIPE Ø152-M+1006-316L	1
11	4179525	CENTERING STAGE-RETURN HELIX2 1.4404 VP	1
12	4178567	SHAFT EQUIPMENT HELIX V2/V4 KIT	1
12.1		> NUT-H-M8-STAINLESS-STEEL A4-70	1
12.2		> SHAFT END WASHER Ø8/Ø12 316L	1
12.3		> STOP COLLAR OF IMPELLER L12,6-Ø12-316L	1
12.4		> STOP-RUSH-1/2-D12xd2-M+316	1
13		HYDRAULIC HELIX V 209	1
14	4179276	SHAFT D.12X408 1.4404 VP.	1
15	4179257	PUMP HOUSING HELIX DN25 PN25 1.4409 KIT	1
7.3	4177887	> O-RING ID.145,65X3,53 VITON VP.	1

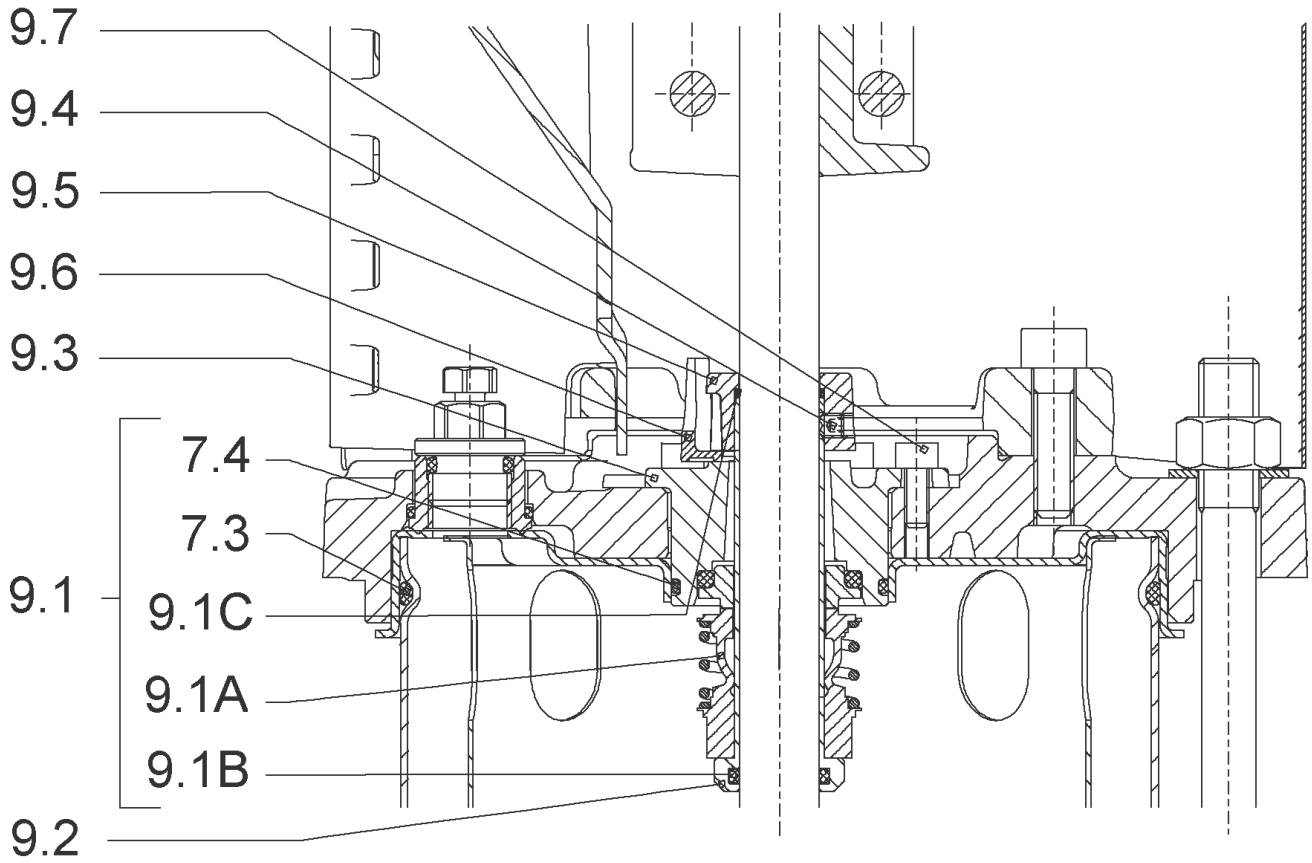
**HELIX V209-2/25/V/KS/400-50 (4161742)**

<b>Item</b>	<b>Article no.</b>	<b>Description</b>	<b>Quantity</b>
15.1		> BLASTING PPE HOUSING V PN25-DN25-5"-316L	1
15.3	4159781	> PRIMING/DRAIN PLUG HELIX 16 FKM KIT	1
16	4177970	BASEPLATE HELIX V2/4/6 PN25 VP.	1



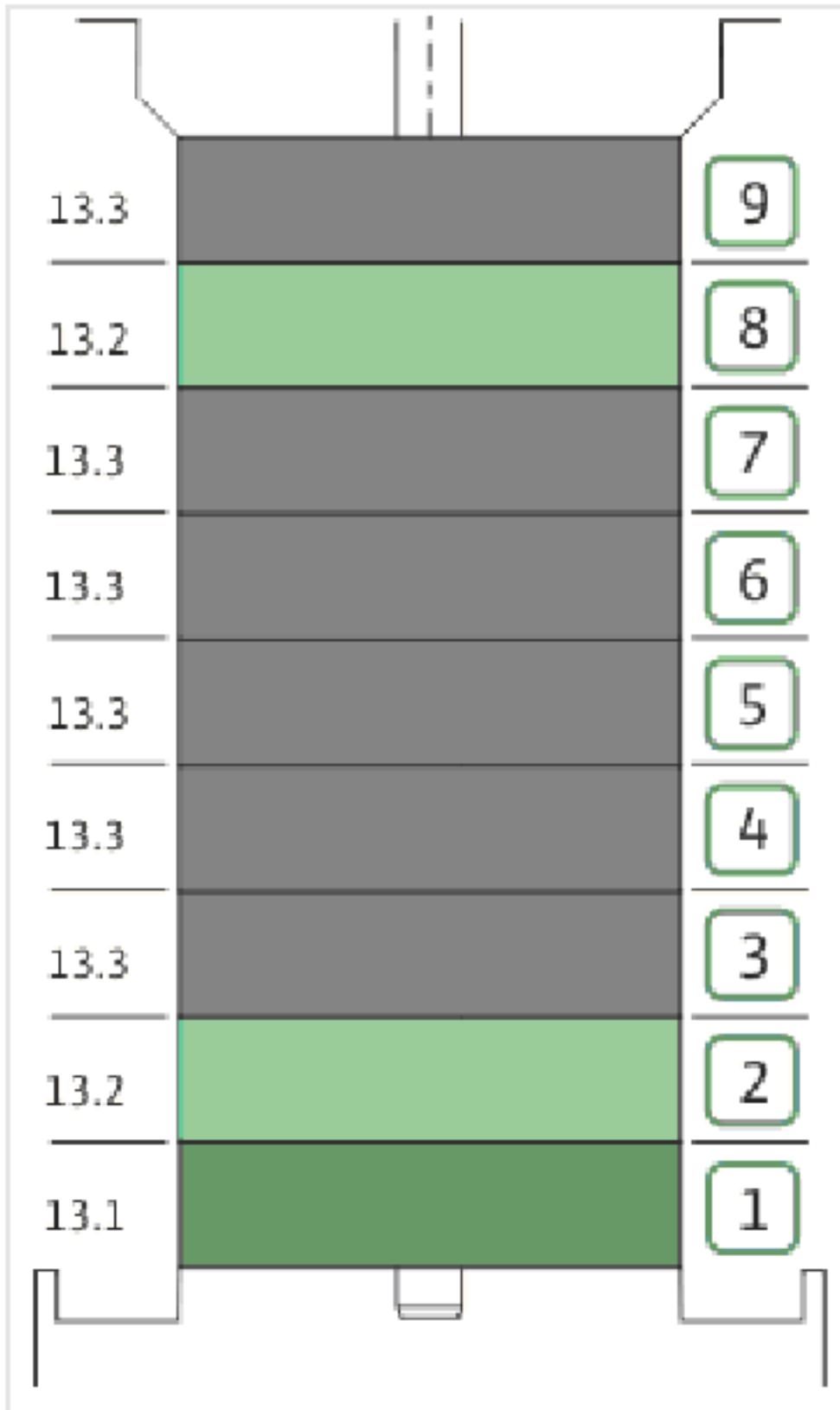
**COUPLING D.12XD.19 FT100 KIT (4178578)**

Item	Article no.	Description	Quantity
4.1		COUPLING-M+ Ø12XØ19-FT100-MACHINED	1
4.3	4234249	CIRCLIP-FOR-SHAFT-D30x1.5 VP.	1
4.2	2130977	BALL BEARING 6206/ZZ-C3(HT)VP.	1
4.4	4212716	SCREW M6X20 KIT (4PIECES)	1
4.5	4234250	CIRCLIP-D62x2 VP.	1
4.6	4234245	O-RING 63X3 VP.	1
		CONTACT-WASHER-6ETR-6,1x12,2x1,8-STEEL	4



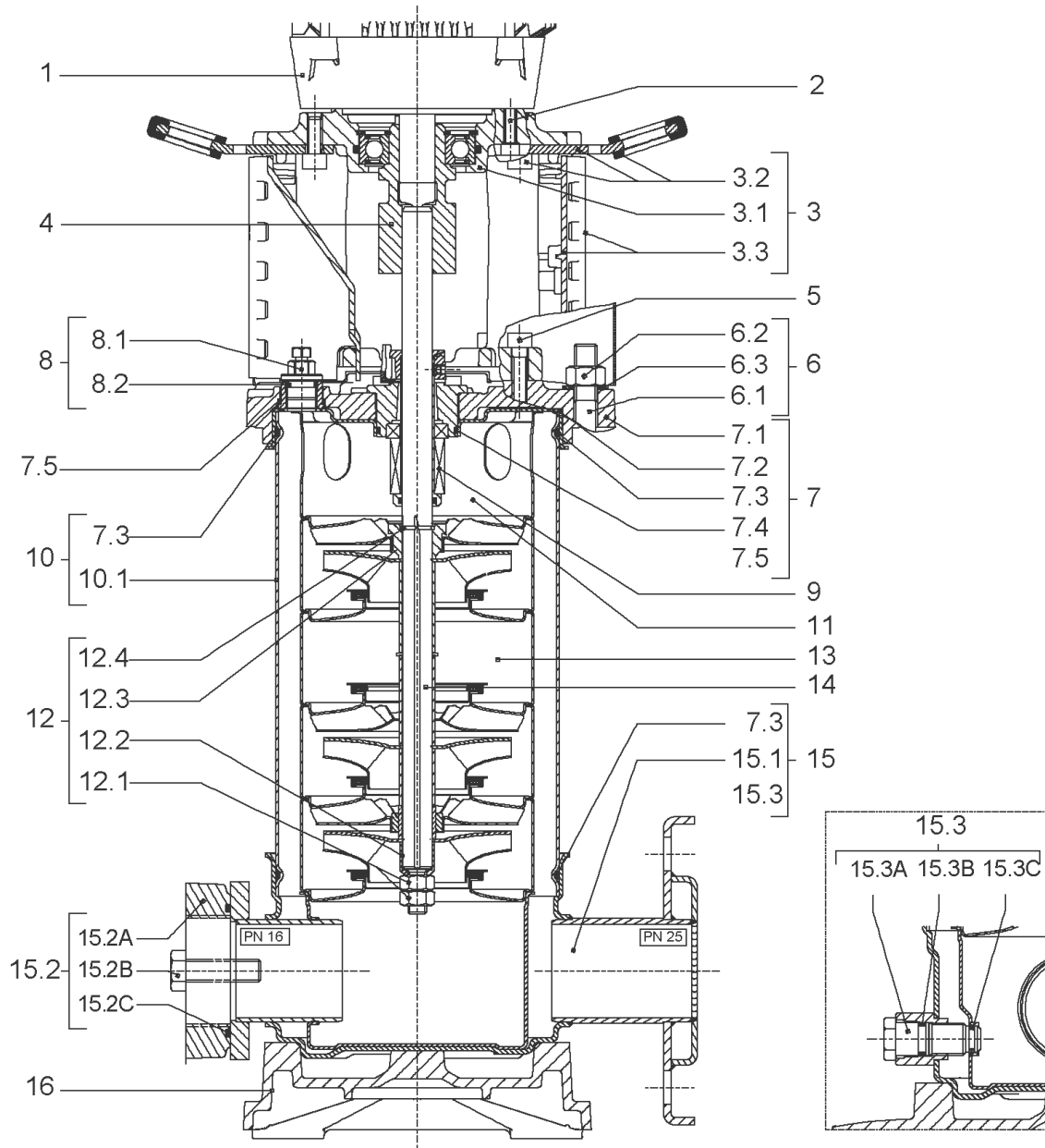
**CARTRIDGE HELIX2-4 F/V KIT (4178620)**

Item	Article no.	Description	Quantity
9.1	4178619	SEAL-KIT-HELIX2-4 F/V	1
7.3	4177887	> O-RING ID.145,65X3,53 VITON VP.	1
7.4	4177888	> O-RING ID.37.6xØ2.4 VITON VP.	1
9.1A	2131025	> MECH.SEAL HELIX2-4-6-10-16 F/V VP.	1
9.1B	4178618	> O-RING ID.12x2 VITON VP.	1
9.1C	4178618	> O-RING ID.12x2 VITON VP.	1
9.2	4178557	SHAFT SLEEVE Ø12XØ18-PN16 1.4404 VP.	1
9.3	2131024	RING HOLDER D.18 G606/G6 1.4404 VP.	1
9.4	4176520	SCREW CH M5x5 A4-70 ( 3PIECES )	1
9.5	4178595	DRIVE RING D.29/15.5x13,2 MACH.VP.	1
9.6	2130964	TOOL M.S.CART.HELIX VP.	1
9.7	2130965	SCREW CHC M5X12 ISO4762 A2.70(4 PIECES)	1





Item	Article no.	Description	Quantity
13.1	4179527	STAGE HELIX 2 1.4404 KIT	1
		> MACH.STG-CASING-WOGV-WNR-M+2-4-316	1
		> IMPELLER-M+2-316	1
13.2	4179526	STAGE BEARING HELIX 2 1.4404 KIT	1
		> MACH.BEARING-STG-CASING-WNR-M+2-316	1
		> IMPELLER-M+2-316	1
		> SHAFT SLEEVE SPACER Ø15,35x10,305-316	1
		> SHAFT-SLEEVE-D12xD16x14-CW	1
13.3	4179529	INTERMED STAGE < 15 HELIX 2 1.4404 KIT	1
		> MACH.STD-STG-CASING-WGV+NR-M+2-316	1
		> IMPELLER-M+2-316	1
		> IMPELLER SPACER Ø12,05X14,85-L24,305-316	1



**HELIX V210-2/25/V/KS/400-50 (4161743)**

Item	Article no.	Description	Quantity
1	4169940	MOTOR 0,75/2/80 3~230/400V 50HZ IE3 VP.	1
		SPARE PARTS MOTOR:ON REQUEST	1
2	4159702	SCREW M6X30 (4 PIECES)	1
3	4172788	LANTERN FT100 HELIX KIT	1
3.1		> LANTERN FT100 M+6" GJL MACHINING+CATA	1
3.2	2127604	> EYELET CPL.FT HELIX(2 PIECES)	1
3.3	4159692	> COUPLING PROTECTOR FT HELIX KIT	1
4	4178578	COUPLING D.12XD.19 FT100 KIT	1
5	4159707	SCREW M8X30 (4 PIECES)	1
6	2127554	STUD BOLT M12X437 KIT	1
7	4159783	END SHIELD HELIX FKM 1.4404 KIT	1
7.1		> END SHIELD M+6" GJL250 MACHINING+CATA	1
7.2	2131056	> STATIONARY RING HOLDER 6" HELIX 1.4404 V	1
7.3	4234237	> O-RING 139X3 VITON VP.	1
7.4	2131026	> O-RING ID.37,6X2,4 FKM VP.	1
7.5	2131057	> O-RING ID.21,35X2 FKM VP.	1
8	4159784	FILING/PURGING PLUG HELIX FKM KIT	1
9	4178620	CARTRIDGE HELIX2-4 F/V KIT	1
10	4179277	HOUSING-PIPE D.152X310 1.4404 KIT	1
7.3	4234237	> O-RING 139X3 VITON VP.	1
10.1		> HOUSING-PIPE Ø152-M+1605-316L	1
11	4179525	CENTERING STAGE-RETURN HELIX2 1.4404 VP	1
12	4178567	SHAFT EQUIPMENT HELIX V2/V4 KIT	1
12.1		> NUT-H-M8-STAINLESS-STEEL A4-70	1
12.2		> SHAFT END WASHER Ø8/Ø12 316L	1
12.3		> STOP COLLAR OF IMPELLER L12,6-Ø12-316L	1
12.4		> STOP-RUSH-1/2-D12xd2-M+316	1
13		HYDRAULIC HELIX V 210	1
14	4179279	SHAFT D.12X433 1.4404 VP.	1
		> PUMP SHAFT M+Ø12-L433-316L	1
15	4179257	PUMP HOUSING HELIX DN25 PN25 1.4409 KIT	1
7.3	4177887	> O-RING ID.145,65X3,53 VITON VP.	1
15.1		> BLASTING PPE HOUSING V PN25-DN25-5"-316L	1
15.3	4159781	> PRIMING/DRAIN PLUG HELIX 16 FKM KIT	1

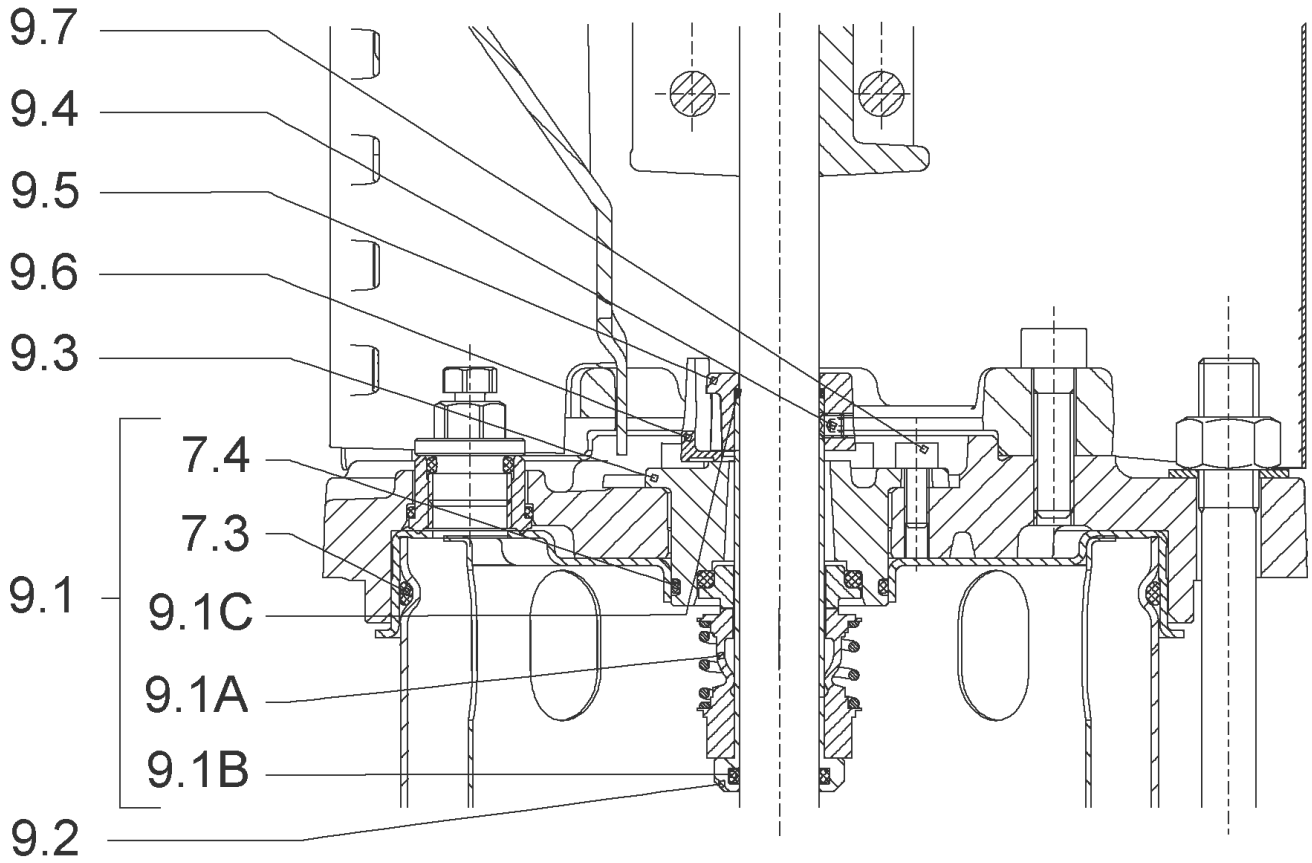
**HELIX V210-2/25/V/KS/400-50 (4161743)**

<b>Item</b>	<b>Article no.</b>	<b>Description</b>	<b>Quantity</b>
16	4177970	BASEPLATE HELIX V2/4/6 PN25 VP.	1



**COUPLING D.12XD.19 FT100 KIT (4178578)**

Item	Article no.	Description	Quantity
4.1		COUPLING-M+ Ø12XØ19-FT100-MACHINED	1
4.3	4234249	CIRCLIP-FOR-SHAFT-D30x1.5 VP.	1
4.2	2130977	BALL BEARING 6206/ZZ-C3(HT)VP.	1
4.4	4212716	SCREW M6X20 KIT (4PIECES)	1
4.5	4234250	CIRCLIP-D62x2 VP.	1
4.6	4234245	O-RING 63X3 VP.	1
		CONTACT-WASHER-6ETR-6,1x12,2x1,8-STEEL	4



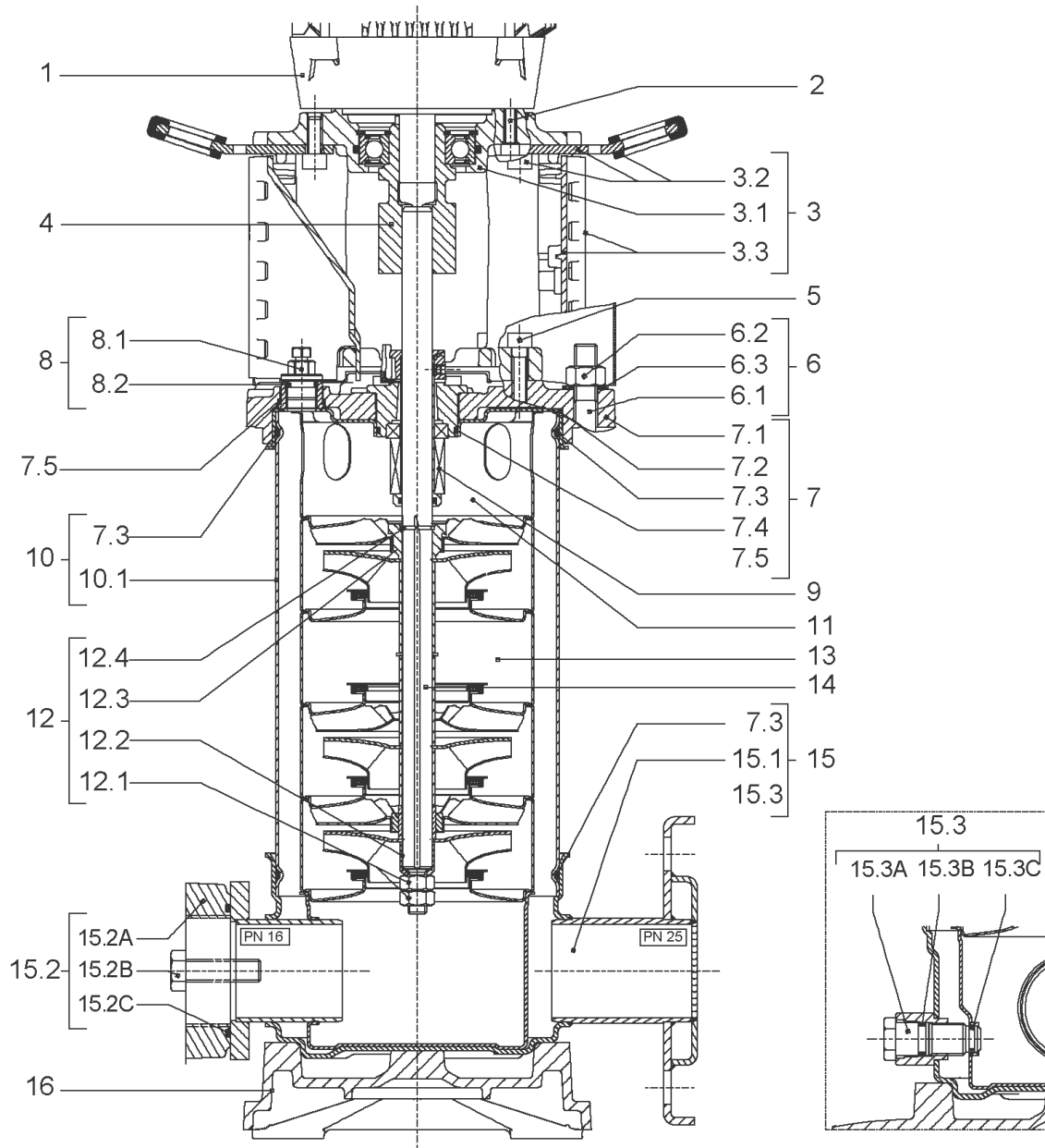
**CARTRIDGE HELIX2-4 F/V KIT (4178620)**

Item	Article no.	Description	Quantity
9.1	4178619	SEAL-KIT-HELIX2-4 F/V	1
7.3	4177887	> O-RING ID.145,65X3,53 VITON VP.	1
7.4	4177888	> O-RING ID.37.6xØ2.4 VITON VP.	1
9.1A	2131025	> MECH.SEAL HELIX2-4-6-10-16 F/V VP.	1
9.1B	4178618	> O-RING ID.12x2 VITON VP.	1
9.1C	4178618	> O-RING ID.12x2 VITON VP.	1
9.2	4178557	SHAFT SLEEVE Ø12XØ18-PN16 1.4404 VP.	1
9.3	2131024	RING HOLDER D.18 G606/G6 1.4404 VP.	1
9.4	4176520	SCREW CH M5x5 A4-70 ( 3PIECES )	1
9.5	4178595	DRIVE RING D.29/15.5x13,2 MACH.VP.	1
9.6	2130964	TOOL M.S.CART.HELIX VP.	1
9.7	2130965	SCREW CHC M5X12 ISO4762 A2.70(4 PIECES)	1





Item	Article no.	Description	Quantity
13.1	4179527	STAGE HELIX 2 1.4404 KIT	1
		> MACH.STG-CASING-WOGV-WNR-M+2-4-316	1
		> IMPELLER-M+2-316	1
13.2	4179526	STAGE BEARING HELIX 2 1.4404 KIT	1
		> MACH.BEARING-STG-CASING-WNR-M+2-316	1
		> IMPELLER-M+2-316	1
		> SHAFT SLEEVE SPACER Ø15,35x10,305-316	1
		> SHAFT-SLEEVE-D12xD16x14-CW	1
13.3	4179529	INTERMED STAGE < 15 HELIX 2 1.4404 KIT	1
		> MACH.STD-STG-CASING-WGV+NR-M+2-316	1
		> IMPELLER-M+2-316	1
		> IMPELLER SPACER Ø12,05X14,85-L24,305-316	1

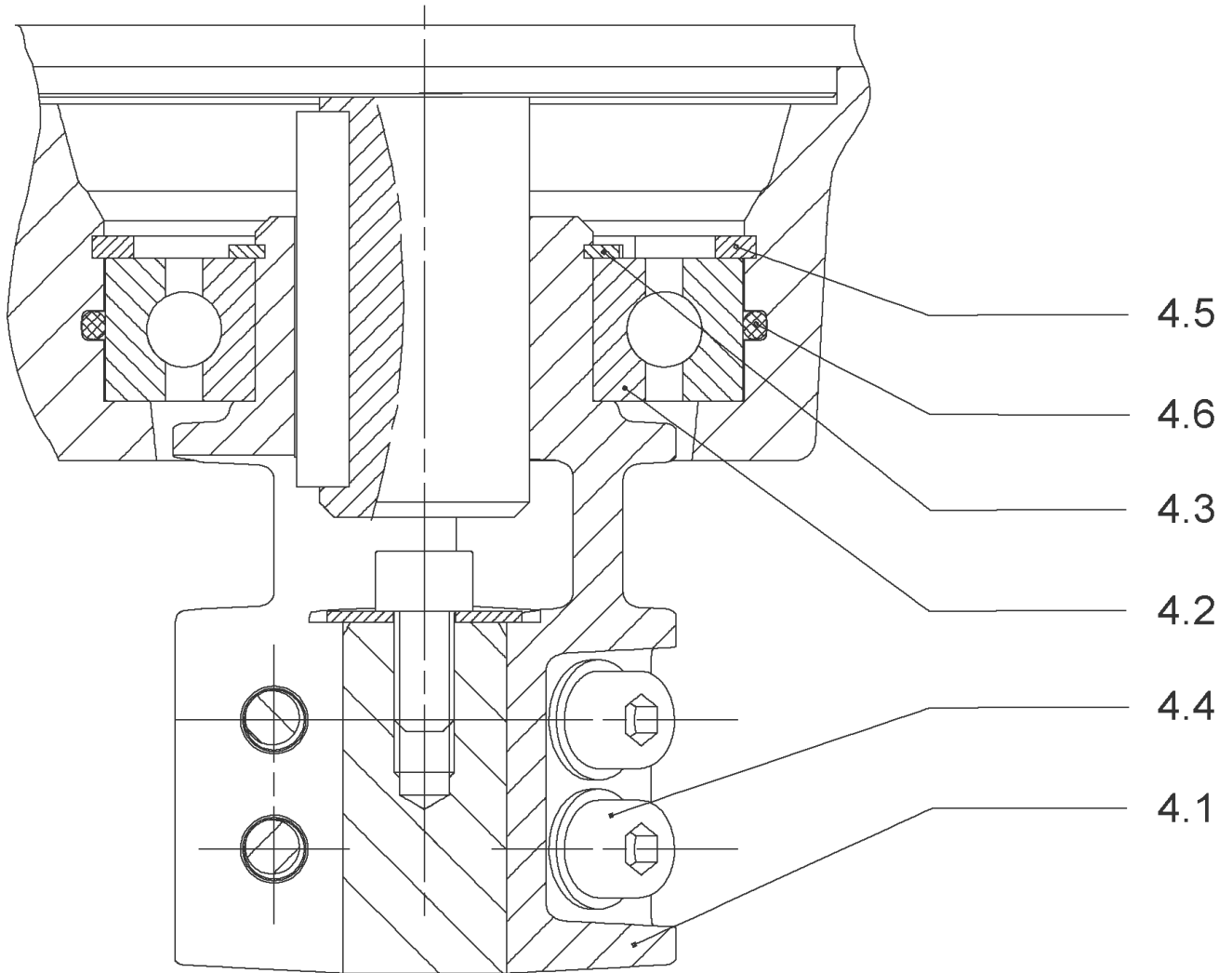


**HELIX V211-2/25/V/KS/400-50 (4161744)**

Item	Article no.	Description	Quantity
1	4169941	MOTOR 1,1/2/80 3~230/400V 50HZ IE3 VP.	1
		SPARE PARTS MOTOR:ON REQUEST	1
2	4159702	SCREW M6X30 (4 PIECES)	1
3	4172788	LANTERN FT100 HELIX KIT	1
3.1		> LANTERN FT100 M+6" GJL MACHINING+CATA	1
3.2	2127604	> EYELET CPL.FT HELIX(2 PIECES)	1
3.3	4159692	> COUPLING PROTECTOR FT HELIX KIT	1
4	4178578	COUPLING D.12XD.19 FT100 KIT	1
5	4159707	SCREW M8X30 (4 PIECES)	1
6	4178605	STUD BOLT M12X469 KIT	1
6.1		> TIE BOLT M12-469x18x30-1.4057	1
6.2	2094647	> NUT M12 M12 ISO4032 VP.	1
6.3	2123557	> WASHER CS-12.4-24-1.6-NFE25 (4 PIECES)	1
7	4159783	END SHIELD HELIX FKM 1.4404 KIT	1
7.1		> END SHIELD M+6" GJL250 MACHINING+CATA	1
7.2	2131056	> STATIONARY RING HOLDER 6" HELIX 1.4404 V	1
7.3	4234237	> O-RING 139X3 VITON VP.	1
7.4	2131026	> O-RING ID.37,6X2,4 FKM VP.	1
7.5	2131057	> O-RING ID.21,35X2 FKM VP.	1
8	4159784	FILING/PURGING PLUG HELIX FKM KIT	1
9	4178620	CARTRIDGE HELIX2-4 F/V KIT	1
10	4179280	HOUSING-PIPE D.152X335 1.4404 KIT	1
7.3	4234237	> O-RING 139X3 VITON VP.	1
10.1		> HOUSING-PIPE Ø152-M+211/411-316L	1
11	4179525	CENTERING STAGE-RETURN HELIX2 1.4404 VP	1
12	4178567	SHAFT EQUIPMENT HELIX V2/V4 KIT	1
12.1		> NUT-H-M8-STAINLESS-STEEL A4-70	1
12.2		> SHAFT END WASHER Ø8/Ø12 316L	1
12.3		> STOP COLLAR OF IMPELLER L12,6-Ø12-316L	1
12.4		> STOP-RUSH-1/2-D12xd2-M+316	1
13		HYDRAULIC HELIX V 211	1
14	4179282	SHAFT D.12X458 1.4404 VP.	1
15	4179257	PUMP HOUSING HELIX DN25 PN25 1.4409 KIT	1
7.3	4177887	> O-RING ID.145,65X3,53 VITON VP.	1

**HELIX V211-2/25/V/KS/400-50 (4161744)**

<b>Item</b>	<b>Article no.</b>	<b>Description</b>	<b>Quantity</b>
15.1		> BLASTING PPE HOUSING V PN25-DN25-5"-316L	1
15.3	4159781	> PRIMING/DRAIN PLUG HELIX 16 FKM KIT	1
16	4177970	BASEPLATE HELIX V2/4/6 PN25 VP.	1



**COUPLING D.12XD.19 FT100 KIT (4178578)**

Item	Article no.	Description	Quantity
4.1		COUPLING-M+ Ø12XØ19-FT100-MACHINED	1
4.3	4234249	CIRCLIP-FOR-SHAFT-D30x1.5 VP.	1
4.2	2130977	BALL BEARING 6206/ZZ-C3(HT)VP.	1
4.4	4212716	SCREW M6X20 KIT (4PIECES)	1
4.5	4234250	CIRCLIP-D62x2 VP.	1
4.6	4234245	O-RING 63X3 VP.	1
		CONTACT-WASHER-6ETR-6,1x12,2x1,8-STEEL	4



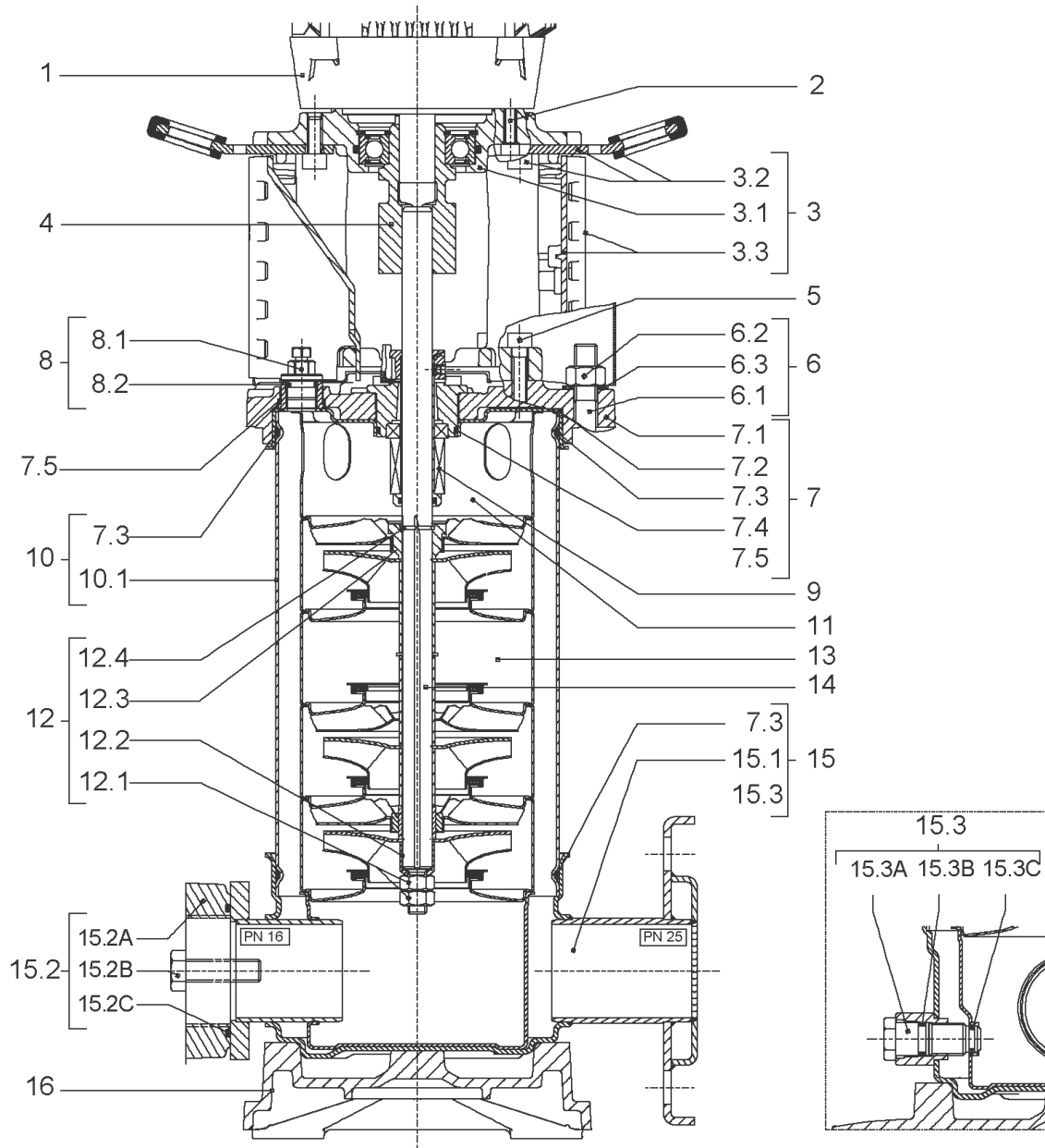


**CARTRIDGE HELIX2-4 F/V KIT (4178620)**

Item	Article no.	Description	Quantity
9.1	4178619	SEAL-KIT-HELIX2-4 F/V	1
7.3	4177887	> O-RING ID.145,65X3,53 VITON VP.	1
7.4	4177888	> O-RING ID.37.6xØ2.4 VITON VP.	1
9.1A	2131025	> MECH.SEAL HELIX2-4-6-10-16 F/V VP.	1
9.1B	4178618	> O-RING ID.12x2 VITON VP.	1
9.1C	4178618	> O-RING ID.12x2 VITON VP.	1
9.2	4178557	SHAFT SLEEVE Ø12XØ18-PN16 1.4404 VP.	1
9.3	2131024	RING HOLDER D.18 G606/G6 1.4404 VP.	1
9.4	4176520	SCREW CH M5x5 A4-70 ( 3PIECES )	1
9.5	4178595	DRIVE RING D.29/15.5x13,2 MACH.VP.	1
9.6	2130964	TOOL M.S.CART.HELIX VP.	1
9.7	2130965	SCREW CHC M5X12 ISO4762 A2.70(4 PIECES)	1



Item	Article no.	Description	Quantity
13.1	4179527	STAGE HELIX 2 1.4404 KIT	1
		> MACH.STG-CASING-WOGV-WNR-M+2-4-316	1
		> IMPELLER-M+2-316	1
13.2	4179526	STAGE BEARING HELIX 2 1.4404 KIT	1
		> MACH.BEARING-STG-CASING-WNR-M+2-316	1
		> IMPELLER-M+2-316	1
		> SHAFT SLEEVE SPACER Ø15,35x10,305-316	1
		> SHAFT-SLEEVE-D12xD16x14-CW	1
13.3	4179529	INTERMED STAGE < 15 HELIX 2 1.4404 KIT	1
		> MACH.STD-STG-CASING-WGV+NR-M+2-316	1
		> IMPELLER-M+2-316	1
		> IMPELLER SPACER Ø12,05X14,85-L24,305-316	1



**HELIX V212-2/25/V/KS/400-50 (4161745)**

Item	Article no.	Description	Quantity
1	4169941	MOTOR 1,1/2/80 3~230/400V 50HZ IE3 VP.	1
		SPARE PARTS MOTOR:ON REQUEST	1
2	4159702	SCREW M6X30 (4 PIECES)	1
3	4172788	LANTERN FT100 HELIX KIT	1
3.1		> LANTERN FT100 M+6" GJL MACHINING+CATA	1
3.2	2127604	> EYELET CPL.FT HELIX(2 PIECES)	1
3.3	4159692	> COUPLING PROTECTOR FT HELIX KIT	1
4	4178578	COUPLING D.12XD.19 FT100 KIT	1
5	4159707	SCREW M8X30 (4 PIECES)	1
6	2127555	STUD BOLT M12X485 KIT	1
7	4159783	END SHIELD HELIX FKM 1.4404 KIT	1
7.1		> END SHIELD M+6" GJL250 MACHINING+CATA	1
7.2	2131056	> STATIONARY RING HOLDER 6" HELIX 1.4404 V	1
7.3	4234237	> O-RING 139X3 VITON VP.	1
7.4	2131026	> O-RING ID.37,6X2,4 FKM VP.	1
7.5	2131057	> O-RING ID.21,35X2 FKM VP.	1
8	4159784	FILING/PURGING PLUG HELIX FKM KIT	1
9	4178620	CARTRIDGE HELIX2-4 F/V KIT	1
10	4177932	HOUSING PIPES D.152X360 1.4404 KIT	1
7.3	4234237	> O-RING 139X3 VITON VP.	1
10.1		> HOUSING-PIPE Ø152-M+1008/1606-316L	1
11	4179525	CENTERING STAGE-RETURN HELIX2 1.4404 VP	1
12	4178567	SHAFT EQUIPMENT HELIX V2/V4 KIT	1
12.1		> NUT-H-M8-STAINLESS-STEEL A4-70	1
12.2		> SHAFT END WASHER Ø8/Ø12 316L	1
12.3		> STOP COLLAR OF IMPELLER L12,6-Ø12-316L	1
12.4		> STOP-RUSH-1/2-D12xd2-M+316	1
13		HYDRAULIC HELIX V 212	1
14	4179284	SHAFT D.12X483 1.4404 VP.	1
15	4179257	PUMP HOUSING HELIX DN25 PN25 1.4409 KIT	1
7.3	4177887	> O-RING ID.145,65X3,53 VITON VP.	1
15.1		> BLASTING PPE HOUSING V PN25-DN25-5"-316L	1
15.3	4159781	> PRIMING/DRAIN PLUG HELIX 16 FKM KIT	1
16	4177970	BASEPLATE HELIX V2/4/6 PN25 VP.	1



**COUPLING D.12XD.19 FT100 KIT (4178578)**

Item	Article no.	Description	Quantity
4.1		COUPLING-M+ Ø12XØ19-FT100-MACHINED	1
4.3	4234249	CIRCLIP-FOR-SHAFT-D30x1.5 VP.	1
4.2	2130977	BALL BEARING 6206/ZZ-C3(HT)VP.	1
4.4	4212716	SCREW M6X20 KIT (4PIECES)	1
4.5	4234250	CIRCLIP-D62x2 VP.	1
4.6	4234245	O-RING 63X3 VP.	1
		CONTACT-WASHER-6ETR-6,1x12,2x1,8-STEEL	4



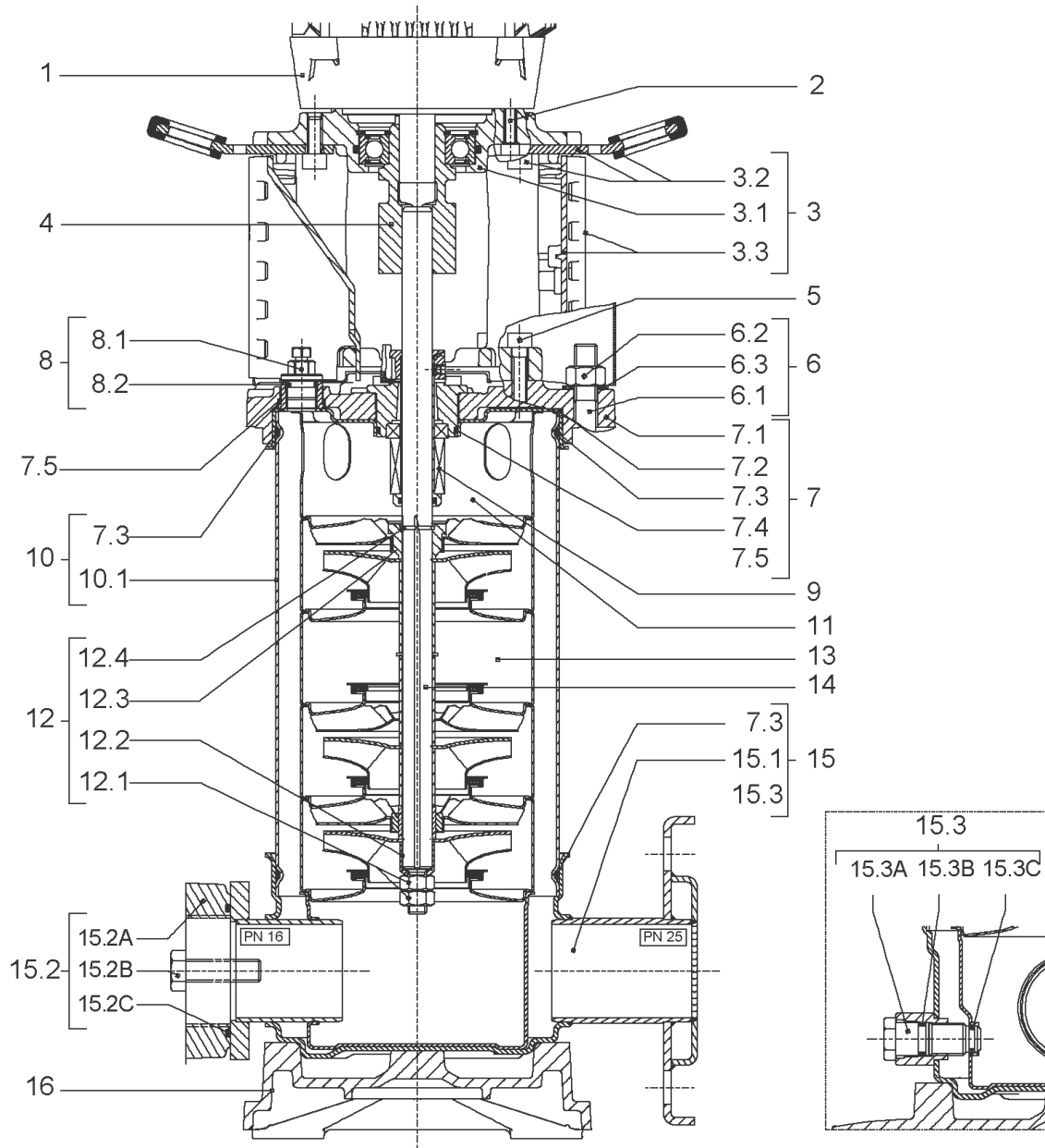


**CARTRIDGE HELIX2-4 F/V KIT (4178620)**

Item	Article no.	Description	Quantity
9.1	4178619	SEAL-KIT-HELIX2-4 F/V	1
7.3	4177887	> O-RING ID.145,65X3,53 VITON VP.	1
7.4	4177888	> O-RING ID.37.6xØ2.4 VITON VP.	1
9.1A	2131025	> MECH.SEAL HELIX2-4-6-10-16 F/V VP.	1
9.1B	4178618	> O-RING ID.12x2 VITON VP.	1
9.1C	4178618	> O-RING ID.12x2 VITON VP.	1
9.2	4178557	SHAFT SLEEVE Ø12XØ18-PN16 1.4404 VP.	1
9.3	2131024	RING HOLDER D.18 G606/G6 1.4404 VP.	1
9.4	4176520	SCREW CH M5x5 A4-70 ( 3PIECES )	1
9.5	4178595	DRIVE RING D.29/15.5x13,2 MACH.VP.	1
9.6	2130964	TOOL M.S.CART.HELIX VP.	1
9.7	2130965	SCREW CHC M5X12 ISO4762 A2.70(4 PIECES)	1



Item	Article no.	Description	Quantity
13.1	4179527	STAGE HELIX 2 1.4404 KIT	1
		> MACH.STG-CASING-WOGV-WNR-M+2-4-316	1
		> IMPELLER-M+2-316	1
13.2	4179526	STAGE BEARING HELIX 2 1.4404 KIT	1
		> MACH.BEARING-STG-CASING-WNR-M+2-316	1
		> IMPELLER-M+2-316	1
		> SHAFT SLEEVE SPACER Ø15,35x10,305-316	1
		> SHAFT-SLEEVE-D12xD16x14-CW	1
13.3	4179529	INTERMED STAGE < 15 HELIX 2 1.4404 KIT	1
		> MACH.STD-STG-CASING-WGV+NR-M+2-316	1
		> IMPELLER-M+2-316	1
		> IMPELLER SPACER Ø12,05X14,85-L24,305-316	1



**HELIX V213-2/25/V/KS/400-50 (4161746)**

Item	Article no.	Description	Quantity
1	4169941	MOTOR 1,1/2/80 3~230/400V 50HZ IE3 VP.	1
		SPARE PARTS MOTOR:ON REQUEST	1
2	4159702	SCREW M6X30 (4 PIECES)	1
3	4172788	LANTERN FT100 HELIX KIT	1
3.1		> LANTERN FT100 M+6" GJL MACHINING+CATA	1
3.2	2127604	> EYELET CPL.FT HELIX(2 PIECES)	1
3.3	4159692	> COUPLING PROTECTOR FT HELIX KIT	1
4	4178578	COUPLING D.12XD.19 FT100 KIT	1
5	4159707	SCREW M8X30 (4 PIECES)	1
6	2127556	STUD BOLT M12X542 KIT	1
7	4159783	END SHIELD HELIX FKM 1.4404 KIT	1
7.1		> END SHIELD M+6" GJL250 MACHINING+CATA	1
7.2	2131056	> STATIONARY RING HOLDER 6" HELIX 1.4404 V	1
7.3	4234237	> O-RING 139X3 VITON VP.	1
7.4	2131026	> O-RING ID.37,6X2,4 FKM VP.	1
7.5	2131057	> O-RING ID.21,35X2 FKM VP.	1
8	4159784	FILING/PURGING PLUG HELIX FKM KIT	1
9	4178620	CARTRIDGE HELIX2-4 F/V KIT	1
10	4179285	HOUSING-PIPE D.152X410 1.4404 KIT	1
7.3	4234237	> O-RING 139X3 VITON VP.	1
10.1		> HOUSING-PIPE Ø152-M+1607-316L	1
11	4179525	CENTERING STAGE-RETURN HELIX2 1.4404 VP	1
12	4178567	SHAFT EQUIPMENT HELIX V2/V4 KIT	1
12.1		> NUT-H-M8-STAINLESS-STEEL A4-70	1
12.2		> SHAFT END WASHER Ø8/Ø12 316L	1
12.3		> STOP COLLAR OF IMPELLER L12,6-Ø12-316L	1
12.4		> STOP-RUSH-1/2-D12xd2-M+316	1
13		HYDRAULIC HELIX V 213	1
14	4179289	SHAFT D.12X533 1.4462 VP	1
15	4179257	PUMP HOUSING HELIX DN25 PN25 1.4409 KIT	1
7.3	4177887	> O-RING ID.145,65X3,53 VITON VP.	1
15.1		> BLASTING PPE HOUSING V PN25-DN25-5"-316L	1
15.3	4159781	> PRIMING/DRAIN PLUG HELIX 16 FKM KIT	1
16	4177970	BASEPLATE HELIX V2/4/6 PN25 VP.	1



**COUPLING D.12XD.19 FT100 KIT (4178578)**

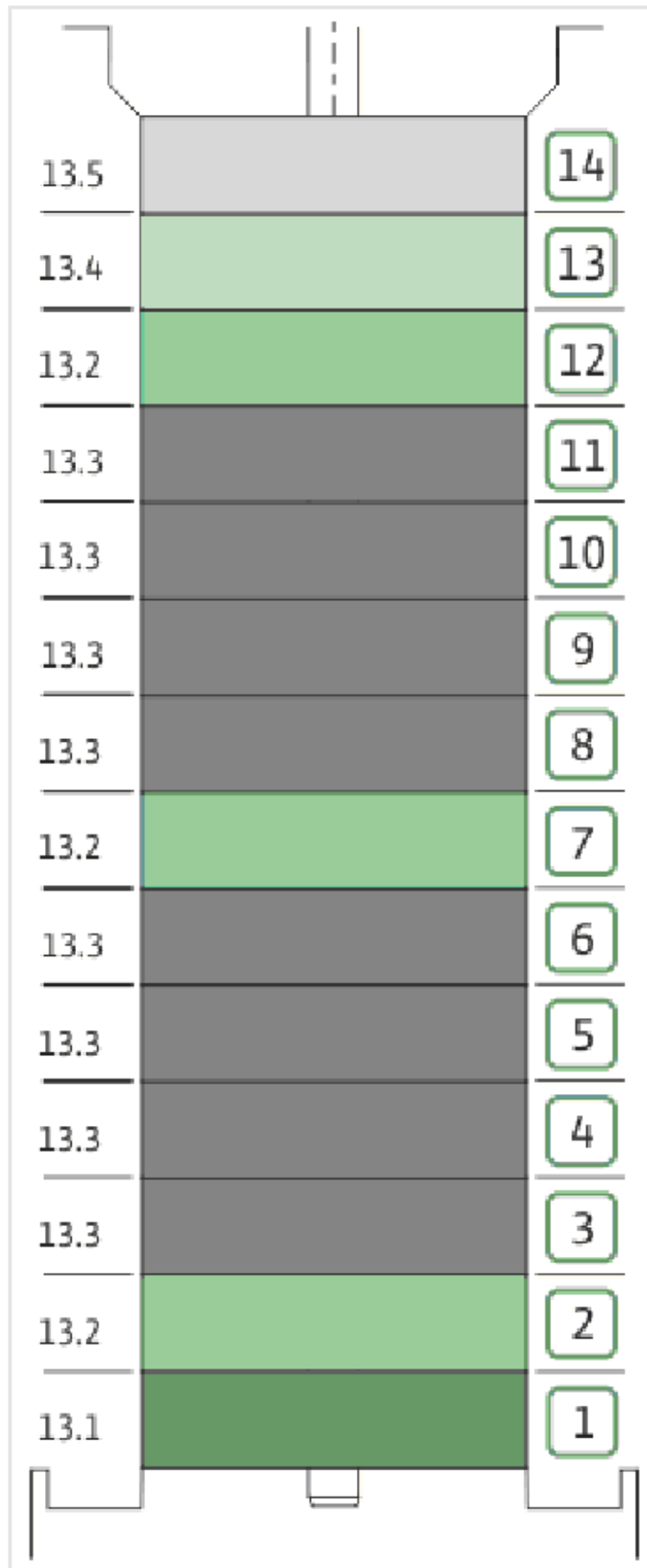
Item	Article no.	Description	Quantity
4.1		COUPLING-M+ Ø12XØ19-FT100-MACHINED	1
4.3	4234249	CIRCLIP-FOR-SHAFT-D30x1.5 VP.	1
4.2	2130977	BALL BEARING 6206/ZZ-C3(HT)VP.	1
4.4	4212716	SCREW M6X20 KIT (4PIECES)	1
4.5	4234250	CIRCLIP-D62x2 VP.	1
4.6	4234245	O-RING 63X3 VP.	1
		CONTACT-WASHER-6ETR-6,1x12,2x1,8-STEEL	4





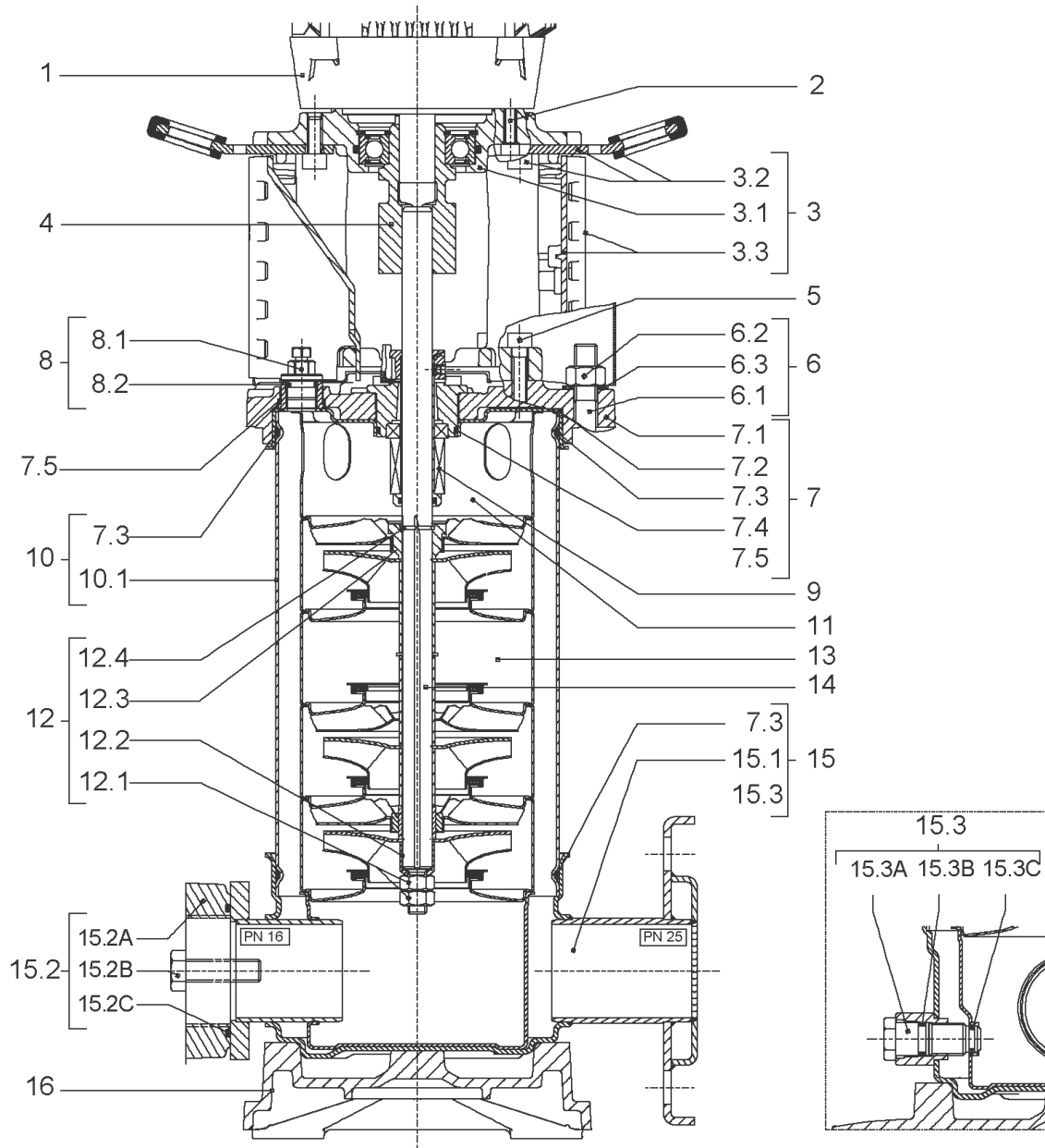
**CARTRIDGE HELIX2-4 F/V KIT (4178620)**

Item	Article no.	Description	Quantity
9.1	4178619	SEAL-KIT-HELIX2-4 F/V	1
7.3	4177887	> O-RING ID.145,65X3,53 VITON VP.	1
7.4	4177888	> O-RING ID.37.6xØ2.4 VITON VP.	1
9.1A	2131025	> MECH.SEAL HELIX2-4-6-10-16 F/V VP.	1
9.1B	4178618	> O-RING ID.12x2 VITON VP.	1
9.1C	4178618	> O-RING ID.12x2 VITON VP.	1
9.2	4178557	SHAFT SLEEVE Ø12XØ18-PN16 1.4404 VP.	1
9.3	2131024	RING HOLDER D.18 G606/G6 1.4404 VP.	1
9.4	4176520	SCREW CH M5x5 A4-70 ( 3PIECES )	1
9.5	4178595	DRIVE RING D.29/15.5x13,2 MACH.VP.	1
9.6	2130964	TOOL M.S.CART.HELIX VP.	1
9.7	2130965	SCREW CHC M5X12 ISO4762 A2.70(4 PIECES)	1



**HYDRAULIC HELIX V 213**

Item	Article no.	Description	Quantity
13.1	4179527	STAGE HELIX 2 1.4404 KIT	1
		> MACH.STG-CASING-WOGV-WNR-M+2-4-316	1
		> IMPELLER-M+2-316	1
13.2	4179526	STAGE BEARING HELIX 2 1.4404 KIT	1
		> MACH.BEARING-STG-CASING-WNR-M+2-316	1
		> IMPELLER-M+2-316	1
		> SHAFT SLEEVE SPACER Ø15,35x10,305-316	1
		> SHAFT-SLEEVE-D12xD16x14-CW	1
13.3	4179529	INTERMED STAGE < 15 HELIX 2 1.4404 KIT	1
		> MACH.STD-STG-CASING-WGV+NR-M+2-316	1
		> IMPELLER-M+2-316	1
		> IMPELLER SPACER Ø12,05X14,85-L24,305-316	1
13.4	4179544	EMPTY STAGE <15 HELIX 2 1.4404 KIT	1
		> MACH.STD-STG-CASING-WGV+NR-M+2-316	1
		> FLAT WASHER-D12.1XD16X0.8-316L	1
		> IMPELLER SPACER Ø12,05X14,85-L24,305-316	1
13.5	4179543	STAGE HELIX 2 1.4404 < 15 stages Kit	1
		> MACH.STG-CASING-WOGV-WNR-M+2-4-316	1
		> IMPELLER-M+2-316	1
		> IMPELLER SPACER Ø12,05X14,85-L24,305-316	1



**HELIX V214-2/25/V/KS/400-50 (4161747)**

Item	Article no.	Description	Quantity
1	4169941	MOTOR 1,1/2/80 3~230/400V 50HZ IE3 VP.	1
		SPARE PARTS MOTOR:ON REQUEST	1
2	4159702	SCREW M6X30 (4 PIECES)	1
3	4172788	LANTERN FT100 HELIX KIT	1
3.1		> LANTERN FT100 M+6" GJL MACHINING+CATA	1
3.2	2127604	> EYELET CPL.FT HELIX(2 PIECES)	1
3.3	4159692	> COUPLING PROTECTOR FT HELIX KIT	1
4	4178578	COUPLING D.12XD.19 FT100 KIT	1
5	4159707	SCREW M8X30 (4 PIECES)	1
6	2127556	STUD BOLT M12X542 KIT	1
7	4159783	END SHIELD HELIX FKM 1.4404 KIT	1
7.1		> END SHIELD M+6" GJL250 MACHINING+CATA	1
7.2	2131056	> STATIONARY RING HOLDER 6" HELIX 1.4404 V	1
7.3	4234237	> O-RING 139X3 VITON VP.	1
7.4	2131026	> O-RING ID.37,6X2,4 FKM VP.	1
7.5	2131057	> O-RING ID.21,35X2 FKM VP.	1
8	4159784	FILING/PURGING PLUG HELIX FKM KIT	1
9	4178620	CARTRIDGE HELIX2-4 F/V KIT	1
10	4179285	HOUSING-PIPE D.152X410 1.4404 KIT	1
7.3	4234237	> O-RING 139X3 VITON VP.	1
10.1		> HOUSING-PIPE Ø152-M+1607-316L	1
11	4179525	CENTERING STAGE-RETURN HELIX2 1.4404 VP	1
12	4178567	SHAFT EQUIPMENT HELIX V2/V4 KIT	1
12.1		> NUT-H-M8-STAINLESS-STEEL A4-70	1
12.2		> SHAFT END WASHER Ø8/Ø12 316L	1
12.3		> STOP COLLAR OF IMPELLER L12,6-Ø12-316L	1
12.4		> STOP-RUSH-1/2-D12xd2-M+316	1
13		HYDRAULIC HELIX V 214	1
14	4179289	SHAFT D.12X533 1.4462 VP	1
15	4179257	PUMP HOUSING HELIX DN25 PN25 1.4409 KIT	1
7.3	4177887	> O-RING ID.145,65X3,53 VITON VP.	1
15.1		> BLASTING PPE HOUSING V PN25-DN25-5"-316L	1
15.3	4159781	> PRIMING/DRAIN PLUG HELIX 16 FKM KIT	1
16	4177970	BASEPLATE HELIX V2/4/6 PN25 VP.	1



**COUPLING D.12XD.19 FT100 KIT (4178578)**

Item	Article no.	Description	Quantity
4.1		COUPLING-M+ Ø12XØ19-FT100-MACHINED	1
4.3	4234249	CIRCLIP-FOR-SHAFT-D30x1.5 VP.	1
4.2	2130977	BALL BEARING 6206/ZZ-C3(HT)VP.	1
4.4	4212716	SCREW M6X20 KIT (4PIECES)	1
4.5	4234250	CIRCLIP-D62x2 VP.	1
4.6	4234245	O-RING 63X3 VP.	1
		CONTACT-WASHER-6ETR-6,1x12,2x1,8-STEEL	4



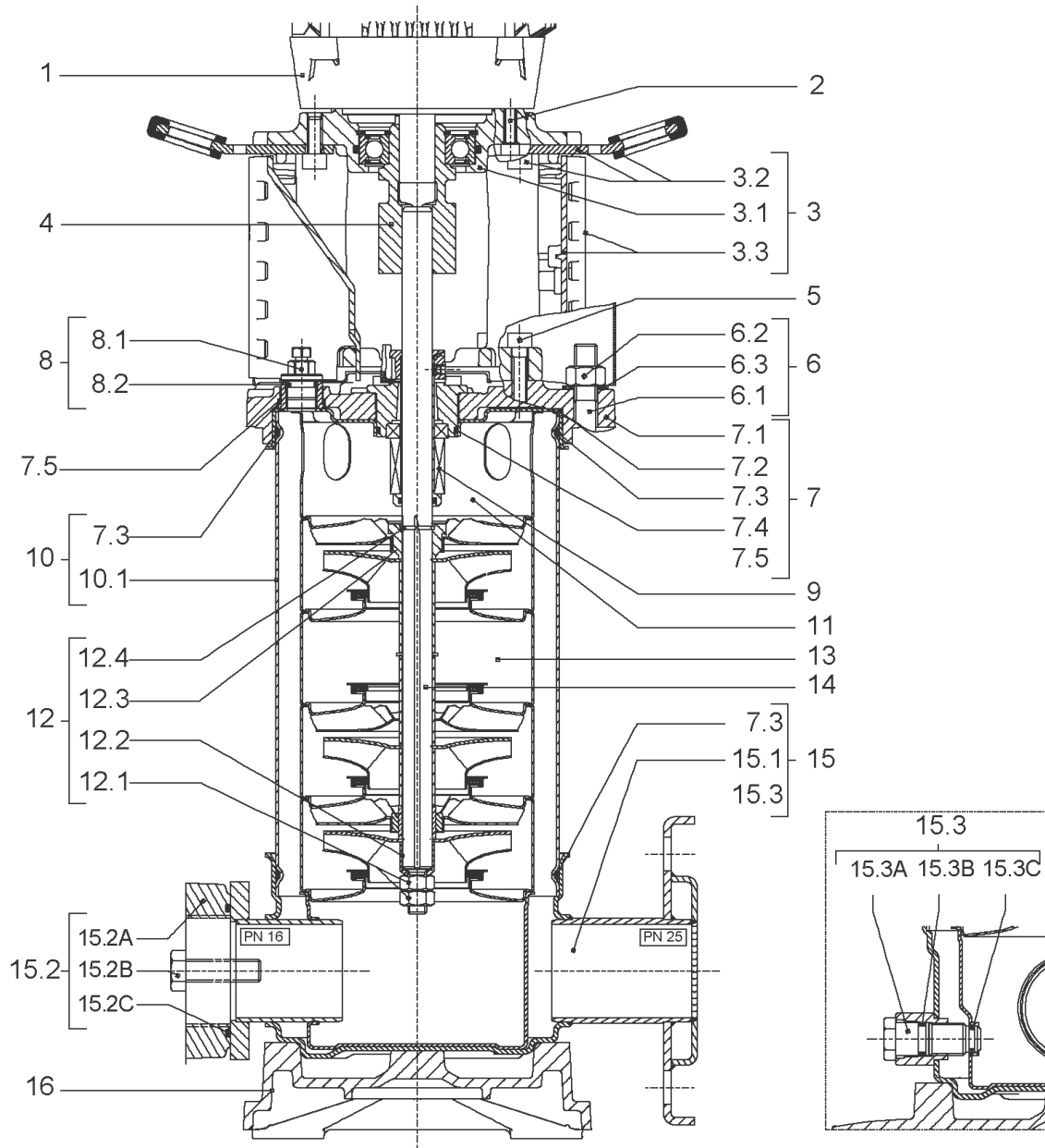


**CARTRIDGE HELIX2-4 F/V KIT (4178620)**

Item	Article no.	Description	Quantity
9.1	4178619	SEAL-KIT-HELIX2-4 F/V	1
7.3	4177887	> O-RING ID.145,65X3,53 VITON VP.	1
7.4	4177888	> O-RING ID.37.6xØ2.4 VITON VP.	1
9.1A	2131025	> MECH.SEAL HELIX2-4-6-10-16 F/V VP.	1
9.1B	4178618	> O-RING ID.12x2 VITON VP.	1
9.1C	4178618	> O-RING ID.12x2 VITON VP.	1
9.2	4178557	SHAFT SLEEVE Ø12XØ18-PN16 1.4404 VP.	1
9.3	2131024	RING HOLDER D.18 G606/G6 1.4404 VP.	1
9.4	4176520	SCREW CH M5x5 A4-70 ( 3PIECES )	1
9.5	4178595	DRIVE RING D.29/15.5x13,2 MACH.VP.	1
9.6	2130964	TOOL M.S.CART.HELIX VP.	1
9.7	2130965	SCREW CHC M5X12 ISO4762 A2.70(4 PIECES)	1



Item	Article no.	Description	Quantity
13.1	4179527	STAGE HELIX 2 1.4404 KIT	1
		> MACH.STG-CASING-WOGV-WNR-M+2-4-316	1
		> IMPELLER-M+2-316	1
13.2	4179526	STAGE BEARING HELIX 2 1.4404 KIT	1
		> MACH.BEARING-STG-CASING-WNR-M+2-316	1
		> IMPELLER-M+2-316	1
		> SHAFT SLEEVE SPACER Ø15,35x10,305-316	1
		> SHAFT-SLEEVE-D12xD16x14-CW	1
13.3	4179529	INTERMED STAGE < 15 HELIX 2 1.4404 KIT	1
		> MACH.STD-STG-CASING-WGV+NR-M+2-316	1
		> IMPELLER-M+2-316	1
		> IMPELLER SPACER Ø12,05X14,85-L24,305-316	1



**HELIX V216-2/25/V/KS/400-50 (4161748)**

Item	Article no.	Description	Quantity
1	4169942	MO.1,5/2 3~230/400(440)V 50(60)HZ IE3 VP	1
		SPARE PARTS MOTOR:ON REQUEST	1
2	4159703	SCREW M8X40 (4 PIECES)	1
3	4159690	LANTERN FT115 HELIX KIT	1
3.1		> LANTERN FT115 M+6" GJL MACHINING+CATA	1
3.2	2127604	> EYELET CPL.FT HELIX(2 PIECES)	1
3.3	4159692	> COUPLING PROTECTOR FT HELIX KIT	1
4	4178600	COUPLING D.12XD.24 FT115 KIT	1
5	4159707	SCREW M8X30 (4 PIECES)	1
6	2127557	STUD BOLT M12X587 KIT	1
6.1		> TIE BOLT M12-587x18x30-1.4057	1
6.2	2094647	> NUT M12 M12 ISO4032 VP.	1
6.3	2123557	> WASHER CS-12.4-24-1.6-NFE25 (4 PIECES)	1
7	4159783	END SHIELD HELIX FKM 1.4404 KIT	1
7.1		> END SHIELD M+6" GJL250 MACHINING+CATA	1
7.2	2131056	> STATIONARY RING HOLDER 6" HELIX 1.4404 V	1
7.3	4234237	> O-RING 139X3 VITON VP.	1
7.4	2131026	> O-RING ID.37,6X2,4 FKM VP.	1
7.5	2131057	> O-RING ID.21,35X2 FKM VP.	1
8	4159784	FILING/PURGING PLUG HELIX FKM KIT	1
9	4178620	CARTRIDGE HELIX2-4 F/V KIT	1
10	4179291	HOUSING-PIPE D.152X460 1.4404 KIT	1
7.3	4234237	> O-RING 139X3 VITON VP.	1
10.1		> HOUSING-PIPE Ø152-M+1608-316L	1
11	4179525	CENTERING STAGE-RETURN HELIX2 1.4404 VP	1
12	4178567	SHAFT EQUIPMENT HELIX V2/V4 KIT	1
12.1		> NUT-H-M8-STAINLESS-STEEL A4-70	1
12.2		> SHAFT END WASHER Ø8/Ø12 316L	1
12.3		> STOP COLLAR OF IMPELLER L12,6-Ø12-316L	1
12.4		> STOP-RUSH-1/2-D12xd2-M+316	1
13		HYDRAULIC HELIX V 216	1
14	4179293	SHAFT D.12X583 1.4462 VP.	1
15	4179257	PUMP HOUSING HELIX DN25 PN25 1.4409 KIT	1
7.3	4177887	> O-RING ID.145,65X3,53 VITON VP.	1

**HELIX V216-2/25/V/KS/400-50 (4161748)**

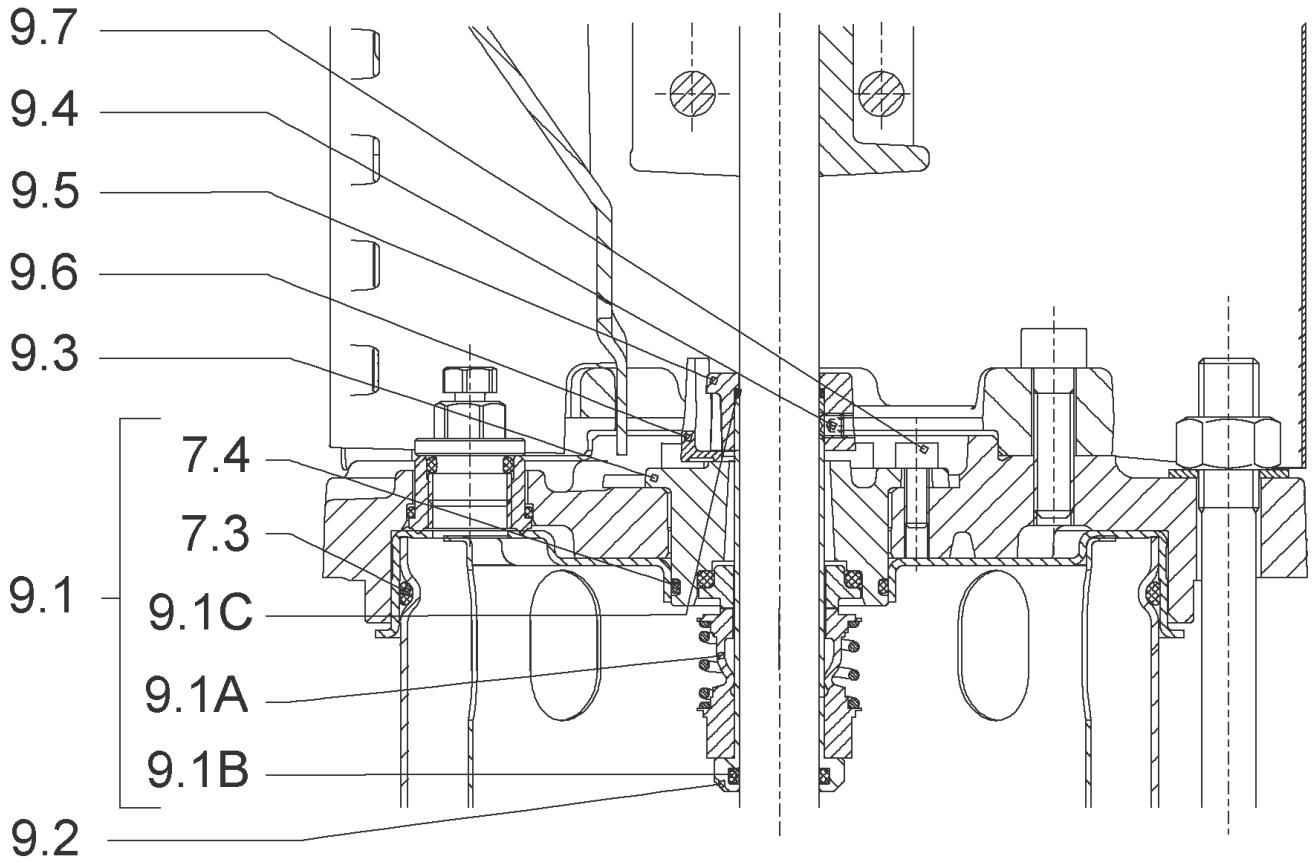
<b>Item</b>	<b>Article no.</b>	<b>Description</b>	<b>Quantity</b>
15.1		> BLASTING PPE HOUSING V PN25-DN25-5"-316L	1
15.3	4159781	> PRIMING/DRAIN PLUG HELIX 16 FKM KIT	1
16	4177970	BASEPLATE HELIX V2/4/6 PN25 VP.	1



**COUPLING D.12XD.24 FT115 KIT (4178600)**

Item	Article no.	Description	Quantity
4.1		COUPLING-M+ Ø12XØ24-FT115-MACHINED	1
4.2	2131023	BALL BEARING 6207/ZZ-C3(HT)VP.	1
4.3	4234254	CIRCLIP-FOR-SHAFT-D35x1.5 VP.	1
4.4	4157726	SCREW KIT M8X30 (4 PIECES)	1
4.5	4234251	CIRCLIP-D72x2.5 VP.	1
4.6	4234246	O-RING 72X3 VP.	1
		NOMEL CONTACT WASHER 8x16x1,4 STEEL ZC	1



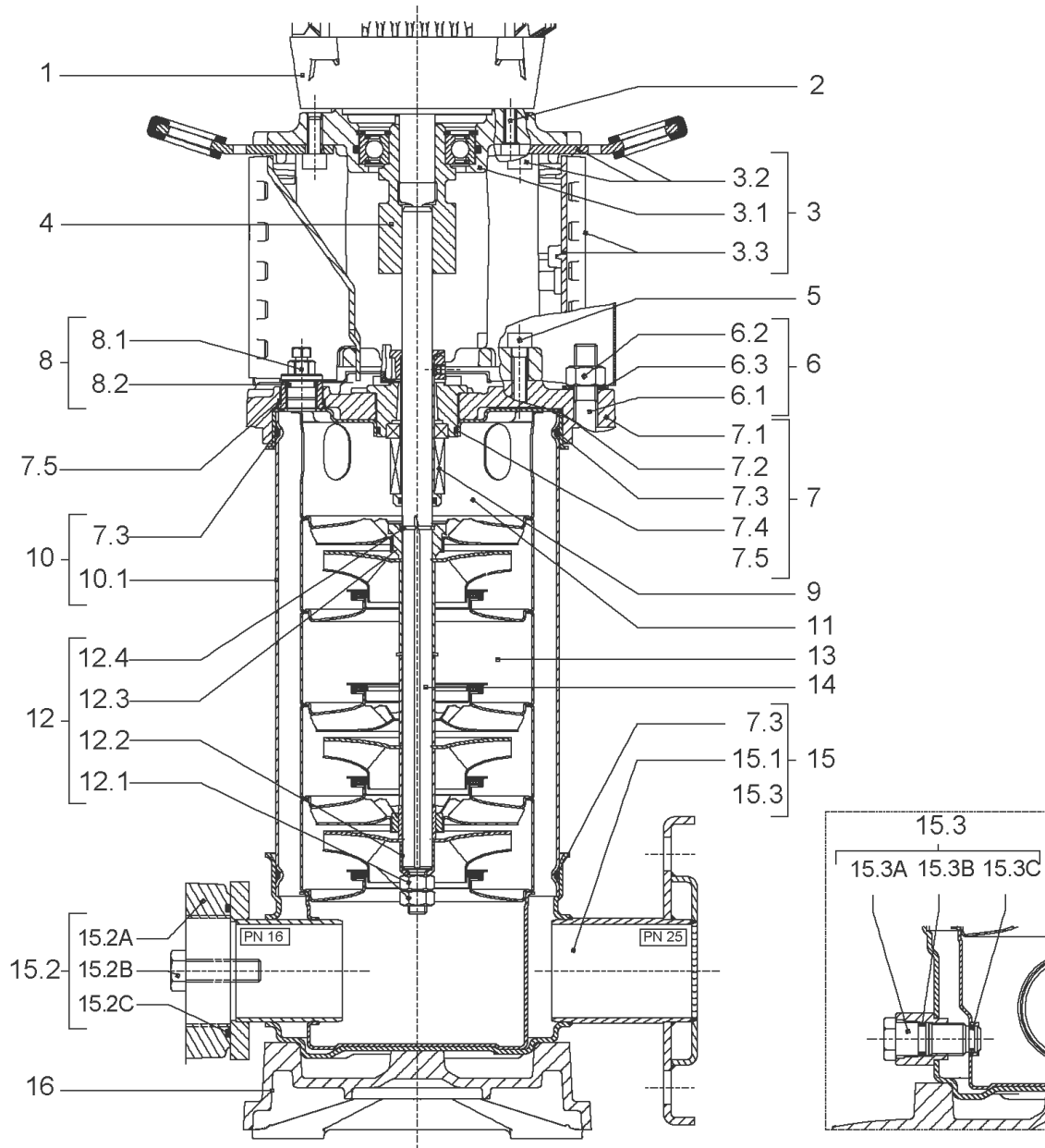


**CARTRIDGE HELIX2-4 F/V KIT (4178620)**

Item	Article no.	Description	Quantity
9.1	4178619	SEAL-KIT-HELIX2-4 F/V	1
7.3	4177887	> O-RING ID.145,65X3,53 VITON VP.	1
7.4	4177888	> O-RING ID.37.6xØ2.4 VITON VP.	1
9.1A	2131025	> MECH.SEAL HELIX2-4-6-10-16 F/V VP.	1
9.1B	4178618	> O-RING ID.12x2 VITON VP.	1
9.1C	4178618	> O-RING ID.12x2 VITON VP.	1
9.2	4178557	SHAFT SLEEVE Ø12XØ18-PN16 1.4404 VP.	1
9.3	2131024	RING HOLDER D.18 G606/G6 1.4404 VP.	1
9.4	4176520	SCREW CH M5x5 A4-70 ( 3PIECES )	1
9.5	4178595	DRIVE RING D.29/15.5x13,2 MACH.VP.	1
9.6	2130964	TOOL M.S.CART.HELIX VP.	1
9.7	2130965	SCREW CHC M5X12 ISO4762 A2.70(4 PIECES)	1



Item	Article no.	Description	Quantity
13.1	4179527	STAGE HELIX 2 1.4404 KIT	1
		> MACH.STG-CASING-WOGV-WNR-M+2-4-316	1
		> IMPELLER-M+2-316	1
13.2	4179526	STAGE BEARING HELIX 2 1.4404 KIT	1
		> MACH.BEARING-STG-CASING-WNR-M+2-316	1
		> IMPELLER-M+2-316	1
		> SHAFT SLEEVE SPACER Ø15,35x10,305-316	1
		> SHAFT-SLEEVE-D12xD16x14-CW	1
13.3	4220522	INTERMED STAGE>15 HELIX 2 1.4404 KIT	1
		> MACH.STD-STG-CASING-WGV+NR-M+2-316	1
		> IMPELLER-M+2-316	1
		> IMPELLER SPACER Ø12,1x14,1-L24,25-316L	1



**HELIX V218-2/25/V/KS/400-50 (4161749)**

Item	Article no.	Description	Quantity
1	4169942	MO.1,5/2 3~230/400(440)V 50(60)HZ IE3 VP	1
		SPARE PARTS MOTOR:ON REQUEST	1
2	4159703	SCREW M8X40 (4 PIECES)	1
3	4159690	LANTERN FT115 HELIX KIT	1
3.1		> LANTERN FT115 M+6" GJL MACHINING+CATA	1
3.2	2127604	> EYELET CPL.FT HELIX(2 PIECES)	1
3.3	4159692	> COUPLING PROTECTOR FT HELIX KIT	1
4	4178600	COUPLING D.12XD.24 FT115 KIT	1
5	4159707	SCREW M8X30 (4 PIECES)	1
6	4177842	STUD BOLT M12X638KIT	1
6.1		> TIE BOLT M12-638x18x30-1.4057	1
6.2	2094647	> NUT M12 M12 ISO4032 VP.	1
6.3	2123557	> WASHER CS-12.4-24-1.6-NFE25 (4 PIECES)	1
7	4159783	END SHIELD HELIX FKM 1.4404 KIT	1
7.1		> END SHIELD M+6" GJL250 MACHINING+CATA	1
7.2	2131056	> STATIONARY RING HOLDER 6" HELIX 1.4404 V	1
7.3	4234237	> O-RING 139X3 VITON VP.	1
7.4	2131026	> O-RING ID.37,6X2,4 FKM VP.	1
7.5	2131057	> O-RING ID.21,35X2 FKM VP.	1
8	4159784	FILING/PURGING PLUG HELIX FKM KIT	1
9	4178620	CARTRIDGE HELIX2-4 F/V KIT	1
10	4177940	HOUSING-PIPE D.152X510 1.4404 KIT	1
7.3	4234237	> O-RING 139X3 VITON VP.	1
10.1		> HOUSING-PIPE Ø152-M+1012/1609-316L	1
11	4179525	CENTERING STAGE-RETURN HELIX2 1.4404 VP	1
12	4178567	SHAFT EQUIPMENT HELIX V2/V4 KIT	1
12.1		> NUT-H-M8-STAINLESS-STEEL A4-70	1
12.2		> SHAFT END WASHER Ø8/Ø12 316L	1
12.3		> STOP COLLAR OF IMPELLER L12,6-Ø12-316L	1
12.4		> STOP-RUSH-1/2-D12xd2-M+316	1
13		HYDRAULIC HELIX V 218	1
14	4179295	SHAFT D.12X633 1.4462 VP.	1
15	4179257	PUMP HOUSING HELIX DN25 PN25 1.4409 KIT	1
7.3	4177887	> O-RING ID.145,65X3,53 VITON VP.	1

**HELIX V218-2/25/V/KS/400-50 (4161749)**

<b>Item</b>	<b>Article no.</b>	<b>Description</b>	<b>Quantity</b>
15.1		> BLASTING PPE HOUSING V PN25-DN25-5"-316L	1
15.3	4159781	> PRIMING/DRAIN PLUG HELIX 16 FKM KIT	1
16	4177970	BASEPLATE HELIX V2/4/6 PN25 VP.	1





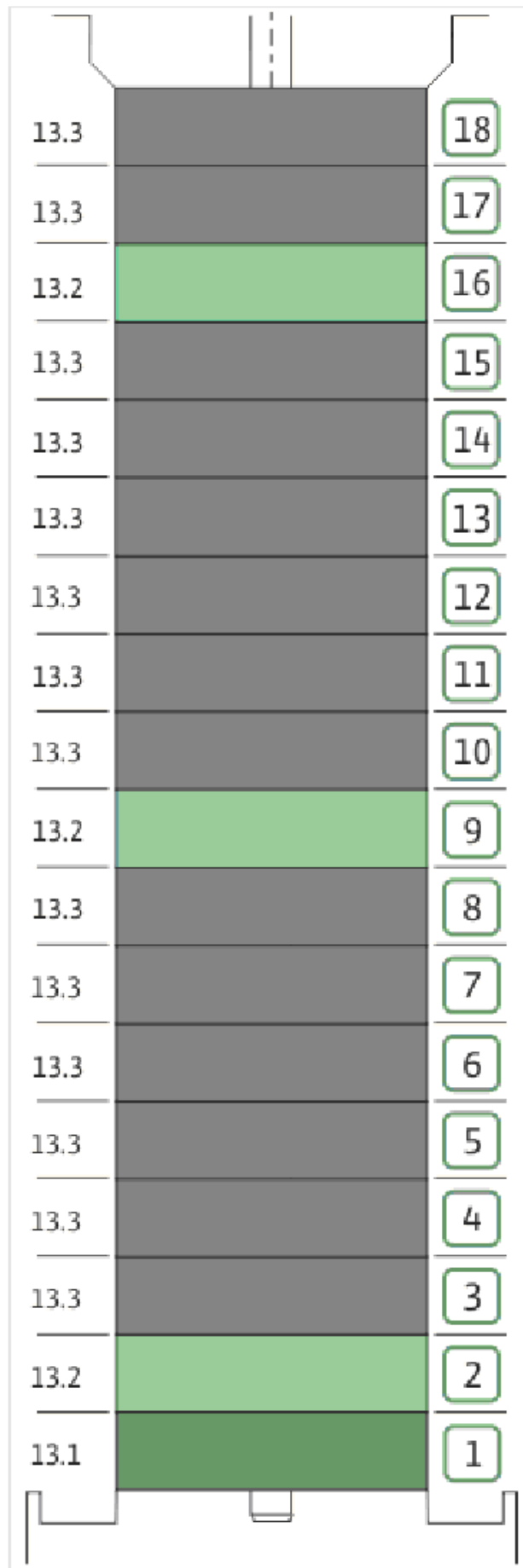
**COUPLING D.12XD.24 FT115 KIT (4178600)**

Item	Article no.	Description	Quantity
4.1		COUPLING-M+ Ø12XØ24-FT115-MACHINED	1
4.2	2131023	BALL BEARING 6207/ZZ-C3(HT)VP.	1
4.3	4234254	CIRCLIP-FOR-SHAFT-D35x1.5 VP.	1
4.4	4157726	SCREW KIT M8X30 (4 PIECES)	1
4.5	4234251	CIRCLIP-D72x2.5 VP.	1
4.6	4234246	O-RING 72X3 VP.	1
		NOMEL CONTACT WASHER 8x16x1,4 STEEL ZC	1

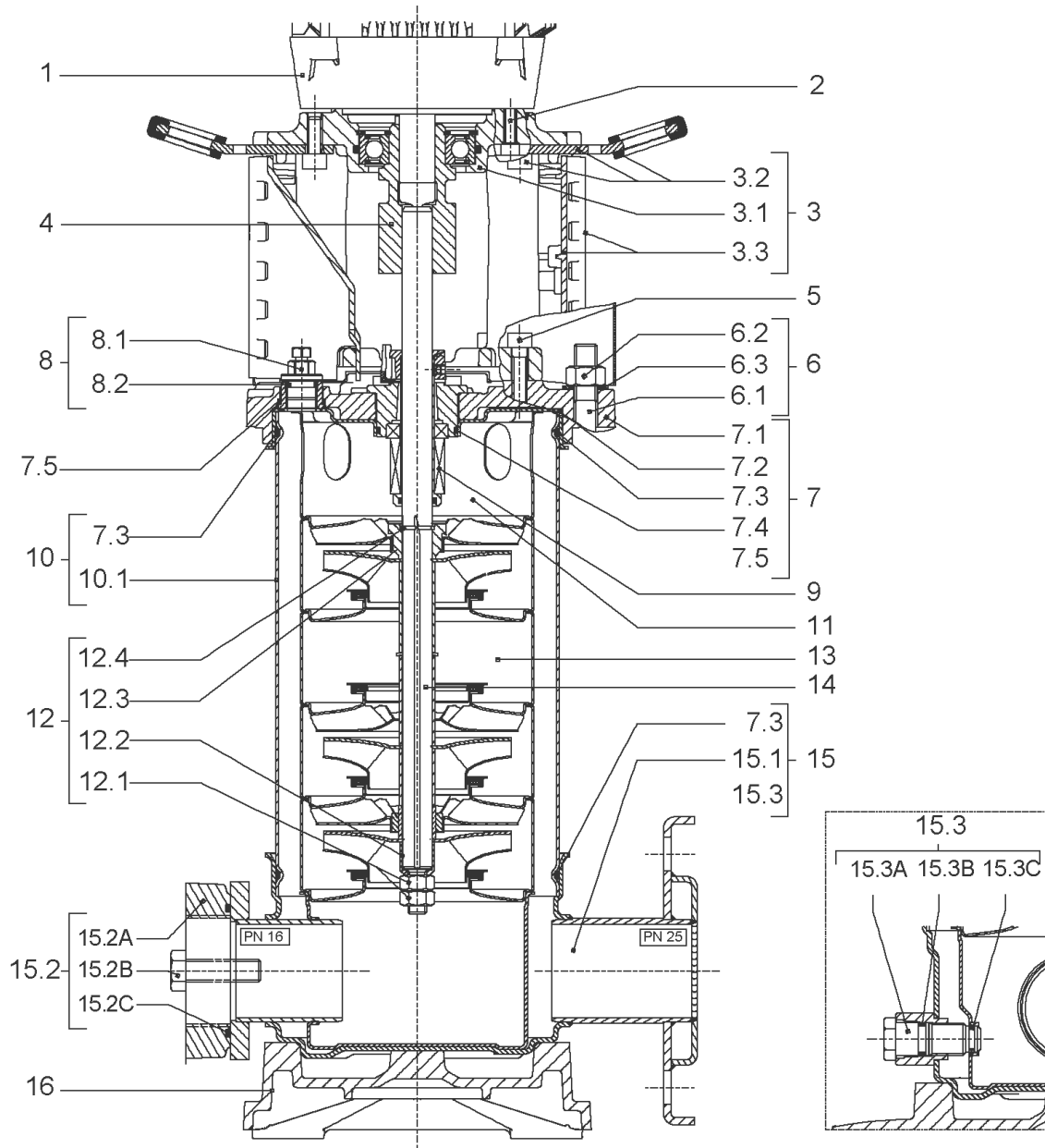


**CARTRIDGE HELIX2-4 F/V KIT (4178620)**

Item	Article no.	Description	Quantity
9.1	4178619	SEAL-KIT-HELIX2-4 F/V	1
7.3	4177887	> O-RING ID.145,65X3,53 VITON VP.	1
7.4	4177888	> O-RING ID.37.6xØ2.4 VITON VP.	1
9.1A	2131025	> MECH.SEAL HELIX2-4-6-10-16 F/V VP.	1
9.1B	4178618	> O-RING ID.12x2 VITON VP.	1
9.1C	4178618	> O-RING ID.12x2 VITON VP.	1
9.2	4178557	SHAFT SLEEVE Ø12XØ18-PN16 1.4404 VP.	1
9.3	2131024	RING HOLDER D.18 G606/G6 1.4404 VP.	1
9.4	4176520	SCREW CH M5x5 A4-70 ( 3PIECES )	1
9.5	4178595	DRIVE RING D.29/15.5x13,2 MACH.VP.	1
9.6	2130964	TOOL M.S.CART.HELIX VP.	1
9.7	2130965	SCREW CHC M5X12 ISO4762 A2.70(4 PIECES)	1

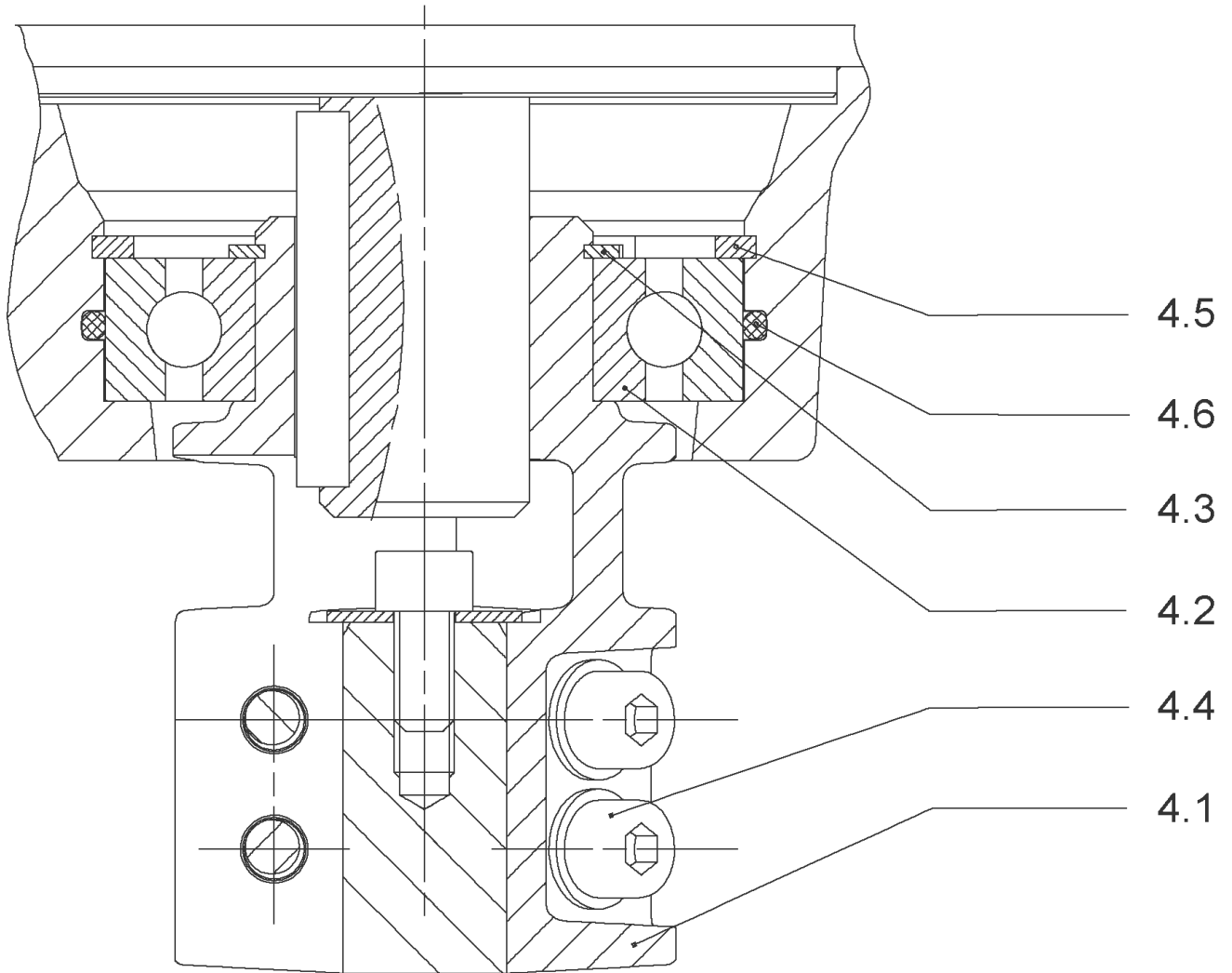


Item	Article no.	Description	Quantity
13.1	4179527	STAGE HELIX 2 1.4404 KIT	1
		> MACH.STG-CASING-WOGV-WNR-M+2-4-316	1
		> IMPELLER-M+2-316	1
13.2	4179526	STAGE BEARING HELIX 2 1.4404 KIT	1
		> MACH.BEARING-STG-CASING-WNR-M+2-316	1
		> IMPELLER-M+2-316	1
		> SHAFT SLEEVE SPACER Ø15,35x10,305-316	1
		> SHAFT-SLEEVE-D12xD16x14-CW	1
13.3	4220522	INTERMED STAGE>15 HELIX 2 1.4404 KIT	1
		> MACH.STD-STG-CASING-WGV+NR-M+2-316	1
		> IMPELLER-M+2-316	1
		> IMPELLER SPACER Ø12,1x14,1-L24,25-316L	1



**HELIX V220-2/25/V/KS/400-50 (4161750)**

Item	Article no.	Description	Quantity
1	4169943	MOTOR 2,2/2/90 3~230/400V 50HZ IE3 VP.	1
		SPARE PARTS MOTOR:ON REQUEST	1
2	4159703	SCREW M8X40 (4 PIECES)	1
3	4159690	LANTERN FT115 HELIX KIT	1
3.1		> LANTERN FT115 M+6" GJL MACHINING+CATA	1
3.2	2127604	> EYELET CPL.FT HELIX(2 PIECES)	1
3.3	4159692	> COUPLING PROTECTOR FT HELIX KIT	1
4	4178600	COUPLING D.12XD.24 FT115 KIT	1
5	4159707	SCREW M8X30 (4 PIECES)	1
6	4178624	STUD BOLT M12X693 KIT	1
7	4159783	END SHIELD HELIX FKM 1.4404 KIT	1
7.1		> END SHIELD M+6" GJL250 MACHINING+CATA	1
7.2	2131056	> STATIONARY RING HOLDER 6" HELIX 1.4404 V	1
7.3	4234237	> O-RING 139X3 VITON VP.	1
7.4	2131026	> O-RING ID.37,6X2,4 FKM VP.	1
7.5	2131057	> O-RING ID.21,35X2 FKM VP.	1
8	4159784	FILING/PURGING PLUG HELIX FKM KIT	1
9	4178620	CARTRIDGE HELIX2-4 F/V KIT	1
10	4179296	HOUSING-PIPE D.152X560 1.4404 KIT	1
7.3	4234237	> O-RING 139X3 VITON VP.	1
10.1		> HOUSING-PIPE Ø152-M+220/420-316L	1
11	4179525	CENTERING STAGE-RETURN HELIX2 1.4404 VP	1
12	4178567	SHAFT EQUIPMENT HELIX V2/V4 KIT	1
12.1		> NUT-H-M8-STAINLESS-STEEL A4-70	1
12.2		> SHAFT END WASHER Ø8/Ø12 316L	1
12.3		> STOP COLLAR OF IMPELLER L12,6-Ø12-316L	1
12.4		> STOP-RUSH-1/2-D12xd2-M+316	1
13		HYDRAULIC HELIX V 220	1
14	4179298	SHAFT D.12X683 1.4404 VP.	1
15	4179257	PUMP HOUSING HELIX DN25 PN25 1.4409 KIT	1
7.3	4177887	> O-RING ID.145,65X3,53 VITON VP.	1
15.1		> BLASTING PPE HOUSING V PN25-DN25-5"-316L	1
15.3	4159781	> PRIMING/DRAIN PLUG HELIX 16 FKM KIT	1
16	4177970	BASEPLATE HELIX V2/4/6 PN25 VP.	1





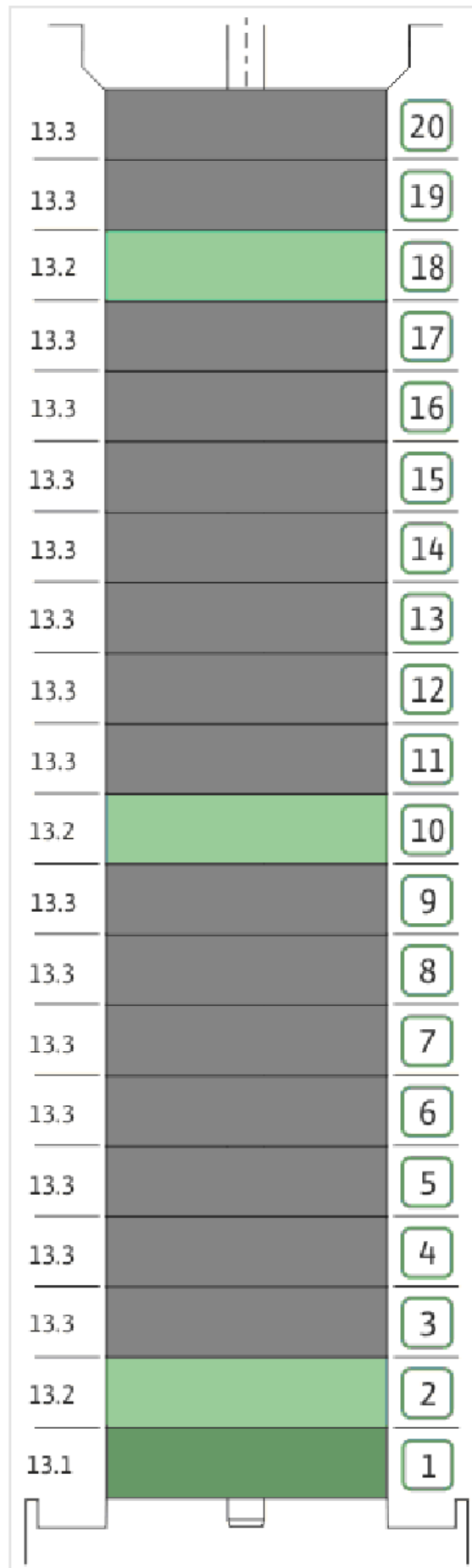
**COUPLING D.12XD.24 FT115 KIT (4178600)**

Item	Article no.	Description	Quantity
4.1		COUPLING-M+ Ø12XØ24-FT115-MACHINED	1
4.2	2131023	BALL BEARING 6207/ZZ-C3(HT)VP.	1
4.3	4234254	CIRCLIP-FOR-SHAFT-D35x1.5 VP.	1
4.4	4157726	SCREW KIT M8X30 (4 PIECES)	1
4.5	4234251	CIRCLIP-D72x2.5 VP.	1
4.6	4234246	O-RING 72X3 VP.	1
		NOMEL CONTACT WASHER 8x16x1,4 STEEL ZC	1

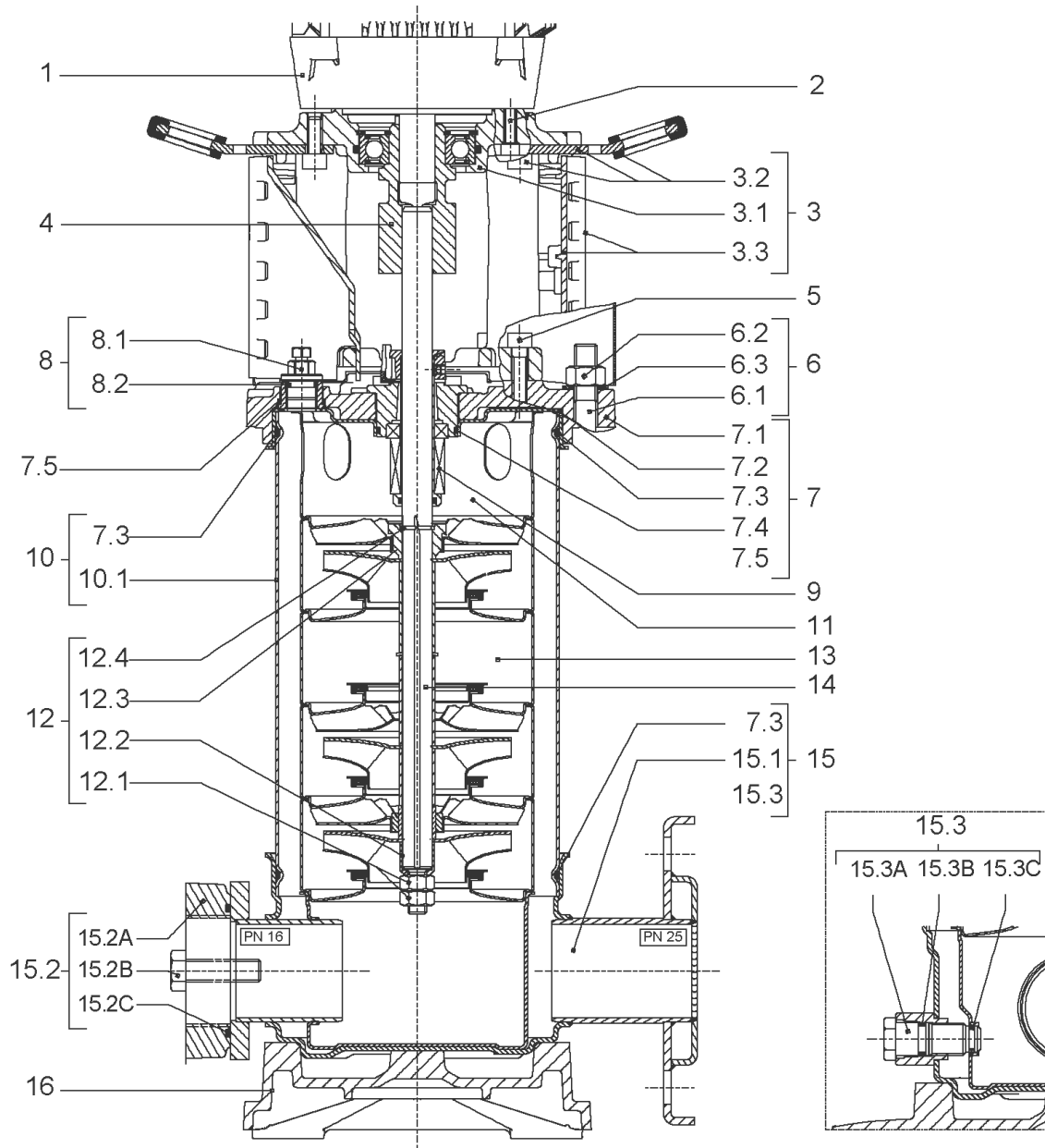


**CARTRIDGE HELIX2-4 F/V KIT (4178620)**

Item	Article no.	Description	Quantity
9.1	4178619	SEAL-KIT-HELIX2-4 F/V	1
7.3	4177887	> O-RING ID.145,65X3,53 VITON VP.	1
7.4	4177888	> O-RING ID.37.6xØ2.4 VITON VP.	1
9.1A	2131025	> MECH.SEAL HELIX2-4-6-10-16 F/V VP.	1
9.1B	4178618	> O-RING ID.12x2 VITON VP.	1
9.1C	4178618	> O-RING ID.12x2 VITON VP.	1
9.2	4178557	SHAFT SLEEVE Ø12XØ18-PN16 1.4404 VP.	1
9.3	2131024	RING HOLDER D.18 G606/G6 1.4404 VP.	1
9.4	4176520	SCREW CH M5x5 A4-70 ( 3PIECES )	1
9.5	4178595	DRIVE RING D.29/15.5x13,2 MACH.VP.	1
9.6	2130964	TOOL M.S.CART.HELIX VP.	1
9.7	2130965	SCREW CHC M5X12 ISO4762 A2.70(4 PIECES)	1



Item	Article no.	Description	Quantity
13.1	4179527	STAGE HELIX 2 1.4404 KIT	1
		> MACH.STG-CASING-WOGV-WNR-M+2-4-316	1
		> IMPELLER-M+2-316	1
13.2	4179526	STAGE BEARING HELIX 2 1.4404 KIT	1
		> MACH.BEARING-STG-CASING-WNR-M+2-316	1
		> IMPELLER-M+2-316	1
		> SHAFT SLEEVE SPACER Ø15,35x10,305-316	1
		> SHAFT-SLEEVE-D12xD16x14-CW	1
13.3	4220522	INTERMED STAGE>15 HELIX 2 1.4404 KIT	1
		> MACH.STD-STG-CASING-WGV+NR-M+2-316	1
		> IMPELLER-M+2-316	1
		> IMPELLER SPACER Ø12,1x14,1-L24,25-316L	1



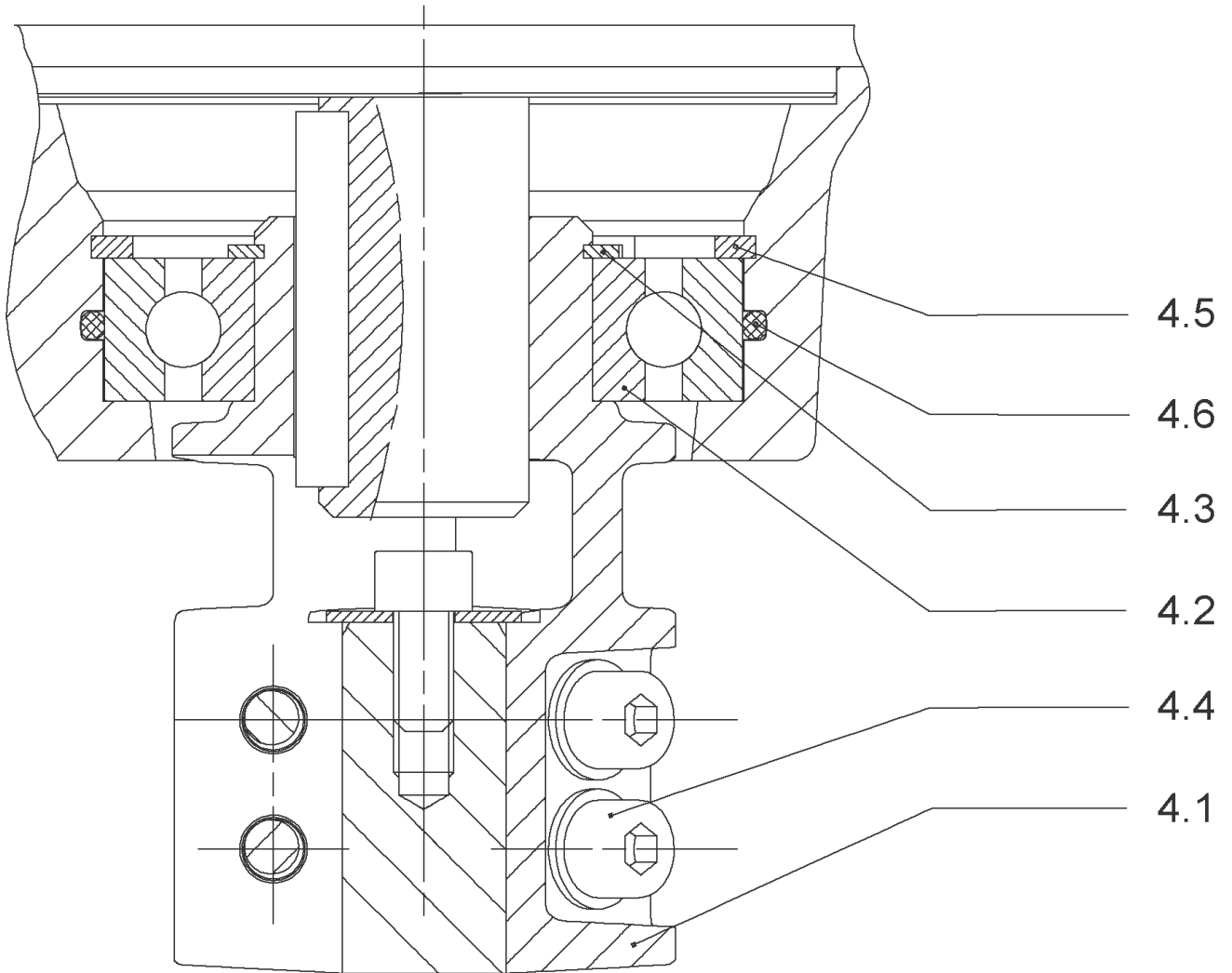
**HELIX V222-2/25/V/KS/400-50 (4161751)**

Item	Article no.	Description	Quantity
1	4169943	MOTOR 2,2/2/90 3~230/400V 50HZ IE3 VP.	1
		SPARE PARTS MOTOR:ON REQUEST	1
2	4159703	SCREW M8X40 (4 PIECES)	1
3	4159690	LANTERN FT115 HELIX KIT	1
3.1		> LANTERN FT115 M+6" GJL MACHINING+CATA	1
3.2	2127604	> EYELET CPL.FT HELIX(2 PIECES)	1
3.3	4159692	> COUPLING PROTECTOR FT HELIX KIT	1
4	4178600	COUPLING D.12XD.24 FT115 KIT	1
5	4159707	SCREW M8X30 (4 PIECES)	1
6	4177852	STUD BOLT M12X788KIT	1
6.1		> TIE BOLT M12-788x18x30-1.4057	1
6.2	2094647	> NUT M12 M12 ISO4032 VP.	1
6.3	2123557	> WASHER CS-12.4-24-1.6-NFE25 (4 PIECES)	1
7	4159783	END SHIELD HELIX FKM 1.4404 KIT	1
7.1		> END SHIELD M+6" GJL250 MACHINING+CATA	1
7.2	2131056	> STATIONARY RING HOLDER 6" HELIX 1.4404 V	1
7.3	4234237	> O-RING 139X3 VITON VP.	1
7.4	2131026	> O-RING ID.37,6X2,4 FKM VP.	1
7.5	2131057	> O-RING ID.21,35X2 FKM VP.	1
8	4159784	FILING/PURGING PLUG HELIX FKM KIT	1
9	4178620	CARTRIDGE HELIX2-4 F/V KIT	1
10	4177947	HOUSING-PIPE D.152X660 1.4404 KIT	1
7.3	4234237	> O-RING 139X3 VITON VP.	1
10.1		> HOUSING-PIPE Ø152-M+1016/1610-316L	1
11	4179525	CENTERING STAGE-RETURN HELIX2 1.4404 VP	1
12	4178567	SHAFT EQUIPMENT HELIX V2/V4 KIT	1
12.1		> NUT-H-M8-STAINLESS-STEEL A4-70	1
12.2		> SHAFT END WASHER Ø8/Ø12 316L	1
12.3		> STOP COLLAR OF IMPELLER L12,6-Ø12-316L	1
12.4		> STOP-RUSH-1/2-D12xd2-M+316	1
13		HYDRAULIC HELIX V 222	1
14	4179300	SHAFTS D.12X783,8 1.4404 VP.	1
15	4179257	PUMP HOUSING HELIX DN25 PN25 1.4409 KIT	1
7.3	4177887	> O-RING ID.145,65X3,53 VITON VP.	1

**HELIX V222-2/25/V/KS/400-50 (4161751)**

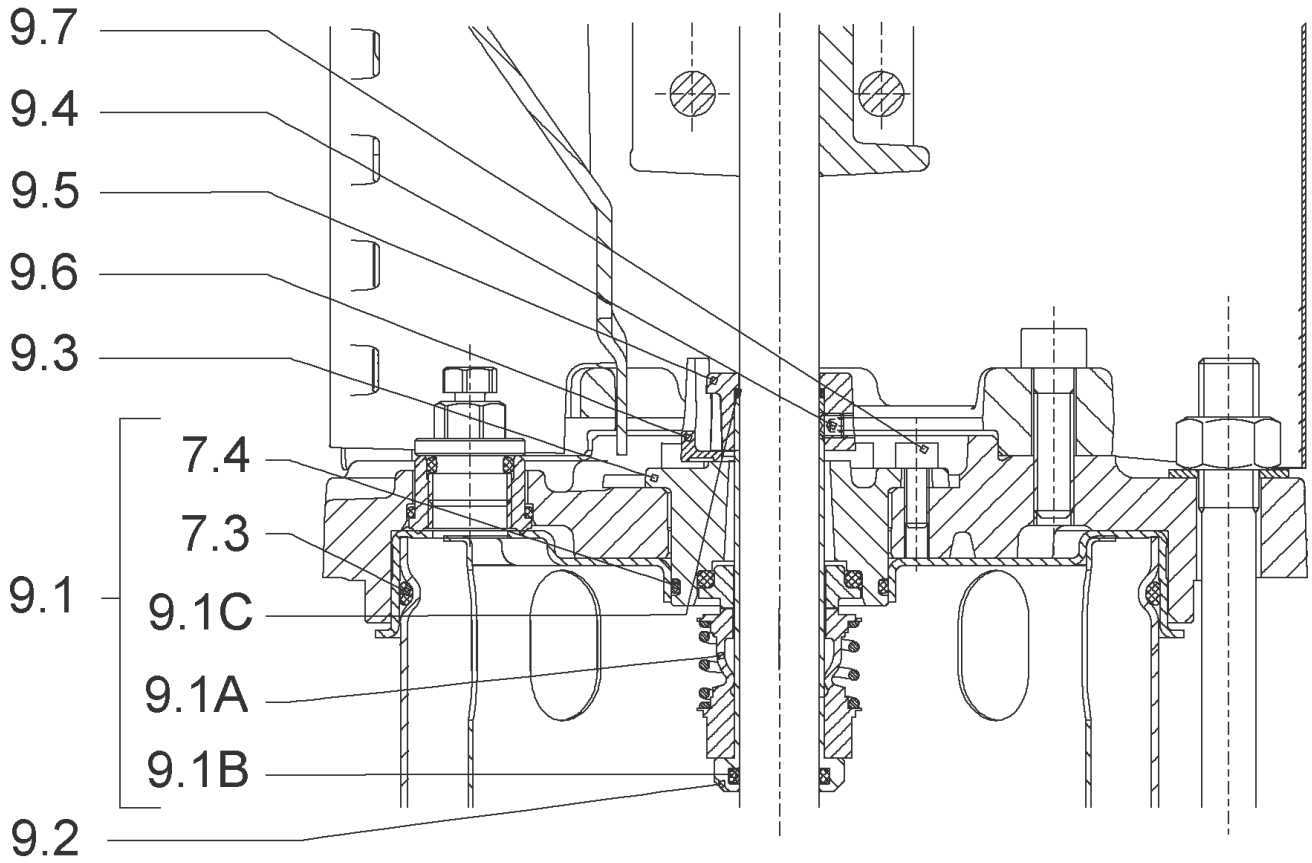
<b>Item</b>	<b>Article no.</b>	<b>Description</b>	<b>Quantity</b>
15.1		> BLASTING PPE HOUSING V PN25-DN25-5"-316L	1
15.3	4159781	> PRIMING/DRAIN PLUG HELIX 16 FKM KIT	1
16	4177970	BASEPLATE HELIX V2/4/6 PN25 VP.	1





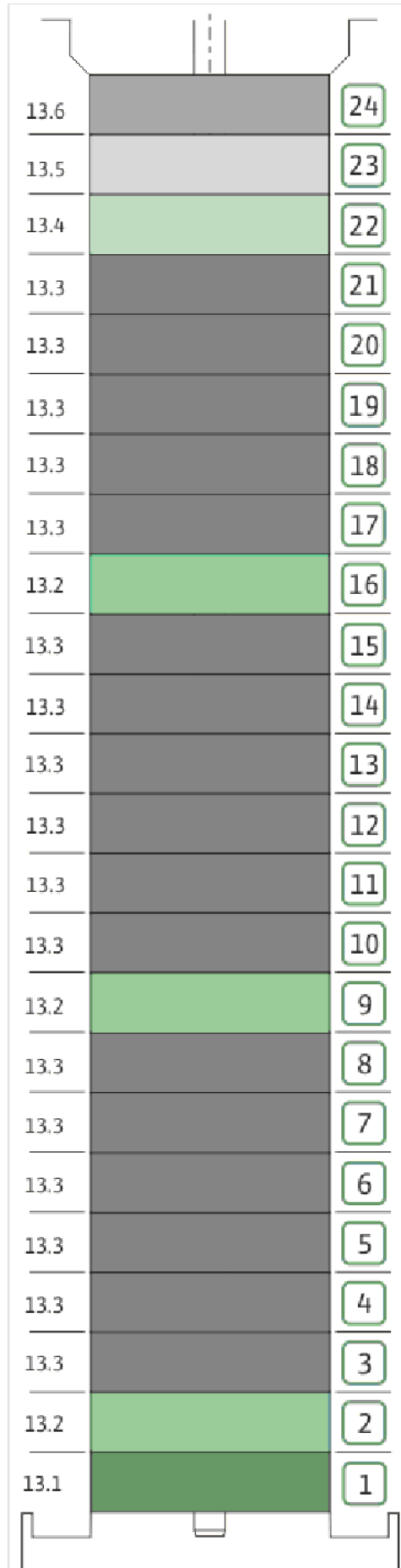
**COUPLING D.12XD.24 FT115 KIT (4178600)**

Item	Article no.	Description	Quantity
4.1		COUPLING-M+ Ø12XØ24-FT115-MACHINED	1
4.2	2131023	BALL BEARING 6207/ZZ-C3(HT)VP.	1
4.3	4234254	CIRCLIP-FOR-SHAFT-D35x1.5 VP.	1
4.4	4157726	SCREW KIT M8X30 (4 PIECES)	1
4.5	4234251	CIRCLIP-D72x2.5 VP.	1
4.6	4234246	O-RING 72X3 VP.	1
		NOMEL CONTACT WASHER 8x16x1,4 STEEL ZC	1

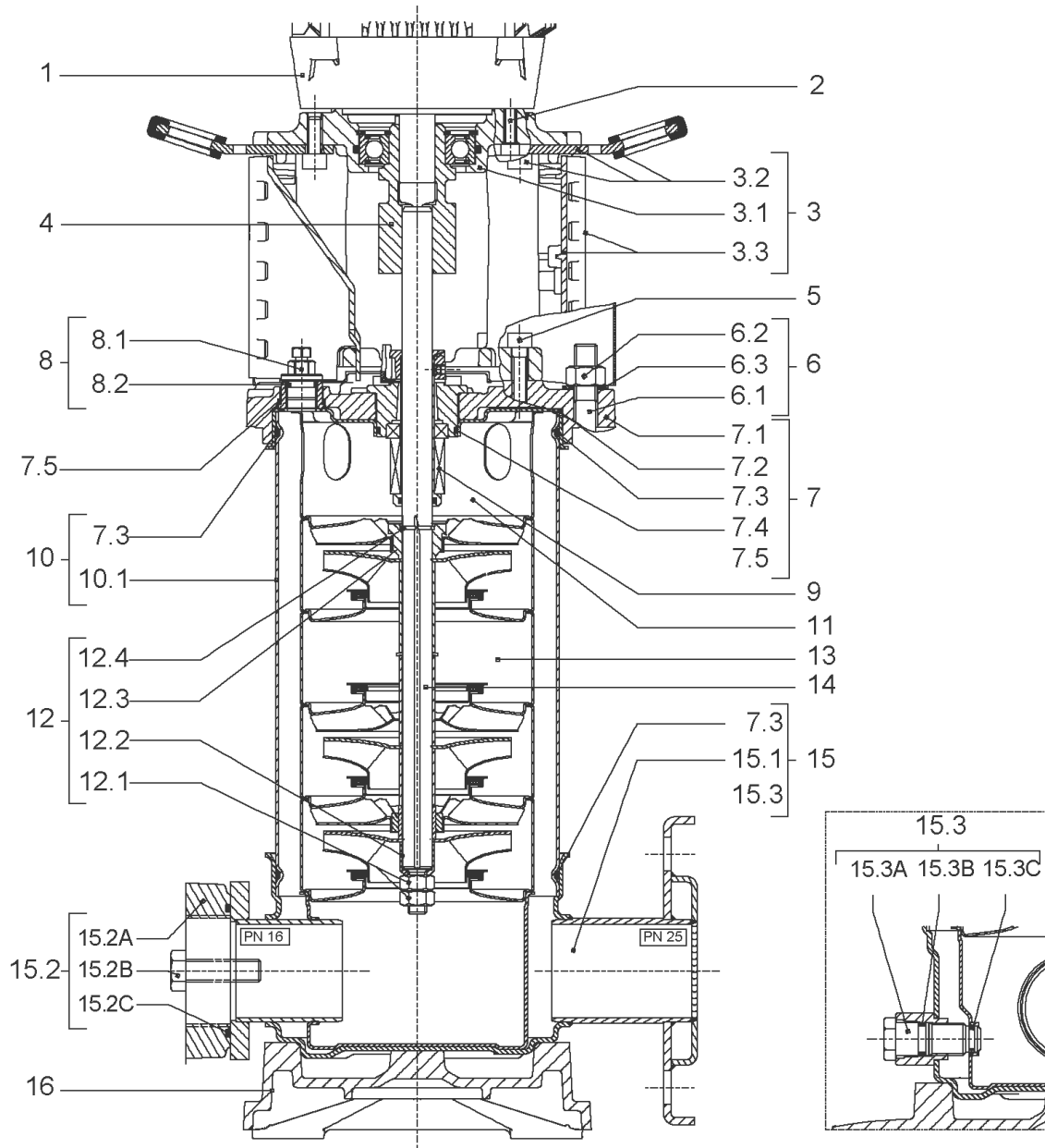


**CARTRIDGE HELIX2-4 F/V KIT (4178620)**

Item	Article no.	Description	Quantity
9.1	4178619	SEAL-KIT-HELIX2-4 F/V	1
7.3	4177887	> O-RING ID.145,65X3,53 VITON VP.	1
7.4	4177888	> O-RING ID.37.6xØ2.4 VITON VP.	1
9.1A	2131025	> MECH.SEAL HELIX2-4-6-10-16 F/V VP.	1
9.1B	4178618	> O-RING ID.12x2 VITON VP.	1
9.1C	4178618	> O-RING ID.12x2 VITON VP.	1
9.2	4178557	SHAFT SLEEVE Ø12XØ18-PN16 1.4404 VP.	1
9.3	2131024	RING HOLDER D.18 G606/G6 1.4404 VP.	1
9.4	4176520	SCREW CH M5x5 A4-70 ( 3PIECES )	1
9.5	4178595	DRIVE RING D.29/15.5x13,2 MACH.VP.	1
9.6	2130964	TOOL M.S.CART.HELIX VP.	1
9.7	2130965	SCREW CHC M5X12 ISO4762 A2.70(4 PIECES)	1



Item	Article no.	Description	Quantity
13.1	4179527	STAGE HELIX 2 1.4404 KIT	1
		> MACH.STG-CASING-WOGV-WNR-M+2-4-316	1
		> IMPELLER-M+2-316	1
13.2	4179526	STAGE BEARING HELIX 2 1.4404 KIT	1
		> MACH.BEARING-STG-CASING-WNR-M+2-316	1
		> IMPELLER-M+2-316	1
		> SHAFT SLEEVE SPACER Ø15,35x10,305-316	1
		> SHAFT-SLEEVE-D12xD16x14-CW	1
13.3	4220522	INTERMED STAGE>15 HELIX 2 1.4404 KIT	1
		> MACH.STD-STG-CASING-WGV+NR-M+2-316	1
		> IMPELLER-M+2-316	1
		> IMPELLER SPACER Ø12,1X14,1-L24,25-316L	1
13.4	4179554	EMPTY STAGE BEARING HELIX 2 1.4404 KIT	1
		> MACH.BEARING-STG-CASING-WNR-M+2-316	1
		> FLAT WASHER-D12.1XD16X0.8-316L	1
		> SHAFT SLEEVE SPACER Ø15,35x10,305-316	1
		> SHAFT-SLEEVE-D12xD16x14-CW	1
13.5	4179549	STAGE HELIX 2 1.4404 KIT	1
		> MACH.STG-CASING-WOGV-WNR-M+2-4-316	1
		> FLAT WASHER-D12.1XD16X0.8-316L	1
		> IMPELLER SPACER Ø12,05X14,85-L24,305-316	1
13.6	4220521	STAGE HELIX 2 1.4404<15 stages Kit	1
		> MACH.STG-CASING-WOGV-WNR-M+2-4-316	1
		> IMPELLER-M+2-316	1
		> IMPELLER SPACER Ø12,1X14,1-L24,25-316L	1



**HELIX V224-2/25/V/KS/400-50 (4161752)**

Item	Article no.	Description	Quantity
1	4169943	MOTOR 2,2/2/90 3~230/400V 50HZ IE3 VP.	1
		SPARE PARTS MOTOR:ON REQUEST	1
2	4159703	SCREW M8X40 (4 PIECES)	1
3	4159690	LANTERN FT115 HELIX KIT	1
3.1		> LANTERN FT115 M+6" GJL MACHINING+CATA	1
3.2	2127604	> EYELET CPL.FT HELIX(2 PIECES)	1
3.3	4159692	> COUPLING PROTECTOR FT HELIX KIT	1
4	4178600	COUPLING D.12XD.24 FT115 KIT	1
5	4159707	SCREW M8X30 (4 PIECES)	1
6	4177852	STUD BOLT M12X788KIT	1
6.1		> TIE BOLT M12-788x18x30-1.4057	1
6.2	2094647	> NUT M12 M12 ISO4032 VP.	1
6.3	2123557	> WASHER CS-12.4-24-1.6-NFE25 (4 PIECES)	1
7	4159783	END SHIELD HELIX FKM 1.4404 KIT	1
7.1		> END SHIELD M+6" GJL250 MACHINING+CATA	1
7.2	2131056	> STATIONARY RING HOLDER 6" HELIX 1.4404 V	1
7.3	4234237	> O-RING 139X3 VITON VP.	1
7.4	2131026	> O-RING ID.37,6X2,4 FKM VP.	1
7.5	2131057	> O-RING ID.21,35X2 FKM VP.	1
8	4159784	FILING/PURGING PLUG HELIX FKM KIT	1
9	4178620	CARTRIDGE HELIX2-4 F/V KIT	1
10	4177947	HOUSING-PIPE D.152X660 1.4404 KIT	1
7.3	4234237	> O-RING 139X3 VITON VP.	1
10.1		> HOUSING-PIPE Ø152-M+1016/1610-316L	1
11	4179525	CENTERING STAGE-RETURN HELIX2 1.4404 VP	1
12	4178567	SHAFT EQUIPMENT HELIX V2/V4 KIT	1
12.1		> NUT-H-M8-STAINLESS-STEEL A4-70	1
12.2		> SHAFT END WASHER Ø8/Ø12 316L	1
12.3		> STOP COLLAR OF IMPELLER L12,6-Ø12-316L	1
12.4		> STOP-RUSH-1/2-D12xd2-M+316	1
13		HYDRAULIC HELIX V 224	1
14	4179300	SHAFTS D.12X783,8 1.4404 VP.	1
15	4179257	PUMP HOUSING HELIX DN25 PN25 1.4409 KIT	1
7.3	4177887	> O-RING ID.145,65X3,53 VITON VP.	1



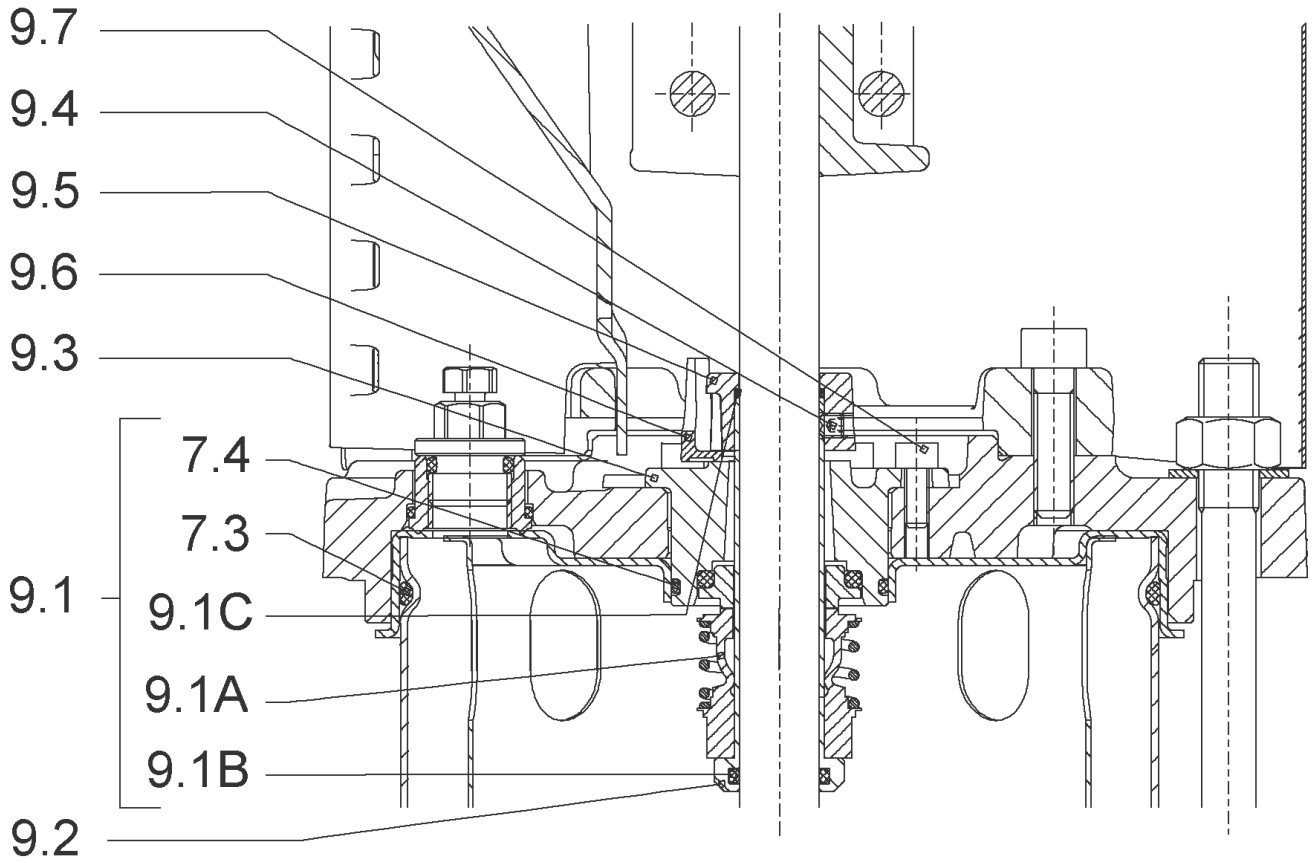
**HELIX V224-2/25/V/KS/400-50 (4161752)**

<b>Item</b>	<b>Article no.</b>	<b>Description</b>	<b>Quantity</b>
15.1		> BLASTING PPE HOUSING V PN25-DN25-5"-316L	1
15.3	4159781	> PRIMING/DRAIN PLUG HELIX 16 FKM KIT	1
16	4177970	BASEPLATE HELIX V2/4/6 PN25 VP.	1



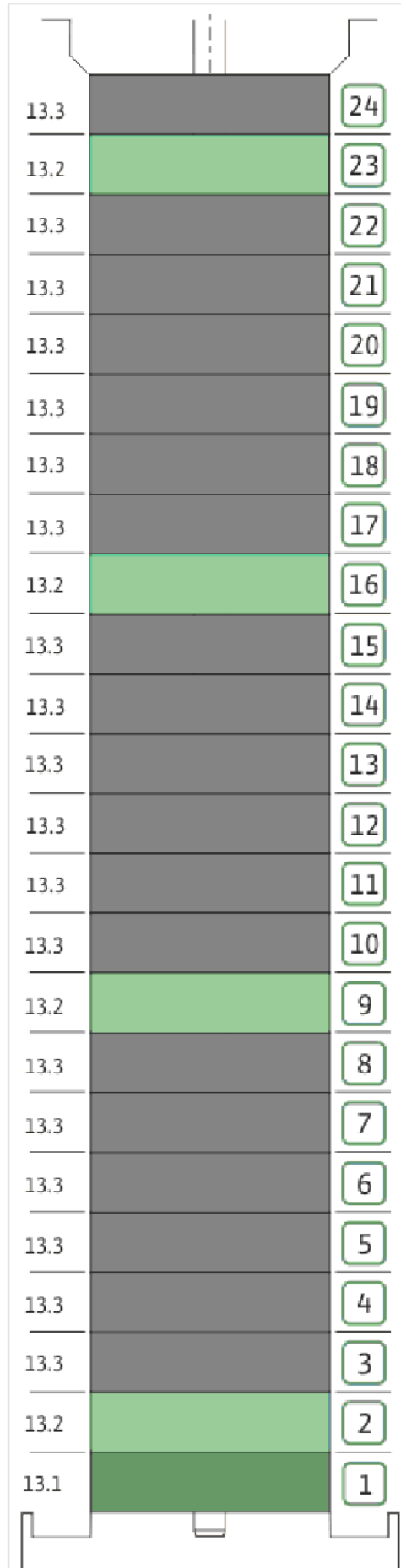
**COUPLING D.12XD.24 FT115 KIT (4178600)**

Item	Article no.	Description	Quantity
4.1		COUPLING-M+ Ø12XØ24-FT115-MACHINED	1
4.2	2131023	BALL BEARING 6207/ZZ-C3(HT)VP.	1
4.3	4234254	CIRCLIP-FOR-SHAFT-D35x1.5 VP.	1
4.4	4157726	SCREW KIT M8X30 (4 PIECES)	1
4.5	4234251	CIRCLIP-D72x2.5 VP.	1
4.6	4234246	O-RING 72X3 VP.	1
		NOMEL CONTACT WASHER 8x16x1,4 STEEL ZC	1

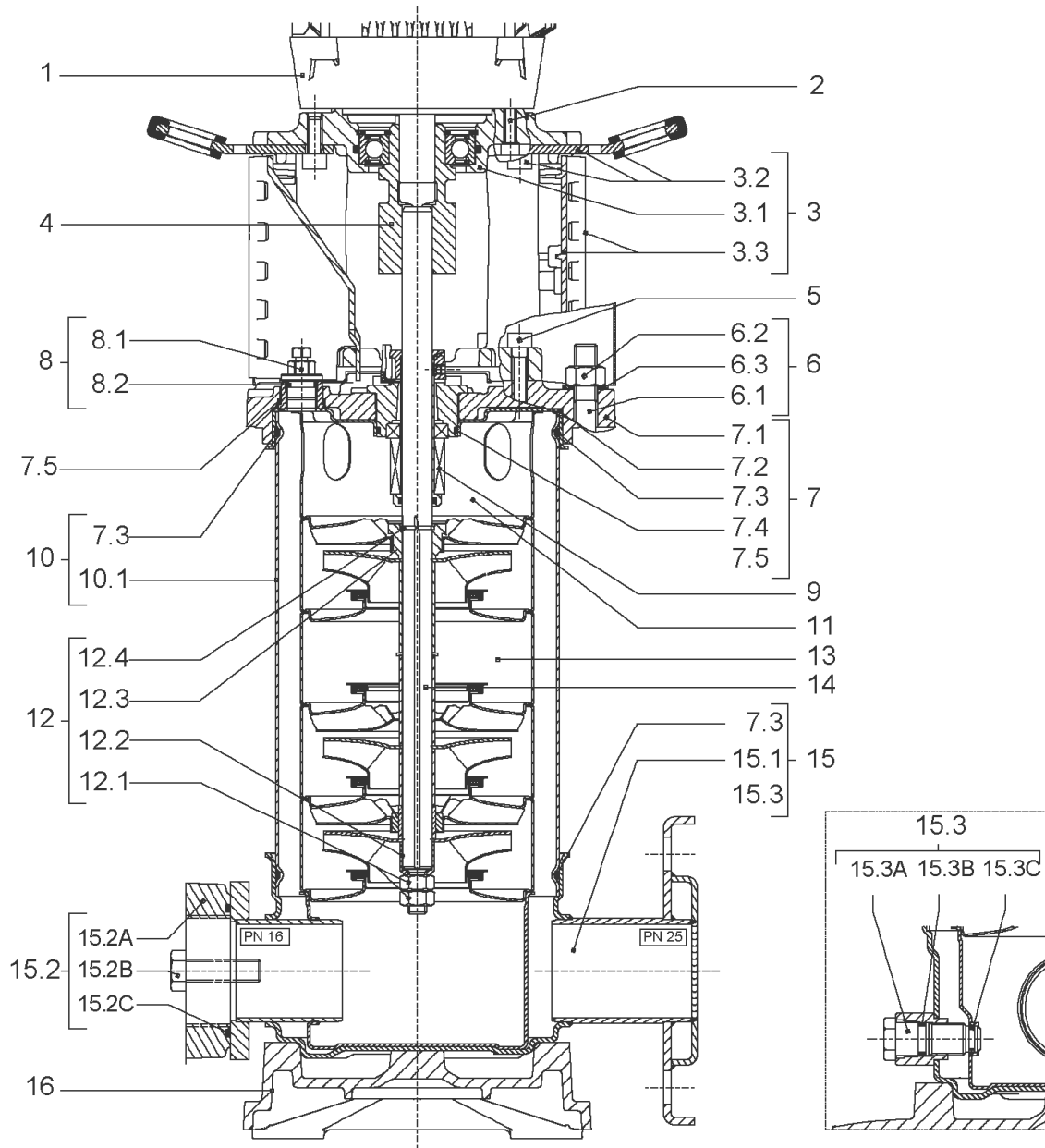


**CARTRIDGE HELIX2-4 F/V KIT (4178620)**

Item	Article no.	Description	Quantity
9.1	4178619	SEAL-KIT-HELIX2-4 F/V	1
7.3	4177887	> O-RING ID.145,65X3,53 VITON VP.	1
7.4	4177888	> O-RING ID.37.6xØ2.4 VITON VP.	1
9.1A	2131025	> MECH.SEAL HELIX2-4-6-10-16 F/V VP.	1
9.1B	4178618	> O-RING ID.12x2 VITON VP.	1
9.1C	4178618	> O-RING ID.12x2 VITON VP.	1
9.2	4178557	SHAFT SLEEVE Ø12XØ18-PN16 1.4404 VP.	1
9.3	2131024	RING HOLDER D.18 G606/G6 1.4404 VP.	1
9.4	4176520	SCREW CH M5x5 A4-70 ( 3PIECES )	1
9.5	4178595	DRIVE RING D.29/15.5x13,2 MACH.VP.	1
9.6	2130964	TOOL M.S.CART.HELIX VP.	1
9.7	2130965	SCREW CHC M5X12 ISO4762 A2.70(4 PIECES)	1



Item	Article no.	Description	Quantity
13.1	4179527	STAGE HELIX 2 1.4404 KIT	1
		> MACH.STG-CASING-WOGV-WNR-M+2-4-316	1
		> IMPELLER-M+2-316	1
13.2	4179526	STAGE BEARING HELIX 2 1.4404 KIT	1
		> MACH.BEARING-STG-CASING-WNR-M+2-316	1
		> IMPELLER-M+2-316	1
		> SHAFT SLEEVE SPACER Ø15,35x10,305-316	1
		> SHAFT-SLEEVE-D12xD16x14-CW	1
13.3	4220522	INTERMED STAGE>15 HELIX 2 1.4404 KIT	1
		> MACH.STD-STG-CASING-WGV+NR-M+2-316	1
		> IMPELLER-M+2-316	1
		> IMPELLER SPACER Ø12,1x14,1-L24,25-316L	1





**HELIX V226-2/25/V/KS/400-50 (4161753)**

Item	Article no.	Description	Quantity
1	4169943	MOTOR 2,2/2/90 3~230/400V 50HZ IE3 VP.	1
		SPARE PARTS MOTOR:ON REQUEST	1
2	4159703	SCREW M8X40 (4 PIECES)	1
3	4159690	LANTERN FT115 HELIX KIT	1
3.1		> LANTERN FT115 M+6" GJL MACHINING+CATA	1
3.2	2127604	> EYELET CPL.FT HELIX(2 PIECES)	1
3.3	4159692	> COUPLING PROTECTOR FT HELIX KIT	1
4	4178600	COUPLING D.12XD.24 FT115 KIT	1
5	4159707	SCREW M8X30 (4 PIECES)	1
6	4177859	STUD BOLT M12X863KIT	1
6.1		> TIE BOLT M12-863x18x30-1.4057	1
6.2	2094647	> NUT M12 M12 ISO4032 VP.	1
6.3	2123557	> WASHER CS-12.4-24-1.6-NFE25 (4 PIECES)	1
7	4159783	END SHIELD HELIX FKM 1.4404 KIT	1
7.1		> END SHIELD M+6" GJL250 MACHINING+CATA	1
7.2	2131056	> STATIONARY RING HOLDER 6" HELIX 1.4404 V	1
7.3	4234237	> O-RING 139X3 VITON VP.	1
7.4	2131026	> O-RING ID.37,6X2,4 FKM VP.	1
7.5	2131057	> O-RING ID.21,35X2 FKM VP.	1
8	4159784	FILING/PURGING PLUG HELIX FKM KIT	1
9	4178620	CARTRIDGE HELIX2-4 F/V KIT	1
10	4177950	HOUSING-PIPE D.152X735 1.4404 KIT	1
7.3	4234237	> O-RING 139X3 VITON VP.	1
10.1		> HOUSING-PIPE Ø152-M+1017/18-316L	1
11	4179525	CENTERING STAGE-RETURN HELIX2 1.4404 VP	1
12	4178567	SHAFT EQUIPMENT HELIX V2/V4 KIT	1
12.1		> NUT-H-M8-STAINLESS-STEEL A4-70	1
12.2		> SHAFT END WASHER Ø8/Ø12 316L	1
12.3		> STOP COLLAR OF IMPELLER L12,6-Ø12-316L	1
12.4		> STOP-RUSH-1/2-D12xd2-M+316	1
13		HYDRAULIC HELIX V 229	1
14	4179311	SHAFT D.12X858,8-F51 1.4462 VP.	1
15	4179257	PUMP HOUSING HELIX DN25 PN25 1.4409 KIT	1
7.3	4177887	> O-RING ID.145,65X3,53 VITON VP.	1

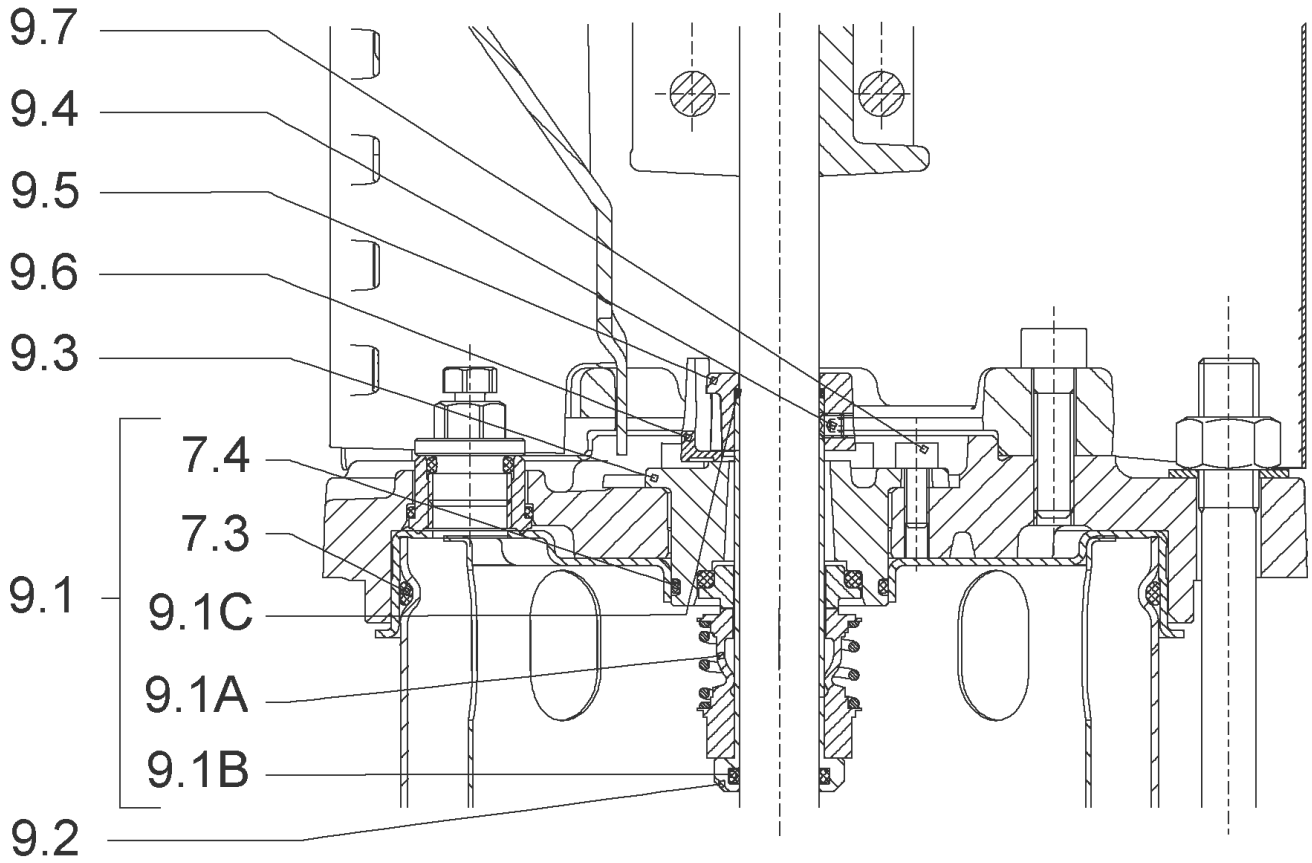
**HELIX V226-2/25/V/KS/400-50 (4161753)**

<b>Item</b>	<b>Article no.</b>	<b>Description</b>	<b>Quantity</b>
15.1		> BLASTING PPE HOUSING V PN25-DN25-5"-316L	1
15.3	4159781	> PRIMING/DRAIN PLUG HELIX 16 FKM KIT	1
16	4177970	BASEPLATE HELIX V2/4/6 PN25 VP.	1



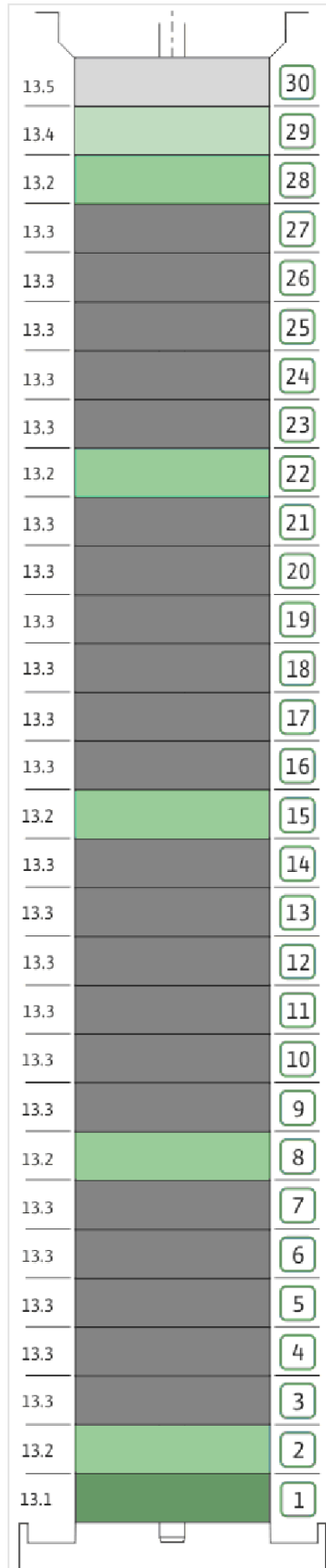
**COUPLING D.12XD.24 FT115 KIT (4178600)**

Item	Article no.	Description	Quantity
4.1		COUPLING-M+ Ø12XØ24-FT115-MACHINED	1
4.2	2131023	BALL BEARING 6207/ZZ-C3(HT)VP.	1
4.3	4234254	CIRCLIP-FOR-SHAFT-D35x1.5 VP.	1
4.4	4157726	SCREW KIT M8X30 (4 PIECES)	1
4.5	4234251	CIRCLIP-D72x2.5 VP.	1
4.6	4234246	O-RING 72X3 VP.	1
		NOMEL CONTACT WASHER 8x16x1,4 STEEL ZC	1



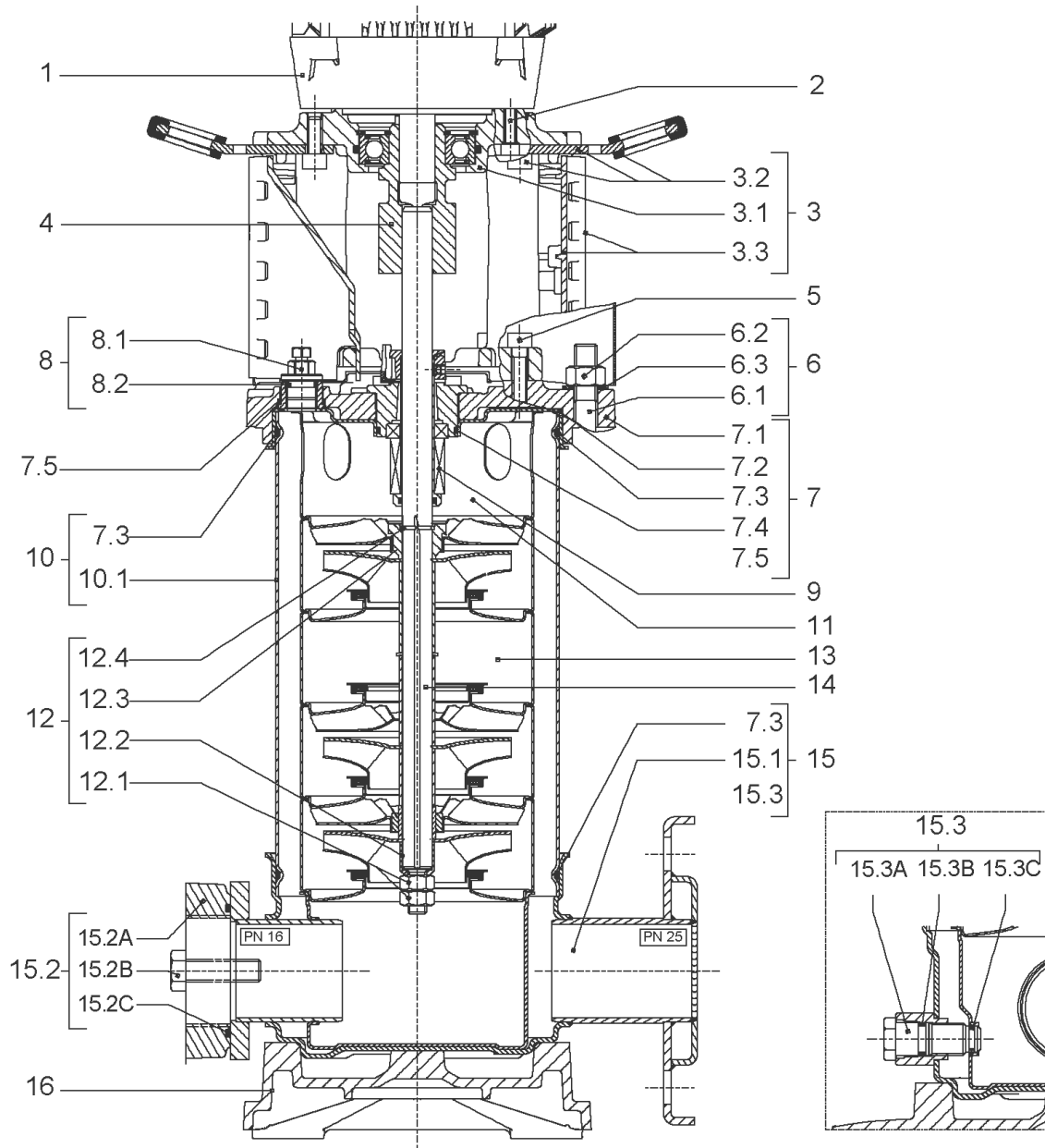
**CARTRIDGE HELIX2-4 F/V KIT (4178620)**

Item	Article no.	Description	Quantity
9.1	4178619	SEAL-KIT-HELIX2-4 F/V	1
7.3	4177887	> O-RING ID.145,65X3,53 VITON VP.	1
7.4	4177888	> O-RING ID.37.6xØ2.4 VITON VP.	1
9.1A	2131025	> MECH.SEAL HELIX2-4-6-10-16 F/V VP.	1
9.1B	4178618	> O-RING ID.12x2 VITON VP.	1
9.1C	4178618	> O-RING ID.12x2 VITON VP.	1
9.2	4178557	SHAFT SLEEVE Ø12XØ18-PN16 1.4404 VP.	1
9.3	2131024	RING HOLDER D.18 G606/G6 1.4404 VP.	1
9.4	4176520	SCREW CH M5x5 A4-70 ( 3PIECES )	1
9.5	4178595	DRIVE RING D.29/15.5x13,2 MACH.VP.	1
9.6	2130964	TOOL M.S.CART.HELIX VP.	1
9.7	2130965	SCREW CHC M5X12 ISO4762 A2.70(4 PIECES)	1



Item	Article no.	Description	Quantity
13.1	4179527	STAGE HELIX 2 1.4404 KIT	1
		> MACH.STG-CASING-WOGV-WNR-M+2-4-316	1
		> IMPELLER-M+2-316	1
13.2	4179526	STAGE BEARING HELIX 2 1.4404 KIT	1
		> MACH.BEARING-STG-CASING-WNR-M+2-316	1
		> IMPELLER-M+2-316	1
		> SHAFT SLEEVE SPACER Ø15,35x10,305-316	1
		> SHAFT-SLEEVE-D12xD16x14-CW	1
13.3	4220522	INTERMED STAGE>15 HELIX 2 1.4404 KIT	1
		> MACH.STD-STG-CASING-WGV+NR-M+2-316	1
		> IMPELLER-M+2-316	1
		> IMPELLER SPACER Ø12,1X14,1-L24,25-316L	1
13.4	4220524	EMPTY STAGE >15 HELIX 2 1.4404 KIT	1
		> MACH.STD-STG-CASING-WGV+NR-M+2-316	1
		> FLAT WASHER-D12.1XD16X0.8-316L	1
		> IMPELLER SPACER Ø12,1X14,1-L24,25-316L	1
13.5	4220521	STAGE HELIX 2 1.4404<15 stages Kit	1
		> MACH.STG-CASING-WOGV-WNR-M+2-4-316	1
		> IMPELLER-M+2-316	1
		> IMPELLER SPACER Ø12,1X14,1-L24,25-316L	1





**HELIX V229-2/25/V/KS/400-50 (4161754)**

Item	Article no.	Description	Quantity
1	4169943	MOTOR 2,2/2/90 3~230/400V 50HZ IE3 VP.	1
		SPARE PARTS MOTOR:ON REQUEST	1
2	4159703	SCREW M8X40 (4 PIECES)	1
3	4159690	LANTERN FT115 HELIX KIT	1
3.1		> LANTERN FT115 M+6" GJL MACHINING+CATA	1
3.2	2127604	> EYELET CPL.FT HELIX(2 PIECES)	1
3.3	4159692	> COUPLING PROTECTOR FT HELIX KIT	1
4	4178600	COUPLING D.12XD.24 FT115 KIT	1
5	4159707	SCREW M8X30 (4 PIECES)	1
6	4177863	STUD BOLT M12X938 KIT	1
6.1		> TIE BOLT M12-938x18x30-1.4057	1
6.2	2094647	> NUT M12 M12 ISO4032 VP.	1
6.3	2123557	> WASHER CS-12.4-24-1.6-NFE25 (4 PIECES)	1
7	4159783	END SHIELD HELIX FKM 1.4404 KIT	1
7.1		> END SHIELD M+6" GJL250 MACHINING+CATA	1
7.2	2131056	> STATIONARY RING HOLDER 6" HELIX 1.4404 V	1
7.3	4234237	> O-RING 139X3 VITON VP.	1
7.4	2131026	> O-RING ID.37,6X2,4 FKM VP.	1
7.5	2131057	> O-RING ID.21,35X2 FKM VP.	1
8	4159784	FILING/PURGING PLUG HELIX FKM KIT	1
9	4178620	CARTRIDGE HELIX2-4 F/V KIT	1
10	4177953	HOUSING-PIPE D.152X810 1.4404 KIT	1
7.3	4234237	> O-RING 139X3 VITON VP.	1
10.1		> HOUSING-PIPE Ø152-M+1020/1613-316L	1
11	4179525	CENTERING STAGE-RETURN HELIX2 1.4404 VP	1
12	4178567	SHAFT EQUIPMENT HELIX V2/V4 KIT	1
12.1		> NUT-H-M8-STAINLESS-STEEL A4-70	1
12.2		> SHAFT END WASHER Ø8/Ø12 316L	1
12.3		> STOP COLLAR OF IMPELLER L12,6-Ø12-316L	1
12.4		> STOP-RUSH-1/2-D12xd2-M+316	1
13		HYDRAULIC HELIX V 229	1
14	4179245	SHAFT D.12X933,8 1.4462 VP.	1
15	4179257	PUMP HOUSING HELIX DN25 PN25 1.4409 KIT	1
7.3	4177887	> O-RING ID.145,65X3,53 VITON VP.	1

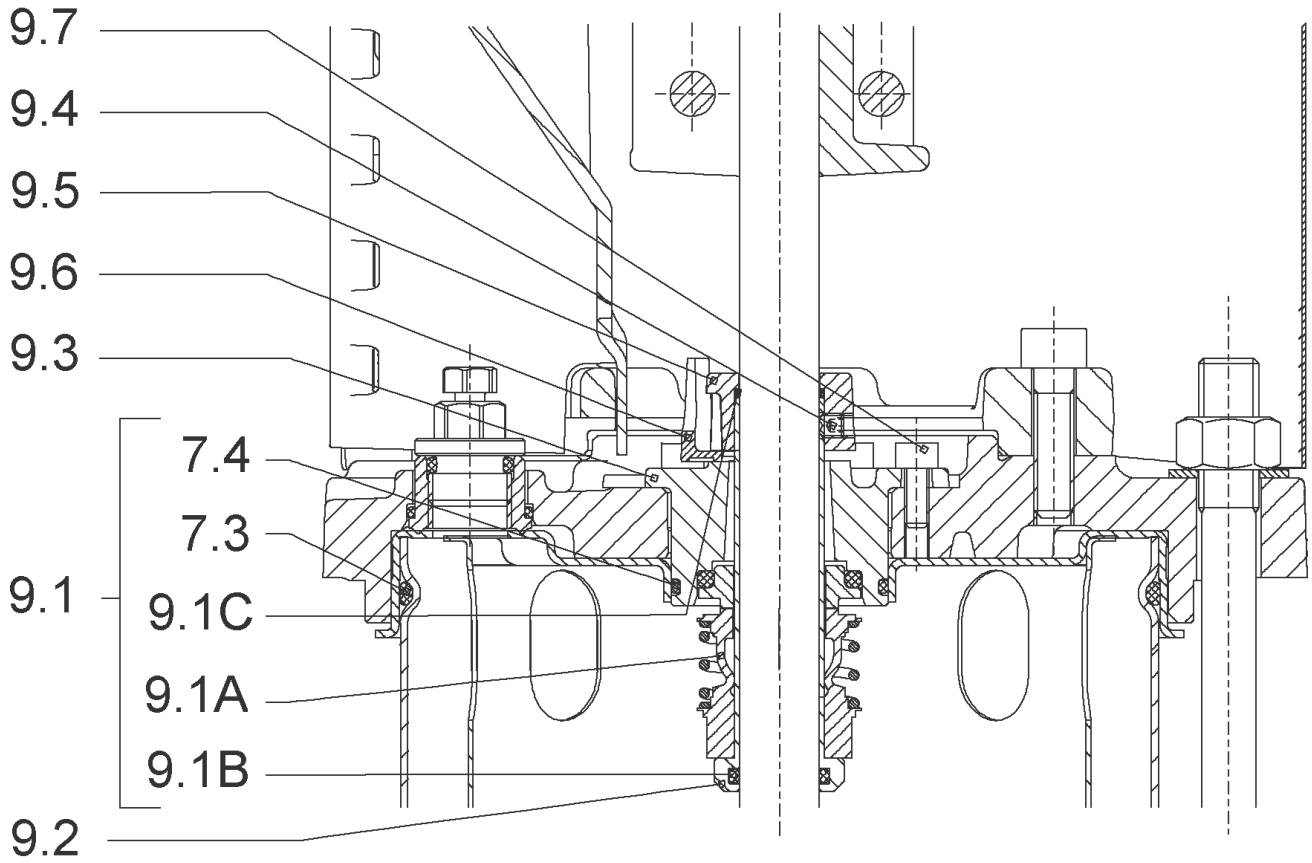
**HELIX V229-2/25/V/KS/400-50 (4161754)**

<b>Item</b>	<b>Article no.</b>	<b>Description</b>	<b>Quantity</b>
15.1		> BLASTING PPE HOUSING V PN25-DN25-5"-316L	1
15.3	4159781	> PRIMING/DRAIN PLUG HELIX 16 FKM KIT	1
16	4177970	BASEPLATE HELIX V2/4/6 PN25 VP.	1



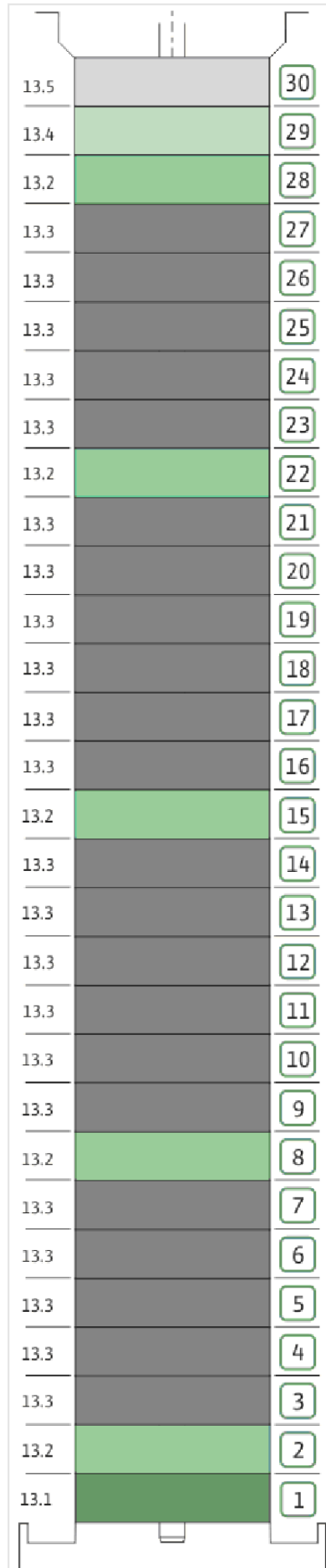
**COUPLING D.12XD.24 FT115 KIT (4178600)**

Item	Article no.	Description	Quantity
4.1		COUPLING-M+ Ø12XØ24-FT115-MACHINED	1
4.2	2131023	BALL BEARING 6207/ZZ-C3(HT)VP.	1
4.3	4234254	CIRCLIP-FOR-SHAFT-D35x1.5 VP.	1
4.4	4157726	SCREW KIT M8X30 (4 PIECES)	1
4.5	4234251	CIRCLIP-D72x2.5 VP.	1
4.6	4234246	O-RING 72X3 VP.	1
		NOMEL CONTACT WASHER 8x16x1,4 STEEL ZC	1



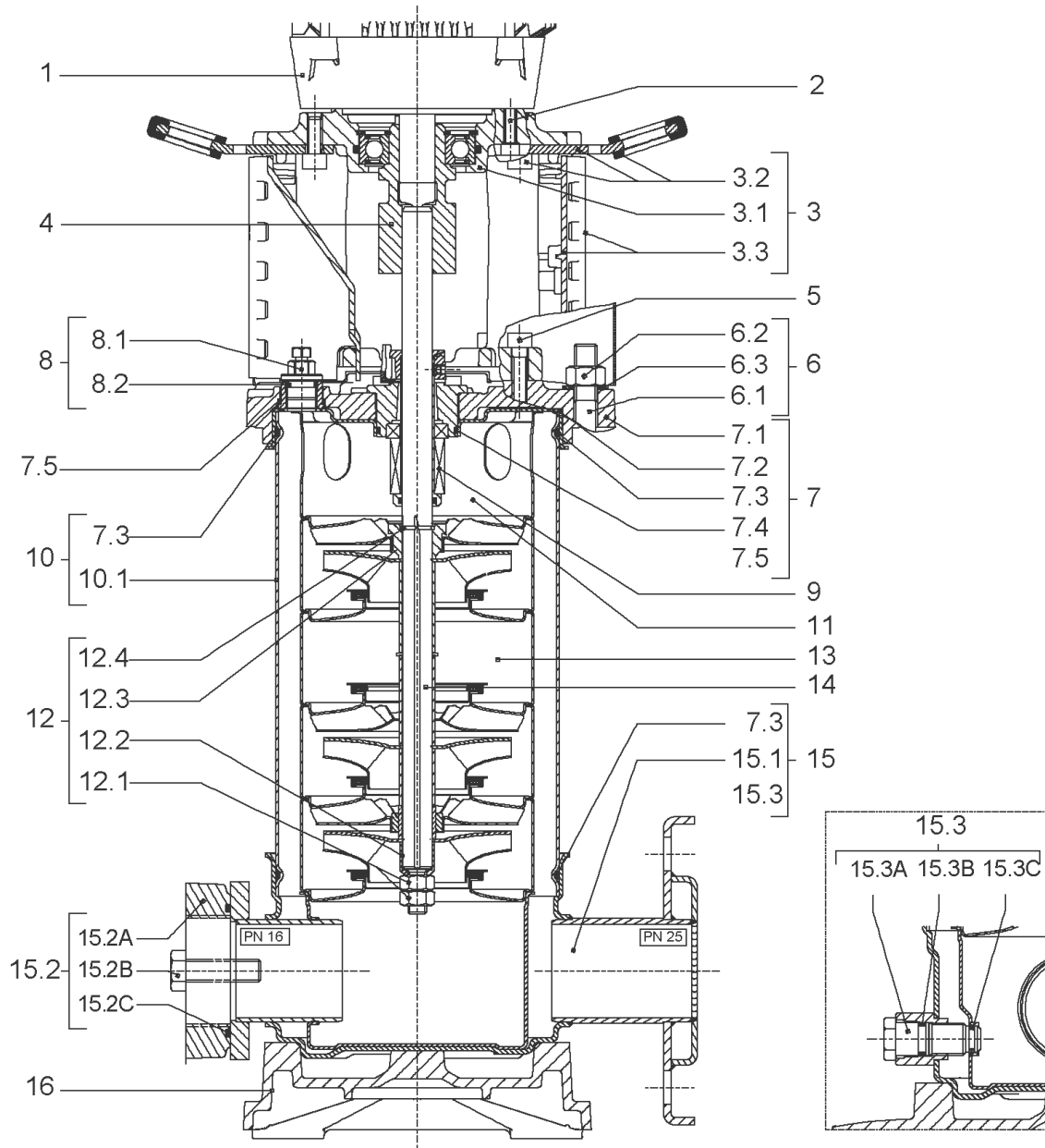
**CARTRIDGE HELIX2-4 F/V KIT (4178620)**

Item	Article no.	Description	Quantity
9.1	4178619	SEAL-KIT-HELIX2-4 F/V	1
7.3	4177887	> O-RING ID.145,65X3,53 VITON VP.	1
7.4	4177888	> O-RING ID.37.6xØ2.4 VITON VP.	1
9.1A	2131025	> MECH.SEAL HELIX2-4-6-10-16 F/V VP.	1
9.1B	4178618	> O-RING ID.12x2 VITON VP.	1
9.1C	4178618	> O-RING ID.12x2 VITON VP.	1
9.2	4178557	SHAFT SLEEVE Ø12XØ18-PN16 1.4404 VP.	1
9.3	2131024	RING HOLDER D.18 G606/G6 1.4404 VP.	1
9.4	4176520	SCREW CH M5x5 A4-70 ( 3PIECES )	1
9.5	4178595	DRIVE RING D.29/15.5x13,2 MACH.VP.	1
9.6	2130964	TOOL M.S.CART.HELIX VP.	1
9.7	2130965	SCREW CHC M5X12 ISO4762 A2.70(4 PIECES)	1





Item	Article no.	Description	Quantity
13.1	4179527	STAGE HELIX 2 1.4404 KIT	1
		> MACH.STG-CASING-WOGV-WNR-M+2-4-316	1
		> IMPELLER-M+2-316	1
13.2	4179526	STAGE BEARING HELIX 2 1.4404 KIT	1
		> MACH.BEARING-STG-CASING-WNR-M+2-316	1
		> IMPELLER-M+2-316	1
		> SHAFT SLEEVE SPACER Ø15,35x10,305-316	1
		> SHAFT-SLEEVE-D12xD16x14-CW	1
13.3	4220522	INTERMED STAGE>15 HELIX 2 1.4404 KIT	1
		> MACH.STD-STG-CASING-WGV+NR-M+2-316	1
		> IMPELLER-M+2-316	1
		> IMPELLER SPACER Ø12,1X14,1-L24,25-316L	1
13.4	4220524	EMPTY STAGE >15 HELIX 2 1.4404 KIT	1
		> MACH.STD-STG-CASING-WGV+NR-M+2-316	1
		> FLAT WASHER-D12.1XD16X0.8-316L	1
		> IMPELLER SPACER Ø12,1X14,1-L24,25-316L	1
13.5	4220521	STAGE HELIX 2 1.4404<15 stages Kit	1
		> MACH.STG-CASING-WOGV-WNR-M+2-4-316	1
		> IMPELLER-M+2-316	1
		> IMPELLER SPACER Ø12,1X14,1-L24,25-316L	1



**HELIX V231-2/25/V/KS/400-50 (4161755)**

Item	Article no.	Description	Quantity
1	4169944	MOTOR 3/2/100 3~230/400V 50HZ IE3 VP.	1
		SPARE PARTS MOTOR:ON REQUEST	1
2	4206025	SCREW M8X45 (4 PIECES)	1
3	4171326	LANTERN FT130 HELIX KIT	1
3.1		> LANTERN FT130 M+6" GJL MACHINING+CATA	1
3.2	2127604	> EYELET CPL.FT HELIX(2 PIECES)	1
3.3	4159692	> COUPLING PROTECTOR FT HELIX KIT	1
4	4178626	COUPLING D.12XD.28 FT130 KIT	1
5	4159707	SCREW M8X30 (4 PIECES)	1
6	4179247	STUD BOLT M12X963 KIT	1
6.1		> TIE BOLT M12-963x18x30-AISI431	1
6.2	2094647	> NUT M12 M12 ISO4032 VP.	1
6.3	2123557	> WASHER CS-12.4-24-1.6-NFE25 (4 PIECES)	1
7	4159783	END SHIELD HELIX FKM 1.4404 KIT	1
7.1		> END SHIELD M+6" GJL250 MACHINING+CATA	1
7.2	2131056	> STATIONARY RING HOLDER 6" HELIX 1.4404 V	1
7.3	4234237	> O-RING 139X3 VITON VP.	1
7.4	2131026	> O-RING ID.37,6X2,4 FKM VP.	1
7.5	2131057	> O-RING ID.21,35X2 FKM VP.	1
8	4159784	FILING/PURGING PLUG HELIX FKM KIT	1
9	4178620	CARTRIDGE HELIX2-4 F/V KIT	1
10	4179313	HOUSING-PIPE D.152X835 1.4404 KIT	1
7.3	4234237	> O-RING 139X3 VITON VP.	1
10.1		> HOUSING-PIPE Ø152-M+231/431-316L	1
11	4179525	CENTERING STAGE-RETURN HELIX2 1.4404 VP	1
12	4178567	SHAFT EQUIPMENT HELIX V2/V4 KIT	1
12.1		> NUT-H-M8-STAINLESS-STEEL A4-70	1
12.2		> SHAFT END WASHER Ø8/Ø12 316L	1
12.3		> STOP COLLAR OF IMPELLER L12,6-Ø12-316L	1
12.4		> STOP-RUSH-1/2-D12xd2-M+316	1
13		HYDRAULIC HELIX V 231	1
14	4179249	SHAFT D.12X958,8 1.4462 VP.	1
15	4179257	PUMP HOUSING HELIX DN25 PN25 1.4409 KIT	1
7.3	4177887	> O-RING ID.145,65X3,53 VITON VP.	1

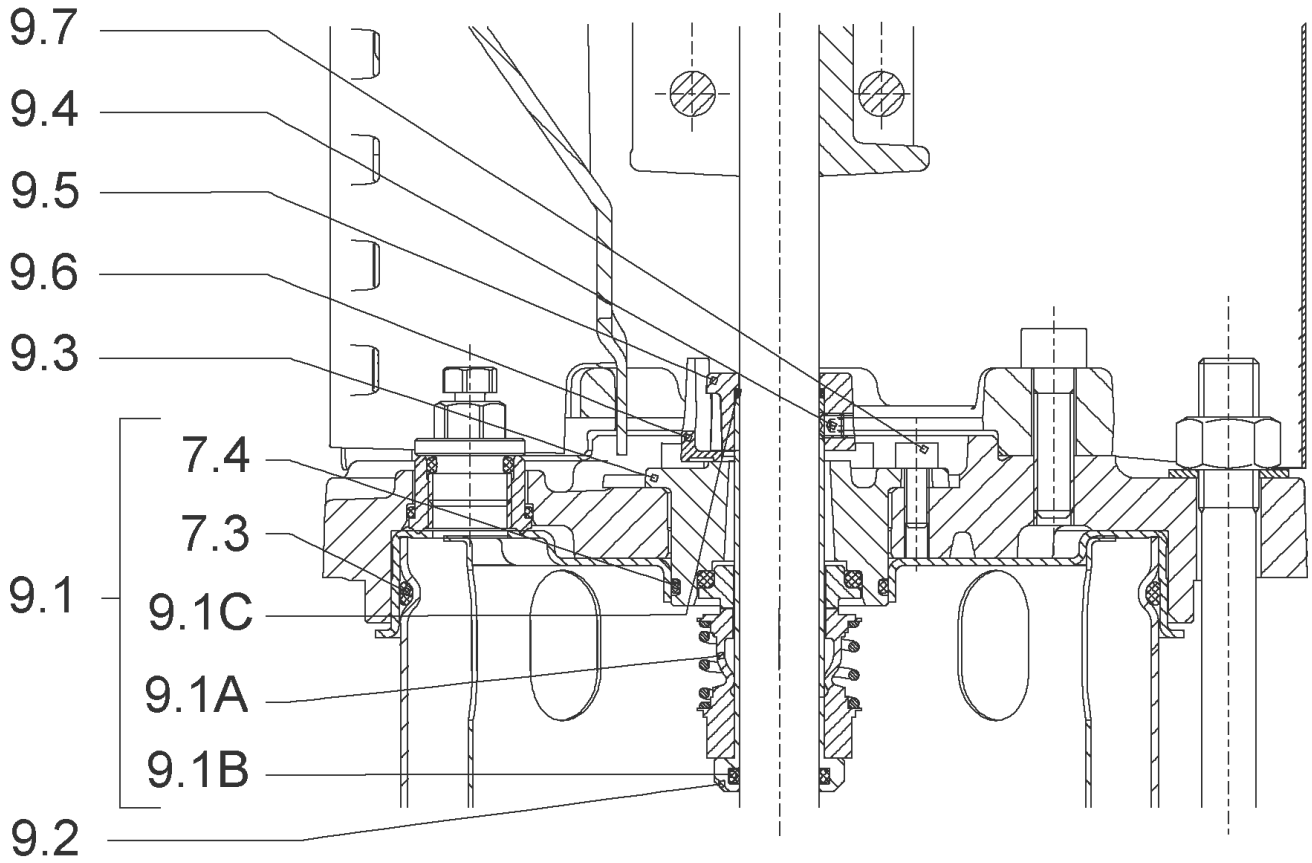
**HELIX V231-2/25/V/KS/400-50 (4161755)**

<b>Item</b>	<b>Article no.</b>	<b>Description</b>	<b>Quantity</b>
15.1		> BLASTING PPE HOUSING V PN25-DN25-5"-316L	1
15.3	4159781	> PRIMING/DRAIN PLUG HELIX 16 FKM KIT	1
16	4177970	BASEPLATE HELIX V2/4/6 PN25 VP.	1



**COUPLING D.12XD.28 FT130 KIT (4178626)**

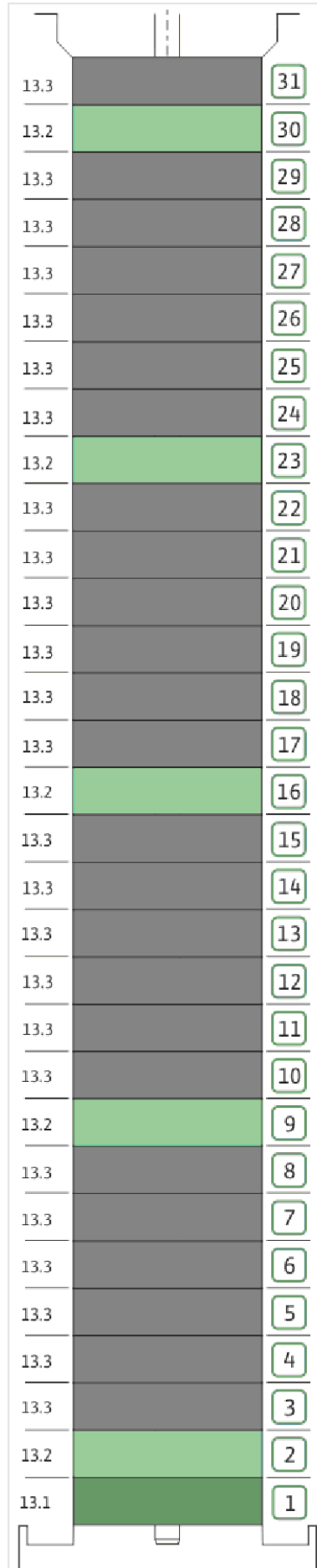
Item	Article no.	Description	Quantity
4.1		COUPLING-M+ Ø12XØ28-FT130-MACHINED	1
4.2	2131022	BALL BEARING 6209/ZZ-C3(HT)VP.	1
4.3	4233930	CIRCLIP-FOR-BORES-D45x1,75 VP.	1
4.4	4157726	SCREW KIT M8X30 (4 PIECES)	1
4.5	4234252	CIRCLIPS 85X3 VP.	1
4.6	4234243	O-RING 85X3 VP.	1
		NOMEL CONTACT WASHER 8x16x1,4 STEEL ZC	1



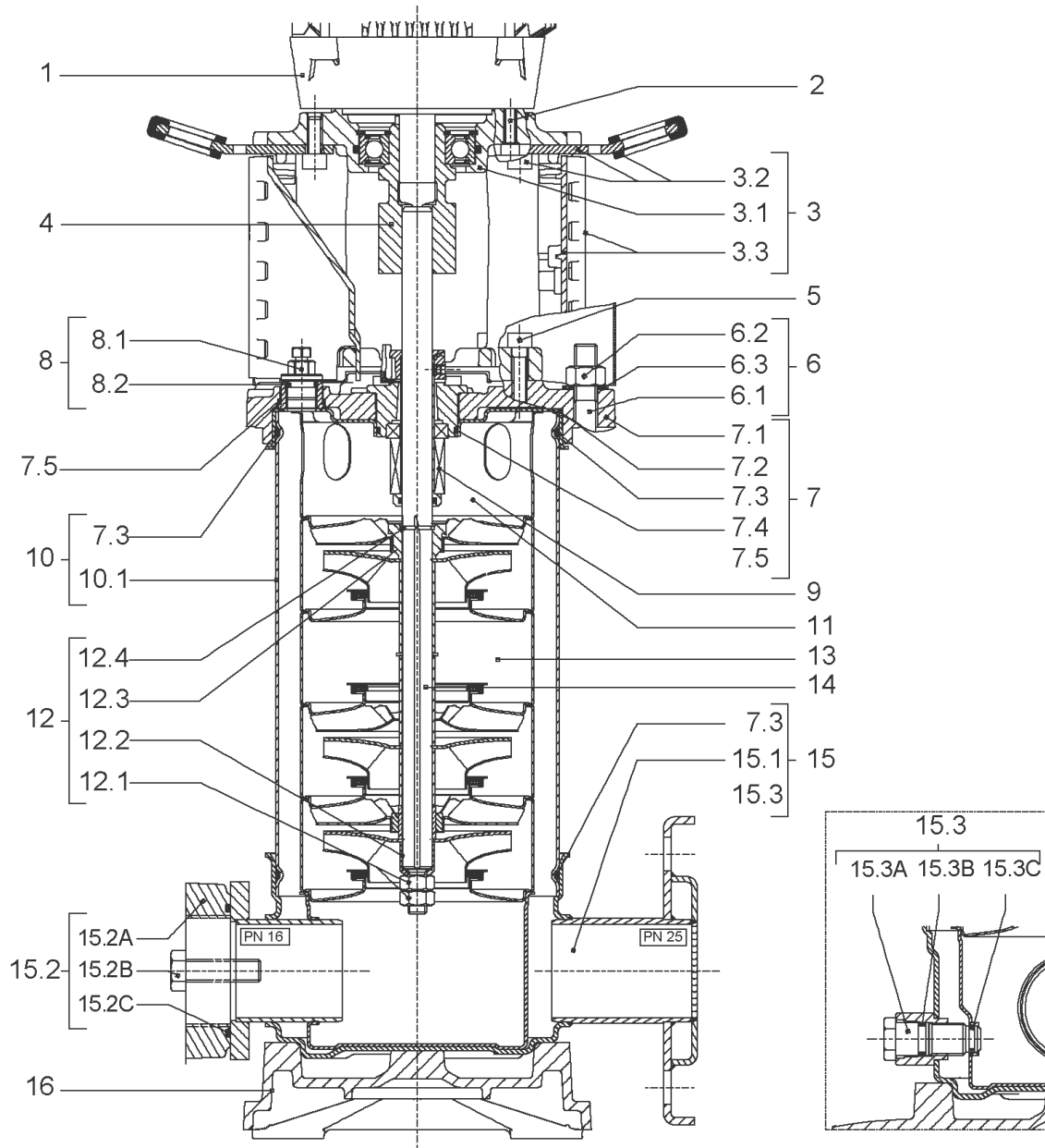
**CARTRIDGE HELIX2-4 F/V KIT (4178620)**

Item	Article no.	Description	Quantity
9.1	4178619	SEAL-KIT-HELIX2-4 F/V	1
7.3	4177887	> O-RING ID.145,65X3,53 VITON VP.	1
7.4	4177888	> O-RING ID.37.6xØ2.4 VITON VP.	1
9.1A	2131025	> MECH.SEAL HELIX2-4-6-10-16 F/V VP.	1
9.1B	4178618	> O-RING ID.12x2 VITON VP.	1
9.1C	4178618	> O-RING ID.12x2 VITON VP.	1
9.2	4178557	SHAFT SLEEVE Ø12XØ18-PN16 1.4404 VP.	1
9.3	2131024	RING HOLDER D.18 G606/G6 1.4404 VP.	1
9.4	4176520	SCREW CH M5x5 A4-70 ( 3PIECES )	1
9.5	4178595	DRIVE RING D.29/15.5x13,2 MACH.VP.	1
9.6	2130964	TOOL M.S.CART.HELIX VP.	1
9.7	2130965	SCREW CHC M5X12 ISO4762 A2.70(4 PIECES)	1





Item	Article no.	Description	Quantity
13.1	4179527	STAGE HELIX 2 1.4404 KIT	1
		> MACH.STG-CASING-WOGV-WNR-M+2-4-316	1
		> IMPELLER-M+2-316	1
13.2	4179526	STAGE BEARING HELIX 2 1.4404 KIT	1
		> MACH.BEARING-STG-CASING-WNR-M+2-316	1
		> IMPELLER-M+2-316	1
		> SHAFT SLEEVE SPACER Ø15,35x10,305-316	1
		> SHAFT-SLEEVE-D12xD16x14-CW	1
13.3	4220522	INTERMED STAGE>15 HELIX 2 1.4404 KIT	1
		> MACH.STD-STG-CASING-WGV+NR-M+2-316	1
		> IMPELLER-M+2-316	1
		> IMPELLER SPACER Ø12,1x14,1-L24,25-316L	1



**HELIX V233-2/25/V/KS/400-50 (4161756)**

Item	Article no.	Description	Quantity
1	4169944	MOTOR 3/2/100 3~230/400V 50HZ IE3 VP.	1
		SPARE PARTS MOTOR:ON REQUEST	1
2	4206025	SCREW M8X45 (4 PIECES)	1
3	4171326	LANTERN FT130 HELIX KIT	1
3.1		> LANTERN FT130 M+6" GJL MACHINING+CATA	1
3.2	2127604	> EYELET CPL.FT HELIX(2 PIECES)	1
3.3	4159692	> COUPLING PROTECTOR FT HELIX KIT	1
4	4178626	COUPLING D.12XD.28 FT130 KIT	1
5	4159707	SCREW M8X30 (4 PIECES)	1
6	4177865	STUD BOLT M12X1013 KIT	1
6.1		> TIE BOLT M12-1013x18x30-1.4057	1
6.2	2094647	> NUT M12 M12 ISO4032 VP.	1
6.3	2123557	> WASHER CS-12.4-24-1.6-NFE25 (4 PIECES)	1
7	4159783	END SHIELD HELIX FKM 1.4404 KIT	1
7.1		> END SHIELD M+6" GJL250 MACHINING+CATA	1
7.2	2131056	> STATIONARY RING HOLDER 6" HELIX 1.4404 V	1
7.3	4234237	> O-RING 139X3 VITON VP.	1
7.4	2131026	> O-RING ID.37,6X2,4 FKM VP.	1
7.5	2131057	> O-RING ID.21,35X2 FKM VP.	1
8	4159784	FILING/PURGING PLUG HELIX FKM KIT	1
9	4178620	CARTRIDGE HELIX2-4 F/V KIT	1
10	4177955	HOUSING-PIPE D.152X885 1.4404 KIT	1
7.3	4234237	> O-RING 139X3 VITON VP.	1
10.1		> HOUSING-PIPE Ø152-M+1021/22-316L	1
11	4179525	CENTERING STAGE-RETURN HELIX2 1.4404 VP	1
12	4178567	SHAFT EQUIPMENT HELIX V2/V4 KIT	1
12.1		> NUT-H-M8-STAINLESS-STEEL A4-70	1
12.2		> SHAFT END WASHER Ø8/Ø12 316L	1
12.3		> STOP COLLAR OF IMPELLER L12,6-Ø12-316L	1
12.4		> STOP-RUSH-1/2-D12xd2-M+316	1
13		HYDRAULIC HELIX V 233	1
14	4179559	SHAFT D.12X1008,8 1.4404 VP.	1
15	4179257	PUMP HOUSING HELIX DN25 PN25 1.4409 KIT	1
7.3	4177887	> O-RING ID.145,65X3,53 VITON VP.	1

**HELIX V233-2/25/V/KS/400-50 (4161756)**

<b>Item</b>	<b>Article no.</b>	<b>Description</b>	<b>Quantity</b>
15.1		> BLASTING PPE HOUSING V PN25-DN25-5"-316L	1
15.3	4159781	> PRIMING/DRAIN PLUG HELIX 16 FKM KIT	1
16	4177970	BASEPLATE HELIX V2/4/6 PN25 VP.	1



**COUPLING D.12XD.28 FT130 KIT (4178626)**

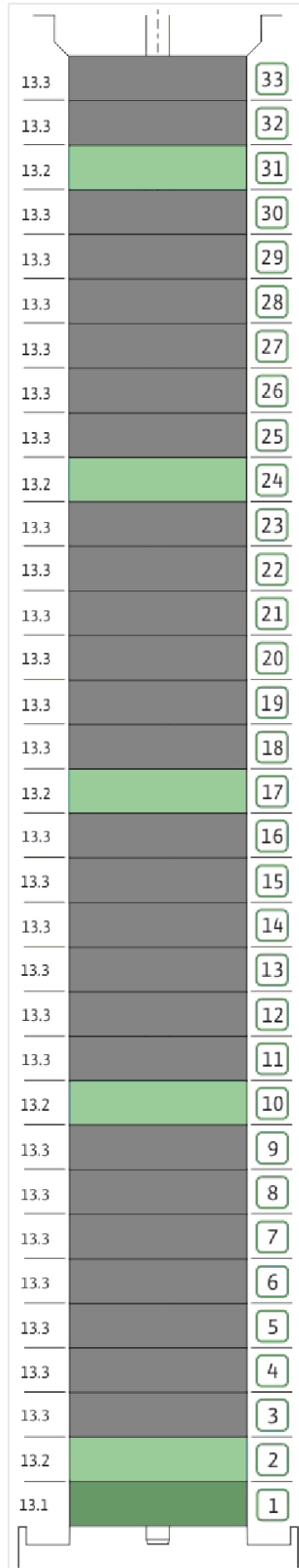
Item	Article no.	Description	Quantity
4.1		COUPLING-M+ Ø12XØ28-FT130-MACHINED	1
4.2	2131022	BALL BEARING 6209/ZZ-C3(HT)VP.	1
4.3	4233930	CIRCLIP-FOR-BORES-D45x1,75 VP.	1
4.4	4157726	SCREW KIT M8X30 (4 PIECES)	1
4.5	4234252	CIRCLIPS 85X3 VP.	1
4.6	4234243	O-RING 85X3 VP.	1
		NOMEL CONTACT WASHER 8x16x1,4 STEEL ZC	1



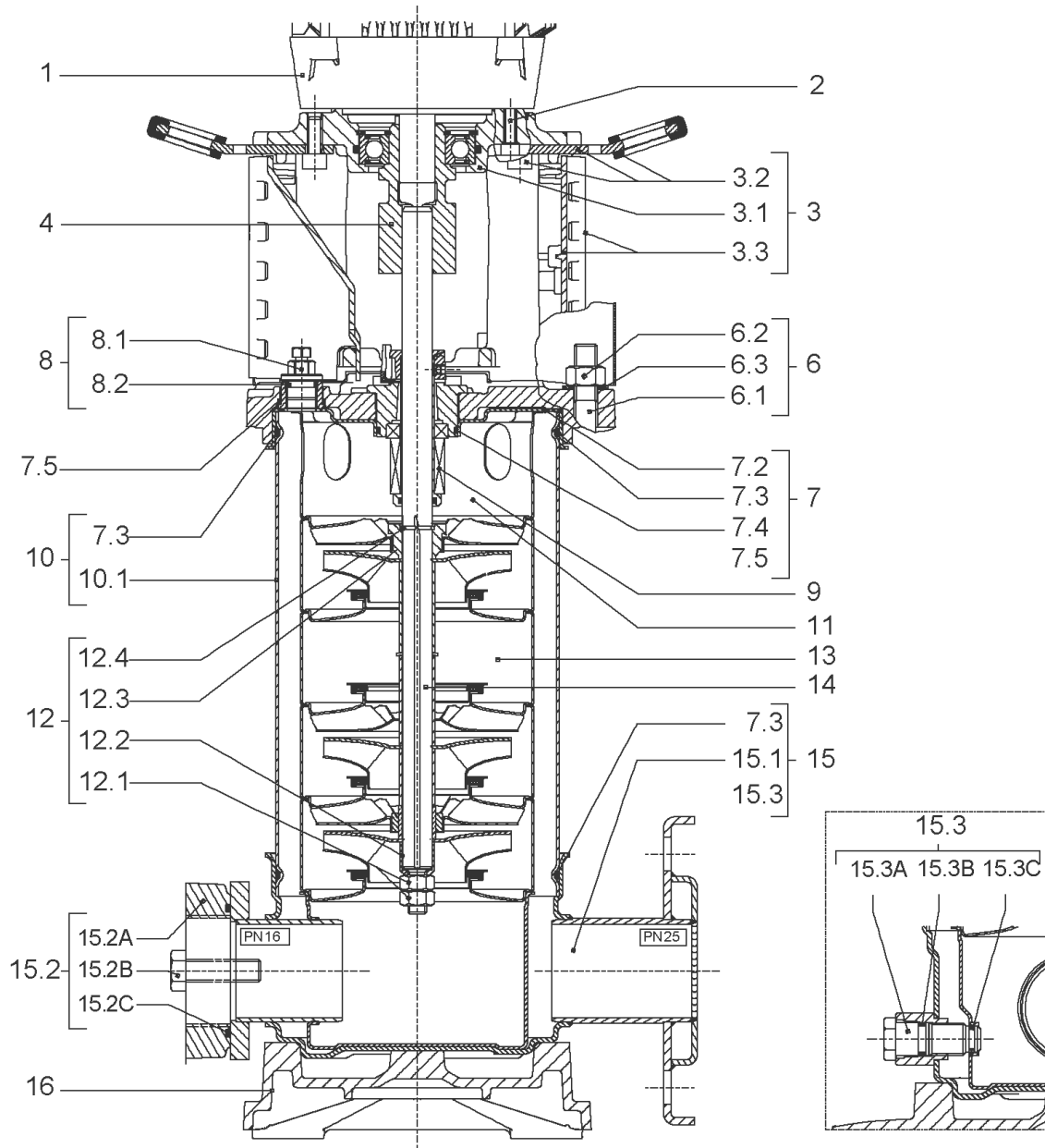


**CARTRIDGE HELIX2-4 F/V KIT (4178620)**

Item	Article no.	Description	Quantity
9.1	4178619	SEAL-KIT-HELIX2-4 F/V	1
7.3	4177887	> O-RING ID.145,65X3,53 VITON VP.	1
7.4	4177888	> O-RING ID.37.6xØ2.4 VITON VP.	1
9.1A	2131025	> MECH.SEAL HELIX2-4-6-10-16 F/V VP.	1
9.1B	4178618	> O-RING ID.12x2 VITON VP.	1
9.1C	4178618	> O-RING ID.12x2 VITON VP.	1
9.2	4178557	SHAFT SLEEVE Ø12XØ18-PN16 1.4404 VP.	1
9.3	2131024	RING HOLDER D.18 G606/G6 1.4404 VP.	1
9.4	4176520	SCREW CH M5x5 A4-70 ( 3PIECES )	1
9.5	4178595	DRIVE RING D.29/15.5x13,2 MACH.VP.	1
9.6	2130964	TOOL M.S.CART.HELIX VP.	1
9.7	2130965	SCREW CHC M5X12 ISO4762 A2.70(4 PIECES)	1



Item	Article no.	Description	Quantity
13.1	4179527	STAGE HELIX 2 1.4404 KIT	1
		> MACH.STG-CASING-WOGV-WNR-M+2-4-316	1
		> IMPELLER-M+2-316	1
13.2	4179526	STAGE BEARING HELIX 2 1.4404 KIT	1
		> MACH.BEARING-STG-CASING-WNR-M+2-316	1
		> IMPELLER-M+2-316	1
		> SHAFT SLEEVE SPACER Ø15,35x10,305-316	1
		> SHAFT-SLEEVE-D12xD16x14-CW	1
13.3	4220522	INTERMED STAGE>15 HELIX 2 1.4404 KIT	1
		> MACH.STD-STG-CASING-WGV+NR-M+2-316	1
		> IMPELLER-M+2-316	1
		> IMPELLER SPACER Ø12,1x14,1-L24,25-316L	1

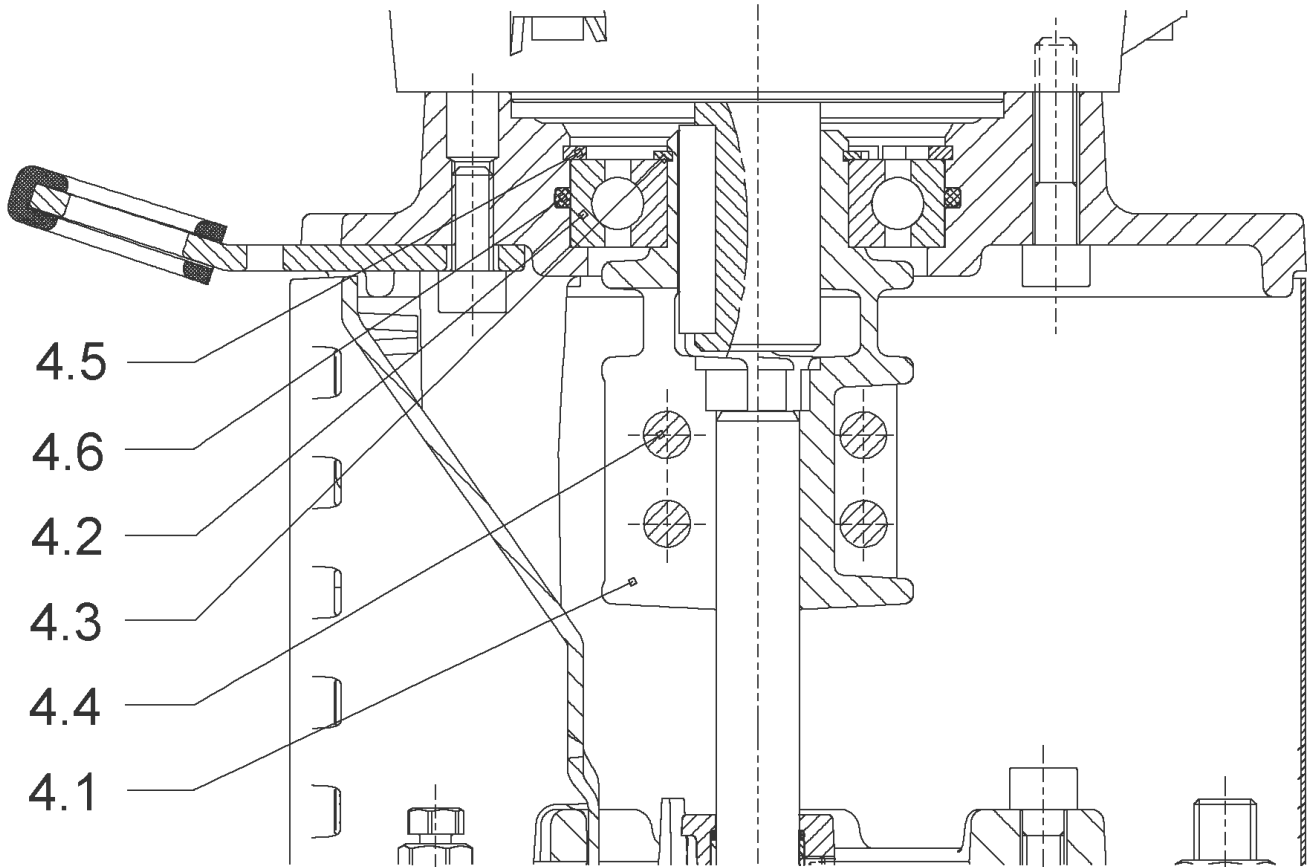


**HELIX V202-1/16/E/S/400-50 (4162823)**

Item	Article no.	Description	Quantity
1	4169946	MOTOR 0,37/2/71 3~230/400V 50HZ IE2 VP.	1
		SPARE PARTS MOTOR:ON REQUEST	1
2	4159702	SCREW M6X30 (4 PIECES)	1
3	4171325	LANTERN MONOBLOC FT85 HELIX KIT	1
3.1		> M+5_6_LANTERN_ONE-PIECE_FT85_CATA	1
3.2	2127604	> EYELET CPL.FT HELIX(2 PIECES)	1
3.3	4159692	> COUPLING PROTECTOR FT HELIX KIT	1
4	4178554	COUPLING FT 85 Ø12XØ14 KIT	1
6	2018359	STUD BOLT M12X245 KIT	1
6.1		> TIE BOLT M12-245x18x30-1.4057	1
6.2	2094647	> NUT M12 M12 ISO4032 VP.	1
6.3	2123557	> WASHER CS-12.4-24-1.6-NFE25 (4 PIECES)	1
7	4210143	STATIONARY RING HOLDER HELIX 6" EPDM	1
7.2	2127607	> STATIONARY RING HOLDER 6" HELIX 1.4301 V	1
7.3	4176513	> O-RING FOR PUMP JACKET VP.	1
7.4	2127603	> O-RING ID.37,6x2,4 EPDM VP.	1
7.5	2127602	> O-RING ID.21,35x2 EPDM VP.	1
8	4159686	FILING/PURGING PLUG HELIX EPDM KIT	1
9	4178564	SEAL-KIT-HELIX2-4 O/E KIT	1
10	4178565	HOUSING PIPES D.152X109 1.4301 KIT	1
7.3	4176513	> O-RING FOR PUMP JACKET VP.	1
10.1		> HOUSING-PIPE Ø152-M+202/402-304	1
11	4179315	CENTERING STAGE HELIX V2 1.4307 VP.	1
12	4178568	SHAFT EQUIPMENT HELIX V2/V4 KIT	1
12.1		> NUT-H-M8-STAINLESS-STEEL A4-70	2
12.2		> SHAFT END WASHER Ø8/Ø12 316L	1
12.3		> STOP COLLAR OF IMPELLER M+2/4 SINGLEBLOC	1
12.4		> STOP-RUSH-1/2-D12xd2-M+316	2
13		HYDRAULIC HELIX V 202 1.4307	1
14	4178571	SHAFT D.12X233 1.4057 VP.	1
15	4174079	PUMP HOUSING HELIX DN32 PN16 1.4301 KIT	1
7.3	4176513	> O-RING FOR PUMP JACKET VP.	1
15.1		> BLASTING PPE HOUSING V-PN16-DN32-5"-304	1
15.2	4217889	> COUNTER FLANGE-G1"-PN16-GJL KIT	1

**HELIX V202-1/16/E/S/400-50 (4162823)**

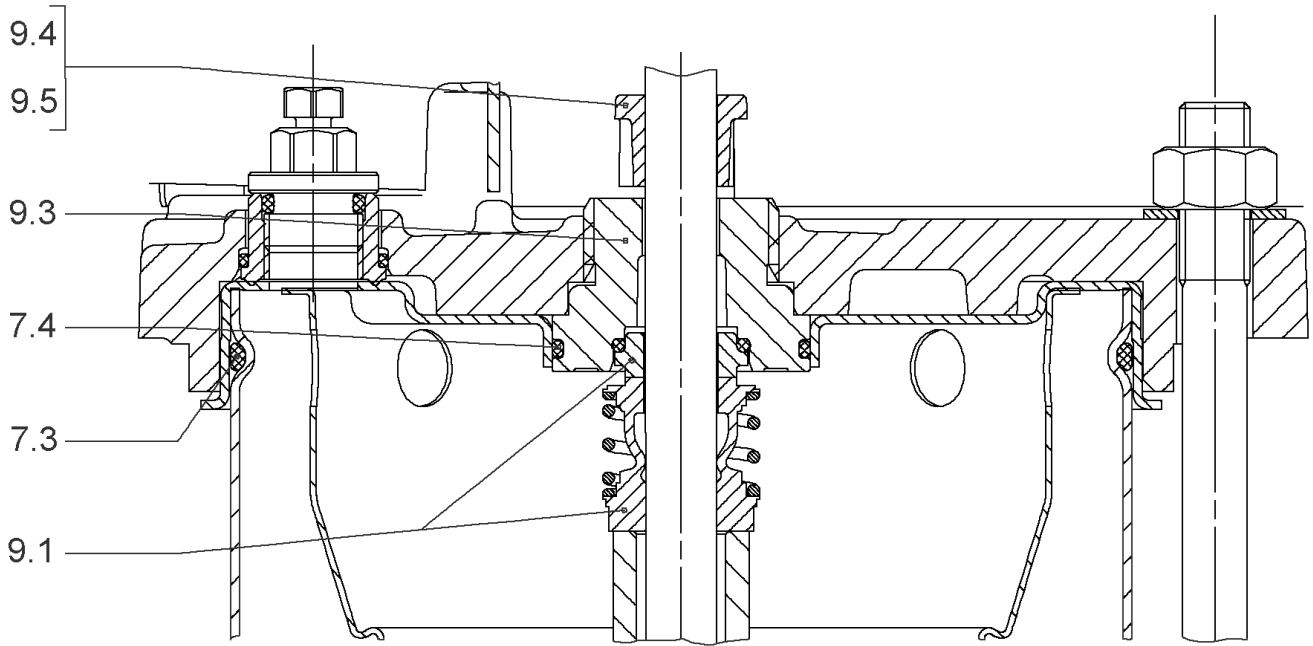
<b>Item</b>	<b>Article no.</b>	<b>Description</b>	<b>Quantity</b>
15.3	4171321	> PRIMING/DRAIN PLUG EPDM HELIX KIT	1
16	4177964	BASEPLATE HELIX V2/4/6 PN16 VP.	1



**COUPLING FT 85 Ø12XØ14 KIT (4178554)**

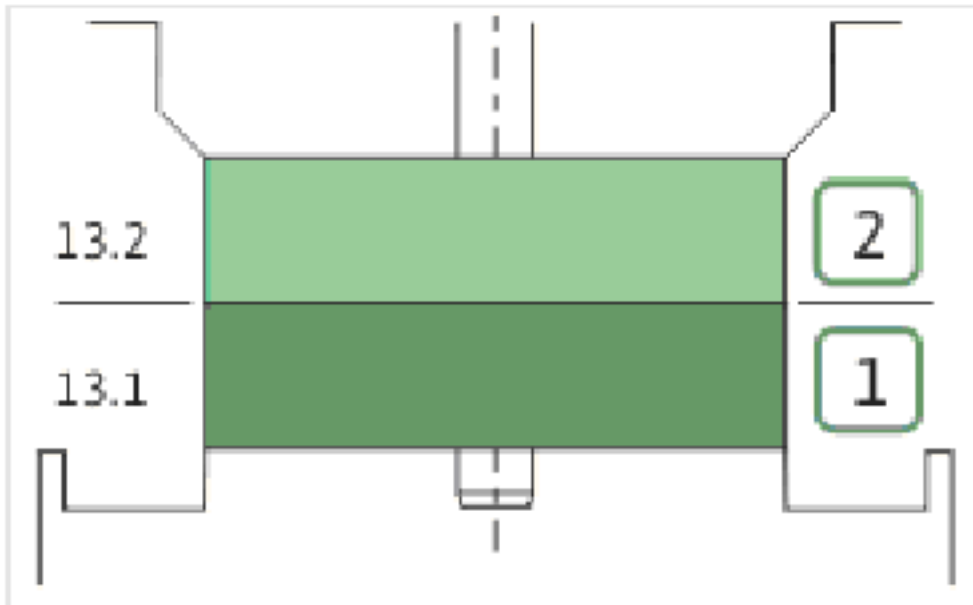
Item	Article no.	Description	Quantity
4.1		COUPLING-M+ Ø12XØ14-FT85-MACHINED	1
4.3	4208923	CIRCLIP D25X1.2 VP.	1
4.2	4177802	BALL BEARING 6205C3-ZZ HTVP.	1
4.4	4212716	SCREW M6X20 KIT (4PIECES)	1
4.5	4233124	CIRCLIP-FOR-BORES-D52x2 VP.	1
4.6	4234244	O-RING 52X2 VP.	1
		CONTACT-WASHER-6ETR-6,1x12,2x1,8-STEEL	4



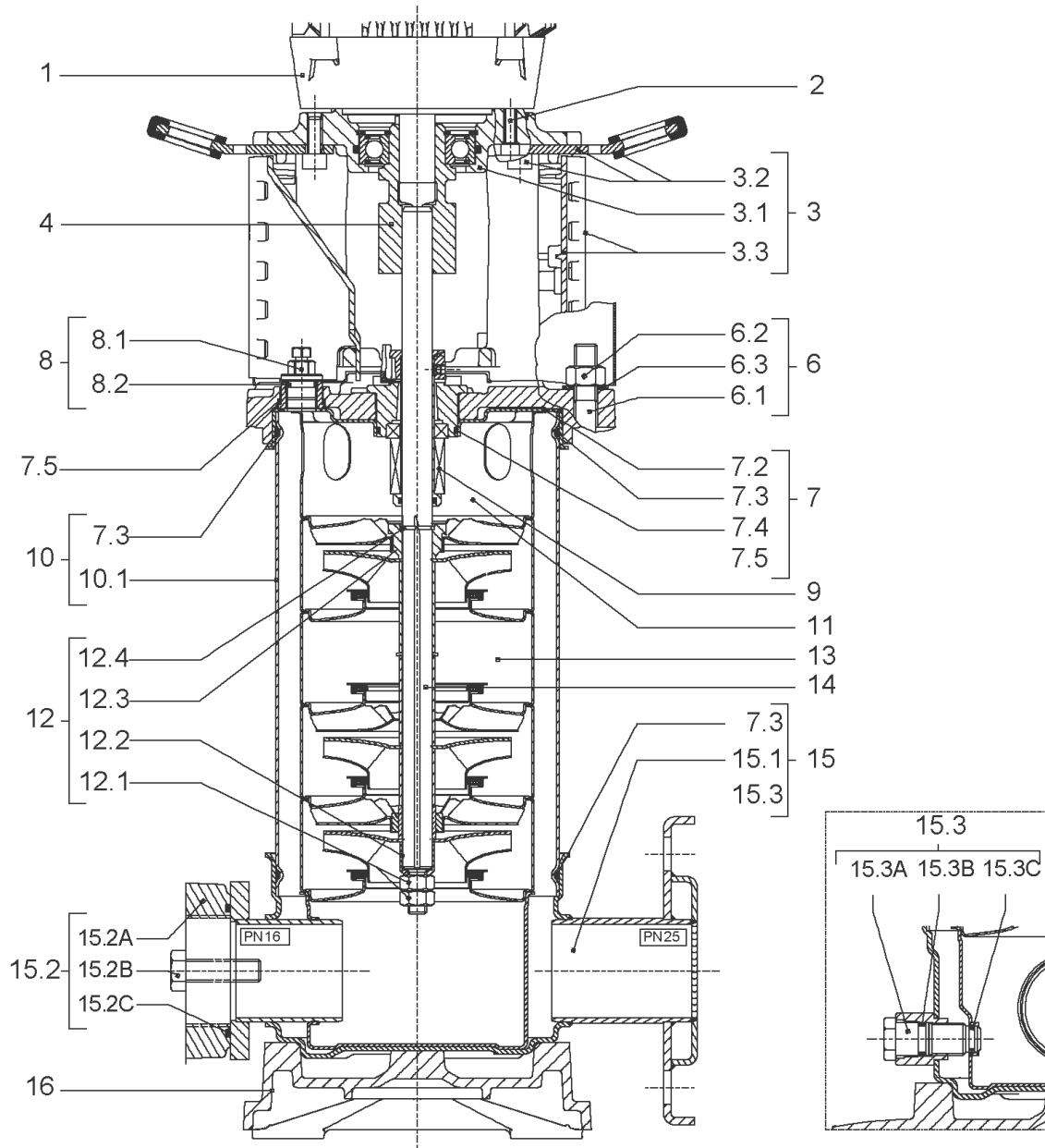


**SEAL-KIT-HELIX2-4 O/E KIT (4178564)**

Item	Article no.	Description	Quantity
7.3	4176513	O-RING FOR PUMP JACKET VP.	1
7.4	2127603	O-RING ID.37,6x2,4 EPDM VP.	1
9.1	4178563	M.SEAL.HELIX2-4 O/E VP.	1
9.3	4178561	RING HOLDER Ø22 1.4301 VP.	1
9.5	4178562	DRIVE RING D.22/12.2X10 MACH.VP.	1
9.4	4176520	SCREW CH M5x5 A4-70 ( 3PIECES )	1



Item	Article no.	Description	Quantity
13.1	4179316	STAGE HELIX 2 1.4301 KIT	1
		> MACH.STG-CASING-WOGV-WNR-M+2-4-304	1
		> IMPELLER-M+2-304	1
13.2	4179317	STAGE BEARING HELIX 2 1.4307 KIT	1
		> MACH.BEARING-STG-CASING-WNR-M+2-304	1
		> IMPELLER-M+2-304	1
		> SHAFT SLEEVE SPACER Ø15,35x10,305-304	1
		> SHAFT-SLEEVE-D12xD16x14-CW	1

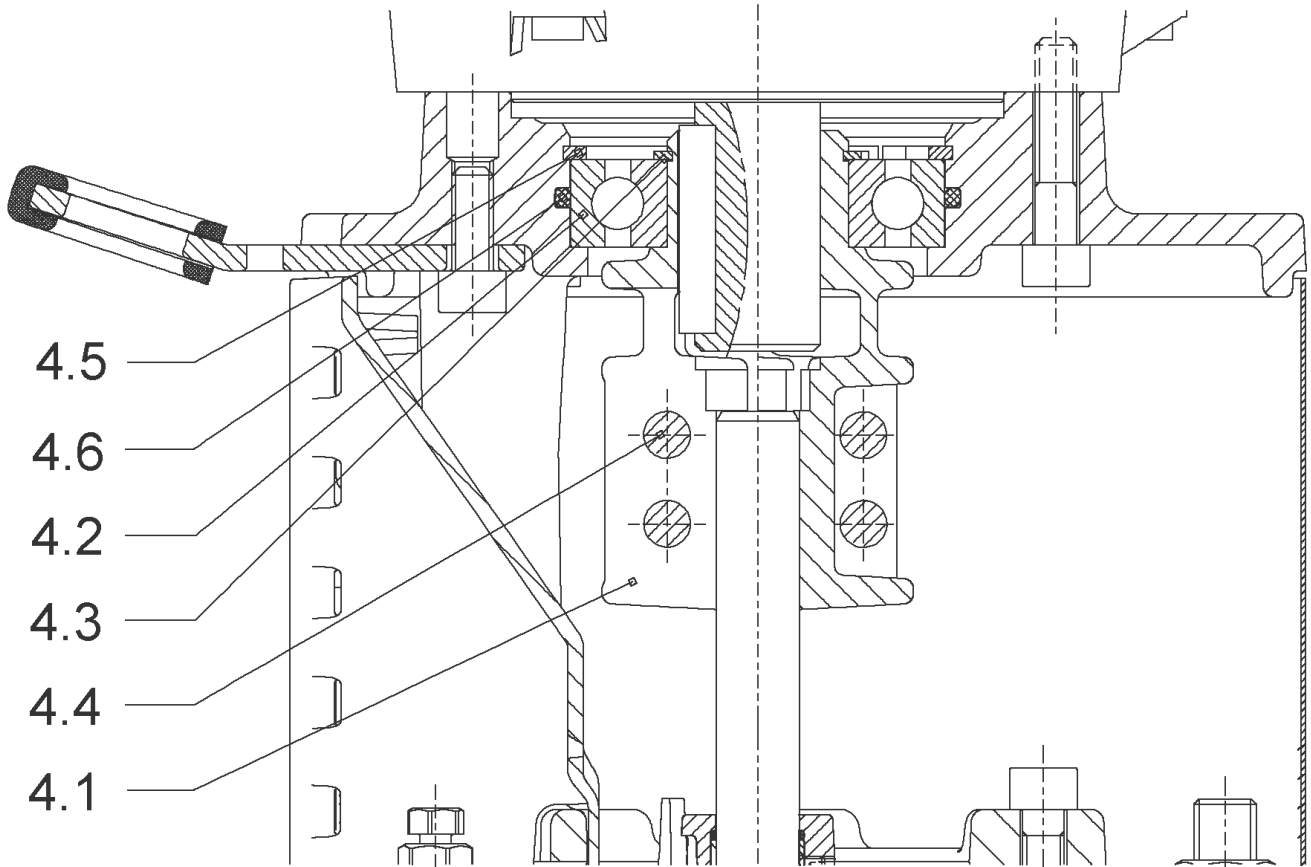


**HELIX V203-1/16/E/S/400-50 (4162824)**

Item	Article no.	Description	Quantity
1	4169946	MOTOR 0,37/2/71 3~230/400V 50HZ IE2 VP.	1
		SPARE PARTS MOTOR:ON REQUEST	1
2	4159702	SCREW M6X30 (4 PIECES)	1
3	4171325	LANTERN MONOBLOC FT85 HELIX KIT	1
3.1		> M+5_6_LANTERN_ONE-PIECE_FT85_CATA	1
3.2	2127604	> EYELET CPL.FT HELIX(2 PIECES)	1
3.3	4159692	> COUPLING PROTECTOR FT HELIX KIT	1
4	4178554	COUPLING FT 85 Ø12XØ14 KIT	1
6	4177803	STUD BOLT M12X263 KIT	1
6.1		> TIE BOLT M12-263x18x30-1.4057	1
6.2	2094647	> NUT M12 M12 ISO4032 VP.	1
6.3	2123557	> WASHER CS-12.4-24-1.6-NFE25 (4 PIECES)	1
7	4210143	STATIONARY RING HOLDER HELIX 6" EPDM	1
7.2	2127607	> STATIONARY RING HOLDER 6" HELIX 1.4301 V	1
7.3	4176513	> O-RING FOR PUMP JACKET VP.	1
7.4	2127603	> O-RING ID.37,6x2,4 EPDM VP.	1
7.5	2127602	> O-RING ID.21,35x2 EPDM VP.	1
8	4159686	FILING/PURGING PLUG HELIX EPDM KIT	1
9	4178564	SEAL-KIT-HELIX2-4 O/E KIT	1
10	4177804	HOUSING PIPES D.152X134 1.4301 KIT	1
7.3	4176513	> O-RING FOR PUMP JACKET VP.	1
10.1		> HOUSING-PIPE Ø152-M+1001/02-304	1
11	4179315	CENTERING STAGE HELIX V2 1.4307 VP.	1
12	4178568	SHAFT EQUIPMENT HELIX V2/V4 KIT	1
12.1		> NUT-H-M8-STAINLESS-STEEL A4-70	2
12.2		> SHAFT END WASHER Ø8/Ø12 316L	1
12.3		> STOP COLLAR OF IMPELLER M+2/4 SINGLEBLOC	1
12.4		> STOP-RUSH-1/2-D12xd2-M+316	2
13		HYDRAULIC HELIX V 203 1.4307	1
14	4179321	SHAFT D.12X258 1.4301 VP.	1
15	4174079	PUMP HOUSING HELIX DN32 PN16 1.4301 KIT	1
7.3	4176513	> O-RING FOR PUMP JACKET VP.	1
15.1		> BLASTING PPE HOUSING V-PN16-DN32-5"-304	1
15.2	4217889	> COUNTER FLANGE-G1"-PN16-GJL KIT	1

**HELIX V203-1/16/E/S/400-50 (4162824)**

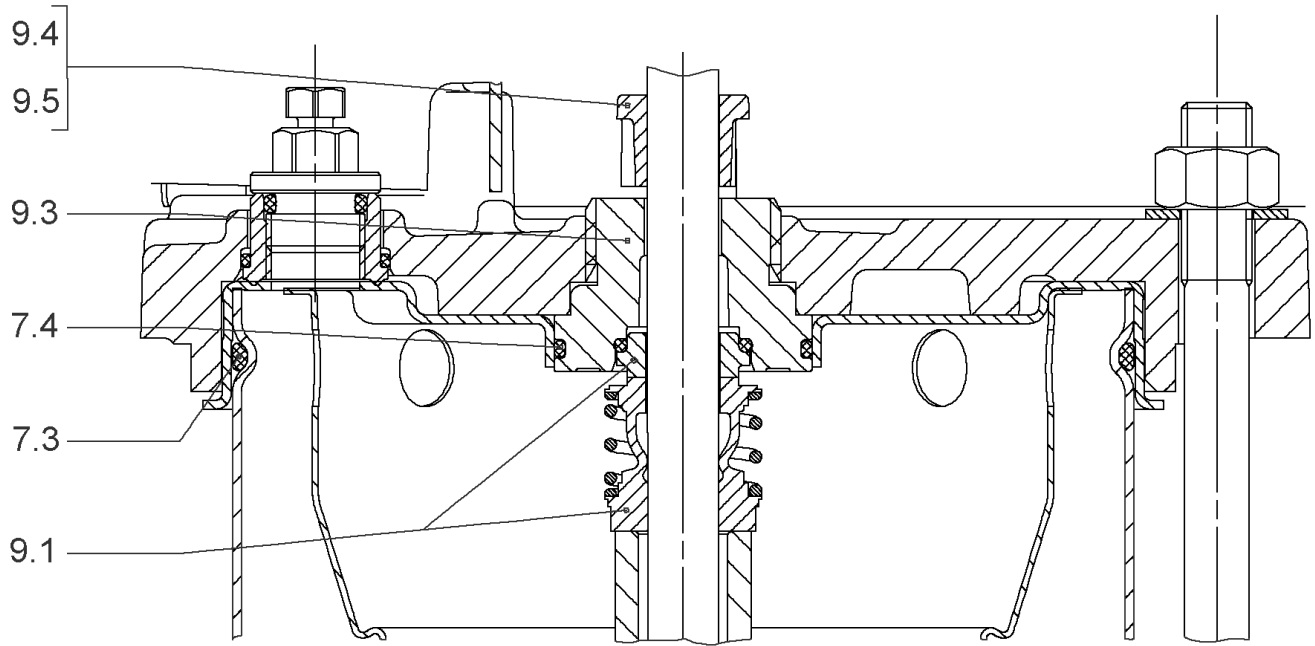
<b>Item</b>	<b>Article no.</b>	<b>Description</b>	<b>Quantity</b>
15.3	4171321	> PRIMING/DRAIN PLUG EPDM HELIX KIT	1
16	4177964	BASEPLATE HELIX V2/4/6 PN16 VP.	1





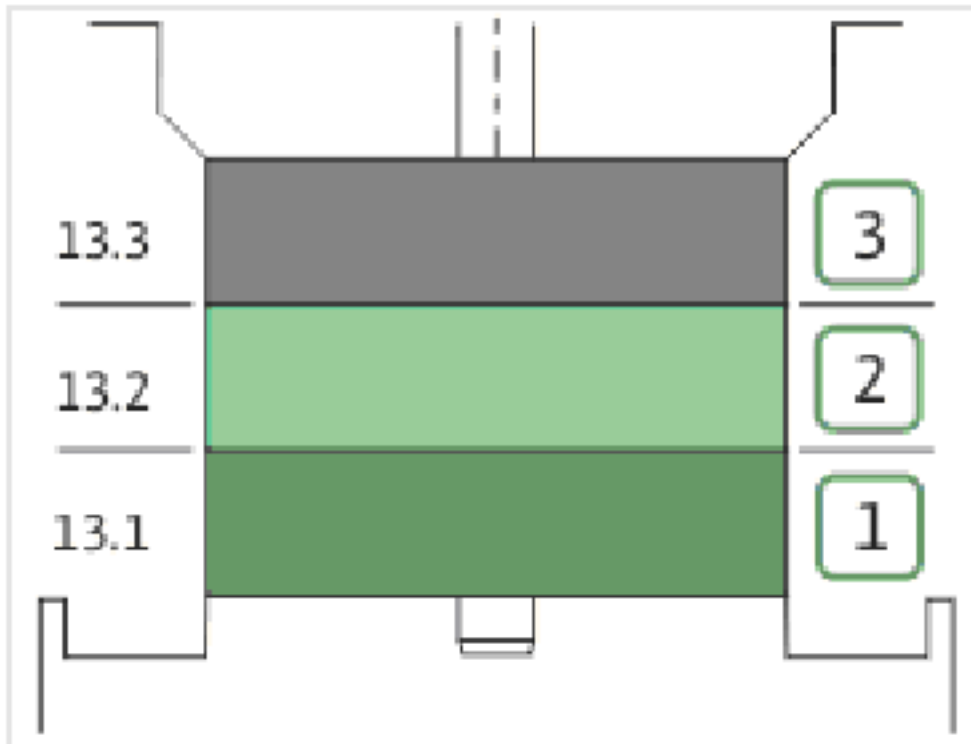
**COUPLING FT 85 Ø12XØ14 KIT (4178554)**

Item	Article no.	Description	Quantity
4.1		COUPLING-M+ Ø12XØ14-FT85-MACHINED	1
4.3	4208923	CIRCLIP D25X1.2 VP.	1
4.2	4177802	BALL BEARING 6205C3-ZZ HTVP.	1
4.4	4212716	SCREW M6X20 KIT (4PIECES)	1
4.5	4233124	CIRCLIP-FOR-BORES-D52x2 VP.	1
4.6	4234244	O-RING 52X2 VP.	1
		CONTACT-WASHER-6ETR-6,1x12,2x1,8-STEEL	4



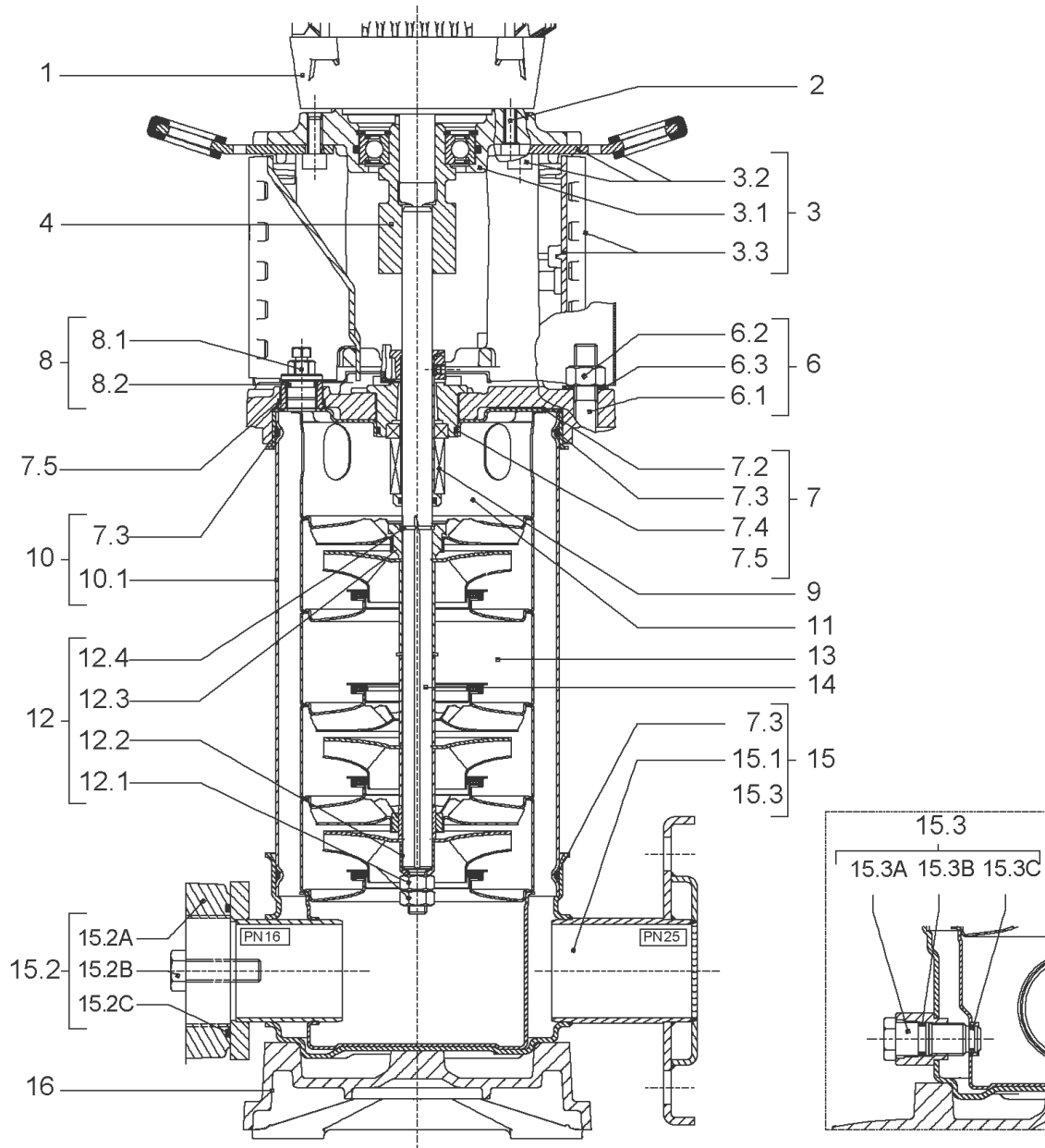
**SEAL-KIT-HELIX2-4 O/E KIT (4178564)**

Item	Article no.	Description	Quantity
7.3	4176513	O-RING FOR PUMP JACKET VP.	1
7.4	2127603	O-RING ID.37,6x2,4 EPDM VP.	1
9.1	4178563	M.SEAL.HELIX2-4 O/E VP.	1
9.3	4178561	RING HOLDER Ø22 1.4301 VP.	1
9.5	4178562	DRIVE RING D.22/12.2X10 MACH.VP.	1
9.4	4176520	SCREW CH M5x5 A4-70 ( 3PIECES )	1



**HYDRAULIC HELIX V 203 1.4307**

Item	Article no.	Description	Quantity
13.1	4179316	STAGE HELIX 2 1.4301 KIT	1
		> MACH.STG-CASING-WOGV-WNR-M+2-4-304	1
		> IMPELLER-M+2-304	1
13.2	4179317	STAGE BEARING HELIX 2 1.4307 KIT	1
		> MACH.BEARING-STG-CASING-WNR-M+2-304	1
		> IMPELLER-M+2-304	1
		> SHAFT SLEEVE SPACER Ø15,35x10,305-304	1
		> SHAFT-SLEEVE-D12xD16x14-CW	1
13.3	4179319	INTERMEDIATE STAGE HELIX 2 1.4301 KIT	1
		> CORPS-ETG-STD-ACR-AJR-USIN.M+2-304	1
		> IMPELLER-M+2-304	1
		> IMPELLER SPACER Ø12,05X14,85-L24,285-304	1



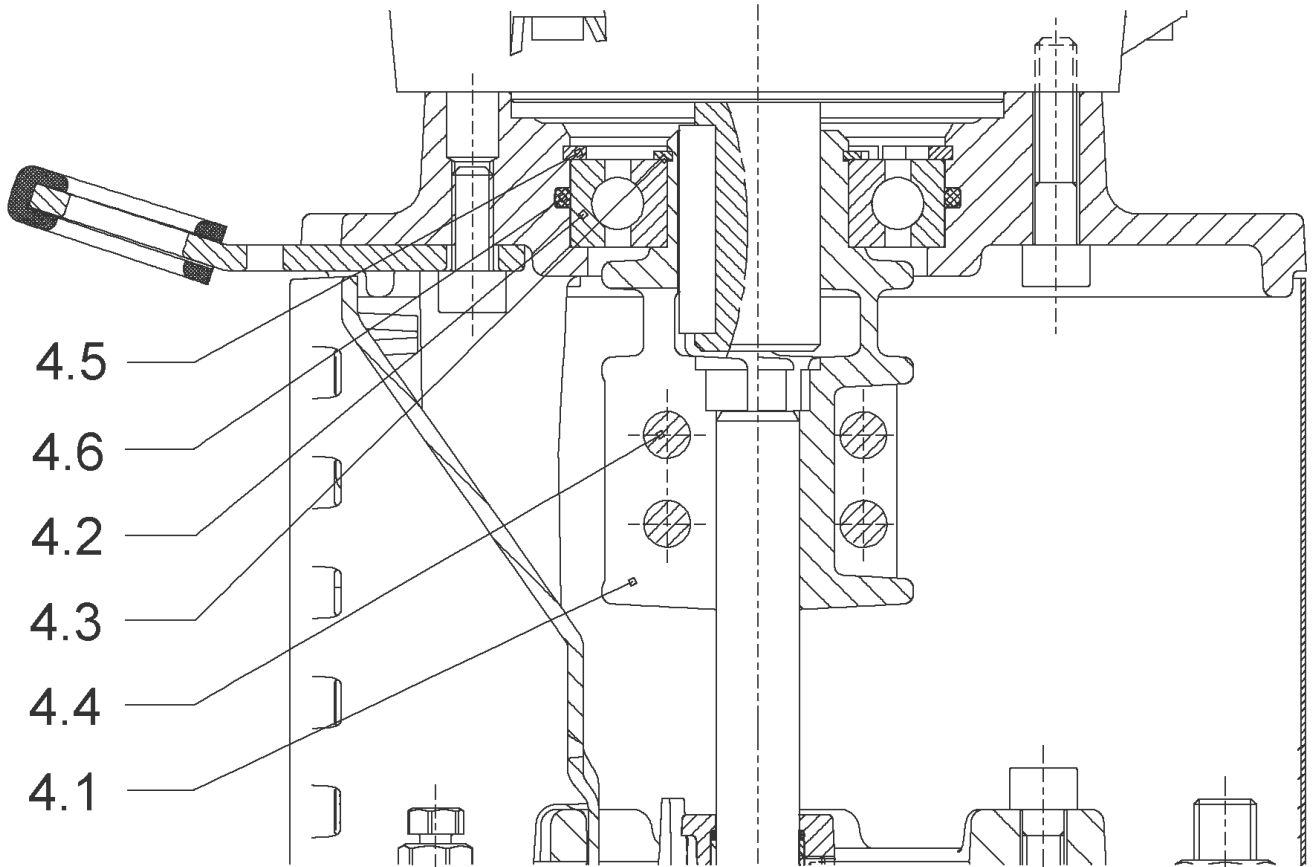
**HELIX V204-1/16/E/S/400-50 (4162825)**

Item	Article no.	Description	Quantity
1	4169946	MOTOR 0,37/2/71 3~230/400V 50HZ IE2 VP.	1
		SPARE PARTS MOTOR:ON REQUEST	1
2	4159702	SCREW M6X30 (4 PIECES)	1
3	4171325	LANTERN MONOBLOC FT85 HELIX KIT	1
3.1		> M+5_6_LANTERN_ONE-PIECE_FT85_CATA	1
3.2	2127604	> EYELET CPL.FT HELIX(2 PIECES)	1
3.3	4159692	> COUPLING PROTECTOR FT HELIX KIT	1
4	4178554	COUPLING FT 85 Ø12XØ14 KIT	1
6	2018368	STUD BOLT M12X289 KIT	1
6.1		> TIE BOLT M12-289x18x30-1.4057	1
6.2	2094647	> NUT M12 M12 ISO4032 VP.	1
6.3	2123557	> WASHER CS-12.4-24-1.6-NFE25 (4 PIECES)	1
7	4210143	STATIONARY RING HOLDER HELIX 6" EPDM	1
7.2	2127607	> STATIONARY RING HOLDER 6" HELIX 1.4301 V	1
7.3	4176513	> O-RING FOR PUMP JACKET VP.	1
7.4	2127603	> O-RING ID.37,6x2,4 EPDM VP.	1
7.5	2127602	> O-RING ID.21,35x2 EPDM VP.	1
8	4159686	FILING/PURGING PLUG HELIX EPDM KIT	1
9	4178564	SEAL-KIT-HELIX2-4 O/E KIT	1
10	2127574	HOUSING PIPE D.152x160 1.4301 KIT	1
7.3	4176513	> O-RING FOR PUMP JACKET VP.	1
10.1		> HOUSING-PIPE Ø152-M+1601/02-304	1
11	4179315	CENTERING STAGE HELIX V2 1.4307 VP.	1
12	4178568	SHAFT EQUIPMENT HELIX V2/V4 KIT	1
12.1		> NUT-H-M8-STAINLESS-STEEL A4-70	2
12.2		> SHAFT END WASHER Ø8/Ø12 316L	1
12.3		> STOP COLLAR OF IMPELLER M+2/4 SINGLEBLOC	1
12.4		> STOP-RUSH-1/2-D12xd2-M+316	2
13		HYDRAULIC HELIX V 204 1.4307	1
14	4178576	SHAFT D.12X283 1.4301 VP.	1
15	4174079	PUMP HOUSING HELIX DN32 PN16 1.4301 KIT	1
7.3	4176513	> O-RING FOR PUMP JACKET VP.	1
15.1		> BLASTING PPE HOUSING V-PN16-DN32-5"-304	1
15.2	4217889	> COUNTER FLANGE-G1"-PN16-GJL KIT	1

**HELIX V204-1/16/E/S/400-50 (4162825)**

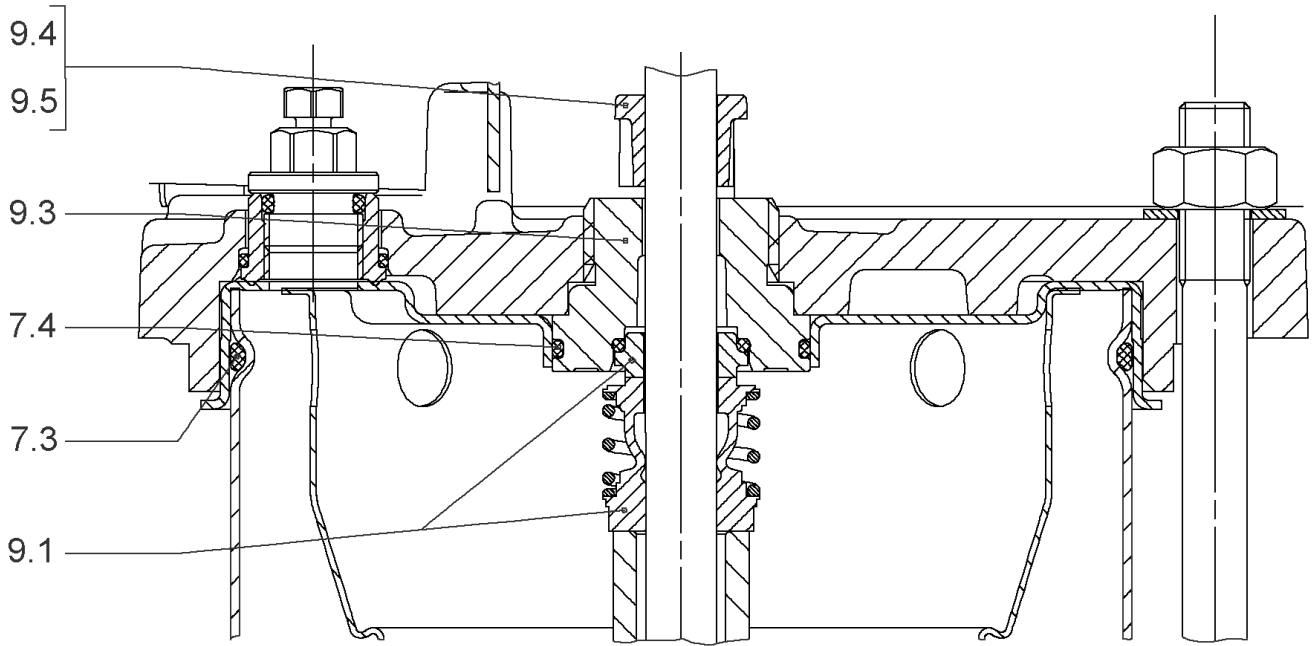
<b>Item</b>	<b>Article no.</b>	<b>Description</b>	<b>Quantity</b>
15.3	4171321	> PRIMING/DRAIN PLUG EPDM HELIX KIT	1
16	4177964	BASEPLATE HELIX V2/4/6 PN16 VP.	1





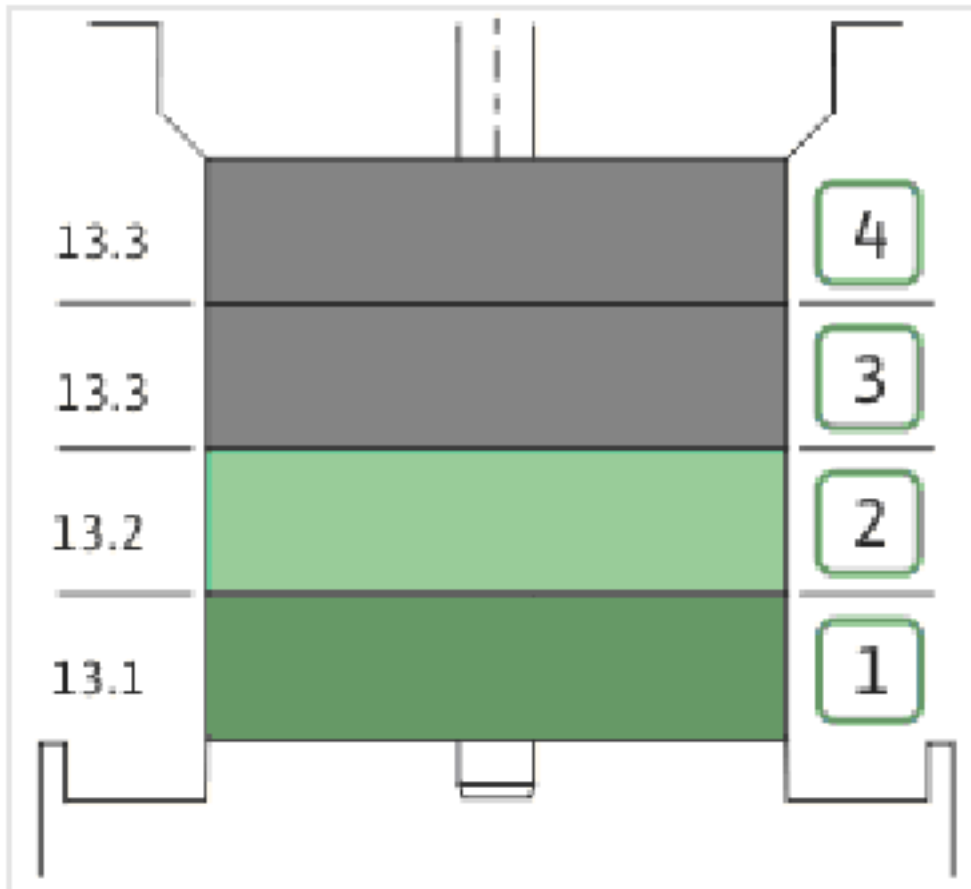
**COUPLING FT 85 Ø12XØ14 KIT (4178554)**

Item	Article no.	Description	Quantity
4.1		COUPLING-M+ Ø12XØ14-FT85-MACHINED	1
4.3	4208923	CIRCLIP D25X1.2 VP.	1
4.2	4177802	BALL BEARING 6205C3-ZZ HTVP.	1
4.4	4212716	SCREW M6X20 KIT (4PIECES)	1
4.5	4233124	CIRCLIP-FOR-BORES-D52x2 VP.	1
4.6	4234244	O-RING 52X2 VP.	1
		CONTACT-WASHER-6ETR-6,1x12,2x1,8-STEEL	4



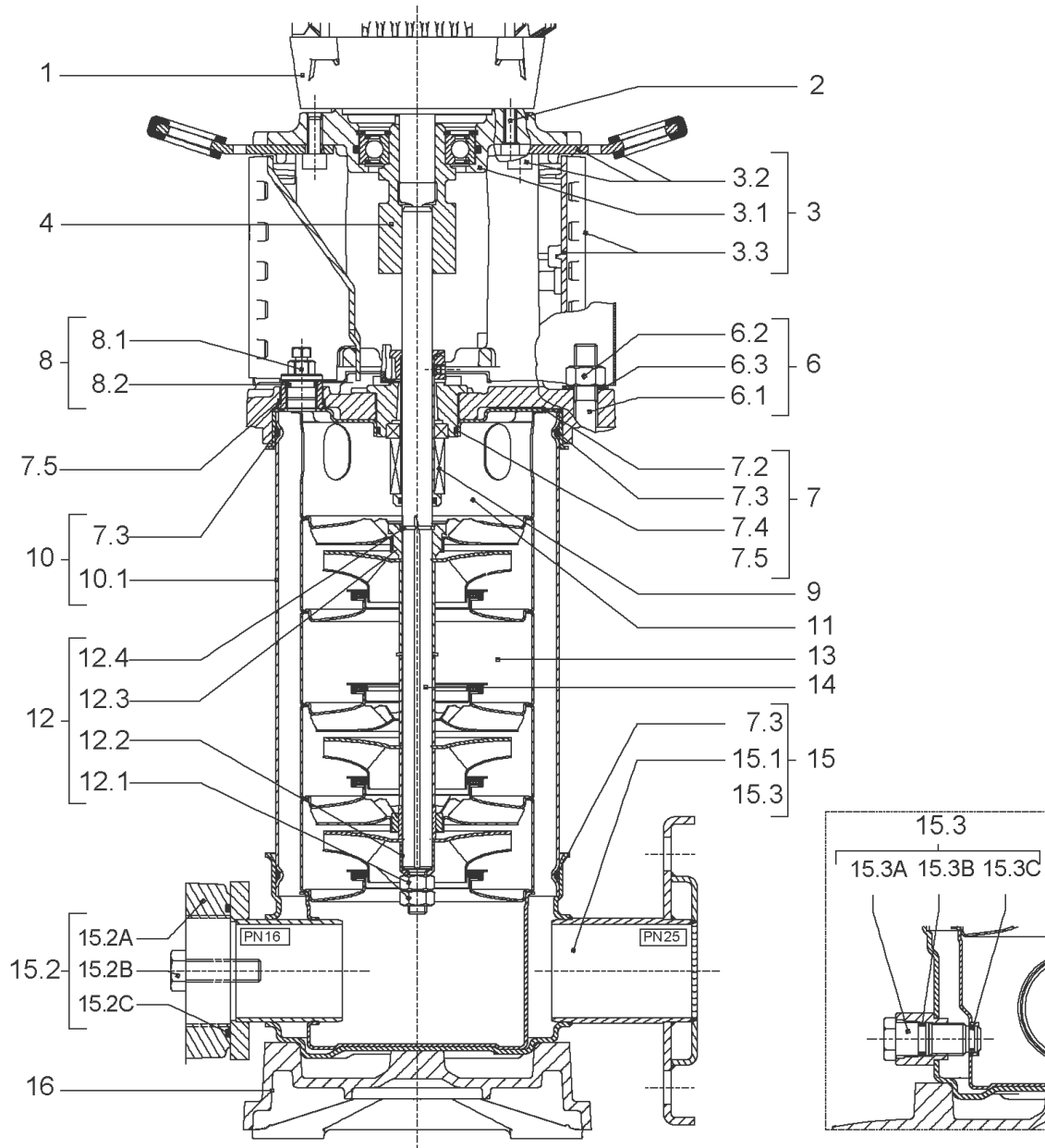
**SEAL-KIT-HELIX2-4 O/E KIT (4178564)**

Item	Article no.	Description	Quantity
7.3	4176513	O-RING FOR PUMP JACKET VP.	1
7.4	2127603	O-RING ID.37,6x2,4 EPDM VP.	1
9.1	4178563	M.SEAL.HELIX2-4 O/E VP.	1
9.3	4178561	RING HOLDER Ø22 1.4301 VP.	1
9.5	4178562	DRIVE RING D.22/12.2X10 MACH.VP.	1
9.4	4176520	SCREW CH M5x5 A4-70 ( 3PIECES )	1



**HYDRAULIC HELIX V 204 1.4307**

Item	Article no.	Description	Quantity
13.1	4179316	STAGE HELIX 2 1.4301 KIT	1
		> MACH.STG-CASING-WOGV-WNR-M+2-4-304	1
		> IMPELLER-M+2-304	1
13.2	4179317	STAGE BEARING HELIX 2 1.4307 KIT	1
		> MACH.BEARING-STG-CASING-WNR-M+2-304	1
		> IMPELLER-M+2-304	1
		> SHAFT SLEEVE SPACER Ø15,35x10,305-304	1
		> SHAFT-SLEEVE-D12xD16x14-CW	1
13.3	4179319	INTERMEDIATE STAGE HELIX 2 1.4301 KIT	1
		> CORPS-ETG-STD-ACR-AJR-USIN.M+2-304	1
		> IMPELLER-M+2-304	1
		> IMPELLER SPACER Ø12,05X14,85-L24,285-304	1



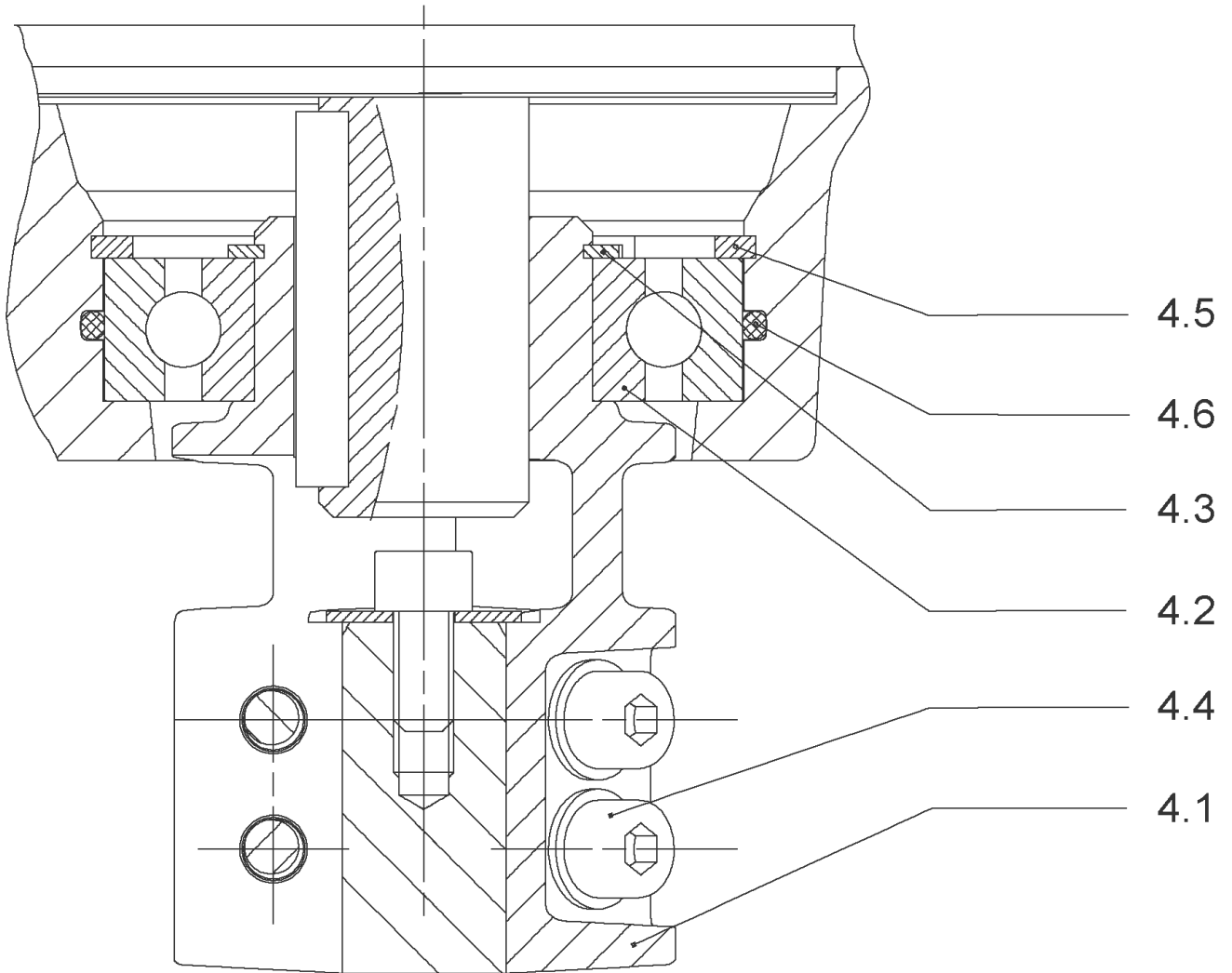
**HELIX V216-1/16/E/S/400-50 (4162836)**

Item	Article no.	Description	Quantity
1	4169942	MO.1,5/2 3~230/400(440)V 50(60)HZ IE3 VP	1
		SPARE PARTS MOTOR:ON REQUEST	1
2	4159703	SCREW M8X40 (4 PIECES)	1
3	4172795	LANTERNE FT115 HELIX KIT	1
3.1		> M+5_6_LANTERN_ONE-PIECE_FT115_CATA	1
3.2	2127604	> EYELET CPL.FT HELIX(2 PIECES)	1
3.3	4159692	> COUPLING PROTECTOR FT HELIX KIT	1
4	4178600	COUPLING D.12XD.24 FT115 KIT	1
6	2127557	STUD BOLT M12X587 KIT	1
6.1		> TIE BOLT M12-587x18x30-1.4057	1
6.2	2094647	> NUT M12 M12 ISO4032 VP.	1
6.3	2123557	> WASHER CS-12.4-24-1.6-NFE25 (4 PIECES)	1
7	4210143	STATIONARY RING HOLDER HELIX 6" EPDM	1
7.2	2127607	> STATIONARY RING HOLDER 6" HELIX 1.4301 V	1
7.3	4176513	> O-RING FOR PUMP JACKET VP.	1
7.4	2127603	> O-RING ID.37,6x2,4 EPDM VP.	1
7.5	2127602	> O-RING ID.21,35x2 EPDM VP.	1
8	4159686	FILING/PURGING PLUG HELIX EPDM KIT	1
9	4178564	SEAL-KIT-HELIX2-4 O/E KIT	1
10	2127580	HOUSING PIPE D.152x460 1.4301 KIT	1
7.3	4176513	> O-RING FOR PUMP JACKET VP.	1
10.1		> HOUSING-PIPE Ø152-M+1608-304	1
11	4179315	CENTERING STAGE HELIX V2 1.4307 VP.	1
12	4178568	SHAFT EQUIPMENT HELIX V2/V4 KIT	1
12.1		> NUT-H-M8-STAINLESS-STEEL A4-70	2
12.2		> SHAFT END WASHER Ø8/Ø12 316L	1
12.3		> STOP COLLAR OF IMPELLER M+2/4 SINGLEBLOC	1
12.4		> STOP-RUSH-1/2-D12xd2-M+316	2
13		HYDRAULIC HELIX V 216 1.4307	1
14	4178621	SHAFT D.12X583 1.4301 VP.	1
15	4174079	PUMP HOUSING HELIX DN32 PN16 1.4301 KIT	1
7.3	4176513	> O-RING FOR PUMP JACKET VP.	1
15.1		> BLASTING PPE HOUSING V-PN16-DN32-5"-304	1
15.2	4217889	> COUNTER FLANGE-G1"-PN16-GJL KIT	1



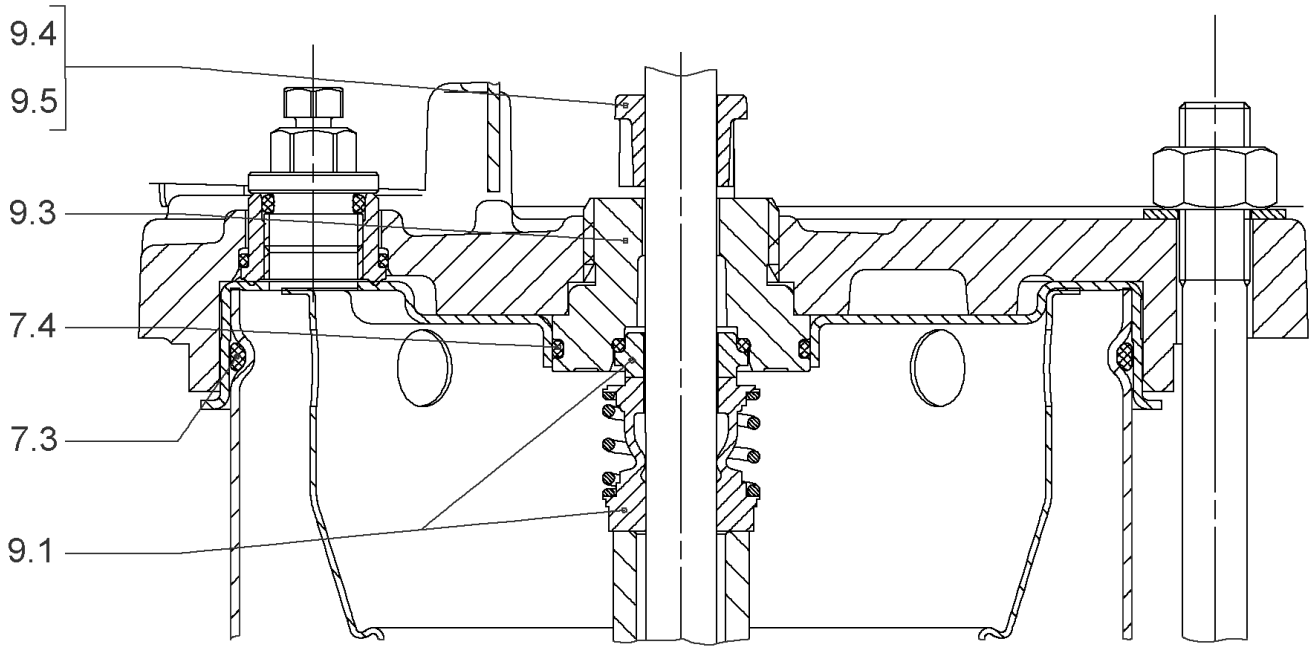
**HELIX V216-1/16/E/S/400-50 (4162836)**

<b>Item</b>	<b>Article no.</b>	<b>Description</b>	<b>Quantity</b>
15.3	4171321	> PRIMING/DRAIN PLUG EPDM HELIX KIT	1
16	4177964	BASEPLATE HELIX V2/4/6 PN16 VP.	1



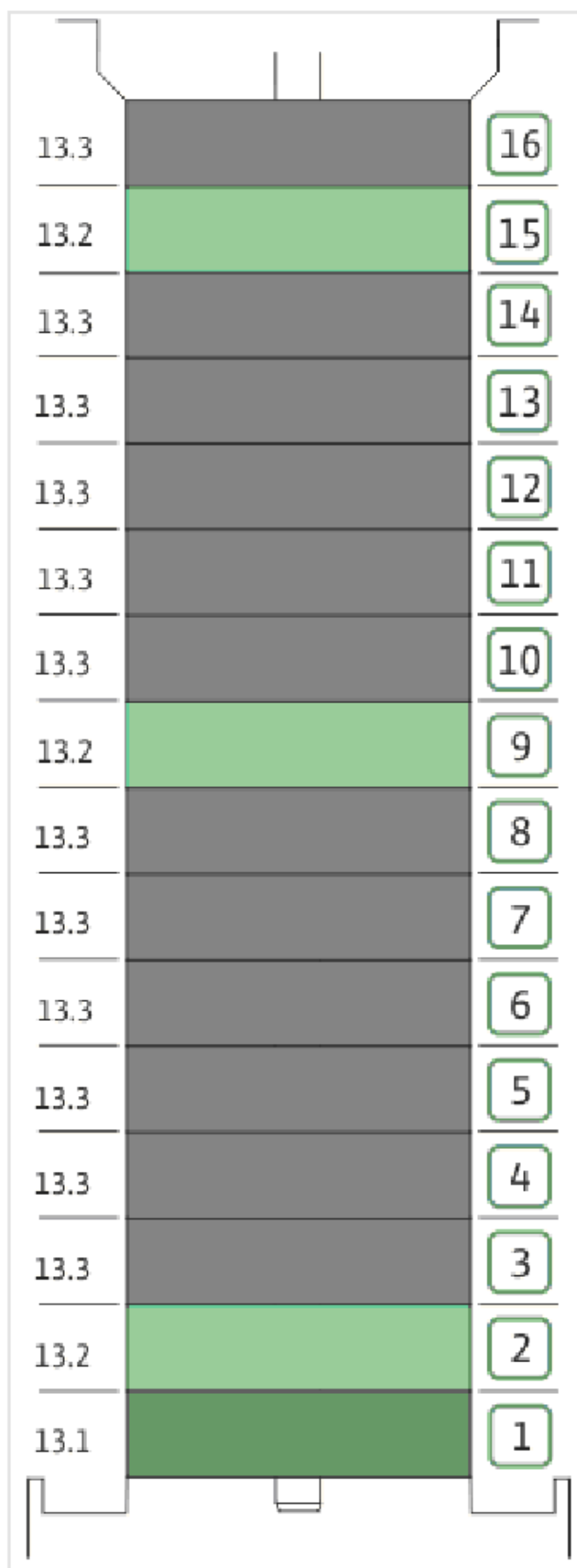
**COUPLING D.12XD.24 FT115 KIT (4178600)**

Item	Article no.	Description	Quantity
4.1		COUPLING-M+ Ø12XØ24-FT115-MACHINED	1
4.2	2131023	BALL BEARING 6207/ZZ-C3(HT)VP.	1
4.3	4234254	CIRCLIP-FOR-SHAFT-D35x1.5 VP.	1
4.4	4157726	SCREW KIT M8X30 (4 PIECES)	1
4.5	4234251	CIRCLIP-D72x2.5 VP.	1
4.6	4234246	O-RING 72X3 VP.	1
		NOMEL CONTACT WASHER 8x16x1,4 STEEL ZC	1



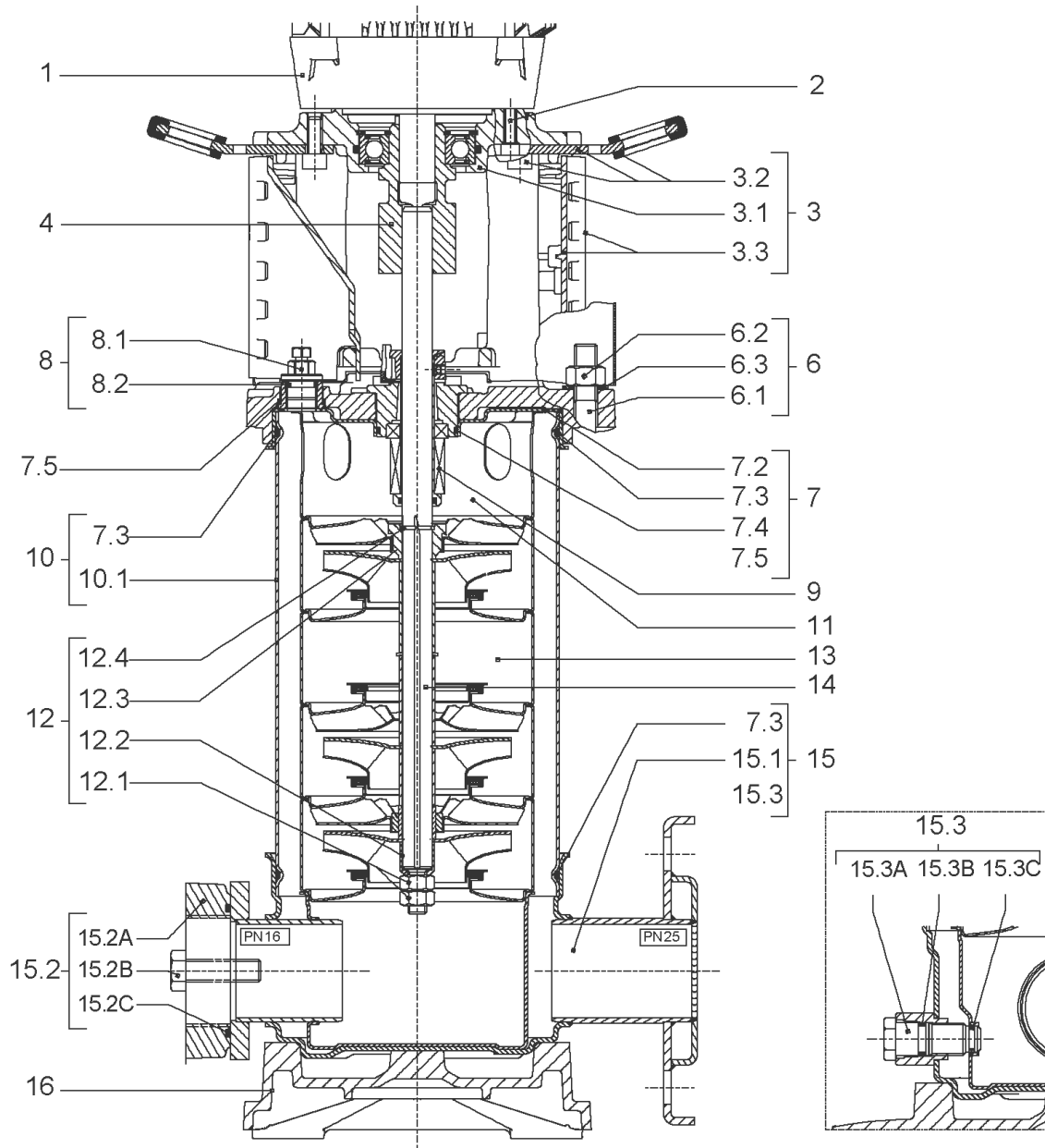
**SEAL-KIT-HELIX2-4 O/E KIT (4178564)**

Item	Article no.	Description	Quantity
7.3	4176513	O-RING FOR PUMP JACKET VP.	1
7.4	2127603	O-RING ID.37,6x2,4 EPDM VP.	1
9.1	4178563	M.SEAL.HELIX2-4 O/E VP.	1
9.3	4178561	RING HOLDER Ø22 1.4301 VP.	1
9.5	4178562	DRIVE RING D.22/12.2X10 MACH.VP.	1
9.4	4176520	SCREW CH M5x5 A4-70 ( 3PIECES )	1



**HYDRAULIC HELIX V 216 1.4307**

Item	Article no.	Description	Quantity
13.1	4179316	STAGE HELIX 2 1.4301 KIT	1
		> MACH.STG-CASING-WOGV-WNR-M+2-4-304	1
		> IMPELLER-M+2-304	1
13.2	4179317	STAGE BEARING HELIX 2 1.4307 KIT	1
		> MACH.BEARING-STG-CASING-WNR-M+2-304	1
		> IMPELLER-M+2-304	1
		> SHAFT SLEEVE SPACER Ø15,35x10,305-304	1
		> SHAFT-SLEEVE-D12xD16x14-CW	1
13.3	4213786	INTERM. STAGE HELIX 2 >14 ST. 1.4307 KIT	1
		> CORPS-ETG-STD-ACR-AJR-USIN.M+2-304	1
		> IMPELLER-M+2-304	1
		> IMPELLER SPACER Ø12,1X14,1-L24,25-316L	1



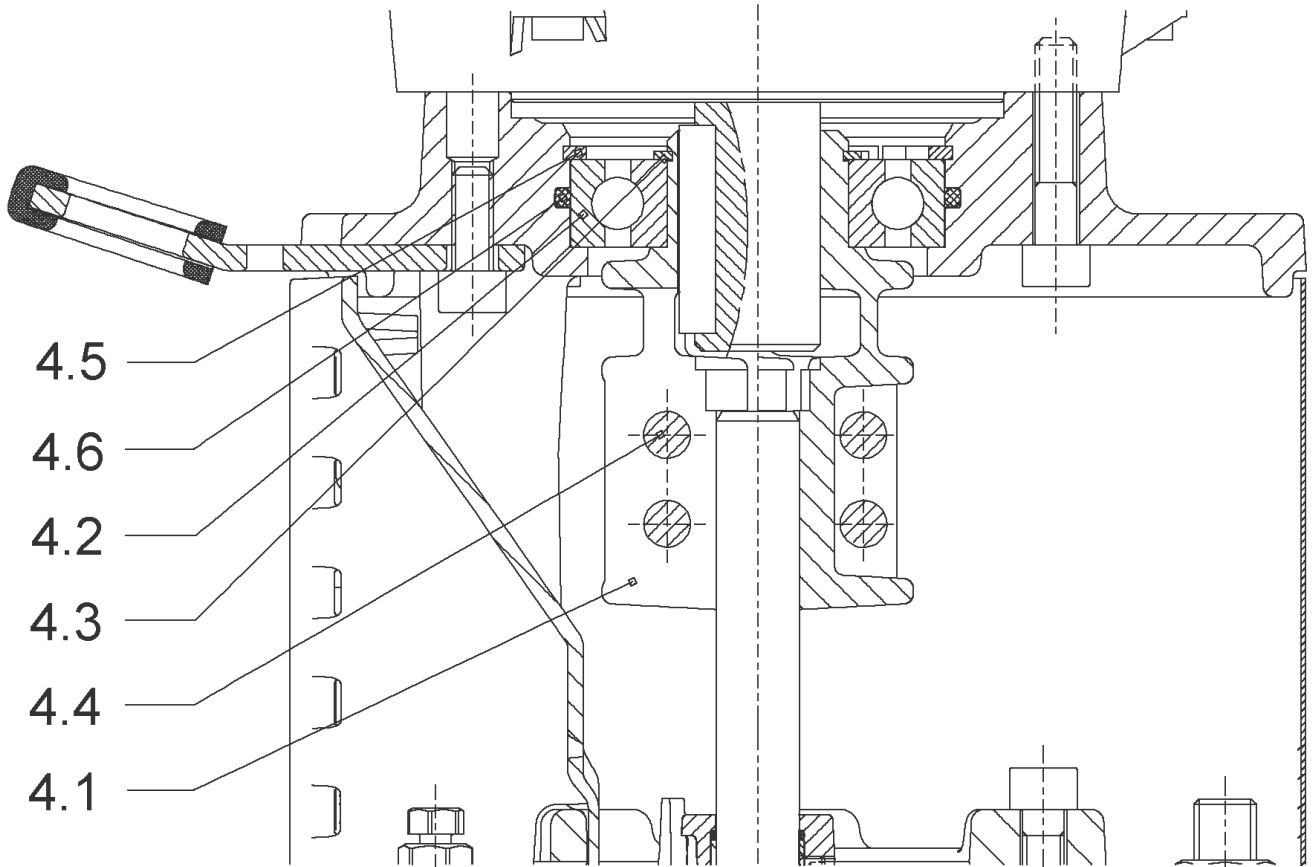


**HELIX V205-1/16/E/S/400-50 (4164295)**

Item	Article no.	Description	Quantity
1	4169939	MO.0,55/2/71 3~400V 50HZ 460V 60HZ IE2VP	1
		SPARE PARTS MOTOR:ON REQUEST	1
2	4159702	SCREW M6X30 (4 PIECES)	1
3	4171325	LANTERN MONOBLOC FT85 HELIX KIT	1
3.1		> M+5_6_LANTERN_ONE-PIECE_FT85_CATA	1
3.2	2127604	> EYELET CPL.FT HELIX(2 PIECES)	1
3.3	4159692	> COUPLING PROTECTOR FT HELIX KIT	1
4	4178554	COUPLING FT 85 Ø12XØ14 KIT	1
6	4178579	STUD BOLT M12X317 KIT	1
6.1		> TIE BOLT M12-317x18x30-1.4057	1
6.2	2094647	> NUT M12 M12 ISO4032 VP.	1
6.3	2123557	> WASHER CS-12.4-24-1.6-NFE25 (4 PIECES)	1
7	4210143	STATIONARY RING HOLDER HELIX 6" EPDM	1
7.2	2127607	> STATIONARY RING HOLDER 6" HELIX 1.4301 V	1
7.3	4176513	> O-RING FOR PUMP JACKET VP.	1
7.4	2127603	> O-RING ID.37,6x2,4 EPDM VP.	1
7.5	2127602	> O-RING ID.21,35x2 EPDM VP.	1
8	4159686	FILING/PURGING PLUG HELIX EPDM KIT	1
9	4178564	SEAL-KIT-HELIX2-4 O/E KIT	1
10	4178580	HOUSING PIPE D.152X184 1.4301 KIT	1
7.3	4176513	> O-RING FOR PUMP JACKET VP.	1
10.1		> HOUSING-PIPE Ø152-M+205/405-304	1
11	4179315	CENTERING STAGE HELIX V2 1.4307 VP.	1
12	4178568	SHAFT EQUIPMENT HELIX V2/V4 KIT	1
12.1		> NUT-H-M8-STAINLESS-STEEL A4-70	2
12.2		> SHAFT END WASHER Ø8/Ø12 316L	1
12.3		> STOP COLLAR OF IMPELLER M+2/4 SINGLEBLOC	1
12.4		> STOP-RUSH-1/2-D12xd2-M+316	2
13		HYDRAULIC HELIX V 205 1.4307	1
14	4178582	SHAFT D.12X308 1.4301 VP.	1
15	4174079	PUMP HOUSING HELIX DN32 PN16 1.4301 KIT	1
7.3	4176513	> O-RING FOR PUMP JACKET VP.	1
15.1		> BLASTING PPE HOUSING V-PN16-DN32-5"-304	1
15.2	4217889	> COUNTER FLANGE-G1"-PN16-GJL KIT	1

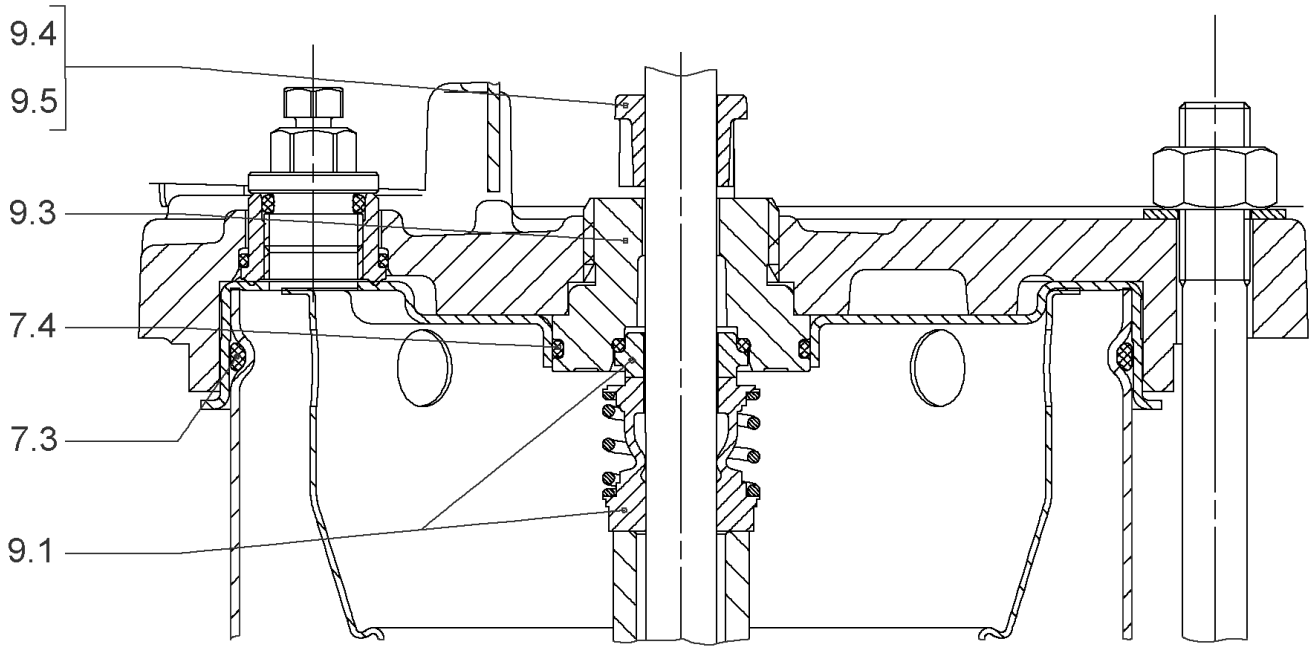
**HELIX V205-1/16/E/S/400-50 (4164295)**

<b>Item</b>	<b>Article no.</b>	<b>Description</b>	<b>Quantity</b>
15.3	4171321	> PRIMING/DRAIN PLUG EPDM HELIX KIT	1
16	4177964	BASEPLATE HELIX V2/4/6 PN16 VP.	1



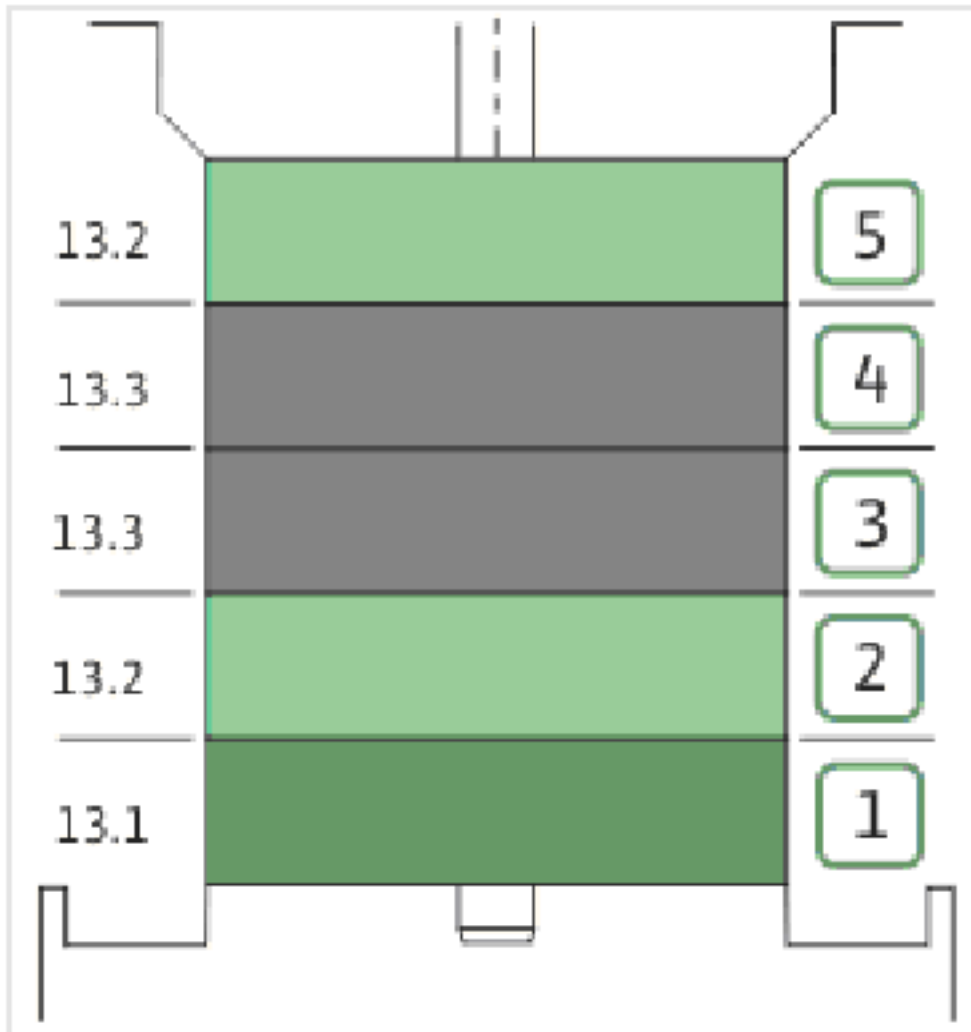
**COUPLING FT 85 Ø12XØ14 KIT (4178554)**

Item	Article no.	Description	Quantity
4.1		COUPLING-M+ Ø12XØ14-FT85-MACHINED	1
4.3	4208923	CIRCLIP D25X1.2 VP.	1
4.2	4177802	BALL BEARING 6205C3-ZZ HTVP.	1
4.4	4212716	SCREW M6X20 KIT (4PIECES)	1
4.5	4233124	CIRCLIP-FOR-BORES-D52x2 VP.	1
4.6	4234244	O-RING 52X2 VP.	1
		CONTACT-WASHER-6ETR-6,1x12,2x1,8-STEEL	4



**SEAL-KIT-HELIX2-4 O/E KIT (4178564)**

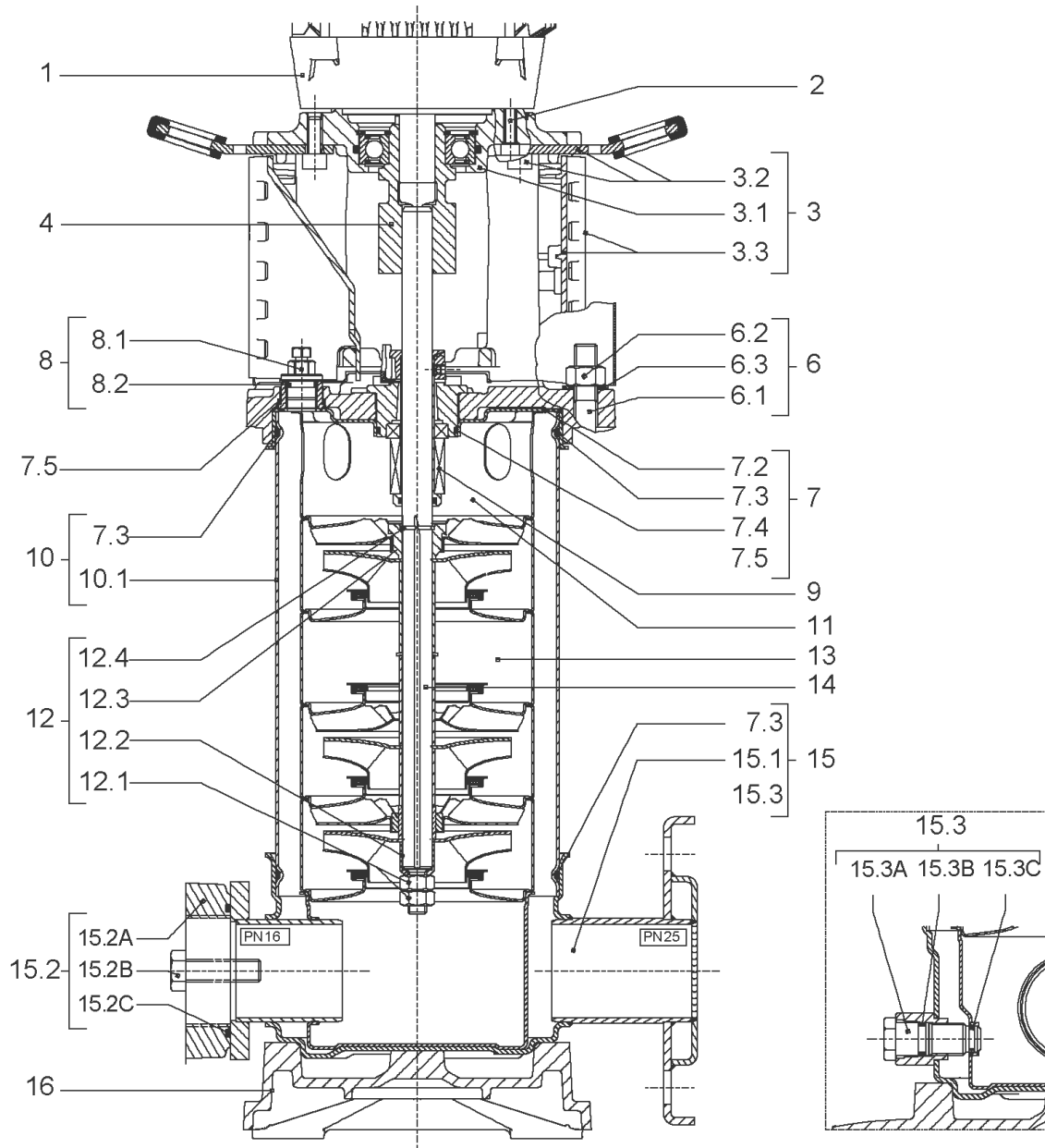
Item	Article no.	Description	Quantity
7.3	4176513	O-RING FOR PUMP JACKET VP.	1
7.4	2127603	O-RING ID.37,6x2,4 EPDM VP.	1
9.1	4178563	M.SEAL.HELIX2-4 O/E VP.	1
9.3	4178561	RING HOLDER Ø22 1.4301 VP.	1
9.5	4178562	DRIVE RING D.22/12.2X10 MACH.VP.	1
9.4	4176520	SCREW CH M5x5 A4-70 ( 3PIECES )	1



**HYDRAULIC HELIX V 205 1.4307**

Item	Article no.	Description	Quantity
13.1	4179316	STAGE HELIX 2 1.4301 KIT	1
		> MACH.STG-CASING-WOGV-WNR-M+2-4-304	1
		> IMPELLER-M+2-304	1
13.2	4179317	STAGE BEARING HELIX 2 1.4307 KIT	1
		> MACH.BEARING-STG-CASING-WNR-M+2-304	1
		> IMPELLER-M+2-304	1
		> SHAFT SLEEVE SPACER Ø15,35x10,305-304	1
		> SHAFT-SLEEVE-D12xD16x14-CW	1
13.3	4179319	INTERMEDIATE STAGE HELIX 2 1.4301 KIT	1
		> CORPS-ETG-STD-ACR-AJR-USIN.M+2-304	1
		> IMPELLER-M+2-304	1
		> IMPELLER SPACER Ø12,05X14,85-L24,285-304	1





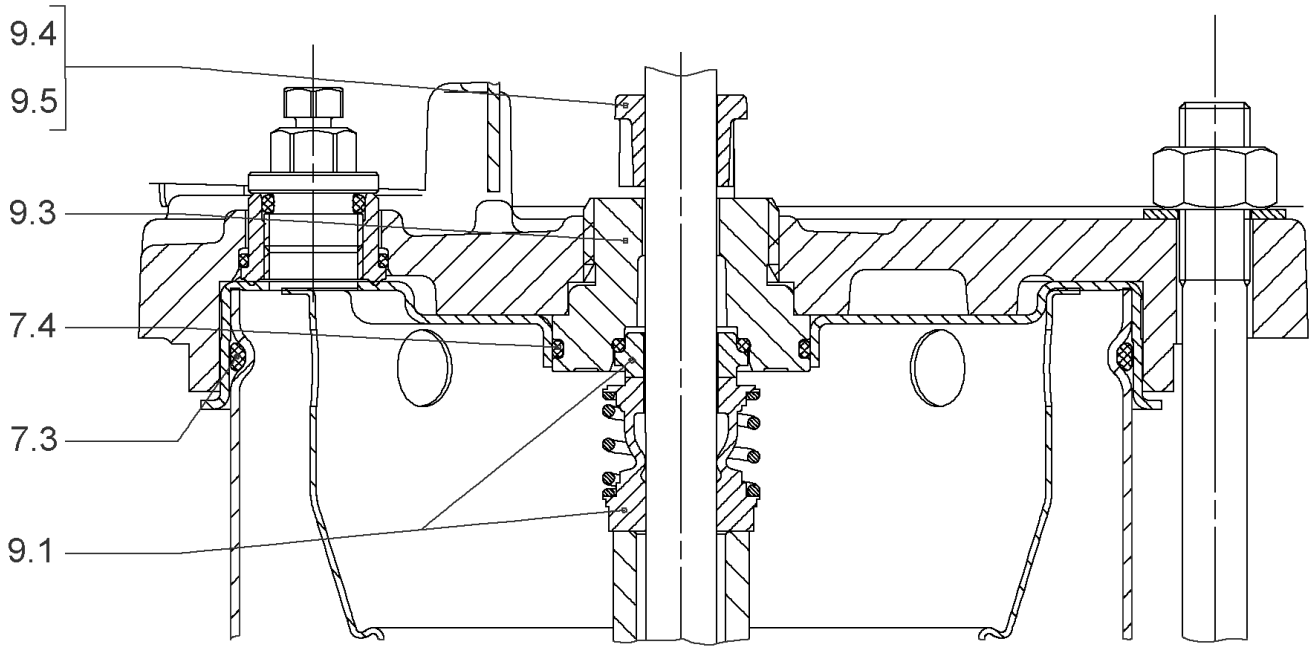
**HELIX V210-1/16/E/S/400-50 (4164300)**

Item	Article no.	Description	Quantity
1	4169940	MOTOR 0,75/2/80 3~230/400V 50HZ IE3 VP.	1
		SPARE PARTS MOTOR:ON REQUEST	1
2	4159702	SCREW M6X30 (4 PIECES)	1
3	4172790	EQUIPED LANTERN NEXIS FT 100 KIT	1
3.1		> M+5_6_LANTERN_ONE-PIECE_FT100_CATA	1
3.2	2127604	> EYELET CPL.FT HELIX(2 PIECES)	1
3.3	4159692	> COUPLING PROTECTOR FT HELIX KIT	1
4	4178578	COUPLING D.12XD.19 FT100 KIT	1
6	2127554	STUD BOLT M12X437 KIT	1
7	4210143	STATIONARY RING HOLDER HELIX 6" EPDM	1
7.2	2127607	> STATIONARY RING HOLDER 6" HELIX 1.4301 V	1
7.3	4176513	> O-RING FOR PUMP JACKET VP.	1
7.4	2127603	> O-RING ID.37,6x2,4 EPDM VP.	1
7.5	2127602	> O-RING ID.21,35x2 EPDM VP.	1
8	4159686	FILING/PURGING PLUG HELIX EPDM KIT	1
9	4178564	SEAL-KIT-HELIX2-4 O/E KIT	1
10	2127577	HOUSING PIPE D.152x310 1.4301 KIT	1
11	4179315	CENTERING STAGE HELIX V2 1.4307 VP.	1
12	4178568	SHAFT EQUIPMENT HELIX V2/V4 KIT	1
12.1		> NUT-H-M8-STAINLESS-STEEL A4-70	2
12.2		> SHAFT END WASHER Ø8/Ø12 316L	1
12.3		> STOP COLLAR OF IMPELLER M+2/4 SINGLEBLOC	1
12.4		> STOP-RUSH-1/2-D12xd2-M+316	2
13		HYDRAULIC HELIX V 210 1.4307	1
14	4178604	SHAFT D.12X433 1.4301 VP.	1
15	4174079	PUMP HOUSING HELIX DN32 PN16 1.4301 KIT	1
7.3	4176513	> O-RING FOR PUMP JACKET VP.	1
15.1		> BLASTING PPE HOUSING V-PN16-DN32-5"-304	1
15.2	4217889	> COUNTER FLANGE-G1"-PN16-GJL KIT	1
15.3	4171321	> PRIMING/DRAIN PLUG EPDM HELIX KIT	1
16	4177964	BASEPLATE HELIX V2/4/6 PN16 VP.	1



**COUPLING D.12XD.19 FT100 KIT (4178578)**

Item	Article no.	Description	Quantity
4.1		COUPLING-M+ Ø12XØ19-FT100-MACHINED	1
4.3	4234249	CIRCLIP-FOR-SHAFT-D30x1.5 VP.	1
4.2	2130977	BALL BEARING 6206/ZZ-C3(HT)VP.	1
4.4	4212716	SCREW M6X20 KIT (4PIECES)	1
4.5	4234250	CIRCLIP-D62x2 VP.	1
4.6	4234245	O-RING 63X3 VP.	1
		CONTACT-WASHER-6ETR-6,1x12,2x1,8-STEEL	4



**SEAL-KIT-HELIX2-4 O/E KIT (4178564)**

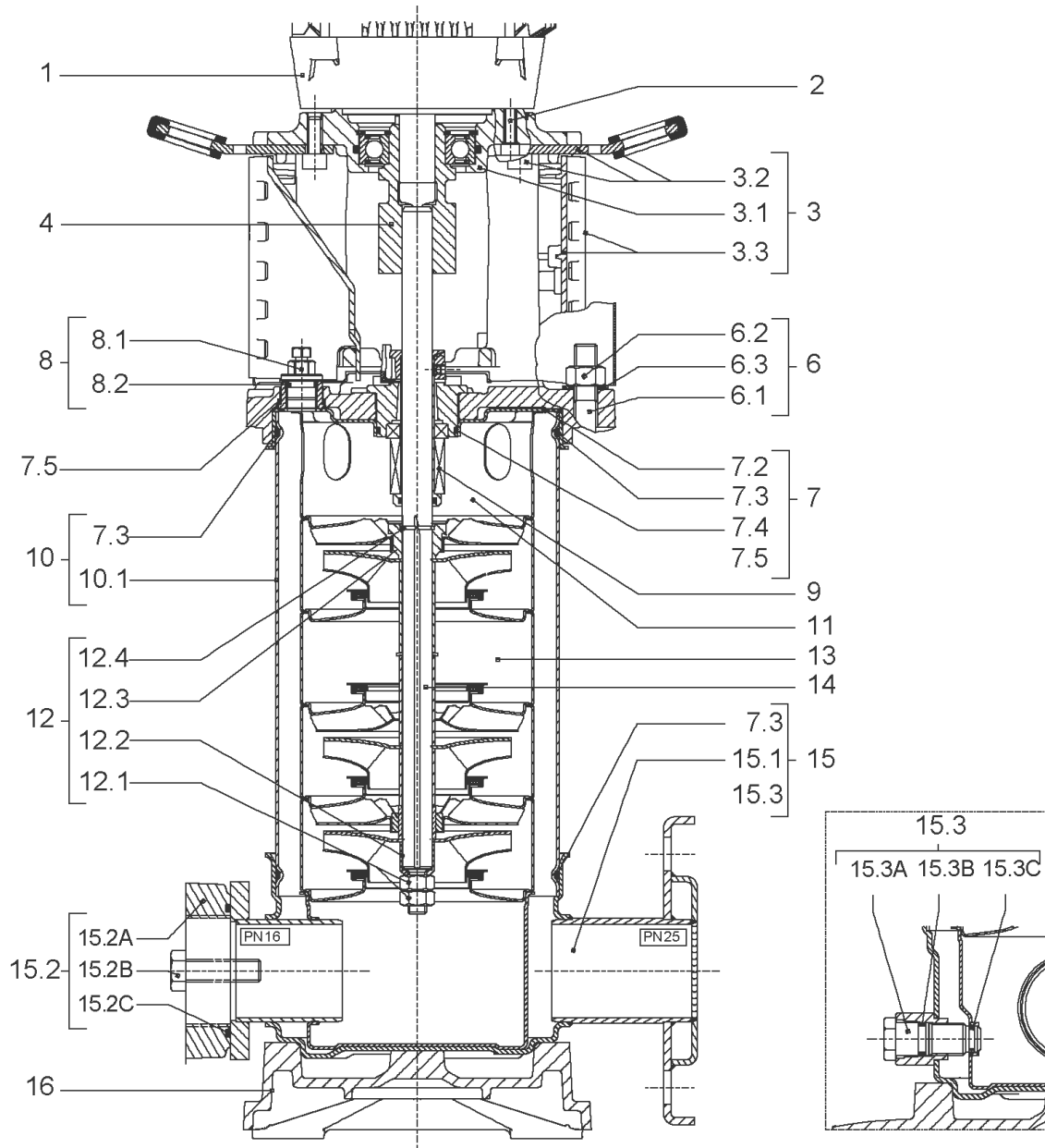
Item	Article no.	Description	Quantity
7.3	4176513	O-RING FOR PUMP JACKET VP.	1
7.4	2127603	O-RING ID.37,6x2,4 EPDM VP.	1
9.1	4178563	M.SEAL.HELIX2-4 O/E VP.	1
9.3	4178561	RING HOLDER Ø22 1.4301 VP.	1
9.5	4178562	DRIVE RING D.22/12.2X10 MACH.VP.	1
9.4	4176520	SCREW CH M5x5 A4-70 ( 3PIECES )	1



**HYDRAULIC HELIX V 210 1.4307**

Item	Article no.	Description	Quantity
13.1	4179316	STAGE HELIX 2 1.4301 KIT	1
		> MACH.STG-CASING-WOGV-WNR-M+2-4-304	1
		> IMPELLER-M+2-304	1
13.2	4179317	STAGE BEARING HELIX 2 1.4307 KIT	1
		> MACH.BEARING-STG-CASING-WNR-M+2-304	1
		> IMPELLER-M+2-304	1
		> SHAFT SLEEVE SPACER Ø15,35x10,305-304	1
		> SHAFT-SLEEVE-D12xD16x14-CW	1
13.3	4179319	INTERMEDIATE STAGE HELIX 2 1.4301 KIT	1
		> CORPS-ETG-STD-ACR-AJR-USIN.M+2-304	1
		> IMPELLER-M+2-304	1
		> IMPELLER SPACER Ø12,05X14,85-L24,285-304	1





**HELIX V211-1/16/E/S/400-50 (4164301)**

Item	Article no.	Description	Quantity
1	4169941	MOTOR 1,1/2/80 3~230/400V 50HZ IE3 VP.	1
		SPARE PARTS MOTOR:ON REQUEST	1
2	4159702	SCREW M6X30 (4 PIECES)	1
3	4172790	EQUIPED LANTERN NEXIS FT 100 KIT	1
3.1		> M+5_6_LANTERN_ONE-PIECE_FT100_CATA	1
3.2	2127604	> EYELET CPL.FT HELIX(2 PIECES)	1
3.3	4159692	> COUPLING PROTECTOR FT HELIX KIT	1
4	4178578	COUPLING D.12XD.19 FT100 KIT	1
6	4178605	STUD BOLT M12X469 KIT	1
6.1		> TIE BOLT M12-469x18x30-1.4057	1
6.2	2094647	> NUT M12 M12 ISO4032 VP.	1
6.3	2123557	> WASHER CS-12.4-24-1.6-NFE25 (4 PIECES)	1
7	4210143	STATIONARY RING HOLDER HELIX 6" EPDM	1
7.2	2127607	> STATIONARY RING HOLDER 6" HELIX 1.4301 V	1
7.3	4176513	> O-RING FOR PUMP JACKET VP.	1
7.4	2127603	> O-RING ID.37,6x2,4 EPDM VP.	1
7.5	2127602	> O-RING ID.21,35x2 EPDM VP.	1
8	4159686	FILING/PURGING PLUG HELIX EPDM KIT	1
9	4178564	SEAL-KIT-HELIX2-4 O/E KIT	1
10	4178606	HOUSING-PIPE D.152X335 1.4304 KIT	1
7.3	4176513	> O-RING FOR PUMP JACKET VP.	1
10.1		> HOUSING-PIPE Ø152-M+211/411-304	1
11	4179315	CENTERING STAGE HELIX V2 1.4307 VP.	1
12	4178568	SHAFT EQUIPMENT HELIX V2/V4 KIT	1
12.1		> NUT-H-M8-STAINLESS-STEEL A4-70	2
12.2		> SHAFT END WASHER Ø8/Ø12 316L	1
12.3		> STOP COLLAR OF IMPELLER M+2/4 SINGLEBLOC	1
12.4		> STOP-RUSH-1/2-D12xd2-M+316	2
13		HYDRAULIC HELIX V 211 1.4307	1
14	4178608	SHAFT D.12X458 1.4301 VP.	1
15	4174079	PUMP HOUSING HELIX DN32 PN16 1.4301 KIT	1
7.3	4176513	> O-RING FOR PUMP JACKET VP.	1
15.1		> BLASTING PPE HOUSING V-PN16-DN32-5"-304	1
15.2	4217889	> COUNTER FLANGE-G1"-PN16-GJL KIT	1

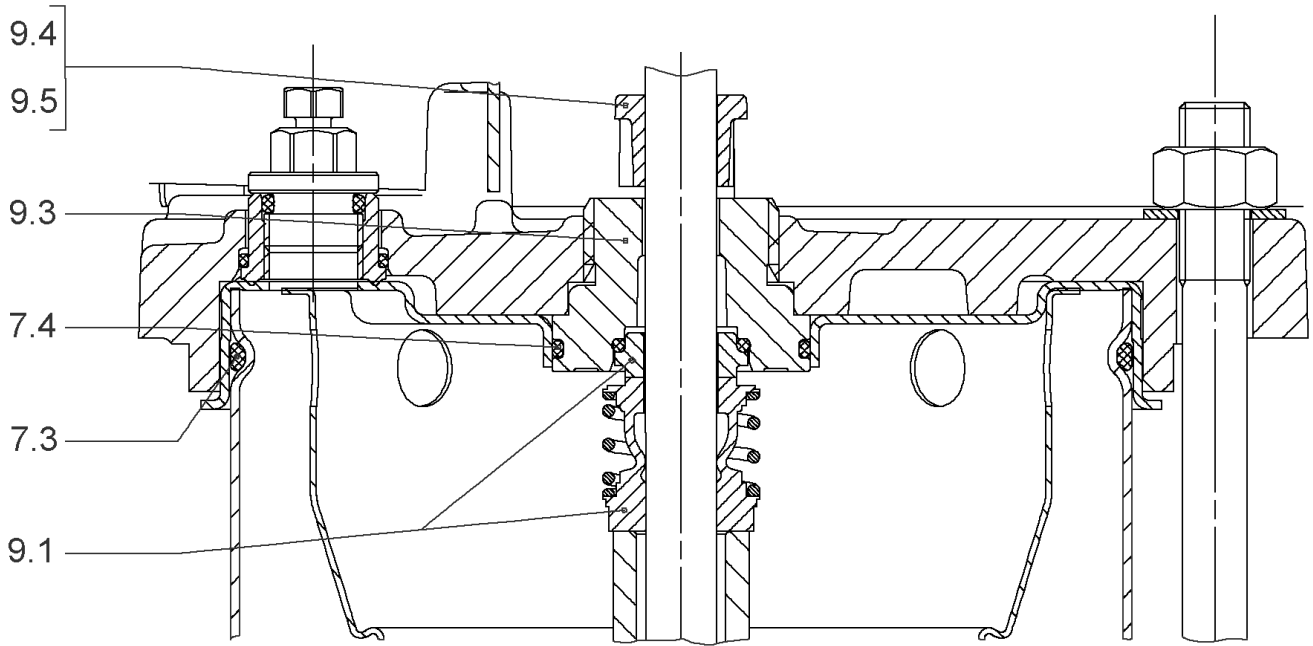
**HELIX V211-1/16/E/S/400-50 (4164301)**

<b>Item</b>	<b>Article no.</b>	<b>Description</b>	<b>Quantity</b>
15.3	4171321	> PRIMING/DRAIN PLUG EPDM HELIX KIT	1
16	4177970	BASEPLATE HELIX V2/4/6 PN25 VP.	1



**COUPLING D.12XD.19 FT100 KIT (4178578)**

Item	Article no.	Description	Quantity
4.1		COUPLING-M+ Ø12XØ19-FT100-MACHINED	1
4.3	4234249	CIRCLIP-FOR-SHAFT-D30x1.5 VP.	1
4.2	2130977	BALL BEARING 6206/ZZ-C3(HT)VP.	1
4.4	4212716	SCREW M6X20 KIT (4PIECES)	1
4.5	4234250	CIRCLIP-D62x2 VP.	1
4.6	4234245	O-RING 63X3 VP.	1
		CONTACT-WASHER-6ETR-6,1x12,2x1,8-STEEL	4



**SEAL-KIT-HELIX2-4 O/E KIT (4178564)**

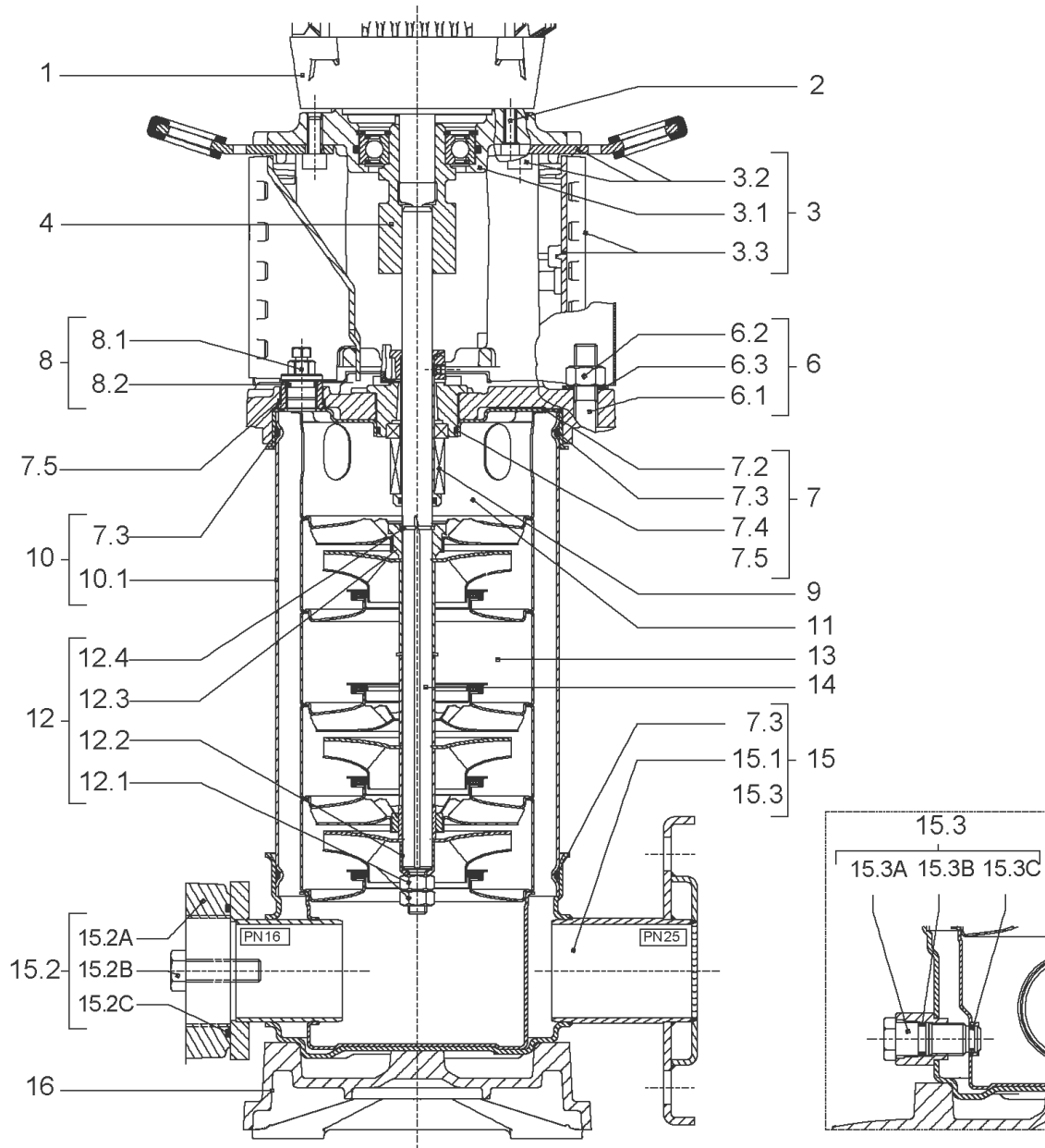
Item	Article no.	Description	Quantity
7.3	4176513	O-RING FOR PUMP JACKET VP.	1
7.4	2127603	O-RING ID.37,6x2,4 EPDM VP.	1
9.1	4178563	M.SEAL.HELIX2-4 O/E VP.	1
9.3	4178561	RING HOLDER Ø22 1.4301 VP.	1
9.5	4178562	DRIVE RING D.22/12.2X10 MACH.VP.	1
9.4	4176520	SCREW CH M5x5 A4-70 ( 3PIECES )	1





**HYDRAULIC HELIX V 211 1.4307**

Item	Article no.	Description	Quantity
13.1	4179316	STAGE HELIX 2 1.4301 KIT	1
		> MACH.STG-CASING-WOGV-WNR-M+2-4-304	1
		> IMPELLER-M+2-304	1
13.2	4179317	STAGE BEARING HELIX 2 1.4307 KIT	1
		> MACH.BEARING-STG-CASING-WNR-M+2-304	1
		> IMPELLER-M+2-304	1
		> SHAFT SLEEVE SPACER Ø15,35x10,305-304	1
		> SHAFT-SLEEVE-D12xD16x14-CW	1
13.3	4179319	INTERMEDIATE STAGE HELIX 2 1.4301 KIT	1
		> CORPS-ETG-STD-ACR-AJR-USIN.M+2-304	1
		> IMPELLER-M+2-304	1
		> IMPELLER SPACER Ø12,05X14,85-L24,285-304	1



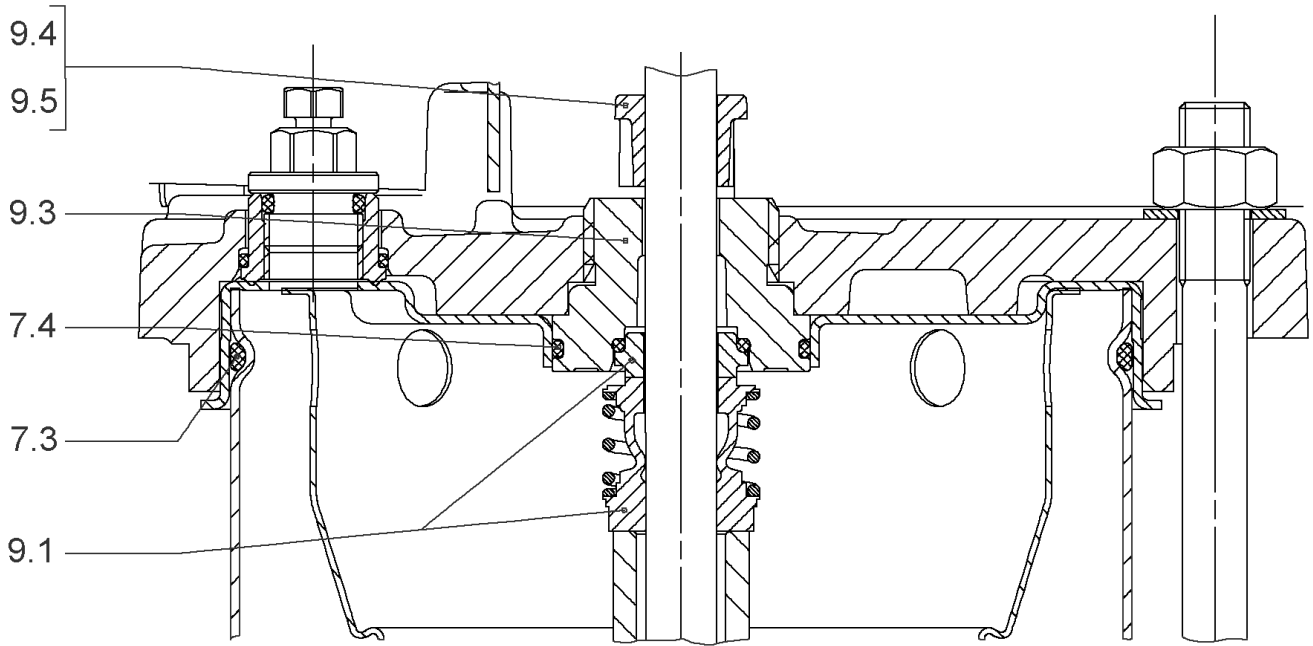
**HELIX V212-1/16/E/S/400-50 (4164302)**

Item	Article no.	Description	Quantity
1	4169941	MOTOR 1,1/2/80 3~230/400V 50HZ IE3 VP.	1
		SPARE PARTS MOTOR:ON REQUEST	1
2	4159702	SCREW M6X30 (4 PIECES)	1
3	4172790	EQUIPED LANTERN NEXIS FT 100 KIT	1
3.1		> M+5_6_LANTERN_ONE-PIECE_FT100_CATA	1
3.2	2127604	> EYELET CPL.FT HELIX(2 PIECES)	1
3.3	4159692	> COUPLING PROTECTOR FT HELIX KIT	1
4	4178578	COUPLING D.12XD.19 FT100 KIT	1
6	2127555	STUD BOLT M12X485 KIT	1
7	4210143	STATIONARY RING HOLDER HELIX 6" EPDM	1
7.2	2127607	> STATIONARY RING HOLDER 6" HELIX 1.4301 V	1
7.3	4176513	> O-RING FOR PUMP JACKET VP.	1
7.4	2127603	> O-RING ID.37,6x2,4 EPDM VP.	1
7.5	2127602	> O-RING ID.21,35x2 EPDM VP.	1
8	4159686	FILING/PURGING PLUG HELIX EPDM KIT	1
9	4178564	SEAL-KIT-HELIX2-4 O/E KIT	1
10	2127578	HOUSING PIPE D.152x360 1.4307 KIT	1
7.3	4176513	> O-RING FOR PUMP JACKET VP.	1
10.1		> HOUSING-PIPE Ø152-M+1008/1606-304	1
11	4179315	CENTERING STAGE HELIX V2 1.4307 VP.	1
12	4178568	SHAFT EQUIPMENT HELIX V2/V4 KIT	1
12.1		> NUT-H-M8-STAINLESS-STEEL A4-70	2
12.2		> SHAFT END WASHER Ø8/Ø12 316L	1
12.3		> STOP COLLAR OF IMPELLER M+2/4 SINGLEBLOC	1
12.4		> STOP-RUSH-1/2-D12xd2-M+316	2
13		HYDRAULIC HELIX V 212 1.4307	1
14	4178610	SHAFT D.12X483 1.4301 VP.	1
15	4174079	PUMP HOUSING HELIX DN32 PN16 1.4301 KIT	1
7.3	4176513	> O-RING FOR PUMP JACKET VP.	1
15.1		> BLASTING PPE HOUSING V-PN16-DN32-5"-304	1
15.2	4217889	> COUNTER FLANGE-G1"-PN16-GJL KIT	1
15.3	4171321	> PRIMING/DRAIN PLUG EPDM HELIX KIT	1
16	4177964	BASEPLATE HELIX V2/4/6 PN16 VP.	1



**COUPLING D.12XD.19 FT100 KIT (4178578)**

Item	Article no.	Description	Quantity
4.1		COUPLING-M+ Ø12XØ19-FT100-MACHINED	1
4.3	4234249	CIRCLIP-FOR-SHAFT-D30x1.5 VP.	1
4.2	2130977	BALL BEARING 6206/ZZ-C3(HT)VP.	1
4.4	4212716	SCREW M6X20 KIT (4PIECES)	1
4.5	4234250	CIRCLIP-D62x2 VP.	1
4.6	4234245	O-RING 63X3 VP.	1
		CONTACT-WASHER-6ETR-6,1x12,2x1,8-STEEL	4



**SEAL-KIT-HELIX2-4 O/E KIT (4178564)**

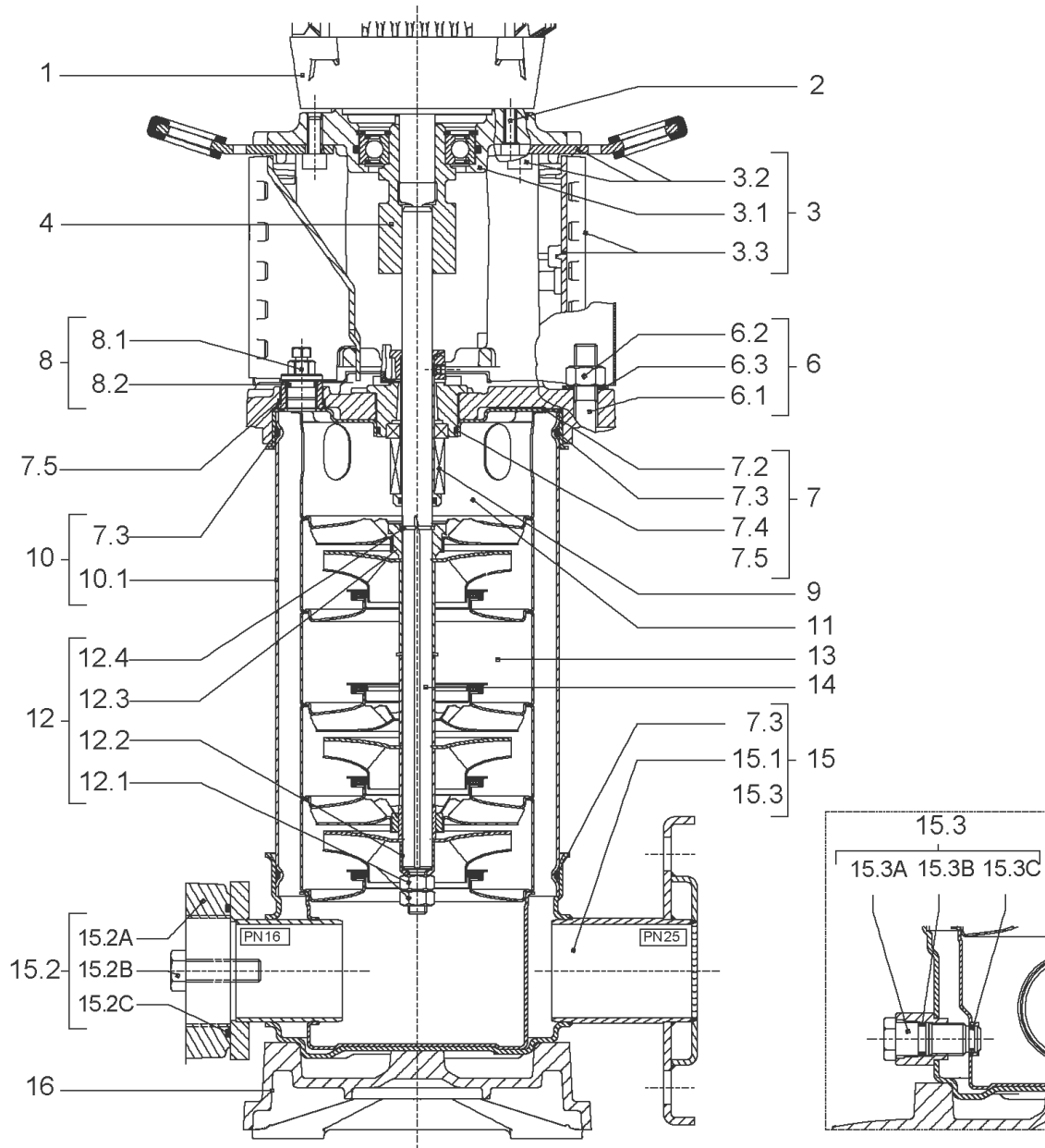
Item	Article no.	Description	Quantity
7.3	4176513	O-RING FOR PUMP JACKET VP.	1
7.4	2127603	O-RING ID.37,6x2,4 EPDM VP.	1
9.1	4178563	M.SEAL.HELIX2-4 O/E VP.	1
9.3	4178561	RING HOLDER Ø22 1.4301 VP.	1
9.5	4178562	DRIVE RING D.22/12.2X10 MACH.VP.	1
9.4	4176520	SCREW CH M5x5 A4-70 ( 3PIECES )	1





**HYDRAULIC HELIX V 212 1.4307**

Item	Article no.	Description	Quantity
13.1	4179316	STAGE HELIX 2 1.4301 KIT	1
		> MACH.STG-CASING-WOGV-WNR-M+2-4-304	1
		> IMPELLER-M+2-304	1
13.2	4179317	STAGE BEARING HELIX 2 1.4307 KIT	1
		> MACH.BEARING-STG-CASING-WNR-M+2-304	1
		> IMPELLER-M+2-304	1
		> SHAFT SLEEVE SPACER Ø15,35x10,305-304	1
		> SHAFT-SLEEVE-D12xD16x14-CW	1
13.3	4179319	INTERMEDIATE STAGE HELIX 2 1.4301 KIT	1
		> CORPS-ETG-STD-ACR-AJR-USIN.M+2-304	1
		> IMPELLER-M+2-304	1
		> IMPELLER SPACER Ø12,05X14,85-L24,285-304	1



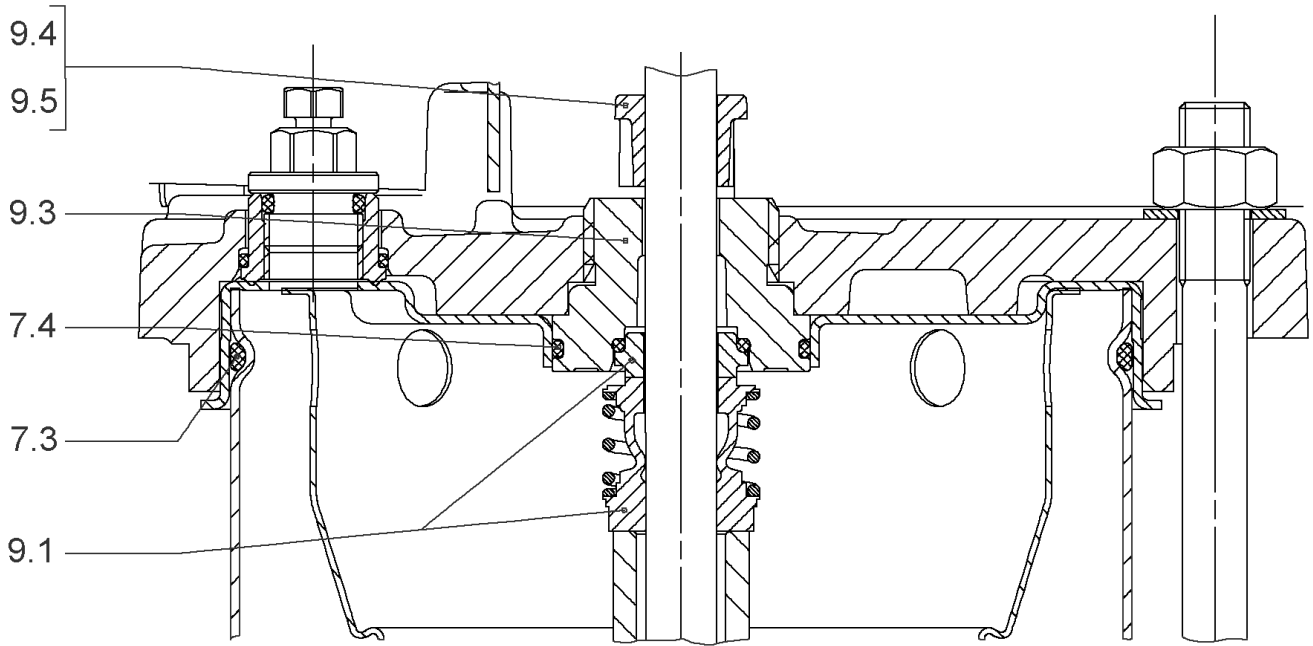
**HELIX V213-1/16/E/S/400-50 (4164303)**

Item	Article no.	Description	Quantity
1	4169941	MOTOR 1,1/2/80 3~230/400V 50HZ IE3 VP.	1
		SPARE PARTS MOTOR:ON REQUEST	1
2	4159702	SCREW M6X30 (4 PIECES)	1
3	4172790	EQUIPED LANTERN NEXIS FT 100 KIT	1
3.1		> M+5_6_LANTERN_ONE-PIECE_FT100_CATA	1
3.2	2127604	> EYELET CPL.FT HELIX(2 PIECES)	1
3.3	4159692	> COUPLING PROTECTOR FT HELIX KIT	1
4	4178578	COUPLING D.12XD.19 FT100 KIT	1
6	2127556	STUD BOLT M12X542 KIT	1
7	4210143	STATIONARY RING HOLDER HELIX 6" EPDM	1
7.2	2127607	> STATIONARY RING HOLDER 6" HELIX 1.4301 V	1
7.3	4176513	> O-RING FOR PUMP JACKET VP.	1
7.4	2127603	> O-RING ID.37,6x2,4 EPDM VP.	1
7.5	2127602	> O-RING ID.21,35x2 EPDM VP.	1
8	4159686	FILING/PURGING PLUG HELIX EPDM KIT	1
9	4178564	SEAL-KIT-HELIX2-4 O/E KIT	1
10	2127579	HOUSING PIPE D.152x410 1.4301 KIT	1
7.3	4176513	> O-RING FOR PUMP JACKET VP.	1
10.1		> HOUSING-PIPE Ø152-M+1607-304	1
11	4179315	CENTERING STAGE HELIX V2 1.4307 VP.	1
12	4178568	SHAFT EQUIPMENT HELIX V2/V4 KIT	1
12.1		> NUT-H-M8-STAINLESS-STEEL A4-70	2
12.2		> SHAFT END WASHER Ø8/Ø12 316L	1
12.3		> STOP COLLAR OF IMPELLER M+2/4 SINGLEBLOC	1
12.4		> STOP-RUSH-1/2-D12xd2-M+316	2
13		HYDRAULIC HELIX V 213 1.4307	1
14	4178614	SHAFT D.12X533 1.4301 VP.	1
15	4174079	PUMP HOUSING HELIX DN32 PN16 1.4301 KIT	1
7.3	4176513	> O-RING FOR PUMP JACKET VP.	1
15.1		> BLASTING PPE HOUSING V-PN16-DN32-5"-304	1
15.2	4217889	> COUNTER FLANGE-G1"-PN16-GJL KIT	1
15.3	4171321	> PRIMING/DRAIN PLUG EPDM HELIX KIT	1
16	4177964	BASEPLATE HELIX V2/4/6 PN16 VP.	1



**COUPLING D.12XD.19 FT100 KIT (4178578)**

Item	Article no.	Description	Quantity
4.1		COUPLING-M+ Ø12XØ19-FT100-MACHINED	1
4.3	4234249	CIRCLIP-FOR-SHAFT-D30x1.5 VP.	1
4.2	2130977	BALL BEARING 6206/ZZ-C3(HT)VP.	1
4.4	4212716	SCREW M6X20 KIT (4PIECES)	1
4.5	4234250	CIRCLIP-D62x2 VP.	1
4.6	4234245	O-RING 63X3 VP.	1
		CONTACT-WASHER-6ETR-6,1x12,2x1,8-STEEL	4



**SEAL-KIT-HELIX2-4 O/E KIT (4178564)**

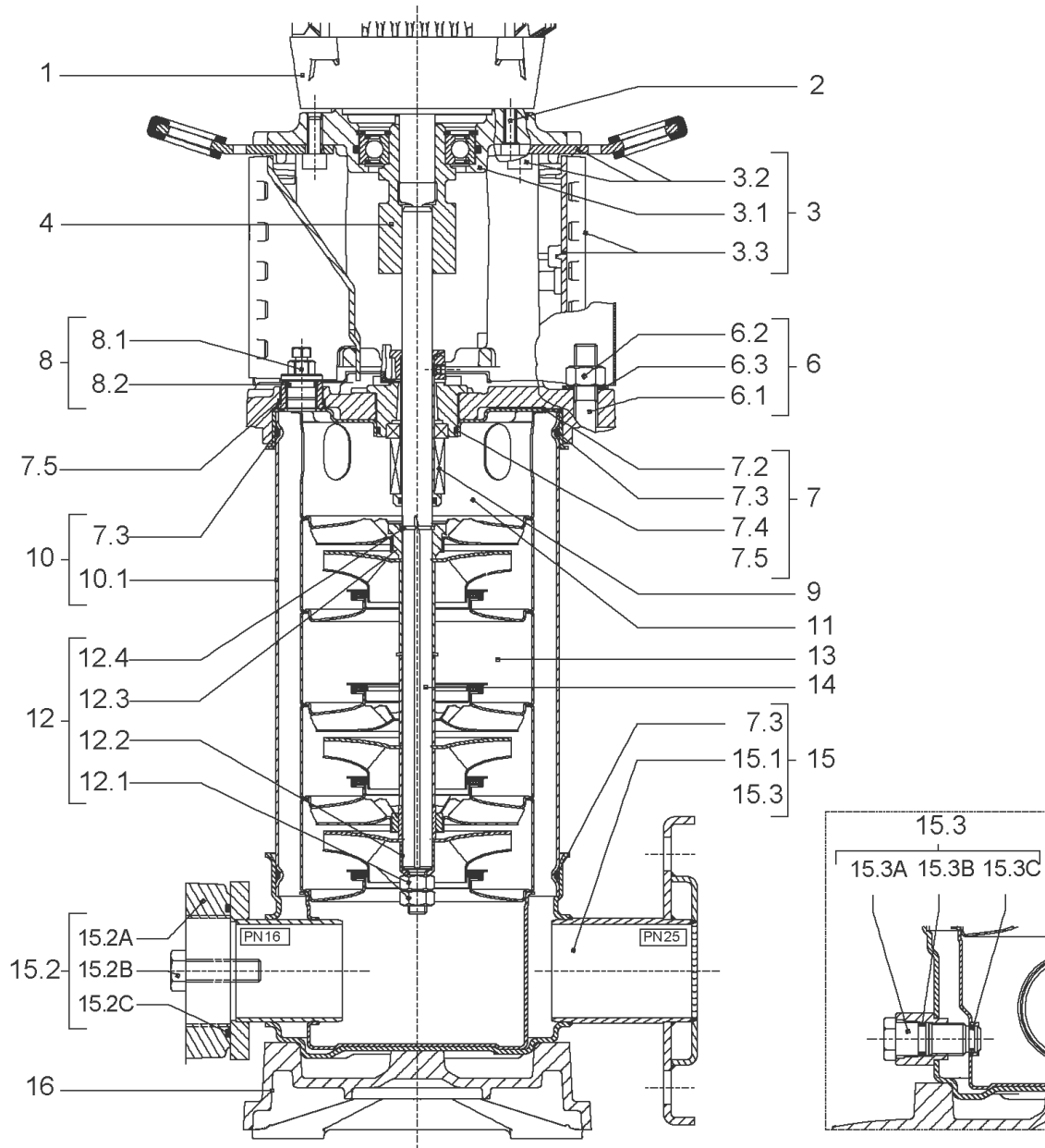
Item	Article no.	Description	Quantity
7.3	4176513	O-RING FOR PUMP JACKET VP.	1
7.4	2127603	O-RING ID.37,6x2,4 EPDM VP.	1
9.1	4178563	M.SEAL.HELIX2-4 O/E VP.	1
9.3	4178561	RING HOLDER Ø22 1.4301 VP.	1
9.5	4178562	DRIVE RING D.22/12.2X10 MACH.VP.	1
9.4	4176520	SCREW CH M5x5 A4-70 ( 3PIECES )	1





**HYDRAULIC HELIX V 213 1.4307**

Item	Article no.	Description	Quantity
13.1	4179316	STAGE HELIX 2 1.4301 KIT	1
		> MACH.STG-CASING-WOGV-WNR-M+2-4-304	1
		> IMPELLER-M+2-304	1
13.2	4179317	STAGE BEARING HELIX 2 1.4307 KIT	1
		> MACH.BEARING-STG-CASING-WNR-M+2-304	1
		> IMPELLER-M+2-304	1
		> SHAFT SLEEVE SPACER Ø15,35x10,305-304	1
		> SHAFT-SLEEVE-D12xD16x14-CW	1
13.3	4179319	INTERMEDIATE STAGE HELIX 2 1.4301 KIT	1
		> CORPS-ETG-STD-ACR-AJR-USIN.M+2-304	1
		> IMPELLER-M+2-304	1
		> IMPELLER SPACER Ø12,05X14,85-L24,285-304	1
13.4	4179503	EMPTY STAGE HELIX 2 1.4301 <15 stage Kit	1
		> CORPS-ETG-STD-ACR-AJR-USIN.M+2-304	1
		> FLAT WASHER-D12.1XD16X0.8-316L	1
		> IMPELLER SPACER Ø12,05X14,85-L24,285-304	1
13.5	4179504	STAGE HELIX 2 1.4301 < 15 stages Kit	1
		> MACH.STG-CASING-WOGV-WNR-M+2-4-304	1
		> IMPELLER-M+2-304	1
		> IMPELLER SPACER Ø12,05X14,85-L24,285-304	1



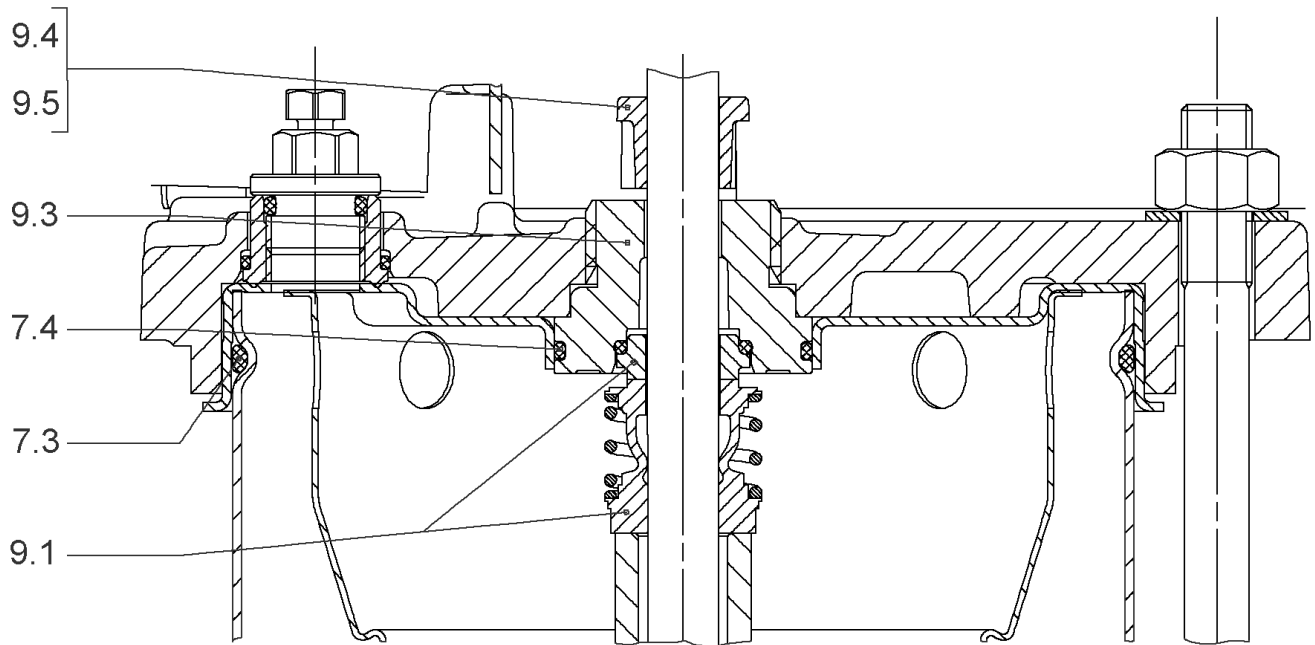
**HELIX V214-1/16/E/S/400-50 (4164304)**

Item	Article no.	Description	Quantity
1	4169941	MOTOR 1,1/2/80 3~230/400V 50HZ IE3 VP.	1
		SPARE PARTS MOTOR:ON REQUEST	1
2	4159702	SCREW M6X30 (4 PIECES)	1
3	4172790	EQUIPED LANTERN NEXIS FT 100 KIT	1
3.1		> M+5_6_LANTERN_ONE-PIECE_FT100_CATA	1
3.2	2127604	> EYELET CPL.FT HELIX(2 PIECES)	1
3.3	4159692	> COUPLING PROTECTOR FT HELIX KIT	1
4	4178578	COUPLING D.12XD.19 FT100 KIT	1
6	2127556	STUD BOLT M12X542 KIT	1
7	4210143	STATIONARY RING HOLDER HELIX 6" EPDM	1
7.2	2127607	> STATIONARY RING HOLDER 6" HELIX 1.4301 V	1
7.3	4176513	> O-RING FOR PUMP JACKET VP.	1
7.4	2127603	> O-RING ID.37,6x2,4 EPDM VP.	1
7.5	2127602	> O-RING ID.21,35x2 EPDM VP.	1
8	4159686	FILING/PURGING PLUG HELIX EPDM KIT	1
9	4178564	SEAL-KIT-HELIX2-4 O/E KIT	1
10	2127579	HOUSING PIPE D.152x410 1.4301 KIT	1
7.3	4176513	> O-RING FOR PUMP JACKET VP.	1
10.1		> HOUSING-PIPE Ø152-M+1607-304	1
11	4179315	CENTERING STAGE HELIX V2 1.4307 VP.	1
12	4178568	SHAFT EQUIPMENT HELIX V2/V4 KIT	1
12.1		> NUT-H-M8-STAINLESS-STEEL A4-70	2
12.2		> SHAFT END WASHER Ø8/Ø12 316L	1
12.3		> STOP COLLAR OF IMPELLER M+2/4 SINGLEBLOC	1
12.4		> STOP-RUSH-1/2-D12xd2-M+316	2
13		HYDRAULIC HELIX V 214 1.4307	1
14	4178614	SHAFT D.12X533 1.4301 VP.	1
15	4174079	PUMP HOUSING HELIX DN32 PN16 1.4301 KIT	1
7.3	4176513	> O-RING FOR PUMP JACKET VP.	1
15.1		> BLASTING PPE HOUSING V-PN16-DN32-5"-304	1
15.2	4217889	> COUNTER FLANGE-G1"-PN16-GJL KIT	1
15.3	4171321	> PRIMING/DRAIN PLUG EPDM HELIX KIT	1
16	4177964	BASEPLATE HELIX V2/4/6 PN16 VP.	1



**COUPLING D.12XD.19 FT100 KIT (4178578)**

Item	Article no.	Description	Quantity
4.1		COUPLING-M+ Ø12XØ19-FT100-MACHINED	1
4.3	4234249	CIRCLIP-FOR-SHAFT-D30x1.5 VP.	1
4.2	2130977	BALL BEARING 6206/ZZ-C3(HT)VP.	1
4.4	4212716	SCREW M6X20 KIT (4PIECES)	1
4.5	4234250	CIRCLIP-D62x2 VP.	1
4.6	4234245	O-RING 63X3 VP.	1
		CONTACT-WASHER-6ETR-6,1x12,2x1,8-STEEL	4



**SEAL-KIT-HELIX2-4 O/E KIT (4178564)**

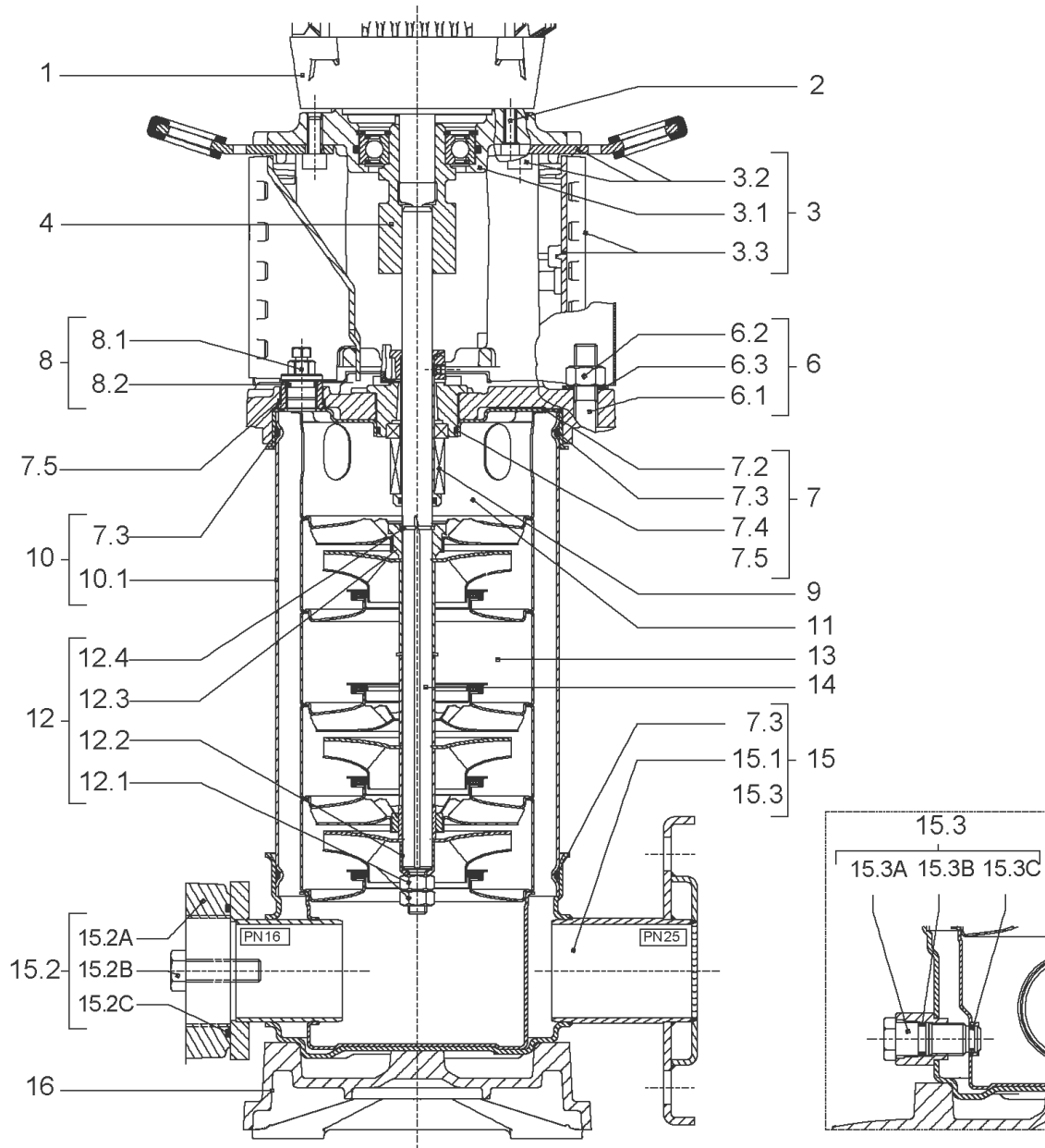
<b>Item</b>	<b>Article no.</b>	<b>Description</b>	<b>Quantity</b>
7.3	4176513	O-RING FOR PUMP JACKET VP.	1
7.4	2127603	O-RING ID.37,6x2,4 EPDM VP.	1
9.1	4178563	M.SEAL.HELIX2-4 O/E VP.	1
9.3	4178561	RING HOLDER Ø22 1.4301 VP.	1
9.5	4178562	DRIVE RING D.22/12.2X10 MACH.VP.	1
9.4	4176520	SCREW CH M5x5 A4-70 ( 3PIECES )	1





**HYDRAULIC HELIX V 214 1.4307**

Item	Article no.	Description	Quantity
13.1	4179316	STAGE HELIX 2 1.4301 KIT	1
		> MACH.STG-CASING-WOGV-WNR-M+2-4-304	1
		> IMPELLER-M+2-304	1
13.2	4179317	STAGE BEARING HELIX 2 1.4307 KIT	1
		> MACH.BEARING-STG-CASING-WNR-M+2-304	1
		> IMPELLER-M+2-304	1
		> SHAFT SLEEVE SPACER Ø15,35x10,305-304	1
		> SHAFT-SLEEVE-D12xD16x14-CW	1
13.3	4179319	INTERMEDIATE STAGE HELIX 2 1.4301 KIT	1
		> CORPS-ETG-STD-ACR-AJR-USIN.M+2-304	1
		> IMPELLER-M+2-304	1
		> IMPELLER SPACER Ø12,05X14,85-L24,285-304	1



**HELIX V218-1/16/E/S/400-50 (4164305)**

Item	Article no.	Description	Quantity
1	4169942	MO.1,5/2 3~230/400(440)V 50(60)HZ IE3 VP	1
		SPARE PARTS MOTOR:ON REQUEST	1
2	4159703	SCREW M8X40 (4 PIECES)	1
3	4172795	LANTERNE FT115 HELIX KIT	1
3.1		> M+5_6_LANTERN_ONE-PIECE_FT115_CATA	1
3.2	2127604	> EYELET CPL.FT HELIX(2 PIECES)	1
3.3	4159692	> COUPLING PROTECTOR FT HELIX KIT	1
4	4178600	COUPLING D.12XD.24 FT115 KIT	1
6	4177842	STUD BOLT M12X638KIT	1
6.1		> TIE BOLT M12-638x18x30-1.4057	1
6.2	2094647	> NUT M12 M12 ISO4032 VP.	1
6.3	2123557	> WASHER CS-12.4-24-1.6-NFE25 (4 PIECES)	1
7	4210143	STATIONARY RING HOLDER HELIX 6" EPDM	1
7.2	2127607	> STATIONARY RING HOLDER 6" HELIX 1.4301 V	1
7.3	4176513	> O-RING FOR PUMP JACKET VP.	1
7.4	2127603	> O-RING ID.37,6x2,4 EPDM VP.	1
7.5	2127602	> O-RING ID.21,35x2 EPDM VP.	1
8	4159686	FILING/PURGING PLUG HELIX EPDM KIT	1
9	4178564	SEAL-KIT-HELIX2-4 O/E KIT	1
10	4177843	HOUSING PIPES D.152X510 1.4307 KIT	1
7.3	4176513	> O-RING FOR PUMP JACKET VP.	1
10.1		> HOUSING-PIPE Ø152-M+1012/1609-304	1
11	4179315	CENTERING STAGE HELIX V2 1.4307 VP.	1
12	4178568	SHAFT EQUIPMENT HELIX V2/V4 KIT	1
12.1		> NUT-H-M8-STAINLESS-STEEL A4-70	2
12.2		> SHAFT END WASHER Ø8/Ø12 316L	1
12.3		> STOP COLLAR OF IMPELLER M+2/4 SINGLEBLOC	1
12.4		> STOP-RUSH-1/2-D12xd2-M+316	2
13		HYDRAULIC HELIX V 218 1.4307	1
14	4178623	SHAFT D.12X633 1.4301 VP.	1
15	4174079	PUMP HOUSING HELIX DN32 PN16 1.4301 KIT	1
7.3	4176513	> O-RING FOR PUMP JACKET VP.	1
15.1		> BLASTING PPE HOUSING V-PN16-DN32-5"-304	1
15.2	4217889	> COUNTER FLANGE-G1"-PN16-GJL KIT	1

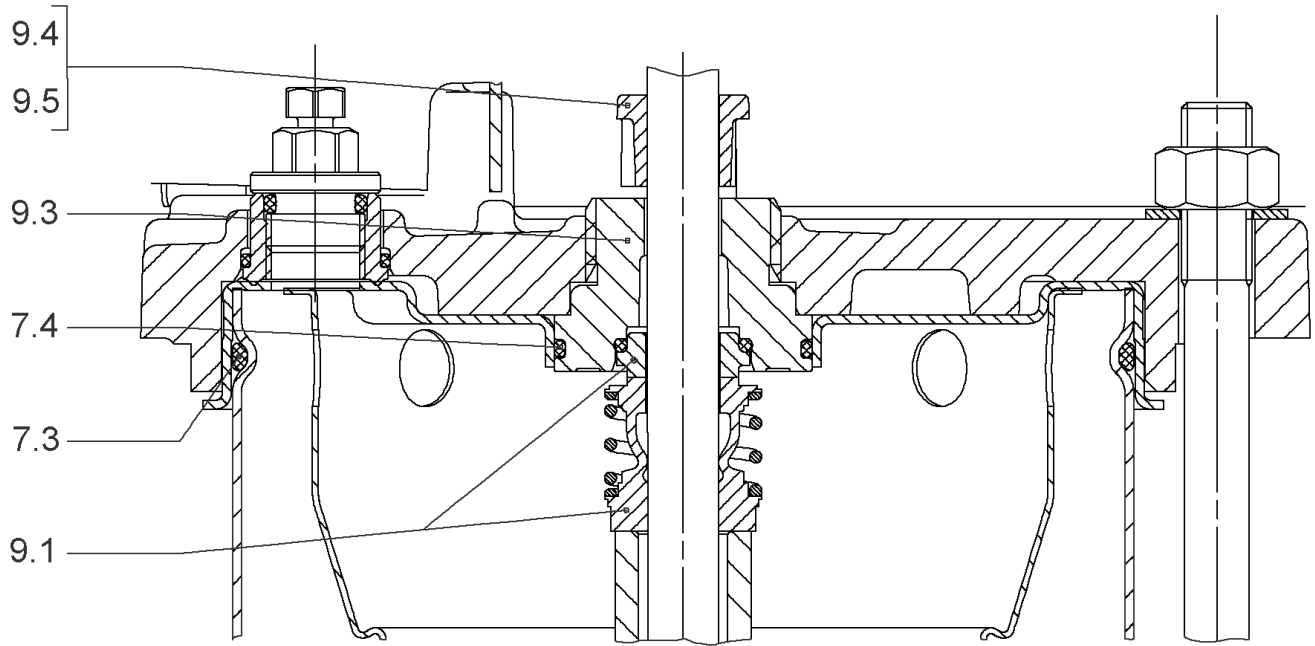
**HELIX V218-1/16/E/S/400-50 (4164305)**

<b>Item</b>	<b>Article no.</b>	<b>Description</b>	<b>Quantity</b>
15.3	4171321	> PRIMING/DRAIN PLUG EPDM HELIX KIT	1
16	4177964	BASEPLATE HELIX V2/4/6 PN16 VP.	1



**COUPLING D.12XD.24 FT115 KIT (4178600)**

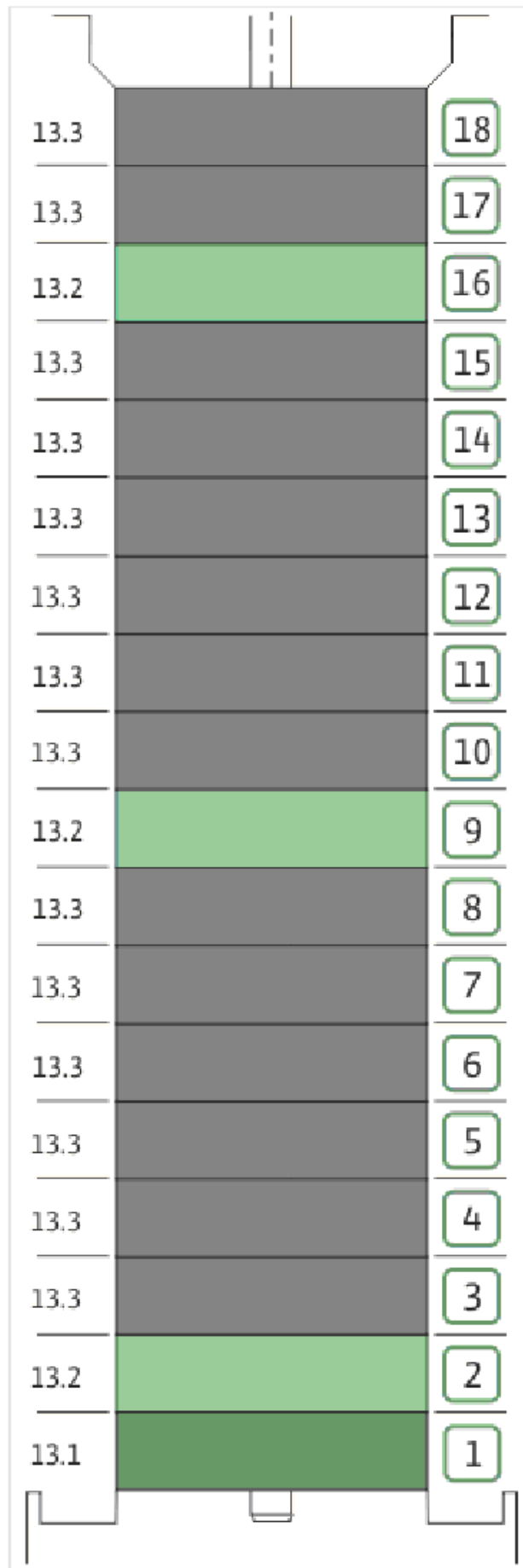
Item	Article no.	Description	Quantity
4.1		COUPLING-M+ Ø12XØ24-FT115-MACHINED	1
4.2	2131023	BALL BEARING 6207/ZZ-C3(HT)VP.	1
4.3	4234254	CIRCLIP-FOR-SHAFT-D35x1.5 VP.	1
4.4	4157726	SCREW KIT M8X30 (4 PIECES)	1
4.5	4234251	CIRCLIP-D72x2.5 VP.	1
4.6	4234246	O-RING 72X3 VP.	1
		NOMEL CONTACT WASHER 8x16x1,4 STEEL ZC	1



**SEAL-KIT-HELIX2-4 O/E KIT (4178564)**

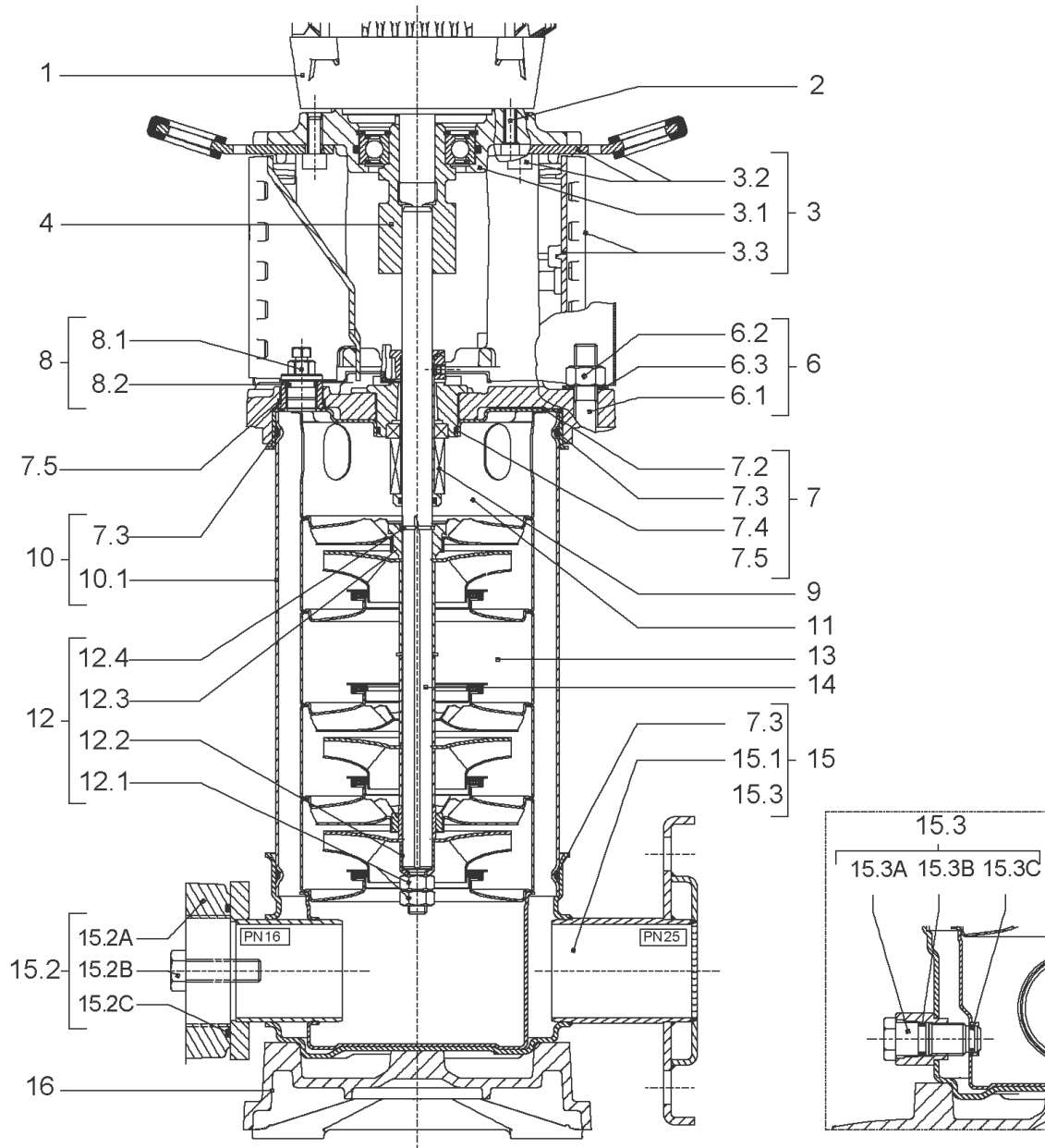
Item	Article no.	Description	Quantity
7.3	4176513	O-RING FOR PUMP JACKET VP.	1
7.4	2127603	O-RING ID.37,6x2,4 EPDM VP.	1
9.1	4178563	M.SEAL.HELIX2-4 O/E VP.	1
9.3	4178561	RING HOLDER Ø22 1.4301 VP.	1
9.5	4178562	DRIVE RING D.22/12.2X10 MACH.VP.	1
9.4	4176520	SCREW CH M5x5 A4-70 ( 3PIECES )	1





**HYDRAULIC HELIX V 218 1.4307**

Item	Article no.	Description	Quantity
13.1	4179316	STAGE HELIX 2 1.4301 KIT	1
		> MACH.STG-CASING-WOGV-WNR-M+2-4-304	1
		> IMPELLER-M+2-304	1
13.2	4179317	STAGE BEARING HELIX 2 1.4307 KIT	1
		> MACH.BEARING-STG-CASING-WNR-M+2-304	1
		> IMPELLER-M+2-304	1
		> SHAFT SLEEVE SPACER Ø15,35x10,305-304	1
		> SHAFT-SLEEVE-D12xD16x14-CW	1
13.3	4213786	INTERM. STAGE HELIX 2 >14 ST. 1.4307 KIT	1
		> CORPS-ETG-STD-ACR-AJR-USIN.M+2-304	1
		> IMPELLER-M+2-304	1
		> IMPELLER SPACER Ø12,1x14,1-L24,25-316L	1



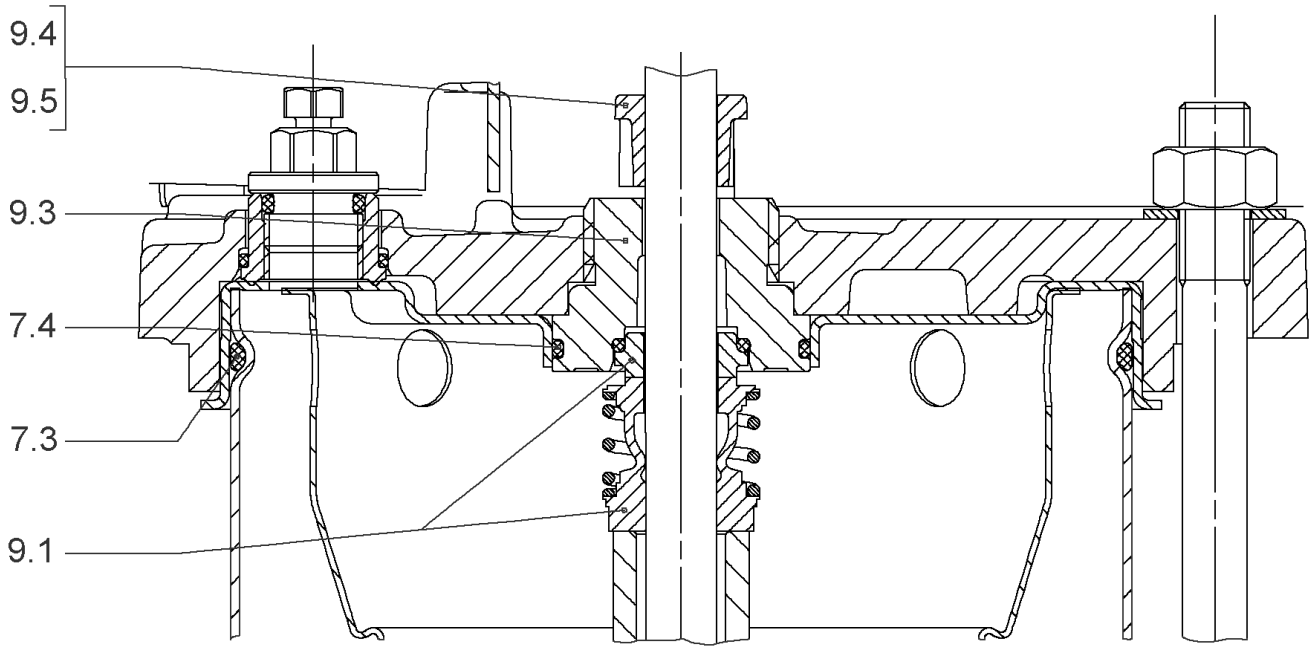
**HELIX V220-1/16/E/S/400-50 (4164306)**

Item	Article no.	Description	Quantity
1	4169943	MOTOR 2,2/2/90 3~230/400V 50HZ IE3 VP.	1
		SPARE PARTS MOTOR:ON REQUEST	1
2	4159703	SCREW M8X40 (4 PIECES)	1
3	4172795	LANTERNE FT115 HELIX KIT	1
3.1		> M+5_6_LANTERN_ONE-PIECE_FT115_CATA	1
3.2	2127604	> EYELET CPL.FT HELIX(2 PIECES)	1
3.3	4159692	> COUPLING PROTECTOR FT HELIX KIT	1
4	4178600	COUPLING D.12XD.24 FT115 KIT	1
6	4178624	STUD BOLT M12X693 KIT	1
7	4210143	STATIONARY RING HOLDER HELIX 6" EPDM	1
7.2	2127607	> STATIONARY RING HOLDER 6" HELIX 1.4301 V	1
7.3	4176513	> O-RING FOR PUMP JACKET VP.	1
7.4	2127603	> O-RING ID.37,6x2,4 EPDM VP.	1
7.5	2127602	> O-RING ID.21,35x2 EPDM VP.	1
8	4159686	FILING/PURGING PLUG HELIX EPDM KIT	1
9	4178564	SEAL-KIT-HELIX2-4 O/E KIT	1
10	4178627	HOUSING PIPE D.152x560 1.4301 KIT	1
7.3	4176513	> O-RING FOR PUMP JACKET VP.	1
10.1		> HOUSING-PIPE Ø152-M+220/420-304	1
11	4179315	CENTERING STAGE HELIX V2 1.4307 VP.	1
12	4178568	SHAFT EQUIPMENT HELIX V2/V4 KIT	1
12.1		> NUT-H-M8-STAINLESS-STEEL A4-70	2
12.2		> SHAFT END WASHER Ø8/Ø12 316L	1
12.3		> STOP COLLAR OF IMPELLER M+2/4 SINGLEBLOC	1
12.4		> STOP-RUSH-1/2-D12xd2-M+316	2
13		HYDRAULIC HELIX V 220 1.4307	1
14	4179231	SHAFT D.12X683 1.4301 VP.	1
15	4174079	PUMP HOUSING HELIX DN32 PN16 1.4301 KIT	1
7.3	4176513	> O-RING FOR PUMP JACKET VP.	1
15.1		> BLASTING PPE HOUSING V-PN16-DN32-5"-304	1
15.2	4217889	> COUNTER FLANGE-G1"-PN16-GJL KIT	1
15.3	4171321	> PRIMING/DRAIN PLUG EPDM HELIX KIT	1
16	4177964	BASEPLATE HELIX V2/4/6 PN16 VP.	1



**COUPLING D.12XD.24 FT115 KIT (4178600)**

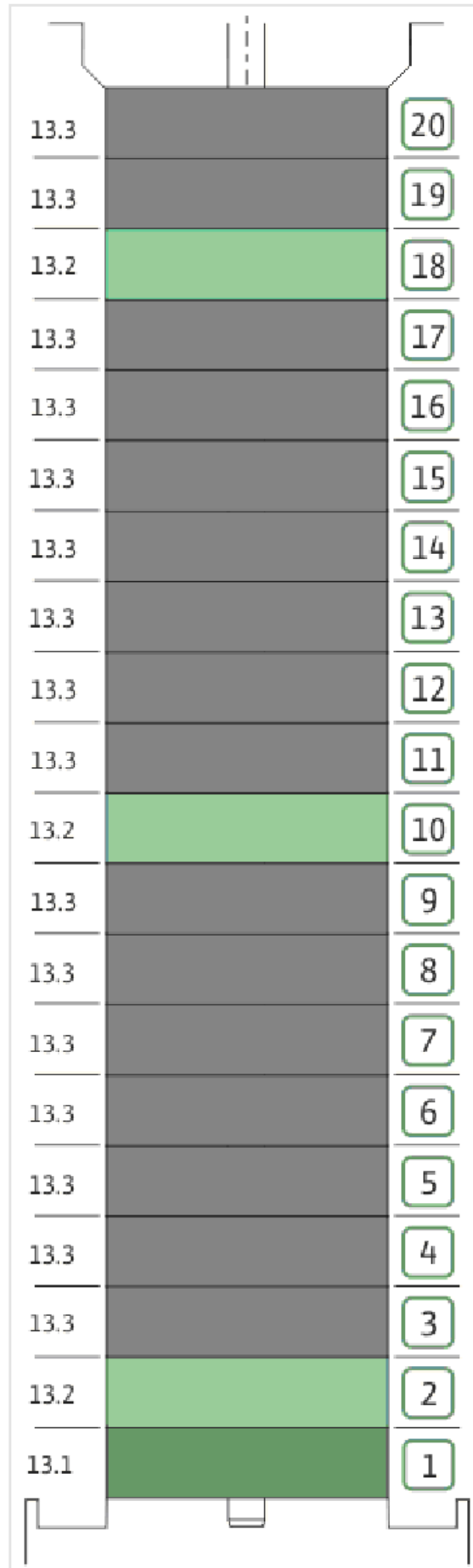
Item	Article no.	Description	Quantity
4.1		COUPLING-M+ Ø12XØ24-FT115-MACHINED	1
4.2	2131023	BALL BEARING 6207/ZZ-C3(HT)VP.	1
4.3	4234254	CIRCLIP-FOR-SHAFT-D35x1.5 VP.	1
4.4	4157726	SCREW KIT M8X30 (4 PIECES)	1
4.5	4234251	CIRCLIP-D72x2.5 VP.	1
4.6	4234246	O-RING 72X3 VP.	1
		NOMEL CONTACT WASHER 8x16x1,4 STEEL ZC	1



**SEAL-KIT-HELIX2-4 O/E KIT (4178564)**

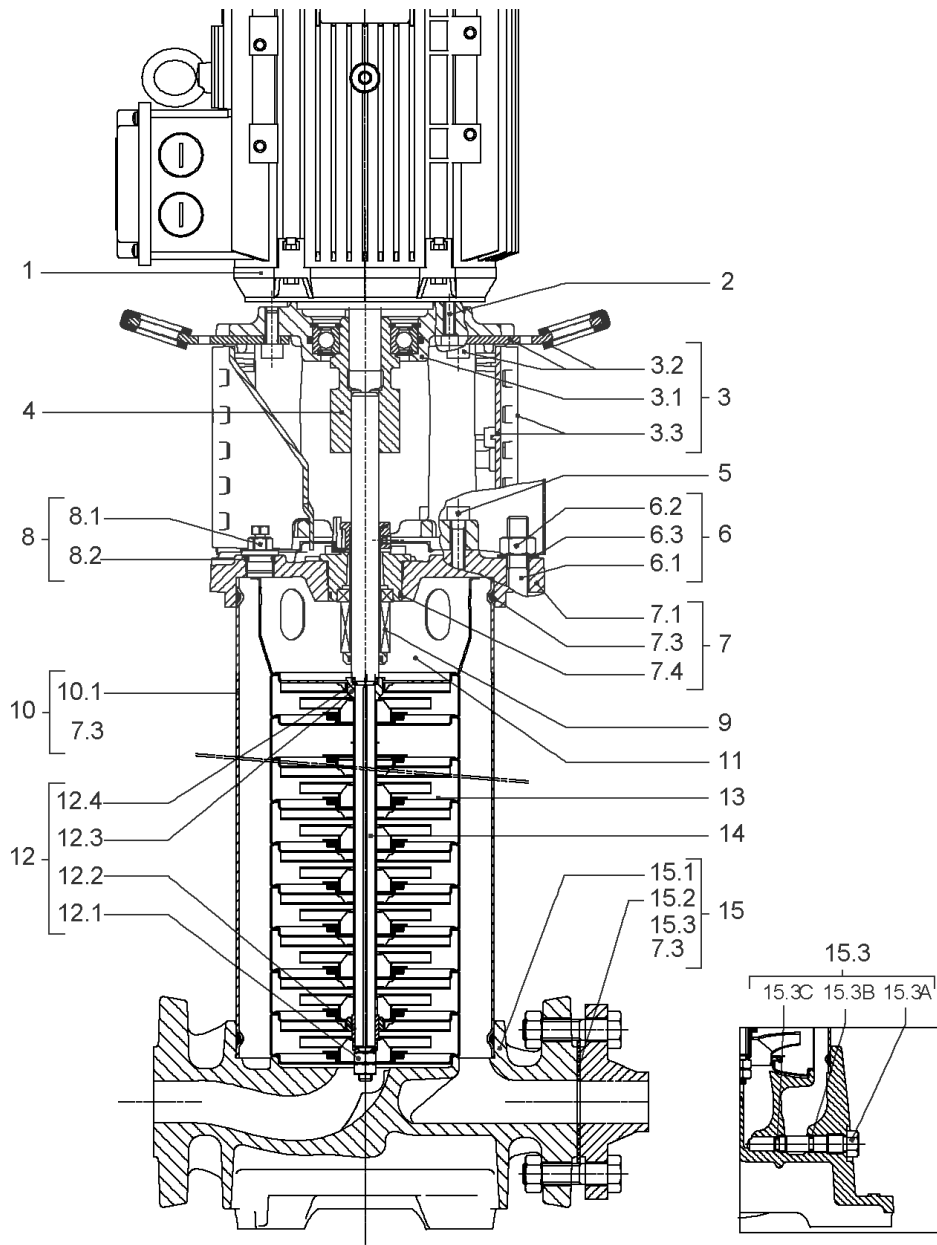
<b>Item</b>	<b>Article no.</b>	<b>Description</b>	<b>Quantity</b>
7.3	4176513	O-RING FOR PUMP JACKET VP.	1
7.4	2127603	O-RING ID.37,6x2,4 EPDM VP.	1
9.1	4178563	M.SEAL.HELIX2-4 O/E VP.	1
9.3	4178561	RING HOLDER Ø22 1.4301 VP.	1
9.5	4178562	DRIVE RING D.22/12.2X10 MACH.VP.	1
9.4	4176520	SCREW CH M5x5 A4-70 ( 3PIECES )	1





**HYDRAULIC HELIX V 220 1.4307**

Item	Article no.	Description	Quantity
13.1	4179316	STAGE HELIX 2 1.4301 KIT	1
		> MACH.STG-CASING-WOGV-WNR-M+2-4-304	1
		> IMPELLER-M+2-304	1
13.2	4179317	STAGE BEARING HELIX 2 1.4307 KIT	1
		> MACH.BEARING-STG-CASING-WNR-M+2-304	1
		> IMPELLER-M+2-304	1
		> SHAFT SLEEVE SPACER Ø15,35x10,305-304	1
		> SHAFT-SLEEVE-D12xD16x14-CW	1
13.3	4213786	INTERM. STAGE HELIX 2 >14 ST. 1.4307 KIT	1
		> CORPS-ETG-STD-ACR-AJR-USIN.M+2-304	1
		> IMPELLER-M+2-304	1
		> IMPELLER SPACER Ø12,1x14,1-L24,25-316L	1



**HELIX V236-3/30/E/KS/400-50 (4175088)**

Item	Article no.	Description	Quantity
1	4169944	MOTOR 3/2/100 3~230/400V 50HZ IE3 VP.	1
		SPARE PARTS MOTOR:ON REQUEST	1
2	4206025	SCREW M8X45 (4 PIECES)	1
3	4171326	LANTERN FT130 HELIX KIT	1
3.1		> LANTERN FT130 M+6" GJL MACHINING+CATA	1
3.2	2127604	> EYELET CPL.FT HELIX(2 PIECES)	1
3.3	4159692	> COUPLING PROTECTOR FT HELIX KIT	1
4	4178626	COUPLING D.12XD.28 FT130 KIT	1
5	4159707	SCREW M8X30 (4 PIECES)	1
6	4177881	STUD BOLT M12X990 KIT	1
6.1		> TIE BOLT M12-990x18x30-1.4057	1
6.2	2094647	> NUT M12 M12 ISO4032 VP.	1
6.3	2123557	> WASHER CS-12.4-24-1.6-NFE25 (4 PIECES)	1
7	4177867	END SHIELD PN30 HELIX EPDM KIT	1
7.1		> END SHIELD M+ JL VERSION 1 MACHINED+CATA	1
7.3	4176513	> O-RING FOR PUMP JACKET VP.	1
7.4	2127603	> O-RING ID.37,6x2,4 EPDM VP.	1
8	4159686	FILING/PURGING PLUG HELIX EPDM KIT	1
9	4179241	MECH.SEAL+CART. HELIX2-4 T/E KIT	1
10	4177874	HOUSING PIPE D.152x960 1.4307 KIT	1
7.3	4176513	> O-RING FOR PUMP JACKET VP.	1
10.1		> HOUSING-PIPE Ø152-M+1024/1616-304	1
11	4179315	CENTERING STAGE HELIX V2 1.4307 VP.	1
12	4178567	SHAFT EQUIPMENT HELIX V2/V4 KIT	1
12.1		> NUT-H-M8-STAINLESS-STEEL A4-70	1
12.2		> SHAFT END WASHER Ø8/Ø12 316L	1
12.3		> STOP COLLAR OF IMPELLER L12,6-Ø12-316L	1
12.4		> STOP-RUSH-1/2-D12xd2-M+316	1
13		HYDRAULIC HELIX V 236 1.4307	1
14	4205945	SHAFT D.12X1083 1.4057 VP.	1
15	4179246	PUMP HOUSING HELIX V2/4 DN25 PN30 KIT	1
7.3	4176513	> O-RING FOR PUMP JACKET VP.	1
15.1		> MACH+CATA PUMP CASING M+5" DN25 PN25 GJL	1
15.2	4233952	> FLAT GASKET D.73 VP.	1

**HELIX V236-3/30/E/KS/400-50 (4175088)**

Item	Article no.	Description	Quantity
15.3	4177877	> PRIMING/DRAIN PLUG HELIX PN30 KIT	1
15.3A		>> PRIMING/DRAIN PLUG M+6" 304	1
15.3B	4233957	>> O-RING ID.9 EPDM VP.	1
15.3C		>> O-RING Ø8xØ2 EPDM KTW/WRC	1



**COUPLING D.12XD.28 FT130 KIT (4178626)**

Item	Article no.	Description	Quantity
4.1		COUPLING-M+ Ø12XØ28-FT130-MACHINED	1
4.2	2131022	BALL BEARING 6209/ZZ-C3(HT)VP.	1
4.3	4233930	CIRCLIP-FOR-BORES-D45x1,75 VP.	1
4.4	4157726	SCREW KIT M8X30 (4 PIECES)	1
4.5	4234252	CIRCLIPS 85X3 VP.	1
4.6	4234243	O-RING 85X3 VP.	1
		NOMEL CONTACT WASHER 8x16x1,4 STEEL ZC	1





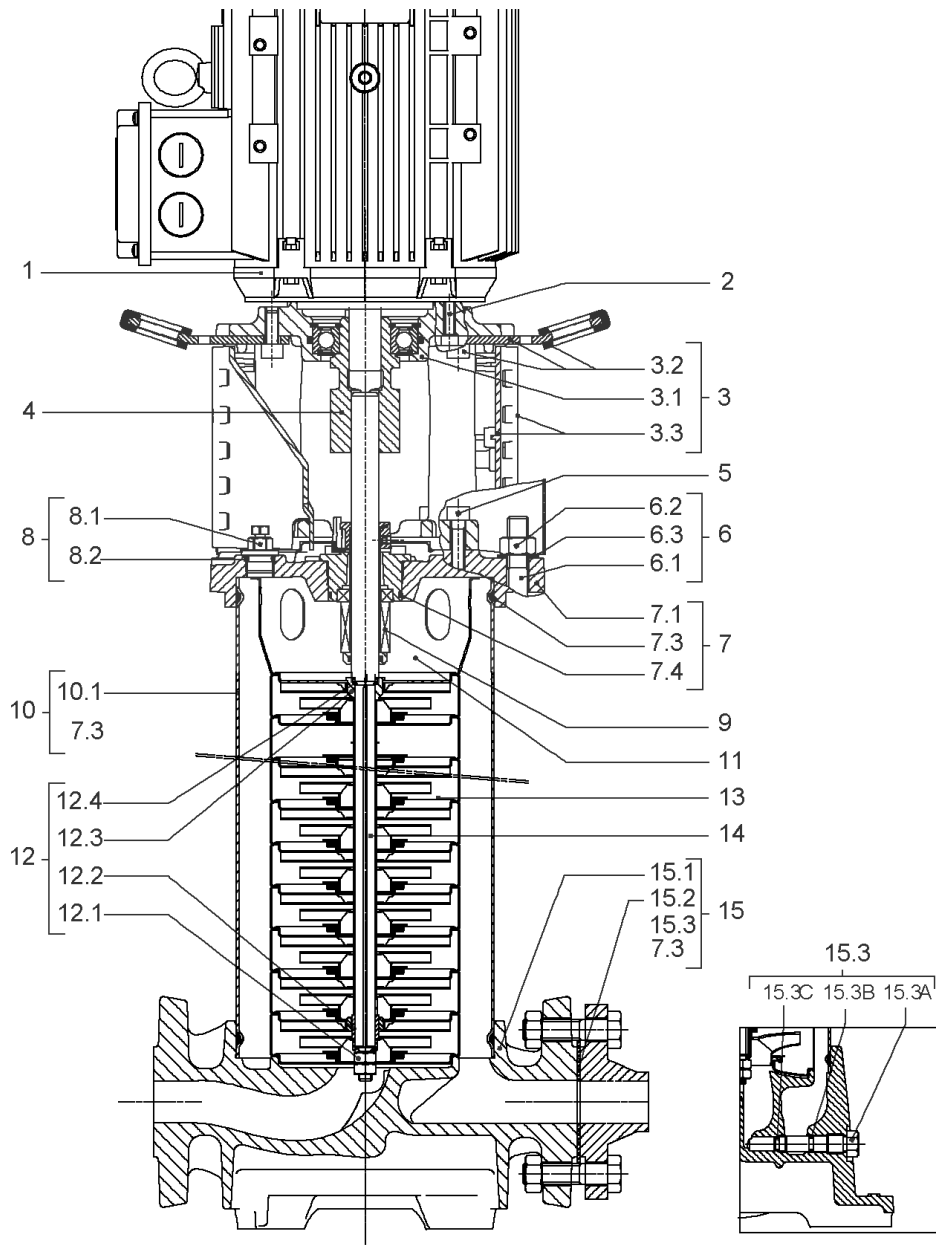
**MECH.SEAL+CART. HELIX2-4 T/E KIT (4179241)**

Item	Article no.	Description	Quantity
9.1	4179240	SEAL-KIT-HELIX2-4 T/E	1
7.3	4176513	> O-RING FOR PUMP JACKET VP.	1
7.4	2127603	> O-RING ID.37,6x2,4 EPDM VP.	1
9.1A	4177870	> MECH.SEAL HELIX2-4-6-10-16 T/E VP.	1
9.1B	4178558	> O-RING ID.12X2 EPDM VP.	1
9.1C	4178558	> O-RING ID.12X2 EPDM VP.	1
9.2	4179239	SHAFT SLEEVE D.18/12X72.2 1.4404 VP.	1
9.3	4177868	RING-HOLDER MS G9 316 VP.	1
9.4	4176520	SCREW CH M5x5 A4-70 ( 3PIECES )	1
9.5	4178595	DRIVE RING D.29/15.5x13,2 MACH.VP.	1
9.6	2130964	TOOL M.S.CART.HELIX VP.	1
9.7	2130965	SCREW CHC M5X12 ISO4762 A2.70(4 PIECES)	1



**HYDRAULIC HELIX V 236 1.4307**

Item	Article no.	Description	Quantity
13.1	4179316	STAGE HELIX 2 1.4301 KIT	1
		> MACH.STG-CASING-WOGV-WNR-M+2-4-304	1
		> IMPELLER-M+2-304	1
13.2	4179317	STAGE BEARING HELIX 2 1.4307 KIT	1
		> MACH.BEARING-STG-CASING-WNR-M+2-304	1
		> IMPELLER-M+2-304	1
		> SHAFT SLEEVE SPACER Ø15,35x10,305-304	1
		> SHAFT-SLEEVE-D12xD16x14-CW	1
13.3	4213786	INTERM. STAGE HELIX 2 >14 ST. 1.4307 KIT	1
		> CORPS-ETG-STD-ACR-AJR-USIN.M+2-304	1
		> IMPELLER-M+2-304	1
		> IMPELLER SPACER Ø12,1X14,1-L24,25-316L	1



**HELIX V239-3/30/E/KS/400-50 (4175089)**

Item	Article no.	Description	Quantity
1	4169944	MOTOR 3/2/100 3~230/400V 50HZ IE3 VP.	1
		SPARE PARTS MOTOR:ON REQUEST	1
2	4206025	SCREW M8X45 (4 PIECES)	1
3	4171326	LANTERN FT130 HELIX KIT	1
3.1		> LANTERN FT130 M+6" GJL MACHINING+CATA	1
3.2	2127604	> EYELET CPL.FT HELIX(2 PIECES)	1
3.3	4159692	> COUPLING PROTECTOR FT HELIX KIT	1
4	4178626	COUPLING D.12XD.28 FT130 KIT	1
5	4159707	SCREW M8X30 (4 PIECES)	1
6	4177993	STUD BOLT M12X1065 KIT	1
6.1		> TIE BOLT M12-1065x18x30-1.4057	1
6.2	2094647	> NUT M12 M12 ISO4032 VP.	1
6.3	2123557	> WASHER CS-12.4-24-1.6-NFE25 (4 PIECES)	1
7	4177867	END SHIELD PN30 HELIX EPDM KIT	1
7.1		> END SHIELD M+ JL VERSION 1 MACHINED+CATA	1
7.3	4176513	> O-RING FOR PUMP JACKET VP.	1
7.4	2127603	> O-RING ID.37,6x2,4 EPDM VP.	1
8	4159686	FILING/PURGING PLUG HELIX EPDM KIT	1
9	4179241	MECH.SEAL+CART. HELIX2-4 T/E KIT	1
10	4177986	HOUSING PIPE D.152x1035 304 KIT	1
7.3	4176513	> O-RING FOR PUMP JACKET VP.	1
10.1		> HOUSING-PIPE Ø152-M+625-304	1
11	4179315	CENTERING STAGE HELIX V2 1.4307 VP.	1
12	4178567	SHAFT EQUIPMENT HELIX V2/V4 KIT	1
12.1		> NUT-H-M8-STAINLESS-STEEL A4-70	1
12.2		> SHAFT END WASHER Ø8/Ø12 316L	1
12.3		> STOP COLLAR OF IMPELLER L12,6-Ø12-316L	1
12.4		> STOP-RUSH-1/2-D12xd2-M+316	1
13		HYDRAULIC HELIX V 239 1.4307	1
14	4205951	SHAFT D.12X1158 1.4057 VP.	1
15	4179246	PUMP HOUSING HELIX V2/4 DN25 PN30 KIT	1
7.3	4176513	> O-RING FOR PUMP JACKET VP.	1
15.1		> MACH+CATA PUMP CASING M+5" DN25 PN25 GJL	1
15.2	4233952	> FLAT GASKET D.73 VP.	1

**HELIX V239-3/30/E/KS/400-50 (4175089)**

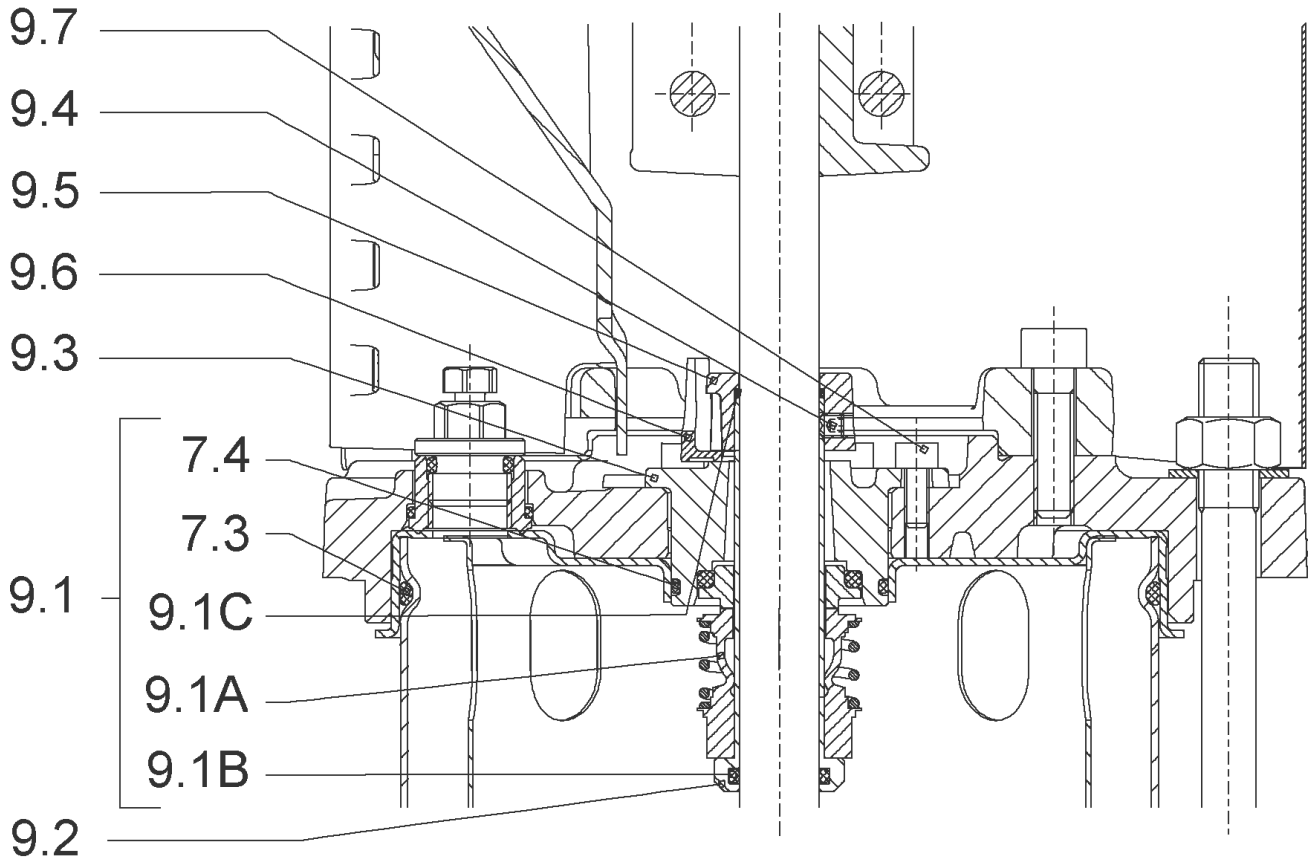
<b>Item</b>	<b>Article no.</b>	<b>Description</b>	<b>Quantity</b>
15.3	4177877	> PRIMING/DRAIN PLUG HELIX PN30 KIT	1
15.3A		>> PRIMING/DRAIN PLUG M+6" 304	1
15.3B	4233957	>> O-RING ID.9 EPDM VP.	1
15.3C		>> O-RING Ø8xØ2 EPDM KTW/WRC	1



**COUPLING D.12XD.28 FT130 KIT (4178626)**

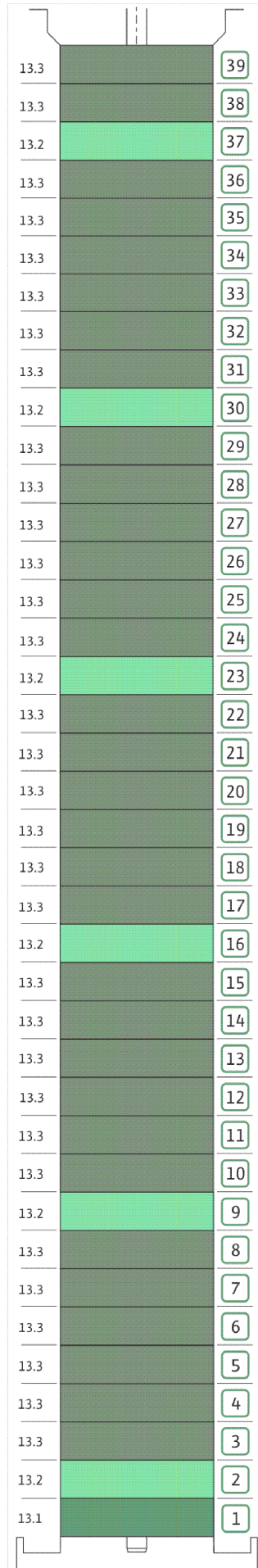
Item	Article no.	Description	Quantity
4.1		COUPLING-M+ Ø12XØ28-FT130-MACHINED	1
4.2	2131022	BALL BEARING 6209/ZZ-C3(HT)VP.	1
4.3	4233930	CIRCLIP-FOR-BORES-D45x1,75 VP.	1
4.4	4157726	SCREW KIT M8X30 (4 PIECES)	1
4.5	4234252	CIRCLIPS 85X3 VP.	1
4.6	4234243	O-RING 85X3 VP.	1
		NOMEL CONTACT WASHER 8x16x1,4 STEEL ZC	1





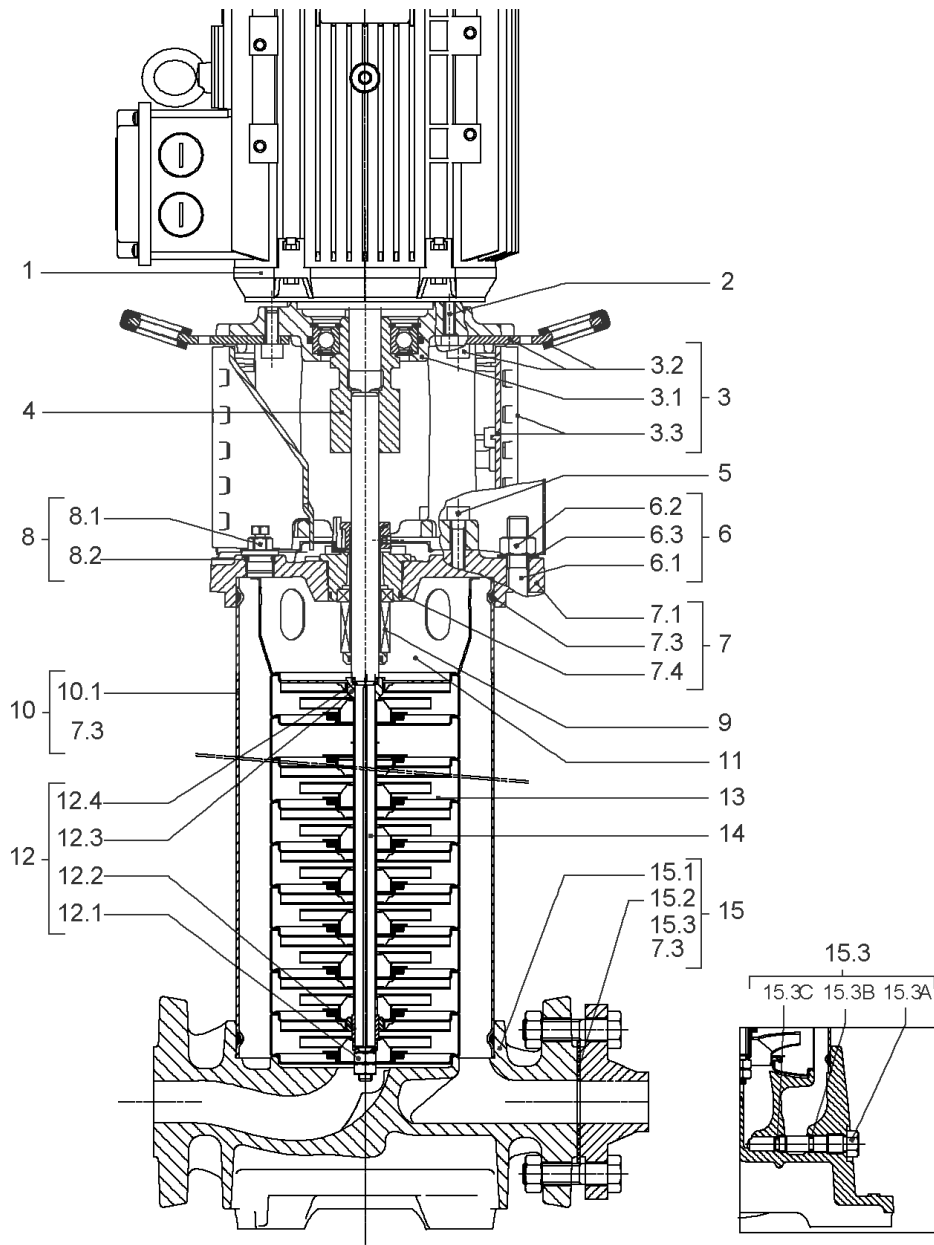
**MECH.SEAL+CART. HELIX2-4 T/E KIT (4179241)**

Item	Article no.	Description	Quantity
9.1	4179240	SEAL-KIT-HELIX2-4 T/E	1
7.3	4176513	> O-RING FOR PUMP JACKET VP.	1
7.4	2127603	> O-RING ID.37,6x2,4 EPDM VP.	1
9.1A	4177870	> MECH.SEAL HELIX2-4-6-10-16 T/E VP.	1
9.1B	4178558	> O-RING ID.12X2 EPDM VP.	1
9.1C	4178558	> O-RING ID.12X2 EPDM VP.	1
9.2	4179239	SHAFT SLEEVE D.18/12X72.2 1.4404 VP.	1
9.3	4177868	RING-HOLDER MS G9 316 VP.	1
9.4	4176520	SCREW CH M5x5 A4-70 ( 3PIECES )	1
9.5	4178595	DRIVE RING D.29/15.5x13,2 MACH.VP.	1
9.6	2130964	TOOL M.S.CART.HELIX VP.	1
9.7	2130965	SCREW CHC M5X12 ISO4762 A2.70(4 PIECES)	1



**HYDRAULIC HELIX V 239 1.4307**

Item	Article no.	Description	Quantity
13.1	4179316	STAGE HELIX 2 1.4301 KIT	1
		> MACH.STG-CASING-WOGV-WNR-M+2-4-304	1
		> IMPELLER-M+2-304	1
13.2	4179317	STAGE BEARING HELIX 2 1.4307 KIT	1
		> MACH.BEARING-STG-CASING-WNR-M+2-304	1
		> IMPELLER-M+2-304	1
		> SHAFT SLEEVE SPACER Ø15,35x10,305-304	1
		> SHAFT-SLEEVE-D12xD16x14-CW	1
13.3	4213786	INTERM. STAGE HELIX 2 >14 ST. 1.4307 KIT	1
		> CORPS-ETG-STD-ACR-AJR-USIN.M+2-304	1
		> IMPELLER-M+2-304	1
		> IMPELLER SPACER Ø12,1x14,1-L24,25-316L	1

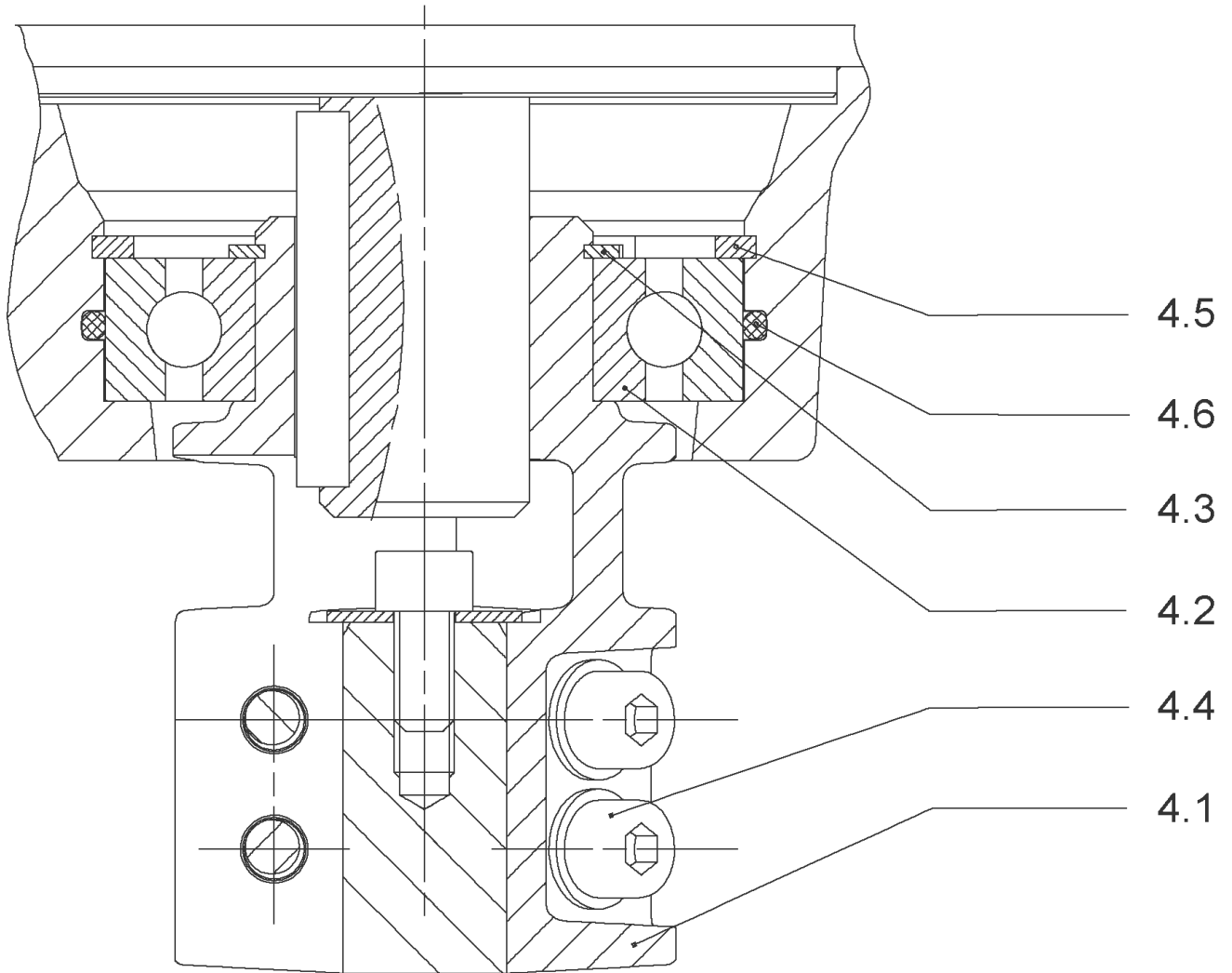


**HELIX V233-3/30/E/KS/400-50 (4175092)**

Item	Article no.	Description	Quantity
1	4169944	MOTOR 3/2/100 3~230/400V 50HZ IE3 VP.	1
		SPARE PARTS MOTOR:ON REQUEST	1
2	4206025	SCREW M8X45 (4 PIECES)	1
3	4171326	LANTERN FT130 HELIX KIT	1
3.1		> LANTERN FT130 M+6" GJL MACHINING+CATA	1
3.2	2127604	> EYELET CPL.FT HELIX(2 PIECES)	1
3.3	4159692	> COUPLING PROTECTOR FT HELIX KIT	1
4	4178626	COUPLING D.12XD.28 FT130 KIT	1
5	4159707	SCREW M8X30 (4 PIECES)	1
6	4177866	STUD BOLT M12X915 KIT	1
6.1		> TIE BOLT M12-915x18x30-1.4057	1
6.2	2094647	> NUT M12 M12 ISO4032 VP.	1
6.3	2123557	> WASHER CS-12.4-24-1.6-NFE25 (4 PIECES)	1
7	4177867	END SHIELD PN30 HELIX EPDM KIT	1
7.1		> END SHIELD M+ JL VERSION 1 MACHINED+CATA	1
7.3	4176513	> O-RING FOR PUMP JACKET VP.	1
7.4	2127603	> O-RING ID.37,6x2,4 EPDM VP.	1
8	4159686	FILING/PURGING PLUG HELIX EPDM KIT	1
9	4179241	MECH.SEAL+CART. HELIX2-4 T/E KIT	1
10	4177873	HOUSING PIPE D.152x885,5 1.4301 KIT	1
7.3	4176513	> O-RING FOR PUMP JACKET VP.	1
10.1		> HOUSING-PIPE Ø152-M+1021/22-304	1
11	4179315	CENTERING STAGE HELIX V2 1.4307 VP.	1
12	4178567	SHAFT EQUIPMENT HELIX V2/V4 KIT	1
12.1		> NUT-H-M8-STAINLESS-STEEL A4-70	1
12.2		> SHAFT END WASHER Ø8/Ø12 316L	1
12.3		> STOP COLLAR OF IMPELLER L12,6-Ø12-316L	1
12.4		> STOP-RUSH-1/2-D12xd2-M+316	1
13		HYDRAULIC HELIX V 233 1.4307	1
14	4179519	SHAFT D.12X1008,8 1.4301 VP.	1
15	4179246	PUMP HOUSING HELIX V2/4 DN25 PN30 KIT	1
7.3	4176513	> O-RING FOR PUMP JACKET VP.	1
15.1		> MACH+CATA PUMP CASING M+5" DN25 PN25 GJL	1
15.2	4233952	> FLAT GASKET D.73 VP.	1

**HELIX V233-3/30/E/KS/400-50 (4175092)**

<b>Item</b>	<b>Article no.</b>	<b>Description</b>	<b>Quantity</b>
15.3	4177877	> PRIMING/DRAIN PLUG HELIX PN30 KIT	1
15.3A		>> PRIMING/DRAIN PLUG M+6" 304	1
15.3B	4233957	>> O-RING ID.9 EPDM VP.	1
15.3C		>> O-RING Ø8xØ2 EPDM KTW/WRC	1





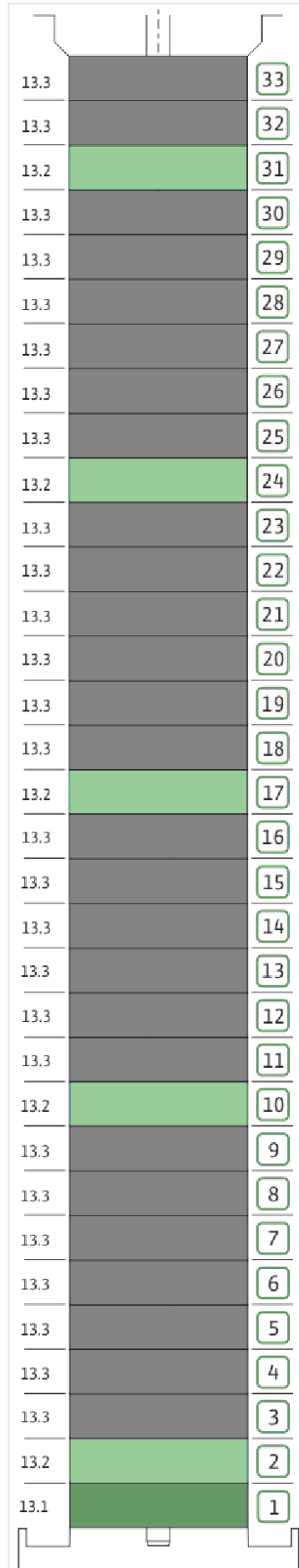
**COUPLING D.12XD.28 FT130 KIT (4178626)**

Item	Article no.	Description	Quantity
4.1		COUPLING-M+ Ø12XØ28-FT130-MACHINED	1
4.2	2131022	BALL BEARING 6209/ZZ-C3(HT)VP.	1
4.3	4233930	CIRCLIP-FOR-BORES-D45x1,75 VP.	1
4.4	4157726	SCREW KIT M8X30 (4 PIECES)	1
4.5	4234252	CIRCLIPS 85X3 VP.	1
4.6	4234243	O-RING 85X3 VP.	1
		NOMEL CONTACT WASHER 8x16x1,4 STEEL ZC	1



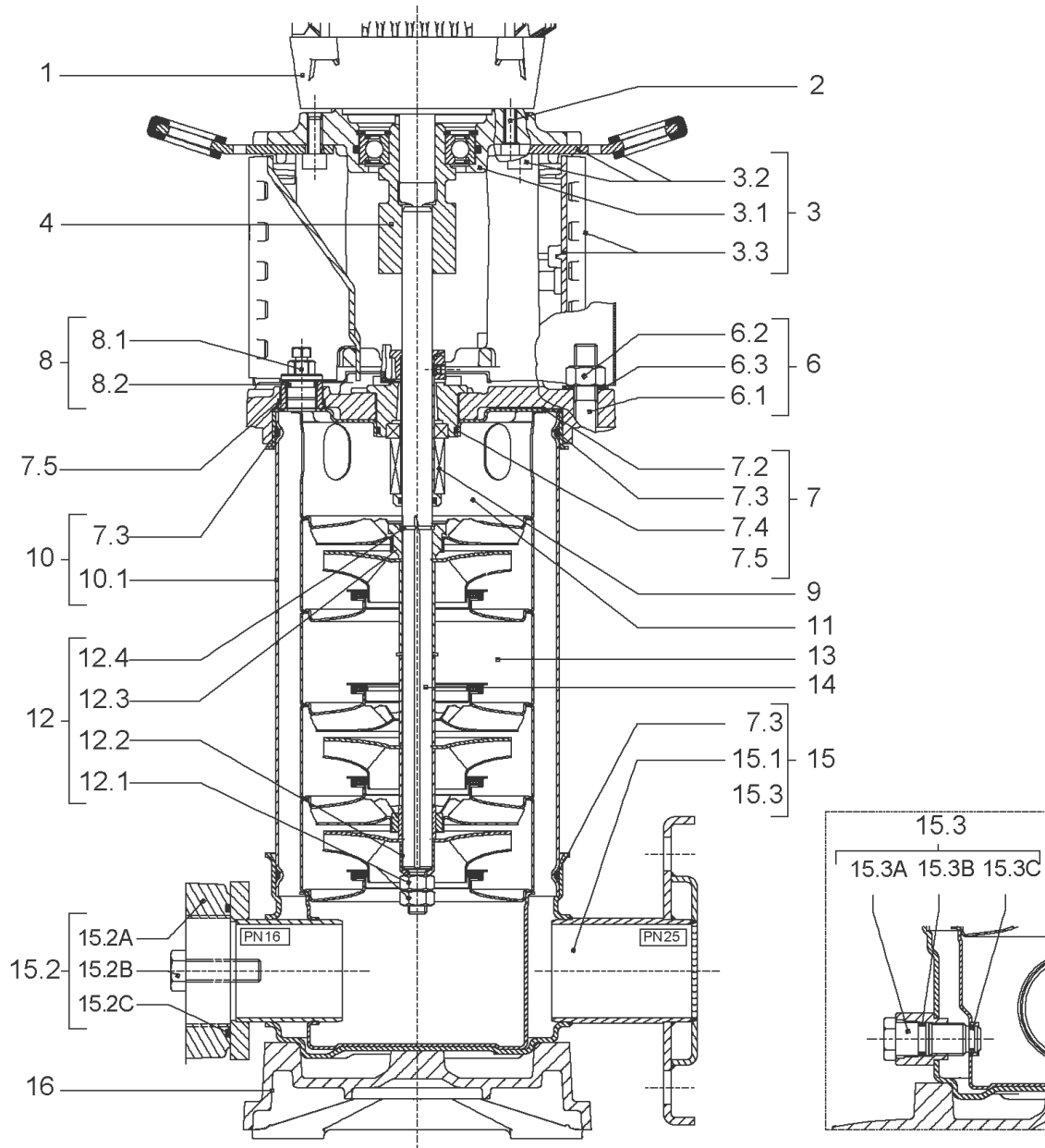
**MECH.SEAL+CART. HELIX2-4 T/E KIT (4179241)**

Item	Article no.	Description	Quantity
9.1	4179240	SEAL-KIT-HELIX2-4 T/E	1
7.3	4176513	> O-RING FOR PUMP JACKET VP.	1
7.4	2127603	> O-RING ID.37,6x2,4 EPDM VP.	1
9.1A	4177870	> MECH.SEAL HELIX2-4-6-10-16 T/E VP.	1
9.1B	4178558	> O-RING ID.12X2 EPDM VP.	1
9.1C	4178558	> O-RING ID.12X2 EPDM VP.	1
9.2	4179239	SHAFT SLEEVE D.18/12X72.2 1.4404 VP.	1
9.3	4177868	RING-HOLDER MS G9 316 VP.	1
9.4	4176520	SCREW CH M5x5 A4-70 ( 3PIECES )	1
9.5	4178595	DRIVE RING D.29/15.5x13,2 MACH.VP.	1
9.6	2130964	TOOL M.S.CART.HELIX VP.	1
9.7	2130965	SCREW CHC M5X12 ISO4762 A2.70(4 PIECES)	1



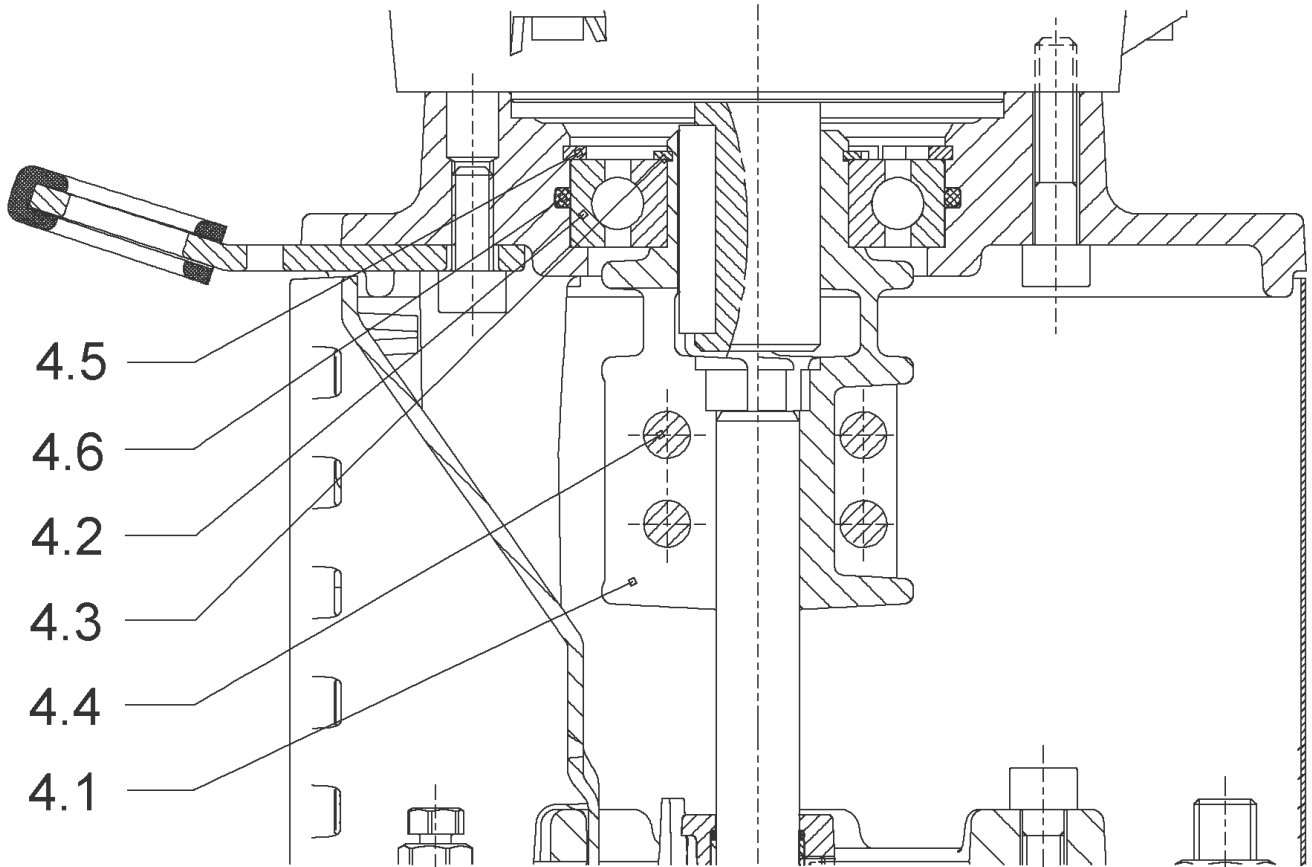
**HYDRAULIC HELIX V 233 1.4307**

Item	Article no.	Description	Quantity
13.1	4179316	STAGE HELIX 2 1.4301 KIT	1
		> MACH.STG-CASING-WOGV-WNR-M+2-4-304	1
		> IMPELLER-M+2-304	1
13.2	4179317	STAGE BEARING HELIX 2 1.4307 KIT	1
		> MACH.BEARING-STG-CASING-WNR-M+2-304	1
		> IMPELLER-M+2-304	1
		> SHAFT SLEEVE SPACER Ø15,35x10,305-304	1
		> SHAFT-SLEEVE-D12xD16x14-CW	1
13.3	4213786	INTERM. STAGE HELIX 2 >14 ST. 1.4307 KIT	1
		> CORPS-ETG-STD-ACR-AJR-USIN.M+2-304	1
		> IMPELLER-M+2-304	1
		> IMPELLER SPACER Ø12,1x14,1-L24,25-316L	1



**HELIX V206-1/16/E/S/400-50 (4164296)**

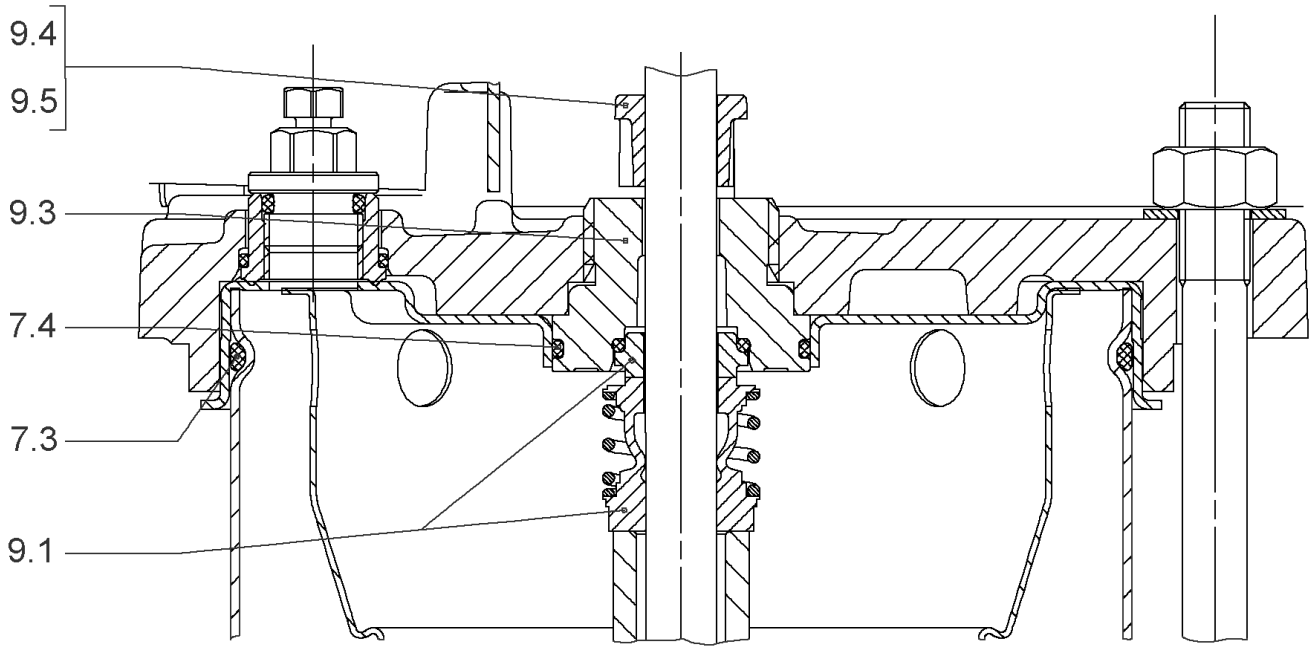
Item	Article no.	Description	Quantity
1	4169939	MO.0,55/2/71 3~400V 50HZ 460V 60HZ IE2VP	1
		SPARE PARTS MOTOR:ON REQUEST	1
2	4159702	SCREW M6X30 (4 PIECES)	1
3	4171325	LANTERN MONOBLOC FT85 HELIX KIT	1
3.1		> M+5_6_LANTERN_ONE-PIECE_FT85_CATA	1
3.2	2127604	> EYELET CPL.FT HELIX(2 PIECES)	1
3.3	4159692	> COUPLING PROTECTOR FT HELIX KIT	1
4	4178554	COUPLING FT 85 Ø12XØ14 KIT	1
6	2127553	STUD BOLT M12X341 KIT	1
7	4210143	STATIONARY RING HOLDER HELIX 6" EPDM	1
7.2	2127607	> STATIONARY RING HOLDER 6" HELIX 1.4301 V	1
7.3	4176513	> O-RING FOR PUMP JACKET VP.	1
7.4	2127603	> O-RING ID.37,6x2,4 EPDM VP.	1
7.5	2127602	> O-RING ID.21,35x2 EPDM VP.	1
8	4159686	FILING/PURGING PLUG HELIX EPDM KIT	1
9	4178564	SEAL-KIT-HELIX2-4 O/E KIT	1
10	2127575	HOUSING PIPE D.152x210 1.4301 KIT	1
11	4179315	CENTERING STAGE HELIX V2 1.4307 VP.	1
12	4178568	SHAFT EQUIPMENT HELIX V2/V4 KIT	1
12.1		> NUT-H-M8-STAINLESS-STEEL A4-70	2
12.2		> SHAFT END WASHER Ø8/Ø12 316L	1
12.3		> STOP COLLAR OF IMPELLER M+2/4 SINGLEBLOC	1
12.4		> STOP-RUSH-1/2-D12xd2-M+316	2
13		HYDRAULIC HELIX V 206 1.4307	1
14	4178584	SHAFT D.12X333 1.4301 VP.	1
15	4174079	PUMP HOUSING HELIX DN32 PN16 1.4301 KIT	1
7.3	4176513	> O-RING FOR PUMP JACKET VP.	1
15.1		> BLASTING PPE HOUSING V-PN16-DN32-5"-304	1
15.2	4217889	> COUNTER FLANGE-G1"-PN16-GJL KIT	1
15.3	4171321	> PRIMING/DRAIN PLUG EPDM HELIX KIT	1
16	4177964	BASEPLATE HELIX V2/4/6 PN16 VP.	1





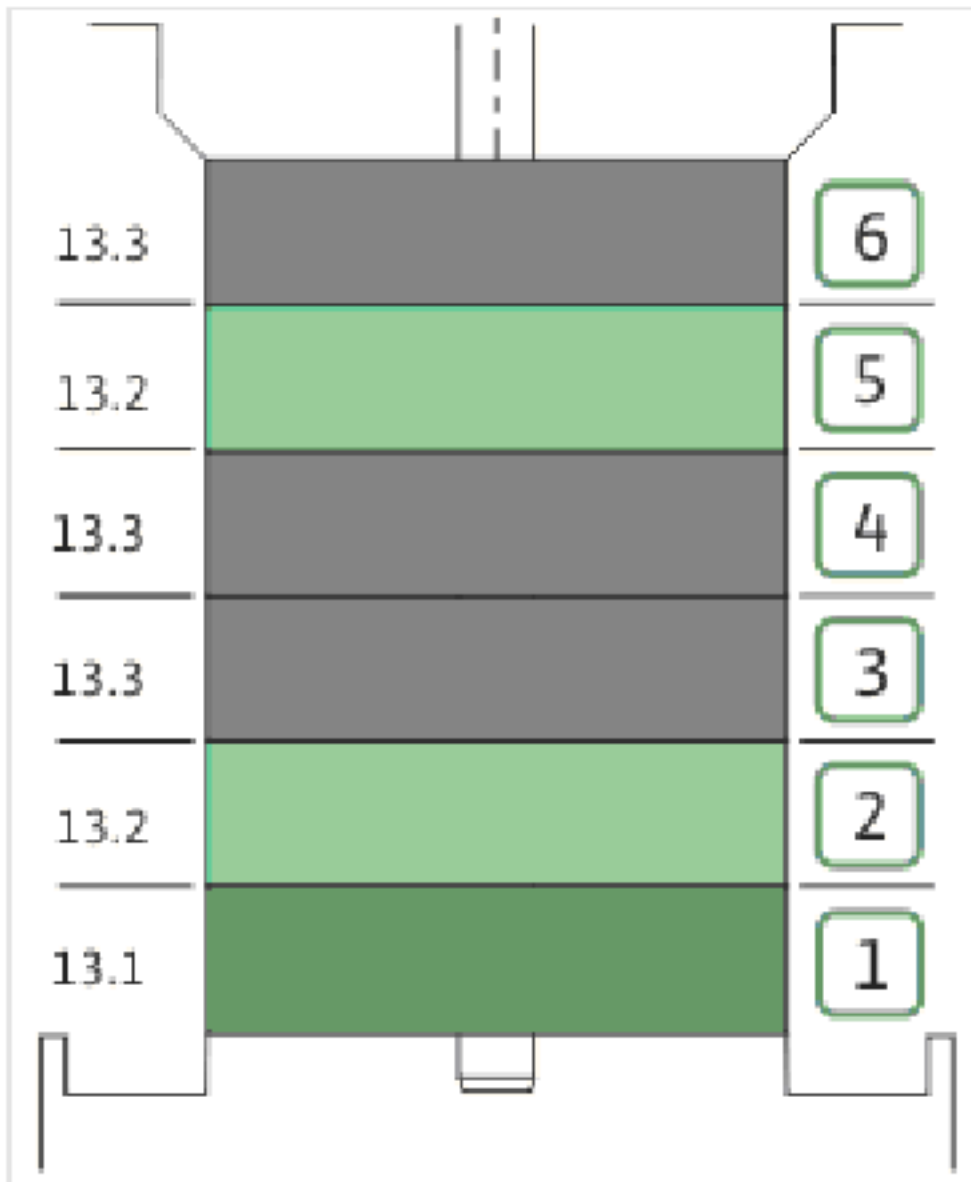
**COUPLING FT 85 Ø12XØ14 KIT (4178554)**

Item	Article no.	Description	Quantity
4.1		COUPLING-M+ Ø12XØ14-FT85-MACHINED	1
4.3	4208923	CIRCLIP D25X1.2 VP.	1
4.2	4177802	BALL BEARING 6205C3-ZZ HTVP.	1
4.4	4212716	SCREW M6X20 KIT (4PIECES)	1
4.5	4233124	CIRCLIP-FOR-BORES-D52x2 VP.	1
4.6	4234244	O-RING 52X2 VP.	1
		CONTACT-WASHER-6ETR-6,1x12,2x1,8-STEEL	4



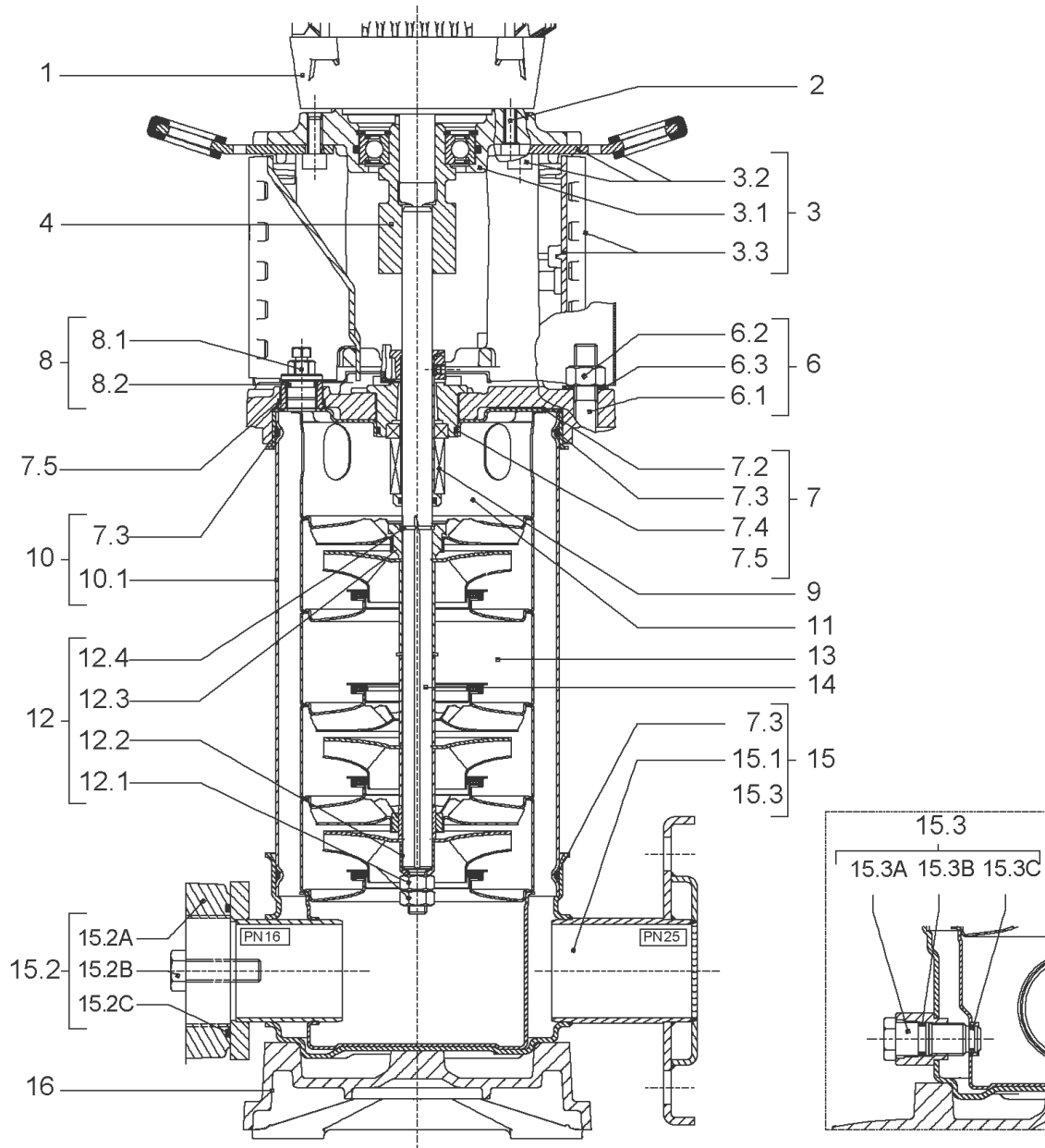
**SEAL-KIT-HELIX2-4 O/E KIT (4178564)**

Item	Article no.	Description	Quantity
7.3	4176513	O-RING FOR PUMP JACKET VP.	1
7.4	2127603	O-RING ID.37,6x2,4 EPDM VP.	1
9.1	4178563	M.SEAL.HELIX2-4 O/E VP.	1
9.3	4178561	RING HOLDER Ø22 1.4301 VP.	1
9.5	4178562	DRIVE RING D.22/12.2X10 MACH.VP.	1
9.4	4176520	SCREW CH M5x5 A4-70 ( 3PIECES )	1



**HYDRAULIC HELIX V 206 1.4307**

Item	Article no.	Description	Quantity
13.1	4179316	STAGE HELIX 2 1.4301 KIT	1
		> MACH.STG-CASING-WOGV-WNR-M+2-4-304	1
		> IMPELLER-M+2-304	1
13.2	4179317	STAGE BEARING HELIX 2 1.4307 KIT	1
		> MACH.BEARING-STG-CASING-WNR-M+2-304	1
		> IMPELLER-M+2-304	1
		> SHAFT SLEEVE SPACER Ø15,35x10,305-304	1
		> SHAFT-SLEEVE-D12xD16x14-CW	1
13.3	4179319	INTERMEDIATE STAGE HELIX 2 1.4301 KIT	1
		> CORPS-ETG-STD-ACR-AJR-USIN.M+2-304	1
		> IMPELLER-M+2-304	1
		> IMPELLER SPACER Ø12,05X14,85-L24,285-304	1



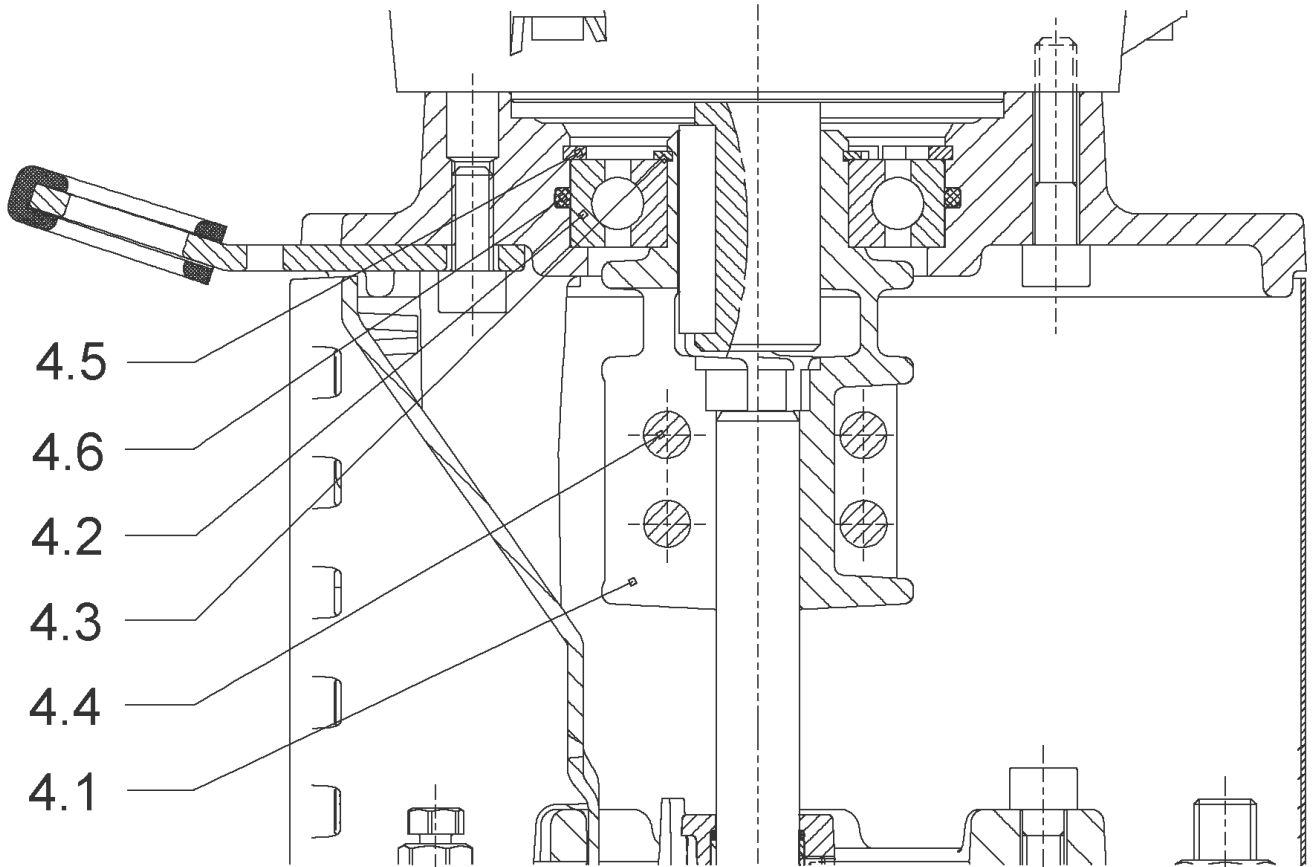
**HELIX V207-1/16/E/S/400-50 (4164297)**

Item	Article no.	Description	Quantity
1	4169939	MO.0,55/2/71 3~400V 50HZ 460V 60HZ IE2VP	1
		SPARE PARTS MOTOR:ON REQUEST	1
2	4159702	SCREW M6X30 (4 PIECES)	1
3	4171325	LANTERN MONOBLOC FT85 HELIX KIT	1
3.1		> M+5_6_LANTERN_ONE-PIECE_FT85_CATA	1
3.2	2127604	> EYELET CPL.FT HELIX(2 PIECES)	1
3.3	4159692	> COUPLING PROTECTOR FT HELIX KIT	1
4	4178554	COUPLING FT 85 Ø12XØ14 KIT	1
6	4178585	STUD BOLT M12X365 KIT	1
6.1		> TIE BOLT M12-365x18x30-1.4057	1
6.2	2094647	> NUT M12 M12 ISO4032 VP.	1
6.3	2123557	> WASHER CS-12.4-24-1.6-NFE25 (4 PIECES)	1
7	4210143	STATIONARY RING HOLDER HELIX 6" EPDM	1
7.2	2127607	> STATIONARY RING HOLDER 6" HELIX 1.4301 V	1
7.3	4176513	> O-RING FOR PUMP JACKET VP.	1
7.4	2127603	> O-RING ID.37,6x2,4 EPDM VP.	1
7.5	2127602	> O-RING ID.21,35x2 EPDM VP.	1
8	4159686	FILING/PURGING PLUG HELIX EPDM KIT	1
9	4178564	SEAL-KIT-HELIX2-4 O/E KIT	1
10	4178586	HOUSING-PIPE D.152X235 1.4301 KIT	1
7.3	4176513	> O-RING FOR PUMP JACKET VP.	1
10.1		> HOUSING-PIPE Ø152-M+207/407-304	1
11	4179315	CENTERING STAGE HELIX V2 1.4307 VP.	1
12	4178568	SHAFT EQUIPMENT HELIX V2/V4 KIT	1
12.1		> NUT-H-M8-STAINLESS-STEEL A4-70	2
12.2		> SHAFT END WASHER Ø8/Ø12 316L	1
12.3		> STOP COLLAR OF IMPELLER M+2/4 SINGLEBLOC	1
12.4		> STOP-RUSH-1/2-D12xd2-M+316	2
13		HYDRAULIC HELIX V 207 1.4307	1
14	4178587	SHAFT D.12X358 1.4301 VP.	1
15	4174079	PUMP HOUSING HELIX DN32 PN16 1.4301 KIT	1
7.3	4176513	> O-RING FOR PUMP JACKET VP.	1
15.1		> BLASTING PPE HOUSING V-PN16-DN32-5"-304	1
15.2	4217889	> COUNTER FLANGE-G1"-PN16-GJL KIT	1

**HELIX V207-1/16/E/S/400-50 (4164297)**

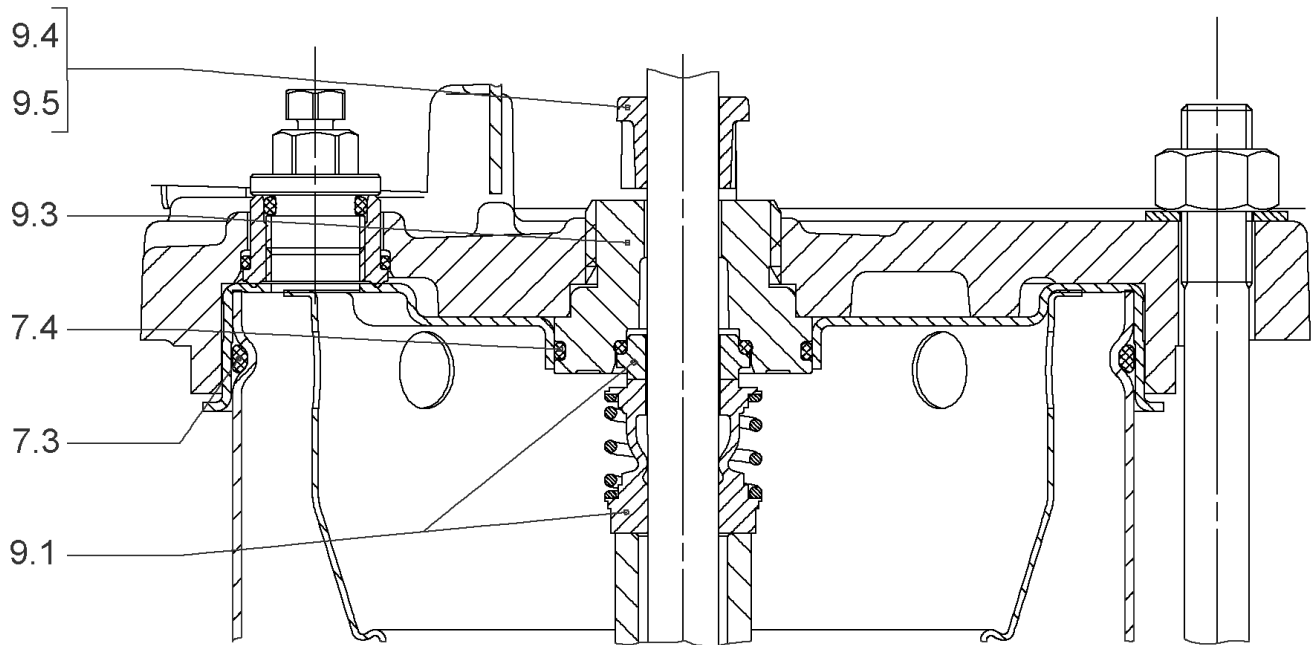
<b>Item</b>	<b>Article no.</b>	<b>Description</b>	<b>Quantity</b>
15.3	4171321	> PRIMING/DRAIN PLUG EPDM HELIX KIT	1
16	4177964	BASEPLATE HELIX V2/4/6 PN16 VP.	1





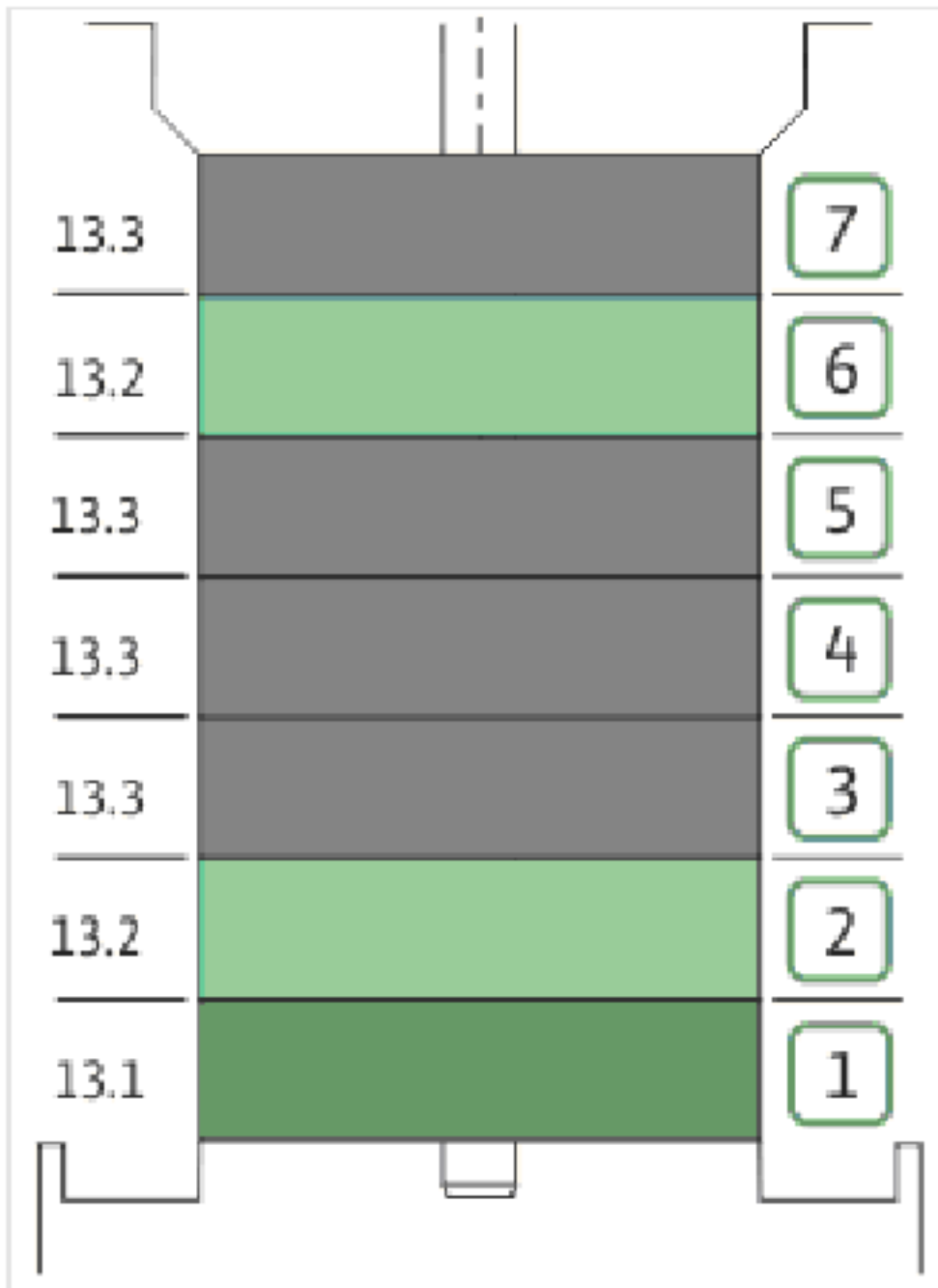
**COUPLING FT 85 Ø12XØ14 KIT (4178554)**

Item	Article no.	Description	Quantity
4.1		COUPLING-M+ Ø12XØ14-FT85-MACHINED	1
4.3	4208923	CIRCLIP D25X1.2 VP.	1
4.2	4177802	BALL BEARING 6205C3-ZZ HTVP.	1
4.4	4212716	SCREW M6X20 KIT (4PIECES)	1
4.5	4233124	CIRCLIP-FOR-BORES-D52x2 VP.	1
4.6	4234244	O-RING 52X2 VP.	1
		CONTACT-WASHER-6ETR-6,1x12,2x1,8-STEEL	4



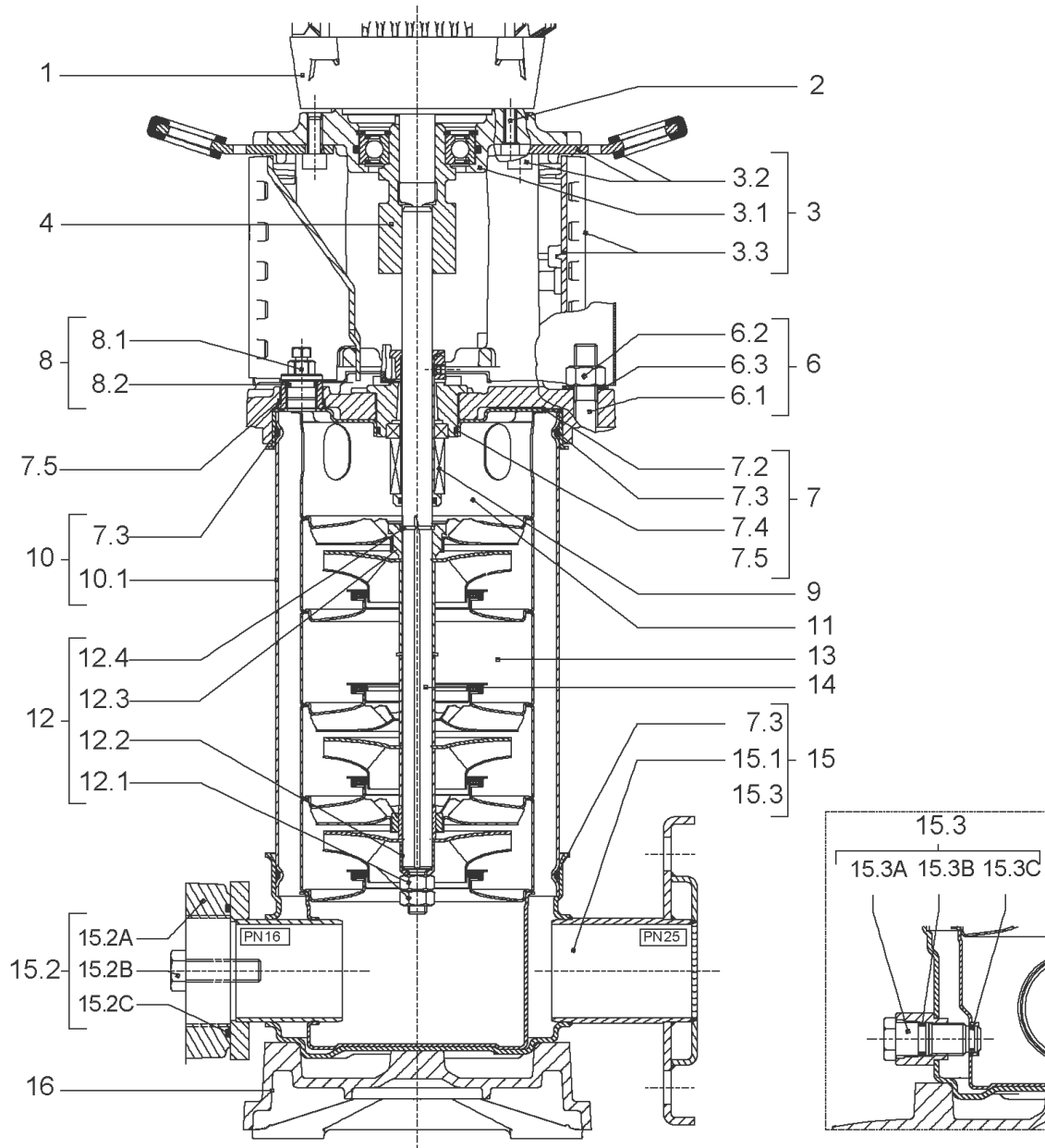
**SEAL-KIT-HELIX2-4 O/E KIT (4178564)**

<b>Item</b>	<b>Article no.</b>	<b>Description</b>	<b>Quantity</b>
7.3	4176513	O-RING FOR PUMP JACKET VP.	1
7.4	2127603	O-RING ID.37,6x2,4 EPDM VP.	1
9.1	4178563	M.SEAL.HELIX2-4 O/E VP.	1
9.3	4178561	RING HOLDER Ø22 1.4301 VP.	1
9.5	4178562	DRIVE RING D.22/12.2X10 MACH.VP.	1
9.4	4176520	SCREW CH M5x5 A4-70 ( 3PIECES )	1



**HYDRAULIC HELIX V 207 1.4307**

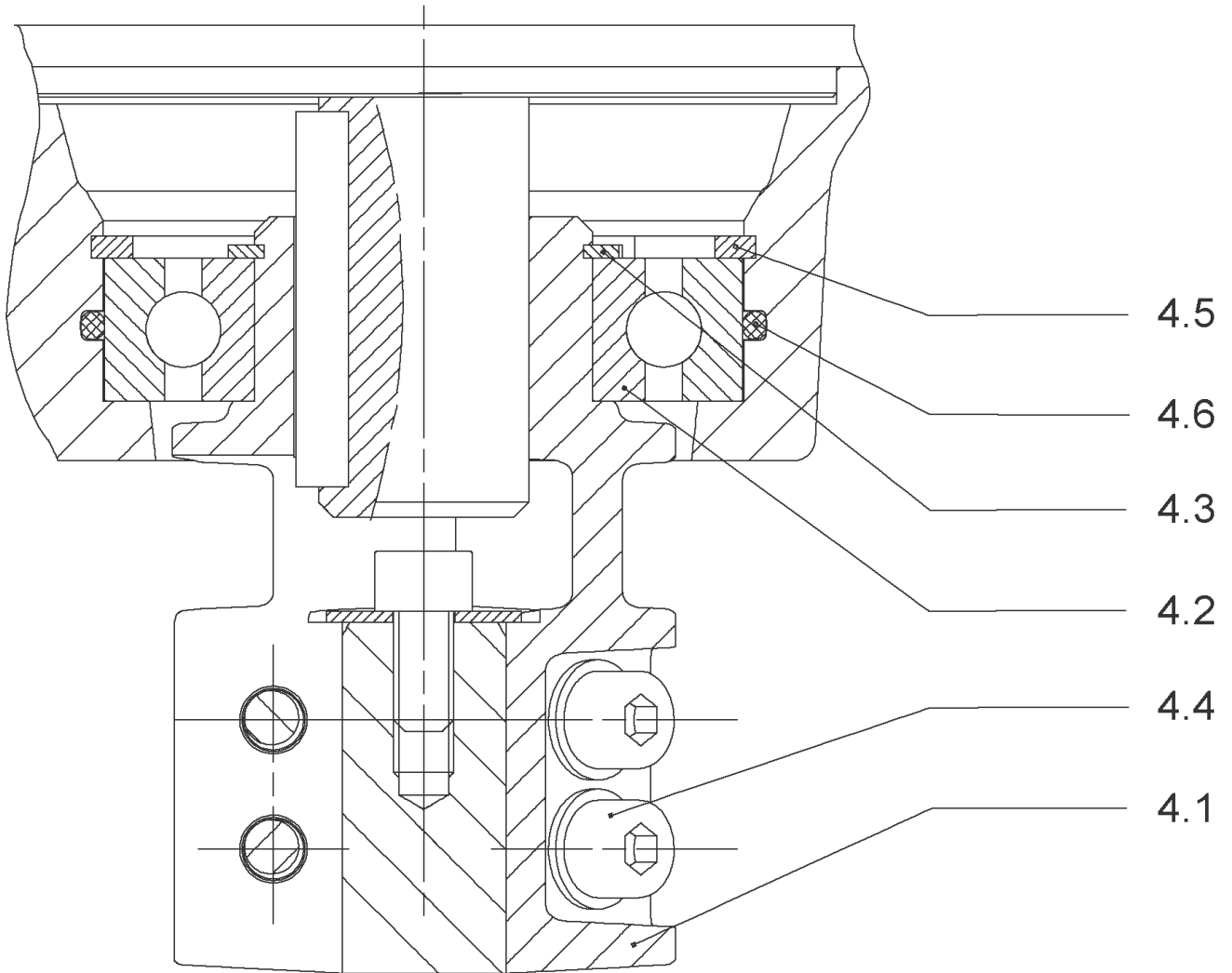
Item	Article no.	Description	Quantity
13.1	4179316	STAGE HELIX 2 1.4301 KIT	1
		> MACH.STG-CASING-WOGV-WNR-M+2-4-304	1
		> IMPELLER-M+2-304	1
13.2	4179317	STAGE BEARING HELIX 2 1.4307 KIT	1
		> MACH.BEARING-STG-CASING-WNR-M+2-304	1
		> IMPELLER-M+2-304	1
		> SHAFT SLEEVE SPACER Ø15,35x10,305-304	1
		> SHAFT-SLEEVE-D12xD16x14-CW	1
13.3	4179319	INTERMEDIATE STAGE HELIX 2 1.4301 KIT	1
		> CORPS-ETG-STD-ACR-AJR-USIN.M+2-304	1
		> IMPELLER-M+2-304	1
		> IMPELLER SPACER Ø12,05X14,85-L24,285-304	1



**HELIX V208-1/16/E/S/400-50 (4164298)**

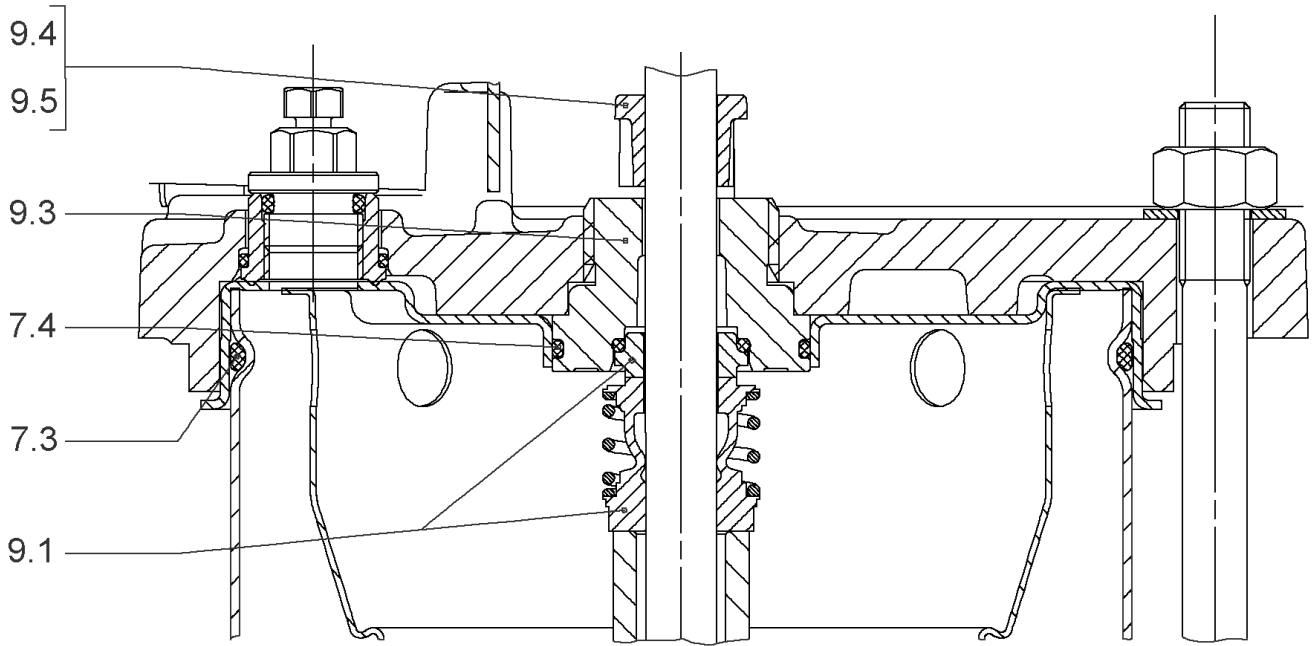
Item	Article no.	Description	Quantity
1	4169940	MOTOR 0,75/2/80 3~230/400V 50HZ IE3 VP.	1
		SPARE PARTS MOTOR:ON REQUEST	1
2	4159702	SCREW M6X30 (4 PIECES)	1
3	4172790	EQUIPED LANTERN NEXIS FT 100 KIT	1
3.1		> M+5_6_LANTERN_ONE-PIECE_FT100_CATA	1
3.2	2127604	> EYELET CPL.FT HELIX(2 PIECES)	1
3.3	4159692	> COUPLING PROTECTOR FT HELIX KIT	1
4	4178578	COUPLING D.12XD.19 FT100 KIT	1
6	2018365	STUD BOLT M12X392 KIT	1
7	4210143	STATIONARY RING HOLDER HELIX 6" EPDM	1
7.2	2127607	> STATIONARY RING HOLDER 6" HELIX 1.4301 V	1
7.3	4176513	> O-RING FOR PUMP JACKET VP.	1
7.4	2127603	> O-RING ID.37,6x2,4 EPDM VP.	1
7.5	2127602	> O-RING ID.21,35x2 EPDM VP.	1
8	4159686	FILING/PURGING PLUG HELIX EPDM KIT	1
9	4178564	SEAL-KIT-HELIX2-4 O/E KIT	1
10	2127576	HOUSING PIPE D.152x260 1.4301 KIT	1
11	4179315	CENTERING STAGE HELIX V2 1.4307 VP.	1
12	4178568	SHAFT EQUIPMENT HELIX V2/V4 KIT	1
12.1		> NUT-H-M8-STAINLESS-STEEL A4-70	2
12.2		> SHAFT END WASHER Ø8/Ø12 316L	1
12.3		> STOP COLLAR OF IMPELLER M+2/4 SINGLEBLOC	1
12.4		> STOP-RUSH-1/2-D12xd2-M+316	2
13		HYDRAULIC HELIX V 208 1.4307	1
14	4178592	SHAFT D.12X383 1.4301 VP.	1
15	4174079	PUMP HOUSING HELIX DN32 PN16 1.4301 KIT	1
7.3	4176513	> O-RING FOR PUMP JACKET VP.	1
15.1		> BLASTING PPE HOUSING V-PN16-DN32-5"-304	1
15.2	4217889	> COUNTER FLANGE-G1"-PN16-GJL KIT	1
15.3	4171321	> PRIMING/DRAIN PLUG EPDM HELIX KIT	1
16	4177964	BASEPLATE HELIX V2/4/6 PN16 VP.	1





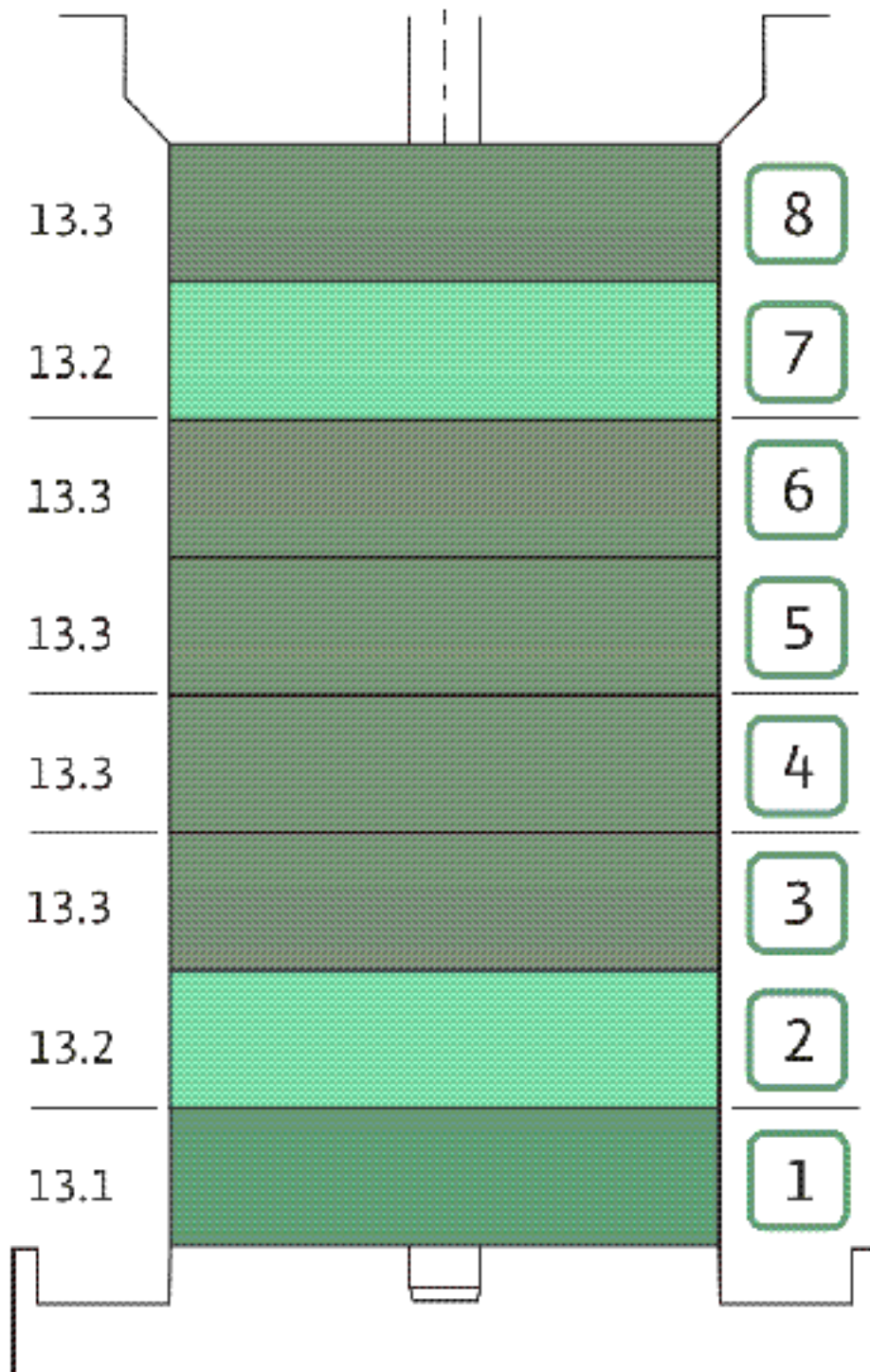
**COUPLING D.12XD.19 FT100 KIT (4178578)**

Item	Article no.	Description	Quantity
4.1		COUPLING-M+ Ø12XØ19-FT100-MACHINED	1
4.3	4234249	CIRCLIP-FOR-SHAFT-D30x1.5 VP.	1
4.2	2130977	BALL BEARING 6206/ZZ-C3(HT)VP.	1
4.4	4212716	SCREW M6X20 KIT (4PIECES)	1
4.5	4234250	CIRCLIP-D62x2 VP.	1
4.6	4234245	O-RING 63X3 VP.	1
		CONTACT-WASHER-6ETR-6,1x12,2x1,8-STEEL	4



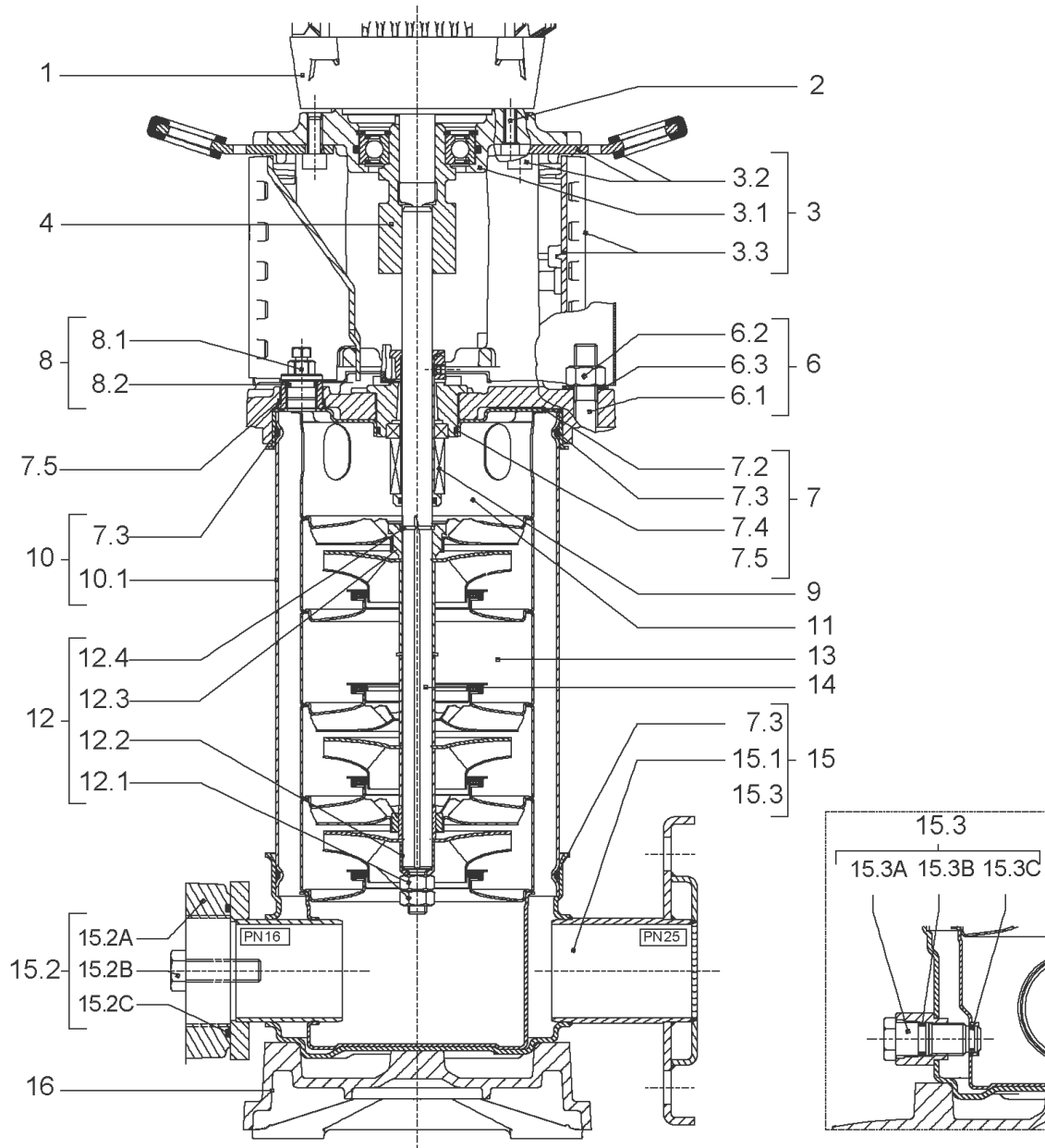
**SEAL-KIT-HELIX2-4 O/E KIT (4178564)**

Item	Article no.	Description	Quantity
7.3	4176513	O-RING FOR PUMP JACKET VP.	1
7.4	2127603	O-RING ID.37,6x2,4 EPDM VP.	1
9.1	4178563	M.SEAL.HELIX2-4 O/E VP.	1
9.3	4178561	RING HOLDER Ø22 1.4301 VP.	1
9.5	4178562	DRIVE RING D.22/12.2X10 MACH.VP.	1
9.4	4176520	SCREW CH M5x5 A4-70 ( 3PIECES )	1



**HYDRAULIC HELIX V 208 1.4307**

Item	Article no.	Description	Quantity
13.1	4179316	STAGE HELIX 2 1.4301 KIT	1
		> MACH.STG-CASING-WOGV-WNR-M+2-4-304	1
		> IMPELLER-M+2-304	1
13.2	4179317	STAGE BEARING HELIX 2 1.4307 KIT	1
		> MACH.BEARING-STG-CASING-WNR-M+2-304	1
		> IMPELLER-M+2-304	1
		> SHAFT SLEEVE SPACER Ø15,35x10,305-304	1
		> SHAFT-SLEEVE-D12xD16x14-CW	1
13.3	4179319	INTERMEDIATE STAGE HELIX 2 1.4301 KIT	1
		> CORPS-ETG-STD-ACR-AJR-USIN.M+2-304	1
		> IMPELLER-M+2-304	1
		> IMPELLER SPACER Ø12,05X14,85-L24,285-304	1



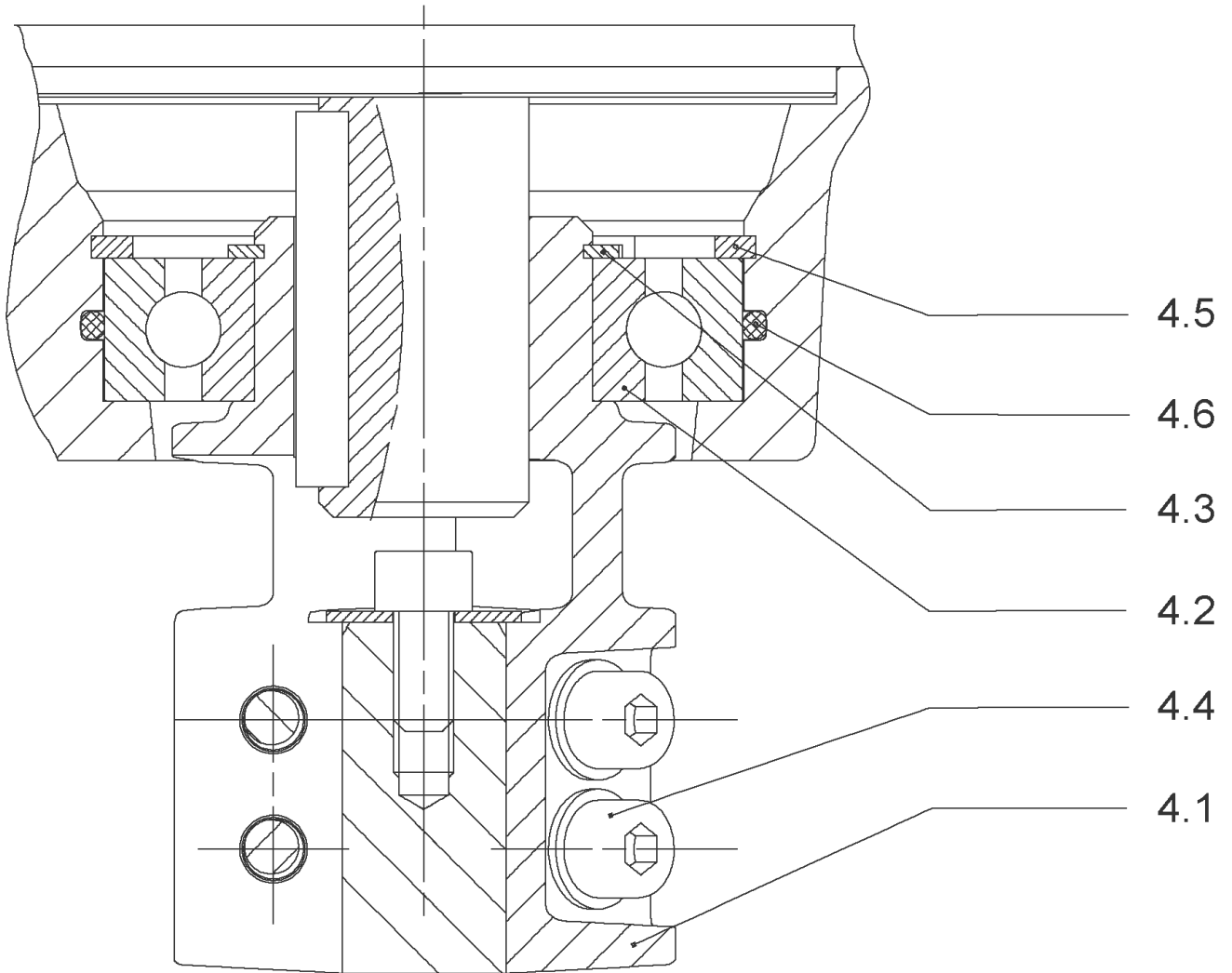
**HELIX V209-1/16/E/S/400-50 (4164299)**

Item	Article no.	Description	Quantity
1	4169940	MOTOR 0,75/2/80 3~230/400V 50HZ IE3 VP.	1
		SPARE PARTS MOTOR:ON REQUEST	1
2	4159702	SCREW M6X30 (4 PIECES)	1
3	4172790	EQUIPED LANTERN NEXIS FT 100 KIT	1
3.1		> M+5_6_LANTERN_ONE-PIECE_FT100_CATA	1
3.2	2127604	> EYELET CPL.FT HELIX(2 PIECES)	1
3.3	4159692	> COUPLING PROTECTOR FT HELIX KIT	1
4	4178578	COUPLING D.12XD.19 FT100 KIT	1
6	4177822	STUD BOLT M12X413 KIT	1
6.1		> TIE BOLT M12-413x18x30-1.4057	1
6.2	2094647	> NUT M12 M12 ISO4032 VP.	1
6.3	2123557	> WASHER CS-12.4-24-1.6-NFE25 (4 PIECES)	1
7	4210143	STATIONARY RING HOLDER HELIX 6" EPDM	1
7.2	2127607	> STATIONARY RING HOLDER 6" HELIX 1.4301 V	1
7.3	4176513	> O-RING FOR PUMP JACKET VP.	1
7.4	2127603	> O-RING ID.37,6x2,4 EPDM VP.	1
7.5	2127602	> O-RING ID.21,35x2 EPDM VP.	1
8	4159686	FILING/PURGING PLUG HELIX EPDM KIT	1
9	4178564	SEAL-KIT-HELIX2-4 O/E KIT	1
10	4177823	HOUSING PIPES D.152X285 1.4301 KIT	1
7.3	4176513	> O-RING FOR PUMP JACKET VP.	1
10.1		> HOUSING-PIPE Ø152-M+1006-304	1
11	4179315	CENTERING STAGE HELIX V2 1.4307 VP.	1
12	4178568	SHAFT EQUIPMENT HELIX V2/V4 KIT	1
12.1		> NUT-H-M8-STAINLESS-STEEL A4-70	2
12.2		> SHAFT END WASHER Ø8/Ø12 316L	1
12.3		> STOP COLLAR OF IMPELLER M+2/4 SINGLEBLOC	1
12.4		> STOP-RUSH-1/2-D12xd2-M+316	2
13		HYDRAULIC HELIX V 209 1.4307	1
14	4178598	SHAFT D.12X408 1.4301 VP.	1
15	4174079	PUMP HOUSING HELIX DN32 PN16 1.4301 KIT	1
7.3	4176513	> O-RING FOR PUMP JACKET VP.	1
15.1		> BLASTING PPE HOUSING V-PN16-DN32-5"-304	1
15.2	4217889	> COUNTER FLANGE-G1"-PN16-GJL KIT	1



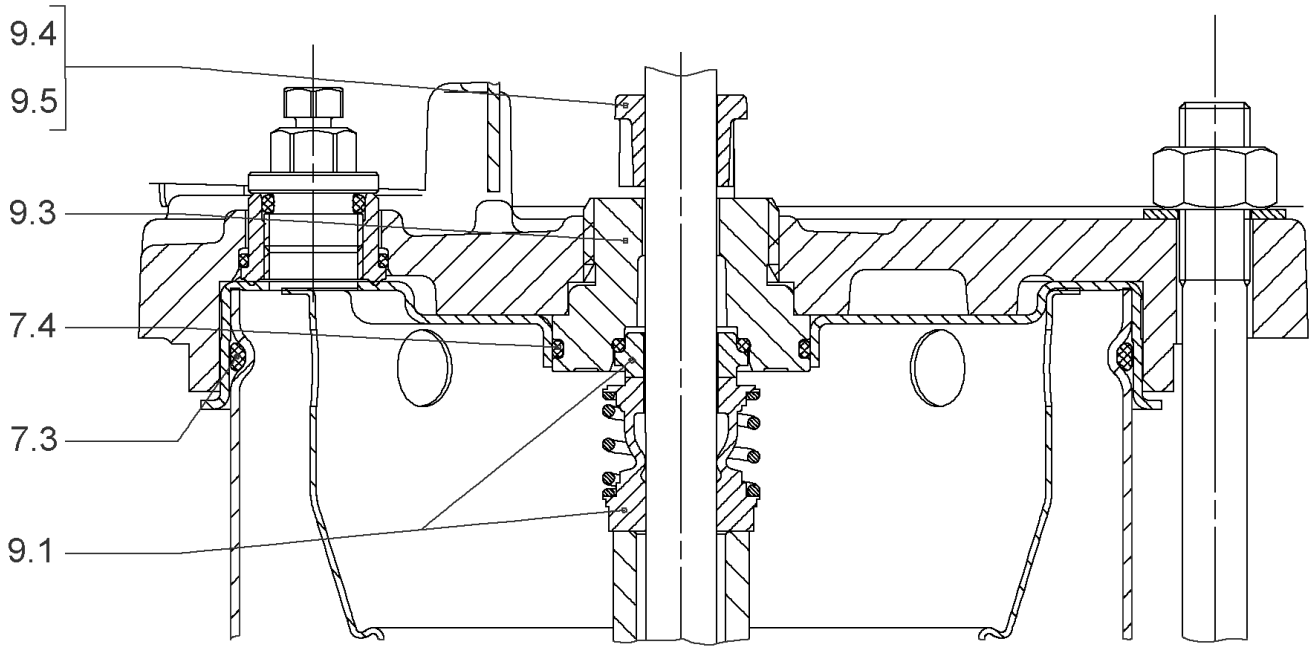
**HELIX V209-1/16/E/S/400-50 (4164299)**

<b>Item</b>	<b>Article no.</b>	<b>Description</b>	<b>Quantity</b>
15.3	4171321	> PRIMING/DRAIN PLUG EPDM HELIX KIT	1
16	4177964	BASEPLATE HELIX V2/4/6 PN16 VP.	1



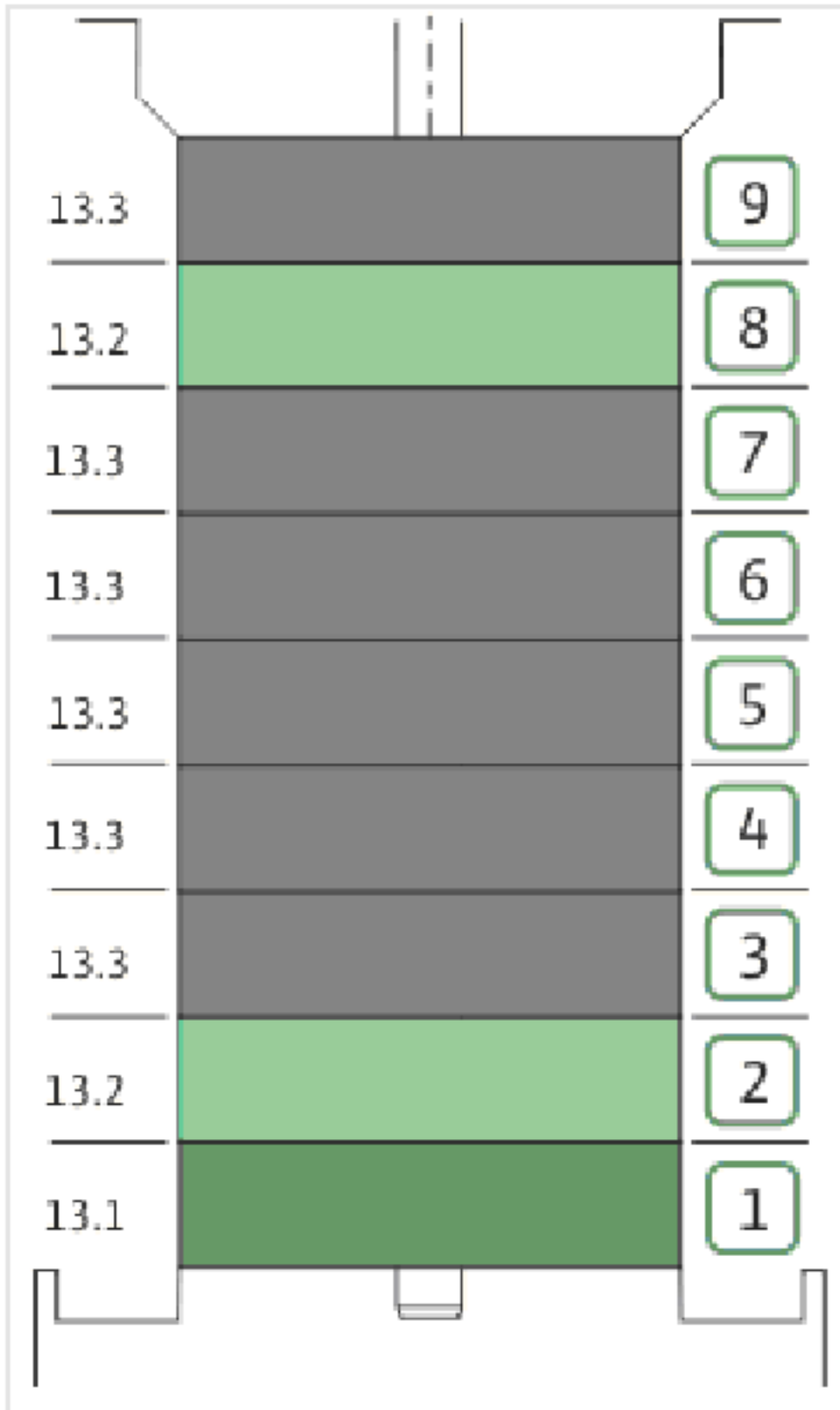
**COUPLING D.12XD.19 FT100 KIT (4178578)**

Item	Article no.	Description	Quantity
4.1		COUPLING-M+ Ø12XØ19-FT100-MACHINED	1
4.3	4234249	CIRCLIP-FOR-SHAFT-D30x1.5 VP.	1
4.2	2130977	BALL BEARING 6206/ZZ-C3(HT)VP.	1
4.4	4212716	SCREW M6X20 KIT (4PIECES)	1
4.5	4234250	CIRCLIP-D62x2 VP.	1
4.6	4234245	O-RING 63X3 VP.	1
		CONTACT-WASHER-6ETR-6,1x12,2x1,8-STEEL	4



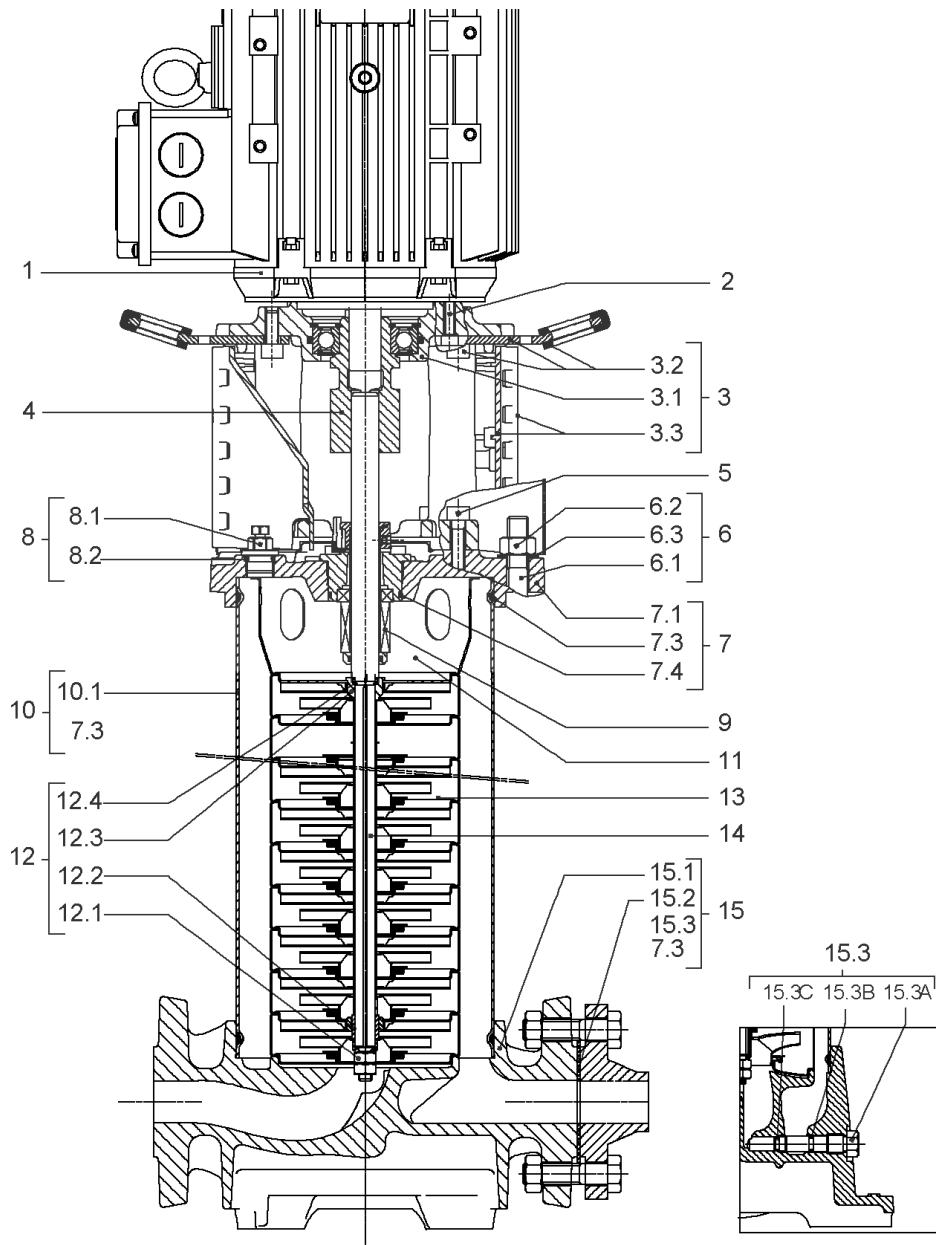
**SEAL-KIT-HELIX2-4 O/E KIT (4178564)**

<b>Item</b>	<b>Article no.</b>	<b>Description</b>	<b>Quantity</b>
7.3	4176513	O-RING FOR PUMP JACKET VP.	1
7.4	2127603	O-RING ID.37,6x2,4 EPDM VP.	1
9.1	4178563	M.SEAL.HELIX2-4 O/E VP.	1
9.3	4178561	RING HOLDER Ø22 1.4301 VP.	1
9.5	4178562	DRIVE RING D.22/12.2X10 MACH.VP.	1
9.4	4176520	SCREW CH M5x5 A4-70 ( 3PIECES )	1



**HYDRAULIC HELIX V 209 1.4307**

Item	Article no.	Description	Quantity
13.1	4179316	STAGE HELIX 2 1.4301 KIT	1
		> MACH.STG-CASING-WOGV-WNR-M+2-4-304	1
		> IMPELLER-M+2-304	1
13.2	4179317	STAGE BEARING HELIX 2 1.4307 KIT	1
		> MACH.BEARING-STG-CASING-WNR-M+2-304	1
		> IMPELLER-M+2-304	1
		> SHAFT SLEEVE SPACER Ø15,35x10,305-304	1
		> SHAFT-SLEEVE-D12xD16x14-CW	1
13.3	4179319	INTERMEDIATE STAGE HELIX 2 1.4301 KIT	1
		> CORPS-ETG-STD-ACR-AJR-USIN.M+2-304	1
		> IMPELLER-M+2-304	1
		> IMPELLER SPACER Ø12,05X14,85-L24,285-304	1





**HELIX V229-3/30/E/KS/400-50 (4175090)**

Item	Article no.	Description	Quantity
1	4169943	MOTOR 2,2/2/90 3~230/400V 50HZ IE3 VP.	1
		SPARE PARTS MOTOR:ON REQUEST	1
2	4159703	SCREW M8X40 (4 PIECES)	1
3	4159690	LANTERN FT115 HELIX KIT	1
3.1		> LANTERN FT115 M+6" GJL MACHINING+CATA	1
3.2	2127604	> EYELET CPL.FT HELIX(2 PIECES)	1
3.3	4159692	> COUPLING PROTECTOR FT HELIX KIT	1
4	4178600	COUPLING D.12XD.24 FT115 KIT	1
5	4159707	SCREW M8X30 (4 PIECES)	1
6	4179238	STUD BOLT M12X845 KIT	1
6.1		> TIE BOLT M12-845x18x30-1.4057	1
6.2	2094647	> NUT M12 M12 ISO4032 VP.	1
6.3	2123557	> WASHER CS-12.4-24-1.6-NFE25 (4 PIECES)	1
7	4177867	END SHIELD PN30 HELIX EPDM KIT	1
7.1		> END SHIELD M+ JL VERSION 1 MACHINED+CATA	1
7.3	4176513	> O-RING FOR PUMP JACKET VP.	1
7.4	2127603	> O-RING ID.37,6x2,4 EPDM VP.	1
8	4159686	FILING/PURGING PLUG HELIX EPDM KIT	1
9	4179241	MECH.SEAL+CART. HELIX2-4 T/E KIT	1
10	2127583	HOUSING PIPE D.152x810 1.4301 KIT	1
7.3	4176513	> O-RING FOR PUMP JACKET VP.	1
10.1		> HOUSING-PIPE Ø152-M+1020/1613-304	1
11	4179315	CENTERING STAGE HELIX V2 1.4307 VP.	1
12	4178567	SHAFT EQUIPMENT HELIX V2/V4 KIT	1
12.1		> NUT-H-M8-STAINLESS-STEEL A4-70	1
12.2		> SHAFT END WASHER Ø8/Ø12 316L	1
12.3		> STOP COLLAR OF IMPELLER L12,6-Ø12-316L	1
12.4		> STOP-RUSH-1/2-D12xd2-M+316	1
13		HYDRAULIC HELIX V 229 1.4307	1
14	4179516	SHAFT D.12X933,8 1.4301 VP.	1
15	4179246	PUMP HOUSING HELIX V2/4 DN25 PN30 KIT	1
7.3	4176513	> O-RING FOR PUMP JACKET VP.	1
15.1		> MACH+CATA PUMP CASING M+5" DN25 PN25 GJL	1
15.2	4233952	> FLAT GASKET D.73 VP.	1

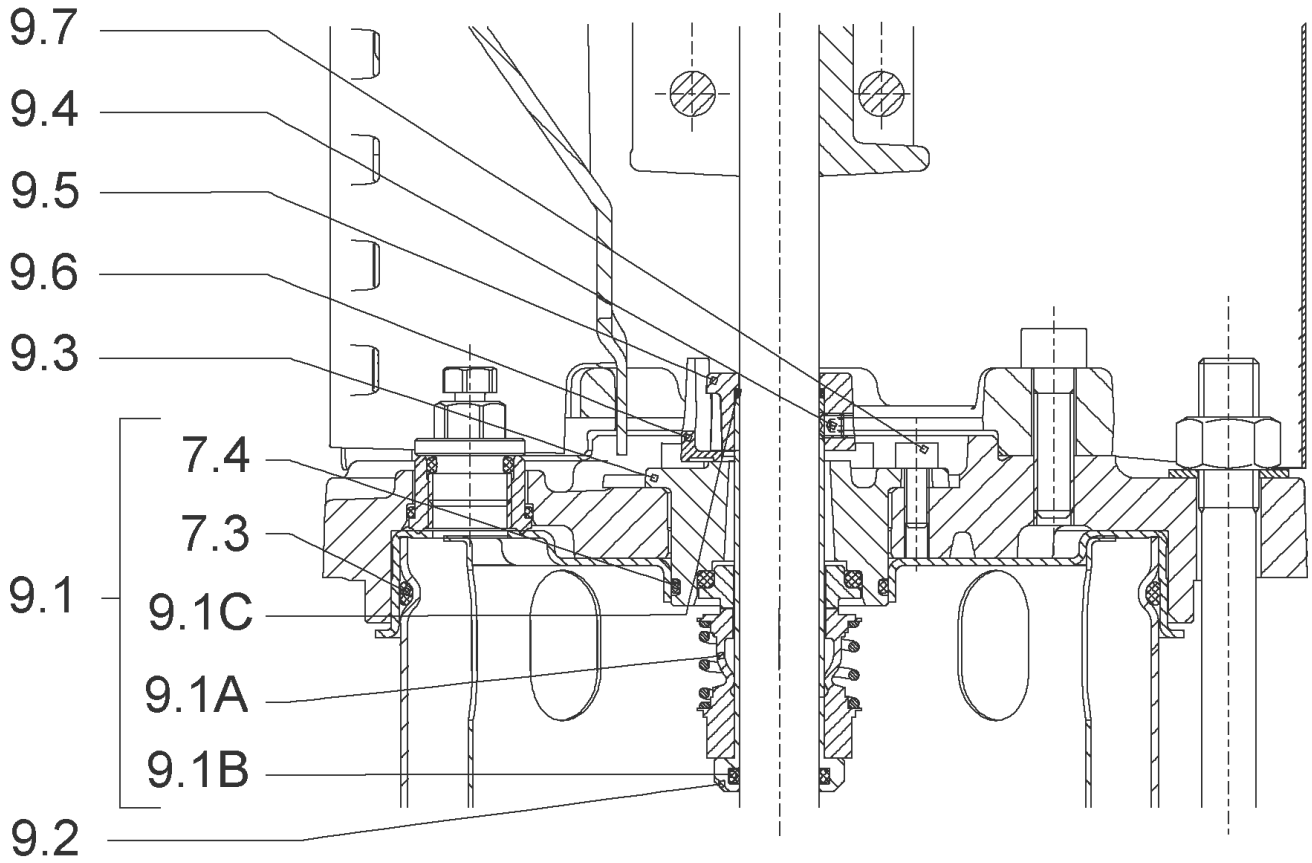
**HELIX V229-3/30/E/KS/400-50 (4175090)**

<b>Item</b>	<b>Article no.</b>	<b>Description</b>	<b>Quantity</b>
15.3	4177877	> PRIMING/DRAIN PLUG HELIX PN30 KIT	1
15.3A		>> PRIMING/DRAIN PLUG M+6" 304	1
15.3B	4233957	>> O-RING ID.9 EPDM VP.	1
15.3C		>> O-RING Ø8xØ2 EPDM KTW/WRC	1



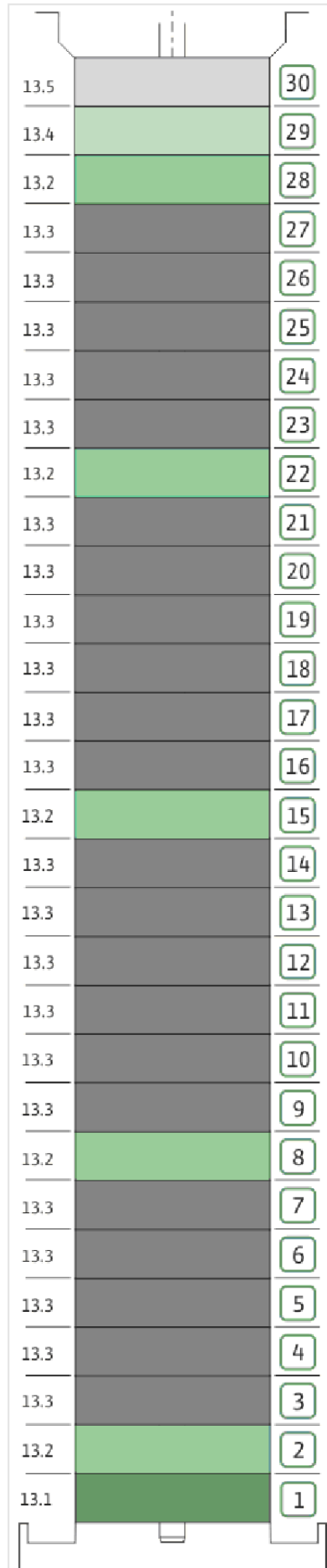
**COUPLING D.12XD.24 FT115 KIT (4178600)**

Item	Article no.	Description	Quantity
4.1		COUPLING-M+ Ø12XØ24-FT115-MACHINED	1
4.2	2131023	BALL BEARING 6207/ZZ-C3(HT)VP.	1
4.3	4234254	CIRCLIP-FOR-SHAFT-D35x1.5 VP.	1
4.4	4157726	SCREW KIT M8X30 (4 PIECES)	1
4.5	4234251	CIRCLIP-D72x2.5 VP.	1
4.6	4234246	O-RING 72X3 VP.	1
		NOMEL CONTACT WASHER 8x16x1,4 STEEL ZC	1



**MECH.SEAL+CART. HELIX2-4 T/E KIT (4179241)**

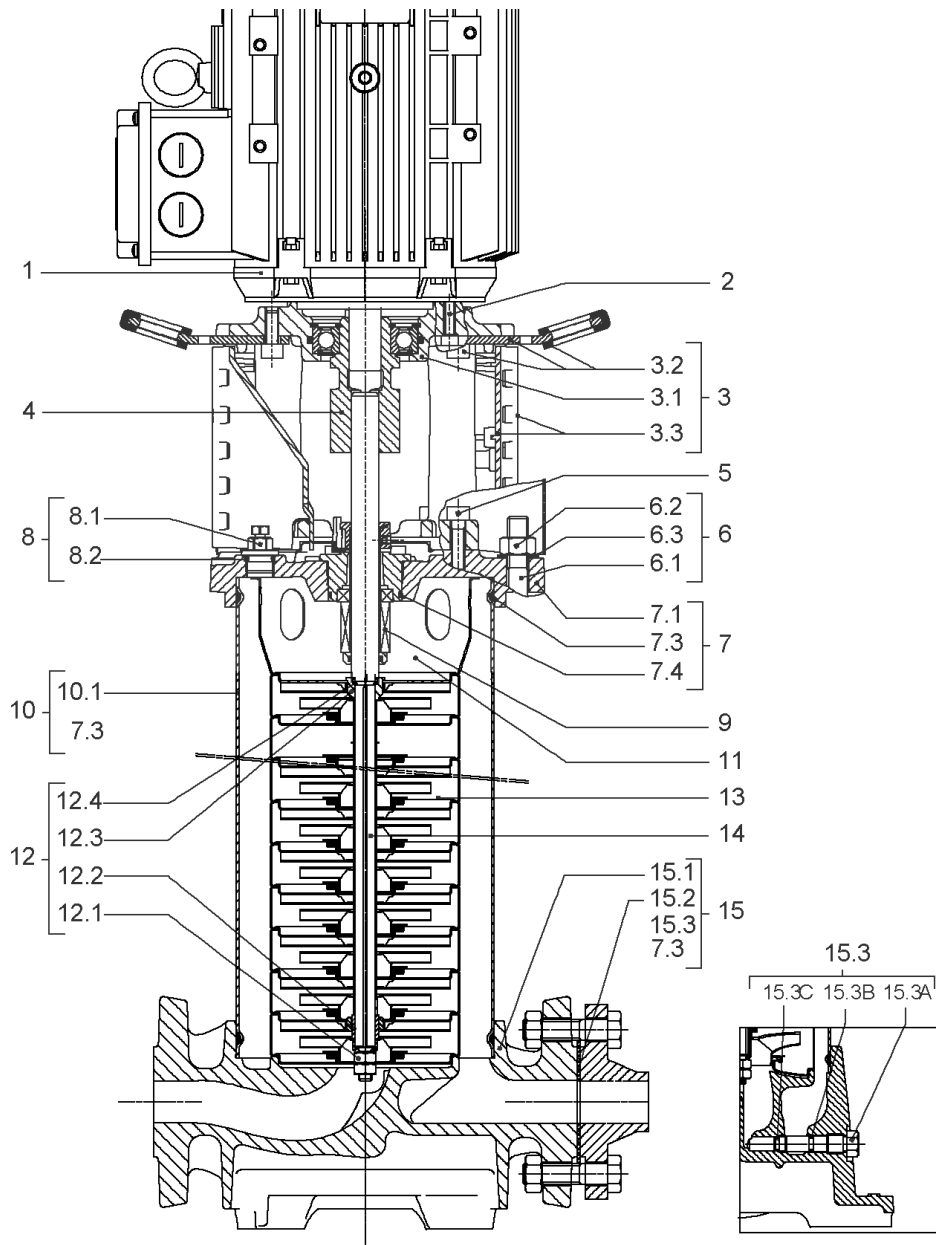
Item	Article no.	Description	Quantity
9.1	4179240	SEAL-KIT-HELIX2-4 T/E	1
7.3	4176513	> O-RING FOR PUMP JACKET VP.	1
7.4	2127603	> O-RING ID.37,6x2,4 EPDM VP.	1
9.1A	4177870	> MECH.SEAL HELIX2-4-6-10-16 T/E VP.	1
9.1B	4178558	> O-RING ID.12X2 EPDM VP.	1
9.1C	4178558	> O-RING ID.12X2 EPDM VP.	1
9.2	4179239	SHAFT SLEEVE D.18/12X72.2 1.4404 VP.	1
9.3	4177868	RING-HOLDER MS G9 316 VP.	1
9.4	4176520	SCREW CH M5x5 A4-70 ( 3PIECES )	1
9.5	4178595	DRIVE RING D.29/15.5x13,2 MACH.VP.	1
9.6	2130964	TOOL M.S.CART.HELIX VP.	1
9.7	2130965	SCREW CHC M5X12 ISO4762 A2.70(4 PIECES)	1



**HYDRAULIC HELIX V 229 1.4307**

Item	Article no.	Description	Quantity
13.1	4179316	STAGE HELIX 2 1.4301 KIT	1
		> MACH.STG-CASING-WOGV-WNR-M+2-4-304	1
		> IMPELLER-M+2-304	1
13.2	4179317	STAGE BEARING HELIX 2 1.4307 KIT	1
		> MACH.BEARING-STG-CASING-WNR-M+2-304	1
		> IMPELLER-M+2-304	1
		> SHAFT SLEEVE SPACER Ø15,35x10,305-304	1
		> SHAFT-SLEEVE-D12xD16x14-CW	1
13.3	4213786	INTERM. STAGE HELIX 2 >14 ST. 1.4307 KIT	1
		> CORPS-ETG-STD-ACR-AJR-USIN.M+2-304	1
		> IMPELLER-M+2-304	1
		> IMPELLER SPACER Ø12,1X14,1-L24,25-316L	1
13.4	4220515	EMPTY STAGE HELIX 2 1.4301>15 stage Kit	1
		> CORPS-ETG-STD-ACR-AJR-USIN.M+2-304	1
		> FLAT WASHER-D12.1XD16X0.8-316L	1
		> IMPELLER SPACER Ø12,1X14,1-L24,25-316L	1
13.5	4220512	INTERMED STAGE>15 HELIX 2 1.4301 KIT	1
		> MACH.STG-CASING-WOGV-WNR-M+2-4-304	1
		> IMPELLER-M+2-304	1
		> IMPELLER SPACER Ø12,1X14,1-L24,25-316L	1





**HELIX V231-3/30/E/KS/400-50 (4175091)**

Item	Article no.	Description	Quantity
1	4169944	MOTOR 3/2/100 3~230/400V 50HZ IE3 VP.	1
		SPARE PARTS MOTOR:ON REQUEST	1
2	4206025	SCREW M8X45 (4 PIECES)	1
3	4171326	LANTERN FT130 HELIX KIT	1
3.1		> LANTERN FT130 M+6" GJL MACHINING+CATA	1
3.2	2127604	> EYELET CPL.FT HELIX(2 PIECES)	1
3.3	4159692	> COUPLING PROTECTOR FT HELIX KIT	1
4	4178626	COUPLING D.12XD.28 FT130 KIT	1
5	4159707	SCREW M8X30 (4 PIECES)	1
6	4177859	STUD BOLT M12X863KIT	1
6.1		> TIE BOLT M12-863x18x30-1.4057	1
6.2	2094647	> NUT M12 M12 ISO4032 VP.	1
6.3	2123557	> WASHER CS-12.4-24-1.6-NFE25 (4 PIECES)	1
7	4177867	END SHIELD PN30 HELIX EPDM KIT	1
7.1		> END SHIELD M+ JL VERSION 1 MACHINED+CATA	1
7.3	4176513	> O-RING FOR PUMP JACKET VP.	1
7.4	2127603	> O-RING ID.37,6x2,4 EPDM VP.	1
8	4159686	FILING/PURGING PLUG HELIX EPDM KIT	1
9	4179241	MECH.SEAL+CART. HELIX2-4 T/E KIT	1
10	4179250	HOUSING PIPE D.152X835 1.4301 KIT	1
7.3	4176513	> O-RING FOR PUMP JACKET VP.	1
10.1		> HOUSING-PIPE Ø152-M+231/431-304	1
11	4179315	CENTERING STAGE HELIX V2 1.4307 VP.	1
12	4178567	SHAFT EQUIPMENT HELIX V2/V4 KIT	1
12.1		> NUT-H-M8-STAINLESS-STEEL A4-70	1
12.2		> SHAFT END WASHER Ø8/Ø12 316L	1
12.3		> STOP COLLAR OF IMPELLER L12,6-Ø12-316L	1
12.4		> STOP-RUSH-1/2-D12xd2-M+316	1
13		HYDRAULIC HELIX V 231 1.4307	1
14	4179518	SHAFT D.12X958,8 1.4301 VP.	1
15	4179246	PUMP HOUSING HELIX V2/4 DN25 PN30 KIT	1
7.3	4176513	> O-RING FOR PUMP JACKET VP.	1
15.1		> MACH+CATA PUMP CASING M+5" DN25 PN25 GJL	1
15.2	4233952	> FLAT GASKET D.73 VP.	1

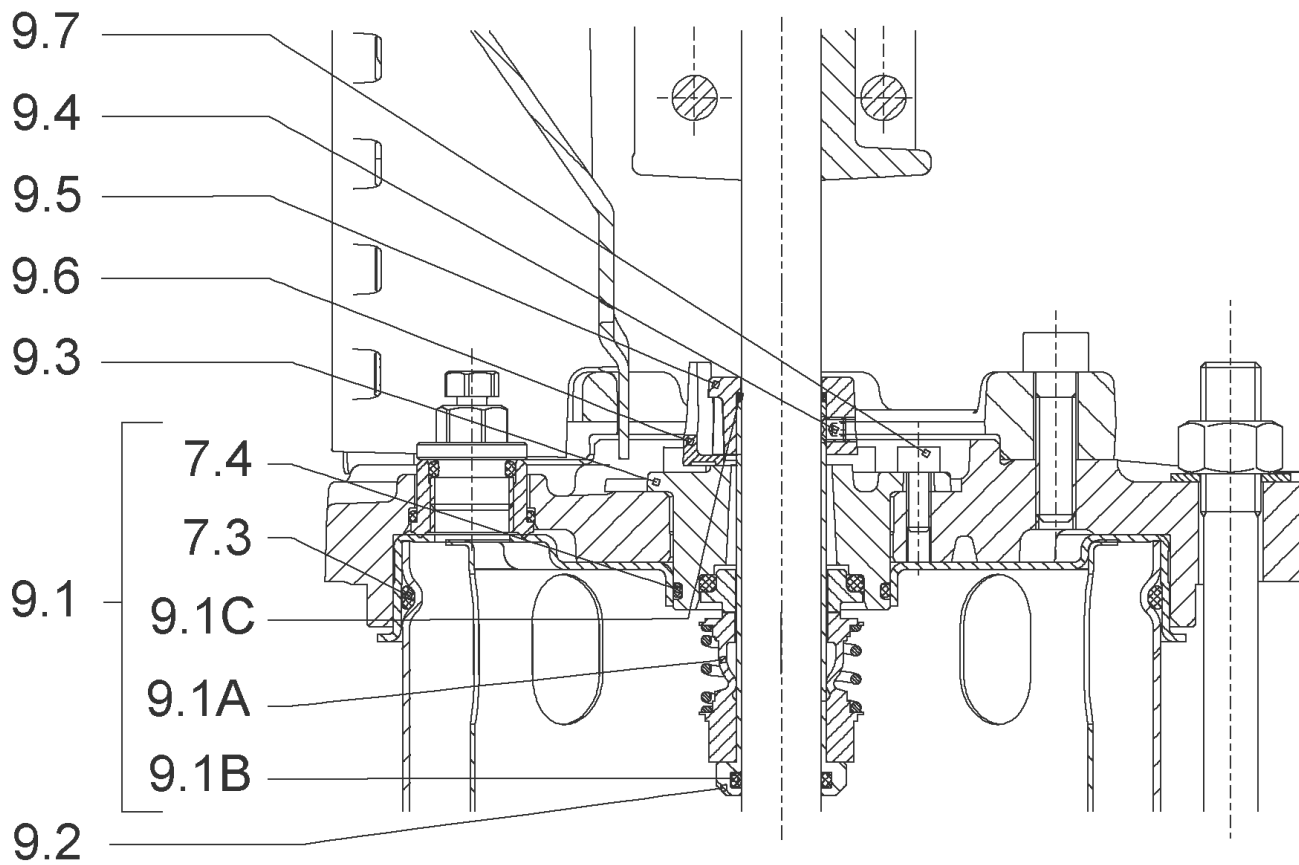
**HELIX V231-3/30/E/KS/400-50 (4175091)**

Item	Article no.	Description	Quantity
15.3	4177877	> PRIMING/DRAIN PLUG HELIX PN30 KIT	1
15.3A		>> PRIMING/DRAIN PLUG M+6" 304	1
15.3B	4233957	>> O-RING ID.9 EPDM VP.	1
15.3C		>> O-RING Ø8xØ2 EPDM KTW/WRC	1



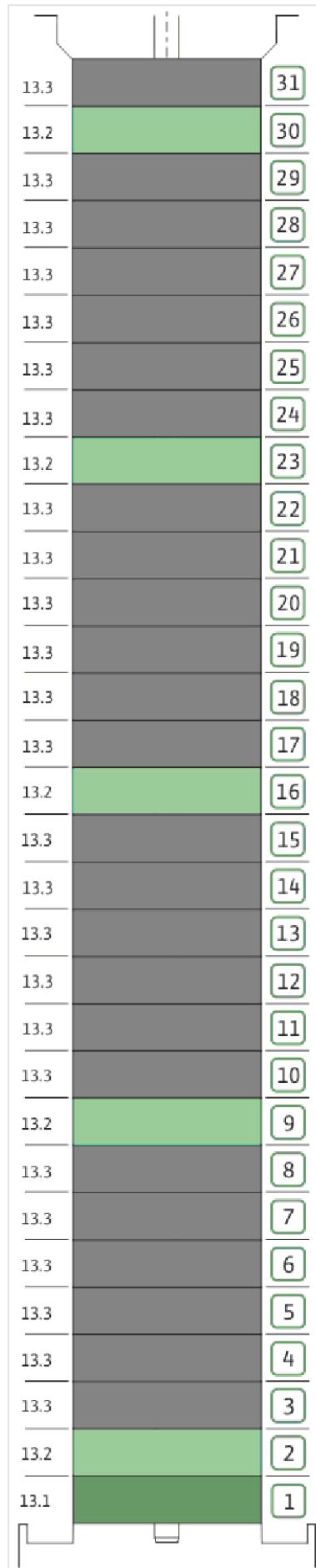
**COUPLING D.12XD.28 FT130 KIT (4178626)**

Item	Article no.	Description	Quantity
4.1		COUPLING-M+ Ø12XØ28-FT130-MACHINED	1
4.2	2131022	BALL BEARING 6209/ZZ-C3(HT)VP.	1
4.3	4233930	CIRCLIP-FOR-BORES-D45x1,75 VP.	1
4.4	4157726	SCREW KIT M8X30 (4 PIECES)	1
4.5	4234252	CIRCLIPS 85X3 VP.	1
4.6	4234243	O-RING 85X3 VP.	1
		NOMEL CONTACT WASHER 8x16x1,4 STEEL ZC	1



**MECH.SEAL+CART. HELIX2-4 T/E KIT (4179241)**

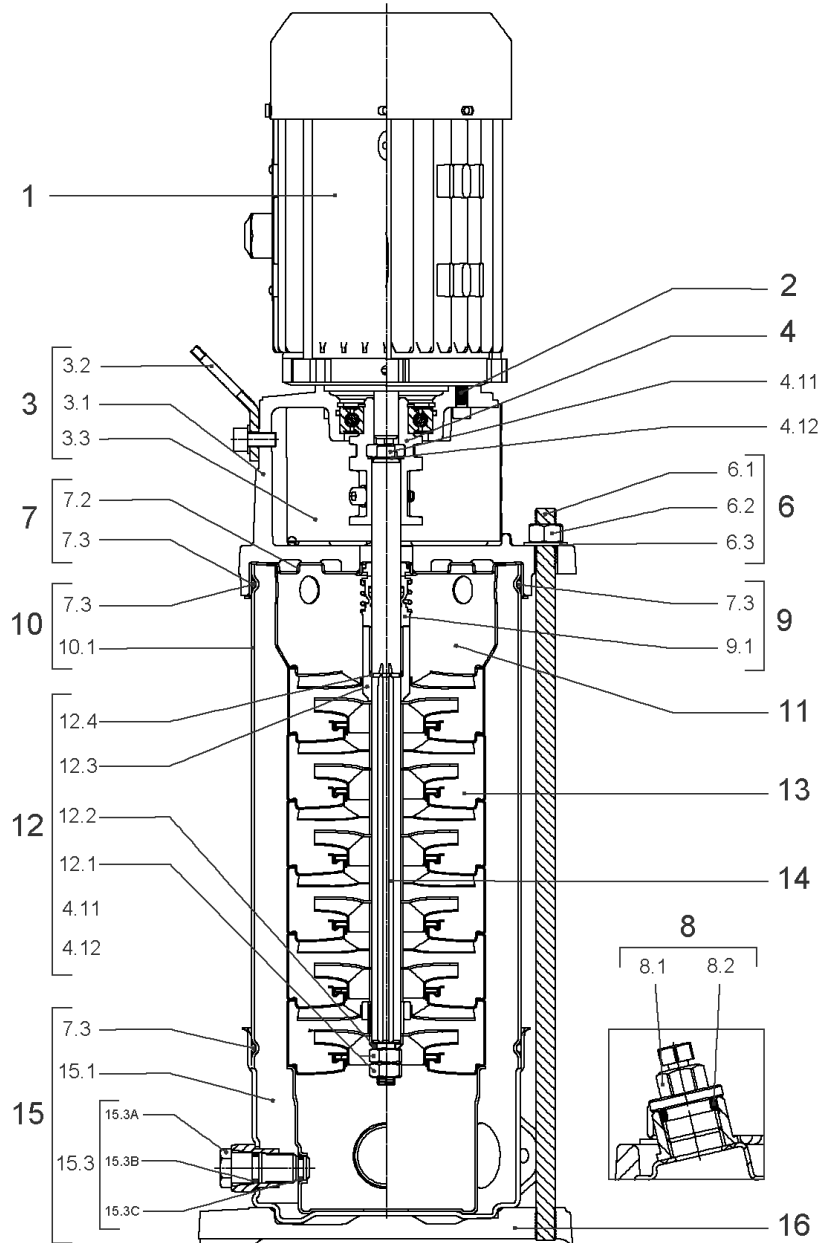
Item	Article no.	Description	Quantity
9.1	4179240	SEAL-KIT-HELIX2-4 T/E	1
7.3	4176513	> O-RING FOR PUMP JACKET VP.	1
7.4	2127603	> O-RING ID.37,6x2,4 EPDM VP.	1
9.1A	4177870	> MECH.SEAL HELIX2-4-6-10-16 T/E VP.	1
9.1B	4178558	> O-RING ID.12X2 EPDM VP.	1
9.1C	4178558	> O-RING ID.12X2 EPDM VP.	1
9.2	4179239	SHAFT SLEEVE D.18/12X72.2 1.4404 VP.	1
9.3	4177868	RING-HOLDER MS G9 316 VP.	1
9.4	4176520	SCREW CH M5x5 A4-70 ( 3PIECES )	1
9.5	4178595	DRIVE RING D.29/15.5x13,2 MACH.VP.	1
9.6	2130964	TOOL M.S.CART.HELIX VP.	1
9.7	2130965	SCREW CHC M5X12 ISO4762 A2.70(4 PIECES)	1





**HYDRAULIC HELIX V 231 1.4307**

Item	Article no.	Description	Quantity
13.1	4179316	STAGE HELIX 2 1.4301 KIT	1
		> MACH.STG-CASING-WOGV-WNR-M+2-4-304	1
		> IMPELLER-M+2-304	1
13.2	4179317	STAGE BEARING HELIX 2 1.4307 KIT	1
		> MACH.BEARING-STG-CASING-WNR-M+2-304	1
		> IMPELLER-M+2-304	1
		> SHAFT SLEEVE SPACER Ø15,35x10,305-304	1
		> SHAFT-SLEEVE-D12xD16x14-CW	1
13.3	4213786	INTERM. STAGE HELIX 2 >14 ST. 1.4307 KIT	1
		> CORPS-ETG-STD-ACR-AJR-USIN.M+2-304	1
		> IMPELLER-M+2-304	1
		> IMPELLER SPACER Ø12,1x14,1-L24,25-316L	1



**HELIX V202-1/16/E/S/400-50 (4201337)**

Item	Article no.	Description	Quantity
1	4169946	MOTOR 0,37/2/71 3~230/400V 50HZ IE2 VP.	1
		SPARE PARTS MOTOR:ON REQUEST	1
2	4212716	SCREW M6X20 KIT (4PIECES)	1
3	4213715	LANTERN FT85 HELIX KIT	1
3.1		> LANT-MOT-VMI-ReDTC6"-FT85-MACHINED+CATA	1
3.2	4184852	> EYELET CPL.FT HELIX (2 PIECES)	1
3.3	4213713	> COUPLING PROTECTOR FT85/100 HELIX KIT	1
4	4212718	COUPLING HELIX D12 FT85 KIT	1
6	2018359	STUD BOLT M12X245 KIT	1
6.1		> TIE BOLT M12-245x18x30-1.4057	1
6.2	2094647	> NUT M12 M12 ISO4032 VP.	1
6.3	2123557	> WASHER CS-12.4-24-1.6-NFE25 (4 PIECES)	1
7	4212722	STATIONARY RING HOLDER HELIX D23 ReDTC	1
7.2	4212720	> STATIONARY RING HOLDER HELIX D23 VP.	1
7.3	4176513	> O-RING FOR PUMP JACKET VP.	1
8	4212724	FILING/PURGING PLUG HELIX ReDTC KIT	1
8.1		> FILLING PLUG MVI6"-304	1
8.2	4177800	> O-RING EPDM PLUG HELIX VP.	1
9	4212726	MECH.SEAL HELIX V2/4 O/E ReDTC KIT	1
9.1	4178563	> M.SEAL.HELIX2-4 O/E VP.	1
7.3	4176513	> O-RING FOR PUMP JACKET VP.	1
10	4178565	HOUSING PIPES D.152X109 1.4301 KIT	1
7.3	4176513	> O-RING FOR PUMP JACKET VP.	1
10.1		> HOUSING-PIPE Ø152-M+202/402-304	1
11	4179315	CENTERING STAGE HELIX V2 1.4307 VP.	1
12	4212729	SHAFT EQUIPMENT HELIX V2/4 ReDTC KIT	1
12.1		> NUT-H-M8-STAINLESS-STEEL A4-70	1
12.2		> SHAFT END WASHER Ø8/Ø12 316L	1
12.3		> 1/2-SNAP-RING-2/4M3-316L	1
12.4		> STOP-RUSH-1/2-D12xd2-M+316	1
4.11		> SCREW CHC-M6X14-8.8-ISO4762-GEOMET500A	1
4.12		> WASHER D.24 L6U ZINK	1
13		HYDRAULIC HELIX V 202 1.4307	1
14	4213693	SHAFT D.12X182 HELIX 1.4057 VP.	1

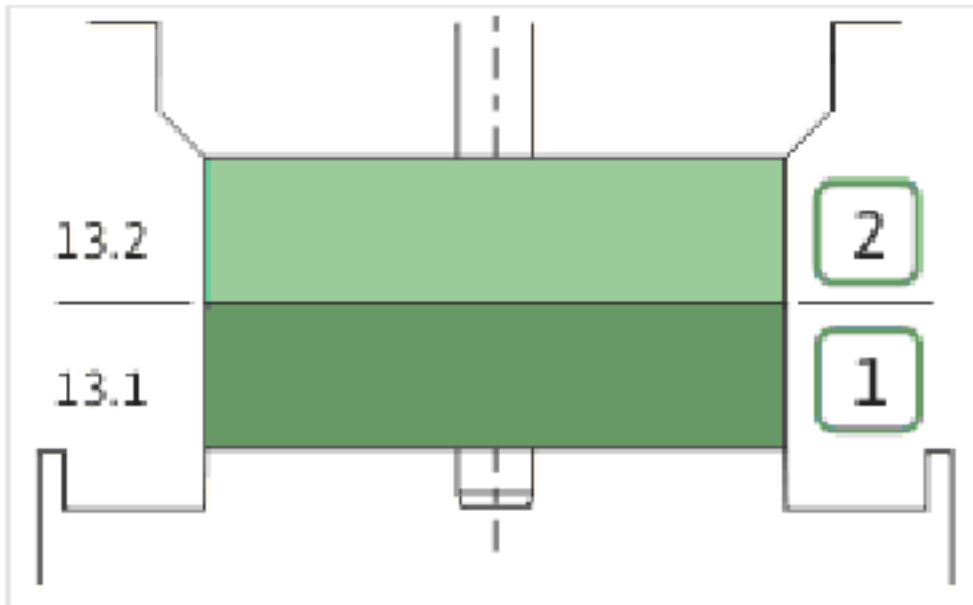
**HELIX V202-1/16/E/S/400-50 (4201337)**

<b>Item</b>	<b>Article no.</b>	<b>Description</b>	<b>Quantity</b>
15	4174079	PUMP HOUSING HELIX DN32 PN16 1.4301 KIT	1
7.3	4176513	> O-RING FOR PUMP JACKET VP.	1
15.1		> BLASTING PPE HOUSING V-PN16-DN32-5"-304	1
15.2	4217889	> COUNTER FLANGE-G1"-PN16-GJL KIT	1
15.3	4171321	> PRIMING/DRAIN PLUG EPDM HELIX KIT	1
16	4177964	BASEPLATE HELIX V2/4/6 PN16 VP.	1



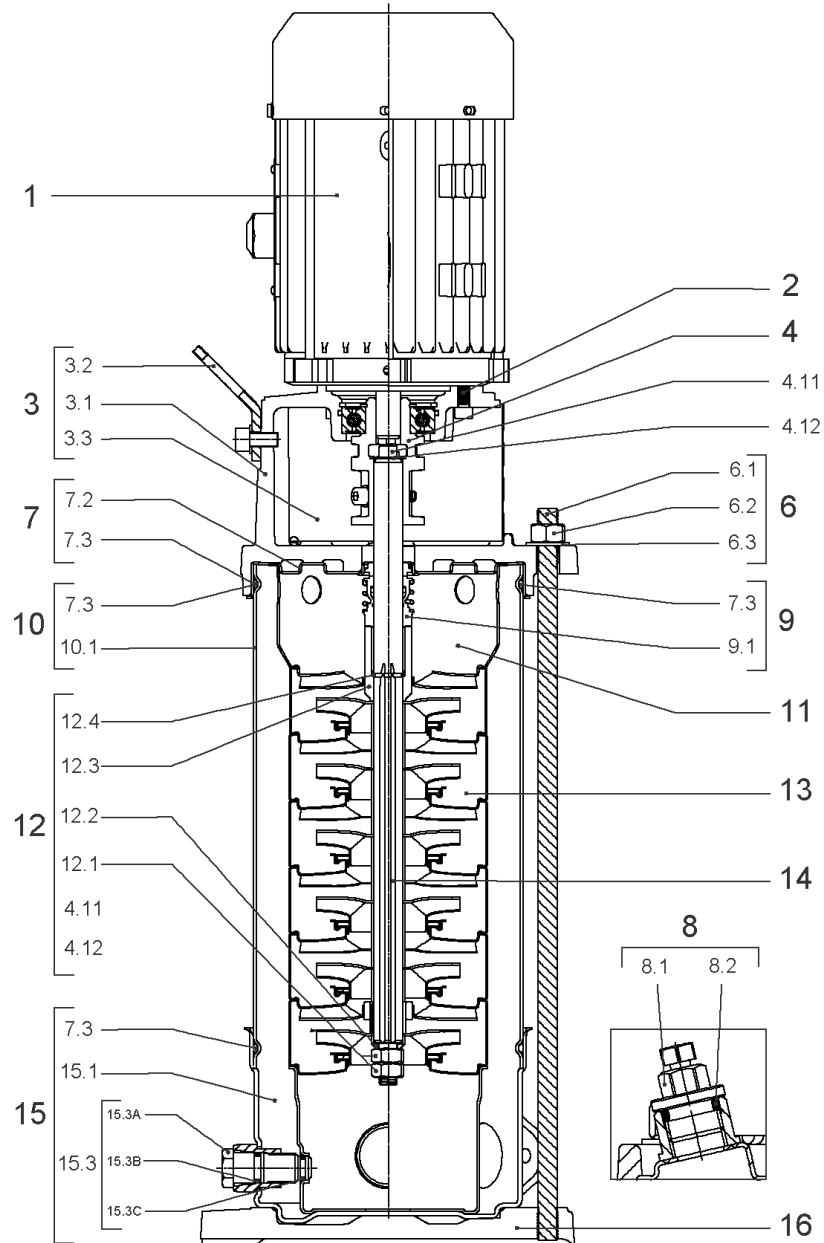
**COUPLING HELIX D12 FT85 KIT (4212718)**

Item	Article no.	Description	Quantity
4.1		COUPLING-VMI-Ø12xØ14-FT85-USINE	1
4.2	4177802	BALL BEARING 6205C3-ZZ HTVP.	1
4.3	4208923	CIRCLIP D25X1.2 VP.	1
4.4	4212716	SCREW M6X20 KIT (4PIECES)	1
4.5	4233124	CIRCLIP-FOR-BORES-D52x2 VP.	1
4.6	4234244	O-RING 52X2 VP.	1
		CONTACT-WASHER-6ETR-6,1x12,2x1,8-STEEL	1



Item	Article no.	Description	Quantity
13.1	4179316	STAGE HELIX 2 1.4301 KIT	1
		> MACH.STG-CASING-WOGV-WNR-M+2-4-304	1
		> IMPELLER-M+2-304	1
13.2	4179317	STAGE BEARING HELIX 2 1.4307 KIT	1
		> MACH.BEARING-STG-CASING-WNR-M+2-304	1
		> IMPELLER-M+2-304	1
		> SHAFT SLEEVE SPACER Ø15,35x10,305-304	1
		> SHAFT-SLEEVE-D12xD16x14-CW	1





**HELIX V203-1/16/E/S/400-50 (4201339)**

Item	Article no.	Description	Quantity
1	4169946	MOTOR 0,37/2/71 3~230/400V 50HZ IE2 VP.	1
		SPARE PARTS MOTOR:ON REQUEST	1
2	4212716	SCREW M6X20 KIT (4PIECES)	1
3	4213715	LANTERN FT85 HELIX KIT	1
3.1		> LANT-MOT-VMI-ReDTC6"-FT85-MACHINED+CATA	1
3.2	4184852	> EYELET CPL.FT HELIX (2 PIECES)	1
3.3	4213713	> COUPLING PROTECTOR FT85/100 HELIX KIT	1
4	4212718	COUPLING HELIX D12 FT85 KIT	1
6	4177803	STUD BOLT M12X263 KIT	1
6.1		> TIE BOLT M12-263x18x30-1.4057	1
6.2	2094647	> NUT M12 M12 ISO4032 VP.	1
6.3	2123557	> WASHER CS-12.4-24-1.6-NFE25 (4 PIECES)	1
7	4212722	STATIONARY RING HOLDER HELIX D23 ReDTC	1
7.2	4212720	> STATIONARY RING HOLDER HELIX D23 VP.	1
7.3	4176513	> O-RING FOR PUMP JACKET VP.	1
8	4212724	FILING/PURGING PLUG HELIX ReDTC KIT	1
8.1		> FILLING PLUG MVI6"-304	1
8.2	4177800	> O-RING EPDM PLUG HELIX VP.	1
9	4212726	MECH.SEAL HELIX V2/4 O/E ReDTC KIT	1
9.1	4178563	> M.SEAL.HELIX2-4 O/E VP.	1
7.3	4176513	> O-RING FOR PUMP JACKET VP.	1
10	4177804	HOUSING PIPES D.152X134 1.4301 KIT	1
7.3	4176513	> O-RING FOR PUMP JACKET VP.	1
10.1		> HOUSING-PIPE Ø152-M+1001/02-304	1
11	4179315	CENTERING STAGE HELIX V2 1.4307 VP.	1
12	4212729	SHAFT EQUIPMENT HELIX V2/4 ReDTC KIT	1
12.1		> NUT-H-M8-STAINLESS-STEEL A4-70	1
12.2		> SHAFT END WASHER Ø8/Ø12 316L	1
12.3		> 1/2-SNAP-RING-2/4M3-316L	1
12.4		> STOP-RUSH-1/2-D12xd2-M+316	1
4.11		> SCREW CHC-M6X14-8.8-ISO4762-GEOMET500A	1
4.12		> WASHER D.24 L6U ZINK	1
13		HYDRAULIC HELIX V 203 1.4307	1
15	4174079	PUMP HOUSING HELIX DN32 PN16 1.4301 KIT	1

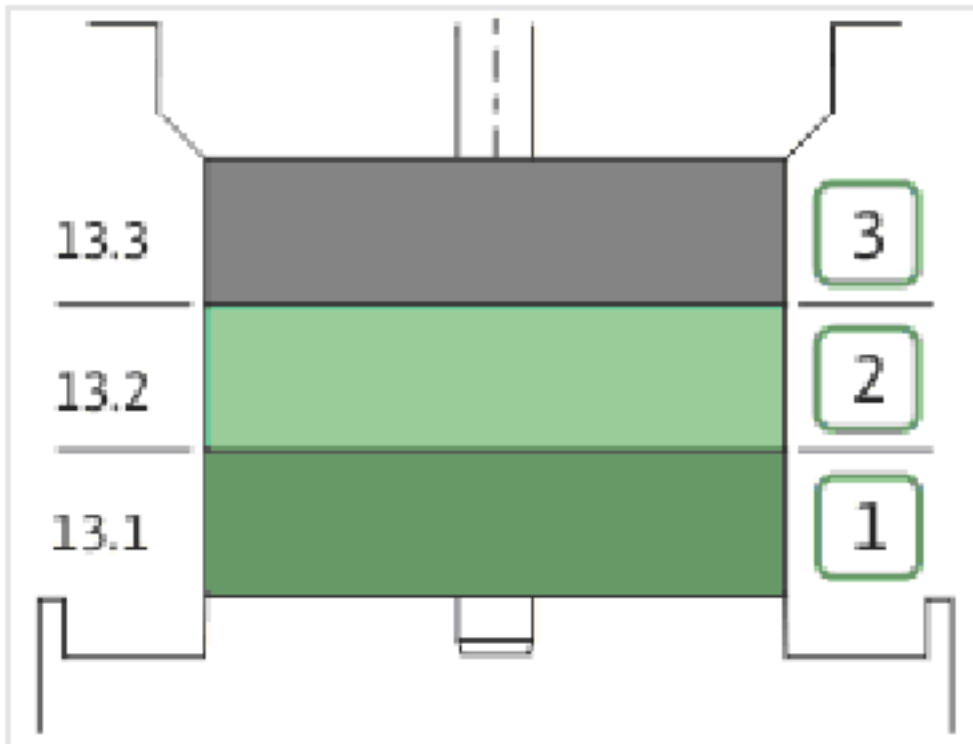
**HELIX V203-1/16/E/S/400-50 (4201339)**

Item	Article no.	Description	Quantity
7.3	4176513	> O-RING FOR PUMP JACKET VP.	1
15.1		> BLASTING PPE HOUSING V-PN16-DN32-5"-304	1
15.2	4217889	> COUNTER FLANGE-G1"-PN16-GJL KIT	1
15.3	4171321	> PRIMING/DRAIN PLUG EPDM HELIX KIT	1
16	4177964	BASEPLATE HELIX V2/4/6 PN16 VP.	1



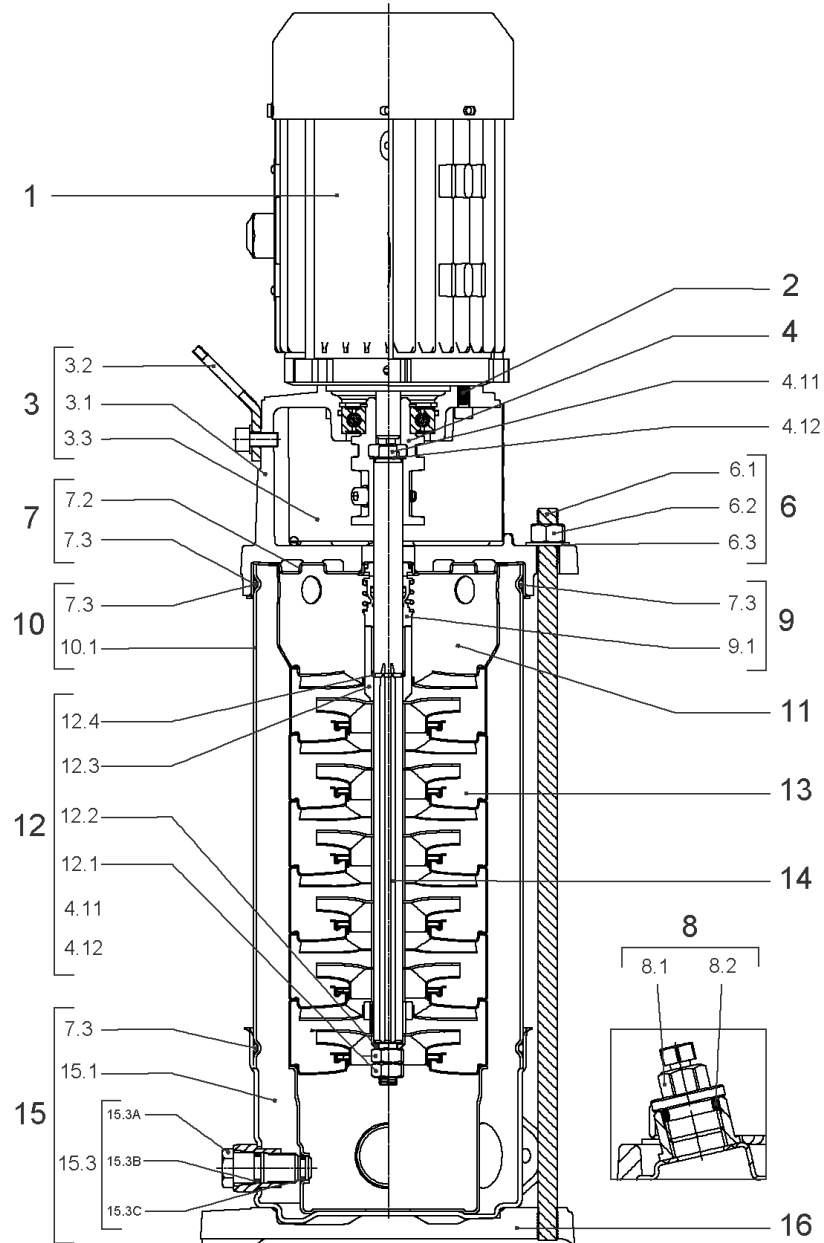
**COUPLING HELIX D12 FT85 KIT (4212718)**

Item	Article no.	Description	Quantity
4.1		COUPLING-VMI-Ø12xØ14-FT85-USINE	1
4.2	4177802	BALL BEARING 6205C3-ZZ HTVP.	1
4.3	4208923	CIRCLIP D25X1.2 VP.	1
4.4	4212716	SCREW M6X20 KIT (4PIECES)	1
4.5	4233124	CIRCLIP-FOR-BORES-D52x2 VP.	1
4.6	4234244	O-RING 52X2 VP.	1
		CONTACT-WASHER-6ETR-6,1x12,2x1,8-STEEL	1



**HYDRAULIC HELIX V 203 1.4307**

Item	Article no.	Description	Quantity
13.1	4179316	STAGE HELIX 2 1.4301 KIT	1
		> MACH.STG-CASING-WOGV-WNR-M+2-4-304	1
		> IMPELLER-M+2-304	1
13.2	4179317	STAGE BEARING HELIX 2 1.4307 KIT	1
		> MACH.BEARING-STG-CASING-WNR-M+2-304	1
		> IMPELLER-M+2-304	1
		> SHAFT SLEEVE SPACER Ø15,35x10,305-304	1
		> SHAFT-SLEEVE-D12xD16x14-CW	1
13.3	4179319	INTERMEDIATE STAGE HELIX 2 1.4301 KIT	1
		> CORPS-ETG-STD-ACR-AJR-USIN.M+2-304	1
		> IMPELLER-M+2-304	1
		> IMPELLER SPACER Ø12,05X14,85-L24,285-304	1





**HELIX V204-1/16/E/S/400-50 (4201341)**

Item	Article no.	Description	Quantity
1	4169946	MOTOR 0,37/2/71 3~230/400V 50HZ IE2 VP.	1
		SPARE PARTS MOTOR:ON REQUEST	1
2	4212716	SCREW M6X20 KIT (4PIECES)	1
3	4213715	LANTERN FT85 HELIX KIT	1
3.1		> LANT-MOT-VMI-ReDTC6"-FT85-MACHINED+CATA	1
3.2	4184852	> EYELET CPL.FT HELIX (2 PIECES)	1
3.3	4213713	> COUPLING PROTECTOR FT85/100 HELIX KIT	1
4	4212718	COUPLING HELIX D12 FT85 KIT	1
6	2018368	STUD BOLT M12X289 KIT	1
6.1		> TIE BOLT M12-289x18x30-1.4057	1
6.2	2094647	> NUT M12 M12 ISO4032 VP.	1
6.3	2123557	> WASHER CS-12.4-24-1.6-NFE25 (4 PIECES)	1
7	4212722	STATIONARY RING HOLDER HELIX D23 ReDTC	1
7.2	4212720	> STATIONARY RING HOLDER HELIX D23 VP.	1
7.3	4176513	> O-RING FOR PUMP JACKET VP.	1
8	4212724	FILING/PURGING PLUG HELIX ReDTC KIT	1
8.1		> FILLING PLUG MVI6"-304	1
8.2	4177800	> O-RING EPDM PLUG HELIX VP.	1
9	4212726	MECH.SEAL HELIX V2/4 O/E ReDTC KIT	1
9.1	4178563	> M.SEAL.HELIX2-4 O/E VP.	1
7.3	4176513	> O-RING FOR PUMP JACKET VP.	1
10	2127574	HOUSING PIPE D.152x160 1.4301 KIT	1
7.3	4176513	> O-RING FOR PUMP JACKET VP.	1
10.1		> HOUSING-PIPE Ø152-M+1601/02-304	1
11	4179315	CENTERING STAGE HELIX V2 1.4307 VP.	1
12	4212729	SHAFT EQUIPMENT HELIX V2/4 ReDTC KIT	1
12.1		> NUT-H-M8-STAINLESS-STEEL A4-70	1
12.2		> SHAFT END WASHER Ø8/Ø12 316L	1
12.3		> 1/2-SNAP-RING-2/4M3-316L	1
12.4		> STOP-RUSH-1/2-D12xd2-M+316	1
4.11		> SCREW CHC-M6X14-8.8-ISO4762-GEOMET500A	1
4.12		> WASHER D.24 L6U ZINK	1
13		HYDRAULIC HELIX V 204 1.4307	1
14	4213744	SHAFT D.12X231 HELIX 1.4057 VP.	1

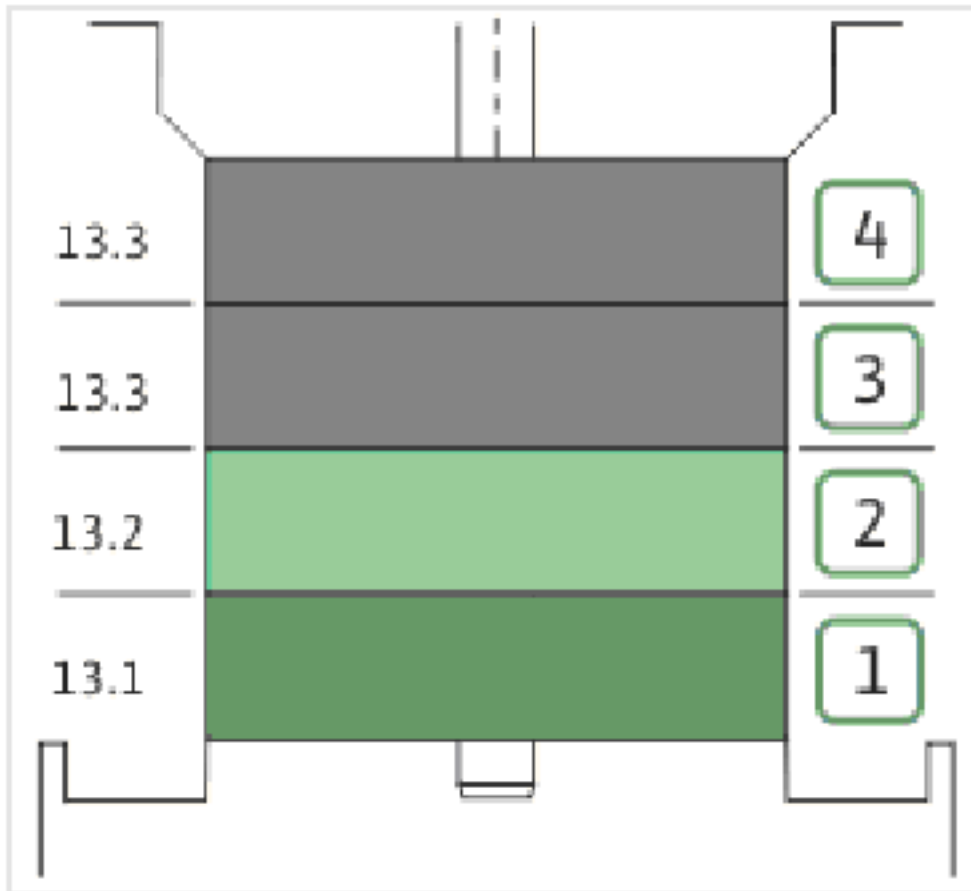
**HELIX V204-1/16/E/S/400-50 (4201341)**

<b>Item</b>	<b>Article no.</b>	<b>Description</b>	<b>Quantity</b>
15	4174079	PUMP HOUSING HELIX DN32 PN16 1.4301 KIT	1
7.3	4176513	> O-RING FOR PUMP JACKET VP.	1
15.1		> BLASTING PPE HOUSING V-PN16-DN32-5"-304	1
15.2	4217889	> COUNTER FLANGE-G1"-PN16-GJL KIT	1
15.3	4171321	> PRIMING/DRAIN PLUG EPDM HELIX KIT	1
16	4177964	BASEPLATE HELIX V2/4/6 PN16 VP.	1



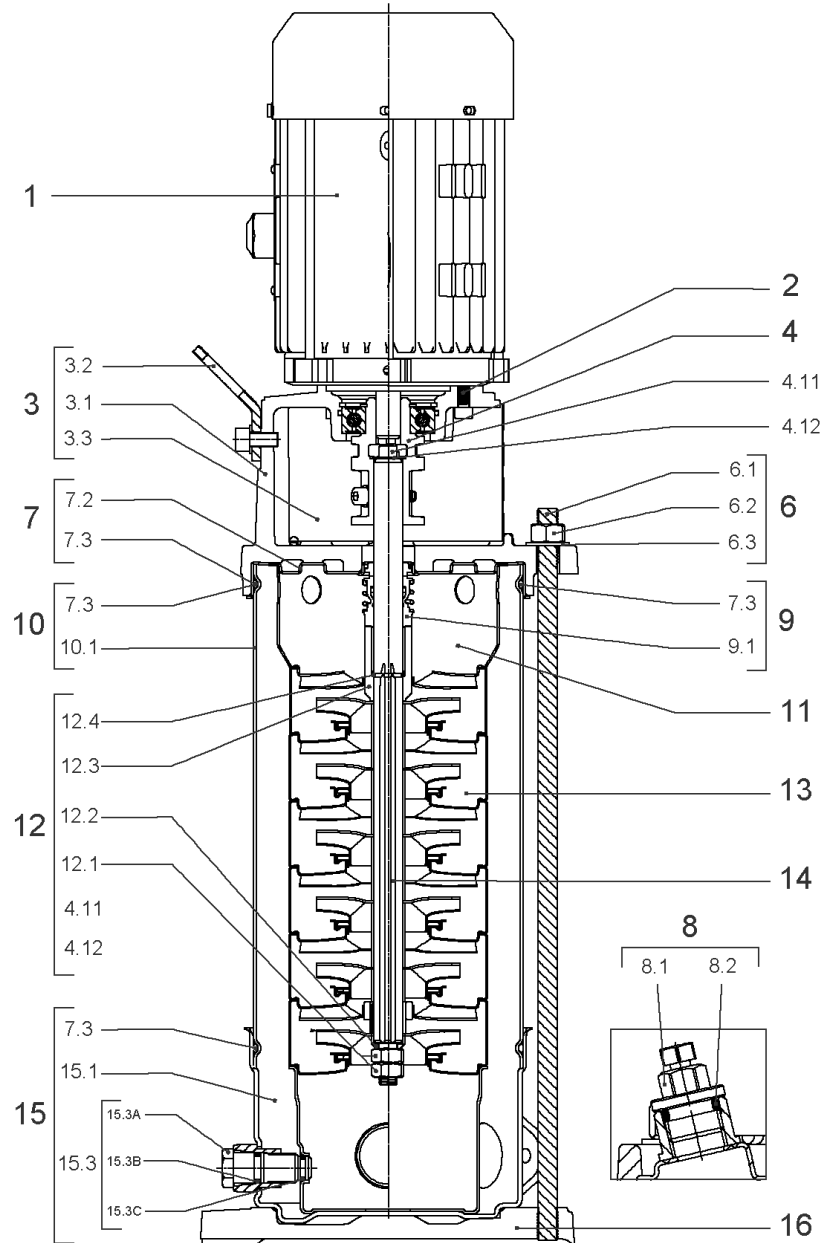
**COUPLING HELIX D12 FT85 KIT (4212718)**

<b>Item</b>	<b>Article no.</b>	<b>Description</b>	<b>Quantity</b>
4.1		COUPLING-VMI-Ø12xØ14-FT85-USINE	1
4.2	4177802	BALL BEARING 6205C3-ZZ HTVP.	1
4.3	4208923	CIRCLIP D25X1.2 VP.	1
4.4	4212716	SCREW M6X20 KIT (4PIECES)	1
4.5	4233124	CIRCLIP-FOR-BORES-D52x2 VP.	1
4.6	4234244	O-RING 52X2 VP.	1
		CONTACT-WASHER-6ETR-6,1x12,2x1,8-STEEL	1



**HYDRAULIC HELIX V 204 1.4307**

Item	Article no.	Description	Quantity
13.1	4179316	STAGE HELIX 2 1.4301 KIT	1
		> MACH.STG-CASING-WOGV-WNR-M+2-4-304	1
		> IMPELLER-M+2-304	1
13.2	4179317	STAGE BEARING HELIX 2 1.4307 KIT	1
		> MACH.BEARING-STG-CASING-WNR-M+2-304	1
		> IMPELLER-M+2-304	1
		> SHAFT SLEEVE SPACER Ø15,35x10,305-304	1
		> SHAFT-SLEEVE-D12xD16x14-CW	1
13.3	4179319	INTERMEDIATE STAGE HELIX 2 1.4301 KIT	1
		> CORPS-ETG-STD-ACR-AJR-USIN.M+2-304	1
		> IMPELLER-M+2-304	1
		> IMPELLER SPACER Ø12,05X14,85-L24,285-304	1



**HELIX V205-1/16/E/S/400-50 (4201343)**

Item	Article no.	Description	Quantity
1	4169939	MO.0,55/2/71 3~400V 50HZ 460V 60HZ IE2VP	1
		SPARE PARTS MOTOR:ON REQUEST	1
2	4212716	SCREW M6X20 KIT (4PIECES)	1
3	4213715	LANTERN FT85 HELIX KIT	1
3.1		> LANT-MOT-VMI-ReDTC6"-FT85-MACHINED+CATA	1
3.2	4184852	> EYELET CPL.FT HELIX (2 PIECES)	1
3.3	4213713	> COUPLING PROTECTOR FT85/100 HELIX KIT	1
4	4212718	COUPLING HELIX D12 FT85 KIT	1
6	4178579	STUD BOLT M12X317 KIT	1
6.1		> TIE BOLT M12-317x18x30-1.4057	1
6.2	2094647	> NUT M12 M12 ISO4032 VP.	1
6.3	2123557	> WASHER CS-12.4-24-1.6-NFE25 (4 PIECES)	1
7	4212722	STATIONARY RING HOLDER HELIX D23 ReDTC	1
7.2	4212720	> STATIONARY RING HOLDER HELIX D23 VP.	1
7.3	4176513	> O-RING FOR PUMP JACKET VP.	1
8	4212724	FILING/PURGING PLUG HELIX ReDTC KIT	1
8.1		> FILLING PLUG MVI6"-304	1
8.2	4177800	> O-RING EPDM PLUG HELIX VP.	1
9	4212726	MECH.SEAL HELIX V2/4 O/E ReDTC KIT	1
9.1	4178563	> M.SEAL.HELIX2-4 O/E VP.	1
7.3	4176513	> O-RING FOR PUMP JACKET VP.	1
10	4178580	HOUSING PIPE D.152X184 1.4301 KIT	1
7.3	4176513	> O-RING FOR PUMP JACKET VP.	1
10.1		> HOUSING-PIPE Ø152-M+205/405-304	1
11	4179315	CENTERING STAGE HELIX V2 1.4307 VP.	1
12	4212729	SHAFT EQUIPMENT HELIX V2/4 ReDTC KIT	1
12.1		> NUT-H-M8-STAINLESS-STEEL A4-70	1
12.2		> SHAFT END WASHER Ø8/Ø12 316L	1
12.3		> 1/2-SNAP-RING-2/4M3-316L	1
12.4		> STOP-RUSH-1/2-D12xd2-M+316	1
4.11		> SCREW CHC-M6X14-8.8-ISO4762-GEOMET500A	1
4.12		> WASHER D.24 L6U ZINK	1
13		HYDRAULIC HELIX V 205 1.4307	1
14	4213746	SHAFT D.12X256 HELIX 1.4057 VP.	1



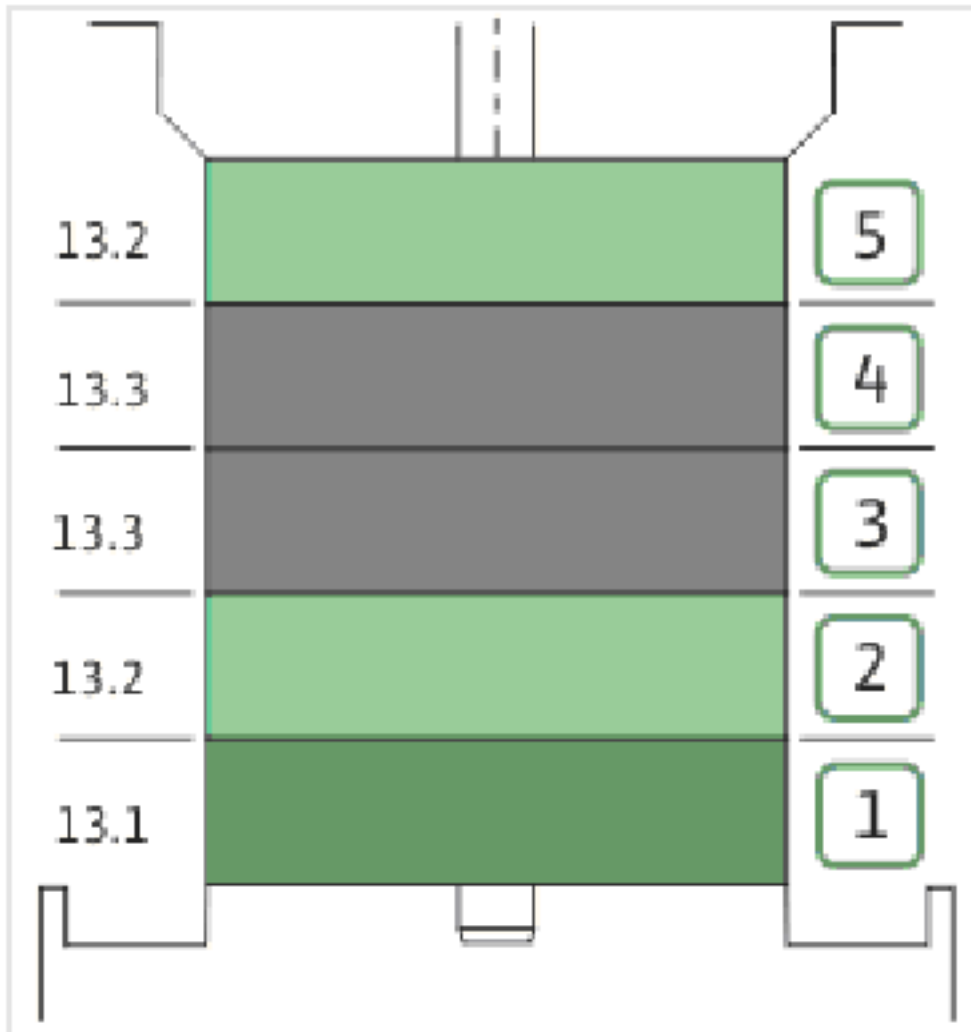
**HELIX V205-1/16/E/S/400-50 (4201343)**

Item	Article no.	Description	Quantity
15	4174079	PUMP HOUSING HELIX DN32 PN16 1.4301 KIT	1
7.3	4176513	> O-RING FOR PUMP JACKET VP.	1
15.1		> BLASTING PPE HOUSING V-PN16-DN32-5"-304	1
15.2	4217889	> COUNTER FLANGE-G1"-PN16-GJL KIT	1
15.3	4171321	> PRIMING/DRAIN PLUG EPDM HELIX KIT	1
16	4177964	BASEPLATE HELIX V2/4/6 PN16 VP.	1



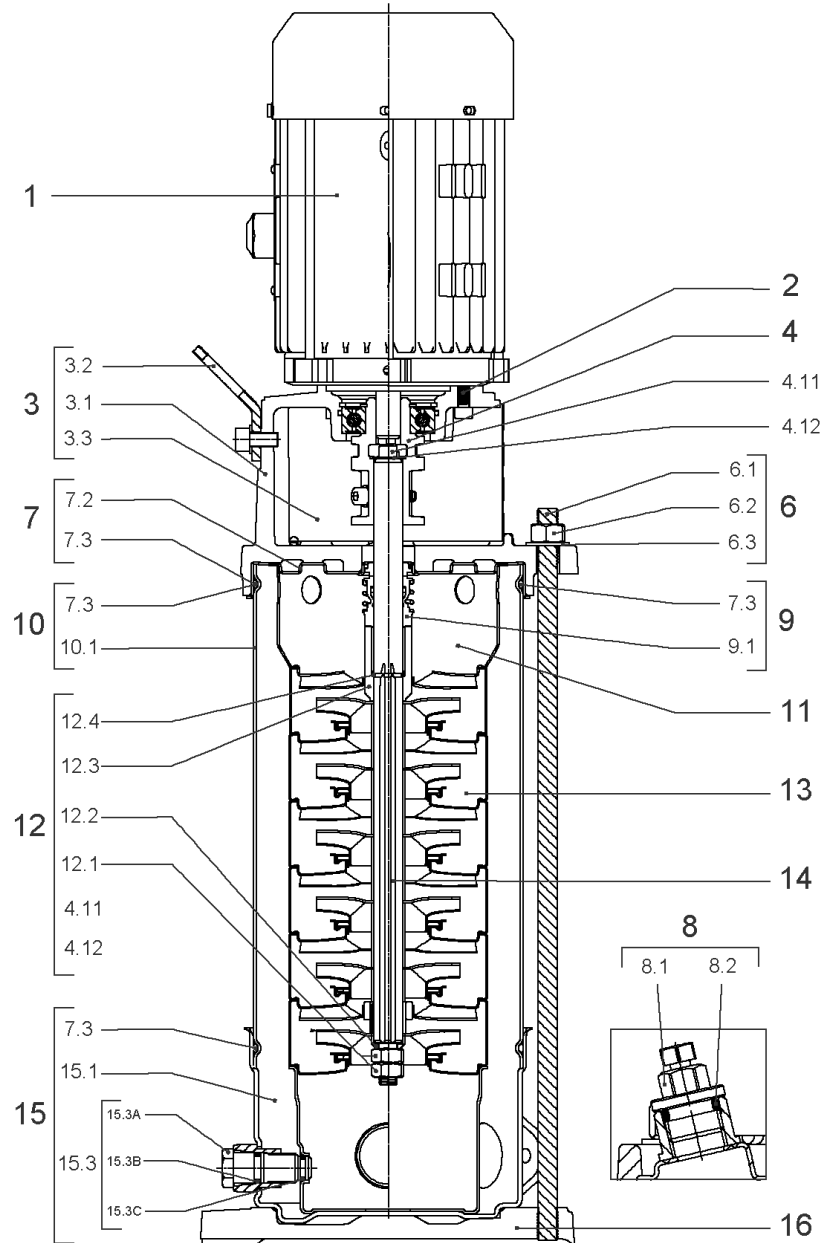
**COUPLING HELIX D12 FT85 KIT (4212718)**

Item	Article no.	Description	Quantity
4.1		COUPLING-VMI-Ø12xØ14-FT85-USINE	1
4.2	4177802	BALL BEARING 6205C3-ZZ HTVP.	1
4.3	4208923	CIRCLIP D25X1.2 VP.	1
4.4	4212716	SCREW M6X20 KIT (4PIECES)	1
4.5	4233124	CIRCLIP-FOR-BORES-D52x2 VP.	1
4.6	4234244	O-RING 52X2 VP.	1
		CONTACT-WASHER-6ETR-6,1x12,2x1,8-STEEL	1



**HYDRAULIC HELIX V 205 1.4307**

Item	Article no.	Description	Quantity
13.1	4179316	STAGE HELIX 2 1.4301 KIT	1
		> MACH.STG-CASING-WOGV-WNR-M+2-4-304	1
		> IMPELLER-M+2-304	1
13.2	4179317	STAGE BEARING HELIX 2 1.4307 KIT	1
		> MACH.BEARING-STG-CASING-WNR-M+2-304	1
		> IMPELLER-M+2-304	1
		> SHAFT SLEEVE SPACER Ø15,35x10,305-304	1
		> SHAFT-SLEEVE-D12xD16x14-CW	1
13.3	4179319	INTERMEDIATE STAGE HELIX 2 1.4301 KIT	1
		> CORPS-ETG-STD-ACR-AJR-USIN.M+2-304	1
		> IMPELLER-M+2-304	1
		> IMPELLER SPACER Ø12,05X14,85-L24,285-304	1



**HELIX V206-1/16/E/S/400-50 (4201345)**

Item	Article no.	Description	Quantity
1	4169939	MO.0,55/2/71 3~400V 50HZ 460V 60HZ IE2VP	1
		SPARE PARTS MOTOR:ON REQUEST	1
2	4212716	SCREW M6X20 KIT (4PIECES)	1
3	4213715	LANTERN FT85 HELIX KIT	1
3.1		> LANT-MOT-VMI-ReDTC6"-FT85-MACHINED+CATA	1
3.2	4184852	> EYELET CPL.FT HELIX (2 PIECES)	1
3.3	4213713	> COUPLING PROTECTOR FT85/100 HELIX KIT	1
4	4212718	COUPLING HELIX D12 FT85 KIT	1
6	4177817	STUD BOLT M12X341 KIT	1
6.1		> TIE BOLT M12-341x18x30-1.4057	1
6.2	2094647	> NUT M12 M12 ISO4032 VP.	1
6.3	2123557	> WASHER CS-12.4-24-1.6-NFE25 (4 PIECES)	1
7	4212722	STATIONARY RING HOLDER HELIX D23 ReDTC	1
7.2	4212720	> STATIONARY RING HOLDER HELIX D23 VP.	1
7.3	4176513	> O-RING FOR PUMP JACKET VP.	1
8	4212724	FILING/PURGING PLUG HELIX ReDTC KIT	1
8.1		> FILLING PLUG MVI6"-304	1
8.2	4177800	> O-RING EPDM PLUG HELIX VP.	1
9	4212726	MECH.SEAL HELIX V2/4 O/E ReDTC KIT	1
9.1	4178563	> M.SEAL.HELIX2-4 O/E VP.	1
7.3	4176513	> O-RING FOR PUMP JACKET VP.	1
10	2127575	HOUSING PIPE D.152x210 1.4301 KIT	1
11	4179315	CENTERING STAGE HELIX V2 1.4307 VP.	1
12	4212729	SHAFT EQUIPMENT HELIX V2/4 ReDTC KIT	1
12.1		> NUT-H-M8-STAINLESS-STEEL A4-70	1
12.2		> SHAFT END WASHER Ø8/Ø12 316L	1
12.3		> 1/2-SNAP-RING-2/4M3-316L	1
12.4		> STOP-RUSH-1/2-D12xd2-M+316	1
4.11		> SCREW CHC-M6X14-8.8-ISO4762-GEOMET500A	1
4.12		> WASHER D.24 L6U ZINK	1
13		HYDRAULIC HELIX V 206 1.4307	1
14	4213748	SHAFT D.12X281 HELIX 1.4057 VP.	1
15	4174079	PUMP HOUSING HELIX DN32 PN16 1.4301 KIT	1
7.3	4176513	> O-RING FOR PUMP JACKET VP.	1

**HELIX V206-1/16/E/S/400-50 (4201345)**

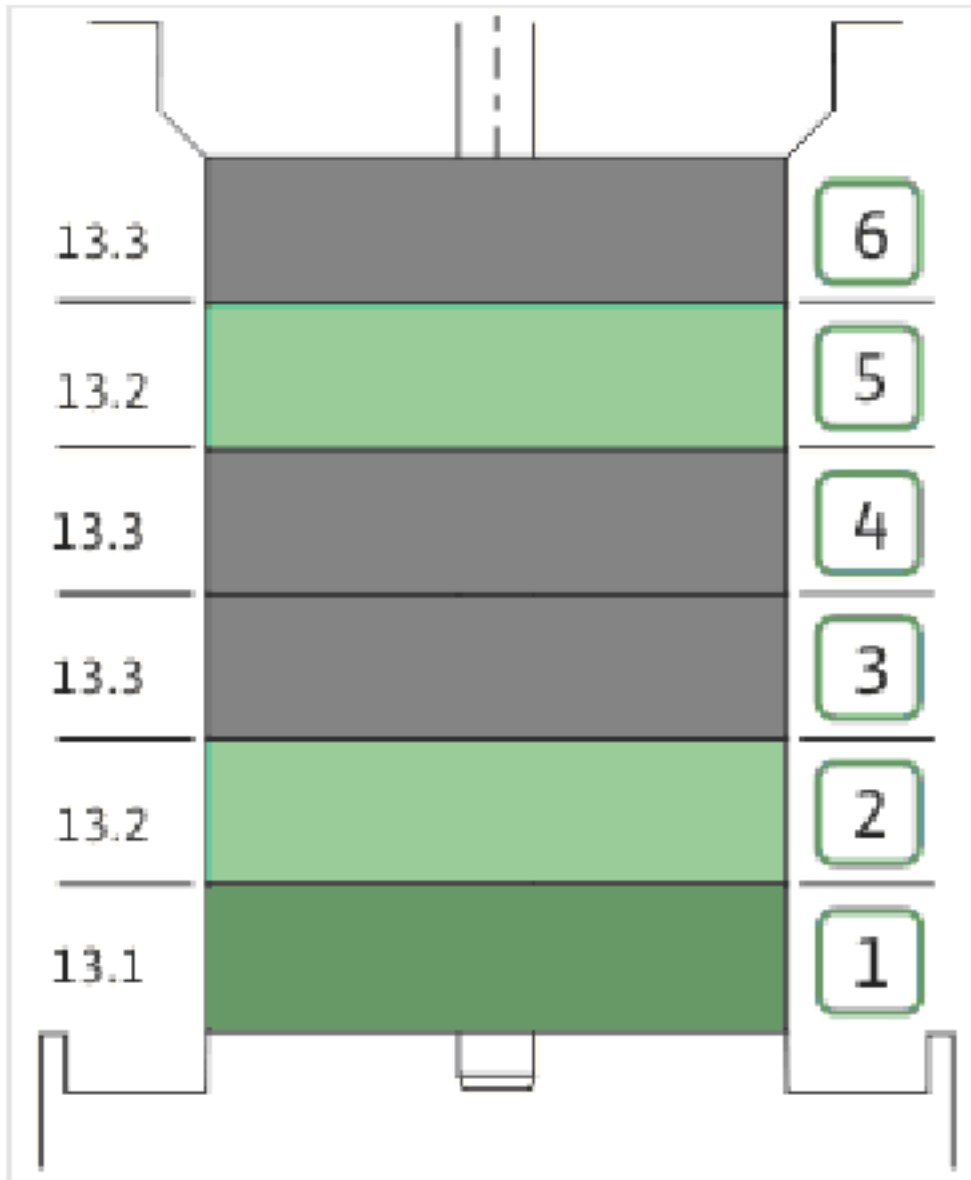
<b>Item</b>	<b>Article no.</b>	<b>Description</b>	<b>Quantity</b>
15.1		> BLASTING PPE HOUSING V-PN16-DN32-5"-304	1
15.2	4217889	> COUNTER FLANGE-G1"-PN16-GJL KIT	1
15.3	4171321	> PRIMING/DRAIN PLUG EPDM HELIX KIT	1
16	4177964	BASEPLATE HELIX V2/4/6 PN16 VP.	1





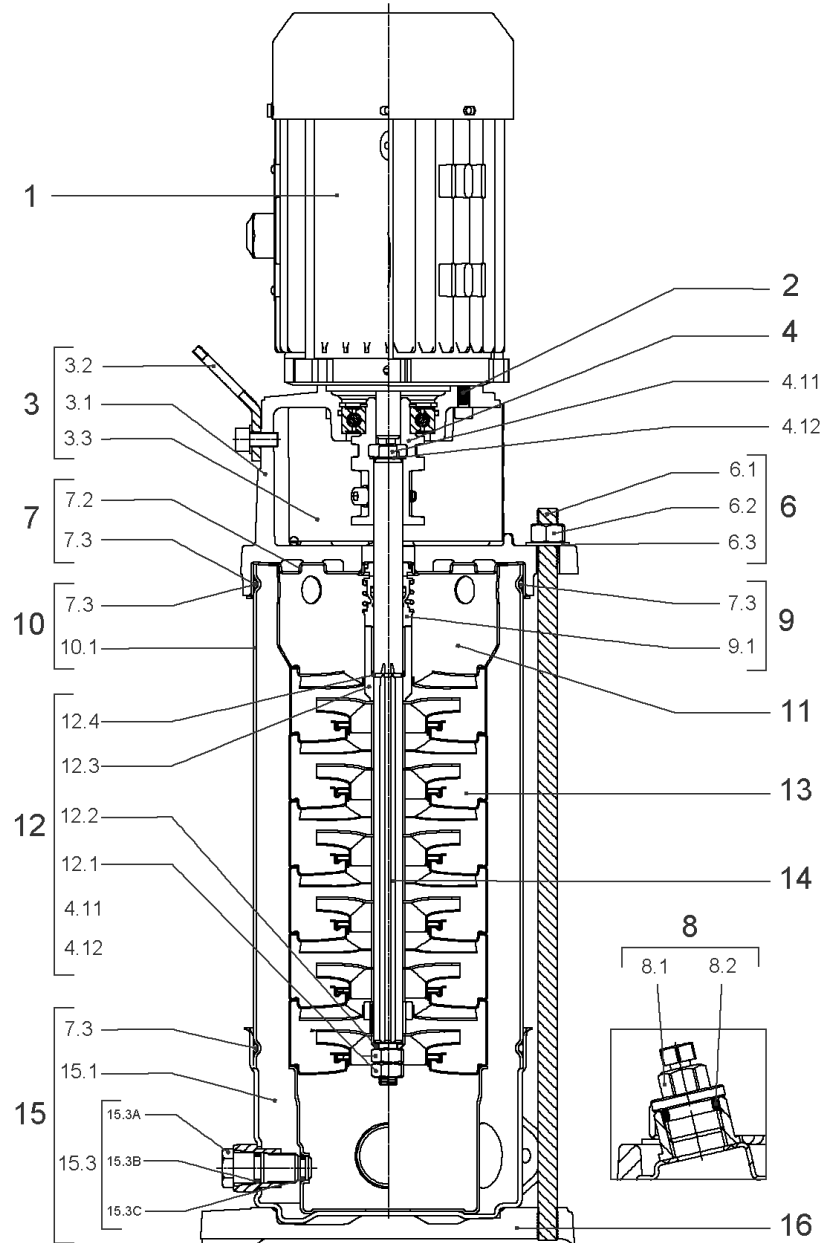
**COUPLING HELIX D12 FT85 KIT (4212718)**

Item	Article no.	Description	Quantity
4.1		COUPLING-VMI-Ø12xØ14-FT85-USINE	1
4.2	4177802	BALL BEARING 6205C3-ZZ HTVP.	1
4.3	4208923	CIRCLIP D25X1.2 VP.	1
4.4	4212716	SCREW M6X20 KIT (4PIECES)	1
4.5	4233124	CIRCLIP-FOR-BORES-D52x2 VP.	1
4.6	4234244	O-RING 52X2 VP.	1
		CONTACT-WASHER-6ETR-6,1x12,2x1,8-STEEL	1



**HYDRAULIC HELIX V 206 1.4307**

Item	Article no.	Description	Quantity
13.1	4179316	STAGE HELIX 2 1.4301 KIT	1
		> MACH.STG-CASING-WOGV-WNR-M+2-4-304	1
		> IMPELLER-M+2-304	1
13.2	4179317	STAGE BEARING HELIX 2 1.4307 KIT	1
		> MACH.BEARING-STG-CASING-WNR-M+2-304	1
		> IMPELLER-M+2-304	1
		> SHAFT SLEEVE SPACER Ø15,35x10,305-304	1
		> SHAFT-SLEEVE-D12xD16x14-CW	1
13.3	4179319	INTERMEDIATE STAGE HELIX 2 1.4301 KIT	1
		> CORPS-ETG-STD-ACR-AJR-USIN.M+2-304	1
		> IMPELLER-M+2-304	1
		> IMPELLER SPACER Ø12,05X14,85-L24,285-304	1



**HELIX V207-1/16/E/S/400-50 (4201347)**

Item	Article no.	Description	Quantity
1	4169939	MO.0,55/2/71 3~400V 50HZ 460V 60HZ IE2VP	1
		SPARE PARTS MOTOR:ON REQUEST	1
2	4212716	SCREW M6X20 KIT (4PIECES)	1
3	4213715	LANTERN FT85 HELIX KIT	1
3.1		> LANT-MOT-VMI-ReDTC6"-FT85-MACHINED+CATA	1
3.2	4184852	> EYELET CPL.FT HELIX (2 PIECES)	1
3.3	4213713	> COUPLING PROTECTOR FT85/100 HELIX KIT	1
4	4212718	COUPLING HELIX D12 FT85 KIT	1
6	4178585	STUD BOLT M12X365 KIT	1
6.1		> TIE BOLT M12-365x18x30-1.4057	1
6.2	2094647	> NUT M12 M12 ISO4032 VP.	1
6.3	2123557	> WASHER CS-12.4-24-1.6-NFE25 (4 PIECES)	1
7	4212722	STATIONARY RING HOLDER HELIX D23 ReDTC	1
7.2	4212720	> STATIONARY RING HOLDER HELIX D23 VP.	1
7.3	4176513	> O-RING FOR PUMP JACKET VP.	1
8	4212724	FILING/PURGING PLUG HELIX ReDTC KIT	1
8.1		> FILLING PLUG MVI6"-304	1
8.2	4177800	> O-RING EPDM PLUG HELIX VP.	1
9	4212726	MECH.SEAL HELIX V2/4 O/E ReDTC KIT	1
9.1	4178563	> M.SEAL.HELIX2-4 O/E VP.	1
7.3	4176513	> O-RING FOR PUMP JACKET VP.	1
10	4178586	HOUSING-PIPE D.152X235 1.4301 KIT	1
7.3	4176513	> O-RING FOR PUMP JACKET VP.	1
10.1		> HOUSING-PIPE Ø152-M+207/407-304	1
11	4179315	CENTERING STAGE HELIX V2 1.4307 VP.	1
12	4212729	SHAFT EQUIPMENT HELIX V2/4 ReDTC KIT	1
12.1		> NUT-H-M8-STAINLESS-STEEL A4-70	1
12.2		> SHAFT END WASHER Ø8/Ø12 316L	1
12.3		> 1/2-SNAP-RING-2/4M3-316L	1
12.4		> STOP-RUSH-1/2-D12xd2-M+316	1
4.11		> SCREW CHC-M6X14-8.8-ISO4762-GEOMET500A	1
4.12		> WASHER D.24 L6U ZINK	1
13		HYDRAULIC HELIX V 207 1.4307	1
14	4213750	SHAFT D.12X306 HELIX 1.4057 VP.	1

**HELIX V207-1/16/E/S/400-50 (4201347)**

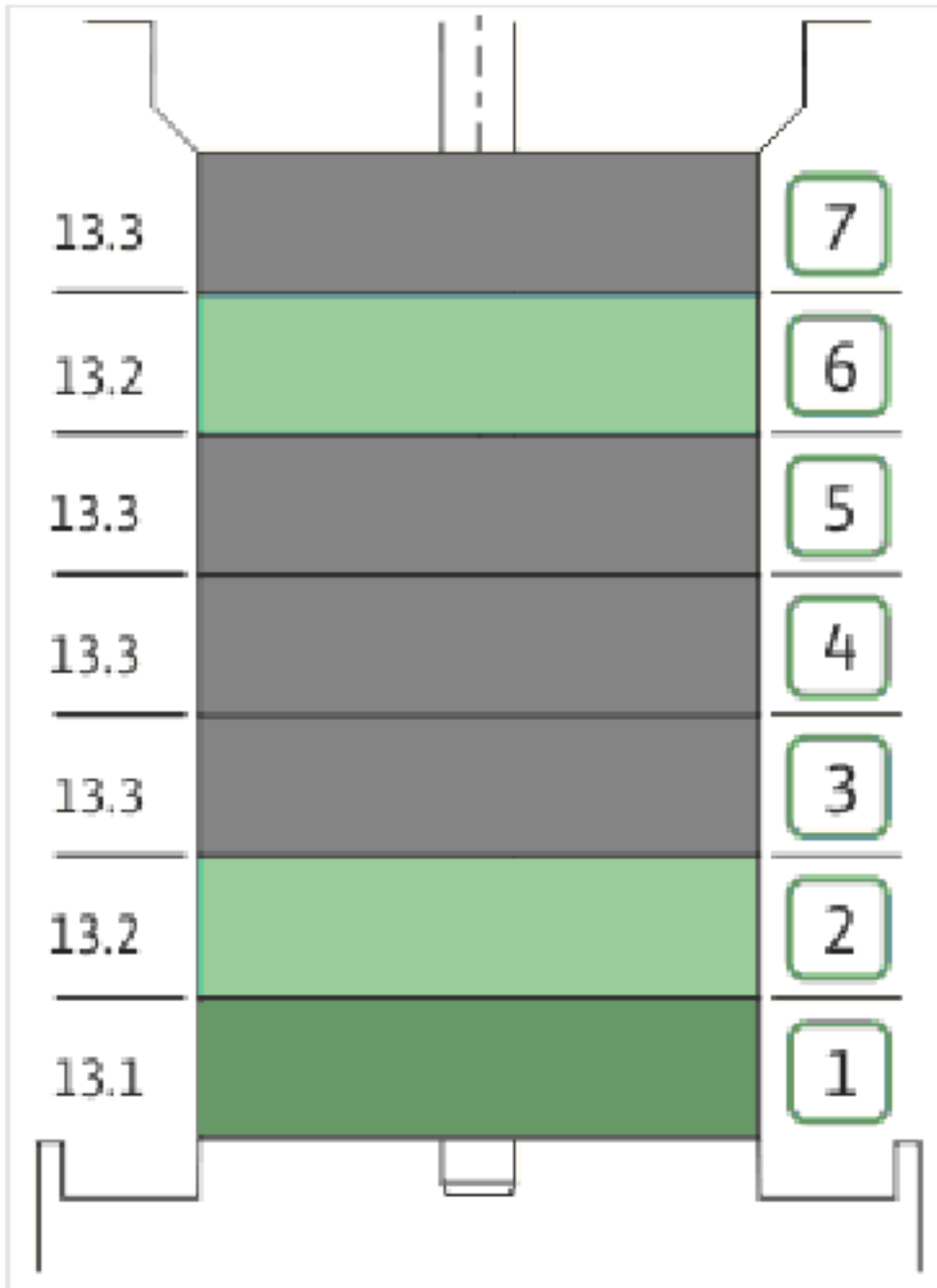
<b>Item</b>	<b>Article no.</b>	<b>Description</b>	<b>Quantity</b>
15	4174079	PUMP HOUSING HELIX DN32 PN16 1.4301 KIT	1
7.3	4176513	> O-RING FOR PUMP JACKET VP.	1
15.1		> BLASTING PPE HOUSING V-PN16-DN32-5"-304	1
15.2	4217889	> COUNTER FLANGE-G1"-PN16-GJL KIT	1
15.3	4171321	> PRIMING/DRAIN PLUG EPDM HELIX KIT	1
16	4177964	BASEPLATE HELIX V2/4/6 PN16 VP.	1





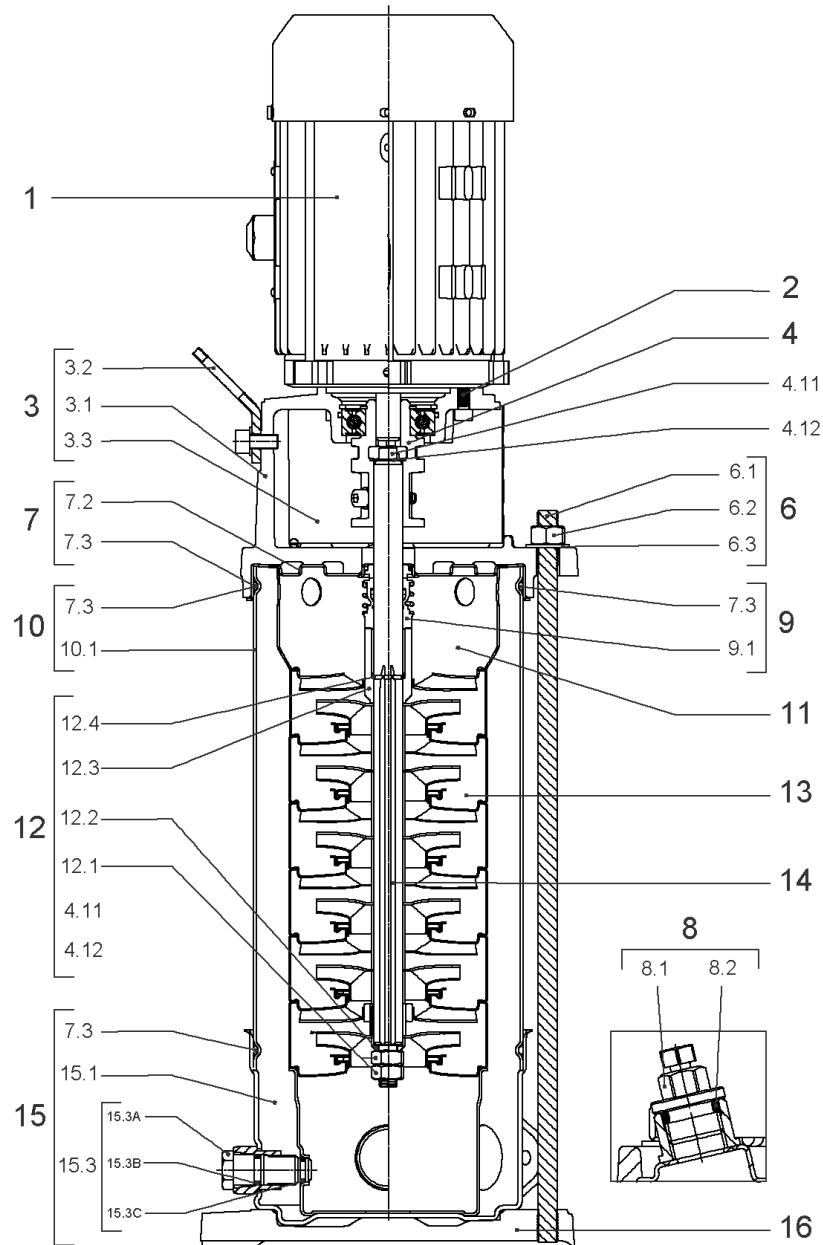
**COUPLING HELIX D12 FT85 KIT (4212718)**

Item	Article no.	Description	Quantity
4.1		COUPLING-VMI-Ø12xØ14-FT85-USINE	1
4.2	4177802	BALL BEARING 6205C3-ZZ HTVP.	1
4.3	4208923	CIRCLIP D25X1.2 VP.	1
4.4	4212716	SCREW M6X20 KIT (4PIECES)	1
4.5	4233124	CIRCLIP-FOR-BORES-D52x2 VP.	1
4.6	4234244	O-RING 52X2 VP.	1
		CONTACT-WASHER-6ETR-6,1x12,2x1,8-STEEL	1



**HYDRAULIC HELIX V 207 1.4307**

Item	Article no.	Description	Quantity
13.1	4179316	STAGE HELIX 2 1.4301 KIT	1
		> MACH.STG-CASING-WOGV-WNR-M+2-4-304	1
		> IMPELLER-M+2-304	1
13.2	4179317	STAGE BEARING HELIX 2 1.4307 KIT	1
		> MACH.BEARING-STG-CASING-WNR-M+2-304	1
		> IMPELLER-M+2-304	1
		> SHAFT SLEEVE SPACER Ø15,35x10,305-304	1
		> SHAFT-SLEEVE-D12xD16x14-CW	1
13.3	4179319	INTERMEDIATE STAGE HELIX 2 1.4301 KIT	1
		> CORPS-ETG-STD-ACR-AJR-USIN.M+2-304	1
		> IMPELLER-M+2-304	1
		> IMPELLER SPACER Ø12,05X14,85-L24,285-304	1



**HELIX V208-1/16/E/S/400-50 (4201349)**

Item	Article no.	Description	Quantity
1	4169940	MOTOR 0,75/2/80 3~230/400V 50HZ IE3 VP.	1
		SPARE PARTS MOTOR:ON REQUEST	1
2	4212716	SCREW M6X20 KIT (4PIECES)	1
3	4213752	LANTERN FT100 HELIX KIT	1
3.1		> LANT-MOT-VMI-ReDTC6"-FT100-MACHINED+CATA	1
3.2	4184852	> EYELET CPL.FT HELIX (2 PIECES)	1
3.3	4213713	> COUPLING PROTECTOR FT85/100 HELIX KIT	1
4	4178578	COUPLING D.12XD.19 FT100 KIT	1
6	2018365	STUD BOLT M12X392 KIT	1
7	4212722	STATIONARY RING HOLDER HELIX D23 ReDTC	1
7.2	4212720	> STATIONARY RING HOLDER HELIX D23 VP.	1
7.3	4176513	> O-RING FOR PUMP JACKET VP.	1
8	4212724	FILING/PURGING PLUG HELIX ReDTC KIT	1
8.1		> FILLING PLUG MVI6"-304	1
8.2	4177800	> O-RING EPDM PLUG HELIX VP.	1
9	4212726	MECH.SEAL HELIX V2/4 O/E ReDTC KIT	1
9.1	4178563	> M.SEAL.HELIX2-4 O/E VP.	1
7.3	4176513	> O-RING FOR PUMP JACKET VP.	1
10	2127576	HOUSING PIPE D.152x260 1.4301 KIT	1
11	4179315	CENTERING STAGE HELIX V2 1.4307 VP.	1
12	4212729	SHAFT EQUIPMENT HELIX V2/4 ReDTC KIT	1
12.1		> NUT-H-M8-STAINLESS-STEEL A4-70	1
12.2		> SHAFT END WASHER Ø8/Ø12 316L	1
12.3		> 1/2-SNAP-RING-2/4M3-316L	1
12.4		> STOP-RUSH-1/2-D12xd2-M+316	1
4.11		> SCREW CHC-M6X14-8.8-ISO4762-GEOMET500A	1
4.12		> WASHER D.24 L6U ZINK	1
13		HYDRAULIC HELIX V 208 1.4307	1
14	4213754	SHAFT D.12X331 HELIX 1.4057 VP.	1
15	4174079	PUMP HOUSING HELIX DN32 PN16 1.4301 KIT	1
7.3	4176513	> O-RING FOR PUMP JACKET VP.	1
15.1		> BLASTING PPE HOUSING V-PN16-DN32-5"-304	1
15.2	4217889	> COUNTER FLANGE-G1"-PN16-GJL KIT	1
15.3	4171321	> PRIMING/DRAIN PLUG EPDM HELIX KIT	1

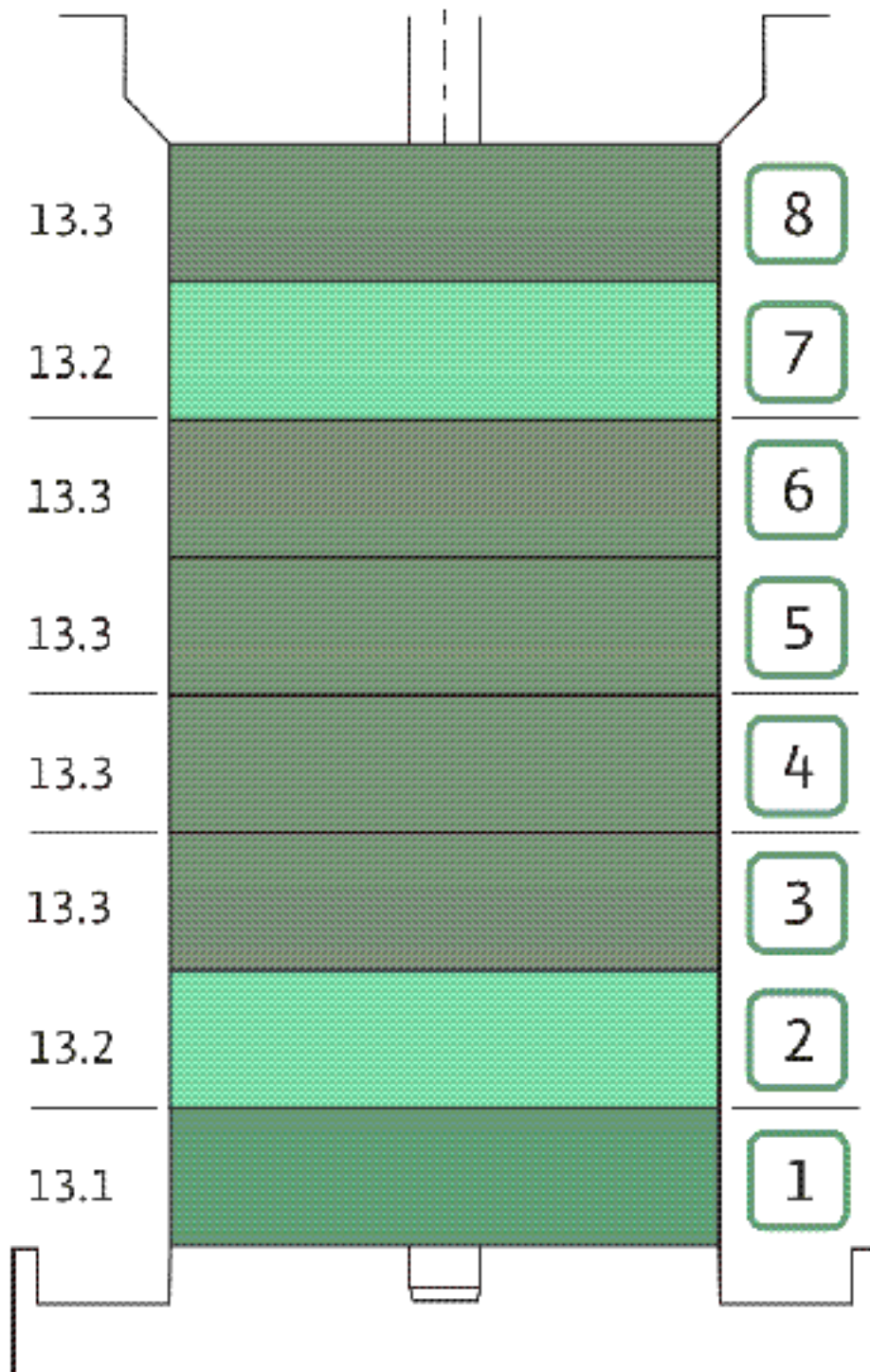
<b>Item</b>	<b>Article no.</b>	<b>Description</b>	<b>Quantity</b>
16	4177964	BASEPLATE HELIX V2/4/6 PN16 VP.	1



**COUPLING D.12XD.19 FT100 KIT (4178578)**

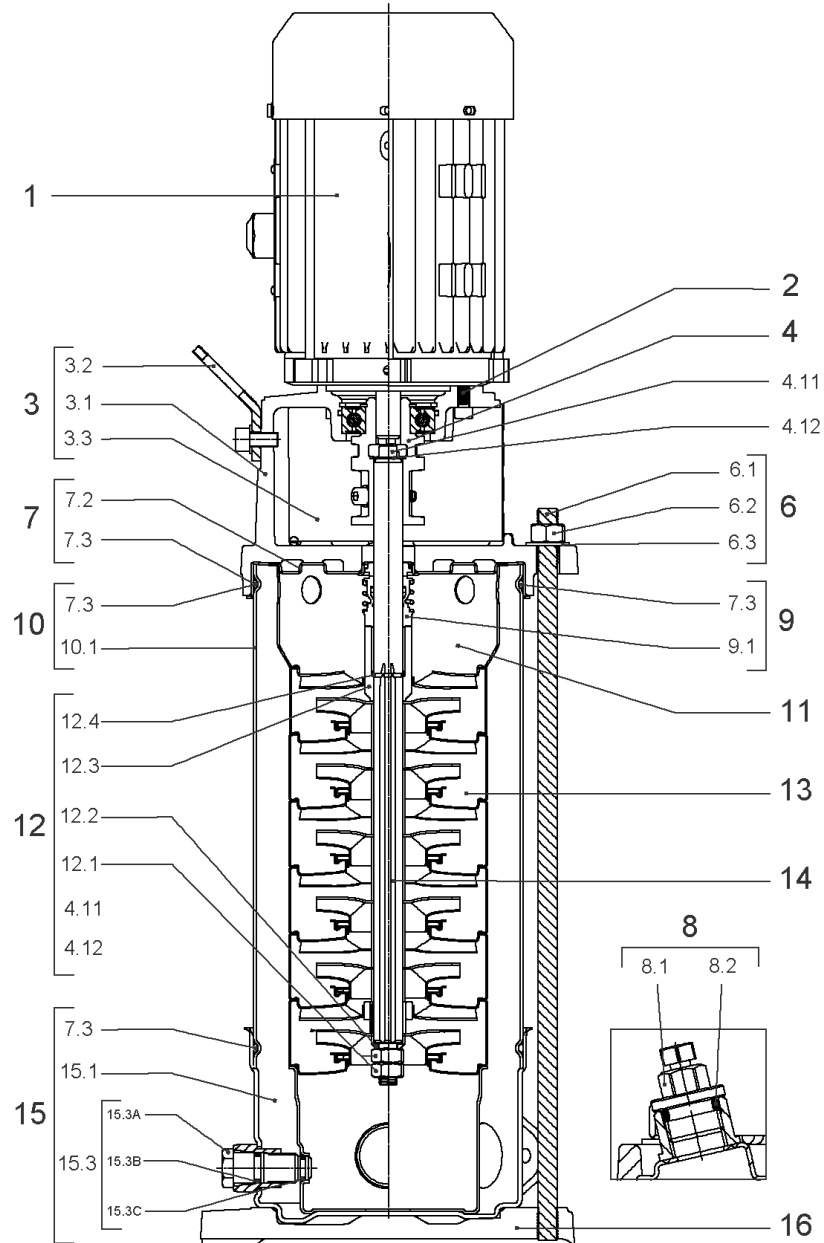
Item	Article no.	Description	Quantity
4.1		COUPLING-M+ Ø12XØ19-FT100-MACHINED	1
4.3	4234249	CIRCLIP-FOR-SHAFT-D30x1.5 VP.	1
4.2	2130977	BALL BEARING 6206/ZZ-C3(HT)VP.	1
4.4	4212716	SCREW M6X20 KIT (4PIECES)	1
4.5	4234250	CIRCLIP-D62x2 VP.	1
4.6	4234245	O-RING 63X3 VP.	1
		CONTACT-WASHER-6ETR-6,1x12,2x1,8-STEEL	4





**HYDRAULIC HELIX V 208 1.4307**

Item	Article no.	Description	Quantity
13.1	4179316	STAGE HELIX 2 1.4301 KIT	1
		> MACH.STG-CASING-WOGV-WNR-M+2-4-304	1
		> IMPELLER-M+2-304	1
13.2	4179317	STAGE BEARING HELIX 2 1.4307 KIT	1
		> MACH.BEARING-STG-CASING-WNR-M+2-304	1
		> IMPELLER-M+2-304	1
		> SHAFT SLEEVE SPACER Ø15,35x10,305-304	1
		> SHAFT-SLEEVE-D12xD16x14-CW	1
13.3	4179319	INTERMEDIATE STAGE HELIX 2 1.4301 KIT	1
		> CORPS-ETG-STD-ACR-AJR-USIN.M+2-304	1
		> IMPELLER-M+2-304	1
		> IMPELLER SPACER Ø12,05X14,85-L24,285-304	1



**HELIX V209-1/16/E/S/400-50 (4201351)**

Item	Article no.	Description	Quantity
1	4169940	MOTOR 0,75/2/80 3~230/400V 50HZ IE3 VP.	1
		SPARE PARTS MOTOR:ON REQUEST	1
2	4212716	SCREW M6X20 KIT (4PIECES)	1
3	4213752	LANTERN FT100 HELIX KIT	1
3.1		> LANT-MOT-VMI-ReDTC6"-FT100-MACHINED+CATA	1
3.2	4184852	> EYELET CPL.FT HELIX (2 PIECES)	1
3.3	4213713	> COUPLING PROTECTOR FT85/100 HELIX KIT	1
4	4178578	COUPLING D.12XD.19 FT100 KIT	1
6	4177822	STUD BOLT M12X413 KIT	1
6.1		> TIE BOLT M12-413x18x30-1.4057	1
6.2	2094647	> NUT M12 M12 ISO4032 VP.	1
6.3	2123557	> WASHER CS-12.4-24-1.6-NFE25 (4 PIECES)	1
7	4212722	STATIONARY RING HOLDER HELIX D23 ReDTC	1
7.2	4212720	> STATIONARY RING HOLDER HELIX D23 VP.	1
7.3	4176513	> O-RING FOR PUMP JACKET VP.	1
8	4212724	FILING/PURGING PLUG HELIX ReDTC KIT	1
8.1		> FILLING PLUG MVI6"-304	1
8.2	4177800	> O-RING EPDM PLUG HELIX VP.	1
9	4212726	MECH.SEAL HELIX V2/4 O/E ReDTC KIT	1
9.1	4178563	> M.SEAL.HELIX2-4 O/E VP.	1
7.3	4176513	> O-RING FOR PUMP JACKET VP.	1
10	4177823	HOUSING PIPES D.152X285 1.4301 KIT	1
7.3	4176513	> O-RING FOR PUMP JACKET VP.	1
10.1		> HOUSING-PIPE Ø152-M+1006-304	1
11	4179315	CENTERING STAGE HELIX V2 1.4307 VP.	1
12	4212729	SHAFT EQUIPMENT HELIX V2/4 ReDTC KIT	1
12.1		> NUT-H-M8-STAINLESS-STEEL A4-70	1
12.2		> SHAFT END WASHER Ø8/Ø12 316L	1
12.3		> 1/2-SNAP-RING-2/4M3-316L	1
12.4		> STOP-RUSH-1/2-D12xd2-M+316	1
4.11		> SCREW CHC-M6X14-8.8-ISO4762-GEOMET500A	1
4.12		> WASHER D.24 L6U ZINK	1
13		HYDRAULIC HELIX V 209 1.4307	1
14	4213765	SHAFT D.12X356 HELIX 1.4057 VP.	1

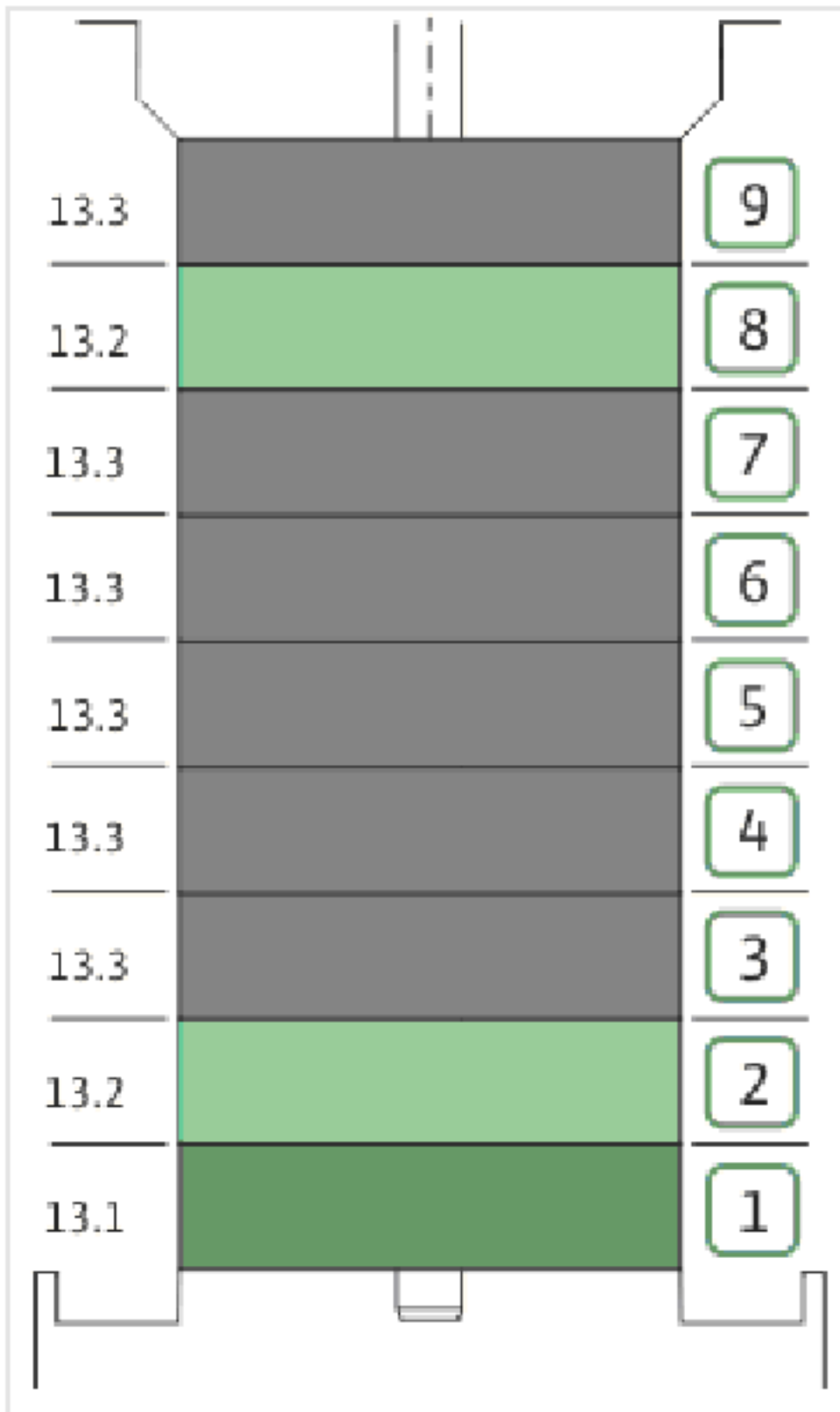
**HELIX V209-1/16/E/S/400-50 (4201351)**

<b>Item</b>	<b>Article no.</b>	<b>Description</b>	<b>Quantity</b>
15	4174079	PUMP HOUSING HELIX DN32 PN16 1.4301 KIT	1
7.3	4176513	> O-RING FOR PUMP JACKET VP.	1
15.1		> BLASTING PPE HOUSING V-PN16-DN32-5"-304	1
15.2	4217889	> COUNTER FLANGE-G1"-PN16-GJL KIT	1
15.3	4171321	> PRIMING/DRAIN PLUG EPDM HELIX KIT	1
16	4177964	BASEPLATE HELIX V2/4/6 PN16 VP.	1



**COUPLING D.12XD.19 FT100 KIT (4178578)**

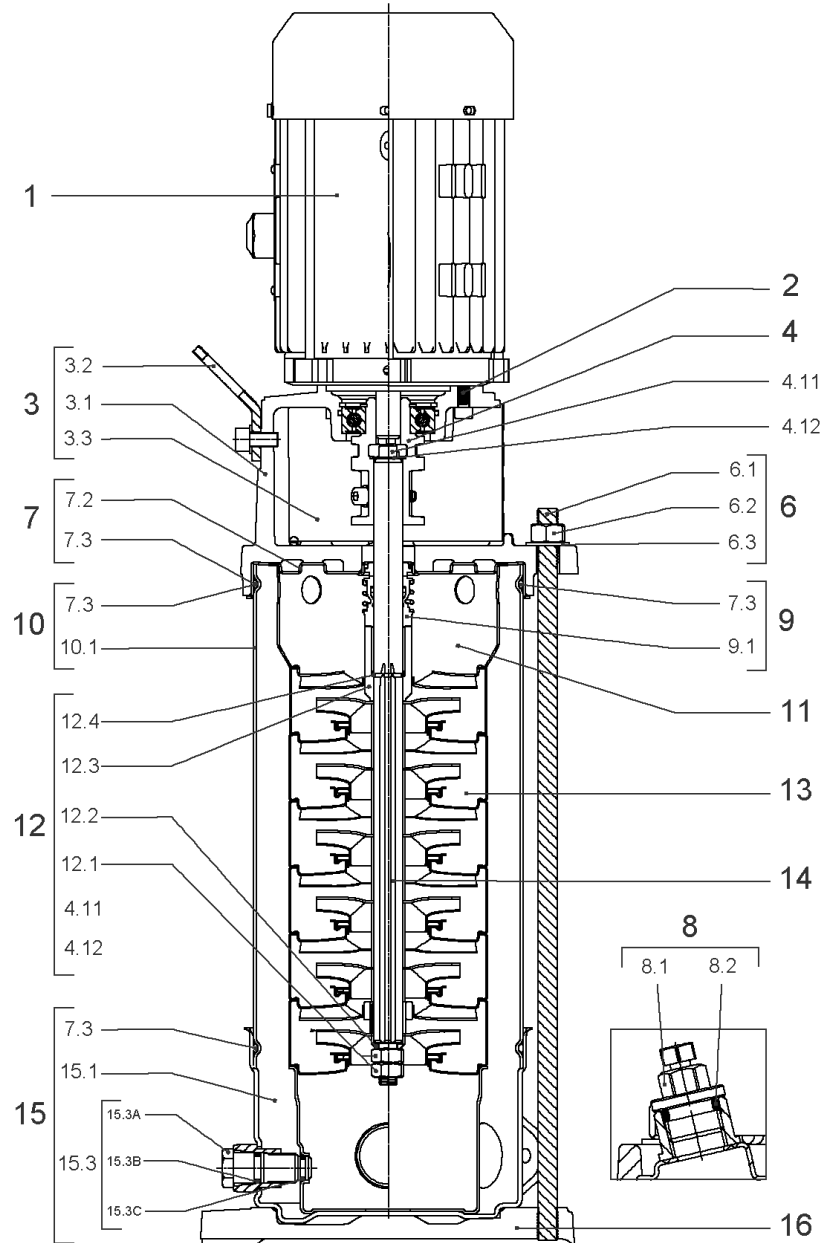
Item	Article no.	Description	Quantity
4.1		COUPLING-M+ Ø12XØ19-FT100-MACHINED	1
4.3	4234249	CIRCLIP-FOR-SHAFT-D30x1.5 VP.	1
4.2	2130977	BALL BEARING 6206/ZZ-C3(HT)VP.	1
4.4	4212716	SCREW M6X20 KIT (4PIECES)	1
4.5	4234250	CIRCLIP-D62x2 VP.	1
4.6	4234245	O-RING 63X3 VP.	1
		CONTACT-WASHER-6ETR-6,1x12,2x1,8-STEEL	4





**HYDRAULIC HELIX V 209 1.4307**

Item	Article no.	Description	Quantity
13.1	4179316	STAGE HELIX 2 1.4301 KIT	1
		> MACH.STG-CASING-WOGV-WNR-M+2-4-304	1
		> IMPELLER-M+2-304	1
13.2	4179317	STAGE BEARING HELIX 2 1.4307 KIT	1
		> MACH.BEARING-STG-CASING-WNR-M+2-304	1
		> IMPELLER-M+2-304	1
		> SHAFT SLEEVE SPACER Ø15,35x10,305-304	1
		> SHAFT-SLEEVE-D12xD16x14-CW	1
13.3	4179319	INTERMEDIATE STAGE HELIX 2 1.4301 KIT	1
		> CORPS-ETG-STD-ACR-AJR-USIN.M+2-304	1
		> IMPELLER-M+2-304	1
		> IMPELLER SPACER Ø12,05X14,85-L24,285-304	1



**HELIX V210-1/16/E/S/400-50 (4201353)**

Item	Article no.	Description	Quantity
1	4169940	MOTOR 0,75/2/80 3~230/400V 50HZ IE3 VP.	1
		SPARE PARTS MOTOR:ON REQUEST	1
2	4212716	SCREW M6X20 KIT (4PIECES)	1
3	4213752	LANTERN FT100 HELIX KIT	1
3.1		> LANT-MOT-VMI-ReDTC6"-FT100-MACHINED+CATA	1
3.2	4184852	> EYELET CPL.FT HELIX (2 PIECES)	1
3.3	4213713	> COUPLING PROTECTOR FT85/100 HELIX KIT	1
4	4178578	COUPLING D.12XD.19 FT100 KIT	1
6	2127554	STUD BOLT M12X437 KIT	1
7	4212722	STATIONARY RING HOLDER HELIX D23 ReDTC	1
7.2	4212720	> STATIONARY RING HOLDER HELIX D23 VP.	1
7.3	4176513	> O-RING FOR PUMP JACKET VP.	1
8	4212724	FILING/PURGING PLUG HELIX ReDTC KIT	1
8.1		> FILLING PLUG MVI6"-304	1
8.2	4177800	> O-RING EPDM PLUG HELIX VP.	1
9	4212726	MECH.SEAL HELIX V2/4 O/E ReDTC KIT	1
9.1	4178563	> M.SEAL.HELIX2-4 O/E VP.	1
7.3	4176513	> O-RING FOR PUMP JACKET VP.	1
10	2127577	HOUSING PIPE D.152x310 1.4301 KIT	1
11	4179315	CENTERING STAGE HELIX V2 1.4307 VP.	1
12	4212729	SHAFT EQUIPMENT HELIX V2/4 ReDTC KIT	1
12.1		> NUT-H-M8-STAINLESS-STEEL A4-70	1
12.2		> SHAFT END WASHER Ø8/Ø12 316L	1
12.3		> 1/2-SNAP-RING-2/4M3-316L	1
12.4		> STOP-RUSH-1/2-D12xd2-M+316	1
4.11		> SCREW CHC-M6X14-8.8-ISO4762-GEOMET500A	1
4.12		> WASHER D.24 L6U ZINK	1
13		HYDRAULIC HELIX V 210 1.4307	1
14	4213771	SHAFT D.12X381 HELIX 1.4057 VP.	1
15	4174079	PUMP HOUSING HELIX DN32 PN16 1.4301 KIT	1
7.3	4176513	> O-RING FOR PUMP JACKET VP.	1
15.1		> BLASTING PPE HOUSING V-PN16-DN32-5"-304	1
15.2	4217889	> COUNTER FLANGE-G1"-PN16-GJL KIT	1
15.3	4171321	> PRIMING/DRAIN PLUG EPDM HELIX KIT	1

**HELIX V210-1/16/E/S/400-50 (4201353)**

<b>Item</b>	<b>Article no.</b>	<b>Description</b>	<b>Quantity</b>
16	4177964	BASEPLATE HELIX V2/4/6 PN16 VP.	1



**COUPLING D.12XD.19 FT100 KIT (4178578)**

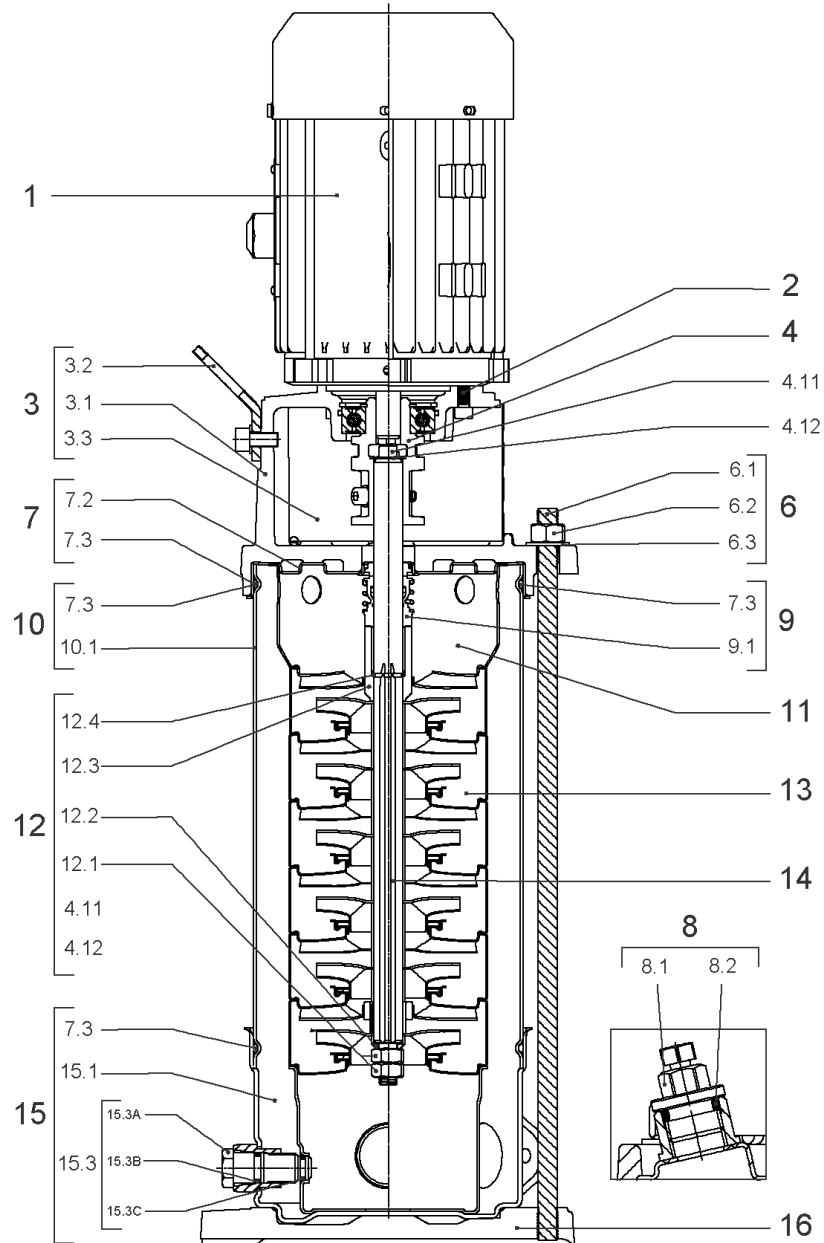
Item	Article no.	Description	Quantity
4.1		COUPLING-M+ Ø12XØ19-FT100-MACHINED	1
4.3	4234249	CIRCLIP-FOR-SHAFT-D30x1.5 VP.	1
4.2	2130977	BALL BEARING 6206/ZZ-C3(HT)VP.	1
4.4	4212716	SCREW M6X20 KIT (4PIECES)	1
4.5	4234250	CIRCLIP-D62x2 VP.	1
4.6	4234245	O-RING 63X3 VP.	1
		CONTACT-WASHER-6ETR-6,1x12,2x1,8-STEEL	4



**HYDRAULIC HELIX V 210 1.4307**

Item	Article no.	Description	Quantity
13.1	4179316	STAGE HELIX 2 1.4301 KIT	1
		> MACH.STG-CASING-WOGV-WNR-M+2-4-304	1
		> IMPELLER-M+2-304	1
13.2	4179317	STAGE BEARING HELIX 2 1.4307 KIT	1
		> MACH.BEARING-STG-CASING-WNR-M+2-304	1
		> IMPELLER-M+2-304	1
		> SHAFT SLEEVE SPACER Ø15,35x10,305-304	1
		> SHAFT-SLEEVE-D12xD16x14-CW	1
13.3	4179319	INTERMEDIATE STAGE HELIX 2 1.4301 KIT	1
		> CORPS-ETG-STD-ACR-AJR-USIN.M+2-304	1
		> IMPELLER-M+2-304	1
		> IMPELLER SPACER Ø12,05X14,85-L24,285-304	1





**HELIX V211-1/16/E/S/400-50 (4201355)**

Item	Article no.	Description	Quantity
1	4169941	MOTOR 1,1/2/80 3~230/400V 50HZ IE3 VP.	1
		SPARE PARTS MOTOR:ON REQUEST	1
2	4212716	SCREW M6X20 KIT (4PIECES)	1
3	4213752	LANTERN FT100 HELIX KIT	1
3.1		> LANT-MOT-VMI-ReDTC6"-FT100-MACHINED+CATA	1
3.2	4184852	> EYELET CPL.FT HELIX (2 PIECES)	1
3.3	4213713	> COUPLING PROTECTOR FT85/100 HELIX KIT	1
4	4178578	COUPLING D.12XD.19 FT100 KIT	1
6	4178605	STUD BOLT M12X469 KIT	1
6.1		> TIE BOLT M12-469x18x30-1.4057	1
6.2	2094647	> NUT M12 M12 ISO4032 VP.	1
6.3	2123557	> WASHER CS-12.4-24-1.6-NFE25 (4 PIECES)	1
7	4212722	STATIONARY RING HOLDER HELIX D23 ReDTC	1
7.2	4212720	> STATIONARY RING HOLDER HELIX D23 VP.	1
7.3	4176513	> O-RING FOR PUMP JACKET VP.	1
8	4212724	FILING/PURGING PLUG HELIX ReDTC KIT	1
8.1		> FILLING PLUG MVI6"-304	1
8.2	4177800	> O-RING EPDM PLUG HELIX VP.	1
9	4212726	MECH.SEAL HELIX V2/4 O/E ReDTC KIT	1
9.1	4178563	> M.SEAL.HELIX2-4 O/E VP.	1
7.3	4176513	> O-RING FOR PUMP JACKET VP.	1
10	4178606	HOUSING-PIPE D.152X335 1.4304 KIT	1
7.3	4176513	> O-RING FOR PUMP JACKET VP.	1
10.1		> HOUSING-PIPE Ø152-M+211/411-304	1
11	4179315	CENTERING STAGE HELIX V2 1.4307 VP.	1
12	4212729	SHAFT EQUIPMENT HELIX V2/4 ReDTC KIT	1
12.1		> NUT-H-M8-STAINLESS-STEEL A4-70	1
12.2		> SHAFT END WASHER Ø8/Ø12 316L	1
12.3		> 1/2-SNAP-RING-2/4M3-316L	1
12.4		> STOP-RUSH-1/2-D12xd2-M+316	1
4.11		> SCREW CHC-M6X14-8.8-ISO4762-GEOMET500A	1
4.12		> WASHER D.24 L6U ZINK	1
13		HYDRAULIC HELIX V 211 1.4307	1
14	4213776	SHAFT D.12X406 HELIX 1.4057 VP.	1

**HELIX V211-1/16/E/S/400-50 (4201355)**

Item	Article no.	Description	Quantity
15	4174079	PUMP HOUSING HELIX DN32 PN16 1.4301 KIT	1
7.3	4176513	> O-RING FOR PUMP JACKET VP.	1
15.1		> BLASTING PPE HOUSING V-PN16-DN32-5"-304	1
15.2	4217889	> COUNTER FLANGE-G1"-PN16-GJL KIT	1
15.3	4171321	> PRIMING/DRAIN PLUG EPDM HELIX KIT	1
16	4177964	BASEPLATE HELIX V2/4/6 PN16 VP.	1



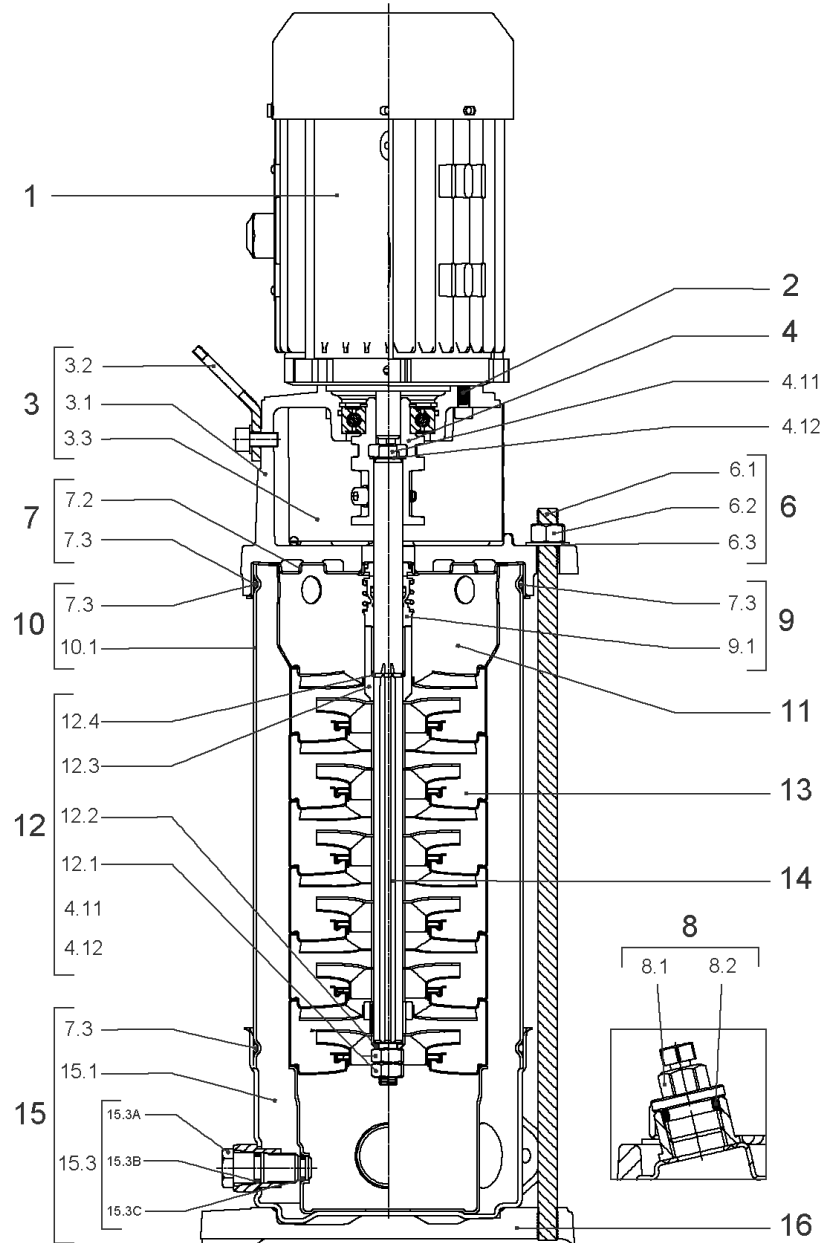
**COUPLING D.12XD.19 FT100 KIT (4178578)**

Item	Article no.	Description	Quantity
4.1		COUPLING-M+ Ø12XØ19-FT100-MACHINED	1
4.3	4234249	CIRCLIP-FOR-SHAFT-D30x1.5 VP.	1
4.2	2130977	BALL BEARING 6206/ZZ-C3(HT)VP.	1
4.4	4212716	SCREW M6X20 KIT (4PIECES)	1
4.5	4234250	CIRCLIP-D62x2 VP.	1
4.6	4234245	O-RING 63X3 VP.	1
		CONTACT-WASHER-6ETR-6,1x12,2x1,8-STEEL	4



**HYDRAULIC HELIX V 211 1.4307**

Item	Article no.	Description	Quantity
13.1	4179316	STAGE HELIX 2 1.4301 KIT	1
		> MACH.STG-CASING-WOGV-WNR-M+2-4-304	1
		> IMPELLER-M+2-304	1
13.2	4179317	STAGE BEARING HELIX 2 1.4307 KIT	1
		> MACH.BEARING-STG-CASING-WNR-M+2-304	1
		> IMPELLER-M+2-304	1
		> SHAFT SLEEVE SPACER Ø15,35x10,305-304	1
		> SHAFT-SLEEVE-D12xD16x14-CW	1
13.3	4179319	INTERMEDIATE STAGE HELIX 2 1.4301 KIT	1
		> CORPS-ETG-STD-ACR-AJR-USIN.M+2-304	1
		> IMPELLER-M+2-304	1
		> IMPELLER SPACER Ø12,05X14,85-L24,285-304	1





**HELIX V212-1/16/E/S/400-50 (4201357)**

Item	Article no.	Description	Quantity
1	4169941	MOTOR 1,1/2/80 3~230/400V 50HZ IE3 VP.	1
		SPARE PARTS MOTOR:ON REQUEST	1
2	4212716	SCREW M6X20 KIT (4PIECES)	1
3	4213752	LANTERN FT100 HELIX KIT	1
3.1		> LANT-MOT-VMI-ReDTC6"-FT100-MACHINED+CATA	1
3.2	4184852	> EYELET CPL.FT HELIX (2 PIECES)	1
3.3	4213713	> COUPLING PROTECTOR FT85/100 HELIX KIT	1
4	4178578	COUPLING D.12XD.19 FT100 KIT	1
6	2127555	STUD BOLT M12X485 KIT	1
7	4212722	STATIONARY RING HOLDER HELIX D23 ReDTC	1
7.2	4212720	> STATIONARY RING HOLDER HELIX D23 VP.	1
7.3	4176513	> O-RING FOR PUMP JACKET VP.	1
8	4212724	FILING/PURGING PLUG HELIX ReDTC KIT	1
8.1		> FILLING PLUG MVI6"-304	1
8.2	4177800	> O-RING EPDM PLUG HELIX VP.	1
9	4212726	MECH.SEAL HELIX V2/4 O/E ReDTC KIT	1
9.1	4178563	> M.SEAL.HELIX2-4 O/E VP.	1
7.3	4176513	> O-RING FOR PUMP JACKET VP.	1
10	2127578	HOUSING PIPE D.152x360 1.4307 KIT	1
7.3	4176513	> O-RING FOR PUMP JACKET VP.	1
10.1		> HOUSING-PIPE Ø152-M+1008/1606-304	1
11	4179315	CENTERING STAGE HELIX V2 1.4307 VP.	1
12	4212729	SHAFT EQUIPMENT HELIX V2/4 ReDTC KIT	1
12.1		> NUT-H-M8-STAINLESS-STEEL A4-70	1
12.2		> SHAFT END WASHER Ø8/Ø12 316L	1
12.3		> 1/2-SNAP-RING-2/4M3-316L	1
12.4		> STOP-RUSH-1/2-D12xd2-M+316	1
4.11		> SCREW CHC-M6X14-8.8-ISO4762-GEOMET500A	1
4.12		> WASHER D.24 L6U ZINK	1
13		HYDRAULIC HELIX V 212 1.4307	1
14	4213778	SHAFT D.12X431 HELIX 1.4057 VP.	1
15	4174079	PUMP HOUSING HELIX DN32 PN16 1.4301 KIT	1
7.3	4176513	> O-RING FOR PUMP JACKET VP.	1
15.1		> BLASTING PPE HOUSING V-PN16-DN32-5"-304	1

**HELIX V212-1/16/E/S/400-50 (4201357)**

<b>Item</b>	<b>Article no.</b>	<b>Description</b>	<b>Quantity</b>
15.2	4217889	> COUNTER FLANGE-G1"-PN16-GJL KIT	1
15.3	4171321	> PRIMING/DRAIN PLUG EPDM HELIX KIT	1
16	4177964	BASEPLATE HELIX V2/4/6 PN16 VP.	1



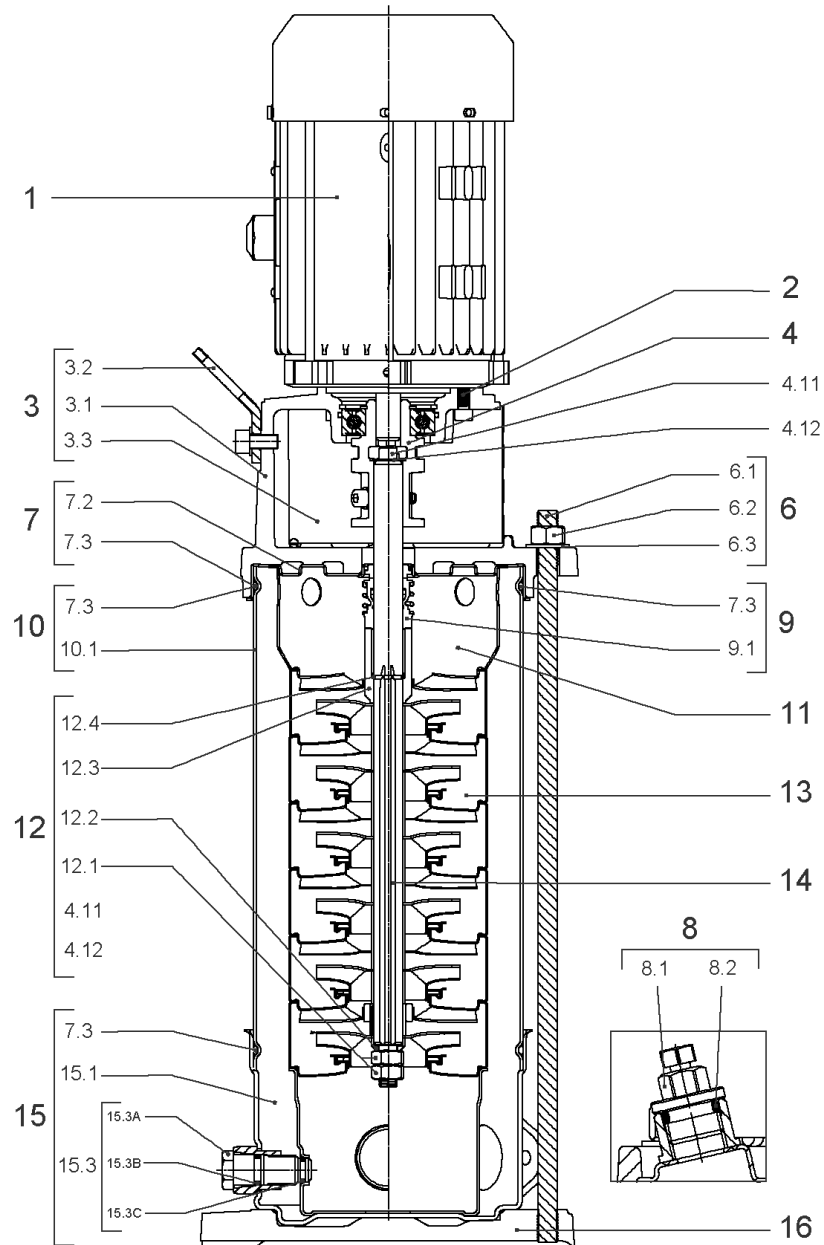
**COUPLING D.12XD.19 FT100 KIT (4178578)**

Item	Article no.	Description	Quantity
4.1		COUPLING-M+ Ø12XØ19-FT100-MACHINED	1
4.3	4234249	CIRCLIP-FOR-SHAFT-D30x1.5 VP.	1
4.2	2130977	BALL BEARING 6206/ZZ-C3(HT)VP.	1
4.4	4212716	SCREW M6X20 KIT (4PIECES)	1
4.5	4234250	CIRCLIP-D62x2 VP.	1
4.6	4234245	O-RING 63X3 VP.	1
		CONTACT-WASHER-6ETR-6,1x12,2x1,8-STEEL	4



## HYDRAULIC HELIX V 212 1.4307

Item	Article no.	Description	Quantity
13.1	4179316	STAGE HELIX 2 1.4301 KIT	1
		> MACH.STG-CASING-WOGV-WNR-M+2-4-304	1
		> IMPELLER-M+2-304	1
13.2	4179317	STAGE BEARING HELIX 2 1.4307 KIT	1
		> MACH.BEARING-STG-CASING-WNR-M+2-304	1
		> IMPELLER-M+2-304	1
		> SHAFT SLEEVE SPACER Ø15,35x10,305-304	1
		> SHAFT-SLEEVE-D12xD16x14-CW	1
13.3	4179319	INTERMEDIATE STAGE HELIX 2 1.4301 KIT	1
		> CORPS-ETG-STD-ACR-AJR-USIN.M+2-304	1
		> IMPELLER-M+2-304	1
		> IMPELLER SPACER Ø12,05X14,85-L24,285-304	1



**HELIX V213-1/16/E/S/400-50 (4201359)**

Item	Article no.	Description	Quantity
1	4169941	MOTOR 1,1/2/80 3~230/400V 50HZ IE3 VP.	1
		SPARE PARTS MOTOR:ON REQUEST	1
2	4212716	SCREW M6X20 KIT (4PIECES)	1
3	4213752	LANTERN FT100 HELIX KIT	1
3.1		> LANT-MOT-VMI-ReDTC6"-FT100-MACHINED+CATA	1
3.2	4184852	> EYELET CPL.FT HELIX (2 PIECES)	1
3.3	4213713	> COUPLING PROTECTOR FT85/100 HELIX KIT	1
4	4178578	COUPLING D.12XD.19 FT100 KIT	1
6	2127556	STUD BOLT M12X542 KIT	1
7	4212722	STATIONARY RING HOLDER HELIX D23 ReDTC	1
7.2	4212720	> STATIONARY RING HOLDER HELIX D23 VP.	1
7.3	4176513	> O-RING FOR PUMP JACKET VP.	1
8	4212724	FILING/PURGING PLUG HELIX ReDTC KIT	1
8.1		> FILLING PLUG MVI6"-304	1
8.2	4177800	> O-RING EPDM PLUG HELIX VP.	1
9	4212726	MECH.SEAL HELIX V2/4 O/E ReDTC KIT	1
9.1	4178563	> M.SEAL.HELIX2-4 O/E VP.	1
7.3	4176513	> O-RING FOR PUMP JACKET VP.	1
10	2127579	HOUSING PIPE D.152x410 1.4301 KIT	1
7.3	4176513	> O-RING FOR PUMP JACKET VP.	1
10.1		> HOUSING-PIPE Ø152-M+1607-304	1
11	4179315	CENTERING STAGE HELIX V2 1.4307 VP.	1
12	4212729	SHAFT EQUIPMENT HELIX V2/4 ReDTC KIT	1
12.1		> NUT-H-M8-STAINLESS-STEEL A4-70	1
12.2		> SHAFT END WASHER Ø8/Ø12 316L	1
12.3		> 1/2-SNAP-RING-2/4M3-316L	1
12.4		> STOP-RUSH-1/2-D12xd2-M+316	1
4.11		> SCREW CHC-M6X14-8.8-ISO4762-GEOMET500A	1
4.12		> WASHER D.24 L6U ZINK	1
13		HYDRAULIC HELIX V 213 1.4307	1
14	4213780	SHAFT D.12X481 HELIX 1.4057 VP.	1
15	4174079	PUMP HOUSING HELIX DN32 PN16 1.4301 KIT	1
7.3	4176513	> O-RING FOR PUMP JACKET VP.	1
15.1		> BLASTING PPE HOUSING V-PN16-DN32-5"-304	1



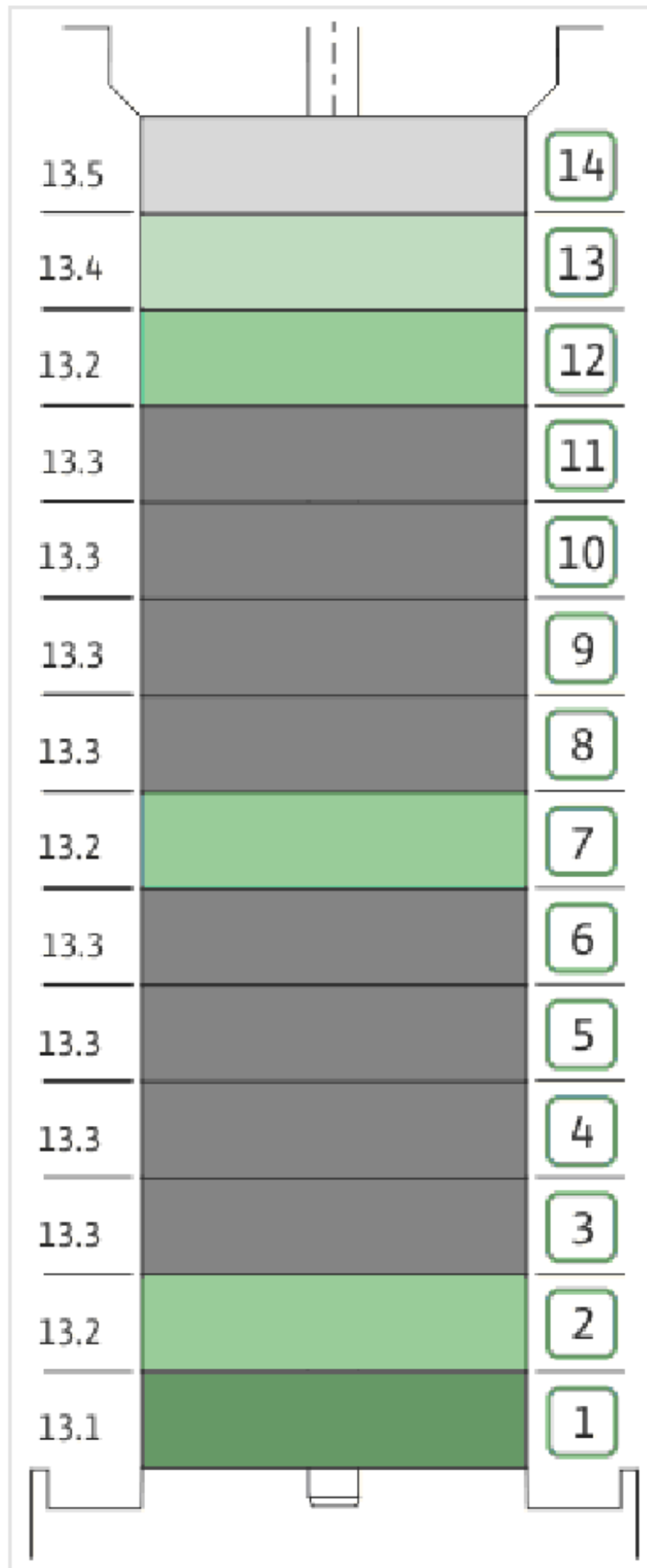
**HELIX V213-1/16/E/S/400-50 (4201359)**

<b>Item</b>	<b>Article no.</b>	<b>Description</b>	<b>Quantity</b>
15.2	4217889	> COUNTER FLANGE-G1"-PN16-GJL KIT	1
15.3	4171321	> PRIMING/DRAIN PLUG EPDM HELIX KIT	1
16	4177964	BASEPLATE HELIX V2/4/6 PN16 VP.	1



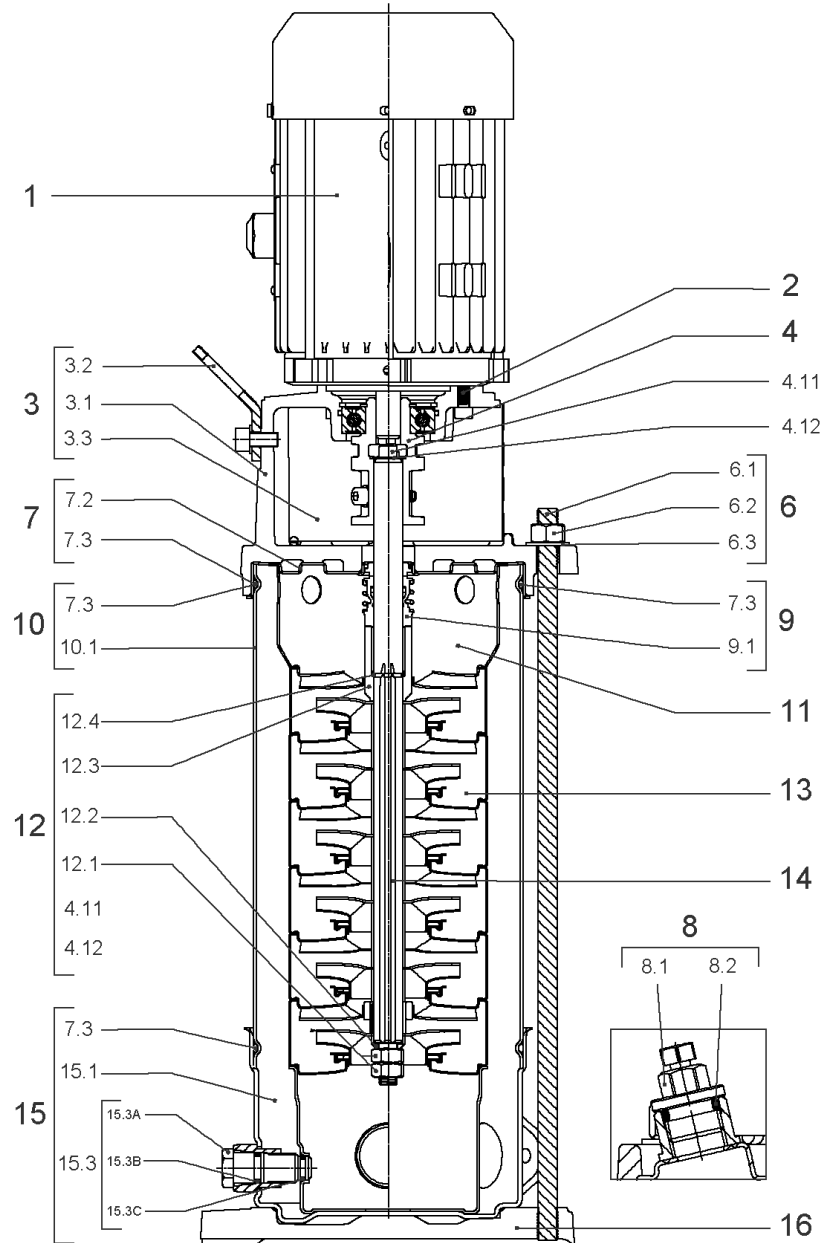
**COUPLING D.12XD.19 FT100 KIT (4178578)**

Item	Article no.	Description	Quantity
4.1		COUPLING-M+ Ø12XØ19-FT100-MACHINED	1
4.3	4234249	CIRCLIP-FOR-SHAFT-D30x1.5 VP.	1
4.2	2130977	BALL BEARING 6206/ZZ-C3(HT)VP.	1
4.4	4212716	SCREW M6X20 KIT (4PIECES)	1
4.5	4234250	CIRCLIP-D62x2 VP.	1
4.6	4234245	O-RING 63X3 VP.	1
		CONTACT-WASHER-6ETR-6,1x12,2x1,8-STEEL	4



**HYDRAULIC HELIX V 213 1.4307**

Item	Article no.	Description	Quantity
13.1	4179316	STAGE HELIX 2 1.4301 KIT	1
		> MACH.STG-CASING-WOGV-WNR-M+2-4-304	1
		> IMPELLER-M+2-304	1
13.2	4179317	STAGE BEARING HELIX 2 1.4307 KIT	1
		> MACH.BEARING-STG-CASING-WNR-M+2-304	1
		> IMPELLER-M+2-304	1
		> SHAFT SLEEVE SPACER Ø15,35x10,305-304	1
		> SHAFT-SLEEVE-D12xD16x14-CW	1
13.3	4179319	INTERMEDIATE STAGE HELIX 2 1.4301 KIT	1
		> CORPS-ETG-STD-ACR-AJR-USIN.M+2-304	1
		> IMPELLER-M+2-304	1
		> IMPELLER SPACER Ø12,05X14,85-L24,285-304	1
13.4	4179503	EMPTY STAGE HELIX 2 1.4301 <15 stage Kit	1
		> CORPS-ETG-STD-ACR-AJR-USIN.M+2-304	1
		> FLAT WASHER-D12.1XD16X0.8-316L	1
		> IMPELLER SPACER Ø12,05X14,85-L24,285-304	1
13.5	4179504	STAGE HELIX 2 1.4301 < 15 stages Kit	1
		> MACH.STG-CASING-WOGV-WNR-M+2-4-304	1
		> IMPELLER-M+2-304	1
		> IMPELLER SPACER Ø12,05X14,85-L24,285-304	1



**HELIX V214-1/16/E/S/400-50 (4201360)**

Item	Article no.	Description	Quantity
1	4169941	MOTOR 1,1/2/80 3~230/400V 50HZ IE3 VP.	1
		SPARE PARTS MOTOR:ON REQUEST	1
2	4212716	SCREW M6X20 KIT (4PIECES)	1
3	4213752	LANTERN FT100 HELIX KIT	1
3.1		> LANT-MOT-VMI-ReDTC6"-FT100-MACHINED+CATA	1
3.2	4184852	> EYELET CPL.FT HELIX (2 PIECES)	1
3.3	4213713	> COUPLING PROTECTOR FT85/100 HELIX KIT	1
4	4178578	COUPLING D.12XD.19 FT100 KIT	1
6	2127556	STUD BOLT M12X542 KIT	1
7	4212722	STATIONARY RING HOLDER HELIX D23 ReDTC	1
7.2	4212720	> STATIONARY RING HOLDER HELIX D23 VP.	1
7.3	4176513	> O-RING FOR PUMP JACKET VP.	1
8	4212724	FILING/PURGING PLUG HELIX ReDTC KIT	1
8.1		> FILLING PLUG MVI6"-304	1
8.2	4177800	> O-RING EPDM PLUG HELIX VP.	1
9	4212726	MECH.SEAL HELIX V2/4 O/E ReDTC KIT	1
9.1	4178563	> M.SEAL.HELIX2-4 O/E VP.	1
7.3	4176513	> O-RING FOR PUMP JACKET VP.	1
10	2127579	HOUSING PIPE D.152x410 1.4301 KIT	1
7.3	4176513	> O-RING FOR PUMP JACKET VP.	1
10.1		> HOUSING-PIPE Ø152-M+1607-304	1
11	4179315	CENTERING STAGE HELIX V2 1.4307 VP.	1
12	4212729	SHAFT EQUIPMENT HELIX V2/4 ReDTC KIT	1
12.1		> NUT-H-M8-STAINLESS-STEEL A4-70	1
12.2		> SHAFT END WASHER Ø8/Ø12 316L	1
12.3		> 1/2-SNAP-RING-2/4M3-316L	1
12.4		> STOP-RUSH-1/2-D12xd2-M+316	1
4.11		> SCREW CHC-M6X14-8.8-ISO4762-GEOMET500A	1
4.12		> WASHER D.24 L6U ZINK	1
13		HYDRAULIC HELIX V 214 1.4307	1
14	4213780	SHAFT D.12X481 HELIX 1.4057 VP.	1
15	4174079	PUMP HOUSING HELIX DN32 PN16 1.4301 KIT	1
7.3	4176513	> O-RING FOR PUMP JACKET VP.	1
15.1		> BLASTING PPE HOUSING V-PN16-DN32-5"-304	1

**HELIX V214-1/16/E/S/400-50 (4201360)**

<b>Item</b>	<b>Article no.</b>	<b>Description</b>	<b>Quantity</b>
15.2	4217889	> COUNTER FLANGE-G1"-PN16-GJL KIT	1
15.3	4171321	> PRIMING/DRAIN PLUG EPDM HELIX KIT	1
16	4177964	BASEPLATE HELIX V2/4/6 PN16 VP.	1





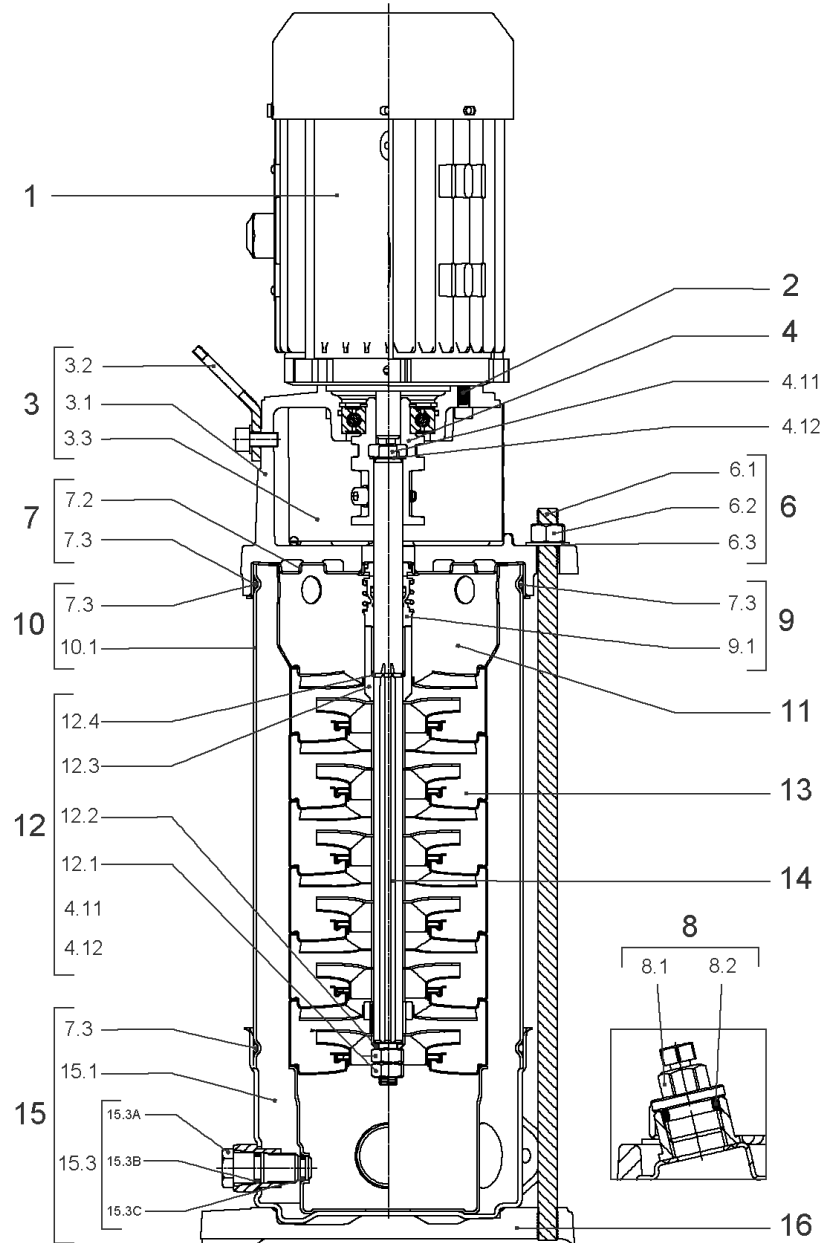
**COUPLING D.12XD.19 FT100 KIT (4178578)**

Item	Article no.	Description	Quantity
4.1		COUPLING-M+ Ø12XØ19-FT100-MACHINED	1
4.3	4234249	CIRCLIP-FOR-SHAFT-D30x1.5 VP.	1
4.2	2130977	BALL BEARING 6206/ZZ-C3(HT)VP.	1
4.4	4212716	SCREW M6X20 KIT (4PIECES)	1
4.5	4234250	CIRCLIP-D62x2 VP.	1
4.6	4234245	O-RING 63X3 VP.	1
		CONTACT-WASHER-6ETR-6,1x12,2x1,8-STEEL	4



**HYDRAULIC HELIX V 214 1.4307**

Item	Article no.	Description	Quantity
13.1	4179316	STAGE HELIX 2 1.4301 KIT	1
		> MACH.STG-CASING-WOGV-WNR-M+2-4-304	1
		> IMPELLER-M+2-304	1
13.2	4179317	STAGE BEARING HELIX 2 1.4307 KIT	1
		> MACH.BEARING-STG-CASING-WNR-M+2-304	1
		> IMPELLER-M+2-304	1
		> SHAFT SLEEVE SPACER Ø15,35x10,305-304	1
		> SHAFT-SLEEVE-D12xD16x14-CW	1
13.3	4179319	INTERMEDIATE STAGE HELIX 2 1.4301 KIT	1
		> CORPS-ETG-STD-ACR-AJR-USIN.M+2-304	1
		> IMPELLER-M+2-304	1
		> IMPELLER SPACER Ø12,05X14,85-L24,285-304	1



**HELIX V216-1/16/E/S/400-50 (4201361)**

Item	Article no.	Description	Quantity
1	4169942	MO.1,5/2 3~230/400(440)V 50(60)HZ IE3 VP	1
		SPARE PARTS MOTOR:ON REQUEST	1
2	4159707	SCREW M8X30 (4 PIECES)	1
3	4213784	LANTERN FT115 HELIX KIT	1
3.1		> LANT-MOT-VMI-ReDTC6"-FT115-MACHINED+CATA	1
3.2	4184852	> EYELET CPL.FT HELIX (2 PIECES)	1
3.3	4213782	> COUPLING PROTECTOR FT115/130 HELIX KIT	1
4	4178600	COUPLING D.12XD.24 FT115 KIT	1
6	2127557	STUD BOLT M12X587 KIT	1
6.1		> TIE BOLT M12-587x18x30-1.4057	1
6.2	2094647	> NUT M12 M12 ISO4032 VP.	1
6.3	2123557	> WASHER CS-12.4-24-1.6-NFE25 (4 PIECES)	1
7	4212722	STATIONARY RING HOLDER HELIX D23 ReDTC	1
7.2	4212720	> STATIONARY RING HOLDER HELIX D23 VP.	1
7.3	4176513	> O-RING FOR PUMP JACKET VP.	1
8	4212724	FILING/PURGING PLUG HELIX ReDTC KIT	1
8.1		> FILLING PLUG MVI6"-304	1
8.2	4177800	> O-RING EPDM PLUG HELIX VP.	1
9	4212726	MECH.SEAL HELIX V2/4 O/E ReDTC KIT	1
9.1	4178563	> M.SEAL.HELIX2-4 O/E VP.	1
7.3	4176513	> O-RING FOR PUMP JACKET VP.	1
10	2127580	HOUSING PIPE D.152x460 1.4301 KIT	1
7.3	4176513	> O-RING FOR PUMP JACKET VP.	1
10.1		> HOUSING-PIPE Ø152-M+1608-304	1
11	4179315	CENTERING STAGE HELIX V2 1.4307 VP.	1
12	4212729	SHAFT EQUIPMENT HELIX V2/4 ReDTC KIT	1
12.1		> NUT-H-M8-STAINLESS-STEEL A4-70	1
12.2		> SHAFT END WASHER Ø8/Ø12 316L	1
12.3		> 1/2-SNAP-RING-2/4M3-316L	1
12.4		> STOP-RUSH-1/2-D12xd2-M+316	1
4.11		> SCREW CHC-M6X14-8.8-ISO4762-GEOMET500A	1
4.12		> WASHER D.24 L6U ZINK	1
13		HYDRAULIC HELIX V 216 1.4307	1
14	4213788	SHAFT D.12X531 HELIX 1.4057 VP.	1

**HELIX V216-1/16/E/S/400-50 (4201361)**

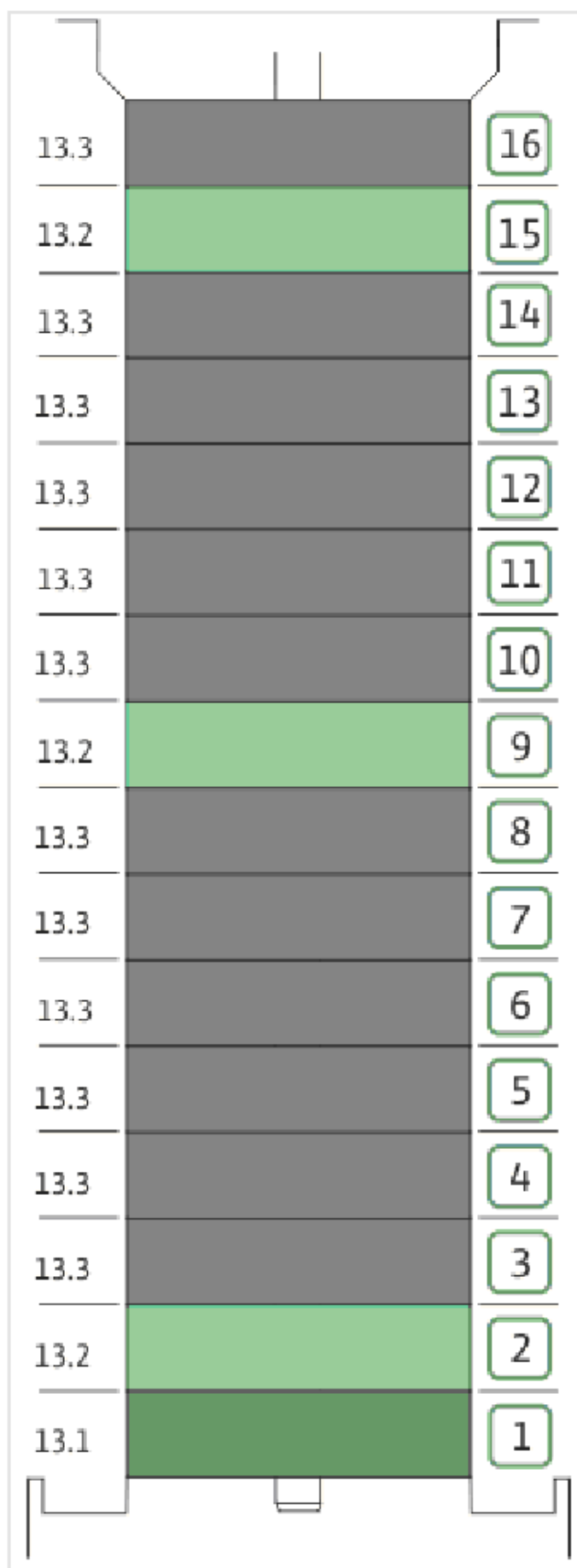
Item	Article no.	Description	Quantity
15	4174079	PUMP HOUSING HELIX DN32 PN16 1.4301 KIT	1
7.3	4176513	> O-RING FOR PUMP JACKET VP.	1
15.1		> BLASTING PPE HOUSING V-PN16-DN32-5"-304	1
15.2	4217889	> COUNTER FLANGE-G1"-PN16-GJL KIT	1
15.3	4171321	> PRIMING/DRAIN PLUG EPDM HELIX KIT	1
16	4177964	BASEPLATE HELIX V2/4/6 PN16 VP.	1





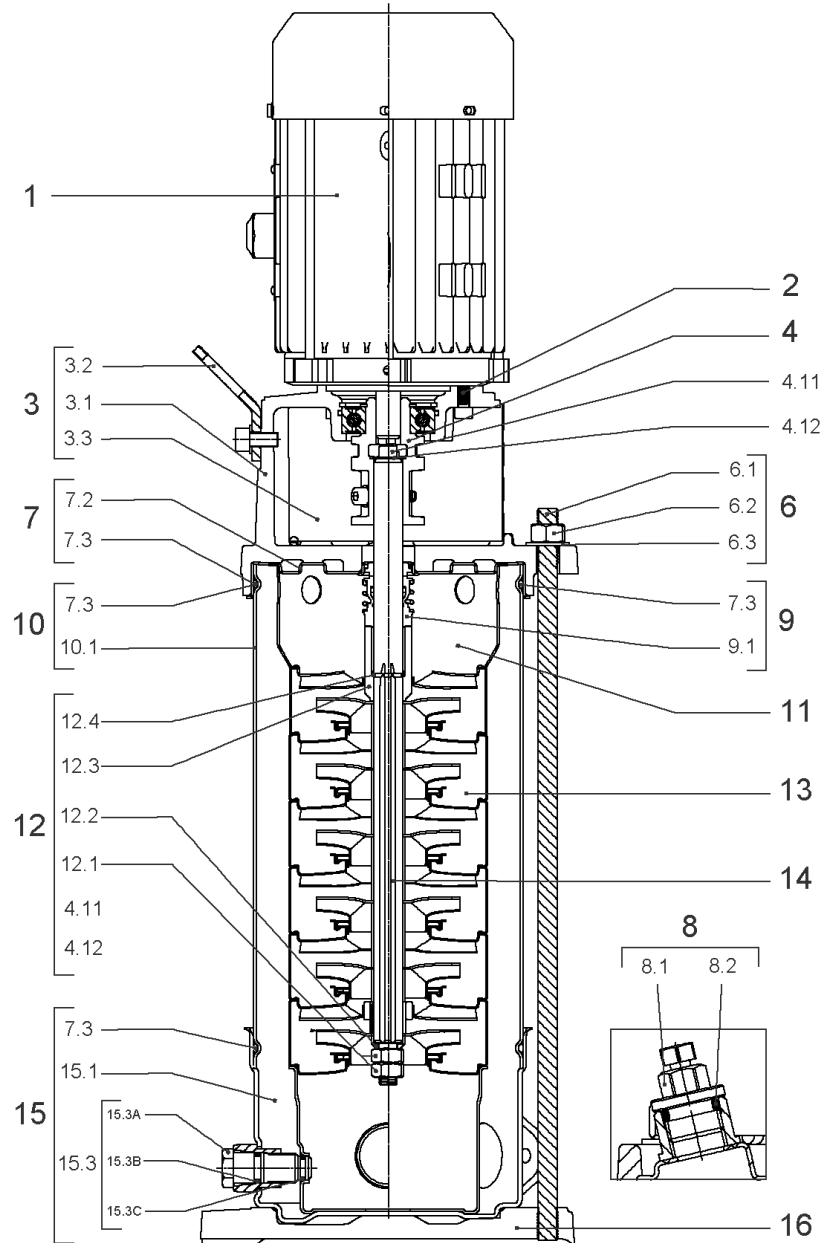
**COUPLING D.12XD.24 FT115 KIT (4178600)**

Item	Article no.	Description	Quantity
4.1		COUPLING-M+ Ø12XØ24-FT115-MACHINED	1
4.2	2131023	BALL BEARING 6207/ZZ-C3(HT)VP.	1
4.3	4234254	CIRCLIP-FOR-SHAFT-D35x1.5 VP.	1
4.4	4157726	SCREW KIT M8X30 (4 PIECES)	1
4.5	4234251	CIRCLIP-D72x2.5 VP.	1
4.6	4234246	O-RING 72X3 VP.	1
		NOMEL CONTACT WASHER 8x16x1,4 STEEL ZC	1



**HYDRAULIC HELIX V 216 1.4307**

Item	Article no.	Description	Quantity
13.1	4179316	STAGE HELIX 2 1.4301 KIT	1
		> MACH.STG-CASING-WOGV-WNR-M+2-4-304	1
		> IMPELLER-M+2-304	1
13.2	4179317	STAGE BEARING HELIX 2 1.4307 KIT	1
		> MACH.BEARING-STG-CASING-WNR-M+2-304	1
		> IMPELLER-M+2-304	1
		> SHAFT SLEEVE SPACER Ø15,35x10,305-304	1
		> SHAFT-SLEEVE-D12xD16x14-CW	1
13.3	4213786	INTERM. STAGE HELIX 2 >14 ST. 1.4307 KIT	1
		> CORPS-ETG-STD-ACR-AJR-USIN.M+2-304	1
		> IMPELLER-M+2-304	1
		> IMPELLER SPACER Ø12,1x14,1-L24,25-316L	1



**HELIX V218-1/16/E/S/400-50 (4201362)**

Item	Article no.	Description	Quantity
1	4169942	MO.1,5/2 3~230/400(440)V 50(60)HZ IE3 VP	1
		SPARE PARTS MOTOR:ON REQUEST	1
2	4159707	SCREW M8X30 (4 PIECES)	1
3	4213784	LANTERN FT115 HELIX KIT	1
3.1		> LANT-MOT-VMI-ReDTC6"-FT115-MACHINED+CATA	1
3.2	4184852	> EYELET CPL.FT HELIX (2 PIECES)	1
3.3	4213782	> COUPLING PROTECTOR FT115/130 HELIX KIT	1
4	4178600	COUPLING D.12XD.24 FT115 KIT	1
6	4177842	STUD BOLT M12X638KIT	1
6.1		> TIE BOLT M12-638x18x30-1.4057	1
6.2	2094647	> NUT M12 M12 ISO4032 VP.	1
6.3	2123557	> WASHER CS-12.4-24-1.6-NFE25 (4 PIECES)	1
7	4212722	STATIONARY RING HOLDER HELIX D23 ReDTC	1
7.2	4212720	> STATIONARY RING HOLDER HELIX D23 VP.	1
7.3	4176513	> O-RING FOR PUMP JACKET VP.	1
8	4212724	FILING/PURGING PLUG HELIX ReDTC KIT	1
8.1		> FILLING PLUG MVI6"-304	1
8.2	4177800	> O-RING EPDM PLUG HELIX VP.	1
9	4212726	MECH.SEAL HELIX V2/4 O/E ReDTC KIT	1
9.1	4178563	> M.SEAL.HELIX2-4 O/E VP.	1
7.3	4176513	> O-RING FOR PUMP JACKET VP.	1
10	4177843	HOUSING PIPES D.152X510 1.4307 KIT	1
7.3	4176513	> O-RING FOR PUMP JACKET VP.	1
10.1		> HOUSING-PIPE Ø152-M+1012/1609-304	1
11	4179315	CENTERING STAGE HELIX V2 1.4307 VP.	1
12	4212729	SHAFT EQUIPMENT HELIX V2/4 ReDTC KIT	1
12.1		> NUT-H-M8-STAINLESS-STEEL A4-70	1
12.2		> SHAFT END WASHER Ø8/Ø12 316L	1
12.3		> 1/2-SNAP-RING-2/4M3-316L	1
12.4		> STOP-RUSH-1/2-D12xd2-M+316	1
4.11		> SCREW CHC-M6X14-8.8-ISO4762-GEOMET500A	1
4.12		> WASHER D.24 L6U ZINK	1
13		HYDRAULIC HELIX V 218 1.4307	1
14	4214468	SHAFT D.12X581 HELIX 1.4057 VP.	1

**HELIX V218-1/16/E/S/400-50 (4201362)**

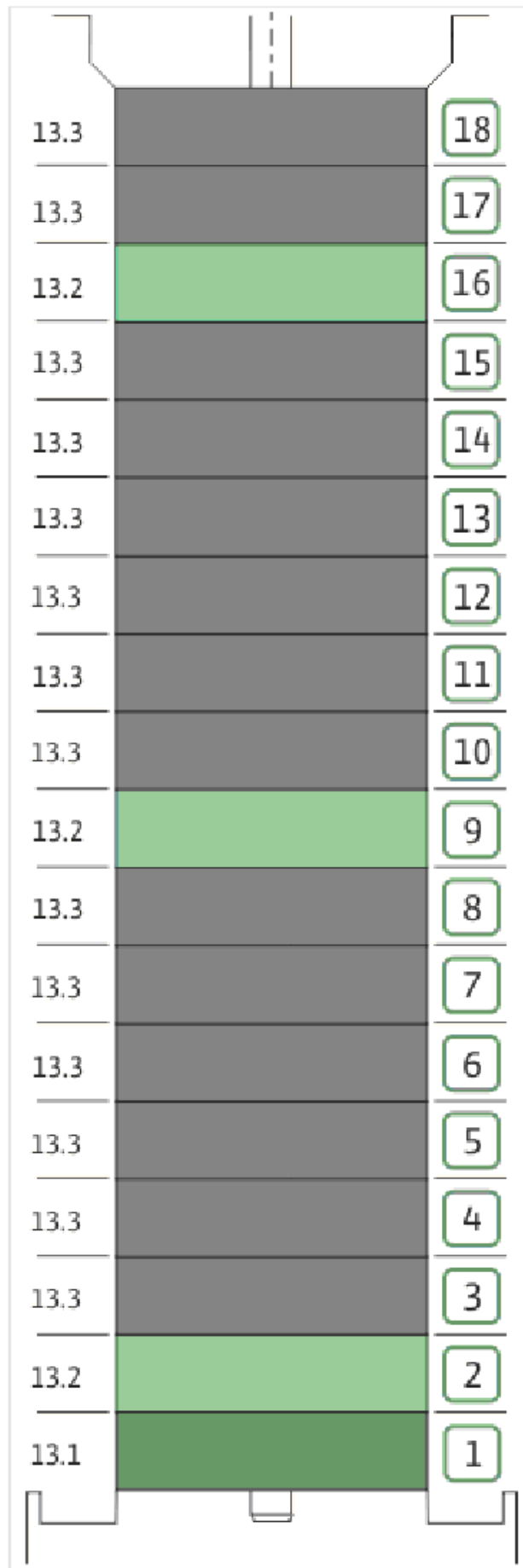
<b>Item</b>	<b>Article no.</b>	<b>Description</b>	<b>Quantity</b>
15	4174079	PUMP HOUSING HELIX DN32 PN16 1.4301 KIT	1
7.3	4176513	> O-RING FOR PUMP JACKET VP.	1
15.1		> BLASTING PPE HOUSING V-PN16-DN32-5"-304	1
15.2	4217889	> COUNTER FLANGE-G1"-PN16-GJL KIT	1
15.3	4171321	> PRIMING/DRAIN PLUG EPDM HELIX KIT	1
16	4177964	BASEPLATE HELIX V2/4/6 PN16 VP.	1



**COUPLING D.12XD.24 FT115 KIT (4178600)**

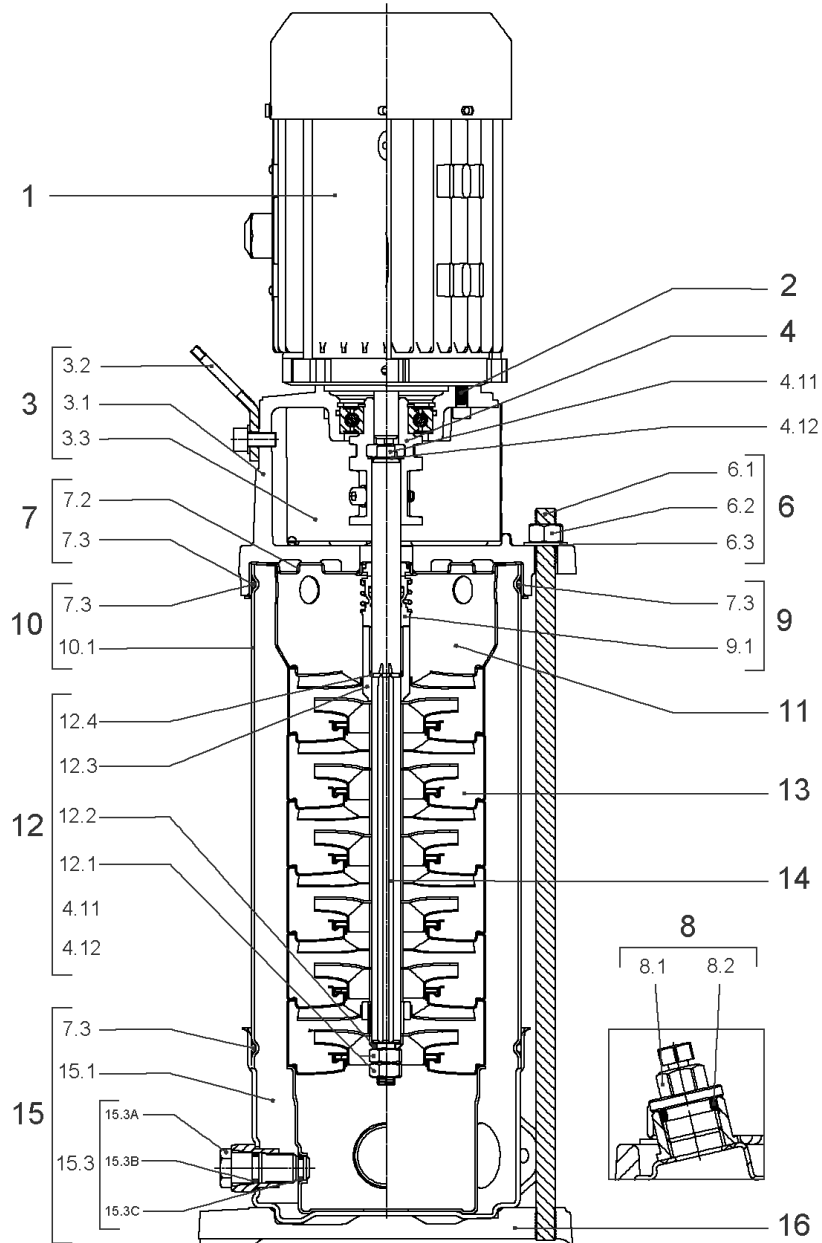
Item	Article no.	Description	Quantity
4.1		COUPLING-M+ Ø12XØ24-FT115-MACHINED	1
4.2	2131023	BALL BEARING 6207/ZZ-C3(HT)VP.	1
4.3	4234254	CIRCLIP-FOR-SHAFT-D35x1.5 VP.	1
4.4	4157726	SCREW KIT M8X30 (4 PIECES)	1
4.5	4234251	CIRCLIP-D72x2.5 VP.	1
4.6	4234246	O-RING 72X3 VP.	1
		NOMEL CONTACT WASHER 8x16x1,4 STEEL ZC	1





**HYDRAULIC HELIX V 218 1.4307**

Item	Article no.	Description	Quantity
13.1	4179316	STAGE HELIX 2 1.4301 KIT	1
		> MACH.STG-CASING-WOGV-WNR-M+2-4-304	1
		> IMPELLER-M+2-304	1
13.2	4179317	STAGE BEARING HELIX 2 1.4307 KIT	1
		> MACH.BEARING-STG-CASING-WNR-M+2-304	1
		> IMPELLER-M+2-304	1
		> SHAFT SLEEVE SPACER Ø15,35x10,305-304	1
		> SHAFT-SLEEVE-D12xD16x14-CW	1
13.3	4213786	INTERM. STAGE HELIX 2 >14 ST. 1.4307 KIT	1
		> CORPS-ETG-STD-ACR-AJR-USIN.M+2-304	1
		> IMPELLER-M+2-304	1
		> IMPELLER SPACER Ø12,1x14,1-L24,25-316L	1



**HELIX V220-1/16/E/S/400-50 (4201363)**

Item	Article no.	Description	Quantity
1	4169943	MOTOR 2,2/2/90 3~230/400V 50HZ IE3 VP.	1
		SPARE PARTS MOTOR:ON REQUEST	1
2	4159707	SCREW M8X30 (4 PIECES)	1
3	4213784	LANTERN FT115 HELIX KIT	1
3.1		> LANT-MOT-VMI-ReDTC6"-FT115-MACHINED+CATA	1
3.2	4184852	> EYELET CPL.FT HELIX (2 PIECES)	1
3.3	4213782	> COUPLING PROTECTOR FT115/130 HELIX KIT	1
4	4178600	COUPLING D.12XD.24 FT115 KIT	1
6	4178624	STUD BOLT M12X693 KIT	1
7	4212722	STATIONARY RING HOLDER HELIX D23 ReDTC	1
7.2	4212720	> STATIONARY RING HOLDER HELIX D23 VP.	1
7.3	4176513	> O-RING FOR PUMP JACKET VP.	1
8	4212724	FILING/PURGING PLUG HELIX ReDTC KIT	1
8.1		> FILLING PLUG MVI6"-304	1
8.2	4177800	> O-RING EPDM PLUG HELIX VP.	1
9	4212726	MECH.SEAL HELIX V2/4 O/E ReDTC KIT	1
9.1	4178563	> M.SEAL.HELIX2-4 O/E VP.	1
7.3	4176513	> O-RING FOR PUMP JACKET VP.	1
10	4178627	HOUSING PIPE D.152x560 1.4301 KIT	1
7.3	4176513	> O-RING FOR PUMP JACKET VP.	1
10.1		> HOUSING-PIPE Ø152-M+220/420-304	1
11	4179315	CENTERING STAGE HELIX V2 1.4307 VP.	1
12	4212729	SHAFT EQUIPMENT HELIX V2/4 ReDTC KIT	1
12.1		> NUT-H-M8-STAINLESS-STEEL A4-70	1
12.2		> SHAFT END WASHER Ø8/Ø12 316L	1
12.3		> 1/2-SNAP-RING-2/4M3-316L	1
12.4		> STOP-RUSH-1/2-D12xd2-M+316	1
4.11		> SCREW CHC-M6X14-8.8-ISO4762-GEOMET500A	1
4.12		> WASHER D.24 L6U ZINK	1
13		HYDRAULIC HELIX V 220 1.4307	1
14	4214470	SHAFT D.12X631 HELIX 1.4057 VP.	1
15	4174079	PUMP HOUSING HELIX DN32 PN16 1.4301 KIT	1
7.3	4176513	> O-RING FOR PUMP JACKET VP.	1
15.1		> BLASTING PPE HOUSING V-PN16-DN32-5"-304	1

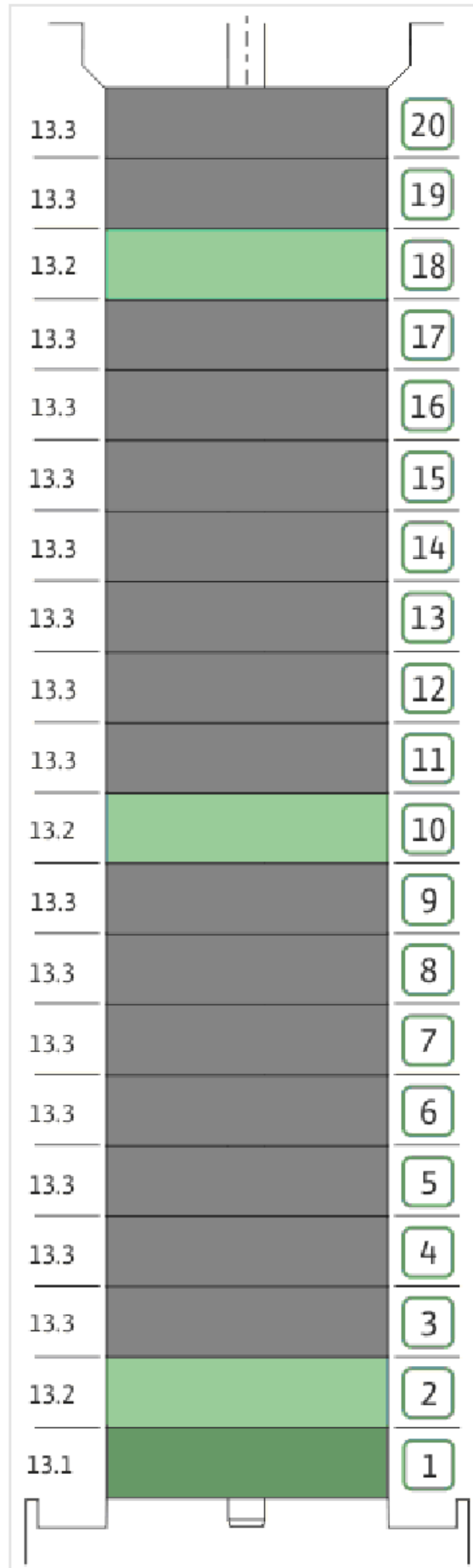
**HELIX V220-1/16/E/S/400-50 (4201363)**

<b>Item</b>	<b>Article no.</b>	<b>Description</b>	<b>Quantity</b>
15.2	4217889	> COUNTER FLANGE-G1"-PN16-GJL KIT	1
15.3	4171321	> PRIMING/DRAIN PLUG EPDM HELIX KIT	1
16	4177964	BASEPLATE HELIX V2/4/6 PN16 VP.	1



**COUPLING D.12XD.24 FT115 KIT (4178600)**

Item	Article no.	Description	Quantity
4.1		COUPLING-M+ Ø12XØ24-FT115-MACHINED	1
4.2	2131023	BALL BEARING 6207/ZZ-C3(HT)VP.	1
4.3	4234254	CIRCLIP-FOR-SHAFT-D35x1.5 VP.	1
4.4	4157726	SCREW KIT M8X30 (4 PIECES)	1
4.5	4234251	CIRCLIP-D72x2.5 VP.	1
4.6	4234246	O-RING 72X3 VP.	1
		NOMEL CONTACT WASHER 8x16x1,4 STEEL ZC	1





**HYDRAULIC HELIX V 220 1.4307**

Item	Article no.	Description	Quantity
13.1	4179316	STAGE HELIX 2 1.4301 KIT	1
		> MACH.STG-CASING-WOGV-WNR-M+2-4-304	1
		> IMPELLER-M+2-304	1
13.2	4179317	STAGE BEARING HELIX 2 1.4307 KIT	1
		> MACH.BEARING-STG-CASING-WNR-M+2-304	1
		> IMPELLER-M+2-304	1
		> SHAFT SLEEVE SPACER Ø15,35x10,305-304	1
		> SHAFT-SLEEVE-D12xD16x14-CW	1
13.3	4213786	INTERM. STAGE HELIX 2 >14 ST. 1.4307 KIT	1
		> CORPS-ETG-STD-ACR-AJR-USIN.M+2-304	1
		> IMPELLER-M+2-304	1
		> IMPELLER SPACER Ø12,1x14,1-L24,25-316L	1