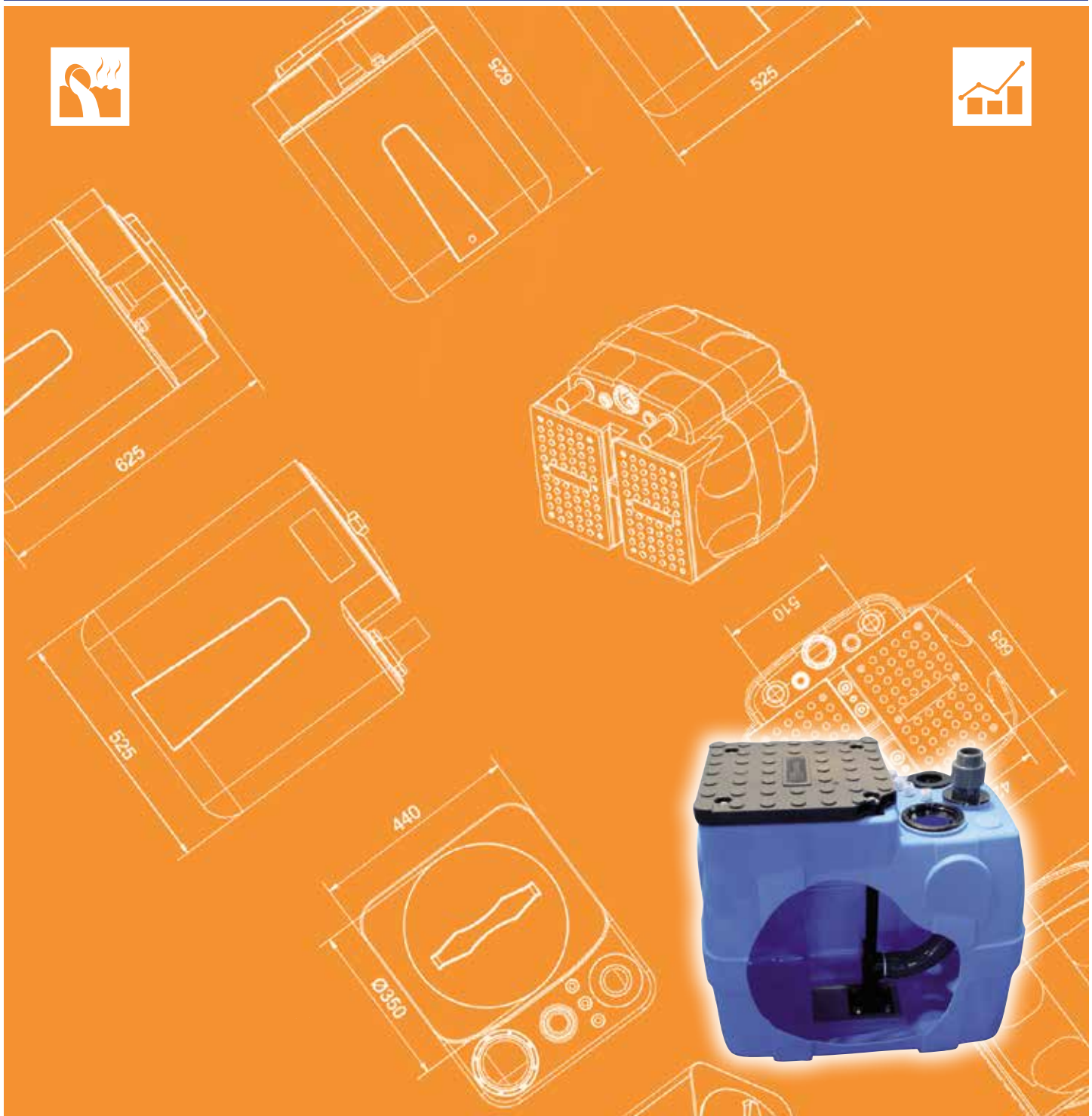




Japanese Technology since 1912

D-TANK

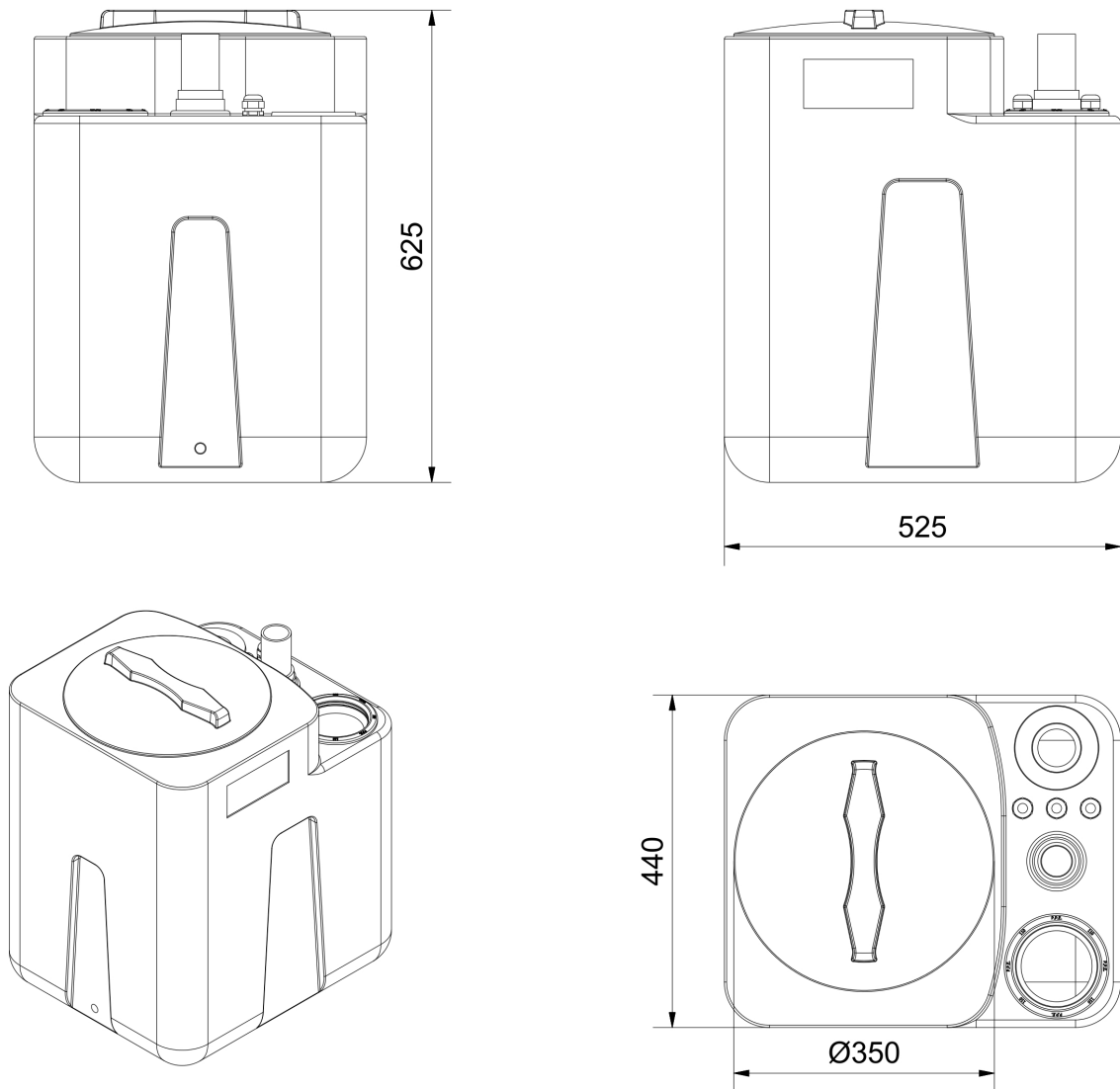
Data Book



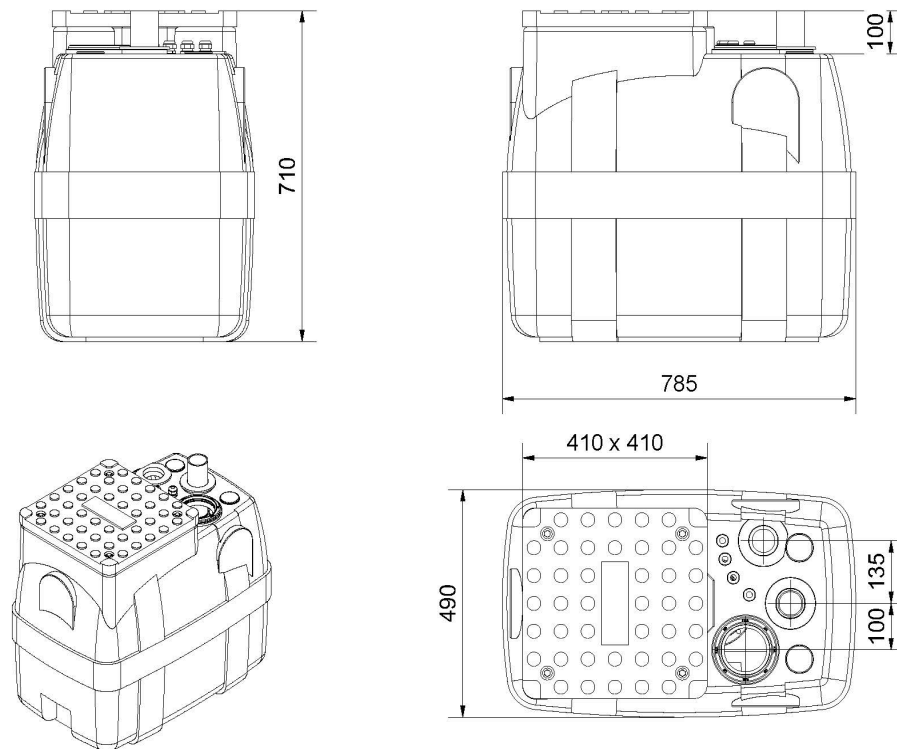
	Page
- SPECIFICATIONS	200
- DIMENSIONS AND WEIGHT	300
D – TANK 100	300
D – TANK 200	301
D – TANK 600	302
- SPARE KIT	400
SPARE KIT 100	400
SPARE KIT 200	401
SPARE KIT 600	402
- ACCESSORY	400
PLATE 600E	401

MODEL		D-TANK 100	D-TANK 200	D-TANK 600
Liquid	Type of liquid	Water for domestic use		
Handled	Max temperature [°C]	60		
Tank capacity [l]		100	200	600
Pipe Connection	Inlet	DN 110		
	Outlet	DN50	DN63	
Material	Casing	Polyethylene		
	Gaskets	EPDM (cover), NBR		
	Piping	PVC		
Kit included	D-TANK E (equipped)	Bend, Pipes in bag (double in D-TANK 600) Coupling foot (1,5"-2" GAS)–Bend–Pipes(double in D-TANK 600)		
Number of pumps that can be installed		1		2
Standard compliance		UNI-EN 12050 - 2		
Note		D-TANK 200 (E) / D-TANK 600 (E) LOAD UP TO 40kgf		

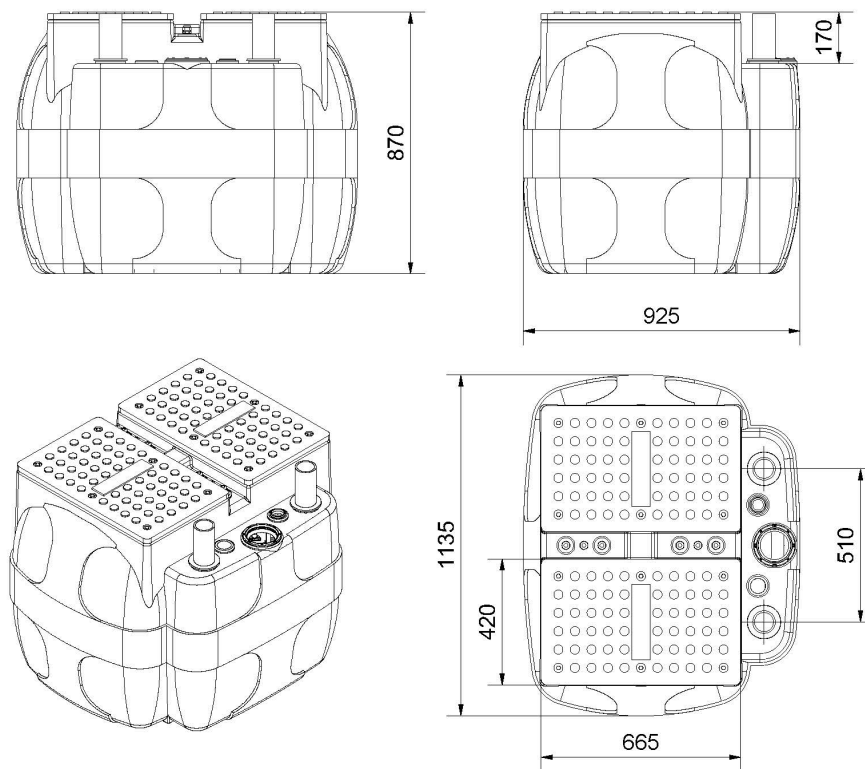
D – TANK 100 / 100 E



Type	Weight [kg]
D – TANK 100	9,2
D – TANK 100 E	9,5

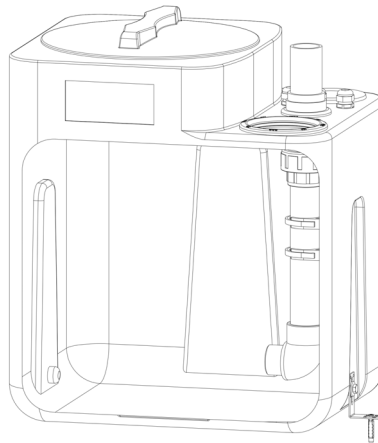
D – TANK 200 / 200 E

Type	Weight [kg]
D – TANK 200	13
D – TANK 200 E	23

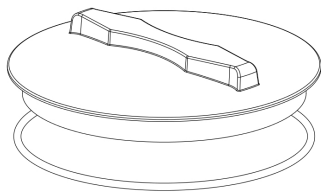
D – TANK 600 / 600 E

Type	Weight [kg]
D – TANK 600	33
D – TANK 600 E	53

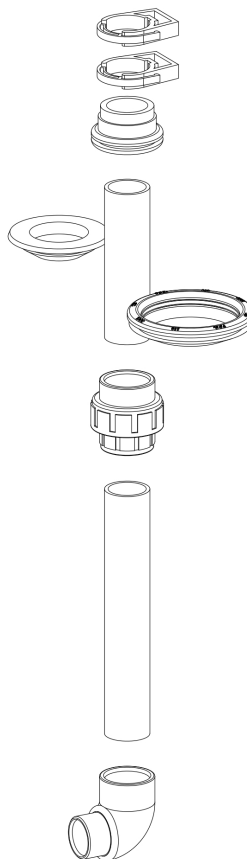
SPARE KIT 100



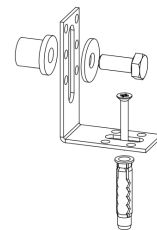
COVER SPARE KIT
100



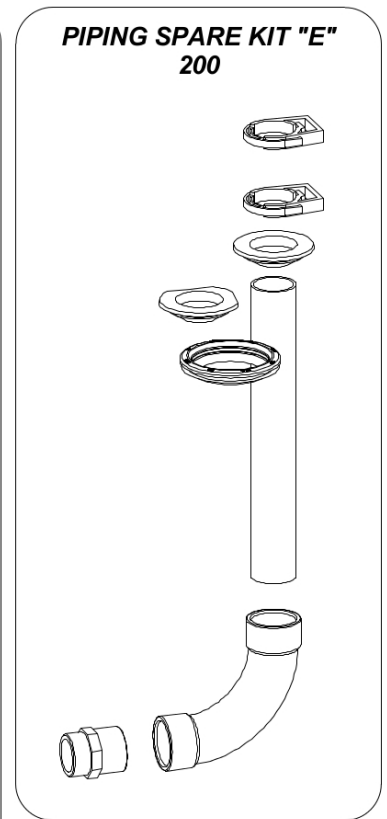
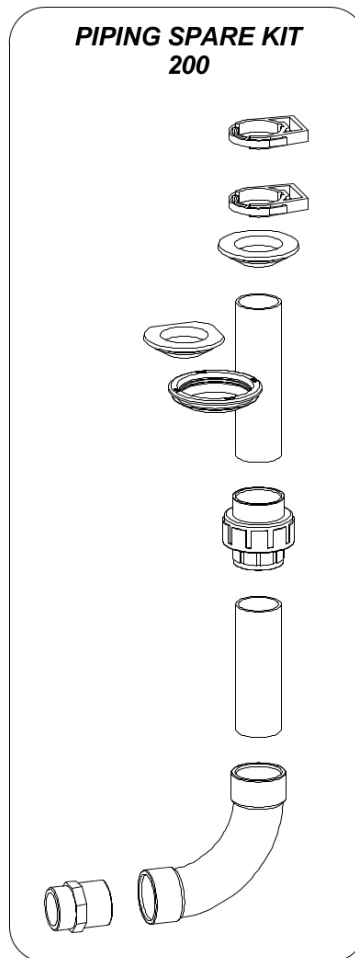
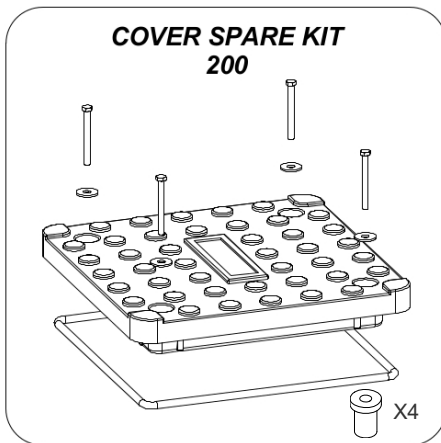
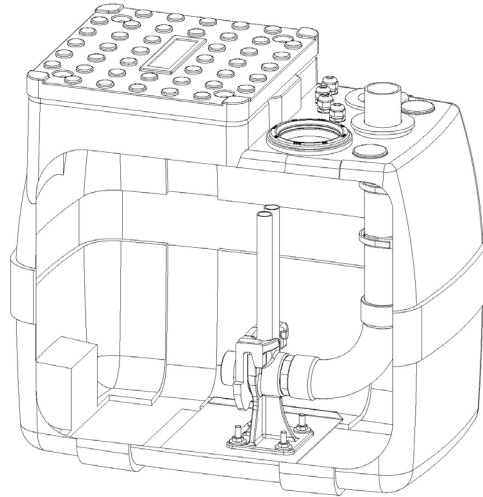
PIPING SPARE KIT
100



FIXING SPARE KIT
100



SPARE KIT 200



SPARE KIT 600

