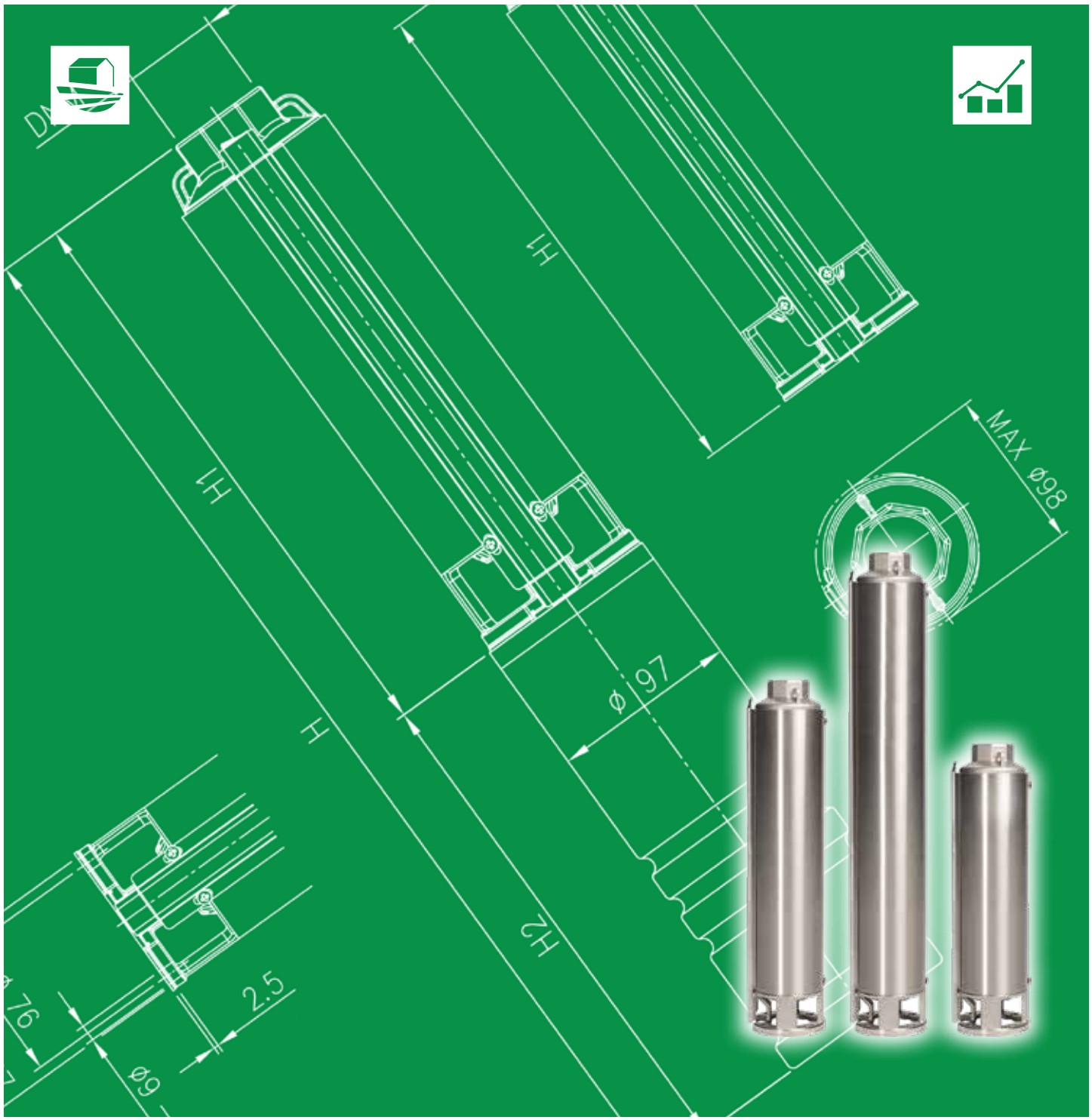




Japanese Technology since 1912

4WN

Data Book 50Hz



	Pag
- SPECIFICATIONS	200
PUMP SPECIFICATION	200
MOTOR SPECIFICATION	201
SELECTION CHART	202-203
TYPE KEY AND CURVES SPECIFICATIONS	204-205
PERFORMANCE CURVE 4WN1	206
PERFORMANCE CURVE 4WN2	207
PERFORMANCE CURVE 4WN3	208
PERFORMANCE CURVE 4WN4	209
PERFORMANCE CURVE 4WN5	210
PERFORMANCE CURVE 4WN6	211
PERFORMANCE CURVE 4WN8	212
PERFORMANCE CURVE 4WN12	213
PERFORMANCE CURVE 4WN15	214
- CONSTRUCTIONS	300
SECTIONAL VIEW	300
- DIMENSIONS	400
DIMENSIONS 4WN1 TO 4WN5	401
DIMENSIONS 4WN6 TO 4WN15	402
WEIGHT 4WN1 TO 4WN5	403
WEIGHT 4WN6 TO 4WN15	404
- PACKING	405
PACKING 4WN1 TO 4WN5	405
PACKING 4WN6 TO 4WN15	406

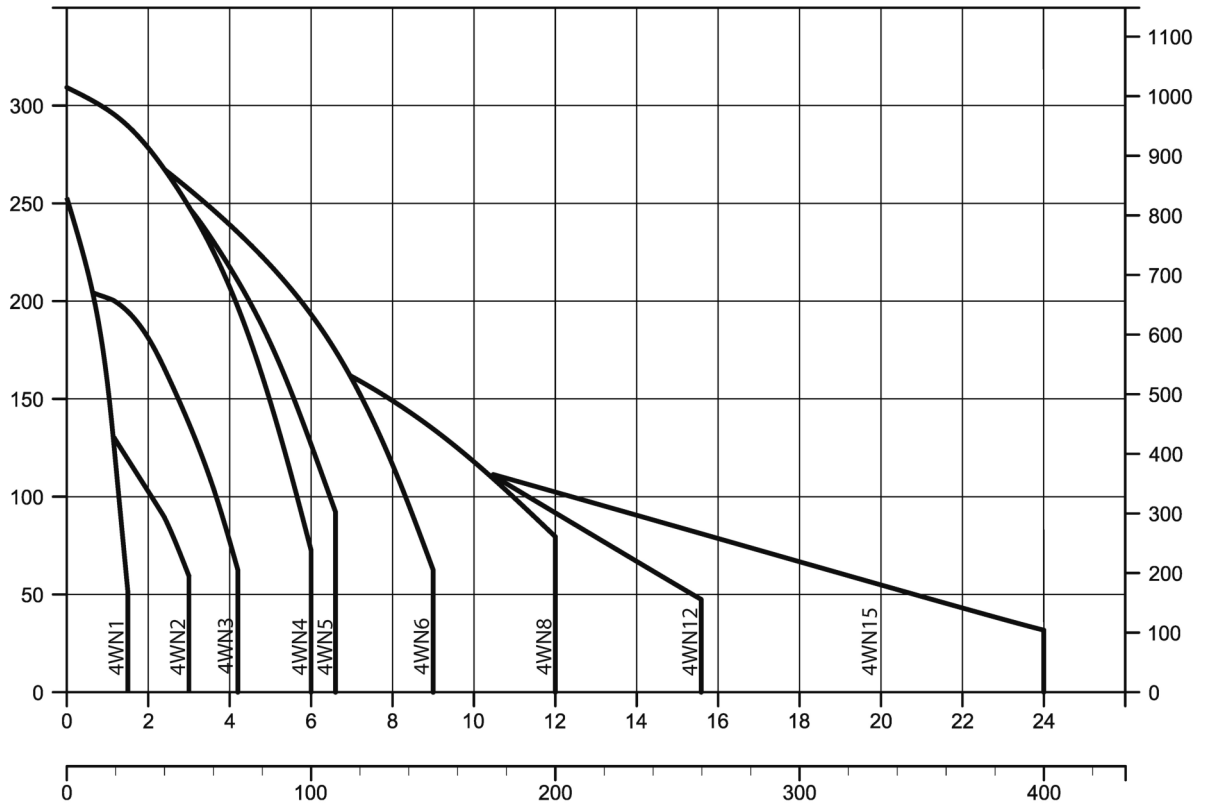
PUMP		
Liquid Handled	Type of liquid	Clean water
	Temperature [°C]	Maximum 35 (depends on maximum motor temperature)
	Sand content	Maximum : 150 g/mc
	Chlorine ion density	Maximum : 500 parts per million
Construction	Impeller	Closed centrifugal - Floating type
	Bearing	Sleeve type - Sintered (AISI304) / Urethane
Pipe connection	Suction	N/A
	Discharge	RP1 1/4 (models 4WN1 to 4WN4) UNI ISO 7/1
		RP2 (models 4WN6 to 4WN15) UNI ISO 7/1
Material	Impeller	PPO mod. + Glass Fibre reinforced
	Intermediate casing	EN 1.4301 (AISI 304)
	Diffuser	Polycarbonate Glass Fibre reinforced
	Shaft	EN 1.4301 (AISI 304)
	Coupling	Sintered type (AISI304)
	Discharge Head	EN 1.4301 (AISI 304)
	Valve	EN 1.4301 (AISI 304)
Bracket	EN 1.4308 (ASTM CF8)	
Applicable standard of test		ISO 9906 - Annex A

SPECIFICATION

50Hz

Rev.C

MOTOR					
Type	Submersible oil filled (type OF)		Submersible water filled (type WF)		
Manufacturer	Sumoto				
	Single phase	Three phase	Single phase	Three phase	
Power rating	[kW]	0.55÷3.7	0.55÷7.5	0.55÷3.7	0.55÷7.5
	[HP]	0.75÷5	0.75÷10	0.75÷5	0.75÷10
No. of Poles	2				
Rated speed	Refer to each characteristic performance rotation speed as rated speed				
Insulation class	F				
Protection degree	IP 68				
Maximum temperature	[°C]	35			
Maximum immersion	[m]	150			
Starts / hours	30				
Start type	Direct on line				
Frequency	[Hz]	50 Hz			
Voltage	[V]	230(+6-10%)	400(+6-10%)	230(±6%)	400(±6%)
Capacitor for start and run		Fitted in starter box	-	Fitted in starter box	-
Over load protection		Fitted in starter box	Provided by the user	Fitted in starter box	Provided by the user
Sealing liquid	Oil type: Marcol 82 (Esso)		Propylene Glycol - water solution		
Motor bracket	Cast iron nickel plated		Cast iron G20		
Casing material	EN 1.4301 (AISI 304)				
Power cable	material	EPDM/Cross Seald Polyethylene			
	size [mm ²]	4x1.5			
	length [m]	L=1.75 (up to 2.2 kW) / L=2.5 (for 3 and 4 kW) / L=4 (for 5.5 and 7.5 kW)			
Flange mount	NEMA standard				



SUBMERSIBLE MULTISTAGE PUMPS

4WN

SELECTION CHART

50Hz

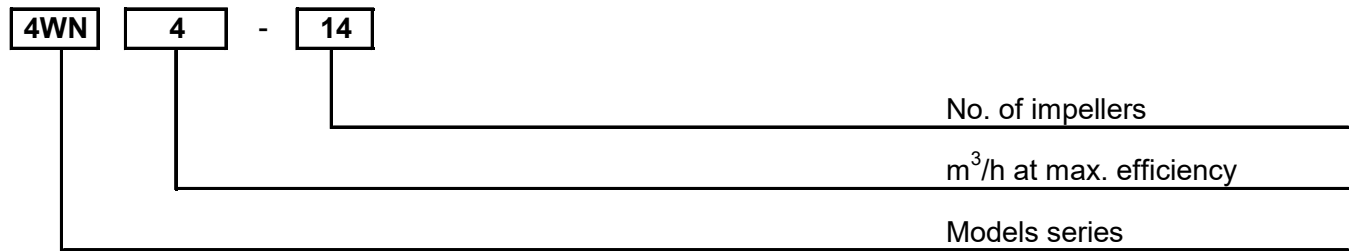
Rev. C

Type pumps	Power		Q=Capacity																
	[kW]	[HP]	l/min	0	5	10	15	20	25	30	35	40	45	50	60	70	80	90	100
			m³/h	0	0,3	0,6	0,9	1,2	1,5	1,8	2,1	2,4	2,7	3,0	3,6	4,2	4,8	5,4	6,0
H=Total manometric head in meters																			
4WN1-19	0,55	0,75	126	118	105	86	60	30	-	-	-	-	-	-	-	-	-	-	-
4WN1-26	0,75	1,00	173	160	141	117	81	39	-	-	-	-	-	-	-	-	-	-	-
4WN1-38	1,10	1,50	253	234	208	169	117	52	-	-	-	-	-	-	-	-	-	-	-
4WN2-10	0,55	0,75	67	-	-	64	61	58	54	49	43	36	28	-	-	-	-	-	-
4WN2-14	0,75	0,10	92	-	-	86	83	79	74	67	60	52	42	-	-	-	-	-	-
4WN2-20	1,10	1,50	139	-	-	131	127	120	111	101	90	75	60	-	-	-	-	-	-
4WN3-8	0,55	0,75	54	-	-	-	51	50	49	46	43	41	38	30	19	-	-	-	-
4WN3-11	0,75	1,00	72	-	-	-	68	66	64	61	58	54	49	38	26	-	-	-	-
4WN3-16	1,10	1,50	106	-	-	-	101	98	95	89	83	77	70	54	33	-	-	-	-
4WN3-21	1,50	2,00	142	-	-	-	135	132	127	122	115	108	100	79	49	-	-	-	-
4WN3-32	2,20	3,00	208	-	-	-	200	194	187	177	165	152	138	104	62	-	-	-	-
4WN4-7	0,55	0,75	46	-	-	-	-	43	42	41	39	38	36	33	28	22	15	7	
4WN4-9	0,75	1,00	59	-	-	-	-	55	54	52	51	49	47	43	37	28	20	10	
4WN4-14	1,10	1,50	93	-	-	-	-	87	86	83	81	79	76	68	58	47	33	20	
4WN4-18	1,50	2,00	120	-	-	-	-	113	111	108	105	102	98	88	75	60	42	25	
4WN4-27	2,20	3,00	175	-	-	-	-	164	161	157	152	147	141	127	109	87	61	35	
4WN4-35	3,00	4,00	228	-	-	-	-	212	208	203	197	191	184	166	145	119	85	46	
4WN4-48	4,00	5,50	309	-	-	-	-	289	283	276	267	258	248	225	197	162	120	73	
4WN5-6	0,55	0,75	38	-	-	-	-	-	-	36	35	33	32	30	26	22	18	12	
4WN5-8	0,75	1,00	51	-	-	-	-	-	-	47	46	44	43	39	35	30	24	18	
4WN5-12	1,10	1,50	77	-	-	-	-	-	-	72	71	69	68	63	57	49	41	31	
4WN5-16	1,50	2,00	102	-	-	-	-	-	-	98	96	94	92	86	77	68	57	46	
4WN5-24	2,20	3,00	151	-	-	-	-	-	-	142	139	136	132	122	111	97	80	62	
4WN5-32	3,00	4,00	203	-	-	-	-	-	-	188	185	180	175	162	146	127	105	80	
4WN5-44	4,00	5,50	278	-	-	-	-	-	-	265	260	254	247	230	210	187	159	127	

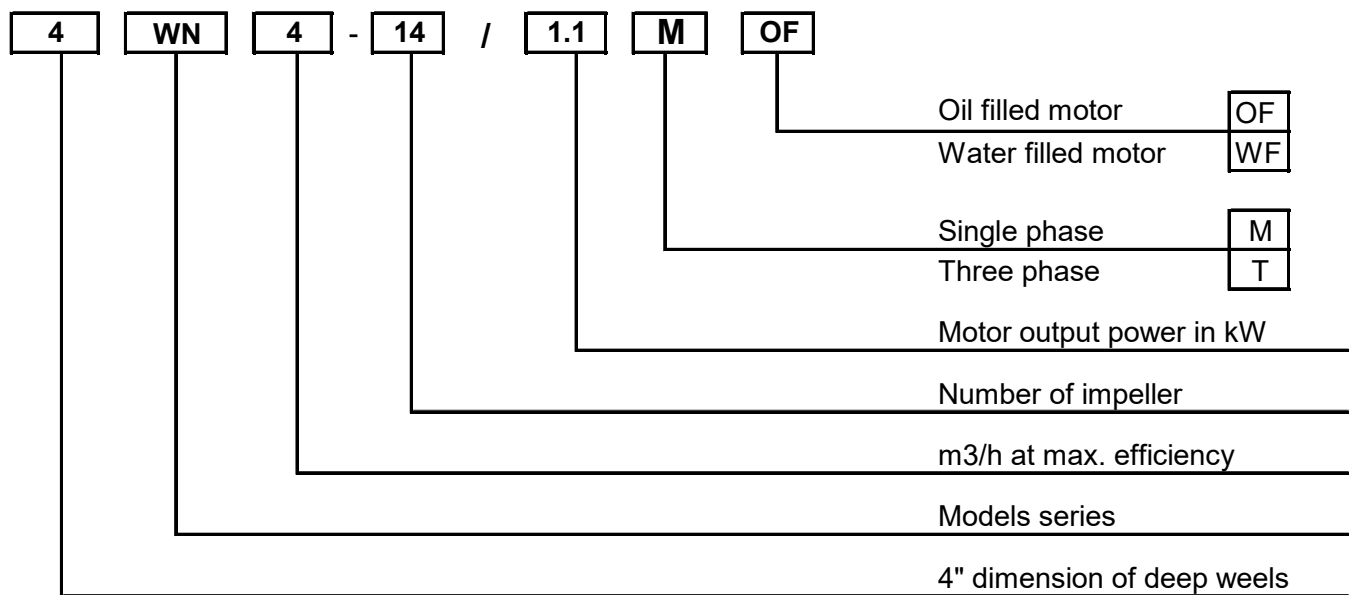
Type pumps	Power		Q=Capacity																							
	[kW]	[HP]	l/min	0	45	50	60	70	80	90	100	120	140	160	180	200	220	240	260	280	300	320	340	360		
			m³/h	0	2,7	3,0	3,6	4,2	4,8	5,4	6,0	7,2	8,4	9,6	10,8	12,0	13,2	14,4	15,6	16,8	18,0	19,2	20,4	21,6		
H=Total manometric head in meters																										
4WN6-7	1,1	1,5	47	-	-	-	-	39	38	37	33	28	21	14	-	-	-	-	-	-	-	-	-	-	-	-
4WN6-10	1,5	2	67	-	-	-	-	57	55	53	47	39	31	21	-	-	-	-	-	-	-	-	-	-	-	-
4WN6-15	2,2	3	100	-	-	-	-	83	81	78	70	59	46	31	-	-	-	-	-	-	-	-	-	-	-	-
4WN6-21	3	4	140	-	-	-	-	118	115	110	99	83	64	43	-	-	-	-	-	-	-	-	-	-	-	-
4WN6-29	4	5,5	194	-	-	-	-	163	158	152	137	118	93	66	-	-	-	-	-	-	-	-	-	-	-	-
4WN6-39	5,5	7,5	262	-	-	-	-	217	210	202	184	161	128	87	-	-	-	-	-	-	-	-	-	-	-	-
4WN8-6	1,10	1,50	38	-	-	-	-	35	34	33	31	28	24	19	14	-	-	-	-	-	-	-	-	-	-	-
4WN8-8	1,50	2,00	52	-	-	-	-	47	45	44	41	37	31	25	18	-	-	-	-	-	-	-	-	-	-	-
4WN8-13	2,20	3,00	82	-	-	-	-	75	73	71	66	59	50	40	30	-	-	-	-	-	-	-	-	-	-	-
4WN8-17	3,00	4,00	108	-	-	-	-	98	96	94	87	79	70	58	46	-	-	-	-	-	-	-	-	-	-	-
4WN8-23	4,00	5,50	148	-	-	-	-	134	131	127	118	108	95	79	60	-	-	-	-	-	-	-	-	-	-	-
4WN8-32	5,50	7,50	202	-	-	-	-	182	178	172	160	143	125	105	80	-	-	-	-	-	-	-	-	-	-	-
4WN12-7	1,1	1,5	36	-	-	-	-	-	-	31	29	27	24	21	18	15	11	-	-	-	-	-	-	-	-	-
4WN12-10	1,5	2	55	-	-	-	-	-	-	47	44	41	38	34	29	24	18	-	-	-	-	-	-	-	-	-
4WN12-14	2,2	3	74	-	-	-	-	-	-	64	60	56	51	46	39	32	24	-	-	-	-	-	-	-	-	-
4WN12-19	3	4	102	-	-	-	-	-	-	87	83	78	72	65	57	48	37	-	-	-	-	-	-	-	-	-
4WN12-25	4	5,5	135	-	-	-	-	-	-	116	111	104	96	86	75	62	48	-	-	-	-	-	-	-	-	-
4WN12-35	5,5	7,5	190	-	-	-	-	-	-	163	155	145	134	122	107	90	71	-	-	-	-	-	-	-	-	-
4WN12-43	7,5	10	235	-	-	-	-	-	-	204	194	183	169	153	135	114	90	-	-	-	-	-	-	-	-	-
4WN15-12	2,2	3	54	-	-	-	-	-	-	-	46	44	41	38,5	35,5	32,5	29,5	26	22,5	18	14	10				
4WN15-16	3	4	72,5	-	-	-	-	-	-	-	62	59,5	56	53	49	45	41	36,5	32	27	21	16				
4WN15-21	4	5,5	97	-	-	-	-	-	-	-	84,5	81	76	71	66	61	55,5	50	44	37,5	30	23				
4WN15-30	5,5	7,5	138	-	-	-	-	-	-	-	120	114,5	108	101,5	94	87	79	71,5	63	54	44,5	34,5				

TYPE KEY

EXAMPLE pump without motor



EXAMPLE pump with motor



PERFORMANCE CURVE SPECIFICATIONS

The specifications below qualify the curves shown on the following pages.

Tolerances according to ISO 9906 Annex A

The curves refer to effective speed of asynchronous motors at 50 Hz

Measurements were carried out with clean water at 20°C of temperature and with a kinematic viscosity of $\nu = 1 \text{ mm}^2/\text{s}$ (1 cSt)

The continuous curves indicate the recommended working range. The dotted curve is only a guide.

In order to avoid the risk of over-heating, the pumps should not be used at a flow rate below 10% of best efficiency point.

Symbols explanation:

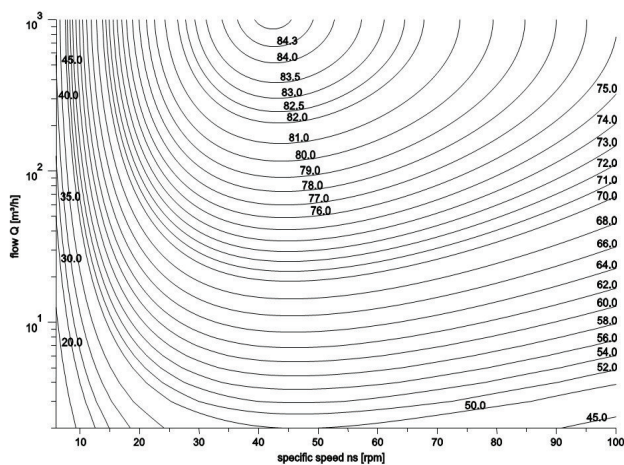
- Q = volume flow rate
- H = total head
- P_2 = pump power input (shaft power)
- η = pump efficiency
- NPSH = net positive suction head required by the pump
- MEI = minimum efficiency index

The minimum efficiency index (MEI) is a measure of the quality of a pump size in respect to its mean efficiency. The minimum efficiency index is based on the hydraulic efficiency and on the head at the best efficiency point.

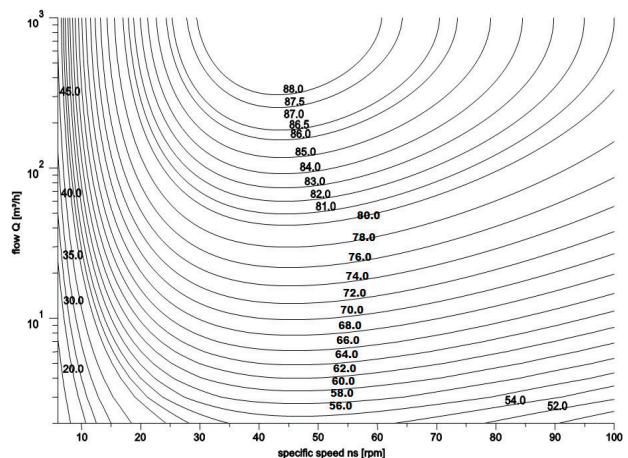
The efficiency of a pump with trimmed impeller is usually lower than that of a pump with the full impeller diameter. The trimming of the impeller will adapt the pump to a fixed duty point, leading to reduced energy consumption. The minimum efficiency index (MEI) is based on the full impeller diameter.

The operation of these water pumps with variable duty points may be more efficient and economic when controlled, for example, by the use of a variable speed drive that matches the pump duty to the system.

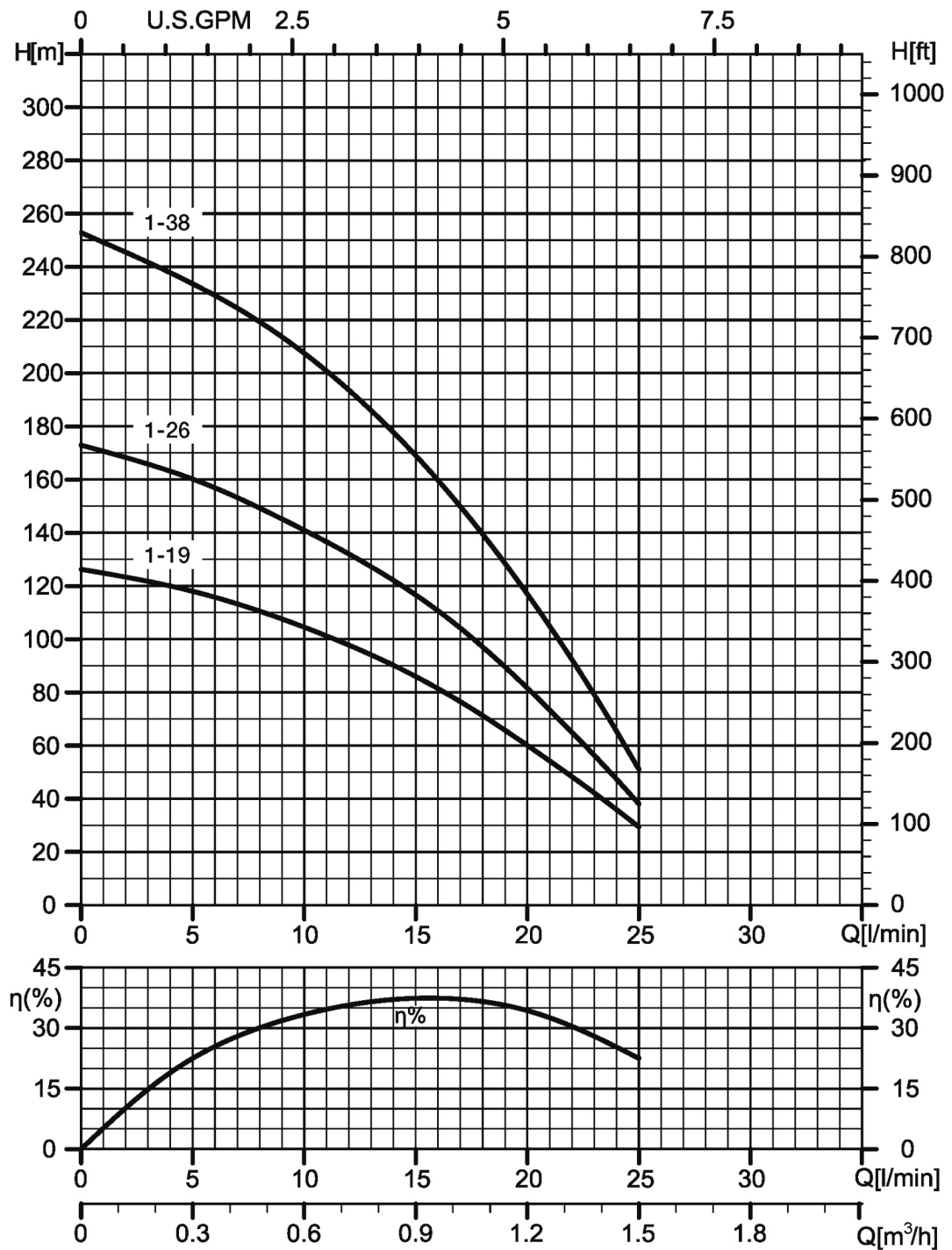
MEI = 0.4 for Multistage Submersible 2900rpm



MEI = 0.7 for Multistage Submersible 2900 rpm

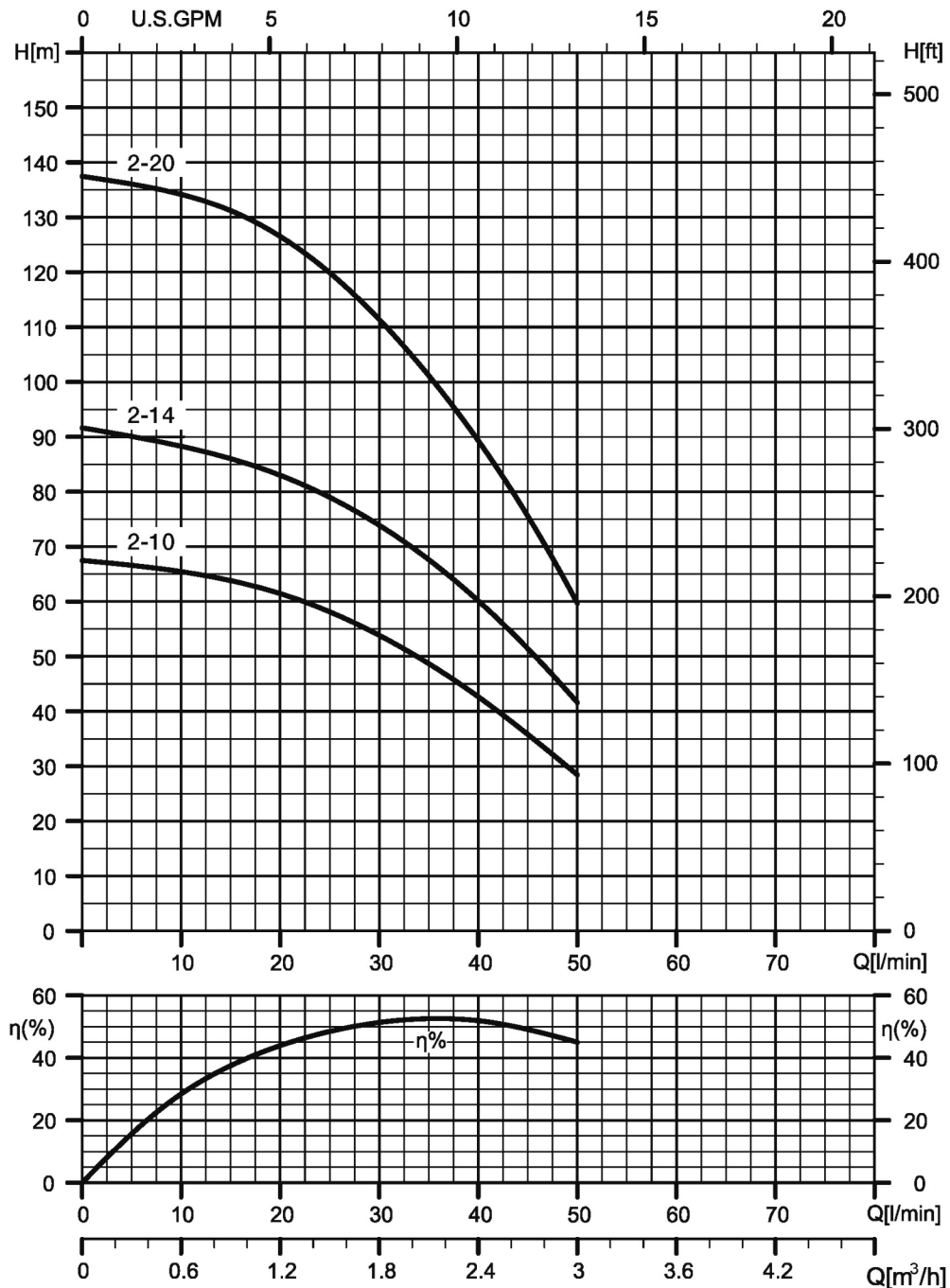


4WN1 – MEI > 0.70



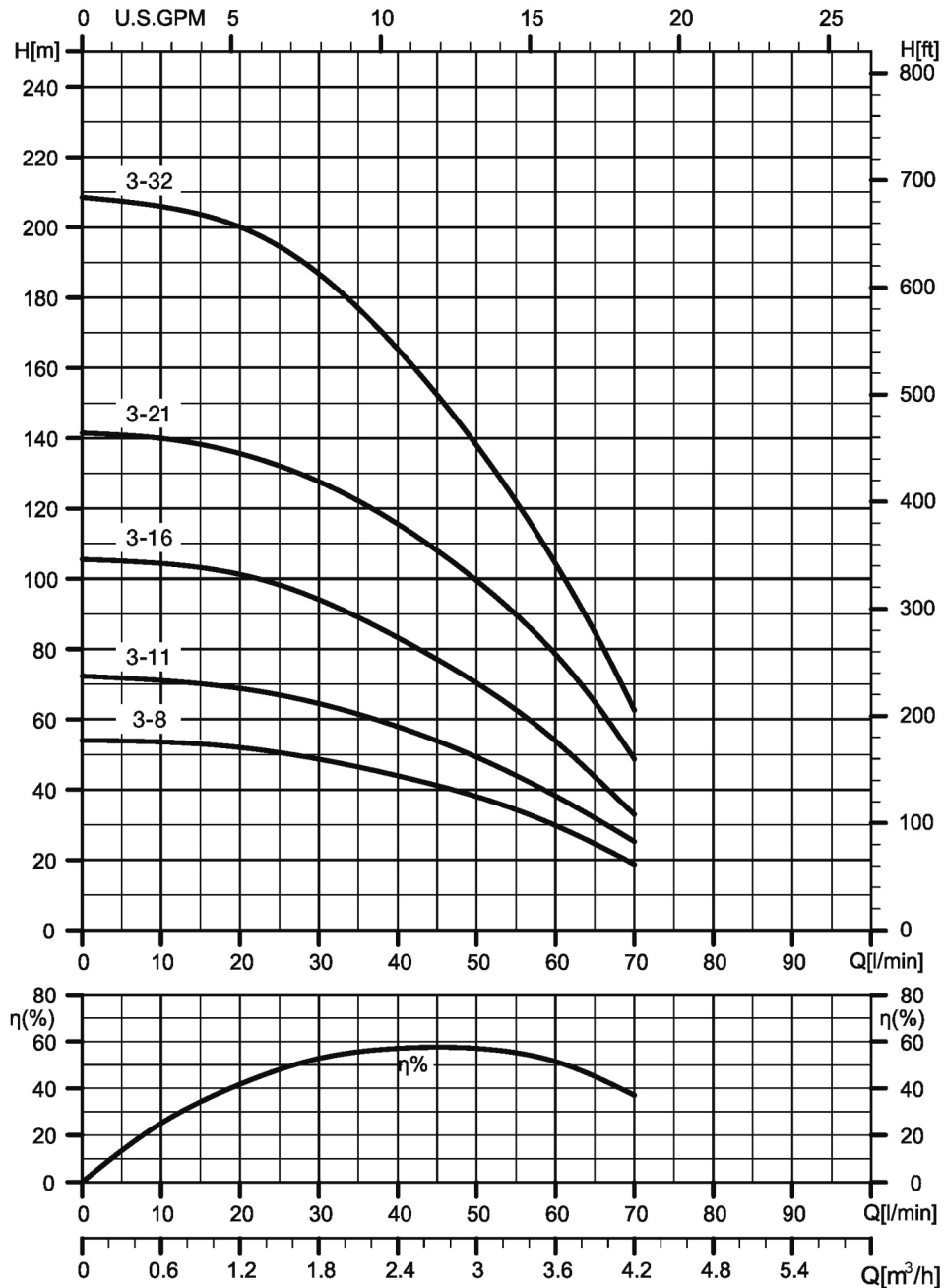
Rotation speed $\approx 2850 \text{ min}^{-1}$
 Test standard: ISO 9906 – Annex A

4WN2 – MEI > 0.70



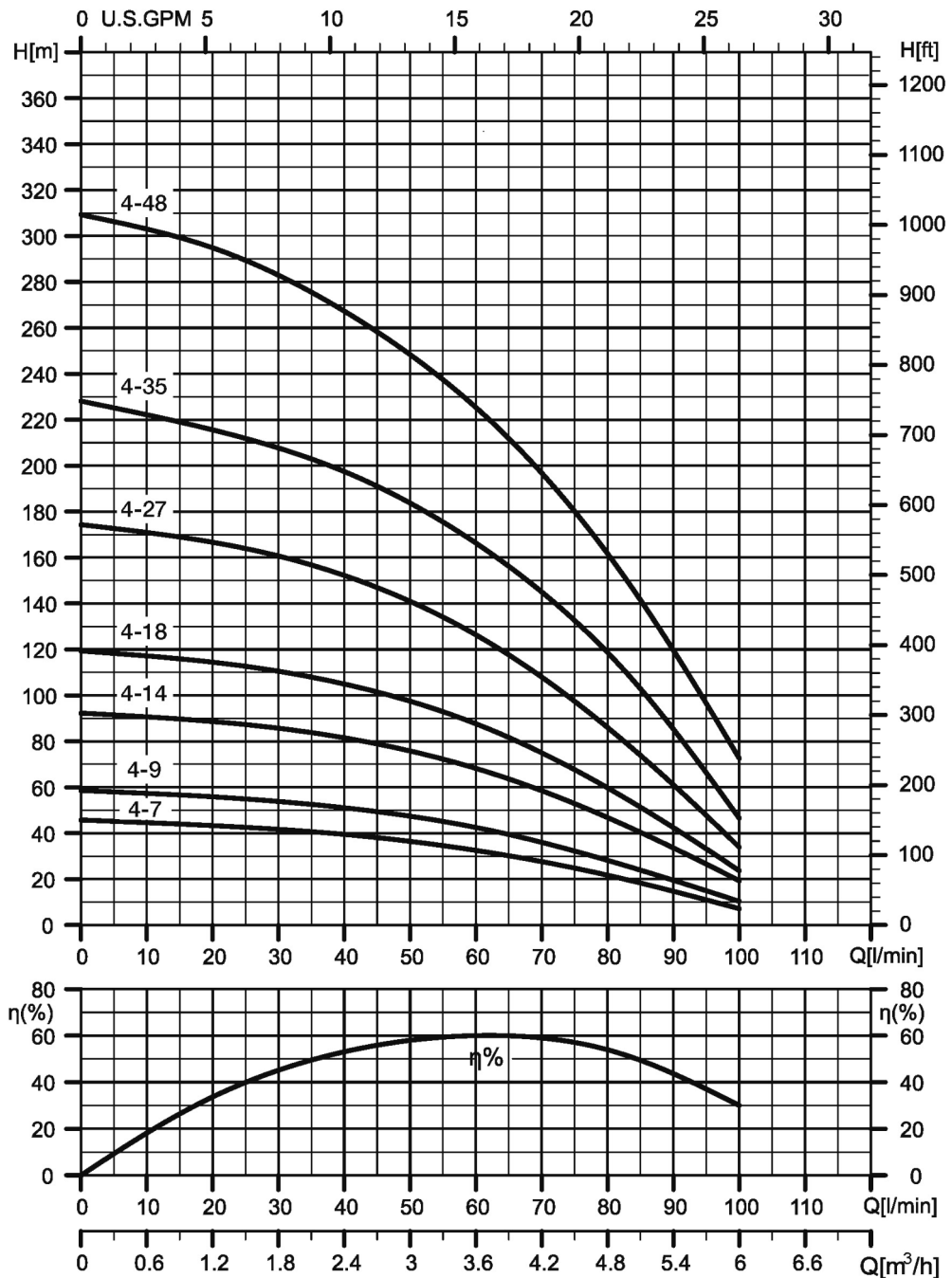
Rotation speed $\approx 2850 \text{ min}^{-1}$
 Test standard: ISO 9906 – Annex A

4WN3 – MEI > 0.70



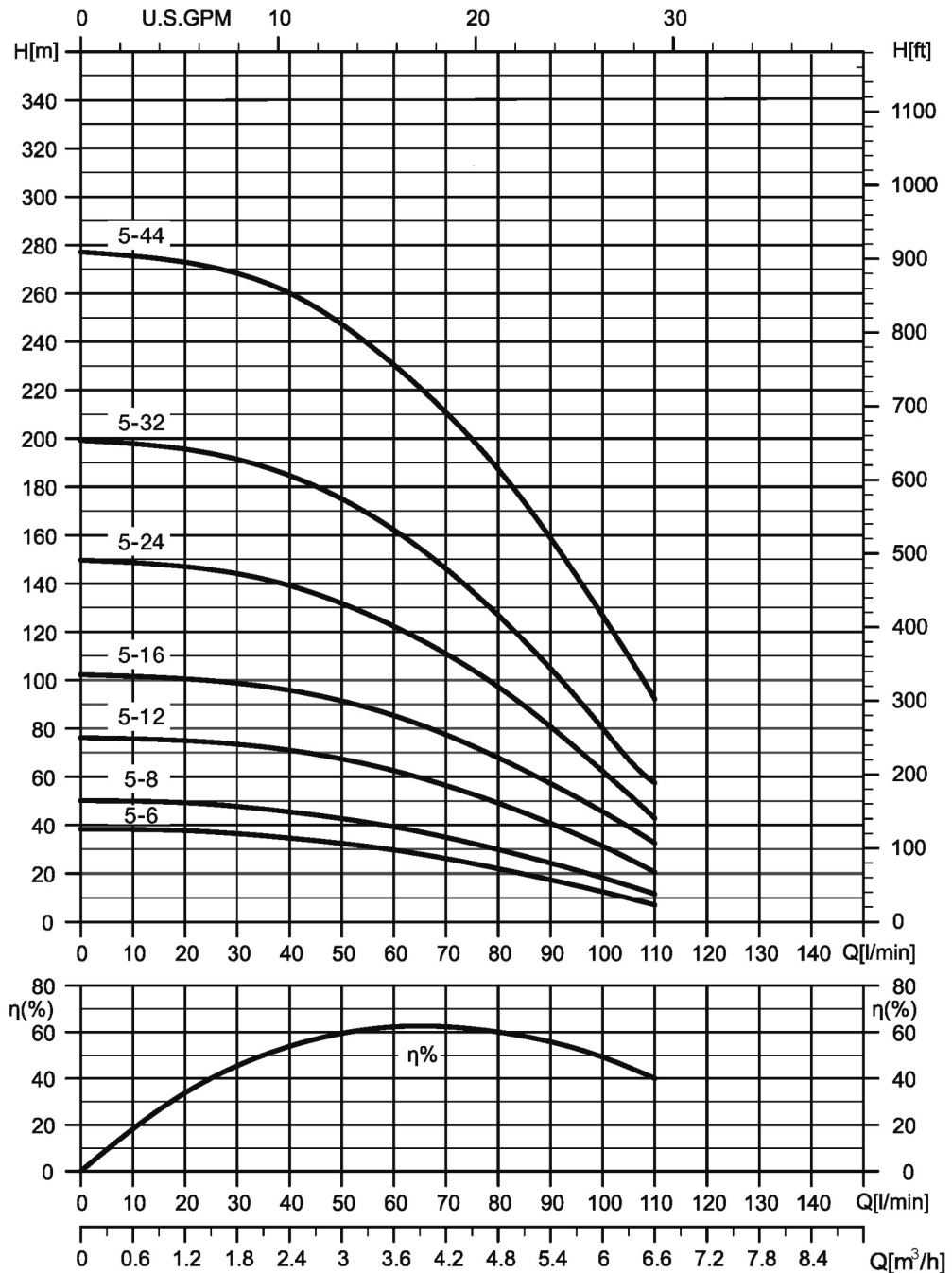
Rotation speed $\approx 2850 \text{ min}^{-1}$
 Test standard: ISO 9906 – Annex A

4WN4 – MEI > 0.70



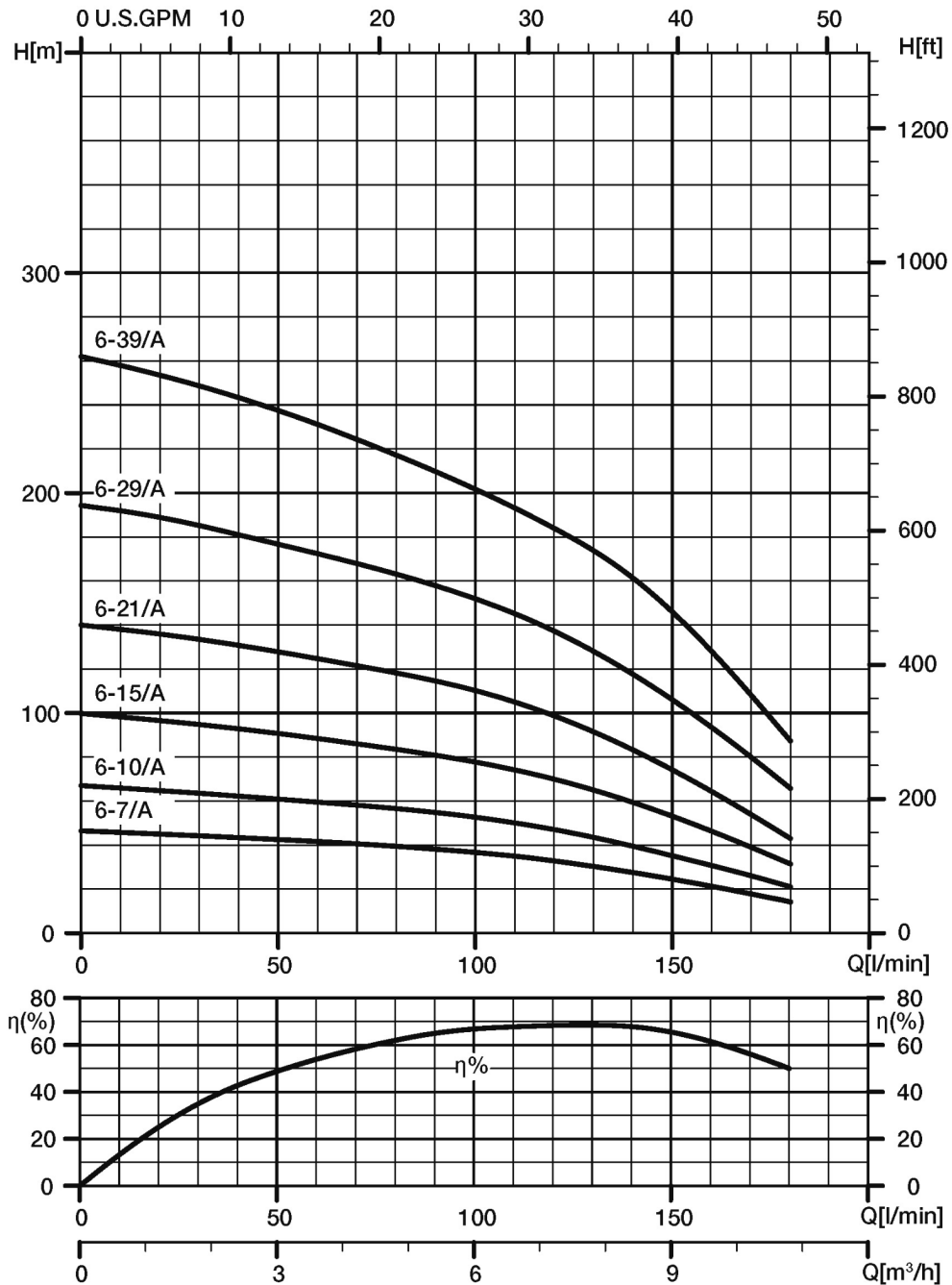
Rotation speed $\approx 2850 \text{ min}^{-1}$
 Test standard: ISO 9906 – Annex A

4WN5 – MEI > 0.60



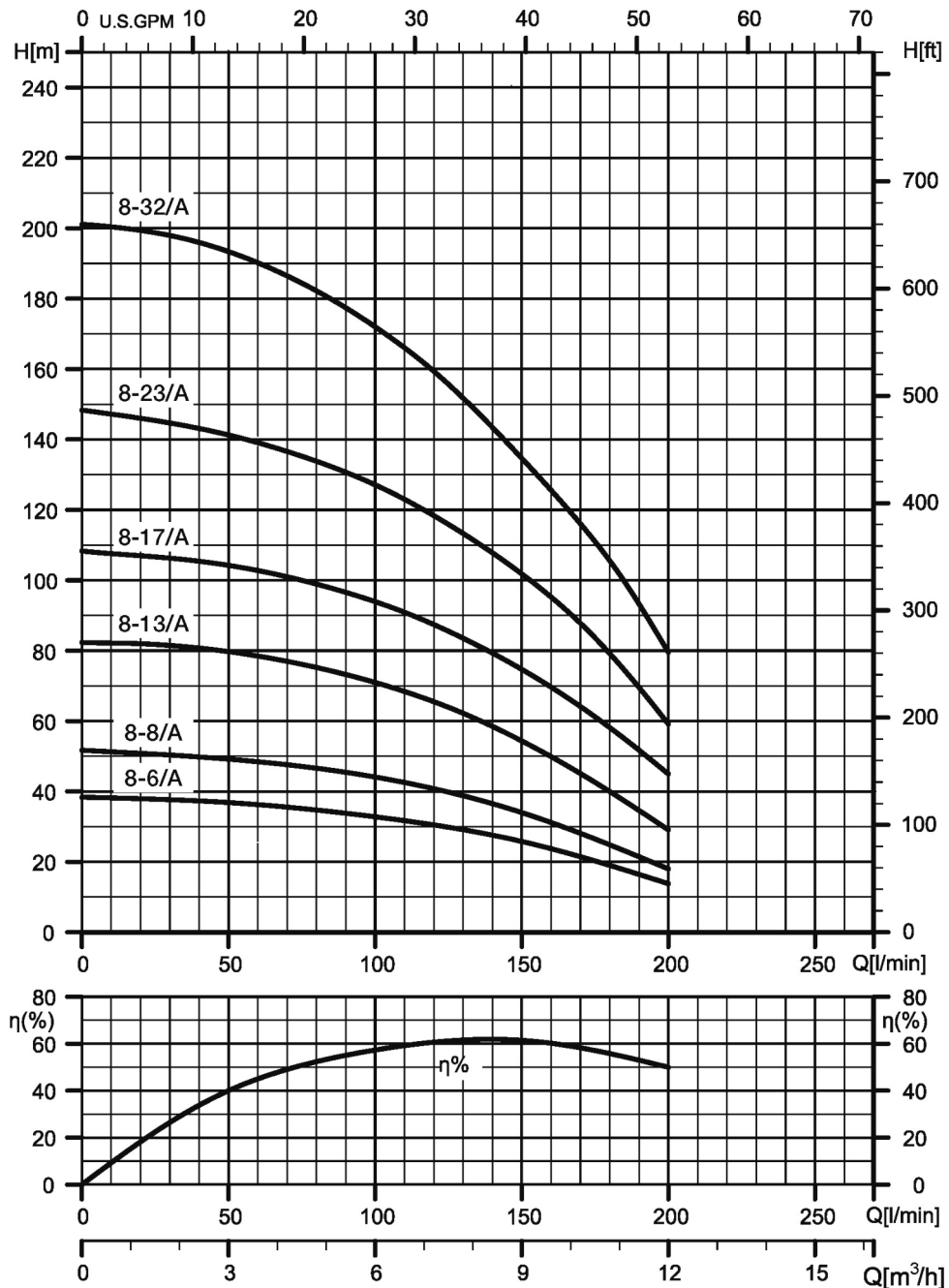
Rotation speed ≈ 2850 min⁻¹
 Test standard: ISO 9906 – Annex A

4WN6 – MEI > 0.40



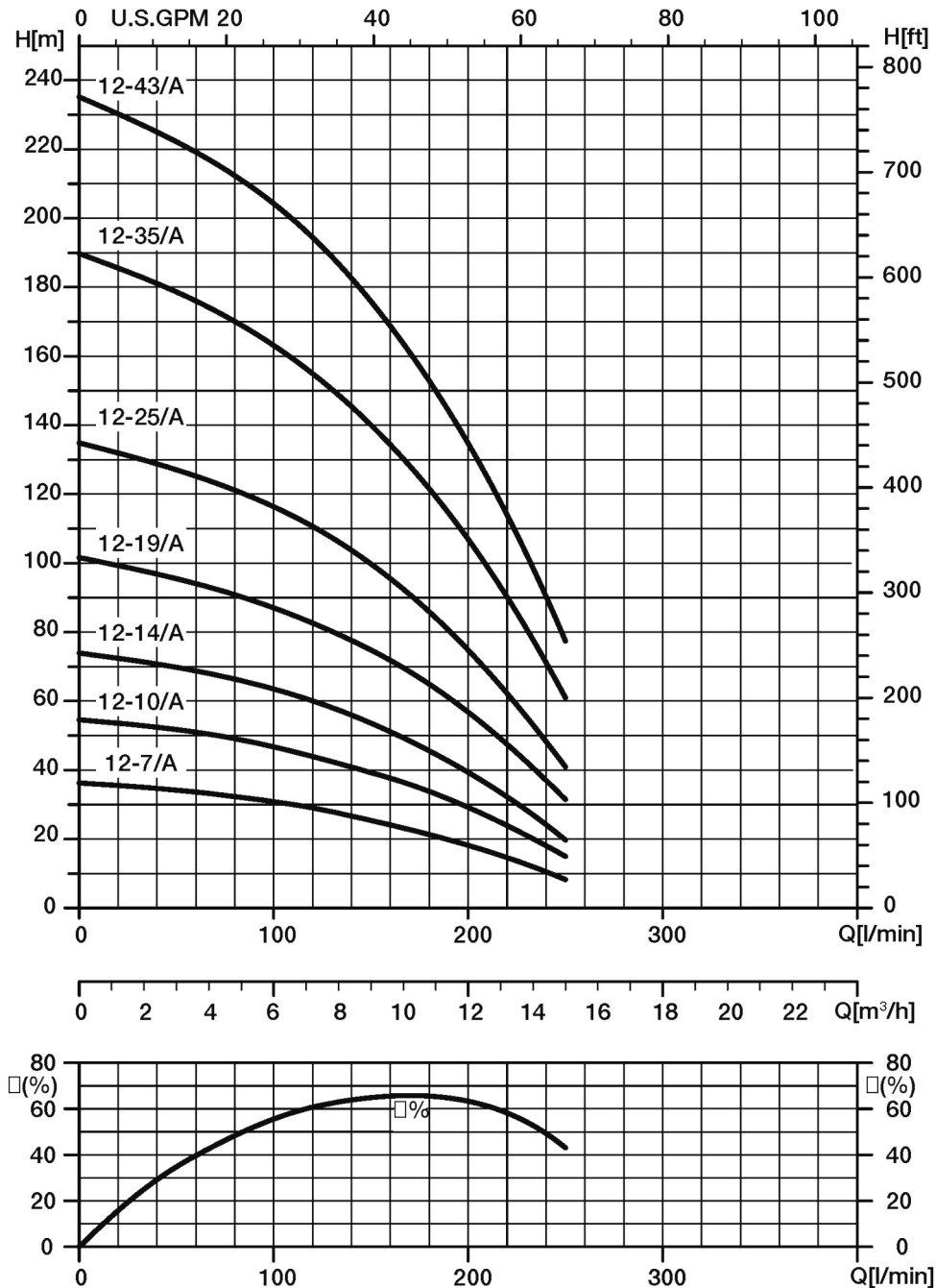
Rotation speed $\approx 2850 \text{ min}^{-1}$
 Test standard: ISO 9906 – Annex A

4WN8 – MEI > 0.40



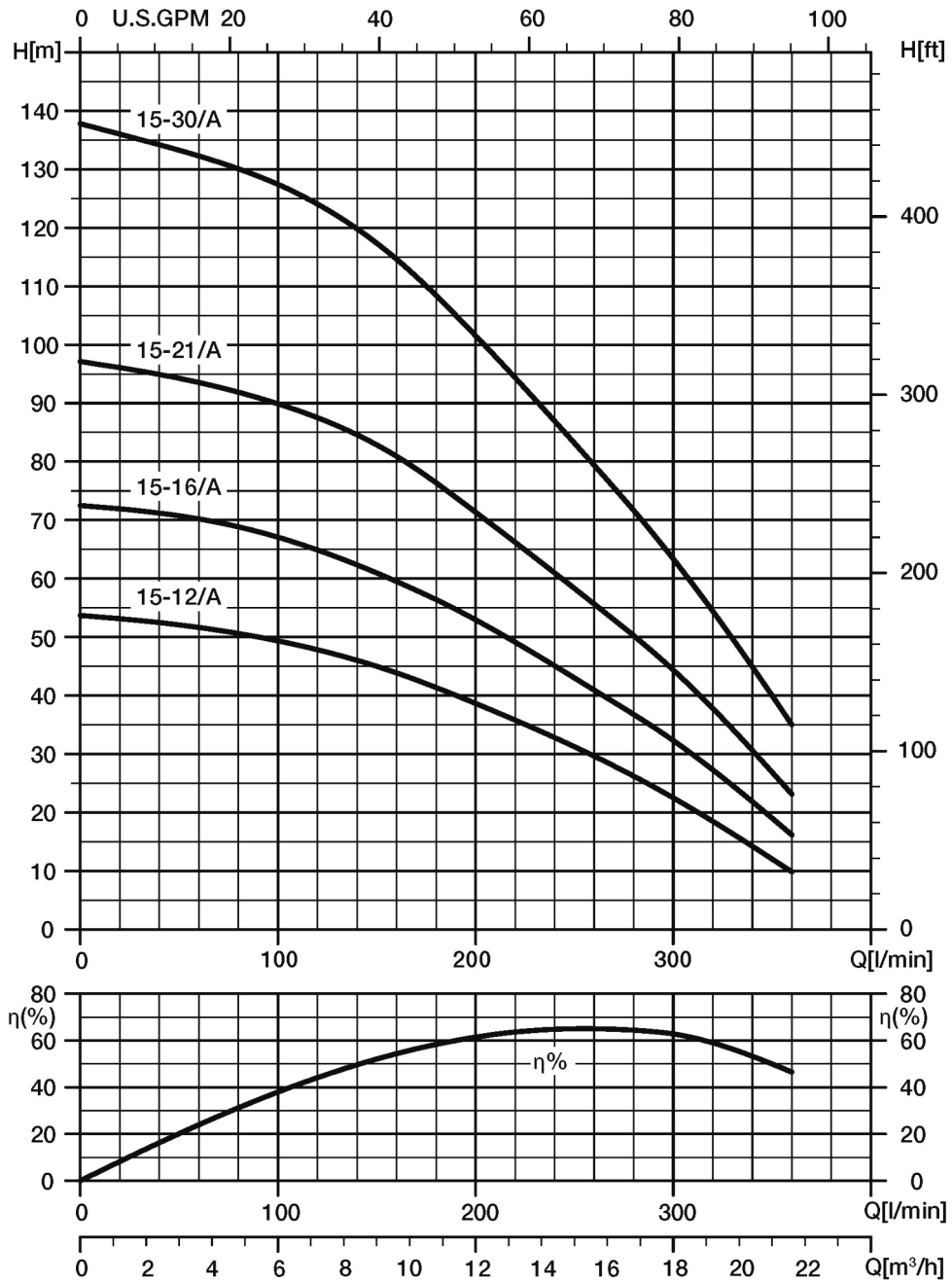
Rotation speed $\approx 2850 \text{ min}^{-1}$
 Test standard: ISO 9906 – Annex A

4WN12 – MEI > 0.40



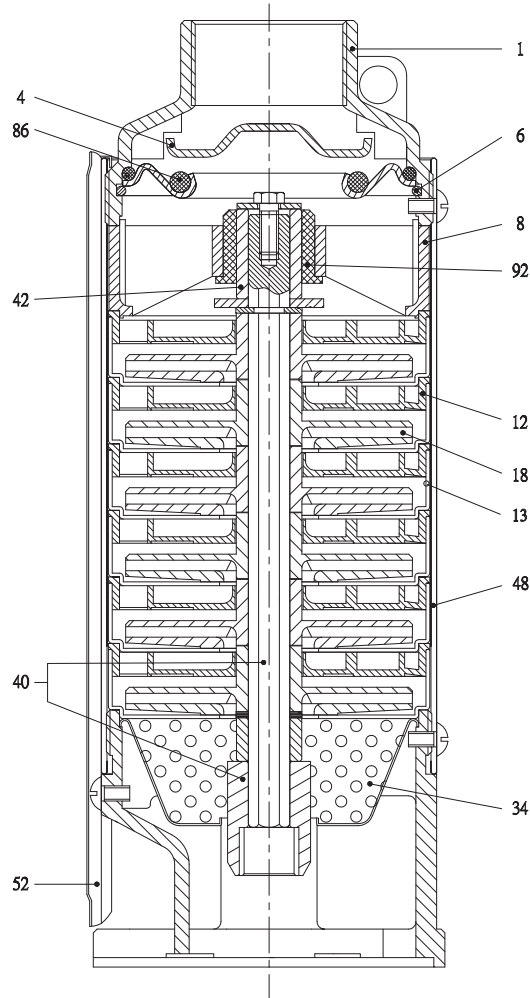
Rotation speed ≈ 2850 min⁻¹
 Test standard: ISO 9906 – Annex A

4WN15 – MEI > 0.40



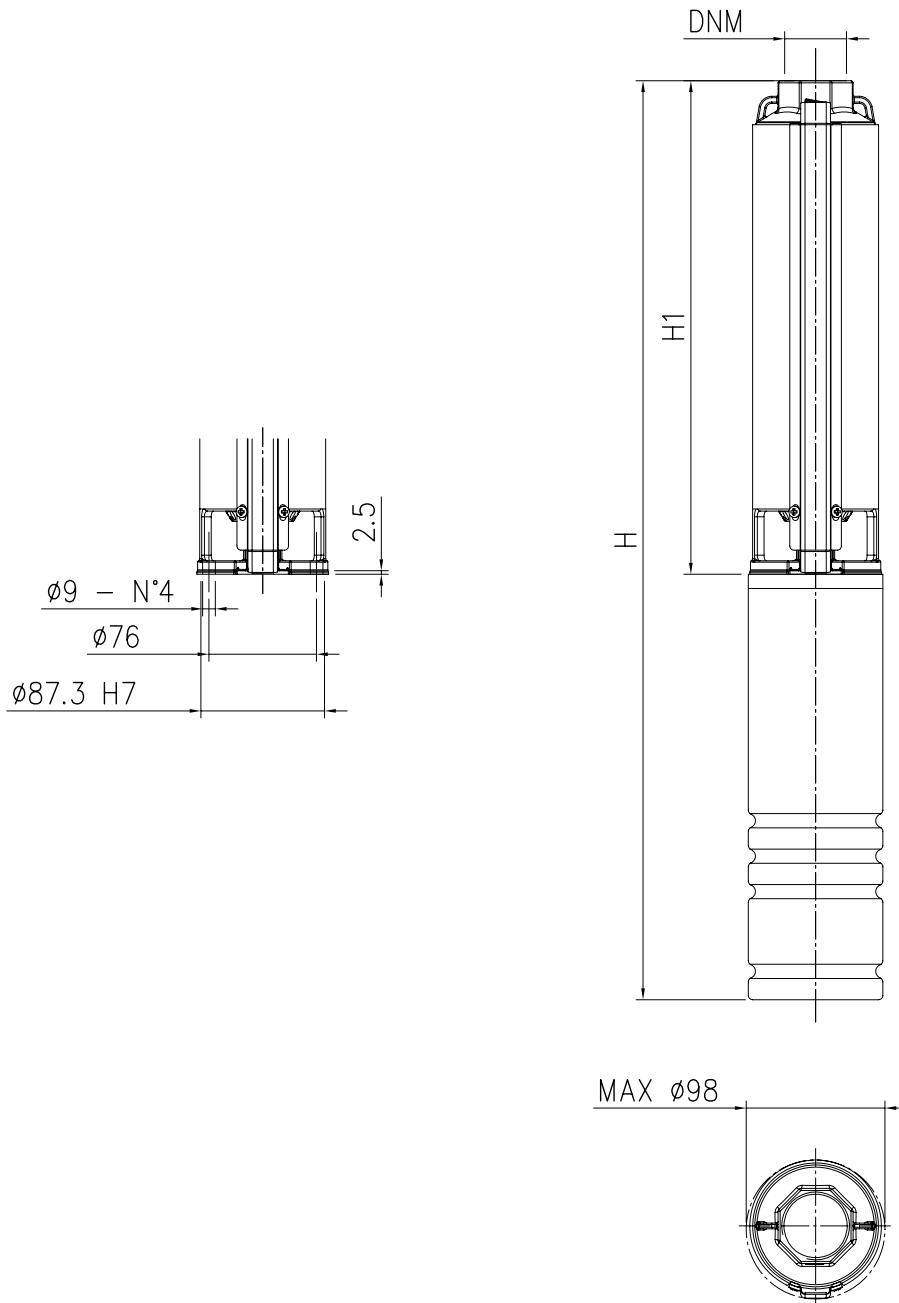
Rotation speed $\approx 2850 \text{ min}^{-1}$
 Test standard: ISO 9906 – Annex A

SECTIONAL VIEW



N°	PART NAME	MATERIAL
1	Discharge Head	AISI 304 SS
4	Check Valve Cone	AISI 304 SS
6	Check Valve retaining ring	AISI 304 SS
8	Bearing Spider	Glass Filled Polycarbonate
12	Diffuser	Glass Filled Polycarbonate
13	Bowl	AISI 304 SS
18	Impeller	Noryl34
34	Strainer	AISI 304 SS
40	Pump Shaft/Coupling	AISI 304 SS
42	Shaft Sleeve	AISI 304 SS or Noryl
48	Pump casing	AISI 304 SS
52	Cable Guard	AISI 304 SS
86	O-Ring	NBR
92	Bearing	Polyacetal

PUMP



Pump can be coupled with NEMA standard 4" motor

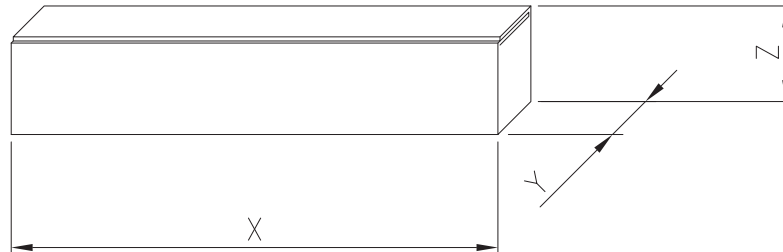
Type	Power		H1	DNM	H (OF-OIL motor version)		H (WF-Water motor version)	
	kW	HP			<i>single-phase</i>	<i>three-phase</i>	<i>single-phase</i>	<i>three-phase</i>
4WN1-19	0.55	0.75	481	1 1/4	806	806	734	709
4WN1-26	0.75	1.00	642	1 1/4	992	967	925	890
4WN1-38	1.10	1.50	864	1 1/4	1249	1214	1171	1147
4WN2-10	0.55	0.75	324	1 1/4	649	649	577	552
4WN2-14	0.75	1.00	394	1 1/4	744	719	677	642
4WN2-20	1.10	1.50	499	1 1/4	884	849	806	782
4WN3-8	0.55	0.75	289	1 1/4	614	614	542	517
4WN3-11	0.75	1.00	342	1 1/4	692	667	625	590
4WN3-16	1.10	1.50	430	1 1/4	815	780	737	713
4WN3-21	1.50	2.00	519	1 1/4	939	904	858	826
4WN3-32	2.20	3.00	749	1 1/4	1219	1169	1186	1088
4WN4-7	0.55	0.75	301	1 1/4	626	626	554	529
4WN4-9	0.75	1.00	344	1 1/4	694	669	627	592
4WN4-14	1.10	1.50	452	1 1/4	837	802	759	735
4WN4-18	1.50	2.00	538	1 1/4	958	923	877	845
4WN4-27	2.20	3.00	767	1 1/4	1237	1187	1204	1106
4WN4-35	3.00	4.00	934	1 1/4	1478	1328
4WN4-48	4.00	5.50	1253	1 1/4	1827	1796
4WN5-6	0.55	0.75	296	1 1/2	621	621	549	524
4WN5-8	0.75	1.00	345	1 1/2	695	670	628	593
4WN5-12	1.10	1.50	433	1 1/2	818	783	740	716
4WN5-16	1.50	2.00	542	1 1/2	962	927	881	849
4WN5-24	2.20	3.00	777	1 1/2	1247	1197	1214	1116
4WN5-32	3.00	4.00	965	1 1/2	1509	1359
4WN5-44	4.00	5.50	1296	1 1/2	1870	1839

Type	Power		H1	DNM	H (OF-OIL motor version)		H (WF-Water motor version)	
	kW	HP			<i>single-phase</i>	<i>three-phase</i>	<i>single-phase</i>	<i>three-phase</i>
4WN6-7	1.10	1.50	395	2	780	745	702	678
4WN6-10	1.50	2.00	485	2	905	870	824	792
4WN6-15	2.20	3.00	640	2	1110	1060	1077	979
4WN6-21	3.00	4.00	865	2	1409	1259
4WN6-29	4.00	5.50	1150	2	1724	1693
4WN6-39	5.50	7.50	1480	2	2124	2133
4WN8-6	1.10	1.50	356	2	741	706	663	639
4WN8-8	1.50	2.00	418	2	838	803	757	725
4WN8-13	2.20	3.00	573	2	1043	993	1010	912
4WN8-17	3.00	4.00	697	2	1241	1091
4WN8-23	4.00	5.50	921	2	1495	1464
4WN8-32	5.50	7.50	1238	2	1882	1891
4WN12-7	1.10	1.50	540	2	925	925	847	823
4WN12-10	1.50	2.00	695	2	1115	1115	1034	1002
4WN12-14	2.20	3.00	905	2	1375	1449	1342	1244
4WN12-19	3.00	4.00	1240	2	1784	1634
4WN12-25	4.00	5.50	1570	2	2144	2113
4WN12-35	5.50	7.50	2165	2	2809	2818
4WN12-43	7.50	10.00	2585	2	3390	3316
4WN15-12	2.20	3.00	680	2	1150	1100	1117	1019
4WN15-16	3.00	4.00	1220	2	1764	1614
4WN15-21	4.00	5.50	1610	2	2184	2153
4WN15-30	5.50	7.50	2225	2	2869	2878

Type	Power		Weight (kg) OF-Oil motor version			Weight (kg) WF-Water motor version		
			Pump	Pump + Motor		Pump	Pump + Motor	
				single-phase	three-phase		single-phase	three-phase
	Kw	HP						
4WN1-19	0.55	0.75	4,7	12,3	11,7	4,7	12,8	12,8
4WN1-26	0.75	1.00	5,8	14,5	13,4	5,8	16,4	16,4
4WN1-38	1.10	1.50	8,2	18,5	16,9	8,2	19,4	19,4
4WN2-10	0.55	0.75	3,3	10,9	10,3	3,3	11,4	11,4
4WN2-14	0.75	1.00	3,9	12,6	11,5	3,9	14,5	14,5
4WN2-20	1.10	1.50	4,9	15,2	13,6	4,9	16,1	16,1
4WN3-8	0.55	0.75	2,9	10,5	9,9	2,9	11	11
4WN3-11	0.75	1.00	3,4	12,1	11	3,4	14	14
4WN3-16	1.10	1.50	4,2	14,5	12,9	4,2	15,4	15,4
4WN3-21	1.50	2.00	5	17	15,4	5	19	19
4WN3-32	2.20	3.00	7,1	21,3	19,1	7,1	23,5	23,5
4WN4-7	0.55	0.75	3	10,3	10	3	11,1	11,1
4WN4-9	0.75	1.00	3,3	12	10,9	3,3	13,9	13,9
4WN4-14	1.10	1.50	4,1	14,4	12,8	4,1	15,3	15,3
4WN4-18	1.50	2.00	4,7	16,7	15,1	4,7	18,7	18,7
4WN4-27	2.20	3.00	6,2	20,4	18,2	6,2	22,6	22,6
4WN4-35	3.00	4.00	7,9	21	7,9	26,2
4WN4-48	4.00	5.50	9,9	25,5	9,9	26,2
4WN5-6	0.55	0.75	2,9	9,9	12	2,9	11	11
4WN5-8	0.75	1.00	3,3	12	10,9	3,3	13,9	13,9
4WN5-12	1.10	1.50	4,1	14,4	12,8	4,1	15,3	15,3
4WN5-16	1.50	2.00	5	17	15,4	5	19	19
4WN5-24	2.20	3.00	6,6	20,8	18,6	6,6	23	23
4WN5-32	3.00	4.00	8,7	21,8	8,7	27
4WN5-44	4.00	5.50	11,2	26,8	11,2	34,6

Type	Power		Weight (kG) OF-Oil motor version			Weight (kG) WF-Water motor version		
			Pump	Pump + Motor		Pump	Pump + Motor	
	Kw	HP		single-phase	three-phase		single-phase	three-phase
4WN6-7	1.10	1.50	3,8	14,1	12,7	3,8	15	15
4WN6-10	1.50	2.00	4,6	16,6	15	4,6	18,6	18,6
4WN6-15	2.20	3.00	6,4	20,6	18,4	6,4	22,8	22,8
4WN6-21	3.00	4.00	8,2	21,3	8,2	26,5
4WN6-29	4.00	5.50	10,7	26,3	10,7	34,1
4WN6-39	5.50	7.50	14,5	33,4	14,5	43,9
4WN8-6	1.10	1.50	3,4	13,7	12,1	3,4	14,6	14,6
4WN8-8	1.50	2.00	4	16	14,4	4	18	18
4WN8-13	2.20	3.00	5,5	19,7	17,5	5,5	21,9	21,9
4WN8-17	3.00	4.00	6,6	19,7	6,6	24,9
4WN8-23	4.00	5.50	8,4	24	8,4	31,8
4WN8-32	5.50	7.50	11	29,9	11	40,4
4WN12-7	1.10	1.50	4,9	15,2	13,6	4,9	16,1	16,1
4WN12-10	1.50	2.00	6,3	18,3	16,7	6,3	20,3	20,3
4WN12-14	2.20	3.00	8,1	22,3	20,1	8,1	24,5	24,5
4WN12-19	3.00	4.00	11	24,1	11	29,3
4WN12-25	4.00	5.50	14,3	29,9	14,3	37,7
4WN12-35	5.50	7.50	19,8	38,7	19,8	49,2
4WN12-43	7.50	10.00	24	51	24	57,8
4WN15-12	2.20	3.00	8,4	22,6	20,4	8,4	24,8
4WN15-16	3.00	4.00	10,8	23,9	10,8	29,1
4WN15-21	4.00	5.50	14,7	30,3	14,7	38,1
4WN15-30	5.50	7.50	20,1	39	20,1	49,5

PACKING



Type	Power		Packing (mm)			OF Pump + Motor+Packing		WF Pump + Motor+Packing	
	Kw	HP	X	Y	Z	single-phase	three-phase	single-phase	three-phase
4WN1-19	0.55	0.75	950	100	100	12,7	12,1	13,2	13,2
4WN1-26	0.75	1.00	1035	100	100	14,9	13,8	16,8	16,8
4WN1-38	1.10	1.50	1300	100	100	19,0	17,4	19,9	19,9
4WN2-10	0.55	0.75	820	100	100	11,2	10,6	11,7	11,7
4WN2-14	0.75	1.00	820	100	100	12,9	11,8	14,8	14,8
4WN2-20	1.10	1.50	950	100	100	15,6	14,0	16,5	16,5
4WN3-8	0.55	0.75	640	100	100	10,8	10,2	11,3	11,3
4WN3-11	0.75	1.00	820	100	100	12,4	11,3	14,3	14,3
4WN3-16	1.10	1.50	800	100	100	14,8	13,2	15,7	15,7
4WN3-21	1.50	2.00	1035	100	100	17,4	15,8	19,4	19,4
4WN3-32	2.20	3.00	1300	100	100	21,8	19,6	24,0	24,0
4WN4-7	0.55	0.75	640	100	100	10,6	10,3	11,4	11,4
4WN4-9	0.75	1.00	820	100	100	12,3	11,2	14,2	14,2
4WN4-14	1.10	1.50	950	100	100	14,8	13,2	15,7	15,7
4WN4-18	1.50	2.00	1035	100	100	17,1	15,5	19,1	19,1
4WN4-27	2.20	3.00	1300	100	100	20,9	18,7	23,1	23,1
4WN4-35	3.00	4.00	1530	100	100	21,6	26,8
4WN4-48	4.00	5.50	2110	100	100	26,4	27,1
4WN5-6	0.55	0.75	640	100	100	10,2	12,3	11,3	11,3
4WN5-8	0.75	1.00	820	100	100	12,3	11,2	14,2	14,2
4WN5-12	1.10	1.50	800	100	100	14,7	13,1	15,6	15,6
4WN5-16	1.50	2.00	1035	100	100	17,4	15,8	19,4	19,4
4WN5-24	2.20	3.00	1300	100	100	21,3	19,1	23,5	23,5
4WN5-32	3.00	4.00	1530	100	100	22,4	27,6
4WN5-44	4.00	5.50	2110	100	100	27,7	35,5

Type	Power		Packing (mm)			OF Pump + Motor+Packing		WF Pump + Motor+Packing	
	Kw	HP	X	Y	Z	single-phase	three-phase	single-phase	three-phase
4WN6-7	1.10	1.50	800	100	100	14,4	13,0	15,3	15,3
4WN6-10	1.50	2.00	1035	100	100	17,0	15,4	19,0	19,0
4WN6-15	2.20	3.00	1300	100	100	21,1	18,9	23,3	23,3
4WN6-21	3.00	4.00	1530	100	100	21,9	27,1
4WN6-29	4.00	5.50	1810	100	100	27,1	34,9
4WN6-39	5.50	7.50	2430	100	100	34,4	44,9
4WN8-6	1.10	1.50	820	100	100	14,0	12,4	14,9	14,9
4WN8-8	1.50	2.00	950	100	100	16,4	14,8	18,4	18,4
4WN8-13	2.20	3.00	1035	100	100	20,1	17,9	22,3	22,3
4WN8-17	3.00	4.00	1300	100	100	20,2	25,4
4WN8-23	4.00	5.50	1530	100	100	24,6	32,4
4WN8-32	5.50	7.50	2110	100	100	30,8	41,3
4WN12-7	1.10	1.50	1035	100	100	15,6	14,0	16,5	16,5
4WN12-10	1.50	2.00	1300	100	100	18,8	17,2	20,8	20,8
4WN12-14	2.20	3.00	1530	100	100	22,9	20,7	25,1	25,1
4WN12-19	3.00	4.00	1950	100	100	24,9	30,1
4WN12-25	4.00	5.50	2430	100	100	30,9	38,7
4WN12-35	5.50	7.50	3000	100	100	40,0	50,5
4WN12-43	7.50	10.00	3600	100	100	52,5	59,3
4WN15-12	2.20	3.00	1300	100	100	23,1	20,9	26,5	25,3
4WN15-16	3.00	4.00	1950	100	100	24,7	29,9
4WN15-21	4.00	5.50	2430	100	100	31,3	39,1
4WN15-30	5.50	7.50	3000	100	100	40,3	50,8