



The Robust series

MINIDOS A - Motor-driven diaphragm dosing pumps 3 – 39 l/h up to 10 bar



Reliable dosing of chemicals

Motor-driven diaphragm dosing pumps play an important role in the dosing of liquids in process cycles. They are designed for use in applications with pressures up to 10 bar.

The motor-driven diaphragm dosing pump MINIDOS A shows its strengths with smaller dosing capacities. Robust, compact and reliable even in "corrosive" environments thanks to a corrosion-resistant plastic gear housing.

Unbeatable price and performance

The MINIDOS A combines good dosing features with a robust design - at a good price. They are based on a tried-and-tested mechanical dosing principle with a low maintenance requirement. As a low-noise and leakage-free diaphragm dosing pump, their six designs reach a dosage range of up to 39 l/h Their performance can be set from 0 - 100 %.

The MINIDOS A is supplied as an uncomplicated dosing pump with the dosing head mounted on the left-hand side. The dosing head and valves are available in various materials. The electrical connection of the three-phase motor is made directly to the terminal box. AC operation is also possible.

The MINIDOS A is optionally available with electrical remote adjustment of the stroke length (ATE).

Functions

- Output range from 3 – 39 l/h, up to 10 bar
- Manually adjustable stroke length from 0 – 100 %
- Materials: PVC, PP, PVDF and stainless steel
- Suitable for toxic and aggressive media
- Material consistency with the accessories
- Feet and gears made of chemical-resistant plastic
- Motors available in three-phase and alternating current versions

Technical data

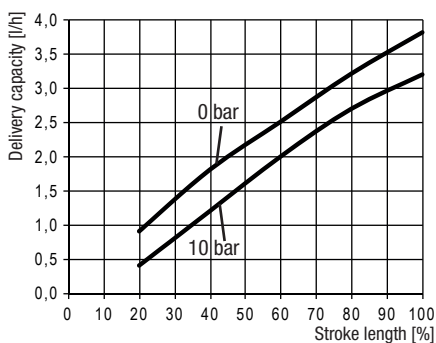
MINIDOS A		3	5	8	14	24	40	
Capacity	l/h	3.2	6.4	8	14	24	39	
max. delivery pressure	bar	10					5	
max. delivery pressure in 1~ operation	bar	10				5	2,5	
Max. stroke frequency	rpm	36	72	90		138		
Suction lift for non-gassing media	mbar	500					250	
Max. supply pressure	mbar	500						
Diameter of diaphragm		38			52		64	
Valve size		DN4					DN6	
Voltage supply		230 V / 400 V						
Protection class		IP55						
Insulation class		F						
Materials		PVC, PP, PVDF, stainless steel						
Weight*	Plastic	4.4					4.7	
	Stainless steel (1.4571)	4.7					7.0	
Approved ambient temperature	°C	5 – 45 (with PVC components 5 – 40)						
Approved media temperature	°C	80 (with PVC parts, 35; with PP parts 60)						

*) Weights can vary slightly depending on the motors; these figures represent average values.

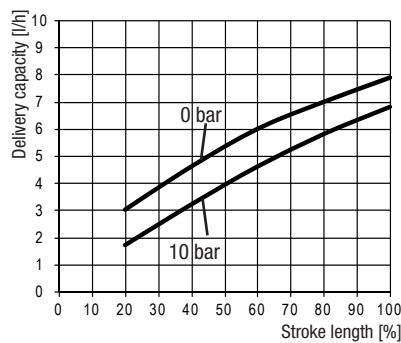
Delivery characteristic curves

These delivery capacities were determined on the manufacturer's test stands. They apply at 20 °C (68 °F) for water, at 100 % stroke frequency. The delivery capacity depends on the medium (density and viscosity) and temperature. Dosing pumps must therefore be gauged in litres during application. At 60 Hz operation, values are increased by a factor of 1.2.

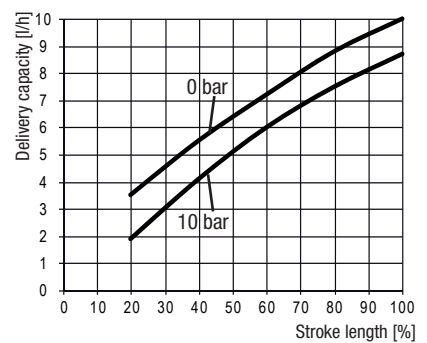
MINIDOS A 3



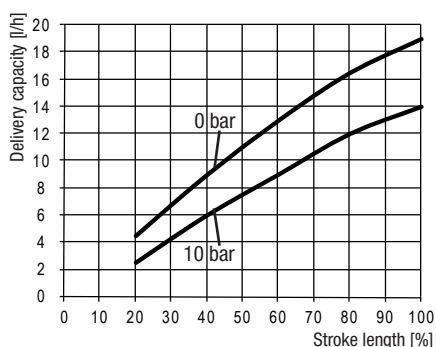
MINIDOS A 5



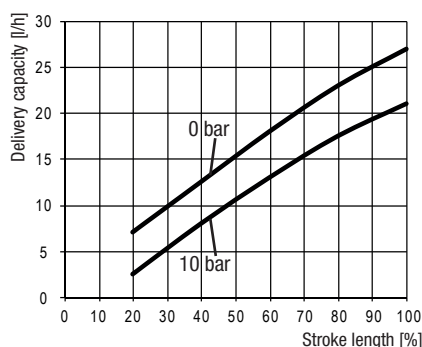
MINIDOS A 8



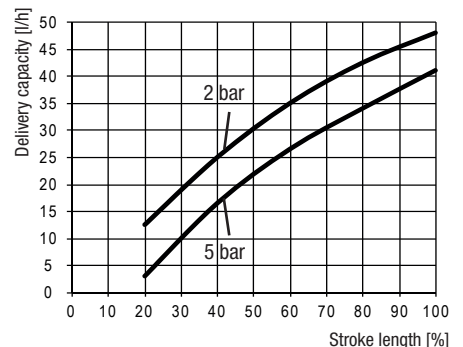
MINIDOS A 14



MINIDOS A 24



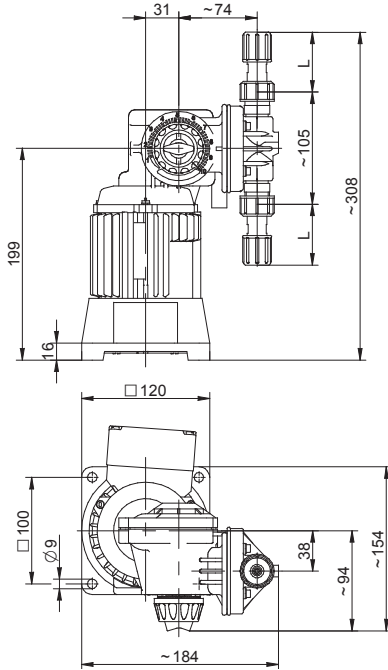
MINIDOS A 40



Dimensions

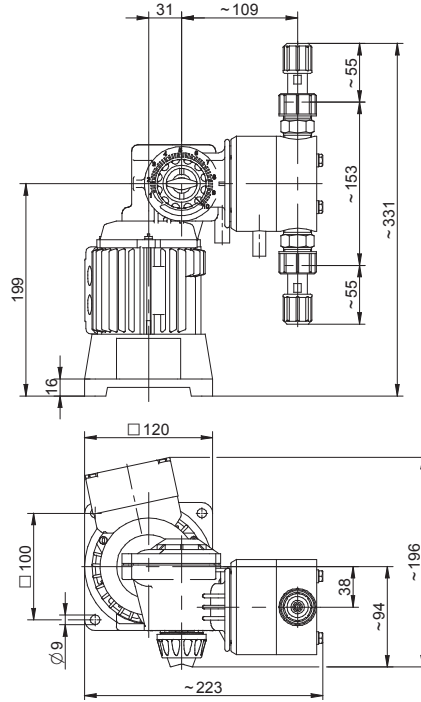
MINIDOS A 3 – 24

All dimensions in mm



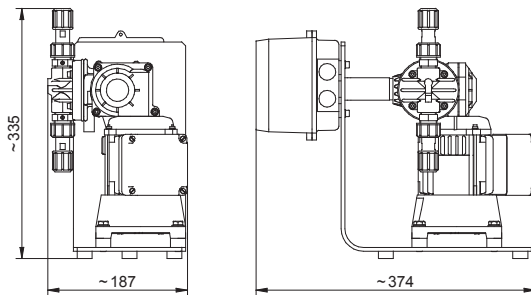
MINIDOS A 40 &

All dimensions in mm



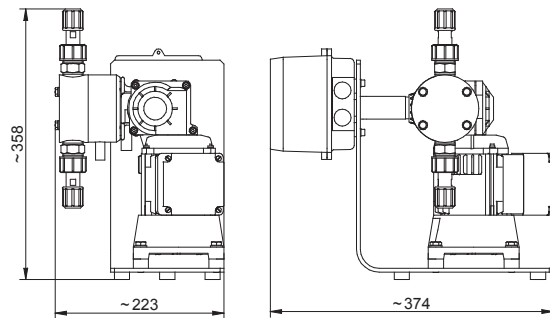
MINIDOS A 3 – 24 ATE

All dimensions in mm



MINIDOS A 40 ATE

All dimensions in mm



Connections		Valves	L
Hose clamp connection	4/6	G5/8 a	28
	6/12		55
Hose clip connection	-		30
Pipe glue-in connection	Ø 10		15
	Ø 12		15
Pipe thread connection	G1/4 i	20	

All dimensions in mm

MINIDOS A Standard - Accessories



Suction lines

Flexible suction line, SA model with foot valve and load part made from ceramic and 2500 mm tube length.
Flexible suction line, Type SC with foot valve and load part made from ceramic, length of hose 1500 mm.



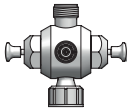
Injection nozzles

To connect the dosing line to the dosing point.
Injection nozzle type R, spring loaded, opening pressure 0.1 bar.



Suction and pressure tube

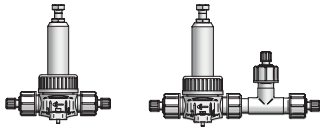
Permissible operating pressure at 20 °C in accordance with DIN EN ISO 7751, chemical resistance and correct connection are assumed.



PENTABLOC

The PENTABLOC multi-function valve is installed directly on the dosing head of the pump and contains the following features:

- Back pressure function, opening pressure 3 bar
- Pressure relief function, opening pressure 11 bar
- Antisiphon function
- Dosing monitoring function



Back-pressure and pressure relief valves

Back-pressure valves to be mounted in the dosing line.
Adjustable pressure 1 – 16 bar.

Pressure-relief valves to be mounted in the dosing line.
Settable pressure: plastic 1 – 16 bar, stainless steel 1 – 25 bar