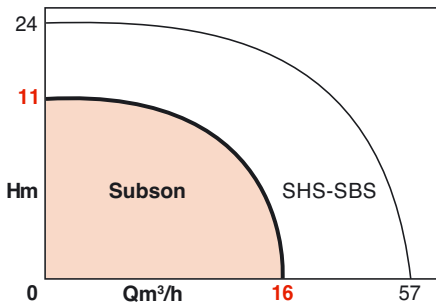


OPERATING RANGES

Flow rates of up to:	16 m ³ /h
Manometric heads of up to:	11 m
Temperature range:	+3 at +35°C (90°C<3 min)
Maximum particle size:	Ø 10 mm*
ND of delivery port:	1" and 1 ¹ / ₄ "

* except for Subson AB models



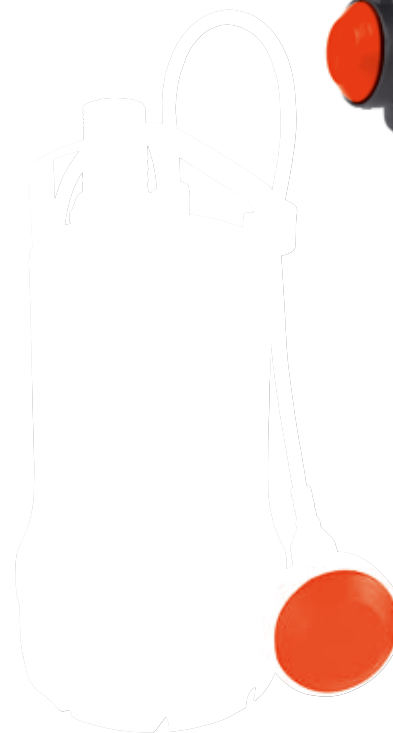
BENEFITS

- **Stainless steel version for intensive use.**
- **AB version for optimal water suction.**
- **Automatic operation by adjustable float switch (except for 20 MP version).**
- **Oil chamber insulated by a double seal for continuous operation.**
- **High starting torque.**
- **Corrosion-resistant components**
- **Pumps supplied ready to pump.**
- **SAN system to prevent clogging of the strainer.**

APPLICATIONS

- Cellar drainage
- Removal of infiltration water
- Drainage of boiler room or basin sumps
- Lift-pumping of wastewater not containing fats or fibrous materials, originating from:
 - washing machine, dishwasher
 - wash basin, shower, etc...

- SUBSON "A" corrosive water version:
- discharge from water softeners
 - seawater
 - brackish water
 - treated swimming pool water, etc...



• SUBSON Premium stainless steel



• SUBSON AB



• SUBSON 10 MF - SUBSON 20 MF - SUBSON 30 MF
20 MF and 30 MF versions equipped with a non-return valve and a "SAN" self-cleaning system (patented)

SUBSON

DESIGN

• Hydraulic part

- One-piece, common-shaft, motor-driven pump.
- Vertical discharge.
- Semi-open impeller.
- Shaft opening sealed by a mechanical seal in the oil chamber and by a lip seal.
- Max. submergence depth:
 - SUBSON : 3m
 - SUBSON Premium : 10m

• Motor

- Single-phase, permanent capacitor.
- Self-cooled by the pumped liquid.
- Integrated thermal protection; automatic resetting after cooling of motor.
- Bearings lubricated for life.
- Automatic On-Off float control switch (except for SUBSON 20 MP).

Speed: 2900 rpm
 Single-phase winding: 230 V
 Frequency: 50 Hz (60 Hz on request)
 Insulation class: SUBSON 155 (F)
 SUBSON Premium (B)
 Protection class: IP 68

SPECIAL FEATURES OF SUBSON PREMIUM

- Impact-resistant, stainless steel design.
- Overdesigned motor and bearings for intensive use (up to 4,000 hours/year).
- Exchangeable electrical cable.

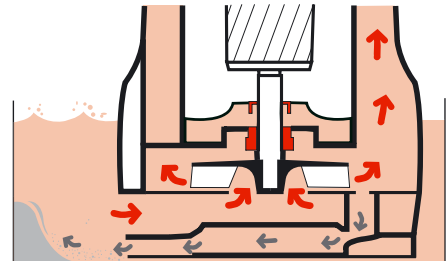
BASIC CONSTRUCTION

Main parts	Material	
	SUBSON	SUBSON Premium
Pump housing	Polypropylene 30%FG	Stainless steel 304
Strainer	Polypropylene 30%FG	Stainless steel 304
Impeller	Noryl	SPS composite
Shaft	AISI 430F	AISI 316
Motor housing	AISI 304	
Fastenings	AISI 304	
Garniture mécanique	Carbone/Alumine	Carbon/Ceramic
Cable	H07RN-F	
"Corrosive water" version		
Shaft	AISI 316 L	
Motor housing	AISI 316 L	
Fastenings	AISI 316	
Suction cover	AISI 316 L	

OPERATING PRINCIPLE

• SAN system (patented)

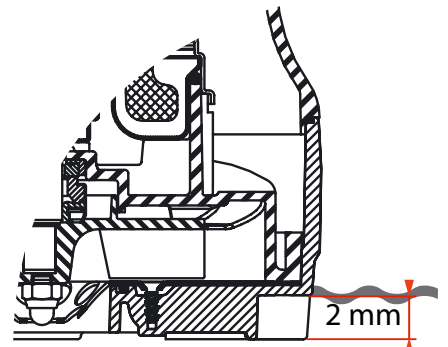
- the particles are agitated by the recycling of the pumped water, which cleans out the sump and prevents clogging of the pump.
- Operating safety: no clogging of the strainer.
 - Particles are kept in suspension and pumped out.
 - Reduction of odours caused by deposited particles.



The SAN system can be deactivated. The pump curve thus gains an additional metre of head for the same flow rate.

• Version AB

- SUBSON AB pumps are equipped with a strainer designed to optimise suction down to a residual water level of 2 mm.
- Optimal draining of flooded areas.
 - Product supplied ready to pump - no tools required.



IDENTIFICATION

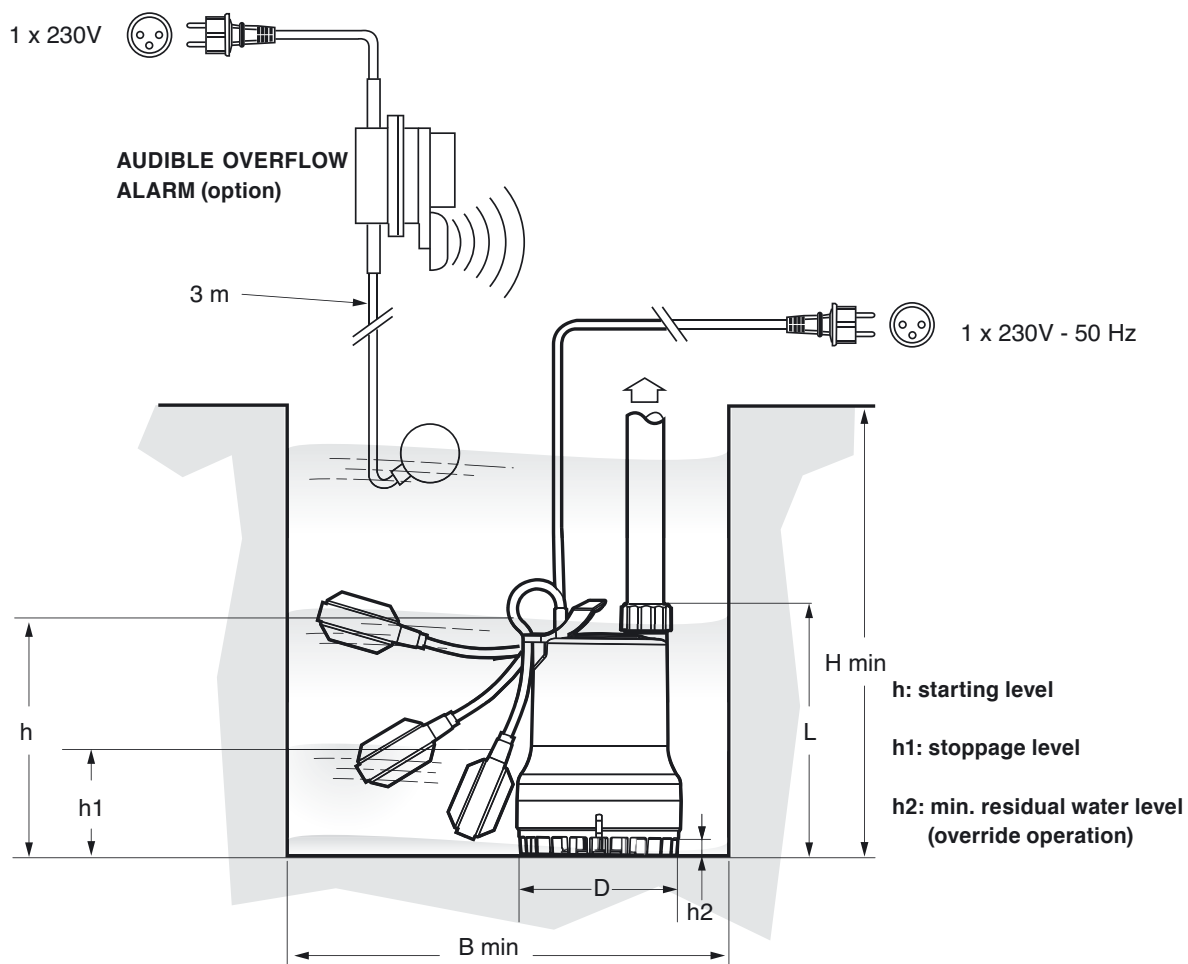
SUBSON Premium S 20 MFP-A

SUBSON: _____
 Clean water lift pump family _____
 Stainless steel version _____
 SAN system _____
 20: Size guide value _____
 M: 1~230 V single-phase _____
 F: Supplied with float switch _____
 P: Portable version (10 m of cable) _____
 A: Version for corrosive water _____

SUBSON AB 20 MFP-A

SUBSON: _____
 Clean water lift pump family _____
 Version with _____
 low suction _____
 20: Size guide value _____
 M: 1~230 V single-phase _____
 F: Supplied with float switch _____
 nothing: Without float switch _____
 P: Portable version (10 m of cable) _____
 nothing: Portable version (3m of cable) _____
 A: Version for corrosive water _____

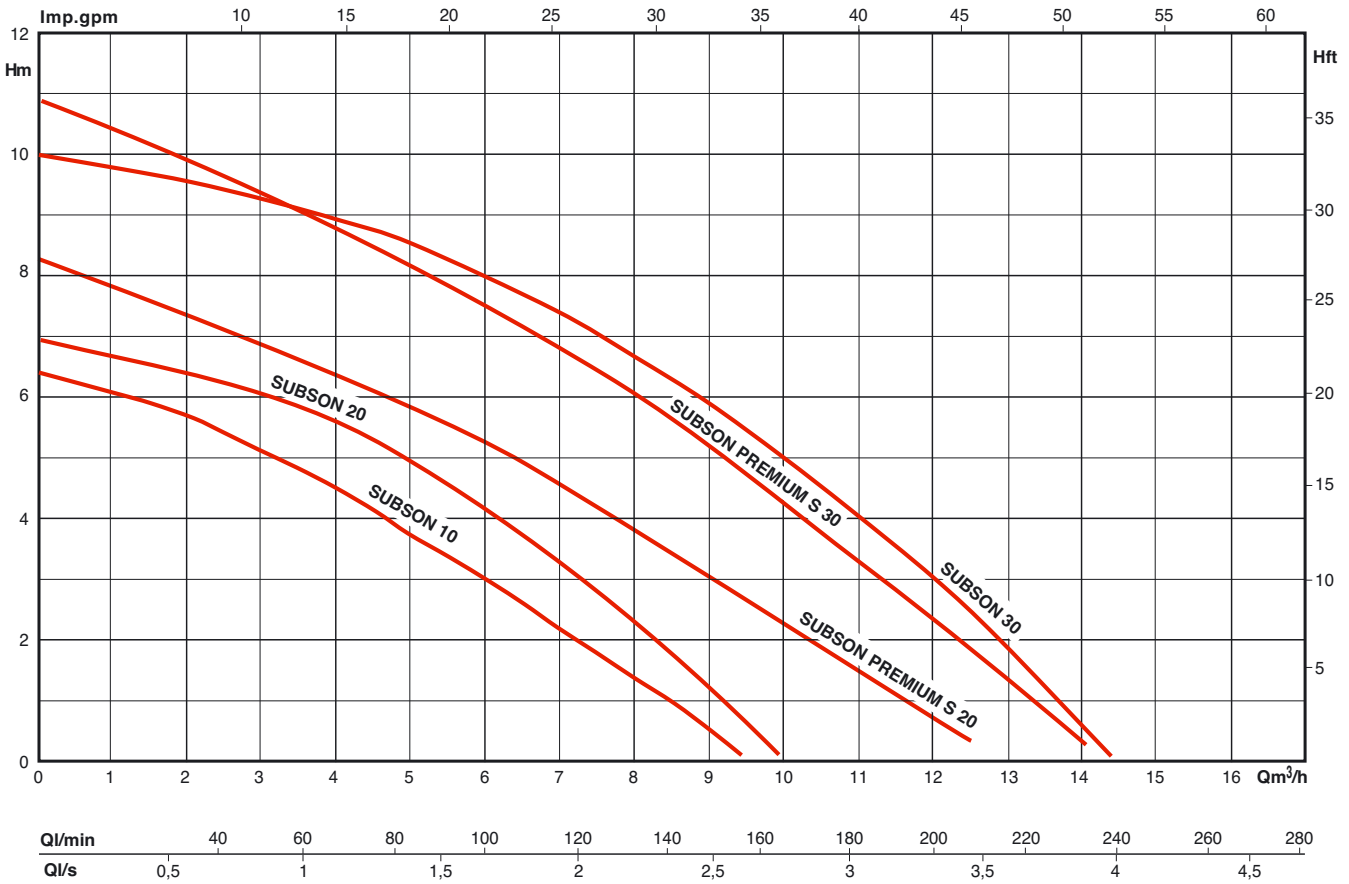
INSTALLATION DIAGRAM: SUBSON FIXED SUMP PUMP



Type	H min	L	D	B min	h max	h1 min	h2 min
	mm	mm	mm	mm	mm (adjustable)	mm	mm
SUBSON PREMIUM S 20	400	290	161	400 x 400	350	140	24
SUBSON PREMIUM S 30	400	310	161	400 x 400	360	140	24
SUBSON 10	280	294	165	350 x 350	237	50	14
SUBSON 20	280	296	165	350 x 350	250	50	14
SUBSON 30	330	326	165	350 x 350	280	50	14
SUBSON AB 20	280	278	165	350 x 350	250	50	2
SUBSON AB 30	330	308	165	350 x 350	280	50	2

SUBSON

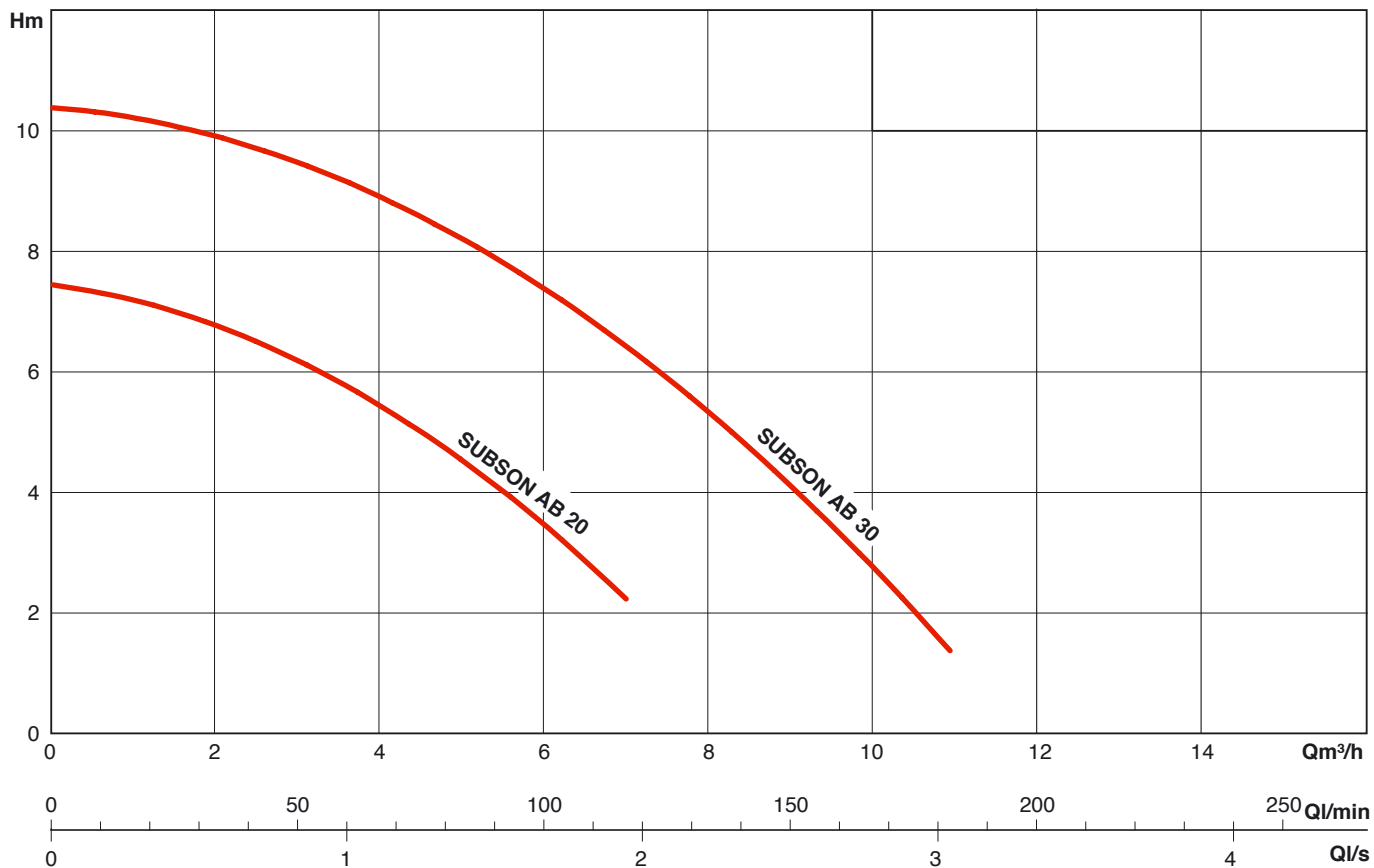
SUBSON AND SUBSON PREMIUM HYDRAULIC PERFORMANCE AT 2900 RPM



ELECTRICAL SPECIFICATIONS

ORDER REFERENCE	MOTOR			Cable lenght m	PUMP SAN system	Net weight kg
	P2 kW	P1 kW	I 1x230V A			
SUBSON PREMIUM S 20	0.3	0.5	2.2	10	yes	6.8
SUBSON PREMIUM S 30	0.6	0.9	3.6	10	yes	7.8
SUBSON 10 MF	0.25	0.32	1.4	3	no	3.6
SUBSON 20 MP	0.37	0.50	2.2	10	no	5.6
SUBSON 20 MF	0.37	0.45	2.1	3	yes	4.7
SUBSON 20 MFP	0.37	0.45	2.1	10	yes	5.2
SUBSON 30 MF	0.55	0.75	3.6	3	yes	6.1
SUBSON 30 MFP	0.55	0.75	3.6	10	yes	6.9
SUBSON 30 MFP-A	0.55	0.75	3.6	10	yes	6.7

SUBSON AB HYDRAULIC PERFORMANCE AT 2900 RPM

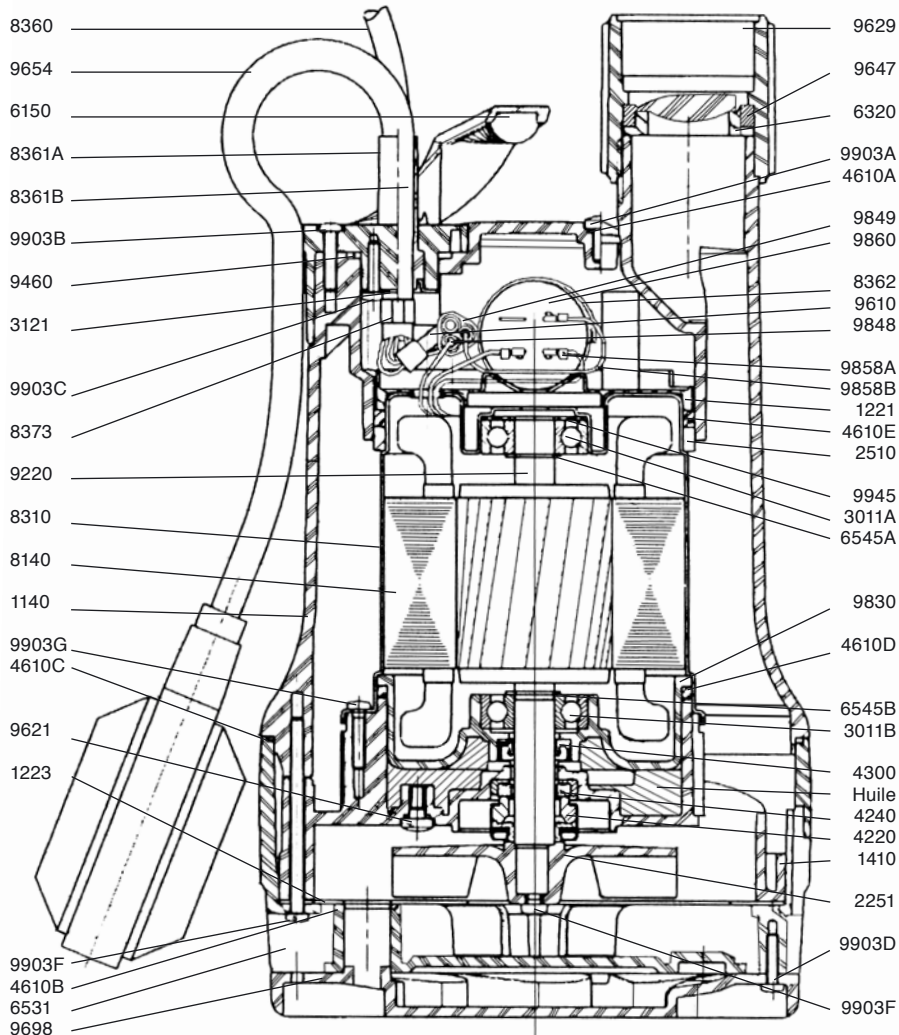


ELECTRICAL SPECIFICATIONS

ORDER REFERENCE	MOTOR			Cable length m	PUMP		Net weight kg
	P2 kW	P1 kW	I 1x230V A		SAN system		
SUBSON AB 20 MF	0.37	0.45	1.8	3	no	4.9	
SUBSON AB 20 MFP	0.37	0.45	1.8	10	no	5.5	
SUBSON AB 30 MF	0.55	0.75	3.2	3	no	6.2	

SUBSON

SECTIONAL DIAGRAM SUBSON 20



PARTS LIST:

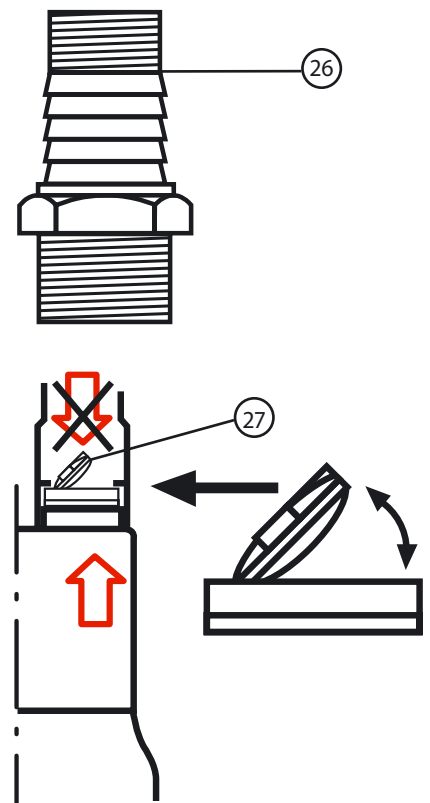
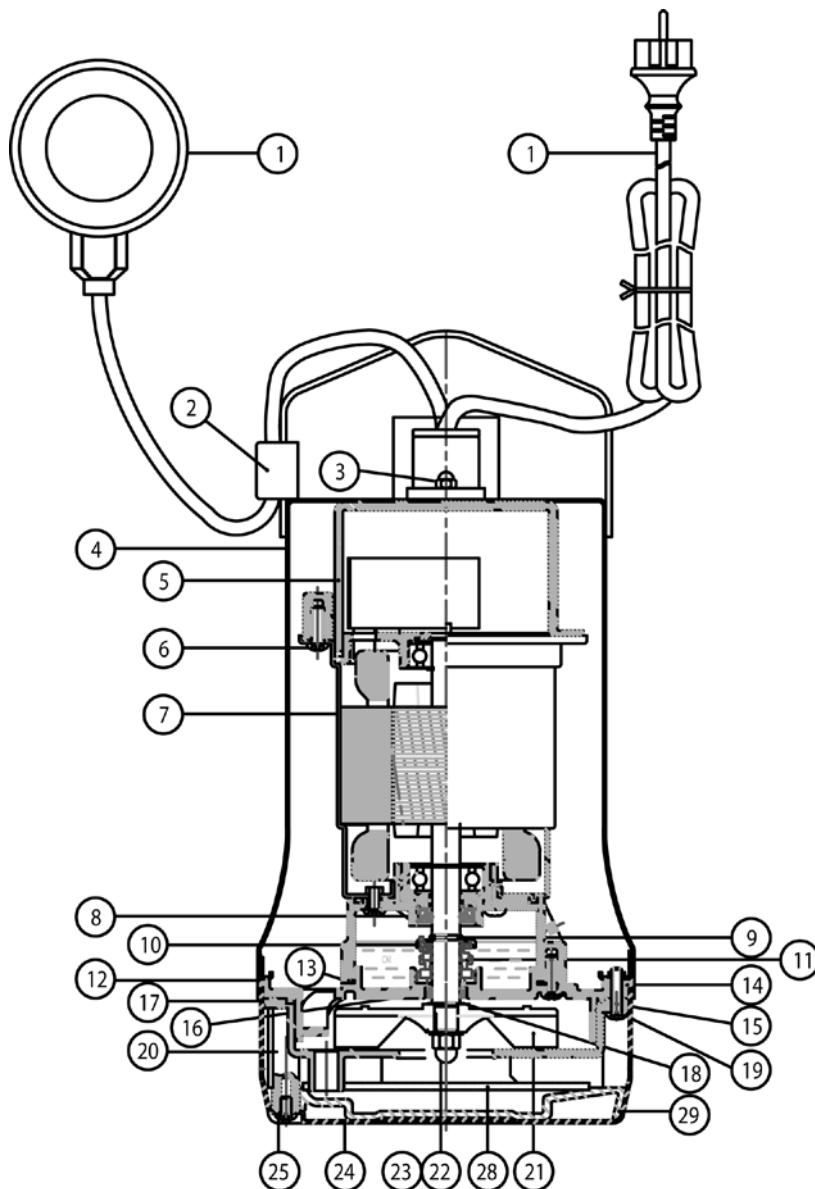
- 1140 - Discharge housing
- 1221 - Insulating cover
- 1223 - Cover
- 1410 - Diffuser
- 2251 - Semi-open impeller
- 2510 - Retaining ring
- 3011A - Upper bearing
- 3011B - Lower bearing
- 3121 - Retaining clamp
- 4220 - Mechanical seal mobile disc pad
- 4240 - Mechanical seal throat bushing
- 4300 - Lip seal ring
- 4610A - O-rings Ø3,69xØ1,78
- 4610B - O-rings Ø14xØ2
- 4610C - O-rings Ø155xØ2
- 4610D - E - O-rings Ø3,53xØ88,5-Ø88xØ4
- 6150 - Handle
- 6320 - Valve seat
- 6531 - Suction strainer
- 6545A - Upper circlip
- 6545B - Lower circlip
- 8140 - Stator
- 8310 - Can
- 8360 - Power cable with plug
- 8361A - Cable guard (floater cable)
- 8361B - Cable guard (power cable)
- 8362 - Jumper
- 8373 - Pressure ring
- 9220 - Rotor shaft
- 9460 - Handle gasket
- 9610 - Terminal protection cover
- 9621 - Plug
- 9629 - Female-female threaded coupling 1^{3/4}
- 9647 - Valve
- 9654 - floater cable
- 9698 - Self-cleaning system
- 9830 - Front motor shroud
- 9848 - Male electrical connector
- 9849 - Female electrical connector
- 9858A - Capacitor electrical wire
- 9858B - Main electrical wire
- 9860 - Capacitor
- 9903A - B-C-D - screws
- 9903E - Strainer fixing screw
- 9903F - Impeller fixing screw
- 9903G - Can fixing screw
- 9945 - Spring washer

•Wearing parts included in spare parts kits.

Subson spare parts kits

Designation	Identifier
Strainer kit	6531 - 4610C - 4610b - 9903e
Hydraulic kits (One per pump size)	2251 - 9903F - 4610c - 1223
Cable-handle-float switch kit	Set fully assembled in the factory, including: floater cable (9654), connector (3121 - 8361a - 8361b - 8362 - 8373 - 9460 - 9610 - 9849), handle (6150), and 3 m long power cable (8360)
Cable-handle kit	Set fully assembled in the factory, including: handle (6150), connector (3121 - 8361b - 8362 - 8373 - 9460 - 9610 - 9849), and 10 m long power cable (8360)

SECTIONAL DIAGRAM SUBSON PREMIUM



PARTS LIST:

Pos. - Description of components

- 1 - Cable and float switch
- 2 - Retaining clip for float switch
- 3 - Cap nut
- 4 - Housing
- 5 - Upper motor cover
- 6 - Screw
- 7 - Motor housing
- 8 - Shaft seal ring
- 9 - Safety ring
- 10 - Washer
- 11 - Mechanical seal
- 12 - Gasket
- 13 - O-ring
- 14 - Sealing body
- 15 - Screw
- 16 - Shaft seal ring
- 17 - O-ring
- 18 - Support ring
- 19 - Screw
- 20 - Pump housing
- 21 - Impeller
- 22 - Washer
- 23 - Cap nut
- 24 - Suction strainer
- 25 - Screw
- 26 - Ø32mm/R1 pipe union
- 27 - Non-return valve
- 28 - Intermediate plate
- 29 - SAN strainer

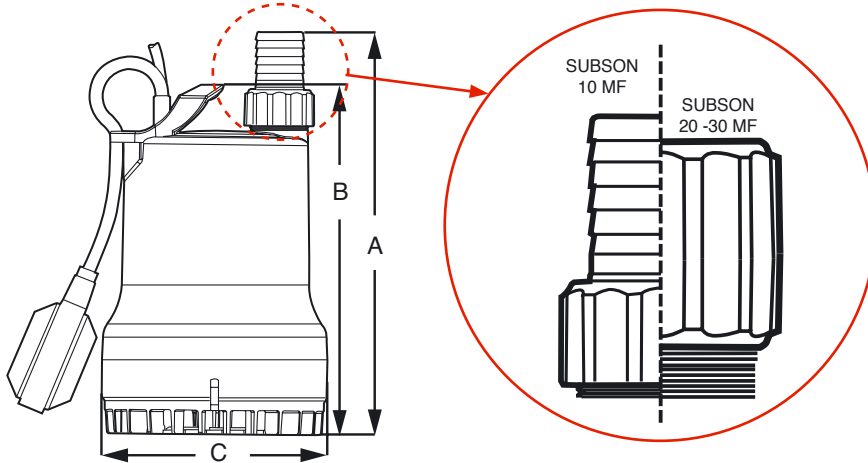
• Wearing parts included in spare parts kits.

Subson Premium spare parts kits

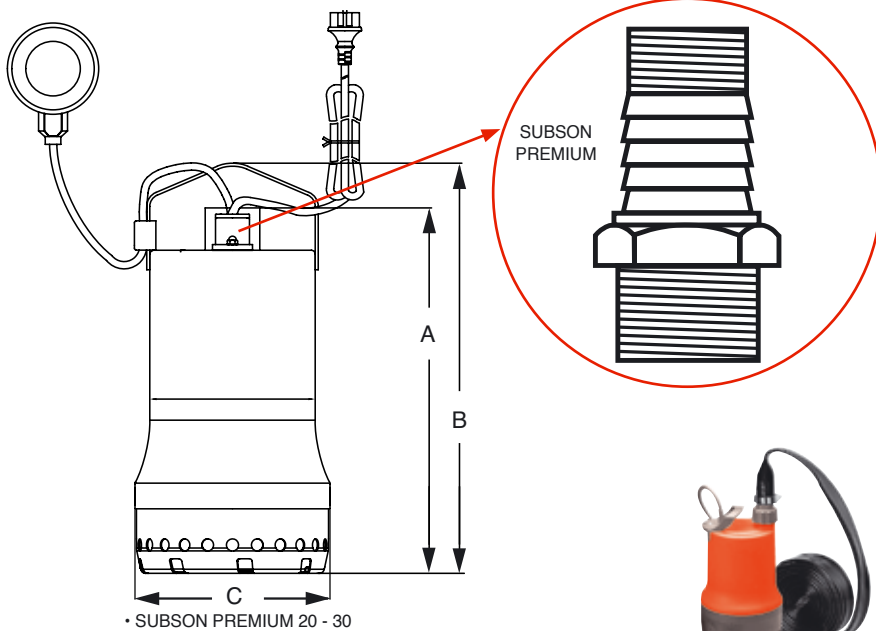
Designation	Identifier
Mechanical seal kit	8 - 9 - 10 - 11 - 12 - 13 - 15 - 16 - 17 - 18 - 19 - 22 - 23 - 25
D.98 Impeller kit subson 20	17 - 18 - 19 - 21 - 22 - 23 - 25
D.98 Impeller kit + SAN subson 20 strainer	17 - 18 - 19 - 21 - 22 - 23 - 25
D.98 Impeller kit D.98 subson 20	17 - 18 - 19 - 20 - 21 - 22 - 23 - 24 - 25 - 28 - 29
D.108 Impeller kit D.108 + SAN subson 30 strainer	17 - 18 - 19 - 20 - 21 - 22 - 23 - 24 - 25 - 28 - 29
Splined end + non-return valve kit	26 - 27
10 m cable + float switch kit	1 - 2 - 3

SUBSON

DIMENSIONAL SPECIFICATIONS



• SUBSON 10 - 20 - 30 MF and SUBSON AB 20 - 30



• SUBSON PREMIUM 20 - 30



FEATURES

a) Electrical

- 230 V - 50 Hz single phase with integral permanent capacitor and thermal protection; motor protection is not essential. (60 Hz on request)
- Connection to power supply by standardised 2 pins + earth plug.

NB:

It is preferable to implement a protective or warning system for protection against dry running, blockages or excessive starts.

b) Fitting

- Axis of motor always vertical.
- Connection to the system:
 - by flexible hose (see discharge kit) or rigid pipe in a fixed installation.

c) Packaging

- Pumps supplied ready to use, pre-wired with an electrical plug, handle and float switch (except for SUBSON 20MP).
- Depending on the models, the pumps are supplied with a non-return valve and/or a splined end (see table on p.4).

d) Maintenance

See spare parts kit table.

ACCESSORIES

- Shut-off valve
- PVC or fabric-reinforced piping.
- Discharge kit.

SUBSON 10: Ø 25 mm flexible hose – 5 m long and one hose clamp.
 SUBSON 20 & 30: Ø 35 mm flexible hose - 5 m long - one Ø 1^{1/4}" male connector and one hose clamp.

Order reference	Item reference
KIT SUBSON 10	021308
KIT SUBSON 20 & 30	019389

• Audible overflow alarm.

- For fixed sump pump installation.
- 230V - 50 Hz single-phase.
- EUROFLOT 423 or NIVO430 mercury-free float switches, to be fitted.
- Direct connection via a standardised male plug 2 pins + earth. (Please contact us).

ORDER REFERENCE	ND discharge	A mm	B mm	C mm	Accessories supplied
SUBSON PREMIUM 20	G1"1/4	290	330	161	splined end Ø30
SUBSON PREMIUM 30	G1"1/4	310	350	161	+ clapet anti-retour
SUBSON 10 MF	25 mm	294	255	165	splined end Ø25
SUBSON 20 MP	G1"1/4	296	268	165	splined end Ø35
SUBSON 20 MF	G1"1/4	296	268	165	non-return valve*
SUBSON 20 MFP**	G1"1/4	296	268	165	non-return valve*
SUBSON 30 MF	G1"1/4	326	298	165	non-return valve*
SUBSON 30 MFP**	G1"1/4	326	298	165	non-return valve*
SUBSON 30 MFP-A	G1"1/4	326	298	165	non-return valve*
SUBSON AB 20 MF	G1"1/4	278	250	165	non-return valve*
SUBSON AB 20 MFP	G1"1/4	278	250	165	non-return valve*
SUBSON AB 30 MF	G1"1/4	308	280	165	non-return valve*

Submerged and dry S1; * or 1"1/4 threaded insert with non-return valve