



Aplicaciones: Recirculación y filtración de agua en piscinas pequeñas y medianas.

Applications: Recycling and filtering of water from small and medium swimming pools.

Bombas centrífugas monocelulares, con prefiltro incorporado. Completamente silenciosas.

Materiales:

Cuerpo bomba, pie bomba y difusor en tecnopolimero.
Rodete en tecnopolimero.
Soporte sello en tecnopolimero.
Eje motor en acero inoxidable AISI 420.
Cierre mecánico en grafito y alumina.
Carcasa motor en aluminio.

Motor:

Asíncrono, dos polos
Protección IP 55
Aislamiento clase F
Servicio continuo
Con protector térmico incorporado.

Quiet running single-stage centrifugal pumps, self-priming, complete with prefilter.

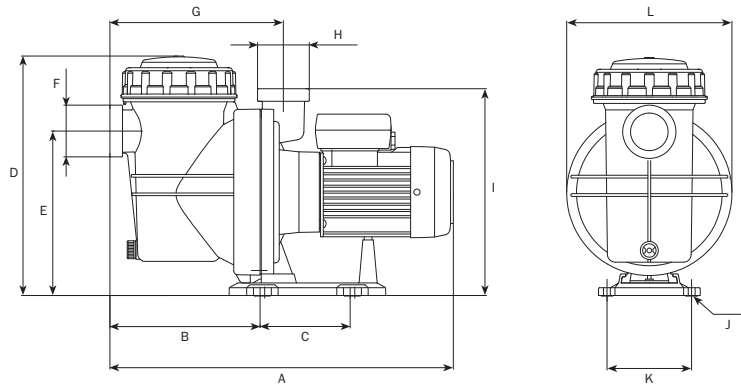
Materials:

Pump body, pump foot and diffuser in tecnopolimer.
Impeller in tecnopolimer.
Seal mounting in tecnopolimer.
Motor shaft in stainless steel AISI 420.
Mechanical seal in graphite and alumine.
Motor housing in aluminium.

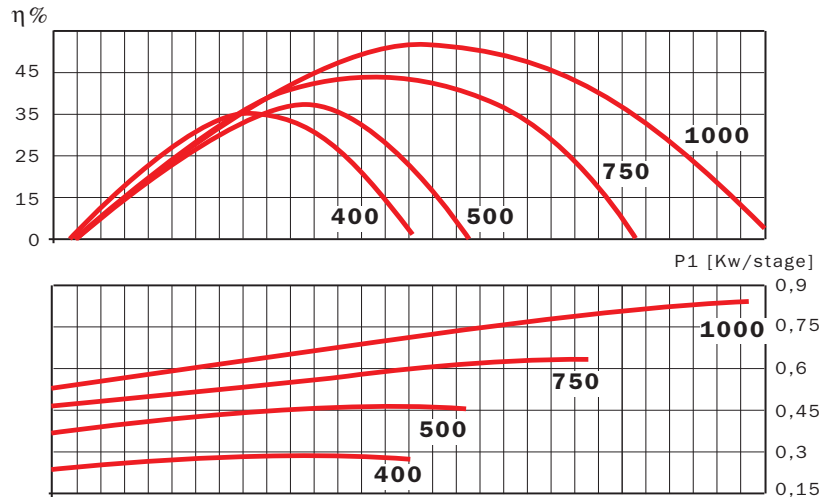
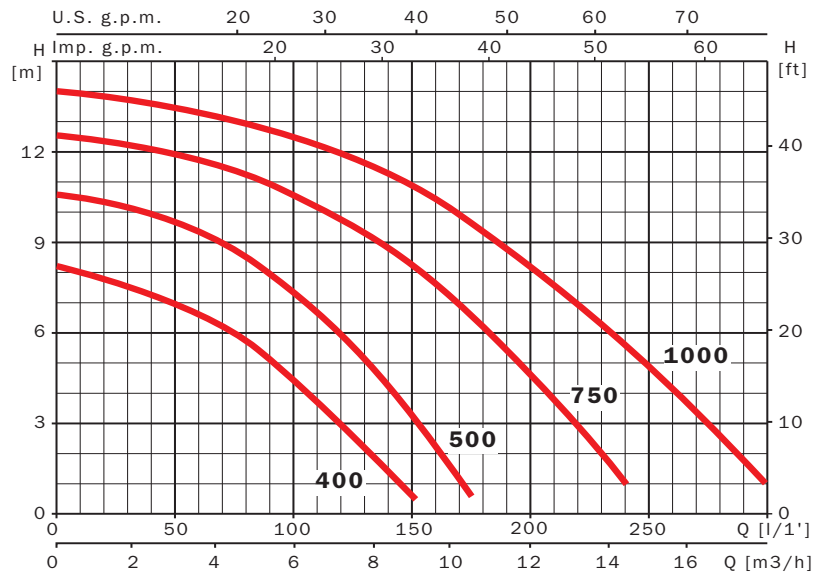
Motor:

Asynchronous, two poles.
IP 55 protection.
Class F insulation.
Continuous operation.
Single phase version built-in thermal protection.





| | A | B | C | D | E | F | G | H | I | J | K | L | Kg |
|------------------|-------|-------|-----|-----|-----|--------|-----|--------|-----|----|-----|------|------|
| Iris 400 | 438,5 | 191,5 | 115 | 304 | 210 | 2 1/4" | 221 | 2 1/4" | 264 | Ø9 | 108 | Ø212 | 8,9 |
| Iris 500 | 438,5 | 191,5 | 115 | 304 | 210 | 2 1/4" | 221 | 2 1/4" | 264 | Ø9 | 108 | Ø212 | 8,9 |
| Iris 750 | 438,5 | 191,5 | 115 | 304 | 210 | 2 1/4" | 221 | 2 1/4" | 264 | Ø9 | 108 | Ø212 | 10,2 |
| Iris 1000 | 438,5 | 191,5 | 115 | 304 | 210 | 2 1/4" | 221 | 2 1/4" | 264 | Ø9 | 108 | Ø212 | 10,9 |



Curvas de funcionamiento a 2900 r.p.m.
 Performance curves at 2900 r.p.m.

| 230 V 50 Hz | A 1~ 230 V | P1 (kW) | | µF | L/1' | Q | | | | | | | | | | |
|--------------------|------------------|---------|------|------|------|------|------|------|------|------|-----|-----|------|-----|--|--|
| | | 1~ | kW | | | HP | 25 | 50 | 75 | 100 | 150 | 200 | 250 | 290 | | |
| | | | | | m³/h | 1,5 | 3 | 4,5 | 6 | 9 | 12 | 15 | 17,4 | | | |
| Iris 400 M | 1,4 | 0,3 | 0,18 | 0,25 | 10 | 7,7 | 6,9 | 6,0 | 4,5 | 0,6 | | | | | | |
| Iris 500 M | 2 | 0,45 | 0,25 | 0,33 | 12 | 10,2 | 9,7 | 8,6 | 7,2 | 3,2 | | | | | | |
| Iris 750 M | 2,8 | 0,65 | 0,37 | 0,5 | 12 | 12,3 | 11,9 | 11,3 | 10,5 | 8,1 | 4,6 | | | | | |
| Iris 1000 M | 3,8 | 0,85 | 0,75 | 1 | 12 | 13,8 | 13,3 | 13 | 12,5 | 10,8 | 8,1 | 4,8 | 1,8 | | | |