

Multistage High-pressure Immersion Centrifugal Pump

Movitec VCI



Type Series Booklet



Legal information/Copyright

Type Series Booklet Movitec VCI

All rights reserved. The contents provided herein must neither be distributed, copied, reproduced, edited or processed for any other purpose, nor otherwise transmitted, published or made available to a third party without the manufacturer's express written consent.

Subject to technical modification without prior notice.

© KSB SE & Co. KGaA, Frankenthal 10/11/2021

Contents

Centrifugal Pumps	4
Multistage High-pressure Immersion Centrifugal Pumps	4
Movitec VCI	4
Main applications	4
Fluids handled	4
Operating data	4
Design details	4
Designation	5
Materials	6
Coating and preservation	7
Product benefits	8
Product information	8
Product information as per Regulation No. 1907/2006 (REACH)	8
Selection information	9
Minimum installation height	9
Fluid handled	9
Fluid temperature	9
Minimum level of fluid handled	9
Minimum flow rate	9
Permissible fluids	9
Overview of product features / selection tables	10
Overview of fluids handled	10
Shaft seal	12
Technical data	13
Movitec VCI, n = 2900 rpm	13
Movitec VCI, n = 3500 rpm	15
Selection chart	17
Movitec VCI, n = 2900 rpm	17
Movitec VCI, n = 3500 rpm	18
Characteristic curves	19
n = 2900 rpm	19
Movitec VCI 2B, n = 2900 rpm	19
Movitec VCI 4B, n = 2900 rpm	20
Movitec VCI 6B, n = 2900 rpm	21
Movitec VCI 10B, n = 2900 rpm	22
Movitec VCI 15C, n = 2900 rpm	23
n = 3500 rpm	24
Movitec VCI 2B, n = 3500 rpm	24
Movitec VCI 4B, n = 3500 rpm	25
Movitec VCI 6B, n = 3500 rpm	26
Movitec VCI 10B, n = 3500 rpm	27
Movitec VCI 15C, n = 3500 rpm	28
Dimensions and connections	29
Movitec VCI 2B, n = 2900 rpm	29
Movitec VCI 2B, n = 3500 rpm	31
Movitec VCI 4B, n = 2900 rpm	32
Movitec VCI 4B, n = 3500 rpm	33
Movitec VCI 6B, n = 2900 rpm	34
Movitec VCI 6B, n = 3500 rpm	35
Movitec VCI 10B, n = 2900 rpm	36
Movitec VCI 10B, n = 3500 rpm	37
Movitec VCI 15C, n = 2900 rpm	38
Movitec VCI 15C, n = 3500 rpm	39
General drawings with list of components	40
Movitec VCI 2B, 4B, 6B, 10B	40
Movitec VCI 15C	42

Centrifugal Pumps

Multistage High-pressure Immersion Centrifugal Pumps

Movitec VCI



Drive

- Surface-cooled KSB squirrel-cage motor
- Thermal class F to IEC 34-1
- Efficiency class IE3 to IEC 60034-30 (≥ 0.75 kW)
- Enclosure IP55
- Frequency 50 Hz/60 Hz

Optional:

- Harting connector, type HAN 10E

Bearings

- Plain bearings

Shaft seal

- Uncooled, maintenance-free mechanical seal in cartridge design

Main applications

- Machine tools
- Industrial washing machines
- Condensate transport

Fluids handled

- Condensate
- Cooling lubricants
- Emulsions
- Lyes
- Oil

Operating data

Table 1: Operating properties

Characteristic		Value
Flow rate	Q [m ³ /h]	$\leq 22,5$
Head	H [m]	≤ 249
Fluid temperature	T [°C]	≥ -10
		$\leq +120$
Operating pressure	p [bar]	≤ 25

Design details

Design

- Multistage high-pressure immersion centrifugal pump

Optional:

- Blind stages

Installation

- Vertical installation

Designation

Table 2: Designation example

Position																															
1	2	3	4	5	6	7	8	9	10	11	12	13	14	15	16	17	18	19	20	21	22	23	24	25	26	27	28	29	30	31	32
M	o	v	i	t	e	c	V	C	I	0	6	/	1	2	-	1	8	A	B	1	3	C	S	0	7	1	A	5	C	A	
See name plate and data sheet																		See data sheet													

Table 3: Designation key

Position	Code	Description
1-7	Type series	
	Movitec	
8-9	Design	
	VC	Grey cast iron EN-GJL-250
	V-	Stainless steel 304 - 304
10	Connection type	
	I	Internal thread
11-12	Size	
	002	2
	015	15
14-15	Number of stages	
	01	1
	30	30
17-18	Number of blind stages	
	01	1
	30	30
19	Connection standard	
	A	Internal thread EN ISO 228-1
20	Product generation	
	B	Movitec from 2010
	C	Movitec from 2021
21-22	Seal code	
	13	Q1BEGG
	14	Q1BVGG
	15	U3U3X4GG
	16	U3U3VGG
	18	U3BEGG
	23	Q1BEGG
	24	Q1Q1VGG
23	Mechanical seal design	
	C	Cartridge seal
24	Drive	
	0	Without motor
	2	With PumpDrive 2
	E	With PumpDrive 2 Eco
	S	Standard IEC
25-27	Motor size	
	071	IEC 071
	080	IEC 080
	090	IEC 090
	100	IEC 100
	112	IEC 112
	132	IEC 132
28	Pressure class	
	A	PN 16 / PN 25

Position	Code	Description
28	B	PN 25
29	Frequency, number of motor poles	
	5	50 Hz, 2-pole
	6	60 Hz, 2-pole
	7	50 Hz, 4-pole
30	Motor specification	
	K	EXM IEC, Movitec
	M	230 V, single-phase AC motor
	O	0.37/0.55 kW, without IE classification
	U	230 / 400 V - IE3
	V	400 / 690 V - IE3
	W	230 / 400 V - IE4/IE5 (KSB SuPremE)
	X	400 / 690 V - IE4/IE5 (KSB SuPremE)
31	PumpMeter	
	A	Mit PumpMeter
	W	Without PumpMeter
32	Design	
	- ¹⁾	Standard
	X	Non-standard (BT3D, BT3)

Materials

Table 4: Overview of available materials

Part No.	Description	Material
106	Suction casing	EN-GJL-250
108	Stage casing	1.4301
160	Discharge cover	1.4301
210	Shaft	1.4057
230	Impeller	1.4301
341	Drive lantern	EN-GJL-250
412	O-ring	EPDM
525	Spacer ring	1.4301
529	Bearing sleeve	Tungsten carbide / aluminium oxide
905	Tie bolt	1.4057
920	Nut	1.4301
932	Circlip	1.4571

Table 5: Comparison of materials

EN	ASTM
EN-GJL-250	A48 Class 35 B
1.4057	SS 431
1.4301	SS 304
1.4571	SS 316Ti

¹ Blank

Coating and preservation

Table 6: Coating of pump components

Component	Coating
Stainless steel components	No additional coating
Cast iron pump casing	Cataphoretic coating
Cast iron suction casing	Cataphoretic coating

Product benefits

- Top quality pump thanks to advanced high-precision production technology and durable high-grade materials
- Excellent reliability, enabled by compact, easy-to-replace cartridge seal and automatic return of small amounts of leakage into the tank
- An energy-saving, state-of-the-art pump solution characterised by high efficiency levels, optimum flow passage, the use of high-efficiency motors, and precision engineering of all hydraulic components
- Flexible use due to modular design, optional blind stages and versatile seal materials for a wide variety of applications, as well as numerous motor options
- Easy replacement of competitor products due to comparable dimensions
- High energy efficiency as well as low investment and maintenance costs make for low life cycle costs.

Product information

Product information as per Regulation No. 1907/2006 (REACH)

For information as per chemicals Regulation (EC) No. 1907/2006 (REACH), see <https://www.ksb.com/ksb-en/About-KSB/Corporate-responsibility/reach/>.

Selection information

Blind stages can be provided, depending on the immersion depth required.

Minimum installation height

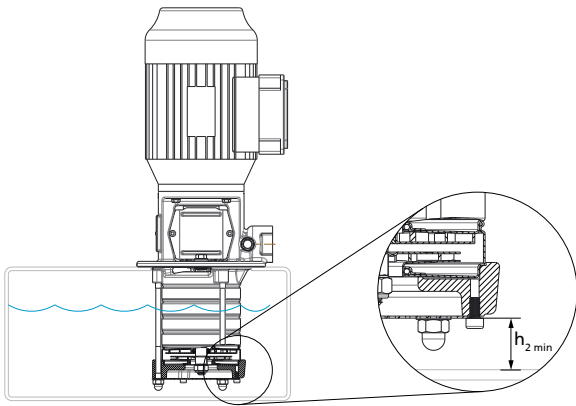


Fig. 1: Minimum installation height

Table 7: Minimum installation height ($h_{2\ min}$)

Size	$h_{2\ min}$ [mm]
2B	25
4B	25
6B	25
10B	40
15C	40

Fluid handled

The actual operating conditions must always be checked (concentration, temperature, solids content). Penetration of air into the system must be avoided by all means.

If the fluid handled contains solids such as steel chips or steel chip dust, check the permissible particle concentration with KSB.

Fluid temperature

Permissible temperature range: -10 °C to +90 °C

Minimum level of fluid handled

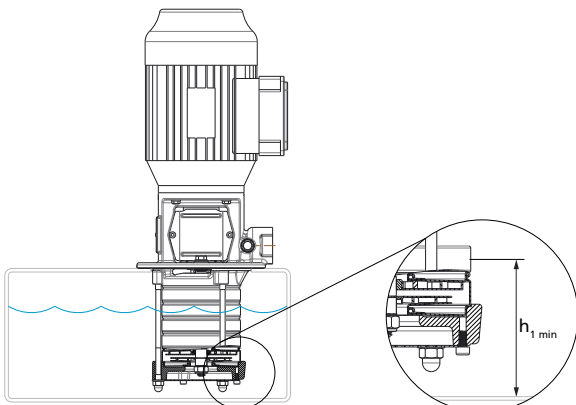


Fig. 2: Minimum level of fluid handled

Table 8: Minimum level of fluid handled ($h_{1\ min}$)

Size	$h_{1\ min}$ [mm]
2B	61
4B	61
6B	61
10B	82
15C	82

Minimum flow rate

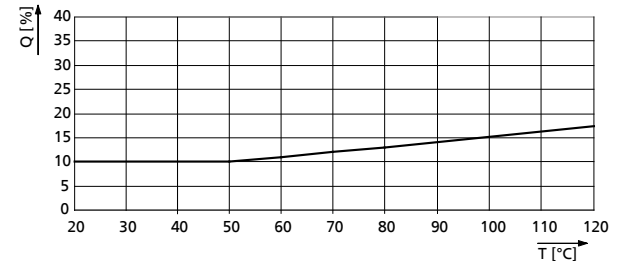


Fig. 3: Minimum flow rate required as a function of fluid temperature at a fluid temperature > +20 °C

Table 9: Minimum flow rate (Q_{\min}) at a fluid temperature of ≤ 20 °C depending on the frequency

Size	Q_{\min}	
	50 Hz [m³/h]	60 Hz [m³/h]
2B	0,2	0,2
4B	0,4	0,5
6B	0,6	0,8
10B	1,1	1,3
15C	1,6	2,3

Permissible fluids

If the operating conditions differ from the data given (e.g. mixed products) or if the fluids handled are not included in the table below, please contact KSB.

Overview of product features / selection tables
Overview of fluids handled

The data refer to the chemical resistance of the materials. The relevant regulations / standards governing individual pump applications must be complied with.

If the operating conditions differ from the data given (e.g. mixed products) or if the fluids handled are not included in the table below, please contact the manufacturer.

- **Temperature ranges:**
 - Reference temperature: +20 °C
 - For temperatures <0 °C: contact KSB.
 - For temperatures > +50 °C: check and observe the vapour pressure of the fluid handled.
 - Max. temperature = +120 °C, unless indicated otherwise.
- Max. concentration = 100 % unless indicated otherwise.
- Mechanical seal silicon carbide / carbon (Q1B): not suitable for fluids containing solid substances. This also applies to fluids which may contain particles developing as a result of salt crystallisation at low fluid temperatures.
- Mechanical seal tungsten carbide / tungsten carbide (U3U3): solids content max. 20 ppm (depending on particle size), with the exception of corrosive fluids. Fluids with a higher solids content are not permitted (ppm = 1 mg/kg).
- Caution: High temperatures will increase corrosion (reference temperature = +20 °C).
- The density and/or viscosity may vary. This leads to different operating conditions and affects the motor rating required.

Table 10: Mechanical seal selection depending on the fluid to be handled

Fluid handled Substance contained	Max. percentage [%]	T _{Max.} [°C]	Seal code					
			13	14	15	16	18	23
			Alum, acid-free	≤ 3	+80	-	-	-
Alkaline solution, bottle rinsing, max. 2 % sodium hydroxide	≤ 100	+40	-	-	X	-	-	-
Alcohol								
▪ Butanol	≤ 100	+60	X	-	-	-	-	X
▪ Ethanol	≤ 100	+60	X	-	-	-	-	X
▪ Propanol	≤ 100	80	X	-	-	-	-	X
Ammonium bicarbonate	≤ 10	+40	X	-	-	-	-	X
Ammonium hydroxide	≤ 20	+20	X	-	X	-	-	X
Calcium acetate, acid-free	≤ 10	+60	X	-	-	-	-	X
Calcium hydroxide, saturated solution	≤ 10	+50	-	-	-	X	-	-
Water-oil emulsion (95 %, 5 %), free of solids	≤ 100	+80	-	X	-	-	-	-
Ethylene glycol base antifreeze, inhibited, closed system	≤ 20	+110	X ²⁾	X	-	X	-	X
	≤ 25	+110	X ²⁾	X	-	X	-	X
	≤ 30	+110	X ²⁾	X	-	X	-	X
	≤ 35	+110	X ²⁾	X	-	X	-	X
	≤ 40	+110	X ²⁾	X	-	X	-	X
	≤ 45	+110	X ²⁾	X	-	X	-	X
	≤ 50	+110	X ²⁾	X	-	X	-	X
Water-based cooling lubricant	≤ 100	+90	X	X	-	X	-	-
Glycerine	≤ 40	+80	X	X	-	-	-	X
Glycols (pure)	≤ 100	+100	-	-	-	-	-	-
Propylene glycol	≤ 50	+90	X	X	-	X	-	X
Diethylene glycol	≤ 100	+100	X	X	-	-	-	X
Ethylene glycol	≤ 100	+100	X	X	-	-	-	X
Potassium hydroxide	≤ 5	+40	-	-	X	-	-	-
Potassium nitrate, acid-free	≤ 5	+30	-	-	X	-	-	-
Potassium sulphate, acid-free	≤ 3	+20	-	X	-	-	-	-
Potassium carbonate	≤ 20	+50	X	-	-	-	-	X
Potassium formate	≤ 20	+50	-	-	X	-	-	-
Sodium carbonate	≤ 6	+60	X	-	-	-	-	X
Sodium hydroxide	≤ 5	+60	-	-	X	-	-	-

²⁾ ≤ 100 °C

Fluid handled			Seal code					
Substance contained	Max. percentage	T _{Max.}	13	14	15	16	18	23
	[%]	[°C]						
Sodium nitrate, acid-free	≤ 10	+30	X	-	-	-	-	X
Sodium nitrate, acid-free	≤ 10	+60	X	-	-	-	-	-
Oil								
▪ Cutting oil	≤ 100	+90	-	X	-	X	-	-
▪ Silicone oil	≤ 100	-	-	X	-	-	-	-
▪ Olive oil	≤ 100	+80	-	X	-	X	-	-
▪ Peanut oil	≤ 100	+90	-	X	-	-	-	-
▪ Linseed oil	≤ 100	+60	-	X	-	-	-	-
▪ Corn oil	≤ 100	+100	-	X	-	-	-	-
▪ Rapeseed oil	≤ 100	+100	-	X	-	-	-	-
▪ Soybean oil	≤ 100	+80	-	X	-	X	-	-
Trisodium phosphate	≤ 4	+80	-	X	-	-	-	-
Water								
▪ Fire-fighting water	≤ 100	+60	-	X	-	-	X	-
▪ Heating water in accordance with VDI 2035	≤ 100	+100	X	-	-	-	X	X
▪ Hot water treated in accordance with VdTÜV 1466	≤ 100	+120	X	-	-	-	X	X
▪ Boiler feed water to VdTÜV 1466	≤ 100	+120	X	-	-	-	X	X
▪ Condensate treated in acc. with VdTÜV 1466	≤ 100	+120	X	-	-	-	X	X
▪ Vapour condensate (brewery)	≤ 100	+120	X	-	-	-	X	X
▪ Cooling water	≤ 100	+100	-	-	-	X	-	-
▪ Tap water	≤ 100	+60	X	-	-	-	-	-
▪ Brewing water	≤ 100	+60	X	-	-	-	-	-
▪ Ice water (brewery)	≤ 100	+60	X	-	-	-	-	-
▪ Hot water (brewery)	≤ 100	+60	X	-	-	-	-	-
▪ Clean water	≤ 100	+60	X	X	X	X	X	X
▪ Raw water	≤ 100	+60	-	-	X	-	-	-
▪ Grey water, slightly contaminated water	≤ 100	+60	-	-	X	-	-	-
▪ River water	≤ 100	+60	-	-	X	-	-	-
▪ Lake water	≤ 100	+60	-	-	X	-	-	-
▪ Dam water	≤ 100	+60	-	-	X	-	-	-
▪ Surface water	≤ 100	+60	-	-	X	-	-	-
▪ Fresh water	≤ 100	+60	-	X	-	-	-	-
▪ Barrier water	≤ 100	+70	-	-	-	X	-	-
▪ Rinsing water	≤ 100	+70	-	-	-	X	-	-
▪ Rainwater, with strainer	≥ 20	+60	-	-	-	X	-	-
▪ Water containing lime	≤ 100	+90	-	-	X	-	-	-
▪ Water containing oil	≤ 100	+90	-	X	-	X	-	-
▪ Water-glycol mixture	≤ 100	+100	-	-	-	-	-	-

Shaft seal

Table 11: Available mechanical seals

Seal code	Mechanical seal		T		Pressure [bar]	Certification
	Type	Material	Min.	Max.		
			[°C]	[°C]		
13	RMG-G606	Q1BEGG ³⁾	-20	+100	25	WRAS
14	RMG-G606	Q1BVGG ³⁾	-20	+120	25	-
15	RMG-G606	U3U3X4GG	-20	+120 ⁴⁾	25	-
16	RMG-G606	U3U3VGG	-20	+120 ⁴⁾	25	-
18	RMG-G606	U3BEGG	-20	+120 ⁴⁾	25	-
23	RMG-G606	Q1BEGG ³⁾	-20	+100	25	-
24	MG-G606	Q1Q1VGG	-20	+100	10	-
29	MG-G606	Q1Q1EGG	-20	+100	10	-

Table 12: Key to mechanical seal materials

Description	Code to EN 12756	Seal face materials / secondary seals
Primary ring	U3	Tungsten carbide (CrNiMo binder)
	Q1	Silicon carbide (sintered without pressure)
Mating ring	B	Hard carbon, resin-impregnated
	U3	Tungsten carbide (CrNiMo binder)
	Q1	Silicon carbide (sintered without pressure)
Elastomer	E	EPDM (ethylene propylene rubber)
	V	FPM (fluoroelastomer)
	X4	HNBR
Spring	G	CrNiMo steel
Other metal parts	G	CrNiMo steel

³⁾ Not suitable for fluids containing solids (e.g. particles developing as a result of salt crystallisation).

⁴⁾ Temperatures up to 140 °C if the pressure does not exceed 16 bar

Technical data

Movitec VCI, n = 2900 rpm

Table 13: Technical data, 50 Hz

Size	P _N	I _N	I _N	Versions with seal code 14 (Q1BVGG)	
	P _N ≥ 0,75 kW = IE3	3~230 / 400 V	3~400 / 690 V	Mat. No.	[kg]
	[kW]	[A]	[A]		
02/02-02 B	0,37	1,64/0,94	-	48239986	15,6
02/03-03 B	0,37	1,64/0,94	-	48239987	15,9
02/04-04 B	0,37	1,64/0,94	-	48239988	16,2
02/05-05 B	0,37	1,64/0,94	-	48239989	16,5
02/06-06 B	0,55	2,31/1,33	-	48239990	17,7
02/07-07 B	0,55	2,31/1,33	-	48239991	18
02/08-08 B	0,55	2,31/1,33	-	48239992	18,3
02/09-09 B	0,75	2,92/1,68	-	48239993	21,8
02/10-10 B	0,75	2,92/1,68	-	48239994	22,2
02/11-11 B	1,10	4,17/2,40	-	48239995	25,1
02/12-12 B	1,10	4,17/2,40	-	48239996	25,4
02/14-14 B	1,10	4,17/2,40	-	48239997	26,3
02/16-16 B	1,50	5,08/2,92	-	48239998	30,2
02/18-18 B	1,50	5,08/2,92	-	48239999	30,8
02/20-20 B	1,50	5,08/2,92	-	48240000	31,1
02/22-22 B	2,20	7,22/4,15	-	48240001	36
02/24-24 B	2,20	7,22/4,15	-	48240002	36,6
02/26-26 B	2,20	7,22/4,15	-	48240003	37,2
02/28-28 B	2,20	7,22/4,15	-	48240004	37,8
02/30-30 B	2,20	7,22/4,15	-	48240005	38,4
04/02-02 B	0,37	1,64/0,94	-	48240006	15,6
04/03-03 B	0,55	2,31/1,33	-	48240007	16,8
04/04-04 B	0,55	2,31/1,33	-	48240008	17,1
04/05-05 B	0,75	2,92/1,68	-	48240009	20,7
04/06-06 B	1,10	4,17/2,40	-	48240010	23,6
04/07-07 B	1,10	4,17/2,40	-	48240011	23,9
04/08-08 B	1,50	5,08/2,92	-	48240012	27,6
04/09-09 B	1,50	5,08/2,92	-	48240013	27,9
04/10-10 B	1,50	5,08/2,92	-	48240014	28,3
04/11-11 B	2,20	7,22/4,15	-	48240015	30,9
04/12-12 B	2,20	7,22/4,15	-	48240016	31,2
04/14-14 B	2,20	7,22/4,15	-	48240017	32,1
04/16-16 B	3,00	-	5,59/3,24	48240018	41,5
04/18-18 B	3,00	-	5,59/3,24	48240019	42,1
04/20-20 B	3,00	-	5,59/3,24	48240020	43,2
04/22-22 B	4,00	-	7,45/4,32	48240021	48,8
04/24-24 B	4,00	-	7,45/4,32	48240022	49,4
04/26-26 B	4,00	-	7,45/4,32	48240023	66
04/26-28 B	4,00	-	7,45/4,32	48240024	68,1
04/26-30 B	4,00	-	7,45/4,32	48240025	68,2
06/02-02 B	0,37	1,64/0,94	-	48240026	15,7
06/03-03 B	0,75	2,92/1,68	-	48240027	20,1
06/04-04 B	1,10	4,17/2,40	-	48240028	23,1
06/05-05 B	1,10	4,17/2,40	-	48240029	23,5
06/06-06 B	1,50	5,08/2,92	-	48240030	27,2
06/07-07 B	1,50	5,08/2,92	-	48240031	27,6
06/08-08 B	2,20	7,22/4,15	-	48240032	30,3
06/09-09 B	2,20	7,22/4,15	-	48240033	30,6
06/10-10 B	2,20	7,22/4,15	-	48240034	31
06/11-11 B	3,00	-	5,59/3,24	48240035	40,5
06/12-12 B	3,00	-	5,59/3,24	48240036	40,8
06/14-14 B	3,00	-	5,59/3,24	48240037	41,5

Size	P _N	I _N	I _N	Versions with seal code 14 (Q1BVGG)	
	P _N ≥ 0,75 kW = IE3	3~230 / 400 V	3~400 / 690 V	Mat. No.	[kg]
	[kW]	[A]	[A]		
06/16-16 B	4,00	-	7,45/4,32	48240038	63,5
06/18-18 B	4,00	-	7,45/4,32	48240039	64,2
06/20-20 B	5,50	-	10,00/5,80	48240040	91,7
06/22-22 B	5,50	-	10,00/5,80	48240041	92
06/24-24 B	5,50	-	10,00/5,80	48240042	93,4
06/26-26 B	5,50	-	10,00/5,80	48240043	93,8
06/28-28 B	5,50	-	10,00/5,80	48240044	94,1
06/26-30 B	5,50	-	10,00/5,80	48240045	94,4
10/01-02 B	0,75	2,92/1,68	-	48240106	18,9
10/02-02 B	0,75	2,92/1,68	-	48240107	18,8
10/03-03 B	1,10	4,17/2,40	-	48240108	22,5
10/04-04 B	1,50	5,08/2,92	-	48240109	33,8
10/05-05 B	2,20	7,22/4,15	-	48240110	37,4
10/06-06 B	2,20	7,22/4,15	-	48240111	38
10/07-07 B	3,00	-	5,59/3,24	48240112	46,5
10/08-08 B	3,00	-	5,59/3,24	48240113	47,2
10/09-09 B	4,00	-	7,45/4,32	48240114	52,8
10/10-10 B	4,00	-	7,45/4,32	48240115	53,7
10/11-11 B	4,00	-	7,45/4,32	48240116	54,3
10/13-13 B	5,50	-	10,00/5,80	48240117	95,6
10/15-15 B	5,50	-	10,00/5,80	48240118	96,9
10/17-17 B	7,50	-	13,40/7,74	48240119	106,9
10/19-19 B	7,50	-	13,40/7,74	48240120	108,4
10/21-21 B	7,50	-	13,40/7,74	48240121	109,7
15/01-02 C	1,10	4,17/2,40	-	48017165	27,4
15/02-02 C	2,20	7,50/4,30	-	48017166	37,8
15/03-03 C	3,00	-	5,80/3,30	48017167	46,7
15/04-04 C	4,00	-	12,80/7,40	48017168	57,2
15/05-05 C	5,50	-	17,30/10,0	48017169	98,4
15/06-06 C	5,50	-	23,0/13,30	48017170	99,8
15/07-07 C	7,50	-	23,0/13,30	48017171	101,5
15/08-08 C	11,00	-	33,40/19,30	48017172	163,1
15/09-09 C	11,00	-	33,40/19,30	48017173	185,3
15/10-10 C	11,00	-	33,40/19,30	48017174	186,7
15/11-11 C	11,00	-	33,40/19,30	48017175	188
15/13-13 C	15,00	-	45,40/26,20	48017176	201,4
15/15-15 C	15,00	-	45,40/26,20	48017177	204,1
15/17-17 C	18,50	-	55,60/32,10	48017178	217,1

Movitec VCI, n = 3500 rpm

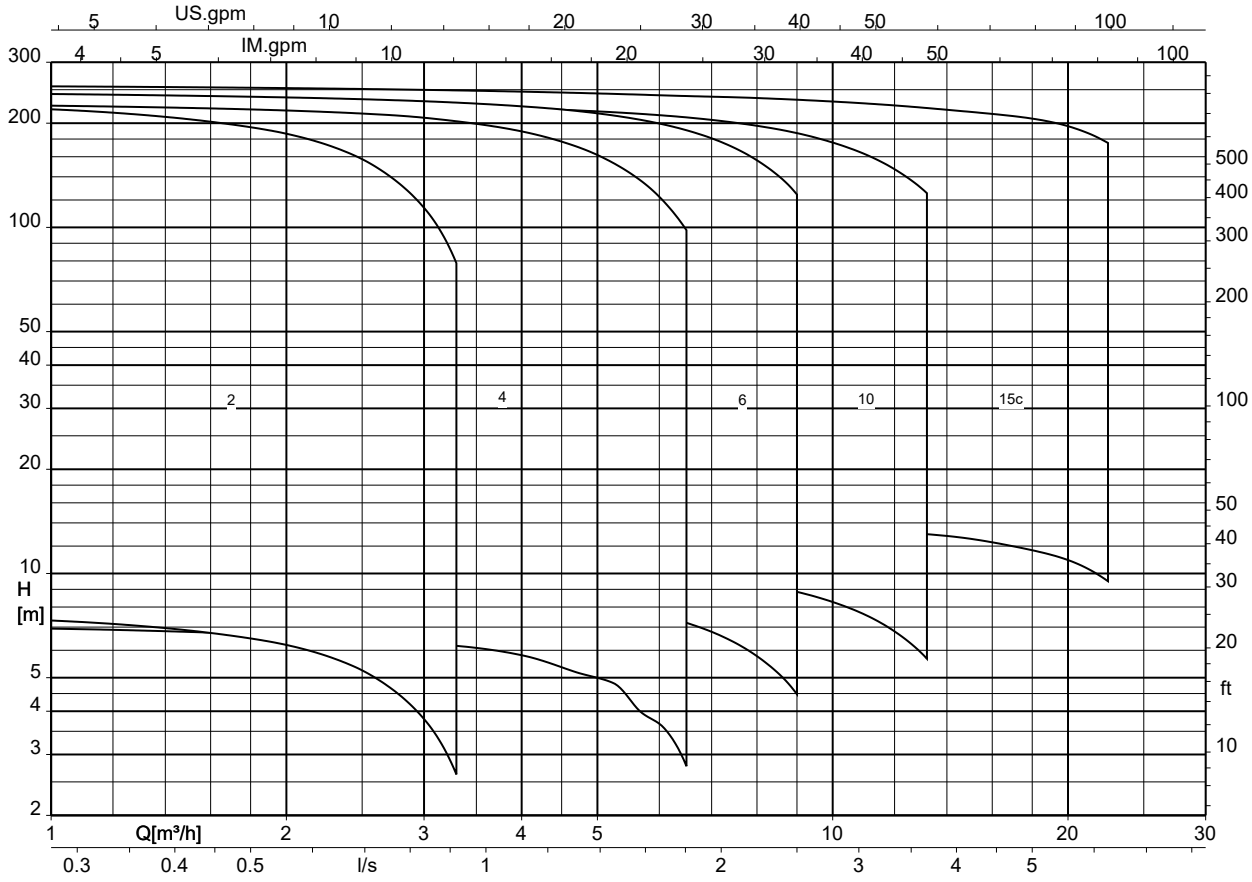
Table 14: Technical data 60 Hz

Size	P _N	I _N	Versions with seal code 14 (Q1BVGg)	
	P _N ≥ 0,75 kW = IE3 [kW]	3~230 / 400 V [A]	Mat. No.	[kg]
02/02-02 B	0,37	1,54/0,89	48240046	15,6
02/03-03 B	0,37	1,54/0,89	48240047	15,9
02/04-04 B	0,55	2,29/1,32	48240048	17
02/05-05 B	0,75	2,87/1,65	48240049	20,6
02/06-06 B	0,75	2,87/1,65	48240050	20,9
02/07-07 B	1,10	4,11/2,36	48240051	23,8
02/08-08 B	1,10	4,11/2,36	48240052	24,1
02/09-09 B	1,10	4,11/2,36	48240053	24,4
02/10-10 B	1,50	5,01/2,88	48240054	28,1
02/11-11 B	1,50	5,01/2,88	48240055	28,4
02/12-12 B	1,50	5,01/2,88	48240056	28,7
02/14-14 B	2,20	7,12/4,09	48240057	31,9
02/16-16 B	2,20	7,12/4,09	48240058	32,7
02/18-18 B	2,20	7,12/4,09	48240059	33,1
02/20-20 B	3,00	9,57/5,51	48240060	44,6
02/22-22 B	3,00	9,57/5,51	48240061	45,2
02/22-24 B	3,00	9,57/5,51	48240062	45,5
02/22-26 B	3,00	9,57/5,51	48240063	45,8
02/22-28 B	3,00	9,57/5,51	48240064	46,1
02/22-30 B	3,00	9,57/5,51	48240065	63,6
04/02-02 B	0,55	2,29/1,32	48240066	16,4
04/03-03 B	0,75	2,87/1,65	48240067	19,9
04/04-04 B	1,10	4,11/2,36	48240068	22,8
04/05-05 B	1,50	5,01/2,88	48240069	26,6
04/06-06 B	1,50	5,01/2,88	48240070	26,9
04/07-07 B	2,20	7,12/4,09	48240071	29,5
04/08-08 B	2,20	7,12/4,09	48240072	29,9
04/09-09 B	3,00	9,57/5,51	48240073	41,1
04/10-10 B	3,00	9,57/5,51	48240074	39,8
04/11-11 B	3,00	9,57/5,51	48240075	41,7
04/12-12 B	4,00	12,80/7,34	48240076	45,3
04/14-14 B	4,00	12,80/7,34	48240077	45,9
04/16-16 B	5,50	17,10/9,86	48240078	63,8
04/18-18 B	5,50	17,10/9,86	48240079	80,5
04/18-20 B	5,50	17,10/9,86	48240080	78,8
04/18-22 B	5,50	17,10/9,86	48240081	83,8
04/18-24 B	5,50	17,10/9,86	48240082	84
04/18-26 B	5,50	17,10/9,86	48240083	84,7
04/18-28 B	5,50	17,10/9,86	48240084	85,2
04/18-30 B	5,50	17,10/9,86	48240085	85,5
06/02-02 B	0,75	2,87/1,65	48240086	19,7
06/03-03 B	1,10	4,11/2,36	48240087	22,7
06/04-04 B	1,50	5,01/2,88	48240088	26,5
06/05-05 B	2,20	7,12/4,09	48240089	29,1
06/06-06 B	2,20	7,12/4,09	48240090	29,5
06/07-07 B	3,00	9,57/5,51	48240091	40,5
06/08-08 B	3,00	9,57/5,51	48240092	41,1
06/09-09 B	4,00	12,80/7,34	48240093	44,8
06/10-10 B	4,00	12,80/7,34	48240094	45,1
06/11-11 B	4,00	12,80/7,34	48240095	45,5
06/12-12 B	5,50	17,10/9,86	48240096	79,2
06/14-14 B	5,50	17,10/9,86	48240097	79,9
06/16-16 B	7,50	22,90/13,20	48240098	95,8
06/18-18 B	7,50	22,90/13,20	48240099	96,5
06/18-20 B	7,50	22,90/13,20	48240100	96,8

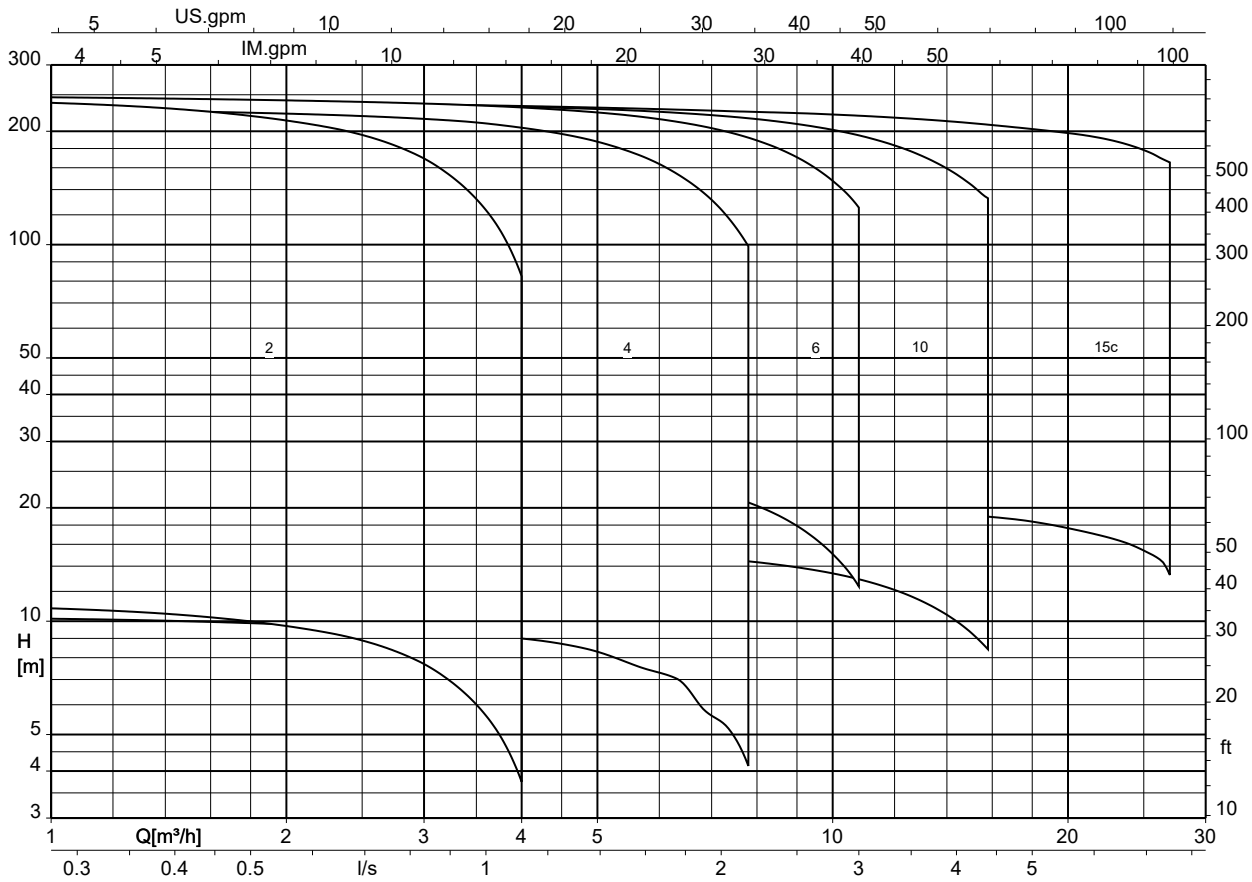
Size	P _N	I _N	Versions with seal code 14 (Q1BVG)	
	P _N ≥ 0,75 kW = IE3	3~230 / 400 V	Mat. No.	[kg]
	[kW]	[A]		
06/18-22 B	7,50	22,90/13,20	48240101	97,1
06/18-24 B	7,50	22,90/13,20	48240102	97,4
06/18-26 B	7,50	22,90/13,20	48240103	97,8
06/18-28 B	7,50	22,90/13,20	48240104	98,1
06/18-30 B	7,50	22,90/13,20	48240105	98,4
10/01-02 B	0,75	2,87/1,65	48240122	18,9
10/02-02 B	1,50	5,01/2,88	48240123	32
10/03-03 B	2,20	7,12/4,09	48240124	35,4
10/04-04 B	3,00	9,57/5,51	48240125	46
10/05-05 B	4,00	12,80/7,34	48240126	49,9
10/06-06 B	4,00	12,80/7,34	48240127	50,6
10/07-07 B	5,50	17,10/9,86	48240128	84,2
10/08-08 B	5,50	17,10/9,86	48240129	84,8
10/09-09 B	7,50	22,90/13,20	48240130	98,3
10/10-10 B	7,50	22,90/13,20	48240131	99,1
10/11-11 B	7,50	22,90/13,20	48240132	99,8
10/13-13 B	11,00	33,20/19,10	48240133	198,9
10/15-15 B	11,00	33,20/19,10	48240134	200,2
10/15-17 B	11,00	33,20/19,10	48240135	204,4
10/15-19 B	11,00	33,20/19,10	48240136	205,2
10/15-21 B	11,00	33,20/19,10	48240137	205,8
15/01-02 C	2,20	7,10/4,10	48017179	37,3
15/02-02 C	4,00	12,50/7,20	48017180	53,3
15/03-03 C	5,50	17,0/9,80	48017181	85,2
15/04-04 C	7,50	22,50/13,0	48017182	86
15/05-05 C	11,00	32,90/19,0	48017183	157
15/06-06 C	11,00	32,90/19,0	48017184	157,9
15/07-07 C	15,00	44,30/25,60	48017185	169,6
15/08-08 C	15,00	44,30/25,60	48017186	170,5
15/09-09 C	15,00	44,30/25,60	48017187	192,7
15/10-10 C	18,50	54,60/31,50	48017188	203,5
15/11-11 C	18,50	54,60/31,50	48017189	204,4

Selection chart

Movitec VCI, n = 2900 rpm



Movitec VCI, n = 3500 rpm



Characteristic curves

n = 2900 rpm

Movitec VCI 2B, n = 2900 rpm

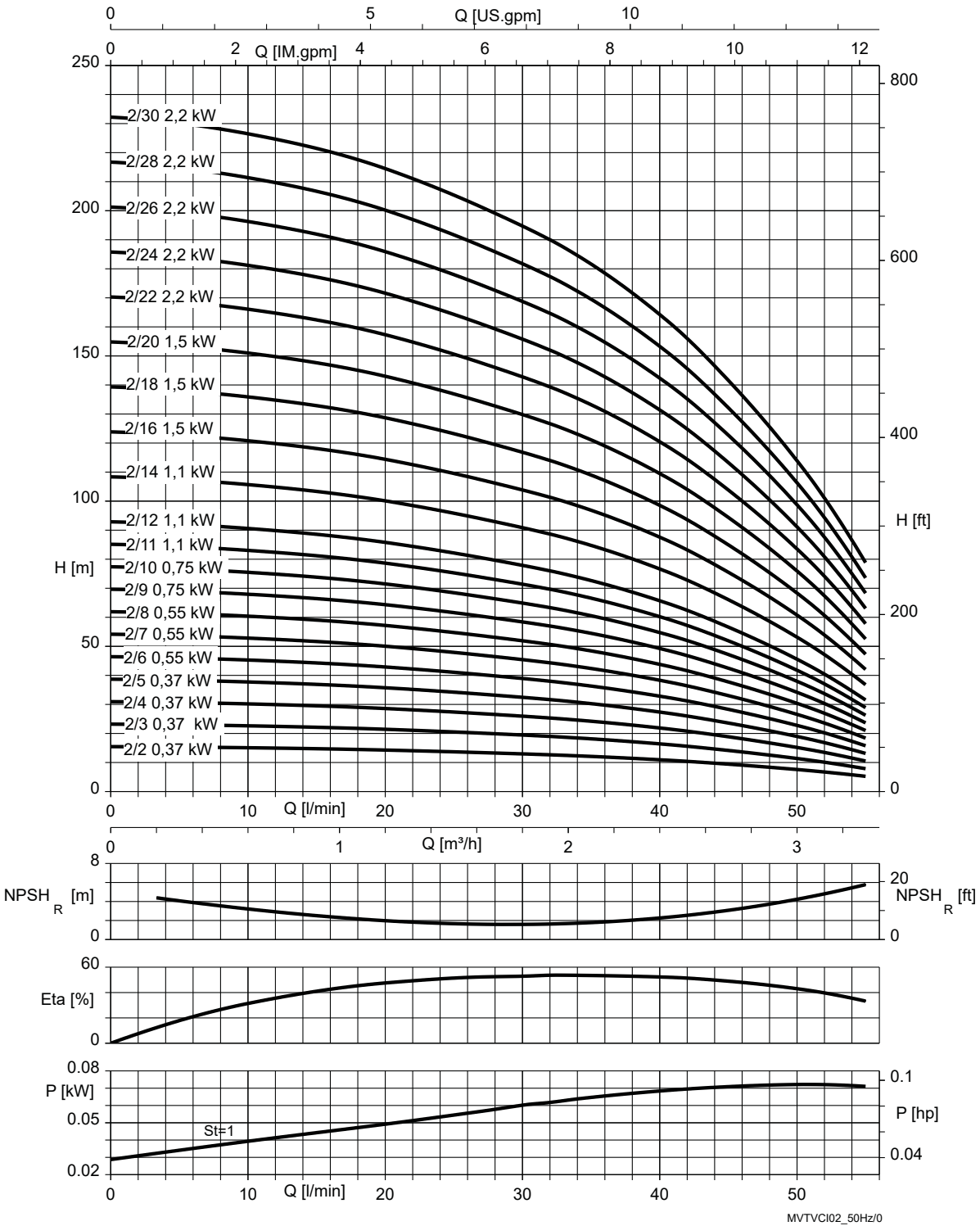


Fig. 4: $\rho = 1000 \text{ kg/m}^3$

St = 1	P per stage
--------	-------------

1798.54/08-EN

Movitec VCI 4B, n = 2900 rpm

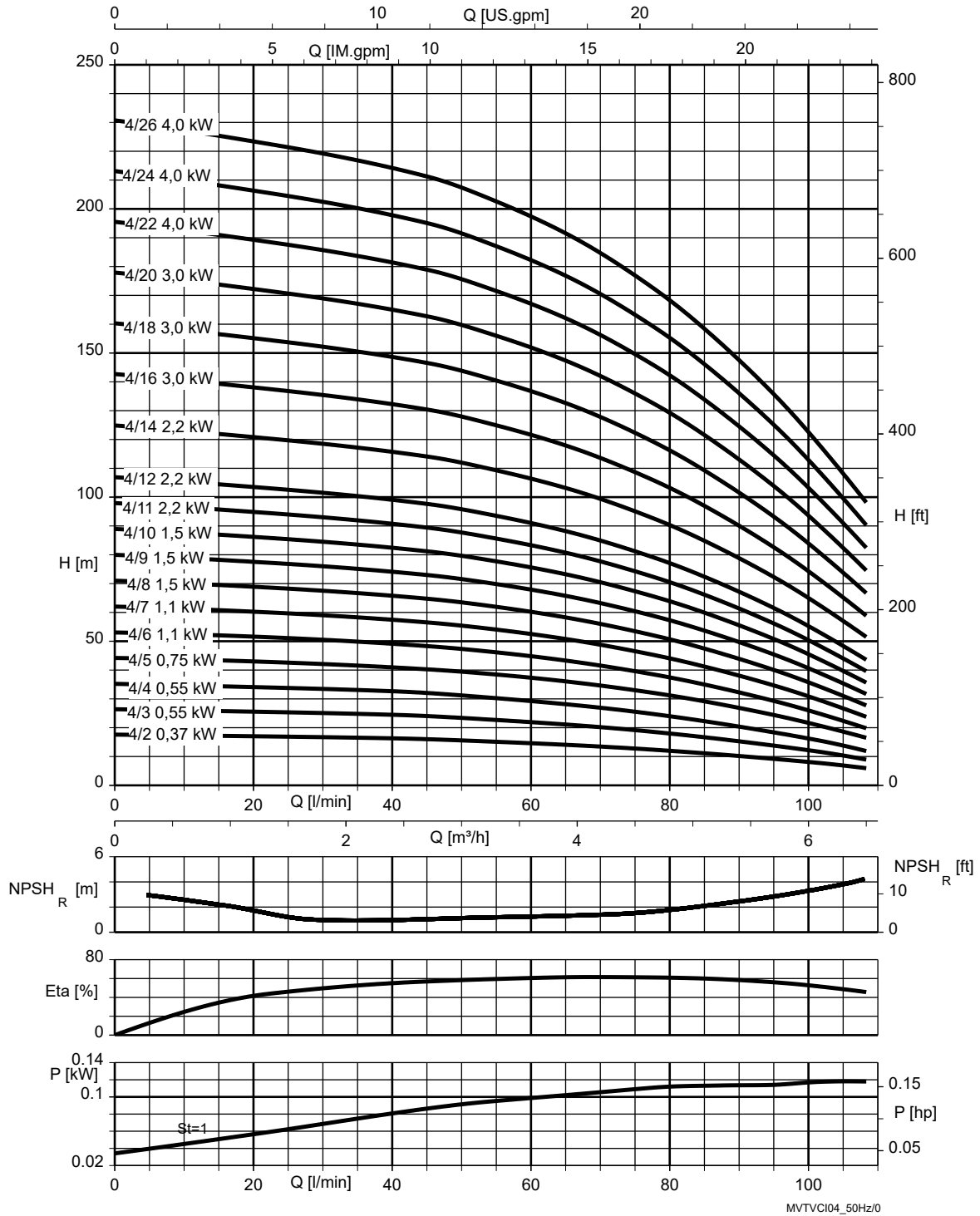


Fig. 5: $\rho = 1000 \text{ kg/m}^3$

St = 1 | P per stage

Movitec VCI 6B, n = 2900 rpm

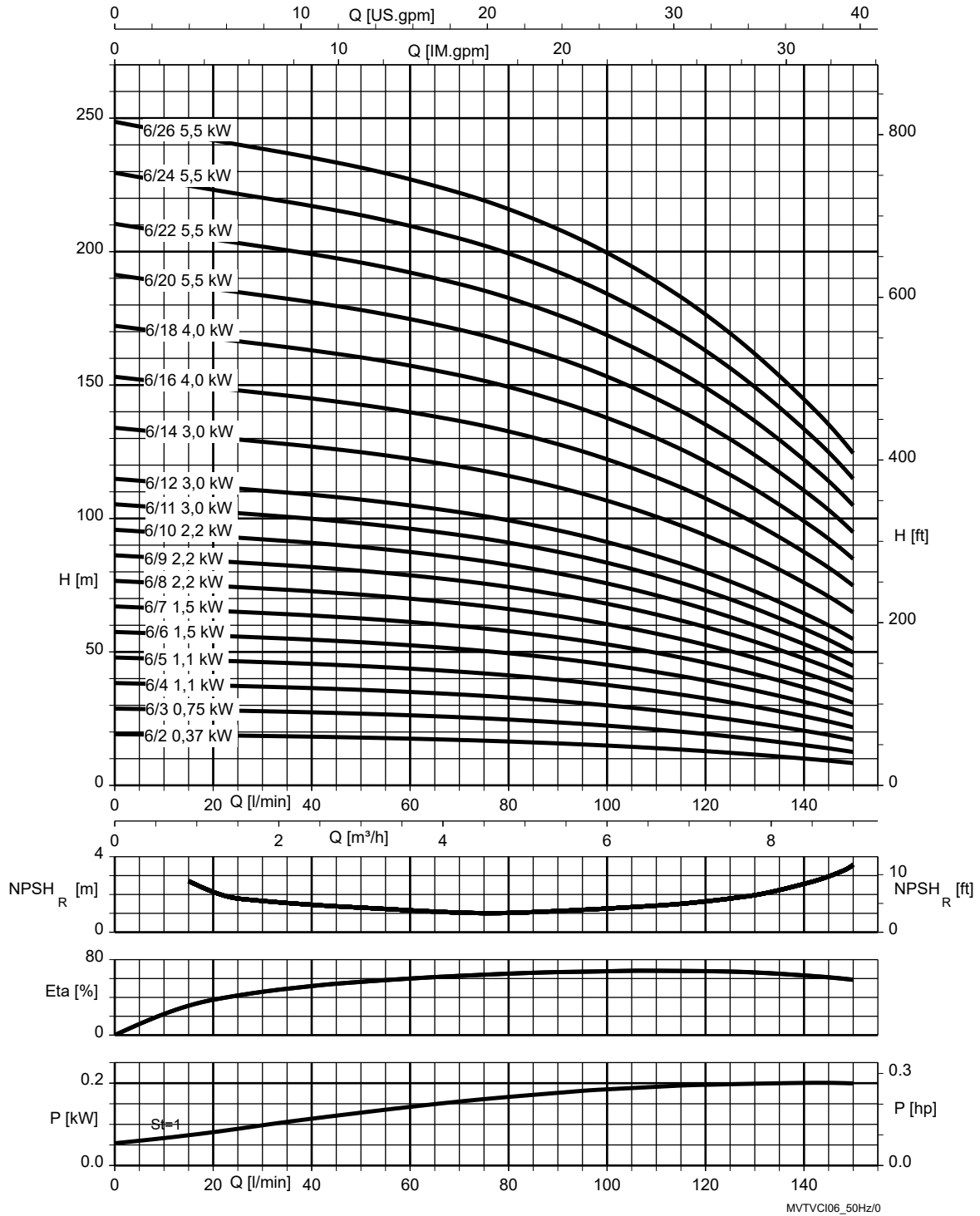


Fig. 6: $\rho = 1000 \text{ kg/m}^3$

St = 1 | P per stage

Movitec VCI 10B, n = 2900 rpm

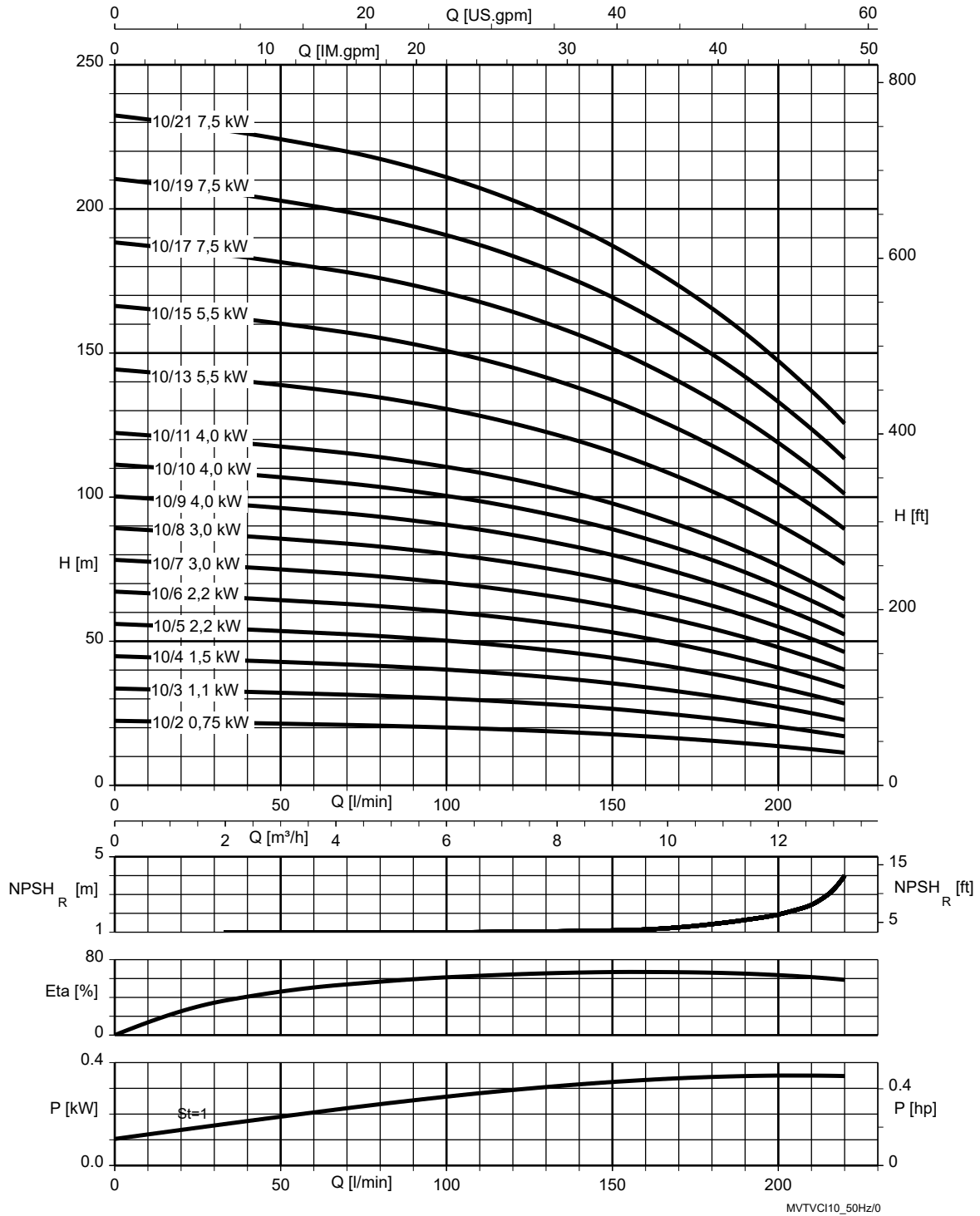


Fig. 7: $\rho = 1000 \text{ kg/m}^3$

St = 1 | P per stage

Movitec VCI 15C, n = 2900 rpm

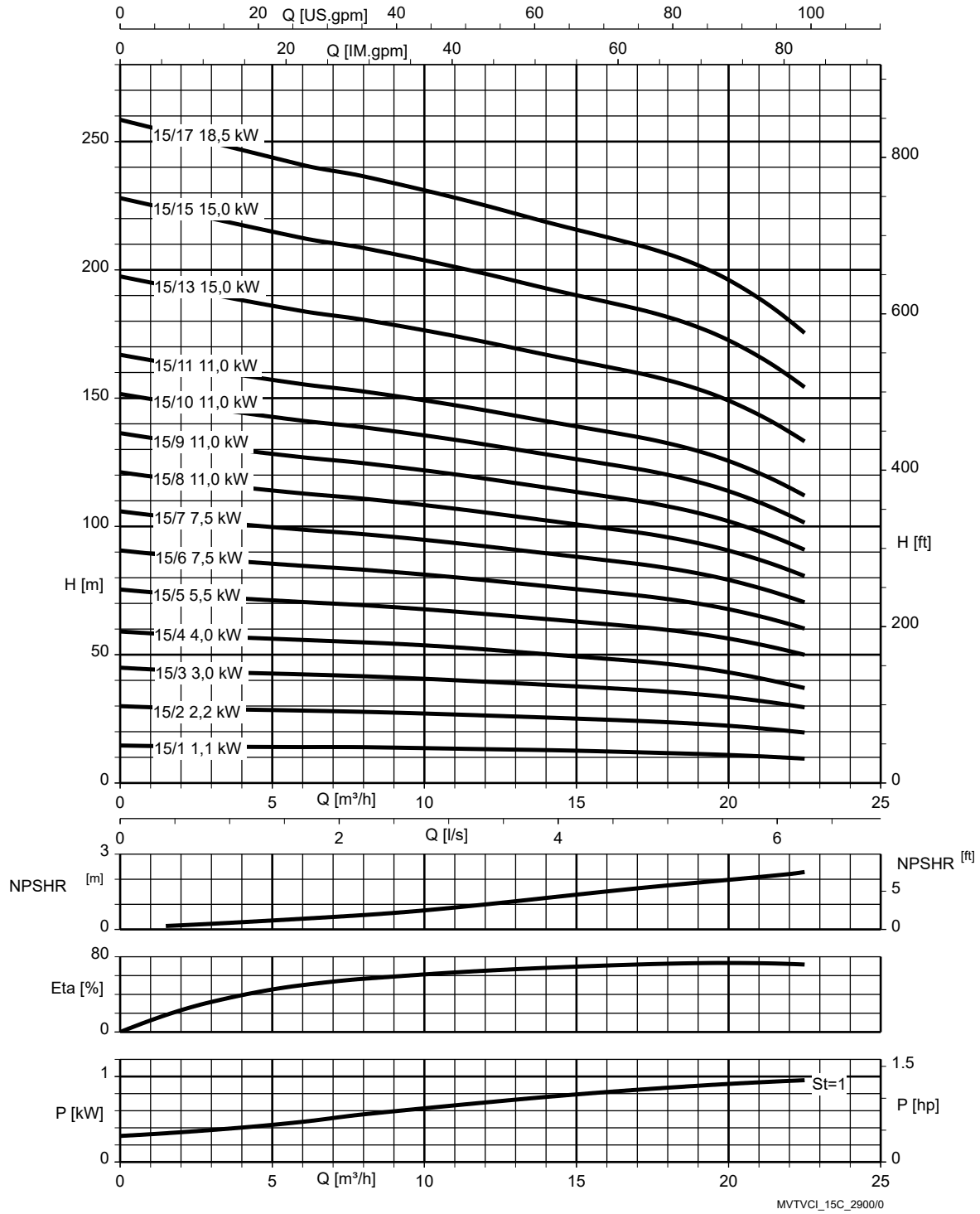


Fig. 8: $\rho = 1000 \text{ kg/m}^3$

St = 1 | P per stage

n = 3500 rpm

Movitec VCI 2B, n = 3500 rpm

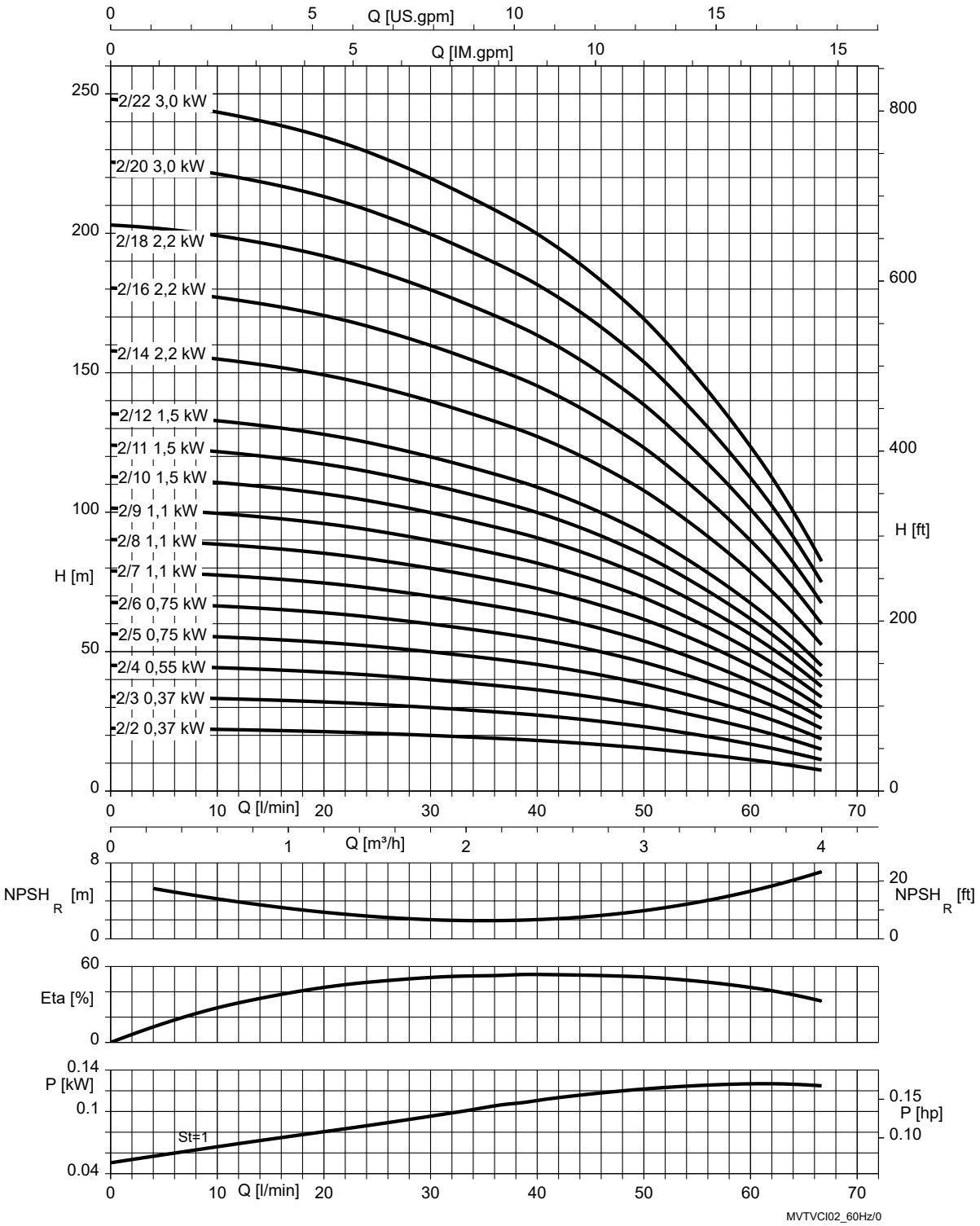


Fig. 9: $\rho = 1000 \text{ kg/m}^3$

St = 1 P per stage

Movitec VCI 4B, n = 3500 rpm

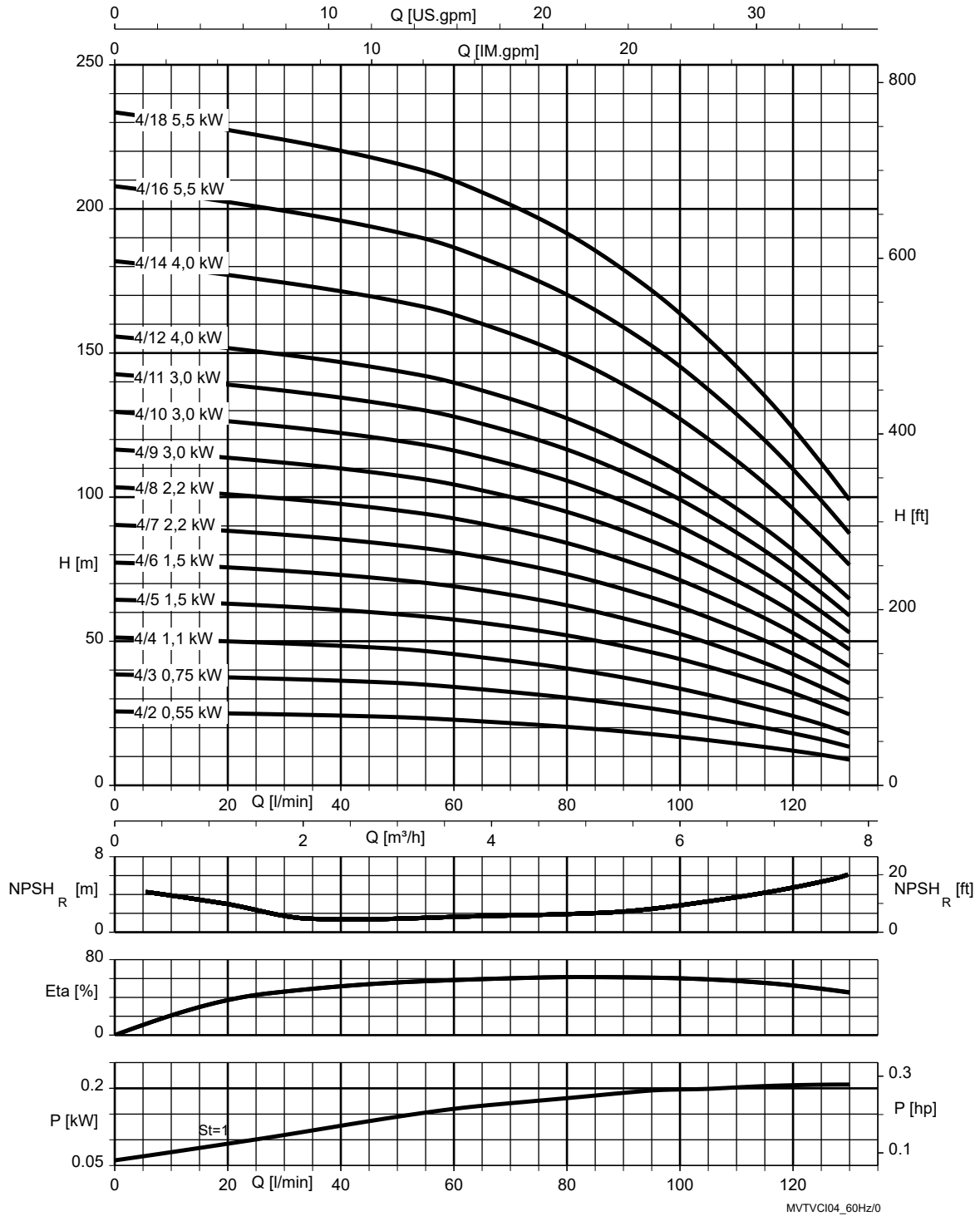


Fig. 10: $\rho = 1000 \text{ kg/m}^3$

St = 1	P per stage
--------	-------------

Movitec VCI 6B, n = 3500 rpm

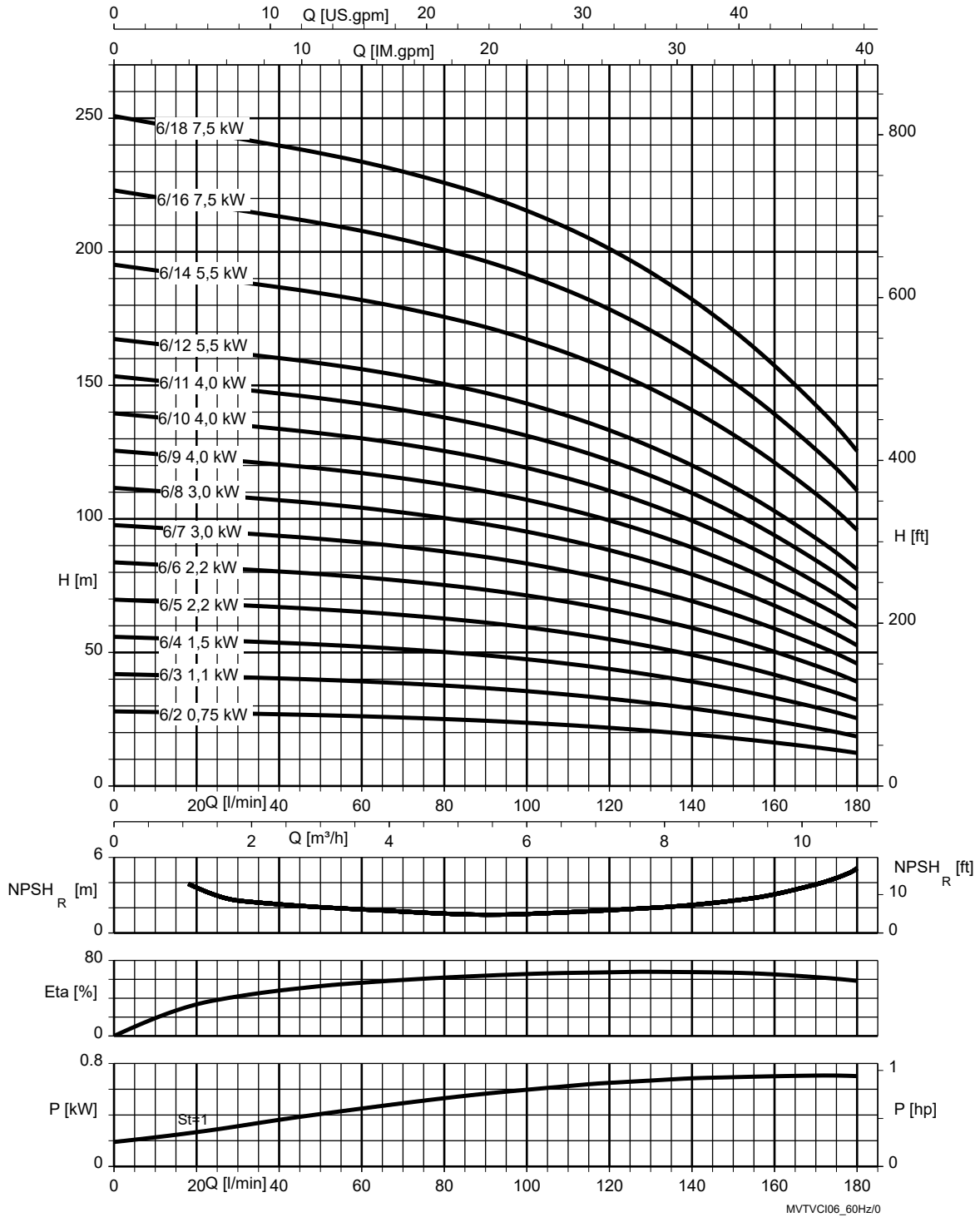


Fig. 11: $\rho = 1000 \text{ kg/m}^3$

St = 1 | P per stage

Movitec VCI 10B, n = 3500 rpm

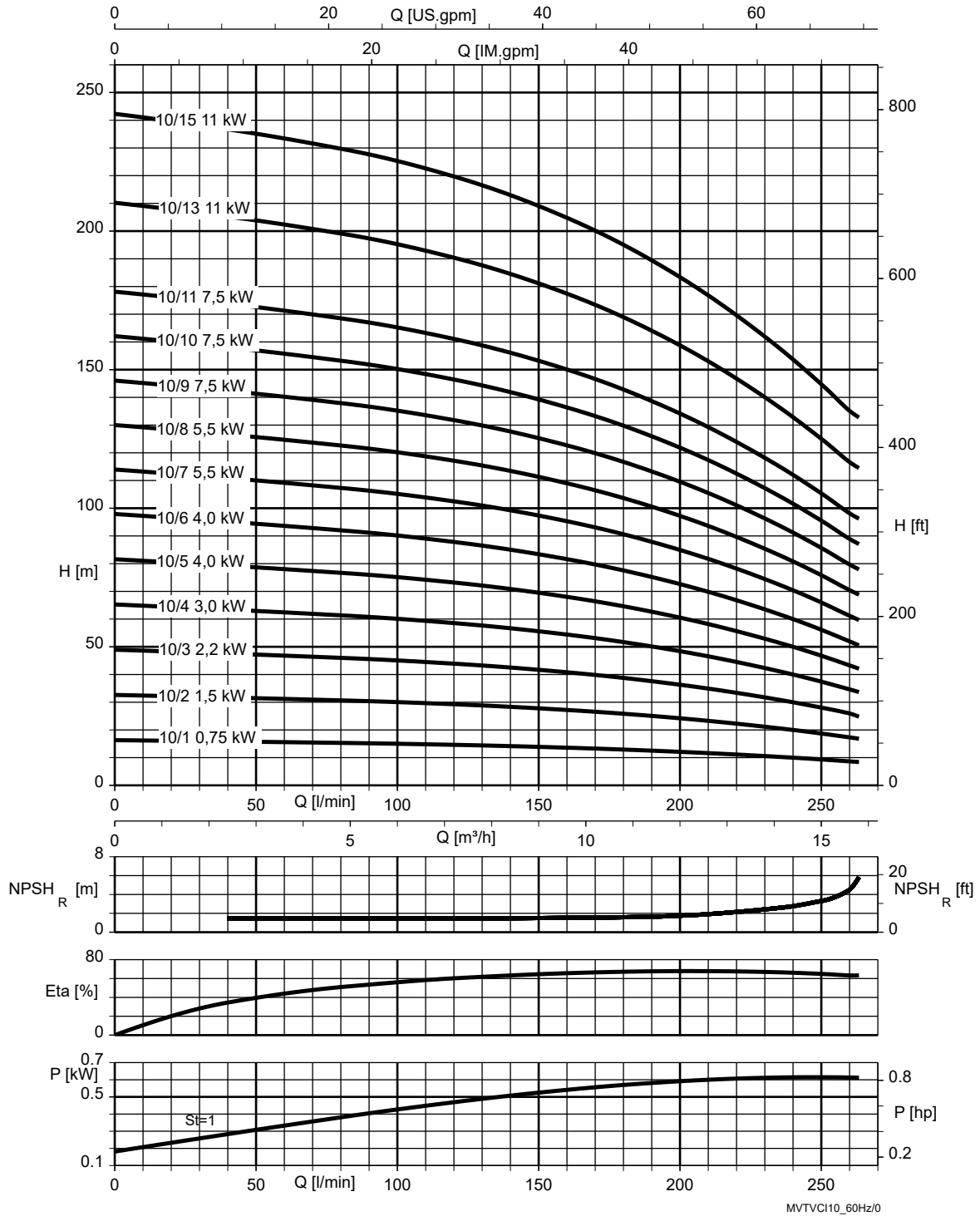


Fig. 12: $\rho = 1000 \text{ kg/m}^3$

St = 1 | P per stage

Movitec VCI 15C, n = 3500 rpm

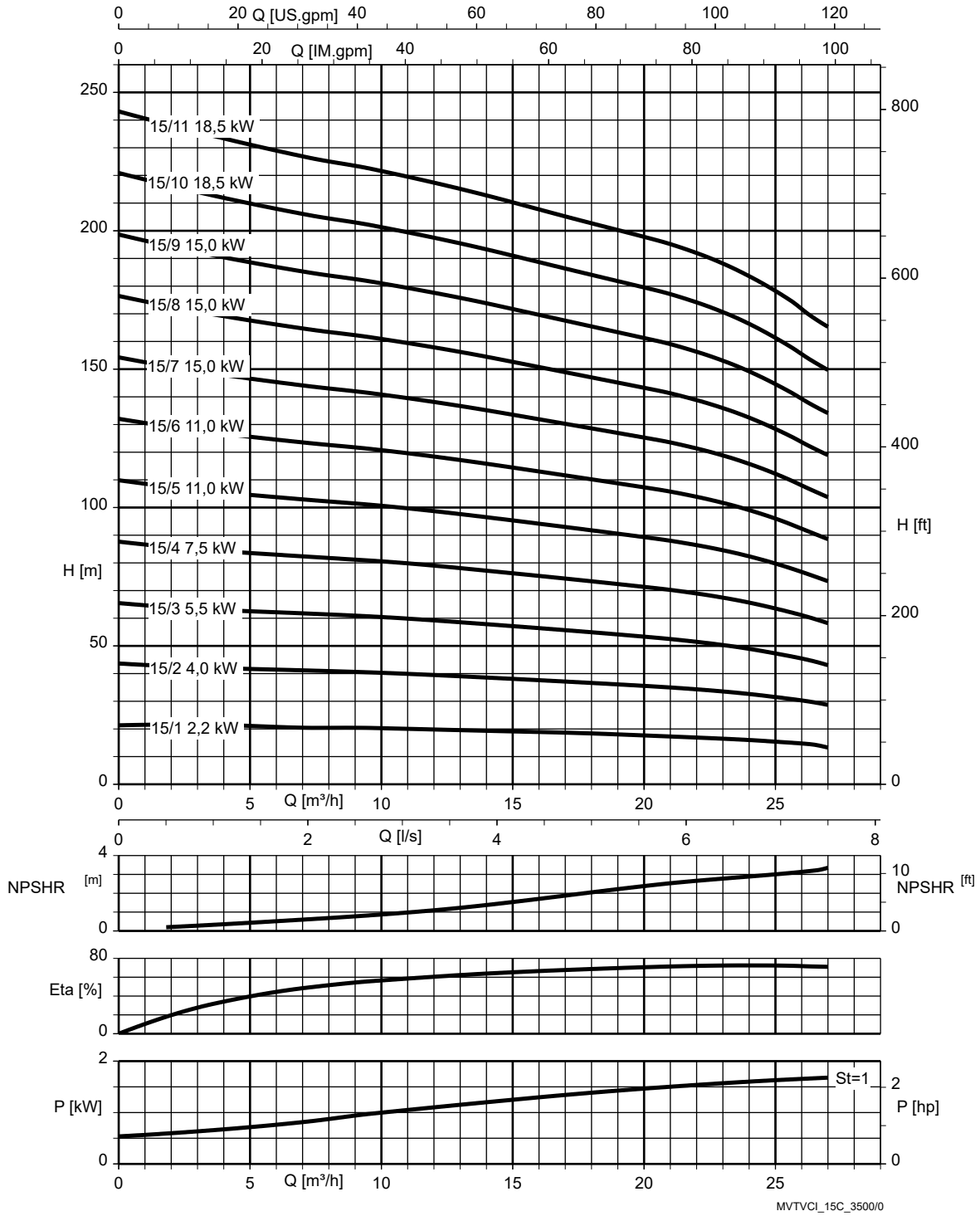


Fig. 13: $\rho = 1000 \text{ kg/m}^3$

St = 1	P per stage
--------	-------------

1798.54/08-EN

Dimensions and connections

Movitec VCI 2B, n = 2900 rpm

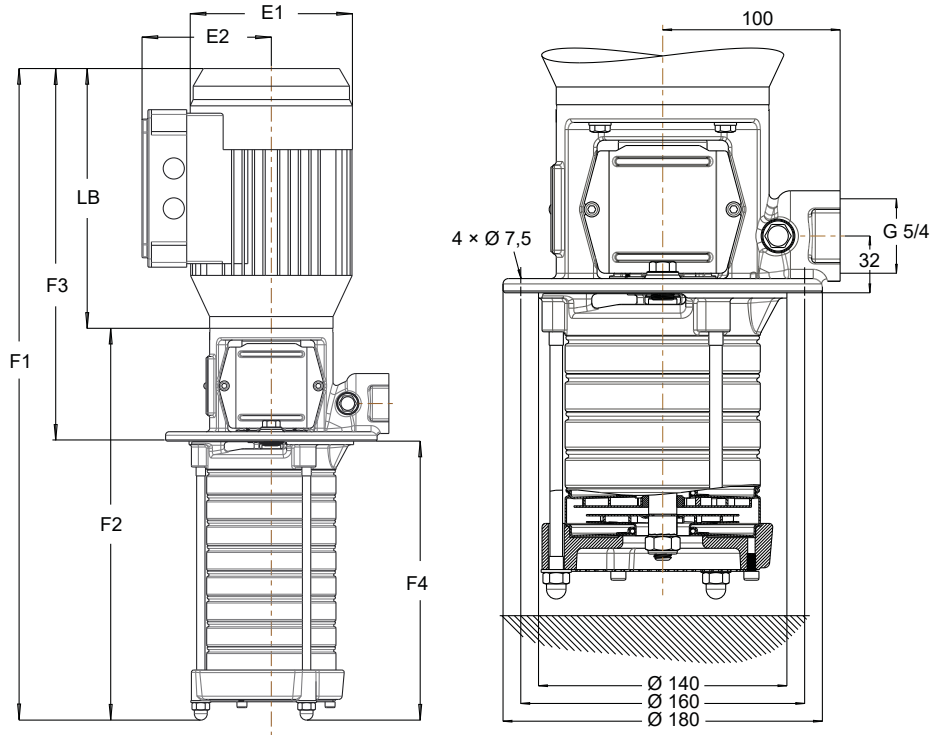


Fig. 14: Movitec VCI 2B dimensions / connections

Table 15: Calculation of pump (set) length

Feature	Pump length	Pump set length
Pump without blind stage	F1	F2
Pump with blind stage	F3 + F4	F3 + F4 - LB

- F3 [mm]: depends on number of impellers
- F4 [mm]: depends on the number of stages (incl. blind stages)

Example: size 2/16-22: F3 = 373 mm, F4 = 560 mm

Table 16: Dimensions

Size	E1	E2	LB	F1	F2	F3	F4
	[mm]	[mm]	[mm]	[mm]	[mm]	[mm]	[mm]
02/02-02 B	138	109	221	447	226	317	130
02/03-03 B	138	109	221	468	247	317	151
02/04-04 B	138	109	221	490	269	317	173
02/05-05 B	138	109	221	511	290	317	194
02/06-06 B	138	109	221	533	312	317	216
02/07-07 B	138	109	221	554	333	317	237
02/08-08 B	138	109	221	576	355	317	259
02/09-09 B	157	133	257	643	386	363	280
02/10-10 B	157	133	257	665	408	363	302
02/11-11 B	157	133	257	686	429	363	323
02/12-12 B	157	133	257	708	451	363	345
02/14-14 B	157	133	257	751	494	363	388
02/16-16 B	180	145	257	804	547	373	431
02/18-18 B	180	145	257	847	590	373	474
02/20-20 B	180	145	257	890	633	373	517
02/22-22 B	180	145	310	986	676	426	560
02/24-24 B	180	145	310	1029	719	426	603

1798.54/08-EN

Size	E1	E2	LB	F1	F2	F3	F4
	[mm]	[mm]	[mm]	[mm]	[mm]	[mm]	[mm]
02/26-26 B	180	145	310	1072	762	426	646
02/28-28 B	180	145	310	1115	805	426	689
02/30-30 B	180	145	310	1158	848	426	732

Movitec VCI 2B, n = 3500 rpm

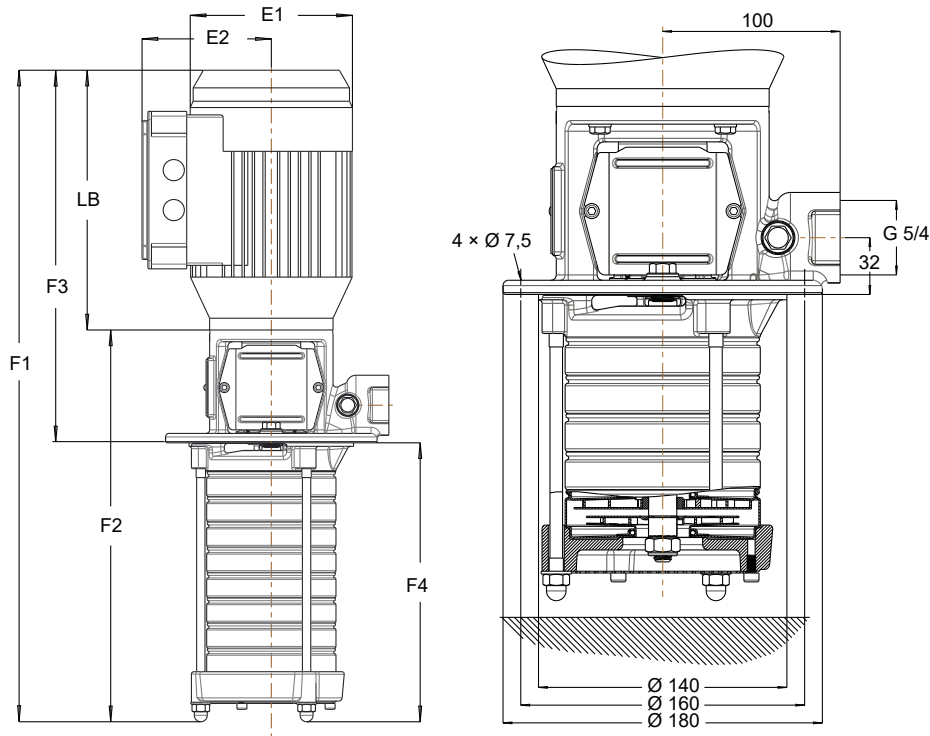


Fig. 15: Dimensions / connections Movitec VCI 2B

Table 17: Calculation of pump (set) length

Feature	Pump length	Pump set length
Pump without blind stage	F1	F2
Pump with blind stage	F3 + F4	F3 + F4 - LB

- F3 [mm]: depends on number of impellers
- F4 [mm]: depends on the number of stages (incl. blind stages)

Example: Sizes 2/16-22: F3 = 426 mm, F4 = 560 mm

Table 18: Dimensions

Size	E1	E2	LB	F1	F2	F3	F4
	[mm]	[mm]	[mm]	[mm]	[mm]	[mm]	[mm]
02/02-02 B	138	109	221	447	226	317	130
02/03-03 B	138	109	221	468	247	317	151
02/04-04 B	138	109	221	490	269	317	173
02/05-05 B	157	133	257	557	300	363	194
02/06-06 B	157	133	257	579	322	363	216
02/07-07 B	157	133	257	600	343	363	237
02/08-08 B	157	133	257	622	365	363	259
02/09-09 B	180	145	257	643	386	363	280
02/10-10 B	180	145	257	675	418	373	302
02/11-11 B	180	145	257	696	439	373	323
02/12-12 B	180	145	257	718	461	373	345
02/14-14 B	180	145	310	814	504	426	388
02/16-16 B	180	145	310	857	547	426	431
02/18-18 B	180	145	310	900	590	426	474
02/20-20 B	200	155	318	961	643	444	517
02/22-22 B	200	155	318	1004	686	444	560
02/22-24 B	200	155	318	1047	729	444	603
02/22-26 B	200	155	318	1090	772	444	646
02/22-28 B	200	155	318	1133	815	444	689
02/22-30 B	200	155	318	1176	856	444	732

Movitec VCI 4B, n = 2900 rpm

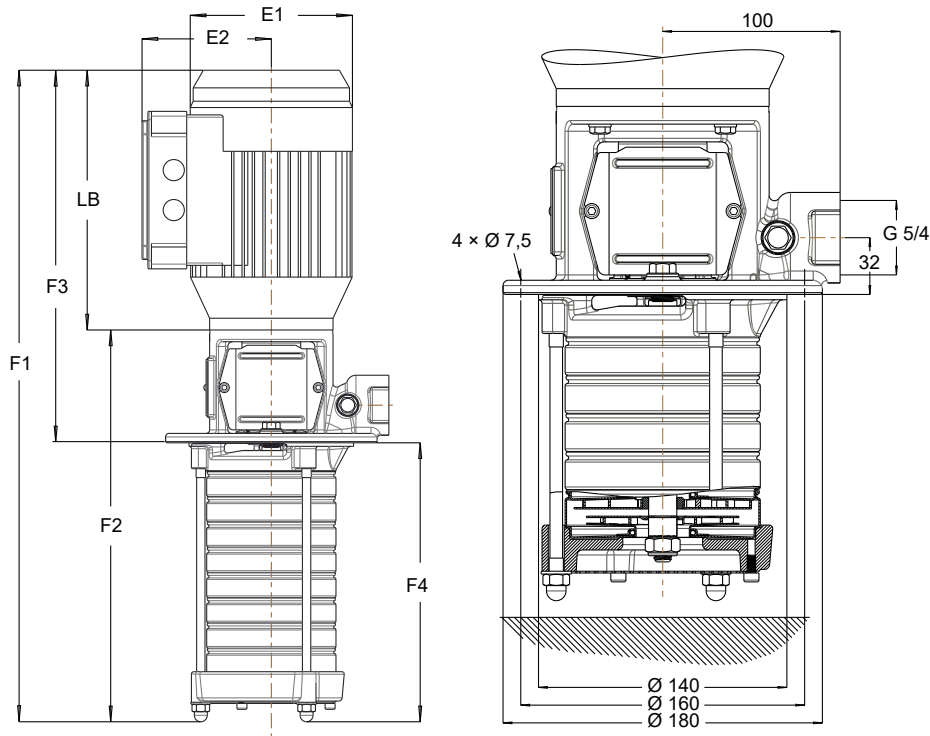


Fig. 16: Movitec VCI 4B dimensions / connections

Table 19: Calculation of pump (set) length

Feature	Pump length	Pump set length
Pump without blind stage	F1	F2
Pump with blind stage	F3 + F4	F3 + F4 - LB

- F3 [mm]: depends on number of impellers
- F4 [mm]: depends on the number of stages (incl. blind stages)

Example: size 4/16-22: F3 = 444 mm, F4 = 560 mm

Table 20: Dimensions

Size	E1	E2	LB	F1	F2	F3	F4
	[mm]	[mm]	[mm]	[mm]	[mm]	[mm]	[mm]
04/02-02 B	138	109	221	447	226	317	130
04/03-03 B	138	109	221	468	247	317	151
04/04-04 B	138	109	221	490	269	317	173
04/05-05 B	157	133	257	557	300	363	194
04/06-06 B	157	133	257	579	322	363	216
04/07-07 B	157	133	257	600	343	363	237
04/08-08 B	180	145	257	632	375	373	259
04/09-09 B	180	145	257	653	396	373	280
04/10-10 B	180	145	257	675	418	373	302
04/11-11 B	180	145	310	749	439	426	323
04/12-12 B	180	145	310	771	461	426	345
04/14-14 B	180	145	310	814	504	426	388
04/16-16 B	200	155	318	875	557	444	431
04/18-18 B	200	155	318	918	600	444	474
04/20-20 B	200	155	318	961	643	444	517
04/22-22 B	223	166	325	1011	686	451	560
04/24-24 B	223	166	325	1054	729	451	603
04/26-26 B	223	166	325	1097	772	451	646
04/26-28 B	223	166	325	1140	815	451	689
04/26-30 B	223	166	325	1183	858	451	732

1798.54/08-EN

Movitec VCI 4B, n = 3500 rpm

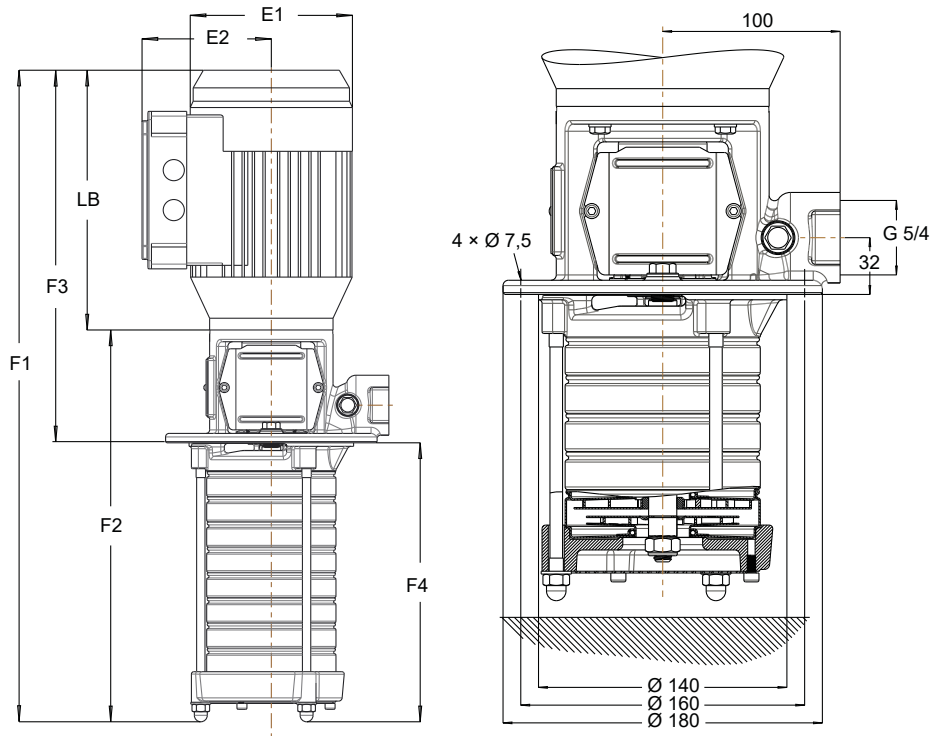


Fig. 17: Dimensions / connections Movitec VCI 4B

Table 21: Calculation of pump (set) length

Feature	Pump length	Pump set length
Pump without blind stage	F1	F2
Pump with blind stage	F3 + F4	F3 + F4 - LB

- F3 [mm]: depends on number of impellers
- F4 [mm]: depends on the number of stages (incl. blind stages)

Example: Sizes 4/16-22: F3 = 552 mm, F4 = 560 mm

Table 22: Dimensions

Size	E1	E2	LB	F1	F2	F3	F4
	[mm]	[mm]	[mm]	[mm]	[mm]	[mm]	[mm]
04/02-02 B	138	109	221	447	226	317	130
04/03-03 B	157	133	257	514	257	363	151
04/04-04 B	157	133	257	536	279	363	173
04/05-05 B	180	145	257	567	310	373	194
04/06-06 B	180	145	257	589	332	373	216
04/07-07 B	180	145	310	663	353	426	237
04/08-08 B	180	145	310	685	375	426	259
04/09-09 B	200	155	318	724	406	444	280
04/10-10 B	200	155	318	746	428	444	302
04/11-11 B	200	155	318	767	449	444	323
04/12-12 B	223	166	325	796	471	451	345
04/14-14 B	223	166	325	839	514	451	388
04/16-16 B	260	190	350	983	633	552	431
04/18-18 B	260	190	350	1026	676	552	474
04/18-20 B	260	190	350	1069	719	552	517
04/18-22 B	260	190	350	1112	762	552	560
04/18-24 B	260	190	350	1155	805	552	603
04/18-26 B	260	190	350	1198	848	552	646
04/18-28 B	260	190	350	1241	891	552	689
04/18-30 B	260	190	350	1284	934	552	732

Movitec VCI 6B, n = 2900 rpm

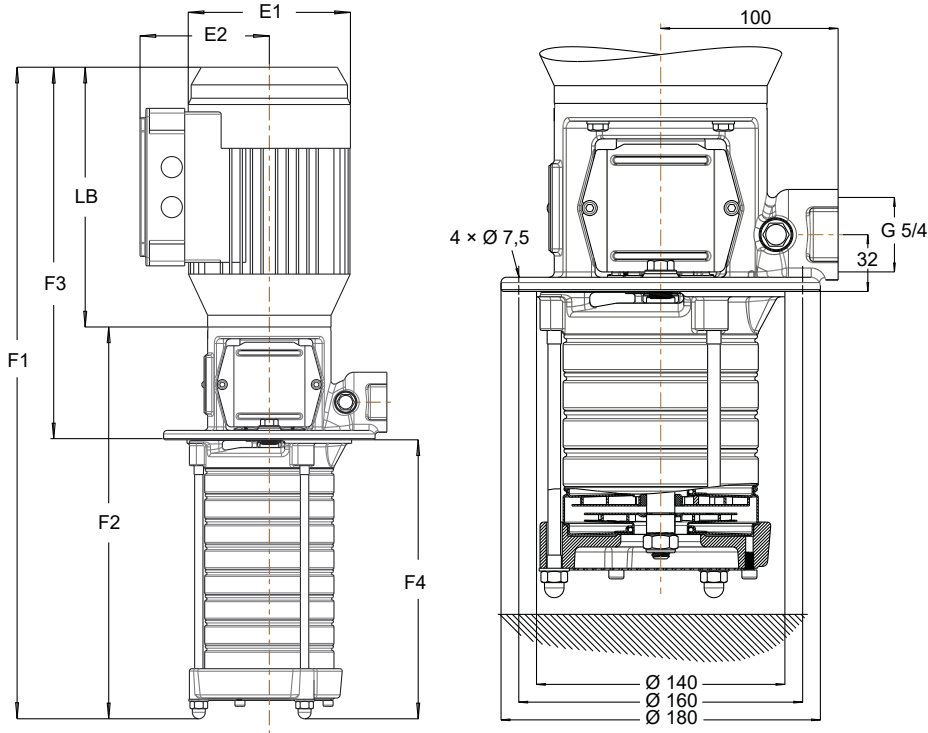


Fig. 18: Movitec VCI 6B dimensions / connections

Table 23: Calculation of pump (set) length

Feature	Pump length	Pump set length
Pump without blind stage	F1	F2
Pump with blind stage	F3 + F4	F3 + F4 - LB

- F3 [mm]: depends on number of impellers
- F4 [mm]: depends on the number of stages (incl. blind stages)

Example: size 6/16-22: F3 = 451 mm, F4 = 640 mm

Table 24: Dimensions

Size	E1	E2	LB	F1	F2	F3	F4
	[mm]	[mm]	[mm]	[mm]	[mm]	[mm]	[mm]
06/02-02 B	138	109	221	457	236	317	140
06/03-03 B	157	133	257	528	271	363	165
06/04-04 B	157	133	257	553	296	363	190
06/05-05 B	157	133	257	578	321	363	215
06/06-06 B	180	145	257	613	356	373	240
06/07-07 B	180	145	257	638	381	373	265
06/08-08 B	180	145	310	716	406	426	290
06/09-09 B	180	145	310	741	431	426	315
06/10-10 B	180	145	310	766	456	426	340
06/11-11 B	200	155	318	809	491	444	365
06/12-12 B	200	155	318	834	516	444	390
06/14-14 B	200	155	318	884	566	444	440
06/16-16 B	223	166	325	941	616	451	490
06/18-18 B	223	166	325	991	666	451	540
06/20-20 B	260	190	350	1142	792	552	590
06/22-22 B	260	190	350	1192	842	552	640
06/24-24 B	260	190	350	1242	892	552	690
06/26-26 B	260	190	350	1292	942	552	740
06/28-28 B	260	190	350	1342	992	552	790
06/26-30 B	260	190	350	1392	1042	552	840

1798.54/08-EN

Movitec VCI 6B, n = 3500 rpm

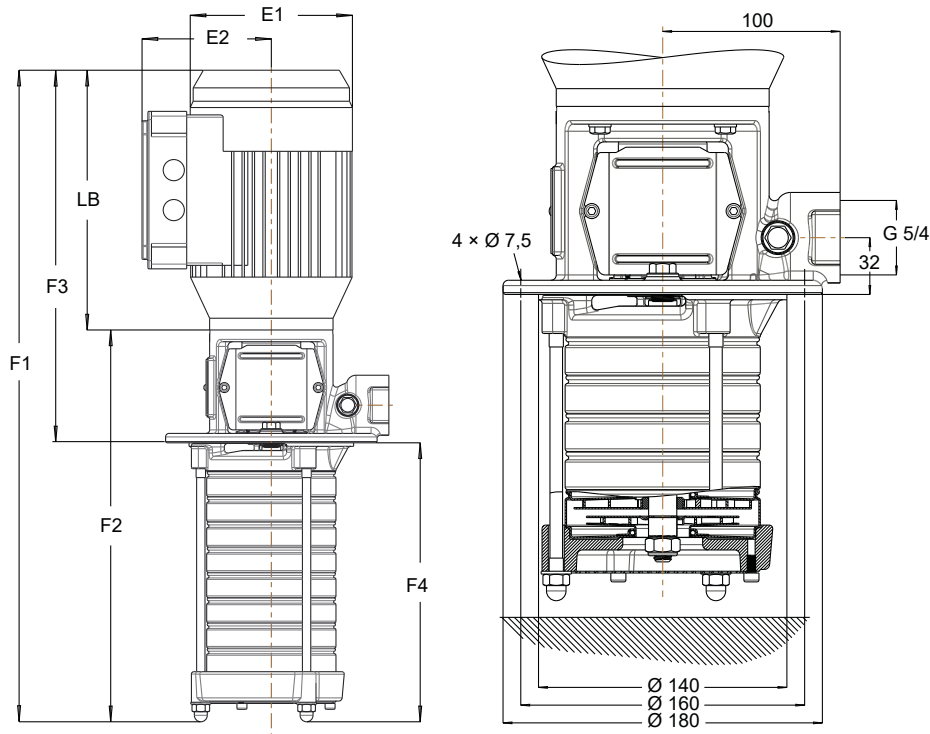


Fig. 19: Dimensions / connections Movitec VCI 6B

Table 25: Calculation of pump (set) length

Feature	Pump length	Pump set length
Pump without blind stage	F1	F2
Pump with blind stage	F3 + F4	F3 + F4 - LB

- F3 [mm]: depends on number of impellers
- F4 [mm]: depends on the number of stages (incl. blind stages)

Example: Sizes 6/16-22: F3 = 589 mm, F4 = 640 mm

Table 26: Dimensions

Size	E1	E2	LB	F1	F2	F3	F4
	[mm]	[mm]	[mm]	[mm]	[mm]	[mm]	[mm]
06/02-02 B	157	133	257	503	246	363	140
06/03-03 B	157	133	257	528	271	363	165
06/04-04 B	180	145	257	563	306	373	190
06/05-05 B	180	145	310	641	331	426	215
06/06-06 B	180	145	310	666	356	426	240
06/07-07 B	200	155	318	709	391	444	265
06/08-08 B	200	155	318	734	416	444	290
06/09-09 B	223	166	325	766	441	451	315
06/10-10 B	223	166	325	791	466	451	340
06/11-11 B	223	166	325	816	491	451	365
06/12-12 B	260	190	350	942	592	552	390
06/14-14 B	260	190	350	992	642	552	440
06/16-16 B	260	190	387	1079	692	589	490
06/18-18 B	260	190	387	1129	742	589	540
06/18-20 B	260	190	387	1179	792	589	590
06/18-22 B	260	190	387	1229	842	589	640
06/18-24 B	260	190	387	1279	892	589	690
06/18-26 B	260	190	387	1329	942	589	740
06/18-28 B	260	190	387	1379	992	589	790
06/18-30 B	260	190	387	1429	1042	589	840

Movitec VCI 10B, n = 2900 rpm

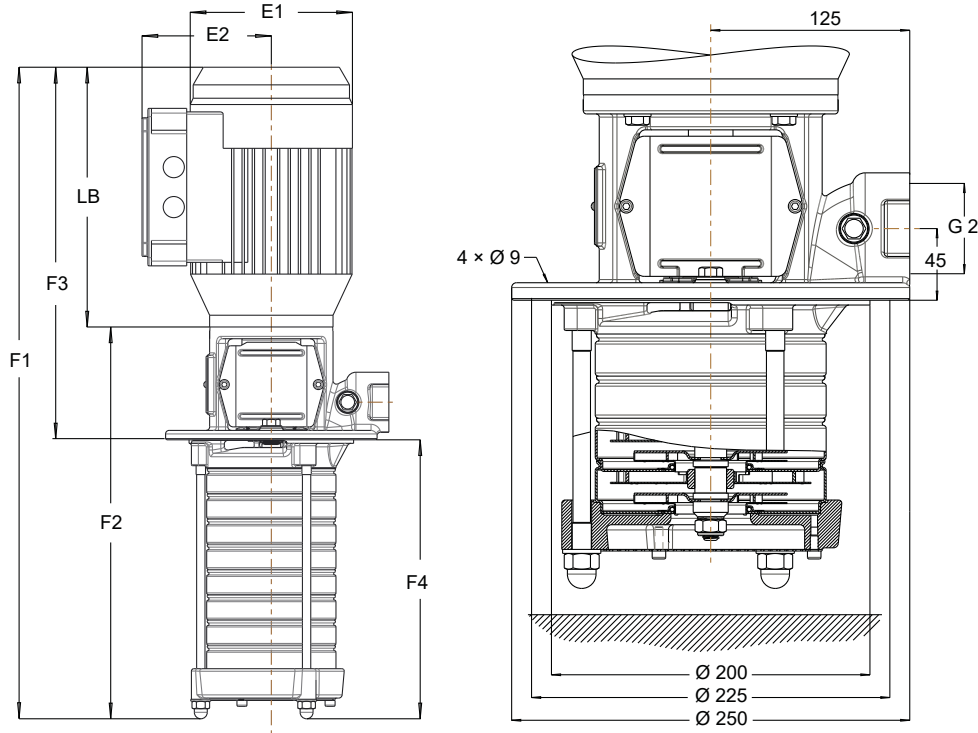


Fig. 20: Movitec VCI 10B dimensions / connections

Table 27: Calculation of pump (set) length

Feature	Pump length	Pump set length
Pump without blind stage	F1	F2
Pump with blind stage	F3 + F4	F3 + F4 - LB

- F3 [mm]: depends on number of impellers
- F4 [mm]: depends on the number of stages (incl. blind stages)

Example: size 10/15-21: F3 = 597 mm, F4 = 657 mm

Table 28: Dimensions

Size	E1	E2	LB	F1	F2	F3	F4
	[mm]	[mm]	[mm]	[mm]	[mm]	[mm]	[mm]
10/01-02 B	157	133	257	520	263	366	154
10/02-02 B	157	133	257	520	263	366	154
10/03-03 B	157	133	257	547	290	366	181
10/04-04 B	180	145	257	583	326	376	207
10/05-05 B	180	145	310	663	353	429	234
10/06-06 B	180	145	310	716	406	429	260
10/07-07 B	200	155	318	734	416	447	287
10/08-08 B	200	155	318	760	442	447	313
10/09-09 B	223	166	325	793	468	454	339
10/10-10 B	223	166	325	820	495	454	366
10/11-11 B	223	166	325	846	521	454	392
10/13-13 B	260	190	350	1005	655	560	445
10/15-15 B	260	190	350	1058	708	560	498
10/17-17 B	260	190	387	1148	761	597	551
10/19-19 B	260	190	387	1201	814	597	604
10/21-21 B	260	190	387	1254	867	597	657

1798.54/08-EN

Movitec VCI 10B, n = 3500 rpm

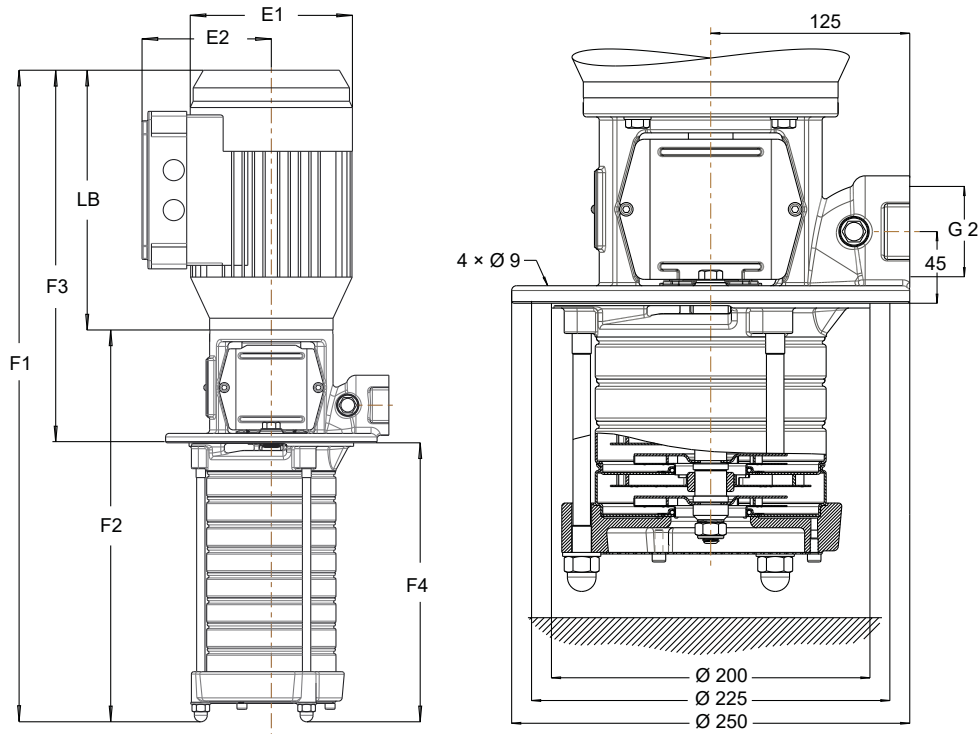


Fig. 21: Dimensions / connections Movitec VCI 10B

Table 29: Calculation of pump (set) length

Feature	Pump length	Pump set length
Pump without blind stage	F1	F2
Pump with blind stage	F3 + F4	F3 + F4 - LB

- F3 [mm]: depends on number of impellers
- F4 [mm]: depends on the number of stages (incl. blind stages)

Example: Sizes 10/15-21: F3 = 744 mm, F4 = 657 mm

Table 30: Dimensions

Size	E1	E2	LB	F1	F2	F3	F4
	[mm]	[mm]	[mm]	[mm]	[mm]	[mm]	[mm]
10/01-02 B	157	133	257	520	263	366	154
10/02-02 B	180	145	257	530	272	376	154
10/03-03 B	180	145	310	610	300	429	181
10/04-04 B	200	155	318	654	336	447	207
10/05-05 B	223	166	325	688	363	454	234
10/06-06 B	223	166	325	741	416	454	260
10/07-07 B	260	190	350	847	497	560	287
10/08-08 B	260	190	350	873	523	560	313
10/09-09 B	260	190	387	938	549	597	339
10/10-10 B	260	190	387	963	576	597	366
10/11-11 B	260	190	387	989	602	597	392
10/13-13 B	315	260	504	1189	685	744	445
10/15-15 B	315	260	504	1242	738	744	498
10/15-17 B	315	260	504	1295	791	744	551
10/15-19 B	315	260	504	1348	844	744	604
10/15-21 B	315	260	504	1401	897	744	657

1798.54/08-EN

Movitec VCI 15C, n = 2900 rpm

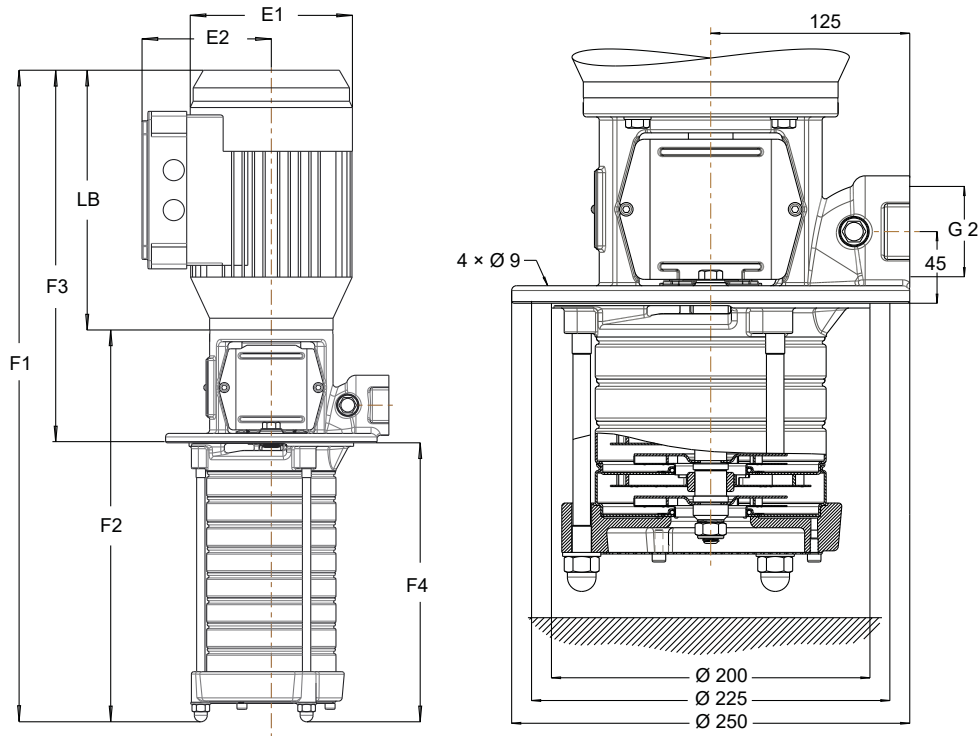


Fig. 22: Movitec VCI 15C dimensions / connections

Table 31: Calculation of pump (set) length

Feature	Pump length	Pump set length
Pump without blind stage	F1	F2
Pump with blind stage	F3 + F4	F3 + F4 - LB

- F3 [mm]: depends on number of impellers
- F4 [mm]: depends on the number of stages (incl. blind stages)

Example: size 15/06-09: F3 = 663 mm, F4 = 471 mm

Table 32: Dimensions

Size	E1	E2	LB	F1	F2	F3	F4
	[mm]	[mm]	[mm]	[mm]	[mm]	[mm]	[mm]
15/01-02 C	150	115	264	578	314	394	184
15/02-02 C	200	148	281	605	324	421	184
15/03-03 C	215	157	317	692	375	467	225
15/04-04 C	248	168	356	772	416	506	266
15/05-05 C	288	197	432	970	538	663	307
15/06-06 C	288	197	432	1011	579	663	348
15/07-07 C	288	197	432	1052	620	663	389
15/08-08 C	340	223	533	1194	661	764	430
15/09-09 C	340	223	533	1235	702	764	471
15/10-10 C	340	223	533	1276	743	764	512
15/11-11 C	340	223	533	1317	784	764	553
15/13-13 C	340	223	533	1399	866	764	635
15/15-15 C	340	223	533	1481	948	764	717
15/17-17 C	340	223	533	1563	1030	764	799

1798.54/08-EN

Movitec VCI 15C, n = 3500 rpm

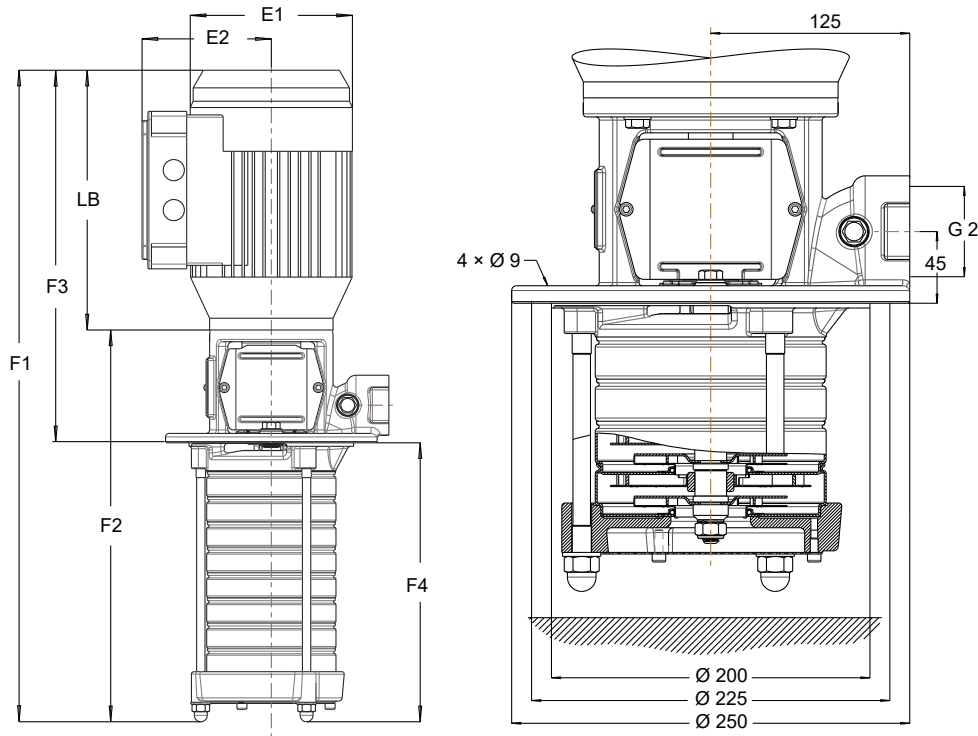


Fig. 23: Dimensions / connections Movitec VCI 15C

Table 33: Calculation of pump (set) length

Feature	Pump length	Pump set length
Pump without blind stage	F1	F2
Pump with blind stage	F3 + F4	F3 + F4 - LB

- F3 [mm]: depends on number of impellers
- F4 [mm]: depends on the number of stages (incl. blind stages)

Example: Sizes 15/06-09: F3 = 764 mm, F4 = 339 mm

Table 34: Dimensions

Size	E1	E2	LB	F1	F2	F3	F4
	[mm]	[mm]	[mm]	[mm]	[mm]	[mm]	[mm]
15/01-02 C	200	148	281	605	324	421	184
15/02-02 C	248	168	356	690	334	506	184
15/03-03 C	288	197	432	888	456	663	225
15/04-04 C	288	197	432	929	497	663	266
15/05-05 C	340	223	533	1071	538	764	307
15/06-06 C	340	223	533	1112	579	764	348
15/07-07 C	340	223	533	1153	620	764	389
15/08-08 C	340	223	533	1194	661	764	430
15/09-09 C	340	223	533	1235	702	764	471
15/10-10 C	340	223	533	1276	743	764	512
15/11-11 C	340	223	533	1317	784	764	553

General drawings with list of components

Movitec VCI 2B, 4B, 6B, 10B

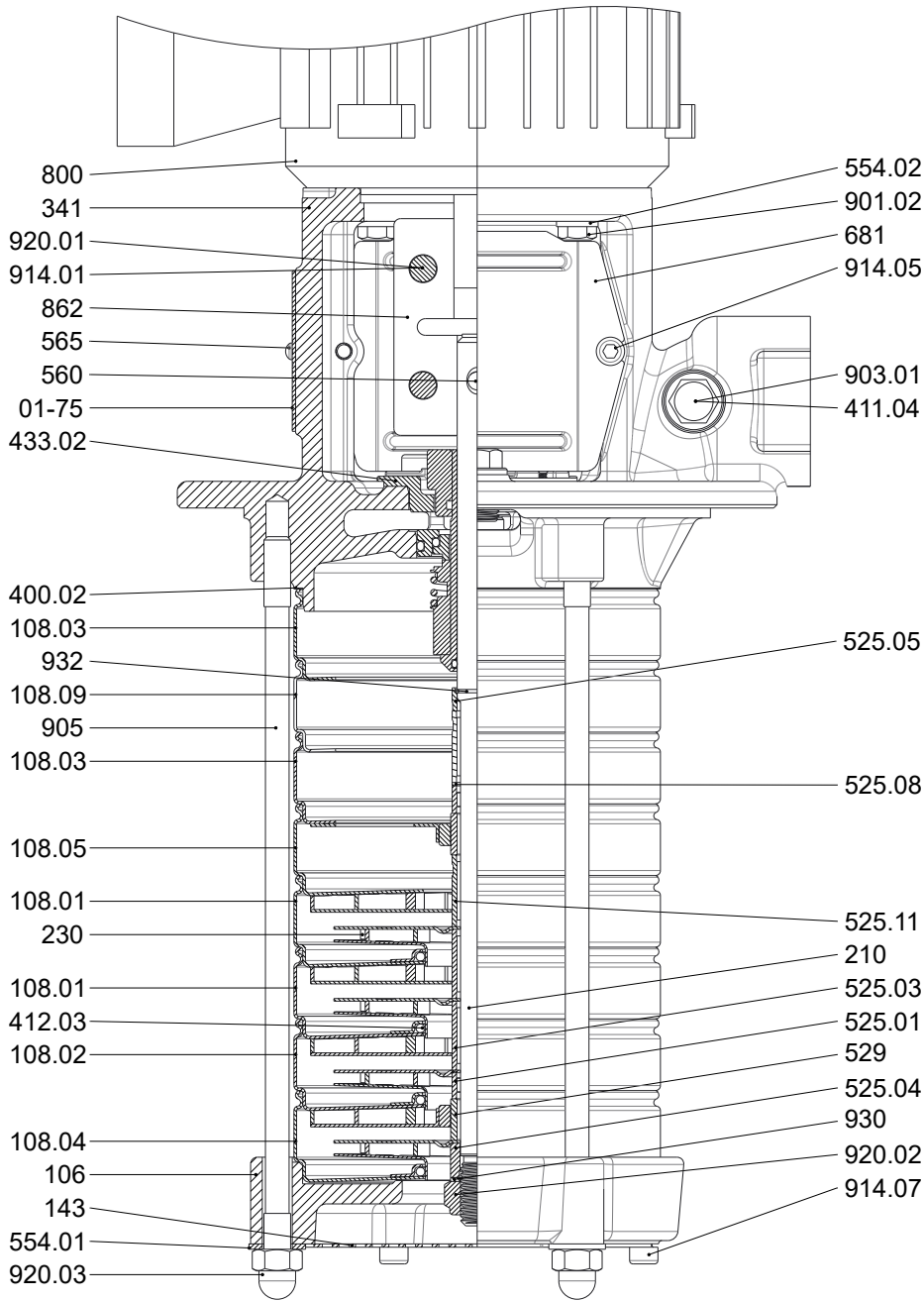


Fig. 24: General assembly drawing

Table 35: List of components

Part No.	Description	Part No.	Description
01-75	Name plate	554.01/02	Washer
106	Suction casing	560	Pin
108.01/02/03/04/05/09	Stage casing	565	Rivet
143	Suction strainer	681	Coupling guard
210	Shaft	800	Motor
230	Impeller	862	Coupling shell
341	Drive lantern	901.02	Hexagon head bolt
400.02	Gasket	903.01	Screw plug
411.04	Joint ring	905	Tie bolt
412.03	O-ring	914.01/05/07	Hexagon socket head cap screw

Part No.	Description	Part No.	Description
433.02	Mechanical seal	920.01/.03	Nut
525.01/.03/.04/.05/.08/.11	Spacer sleeve	930.02	Safety device
529	Bearing sleeve	932	Circlip

Movitec VCI 15C

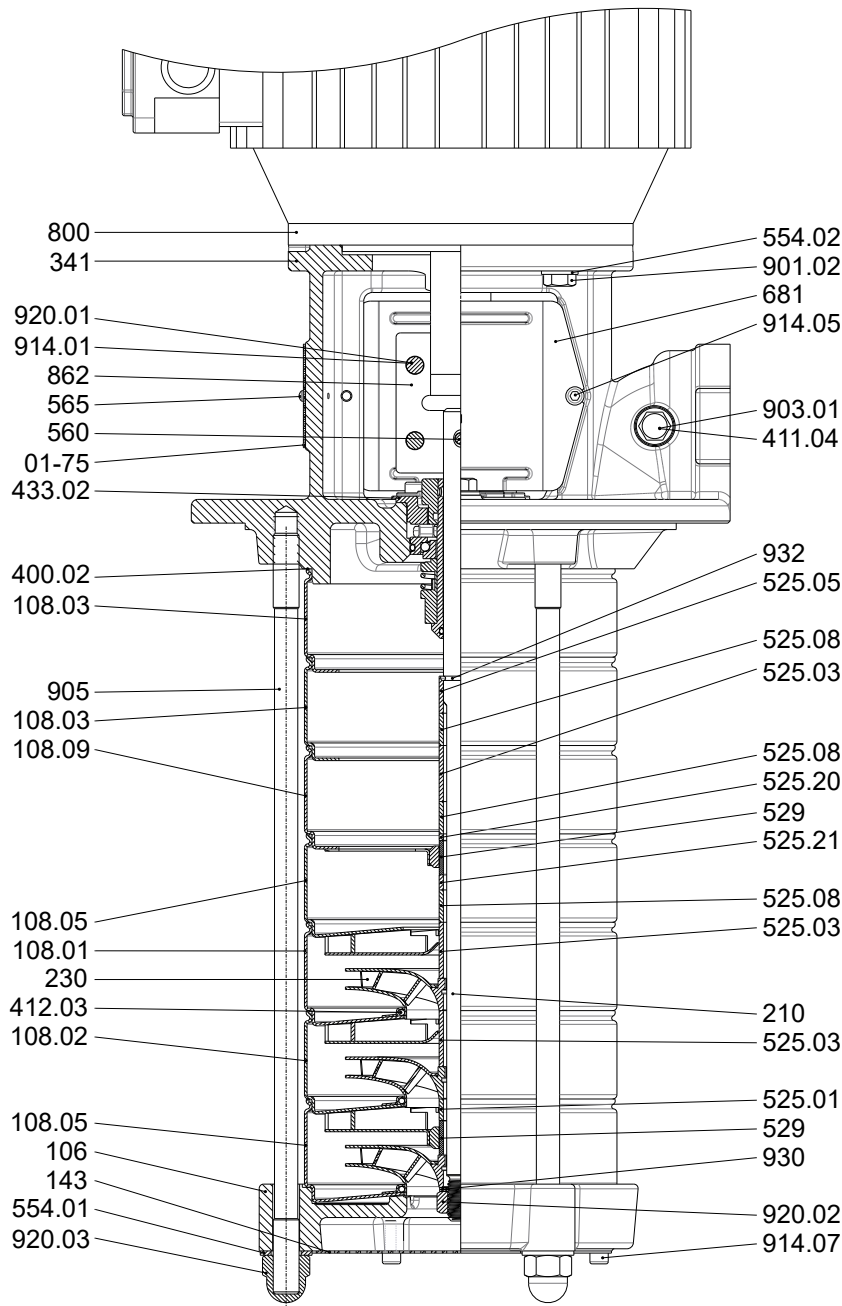


Fig. 25: General assembly drawing

Table 36: List of components

Part No.	Description	Part No.	Description
01-75	Name plate	554.01/.02	Washer
106	Suction casing	560	Pin
108.01/.02/.03/.05/.09	Stage casing	565	Rivet
143	Suction strainer	681	Coupling guard
210	Shaft	800	Motor
230	Impeller	862	Coupling shell
341	Drive lantern	901.02	Hexagon head bolt
400.02	Gasket	903.01	Screw plug
411.04	Joint ring	905	Tie bolt
412.03	O-ring	914.01/.05/.07	Hexagon socket head cap screw

1798.54/08-EN

Part No.	Description	Part No.	Description
433.02	Mechanical seal	920.01/.02/.03	Nut
525.01/.03/.05/.08/.20/.21	Spacer sleeve	930	Safety device
529	Bearing sleeve	932	Circlip



KSB SE & Co. KGaA
Johann-Klein-Straße 9 • 67227 Frankenthal (Germany)
Tel. +49 6233 86-0
www.ksb.com