

Recirculation Pump for Swimming Pool
Filter Systems

Filtra N

Type Series Booklet



Legal information/Copyright

Type Series Booklet Filtra N

KSB Aktiengesellschaft

All rights reserved. The contents provided herein must neither be distributed, copied, reproduced, edited or processed for any other purpose, nor otherwise transmitted, published or made available to a third party without KSB's express written consent.

Subject to technical modification without prior notice.

© KSB Aktiengesellschaft Frankenthal 22.10.2012

Contents

Domestic water supply / swimming pools	4
Recirculating pump for swimming pool filtering systems	4
Filtration N	4
Main applications	4
Fluids handled	4
Operating data	4
Designation	4
Design details	4
Materials	4
Product benefits	4
Technical data	5
Characteristic curves	5
Filtration N; 6, 8, 12, 14, 18, 22, 24, 30; $n = 2800 \text{ min}^{-1}$	5
Dimensions	6
Scope of supply	6
Exploded view and list of components	7

Domestic water supply / swimming pools

Recirculating pump for swimming pool filtering systems

Filtra N



Main applications

- Swimming pools

Fluids handled

- Clear water
- 0.4 to 1.4 mg/l free chlorine and max. 0.6 mg/l combined chlorine; pH value 6.9 to 7.7; water hardness TH 10° to 30° Salt content up to 7 g/l

Not suitable for seawater (35 g/l)

Operating data

Operating properties

Characteristic	Value
Flow rate	Q ≤ 36 m ³ /h (10 l/s)
Head	H ≤ 21 m
Fluid temperature	t ≤ 35 °C
Operating pressure	p _d ≤ 2,5 bar

Designation

Example: Filtra N 6 E

Key to the designation

Code	Description
Filtra N	Type series
6	Size; rated flow [m ³ /h] 6, 8, 12, 14, 18, 22, 24, 30
E	Drive
D	Three-phase motor
E	Single-phase AC motor

Design details

Design

- Single-stage, self-priming centrifugal pump
- Horizontal installation
- Integrated pre-filter consisting of a filter basket with intermediate pipe; the filter can be hinged open in the middle to facilitate cleaning.

Drive

- 230 V single-phase a.c. motor, protected by a temperature switch with automatic reset.
- Three-phase motor 230/400 V
- Surface-cooled
- Enclosure IP 44
- Thermal class F

Shaft seal

- Mechanical seal

Bearings

- Motor runs in grease-lubricated rolling element bearings

Materials

Overview of available materials

Component	Material
Pump casing	Polypropylene, 30 % glass fibre reinforced with stainless steel ring
Diffuser	Polypropylene, glass fibre reinforced (30 %)
Impeller	Noryl GFN2
Cover	PMMA
Shaft	Chrome steel 1.4028
Motor housing	Aluminium
Discharge cover	Polypropylene, glass fibre reinforced (30 %)

Product benefits

- Corrosion-proof thanks to pump casing made of impact-resistant plastic material
- Maintenance-free and reliable due to mechanical seal
- Energy-efficient and low-noise operation of single-phase AC motor with integrated overload protection or three-phase motor
- Low-clogging, hinged filter basket of patented design

Technical data

Single-phase AC motor

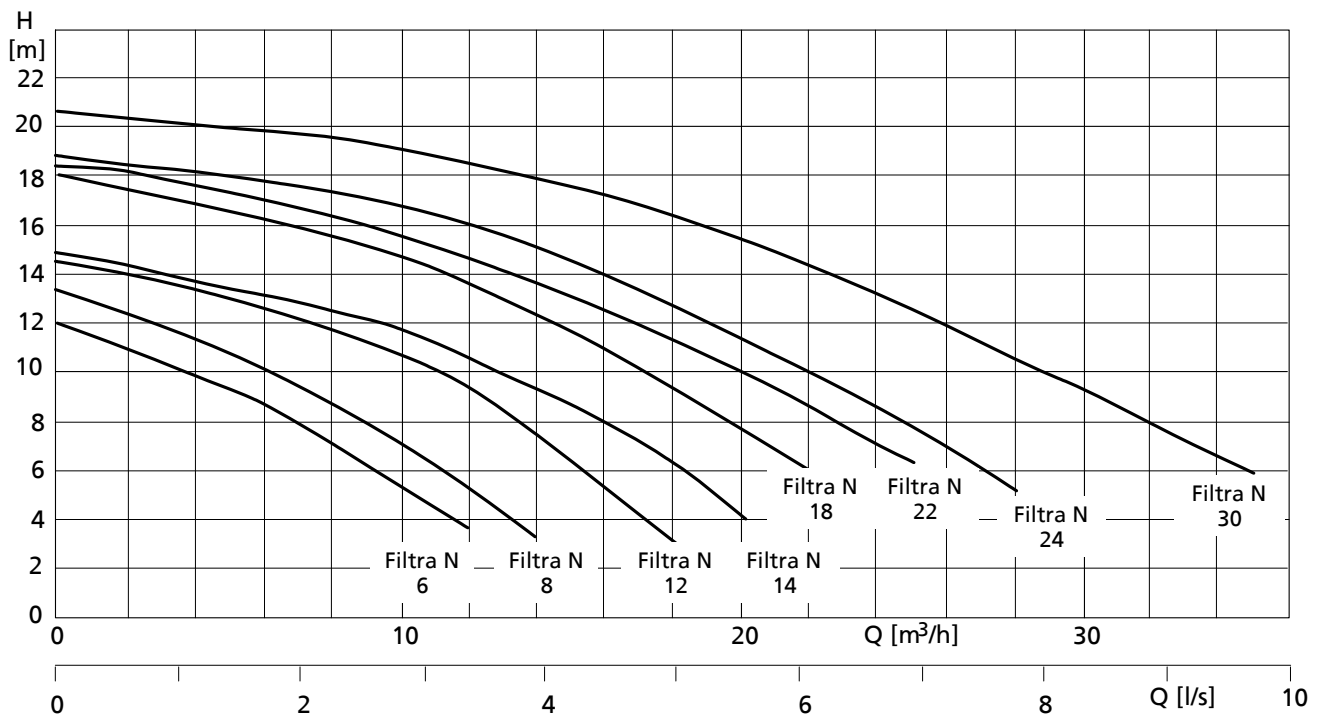
Size	P ₁ [kW]	p ₂	I _N (230 V) [A]	I _N 400 V [A]	Mat. No.	[kg]
6 E	0,65	0,40	3,0	-	39300050	9.2
8 E	0,70	0,40	3,2	-	39300051	9.2
12 E	0,80	0,40	3,6	-	39300052	9.2
14 E	0,95	0,70	4,5	-	39300053	11
18 E	1,15	0,70	5,5	-	39300054	11
22 E	1,50	1,20	7,0	-	39300055	13.3
24 E	1,75	1,20	8,0	-	39300056	13.3

Three-phase motor

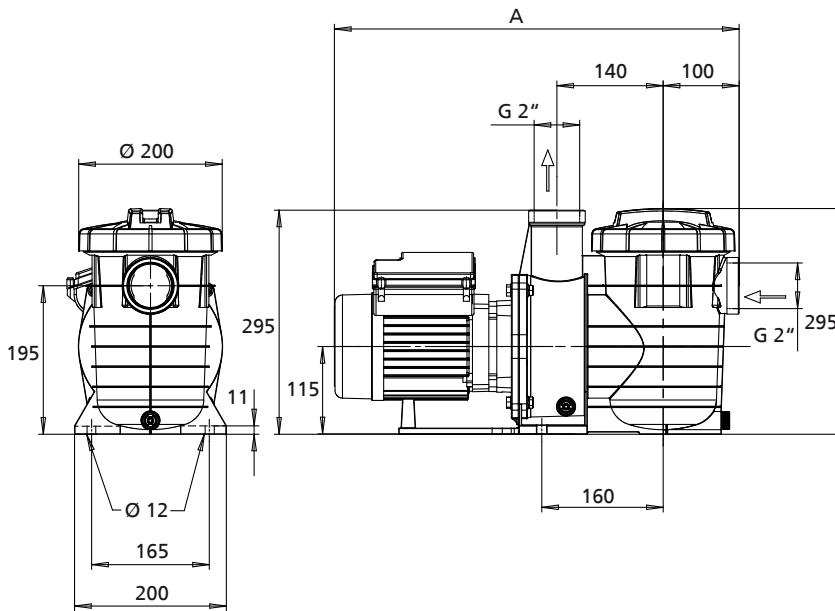
Size	P ₁ [kW]	p ₂	I _N (230 V) [A]	I _N 400 V [A]	Mat. No.	[kg]
6 D	0,57	0,40	2,0	1,1	39300057	9.2
8 D	0,60	0,40	2,1	1,2	39300058	9.2
12 D	0,70	0,40	2,3	1,3	39300059	9.2
14 D	0,90	0,70	3,1	1,8	39300060	11
18 D	1,00	0,70	3,5	2,0	39300061	11
22 D	1,40	1,10	5,0	2,9	39300062	13.3
24 D	1,60	1,10	5,5	3,2	39300063	13.3
30 D	2,15	1,50	6,3	3,6	39300064	13.3

Characteristic curves

Filtra N; 6, 8, 12, 14, 18, 22, 24, 30; n = 2800 min⁻¹



Dimensions



Dimensions

Dimensions [mm]

Size	A [mm]
6, 8, 10, 12, 14, 18	512,5
22, 24, 30	534

Scope of supply

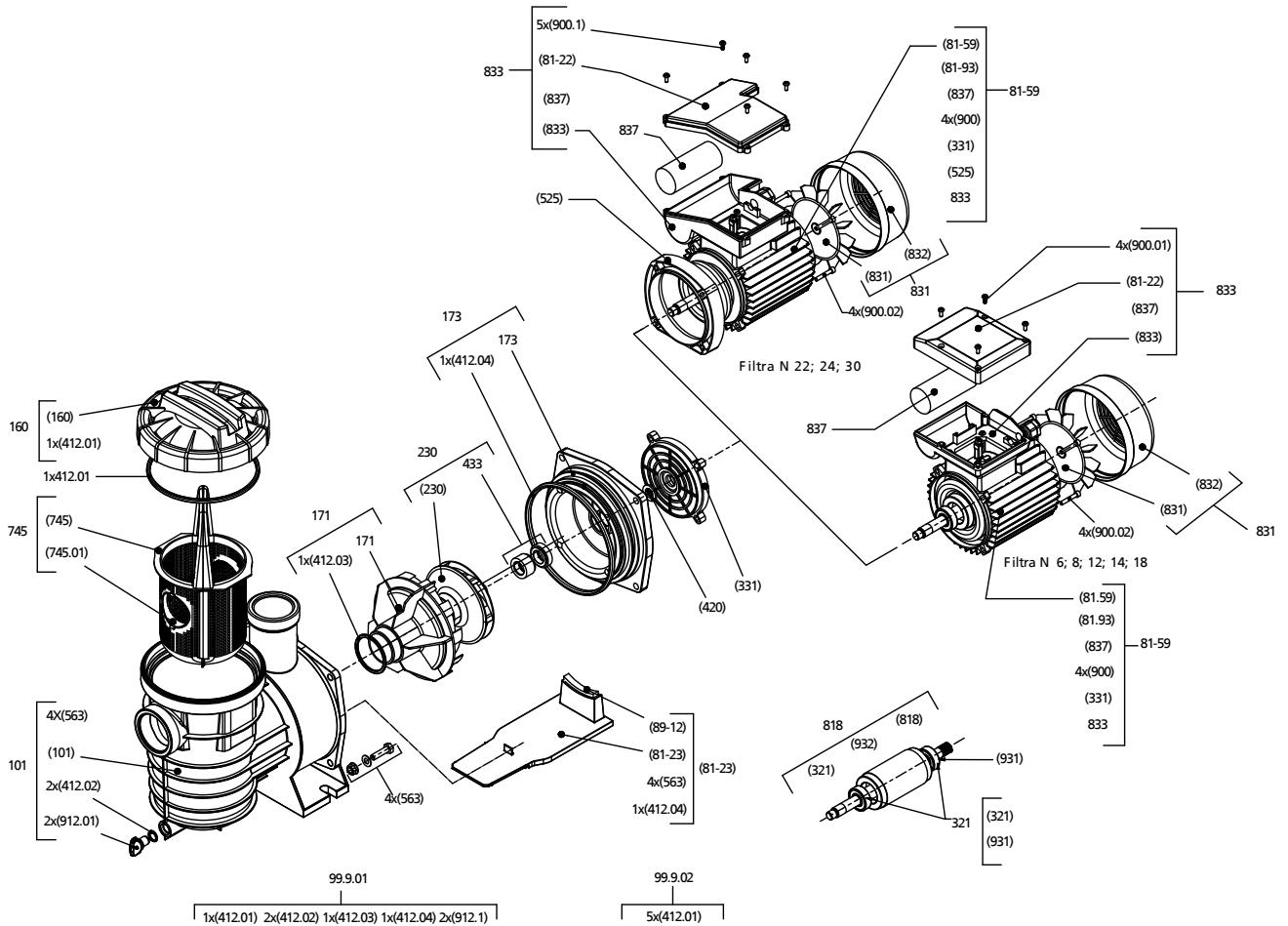
Depending on the model, the following items are included in the scope of supply:

- Pump set

Accessories

Required accessories can be purchased from our distributors.

Exploded view and list of components



Exploded view

List of components

Part No.	Description	Part No.	Description
101	Pump casing	81-23	Support foot
160	Cover	81-59	Stator
171	Diffuser	81-93	Protective switch
173	Diffuser wall	818	Rotor
230	Impeller	831	Fan impeller
321	Radial ball bearing	833	Terminal box
412.01	Bonnet gasket	837	Capacitor
433	Mechanical seal	99-9	Sealing elements and screws
745	Filter basket		



KSB Aktiengesellschaft

67225 Frankenthal • Johann-Klein-Str. 9 • 67227 Frankenthal (Germany)

Tel. +49 6233 86-0 • Fax +49 6233 86-3401

www.ksb.com

22.10.2012

2127.5/03-EN