

mini-Compacta® U1.60 – Floodable Sewage Lifting Unit



Applications

Disposal of sewage from toilet facilities below the flood level, e.g.:

- Basement flats, accessory apartments
- Building extensions, weekend houses
- Single and two-family houses
- Basement party rooms and saunas
- Bathroom and sauna facilities in private buildings

More information:
www.ksb.com/products

Your contact:

| | |
|--|--|
| | |
| | |

mini-Compacta U1.60® – Floodable Sewage Lifting Unit

- Automatic response to changed operating conditions**
 Filling level permanently monitored by well-proven float sensor.

- Maximum system safety**
 thanks to level-dependent control unit LevelControl Basic.

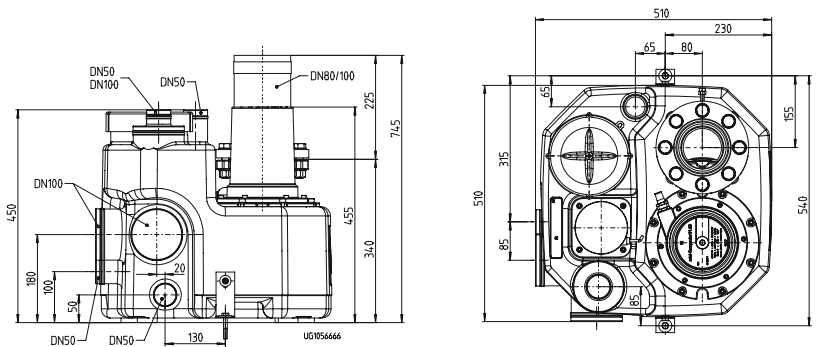
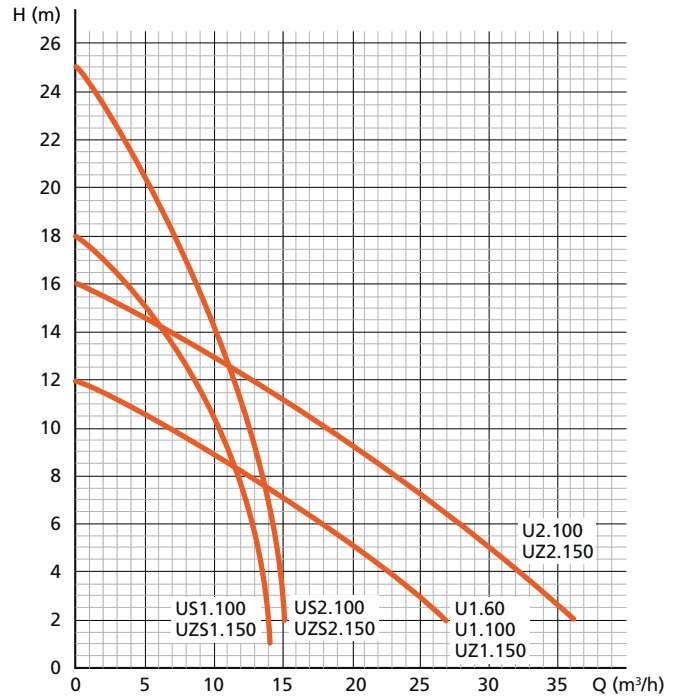
- Straightforward, time-saving installation**
 Range of vertical and horizontal connection options.

- Reliable operation**
 thanks to integrated swing check valve and mains-independent alert.

- Reduced investment costs**
 due to small footprint. The smallest, fully-functional lifting unit to E12050-1 by KSB.

- Reliable function**
 Steep characteristic curves ensure reliable planning and operation.

Performance characteristics
mini-Compacta® U60, U100, UZ150



Also available: C variant for aggressive fluids.

mini-Compacta®* –
Standard model with integrated check valve

| Duplex-pump unit | Single-pump unit | Total volume |
|--|--|--------------|
| | U1.60 D/U1.60 E | 60 l |
| | U1.100 D/U1.100 E US1.100 D/US1.100 E | 100 l |
| | U2.100 D/U2.100 E US2.100 D/US2.100 E | 100 l |
| UZ1.150 D/UZ1.150 E UZS1.150 D/UZS1.150 E | | 150 l |
| UZ2.150 D/UZ2.150 E UZS2.150 D/UZS2.150 E | | 150 l |

*Duplex-pump unit UZ with Y-pipe, S = with cutter, E = 230 V, D = 400 V.

Technical data

| | |
|----------------|--|
| Capacity | Up to 36 m³/h, 10 l/s |
| Discharge head | Up to 25 m |
| Temperature | Up to +40 °C or max. 5 minutes up to +65 °C |
| Power supply | 230 V/400 V |
| Speed | Up to 3.000 min ⁻¹ |

Factory-automated with LevelControl



KSB SE & Co. KGaA
Johann-Klein-Straße 9
67227 Frankenthal (Germany)
www.ksb.com