

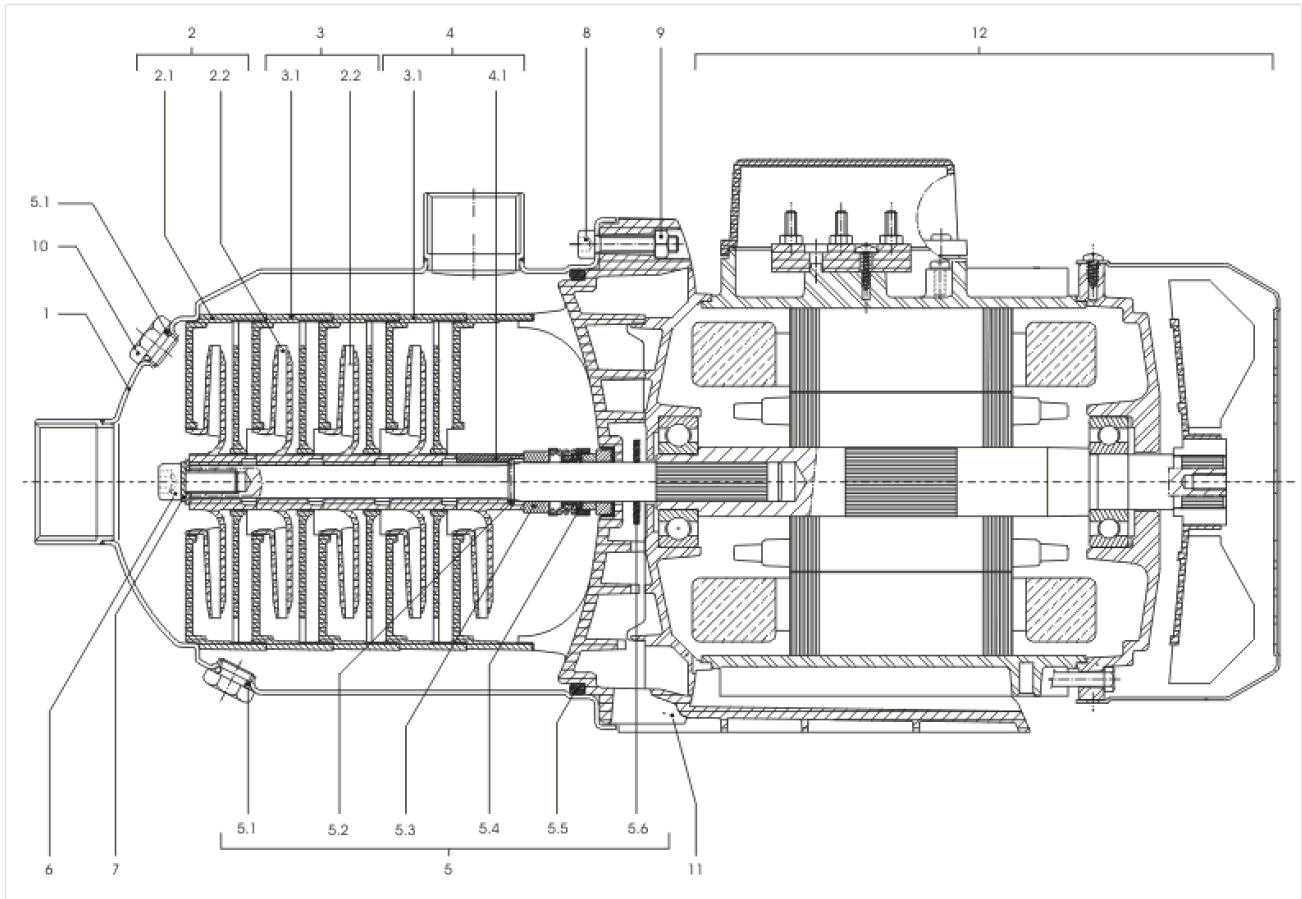


MultiPress MP

| Article no. | Description |
|-------------|-------------|
| 4032125 | MP303-EM |
| 4033355 | MP304-DM |
| 4032126 | MP304-EM |
| 4032128 | MP305-DM |
| 4032127 | MP305-EM |
| 4032130 | MP603-DM |
| 4032129 | MP603-EM |
| 4032132 | MP604-DM |
| 4032131 | MP604-EM |
| 4032134 | MP605-DM |
| 4032133 | MP605-EM |

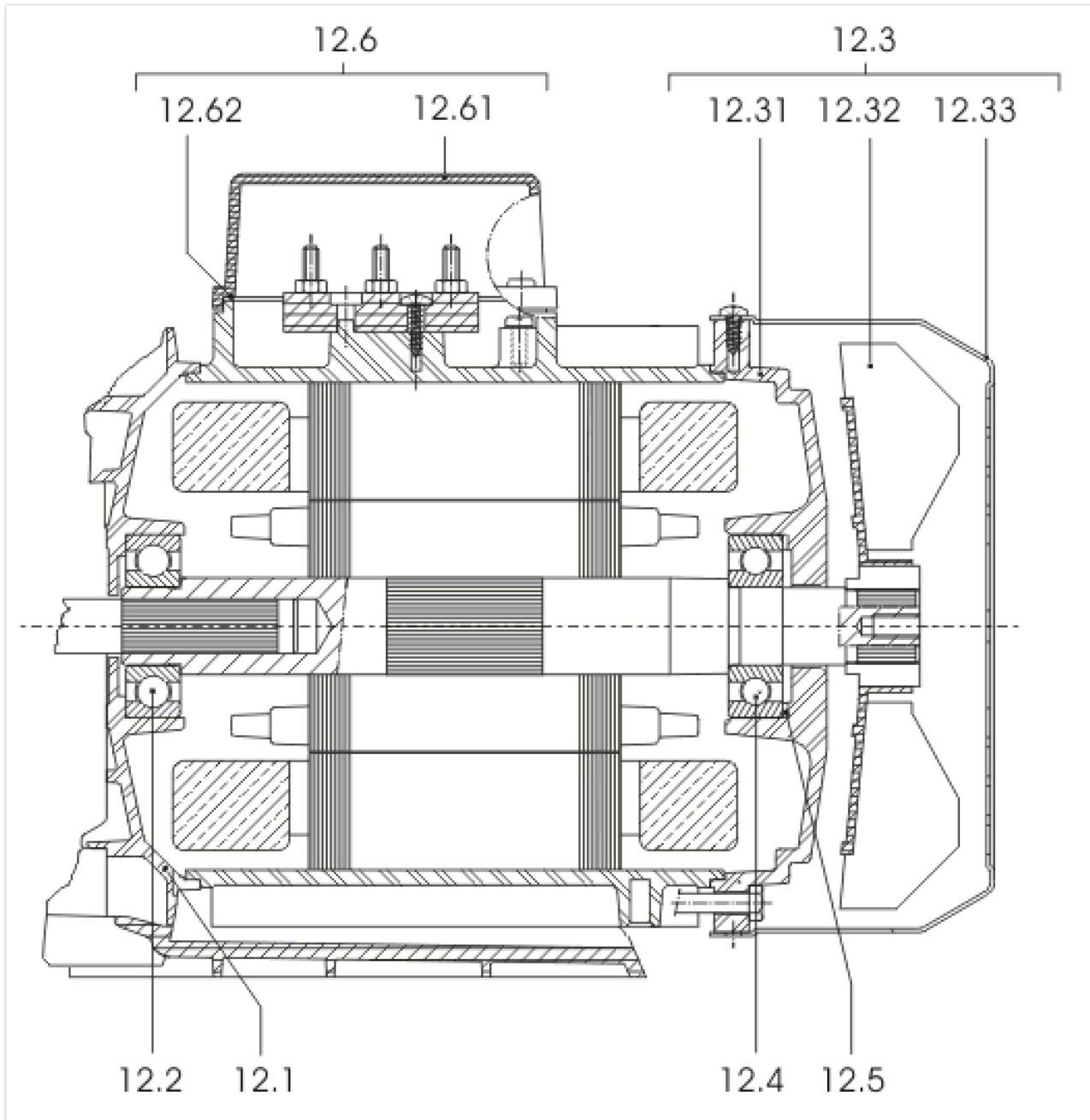
MP303-EM (4032125)

| Description | Quantity |
|---------------------------|----------|
| MP303-EM TO VERSION: /B | 1 |
| MP303-EM FROM VERSION: /C | 1 |



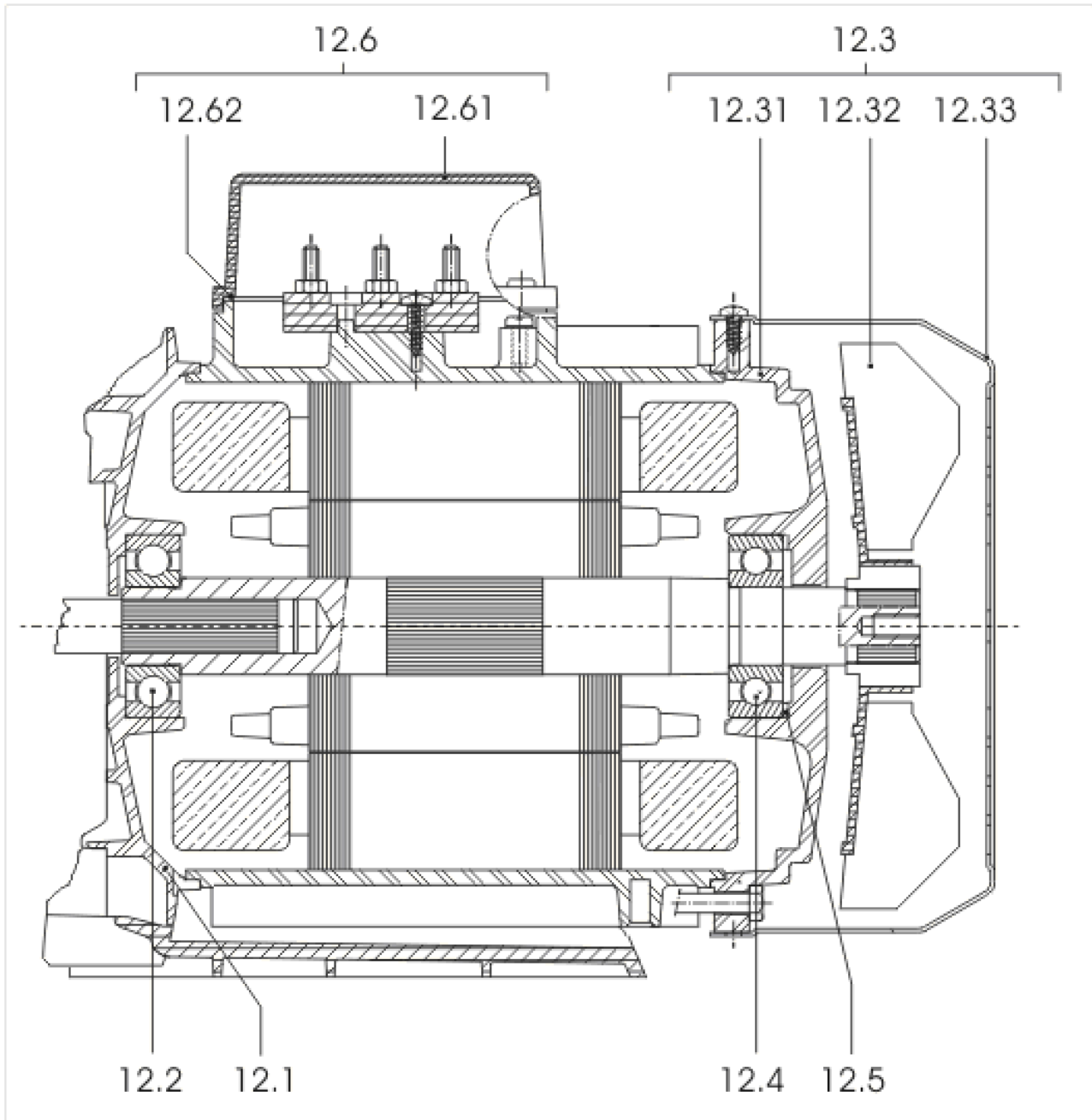
MP303-EM TO VERSION: /B

| Item | Article no. | Description | Quantity |
|--------------------------------|-------------|--|----------|
| 1 | 4202808 | PUMP HOUSING MHI202/203 1.4301 VP. | 1 |
| 2 | 4037163 | MULTIPRESS FIRST STAGE KIT | 1 |
| Note: STAGE/ STUFE/ ETAGE: 1 | | | |
| 2.1 | | > CORPS-ETG-SS-C/R-MUTICELL | 1 |
| 2.2 | | > IMPELLER-2M3-SP-HY-LOW-FLOW | 1 |
| 3 | 4037164 | MULTIPRESS OTHERS STAGES KIT | 1 |
| Note: STAGE/ STUFE/ ETAGE: 2/3 | | | |
| 2.2 | | > IMPELLER-2M3-SP-HY-LOW-FLOW | 1 |
| 3.1 | | > STAGE CASING WITH RETURN GUIDE VANE-SP | 1 |
| 5 | 4037161 | MECHANICAL SEAL KIT | 1 |
| 5.1 | 4017965 | > O-RING D9,9X2,62 NITRILE 70SH | 1 |
| 5.2 | 2090148 | > CIRCLIP D14 MVI/MHI 316L (2 PIECES) VP. | 1 |
| | | >> STOP-RUSH-1/2-D14-VMI/HMI-316 | 2 |
| 5.5 | 4233945 | > O-RING ID.140 VP. | 1 |
| 5.6 | | > THROWER 65/70SH-NITRILE | 1 |
| 5.7 | | > THROWER-RUBBER-SH65/70 | 1 |
| 5.4 | | > MECHANICAL-SEAL-MG1/14-G6-BQ1EGG-BURGMAN | 1 |
| 5.3 | | > DEFLECTOR D14xD22EP9 NORYL | 1 |
| 6 | 4056417 | NUT M8 INOX 1.4404 | 1 |
| 8 | 4031762 | SCREW M6X30 ISO4762 8.8 ZN | 1 |
| Note: PARTS/ STÜCK/ PIÈCES: 8 | | | |
| 9 | 4031766 | NUT M6 MP3/6 | 1 |
| Note: PARTS/ STÜCK/ PIÈCES: 8 | | | |
| 10 | 4191450 | PRIMING/DRAIN PLUG G1/4"-MHI-1.4301 VP. | 1 |
| 11 | 4045110 | LANTERN BRACKET | 1 |
| 12 | | SPARE PARTS MOTOR MP303-EM (MG71) | 1 |
| 12 | | SPARE PARTS MOTOR MP303-EM/B (MG63) | 1 |



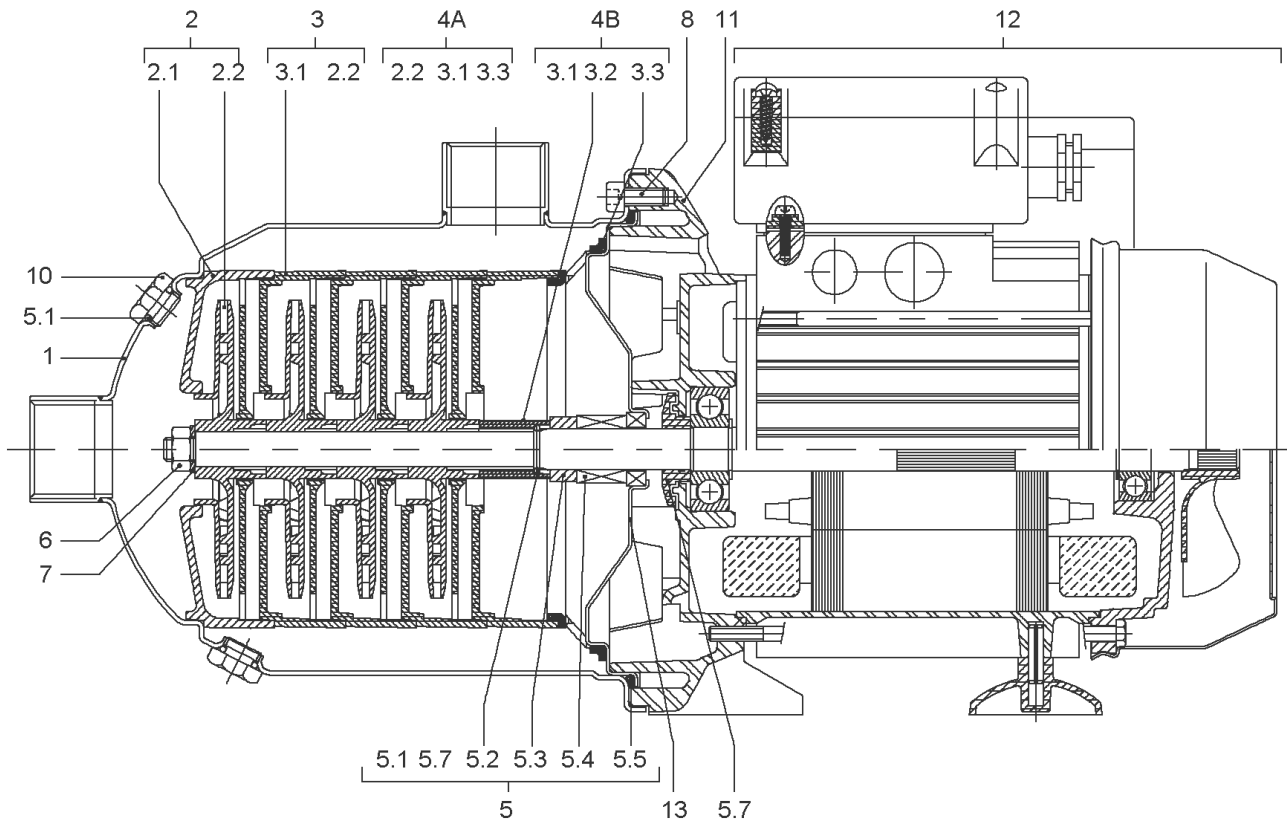
SPARE PARTS MOTOR MP303-EM (MG71)

| Item | Article no. | Description | Quantity |
|-------|-------------|---|----------|
| 12.1 | 4028055 | END SHILD AS MP3/MP603+604 +PK. | 1 |
| 7.6 | 4185162 | BALL-BEARING-6302-C3-DDU-E-EA6 VP. | 1 |
| 12.3 | 2048820 | FAN D.100 MG.71 MP KIT | 1 |
| 12.32 | 4233938 | > Motor fan T63-71 D100 VP. | 1 |
| 12.33 | | > FAN-COVER-MOTOR71-D110-LOCKING | 1 |
| 12.31 | | > REAR-BEARING-MOT71-D110-GROOVE | 1 |
| 12.4 | 122097891 | BALL BEARING 6202/2Z-C3 (HT) VP. | 1 |
| 12.5 | 4215742 | Crinkled washer 6202/6300-C3 VP. | 1 |
| 12.61 | 4007672 | TERMINAL-BOX-COVER-MOT-MONO-71 | 1 |
| 12.62 | 4209688 | Flat-Gasket-BAB-MOT71 VP. | 1 |
| | 2132532 | CAPACITOR 12MF 470V CA.LG.210 V1EC1 VP. | 1 |
| | 4207951 | CIRCLIP D15X1 VP. | 1 |



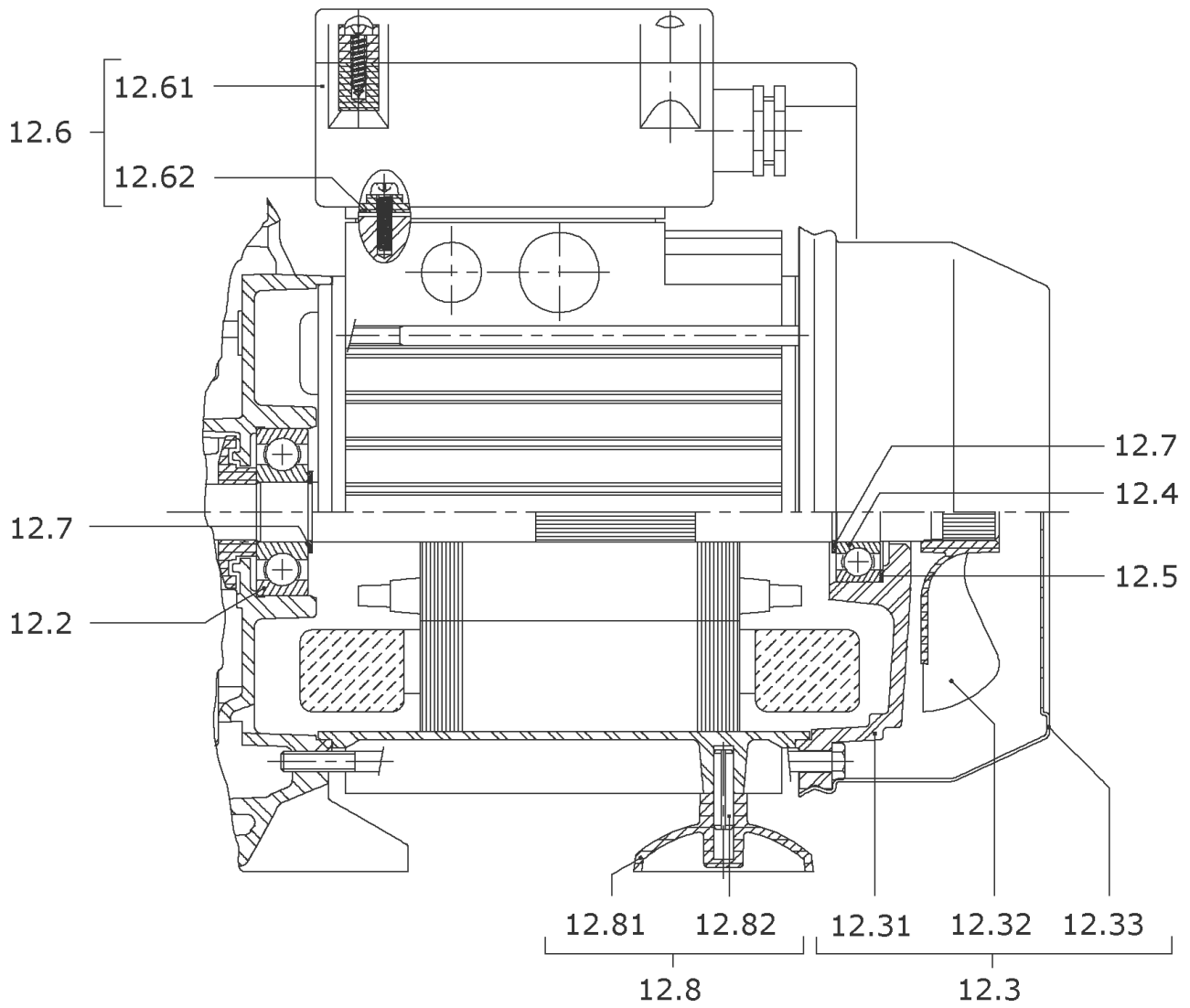
SPARE PARTS MOTOR MP303-EM/B (MG63)

| Item | Article no. | Description | Quantity |
|-------|-------------|---|----------|
| 12.1 | 4061729 | END SHILD AS MP3/MP603+604 +PK. | 1 |
| 12.2 | 122097891 | BALL BEARING 6202/2Z-C3 (HT) VP. | 1 |
| 12.3 | 2048815 | FAN D.100 MG.63 MC/MP KIT | 1 |
| 12.31 | | > REAR-BEARING-MOT63-D90 | 1 |
| 12.32 | 4233938 | > Motor fan T63-71 D100 VP. | 1 |
| 12.33 | | > FAN-COVER-MOTOR63-D90-LOCKING | 1 |
| 12.4 | 122097891 | BALL BEARING 6202/2Z-C3 (HT) VP. | 1 |
| 12.5 | 4215742 | Crinkled washer 6202/6300-C3 VP. | 1 |
| 12.6 | 4090072 | TERMINAL BOX KIT MC-EM (63) | 1 |
| 12.61 | 4062055 | > TERMINAL-BOX-COVER-MOT-MONO-63 | 1 |
| 12.62 | 4051316 | > FLAT-GASKET-BAB-MOT63 | 1 |
| | 2132532 | > CAPACITOR 12MF 470V CA.LG.210 V1EC1 VP. | 1 |
| | 4057375 | > TERMINAL BLOCK 40/25 3P | 1 |
| | | > SCREW F.KKD.(MHI2/4/8) | 1 |
| | | > NUT-HM4-BRASS | 1 |
| | 4207951 | CIRCLIP D15X1 VP. | 1 |



MP303-EM FROM VERSION: /C

| Item | Article no. | Description | Quantity |
|-------------------------------|-------------|--|----------|
| 1 | 4202808 | PUMP HOUSING MHI202/203 1.4301 VP. | 1 |
| 2 | 4037163 | MULTIPRESS FIRST STAGE KIT | 1 |
| Note: STAGE/ STUFE/ ETAGE: 1 | | | |
| 2.1 | | > CORPS-ETG-SS-C/R-MUTICELL | 1 |
| 2.2 | | > IMPELLER-2M3-SP-HY-LOW-FLOW | 1 |
| 3 | 4037164 | MULTIPRESS OTHERS STAGES KIT | 1 |
| Note: STAGE/ STUFE/ ETAGE: 2 | | | |
| 2.2 | | > IMPELLER-2M3-SP-HY-LOW-FLOW | 1 |
| 3.1 | | > STAGE CASING WITH RETURN GUIDE VANE-SP | 1 |
| 4A | 4150240 | MP303 MP305 LAST STAGE KIT | 1 |
| Note: STAGE/ STUFE/ ETAGE: 3 | | | |
| 3.1 | | > STAGE CASING WITH RETURN GUIDE VANE-SP | 1 |
| 2.2 | | > IMPELLER-2M3-SP-HY-LOW-FLOW | 1 |
| 3.3 | | > DIFFUSOR STAGE HY/MP | 1 |
| 5 | 4037161 | MECHANICAL SEAL KIT | 1 |
| 5.1 | 4017965 | > O-RING D9,9X2,62 NITRILE 70SH | 1 |
| 5.2 | 2090148 | > CIRCLIP D14 MVI/MHI 316L (2 PIECES) VP. | 1 |
| | | >> STOP-RUSH-1/2-D14-VMI/HMI-316 | 2 |
| 5.5 | 4233945 | > O-RING ID.140 VP. | 1 |
| 5.6 | | > THROWER 65/70SH-NITRILE | 1 |
| 5.7 | | > THROWER-RUBBER-SH65/70 | 1 |
| 5.4 | | > MECHANICAL-SEAL-MG1/14-G6-BQ1EGG-BURGMAN | 1 |
| 5.3 | | > DEFLECTOR D14xD22EP9 NORYL | 1 |
| 6 | 4056417 | NUT M8 INOX 1.4404 | 1 |
| 8 | 4007350 | SCREW M6X14 ISO4762 8.8 ZN | 1 |
| Note: PARTS/ STÜCK/ PIÈCES: 8 | | | |
| 10 | 4191450 | PRIMING/DRAIN PLUG G1/4"-MHI-1.4301 VP. | 1 |
| 11 | 2112732 | LANTERN MG63 P171 M108 VP. | 1 |
| 12 | | SPARE PARTS MOTOR MP303-EM/C (MG63) | 1 |
| 13 | 4004679 | Stationnary Ring Holder 1.4301 | 1 |

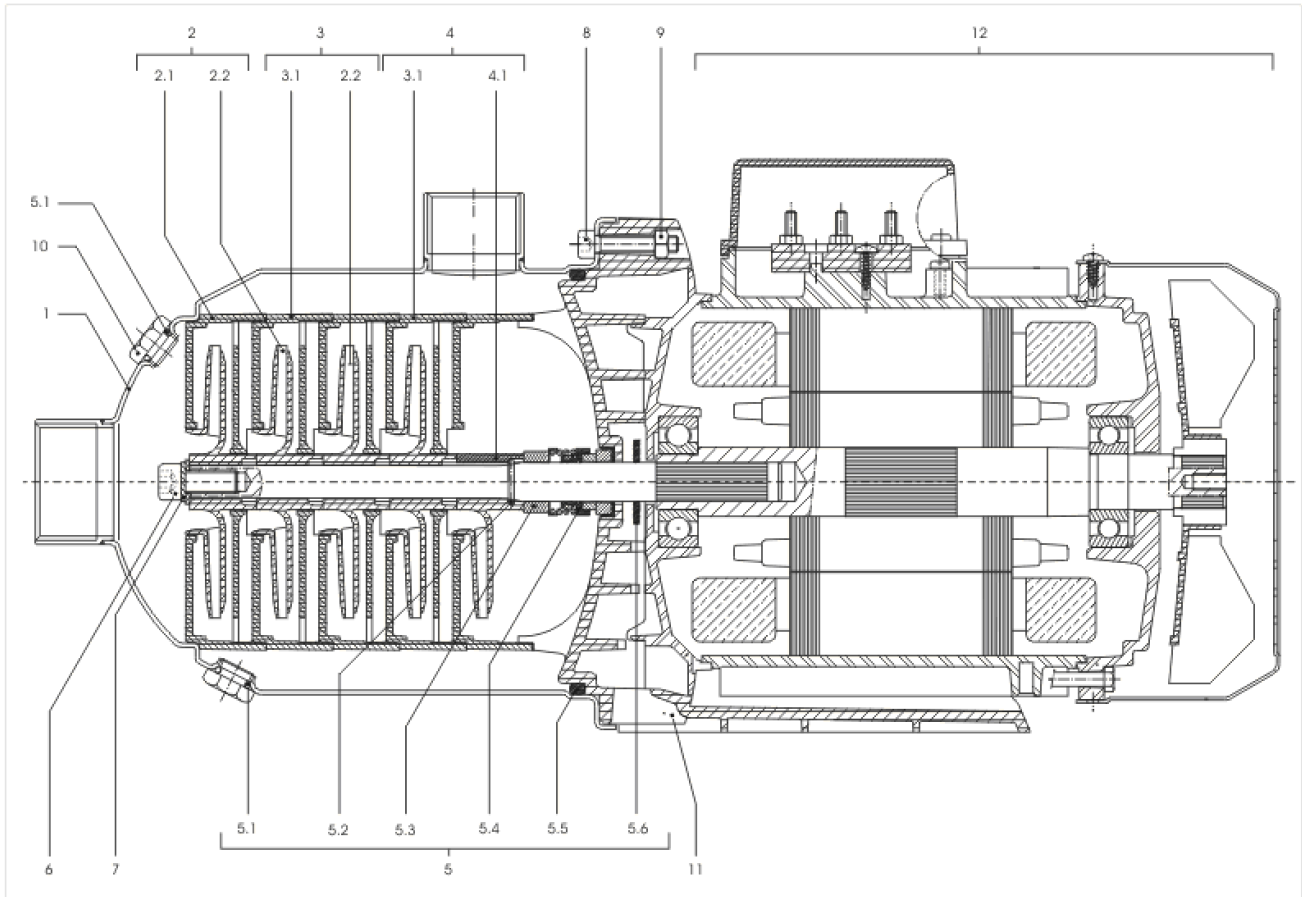


SPARE PARTS MOTOR MP303-EM/C (MG63)

| Item | Article no. | Description | Quantity |
|-------|-------------|---|----------|
| 12.2 | 122097891 | BALL BEARING 6202/2Z-C3 (HT) VP. | 1 |
| 12.3 | 2048815 | FAN D.100 MG.63 MC/MP KIT | 1 |
| 12.31 | | > REAR-BEARING-MOT63-D90 | 1 |
| 12.32 | 4233938 | > Motor fan T63-71 D100 VP. | 1 |
| 12.33 | | > FAN-COVER-MOTOR63-D90-LOCKING | 1 |
| 12.4 | 122097891 | BALL BEARING 6202/2Z-C3 (HT) VP. | 1 |
| 12.5 | 4215742 | Crinkled washer 6202/6300-C3 VP. | 1 |
| 12.6 | 4090072 | TERMINAL BOX KIT MC-EM (63) | 1 |
| 12.61 | 4062055 | > TERMINAL-BOX-COVER-MOT-MONO-63 | 1 |
| 12.62 | 4051316 | > FLAT-GASKET-BAB-MOT63 | 1 |
| | 2132532 | > CAPACITOR 12MF 470V CA.LG.210 V1EC1 VP. | 1 |
| | 4057375 | > TERMINAL BLOCK 40/25 3P | 1 |
| | | > SCREW F.KKD.(MHI2/4/8) | 1 |
| | | > NUT-HM4-BRASS | 1 |
| 12.7 | 4207951 | CIRCLIP D15X1 VP. | 1 |
| 12.8 | 2106089 | MOTOR FOOT MG.63 KIT | 1 |
| 12.81 | | > MOTOR-SUPPORT-63 | 1 |
| 12.82 | | > SPRING-PIN-A4L25E | 1 |

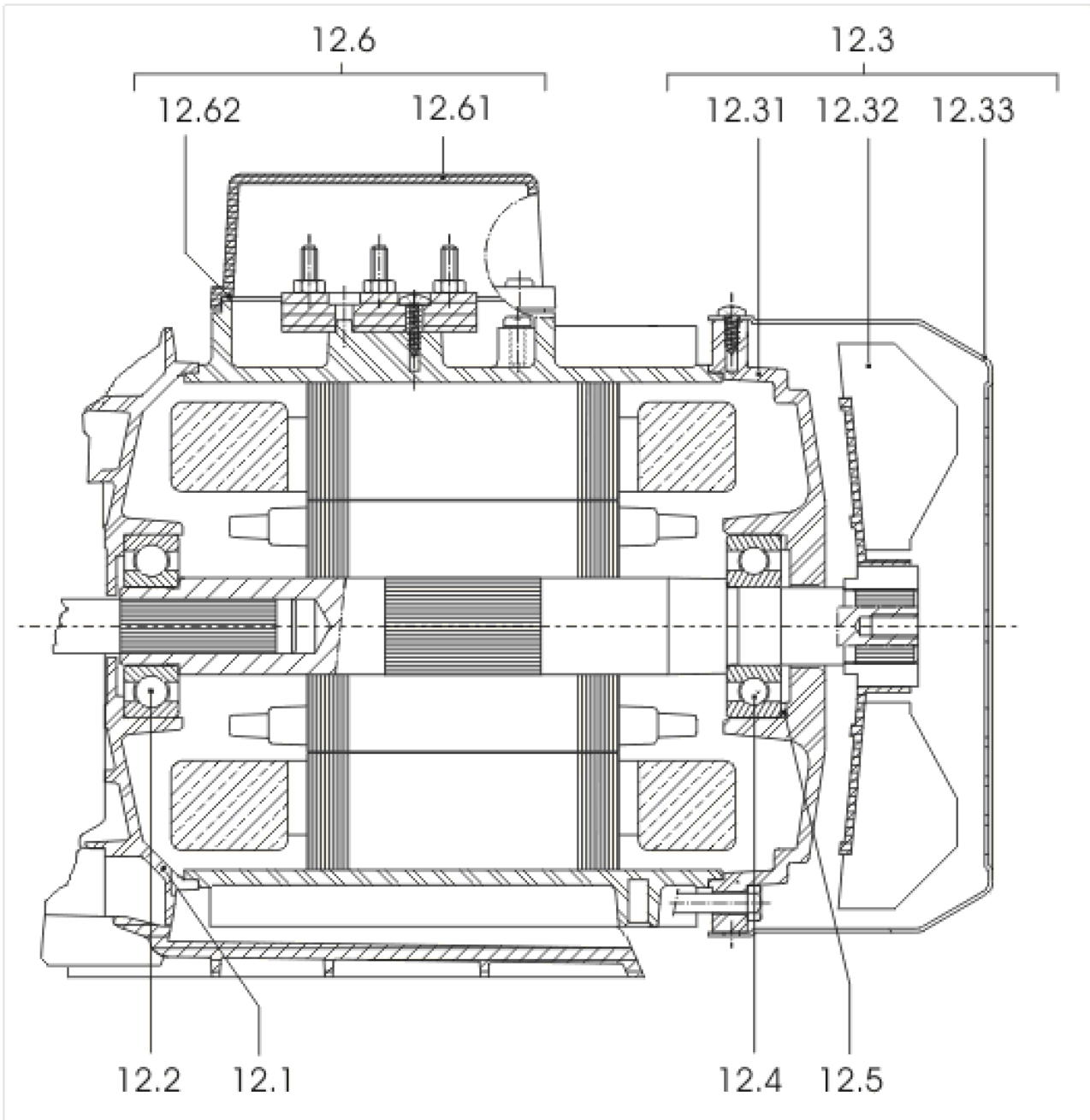
MP304-EM (4032126)

| Description | Quantity |
|---------------------------|----------|
| MP304-EM TO VERSION: /B | 1 |
| MP304-EM FROM VERSION: /C | 1 |



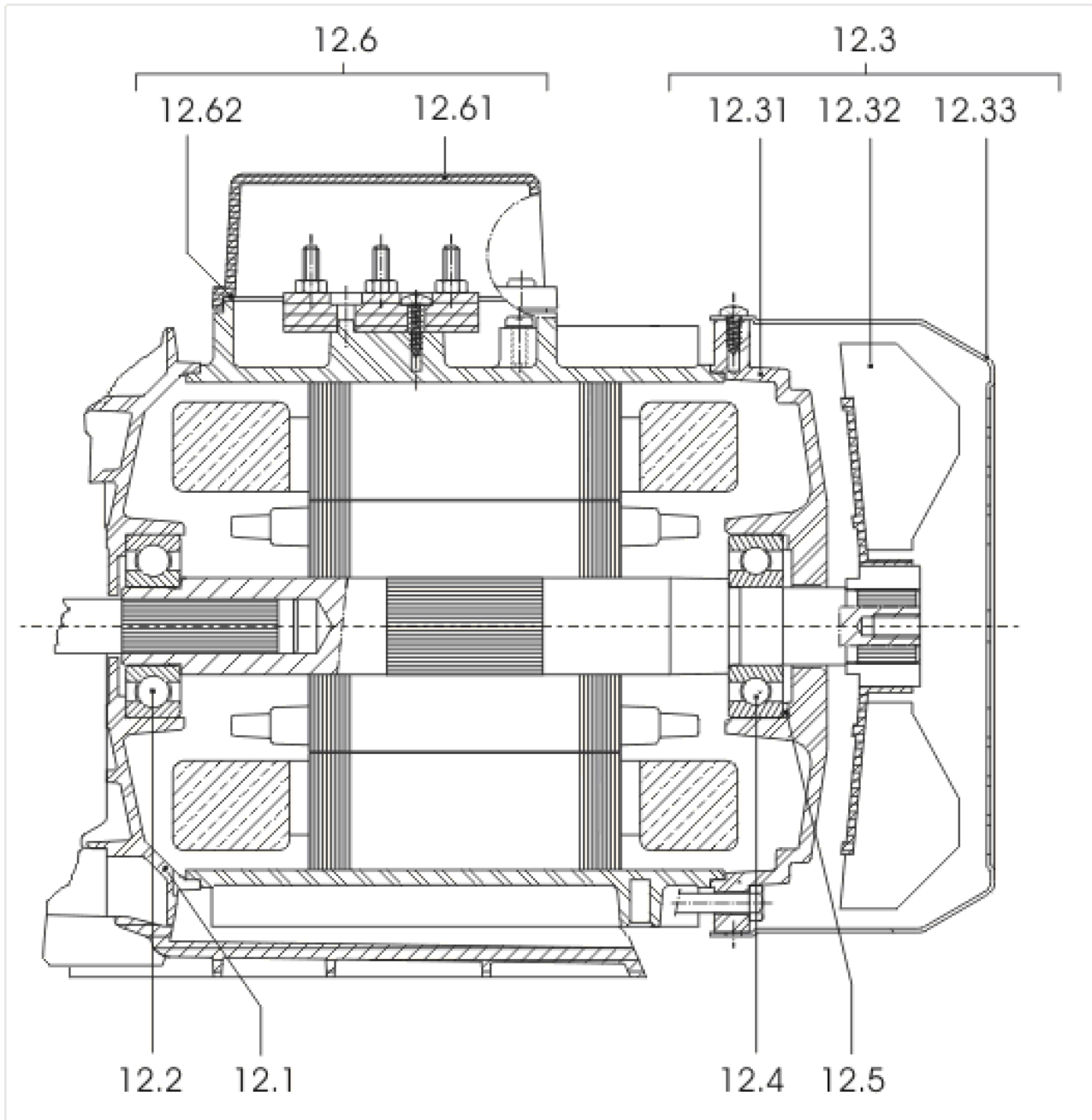
MP304-EM TO VERSION: /B

| Item | Article no. | Description | Quantity |
|----------------------------------|-------------|--|----------|
| 1 | 4202809 | PUMP HOUSING MHI204/205 1.4301 VP. | 1 |
| 2 | 4037163 | MULTIPRESS FIRST STAGE KIT | 1 |
| Note: STAGE/ STUFE/ ETAGE: 1 | | | |
| 2.1 | | > CORPS-ETG-SS-C/R-MUTICELL | 1 |
| 2.2 | | > IMPELLER-2M3-SP-HY-LOW-FLOW | 1 |
| 3 | 4037164 | MULTIPRESS OTHERS STAGES KIT | 1 |
| Note: STAGE/ STUFE/ ETAGE: 2/3/4 | | | |
| 2.2 | | > IMPELLER-2M3-SP-HY-LOW-FLOW | 1 |
| 3.1 | | > STAGE CASING WITH RETURN GUIDE VANE-SP | 1 |
| 4 | 4037162 | MULTIPRESS SILENT MASTER LAST STAGE KIT | 1 |
| Note: STAGE/ STUFE/ ETAGE: 5 | | | |
| 3.1 | | > STAGE CASING WITH RETURN GUIDE VANE-SP | 1 |
| 4.1 | | > IMPELLER SHIM SPACER | 1 |
| 5 | 4037161 | MECHANICAL SEAL KIT | 1 |
| 5.1 | 4017965 | > O-RING D9,9X2,62 NITRILE 70SH | 1 |
| 5.2 | 2090148 | > CIRCLIP D14 MVI/MHI 316L (2 PIECES) VP. | 1 |
| | | >> STOP-RUSH-1/2-D14-VMI/HMI-316 | 2 |
| 5.5 | 4233945 | > O-RING ID.140 VP. | 1 |
| 5.6 | | > THROWER 65/70SH-NITRILE | 1 |
| 5.7 | | > THROWER-RUBBER-SH65/70 | 1 |
| 5.4 | | > MECHANICAL-SEAL-MG1/14-G6-BQ1EGG-BURGMAN | 1 |
| 5.3 | | > DEFLECTOR D14xD22EP9 NORYL | 1 |
| 6 | 4056417 | NUT M8 INOX 1.4404 | 1 |
| 8 | 4031762 | SCREW M6X30 ISO4762 8.8 ZN | 1 |
| Note: PARTS/ STÜCK/ PIÈCES: 8 | | | |
| 9 | 4031766 | NUT M6 MP3/6 | 1 |
| Note: PARTS/ STÜCK/ PIÈCES: 8 | | | |
| 10 | 4191450 | PRIMING/DRAIN PLUG G1/4"-MHI-1.4301 VP. | 1 |
| 11 | 4045110 | LANTERN BRACKET | 1 |
| 12 | | SPARE PARTS MOTOR MP304-EM (MG71) | 1 |
| 12 | | SPARE PARTS MOTOR MP304-EM/B (MG63) | 1 |



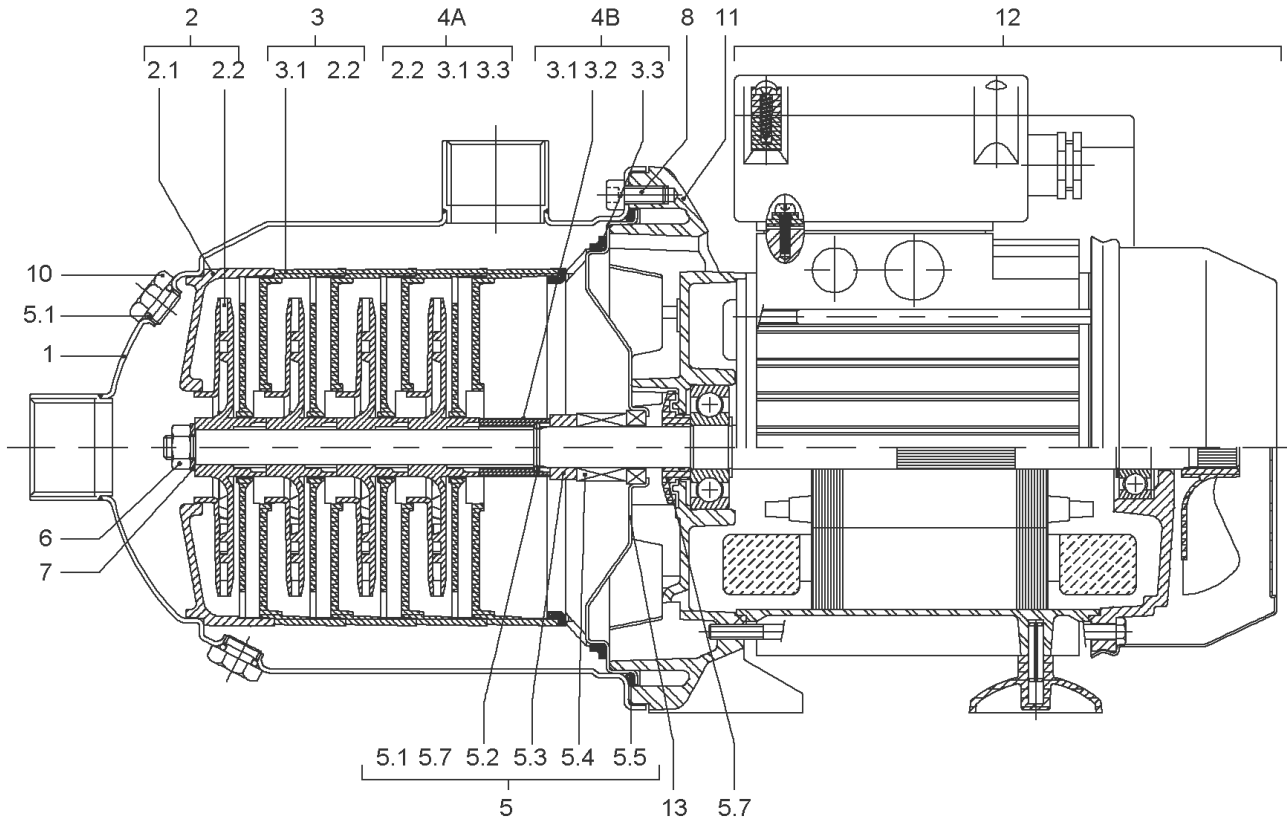
SPARE PARTS MOTOR MP304-EM (MG71)

| Item | Article no. | Description | Quantity |
|-------|-------------|---|----------|
| 12.1 | 4028055 | END SHILD AS MP3/MP603+604 +PK. | 1 |
| 7.6 | 4185162 | BALL-BEARING-6302-C3-DDU-E-EA6 VP. | 1 |
| 12.3 | 2048820 | FAN D.100 MG.71 MP KIT | 1 |
| 12.32 | 4233938 | > Motor fan T63-71 D100 VP. | 1 |
| 12.33 | | > FAN-COVER-MOTOR71-D110-LOCKING | 1 |
| 12.31 | | > REAR-BEARING-MOT71-D110-GROOVE | 1 |
| 12.4 | 122097891 | BALL BEARING 6202/2Z-C3 (HT) VP. | 1 |
| 12.5 | 4215742 | Crinkled washer 6202/6300-C3 VP. | 1 |
| 12.61 | 4007672 | TERMINAL-BOX-COVER-MOT-MONO-71 | 1 |
| 12.62 | 4209688 | Flat-Gasket-BAB-MOT71 VP. | 1 |
| | 2132532 | CAPACITOR 12MF 470V CA.LG.210 V1EC1 VP. | 1 |
| | 4207951 | CIRCLIP D15X1 VP. | 1 |



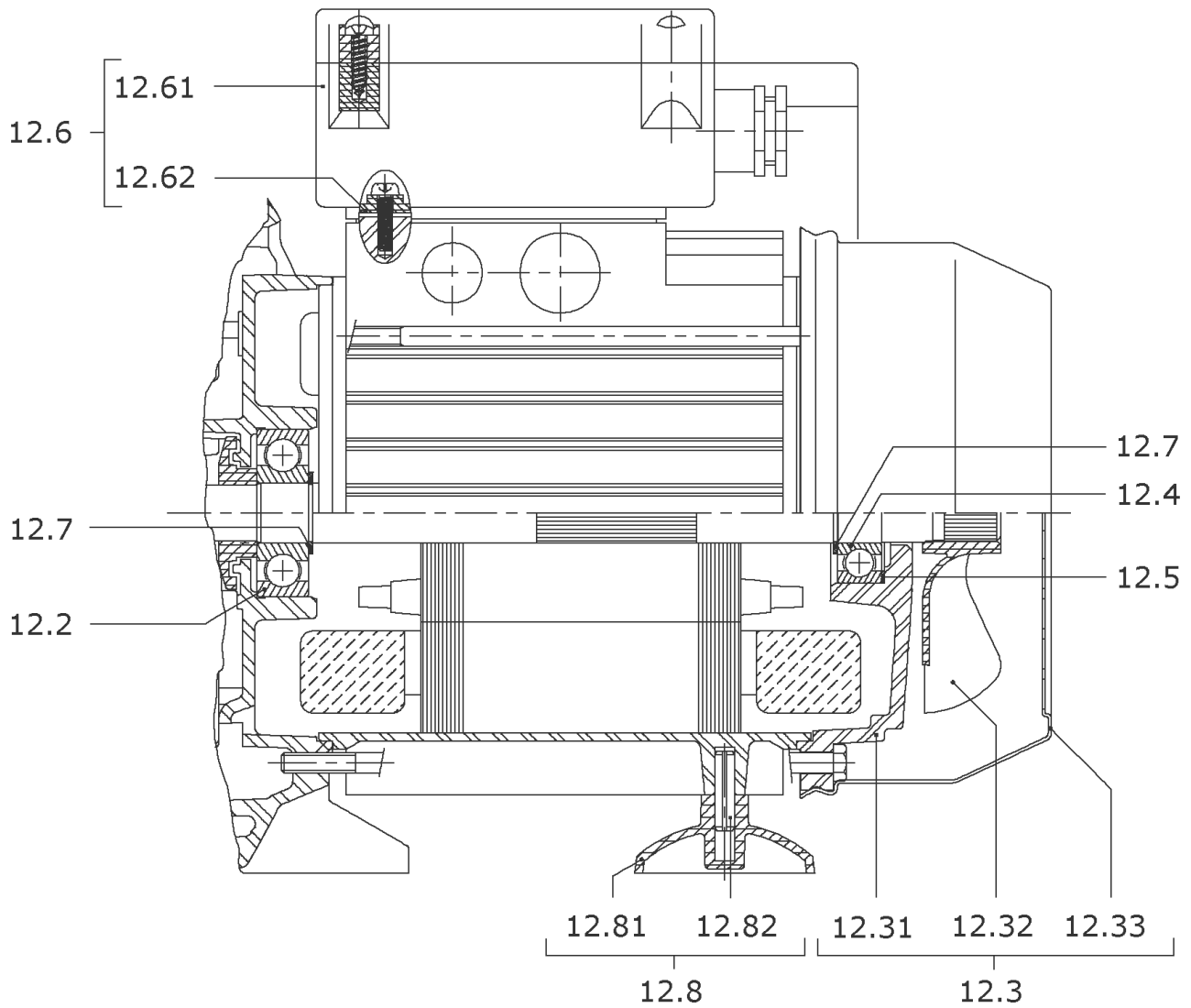
SPARE PARTS MOTOR MP304-EM/B (MG63)

| Item | Article no. | Description | Quantity |
|-------|-------------|---|----------|
| 12.1 | 4061729 | END SHILD AS MP3/MP603+604 +PK. | 1 |
| 12.2 | 122097891 | BALL BEARING 6202/2Z-C3 (HT) VP. | 1 |
| 12.3 | 2048815 | FAN D.100 MG.63 MC/MP KIT | 1 |
| 12.31 | | > REAR-BEARING-MOT63-D90 | 1 |
| 12.32 | 4233938 | > Motor fan T63-71 D100 VP. | 1 |
| 12.33 | | > FAN-COVER-MOTOR63-D90-LOCKING | 1 |
| 12.4 | 122097891 | BALL BEARING 6202/2Z-C3 (HT) VP. | 1 |
| 12.5 | 4215742 | Crinkled washer 6202/6300-C3 VP. | 1 |
| 12.6 | 4090072 | TERMINAL BOX KIT MC-EM (63) | 1 |
| 12.61 | 4062055 | > TERMINAL-BOX-COVER-MOT-MONO-63 | 1 |
| 12.62 | 4051316 | > FLAT-GASKET-BAB-MOT63 | 1 |
| | 2132532 | > CAPACITOR 12MF 470V CA.LG.210 V1EC1 VP. | 1 |
| | 4057375 | > TERMINAL BLOCK 40/25 3P | 1 |
| | | > SCREW F.KKD.(MHI2/4/8) | 1 |
| | | > NUT-HM4-BRASS | 1 |
| | 4207951 | CIRCLIP D15X1 VP. | 1 |



MP304-EM FROM VERSION: /C

| Item | Article no. | Description | Quantity |
|----------------------------------|-------------|--|----------|
| 1 | 4202809 | PUMP HOUSING MHI204/205 1.4301 VP. | 1 |
| 2 | 4037163 | MULTIPRESS FIRST STAGE KIT | 1 |
| Note: STAGE/ STUFE/ ETAGE: 1 | | | |
| 2.1 | | > CORPS-ETG-SS-C/R-MUTICELL | 1 |
| 2.2 | | > IMPELLER-2M3-SP-HY-LOW-FLOW | 1 |
| 3 | 4037164 | MULTIPRESS OTHERS STAGES KIT | 1 |
| Note: STAGE/ STUFE/ ETAGE: 2/3/4 | | | |
| 2.2 | | > IMPELLER-2M3-SP-HY-LOW-FLOW | 1 |
| 3.1 | | > STAGE CASING WITH RETURN GUIDE VANE-SP | 1 |
| 4B | 4150239 | MP302 MP304 LAST STAGE KIT | 1 |
| Note: STAGE/ STUFE/ ETAGE: 5 | | | |
| 3.1 | | > STAGE CASING WITH RETURN GUIDE VANE-SP | 1 |
| 3.2 | | > IMPELLER SHIM SPACER | 1 |
| 3.3 | | > DIFFUSOR STAGE HY/MP | 1 |
| 5 | 4037161 | MECHANICAL SEAL KIT | 1 |
| 5.1 | 4017965 | > O-RING D9,9X2,62 NITRILE 70SH | 1 |
| 5.2 | 2090148 | > CIRCLIP D14 MVI/MHI 316L (2 PIECES) VP. | 1 |
| | | >> STOP-RUSH-1/2-D14-VMI/HMI-316 | 2 |
| 5.5 | 4233945 | > O-RING ID.140 VP. | 1 |
| 5.6 | | > THROWER 65/70SH-NITRILE | 1 |
| 5.7 | | > THROWER-RUBBER-SH65/70 | 1 |
| 5.4 | | > MECHANICAL-SEAL-MG1/14-G6-BQ1EGG-BURGMAN | 1 |
| 5.3 | | > DEFLECTOR D14xD22EP9 NORYL | 1 |
| 6 | 4056417 | NUT M8 INOX 1.4404 | 1 |
| 8 | 4007350 | SCREW M6X14 ISO4762 8.8 ZN | 1 |
| Note: PARTS/ STÜCK/ PIÈCES: 8 | | | |
| 10 | 4191450 | PRIMING/DRAIN PLUG G1/4"-MHI-1.4301 VP. | 1 |
| 11 | 2112732 | LANTERN MG63 P171 M108 VP. | 1 |
| 12 | | SPARE PARTS MOTOR MP304-EM/C (MG63) | 1 |
| 13 | 4004679 | Stationnary Ring Holder 1.4301 | 1 |

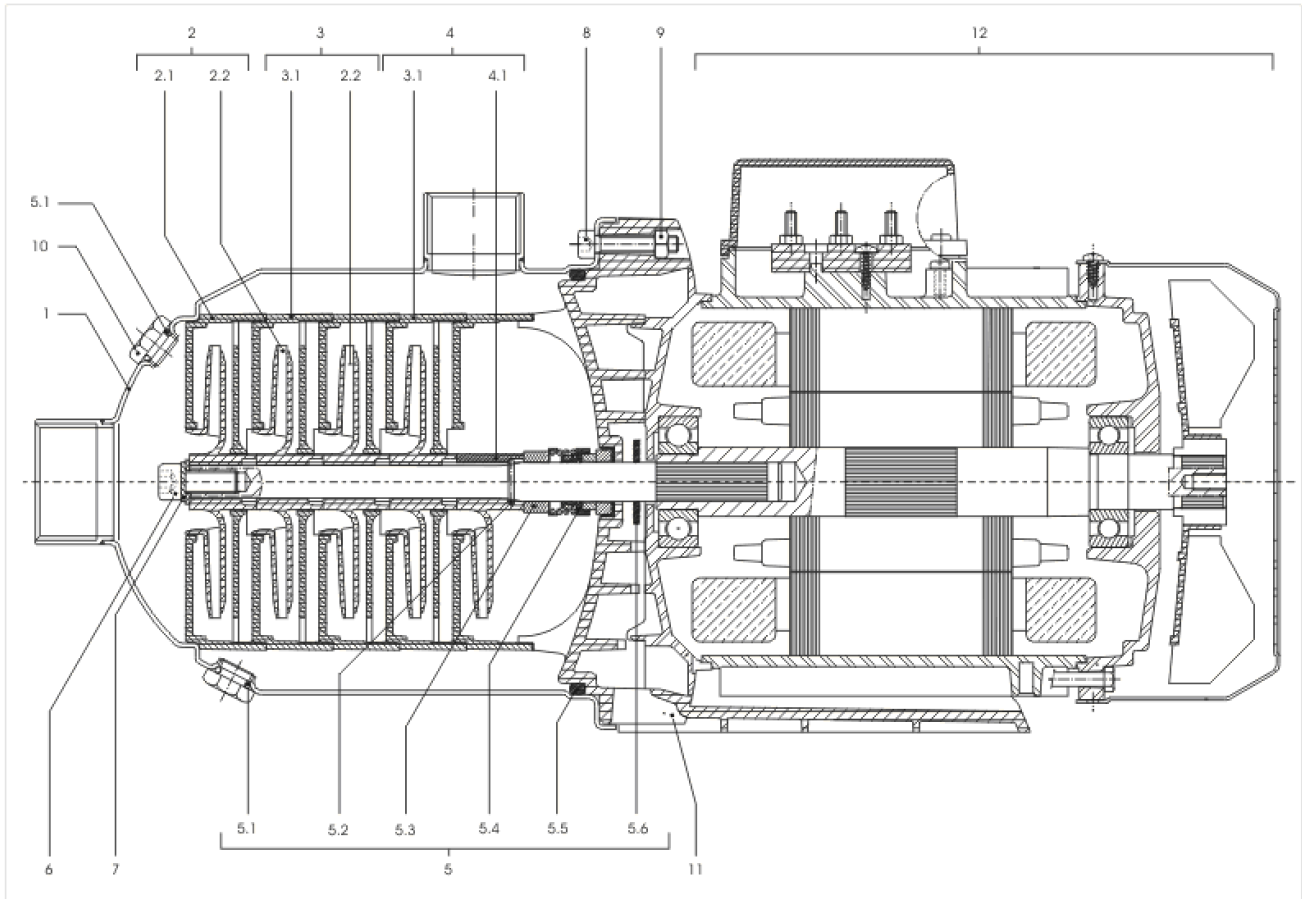


SPARE PARTS MOTOR MP304-EM/C (MG63)

| Item | Article no. | Description | Quantity |
|-------|-------------|---|----------|
| 12.2 | 122097891 | BALL BEARING 6202/2Z-C3 (HT) VP. | 1 |
| 12.3 | 2048815 | FAN D.100 MG.63 MC/MP KIT | 1 |
| 12.31 | | > REAR-BEARING-MOT63-D90 | 1 |
| 12.32 | 4233938 | > Motor fan T63-71 D100 VP. | 1 |
| 12.33 | | > FAN-COVER-MOTOR63-D90-LOCKING | 1 |
| 12.4 | 122097891 | BALL BEARING 6202/2Z-C3 (HT) VP. | 1 |
| 12.5 | 4215742 | Crinkled washer 6202/6300-C3 VP. | 1 |
| 12.6 | 4090072 | TERMINAL BOX KIT MC-EM (63) | 1 |
| 12.61 | 4062055 | > TERMINAL-BOX-COVER-MOT-MONO-63 | 1 |
| 12.62 | 4051316 | > FLAT-GASKET-BAB-MOT63 | 1 |
| | 2132532 | > CAPACITOR 12MF 470V CA.LG.210 V1EC1 VP. | 1 |
| | 4057375 | > TERMINAL BLOCK 40/25 3P | 1 |
| | | > SCREW F.KKD.(MHI2/4/8) | 1 |
| | | > NUT-HM4-BRASS | 1 |
| 12.7 | 4207951 | CIRCLIP D15X1 VP. | 1 |
| 12.8 | 2106089 | MOTOR FOOT MG.63 KIT | 1 |
| 12.81 | | > MOTOR-SUPPORT-63 | 1 |
| 12.82 | | > SPRING-PIN-A4L25E | 1 |

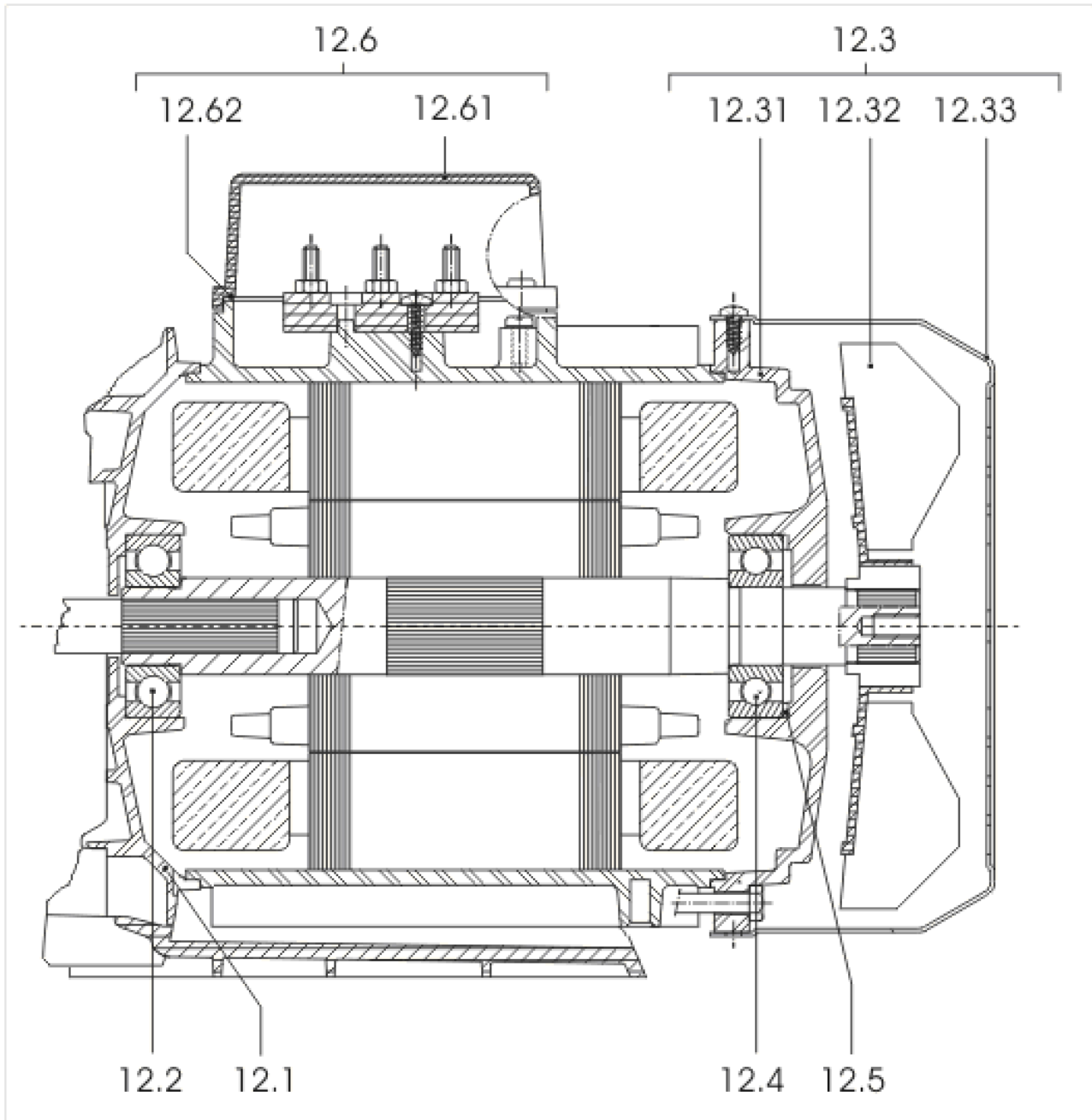
MP305-EM (4032127)

| Description | Quantity |
|---------------------------|----------|
| MP305-EM TO VERSION: /B | 1 |
| MP305-EM FROM VERSION: /C | 1 |



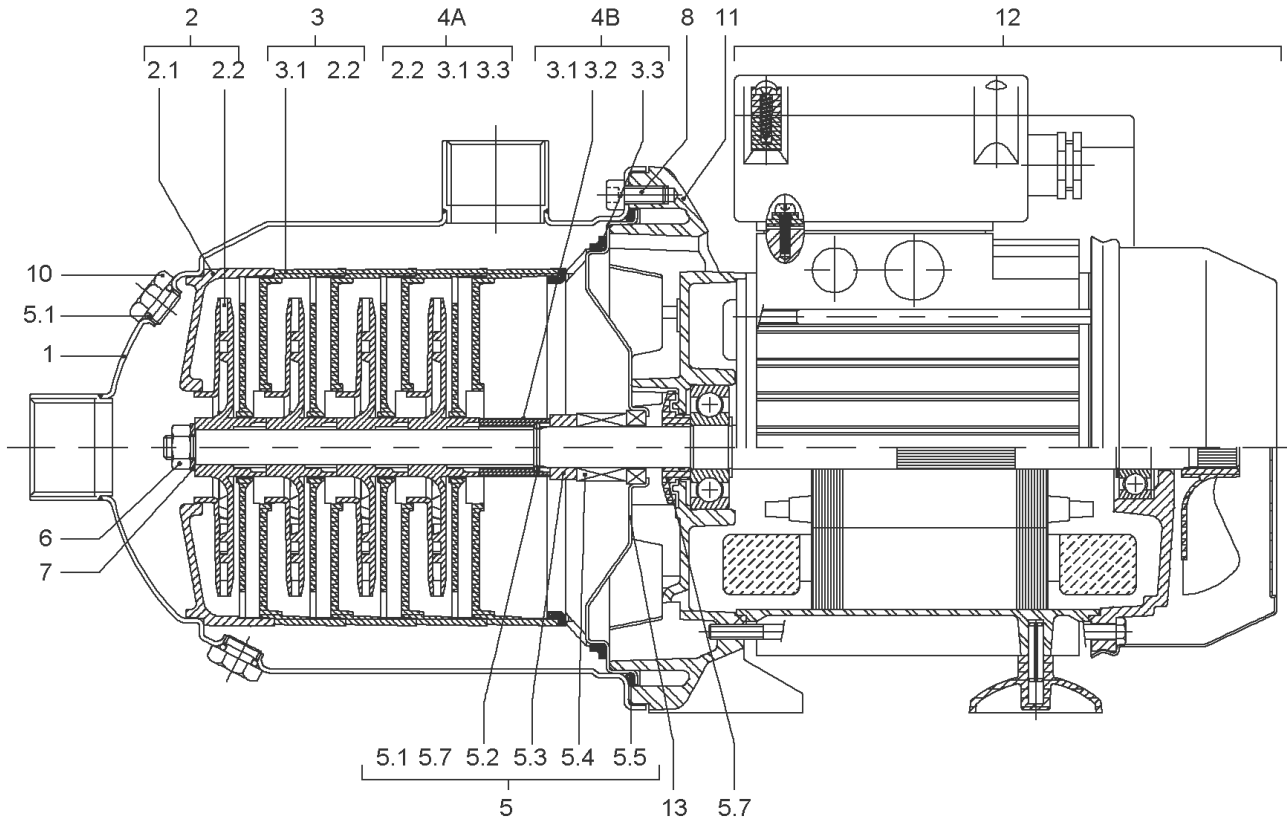
MP305-EM TO VERSION: /B

| Item | Article no. | Description | Quantity |
|------------------------------------|-------------|--|----------|
| 1 | 4202809 | PUMP HOUSING MHI204/205 1.4301 VP. | 1 |
| 2 | 4037163 | MULTIPRESS FIRST STAGE KIT | 1 |
| Note: STAGE/ STUFE/ ETAGE: 1 | | | |
| 2.1 | | > CORPS-ETG-SS-C/R-MUTICELL | 1 |
| 2.2 | | > IMPELLER-2M3-SP-HY-LOW-FLOW | 1 |
| 3 | 4037164 | MULTIPRESS OTHERS STAGES KIT | 1 |
| Note: STAGE/ STUFE/ ETAGE: 2/3/4/5 | | | |
| 2.2 | | > IMPELLER-2M3-SP-HY-LOW-FLOW | 1 |
| 3.1 | | > STAGE CASING WITH RETURN GUIDE VANE-SP | 1 |
| 5 | 4037161 | MECHANICAL SEAL KIT | 1 |
| 5.1 | 4017965 | > O-RING D9,9X2,62 NITRILE 70SH | 1 |
| 5.2 | 2090148 | > CIRCLIP D14 MVI/MHI 316L (2 PIECES) VP. | 1 |
| | | >> STOP-RUSH-1/2-D14-VMI/HMI-316 | 2 |
| 5.5 | 4233945 | > O-RING ID.140 VP. | 1 |
| 5.6 | | > THROWER 65/70SH-NITRILE | 1 |
| 5.7 | | > THROWER-RUBBER-SH65/70 | 1 |
| 5.4 | | > MECHANICAL-SEAL-MG1/14-G6-BQ1EGG-BURGMAN | 1 |
| 5.3 | | > DEFLECTOR D14xD22EP9 NORYL | 1 |
| 6 | 4056417 | NUT M8 INOX 1.4404 | 1 |
| 8 | 4031762 | SCREW M6X30 ISO4762 8.8 ZN | 1 |
| Note: PARTS/ STÜCK/ PIÈCES: 8 | | | |
| 9 | 4031766 | NUT M6 MP3/6 | 1 |
| Note: PARTS/ STÜCK/ PIÈCES: 8 | | | |
| 10 | 4191450 | PRIMING/DRAIN PLUG G1/4"-MHI-1.4301 VP. | 1 |
| 11 | 4045110 | LANTERN BRACKET | 1 |
| 12 | | SPARE PARTS MOTOR MP305-EM (MG71) | 1 |



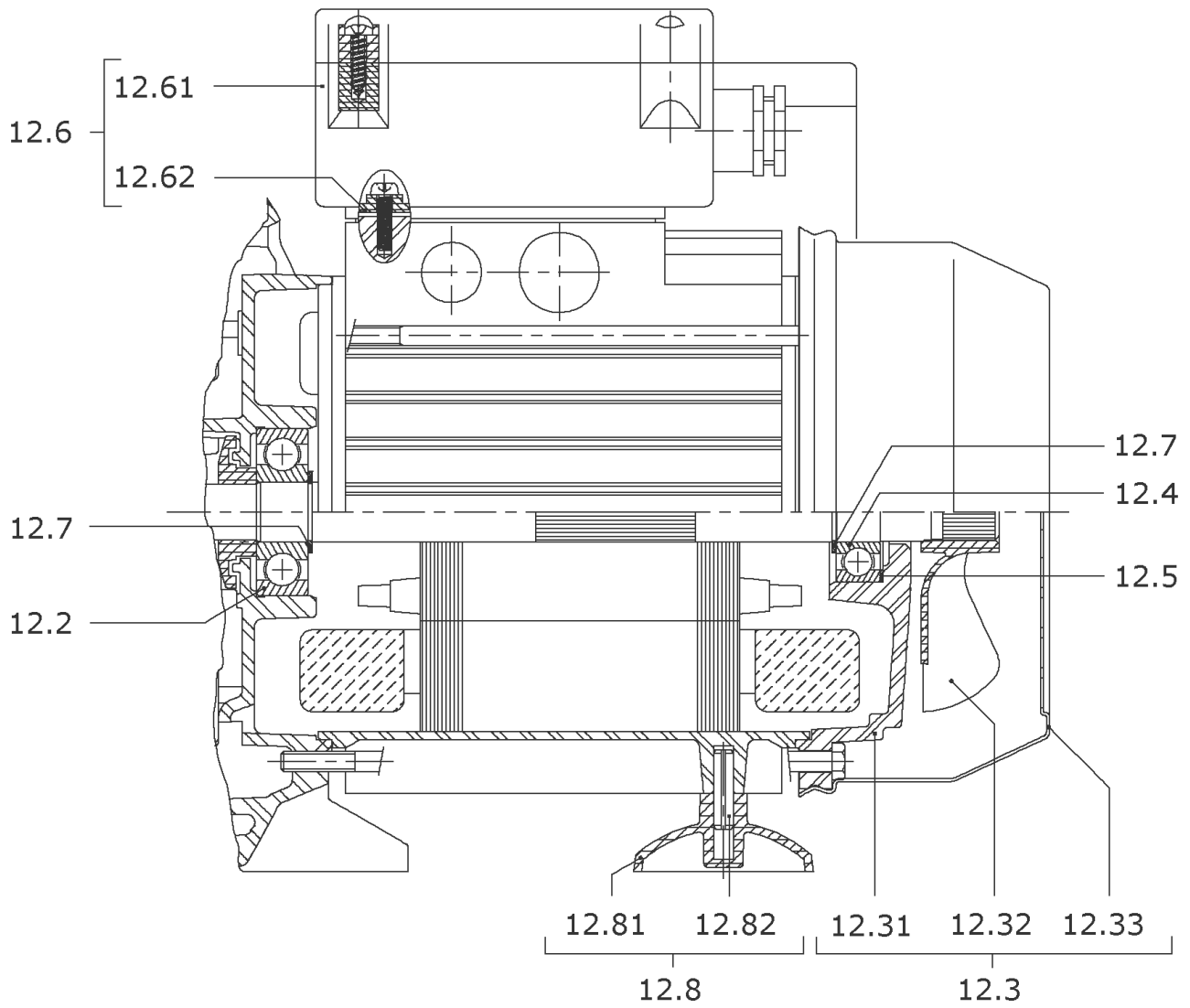
SPARE PARTS MOTOR MP305-EM (MG71)

| Item | Article no. | Description | Quantity |
|-------|-------------|---|----------|
| 12.1 | 4028055 | END SHILD AS MP3/MP603+604 +PK. | 1 |
| 7.6 | 4185162 | BALL-BEARING-6302-C3-DDU-E-EA6 VP. | 1 |
| 12.3 | 2048820 | FAN D.100 MG.71 MP KIT | 1 |
| 12.32 | 4233938 | > Motor fan T63-71 D100 VP. | 1 |
| 12.33 | | > FAN-COVER-MOTOR71-D110-LOCKING | 1 |
| 12.31 | | > REAR-BEARING-MOT71-D110-GROOVE | 1 |
| 12.4 | 122097891 | BALL BEARING 6202/2Z-C3 (HT) VP. | 1 |
| 12.5 | 4215742 | Crinkled washer 6202/6300-C3 VP. | 1 |
| 12.61 | 4007672 | TERMINAL-BOX-COVER-MOT-MONO-71 | 1 |
| 12.62 | 4209688 | Flat-Gasket-BAB-MOT71 VP. | 1 |
| | 2132533 | CAPACITOR 16MF 470V CA.LG.210 V1EC2 VP. | 1 |
| | 4207951 | CIRCLIP D15X1 VP. | 1 |



MP305-EM FROM VERSION: /C

| Item | Article no. | Description | Quantity |
|----------------------------------|-------------|--|----------|
| 1 | 4202809 | PUMP HOUSING MHI204/205 1.4301 VP. | 1 |
| 2 | 4037163 | MULTIPRESS FIRST STAGE KIT | 1 |
| Note: STAGE/ STUFE/ ETAGE: 1 | | | |
| 2.1 | | > CORPS-ETG-SS-C/R-MUTICELL | 1 |
| 2.2 | | > IMPELLER-2M3-SP-HY-LOW-FLOW | 1 |
| 3 | 4037164 | MULTIPRESS OTHERS STAGES KIT | 1 |
| Note: STAGE/ STUFE/ ETAGE: 2/3/4 | | | |
| 2.2 | | > IMPELLER-2M3-SP-HY-LOW-FLOW | 1 |
| 3.1 | | > STAGE CASING WITH RETURN GUIDE VANE-SP | 1 |
| 4A | 4150240 | MP303 MP305 LAST STAGE KIT | 1 |
| Note: STAGE/ STUFE/ ETAGE: 5 | | | |
| 3.1 | | > STAGE CASING WITH RETURN GUIDE VANE-SP | 1 |
| 2.2 | | > IMPELLER-2M3-SP-HY-LOW-FLOW | 1 |
| 3.3 | | > DIFFUSOR STAGE HY/MP | 1 |
| 5 | 4037161 | MECHANICAL SEAL KIT | 1 |
| 5.1 | 4017965 | > O-RING D9,9X2,62 NITRILE 70SH | 1 |
| 5.2 | 2090148 | > CIRCLIP D14 MVI/MHI 316L (2 PIECES) VP. | 1 |
| | | >> STOP-RUSH-1/2-D14-VMI/HMI-316 | 2 |
| 5.5 | 4233945 | > O-RING ID.140 VP. | 1 |
| 5.6 | | > THROWER 65/70SH-NITRILE | 1 |
| 5.7 | | > THROWER-RUBBER-SH65/70 | 1 |
| 5.4 | | > MECHANICAL-SEAL-MG1/14-G6-BQ1EGG-BURGMAN | 1 |
| 5.3 | | > DEFLECTOR D14xD22EP9 NORYL | 1 |
| 6 | 4056417 | NUT M8 INOX 1.4404 | 1 |
| 8 | 4007350 | SCREW M6X14 ISO4762 8.8 ZN | 1 |
| Note: PARTS/ STÜCK/ PIÈCES: 8 | | | |
| 10 | 4191450 | PRIMING/DRAIN PLUG G1/4"-MHI-1.4301 VP. | 1 |
| 11 | 4025172 | LANTERN MACHINED P171 M125 | 1 |
| 12 | | SPARE PARTS MOTOR MP305-EM/C (MG71) | 1 |
| 13 | 4004679 | Stationnary Ring Holder 1.4301 | 1 |

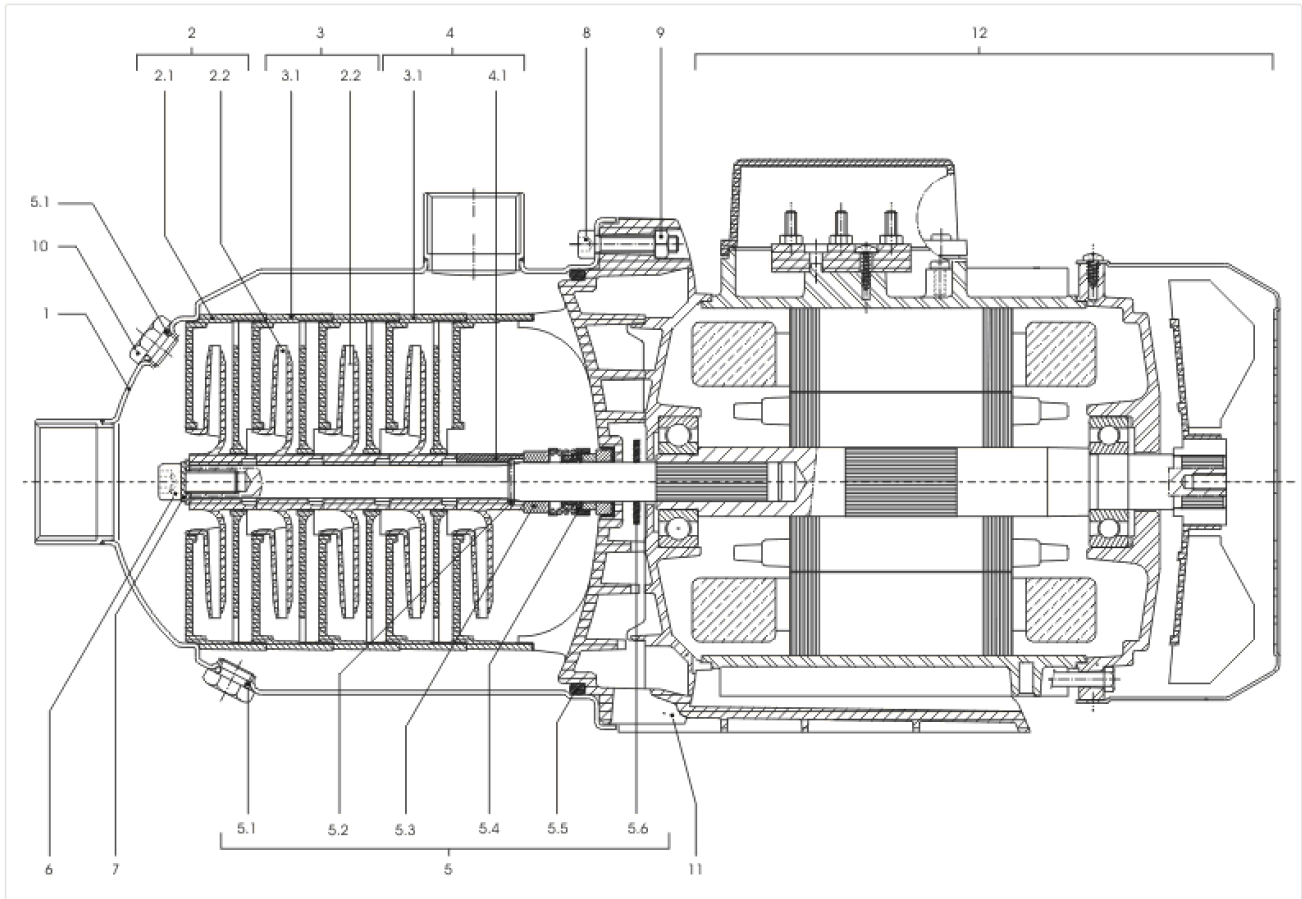


SPARE PARTS MOTOR MP305-EM/C (MG71)

| Item | Article no. | Description | Quantity |
|-------|-------------|---|----------|
| 7.6 | 4185162 | BALL-BEARING-6302-C3-DDU-E-EA6 VP. | 1 |
| 12.3 | 2048820 | FAN D.100 MG.71 MP KIT | 1 |
| 12.32 | 4233938 | > Motor fan T63-71 D100 VP. | 1 |
| 12.33 | | > FAN-COVER-MOTOR71-D110-LOCKING | 1 |
| 12.31 | | > REAR-BEARING-MOT71-D110-GROOVE | 1 |
| 12.4 | 122097891 | BALL BEARING 6202/2Z-C3 (HT) VP. | 1 |
| 12.5 | 4215742 | Crinkled washer 6202/6300-C3 VP. | 1 |
| 12.6 | 4090073 | TERMINAL BOX KIT MC-EM (71) | 1 |
| 12.61 | 4007672 | > TERMINAL-BOX-COVER-MOT-MONO-71 | 1 |
| 12.62 | 4209688 | > Flat-Gasket-BAB-MOT71 VP. | 1 |
| | 2132533 | > CAPACITOR 16MF 470V CA.LG.210 V1EC2 VP. | 1 |
| | | > SCREW-CBL-Z-C/AT-ST3,5L13ZINGUE | 1 |
| | | > SCREW F.KKD.(MHI2/4/8) | 1 |
| | | > NUT-HM4-BRASS | 1 |
| 12.7 | 4207951 | CIRCLIP D15X1 VP. | 1 |
| 12.8 | 2106111 | MOTOR FOOT MG.71 KIT | 1 |
| 12.81 | | > MOTOR-SUPPORT-71 | 1 |
| 12.82 | | > SPRING-PIN-A5L20E | 1 |

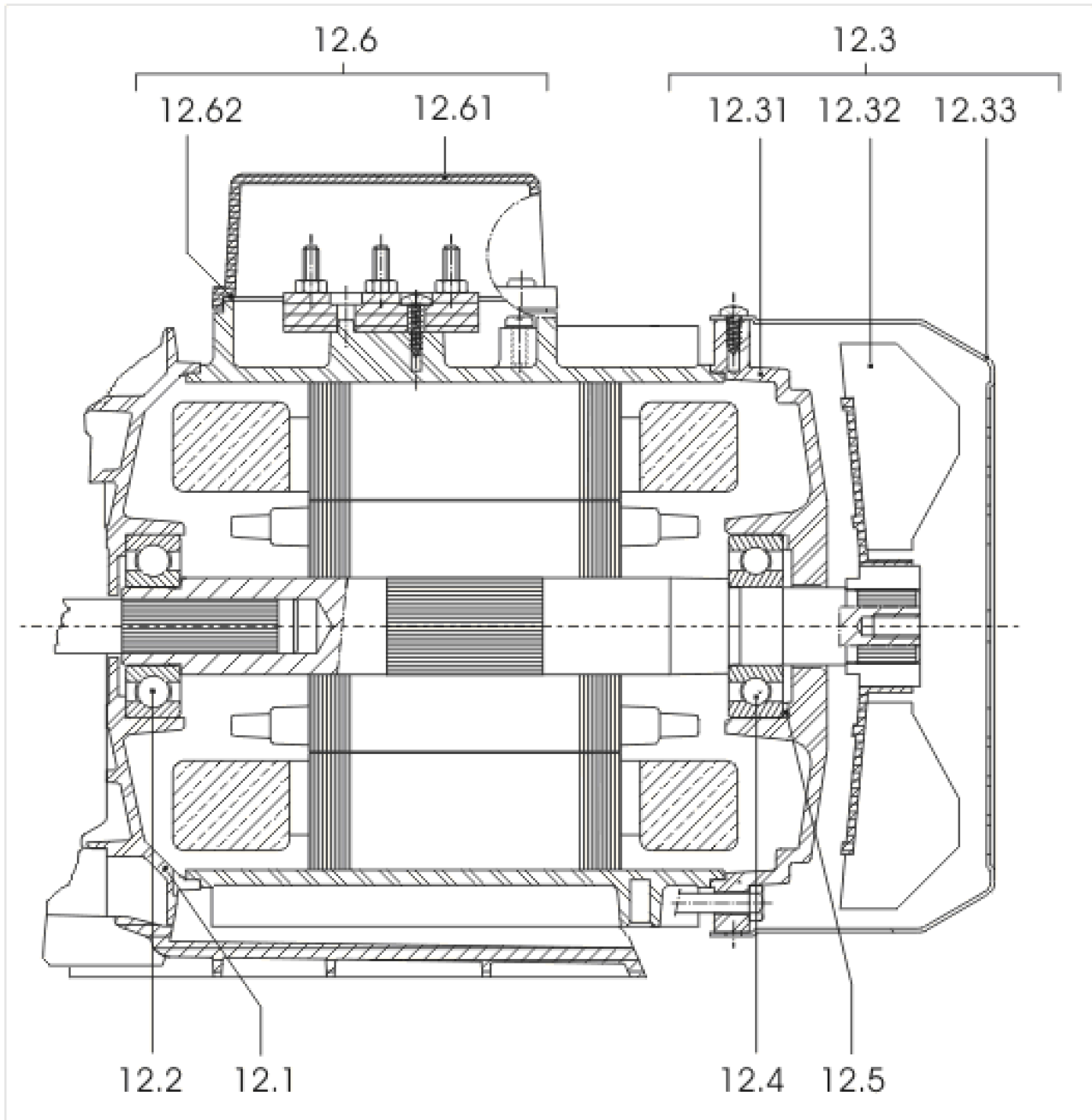
MP305-DM (4032128)

| Description | Quantity |
|---------------------------|----------|
| MP305-DM TO VERSION: /C | 1 |
| MP305-DM FROM VERSION: /D | 1 |



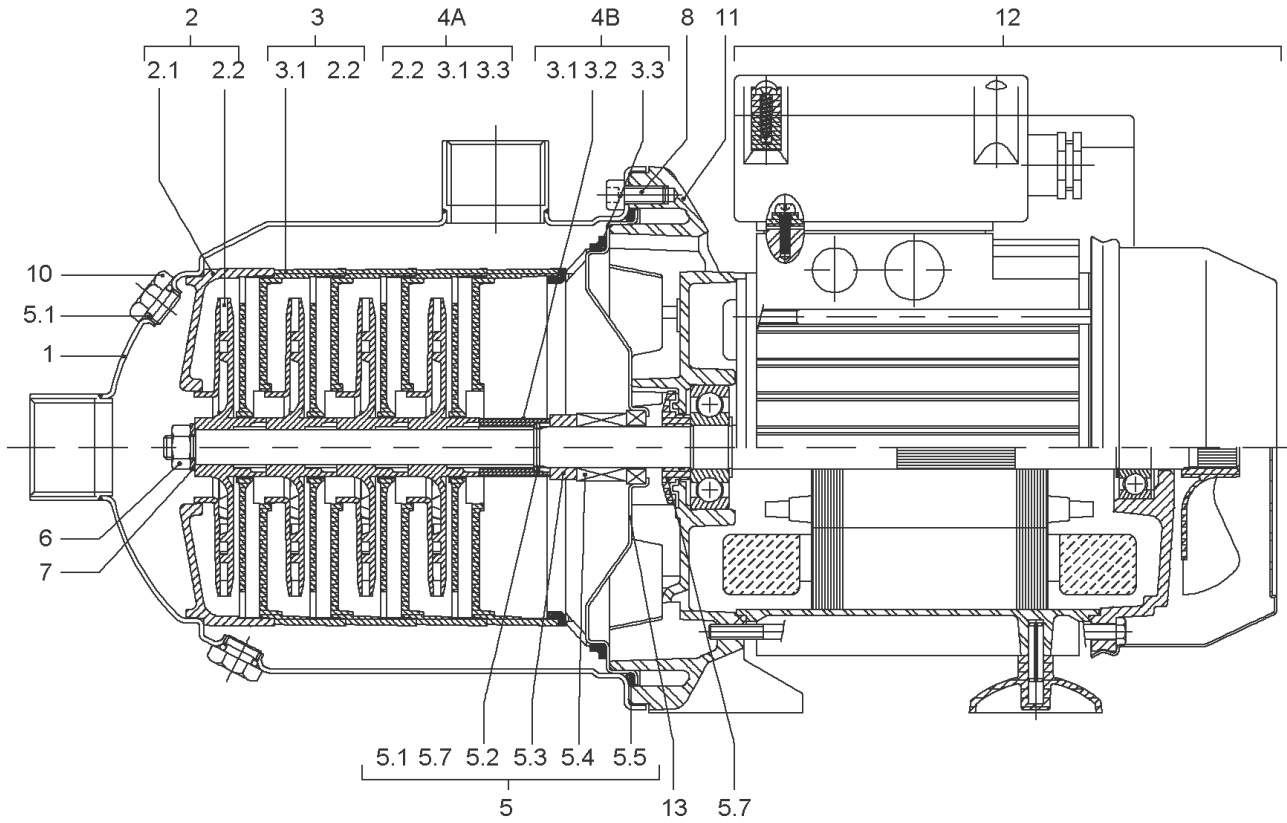
MP305-DM TO VERSION: /C

| Item | Article no. | Description | Quantity |
|------------------------------------|-------------|--|----------|
| 1 | 4202809 | PUMP HOUSING MHI204/205 1.4301 VP. | 1 |
| 2 | 4037163 | MULTIPRESS FIRST STAGE KIT | 1 |
| Note: STAGE/ STUFE/ ETAGE: 1 | | | |
| 2.1 | | > CORPS-ETG-SS-C/R-MUTICELL | 1 |
| 2.2 | | > IMPELLER-2M3-SP-HY-LOW-FLOW | 1 |
| 3 | 4037164 | MULTIPRESS OTHERS STAGES KIT | 1 |
| Note: STAGE/ STUFE/ ETAGE: 2/3/4/5 | | | |
| 2.2 | | > IMPELLER-2M3-SP-HY-LOW-FLOW | 1 |
| 3.1 | | > STAGE CASING WITH RETURN GUIDE VANE-SP | 1 |
| 5 | 4037161 | MECHANICAL SEAL KIT | 1 |
| 5.1 | 4017965 | > O-RING D9,9X2,62 NITRILE 70SH | 1 |
| 5.2 | 2090148 | > CIRCLIP D14 MVI/MHI 316L (2 PIECES) VP. | 1 |
| | | >> STOP-RUSH-1/2-D14-VMI/HMI-316 | 2 |
| 5.5 | 4233945 | > O-RING ID.140 VP. | 1 |
| 5.6 | | > THROWER 65/70SH-NITRILE | 1 |
| 5.7 | | > THROWER-RUBBER-SH65/70 | 1 |
| 5.4 | | > MECHANICAL-SEAL-MG1/14-G6-BQ1EGG-BURGMAN | 1 |
| 5.3 | | > DEFLECTOR D14xD22EP9 NORYL | 1 |
| 6 | 4056417 | NUT M8 INOX 1.4404 | 1 |
| 8 | 4031762 | SCREW M6X30 ISO4762 8.8 ZN | 1 |
| Note: PARTS/ STÜCK/ PIÈCES: 8 | | | |
| 9 | 4031766 | NUT M6 MP3/6 | 1 |
| Note: PARTS/ STÜCK/ PIÈCES: 8 | | | |
| 10 | 4191450 | PRIMING/DRAIN PLUG G1/4"-MHI-1.4301 VP. | 1 |
| 11 | 4045110 | LANTERN BRACKET | 1 |
| 12 | | SPARE PARTS MOTOR MP305-DM (MG71) | 1 |



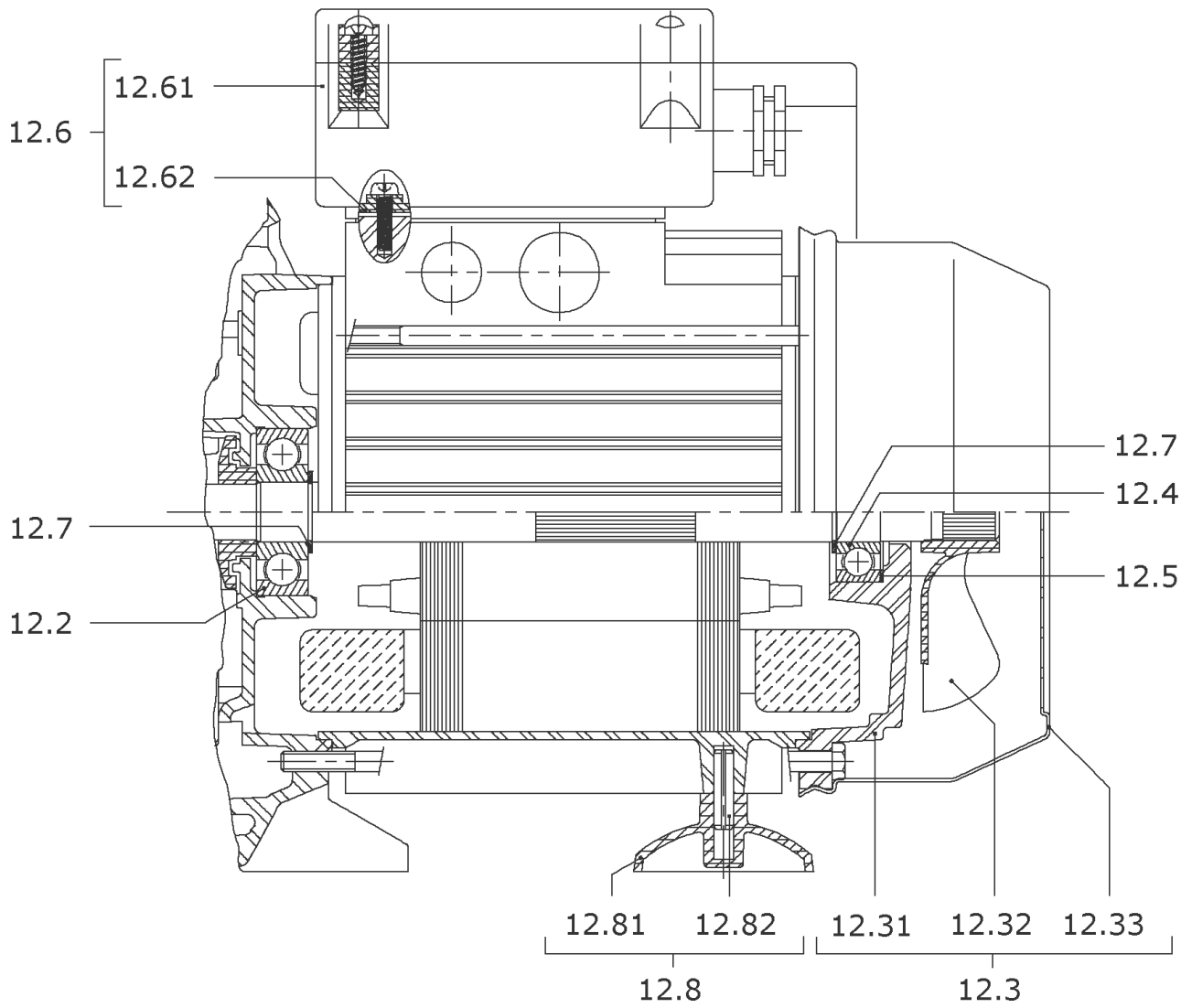
SPARE PARTS MOTOR MP305-DM (MG71)

| Item | Article no. | Description | Quantity |
|-------|-------------|-------------------------------------|----------|
| 12.1 | 4028055 | END SHILD AS MP3/MP603+604 +PK. | 1 |
| 7.6 | 4185162 | BALL-BEARING-6302-C3-DDU-E-EA6 VP. | 1 |
| 12.3 | 2048820 | FAN D.100 MG.71 MP KIT | 1 |
| 12.32 | 4233938 | > Motor fan T63-71 D100 VP. | 1 |
| 12.33 | | > FAN-COVER-MOTOR71-D110-LOCKING | 1 |
| 12.31 | | > REAR-BEARING-MOT71-D110-GROOVE | 1 |
| 12.4 | 122097891 | BALL BEARING 6202/2Z-C3 (HT) VP. | 1 |
| 12.5 | 4215742 | Crinkled washer 6202/6300-C3 VP. | 1 |
| 12.6 | 4090076 | TERMINAL BOX KIT MC-DM (71) | 1 |
| 12.61 | 4210082 | > Terminal-Box-Cover-MOT-TRI-71 VP. | 1 |
| 12.62 | 4209688 | > Flat-Gasket-BAB-MOT71 VP. | 1 |
| | 4057378 | > TERMINAL BLOCK 50/32 6P | 1 |
| | | > M3,5L14 THREAD FORMING SCREW | 1 |
| | 4207951 | CIRCLIP D15X1 VP. | 1 |



MP305-DM FROM VERSION: /D

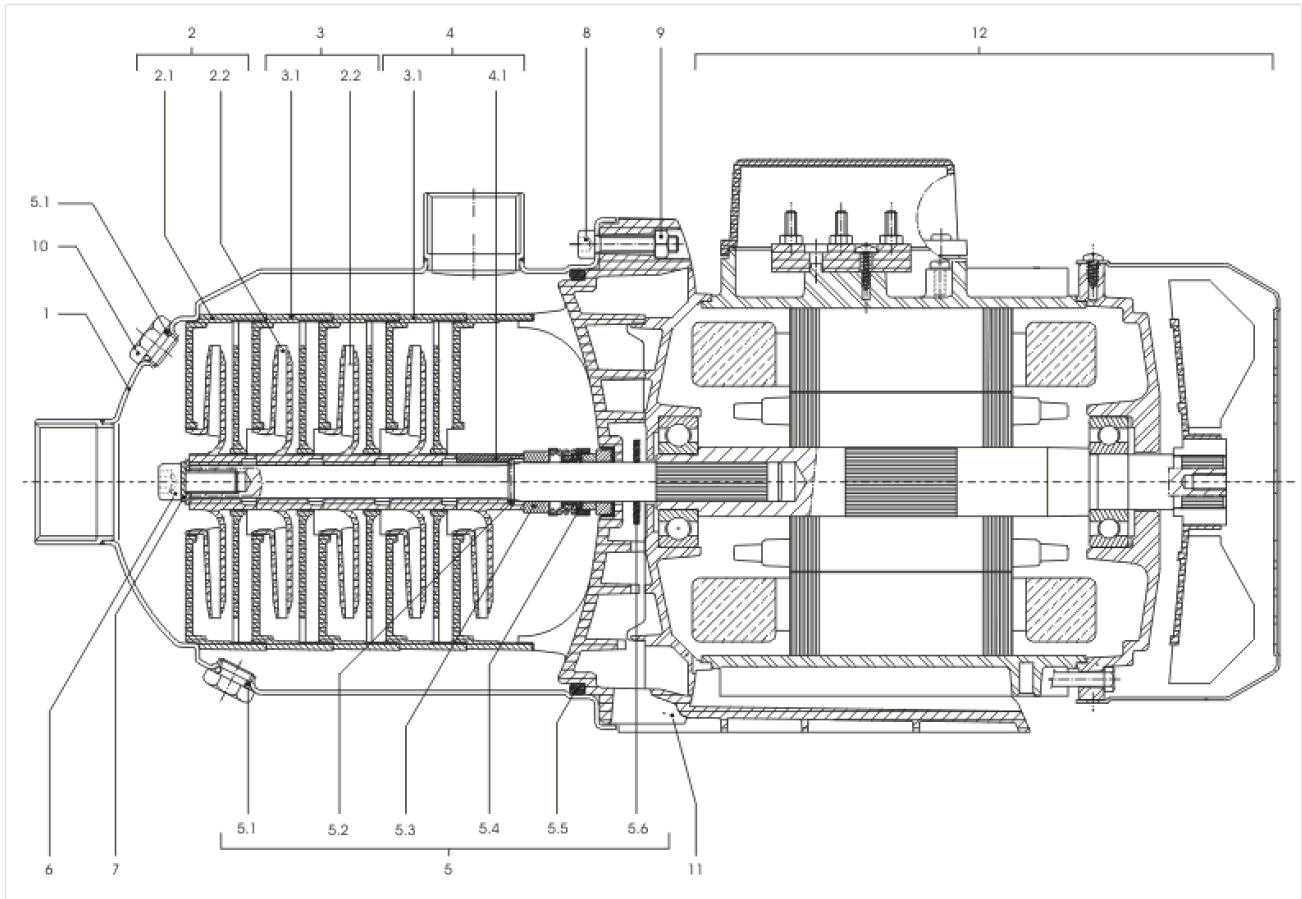
| Item | Article no. | Description | Quantity |
|----------------------------------|-------------|--|----------|
| 1 | 4202809 | PUMP HOUSING MHI204/205 1.4301 VP. | 1 |
| 2 | 4037163 | MULTIPRESS FIRST STAGE KIT | 1 |
| Note: STAGE/ STUFE/ ETAGE: 1 | | | |
| 2.1 | | > CORPS-ETG-SS-C/R-MUTICELL | 1 |
| 2.2 | | > IMPELLER-2M3-SP-HY-LOW-FLOW | 1 |
| 3 | 4037164 | MULTIPRESS OTHERS STAGES KIT | 1 |
| Note: STAGE/ STUFE/ ETAGE: 2/3/4 | | | |
| 2.2 | | > IMPELLER-2M3-SP-HY-LOW-FLOW | 1 |
| 3.1 | | > STAGE CASING WITH RETURN GUIDE VANE-SP | 1 |
| 4A | 4150240 | MP303 MP305 LAST STAGE KIT | 1 |
| Note: STAGE/ STUFE/ ETAGE: 5 | | | |
| 3.1 | | > STAGE CASING WITH RETURN GUIDE VANE-SP | 1 |
| 2.2 | | > IMPELLER-2M3-SP-HY-LOW-FLOW | 1 |
| 3.3 | | > DIFFUSOR STAGE HY/MP | 1 |
| 5 | 4037161 | MECHANICAL SEAL KIT | 1 |
| 5.1 | 4017965 | > O-RING D9,9X2,62 NITRILE 70SH | 1 |
| 5.2 | 2090148 | > CIRCLIP D14 MVI/MHI 316L (2 PIECES) VP. | 1 |
| | | >> STOP-RUSH-1/2-D14-VMI/HMI-316 | 2 |
| 5.5 | 4233945 | > O-RING ID.140 VP. | 1 |
| 5.6 | | > THROWER 65/70SH-NITRILE | 1 |
| 5.7 | | > THROWER-RUBBER-SH65/70 | 1 |
| 5.4 | | > MECHANICAL-SEAL-MG1/14-G6-BQ1EGG-BURGMAN | 1 |
| 5.3 | | > DEFLECTOR D14xD22EP9 NORYL | 1 |
| 6 | 4056417 | NUT M8 INOX 1.4404 | 1 |
| 8 | 4007350 | SCREW M6X14 ISO4762 8.8 ZN | 1 |
| Note: PARTS/ STÜCK/ PIÈCES: 8 | | | |
| 10 | 4191450 | PRIMING/DRAIN PLUG G1/4"-MHI-1.4301 VP. | 1 |
| 11 | 4025172 | LANTERN MACHINED P171 M125 | 1 |
| 12 | | SPARE PARTS MOTOR MP305-DM/D (MG71) | 1 |
| 13 | 4004679 | Stationnary Ring Holder 1.4301 | 1 |



SPARE PARTS MOTOR MP305-DM/D (MG71)

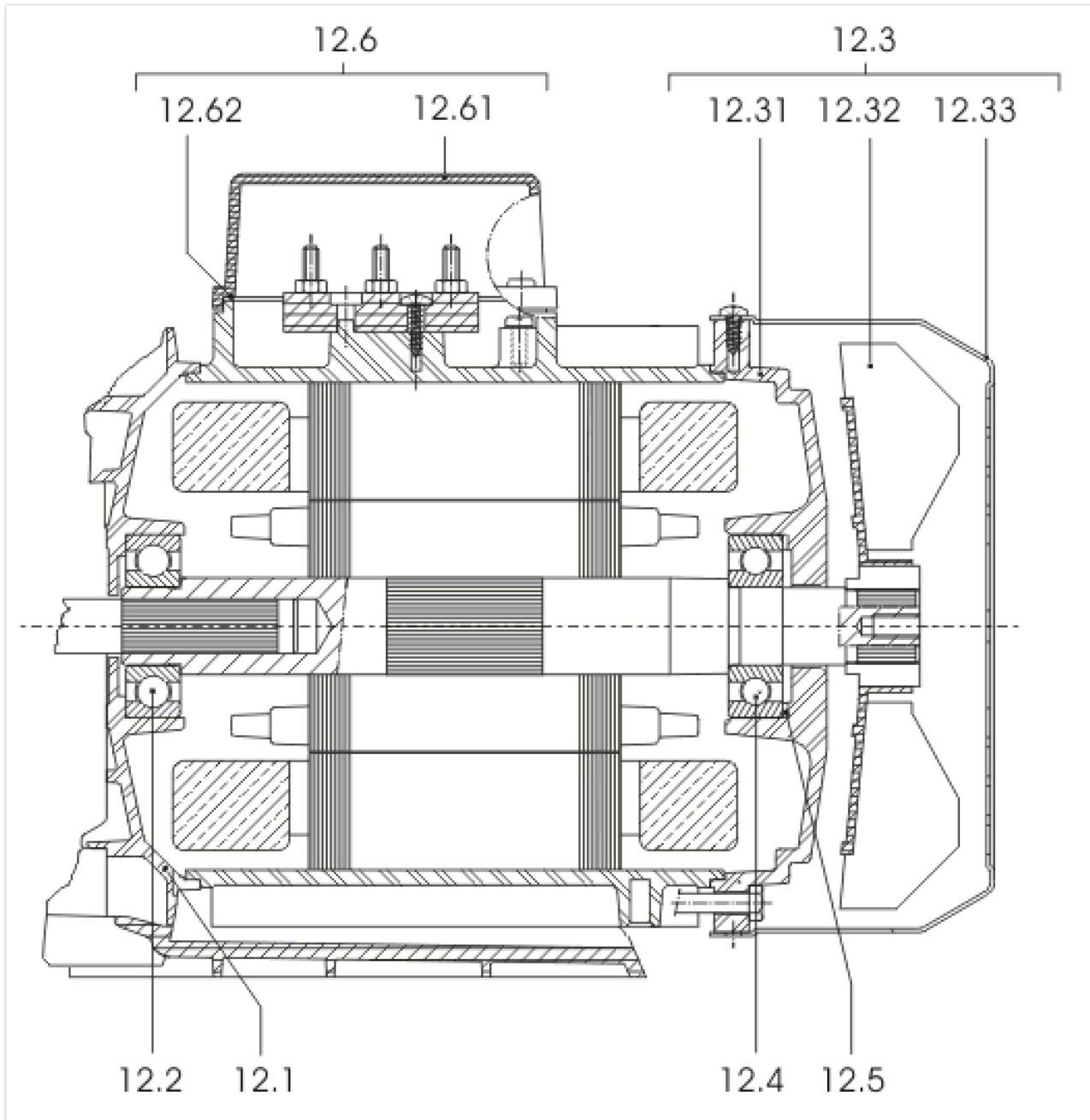
| Item | Article no. | Description | Quantity |
|-------|-------------|-------------------------------------|----------|
| 7.6 | 4185162 | BALL-BEARING-6302-C3-DDU-E-EA6 VP. | 1 |
| 12.3 | 2048820 | FAN D.100 MG.71 MP KIT | 1 |
| 12.32 | 4233938 | > Motor fan T63-71 D100 VP. | 1 |
| 12.33 | | > FAN-COVER-MOTOR71-D110-LOCKING | 1 |
| 12.31 | | > REAR-BEARING-MOT71-D110-GROOVE | 1 |
| 12.4 | 122097891 | BALL BEARING 6202/2Z-C3 (HT) VP. | 1 |
| 12.5 | 4215742 | Crinkled washer 6202/6300-C3 VP. | 1 |
| 12.6 | 4090076 | TERMINAL BOX KIT MC-DM (71) | 1 |
| 12.61 | 4210082 | > Terminal-Box-Cover-MOT-TRI-71 VP. | 1 |
| 12.62 | 4209688 | > Flat-Gasket-BAB-MOT71 VP. | 1 |
| | 4057378 | > TERMINAL BLOCK 50/32 6P | 1 |
| | | > M3,5L14 THREAD FORMING SCREW | 1 |
| 12.7 | 4207951 | CIRCLIP D15X1 VP. | 1 |
| 12.8 | 2106111 | MOTOR FOOT MG.71 KIT | 1 |
| 12.81 | | > MOTOR-SUPPORT-71 | 1 |
| 12.82 | | > SPRING-PIN-A5L20E | 1 |

| Description | Quantity |
|---------------------------|----------|
| MP603-EM TO VERSION: /C | 1 |
| MP603-EM FROM VERSION: /D | 1 |



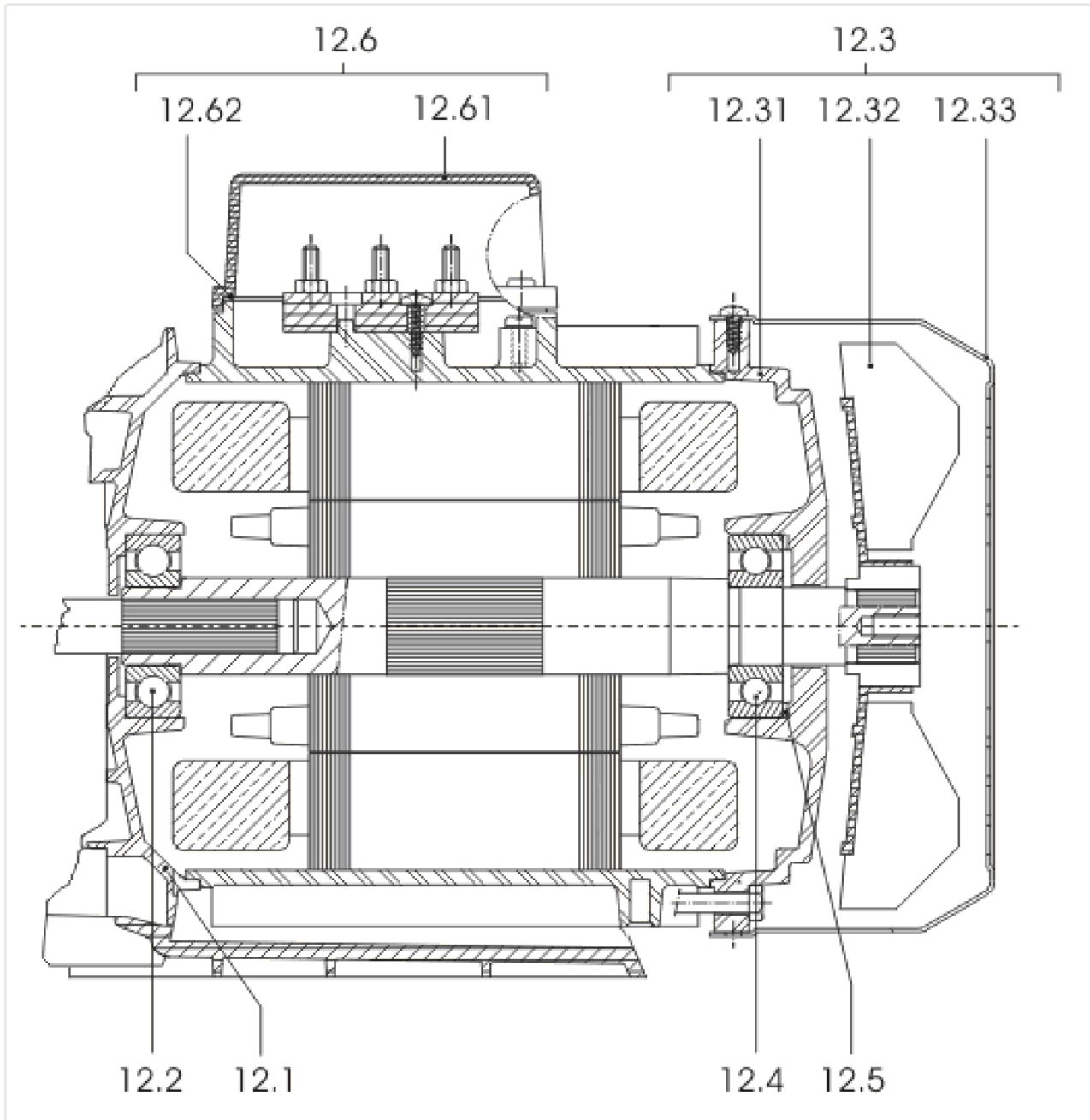
MP603-EM TO VERSION: /C

| Item | Article no. | Description | Quantity |
|--------------------------------|-------------|--|----------|
| 1 | 4202811 | PUMP HOUSING MHI402/403 1.4301 VP. | 1 |
| 2 | 4037165 | MULTIPRESS FIRST STAGE KIT | 1 |
| Note: STAGE/ STUFE/ ETAGE: 1 | | | |
| 2.1 | | > CORPS-ETG-SS-C/R-MUTICELL | 1 |
| 2.2 | | > IMPELLER-4M3-SP | 1 |
| 3 | 4037166 | MULTIPRESS OTHERS STAGES KIT | 1 |
| Note: STAGE/ STUFE/ ETAGE: 2/3 | | | |
| 2.2 | | > IMPELLER-4M3-SP | 1 |
| 3.1 | | > STAGE CASING WITH RETURN GUIDE VANE-SP | 1 |
| 5 | 4037161 | MECHANICAL SEAL KIT | 1 |
| 5.1 | 4017965 | > O-RING D9,9X2,62 NITRILE 70SH | 1 |
| 5.2 | 2090148 | > CIRCLIP D14 MVI/MHI 316L (2 PIECES) VP. | 1 |
| | | >> STOP-RUSH-1/2-D14-VMI/HMI-316 | 2 |
| 5.5 | 4233945 | > O-RING ID.140 VP. | 1 |
| 5.6 | | > THROWER 65/70SH-NITRILE | 1 |
| 5.7 | | > THROWER-RUBBER-SH65/70 | 1 |
| 5.4 | | > MECHANICAL-SEAL-MG1/14-G6-BQ1EGG-BURGMAN | 1 |
| 5.3 | | > DEFLECTOR D14xD22EP9 NORYL | 1 |
| 6 | 4056417 | NUT M8 INOX 1.4404 | 1 |
| 8 | 4031762 | SCREW M6X30 ISO4762 8.8 ZN | 1 |
| Note: PARTS/ STÜCK/ PIÈCES: 8 | | | |
| 9 | 4031766 | NUT M6 MP3/6 | 1 |
| Note: PARTS/ STÜCK/ PIÈCES: 8 | | | |
| 10 | 4191450 | PRIMING/DRAIN PLUG G1/4"-MHI-1.4301 VP. | 1 |
| 11 | 4045110 | LANTERN BRACKET | 1 |
| 12 | | SPARE PARTS MOTOR MP603-EM(MG71) | 1 |
| 12 | | SPARE PARTS MOTOR MP603-EM/B(MG71) | 1 |
| 12 | | SPARE PARTS MOTOR MP603-EM/C(MG63) | 1 |



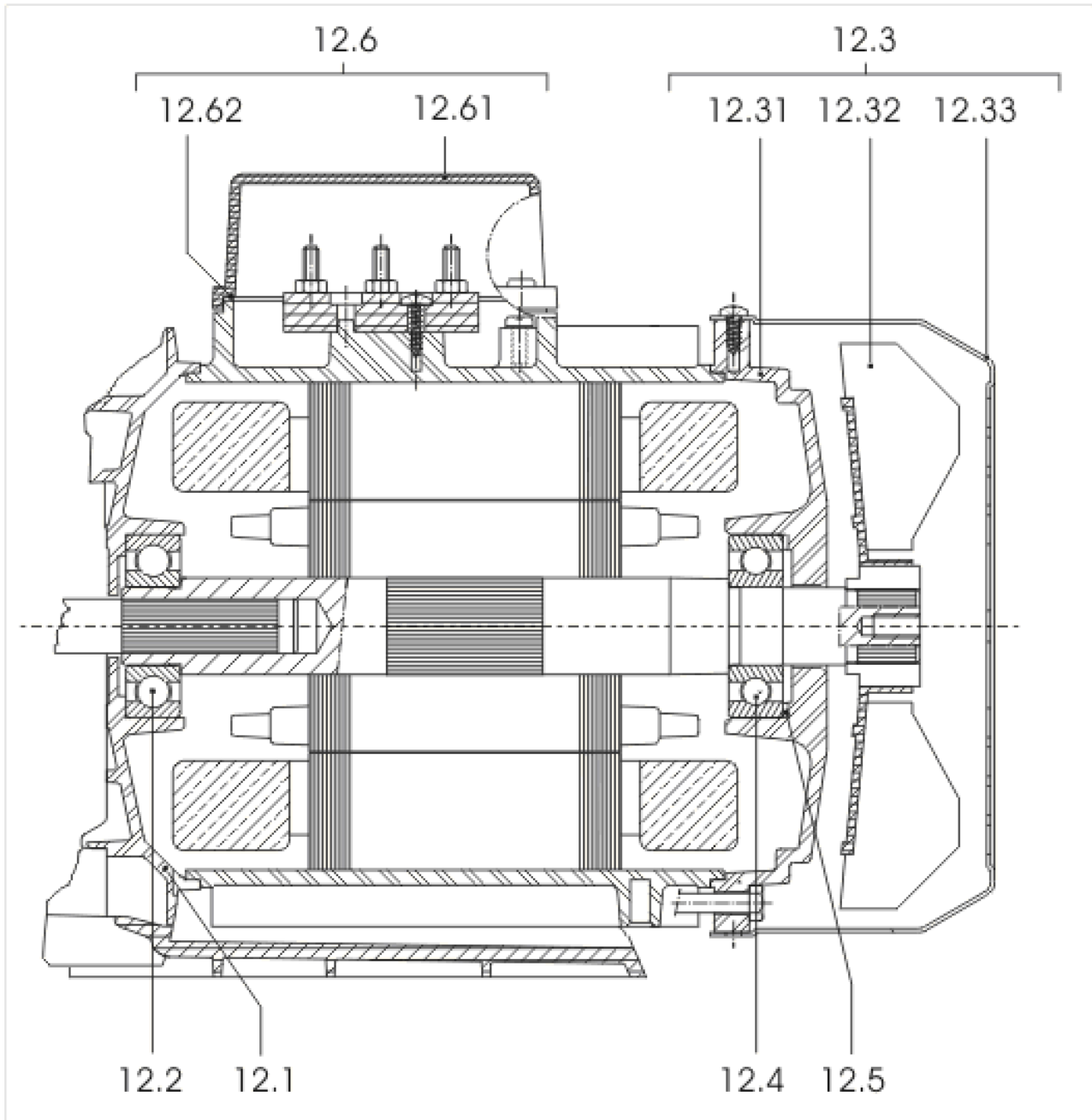
SPARE PARTS MOTOR MP603-EM(MG71)

| Item | Article no. | Description | Quantity |
|-------|-------------|---|----------|
| 12.1 | 4028055 | END SHILD AS MP3/MP603+604 +PK. | 1 |
| 7.6 | 4185162 | BALL-BEARING-6302-C3-DDU-E-EA6 VP. | 1 |
| 12.3 | 2049138 | FAN D.130 MG.71 MP KIT | 1 |
| 12.32 | 4210072 | > Motor-fan-71-MHI Ø128 VP. | 1 |
| 12.33 | | > FAN-COVER-MOTOR71-D110-LOCKING | 1 |
| 12.31 | | > REAR-BEARING-MOT71-D110-GROOVE | 1 |
| 12.4 | 122097891 | BALL BEARING 6202/2Z-C3 (HT) VP. | 1 |
| 12.5 | 4215742 | Crinkled washer 6202/6300-C3 VP. | 1 |
| 12.61 | 4007672 | TERMINAL-BOX-COVER-MOT-MONO-71 | 1 |
| 12.62 | 4209688 | Flat-Gasket-BAB-MOT71 VP. | 1 |
| | 2132533 | CAPACITOR 16MF 470V CA.LG.210 V1EC2 VP. | 1 |
| | 4207951 | CIRCLIP D15X1 VP. | 1 |



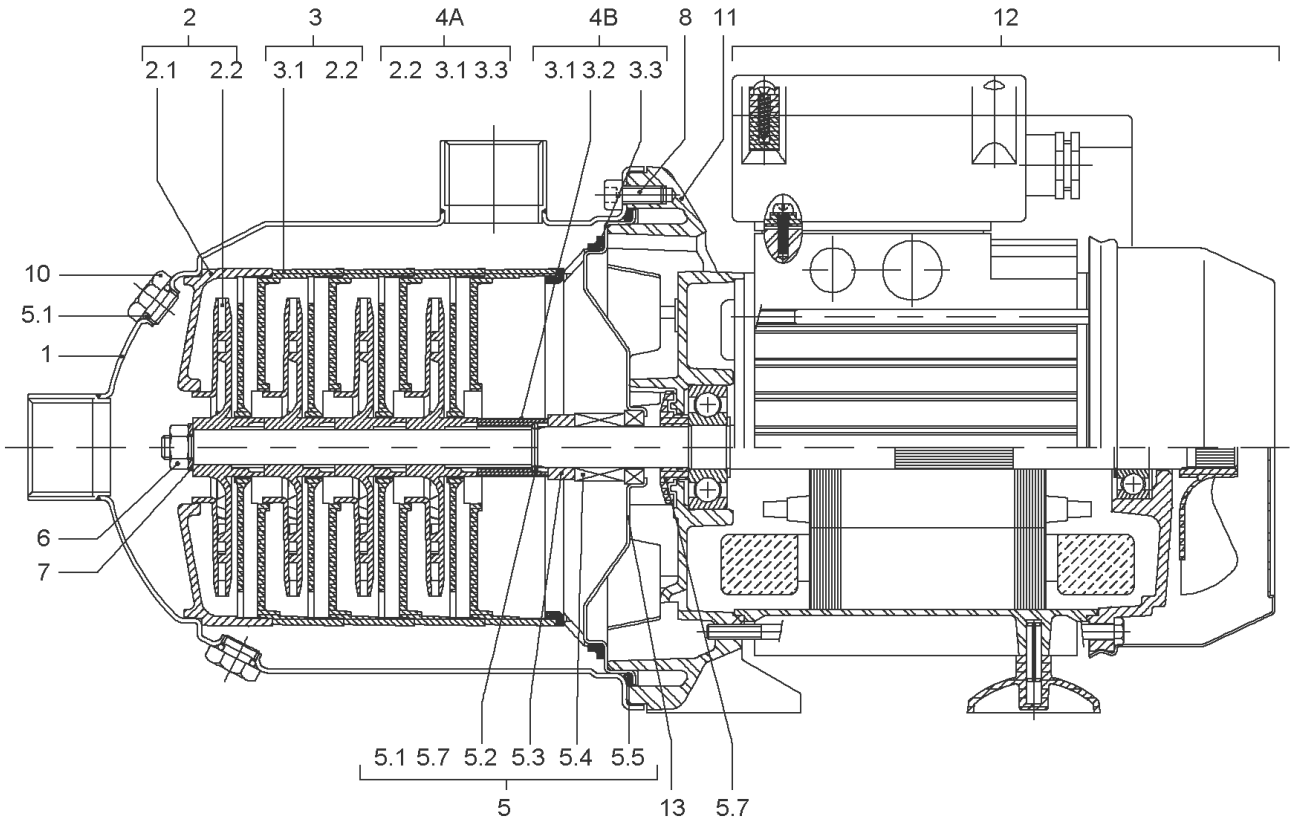
SPARE PARTS MOTOR MP603-EM/B(MG71)

| Item | Article no. | Description | Quantity |
|-------|-------------|---|----------|
| 12.1 | 4028055 | END SHILD AS MP3/MP603+604 +PK. | 1 |
| 7.6 | 4185162 | BALL-BEARING-6302-C3-DDU-E-EA6 VP. | 1 |
| 12.3 | 2048820 | FAN D.100 MG.71 MP KIT | 1 |
| 12.32 | 4233938 | > Motor fan T63-71 D100 VP. | 1 |
| 12.33 | | > FAN-COVER-MOTOR71-D110-LOCKING | 1 |
| 12.31 | | > REAR-BEARING-MOT71-D110-GROOVE | 1 |
| 12.4 | 122097891 | BALL BEARING 6202/2Z-C3 (HT) VP. | 1 |
| 12.5 | 4215742 | Crinkled washer 6202/6300-C3 VP. | 1 |
| 12.61 | 4007672 | TERMINAL-BOX-COVER-MOT-MONO-71 | 1 |
| 12.62 | 4209688 | Flat-Gasket-BAB-MOT71 VP. | 1 |
| | 2132532 | CAPACITOR 12MF 470V CA.LG.210 V1EC1 VP. | 1 |
| | 4207951 | CIRCLIP D15X1 VP. | 1 |



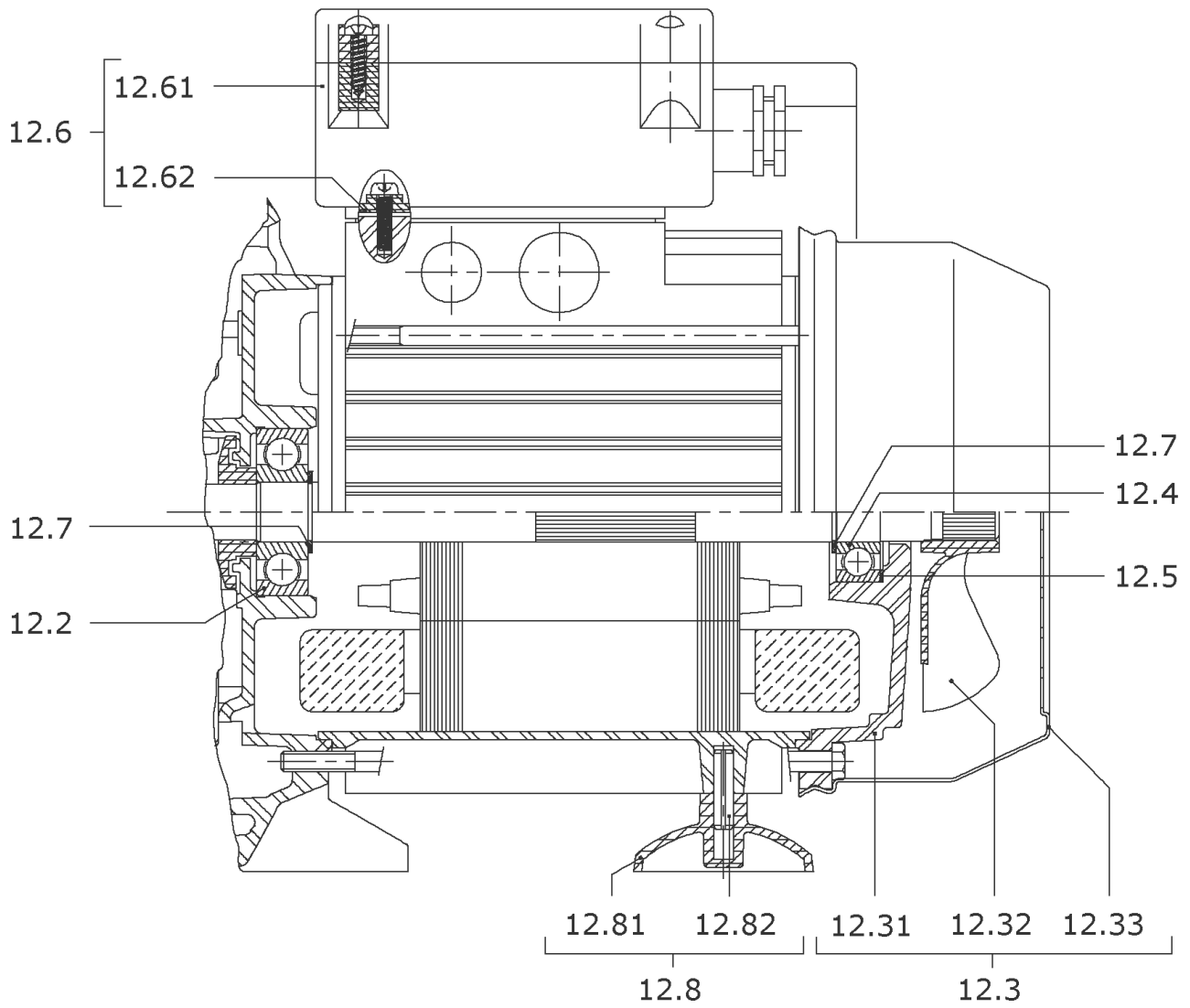
SPARE PARTS MOTOR MP603-EM/C(MG63)

| Item | Article no. | Description | Quantity |
|-------|-------------|---|----------|
| 12.1 | 4061729 | END SHILD AS MP3/MP603+604 +PK. | 1 |
| 12.2 | 122097891 | BALL BEARING 6202/2Z-C3 (HT) VP. | 1 |
| 12.3 | 2048815 | FAN D.100 MG.63 MC/MP KIT | 1 |
| 12.31 | | > REAR-BEARING-MOT63-D90 | 1 |
| 12.32 | 4233938 | > Motor fan T63-71 D100 VP. | 1 |
| 12.33 | | > FAN-COVER-MOTOR63-D90-LOCKING | 1 |
| 12.4 | 122097891 | BALL BEARING 6202/2Z-C3 (HT) VP. | 1 |
| 12.5 | 4215742 | Crinkled washer 6202/6300-C3 VP. | 1 |
| 12.6 | 4090072 | TERMINAL BOX KIT MC-EM (63) | 1 |
| 12.61 | 4062055 | > TERMINAL-BOX-COVER-MOT-MONO-63 | 1 |
| 12.62 | 4051316 | > FLAT-GASKET-BAB-MOT63 | 1 |
| | 2132532 | > CAPACITOR 12MF 470V CA.LG.210 V1EC1 VP. | 1 |
| | 4057375 | > TERMINAL BLOCK 40/25 3P | 1 |
| | | > SCREW F.KKD.(MHI2/4/8) | 1 |
| | | > NUT-HM4-BRASS | 1 |
| | 4207951 | CIRCLIP D15X1 VP. | 1 |



MP603-EM FROM VERSION: /D

| Item | Article no. | Description | Quantity |
|-------------------------------|-------------|--|----------|
| 1 | 4202811 | PUMP HOUSING MHI402/403 1.4301 VP. | 1 |
| 2 | 4037165 | MULTIPRESS FIRST STAGE KIT | 1 |
| Note: STAGE/ STUFE/ ETAGE: 1 | | | |
| 2.1 | | > CORPS-ETG-SS-C/R-MUTICELL | 1 |
| 2.2 | | > IMPELLER-4M3-SP | 1 |
| 3 | 4037166 | MULTIPRESS OTHERS STAGES KIT | 1 |
| Note: STAGE/ STUFE/ ETAGE: 2 | | | |
| 2.2 | | > IMPELLER-4M3-SP | 1 |
| 3.1 | | > STAGE CASING WITH RETURN GUIDE VANE-SP | 1 |
| 4A | 4150246 | MP603 MP605 STAGE KIT | 1 |
| Note: STAGE/ STUFE/ ETAGE: 3 | | | |
| 3.1 | | > STAGE CASING WITH RETURN GUIDE VANE-SP | 1 |
| 2.2 | | > IMPELLER-4M3-SP | 1 |
| 3.3 | | > DIFFUSOR STAGE HY/MP | 1 |
| 5 | 4037161 | MECHANICAL SEAL KIT | 1 |
| 5.1 | 4017965 | > O-RING D9,9X2,62 NITRILE 70SH | 1 |
| 5.2 | 2090148 | > CIRCLIP D14 MVI/MHI 316L (2 PIECES) VP. | 1 |
| | | >> STOP-RUSH-1/2-D14-VMI/HMI-316 | 2 |
| 5.5 | 4233945 | > O-RING ID.140 VP. | 1 |
| 5.6 | | > THROWER 65/70SH-NITRILE | 1 |
| 5.7 | | > THROWER-RUBBER-SH65/70 | 1 |
| 5.4 | | > MECHANICAL-SEAL-MG1/14-G6-BQ1EGG-BURGMAN | 1 |
| 5.3 | | > DEFLECTOR D14xD22EP9 NORYL | 1 |
| 6 | 4056417 | NUT M8 INOX 1.4404 | 1 |
| 8 | 4007350 | SCREW M6X14 ISO4762 8.8 ZN | 1 |
| Note: PARTS/ STÜCK/ PIÈCES: 8 | | | |
| 10 | 4191450 | PRIMING/DRAIN PLUG G1/4"-MHI-1.4301 VP. | 1 |
| 11 | 2112732 | LANTERN MG63 P171 M108 VP. | 1 |
| 12 | | SPARE PARTS MOTOR MP603-EM/D(MG63) | 1 |
| 13 | 4004679 | Stationnary Ring Holder 1.4301 | 1 |

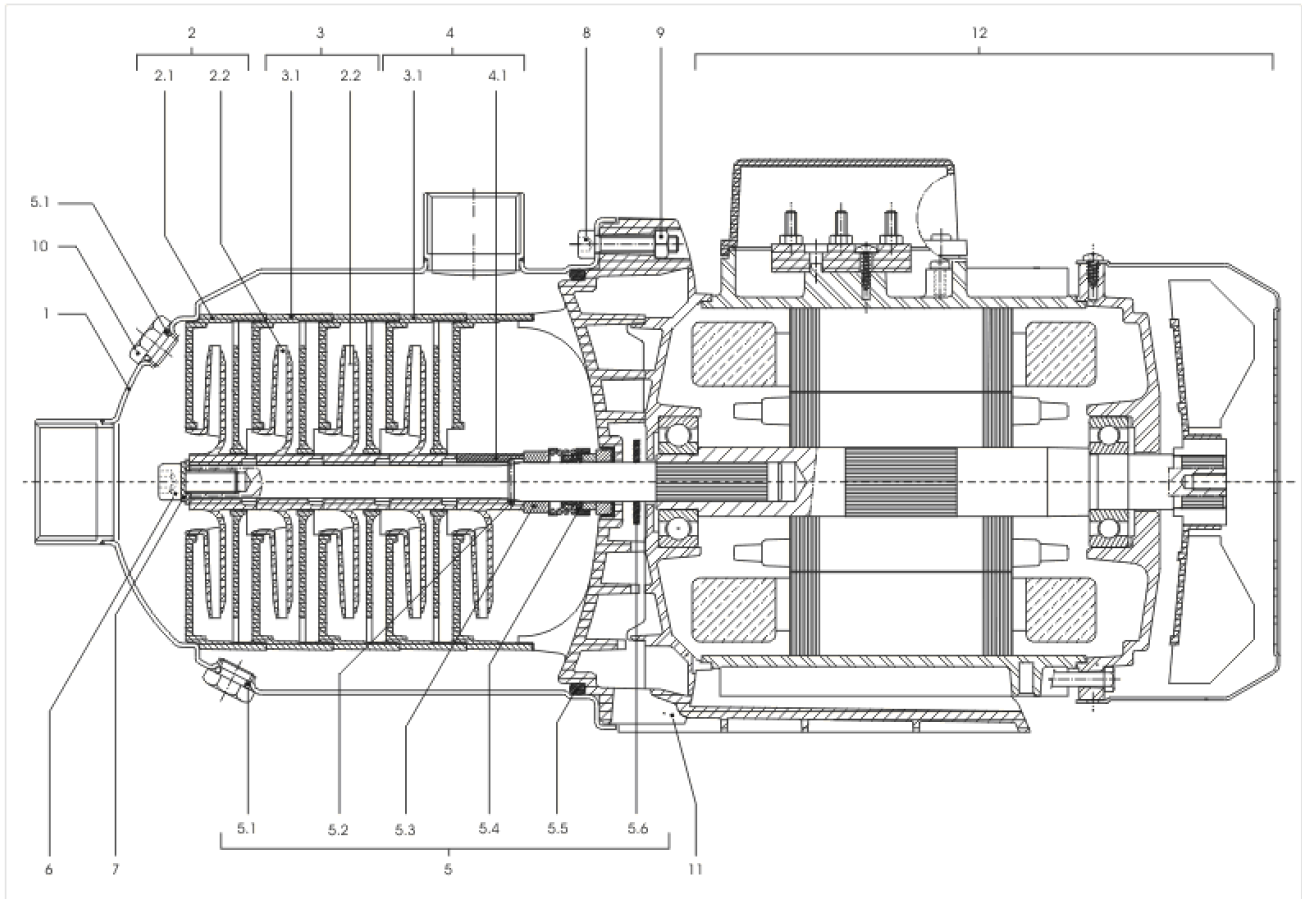


SPARE PARTS MOTOR MP603-EM/D(MG63)

| Item | Article no. | Description | Quantity |
|-------|-------------|---|----------|
| 12.2 | 122097891 | BALL BEARING 6202/2Z-C3 (HT) VP. | 1 |
| 12.3 | 2048815 | FAN D.100 MG.63 MC/MP KIT | 1 |
| 12.31 | | > REAR-BEARING-MOT63-D90 | 1 |
| 12.32 | 4233938 | > Motor fan T63-71 D100 VP. | 1 |
| 12.33 | | > FAN-COVER-MOTOR63-D90-LOCKING | 1 |
| 12.4 | 122097891 | BALL BEARING 6202/2Z-C3 (HT) VP. | 1 |
| 12.5 | 4215742 | Crinkled washer 6202/6300-C3 VP. | 1 |
| 12.6 | 4090072 | TERMINAL BOX KIT MC-EM (63) | 1 |
| 12.61 | 4062055 | > TERMINAL-BOX-COVER-MOT-MONO-63 | 1 |
| 12.62 | 4051316 | > FLAT-GASKET-BAB-MOT63 | 1 |
| | 2132532 | > CAPACITOR 12MF 470V CA.LG.210 V1EC1 VP. | 1 |
| | 4057375 | > TERMINAL BLOCK 40/25 3P | 1 |
| | | > SCREW F.KKD.(MHI2/4/8) | 1 |
| | | > NUT-HM4-BRASS | 1 |
| 12.7 | 4207951 | CIRCLIP D15X1 VP. | 1 |
| 12.8 | 2106089 | MOTOR FOOT MG.63 KIT | 1 |
| 12.81 | | > MOTOR-SUPPORT-63 | 1 |
| 12.82 | | > SPRING-PIN-A4L25E | 1 |

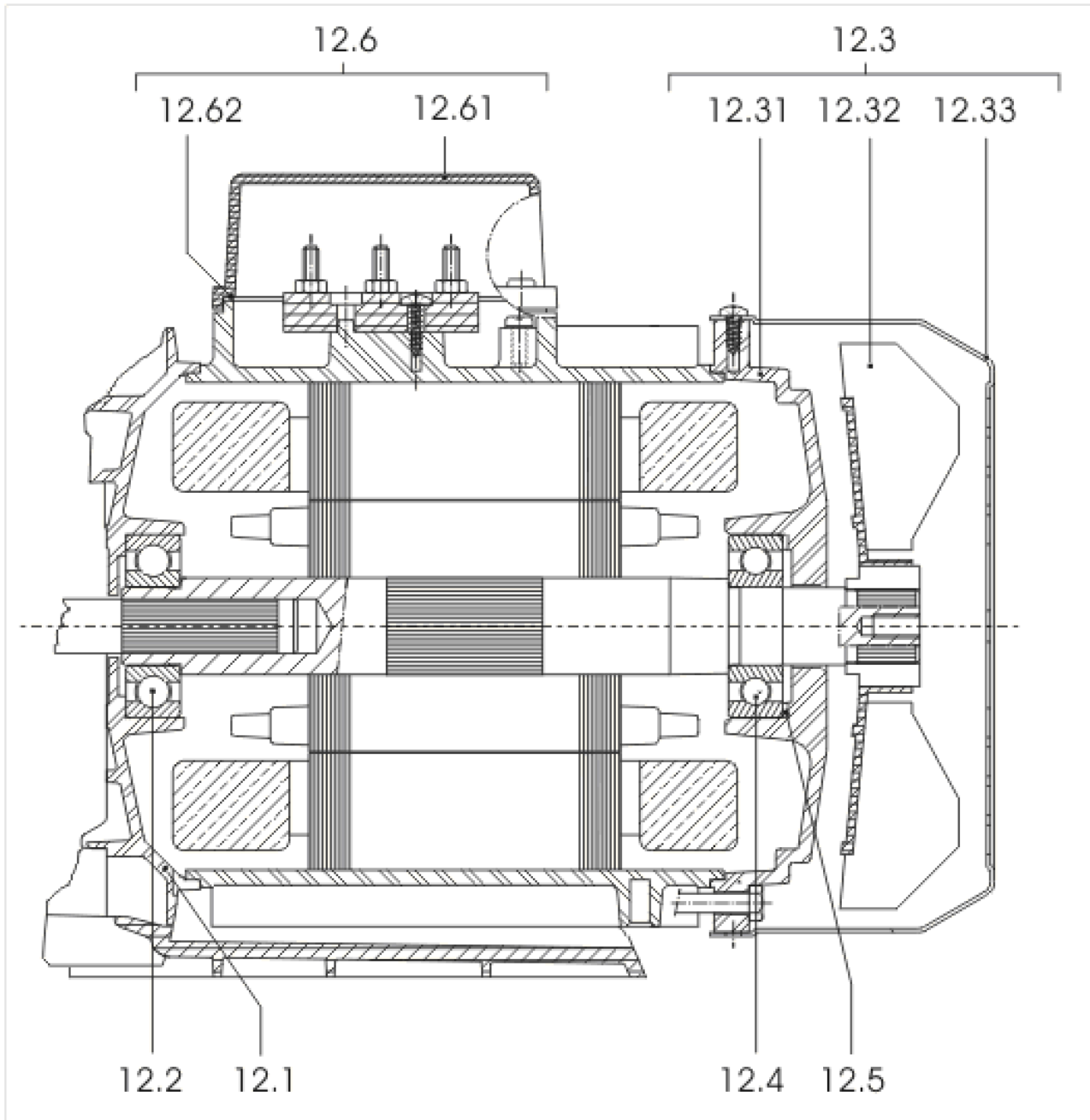
MP603-DM (4032130)

| Description | Quantity |
|---------------------------|----------|
| MP603-DM TO VERSION: /C | 1 |
| MP603-DM FROM VERSION: /D | 1 |



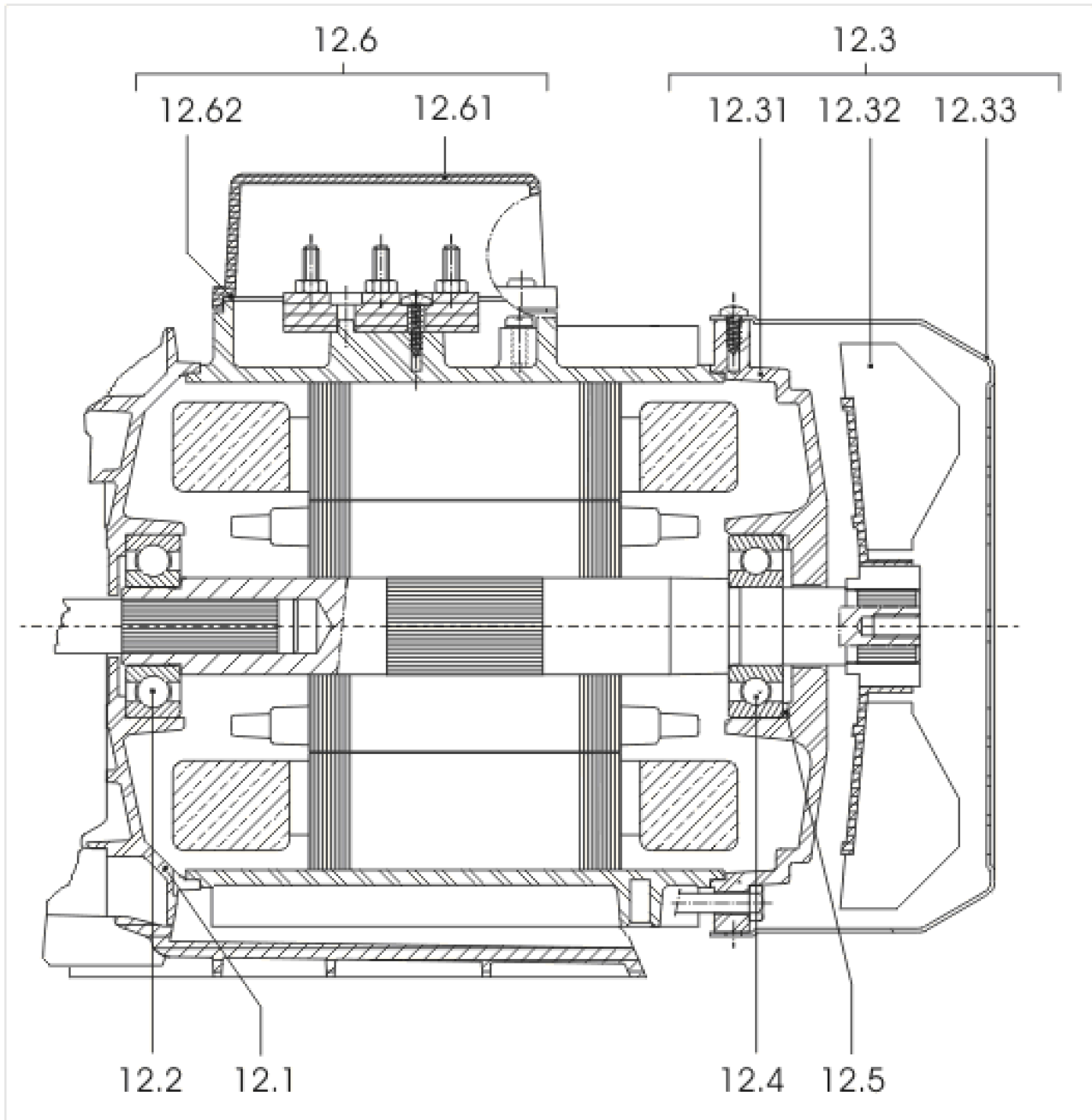
MP603-DM TO VERSION: /C

| Item | Article no. | Description | Quantity |
|--------------------------------|-------------|--|----------|
| 1 | 4202811 | PUMP HOUSING MHI402/403 1.4301 VP. | 1 |
| 2 | 4037165 | MULTIPRESS FIRST STAGE KIT | 1 |
| Note: STAGE/ STUFE/ ETAGE: 1 | | | |
| 2.1 | | > CORPS-ETG-SS-C/R-MUTICELL | 1 |
| 2.2 | | > IMPELLER-4M3-SP | 1 |
| 3 | 4037166 | MULTIPRESS OTHERS STAGES KIT | 1 |
| Note: STAGE/ STUFE/ ETAGE: 2/3 | | | |
| 2.2 | | > IMPELLER-4M3-SP | 1 |
| 3.1 | | > STAGE CASING WITH RETURN GUIDE VANE-SP | 1 |
| 5 | 4037161 | MECHANICAL SEAL KIT | 1 |
| 5.1 | 4017965 | > O-RING D9,9X2,62 NITRILE 70SH | 1 |
| 5.2 | 2090148 | > CIRCLIP D14 MVI/MHI 316L (2 PIECES) VP. | 1 |
| | | >> STOP-RUSH-1/2-D14-VMI/HMI-316 | 2 |
| 5.5 | 4233945 | > O-RING ID.140 VP. | 1 |
| 5.6 | | > THROWER 65/70SH-NITRILE | 1 |
| 5.7 | | > THROWER-RUBBER-SH65/70 | 1 |
| 5.4 | | > MECHANICAL-SEAL-MG1/14-G6-BQ1EGG-BURGMAN | 1 |
| 5.3 | | > DEFLECTOR D14xD22EP9 NORYL | 1 |
| 6 | 4056417 | NUT M8 INOX 1.4404 | 1 |
| 8 | 4031762 | SCREW M6X30 ISO4762 8.8 ZN | 1 |
| Note: PARTS/ STÜCK/ PIÈCES: 8 | | | |
| 9 | 4031766 | NUT M6 MP3/6 | 1 |
| Note: PARTS/ STÜCK/ PIÈCES: 8 | | | |
| 10 | 4191450 | PRIMING/DRAIN PLUG G1/4"-MHI-1.4301 VP. | 1 |
| 11 | 4045110 | LANTERN BRACKET | 1 |
| 12 | | SPARE PARTS MOTOR MP603-DM/ -B(MG71) | 1 |
| 12 | | SPARE PARTS MOTOR MP603-DM/C (MG63) | 1 |



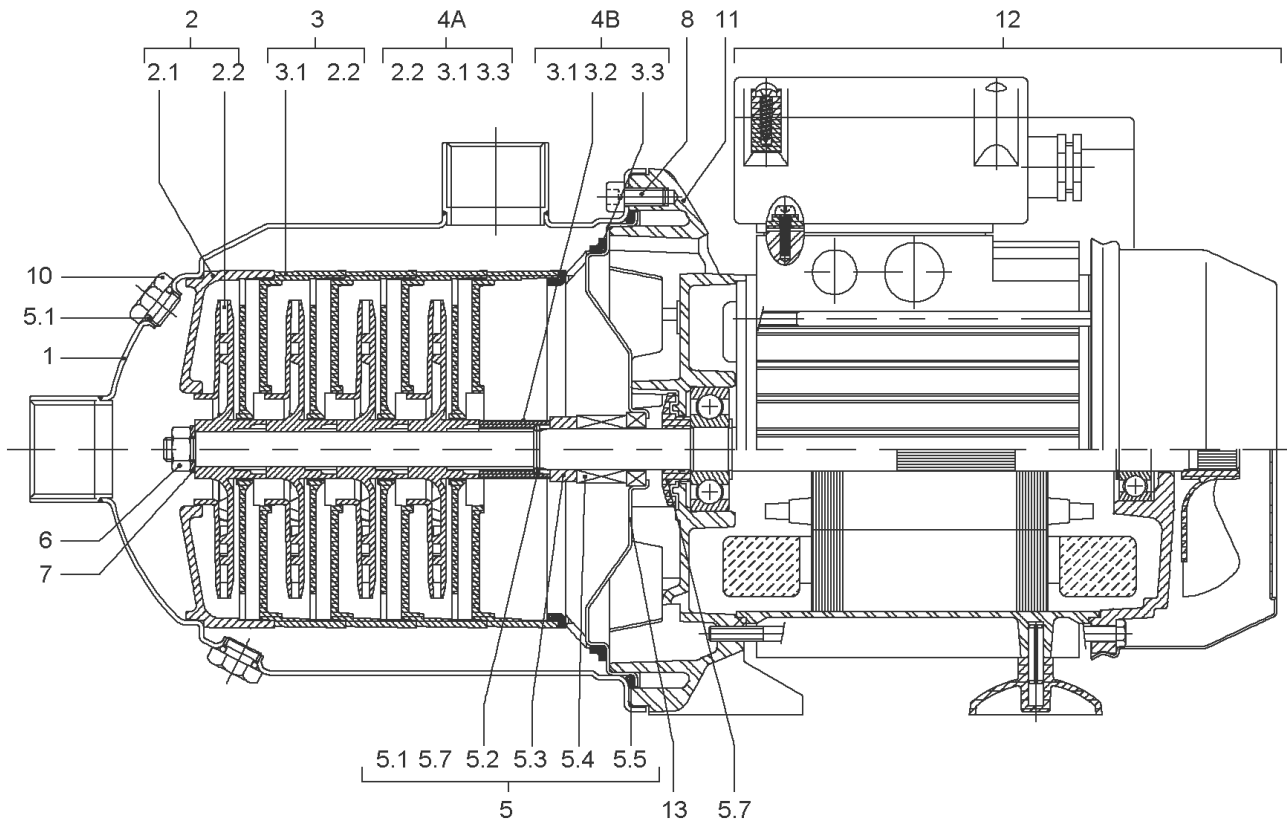
SPARE PARTS MOTOR MP603-DM/ -B(MG71)

| Item | Article no. | Description | Quantity |
|-------|-------------|-------------------------------------|----------|
| 12.1 | 4028055 | END SHILD AS MP3/MP603+604 +PK. | 1 |
| 7.6 | 4185162 | BALL-BEARING-6302-C3-DDU-E-EA6 VP. | 1 |
| 12.3 | 2048820 | FAN D.100 MG.71 MP KIT | 1 |
| 12.32 | 4233938 | > Motor fan T63-71 D100 VP. | 1 |
| 12.33 | | > FAN-COVER-MOTOR71-D110-LOCKING | 1 |
| 12.31 | | > REAR-BEARING-MOT71-D110-GROOVE | 1 |
| 12.4 | 122097891 | BALL BEARING 6202/2Z-C3 (HT) VP. | 1 |
| 12.5 | 4215742 | Crinkled washer 6202/6300-C3 VP. | 1 |
| 12.6 | 4090076 | TERMINAL BOX KIT MC-DM (71) | 1 |
| 12.61 | 4210082 | > Terminal-Box-Cover-MOT-TRI-71 VP. | 1 |
| 12.62 | 4209688 | > Flat-Gasket-BAB-MOT71 VP. | 1 |
| | 4057378 | > TERMINAL BLOCK 50/32 6P | 1 |
| | | > M3,5L14 THREAD FORMING SCREW | 1 |
| | 4207951 | CIRCLIP D15X1 VP. | 1 |



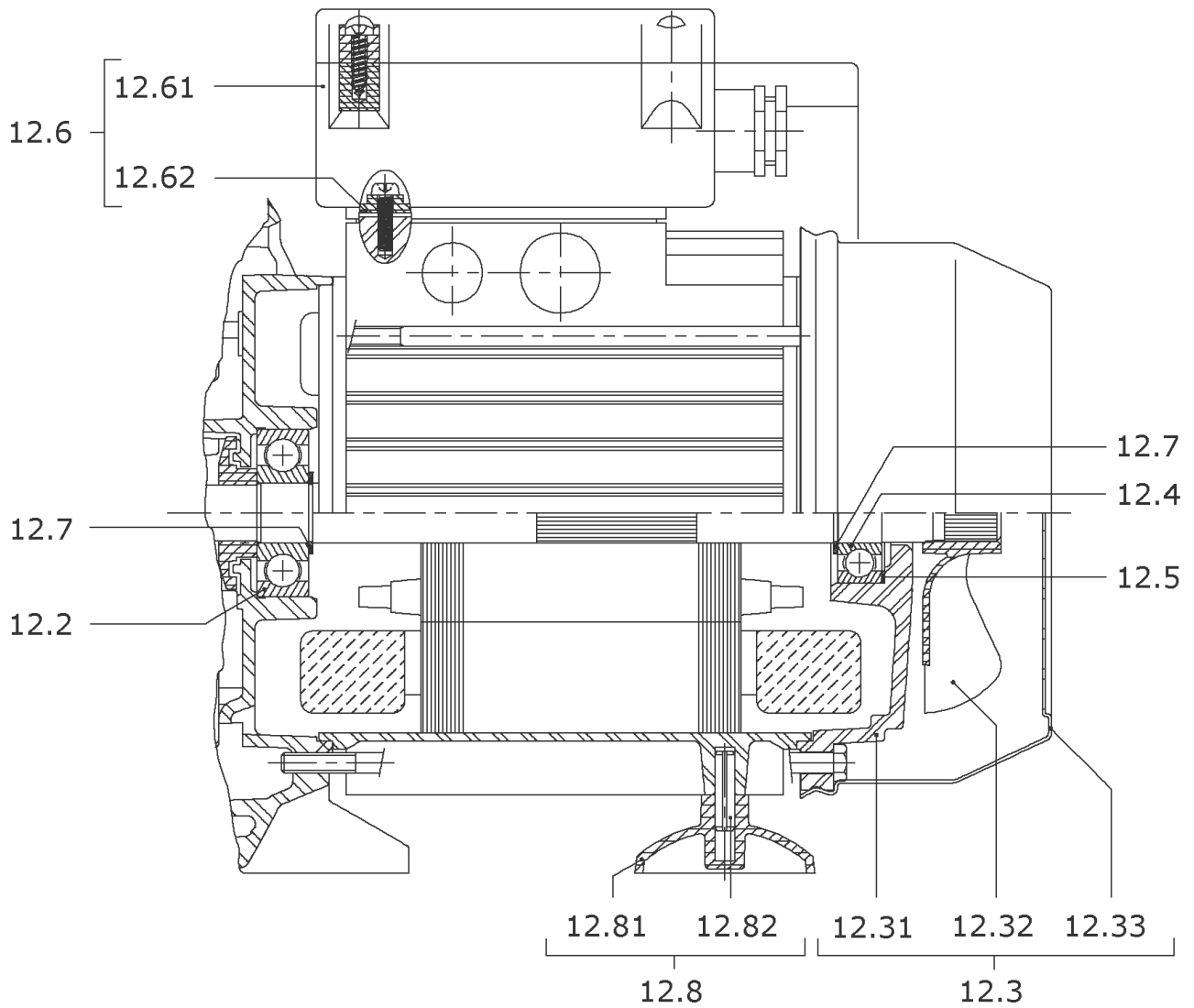
SPARE PARTS MOTOR MP603-DM/C (MG63)

| Item | Article no. | Description | Quantity |
|-------|-------------|-----------------------------------|----------|
| 12.1 | 4061729 | END SHILD AS MP3/MP603+604 +PK. | 1 |
| 12.2 | 122097891 | BALL BEARING 6202/2Z-C3 (HT) VP. | 1 |
| 12.3 | 2048815 | FAN D.100 MG.63 MC/MP KIT | 1 |
| 12.31 | | > REAR-BEARING-MOT63-D90 | 1 |
| 12.32 | 4233938 | > Motor fan T63-71 D100 VP. | 1 |
| 12.33 | | > FAN-COVER-MOTOR63-D90-LOCKING | 1 |
| 12.4 | 122097891 | BALL BEARING 6202/2Z-C3 (HT) VP. | 1 |
| 12.5 | 4215742 | Crinkled washer 6202/6300-C3 VP. | 1 |
| 12.6 | 4090075 | TERMINAL BOX KIT MC-DM (63) | 1 |
| 12.61 | 4062056 | > TERMINAL-BOX-COVER-MOT-TRI-63 | 1 |
| 12.62 | 4051316 | > FLAT-GASKET-BAB-MOT63 | 1 |
| | 4057376 | > TERMINAL BLOCK 40/25 6P | 1 |
| | | > SCREW-CBL-Z-C/AT-ST3,5L13ZINGUE | 1 |
| | 4207951 | CIRCLIP D15X1 VP. | 1 |



MP603-DM FROM VERSION: /D

| Item | Article no. | Description | Quantity |
|-------------------------------|-------------|--|----------|
| 1 | 4202811 | PUMP HOUSING MHI402/403 1.4301 VP. | 1 |
| 2 | 4037165 | MULTIPRESS FIRST STAGE KIT | 1 |
| Note: STAGE/ STUFE/ ETAGE: 1 | | | |
| 2.1 | | > CORPS-ETG-SS-C/R-MUTICELL | 1 |
| 2.2 | | > IMPELLER-4M3-SP | 1 |
| 3 | 4037166 | MULTIPRESS OTHERS STAGES KIT | 1 |
| Note: STAGE/ STUFE/ ETAGE: 2 | | | |
| 2.2 | | > IMPELLER-4M3-SP | 1 |
| 3.1 | | > STAGE CASING WITH RETURN GUIDE VANE-SP | 1 |
| 4A | 4150246 | MP603 MP605 STAGE KIT | 1 |
| Note: STAGE/ STUFE/ ETAGE: 3 | | | |
| 3.1 | | > STAGE CASING WITH RETURN GUIDE VANE-SP | 1 |
| 2.2 | | > IMPELLER-4M3-SP | 1 |
| 3.3 | | > DIFFUSOR STAGE HY/MP | 1 |
| 5 | 4037161 | MECHANICAL SEAL KIT | 1 |
| 5.1 | 4017965 | > O-RING D9,9X2,62 NITRILE 70SH | 1 |
| 5.2 | 2090148 | > CIRCLIP D14 MVI/MHI 316L (2 PIECES) VP. | 1 |
| | | >> STOP-RUSH-1/2-D14-VMI/HMI-316 | 2 |
| 5.5 | 4233945 | > O-RING ID.140 VP. | 1 |
| 5.6 | | > THROWER 65/70SH-NITRILE | 1 |
| 5.7 | | > THROWER-RUBBER-SH65/70 | 1 |
| 5.4 | | > MECHANICAL-SEAL-MG1/14-G6-BQ1EGG-BURGMAN | 1 |
| 5.3 | | > DEFLECTOR D14xD22EP9 NORYL | 1 |
| 6 | 4056417 | NUT M8 INOX 1.4404 | 1 |
| 8 | 4007350 | SCREW M6X14 ISO4762 8.8 ZN | 1 |
| Note: PARTS/ STÜCK/ PIÈCES: 8 | | | |
| 10 | 4191450 | PRIMING/DRAIN PLUG G1/4"-MHI-1.4301 VP. | 1 |
| 11 | 2112732 | LANTERN MG63 P171 M108 VP. | 1 |
| 12 | | SPARE PARTS MOTOR MP603-DM/D (MG63) | 1 |
| 13 | 4004679 | Stationnary Ring Holder 1.4301 | 1 |

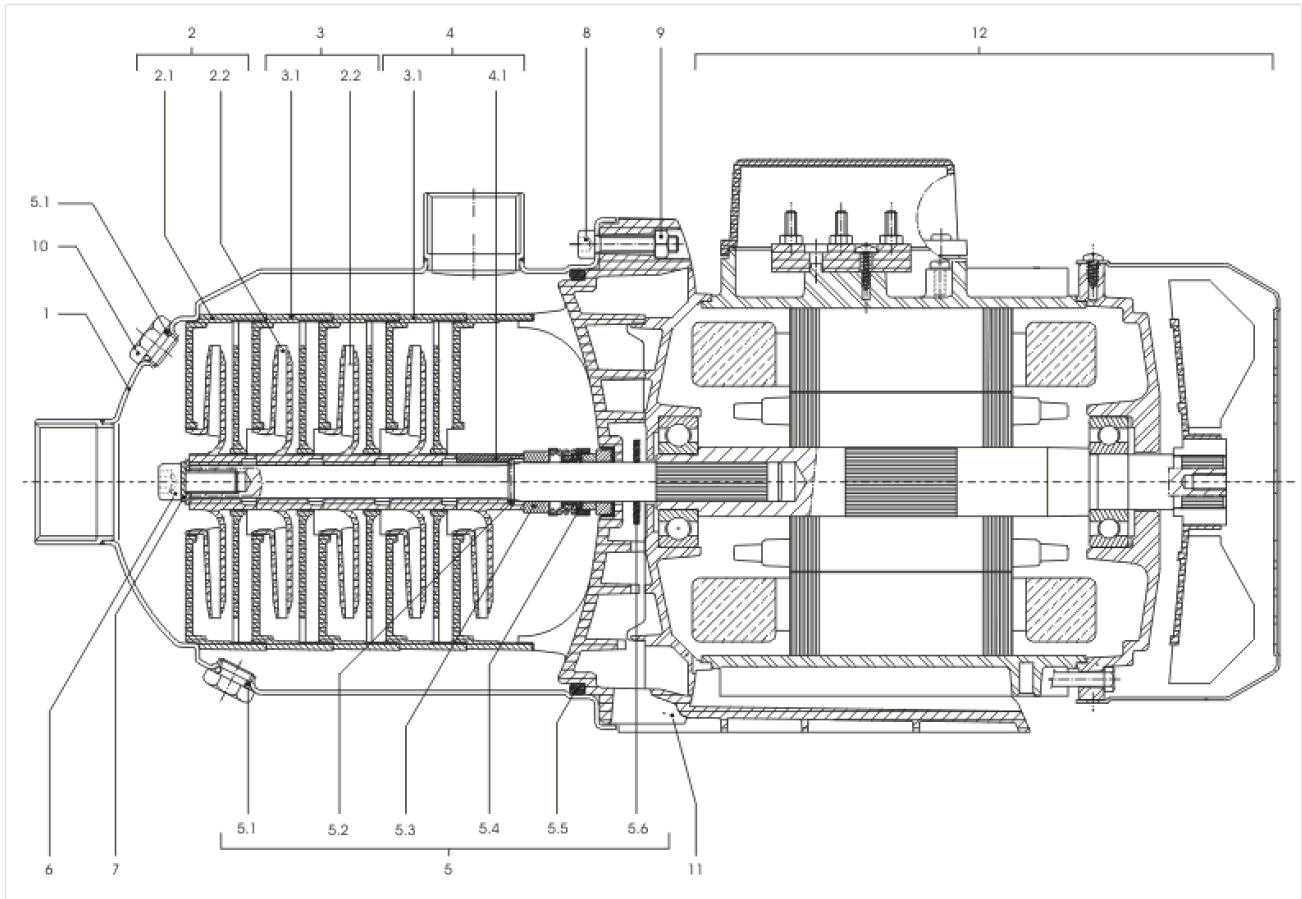


SPARE PARTS MOTOR MP603-DM/D (MG63)

| Item | Article no. | Description | Quantity |
|-------|-------------|-----------------------------------|----------|
| 12.2 | 122097891 | BALL BEARING 6202/2Z-C3 (HT) VP. | 1 |
| 12.3 | 2048815 | FAN D.100 MG.63 MC/MP KIT | 1 |
| 12.31 | | > REAR-BEARING-MOT63-D90 | 1 |
| 12.32 | 4233938 | > Motor fan T63-71 D100 VP. | 1 |
| 12.33 | | > FAN-COVER-MOTOR63-D90-LOCKING | 1 |
| 12.4 | 122097891 | BALL BEARING 6202/2Z-C3 (HT) VP. | 1 |
| 12.5 | 4215742 | Crinkled washer 6202/6300-C3 VP. | 1 |
| 12.6 | 4090075 | TERMINAL BOX KIT MC-DM (63) | 1 |
| 12.61 | 4062056 | > TERMINAL-BOX-COVER-MOT-TRI-63 | 1 |
| 12.62 | 4051316 | > FLAT-GASKET-BAB-MOT63 | 1 |
| | 4057376 | > TERMINAL BLOCK 40/25 6P | 1 |
| | | > SCREW-CBL-Z-C/AT-ST3,5L13ZINGUE | 1 |
| 12.7 | 4207951 | CIRCLIP D15X1 VP. | 1 |
| 12.8 | 2106089 | MOTOR FOOT MG.63 KIT | 1 |
| 12.81 | | > MOTOR-SUPPORT-63 | 1 |
| 12.82 | | > SPRING-PIN-A4L25E | 1 |

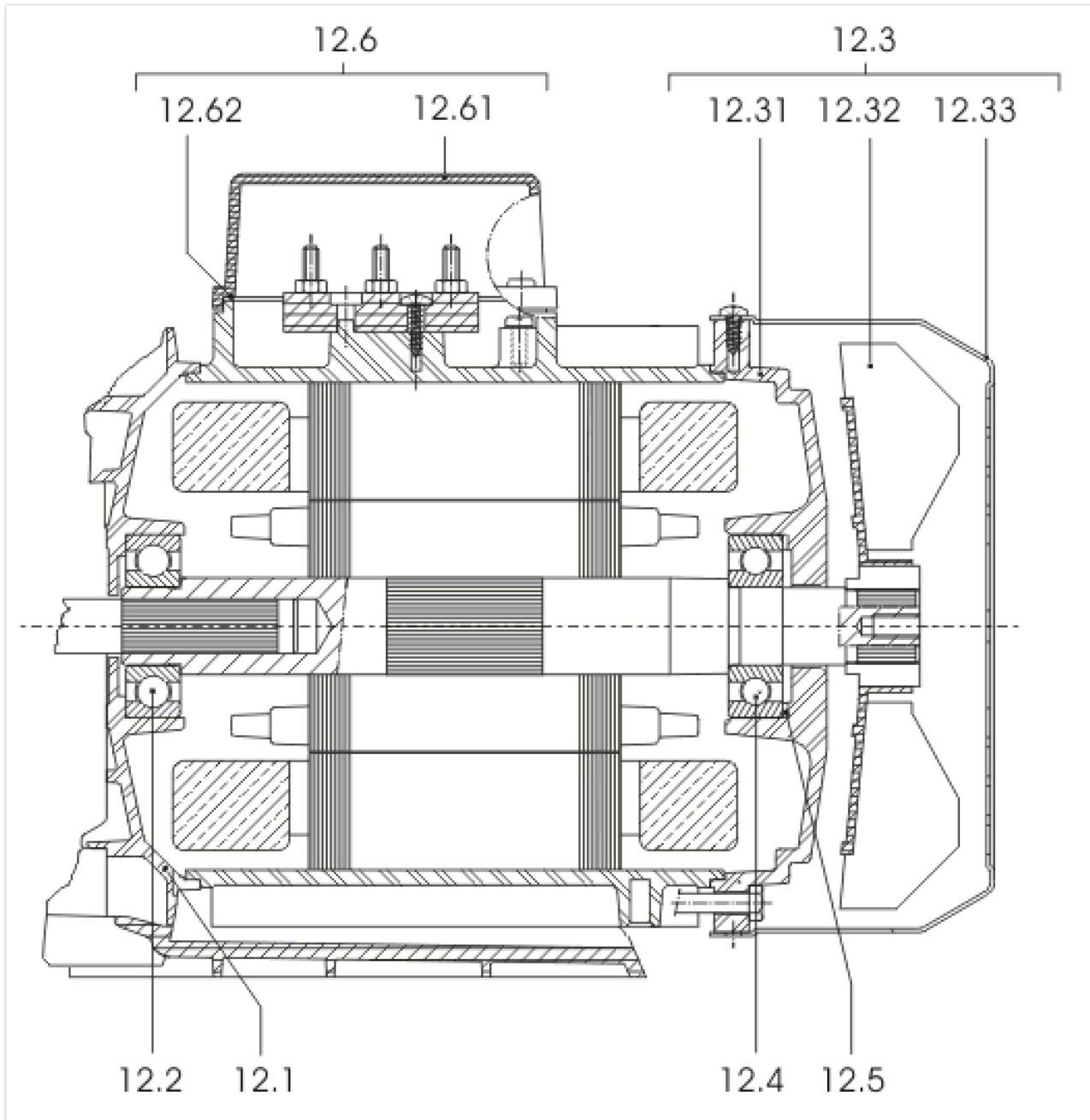
MP604-EM (4032131)

| Description | Quantity |
|---------------------------|----------|
| MP604-EM TO VERSION: /A | 1 |
| MP604-EM FROM VERSION: /B | 1 |



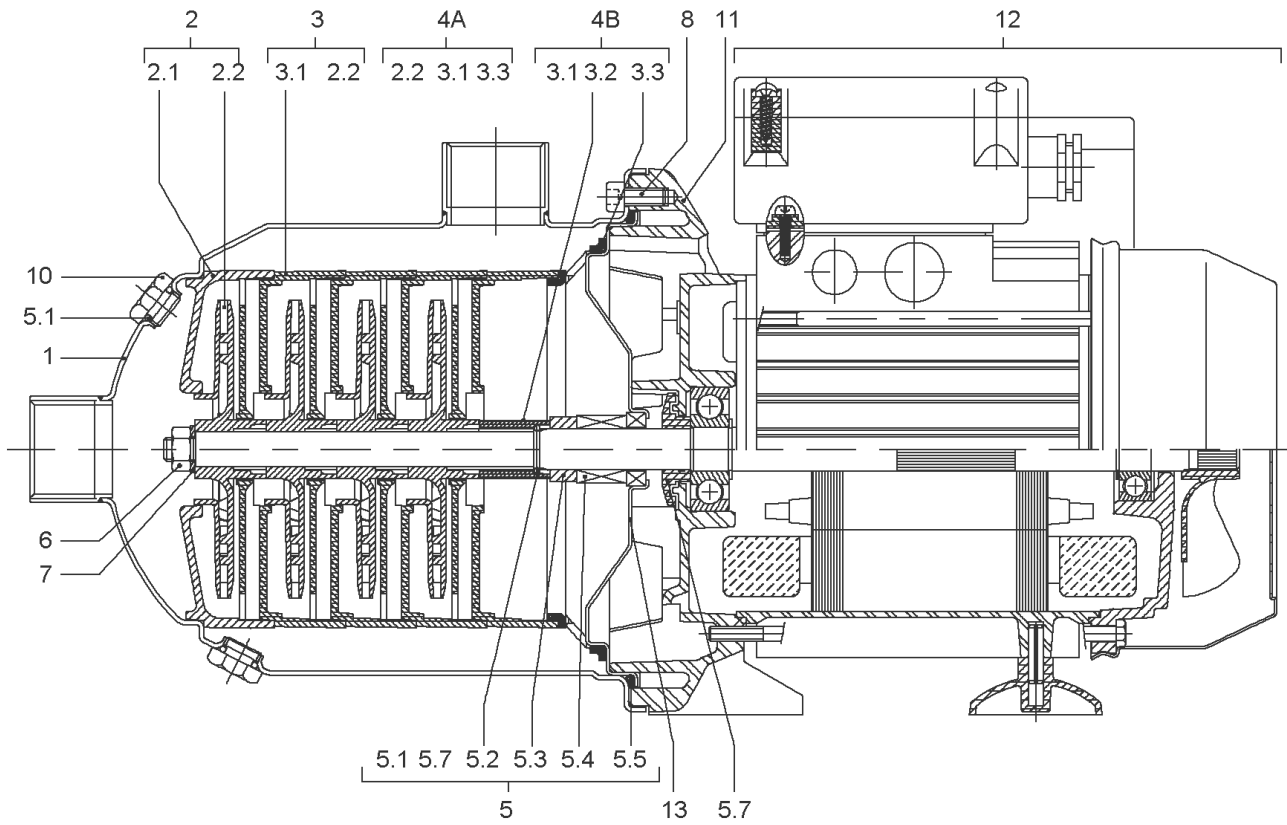
MP604-EM TO VERSION: /A

| Item | Article no. | Description | Quantity |
|----------------------------------|-------------|--|----------|
| 1 | 4202812 | PUMP HOUSING MHI404/405 1.4301 VP. | 1 |
| 2 | 4037165 | MULTIPRESS FIRST STAGE KIT | 1 |
| Note: STAGE/ STUFE/ ETAGE: 1 | | | |
| 2.1 | | > CORPS-ETG-SS-C/R-MUTICELL | 1 |
| 2.2 | | > IMPELLER-4M3-SP | 1 |
| 3 | 4037166 | MULTIPRESS OTHERS STAGES KIT | 1 |
| Note: STAGE/ STUFE/ ETAGE: 2/3/4 | | | |
| 2.2 | | > IMPELLER-4M3-SP | 1 |
| 3.1 | | > STAGE CASING WITH RETURN GUIDE VANE-SP | 1 |
| 4 | 4037162 | MULTIPRESS SILENT MASTER LAST STAGE KIT | 1 |
| Note: STAGE/ STUFE/ ETAGE: 5 | | | |
| 3.1 | | > STAGE CASING WITH RETURN GUIDE VANE-SP | 1 |
| 4.1 | | > IMPELLER SHIM SPACER | 1 |
| 5 | 4037161 | MECHANICAL SEAL KIT | 1 |
| 5.1 | 4017965 | > O-RING D9,9X2,62 NITRILE 70SH | 1 |
| 5.2 | 2090148 | > CIRCLIP D14 MVI/MHI 316L (2 PIECES) VP. | 1 |
| | | >> STOP-RUSH-1/2-D14-VMI/HMI-316 | 2 |
| 5.5 | 4233945 | > O-RING ID.140 VP. | 1 |
| 5.6 | | > THROWER 65/70SH-NITRILE | 1 |
| 5.7 | | > THROWER-RUBBER-SH65/70 | 1 |
| 5.4 | | > MECHANICAL-SEAL-MG1/14-G6-BQ1EGG-BURGMAN | 1 |
| 5.3 | | > DEFLECTOR D14xD22EP9 NORYL | 1 |
| 6 | 4056417 | NUT M8 INOX 1.4404 | 1 |
| 8 | 4031762 | SCREW M6X30 ISO4762 8.8 ZN | 1 |
| Note: PARTS/ STÜCK/ PIÈCES: 8 | | | |
| 9 | 4031766 | NUT M6 MP3/6 | 1 |
| Note: PARTS/ STÜCK/ PIÈCES: 8 | | | |
| 10 | 4191450 | PRIMING/DRAIN PLUG G1/4"-MHI-1.4301 VP. | 1 |
| 11 | 4045110 | LANTERN BRACKET | 1 |
| 12 | | SPARE PARTS MOTOR MP604-EM (MG71) | 1 |



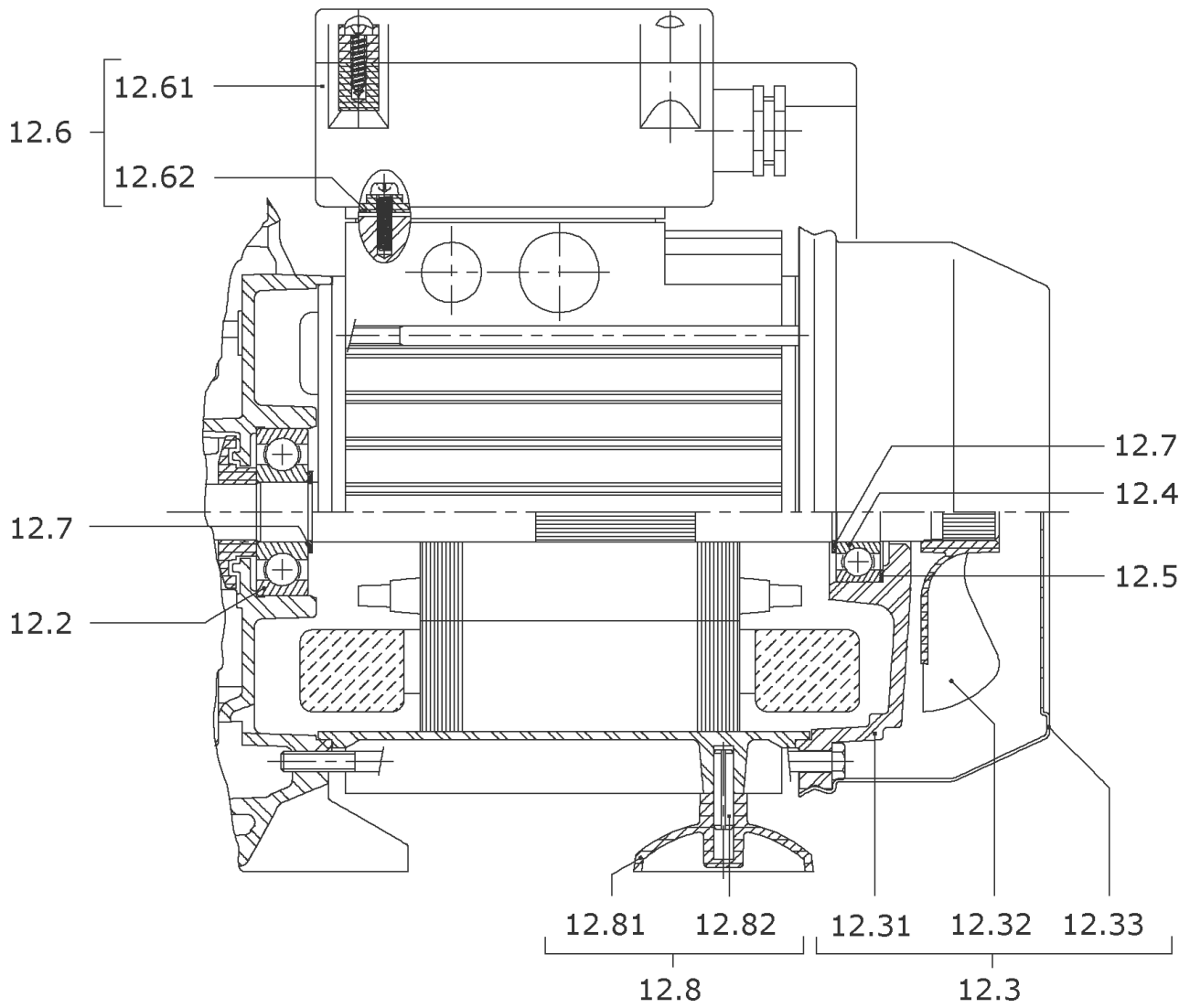
SPARE PARTS MOTOR MP604-EM (MG71)

| Item | Article no. | Description | Quantity |
|-------|-------------|---|----------|
| 12.1 | 4028055 | END SHILD AS MP3/MP603+604 +PK. | 1 |
| 7.6 | 4185162 | BALL-BEARING-6302-C3-DDU-E-EA6 VP. | 1 |
| 12.3 | 2048820 | FAN D.100 MG.71 MP KIT | 1 |
| 12.32 | 4233938 | > Motor fan T63-71 D100 VP. | 1 |
| 12.33 | | > FAN-COVER-MOTOR71-D110-LOCKING | 1 |
| 12.31 | | > REAR-BEARING-MOT71-D110-GROOVE | 1 |
| 12.4 | 122097891 | BALL BEARING 6202/2Z-C3 (HT) VP. | 1 |
| 12.5 | 4215742 | Crinkled washer 6202/6300-C3 VP. | 1 |
| 12.61 | 4007672 | TERMINAL-BOX-COVER-MOT-MONO-71 | 1 |
| 12.62 | 4209688 | Flat-Gasket-BAB-MOT71 VP. | 1 |
| | 2132533 | CAPACITOR 16MF 470V CA.LG.210 V1EC2 VP. | 1 |
| | 4207951 | CIRCLIP D15X1 VP. | 1 |



MP604-EM FROM VERSION: /B

| Item | Article no. | Description | Quantity |
|----------------------------------|-------------|--|----------|
| 1 | 4202812 | PUMP HOUSING MHI404/405 1.4301 VP. | 1 |
| 2 | 4037165 | MULTIPRESS FIRST STAGE KIT | 1 |
| Note: STAGE/ STUFE/ ETAGE: 1 | | | |
| 2.1 | | > CORPS-ETG-SS-C/R-MUTICELL | 1 |
| 2.2 | | > IMPELLER-4M3-SP | 1 |
| 3 | 4037166 | MULTIPRESS OTHERS STAGES KIT | 1 |
| Note: STAGE/ STUFE/ ETAGE: 2/3/4 | | | |
| 2.2 | | > IMPELLER-4M3-SP | 1 |
| 3.1 | | > STAGE CASING WITH RETURN GUIDE VANE-SP | 1 |
| 4B | 4150239 | MP302 MP304 LAST STAGE KIT | 1 |
| Note: STAGE/ STUFE/ ETAGE: 5 | | | |
| 3.1 | | > STAGE CASING WITH RETURN GUIDE VANE-SP | 1 |
| 3.2 | | > IMPELLER SHIM SPACER | 1 |
| 3.3 | | > DIFFUSOR STAGE HY/MP | 1 |
| 5 | 4037161 | MECHANICAL SEAL KIT | 1 |
| 5.1 | 4017965 | > O-RING D9,9X2,62 NITRILE 70SH | 1 |
| 5.2 | 2090148 | > CIRCLIP D14 MVI/MHI 316L (2 PIECES) VP. | 1 |
| | | >> STOP-RUSH-1/2-D14-VMI/HMI-316 | 2 |
| 5.5 | 4233945 | > O-RING ID.140 VP. | 1 |
| 5.6 | | > THROWER 65/70SH-NITRILE | 1 |
| 5.7 | | > THROWER-RUBBER-SH65/70 | 1 |
| 5.4 | | > MECHANICAL-SEAL-MG1/14-G6-BQ1EGG-BURGMAN | 1 |
| 5.3 | | > DEFLECTOR D14xD22EP9 NORYL | 1 |
| 6 | 4056417 | NUT M8 INOX 1.4404 | 1 |
| 8 | 4007350 | SCREW M6X14 ISO4762 8.8 ZN | 1 |
| Note: PARTS/ STÜCK/ PIÈCES: 8 | | | |
| 10 | 4191450 | PRIMING/DRAIN PLUG G1/4"-MHI-1.4301 VP. | 1 |
| 11 | 4025172 | LANTERN MACHINED P171 M125 | 1 |
| 12 | | SPARE PARTS MOTOR MP604-EM/B(MG71) | 1 |
| 13 | 4004679 | Stationnary Ring Holder 1.4301 | 1 |

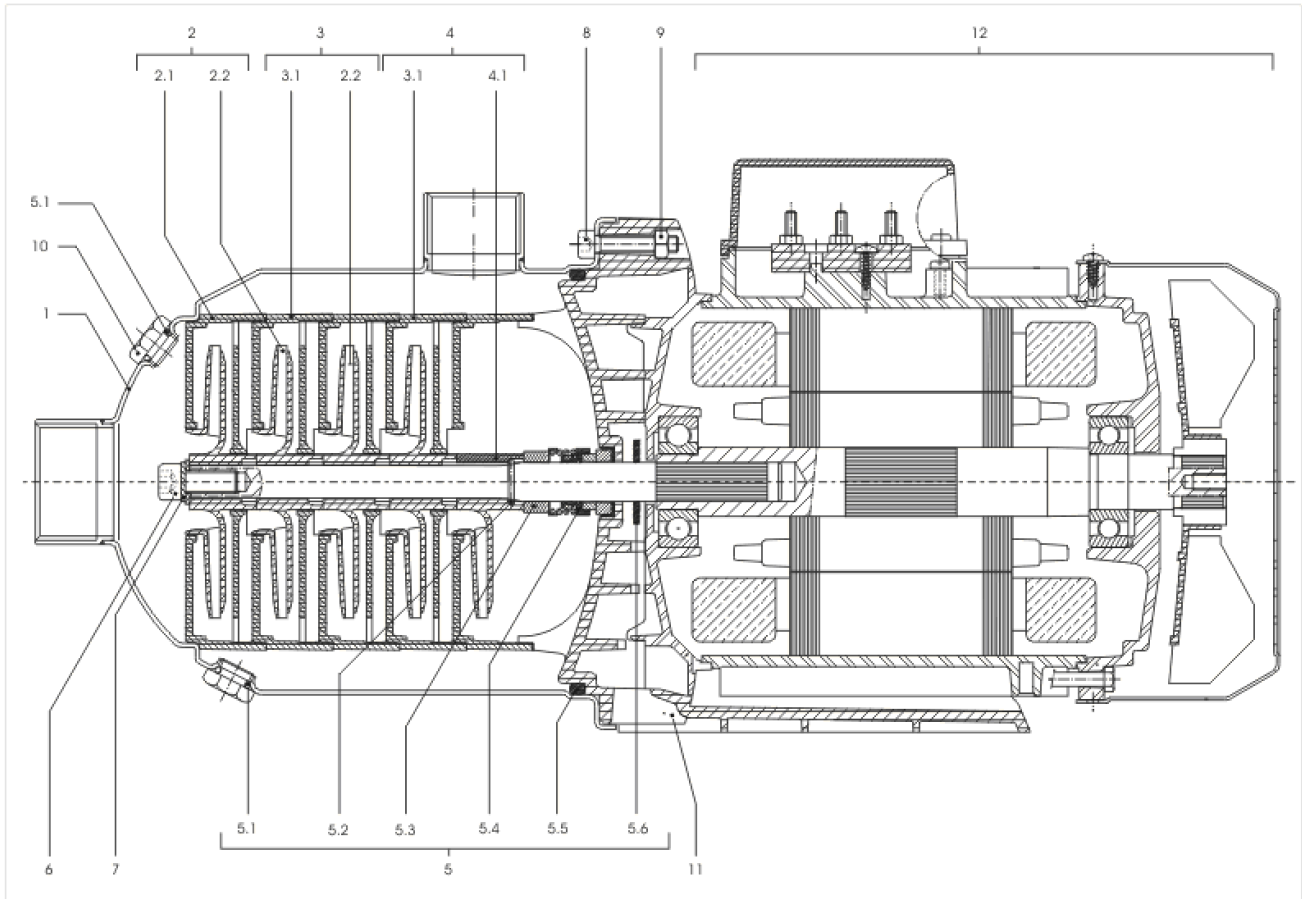


SPARE PARTS MOTOR MP604-EM/B(MG71)

| Item | Article no. | Description | Quantity |
|-------|-------------|---|----------|
| 7.6 | 4185162 | BALL-BEARING-6302-C3-DDU-E-EA6 VP. | 1 |
| 12.3 | 2048820 | FAN D.100 MG.71 MP KIT | 1 |
| 12.32 | 4233938 | > Motor fan T63-71 D100 VP. | 1 |
| 12.33 | | > FAN-COVER-MOTOR71-D110-LOCKING | 1 |
| 12.31 | | > REAR-BEARING-MOT71-D110-GROOVE | 1 |
| 12.4 | 122097891 | BALL BEARING 6202/2Z-C3 (HT) VP. | 1 |
| 12.5 | 4215742 | Crinkled washer 6202/6300-C3 VP. | 1 |
| 12.6 | 4090073 | TERMINAL BOX KIT MC-EM (71) | 1 |
| 12.61 | 4007672 | > TERMINAL-BOX-COVER-MOT-MONO-71 | 1 |
| 12.62 | 4209688 | > Flat-Gasket-BAB-MOT71 VP. | 1 |
| | 2132533 | > CAPACITOR 16MF 470V CA.LG.210 V1EC2 VP. | 1 |
| | | > SCREW-CBL-Z-C/AT-ST3,5L13ZINGUE | 1 |
| | | > SCREW F.KKD.(MHI2/4/8) | 1 |
| | | > NUT-HM4-BRASS | 1 |
| 12.7 | 4207951 | CIRCLIP D15X1 VP. | 1 |
| 12.8 | 2106111 | MOTOR FOOT MG.71 KIT | 1 |
| 12.81 | | > MOTOR-SUPPORT-71 | 1 |
| 12.82 | | > SPRING-PIN-A5L20E | 1 |

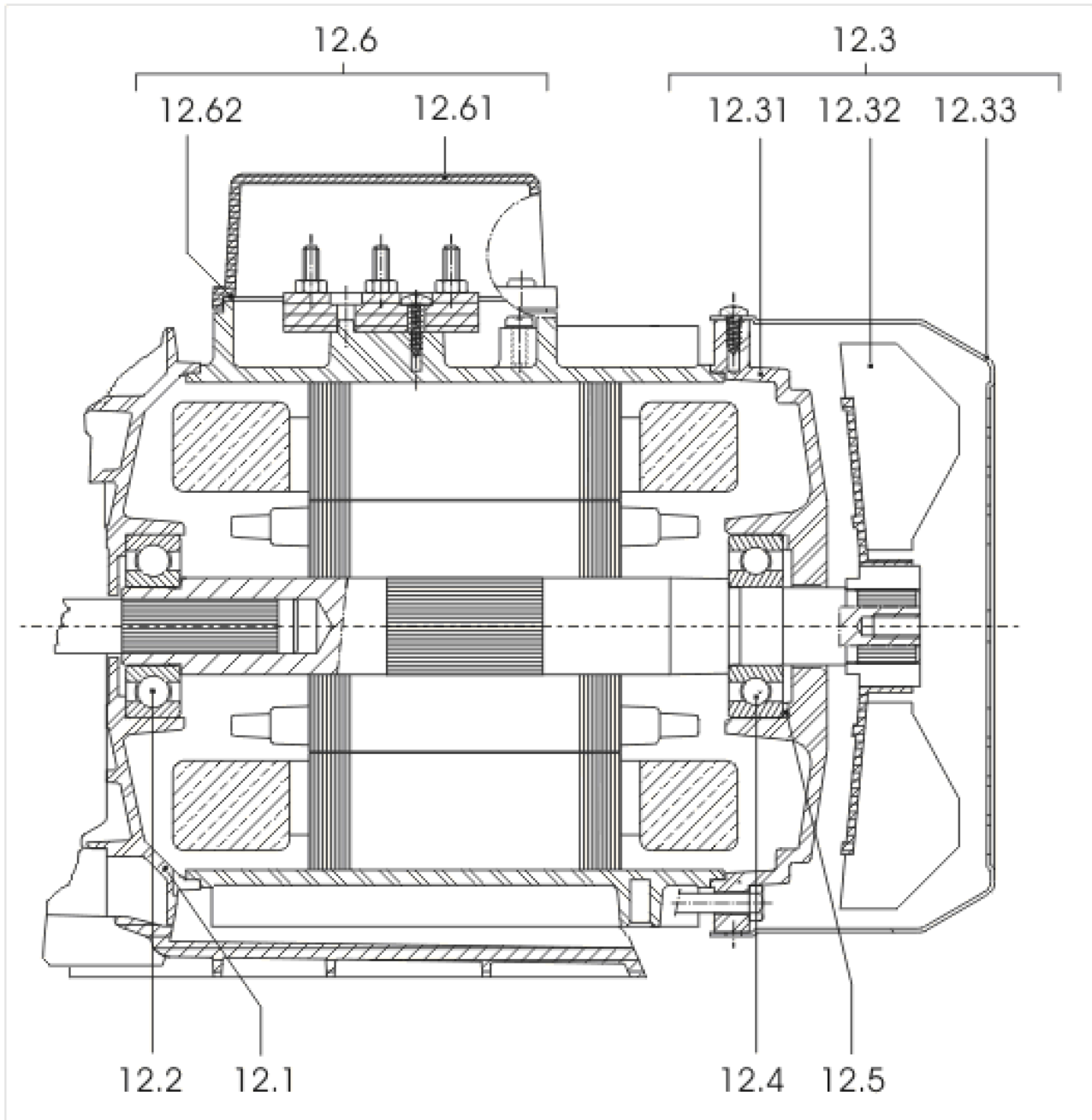
MP604-DM (4032132)

| Description | Quantity |
|---------------------------|----------|
| MP604-DM TO VERSION: /B | 1 |
| MP604-DM FROM VERSION: /C | 1 |



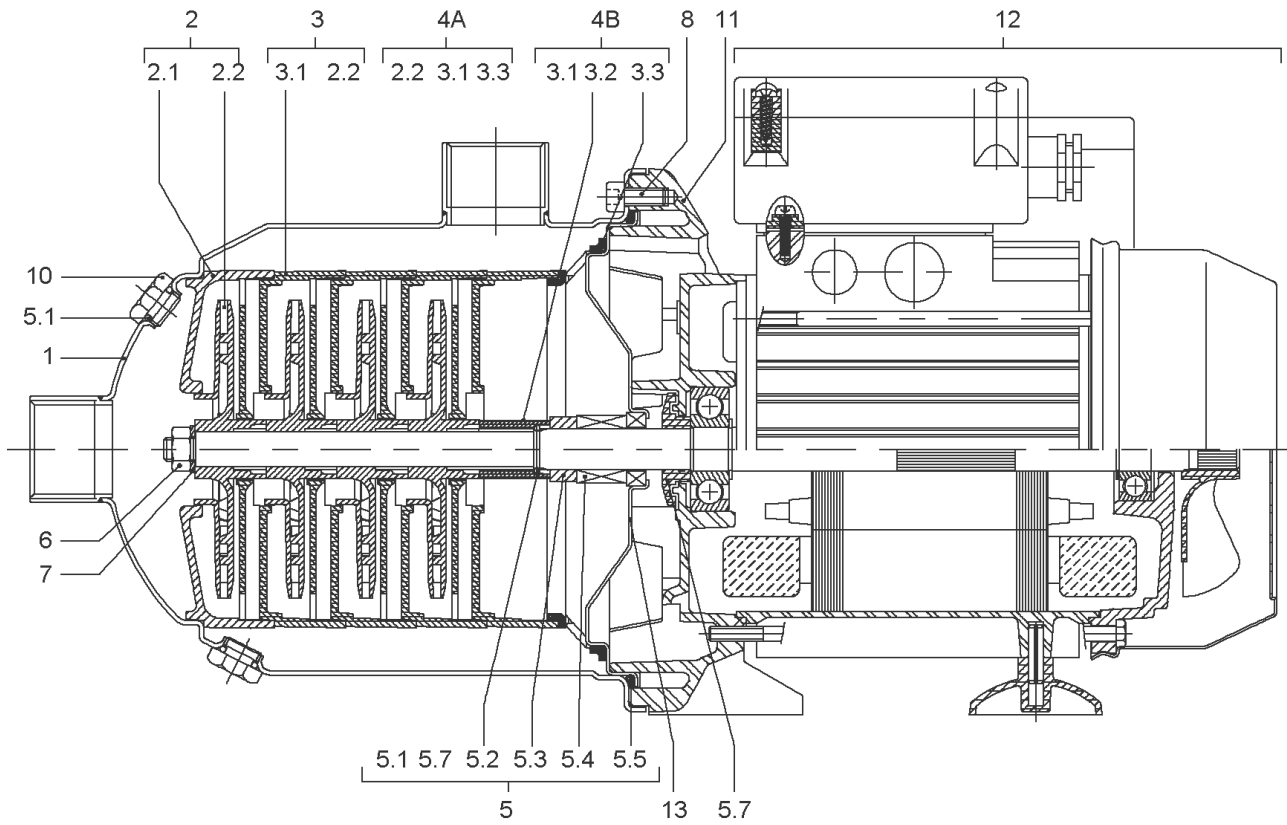
MP604-DM TO VERSION: /B

| Item | Article no. | Description | Quantity |
|----------------------------------|-------------|--|----------|
| 1 | 4202812 | PUMP HOUSING MHI404/405 1.4301 VP. | 1 |
| 2 | 4037165 | MULTIPRESS FIRST STAGE KIT | 1 |
| Note: STAGE/ STUFE/ ETAGE: 1 | | | |
| 2.1 | | > CORPS-ETG-SS-C/R-MUTICELL | 1 |
| 2.2 | | > IMPELLER-4M3-SP | 1 |
| 3 | 4037166 | MULTIPRESS OTHERS STAGES KIT | 1 |
| Note: STAGE/ STUFE/ ETAGE: 2/3/4 | | | |
| 2.2 | | > IMPELLER-4M3-SP | 1 |
| 3.1 | | > STAGE CASING WITH RETURN GUIDE VANE-SP | 1 |
| 4 | 4037162 | MULTIPRESS SILENT MASTER LAST STAGE KIT | 1 |
| Note: STAGE/ STUFE/ ETAGE: 5 | | | |
| 3.1 | | > STAGE CASING WITH RETURN GUIDE VANE-SP | 1 |
| 4.1 | | > IMPELLER SHIM SPACER | 1 |
| 5 | 4037161 | MECHANICAL SEAL KIT | 1 |
| 5.1 | 4017965 | > O-RING D9,9X2,62 NITRILE 70SH | 1 |
| 5.2 | 2090148 | > CIRCLIP D14 MVI/MHI 316L (2 PIECES) VP. | 1 |
| | | >> STOP-RUSH-1/2-D14-VMI/HMI-316 | 2 |
| 5.5 | 4233945 | > O-RING ID.140 VP. | 1 |
| 5.6 | | > THROWER 65/70SH-NITRILE | 1 |
| 5.7 | | > THROWER-RUBBER-SH65/70 | 1 |
| 5.4 | | > MECHANICAL-SEAL-MG1/14-G6-BQ1EGG-BURGMAN | 1 |
| 5.3 | | > DEFLECTOR D14xD22EP9 NORYL | 1 |
| 6 | 4056417 | NUT M8 INOX 1.4404 | 1 |
| 8 | 4031762 | SCREW M6X30 ISO4762 8.8 ZN | 1 |
| Note: PARTS/ STÜCK/ PIÈCES: 8 | | | |
| 9 | 4031766 | NUT M6 MP3/6 | 1 |
| Note: PARTS/ STÜCK/ PIÈCES: 8 | | | |
| 10 | 4191450 | PRIMING/DRAIN PLUG G1/4"-MHI-1.4301 VP. | 1 |
| 11 | 4045110 | LANTERN BRACKET | 1 |
| 12 | | SPARE PARTS MOTOR MP604-DM (MG71) | 1 |



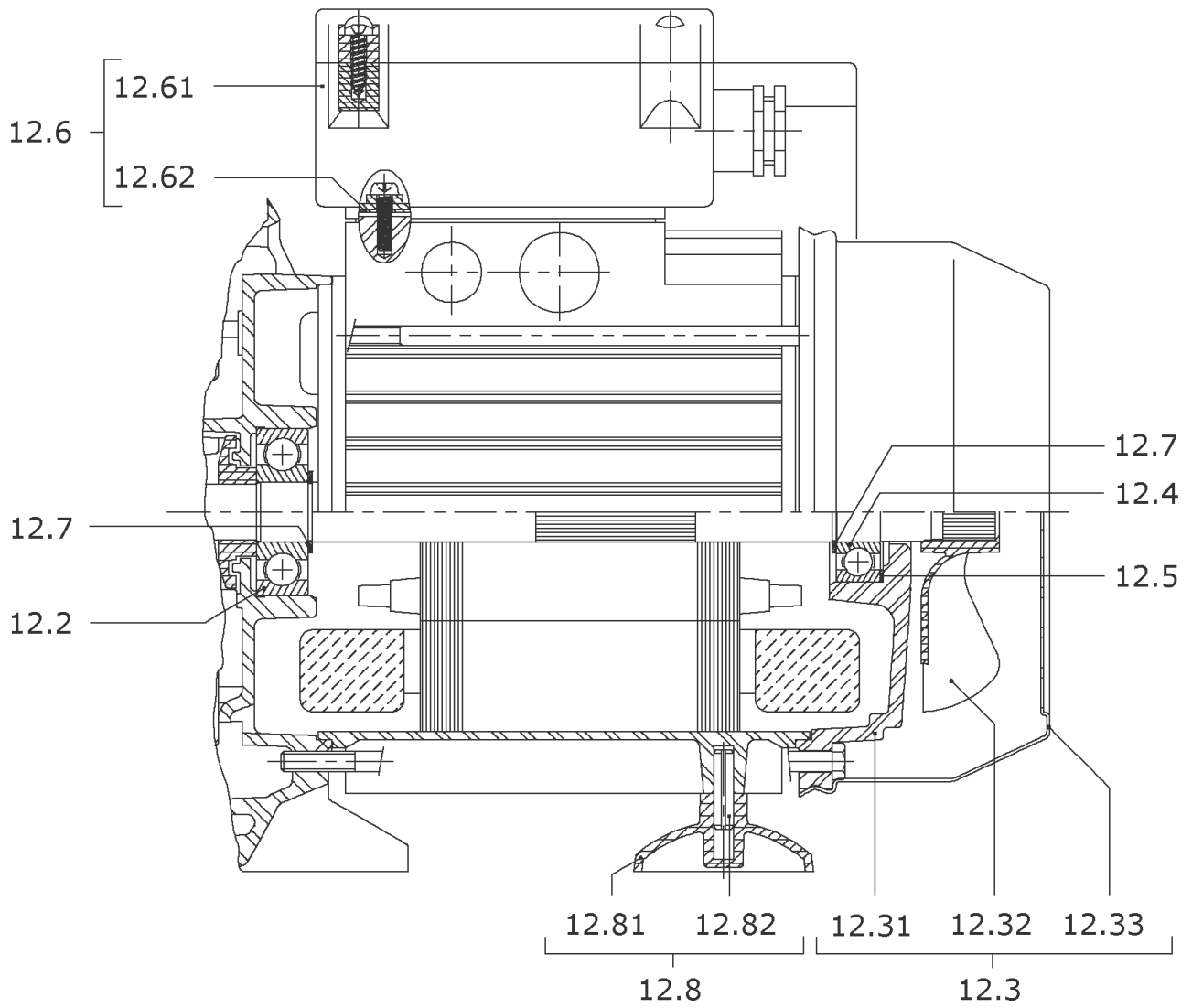
SPARE PARTS MOTOR MP604-DM (MG71)

| Item | Article no. | Description | Quantity |
|-------|-------------|-------------------------------------|----------|
| 12.1 | 4028055 | END SHILD AS MP3/MP603+604 +PK. | 1 |
| 7.6 | 4185162 | BALL-BEARING-6302-C3-DDU-E-EA6 VP. | 1 |
| 12.3 | 2048820 | FAN D.100 MG.71 MP KIT | 1 |
| 12.32 | 4233938 | > Motor fan T63-71 D100 VP. | 1 |
| 12.33 | | > FAN-COVER-MOTOR71-D110-LOCKING | 1 |
| 12.31 | | > REAR-BEARING-MOT71-D110-GROOVE | 1 |
| 12.4 | 122097891 | BALL BEARING 6202/2Z-C3 (HT) VP. | 1 |
| 12.5 | 4215742 | Crinkled washer 6202/6300-C3 VP. | 1 |
| 12.6 | 4090076 | TERMINAL BOX KIT MC-DM (71) | 1 |
| 12.61 | 4210082 | > Terminal-Box-Cover-MOT-TRI-71 VP. | 1 |
| 12.62 | 4209688 | > Flat-Gasket-BAB-MOT71 VP. | 1 |
| | 4057378 | > TERMINAL BLOCK 50/32 6P | 1 |
| | | > M3,5L14 THREAD FORMING SCREW | 1 |
| | 4207951 | CIRCLIP D15X1 VP. | 1 |



MP604-DM FROM VERSION: /C

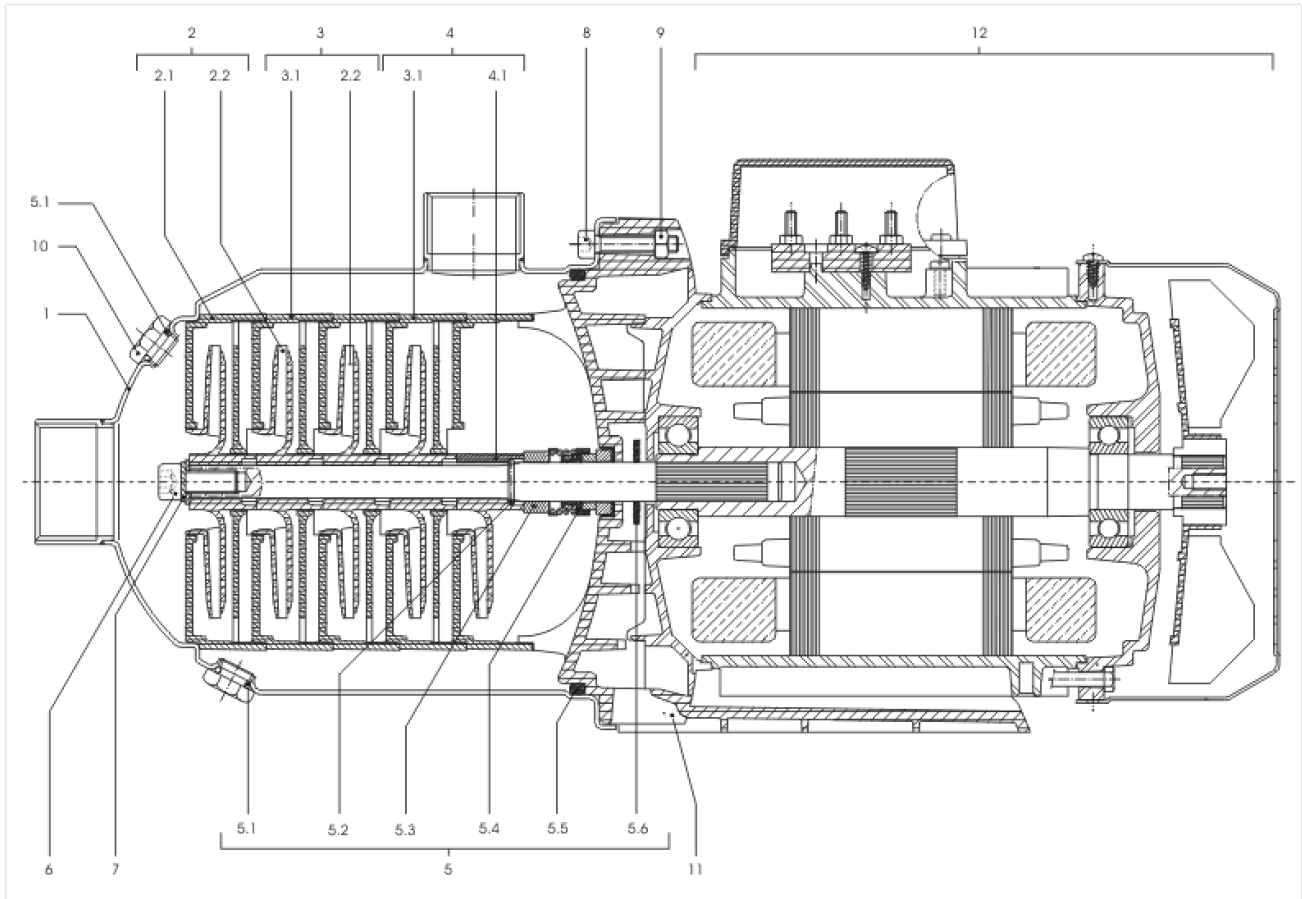
| Item | Article no. | Description | Quantity |
|----------------------------------|-------------|--|----------|
| 1 | 4202812 | PUMP HOUSING MHI404/405 1.4301 VP. | 1 |
| 2 | 4037165 | MULTIPRESS FIRST STAGE KIT | 1 |
| Note: STAGE/ STUFE/ ETAGE: 1 | | | |
| 2.1 | | > CORPS-ETG-SS-C/R-MUTICELL | 1 |
| 2.2 | | > IMPELLER-4M3-SP | 1 |
| 3 | 4037166 | MULTIPRESS OTHERS STAGES KIT | 1 |
| Note: STAGE/ STUFE/ ETAGE: 2/3/4 | | | |
| 2.2 | | > IMPELLER-4M3-SP | 1 |
| 3.1 | | > STAGE CASING WITH RETURN GUIDE VANE-SP | 1 |
| 4B | 4150239 | MP302 MP304 LAST STAGE KIT | 1 |
| Note: STAGE/ STUFE/ ETAGE: 5 | | | |
| 3.1 | | > STAGE CASING WITH RETURN GUIDE VANE-SP | 1 |
| 3.2 | | > IMPELLER SHIM SPACER | 1 |
| 3.3 | | > DIFFUSOR STAGE HY/MP | 1 |
| 5 | 4037161 | MECHANICAL SEAL KIT | 1 |
| 5.1 | 4017965 | > O-RING D9,9X2,62 NITRILE 70SH | 1 |
| 5.2 | 2090148 | > CIRCLIP D14 MVI/MHI 316L (2 PIECES) VP. | 1 |
| | | >> STOP-RUSH-1/2-D14-VMI/HMI-316 | 2 |
| 5.5 | 4233945 | > O-RING ID.140 VP. | 1 |
| 5.6 | | > THROWER 65/70SH-NITRILE | 1 |
| 5.7 | | > THROWER-RUBBER-SH65/70 | 1 |
| 5.4 | | > MECHANICAL-SEAL-MG1/14-G6-BQ1EGG-BURGMAN | 1 |
| 5.3 | | > DEFLECTOR D14xD22EP9 NORYL | 1 |
| 6 | 4056417 | NUT M8 INOX 1.4404 | 1 |
| 8 | 4007350 | SCREW M6X14 ISO4762 8.8 ZN | 1 |
| Note: PARTS/ STÜCK/ PIÈCES: 8 | | | |
| 10 | 4191450 | PRIMING/DRAIN PLUG G1/4"-MHI-1.4301 VP. | 1 |
| 11 | 4025172 | LANTERN MACHINED P171 M125 | 1 |
| 12 | | SPARE PARTS MOTOR MP604-DM/C(MG71) | 1 |
| 13 | 4004679 | Stationnary Ring Holder 1.4301 | 1 |



SPARE PARTS MOTOR MP604-DM/C(MG71)

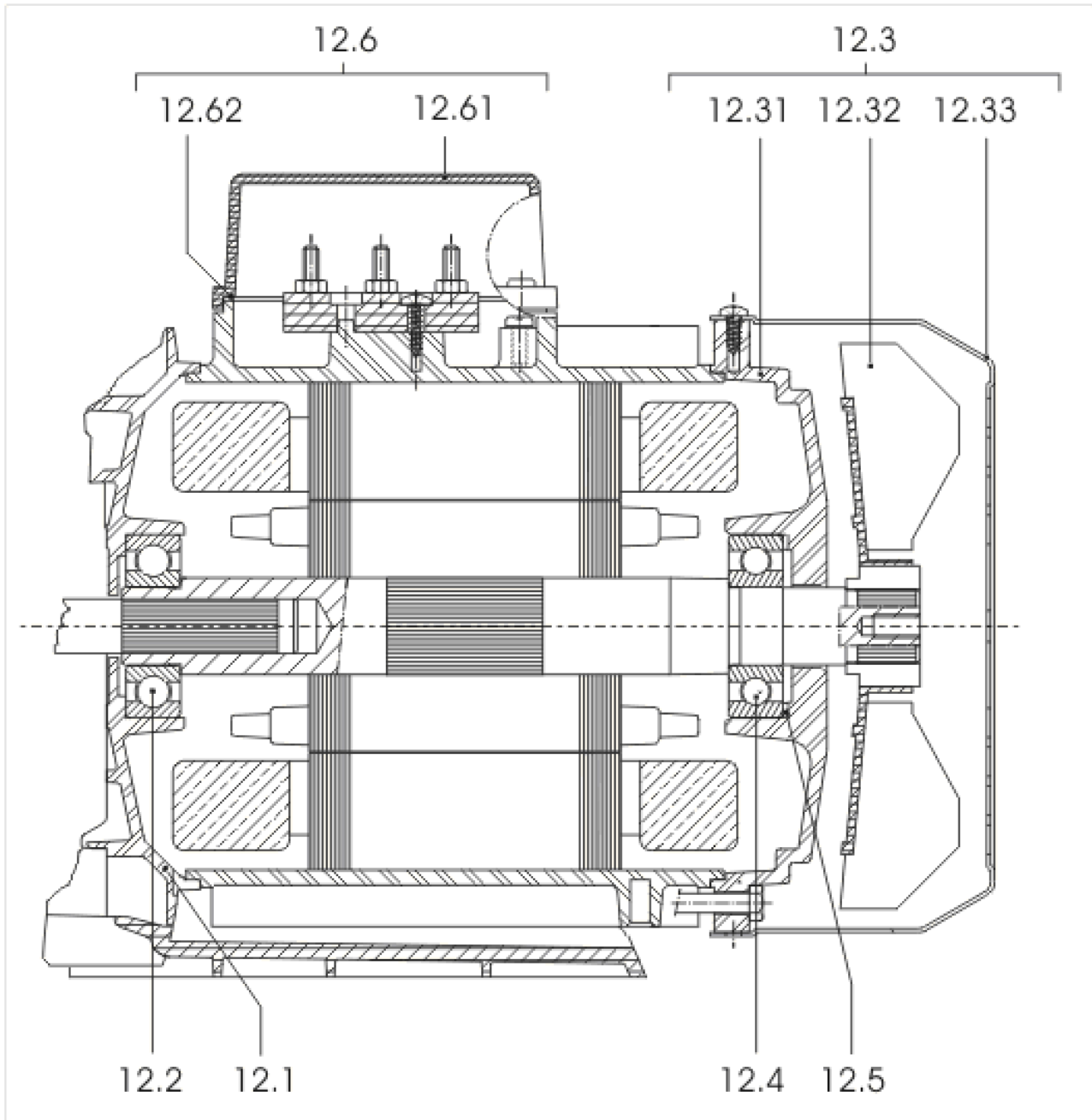
| Item | Article no. | Description | Quantity |
|-------|-------------|-------------------------------------|----------|
| 7.6 | 4185162 | BALL-BEARING-6302-C3-DDU-E-EA6 VP. | 1 |
| 12.3 | 2048820 | FAN D.100 MG.71 MP KIT | 1 |
| 12.32 | 4233938 | > Motor fan T63-71 D100 VP. | 1 |
| 12.33 | | > FAN-COVER-MOTOR71-D110-LOCKING | 1 |
| 12.31 | | > REAR-BEARING-MOT71-D110-GROOVE | 1 |
| 12.4 | 122097891 | BALL BEARING 6202/2Z-C3 (HT) VP. | 1 |
| 12.5 | 4215742 | Crinkled washer 6202/6300-C3 VP. | 1 |
| 12.6 | 4090076 | TERMINAL BOX KIT MC-DM (71) | 1 |
| 12.61 | 4210082 | > Terminal-Box-Cover-MOT-TRI-71 VP. | 1 |
| 12.62 | 4209688 | > Flat-Gasket-BAB-MOT71 VP. | 1 |
| | 4057378 | > TERMINAL BLOCK 50/32 6P | 1 |
| | | > M3,5L14 THREAD FORMING SCREW | 1 |
| 12.7 | 4207951 | CIRCLIP D15X1 VP. | 1 |
| 12.8 | 2106111 | MOTOR FOOT MG.71 KIT | 1 |
| 12.81 | | > MOTOR-SUPPORT-71 | 1 |
| 12.82 | | > SPRING-PIN-A5L20E | 1 |

| Description | Quantity |
|---------------------------|----------|
| MP605-EM TO VERSION: /B | 1 |
| MP605-EM FROM VERSION: /C | 1 |



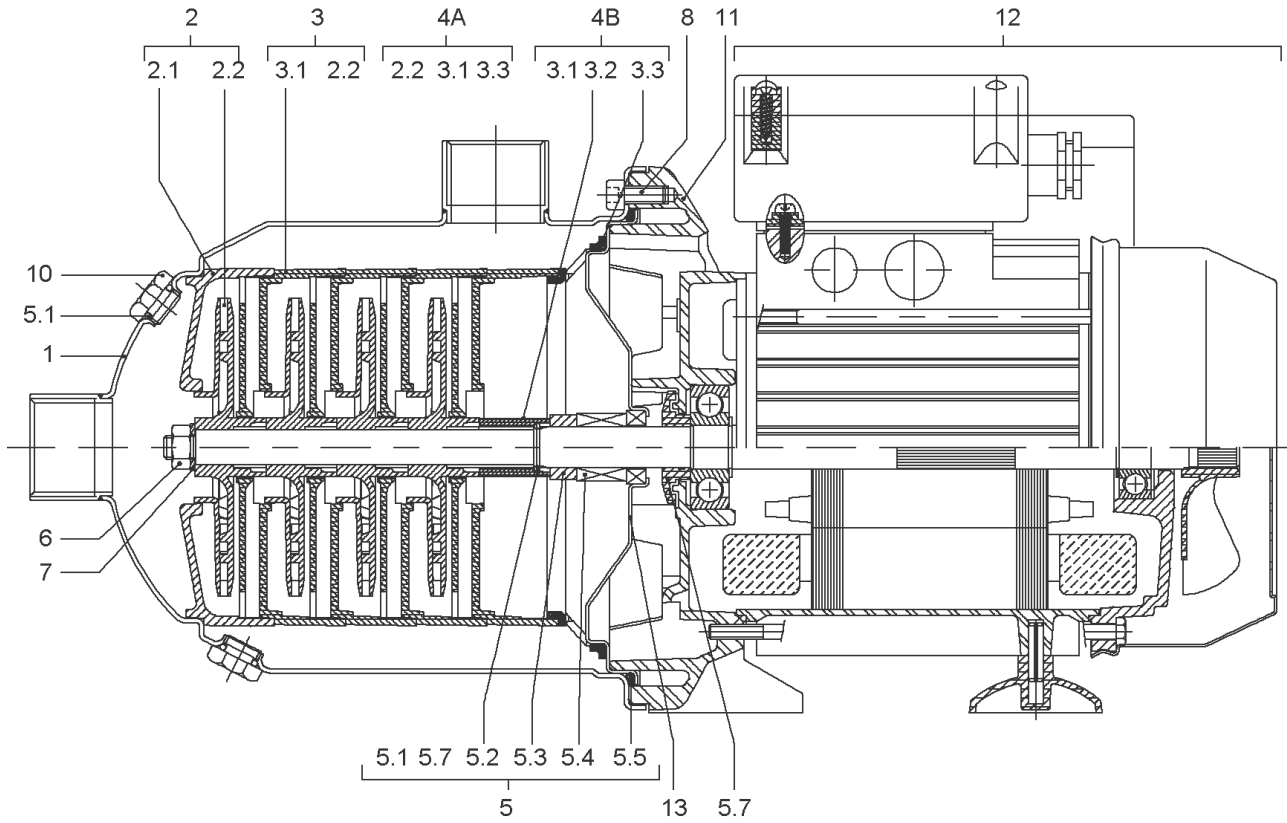
MP605-EM TO VERSION: /B

| Item | Article no. | Description | Quantity |
|------------------------------------|-------------|--|----------|
| 1 | 4202812 | PUMP HOUSING MHI404/405 1.4301 VP. | 1 |
| 2 | 4037165 | MULTIPRESS FIRST STAGE KIT | 1 |
| Note: STAGE/ STUFE/ ETAGE: 1 | | | |
| 2.1 | | > CORPS-ETG-SS-C/R-MUTICELL | 1 |
| 2.2 | | > IMPELLER-4M3-SP | 1 |
| 3 | 4037166 | MULTIPRESS OTHERS STAGES KIT | 1 |
| Note: STAGE/ STUFE/ ETAGE: 2/3/4/5 | | | |
| 2.2 | | > IMPELLER-4M3-SP | 1 |
| 3.1 | | > STAGE CASING WITH RETURN GUIDE VANE-SP | 1 |
| 5 | 4037161 | MECHANICAL SEAL KIT | 1 |
| 5.1 | 4017965 | > O-RING D9,9X2,62 NITRILE 70SH | 1 |
| 5.2 | 2090148 | > CIRCLIP D14 MVI/MHI 316L (2 PIECES) VP. | 1 |
| | | >> STOP-RUSH-1/2-D14-VMI/HMI-316 | 2 |
| 5.5 | 4233945 | > O-RING ID.140 VP. | 1 |
| 5.6 | | > THROWER 65/70SH-NITRILE | 1 |
| 5.7 | | > THROWER-RUBBER-SH65/70 | 1 |
| 5.4 | | > MECHANICAL-SEAL-MG1/14-G6-BQ1EGG-BURGMAN | 1 |
| 5.3 | | > DEFLECTOR D14xD22EP9 NORYL | 1 |
| 6 | 4056417 | NUT M8 INOX 1.4404 | 1 |
| 8 | 4031762 | SCREW M6X30 ISO4762 8.8 ZN | 1 |
| Note: PARTS/ STÜCK/ PIÈCES: 8 | | | |
| 9 | 4031766 | NUT M6 MP3/6 | 1 |
| Note: PARTS/ STÜCK/ PIÈCES: 8 | | | |
| 10 | 4191450 | PRIMING/DRAIN PLUG G1/4"-MHI-1.4301 VP. | 1 |
| 11 | 4045110 | LANTERN BRACKET | 1 |
| 12 | | SPARE PARTS MOTOR MP605-EM (MG80) | 1 |



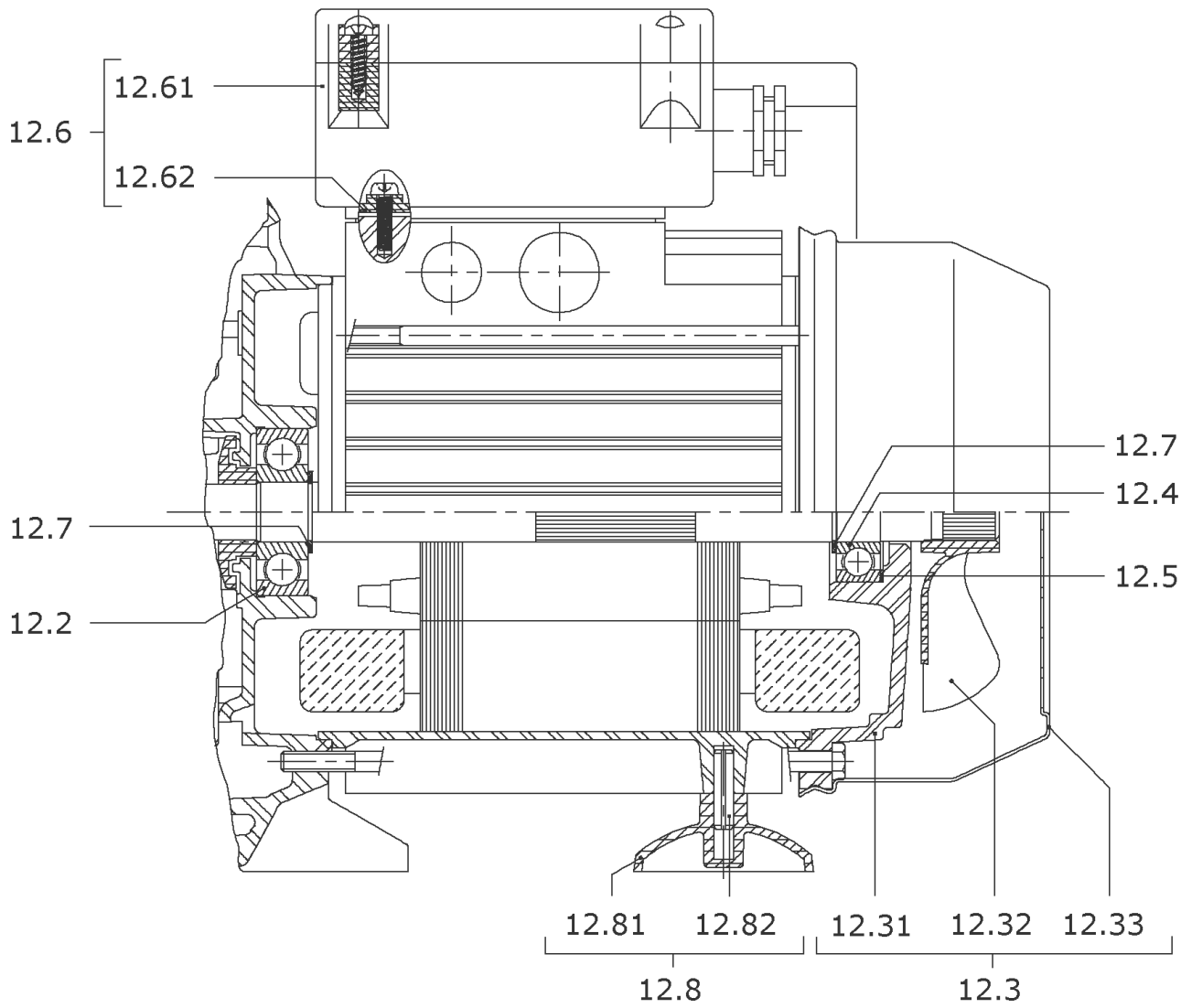
SPARE PARTS MOTOR MP605-EM (MG80)

| Item | Article no. | Description | Quantity |
|----------------------------------|-------------|---|----------|
| 12.1 | 4028057 | MOTOR BEARING | 1 |
| 12.2 | 121084499 | BALL BEARING 6204/2Z-C3 (HT) VP. | 1 |
| 12.3 | 2048802 | FAN D.143 MG.80 MP KIT | 1 |
| 12.31 | | > REAR-BEARING-MOT80-D125-LOCKING | 1 |
| 12.32 | 4007267 | > MOTOR-FAN-80-MHI Ø143 | 1 |
| 12.33 | | > FAN-COVER-MOTOR80-D125-LOCKING | 1 |
| 12.31 | | > REAR-BEARING-MOT80-D125-GROOVE | 1 |
| 12.4 | 121084499 | BALL BEARING 6204/2Z-C3 (HT) VP. | 1 |
| 12.5 | 63852 | SPRING-WASHER-A46B35-A | 1 |
| 12.61 | 4225307 | TERMINAL-BOX-COVER-MOT-MONO-80/90 KIT | 1 |
| 12.62 | 4007671 | FLAT-GASKET-BAB-MOT80/90 | 1 |
| | 4007666 | CAPACITOR-20MF-450V-RPC2 | 1 |
| Note: FOR/ FÜR/ POUR: MP605-EM | | | |
| | 2132534 | CAPACITOR 30MF 470V CA.LG.210 V1EC2 VP. | 1 |
| Note: FOR/ FÜR/ POUR: MP605-EM/B | | | |



MP605-EM FROM VERSION: /C

| Item | Article no. | Description | Quantity |
|----------------------------------|-------------|--|----------|
| 1 | 4202812 | PUMP HOUSING MHI404/405 1.4301 VP. | 1 |
| 2 | 4037165 | MULTIPRESS FIRST STAGE KIT | 1 |
| Note: STAGE/ STUFE/ ETAGE: 1 | | | |
| 2.1 | | > CORPS-ETG-SS-C/R-MUTICELL | 1 |
| 2.2 | | > IMPELLER-4M3-SP | 1 |
| 3 | 4037166 | MULTIPRESS OTHERS STAGES KIT | 1 |
| Note: STAGE/ STUFE/ ETAGE: 2/3/4 | | | |
| 2.2 | | > IMPELLER-4M3-SP | 1 |
| 3.1 | | > STAGE CASING WITH RETURN GUIDE VANE-SP | 1 |
| 4A | 4150246 | MP603 MP605 STAGE KIT | 1 |
| Note: STAGE/ STUFE/ ETAGE: 5 | | | |
| 3.1 | | > STAGE CASING WITH RETURN GUIDE VANE-SP | 1 |
| 2.2 | | > IMPELLER-4M3-SP | 1 |
| 3.3 | | > DIFFUSOR STAGE HY/MP | 1 |
| 5 | 4037161 | MECHANICAL SEAL KIT | 1 |
| 5.1 | 4017965 | > O-RING D9,9X2,62 NITRILE 70SH | 1 |
| 5.2 | 2090148 | > CIRCLIP D14 MVI/MHI 316L (2 PIECES) VP. | 1 |
| | | >> STOP-RUSH-1/2-D14-VMI/HMI-316 | 2 |
| 5.5 | 4233945 | > O-RING ID.140 VP. | 1 |
| 5.6 | | > THROWER 65/70SH-NITRILE | 1 |
| 5.7 | | > THROWER-RUBBER-SH65/70 | 1 |
| 5.4 | | > MECHANICAL-SEAL-MG1/14-G6-BQ1EGG-BURGMAN | 1 |
| 5.3 | | > DEFLECTOR D14xD22EP9 NORYL | 1 |
| 6 | 4056417 | NUT M8 INOX 1.4404 | 1 |
| 8 | 4007350 | SCREW M6X14 ISO4762 8.8 ZN | 1 |
| Note: PARTS/ STÜCK/ PIÈCES: 8 | | | |
| 10 | 4191450 | PRIMING/DRAIN PLUG G1/4"-MHI-1.4301 VP. | 1 |
| 11 | 4005217 | LANTERN-P171-M142-US | 1 |
| 12 | | SPARE PARTS MOTOR MP605-EM/C(MG80) | 1 |
| 13 | 4004679 | Stationnary Ring Holder 1.4301 | 1 |

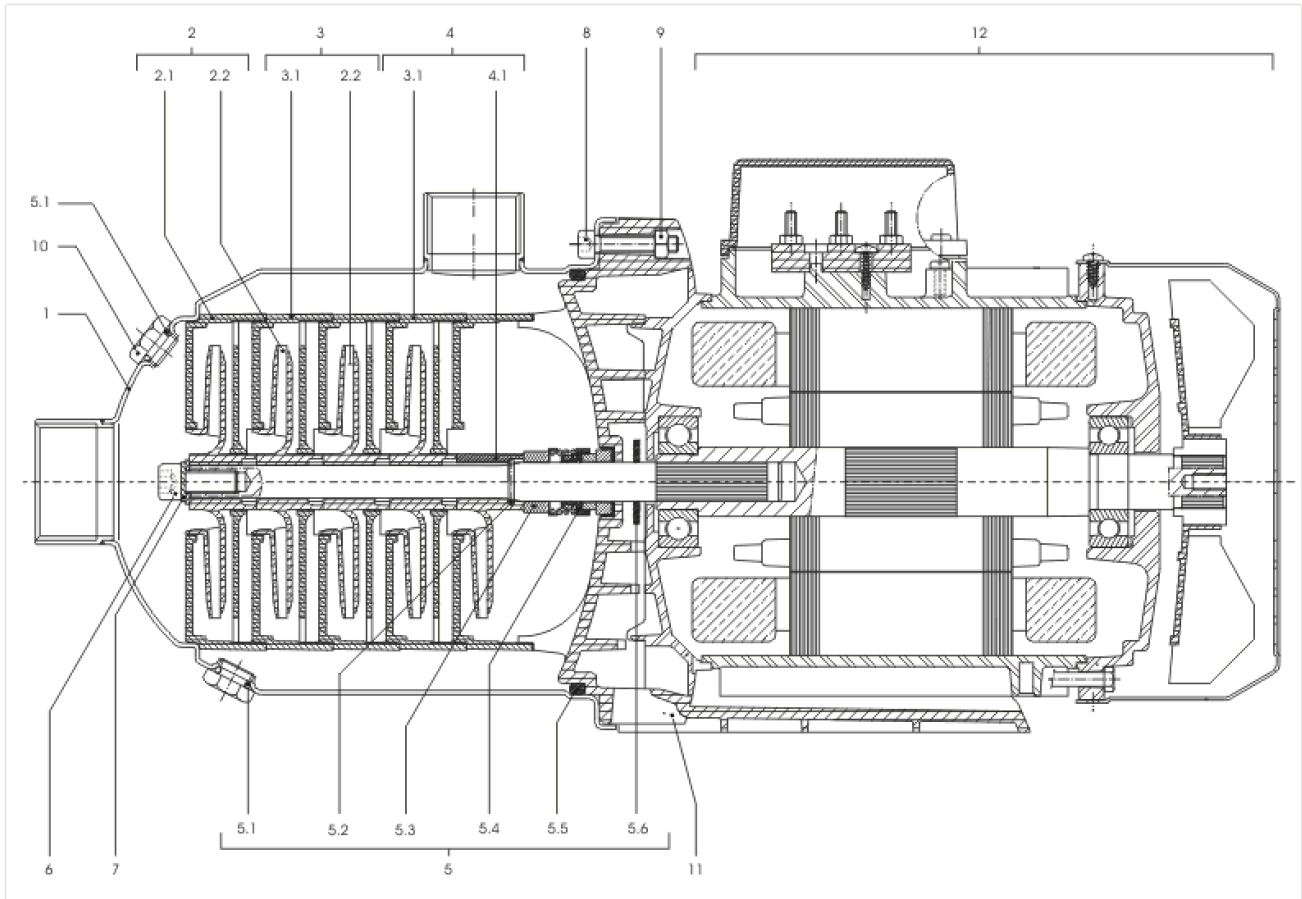


SPARE PARTS MOTOR MP605-EM/C(MG80)

| Item | Article no. | Description | Quantity |
|-------|-------------|---|----------|
| 12.2 | 4007227 | BALL-BEARING-6304-C3-JOINTS-FROTTANTS | 1 |
| 12.3 | 2048802 | FAN D.143 MG.80 MP KIT | 1 |
| 12.31 | | > REAR-BEARING-MOT80-D125-LOCKING | 1 |
| 12.32 | 4007267 | > MOTOR-FAN-80-MHI Ø143 | 1 |
| 12.33 | | > FAN-COVER-MOTOR80-D125-LOCKING | 1 |
| 12.31 | | > REAR-BEARING-MOT80-D125-GROOVE | 1 |
| 12.4 | 121084499 | BALL BEARING 6204/2Z-C3 (HT) VP. | 1 |
| 12.5 | 63852 | SPRING-WASHER-A46B35-A | 1 |
| 12.6 | 4144822 | TERMINAL BOX KIT MC-EM (80/90N) | 1 |
| 12.61 | 4225307 | > TERMINAL-BOX-COVER-MOT-MONO-80/90 KIT | 1 |
| 12.62 | 4084618 | > FLAT-GASKET-BAB-MOT80/90 | 1 |
| | 2132534 | > CAPACITOR 30MF 470V CA.LG.210 V1EC2 VP. | 1 |
| | 4057377 | > TERMINAL BLOCK | 1 |
| | | > SCREW F.KKD.(MHI2/4/8) | 1 |
| | | > NUT-HM4-BRASS | 1 |
| | | > M3,5L14 THREAD FORMING SCREW | 1 |
| 12.8 | 2106112 | MOTOR FOOT MG.80 KIT | 1 |
| 12.81 | | > MOTOR-FOOT-SIZE-80 | 1 |
| 12.82 | | > SPRING-PIN-A5L20E | 1 |

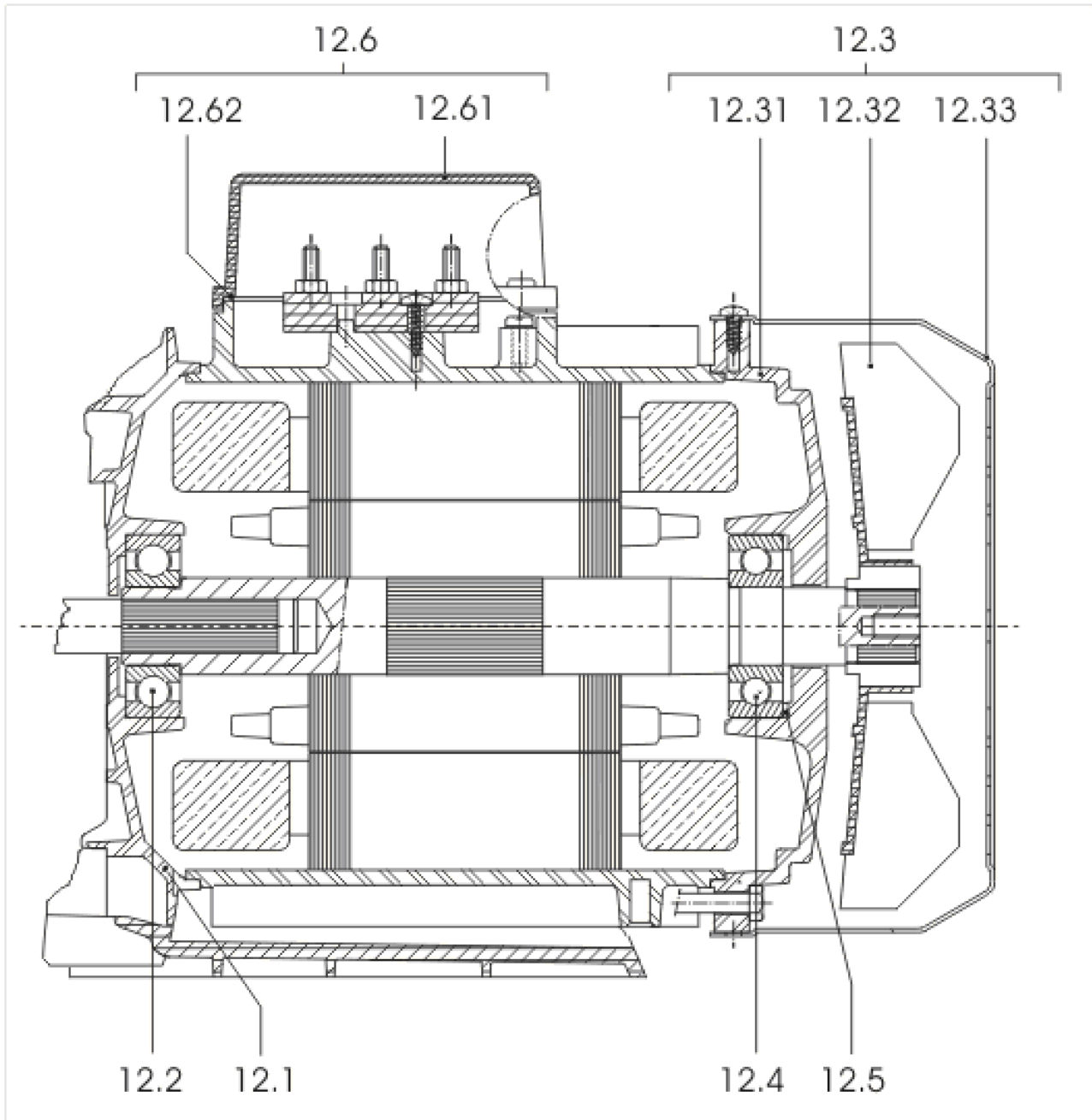
MP605-DM (4032134)

| Description | Quantity |
|---------------------------|----------|
| MP605-DM TO VERSION: /B | 1 |
| MP605-DM FROM VERSION: /C | 1 |



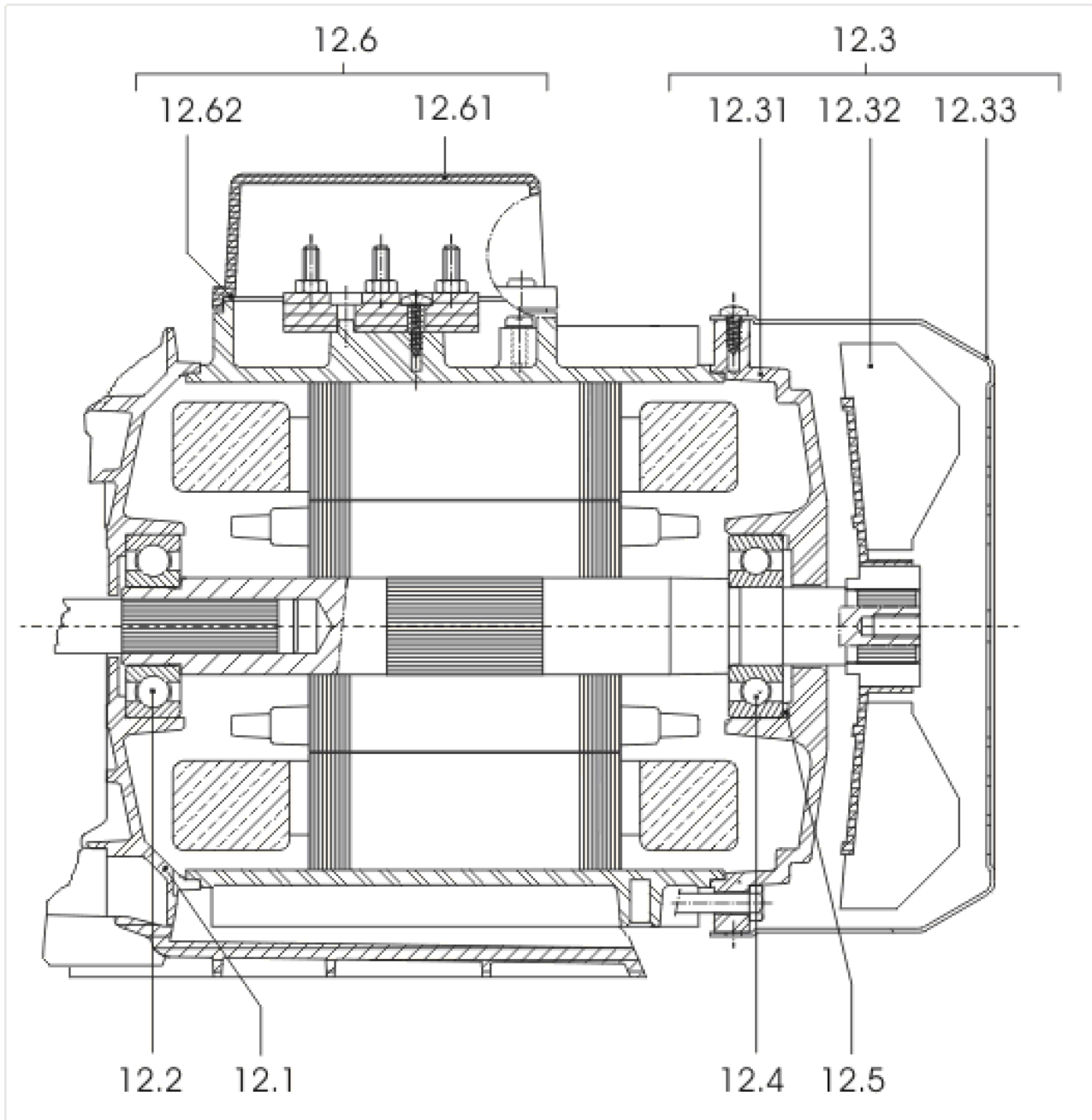
MP605-DM TO VERSION: /B

| Item | Article no. | Description | Quantity |
|------------------------------------|-------------|--|----------|
| 1 | 4202812 | PUMP HOUSING MHI404/405 1.4301 VP. | 1 |
| 2 | 4037165 | MULTIPRESS FIRST STAGE KIT | 1 |
| Note: STAGE/ STUFE/ ETAGE: 1 | | | |
| 2.1 | | > CORPS-ETG-SS-C/R-MUTICELL | 1 |
| 2.2 | | > IMPELLER-4M3-SP | 1 |
| 3 | 4037166 | MULTIPRESS OTHERS STAGES KIT | 1 |
| Note: STAGE/ STUFE/ ETAGE: 2/3/4/5 | | | |
| 2.2 | | > IMPELLER-4M3-SP | 1 |
| 3.1 | | > STAGE CASING WITH RETURN GUIDE VANE-SP | 1 |
| 5 | 4037161 | MECHANICAL SEAL KIT | 1 |
| 5.1 | 4017965 | > O-RING D9,9X2,62 NITRILE 70SH | 1 |
| 5.2 | 2090148 | > CIRCLIP D14 MVI/MHI 316L (2 PIECES) VP. | 1 |
| | | >> STOP-RUSH-1/2-D14-VMI/HMI-316 | 2 |
| 5.5 | 4233945 | > O-RING ID.140 VP. | 1 |
| 5.6 | | > THROWER 65/70SH-NITRILE | 1 |
| 5.7 | | > THROWER-RUBBER-SH65/70 | 1 |
| 5.4 | | > MECHANICAL-SEAL-MG1/14-G6-BQ1EGG-BURGMAN | 1 |
| 5.3 | | > DEFLECTOR D14xD22EP9 NORYL | 1 |
| 6 | 4056417 | NUT M8 INOX 1.4404 | 1 |
| 8 | 4031762 | SCREW M6X30 ISO4762 8.8 ZN | 1 |
| Note: PARTS/ STÜCK/ PIÈCES: 8 | | | |
| 9 | 4031766 | NUT M6 MP3/6 | 1 |
| Note: PARTS/ STÜCK/ PIÈCES: 8 | | | |
| 10 | 4191450 | PRIMING/DRAIN PLUG G1/4"-MHI-1.4301 VP. | 1 |
| 11 | 4045110 | LANTERN BRACKET | 1 |
| 12 | | SPARE PARTS MOTOR MP605-DM (MG80) | 1 |
| 12 | | SPARE PARTS MOTOR MP605-DM/B (MG71) | 1 |



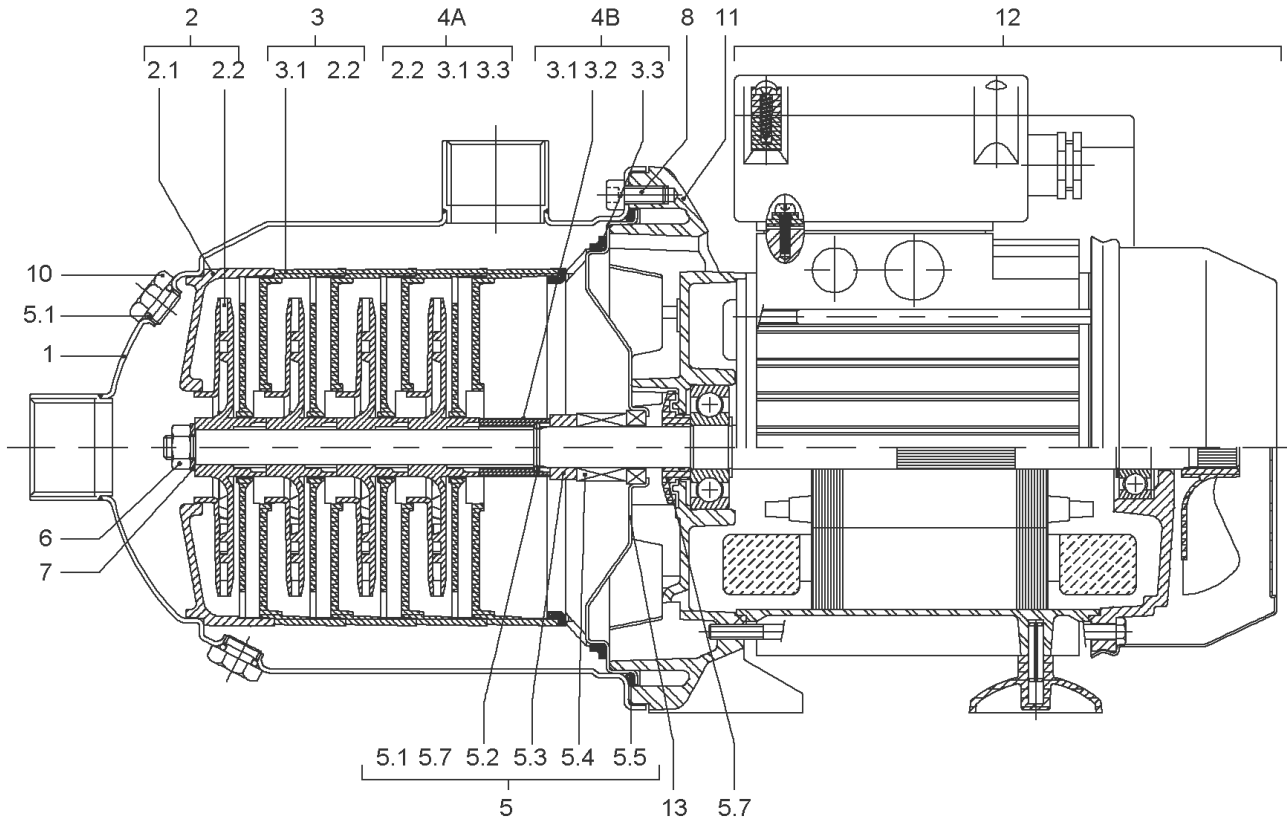
SPARE PARTS MOTOR MP605-DM (MG80)

| Item | Article no. | Description | Quantity |
|-------|-------------|------------------------------------|----------|
| 12.1 | 4028057 | MOTOR BEARING | 1 |
| 12.2 | 121084499 | BALL BEARING 6204/2Z-C3 (HT) VP. | 1 |
| 12.3 | 2048802 | FAN D.143 MG.80 MP KIT | 1 |
| 12.31 | | > REAR-BEARING-MOT80-D125-LOCKING | 1 |
| 12.32 | 4007267 | > MOTOR-FAN-80-MHI Ø143 | 1 |
| 12.33 | | > FAN-COVER-MOTOR80-D125-LOCKING | 1 |
| 12.31 | | > REAR-BEARING-MOT80-D125-GROOVE | 1 |
| 12.4 | 121084499 | BALL BEARING 6204/2Z-C3 (HT) VP. | 1 |
| 12.5 | 63852 | SPRING-WASHER-A46B35-A | 1 |
| 12.6 | 4090077 | TERMINAL BOX KIT MC-DM (80) | 1 |
| 12.61 | 4007676 | > TERMINAL-BOX-COVER-MOT-TRI-80/90 | 1 |
| 12.62 | 4007671 | > FLAT-GASKET-BAB-MOT80/90 | 1 |
| | 4057378 | > TERMINAL BLOCK 50/32 6P | 1 |
| | | > M3,5L14 THREAD FORMING SCREW | 1 |



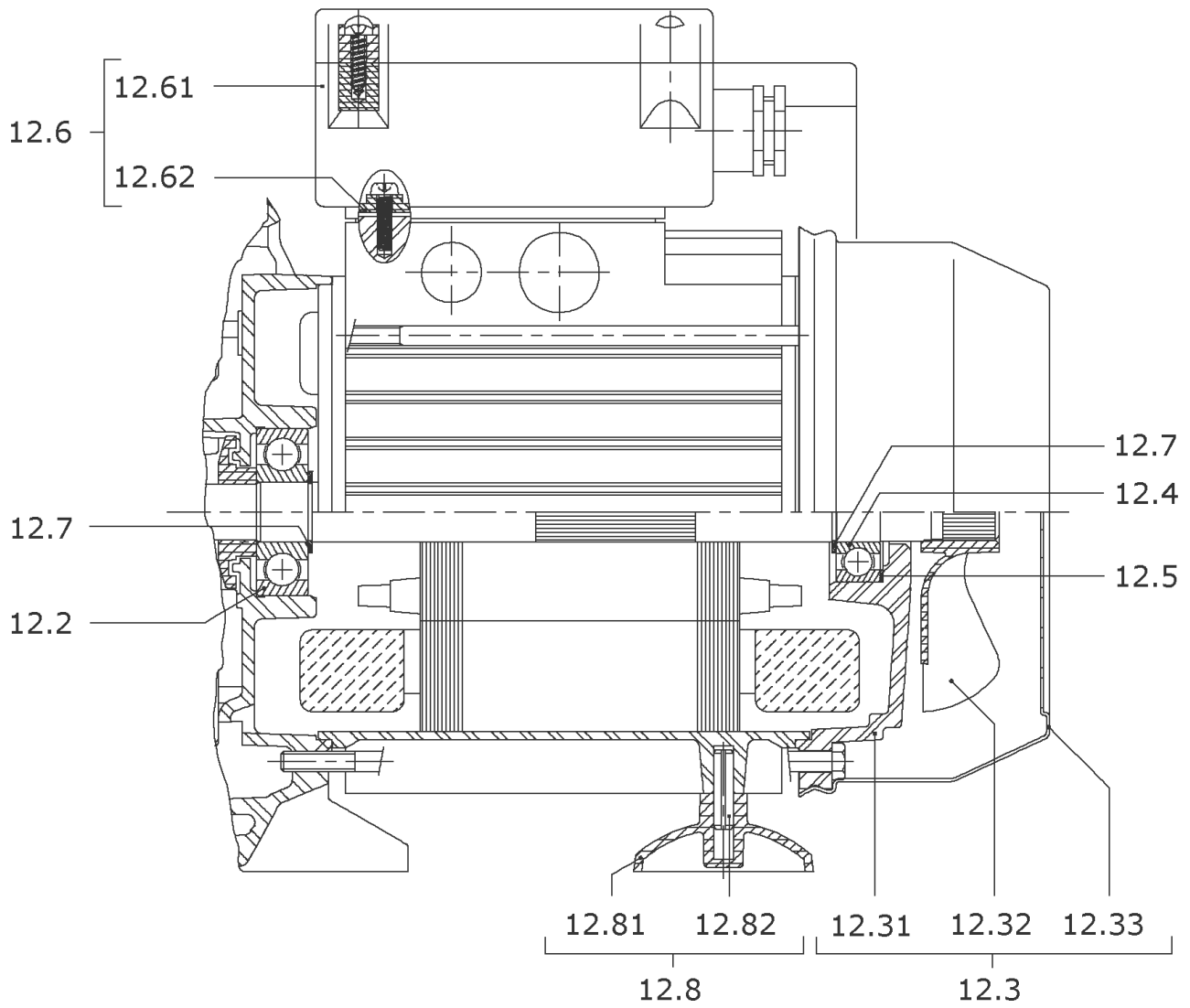
SPARE PARTS MOTOR MP605-DM/B (MG71)

| Item | Article no. | Description | Quantity |
|-------|-------------|-------------------------------------|----------|
| 12.1 | 4028055 | END SHILD AS MP3/MP603+604 +PK. | 1 |
| 12.2 | 122097891 | BALL BEARING 6202/2Z-C3 (HT) VP. | 1 |
| 12.3 | 2048820 | FAN D.100 MG.71 MP KIT | 1 |
| 12.32 | 4233938 | > Motor fan T63-71 D100 VP. | 1 |
| 12.33 | | > FAN-COVER-MOTOR71-D110-LOCKING | 1 |
| 12.31 | | > REAR-BEARING-MOT71-D110-GROOVE | 1 |
| 7.6 | 4185162 | BALL-BEARING-6302-C3-DDU-E-EA6 VP. | 1 |
| 12.5 | 4215742 | Crinkled washer 6202/6300-C3 VP. | 1 |
| 12.6 | 4090076 | TERMINAL BOX KIT MC-DM (71) | 1 |
| 12.61 | 4210082 | > Terminal-Box-Cover-MOT-TRI-71 VP. | 1 |
| 12.62 | 4209688 | > Flat-Gasket-BAB-MOT71 VP. | 1 |
| | 4057378 | > TERMINAL BLOCK 50/32 6P | 1 |
| | | > M3,5L14 THREAD FORMING SCREW | 1 |



MP605-DM FROM VERSION: /C

| Item | Article no. | Description | Quantity |
|----------------------------------|-------------|--|----------|
| 1 | 4202812 | PUMP HOUSING MHI404/405 1.4301 VP. | 1 |
| 2 | 4037165 | MULTIPRESS FIRST STAGE KIT | 1 |
| Note: STAGE/ STUFE/ ETAGE: 1 | | | |
| 2.1 | | > CORPS-ETG-SS-C/R-MUTICELL | 1 |
| 2.2 | | > IMPELLER-4M3-SP | 1 |
| 3 | 4037166 | MULTIPRESS OTHERS STAGES KIT | 1 |
| Note: STAGE/ STUFE/ ETAGE: 2/3/4 | | | |
| 2.2 | | > IMPELLER-4M3-SP | 1 |
| 3.1 | | > STAGE CASING WITH RETURN GUIDE VANE-SP | 1 |
| 4A | 4150246 | MP603 MP605 STAGE KIT | 1 |
| Note: STAGE/ STUFE/ ETAGE: 5 | | | |
| 3.1 | | > STAGE CASING WITH RETURN GUIDE VANE-SP | 1 |
| 2.2 | | > IMPELLER-4M3-SP | 1 |
| 3.3 | | > DIFFUSOR STAGE HY/MP | 1 |
| 5 | 4037161 | MECHANICAL SEAL KIT | 1 |
| 5.1 | 4017965 | > O-RING D9,9X2,62 NITRILE 70SH | 1 |
| 5.2 | 2090148 | > CIRCLIP D14 MVI/MHI 316L (2 PIECES) VP. | 1 |
| | | >> STOP-RUSH-1/2-D14-VMI/HMI-316 | 2 |
| 5.5 | 4233945 | > O-RING ID.140 VP. | 1 |
| 5.6 | | > THROWER 65/70SH-NITRILE | 1 |
| 5.7 | | > THROWER-RUBBER-SH65/70 | 1 |
| 5.4 | | > MECHANICAL-SEAL-MG1/14-G6-BQ1EGG-BURGMAN | 1 |
| 5.3 | | > DEFLECTOR D14xD22EP9 NORYL | 1 |
| 6 | 4056417 | NUT M8 INOX 1.4404 | 1 |
| 8 | 4007350 | SCREW M6X14 ISO4762 8.8 ZN | 1 |
| Note: PARTS/ STÜCK/ PIÈCES: 8 | | | |
| 10 | 4191450 | PRIMING/DRAIN PLUG G1/4"-MHI-1.4301 VP. | 1 |
| 11 | 4025172 | LANTERN MACHINED P171 M125 | 1 |
| 12 | | SPARE PARTS MOTOR MP605-DM/C (MG71) | 1 |
| 13 | 4004679 | Stationnary Ring Holder 1.4301 | 1 |

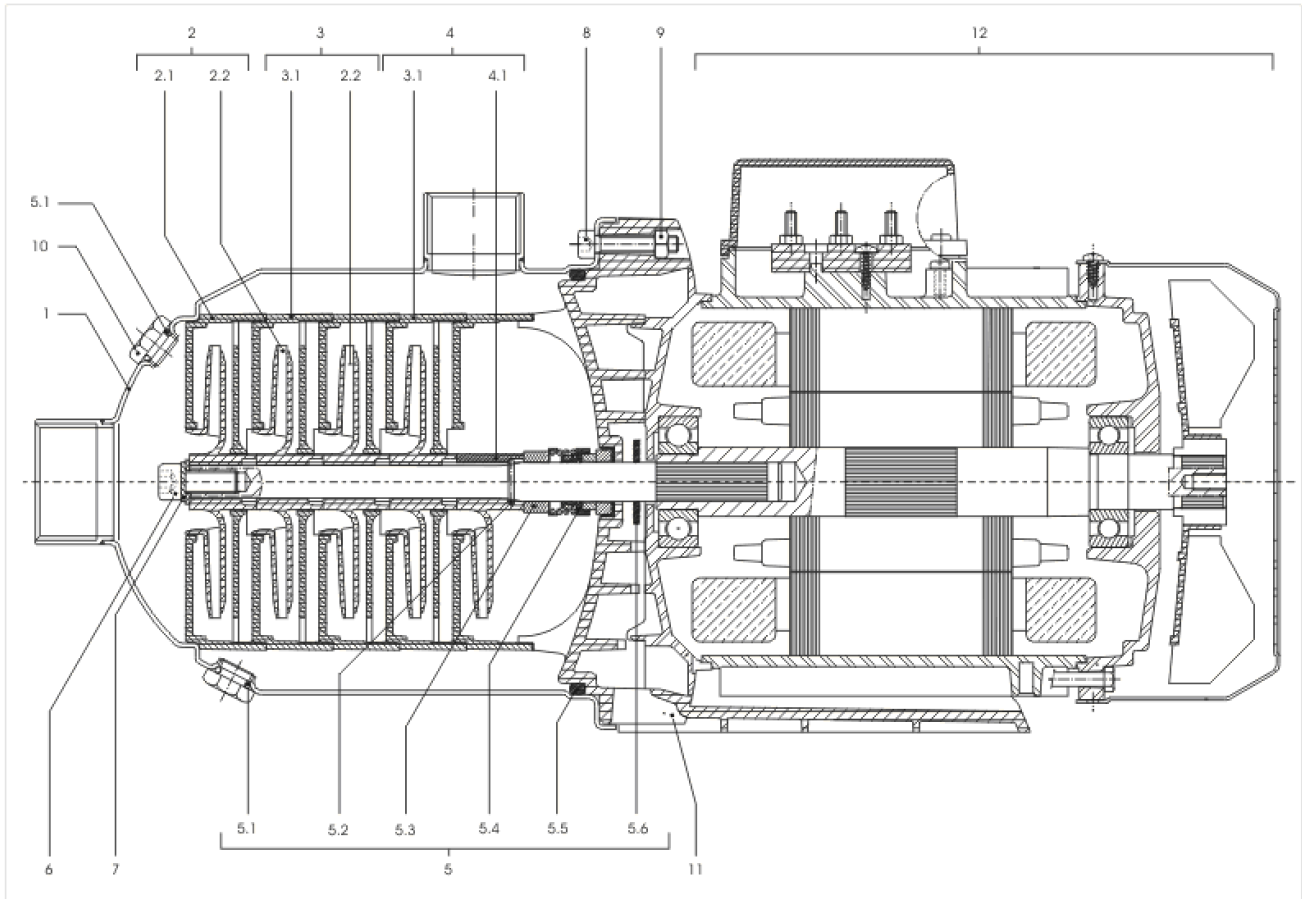


SPARE PARTS MOTOR MP605-DM/C (MG71)

| Item | Article no. | Description | Quantity |
|-------|-------------|-------------------------------------|----------|
| 12.2 | 122097891 | BALL BEARING 6202/2Z-C3 (HT) VP. | 1 |
| 12.3 | 2049138 | FAN D.130 MG.71 MP KIT | 1 |
| 12.32 | 4210072 | > Motor-fan-71-MHI Ø128 VP. | 1 |
| 12.33 | | > FAN-COVER-MOTOR71-D110-LOCKING | 1 |
| 12.31 | | > REAR-BEARING-MOT71-D110-GROOVE | 1 |
| 7.6 | 4185162 | BALL-BEARING-6302-C3-DDU-E-EA6 VP. | 1 |
| 12.5 | 4215742 | Crinkled washer 6202/6300-C3 VP. | 1 |
| 12.6 | 4090076 | TERMINAL BOX KIT MC-DM (71) | 1 |
| 12.61 | 4210082 | > Terminal-Box-Cover-MOT-TRI-71 VP. | 1 |
| 12.62 | 4209688 | > Flat-Gasket-BAB-MOT71 VP. | 1 |
| | 4057378 | > TERMINAL BLOCK 50/32 6P | 1 |
| | | > M3,5L14 THREAD FORMING SCREW | 1 |
| 12.7 | 4207951 | CIRCLIP D15X1 VP. | 1 |
| 12.8 | 2106111 | MOTOR FOOT MG.71 KIT | 1 |
| 12.81 | | > MOTOR-SUPPORT-71 | 1 |
| 12.82 | | > SPRING-PIN-A5L20E | 1 |

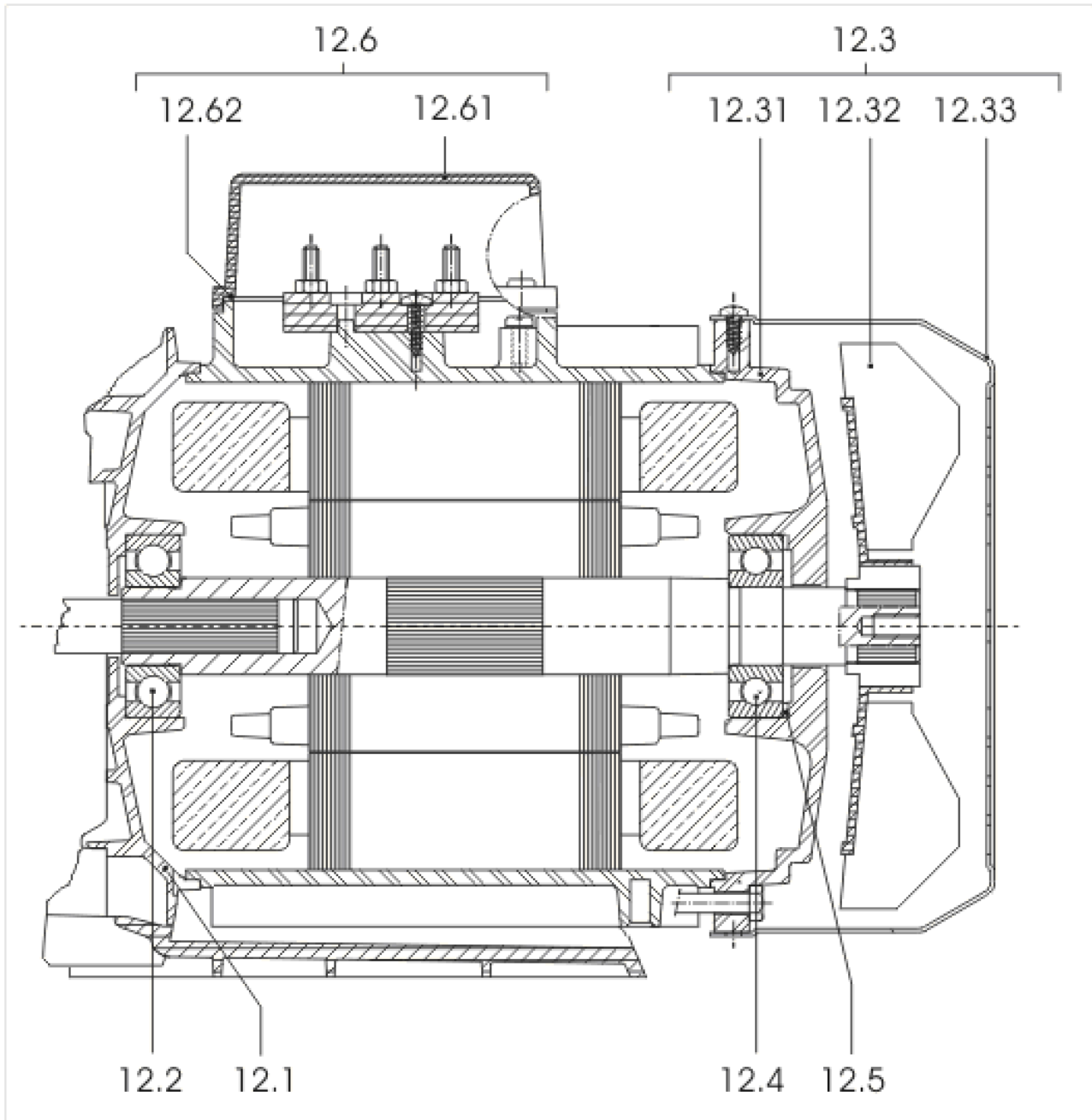
MP304-DM (4033355)

| Description | Quantity |
|---------------------------|----------|
| MP304-DM TO VERSION: /C | 1 |
| MP304-DM FROM VERSION: /D | 1 |



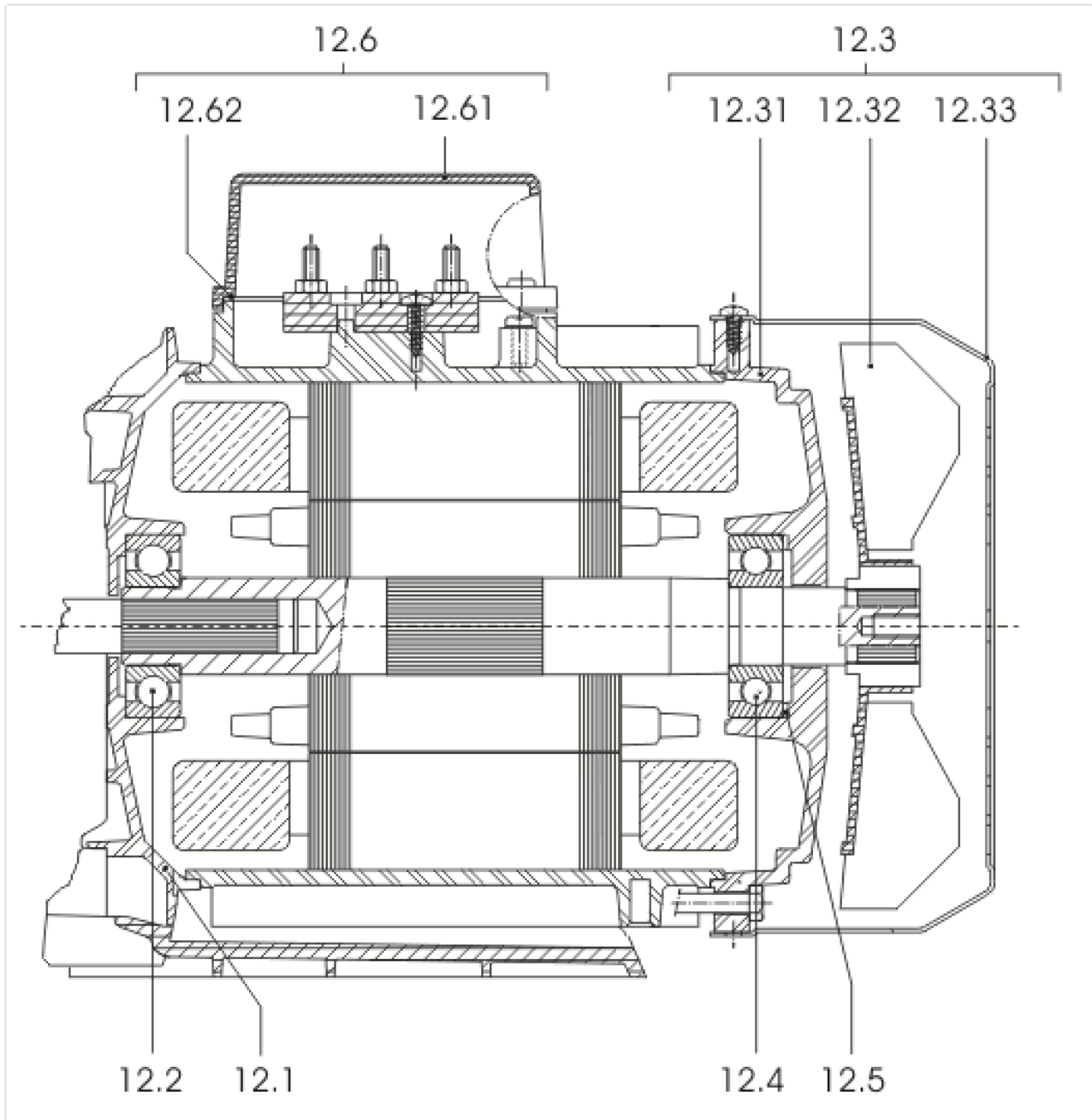
MP304-DM TO VERSION: /C

| Item | Article no. | Description | Quantity |
|----------------------------------|-------------|--|----------|
| 1 | 4202809 | PUMP HOUSING MHI204/205 1.4301 VP. | 1 |
| 2 | 4037163 | MULTIPRESS FIRST STAGE KIT | 1 |
| Note: STAGE/ STUFE/ ETAGE: 1 | | | |
| 2.1 | | > CORPS-ETG-SS-C/R-MUTICELL | 1 |
| 2.2 | | > IMPELLER-2M3-SP-HY-LOW-FLOW | 1 |
| 3 | 4037164 | MULTIPRESS OTHERS STAGES KIT | 1 |
| Note: STAGE/ STUFE/ ETAGE: 2/3/4 | | | |
| 2.2 | | > IMPELLER-2M3-SP-HY-LOW-FLOW | 1 |
| 3.1 | | > STAGE CASING WITH RETURN GUIDE VANE-SP | 1 |
| 4 | 4037162 | MULTIPRESS SILENT MASTER LAST STAGE KIT | 1 |
| Note: STAGE/ STUFE/ ETAGE: 5 | | | |
| 3.1 | | > STAGE CASING WITH RETURN GUIDE VANE-SP | 1 |
| 4.1 | | > IMPELLER SHIM SPACER | 1 |
| 5 | 4037161 | MECHANICAL SEAL KIT | 1 |
| 5.1 | 4017965 | > O-RING D9,9X2,62 NITRILE 70SH | 1 |
| 5.2 | 2090148 | > CIRCLIP D14 MVI/MHI 316L (2 PIECES) VP. | 1 |
| | | >> STOP-RUSH-1/2-D14-VMI/HMI-316 | 2 |
| 5.5 | 4233945 | > O-RING ID.140 VP. | 1 |
| 5.6 | | > THROWER 65/70SH-NITRILE | 1 |
| 5.7 | | > THROWER-RUBBER-SH65/70 | 1 |
| 5.4 | | > MECHANICAL-SEAL-MG1/14-G6-BQ1EGG-BURGMAN | 1 |
| 5.3 | | > DEFLECTOR D14xD22EP9 NORYL | 1 |
| 6 | 4056417 | NUT M8 INOX 1.4404 | 1 |
| 8 | 4031762 | SCREW M6X30 ISO4762 8.8 ZN | 1 |
| Note: PARTS/ STÜCK/ PIÈCES: 8 | | | |
| 9 | 4031766 | NUT M6 MP3/6 | 1 |
| Note: PARTS/ STÜCK/ PIÈCES: 8 | | | |
| 10 | 4191450 | PRIMING/DRAIN PLUG G1/4"-MHI-1.4301 VP. | 1 |
| 11 | 4045110 | LANTERN BRACKET | 1 |
| 12 | | SPARE PARTS MOTOR MP304-DM/ -B(MG71) | 1 |
| 12 | | SPARE PARTS MOTOR MP304-DM/C (MG63) | 1 |



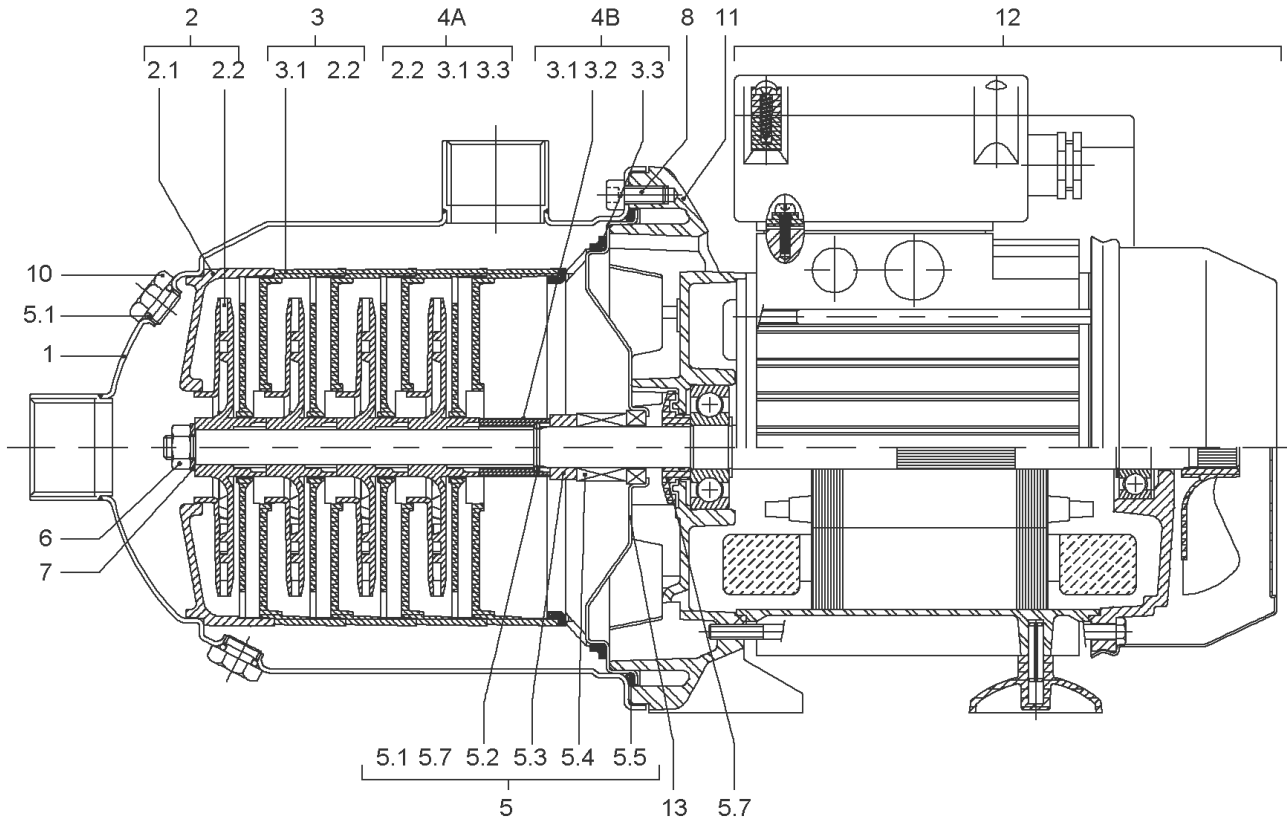
SPARE PARTS MOTOR MP304-DM/ -B(MG71)

| Item | Article no. | Description | Quantity |
|-------|-------------|-------------------------------------|----------|
| 12.1 | 4028055 | END SHILD AS MP3/MP603+604 +PK. | 1 |
| 7.6 | 4185162 | BALL-BEARING-6302-C3-DDU-E-EA6 VP. | 1 |
| 12.3 | 2048820 | FAN D.100 MG.71 MP KIT | 1 |
| 12.32 | 4233938 | > Motor fan T63-71 D100 VP. | 1 |
| 12.33 | | > FAN-COVER-MOTOR71-D110-LOCKING | 1 |
| 12.31 | | > REAR-BEARING-MOT71-D110-GROOVE | 1 |
| 12.4 | 122097891 | BALL BEARING 6202/2Z-C3 (HT) VP. | 1 |
| 12.5 | 4215742 | Crinkled washer 6202/6300-C3 VP. | 1 |
| 12.6 | 4090076 | TERMINAL BOX KIT MC-DM (71) | 1 |
| 12.61 | 4210082 | > Terminal-Box-Cover-MOT-TRI-71 VP. | 1 |
| 12.62 | 4209688 | > Flat-Gasket-BAB-MOT71 VP. | 1 |
| | 4057378 | > TERMINAL BLOCK 50/32 6P | 1 |
| | | > M3,5L14 THREAD FORMING SCREW | 1 |
| | 4207951 | CIRCLIP D15X1 VP. | 1 |



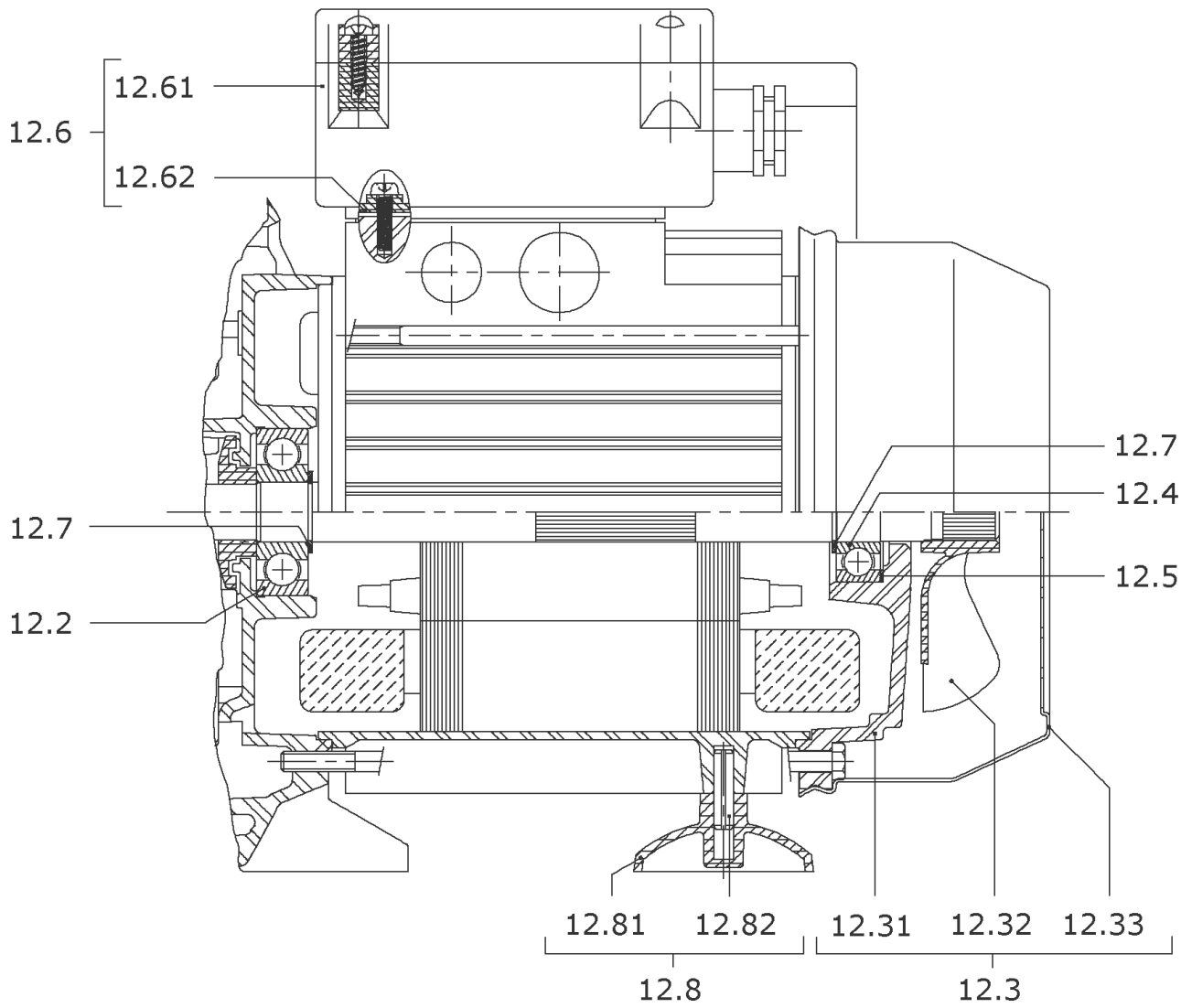
SPARE PARTS MOTOR MP304-DM/C (MG63)

| Item | Article no. | Description | Quantity |
|-------|-------------|-----------------------------------|----------|
| 12.1 | 4061729 | END SHILD AS MP3/MP603+604 +PK. | 1 |
| 12.2 | 122097891 | BALL BEARING 6202/2Z-C3 (HT) VP. | 1 |
| 12.3 | 2048815 | FAN D.100 MG.63 MC/MP KIT | 1 |
| 12.31 | | > REAR-BEARING-MOT63-D90 | 1 |
| 12.32 | 4233938 | > Motor fan T63-71 D100 VP. | 1 |
| 12.33 | | > FAN-COVER-MOTOR63-D90-LOCKING | 1 |
| 12.4 | 122097891 | BALL BEARING 6202/2Z-C3 (HT) VP. | 1 |
| 12.5 | 4215742 | Crinkled washer 6202/6300-C3 VP. | 1 |
| 12.6 | 4090075 | TERMINAL BOX KIT MC-DM (63) | 1 |
| 12.61 | 4062056 | > TERMINAL-BOX-COVER-MOT-TRI-63 | 1 |
| 12.62 | 4051316 | > FLAT-GASKET-BAB-MOT63 | 1 |
| | 4057376 | > TERMINAL BLOCK 40/25 6P | 1 |
| | | > SCREW-CBL-Z-C/AT-ST3,5L13ZINGUE | 1 |
| | 4207951 | CIRCLIP D15X1 VP. | 1 |



MP304-DM FROM VERSION: /D

| Item | Article no. | Description | Quantity |
|----------------------------------|-------------|--|----------|
| 1 | 4202809 | PUMP HOUSING MHI204/205 1.4301 VP. | 1 |
| 2 | 4037163 | MULTIPRESS FIRST STAGE KIT | 1 |
| Note: STAGE/ STUFE/ ETAGE: 1 | | | |
| 2.1 | | > CORPS-ETG-SS-C/R-MUTICELL | 1 |
| 2.2 | | > IMPELLER-2M3-SP-HY-LOW-FLOW | 1 |
| 3 | 4037164 | MULTIPRESS OTHERS STAGES KIT | 1 |
| Note: STAGE/ STUFE/ ETAGE: 2/3/4 | | | |
| 2.2 | | > IMPELLER-2M3-SP-HY-LOW-FLOW | 1 |
| 3.1 | | > STAGE CASING WITH RETURN GUIDE VANE-SP | 1 |
| 4B | 4150239 | MP302 MP304 LAST STAGE KIT | 1 |
| Note: STAGE/ STUFE/ ETAGE: 5 | | | |
| 3.1 | | > STAGE CASING WITH RETURN GUIDE VANE-SP | 1 |
| 3.2 | | > IMPELLER SHIM SPACER | 1 |
| 3.3 | | > DIFFUSOR STAGE HY/MP | 1 |
| 5 | 4037161 | MECHANICAL SEAL KIT | 1 |
| 5.1 | 4017965 | > O-RING D9,9X2,62 NITRILE 70SH | 1 |
| 5.2 | 2090148 | > CIRCLIP D14 MVI/MHI 316L (2 PIECES) VP. | 1 |
| | | >> STOP-RUSH-1/2-D14-VMI/HMI-316 | 2 |
| 5.5 | 4233945 | > O-RING ID.140 VP. | 1 |
| 5.6 | | > THROWER 65/70SH-NITRILE | 1 |
| 5.7 | | > THROWER-RUBBER-SH65/70 | 1 |
| 5.4 | | > MECHANICAL-SEAL-MG1/14-G6-BQ1EGG-BURGMAN | 1 |
| 5.3 | | > DEFLECTOR D14xD22EP9 NORYL | 1 |
| 6 | 4056417 | NUT M8 INOX 1.4404 | 1 |
| 8 | 4007350 | SCREW M6X14 ISO4762 8.8 ZN | 1 |
| Note: PARTS/ STÜCK/ PIÈCES: 8 | | | |
| 10 | 4191450 | PRIMING/DRAIN PLUG G1/4"-MHI-1.4301 VP. | 1 |
| 11 | 2112732 | LANTERN MG63 P171 M108 VP. | 1 |
| 12 | | SPARE PARTS MOTOR MP304-DM/D (MG63) | 1 |
| 13 | 4004679 | Stationnary Ring Holder 1.4301 | 1 |



SPARE PARTS MOTOR MP304-DM/D (MG63)

| Item | Article no. | Description | Quantity |
|-------|-------------|-----------------------------------|----------|
| 12.2 | 122097891 | BALL BEARING 6202/2Z-C3 (HT) VP. | 1 |
| 12.3 | 2048815 | FAN D.100 MG.63 MC/MP KIT | 1 |
| 12.31 | | > REAR-BEARING-MOT63-D90 | 1 |
| 12.32 | 4233938 | > Motor fan T63-71 D100 VP. | 1 |
| 12.33 | | > FAN-COVER-MOTOR63-D90-LOCKING | 1 |
| 12.4 | 122097891 | BALL BEARING 6202/2Z-C3 (HT) VP. | 1 |
| 12.5 | 4215742 | Crinkled washer 6202/6300-C3 VP. | 1 |
| 12.6 | 4090075 | TERMINAL BOX KIT MC-DM (63) | 1 |
| 12.61 | 4062056 | > TERMINAL-BOX-COVER-MOT-TRI-63 | 1 |
| 12.62 | 4051316 | > FLAT-GASKET-BAB-MOT63 | 1 |
| | 4057376 | > TERMINAL BLOCK 40/25 6P | 1 |
| | | > SCREW-CBL-Z-C/AT-ST3,5L13ZINGUE | 1 |
| 12.7 | 4207951 | CIRCLIP D15X1 VP. | 1 |
| 12.8 | 2106089 | MOTOR FOOT MG.63 KIT | 1 |
| 12.81 | | > MOTOR-SUPPORT-63 | 1 |
| 12.82 | | > SPRING-PIN-A4L25E | 1 |