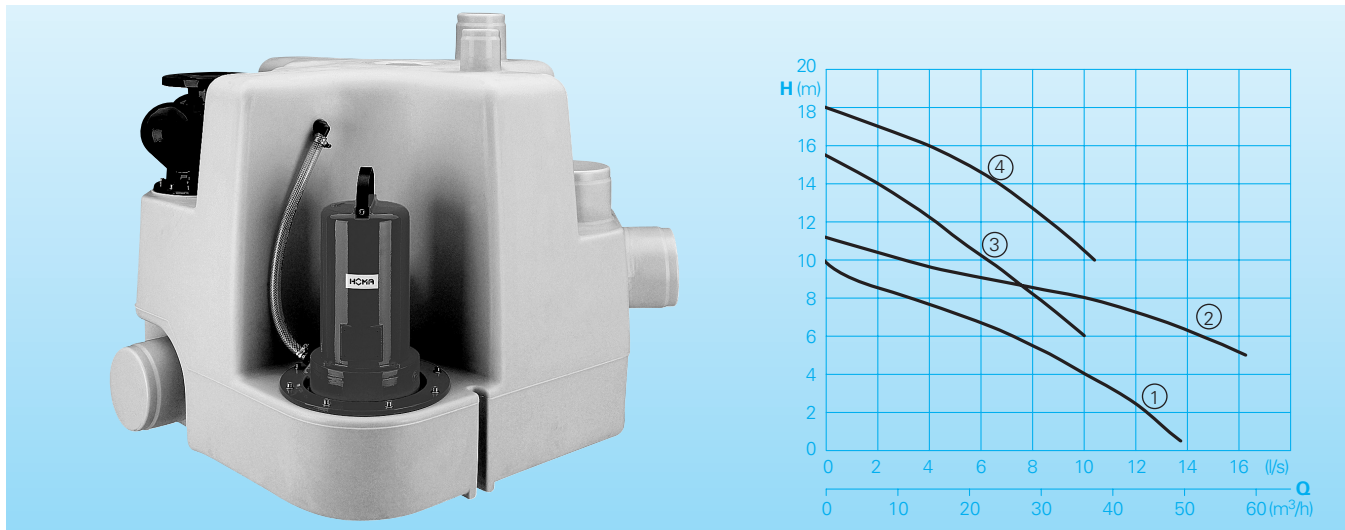


Floodable sewage disposal units with large tank capacity

Sanistar PLUS

Conveying capacities



Application

Sanistar PLUS compact sewage disposal units are suitable for pumping sewage and waste water from areas below the sewer backflush level according to DIN EN 12056. With their large tank capacity with extremely compact dimensions they are the ideal solution for the disposal of larger private, commercial or public buildings.

The compact design with various inlets and integrated double soft ball check valve allows a packed installation with minimum space requirement. The soft-sealing, low-noise double ball check valve is also integrated into the system to save space.

DIN EN 12050 -1: Design tested and monitored.

Pumped medium: Clean water and waste water with solid and fibrous content and feces.

Max. temperature of pumped medium: 35° C, for brief periods up to 60° C.

Operating mode: Intermittent operation.

Design

Flood protected twin pump lifting station available as:

- Sanistar PLUS 3...: Disposal unit with one 300 l- tank and 2 pumps. Available also with only 1 pump upon request.
- Sanistar PLUS 6...: Disposal unit with two 300 l – tanks in tandem arrangement with 1 pump each.

Collecting tank: Odour and gas- tight composite collecting tank.

Technical data

Curve No.	Type Sanistar PLUS	Motor input P ₁ (kW) P ₂ (kW)	Voltage 50 Hz (V)	Rotat. speed (rpm)	Nominal current (A)	Weight (kg)
①	320 W / 620 W	2,3 1,7	230/1Ph	1450	10,7	132 / 204
①	320 D / 620 D	2,3 1,7	400/2Ph	1450	4,4	132 / 204
②	325 D / 625 D	3,7 2,9	400/2Ph	1450	6,5	148 / 220
③	330 D / 630 D	3,0 2,1	400/2Ph	2900	5,1	132 / 204
④	335 D / 635 D	4,0 3,3	400/2Ph	2900	6,6	148 / 220

Tankvolume

Unit type:	320W-335D	620W-635D
Total volume:	300 l	600 l
Switching vol.	120 l- 225 l*	240 l- 450 l*
Factory setting:	120 l	240 l

*Adjustable at the control box

Connecting cable

Unit control box	2x H07RN8-F 6G1,5	4 m
Control box plug	Model W: H07RN-F 3G1,5 Schuko-plug 230V	0,8 m
Control box plug	Model D: H07RN8-F 5G1,5 CEE-plug 16 A / 400 V	0,8 m

Inlets:

- DN 150 horizontal, 300 mm inlet height,
- DN 150 vertical, 400 mm inlet height, with 90°-moulded piece as horizontal inlet 600 mm or higher, horizontally adjustable.
- DN 100 vertical, 700 mm inlet height
- 2 x DN 150 connection for tank in tandem arrangement.

Discharge: Flange DN 80.

Elastic union piece DN 80/ DN 100.

With integrated soft ball check valve.

Air vent: DN 70 vertical. Connection for diaphragm pump BSP 1" F.

Cleaning cover with screw cap.

Pump: Pump chamber integrated in the collecting tank. Non-clogging impeller, free passage 45 mm.

Motor: Fully submersible E-motor, sealed against pressurized water, single phase or three phase version. Thermal sensor for temperature monitoring in the winding.

Insulation class H, Protection rating IP 68. Chrome steel motor shaft, pre-lubricated bearings

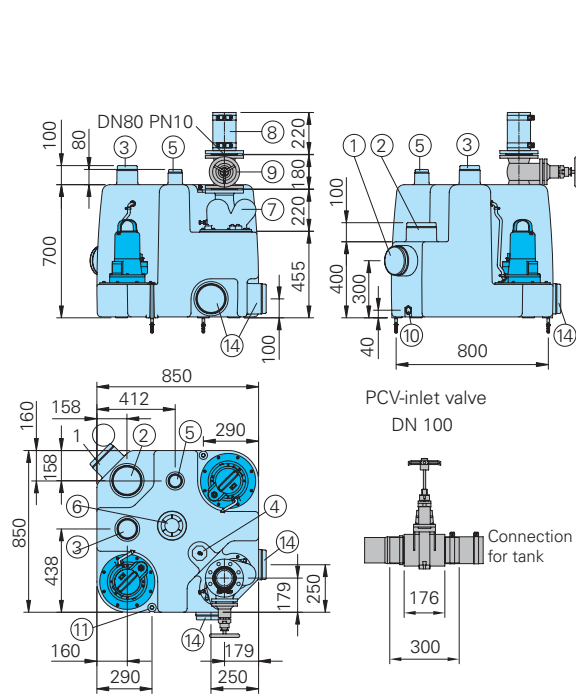
Seal: Triple radial seal in separate oil chamber, oil control possible from the outside.

Materials

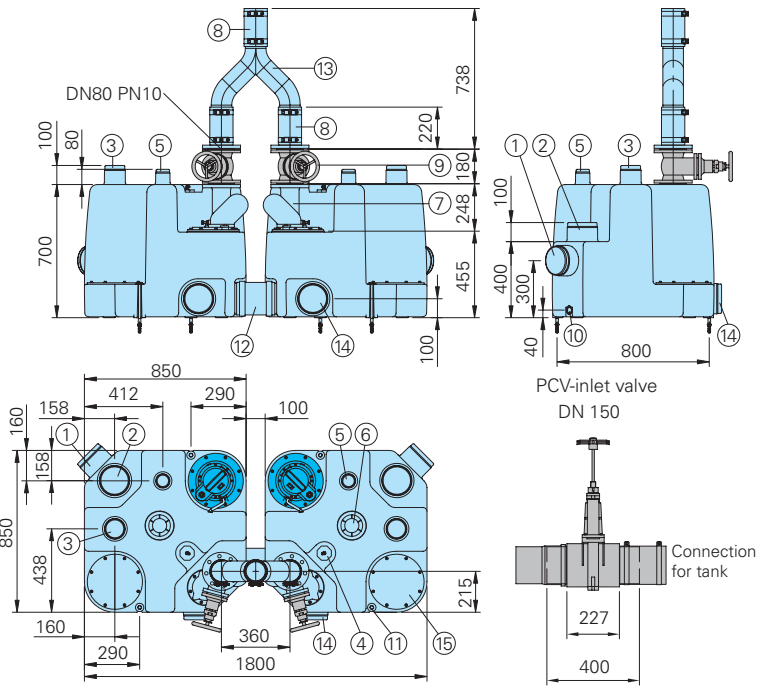
Collecting tank with pump housing	Polyethylene
Impeller, pump flange	Cast iron EN-GJL-250
Rotor shaft, screws	Stainless steel
Seal kit	NBR

Dimensions & main components (all dimensions in mm)

Twin-unit



Tandem-twin unit



- | | | |
|---|--|--|
| ① Inlet DN 150 horizontal | ⑥ Cleaning cover | ⑫ Elastic union piece DN 150 |
| ② Inlet DN 150 vertical, alternatively usable by KG-elbow as 90° horizontal inlet | ⑦ Soft ball check valve DN 80 | ⑬ Connection piece DN 100 (accessory) |
| ③ Inlet DN 100 vertical | ⑧ Elastic union piece | ⑭ Connection DN 150 Tandem-double-unit |
| ④ Connection for pneumatic control box | ⑨ Flanged gate valve DN 80 (accessory) | ⑮ Blind flange |
| ⑤ Air vent DN 70 | ⑩ Connection for diaphragm pump BSP 1" | |
| | ⑪ Uplift safety | |

Control box

Electronic control box for control and monitoring of all important functions. Pneumatic level control with pressure operation. Auto-change over after each pump cycle. Operation of both pumps at high flow. In the event of failure automatic change over to the second pump. Motor protection with temperature control of the winding. Optical failure alarm. Acoustic alarm by buzzer. Volt free contact for remote signal. Control indication for direction of rotation.



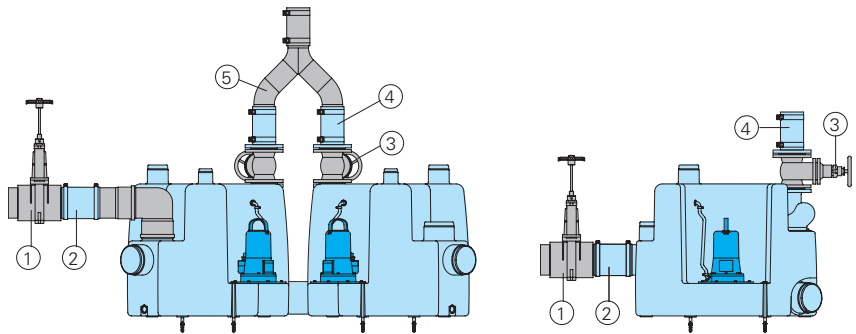
Connection for ServCom controller (see accessories) for:

- Monitoring of operation hours, number of starts, maintenance interval, abnormal operating conditions.
- Adjustment of pump operation level in the tank.

Mains independent alarm by installing a 9V battery (see accessories).

Available with control box PCM on request (see accessories).

Accessories



Description	Size	Part no.	Description	Size	Part no.
① PVC-inlet valve	DN 100	2214110	④ Elastic union piece with flange DN 80 in scope of supply for pressure pipe:	DN 100	2159042
	DN 150	2214160		DN 80	2159021
② Elastic union-piece with hose clamp	DN 100	2159042	⑤ Connection piece with elastic union-piece	DN 100	2155102
	DN 150	in scope of supply		○ Diaphragm pump	BSP 1" F
○ Hose clamp	S 115/20	2311520	○ 9 V rechargeable battery for mains-independent alarm		1952214
	GBS 168/30	2317520	○ ServCom diagnostic device for monitoring of operation data and adjustment of the control levels in the tank		1964450
③ Flanged gate valve, with 2 flanges PN 10,	DN 80	2216080			
○ Screw-kit with seal galvanized stainless steel	DN 80	2214080			
	DN 80	2214082			

We reserve the right to alter our specifications without notice!