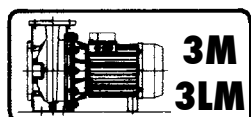


3 - 3L SERIES

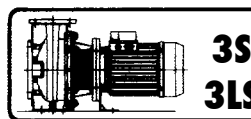
CENTRIFUGAL ELECTRIC PUMPS STANDARDISED IN COMPLIANCE WITH EN 733 (EX DIN 24255)



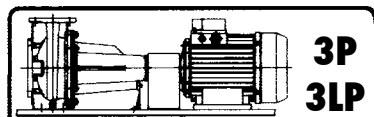
Available in 4 versions with 2 and 4 pole motors



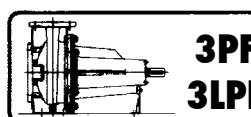
Monobloc with extended motor shaft



Monobloc with standard motor and rigid joint



On base, with standard motor and flexible coupling



Pump with bare shaft

SPECIAL VERSIONS

- Series 3Z: electropump inclusive of rotary bracket and body without supporting foot.

ACCESSORIES (On request)

- Counter-flanges available in the following materials:
 - galvanised
 - AISI 304
 - AISI 316

Standardised centrifugal electric pumps built in stainless steel AISI 304 (3 SERIES) and AISI 316L (3L SERIES).

APPLICATIONS

- Water supply to civil, agricultural and industrial plants
- Pressure boosting
- Fire-fighting, heating systems and air-conditioning
- Moving industrial liquids
- Irrigation
- Refrigeration towers
- Swimming pools
- Emptying
- Washing plants

TECHNICAL DETAILS

- Highly resistant construction
- Hydroforming process EBARA patent

PUMP TECHNICAL DATA

- Maximum working pressure: 10 bar
 - Maximum temperature of the liquid:
 - 10°C ÷ +90°C
 - 10°C ÷ +110°C (L-H-HS-HW-HSW versions)
 - 20°C ÷ +120°C (E and ES version)
 - MEI >0,4
- For further information please see our Data Book on the web site www.ebaraeurope.com

MOTOR TECHNICAL DATA

Series 3Z: electropump inclusive of rotary bracket and body without supporting foot.

- High efficiency IE2 motors starting from 1,1kW up to 5.5 kW
- High efficiency IE3 motors:
 - 3(.)M(Z) from 7.5 kW up to 18.5 kW
 - 3(.)S(Z), 3(.)P IE3 from 1.1 kW up to 55 kW
- Self-ventilated 2 and 4 poles asynchronous motor
- Class of insulation F (B for high temperatures)
- IP 55 protection degree
- 230V ±10% single phase voltage, 50Hz,
- 220-240/380-415V ±5% (up to 0,55kW included) three phase voltage, 50Hz for 3(L)M4 SERIES,
- 230/400V ±10% (from 0,75kW to 4kW included) three phase voltage, 50Hz for 3(L)M4 SERIES,
- 230/400V ±10% (up to 4kW included) three phase voltage, 50Hz for the rest of the range
- 400/690V ±10% (from 5,5 kW and above) three phase voltage, 50Hz
- Protection is user's responsibility

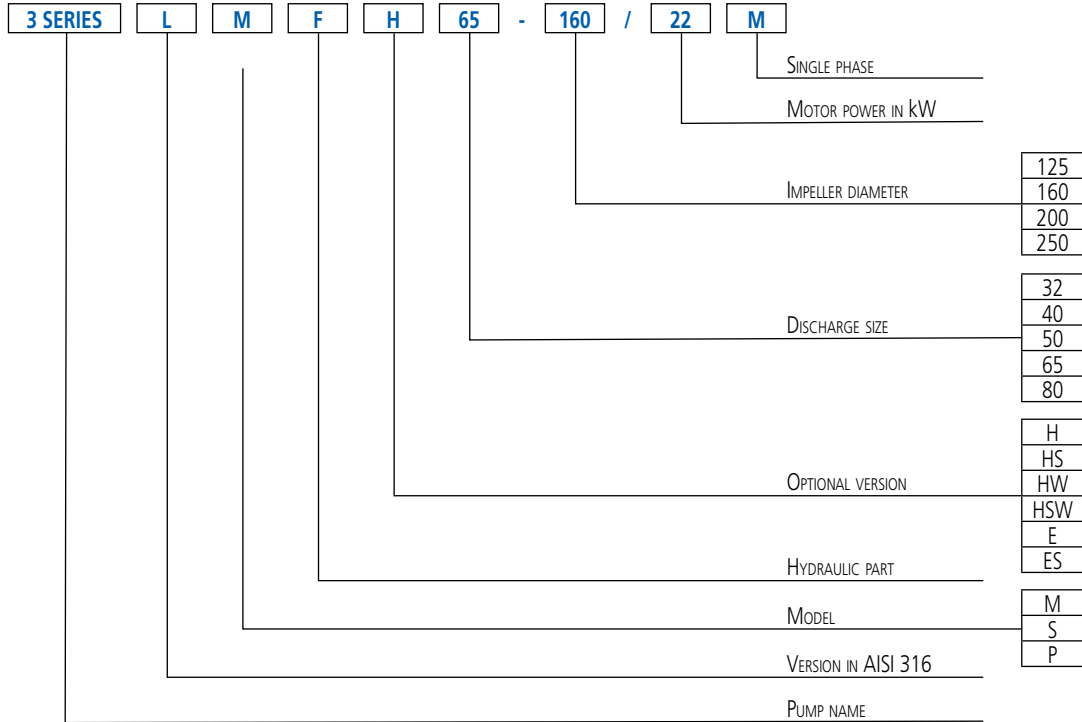
MATERIALS

- Pump casing and casing cover in:
 - AISI 304 for 3 SERIES 32-125/160/200
40-125/160/200
50-125/160
65-125/160/200
 - AISI 316L for 3L SERIES 32-125/160/200
40-125/160/200
50-125/160
65-125/160/200
 - AISI 316 microcasted for 3L SERIES 65-250
80-160/200/250
- Impeller in:
 - AISI 304 for 3 SERIES 32-125/160/200
40-125/160/200
50-125/160
 - AISI 316L for 3L SERIES 32-125/160/200
40-125/160/200
50-125/160
 - AISI 316 microcasted for 3 SERIES 65-125/160/200
3L SERIES 65-125/160/200
65-250
80-160/200/250
- Mechanical seal standard in:
 - Carbon/Ceramic/NBR for 3 SERIES 32-125/160/200
40-125/160/200
50-125/160
65-125/160/200
 - SiC/SiC/FPM for 3L SERIES 32-125/160/200
40-125/160/200
50-125/160
65-125/160/200/250
80-160/200/250
- Special mechanical seals available on request

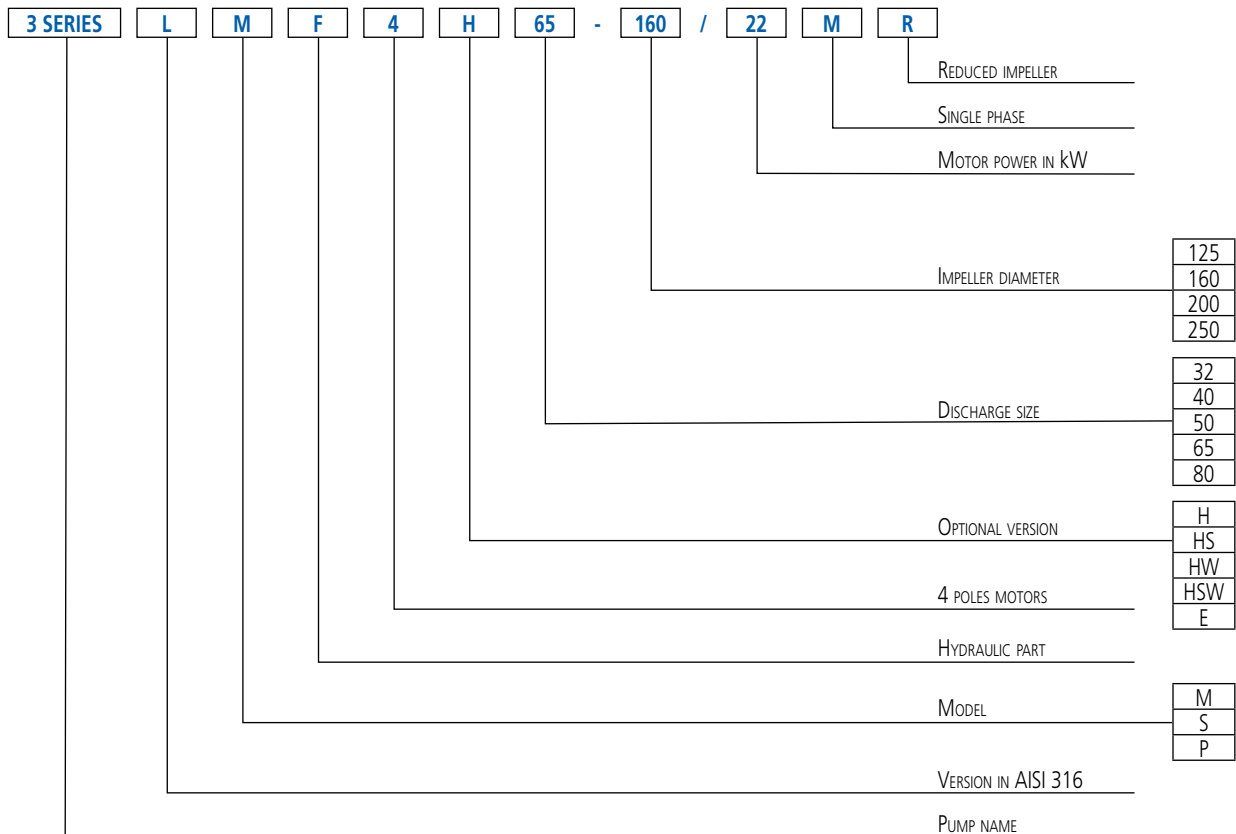
3 - 3L SERIES

CENTRIFUGAL ELECTRIC PUMPS STANDARDISED IN COMPLIANCE WITH EN 733 (EX DIN 24255)

IDENTIFICATION CODE - 2 Poles



IDENTIFICATION CODE - 4 Poles

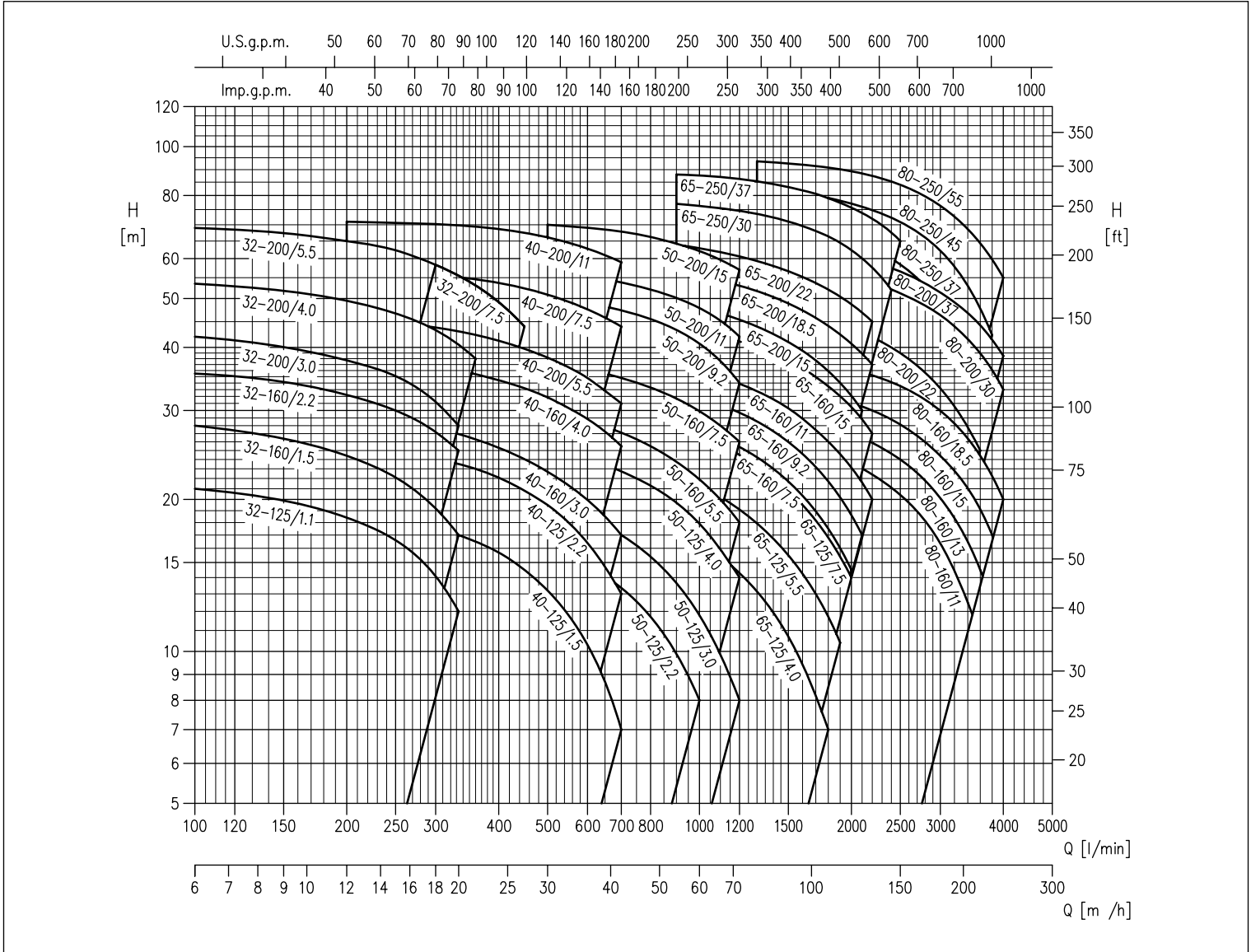


The contents of this publication must not be regarded as binding. EBARA Pumps Europe S.p.A. reserves the right to effect any modification it deems necessary, without prior notice.

3 - 3L SERIES

CENTRIFUGAL ELECTRIC PUMPS STANDARDISED IN COMPLIANCE WITH EN 733 (EX DIN 24255)

PERFORMANCE RANGE 3 SERIES at 2900 min⁻¹ (according to ISO 9906 Attachment A)



	Versions	3M	3S	3P	3LM	3LS	3LP
Pump	32-125	✓	✓	✓	✓	✓	✓
	32-160	✓	✓	✓	✓	✓	✓
	32-200	✓	✓	✓	✓	✓	✓
	40-125	✓	✓	✓	✓	✓	✓
	40-160	✓	✓	✓	✓	✓	✓
	40-200	✓	✓	✓	✓	✓	✓
	50-125	✓	✓	✓	✓	✓	✓
	50-160	✓	✓	✓	✓	✓	✓
	50-200	✓	✓	✓	✓	✓	✓
	65-125	✓	✓	✓	✓	✓	✓
	65-160	✓	✓	✓	✓	✓	✓
	65-200	✓	✓	✓	✓	✓	✓
	65-250	-	-	-	-	•	•
	80-160	-	-	-	•	•	•
	80-200	-	-	-	-	•	•
80-250	-	-	-	-	•	•	

✓ = Models also available in H-HS-HW-HSW version for 32, 40, 50, 65-125/160/200
 • = Models also available in H-HW-HSW-E version for 65-250, 80 and in ES version for 80-250 Ø35

3 - 3L SERIES

CENTRIFUGAL ELECTRIC PUMPS STANDARDISED IN COMPLIANCE WITH EN 733 (EX DIN 24255)

PERFORMANCE TABLE 32-40-50

2 Poles

Model	P ₁		Q=Flow rate														
	[HP]	[kW]	l/min m ³ /h	100 6	150 9	200 12	300 18	333 20	360 22	400 24	450 27	500 30	600 36	700 42	800 48	1000 60	1200 72
			H=Head [m]														
SERIE 3(.) 32-125/1.1(M)	1,5	1,1	21,0	19,9	18,4	14,1	12,0	-	-	-	-	-	-	-	-	-	-
SERIE 3(.) 32-160/1.5(M)	2	1,5	28,0	26,5	24,5	19,2	17,0	-	-	-	-	-	-	-	-	-	-
SERIE 3(.) 32-160/2.2(M)	3	2,2	35,5	34,0	32,0	27,0	25,0	-	-	-	-	-	-	-	-	-	-
SERIE 3(.) 32-200/3.0	4	3	42,0	40,0	37,5	31,0	28,0	-	-	-	-	-	-	-	-	-	-
SERIE 3(.) 32-200/4.0	5,5	4	53,5	52,0	49,5	43,5	40,5	38,0	-	-	-	-	-	-	-	-	-
SERIE 3(.) 32-200/5.5	7,5	5,5	69,0	67,5	65,0	58,5	-	-	-	-	-	-	-	-	-	-	-
SERIE 3(.) 32-200/7.5	10	7,5	69,0	67,5	65,0	58,5	55,5	53,0	49,0	44,0	-	-	-	-	-	-	-
SERIE 3(.) 40-125/1.5(M)	2	1,5	-	-	19,0	17,6	17,0	16,5	15,7	14,5	13,2	10,3	7,0	-	-	-	-
SERIE 3(.) 40-125/2.2(M)	3	2,2	-	-	25,5	24,0	23,5	23,0	22,0	21,0	19,5	16,4	13,0	-	-	-	-
SERIE 3(.) 40-160/3.0	4	3	-	-	29,5	27,5	27,0	26,5	25,5	24,0	22,5	20,0	17,0	-	-	-	-
SERIE 3(.) 40-160/4.0	5,5	4	-	-	38,5	37,0	36,0	35,5	34,5	33,0	32,0	29,0	25,5	-	-	-	-
SERIE 3(.) 40-200/5.5	7,5	5,5	-	-	45,5	44,0	43,0	42,5	41,0	39,5	38,0	35,0	31,0	-	-	-	-
SERIE 3(.) 40-200/7.5	10	7,5	-	-	57,0	55,5	55,0	54,5	53,5	52,5	51,0	47,5	44,0	-	-	-	-
SERIE 3(.) 40-200/11	15	11	-	-	71,0	70,0	70,0	69,5	68,5	67,5	66,0	63,0	59,0	-	-	-	-
SERIE 3(.) 50-125/2.2(M)	3	2,2	-	-	-	-	-	-	17,5	17,0	16,3	14,9	13,4	11,7	8,0	-	-
SERIE 3(.) 50-125/3.0	4	3	-	-	-	-	-	-	20,5	20,0	19,6	18,4	17,0	15,4	11,8	8,0	-
SERIE 3(.) 50-125/4.0	5,5	4	-	-	-	-	-	-	26,0	25,5	25,0	24,0	22,5	21,5	17,9	14,0	-
SERIE 3(.) 50-160/5.5	7,5	5,5	-	-	-	-	-	-	31,0	30,5	30,0	28,5	27,0	25,5	22,0	18,0	-
SERIE 3(.) 50-160/7.5	10	7,5	-	-	-	-	-	-	38,5	38,0	37,5	36,0	35,0	33,5	30,0	26,0	-
SERIE 3(.) 50-200/9.2	12,5	9,2	-	-	-	-	-	-	-	-	50,0	49,0	47,5	45,5	40,5	34,0	-
SERIE 3(.) 50-200/11	15	11	-	-	-	-	-	-	-	-	56,0	55,0	54,0	52,0	48,0	42,0	-
SERIE 3(.) 50-200/15	20	15	-	-	-	-	-	-	-	-	70,0	69,0	68,0	66,0	62,0	57,0	-

(M) Single phase version only for 3M SERIES

PERFORMANCE TABLE 65-80

2 Poles

Model	P ₁		Q=Flow rate																	
	[HP]	[kW]	l/min m ³ /h	600 36	700 42	900 54	1300 78	1500 90	1700 102	1900 114	2100 126	2200 132	2300 138	2400 144	2500 150	3000 180	3400 204	3600 216	3800 228	4000 240
			H=Head [m]																	
SERIE 3(.) 65-125/4.0	5,5	4	19,8	19,0	17,3	13,3	11,0	8,6	6,3	-	-	-	-	-	-	-	-	-	-	-
SERIE 3(.) 65-125/5.5	7,5	5,5	-	24,0	22,2	18,0	15,7	13,3	10,8	8,0	-	-	-	-	-	-	-	-	-	-
SERIE 3(.) 65-125/7.5	10	7,5	-	29,5	27,8	23,5	21,1	18,7	16,1	13,4	12,0	-	-	-	-	-	-	-	-	-
SERIE 3(.) 65-160/7.5	10	7,5	-	30,0	28,6	24,8	22,5	19,9	17,1	14,2	-	-	-	-	-	-	-	-	-	-
SERIE 3(.) 65-160/9.2	12,5	9,2	-	34,5	32,8	28,8	26,5	23,9	21,1	18,3	16,8	-	-	-	-	-	-	-	-	-
SERIE 3(.) 65-160/11	15	11	-	38,5	37,1	33,1	30,9	28,4	25,8	23,0	21,5	20,0	-	-	-	-	-	-	-	-
SERIE 3(.) 65-160/15	20	15	-	45,5	44,0	40,0	37,8	35,3	32,6	29,6	28,0	26,5	-	-	-	-	-	-	-	-
SERIE 3(.) 65-200/15	20	15	-	51,0	49,0	44,0	41,5	38,4	35,3	31,8	30,0	-	-	-	-	-	-	-	-	-
SERIE 3(.) 65-200/18.5	25	18,5	-	58,5	56,5	51,5	49,0	46,0	43,0	39,7	38,0	36,3	-	-	-	-	-	-	-	-
SERIE 3(.) 65-200/22	30	22	-	65,5	64,0	59,5	57,0	54,0	51,0	48,0	46,5	45,0	-	-	-	-	-	-	-	-
SERIE 3(.) 65-250/30	40	30	-	-	77,0	73,5	71,0	68,0	64,5	60,0	57,5	55,0	52,0	-	-	-	-	-	-	-
SERIE 3(.) 65-250/37	50	37	-	-	88,0	85,5	83,0	80,5	77,5	74,0	72,0	70,0	67,5	65,0	-	-	-	-	-	-
SERIE 3(.) 80-160/11	15	11	-	-	-	27,3	26,4	25,4	24,2	23,0	22,4	21,8	21,1	20,4	16,4	12,5	-	-	-	-
SERIE 3(.) 80-160/15R	20	15	-	-	-	30,5	29,7	28,8	27,7	26,5	25,9	25,3	24,6	24,0	20,1	16,5	14,5	-	-	-
SERIE 3(.) 80-160/15	20	15	-	-	-	34,0	33,3	32,5	31,5	30,5	30,0	29,4	28,8	28,1	24,4	21,0	19,1	17,0	-	-
SERIE 3(.) 80-160/18.5	25	18,5	-	-	-	39,0	38,4	37,6	36,7	35,7	35,2	34,7	34,1	33,5	30,0	26,4	24,4	22,3	20,0	-
SERIE 3(.) 80-200/22	30	22	-	-	-	48,0	47,0	45,5	44,5	43,0	42,0	41,0	40,0	39,0	33,2	27,8	25,0	-	-	-
SERIE 3(.) 80-200/30	40	30	-	-	-	58,5	58,0	57,0	56,0	54,5	54,0	53,0	52,0	51,0	46,5	41,5	39,0	36,1	33,0	-
SERIE 3(.) 80-200/37	50	37	-	-	-	64,0	63,0	62,0	61,0	59,5	59,0	58,0	57,5	56,5	51,5	47,0	44,5	41,5	38,5	-
SERIE 3(.) 80-250/37	50	37	-	-	-	71,5	70,5	68,5	66,5	64,0	63,0	61,5	60,0	58,5	48,5	38,0	-	-	-	-
SERIE 3(.) 80-250/45	60	45	-	-	-	82,5	81,5	80,0	78,0	76,0	75,0	73,5	72,5	71,0	62,0	53,0	48,0	42,5	-	-
SERIE 3(.) 80-250/55	75	55	-	-	-	93,5	92,5	91,5	90,0	88,5	87,5	86,5	85,5	84,0	76,5	68,5	64,5	60,0	55,0	-

The contents of this publication must not be regarded as binding. EBARA Pumps Europe S.p.A. reserves the right to effect any modification it deems necessary, without prior notice.

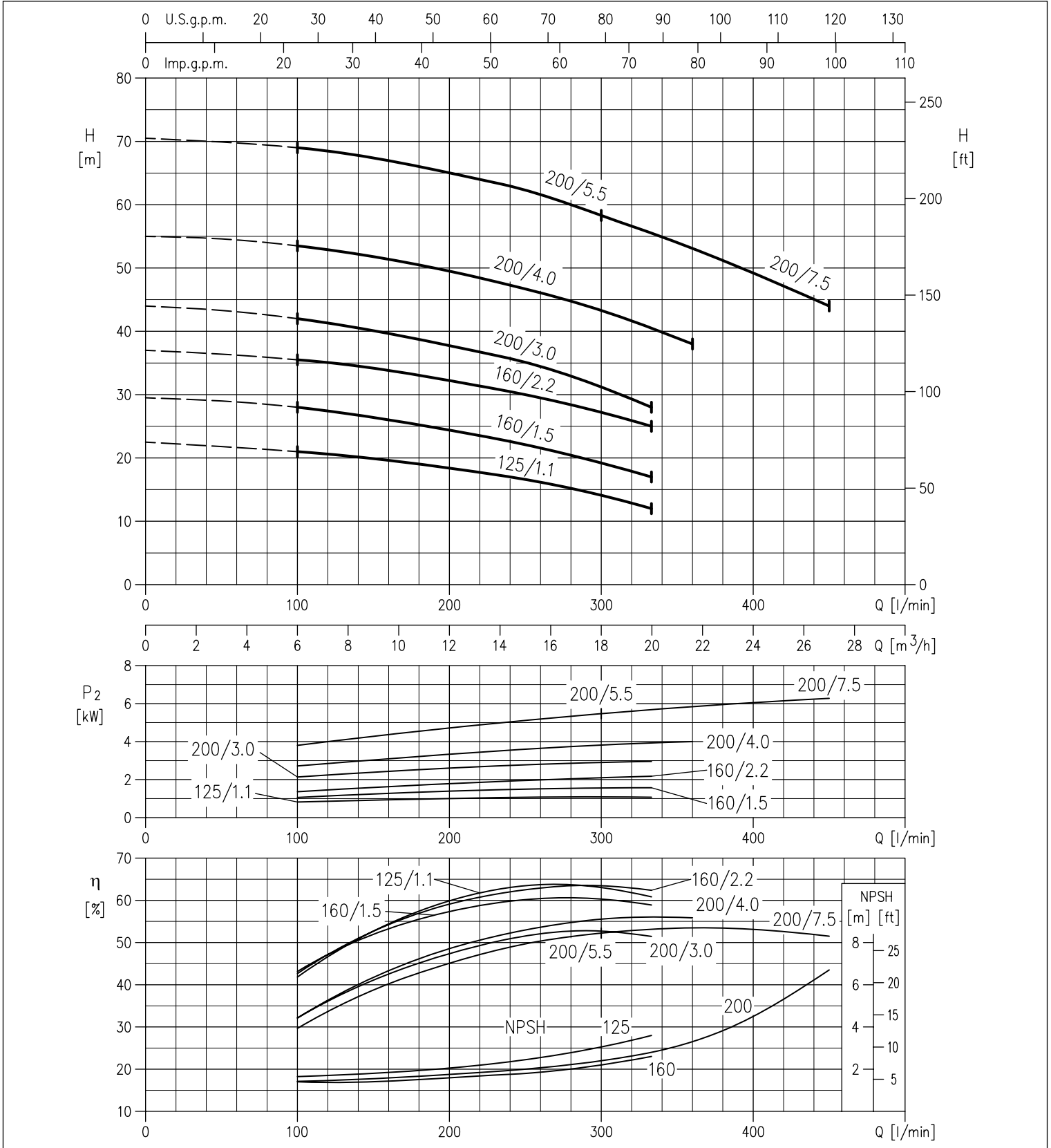


3 - 3L SERIES

CENTRIFUGAL ELECTRIC PUMPS STANDARDISED IN COMPLIANCE WITH EN 733 (EX DIN 24255)

PERFORMANCE CURVES 3(L)M-3(L)S-3(L)P 32 SERIES at 2900 min⁻¹ (according to ISO 9906 Attachment A)

2 Poles



The contents of this publication must not be regarded as binding. EBARA Pumps Europe S.p.A. reserves the right to effect any modification it deems necessary, without prior notice.

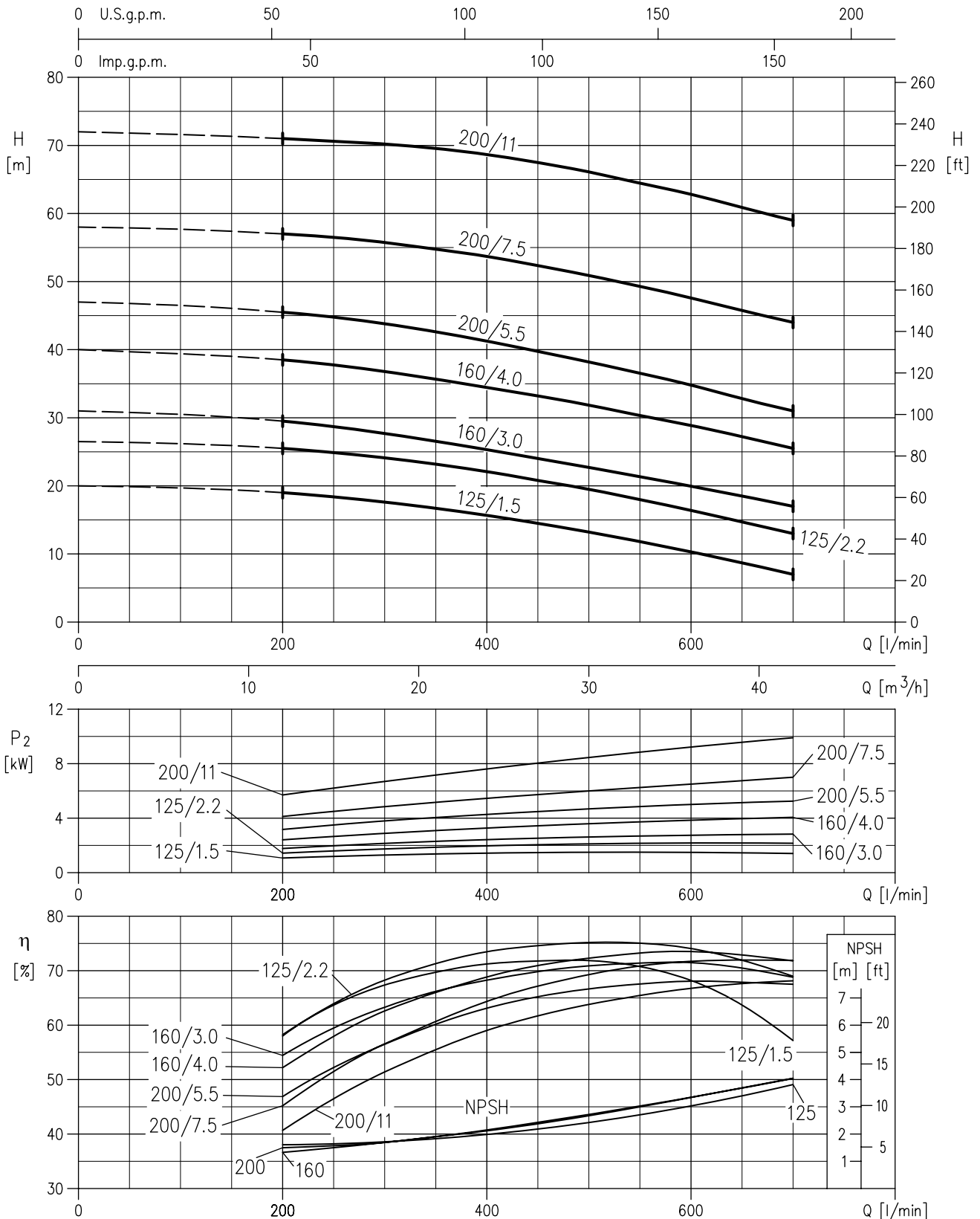


3 - 3L SERIES

CENTRIFUGAL ELECTRIC PUMPS STANDARDISED IN COMPLIANCE WITH EN 733 (EX DIN 24255)

PERFORMANCE CURVES 3(L)M-3(L)S-3(L)P 40 SERIES at 2900 min⁻¹ (according to ISO 9906 Attachment A)

2 Poles



The contents of this publication must not be regarded as binding. EBARA Pumps Europe S.p.A. reserves the right to effect any modification it deems necessary, without prior notice.

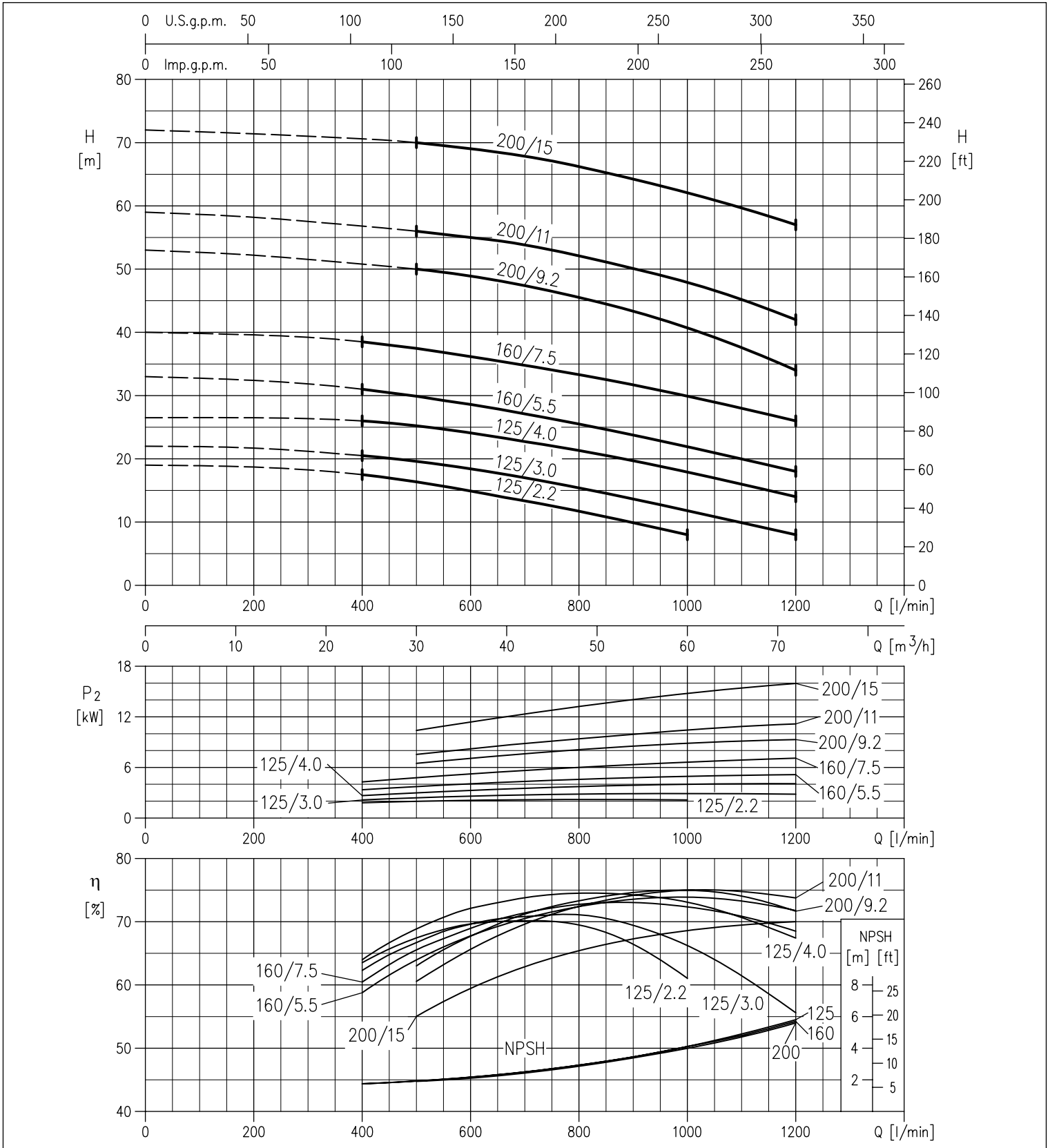


3 - 3L SERIES

CENTRIFUGAL ELECTRIC PUMPS STANDARDISED IN COMPLIANCE WITH EN 733 (EX DIN 24255)

PERFORMANCE CURVES 3(L)M-3(L)S-3(L)P 50 SERIES at 2900 min⁻¹ (according to ISO 9906 Attachment A)

2 Poles



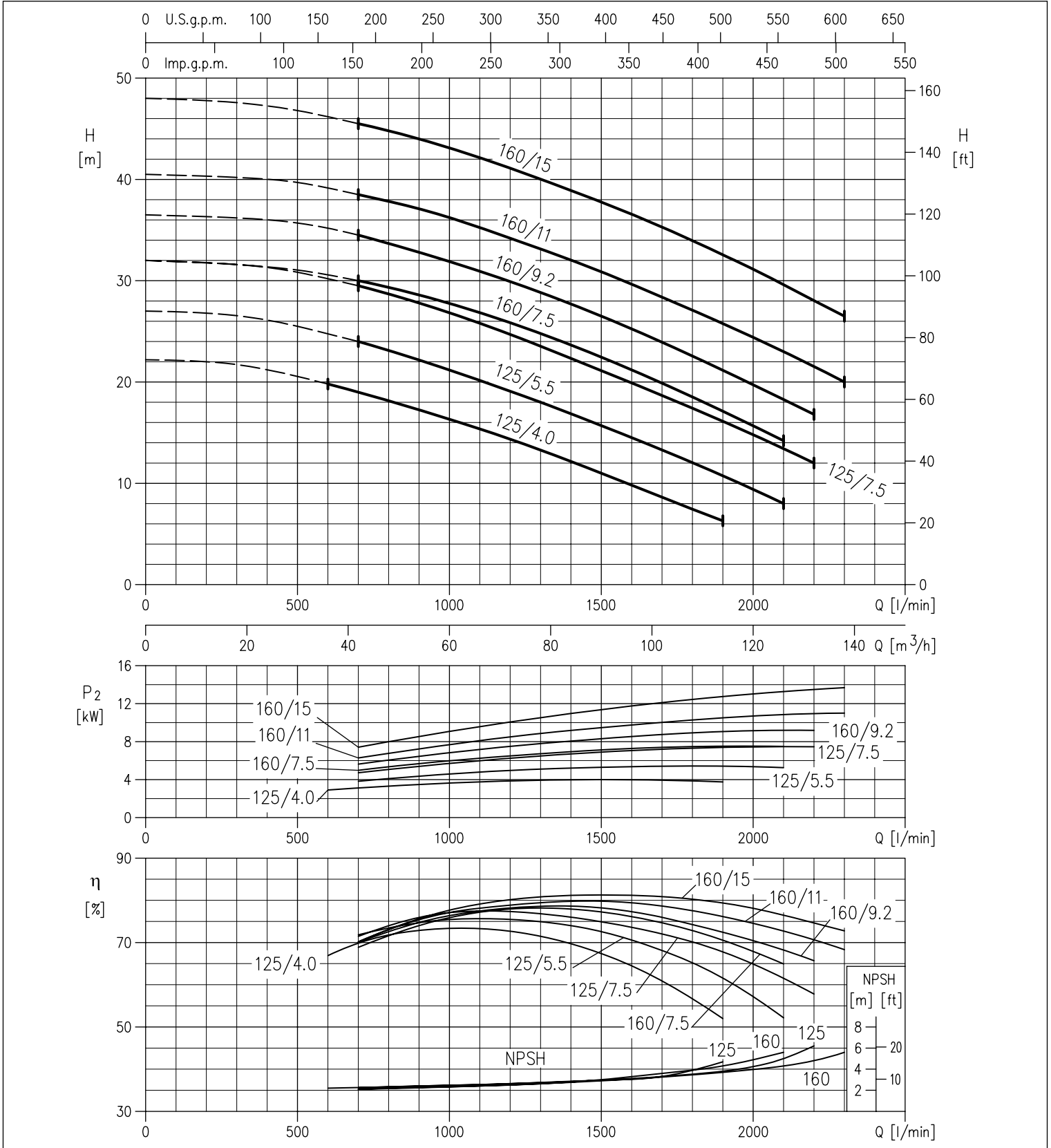
The contents of this publication must not be regarded as binding. EBARA Pumps Europe S.p.A. reserves the right to effect any modification it deems necessary, without prior notice.

3 - 3L SERIES

CENTRIFUGAL ELECTRIC PUMPS STANDARDISED IN COMPLIANCE WITH EN 733 (EX DIN 24255)

PERFORMANCE CURVES 3(L)M-3(L)S-3(L)P 65 SERIES at 2900 min⁻¹ (according to ISO 9906 Attachment A)

2 Poles



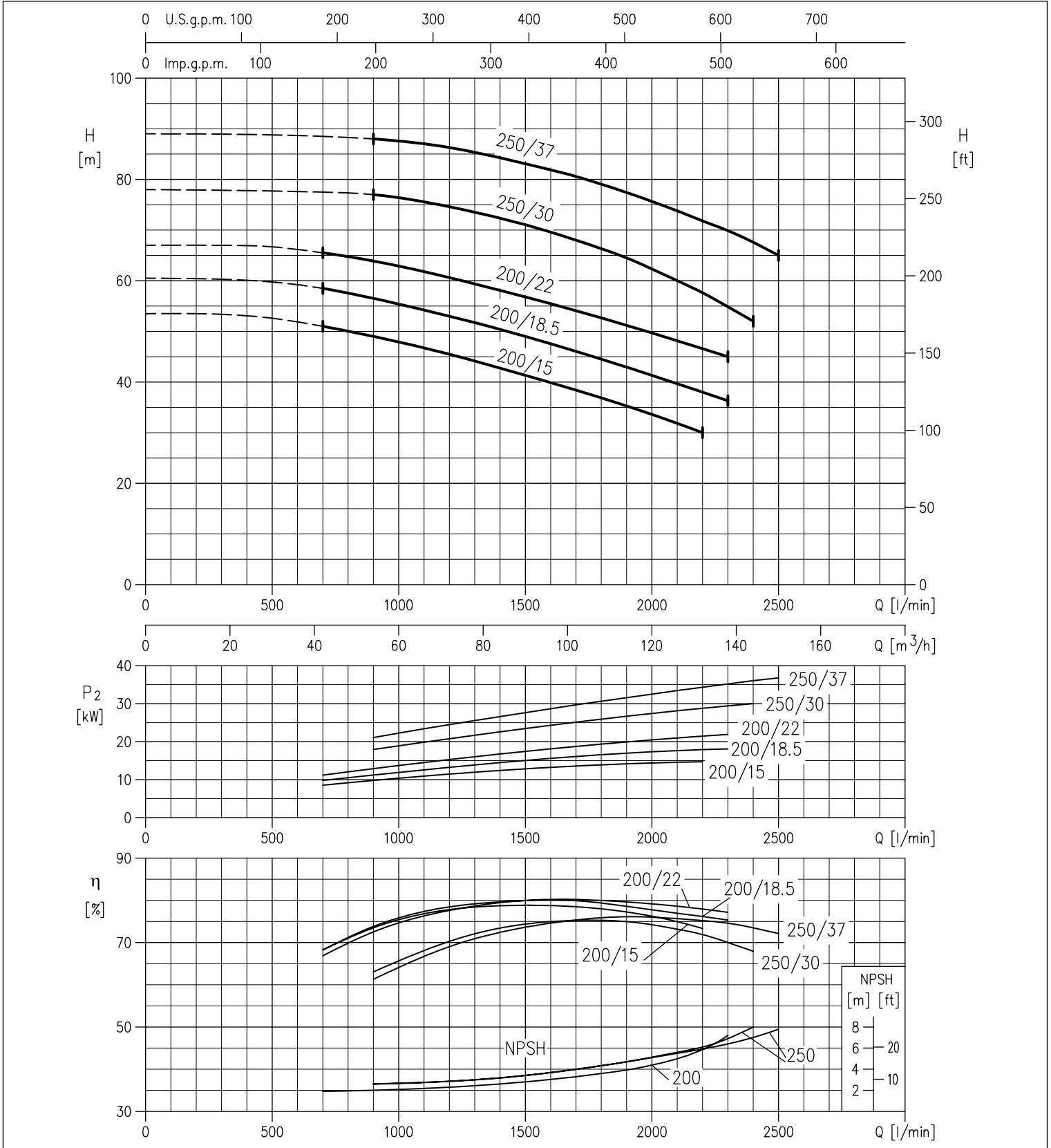
The contents of this publication must not be regarded as binding. EBARA Pumps Europe S.p.A. reserves the right to effect any modification it deems necessary, without prior notice.

3 - 3L SERIES

CENTRIFUGAL ELECTRIC PUMPS STANDARDISED IN COMPLIANCE WITH EN 733 (EX DIN 24255)

PERFORMANCE CURVES 3L 65 SERIES at 2900 min⁻¹ (according to ISO 9906 Attachment A)

2 Poles



The contents of this publication must not be regarded as binding. EBARA Pumps Europe S.p.A. reserves the right to effect any modification it deems necessary, without prior notice.

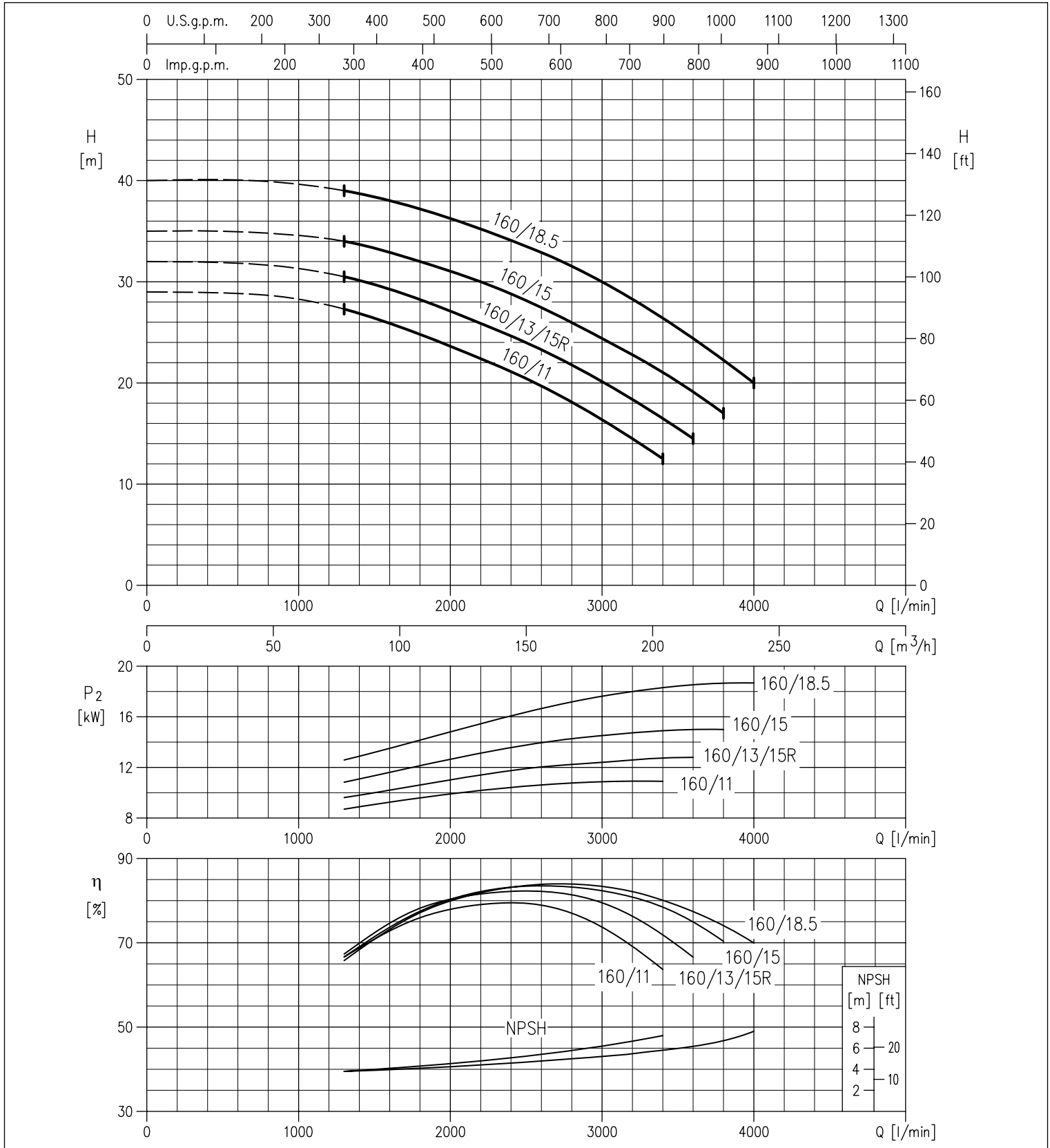


3 - 3L SERIES

CENTRIFUGAL ELECTRIC PUMPS STANDARDISED IN COMPLIANCE WITH EN 733 (EX DIN 24255)

PERFORMANCE CURVES 3L 80 SERIES at 2900 min⁻¹ (according to ISO 9906 Attachment A)

2 Poles



The contents of this publication must not be regarded as binding. EBARA Pumps Europe S.p.A. reserves the right to effect any modification it deems necessary, without prior notice.

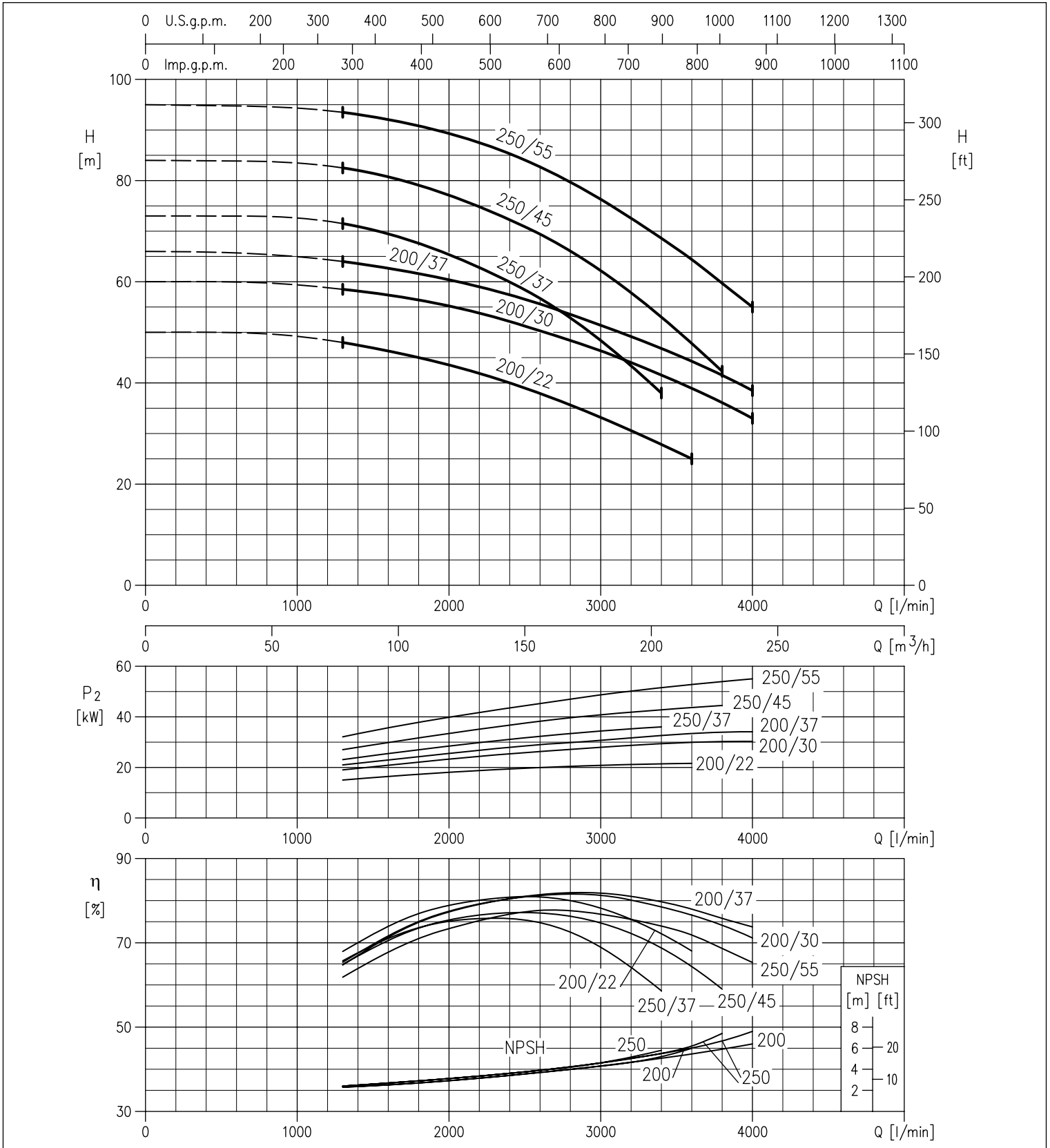


3 - 3L SERIES

CENTRIFUGAL ELECTRIC PUMPS STANDARDISED IN COMPLIANCE WITH EN 733 (EX DIN 24255)

PERFORMANCE CURVES 3L 80 SERIES at 2900 min⁻¹ (according to ISO 9906 Attachment A)

2 Poles



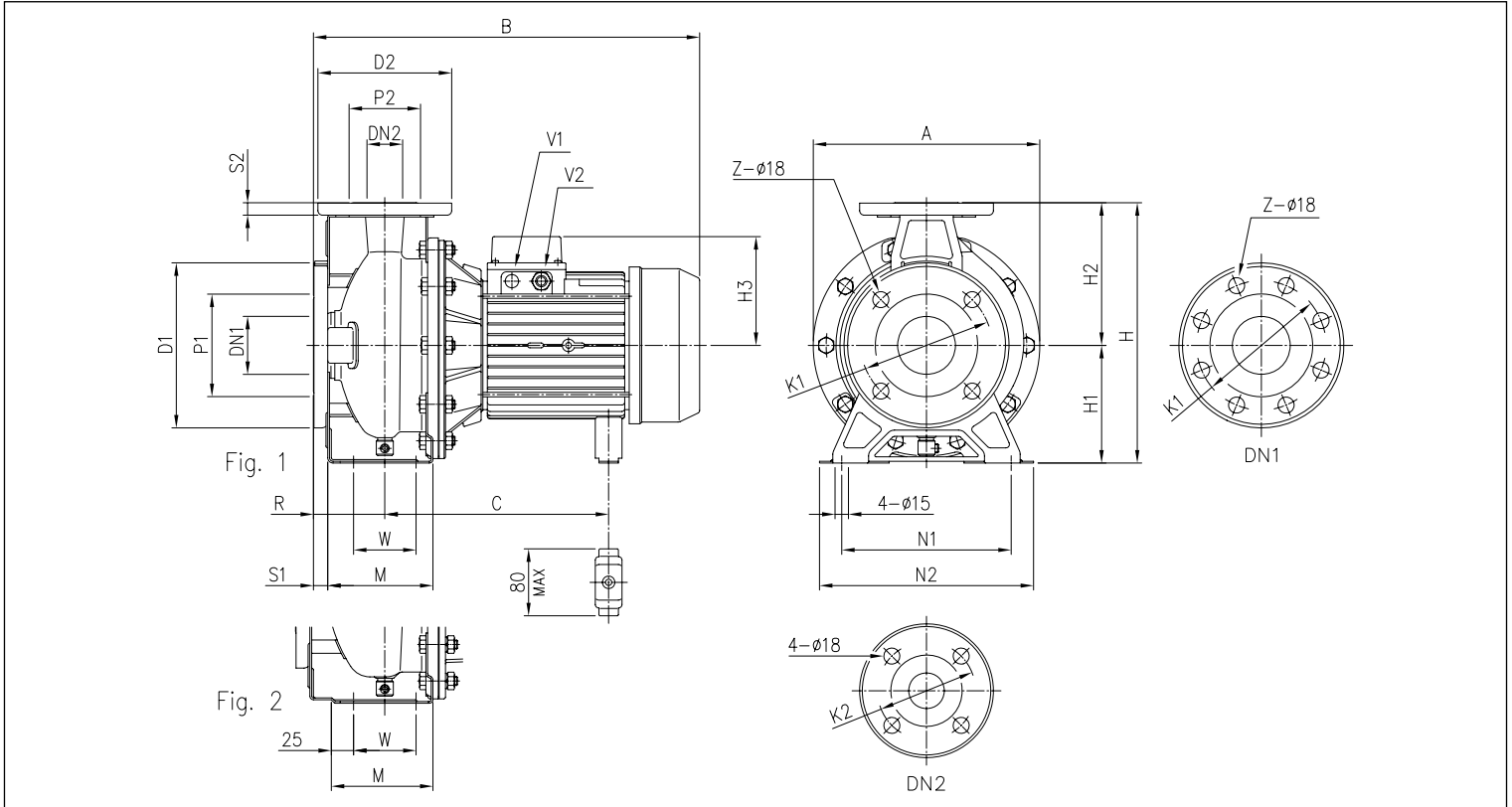
The contents of this publication must not be regarded as binding. EBARA Pumps Europe S.p.A. reserves the right to effect any modification it deems necessary, without prior notice.

3 - 3L SERIES

CENTRIFUGAL ELECTRIC PUMPS STANDARDISED IN COMPLIANCE WITH EN 733 (EX DIN 24255)

3(L)M 32, 40, 50, 65 - up to 11 kW

2 Poles



DIMENSIONAL TABLE

Model	Dimensions [mm]																			Weight [kg]															
	DN1 Ø	P1 Ø	K1 Ø	D1	S1	Z	DN2 Ø	P2 Ø	K2 Ø	D2	S2	Fig.	H	H1	H2	H3	R	W	M	N1	N2	A	B	C	V1	V2	[4]	[3]	[*]						
32-125/1.1 (M)	50	95	125	165	16	4	-	32	75	100	140	14	1	252	112	140	124	141	80	70	114	140	190	213	408	407	-	219±230	219±230	-	PG 13.5	M20x1.5	19.6	24.1	-
32-160/1.5 (M)	50	95	125	165	16	4	-	32	75	100	140	14	1	292	132	160	124	141	80	70	118	190	240	254	408	407	-	219±230	219±230	-	PG 13.5	M20x1.5	22.5	27	-
32-160/2.2 (M)	50	95	125	165	16	4	-	32	75	100	140	14	1	292	132	160	124	141	80	70	118	190	240	254	408	432	-	219±230	244±255	-	PG 13.5	M20x1.5	27.7	28	-
32-200/3.0	50	95	125	165	16	4	-	32	75	100	140	14	1	340	160	180	124	-	80	70	119	190	240	296	-	471	-	-	244±255	-	PG 13.5	-	-	35.1	-
32-200/4.0	50	95	125	165	16	4	-	32	75	100	140	14	1	340	160	180	141	-	80	70	119	190	240	296	-	494	-	-	253	-	PG 16	-	-	38.2	-
32-200/5.5	50	95	125	165	16	4	-	32	75	100	140	14	1	340	160	180	150	-	80	70	119	190	240	296	-	519	-	-	275	PG 13.5	PG 16	-	-	52.2	-
32-200/7.5	50	95	125	165	16	4	-	32	75	100	140	14	1	340	160	180	150	-	80	70	119	190	240	296	-	519	539	-	275	PG 13.5	PG 16	-	-	60.1	-
40-125/1.5 (M)	65	115	145	185	16	4	-	40	80	110	150	14	1	252	112	140	124	141	80	70	114	160	210	213	408	407	-	219±230	219±230	-	PG 13.5	M20x1.5	20.1	24.6	-
40-125/2.2 (M)	65	115	145	185	16	4	-	40	80	110	150	14	1	252	112	140	124	141	80	70	114	160	210	213	408	432	-	219±230	244±255	-	PG 13.5	M20x1.5	25.8	26.1	-
40-160/3.0	65	115	145	185	16	4	-	40	80	110	150	14	1	292	132	160	124	-	80	70	118	190	240	254	-	471	-	-	244±255	-	PG 13.5	-	-	26.6	-
40-160/4.0	65	115	145	185	16	4	-	40	80	110	150	14	1	292	132	160	141	-	80	70	118	190	240	254	-	494	-	-	253	-	PG 16	-	-	40.8	-
40-200/5.5	65	115	145	185	16	4	-	40	80	110	150	14	2	340	160	180	150	-	100	70	115	212	265	296	-	539	-	-	275	PG 13.5	PG 16	-	-	52.5	-
40-200/7.5	65	115	145	185	16	4	-	40	80	110	150	14	2	340	160	180	150	-	100	70	115	212	265	296	-	539	559	-	275	PG 13.5	PG 16	-	-	59.3	-
40-200/11	65	115	145	185	16	4	-	40	80	110	150	14	2	340	160	180	178	-	100	70	115	212	265	296	-	595	595	-	359	PG 13.5	PG 21	-	-	69.6	-
50-125/2.2 (M)	65	115	145	185	16	4	-	50	95	125	165	16	2	292	132	160	124	141	100	70	114	190	240	254	428	452	-	219±230	244±255	-	PG 13.5	M20x1.5	29.4	32	-
50-125/3.0	65	115	145	185	16	4	-	50	95	125	165	16	2	292	132	160	124	-	100	70	114	190	240	254	-	491	-	-	244±255	-	PG 13.5	-	-	30.9	-
50-125/4.0	65	115	145	185	16	4	-	50	95	125	165	16	2	292	132	160	141	-	100	70	114	190	240	254	-	514	-	-	253	-	PG 16	-	-	40.9	-
50-160/5.5	65	115	145	185	16	4	-	50	95	125	165	16	2	340	160	180	150	-	100	70	115	212	265	296	-	539	-	-	275	PG 13.5	PG 16	-	-	46.5	-
50-160/7.5	65	115	145	185	16	4	-	50	95	125	165	16	2	340	160	180	150	-	100	70	115	212	265	296	-	539	559	-	275	PG 13.5	PG 16	-	-	58.6	-
50-200/9.2	65	115	145	185	16	4	-	50	95	125	165	16	2	360	160	200	178	-	100	70	115	212	265	296	-	595	595	-	359	PG 13.5	PG 21	-	-	63.9	-
50-200/11	65	115	145	185	16	4	-	50	95	125	165	16	2	360	160	200	178	-	100	70	115	212	265	296	-	595	595	-	359	PG 13.5	PG 21	-	-	69.6	-
65-125/4	80	134	160	200	18	8	4	65	115	145	185	16	2	340	160	180	141	-	100	95	140	212	280	254	-	514	-	-	253	-	PG 16	-	-	37.7	-
65-125/5.5	80	134	160	200	18	8	4	65	115	145	185	16	2	340	160	180	150	-	100	95	140	212	280	254	-	539	-	-	275	PG 13.5	PG 16	-	-	48.7	-
65-125/7.5	80	134	160	200	18	8	4	65	115	145	185	16	2	340	160	180	150	-	100	95	140	212	280	254	-	539	559	-	275	PG 13.5	PG 16	-	-	52.1	-
65-160/7.5	80	134	160	200	18	8	4	65	115	145	185	16	2	360	160	200	150	-	100	95	140	212	280	296	-	539	559	-	275	PG 13.5	PG 16	-	-	55.3	-
65-160/9.2	80	134	160	200	18	8	4	65	115	145	185	16	2	360	160	200	178	-	100	95	140	212	280	296	-	595	595	-	359	PG 13.5	PG 21	-	-	61	-
65-160/11	80	134	160	200	18	8	4	65	115	145	185	16	2	360	160	200	178	-	100	95	140	212	280	296	-	595	595	-	359	PG 13.5	PG 21	-	-	67.4	-

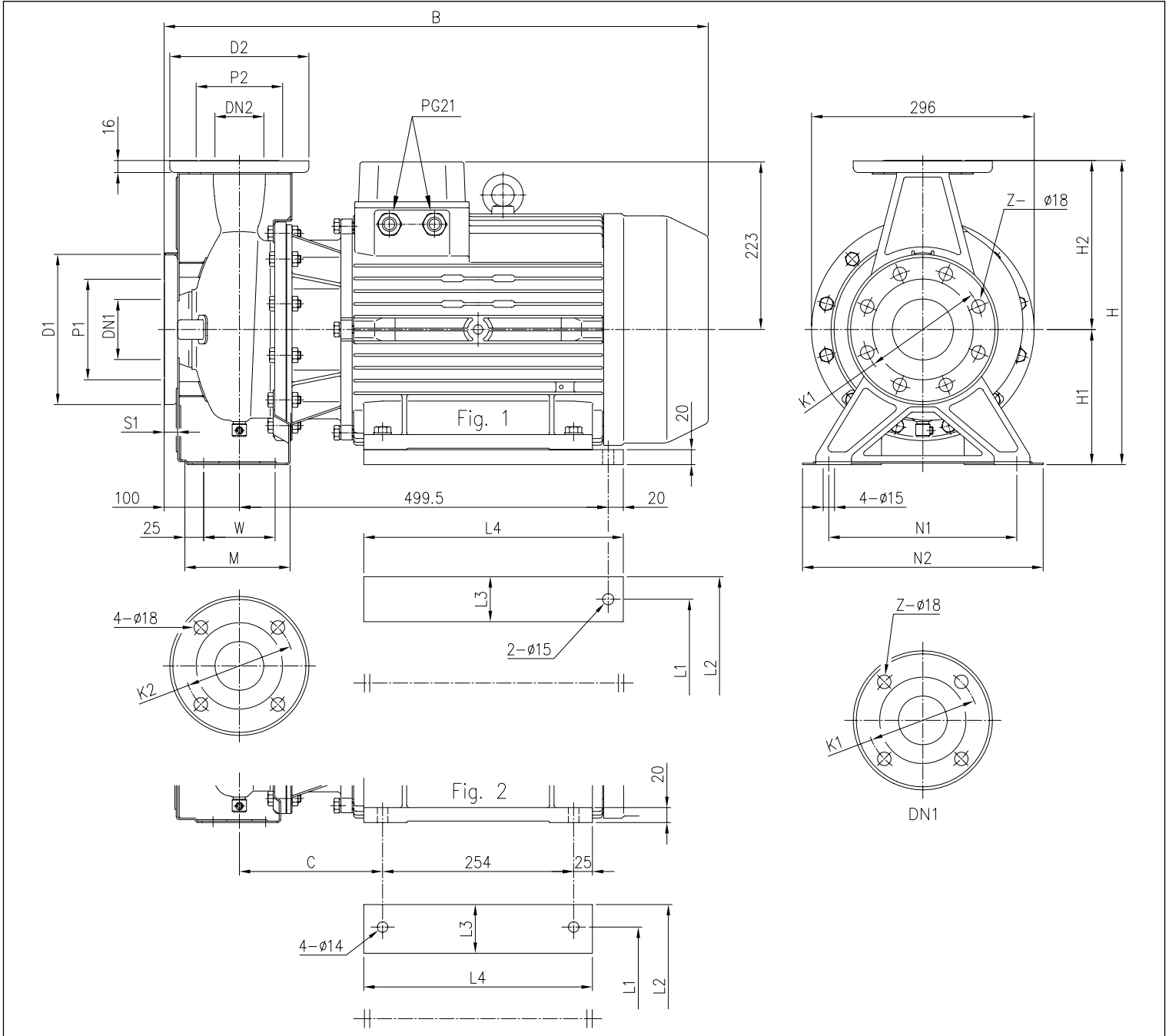
[1] Standard [2] On request [3] Only for three-phase [4] Only for single-phase [*] Only for IE3 motors

3 - 3L SERIES

CENTRIFUGAL ELECTRIC PUMPS STANDARDISED IN COMPLIANCE WITH EN 733 (EX DIN 24255)

3(L)M 50, 65 - 15 ÷ 22 kW

2 Poles



DIMENSIONAL TABLE

Model	Dimensions [mm]																								Weight [kg]	
	DN1 Ø	P1 Ø	K1 Ø	D1 Ø	S1	Z [1]	Z [2]	DN2 Ø	P2 Ø	K2 Ø	D2 Ø	Fig.	H	H1	H2	W	M	N1	N2	B	C	L1	L2	L3		L4
50-200/15	65	115	145	185	16	4	-	50	95	125	165	2	360	160	200	70	115	212	265	723	190.5	254	318	65	304	105.1
65-160/15	80	134	160	200	18	8	4	65	115	145	185	2	360	160	200	95	140	212	280	732	199.5	254	318	65	304	107.1
65-200/15	80	134	160	200	18	8	4	65	115	145	185	1	405	180	225	95	140	250	320	732	-	254	314	60	345	110.1
65-200/18.5	80	134	160	200	18	8	4	65	115	145	185	1	405	180	225	95	140	250	320	732	-	254	314	60	345	125.3
65-200/22	80	134	160	200	18	8	4	65	115	145	185	1	405	180	225	95	140	250	320	732	-	254	314	60	345	136.1

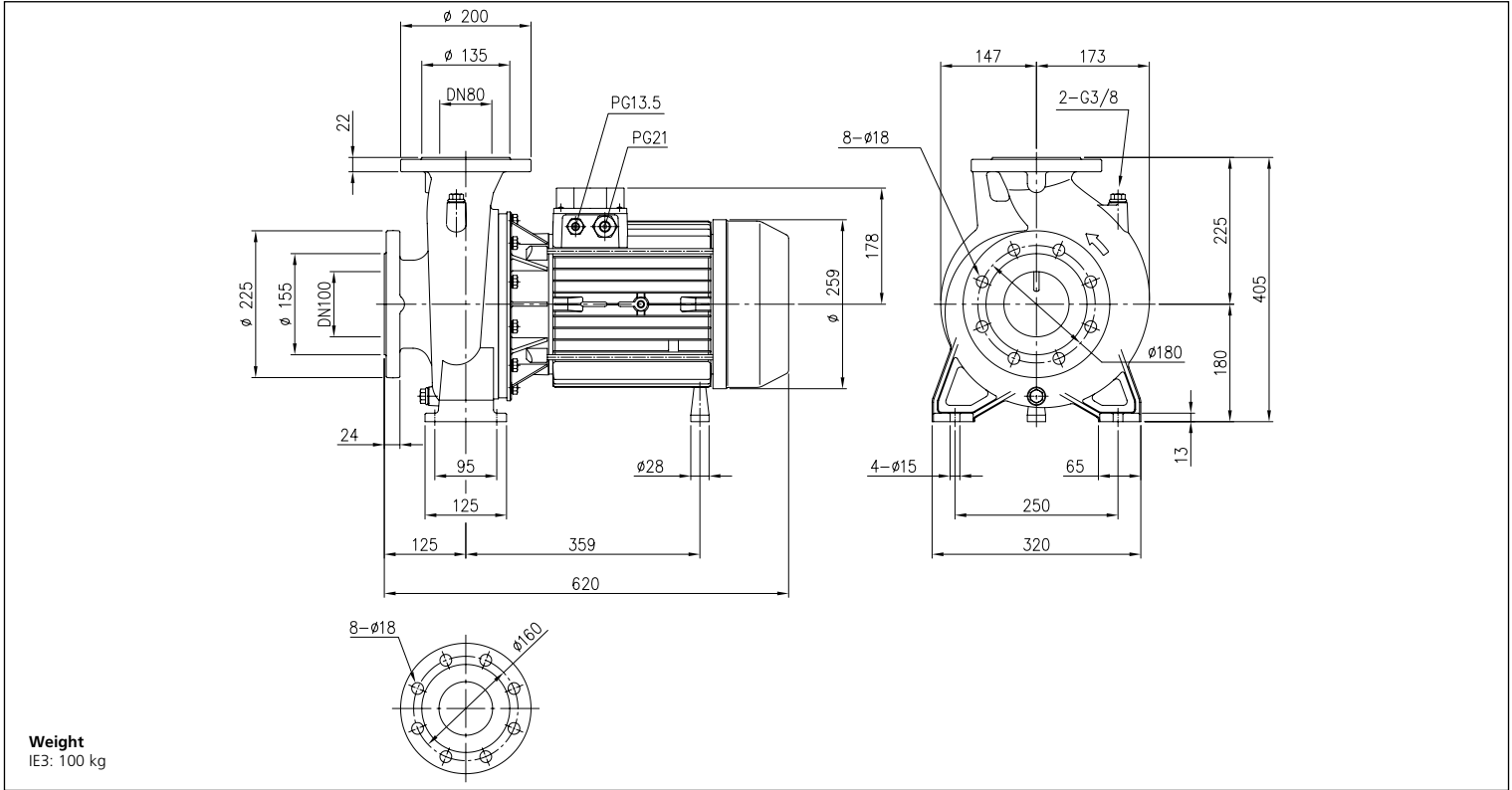
[1] Standard [2] On request [*] Only for IE3 motors

3 - 3L SERIES

CENTRIFUGAL ELECTRIC PUMPS STANDARDISED IN COMPLIANCE WITH EN 733 (EX DIN 24255)

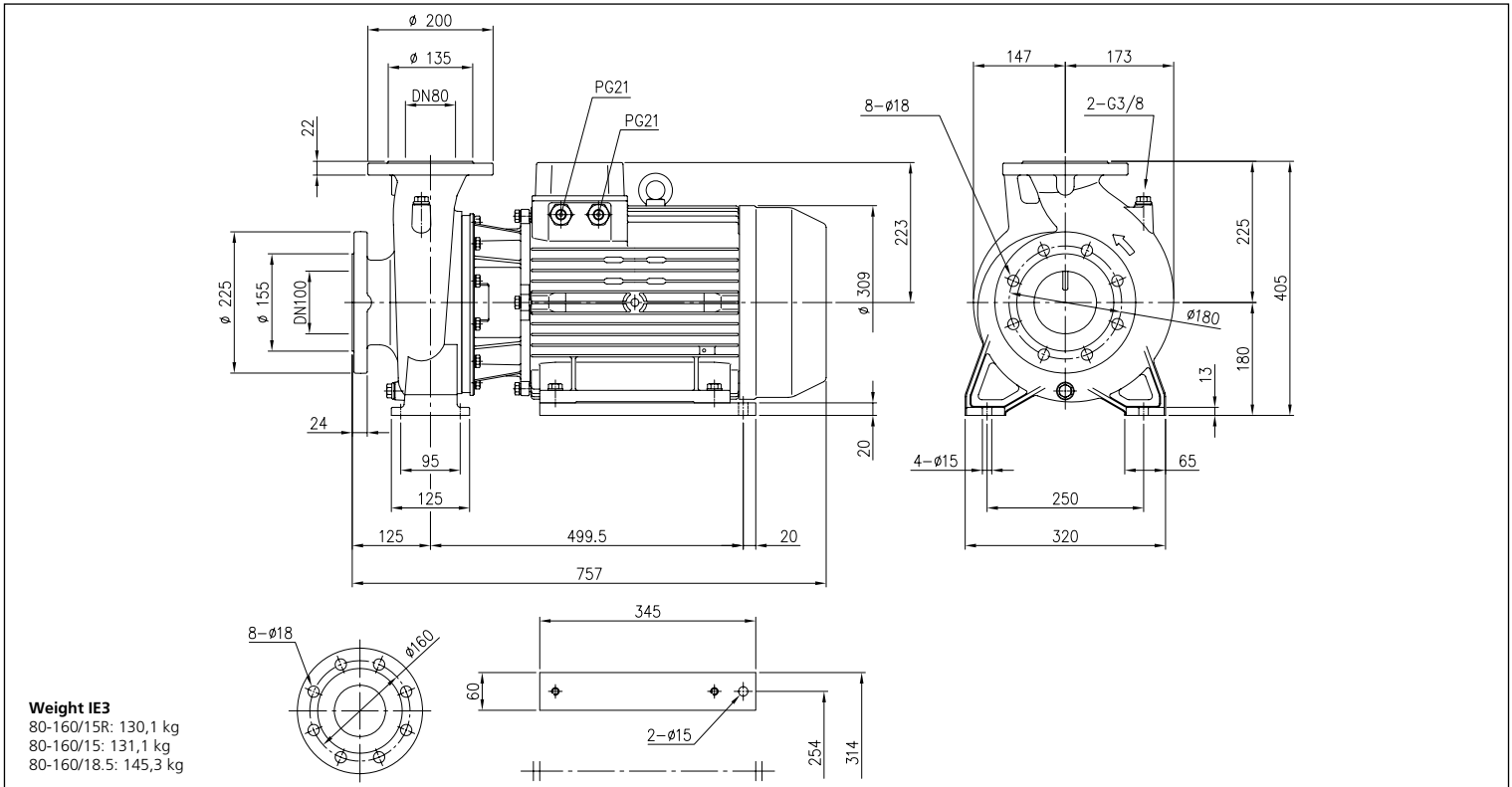
3LM 80-160 - 11 kW

2 Poles



3LM 80-160 / 15R / 15 / 18.5 kW

2 Poles



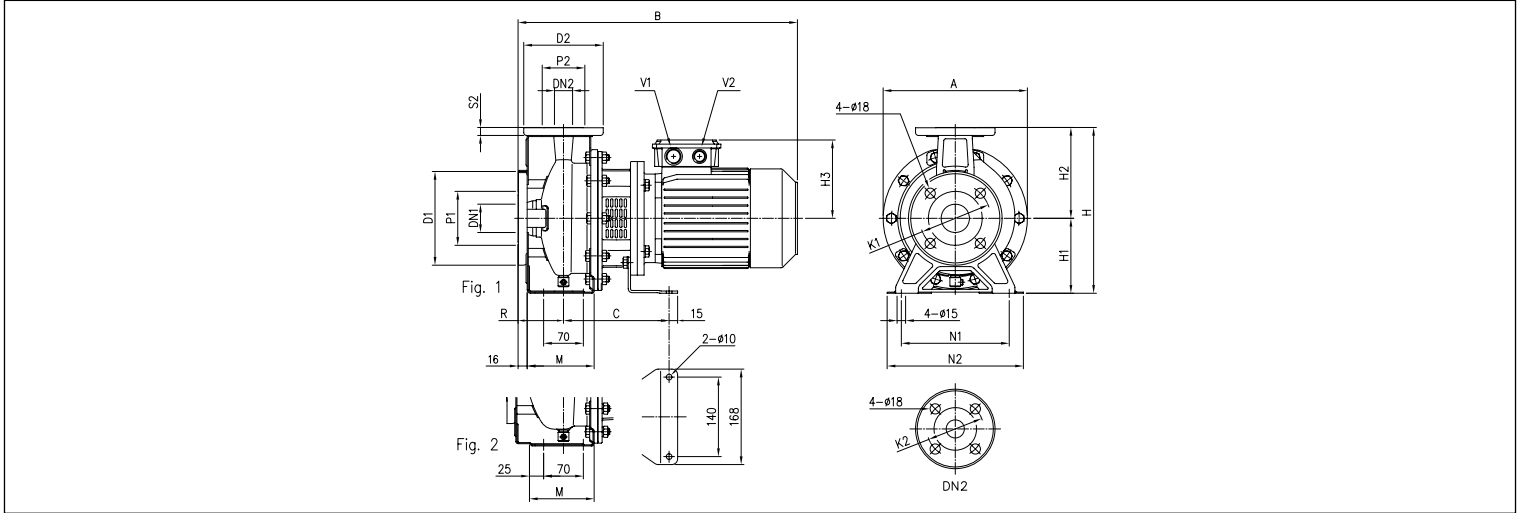
The contents of this publication must not be regarded as binding. EBARA Pumps Europe Sp. A reserves the right to effect any modification it deems necessary without prior notice.

3 - 3L SERIES

CENTRIFUGAL ELECTRIC PUMPS STANDARDISED IN COMPLIANCE WITH EN 733 (EX DIN 24255)

3(L)S 32, 40, 50 - up to 2,2 kW

2 Poles



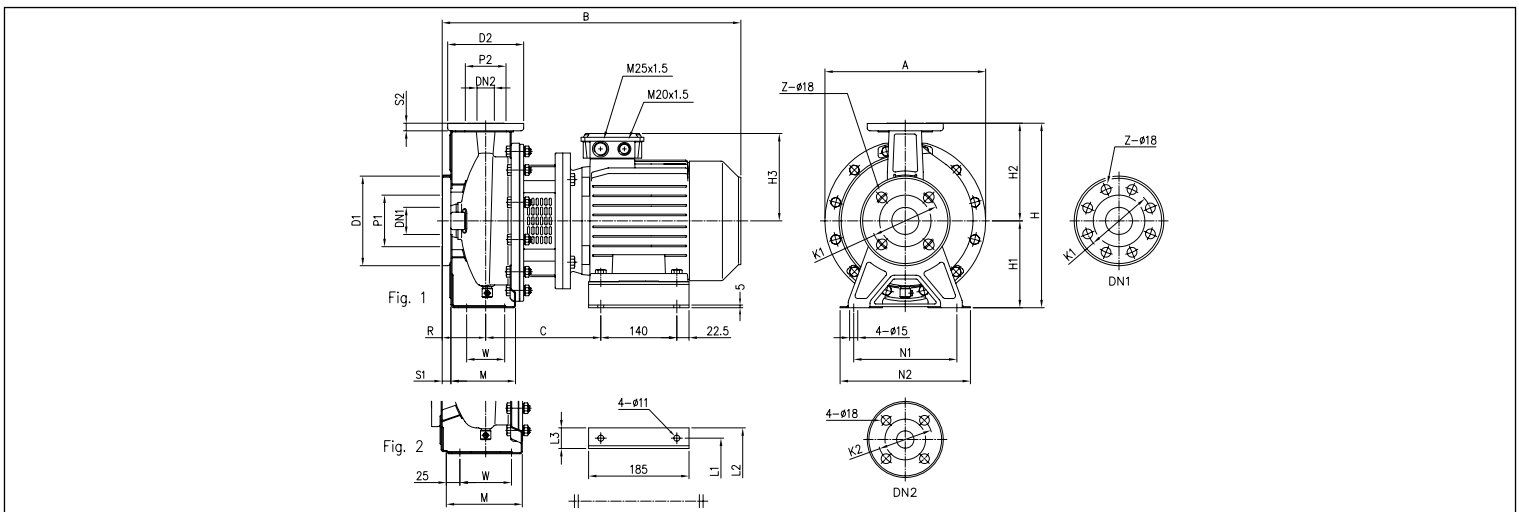
DIMENSIONAL TABLE

Model	DN1 Ø	P1 Ø	K1 Ø	D1 Ø	DN2 Ø	P2 Ø	K2 Ø	D2 Ø	S2	Fig.	Dimensions [mm]				R	M	N1	N2	A	B	C	V1	V2	Weight [kg]	
											H	H1	H2	H3										[*]	[*]
32-125/1.1	50	95	125	165	32	75	100	140	14	1	252	112	140	139	80	114	140	190	213	430	174	M25x1,5	M20x1,5	23,1	24,7
32-160/1.5	50	95	125	165	32	75	100	140	14	1	292	132	160	148	80	118	190	240	254	477	186	M25x1,5	M20x1,5	29,8	29,8
32-160/2.2	50	95	125	165	32	75	100	140	14	1	292	132	160	148	80	118	190	240	254	477	186	M25x1,5	M20x1,5	32,4	32,4
40-125/1.5	65	115	145	185	40	80	110	150	14	1	252	112	140	148	80	114	160	210	213	477	186	M25x1,5	M20x1,5	26,5	26,5
40-125/2.2	65	115	145	185	40	80	110	150	14	1	252	112	140	148	80	114	160	210	213	477	186	M25x1,5	M20x1,5	29,6	29,6
50-125/2.2	65	115	145	185	50	95	125	165	16	2	292	132	160	148	100	114	190	240	254	497	186	M25x1,5	M20x1,5	32,9	32,9

[*] Only for IE3 motors

3(L)S 32, 65 - 3 ÷ 4 kW

2 Poles



DIMENSIONAL TABLE

Model	DN1 Ø	P1 Ø	K1 Ø	D1 Ø	S1	Z	Dimensions [mm]										R	W	M	N1	N2	A	B	C	L1	L2	L3	Weight [kg]		
							DN2 Ø	P2 Ø	K2 Ø	D2 Ø	S2	Fig.	H	H1	H2	H3												[*]	[*]	[*]
32-200/3.0	50	95	125	165	16	4	-	32	75	100	140	14	1	340	160	180	155	80	70	119	190	240	296	528	205	160	202	42	46,9	46,9
32-200/4.0	50	95	125	165	16	4	-	32	75	100	140	14	1	340	160	180	171	80	70	119	190	240	296	550	212	190	228	38	49,0	49
65-125/4.0	80	134	160	200	18	8	4	65	115	145	185	16	2	340	160	180	171	100	95	140	212	280	254	570	212	190	228	38	50,1	50,1

[1] Standard

[2] On request

[*] Only for IE3 motors

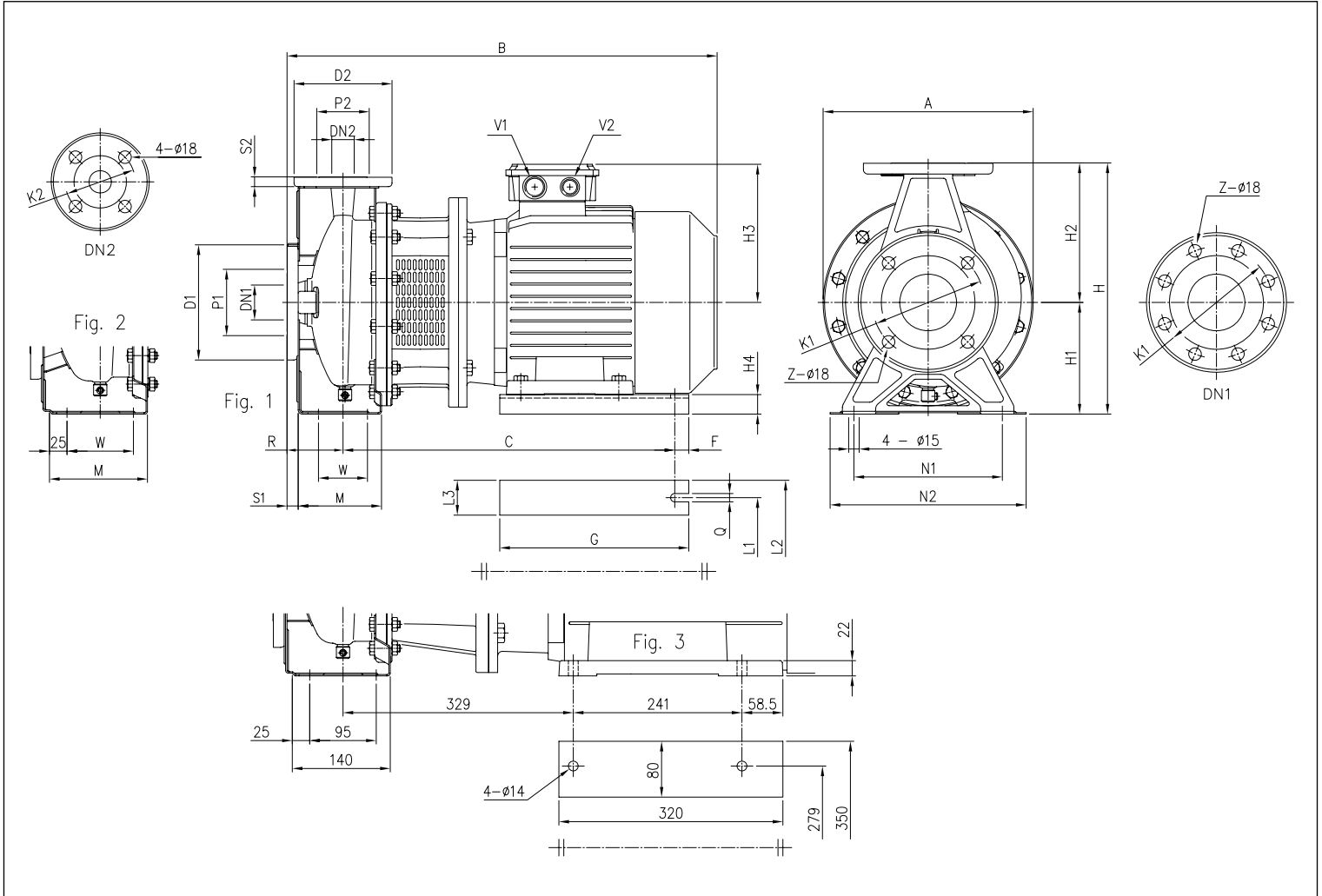
The contents of this publication must not be regarded as binding. EBARA Pumps Europe S.p.A. reserves the right to effect any modification it deems necessary, without prior notice.

3 - 3L SERIES

CENTRIFUGAL ELECTRIC PUMPS STANDARDISED IN COMPLIANCE WITH EN 733 (EX DIN 24255)

3(L)S 32, 40, 50, 65 - up to 65-200

2 Poles



DIMENSIONAL TABLE

Model	Dimensions [mm]																							Weight [kg]															
	DN1 ø	P1 ø	K1 ø	D1 ø	S1	Z [1] [2]	DN2 ø	P2 ø	K2 ø	D2 ø	S2	Fig.	H	H1	H2	H3	H4	R	W	M	N1	N2	A	B	C	F	G	Q	L1	L2	L3	V1	V2	[*]					
32-200/5.5	50	95	125	165	16	4	-	32	75	100	140	14	1	340	160	180	198	28	80	70	119	190	240	300	607	479	15	270	12	216	266	50	M32x1.5	M32x1.5	71.8	71.8			
32-200/7.5	50	95	125	165	16	4	-	32	75	100	140	14	1	340	160	180	198	28	80	70	119	190	240	300	607	479	15	270	12	216	266	50	M32x1.5	M32x1.5	-	87			
40-160/3.0	65	115	145	185	16	4	-	40	80	110	150	14	1	292	132	160	155	32	80	70	118	190	240	254	528	388	15	220	12	160	200	40	M25x1.5	M20x1.5	42.5	42.5			
40-160/4.0	65	115	145	185	16	4	-	40	80	110	150	14	1	292	132	160	171	20	80	70	118	190	240	254	550	395	15	220	12	190	240	50	M25x1.5	M20x1.5	44.6	44.6			
40-200/5.5	65	115	145	185	16	4	-	40	80	110	150	14	2	340	160	180	198	28	100	70	115	212	265	300	627	479	15	270	12	216	266	50	M32x1.5	M32x1.5	72.2	72.2			
40-200/7.5	65	115	145	185	16	4	-	40	80	110	150	14	2	340	160	180	198	28	100	70	115	212	265	300	627	479	15	270	12	216	266	50	M32x1.5	M32x1.5	-	82			
50-125/3.0	65	115	145	185	16	4	-	50	95	125	165	16	2	292	132	160	155	32	100	70	114	190	240	254	548	388	15	220	12	160	200	40	M25x1.5	M20x1.5	35.5	35.5			
50-125/4.0	65	115	145	185	16	4	-	50	95	125	165	16	2	292	132	160	171	20	100	70	114	190	240	254	570	395	15	220	12	190	240	50	M25x1.5	M20x1.5	45.6	45.6			
50-160/5.5	65	115	145	185	16	4	-	50	95	125	165	16	2	340	160	180	198	28	100	70	115	212	265	300	627	479	15	270	12	216	266	50	M32x1.5	M32x1.5	63.8	63.8			
50-160/7.5	65	115	145	185	16	4	-	50	95	125	165	16	2	340	160	180	198	28	100	70	115	212	265	300	627	479	15	270	12	216	266	50	M32x1.5	M32x1.5	-	91			
50-200/9.2	65	115	145	185	16	4	-	50	95	125	165	16	2	360	160	200	198	28	100	70	115	212	265	300	667	479	15	270	12	216	266	50	M32x1.5	M32x1.5	-	90.7			
65-125/5.5	80	134	160	200	18	8	4	65	115	145	185	16	2	340	160	180	198	28	100	95	140	212	280	300	627	479	15	270	12	216	266	50	M32x1.5	M32x1.5	60	60			
65-125/7.5	80	134	160	200	18	8	4	65	115	145	185	16	2	340	160	180	198	28	100	95	140	212	280	300	627	479	15	270	12	216	266	50	M32x1.5	M32x1.5	-	79.4			
65-160/7.5	80	134	160	200	18	8	4	65	115	145	185	16	2	360	160	200	198	28	100	95	140	212	280	300	627	479	15	270	12	216	266	50	M32x1.5	M32x1.5	-	82.4			
65-160/9.2	80	134	160	200	18	8	4	65	115	145	185	16	2	360	160	200	198	28	100	95	140	212	280	300	667	479	15	270	12	216	266	50	M32x1.5	M32x1.5	-	88			
65-200/15	80	134	160	200	18	8	4	65	115	145	185	16	2	405	180	225	238	20	100	95	140	250	320	350	806	621	20	350	14	254	314	60	M40x1.5	M40x1.5	-	138			
65-200/18.5	80	134	160	200	18	8	4	65	115	145	185	16	2	405	180	225	238	20	100	95	140	250	320	350	850	621	20	350	14	254	314	60	M40x1.5	M40x1.5	-	137.2			
65-200/22	80	134	160	200	18	8	4	65	115	145	185	16	3	405	180	225	268	-	100	-	-	250	320	350	885	-	-	-	-	-	-	-	-	-	-	M32x1.5	M32x1.5	-	175

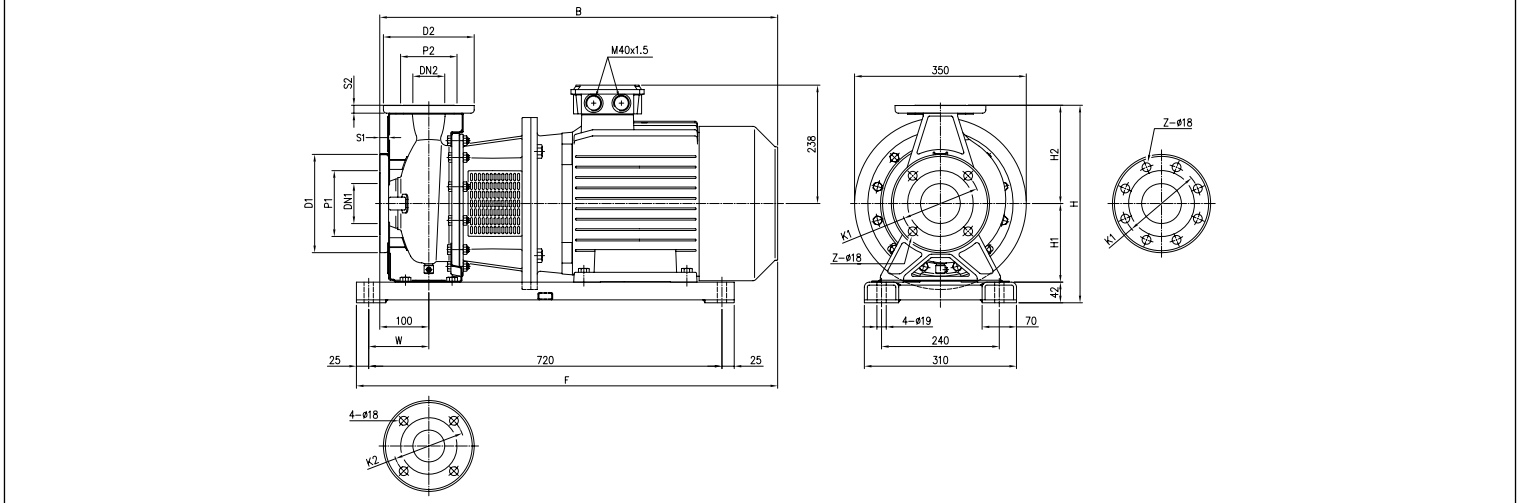
[1] Standard [2] On request [*] Only for IE3 motors

3 - 3L SERIES

CENTRIFUGAL ELECTRIC PUMPS STANDARDISED IN COMPLIANCE WITH EN 733
(EX DIN 24255)

3(L)S 40, 50, 65 - 11 ÷ 15 kW

2 Poles



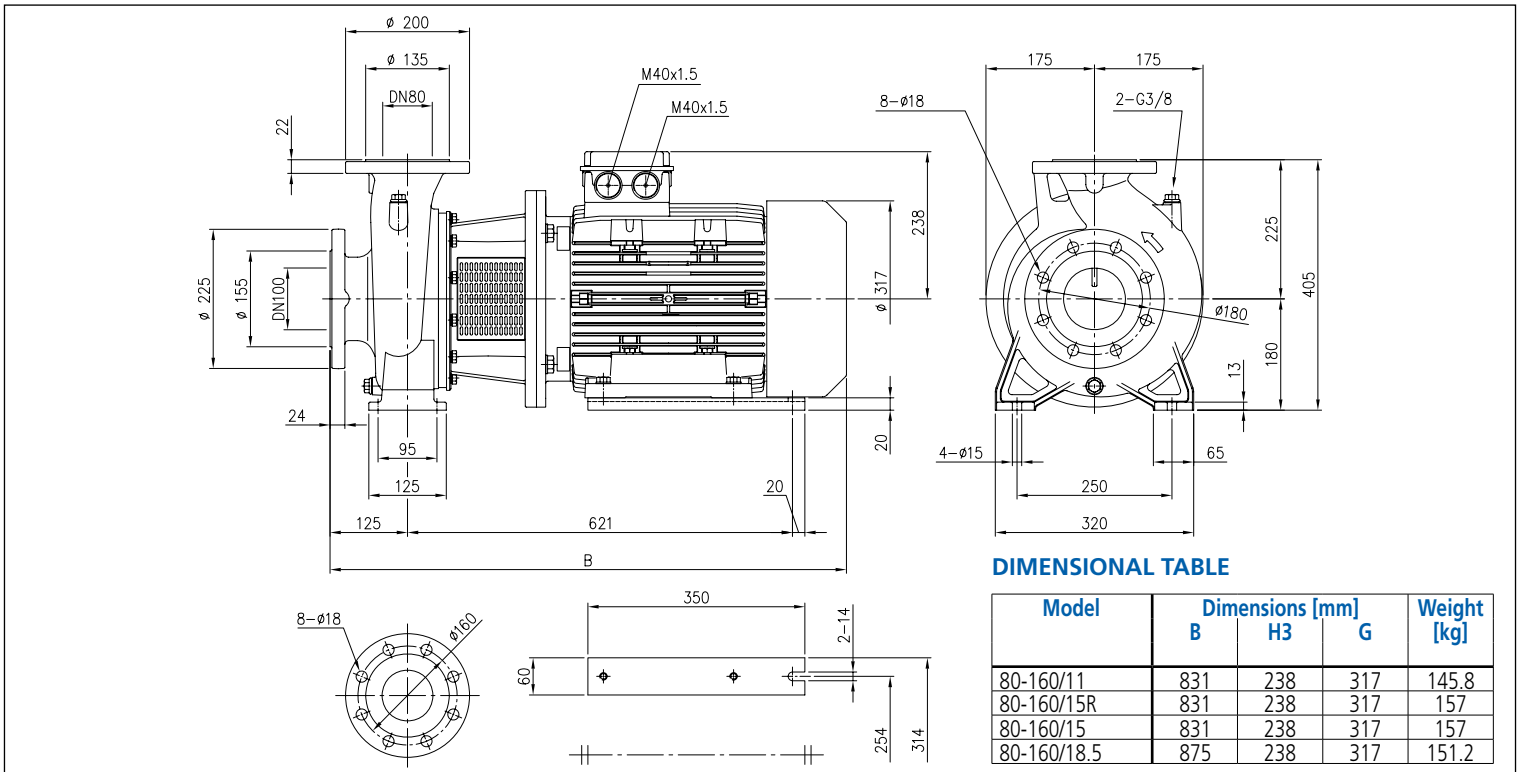
DIMENSIONAL TABLE

Model	Dimensions [mm]										S2	H	H1	H2	H3	W	B	F	Weight [kg]	
	DN1 Ø	P1 Ø	K1 Ø	D1 Ø	S1	[1]	Z	[2]	DN2 Ø	P2 Ø										K2 Ø
40-200/11	65	115	145	185	16	4	-	40	80	110	150	14	382	160	180	238	110	796	831	117.8
50-200/11	65	115	145	185	16	4	-	50	95	125	165	16	402	160	200	238	110	796	831	117.8
50-200/15	65	115	145	185	16	4	-	50	95	125	165	16	402	160	200	238	110	796	831	147.9
65-160/11	80	134	160	200	18	8	4	65	115	145	185	16	402	160	200	238	122.5	796	844	86.8
65-160/15	80	134	160	200	18	8	4	65	115	145	185	16	402	160	200	238	122.5	806	854	120.9

[1] Standard
[2] On request

3LS 80-160

2 Poles



DIMENSIONAL TABLE

Model	Dimensions [mm]			Weight [kg]
	B	H3	G	
80-160/11	831	238	317	145.8
80-160/15R	831	238	317	157
80-160/15	831	238	317	157
80-160/18.5	875	238	317	151.2

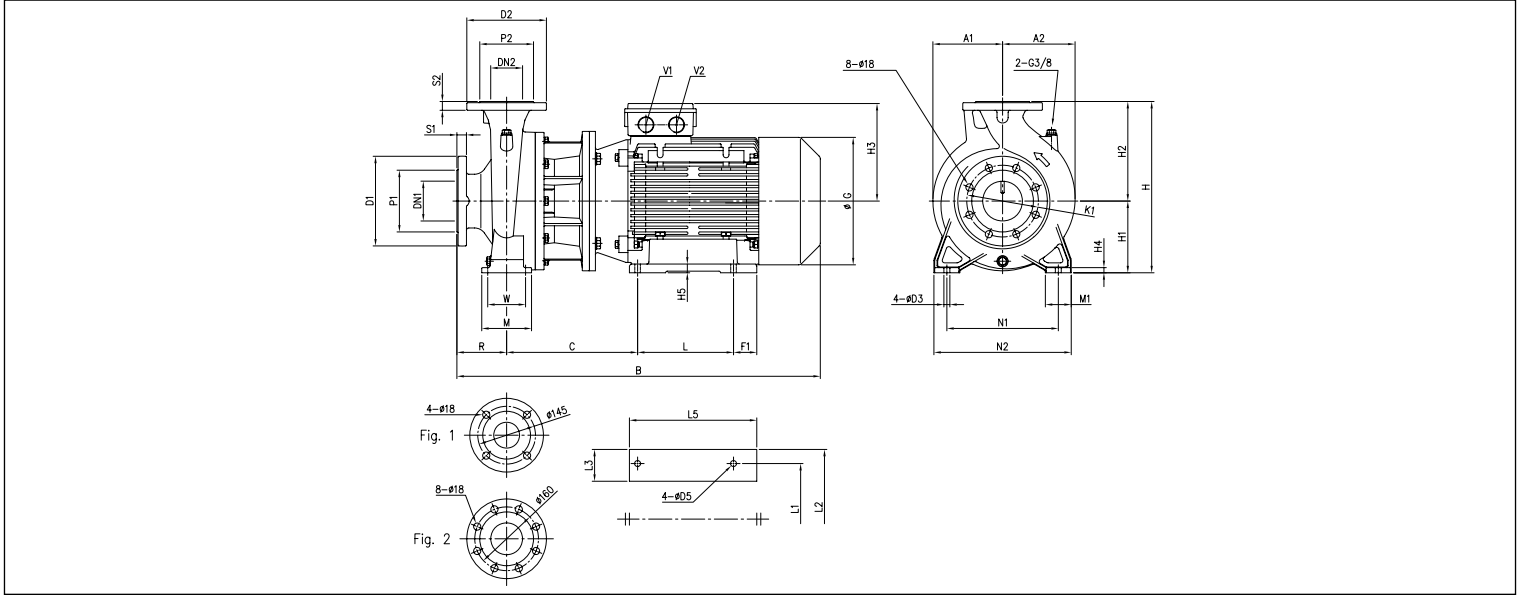
The contents of this publication must not be regarded as binding. EBARA Pumps Europe S.p.A. reserves the right to effect any modification it deems necessary, without prior notice.

3 - 3L SERIES

CENTRIFUGAL ELECTRIC PUMPS STANDARDISED IN COMPLIANCE WITH EN 733 (EX DIN 24255)

3LS 65-250, 80

2 Poles

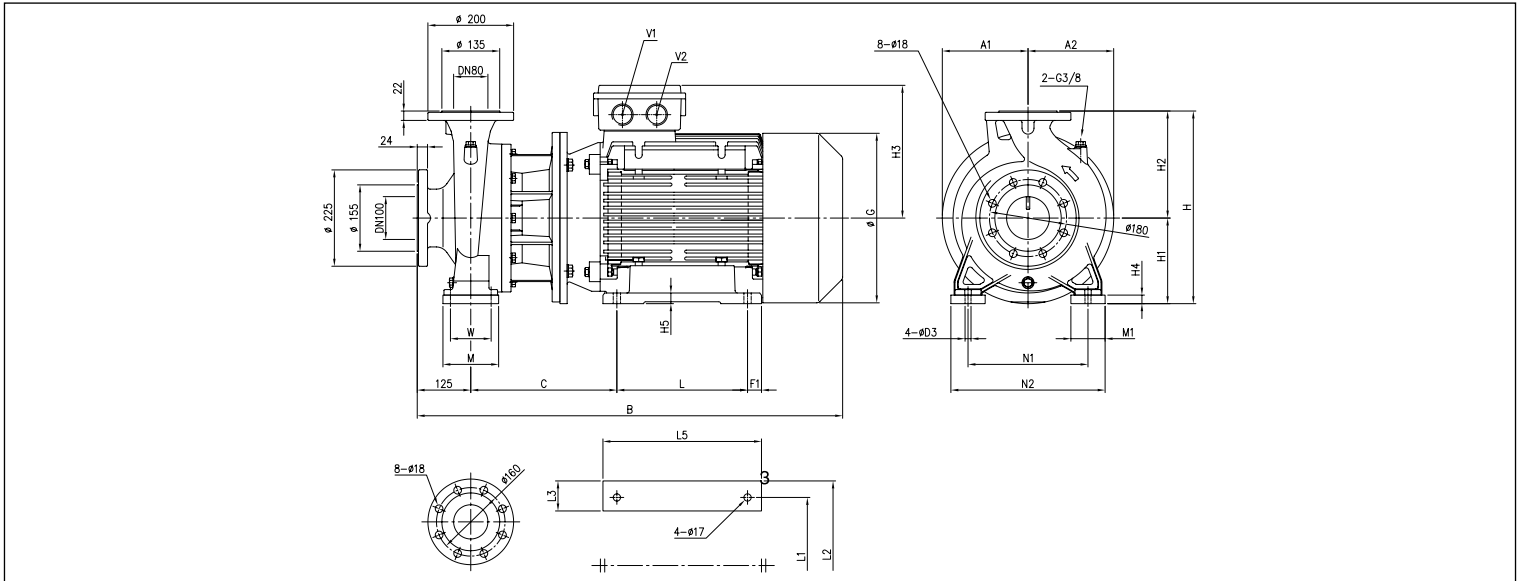


DIMENSIONAL TABLE

Model	Dimensions [mm]																							Weight [kg]														
	DN1	P1	K1	D1	S1	DN2	P2	D2	S2	H	H1	H2	H3	H4	H5	R	W	N1	N2	M	M1	L	L1		L2	L3	L5	A1	A2	B	C	F1	G	D3	D5	V1	V2	
65-250/30	80	135	160	200	22	65	Fig. 1	120	185	20	450	200	250	300	15	25	100	120	280	360	160	80	305	318	388	80	358	200	200	966	341	21,5	399	19	17	M40x1,5	M40x1,5	303
65-250/37	80	135	160	200	22	65	Fig. 1	120	185	20	450	200	250	300	15	25	100	120	280	360	160	80	305	318	388	80	358	200	200	966	341	21,5	399	19	17	M40x1,5	M40x1,5	320
80-200/22	100	155	180	225	24	80	Fig. 2	135	200	22	430	180	250	268	13	27	125	95	280	345	125	65	241	279	348	75	300	175	182	910	329	24,5	360	15	14	M32x1,5	M32x1,5	207
80-250/37	100	155	180	225	24	80	Fig. 2	135	200	22	480	200	280	300	15	25	125	120	315	400	160	80	305	318	388	80	358	200	200	1019	369	21,5	399	19	17	M40x1,5	M40x1,5	335

3LS 80

2 Poles



DIMENSIONAL TABLE

Model	Dimensions [mm]																							Weight [kg]		
	H	H1	H2	H3	H4	H5	W	N1	N2	M	M1	L	L1	L2	L3	L5	A1	A2	B	C	F1	G	D3		V1	V2
80-200/30	450	200	250	300	20	25	95	280	360	130	80	305	318	388	80	358	200	200	991	341	21,5	399	14	M40x1,5	M40x1,5	306
80-200/37	450	200	250	300	20	25	95	280	360	130	80	305	318	388	80	358	200	200	991	341	21,5	399	14	M40x1,5	M40x1,5	325
80-250/45	505	225	280	335	25	28	120	315	415	165	100	311	356	436	80	386	225	225	1060	385	37,5	465	18	M50x1,5	M50x1,5	401

The contents of this publication must not be regarded as binding. EBARA Pumps Europe S.p.A. reserves the right to effect any modification it deems necessary, without prior notice.

3 - 3L SERIES

CENTRIFUGAL ELECTRIC PUMPS STANDARDISED IN COMPLIANCE WITH EN 733
(EX DIN 24255)

3LS 80-250/55

2 Poles

