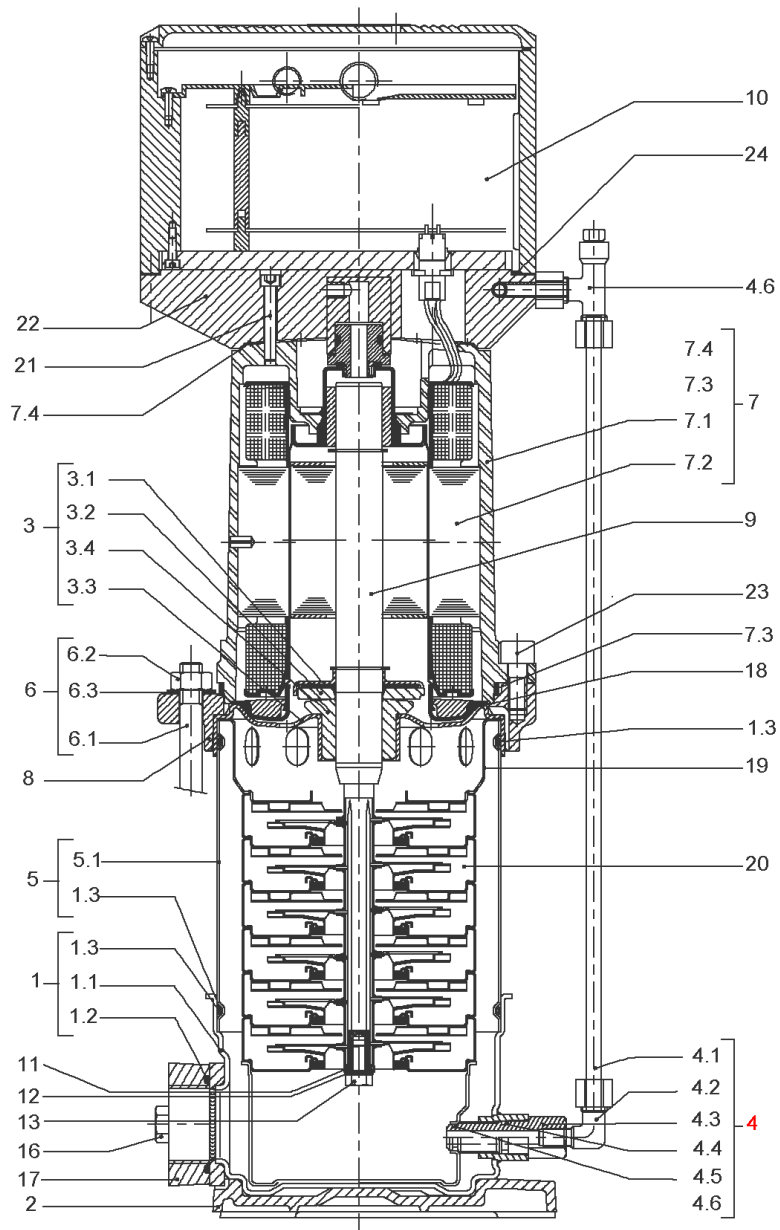




Multivert MWISE

Article no.	Description
2526589	MWISE206-1/16/E/3-2-2G
4044989	MWISE206-1/16/K/3-400-50-2
2526590	MWISE210-1/16/E/3-2-2G
4044990	MWISE210-1/16/K/3-400-50-2
2526591	MWISE404-1/16/E/3-2-2G
4044991	MWISE404-1/16/K/3-400-50-2
2526592	MWISE406-1/16/E/3-2-2G
4044992	MWISE406-1/16/K/3-400-50-2
2526593	MWISE410-1/16/E/3-2-2G
4044993	MWISE410-1/16/K/3-400-50-2
2526594	MWISE803-1/16/E/3-2-2G
4044994	MWISE803-1/16/K/3-400-50-2
2526595	MWISE806-1/16/E/3-2-2G
4044995	MWISE806-1/16/K/3-400-50-2

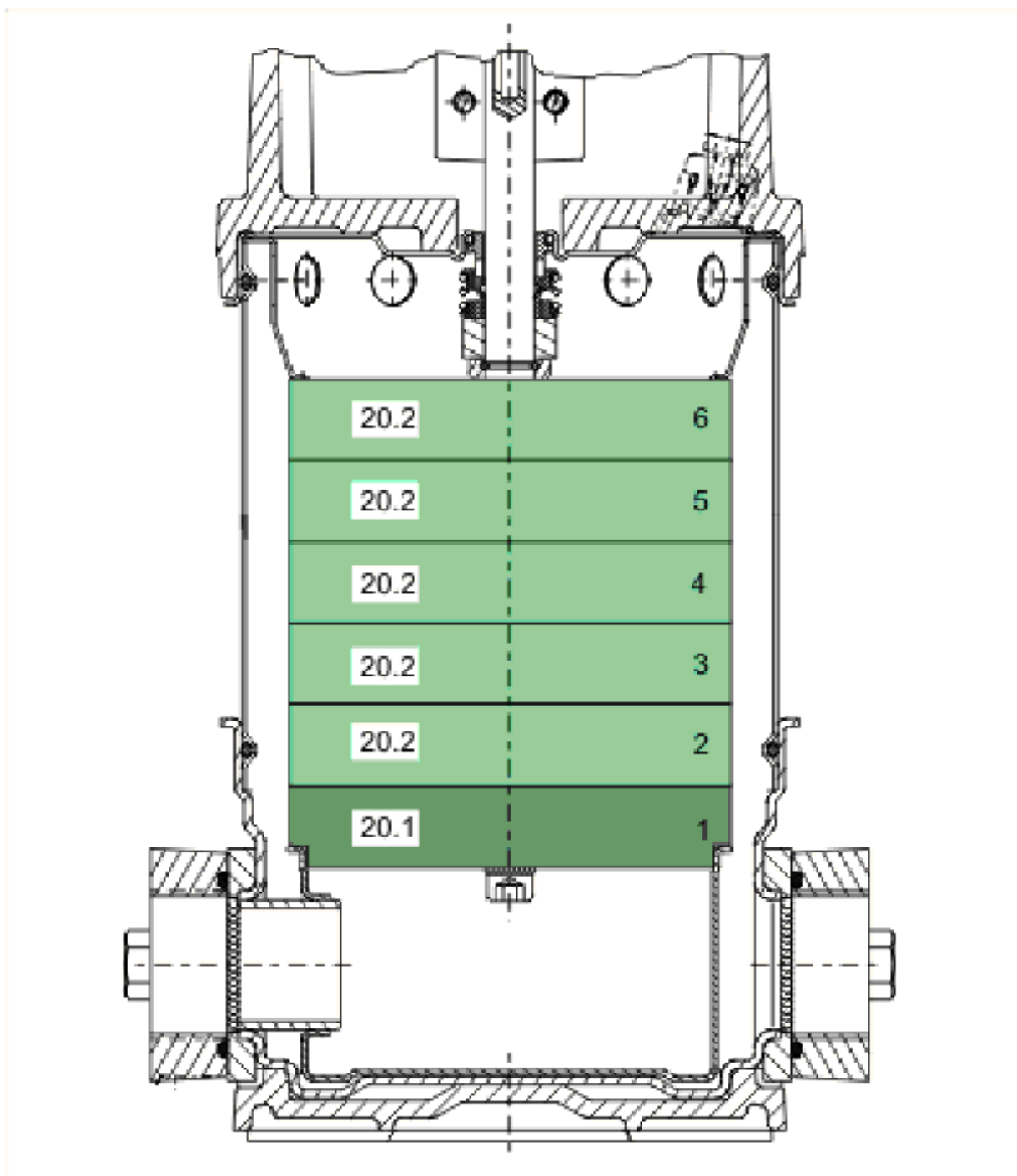


MVISE206-1/16/K/3-400-50-2 (4044989)

Item	Article no.	Description	Quantity
1	2023722	PUMP HOUSING D.32 PN16 MVISE 1.4301 KIT	1
1.1		> CASING-MU-I-D32-PN16-D152-304	1
1.2	4191618	> O-RING ID.44,05x3,53 EPDM VP.	1
1.3	4176513	> O-RING FOR PUMP JACKET VP.	1
2	2127420	BASE PLATE 212X157 PN16 VP.	1
3	4050647	MVIS205to210/403to410/800 BEARING KIT	1
3.1		> SUPPORTRING D.58/25,1X5 EPDM	1
3.2		> Thrust plate Gr.52 D.59/25,5X6 ceramic	1
3.3		> LANTERN MVIS GR.52 1.4301	1
3.4		> RADIAL BEARING D.58/40/25X32 AG.HT204	1
4	4055320	MVISE206/406 TUBE KIT	1
4.1		> PIPE 8X1X424 MVISE206/406 1.4571	1
4.2		> ANGLE GWT1002/8-LG 1/8 1.4571	1
4.3		> SCREW WITH HOLE-L64-1/8"-1.4404	1
4.4	4177800	> O-RING EPDM PLUG HELIX VP.	1
4.5	4234242	> O-RING 9X2 VP.	1
4.6		> T-IRON R1/8" MVISE 1.4571	1
5	2018377	HOUSING PIPE D.152X167 1.4301 KIT	1
1.3	4176513	> O-RING FOR PUMP JACKET VP.	1
5.1		> HOUSING-PIPE-D152-VMI206/406-304	1
6	2018361	STUD BOLT M12X293 KIT	1
6.1		> TIE BOLT M12-293x18x30-1.4057	1
6.2	2094647	> NUT M12 M12 ISO4032 VP.	1
6.3	2123557	> WASHER CS-12.4-24-1.6-NFE25 (4 PIECES)	1
7		STATOR-UNIT 52/1100/2 MVISE KIT	1
Note: no longer available / nicht mehrlieferbar / ne plus disponible			
7.1		> MOTOR HOUSING SIZE 52 MVISE GK-ALSI9CU3	1
7.2		> STATOR-52/1100-ASSEMBLED-SOCKETS-MVISE	1
7.3	2127484	> JOINT RING CIRCULAR D.145/148X7,6 EPDM V	1
7.4		> GASKET D.122/80X1 EPDM F.MVISE	1
8	2008293	FLANGE MVIS GR.52 GG25	1
9	2019660	ROTOR 52 RPA.80LG.MVISE206/406CPL.SLEEVE	1
10		FREQUENZY CHANGER MVISE 1,1KW >07/01	1
Note: no longer available / nicht mehrlieferbar / ne plus disponible			

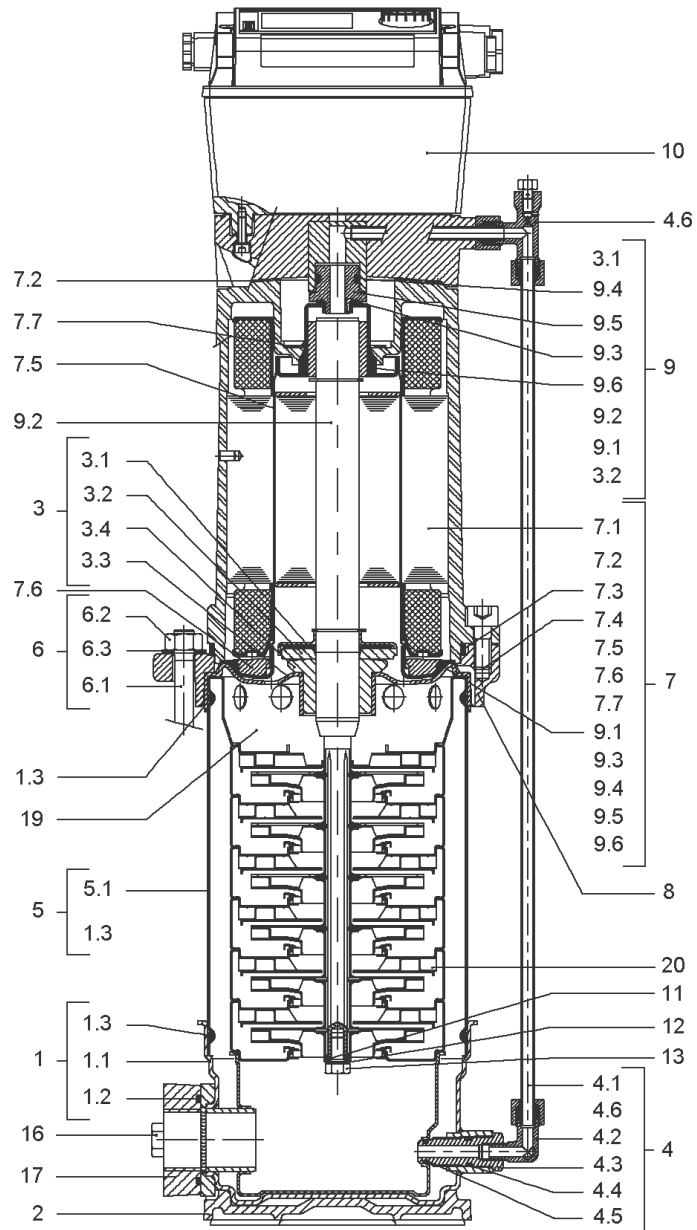
MVISE206-1/16/K/3-400-50-2 (4044989)

Item	Article no.	Description	Quantity
11	64697	STAINLESS-STEEL-WASHER-DE8	1
12	4006203	WASHER D.16/13,8x3 1.4401	1
13	2047015	Screw M8X16 ISO4017 A4 VP.	1
16	74750611107	BOLT,HEX M10X30/SS400/W	1
17	2132561	OVAL FLANGE G1" LK75 VP.	1
18	2010301	O-RING ID.117,07X3,53	1
19	4041014	STAGE-CENTERING 2/4m3-304-TOOLED	1
20		SPARE PARTS HYDRAULICS MVIS/MVISE	1
21	4047246	SCREW M6X40 ISO4762 8.8 2A	1
22		INVERSER-BASE-PAINTED-MVISE	1
Note: no longer available / nicht mehr lieferbar / ne plus disponible			
23	74760412112	SCREW M10X25 ISO4762 8.8 ZN	1
24	2018541	GASKET MVISE INVERTER HOUSING DOWN	1



SPARE PARTS HYDRAULICS MVIS/MVISE

Item	Article no.	Description	Quantity
20.1	4050649	MVIS 200 STAGE KIT	1
		> STAGE HOUSING MVIS2/4 1.4301	1
		> IMPELLER MVI2 D.98x2 1.4301	1
		> SPACER IMPELLER MVI2/4 1.4435	1
		> OUTER CAGE OF SUCTION RING 2/4M3 1.4404	1
		> INNER CAGE OF SUCTION RING 2/4M3 1.4404	1
		> SUCTION-RING 2/4M3 PTFE	1
20.2	4050650	MVIS 200 STAGE KIT	1
		> IMPELLER MVI2 D.98x2 1.4301	1
		> SPACER IMPELLER MVI2/4 1.4435	1
		> OUTER CAGE OF SUCTION RING 2/4M3 1.4404	1
		> INNER CAGE OF SUCTION RING 2/4M3 1.4404	1
		> SUCTION-RING 2/4M3 PTFE	1
		> WASHER D.24/14x1,5 1.4401	1
		> ST.CASING-RETURN CH.MVIS2/4-304-MACHI.	1

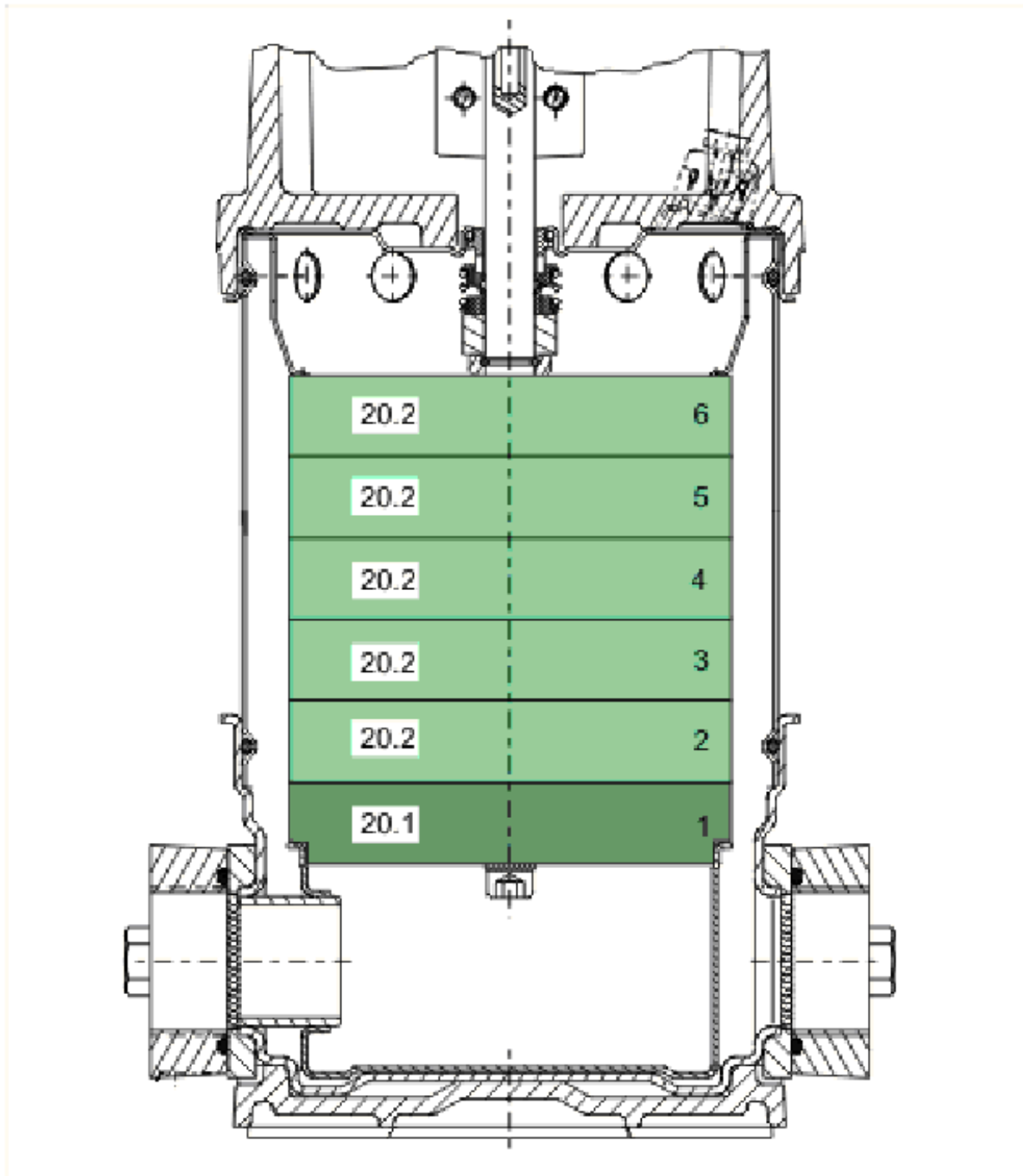


MVISE206-1/16/E/3-2-2G (2526589)

Item	Article no.	Description	Quantity
1	2023722	PUMP HOUSING D.32 PN16 MVISE 1.4301 KIT	1
1.1		> CASING-MU-I-D32-PN16-D152-304	1
1.2	4191618	> O-RING ID.44,05x3,53 EPDM VP.	1
1.3	4176513	> O-RING FOR PUMP JACKET VP.	1
2	2127420	BASE PLATE 212X157 PN16 VP.	1
3	4050647	MVIS205to210/403to410/800 BEARING KIT	1
3.1		> SUPPORTRING D.58/25,1X5 EPDM	1
3.2		> Thrust plate Gr.52 D.59/25,5X6 ceramic	1
3.3		> LANTERN MVIS GR.52 1.4301	1
3.4		> RADIAL BEARING D.58/40/25X32 AG.HT204	1
4	2098206	PIPE WORK 8X1X424 MVISE-2G KIT	1
4.1		> PIPE 8X1X424 MVISE206/406 1.4571	1
4.2		> ANGLE GWT1002/8-LG 1/8 1.4571	1
4.3		> DRAIN AND PRIMING PLUG 1/8"-L50-1.4404	1
4.4	4177800	> O-RING EPDM PLUG HELIX VP.	1
4.5	4234242	> O-RING 9X2 VP.	1
4.6		> T-IRON R1/8" MVISE 1.4571	1
5	2018377	HOUSING PIPE D.152X167 1.4301 KIT	1
1.3	4176513	> O-RING FOR PUMP JACKET VP.	1
5.1		> HOUSING-PIPE-D152-VM206/406-304	1
6	2018361	STUD BOLT M12X293 KIT	1
6.1		> TIE BOLT M12-293x18x30-1.4057	1
6.2	2094647	> NUT M12 M12 ISO4032 VP.	1
6.3	2123557	> WASHER CS-12.4-24-1.6-NFE25 (4 PIECES)	1
7	2096427	STATOR-UNIT 52/1100/2 MVISE-2G KIT	1
7.1		> CARC.MOTEUR-EQUIPEE-52/1100/2-2G	1
7.2		> GASKET D.122/78X1 EPDM F.MVISE	1
7.3	2127484	> JOINT RING CIRCULAR D.145/148X7,6 EPDM V	1
7.4	2010309	> SCREW M10X25 DIN912 (4 PIECES)	1
7.5		> CAN GR.52 MVISE CPL.	1
7.6		> JOINT-SPECIAL-T52-USINE	1
7.7		> CIRCLIPS F.MG.GR.52 1.4310	1
9.1	2010301	> O-RING ID.117,07X3,53	1
9.3		> FLAT GASKET D.16,5/24X2,4EP906 TDS	1

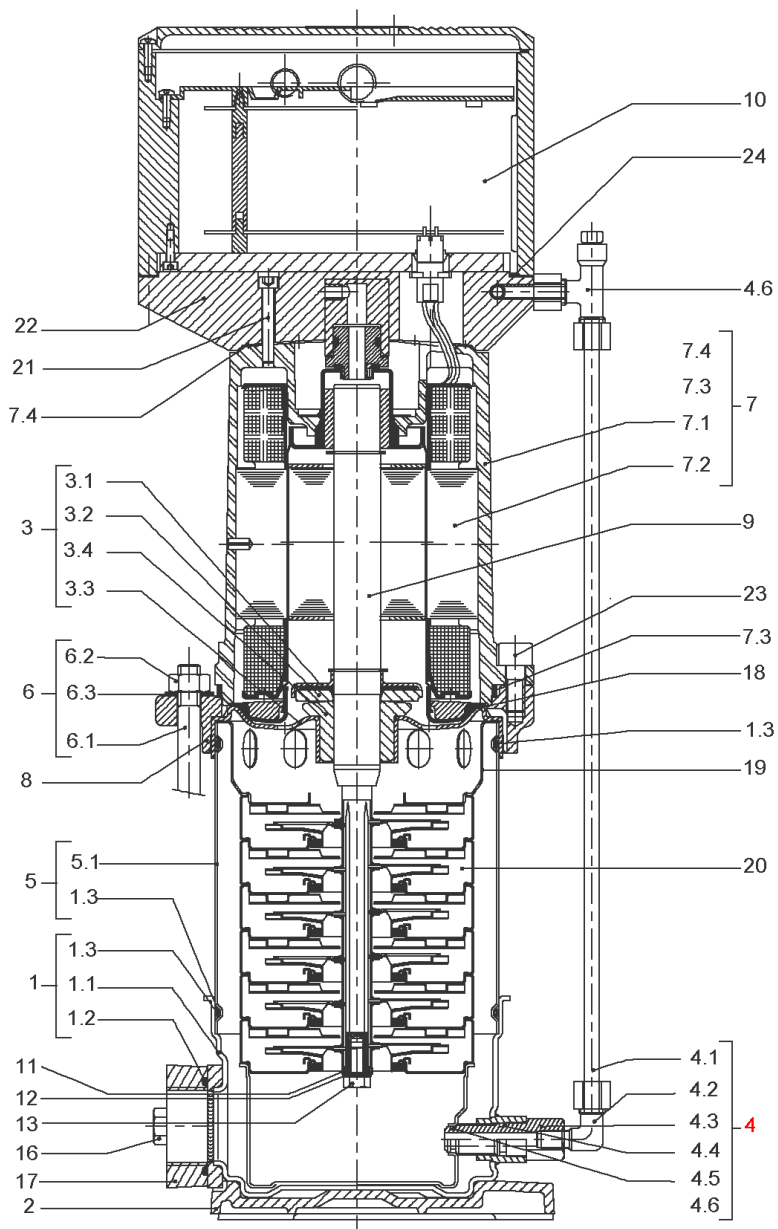
MVISE206-1/16/E/3-2-2G (2526589)

Item	Article no.	Description	Quantity
9.4		> O-RING ID.18,64X3,53 EPDM	1
9.5		> SCREW M16X1 FOR COOLING MVISE	1
9.6		> GASKET D.45/37,5X16,5 EPDM	1
8	2008293	FLANGE MVIS GR.52 GG25	1
9	2023724	ROTOR-UNIT 52A MVISE206/406 KIT	1
3.1		> SUPPORTRING D.58/25,1X5 EPDM	1
3.2		> Thrust plate Gr.52 D.59/25,5X6 ceramic	1
9.1	2010301	> O-RING ID.117,07X3,53	1
9.2		> ROTOR 52 RPA.80LG.MVISE206/406CPL.SLEEVE	1
9.3		> FLAT GASKET D.16,5/24X2,4EP906 TDS	1
9.4		> O-RING ID.18,64X3,53 EPDM	1
9.5		> SCREW M16X1 FOR COOLING MVISE	1
9.6		> GASKET D.45/37,5X16,5 EPDM	1
10	2528728	FREQUENZY CHANGER MVISE-2G KIT	1
11	64697	STAINLESS-STEEL-WASHER-DE8	1
12	4006203	WASHER D.16/13,8x3 1.4401	1
13	2047015	Screw M8X16 ISO4017 A4 VP.	1
16	2098207	SCREW M10X35 DIN933 8.8 A2A(4 PIECES)	1
17	2132561	OVAL FLANGE G1" LK75 VP.	1
19	4234236	UPPER STAGE RFK.MVI2/4 1.4301 VP.	1
20		SPARE PARTS HYDRAULICS MVIS/MVISE	1
	4047246	SCREW M6X40 ISO4762 8.8 2A	1



SPARE PARTS HYDRAULICS MVIS/MVISE

Item	Article no.	Description	Quantity
20.1	4050649	MVIS 200 STAGE KIT	1
		> STAGE HOUSING MVIS2/4 1.4301	1
		> IMPELLER MVI2 D.98x2 1.4301	1
		> SPACER IMPELLER MVI2/4 1.4435	1
		> OUTER CAGE OF SUCTION RING 2/4M3 1.4404	1
		> INNER CAGE OF SUCTION RING 2/4M3 1.4404	1
		> SUCTION-RING 2/4M3 PTFE	1
20.2	4050650	MVIS 200 STAGE KIT	1
		> IMPELLER MVI2 D.98x2 1.4301	1
		> SPACER IMPELLER MVI2/4 1.4435	1
		> OUTER CAGE OF SUCTION RING 2/4M3 1.4404	1
		> INNER CAGE OF SUCTION RING 2/4M3 1.4404	1
		> SUCTION-RING 2/4M3 PTFE	1
		> WASHER D.24/14x1,5 1.4401	1
		> ST.CASING-RETURN CH.MVIS2/4-304-MACHI.	1

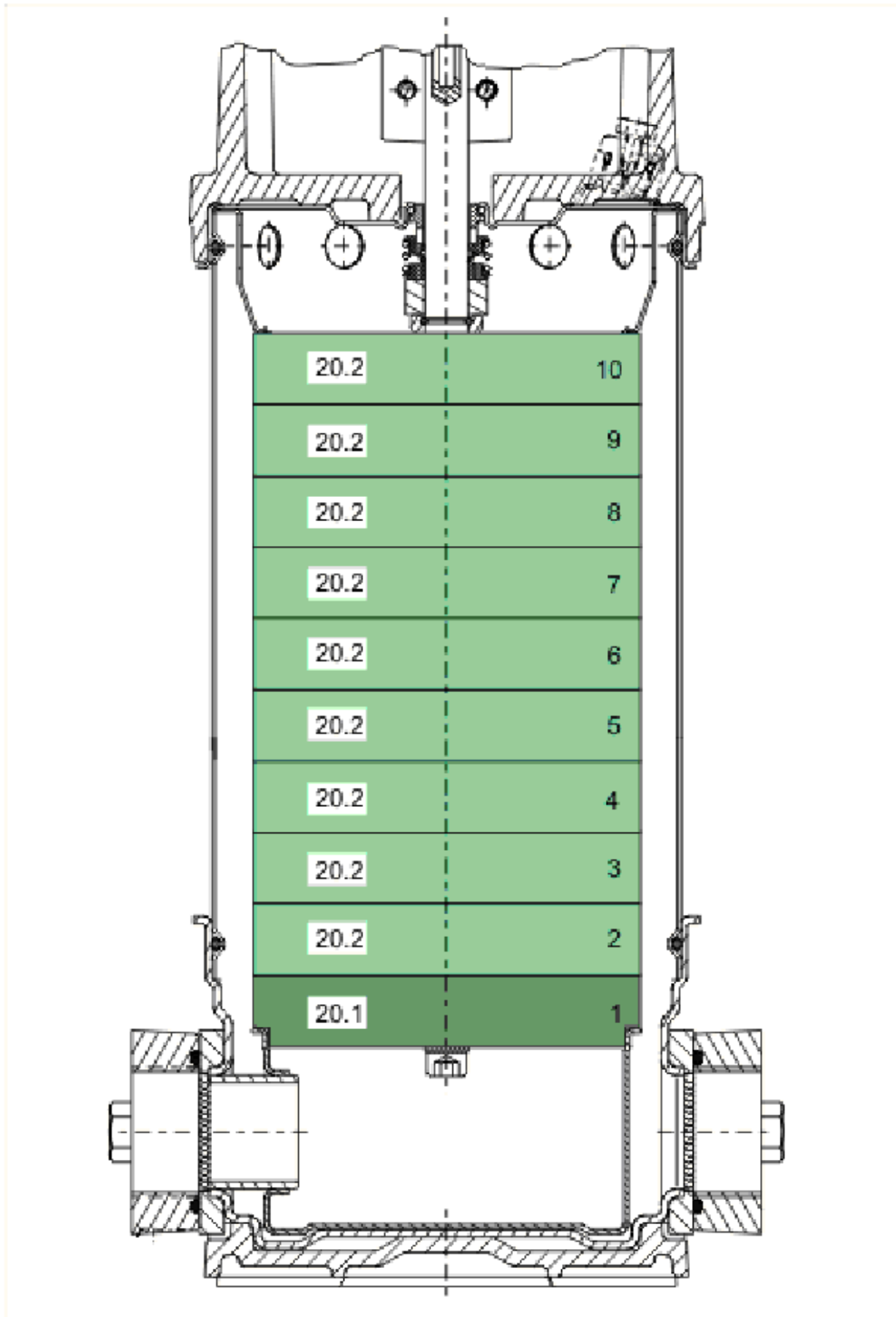


MVISE210-1/16/K/3-400-50-2 (4044990)

Item	Article no.	Description	Quantity
1	2023722	PUMP HOUSING D.32 PN16 MVISE 1.4301 KIT	1
1.1		> CASING-MU-I-D32-PN16-D152-304	1
1.2	4191618	> O-RING ID.44,05x3,53 EPDM VP.	1
1.3	4176513	> O-RING FOR PUMP JACKET VP.	1
2	2127420	BASE PLATE 212X157 PN16 VP.	1
3	4050647	MVIS205to210/403to410/800 BEARING KIT	1
3.1		> SUPPORTRING D.58/25,1X5 EPDM	1
3.2		> Thrust plate Gr.52 D.59/25,5X6 ceramic	1
3.3		> LANTERN MVIS GR.52 1.4301	1
3.4		> RADIAL BEARING D.58/40/25X32 AG.HT204	1
4	4055321	MVISE210/410 TUBE KIT	1
4.1		> PIPE 8X1X550 MVISE210/410 1.4571	1
4.2		> ANGLE GWT1002/8-LG 1/8 1.4571	1
4.3		> SCREW WITH HOLE-L64-1/8"-1.4404	1
4.4	4177800	> O-RING EPDM PLUG HELIX VP.	1
4.5	4234242	> O-RING 9X2 VP.	1
4.6		> T-IRON R1/8" MVISE 1.4571	1
5	2018380	HOUSING PIPE D.152X263 1.4301 KIT	1
1.3	4176513	> O-RING FOR PUMP JACKET VP.	1
5.1		> HOUSING-PIPE-D152-VMI210/410-304	1
6	2018365	STUD BOLT M12X392 KIT	1
6.1		> TIE BOLT M12-392x18x30-1.4057	1
6.2	2094647	> NUT M12 M12 ISO4032 VP.	1
6.3	2123557	> WASHER CS-12.4-24-1.6-NFE25 (4 PIECES)	1
7		STATOR-UNIT 52A/2200/2 MVISE KIT	1
Note: no longer available / nicht mehrlieferbar / ne plus disponible			
7.1		> MOTOR HOUSING SIZE 52A MVISE GK-ALSI9CU3	1
7.2		> STATOR-52A/2000--ASSEMBLED-SOCKETS-MVISE	1
7.3	2127484	> JOINT RING CIRCULAR D.145/148X7,6 EPDM V	1
7.4		> GASKET D.122/80X1 EPDM F.MVISE	1
8	2008293	FLANGE MVIS GR.52 GG25	1
9	2019662	ROTOR 52A RPA.110LG.MVISE210/410CPL.SLEE	1
10		FREQUENZY CHANGER MVISE 2,2KW >07/01	1
Note: no longer available / nicht mehrlieferbar / ne plus disponible			

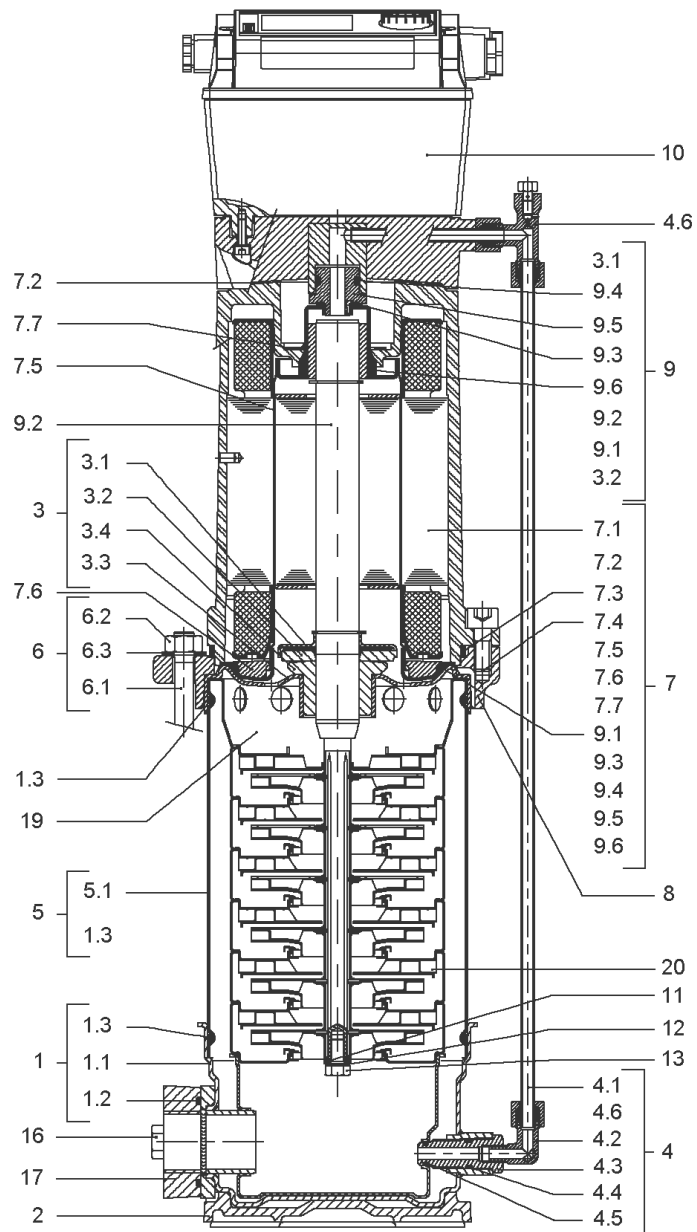
MVISE210-1/16/K/3-400-50-2 (4044990)

Item	Article no.	Description	Quantity
11	64697	STAINLESS-STEEL-WASHER-DE8	1
12	4006203	WASHER D.16/13,8x3 1.4401	1
13	2047015	Screw M8X16 ISO4017 A4 VP.	1
16	74750611107	BOLT,HEX M10X30/SS400/W	1
17	2132561	OVAL FLANGE G1" LK75 VP.	1
18	2010301	O-RING ID.117,07X3,53	1
19	4041014	STAGE-CENTERING 2/4m3-304-TOOLED	1
20		SPARE PARTS HYDRAULICS MVIS/MVISE	1
21	4047246	SCREW M6X40 ISO4762 8.8 2A	1
22		INVERSER-BASE-PAINTED-MVISE	1
Note: no longer available / nicht mehrlieferbar / ne plus disponible			
23	74760412112	SCREW M10X25 ISO4762 8.8 ZN	1
24	2018541	GASKET MVISE INVERTER HOUSING DOWN	1



SPARE PARTS HYDRAULICS MVIS/MVISE

Item	Article no.	Description	Quantity
20.1	4050649	MVIS 200 STAGE KIT	1
		> STAGE HOUSING MVIS2/4 1.4301	1
		> IMPELLER MVI2 D.98x2 1.4301	1
		> SPACER IMPELLER MVI2/4 1.4435	1
		> OUTER CAGE OF SUCTION RING 2/4M3 1.4404	1
		> INNER CAGE OF SUCTION RING 2/4M3 1.4404	1
		> SUCTION-RING 2/4M3 PTFE	1
20.2	4050650	MVIS 200 STAGE KIT	1
		> IMPELLER MVI2 D.98x2 1.4301	1
		> SPACER IMPELLER MVI2/4 1.4435	1
		> OUTER CAGE OF SUCTION RING 2/4M3 1.4404	1
		> INNER CAGE OF SUCTION RING 2/4M3 1.4404	1
		> SUCTION-RING 2/4M3 PTFE	1
		> WASHER D.24/14x1,5 1.4401	1
		> ST.CASING-RETURN CH.MVIS2/4-304-MACHI.	1

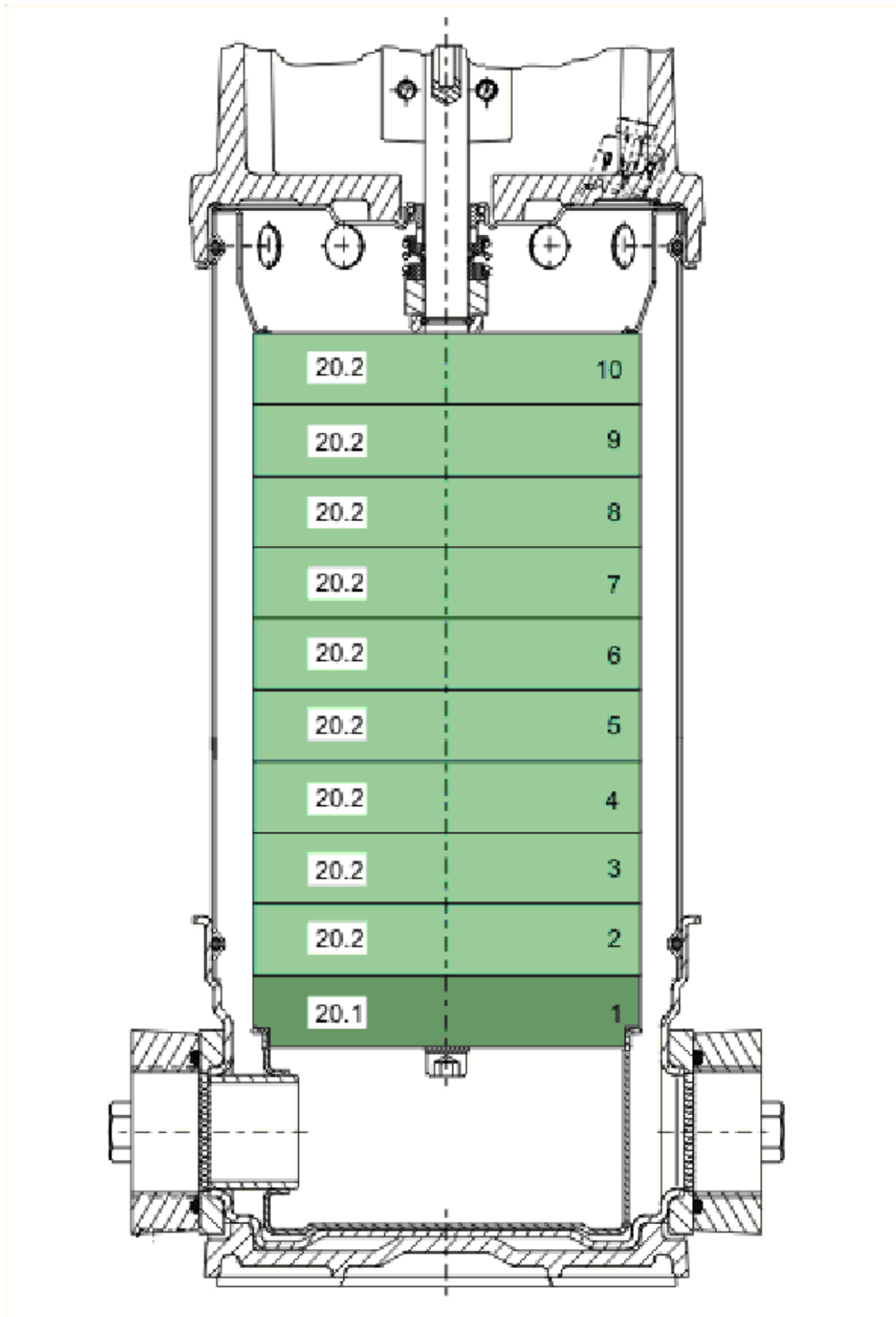


MVISE210-1/16/E/3-2-2G (2526590)

Item	Article no.	Description	Quantity
1	2023722	PUMP HOUSING D.32 PN16 MVISE 1.4301 KIT	1
1.1		> CASING-MU-I-D32-PN16-D152-304	1
1.2	4191618	> O-RING ID.44,05x3,53 EPDM VP.	1
1.3	4176513	> O-RING FOR PUMP JACKET VP.	1
2	2127420	BASE PLATE 212X157 PN16 VP.	1
3	4050647	MVIS205to210/403to410/800 BEARING KIT	1
3.1		> SUPPORTRING D.58/25,1X5 EPDM	1
3.2		> Thrust plate Gr.52 D.59/25,5X6 ceramic	1
3.3		> LANTERN MVIS GR.52 1.4301	1
3.4		> RADIAL BEARING D.58/40/25X32 AG.HT204	1
4	2098208	PIPE WORK 8X1X550 MVISE-2G KIT	1
4.1		> PIPE 8X1X550 MVISE210/410 1.4571	1
4.2		> ANGLE GWT1002/8-LG 1/8 1.4571	1
4.3		> DRAIN AND PRIMING PLUG 1/8"-L50-1.4404	1
4.4	4177800	> O-RING EPDM PLUG HELIX VP.	1
4.5	4234242	> O-RING 9X2 VP.	1
4.6		> T-IRON R1/8" MVISE 1.4571	1
5	2018380	HOUSING PIPE D.152X263 1.4301 KIT	1
1.3	4176513	> O-RING FOR PUMP JACKET VP.	1
5.1		> HOUSING-PIPE-D152-VM210/410-304	1
6	2018365	STUD BOLT M12X392 KIT	1
6.1		> TIE BOLT M12-392x18x30-1.4057	1
6.2	2094647	> NUT M12 M12 ISO4032 VP.	1
6.3	2123557	> WASHER CS-12.4-24-1.6-NFE25 (4 PIECES)	1
7	2096156	STATOR-UNIT 52A/2200/2 MVISE-2G KIT	1
7.1		> CARC.MOTEUR-EQUIPEE-52A/2200/2-2G	1
7.2		> GASKET D.122/78X1 EPDM F.MVISE	1
7.3	2127484	> JOINT RING CIRCULAR D.145/148X7,6 EPDM V	1
7.4	2010309	> SCREW M10X25 DIN912 (4 PIECES)	1
7.5		> CAN GR.52A MVISE CPL.	1
7.6		> JOINT-SPECIAL-T52-USINE	1
7.7		> CIRCLIPS F.MG.GR.52 1.4310	1
9.1	2010301	> O-RING ID.117,07X3,53	1
9.3		> FLAT GASKET D.16,5/24X2,4EP906 TDS	1

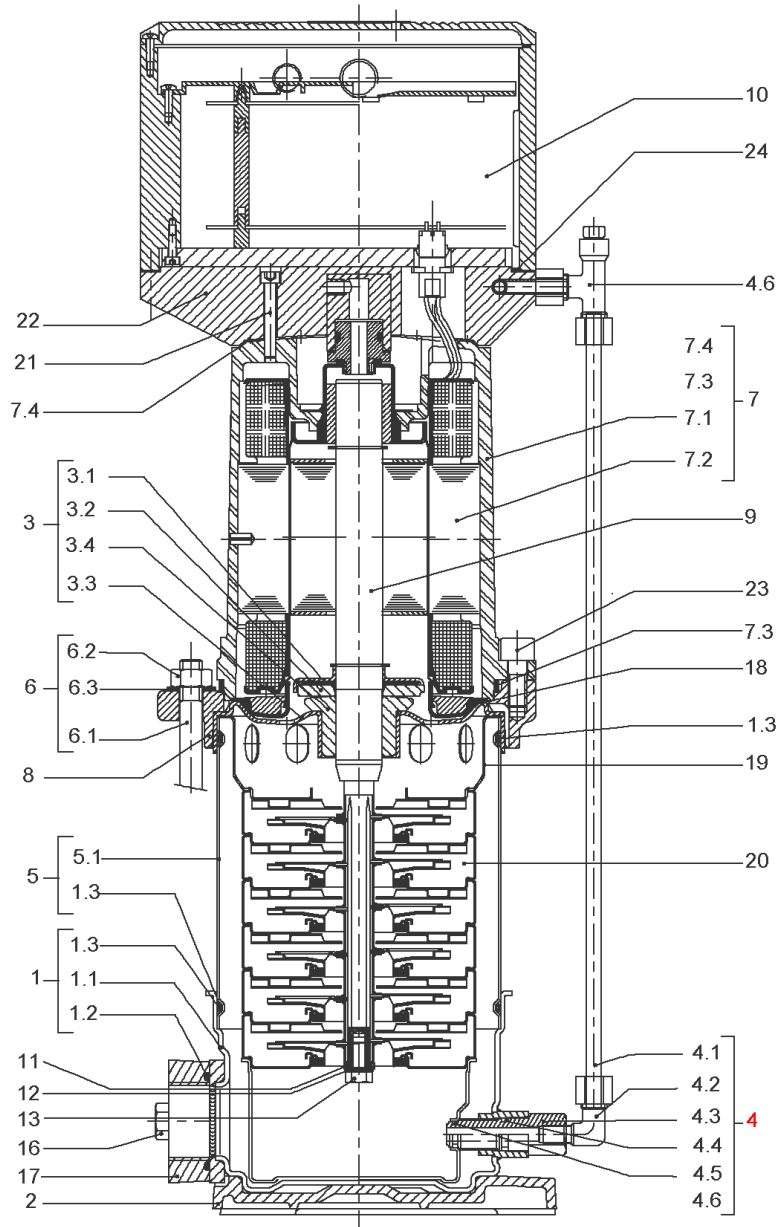
MVISE210-1/16/E/3-2-2G (2526590)

Item	Article no.	Description	Quantity
9.4		> O-RING ID.18,64X3,53 EPDM	1
9.5		> SCREW M16X1 FOR COOLING MVISE	1
9.6		> GASKET D.45/37,5X16,5 EPDM	1
8	2008293	FLANGE MVIS GR.52 GG25	1
9	2023723	ROTOR-UNIT 52A MVISE210/410 KIT	1
3.1		> SUPPORTRING D.58/25,1X5 EPDM	1
3.2		> Thrust plate Gr.52 D.59/25,5X6 ceramic	1
9.1	2010301	> O-RING ID.117,07X3,53	1
9.2		> ROTOR 52A RPA.110LG.MVISE210/410CPL.SLEE	1
9.3		> FLAT GASKET D.16,5/24X2,4EP906 TDS	1
9.4		> O-RING ID.18,64X3,53 EPDM	1
9.5		> SCREW M16X1 FOR COOLING MVISE	1
9.6		> GASKET D.45/37,5X16,5 EPDM	1
10	2528728	FREQUENZY CHANGER MVISE-2G KIT	1
11	64697	STAINLESS-STEEL-WASHER-DE8	1
12	4006203	WASHER D.16/13,8x3 1.4401	1
13	2047015	Screw M8X16 ISO4017 A4 VP.	1
16	2098207	SCREW M10X35 DIN933 8.8 A2A(4 PIECES)	1
17	2132561	OVAL FLANGE G1" LK75 VP.	1
19	4234236	UPPER STAGE RFK.MVI2/4 1.4301 VP.	1
20		SPARE PARTS HYDRAULICS MVIS/MVISE	1
	4047246	SCREW M6X40 ISO4762 8.8 2A	1



SPARE PARTS HYDRAULICS MVIS/MVISE

Item	Article no.	Description	Quantity
20.1	4050649	MVIS 200 STAGE KIT	1
		> STAGE HOUSING MVIS2/4 1.4301	1
		> IMPELLER MVI2 D.98x2 1.4301	1
		> SPACER IMPELLER MVI2/4 1.4435	1
		> OUTER CAGE OF SUCTION RING 2/4M3 1.4404	1
		> INNER CAGE OF SUCTION RING 2/4M3 1.4404	1
		> SUCTION-RING 2/4M3 PTFE	1
20.2	4050650	MVIS 200 STAGE KIT	1
		> IMPELLER MVI2 D.98x2 1.4301	1
		> SPACER IMPELLER MVI2/4 1.4435	1
		> OUTER CAGE OF SUCTION RING 2/4M3 1.4404	1
		> INNER CAGE OF SUCTION RING 2/4M3 1.4404	1
		> SUCTION-RING 2/4M3 PTFE	1
		> WASHER D.24/14x1,5 1.4401	1
		> ST.CASING-RETURN CH.MVIS2/4-304-MACHI.	1

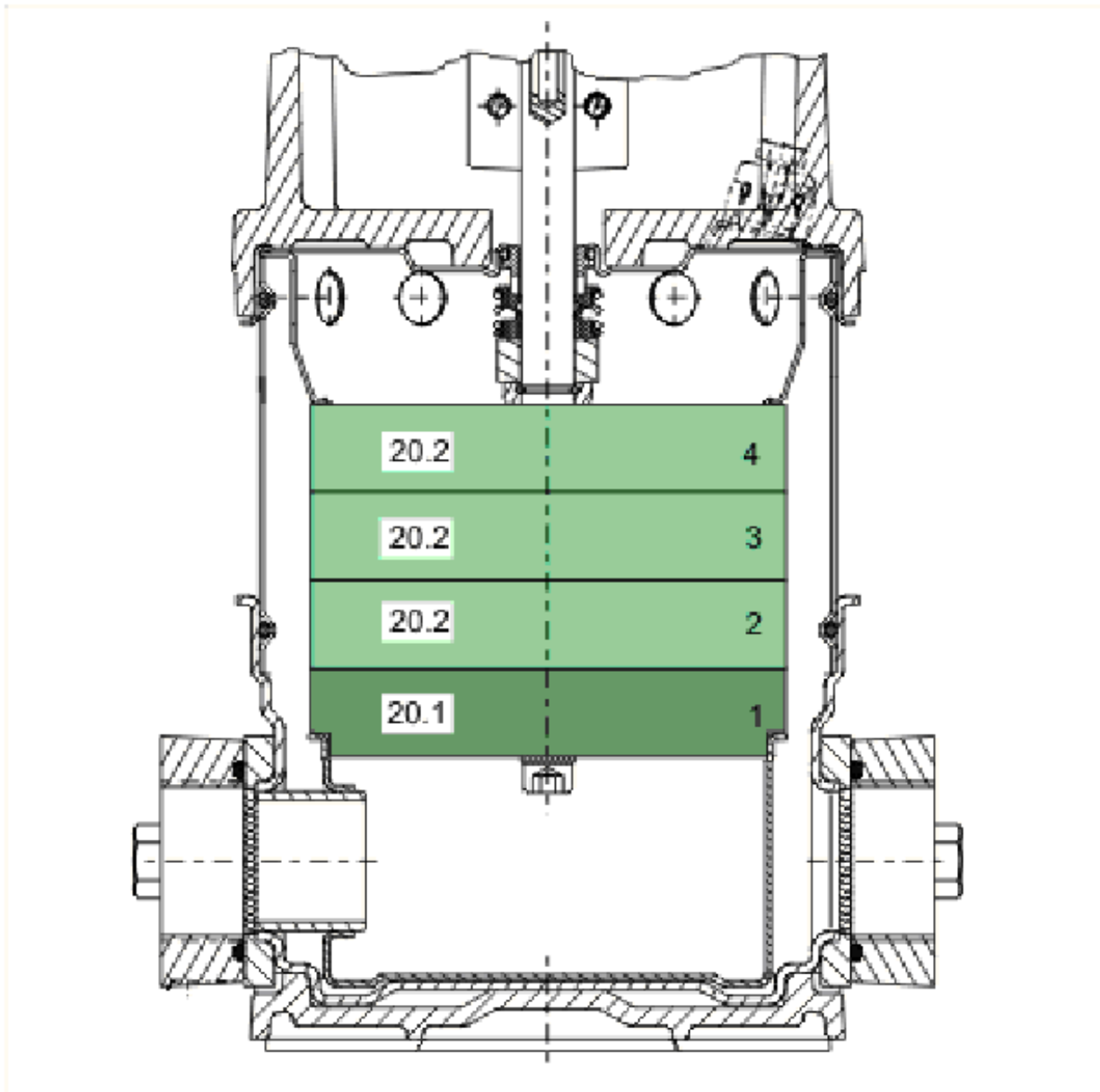


MVISE404-1/16/K/3-400-50-2 (4044991)

Item	Article no.	Description	Quantity
1	2023722	PUMP HOUSING D.32 PN16 MVISE 1.4301 KIT	1
1.1		> CASING-MU-I-D32-PN16-D152-304	1
1.2	4191618	> O-RING ID.44,05x3,53 EPDM VP.	1
1.3	4176513	> O-RING FOR PUMP JACKET VP.	1
2	2127420	BASE PLATE 212X157 PN16 VP.	1
3	4050647	MVIS205to210/403to410/800 BEARING KIT	1
3.1		> SUPPORTRING D.58/25,1X5 EPDM	1
3.2		> Thrust plate Gr.52 D.59/25,5X6 ceramic	1
3.3		> LANTERN MVIS GR.52 1.4301	1
3.4		> RADIAL BEARING D.58/40/25X32 AG.HT204	1
4	4055322	MVISE404 TUBE KIT	1
4.1		> PIPE 8X1X376 MVISE404 1.4571	1
4.2		> ANGLE GWT1002/8-LG 1/8 1.4571	1
4.3		> SCREW WITH HOLE-L64-1/8"-1.4404	1
4.4	4177800	> O-RING EPDM PLUG HELIX VP.	1
4.5	4234242	> O-RING 9X2 VP.	1
4.6		> T-IRON R1/8" MVISE 1.4571	1
5	2018375	HOUSING PIPE D.152X119 1.4301 KIT	1
1.3	4176513	> O-RING FOR PUMP JACKET VP.	1
5.1		> HOUSING-PIPE-D152-VM1204/404-304	1
6	2018359	STUD BOLT M12X245 KIT	1
6.1		> TIE BOLT M12-245x18x30-1.4057	1
6.2	2094647	> NUT M12 M12 ISO4032 VP.	1
6.3	2123557	> WASHER CS-12.4-24-1.6-NFE25 (4 PIECES)	1
7		STATOR-UNIT 52/1100/2 MVISE KIT	1
Note: no longer available / nicht mehrlieferbar / ne plus disponible			
7.1		> MOTOR HOUSING SIZE 52 MVISE GK-ALSI9CU3	1
7.2		> STATOR-52/1100-ASSEMBLED-SOCKETS-MVISE	1
7.3	2127484	> JOINT RING CIRCULAR D.145/148X7,6 EPDM V	1
7.4		> GASKET D.122/80X1 EPDM F.MVISE	1
8	2008293	FLANGE MVIS GR.52 GG25	1
9	2019661	ROTOR 52 RPA.80LG.MVISE404 CPL.VA-SLEEVE	1
10		FREQUENZY CHANGER MVISE 1,1KW >07/01	1
Note: no longer available / nicht mehrlieferbar / ne plus disponible			

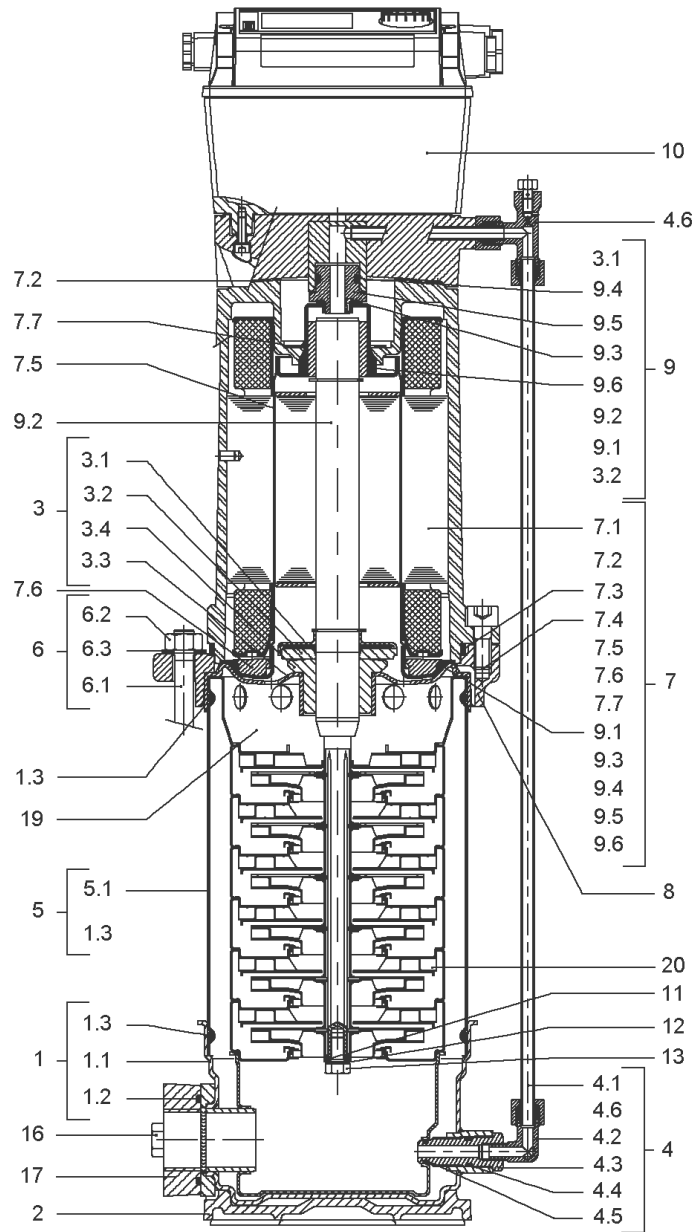
MVISE404-1/16/K/3-400-50-2 (4044991)

Item	Article no.	Description	Quantity
11	64697	STAINLESS-STEEL-WASHER-DE8	1
12	4006203	WASHER D.16/13,8x3 1.4401	1
13	2047015	Screw M8X16 ISO4017 A4 VP.	1
16	74750611107	BOLT,HEX M10X30/SS400/W	1
17	2132562	OVAL FLANGE G1 1/4" LK75 VP.	1
18	2010301	O-RING ID.117,07X3,53	1
19	4041014	STAGE-CENTERING 2/4m3-304-TOOLED	1
20		SPARE PARTS HYDRAULICS MVIS/MVISE	1
21	4047246	SCREW M6X40 ISO4762 8.8 2A	1
22		INVERSER-BASE-PAINTED-MVISE	1
Note: no longer available / nicht mehrlieferbar / ne plus disponible			
23	74760412112	SCREW M10X25 ISO4762 8.8 ZN	1
24	2018541	GASKET MVISE INVERTER HOUSING DOWN	1



SPARE PARTS HYDRAULICS MVIS/MVISE

Item	Article no.	Description	Quantity
20.1	4050662	MVIS 400 STAGE KIT	1
		> STAGE HOUSING MVIS2/4 1.4301	1
		> IMPELLER MVI4 D.98,5x3,1 1.4301	1
		> SPACER IMPELLER MVI2/4 1.4435	1
		> OUTER CAGE OF SUCTION RING 2/4M3 1.4404	1
		> INNER CAGE OF SUCTION RING 2/4M3 1.4404	1
		> SUCTION-RING 2/4M3 PTFE	1
20.2	4050663	MVIS 400 STAGE KIT	1
		> IMPELLER MVI4 D.98,5x3,1 1.4301	1
		> SPACER IMPELLER MVI2/4 1.4435	1
		> OUTER CAGE OF SUCTION RING 2/4M3 1.4404	1
		> INNER CAGE OF SUCTION RING 2/4M3 1.4404	1
		> SUCTION-RING 2/4M3 PTFE	1
		> ST.CASING-RETURN CH.MVIS2/4-304-MACHI.	1

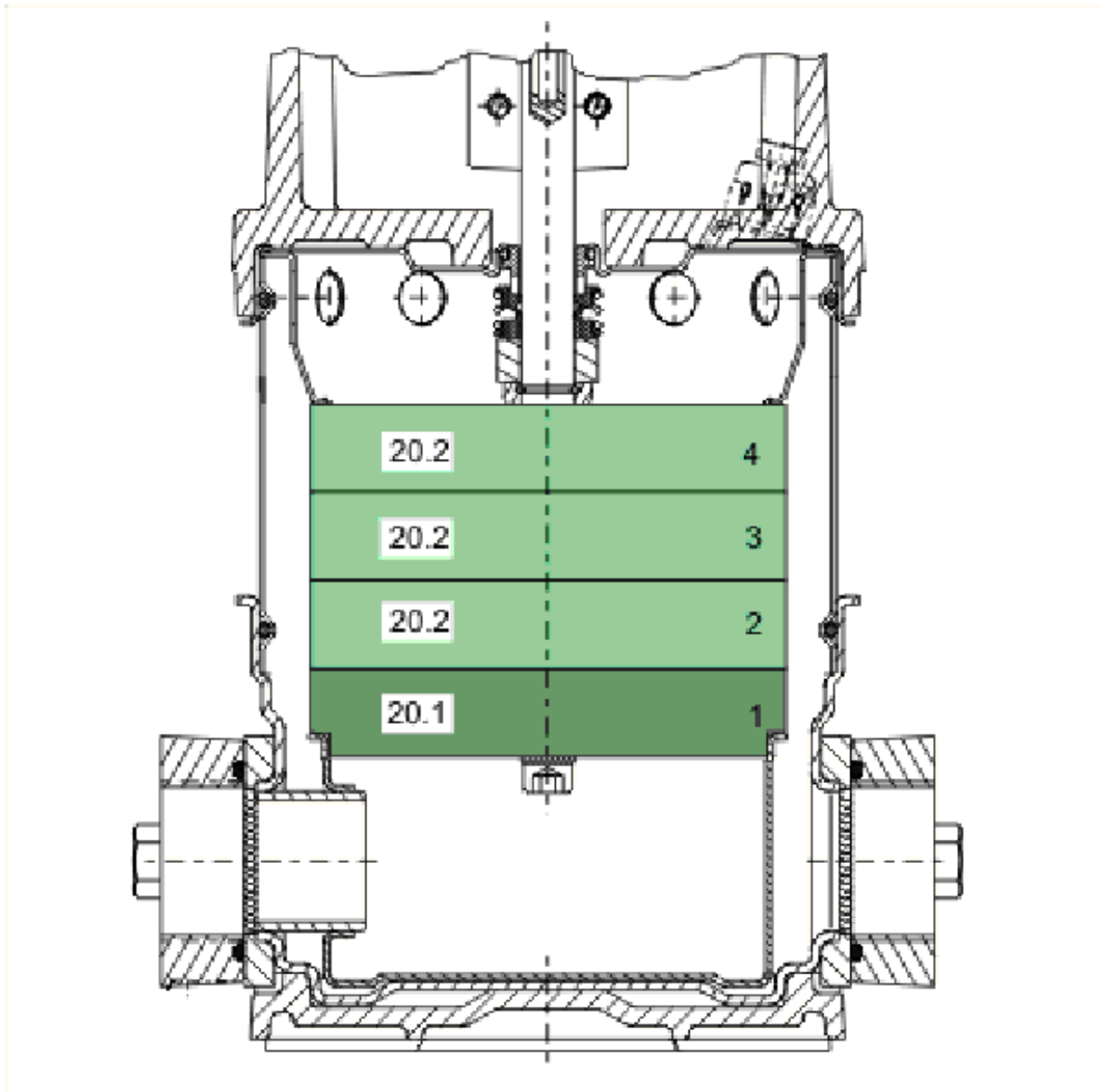


MVISE404-1/16/E/3-2-2G (2526591)

Item	Article no.	Description	Quantity
1	2023722	PUMP HOUSING D.32 PN16 MVISE 1.4301 KIT	1
1.1		> CASING-MU-I-D32-PN16-D152-304	1
1.2	4191618	> O-RING ID.44,05x3,53 EPDM VP.	1
1.3	4176513	> O-RING FOR PUMP JACKET VP.	1
2	2127420	BASE PLATE 212X157 PN16 VP.	1
3	4050647	MVIS205to210/403to410/800 BEARING KIT	1
3.1		> SUPPORTRING D.58/25,1X5 EPDM	1
3.2		> Thrust plate Gr.52 D.59/25,5X6 ceramic	1
3.3		> LANTERN MVIS GR.52 1.4301	1
3.4		> RADIAL BEARING D.58/40/25X32 AG.HT204	1
4	2096157	PIPE WORK 8X1X376 MVISE-2G KIT	1
4.1		> PIPE 8X1X376 MVISE404 1.4571	1
4.2		> ANGLE GWT1002/8-LG 1/8 1.4571	1
4.3		> DRAIN AND PRIMING PLUG 1/8"-L50-1.4404	1
4.4	4177800	> O-RING EPDM PLUG HELIX VP.	1
4.5	4234242	> O-RING 9X2 VP.	1
4.6		> T-IRON R1/8" MVISE 1.4571	1
5	2018375	HOUSING PIPE D.152X119 1.4301 KIT	1
1.3	4176513	> O-RING FOR PUMP JACKET VP.	1
5.1		> HOUSING-PIPE-D152-VM1204/404-304	1
6	2018359	STUD BOLT M12X245 KIT	1
6.1		> TIE BOLT M12-245x18x30-1.4057	1
6.2	2094647	> NUT M12 M12 ISO4032 VP.	1
6.3	2123557	> WASHER CS-12.4-24-1.6-NFE25 (4 PIECES)	1
7	2096427	STATOR-UNIT 52/1100/2 MVISE-2G KIT	1
7.1		> CARC.MOTEUR-EQUIPEE-52/1100/2-2G	1
7.2		> GASKET D.122/78X1 EPDM F.MVISE	1
7.3	2127484	> JOINT RING CIRCULAR D.145/148X7,6 EPDM V	1
7.4	2010309	> SCREW M10X25 DIN912 (4 PIECES)	1
7.5		> CAN GR.52 MVISE CPL.	1
7.6		> JOINT-SPECIAL-T52-USINE	1
7.7		> CIRCLIPS F.MG.GR.52 1.4310	1
9.1	2010301	> O-RING ID.117,07X3,53	1
9.3		> FLAT GASKET D.16,5/24X2,4EP906 TDS	1

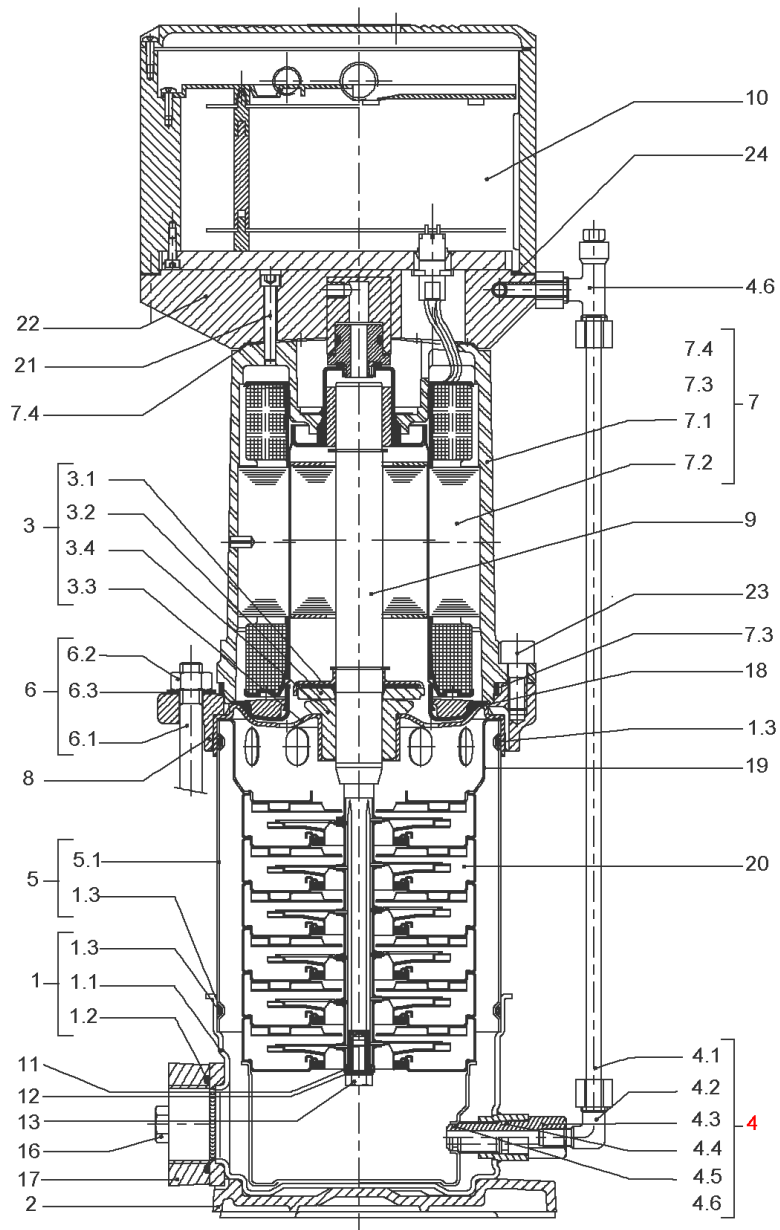
MVISE404-1/16/E/3-2-2G (2526591)

Item	Article no.	Description	Quantity
9.4		> O-RING ID.18,64X3,53 EPDM	1
9.5		> SCREW M16X1 FOR COOLING MVISE	1
9.6		> GASKET D.45/37,5X16,5 EPDM	1
8	2008293	FLANGE MVIS GR.52 GG25	1
9	2023725	ROTOR-UNIT 52A MVISE404 KIT	1
3.1		> SUPPORTRING D.58/25,1X5 EPDM	1
3.2		> Thrust plate Gr.52 D.59/25,5X6 ceramic	1
9.1	2010301	> O-RING ID.117,07X3,53	1
9.2		> ROTOR 52 RPA.80LG.MVISE404 CPL.VA-SLEEVE	1
9.3		> FLAT GASKET D.16,5/24X2,4EP906 TDS	1
9.4		> O-RING ID.18,64X3,53 EPDM	1
9.5		> SCREW M16X1 FOR COOLING MVISE	1
9.6		> GASKET D.45/37,5X16,5 EPDM	1
10	2528728	FREQUENZY CHANGER MVISE-2G KIT	1
11	64697	STAINLESS-STEEL-WASHER-DE8	1
13	2047015	Screw M8X16 ISO4017 A4 VP.	1
16	2098207	SCREW M10X35 DIN933 8.8 A2A(4 PIECES)	1
17	2132562	OVAL FLANGE G1 1/4" LK75 VP.	1
19	4234236	UPPER STAGE RFK.MVI2/4 1.4301 VP.	1
20		SPARE PARTS HYDRAULICS MVIS/MVISE	1
	4047246	SCREW M6X40 ISO4762 8.8 2A	1



SPARE PARTS HYDRAULICS MVIS/MVISE

Item	Article no.	Description	Quantity
20.1	4050662	MVIS 400 STAGE KIT	1
		> STAGE HOUSING MVIS2/4 1.4301	1
		> IMPELLER MVI4 D.98,5x3,1 1.4301	1
		> SPACER IMPELLER MVI2/4 1.4435	1
		> OUTER CAGE OF SUCTION RING 2/4M3 1.4404	1
		> INNER CAGE OF SUCTION RING 2/4M3 1.4404	1
		> SUCTION-RING 2/4M3 PTFE	1
20.2	4050663	MVIS 400 STAGE KIT	1
		> IMPELLER MVI4 D.98,5x3,1 1.4301	1
		> SPACER IMPELLER MVI2/4 1.4435	1
		> OUTER CAGE OF SUCTION RING 2/4M3 1.4404	1
		> INNER CAGE OF SUCTION RING 2/4M3 1.4404	1
		> SUCTION-RING 2/4M3 PTFE	1
		> ST.CASING-RETURN CH.MVIS2/4-304-MACHI.	1

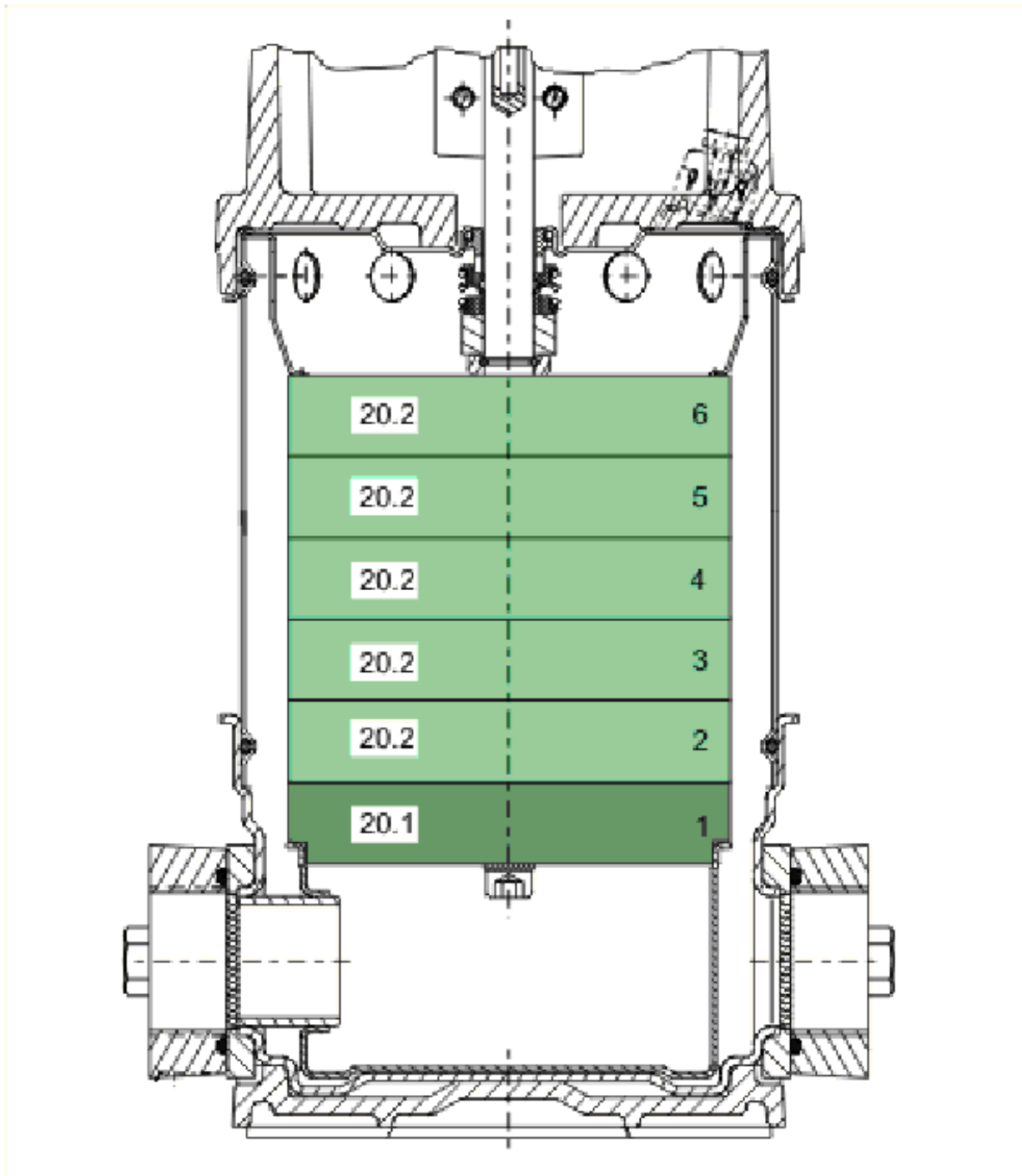


MVISE406-1/16/K/3-400-50-2 (4044992)

Item	Article no.	Description	Quantity
1	2023722	PUMP HOUSING D.32 PN16 MVISE 1.4301 KIT	1
1.1		> CASING-MU-I-D32-PN16-D152-304	1
1.2	4191618	> O-RING ID.44,05x3,53 EPDM VP.	1
1.3	4176513	> O-RING FOR PUMP JACKET VP.	1
2	2127420	BASE PLATE 212X157 PN16 VP.	1
3	4050647	MVIS205to210/403to410/800 BEARING KIT	1
3.1		> SUPPORTRING D.58/25,1X5 EPDM	1
3.2		> Thrust plate Gr.52 D.59/25,5X6 ceramic	1
3.3		> LANTERN MVIS GR.52 1.4301	1
3.4		> RADIAL BEARING D.58/40/25X32 AG.HT204	1
4	4055320	MVISE206/406 TUBE KIT	1
4.1		> PIPE 8X1X424 MVISE206/406 1.4571	1
4.2		> ANGLE GWT1002/8-LG 1/8 1.4571	1
4.3		> SCREW WITH HOLE-L64-1/8"-1.4404	1
4.4	4177800	> O-RING EPDM PLUG HELIX VP.	1
4.5	4234242	> O-RING 9X2 VP.	1
4.6		> T-IRON R1/8" MVISE 1.4571	1
5	2018377	HOUSING PIPE D.152X167 1.4301 KIT	1
1.3	4176513	> O-RING FOR PUMP JACKET VP.	1
5.1		> HOUSING-PIPE-D152-VM206/406-304	1
6	2018361	STUD BOLT M12X293 KIT	1
6.1		> TIE BOLT M12-293x18x30-1.4057	1
6.2	2094647	> NUT M12 M12 ISO4032 VP.	1
6.3	2123557	> WASHER CS-12.4-24-1.6-NFE25 (4 PIECES)	1
7		STATOR-UNIT 52/1100/2 MVISE KIT	1
Note: no longer available / nicht mehrlieferbar / ne plus disponible			
7.1		> MOTOR HOUSING SIZE 52 MVISE GK-ALSI9CU3	1
7.2		> STATOR-52/1100-ASSEMBLED-SOCKETS-MVISE	1
7.3	2127484	> JOINT RING CIRCULAR D.145/148X7,6 EPDM V	1
7.4		> GASKET D.122/80X1 EPDM F.MVISE	1
8	2008293	FLANGE MVIS GR.52 GG25	1
9	2019660	ROTOR 52 RPA.80LG.MVISE206/406CPL.SLEEVE	1
10		FREQUENZY CHANGER MVISE 1,1KW >07/01	1
Note: no longer available / nicht mehrlieferbar / ne plus disponible			

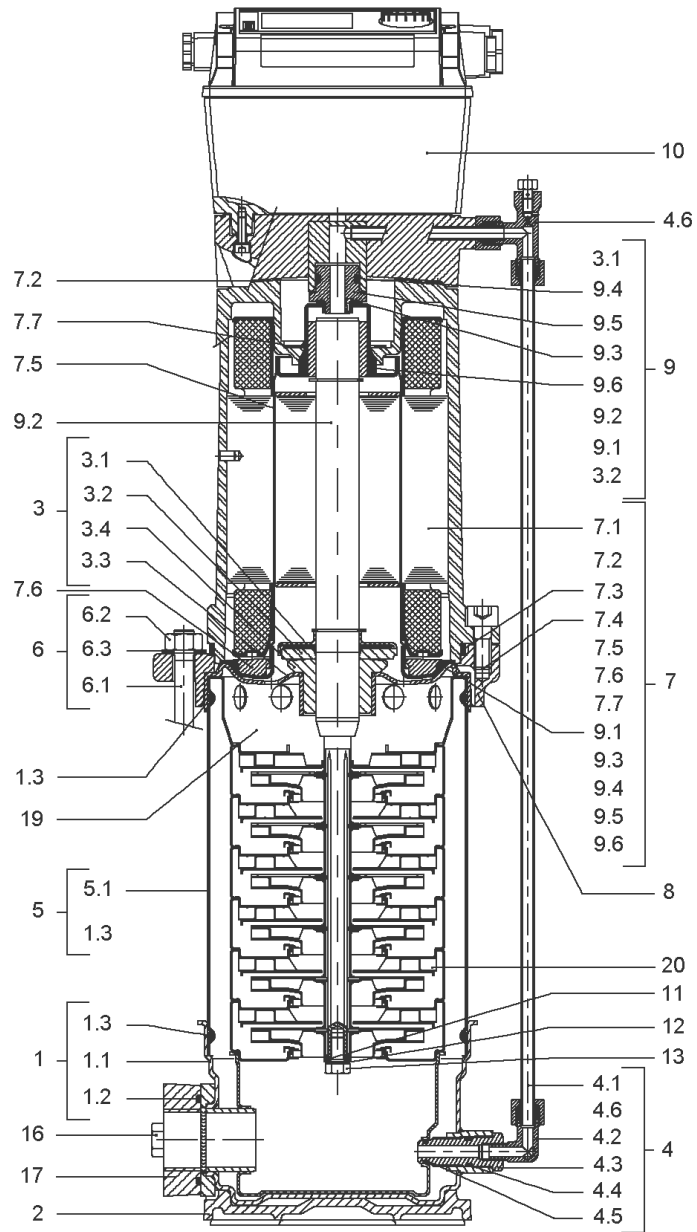
MVISE406-1/16/K/3-400-50-2 (4044992)

Item	Article no.	Description	Quantity
11	64697	STAINLESS-STEEL-WASHER-DE8	1
12	4006203	WASHER D.16/13,8x3 1.4401	1
13	2047015	Screw M8X16 ISO4017 A4 VP.	1
16	74750611107	BOLT,HEX M10X30/SS400/W	1
17	2132562	OVAL FLANGE G1 1/4" LK75 VP.	1
18	2010301	O-RING ID.117,07X3,53	1
19	4041014	STAGE-CENTERING 2/4m3-304-TOOLED	1
20		SPARE PARTS HYDRAULICS MVIS/MVISE	1
21	4047246	SCREW M6X40 ISO4762 8.8 2A	1
22		INVERSER-BASE-PAINTED-MVISE	1
Note: no longer available / nicht mehrlieferbar / ne plus disponible			
23	74760412112	SCREW M10X25 ISO4762 8.8 ZN	1
24	2018541	GASKET MVISE INVERTER HOUSING DOWN	1



SPARE PARTS HYDRAULICS MVIS/MVISE

Item	Article no.	Description	Quantity
20.1	4050662	MVIS 400 STAGE KIT	1
		> STAGE HOUSING MVIS2/4 1.4301	1
		> IMPELLER MVI4 D.98,5x3,1 1.4301	1
		> SPACER IMPELLER MVI2/4 1.4435	1
		> OUTER CAGE OF SUCTION RING 2/4M3 1.4404	1
		> INNER CAGE OF SUCTION RING 2/4M3 1.4404	1
		> SUCTION-RING 2/4M3 PTFE	1
20.2	4050663	MVIS 400 STAGE KIT	1
		> IMPELLER MVI4 D.98,5x3,1 1.4301	1
		> SPACER IMPELLER MVI2/4 1.4435	1
		> OUTER CAGE OF SUCTION RING 2/4M3 1.4404	1
		> INNER CAGE OF SUCTION RING 2/4M3 1.4404	1
		> SUCTION-RING 2/4M3 PTFE	1
		> ST.CASING-RETURN CH.MVIS2/4-304-MACHI.	1

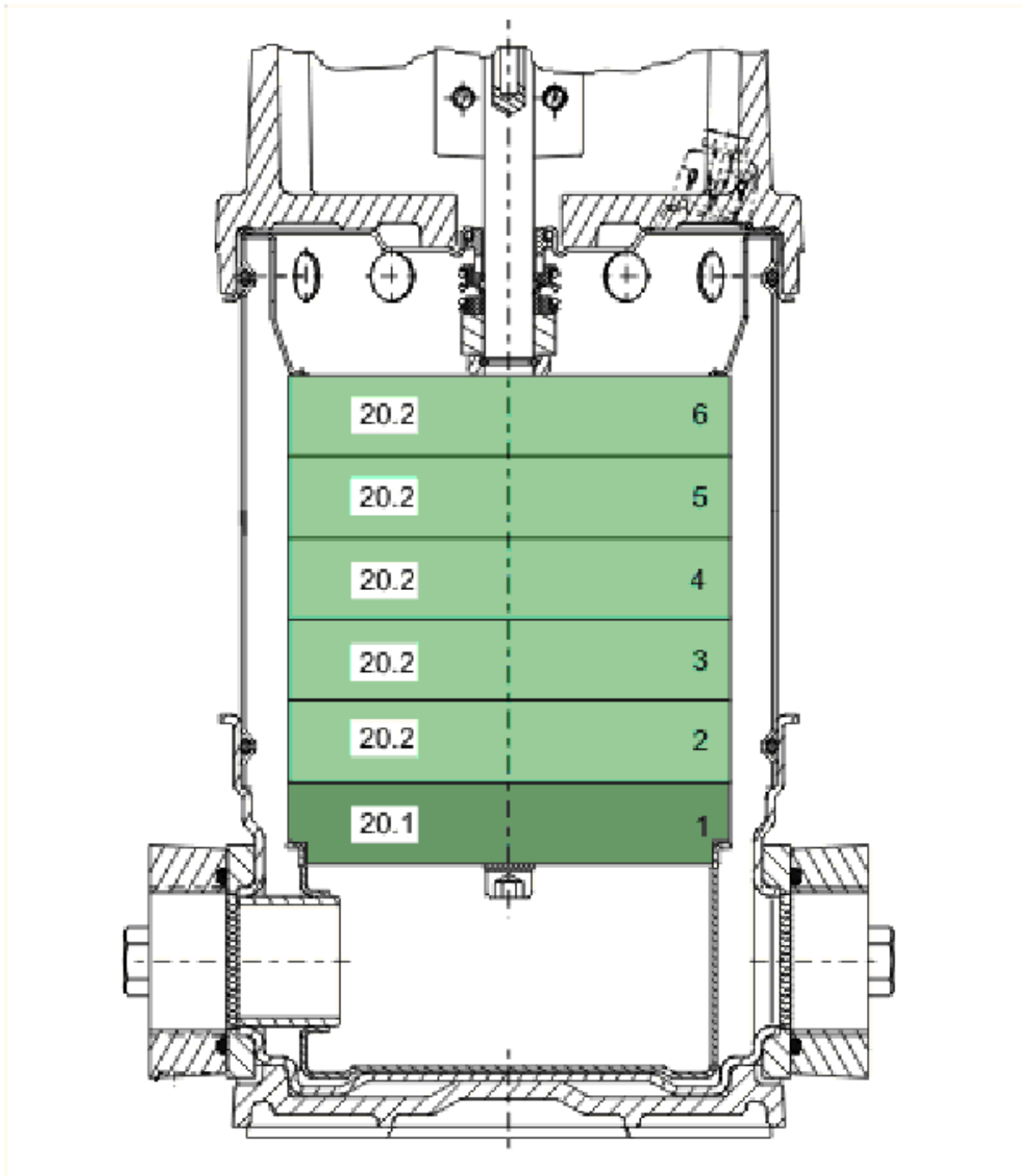


MVISE406-1/16/E/3-2-2G (2526592)

Item	Article no.	Description	Quantity
1	2023722	PUMP HOUSING D.32 PN16 MVISE 1.4301 KIT	1
1.1		> CASING-MU-I-D32-PN16-D152-304	1
1.2	4191618	> O-RING ID.44,05x3,53 EPDM VP.	1
1.3	4176513	> O-RING FOR PUMP JACKET VP.	1
2	2127420	BASE PLATE 212X157 PN16 VP.	1
3	4050647	MVIS205to210/403to410/800 BEARING KIT	1
3.1		> SUPPORTRING D.58/25,1X5 EPDM	1
3.2		> Thrust plate Gr.52 D.59/25,5X6 ceramic	1
3.3		> LANTERN MVIS GR.52 1.4301	1
3.4		> RADIAL BEARING D.58/40/25X32 AG.HT204	1
4	2098206	PIPE WORK 8X1X424 MVISE-2G KIT	1
4.1		> PIPE 8X1X424 MVISE206/406 1.4571	1
4.2		> ANGLE GWT1002/8-LG 1/8 1.4571	1
4.3		> DRAIN AND PRIMING PLUG 1/8"-L50-1.4404	1
4.4	4177800	> O-RING EPDM PLUG HELIX VP.	1
4.5	4234242	> O-RING 9X2 VP.	1
4.6		> T-IRON R1/8" MVISE 1.4571	1
5	2018377	HOUSING PIPE D.152X167 1.4301 KIT	1
1.3	4176513	> O-RING FOR PUMP JACKET VP.	1
5.1		> HOUSING-PIPE-D152-VM1206/406-304	1
6	2018361	STUD BOLT M12X293 KIT	1
6.1		> TIE BOLT M12-293x18x30-1.4057	1
6.2	2094647	> NUT M12 M12 ISO4032 VP.	1
6.3	2123557	> WASHER CS-12.4-24-1.6-NFE25 (4 PIECES)	1
7	2096427	STATOR-UNIT 52/1100/2 MVISE-2G KIT	1
7.1		> CARC.MOTEUR-EQUIPEE-52/1100/2-2G	1
7.2		> GASKET D.122/78X1 EPDM F.MVISE	1
7.3	2127484	> JOINT RING CIRCULAR D.145/148X7,6 EPDM V	1
7.4	2010309	> SCREW M10X25 DIN912 (4 PIECES)	1
7.5		> CAN GR.52 MVISE CPL.	1
7.6		> JOINT-SPECIAL-T52-USINE	1
7.7		> CIRCLIPS F.MG.GR.52 1.4310	1
9.1	2010301	> O-RING ID.117,07X3,53	1
9.3		> FLAT GASKET D.16,5/24X2,4EP906 TDS	1

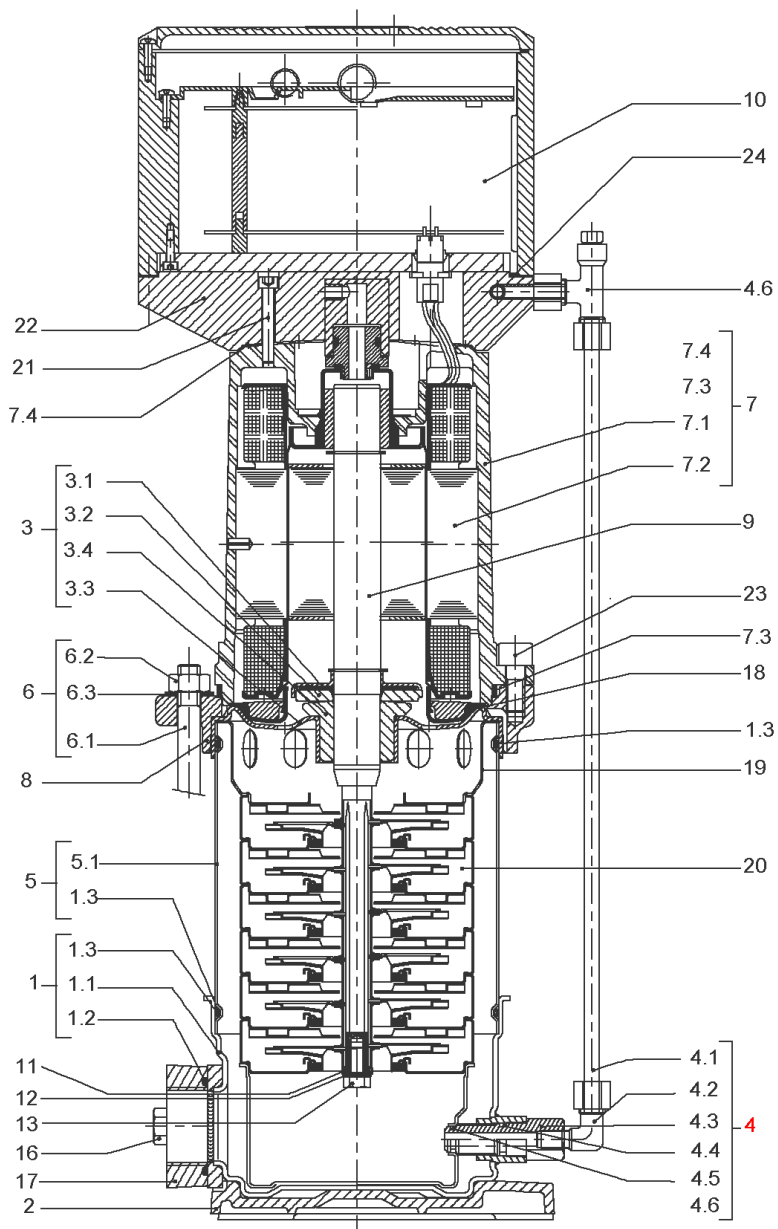
MVISE406-1/16/E/3-2-2G (2526592)

Item	Article no.	Description	Quantity
9.4		> O-RING ID.18,64X3,53 EPDM	1
9.5		> SCREW M16X1 FOR COOLING MVISE	1
9.6		> GASKET D.45/37,5X16,5 EPDM	1
8	2008293	FLANGE MVIS GR.52 GG25	1
9	2023724	ROTOR-UNIT 52A MVISE206/406 KIT	1
3.1		> SUPPORTRING D.58/25,1X5 EPDM	1
3.2		> Thrust plate Gr.52 D.59/25,5X6 ceramic	1
9.1	2010301	> O-RING ID.117,07X3,53	1
9.2		> ROTOR 52 RPA.80LG.MVISE206/406CPL.SLEEVE	1
9.3		> FLAT GASKET D.16,5/24X2,4EP906 TDS	1
9.4		> O-RING ID.18,64X3,53 EPDM	1
9.5		> SCREW M16X1 FOR COOLING MVISE	1
9.6		> GASKET D.45/37,5X16,5 EPDM	1
10	2528728	FREQUENZY CHANGER MVISE-2G KIT	1
11	64697	STAINLESS-STEEL-WASHER-DE8	1
13	2047015	Screw M8X16 ISO4017 A4 VP.	1
16	2098207	SCREW M10X35 DIN933 8.8 A2A(4 PIECES)	1
17	2132562	OVAL FLANGE G1 1/4" LK75 VP.	1
19	4234236	UPPER STAGE RFK.MVI2/4 1.4301 VP.	1
20		SPARE PARTS HYDRAULICS MVIS/MVISE	1
	4047246	SCREW M6X40 ISO4762 8.8 2A	1



SPARE PARTS HYDRAULICS MVIS/MVISE

Item	Article no.	Description	Quantity
20.1	4050662	MVIS 400 STAGE KIT	1
		> STAGE HOUSING MVIS2/4 1.4301	1
		> IMPELLER MVI4 D.98,5x3,1 1.4301	1
		> SPACER IMPELLER MVI2/4 1.4435	1
		> OUTER CAGE OF SUCTION RING 2/4M3 1.4404	1
		> INNER CAGE OF SUCTION RING 2/4M3 1.4404	1
		> SUCTION-RING 2/4M3 PTFE	1
20.2	4050663	MVIS 400 STAGE KIT	1
		> IMPELLER MVI4 D.98,5x3,1 1.4301	1
		> SPACER IMPELLER MVI2/4 1.4435	1
		> OUTER CAGE OF SUCTION RING 2/4M3 1.4404	1
		> INNER CAGE OF SUCTION RING 2/4M3 1.4404	1
		> SUCTION-RING 2/4M3 PTFE	1
		> ST.CASING-RETURN CH.MVIS2/4-304-MACHI.	1

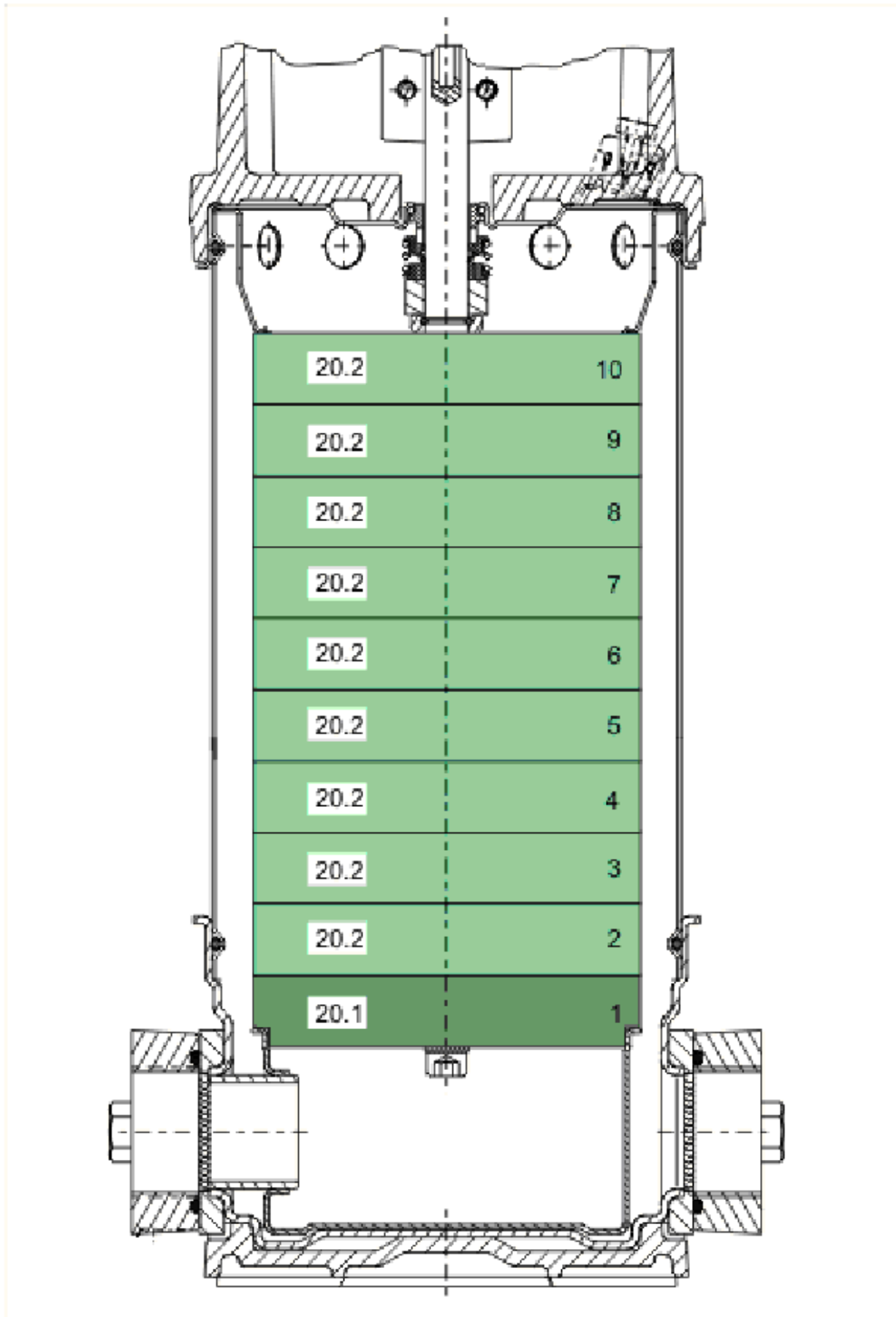


MVISE410-1/16/K/3-400-50-2 (4044993)

Item	Article no.	Description	Quantity
1	2023722	PUMP HOUSING D.32 PN16 MVISE 1.4301 KIT	1
1.1		> CASING-MU-I-D32-PN16-D152-304	1
1.2	4191618	> O-RING ID.44,05x3,53 EPDM VP.	1
1.3	4176513	> O-RING FOR PUMP JACKET VP.	1
2	2127420	BASE PLATE 212X157 PN16 VP.	1
3	4050647	MVIS205to210/403to410/800 BEARING KIT	1
3.1		> SUPPORTRING D.58/25,1X5 EPDM	1
3.2		> Thrust plate Gr.52 D.59/25,5X6 ceramic	1
3.3		> LANTERN MVIS GR.52 1.4301	1
3.4		> RADIAL BEARING D.58/40/25X32 AG.HT204	1
4	4055321	MVISE210/410 TUBE KIT	1
4.1		> PIPE 8X1X550 MVISE210/410 1.4571	1
4.2		> ANGLE GWT1002/8-LG 1/8 1.4571	1
4.3		> SCREW WITH HOLE-L64-1/8"-1.4404	1
4.4	4177800	> O-RING EPDM PLUG HELIX VP.	1
4.5	4234242	> O-RING 9X2 VP.	1
4.6		> T-IRON R1/8" MVISE 1.4571	1
5	2018380	HOUSING PIPE D.152X263 1.4301 KIT	1
1.3	4176513	> O-RING FOR PUMP JACKET VP.	1
5.1		> HOUSING-PIPE-D152-VM210/410-304	1
6	2018365	STUD BOLT M12X392 KIT	1
6.1		> TIE BOLT M12-392x18x30-1.4057	1
6.2	2094647	> NUT M12 M12 ISO4032 VP.	1
6.3	2123557	> WASHER CS-12.4-24-1.6-NFE25 (4 PIECES)	1
7		STATOR-UNIT 52A/2200/2 MVISE KIT	1
Note: no longer available / nicht mehrlieferbar / ne plus disponible			
7.1		> MOTOR HOUSING SIZE 52A MVISE GK-ALS19CU3	1
7.2		> STATOR-52A/2000--ASSEMBLED-SOCKETS-MVISE	1
7.3	2127484	> JOINT RING CIRCULAR D.145/148X7,6 EPDM V	1
7.4		> GASKET D.122/80X1 EPDM F.MVISE	1
8	2008293	FLANGE MVIS GR.52 GG25	1
9	2019662	ROTOR 52A RPA.110LG.MVISE210/410CPL.SLEE	1
10		FREQUENZY CHANGER MVISE 2,2KW >07/01	1
Note: no longer available / nicht mehrlieferbar / ne plus disponible			

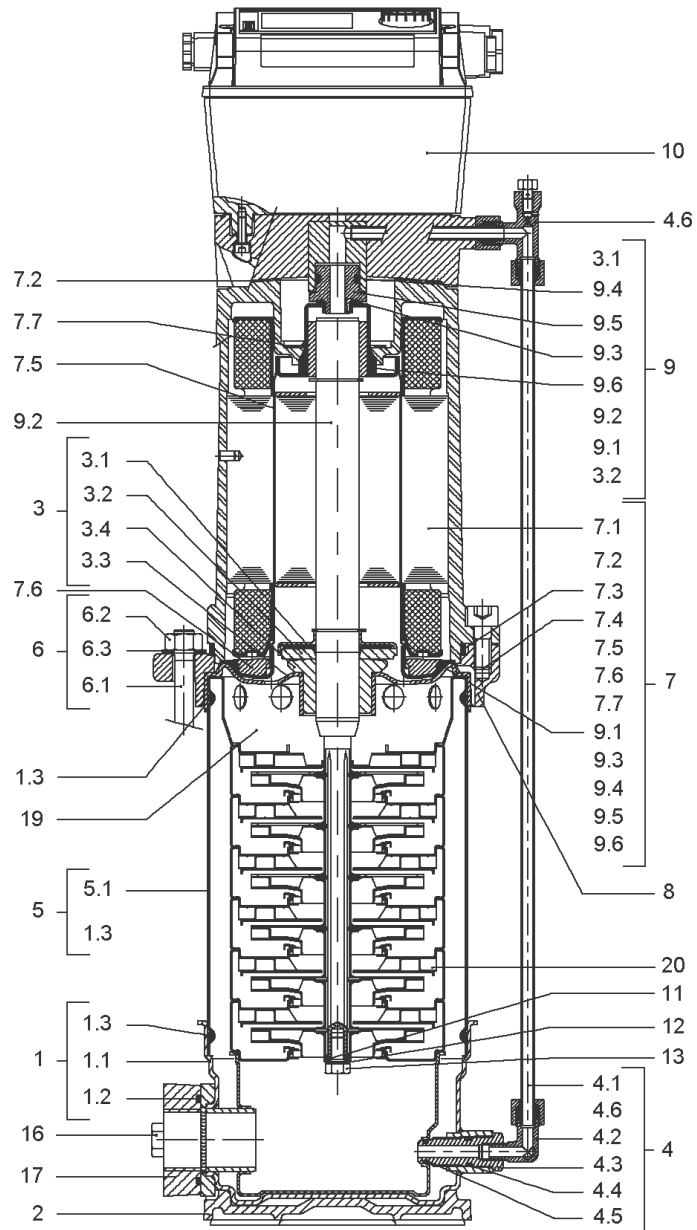
MVISE410-1/16/K/3-400-50-2 (4044993)

Item	Article no.	Description	Quantity
11	64697	STAINLESS-STEEL-WASHER-DE8	1
12	4006203	WASHER D.16/13,8x3 1.4401	1
13	2047015	Screw M8X16 ISO4017 A4 VP.	1
16	74750611107	BOLT,HEX M10X30/SS400/W	1
17	2132562	OVAL FLANGE G1 1/4" LK75 VP.	1
18	2010301	O-RING ID.117,07X3,53	1
19	4041014	STAGE-CENTERING 2/4m3-304-TOOLED	1
20		SPARE PARTS HYDRAULICS MVIS/MVISE	1
21	4047246	SCREW M6X40 ISO4762 8.8 2A	1
22		INVERSER-BASE-PAINTED-MVISE	1
Note: no longer available / nicht mehrlieferbar / ne plus disponible			
23	74760412112	SCREW M10X25 ISO4762 8.8 ZN	1
24	2018541	GASKET MVISE INVERTER HOUSING DOWN	1



SPARE PARTS HYDRAULICS MVIS/MVISE

Item	Article no.	Description	Quantity
20.1	4050662	MVIS 400 STAGE KIT	1
		> STAGE HOUSING MVIS2/4 1.4301	1
		> IMPELLER MVI4 D.98,5x3,1 1.4301	1
		> SPACER IMPELLER MVI2/4 1.4435	1
		> OUTER CAGE OF SUCTION RING 2/4M3 1.4404	1
		> INNER CAGE OF SUCTION RING 2/4M3 1.4404	1
		> SUCTION-RING 2/4M3 PTFE	1
20.2	4050663	MVIS 400 STAGE KIT	1
		> IMPELLER MVI4 D.98,5x3,1 1.4301	1
		> SPACER IMPELLER MVI2/4 1.4435	1
		> OUTER CAGE OF SUCTION RING 2/4M3 1.4404	1
		> INNER CAGE OF SUCTION RING 2/4M3 1.4404	1
		> SUCTION-RING 2/4M3 PTFE	1
		> ST.CASING-RETURN CH.MVIS2/4-304-MACHI.	1

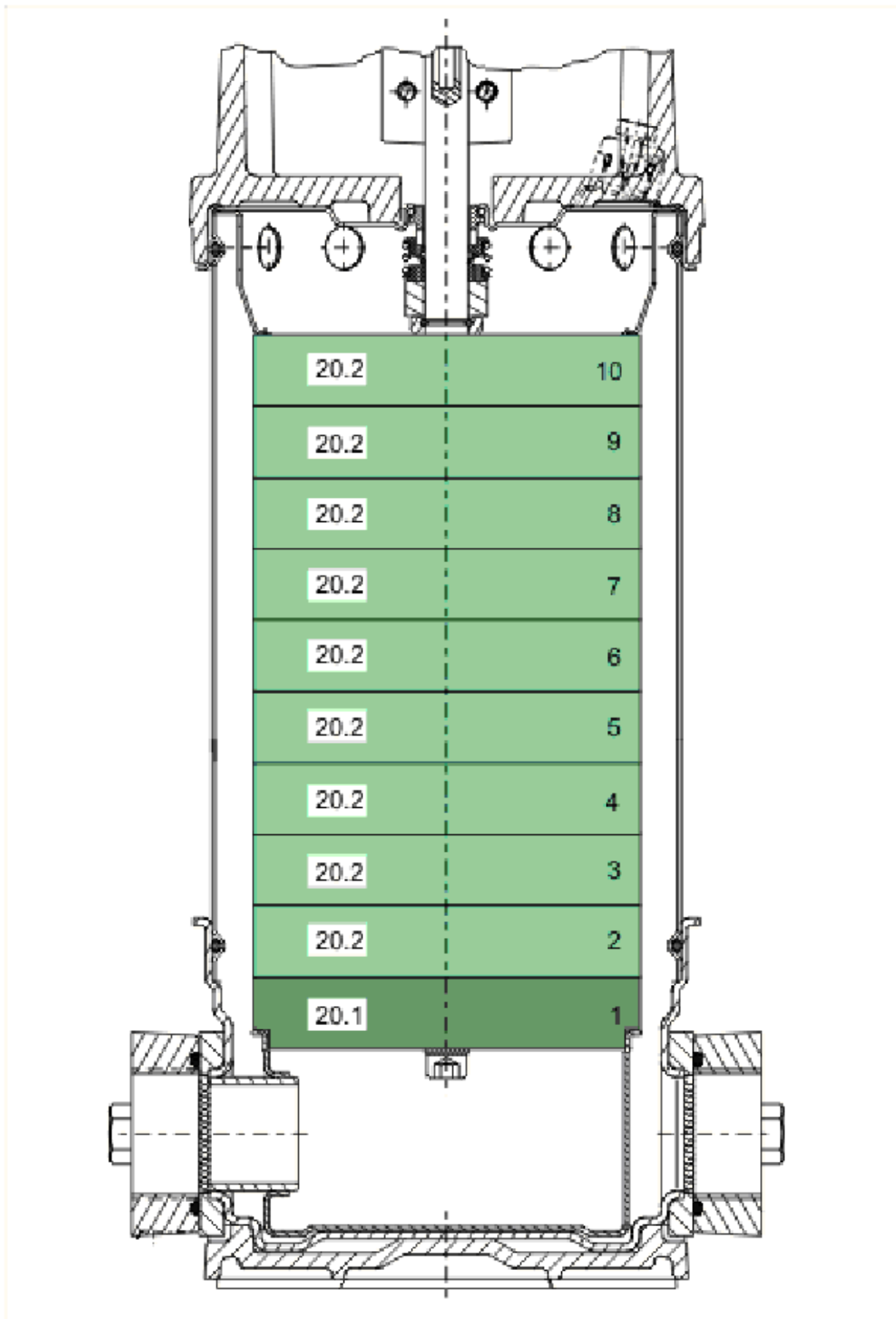


MVISE410-1/16/E/3-2-2G (2526593)

Item	Article no.	Description	Quantity
1	2023722	PUMP HOUSING D.32 PN16 MVISE 1.4301 KIT	1
1.1		> CASING-MU-I-D32-PN16-D152-304	1
1.2	4191618	> O-RING ID.44,05x3,53 EPDM VP.	1
1.3	4176513	> O-RING FOR PUMP JACKET VP.	1
2	2127420	BASE PLATE 212X157 PN16 VP.	1
3	4050647	MVIS205to210/403to410/800 BEARING KIT	1
3.1		> SUPPORTRING D.58/25,1X5 EPDM	1
3.2		> Thrust plate Gr.52 D.59/25,5X6 ceramic	1
3.3		> LANTERN MVIS GR.52 1.4301	1
3.4		> RADIAL BEARING D.58/40/25X32 AG.HT204	1
4	2098208	PIPE WORK 8X1X550 MVISE-2G KIT	1
4.1		> PIPE 8X1X550 MVISE210/410 1.4571	1
4.2		> ANGLE GWT1002/8-LG 1/8 1.4571	1
4.3		> DRAIN AND PRIMING PLUG 1/8"-L50-1.4404	1
4.4	4177800	> O-RING EPDM PLUG HELIX VP.	1
4.5	4234242	> O-RING 9X2 VP.	1
4.6		> T-IRON R1/8" MVISE 1.4571	1
5	2018380	HOUSING PIPE D.152X263 1.4301 KIT	1
1.3	4176513	> O-RING FOR PUMP JACKET VP.	1
5.1		> HOUSING-PIPE-D152-VM1210/410-304	1
6	2018365	STUD BOLT M12X392 KIT	1
6.1		> TIE BOLT M12-392x18x30-1.4057	1
6.2	2094647	> NUT M12 M12 ISO4032 VP.	1
6.3	2123557	> WASHER CS-12.4-24-1.6-NFE25 (4 PIECES)	1
7	2096156	STATOR-UNIT 52A/2200/2 MVISE-2G KIT	1
7.1		> CARC.MOTEUR-EQUIPEE-52A/2200/2-2G	1
7.2		> GASKET D.122/78X1 EPDM F.MVISE	1
7.3	2127484	> JOINT RING CIRCULAR D.145/148X7,6 EPDM V	1
7.4	2010309	> SCREW M10X25 DIN912 (4 PIECES)	1
7.5		> CAN GR.52A MVISE CPL.	1
7.6		> JOINT-SPECIAL-T52-USINE	1
7.7		> CIRCLIPS F.MG.GR.52 1.4310	1
9.1	2010301	> O-RING ID.117,07X3,53	1
9.3		> FLAT GASKET D.16,5/24X2,4EP906 TDS	1

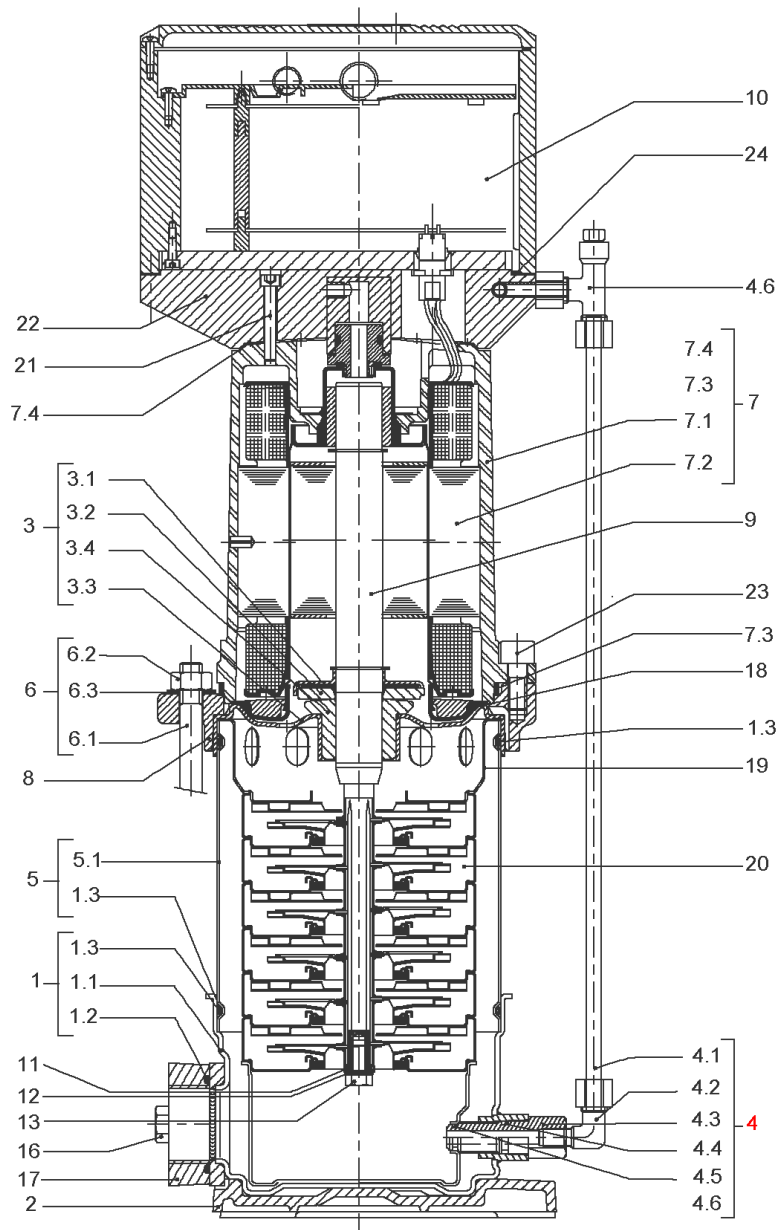
MVISE410-1/16/E/3-2-2G (2526593)

Item	Article no.	Description	Quantity
9.4		> O-RING ID.18,64X3,53 EPDM	1
9.5		> SCREW M16X1 FOR COOLING MVISE	1
9.6		> GASKET D.45/37,5X16,5 EPDM	1
8	2008293	FLANGE MVIS GR.52 GG25	1
9	2023723	ROTOR-UNIT 52A MVISE210/410 KIT	1
3.1		> SUPPORTRING D.58/25,1X5 EPDM	1
3.2		> Thrust plate Gr.52 D.59/25,5X6 ceramic	1
9.1	2010301	> O-RING ID.117,07X3,53	1
9.2		> ROTOR 52A RPA.110LG.MVISE210/410CPL.SLEE	1
9.3		> FLAT GASKET D.16,5/24X2,4EP906 TDS	1
9.4		> O-RING ID.18,64X3,53 EPDM	1
9.5		> SCREW M16X1 FOR COOLING MVISE	1
9.6		> GASKET D.45/37,5X16,5 EPDM	1
10	2528728	FREQUENZY CHANGER MVISE-2G KIT	1
11	64697	STAINLESS-STEEL-WASHER-DE8	1
13	2047015	Screw M8X16 ISO4017 A4 VP.	1
16	2098207	SCREW M10X35 DIN933 8.8 A2A(4 PIECES)	1
17	2132562	OVAL FLANGE G1 1/4" LK75 VP.	1
19	4234236	UPPER STAGE RFK.MVI2/4 1.4301 VP.	1
20		SPARE PARTS HYDRAULICS MVIS/MVISE	1
	4047246	SCREW M6X40 ISO4762 8.8 2A	1



SPARE PARTS HYDRAULICS MVIS/MVISE

Item	Article no.	Description	Quantity
20.1	4050662	MVIS 400 STAGE KIT	1
		> STAGE HOUSING MVIS2/4 1.4301	1
		> IMPELLER MVI4 D.98,5x3,1 1.4301	1
		> SPACER IMPELLER MVI2/4 1.4435	1
		> OUTER CAGE OF SUCTION RING 2/4M3 1.4404	1
		> INNER CAGE OF SUCTION RING 2/4M3 1.4404	1
		> SUCTION-RING 2/4M3 PTFE	1
20.2	4050663	MVIS 400 STAGE KIT	1
		> IMPELLER MVI4 D.98,5x3,1 1.4301	1
		> SPACER IMPELLER MVI2/4 1.4435	1
		> OUTER CAGE OF SUCTION RING 2/4M3 1.4404	1
		> INNER CAGE OF SUCTION RING 2/4M3 1.4404	1
		> SUCTION-RING 2/4M3 PTFE	1
		> ST.CASING-RETURN CH.MVIS2/4-304-MACHI.	1

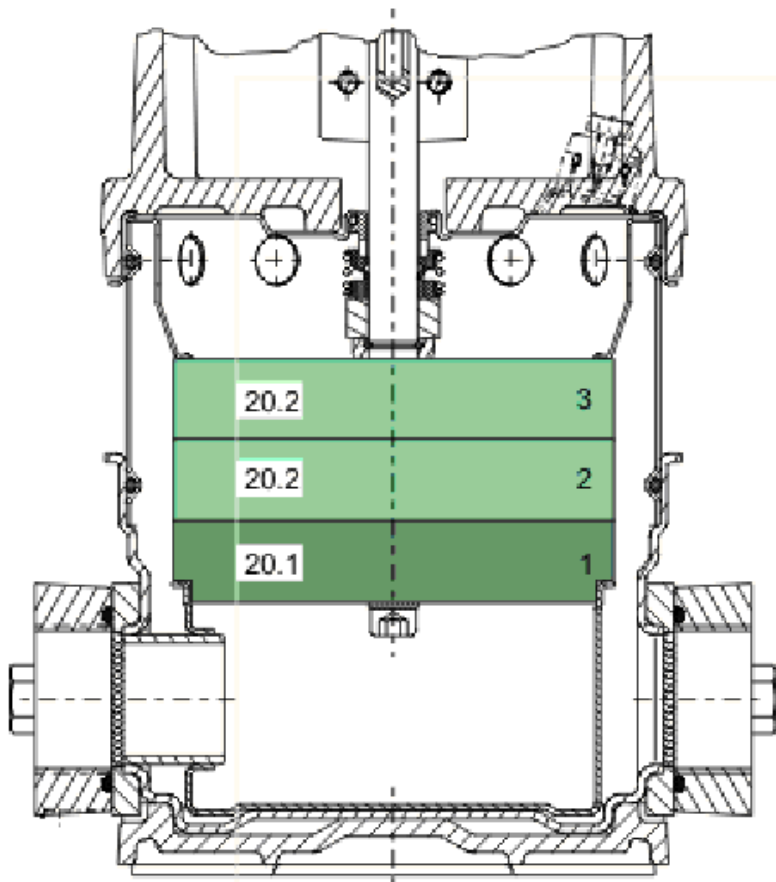


MVISE803-1/16/K/3-400-50-2 (4044994)

Item	Article no.	Description	Quantity
1	2023721	PUMP HOUSING D.50 PN16 MVISE 1.4301 KIT	1
1.1		> PUMP HOUSING MVI D.50 PN16 1.4301	1
1.2	4233954	> O-RING ID.66 EPDM VP.	1
1.3	4176513	> O-RING FOR PUMP JACKET VP.	1
2	4176517	BASEPLATE V8/10 VP.	1
3	4050647	MVIS205to210/403to410/800 BEARING KIT	1
3.1		> SUPPORTRING D.58/25,1X5 EPDM	1
3.2		> Thrust plate Gr.52 D.59/25,5X6 ceramic	1
3.3		> LANTERN MVIS GR.52 1.4301	1
3.4		> RADIAL BEARING D.58/40/25X32 AG.HT204	1
4	4055323	MVISE803 TUBE KIT	1
4.1		> PIPE 8X1X388 MVISE803 1.4571	1
4.2		> ANGLE GWT1002/8-LG 1/8 1.4571	1
4.3		> SCREW WITH HOLE-L64-1/8"-1.4404	1
4.4	4177800	> O-RING EPDM PLUG HELIX VP.	1
4.5	4234242	> O-RING 9X2 VP.	1
4.6		> T-PART R1/8" D.8 M.VENTILATION 1.4571	1
5	2018383	HOUSING PIPE D.152X131 1.4301 KIT	1
1.3	4176513	> O-RING FOR PUMP JACKET VP.	1
5.1		> HOUSING-PIPE-D152-VMI803-304	1
6	2018367	STUD BOLT M12X257 KIT	1
6.1		> TIE BOLT M12-257x18x30-1.4057	1
6.2	2094647	> NUT M12 M12 ISO4032 VP.	1
6.3	2123557	> WASHER CS-12.4-24-1.6-NFE25 (4 PIECES)	1
7		STATOR-UNIT 52/1100/2 MVISE KIT	1
Note: no longer available / nicht mehrlieferbar / ne plus disponible			
7.1		> MOTOR HOUSING SIZE 52 MVISE GK-ALSI9CU3	1
7.2		> STATOR-52/1100-ASSEMBLED-SOCKETS-MVISE	1
7.3	2127484	> JOINT RING CIRCULAR D.145/148X7,6 EPDM V	1
7.4		> GASKET D.122/80X1 EPDM F.MVISE	1
8	2008293	FLANGE MVIS GR.52 GG25	1
9	2019663	ROTOR 52 RPA.80LG.MVISE803 CPL.VA-SLEEVE	1
10		FREQUENZY CHANGER MVISE 1,1KW >07/01	1
Note: no longer available / nicht mehrlieferbar / ne plus disponible			

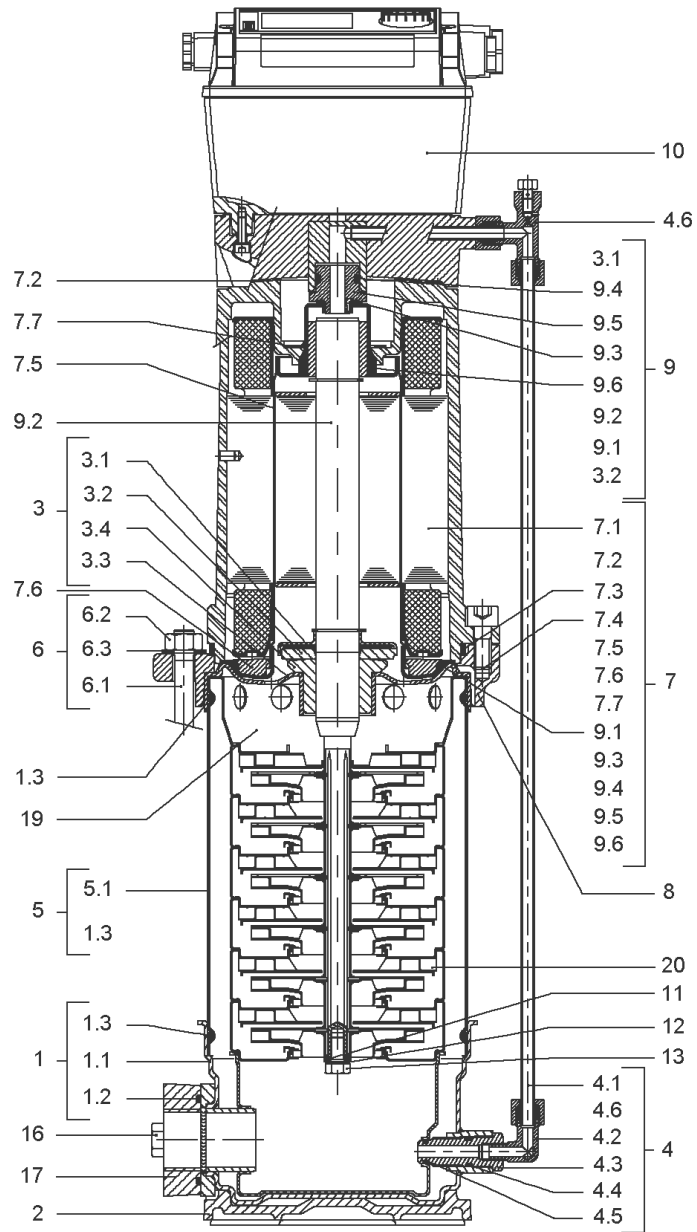
MVISE803-1/16/K/3-400-50-2 (4044994)

Item	Article no.	Description	Quantity
11	64697	STAINLESS-STEEL-WASHER-DE8	1
12	4006203	WASHER D.16/13,8x3 1.4401	1
13	2047015	Screw M8X16 ISO4017 A4 VP.	1
16	74750711116	SCREW M12X55X55 ISO4017 6.8 ZN	1
17	2132562	OVAL FLANGE G1 1/4" LK75 VP.	1
18	2010301	O-RING ID.117,07X3,53	1
19	4041015	STAGE-CENTERING 8m3-316L-TOOLED	1
20		SPARE PARTS HYDRAULICS MVIS/MVISE 1.4301	1
21	4047246	SCREW M6X40 ISO4762 8.8 2A	1
22		INVERSER-BASE-PAINTED-MVISE	1
Note: no longer available / nicht mehrlieferbar / ne plus disponible			
23	74760412112	SCREW M10X25 ISO4762 8.8 ZN	1
24	2018541	GASKET MVISE INVERTER HOUSING DOWN	1



SPARE PARTS HYDRAULICS MVIS/MVISE 1.4301

Item	Article no.	Description	Quantity
20.1	4050664	MVIS 800 STAGE KIT	1
		> STAGE HOUSING MVIS8 1.4301	1
		> IMPELLER MVI8 D.100,5x5,5 1.4301	1
		> SPACER IMPELLER MVI8 1.4435	1
		> OUTER CAGE OF SUCTION RING 8M3 1.4404	1
		> INNER CAGE OF SUCTION RING 8M3 1.4404	1
		> SUCTION-RING 8M3 PTFE	1
20.2	4050665	MVIS 800 STAGE KIT	1
		> IMPELLER MVI8 D.100,5x5,5 1.4301	1
		> SPACER IMPELLER MVI8 1.4435	1
		> OUTER CAGE OF SUCTION RING 8M3 1.4404	1
		> INNER CAGE OF SUCTION RING 8M3 1.4404	1
		> SUCTION-RING 8M3 PTFE	1
		> ST.CASING-RETURN CH.MVIS8-304-MACHI.	1

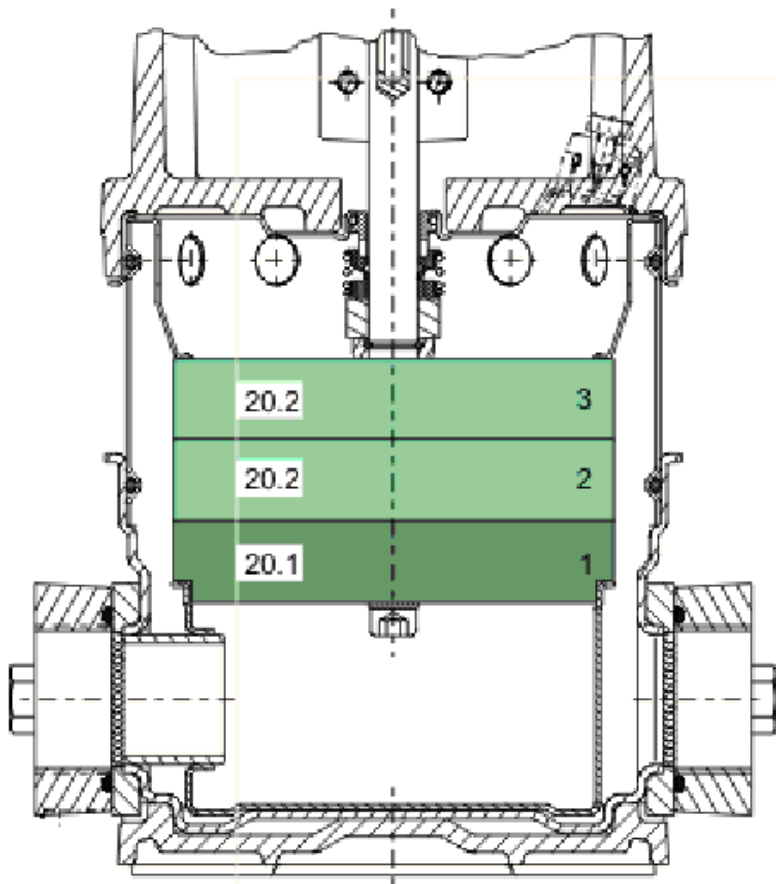


MVISE803-1/16/E/3-2-2G (2526594)

Item	Article no.	Description	Quantity
1	2023721	PUMP HOUSING D.50 PN16 MVISE 1.4301 KIT	1
1.1		> PUMP HOUSING MVI D.50 PN16 1.4301	1
1.2	4233954	> O-RING ID.66 EPDM VP.	1
1.3	4176513	> O-RING FOR PUMP JACKET VP.	1
2	4176517	BASEPLATE V8/10 VP.	1
3	4050647	MVIS205to210/403to410/800 BEARING KIT	1
3.1		> SUPPORTRING D.58/25,1X5 EPDM	1
3.2		> Thrust plate Gr.52 D.59/25,5X6 ceramic	1
3.3		> LANTERN MVIS GR.52 1.4301	1
3.4		> RADIAL BEARING D.58/40/25X32 AG.HT204	1
4	2098209	PIPE WORK 8X1X388 MVISE-2G KIT	1
4.1		> PIPE 8X1X388 MVISE803 1.4571	1
4.2		> ANGLE GWT1002/8-LG 1/8 1.4571	1
4.3		> DRAIN AND PRIMING PLUG 1/8"-L50-1.4404	1
4.4	4177800	> O-RING EPDM PLUG HELIX VP.	1
4.5	4234242	> O-RING 9X2 VP.	1
4.6		> T-IRON R1/8" MVISE 1.4571	1
5	2018383	HOUSING PIPE D.152X131 1.4301 KIT	1
1.3	4176513	> O-RING FOR PUMP JACKET VP.	1
5.1		> HOUSING-PIPE-D152-VMI803-304	1
6	2018367	STUD BOLT M12X257 KIT	1
6.1		> TIE BOLT M12-257x18x30-1.4057	1
6.2	2094647	> NUT M12 M12 ISO4032 VP.	1
6.3	2123557	> WASHER CS-12.4-24-1.6-NFE25 (4 PIECES)	1
7	2096427	STATOR-UNIT 52/1100/2 MVISE-2G KIT	1
7.1		> CARC.MOTEUR-EQUIPEE-52/1100/2-2G	1
7.2		> GASKET D.122/78X1 EPDM F.MVISE	1
7.3	2127484	> JOINT RING CIRCULAR D.145/148X7,6 EPDM V	1
7.4	2010309	> SCREW M10X25 DIN912 (4 PIECES)	1
7.5		> CAN GR.52 MVISE CPL.	1
7.6		> JOINT-SPECIAL-T52-USINE	1
7.7		> CIRCLIPS F.MG.GR.52 1.4310	1
9.1	2010301	> O-RING ID.117,07X3,53	1
9.3		> FLAT GASKET D.16,5/24X2,4EP906 TDS	1

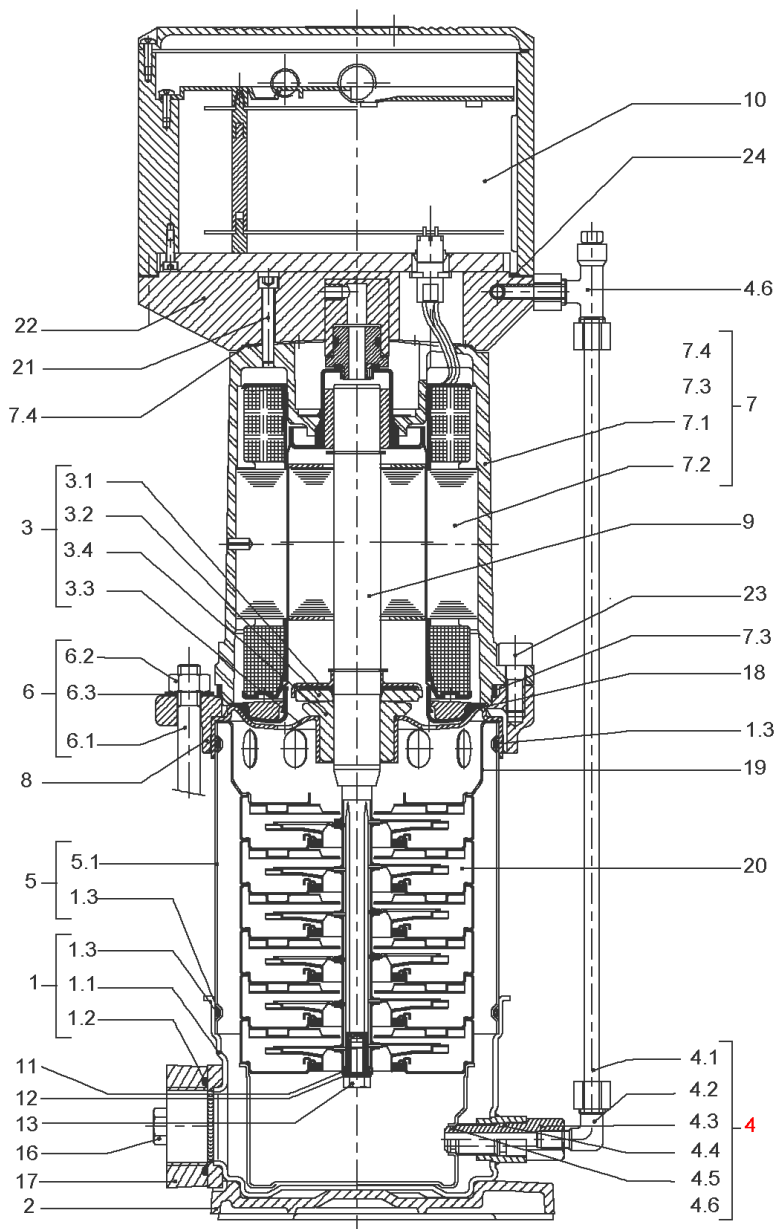
MVISE803-1/16/E/3-2-2G (2526594)

Item	Article no.	Description	Quantity
9.4		> O-RING ID.18,64X3,53 EPDM	1
9.5		> SCREW M16X1 FOR COOLING MVISE	1
9.6		> GASKET D.45/37,5X16,5 EPDM	1
8	2008293	FLANGE MVIS GR.52 GG25	1
9	2023726	ROTOR-UNIT 52A MVISE803 KIT	1
3.1		> SUPPORTRING D.58/25,1X5 EPDM	1
3.2		> Thrust plate Gr.52 D.59/25,5X6 ceramic	1
9.1	2010301	> O-RING ID.117,07X3,53	1
9.2		> ROTOR 52 RPA.80LG.MVISE803 CPL.VA-SLEEVE	1
9.3		> FLAT GASKET D.16,5/24X2,4EP906 TDS	1
9.4		> O-RING ID.18,64X3,53 EPDM	1
9.5		> SCREW M16X1 FOR COOLING MVISE	1
9.6		> GASKET D.45/37,5X16,5 EPDM	1
10	2528728	FREQUENZY CHANGER MVISE-2G KIT	1
11	64697	STAINLESS-STEEL-WASHER-DE8	1
13	2047015	Screw M8X16 ISO4017 A4 VP.	1
16	2098210	SCREW M12X40 DIN933 8.8 A2A(4 PIECES)	1
17	4030164	COUNTER-FLANGE-VMI1"1/2	1
19	4234241	UPPER STAGE RFK.MVI8 1.4301 VP.	1
20		SPARE PARTS HYDRAULICS MVIS/MVISE 1.4301	1
	4047246	SCREW M6X40 ISO4762 8.8 2A	1



SPARE PARTS HYDRAULICS MVIS/MVISE 1.4301

Item	Article no.	Description	Quantity
20.1	4050664	MVIS 800 STAGE KIT	1
		> STAGE HOUSING MVIS8 1.4301	1
		> IMPELLER MVI8 D.100,5x5,5 1.4301	1
		> SPACER IMPELLER MVI8 1.4435	1
		> OUTER CAGE OF SUCTION RING 8M3 1.4404	1
		> INNER CAGE OF SUCTION RING 8M3 1.4404	1
		> SUCTION-RING 8M3 PTFE	1
20.2	4050665	MVIS 800 STAGE KIT	1
		> IMPELLER MVI8 D.100,5x5,5 1.4301	1
		> SPACER IMPELLER MVI8 1.4435	1
		> OUTER CAGE OF SUCTION RING 8M3 1.4404	1
		> INNER CAGE OF SUCTION RING 8M3 1.4404	1
		> SUCTION-RING 8M3 PTFE	1
		> ST.CASING-RETURN CH.MVIS8-304-MACHI.	1

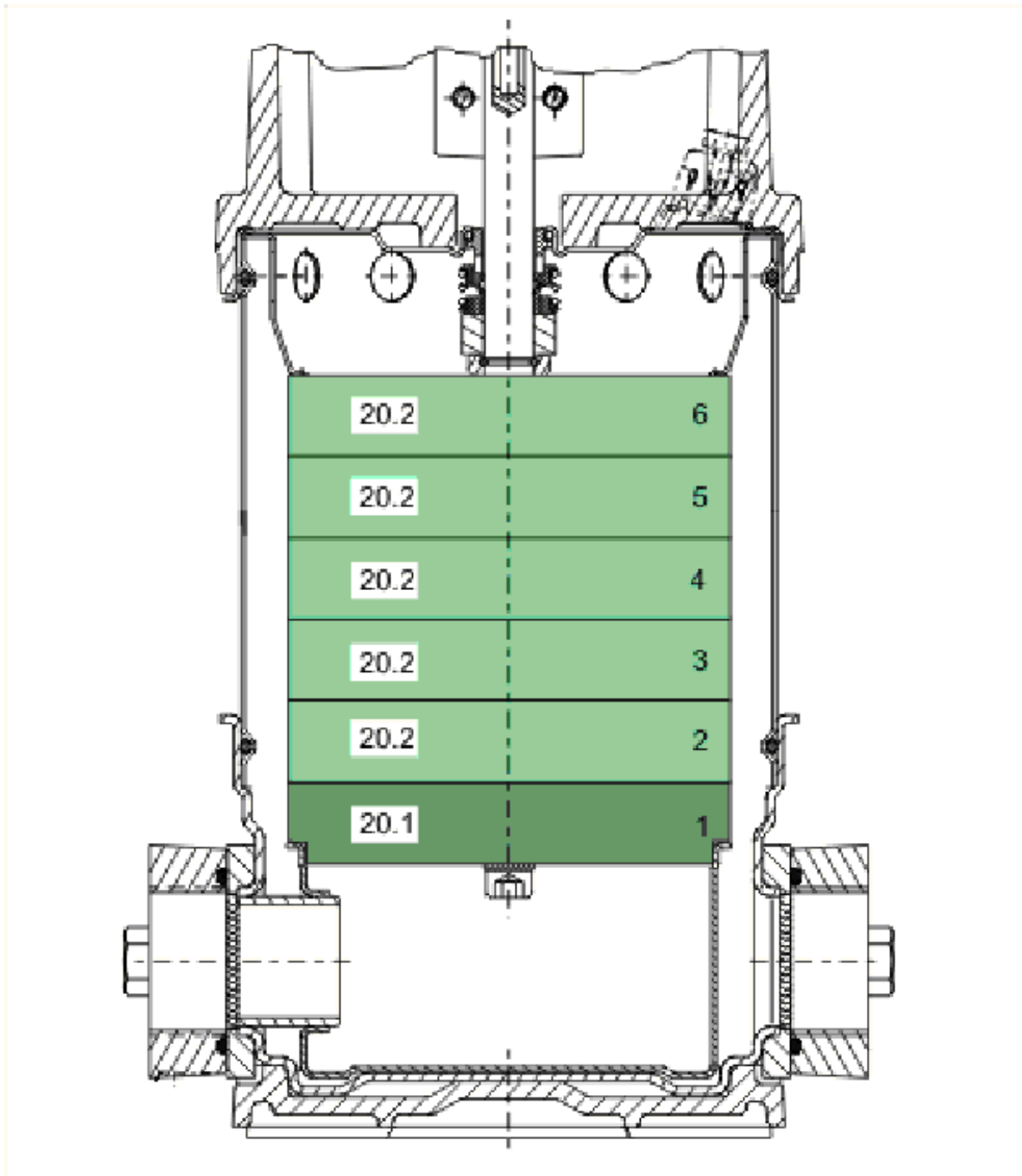


MVISE806-1/16/K/3-400-50-2 (4044995)

Item	Article no.	Description	Quantity
1	2023721	PUMP HOUSING D.50 PN16 MVISE 1.4301 KIT	1
1.1		> PUMP HOUSING MVI D.50 PN16 1.4301	1
1.2	4233954	> O-RING ID.66 EPDM VP.	1
1.3	4176513	> O-RING FOR PUMP JACKET VP.	1
2	4176517	BASEPLATE V8/10 VP.	1
3	4050647	MVIS205to210/403to410/800 BEARING KIT	1
3.1		> SUPPORTRING D.58/25,1X5 EPDM	1
3.2		> Thrust plate Gr.52 D.59/25,5X6 ceramic	1
3.3		> LANTERN MVIS GR.52 1.4301	1
3.4		> RADIAL BEARING D.58/40/25X32 AG.HT204	1
4	4055324	MVISE806 TUBE KIT	1
4.1		> PIPE 8X1X508 MVISE806 1.4571	1
4.2		> ANGLE GWT1002/8-LG 1/8 1.4571	1
4.3		> SCREW WITH HOLE-L64-1/8"-1.4404	1
4.4	4177800	> O-RING EPDM PLUG HELIX VP.	1
4.5	4234242	> O-RING 9X2 VP.	1
4.6		> T-PART R1/8" D.8 M.VENTILATION 1.4571	1
5	2018385	HOUSING PIPE D.152X221 1.4301 KIT	1
1.3	4176513	> O-RING FOR PUMP JACKET VP.	1
5.1		> HOUSING-PIPE-D152-VMI806-304	1
6	2018369	STUD BOLT M12X347 KIT	1
6.1		> TIE BOLT M12-349x18x30-1.4057	1
6.2	2094647	> NUT M12 M12 ISO4032 VP.	1
6.3	2123557	> WASHER CS-12.4-24-1.6-NFE25 (4 PIECES)	1
7		STATOR-UNIT 52A/2200/2 MVISE KIT	1
Note: no longer available / nicht mehrlieferbar / ne plus disponible			
7.1		> MOTOR HOUSING SIZE 52A MVISE GK-ALS19CU3	1
7.2		> STATOR-52A/2000--ASSEMBLED-SOCKETS-MVISE	1
7.3	2127484	> JOINT RING CIRCULAR D.145/148X7,6 EPDM V	1
7.4		> GASKET D.122/80X1 EPDM F.MVISE	1
8	2008293	FLANGE MVIS GR.52 GG25	1
9	2019664	ROTOR 52A RPA.110LG.MVISE806CPL.VA-SLEEV	1
10		FREQUENZY CHANGER MVISE 2,2KW >07/01	1
Note: no longer available / nicht mehrlieferbar / ne plus disponible			

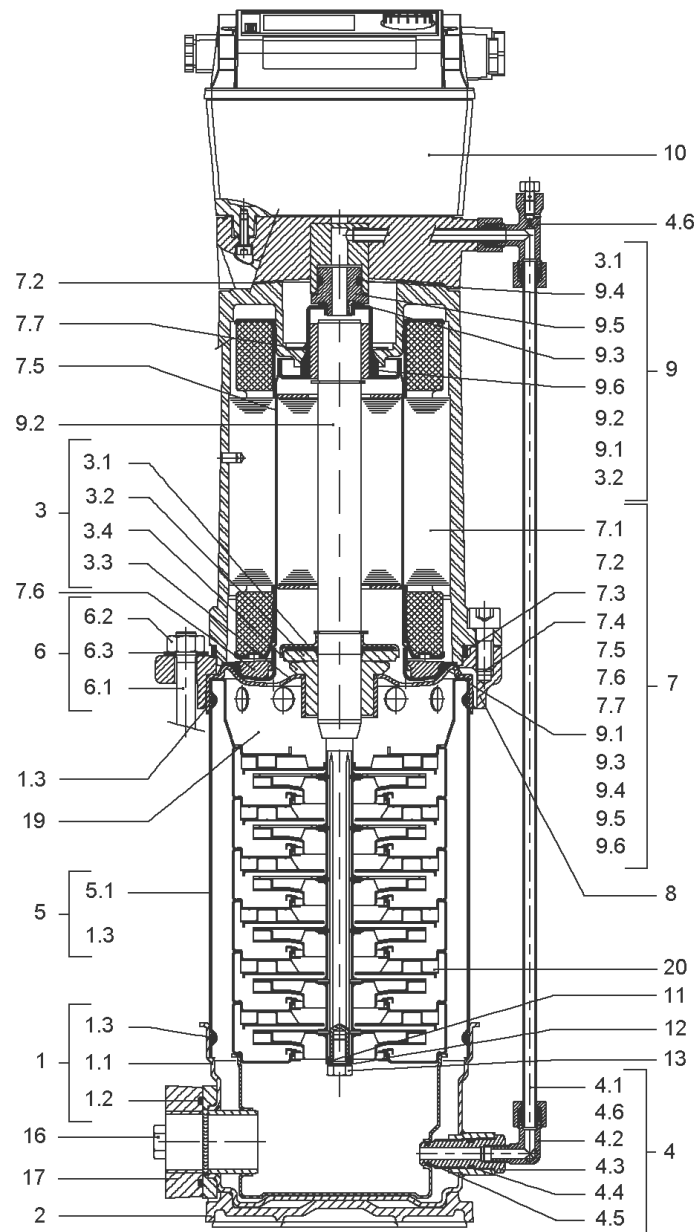
MVISE806-1/16/K/3-400-50-2 (4044995)

Item	Article no.	Description	Quantity
11	64697	STAINLESS-STEEL-WASHER-DE8	1
12	4006203	WASHER D.16/13,8x3 1.4401	1
13	2047015	Screw M8X16 ISO4017 A4 VP.	1
16	74750711116	SCREW M12X55X55 ISO4017 6.8 ZN	1
17	4030164	COUNTER-FLANGE-VM11"1/2	1
18	2010301	O-RING ID.117,07X3,53	1
19	4041015	STAGE-CENTERING 8m3-316L-TOOLED	1
20		SPARE PARTS HYDRAULICS MVIS/MVISE	1
21	4047246	SCREW M6X40 ISO4762 8.8 2A	1
22		INVERSER-BASE-PAINTED-MVISE	1
Note: no longer available / nicht mehrlieferbar / ne plus disponible			
23	74760412112	SCREW M10X25 ISO4762 8.8 ZN	1
24	2018541	GASKET MVISE INVERTER HOUSING DOWN	1



SPARE PARTS HYDRAULICS MVIS/MVISE

Item	Article no.	Description	Quantity
20.1	4050664	MVIS 800 STAGE KIT	1
		> STAGE HOUSING MVIS8 1.4301	1
		> IMPELLER MVI8 D.100,5x5,5 1.4301	1
		> SPACER IMPELLER MVI8 1.4435	1
		> OUTER CAGE OF SUCTION RING 8M3 1.4404	1
		> INNER CAGE OF SUCTION RING 8M3 1.4404	1
		> SUCTION-RING 8M3 PTFE	1
20.2	4050665	MVIS 800 STAGE KIT	1
		> IMPELLER MVI8 D.100,5x5,5 1.4301	1
		> SPACER IMPELLER MVI8 1.4435	1
		> OUTER CAGE OF SUCTION RING 8M3 1.4404	1
		> INNER CAGE OF SUCTION RING 8M3 1.4404	1
		> SUCTION-RING 8M3 PTFE	1
		> ST.CASING-RETURN CH.MVIS8-304-MACHI.	1

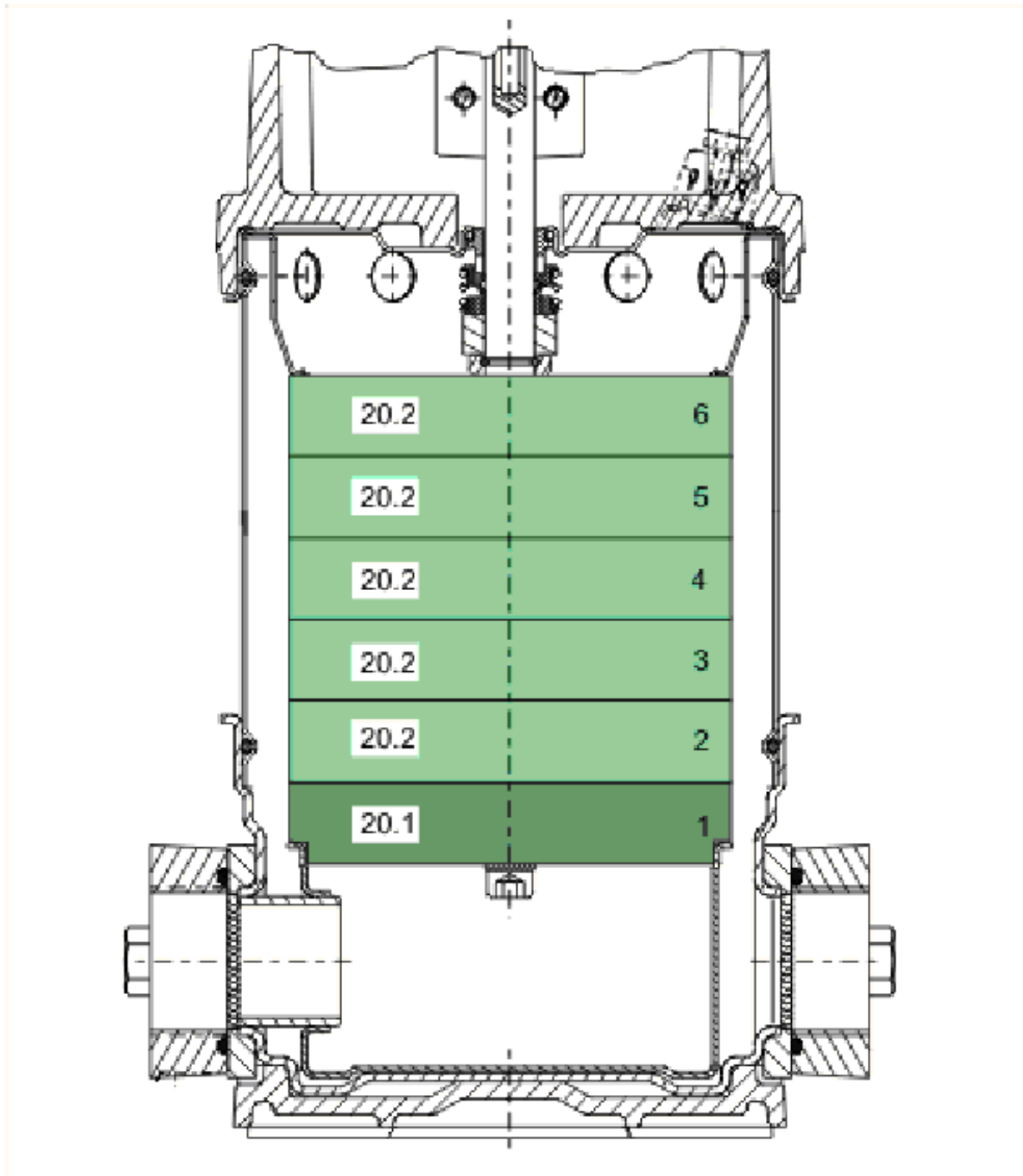


MVISE806-1/16/E/3-2-2G (2526595)

Item	Article no.	Description	Quantity
1	2023721	PUMP HOUSING D.50 PN16 MVISE 1.4301 KIT	1
1.1		> PUMP HOUSING MVI D.50 PN16 1.4301	1
1.2	4233954	> O-RING ID.66 EPDM VP.	1
1.3	4176513	> O-RING FOR PUMP JACKET VP.	1
2	4176517	BASEPLATE V8/10 VP.	1
3	4050647	MVIS205to210/403to410/800 BEARING KIT	1
3.1		> SUPPORTRING D.58/25,1X5 EPDM	1
3.2		> Thrust plate Gr.52 D.59/25,5X6 ceramic	1
3.3		> LANTERN MVIS GR.52 1.4301	1
3.4		> RADIAL BEARING D.58/40/25X32 AG.HT204	1
4	2098211	PIPE WORK 8X1X508 MVISE-2G KIT	1
4.1		> PIPE 8X1X508 MVISE806 1.4571	1
4.2		> ANGLE GWT1002/8-LG 1/8 1.4571	1
4.3		> DRAIN AND PRIMING PLUG 1/8"-L50-1.4404	1
4.4	4177800	> O-RING EPDM PLUG HELIX VP.	1
4.5	4234242	> O-RING 9X2 VP.	1
4.6		> T-IRON R1/8" MVISE 1.4571	1
5	2018385	HOUSING PIPE D.152X221 1.4301 KIT	1
1.3	4176513	> O-RING FOR PUMP JACKET VP.	1
5.1		> HOUSING-PIPE-D152-VMI806-304	1
6	2018369	STUD BOLT M12X347 KIT	1
6.1		> TIE BOLT M12-349x18x30-1.4057	1
6.2	2094647	> NUT M12 M12 ISO4032 VP.	1
6.3	2123557	> WASHER CS-12.4-24-1.6-NFE25 (4 PIECES)	1
7	2096156	STATOR-UNIT 52A/2200/2 MVISE-2G KIT	1
7.1		> CARC.MOTEUR-EQUIPEE-52A/2200/2-2G	1
7.2		> GASKET D.122/78X1 EPDM F.MVISE	1
7.3	2127484	> JOINT RING CIRCULAR D.145/148X7,6 EPDM V	1
7.4	2010309	> SCREW M10X25 DIN912 (4 PIECES)	1
7.5		> CAN GR.52A MVISE CPL.	1
7.6		> JOINT-SPECIAL-T52-USINE	1
7.7		> CIRCLIPS F.MG.GR.52 1.4310	1
9.1	2010301	> O-RING ID.117,07X3,53	1
9.3		> FLAT GASKET D.16,5/24X2,4EP906 TDS	1

MVISE806-1/16/E/3-2-2G (2526595)

Item	Article no.	Description	Quantity
9.4		> O-RING ID.18,64X3,53 EPDM	1
9.5		> SCREW M16X1 FOR COOLING MVISE	1
9.6		> GASKET D.45/37,5X16,5 EPDM	1
8	2008293	FLANGE MVIS GR.52 GG25	1
9	2023727	ROTOR-UNIT 52A MVISE806 KIT	1
3.1		> SUPPORTRING D.58/25,1X5 EPDM	1
3.2		> Thrust plate Gr.52 D.59/25,5X6 ceramic	1
9.1	2010301	> O-RING ID.117,07X3,53	1
9.2		> ROTOR 52A RPA.110LG.MVISE806CPL.VA-SLEEV	1
9.3		> FLAT GASKET D.16,5/24X2,4EP906 TDS	1
9.4		> O-RING ID.18,64X3,53 EPDM	1
9.5		> SCREW M16X1 FOR COOLING MVISE	1
9.6		> GASKET D.45/37,5X16,5 EPDM	1
10	2528728	FREQUENZY CHANGER MVISE-2G KIT	1
11	64697	STAINLESS-STEEL-WASHER-DE8	1
13	2047015	Screw M8X16 ISO4017 A4 VP.	1
16	2098210	SCREW M12X40 DIN933 8.8 A2A(4 PIECES)	1
17	4030164	COUNTER-FLANGE-VMI1"1/2	1
19	4234241	UPPER STAGE RFK.MVI8 1.4301 VP.	1
20		SPARE PARTS HYDRAULICS MVIS/MVISE	1
	4047246	SCREW M6X40 ISO4762 8.8 2A	1



SPARE PARTS HYDRAULICS MVIS/MVISE

Item	Article no.	Description	Quantity
20.1	4050664	MVIS 800 STAGE KIT	1
		> STAGE HOUSING MVIS8 1.4301	1
		> IMPELLER MVI8 D.100,5x5,5 1.4301	1
		> SPACER IMPELLER MVI8 1.4435	1
		> OUTER CAGE OF SUCTION RING 8M3 1.4404	1
		> INNER CAGE OF SUCTION RING 8M3 1.4404	1
		> SUCTION-RING 8M3 PTFE	1
20.2	4050665	MVIS 800 STAGE KIT	1
		> IMPELLER MVI8 D.100,5x5,5 1.4301	1
		> SPACER IMPELLER MVI8 1.4435	1
		> OUTER CAGE OF SUCTION RING 8M3 1.4404	1
		> INNER CAGE OF SUCTION RING 8M3 1.4404	1
		> SUCTION-RING 8M3 PTFE	1
		> ST.CASING-RETURN CH.MVIS8-304-MACHI.	1