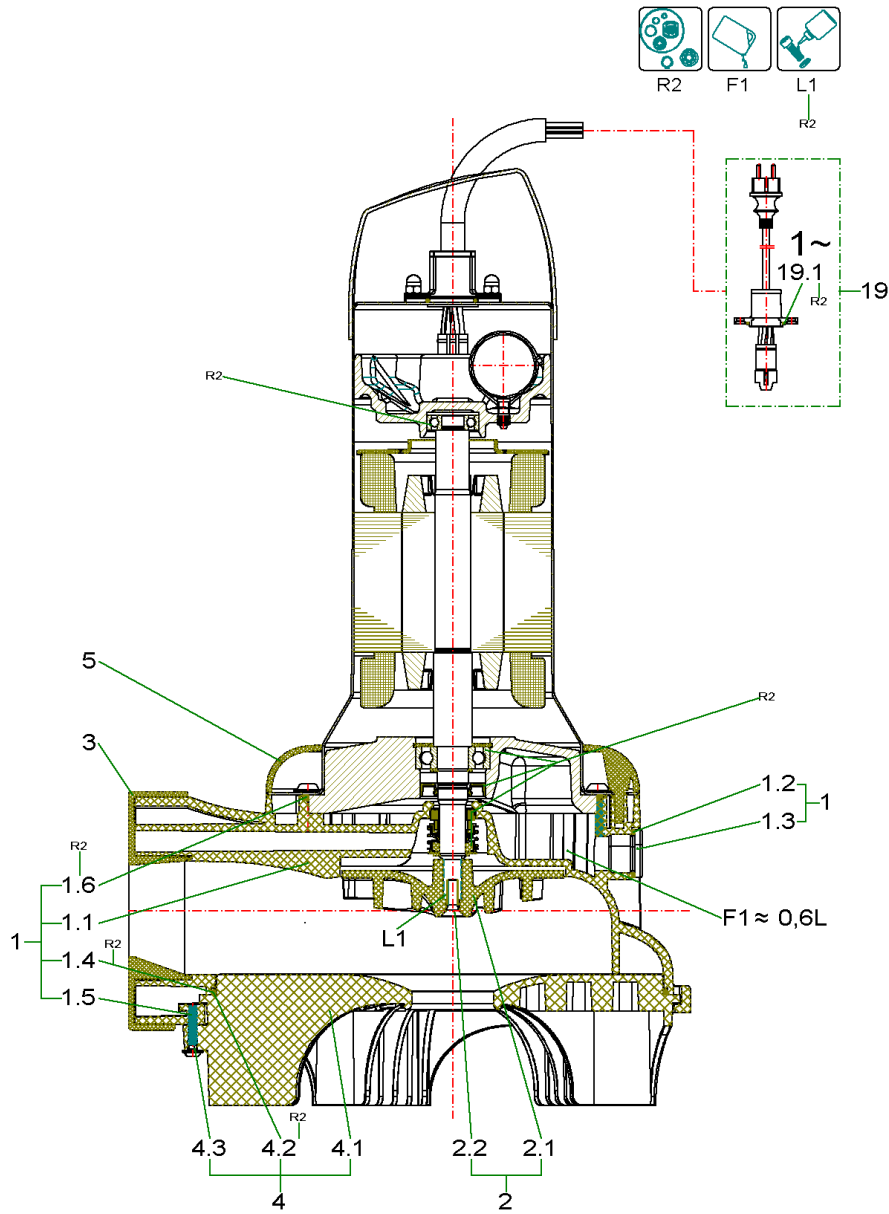




Rexa UNI

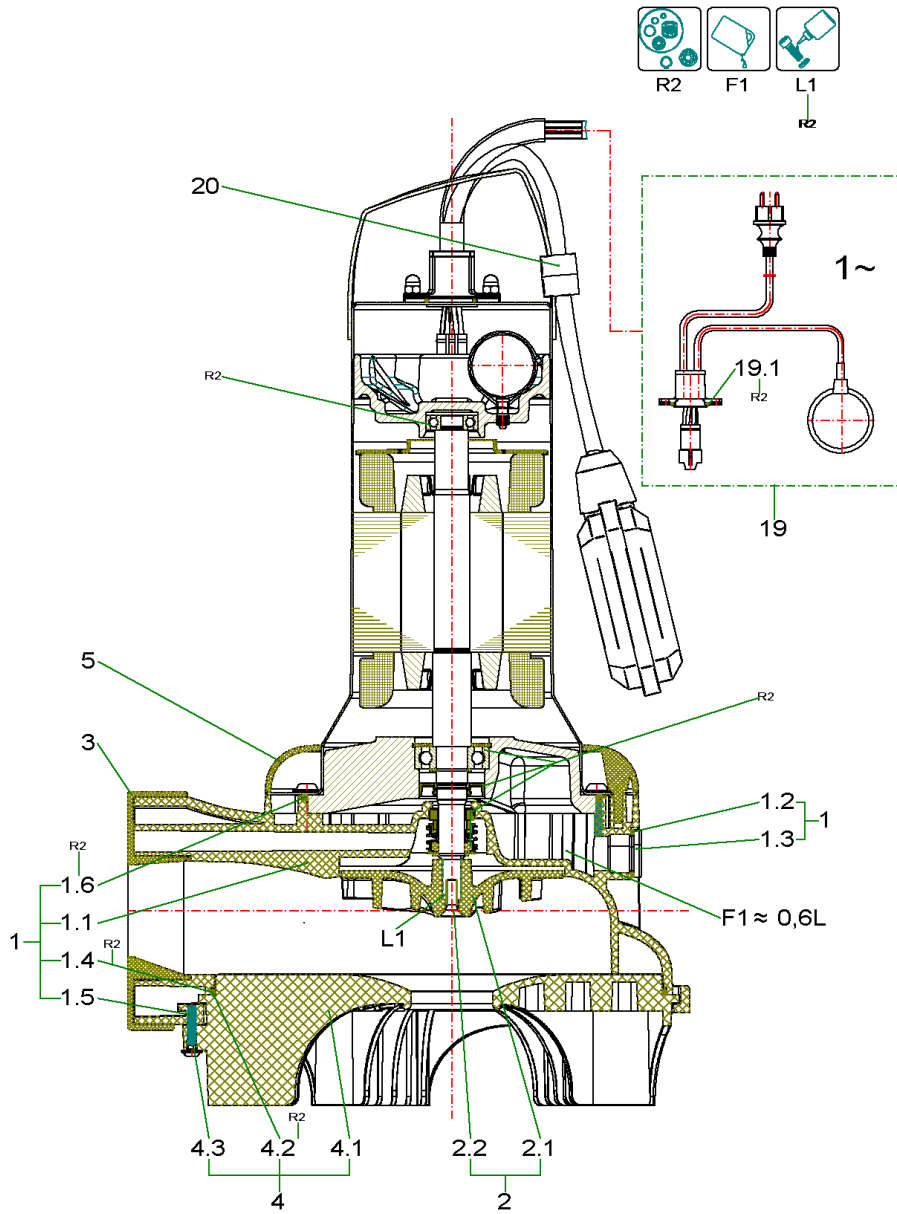
Article no.	Description
6082114	UNI V05/M04-523/A
6082113	UNI V05/M04-523/P
6082118	UNI V05/M06-523/A
6082117	UNI V05/M06-523/P
6082122	UNI V05/M08-523/A
6082121	UNI V05/M08-523/P
6082115	UNI V05/T04-540
6082116	UNI V05/T04-540/A
6082119	UNI V05/T06-540
6082120	UNI V05/T06-540/A
6082123	UNI V05/T08-540
6082124	UNI V05/T08-540/A
6082138	UNI V06/M11-523/A
6082137	UNI V06/M11-523/P
6082142	UNI V06/M15-523/A
6082141	UNI V06/M15-523/P
6082139	UNI V06/T11-540
6082140	UNI V06/T11-540/A
6082143	UNI V06/T15-540
6082144	UNI V06/T15-540/A
6082145	UNI V06/T25-540
6082146	UNI V06/T25-540/A



UNI V05/M04-523/P (6082113)

Item	Article no.	Description	Quantity
R2	6220212	Rep.Kit 2 RexaUNI/S11.1	1
F1	6025460	medical white oil 1L KIT	1
L1	6080531	Loctite 243 5g flask VP:	1

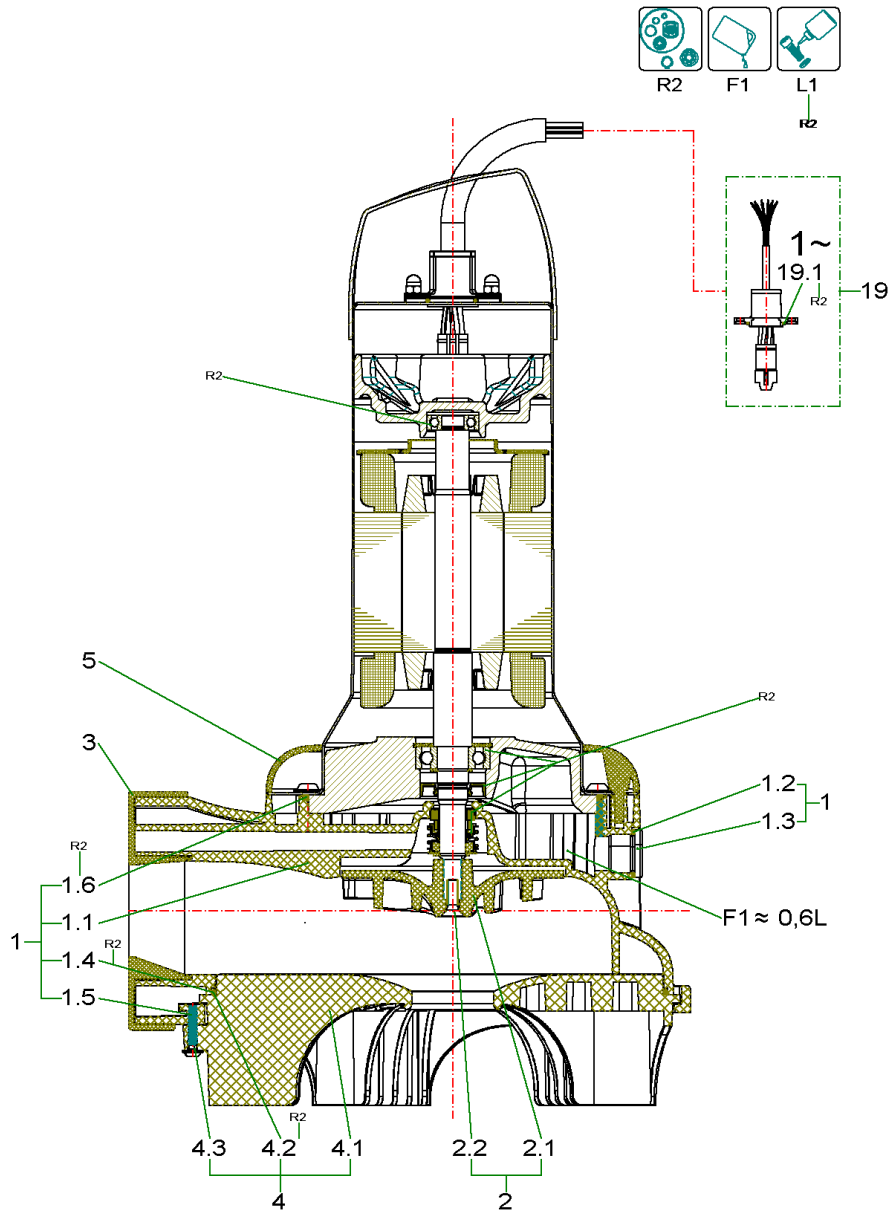
1	6220182	pump housing UNI V05 PP KIT	1
1.1		> pump housing Q50 6052658 PP	1
1.2	6048832	> joint ring A21/26x1,5 DIN7603 PA(10pc)	1
1.3	6067638	> screw plug G1/2 DIN908 A4 (3pcs)	1
1.4		> o-ring ID.238,0x3,0 NBR70	1
1.5		> Screw D.5x24 head-D.11 A4 w.plastic	1
1.6		> O-ring ID.150,0x3,53 DIN3771 NBR50 blue	1
2	6220170	Impeller UNI V05 D.91 PP SET	1
2.1		> impeller-W D.91 6052203 PP	1
2.2		> screw M6x20 DIN7991 A4-70	1
3	6220186	collar DN50 NBR80 VP.	1
4	6220190	Base plate UNI PP KIT	1
4.1		> bottom plate 6052204 PP	1
4.2		> o-ring ID.238,0x3,0 NBR70	1
4.3		> Screw D.5x24 head-D.11 A4 w.plastic	1
5	6220210	cover ring 6052211 PP VP.	1
19	6066650	cable 10m H07 3G1/plug VP.	1
19.1	6067644	O-Ring ID.25X2,2N DIN3771 NBR70 (3pcs)	1



UNI V05/M04-523/A (6082114)

Item	Article no.	Description	Quantity
R2	6220212	Rep.Kit 2 RexaUNI/S11.1	1
F1	6025460	medical white oil 1L KIT	1
L1	6080531	Loctite 243 5g flask VP:	1

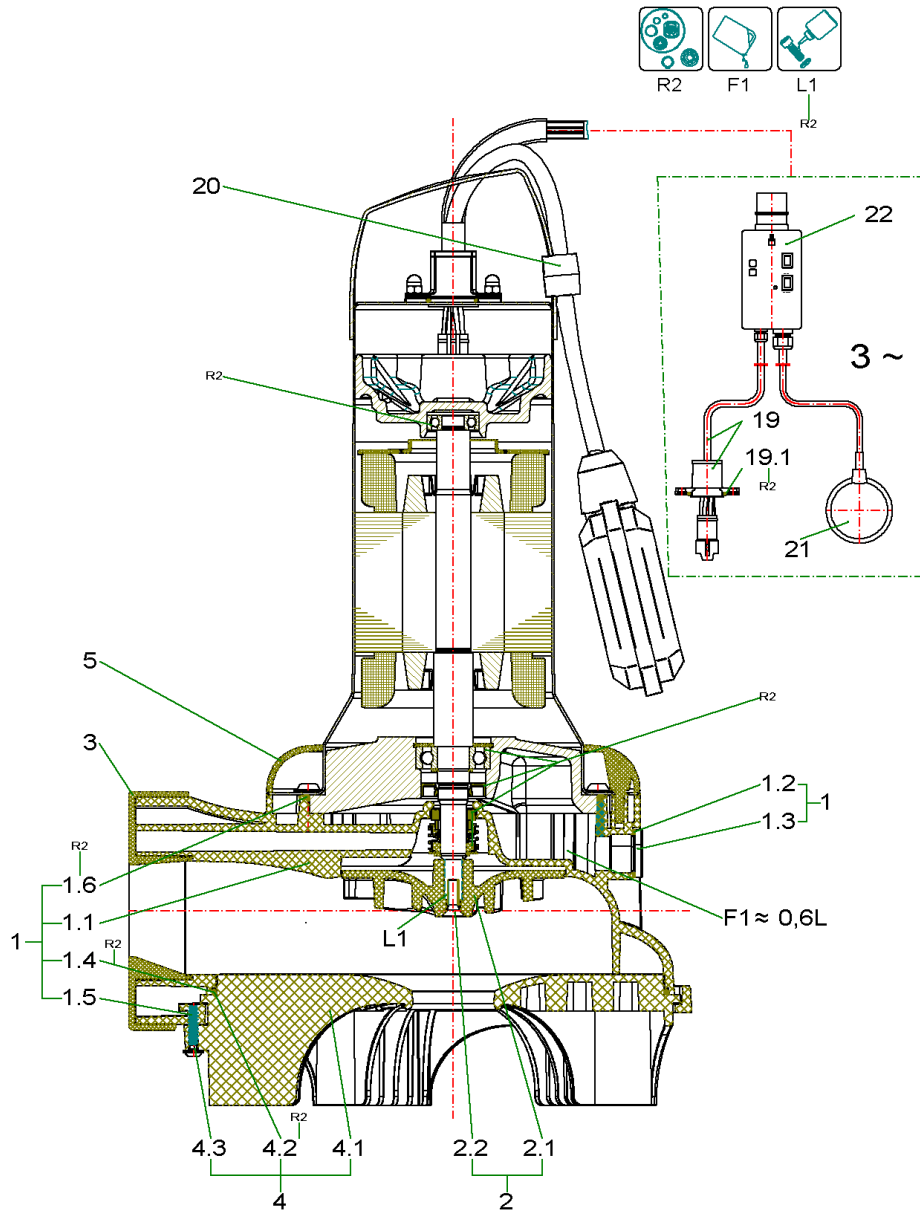
1	6220182	pump housing UNI V05 PP KIT	1
1.1		> pump housing Q50 6052658 PP	1
1.2	6048832	> joint ring A21/26x1,5 DIN7603 PA(10pc)	1
1.3	6067638	> screw plug G1/2 DIN908 A4 (3pcs)	1
1.4		> o-ring ID.238,0x3,0 NBR70	1
1.5		> Screw D.5x24 head-D.11 A4 w.plastic	1
1.6		> O-ring ID.150,0x3,53 DIN3771 NBR50 blue	1
2	6220170	Impeller UNI V05 D.91 PP SET	1
2.1		> impeller-W D.91 6052203 PP	1
2.2		> screw M6x20 DIN7991 A4-70	1
3	6220186	collar DN50 NBR80 VP.	1
4	6220190	Base plate UNI PP KIT	1
4.1		> bottom plate 6052204 PP	1
4.2		> o-ring ID.238,0x3,0 NBR70	1
4.3		> Screw D.5x24 head-D.11 A4 w.plastic	1
5	6220210	cover ring 6052211 PP VP.	1
19	6066649	cable 10m H07 3G1/plug/float switch	1
20	6067643	cable clip PP-GF30 black VP.	1



UNI V05/T04-540 (6082115)

Item	Article no.	Description	Quantity
R2	6220212	Rep.Kit 2 RexaUNI/S11.1	1
F1	6025460	medical white oil 1L KIT	1
L1	6080531	Loctite 243 5g flask VP:	1

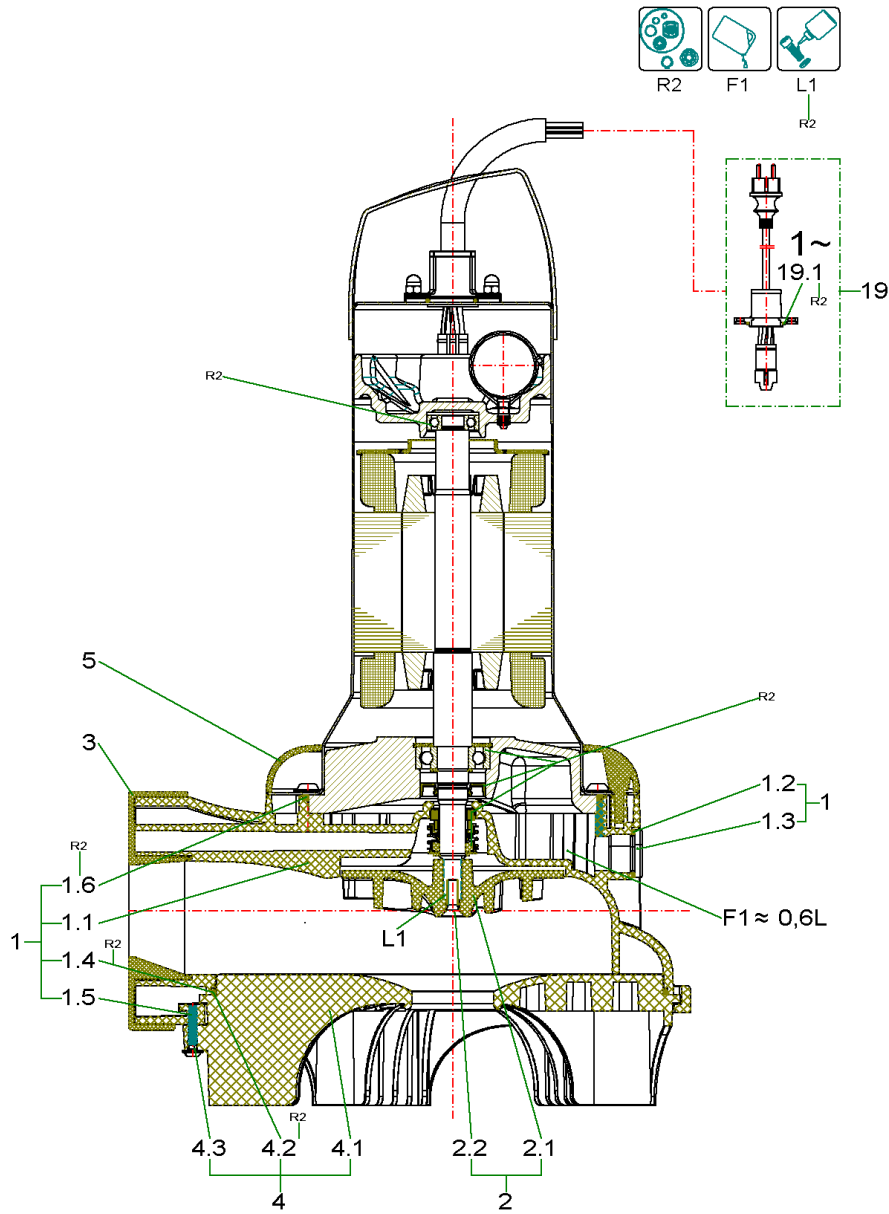
1	6220182	pump housing UNI V05 PP KIT	1
1.1		> pump housing Q50 6052658 PP	1
1.2	6048832	> joint ring A21/26x1,5 DIN7603 PA(10pc)	1
1.3	6067638	> screw plug G1/2 DIN908 A4 (3pcs)	1
1.4		> o-ring ID.238,0x3,0 NBR70	1
1.5		> Screw D.5x24 head-D.11 A4 w.plastic	1
1.6		> O-ring ID.150,0x3,53 DIN3771 NBR50 blue	1
2	6220170	Impeller UNI V05 D.91 PP SET	1
2.1		> impeller-W D.91 6052203 PP	1
2.2		> screw M6x20 DIN7991 A4-70	1
3	6220186	collar DN50 NBR80 VP.	1
4	6220190	Base plate UNI PP KIT	1
4.1		> bottom plate 6052204 PP	1
4.2		> o-ring ID.238,0x3,0 NBR70	1
4.3		> Screw D.5x24 head-D.11 A4 w.plastic	1
5	6220210	cover ring 6052211 PP VP.	1
19	6066617	cable 10m H07 6G1 VP.	1
19.1	6067644	O-Ring ID.25X2,2N DIN3771 NBR70 (3pcs)	1



UNI V05/T04-540/A (6082116)

Item	Article no.	Description	Quantity
R2	6220212	Rep.Kit 2 RexaUNI/S11.1	1
F1	6025460	medical white oil 1L KIT	1
L1	6080531	Loctite 243 5g flask VP:	1

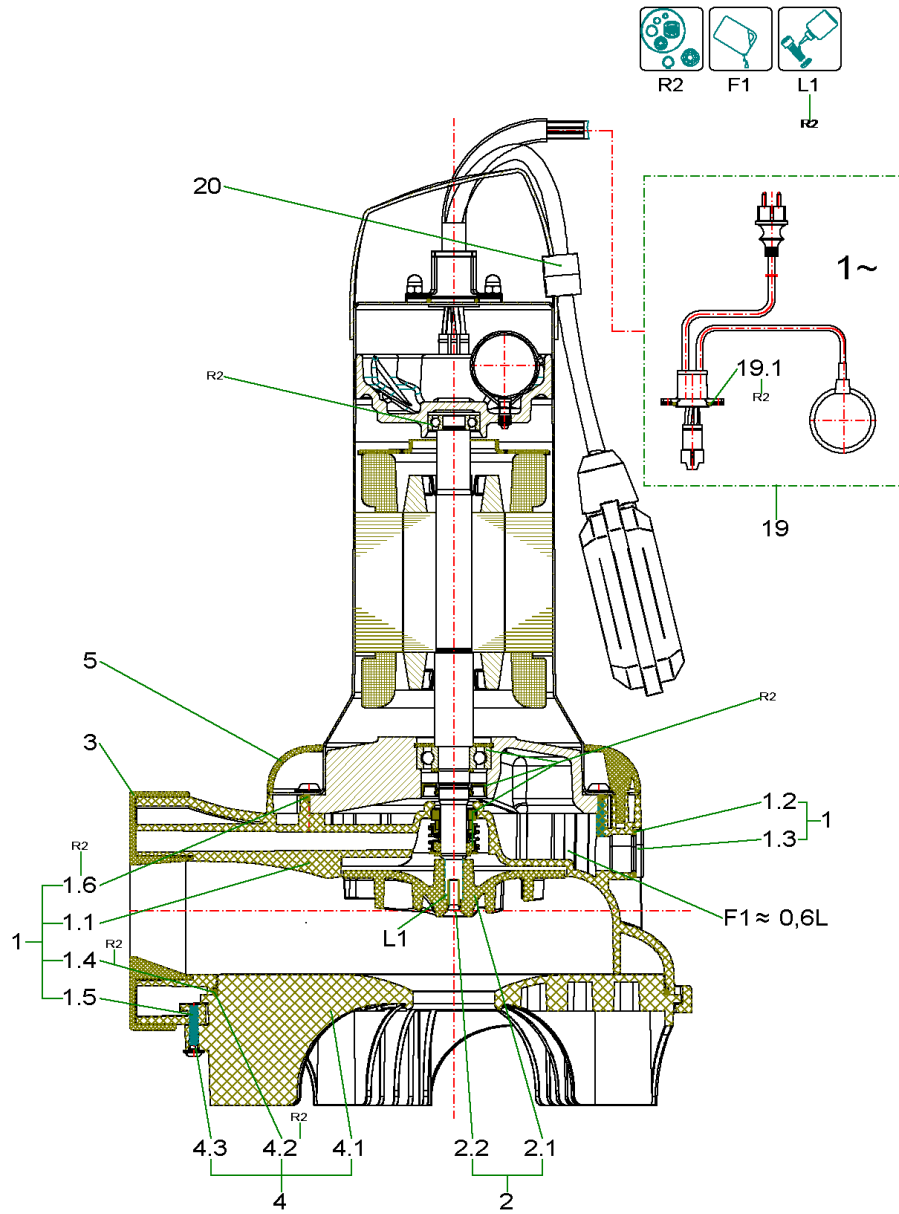
1	6220182	pump housing UNI V05 PP KIT	1
1.1		> pump housing Q50 6052658 PP	1
1.2	6048832	> joint ring A21/26x1,5 DIN7603 PA(10pc)	1
1.3	6067638	> screw plug G1/2 DIN908 A4 (3pcs)	1
1.4		> o-ring ID.238,0x3,0 NBR70	1
1.5		> Screw D.5x24 head-D.11 A4 w.plastic	1
1.6		> O-ring ID.150,0x3,53 DIN3771 NBR50 blue	1
2	6220170	Impeller UNI V05 D.91 PP SET	1
2.1		> impeller-W D.91 6052203 PP	1
2.2		> screw M6x20 DIN7991 A4-70	1
3	6220186	collar DN50 NBR80 VP.	1
4	6220190	Base plate UNI PP KIT	1
4.1		> bottom plate 6052204 PP	1
4.2		> o-ring ID.238,0x3,0 NBR70	1
4.3		> Screw D.5x24 head-D.11 A4 w.plastic	1
5	6220210	cover ring 6052211 PP VP.	1
19	6066617	cable 10m H07 6G1 VP.	1
19.1	6067644	O-Ring ID.25X2,2N DIN3771 NBR70 (3pcs)	1
20	6067643	cable clip PP-GF30 black VP.	1
21	6072582	float switch S-PS 10A 250V 10m NO VP	1
22	6072520	MCP 1,0-1,6A-T4-HA-ROT-WSK-CEE16-5PS VP.	1



UNI V05/M06-523/P (6082117)

Item	Article no.	Description	Quantity
R2	6220212	Rep.Kit 2 RexaUNI/S11.1	1
F1	6025460	medical white oil 1L KIT	1
L1	6080531	Loctite 243 5g flask VP:	1

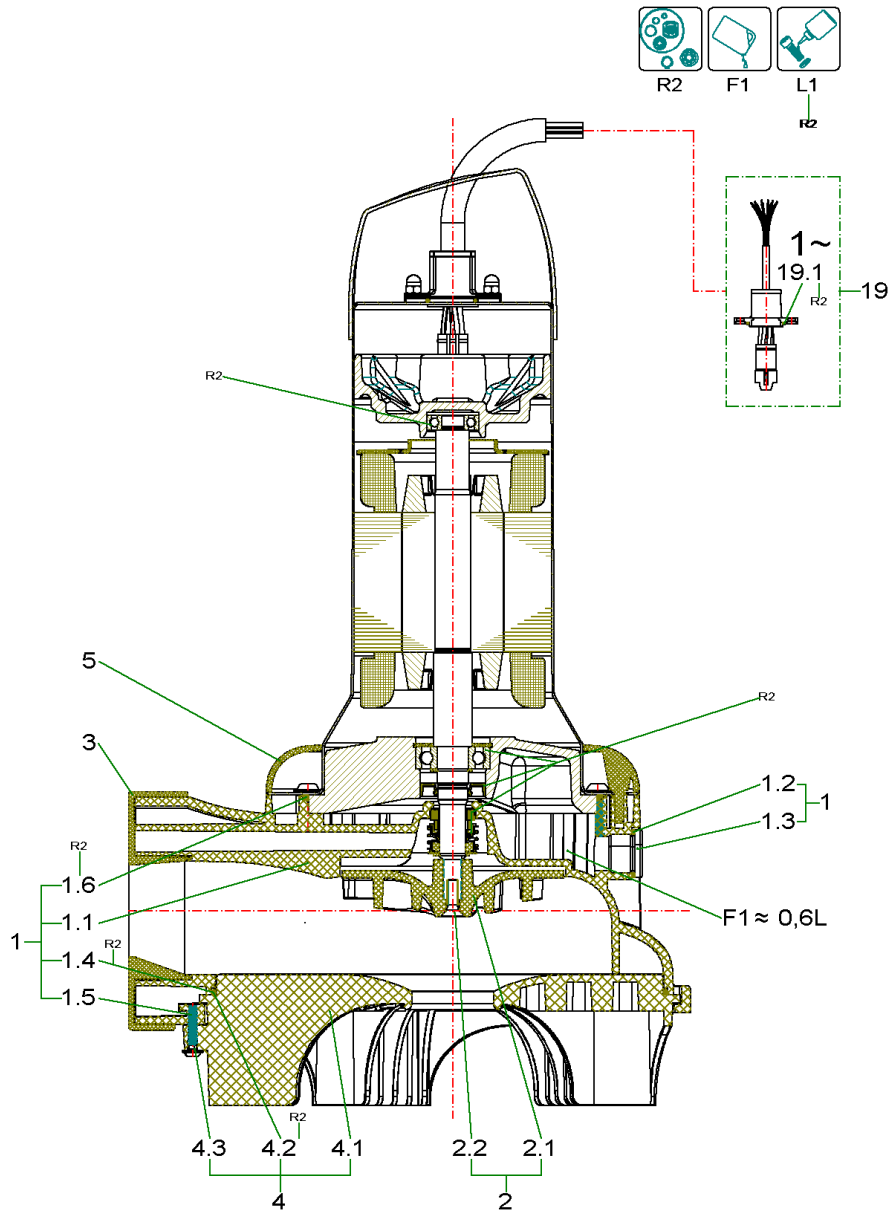
1	6220182	pump housing UNI V05 PP KIT	1
1.1		> pump housing Q50 6052658 PP	1
1.2	6048832	> joint ring A21/26x1,5 DIN7603 PA(10pc)	1
1.3	6067638	> screw plug G1/2 DIN908 A4 (3pcs)	1
1.4		> o-ring ID.238,0x3,0 NBR70	1
1.5		> Screw D.5x24 head-D.11 A4 w.plastic	1
1.6		> O-ring ID.150,0x3,53 DIN3771 NBR50 blue	1
2	6220172	Impeller UNI V05 D.105 PP SET	1
2.1		> impeller-W D.105 6052205 PP	1
2.2		> screw M6x20 DIN7991 A4-70	1
3	6220186	collar DN50 NBR80 VP.	1
4	6220190	Base plate UNI PP KIT	1
4.1		> bottom plate 6052204 PP	1
4.2		> o-ring ID.238,0x3,0 NBR70	1
4.3		> Screw D.5x24 head-D.11 A4 w.plastic	1
5	6220210	cover ring 6052211 PP VP.	1
19	6066650	cable 10m H07 3G1/plug VP.	1
19.1	6067644	O-Ring ID.25X2,2N DIN3771 NBR70 (3pcs)	1



UNI V05/M06-523/A (6082118)

Item	Article no.	Description	Quantity
R2	6220212	Rep.Kit 2 RexaUNI/S11.1	1
F1	6025460	medical white oil 1L KIT	1
L1	6080531	Loctite 243 5g flask VP:	1

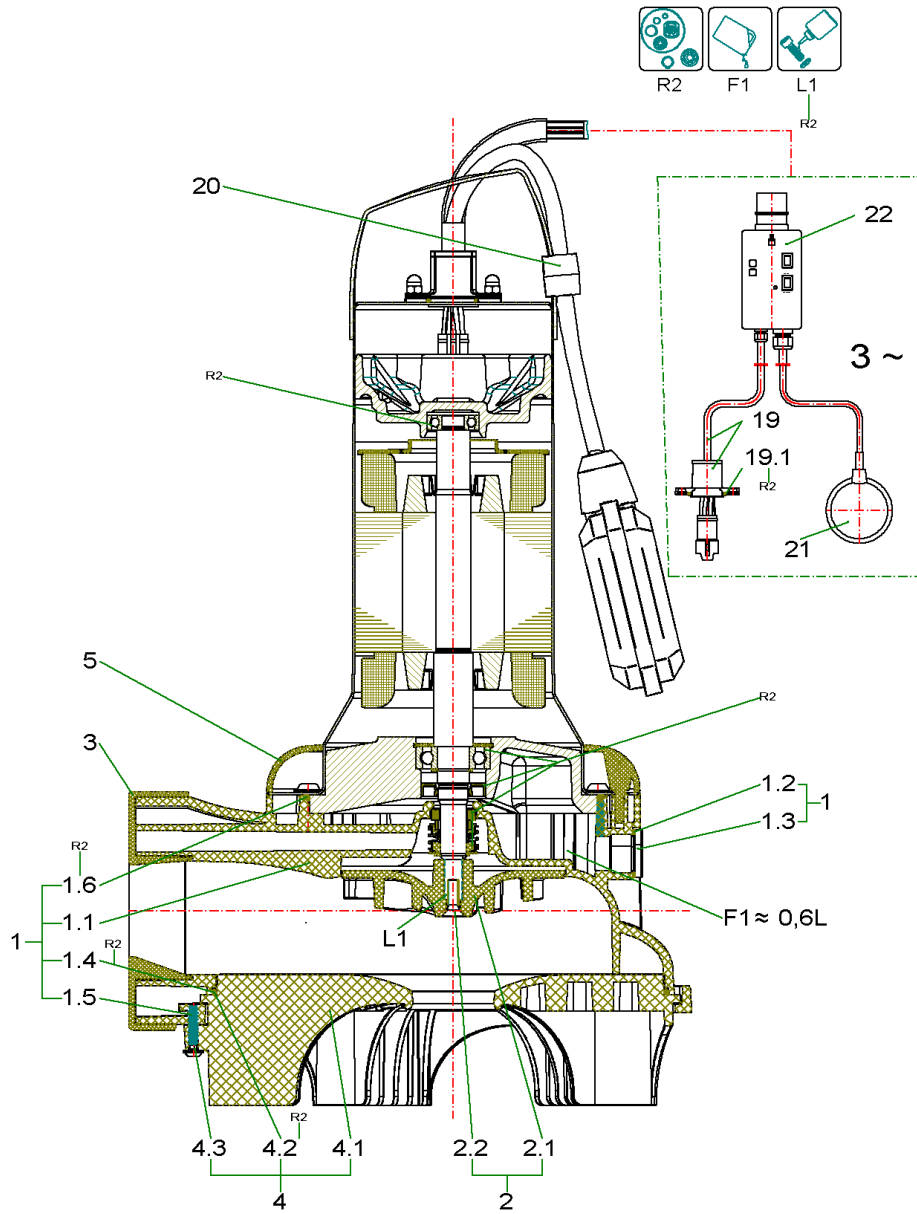
1	6220182	pump housing UNI V05 PP KIT	1
1.1		> pump housing Q50 6052658 PP	1
1.2	6048832	> joint ring A21/26x1,5 DIN7603 PA(10pc)	1
1.3	6067638	> screw plug G1/2 DIN908 A4 (3pcs)	1
1.4		> o-ring ID.238,0x3,0 NBR70	1
1.5		> Screw D.5x24 head-D.11 A4 w.plastic	1
1.6		> O-ring ID.150,0x3,53 DIN3771 NBR50 blue	1
2	6220172	Impeller UNI V05 D.105 PP SET	1
2.1		> impeller-W D.105 6052205 PP	1
2.2		> screw M6x20 DIN7991 A4-70	1
3	6220186	collar DN50 NBR80 VP.	1
4	6220190	Base plate UNI PP KIT	1
4.1		> bottom plate 6052204 PP	1
4.2		> o-ring ID.238,0x3,0 NBR70	1
4.3		> Screw D.5x24 head-D.11 A4 w.plastic	1
5	6220210	cover ring 6052211 PP VP.	1
19	6066649	cable 10m H07 3G1/plug/float switch	1
20	6067643	cable clip PP-GF30 black VP.	1



UNI V05/T06-540 (6082119)

Item	Article no.	Description	Quantity
R2	6220212	Rep.Kit 2 RexaUNI/S11.1	1
F1	6025460	medical white oil 1L KIT	1
L1	6080531	Loctite 243 5g flask VP:	1

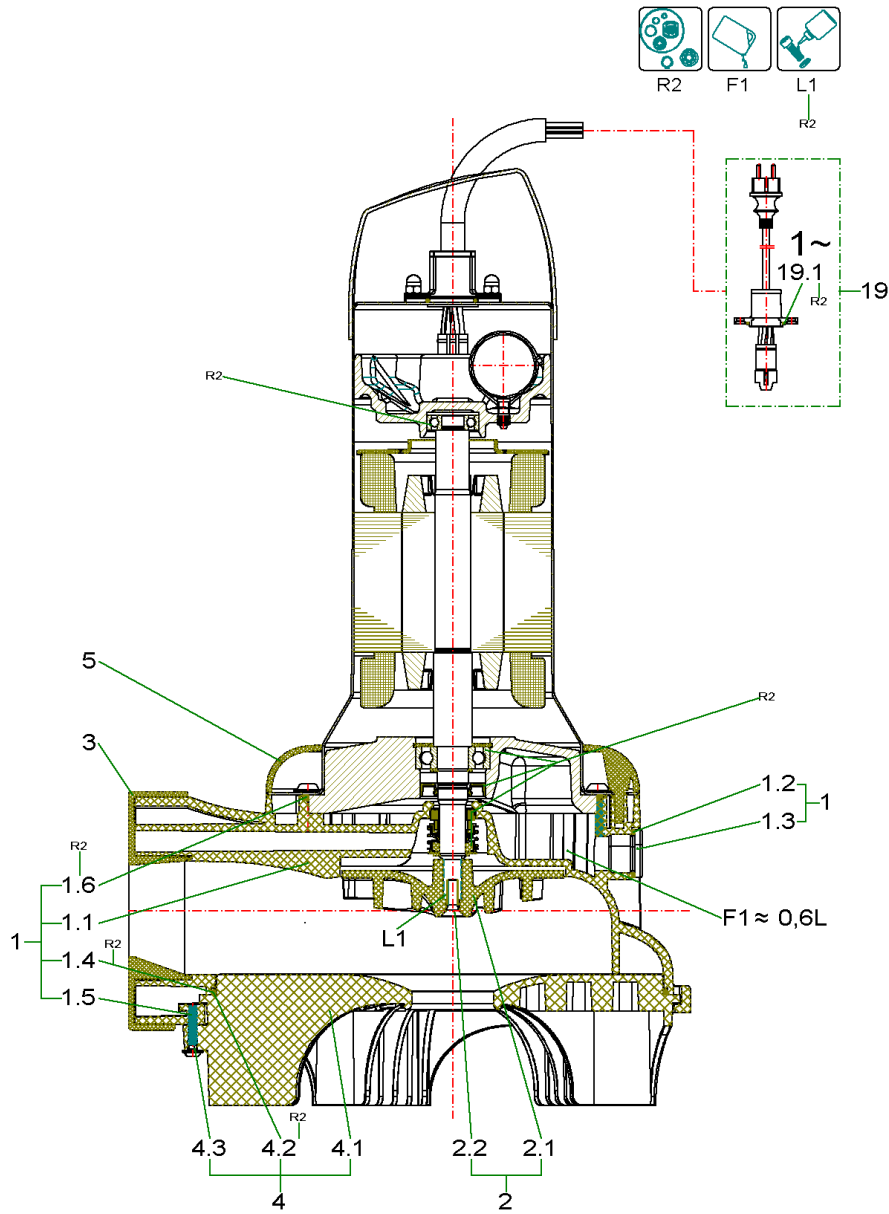
1	6220182	pump housing UNI V05 PP KIT	1
1.1		> pump housing Q50 6052658 PP	1
1.2	6048832	> joint ring A21/26x1,5 DIN7603 PA(10pc)	1
1.3	6067638	> screw plug G1/2 DIN908 A4 (3pcs)	1
1.4		> o-ring ID.238,0x3,0 NBR70	1
1.5		> Screw D.5x24 head-D.11 A4 w.plastic	1
1.6		> O-ring ID.150,0x3,53 DIN3771 NBR50 blue	1
2	6220172	Impeller UNI V05 D.105 PP SET	1
2.1		> impeller-W D.105 6052205 PP	1
2.2		> screw M6x20 DIN7991 A4-70	1
3	6220186	collar DN50 NBR80 VP.	1
4	6220190	Base plate UNI PP KIT	1
4.1		> bottom plate 6052204 PP	1
4.2		> o-ring ID.238,0x3,0 NBR70	1
4.3		> Screw D.5x24 head-D.11 A4 w.plastic	1
5	6220210	cover ring 6052211 PP VP.	1
19	6066617	cable 10m H07 6G1 VP.	1
19.1	6067644	O-Ring ID.25X2,2N DIN3771 NBR70 (3pcs)	1



UNI V05/T06-540/A (6082120)

Item	Article no.	Description	Quantity
R2	6220212	Rep.Kit 2 RexaUNI/S11.1	1
F1	6025460	medical white oil 1L KIT	1
L1	6080531	Loctite 243 5g flask VP:	1

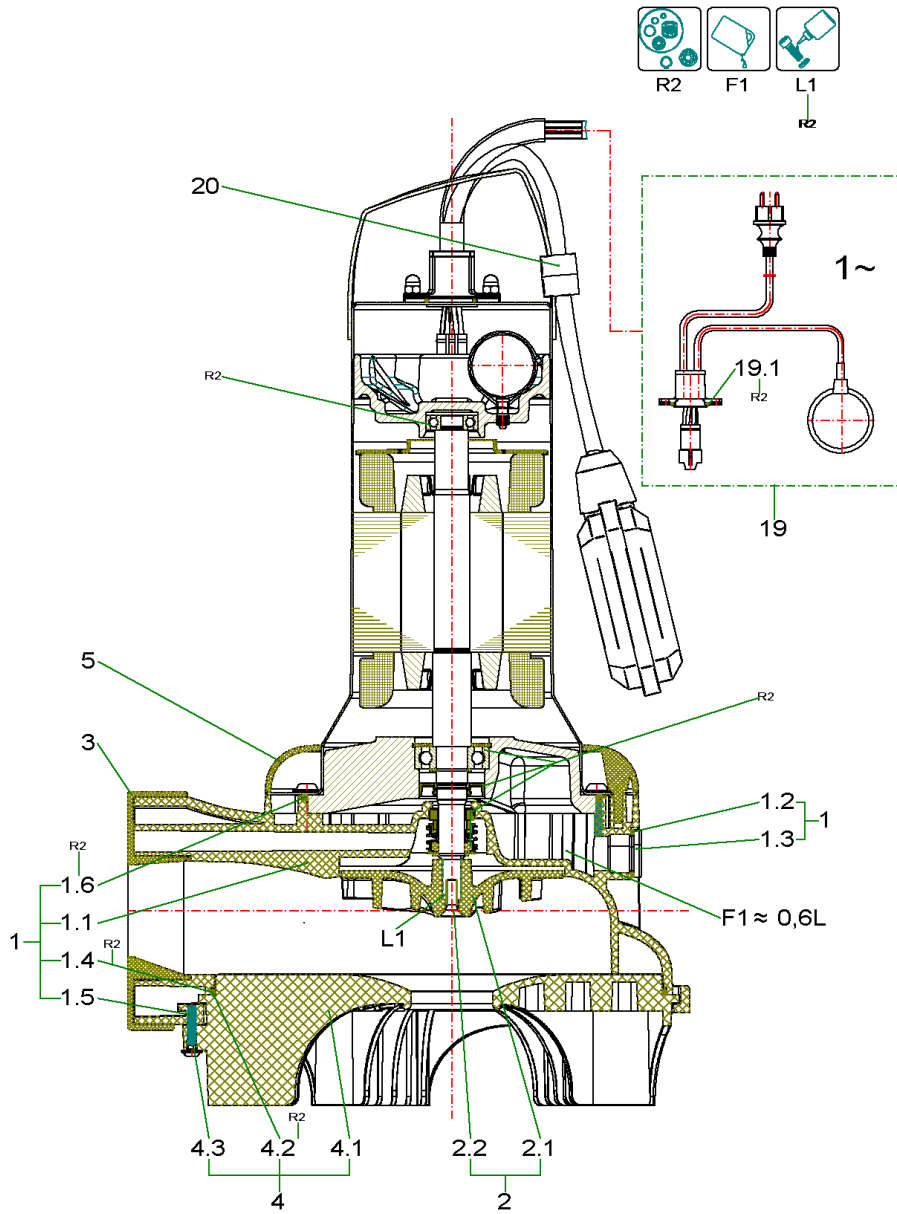
1	6220182	pump housing UNI V05 PP KIT	1
1.1		> pump housing Q50 6052658 PP	1
1.2	6048832	> joint ring A21/26x1,5 DIN7603 PA(10pc)	1
1.3	6067638	> screw plug G1/2 DIN908 A4 (3pcs)	1
1.4		> o-ring ID.238,0x3,0 NBR70	1
1.5		> Screw D.5x24 head-D.11 A4 w.plastic	1
1.6		> O-ring ID.150,0x3,53 DIN3771 NBR50 blue	1
2	6220172	Impeller UNI V05 D.105 PP SET	1
2.1		> impeller-W D.105 6052205 PP	1
2.2		> screw M6x20 DIN7991 A4-70	1
3	6220186	collar DN50 NBR80 VP.	1
4	6220190	Base plate UNI PP KIT	1
4.1		> bottom plate 6052204 PP	1
4.2		> o-ring ID.238,0x3,0 NBR70	1
4.3		> Screw D.5x24 head-D.11 A4 w.plastic	1
5	6220210	cover ring 6052211 PP VP.	1
19	6066617	cable 10m H07 6G1 VP.	1
19.1	6067644	O-Ring ID.25X2,2N DIN3771 NBR70 (3pcs)	1
20	6067643	cable clip PP-GF30 black VP.	1
21	6072582	float switch S-PS 10A 250V 10m NO VP	1
22	6072520	MCP 1,0-1,6A-T4-HA-ROT-WSK-CEE16-5PS VP.	1



UNI V05/M08-523/P (6082121)

Item	Article no.	Description	Quantity
R2	6220212	Rep.Kit 2 RexaUNI/S11.1	1
F1	6025460	medical white oil 1L KIT	1
L1	6080531	Loctite 243 5g flask VP:	1

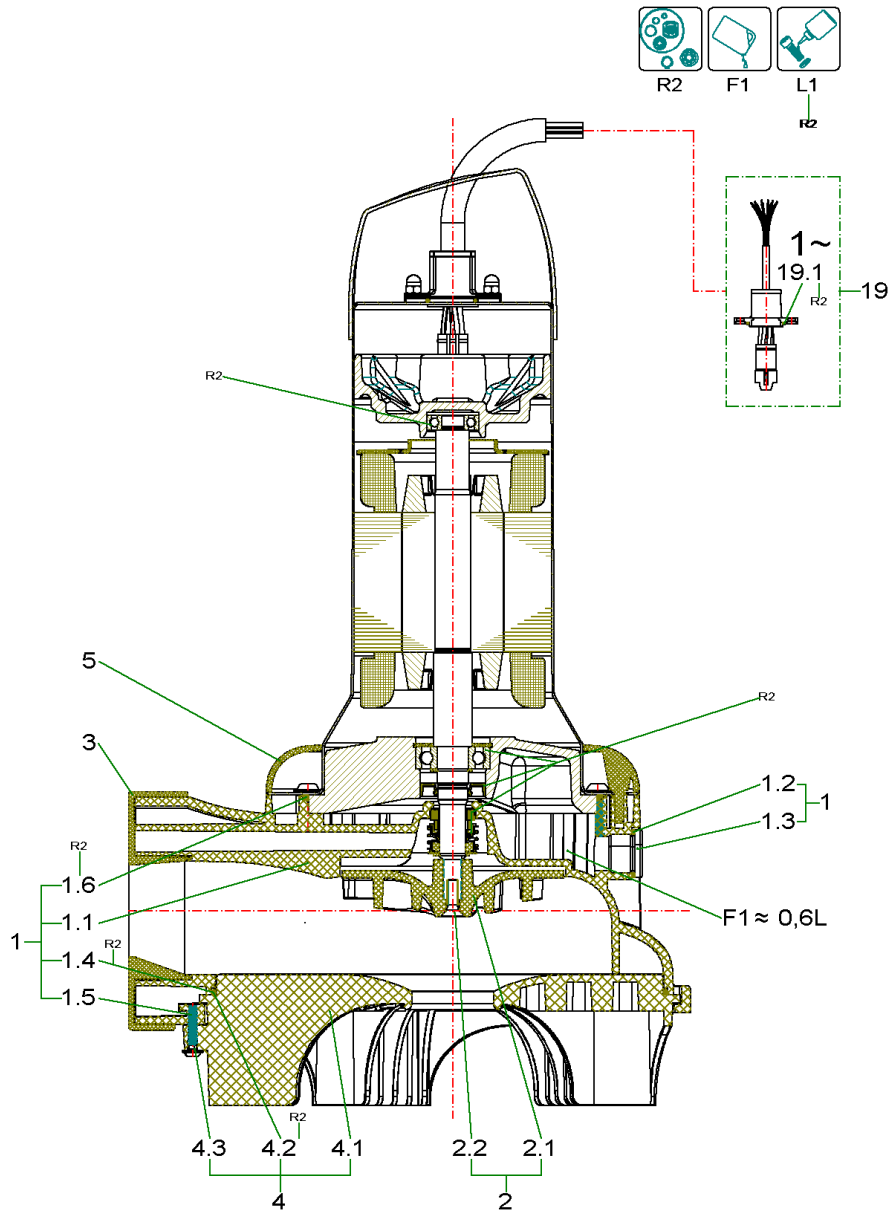
1	6220182	pump housing UNI V05 PP KIT	1
1.1		> pump housing Q50 6052658 PP	1
1.2	6048832	> joint ring A21/26x1,5 DIN7603 PA(10pc)	1
1.3	6067638	> screw plug G1/2 DIN908 A4 (3pcs)	1
1.4		> o-ring ID.238,0x3,0 NBR70	1
1.5		> Screw D.5x24 head-D.11 A4 w.plastic	1
1.6		> O-ring ID.150,0x3,53 DIN3771 NBR50 blue	1
2	6220174	Impeller UNI V05 D.120 PP SET	1
2.1		> impeller-W D.120 6052206 PP	1
2.2		> screw M6x20 DIN7991 A4-70	1
3	6220186	collar DN50 NBR80 VP.	1
4	6220190	Base plate UNI PP KIT	1
4.1		> bottom plate 6052204 PP	1
4.2		> o-ring ID.238,0x3,0 NBR70	1
4.3		> Screw D.5x24 head-D.11 A4 w.plastic	1
5	6220210	cover ring 6052211 PP VP.	1
19	6066650	cable 10m H07 3G1/plug VP.	1
19.1	6067644	O-Ring ID.25X2,2N DIN3771 NBR70 (3pcs)	1



UNI V05/M08-523/A (6082122)

Item	Article no.	Description	Quantity
R2	6220212	Rep.Kit 2 RexaUNI/S11.1	1
F1	6025460	medical white oil 1L KIT	1
L1	6080531	Loctite 243 5g flask VP:	1

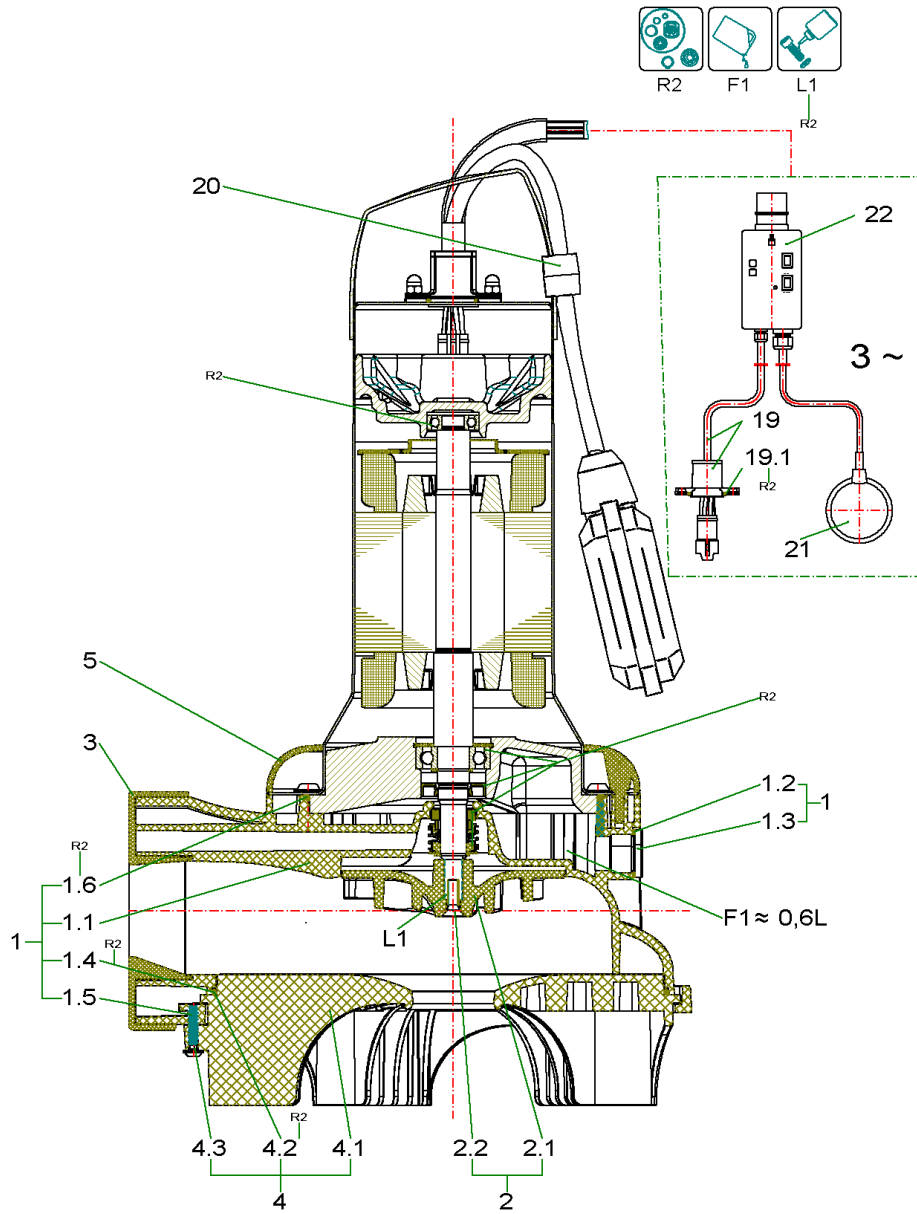
1	6220182	pump housing UNI V05 PP KIT	1
1.1		> pump housing Q50 6052658 PP	1
1.2	6048832	> joint ring A21/26x1,5 DIN7603 PA(10pc)	1
1.3	6067638	> screw plug G1/2 DIN908 A4 (3pcs)	1
1.4		> o-ring ID.238,0x3,0 NBR70	1
1.5		> Screw D.5x24 head-D.11 A4 w.plastic	1
1.6		> O-ring ID.150,0x3,53 DIN3771 NBR50 blue	1
2	6220174	Impeller UNI V05 D.120 PP SET	1
2.1		> impeller-W D.120 6052206 PP	1
2.2		> screw M6x20 DIN7991 A4-70	1
3	6220186	collar DN50 NBR80 VP.	1
4	6220190	Base plate UNI PP KIT	1
4.1		> bottom plate 6052204 PP	1
4.2		> o-ring ID.238,0x3,0 NBR70	1
4.3		> Screw D.5x24 head-D.11 A4 w.plastic	1
5	6220210	cover ring 6052211 PP VP.	1
19	6066649	cable 10m H07 3G1/plug/float switch	1
20	6067643	cable clip PP-GF30 black VP.	1



UNI V05/T08-540 (6082123)

Item	Article no.	Description	Quantity
R2	6220212	Rep.Kit 2 RexaUNI/S11.1	1
F1	6025460	medical white oil 1L KIT	1
L1	6080531	Loctite 243 5g flask VP:	1

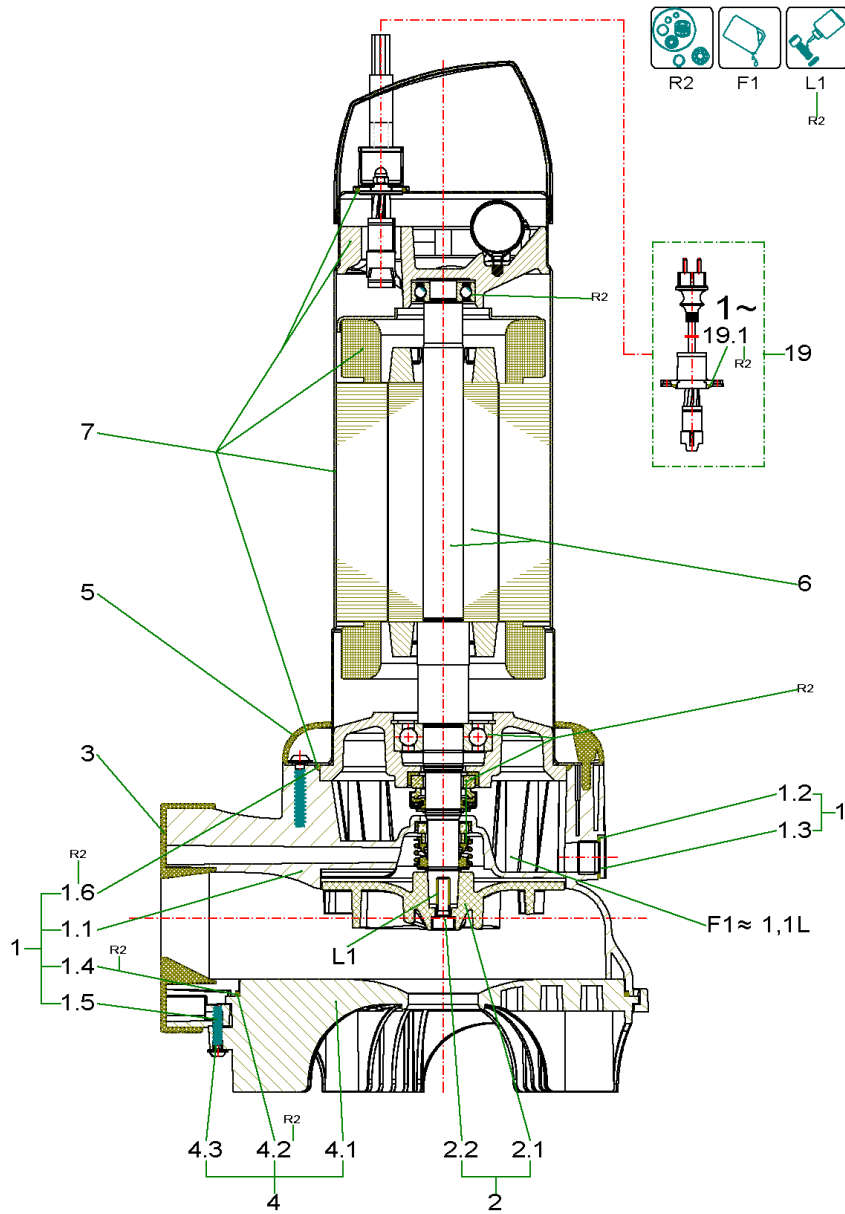
1	6220182	pump housing UNI V05 PP KIT	1
1.1		> pump housing Q50 6052658 PP	1
1.2	6048832	> joint ring A21/26x1,5 DIN7603 PA(10pc)	1
1.3	6067638	> screw plug G1/2 DIN908 A4 (3pcs)	1
1.4		> o-ring ID.238,0x3,0 NBR70	1
1.5		> Screw D.5x24 head-D.11 A4 w.plastic	1
1.6		> O-ring ID.150,0x3,53 DIN3771 NBR50 blue	1
2	6220174	Impeller UNI V05 D.120 PP SET	1
2.1		> impeller-W D.120 6052206 PP	1
2.2		> screw M6x20 DIN7991 A4-70	1
3	6220186	collar DN50 NBR80 VP.	1
4	6220190	Base plate UNI PP KIT	1
4.1		> bottom plate 6052204 PP	1
4.2		> o-ring ID.238,0x3,0 NBR70	1
4.3		> Screw D.5x24 head-D.11 A4 w.plastic	1
5	6220210	cover ring 6052211 PP VP.	1
19	6066617	cable 10m H07 6G1 VP.	1
19.1	6067644	O-Ring ID.25X2,2N DIN3771 NBR70 (3pcs)	1



UNI V05/T08-540/A (6082124)

Item	Article no.	Description	Quantity
R2	6220212	Rep.Kit 2 RexaUNI/S11.1	1
F1	6025460	medical white oil 1L KIT	1
L1	6080531	Loctite 243 5g flask VP:	1

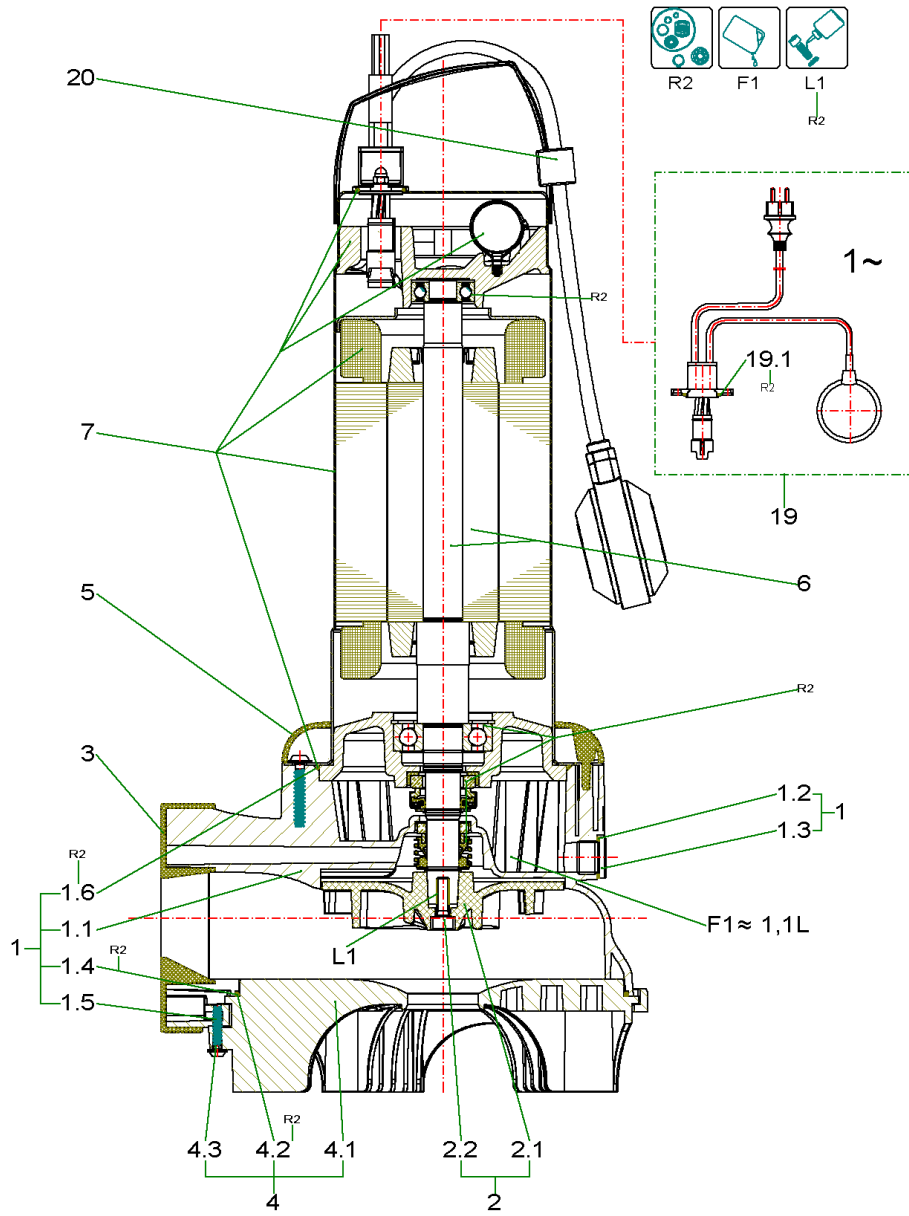
1	6220182	pump housing UNI V05 PP KIT	1
1.1		> pump housing Q50 6052658 PP	1
1.2	6048832	> joint ring A21/26x1,5 DIN7603 PA(10pc)	1
1.3	6067638	> screw plug G1/2 DIN908 A4 (3pcs)	1
1.4		> o-ring ID.238,0x3,0 NBR70	1
1.5		> Screw D.5x24 head-D.11 A4 w.plastic	1
1.6		> O-ring ID.150,0x3,53 DIN3771 NBR50 blue	1
2	6220174	Impeller UNI V05 D.120 PP SET	1
2.1		> impeller-W D.120 6052206 PP	1
2.2		> screw M6x20 DIN7991 A4-70	1
3	6220186	collar DN50 NBR80 VP.	1
4	6220190	Base plate UNI PP KIT	1
4.1		> bottom plate 6052204 PP	1
4.2		> o-ring ID.238,0x3,0 NBR70	1
4.3		> Screw D.5x24 head-D.11 A4 w.plastic	1
5	6220210	cover ring 6052211 PP VP.	1
19	6066617	cable 10m H07 6G1 VP.	1
19.1	6067644	O-Ring ID.25X2,2N DIN3771 NBR70 (3pcs)	1
20	6067643	cable clip PP-GF30 black VP.	1
21	6072582	float switch S-PS 10A 250V 10m NO VP	1
22	6072521	MCP 1,6-2,4A-T4-HA-ROT-WSK-CEE16-5PS VP.	1



UNI V06/M11-523/P (6082137)

Item	Article no.	Description	Quantity
R2	6220214	Rep.Kit 2 RexaUNI/S13.1	1
F1	6025460	medical white oil 1L KIT	1
L1	6080531	Loctite 243 5g flask VP:	1

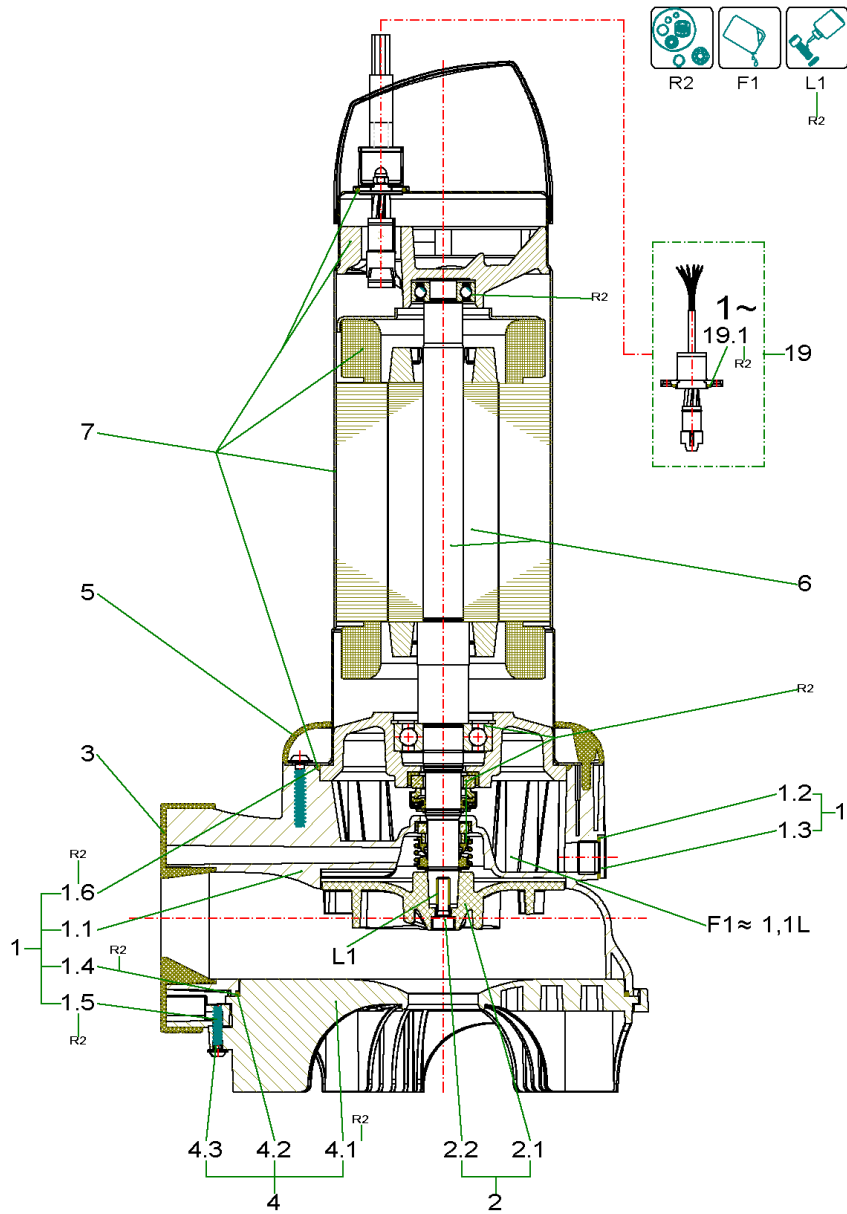
1	6220184	pump housing UNI V06 PP KIT	1
1.1		> pump housing Q65 6052659 PP	1
1.2	6048832	> joint ring A21/26x1,5 DIN7603 PA(10pc)	1
1.3	6067638	> screw plug G1/2 DIN908 A4 (3pcs)	1
1.4		> o-ring ID.238,0x3,0 NBR70	1
1.5		> Screw D.5x24 head-D.11 A4 w.plastic	1
1.6		> O-ring ID.150,0x3,53 DIN3771 NBR50 blue	1
2	6220176	Impeller UNI V06 D.114 PP SET	1
2.1		> impeller-W D.114 6052199 PP	1
2.2		> screw M8x25 ISO4762 A4	1
3	6220188	collar DN50/65 NBR80 VP.	1
4	6220190	Base plate UNI PP KIT	1
4.1		> bottom plate 6052204 PP	1
4.2		> o-ring ID.238,0x3,0 NBR70	1
4.3		> Screw D.5x24 head-D.11 A4 w.plastic	1
5	6220210	cover ring 6052211 PP VP.	1
6	6067580	rotor S/P13.1-8/EAD0X2-M VP.	1
7	6070456	stator-unit S13.1-2/8 1~ KIT	1
19	6066650	cable 10m H07 3G1/plug VP.	1
19.1	6067644	O-Ring ID.25X2,2N DIN3771 NBR70 (3pcs)	1



UNI V06/M11-523/A (6082138)

Item	Article no.	Description	Quantity
R2	6220214	Rep.Kit 2 RexaUNI/S13.1	1
F1	6025460	medical white oil 1L KIT	1
L1	6080531	Loctite 243 5g flask VP:	1

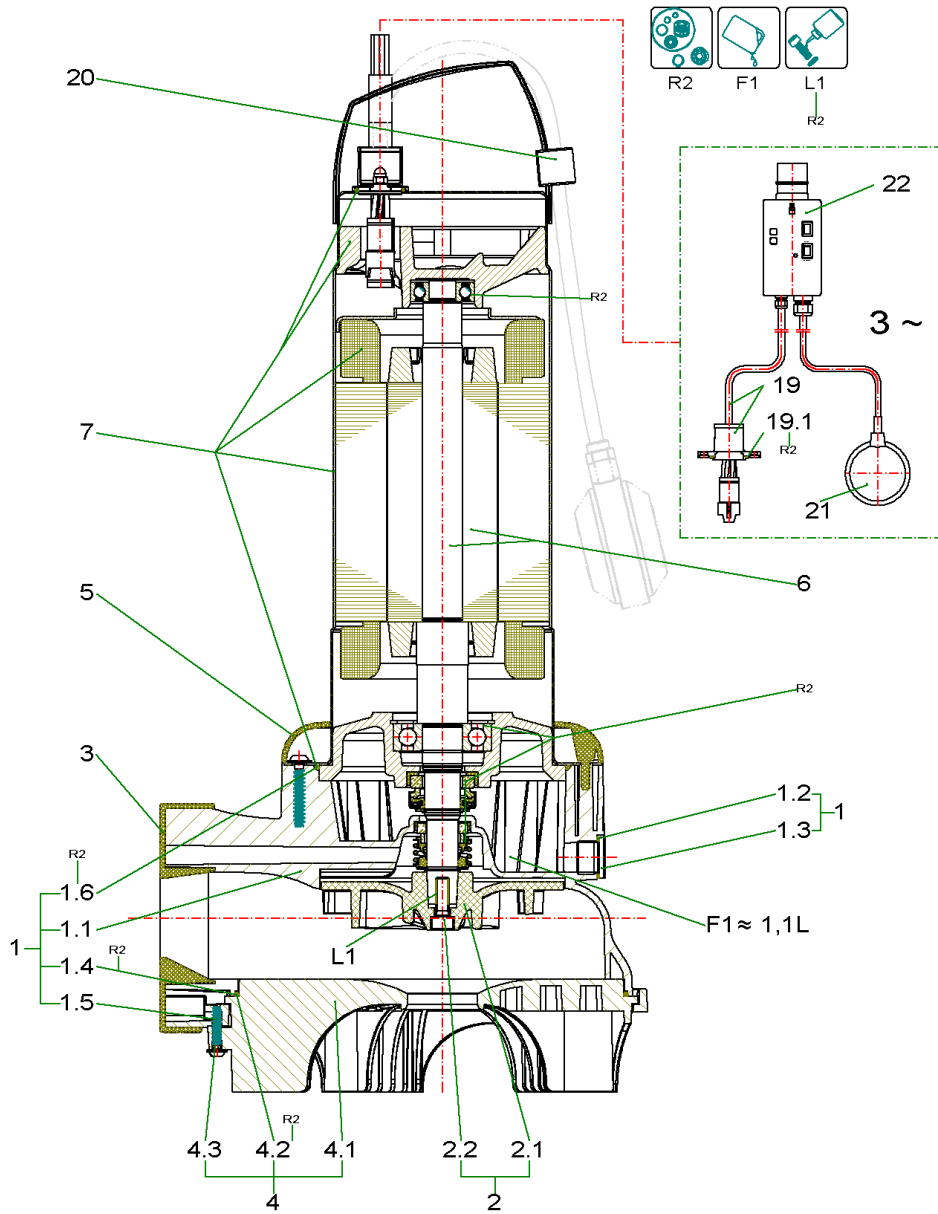
1	6220184	pump housing UNI V06 PP KIT	1
1.1		> pump housing Q65 6052659 PP	1
1.2	6048832	> joint ring A21/26x1,5 DIN7603 PA(10pc)	1
1.3	6067638	> screw plug G1/2 DIN908 A4 (3pcs)	1
1.4		> o-ring ID.238,0x3,0 NBR70	1
1.5		> Screw D.5x24 head-D.11 A4 w.plastic	1
1.6		> O-ring ID.150,0x3,53 DIN3771 NBR50 blue	1
2	6220176	Impeller UNI V06 D.114 PP SET	1
2.1		> impeller-W D.114 6052199 PP	1
2.2		> screw M8x25 ISO4762 A4	1
3	6220188	collar DN50/65 NBR80 VP.	1
4	6220190	Base plate UNI PP KIT	1
4.1		> bottom plate 6052204 PP	1
4.2		> o-ring ID.238,0x3,0 NBR70	1
4.3		> Screw D.5x24 head-D.11 A4 w.plastic	1
5	6220210	cover ring 6052211 PP VP.	1
6	6067580	rotor S/P13.1-8/EAD0X2-M VP.	1
7	6070456	stator-unit S13.1-2/8 1~ KIT	1
19	6066649	cable 10m H07 3G1/plug/float switch	1
19.1	6067644	O-Ring ID.25X2,2N DIN3771 NBR70 (3pcs)	1
20	6067643	cable clip PP-GF30 black VP.	1



UNI V06/T11-540 (6082139)

Item	Article no.	Description	Quantity
R2	6220214	Rep.Kit 2 RexaUNI/S13.1	1
F1	6025460	medical white oil 1L KIT	1
L1	6080531	Loctite 243 5g flask VP:	1

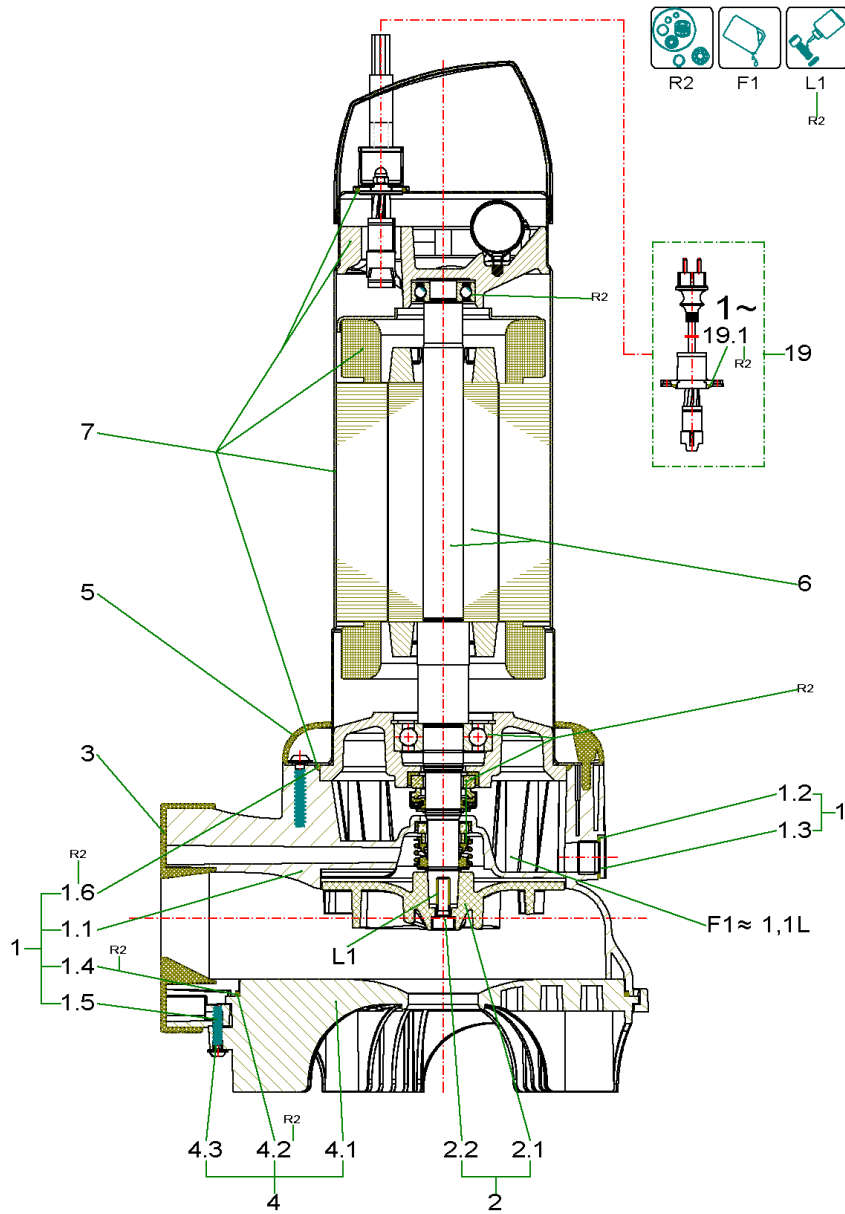
1	6220184	pump housing UNI V06 PP KIT	1
1.1		> pump housing Q65 6052659 PP	1
1.2	6048832	> joint ring A21/26x1,5 DIN7603 PA(10pc)	1
1.3	6067638	> screw plug G1/2 DIN908 A4 (3pcs)	1
1.4		> o-ring ID.238,0x3,0 NBR70	1
1.5		> Screw D.5x24 head-D.11 A4 w.plastic	1
1.6		> O-ring ID.150,0x3,53 DIN3771 NBR50 blue	1
2	6220176	Impeller UNI V06 D.114 PP SET	1
2.1		> impeller-W D.114 6052199 PP	1
2.2		> screw M8x25 ISO4762 A4	1
3	6220188	collar DN50/65 NBR80 VP.	1
4	6220190	Base plate UNI PP KIT	1
4.1		> bottom plate 6052204 PP	1
4.2		> o-ring ID.238,0x3,0 NBR70	1
4.3		> Screw D.5x24 head-D.11 A4 w.plastic	1
5	6220210	cover ring 6052211 PP VP.	1
6	6067579	rotor S/P13.1-8/EAD1X2-T VP.	1
7	6070454	stator-unit S13.1-2/8 3~ KIT	1
19	6066617	cable 10m H07 6G1 VP.	1
19.1	6067644	O-Ring ID.25X2,2N DIN3771 NBR70 (3pcs)	1



UNI V06/T11-540/A (6082140)

Item	Article no.	Description	Quantity
R2	6220214	Rep.Kit 2 RexaUNI/S13.1	1
F1	6025460	medical white oil 1L KIT	1
L1	6080531	Loctite 243 5g flask VP:	1

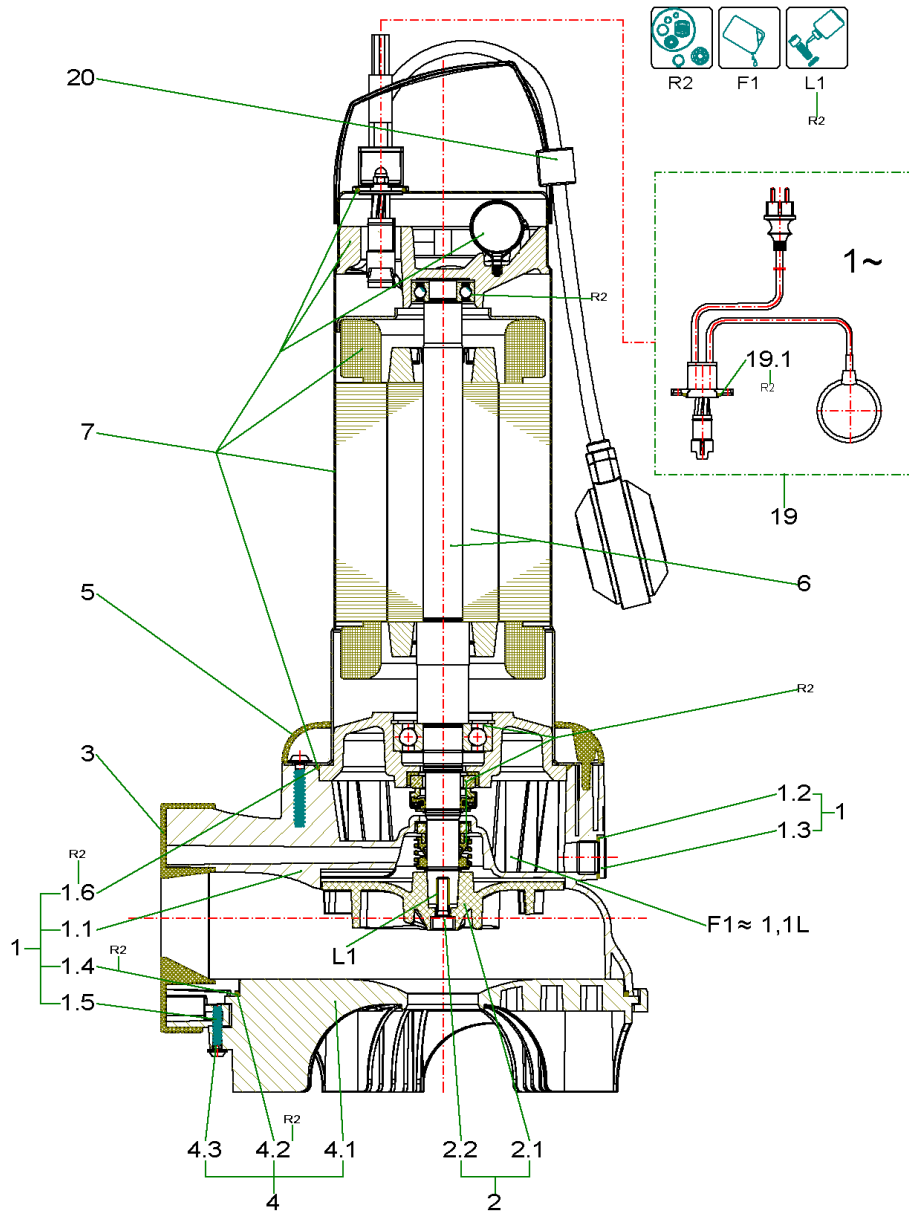
1	6220184	pump housing UNI V06 PP KIT	1
1.1		> pump housing Q65 6052659 PP	1
1.2	6048832	> joint ring A21/26x1,5 DIN7603 PA(10pc)	1
1.3	6067638	> screw plug G1/2 DIN908 A4 (3pcs)	1
1.4		> o-ring ID.238,0x3,0 NBR70	1
1.5		> Screw D.5x24 head-D.11 A4 w.plastic	1
1.6		> O-ring ID.150,0x3,53 DIN3771 NBR50 blue	1
2	6220176	Impeller UNI V06 D.114 PP SET	1
2.1		> impeller-W D.114 6052199 PP	1
2.2		> screw M8x25 ISO4762 A4	1
3	6220188	collar DN50/65 NBR80 VP.	1
4	6220190	Base plate UNI PP KIT	1
4.1		> bottom plate 6052204 PP	1
4.2		> o-ring ID.238,0x3,0 NBR70	1
4.3		> Screw D.5x24 head-D.11 A4 w.plastic	1
5	6220210	cover ring 6052211 PP VP.	1
6	6067579	rotor S/P13.1-8/EAD1X2-T VP.	1
7	6070454	stator-unit S13.1-2/8 3~ KIT	1
19	6066617	cable 10m H07 6G1 VP.	1
19.1	6067644	O-Ring ID.25X2,2N DIN3771 NBR70 (3pcs)	1
20	6067643	cable clip PP-GF30 black VP.	1
21	6072582	float switch S-PS 10A 250V 10m NO VP	1
22	6072522	MCP 2,4-4,0A-T4-HA-ROT-WSK-CEE16-5PS VP.	1



UNI V06/M15-523/P (6082141)

Item	Article no.	Description	Quantity
R2	6220214	Rep.Kit 2 RexaUNI/S13.1	1
F1	6025460	medical white oil 1L KIT	1
L1	6080531	Loctite 243 5g flask VP:	1

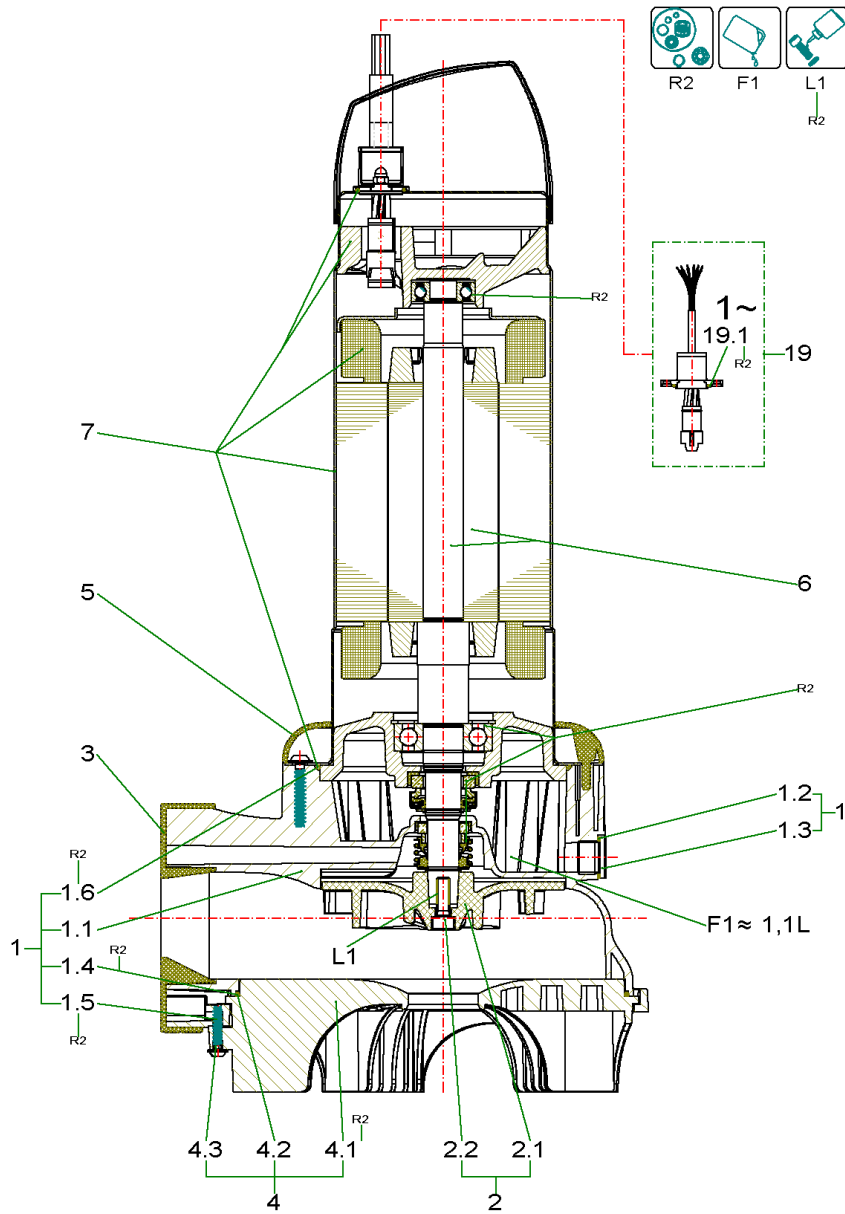
1	6220184	pump housing UNI V06 PP KIT	1
1.1		> pump housing Q65 6052659 PP	1
1.2	6048832	> joint ring A21/26x1,5 DIN7603 PA(10pc)	1
1.3	6067638	> screw plug G1/2 DIN908 A4 (3pcs)	1
1.4		> o-ring ID.238,0x3,0 NBR70	1
1.5		> Screw D.5x24 head-D.11 A4 w.plastic	1
1.6		> O-ring ID.150,0x3,53 DIN3771 NBR50 blue	1
2	6220178	Impeller UNI V06 D.128 PP KIT	1
2.1		> impeller-W D.128 6052200 PP	1
2.2		> screw M8x25 ISO4762 A4	1
3	6220188	collar DN50/65 NBR80 VP.	1
4	6220190	Base plate UNI PP KIT	1
4.1		> bottom plate 6052204 PP	1
4.2		> o-ring ID.238,0x3,0 NBR70	1
4.3		> Screw D.5x24 head-D.11 A4 w.plastic	1
5	6220210	cover ring 6052211 PP VP.	1
6	6067580	rotor S/P13.1-8/EAD0X2-M VP.	1
7	6070456	stator-unit S13.1-2/8 1~ KIT	1
19	6066650	cable 10m H07 3G1/plug VP.	1
19.1	6067644	O-Ring ID.25X2,2N DIN3771 NBR70 (3pcs)	1



UNI V06/M15-523/A (6082142)

Item	Article no.	Description	Quantity
R2	6220214	Rep.Kit 2 RexaUNI/S13.1	1
F1	6025460	medical white oil 1L KIT	1
L1	6080531	Loctite 243 5g flask VP:	1

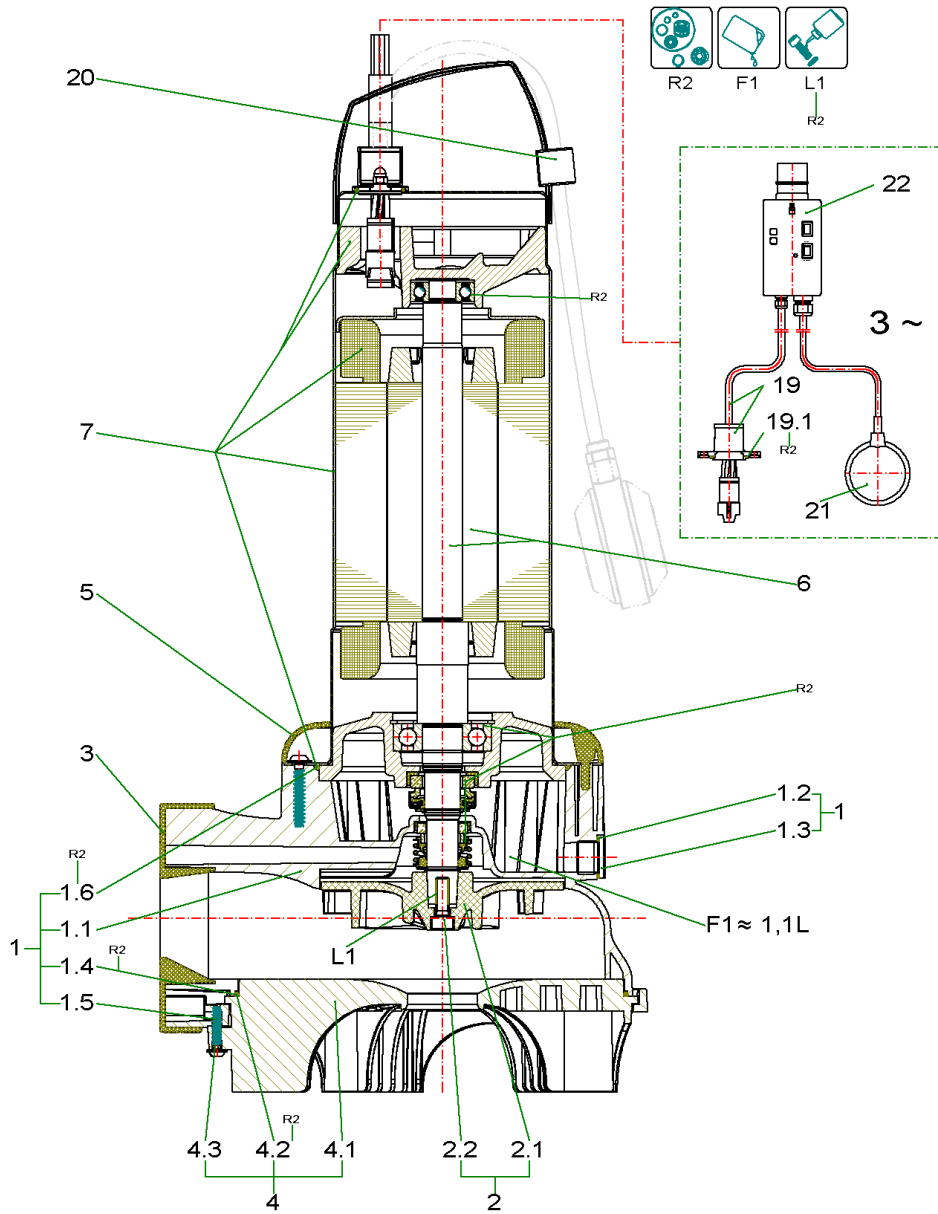
1	6220184	pump housing UNI V06 PP KIT	1
1.1		> pump housing Q65 6052659 PP	1
1.2	6048832	> joint ring A21/26x1,5 DIN7603 PA(10pc)	1
1.3	6067638	> screw plug G1/2 DIN908 A4 (3pcs)	1
1.4		> o-ring ID.238,0x3,0 NBR70	1
1.5		> Screw D.5x24 head-D.11 A4 w.plastic	1
1.6		> O-ring ID.150,0x3,53 DIN3771 NBR50 blue	1
2	6220178	Impeller UNI V06 D.128 PP KIT	1
2.1		> impeller-W D.128 6052200 PP	1
2.2		> screw M8x25 ISO4762 A4	1
3	6220188	collar DN50/65 NBR80 VP.	1
4	6220190	Base plate UNI PP KIT	1
4.1		> bottom plate 6052204 PP	1
4.2		> o-ring ID.238,0x3,0 NBR70	1
4.3		> Screw D.5x24 head-D.11 A4 w.plastic	1
5	6220210	cover ring 6052211 PP VP.	1
6	6067580	rotor S/P13.1-8/EAD0X2-M VP.	1
7	6070456	stator-unit S13.1-2/8 1~ KIT	1
19	6066649	cable 10m H07 3G1/plug/float switch	1
19.1	6067644	O-Ring ID.25X2,2N DIN3771 NBR70 (3pcs)	1
20	6067643	cable clip PP-GF30 black VP.	1



UNI V06/T15-540 (6082143)

Item	Article no.	Description	Quantity
R2	6220214	Rep.Kit 2 RexaUNI/S13.1	1
F1	6025460	medical white oil 1L KIT	1
L1	6080531	Loctite 243 5g flask VP:	1

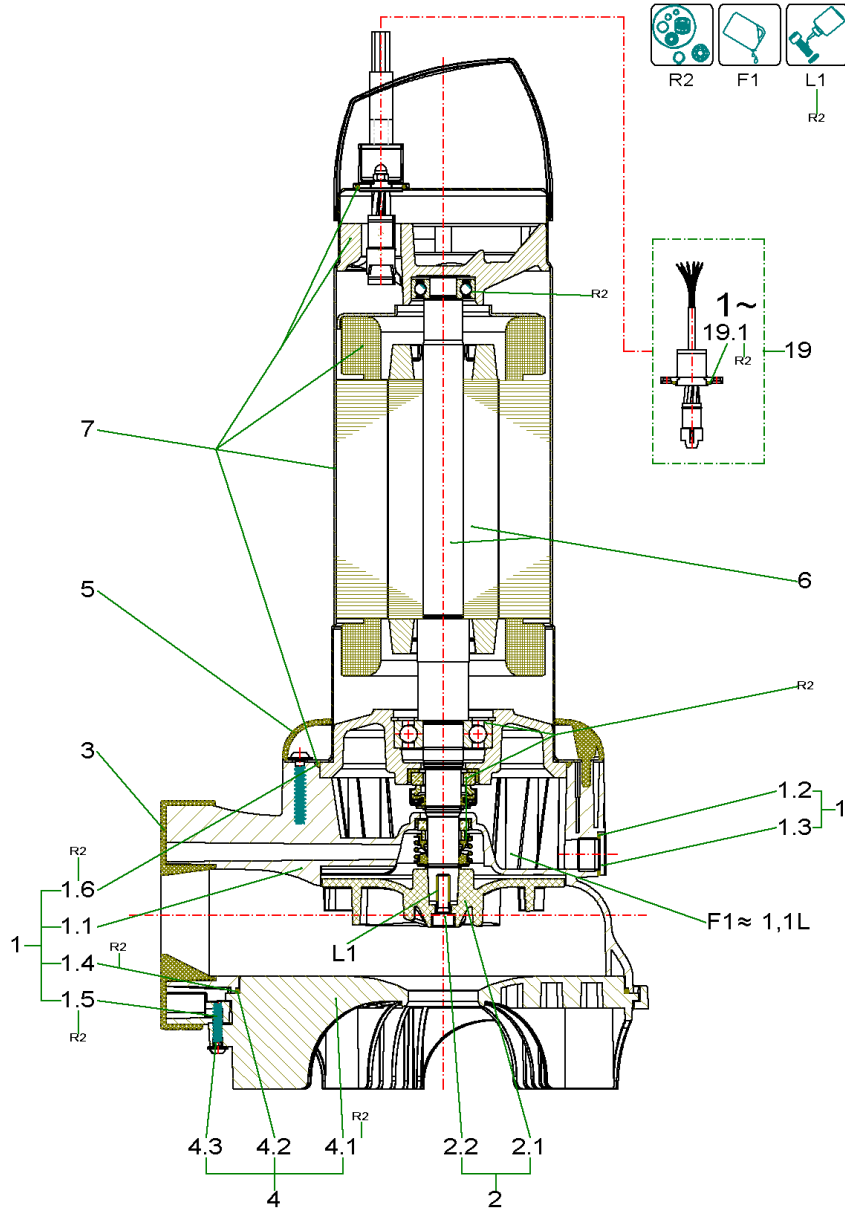
1	6220184	pump housing UNI V06 PP KIT	1
1.1		> pump housing Q65 6052659 PP	1
1.2	6048832	> joint ring A21/26x1,5 DIN7603 PA(10pc)	1
1.3	6067638	> screw plug G1/2 DIN908 A4 (3pcs)	1
1.4		> o-ring ID.238,0x3,0 NBR70	1
1.5		> Screw D.5x24 head-D.11 A4 w.plastic	1
1.6		> O-ring ID.150,0x3,53 DIN3771 NBR50 blue	1
2	6220178	Impeller UNI V06 D.128 PP KIT	1
2.1		> impeller-W D.128 6052200 PP	1
2.2		> screw M8x25 ISO4762 A4	1
3	6220188	collar DN50/65 NBR80 VP.	1
4	6220190	Base plate UNI PP KIT	1
4.1		> bottom plate 6052204 PP	1
4.2		> o-ring ID.238,0x3,0 NBR70	1
4.3		> Screw D.5x24 head-D.11 A4 w.plastic	1
5	6220210	cover ring 6052211 PP VP.	1
6	6067579	rotor S/P13.1-8/EAD1X2-T VP.	1
7	6070454	stator-unit S13.1-2/8 3~ KIT	1
19	6066617	cable 10m H07 6G1 VP.	1
19.1	6067644	O-Ring ID.25X2,2N DIN3771 NBR70 (3pcs)	1



UNI V06/T15-540/A (6082144)

Item	Article no.	Description	Quantity
R2	6220214	Rep.Kit 2 RexaUNI/S13.1	1
F1	6025460	medical white oil 1L KIT	1
L1	6080531	Loctite 243 5g flask VP:	1

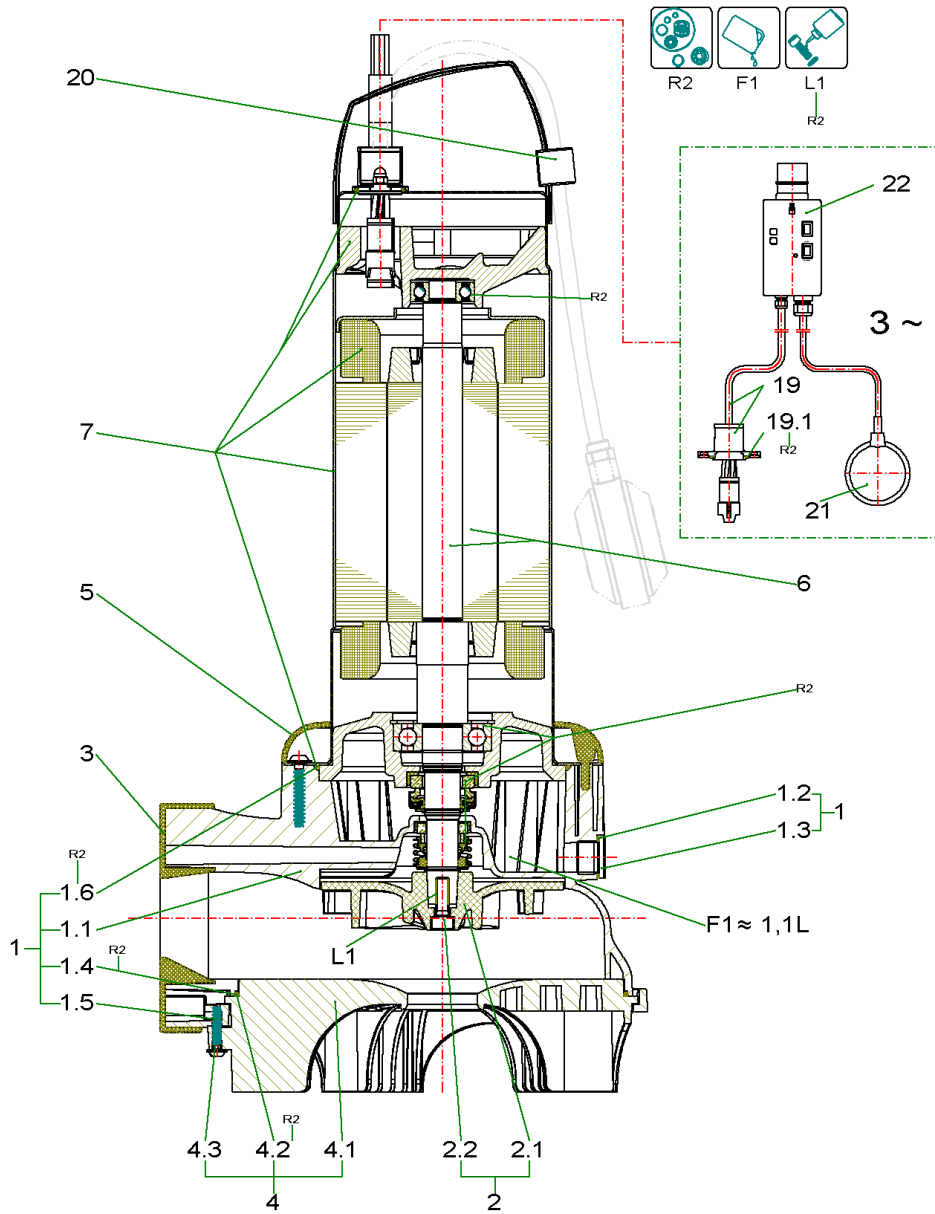
1	6220184	pump housing UNI V06 PP KIT	1
1.1		> pump housing Q65 6052659 PP	1
1.2	6048832	> joint ring A21/26x1,5 DIN7603 PA(10pc)	1
1.3	6067638	> screw plug G1/2 DIN908 A4 (3pcs)	1
1.4		> o-ring ID.238,0x3,0 NBR70	1
1.5		> Screw D.5x24 head-D.11 A4 w.plastic	1
1.6		> O-ring ID.150,0x3,53 DIN3771 NBR50 blue	1
2	6220178	Impeller UNI V06 D.128 PP KIT	1
2.1		> impeller-W D.128 6052200 PP	1
2.2		> screw M8x25 ISO4762 A4	1
3	6220188	collar DN50/65 NBR80 VP.	1
4	6220190	Base plate UNI PP KIT	1
4.1		> bottom plate 6052204 PP	1
4.2		> o-ring ID.238,0x3,0 NBR70	1
4.3		> Screw D.5x24 head-D.11 A4 w.plastic	1
5	6220210	cover ring 6052211 PP VP.	1
6	6067579	rotor S/P13.1-8/EAD1X2-T VP.	1
7	6070454	stator-unit S13.1-2/8 3~ KIT	1
19	6066617	cable 10m H07 6G1 VP.	1
19.1	6067644	O-Ring ID.25X2,2N DIN3771 NBR70 (3pcs)	1
20	6067643	cable clip PP-GF30 black VP.	1
21	6072582	float switch S-PS 10A 250V 10m NO VP	1
22	6072522	MCP 2,4-4,0A-T4-HA-ROT-WSK-CEE16-5PS VP.	1



UNI V06/T25-540 (6082145)

Item	Article no.	Description	Quantity
R2	6220214	Rep.Kit 2 RexaUNI/S13.1	1
F1	6025460	medical white oil 1L KIT	1
L1	6080531	Loctite 243 5g flask VP:	1

1	6220184	pump housing UNI V06 PP KIT	1
1.1		> pump housing Q65 6052659 PP	1
1.2	6048832	> joint ring A21/26x1,5 DIN7603 PA(10pc)	1
1.3	6067638	> screw plug G1/2 DIN908 A4 (3pcs)	1
1.4		> o-ring ID.238,0x3,0 NBR70	1
1.5		> Screw D.5x24 head-D.11 A4 w.plastic	1
1.6		> O-ring ID.150,0x3,53 DIN3771 NBR50 blue	1
2	6220180	Impeller UNI V06 D.152 PP SET	1
2.1		> impeller-W D.152 6052201 PP	1
2.2		> screw M8x25 ISO4762 A4	1
3	6220188	collar DN50/65 NBR80 VP.	1
4	6220190	Base plate UNI PP KIT	1
4.1		> bottom plate 6052204 PP	1
4.2		> o-ring ID.238,0x3,0 NBR70	1
4.3		> Screw D.5x24 head-D.11 A4 w.plastic	1
5	6220210	cover ring 6052211 PP VP.	1
6	6067577	rotor S/P13.1-10/EAD1X2-T VP.	1
7	6070453	stator-unit S13.1-2/10 3~ KIT	1
19	6066617	cable 10m H07 6G1 VP.	1
19.1	6067644	O-Ring ID.25X2,2N DIN3771 NBR70 (3pcs)	1



UNI V06/T25-540/A (6082146)

Item	Article no.	Description	Quantity
R2	6220214	Rep.Kit 2 RexaUNI/S13.1	1
F1	6025460	medical white oil 1L KIT	1
L1	6080531	Loctite 243 5g flask VP:	1

1	6220184	pump housing UNI V06 PP KIT	1
1.1		> pump housing Q65 6052659 PP	1
1.2	6048832	> joint ring A21/26x1,5 DIN7603 PA(10pc)	1
1.3	6067638	> screw plug G1/2 DIN908 A4 (3pcs)	1
1.4		> o-ring ID.238,0x3,0 NBR70	1
1.5		> Screw D.5x24 head-D.11 A4 w.plastic	1
1.6		> O-ring ID.150,0x3,53 DIN3771 NBR50 blue	1
2	6220180	Impeller UNI V06 D.152 PP SET	1
2.1		> impeller-W D.152 6052201 PP	1
2.2		> screw M8x25 ISO4762 A4	1
3	6220188	collar DN50/65 NBR80 VP.	1
4	6220190	Base plate UNI PP KIT	1
4.1		> bottom plate 6052204 PP	1
4.2		> o-ring ID.238,0x3,0 NBR70	1
4.3		> Screw D.5x24 head-D.11 A4 w.plastic	1
5	6220210	cover ring 6052211 PP VP.	1
6	6067577	rotor S/P13.1-10/EAD1X2-T VP.	1
7	6070453	stator-unit S13.1-2/10 3~ KIT	1
19	6066617	cable 10m H07 6G1 VP.	1
19.1	6067644	O-Ring ID.25X2,2N DIN3771 NBR70 (3pcs)	1
20	6067643	cable clip PP-GF30 black VP.	1
21	6072582	float switch S-PS 10A 250V 10m NO VP	1
22	6072523	MCP 4,0-6,0A-T4-HA-ROT-WSK-CEE16-5PS VP.	1