

**Wear resistant submersible motor pumps for clear and drainage water.**

## H119, H121

### Application

Irrigation and drainage assignments in clean or dirty water also containing abrasive sand or sludge. Application areas include water table drawdown, drainage of construction sites, subways or shafts, supply of industrial water, application on board ships, emergency deployment for flooding etc.

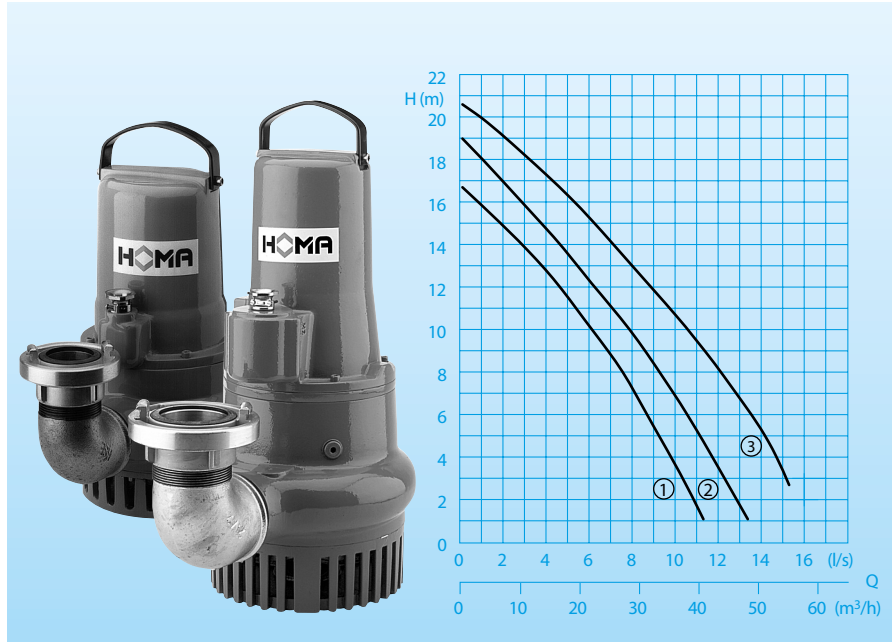
**DIN EN 12050-2:** Design tested and monitored.

**Installation:** Stationary or mobile. Version with float switch for use as automatic water level controlled drainage pump.

**Pumped medium:** Clear- or drainage water with abrasive (e.g. sandy) contents. Max. temperature of pumped medium: 40° C, for non-ex pumps brief periods up to 60° C.

**Operating mode:** Continuous operation (S1).

### Conveying capacities



### Design

Fully submersible pump, consisting of:

**Pump:** Single-stage centrifugal pump with horizontal discharge.

**Impeller:** Open multi-blade impeller, free passage 10 mm. The distance between impeller and casing can be readjusted to maintain maximum performance.

**Motor:** Fully submersible motor, sealed against pressurized water. Insulation class H, Protection rating IP 68.

Model W and Ex with thermal sensor in the winding for temperature monitoring. Connecting cable: H07RN8-F 4G1,5  
 Model Ex: H07RN8-F 6G1,5

**Shaft/bearing:** strongly dimensioned chrome steel motor shaft, lifetime-lubricated roller bearings, model H121 lower bearing double-row type.

**Seal:** Seal combination independent of direction of rotation in separate oil chamber. Oil control possible from the outside. H119 with 1 mechanical seal and 1 shaft seal. H121 with 2 mechanical seals.

**Explosion protection:** All models are also available in EX version according to  $\text{II 2 G Ex c d II BT4(T3)}$ .

### Technical data

Curve No.	Pump type	Motor input P <sub>1</sub> (kW)	Motor input P <sub>2</sub> (kW)	Capacitor* (μF)	Nominal current (A)	Discharge	Weight (kg)
①	H119 WG(A) (Ex)	1,6	1,2	30	7,8	G2	26,0
②	H119 DG(A) (Ex)	1,6	1,2		2,9	G2	26,0
③	H121 D(A) (Ex)	2,6	2,2		4,5	G2 1/2	40,0

**Rotational speed:** 2900 rpm

**Model W:** 230V/1Ph 50Hz

**Model D:** 400V/3Ph 50Hz

**Model A:** with automatic float switch HOMA-Nivomatik

**Model Ex:** explosion-proof

\* **Capacitor:** for the operation it is necessary to install a capacitor into the switchgear.

### Materials

Motor housing, pump housing, impeller, suction cover	Cast iron EN-GJL250
Motor shaft, screws	Stainless steel
Mechanical seals	Silicon carbide
Elastomers	NBR

### Scope of supply

Pump with connection bend 90° and STORZ-fixed coupling Size C, Type H 121: Size B.  
 15 m Connecting cable, switchgear and mains plug.

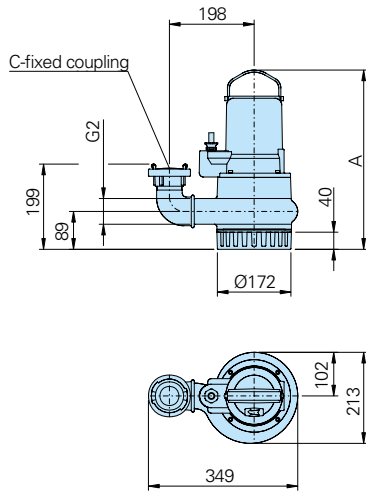
**Model W (230 V/1 Ph):**  
 With switchgear W19 /WT19, motor protection, capacitor, ON-OFF-switch and mains plug.

**Model D (400 V/3 Ph):**  
 With switchgear D32 / DT32, motor protection, rotation direction check, ON-OFF-switch and CEE-reversing plug.

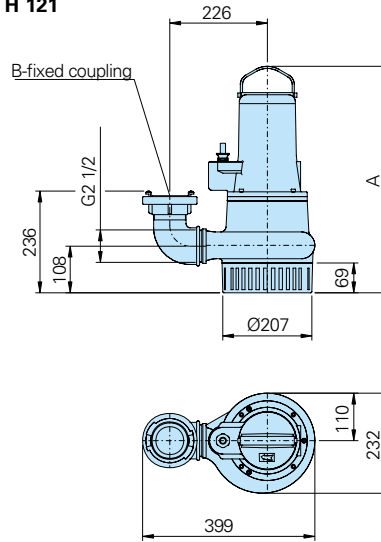
**Model A:** Additionally with automatic float switch HOMA-Nivomatik, switchgear WA15/19; DA15/32; DA15/12, AS-float Manual/Auto-switch.

**Dimensions** (all dimensions in mm)

**H 119**



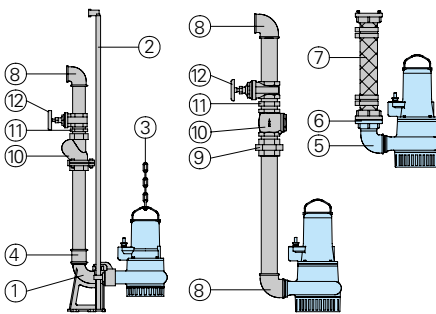
**H 121**



**Pump type** **Dim. A**

H119 WG	419
H119 WG (Ex)	426
H119 DG	419
H119 DG (Ex)	426
H121 D (Ex)	525

**Accessories**



Description	Size	Part no.
① Automatic coupling system GG with mating flange – for H119, base elbow with thread, guide-tube bracket BSP½" KK50/BSP2"	BSP2"/BSP2"	8604005
– for H121, base elbow with thread, guide-tube bracket BSP1" KK65/BSP2 ½"	DN65/BSP2½"	8604015
○ Coupling system completely or partly in stainless steel	all	on request
○ Screw-Kits for fastening coupling systems		on request
○ Intermediate bracket for slide rail bracket extension	Ø ½" for KK50 Ø 1" for KK65	7320271 7323714

Description	Size	Part no.
② Guide rails for coupling kits (steel galvanized and stainless steel A2/A4)		on request
③ Pump chain sets, tested. With shackle, single or dual row, different lengths and load bearing capacities		on request
④ Double socket, galvanized	BSP2" F	2109102
Threaded flange	DN65/BSP 2 ½"	2215060
⑤ 90° bend, galvanized	BSP 2" F/M	in scope of supply H 119
	BSP 2 ½" F/M	in scope of supply H 121
⑥ STORZ-fixed-coupling	C-G 2" F	in scope of supply H 119
	B-G 2 ½" F	in scope of supply H 121
⑦ Synthetic-pressure hose, with rubber lining, completely with STORZ-couplings		
C – 52 mm Ø	10 m long	2611310
	15 m long	2611315
	20 m long	2611320
	30 m long	2611330
B – 75 mm Ø	10 m long	2611210
	15 m long	2611215
	20 m long	2611220
	30 m long	2611230
STORZ-hose-coupling	C – 52 mm Ø	2013003
	B – 75 mm Ø	2013502
Plastic-spiral-hose, per m	Ø 50 mm	2632050
	Ø 75 mm	2632075

Description	Size	Part no.
○ Hose clamp	2"	2306009
	85/20	2308520
STORZ-reducer	B-C	2015423
	A-B	2015612
Coupling spanner	A, B, C	2016002
⑧ 90° bend, galvanized	BSP 2" F	2113606
	BSP 2 ½" F	2113610
⑨ Transition screw connection, galvanized	BSP 2" M/F	2114311
	BSP 2 ½" M/F	2114312
⑩ Non-return valve, brass	BSP 2" F	2211413
	BSP 2 ½" F	2211513
⑪ Double nipple, galvanized	BSP 2" M	2009018
	BSP 2 ½" M	2009025
⑫ Shut-off gate valve, brass	BSP 2" F	2216020
	BSP 2 ½" F	2216025
○ HOMA-Nivomatik float switch level control conversion kit – for 230V/1Ph AZW 10/15	15 m of cable	1435155
– für 400 V/3Ph AZD 10/15	15 m of cable	1919452
○ Mains-dependent alarm control unit AL3 with connector for 9 V rechargeable battery (see below) for operation independent of mains power supply, with built-in signal transmitter, float switch and 10 m of cable. Main phase connection 230V/1Ph		1586141
○ 9 V rechargeable battery for mains-independent alarm		1952215
○ Fault-current circuit breaker 2-pin, Fi 16/0.03 A		1561160
○ For pump controllers and switchgears for mobile and stationary applications, measuring systems and monitoring devices, see HOMA accessories		



We reserve the right to alter our specifications without notice!