

# SANIRELEV 11 AND 22

## LIFT STATIONS



SANIRELEV 11



SANIRELEV 22



Lift stations for foul waters for domestic use and sewage available in three version:

- **SANIRELEV 11 SR 10T**

Tank set-up for a DW range electric pump (with single channel impeller) and DW VOX (with vortex impeller), with 2" discharge pipe, without coupling foot and lowering device

- **SANIRELEV 11 SR 10 PT**

Tank set-up for a DW range electric pump (with single channel impeller) and DW VOX (with vortex impeller), with 2" discharge pipe, coupling foot and lowering device

- **SANIRELEV 22 SR 20 PT**

Tank set-up for two DW range electric pumps (with single channel impeller) and DW VOX (with vortex impeller), with 2" discharge pipe, with coupling feet and lowering devices

### TECHNICAL DETAILS

- Strong construction
- Easy installation

### TECHNICAL DATA

#### Reservoir

- Large watertight cover with gasket for easy intervention
- Reservoir capacity: 360 litres (SANIRELEV 11 SR 10T and SANIRELEV 11 SR 10 PT), 540 litres (SANIRELEV 22 SR 20 PT)
- Reservoir weight: 30 kg (SANIRELEV 11 SR 10T and SANIRELEV 11 SR 10 PT), 44 kg (SANIRELEV 22 SR 20 PT)
- DN 100 inlet
- DN 50/63 outlet
- Can be buried

#### Electric pump (to be inserted in the three models prepared)

- DW electric pump (with single channel impeller) or DW VOX (with vortex impeller) completely in AISI 304 stainless steel
- 2800 min<sup>-1</sup>
- 230V +/- 10% single phase voltage; 400V +/- 10% three-phase voltage
- Class of insulation F
- IPX8 Protection rating
- Maximum temperature of the liquid pumped: 40°C
- Max. solids size for passage: 50 mm

### MATERIALS

#### Reservoir

- Polyethylene reservoir
- PVC inlet and outlet pipes

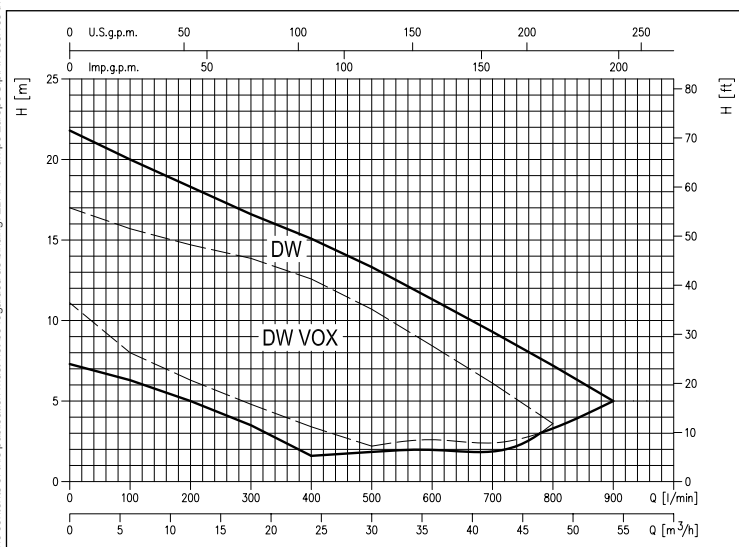
#### Electric pump (to be inserted in the three models prepared)

- Completely in AISI 304 stainless steel
- Equipped with twin mechanical seal: SiC/SiC/NBR (pump side) Carbon/Ceramic/NBR (motor side) with interposed oil chamber

For technical data regarding the DW electric pumps (with single channel impeller) or DW VOX (with vortex impeller) see page 16

#### ACCESSORIES (on request)

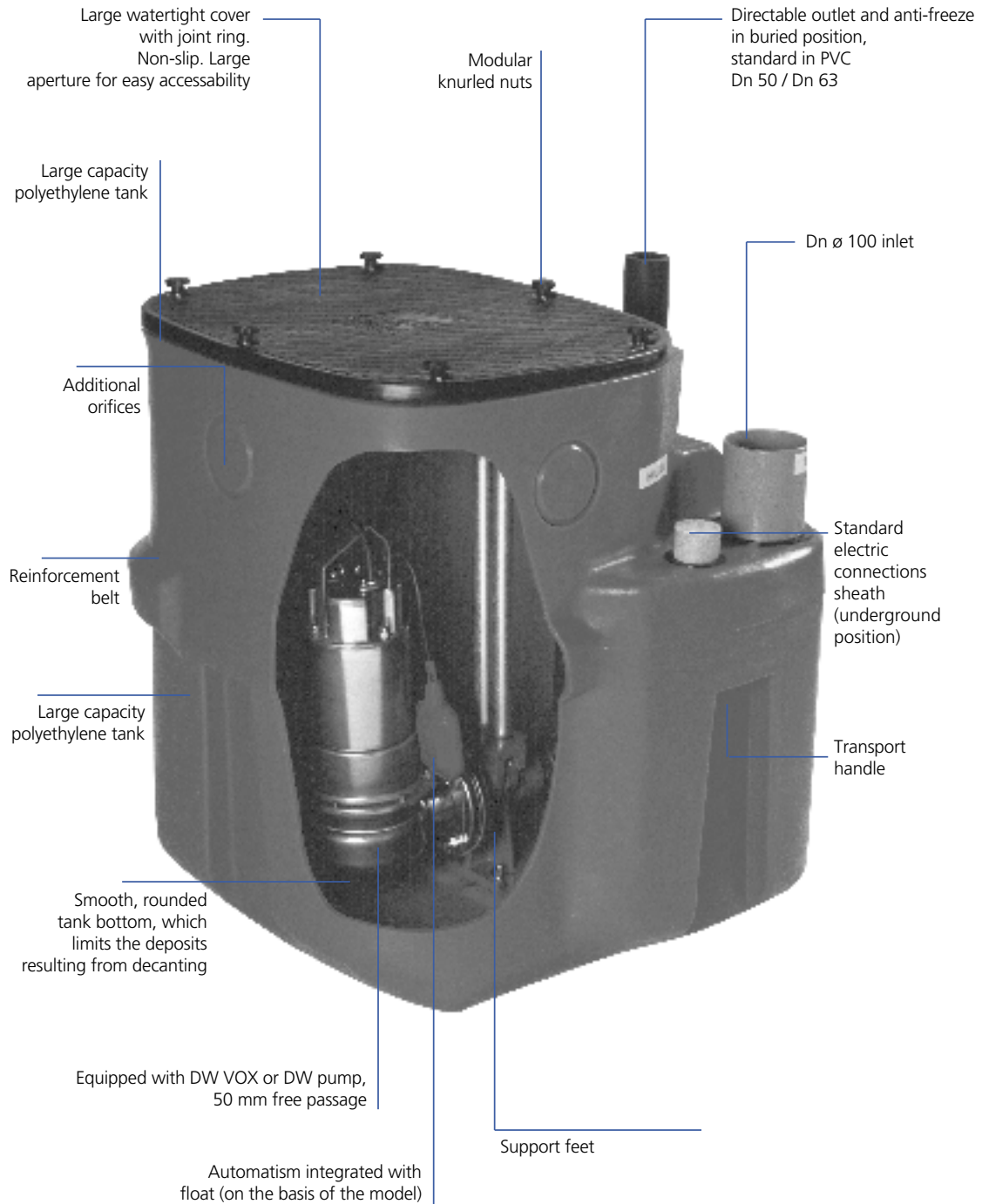
- Kit for SANIRELEV SR 11-22 including 1 shut-off valve, 1 non-return ball valve and 2 fittings
- For other accessories see from page 134



The contents of this publication must not be regarded as binding. EBARA Pumps Europe S.p.A. reserves the right to effect any modification it deems necessary, without prior notice.

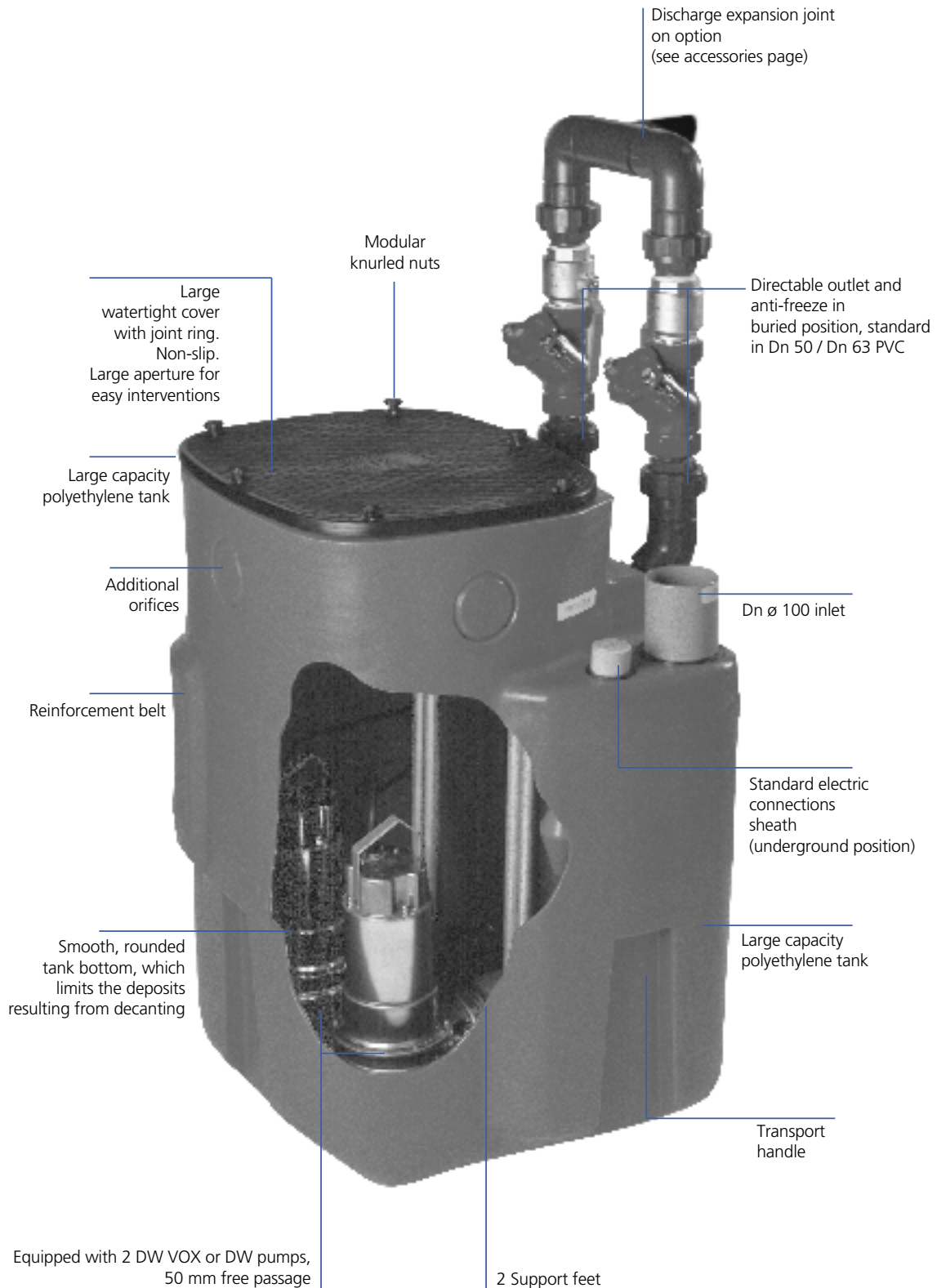
## LIFT STATIONS

### TECHNICAL SPECIFICATIONS



## LIFT STATIONS

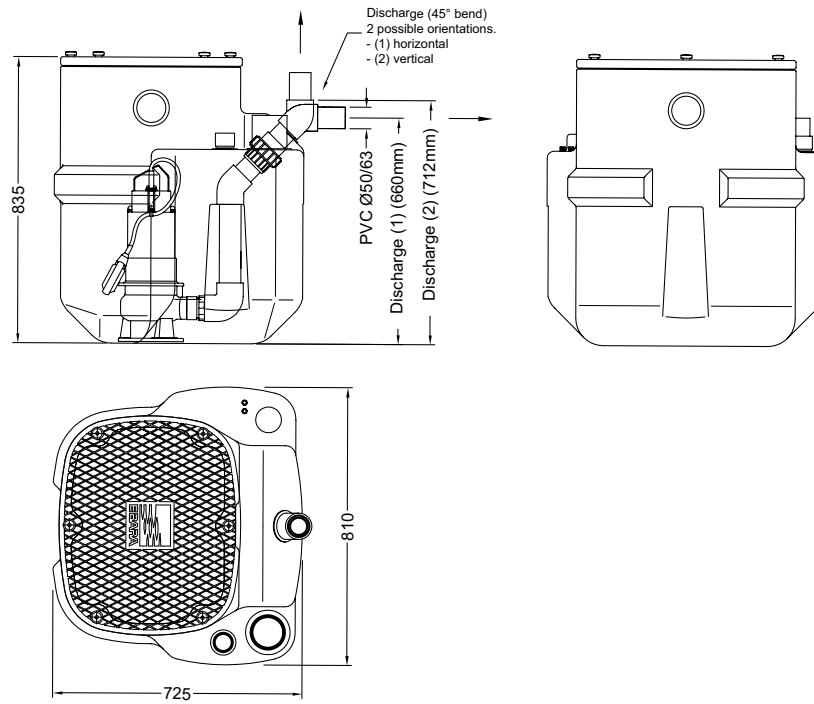
### TECHNICAL SPECIFICATIONS



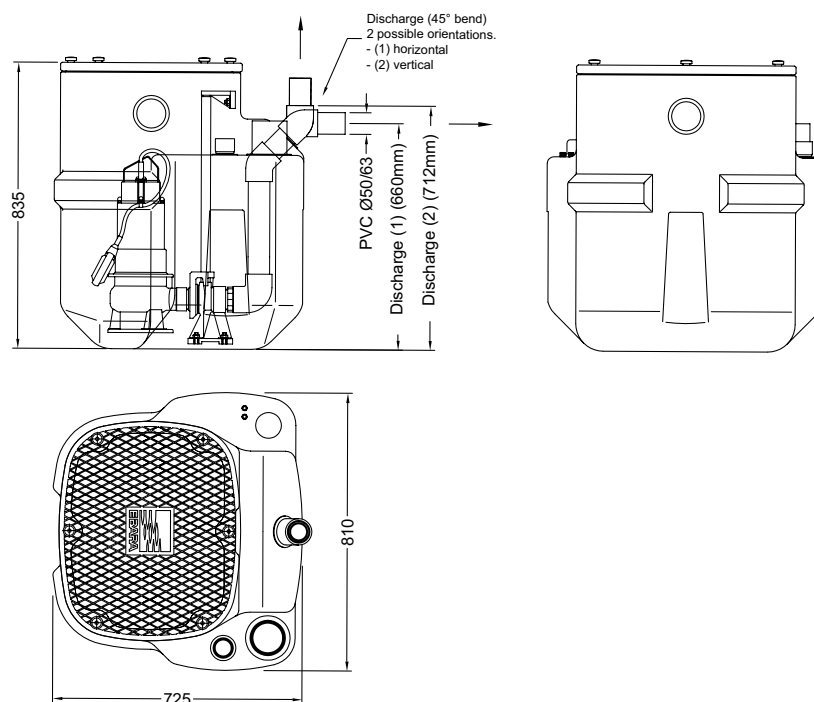
The contents of this publication must not be regarded as binding. EBARA Pumps Europe S.p.A. reserves the right to effect any modification it deems necessary, without prior notice.

## LIFT STATIONS

### SANIRELEV 11 SR 10T DIMENSIONS WITHOUT COUPLING FOOT

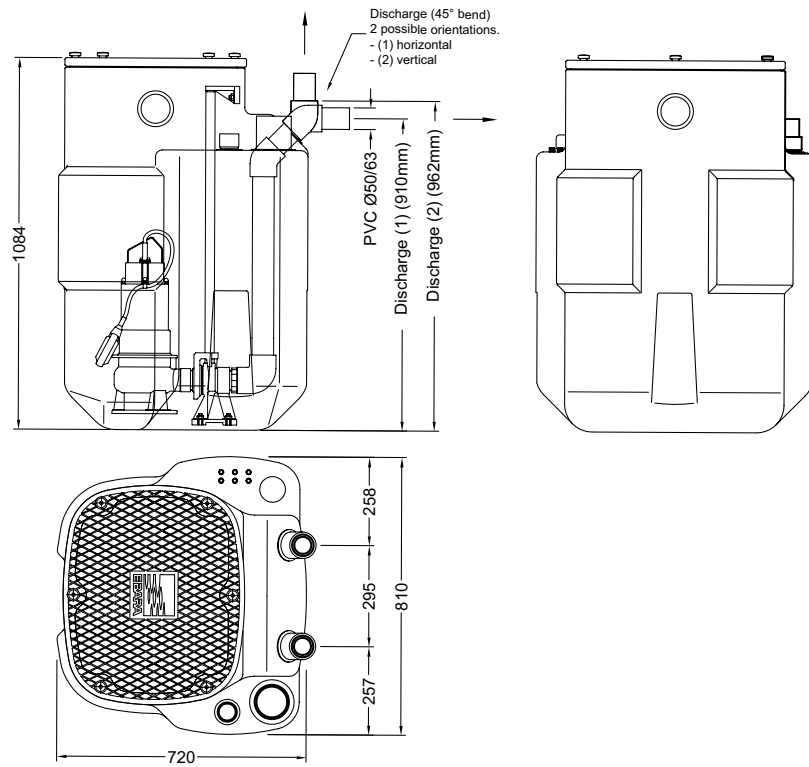


### SANIRELEV 11 SR 10 PT DIMENSIONS WITH COUPLING FOOT



## LIFT STATIONS

### SANIRELEV 22 SR 20 PT DIMENSIONS WITH 2 COUPLING FEET



The contents of this publication must not be regarded as binding. EBARA Pumps Europe S.p.A. reserves the right to effect any modification it deems necessary, without prior notice.