



Helix VE

Article no.	Description
4171738	HELIX VE204-1/16/E/KS
4171742	HELIX VE204-1/16/E/S
4201563	HELIX VE204-1/16/E/S
4171744	HELIX VE206-1/16/E/KS
4171748	HELIX VE206-1/16/E/S
4201564	HELIX VE206-1/16/E/S
4164491	HELIX VE208-1/16/E/KS
4164641	HELIX VE208-1/16/E/S
4201565	HELIX VE208-1/16/E/S
4204032	HELIX VE208-1/16/E/S/M2
4204031	HELIX VE208-1/16/E/S/M13
4164493	HELIX VE208-1/25/E/KS
4204030	HELIX VE208-1/25/E/KS/M2
4204029	HELIX VE208-1/25/E/KS/M13
4171752	HELIX VE211-1/16/E/KS
4201566	HELIX VE211-1/16/E/S
4171750	HELIX VE211-1/16/E/S
4171756	HELIX VE211-1/25/E/KS
4164494	HELIX VE216-1/25/E/KS
4171758	HELIX VE220-1/25/E/KS
4164496	HELIX VE222-1/25/E/KS
4171702	HELIX VE403-1/16/E/KS
4171708	HELIX VE403-1/16/E/S
4201567	HELIX VE403-1/16/E/S
4171712	HELIX VE404-1/16/E/KS
4171718	HELIX VE404-1/16/E/S
4201569	HELIX VE404-1/16/E/S
4164473	HELIX VE405-1/16/E/KS
4164637	HELIX VE405-1/16/E/S
4201571	HELIX VE405-1/16/E/S
4204036	HELIX VE405-1/16/E/S/M2
4204035	HELIX VE405-1/16/E/S/M13
4204034	HELIX VE405-1/25/E/KS/M2
4204033	HELIX VE405-1/25/E/KS/M13

Helix VE

Article no.	Description
4171724	HELIX VE407-1/16/E/KS
4201573	HELIX VE407-1/16/E/S
4171722	HELIX VE407-1/16/E/S
4171732	HELIX VE407-1/25/E/KS
4164476	HELIX VE410-1/16/E/KS
4201575	HELIX VE410-1/16/E/S
4164639	HELIX VE410-1/16/E/S
4164479	HELIX VE410-1/25/E/KS
4171734	HELIX VE413-1/25/E/KS
4164480	HELIX VE418-1/25/E/KS
4171660	HELIX VE601-1/16/E/KS
4171670	HELIX VE602-1/16/E/KS
4171676	HELIX VE602-1/16/E/S
4201577	HELIX VE602-1/16/E/S
4161425	HELIX VE603-1/16/E/KS
4201579	HELIX VE603-1/16/E/S
4164631	HELIX VE603-1/16/E/S
4171680	HELIX VE604-1/16/E/KS
4171686	HELIX VE604-1/16/E/S
4201581	HELIX VE604-1/16/E/S
4161426	HELIX VE606-1/16/E/KS
4164633	HELIX VE606-1/16/E/S
4201583	HELIX VE606-1/16/E/S
4161427	HELIX VE606-1/25/E/KS
4171692	HELIX VE608-1/16/E/KS
4171690	HELIX VE608-1/16/E/S
4201585	HELIX VE608-1/16/E/S
4171700	HELIX VE608-1/25/E/KS
4161428	HELIX VE611-1/16/E/KS
4164635	HELIX VE611-1/16/E/S
4201587	HELIX VE611-1/16/E/S
4161429	HELIX VE611-1/25/E/KS
4161430	HELIX VE615-1/25/E/KS
4161431	HELIX VE619-1/25/E/KS

Helix VE

Article no.	Description
4171628	HELIX VE1001-1/16/E/KS
4161304	HELIX VE1002-1/16/E/KS
4164625	HELIX VE1002-1/16/E/S
4201547	HELIX VE1002-1/16/E/S
4171638	HELIX VE1003-1/16/E/KS
4201549	HELIX VE1003-1/16/E/S
4171644	HELIX VE1003-1/16/E/S
4161306	HELIX VE1004-1/16/E/KS
4201551	HELIX VE1004-1/16/E/S
4164627	HELIX VE1004-1/16/E/S
4171650	HELIX VE1005-1/16/E/KS
4171648	HELIX VE1005-1/16/E/S
4201553	HELIX VE1005-1/16/E/S
4171658	HELIX VE1005-1/25/E/KS
4161308	HELIX VE1006-1/16/E/KS
4201555	HELIX VE1006-1/16/E/S
4164629	HELIX VE1006-1/16/E/S
4161309	HELIX VE1006-1/25/E/KS
4161311	HELIX VE1009-1/16/E/KS
4161312	HELIX VE1009-1/25/E/KS
4161314	HELIX VE1012-1/25/E/KS
4166287	HELIX VE1016-1/25/E/KS/2G
4171608	HELIX VE1601-1/16/E/KS
4148083	HELIX VE1602-1/16/E/KS
4164621	HELIX VE1602-1/16/E/S
4201557	HELIX VE1602-1/16/E/S
4171618	HELIX VE1603-3.0-1/16/E/KS
4201559	HELIX VE1603-3.0-1/16/E/S
4171624	HELIX VE1603-3.0-1/16/E/S
4148086	HELIX VE1603-4.0-1/16/E/KS
4164623	HELIX VE1603-4.0-1/16/E/S
4201561	HELIX VE1603-4.0-1/16/E/S
4148087	HELIX VE1603-4.0-1/25/E/KS
4141464	HELIX VE1605-1/16/E/KS

Helix VE

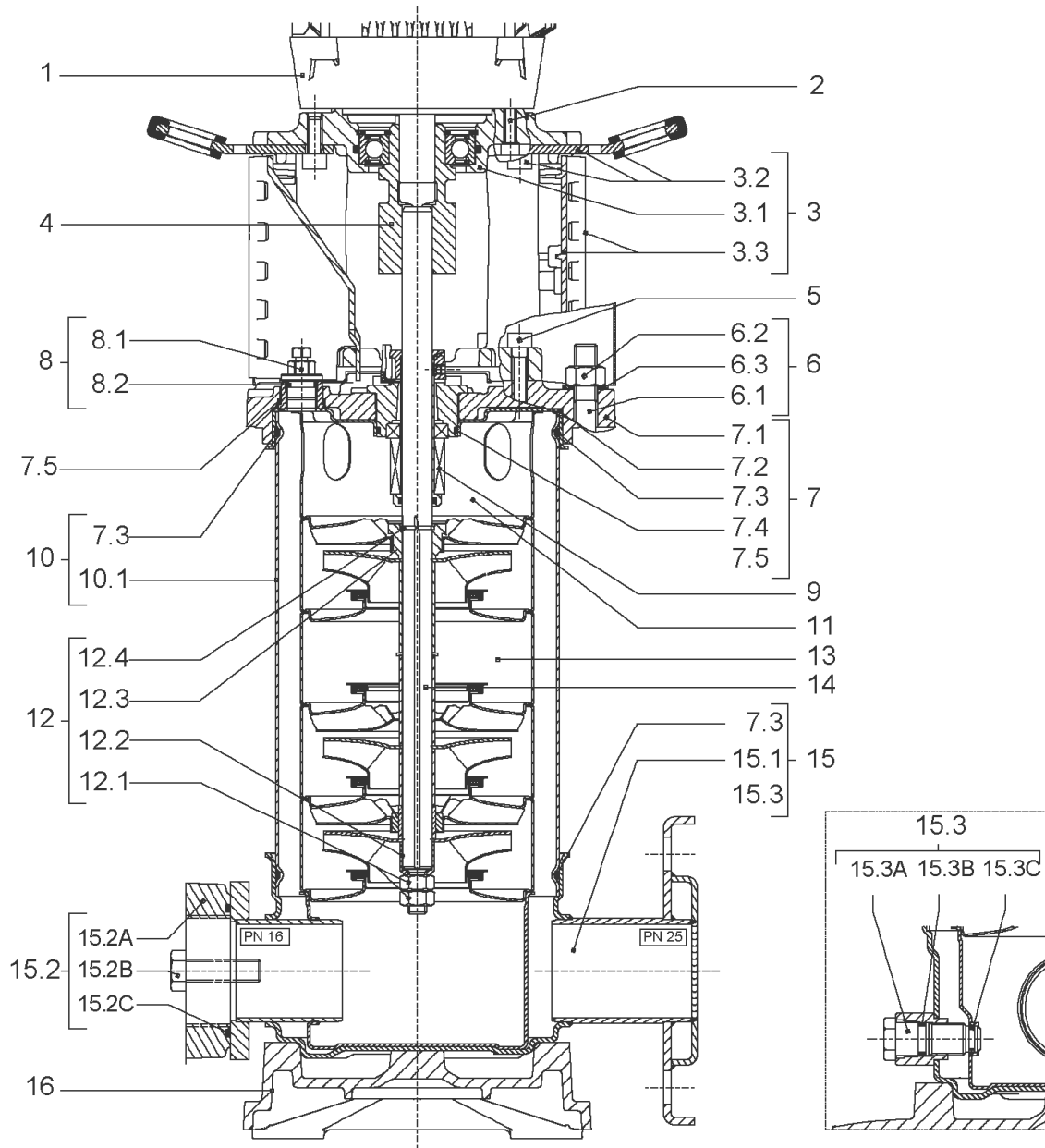
Article no.	Description
4190746	HELIX VE1605-1/16/E/KS/FF240
4141466	HELIX VE1605-1/25/E/KS
4141465	HELIX VE1606-1/16/E/KS
4190747	HELIX VE1606-1/16/E/KS/FF240
4141467	HELIX VE1606-1/25/E/KS
4141468	HELIX VE1609-1/25/E/K
4166279	HELIX VE1609-1/25/E/KS/2G
4166280	HELIX VE1612-1/25/E/K/2G
4189718	HELIX VE1612-1/25/E/KS/2G
4198845	HELIX VE2201-1/16/E/KS
4166862	HELIX VE2201-3/16/E/KS
4198847	HELIX VE2202-3.0-1/16/E/KS
4171604	HELIX VE2202-3.0-3/16/E/KS
4184614	HELIX VE2202-3.0-4/16/E/S
4198849	HELIX VE2202-4.0-1/16/E/KS
4147999	HELIX VE2202-4.0-3/16/E/KS
4183452	HELIX VE2202-4.0-4/16/E/S
4198851	HELIX VE2203-1/16/E/KS
4215826	HELIX VE2203-1/16/E/KS/FF240/EC
4123338	HELIX VE2203-3/16/E/K
4123344	HELIX VE2203-3/16/E/KS
4140696	HELIX VE2203-3/25/E/KS
4183453	HELIX VE2203-4/16/E/S-FF240
4198853	HELIX VE2204-1/16/E/KS
4215828	HELIX VE2204-1/16/E/KS/FF240/EC
4123339	HELIX VE2204-3/16/E/K
4123345	HELIX VE2204-3/16/E/KS
4140697	HELIX VE2204-3/25/E/KS
4183454	HELIX VE2204-4/16/E/S-FF240
4198855	HELIX VE2205-1/16/E/KS
4198856	HELIX VE2205-1/25/E/KS
4166183	HELIX VE2205-3/16/E/K/2G
4166187	HELIX VE2205-3/16/E/KS/2G
4166209	HELIX VE2205-3/25/E/KS

Helix VE

Article no.	Description
4183455	HELIX VE2205-4/16/E/KS/2G
4198857	HELIX VE2207-1/25/E/KS
4166184	HELIX VE2207-3/25/E/K/2G
4166188	HELIX VE2207-3/25/E/KS/2G
4198858	HELIX VE2208-1/25/E/KS
4166185	HELIX VE2208-3/25/E/K/2G
4166189	HELIX VE2208-3/25/E/KS/2G
4198859	HELIX VE2209-1/25/E/KS
4166186	HELIX VE2209-3/25/E/K/2G
4166190	HELIX VE2209-3/25/E/KS/2G
4198860	HELIX VE3601-1/16/E/KS
4148003	HELIX VE3601-3/16/E/KS
4198861	HELIX VE3602-5,5-1/16/E/KS
4215830	HELIX VE3602-5,5-1/16/E/KS/FF240/EC
4140702	HELIX VE3602-5,5-3/16/E/K
4140710	HELIX VE3602-5,5-3/16/E/KS
4183460	HELIX VE3602-5,5-4/16/E/S-FF240
4198862	HELIX VE3602-7,5-1/16/E/KS
4215832	HELIX VE3602-7,5-1/16/E/KS/FF240/EC
4140703	HELIX VE3602-7,5-3/16/E/K
4140711	HELIX VE3602-7,5-3/16/E/KS
4183461	HELIX VE3602-7,5-4/16/E/S-FF240
4198863	HELIX VE3604-1/16/E/KS
4166211	HELIX VE3604-3/16/E/K/2G
4166217	HELIX VE3604-3/16/E/KS/2G
4166213	HELIX VE3604-3/25/E/KS
4183462	HELIX VE3604-4/16/E/KS/2G
4198864	HELIX VE3605-1/16/E/KS
4198865	HELIX VE3605-1/25/E/KS
4166212	HELIX VE3605-3/16/E/K/2G
4166218	HELIX VE3605-3/16/E/KS/2G
4166214	HELIX VE3605-3/25/E/KS
4183463	HELIX VE3605-4/16/E/KS/2G
4198866	HELIX VE3607-1/25/E/KS

Helix VE

Article no.	Description
4166215	HELIX VE3607-3/25/E/K/2G
4166219	HELIX VE3607-3/25/E/KS/2G
4198867	HELIX VE3608-1/25/E/KS
4166216	HELIX VE3608-3/25/E/K/2G
4166220	HELIX VE3608-3/25/E/KS/2G
4198868	HELIX VE5201-1/16/E/KS
4141896	HELIX VE5201-3/16/E/KS
4198869	HELIX VE5202-1/16/E/KS
4215834	HELIX VE5202-1/16/E/KS/FF240/EC
4141897	HELIX VE5202-3/16/E/K
4141905	HELIX VE5202-3/16/E/KS
4183468	HELIX VE5202-4/16/E/S-FF240
4198870	HELIX VE5203-1/16/E/KS
4166231	HELIX VE5203-3/16/E/K/2G
4166238	HELIX VE5203-3/16/E/KS/2G
4166234	HELIX VE5203-3/25/E/KS
4183469	HELIX VE5203-4/16/E/KS/2G
4198871	HELIX VE5204-1/16/E/KS
4166232	HELIX VE5204-3/16/E/K/2G
4166239	HELIX VE5204-3/16/E/KS/2G
4166235	HELIX VE5204-3/25/E/KS
4183470	HELIX VE5204-4/16/E/KS/2G
4198872	HELIX VE5205-1/16/E/KS
4198873	HELIX VE5205-1/25/E/KS
4166233	HELIX VE5205-3/16/E/K/2G
4166240	HELIX VE5205-3/16/E/KS/2G
4166236	HELIX VE5205-3/25/E/KS
4183471	HELIX VE5205-4/16/E/KS/2G
4198874	HELIX VE5206-1/25/E/KS
4166237	HELIX VE5206-3/25/E/K/2G
4166241	HELIX VE5206-3/25/E/KS/2G

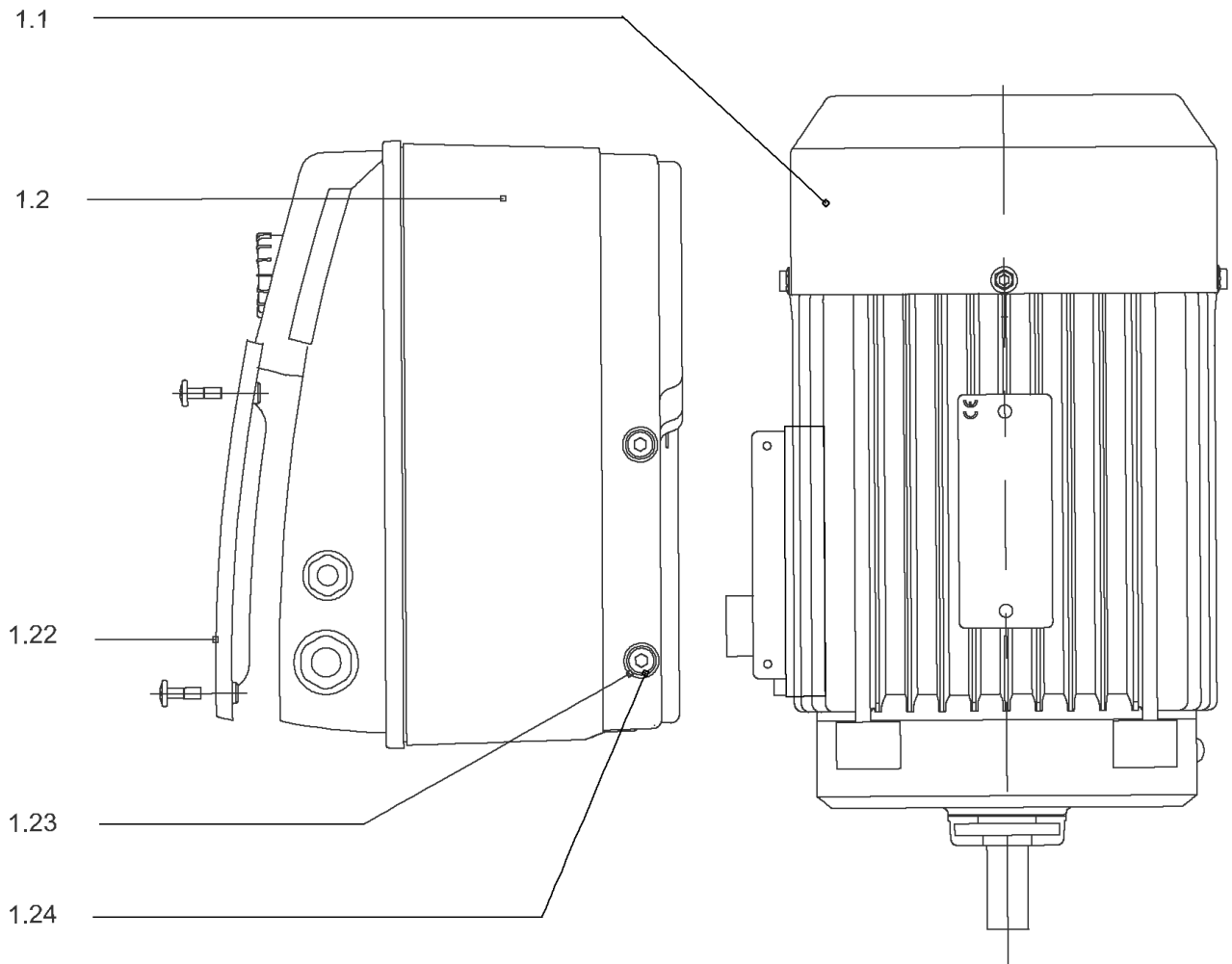


HELIX VE204-1/16/E/KS (4171738)

Item	Article no.	Description	Quantity
1		DRIVE HELIX-VE204-IE2-WE KIT	1
Note: MOTOR BRAND WILO ELEC			
1		DRIVE HELIX-VE204-IE4-WE KIT	1
Note: MOTOR BRAND WILO ELEC			
2	4159702	SCREW M6X30 (4 PIECES)	1
3	4171323	LANTERN FT85 HELIX KIT	1
3.1		> LANTERN FT85 M+6" GJL MACHINING+CATA	1
3.2	2127604	> EYELET CPL.FT HELIX(2 PIECES)	1
3.3	4159692	> COUPLING PROTECTOR FT HELIX KIT	1
4	4178554	COUPLING FT 85 Ø12XØ14 KIT	1
5	4159707	SCREW M8X30 (4 PIECES)	1
6	2018368	STUD BOLT M12X289 KIT	1
6.1		> TIE BOLT M12-289x18x30-1.4057	1
6.2	2094647	> NUT M12 M12 ISO4032 VP.	1
6.3	2123557	> WASHER CS-12.4-24-1.6-NFE25 (4 PIECES)	1
7	4159685	END SHIELD HELIX EPDM KIT	1
7.1		> END SHIELD M+6" GJL250 MACHINING+CATA	1
7.2	2127607	> STATIONARY RING HOLDER 6" HELIX 1.4301 V	1
7.3	4176513	> O-RING FOR PUMP JACKET VP.	1
7.4	2127603	> O-RING ID.37,6x2,4 EPDM VP.	1
7.5	2127602	> O-RING ID.21,35x2 EPDM VP.	1
8	4159686	FILING/PURGING PLUG HELIX EPDM KIT	1
9	4178559	KART.HELIX2-4 O/E SET	1
10	2127574	HOUSING PIPE D.152x160 1.4301 KIT	1
7.3	4176513	> O-RING FOR PUMP JACKET VP.	1
10.1		> HOUSING-PIPE Ø152-M+1601/02-304	1
11	4179315	CENTERING STAGE HELIX V2 1.4307 VP.	1
12	4178567	SHAFT EQUIPMENT HELIX V2/V4 KIT	1
12.1		> NUT-H-M8-STAINLESS-STEEL A4-70	1
12.2		> SHAFT END WASHER Ø8/Ø12 316L	1
12.3		> STOP COLLAR OF IMPELLER L12,6-Ø12-316L	1
12.4		> STOP-RUSH-1/2-D12xd2-M+316	1
13		HYDRAULIC HELIX V 204 1.4307	1
14	4178576	SHAFT D.12X283 1.4301 VP.	1

HELIX VE204-1/16/E/KS (4171738)

Item	Article no.	Description	Quantity
15	4174079	PUMP HOUSING HELIX DN32 PN16 1.4301 KIT	1
7.3	4176513	> O-RING FOR PUMP JACKET VP.	1
15.1		> BLASTING PPE HOUSING V-PN16-DN32-5"-304	1
15.2	4217889	> COUNTER FLANGE-G1"-PN16-GJL KIT	1
15.3	4171321	> PRIMING/DRAIN PLUG EPDM HELIX KIT	1
16	4177964	BASEPLATE HELIX V2/4/6 PN16 VP.	1



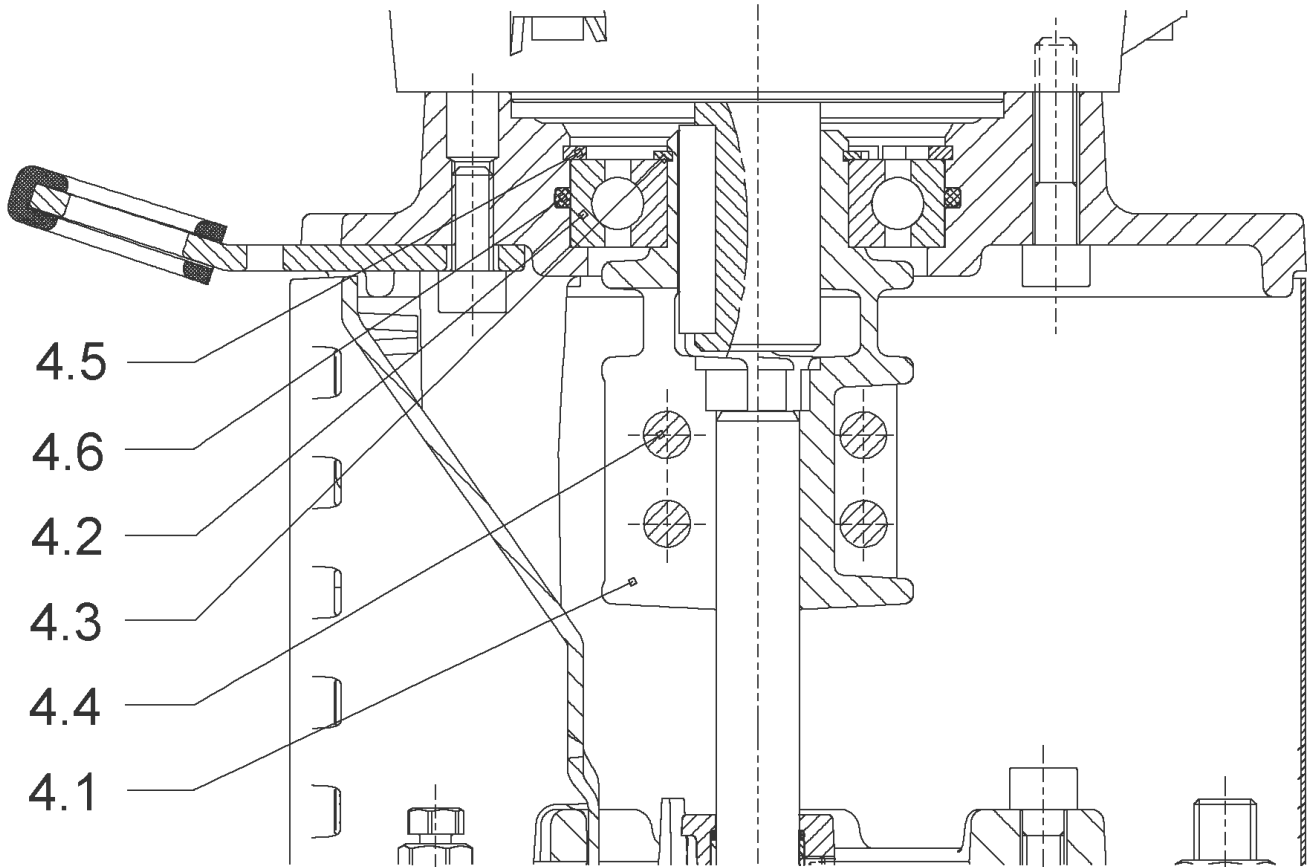
DRIVE HELIX-VE204-IE2-WE KIT

Item	Article no.	Description	Quantity
1.1		MOTOR 0,55/2/80 3~ 380V 60HZ IE2 WE VP.	1
Note: no longer available/nicht mehr lieferbar/n'est plus disponible			
		SPARE PARTS MOTOR:ON REQUEST	1
1.2	4184861	MODULE HELIX-VE204-IE2-WE KIT	1
1.22	2054372	> MODULE COVER TL1,TL2+GASKET KIT	1
1.23	4215716	> SCREW M5X16 DIN912 8.8 A2A (4pieces) VP.	1
1.24	2057978	> RONDELLE A5,3 DIN6797 FST ZN (4 PIECES)	1



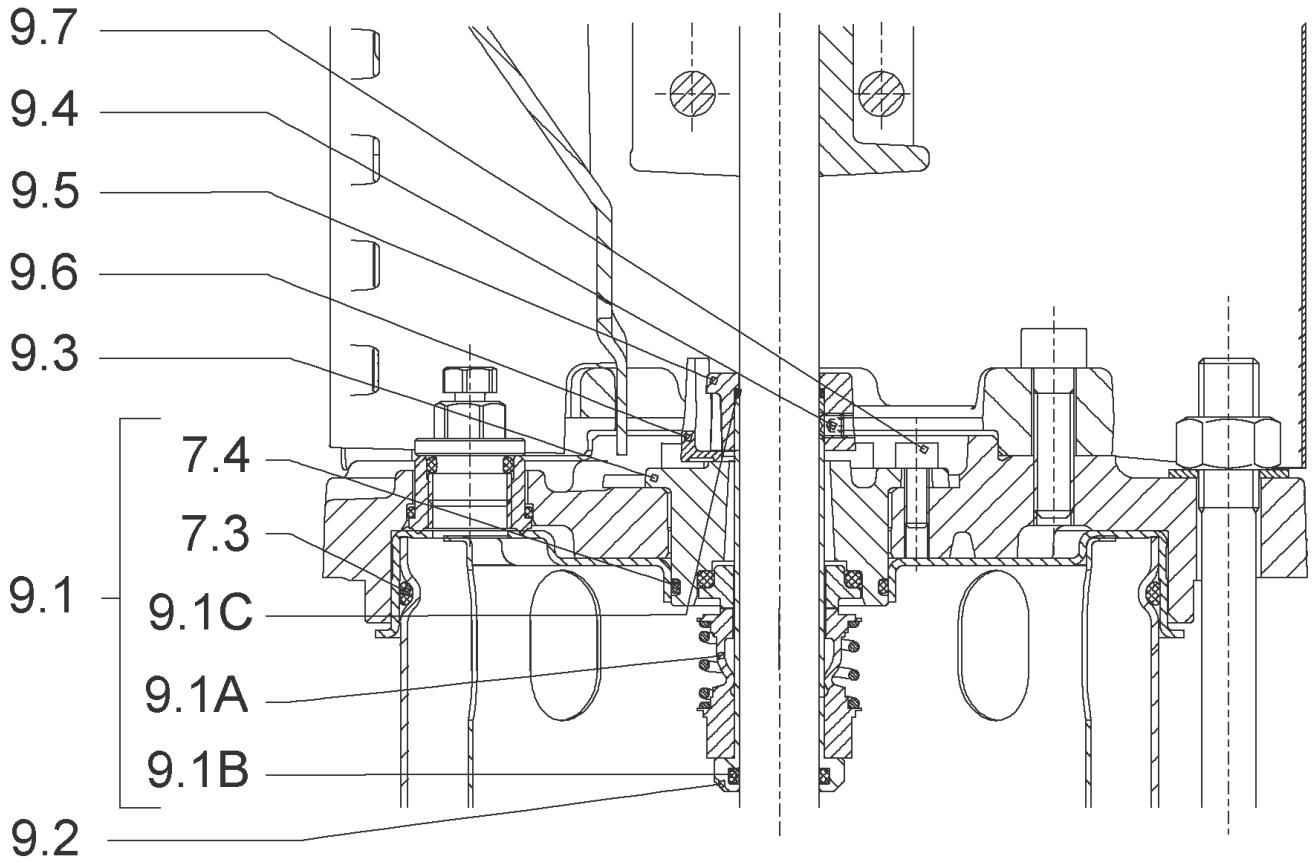
DRIVE HELIX-VE204-IE4-WE KIT

Item	Article no.	Description	Quantity
1.1	4207912	MOTOR 0.55/2/71 3~ 380V 60HZ IE4 WE VP.	1
		SPARE PARTS MOTOR:ON REQUEST	1
1.2	4209318	MODULE HELIX-VE204-IE4-WE KIT	1
1.22	2054372	> MODULE COVER TL1,TL2+GASKET KIT	1
1.23	4215716	> SCREW M5X16 DIN912 8.8 A2A (4pieces) VP.	1
1.24	2057978	> RONDELLE A5,3 DIN6797 FST ZN (4 PIECES)	1



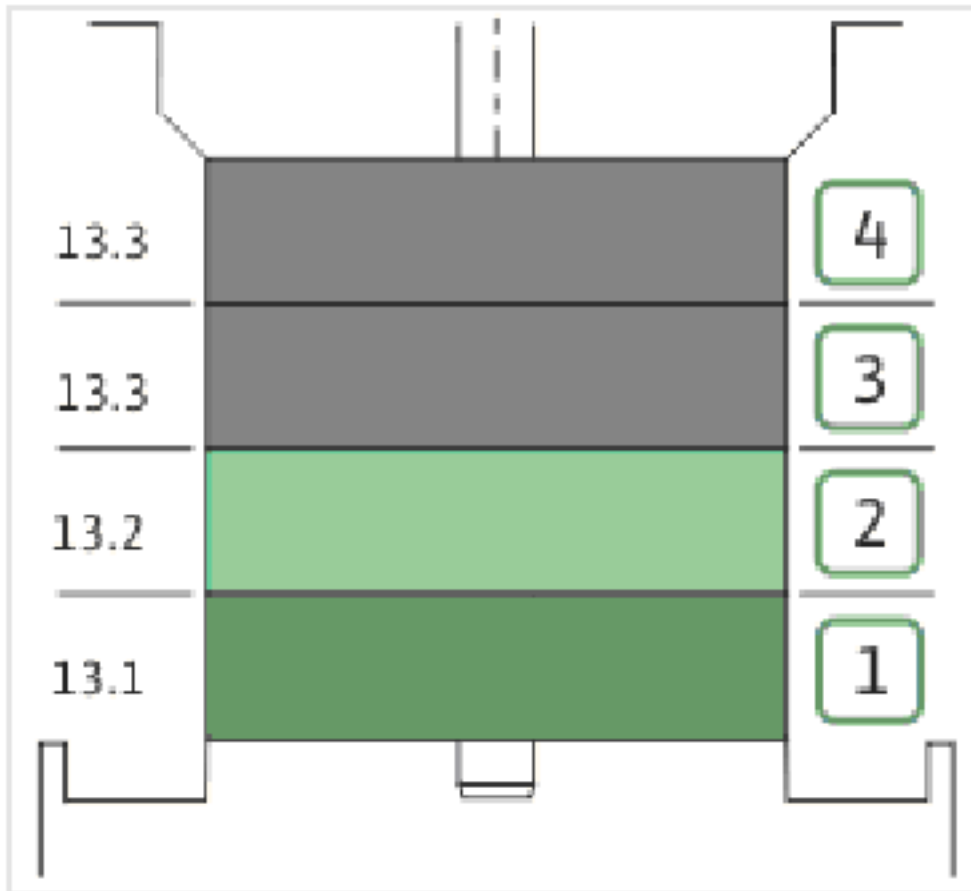
COUPLING FT 85 Ø12XØ14 KIT (4178554)

Item	Article no.	Description	Quantity
4.1		COUPLING-M+ Ø12XØ14-FT85-MACHINED	1
4.3	4208923	CIRCLIP D25X1.2 VP.	1
4.2	4177802	BALL BEARING 6205C3-ZZ HTVP.	1
4.4	4212716	SCREW M6X20 KIT (4PIECES)	1
4.5	4233124	CIRCLIP-FOR-BORES-D52x2 VP.	1
4.6	4234244	O-RING 52X2 VP.	1
		CONTACT-WASHER-6ETR-6,1x12,2x1,8-STEEL	4



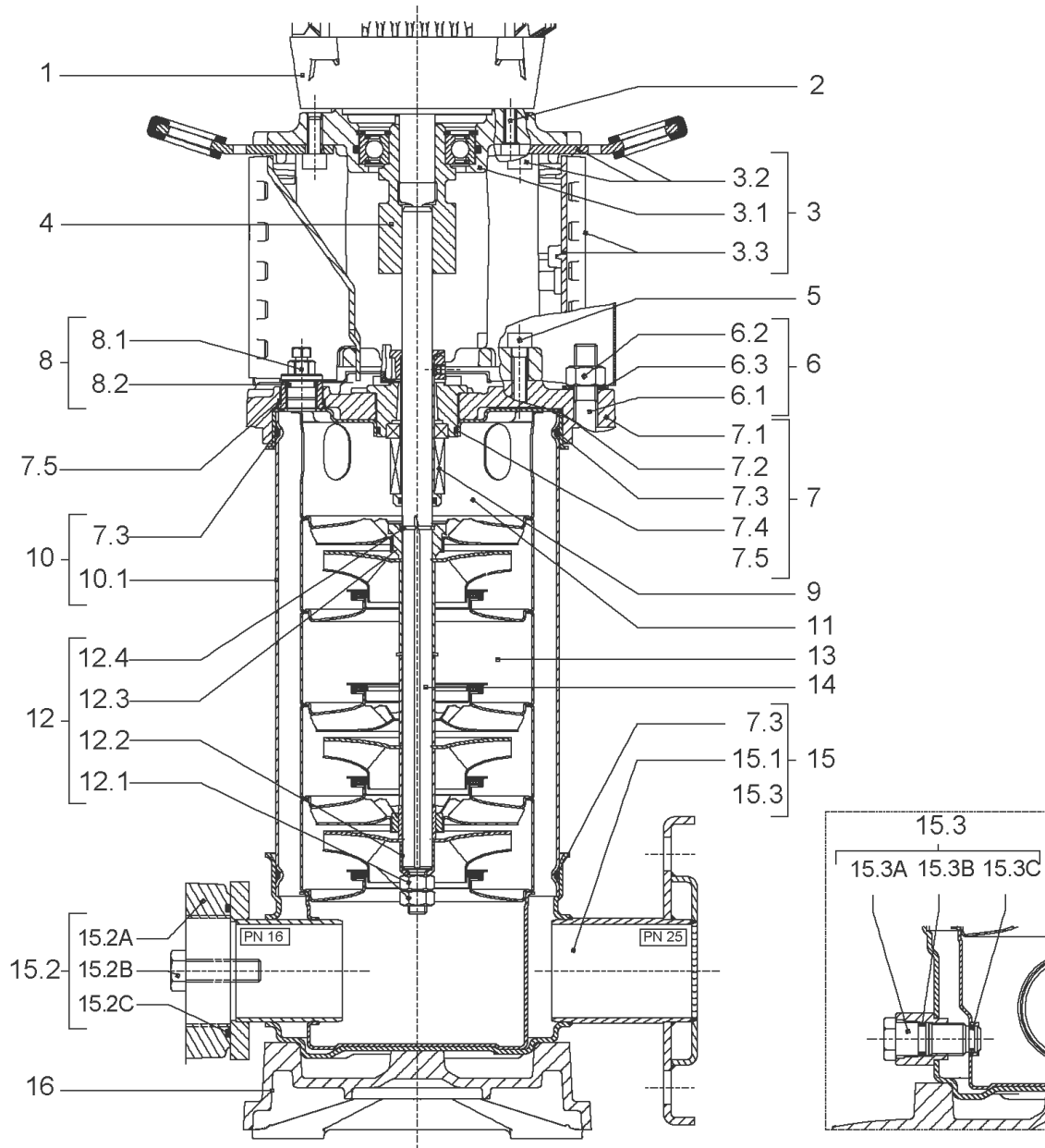
KART.HELIX2-4 O/E SET (4178559)

Item	Article no.	Description	Quantity
9.1	4178560	SEAL-KIT-HELIX2-4 O/E	1
7.3	4176513	> O-RING FOR PUMP JACKET VP.	1
7.4	2127603	> O-RING ID.37,6x2,4 EPDM VP.	1
9.1A	2130966	> MECH.SEAL HELIX2-4-6-10-16 O/E VP.	1
9.1B	4178558	> O-RING ID.12X2 EPDM VP.	1
9.1C	4178558	> O-RING ID.12X2 EPDM VP.	1
9.2	4178557	SHAFT SLEEVE Ø12XØ18-PN16 1.4404 VP.	1
9.3	2130962	RING HOLDER D.18 G606/G6 1.4301 VP.	1
9.4	4176520	SCREW CH M5x5 A4-70 (3PIECES)	1
9.5	4178556	DRIVE RING D.29/15.5x13,2 MACH.VP.	1
9.6	2130964	TOOL M.S.CART.HELIX VP.	1
9.7	2130965	SCREW CHC M5X12 ISO4762 A2.70(4 PIECES)	1



HYDRAULIC HELIX V 204 1.4307

Item	Article no.	Description	Quantity
13.1	4179316	STAGE HELIX 2 1.4301 KIT	1
		> MACH.STG-CASING-WOGV-WNR-M+2-4-304	1
		> IMPELLER-M+2-304	1
13.2	4179317	STAGE BEARING HELIX 2 1.4307 KIT	1
		> MACH.BEARING-STG-CASING-WNR-M+2-304	1
		> IMPELLER-M+2-304	1
		> SHAFT SLEEVE SPACER Ø15,35x10,305-304	1
		> SHAFT-SLEEVE-D12xD16x14-CW	1
13.3	4179319	INTERMEDIATE STAGE HELIX 2 1.4301 KIT	1
		> CORPS-ETG-STD-ACR-AJR-USIN.M+2-304	1
		> IMPELLER-M+2-304	1
		> IMPELLER SPACER Ø12,05X14,85-L24,285-304	1



HELIX VE204-1/16/E/S (4171742)

Item	Article no.	Description	Quantity
1		DRIVE HELIX-VE204-IE2-WE KIT	1
Note: MOTOR BRAND WILO ELEC			
1		DRIVE HELIX-VE204-IE4-WE KIT	1
Note: MOTOR BRAND WILO ELEC			
2	4159702	SCREW M6X30 (4 PIECES)	1
3	4171325	LANTERN MONOBLOC FT85 HELIX KIT	1
3.1		> M+5_6_LANTERN_ONE-PIECE_FT85_CATA	1
3.2	2127604	> EYELET CPL.FT HELIX(2 PIECES)	1
3.3	4159692	> COUPLING PROTECTOR FT HELIX KIT	1
4	4178554	COUPLING FT 85 Ø12XØ14 KIT	1
5	4159707	SCREW M8X30 (4 PIECES)	1
6	2018368	STUD BOLT M12X289 KIT	1
6.1		> TIE BOLT M12-289x18x30-1.4057	1
6.2	2094647	> NUT M12 M12 ISO4032 VP.	1
6.3	2123557	> WASHER CS-12.4-24-1.6-NFE25 (4 PIECES)	1
7	4210143	STATIONARY RING HOLDER HELIX 6" EPDM	1
7.2	2127607	> STATIONARY RING HOLDER 6" HELIX 1.4301 V	1
7.3	4176513	> O-RING FOR PUMP JACKET VP.	1
7.4	2127603	> O-RING ID.37,6x2,4 EPDM VP.	1
7.5	2127602	> O-RING ID.21,35x2 EPDM VP.	1
8	4159686	FILING/PURGING PLUG HELIX EPDM KIT	1
9	4178564	SEAL-KIT-HELIX2-4 O/E KIT	1
10	2127574	HOUSING PIPE D.152x160 1.4301 KIT	1
7.3	4176513	> O-RING FOR PUMP JACKET VP.	1
10.1		> HOUSING-PIPE Ø152-M+1601/02-304	1
11	4179315	CENTERING STAGE HELIX V2 1.4307 VP.	1
12	4178568	SHAFT EQUIPMENT HELIX V2/V4 KIT	1
12.1		> NUT-H-M8-STAINLESS-STEEL A4-70	2
12.2		> SHAFT END WASHER Ø8/Ø12 316L	1
12.3		> STOP COLLAR OF IMPELLER M+2/4 SINGLEBLOC	1
12.4		> STOP-RUSH-1/2-D12xd2-M+316	2
13		HYDRAULIC HELIX V 204 1.4307	1
14	4178576	SHAFT D.12X283 1.4301 VP.	1
15	4174079	PUMP HOUSING HELIX DN32 PN16 1.4301 KIT	1

HELIX VE204-1/16/E/S (4171742)

Item	Article no.	Description	Quantity
7.3	4176513	> O-RING FOR PUMP JACKET VP.	1
15.1		> BLASTING PPE HOUSING V-PN16-DN32-5"-304	1
15.2	4217889	> COUNTER FLANGE-G1"-PN16-GJL KIT	1
15.3	4171321	> PRIMING/DRAIN PLUG EPDM HELIX KIT	1
16	4177964	BASEPLATE HELIX V2/4/6 PN16 VP.	1



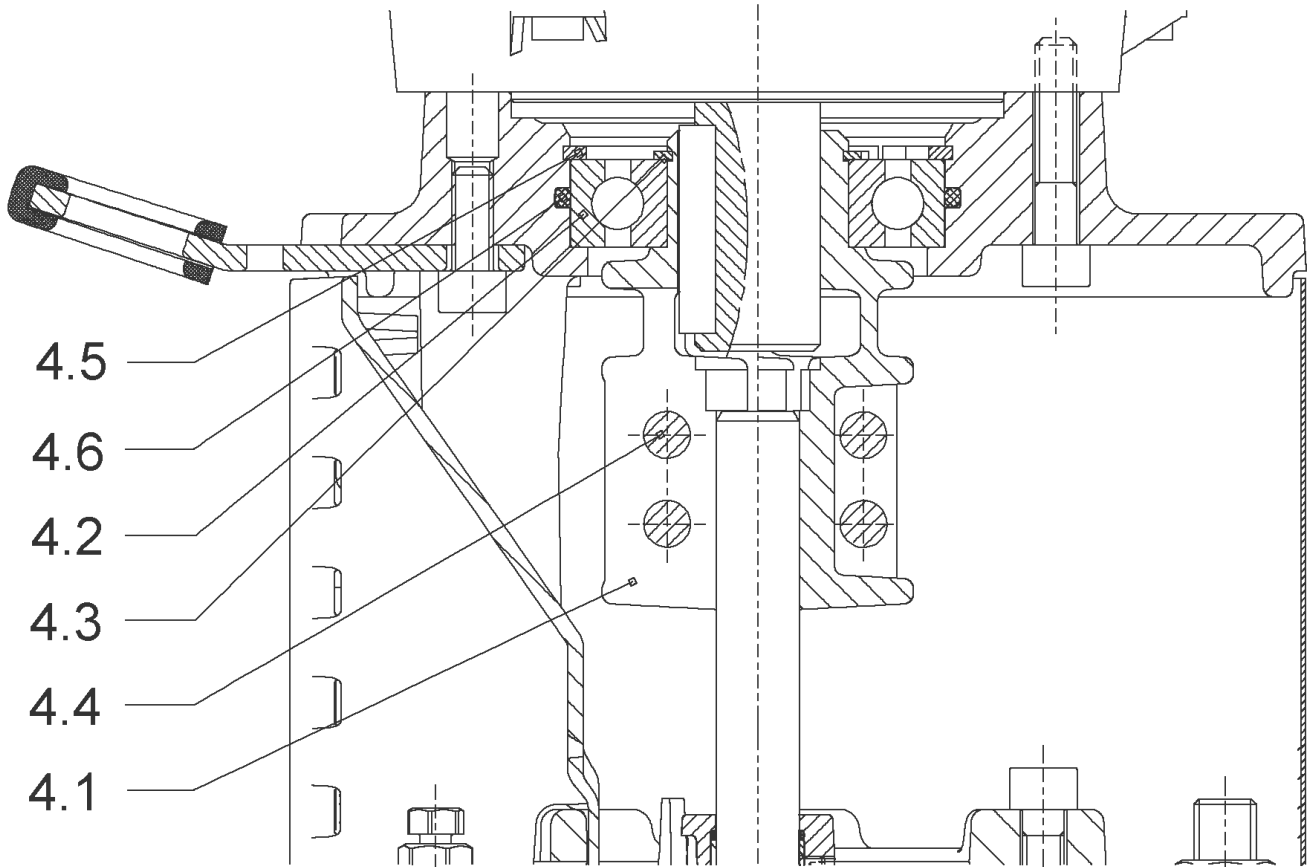
DRIVE HELIX-VE204-IE2-WE KIT

Item	Article no.	Description	Quantity
1.1		MOTOR 0,55/2/80 3~ 380V 60HZ IE2 WE VP.	1
Note: no longer available/nicht mehr lieferbar/n'est plus disponible			
		SPARE PARTS MOTOR:ON REQUEST	1
1.2	4184861	MODULE HELIX-VE204-IE2-WE KIT	1
1.22	2054372	> MODULE COVER TL1,TL2+GASKET KIT	1
1.23	4215716	> SCREW M5X16 DIN912 8.8 A2A (4pieces) VP.	1
1.24	2057978	> RONDELLE A5,3 DIN6797 FST ZN (4 PIECES)	1



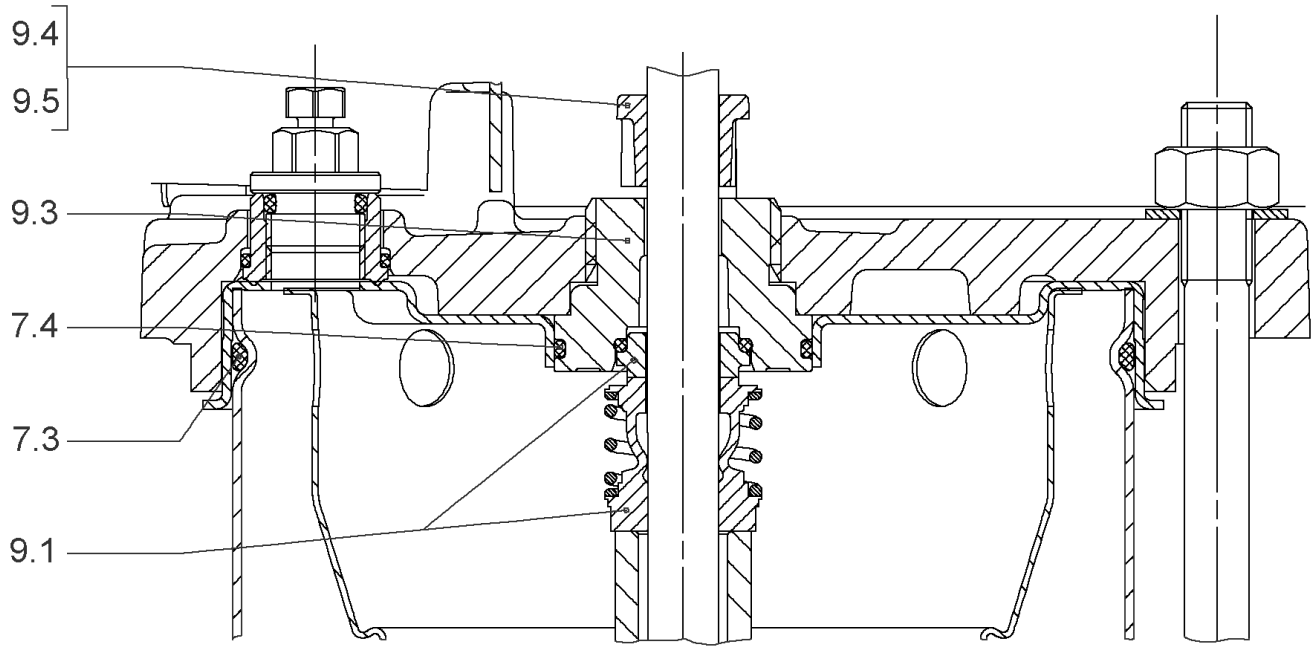
DRIVE HELIX-VE204-IE4-WE KIT

Item	Article no.	Description	Quantity
1.1	4207912	MOTOR 0.55/2/71 3~ 380V 60HZ IE4 WE VP.	1
		SPARE PARTS MOTOR:ON REQUEST	1
1.2	4209318	MODULE HELIX-VE204-IE4-WE KIT	1
1.22	2054372	> MODULE COVER TL1,TL2+GASKET KIT	1
1.23	4215716	> SCREW M5X16 DIN912 8.8 A2A (4pieces) VP.	1
1.24	2057978	> RONDELLE A5,3 DIN6797 FST ZN (4 PIECES)	1



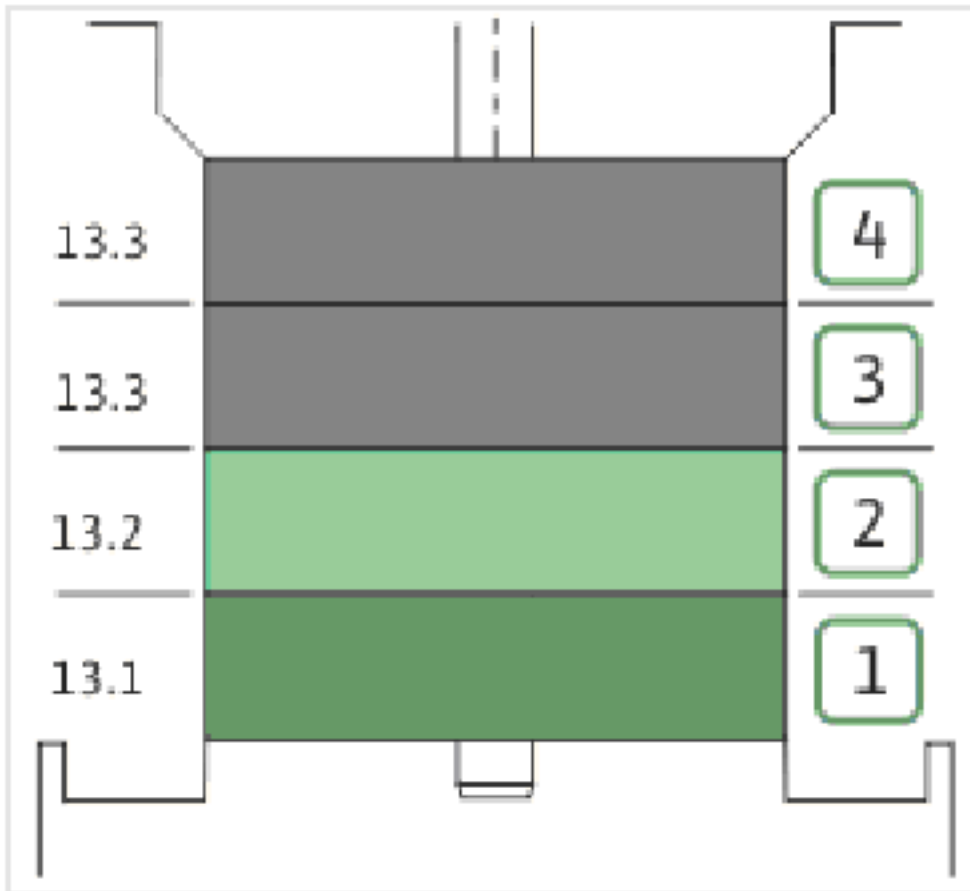
COUPLING FT 85 Ø12XØ14 KIT (4178554)

Item	Article no.	Description	Quantity
4.1		COUPLING-M+ Ø12XØ14-FT85-MACHINED	1
4.3	4208923	CIRCLIP D25X1.2 VP.	1
4.2	4177802	BALL BEARING 6205C3-ZZ HTVP.	1
4.4	4212716	SCREW M6X20 KIT (4PIECES)	1
4.5	4233124	CIRCLIP-FOR-BORES-D52x2 VP.	1
4.6	4234244	O-RING 52X2 VP.	1
		CONTACT-WASHER-6ETR-6,1x12,2x1,8-STEEL	4



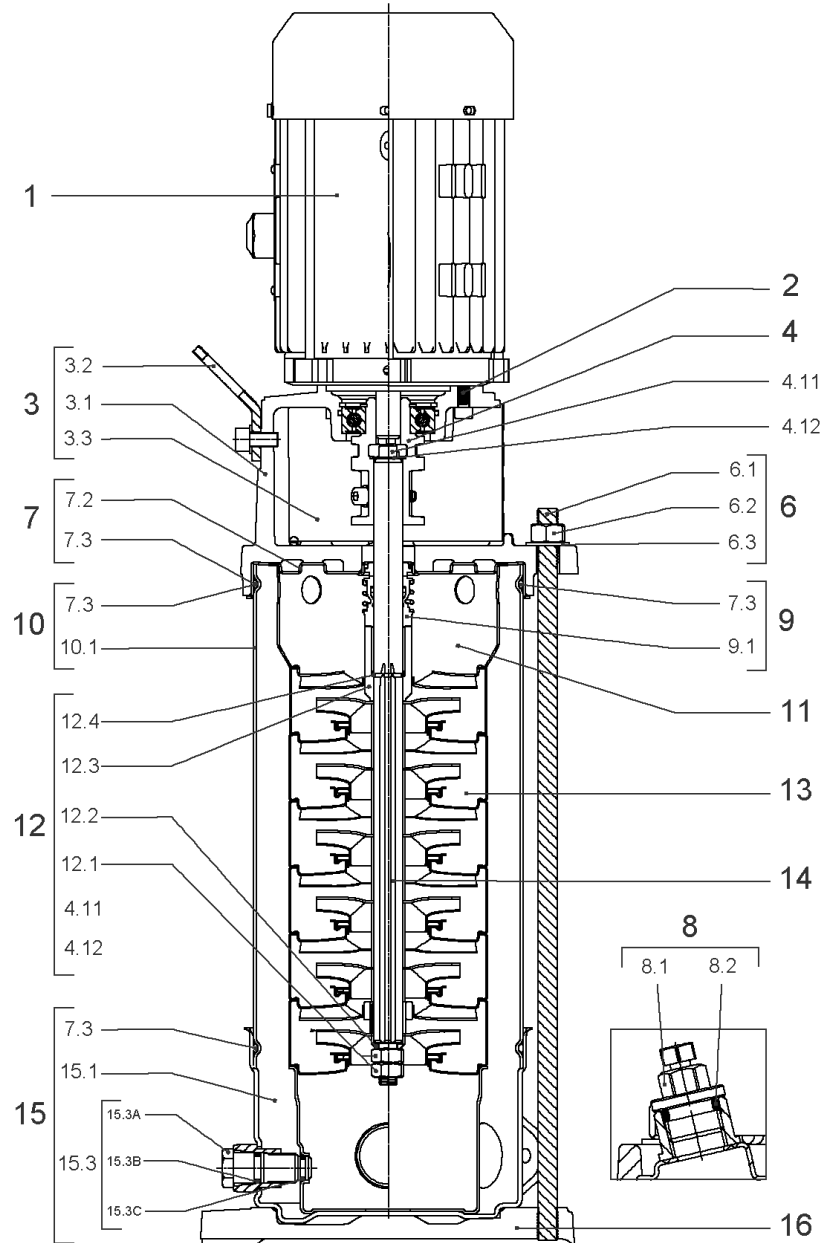
SEAL-KIT-HELIX2-4 O/E KIT (4178564)

Item	Article no.	Description	Quantity
7.3	4176513	O-RING FOR PUMP JACKET VP.	1
7.4	2127603	O-RING ID.37,6x2,4 EPDM VP.	1
9.1	4178563	M.SEAL.HELIX2-4 O/E VP.	1
9.3	4178561	RING HOLDER Ø22 1.4301 VP.	1
9.5	4178562	DRIVE RING D.22/12.2X10 MACH.VP.	1
9.4	4176520	SCREW CH M5x5 A4-70 (3PIECES)	1



HYDRAULIC HELIX V 204 1.4307

Item	Article no.	Description	Quantity
13.1	4179316	STAGE HELIX 2 1.4301 KIT	1
		> MACH.STG-CASING-WOGV-WNR-M+2-4-304	1
		> IMPELLER-M+2-304	1
13.2	4179317	STAGE BEARING HELIX 2 1.4307 KIT	1
		> MACH.BEARING-STG-CASING-WNR-M+2-304	1
		> IMPELLER-M+2-304	1
		> SHAFT SLEEVE SPACER Ø15,35x10,305-304	1
		> SHAFT-SLEEVE-D12xD16x14-CW	1
13.3	4179319	INTERMEDIATE STAGE HELIX 2 1.4301 KIT	1
		> CORPS-ETG-STD-ACR-AJR-USIN.M+2-304	1
		> IMPELLER-M+2-304	1
		> IMPELLER SPACER Ø12,05X14,85-L24,285-304	1



HELIX VE204-1/16/E/S (4201563)

Item	Article no.	Description	Quantity
1		DRIVE HELIX-VE204-IE4-WE KIT	1
Note: MOTOR BRAND WILO ELEC			
		SPARE PARTS MOTOR:ON REQUEST	1
2	4212716	SCREW M6X20 KIT (4PIECES)	1
3	4213715	LANTERN FT85 HELIX KIT	1
3.1		> LANT-MOT-VMI-ReDTC6"-FT85-MACHINED+CATA	1
3.2	4184852	> EYELET CPL.FT HELIX (2 PIECES)	1
3.3	4213713	> COUPLING PROTECTOR FT85/100 HELIX KIT	1
4	4212718	COUPLING HELIX D12 FT85 KIT	1
6	2018368	STUD BOLT M12X289 KIT	1
6.1		> TIE BOLT M12-289x18x30-1.4057	1
6.2	2094647	> NUT M12 M12 ISO4032 VP.	1
6.3	2123557	> WASHER CS-12.4-24-1.6-NFE25 (4 PIECES)	1
7	4212722	STATIONARY RING HOLDER HELIX D23 ReDTC	1
7.2	4212720	> STATIONARY RING HOLDER HELIX D23 VP.	1
7.3	4176513	> O-RING FOR PUMP JACKET VP.	1
8	4212724	FILING/PURGING PLUG HELIX ReDTC KIT	1
8.1		> FILLING PLUG MVI6"-304	1
8.2	4177800	> O-RING EPDM PLUG HELIX VP.	1
9	4212726	MECH.SEAL HELIX V2/4 O/E ReDTC KIT	1
9.1	4178563	> M.SEAL.HELIX2-4 O/E VP.	1
7.3	4176513	> O-RING FOR PUMP JACKET VP.	1
10	2127574	HOUSING PIPE D.152x160 1.4301 KIT	1
7.3	4176513	> O-RING FOR PUMP JACKET VP.	1
10.1		> HOUSING-PIPE Ø152-M+1601/02-304	1
11	4179315	CENTERING STAGE HELIX V2 1.4307 VP.	1
12	4212729	SHAFT EQUIPMENT HELIX V2/4 ReDTC KIT	1
12.1		> NUT-H-M8-STAINLESS-STEEL A4-70	1
12.2		> SHAFT END WASHER Ø8/Ø12 316L	1
12.3		> 1/2-SNAP-RING-2/4M3-316L	1
12.4		> STOP-RUSH-1/2-D12xd2-M+316	1
4.11		> SCREW CHC-M6X14-8.8-ISO4762-GEOMET500A	1
4.12		> WASHER D.24 L6U ZINK	1
13		HYDRAULIC HELIX V 204 1.4307	1

HELIX VE204-1/16/E/S (4201563)

Item	Article no.	Description	Quantity
14	4213744	SHAFT D.12X231 HELIX 1.4057 VP.	1
15	4174079	PUMP HOUSING HELIX DN32 PN16 1.4301 KIT	1
7.3	4176513	> O-RING FOR PUMP JACKET VP.	1
15.1		> BLASTING PPE HOUSING V-PN16-DN32-5"-304	1
15.2	4217889	> COUNTER FLANGE-G1"-PN16-GJL KIT	1
15.3	4171321	> PRIMING/DRAIN PLUG EPDM HELIX KIT	1
16	4177964	BASEPLATE HELIX V2/4/6 PN16 VP.	1



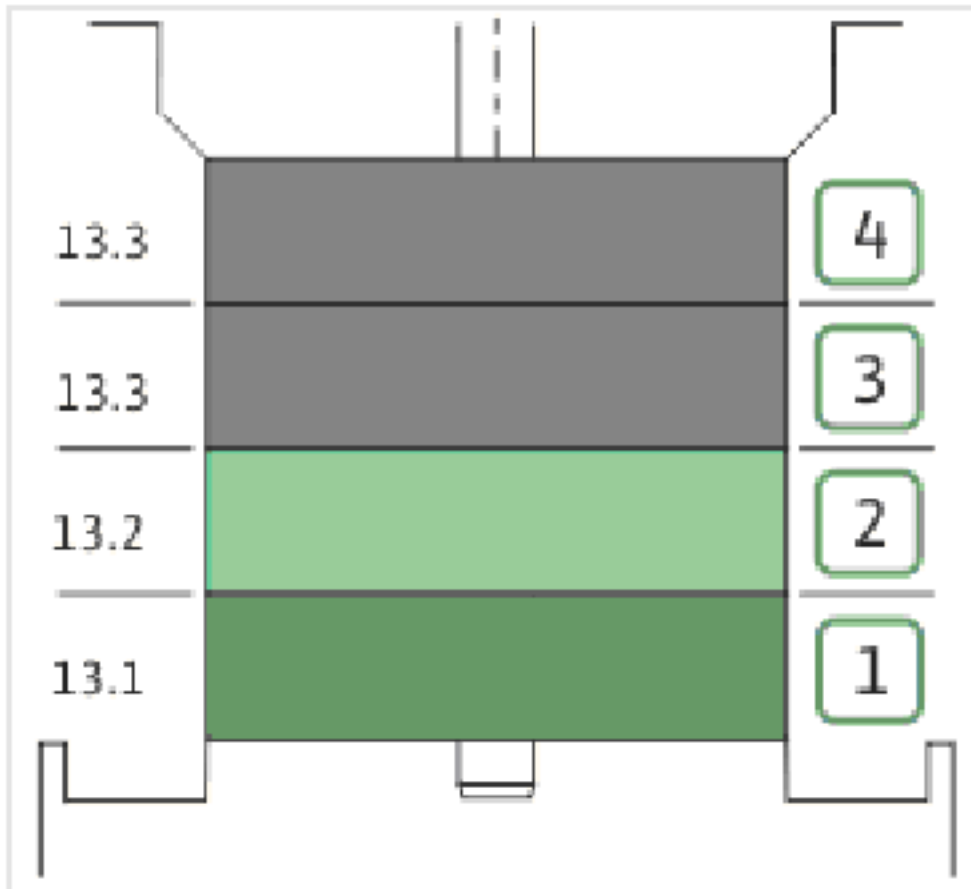
DRIVE HELIX-VE204-IE4-WE KIT

Item	Article no.	Description	Quantity
1.1	4207912	MOTOR 0.55/2/71 3~ 380V 60HZ IE4 WE VP.	1
		SPARE PARTS MOTOR:ON REQUEST	1
1.2	4209318	MODULE HELIX-VE204-IE4-WE KIT	1
1.22	2054372	> MODULE COVER TL1,TL2+GASKET KIT	1
1.23	4215716	> SCREW M5X16 DIN912 8.8 A2A (4pieces) VP.	1
1.24	2057978	> RONDELLE A5,3 DIN6797 FST ZN (4 PIECES)	1



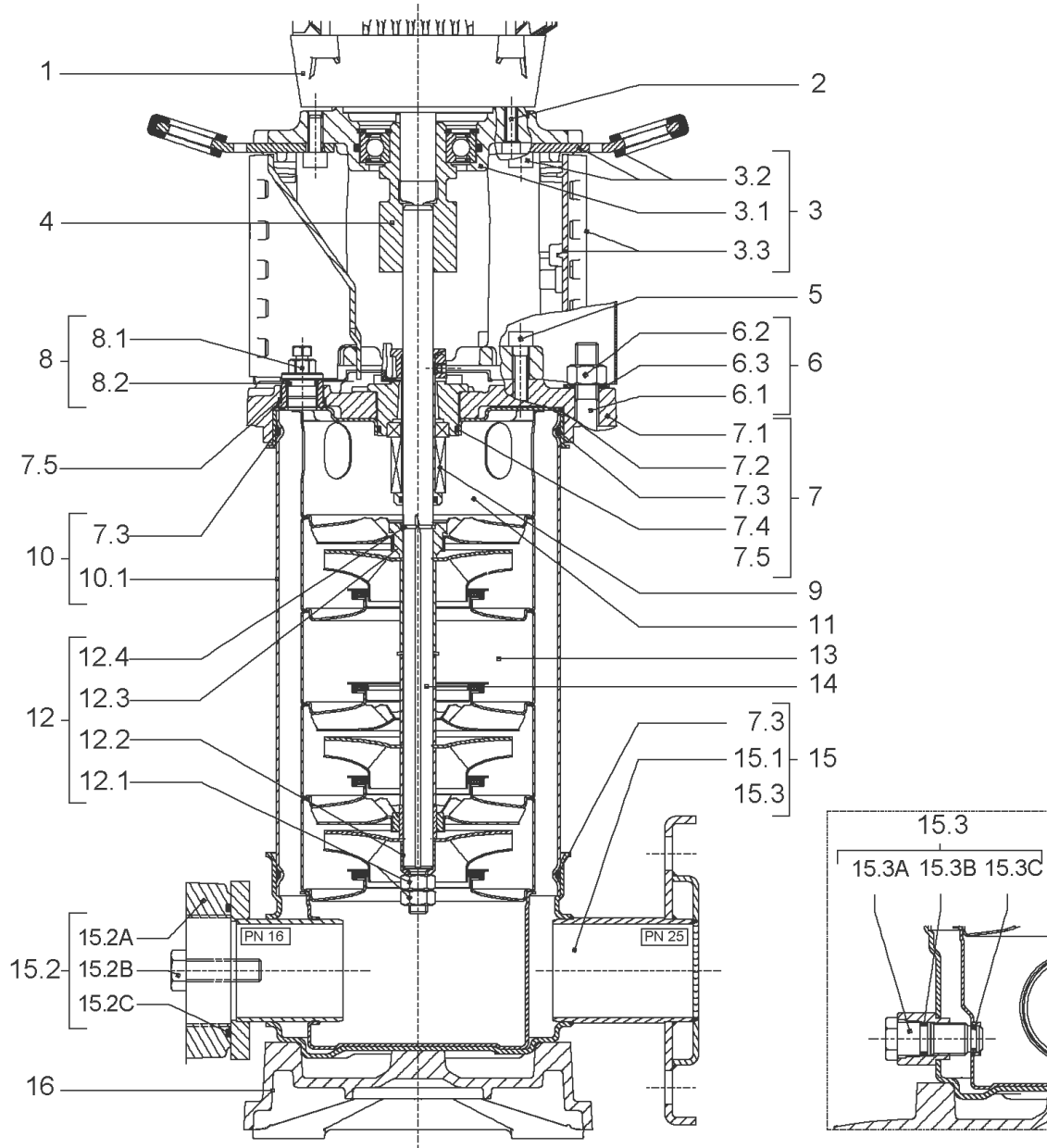
COUPLING HELIX D12 FT85 KIT (4212718)

Item	Article no.	Description	Quantity
4.1		COUPLING-VMI-Ø12xØ14-FT85-USINE	1
4.2	4177802	BALL BEARING 6205C3-ZZ HTVP.	1
4.3	4208923	CIRCLIP D25X1.2 VP.	1
4.4	4212716	SCREW M6X20 KIT (4PIECES)	1
4.5	4233124	CIRCLIP-FOR-BORES-D52x2 VP.	1
4.6	4234244	O-RING 52X2 VP.	1
		CONTACT-WASHER-6ETR-6,1x12,2x1,8-STEEL	1



HYDRAULIC HELIX V 204 1.4307

Item	Article no.	Description	Quantity
13.1	4179316	STAGE HELIX 2 1.4301 KIT	1
		> MACH.STG-CASING-WOGV-WNR-M+2-4-304	1
		> IMPELLER-M+2-304	1
13.2	4179317	STAGE BEARING HELIX 2 1.4307 KIT	1
		> MACH.BEARING-STG-CASING-WNR-M+2-304	1
		> IMPELLER-M+2-304	1
		> SHAFT SLEEVE SPACER Ø15,35x10,305-304	1
		> SHAFT-SLEEVE-D12xD16x14-CW	1
13.3	4179319	INTERMEDIATE STAGE HELIX 2 1.4301 KIT	1
		> CORPS-ETG-STD-ACR-AJR-USIN.M+2-304	1
		> IMPELLER-M+2-304	1
		> IMPELLER SPACER Ø12,05X14,85-L24,285-304	1



HELIX VE206-1/16/E/KS (4171744)

Item	Article no.	Description	Quantity
1		DRIVE HELIX-VE206-IE2-WE KIT	1
Note: MOTOR BRAND WILO ELEC			
1		DRIVE HELIX-VE206-IE4-WE KIT	1
Note: MOTOR BRAND WILO ELEC			
2	4159702	SCREW M6X30 (4 PIECES)	1
3	4172788	LANTERN FT100 HELIX KIT	1
3.1		> LANTERN FT100 M+6" GJL MACHINING+CATA	1
3.2	2127604	> EYELET CPL.FT HELIX(2 PIECES)	1
3.3	4159692	> COUPLING PROTECTOR FT HELIX KIT	1
4	4178578	COUPLING D.12XD.19 FT100 KIT	1
5	4159707	SCREW M8X30 (4 PIECES)	1
6	4177817	STUD BOLT M12X341 KIT	1
6.1		> TIE BOLT M12-341x18x30-1.4057	1
6.2	2094647	> NUT M12 M12 ISO4032 VP.	1
6.3	2123557	> WASHER CS-12.4-24-1.6-NFE25 (4 PIECES)	1
7	4159685	END SHIELD HELIX EPDM KIT	1
7.1		> END SHIELD M+6" GJL250 MACHINING+CATA	1
7.2	2127607	> STATIONARY RING HOLDER 6" HELIX 1.4301 V	1
7.3	4176513	> O-RING FOR PUMP JACKET VP.	1
7.4	2127603	> O-RING ID.37,6x2,4 EPDM VP.	1
7.5	2127602	> O-RING ID.21,35x2 EPDM VP.	1
8	4159686	FILING/PURGING PLUG HELIX EPDM KIT	1
9	4178559	KART.HELIX2-4 O/E SET	1
10	4177818	HOUSING PIPES Ø152-M+1004-304 KIT	1
7.3	4176513	> O-RING FOR PUMP JACKET VP.	1
10.1		> HOUSING-PIPE Ø152-M+1004/1603-304	1
11	4179315	CENTERING STAGE HELIX V2 1.4307 VP.	1
12	4178567	SHAFT EQUIPMENT HELIX V2/V4 KIT	1
12.1		> NUT-H-M8-STAINLESS-STEEL A4-70	1
12.2		> SHAFT END WASHER Ø8/Ø12 316L	1
12.3		> STOP COLLAR OF IMPELLER L12,6-Ø12-316L	1
12.4		> STOP-RUSH-1/2-D12xd2-M+316	1
13		HYDRAULIC HELIX V 206 1.4307	1
14	4178584	SHAFT D.12X333 1.4301 VP.	1

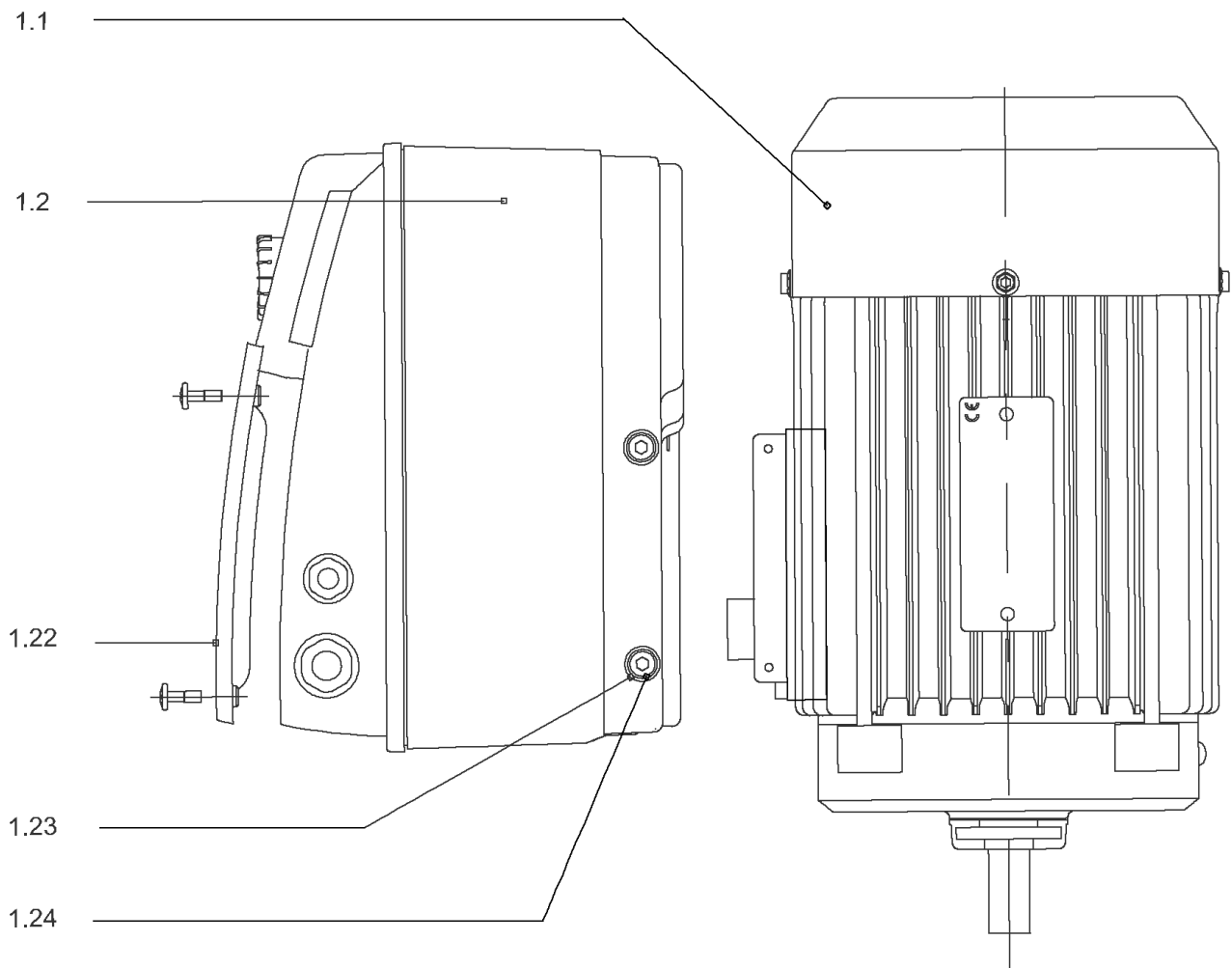
HELIX VE206-1/16/E/KS (4171744)

Item	Article no.	Description	Quantity
15	4174079	PUMP HOUSING HELIX DN32 PN16 1.4301 KIT	1
7.3	4176513	> O-RING FOR PUMP JACKET VP.	1
15.1		> BLASTING PPE HOUSING V-PN16-DN32-5"-304	1
15.2	4217889	> COUNTER FLANGE-G1"-PN16-GJL KIT	1
15.3	4171321	> PRIMING/DRAIN PLUG EPDM HELIX KIT	1
16	4177964	BASEPLATE HELIX V2/4/6 PN16 VP.	1



DRIVE HELIX-VE206-IE2-WE KIT

Item	Article no.	Description	Quantity
1.1		MOTOR 0,75/2/80 3~ 380V 60HZ IE2 WE VP.	1
Note: no longer available/nicht mehr lieferbar/n'est plus disponible			
		SPARE PARTS MOTOR:ON REQUEST	1
1.2	4184863	MODULE HELIX-VE206-IE2-WE KIT	1
1.22	2054372	> MODULE COVER TL1,TL2+GASKET KIT	1
1.23	4215716	> SCREW M5X16 DIN912 8.8 A2A (4pieces) VP.	1
1.24	2057978	> RONDELLE A5,3 DIN6797 FST ZN (4 PIECES)	1



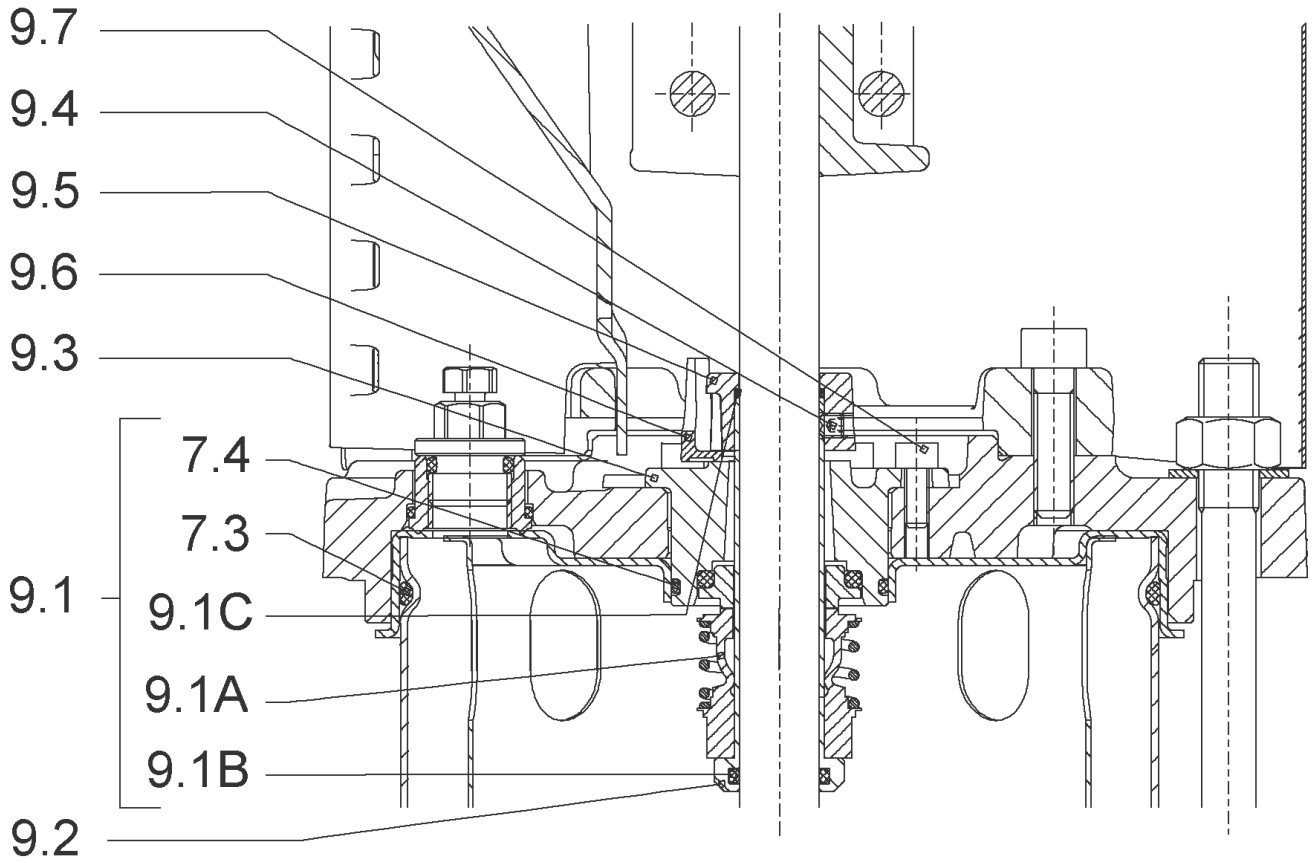
DRIVE HELIX-VE206-IE4-WE KIT

Item	Article no.	Description	Quantity
1.1	4207914	MOTOR 0.75/2/80 3~ 380V 60HZ IE4 WE VP.	1
		SPARE PARTS MOTOR:ON REQUEST	1
1.2	4209321	MODULE HELIX-VE206-IE4-WE KIT	1
1.22	2054372	> MODULE COVER TL1,TL2+GASKET KIT	1
1.23	4215716	> SCREW M5X16 DIN912 8.8 A2A (4pieces) VP.	1
1.24	2057978	> RONDELLE A5,3 DIN6797 FST ZN (4 PIECES)	1



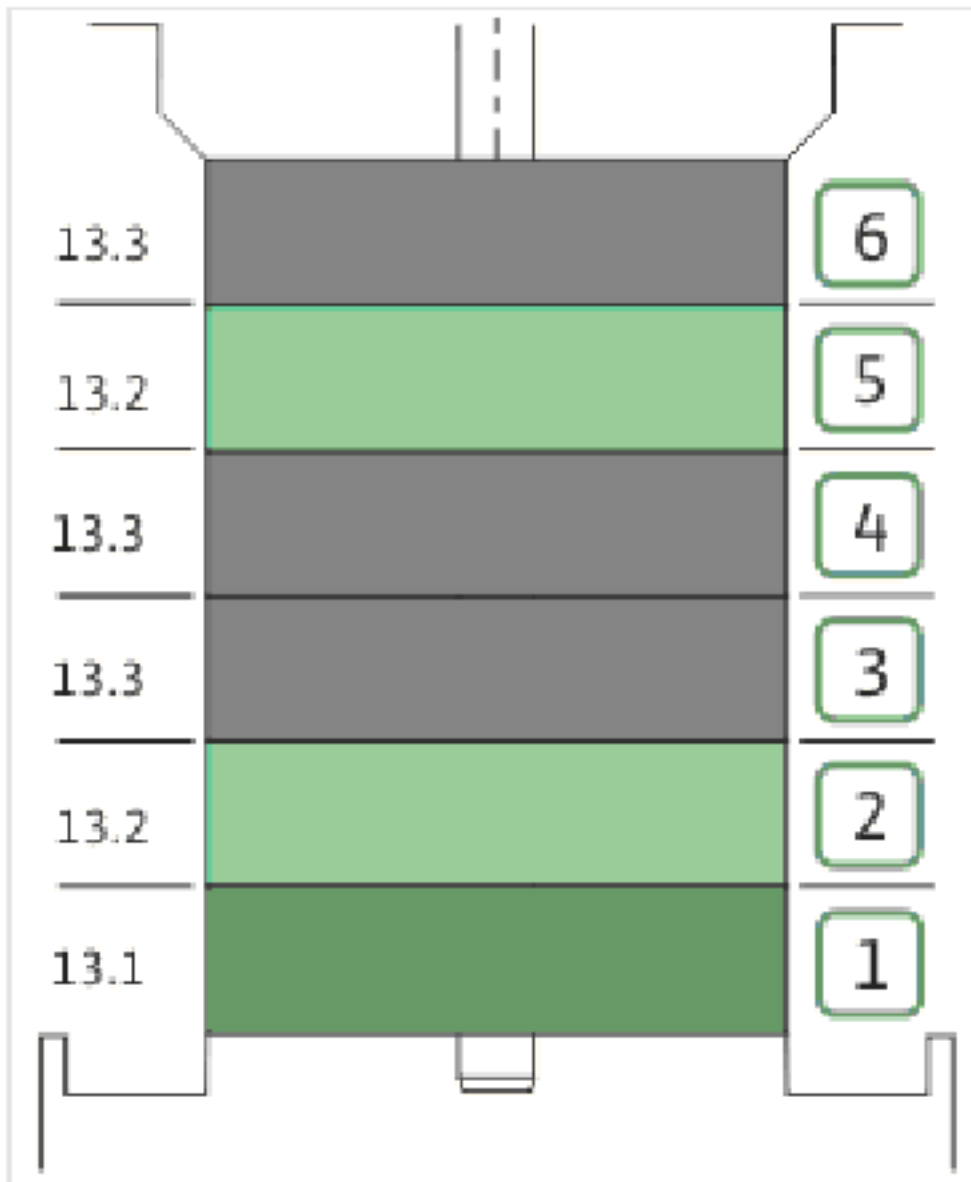
COUPLING D.12XD.19 FT100 KIT (4178578)

Item	Article no.	Description	Quantity
4.1		COUPLING-M+ Ø12XØ19-FT100-MACHINED	1
4.3	4234249	CIRCLIP-FOR-SHAFT-D30x1.5 VP.	1
4.2	2130977	BALL BEARING 6206/ZZ-C3(HT)VP.	1
4.4	4212716	SCREW M6X20 KIT (4PIECES)	1
4.5	4234250	CIRCLIP-D62x2 VP.	1
4.6	4234245	O-RING 63X3 VP.	1
		CONTACT-WASHER-6ETR-6,1x12,2x1,8-STEEL	4



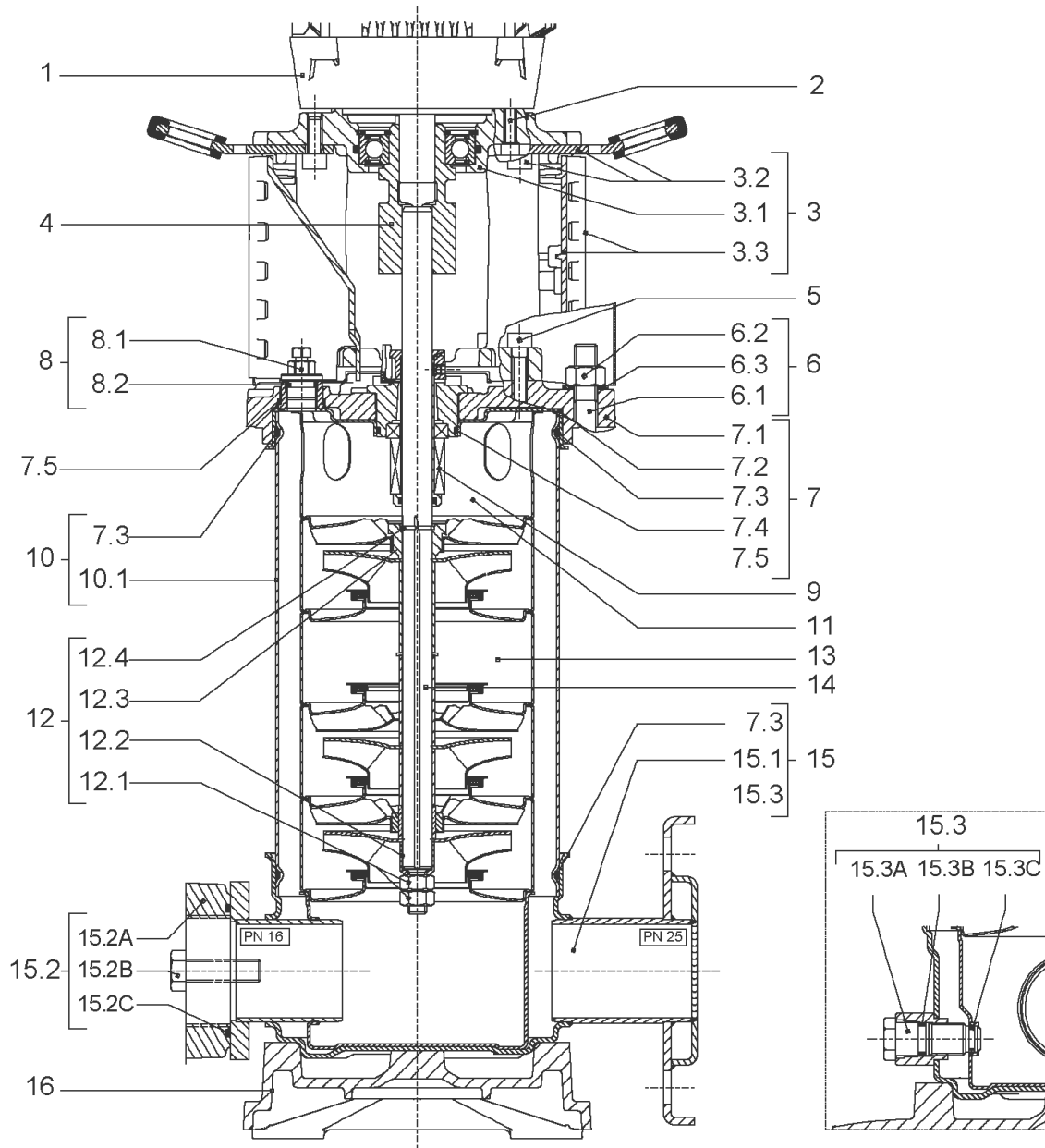
KART.HELIX2-4 O/E SET (4178559)

Item	Article no.	Description	Quantity
9.1	4178560	SEAL-KIT-HELIX2-4 O/E	1
7.3	4176513	> O-RING FOR PUMP JACKET VP.	1
7.4	2127603	> O-RING ID.37,6x2,4 EPDM VP.	1
9.1A	2130966	> MECH.SEAL HELIX2-4-6-10-16 O/E VP.	1
9.1B	4178558	> O-RING ID.12X2 EPDM VP.	1
9.1C	4178558	> O-RING ID.12X2 EPDM VP.	1
9.2	4178557	SHAFT SLEEVE Ø12XØ18-PN16 1.4404 VP.	1
9.3	2130962	RING HOLDER D.18 G606/G6 1.4301 VP.	1
9.4	4176520	SCREW CH M5x5 A4-70 (3PIECES)	1
9.5	4178556	DRIVE RING D.29/15.5x13,2 MACH.VP.	1
9.6	2130964	TOOL M.S.CART.HELIX VP.	1
9.7	2130965	SCREW CHC M5X12 ISO4762 A2.70(4 PIECES)	1



HYDRAULIC HELIX V 206 1.4307

Item	Article no.	Description	Quantity
13.1	4179316	STAGE HELIX 2 1.4301 KIT	1
		> MACH.STG-CASING-WOGV-WNR-M+2-4-304	1
		> IMPELLER-M+2-304	1
13.2	4179317	STAGE BEARING HELIX 2 1.4307 KIT	1
		> MACH.BEARING-STG-CASING-WNR-M+2-304	1
		> IMPELLER-M+2-304	1
		> SHAFT SLEEVE SPACER Ø15,35x10,305-304	1
		> SHAFT-SLEEVE-D12xD16x14-CW	1
13.3	4179319	INTERMEDIATE STAGE HELIX 2 1.4301 KIT	1
		> CORPS-ETG-STD-ACR-AJR-USIN.M+2-304	1
		> IMPELLER-M+2-304	1
		> IMPELLER SPACER Ø12,05X14,85-L24,285-304	1



HELIX VE206-1/16/E/S (4171748)

Item	Article no.	Description	Quantity
1		DRIVE HELIX-VE206-IE2-WE KIT	1
Note: MOTOR BRAND WILO ELEC			
1		DRIVE HELIX-VE206-IE4-WE KIT	1
Note: MOTOR BRAND WILO ELEC			
2	4159702	SCREW M6X30 (4 PIECES)	1
3	4172790	EQUIPED LANTERN NEXIS FT 100 KIT	1
3.1		> M+5_6_LANTERN_ONE-PIECE_FT100_CATA	1
3.2	2127604	> EYELET CPL.FT HELIX(2 PIECES)	1
3.3	4159692	> COUPLING PROTECTOR FT HELIX KIT	1
4	4178578	COUPLING D.12XD.19 FT100 KIT	1
5	4159707	SCREW M8X30 (4 PIECES)	1
6	4177817	STUD BOLT M12X341 KIT	1
6.1		> TIE BOLT M12-341x18x30-1.4057	1
6.2	2094647	> NUT M12 M12 ISO4032 VP.	1
6.3	2123557	> WASHER CS-12.4-24-1.6-NFE25 (4 PIECES)	1
7	4210143	STATIONARY RING HOLDER HELIX 6" EPDM	1
7.2	2127607	> STATIONARY RING HOLDER 6" HELIX 1.4301 V	1
7.3	4176513	> O-RING FOR PUMP JACKET VP.	1
7.4	2127603	> O-RING ID.37,6x2,4 EPDM VP.	1
7.5	2127602	> O-RING ID.21,35x2 EPDM VP.	1
8	4159686	FILING/PURGING PLUG HELIX EPDM KIT	1
9	4178564	SEAL-KIT-HELIX2-4 O/E KIT	1
10	4177818	HOUSING PIPES Ø152-M+1004-304 KIT	1
7.3	4176513	> O-RING FOR PUMP JACKET VP.	1
10.1		> HOUSING-PIPE Ø152-M+1004/1603-304	1
11	4179315	CENTERING STAGE HELIX V2 1.4307 VP.	1
12	4178568	SHAFT EQUIPMENT HELIX V2/V4 KIT	1
12.1		> NUT-H-M8-STAINLESS-STEEL A4-70	2
12.2		> SHAFT END WASHER Ø8/Ø12 316L	1
12.3		> STOP COLLAR OF IMPELLER M+2/4 SINGLEBLOC	1
12.4		> STOP-RUSH-1/2-D12xd2-M+316	2
13		HYDRAULIC HELIX V 206 1.4307	1
14	4178584	SHAFT D.12X333 1.4301 VP.	1
15	4174079	PUMP HOUSING HELIX DN32 PN16 1.4301 KIT	1

HELIX VE206-1/16/E/S (4171748)

Item	Article no.	Description	Quantity
7.3	4176513	> O-RING FOR PUMP JACKET VP.	1
15.1		> BLASTING PPE HOUSING V-PN16-DN32-5"-304	1
15.2	4217889	> COUNTER FLANGE-G1"-PN16-GJL KIT	1
15.3	4171321	> PRIMING/DRAIN PLUG EPDM HELIX KIT	1
16	4177964	BASEPLATE HELIX V2/4/6 PN16 VP.	1



DRIVE HELIX-VE206-IE2-WE KIT

Item	Article no.	Description	Quantity
1.1		MOTOR 0,75/2/80 3~ 380V 60HZ IE2 WE VP.	1
Note: no longer available/nicht mehr lieferbar/n'est plus disponible			
		SPARE PARTS MOTOR:ON REQUEST	1
1.2	4184863	MODULE HELIX-VE206-IE2-WE KIT	1
1.22	2054372	> MODULE COVER TL1,TL2+GASKET KIT	1
1.23	4215716	> SCREW M5X16 DIN912 8.8 A2A (4pieces) VP.	1
1.24	2057978	> RONDELLE A5,3 DIN6797 FST ZN (4 PIECES)	1



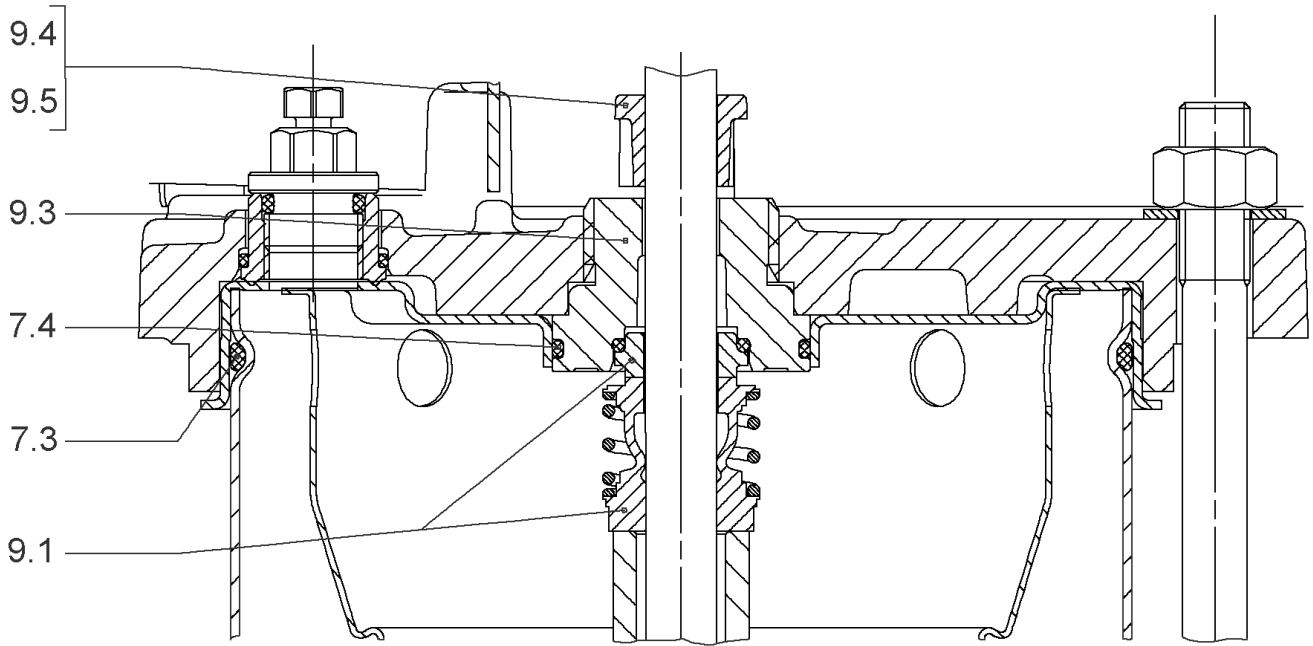
DRIVE HELIX-VE206-IE4-WE KIT

Item	Article no.	Description	Quantity
1.1	4207914	MOTOR 0.75/2/80 3~ 380V 60HZ IE4 WE VP.	1
		SPARE PARTS MOTOR:ON REQUEST	1
1.2	4209321	MODULE HELIX-VE206-IE4-WE KIT	1
1.22	2054372	> MODULE COVER TL1,TL2+GASKET KIT	1
1.23	4215716	> SCREW M5X16 DIN912 8.8 A2A (4pieces) VP.	1
1.24	2057978	> RONDELLE A5,3 DIN6797 FST ZN (4 PIECES)	1



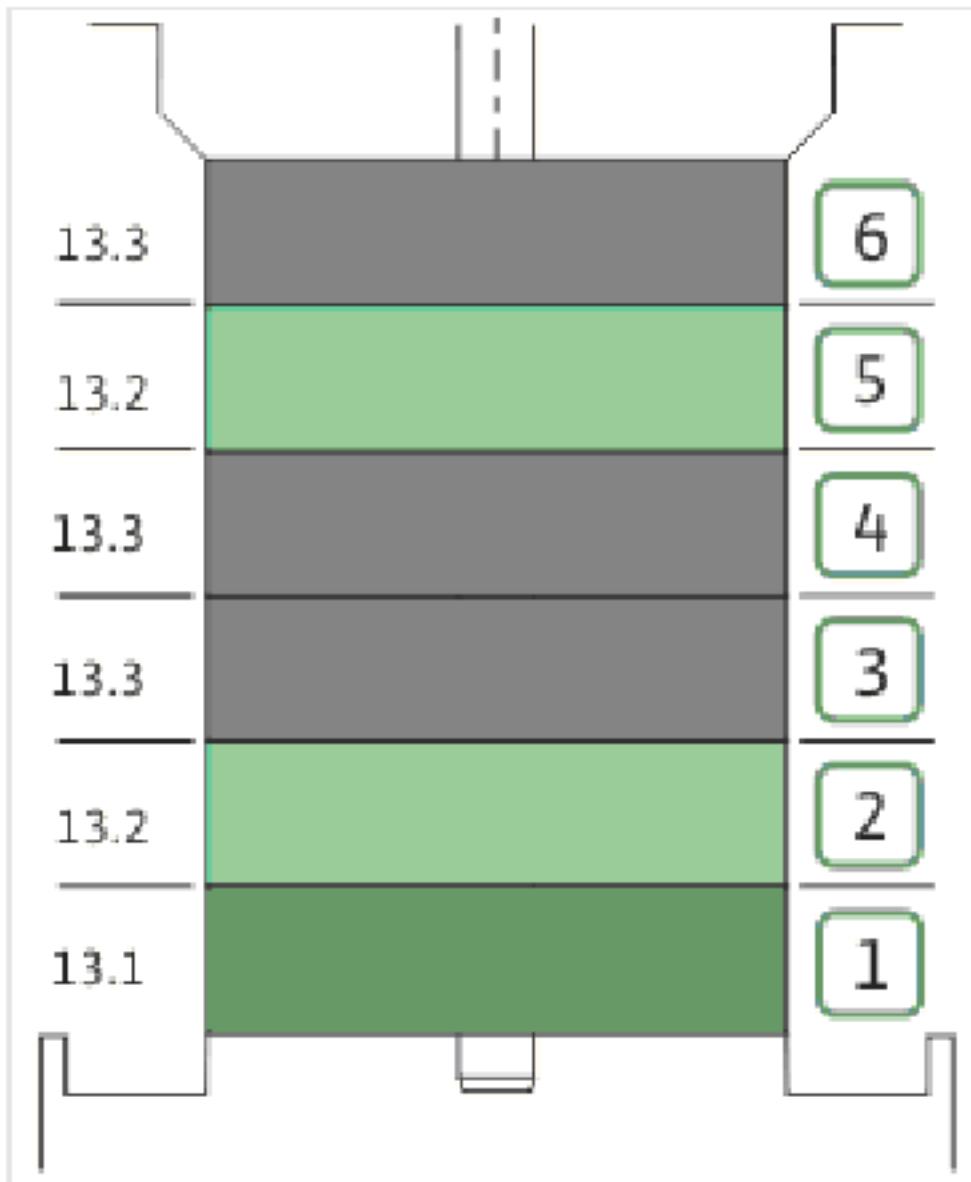
COUPLING D.12XD.19 FT100 KIT (4178578)

Item	Article no.	Description	Quantity
4.1		COUPLING-M+ Ø12XØ19-FT100-MACHINED	1
4.3	4234249	CIRCLIP-FOR-SHAFT-D30x1.5 VP.	1
4.2	2130977	BALL BEARING 6206/ZZ-C3(HT)VP.	1
4.4	4212716	SCREW M6X20 KIT (4PIECES)	1
4.5	4234250	CIRCLIP-D62x2 VP.	1
4.6	4234245	O-RING 63X3 VP.	1
		CONTACT-WASHER-6ETR-6,1x12,2x1,8-STEEL	4



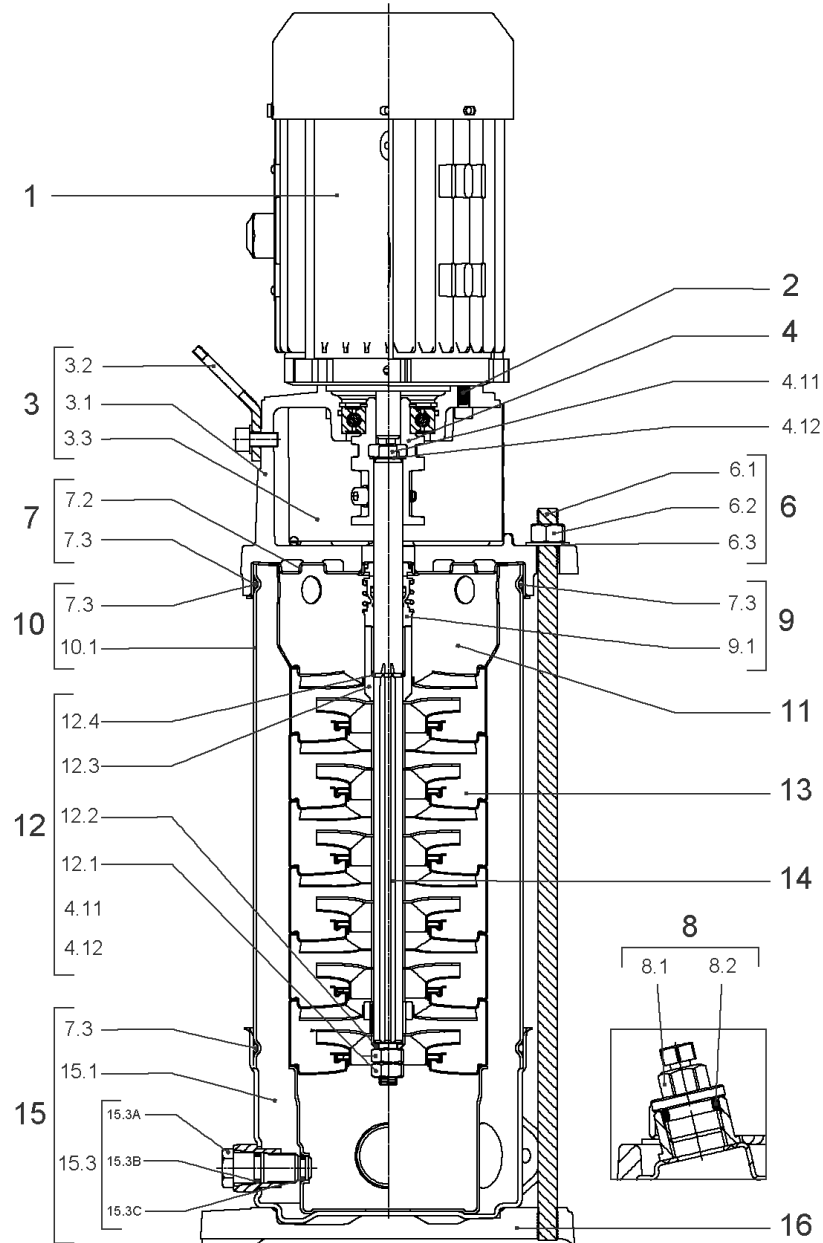
SEAL-KIT-HELIX2-4 O/E KIT (4178564)

Item	Article no.	Description	Quantity
7.3	4176513	O-RING FOR PUMP JACKET VP.	1
7.4	2127603	O-RING ID.37,6x2,4 EPDM VP.	1
9.1	4178563	M.SEAL.HELIX2-4 O/E VP.	1
9.3	4178561	RING HOLDER Ø22 1.4301 VP.	1
9.5	4178562	DRIVE RING D.22/12.2X10 MACH.VP.	1
9.4	4176520	SCREW CH M5x5 A4-70 (3PIECES)	1



HYDRAULIC HELIX V 206 1.4307

Item	Article no.	Description	Quantity
13.1	4179316	STAGE HELIX 2 1.4301 KIT	1
		> MACH.STG-CASING-WOGV-WNR-M+2-4-304	1
		> IMPELLER-M+2-304	1
13.2	4179317	STAGE BEARING HELIX 2 1.4307 KIT	1
		> MACH.BEARING-STG-CASING-WNR-M+2-304	1
		> IMPELLER-M+2-304	1
		> SHAFT SLEEVE SPACER Ø15,35x10,305-304	1
		> SHAFT-SLEEVE-D12xD16x14-CW	1
13.3	4179319	INTERMEDIATE STAGE HELIX 2 1.4301 KIT	1
		> CORPS-ETG-STD-ACR-AJR-USIN.M+2-304	1
		> IMPELLER-M+2-304	1
		> IMPELLER SPACER Ø12,05X14,85-L24,285-304	1



HELIX VE206-1/16/E/S (4201564)

Item	Article no.	Description	Quantity
1		DRIVE HELIX-VE206-IE4-WE KIT	1
Note: MOTOR BRAND WILO ELEC			
		SPARE PARTS MOTOR:ON REQUEST	1
2	4212716	SCREW M6X20 KIT (4PIECES)	1
3	4213752	LANTERN FT100 HELIX KIT	1
3.1		> LANT-MOT-VMI-ReDTC6"-FT100-MACHINED+CATA	1
3.2	4184852	> EYELET CPL.FT HELIX (2 PIECES)	1
3.3	4213713	> COUPLING PROTECTOR FT85/100 HELIX KIT	1
4	4178578	COUPLING D.12XD.19 FT100 KIT	1
6	4177817	STUD BOLT M12X341 KIT	1
6.1		> TIE BOLT M12-341x18x30-1.4057	1
6.2	2094647	> NUT M12 M12 ISO4032 VP.	1
6.3	2123557	> WASHER CS-12.4-24-1.6-NFE25 (4 PIECES)	1
7	4212722	STATIONARY RING HOLDER HELIX D23 ReDTC	1
7.2	4212720	> STATIONARY RING HOLDER HELIX D23 VP.	1
7.3	4176513	> O-RING FOR PUMP JACKET VP.	1
8	4212724	FILING/PURGING PLUG HELIX ReDTC KIT	1
8.1		> FILLING PLUG MVI6"-304	1
8.2	4177800	> O-RING EPDM PLUG HELIX VP.	1
9	4212726	MECH.SEAL HELIX V2/4 O/E ReDTC KIT	1
9.1	4178563	> M.SEAL.HELIX2-4 O/E VP.	1
7.3	4176513	> O-RING FOR PUMP JACKET VP.	1
10	2127575	HOUSING PIPE D.152x210 1.4301 KIT	1
11	4179315	CENTERING STAGE HELIX V2 1.4307 VP.	1
12	4212729	SHAFT EQUIPMENT HELIX V2/4 ReDTC KIT	1
12.1		> NUT-H-M8-STAINLESS-STEEL A4-70	1
12.2		> SHAFT END WASHER Ø8/Ø12 316L	1
12.3		> 1/2-SNAP-RING-2/4M3-316L	1
12.4		> STOP-RUSH-1/2-D12xd2-M+316	1
4.11		> SCREW CHC-M6X14-8.8-ISO4762-GEOMET500A	1
4.12		> WASHER D.24 L6U ZINK	1
13		HYDRAULIC HELIX V 206 1.4307	1
14	4213748	SHAFT D.12X281 HELIX 1.4057 VP.	1
15	4174079	PUMP HOUSING HELIX DN32 PN16 1.4301 KIT	1

HELIX VE206-1/16/E/S (4201564)

Item	Article no.	Description	Quantity
7.3	4176513	> O-RING FOR PUMP JACKET VP.	1
15.1		> BLASTING PPE HOUSING V-PN16-DN32-5"-304	1
15.2	4217889	> COUNTER FLANGE-G1"-PN16-GJL KIT	1
15.3	4171321	> PRIMING/DRAIN PLUG EPDM HELIX KIT	1
16	4177964	BASEPLATE HELIX V2/4/6 PN16 VP.	1



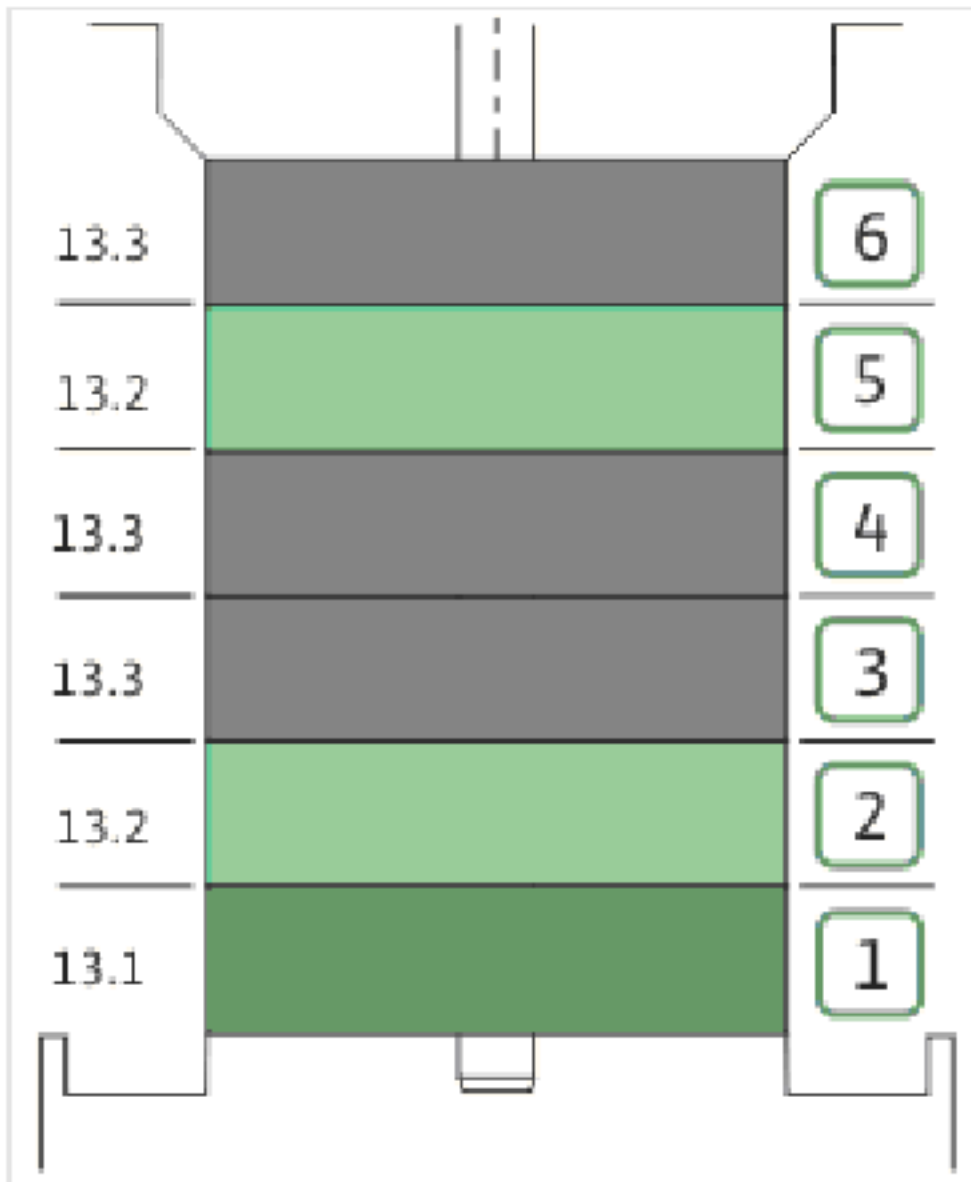
DRIVE HELIX-VE206-IE4-WE KIT

Item	Article no.	Description	Quantity
1.1	4207914	MOTOR 0.75/2/80 3~ 380V 60HZ IE4 WE VP.	1
		SPARE PARTS MOTOR:ON REQUEST	1
1.2	4209321	MODULE HELIX-VE206-IE4-WE KIT	1
1.22	2054372	> MODULE COVER TL1,TL2+GASKET KIT	1
1.23	4215716	> SCREW M5X16 DIN912 8.8 A2A (4pieces) VP.	1
1.24	2057978	> RONDELLE A5,3 DIN6797 FST ZN (4 PIECES)	1



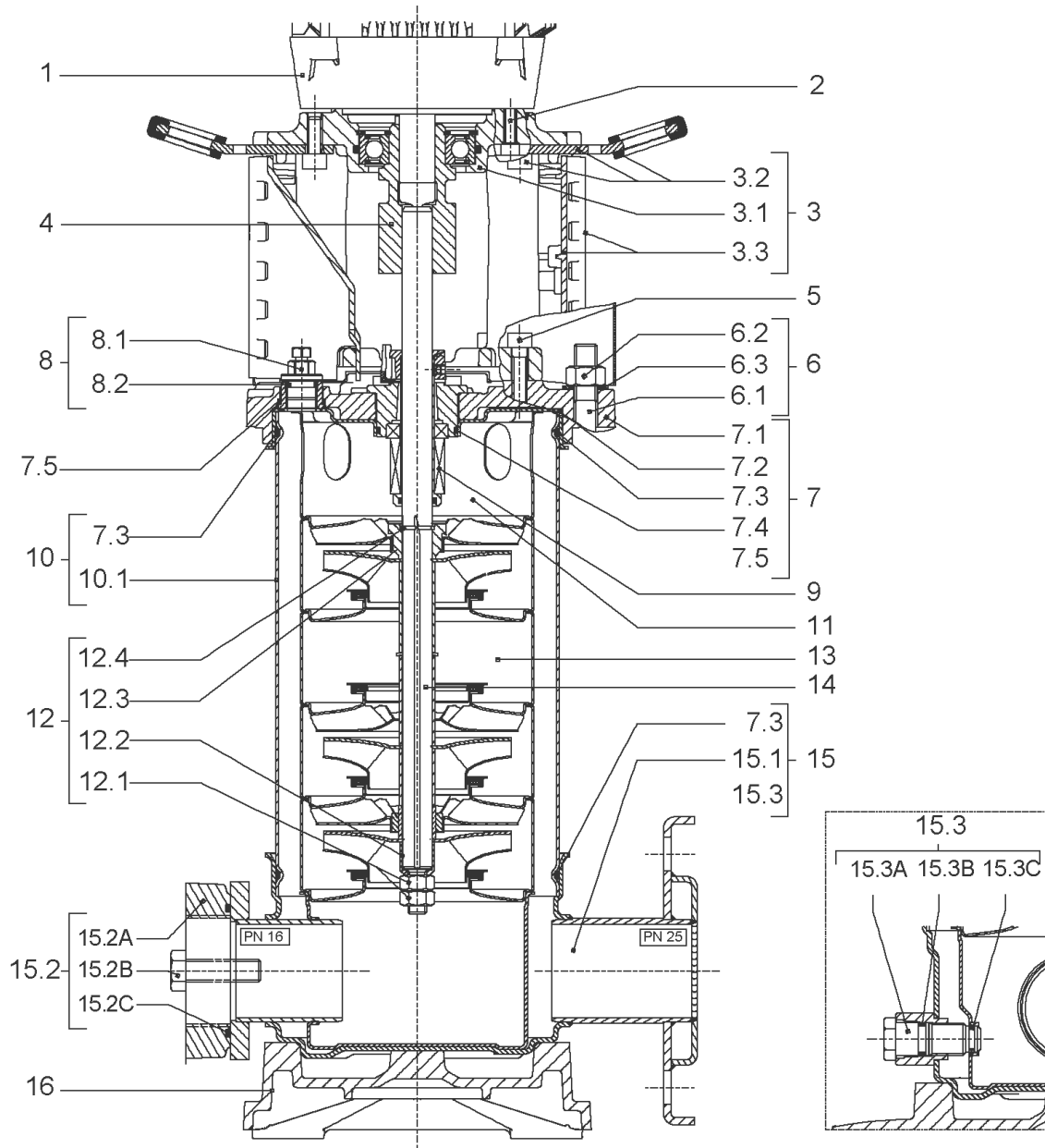
COUPLING D.12XD.19 FT100 KIT (4178578)

Item	Article no.	Description	Quantity
4.1		COUPLING-M+ Ø12XØ19-FT100-MACHINED	1
4.3	4234249	CIRCLIP-FOR-SHAFT-D30x1.5 VP.	1
4.2	2130977	BALL BEARING 6206/ZZ-C3(HT)VP.	1
4.4	4212716	SCREW M6X20 KIT (4PIECES)	1
4.5	4234250	CIRCLIP-D62x2 VP.	1
4.6	4234245	O-RING 63X3 VP.	1
		CONTACT-WASHER-6ETR-6,1x12,2x1,8-STEEL	4



HYDRAULIC HELIX V 206 1.4307

Item	Article no.	Description	Quantity
13.1	4179316	STAGE HELIX 2 1.4301 KIT	1
		> MACH.STG-CASING-WOGV-WNR-M+2-4-304	1
		> IMPELLER-M+2-304	1
13.2	4179317	STAGE BEARING HELIX 2 1.4307 KIT	1
		> MACH.BEARING-STG-CASING-WNR-M+2-304	1
		> IMPELLER-M+2-304	1
		> SHAFT SLEEVE SPACER Ø15,35x10,305-304	1
		> SHAFT-SLEEVE-D12xD16x14-CW	1
13.3	4179319	INTERMEDIATE STAGE HELIX 2 1.4301 KIT	1
		> CORPS-ETG-STD-ACR-AJR-USIN.M+2-304	1
		> IMPELLER-M+2-304	1
		> IMPELLER SPACER Ø12,05X14,85-L24,285-304	1

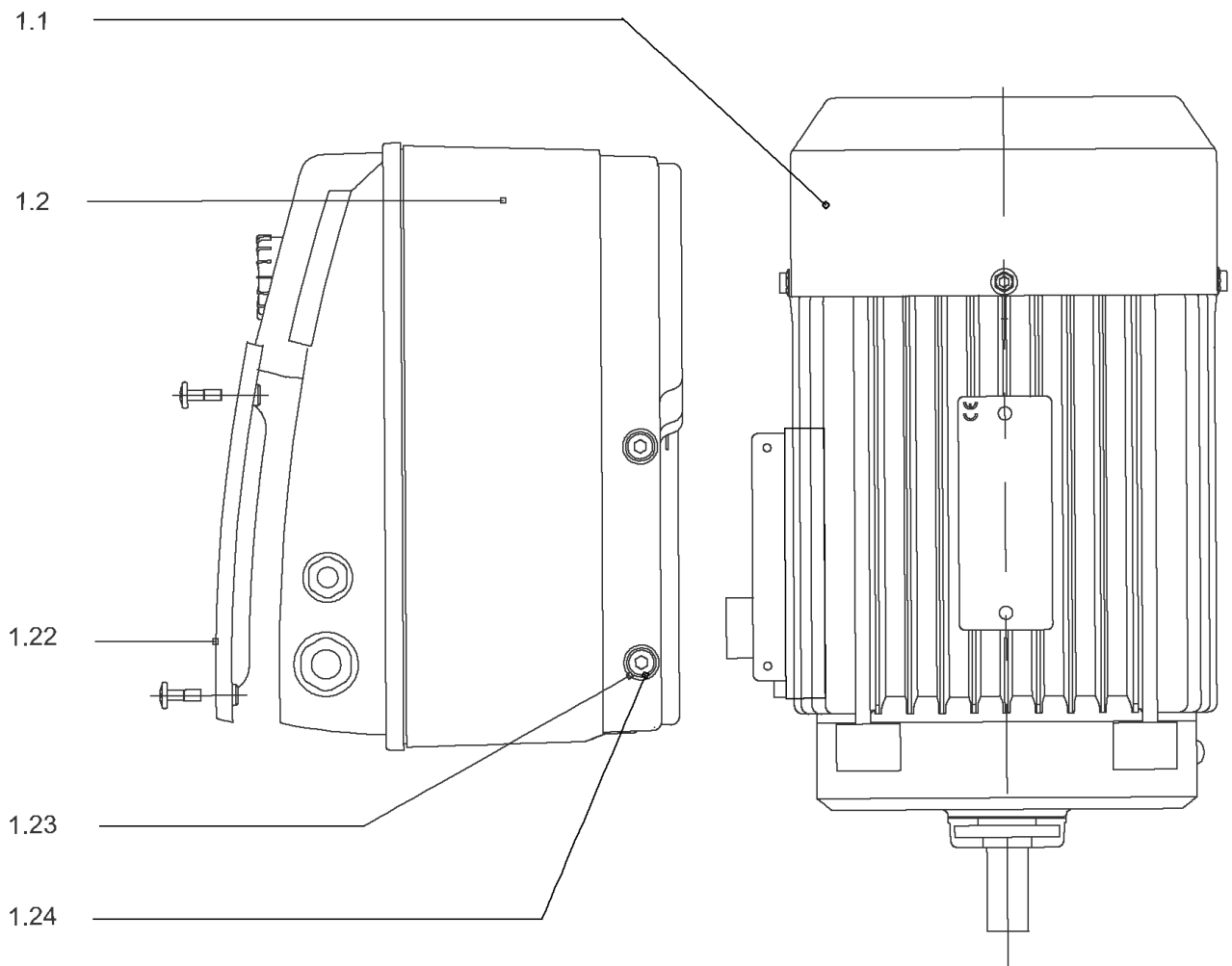


HELIX VE208-1/16/E/KS (4164491)

Item	Article no.	Description	Quantity
1		DRIVE HELIX-VE208-IE2-WE KIT	1
Note: MOTOR BRAND WILO ELEC			
1		DRIVE HELIX-VE208-IE4-WE KIT	1
Note: MOTOR BRAND WILO ELEC			
2	4159702	SCREW M6X30 (4 PIECES)	1
3	4172788	LANTERN FT100 HELIX KIT	1
3.1		> LANTERN FT100 M+6" GJL MACHINING+CATA	1
3.2	2127604	> EYELET CPL.FT HELIX(2 PIECES)	1
3.3	4159692	> COUPLING PROTECTOR FT HELIX KIT	1
4	4178578	COUPLING D.12XD.19 FT100 KIT	1
5	4159707	SCREW M8X30 (4 PIECES)	1
6	2018365	STUD BOLT M12X392 KIT	1
7	4159685	END SHIELD HELIX EPDM KIT	1
7.1		> END SHIELD M+6" GJL250 MACHINING+CATA	1
7.2	2127607	> STATIONARY RING HOLDER 6" HELIX 1.4301 V	1
7.3	4176513	> O-RING FOR PUMP JACKET VP.	1
7.4	2127603	> O-RING ID.37,6x2,4 EPDM VP.	1
7.5	2127602	> O-RING ID.21,35x2 EPDM VP.	1
8	4159686	FILING/PURGING PLUG HELIX EPDM KIT	1
9	4178559	KART.HELIX2-4 O/E SET	1
10	2127576	HOUSING PIPE D.152x260 1.4301 KIT	1
11	4179315	CENTERING STAGE HELIX V2 1.4307 VP.	1
12	4178567	SHAFT EQUIPMENT HELIX V2/V4 KIT	1
12.1		> NUT-H-M8-STAINLESS-STEEL A4-70	1
12.2		> SHAFT END WASHER Ø8/Ø12 316L	1
12.3		> STOP COLLAR OF IMPELLER L12,6-Ø12-316L	1
12.4		> STOP-RUSH-1/2-D12xd2-M+316	1
13		HYDRAULIC HELIX V 208 1.4307	1
14	4178592	SHAFT D.12X383 1.4301 VP.	1
15	4174079	PUMP HOUSING HELIX DN32 PN16 1.4301 KIT	1
7.3	4176513	> O-RING FOR PUMP JACKET VP.	1
15.1		> BLASTING PPE HOUSING V-PN16-DN32-5"-304	1
15.2	4217889	> COUNTER FLANGE-G1"-PN16-GJL KIT	1
15.3	4171321	> PRIMING/DRAIN PLUG EPDM HELIX KIT	1

HELIX VE208-1/16/E/KS (4164491)

Item	Article no.	Description	Quantity
16	4177964	BASEPLATE HELIX V2/4/6 PN16 VP.	1



DRIVE HELIX-VE208-IE2-WE KIT

Item	Article no.	Description	Quantity
1.1	4184817	MOTOR 1,1/2/80 3~ 380V 60HZ IE2 WE VP.	1
		SPARE PARTS MOTOR:ON REQUEST	1
1.2	4186222	MODULEHELIX-VE208-IE2-WE KIT	1
1.22	2054372	> MODULE COVER TL1,TL2+GASKET KIT	1
1.23	4215716	> SCREW M5X16 DIN912 8.8 A2A (4pieces) VP.	1
1.24	2057978	> RONDELLE A5,3 DIN6797 FST ZN (4 PIECES)	1



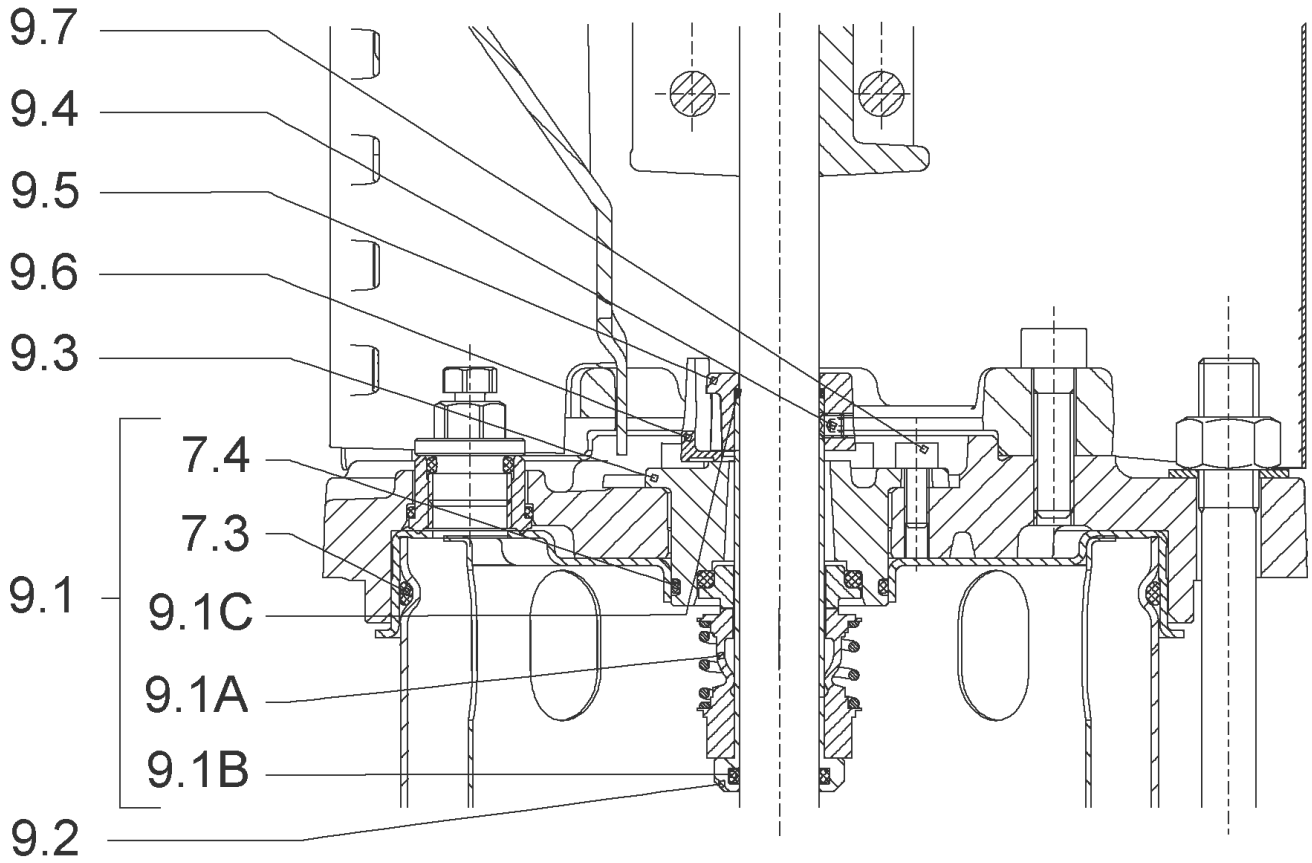
DRIVE HELIX-VE208-IE4-WE KIT

Item	Article no.	Description	Quantity
1.1	4207916	MOTOR 1.1/2/80 3~ 380V 60HZ IE4 WE VP.	1
		SPARE PARTS MOTOR:ON REQUEST	1
1.2	4209597	MODULE HELIX-VE208-IE4-WE KIT	1
1.22	2054372	> MODULE COVER TL1,TL2+GASKET KIT	1
1.23	4215716	> SCREW M5X16 DIN912 8.8 A2A (4pieces) VP.	1
1.24	2057978	> RONDELLE A5,3 DIN6797 FST ZN (4 PIECES)	1



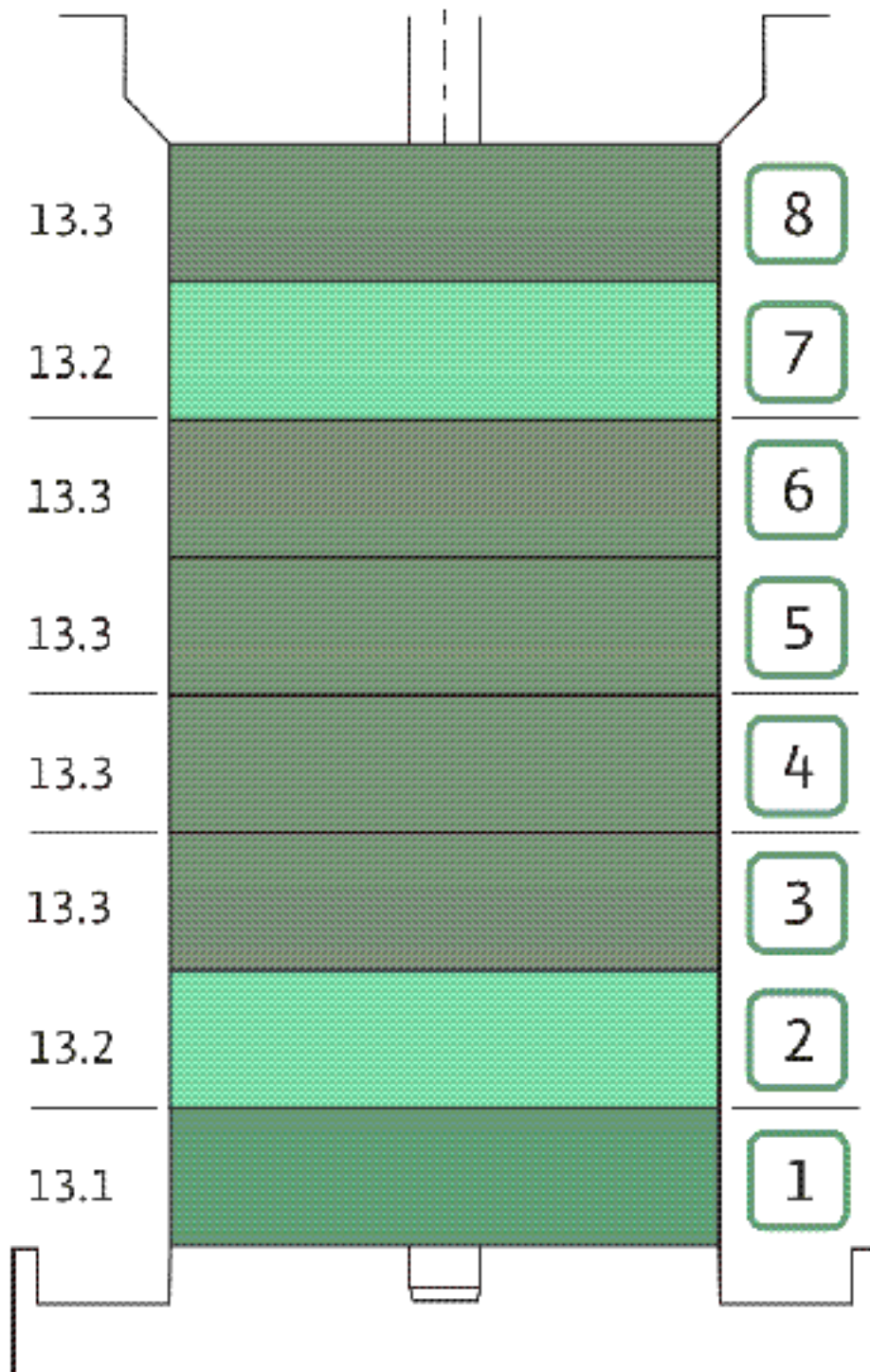
COUPLING D.12XD.19 FT100 KIT (4178578)

Item	Article no.	Description	Quantity
4.1		COUPLING-M+ Ø12XØ19-FT100-MACHINED	1
4.3	4234249	CIRCLIP-FOR-SHAFT-D30x1.5 VP.	1
4.2	2130977	BALL BEARING 6206/ZZ-C3(HT)VP.	1
4.4	4212716	SCREW M6X20 KIT (4PIECES)	1
4.5	4234250	CIRCLIP-D62x2 VP.	1
4.6	4234245	O-RING 63X3 VP.	1
		CONTACT-WASHER-6ETR-6,1x12,2x1,8-STEEL	4



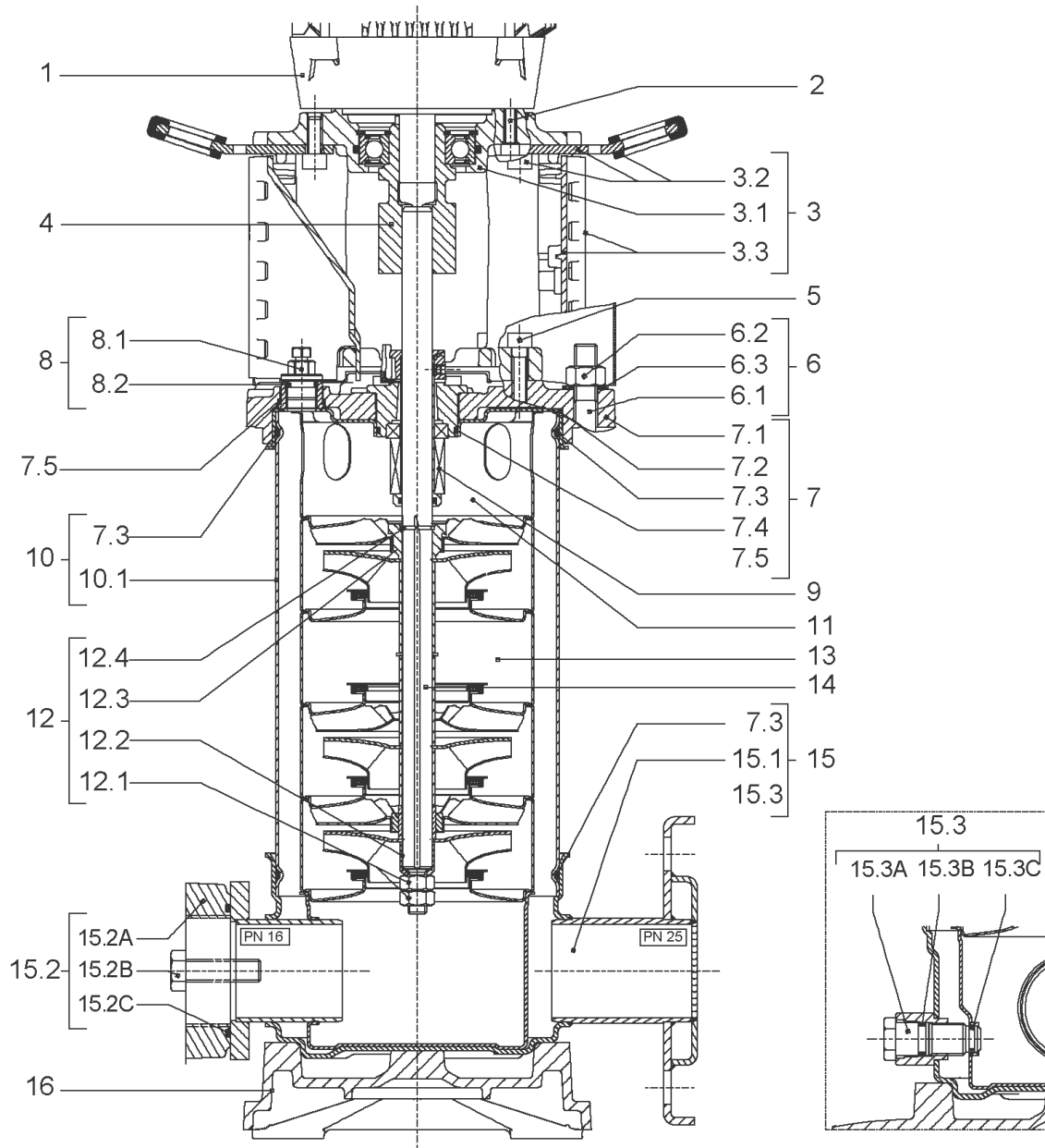
KART.HELIX2-4 O/E SET (4178559)

Item	Article no.	Description	Quantity
9.1	4178560	SEAL-KIT-HELIX2-4 O/E	1
7.3	4176513	> O-RING FOR PUMP JACKET VP.	1
7.4	2127603	> O-RING ID.37,6x2,4 EPDM VP.	1
9.1A	2130966	> MECH.SEAL HELIX2-4-6-10-16 O/E VP.	1
9.1B	4178558	> O-RING ID.12X2 EPDM VP.	1
9.1C	4178558	> O-RING ID.12X2 EPDM VP.	1
9.2	4178557	SHAFT SLEEVE Ø12XØ18-PN16 1.4404 VP.	1
9.3	2130962	RING HOLDER D.18 G606/G6 1.4301 VP.	1
9.4	4176520	SCREW CH M5x5 A4-70 (3PIECES)	1
9.5	4178556	DRIVE RING D.29/15.5x13,2 MACH.VP.	1
9.6	2130964	TOOL M.S.CART.HELIX VP.	1
9.7	2130965	SCREW CHC M5X12 ISO4762 A2.70(4 PIECES)	1



HYDRAULIC HELIX V 208 1.4307

Item	Article no.	Description	Quantity
13.1	4179316	STAGE HELIX 2 1.4301 KIT	1
		> MACH.STG-CASING-WOGV-WNR-M+2-4-304	1
		> IMPELLER-M+2-304	1
13.2	4179317	STAGE BEARING HELIX 2 1.4307 KIT	1
		> MACH.BEARING-STG-CASING-WNR-M+2-304	1
		> IMPELLER-M+2-304	1
		> SHAFT SLEEVE SPACER Ø15,35x10,305-304	1
		> SHAFT-SLEEVE-D12xD16x14-CW	1
13.3	4179319	INTERMEDIATE STAGE HELIX 2 1.4301 KIT	1
		> CORPS-ETG-STD-ACR-AJR-USIN.M+2-304	1
		> IMPELLER-M+2-304	1
		> IMPELLER SPACER Ø12,05X14,85-L24,285-304	1



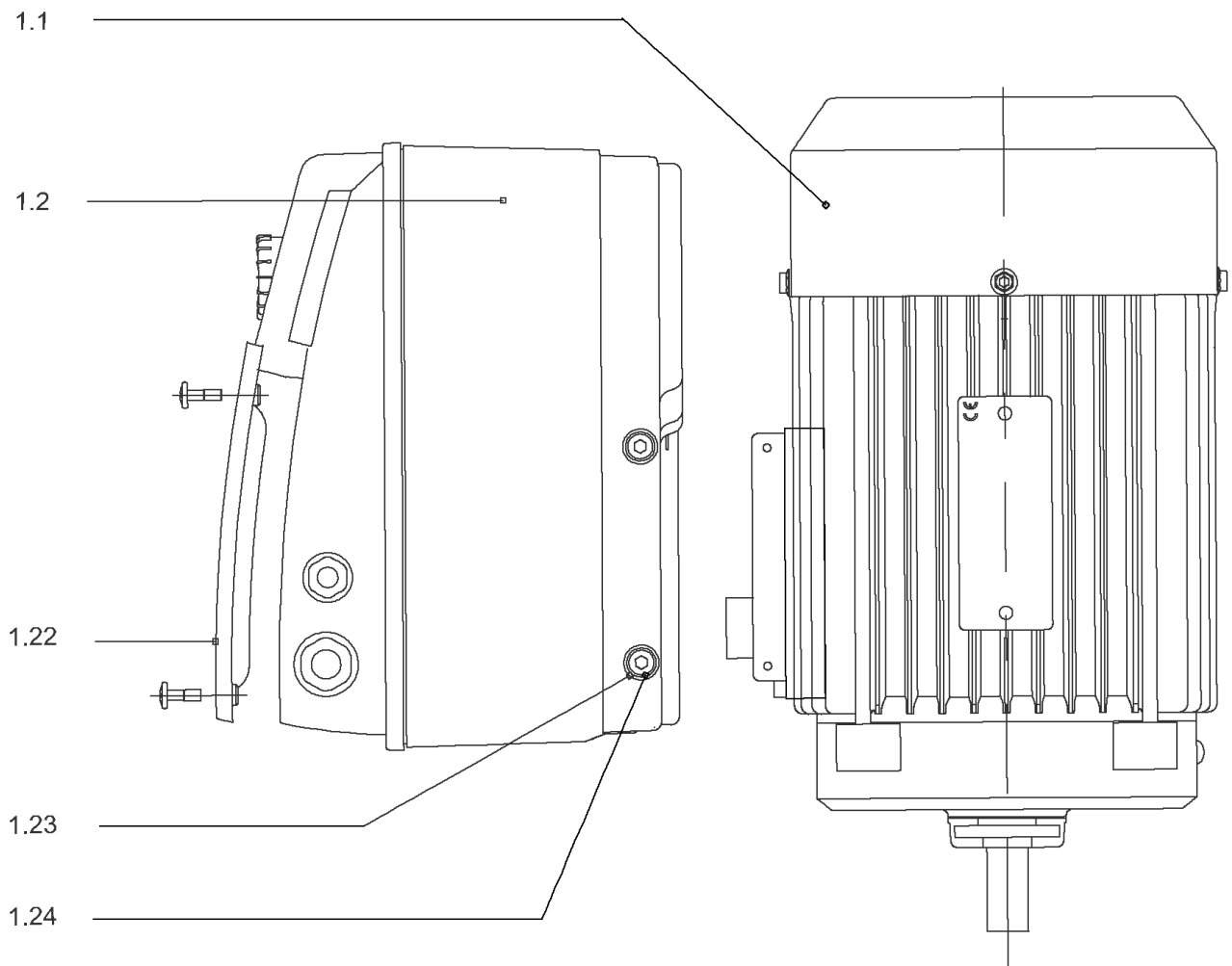
HELIX VE208-1/16/E/S (4164641)

Item	Article no.	Description	Quantity
1		DRIVE HELIX-VE208-IE2-WE KIT	1
Note: MOTOR BRAND WILO ELEC			
1		DRIVE HELIX-VE208-IE4-WE KIT	1
Note: MOTOR BRAND WILO ELEC			
2	4159702	SCREW M6X30 (4 PIECES)	1
3	4172790	EQUIPED LANTERN NEXIS FT 100 KIT	1
3.1		> M+5_6_LANTERN_ONE-PIECE_FT100_CATA	1
3.2	2127604	> EYELET CPL.FT HELIX(2 PIECES)	1
3.3	4159692	> COUPLING PROTECTOR FT HELIX KIT	1
4	4178578	COUPLING D.12XD.19 FT100 KIT	1
5	4159707	SCREW M8X30 (4 PIECES)	1
6	2018365	STUD BOLT M12X392 KIT	1
7	4210143	STATIONARY RING HOLDER HELIX 6" EPDM	1
7.2	2127607	> STATIONARY RING HOLDER 6" HELIX 1.4301 V	1
7.3	4176513	> O-RING FOR PUMP JACKET VP.	1
7.4	2127603	> O-RING ID.37,6x2,4 EPDM VP.	1
7.5	2127602	> O-RING ID.21,35x2 EPDM VP.	1
8	4159686	FILING/PURGING PLUG HELIX EPDM KIT	1
9	4178564	SEAL-KIT-HELIX2-4 O/E KIT	1
10	2127576	HOUSING PIPE D.152x260 1.4301 KIT	1
11	4179315	CENTERING STAGE HELIX V2 1.4307 VP.	1
12	4178568	SHAFT EQUIPMENT HELIX V2/V4 KIT	1
12.1		> NUT-H-M8-STAINLESS-STEEL A4-70	2
12.2		> SHAFT END WASHER Ø8/Ø12 316L	1
12.3		> STOP COLLAR OF IMPELLER M+2/4 SINGLEBLOC	1
12.4		> STOP-RUSH-1/2-D12xd2-M+316	2
13		HYDRAULIC HELIX V 208 1.4307	1
14	4178592	SHAFT D.12X383 1.4301 VP.	1
15	4174079	PUMP HOUSING HELIX DN32 PN16 1.4301 KIT	1
7.3	4176513	> O-RING FOR PUMP JACKET VP.	1
15.1		> BLASTING PPE HOUSING V-PN16-DN32-5"-304	1
15.2	4217889	> COUNTER FLANGE-G1"-PN16-GJL KIT	1
15.3	4171321	> PRIMING/DRAIN PLUG EPDM HELIX KIT	1
16	4177964	BASEPLATE HELIX V2/4/6 PN16 VP.	1



DRIVE HELIX-VE208-IE2-WE KIT

Item	Article no.	Description	Quantity
1.1	4184817	MOTOR 1,1/2/80 3~ 380V 60HZ IE2 WE VP.	1
		SPARE PARTS MOTOR:ON REQUEST	1
1.2	4186222	MODULEHELIX-VE208-IE2-WE KIT	1
1.22	2054372	> MODULE COVER TL1,TL2+GASKET KIT	1
1.23	4215716	> SCREW M5X16 DIN912 8.8 A2A (4pieces) VP.	1
1.24	2057978	> RONDELLE A5,3 DIN6797 FST ZN (4 PIECES)	1



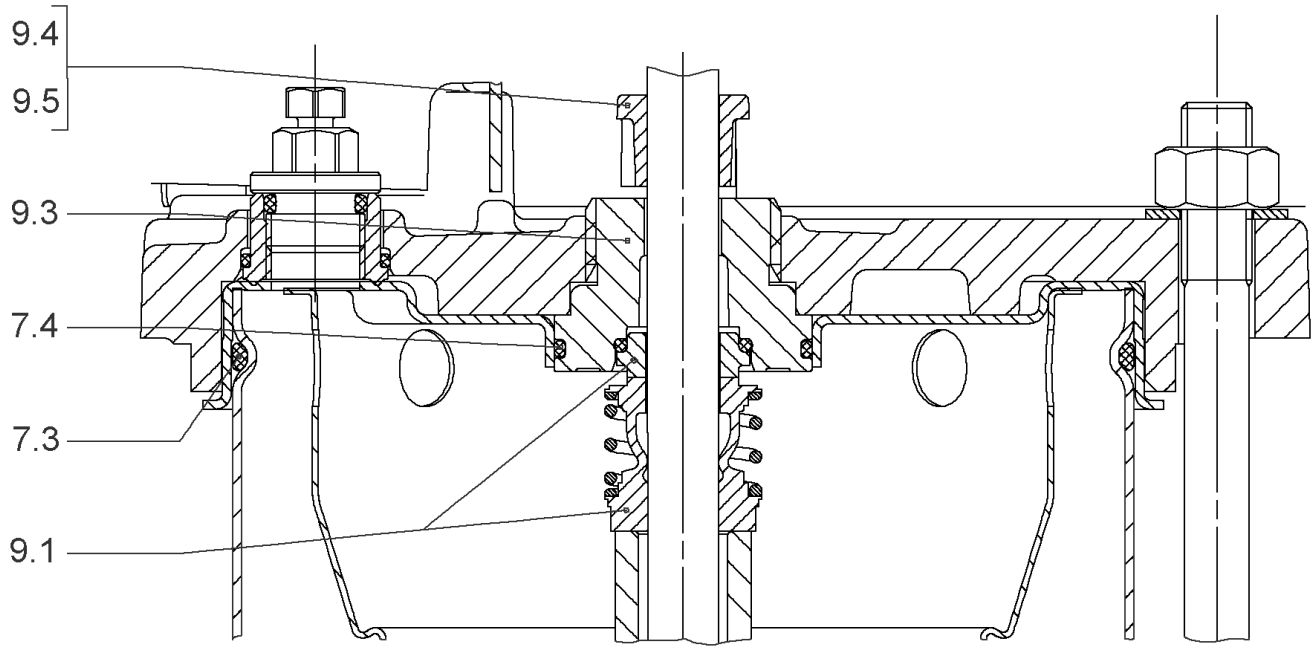
DRIVE HELIX-VE208-IE4-WE KIT

Item	Article no.	Description	Quantity
1.1	4207916	MOTOR 1.1/2/80 3~ 380V 60HZ IE4 WE VP.	1
		SPARE PARTS MOTOR:ON REQUEST	1
1.2	4209597	MODULE HELIX-VE208-IE4-WE KIT	1
1.22	2054372	> MODULE COVER TL1,TL2+GASKET KIT	1
1.23	4215716	> SCREW M5X16 DIN912 8.8 A2A (4pieces) VP.	1
1.24	2057978	> RONDELLE A5,3 DIN6797 FST ZN (4 PIECES)	1



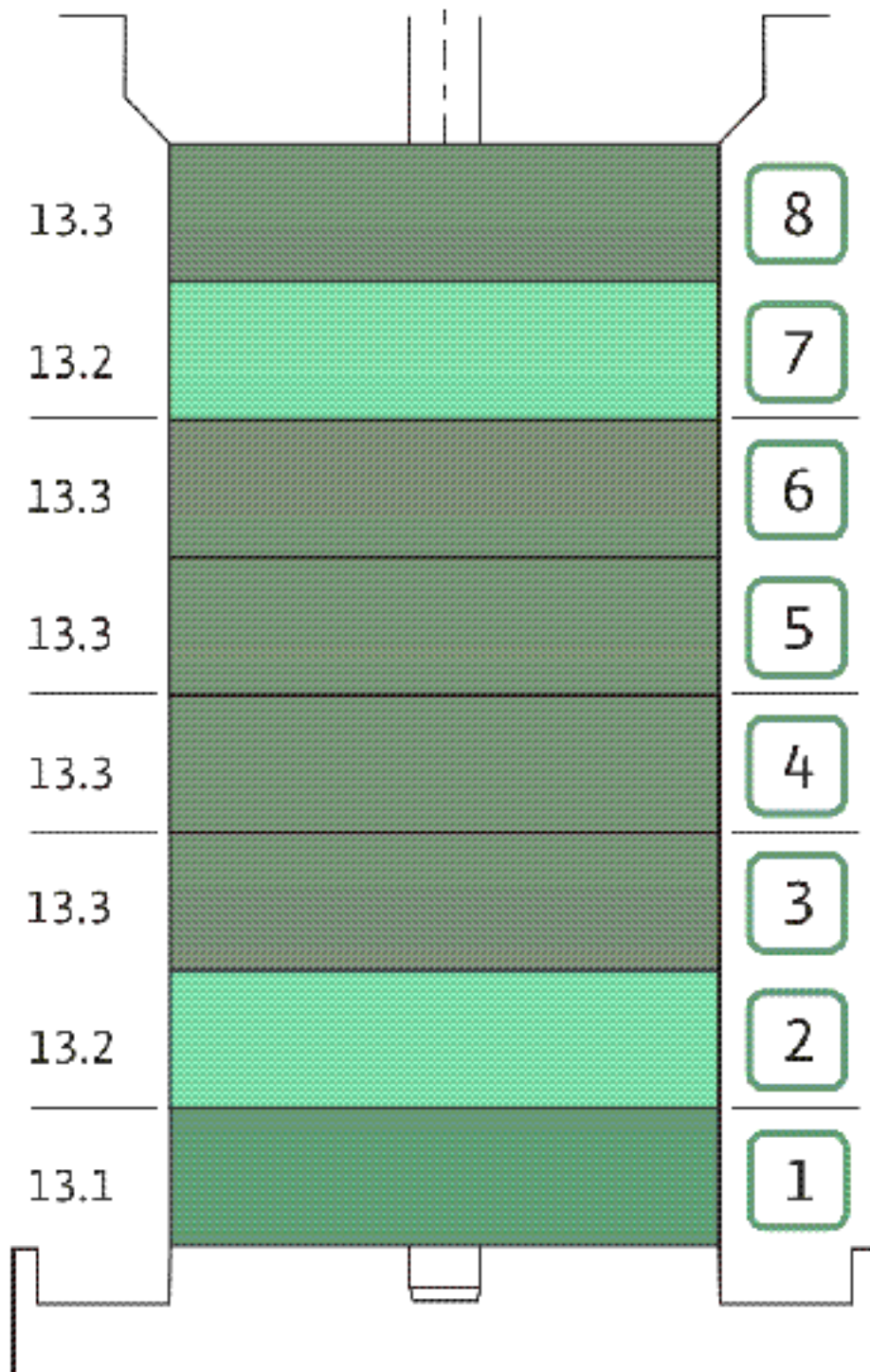
COUPLING D.12XD.19 FT100 KIT (4178578)

Item	Article no.	Description	Quantity
4.1		COUPLING-M+ Ø12XØ19-FT100-MACHINED	1
4.3	4234249	CIRCLIP-FOR-SHAFT-D30x1.5 VP.	1
4.2	2130977	BALL BEARING 6206/ZZ-C3(HT)VP.	1
4.4	4212716	SCREW M6X20 KIT (4PIECES)	1
4.5	4234250	CIRCLIP-D62x2 VP.	1
4.6	4234245	O-RING 63X3 VP.	1
		CONTACT-WASHER-6ETR-6,1x12,2x1,8-STEEL	4



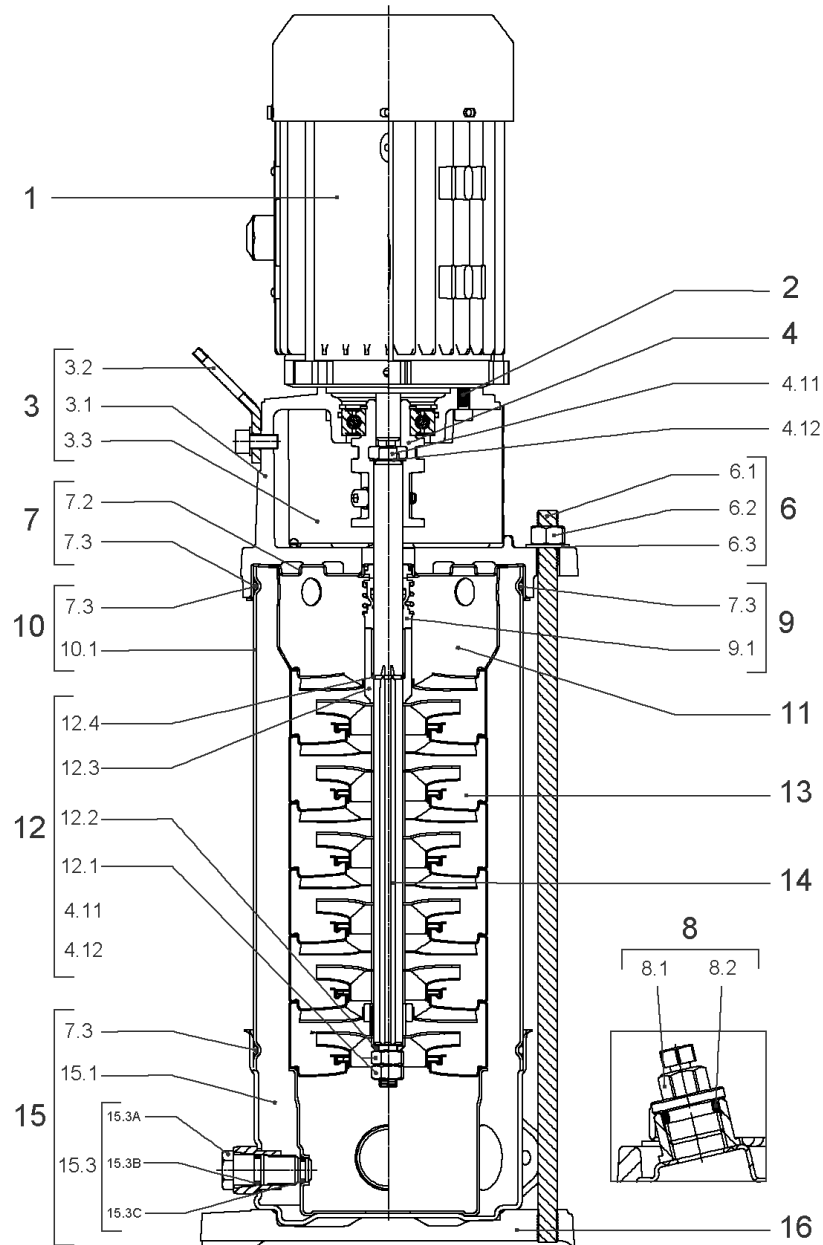
SEAL-KIT-HELIX2-4 O/E KIT (4178564)

Item	Article no.	Description	Quantity
7.3	4176513	O-RING FOR PUMP JACKET VP.	1
7.4	2127603	O-RING ID.37,6x2,4 EPDM VP.	1
9.1	4178563	M.SEAL.HELIX2-4 O/E VP.	1
9.3	4178561	RING HOLDER Ø22 1.4301 VP.	1
9.5	4178562	DRIVE RING D.22/12.2X10 MACH.VP.	1
9.4	4176520	SCREW CH M5x5 A4-70 (3PIECES)	1



HYDRAULIC HELIX V 208 1.4307

Item	Article no.	Description	Quantity
13.1	4179316	STAGE HELIX 2 1.4301 KIT	1
		> MACH.STG-CASING-WOGV-WNR-M+2-4-304	1
		> IMPELLER-M+2-304	1
13.2	4179317	STAGE BEARING HELIX 2 1.4307 KIT	1
		> MACH.BEARING-STG-CASING-WNR-M+2-304	1
		> IMPELLER-M+2-304	1
		> SHAFT SLEEVE SPACER Ø15,35x10,305-304	1
		> SHAFT-SLEEVE-D12xD16x14-CW	1
13.3	4179319	INTERMEDIATE STAGE HELIX 2 1.4301 KIT	1
		> CORPS-ETG-STD-ACR-AJR-USIN.M+2-304	1
		> IMPELLER-M+2-304	1
		> IMPELLER SPACER Ø12,05X14,85-L24,285-304	1



HELIX VE208-1/16/E/S (4201565)

Item	Article no.	Description	Quantity
1		DRIVE HELIX-VE208-IE4-WE KIT	1
Note: MOTOR BRAND WILO ELEC			
		SPARE PARTS MOTOR:ON REQUEST	1
2	4212716	SCREW M6X20 KIT (4PIECES)	1
3	4213752	LANTERN FT100 HELIX KIT	1
3.1		> LANT-MOT-VMI-ReDTC6"-FT100-MACHINED+CATA	1
3.2	4184852	> EYELET CPL.FT HELIX (2 PIECES)	1
3.3	4213713	> COUPLING PROTECTOR FT85/100 HELIX KIT	1
4	4178578	COUPLING D.12XD.19 FT100 KIT	1
6	2018365	STUD BOLT M12X392 KIT	1
7	4212722	STATIONARY RING HOLDER HELIX D23 ReDTC	1
7.2	4212720	> STATIONARY RING HOLDER HELIX D23 VP.	1
7.3	4176513	> O-RING FOR PUMP JACKET VP.	1
8	4212724	FILING/PURGING PLUG HELIX ReDTC KIT	1
8.1		> FILLING PLUG MVI6"-304	1
8.2	4177800	> O-RING EPDM PLUG HELIX VP.	1
9	4212726	MECH.SEAL HELIX V2/4 O/E ReDTC KIT	1
9.1	4178563	> M.SEAL.HELIX2-4 O/E VP.	1
7.3	4176513	> O-RING FOR PUMP JACKET VP.	1
10	2127576	HOUSING PIPE D.152x260 1.4301 KIT	1
11	4179315	CENTERING STAGE HELIX V2 1.4307 VP.	1
12	4212729	SHAFT EQUIPMENT HELIX V2/4 ReDTC KIT	1
12.1		> NUT-H-M8-STAINLESS-STEEL A4-70	1
12.2		> SHAFT END WASHER Ø8/Ø12 316L	1
12.3		> 1/2-SNAP-RING-2/4M3-316L	1
12.4		> STOP-RUSH-1/2-D12xd2-M+316	1
4.11		> SCREW CHC-M6X14-8.8-ISO4762-GEOMET500A	1
4.12		> WASHER D.24 L6U ZINK	1
13		HYDRAULIC HELIX V 208 1.4307	1
14	4213754	SHAFT D.12X331 HELIX 1.4057 VP.	1
15	4174079	PUMP HOUSING HELIX DN32 PN16 1.4301 KIT	1
7.3	4176513	> O-RING FOR PUMP JACKET VP.	1
15.1		> BLASTING PPE HOUSING V-PN16-DN32-5"-304	1
15.2	4217889	> COUNTER FLANGE-G1"-PN16-GJL KIT	1

HELIX VE208-1/16/E/S (4201565)

Item	Article no.	Description	Quantity
15.3	4171321	> PRIMING/DRAIN PLUG EPDM HELIX KIT	1
16	4177964	BASEPLATE HELIX V2/4/6 PN16 VP.	1



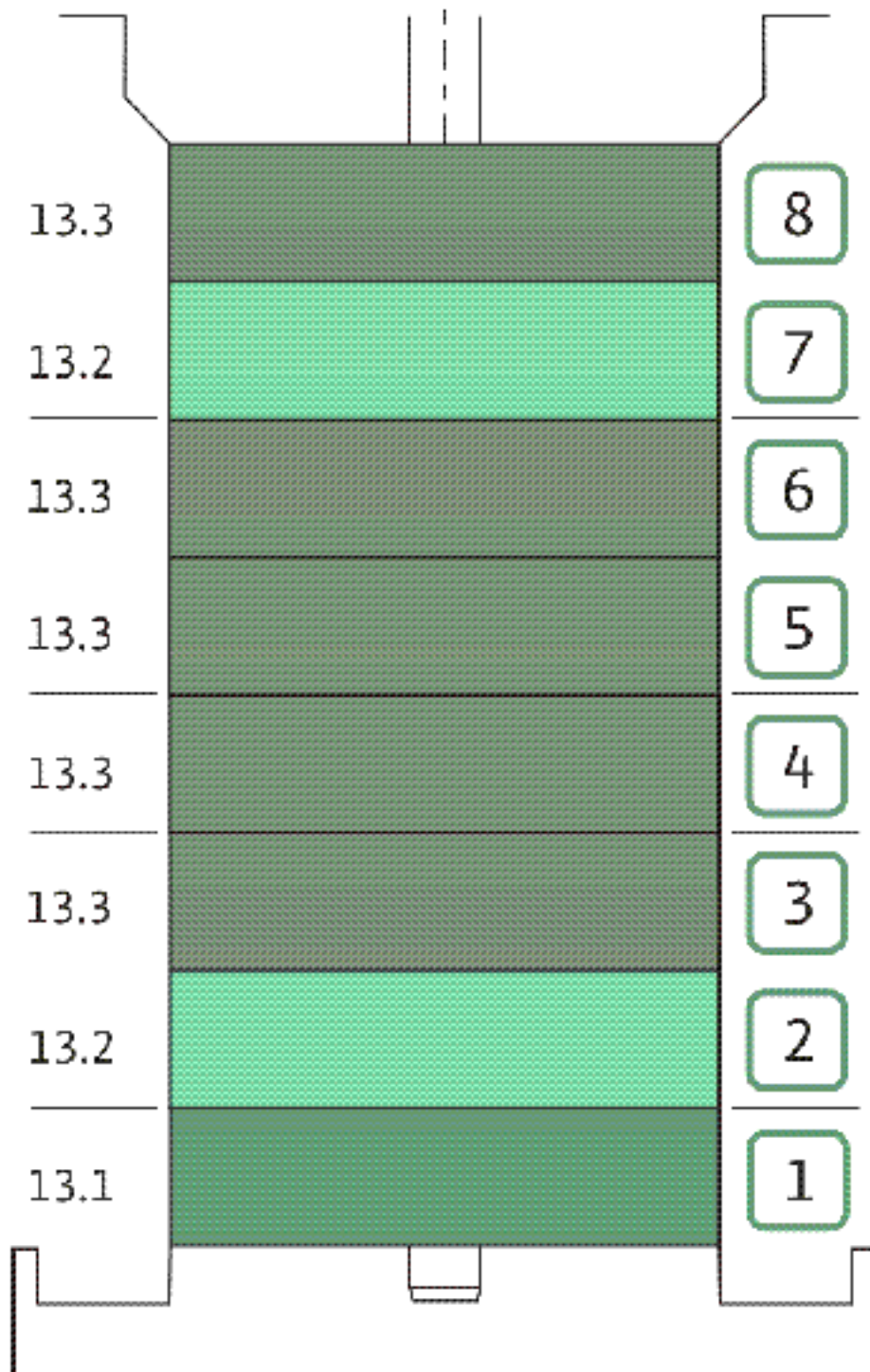
DRIVE HELIX-VE208-IE4-WE KIT

Item	Article no.	Description	Quantity
1.1	4207916	MOTOR 1.1/2/80 3~ 380V 60HZ IE4 WE VP.	1
		SPARE PARTS MOTOR:ON REQUEST	1
1.2	4209597	MODULE HELIX-VE208-IE4-WE KIT	1
1.22	2054372	> MODULE COVER TL1,TL2+GASKET KIT	1
1.23	4215716	> SCREW M5X16 DIN912 8.8 A2A (4pieces) VP.	1
1.24	2057978	> RONDELLE A5,3 DIN6797 FST ZN (4 PIECES)	1



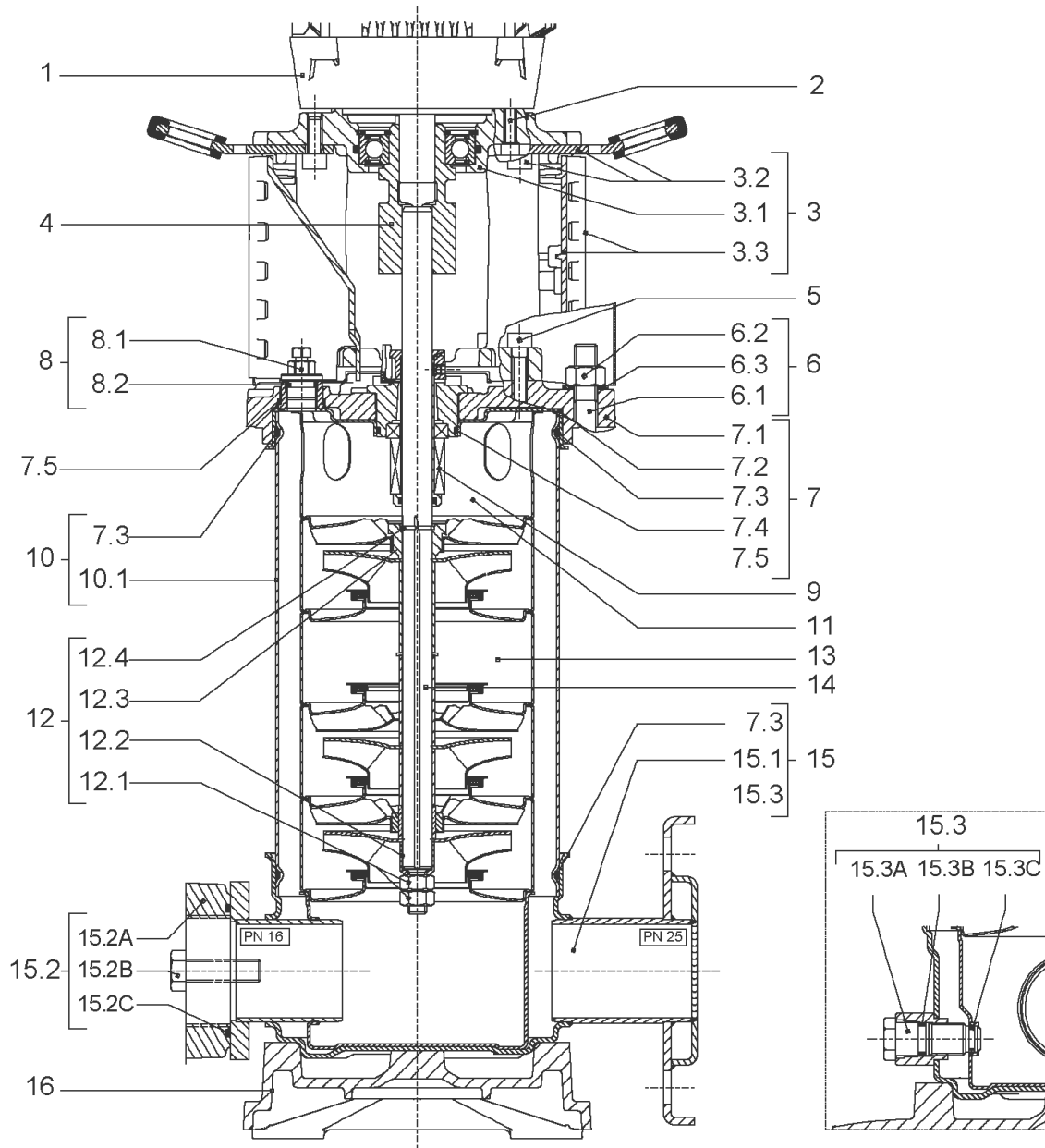
COUPLING D.12XD.19 FT100 KIT (4178578)

Item	Article no.	Description	Quantity
4.1		COUPLING-M+ Ø12XØ19-FT100-MACHINED	1
4.3	4234249	CIRCLIP-FOR-SHAFT-D30x1.5 VP.	1
4.2	2130977	BALL BEARING 6206/ZZ-C3(HT)VP.	1
4.4	4212716	SCREW M6X20 KIT (4PIECES)	1
4.5	4234250	CIRCLIP-D62x2 VP.	1
4.6	4234245	O-RING 63X3 VP.	1
		CONTACT-WASHER-6ETR-6,1x12,2x1,8-STEEL	4



HYDRAULIC HELIX V 208 1.4307

Item	Article no.	Description	Quantity
13.1	4179316	STAGE HELIX 2 1.4301 KIT	1
		> MACH.STG-CASING-WOGV-WNR-M+2-4-304	1
		> IMPELLER-M+2-304	1
13.2	4179317	STAGE BEARING HELIX 2 1.4307 KIT	1
		> MACH.BEARING-STG-CASING-WNR-M+2-304	1
		> IMPELLER-M+2-304	1
		> SHAFT SLEEVE SPACER Ø15,35x10,305-304	1
		> SHAFT-SLEEVE-D12xD16x14-CW	1
13.3	4179319	INTERMEDIATE STAGE HELIX 2 1.4301 KIT	1
		> CORPS-ETG-STD-ACR-AJR-USIN.M+2-304	1
		> IMPELLER-M+2-304	1
		> IMPELLER SPACER Ø12,05X14,85-L24,285-304	1



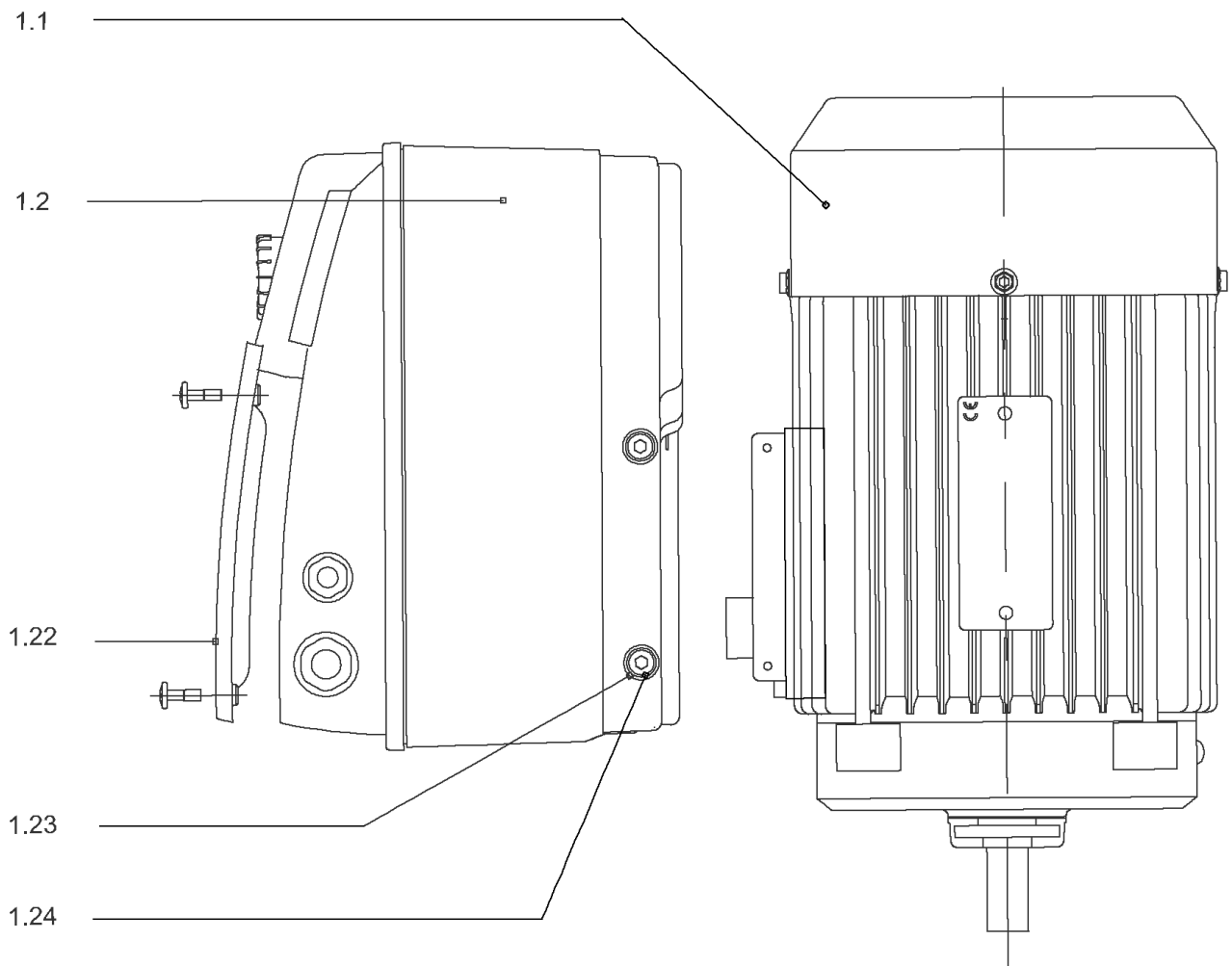
HELIX VE208-1/25/E/KS (4164493)

Item	Article no.	Description	Quantity
1		DRIVE HELIX-VE208-IE2-WE KIT	1
Note: MOTOR BRAND WILO ELEC			
1		DRIVE HELIX-VE208-IE4-WE KIT	1
Note: MOTOR BRAND WILO ELEC			
2	4159702	SCREW M6X30 (4 PIECES)	1
3	4172788	LANTERN FT100 HELIX KIT	1
3.1		> LANTERN FT100 M+6" GJL MACHINING+CATA	1
3.2	2127604	> EYELET CPL.FT HELIX(2 PIECES)	1
3.3	4159692	> COUPLING PROTECTOR FT HELIX KIT	1
4	4178578	COUPLING D.12XD.19 FT100 KIT	1
5	4159707	SCREW M8X30 (4 PIECES)	1
6	2018365	STUD BOLT M12X392 KIT	1
7	4159685	END SHIELD HELIX EPDM KIT	1
7.1		> END SHIELD M+6" GJL250 MACHINING+CATA	1
7.2	2127607	> STATIONARY RING HOLDER 6" HELIX 1.4301 V	1
7.3	4176513	> O-RING FOR PUMP JACKET VP.	1
7.4	2127603	> O-RING ID.37,6x2,4 EPDM VP.	1
7.5	2127602	> O-RING ID.21,35x2 EPDM VP.	1
8	4159686	FILING/PURGING PLUG HELIX EPDM KIT	1
9	4178597	CARTRIDGE HELIX2-4 F/E KIT	1
10	2127576	HOUSING PIPE D.152x260 1.4301 KIT	1
11	4179315	CENTERING STAGE HELIX V2 1.4307 VP.	1
12	4178567	SHAFT EQUIPMENT HELIX V2/V4 KIT	1
12.1		> NUT-H-M8-STAINLESS-STEEL A4-70	1
12.2		> SHAFT END WASHER Ø8/Ø12 316L	1
12.3		> STOP COLLAR OF IMPELLER L12,6-Ø12-316L	1
12.4		> STOP-RUSH-1/2-D12xd2-M+316	1
13		HYDRAULIC HELIX V 208 1.4307	1
14	4178592	SHAFT D.12X383 1.4301 VP.	1
15	4178593	PUMP HOUSING HELIX DN25 PN25 1.4301 KIT	1
7.3	4176513	> O-RING FOR PUMP JACKET VP.	1
15.1		> BLASTING PPE HOUSING V PN25-DN25-5"-304	1
15.3	4171321	> PRIMING/DRAIN PLUG EPDM HELIX KIT	1
16	4177970	BASEPLATE HELIX V2/4/6 PN25 VP.	1



DRIVE HELIX-VE208-IE2-WE KIT

Item	Article no.	Description	Quantity
1.1	4184817	MOTOR 1,1/2/80 3~ 380V 60HZ IE2 WE VP.	1
		SPARE PARTS MOTOR:ON REQUEST	1
1.2	4186222	MODULEHELIX-VE208-IE2-WE KIT	1
1.22	2054372	> MODULE COVER TL1,TL2+GASKET KIT	1
1.23	4215716	> SCREW M5X16 DIN912 8.8 A2A (4pieces) VP.	1
1.24	2057978	> RONDELLE A5,3 DIN6797 FST ZN (4 PIECES)	1



DRIVE HELIX-VE208-IE4-WE KIT

Item	Article no.	Description	Quantity
1.1	4207916	MOTOR 1.1/2/80 3~ 380V 60HZ IE4 WE VP.	1
		SPARE PARTS MOTOR:ON REQUEST	1
1.2	4209597	MODULE HELIX-VE208-IE4-WE KIT	1
1.22	2054372	> MODULE COVER TL1,TL2+GASKET KIT	1
1.23	4215716	> SCREW M5X16 DIN912 8.8 A2A (4pieces) VP.	1
1.24	2057978	> RONDELLE A5,3 DIN6797 FST ZN (4 PIECES)	1



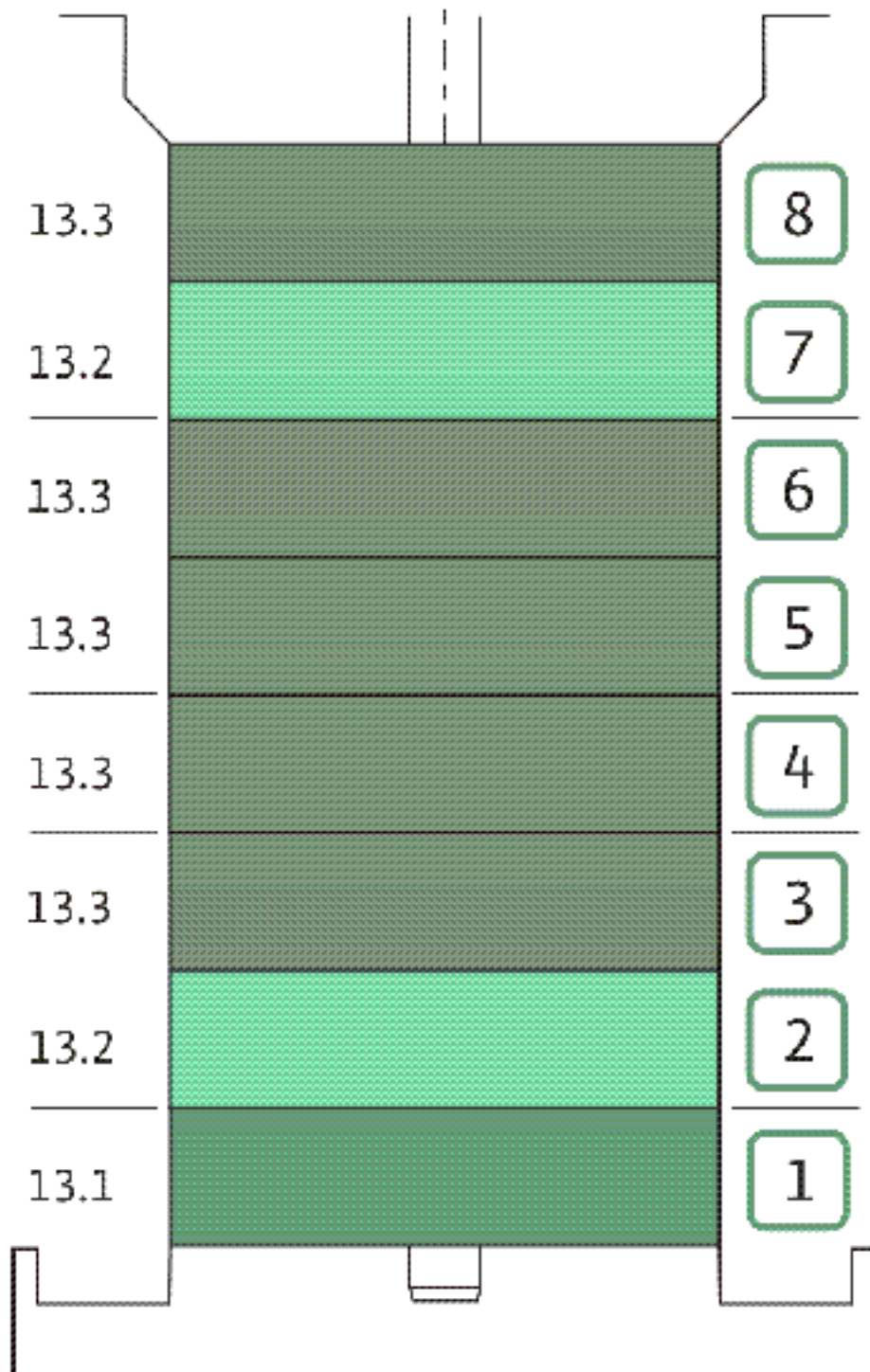
COUPLING D.12XD.19 FT100 KIT (4178578)

Item	Article no.	Description	Quantity
4.1		COUPLING-M+ Ø12XØ19-FT100-MACHINED	1
4.3	4234249	CIRCLIP-FOR-SHAFT-D30x1.5 VP.	1
4.2	2130977	BALL BEARING 6206/ZZ-C3(HT)VP.	1
4.4	4212716	SCREW M6X20 KIT (4PIECES)	1
4.5	4234250	CIRCLIP-D62x2 VP.	1
4.6	4234245	O-RING 63X3 VP.	1
		CONTACT-WASHER-6ETR-6,1x12,2x1,8-STEEL	4



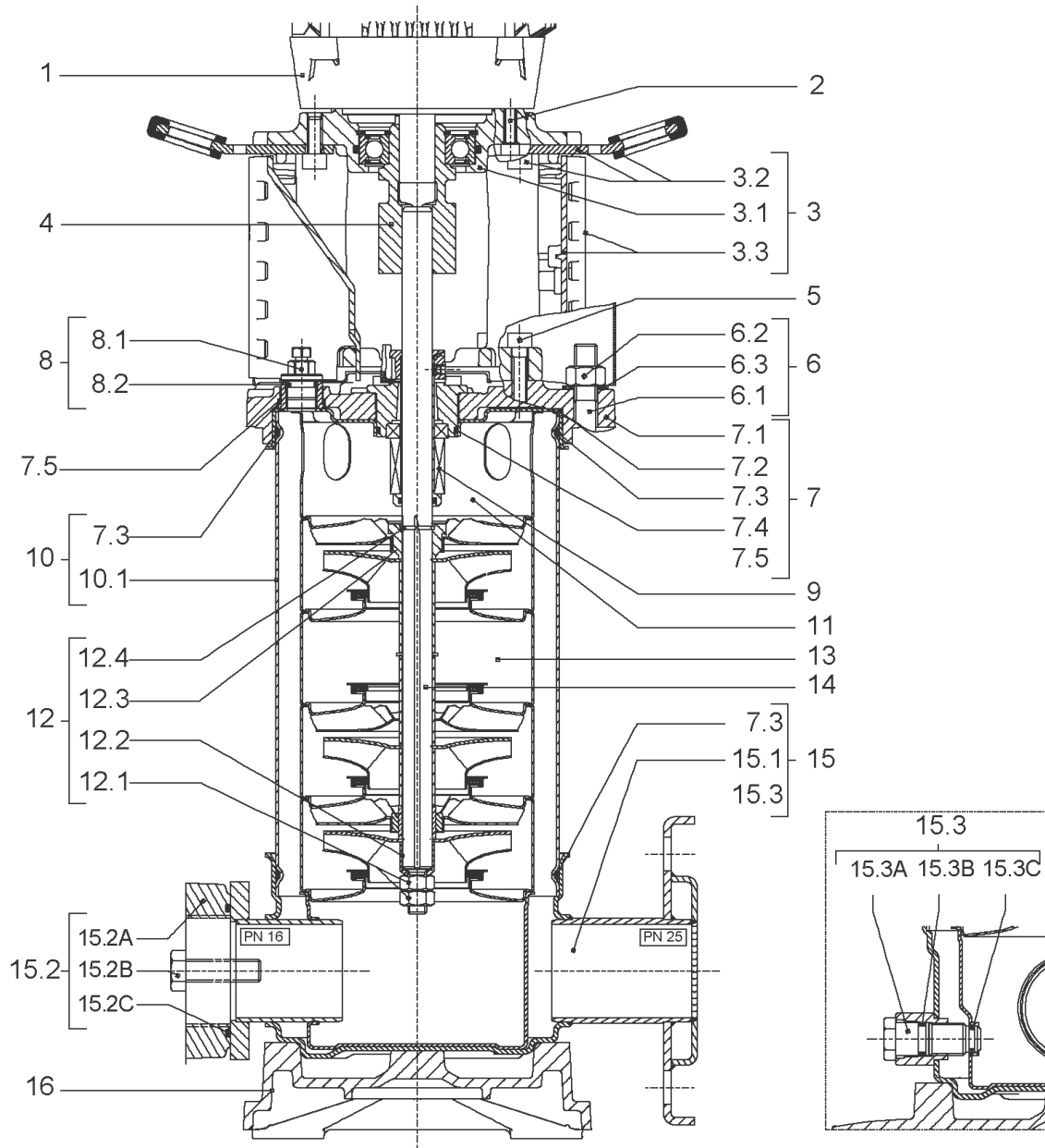
CARTRIDGE HELIX2-4 F/E KIT (4178597)

Item	Article no.	Description	Quantity
9.1	4178594	SEAL-KIT-HELIX2-4 F/E	1
7.3	4176513	> O-RING FOR PUMP JACKET VP.	1
7.4	2127603	> O-RING ID.37,6x2,4 EPDM VP.	1
9.1A	4176521	> MECH.SEAL HELIX2-4-6-10-16 F/E VP.	1
9.1B	4178558	> O-RING ID.12X2 EPDM VP.	1
9.1C	4178558	> O-RING ID.12X2 EPDM VP.	1
9.2	4178596	SHAFT SLEEVE D.18/12X72,2 1.4404 VP.	1
9.3	2130962	RING HOLDER D.18 G606/G6 1.4301 VP.	1
9.4	4176520	SCREW CH M5x5 A4-70 (3PIECES)	1
9.5	4178595	DRIVE RING D.29/15.5x13,2 MACH.VP.	1
9.6	2130964	TOOL M.S.CART.HELIX VP.	1
9.7	2130965	SCREW CHC M5X12 ISO4762 A2.70(4 PIECES)	1



HYDRAULIC HELIX V 208 1.4307

Item	Article no.	Description	Quantity
13.1	4179316	STAGE HELIX 2 1.4301 KIT	1
		> MACH.STG-CASING-WOGV-WNR-M+2-4-304	1
		> IMPELLER-M+2-304	1
13.2	4179317	STAGE BEARING HELIX 2 1.4307 KIT	1
		> MACH.BEARING-STG-CASING-WNR-M+2-304	1
		> IMPELLER-M+2-304	1
		> SHAFT SLEEVE SPACER Ø15,35x10,305-304	1
		> SHAFT-SLEEVE-D12xD16x14-CW	1
13.3	4179319	INTERMEDIATE STAGE HELIX 2 1.4301 KIT	1
		> CORPS-ETG-STD-ACR-AJR-USIN.M+2-304	1
		> IMPELLER-M+2-304	1
		> IMPELLER SPACER Ø12,05X14,85-L24,285-304	1

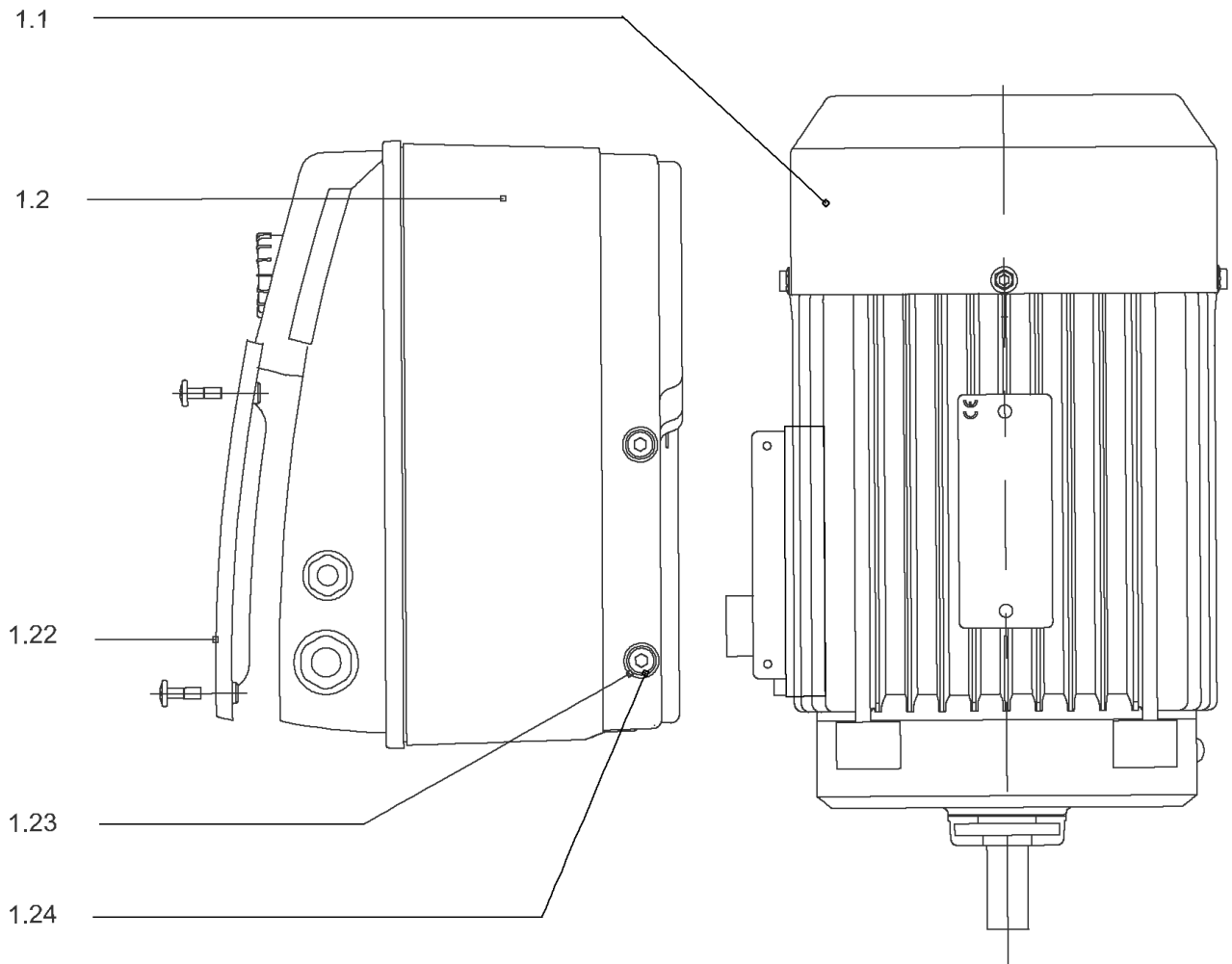


HELIX VE211-1/16/E/KS (4171752)

Item	Article no.	Description	Quantity
1		DRIVE HELIX-VE211-IE2-WE KIT	1
Note: MOTOR BRAND WILO ELEC			
1		DRIVE HELIX-VE211-IE4-WE KIT	1
Note: MOTOR BRAND WILO ELEC			
2	4159703	SCREW M8X40 (4 PIECES)	1
3	4159690	LANTERN FT115 HELIX KIT	1
3.1		> LANTERN FT115 M+6" GJL MACHINING+CATA	1
3.2	2127604	> EYELET CPL.FT HELIX(2 PIECES)	1
3.3	4159692	> COUPLING PROTECTOR FT HELIX KIT	1
4	4178600	COUPLING D.12XD.24 FT115 KIT	1
5	4159707	SCREW M8X30 (4 PIECES)	1
6	4178605	STUD BOLT M12X469 KIT	1
6.1		> TIE BOLT M12-469x18x30-1.4057	1
6.2	2094647	> NUT M12 M12 ISO4032 VP.	1
6.3	2123557	> WASHER CS-12.4-24-1.6-NFE25 (4 PIECES)	1
7	4159685	END SHIELD HELIX EPDM KIT	1
7.1		> END SHIELD M+6" GJL250 MACHINING+CATA	1
7.2	2127607	> STATIONARY RING HOLDER 6" HELIX 1.4301 V	1
7.3	4176513	> O-RING FOR PUMP JACKET VP.	1
7.4	2127603	> O-RING ID.37,6x2,4 EPDM VP.	1
7.5	2127602	> O-RING ID.21,35x2 EPDM VP.	1
8	4159686	FILING/PURGING PLUG HELIX EPDM KIT	1
9	4178559	KART.HELIX2-4 O/E SET	1
10	4178606	HOUSING-PIPE D.152X335 1.4304 KIT	1
7.3	4176513	> O-RING FOR PUMP JACKET VP.	1
10.1		> HOUSING-PIPE Ø152-M+211/411-304	1
11	4179315	CENTERING STAGE HELIX V2 1.4307 VP.	1
12	4178567	SHAFT EQUIPMENT HELIX V2/V4 KIT	1
12.1		> NUT-H-M8-STAINLESS-STEEL A4-70	1
12.2		> SHAFT END WASHER Ø8/Ø12 316L	1
12.3		> STOP COLLAR OF IMPELLER L12,6-Ø12-316L	1
12.4		> STOP-RUSH-1/2-D12xd2-M+316	1
13		HYDRAULIC HELIX V 211 1.4307	1
14	4178608	SHAFT D.12X458 1.4301 VP.	1

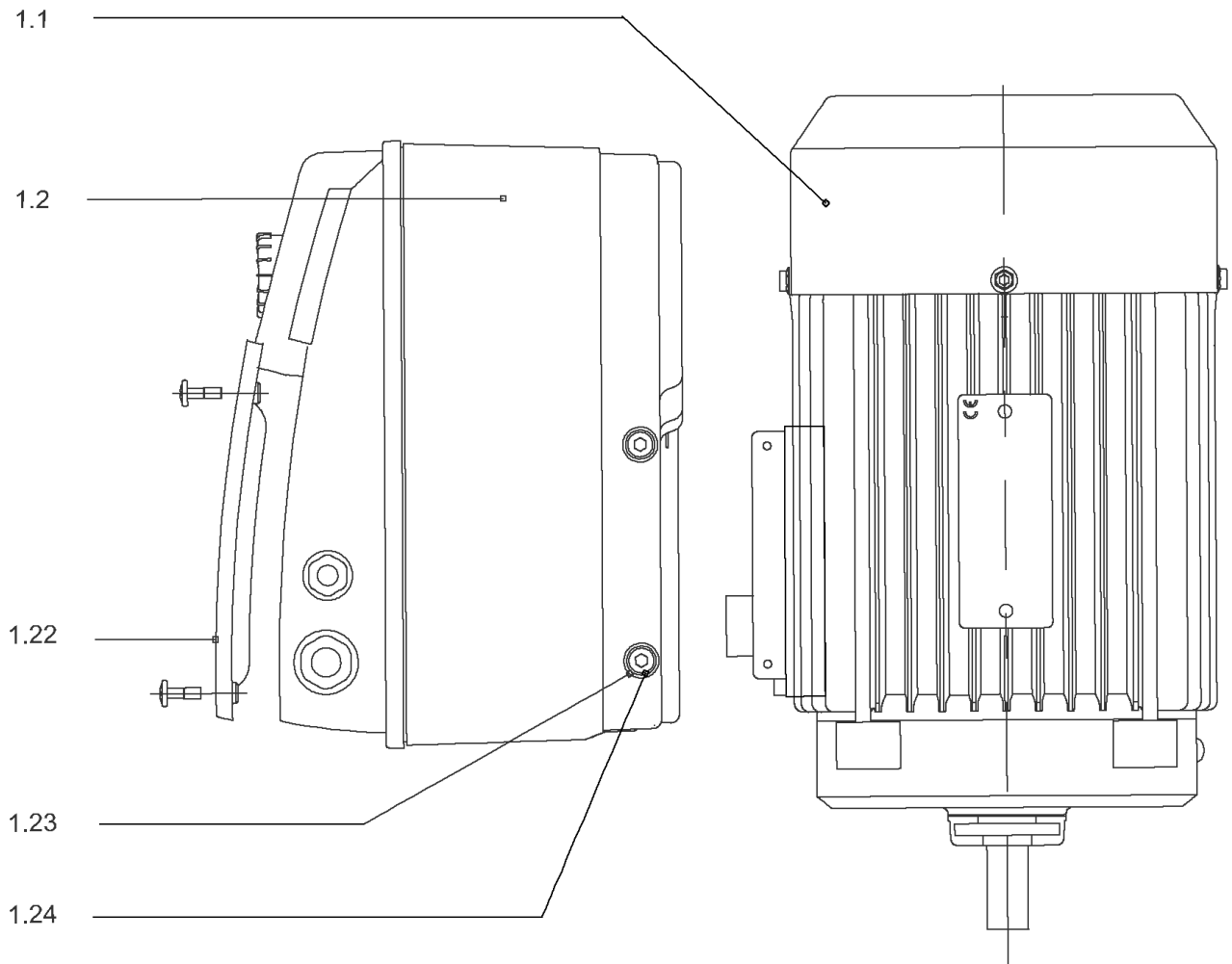
HELIX VE211-1/16/E/KS (4171752)

Item	Article no.	Description	Quantity
15	4174079	PUMP HOUSING HELIX DN32 PN16 1.4301 KIT	1
7.3	4176513	> O-RING FOR PUMP JACKET VP.	1
15.1		> BLASTING PPE HOUSING V-PN16-DN32-5"-304	1
15.2	4217889	> COUNTER FLANGE-G1"-PN16-GJL KIT	1
15.3	4171321	> PRIMING/DRAIN PLUG EPDM HELIX KIT	1
16	4177964	BASEPLATE HELIX V2/4/6 PN16 VP.	1



DRIVE HELIX-VE211-IE2-WE KIT

Item	Article no.	Description	Quantity
1.1		MOTOR 1,5/2/90 3~ 380V 60HZ IE2 WE VP.	1
Note: no longer available/nicht mehr lieferbar/n'est plus disponible			
		SPARE PARTS MOTOR:ON REQUEST	1
1.2	4184865	MODULE HELIX-VE211-IE2-WE KIT	1
1.22	2054227	> MODULE COVER/GASKET TL3/4 KIT	1
1.23	4215716	> SCREW M5X16 DIN912 8.8 A2A (4pieces) VP.	1
1.24	2057978	> RONDELLE A5,3 DIN6797 FST ZN (4 PIECES)	1



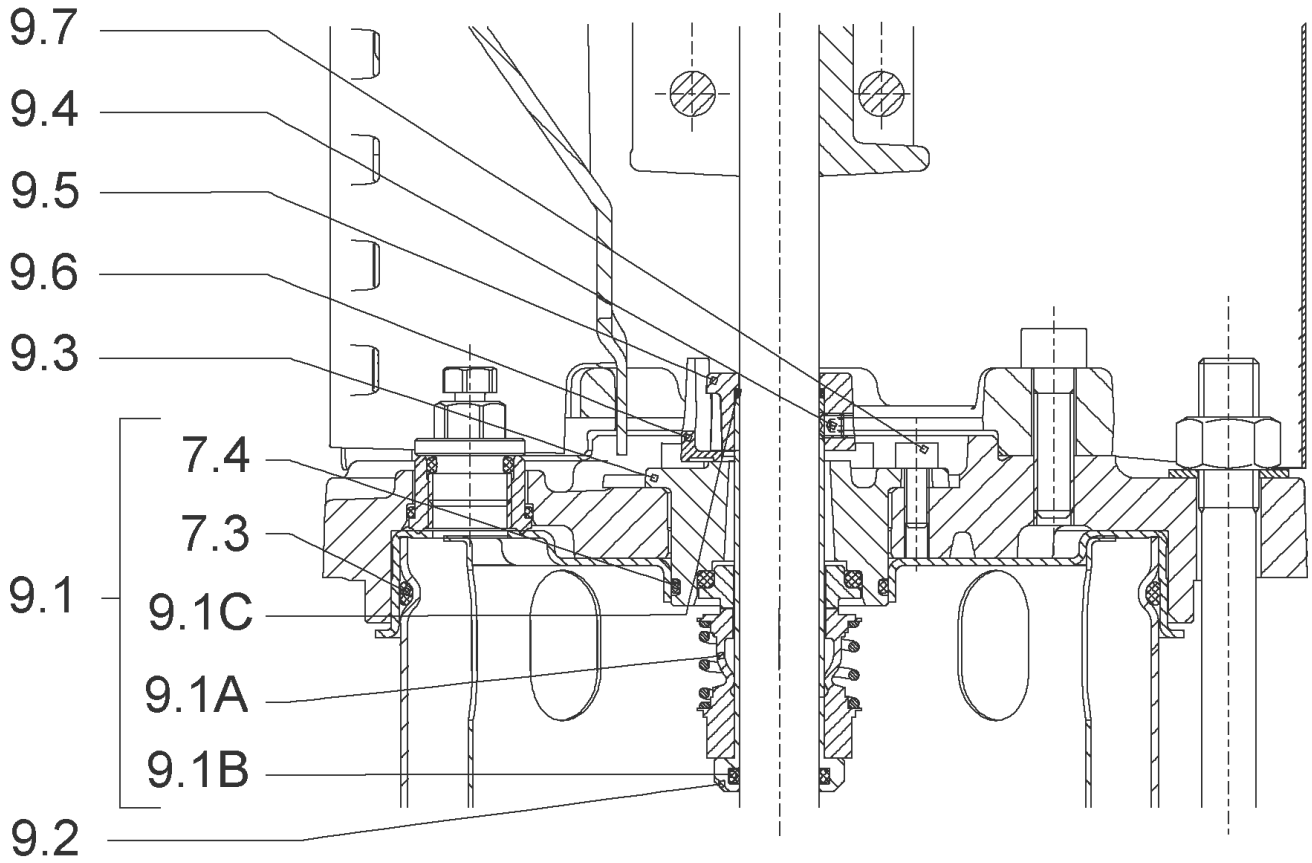
DRIVE HELIX-VE211-IE4-WE KIT

Item	Article no.	Description	Quantity
1.1	4207918	MOTOR 1.5/2/90 3~ 380V 60HZ IE4 WE VP.	1
		SPARE PARTS MOTOR:ON REQUEST	1
1.2	4213729	MODULE HELIX-VE211-IE4-WE KIT	1
1.22	2054227	> MODULE COVER/GASKET TL3/4 KIT	1
1.23	4215716	> SCREW M5X16 DIN912 8.8 A2A (4pieces) VP.	1
1.24	2057978	> RONDELLE A5,3 DIN6797 FST ZN (4 PIECES)	1



COUPLING D.12XD.24 FT115 KIT (4178600)

Item	Article no.	Description	Quantity
4.1		COUPLING-M+ Ø12XØ24-FT115-MACHINED	1
4.2	2131023	BALL BEARING 6207/ZZ-C3(HT)VP.	1
4.3	4234254	CIRCLIP-FOR-SHAFT-D35x1.5 VP.	1
4.4	4157726	SCREW KIT M8X30 (4 PIECES)	1
4.5	4234251	CIRCLIP-D72x2.5 VP.	1
4.6	4234246	O-RING 72X3 VP.	1
		NOMEL CONTACT WASHER 8x16x1,4 STEEL ZC	1



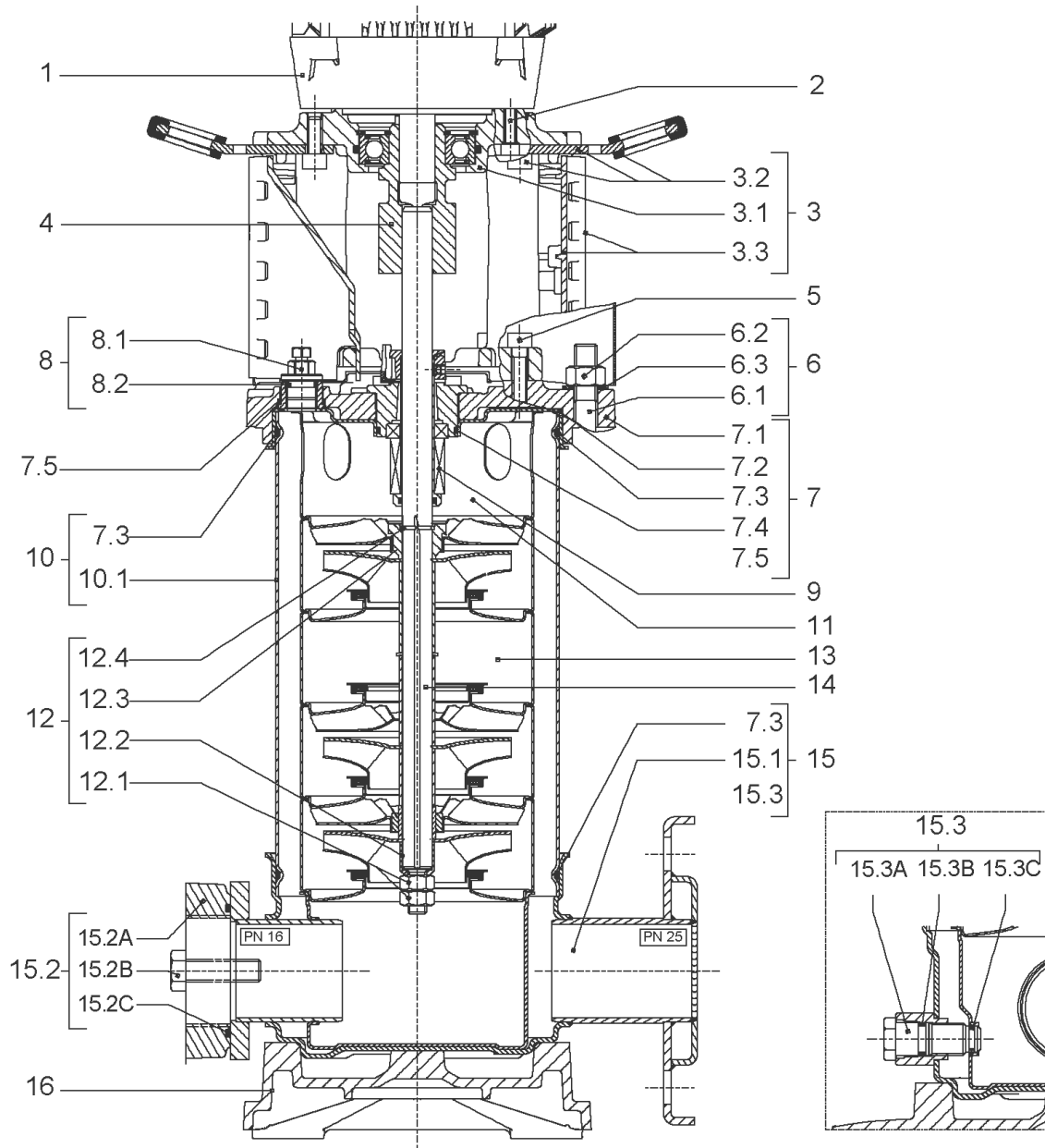
KART.HELIX2-4 O/E SET (4178559)

Item	Article no.	Description	Quantity
9.1	4178560	SEAL-KIT-HELIX2-4 O/E	1
7.3	4176513	> O-RING FOR PUMP JACKET VP.	1
7.4	2127603	> O-RING ID.37,6x2,4 EPDM VP.	1
9.1A	2130966	> MECH.SEAL HELIX2-4-6-10-16 O/E VP.	1
9.1B	4178558	> O-RING ID.12X2 EPDM VP.	1
9.1C	4178558	> O-RING ID.12X2 EPDM VP.	1
9.2	4178557	SHAFT SLEEVE Ø12XØ18-PN16 1.4404 VP.	1
9.3	2130962	RING HOLDER D.18 G606/G6 1.4301 VP.	1
9.4	4176520	SCREW CH M5x5 A4-70 (3PIECES)	1
9.5	4178556	DRIVE RING D.29/15.5x13,2 MACH.VP.	1
9.6	2130964	TOOL M.S.CART.HELIX VP.	1
9.7	2130965	SCREW CHC M5X12 ISO4762 A2.70(4 PIECES)	1



HYDRAULIC HELIX V 211 1.4307

Item	Article no.	Description	Quantity
13.1	4179316	STAGE HELIX 2 1.4301 KIT	1
		> MACH.STG-CASING-WOGV-WNR-M+2-4-304	1
		> IMPELLER-M+2-304	1
13.2	4179317	STAGE BEARING HELIX 2 1.4307 KIT	1
		> MACH.BEARING-STG-CASING-WNR-M+2-304	1
		> IMPELLER-M+2-304	1
		> SHAFT SLEEVE SPACER Ø15,35x10,305-304	1
		> SHAFT-SLEEVE-D12xD16x14-CW	1
13.3	4179319	INTERMEDIATE STAGE HELIX 2 1.4301 KIT	1
		> CORPS-ETG-STD-ACR-AJR-USIN.M+2-304	1
		> IMPELLER-M+2-304	1
		> IMPELLER SPACER Ø12,05X14,85-L24,285-304	1

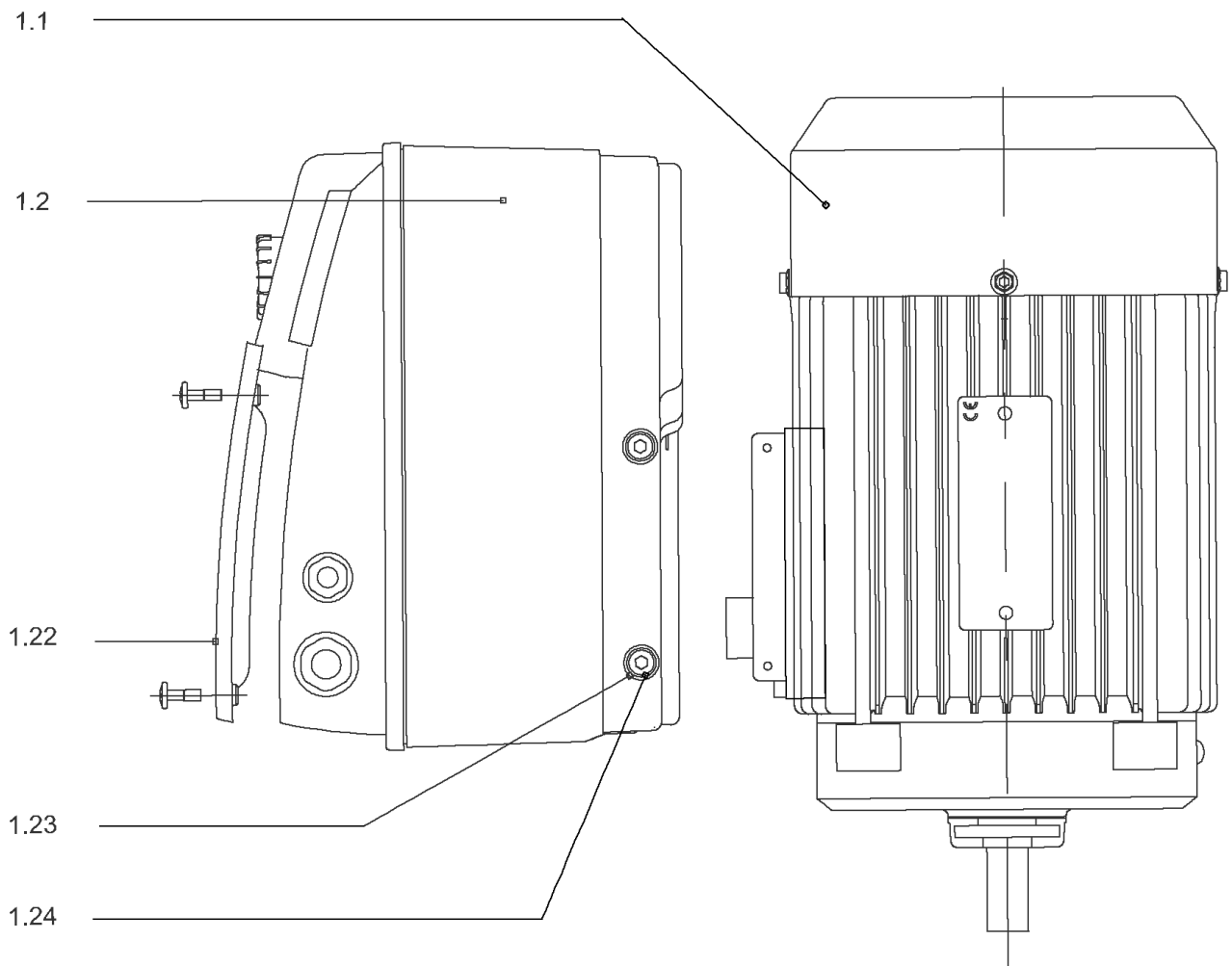


HELIX VE211-1/16/E/S (4171750)

Item	Article no.	Description	Quantity
1		DRIVE HELIX-VE211-IE2-WE KIT	1
Note: MOTOR BRAND WILO ELEC			
1		DRIVE HELIX-VE211-IE4-WE KIT	1
Note: MOTOR BRAND WILO ELEC			
2	4159703	SCREW M8X40 (4 PIECES)	1
3	4172795	LANTERNE FT115 HELIX KIT	1
3.1		> M+5_6_LANTERN_ONE-PIECE_FT115_CATA	1
3.2	2127604	> EYELET CPL.FT HELIX(2 PIECES)	1
3.3	4159692	> COUPLING PROTECTOR FT HELIX KIT	1
4	4178600	COUPLING D.12XD.24 FT115 KIT	1
5	4159707	SCREW M8X30 (4 PIECES)	1
6	4178605	STUD BOLT M12X469 KIT	1
6.1		> TIE BOLT M12-469x18x30-1.4057	1
6.2	2094647	> NUT M12 M12 ISO4032 VP.	1
6.3	2123557	> WASHER CS-12.4-24-1.6-NFE25 (4 PIECES)	1
7	4210143	STATIONARY RING HOLDER HELIX 6" EPDM	1
7.2	2127607	> STATIONARY RING HOLDER 6" HELIX 1.4301 V	1
7.3	4176513	> O-RING FOR PUMP JACKET VP.	1
7.4	2127603	> O-RING ID.37,6x2,4 EPDM VP.	1
7.5	2127602	> O-RING ID.21,35x2 EPDM VP.	1
8	4159686	FILING/PURGING PLUG HELIX EPDM KIT	1
9	4178564	SEAL-KIT-HELIX2-4 O/E KIT	1
10	4178606	HOUSING-PIPE D.152X335 1.4304 KIT	1
7.3	4176513	> O-RING FOR PUMP JACKET VP.	1
10.1		> HOUSING-PIPE Ø152-M+211/411-304	1
11	4179315	CENTERING STAGE HELIX V2 1.4307 VP.	1
12	4178568	SHAFT EQUIPMENT HELIX V2/V4 KIT	1
12.1		> NUT-H-M8-STAINLESS-STEEL A4-70	2
12.2		> SHAFT END WASHER Ø8/Ø12 316L	1
12.3		> STOP COLLAR OF IMPELLER M+2/4 SINGLEBLOC	1
12.4		> STOP-RUSH-1/2-D12xd2-M+316	2
13		HYDRAULIC HELIX V 211 1.4307	1
14	4178608	SHAFT D.12X458 1.4301 VP.	1
15	4174079	PUMP HOUSING HELIX DN32 PN16 1.4301 KIT	1

HELIX VE211-1/16/E/S (4171750)

Item	Article no.	Description	Quantity
7.3	4176513	> O-RING FOR PUMP JACKET VP.	1
15.1		> BLASTING PPE HOUSING V-PN16-DN32-5"-304	1
15.2	4217889	> COUNTER FLANGE-G1"-PN16-GJL KIT	1
15.3	4171321	> PRIMING/DRAIN PLUG EPDM HELIX KIT	1
16	4177964	BASEPLATE HELIX V2/4/6 PN16 VP.	1



DRIVE HELIX-VE211-IE2-WE KIT

Item	Article no.	Description	Quantity
1.1		MOTOR 1,5/2/90 3~ 380V 60HZ IE2 WE VP.	1
Note: no longer available/nicht mehr lieferbar/n'est plus disponible			
		SPARE PARTS MOTOR:ON REQUEST	1
1.2	4184865	MODULE HELIX-VE211-IE2-WE KIT	1
1.22	2054227	> MODULE COVER/GASKET TL3/4 KIT	1
1.23	4215716	> SCREW M5X16 DIN912 8.8 A2A (4pieces) VP.	1
1.24	2057978	> RONDELLE A5,3 DIN6797 FST ZN (4 PIECES)	1



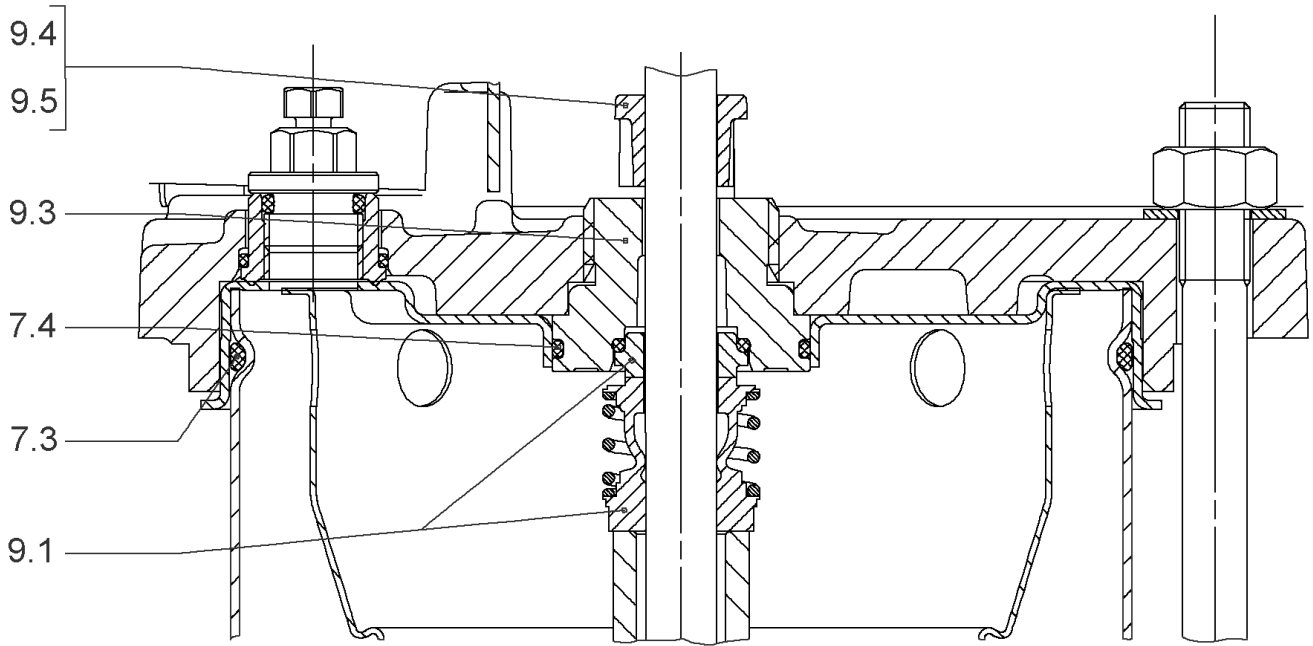
DRIVE HELIX-VE211-IE4-WE KIT

Item	Article no.	Description	Quantity
1.1	4207918	MOTOR 1.5/2/90 3~ 380V 60HZ IE4 WE VP.	1
		SPARE PARTS MOTOR:ON REQUEST	1
1.2	4213729	MODULE HELIX-VE211-IE4-WE KIT	1
1.22	2054227	> MODULE COVER/GASKET TL3/4 KIT	1
1.23	4215716	> SCREW M5X16 DIN912 8.8 A2A (4pieces) VP.	1
1.24	2057978	> RONDELLE A5,3 DIN6797 FST ZN (4 PIECES)	1



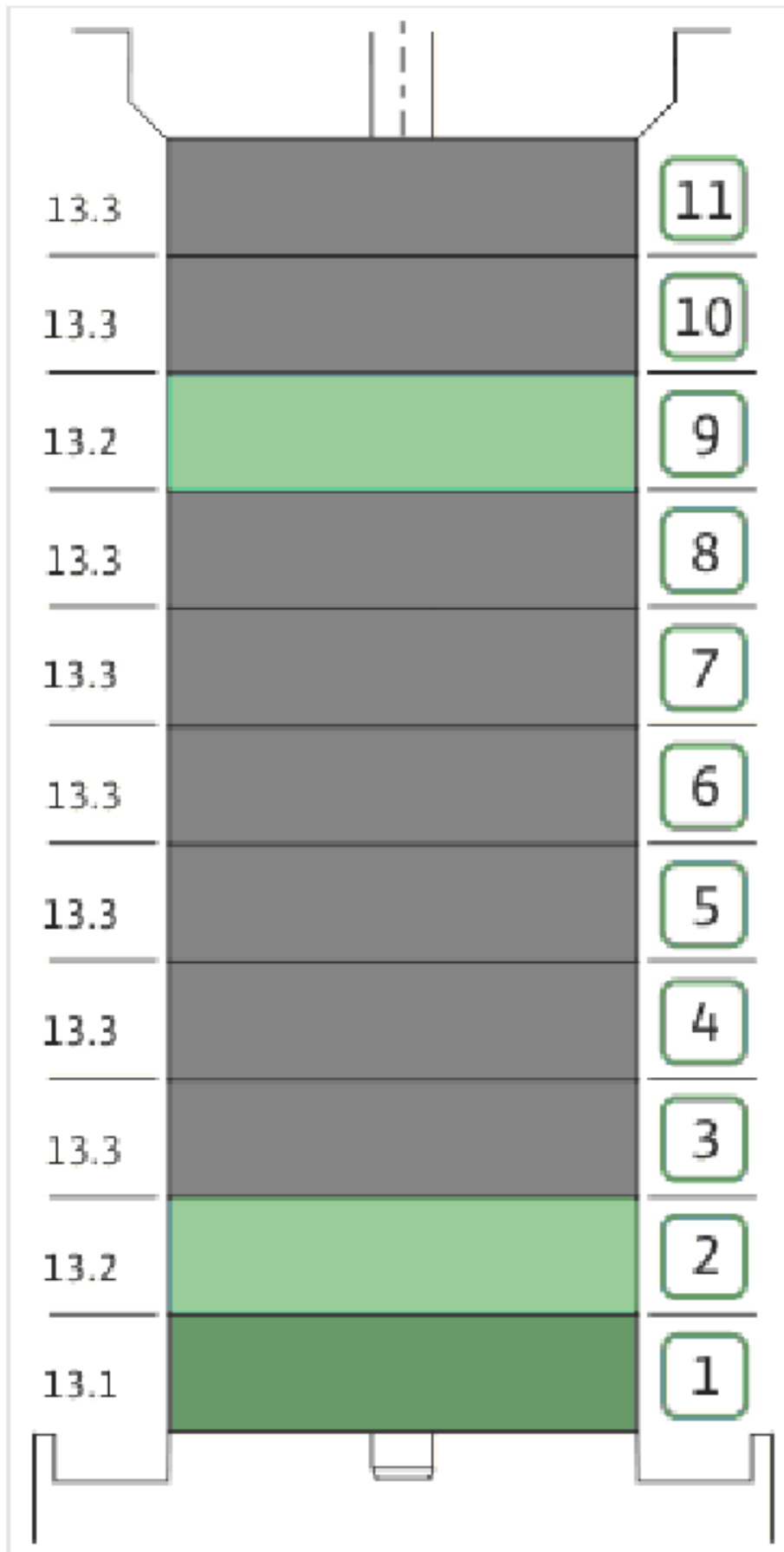
COUPLING D.12XD.24 FT115 KIT (4178600)

Item	Article no.	Description	Quantity
4.1		COUPLING-M+ Ø12XØ24-FT115-MACHINED	1
4.2	2131023	BALL BEARING 6207/ZZ-C3(HT)VP.	1
4.3	4234254	CIRCLIP-FOR-SHAFT-D35x1.5 VP.	1
4.4	4157726	SCREW KIT M8X30 (4 PIECES)	1
4.5	4234251	CIRCLIP-D72x2.5 VP.	1
4.6	4234246	O-RING 72X3 VP.	1
		NOMEL CONTACT WASHER 8x16x1,4 STEEL ZC	1



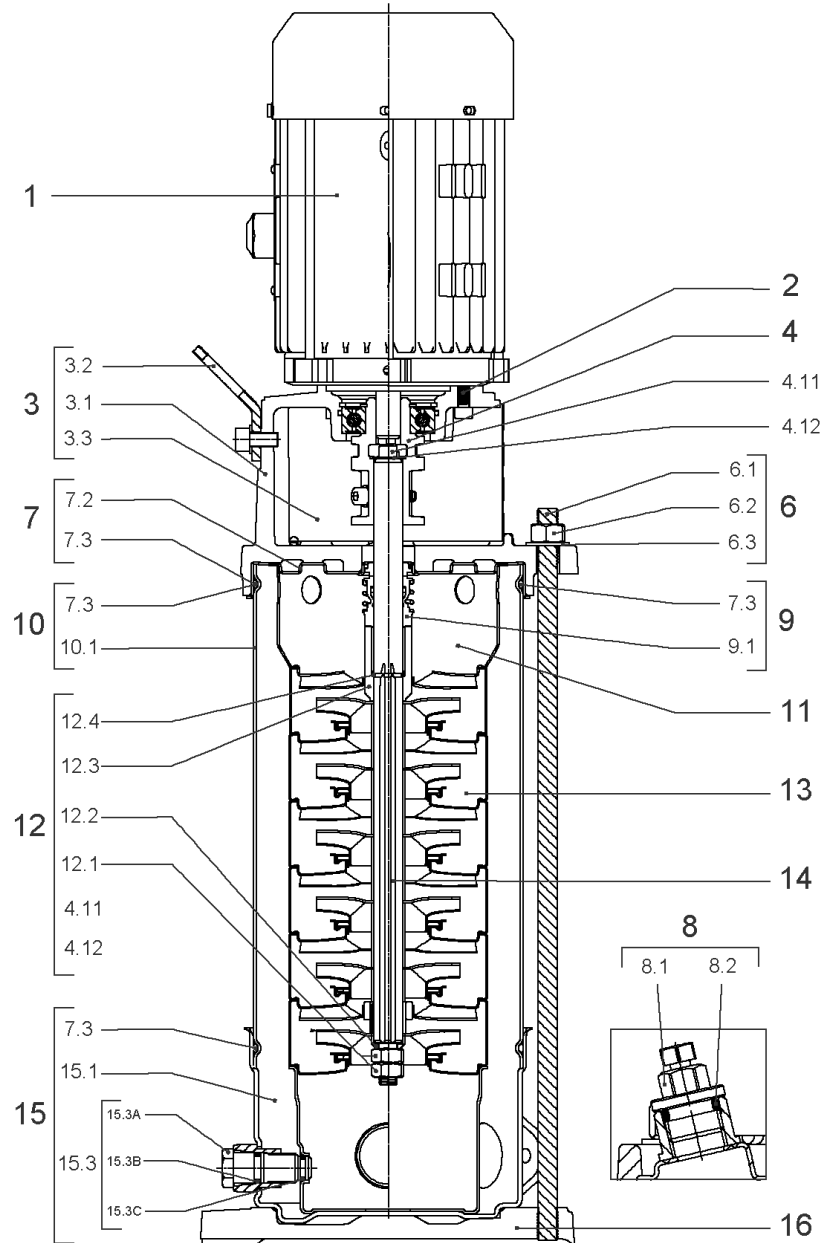
SEAL-KIT-HELIX2-4 O/E KIT (4178564)

Item	Article no.	Description	Quantity
7.3	4176513	O-RING FOR PUMP JACKET VP.	1
7.4	2127603	O-RING ID.37,6x2,4 EPDM VP.	1
9.1	4178563	M.SEAL.HELIX2-4 O/E VP.	1
9.3	4178561	RING HOLDER Ø22 1.4301 VP.	1
9.5	4178562	DRIVE RING D.22/12.2X10 MACH.VP.	1
9.4	4176520	SCREW CH M5x5 A4-70 (3PIECES)	1



HYDRAULIC HELIX V 211 1.4307

Item	Article no.	Description	Quantity
13.1	4179316	STAGE HELIX 2 1.4301 KIT	1
		> MACH.STG-CASING-WOGV-WNR-M+2-4-304	1
		> IMPELLER-M+2-304	1
13.2	4179317	STAGE BEARING HELIX 2 1.4307 KIT	1
		> MACH.BEARING-STG-CASING-WNR-M+2-304	1
		> IMPELLER-M+2-304	1
		> SHAFT SLEEVE SPACER Ø15,35x10,305-304	1
		> SHAFT-SLEEVE-D12xD16x14-CW	1
13.3	4179319	INTERMEDIATE STAGE HELIX 2 1.4301 KIT	1
		> CORPS-ETG-STD-ACR-AJR-USIN.M+2-304	1
		> IMPELLER-M+2-304	1
		> IMPELLER SPACER Ø12,05X14,85-L24,285-304	1

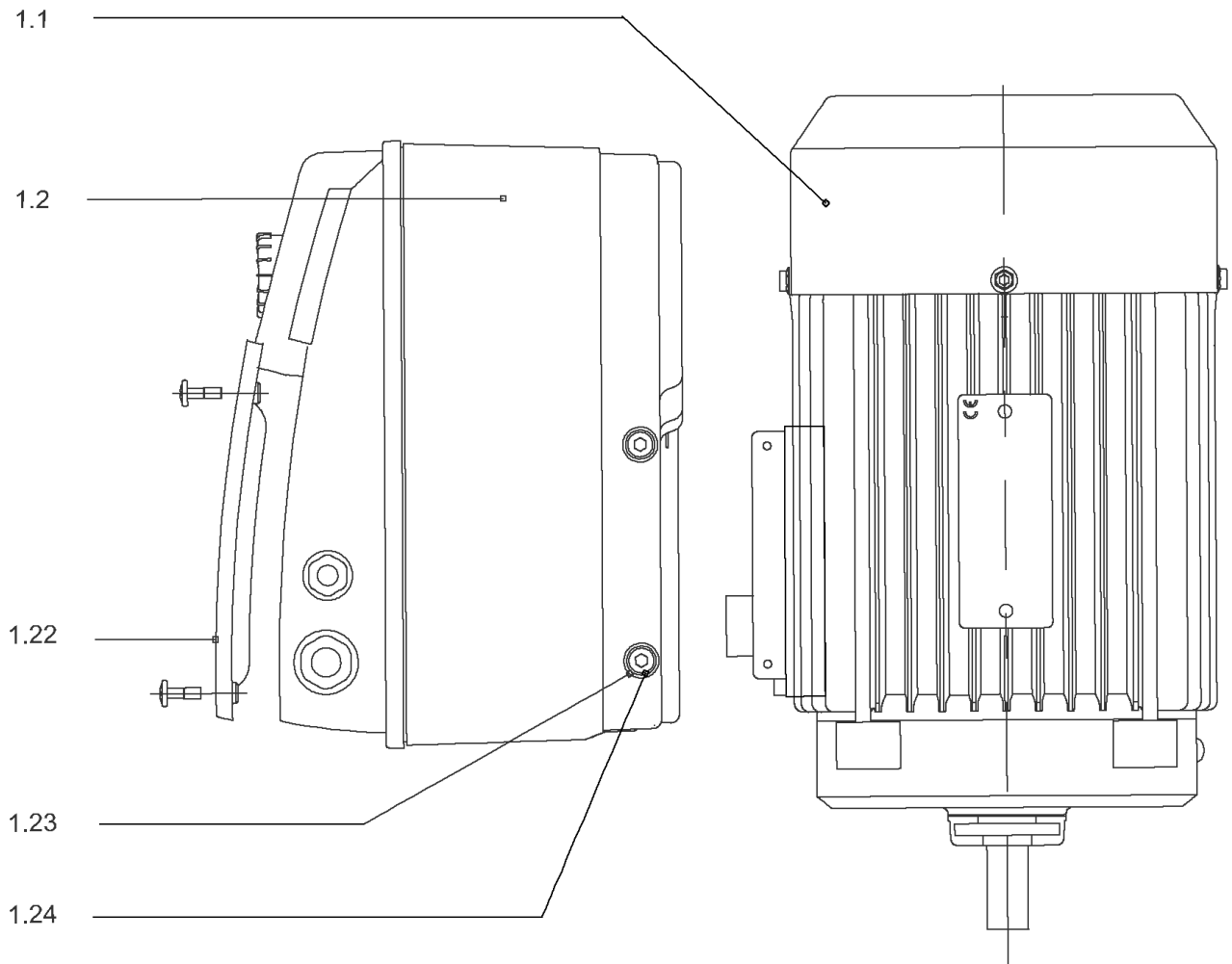


HELIX VE211-1/16/E/S (4201566)

Item	Article no.	Description	Quantity
1		DRIVE HELIX-VE211-IE4-WE KIT	1
Note: MOTOR BRAND WILO ELEC			
		SPARE PARTS MOTOR:ON REQUEST	1
2	4159707	SCREW M8X30 (4 PIECES)	1
3	4213784	LANTERN FT115 HELIX KIT	1
3.1		> LANT-MOT-VMI-ReDTC6"-FT115-MACHINED+CATA	1
3.2	4184852	> EYELET CPL.FT HELIX (2 PIECES)	1
3.3	4213782	> COUPLING PROTECTOR FT115/130 HELIX KIT	1
4	4178600	COUPLING D.12XD.24 FT115 KIT	1
6	4178605	STUD BOLT M12X469 KIT	1
6.1		> TIE BOLT M12-469x18x30-1.4057	1
6.2	2094647	> NUT M12 M12 ISO4032 VP.	1
6.3	2123557	> WASHER CS-12.4-24-1.6-NFE25 (4 PIECES)	1
7	4212722	STATIONARY RING HOLDER HELIX D23 ReDTC	1
7.2	4212720	> STATIONARY RING HOLDER HELIX D23 VP.	1
7.3	4176513	> O-RING FOR PUMP JACKET VP.	1
8	4212724	FILING/PURGING PLUG HELIX ReDTC KIT	1
8.1		> FILLING PLUG MVI6"-304	1
8.2	4177800	> O-RING EPDM PLUG HELIX VP.	1
9	4212726	MECH.SEAL HELIX V2/4 O/E ReDTC KIT	1
9.1	4178563	> M.SEAL.HELIX2-4 O/E VP.	1
7.3	4176513	> O-RING FOR PUMP JACKET VP.	1
10	4178606	HOUSING-PIPE D.152X335 1.4304 KIT	1
7.3	4176513	> O-RING FOR PUMP JACKET VP.	1
10.1		> HOUSING-PIPE Ø152-M+211/411-304	1
11	4179315	CENTERING STAGE HELIX V2 1.4307 VP.	1
12	4212729	SHAFT EQUIPMENT HELIX V2/4 ReDTC KIT	1
12.1		> NUT-H-M8-STAINLESS-STEEL A4-70	1
12.2		> SHAFT END WASHER Ø8/Ø12 316L	1
12.3		> 1/2-SNAP-RING-2/4M3-316L	1
12.4		> STOP-RUSH-1/2-D12xd2-M+316	1
4.11		> SCREW CHC-M6X14-8.8-ISO4762-GEOMET500A	1
4.12		> WASHER D.24 L6U ZINK	1
13		HYDRAULIC HELIX V 211 1.4307	1

HELIX VE211-1/16/E/S (4201566)

Item	Article no.	Description	Quantity
14	4213776	SHAFT D.12X406 HELIX 1.4057 VP.	1
15	4174079	PUMP HOUSING HELIX DN32 PN16 1.4301 KIT	1
7.3	4176513	> O-RING FOR PUMP JACKET VP.	1
15.1		> BLASTING PPE HOUSING V-PN16-DN32-5"-304	1
15.2	4217889	> COUNTER FLANGE-G1"-PN16-GJL KIT	1
15.3	4171321	> PRIMING/DRAIN PLUG EPDM HELIX KIT	1
16	4177964	BASEPLATE HELIX V2/4/6 PN16 VP.	1



DRIVE HELIX-VE211-IE4-WE KIT

Item	Article no.	Description	Quantity
1.1	4207918	MOTOR 1.5/2/90 3~ 380V 60HZ IE4 WE VP.	1
		SPARE PARTS MOTOR:ON REQUEST	1
1.2	4213729	MODULE HELIX-VE211-IE4-WE KIT	1
1.22	2054227	> MODULE COVER/GASKET TL3/4 KIT	1
1.23	4215716	> SCREW M5X16 DIN912 8.8 A2A (4pieces) VP.	1
1.24	2057978	> RONDELLE A5,3 DIN6797 FST ZN (4 PIECES)	1



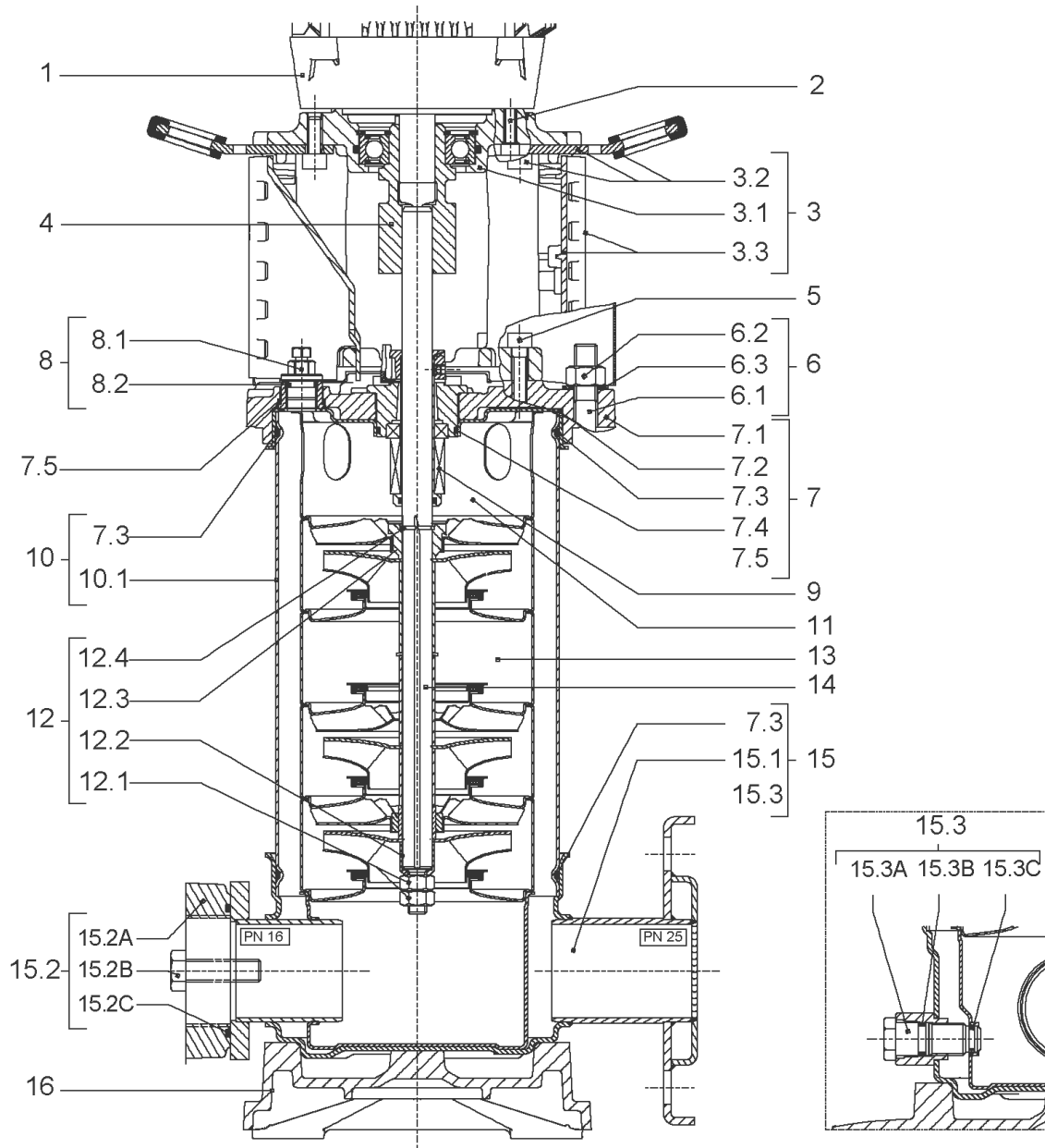
COUPLING D.12XD.24 FT115 KIT (4178600)

Item	Article no.	Description	Quantity
4.1		COUPLING-M+ Ø12XØ24-FT115-MACHINED	1
4.2	2131023	BALL BEARING 6207/ZZ-C3(HT)VP.	1
4.3	4234254	CIRCLIP-FOR-SHAFT-D35x1.5 VP.	1
4.4	4157726	SCREW KIT M8X30 (4 PIECES)	1
4.5	4234251	CIRCLIP-D72x2.5 VP.	1
4.6	4234246	O-RING 72X3 VP.	1
		NOMEL CONTACT WASHER 8x16x1,4 STEEL ZC	1



HYDRAULIC HELIX V 211 1.4307

Item	Article no.	Description	Quantity
13.1	4179316	STAGE HELIX 2 1.4301 KIT	1
		> MACH.STG-CASING-WOGV-WNR-M+2-4-304	1
		> IMPELLER-M+2-304	1
13.2	4179317	STAGE BEARING HELIX 2 1.4307 KIT	1
		> MACH.BEARING-STG-CASING-WNR-M+2-304	1
		> IMPELLER-M+2-304	1
		> SHAFT SLEEVE SPACER Ø15,35x10,305-304	1
		> SHAFT-SLEEVE-D12xD16x14-CW	1
13.3	4179319	INTERMEDIATE STAGE HELIX 2 1.4301 KIT	1
		> CORPS-ETG-STD-ACR-AJR-USIN.M+2-304	1
		> IMPELLER-M+2-304	1
		> IMPELLER SPACER Ø12,05X14,85-L24,285-304	1

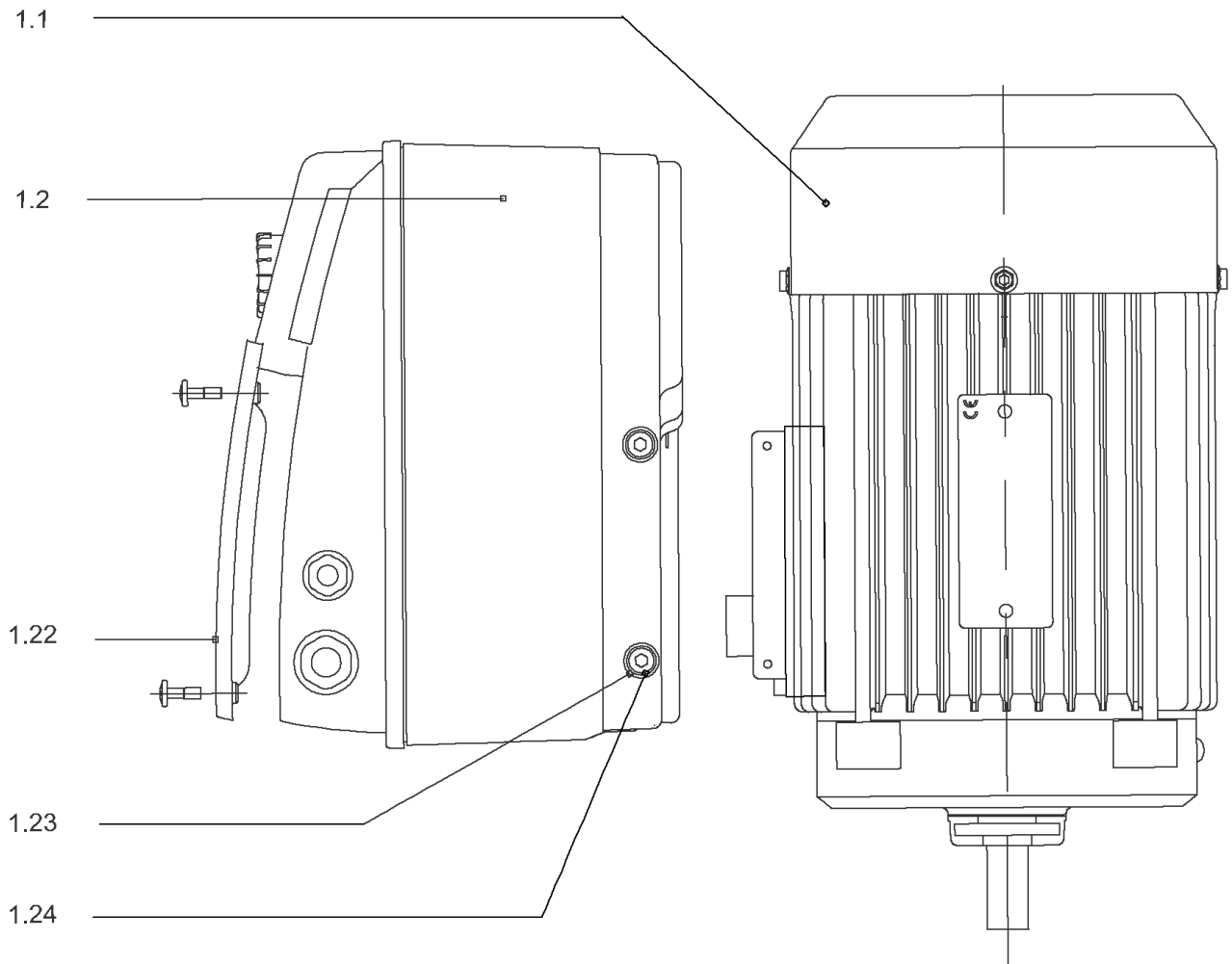


HELIX VE211-1/25/E/KS (4171756)

Item	Article no.	Description	Quantity
1		DRIVE HELIX-VE211-IE2-WE KIT	1
Note: MOTOR BRAND WILO ELEC			
1		DRIVE HELIX-VE211-IE4-WE KIT	1
Note: MOTOR BRAND WILO ELEC			
2	4159703	SCREW M8X40 (4 PIECES)	1
3	4159690	LANTERN FT115 HELIX KIT	1
3.1		> LANTERN FT115 M+6" GJL MACHINING+CATA	1
3.2	2127604	> EYELET CPL.FT HELIX(2 PIECES)	1
3.3	4159692	> COUPLING PROTECTOR FT HELIX KIT	1
4	4178600	COUPLING D.12XD.24 FT115 KIT	1
5	4159707	SCREW M8X30 (4 PIECES)	1
6	4178605	STUD BOLT M12X469 KIT	1
6.1		> TIE BOLT M12-469x18x30-1.4057	1
6.2	2094647	> NUT M12 M12 ISO4032 VP.	1
6.3	2123557	> WASHER CS-12.4-24-1.6-NFE25 (4 PIECES)	1
7	4159685	END SHIELD HELIX EPDM KIT	1
7.1		> END SHIELD M+6" GJL250 MACHINING+CATA	1
7.2	2127607	> STATIONARY RING HOLDER 6" HELIX 1.4301 V	1
7.3	4176513	> O-RING FOR PUMP JACKET VP.	1
7.4	2127603	> O-RING ID.37,6x2,4 EPDM VP.	1
7.5	2127602	> O-RING ID.21,35x2 EPDM VP.	1
8	4159686	FILING/PURGING PLUG HELIX EPDM KIT	1
9	4178597	CARTRIDGE HELIX2-4 F/E KIT	1
10	4178606	HOUSING-PIPE D.152X335 1.4304 KIT	1
7.3	4176513	> O-RING FOR PUMP JACKET VP.	1
10.1		> HOUSING-PIPE Ø152-M+211/411-304	1
11	4179315	CENTERING STAGE HELIX V2 1.4307 VP.	1
12	4178567	SHAFT EQUIPMENT HELIX V2/V4 KIT	1
12.1		> NUT-H-M8-STAINLESS-STEEL A4-70	1
12.2		> SHAFT END WASHER Ø8/Ø12 316L	1
12.3		> STOP COLLAR OF IMPELLER L12,6-Ø12-316L	1
12.4		> STOP-RUSH-1/2-D12xd2-M+316	1
13		HYDRAULIC HELIX V 211 1.4307	1
14	4178608	SHAFT D.12X458 1.4301 VP.	1

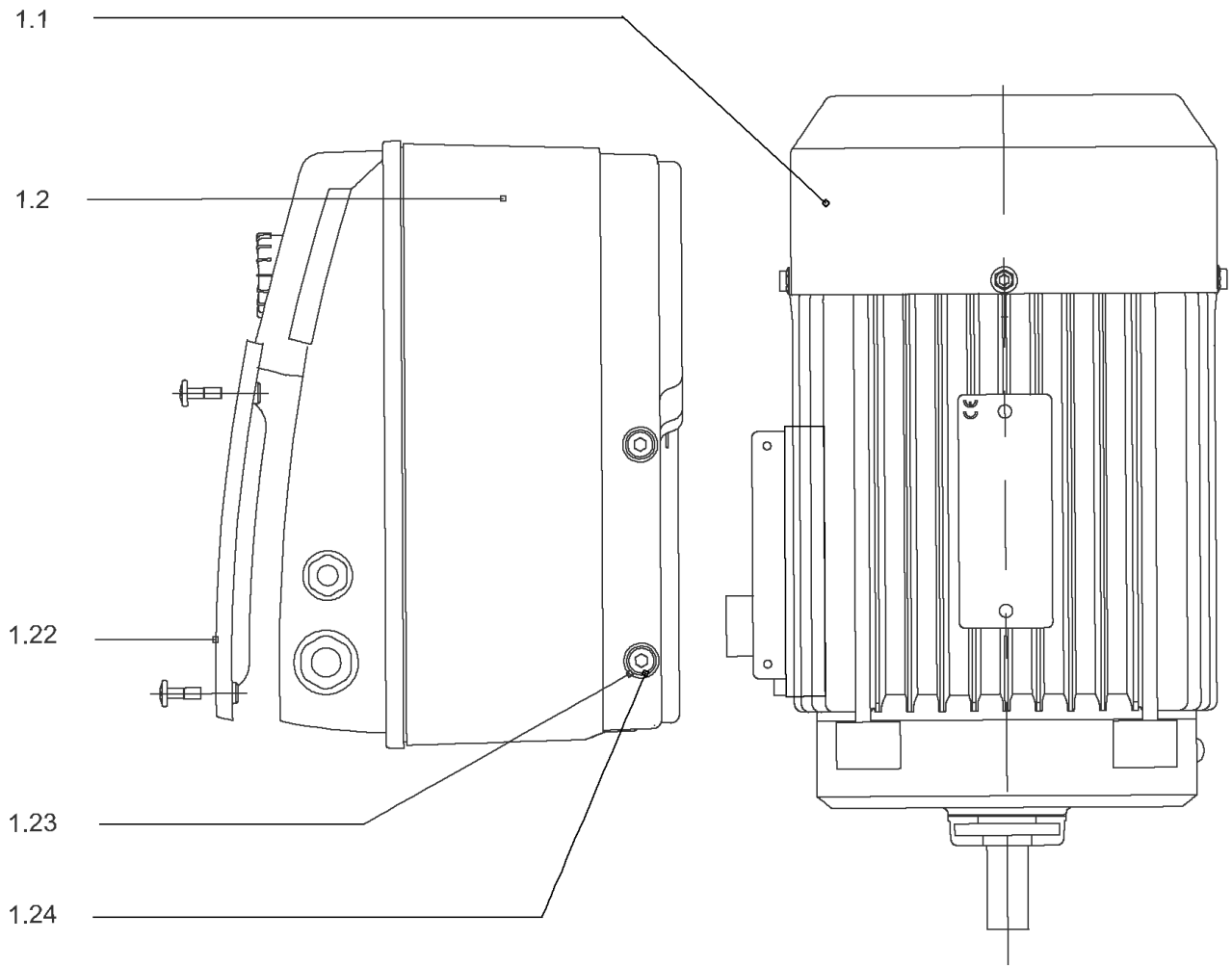
HELIX VE211-1/25/E/KS (4171756)

Item	Article no.	Description	Quantity
15	4178593	PUMP HOUSING HELIX DN25 PN25 1.4301 KIT	1
7.3	4176513	> O-RING FOR PUMP JACKET VP.	1
15.1		> BLASTING PPE HOUSING V PN25-DN25-5"-304	1
15.3	4171321	> PRIMING/DRAIN PLUG EPDM HELIX KIT	1
16	4177970	BASEPLATE HELIX V2/4/6 PN25 VP.	1



DRIVE HELIX-VE211-IE2-WE KIT

Item	Article no.	Description	Quantity
1.1		MOTOR 1,5/2/90 3~ 380V 60HZ IE2 WE VP.	1
Note: no longer available/nicht mehr lieferbar/n'est plus disponible			
		SPARE PARTS MOTOR:ON REQUEST	1
1.2	4184865	MODULE HELIX-VE211-IE2-WE KIT	1
1.22	2054227	> MODULE COVER/GASKET TL3/4 KIT	1
1.23	4215716	> SCREW M5X16 DIN912 8.8 A2A (4pieces) VP.	1
1.24	2057978	> RONDELLE A5,3 DIN6797 FST ZN (4 PIECES)	1



DRIVE HELIX-VE211-IE4-WE KIT

Item	Article no.	Description	Quantity
1.1	4207918	MOTOR 1.5/2/90 3~ 380V 60HZ IE4 WE VP.	1
		SPARE PARTS MOTOR:ON REQUEST	1
1.2	4213729	MODULE HELIX-VE211-IE4-WE KIT	1
1.22	2054227	> MODULE COVER/GASKET TL3/4 KIT	1
1.23	4215716	> SCREW M5X16 DIN912 8.8 A2A (4pieces) VP.	1
1.24	2057978	> RONDELLE A5,3 DIN6797 FST ZN (4 PIECES)	1



COUPLING D.12XD.24 FT115 KIT (4178600)

Item	Article no.	Description	Quantity
4.1		COUPLING-M+ Ø12XØ24-FT115-MACHINED	1
4.2	2131023	BALL BEARING 6207/ZZ-C3(HT)VP.	1
4.3	4234254	CIRCLIP-FOR-SHAFT-D35x1.5 VP.	1
4.4	4157726	SCREW KIT M8X30 (4 PIECES)	1
4.5	4234251	CIRCLIP-D72x2.5 VP.	1
4.6	4234246	O-RING 72X3 VP.	1
		NOMEL CONTACT WASHER 8x16x1,4 STEEL ZC	1



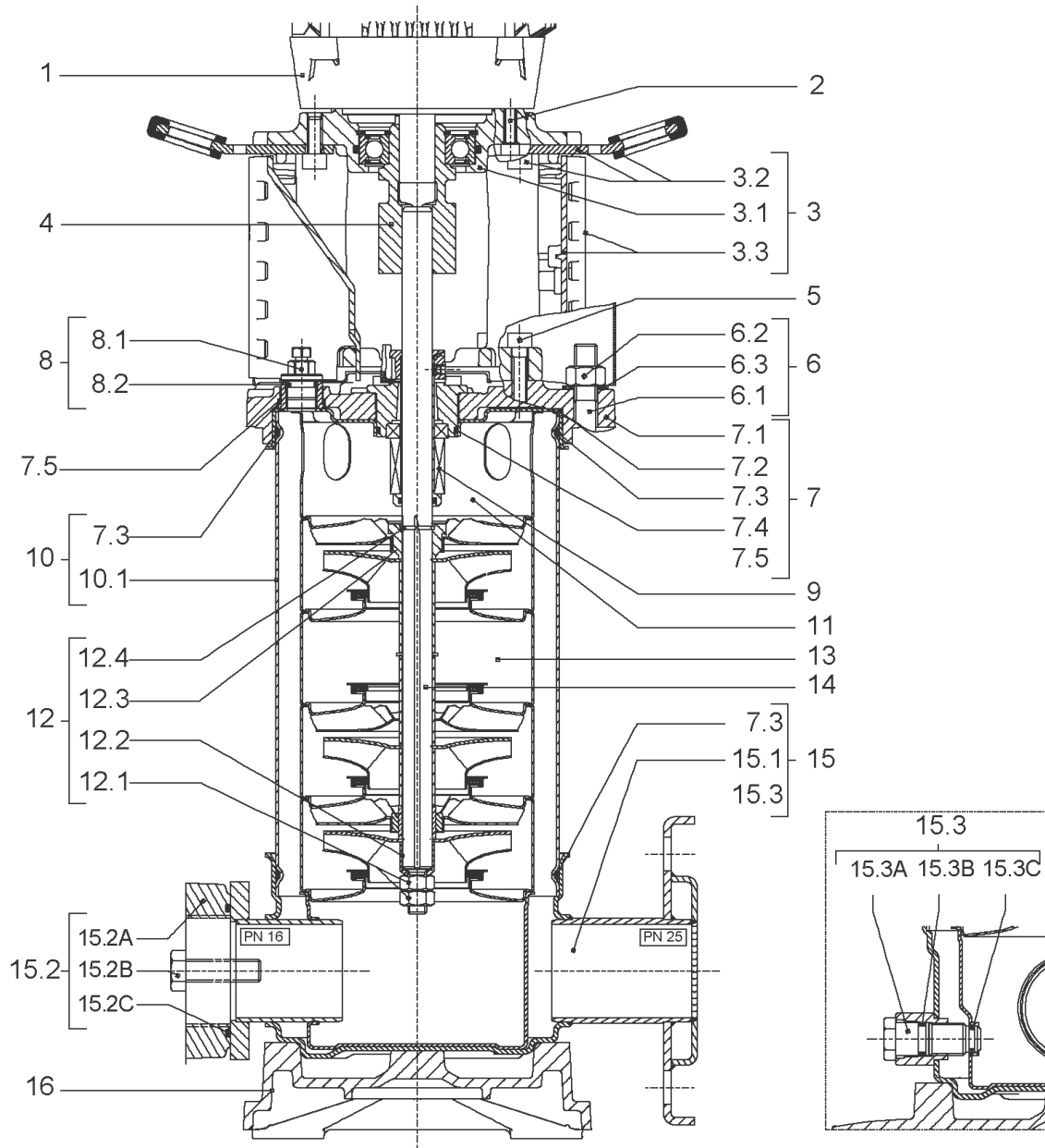
CARTRIDGE HELIX2-4 F/E KIT (4178597)

Item	Article no.	Description	Quantity
9.1	4178594	SEAL-KIT-HELIX2-4 F/E	1
7.3	4176513	> O-RING FOR PUMP JACKET VP.	1
7.4	2127603	> O-RING ID.37,6x2,4 EPDM VP.	1
9.1A	4176521	> MECH.SEAL HELIX2-4-6-10-16 F/E VP.	1
9.1B	4178558	> O-RING ID.12X2 EPDM VP.	1
9.1C	4178558	> O-RING ID.12X2 EPDM VP.	1
9.2	4178596	SHAFT SLEEVE D.18/12X72,2 1.4404 VP.	1
9.3	2130962	RING HOLDER D.18 G606/G6 1.4301 VP.	1
9.4	4176520	SCREW CH M5x5 A4-70 (3PIECES)	1
9.5	4178595	DRIVE RING D.29/15.5x13,2 MACH.VP.	1
9.6	2130964	TOOL M.S.CART.HELIX VP.	1
9.7	2130965	SCREW CHC M5X12 ISO4762 A2.70(4 PIECES)	1



HYDRAULIC HELIX V 211 1.4307

Item	Article no.	Description	Quantity
13.1	4179316	STAGE HELIX 2 1.4301 KIT	1
		> MACH.STG-CASING-WOGV-WNR-M+2-4-304	1
		> IMPELLER-M+2-304	1
13.2	4179317	STAGE BEARING HELIX 2 1.4307 KIT	1
		> MACH.BEARING-STG-CASING-WNR-M+2-304	1
		> IMPELLER-M+2-304	1
		> SHAFT SLEEVE SPACER Ø15,35x10,305-304	1
		> SHAFT-SLEEVE-D12xD16x14-CW	1
13.3	4179319	INTERMEDIATE STAGE HELIX 2 1.4301 KIT	1
		> CORPS-ETG-STD-ACR-AJR-USIN.M+2-304	1
		> IMPELLER-M+2-304	1
		> IMPELLER SPACER Ø12,05X14,85-L24,285-304	1

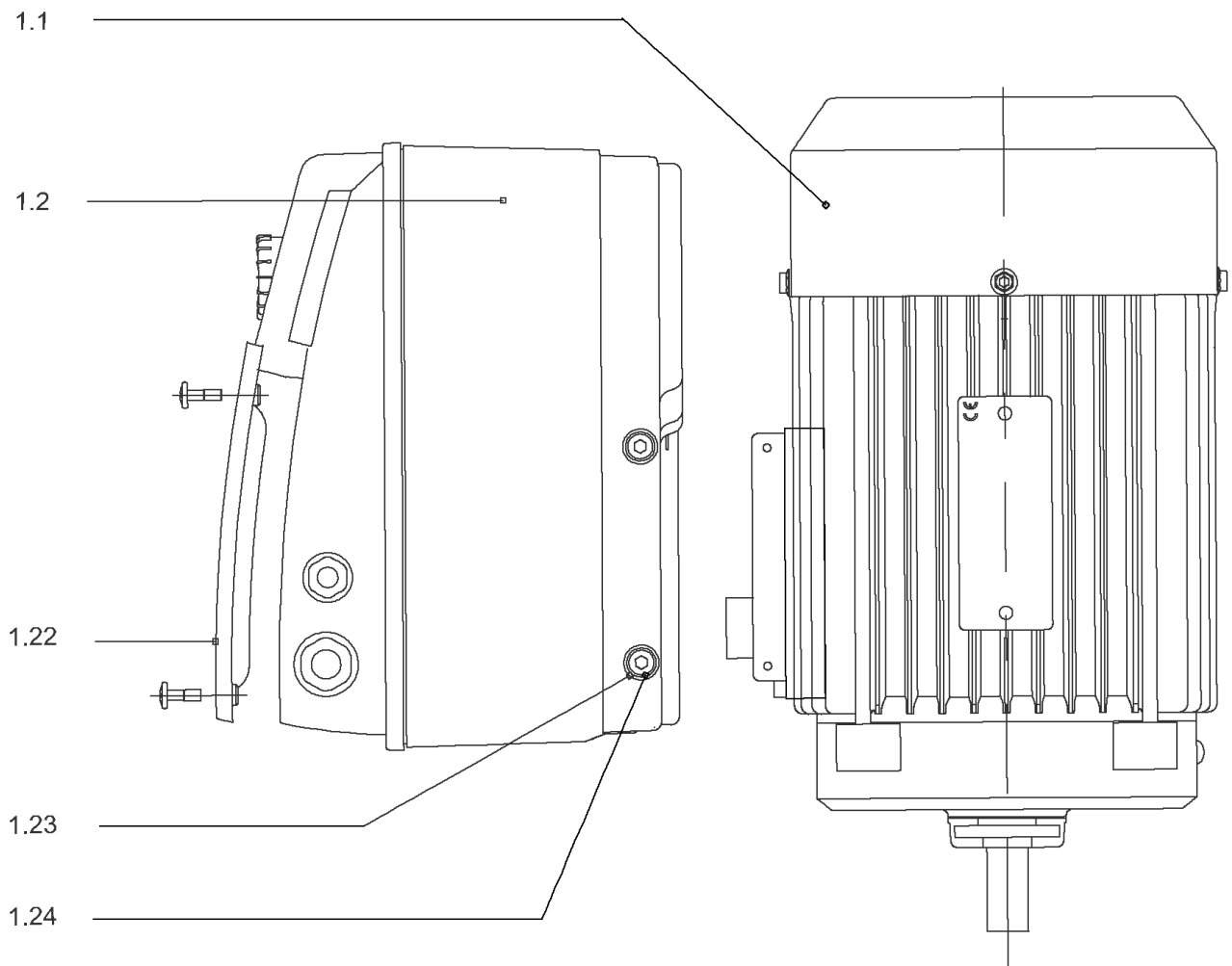


HELIX VE216-1/25/E/KS (4164494)

Item	Article no.	Description	Quantity
1		DRIVE HELIX-VE216-IE2-WE KIT	1
Note: MOTOR BRAND WILO ELEC			
1		DRIVE HELIX-VE216-IE4-WE KIT	1
Note: MOTOR BRAND WILO ELEC			
2	4159703	SCREW M8X40 (4 PIECES)	1
3	4159690	LANTERN FT115 HELIX KIT	1
3.1		> LANTERN FT115 M+6" GJL MACHINING+CATA	1
3.2	2127604	> EYELET CPL.FT HELIX(2 PIECES)	1
3.3	4159692	> COUPLING PROTECTOR FT HELIX KIT	1
4	4178600	COUPLING D.12XD.24 FT115 KIT	1
5	4159707	SCREW M8X30 (4 PIECES)	1
6	2127557	STUD BOLT M12X587 KIT	1
6.1		> TIE BOLT M12-587x18x30-1.4057	1
6.2	2094647	> NUT M12 M12 ISO4032 VP.	1
6.3	2123557	> WASHER CS-12.4-24-1.6-NFE25 (4 PIECES)	1
7	4159685	END SHIELD HELIX EPDM KIT	1
7.1		> END SHIELD M+6" GJL250 MACHINING+CATA	1
7.2	2127607	> STATIONARY RING HOLDER 6" HELIX 1.4301 V	1
7.3	4176513	> O-RING FOR PUMP JACKET VP.	1
7.4	2127603	> O-RING ID.37,6x2,4 EPDM VP.	1
7.5	2127602	> O-RING ID.21,35x2 EPDM VP.	1
8	4159686	FILING/PURGING PLUG HELIX EPDM KIT	1
9	4178597	CARTRIDGE HELIX2-4 F/E KIT	1
10	2127580	HOUSING PIPE D.152x460 1.4301 KIT	1
7.3	4176513	> O-RING FOR PUMP JACKET VP.	1
10.1		> HOUSING-PIPE Ø152-M+1608-304	1
11	4179315	CENTERING STAGE HELIX V2 1.4307 VP.	1
12	4178567	SHAFT EQUIPMENT HELIX V2/V4 KIT	1
12.1		> NUT-H-M8-STAINLESS-STEEL A4-70	1
12.2		> SHAFT END WASHER Ø8/Ø12 316L	1
12.3		> STOP COLLAR OF IMPELLER L12,6-Ø12-316L	1
12.4		> STOP-RUSH-1/2-D12xd2-M+316	1
13		HYDRAULIC HELIX V 216 1.4307	1
14	4178621	SHAFT D.12X583 1.4301 VP.	1

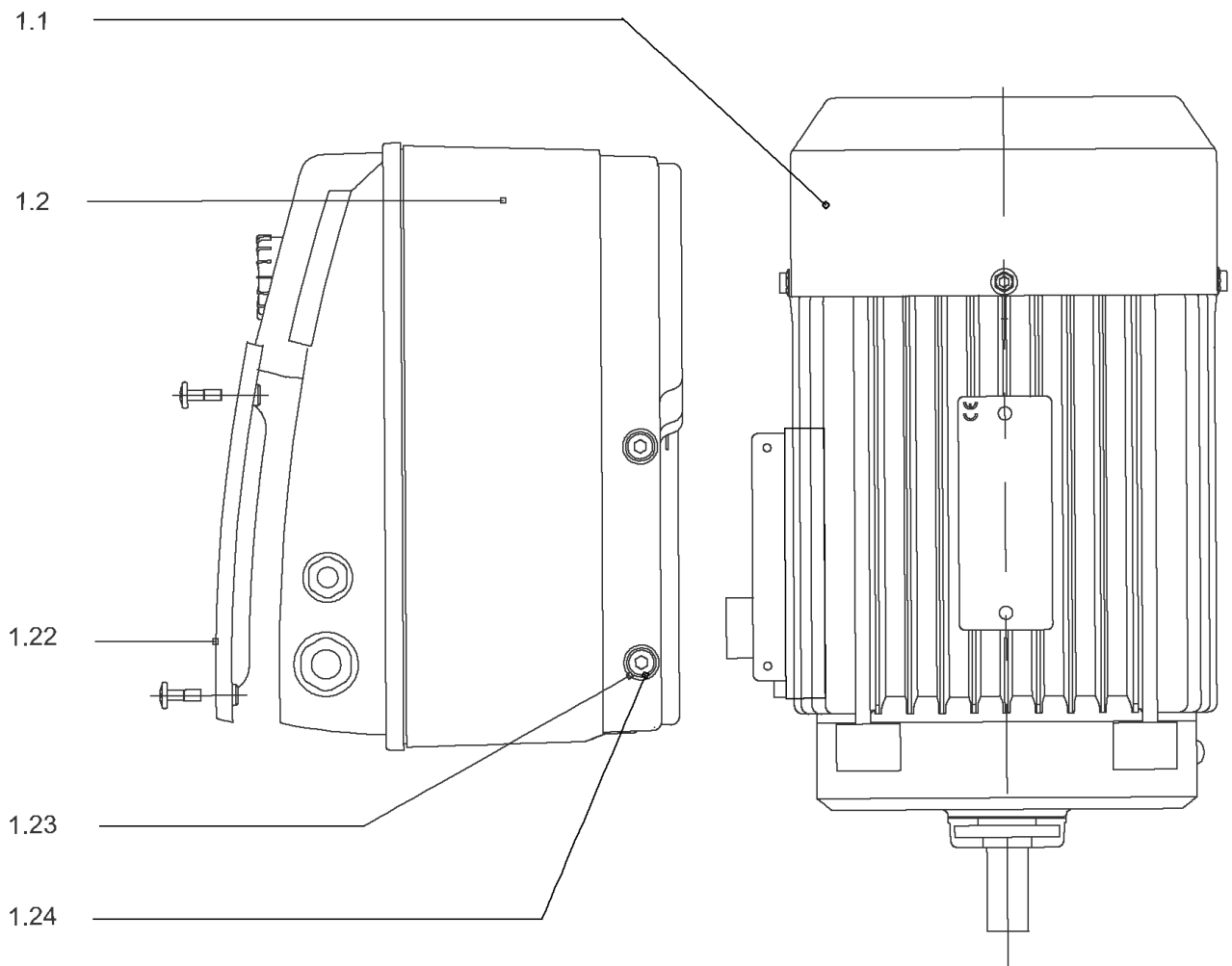
HELIX VE216-1/25/E/KS (4164494)

Item	Article no.	Description	Quantity
15	4178593	PUMP HOUSING HELIX DN25 PN25 1.4301 KIT	1
7.3	4176513	> O-RING FOR PUMP JACKET VP.	1
15.1		> BLASTING PPE HOUSING V PN25-DN25-5"-304	1
15.3	4171321	> PRIMING/DRAIN PLUG EPDM HELIX KIT	1
16	4177970	BASEPLATE HELIX V2/4/6 PN25 VP.	1



DRIVE HELIX-VE216-IE2-WE KIT

Item	Article no.	Description	Quantity
1.1	4185016	MOTOR 2,2/2/90 3~ 380V 60HZ IE2 WE VP.	1
		SPARE PARTS MOTOR:ON REQUEST	1
1.2	4186767	MODULE HELIX-VE216-IE2-WE KIT	1
1.22	2054227	> MODULE COVER/GASKET TL3/4 KIT	1
1.23	4215716	> SCREW M5X16 DIN912 8.8 A2A (4pieces) VP.	1
1.24	2057978	> RONDELLE A5,3 DIN6797 FST ZN (4 PIECES)	1



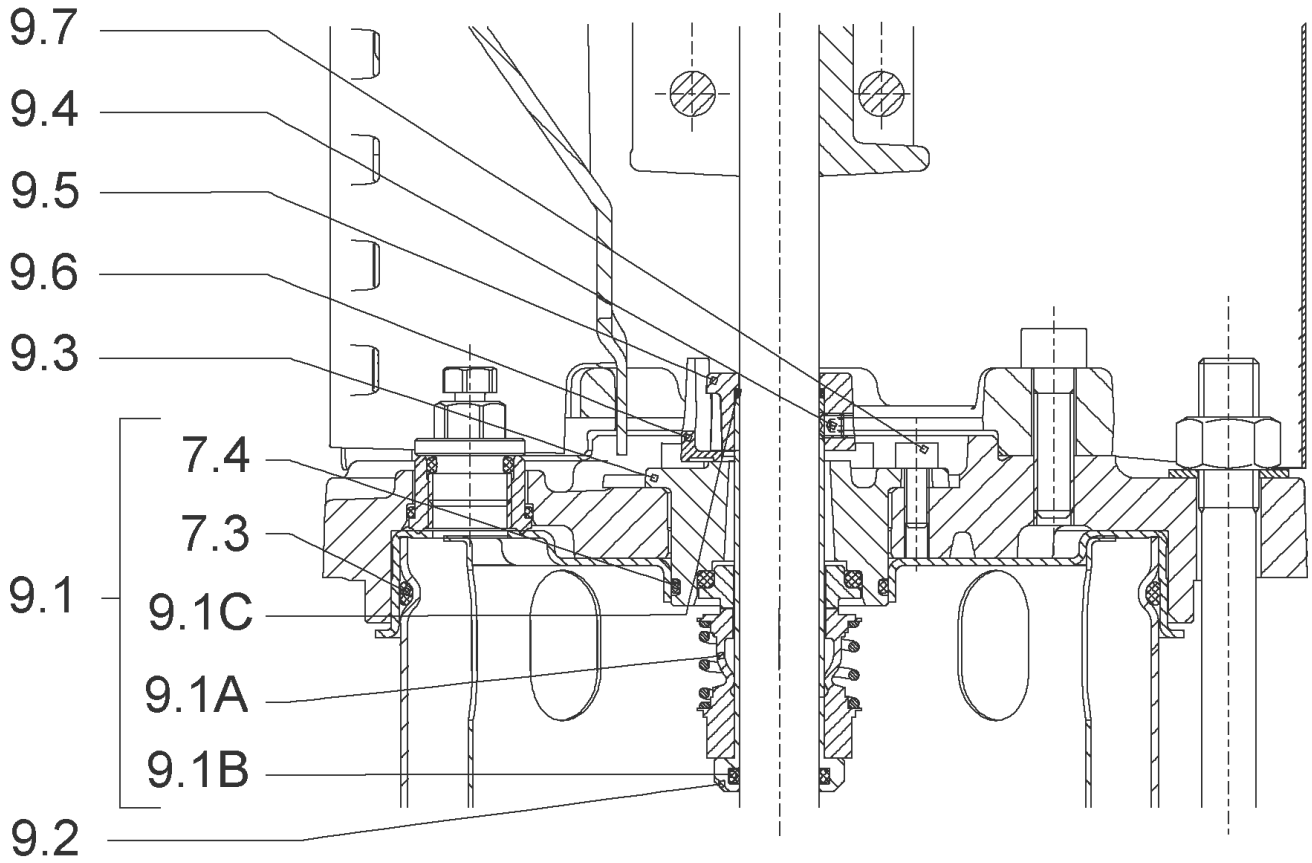
DRIVE HELIX-VE216-IE4-WE KIT

Item	Article no.	Description	Quantity
1.1	4207920	MOTOR 2.2/2/90 3~ 380V 60HZ IE4 WE VP.	1
		SPARE PARTS MOTOR:ON REQUEST	1
1.2	4209590	MODULE HELIX-VE216-IE4-WE KIT	1
1.22	2054227	> MODULE COVER/GASKET TL3/4 KIT	1
1.23	4215716	> SCREW M5X16 DIN912 8.8 A2A (4pieces) VP.	1
1.24	2057978	> RONDELLE A5,3 DIN6797 FST ZN (4 PIECES)	1



COUPLING D.12XD.24 FT115 KIT (4178600)

Item	Article no.	Description	Quantity
4.1		COUPLING-M+ Ø12XØ24-FT115-MACHINED	1
4.2	2131023	BALL BEARING 6207/ZZ-C3(HT)VP.	1
4.3	4234254	CIRCLIP-FOR-SHAFT-D35x1.5 VP.	1
4.4	4157726	SCREW KIT M8X30 (4 PIECES)	1
4.5	4234251	CIRCLIP-D72x2.5 VP.	1
4.6	4234246	O-RING 72X3 VP.	1
		NOMEL CONTACT WASHER 8x16x1,4 STEEL ZC	1



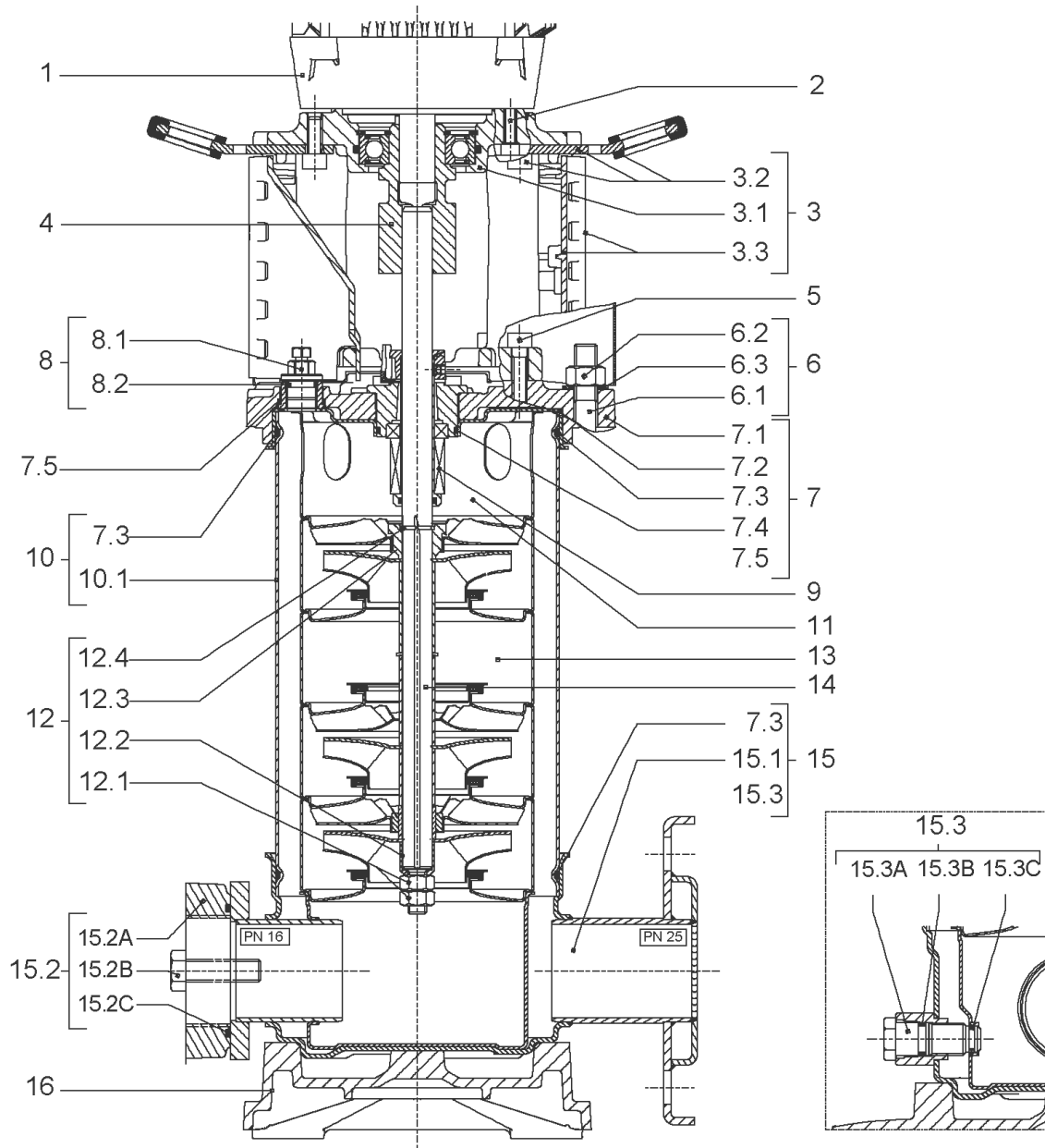
CARTRIDGE HELIX2-4 F/E KIT (4178597)

Item	Article no.	Description	Quantity
9.1	4178594	SEAL-KIT-HELIX2-4 F/E	1
7.3	4176513	> O-RING FOR PUMP JACKET VP.	1
7.4	2127603	> O-RING ID.37,6x2,4 EPDM VP.	1
9.1A	4176521	> MECH.SEAL HELIX2-4-6-10-16 F/E VP.	1
9.1B	4178558	> O-RING ID.12X2 EPDM VP.	1
9.1C	4178558	> O-RING ID.12X2 EPDM VP.	1
9.2	4178596	SHAFT SLEEVE D.18/12X72,2 1.4404 VP.	1
9.3	2130962	RING HOLDER D.18 G606/G6 1.4301 VP.	1
9.4	4176520	SCREW CH M5x5 A4-70 (3PIECES)	1
9.5	4178595	DRIVE RING D.29/15.5x13,2 MACH.VP.	1
9.6	2130964	TOOL M.S.CART.HELIX VP.	1
9.7	2130965	SCREW CHC M5X12 ISO4762 A2.70(4 PIECES)	1



HYDRAULIC HELIX V 216 1.4307

Item	Article no.	Description	Quantity
13.1	4179316	STAGE HELIX 2 1.4301 KIT	1
		> MACH.STG-CASING-WOGV-WNR-M+2-4-304	1
		> IMPELLER-M+2-304	1
13.2	4179317	STAGE BEARING HELIX 2 1.4307 KIT	1
		> MACH.BEARING-STG-CASING-WNR-M+2-304	1
		> IMPELLER-M+2-304	1
		> SHAFT SLEEVE SPACER Ø15,35x10,305-304	1
		> SHAFT-SLEEVE-D12xD16x14-CW	1
13.3	4213786	INTERM. STAGE HELIX 2 >14 ST. 1.4307 KIT	1
		> CORPS-ETG-STD-ACR-AJR-USIN.M+2-304	1
		> IMPELLER-M+2-304	1
		> IMPELLER SPACER Ø12,1x14,1-L24,25-316L	1

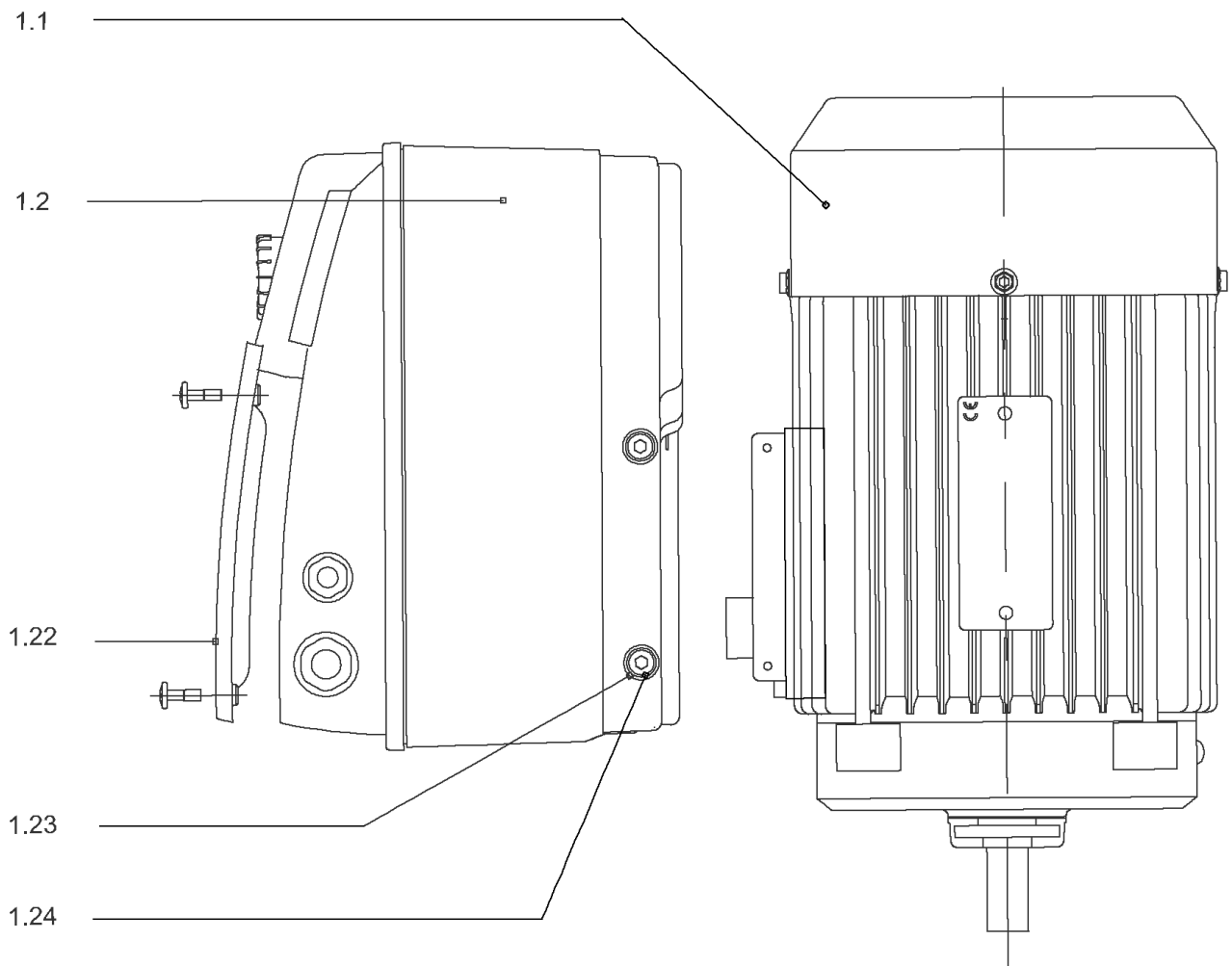


HELIX VE220-1/25/E/KS (4171758)

Item	Article no.	Description	Quantity
1		DRIVE HELIX-VE220-IE2-WE KIT	1
Note: MOTOR BRAND WILO ELEC			
1		DRIVE HELIX-VE220-IE4-WE KIT	1
Note: MOTOR BRAND WILO ELEC			
2	4206025	SCREW M8X45 (4 PIECES)	1
3	4171326	LANTERN FT130 HELIX KIT	1
3.1		> LANTERN FT130 M+6" GJL MACHINING+CATA	1
3.2	2127604	> EYELET CPL.FT HELIX(2 PIECES)	1
3.3	4159692	> COUPLING PROTECTOR FT HELIX KIT	1
4	4178626	COUPLING D.12XD.28 FT130 KIT	1
5	4159707	SCREW M8X30 (4 PIECES)	1
6	4178624	STUD BOLT M12X693 KIT	1
7	4159685	END SHIELD HELIX EPDM KIT	1
7.1		> END SHIELD M+6" GJL250 MACHINING+CATA	1
7.2	2127607	> STATIONARY RING HOLDER 6" HELIX 1.4301 V	1
7.3	4176513	> O-RING FOR PUMP JACKET VP.	1
7.4	2127603	> O-RING ID.37,6x2,4 EPDM VP.	1
7.5	2127602	> O-RING ID.21,35x2 EPDM VP.	1
8	4159686	FILING/PURGING PLUG HELIX EPDM KIT	1
9	4178597	CARTRIDGE HELIX2-4 F/E KIT	1
10	4178627	HOUSING PIPE D.152x560 1.4301 KIT	1
7.3	4176513	> O-RING FOR PUMP JACKET VP.	1
10.1		> HOUSING-PIPE Ø152-M+220/420-304	1
11	4179315	CENTERING STAGE HELIX V2 1.4307 VP.	1
12	4178567	SHAFT EQUIPMENT HELIX V2/V4 KIT	1
12.1		> NUT-H-M8-STAINLESS-STEEL A4-70	1
12.2		> SHAFT END WASHER Ø8/Ø12 316L	1
12.3		> STOP COLLAR OF IMPELLER L12,6-Ø12-316L	1
12.4		> STOP-RUSH-1/2-D12xd2-M+316	1
13		HYDRAULIC HELIX V 220 1.4307	1
14	4179231	SHAFT D.12X683 1.4301 VP.	1
15	4178593	PUMP HOUSING HELIX DN25 PN25 1.4301 KIT	1
7.3	4176513	> O-RING FOR PUMP JACKET VP.	1
15.1		> BLASTING PPE HOUSING V PN25-DN25-5"-304	1

HELIX VE220-1/25/E/KS (4171758)

Item	Article no.	Description	Quantity
15.3	4171321	> PRIMING/DRAIN PLUG EPDM HELIX KIT	1
16	4177970	BASEPLATE HELIX V2/4/6 PN25 VP.	1



DRIVE HELIX-VE220-IE2-WE KIT

Item	Article no.	Description	Quantity
1.1		M3-T638P55V18H-100F13-SU-N28-WE-IE2 VP.	1
Note: no longer available/nicht mehr lieferbar/n'est plus disponible			
		SPARE PARTS MOTOR:ON REQUEST	1
1.2	4184867	MODULE HELIX-VE220-IE2-WE KIT	1
1.22	2054227	> MODULE COVER/GASKET TL3/4 KIT	1
1.23	4215716	> SCREW M5X16 DIN912 8.8 A2A (4pieces) VP.	1
1.24	2057978	> RONDELLE A5,3 DIN6797 FST ZN (4 PIECES)	1



DRIVE HELIX-VE220-IE4-WE KIT

Item	Article no.	Description	Quantity
1.1	4207922	MOTOR 3/2/100 3~ 380V 60HZ IE4 WE VP.	1
		SPARE PARTS MOTOR:ON REQUEST	1
1.2	4213731	MODULE HELIX-VE220-IE4-WE KIT	1
1.22	2054227	> MODULE COVER/GASKET TL3/4 KIT	1
1.23	4215716	> SCREW M5X16 DIN912 8.8 A2A (4pieces) VP.	1
1.24	2057978	> RONDELLE A5,3 DIN6797 FST ZN (4 PIECES)	1



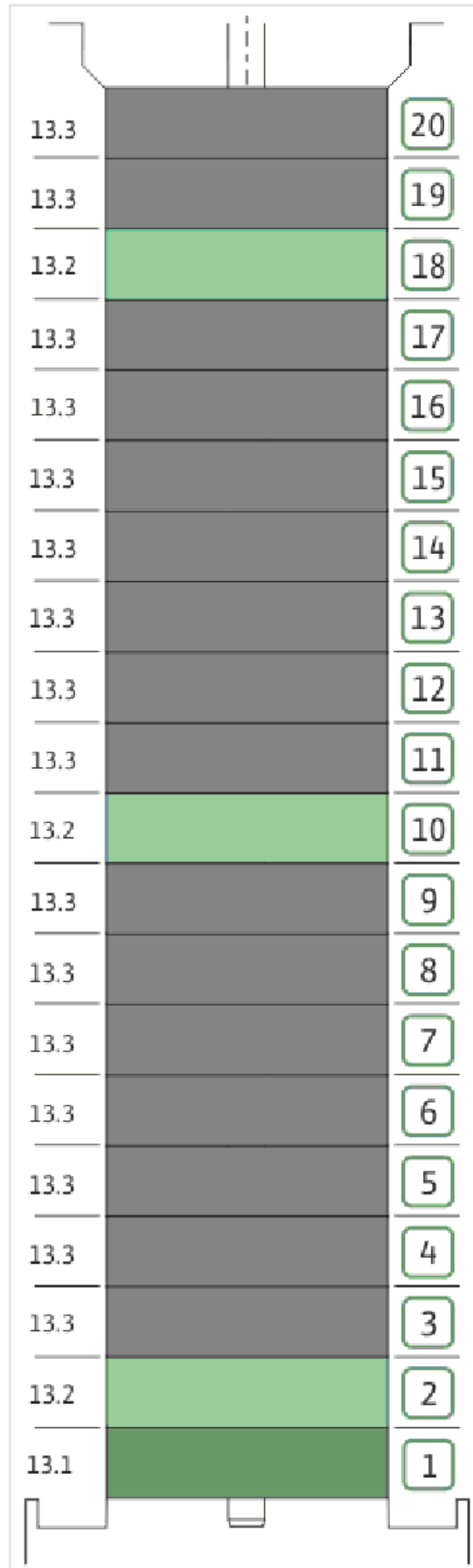
COUPLING D.12XD.28 FT130 KIT (4178626)

Item	Article no.	Description	Quantity
4.1		COUPLING-M+ Ø12XØ28-FT130-MACHINED	1
4.2	2131022	BALL BEARING 6209/ZZ-C3(HT)VP.	1
4.3	4233930	CIRCLIP-FOR-BORES-D45x1,75 VP.	1
4.4	4157726	SCREW KIT M8X30 (4 PIECES)	1
4.5	4234252	CIRCLIPS 85X3 VP.	1
4.6	4234243	O-RING 85X3 VP.	1
		NOMEL CONTACT WASHER 8x16x1,4 STEEL ZC	1



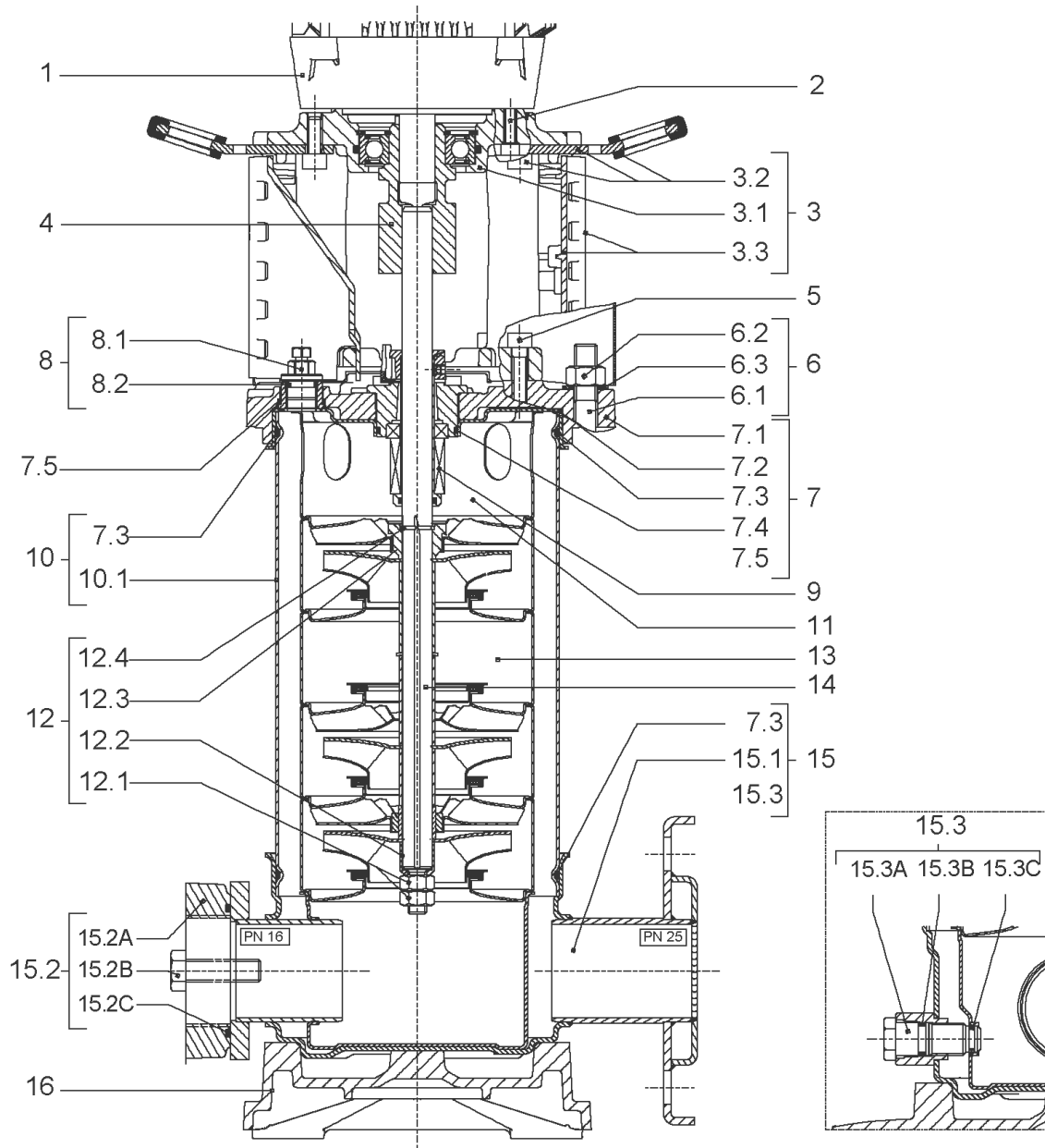
CARTRIDGE HELIX2-4 F/E KIT (4178597)

Item	Article no.	Description	Quantity
9.1	4178594	SEAL-KIT-HELIX2-4 F/E	1
7.3	4176513	> O-RING FOR PUMP JACKET VP.	1
7.4	2127603	> O-RING ID.37,6x2,4 EPDM VP.	1
9.1A	4176521	> MECH.SEAL HELIX2-4-6-10-16 F/E VP.	1
9.1B	4178558	> O-RING ID.12X2 EPDM VP.	1
9.1C	4178558	> O-RING ID.12X2 EPDM VP.	1
9.2	4178596	SHAFT SLEEVE D.18/12X72,2 1.4404 VP.	1
9.3	2130962	RING HOLDER D.18 G606/G6 1.4301 VP.	1
9.4	4176520	SCREW CH M5x5 A4-70 (3PIECES)	1
9.5	4178595	DRIVE RING D.29/15.5x13,2 MACH.VP.	1
9.6	2130964	TOOL M.S.CART.HELIX VP.	1
9.7	2130965	SCREW CHC M5X12 ISO4762 A2.70(4 PIECES)	1



HYDRAULIC HELIX V 220 1.4307

Item	Article no.	Description	Quantity
13.1	4179316	STAGE HELIX 2 1.4301 KIT	1
		> MACH.STG-CASING-WOGV-WNR-M+2-4-304	1
		> IMPELLER-M+2-304	1
13.2	4179317	STAGE BEARING HELIX 2 1.4307 KIT	1
		> MACH.BEARING-STG-CASING-WNR-M+2-304	1
		> IMPELLER-M+2-304	1
		> SHAFT SLEEVE SPACER Ø15,35x10,305-304	1
		> SHAFT-SLEEVE-D12xD16x14-CW	1
13.3	4213786	INTERM. STAGE HELIX 2 >14 ST. 1.4307 KIT	1
		> CORPS-ETG-STD-ACR-AJR-USIN.M+2-304	1
		> IMPELLER-M+2-304	1
		> IMPELLER SPACER Ø12,1x14,1-L24,25-316L	1

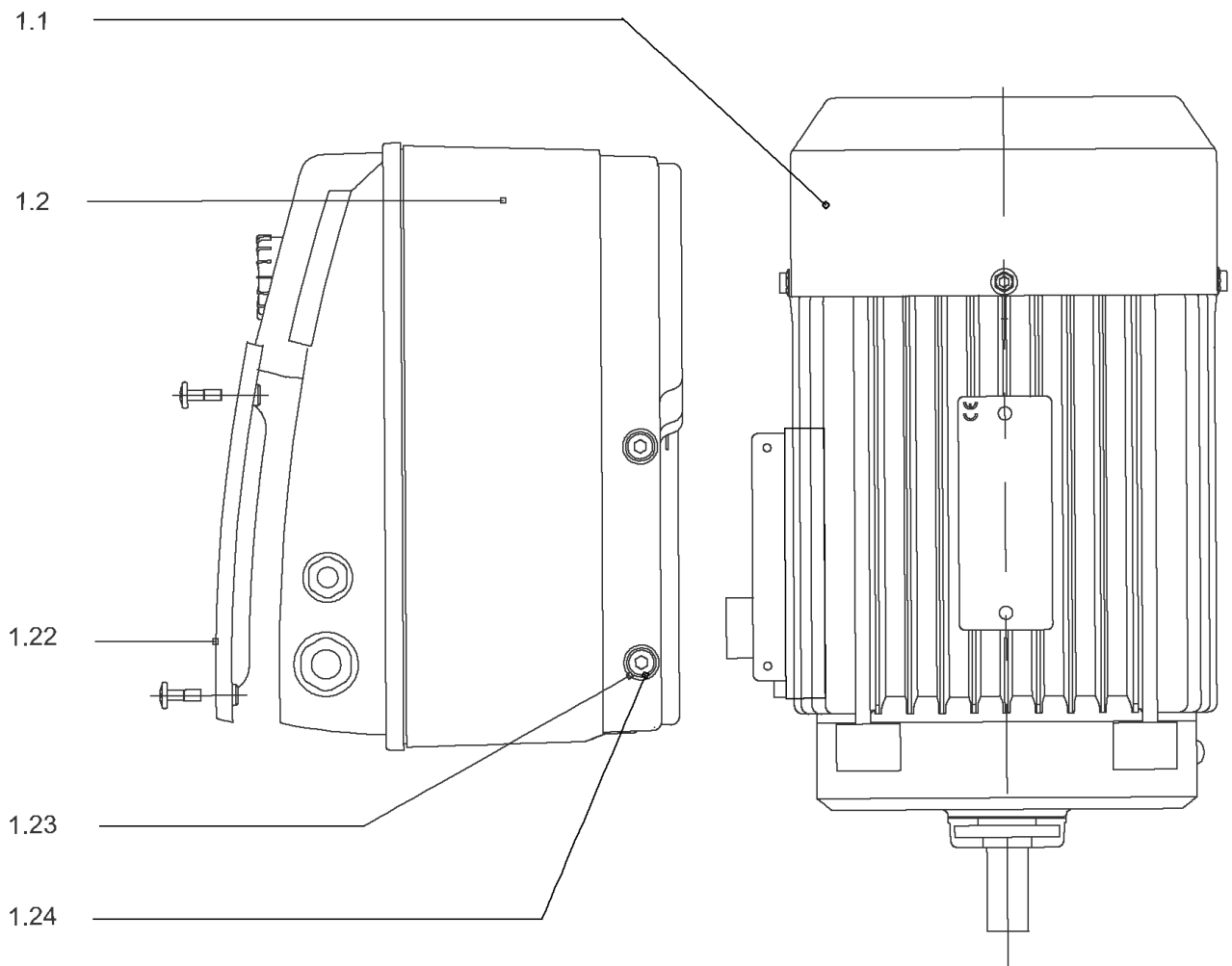


HELIX VE222-1/25/E/KS (4164496)

Item	Article no.	Description	Quantity
1		DRIVE HELIX-VE222-IE2-ATB KIT	1
Note: MOTOR BRAND ATB			
1		DRIVE HELIX-VE222-IE2-WE KIT	1
Note: MOTOR BRAND WILO ELEC			
1		DRIVE HELIX-VE222-IE4-WE KIT	1
Note: MOTOR BRAND WILO ELEC			
2	4206025	SCREW M8X45 (4 PIECES)	1
3	4171326	LANTERN FT130 HELIX KIT	1
3.1		> LANTERN FT130 M+6" GJL MACHINING+CATA	1
3.2	2127604	> EYELET CPL.FT HELIX(2 PIECES)	1
3.3	4159692	> COUPLING PROTECTOR FT HELIX KIT	1
4	4178626	COUPLING D.12XD.28 FT130 KIT	1
5	4159707	SCREW M8X30 (4 PIECES)	1
6	4177852	STUD BOLT M12X788KIT	1
6.1		> TIE BOLT M12-788x18x30-1.4057	1
6.2	2094647	> NUT M12 M12 ISO4032 VP.	1
6.3	2123557	> WASHER CS-12.4-24-1.6-NFE25 (4 PIECES)	1
7	4159685	END SHIELD HELIX EPDM KIT	1
7.1		> END SHIELD M+6" GJL250 MACHINING+CATA	1
7.2	2127607	> STATIONARY RING HOLDER 6" HELIX 1.4301 V	1
7.3	4176513	> O-RING FOR PUMP JACKET VP.	1
7.4	2127603	> O-RING ID.37,6x2,4 EPDM VP.	1
7.5	2127602	> O-RING ID.21,35x2 EPDM VP.	1
8	4159686	FILING/PURGING PLUG HELIX EPDM KIT	1
9	4178597	CARTRIDGE HELIX2-4 F/E KIT	1
10	4177853	HOUSING PIPES D.152X660 1.4307 KIT	1
7.3	4176513	> O-RING FOR PUMP JACKET VP.	1
10.1		> HOUSING-PIPE Ø152-M+1016/1610-304	1
11	4179315	CENTERING STAGE HELIX V2 1.4307 VP.	1
12	4178567	SHAFT EQUIPMENT HELIX V2/V4 KIT	1
12.1		> NUT-H-M8-STAINLESS-STEEL A4-70	1
12.2		> SHAFT END WASHER Ø8/Ø12 316L	1
12.3		> STOP COLLAR OF IMPELLER L12,6-Ø12-316L	1
12.4		> STOP-RUSH-1/2-D12xd2-M+316	1

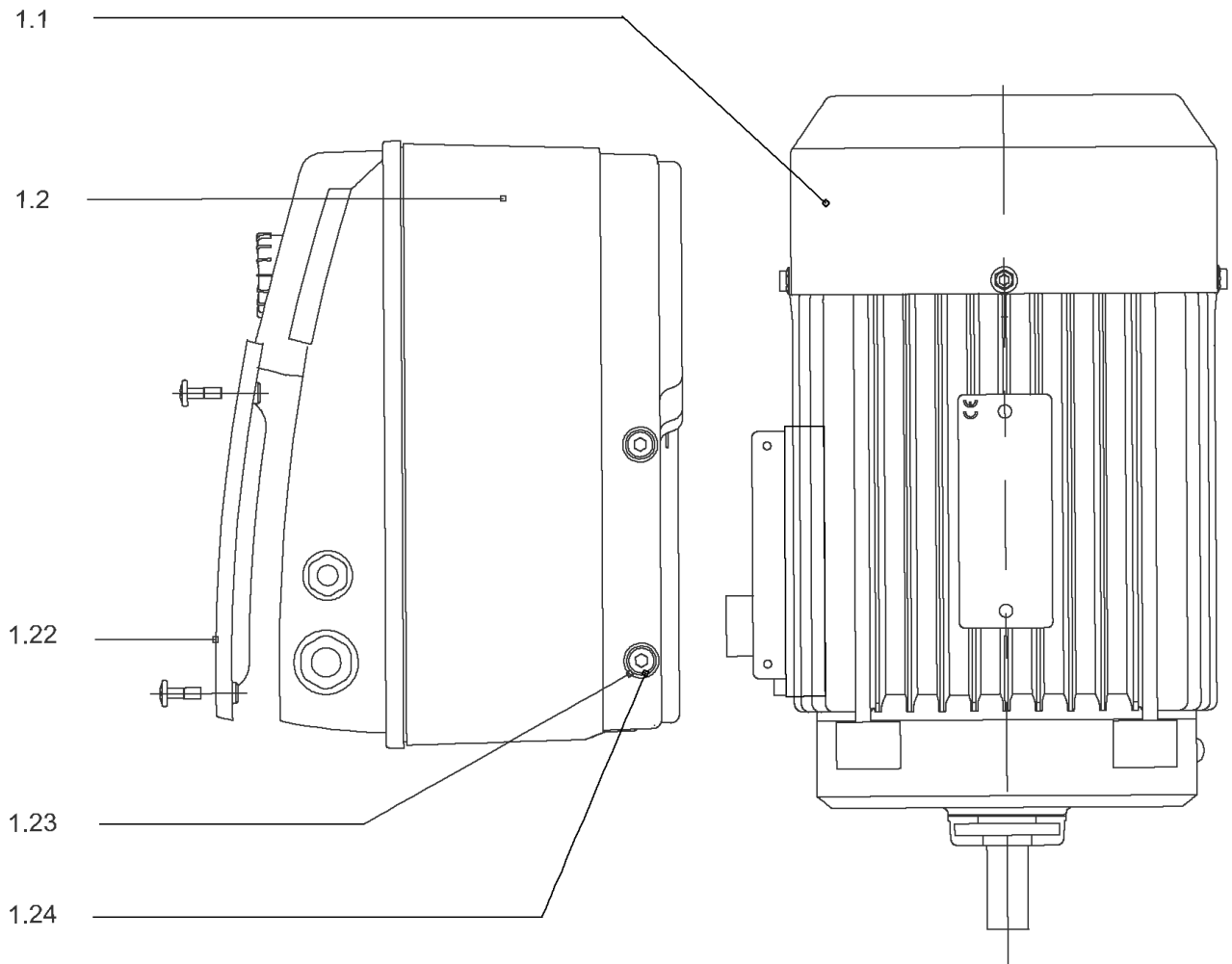
HELIX VE222-1/25/E/KS (4164496)

Item	Article no.	Description	Quantity
13		HYDRAULIC HELIX V 222 1.4307	1
14	4179234	SHAFT D.12X783,8 1.4301 VP.	1
15	4178593	PUMP HOUSING HELIX DN25 PN25 1.4301 KIT	1
7.3	4176513	> O-RING FOR PUMP JACKET VP.	1
15.1		> BLASTING PPE HOUSING V PN25-DN25-5"-304	1
15.3	4171321	> PRIMING/DRAIN PLUG EPDM HELIX KIT	1
16	4177970	BASEPLATE HELIX V2/4/6 PN25 VP.	1



DRIVE HELIX-VE222-IE2-ATB KIT

Item	Article no.	Description	Quantity
1.1		MOTOR 4/2/112 3~ 380V 60HZ IE2 ATB VP.	1
Note: no longer available/nicht mehr lieferbar/n'est plus disponible			
		SPARE PARTS MOTOR:ON REQUEST	1
1.2	4186770	MODULE HELIX-VE222-IE2-ATB KIT	1
1.22	2054227	> MODULE COVER/GASKET TL3/4 KIT	1
1.23	4215716	> SCREW M5X16 DIN912 8.8 A2A (4pieces) VP.	1
1.24	2057978	> RONDELLE A5,3 DIN6797 FST ZN (4 PIECES)	1



DRIVE HELIX-VE222-IE2-WE KIT

Item	Article no.	Description	Quantity
1.1	4188824	MO.4/2/112 3~380V 60Hz IE2 WE VP.	1
		SPARE PARTS MOTOR:ON REQUEST	1
1.2	4195657	MODULE HELIX-VE222-IE2-SIE KIT	1
1.22	2054227	> MODULE COVER/GASKET TL3/4 KIT	1
1.23	4215716	> SCREW M5X16 DIN912 8.8 A2A (4pieces) VP.	1
1.24	2057978	> RONDELLE A5,3 DIN6797 FST ZN (4 PIECES)	1



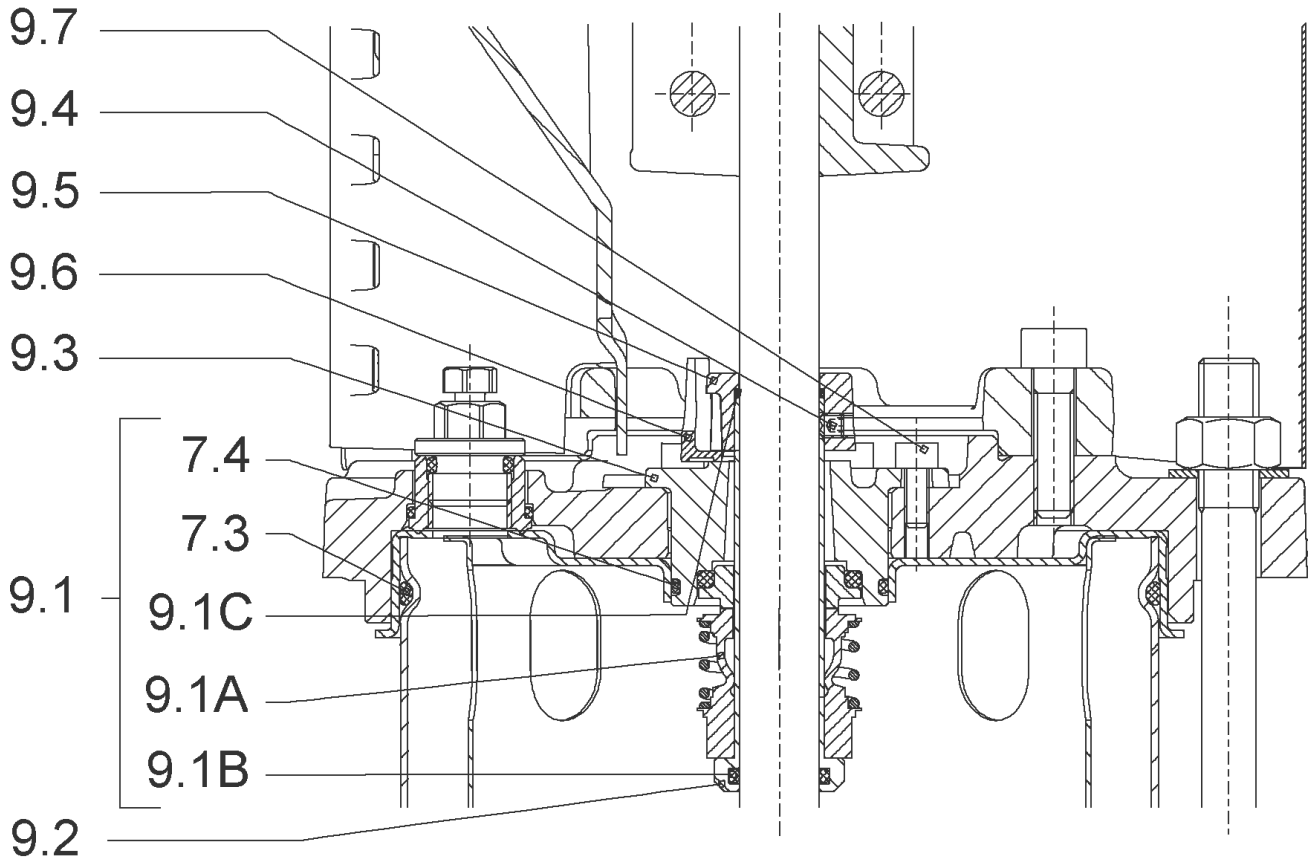
DRIVE HELIX-VE222-IE4-WE KIT

Item	Article no.	Description	Quantity
1.1	4207924	MOTOR 4/2/112 3~ 380V 60HZ IE4 WE VP.	1
		SPARE PARTS MOTOR:ON REQUEST	1
1.2	4213732	MODULE HELIX-VE222-IE4-WE KIT	1
1.22	2054227	> MODULE COVER/GASKET TL3/4 KIT	1
1.23	4215716	> SCREW M5X16 DIN912 8.8 A2A (4pieces) VP.	1
1.24	2057978	> RONDELLE A5,3 DIN6797 FST ZN (4 PIECES)	1



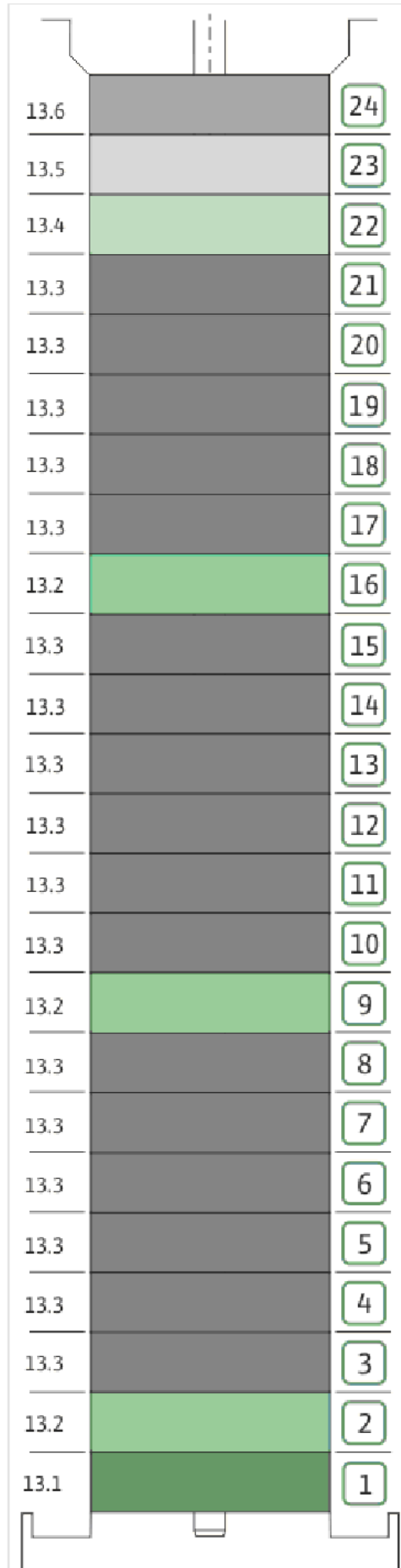
COUPLING D.12XD.28 FT130 KIT (4178626)

Item	Article no.	Description	Quantity
4.1		COUPLING-M+ Ø12XØ28-FT130-MACHINED	1
4.2	2131022	BALL BEARING 6209/ZZ-C3(HT)VP.	1
4.3	4233930	CIRCLIP-FOR-BORES-D45x1,75 VP.	1
4.4	4157726	SCREW KIT M8X30 (4 PIECES)	1
4.5	4234252	CIRCLIPS 85X3 VP.	1
4.6	4234243	O-RING 85X3 VP.	1
		NOMEL CONTACT WASHER 8x16x1,4 STEEL ZC	1

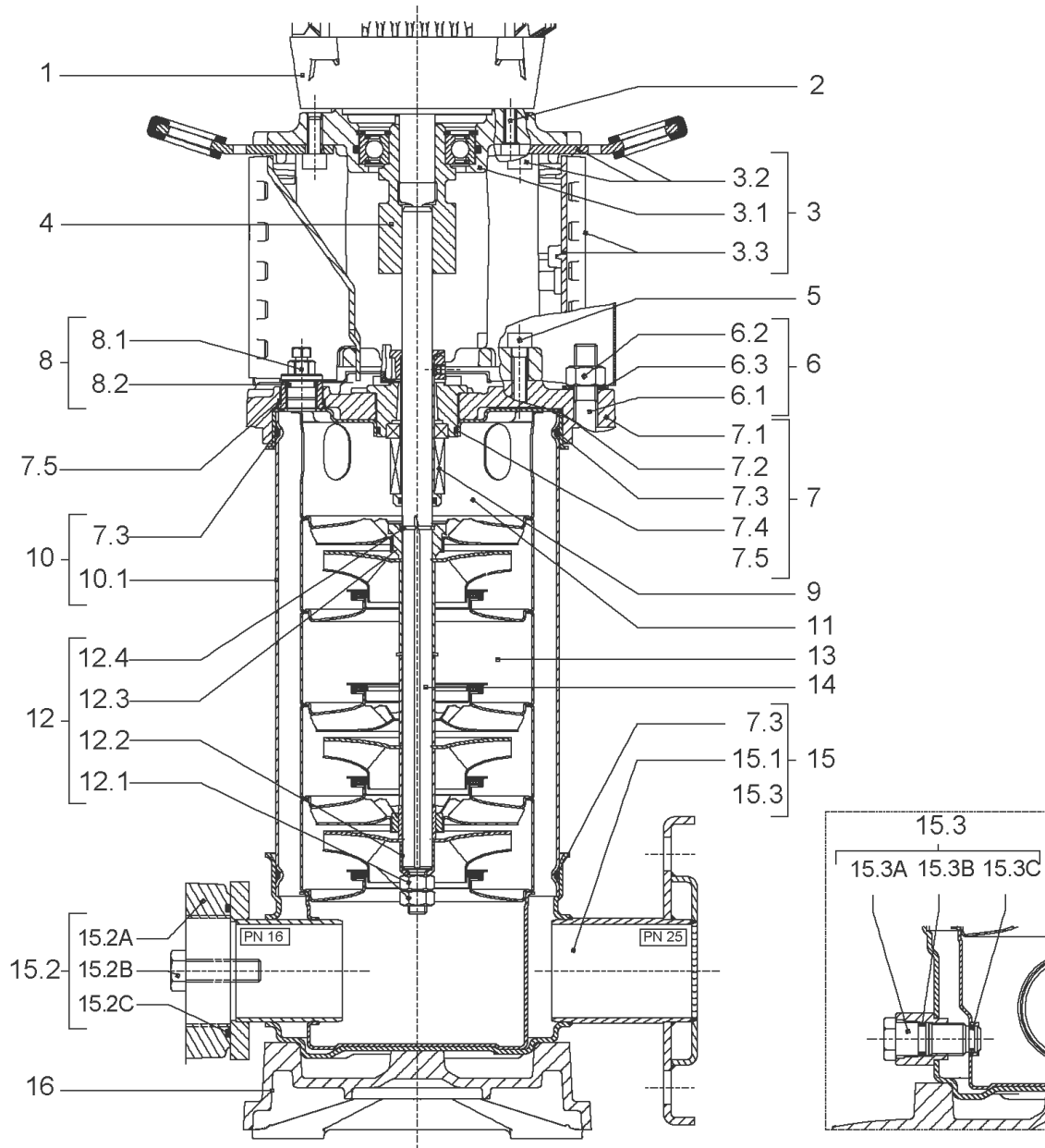


CARTRIDGE HELIX2-4 F/E KIT (4178597)

Item	Article no.	Description	Quantity
9.1	4178594	SEAL-KIT-HELIX2-4 F/E	1
7.3	4176513	> O-RING FOR PUMP JACKET VP.	1
7.4	2127603	> O-RING ID.37,6x2,4 EPDM VP.	1
9.1A	4176521	> MECH.SEAL HELIX2-4-6-10-16 F/E VP.	1
9.1B	4178558	> O-RING ID.12X2 EPDM VP.	1
9.1C	4178558	> O-RING ID.12X2 EPDM VP.	1
9.2	4178596	SHAFT SLEEVE D.18/12X72,2 1.4404 VP.	1
9.3	2130962	RING HOLDER D.18 G606/G6 1.4301 VP.	1
9.4	4176520	SCREW CH M5x5 A4-70 (3PIECES)	1
9.5	4178595	DRIVE RING D.29/15.5x13,2 MACH.VP.	1
9.6	2130964	TOOL M.S.CART.HELIX VP.	1
9.7	2130965	SCREW CHC M5X12 ISO4762 A2.70(4 PIECES)	1



Item	Article no.	Description	Quantity
13.1	4179316	STAGE HELIX 2 1.4301 KIT	1
		> MACH.STG-CASING-WOGV-WNR-M+2-4-304	1
		> IMPELLER-M+2-304	1
13.2	4179317	STAGE BEARING HELIX 2 1.4307 KIT	1
		> MACH.BEARING-STG-CASING-WNR-M+2-304	1
		> IMPELLER-M+2-304	1
		> SHAFT SLEEVE SPACER Ø15,35x10,305-304	1
		> SHAFT-SLEEVE-D12xD16x14-CW	1
13.3	4213786	INTERM. STAGE HELIX 2 >14 ST. 1.4307 KIT	1
		> CORPS-ETG-STD-ACR-AJR-USIN.M+2-304	1
		> IMPELLER-M+2-304	1
		> IMPELLER SPACER Ø12,1X14,1-L24,25-316L	1
13.4	4179553	EMPTY STAGE BEARING HELIX 2 1.4301 KIT	1
		> MACH.BEARING-STG-CASING-WNR-M+2-304	1
		> FLAT WASHER-D12.1XD16X0.8-316L	1
		> SHAFT SLEEVE SPACER Ø15,35x10,305-304	1
		> SHAFT-SLEEVE-D12xD16x14-CW	1
13.5	4179523	EMPTY STAGE HELIX 2 1.4301 KIT	1
		> MACH.STG-CASING-WOGV-WNR-M+2-4-304	1
		> FLAT WASHER-D12.1XD16X0.8-316L	1
		> IMPELLER SPACER Ø12,05X14,85-L24,285-304	1
13.6	4220512	INTERMED STAGE>15 HELIX 2 1.4301 KIT	1
		> MACH.STG-CASING-WOGV-WNR-M+2-4-304	1
		> IMPELLER-M+2-304	1
		> IMPELLER SPACER Ø12,1X14,1-L24,25-316L	1



HELIX VE403-1/16/E/KS (4171702)

Item	Article no.	Description	Quantity
1		DRIVE HELIX-VE403-IE2-WE KIT	1
Note: MOTOR BRAND WILO ELEC			
1		DRIVE HELIX-VE403-IE4-WE KIT	1
Note: MOTOR BRAND WILO ELEC			
2	4159702	SCREW M6X30 (4 PIECES)	1
3	4171323	LANTERN FT85 HELIX KIT	1
3.1		> LANTERN FT85 M+6" GJL MACHINING+CATA	1
3.2	2127604	> EYELET CPL.FT HELIX(2 PIECES)	1
3.3	4159692	> COUPLING PROTECTOR FT HELIX KIT	1
4	4178554	COUPLING FT 85 Ø12XØ14 KIT	1
5	4159707	SCREW M8X30 (4 PIECES)	1
6	4177803	STUD BOLT M12X263 KIT	1
6.1		> TIE BOLT M12-263x18x30-1.4057	1
6.2	2094647	> NUT M12 M12 ISO4032 VP.	1
6.3	2123557	> WASHER CS-12.4-24-1.6-NFE25 (4 PIECES)	1
7	4159685	END SHIELD HELIX EPDM KIT	1
7.1		> END SHIELD M+6" GJL250 MACHINING+CATA	1
7.2	2127607	> STATIONARY RING HOLDER 6" HELIX 1.4301 V	1
7.3	4176513	> O-RING FOR PUMP JACKET VP.	1
7.4	2127603	> O-RING ID.37,6x2,4 EPDM VP.	1
7.5	2127602	> O-RING ID.21,35x2 EPDM VP.	1
8	4159686	FILING/PURGING PLUG HELIX EPDM KIT	1
9	4178559	KART.HELIX2-4 O/E SET	1
10	4177804	HOUSING PIPES D.152X134 1.4301 KIT	1
7.3	4176513	> O-RING FOR PUMP JACKET VP.	1
10.1		> HOUSING-PIPE Ø152-M+1001/02-304	1
11	4178566	CENTERING STAGE-RETURN HELIX4 1.4307 VP	1
12	4178567	SHAFT EQUIPMENT HELIX V2/V4 KIT	1
12.1		> NUT-H-M8-STAINLESS-STEEL A4-70	1
12.2		> SHAFT END WASHER Ø8/Ø12 316L	1
12.3		> STOP COLLAR OF IMPELLER L12,6-Ø12-316L	1
12.4		> STOP-RUSH-1/2-D12xd2-M+316	1
13		HYDRAULIC HELIX V 403 1.4307	1
14	4178575	SHAFT D.12X258 1.4301 VP.	1

HELIX VE403-1/16/E/KS (4171702)

Item	Article no.	Description	Quantity
15	4174079	PUMP HOUSING HELIX DN32 PN16 1.4301 KIT	1
7.3	4176513	> O-RING FOR PUMP JACKET VP.	1
15.1		> BLASTING PPE HOUSING V-PN16-DN32-5"-304	1
15.2	4217889	> COUNTER FLANGE-G1"-PN16-GJL KIT	1
15.3	4171321	> PRIMING/DRAIN PLUG EPDM HELIX KIT	1
16	4177964	BASEPLATE HELIX V2/4/6 PN16 VP.	1



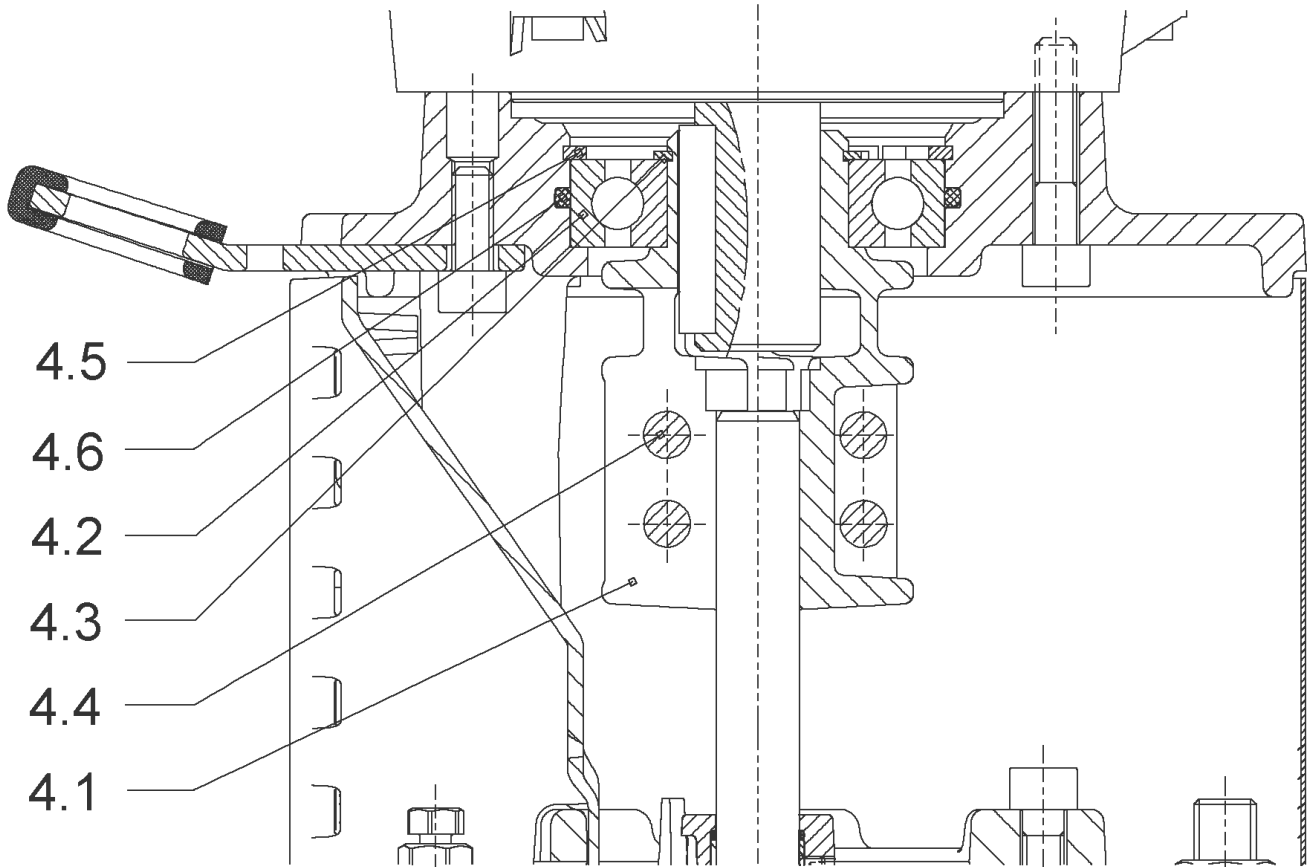
DRIVE HELIX-VE403-IE2-WE KIT

Item	Article no.	Description	Quantity
1.1		MOTOR 0,55/2/80 3~ 380V 60HZ IE2 WE VP.	1
Note: no longer available/nicht mehr lieferbar/n'est plus disponible			
		SPARE PARTS MOTOR:ON REQUEST	1
1.2	4184869	MODULE HELIX-VE403-IE2-WE KIT	1
1.22	2054372	> MODULE COVER TL1,TL2+GASKET KIT	1
1.23	4215716	> SCREW M5X16 DIN912 8.8 A2A (4pieces) VP.	1
1.24	2057978	> RONDELLE A5,3 DIN6797 FST ZN (4 PIECES)	1



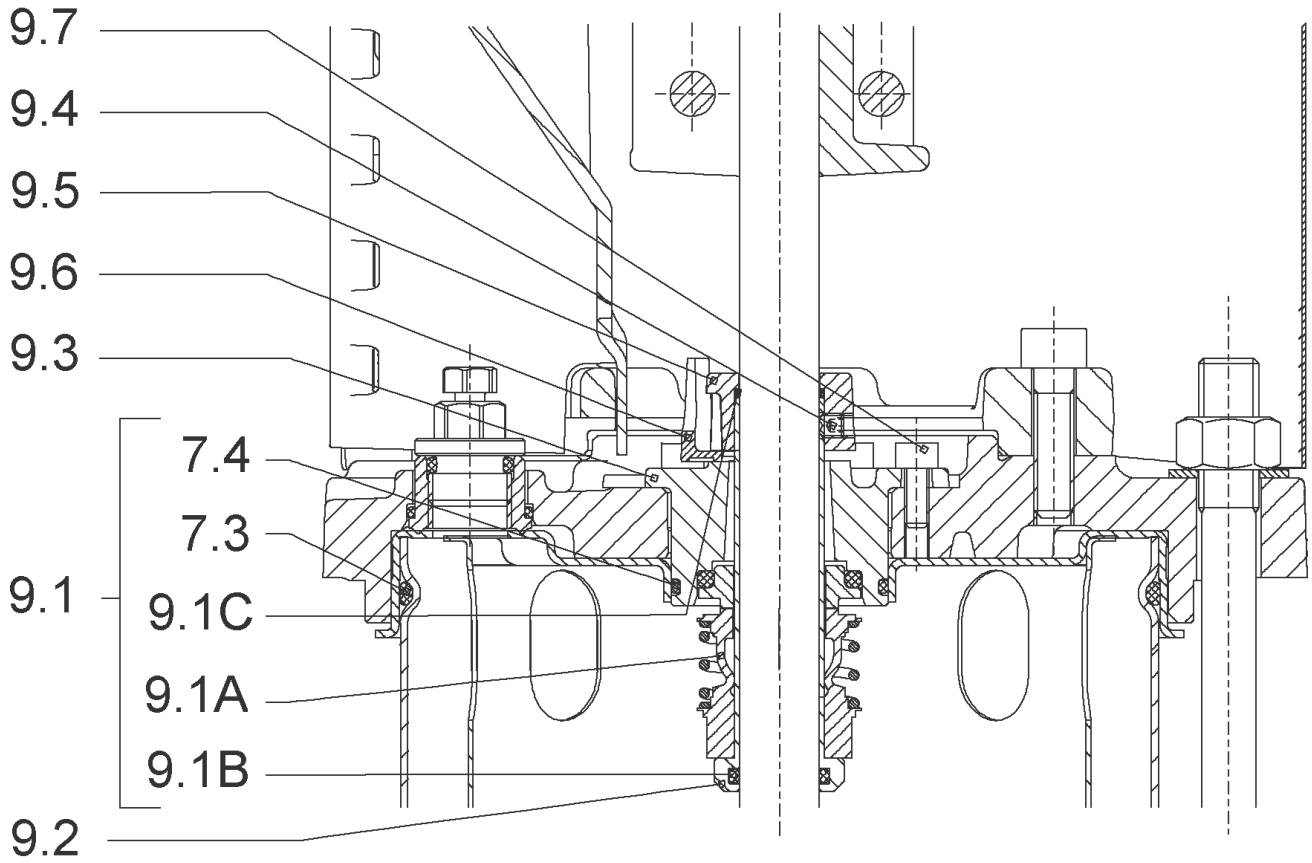
DRIVE HELIX-VE403-IE4-WE KIT

Item	Article no.	Description	Quantity
1.1	4207912	MOTOR 0.55/2/71 3~ 380V 60HZ IE4 WE VP.	1
		SPARE PARTS MOTOR:ON REQUEST	1
1.2	4209319	MODULE HELIX-VE403-IE4-WE KIT	1
1.22	2054372	> MODULE COVER TL1,TL2+GASKET KIT	1
1.23	4215716	> SCREW M5X16 DIN912 8.8 A2A (4pieces) VP.	1
1.24	2057978	> RONDELLE A5,3 DIN6797 FST ZN (4 PIECES)	1



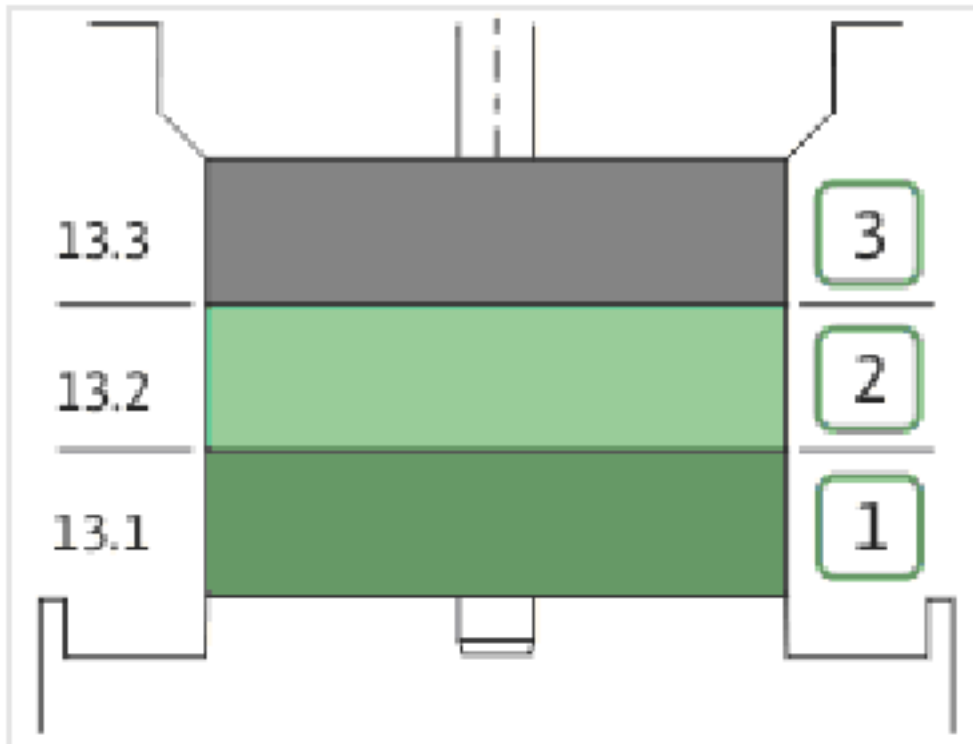
COUPLING FT 85 Ø12XØ14 KIT (4178554)

Item	Article no.	Description	Quantity
4.1		COUPLING-M+ Ø12XØ14-FT85-MACHINED	1
4.3	4208923	CIRCLIP D25X1.2 VP.	1
4.2	4177802	BALL BEARING 6205C3-ZZ HTVP.	1
4.4	4212716	SCREW M6X20 KIT (4PIECES)	1
4.5	4233124	CIRCLIP-FOR-BORES-D52x2 VP.	1
4.6	4234244	O-RING 52X2 VP.	1
		CONTACT-WASHER-6ETR-6,1x12,2x1,8-STEEL	4

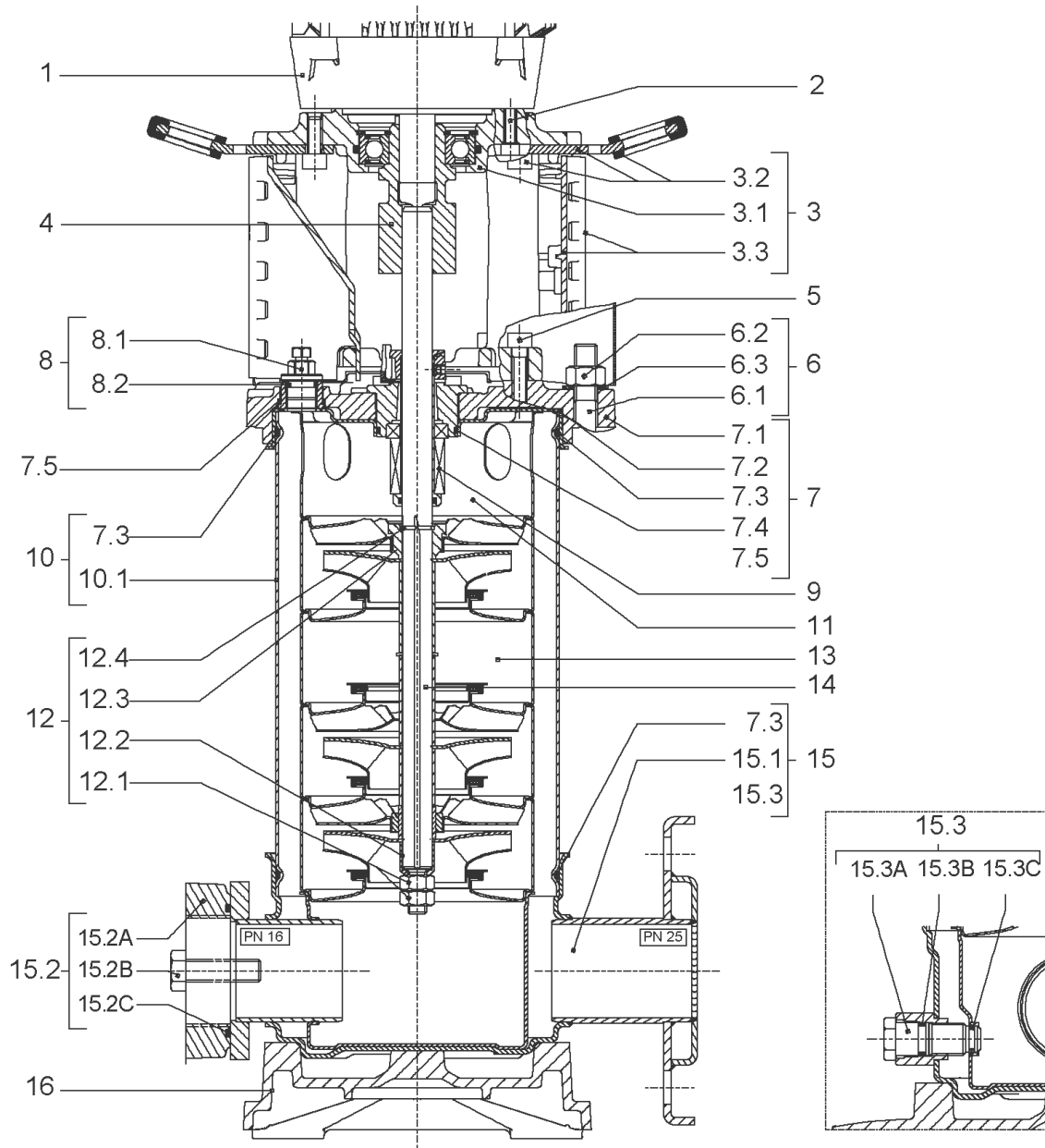


KART.HELIX2-4 O/E SET (4178559)

Item	Article no.	Description	Quantity
9.1	4178560	SEAL-KIT-HELIX2-4 O/E	1
7.3	4176513	> O-RING FOR PUMP JACKET VP.	1
7.4	2127603	> O-RING ID.37,6x2,4 EPDM VP.	1
9.1A	2130966	> MECH.SEAL HELIX2-4-6-10-16 O/E VP.	1
9.1B	4178558	> O-RING ID.12X2 EPDM VP.	1
9.1C	4178558	> O-RING ID.12X2 EPDM VP.	1
9.2	4178557	SHAFT SLEEVE Ø12XØ18-PN16 1.4404 VP.	1
9.3	2130962	RING HOLDER D.18 G606/G6 1.4301 VP.	1
9.4	4176520	SCREW CH M5x5 A4-70 (3PIECES)	1
9.5	4178556	DRIVE RING D.29/15.5x13,2 MACH.VP.	1
9.6	2130964	TOOL M.S.CART.HELIX VP.	1
9.7	2130965	SCREW CHC M5X12 ISO4762 A2.70(4 PIECES)	1



Item	Article no.	Description	Quantity
13.1	4178570	STAGE HELIX 4 1.4301 KIT	1
		> MACH.STG-CASING-WOGV-WNR-M+2-4-304	1
		> IMPELLER-M+4-304	1
13.2	4178569	STAGE BEARING HELIX 4 1.4301 KIT	1
		> MACH.BEARING-STG-CASING-WNR-M+4-304	1
		> IMPELLER-M+4-304	1
		> SHAFT SLEEVE SPACER Ø15,35x10,305-304	1
		> SHAFT-SLEEVE-D12xD16x14-CW	1
13.3	4178574	INTER STAGE HELIX4 1.4301< 15 stages KIT	1
		> MACH.STD-STG-CASING-WGV+NR-M+4-304	1
		> IMPELLER-M+4-304	1
		> IMPELLER SPACER Ø12,05X14,85-L24,285-304	1

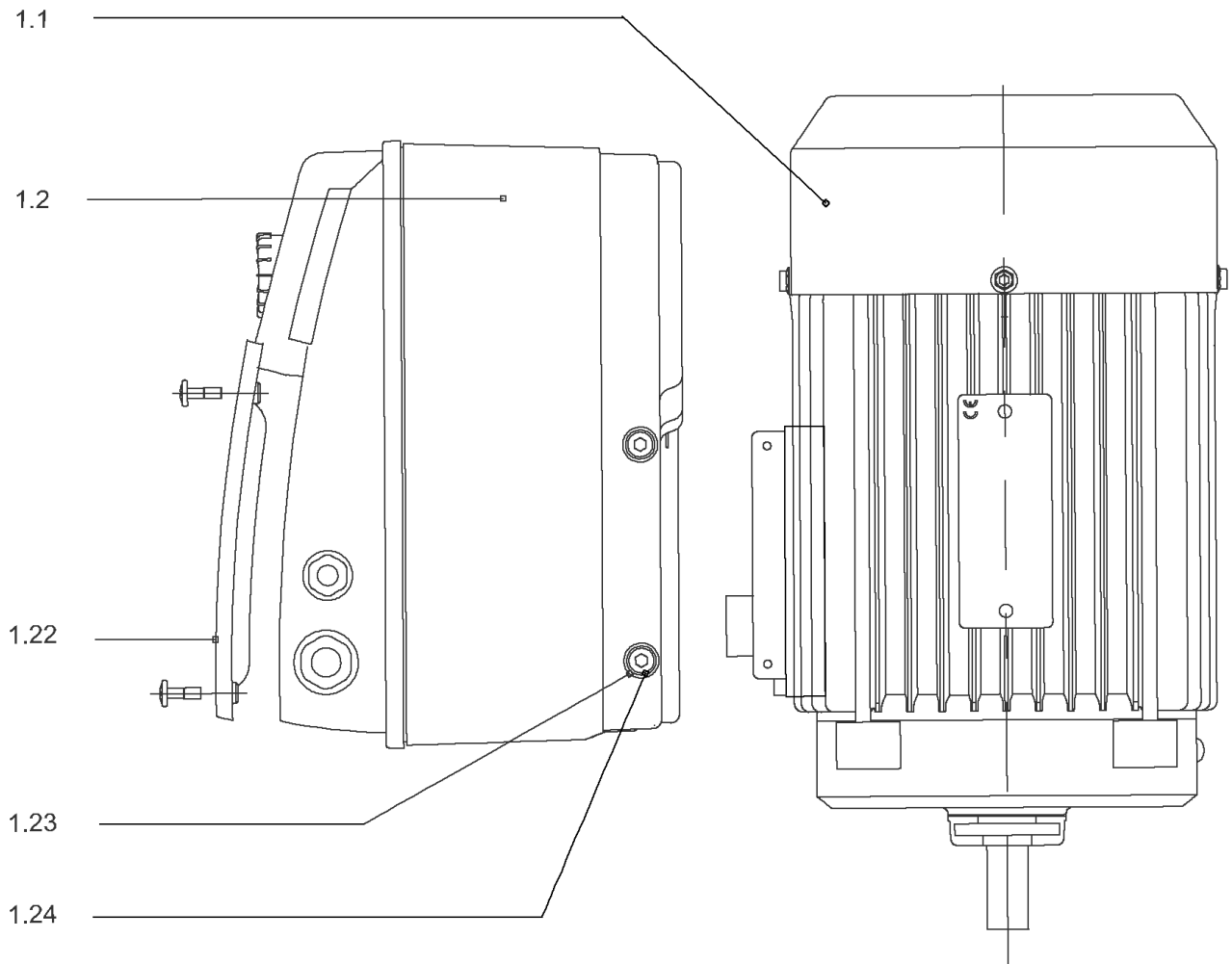


HELIX VE403-1/16/E/S (4171708)

Item	Article no.	Description	Quantity
1		DRIVE HELIX-VE403-IE2-WE KIT	1
Note: MOTOR BRAND WILO ELEC			
1		DRIVE HELIX-VE403-IE4-WE KIT	1
Note: MOTOR BRAND WILO ELEC			
2	4159702	SCREW M6X30 (4 PIECES)	1
3	4171325	LANTERN MONOBLOC FT85 HELIX KIT	1
3.1		> M+5_6_LANTERN_ONE-PIECE_FT85_CATA	1
3.2	2127604	> EYELET CPL.FT HELIX(2 PIECES)	1
3.3	4159692	> COUPLING PROTECTOR FT HELIX KIT	1
4	4178554	COUPLING FT 85 Ø12XØ14 KIT	1
5	4159707	SCREW M8X30 (4 PIECES)	1
6	4177803	STUD BOLT M12X263 KIT	1
6.1		> TIE BOLT M12-263x18x30-1.4057	1
6.2	2094647	> NUT M12 M12 ISO4032 VP.	1
6.3	2123557	> WASHER CS-12.4-24-1.6-NFE25 (4 PIECES)	1
7	4210143	STATIONARY RING HOLDER HELIX 6" EPDM	1
7.2	2127607	> STATIONARY RING HOLDER 6" HELIX 1.4301 V	1
7.3	4176513	> O-RING FOR PUMP JACKET VP.	1
7.4	2127603	> O-RING ID.37,6x2,4 EPDM VP.	1
7.5	2127602	> O-RING ID.21,35x2 EPDM VP.	1
8	4159686	FILING/PURGING PLUG HELIX EPDM KIT	1
9	4178564	SEAL-KIT-HELIX2-4 O/E KIT	1
10	4177804	HOUSING PIPES D.152X134 1.4301 KIT	1
7.3	4176513	> O-RING FOR PUMP JACKET VP.	1
10.1		> HOUSING-PIPE Ø152-M+1001/02-304	1
11	4178566	CENTERING STAGE-RETURN HELIX4 1.4307 VP	1
12	4178568	SHAFT EQUIPMENT HELIX V2/V4 KIT	1
12.1		> NUT-H-M8-STAINLESS-STEEL A4-70	2
12.2		> SHAFT END WASHER Ø8/Ø12 316L	1
12.3		> STOP COLLAR OF IMPELLER M+2/4 SINGLEBLOC	1
12.4		> STOP-RUSH-1/2-D12xd2-M+316	2
13		HYDRAULIC HELIX V 403 1.4307	1
14	4178575	SHAFT D.12X258 1.4301 VP.	1
15	4174079	PUMP HOUSING HELIX DN32 PN16 1.4301 KIT	1

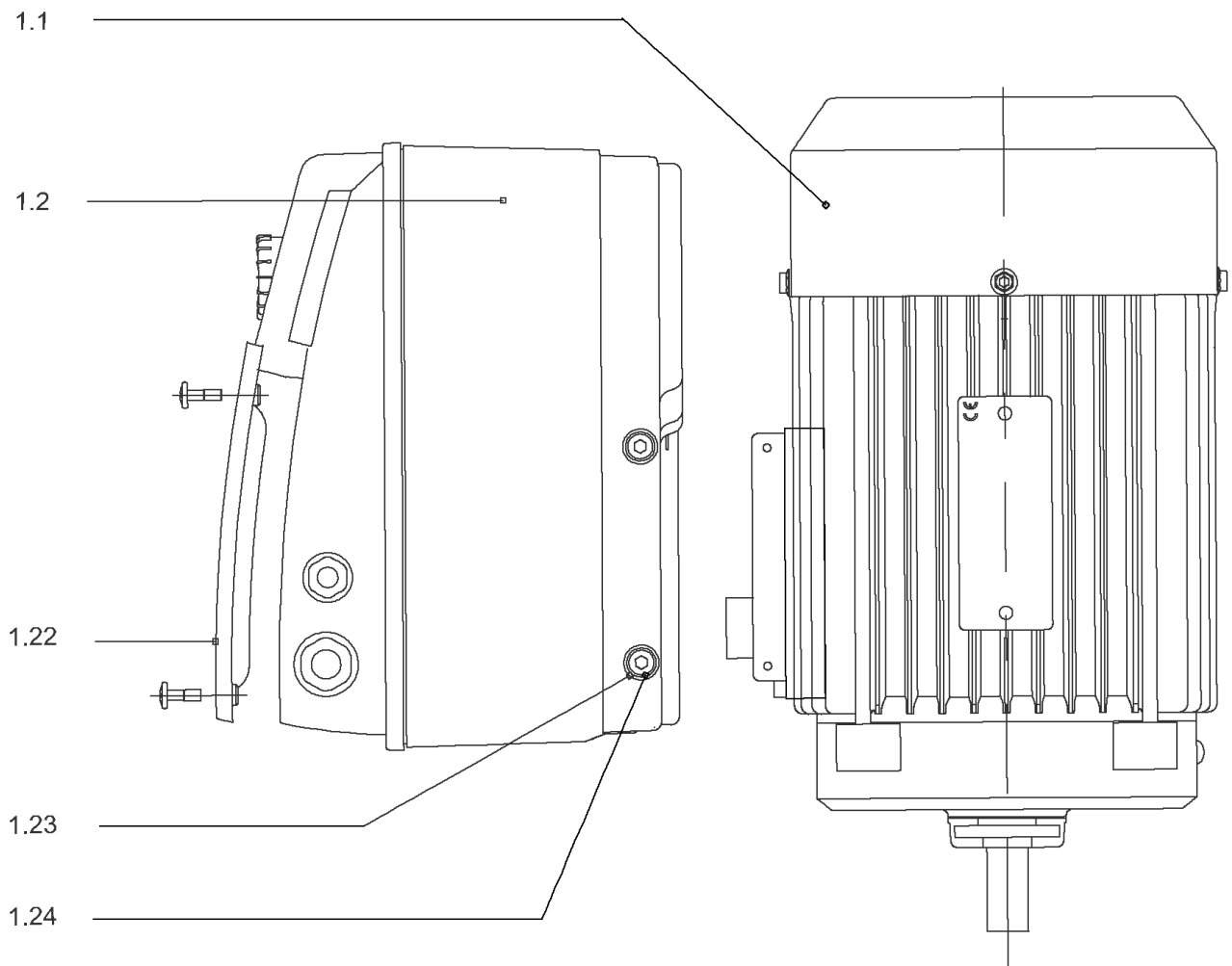
HELIX VE403-1/16/E/S (4171708)

Item	Article no.	Description	Quantity
7.3	4176513	> O-RING FOR PUMP JACKET VP.	1
15.1		> BLASTING PPE HOUSING V-PN16-DN32-5"-304	1
15.2	4217889	> COUNTER FLANGE-G1"-PN16-GJL KIT	1
15.3	4171321	> PRIMING/DRAIN PLUG EPDM HELIX KIT	1
16	4177964	BASEPLATE HELIX V2/4/6 PN16 VP.	1



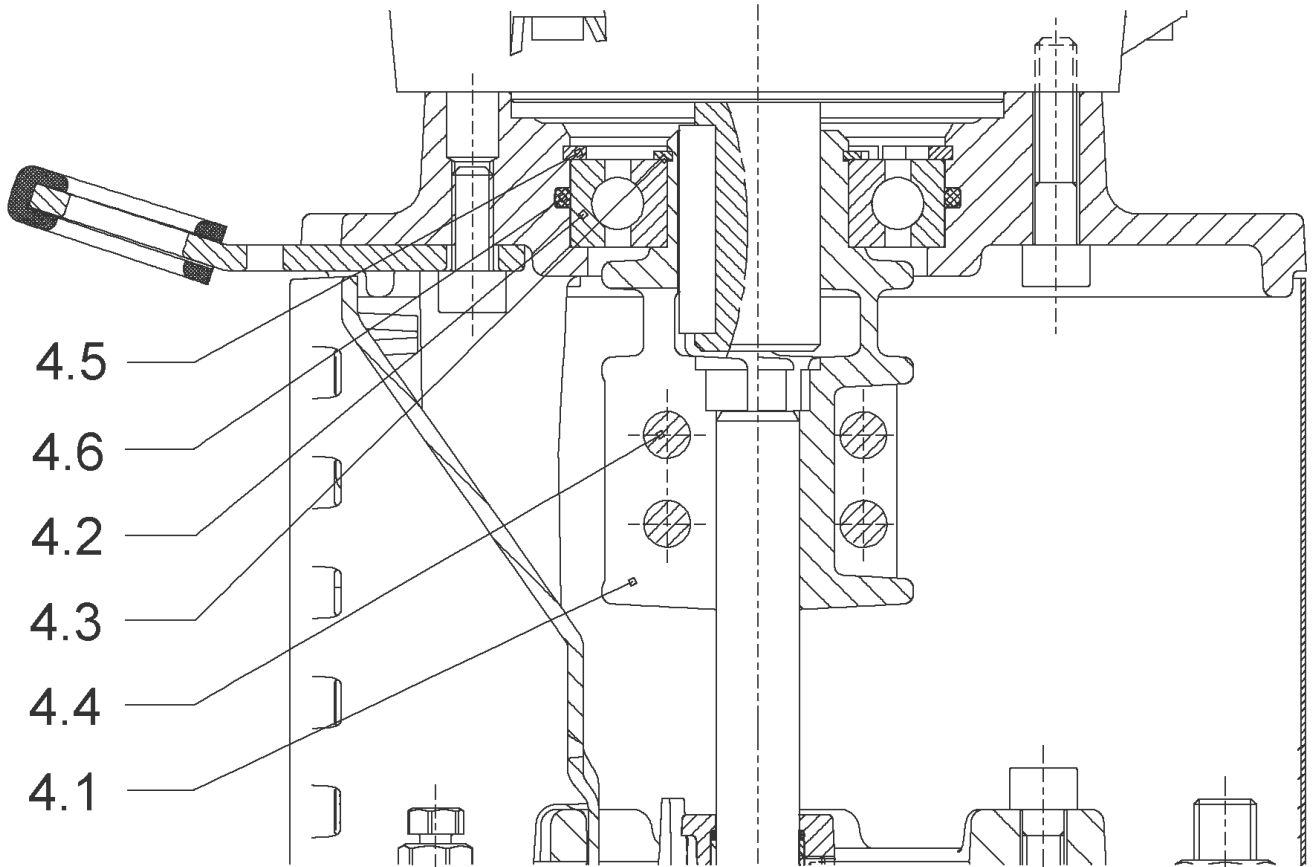
DRIVE HELIX-VE403-IE2-WE KIT

Item	Article no.	Description	Quantity
1.1		MOTOR 0,55/2/80 3~ 380V 60HZ IE2 WE VP.	1
Note: no longer available/nicht mehr lieferbar/n'est plus disponible			
		SPARE PARTS MOTOR:ON REQUEST	1
1.2	4184869	MODULE HELIX-VE403-IE2-WE KIT	1
1.22	2054372	> MODULE COVER TL1,TL2+GASKET KIT	1
1.23	4215716	> SCREW M5X16 DIN912 8.8 A2A (4pieces) VP.	1
1.24	2057978	> RONDELLE A5,3 DIN6797 FST ZN (4 PIECES)	1



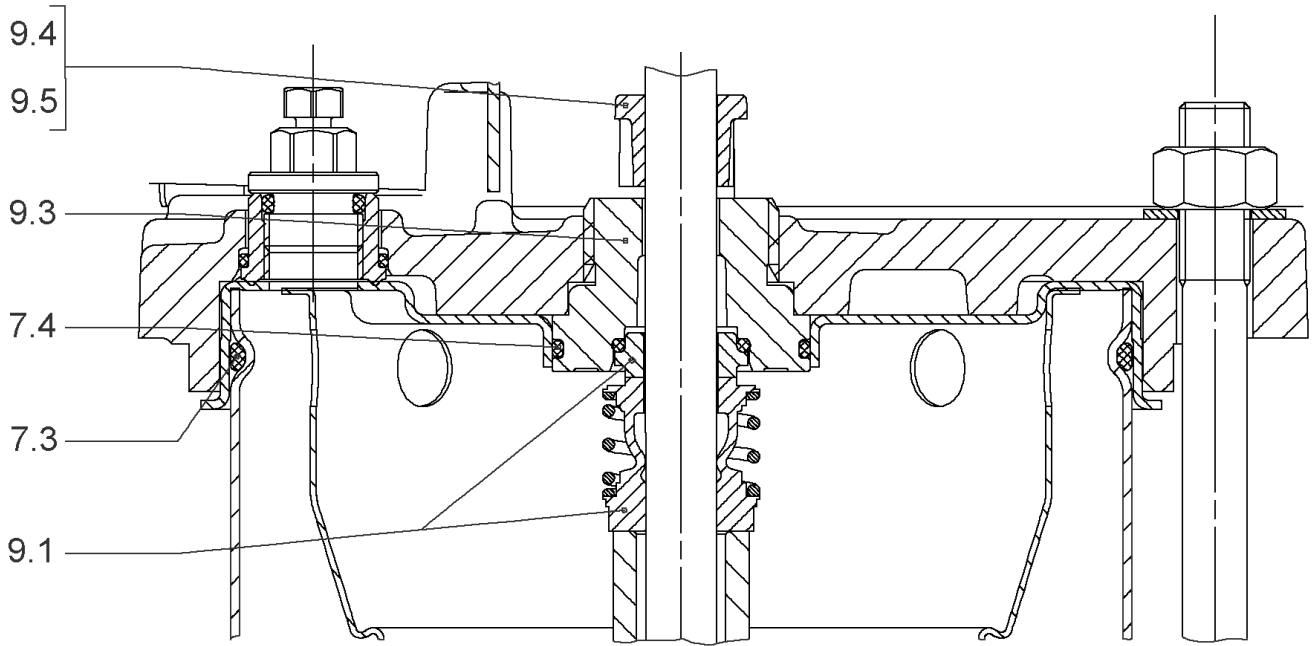
DRIVE HELIX-VE403-IE4-WE KIT

Item	Article no.	Description	Quantity
1.1	4207912	MOTOR 0.55/2/71 3~ 380V 60HZ IE4 WE VP.	1
		SPARE PARTS MOTOR:ON REQUEST	1
1.2	4209319	MODULE HELIX-VE403-IE4-WE KIT	1
1.22	2054372	> MODULE COVER TL1,TL2+GASKET KIT	1
1.23	4215716	> SCREW M5X16 DIN912 8.8 A2A (4pieces) VP.	1
1.24	2057978	> RONDELLE A5,3 DIN6797 FST ZN (4 PIECES)	1



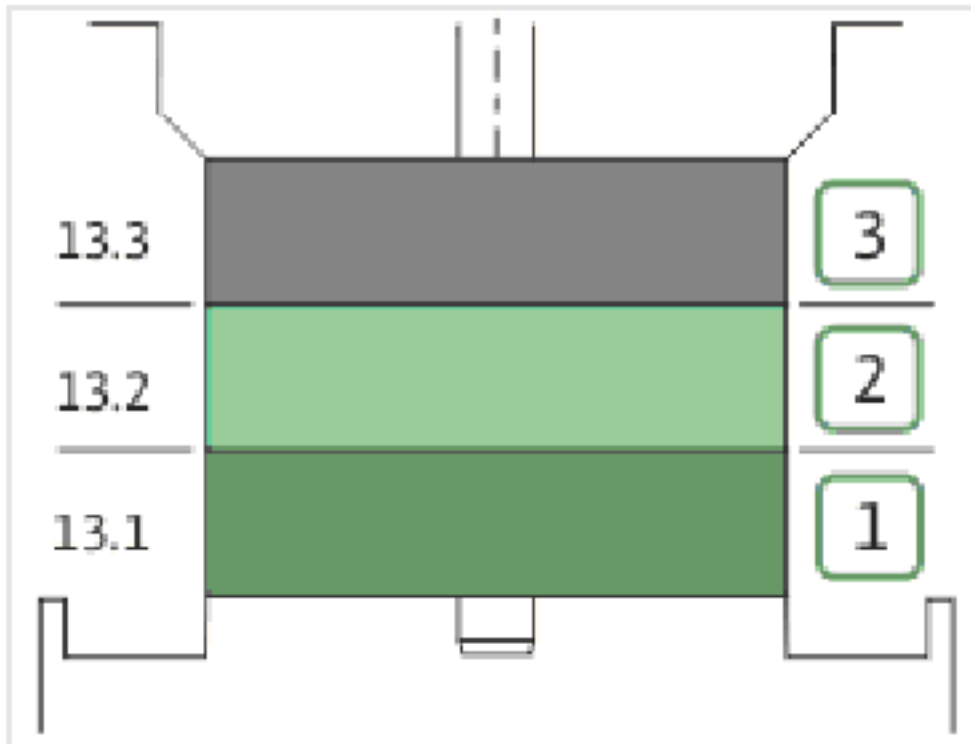
COUPLING FT 85 Ø12XØ14 KIT (4178554)

Item	Article no.	Description	Quantity
4.1		COUPLING-M+ Ø12XØ14-FT85-MACHINED	1
4.3	4208923	CIRCLIP D25X1.2 VP.	1
4.2	4177802	BALL BEARING 6205C3-ZZ HTVP.	1
4.4	4212716	SCREW M6X20 KIT (4PIECES)	1
4.5	4233124	CIRCLIP-FOR-BORES-D52x2 VP.	1
4.6	4234244	O-RING 52X2 VP.	1
		CONTACT-WASHER-6ETR-6,1x12,2x1,8-STEEL	4



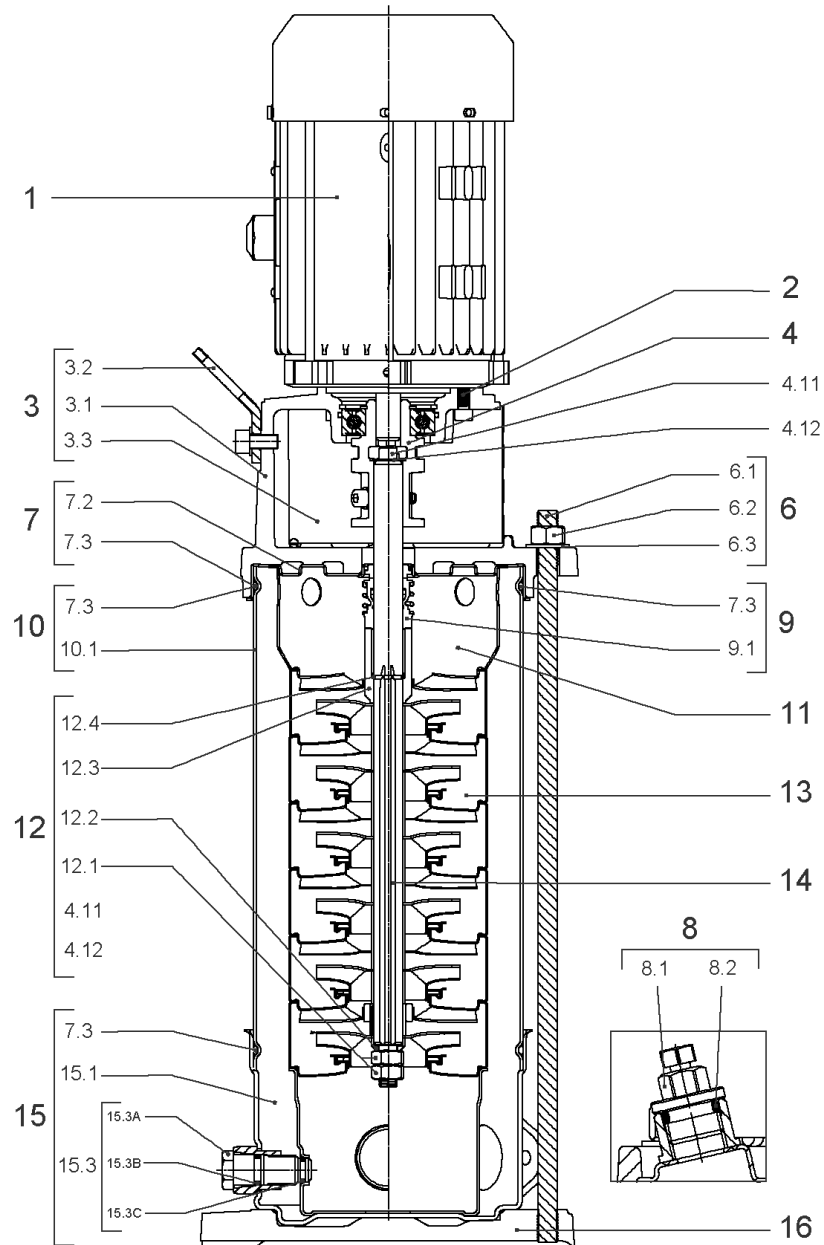
SEAL-KIT-HELIX2-4 O/E KIT (4178564)

Item	Article no.	Description	Quantity
7.3	4176513	O-RING FOR PUMP JACKET VP.	1
7.4	2127603	O-RING ID.37,6x2,4 EPDM VP.	1
9.1	4178563	M.SEAL.HELIX2-4 O/E VP.	1
9.3	4178561	RING HOLDER Ø22 1.4301 VP.	1
9.5	4178562	DRIVE RING D.22/12.2X10 MACH.VP.	1
9.4	4176520	SCREW CH M5x5 A4-70 (3PIECES)	1



HYDRAULIC HELIX V 403 1.4307

Item	Article no.	Description	Quantity
13.1	4178570	STAGE HELIX 4 1.4301 KIT	1
		> MACH.STG-CASING-WOGV-WNR-M+2-4-304	1
		> IMPELLER-M+4-304	1
13.2	4178569	STAGE BEARING HELIX 4 1.4301 KIT	1
		> MACH.BEARING-STG-CASING-WNR-M+4-304	1
		> IMPELLER-M+4-304	1
		> SHAFT SLEEVE SPACER Ø15,35x10,305-304	1
		> SHAFT-SLEEVE-D12xD16x14-CW	1
13.3	4178574	INTER STAGE HELIX4 1.4301< 15 stages KIT	1
		> MACH.STD-STG-CASING-WGV+NR-M+4-304	1
		> IMPELLER-M+4-304	1
		> IMPELLER SPACER Ø12,05X14,85-L24,285-304	1



HELIX VE403-1/16/E/S (4201567)

Item	Article no.	Description	Quantity
1		DRIVE HELIX-VE403-IE4-WE KIT	1
Note: MOTOR BRAND WILO ELEC			
		SPARE PARTS MOTOR:ON REQUEST	1
2	4212716	SCREW M6X20 KIT (4PIECES)	1
3	4213715	LANTERN FT85 HELIX KIT	1
3.1		> LANT-MOT-VMI-ReDTC6"-FT85-MACHINED+CATA	1
3.2	4184852	> EYELET CPL.FT HELIX (2 PIECES)	1
3.3	4213713	> COUPLING PROTECTOR FT85/100 HELIX KIT	1
4	4212718	COUPLING HELIX D12 FT85 KIT	1
6	4177803	STUD BOLT M12X263 KIT	1
6.1		> TIE BOLT M12-263x18x30-1.4057	1
6.2	2094647	> NUT M12 M12 ISO4032 VP.	1
6.3	2123557	> WASHER CS-12.4-24-1.6-NFE25 (4 PIECES)	1
7	4212722	STATIONARY RING HOLDER HELIX D23 ReDTC	1
7.2	4212720	> STATIONARY RING HOLDER HELIX D23 VP.	1
7.3	4176513	> O-RING FOR PUMP JACKET VP.	1
8	4212724	FILING/PURGING PLUG HELIX ReDTC KIT	1
8.1		> FILLING PLUG MVI6"-304	1
8.2	4177800	> O-RING EPDM PLUG HELIX VP.	1
9	4212726	MECH.SEAL HELIX V2/4 O/E ReDTC KIT	1
9.1	4178563	> M.SEAL.HELIX2-4 O/E VP.	1
7.3	4176513	> O-RING FOR PUMP JACKET VP.	1
10	4177804	HOUSING PIPES D.152X134 1.4301 KIT	1
7.3	4176513	> O-RING FOR PUMP JACKET VP.	1
10.1		> HOUSING-PIPE Ø152-M+1001/02-304	1
11	4178566	CENTERING STAGE-RETURN HELIX4 1.4307 VP	1
12	4212729	SHAFT EQUIPMENT HELIX V2/4 ReDTC KIT	1
12.1		> NUT-H-M8-STAINLESS-STEEL A4-70	1
12.2		> SHAFT END WASHER Ø8/Ø12 316L	1
12.3		> 1/2-SNAP-RING-2/4M3-316L	1
12.4		> STOP-RUSH-1/2-D12xd2-M+316	1
4.11		> SCREW CHC-M6X14-8.8-ISO4762-GEOMET500A	1
4.12		> WASHER D.24 L6U ZINK	1
13		HYDRAULIC HELIX V 403 1.4307	1

HELIX VE403-1/16/E/S (4201567)

Item	Article no.	Description	Quantity
15	4174079	PUMP HOUSING HELIX DN32 PN16 1.4301 KIT	1
7.3	4176513	> O-RING FOR PUMP JACKET VP.	1
15.1		> BLASTING PPE HOUSING V-PN16-DN32-5"-304	1
15.2	4217889	> COUNTER FLANGE-G1"-PN16-GJL KIT	1
15.3	4171321	> PRIMING/DRAIN PLUG EPDM HELIX KIT	1
16	4177964	BASEPLATE HELIX V2/4/6 PN16 VP.	1



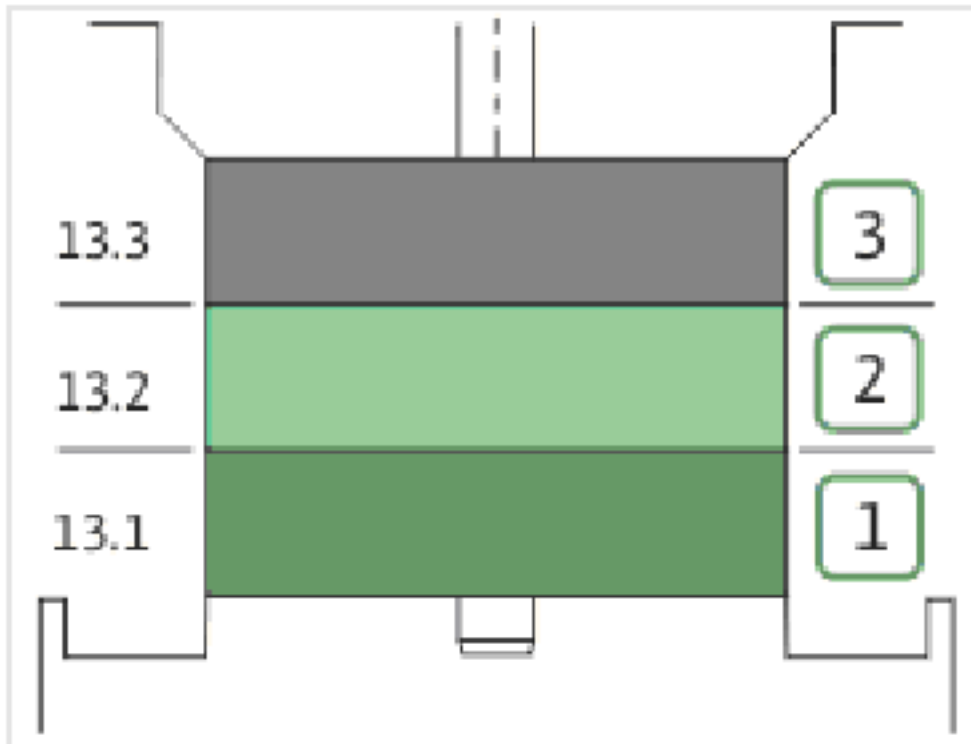
DRIVE HELIX-VE403-IE4-WE KIT

Item	Article no.	Description	Quantity
1.1	4207912	MOTOR 0.55/2/71 3~ 380V 60HZ IE4 WE VP.	1
		SPARE PARTS MOTOR:ON REQUEST	1
1.2	4209319	MODULE HELIX-VE403-IE4-WE KIT	1
1.22	2054372	> MODULE COVER TL1,TL2+GASKET KIT	1
1.23	4215716	> SCREW M5X16 DIN912 8.8 A2A (4pieces) VP.	1
1.24	2057978	> RONDELLE A5,3 DIN6797 FST ZN (4 PIECES)	1



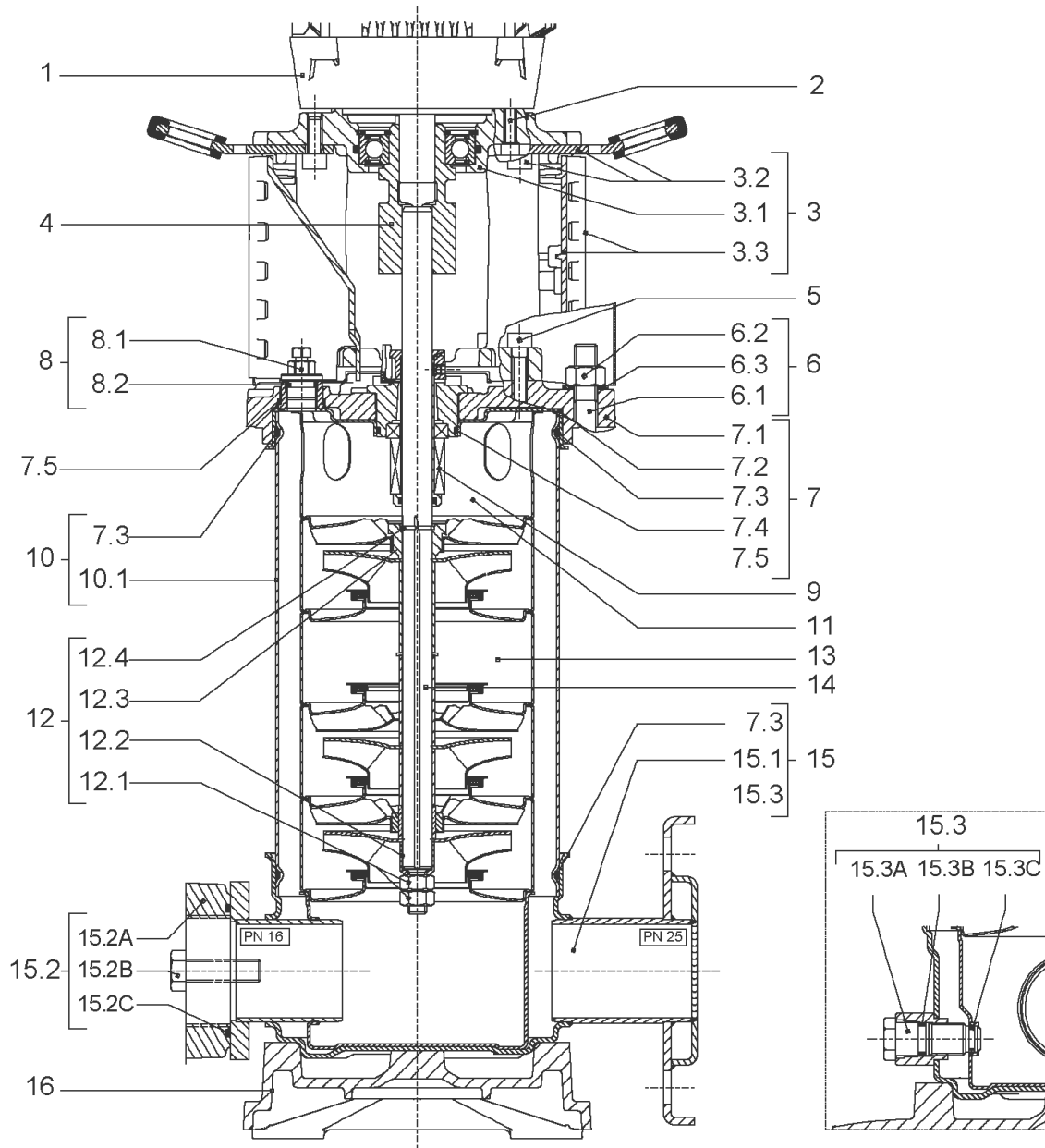
COUPLING HELIX D12 FT85 KIT (4212718)

Item	Article no.	Description	Quantity
4.1		COUPLING-VMI-Ø12xØ14-FT85-USINE	1
4.2	4177802	BALL BEARING 6205C3-ZZ HTVP.	1
4.3	4208923	CIRCLIP D25X1.2 VP.	1
4.4	4212716	SCREW M6X20 KIT (4PIECES)	1
4.5	4233124	CIRCLIP-FOR-BORES-D52x2 VP.	1
4.6	4234244	O-RING 52X2 VP.	1
		CONTACT-WASHER-6ETR-6,1x12,2x1,8-STEEL	1



HYDRAULIC HELIX V 403 1.4307

Item	Article no.	Description	Quantity
13.1	4178570	STAGE HELIX 4 1.4301 KIT	1
		> MACH.STG-CASING-WOGV-WNR-M+2-4-304	1
		> IMPELLER-M+4-304	1
13.2	4178569	STAGE BEARING HELIX 4 1.4301 KIT	1
		> MACH.BEARING-STG-CASING-WNR-M+4-304	1
		> IMPELLER-M+4-304	1
		> SHAFT SLEEVE SPACER Ø15,35x10,305-304	1
		> SHAFT-SLEEVE-D12xD16x14-CW	1
13.3	4178574	INTER STAGE HELIX4 1.4301< 15 stages KIT	1
		> MACH.STD-STG-CASING-WGV+NR-M+4-304	1
		> IMPELLER-M+4-304	1
		> IMPELLER SPACER Ø12,05X14,85-L24,285-304	1



HELIX VE404-1/16/E/KS (4171712)

Item	Article no.	Description	Quantity
1		DRIVE HELIX-VE404-IE2-WE KIT	1
Note: MOTOR BRAND WILO ELEC			
1		DRIVE HELIX-VE404-IE4-WE KIT	1
Note: MOTOR BRAND WILO ELEC			
2	4159702	SCREW M6X30 (4 PIECES)	1
3	4172788	LANTERN FT100 HELIX KIT	1
3.1		> LANTERN FT100 M+6" GJL MACHINING+CATA	1
3.2	2127604	> EYELET CPL.FT HELIX(2 PIECES)	1
3.3	4159692	> COUPLING PROTECTOR FT HELIX KIT	1
4	4178578	COUPLING D.12XD.19 FT100 KIT	1
5	4159707	SCREW M8X30 (4 PIECES)	1
6	2018368	STUD BOLT M12X289 KIT	1
6.1		> TIE BOLT M12-289x18x30-1.4057	1
6.2	2094647	> NUT M12 M12 ISO4032 VP.	1
6.3	2123557	> WASHER CS-12.4-24-1.6-NFE25 (4 PIECES)	1
7	4159685	END SHIELD HELIX EPDM KIT	1
7.1		> END SHIELD M+6" GJL250 MACHINING+CATA	1
7.2	2127607	> STATIONARY RING HOLDER 6" HELIX 1.4301 V	1
7.3	4176513	> O-RING FOR PUMP JACKET VP.	1
7.4	2127603	> O-RING ID.37,6x2,4 EPDM VP.	1
7.5	2127602	> O-RING ID.21,35x2 EPDM VP.	1
8	4159686	FILING/PURGING PLUG HELIX EPDM KIT	1
9	4178559	KART.HELIX2-4 O/E SET	1
10	2127574	HOUSING PIPE D.152x160 1.4301 KIT	1
7.3	4176513	> O-RING FOR PUMP JACKET VP.	1
10.1		> HOUSING-PIPE Ø152-M+1601/02-304	1
11	4178566	CENTERING STAGE-RETURN HELIX4 1.4307 VP	1
12	4178567	SHAFT EQUIPMENT HELIX V2/V4 KIT	1
12.1		> NUT-H-M8-STAINLESS-STEEL A4-70	1
12.2		> SHAFT END WASHER Ø8/Ø12 316L	1
12.3		> STOP COLLAR OF IMPELLER L12,6-Ø12-316L	1
12.4		> STOP-RUSH-1/2-D12xd2-M+316	1
13		HYDRAULIC HELIX V 404 1.4307	1
14	4178576	SHAFT D.12X283 1.4301 VP.	1

HELIX VE404-1/16/E/KS (4171712)

Item	Article no.	Description	Quantity
15	4174079	PUMP HOUSING HELIX DN32 PN16 1.4301 KIT	1
7.3	4176513	> O-RING FOR PUMP JACKET VP.	1
15.1		> BLASTING PPE HOUSING V-PN16-DN32-5"-304	1
15.2	4217889	> COUNTER FLANGE-G1"-PN16-GJL KIT	1
15.3	4171321	> PRIMING/DRAIN PLUG EPDM HELIX KIT	1
16	4177964	BASEPLATE HELIX V2/4/6 PN16 VP.	1



DRIVE HELIX-VE404-IE2-WE KIT

Item	Article no.	Description	Quantity
1.1		MOTOR 0,75/2/80 3~ 380V 60HZ IE2 WE VP.	1
Note: no longer available/nicht mehr lieferbar/n'est plus disponible			
		SPARE PARTS MOTOR:ON REQUEST	1
1.2	4190192	MODULE HELIX-VE404-IE2-WE KIT	1
1.22	2054372	> MODULE COVER TL1,TL2+GASKET KIT	1
1.23	4215716	> SCREW M5X16 DIN912 8.8 A2A (4pieces) VP.	1
1.24	2057978	> RONDELLE A5,3 DIN6797 FST ZN (4 PIECES)	1



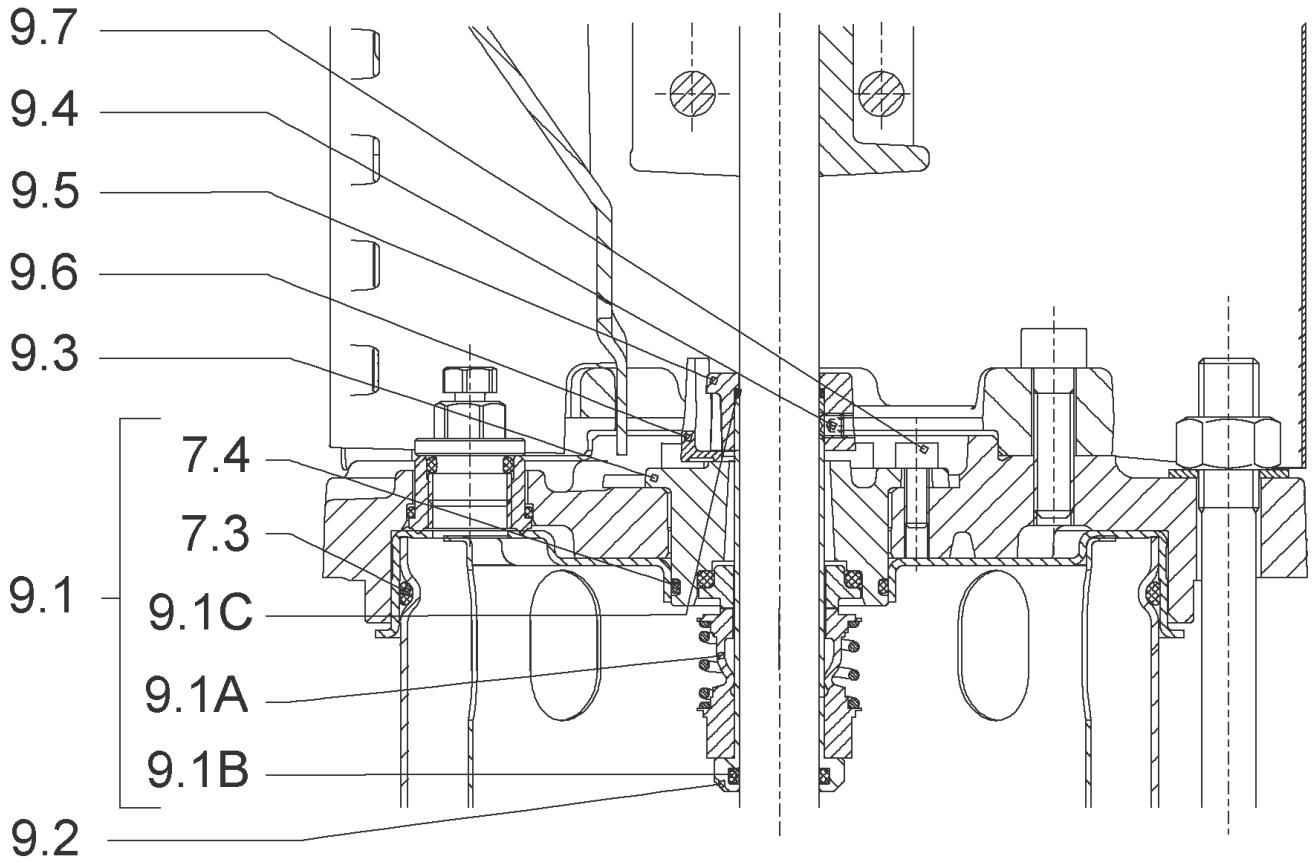
DRIVE HELIX-VE404-IE4-WE KIT

Item	Article no.	Description	Quantity
1.1	4207914	MOTOR 0.75/2/80 3~ 380V 60HZ IE4 WE VP.	1
		SPARE PARTS MOTOR:ON REQUEST	1
1.2	4209322	MODULE HELIX-VE404-IE4-WE KIT	1
1.22	2054372	> MODULE COVER TL1,TL2+GASKET KIT	1
1.23	4215716	> SCREW M5X16 DIN912 8.8 A2A (4pieces) VP.	1
1.24	2057978	> RONDELLE A5,3 DIN6797 FST ZN (4 PIECES)	1



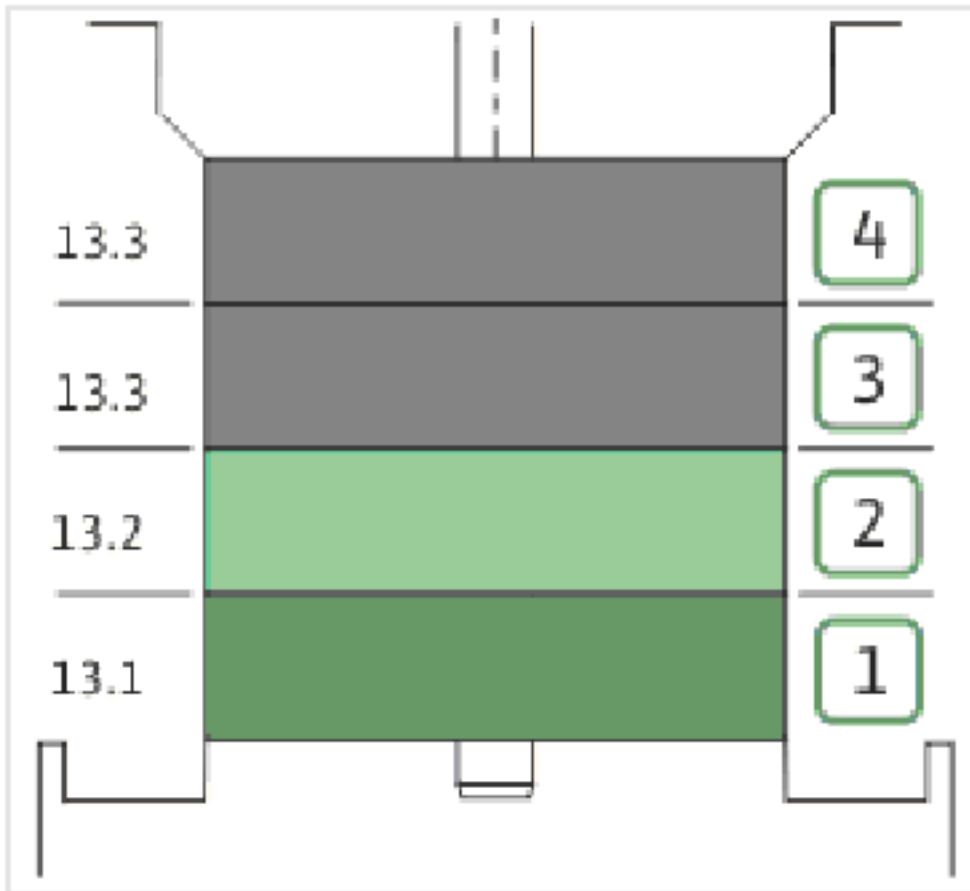
COUPLING D.12XD.19 FT100 KIT (4178578)

Item	Article no.	Description	Quantity
4.1		COUPLING-M+ Ø12XØ19-FT100-MACHINED	1
4.3	4234249	CIRCLIP-FOR-SHAFT-D30x1.5 VP.	1
4.2	2130977	BALL BEARING 6206/ZZ-C3(HT)VP.	1
4.4	4212716	SCREW M6X20 KIT (4PIECES)	1
4.5	4234250	CIRCLIP-D62x2 VP.	1
4.6	4234245	O-RING 63X3 VP.	1
		CONTACT-WASHER-6ETR-6,1x12,2x1,8-STEEL	4



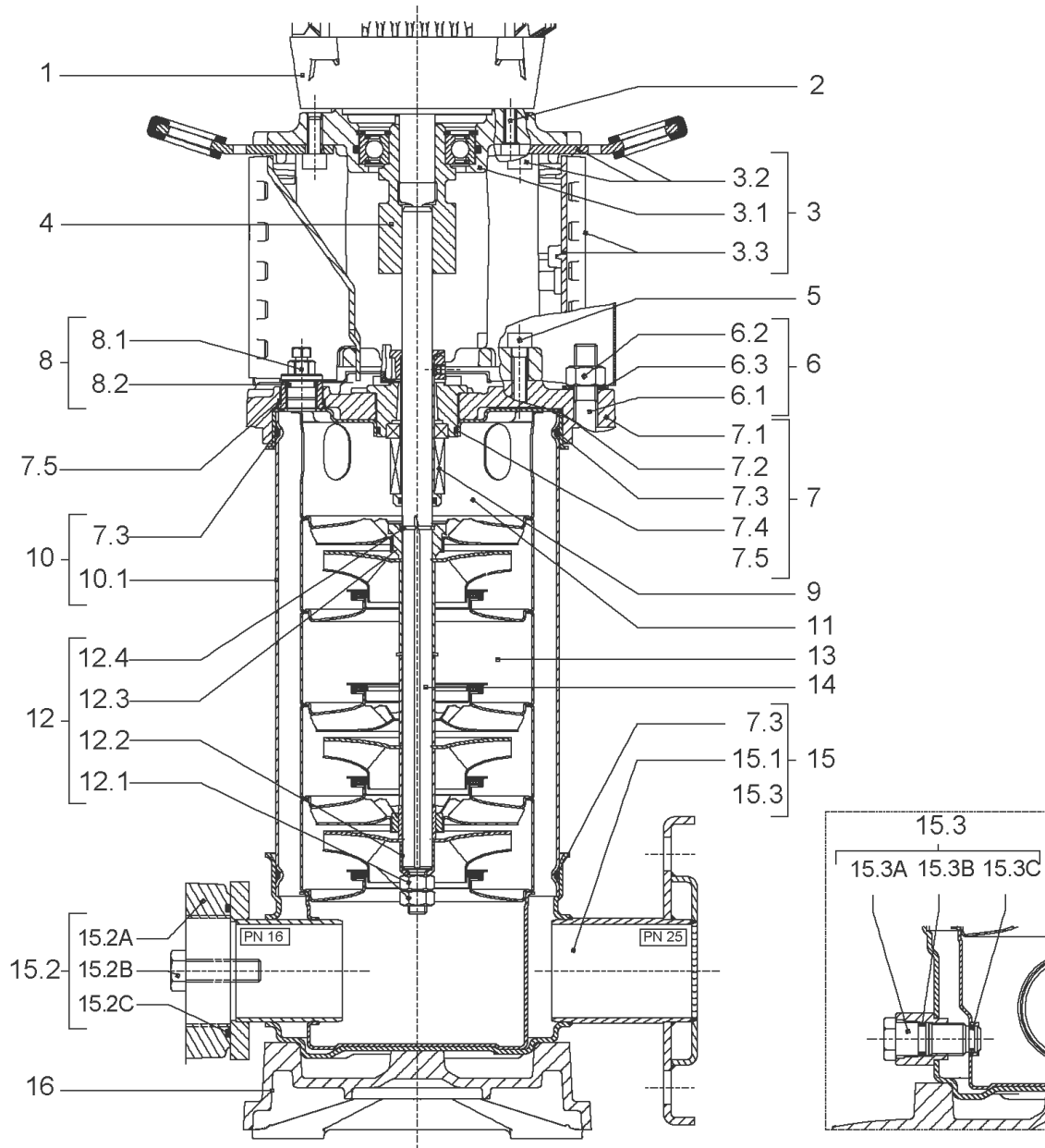
KART.HELIX2-4 O/E SET (4178559)

Item	Article no.	Description	Quantity
9.1	4178560	SEAL-KIT-HELIX2-4 O/E	1
7.3	4176513	> O-RING FOR PUMP JACKET VP.	1
7.4	2127603	> O-RING ID.37,6x2,4 EPDM VP.	1
9.1A	2130966	> MECH.SEAL HELIX2-4-6-10-16 O/E VP.	1
9.1B	4178558	> O-RING ID.12X2 EPDM VP.	1
9.1C	4178558	> O-RING ID.12X2 EPDM VP.	1
9.2	4178557	SHAFT SLEEVE Ø12XØ18-PN16 1.4404 VP.	1
9.3	2130962	RING HOLDER D.18 G606/G6 1.4301 VP.	1
9.4	4176520	SCREW CH M5x5 A4-70 (3PIECES)	1
9.5	4178556	DRIVE RING D.29/15.5x13,2 MACH.VP.	1
9.6	2130964	TOOL M.S.CART.HELIX VP.	1
9.7	2130965	SCREW CHC M5X12 ISO4762 A2.70(4 PIECES)	1



HYDRAULIC HELIX V 404 1.4307

Item	Article no.	Description	Quantity
13.1	4178570	STAGE HELIX 4 1.4301 KIT	1
		> MACH.STG-CASING-WOGV-WNR-M+2-4-304	1
		> IMPELLER-M+4-304	1
13.2	4178569	STAGE BEARING HELIX 4 1.4301 KIT	1
		> MACH.BEARING-STG-CASING-WNR-M+4-304	1
		> IMPELLER-M+4-304	1
		> SHAFT SLEEVE SPACER Ø15,35x10,305-304	1
		> SHAFT-SLEEVE-D12xD16x14-CW	1
13.3	4178574	INTER STAGE HELIX4 1.4301< 15 stages KIT	1
		> MACH.STD-STG-CASING-WGV+NR-M+4-304	1
		> IMPELLER-M+4-304	1
		> IMPELLER SPACER Ø12,05X14,85-L24,285-304	1



HELIX VE404-1/16/E/S (4171718)

Item	Article no.	Description	Quantity
1		DRIVE HELIX-VE404-IE2-WE KIT	1
Note: MOTOR BRAND WILO ELEC			
1		DRIVE HELIX-VE404-IE4-WE KIT	1
Note: MOTOR BRAND WILO ELEC			
2	4159702	SCREW M6X30 (4 PIECES)	1
3	4172790	EQUIPED LANTERN NEXIS FT 100 KIT	1
3.1		> M+5_6_LANTERN_ONE-PIECE_FT100_CATA	1
3.2	2127604	> EYELET CPL.FT HELIX(2 PIECES)	1
3.3	4159692	> COUPLING PROTECTOR FT HELIX KIT	1
4	4178578	COUPLING D.12XD.19 FT100 KIT	1
5	4159707	SCREW M8X30 (4 PIECES)	1
6	2018368	STUD BOLT M12X289 KIT	1
6.1		> TIE BOLT M12-289x18x30-1.4057	1
6.2	2094647	> NUT M12 M12 ISO4032 VP.	1
6.3	2123557	> WASHER CS-12.4-24-1.6-NFE25 (4 PIECES)	1
7	4210143	STATIONARY RING HOLDER HELIX 6" EPDM	1
7.2	2127607	> STATIONARY RING HOLDER 6" HELIX 1.4301 V	1
7.3	4176513	> O-RING FOR PUMP JACKET VP.	1
7.4	2127603	> O-RING ID.37,6x2,4 EPDM VP.	1
7.5	2127602	> O-RING ID.21,35x2 EPDM VP.	1
8	4159686	FILING/PURGING PLUG HELIX EPDM KIT	1
9	4178564	SEAL-KIT-HELIX2-4 O/E KIT	1
10	2127574	HOUSING PIPE D.152x160 1.4301 KIT	1
7.3	4176513	> O-RING FOR PUMP JACKET VP.	1
10.1		> HOUSING-PIPE Ø152-M+1601/02-304	1
11	4178566	CENTERING STAGE-RETURN HELIX4 1.4307 VP	1
12	4178568	SHAFT EQUIPMENT HELIX V2/V4 KIT	1
12.1		> NUT-H-M8-STAINLESS-STEEL A4-70	2
12.2		> SHAFT END WASHER Ø8/Ø12 316L	1
12.3		> STOP COLLAR OF IMPELLER M+2/4 SINGLEBLOC	1
12.4		> STOP-RUSH-1/2-D12xd2-M+316	2
13		HYDRAULIC HELIX V 404 1.4307	1
14	4178576	SHAFT D.12X283 1.4301 VP.	1
15	4174079	PUMP HOUSING HELIX DN32 PN16 1.4301 KIT	1

HELIX VE404-1/16/E/S (4171718)

Item	Article no.	Description	Quantity
7.3	4176513	> O-RING FOR PUMP JACKET VP.	1
15.1		> BLASTING PPE HOUSING V-PN16-DN32-5"-304	1
15.2	4217889	> COUNTER FLANGE-G1"-PN16-GJL KIT	1
15.3	4171321	> PRIMING/DRAIN PLUG EPDM HELIX KIT	1
16	4177964	BASEPLATE HELIX V2/4/6 PN16 VP.	1



DRIVE HELIX-VE404-IE2-WE KIT

Item	Article no.	Description	Quantity
1.1		MOTOR 0,75/2/80 3~ 380V 60HZ IE2 WE VP.	1
Note: no longer available/nicht mehr lieferbar/n'est plus disponible			
		SPARE PARTS MOTOR:ON REQUEST	1
1.2	4190192	MODULE HELIX-VE404-IE2-WE KIT	1
1.22	2054372	> MODULE COVER TL1,TL2+GASKET KIT	1
1.23	4215716	> SCREW M5X16 DIN912 8.8 A2A (4pieces) VP.	1
1.24	2057978	> RONDELLE A5,3 DIN6797 FST ZN (4 PIECES)	1



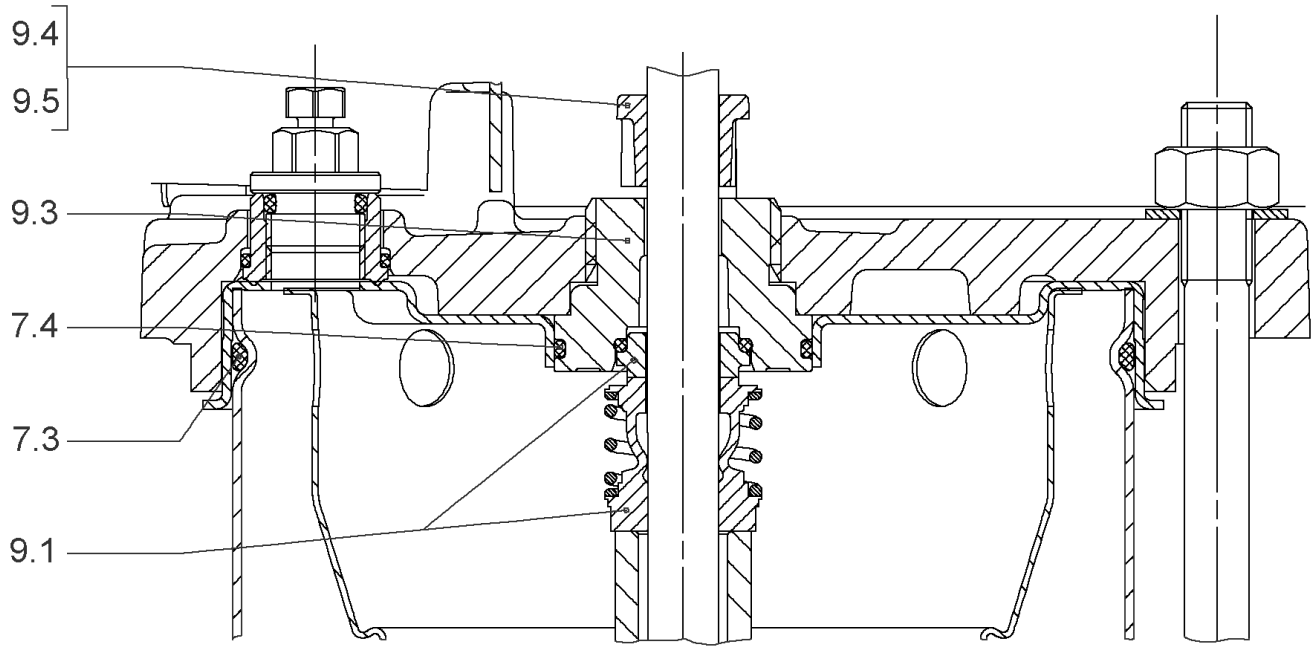
DRIVE HELIX-VE404-IE4-WE KIT

Item	Article no.	Description	Quantity
1.1	4207914	MOTOR 0.75/2/80 3~ 380V 60HZ IE4 WE VP.	1
		SPARE PARTS MOTOR:ON REQUEST	1
1.2	4209322	MODULE HELIX-VE404-IE4-WE KIT	1
1.22	2054372	> MODULE COVER TL1,TL2+GASKET KIT	1
1.23	4215716	> SCREW M5X16 DIN912 8.8 A2A (4pieces) VP.	1
1.24	2057978	> RONDELLE A5,3 DIN6797 FST ZN (4 PIECES)	1



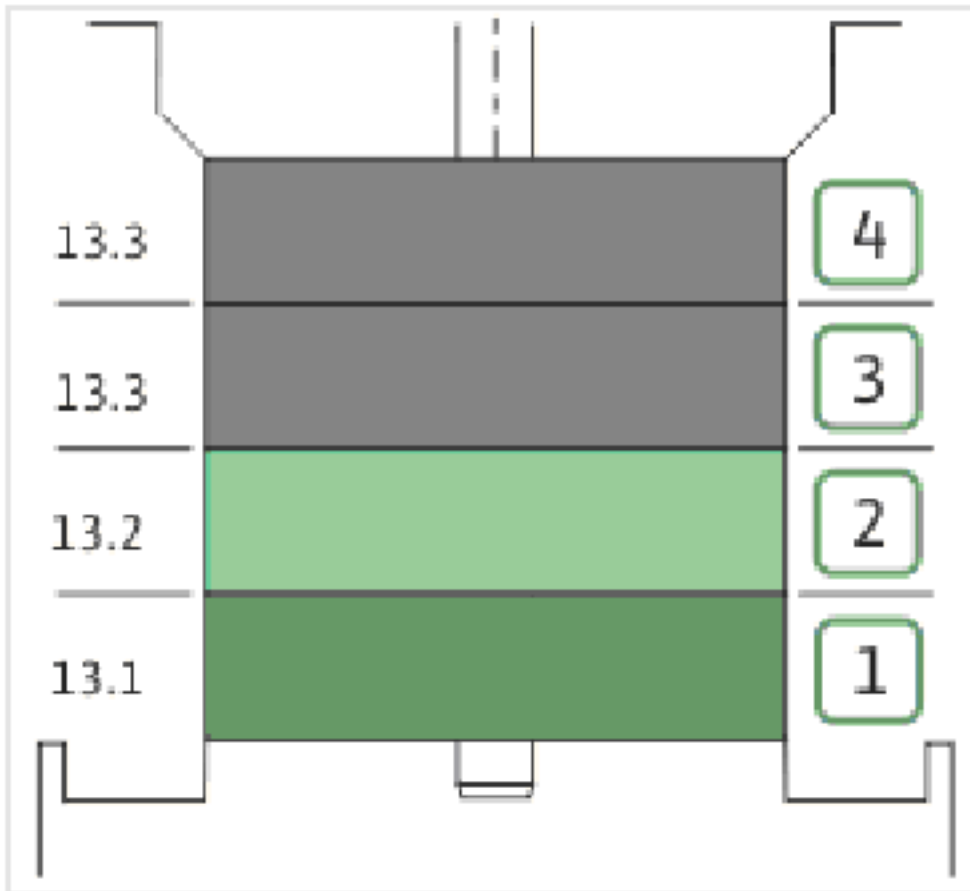
COUPLING D.12XD.19 FT100 KIT (4178578)

Item	Article no.	Description	Quantity
4.1		COUPLING-M+ Ø12XØ19-FT100-MACHINED	1
4.3	4234249	CIRCLIP-FOR-SHAFT-D30x1.5 VP.	1
4.2	2130977	BALL BEARING 6206/ZZ-C3(HT)VP.	1
4.4	4212716	SCREW M6X20 KIT (4PIECES)	1
4.5	4234250	CIRCLIP-D62x2 VP.	1
4.6	4234245	O-RING 63X3 VP.	1
		CONTACT-WASHER-6ETR-6,1x12,2x1,8-STEEL	4



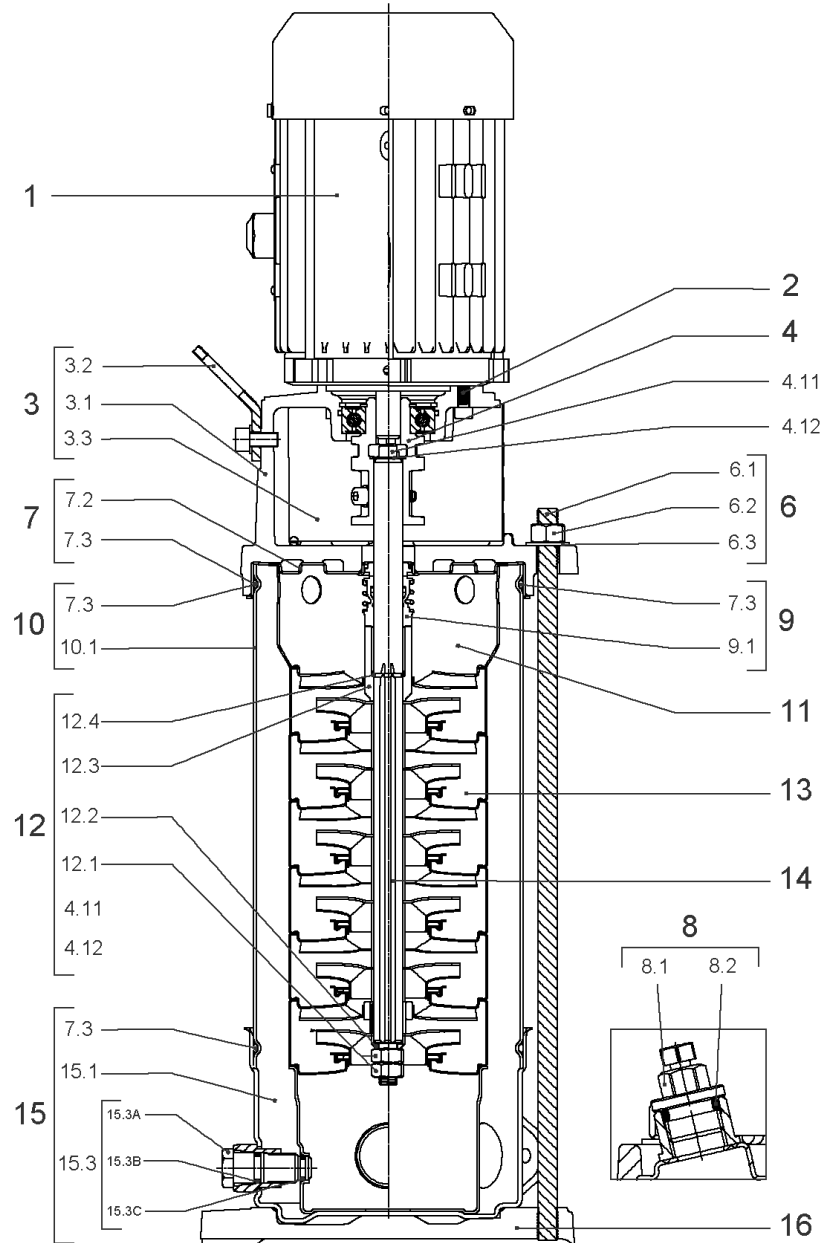
SEAL-KIT-HELIX2-4 O/E KIT (4178564)

Item	Article no.	Description	Quantity
7.3	4176513	O-RING FOR PUMP JACKET VP.	1
7.4	2127603	O-RING ID.37,6x2,4 EPDM VP.	1
9.1	4178563	M.SEAL.HELIX2-4 O/E VP.	1
9.3	4178561	RING HOLDER Ø22 1.4301 VP.	1
9.5	4178562	DRIVE RING D.22/12.2X10 MACH.VP.	1
9.4	4176520	SCREW CH M5x5 A4-70 (3PIECES)	1



HYDRAULIC HELIX V 404 1.4307

Item	Article no.	Description	Quantity
13.1	4178570	STAGE HELIX 4 1.4301 KIT	1
		> MACH.STG-CASING-WOGV-WNR-M+2-4-304	1
		> IMPELLER-M+4-304	1
13.2	4178569	STAGE BEARING HELIX 4 1.4301 KIT	1
		> MACH.BEARING-STG-CASING-WNR-M+4-304	1
		> IMPELLER-M+4-304	1
		> SHAFT SLEEVE SPACER Ø15,35x10,305-304	1
		> SHAFT-SLEEVE-D12xD16x14-CW	1
13.3	4178574	INTER STAGE HELIX4 1.4301< 15 stages KIT	1
		> MACH.STD-STG-CASING-WGV+NR-M+4-304	1
		> IMPELLER-M+4-304	1
		> IMPELLER SPACER Ø12,05X14,85-L24,285-304	1



HELIX VE404-1/16/E/S (4201569)

Item	Article no.	Description	Quantity
1		DRIVE HELIX-VE404-IE4-WE KIT	1
Note: MOTOR BRAND WILO ELEC			
		SPARE PARTS MOTOR:ON REQUEST	1
2	4212716	SCREW M6X20 KIT (4PIECES)	1
3	4213752	LANTERN FT100 HELIX KIT	1
3.1		> LANT-MOT-VMI-ReDTC6"-FT100-MACHINED+CATA	1
3.2	4184852	> EYELET CPL.FT HELIX (2 PIECES)	1
3.3	4213713	> COUPLING PROTECTOR FT85/100 HELIX KIT	1
4	4178578	COUPLING D.12XD.19 FT100 KIT	1
6	2018368	STUD BOLT M12X289 KIT	1
6.1		> TIE BOLT M12-289x18x30-1.4057	1
6.2	2094647	> NUT M12 M12 ISO4032 VP.	1
6.3	2123557	> WASHER CS-12.4-24-1.6-NFE25 (4 PIECES)	1
7	4212722	STATIONARY RING HOLDER HELIX D23 ReDTC	1
7.2	4212720	> STATIONARY RING HOLDER HELIX D23 VP.	1
7.3	4176513	> O-RING FOR PUMP JACKET VP.	1
8	4212724	FILING/PURGING PLUG HELIX ReDTC KIT	1
8.1		> FILLING PLUG MVI6"-304	1
8.2	4177800	> O-RING EPDM PLUG HELIX VP.	1
9	4212726	MECH.SEAL HELIX V2/4 O/E ReDTC KIT	1
9.1	4178563	> M.SEAL.HELIX2-4 O/E VP.	1
7.3	4176513	> O-RING FOR PUMP JACKET VP.	1
10	2127574	HOUSING PIPE D.152x160 1.4301 KIT	1
7.3	4176513	> O-RING FOR PUMP JACKET VP.	1
10.1		> HOUSING-PIPE Ø152-M+1601/02-304	1
11	4178566	CENTERING STAGE-RETURN HELIX4 1.4307 VP	1
12	4212729	SHAFT EQUIPMENT HELIX V2/4 ReDTC KIT	1
12.1		> NUT-H-M8-STAINLESS-STEEL A4-70	1
12.2		> SHAFT END WASHER Ø8/Ø12 316L	1
12.3		> 1/2-SNAP-RING-2/4M3-316L	1
12.4		> STOP-RUSH-1/2-D12xd2-M+316	1
4.11		> SCREW CHC-M6X14-8.8-ISO4762-GEOMET500A	1
4.12		> WASHER D.24 L6U ZINK	1
13		HYDRAULIC HELIX V 404 1.4307	1

HELIX VE404-1/16/E/S (4201569)

Item	Article no.	Description	Quantity
14	4213744	SHAFT D.12X231 HELIX 1.4057 VP.	1
15	4174079	PUMP HOUSING HELIX DN32 PN16 1.4301 KIT	1
7.3	4176513	> O-RING FOR PUMP JACKET VP.	1
15.1		> BLASTING PPE HOUSING V-PN16-DN32-5"-304	1
15.2	4217889	> COUNTER FLANGE-G1"-PN16-GJL KIT	1
15.3	4171321	> PRIMING/DRAIN PLUG EPDM HELIX KIT	1
16	4177964	BASEPLATE HELIX V2/4/6 PN16 VP.	1



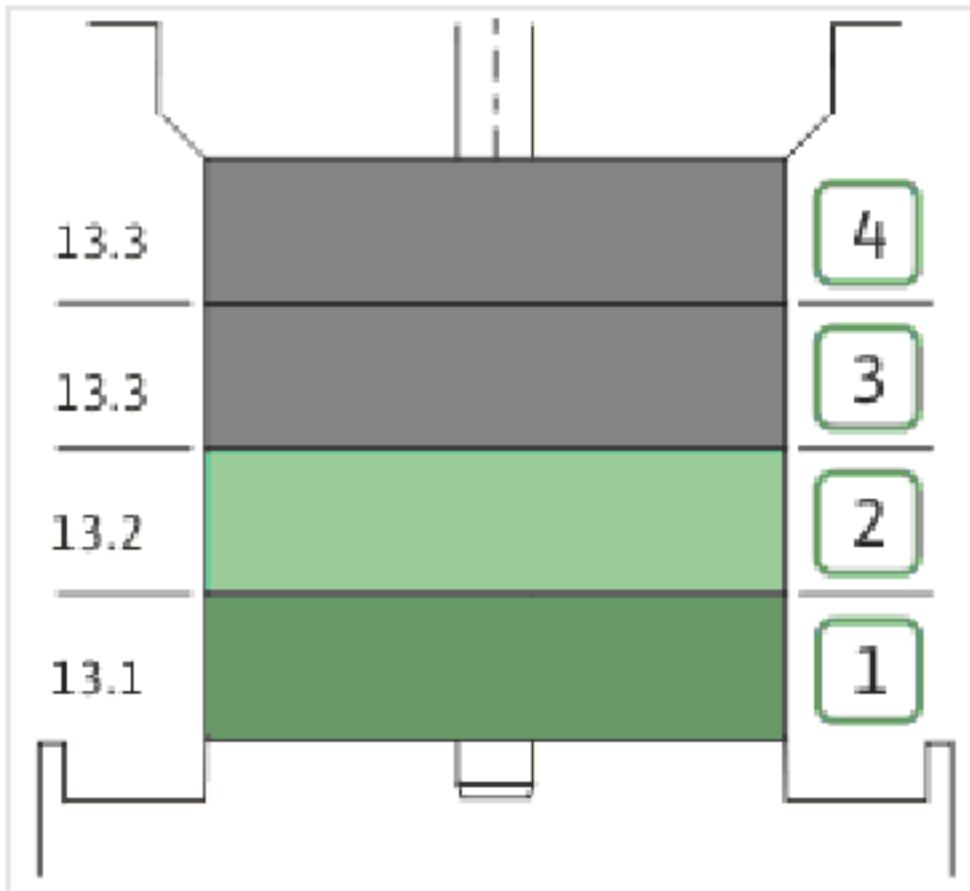
DRIVE HELIX-VE404-IE4-WE KIT

Item	Article no.	Description	Quantity
1.1	4207914	MOTOR 0.75/2/80 3~ 380V 60HZ IE4 WE VP.	1
		SPARE PARTS MOTOR:ON REQUEST	1
1.2	4209322	MODULE HELIX-VE404-IE4-WE KIT	1
1.22	2054372	> MODULE COVER TL1,TL2+GASKET KIT	1
1.23	4215716	> SCREW M5X16 DIN912 8.8 A2A (4pieces) VP.	1
1.24	2057978	> RONDELLE A5,3 DIN6797 FST ZN (4 PIECES)	1



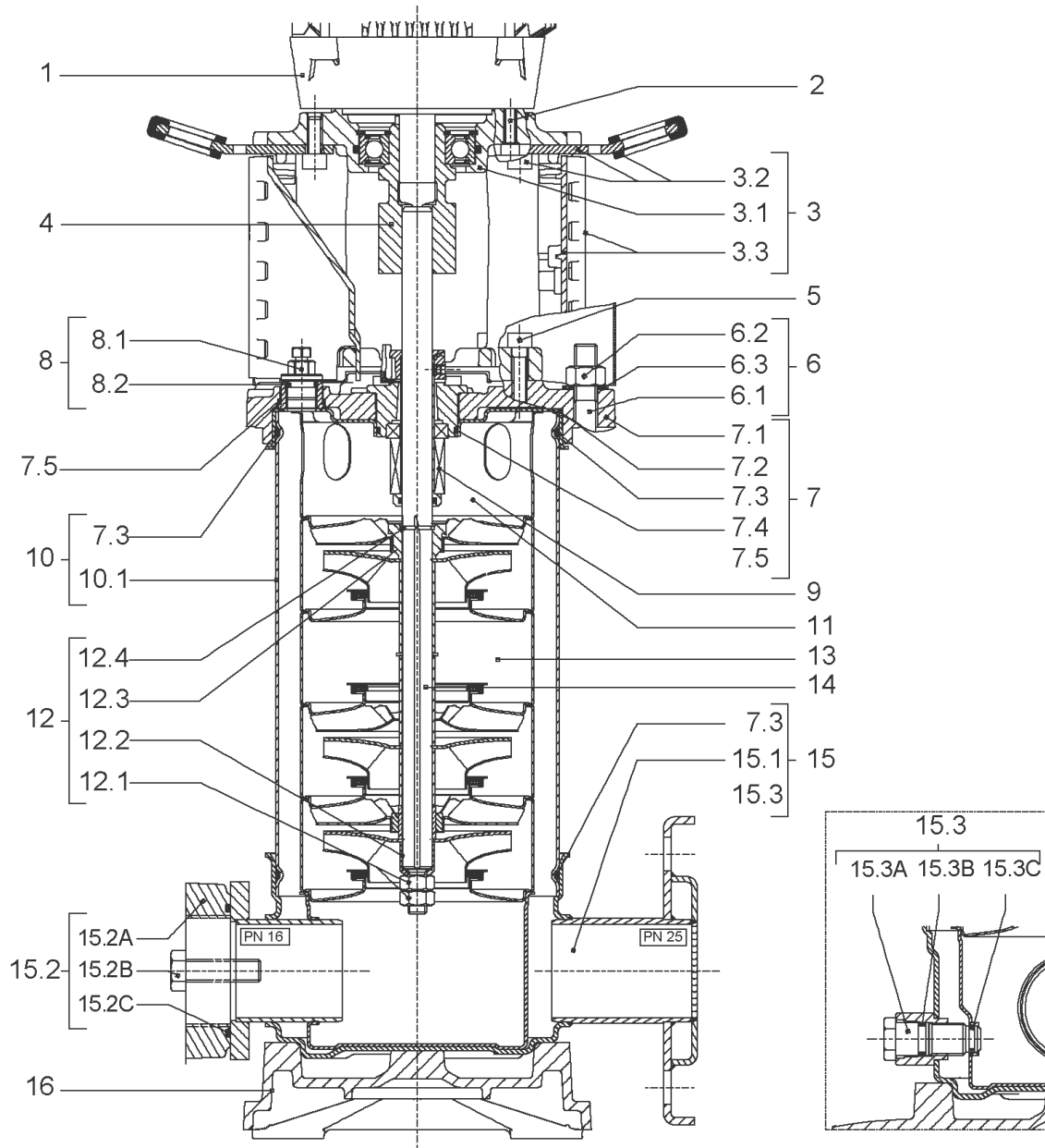
COUPLING D.12XD.19 FT100 KIT (4178578)

Item	Article no.	Description	Quantity
4.1		COUPLING-M+ Ø12XØ19-FT100-MACHINED	1
4.3	4234249	CIRCLIP-FOR-SHAFT-D30x1.5 VP.	1
4.2	2130977	BALL BEARING 6206/ZZ-C3(HT)VP.	1
4.4	4212716	SCREW M6X20 KIT (4PIECES)	1
4.5	4234250	CIRCLIP-D62x2 VP.	1
4.6	4234245	O-RING 63X3 VP.	1
		CONTACT-WASHER-6ETR-6,1x12,2x1,8-STEEL	4



HYDRAULIC HELIX V 404 1.4307

Item	Article no.	Description	Quantity
13.1	4178570	STAGE HELIX 4 1.4301 KIT	1
		> MACH.STG-CASING-WOGV-WNR-M+2-4-304	1
		> IMPELLER-M+4-304	1
13.2	4178569	STAGE BEARING HELIX 4 1.4301 KIT	1
		> MACH.BEARING-STG-CASING-WNR-M+4-304	1
		> IMPELLER-M+4-304	1
		> SHAFT SLEEVE SPACER Ø15,35x10,305-304	1
		> SHAFT-SLEEVE-D12xD16x14-CW	1
13.3	4178574	INTER STAGE HELIX4 1.4301< 15 stages KIT	1
		> MACH.STD-STG-CASING-WGV+NR-M+4-304	1
		> IMPELLER-M+4-304	1
		> IMPELLER SPACER Ø12,05X14,85-L24,285-304	1



HELIX VE405-1/16/E/KS (4164473)

Item	Article no.	Description	Quantity
1		DRIVE HELIX-VE405-IE2-WE KIT	1
Note: MOTOR BRAND WILO ELEC			
1		DRIVE HELIX-VE405-IE4-WE KIT	1
Note: MOTOR BRAND WILO ELEC			
2	4159702	SCREW M6X30 (4 PIECES)	1
3	4172788	LANTERN FT100 HELIX KIT	1
3.1		> LANTERN FT100 M+6" GJL MACHINING+CATA	1
3.2	2127604	> EYELET CPL.FT HELIX(2 PIECES)	1
3.3	4159692	> COUPLING PROTECTOR FT HELIX KIT	1
4	4178578	COUPLING D.12XD.19 FT100 KIT	1
5	4159707	SCREW M8X30 (4 PIECES)	1
6	4178579	STUD BOLT M12X317 KIT	1
6.1		> TIE BOLT M12-317x18x30-1.4057	1
6.2	2094647	> NUT M12 M12 ISO4032 VP.	1
6.3	2123557	> WASHER CS-12.4-24-1.6-NFE25 (4 PIECES)	1
7	4159685	END SHIELD HELIX EPDM KIT	1
7.1		> END SHIELD M+6" GJL250 MACHINING+CATA	1
7.2	2127607	> STATIONARY RING HOLDER 6" HELIX 1.4301 V	1
7.3	4176513	> O-RING FOR PUMP JACKET VP.	1
7.4	2127603	> O-RING ID.37,6x2,4 EPDM VP.	1
7.5	2127602	> O-RING ID.21,35x2 EPDM VP.	1
8	4159686	FILING/PURGING PLUG HELIX EPDM KIT	1
9	4178559	KART.HELIX2-4 O/E SET	1
10	4178580	HOUSING PIPE D.152X184 1.4301 KIT	1
7.3	4176513	> O-RING FOR PUMP JACKET VP.	1
10.1		> HOUSING-PIPE Ø152-M+205/405-304	1
11	4178566	CENTERING STAGE-RETURN HELIX4 1.4307 VP	1
12	4178567	SHAFT EQUIPMENT HELIX V2/V4 KIT	1
12.1		> NUT-H-M8-STAINLESS-STEEL A4-70	1
12.2		> SHAFT END WASHER Ø8/Ø12 316L	1
12.3		> STOP COLLAR OF IMPELLER L12,6-Ø12-316L	1
12.4		> STOP-RUSH-1/2-D12xd2-M+316	1
13		HYDRAULIC HELIX V 405 1.4307	1
14	4178582	SHAFT D.12X308 1.4301 VP.	1

HELIX VE405-1/16/E/KS (4164473)

Item	Article no.	Description	Quantity
15	4174079	PUMP HOUSING HELIX DN32 PN16 1.4301 KIT	1
7.3	4176513	> O-RING FOR PUMP JACKET VP.	1
15.1		> BLASTING PPE HOUSING V-PN16-DN32-5"-304	1
15.2	4217889	> COUNTER FLANGE-G1"-PN16-GJL KIT	1
15.3	4171321	> PRIMING/DRAIN PLUG EPDM HELIX KIT	1
16	4177964	BASEPLATE HELIX V2/4/6 PN16 VP.	1



DRIVE HELIX-VE405-IE2-WE KIT

Item	Article no.	Description	Quantity
1.1	4184817	MOTOR 1,1/2/80 3~ 380V 60HZ IE2 WE VP.	1
		SPARE PARTS MOTOR:ON REQUEST	1
1.2	4186765	MODULE HELIX-VE405-IE2-WE KIT	1
1.22	2054372	> MODULE COVER TL1,TL2+GASKET KIT	1
1.23	4215716	> SCREW M5X16 DIN912 8.8 A2A (4pieces) VP.	1
1.24	2057978	> RONDELLE A5,3 DIN6797 FST ZN (4 PIECES)	1



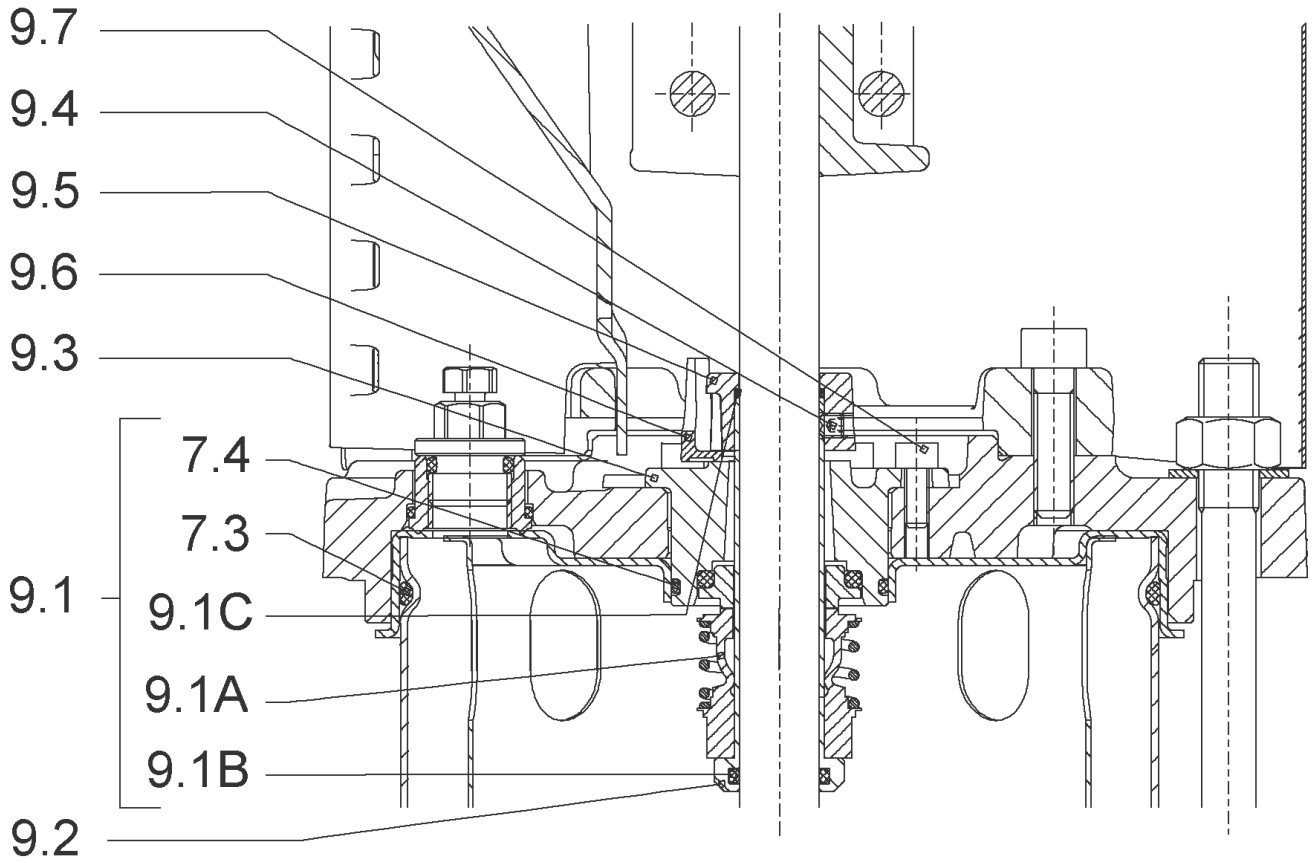
DRIVE HELIX-VE405-IE4-WE KIT

Item	Article no.	Description	Quantity
1.1	4207916	MOTOR 1.1/2/80 3~ 380V 60HZ IE4 WE VP.	1
		SPARE PARTS MOTOR:ON REQUEST	1
1.2	4209598	MODULE HELIX-VE405-IE4-WE KIT	1
1.22	2054372	> MODULE COVER TL1,TL2+GASKET KIT	1
1.23	4215716	> SCREW M5X16 DIN912 8.8 A2A (4pieces) VP.	1
1.24	2057978	> RONDELLE A5,3 DIN6797 FST ZN (4 PIECES)	1



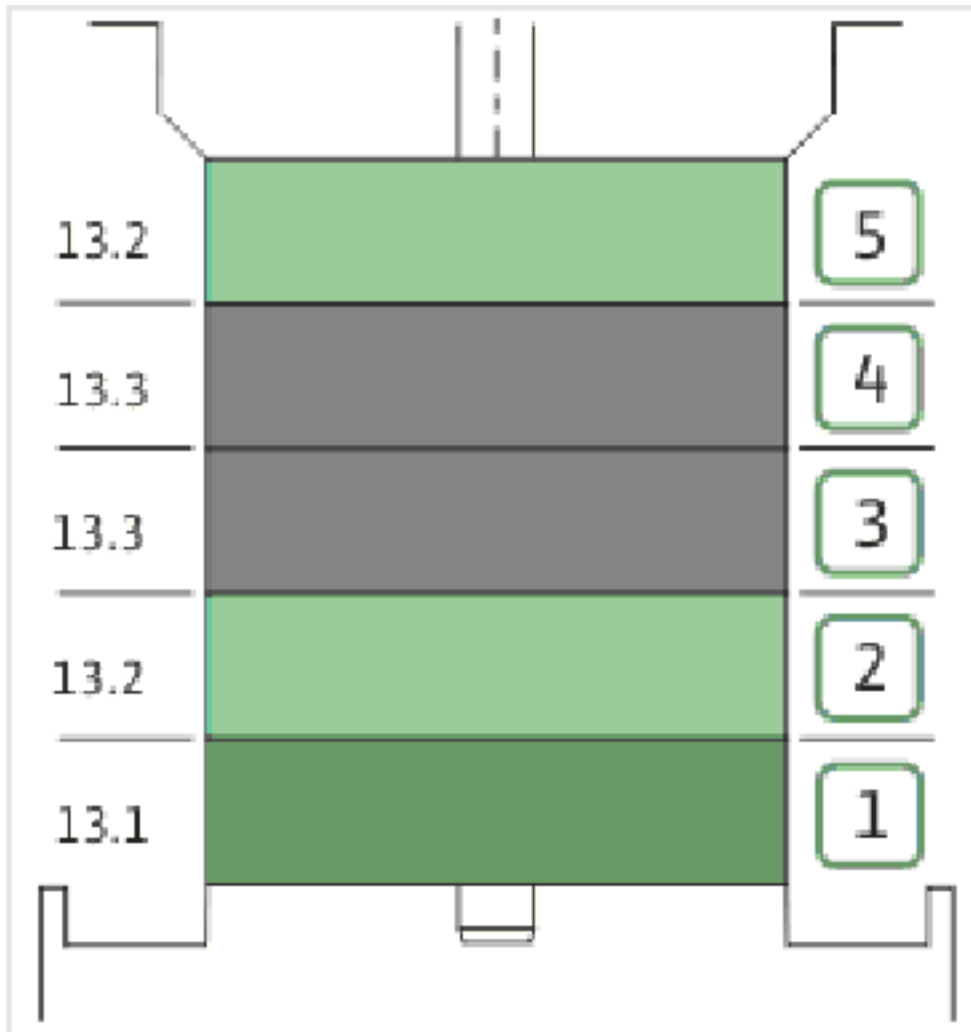
COUPLING D.12XD.19 FT100 KIT (4178578)

Item	Article no.	Description	Quantity
4.1		COUPLING-M+ Ø12XØ19-FT100-MACHINED	1
4.3	4234249	CIRCLIP-FOR-SHAFT-D30x1.5 VP.	1
4.2	2130977	BALL BEARING 6206/ZZ-C3(HT)VP.	1
4.4	4212716	SCREW M6X20 KIT (4PIECES)	1
4.5	4234250	CIRCLIP-D62x2 VP.	1
4.6	4234245	O-RING 63X3 VP.	1
		CONTACT-WASHER-6ETR-6,1x12,2x1,8-STEEL	4



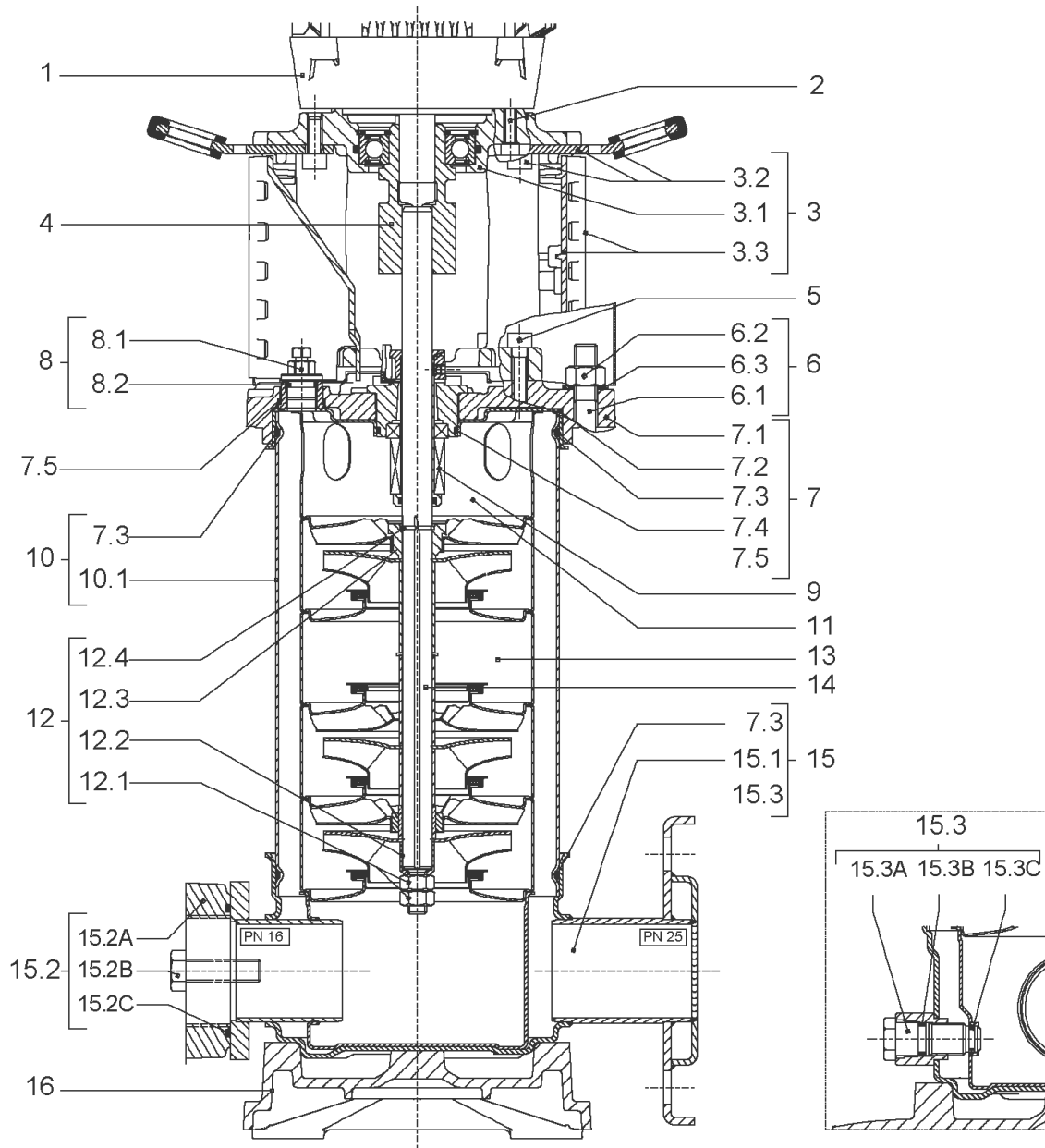
KART.HELIX2-4 O/E SET (4178559)

Item	Article no.	Description	Quantity
9.1	4178560	SEAL-KIT-HELIX2-4 O/E	1
7.3	4176513	> O-RING FOR PUMP JACKET VP.	1
7.4	2127603	> O-RING ID.37,6x2,4 EPDM VP.	1
9.1A	2130966	> MECH.SEAL HELIX2-4-6-10-16 O/E VP.	1
9.1B	4178558	> O-RING ID.12X2 EPDM VP.	1
9.1C	4178558	> O-RING ID.12X2 EPDM VP.	1
9.2	4178557	SHAFT SLEEVE Ø12XØ18-PN16 1.4404 VP.	1
9.3	2130962	RING HOLDER D.18 G606/G6 1.4301 VP.	1
9.4	4176520	SCREW CH M5x5 A4-70 (3PIECES)	1
9.5	4178556	DRIVE RING D.29/15.5x13,2 MACH.VP.	1
9.6	2130964	TOOL M.S.CART.HELIX VP.	1
9.7	2130965	SCREW CHC M5X12 ISO4762 A2.70(4 PIECES)	1



HYDRAULIC HELIX V 405 1.4307

Item	Article no.	Description	Quantity
13.1	4178570	STAGE HELIX 4 1.4301 KIT	1
		> MACH.STG-CASING-WOGV-WNR-M+2-4-304	1
		> IMPELLER-M+4-304	1
13.2	4178569	STAGE BEARING HELIX 4 1.4301 KIT	1
		> MACH.BEARING-STG-CASING-WNR-M+4-304	1
		> IMPELLER-M+4-304	1
		> SHAFT SLEEVE SPACER Ø15,35x10,305-304	1
		> SHAFT-SLEEVE-D12xD16x14-CW	1
13.3	4178574	INTER STAGE HELIX4 1.4301< 15 stages KIT	1
		> MACH.STD-STG-CASING-WGV+NR-M+4-304	1
		> IMPELLER-M+4-304	1
		> IMPELLER SPACER Ø12,05X14,85-L24,285-304	1



HELIX VE405-1/16/E/S (4164637)

Item	Article no.	Description	Quantity
1		DRIVE HELIX-VE405-IE2-WE KIT	1
Note: MOTOR BRAND WILO ELEC			
1		DRIVE HELIX-VE405-IE4-WE KIT	1
Note: MOTOR BRAND WILO ELEC			
2	4159702	SCREW M6X30 (4 PIECES)	1
3	4172790	EQUIPED LANTERN NEXIS FT 100 KIT	1
3.1		> M+5_6_LANTERN_ONE-PIECE_FT100_CATA	1
3.2	2127604	> EYELET CPL.FT HELIX(2 PIECES)	1
3.3	4159692	> COUPLING PROTECTOR FT HELIX KIT	1
4	4178578	COUPLING D.12XD.19 FT100 KIT	1
5	4159707	SCREW M8X30 (4 PIECES)	1
6	4178579	STUD BOLT M12X317 KIT	1
6.1		> TIE BOLT M12-317x18x30-1.4057	1
6.2	2094647	> NUT M12 M12 ISO4032 VP.	1
6.3	2123557	> WASHER CS-12.4-24-1.6-NFE25 (4 PIECES)	1
7	4210143	STATIONARY RING HOLDER HELIX 6" EPDM	1
7.2	2127607	> STATIONARY RING HOLDER 6" HELIX 1.4301 V	1
7.3	4176513	> O-RING FOR PUMP JACKET VP.	1
7.4	2127603	> O-RING ID.37,6x2,4 EPDM VP.	1
7.5	2127602	> O-RING ID.21,35x2 EPDM VP.	1
8	4159686	FILING/PURGING PLUG HELIX EPDM KIT	1
9	4178564	SEAL-KIT-HELIX2-4 O/E KIT	1
10	4178580	HOUSING PIPE D.152X184 1.4301 KIT	1
7.3	4176513	> O-RING FOR PUMP JACKET VP.	1
10.1		> HOUSING-PIPE Ø152-M+205/405-304	1
11	4178566	CENTERING STAGE-RETURN HELIX4 1.4307 VP	1
12	4178568	SHAFT EQUIPMENT HELIX V2/V4 KIT	1
12.1		> NUT-H-M8-STAINLESS-STEEL A4-70	2
12.2		> SHAFT END WASHER Ø8/Ø12 316L	1
12.3		> STOP COLLAR OF IMPELLER M+2/4 SINGLEBLOC	1
12.4		> STOP-RUSH-1/2-D12xd2-M+316	2
13		HYDRAULIC HELIX V 405 1.4307	1
14	4178582	SHAFT D.12X308 1.4301 VP.	1
15	4174079	PUMP HOUSING HELIX DN32 PN16 1.4301 KIT	1

HELIX VE405-1/16/E/S (4164637)

Item	Article no.	Description	Quantity
7.3	4176513	> O-RING FOR PUMP JACKET VP.	1
15.1		> BLASTING PPE HOUSING V-PN16-DN32-5"-304	1
15.2	4217889	> COUNTER FLANGE-G1"-PN16-GJL KIT	1
15.3	4171321	> PRIMING/DRAIN PLUG EPDM HELIX KIT	1
16	4177964	BASEPLATE HELIX V2/4/6 PN16 VP.	1



DRIVE HELIX-VE405-IE2-WE KIT

Item	Article no.	Description	Quantity
1.1	4184817	MOTOR 1,1/2/80 3~ 380V 60HZ IE2 WE VP.	1
		SPARE PARTS MOTOR:ON REQUEST	1
1.2	4186765	MODULE HELIX-VE405-IE2-WE KIT	1
1.22	2054372	> MODULE COVER TL1,TL2+GASKET KIT	1
1.23	4215716	> SCREW M5X16 DIN912 8.8 A2A (4pieces) VP.	1
1.24	2057978	> RONDELLE A5,3 DIN6797 FST ZN (4 PIECES)	1



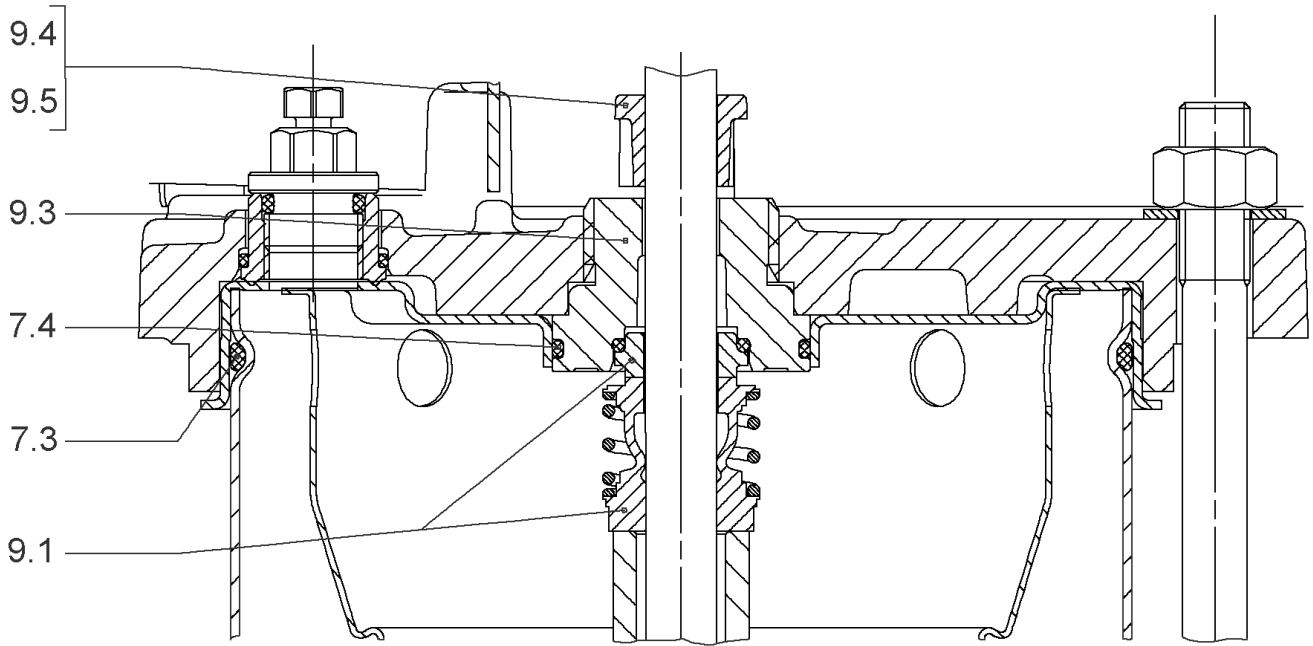
DRIVE HELIX-VE405-IE4-WE KIT

Item	Article no.	Description	Quantity
1.1	4207916	MOTOR 1.1/2/80 3~ 380V 60HZ IE4 WE VP.	1
		SPARE PARTS MOTOR:ON REQUEST	1
1.2	4209598	MODULE HELIX-VE405-IE4-WE KIT	1
1.22	2054372	> MODULE COVER TL1,TL2+GASKET KIT	1
1.23	4215716	> SCREW M5X16 DIN912 8.8 A2A (4pieces) VP.	1
1.24	2057978	> RONDELLE A5,3 DIN6797 FST ZN (4 PIECES)	1



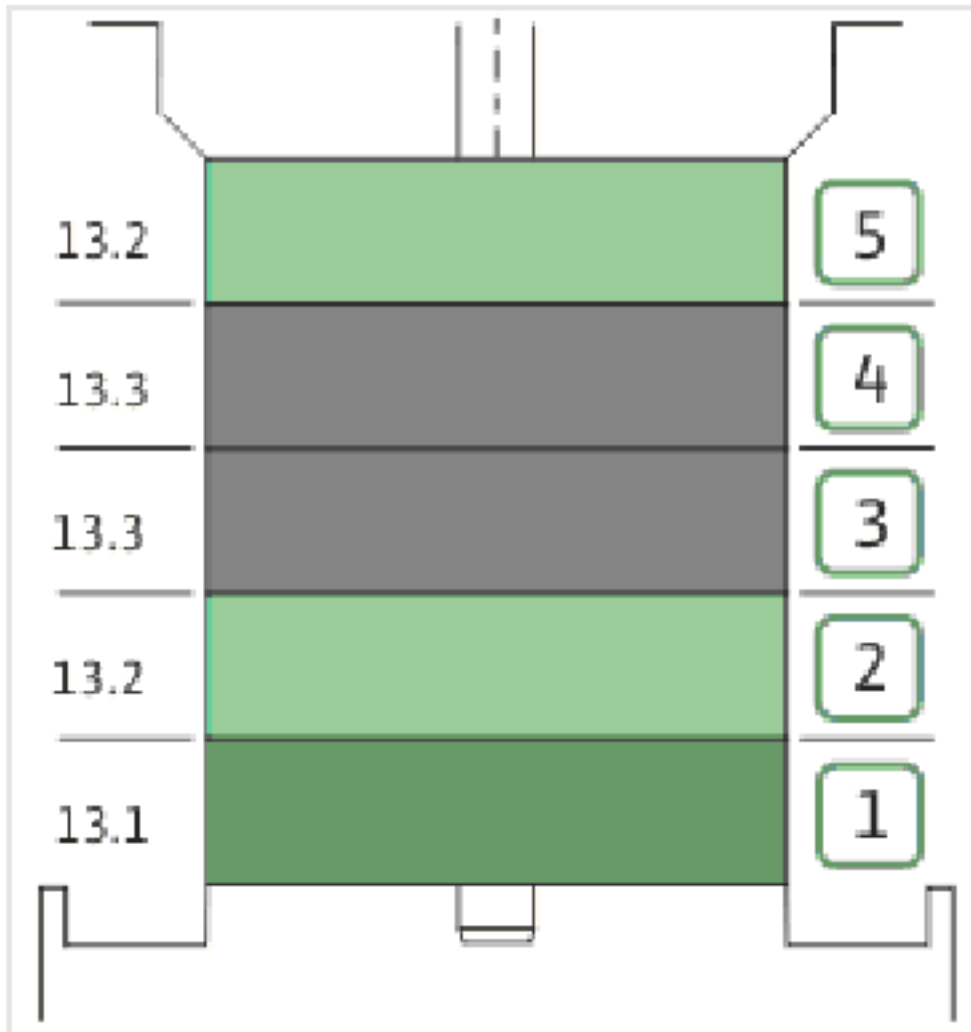
COUPLING D.12XD.19 FT100 KIT (4178578)

Item	Article no.	Description	Quantity
4.1		COUPLING-M+ Ø12XØ19-FT100-MACHINED	1
4.3	4234249	CIRCLIP-FOR-SHAFT-D30x1.5 VP.	1
4.2	2130977	BALL BEARING 6206/ZZ-C3(HT)VP.	1
4.4	4212716	SCREW M6X20 KIT (4PIECES)	1
4.5	4234250	CIRCLIP-D62x2 VP.	1
4.6	4234245	O-RING 63X3 VP.	1
		CONTACT-WASHER-6ETR-6,1x12,2x1,8-STEEL	4



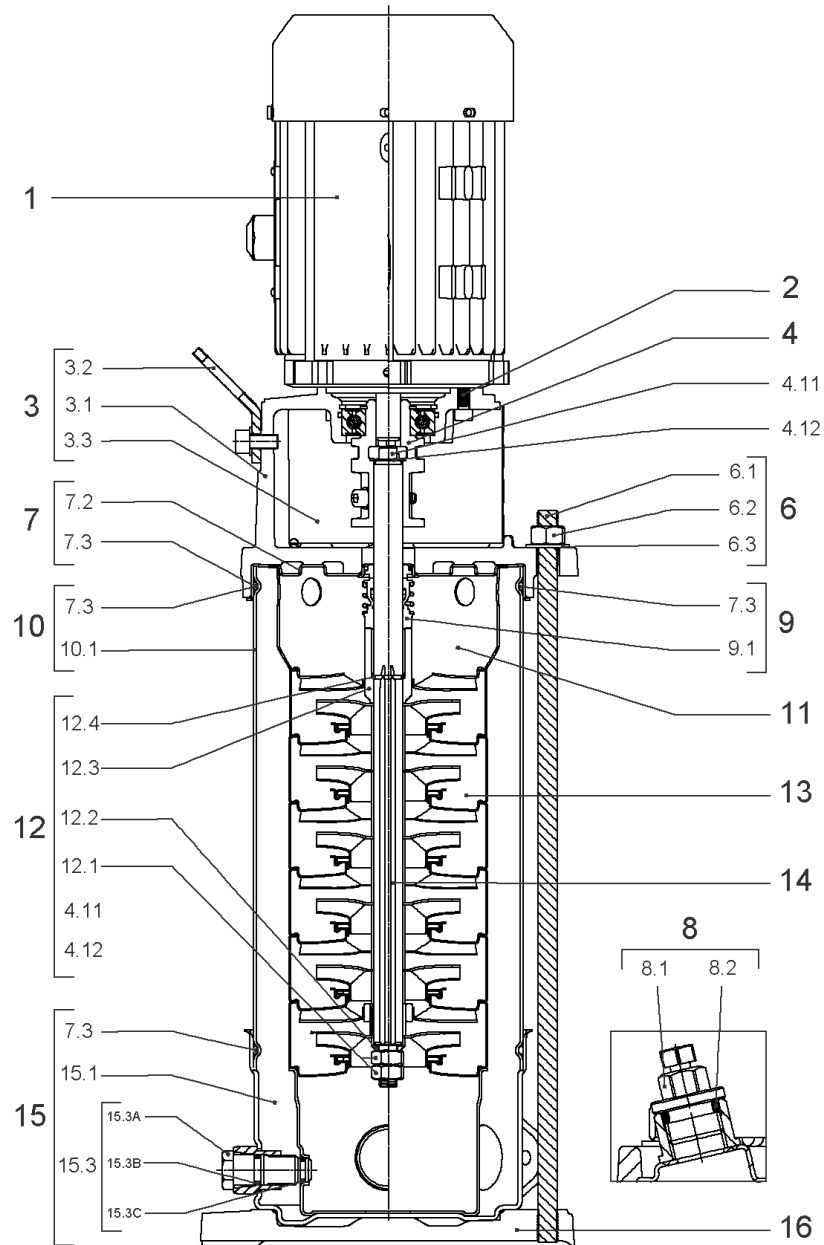
SEAL-KIT-HELIX2-4 O/E KIT (4178564)

Item	Article no.	Description	Quantity
7.3	4176513	O-RING FOR PUMP JACKET VP.	1
7.4	2127603	O-RING ID.37,6x2,4 EPDM VP.	1
9.1	4178563	M.SEAL.HELIX2-4 O/E VP.	1
9.3	4178561	RING HOLDER Ø22 1.4301 VP.	1
9.5	4178562	DRIVE RING D.22/12.2X10 MACH.VP.	1
9.4	4176520	SCREW CH M5x5 A4-70 (3PIECES)	1



HYDRAULIC HELIX V 405 1.4307

Item	Article no.	Description	Quantity
13.1	4178570	STAGE HELIX 4 1.4301 KIT	1
		> MACH.STG-CASING-WOGV-WNR-M+2-4-304	1
		> IMPELLER-M+4-304	1
13.2	4178569	STAGE BEARING HELIX 4 1.4301 KIT	1
		> MACH.BEARING-STG-CASING-WNR-M+4-304	1
		> IMPELLER-M+4-304	1
		> SHAFT SLEEVE SPACER Ø15,35x10,305-304	1
		> SHAFT-SLEEVE-D12xD16x14-CW	1
13.3	4178574	INTER STAGE HELIX4 1.4301< 15 stages KIT	1
		> MACH.STD-STG-CASING-WGV+NR-M+4-304	1
		> IMPELLER-M+4-304	1
		> IMPELLER SPACER Ø12,05X14,85-L24,285-304	1



HELIX VE405-1/16/E/S (4201571)

Item	Article no.	Description	Quantity
1		DRIVE HELIX-VE405-IE4-WE KIT	1
Note: MOTOR BRAND WILO ELEC			
		SPARE PARTS MOTOR:ON REQUEST	1
2	4212716	SCREW M6X20 KIT (4PIECES)	1
3	4213752	LANTERN FT100 HELIX KIT	1
3.1		> LANT-MOT-VMI-ReDTC6"-FT100-MACHINED+CATA	1
3.2	4184852	> EYELET CPL.FT HELIX (2 PIECES)	1
3.3	4213713	> COUPLING PROTECTOR FT85/100 HELIX KIT	1
4	4178578	COUPLING D.12XD.19 FT100 KIT	1
6	4178579	STUD BOLT M12X317 KIT	1
6.1		> TIE BOLT M12-317x18x30-1.4057	1
6.2	2094647	> NUT M12 M12 ISO4032 VP.	1
6.3	2123557	> WASHER CS-12.4-24-1.6-NFE25 (4 PIECES)	1
7	4212722	STATIONARY RING HOLDER HELIX D23 ReDTC	1
7.2	4212720	> STATIONARY RING HOLDER HELIX D23 VP.	1
7.3	4176513	> O-RING FOR PUMP JACKET VP.	1
8	4212724	FILING/PURGING PLUG HELIX ReDTC KIT	1
8.1		> FILLING PLUG MVI6"-304	1
8.2	4177800	> O-RING EPDM PLUG HELIX VP.	1
9	4212726	MECH.SEAL HELIX V2/4 O/E ReDTC KIT	1
9.1	4178563	> M.SEAL.HELIX2-4 O/E VP.	1
7.3	4176513	> O-RING FOR PUMP JACKET VP.	1
10	4178580	HOUSING PIPE D.152X184 1.4301 KIT	1
7.3	4176513	> O-RING FOR PUMP JACKET VP.	1
10.1		> HOUSING-PIPE Ø152-M+205/405-304	1
11	4178566	CENTERING STAGE-RETURN HELIX4 1.4307 VP	1
12	4212729	SHAFT EQUIPMENT HELIX V2/4 ReDTC KIT	1
12.1		> NUT-H-M8-STAINLESS-STEEL A4-70	1
12.2		> SHAFT END WASHER Ø8/Ø12 316L	1
12.3		> 1/2-SNAP-RING-2/4M3-316L	1
12.4		> STOP-RUSH-1/2-D12xd2-M+316	1
4.11		> SCREW CHC-M6X14-8.8-ISO4762-GEOMET500A	1
4.12		> WASHER D.24 L6U ZINK	1
13		HYDRAULIC HELIX V 405 1.4307	1

HELIX VE405-1/16/E/S (4201571)

Item	Article no.	Description	Quantity
14	4213746	SHAFT D.12X256 HELIX 1.4057 VP.	1
15	4174079	PUMP HOUSING HELIX DN32 PN16 1.4301 KIT	1
7.3	4176513	> O-RING FOR PUMP JACKET VP.	1
15.1		> BLASTING PPE HOUSING V-PN16-DN32-5"-304	1
15.2	4217889	> COUNTER FLANGE-G1"-PN16-GJL KIT	1
15.3	4171321	> PRIMING/DRAIN PLUG EPDM HELIX KIT	1
16	4177964	BASEPLATE HELIX V2/4/6 PN16 VP.	1



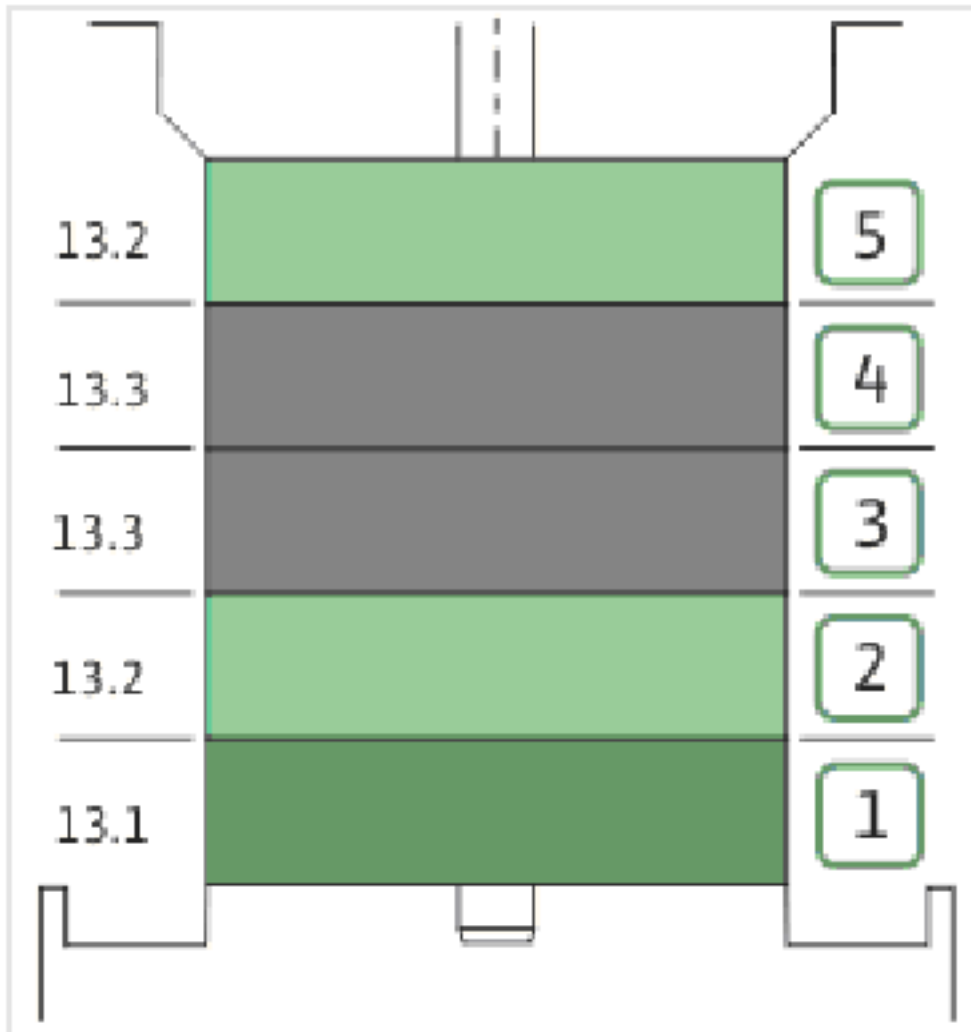
DRIVE HELIX-VE405-IE4-WE KIT

Item	Article no.	Description	Quantity
1.1	4207916	MOTOR 1.1/2/80 3~ 380V 60HZ IE4 WE VP.	1
		SPARE PARTS MOTOR:ON REQUEST	1
1.2	4209598	MODULE HELIX-VE405-IE4-WE KIT	1
1.22	2054372	> MODULE COVER TL1,TL2+GASKET KIT	1
1.23	4215716	> SCREW M5X16 DIN912 8.8 A2A (4pieces) VP.	1
1.24	2057978	> RONDELLE A5,3 DIN6797 FST ZN (4 PIECES)	1



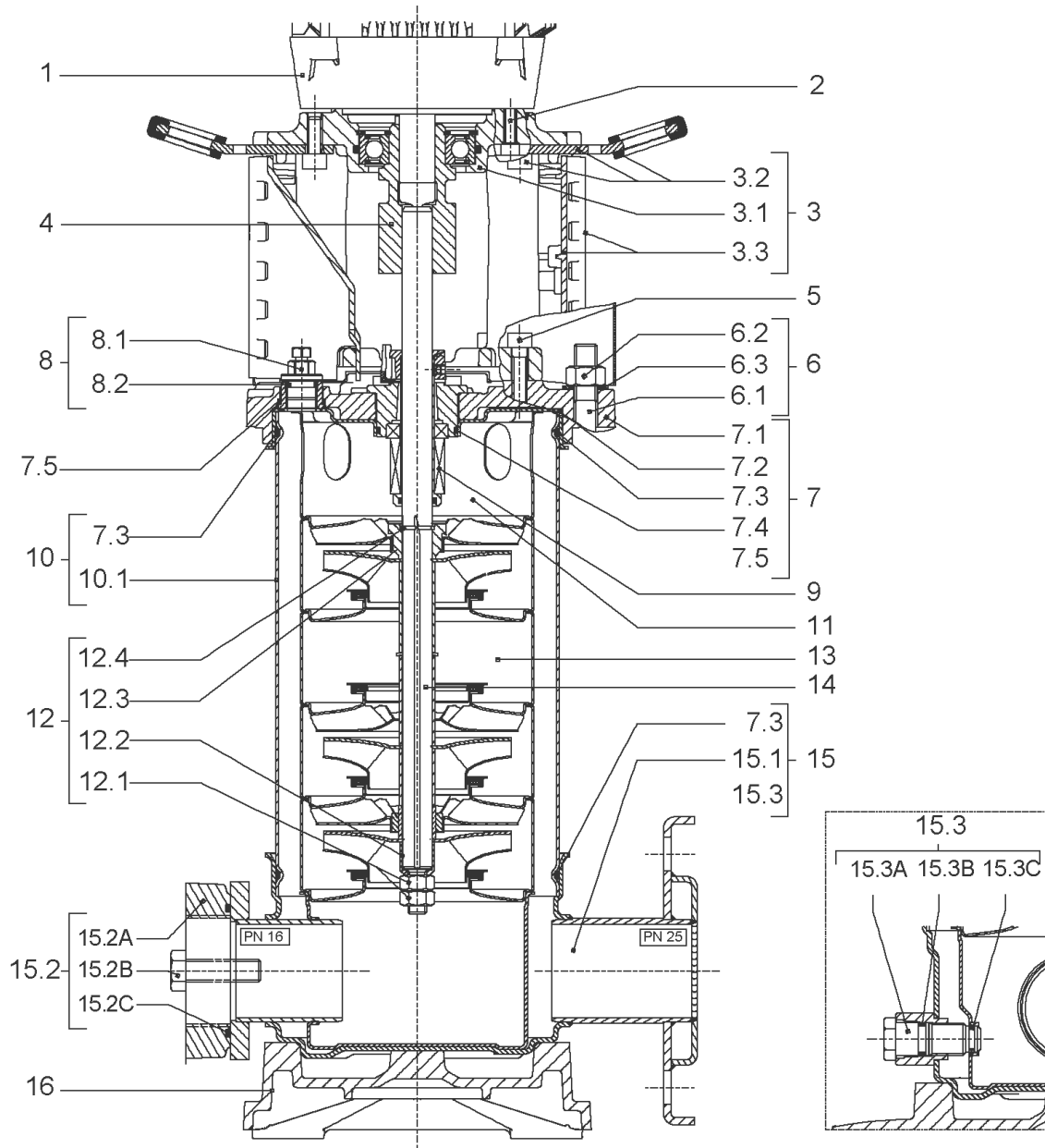
COUPLING D.12XD.19 FT100 KIT (4178578)

Item	Article no.	Description	Quantity
4.1		COUPLING-M+ Ø12XØ19-FT100-MACHINED	1
4.3	4234249	CIRCLIP-FOR-SHAFT-D30x1.5 VP.	1
4.2	2130977	BALL BEARING 6206/ZZ-C3(HT)VP.	1
4.4	4212716	SCREW M6X20 KIT (4PIECES)	1
4.5	4234250	CIRCLIP-D62x2 VP.	1
4.6	4234245	O-RING 63X3 VP.	1
		CONTACT-WASHER-6ETR-6,1x12,2x1,8-STEEL	4



HYDRAULIC HELIX V 405 1.4307

Item	Article no.	Description	Quantity
13.1	4178570	STAGE HELIX 4 1.4301 KIT	1
		> MACH.STG-CASING-WOGV-WNR-M+2-4-304	1
		> IMPELLER-M+4-304	1
13.2	4178569	STAGE BEARING HELIX 4 1.4301 KIT	1
		> MACH.BEARING-STG-CASING-WNR-M+4-304	1
		> IMPELLER-M+4-304	1
		> SHAFT SLEEVE SPACER Ø15,35x10,305-304	1
		> SHAFT-SLEEVE-D12xD16x14-CW	1
13.3	4178574	INTER STAGE HELIX4 1.4301< 15 stages KIT	1
		> MACH.STD-STG-CASING-WGV+NR-M+4-304	1
		> IMPELLER-M+4-304	1
		> IMPELLER SPACER Ø12,05X14,85-L24,285-304	1

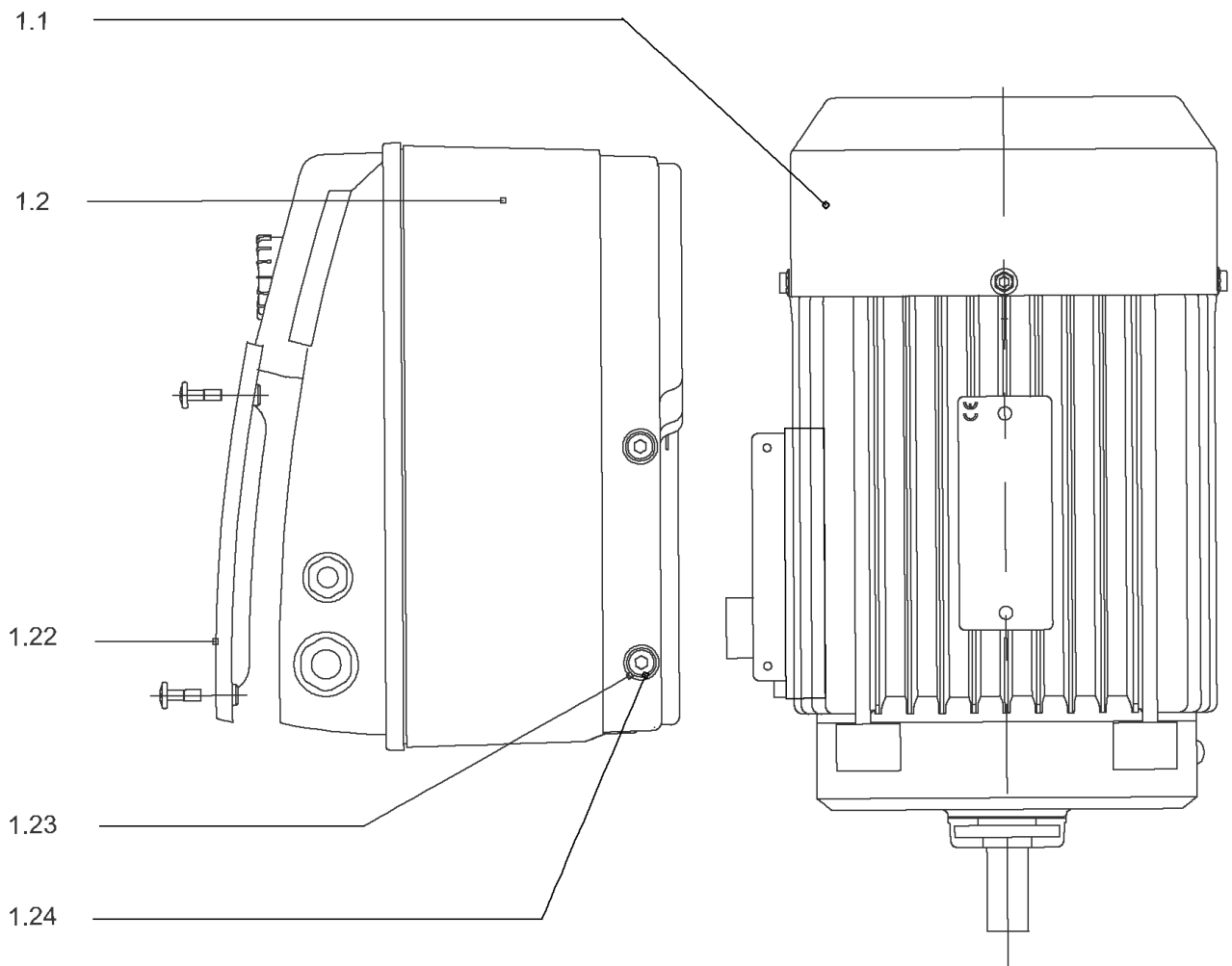


HELIX VE407-1/16/E/KS (4171724)

Item	Article no.	Description	Quantity
1		DRIVE HELIX-VE407-IE2-WE KIT	1
Note: MOTOR BRAND WILO ELEC			
1		DRIVE HELIX-VE407-IE4-WE KIT	1
Note: MOTOR BRAND WILO ELEC			
2	4159703	SCREW M8X40 (4 PIECES)	1
3	4159690	LANTERN FT115 HELIX KIT	1
3.1		> LANTERN FT115 M+6" GJL MACHINING+CATA	1
3.2	2127604	> EYELET CPL.FT HELIX(2 PIECES)	1
3.3	4159692	> COUPLING PROTECTOR FT HELIX KIT	1
4	4178600	COUPLING D.12XD.24 FT115 KIT	1
5	4159707	SCREW M8X30 (4 PIECES)	1
6	4178585	STUD BOLT M12X365 KIT	1
6.1		> TIE BOLT M12-365x18x30-1.4057	1
6.2	2094647	> NUT M12 M12 ISO4032 VP.	1
6.3	2123557	> WASHER CS-12.4-24-1.6-NFE25 (4 PIECES)	1
7	4159685	END SHIELD HELIX EPDM KIT	1
7.1		> END SHIELD M+6" GJL250 MACHINING+CATA	1
7.2	2127607	> STATIONARY RING HOLDER 6" HELIX 1.4301 V	1
7.3	4176513	> O-RING FOR PUMP JACKET VP.	1
7.4	2127603	> O-RING ID.37,6x2,4 EPDM VP.	1
7.5	2127602	> O-RING ID.21,35x2 EPDM VP.	1
8	4159686	FILING/PURGING PLUG HELIX EPDM KIT	1
9	4178559	KART.HELIX2-4 O/E SET	1
10	4178586	HOUSING-PIPE D.152X235 1.4301 KIT	1
7.3	4176513	> O-RING FOR PUMP JACKET VP.	1
10.1		> HOUSING-PIPE Ø152-M+207/407-304	1
11	4178566	CENTERING STAGE-RETURN HELIX4 1.4307 VP	1
12	4178567	SHAFT EQUIPMENT HELIX V2/V4 KIT	1
12.1		> NUT-H-M8-STAINLESS-STEEL A4-70	1
12.2		> SHAFT END WASHER Ø8/Ø12 316L	1
12.3		> STOP COLLAR OF IMPELLER L12,6-Ø12-316L	1
12.4		> STOP-RUSH-1/2-D12xd2-M+316	1
13		HYDRAULIC HELIX V 407 1.4307	1
14	4178587	SHAFT D.12X358 1.4301 VP.	1

HELIX VE407-1/16/E/KS (4171724)

Item	Article no.	Description	Quantity
15	4174079	PUMP HOUSING HELIX DN32 PN16 1.4301 KIT	1
7.3	4176513	> O-RING FOR PUMP JACKET VP.	1
15.1		> BLASTING PPE HOUSING V-PN16-DN32-5"-304	1
15.2	4217889	> COUNTER FLANGE-G1"-PN16-GJL KIT	1
15.3	4171321	> PRIMING/DRAIN PLUG EPDM HELIX KIT	1
16	4177964	BASEPLATE HELIX V2/4/6 PN16 VP.	1



DRIVE HELIX-VE407-IE2-WE KIT

Item	Article no.	Description	Quantity
1.1		MOTOR 1,5/2/90 3~ 380V 60HZ IE2 WE VP.	1
Note: no longer available/nicht mehr lieferbar/n'est plus disponible			
		SPARE PARTS MOTOR:ON REQUEST	1
1.2	4184872	MODULE HELIX-VE407-IE2-WE KIT	1
1.22	2054227	> MODULE COVER/GASKET TL3/4 KIT	1
1.23	4215716	> SCREW M5X16 DIN912 8.8 A2A (4pieces) VP.	1
1.24	2057978	> RONDELLE A5,3 DIN6797 FST ZN (4 PIECES)	1



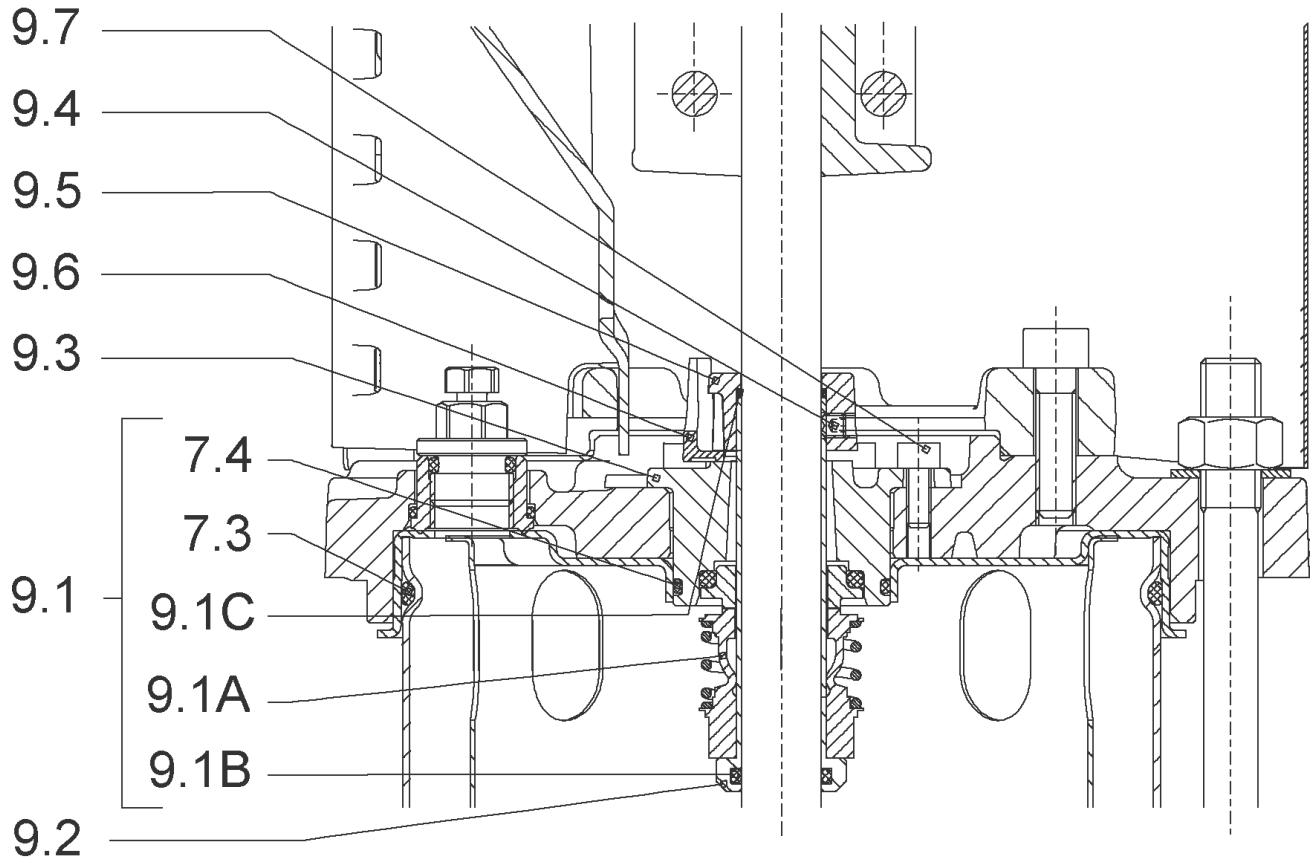
DRIVE HELIX-VE407-IE4-WE KIT

Item	Article no.	Description	Quantity
1.1	4207918	MOTOR 1.5/2/90 3~ 380V 60HZ IE4 WE VP.	1
		SPARE PARTS MOTOR:ON REQUEST	1
1.2	4209326	MODULE HELIX-VE407-IE4-WE KIT	1
1.22	2054227	> MODULE COVER/GASKET TL3/4 KIT	1
1.23	4215716	> SCREW M5X16 DIN912 8.8 A2A (4pieces) VP.	1
1.24	2057978	> RONDELLE A5,3 DIN6797 FST ZN (4 PIECES)	1



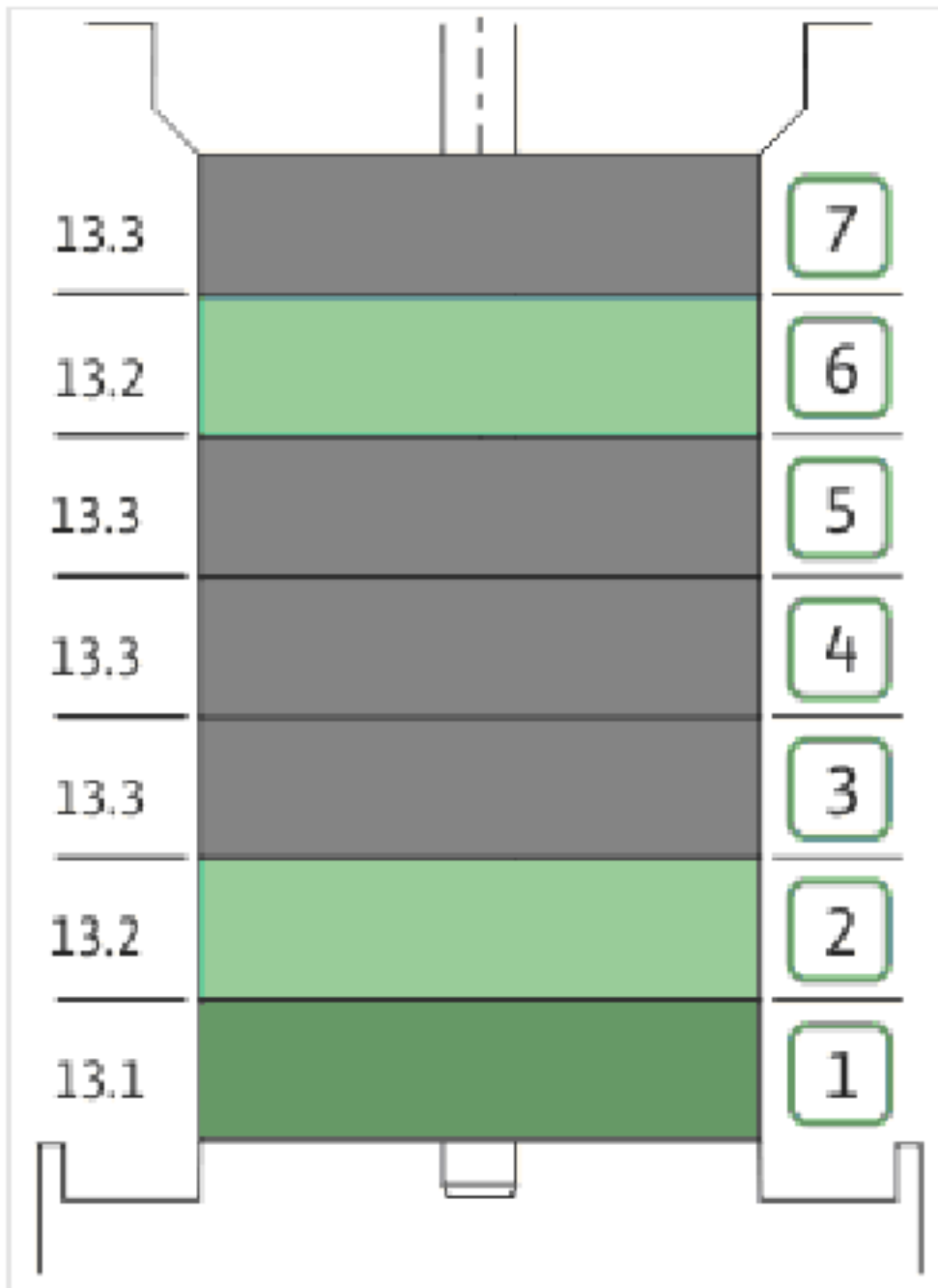
COUPLING D.12XD.24 FT115 KIT (4178600)

Item	Article no.	Description	Quantity
4.1		COUPLING-M+ Ø12XØ24-FT115-MACHINED	1
4.2	2131023	BALL BEARING 6207/ZZ-C3(HT)VP.	1
4.3	4234254	CIRCLIP-FOR-SHAFT-D35x1.5 VP.	1
4.4	4157726	SCREW KIT M8X30 (4 PIECES)	1
4.5	4234251	CIRCLIP-D72x2.5 VP.	1
4.6	4234246	O-RING 72X3 VP.	1
		NOMEL CONTACT WASHER 8x16x1,4 STEEL ZC	1



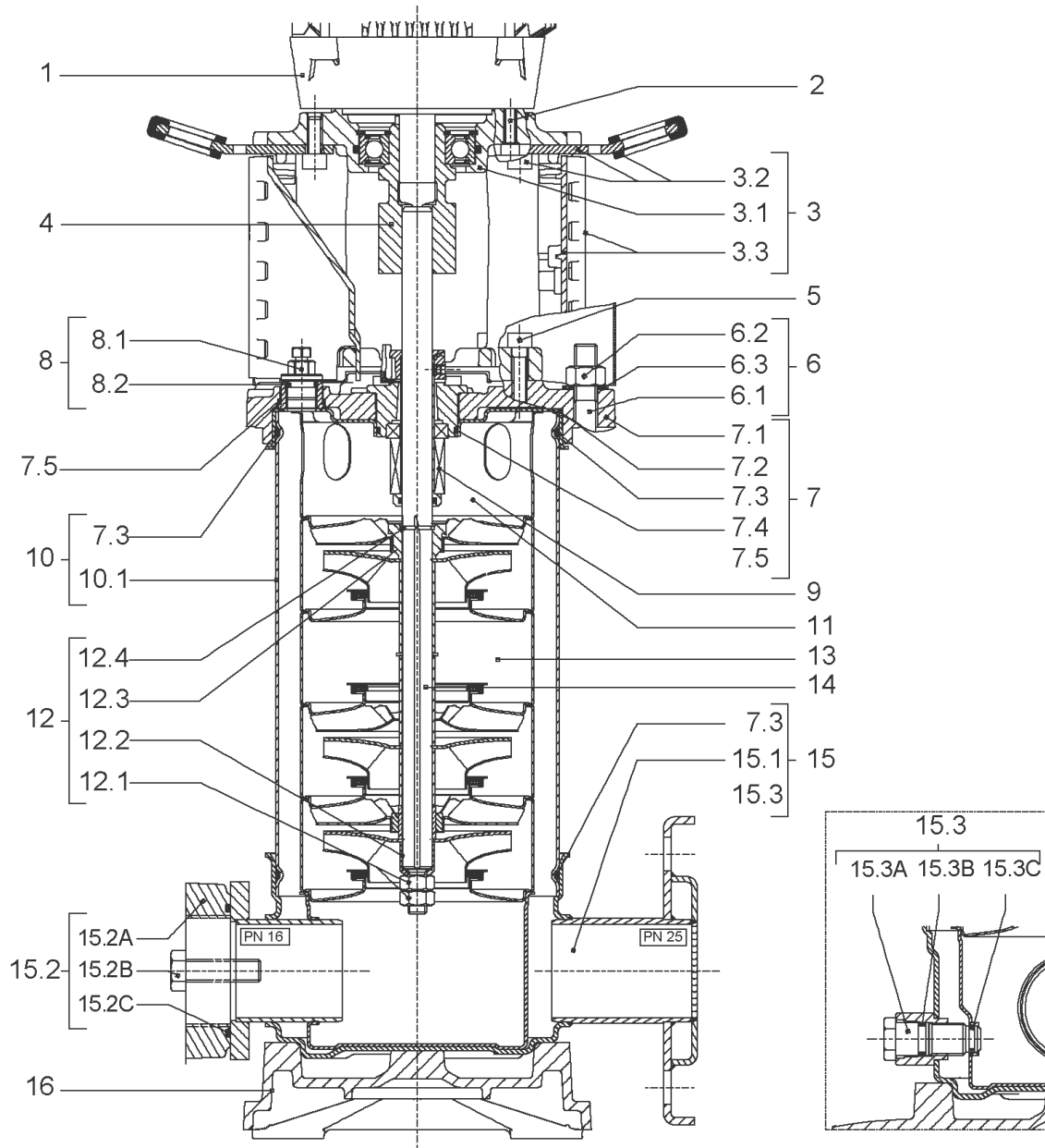
KART.HELIX2-4 O/E SET (4178559)

Item	Article no.	Description	Quantity
9.1	4178560	SEAL-KIT-HELIX2-4 O/E	1
7.3	4176513	> O-RING FOR PUMP JACKET VP.	1
7.4	2127603	> O-RING ID.37,6x2,4 EPDM VP.	1
9.1A	2130966	> MECH.SEAL HELIX2-4-6-10-16 O/E VP.	1
9.1B	4178558	> O-RING ID.12X2 EPDM VP.	1
9.1C	4178558	> O-RING ID.12X2 EPDM VP.	1
9.2	4178557	SHAFT SLEEVE Ø12XØ18-PN16 1.4404 VP.	1
9.3	2130962	RING HOLDER D.18 G606/G6 1.4301 VP.	1
9.4	4176520	SCREW CH M5x5 A4-70 (3PIECES)	1
9.5	4178556	DRIVE RING D.29/15.5x13,2 MACH.VP.	1
9.6	2130964	TOOL M.S.CART.HELIX VP.	1
9.7	2130965	SCREW CHC M5X12 ISO4762 A2.70(4 PIECES)	1



HYDRAULIC HELIX V 407 1.4307

Item	Article no.	Description	Quantity
13.1	4178570	STAGE HELIX 4 1.4301 KIT	1
		> MACH.STG-CASING-WOGV-WNR-M+2-4-304	1
		> IMPELLER-M+4-304	1
13.2	4178569	STAGE BEARING HELIX 4 1.4301 KIT	1
		> MACH.BEARING-STG-CASING-WNR-M+4-304	1
		> IMPELLER-M+4-304	1
		> SHAFT SLEEVE SPACER Ø15,35x10,305-304	1
		> SHAFT-SLEEVE-D12xD16x14-CW	1
13.3	4178574	INTER STAGE HELIX4 1.4301< 15 stages KIT	1
		> MACH.STD-STG-CASING-WGV+NR-M+4-304	1
		> IMPELLER-M+4-304	1
		> IMPELLER SPACER Ø12,05X14,85-L24,285-304	1



HELIX VE407-1/16/E/S (4171722)

Item	Article no.	Description	Quantity
1		DRIVE HELIX-VE407-IE2-WE KIT	1
Note: MOTOR BRAND WILO ELEC			
1		DRIVE HELIX-VE407-IE4-WE KIT	1
Note: MOTOR BRAND WILO ELEC			
2	4159703	SCREW M8X40 (4 PIECES)	1
3	4172795	LANTERNE FT115 HELIX KIT	1
3.1		> M+5_6_LANTERN_ONE-PIECE_FT115_CATA	1
3.2	2127604	> EYELET CPL.FT HELIX(2 PIECES)	1
3.3	4159692	> COUPLING PROTECTOR FT HELIX KIT	1
4	4178600	COUPLING D.12XD.24 FT115 KIT	1
5	4159707	SCREW M8X30 (4 PIECES)	1
6	4178585	STUD BOLT M12X365 KIT	1
6.1		> TIE BOLT M12-365x18x30-1.4057	1
6.2	2094647	> NUT M12 M12 ISO4032 VP.	1
6.3	2123557	> WASHER CS-12.4-24-1.6-NFE25 (4 PIECES)	1
7	4210143	STATIONARY RING HOLDER HELIX 6" EPDM	1
7.2	2127607	> STATIONARY RING HOLDER 6" HELIX 1.4301 V	1
7.3	4176513	> O-RING FOR PUMP JACKET VP.	1
7.4	2127603	> O-RING ID.37,6x2,4 EPDM VP.	1
7.5	2127602	> O-RING ID.21,35x2 EPDM VP.	1
8	4159686	FILING/PURGING PLUG HELIX EPDM KIT	1
9	4178564	SEAL-KIT-HELIX2-4 O/E KIT	1
10	4178586	HOUSING-PIPE D.152X235 1.4301 KIT	1
7.3	4176513	> O-RING FOR PUMP JACKET VP.	1
10.1		> HOUSING-PIPE Ø152-M+207/407-304	1
11	4178566	CENTERING STAGE-RETURN HELIX4 1.4307 VP	1
12	4178568	SHAFT EQUIPMENT HELIX V2/V4 KIT	1
12.1		> NUT-H-M8-STAINLESS-STEEL A4-70	2
12.2		> SHAFT END WASHER Ø8/Ø12 316L	1
12.3		> STOP COLLAR OF IMPELLER M+2/4 SINGLEBLOC	1
12.4		> STOP-RUSH-1/2-D12xd2-M+316	2
13		HYDRAULIC HELIX V 407 1.4307	1
14	4178587	SHAFT D.12X358 1.4301 VP.	1
15	4174079	PUMP HOUSING HELIX DN32 PN16 1.4301 KIT	1

HELIX VE407-1/16/E/S (4171722)

Item	Article no.	Description	Quantity
7.3	4176513	> O-RING FOR PUMP JACKET VP.	1
15.1		> BLASTING PPE HOUSING V-PN16-DN32-5"-304	1
15.2	4217889	> COUNTER FLANGE-G1"-PN16-GJL KIT	1
15.3	4171321	> PRIMING/DRAIN PLUG EPDM HELIX KIT	1
16	4177964	BASEPLATE HELIX V2/4/6 PN16 VP.	1



DRIVE HELIX-VE407-IE2-WE KIT

Item	Article no.	Description	Quantity
1.1		MOTOR 1,5/2/90 3~ 380V 60HZ IE2 WE VP.	1
Note: no longer available/nicht mehr lieferbar/n'est plus disponible			
		SPARE PARTS MOTOR:ON REQUEST	1
1.2	4184872	MODULE HELIX-VE407-IE2-WE KIT	1
1.22	2054227	> MODULE COVER/GASKET TL3/4 KIT	1
1.23	4215716	> SCREW M5X16 DIN912 8.8 A2A (4pieces) VP.	1
1.24	2057978	> RONDELLE A5,3 DIN6797 FST ZN (4 PIECES)	1



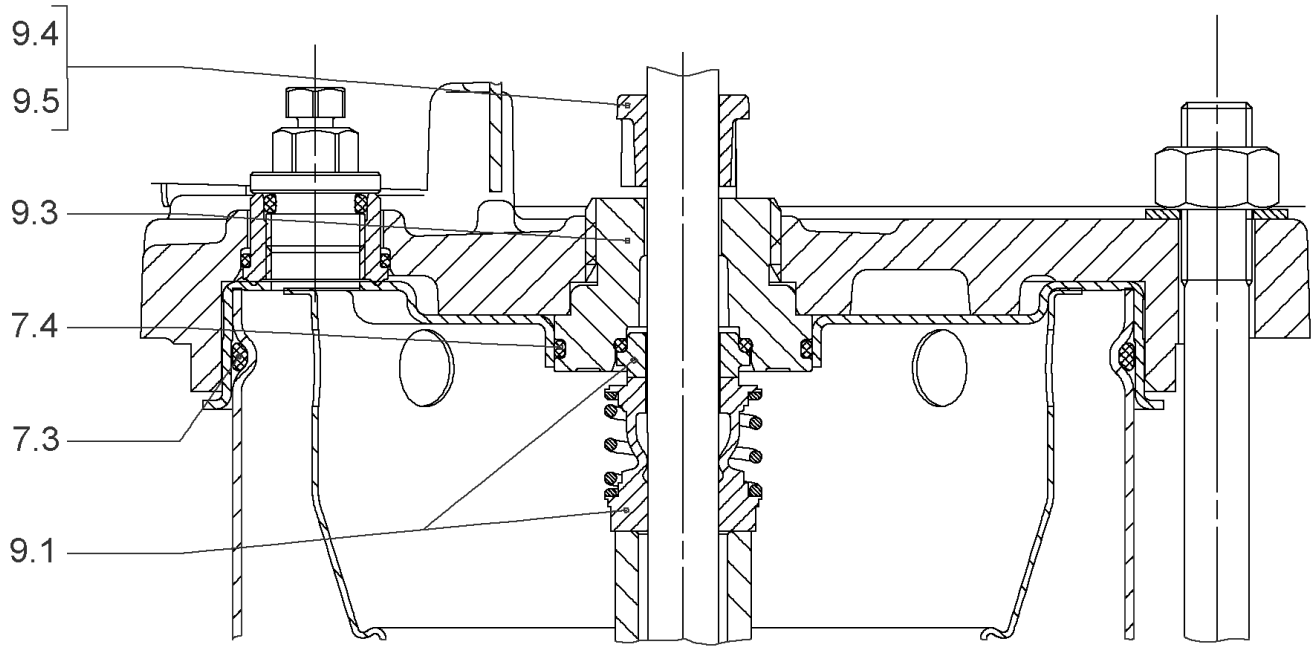
DRIVE HELIX-VE407-IE4-WE KIT

Item	Article no.	Description	Quantity
1.1	4207918	MOTOR 1.5/2/90 3~ 380V 60HZ IE4 WE VP.	1
		SPARE PARTS MOTOR:ON REQUEST	1
1.2	4209326	MODULE HELIX-VE407-IE4-WE KIT	1
1.22	2054227	> MODULE COVER/GASKET TL3/4 KIT	1
1.23	4215716	> SCREW M5X16 DIN912 8.8 A2A (4pieces) VP.	1
1.24	2057978	> RONDELLE A5,3 DIN6797 FST ZN (4 PIECES)	1



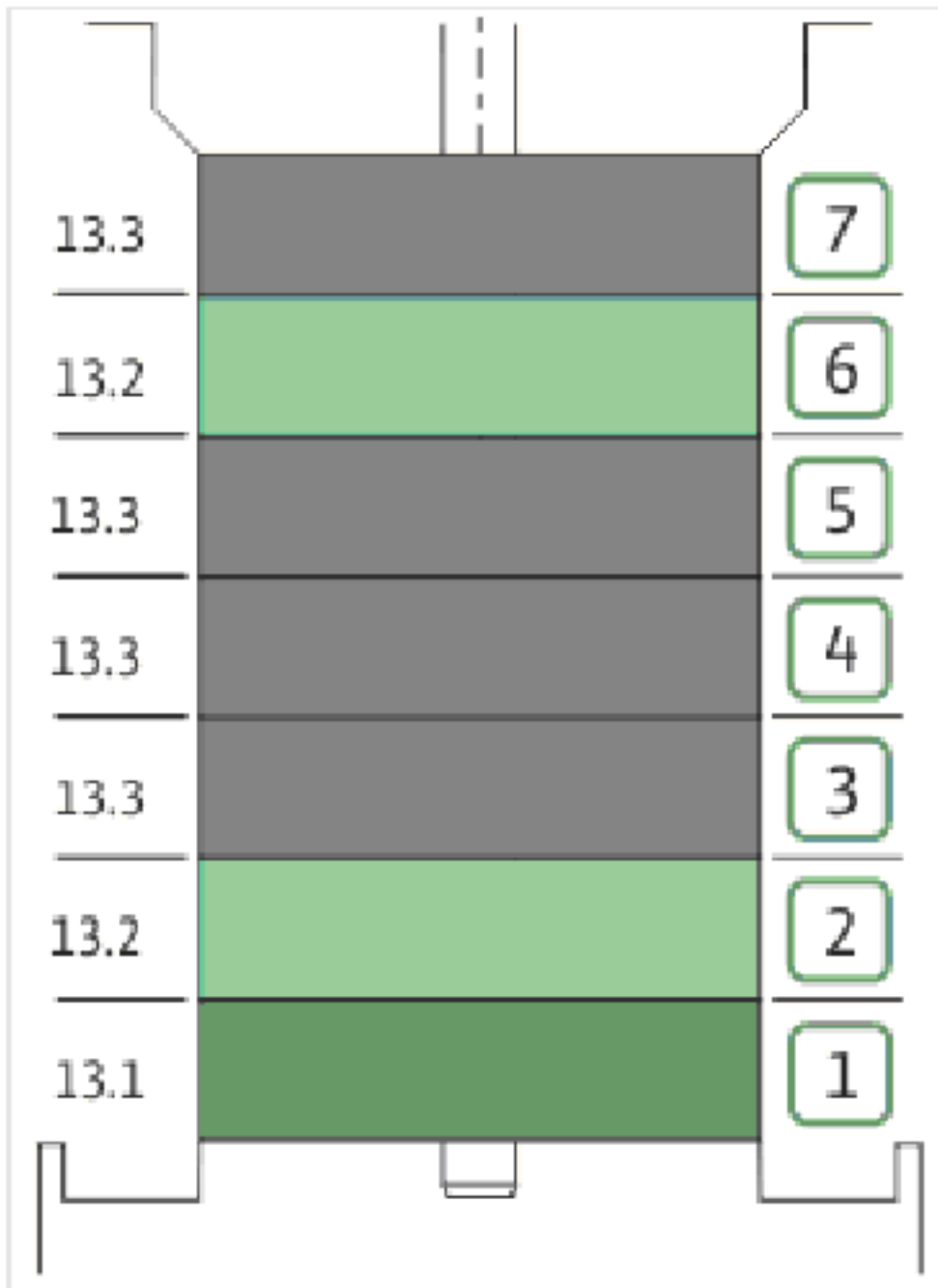
COUPLING D.12XD.24 FT115 KIT (4178600)

Item	Article no.	Description	Quantity
4.1		COUPLING-M+ Ø12XØ24-FT115-MACHINED	1
4.2	2131023	BALL BEARING 6207/ZZ-C3(HT)VP.	1
4.3	4234254	CIRCLIP-FOR-SHAFT-D35x1.5 VP.	1
4.4	4157726	SCREW KIT M8X30 (4 PIECES)	1
4.5	4234251	CIRCLIP-D72x2.5 VP.	1
4.6	4234246	O-RING 72X3 VP.	1
		NOMEL CONTACT WASHER 8x16x1,4 STEEL ZC	1



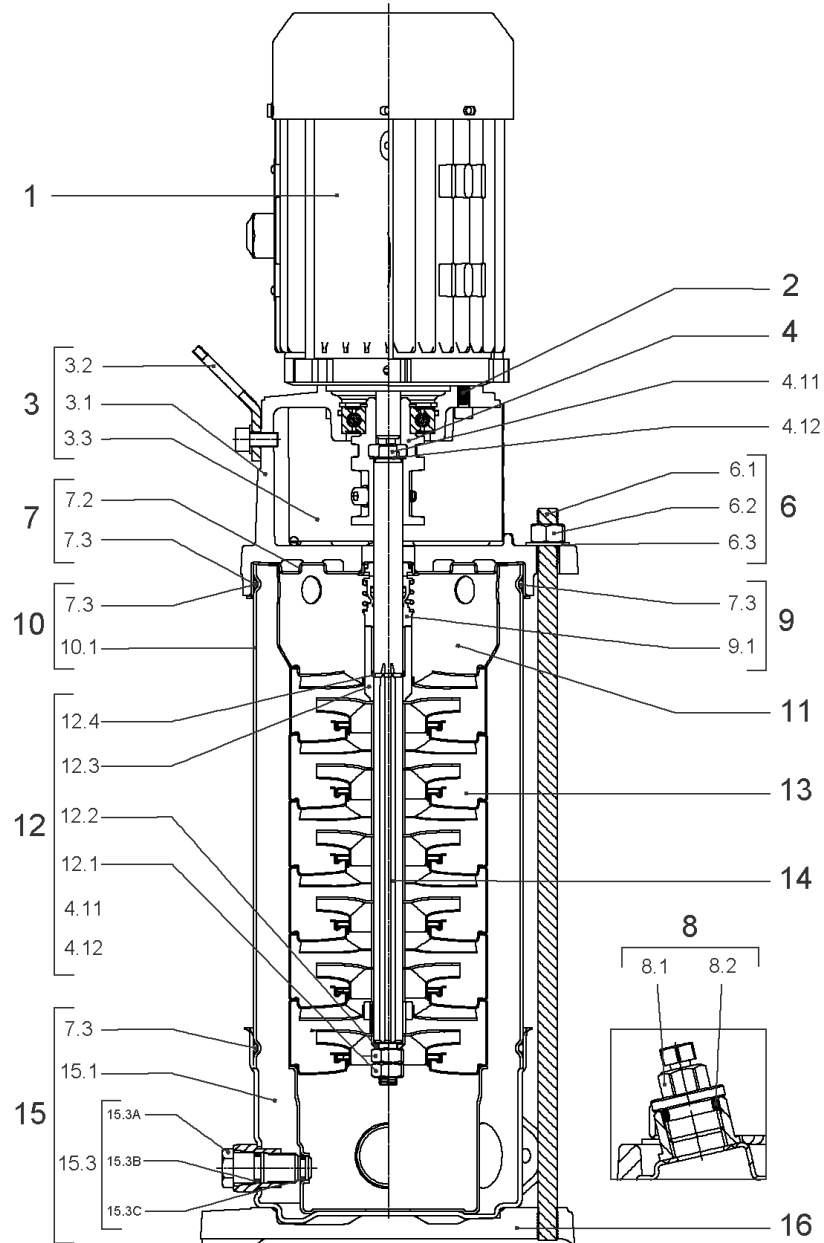
SEAL-KIT-HELIX2-4 O/E KIT (4178564)

Item	Article no.	Description	Quantity
7.3	4176513	O-RING FOR PUMP JACKET VP.	1
7.4	2127603	O-RING ID.37,6x2,4 EPDM VP.	1
9.1	4178563	M.SEAL.HELIX2-4 O/E VP.	1
9.3	4178561	RING HOLDER Ø22 1.4301 VP.	1
9.5	4178562	DRIVE RING D.22/12.2X10 MACH.VP.	1
9.4	4176520	SCREW CH M5x5 A4-70 (3PIECES)	1



HYDRAULIC HELIX V 407 1.4307

Item	Article no.	Description	Quantity
13.1	4178570	STAGE HELIX 4 1.4301 KIT	1
		> MACH.STG-CASING-WOGV-WNR-M+2-4-304	1
		> IMPELLER-M+4-304	1
13.2	4178569	STAGE BEARING HELIX 4 1.4301 KIT	1
		> MACH.BEARING-STG-CASING-WNR-M+4-304	1
		> IMPELLER-M+4-304	1
		> SHAFT SLEEVE SPACER Ø15,35x10,305-304	1
		> SHAFT-SLEEVE-D12xD16x14-CW	1
13.3	4178574	INTER STAGE HELIX4 1.4301< 15 stages KIT	1
		> MACH.STD-STG-CASING-WGV+NR-M+4-304	1
		> IMPELLER-M+4-304	1
		> IMPELLER SPACER Ø12,05X14,85-L24,285-304	1

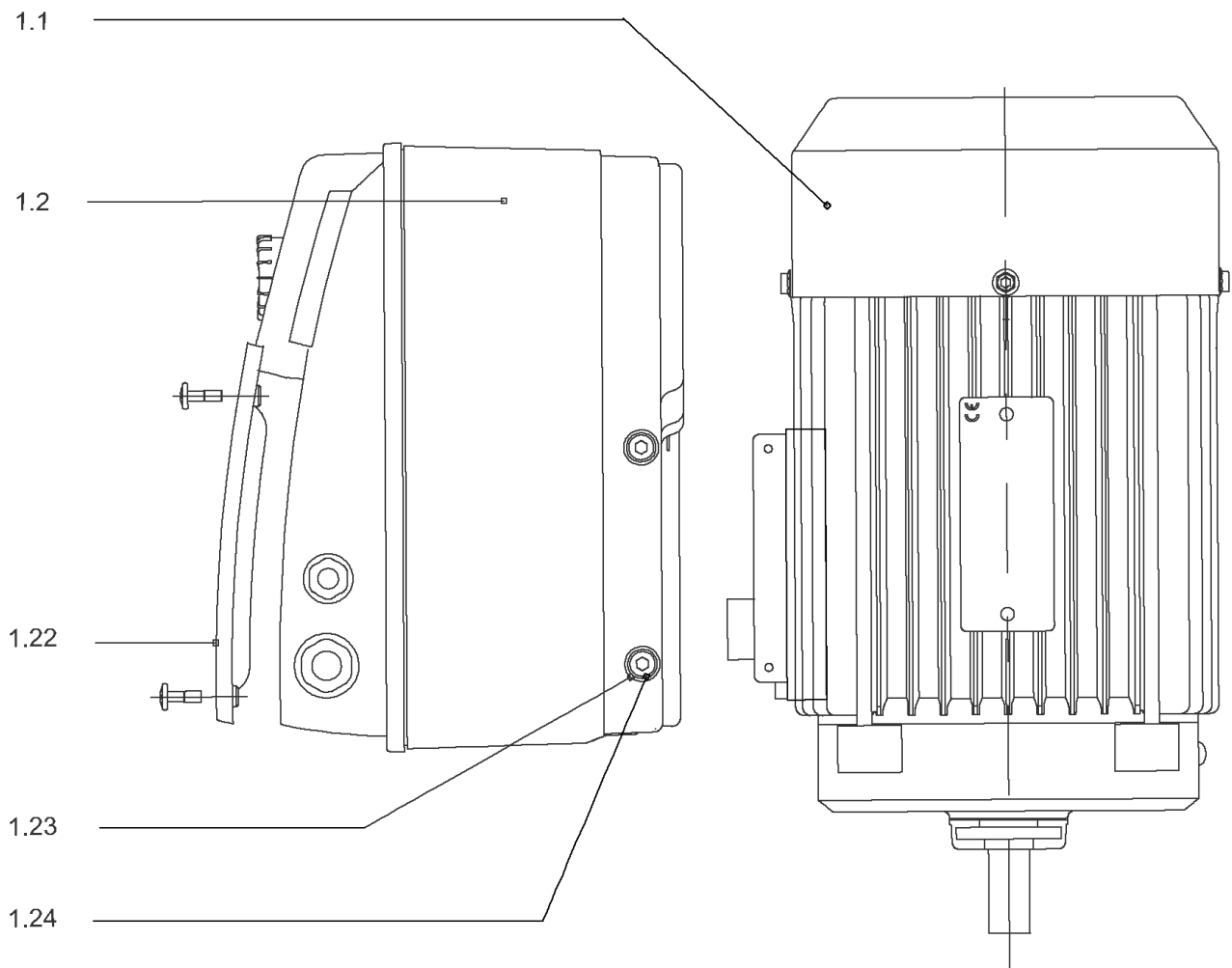


HELIX VE407-1/16/E/S (4201573)

Item	Article no.	Description	Quantity
1		DRIVE HELIX-VE407-IE4-WE KIT	1
Note: MOTOR BRAND WILO ELEC			
		SPARE PARTS MOTOR:ON REQUEST	1
2	4159707	SCREW M8X30 (4 PIECES)	1
3	4213784	LANTERN FT115 HELIX KIT	1
3.1		> LANT-MOT-VMI-ReDTC6"-FT115-MACHINED+CATA	1
3.2	4184852	> EYELET CPL.FT HELIX (2 PIECES)	1
3.3	4213782	> COUPLING PROTECTOR FT115/130 HELIX KIT	1
4	4178600	COUPLING D.12XD.24 FT115 KIT	1
6	4178585	STUD BOLT M12X365 KIT	1
6.1		> TIE BOLT M12-365x18x30-1.4057	1
6.2	2094647	> NUT M12 M12 ISO4032 VP.	1
6.3	2123557	> WASHER CS-12.4-24-1.6-NFE25 (4 PIECES)	1
7	4212722	STATIONARY RING HOLDER HELIX D23 ReDTC	1
7.2	4212720	> STATIONARY RING HOLDER HELIX D23 VP.	1
7.3	4176513	> O-RING FOR PUMP JACKET VP.	1
8	4212724	FILING/PURGING PLUG HELIX ReDTC KIT	1
8.1		> FILLING PLUG MVI6"-304	1
8.2	4177800	> O-RING EPDM PLUG HELIX VP.	1
9	4212726	MECH.SEAL HELIX V2/4 O/E ReDTC KIT	1
9.1	4178563	> M.SEAL.HELIX2-4 O/E VP.	1
7.3	4176513	> O-RING FOR PUMP JACKET VP.	1
10	4178586	HOUSING-PIPE D.152X235 1.4301 KIT	1
7.3	4176513	> O-RING FOR PUMP JACKET VP.	1
10.1		> HOUSING-PIPE Ø152-M+207/407-304	1
11	4178566	CENTERING STAGE-RETURN HELIX4 1.4307 VP	1
12	4212729	SHAFT EQUIPMENT HELIX V2/4 ReDTC KIT	1
12.1		> NUT-H-M8-STAINLESS-STEEL A4-70	1
12.2		> SHAFT END WASHER Ø8/Ø12 316L	1
12.3		> 1/2-SNAP-RING-2/4M3-316L	1
12.4		> STOP-RUSH-1/2-D12xd2-M+316	1
4.11		> SCREW CHC-M6X14-8.8-ISO4762-GEOMET500A	1
4.12		> WASHER D.24 L6U ZINK	1
13		HYDRAULIC HELIX V 407 1.4307	1

HELIX VE407-1/16/E/S (4201573)

Item	Article no.	Description	Quantity
14	4213750	SHAFT D.12X306 HELIX 1.4057 VP.	1
15	4174079	PUMP HOUSING HELIX DN32 PN16 1.4301 KIT	1
7.3	4176513	> O-RING FOR PUMP JACKET VP.	1
15.1		> BLASTING PPE HOUSING V-PN16-DN32-5"-304	1
15.2	4217889	> COUNTER FLANGE-G1"-PN16-GJL KIT	1
15.3	4171321	> PRIMING/DRAIN PLUG EPDM HELIX KIT	1
16	4177964	BASEPLATE HELIX V2/4/6 PN16 VP.	1



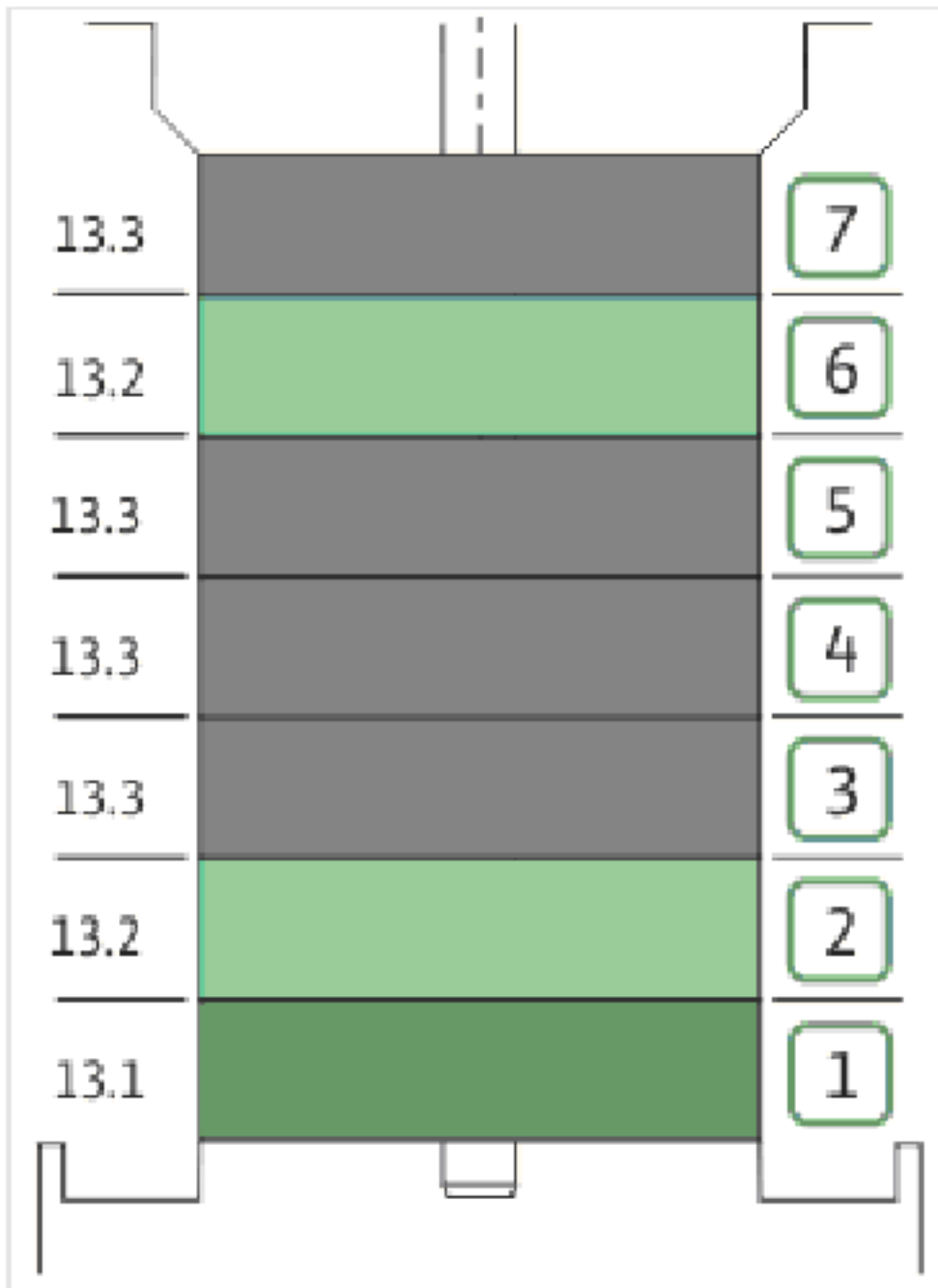
DRIVE HELIX-VE407-IE4-WE KIT

Item	Article no.	Description	Quantity
1.1	4207918	MOTOR 1.5/2/90 3~ 380V 60HZ IE4 WE VP.	1
		SPARE PARTS MOTOR:ON REQUEST	1
1.2	4209326	MODULE HELIX-VE407-IE4-WE KIT	1
1.22	2054227	> MODULE COVER/GASKET TL3/4 KIT	1
1.23	4215716	> SCREW M5X16 DIN912 8.8 A2A (4pieces) VP.	1
1.24	2057978	> RONDELLE A5,3 DIN6797 FST ZN (4 PIECES)	1



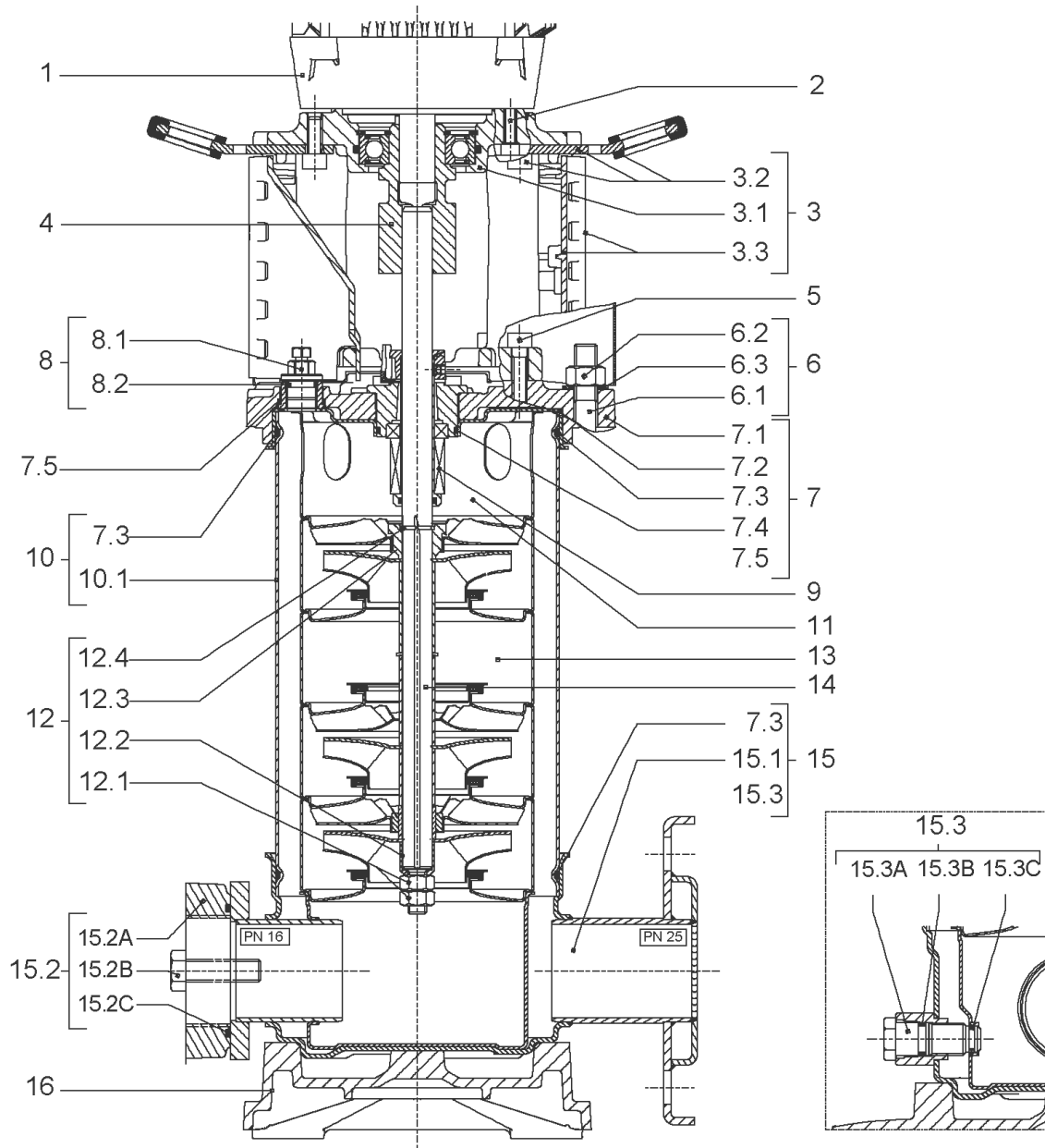
COUPLING D.12XD.24 FT115 KIT (4178600)

Item	Article no.	Description	Quantity
4.1		COUPLING-M+ Ø12XØ24-FT115-MACHINED	1
4.2	2131023	BALL BEARING 6207/ZZ-C3(HT)VP.	1
4.3	4234254	CIRCLIP-FOR-SHAFT-D35x1.5 VP.	1
4.4	4157726	SCREW KIT M8X30 (4 PIECES)	1
4.5	4234251	CIRCLIP-D72x2.5 VP.	1
4.6	4234246	O-RING 72X3 VP.	1
		NOMEL CONTACT WASHER 8x16x1,4 STEEL ZC	1



HYDRAULIC HELIX V 407 1.4307

Item	Article no.	Description	Quantity
13.1	4178570	STAGE HELIX 4 1.4301 KIT	1
		> MACH.STG-CASING-WOGV-WNR-M+2-4-304	1
		> IMPELLER-M+4-304	1
13.2	4178569	STAGE BEARING HELIX 4 1.4301 KIT	1
		> MACH.BEARING-STG-CASING-WNR-M+4-304	1
		> IMPELLER-M+4-304	1
		> SHAFT SLEEVE SPACER Ø15,35x10,305-304	1
		> SHAFT-SLEEVE-D12xD16x14-CW	1
13.3	4178574	INTER STAGE HELIX4 1.4301< 15 stages KIT	1
		> MACH.STD-STG-CASING-WGV+NR-M+4-304	1
		> IMPELLER-M+4-304	1
		> IMPELLER SPACER Ø12,05X14,85-L24,285-304	1

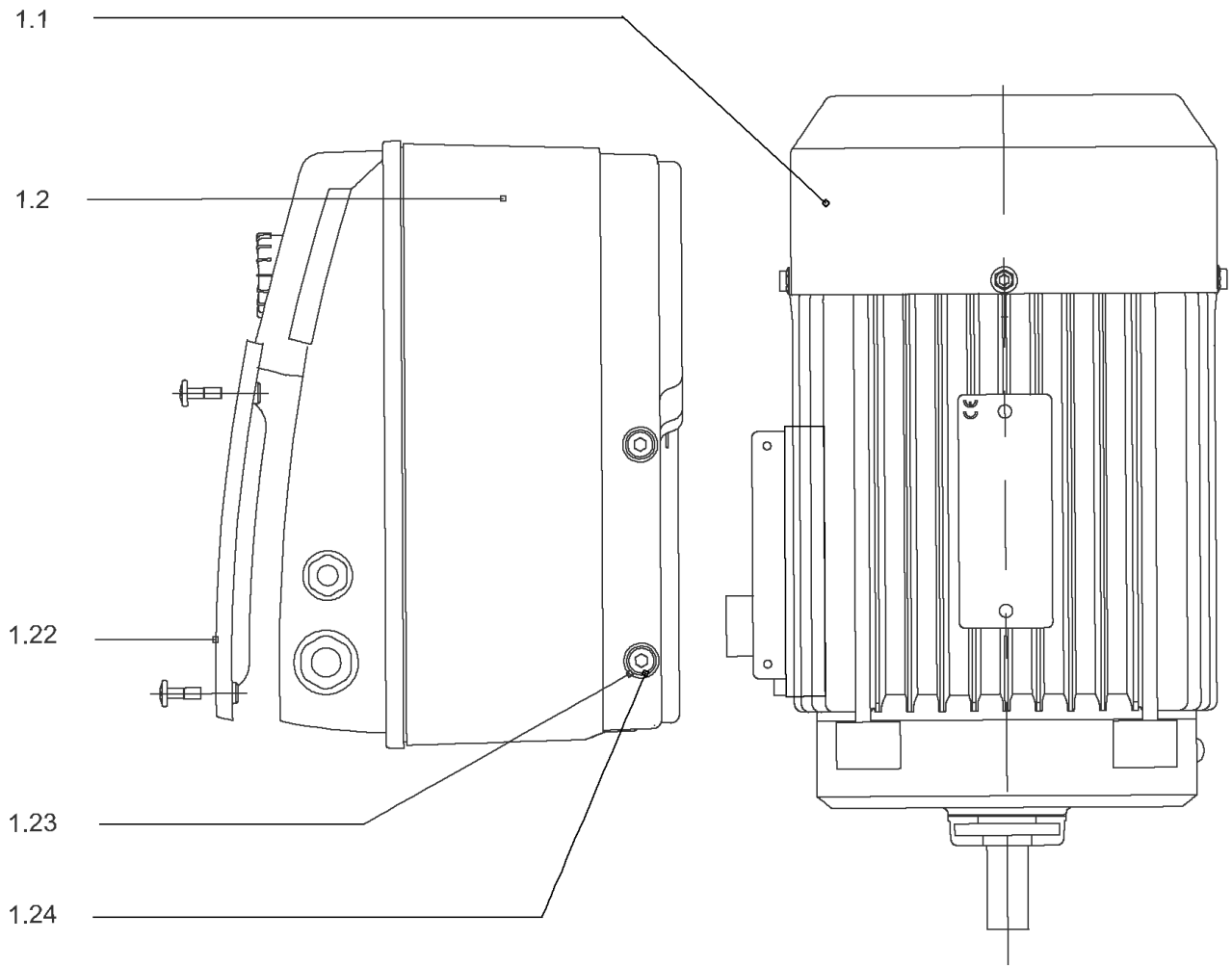


HELIX VE407-1/25/E/KS (4171732)

Item	Article no.	Description	Quantity
1		DRIVE HELIX-VE407-IE2-WE KIT	1
Note: MOTOR BRAND WILO ELEC			
1		DRIVE HELIX-VE407-IE4-WE KIT	1
Note: MOTOR BRAND WILO ELEC			
2	4159703	SCREW M8X40 (4 PIECES)	1
3	4159690	LANTERN FT115 HELIX KIT	1
3.1		> LANTERN FT115 M+6" GJL MACHINING+CATA	1
3.2	2127604	> EYELET CPL.FT HELIX(2 PIECES)	1
3.3	4159692	> COUPLING PROTECTOR FT HELIX KIT	1
4	4178600	COUPLING D.12XD.24 FT115 KIT	1
5	4159707	SCREW M8X30 (4 PIECES)	1
6	4178585	STUD BOLT M12X365 KIT	1
6.1		> TIE BOLT M12-365x18x30-1.4057	1
6.2	2094647	> NUT M12 M12 ISO4032 VP.	1
6.3	2123557	> WASHER CS-12.4-24-1.6-NFE25 (4 PIECES)	1
7	4159685	END SHIELD HELIX EPDM KIT	1
7.1		> END SHIELD M+6" GJL250 MACHINING+CATA	1
7.2	2127607	> STATIONARY RING HOLDER 6" HELIX 1.4301 V	1
7.3	4176513	> O-RING FOR PUMP JACKET VP.	1
7.4	2127603	> O-RING ID.37,6x2,4 EPDM VP.	1
7.5	2127602	> O-RING ID.21,35x2 EPDM VP.	1
8	4159686	FILING/PURGING PLUG HELIX EPDM KIT	1
9	4178597	CARTRIDGE HELIX2-4 F/E KIT	1
10	4178586	HOUSING-PIPE D.152X235 1.4301 KIT	1
7.3	4176513	> O-RING FOR PUMP JACKET VP.	1
10.1		> HOUSING-PIPE Ø152-M+207/407-304	1
11	4178566	CENTERING STAGE-RETURN HELIX4 1.4307 VP	1
12	4178567	SHAFT EQUIPMENT HELIX V2/V4 KIT	1
12.1		> NUT-H-M8-STAINLESS-STEEL A4-70	1
12.2		> SHAFT END WASHER Ø8/Ø12 316L	1
12.3		> STOP COLLAR OF IMPELLER L12,6-Ø12-316L	1
12.4		> STOP-RUSH-1/2-D12xd2-M+316	1
13		HYDRAULIC HELIX V 407 1.4307	1
14	4178587	SHAFT D.12X358 1.4301 VP.	1

HELIX VE407-1/25/E/KS (4171732)

Item	Article no.	Description	Quantity
15	4178593	PUMP HOUSING HELIX DN25 PN25 1.4301 KIT	1
7.3	4176513	> O-RING FOR PUMP JACKET VP.	1
15.1		> BLASTING PPE HOUSING V PN25-DN25-5"-304	1
15.3	4171321	> PRIMING/DRAIN PLUG EPDM HELIX KIT	1
16	4177970	BASEPLATE HELIX V2/4/6 PN25 VP.	1



DRIVE HELIX-VE407-IE2-WE KIT

Item	Article no.	Description	Quantity
1.1		MOTOR 1,5/2/90 3~ 380V 60HZ IE2 WE VP.	1
Note: no longer available/nicht mehr lieferbar/n'est plus disponible			
		SPARE PARTS MOTOR:ON REQUEST	1
1.2	4184872	MODULE HELIX-VE407-IE2-WE KIT	1
1.22	2054227	> MODULE COVER/GASKET TL3/4 KIT	1
1.23	4215716	> SCREW M5X16 DIN912 8.8 A2A (4pieces) VP.	1
1.24	2057978	> RONDELLE A5,3 DIN6797 FST ZN (4 PIECES)	1



DRIVE HELIX-VE407-IE4-WE KIT

Item	Article no.	Description	Quantity
1.1	4207918	MOTOR 1.5/2/90 3~ 380V 60HZ IE4 WE VP.	1
		SPARE PARTS MOTOR:ON REQUEST	1
1.2	4209326	MODULE HELIX-VE407-IE4-WE KIT	1
1.22	2054227	> MODULE COVER/GASKET TL3/4 KIT	1
1.23	4215716	> SCREW M5X16 DIN912 8.8 A2A (4pieces) VP.	1
1.24	2057978	> RONDELLE A5,3 DIN6797 FST ZN (4 PIECES)	1



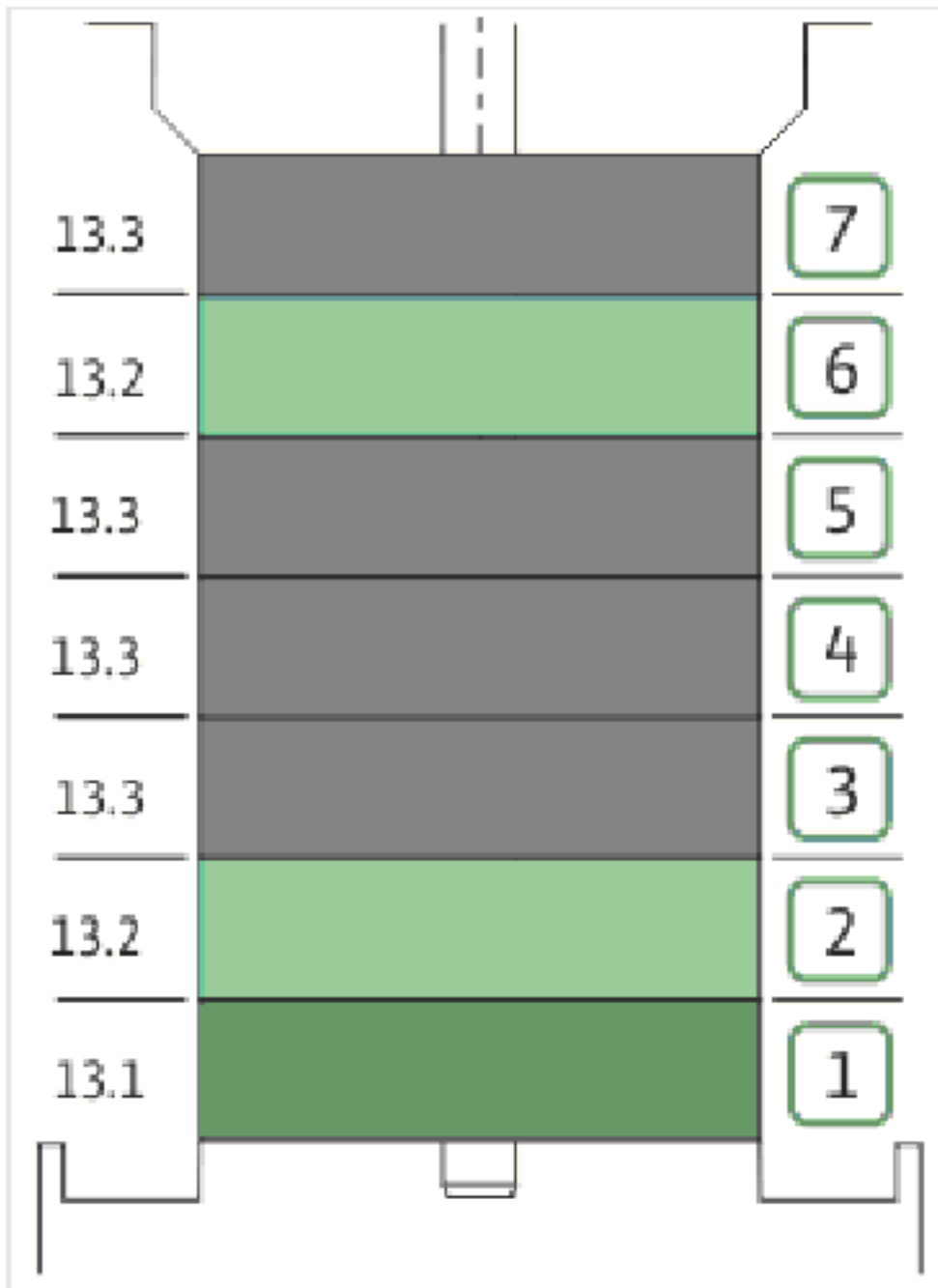
COUPLING D.12XD.24 FT115 KIT (4178600)

Item	Article no.	Description	Quantity
4.1		COUPLING-M+ Ø12XØ24-FT115-MACHINED	1
4.2	2131023	BALL BEARING 6207/ZZ-C3(HT)VP.	1
4.3	4234254	CIRCLIP-FOR-SHAFT-D35x1.5 VP.	1
4.4	4157726	SCREW KIT M8X30 (4 PIECES)	1
4.5	4234251	CIRCLIP-D72x2.5 VP.	1
4.6	4234246	O-RING 72X3 VP.	1
		NOMEL CONTACT WASHER 8x16x1,4 STEEL ZC	1



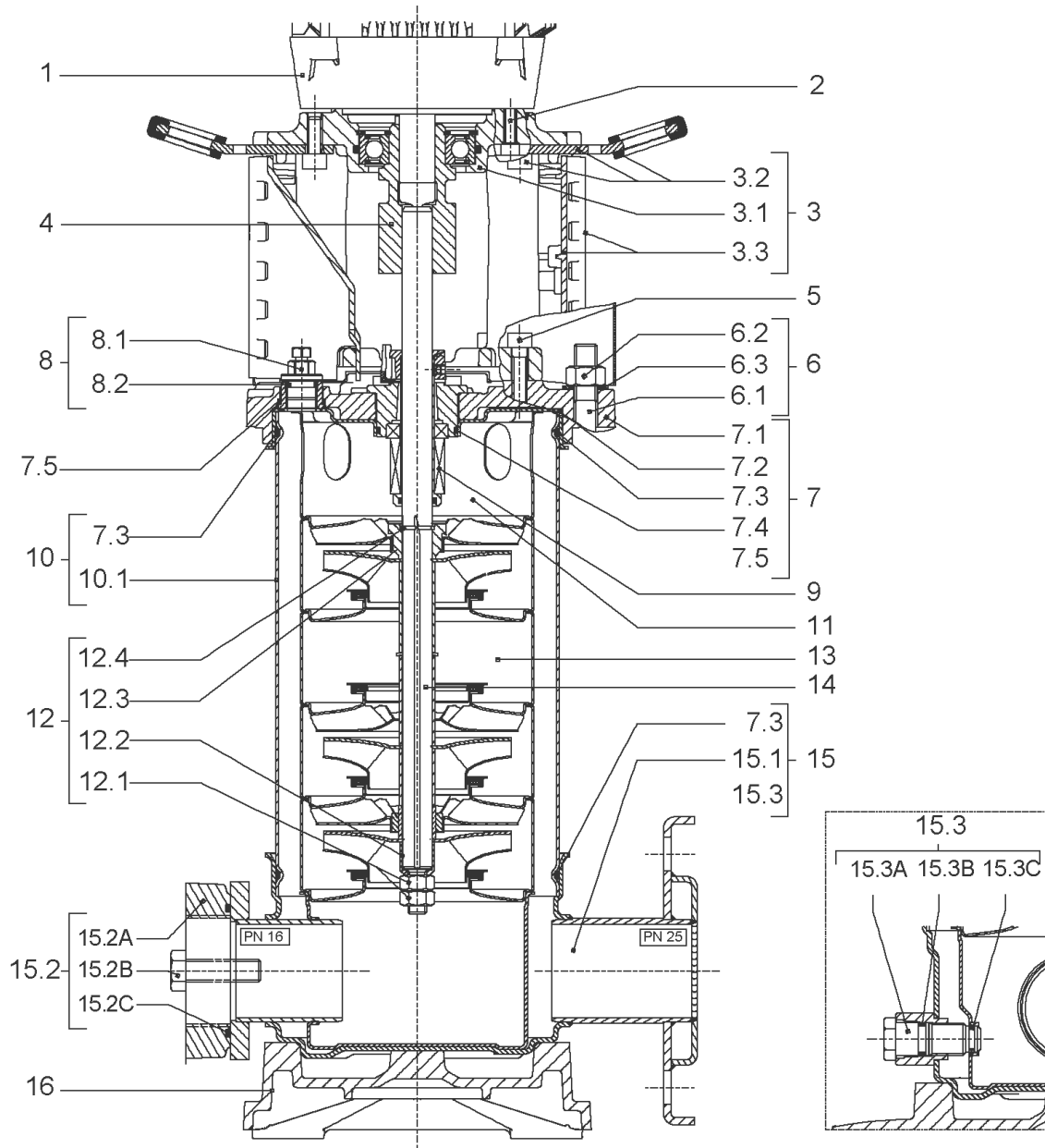
CARTRIDGE HELIX2-4 F/E KIT (4178597)

Item	Article no.	Description	Quantity
9.1	4178594	SEAL-KIT-HELIX2-4 F/E	1
7.3	4176513	> O-RING FOR PUMP JACKET VP.	1
7.4	2127603	> O-RING ID.37,6x2,4 EPDM VP.	1
9.1A	4176521	> MECH.SEAL HELIX2-4-6-10-16 F/E VP.	1
9.1B	4178558	> O-RING ID.12X2 EPDM VP.	1
9.1C	4178558	> O-RING ID.12X2 EPDM VP.	1
9.2	4178596	SHAFT SLEEVE D.18/12X72,2 1.4404 VP.	1
9.3	2130962	RING HOLDER D.18 G606/G6 1.4301 VP.	1
9.4	4176520	SCREW CH M5x5 A4-70 (3PIECES)	1
9.5	4178595	DRIVE RING D.29/15.5x13,2 MACH.VP.	1
9.6	2130964	TOOL M.S.CART.HELIX VP.	1
9.7	2130965	SCREW CHC M5X12 ISO4762 A2.70(4 PIECES)	1



HYDRAULIC HELIX V 407 1.4307

Item	Article no.	Description	Quantity
13.1	4178570	STAGE HELIX 4 1.4301 KIT	1
		> MACH.STG-CASING-WOGV-WNR-M+2-4-304	1
		> IMPELLER-M+4-304	1
13.2	4178569	STAGE BEARING HELIX 4 1.4301 KIT	1
		> MACH.BEARING-STG-CASING-WNR-M+4-304	1
		> IMPELLER-M+4-304	1
		> SHAFT SLEEVE SPACER Ø15,35x10,305-304	1
		> SHAFT-SLEEVE-D12xD16x14-CW	1
13.3	4178574	INTER STAGE HELIX4 1.4301< 15 stages KIT	1
		> MACH.STD-STG-CASING-WGV+NR-M+4-304	1
		> IMPELLER-M+4-304	1
		> IMPELLER SPACER Ø12,05X14,85-L24,285-304	1

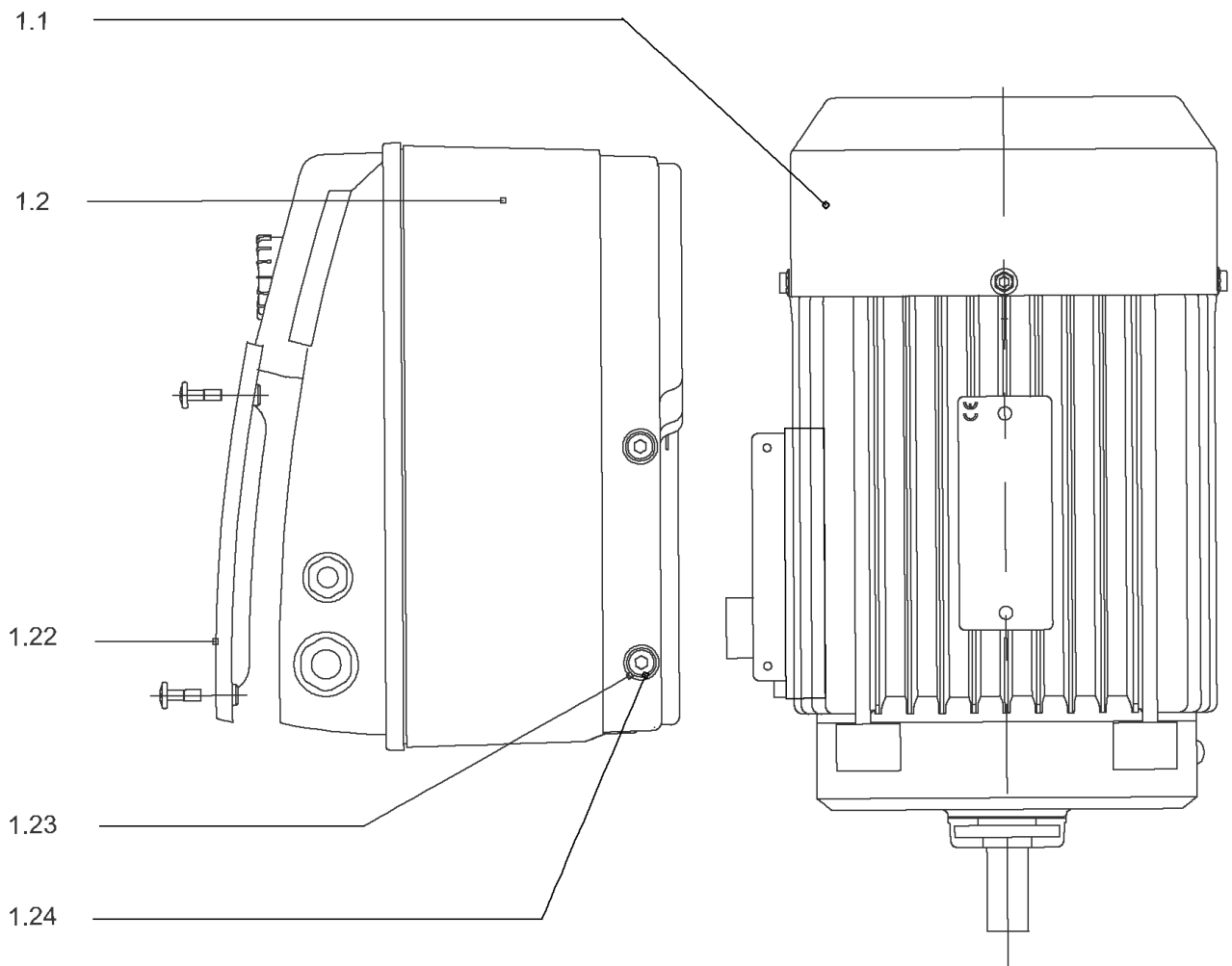


HELIX VE410-1/16/E/KS (4164476)

Item	Article no.	Description	Quantity
1		DRIVE HELIX-VE410-IE2-WE KIT	1
Note: MOTOR BRAND WILO ELEC			
1		DRIVE HELIX-VE410-IE4-WE KIT	1
Note: MOTOR BRAND WILO ELEC			
2	4159703	SCREW M8X40 (4 PIECES)	1
3	4159690	LANTERN FT115 HELIX KIT	1
3.1		> LANTERN FT115 M+6" GJL MACHINING+CATA	1
3.2	2127604	> EYELET CPL.FT HELIX(2 PIECES)	1
3.3	4159692	> COUPLING PROTECTOR FT HELIX KIT	1
4	4178600	COUPLING D.12XD.24 FT115 KIT	1
5	4159707	SCREW M8X30 (4 PIECES)	1
6	2127554	STUD BOLT M12X437 KIT	1
7	4159685	END SHIELD HELIX EPDM KIT	1
7.1		> END SHIELD M+6" GJL250 MACHINING+CATA	1
7.2	2127607	> STATIONARY RING HOLDER 6" HELIX 1.4301 V	1
7.3	4176513	> O-RING FOR PUMP JACKET VP.	1
7.4	2127603	> O-RING ID.37,6x2,4 EPDM VP.	1
7.5	2127602	> O-RING ID.21,35x2 EPDM VP.	1
8	4159686	FILING/PURGING PLUG HELIX EPDM KIT	1
9	4178559	KART.HELIX2-4 O/E SET	1
10	2127577	HOUSING PIPE D.152x310 1.4301 KIT	1
11	4178566	CENTERING STAGE-RETURN HELIX4 1.4307 VP	1
12	4178567	SHAFT EQUIPMENT HELIX V2/V4 KIT	1
12.1		> NUT-H-M8-STAINLESS-STEEL A4-70	1
12.2		> SHAFT END WASHER Ø8/Ø12 316L	1
12.3		> STOP COLLAR OF IMPELLER L12,6-Ø12-316L	1
12.4		> STOP-RUSH-1/2-D12xd2-M+316	1
13		HYDRAULIC HELIX V 410 1.4307	1
14	4178604	SHAFT D.12X433 1.4301 VP.	1
15	4174079	PUMP HOUSING HELIX DN32 PN16 1.4301 KIT	1
7.3	4176513	> O-RING FOR PUMP JACKET VP.	1
15.1		> BLASTING PPE HOUSING V-PN16-DN32-5"-304	1
15.2	4217889	> COUNTER FLANGE-G1"-PN16-GJL KIT	1
15.3	4171321	> PRIMING/DRAIN PLUG EPDM HELIX KIT	1

HELIX VE410-1/16/E/KS (4164476)

Item	Article no.	Description	Quantity
16	4177964	BASEPLATE HELIX V2/4/6 PN16 VP.	1



DRIVE HELIX-VE410-IE2-WE KIT

Item	Article no.	Description	Quantity
1.1	4185016	MOTOR 2,2/2/90 3~ 380V 60HZ IE2 WE VP.	1
		SPARE PARTS MOTOR:ON REQUEST	1
1.2	4186768	MODULE HELIX-VE410-IE2-WE KIT	1
1.22	2054227	> MODULE COVER/GASKET TL3/4 KIT	1
1.23	4215716	> SCREW M5X16 DIN912 8.8 A2A (4pieces) VP.	1
1.24	2057978	> RONDELLE A5,3 DIN6797 FST ZN (4 PIECES)	1



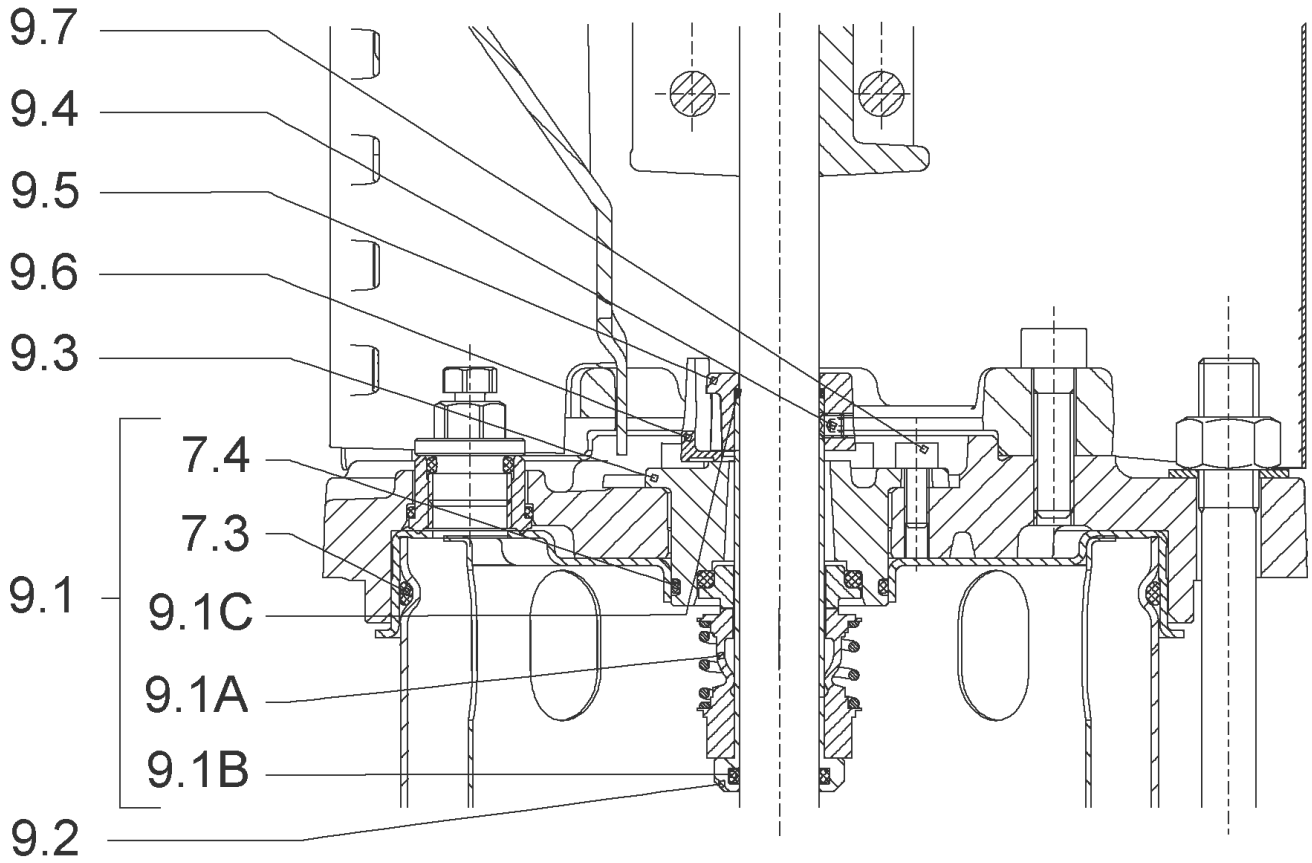
DRIVE HELIX-VE410-IE4-WE KIT

Item	Article no.	Description	Quantity
1.1	4207920	MOTOR 2.2/2/90 3~ 380V 60HZ IE4 WE VP.	1
		SPARE PARTS MOTOR:ON REQUEST	1
1.2	4209591	MODULE HELIX-VE410-IE4-WE KIT	1
1.22	2054227	> MODULE COVER/GASKET TL3/4 KIT	1
1.23	4215716	> SCREW M5X16 DIN912 8.8 A2A (4pieces) VP.	1
1.24	2057978	> RONDELLE A5,3 DIN6797 FST ZN (4 PIECES)	1



COUPLING D.12XD.24 FT115 KIT (4178600)

Item	Article no.	Description	Quantity
4.1		COUPLING-M+ Ø12XØ24-FT115-MACHINED	1
4.2	2131023	BALL BEARING 6207/ZZ-C3(HT)VP.	1
4.3	4234254	CIRCLIP-FOR-SHAFT-D35x1.5 VP.	1
4.4	4157726	SCREW KIT M8X30 (4 PIECES)	1
4.5	4234251	CIRCLIP-D72x2.5 VP.	1
4.6	4234246	O-RING 72X3 VP.	1
		NOMEL CONTACT WASHER 8x16x1,4 STEEL ZC	1



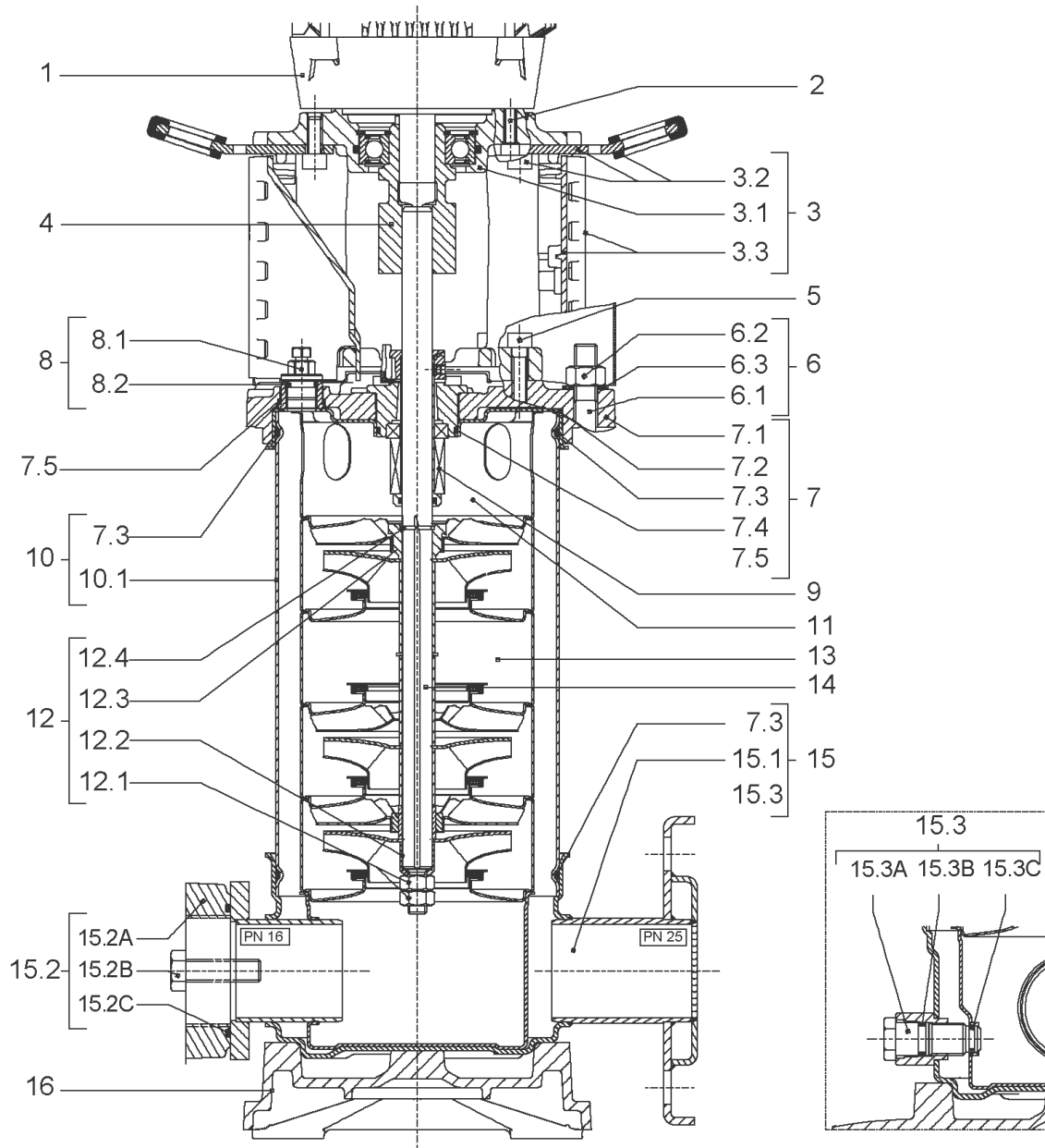
KART.HELIX2-4 O/E SET (4178559)

Item	Article no.	Description	Quantity
9.1	4178560	SEAL-KIT-HELIX2-4 O/E	1
7.3	4176513	> O-RING FOR PUMP JACKET VP.	1
7.4	2127603	> O-RING ID.37,6x2,4 EPDM VP.	1
9.1A	2130966	> MECH.SEAL HELIX2-4-6-10-16 O/E VP.	1
9.1B	4178558	> O-RING ID.12X2 EPDM VP.	1
9.1C	4178558	> O-RING ID.12X2 EPDM VP.	1
9.2	4178557	SHAFT SLEEVE Ø12XØ18-PN16 1.4404 VP.	1
9.3	2130962	RING HOLDER D.18 G606/G6 1.4301 VP.	1
9.4	4176520	SCREW CH M5x5 A4-70 (3PIECES)	1
9.5	4178556	DRIVE RING D.29/15.5x13,2 MACH.VP.	1
9.6	2130964	TOOL M.S.CART.HELIX VP.	1
9.7	2130965	SCREW CHC M5X12 ISO4762 A2.70(4 PIECES)	1



HYDRAULIC HELIX V 410 1.4307

Item	Article no.	Description	Quantity
13.1	4178570	STAGE HELIX 4 1.4301 KIT	1
		> MACH.STG-CASING-WOGV-WNR-M+2-4-304	1
		> IMPELLER-M+4-304	1
13.2	4178569	STAGE BEARING HELIX 4 1.4301 KIT	1
		> MACH.BEARING-STG-CASING-WNR-M+4-304	1
		> IMPELLER-M+4-304	1
		> SHAFT SLEEVE SPACER Ø15,35x10,305-304	1
		> SHAFT-SLEEVE-D12xD16x14-CW	1
13.3	4178574	INTER STAGE HELIX4 1.4301< 15 stages KIT	1
		> MACH.STD-STG-CASING-WGV+NR-M+4-304	1
		> IMPELLER-M+4-304	1
		> IMPELLER SPACER Ø12,05X14,85-L24,285-304	1



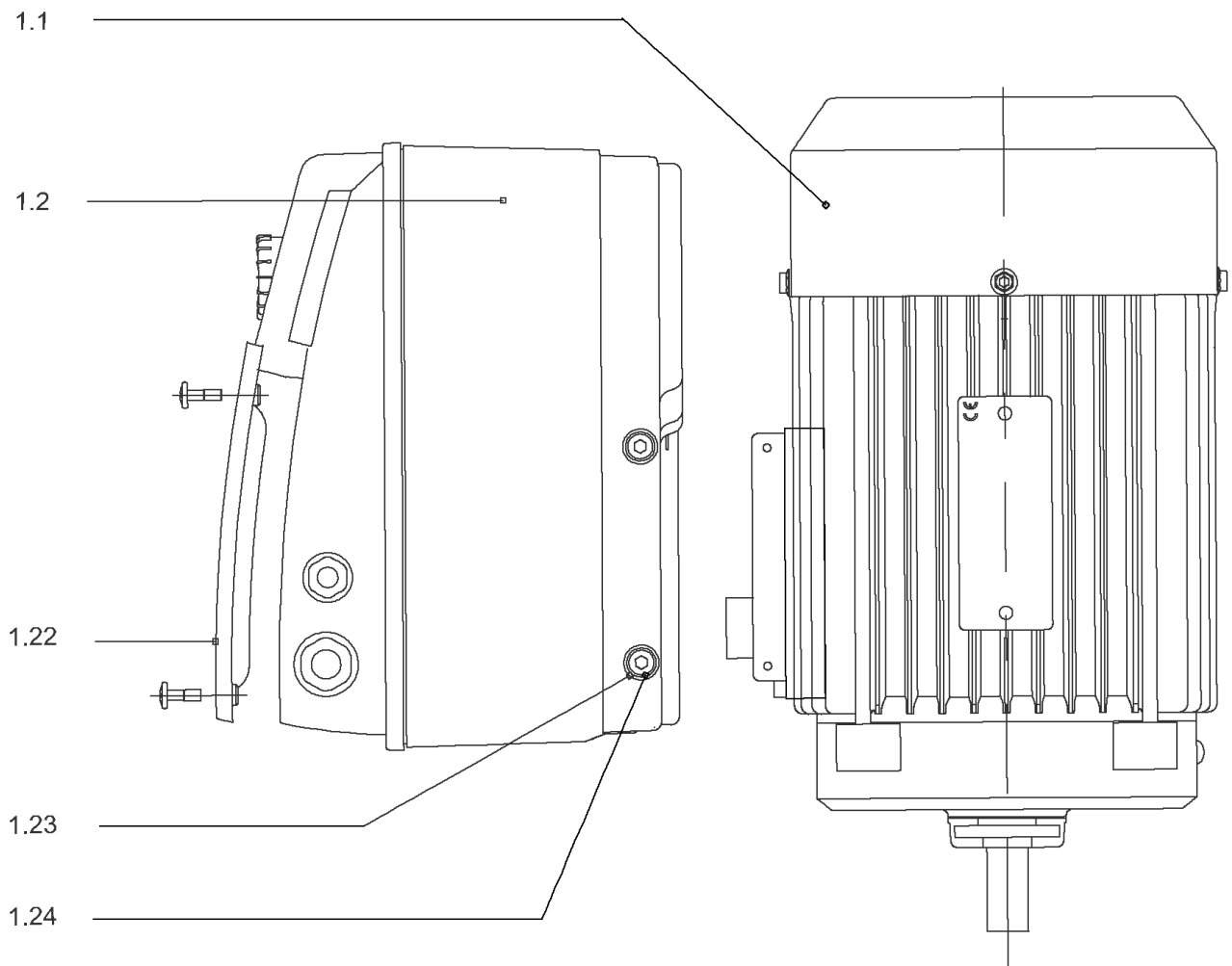
HELIX VE410-1/16/E/S (4164639)

Item	Article no.	Description	Quantity
1		DRIVE HELIX-VE410-IE2-WE KIT	1
Note: MOTOR BRAND WILO ELEC			
1		DRIVE HELIX-VE410-IE4-WE KIT	1
Note: MOTOR BRAND WILO ELEC			
2	4159703	SCREW M8X40 (4 PIECES)	1
3	4172795	LANTERNE FT115 HELIX KIT	1
3.1		> M+5_6_LANTERN_ONE-PIECE_FT115_CATA	1
3.2	2127604	> EYELET CPL.FT HELIX(2 PIECES)	1
3.3	4159692	> COUPLING PROTECTOR FT HELIX KIT	1
4	4178600	COUPLING D.12XD.24 FT115 KIT	1
5	4159707	SCREW M8X30 (4 PIECES)	1
6	2127554	STUD BOLT M12X437 KIT	1
7	4210143	STATIONARY RING HOLDER HELIX 6" EPDM	1
7.2	2127607	> STATIONARY RING HOLDER 6" HELIX 1.4301 V	1
7.3	4176513	> O-RING FOR PUMP JACKET VP.	1
7.4	2127603	> O-RING ID.37,6x2,4 EPDM VP.	1
7.5	2127602	> O-RING ID.21,35x2 EPDM VP.	1
8	4159686	FILING/PURGING PLUG HELIX EPDM KIT	1
9	4178564	SEAL-KIT-HELIX2-4 O/E KIT	1
10	2127577	HOUSING PIPE D.152x310 1.4301 KIT	1
11	4178566	CENTERING STAGE-RETURN HELIX4 1.4307 VP	1
12	4178568	SHAFT EQUIPMENT HELIX V2/V4 KIT	1
12.1		> NUT-H-M8-STAINLESS-STEEL A4-70	2
12.2		> SHAFT END WASHER Ø8/Ø12 316L	1
12.3		> STOP COLLAR OF IMPELLER M+2/4 SINGLEBLOC	1
12.4		> STOP-RUSH-1/2-D12xd2-M+316	2
13		HYDRAULIC HELIX V 410 1.4307	1
14	4178604	SHAFT D.12X433 1.4301 VP.	1
15	4174079	PUMP HOUSING HELIX DN32 PN16 1.4301 KIT	1
7.3	4176513	> O-RING FOR PUMP JACKET VP.	1
15.1		> BLASTING PPE HOUSING V-PN16-DN32-5"-304	1
15.2	4217889	> COUNTER FLANGE-G1"-PN16-GJL KIT	1
15.3	4171321	> PRIMING/DRAIN PLUG EPDM HELIX KIT	1
16	4177964	BASEPLATE HELIX V2/4/6 PN16 VP.	1



DRIVE HELIX-VE410-IE2-WE KIT

Item	Article no.	Description	Quantity
1.1	4185016	MOTOR 2,2/2/90 3~ 380V 60HZ IE2 WE VP.	1
		SPARE PARTS MOTOR:ON REQUEST	1
1.2	4186768	MODULE HELIX-VE410-IE2-WE KIT	1
1.22	2054227	> MODULE COVER/GASKET TL3/4 KIT	1
1.23	4215716	> SCREW M5X16 DIN912 8.8 A2A (4pieces) VP.	1
1.24	2057978	> RONDELLE A5,3 DIN6797 FST ZN (4 PIECES)	1



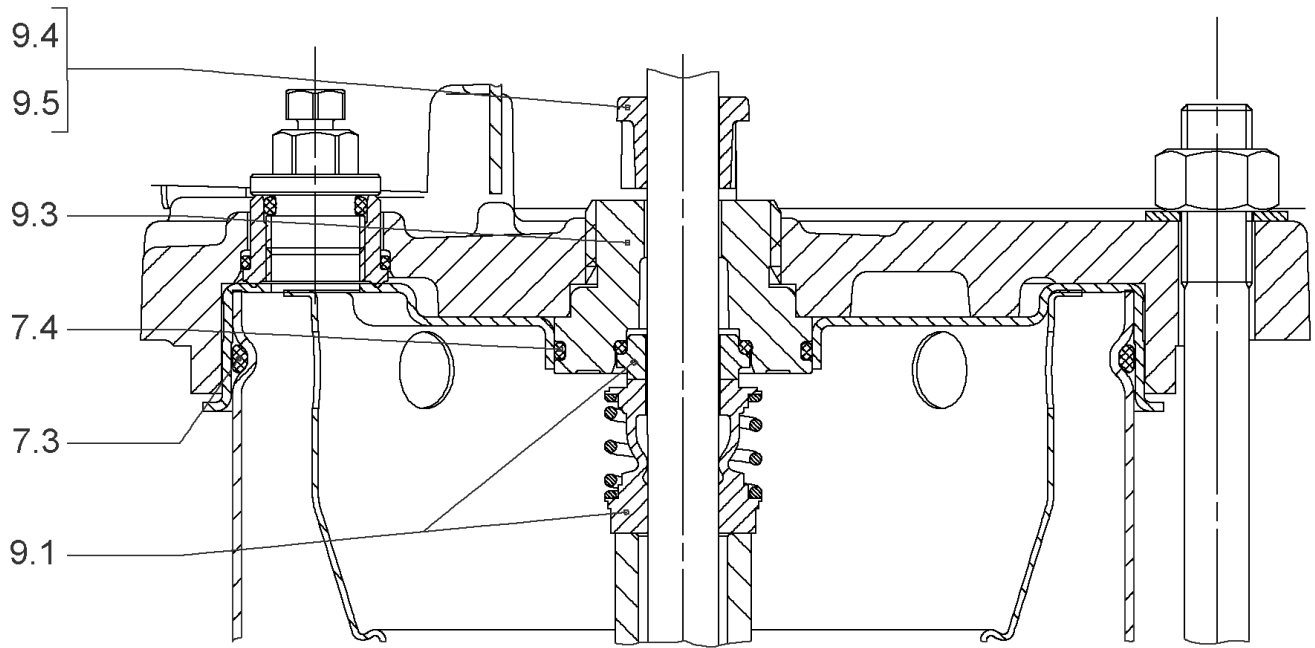
DRIVE HELIX-VE410-IE4-WE KIT

Item	Article no.	Description	Quantity
1.1	4207920	MOTOR 2.2/2/90 3~ 380V 60HZ IE4 WE VP.	1
		SPARE PARTS MOTOR:ON REQUEST	1
1.2	4209591	MODULE HELIX-VE410-IE4-WE KIT	1
1.22	2054227	> MODULE COVER/GASKET TL3/4 KIT	1
1.23	4215716	> SCREW M5X16 DIN912 8.8 A2A (4pieces) VP.	1
1.24	2057978	> RONDELLE A5,3 DIN6797 FST ZN (4 PIECES)	1



COUPLING D.12XD.24 FT115 KIT (4178600)

Item	Article no.	Description	Quantity
4.1		COUPLING-M+ Ø12XØ24-FT115-MACHINED	1
4.2	2131023	BALL BEARING 6207/ZZ-C3(HT)VP.	1
4.3	4234254	CIRCLIP-FOR-SHAFT-D35x1.5 VP.	1
4.4	4157726	SCREW KIT M8X30 (4 PIECES)	1
4.5	4234251	CIRCLIP-D72x2.5 VP.	1
4.6	4234246	O-RING 72X3 VP.	1
		NOMEL CONTACT WASHER 8x16x1,4 STEEL ZC	1



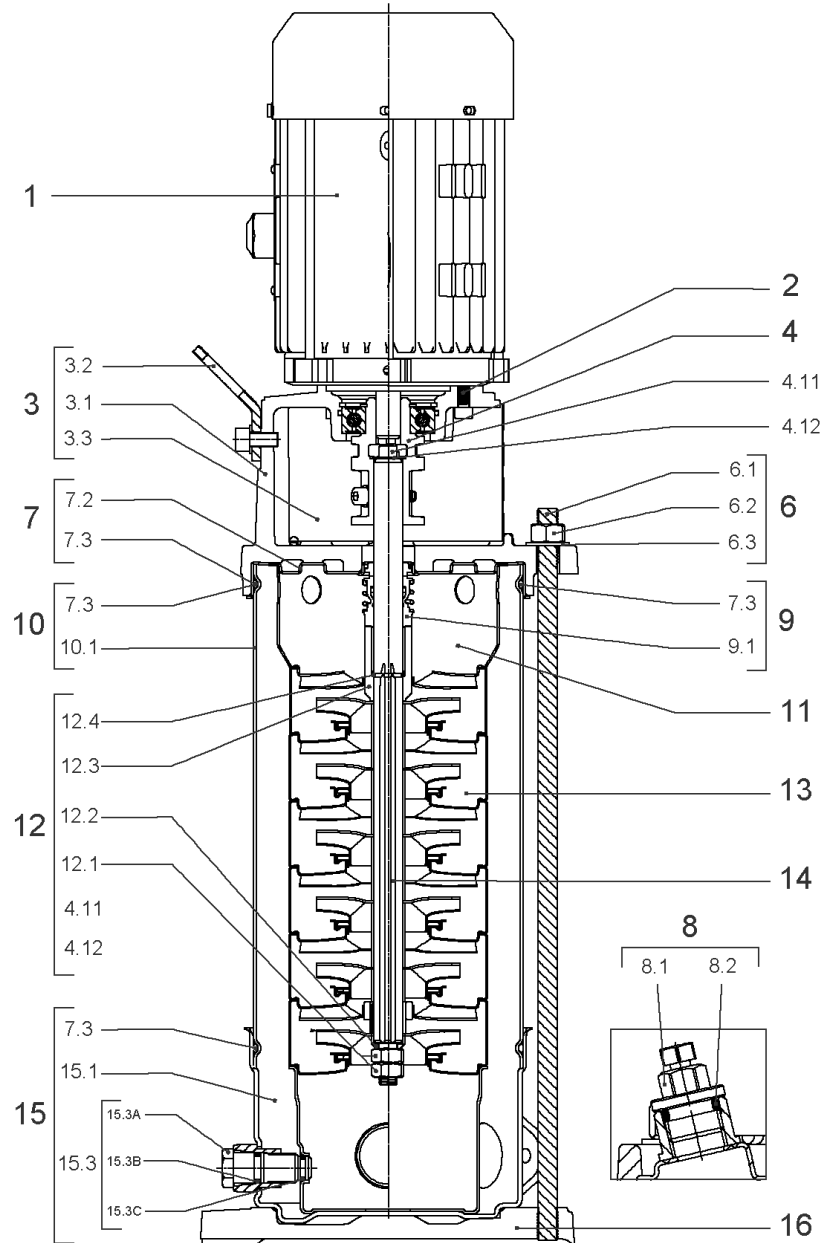
SEAL-KIT-HELIX2-4 O/E KIT (4178564)

Item	Article no.	Description	Quantity
7.3	4176513	O-RING FOR PUMP JACKET VP.	1
7.4	2127603	O-RING ID.37,6x2,4 EPDM VP.	1
9.1	4178563	M.SEAL.HELIX2-4 O/E VP.	1
9.3	4178561	RING HOLDER Ø22 1.4301 VP.	1
9.5	4178562	DRIVE RING D.22/12.2X10 MACH.VP.	1
9.4	4176520	SCREW CH M5x5 A4-70 (3PIECES)	1



HYDRAULIC HELIX V 410 1.4307

Item	Article no.	Description	Quantity
13.1	4178570	STAGE HELIX 4 1.4301 KIT	1
		> MACH.STG-CASING-WOGV-WNR-M+2-4-304	1
		> IMPELLER-M+4-304	1
13.2	4178569	STAGE BEARING HELIX 4 1.4301 KIT	1
		> MACH.BEARING-STG-CASING-WNR-M+4-304	1
		> IMPELLER-M+4-304	1
		> SHAFT SLEEVE SPACER Ø15,35x10,305-304	1
		> SHAFT-SLEEVE-D12xD16x14-CW	1
13.3	4178574	INTER STAGE HELIX4 1.4301< 15 stages KIT	1
		> MACH.STD-STG-CASING-WGV+NR-M+4-304	1
		> IMPELLER-M+4-304	1
		> IMPELLER SPACER Ø12,05X14,85-L24,285-304	1



HELIX VE410-1/16/E/S (4201575)

Item	Article no.	Description	Quantity
1		DRIVE HELIX-VE410-IE4-WE KIT	1
Note: MOTOR BRAND WILO ELEC			
		SPARE PARTS MOTOR:ON REQUEST	1
2	4159707	SCREW M8X30 (4 PIECES)	1
3	4213784	LANTERN FT115 HELIX KIT	1
3.1		> LANT-MOT-VMI-ReDTC6"-FT115-MACHINED+CATA	1
3.2	4184852	> EYELET CPL.FT HELIX (2 PIECES)	1
3.3	4213782	> COUPLING PROTECTOR FT115/130 HELIX KIT	1
4	4178600	COUPLING D.12XD.24 FT115 KIT	1
6	2127554	STUD BOLT M12X437 KIT	1
7	4212722	STATIONARY RING HOLDER HELIX D23 ReDTC	1
7.2	4212720	> STATIONARY RING HOLDER HELIX D23 VP.	1
7.3	4176513	> O-RING FOR PUMP JACKET VP.	1
8	4212724	FILING/PURGING PLUG HELIX ReDTC KIT	1
8.1		> FILLING PLUG MVI6"-304	1
8.2	4177800	> O-RING EPDM PLUG HELIX VP.	1
9	4212726	MECH.SEAL HELIX V2/4 O/E ReDTC KIT	1
9.1	4178563	> M.SEAL.HELIX2-4 O/E VP.	1
7.3	4176513	> O-RING FOR PUMP JACKET VP.	1
10	2127577	HOUSING PIPE D.152x310 1.4301 KIT	1
11	4178566	CENTERING STAGE-RETURN HELIX4 1.4307 VP	1
12	4212729	SHAFT EQUIPMENT HELIX V2/4 ReDTC KIT	1
12.1		> NUT-H-M8-STAINLESS-STEEL A4-70	1
12.2		> SHAFT END WASHER Ø8/Ø12 316L	1
12.3		> 1/2-SNAP-RING-2/4M3-316L	1
12.4		> STOP-RUSH-1/2-D12xd2-M+316	1
4.11		> SCREW CHC-M6X14-8.8-ISO4762-GEOMET500A	1
4.12		> WASHER D.24 L6U ZINK	1
13		HYDRAULIC HELIX V 410 1.4307	1
14	4213771	SHAFT D.12X381 HELIX 1.4057 VP.	1
15	4174079	PUMP HOUSING HELIX DN32 PN16 1.4301 KIT	1
7.3	4176513	> O-RING FOR PUMP JACKET VP.	1
15.1		> BLASTING PPE HOUSING V-PN16-DN32-5"-304	1
15.2	4217889	> COUNTER FLANGE-G1"-PN16-GJL KIT	1

HELIX VE410-1/16/E/S (4201575)

Item	Article no.	Description	Quantity
15.3	4171321	> PRIMING/DRAIN PLUG EPDM HELIX KIT	1
16	4177964	BASEPLATE HELIX V2/4/6 PN16 VP.	1



DRIVE HELIX-VE410-IE4-WE KIT

Item	Article no.	Description	Quantity
1.1	4207920	MOTOR 2.2/2/90 3~ 380V 60HZ IE4 WE VP.	1
		SPARE PARTS MOTOR:ON REQUEST	1
1.2	4209591	MODULE HELIX-VE410-IE4-WE KIT	1
1.22	2054227	> MODULE COVER/GASKET TL3/4 KIT	1
1.23	4215716	> SCREW M5X16 DIN912 8.8 A2A (4pieces) VP.	1
1.24	2057978	> RONDELLE A5,3 DIN6797 FST ZN (4 PIECES)	1



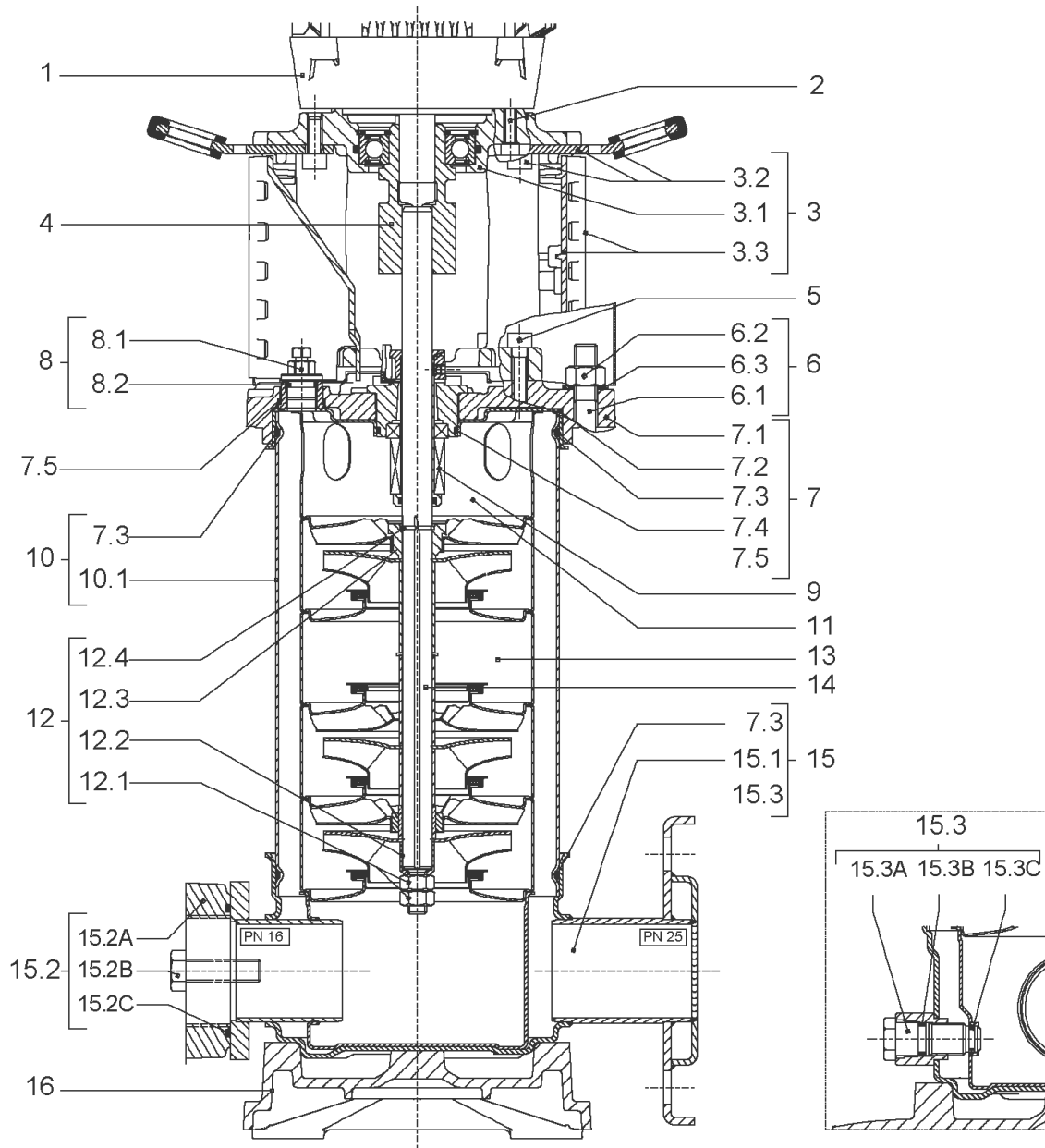
COUPLING D.12XD.24 FT115 KIT (4178600)

Item	Article no.	Description	Quantity
4.1		COUPLING-M+ Ø12XØ24-FT115-MACHINED	1
4.2	2131023	BALL BEARING 6207/ZZ-C3(HT)VP.	1
4.3	4234254	CIRCLIP-FOR-SHAFT-D35x1.5 VP.	1
4.4	4157726	SCREW KIT M8X30 (4 PIECES)	1
4.5	4234251	CIRCLIP-D72x2.5 VP.	1
4.6	4234246	O-RING 72X3 VP.	1
		NOMEL CONTACT WASHER 8x16x1,4 STEEL ZC	1



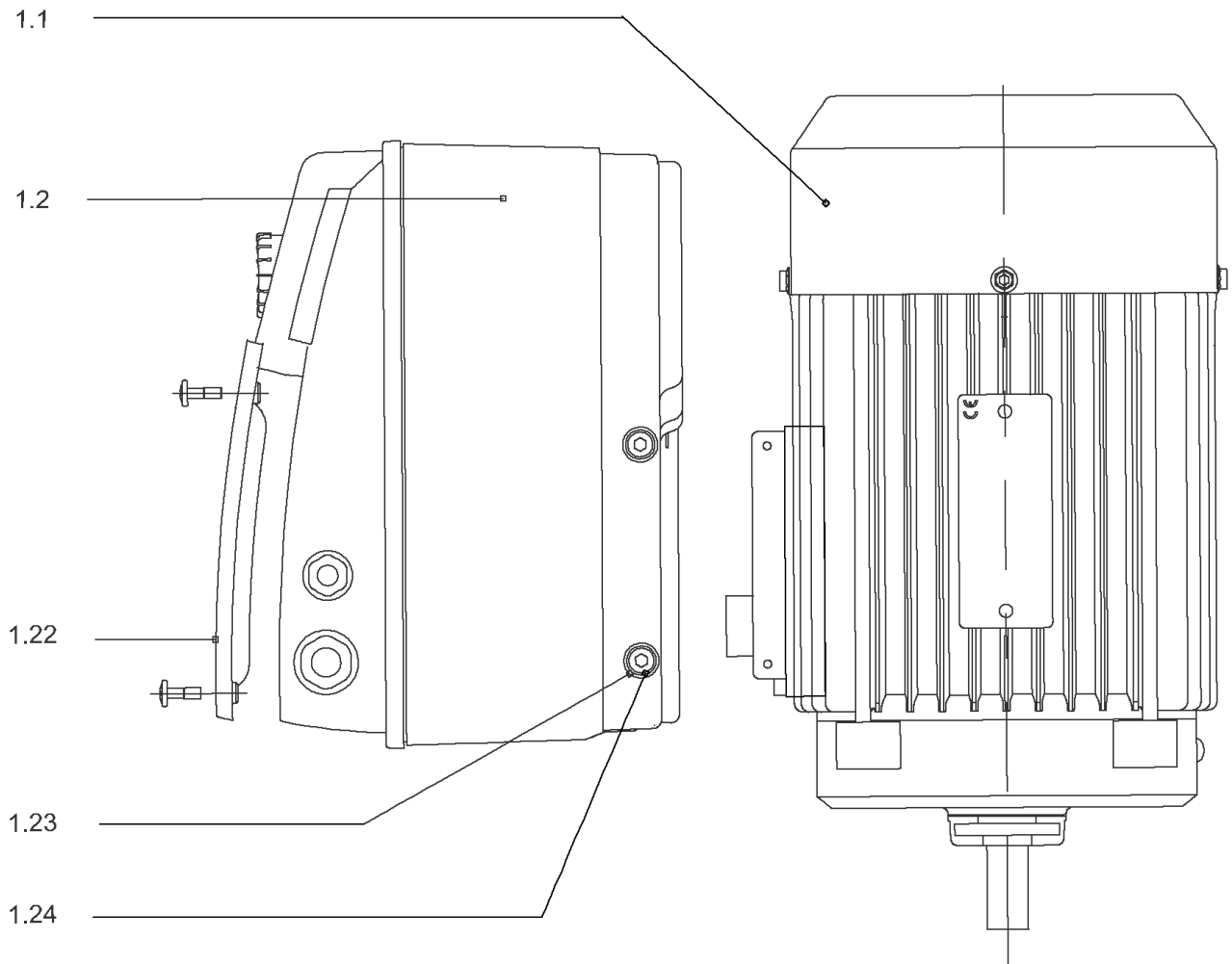
HYDRAULIC HELIX V 410 1.4307

Item	Article no.	Description	Quantity
13.1	4178570	STAGE HELIX 4 1.4301 KIT	1
		> MACH.STG-CASING-WOGV-WNR-M+2-4-304	1
		> IMPELLER-M+4-304	1
13.2	4178569	STAGE BEARING HELIX 4 1.4301 KIT	1
		> MACH.BEARING-STG-CASING-WNR-M+4-304	1
		> IMPELLER-M+4-304	1
		> SHAFT SLEEVE SPACER Ø15,35x10,305-304	1
		> SHAFT-SLEEVE-D12xD16x14-CW	1
13.3	4178574	INTER STAGE HELIX4 1.4301< 15 stages KIT	1
		> MACH.STD-STG-CASING-WGV+NR-M+4-304	1
		> IMPELLER-M+4-304	1
		> IMPELLER SPACER Ø12,05X14,85-L24,285-304	1



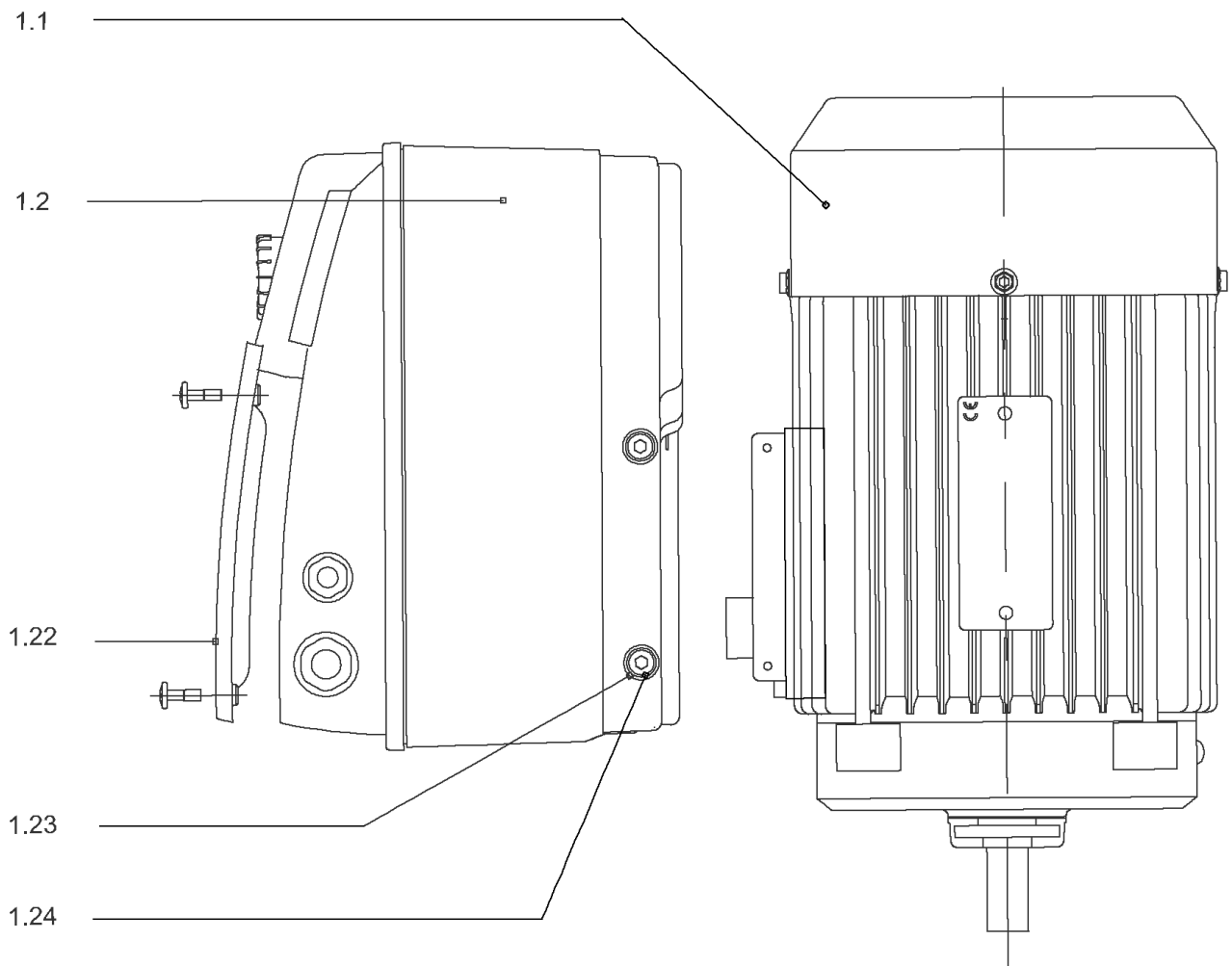
HELIX VE410-1/25/E/KS (4164479)

Item	Article no.	Description	Quantity
1		DRIVE HELIX-VE410-IE2-WE KIT	1
Note: MOTOR BRAND WILO ELEC			
1		DRIVE HELIX-VE410-IE4-WE KIT	1
Note: MOTOR BRAND WILO ELEC			
2	4159703	SCREW M8X40 (4 PIECES)	1
3	4159690	LANTERN FT115 HELIX KIT	1
3.1		> LANTERN FT115 M+6" GJL MACHINING+CATA	1
3.2	2127604	> EYELET CPL.FT HELIX(2 PIECES)	1
3.3	4159692	> COUPLING PROTECTOR FT HELIX KIT	1
4	4178600	COUPLING D.12XD.24 FT115 KIT	1
5	4159707	SCREW M8X30 (4 PIECES)	1
6	2127554	STUD BOLT M12X437 KIT	1
7	4159685	END SHIELD HELIX EPDM KIT	1
7.1		> END SHIELD M+6" GJL250 MACHINING+CATA	1
7.2	2127607	> STATIONARY RING HOLDER 6" HELIX 1.4301 V	1
7.3	4176513	> O-RING FOR PUMP JACKET VP.	1
7.4	2127603	> O-RING ID.37,6x2,4 EPDM VP.	1
7.5	2127602	> O-RING ID.21,35x2 EPDM VP.	1
8	4159686	FILING/PURGING PLUG HELIX EPDM KIT	1
9	4178597	CARTRIDGE HELIX2-4 F/E KIT	1
10	2127577	HOUSING PIPE D.152x310 1.4301 KIT	1
11	4178566	CENTERING STAGE-RETURN HELIX4 1.4307 VP	1
12	4178567	SHAFT EQUIPMENT HELIX V2/V4 KIT	1
12.1		> NUT-H-M8-STAINLESS-STEEL A4-70	1
12.2		> SHAFT END WASHER Ø8/Ø12 316L	1
12.3		> STOP COLLAR OF IMPELLER L12,6-Ø12-316L	1
12.4		> STOP-RUSH-1/2-D12xd2-M+316	1
13		HYDRAULIC HELIX V 410 1.4307	1
14	4178604	SHAFT D.12X433 1.4301 VP.	1
15	4178593	PUMP HOUSING HELIX DN25 PN25 1.4301 KIT	1
7.3	4176513	> O-RING FOR PUMP JACKET VP.	1
15.1		> BLASTING PPE HOUSING V PN25-DN25-5"-304	1
15.3	4171321	> PRIMING/DRAIN PLUG EPDM HELIX KIT	1
16	4177970	BASEPLATE HELIX V2/4/6 PN25 VP.	1



DRIVE HELIX-VE410-IE2-WE KIT

Item	Article no.	Description	Quantity
1.1	4185016	MOTOR 2,2/2/90 3~ 380V 60HZ IE2 WE VP.	1
		SPARE PARTS MOTOR:ON REQUEST	1
1.2	4186768	MODULE HELIX-VE410-IE2-WE KIT	1
1.22	2054227	> MODULE COVER/GASKET TL3/4 KIT	1
1.23	4215716	> SCREW M5X16 DIN912 8.8 A2A (4pieces) VP.	1
1.24	2057978	> RONDELLE A5,3 DIN6797 FST ZN (4 PIECES)	1



DRIVE HELIX-VE410-IE4-WE KIT

Item	Article no.	Description	Quantity
1.1	4207920	MOTOR 2.2/2/90 3~ 380V 60HZ IE4 WE VP.	1
		SPARE PARTS MOTOR:ON REQUEST	1
1.2	4209591	MODULE HELIX-VE410-IE4-WE KIT	1
1.22	2054227	> MODULE COVER/GASKET TL3/4 KIT	1
1.23	4215716	> SCREW M5X16 DIN912 8.8 A2A (4pieces) VP.	1
1.24	2057978	> RONDELLE A5,3 DIN6797 FST ZN (4 PIECES)	1



COUPLING D.12XD.24 FT115 KIT (4178600)

Item	Article no.	Description	Quantity
4.1		COUPLING-M+ Ø12XØ24-FT115-MACHINED	1
4.2	2131023	BALL BEARING 6207/ZZ-C3(HT)VP.	1
4.3	4234254	CIRCLIP-FOR-SHAFT-D35x1.5 VP.	1
4.4	4157726	SCREW KIT M8X30 (4 PIECES)	1
4.5	4234251	CIRCLIP-D72x2.5 VP.	1
4.6	4234246	O-RING 72X3 VP.	1
		NOMEL CONTACT WASHER 8x16x1,4 STEEL ZC	1



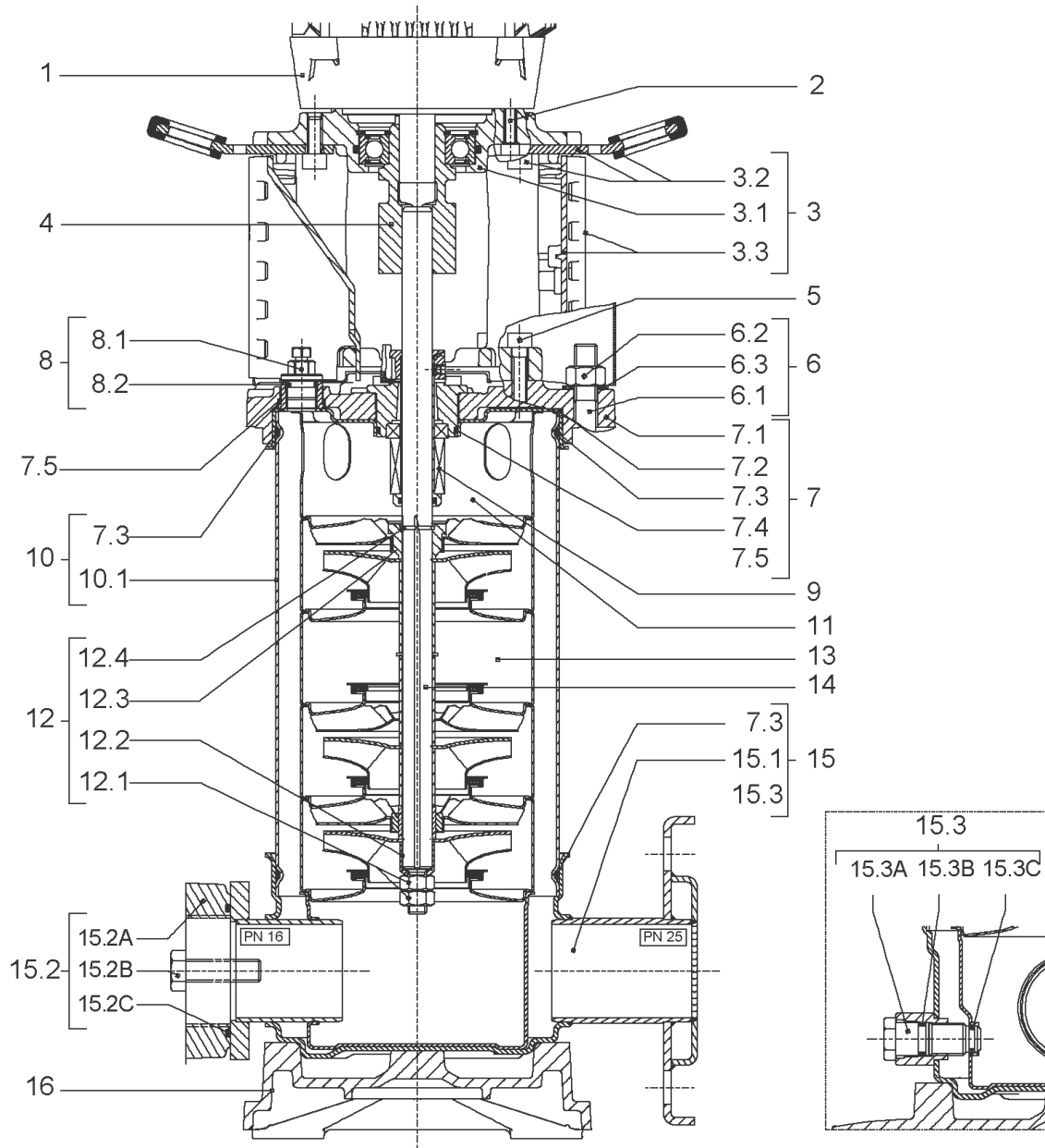
CARTRIDGE HELIX2-4 F/E KIT (4178597)

Item	Article no.	Description	Quantity
9.1	4178594	SEAL-KIT-HELIX2-4 F/E	1
7.3	4176513	> O-RING FOR PUMP JACKET VP.	1
7.4	2127603	> O-RING ID.37,6x2,4 EPDM VP.	1
9.1A	4176521	> MECH.SEAL HELIX2-4-6-10-16 F/E VP.	1
9.1B	4178558	> O-RING ID.12X2 EPDM VP.	1
9.1C	4178558	> O-RING ID.12X2 EPDM VP.	1
9.2	4178596	SHAFT SLEEVE D.18/12X72,2 1.4404 VP.	1
9.3	2130962	RING HOLDER D.18 G606/G6 1.4301 VP.	1
9.4	4176520	SCREW CH M5x5 A4-70 (3PIECES)	1
9.5	4178595	DRIVE RING D.29/15.5x13,2 MACH.VP.	1
9.6	2130964	TOOL M.S.CART.HELIX VP.	1
9.7	2130965	SCREW CHC M5X12 ISO4762 A2.70(4 PIECES)	1



HYDRAULIC HELIX V 410 1.4307

Item	Article no.	Description	Quantity
13.1	4178570	STAGE HELIX 4 1.4301 KIT	1
		> MACH.STG-CASING-WOGV-WNR-M+2-4-304	1
		> IMPELLER-M+4-304	1
13.2	4178569	STAGE BEARING HELIX 4 1.4301 KIT	1
		> MACH.BEARING-STG-CASING-WNR-M+4-304	1
		> IMPELLER-M+4-304	1
		> SHAFT SLEEVE SPACER Ø15,35x10,305-304	1
		> SHAFT-SLEEVE-D12xD16x14-CW	1
13.3	4178574	INTER STAGE HELIX4 1.4301< 15 stages KIT	1
		> MACH.STD-STG-CASING-WGV+NR-M+4-304	1
		> IMPELLER-M+4-304	1
		> IMPELLER SPACER Ø12,05X14,85-L24,285-304	1

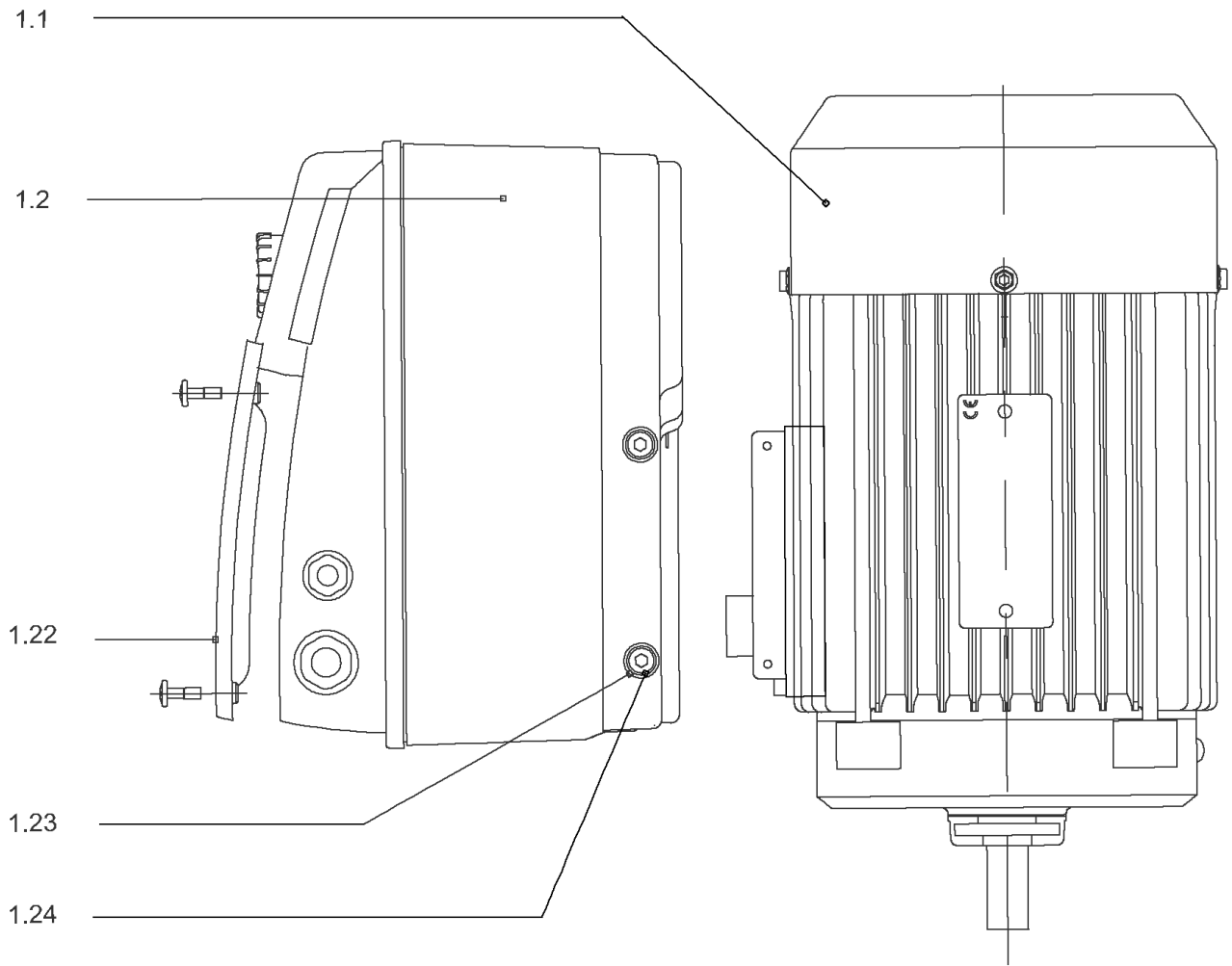


HELIX VE413-1/25/E/KS (4171734)

Item	Article no.	Description	Quantity
1		DRIVE HELIX-VE413-IE2-WE KIT	1
Note: MOTOR BRAND WILO ELEC			
1		DRIVE HELIX-VE413-IE4-WE KIT	1
Note: MOTOR BRAND WILO ELEC			
2	4206025	SCREW M8X45 (4 PIECES)	1
3	4159691	LANTERN FT130 HELIX KIT	1
3.1		> LANTERN FT130 M+6" GJL MACHINING+CATA	1
3.2	2127604	> EYELET CPL.FT HELIX(2 PIECES)	1
3.3	4159692	> COUPLING PROTECTOR FT HELIX KIT	1
4	4178626	COUPLING D.12XD.28 FT130 KIT	1
5	4159707	SCREW M8X30 (4 PIECES)	1
6	2127556	STUD BOLT M12X542 KIT	1
7	4159685	END SHIELD HELIX EPDM KIT	1
7.1		> END SHIELD M+6" GJL250 MACHINING+CATA	1
7.2	2127607	> STATIONARY RING HOLDER 6" HELIX 1.4301 V	1
7.3	4176513	> O-RING FOR PUMP JACKET VP.	1
7.4	2127603	> O-RING ID.37,6x2,4 EPDM VP.	1
7.5	2127602	> O-RING ID.21,35x2 EPDM VP.	1
8	4159686	FILING/PURGING PLUG HELIX EPDM KIT	1
9	4178597	CARTRIDGE HELIX2-4 F/E KIT	1
10	2127579	HOUSING PIPE D.152x410 1.4301 KIT	1
7.3	4176513	> O-RING FOR PUMP JACKET VP.	1
10.1		> HOUSING-PIPE Ø152-M+1607-304	1
11	4178566	CENTERING STAGE-RETURN HELIX4 1.4307 VP	1
12	4178567	SHAFT EQUIPMENT HELIX V2/V4 KIT	1
12.1		> NUT-H-M8-STAINLESS-STEEL A4-70	1
12.2		> SHAFT END WASHER Ø8/Ø12 316L	1
12.3		> STOP COLLAR OF IMPELLER L12,6-Ø12-316L	1
12.4		> STOP-RUSH-1/2-D12xd2-M+316	1
13		HYDRAULIC HELIX V 413 1.4307	1
14	4178614	SHAFT D.12X533 1.4301 VP.	1
15	4178593	PUMP HOUSING HELIX DN25 PN25 1.4301 KIT	1
7.3	4176513	> O-RING FOR PUMP JACKET VP.	1
15.1		> BLASTING PPE HOUSING V PN25-DN25-5"-304	1

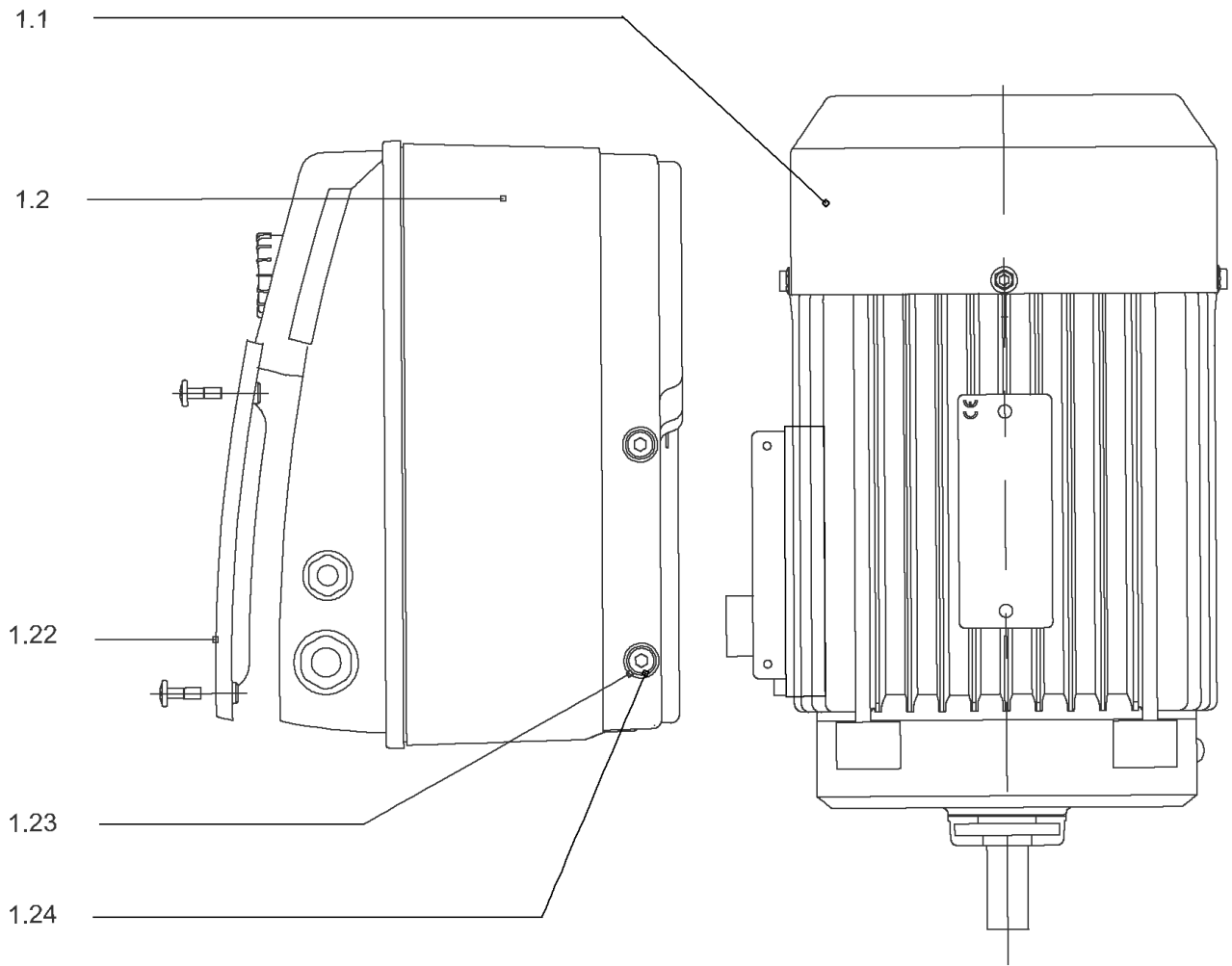
HELIX VE413-1/25/E/KS (4171734)

Item	Article no.	Description	Quantity
15.3	4171321	> PRIMING/DRAIN PLUG EPDM HELIX KIT	1
16	4177970	BASEPLATE HELIX V2/4/6 PN25 VP.	1



DRIVE HELIX-VE413-IE2-WE KIT

Item	Article no.	Description	Quantity
1.1		M3-T638P55V18H-100F13-SU-N28-WE-IE2 VP.	1
Note: no longer available/nicht mehr lieferbar/n'est plus disponible			
		SPARE PARTS MOTOR:ON REQUEST	1
1.2	4184874	MODULE HELIX-VE413-IE2-WE KIT	1
1.22	2054227	> MODULE COVER/GASKET TL3/4 KIT	1
1.23	4215716	> SCREW M5X16 DIN912 8.8 A2A (4pieces) VP.	1
1.24	2057978	> RONDELLE A5,3 DIN6797 FST ZN (4 PIECES)	1



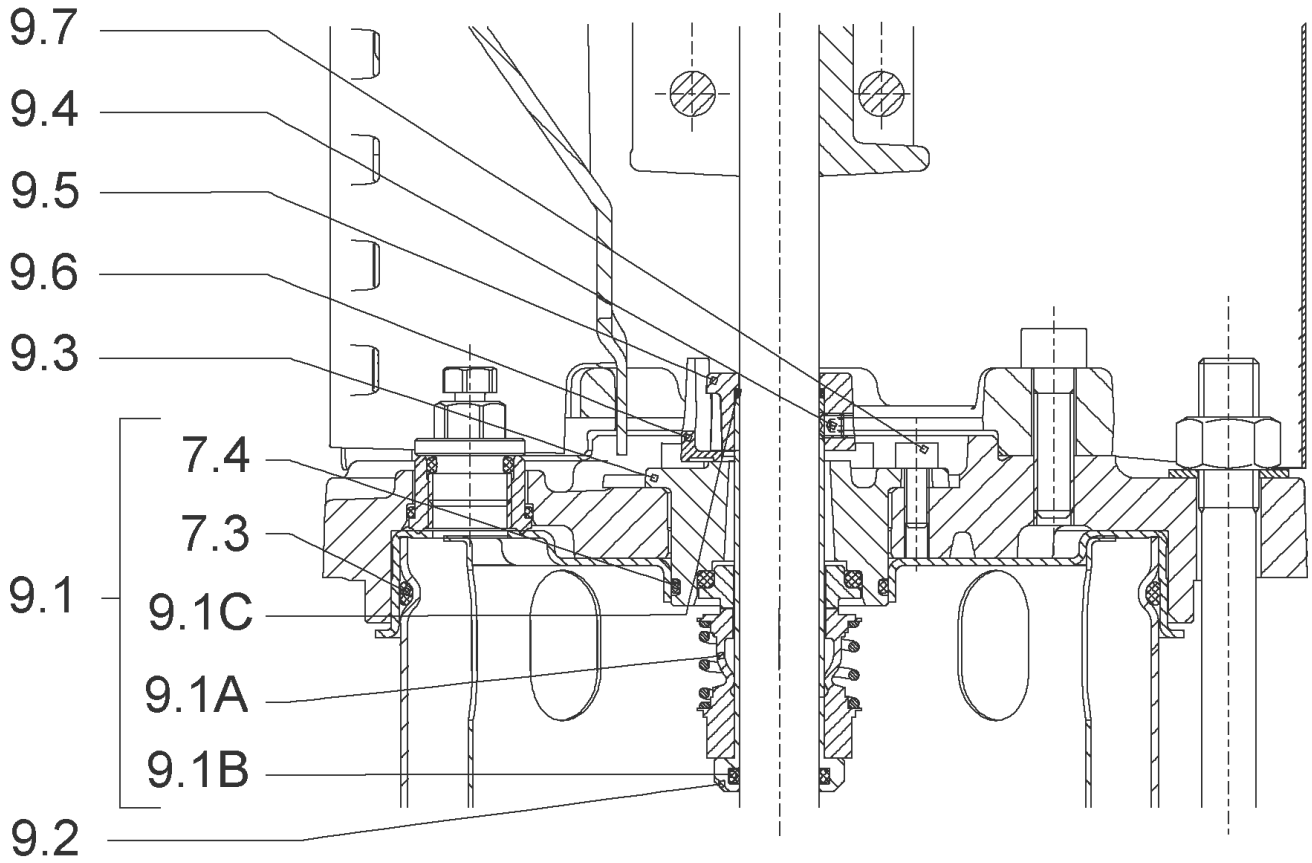
DRIVE HELIX-VE413-IE4-WE KIT

Item	Article no.	Description	Quantity
1.1	4207922	MOTOR 3/2/100 3~ 380V 60HZ IE4 WE VP.	1
		SPARE PARTS MOTOR:ON REQUEST	1
1.2	4209337	MODULE HELIX-VE413-IE4-WE KIT	1
1.22	2054227	> MODULE COVER/GASKET TL3/4 KIT	1
1.23	4215716	> SCREW M5X16 DIN912 8.8 A2A (4pieces) VP.	1
1.24	2057978	> RONDELLE A5,3 DIN6797 FST ZN (4 PIECES)	1



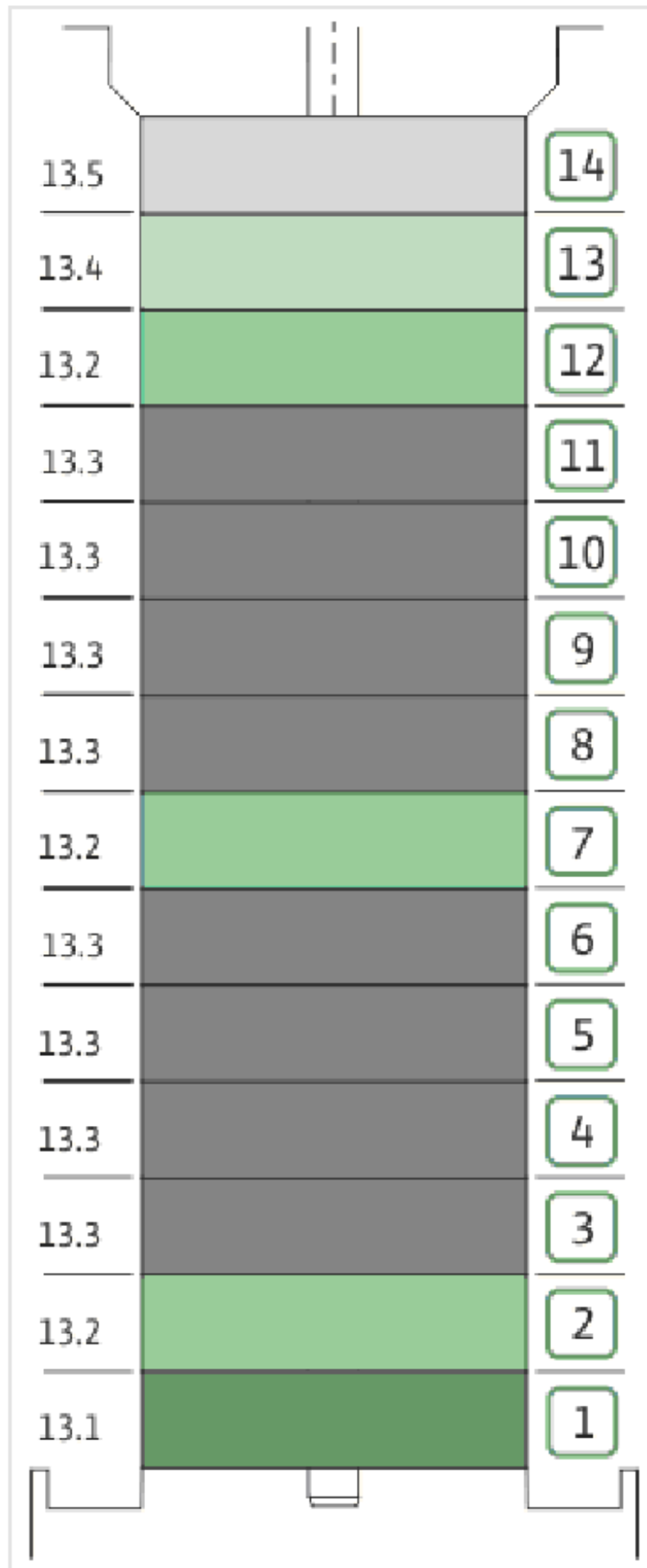
COUPLING D.12XD.28 FT130 KIT (4178626)

Item	Article no.	Description	Quantity
4.1		COUPLING-M+ Ø12XØ28-FT130-MACHINED	1
4.2	2131022	BALL BEARING 6209/ZZ-C3(HT)VP.	1
4.3	4233930	CIRCLIP-FOR-BORES-D45x1,75 VP.	1
4.4	4157726	SCREW KIT M8X30 (4 PIECES)	1
4.5	4234252	CIRCLIPS 85X3 VP.	1
4.6	4234243	O-RING 85X3 VP.	1
		NOMEL CONTACT WASHER 8x16x1,4 STEEL ZC	1



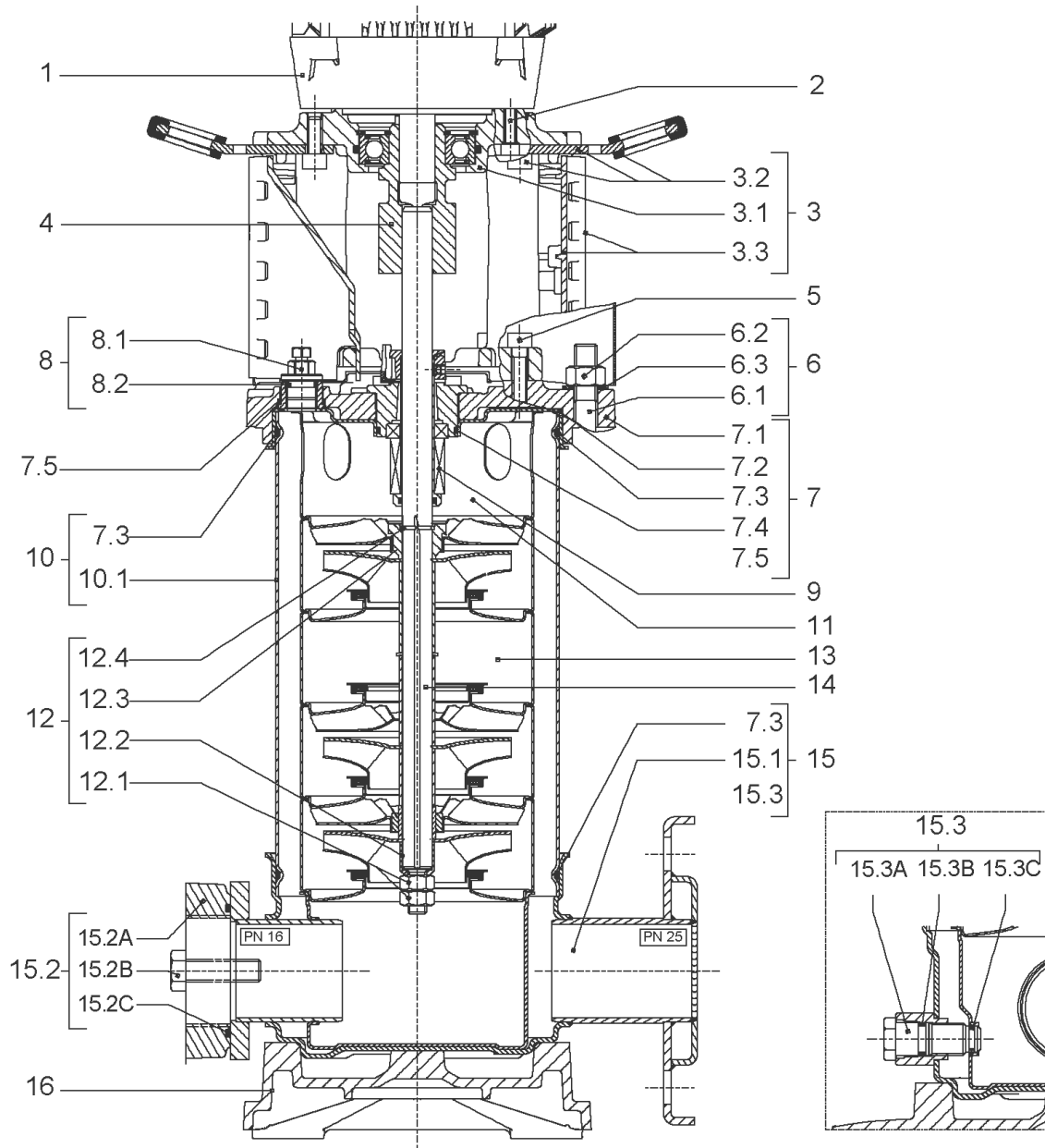
CARTRIDGE HELIX2-4 F/E KIT (4178597)

Item	Article no.	Description	Quantity
9.1	4178594	SEAL-KIT-HELIX2-4 F/E	1
7.3	4176513	> O-RING FOR PUMP JACKET VP.	1
7.4	2127603	> O-RING ID.37,6x2,4 EPDM VP.	1
9.1A	4176521	> MECH.SEAL HELIX2-4-6-10-16 F/E VP.	1
9.1B	4178558	> O-RING ID.12X2 EPDM VP.	1
9.1C	4178558	> O-RING ID.12X2 EPDM VP.	1
9.2	4178596	SHAFT SLEEVE D.18/12X72,2 1.4404 VP.	1
9.3	2130962	RING HOLDER D.18 G606/G6 1.4301 VP.	1
9.4	4176520	SCREW CH M5x5 A4-70 (3PIECES)	1
9.5	4178595	DRIVE RING D.29/15.5x13,2 MACH.VP.	1
9.6	2130964	TOOL M.S.CART.HELIX VP.	1
9.7	2130965	SCREW CHC M5X12 ISO4762 A2.70(4 PIECES)	1



HYDRAULIC HELIX V 413 1.4307

Item	Article no.	Description	Quantity
13.1	4178570	STAGE HELIX 4 1.4301 KIT	1
		> MACH.STG-CASING-WOGV-WNR-M+2-4-304	1
		> IMPELLER-M+4-304	1
13.2	4178569	STAGE BEARING HELIX 4 1.4301 KIT	1
		> MACH.BEARING-STG-CASING-WNR-M+4-304	1
		> IMPELLER-M+4-304	1
		> SHAFT SLEEVE SPACER Ø15,35x10,305-304	1
		> SHAFT-SLEEVE-D12xD16x14-CW	1
13.3	4178574	INTER STAGE HELIX4 1.4301< 15 stages KIT	1
		> MACH.STD-STG-CASING-WGV+NR-M+4-304	1
		> IMPELLER-M+4-304	1
		> IMPELLER SPACER Ø12,05X14,85-L24,285-304	1
13.4	4179307	EMPTY STAGE HELIX 4 1.4301<15 stage Kit	1
		> MACH.STD-STG-CASING-WGV+NR-M+4-304	1
		> FLAT WASHER-D12.1XD16X0.8-316L	1
		> IMPELLER SPACER Ø12,05X14,85-L24,285-304	1
13.5	4179304	STAGE HELIX 4 1.4301 < 15 stages Kit	1
		> MACH.STG-CASING-WOGV-WNR-M+2-4-304	1
		> IMPELLER-M+4-304	1
		> IMPELLER SPACER Ø12,05X14,85-L24,285-304	1

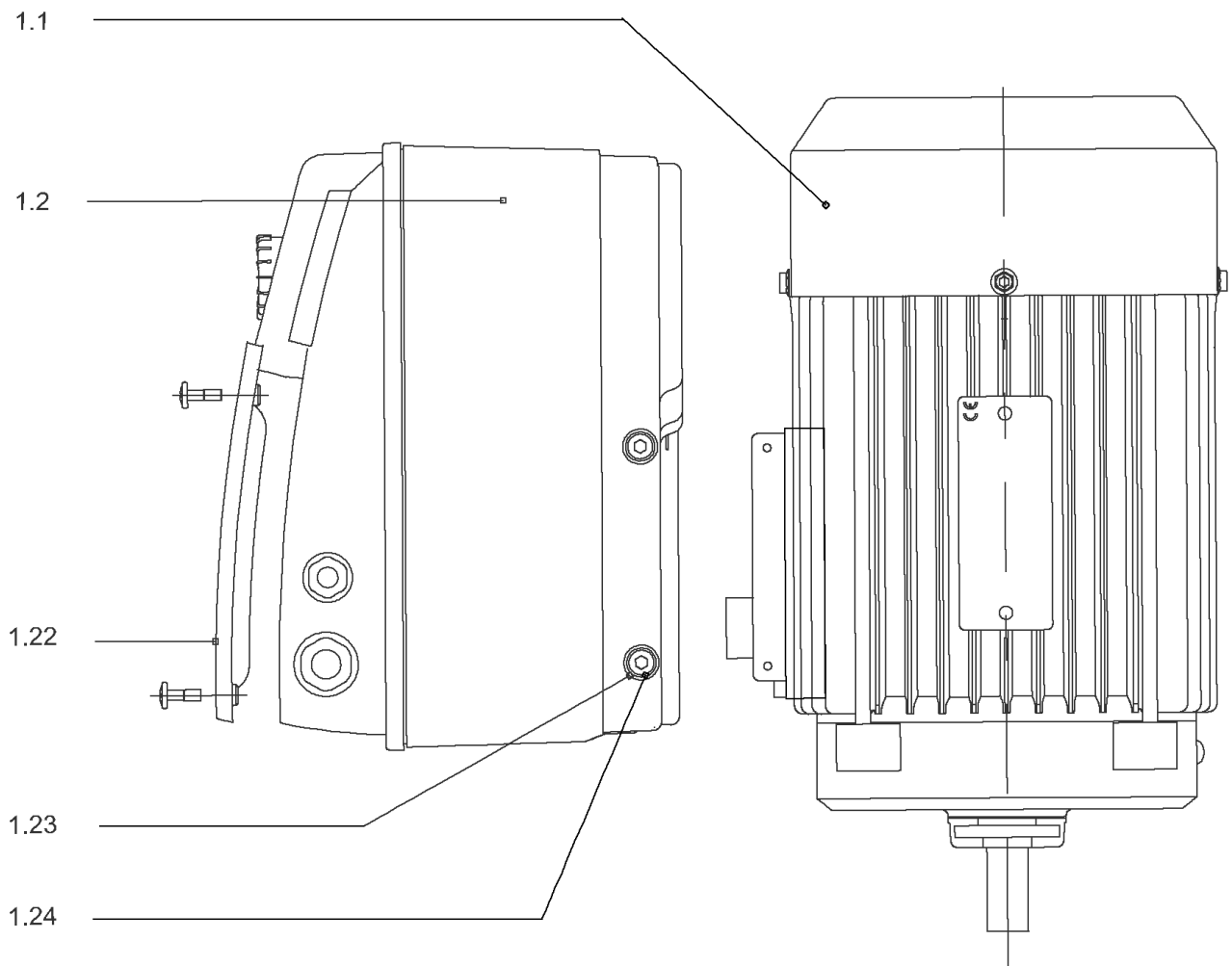


HELIX VE418-1/25/E/KS (4164480)

Item	Article no.	Description	Quantity
1		DRIVE HELIX-VE418-IE2-ATB KIT	1
Note: MOTOR BRAND ATB			
1		DRIVE HELIX-VE418-IE2-WE KIT	1
Note: MOTOR BRAND WILO ELEC			
1		DRIVE HELIX-VE418-IE4-WE KIT	1
Note: MOTOR BRAND WILO ELEC			
2	4206025	SCREW M8X45 (4 PIECES)	1
3	4159691	LANTERN FT130 HELIX KIT	1
3.1		> LANTERN FT130 M+6" GJL MACHINING+CATA	1
3.2	2127604	> EYELET CPL.FT HELIX(2 PIECES)	1
3.3	4159692	> COUPLING PROTECTOR FT HELIX KIT	1
4	4178626	COUPLING D.12XD.28 FT130 KIT	1
5	4159707	SCREW M8X30 (4 PIECES)	1
6	4177842	STUD BOLT M12X638KIT	1
6.1		> TIE BOLT M12-638x18x30-1.4057	1
6.2	2094647	> NUT M12 M12 ISO4032 VP.	1
6.3	2123557	> WASHER CS-12.4-24-1.6-NFE25 (4 PIECES)	1
7	4159685	END SHIELD HELIX EPDM KIT	1
7.1		> END SHIELD M+6" GJL250 MACHINING+CATA	1
7.2	2127607	> STATIONARY RING HOLDER 6" HELIX 1.4301 V	1
7.3	4176513	> O-RING FOR PUMP JACKET VP.	1
7.4	2127603	> O-RING ID.37,6x2,4 EPDM VP.	1
7.5	2127602	> O-RING ID.21,35x2 EPDM VP.	1
8	4159686	FILING/PURGING PLUG HELIX EPDM KIT	1
9	4178597	CARTRIDGE HELIX2-4 F/E KIT	1
10	4177843	HOUSING PIPES D.152X510 1.4307 KIT	1
7.3	4176513	> O-RING FOR PUMP JACKET VP.	1
10.1		> HOUSING-PIPE Ø152-M+1012/1609-304	1
11	4178566	CENTERING STAGE-RETURN HELIX4 1.4307 VP	1
12	4178567	SHAFT EQUIPMENT HELIX V2/V4 KIT	1
12.1		> NUT-H-M8-STAINLESS-STEEL A4-70	1
12.2		> SHAFT END WASHER Ø8/Ø12 316L	1
12.3		> STOP COLLAR OF IMPELLER L12,6-Ø12-316L	1
12.4		> STOP-RUSH-1/2-D12xd2-M+316	1

HELIX VE418-1/25/E/KS (4164480)

Item	Article no.	Description	Quantity
13		HYDRAULIC HELIX V 418 1.4307	1
14	4179295	SHAFT D.12X633 1.4462 VP.	1
15	4178593	PUMP HOUSING HELIX DN25 PN25 1.4301 KIT	1
7.3	4176513	> O-RING FOR PUMP JACKET VP.	1
15.1		> BLASTING PPE HOUSING V PN25-DN25-5"-304	1
15.3	4171321	> PRIMING/DRAIN PLUG EPDM HELIX KIT	1
16	4177970	BASEPLATE HELIX V2/4/6 PN25 VP.	1



DRIVE HELIX-VE418-IE2-ATB KIT

Item	Article no.	Description	Quantity
1.1		MOTOR 4/2/112 3~ 380V 60HZ IE2 ATB VP.	1
Note: no longer available/nicht mehr lieferbar/plus disponible			
		SPARE PARTS MOTOR:ON REQUEST	1
1.2	4186771	MODULE HELIX-VE418-IE2-ATB KIT	1
1.22	2054227	> MODULE COVER/GASKET TL3/4 KIT	1
1.23	4215716	> SCREW M5X16 DIN912 8.8 A2A (4pieces) VP.	1
1.24	2057978	> RONDELLE A5,3 DIN6797 FST ZN (4 PIECES)	1



DRIVE HELIX-VE418-IE2-WE KIT

Item	Article no.	Description	Quantity
1.1	4188824	MO.4/2/112 3~380V 60Hz IE2 WE VP.	1
		SPARE PARTS MOTOR:ON REQUEST	1
1.2	4195814	MODULE HELIX-VE418-IE2-WE KIT	1
1.22	2054227	> MODULE COVER/GASKET TL3/4 KIT	1
1.23	4215716	> SCREW M5X16 DIN912 8.8 A2A (4pieces) VP.	1
1.24	2057978	> RONDELLE A5,3 DIN6797 FST ZN (4 PIECES)	1



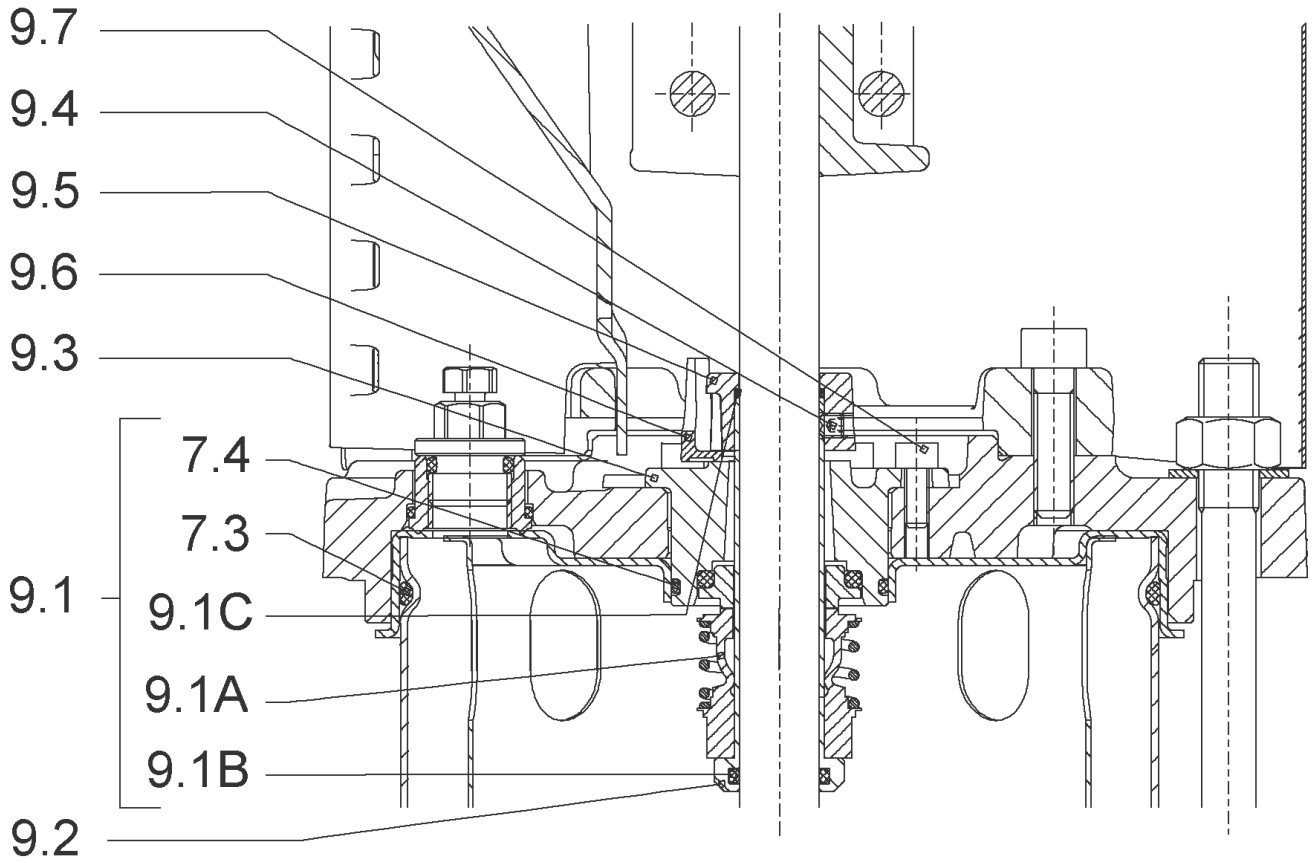
DRIVE HELIX-VE418-IE4-WE KIT

Item	Article no.	Description	Quantity
1.1	4207924	MOTOR 4/2/112 3~ 380V 60HZ IE4 WE VP.	1
		SPARE PARTS MOTOR:ON REQUEST	1
1.2	4209604	MODULE HELIX-VE418-IE4-WE KIT	1
1.22	2054227	> MODULE COVER/GASKET TL3/4 KIT	1
1.23	4215716	> SCREW M5X16 DIN912 8.8 A2A (4pieces) VP.	1
1.24	2057978	> RONDELLE A5,3 DIN6797 FST ZN (4 PIECES)	1



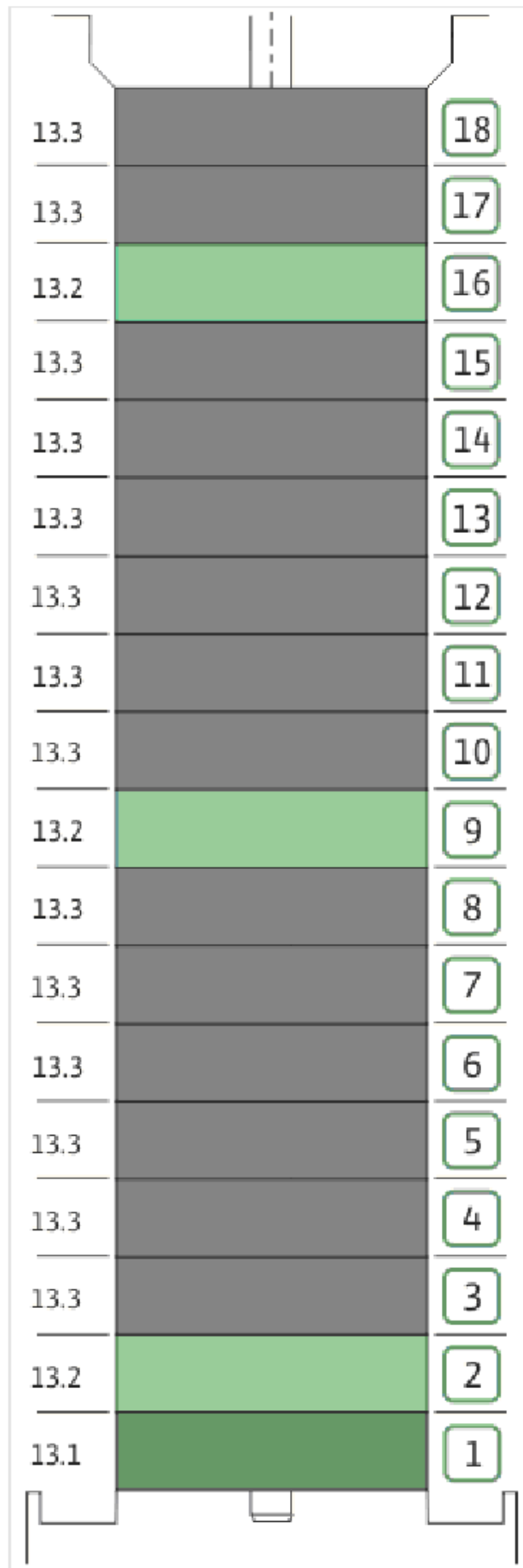
COUPLING D.12XD.28 FT130 KIT (4178626)

Item	Article no.	Description	Quantity
4.1		COUPLING-M+ Ø12XØ28-FT130-MACHINED	1
4.2	2131022	BALL BEARING 6209/ZZ-C3(HT)VP.	1
4.3	4233930	CIRCLIP-FOR-BORES-D45x1,75 VP.	1
4.4	4157726	SCREW KIT M8X30 (4 PIECES)	1
4.5	4234252	CIRCLIPS 85X3 VP.	1
4.6	4234243	O-RING 85X3 VP.	1
		NOMEL CONTACT WASHER 8x16x1,4 STEEL ZC	1



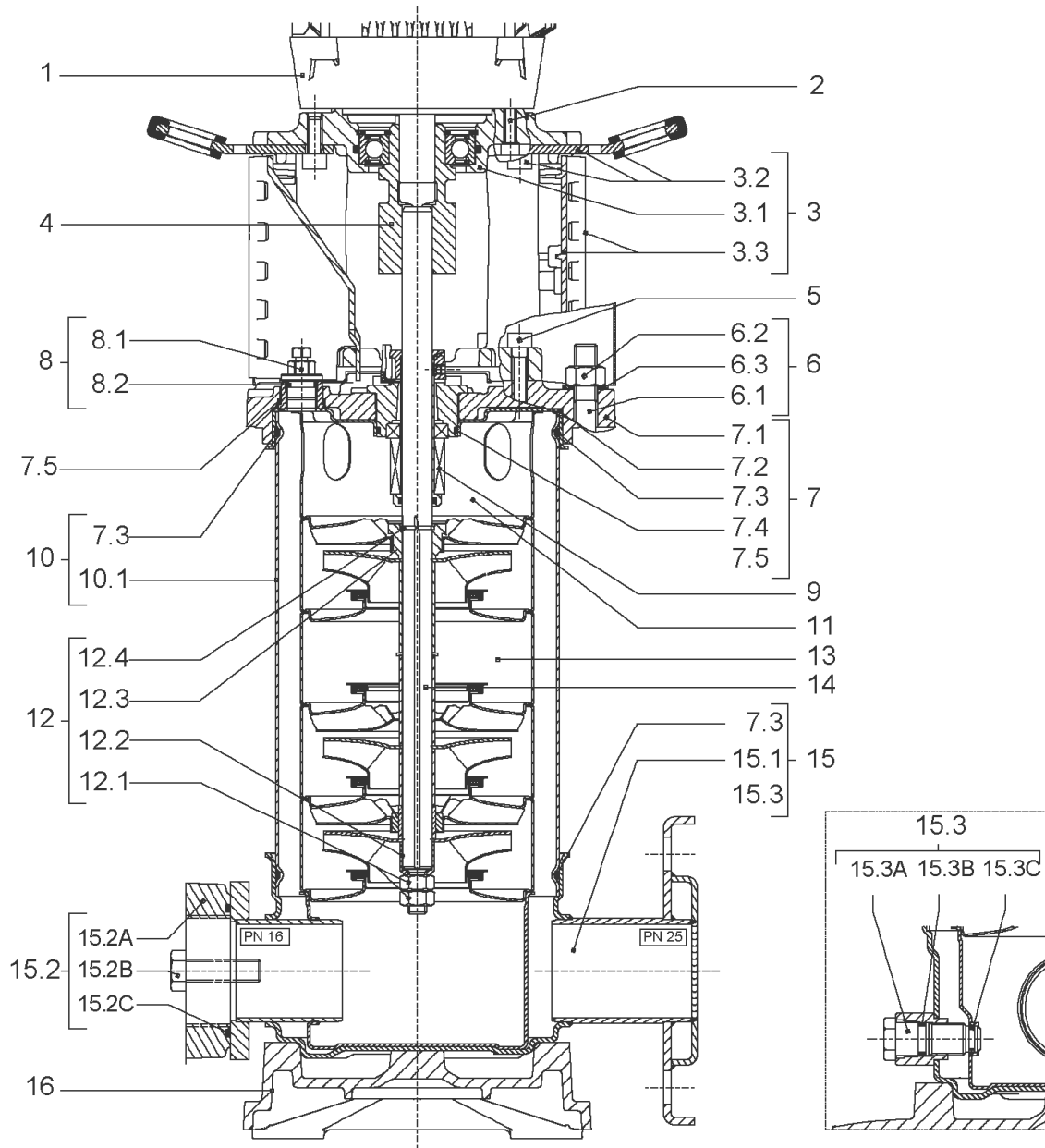
CARTRIDGE HELIX2-4 F/E KIT (4178597)

Item	Article no.	Description	Quantity
9.1	4178594	SEAL-KIT-HELIX2-4 F/E	1
7.3	4176513	> O-RING FOR PUMP JACKET VP.	1
7.4	2127603	> O-RING ID.37,6x2,4 EPDM VP.	1
9.1A	4176521	> MECH.SEAL HELIX2-4-6-10-16 F/E VP.	1
9.1B	4178558	> O-RING ID.12X2 EPDM VP.	1
9.1C	4178558	> O-RING ID.12X2 EPDM VP.	1
9.2	4178596	SHAFT SLEEVE D.18/12X72,2 1.4404 VP.	1
9.3	2130962	RING HOLDER D.18 G606/G6 1.4301 VP.	1
9.4	4176520	SCREW CH M5x5 A4-70 (3PIECES)	1
9.5	4178595	DRIVE RING D.29/15.5x13,2 MACH.VP.	1
9.6	2130964	TOOL M.S.CART.HELIX VP.	1
9.7	2130965	SCREW CHC M5X12 ISO4762 A2.70(4 PIECES)	1



HYDRAULIC HELIX V 418 1.4307

Item	Article no.	Description	Quantity
13.1	4178570	STAGE HELIX 4 1.4301 KIT	1
		> MACH.STG-CASING-WOGV-WNR-M+2-4-304	1
		> IMPELLER-M+4-304	1
13.2	4178569	STAGE BEARING HELIX 4 1.4301 KIT	1
		> MACH.BEARING-STG-CASING-WNR-M+4-304	1
		> IMPELLER-M+4-304	1
		> SHAFT SLEEVE SPACER Ø15,35x10,305-304	1
		> SHAFT-SLEEVE-D12xD16x14-CW	1
13.3	4220514	INTER STAGE HELIX4 1.4301> 15 stages KIT	1
		> MACH.STD-STG-CASING-WGV+NR-M+4-304	1
		> IMPELLER-M+4-304	1
		> IMPELLER SPACER Ø12,1X14,1-L24,25-316L	1



HELIX VE601-1/16/E/KS (4171660)

Item	Article no.	Description	Quantity
1		DRIVE HELIX-VE601-IE2-WE KIT	1
Note: MOTOR BRAND WILO ELEC			
1		DRIVE HELIX-VE601-IE4-WE KIT	1
Note: MOTOR BRAND WILO ELEC			
2	4159702	SCREW M6X30 (4 PIECES)	1
3	4171323	LANTERN FT85 HELIX KIT	1
3.1		> LANTERN FT85 M+6" GJL MACHINING+CATA	1
3.2	2127604	> EYELET CPL.FT HELIX(2 PIECES)	1
3.3	4159692	> COUPLING PROTECTOR FT HELIX KIT	1
4	4171328	COUPLING FT 85 KIT	1
5	4159707	SCREW M8X30 (4 PIECES)	1
6	4177803	STUD BOLT M12X263 KIT	1
6.1		> TIE BOLT M12-263x18x30-1.4057	1
6.2	2094647	> NUT M12 M12 ISO4032 VP.	1
6.3	2123557	> WASHER CS-12.4-24-1.6-NFE25 (4 PIECES)	1
7	4159685	END SHIELD HELIX EPDM KIT	1
7.1		> END SHIELD M+6" GJL250 MACHINING+CATA	1
7.2	2127607	> STATIONARY RING HOLDER 6" HELIX 1.4301 V	1
7.3	4176513	> O-RING FOR PUMP JACKET VP.	1
7.4	2127603	> O-RING ID.37,6x2,4 EPDM VP.	1
7.5	2127602	> O-RING ID.21,35x2 EPDM VP.	1
8	4159686	FILING/PURGING PLUG HELIX EPDM KIT	1
9	4159696	CARTRIDGE HELIX6-10-16 O/E KIT	1
10	4177804	HOUSING PIPES D.152X134 1.4301 KIT	1
7.3	4176513	> O-RING FOR PUMP JACKET VP.	1
10.1		> HOUSING-PIPE Ø152-M+1001/02-304	1
11	4177962	CENTERING STAGE HELIX V6 1.4307 VP.	1
12	4174082	SHAFTS EQUIPMENT HELIX 601KIT	1
12.1		> NUT-H-M10-A4.70	1
12.2		> SERRATED LOCK WASHER M+6M3-316L	1
12.3		> STOP COLLAR OF IMPELLER first stage	1
12.4		> STOP-RUSH-1/2-D16xd2-M+316	1
13		HYDRAULIC HELIX V 601 1.4307	1
14	4177807	SHAFT D.16X255 1.4301 VP.	1

HELIX VE601-1/16/E/KS (4171660)

Item	Article no.	Description	Quantity
15	4217897	PUMP HOUSING HELIX DN32 PN16 1.4301 KIT	1
7.3	4176513	> O-RING FOR PUMP JACKET VP.	1
15.1		> BLASTING PPE HOUSING V-PN16-DN32-5"-304	1
15.2	4217891	> COUNTER FLANGE-G1"1/4-PN16-GJL KIT	1
15.3	4171321	> PRIMING/DRAIN PLUG EPDM HELIX KIT	1
16	4177964	BASEPLATE HELIX V2/4/6 PN16 VP.	1



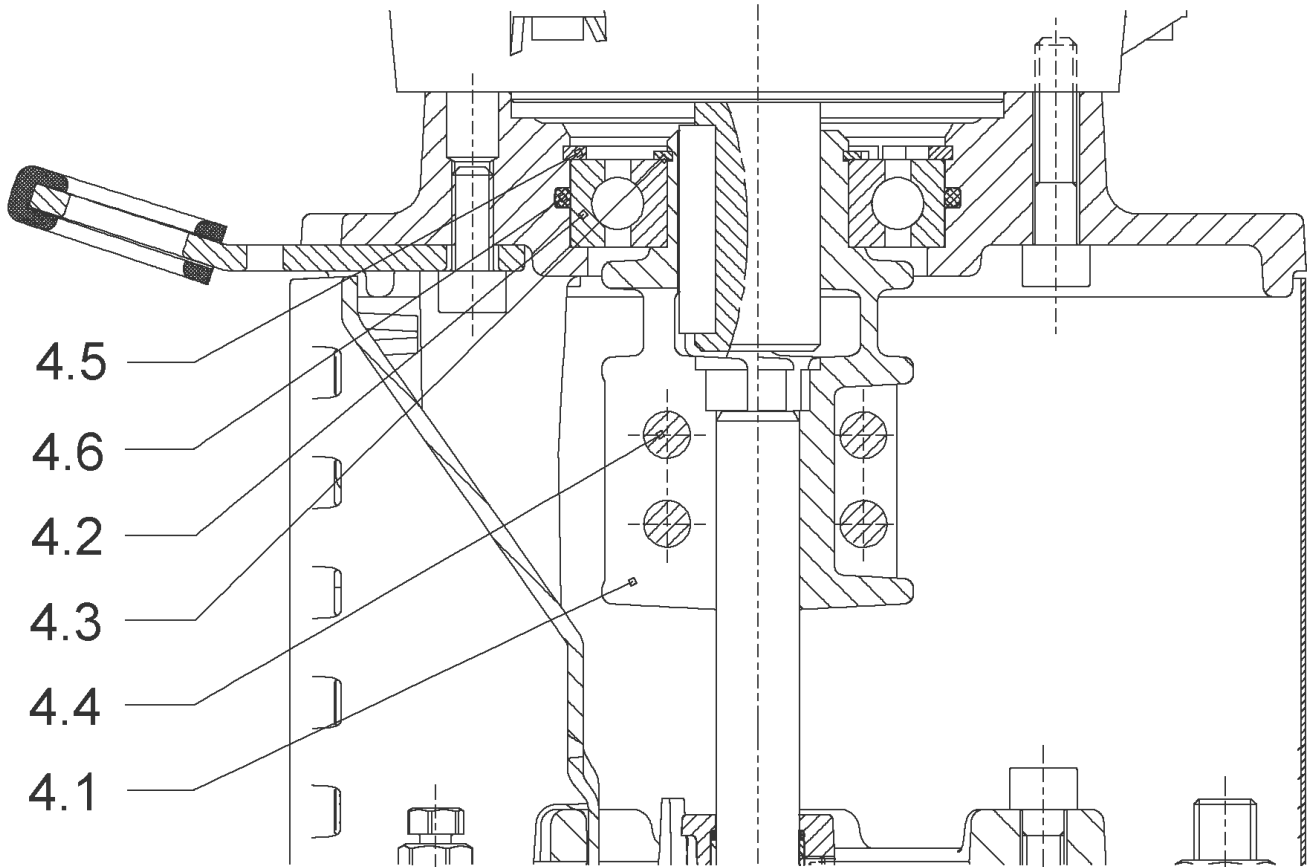
DRIVE HELIX-VE601-IE2-WE KIT

Item	Article no.	Description	Quantity
1.1		MOTOR 0,55/2/80 3~ 380V 60HZ IE2 WE VP.	1
Note: no longer available/nicht mehr lieferbar/n'est plus disponible			
		SPARE PARTS MOTOR:ON REQUEST	1
1.2	4186329	MODULE HELIX-VE601-IE2-WE KIT	1
1.22	2054372	> MODULE COVER TL1,TL2+GASKET KIT	1
1.23	4215716	> SCREW M5X16 DIN912 8.8 A2A (4pieces) VP.	1
1.24	2057978	> RONDELLE A5,3 DIN6797 FST ZN (4 PIECES)	1



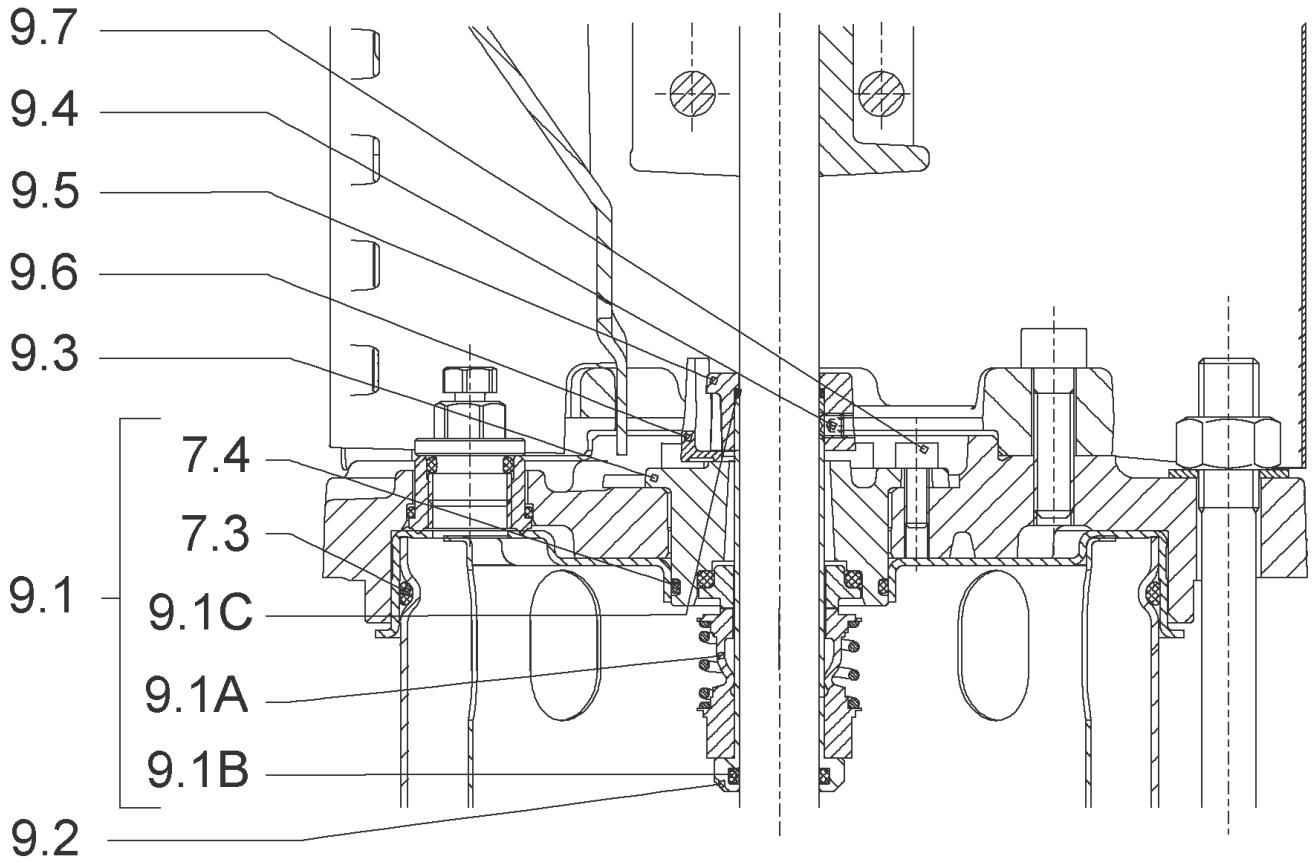
DRIVE HELIX-VE601-IE4-WE KIT

Item	Article no.	Description	Quantity
1.1	4207912	MOTOR 0.55/2/71 3~ 380V 60HZ IE4 WE VP.	1
		SPARE PARTS MOTOR:ON REQUEST	1
1.2	4209320	MODULE HELIX-VE601-IE4-WE KIT	1
1.22	2054372	> MODULE COVER TL1,TL2+GASKET KIT	1
1.23	4215716	> SCREW M5X16 DIN912 8.8 A2A (4pieces) VP.	1
1.24	2057978	> RONDELLE A5,3 DIN6797 FST ZN (4 PIECES)	1



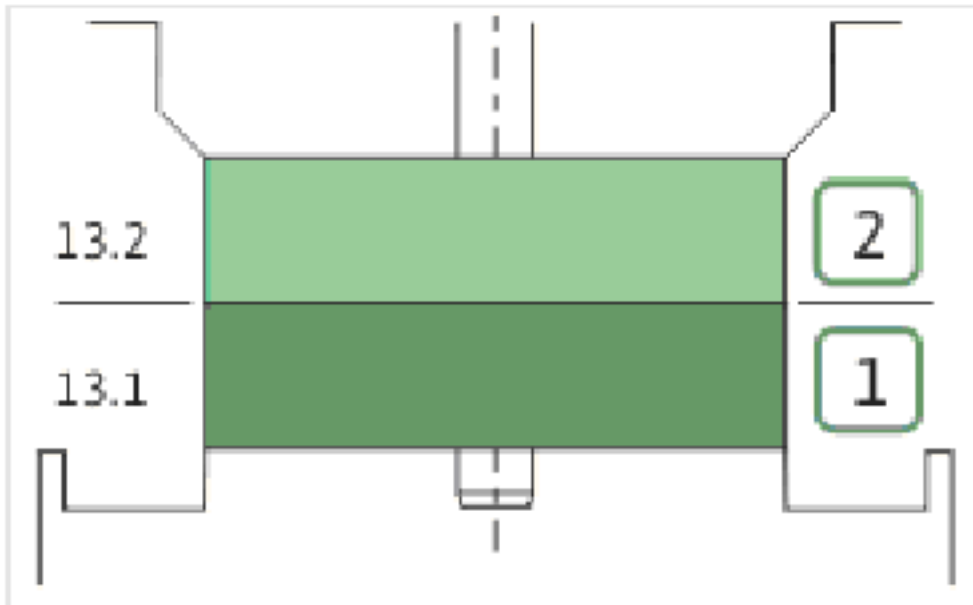
COUPLING FT 85 KIT (4171328)

Item	Article no.	Description	Quantity
4.1		COUPLING-M+ Ø16XØ14-FT85-MACHINED	1
4.2	4177802	BALL BEARING 6205C3-ZZ HTVP.	1
4.3	4208923	CIRCLIP D25X1.2 VP.	1
4.4	4212716	SCREW M6X20 KIT (4PIECES)	1
4.5	4233124	CIRCLIP-FOR-BORES-D52x2 VP.	1
4.6	4234244	O-RING 52X2 VP.	1



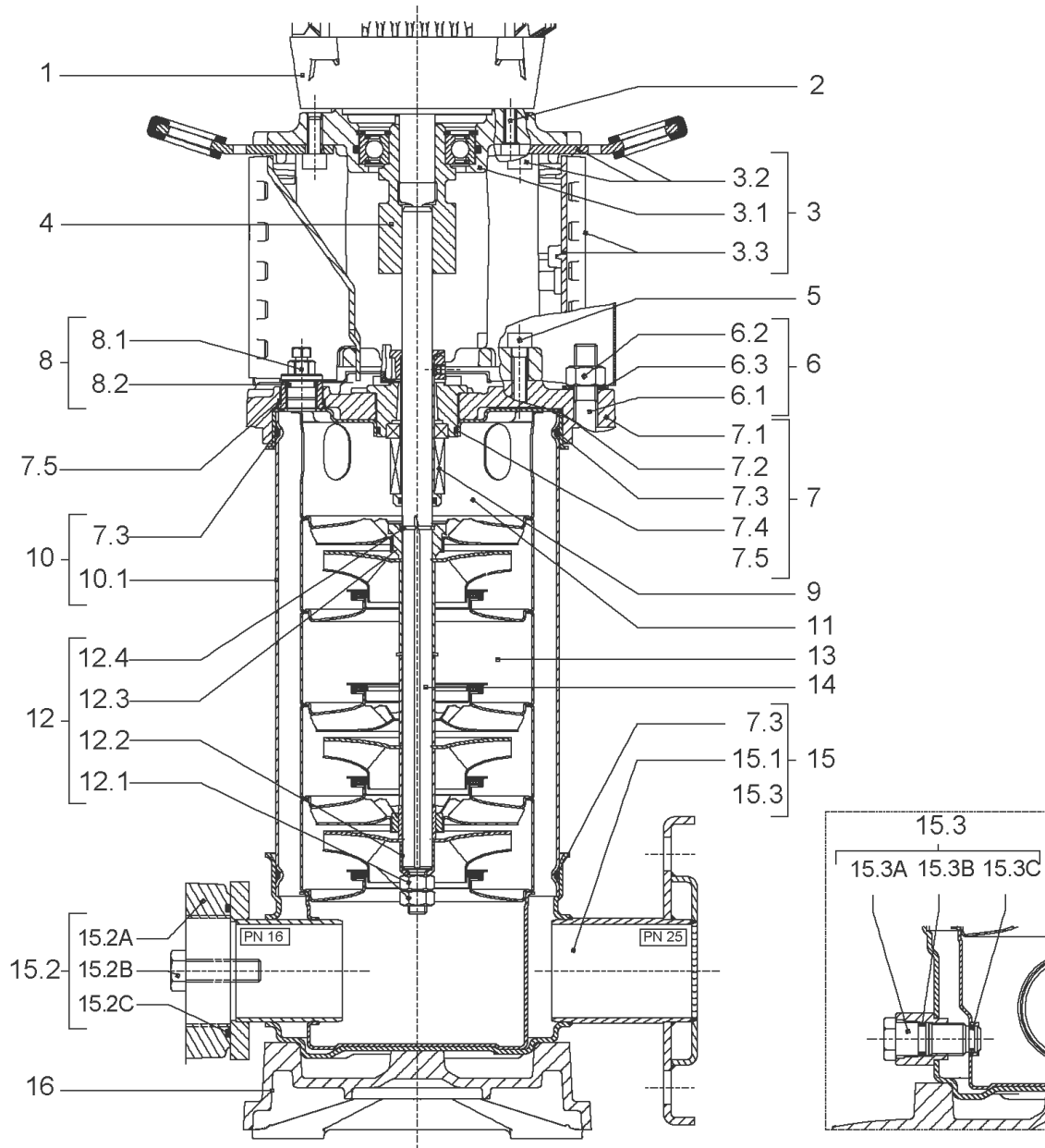
CARTRIDGE HELIX6-10-16 O/E KIT (4159696)

Item	Article no.	Description	Quantity
9.1	4159697	SEAL-KIT-HELIX6-10-16 O/E	1
7.3	4176513	> O-RING FOR PUMP JACKET VP.	1
7.4	2127603	> O-RING ID.37,6x2,4 EPDM VP.	1
9.1A	2130966	> MECH.SEAL HELIX2-4-6-10-16 O/E VP.	1
9.1B	2130967	> O-RING D.16X2,5 EPDM VP.	1
9.1C	4176519	> O-RING Ø16xØ1.25 VP.	1
9.2	2130961	SHAFT SLEEVE D.18/16X72,2 1.4404 VP.	1
9.3	2130962	RING HOLDER D.18 G606/G6 1.4301 VP.	1
9.4	4176520	SCREW CH M5x5 A4-70 (3PIECES)	1
9.5	2130963	DRIVE RING D.29/18x12,4 MACH.VP.	1
9.6	2130964	TOOL M.S.CART.HELIX VP.	1
9.7	2130965	SCREW CHC M5X12 ISO4762 A2.70(4 PIECES)	1



HYDRAULIC HELIX V 601 1.4307

Item	Article no.	Description	Quantity
13.1	4174084	STAGE HELIX 6 1.4301 KIT	1
		> MACH.STG-CASING-WOGV-WNR-M+6-304	1
		> IMPELLER-M+6-304	1
13.2	4174083	STAGE BEARING HELIX 6 1.4301 KIT	1
		> MACH.BEARING-STG-CASING-WNR-M+6-304	1
		> SHAFT-SLEEVE-D16xD20x18-CW	1
		> STOP COLLAR OF IMPELLER first stage	1



HELIX VE602-1/16/E/KS (4171670)

Item	Article no.	Description	Quantity
1		DRIVE HELIX-VE602IE2-WE KIT	1
Note: MOTOR BRAND WILO ELEC			
1		DRIVE HELIX-VE602-IE4-WE KIT	1
Note: MOTOR BRAND WILO ELEC			
2	4159702	SCREW M6X30 (4 PIECES)	1
3	4172788	LANTERN FT100 HELIX KIT	1
3.1		> LANTERN FT100 M+6" GJL MACHINING+CATA	1
3.2	2127604	> EYELET CPL.FT HELIX(2 PIECES)	1
3.3	4159692	> COUPLING PROTECTOR FT HELIX KIT	1
4	4159708	COUPLING D.16XD.19 FT100 HELIX KIT	1
5	4159707	SCREW M8X30 (4 PIECES)	1
6	4177803	STUD BOLT M12X263 KIT	1
6.1		> TIE BOLT M12-263x18x30-1.4057	1
6.2	2094647	> NUT M12 M12 ISO4032 VP.	1
6.3	2123557	> WASHER CS-12.4-24-1.6-NFE25 (4 PIECES)	1
7	4159685	END SHIELD HELIX EPDM KIT	1
7.1		> END SHIELD M+6" GJL250 MACHINING+CATA	1
7.2	2127607	> STATIONARY RING HOLDER 6" HELIX 1.4301 V	1
7.3	4176513	> O-RING FOR PUMP JACKET VP.	1
7.4	2127603	> O-RING ID.37,6x2,4 EPDM VP.	1
7.5	2127602	> O-RING ID.21,35x2 EPDM VP.	1
8	4159686	FILING/PURGING PLUG HELIX EPDM KIT	1
9	4159696	CARTRIDGE HELIX6-10-16 O/E KIT	1
10	4177804	HOUSING PIPES D.152X134 1.4301 KIT	1
7.3	4176513	> O-RING FOR PUMP JACKET VP.	1
10.1		> HOUSING-PIPE Ø152-M+1001/02-304	1
11	4174087	CENTERING STAGE-RETURN HELIX6 1.4301VP.	1
12	4174085	SHAFTS EQUIPMENT HELIX V6 BI BLOC KIT	1
12.1		> NUT-H-M10-A4.70	1
12.2		> SERRATED LOCK WASHER M+6M3-316L	1
12.3		> STOP COLLAR OF IMPELLER L17,9-Ø16-316L	1
12.4		> STOP-RUSH-1/2-D16xd2-M+316	1
13		HYDRAULIC HELIX V 602 1.4307	1
14	4177807	SHAFT D.16X255 1.4301 VP.	1

HELIX VE602-1/16/E/KS (4171670)

Item	Article no.	Description	Quantity
15	4217897	PUMP HOUSING HELIX DN32 PN16 1.4301 KIT	1
7.3	4176513	> O-RING FOR PUMP JACKET VP.	1
15.1		> BLASTING PPE HOUSING V-PN16-DN32-5"-304	1
15.2	4217891	> COUNTER FLANGE-G1"1/4-PN16-GJL KIT	1
15.3	4171321	> PRIMING/DRAIN PLUG EPDM HELIX KIT	1
16	4177964	BASEPLATE HELIX V2/4/6 PN16 VP.	1



DRIVE HELIX-VE602IE2-WE KIT

Item	Article no.	Description	Quantity
1.1		MOTOR 0,75/2/80 3~ 380V 60HZ IE2 WE VP.	1
Note: no longer available/nicht mehr lieferbar/n'est plus disponible			
		SPARE PARTS MOTOR:ON REQUEST	1
1.2	4186330	MODULE HELIX-VE602-IE2-WE KIT	1
1.22	2054372	> MODULE COVER TL1,TL2+GASKET KIT	1
1.23	4215716	> SCREW M5X16 DIN912 8.8 A2A (4pieces) VP.	1
1.24	2057978	> RONDELLE A5,3 DIN6797 FST ZN (4 PIECES)	1



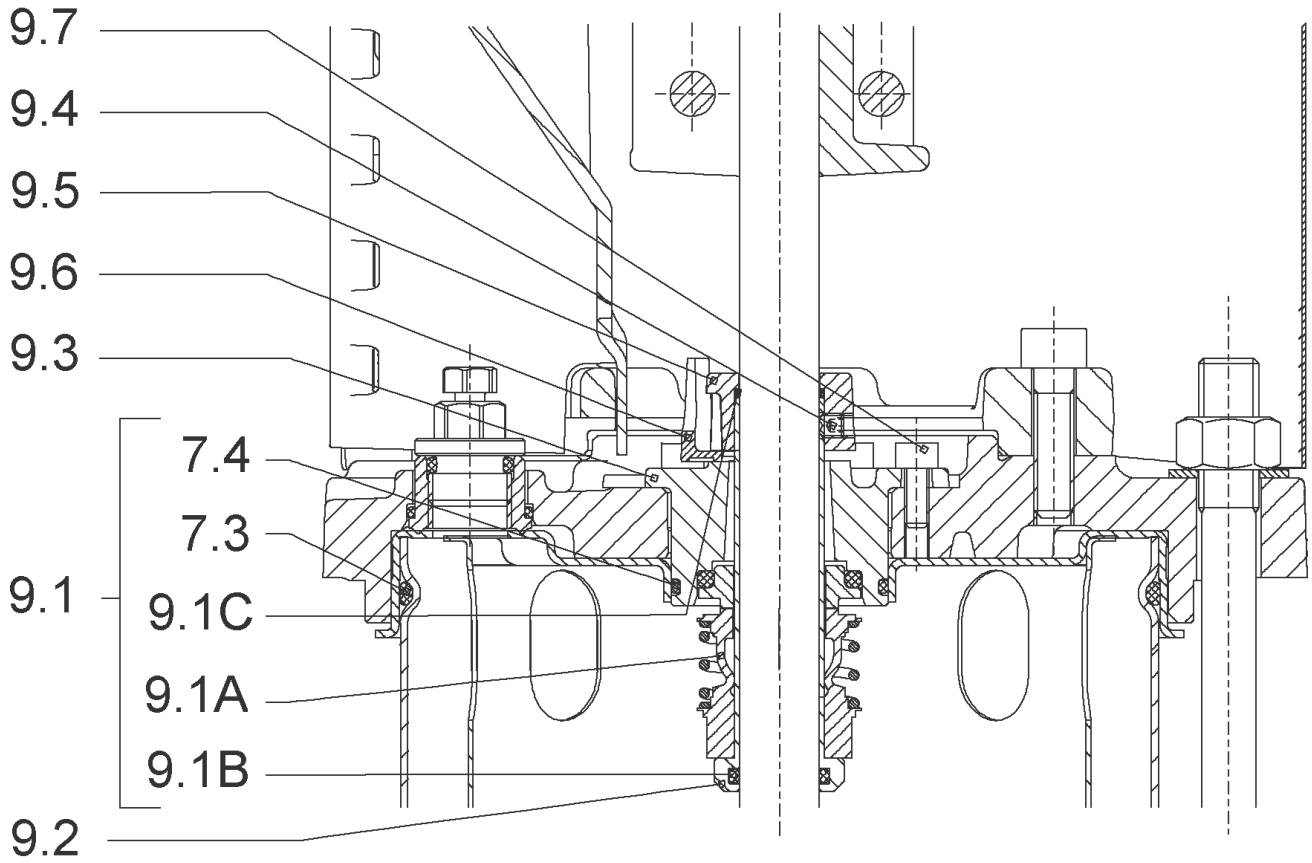
DRIVE HELIX-VE602-IE4-WE KIT

Item	Article no.	Description	Quantity
1.1	4207914	MOTOR 0.75/2/80 3~ 380V 60HZ IE4 WE VP.	1
		SPARE PARTS MOTOR:ON REQUEST	1
1.2	4209323	MODULE HELIX-VE602-IE4-WE KIT	1
1.22	2054372	> MODULE COVER TL1,TL2+GASKET KIT	1
1.23	4215716	> SCREW M5X16 DIN912 8.8 A2A (4pieces) VP.	1
1.24	2057978	> RONDELLE A5,3 DIN6797 FST ZN (4 PIECES)	1



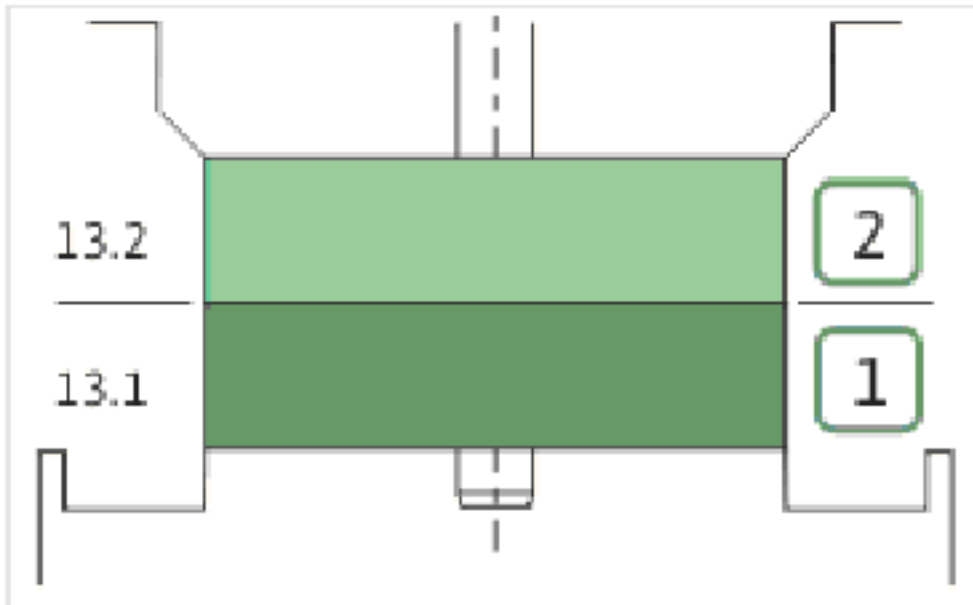
COUPLING D.16XD.19 FT100 HELIX KIT (4159708)

Item	Article no.	Description	Quantity
4.1		COUPLING M+ Ø16XØ19 FT100 MACHINED	1
4.2	2130977	BALL BEARING 6206/ZZ-C3(HT)VP.	1
4.3	4234249	CIRCLIP-FOR-SHAFT-D30x1.5 VP.	1
4.4	4212716	SCREW M6X20 KIT (4PIECES)	1
4.5	4234250	CIRCLIP-D62x2 VP.	1
4.6	4234245	O-RING 63X3 VP.	1
		CONTACT-WASHER-6ETR-6,1x12,2x1,8-STEEL	1



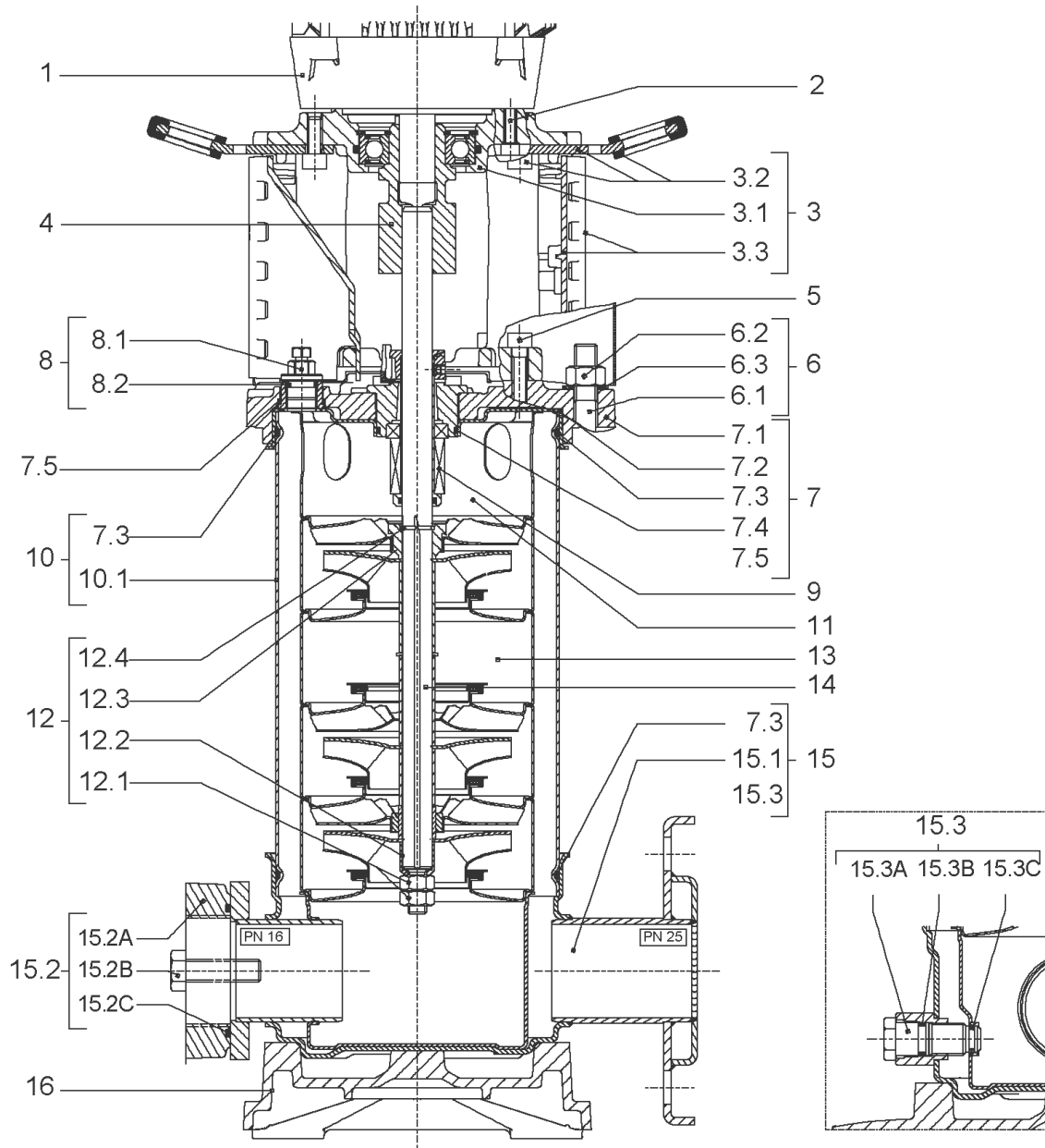
CARTRIDGE HELIX6-10-16 O/E KIT (4159696)

Item	Article no.	Description	Quantity
9.1	4159697	SEAL-KIT-HELIX6-10-16 O/E	1
7.3	4176513	> O-RING FOR PUMP JACKET VP.	1
7.4	2127603	> O-RING ID.37,6x2,4 EPDM VP.	1
9.1A	2130966	> MECH.SEAL HELIX2-4-6-10-16 O/E VP.	1
9.1B	2130967	> O-RING D.16X2,5 EPDM VP.	1
9.1C	4176519	> O-RING Ø16xØ1.25 VP.	1
9.2	2130961	SHAFT SLEEVE D.18/16X72,2 1.4404 VP.	1
9.3	2130962	RING HOLDER D.18 G606/G6 1.4301 VP.	1
9.4	4176520	SCREW CH M5x5 A4-70 (3PIECES)	1
9.5	2130963	DRIVE RING D.29/18x12,4 MACH.VP.	1
9.6	2130964	TOOL M.S.CART.HELIX VP.	1
9.7	2130965	SCREW CHC M5X12 ISO4762 A2.70(4 PIECES)	1



HYDRAULIC HELIX V 602 1.4307

Item	Article no.	Description	Quantity
13.1	4174084	STAGE HELIX 6 1.4301 KIT	1
		> MACH.STG-CASING-WOGV-WNR-M+6-304	1
		> IMPELLER-M+6-304	1
13.2	4174089	INTERMEDIATE STAGE HELIX 6 1.4301 KIT	1
		> MACH.BEARING-STG-CASING-WNR-M+6-304	1
		> IMPELLER-M+6-304	1
		> SHAFT SLEEVE-SPACER-Ø19,35x18,465-304	1
		> SHAFT-SLEEVE-D16xD20x18-CW	1

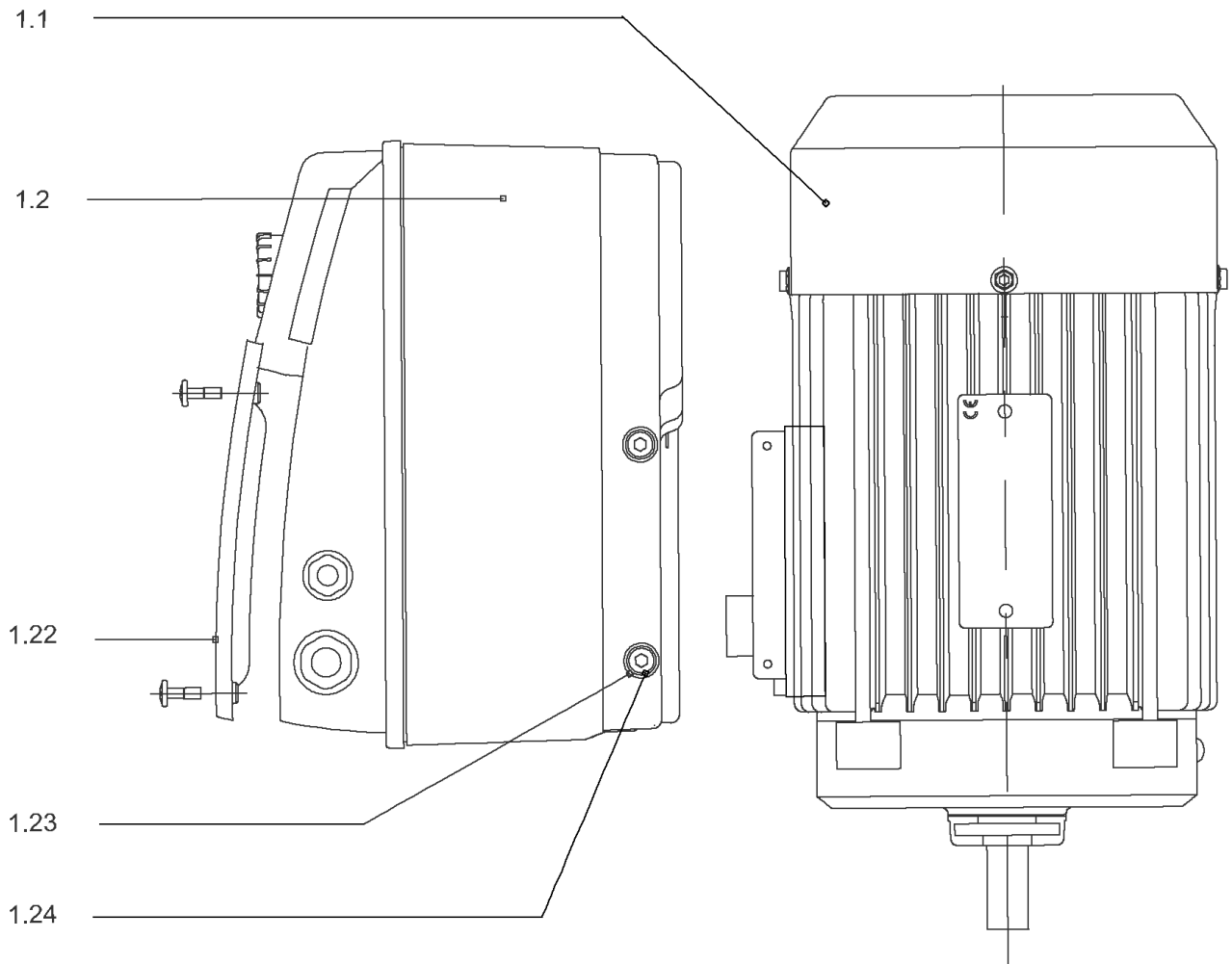


HELIX VE602-1/16/E/S (4171676)

Item	Article no.	Description	Quantity
1		DRIVE HELIX-VE602IE2-WE KIT	1
Note: MOTOR BRAND WILO ELEC			
1		DRIVE HELIX-VE602-IE4-WE KIT	1
Note: MOTOR BRAND WILO ELEC			
2	4159702	SCREW M6X30 (4 PIECES)	1
3	4172790	EQUIPED LANTERN NEXIS FT 100 KIT	1
3.1		> M+5_6_LANTERN_ONE-PIECE_FT100_CATA	1
3.2	2127604	> EYELET CPL.FT HELIX(2 PIECES)	1
3.3	4159692	> COUPLING PROTECTOR FT HELIX KIT	1
4	4159708	COUPLING D.16XD.19 FT100 HELIX KIT	1
5	4159707	SCREW M8X30 (4 PIECES)	1
6	4177803	STUD BOLT M12X263 KIT	1
6.1		> TIE BOLT M12-263x18x30-1.4057	1
6.2	2094647	> NUT M12 M12 ISO4032 VP.	1
6.3	2123557	> WASHER CS-12.4-24-1.6-NFE25 (4 PIECES)	1
7	4210143	STATIONARY RING HOLDER HELIX 6" EPDM	1
7.2	2127607	> STATIONARY RING HOLDER 6" HELIX 1.4301 V	1
7.3	4176513	> O-RING FOR PUMP JACKET VP.	1
7.4	2127603	> O-RING ID.37,6x2,4 EPDM VP.	1
7.5	2127602	> O-RING ID.21,35x2 EPDM VP.	1
8	4159686	FILING/PURGING PLUG HELIX EPDM KIT	1
9	4171327	SEAL-KIT-HELIX6-10-16 O/E KIT	1
10	4177804	HOUSING PIPES D.152X134 1.4301 KIT	1
7.3	4176513	> O-RING FOR PUMP JACKET VP.	1
10.1		> HOUSING-PIPE Ø152-M+1001/02-304	1
11	4174087	CENTERING STAGE-RETURN HELIX6 1.4301VP.	1
12	4174086	SHAFTS EQUIPMENT HELIX V6 MONOBLOC KIT	1
12.1		> NUT-H-M10-A4.70	1
12.2		> SERRATED LOCK WASHER M+6M3-316L	1
12.3		> IMPELLER STOP RING L33,2-304	1
12.4		> STOP-RUSH-1/2-D16xd2-M+316	1
13		HYDRAULIC HELIX V 602 1.4307	1
14	4177807	SHAFT D.16X255 1.4301 VP.	1
15	4217897	PUMP HOUSING HELIX DN32 PN16 1.4301 KIT	1

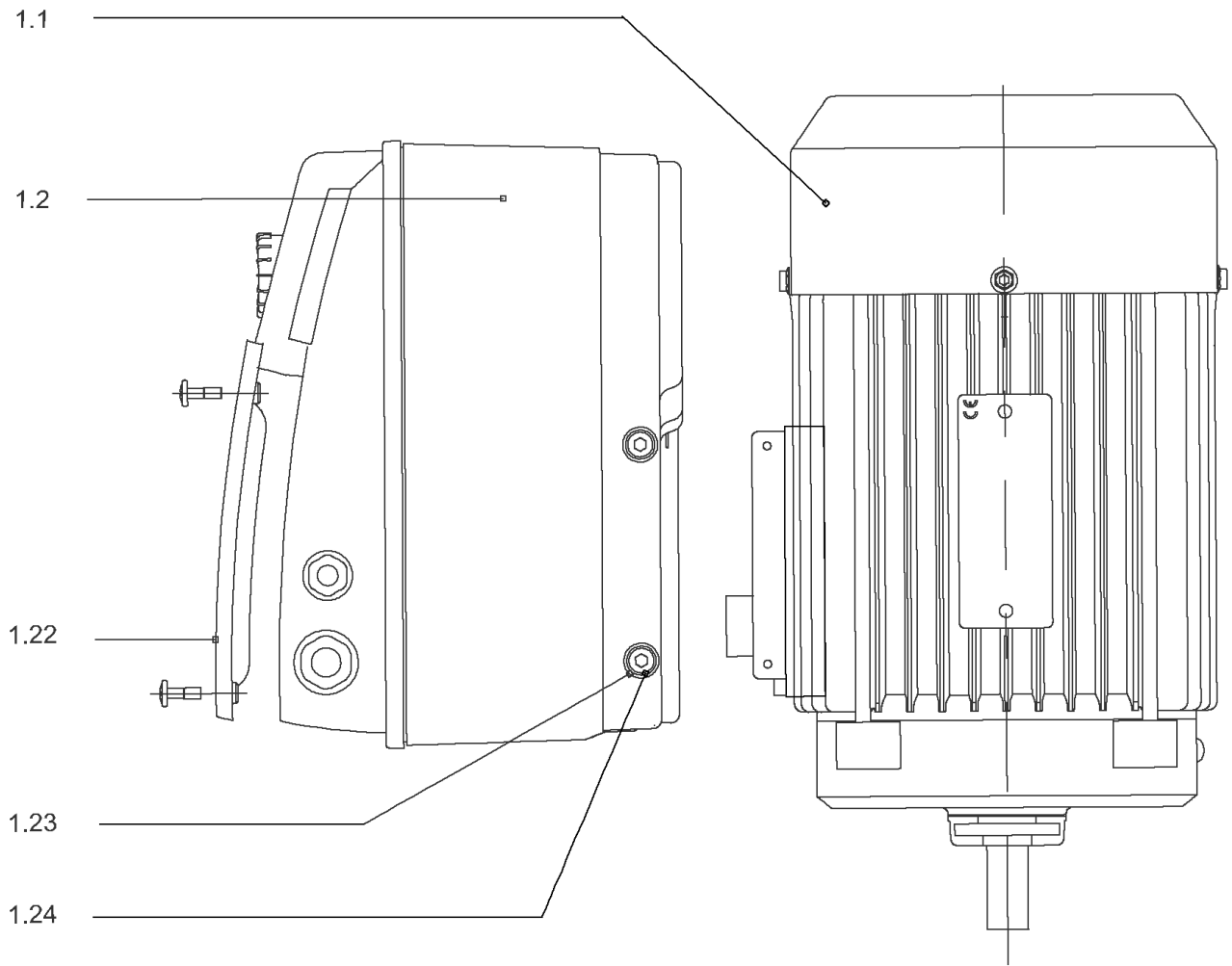
HELIX VE602-1/16/E/S (4171676)

Item	Article no.	Description	Quantity
7.3	4176513	> O-RING FOR PUMP JACKET VP.	1
15.1		> BLASTING PPE HOUSING V-PN16-DN32-5"-304	1
15.2	4217891	> COUNTER FLANGE-G1"1/4-PN16-GJL KIT	1
15.3	4171321	> PRIMING/DRAIN PLUG EPDM HELIX KIT	1
16	4177964	BASEPLATE HELIX V2/4/6 PN16 VP.	1



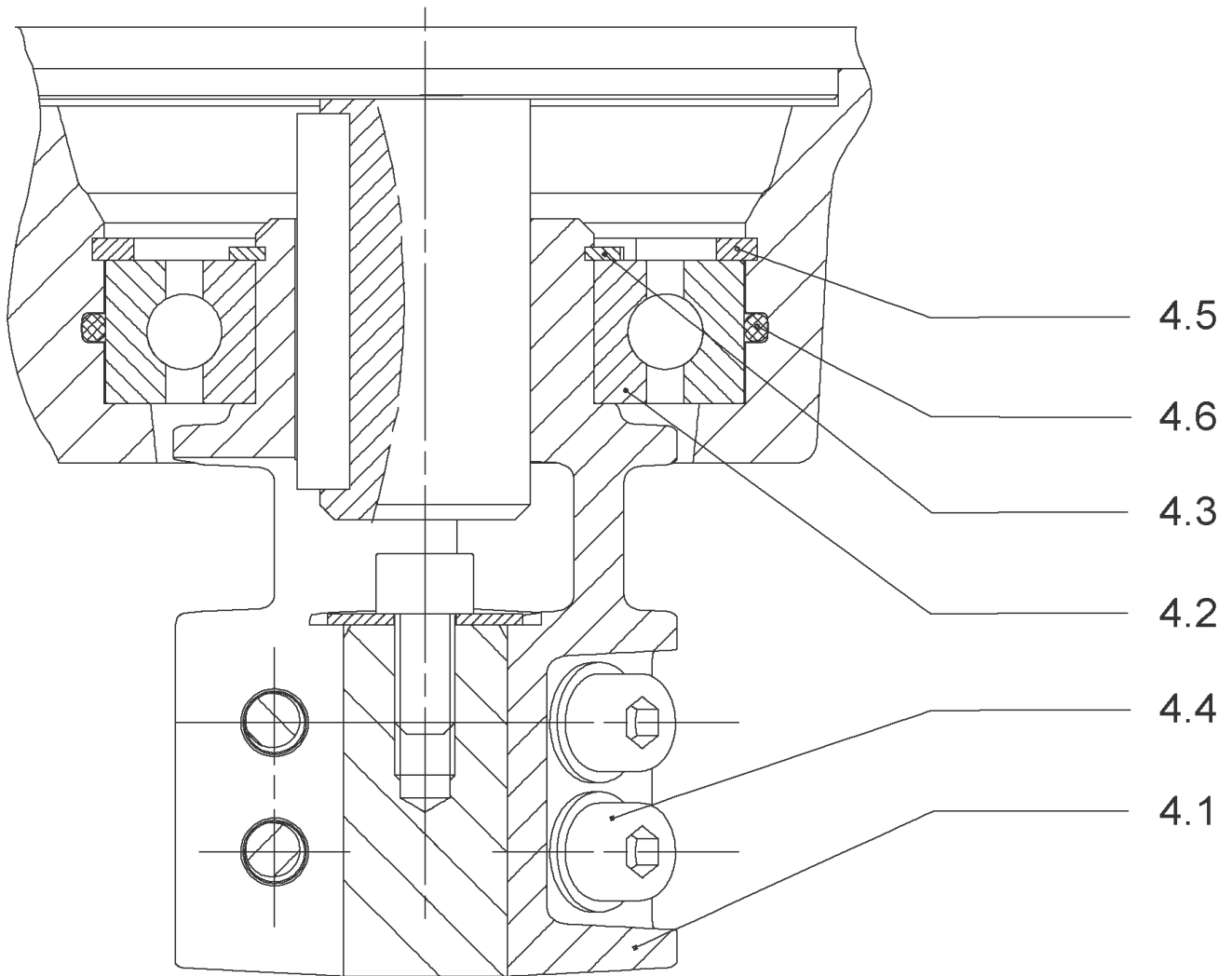
DRIVE HELIX-VE602IE2-WE KIT

Item	Article no.	Description	Quantity
1.1		MOTOR 0,75/2/80 3~ 380V 60HZ IE2 WE VP.	1
Note: no longer available/nicht mehr lieferbar/n'est plus disponible			
		SPARE PARTS MOTOR:ON REQUEST	1
1.2	4186330	MODULE HELIX-VE602-IE2-WE KIT	1
1.22	2054372	> MODULE COVER TL1,TL2+GASKET KIT	1
1.23	4215716	> SCREW M5X16 DIN912 8.8 A2A (4pieces) VP.	1
1.24	2057978	> RONDELLE A5,3 DIN6797 FST ZN (4 PIECES)	1



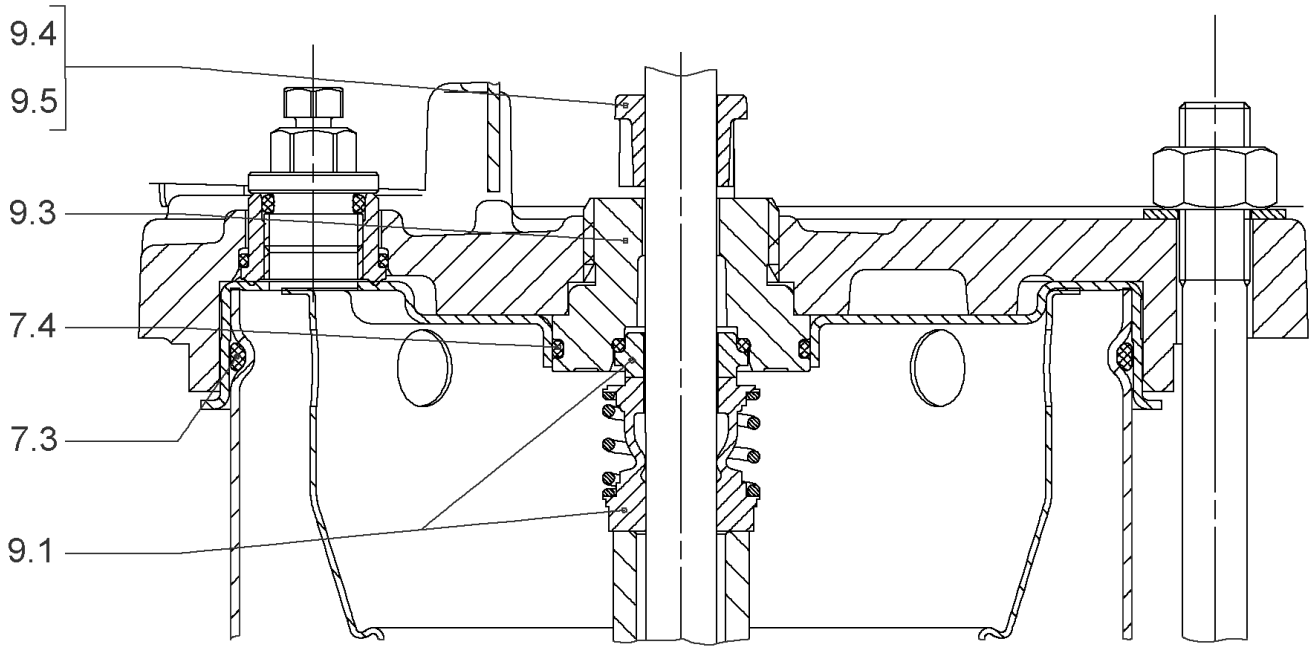
DRIVE HELIX-VE602-IE4-WE KIT

Item	Article no.	Description	Quantity
1.1	4207914	MOTOR 0.75/2/80 3~ 380V 60HZ IE4 WE VP.	1
		SPARE PARTS MOTOR:ON REQUEST	1
1.2	4209323	MODULE HELIX-VE602-IE4-WE KIT	1
1.22	2054372	> MODULE COVER TL1,TL2+GASKET KIT	1
1.23	4215716	> SCREW M5X16 DIN912 8.8 A2A (4pieces) VP.	1
1.24	2057978	> RONDELLE A5,3 DIN6797 FST ZN (4 PIECES)	1



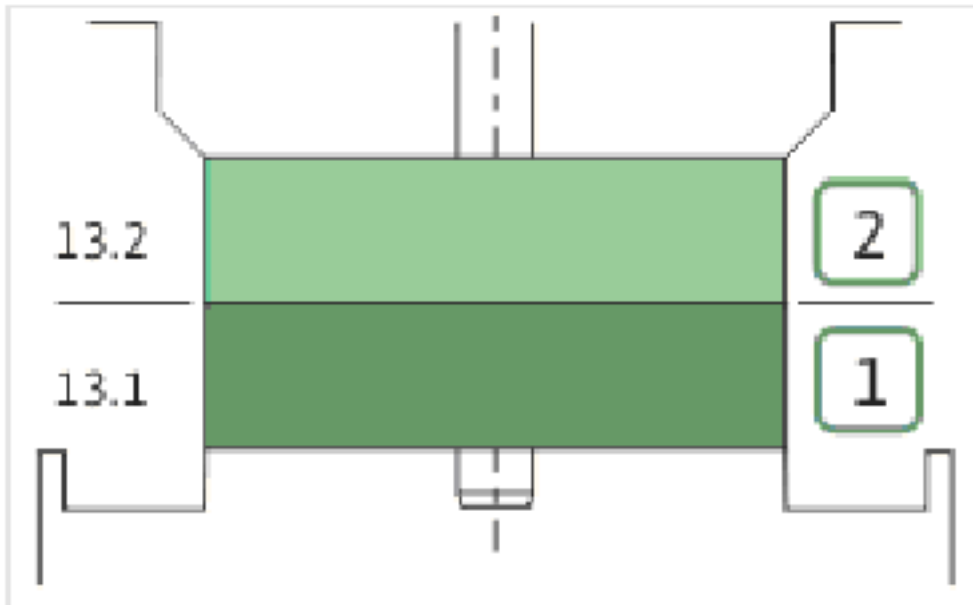
COUPLING D.16XD.19 FT100 HELIX KIT (4159708)

Item	Article no.	Description	Quantity
4.1		COUPLING M+ Ø16XØ19 FT100 MACHINED	1
4.2	2130977	BALL BEARING 6206/ZZ-C3(HT)VP.	1
4.3	4234249	CIRCLIP-FOR-SHAFT-D30x1.5 VP.	1
4.4	4212716	SCREW M6X20 KIT (4PIECES)	1
4.5	4234250	CIRCLIP-D62x2 VP.	1
4.6	4234245	O-RING 63X3 VP.	1
		CONTACT-WASHER-6ETR-6,1x12,2x1,8-STEEL	1



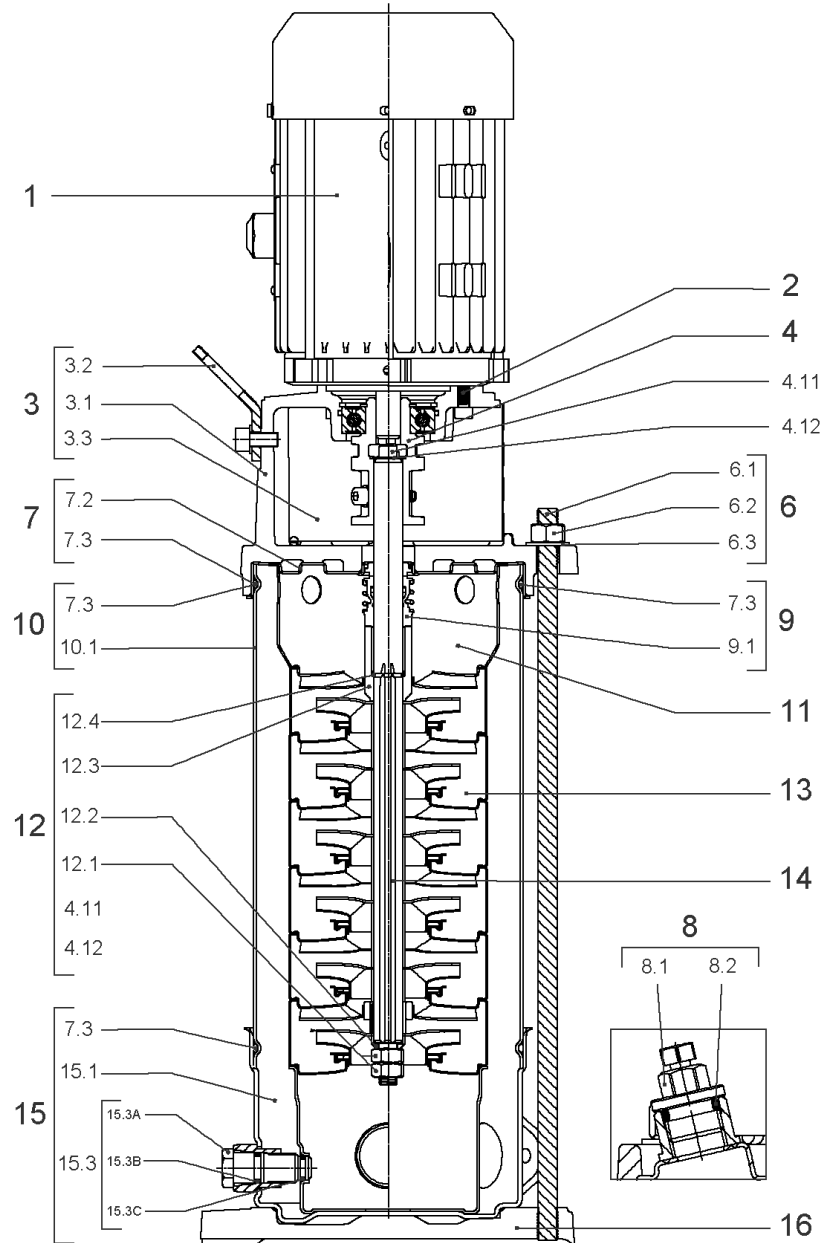
SEAL-KIT-HELIX6-10-16 O/E KIT (4171327)

Item	Article no.	Description	Quantity
7.3	4176513	O-RING FOR PUMP JACKET VP.	1
7.4	2127603	O-RING ID.37,6x2,4 EPDM VP.	1
9.1	4177801	MECH.SEAL HELIX6-10-16 O/E VP.	1
9.3	4177798	MACHINED RING HOLDER M+6" Ø16 304 VP.	1
9.5	4177799	MACHINED DRIVE RING Ø16 VP.	1
9.4	4176520	SCREW CH M5x5 A4-70 (3PIECES)	1



HYDRAULIC HELIX V 602 1.4307

Item	Article no.	Description	Quantity
13.1	4174084	STAGE HELIX 6 1.4301 KIT	1
		> MACH.STG-CASING-WOGV-WNR-M+6-304	1
		> IMPELLER-M+6-304	1
13.2	4174089	INTERMEDIATE STAGE HELIX 6 1.4301 KIT	1
		> MACH.BEARING-STG-CASING-WNR-M+6-304	1
		> IMPELLER-M+6-304	1
		> SHAFT SLEEVE-SPACER-Ø19,35x18,465-304	1
		> SHAFT-SLEEVE-D16xD20x18-CW	1



HELIX VE602-1/16/E/S (4201577)

Item	Article no.	Description	Quantity
1		DRIVE HELIX-VE602-IE4-WE KIT	1
Note: MOTOR BRAND WILO ELEC			
		SPARE PARTS MOTOR:ON REQUEST	1
2	4212716	SCREW M6X20 KIT (4PIECES)	1
3	4213752	LANTERN FT100 HELIX KIT	1
3.1		> LANT-MOT-VMI-ReDTC6"-FT100-MACHINED+CATA	1
3.2	4184852	> EYELET CPL.FT HELIX (2 PIECES)	1
3.3	4213713	> COUPLING PROTECTOR FT85/100 HELIX KIT	1
4	4159708	COUPLING D.16XD.19 FT100 HELIX KIT	1
6	4177803	STUD BOLT M12X263 KIT	1
6.1		> TIE BOLT M12-263x18x30-1.4057	1
6.2	2094647	> NUT M12 M12 ISO4032 VP.	1
6.3	2123557	> WASHER CS-12.4-24-1.6-NFE25 (4 PIECES)	1
7	4214481	STATIONARY RING HOLDER HELIX D27 ReDTC	1
7.2	4214479	> STATIONARY RING HOLDER HELIX D27 VP.	1
7.3	4176513	> O-RING FOR PUMP JACKET VP.	1
8	4212724	FILING/PURGING PLUG HELIX ReDTC KIT	1
8.1		> FILLING PLUG MVI6"-304	1
8.2	4177800	> O-RING EPDM PLUG HELIX VP.	1
9	4214483	MECH.SEAL HELIX6-10-16 O/E ReDTC KIT	1
9.1	4177801	> MECH.SEAL HELIX6-10-16 O/E VP.	1
7.3	4176513	> O-RING FOR PUMP JACKET VP.	1
10	4177804	HOUSING PIPES D.152X134 1.4301 KIT	1
7.3	4176513	> O-RING FOR PUMP JACKET VP.	1
10.1		> HOUSING-PIPE Ø152-M+1001/02-304	1
11	4174087	CENTERING STAGE-RETURN HELIX6 1.4301VP.	1
12	4214486	SHAFT EQUIPMENT HELIX V6 ReDTC KIT	1
12.1		> NUT-H-M10-A4.70	1
12.2		> SERRATED LOCK WASHER M+6M3-316L	1
12.3		> 1/2-SNAP-RING-6/10M3-316L	1
12.4		> STOP-RUSH-1/2-D16xd2-M+316	1
4.11		> SCREW CHC-M6X14-8.8-ISO4762-GEOMET500A	1
4.12		> WASHER D.24 L6U ZINK	1
13		HYDRAULIC HELIX V 602 1.4307	1

HELIX VE602-1/16/E/S (4201577)

Item	Article no.	Description	Quantity
14	4214488	SHAFT D.16X203 HELIX 1.4057 VP.	1
15	4217897	PUMP HOUSING HELIX DN32 PN16 1.4301 KIT	1
7.3	4176513	> O-RING FOR PUMP JACKET VP.	1
15.1		> BLASTING PPE HOUSING V-PN16-DN32-5"-304	1
15.2	4217891	> COUNTER FLANGE-G1"1/4-PN16-GJL KIT	1
15.3	4171321	> PRIMING/DRAIN PLUG EPDM HELIX KIT	1
16	4177964	BASEPLATE HELIX V2/4/6 PN16 VP.	1



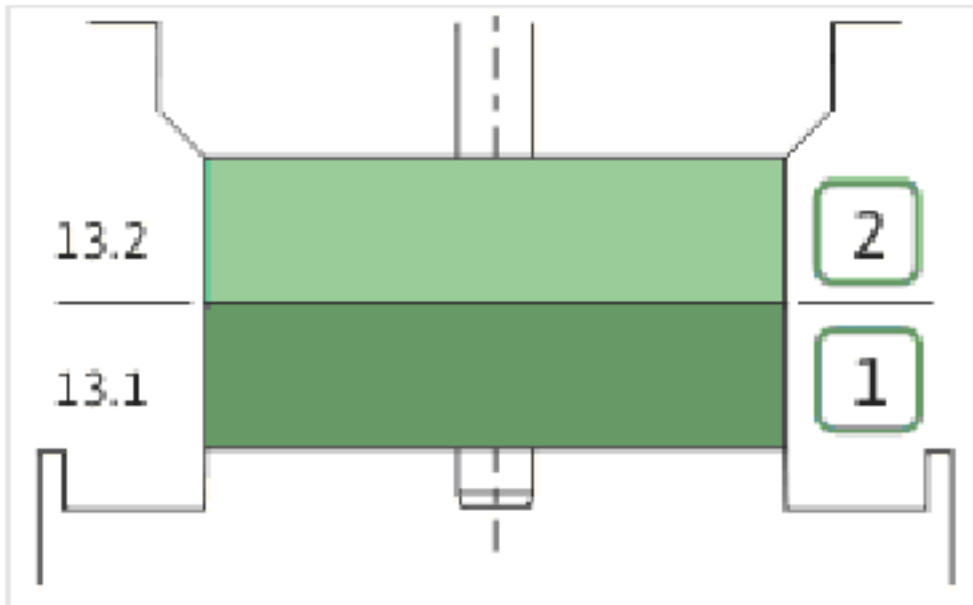
DRIVE HELIX-VE602-IE4-WE KIT

Item	Article no.	Description	Quantity
1.1	4207914	MOTOR 0.75/2/80 3~ 380V 60HZ IE4 WE VP.	1
		SPARE PARTS MOTOR:ON REQUEST	1
1.2	4209323	MODULE HELIX-VE602-IE4-WE KIT	1
1.22	2054372	> MODULE COVER TL1,TL2+GASKET KIT	1
1.23	4215716	> SCREW M5X16 DIN912 8.8 A2A (4pieces) VP.	1
1.24	2057978	> RONDELLE A5,3 DIN6797 FST ZN (4 PIECES)	1



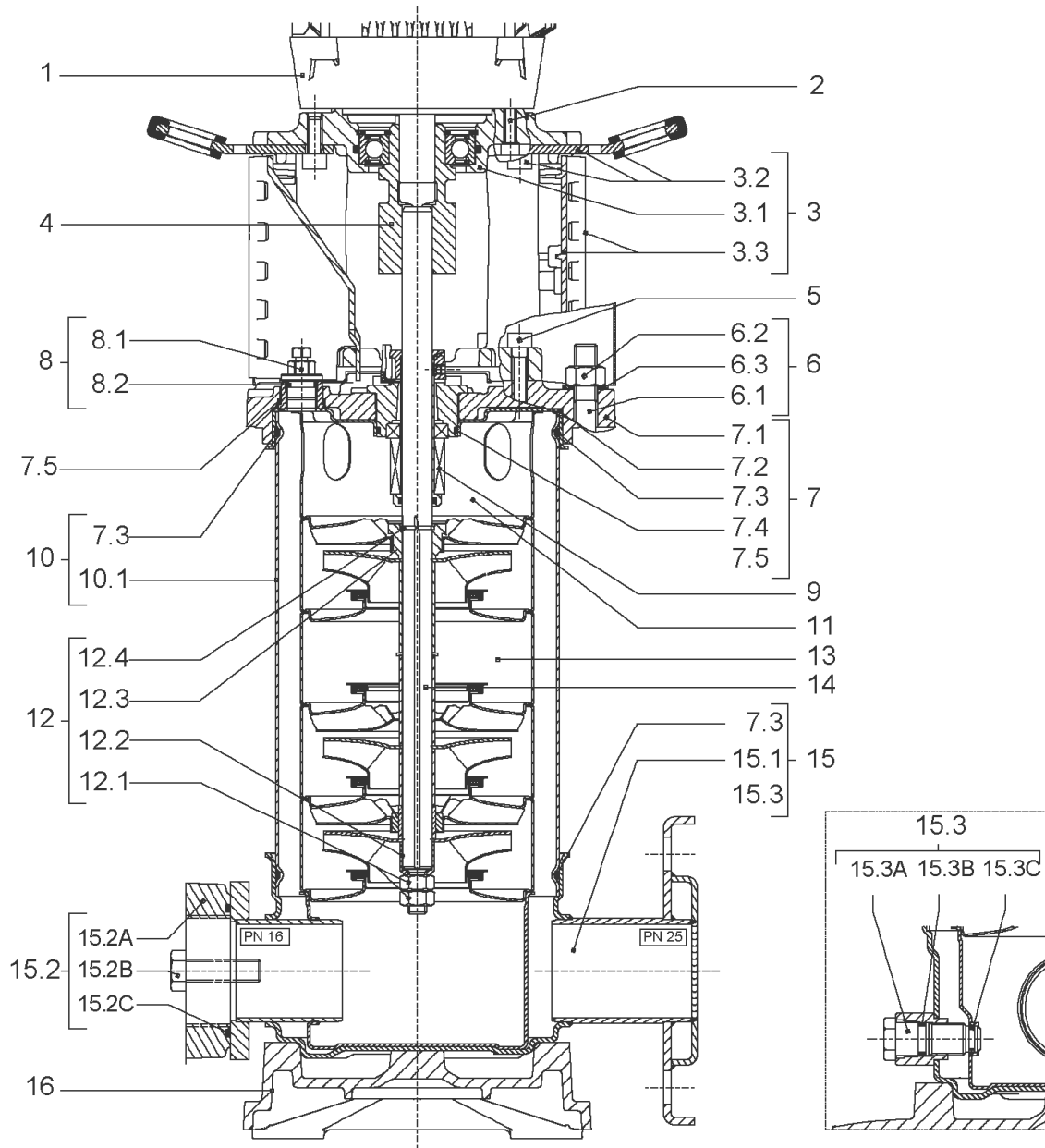
COUPLING D.16XD.19 FT100 HELIX KIT (4159708)

Item	Article no.	Description	Quantity
4.1		COUPLING M+ Ø16XØ19 FT100 MACHINED	1
4.2	2130977	BALL BEARING 6206/ZZ-C3(HT)VP.	1
4.3	4234249	CIRCLIP-FOR-SHAFT-D30x1.5 VP.	1
4.4	4212716	SCREW M6X20 KIT (4PIECES)	1
4.5	4234250	CIRCLIP-D62x2 VP.	1
4.6	4234245	O-RING 63X3 VP.	1
		CONTACT-WASHER-6ETR-6,1x12,2x1,8-STEEL	1



HYDRAULIC HELIX V 602 1.4307

Item	Article no.	Description	Quantity
13.1	4174084	STAGE HELIX 6 1.4301 KIT	1
		> MACH.STG-CASING-WOGV-WNR-M+6-304	1
		> IMPELLER-M+6-304	1
13.2	4174089	INTERMEDIATE STAGE HELIX 6 1.4301 KIT	1
		> MACH.BEARING-STG-CASING-WNR-M+6-304	1
		> IMPELLER-M+6-304	1
		> SHAFT SLEEVE-SPACER-Ø19,35x18,465-304	1
		> SHAFT-SLEEVE-D16xD20x18-CW	1

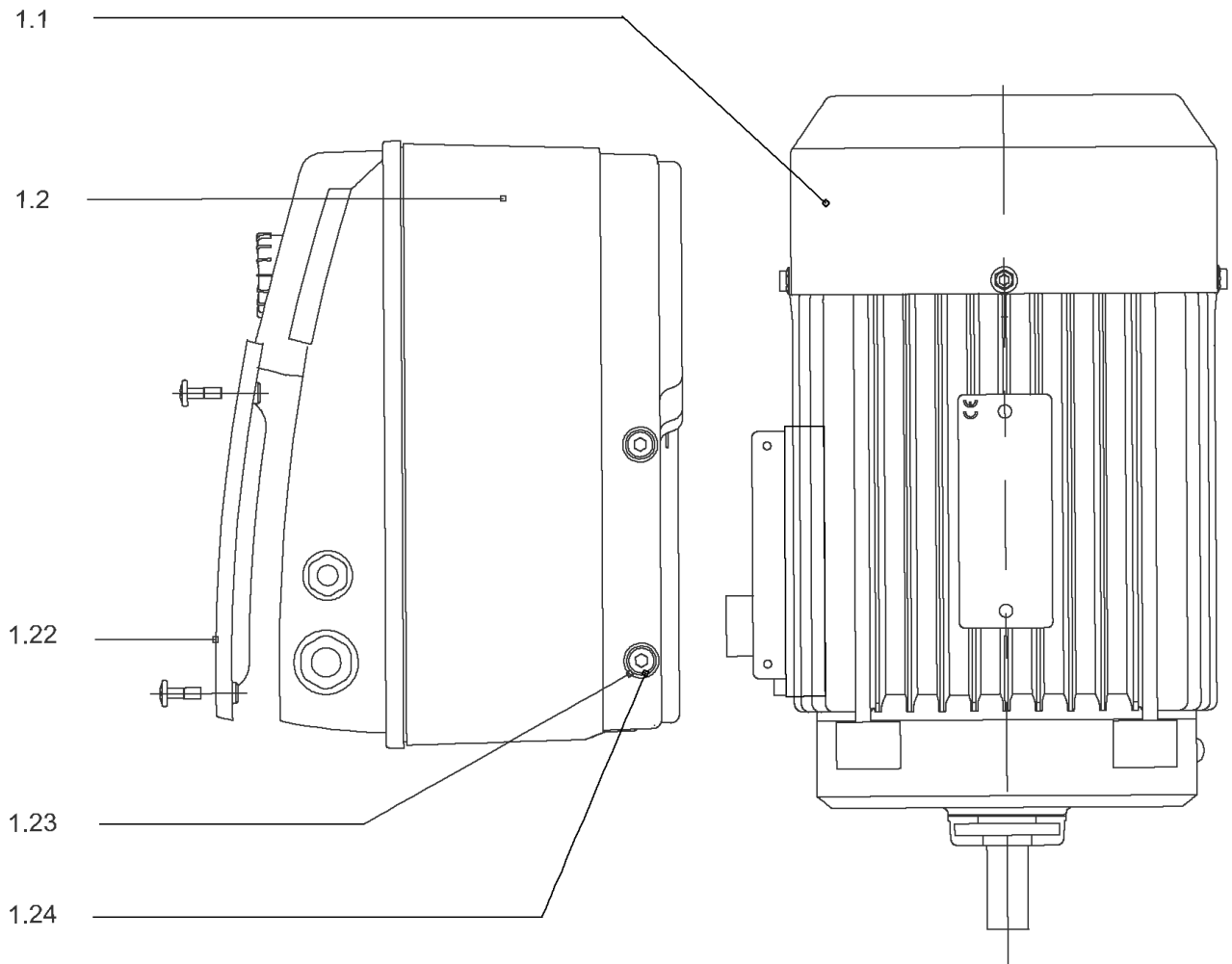


HELIX VE603-1/16/E/KS (4161425)

Item	Article no.	Description	Quantity
1		DRIVE HELIX-VE603-IE2-WE KIT	1
Note: MOTOR BRAND WILO ELEC			
1		DRIVE HELIX-VE603-IE4-WE KIT	1
Note: MOTOR BRAND WILO ELEC			
2	4159702	SCREW M6X30 (4 PIECES)	1
3	4172788	LANTERN FT100 HELIX KIT	1
3.1		> LANTERN FT100 M+6" GJL MACHINING+CATA	1
3.2	2127604	> EYELET CPL.FT HELIX(2 PIECES)	1
3.3	4159692	> COUPLING PROTECTOR FT HELIX KIT	1
4	4159708	COUPLING D.16XD.19 FT100 HELIX KIT	1
5	4159707	SCREW M8X30 (4 PIECES)	1
6	4177812	STUD BOLT M12X300KIT	1
6.1		> TIE BOLT M12-300x18x30-1.4057	1
6.2	2094647	> NUT M12 M12 ISO4032 VP.	1
6.3	2123557	> WASHER CS-12.4-24-1.6-NFE25 (4 PIECES)	1
7	4159685	END SHIELD HELIX EPDM KIT	1
7.1		> END SHIELD M+6" GJL250 MACHINING+CATA	1
7.2	2127607	> STATIONARY RING HOLDER 6" HELIX 1.4301 V	1
7.3	4176513	> O-RING FOR PUMP JACKET VP.	1
7.4	2127603	> O-RING ID.37,6x2,4 EPDM VP.	1
7.5	2127602	> O-RING ID.21,35x2 EPDM VP.	1
8	4159686	FILING/PURGING PLUG HELIX EPDM KIT	1
9	4159696	CARTRIDGE HELIX6-10-16 O/E KIT	1
10	4177813	HOUSING PIPE D.152x172 1.4301 KIT	1
7.3	4176513	> O-RING FOR PUMP JACKET VP.	1
10.1		> HOUSING-PIPE Ø152-M+1003-304	1
11	4174087	CENTERING STAGE-RETURN HELIX6 1.4301VP.	1
12	4174085	SHAFTS EQUIPMENT HELIX V6 BI BLOC KIT	1
12.1		> NUT-H-M10-A4.70	1
12.2		> SERRATED LOCK WASHER M+6M3-316L	1
12.3		> STOP COLLAR OF IMPELLER L17,9-Ø16-316L	1
12.4		> STOP-RUSH-1/2-D16xd2-M+316	1
13		HYDRAULIC HELIX V 603 1.4307	1
14	4177815	SHAFT D.16X292,5 1.4301 VP.	1

HELIX VE603-1/16/E/KS (4161425)

Item	Article no.	Description	Quantity
15	4217897	PUMP HOUSING HELIX DN32 PN16 1.4301 KIT	1
7.3	4176513	> O-RING FOR PUMP JACKET VP.	1
15.1		> BLASTING PPE HOUSING V-PN16-DN32-5"-304	1
15.2	4217891	> COUNTER FLANGE-G1"1/4-PN16-GJL KIT	1
15.3	4171321	> PRIMING/DRAIN PLUG EPDM HELIX KIT	1
16	4177964	BASEPLATE HELIX V2/4/6 PN16 VP.	1



DRIVE HELIX-VE603-IE2-WE KIT

Item	Article no.	Description	Quantity
1.1	4184817	MOTOR 1,1/2/80 3~ 380V 60HZ IE2 WE VP.	1
		SPARE PARTS MOTOR:ON REQUEST	1
1.2	4186766	MODULE HELIX-VE603-IE2-WE KIT	1
1.22	2054372	> MODULE COVER TL1,TL2+GASKET KIT	1
1.23	4215716	> SCREW M5X16 DIN912 8.8 A2A (4pieces) VP.	1
1.24	2057978	> RONDELLE A5,3 DIN6797 FST ZN (4 PIECES)	1



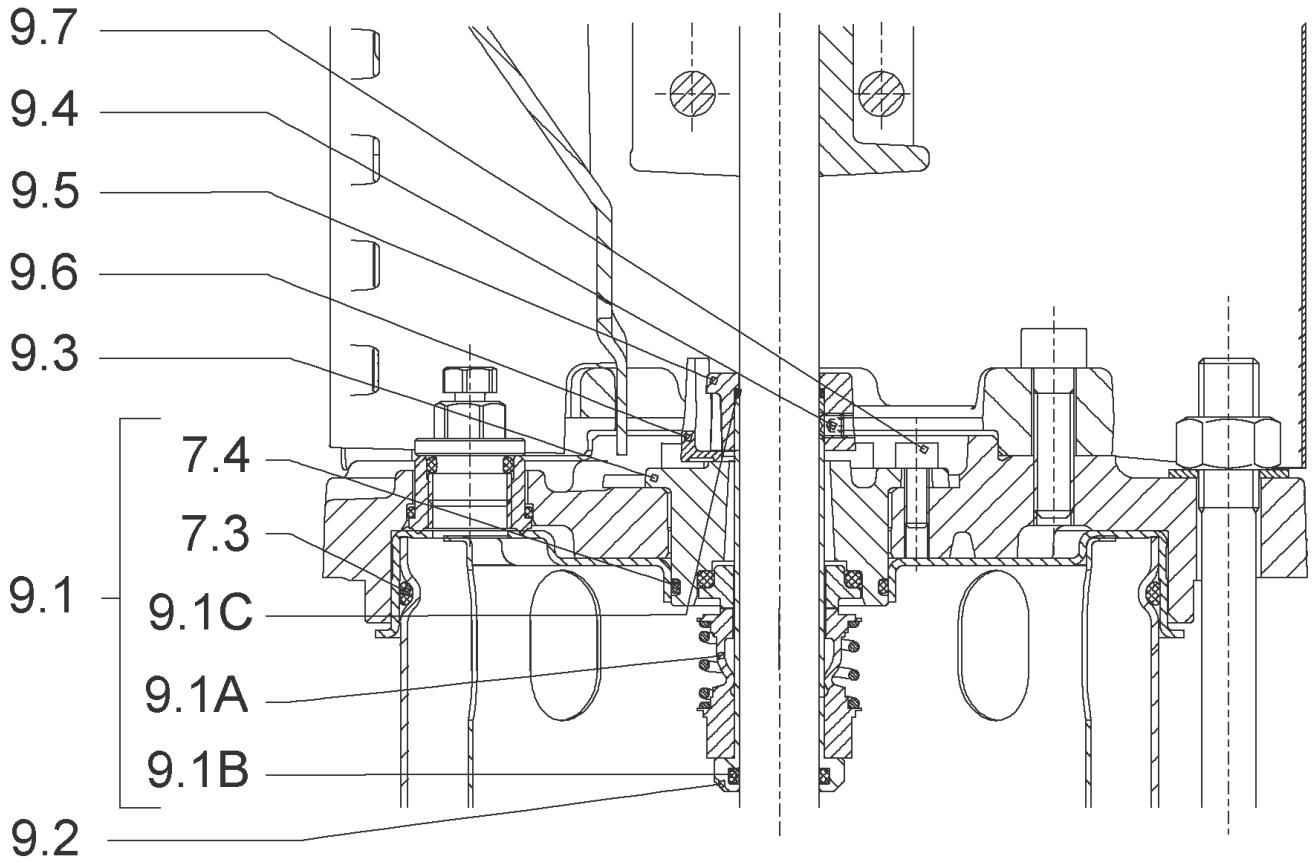
DRIVE HELIX-VE603-IE4-WE KIT

Item	Article no.	Description	Quantity
1.1	4207916	MOTOR 1.1/2/80 3~ 380V 60HZ IE4 WE VP.	1
		SPARE PARTS MOTOR:ON REQUEST	1
1.2	4209599	MODULE HELIX-VE603-IE4-WE KIT	1
1.22	2054372	> MODULE COVER TL1,TL2+GASKET KIT	1
1.23	4215716	> SCREW M5X16 DIN912 8.8 A2A (4pieces) VP.	1
1.24	2057978	> RONDELLE A5,3 DIN6797 FST ZN (4 PIECES)	1



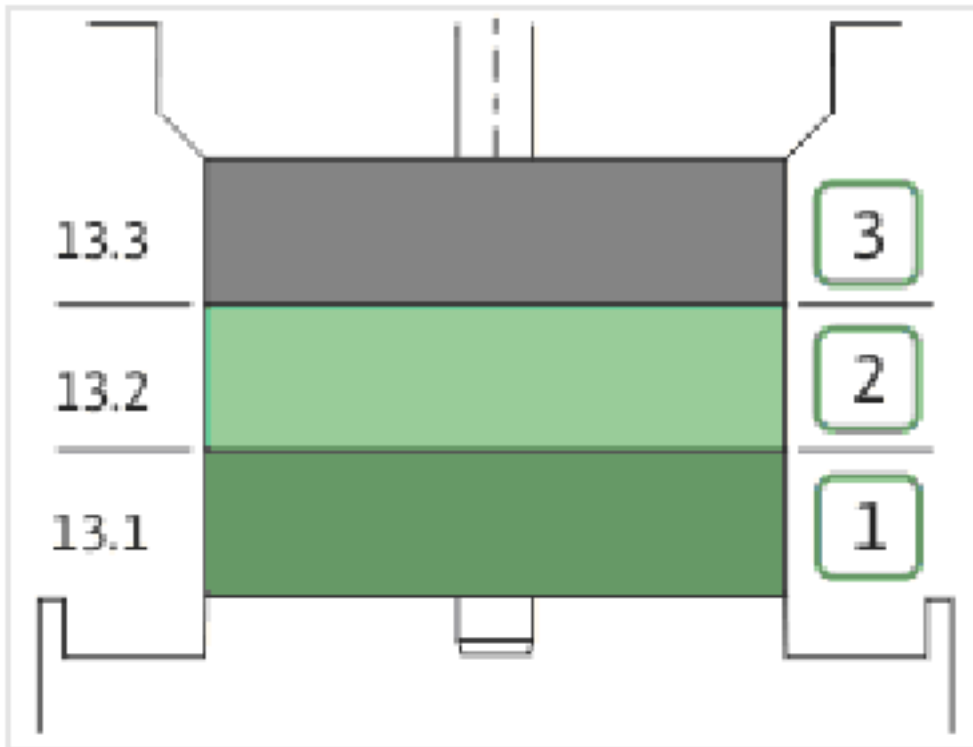
COUPLING D.16XD.19 FT100 HELIX KIT (4159708)

Item	Article no.	Description	Quantity
4.1		COUPLING M+ Ø16XØ19 FT100 MACHINED	1
4.2	2130977	BALL BEARING 6206/ZZ-C3(HT)VP.	1
4.3	4234249	CIRCLIP-FOR-SHAFT-D30x1.5 VP.	1
4.4	4212716	SCREW M6X20 KIT (4PIECES)	1
4.5	4234250	CIRCLIP-D62x2 VP.	1
4.6	4234245	O-RING 63X3 VP.	1
		CONTACT-WASHER-6ETR-6,1x12,2x1,8-STEEL	1



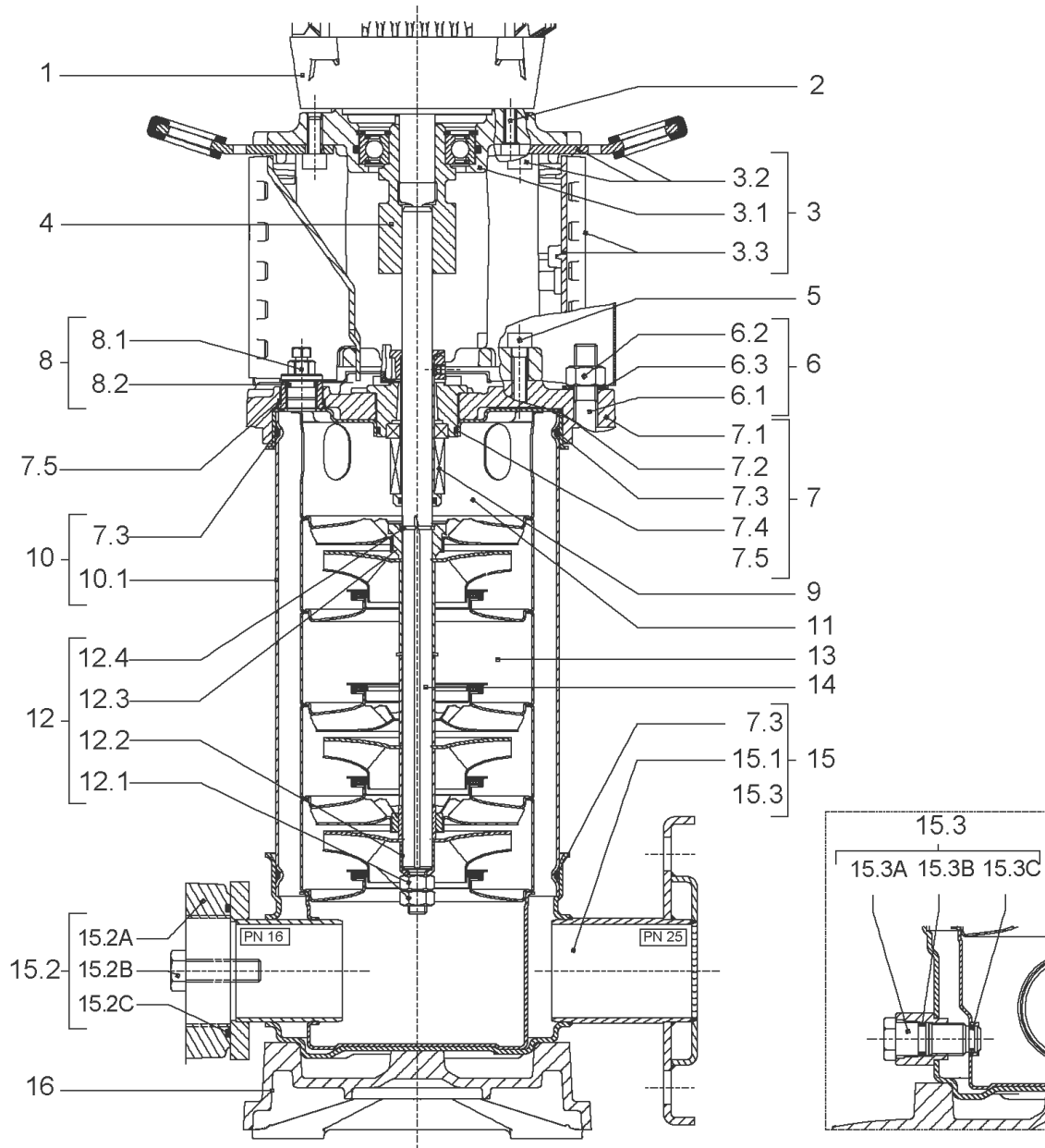
CARTRIDGE HELIX6-10-16 O/E KIT (4159696)

Item	Article no.	Description	Quantity
9.1	4159697	SEAL-KIT-HELIX6-10-16 O/E	1
7.3	4176513	> O-RING FOR PUMP JACKET VP.	1
7.4	2127603	> O-RING ID.37,6x2,4 EPDM VP.	1
9.1A	2130966	> MECH.SEAL HELIX2-4-6-10-16 O/E VP.	1
9.1B	2130967	> O-RING D.16X2,5 EPDM VP.	1
9.1C	4176519	> O-RING Ø16xØ1.25 VP.	1
9.2	2130961	SHAFT SLEEVE D.18/16X72,2 1.4404 VP.	1
9.3	2130962	RING HOLDER D.18 G606/G6 1.4301 VP.	1
9.4	4176520	SCREW CH M5x5 A4-70 (3PIECES)	1
9.5	2130963	DRIVE RING D.29/18x12,4 MACH.VP.	1
9.6	2130964	TOOL M.S.CART.HELIX VP.	1
9.7	2130965	SCREW CHC M5X12 ISO4762 A2.70(4 PIECES)	1



HYDRAULIC HELIX V 603 1.4307

Item	Article no.	Description	Quantity
13.1	4174084	STAGE HELIX 6 1.4301 KIT	1
		> MACH.STG-CASING-WOGV-WNR-M+6-304	1
		> IMPELLER-M+6-304	1
13.2	4174089	INTERMEDIATE STAGE HELIX 6 1.4301 KIT	1
		> MACH.BEARING-STG-CASING-WNR-M+6-304	1
		> IMPELLER-M+6-304	1
		> SHAFT SLEEVE-SPACER-Ø19,35x18,465-304	1
		> SHAFT-SLEEVE-D16xD20x18-CW	1
13.3	4174090	INTERMEDIATE STAGE HELIX 6 1.4301 KIT	1
		> MACH.STD-STG-CASING-WGV+NR-M+6-304	1
		> IMPELLER-M+6-304	1
		> IMPELLER SPACER Ø16,05X19,45-L36,465-304	1



HELIX VE603-1/16/E/S (4164631)

Item	Article no.	Description	Quantity
1		DRIVE HELIX-VE603-IE2-WE KIT	1
Note: MOTOR BRAND WILO ELEC			
1		DRIVE HELIX-VE603-IE4-WE KIT	1
Note: MOTOR BRAND WILO ELEC			
2	4159702	SCREW M6X30 (4 PIECES)	1
3	4172790	EQUIPED LANTERN NEXIS FT 100 KIT	1
3.1		> M+5_6_LANTERN_ONE-PIECE_FT100_CATA	1
3.2	2127604	> EYELET CPL.FT HELIX(2 PIECES)	1
3.3	4159692	> COUPLING PROTECTOR FT HELIX KIT	1
4	4159708	COUPLING D.16XD.19 FT100 HELIX KIT	1
5	4159707	SCREW M8X30 (4 PIECES)	1
6	4177812	STUD BOLT M12X300KIT	1
6.1		> TIE BOLT M12-300x18x30-1.4057	1
6.2	2094647	> NUT M12 M12 ISO4032 VP.	1
6.3	2123557	> WASHER CS-12.4-24-1.6-NFE25 (4 PIECES)	1
7	4210143	STATIONARY RING HOLDER HELIX 6" EPDM	1
7.2	2127607	> STATIONARY RING HOLDER 6" HELIX 1.4301 V	1
7.3	4176513	> O-RING FOR PUMP JACKET VP.	1
7.4	2127603	> O-RING ID.37,6x2,4 EPDM VP.	1
7.5	2127602	> O-RING ID.21,35x2 EPDM VP.	1
8	4159686	FILING/PURGING PLUG HELIX EPDM KIT	1
9	4171327	SEAL-KIT-HELIX6-10-16 O/E KIT	1
10	4177813	HOUSING PIPE D.152x172 1.4301 KIT	1
7.3	4176513	> O-RING FOR PUMP JACKET VP.	1
10.1		> HOUSING-PIPE Ø152-M+1003-304	1
11	4174087	CENTERING STAGE-RETURN HELIX6 1.4301VP.	1
12	4174086	SHAFTS EQUIPMENT HELIX V6 MONOBLOC KIT	1
12.1		> NUT-H-M10-A4.70	1
12.2		> SERRATED LOCK WASHER M+6M3-316L	1
12.3		> IMPELLER STOP RING L33,2-304	1
12.4		> STOP-RUSH-1/2-D16xd2-M+316	1
13		HYDRAULIC HELIX V 603 1.4307	1
14	4177815	SHAFT D.16X292,5 1.4301 VP.	1
15	4217897	PUMP HOUSING HELIX DN32 PN16 1.4301 KIT	1

HELIX VE603-1/16/E/S (4164631)

Item	Article no.	Description	Quantity
7.3	4176513	> O-RING FOR PUMP JACKET VP.	1
15.1		> BLASTING PPE HOUSING V-PN16-DN32-5"-304	1
15.2	4217891	> COUNTER FLANGE-G1"1/4-PN16-GJL KIT	1
15.3	4171321	> PRIMING/DRAIN PLUG EPDM HELIX KIT	1
16	4177964	BASEPLATE HELIX V2/4/6 PN16 VP.	1



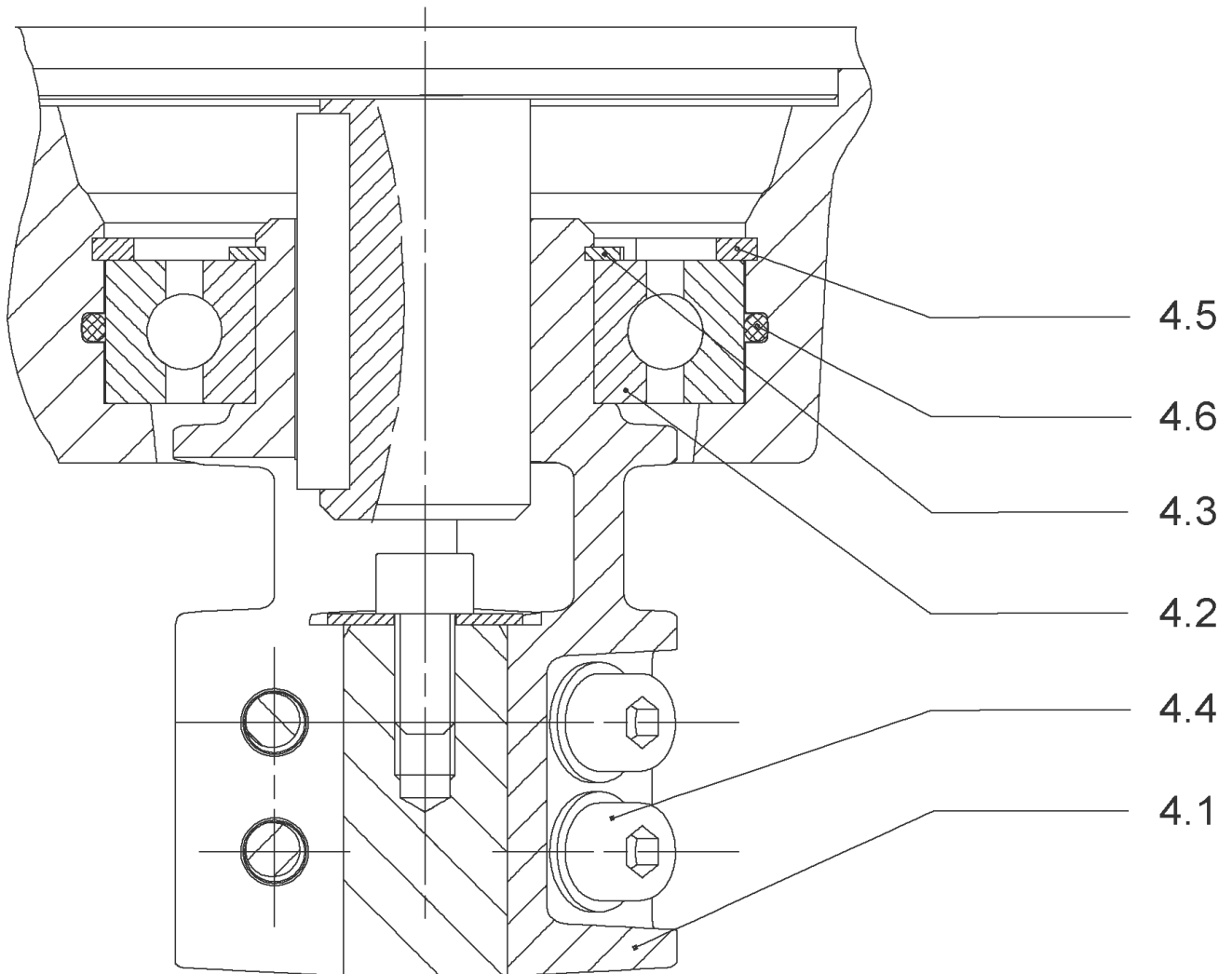
DRIVE HELIX-VE603-IE2-WE KIT

Item	Article no.	Description	Quantity
1.1	4184817	MOTOR 1,1/2/80 3~ 380V 60HZ IE2 WE VP.	1
		SPARE PARTS MOTOR:ON REQUEST	1
1.2	4186766	MODULE HELIX-VE603-IE2-WE KIT	1
1.22	2054372	> MODULE COVER TL1,TL2+GASKET KIT	1
1.23	4215716	> SCREW M5X16 DIN912 8.8 A2A (4pieces) VP.	1
1.24	2057978	> RONDELLE A5,3 DIN6797 FST ZN (4 PIECES)	1



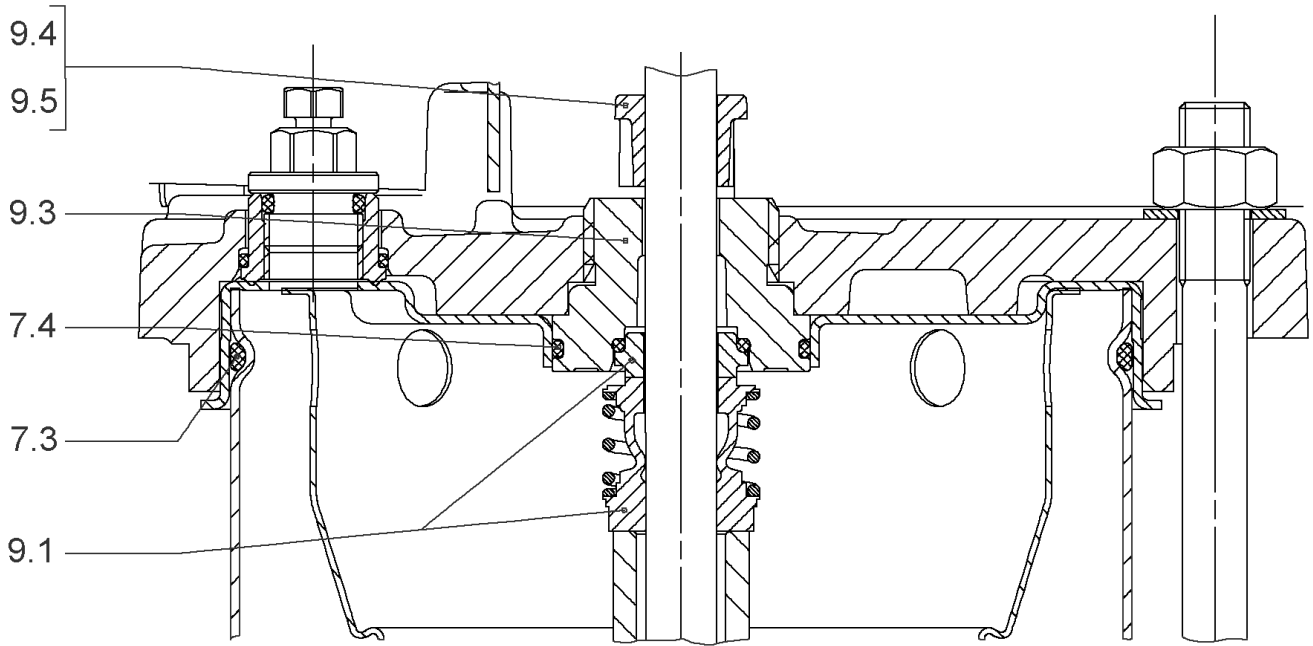
DRIVE HELIX-VE603-IE4-WE KIT

Item	Article no.	Description	Quantity
1.1	4207916	MOTOR 1.1/2/80 3~ 380V 60HZ IE4 WE VP.	1
		SPARE PARTS MOTOR:ON REQUEST	1
1.2	4209599	MODULE HELIX-VE603-IE4-WE KIT	1
1.22	2054372	> MODULE COVER TL1,TL2+GASKET KIT	1
1.23	4215716	> SCREW M5X16 DIN912 8.8 A2A (4pieces) VP.	1
1.24	2057978	> RONDELLE A5,3 DIN6797 FST ZN (4 PIECES)	1



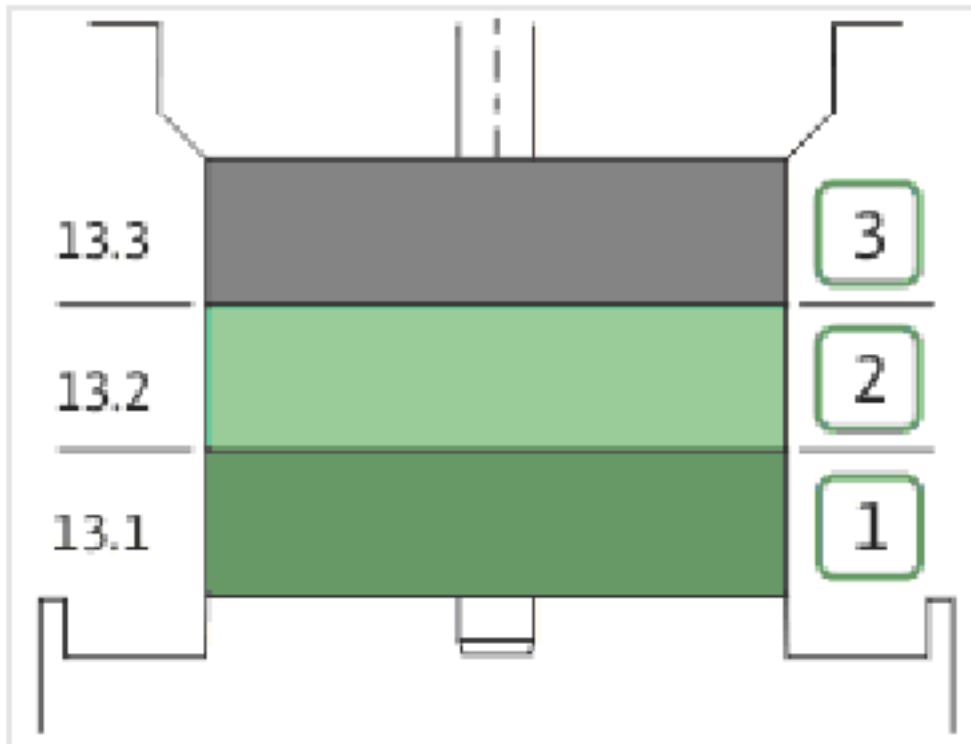
COUPLING D.16XD.19 FT100 HELIX KIT (4159708)

Item	Article no.	Description	Quantity
4.1		COUPLING M+ Ø16XØ19 FT100 MACHINED	1
4.2	2130977	BALL BEARING 6206/ZZ-C3(HT)VP.	1
4.3	4234249	CIRCLIP-FOR-SHAFT-D30x1.5 VP.	1
4.4	4212716	SCREW M6X20 KIT (4PIECES)	1
4.5	4234250	CIRCLIP-D62x2 VP.	1
4.6	4234245	O-RING 63X3 VP.	1
		CONTACT-WASHER-6ETR-6,1x12,2x1,8-STEEL	1



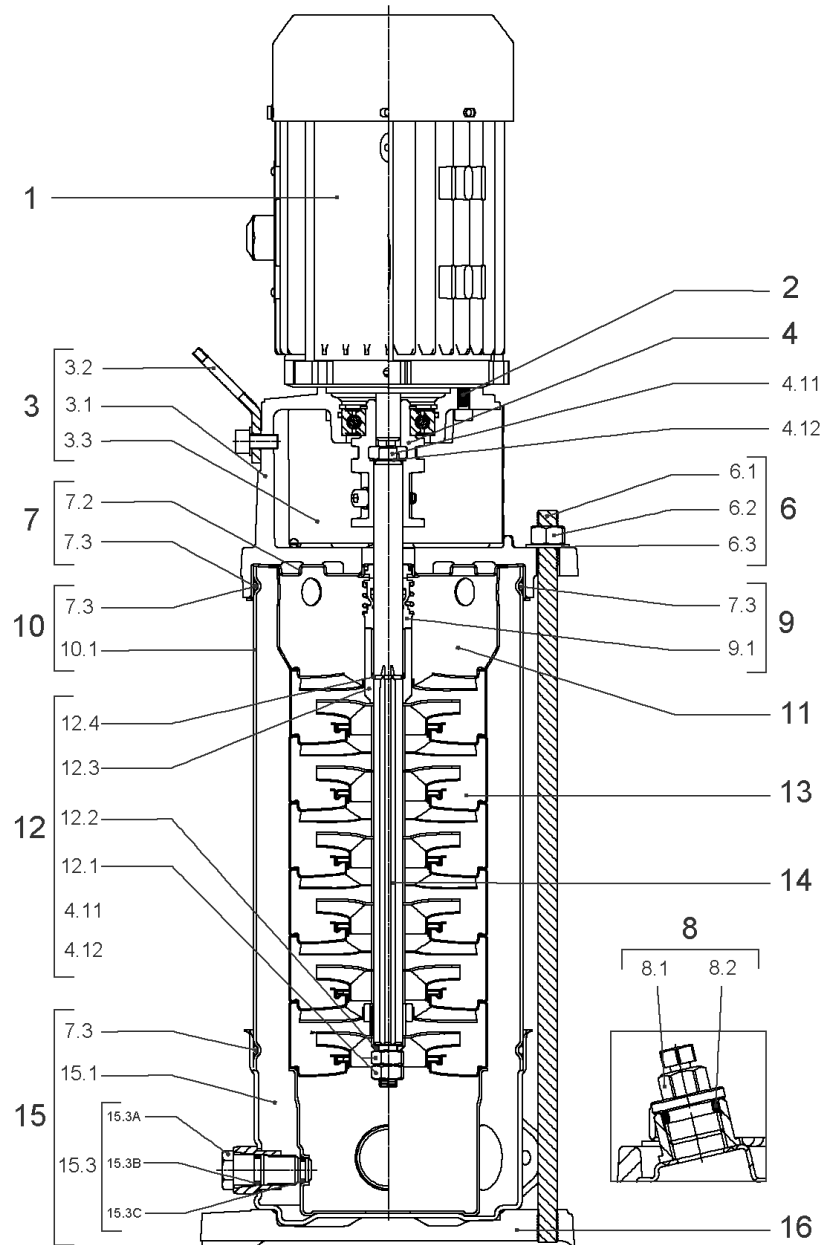
SEAL-KIT-HELIX6-10-16 O/E KIT (4171327)

Item	Article no.	Description	Quantity
7.3	4176513	O-RING FOR PUMP JACKET VP.	1
7.4	2127603	O-RING ID.37,6x2,4 EPDM VP.	1
9.1	4177801	MECH.SEAL HELIX6-10-16 O/E VP.	1
9.3	4177798	MACHINED RING HOLDER M+6" Ø16 304 VP.	1
9.5	4177799	MACHINED DRIVE RING Ø16 VP.	1
9.4	4176520	SCREW CH M5x5 A4-70 (3PIECES)	1



HYDRAULIC HELIX V 603 1.4307

Item	Article no.	Description	Quantity
13.1	4174084	STAGE HELIX 6 1.4301 KIT	1
		> MACH.STG-CASING-WOGV-WNR-M+6-304	1
		> IMPELLER-M+6-304	1
13.2	4174089	INTERMEDIATE STAGE HELIX 6 1.4301 KIT	1
		> MACH.BEARING-STG-CASING-WNR-M+6-304	1
		> IMPELLER-M+6-304	1
		> SHAFT SLEEVE-SPACER-Ø19,35x18,465-304	1
		> SHAFT-SLEEVE-D16xD20x18-CW	1
13.3	4174090	INTERMEDIATE STAGE HELIX 6 1.4301 KIT	1
		> MACH.STD-STG-CASING-WGV+NR-M+6-304	1
		> IMPELLER-M+6-304	1
		> IMPELLER SPACER Ø16,05X19,45-L36,465-304	1



HELIX VE603-1/16/E/S (4201579)

Item	Article no.	Description	Quantity
1		DRIVE HELIX-VE603-IE4-WE KIT	1
Note: MOTOR BRAND WILO ELEC			
		SPARE PARTS MOTOR:ON REQUEST	1
2	4212716	SCREW M6X20 KIT (4PIECES)	1
3	4213752	LANTERN FT100 HELIX KIT	1
3.1		> LANT-MOT-VMI-ReDTC6"-FT100-MACHINED+CATA	1
3.2	4184852	> EYELET CPL.FT HELIX (2 PIECES)	1
3.3	4213713	> COUPLING PROTECTOR FT85/100 HELIX KIT	1
4	4159708	COUPLING D.16XD.19 FT100 HELIX KIT	1
6	4177812	STUD BOLT M12X300KIT	1
6.1		> TIE BOLT M12-300x18x30-1.4057	1
6.2	2094647	> NUT M12 M12 ISO4032 VP.	1
6.3	2123557	> WASHER CS-12.4-24-1.6-NFE25 (4 PIECES)	1
7	4214481	STATIONARY RING HOLDER HELIX D27 ReDTC	1
7.2	4214479	> STATIONARY RING HOLDER HELIX D27 VP.	1
7.3	4176513	> O-RING FOR PUMP JACKET VP.	1
8	4212724	FILING/PURGING PLUG HELIX ReDTC KIT	1
8.1		> FILLING PLUG MVI6"-304	1
8.2	4177800	> O-RING EPDM PLUG HELIX VP.	1
9	4214483	MECH.SEAL HELIX6-10-16 O/E ReDTC KIT	1
9.1	4177801	> MECH.SEAL HELIX6-10-16 O/E VP.	1
7.3	4176513	> O-RING FOR PUMP JACKET VP.	1
10	4177813	HOUSING PIPE D.152x172 1.4301 KIT	1
7.3	4176513	> O-RING FOR PUMP JACKET VP.	1
10.1		> HOUSING-PIPE Ø152-M+1003-304	1
11	4174087	CENTERING STAGE-RETURN HELIX6 1.4301VP.	1
12	4214486	SHAFT EQUIPMENT HELIX V6 ReDTC KIT	1
12.1		> NUT-H-M10-A4.70	1
12.2		> SERRATED LOCK WASHER M+6M3-316L	1
12.3		> 1/2-SNAP-RING-6/10M3-316L	1
12.4		> STOP-RUSH-1/2-D16xd2-M+316	1
4.11		> SCREW CHC-M6X14-8.8-ISO4762-GEOMET500A	1
4.12		> WASHER D.24 L6U ZINK	1
13		HYDRAULIC HELIX V 603 1.4307	1

HELIX VE603-1/16/E/S (4201579)

Item	Article no.	Description	Quantity
14	4214493	SHAFT D.16X241 HELIX 1.4057 VP.	1
15	4217897	PUMP HOUSING HELIX DN32 PN16 1.4301 KIT	1
7.3	4176513	> O-RING FOR PUMP JACKET VP.	1
15.1		> BLASTING PPE HOUSING V-PN16-DN32-5"-304	1
15.2	4217891	> COUNTER FLANGE-G1"1/4-PN16-GJL KIT	1
15.3	4171321	> PRIMING/DRAIN PLUG EPDM HELIX KIT	1
16	4177964	BASEPLATE HELIX V2/4/6 PN16 VP.	1



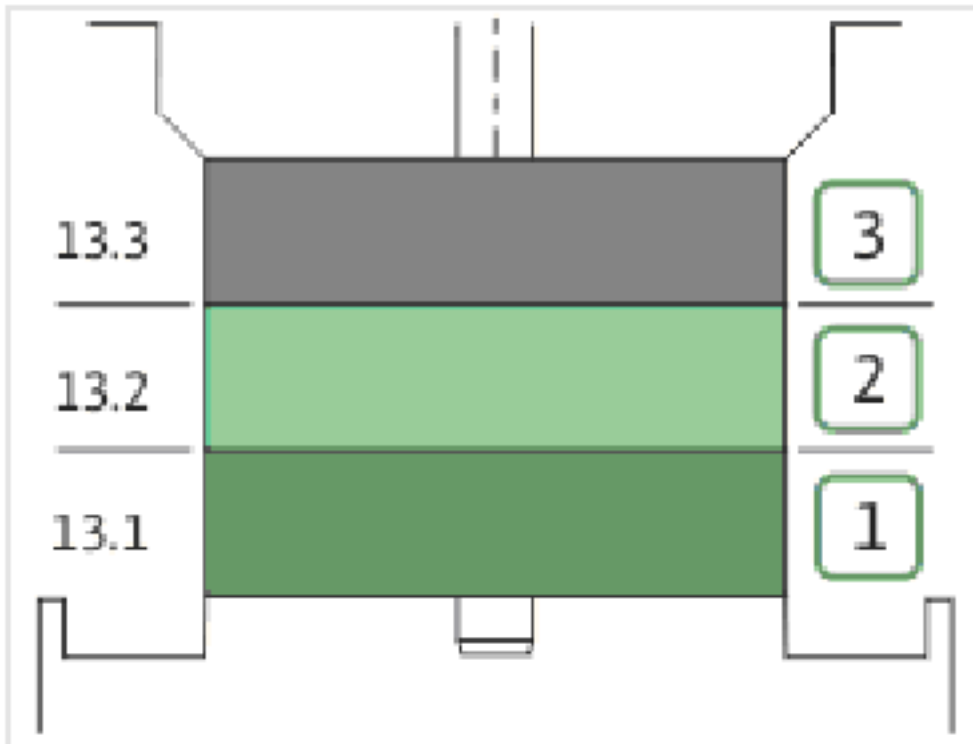
DRIVE HELIX-VE603-IE4-WE KIT

Item	Article no.	Description	Quantity
1.1	4207916	MOTOR 1.1/2/80 3~ 380V 60HZ IE4 WE VP.	1
		SPARE PARTS MOTOR:ON REQUEST	1
1.2	4209599	MODULE HELIX-VE603-IE4-WE KIT	1
1.22	2054372	> MODULE COVER TL1,TL2+GASKET KIT	1
1.23	4215716	> SCREW M5X16 DIN912 8.8 A2A (4pieces) VP.	1
1.24	2057978	> RONDELLE A5,3 DIN6797 FST ZN (4 PIECES)	1



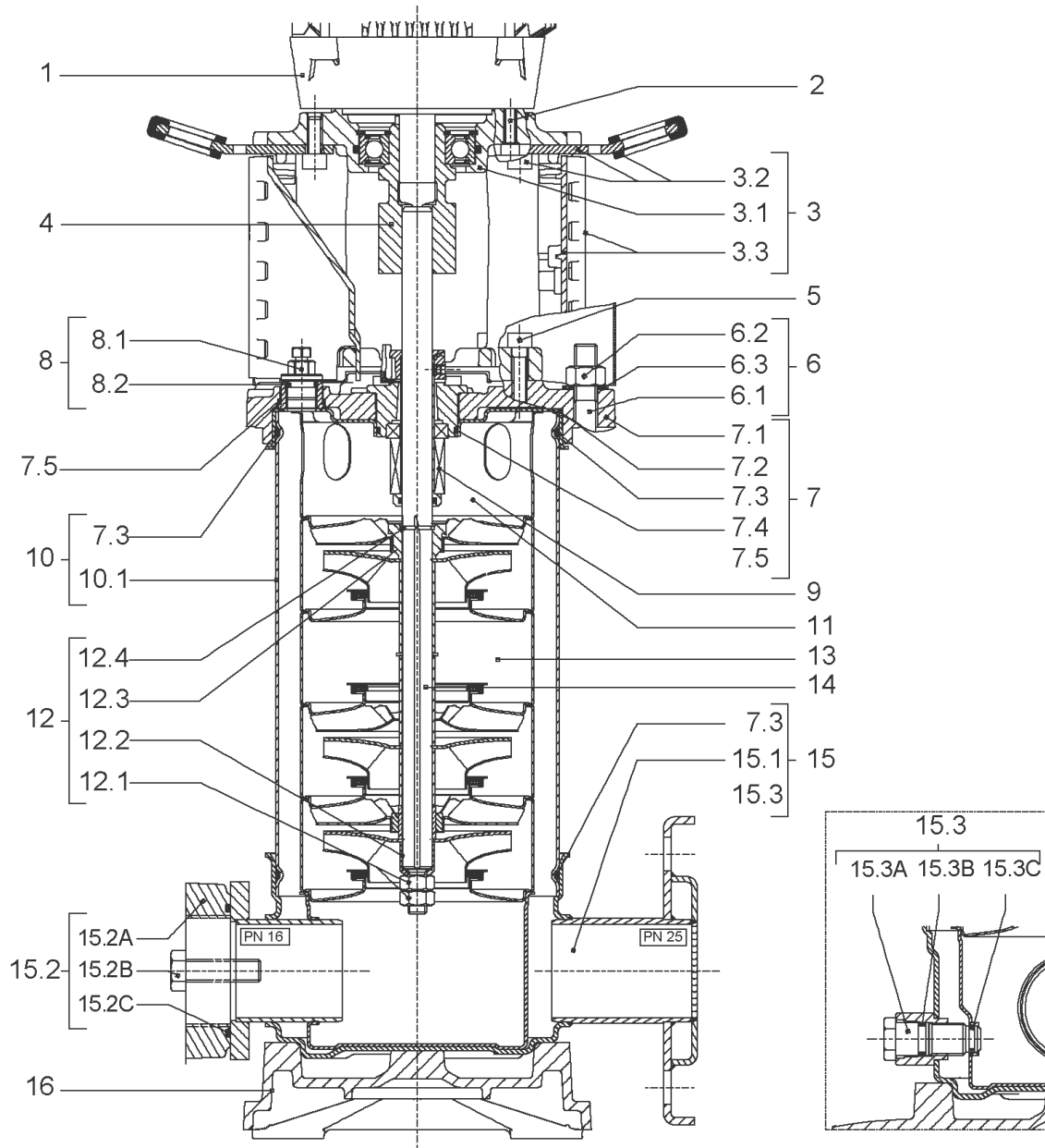
COUPLING D.16XD.19 FT100 HELIX KIT (4159708)

Item	Article no.	Description	Quantity
4.1		COUPLING M+ Ø16XØ19 FT100 MACHINED	1
4.2	2130977	BALL BEARING 6206/ZZ-C3(HT)VP.	1
4.3	4234249	CIRCLIP-FOR-SHAFT-D30x1.5 VP.	1
4.4	4212716	SCREW M6X20 KIT (4PIECES)	1
4.5	4234250	CIRCLIP-D62x2 VP.	1
4.6	4234245	O-RING 63X3 VP.	1
		CONTACT-WASHER-6ETR-6,1x12,2x1,8-STEEL	1



HYDRAULIC HELIX V 603 1.4307

Item	Article no.	Description	Quantity
13.1	4174084	STAGE HELIX 6 1.4301 KIT	1
		> MACH.STG-CASING-WOGV-WNR-M+6-304	1
		> IMPELLER-M+6-304	1
13.2	4174089	INTERMEDIATE STAGE HELIX 6 1.4301 KIT	1
		> MACH.BEARING-STG-CASING-WNR-M+6-304	1
		> IMPELLER-M+6-304	1
		> SHAFT SLEEVE-SPACER-Ø19,35x18,465-304	1
		> SHAFT-SLEEVE-D16xD20x18-CW	1
13.3	4174090	INTERMEDIATE STAGE HELIX 6 1.4301 KIT	1
		> MACH.STD-STG-CASING-WGV+NR-M+6-304	1
		> IMPELLER-M+6-304	1
		> IMPELLER SPACER Ø16,05X19,45-L36,465-304	1



HELIX VE604-1/16/E/KS (4171680)

Item	Article no.	Description	Quantity
1		DRIVE HELIX-VE604IE2-WE KIT	1
Note: MOTOR BRAND WILO ELEC			
1		DRIVE HELIX-VE604-IE4-WE KIT	1
Note: MOTOR BRAND WILO ELEC			
2	4159703	SCREW M8X40 (4 PIECES)	1
3	4159690	LANTERN FT115 HELIX KIT	1
3.1		> LANTERN FT115 M+6" GJL MACHINING+CATA	1
3.2	2127604	> EYELET CPL.FT HELIX(2 PIECES)	1
3.3	4159692	> COUPLING PROTECTOR FT HELIX KIT	1
4	4159709	COUPLING D.16xD.24 FT115 HELIX KIT	1
5	4159707	SCREW M8X30 (4 PIECES)	1
6	4177817	STUD BOLT M12X341 KIT	1
6.1		> TIE BOLT M12-341x18x30-1.4057	1
6.2	2094647	> NUT M12 M12 ISO4032 VP.	1
6.3	2123557	> WASHER CS-12.4-24-1.6-NFE25 (4 PIECES)	1
7	4159685	END SHIELD HELIX EPDM KIT	1
7.1		> END SHIELD M+6" GJL250 MACHINING+CATA	1
7.2	2127607	> STATIONARY RING HOLDER 6" HELIX 1.4301 V	1
7.3	4176513	> O-RING FOR PUMP JACKET VP.	1
7.4	2127603	> O-RING ID.37,6x2,4 EPDM VP.	1
7.5	2127602	> O-RING ID.21,35x2 EPDM VP.	1
8	4159686	FILING/PURGING PLUG HELIX EPDM KIT	1
9	4159696	CARTRIDGE HELIX6-10-16 O/E KIT	1
10	4177818	HOUSING PIPES Ø152-M+1004-304 KIT	1
7.3	4176513	> O-RING FOR PUMP JACKET VP.	1
10.1		> HOUSING-PIPE Ø152-M+1004/1603-304	1
11	4174087	CENTERING STAGE-RETURN HELIX6 1.4301VP.	1
12	4174085	SHAFTS EQUIPMENT HELIX V6 BI BLOC KIT	1
12.1		> NUT-H-M10-A4.70	1
12.2		> SERRATED LOCK WASHER M+6M3-316L	1
12.3		> STOP COLLAR OF IMPELLER L17,9-Ø16-316L	1
12.4		> STOP-RUSH-1/2-D16xd2-M+316	1
13		HYDRAULIC HELIX V 604 1.4307	1
14	4177820	SHAFTS Ø16X330 1. 4301 VP.	1

HELIX VE604-1/16/E/KS (4171680)

Item	Article no.	Description	Quantity
15	4217897	PUMP HOUSING HELIX DN32 PN16 1.4301 KIT	1
7.3	4176513	> O-RING FOR PUMP JACKET VP.	1
15.1		> BLASTING PPE HOUSING V-PN16-DN32-5"-304	1
15.2	4217891	> COUNTER FLANGE-G1"1/4-PN16-GJL KIT	1
15.3	4171321	> PRIMING/DRAIN PLUG EPDM HELIX KIT	1
16	4177964	BASEPLATE HELIX V2/4/6 PN16 VP.	1



DRIVE HELIX-VE604IE2-WE KIT

Item	Article no.	Description	Quantity
1.1		MOTOR 1,5/2/90 3~ 380V 60HZ IE2 WE VP.	1
Note: no longer available/nicht mehr lieferbar/n'est plus disponible			
		SPARE PARTS MOTOR:ON REQUEST	1
1.2	4190201	MODULE HELIX-VE604-IE2-WE KIT	1
1.22	2054227	> MODULE COVER/GASKET TL3/4 KIT	1
1.23	4215716	> SCREW M5X16 DIN912 8.8 A2A (4pieces) VP.	1
1.24	2057978	> RONDELLE A5,3 DIN6797 FST ZN (4 PIECES)	1



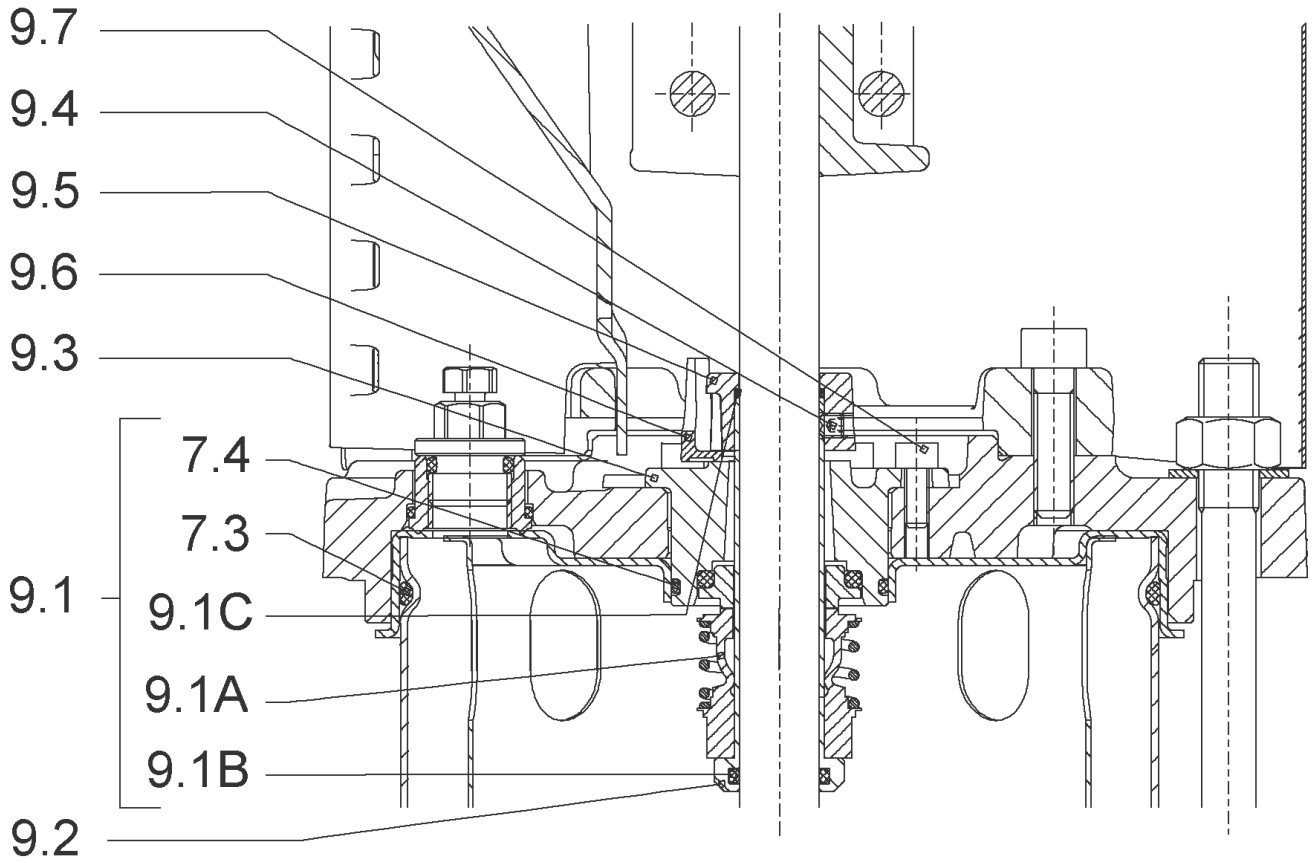
DRIVE HELIX-VE604-IE4-WE KIT

Item	Article no.	Description	Quantity
1.1	4207918	MOTOR 1.5/2/90 3~ 380V 60HZ IE4 WE VP.	1
		SPARE PARTS MOTOR:ON REQUEST	1
1.2	4209316	MODULE HELIX-VE604-IE4-WE KIT	1
1.22	2054227	> MODULE COVER/GASKET TL3/4 KIT	1
1.23	4215716	> SCREW M5X16 DIN912 8.8 A2A (4pieces) VP.	1
1.24	2057978	> RONDELLE A5,3 DIN6797 FST ZN (4 PIECES)	1



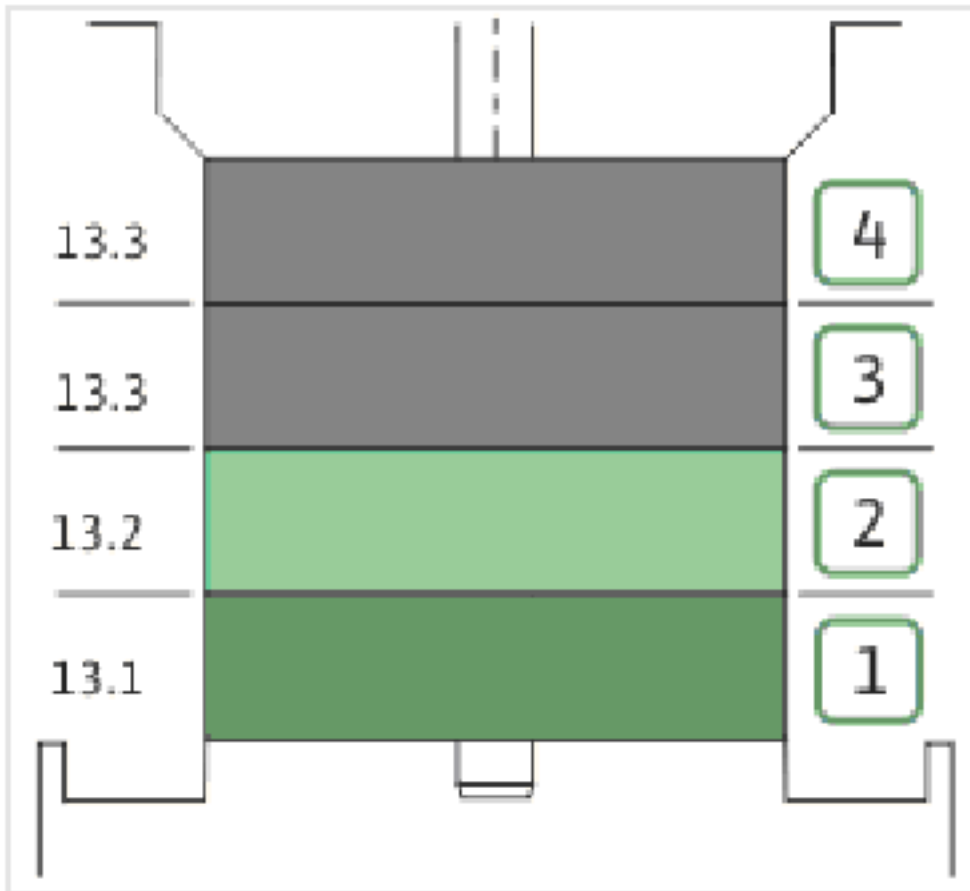
COUPLING D.16xD.24 FT115 HELIX KIT (4159709)

Item	Article no.	Description	Quantity
4.1		COUPLING M+ Ø16XØ24 FT115 MACHINED	1
4.2	2131023	BALL BEARING 6207/ZZ-C3(HT)VP.	1
4.3	4234254	CIRCLIP-FOR-SHAFT-D35x1.5 VP.	1
4.4	4157726	SCREW KIT M8X30 (4 PIECES)	1
4.5	4234251	CIRCLIP-D72x2.5 VP.	1
4.6	4234246	O-RING 72X3 VP.	1
		NOMEL CONTACT WASHER 8x16x1,4 STEEL ZC	1



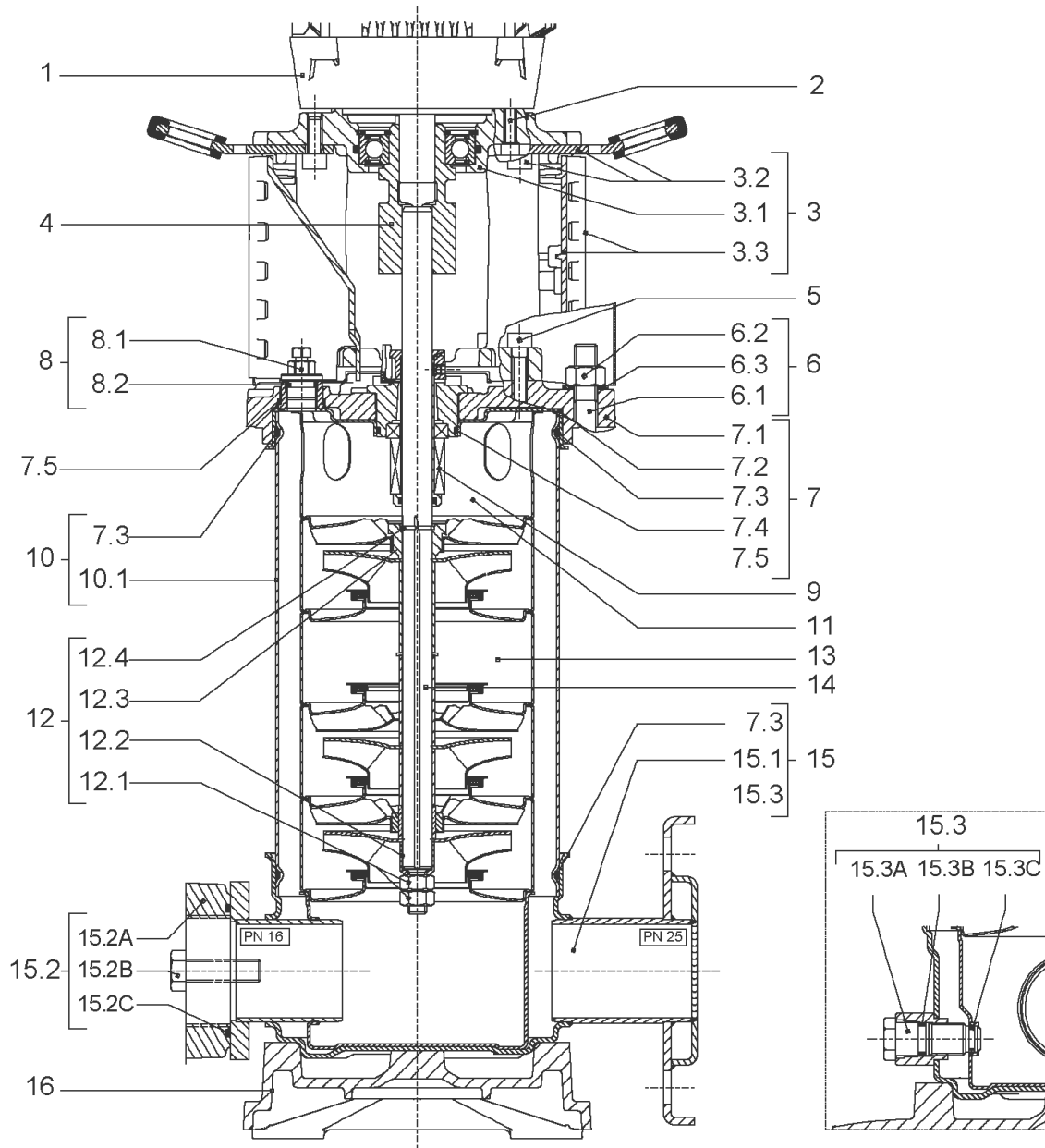
CARTRIDGE HELIX6-10-16 O/E KIT (4159696)

Item	Article no.	Description	Quantity
9.1	4159697	SEAL-KIT-HELIX6-10-16 O/E	1
7.3	4176513	> O-RING FOR PUMP JACKET VP.	1
7.4	2127603	> O-RING ID.37,6x2,4 EPDM VP.	1
9.1A	2130966	> MECH.SEAL HELIX2-4-6-10-16 O/E VP.	1
9.1B	2130967	> O-RING D.16X2,5 EPDM VP.	1
9.1C	4176519	> O-RING Ø16xØ1.25 VP.	1
9.2	2130961	SHAFT SLEEVE D.18/16X72,2 1.4404 VP.	1
9.3	2130962	RING HOLDER D.18 G606/G6 1.4301 VP.	1
9.4	4176520	SCREW CH M5x5 A4-70 (3PIECES)	1
9.5	2130963	DRIVE RING D.29/18x12,4 MACH.VP.	1
9.6	2130964	TOOL M.S.CART.HELIX VP.	1
9.7	2130965	SCREW CHC M5X12 ISO4762 A2.70(4 PIECES)	1



HYDRAULIC HELIX V 604 1.4307

Item	Article no.	Description	Quantity
13.1	4174084	STAGE HELIX 6 1.4301 KIT	1
		> MACH.STG-CASING-WOGV-WNR-M+6-304	1
		> IMPELLER-M+6-304	1
13.2	4174089	INTERMEDIATE STAGE HELIX 6 1.4301 KIT	1
		> MACH.BEARING-STG-CASING-WNR-M+6-304	1
		> IMPELLER-M+6-304	1
		> SHAFT SLEEVE-SPACER-Ø19,35x18,465-304	1
		> SHAFT-SLEEVE-D16xD20x18-CW	1
13.3	4174090	INTERMEDIATE STAGE HELIX 6 1.4301 KIT	1
		> MACH.STD-STG-CASING-WGV+NR-M+6-304	1
		> IMPELLER-M+6-304	1
		> IMPELLER SPACER Ø16,05X19,45-L36,465-304	1



HELIX VE604-1/16/E/S (4171686)

Item	Article no.	Description	Quantity
1		DRIVE HELIX-VE604IE2-WE KIT	1
Note: MOTOR BRAND WILO ELEC			
1		DRIVE HELIX-VE604-IE4-WE KIT	1
Note: MOTOR BRAND WILO ELEC			
2	4159703	SCREW M8X40 (4 PIECES)	1
3	4172795	LANTERNE FT115 HELIX KIT	1
3.1		> M+5_6_LANTERN_ONE-PIECE_FT115_CATA	1
3.2	2127604	> EYELET CPL.FT HELIX(2 PIECES)	1
3.3	4159692	> COUPLING PROTECTOR FT HELIX KIT	1
4	4159709	COUPLING D.16xD.24 FT115 HELIX KIT	1
5	4159707	SCREW M8X30 (4 PIECES)	1
6	4177817	STUD BOLT M12X341 KIT	1
6.1		> TIE BOLT M12-341x18x30-1.4057	1
6.2	2094647	> NUT M12 M12 ISO4032 VP.	1
6.3	2123557	> WASHER CS-12.4-24-1.6-NFE25 (4 PIECES)	1
7	4210143	STATIONARY RING HOLDER HELIX 6" EPDM	1
7.2	2127607	> STATIONARY RING HOLDER 6" HELIX 1.4301 V	1
7.3	4176513	> O-RING FOR PUMP JACKET VP.	1
7.4	2127603	> O-RING ID.37,6x2,4 EPDM VP.	1
7.5	2127602	> O-RING ID.21,35x2 EPDM VP.	1
8	4159686	FILING/PURGING PLUG HELIX EPDM KIT	1
9	4171327	SEAL-KIT-HELIX6-10-16 O/E KIT	1
10	4177818	HOUSING PIPES Ø152-M+1004-304 KIT	1
7.3	4176513	> O-RING FOR PUMP JACKET VP.	1
10.1		> HOUSING-PIPE Ø152-M+1004/1603-304	1
11	4174087	CENTERING STAGE-RETURN HELIX6 1.4301VP.	1
12	4174086	SHAFTS EQUIPMENT HELIX V6 MONOBLOC KIT	1
12.1		> NUT-H-M10-A4.70	1
12.2		> SERRATED LOCK WASHER M+6M3-316L	1
12.3		> IMPELLER STOP RING L33,2-304	1
12.4		> STOP-RUSH-1/2-D16xd2-M+316	1
13		HYDRAULIC HELIX V 604 1.4307	1
14	4177820	SHAFTS Ø16X330 1. 4301 VP.	1
15	4217897	PUMP HOUSING HELIX DN32 PN16 1.4301 KIT	1

HELIX VE604-1/16/E/S (4171686)

Item	Article no.	Description	Quantity
7.3	4176513	> O-RING FOR PUMP JACKET VP.	1
15.1		> BLASTING PPE HOUSING V-PN16-DN32-5"-304	1
15.2	4217891	> COUNTER FLANGE-G1"1/4-PN16-GJL KIT	1
15.3	4171321	> PRIMING/DRAIN PLUG EPDM HELIX KIT	1
16	4177964	BASEPLATE HELIX V2/4/6 PN16 VP.	1



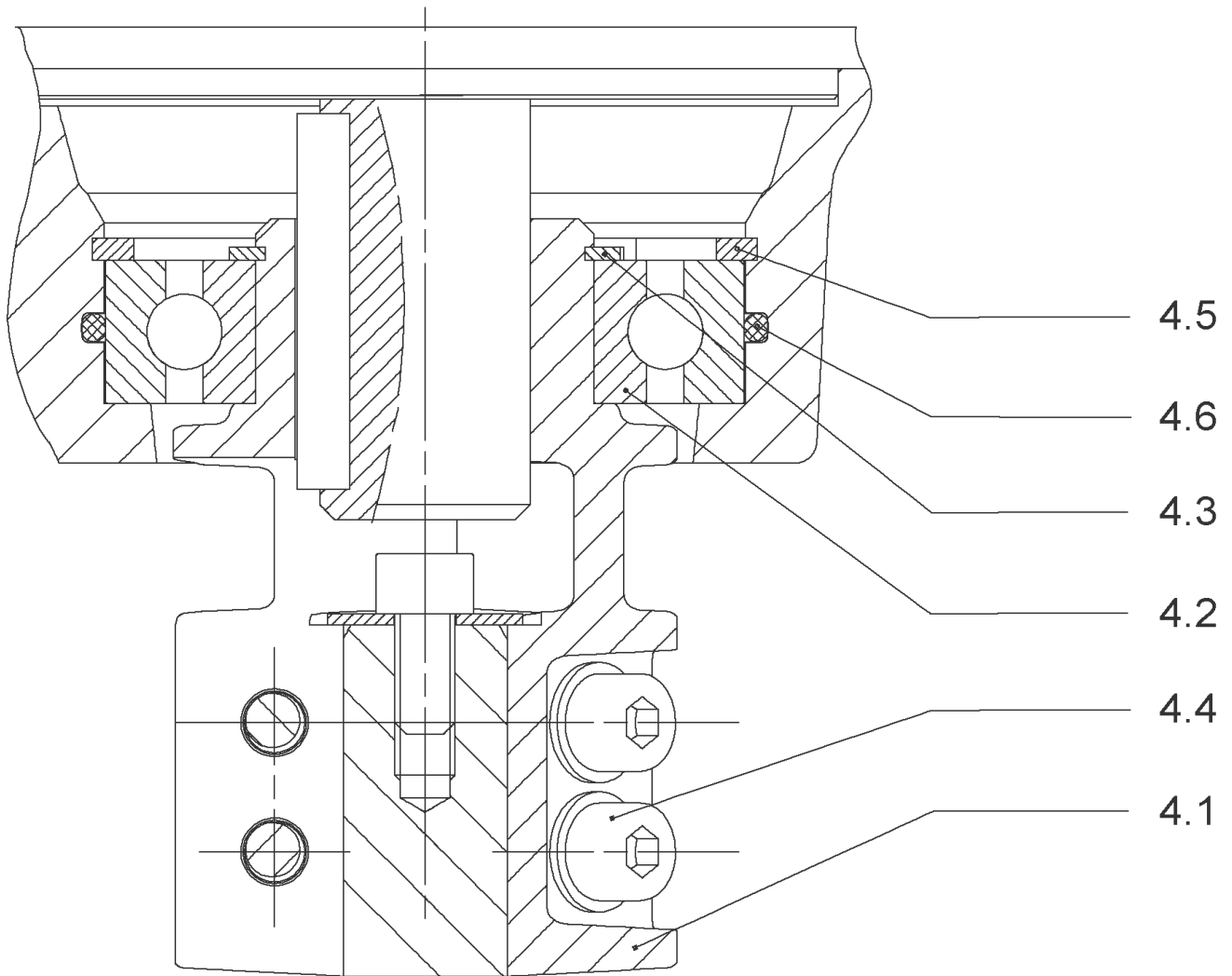
DRIVE HELIX-VE604IE2-WE KIT

Item	Article no.	Description	Quantity
1.1		MOTOR 1,5/2/90 3~ 380V 60HZ IE2 WE VP.	1
Note: no longer available/nicht mehr lieferbar/n'est plus disponible			
		SPARE PARTS MOTOR:ON REQUEST	1
1.2	4190201	MODULE HELIX-VE604-IE2-WE KIT	1
1.22	2054227	> MODULE COVER/GASKET TL3/4 KIT	1
1.23	4215716	> SCREW M5X16 DIN912 8.8 A2A (4pieces) VP.	1
1.24	2057978	> RONDELLE A5,3 DIN6797 FST ZN (4 PIECES)	1



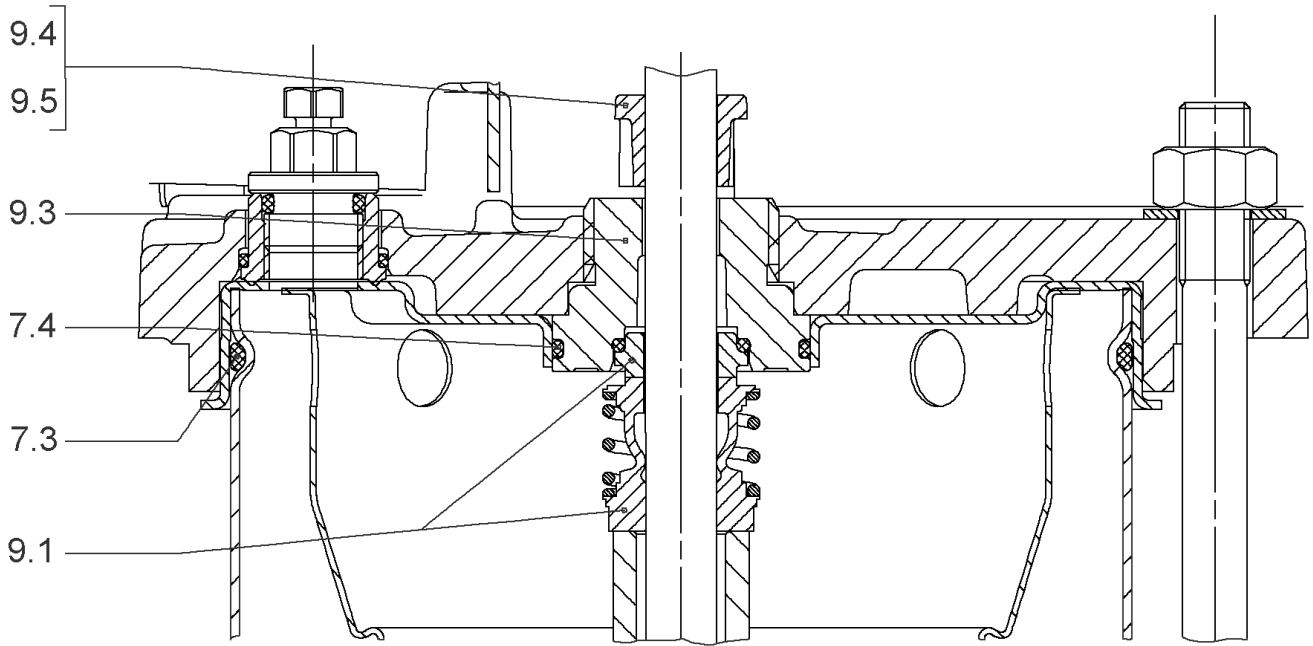
DRIVE HELIX-VE604-IE4-WE KIT

Item	Article no.	Description	Quantity
1.1	4207918	MOTOR 1.5/2/90 3~ 380V 60HZ IE4 WE VP.	1
		SPARE PARTS MOTOR:ON REQUEST	1
1.2	4209316	MODULE HELIX-VE604-IE4-WE KIT	1
1.22	2054227	> MODULE COVER/GASKET TL3/4 KIT	1
1.23	4215716	> SCREW M5X16 DIN912 8.8 A2A (4pieces) VP.	1
1.24	2057978	> RONDELLE A5,3 DIN6797 FST ZN (4 PIECES)	1



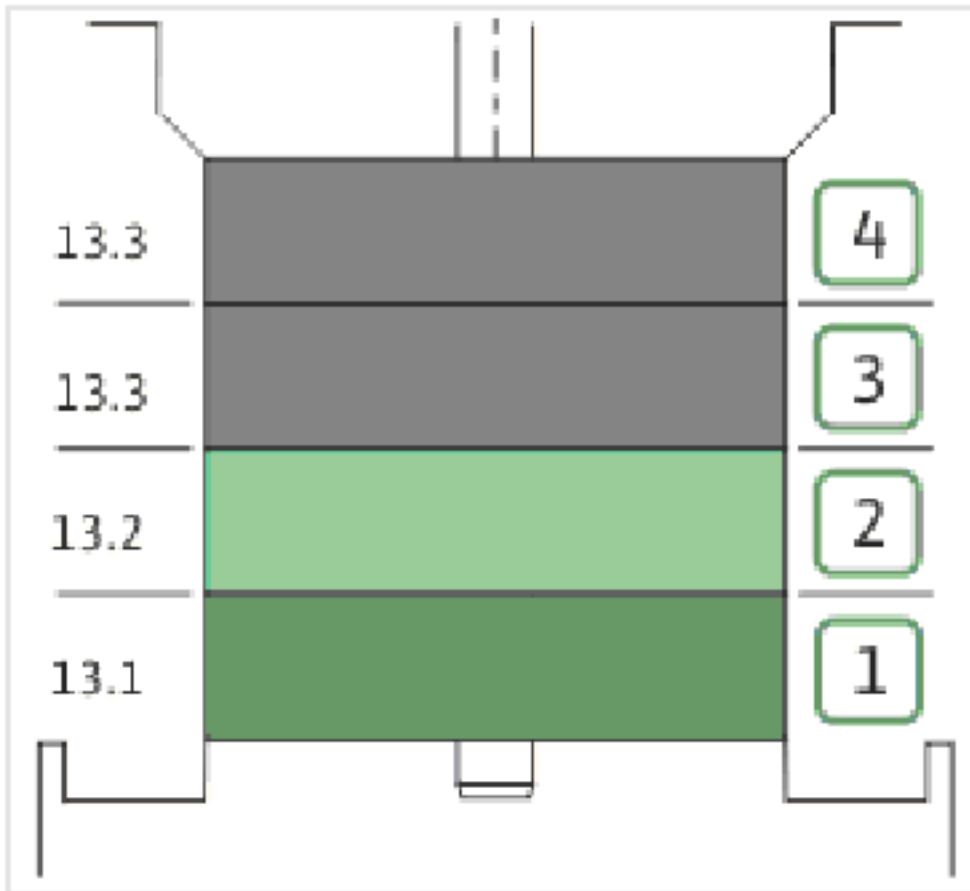
COUPLING D.16xD.24 FT115 HELIX KIT (4159709)

Item	Article no.	Description	Quantity
4.1		COUPLING M+ Ø16XØ24 FT115 MACHINED	1
4.2	2131023	BALL BEARING 6207/ZZ-C3(HT)VP.	1
4.3	4234254	CIRCLIP-FOR-SHAFT-D35x1.5 VP.	1
4.4	4157726	SCREW KIT M8X30 (4 PIECES)	1
4.5	4234251	CIRCLIP-D72x2.5 VP.	1
4.6	4234246	O-RING 72X3 VP.	1
		NOMEL CONTACT WASHER 8x16x1,4 STEEL ZC	1



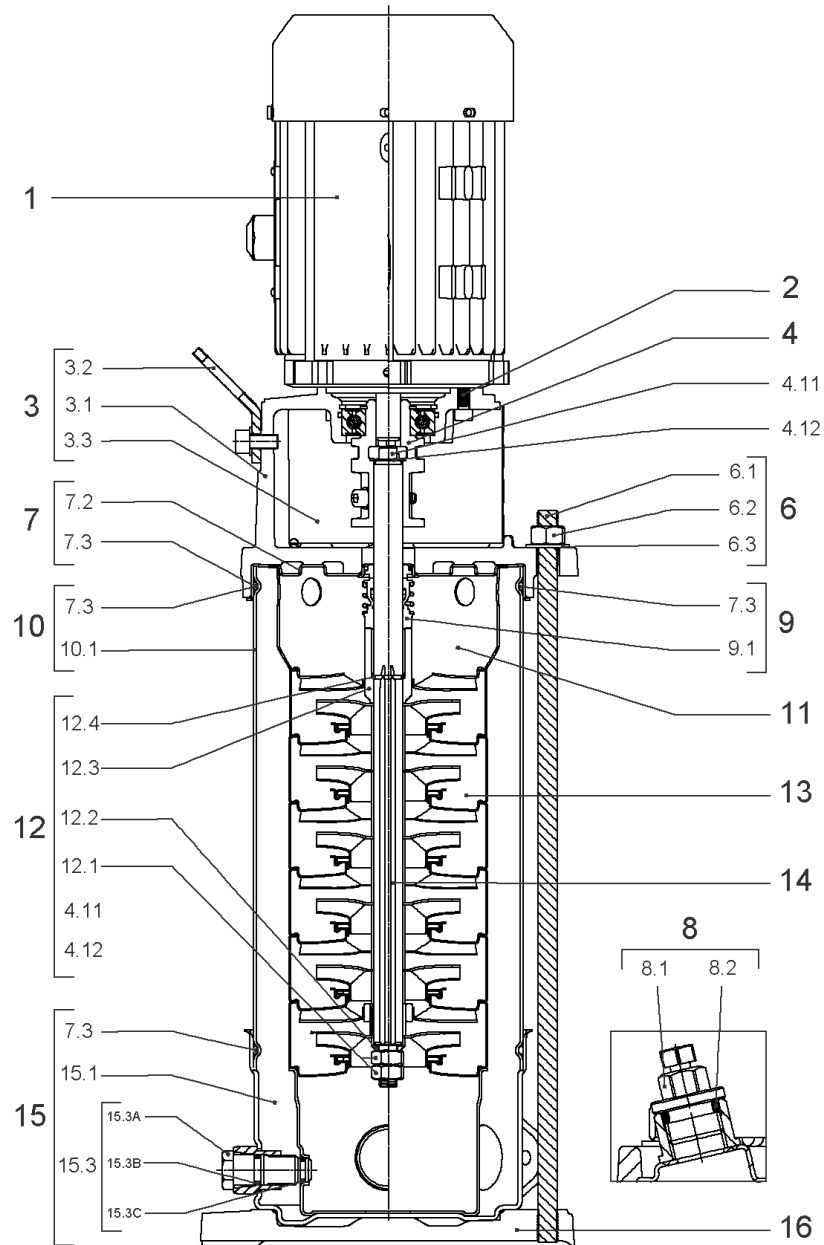
SEAL-KIT-HELIX6-10-16 O/E KIT (4171327)

Item	Article no.	Description	Quantity
7.3	4176513	O-RING FOR PUMP JACKET VP.	1
7.4	2127603	O-RING ID.37,6x2,4 EPDM VP.	1
9.1	4177801	MECH.SEAL HELIX6-10-16 O/E VP.	1
9.3	4177798	MACHINED RING HOLDER M+6" Ø16 304 VP.	1
9.5	4177799	MACHINED DRIVE RING Ø16 VP.	1
9.4	4176520	SCREW CH M5x5 A4-70 (3PIECES)	1



HYDRAULIC HELIX V 604 1.4307

Item	Article no.	Description	Quantity
13.1	4174084	STAGE HELIX 6 1.4301 KIT	1
		> MACH.STG-CASING-WOGV-WNR-M+6-304	1
		> IMPELLER-M+6-304	1
13.2	4174089	INTERMEDIATE STAGE HELIX 6 1.4301 KIT	1
		> MACH.BEARING-STG-CASING-WNR-M+6-304	1
		> IMPELLER-M+6-304	1
		> SHAFT SLEEVE-SPACER-Ø19,35x18,465-304	1
		> SHAFT-SLEEVE-D16xD20x18-CW	1
13.3	4174090	INTERMEDIATE STAGE HELIX 6 1.4301 KIT	1
		> MACH.STD-STG-CASING-WGV+NR-M+6-304	1
		> IMPELLER-M+6-304	1
		> IMPELLER SPACER Ø16,05X19,45-L36,465-304	1



HELIX VE604-1/16/E/S (4201581)

Item	Article no.	Description	Quantity
1		DRIVE HELIX-VE604-IE4-WE KIT	1
Note: MOTOR BRAND WILO ELEC			
		SPARE PARTS MOTOR:ON REQUEST	1
2	4159707	SCREW M8X30 (4 PIECES)	1
3	4213784	LANTERN FT115 HELIX KIT	1
3.1		> LANT-MOT-VMI-ReDTC6"-FT115-MACHINED+CATA	1
3.2	4184852	> EYELET CPL.FT HELIX (2 PIECES)	1
3.3	4213782	> COUPLING PROTECTOR FT115/130 HELIX KIT	1
4	4159709	COUPLING D.16xD.24 FT115 HELIX KIT	1
6	4177817	STUD BOLT M12X341 KIT	1
6.1		> TIE BOLT M12-341x18x30-1.4057	1
6.2	2094647	> NUT M12 M12 ISO4032 VP.	1
6.3	2123557	> WASHER CS-12.4-24-1.6-NFE25 (4 PIECES)	1
7	4214481	STATIONARY RING HOLDER HELIX D27 ReDTC	1
7.2	4214479	> STATIONARY RING HOLDER HELIX D27 VP.	1
7.3	4176513	> O-RING FOR PUMP JACKET VP.	1
8	4212724	FILING/PURGING PLUG HELIX ReDTC KIT	1
8.1		> FILLING PLUG MVI6"-304	1
8.2	4177800	> O-RING EPDM PLUG HELIX VP.	1
9	4214483	MECH.SEAL HELIX6-10-16 O/E ReDTC KIT	1
9.1	4177801	> MECH.SEAL HELIX6-10-16 O/E VP.	1
7.3	4176513	> O-RING FOR PUMP JACKET VP.	1
10	4177818	HOUSING PIPES Ø152-M+1004-304 KIT	1
7.3	4176513	> O-RING FOR PUMP JACKET VP.	1
10.1		> HOUSING-PIPE Ø152-M+1004/1603-304	1
11	4174087	CENTERING STAGE-RETURN HELIX6 1.4301VP.	1
12	4214486	SHAFT EQUIPMENT HELIX V6 ReDTC KIT	1
12.1		> NUT-H-M10-A4.70	1
12.2		> SERRATED LOCK WASHER M+6M3-316L	1
12.3		> 1/2-SNAP-RING-6/10M3-316L	1
12.4		> STOP-RUSH-1/2-D16xd2-M+316	1
4.11		> SCREW CHC-M6X14-8.8-ISO4762-GEOMET500A	1
4.12		> WASHER D.24 L6U ZINK	1
13		HYDRAULIC HELIX V 604 1.4307	1

HELIX VE604-1/16/E/S (4201581)

Item	Article no.	Description	Quantity
14	4214495	SHAFT D.16X278 HELIX 1.4057 VP.	1
15	4217897	PUMP HOUSING HELIX DN32 PN16 1.4301 KIT	1
7.3	4176513	> O-RING FOR PUMP JACKET VP.	1
15.1		> BLASTING PPE HOUSING V-PN16-DN32-5"-304	1
15.2	4217891	> COUNTER FLANGE-G1"1/4-PN16-GJL KIT	1
15.3	4171321	> PRIMING/DRAIN PLUG EPDM HELIX KIT	1
16	4177964	BASEPLATE HELIX V2/4/6 PN16 VP.	1



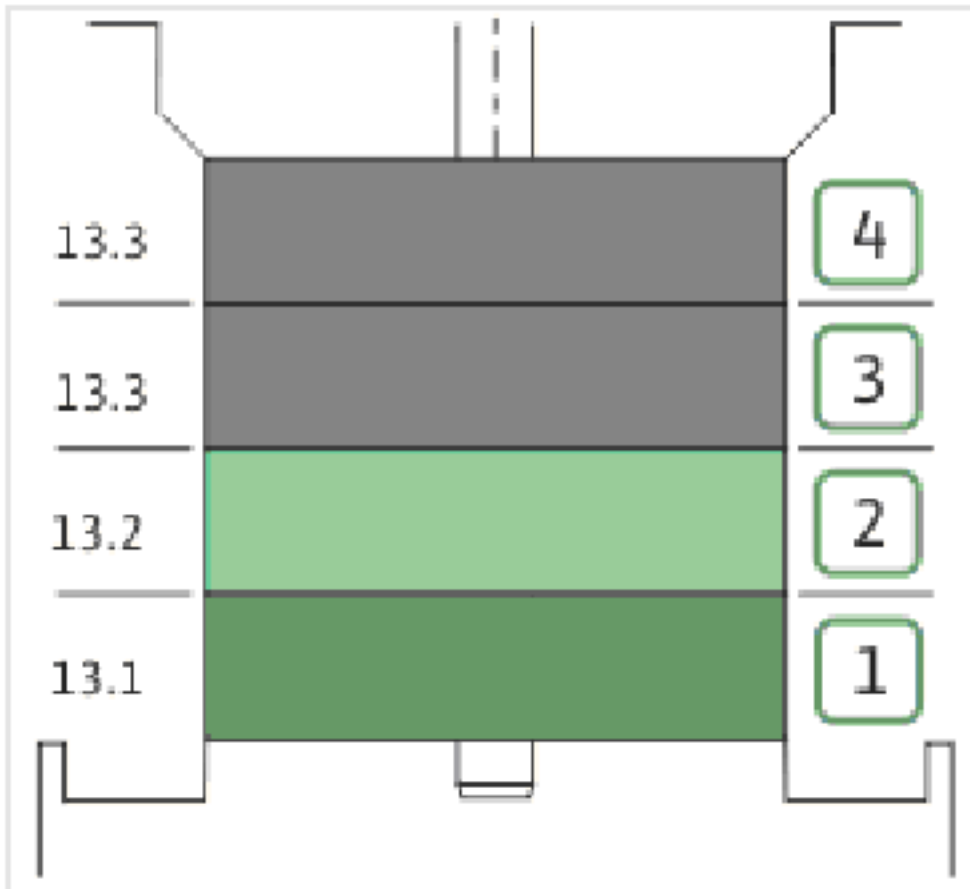
DRIVE HELIX-VE604-IE4-WE KIT

Item	Article no.	Description	Quantity
1.1	4207918	MOTOR 1.5/2/90 3~ 380V 60HZ IE4 WE VP.	1
		SPARE PARTS MOTOR:ON REQUEST	1
1.2	4209316	MODULE HELIX-VE604-IE4-WE KIT	1
1.22	2054227	> MODULE COVER/GASKET TL3/4 KIT	1
1.23	4215716	> SCREW M5X16 DIN912 8.8 A2A (4pieces) VP.	1
1.24	2057978	> RONDELLE A5,3 DIN6797 FST ZN (4 PIECES)	1



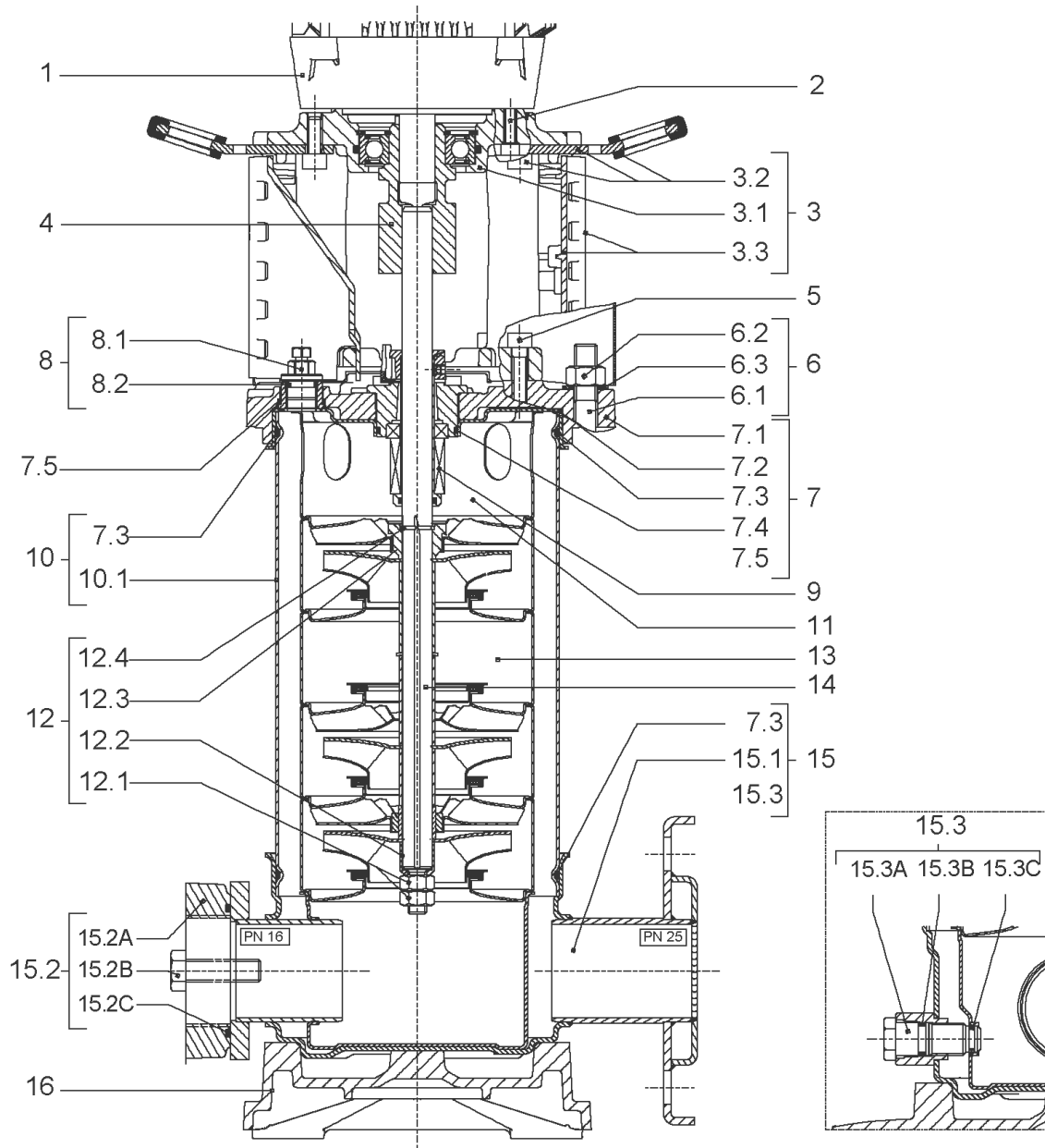
COUPLING D.16xD.24 FT115 HELIX KIT (4159709)

Item	Article no.	Description	Quantity
4.1		COUPLING M+ Ø16XØ24 FT115 MACHINED	1
4.2	2131023	BALL BEARING 6207/ZZ-C3(HT)VP.	1
4.3	4234254	CIRCLIP-FOR-SHAFT-D35x1.5 VP.	1
4.4	4157726	SCREW KIT M8X30 (4 PIECES)	1
4.5	4234251	CIRCLIP-D72x2.5 VP.	1
4.6	4234246	O-RING 72X3 VP.	1
		NOMEL CONTACT WASHER 8x16x1,4 STEEL ZC	1



HYDRAULIC HELIX V 604 1.4307

Item	Article no.	Description	Quantity
13.1	4174084	STAGE HELIX 6 1.4301 KIT	1
		> MACH.STG-CASING-WOGV-WNR-M+6-304	1
		> IMPELLER-M+6-304	1
13.2	4174089	INTERMEDIATE STAGE HELIX 6 1.4301 KIT	1
		> MACH.BEARING-STG-CASING-WNR-M+6-304	1
		> IMPELLER-M+6-304	1
		> SHAFT SLEEVE-SPACER-Ø19,35x18,465-304	1
		> SHAFT-SLEEVE-D16xD20x18-CW	1
13.3	4174090	INTERMEDIATE STAGE HELIX 6 1.4301 KIT	1
		> MACH.STD-STG-CASING-WGV+NR-M+6-304	1
		> IMPELLER-M+6-304	1
		> IMPELLER SPACER Ø16,05X19,45-L36,465-304	1

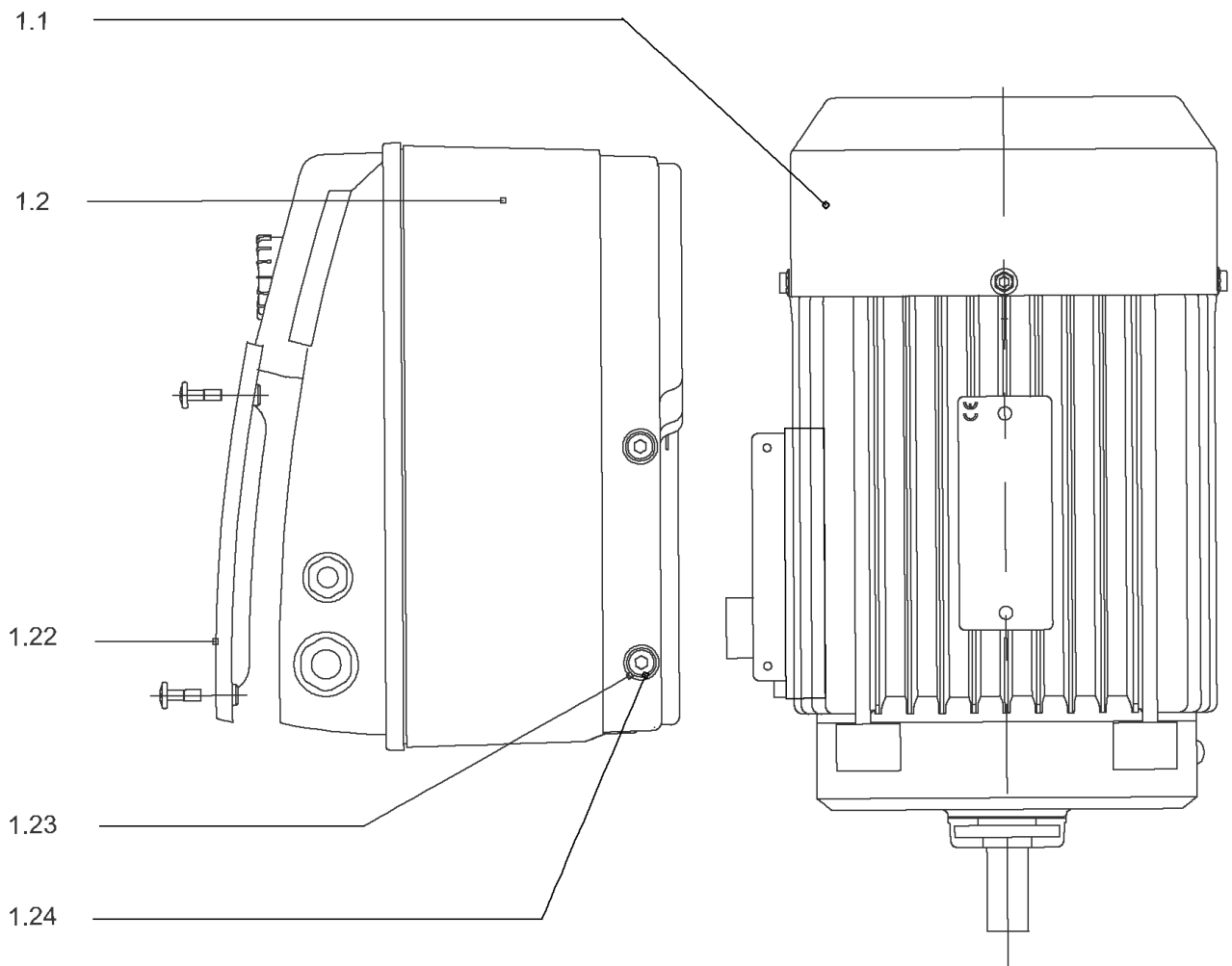


HELIX VE606-1/16/E/KS (4161426)

Item	Article no.	Description	Quantity
1		DRIVE HELIX-VE606-IE2-WE KIT	1
Note: MOTOR BRAND WILO ELEC			
1		DRIVE HELIX-VE606-IE4-WE KIT	1
Note: MOTOR BRAND WILO ELEC			
2	4159703	SCREW M8X40 (4 PIECES)	1
3	4159690	LANTERN FT115 HELIX KIT	1
3.1		> LANTERN FT115 M+6" GJL MACHINING+CATA	1
3.2	2127604	> EYELET CPL.FT HELIX(2 PIECES)	1
3.3	4159692	> COUPLING PROTECTOR FT HELIX KIT	1
4	4159709	COUPLING D.16xD.24 FT115 HELIX KIT	1
5	4159707	SCREW M8X30 (4 PIECES)	1
6	4177822	STUD BOLT M12X413 KIT	1
6.1		> TIE BOLT M12-413x18x30-1.4057	1
6.2	2094647	> NUT M12 M12 ISO4032 VP.	1
6.3	2123557	> WASHER CS-12.4-24-1.6-NFE25 (4 PIECES)	1
7	4159685	END SHIELD HELIX EPDM KIT	1
7.1		> END SHIELD M+6" GJL250 MACHINING+CATA	1
7.2	2127607	> STATIONARY RING HOLDER 6" HELIX 1.4301 V	1
7.3	4176513	> O-RING FOR PUMP JACKET VP.	1
7.4	2127603	> O-RING ID.37,6x2,4 EPDM VP.	1
7.5	2127602	> O-RING ID.21,35x2 EPDM VP.	1
8	4159686	FILING/PURGING PLUG HELIX EPDM KIT	1
9	4159696	CARTRIDGE HELIX6-10-16 O/E KIT	1
10	4177823	HOUSING PIPES D.152X285 1.4301 KIT	1
7.3	4176513	> O-RING FOR PUMP JACKET VP.	1
10.1		> HOUSING-PIPE Ø152-M+1006-304	1
11	4174087	CENTERING STAGE-RETURN HELIX6 1.4301VP.	1
12	4174085	SHAFTS EQUIPMENT HELIX V6 BI BLOC KIT	1
12.1		> NUT-H-M10-A4.70	1
12.2		> SERRATED LOCK WASHER M+6M3-316L	1
12.3		> STOP COLLAR OF IMPELLER L17,9-Ø16-316L	1
12.4		> STOP-RUSH-1/2-D16xd2-M+316	1
13		HYDRAULIC HELIX V 606 1.4307	1
14	4177825	SHAFT D.16X405 1.4301 VP.	1

HELIX VE606-1/16/E/KS (4161426)

Item	Article no.	Description	Quantity
15	4217897	PUMP HOUSING HELIX DN32 PN16 1.4301 KIT	1
7.3	4176513	> O-RING FOR PUMP JACKET VP.	1
15.1		> BLASTING PPE HOUSING V-PN16-DN32-5"-304	1
15.2	4217891	> COUNTER FLANGE-G1"1/4-PN16-GJL KIT	1
15.3	4171321	> PRIMING/DRAIN PLUG EPDM HELIX KIT	1
16	4177964	BASEPLATE HELIX V2/4/6 PN16 VP.	1



DRIVE HELIX-VE606-IE2-WE KIT

Item	Article no.	Description	Quantity
1.1	4185016	MOTOR 2,2/2/90 3~ 380V 60HZ IE2 WE VP.	1
		SPARE PARTS MOTOR:ON REQUEST	1
1.2	4186769	MODULE HELIX-VE606-IE2-WE KIT	1
1.22	2054227	> MODULE COVER/GASKET TL3/4 KIT	1
1.23	4215716	> SCREW M5X16 DIN912 8.8 A2A (4pieces) VP.	1
1.24	2057978	> RONDELLE A5,3 DIN6797 FST ZN (4 PIECES)	1



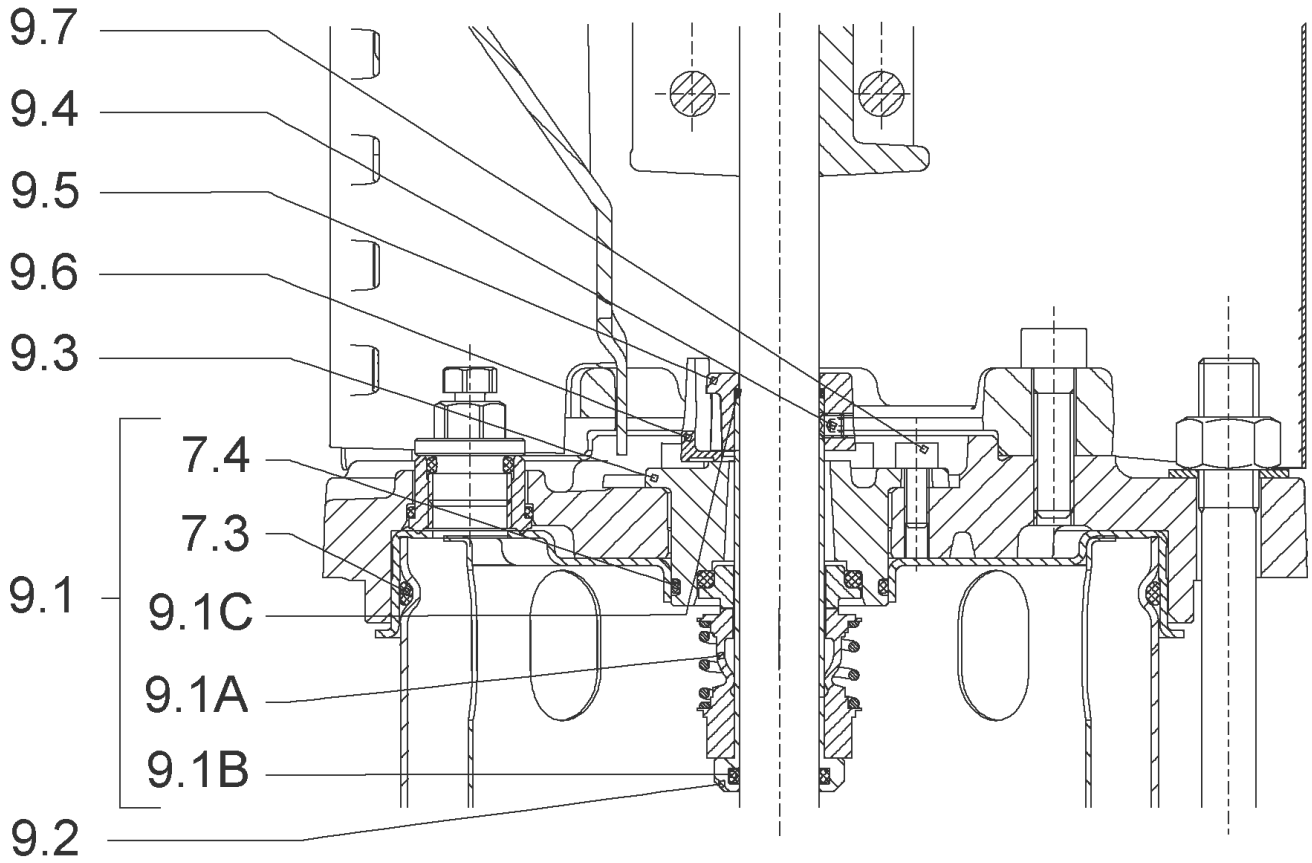
DRIVE HELIX-VE606-IE4-WE KIT

Item	Article no.	Description	Quantity
1.1	4207920	MOTOR 2.2/2/90 3~ 380V 60HZ IE4 WE VP.	1
		SPARE PARTS MOTOR:ON REQUEST	1
1.2	4209368	MODULE HELIX-VE606-IE4-WE KIT	1
1.22	2054227	> MODULE COVER/GASKET TL3/4 KIT	1
1.23	4215716	> SCREW M5X16 DIN912 8.8 A2A (4pieces) VP.	1
1.24	2057978	> RONDELLE A5,3 DIN6797 FST ZN (4 PIECES)	1



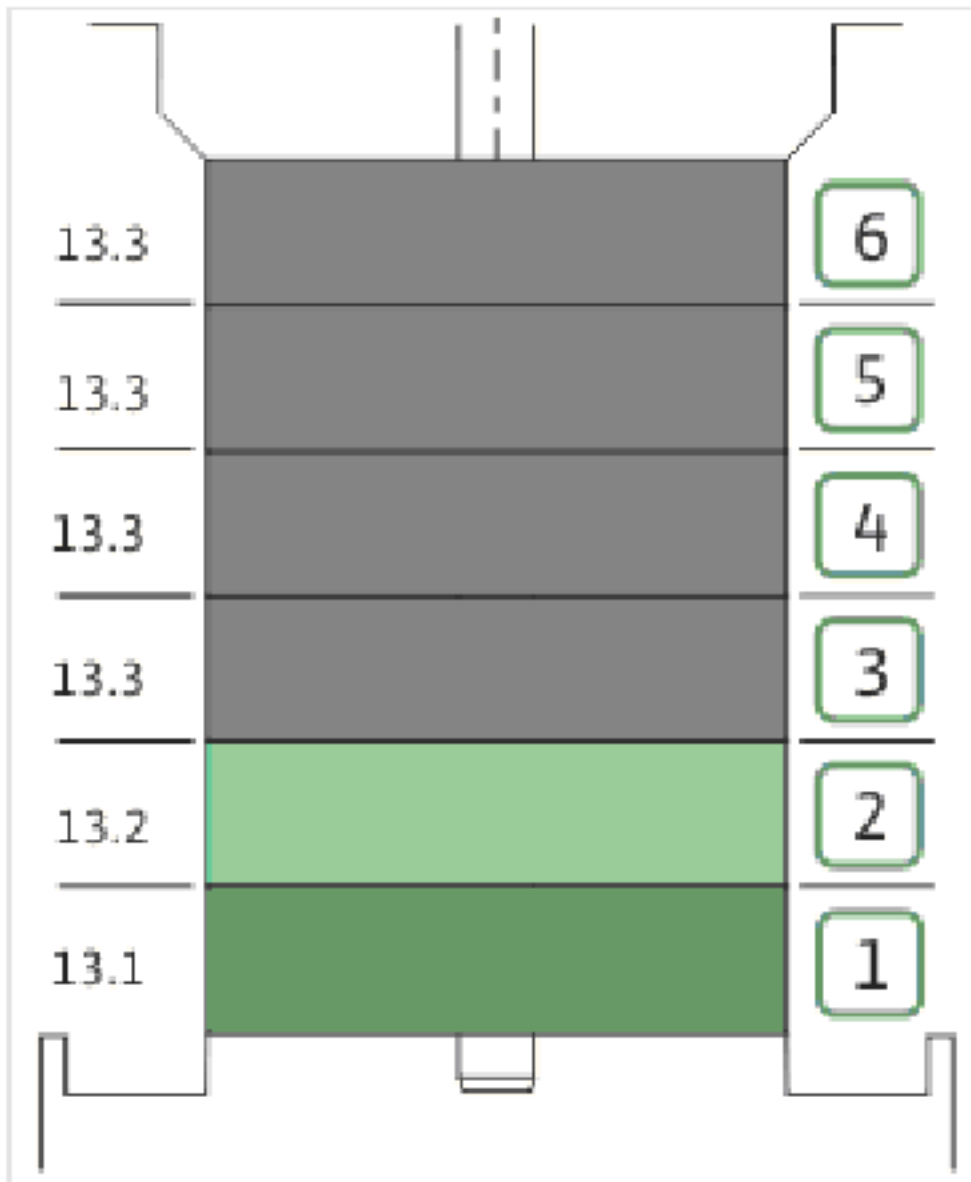
COUPLING D.16xD.24 FT115 HELIX KIT (4159709)

Item	Article no.	Description	Quantity
4.1		COUPLING M+ Ø16XØ24 FT115 MACHINED	1
4.2	2131023	BALL BEARING 6207/ZZ-C3(HT)VP.	1
4.3	4234254	CIRCLIP-FOR-SHAFT-D35x1.5 VP.	1
4.4	4157726	SCREW KIT M8X30 (4 PIECES)	1
4.5	4234251	CIRCLIP-D72x2.5 VP.	1
4.6	4234246	O-RING 72X3 VP.	1
		NOMEL CONTACT WASHER 8x16x1,4 STEEL ZC	1



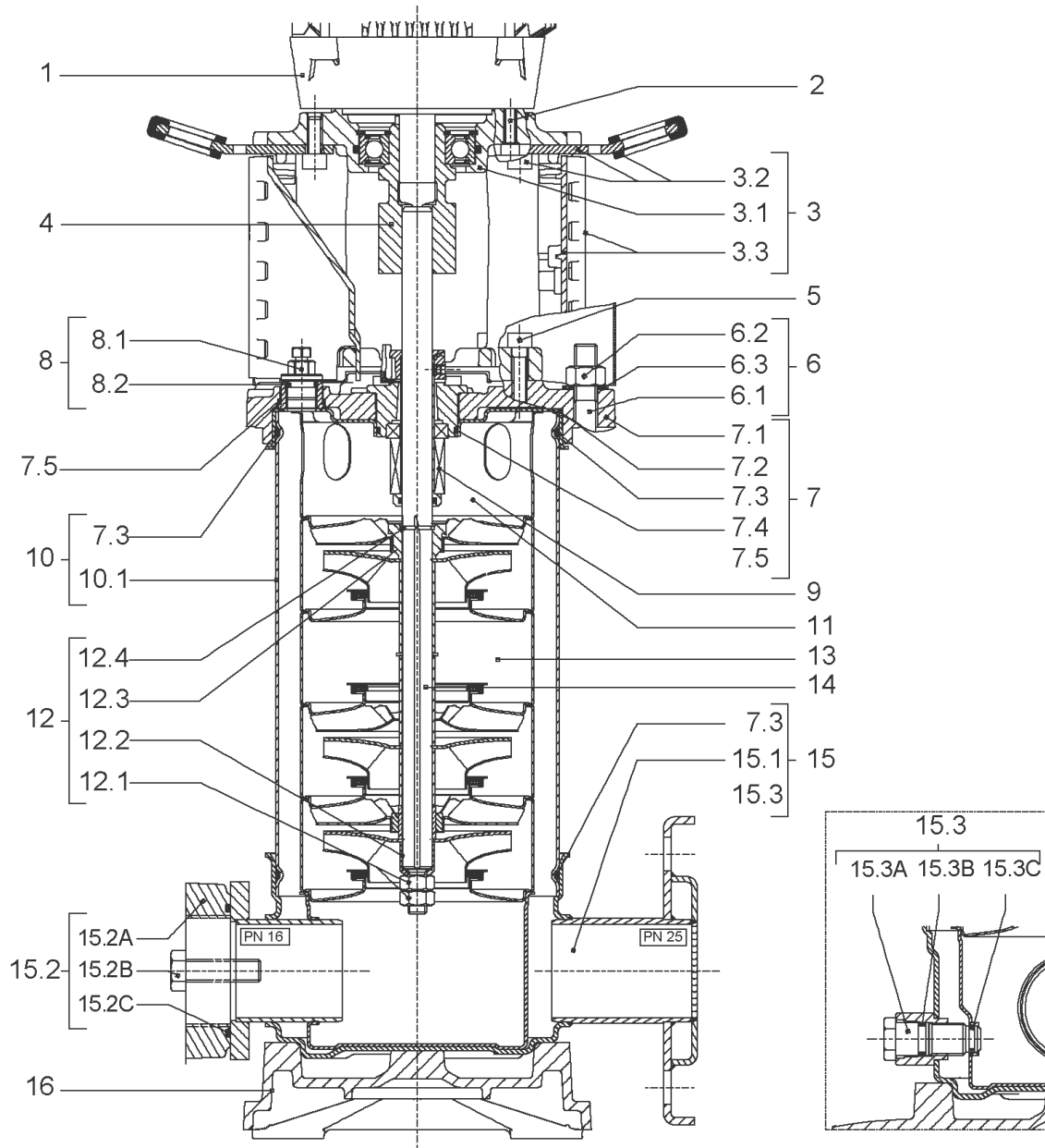
CARTRIDGE HELIX6-10-16 O/E KIT (4159696)

Item	Article no.	Description	Quantity
9.1	4159697	SEAL-KIT-HELIX6-10-16 O/E	1
7.3	4176513	> O-RING FOR PUMP JACKET VP.	1
7.4	2127603	> O-RING ID.37,6x2,4 EPDM VP.	1
9.1A	2130966	> MECH.SEAL HELIX2-4-6-10-16 O/E VP.	1
9.1B	2130967	> O-RING D.16X2,5 EPDM VP.	1
9.1C	4176519	> O-RING Ø16xØ1.25 VP.	1
9.2	2130961	SHAFT SLEEVE D.18/16X72,2 1.4404 VP.	1
9.3	2130962	RING HOLDER D.18 G606/G6 1.4301 VP.	1
9.4	4176520	SCREW CH M5x5 A4-70 (3PIECES)	1
9.5	2130963	DRIVE RING D.29/18x12,4 MACH.VP.	1
9.6	2130964	TOOL M.S.CART.HELIX VP.	1
9.7	2130965	SCREW CHC M5X12 ISO4762 A2.70(4 PIECES)	1



HYDRAULIC HELIX V 606 1.4307

Item	Article no.	Description	Quantity
13.1	4174084	STAGE HELIX 6 1.4301 KIT	1
		> MACH.STG-CASING-WOGV-WNR-M+6-304	1
		> IMPELLER-M+6-304	1
13.2	4174089	INTERMEDIATE STAGE HELIX 6 1.4301 KIT	1
		> MACH.BEARING-STG-CASING-WNR-M+6-304	1
		> IMPELLER-M+6-304	1
		> SHAFT SLEEVE-SPACER-Ø19,35x18,465-304	1
		> SHAFT-SLEEVE-D16xD20x18-CW	1
13.3	4174090	INTERMEDIATE STAGE HELIX 6 1.4301 KIT	1
		> MACH.STD-STG-CASING-WGV+NR-M+6-304	1
		> IMPELLER-M+6-304	1
		> IMPELLER SPACER Ø16,05X19,45-L36,465-304	1



HELIX VE606-1/16/E/S (4164633)

Item	Article no.	Description	Quantity
1		DRIVE HELIX-VE606-IE2-WE KIT	1
Note: MOTOR BRAND WILO ELEC			
1		DRIVE HELIX-VE606-IE4-WE KIT	1
Note: MOTOR BRAND WILO ELEC			
2	4159703	SCREW M8X40 (4 PIECES)	1
3	4172795	LANTERNE FT115 HELIX KIT	1
3.1		> M+5_6_LANTERN_ONE-PIECE_FT115_CATA	1
3.2	2127604	> EYELET CPL.FT HELIX(2 PIECES)	1
3.3	4159692	> COUPLING PROTECTOR FT HELIX KIT	1
4	4159709	COUPLING D.16xD.24 FT115 HELIX KIT	1
5	4159707	SCREW M8X30 (4 PIECES)	1
6	4177822	STUD BOLT M12X413 KIT	1
6.1		> TIE BOLT M12-413x18x30-1.4057	1
6.2	2094647	> NUT M12 M12 ISO4032 VP.	1
6.3	2123557	> WASHER CS-12.4-24-1.6-NFE25 (4 PIECES)	1
7	4210143	STATIONARY RING HOLDER HELIX 6" EPDM	1
7.2	2127607	> STATIONARY RING HOLDER 6" HELIX 1.4301 V	1
7.3	4176513	> O-RING FOR PUMP JACKET VP.	1
7.4	2127603	> O-RING ID.37,6x2,4 EPDM VP.	1
7.5	2127602	> O-RING ID.21,35x2 EPDM VP.	1
8	4159686	FILING/PURGING PLUG HELIX EPDM KIT	1
9	4171327	SEAL-KIT-HELIX6-10-16 O/E KIT	1
10	4177823	HOUSING PIPES D.152X285 1.4301 KIT	1
7.3	4176513	> O-RING FOR PUMP JACKET VP.	1
10.1		> HOUSING-PIPE Ø152-M+1006-304	1
11	4174087	CENTERING STAGE-RETURN HELIX6 1.4301VP.	1
12	4174086	SHAFTS EQUIPMENT HELIX V6 MONOBLOC KIT	1
12.1		> NUT-H-M10-A4.70	1
12.2		> SERRATED LOCK WASHER M+6M3-316L	1
12.3		> IMPELLER STOP RING L33,2-304	1
12.4		> STOP-RUSH-1/2-D16xd2-M+316	1
13		HYDRAULIC HELIX V 606 1.4307	1
14	4177825	SHAFT D.16X405 1.4301 VP.	1
15	4217897	PUMP HOUSING HELIX DN32 PN16 1.4301 KIT	1

HELIX VE606-1/16/E/S (4164633)

Item	Article no.	Description	Quantity
7.3	4176513	> O-RING FOR PUMP JACKET VP.	1
15.1		> BLASTING PPE HOUSING V-PN16-DN32-5"-304	1
15.2	4217891	> COUNTER FLANGE-G1"1/4-PN16-GJL KIT	1
15.3	4171321	> PRIMING/DRAIN PLUG EPDM HELIX KIT	1
16	4177964	BASEPLATE HELIX V2/4/6 PN16 VP.	1



DRIVE HELIX-VE606-IE2-WE KIT

Item	Article no.	Description	Quantity
1.1	4185016	MOTOR 2,2/2/90 3~ 380V 60HZ IE2 WE VP.	1
		SPARE PARTS MOTOR:ON REQUEST	1
1.2	4186769	MODULE HELIX-VE606-IE2-WE KIT	1
1.22	2054227	> MODULE COVER/GASKET TL3/4 KIT	1
1.23	4215716	> SCREW M5X16 DIN912 8.8 A2A (4pieces) VP.	1
1.24	2057978	> RONDELLE A5,3 DIN6797 FST ZN (4 PIECES)	1



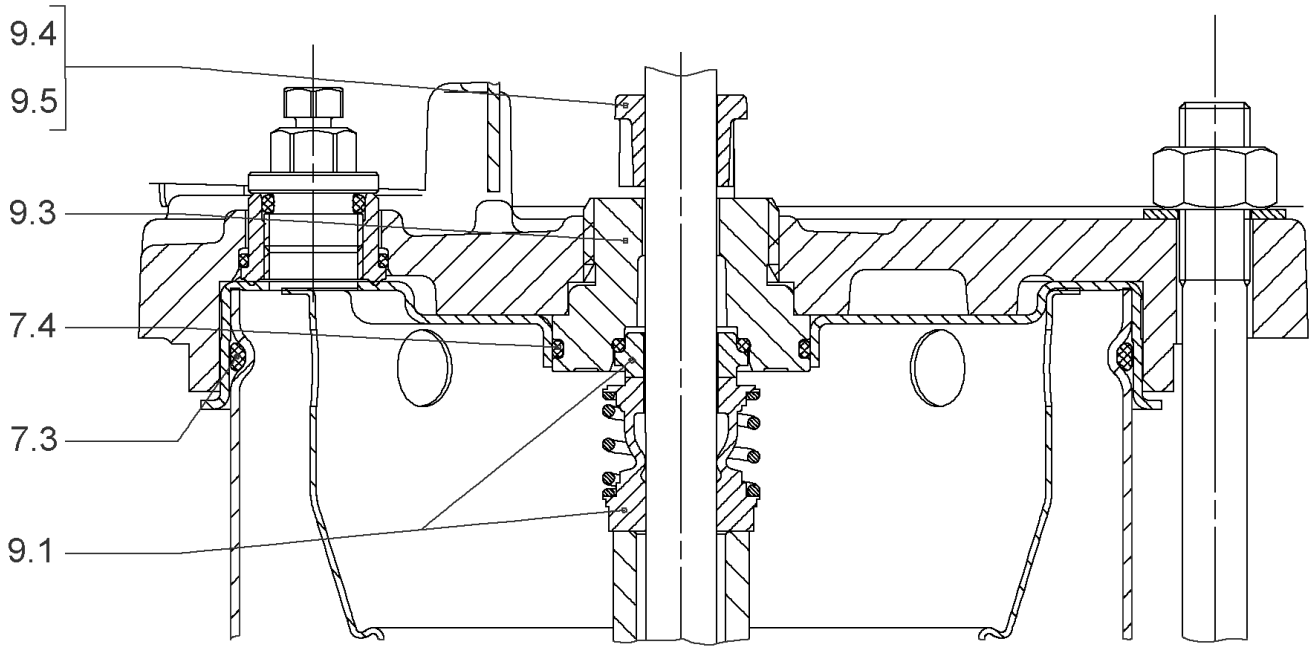
DRIVE HELIX-VE606-IE4-WE KIT

Item	Article no.	Description	Quantity
1.1	4207920	MOTOR 2.2/2/90 3~ 380V 60HZ IE4 WE VP.	1
		SPARE PARTS MOTOR:ON REQUEST	1
1.2	4209368	MODULE HELIX-VE606-IE4-WE KIT	1
1.22	2054227	> MODULE COVER/GASKET TL3/4 KIT	1
1.23	4215716	> SCREW M5X16 DIN912 8.8 A2A (4pieces) VP.	1
1.24	2057978	> RONDELLE A5,3 DIN6797 FST ZN (4 PIECES)	1



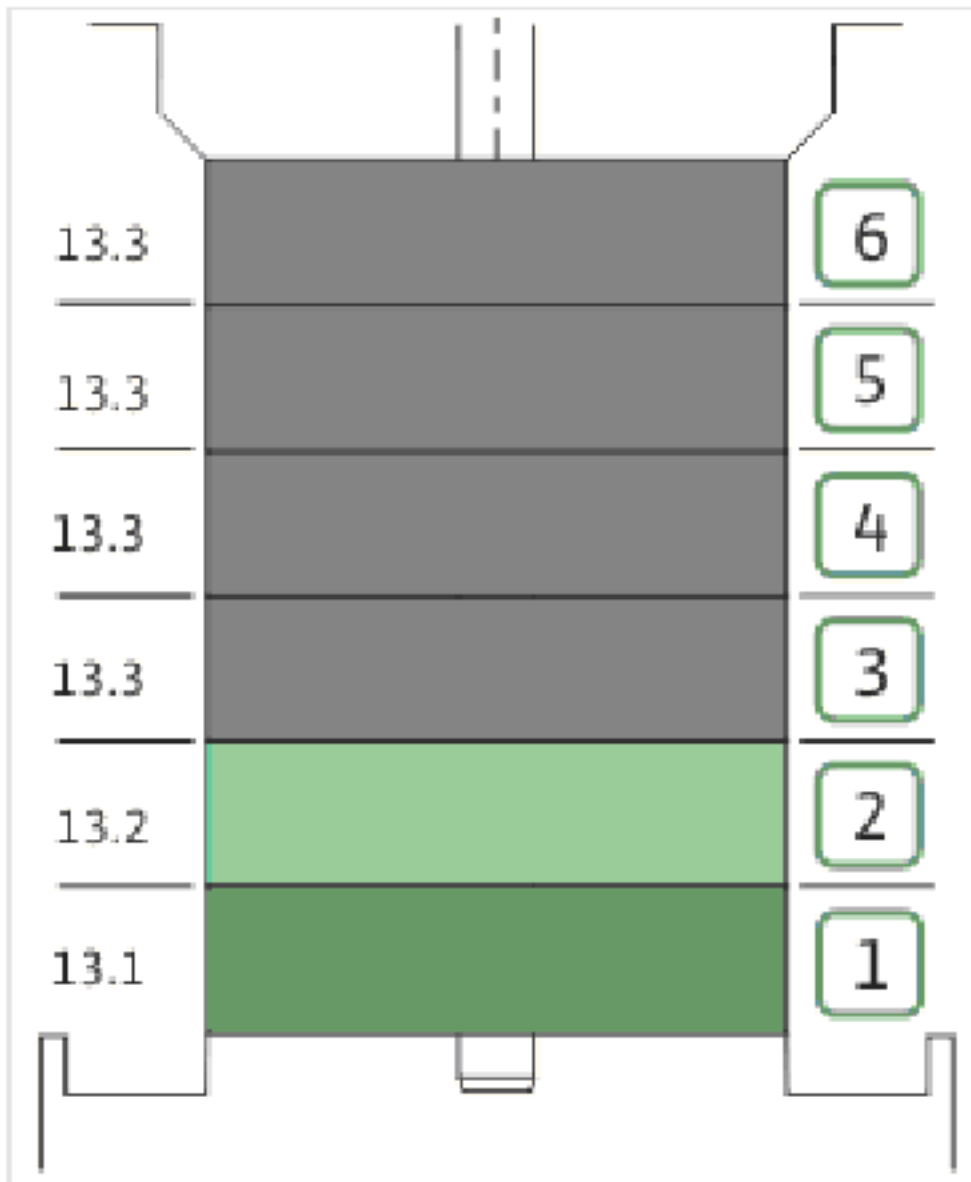
COUPLING D.16xD.24 FT115 HELIX KIT (4159709)

Item	Article no.	Description	Quantity
4.1		COUPLING M+ Ø16XØ24 FT115 MACHINED	1
4.2	2131023	BALL BEARING 6207/ZZ-C3(HT)VP.	1
4.3	4234254	CIRCLIP-FOR-SHAFT-D35x1.5 VP.	1
4.4	4157726	SCREW KIT M8X30 (4 PIECES)	1
4.5	4234251	CIRCLIP-D72x2.5 VP.	1
4.6	4234246	O-RING 72X3 VP.	1
		NOMEL CONTACT WASHER 8x16x1,4 STEEL ZC	1



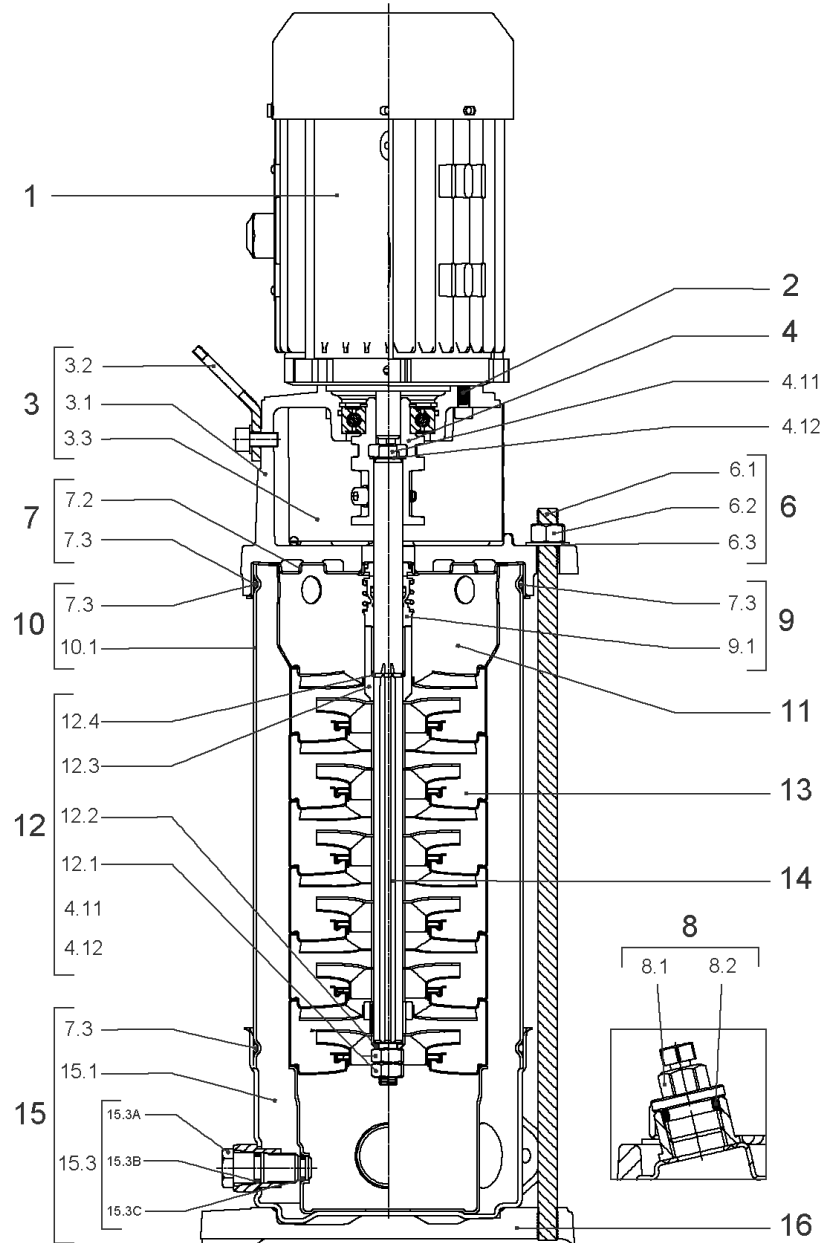
SEAL-KIT-HELIX6-10-16 O/E KIT (4171327)

Item	Article no.	Description	Quantity
7.3	4176513	O-RING FOR PUMP JACKET VP.	1
7.4	2127603	O-RING ID.37,6x2,4 EPDM VP.	1
9.1	4177801	MECH.SEAL HELIX6-10-16 O/E VP.	1
9.3	4177798	MACHINED RING HOLDER M+6" Ø16 304 VP.	1
9.5	4177799	MACHINED DRIVE RING Ø16 VP.	1
9.4	4176520	SCREW CH M5x5 A4-70 (3PIECES)	1



HYDRAULIC HELIX V 606 1.4307

Item	Article no.	Description	Quantity
13.1	4174084	STAGE HELIX 6 1.4301 KIT	1
		> MACH.STG-CASING-WOGV-WNR-M+6-304	1
		> IMPELLER-M+6-304	1
13.2	4174089	INTERMEDIATE STAGE HELIX 6 1.4301 KIT	1
		> MACH.BEARING-STG-CASING-WNR-M+6-304	1
		> IMPELLER-M+6-304	1
		> SHAFT SLEEVE-SPACER-Ø19,35x18,465-304	1
		> SHAFT-SLEEVE-D16xD20x18-CW	1
13.3	4174090	INTERMEDIATE STAGE HELIX 6 1.4301 KIT	1
		> MACH.STD-STG-CASING-WGV+NR-M+6-304	1
		> IMPELLER-M+6-304	1
		> IMPELLER SPACER Ø16,05X19,45-L36,465-304	1



HELIX VE606-1/16/E/S (4201583)

Item	Article no.	Description	Quantity
1		DRIVE HELIX-VE606-IE4-WE KIT	1
Note: MOTOR BRAND WILO ELEC			
		SPARE PARTS MOTOR:ON REQUEST	1
2	4159707	SCREW M8X30 (4 PIECES)	1
3	4213784	LANTERN FT115 HELIX KIT	1
3.1		> LANT-MOT-VMI-ReDTC6"-FT115-MACHINED+CATA	1
3.2	4184852	> EYELET CPL.FT HELIX (2 PIECES)	1
3.3	4213782	> COUPLING PROTECTOR FT115/130 HELIX KIT	1
4	4159709	COUPLING D.16xD.24 FT115 HELIX KIT	1
6	4177822	STUD BOLT M12X413 KIT	1
6.1		> TIE BOLT M12-413x18x30-1.4057	1
6.2	2094647	> NUT M12 M12 ISO4032 VP.	1
6.3	2123557	> WASHER CS-12.4-24-1.6-NFE25 (4 PIECES)	1
7	4214481	STATIONARY RING HOLDER HELIX D27 ReDTC	1
7.2	4214479	> STATIONARY RING HOLDER HELIX D27 VP.	1
7.3	4176513	> O-RING FOR PUMP JACKET VP.	1
8	4212724	FILING/PURGING PLUG HELIX ReDTC KIT	1
8.1		> FILLING PLUG MVI6"-304	1
8.2	4177800	> O-RING EPDM PLUG HELIX VP.	1
9	4214483	MECH.SEAL HELIX6-10-16 O/E ReDTC KIT	1
9.1	4177801	> MECH.SEAL HELIX6-10-16 O/E VP.	1
7.3	4176513	> O-RING FOR PUMP JACKET VP.	1
10	4177823	HOUSING PIPES D.152X285 1.4301 KIT	1
7.3	4176513	> O-RING FOR PUMP JACKET VP.	1
10.1		> HOUSING-PIPE Ø152-M+1006-304	1
11	4174087	CENTERING STAGE-RETURN HELIX6 1.4301VP.	1
12	4214486	SHAFT EQUIPMENT HELIX V6 ReDTC KIT	1
12.1		> NUT-H-M10-A4.70	1
12.2		> SERRATED LOCK WASHER M+6M3-316L	1
12.3		> 1/2-SNAP-RING-6/10M3-316L	1
12.4		> STOP-RUSH-1/2-D16xd2-M+316	1
4.11		> SCREW CHC-M6X14-8.8-ISO4762-GEOMET500A	1
4.12		> WASHER D.24 L6U ZINK	1
13		HYDRAULIC HELIX V 606 1.4307	1

HELIX VE606-1/16/E/S (4201583)

Item	Article no.	Description	Quantity
14	4214500	SHAFT D.16X353 HELIX 1.4057 VP.	1
15	4217897	PUMP HOUSING HELIX DN32 PN16 1.4301 KIT	1
7.3	4176513	> O-RING FOR PUMP JACKET VP.	1
15.1		> BLASTING PPE HOUSING V-PN16-DN32-5"-304	1
15.2	4217891	> COUNTER FLANGE-G1"1/4-PN16-GJL KIT	1
15.3	4171321	> PRIMING/DRAIN PLUG EPDM HELIX KIT	1
16	4177964	BASEPLATE HELIX V2/4/6 PN16 VP.	1



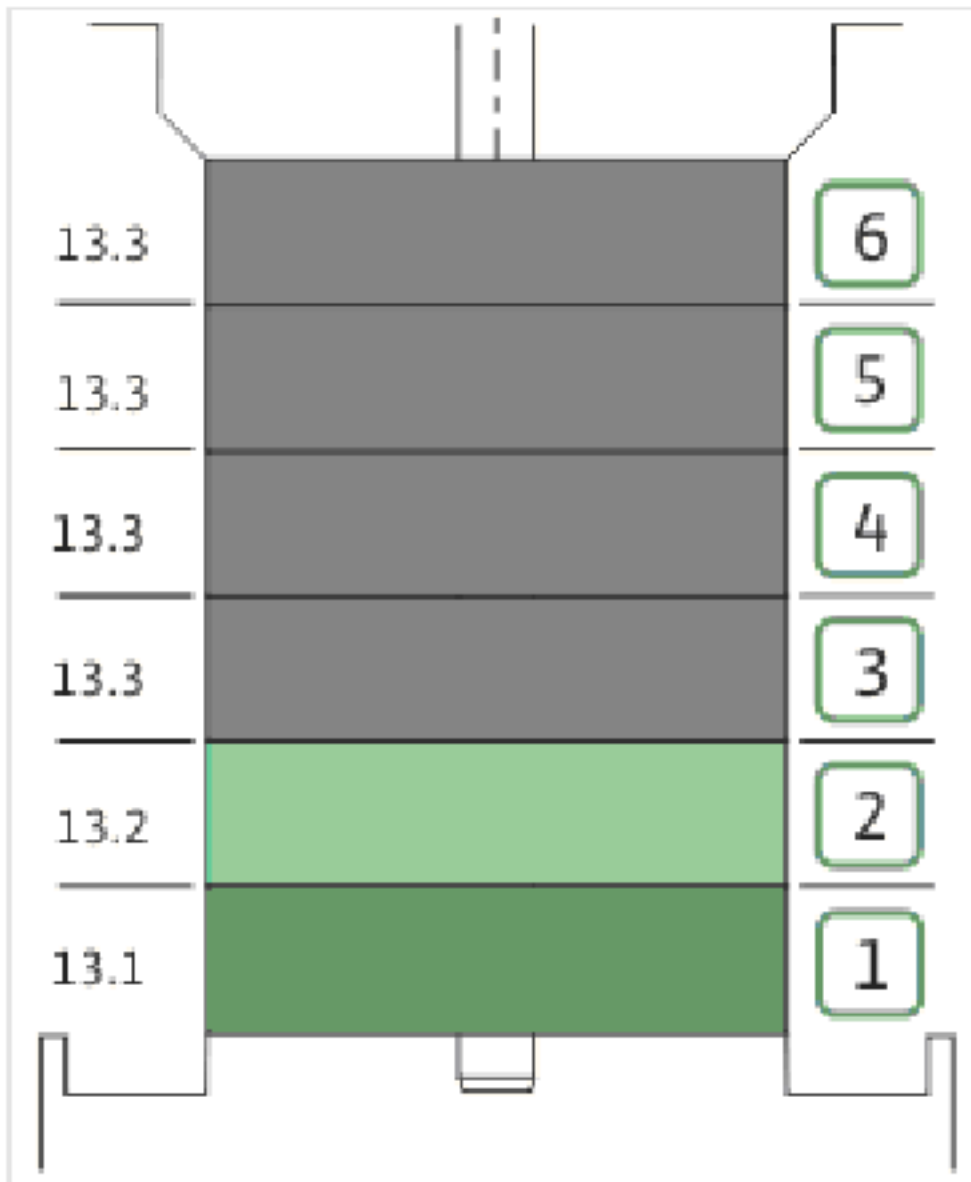
DRIVE HELIX-VE606-IE4-WE KIT

Item	Article no.	Description	Quantity
1.1	4207920	MOTOR 2.2/2/90 3~ 380V 60HZ IE4 WE VP.	1
		SPARE PARTS MOTOR:ON REQUEST	1
1.2	4209368	MODULE HELIX-VE606-IE4-WE KIT	1
1.22	2054227	> MODULE COVER/GASKET TL3/4 KIT	1
1.23	4215716	> SCREW M5X16 DIN912 8.8 A2A (4pieces) VP.	1
1.24	2057978	> RONDELLE A5,3 DIN6797 FST ZN (4 PIECES)	1



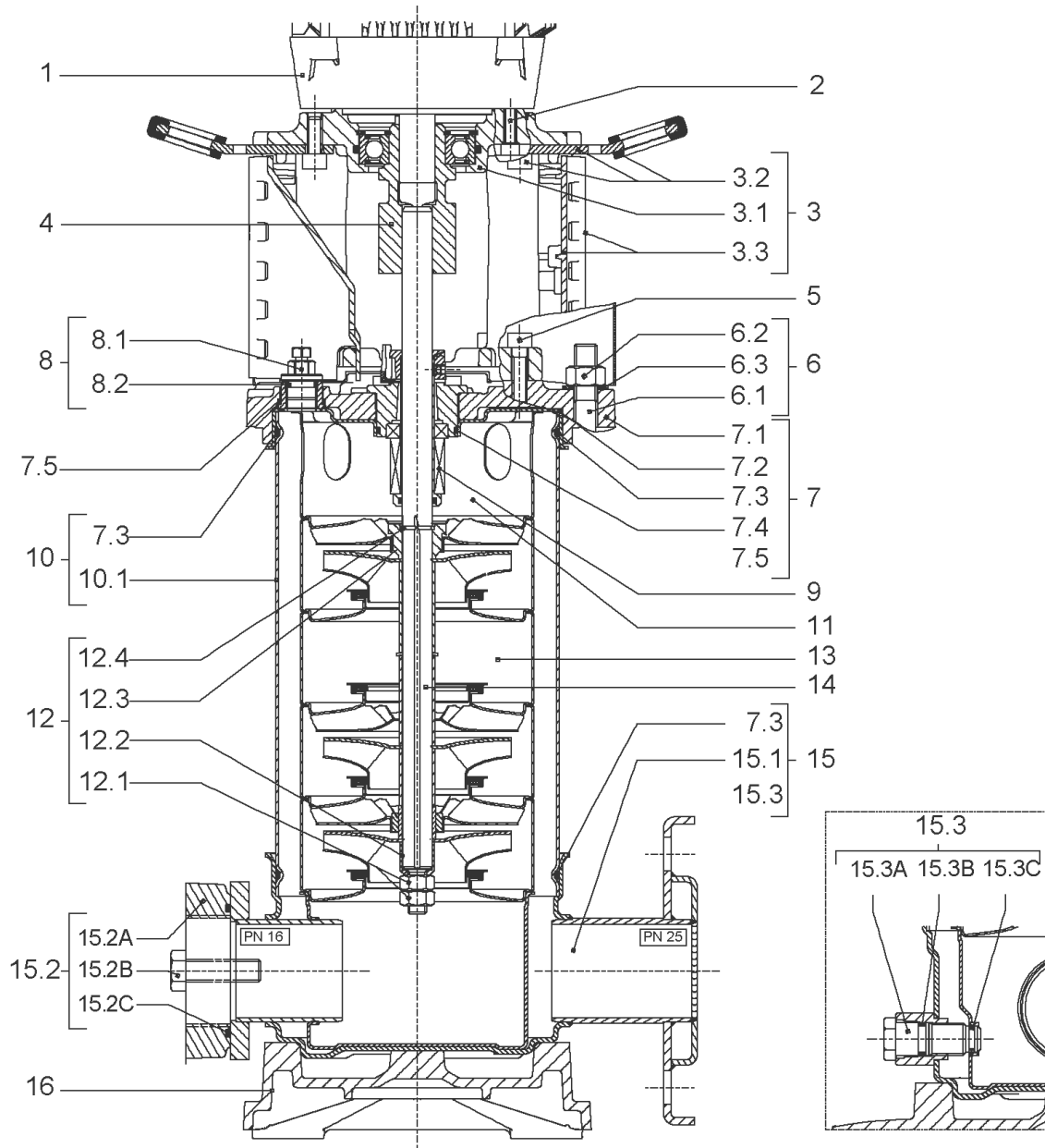
COUPLING D.16xD.24 FT115 HELIX KIT (4159709)

Item	Article no.	Description	Quantity
4.1		COUPLING M+ Ø16XØ24 FT115 MACHINED	1
4.2	2131023	BALL BEARING 6207/ZZ-C3(HT)VP.	1
4.3	4234254	CIRCLIP-FOR-SHAFT-D35x1.5 VP.	1
4.4	4157726	SCREW KIT M8X30 (4 PIECES)	1
4.5	4234251	CIRCLIP-D72x2.5 VP.	1
4.6	4234246	O-RING 72X3 VP.	1
		NOMEL CONTACT WASHER 8x16x1,4 STEEL ZC	1



HYDRAULIC HELIX V 606 1.4307

Item	Article no.	Description	Quantity
13.1	4174084	STAGE HELIX 6 1.4301 KIT	1
		> MACH.STG-CASING-WOGV-WNR-M+6-304	1
		> IMPELLER-M+6-304	1
13.2	4174089	INTERMEDIATE STAGE HELIX 6 1.4301 KIT	1
		> MACH.BEARING-STG-CASING-WNR-M+6-304	1
		> IMPELLER-M+6-304	1
		> SHAFT SLEEVE-SPACER-Ø19,35x18,465-304	1
		> SHAFT-SLEEVE-D16xD20x18-CW	1
13.3	4174090	INTERMEDIATE STAGE HELIX 6 1.4301 KIT	1
		> MACH.STD-STG-CASING-WGV+NR-M+6-304	1
		> IMPELLER-M+6-304	1
		> IMPELLER SPACER Ø16,05X19,45-L36,465-304	1

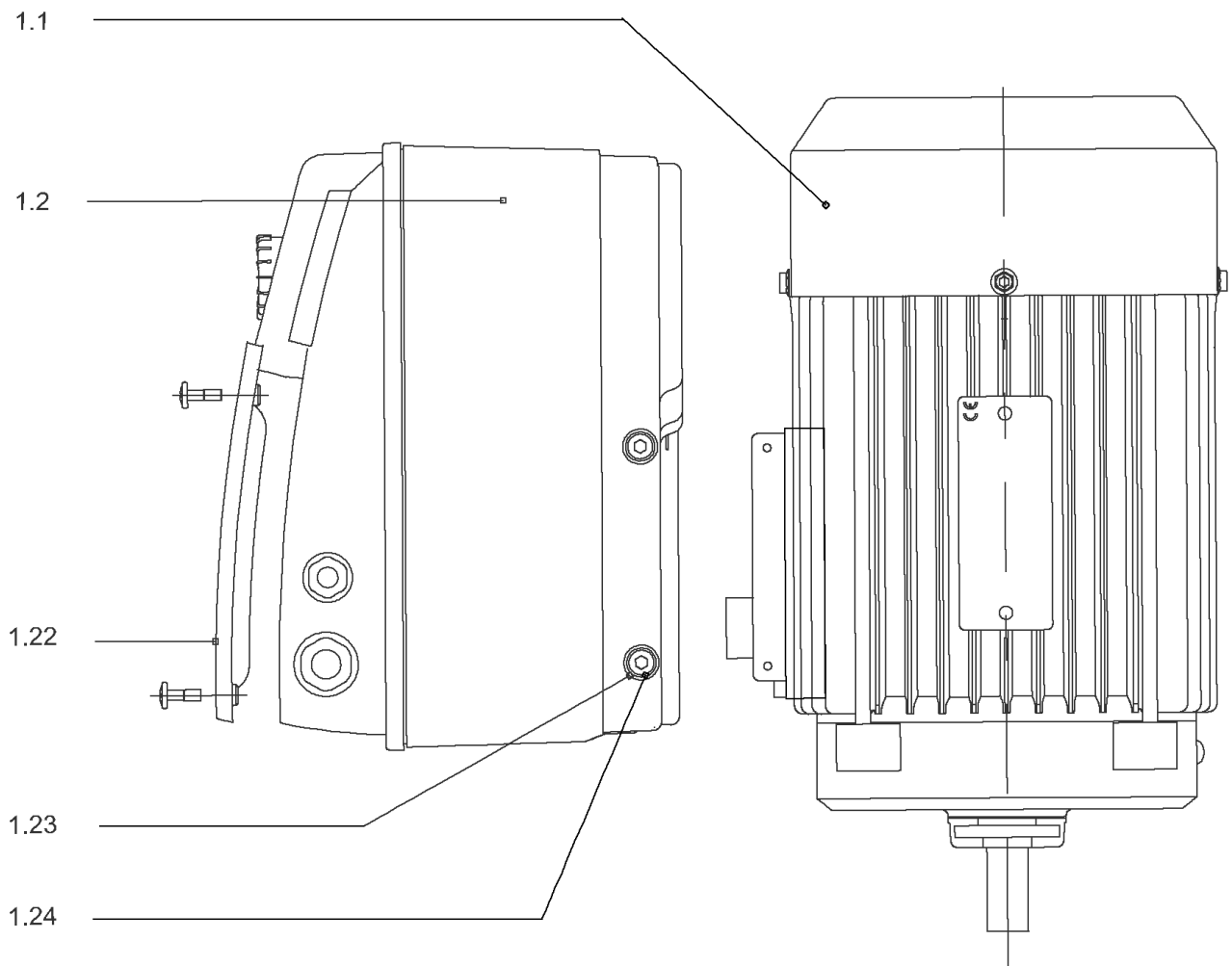


HELIX VE606-1/25/E/KS (4161427)

Item	Article no.	Description	Quantity
1		DRIVE HELIX-VE606-IE2-WE KIT	1
Note: MOTOR BRAND WILO ELEC			
1		DRIVE HELIX-VE606-IE4-WE KIT	1
Note: MOTOR BRAND WILO ELEC			
2	4159703	SCREW M8X40 (4 PIECES)	1
3	4159690	LANTERN FT115 HELIX KIT	1
3.1		> LANTERN FT115 M+6" GJL MACHINING+CATA	1
3.2	2127604	> EYELET CPL.FT HELIX(2 PIECES)	1
3.3	4159692	> COUPLING PROTECTOR FT HELIX KIT	1
4	4159709	COUPLING D.16xD.24 FT115 HELIX KIT	1
5	4159707	SCREW M8X30 (4 PIECES)	1
6	4177822	STUD BOLT M12X413 KIT	1
6.1		> TIE BOLT M12-413x18x30-1.4057	1
6.2	2094647	> NUT M12 M12 ISO4032 VP.	1
6.3	2123557	> WASHER CS-12.4-24-1.6-NFE25 (4 PIECES)	1
7	4159685	END SHIELD HELIX EPDM KIT	1
7.1		> END SHIELD M+6" GJL250 MACHINING+CATA	1
7.2	2127607	> STATIONARY RING HOLDER 6" HELIX 1.4301 V	1
7.3	4176513	> O-RING FOR PUMP JACKET VP.	1
7.4	2127603	> O-RING ID.37,6x2,4 EPDM VP.	1
7.5	2127602	> O-RING ID.21,35x2 EPDM VP.	1
8	4159686	FILING/PURGING PLUG HELIX EPDM KIT	1
9	4159698	CARTRIDGE HELIX6-10-16 F/E KIT	1
10	4177823	HOUSING PIPES D.152X285 1.4301 KIT	1
7.3	4176513	> O-RING FOR PUMP JACKET VP.	1
10.1		> HOUSING-PIPE Ø152-M+1006-304	1
11	4174087	CENTERING STAGE-RETURN HELIX6 1.4301VP.	1
12	4174085	SHAFTS EQUIPMENT HELIX V6 BI BLOC KIT	1
12.1		> NUT-H-M10-A4.70	1
12.2		> SERRATED LOCK WASHER M+6M3-316L	1
12.3		> STOP COLLAR OF IMPELLER L17,9-Ø16-316L	1
12.4		> STOP-RUSH-1/2-D16xd2-M+316	1
13		HYDRAULIC HELIX V 606 1.4307	1
14	4177825	SHAFT D.16X405 1.4301 VP.	1

HELIX VE606-1/25/E/KS (4161427)

Item	Article no.	Description	Quantity
15	4174081	PUMP HOUSING HELIX DN32 PN25 1.4301 KIT	1
7.3	4176513	> O-RING FOR PUMP JACKET VP.	1
15.1		> BLASTING PPE HOUSING V-PN25-DN32-5"-304	1
15.3	4171321	> PRIMING/DRAIN PLUG EPDM HELIX KIT	1
16	4177970	BASEPLATE HELIX V2/4/6 PN25 VP.	1



DRIVE HELIX-VE606-IE2-WE KIT

Item	Article no.	Description	Quantity
1.1	4185016	MOTOR 2,2/2/90 3~ 380V 60HZ IE2 WE VP.	1
		SPARE PARTS MOTOR:ON REQUEST	1
1.2	4186769	MODULE HELIX-VE606-IE2-WE KIT	1
1.22	2054227	> MODULE COVER/GASKET TL3/4 KIT	1
1.23	4215716	> SCREW M5X16 DIN912 8.8 A2A (4pieces) VP.	1
1.24	2057978	> RONDELLE A5,3 DIN6797 FST ZN (4 PIECES)	1



DRIVE HELIX-VE606-IE4-WE KIT

Item	Article no.	Description	Quantity
1.1	4207920	MOTOR 2.2/2/90 3~ 380V 60HZ IE4 WE VP.	1
		SPARE PARTS MOTOR:ON REQUEST	1
1.2	4209368	MODULE HELIX-VE606-IE4-WE KIT	1
1.22	2054227	> MODULE COVER/GASKET TL3/4 KIT	1
1.23	4215716	> SCREW M5X16 DIN912 8.8 A2A (4pieces) VP.	1
1.24	2057978	> RONDELLE A5,3 DIN6797 FST ZN (4 PIECES)	1



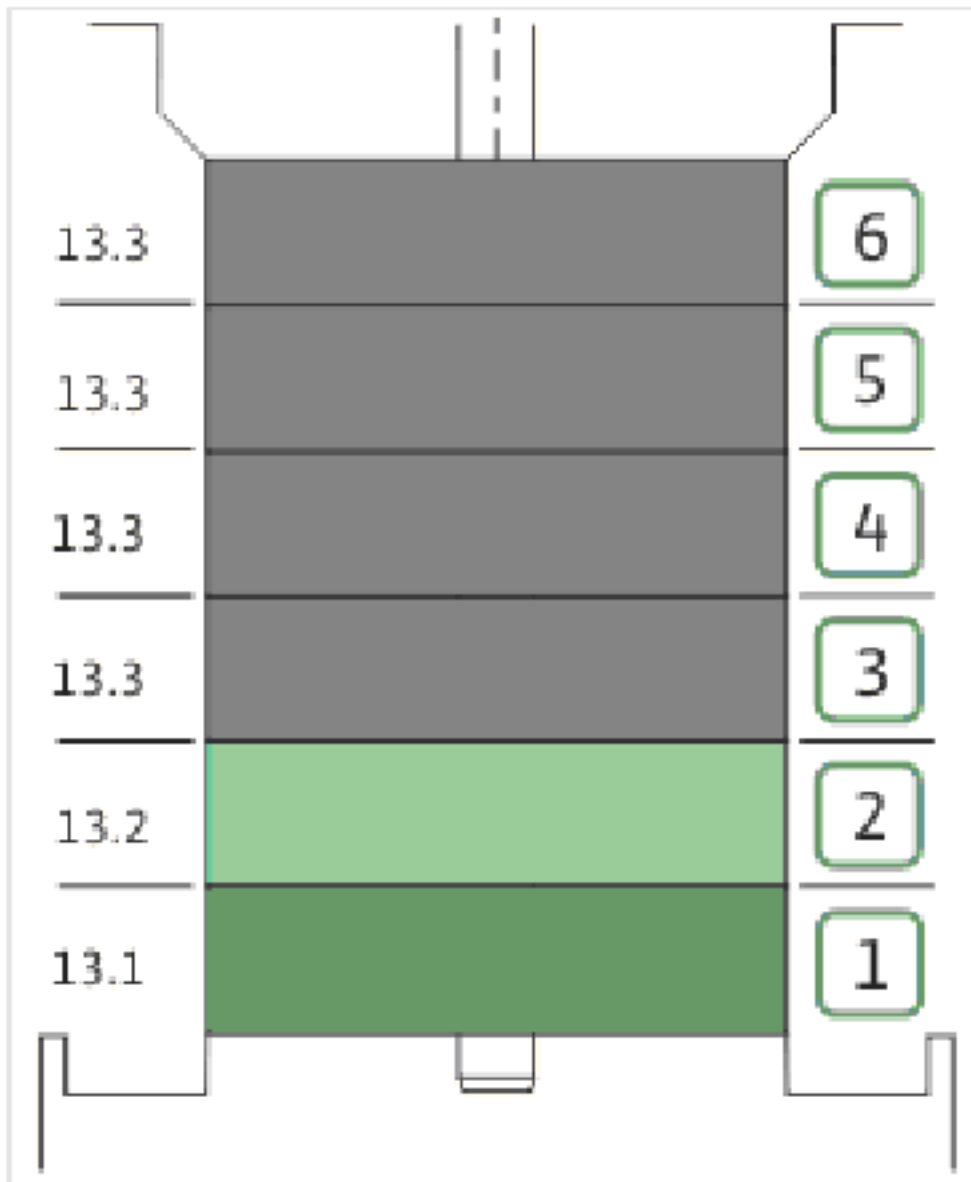
COUPLING D.16xD.24 FT115 HELIX KIT (4159709)

Item	Article no.	Description	Quantity
4.1		COUPLING M+ Ø16XØ24 FT115 MACHINED	1
4.2	2131023	BALL BEARING 6207/ZZ-C3(HT)VP.	1
4.3	4234254	CIRCLIP-FOR-SHAFT-D35x1.5 VP.	1
4.4	4157726	SCREW KIT M8X30 (4 PIECES)	1
4.5	4234251	CIRCLIP-D72x2.5 VP.	1
4.6	4234246	O-RING 72X3 VP.	1
		NOMEL CONTACT WASHER 8x16x1,4 STEEL ZC	1



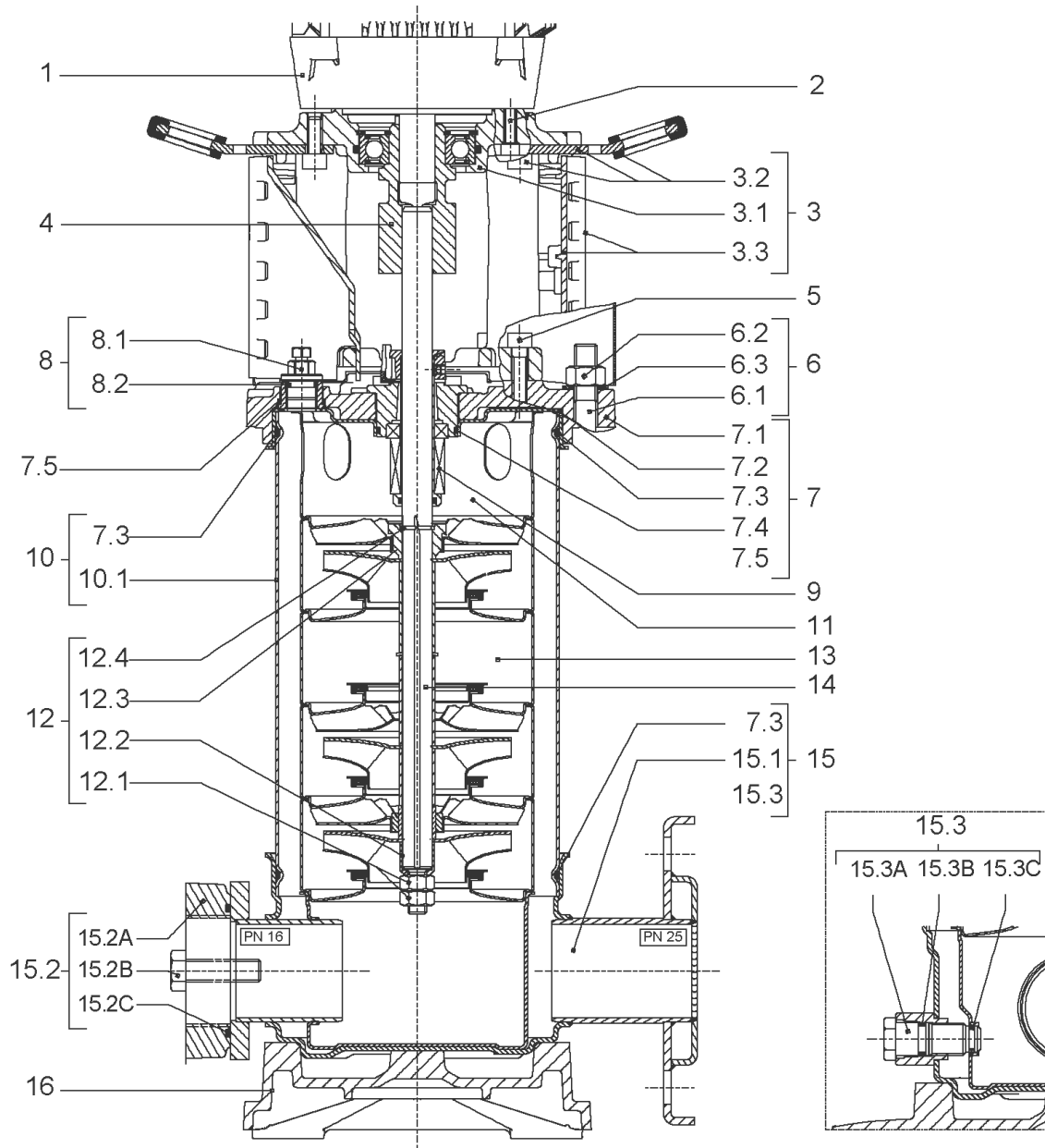
CARTRIDGE HELIX6-10-16 F/E KIT (4159698)

Item	Article no.	Description	Quantity
9.1	4159699	SEAL-KIT-HELIX6-10-16 F/E	1
7.3	4176513	> O-RING FOR PUMP JACKET VP.	1
7.4	2127603	> O-RING ID.37,6x2,4 EPDM VP.	1
9.1A	4176521	> MECH.SEAL HELIX2-4-6-10-16 F/E VP.	1
9.1B	2130967	> O-RING D.16X2,5 EPDM VP.	1
9.1C	4176519	> O-RING Ø16xØ1.25 VP.	1
9.2	2130961	SHAFT SLEEVE D.18/16X72,2 1.4404 VP.	1
9.3	2130962	RING HOLDER D.18 G606/G6 1.4301 VP.	1
9.4	4176520	SCREW CH M5x5 A4-70 (3PIECES)	1
9.5	2130963	DRIVE RING D.29/18x12,4 MACH.VP.	1
9.6	2130964	TOOL M.S.CART.HELIX VP.	1
9.7	2130965	SCREW CHC M5X12 ISO4762 A2.70(4 PIECES)	1



HYDRAULIC HELIX V 606 1.4307

Item	Article no.	Description	Quantity
13.1	4174084	STAGE HELIX 6 1.4301 KIT	1
		> MACH.STG-CASING-WOGV-WNR-M+6-304	1
		> IMPELLER-M+6-304	1
13.2	4174089	INTERMEDIATE STAGE HELIX 6 1.4301 KIT	1
		> MACH.BEARING-STG-CASING-WNR-M+6-304	1
		> IMPELLER-M+6-304	1
		> SHAFT SLEEVE-SPACER-Ø19,35x18,465-304	1
		> SHAFT-SLEEVE-D16xD20x18-CW	1
13.3	4174090	INTERMEDIATE STAGE HELIX 6 1.4301 KIT	1
		> MACH.STD-STG-CASING-WGV+NR-M+6-304	1
		> IMPELLER-M+6-304	1
		> IMPELLER SPACER Ø16,05X19,45-L36,465-304	1

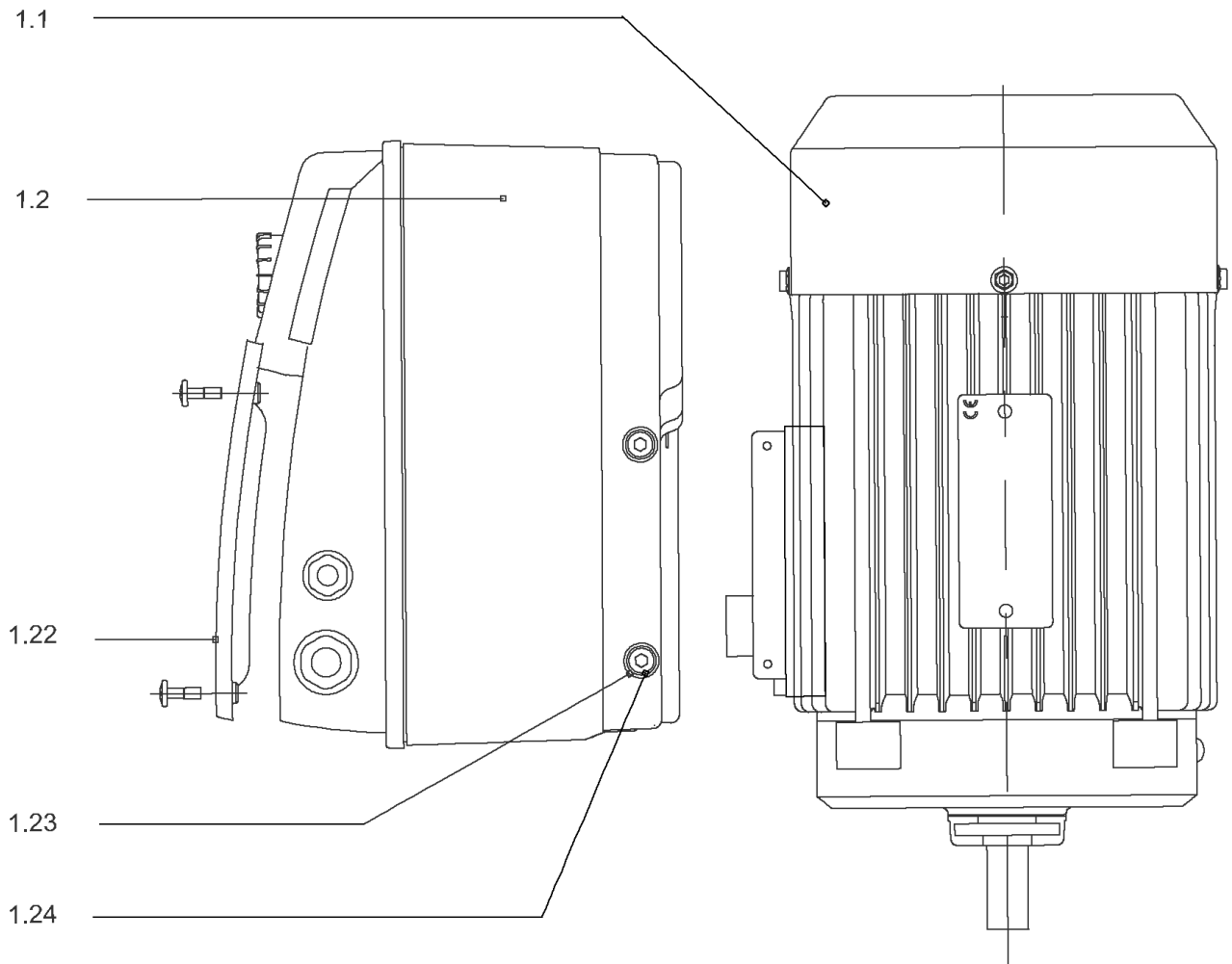


HELIX VE608-1/16/E/KS (4171692)

Item	Article no.	Description	Quantity
1		DRIVE HELIX-VE608IE2-WE KIT	1
Note: MOTOR BRAND WILO ELEC			
1		DRIVE HELIX-VE608-IE4-WE KIT	1
Note: MOTOR BRAND WILO ELEC			
2	4206025	SCREW M8X45 (4 PIECES)	1
3	4171326	LANTERN FT130 HELIX KIT	1
3.1		> LANTERN FT130 M+6" GJL MACHINING+CATA	1
3.2	2127604	> EYELET CPL.FT HELIX(2 PIECES)	1
3.3	4159692	> COUPLING PROTECTOR FT HELIX KIT	1
4	4159710	COUPLING D.16XD.28 FT130 HELIX KIT	1
5	4159707	SCREW M8X30 (4 PIECES)	1
6	2127555	STUD BOLT M12X485 KIT	1
7	4159685	END SHIELD HELIX EPDM KIT	1
7.1		> END SHIELD M+6" GJL250 MACHINING+CATA	1
7.2	2127607	> STATIONARY RING HOLDER 6" HELIX 1.4301 V	1
7.3	4176513	> O-RING FOR PUMP JACKET VP.	1
7.4	2127603	> O-RING ID.37,6x2,4 EPDM VP.	1
7.5	2127602	> O-RING ID.21,35x2 EPDM VP.	1
8	4159686	FILING/PURGING PLUG HELIX EPDM KIT	1
9	4159696	CARTRIDGE HELIX6-10-16 O/E KIT	1
10	2127578	HOUSING PIPE D.152x360 1.4307 KIT	1
7.3	4176513	> O-RING FOR PUMP JACKET VP.	1
10.1		> HOUSING-PIPE Ø152-M+1008/1606-304	1
11	4174087	CENTERING STAGE-RETURN HELIX6 1.4301VP.	1
12	4174085	SHAFTS EQUIPMENT HELIX V6 BI BLOC KIT	1
12.1		> NUT-H-M10-A4.70	1
12.2		> SERRATED LOCK WASHER M+6M3-316L	1
12.3		> STOP COLLAR OF IMPELLER L17,9-Ø16-316L	1
12.4		> STOP-RUSH-1/2-D16xd2-M+316	1
13		HYDRAULIC HELIX V 608 1.4307	1
14	4177829	SHAFT Ø16 X480 1.4301 VP.	1
15	4217897	PUMP HOUSING HELIX DN32 PN16 1.4301 KIT	1
7.3	4176513	> O-RING FOR PUMP JACKET VP.	1
15.1		> BLASTING PPE HOUSING V-PN16-DN32-5"-304	1

HELIX VE608-1/16/E/KS (4171692)

Item	Article no.	Description	Quantity
15.2	4217891	> COUNTER FLANGE-G1"1/4-PN16-GJL KIT	1
15.3	4171321	> PRIMING/DRAIN PLUG EPDM HELIX KIT	1
16	4177964	BASEPLATE HELIX V2/4/6 PN16 VP.	1



DRIVE HELIX-VE608IE2-WE KIT

Item	Article no.	Description	Quantity
1.1		M3-T638P55V18H-100F13-SU-N28-WE-IE2 VP.	1
Note: no longer available/nicht mehr lieferbar/n'est plus disponible			
		SPARE PARTS MOTOR:ON REQUEST	1
1.2	4186331	MODULE HELIX-VE608-IE2-WE KIT	1
1.22	2054227	> MODULE COVER/GASKET TL3/4 KIT	1
1.23	4215716	> SCREW M5X16 DIN912 8.8 A2A (4pieces) VP.	1
1.24	2057978	> RONDELLE A5,3 DIN6797 FST ZN (4 PIECES)	1



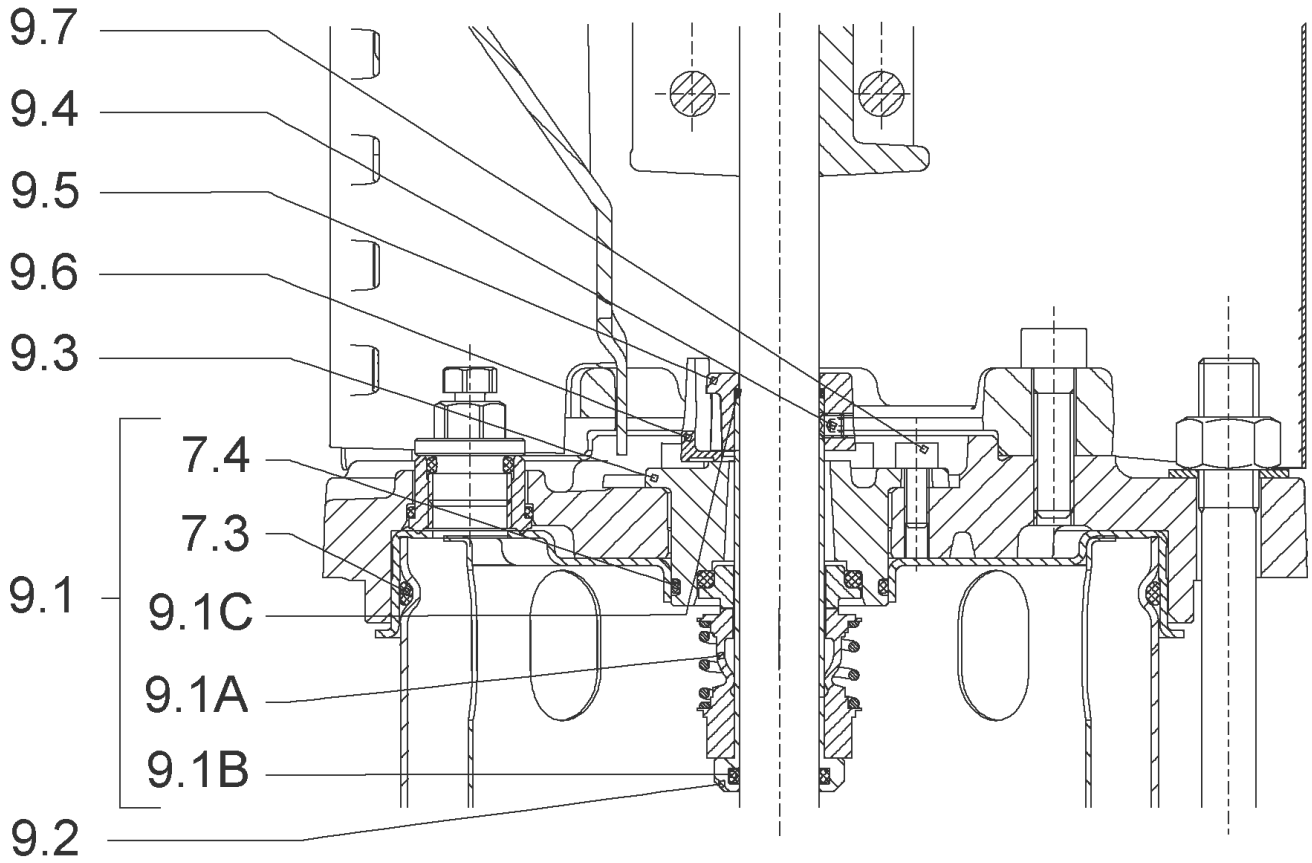
DRIVE HELIX-VE608-IE4-WE KIT

Item	Article no.	Description	Quantity
1.1	4207922	MOTOR 3/2/100 3~ 380V 60HZ IE4 WE VP.	1
		SPARE PARTS MOTOR:ON REQUEST	1
1.2	4209338	MODULE HELIX-VE608-IE4-WE KIT	1
1.22	2054227	> MODULE COVER/GASKET TL3/4 KIT	1
1.23	4215716	> SCREW M5X16 DIN912 8.8 A2A (4pieces) VP.	1
1.24	2057978	> RONDELLE A5,3 DIN6797 FST ZN (4 PIECES)	1



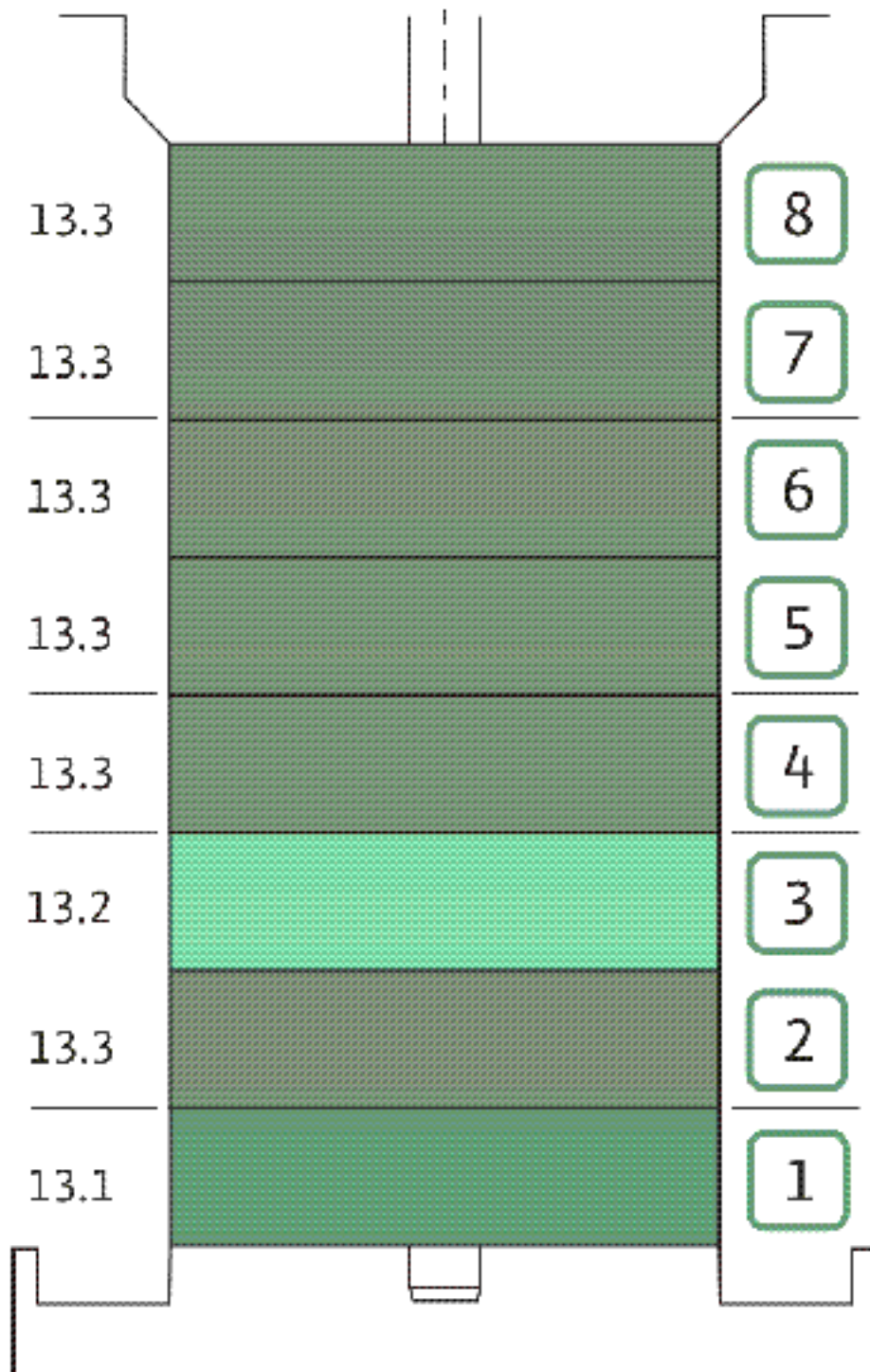
COUPLING D.16XD.28 FT130 HELIX KIT (4159710)

Item	Article no.	Description	Quantity
4.1		COUPLING M+ Ø16XØ28 FT130 MACHINED	1
4.2	2131022	BALL BEARING 6209/ZZ-C3(HT)VP.	1
4.3	4233930	CIRCLIP-FOR-BORES-D45x1,75 VP.	1
4.4	4157726	SCREW KIT M8X30 (4 PIECES)	1
4.5	4234252	CIRCLIPS 85X3 VP.	1
4.6	4234243	O-RING 85X3 VP.	1
		NOMEL CONTACT WASHER 8x16x1,4 STEEL ZC	1



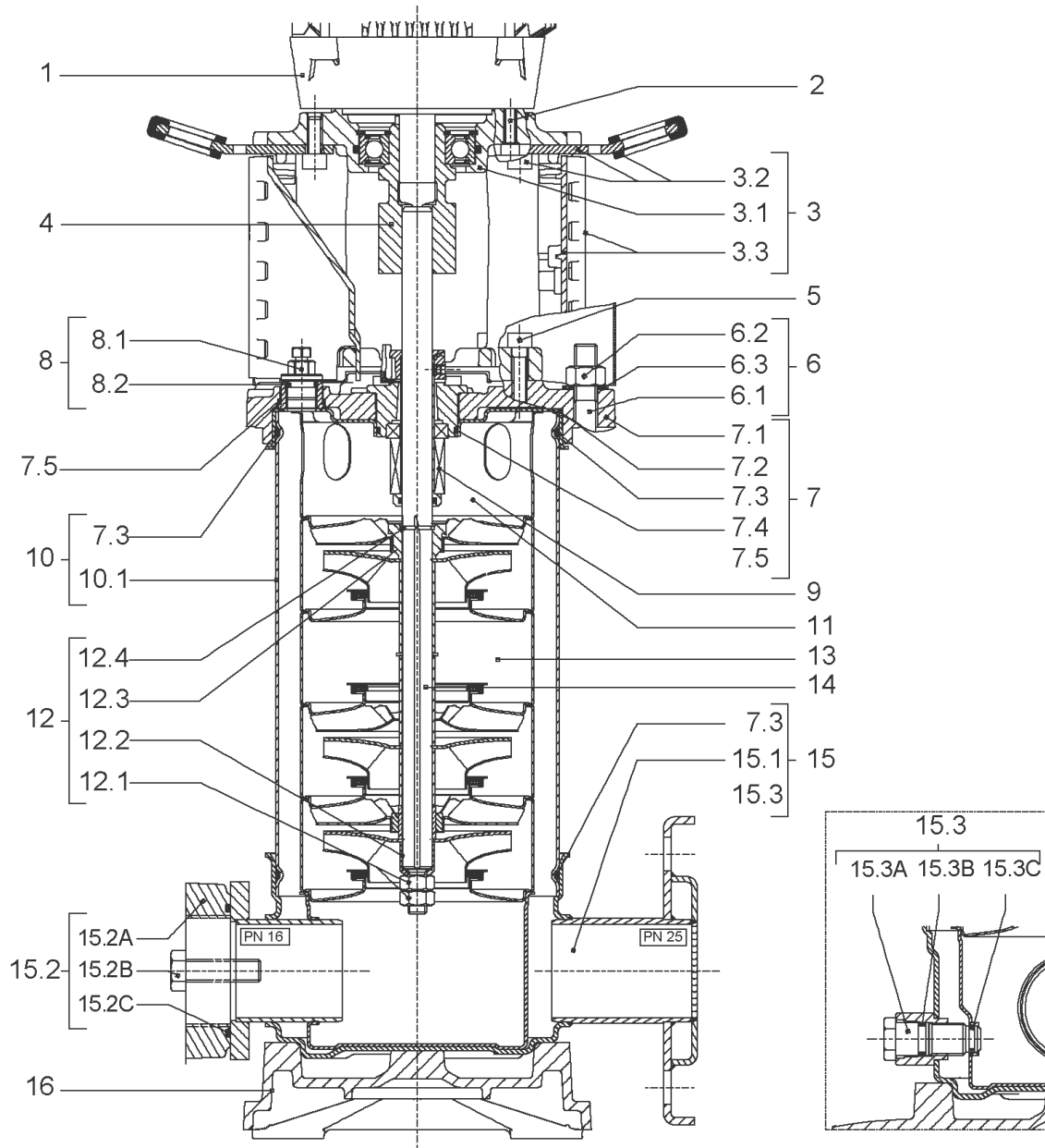
CARTRIDGE HELIX6-10-16 O/E KIT (4159696)

Item	Article no.	Description	Quantity
9.1	4159697	SEAL-KIT-HELIX6-10-16 O/E	1
7.3	4176513	> O-RING FOR PUMP JACKET VP.	1
7.4	2127603	> O-RING ID.37,6x2,4 EPDM VP.	1
9.1A	2130966	> MECH.SEAL HELIX2-4-6-10-16 O/E VP.	1
9.1B	2130967	> O-RING D.16X2,5 EPDM VP.	1
9.1C	4176519	> O-RING Ø16xØ1.25 VP.	1
9.2	2130961	SHAFT SLEEVE D.18/16X72,2 1.4404 VP.	1
9.3	2130962	RING HOLDER D.18 G606/G6 1.4301 VP.	1
9.4	4176520	SCREW CH M5x5 A4-70 (3PIECES)	1
9.5	2130963	DRIVE RING D.29/18x12,4 MACH.VP.	1
9.6	2130964	TOOL M.S.CART.HELIX VP.	1
9.7	2130965	SCREW CHC M5X12 ISO4762 A2.70(4 PIECES)	1



HYDRAULIC HELIX V 608 1.4307

Item	Article no.	Description	Quantity
13.1	4174084	STAGE HELIX 6 1.4301 KIT	1
		> MACH.STG-CASING-WOGV-WNR-M+6-304	1
		> IMPELLER-M+6-304	1
13.2	4174089	INTERMEDIATE STAGE HELIX 6 1.4301 KIT	1
		> MACH.BEARING-STG-CASING-WNR-M+6-304	1
		> IMPELLER-M+6-304	1
		> SHAFT SLEEVE-SPACER-Ø19,35x18,465-304	1
		> SHAFT-SLEEVE-D16xD20x18-CW	1
13.3	4174090	INTERMEDIATE STAGE HELIX 6 1.4301 KIT	1
		> MACH.STD-STG-CASING-WGV+NR-M+6-304	1
		> IMPELLER-M+6-304	1
		> IMPELLER SPACER Ø16,05X19,45-L36,465-304	1



HELIX VE608-1/16/E/S (4171690)

Item	Article no.	Description	Quantity
1		DRIVE HELIX-VE608IE2-WE KIT	1
Note: MOTOR BRAND WILO ELEC			
1		DRIVE HELIX-VE608-IE4-WE KIT	1
Note: MOTOR BRAND WILO ELEC			
2	4206025	SCREW M8X45 (4 PIECES)	1
3	4172789	LANTERN FT130 HELIX V10 KIT	1
3.1		> M+5_6_LANTERN_ONE-PIECE_FT130_CATA	1
3.2	2127604	> EYELET CPL.FT HELIX(2 PIECES)	1
3.3	4159692	> COUPLING PROTECTOR FT HELIX KIT	1
4	4159710	COUPLING D.16XD.28 FT130 HELIX KIT	1
5	4159707	SCREW M8X30 (4 PIECES)	1
6	2127555	STUD BOLT M12X485 KIT	1
7	4210143	STATIONARY RING HOLDER HELIX 6" EPDM	1
7.2	2127607	> STATIONARY RING HOLDER 6" HELIX 1.4301 V	1
7.3	4176513	> O-RING FOR PUMP JACKET VP.	1
7.4	2127603	> O-RING ID.37,6x2,4 EPDM VP.	1
7.5	2127602	> O-RING ID.21,35x2 EPDM VP.	1
8	4159686	FILING/PURGING PLUG HELIX EPDM KIT	1
9	4171327	SEAL-KIT-HELIX6-10-16 O/E KIT	1
10	2127578	HOUSING PIPE D.152x360 1.4307 KIT	1
7.3	4176513	> O-RING FOR PUMP JACKET VP.	1
10.1		> HOUSING-PIPE Ø152-M+1008/1606-304	1
11	4174087	CENTERING STAGE-RETURN HELIX6 1.4301VP.	1
12	4174086	SHAFTS EQUIPMENT HELIX V6 MONOBLOC KIT	1
12.1		> NUT-H-M10-A4.70	1
12.2		> SERRATED LOCK WASHER M+6M3-316L	1
12.3		> IMPELLER STOP RING L33,2-304	1
12.4		> STOP-RUSH-1/2-D16xd2-M+316	1
13		HYDRAULIC HELIX V 608 1.4307	1
14	4177829	SHAFT Ø16 X480 1.4301 VP.	1
15	4217897	PUMP HOUSING HELIX DN32 PN16 1.4301 KIT	1
7.3	4176513	> O-RING FOR PUMP JACKET VP.	1
15.1		> BLASTING PPE HOUSING V-PN16-DN32-5"-304	1
15.2	4217891	> COUNTER FLANGE-G1"1/4-PN16-GJL KIT	1

HELIX VE608-1/16/E/S (4171690)

Item	Article no.	Description	Quantity
15.3	4171321	> PRIMING/DRAIN PLUG EPDM HELIX KIT	1
16	4177964	BASEPLATE HELIX V2/4/6 PN16 VP.	1



DRIVE HELIX-VE608IE2-WE KIT

Item	Article no.	Description	Quantity
1.1		M3-T638P55V18H-100F13-SU-N28-WE-IE2 VP.	1
Note: no longer available/nicht mehr lieferbar/n'est plus disponible			
		SPARE PARTS MOTOR:ON REQUEST	1
1.2	4186331	MODULE HELIX-VE608-IE2-WE KIT	1
1.22	2054227	> MODULE COVER/GASKET TL3/4 KIT	1
1.23	4215716	> SCREW M5X16 DIN912 8.8 A2A (4pieces) VP.	1
1.24	2057978	> RONDELLE A5,3 DIN6797 FST ZN (4 PIECES)	1



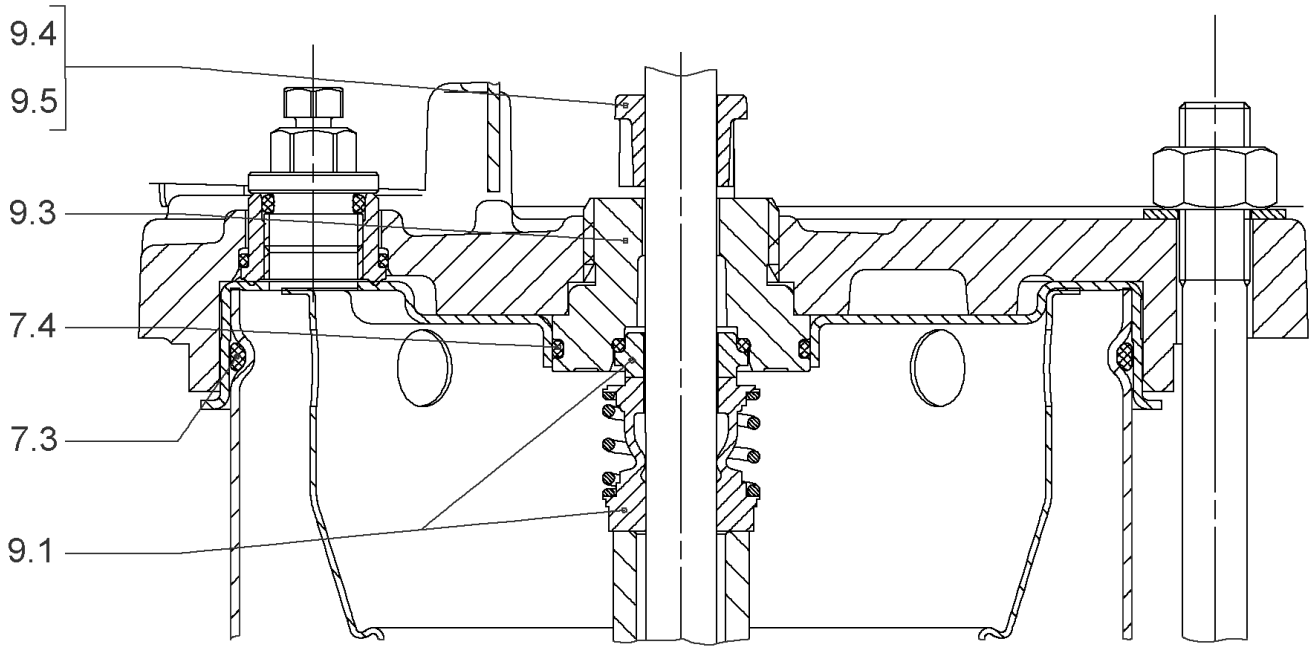
DRIVE HELIX-VE608-IE4-WE KIT

Item	Article no.	Description	Quantity
1.1	4207922	MOTOR 3/2/100 3~ 380V 60HZ IE4 WE VP.	1
		SPARE PARTS MOTOR:ON REQUEST	1
1.2	4209338	MODULE HELIX-VE608-IE4-WE KIT	1
1.22	2054227	> MODULE COVER/GASKET TL3/4 KIT	1
1.23	4215716	> SCREW M5X16 DIN912 8.8 A2A (4pieces) VP.	1
1.24	2057978	> RONDELLE A5,3 DIN6797 FST ZN (4 PIECES)	1



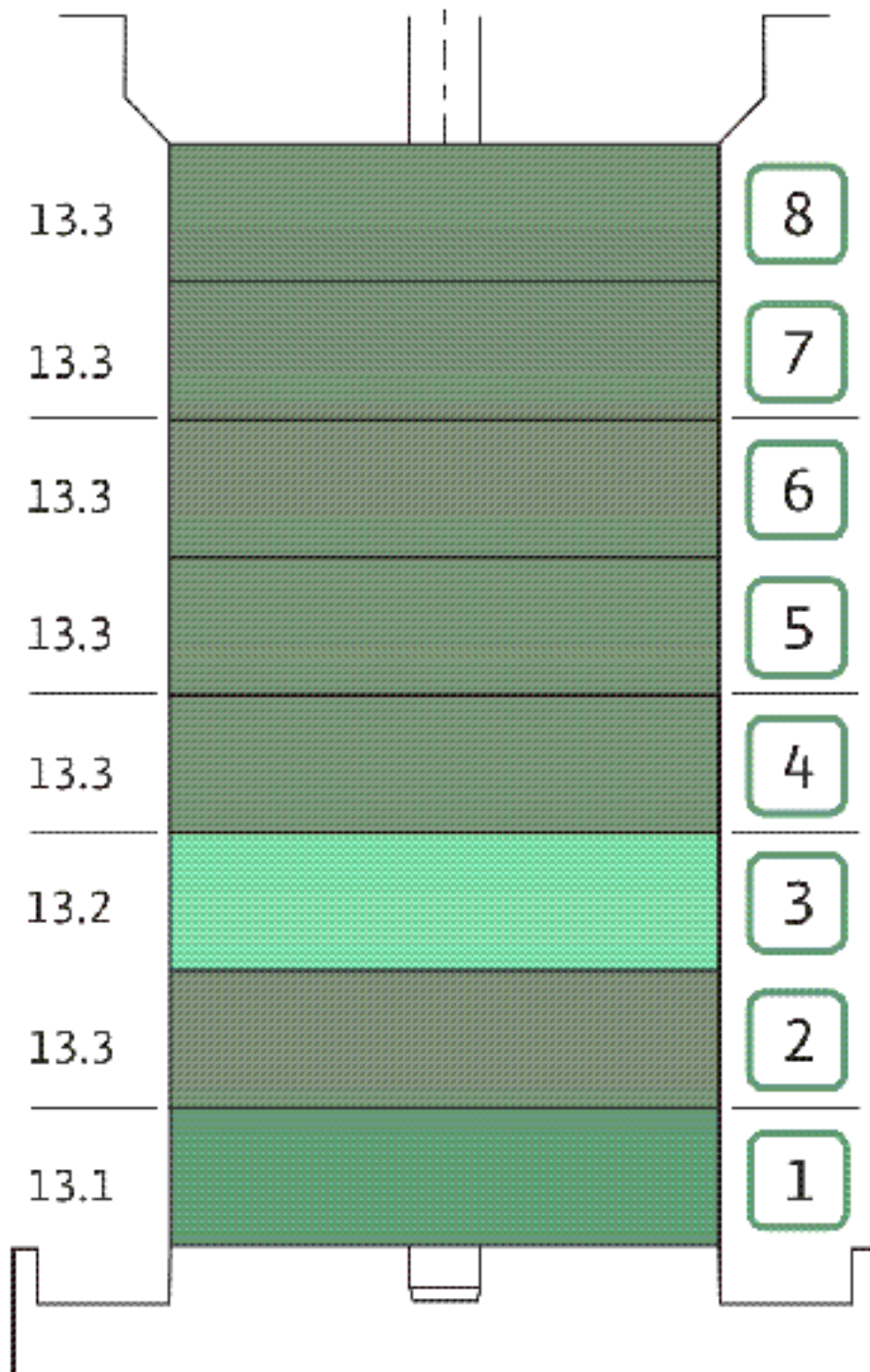
COUPLING D.16XD.28 FT130 HELIX KIT (4159710)

Item	Article no.	Description	Quantity
4.1		COUPLING M+ Ø16XØ28 FT130 MACHINED	1
4.2	2131022	BALL BEARING 6209/ZZ-C3(HT)VP.	1
4.3	4233930	CIRCLIP-FOR-BORES-D45x1,75 VP.	1
4.4	4157726	SCREW KIT M8X30 (4 PIECES)	1
4.5	4234252	CIRCLIPS 85X3 VP.	1
4.6	4234243	O-RING 85X3 VP.	1
		NOMEL CONTACT WASHER 8x16x1,4 STEEL ZC	1



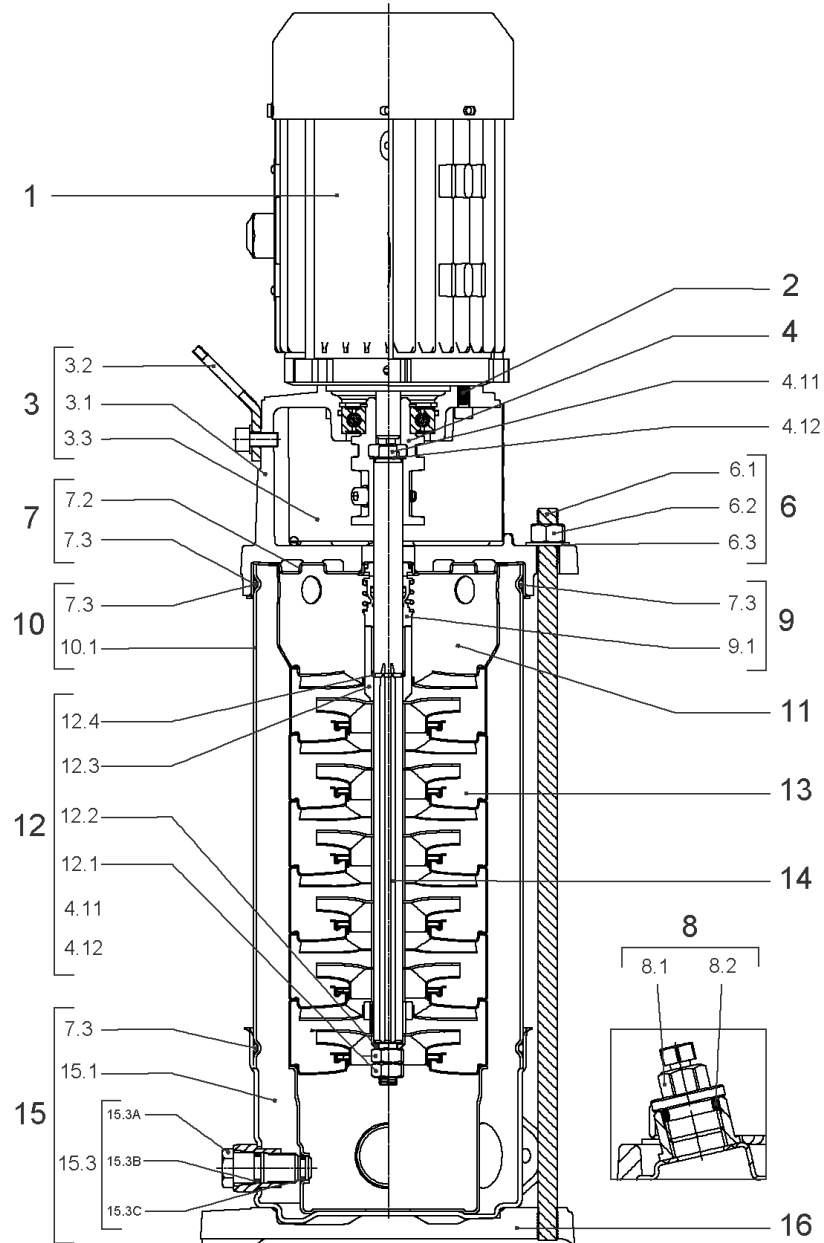
SEAL-KIT-HELIX6-10-16 O/E KIT (4171327)

Item	Article no.	Description	Quantity
7.3	4176513	O-RING FOR PUMP JACKET VP.	1
7.4	2127603	O-RING ID.37,6x2,4 EPDM VP.	1
9.1	4177801	MECH.SEAL HELIX6-10-16 O/E VP.	1
9.3	4177798	MACHINED RING HOLDER M+6" Ø16 304 VP.	1
9.5	4177799	MACHINED DRIVE RING Ø16 VP.	1
9.4	4176520	SCREW CH M5x5 A4-70 (3PIECES)	1



HYDRAULIC HELIX V 608 1.4307

Item	Article no.	Description	Quantity
13.1	4174084	STAGE HELIX 6 1.4301 KIT	1
		> MACH.STG-CASING-WOGV-WNR-M+6-304	1
		> IMPELLER-M+6-304	1
13.2	4174089	INTERMEDIATE STAGE HELIX 6 1.4301 KIT	1
		> MACH.BEARING-STG-CASING-WNR-M+6-304	1
		> IMPELLER-M+6-304	1
		> SHAFT SLEEVE-SPACER-Ø19,35x18,465-304	1
		> SHAFT-SLEEVE-D16xD20x18-CW	1
13.3	4174090	INTERMEDIATE STAGE HELIX 6 1.4301 KIT	1
		> MACH.STD-STG-CASING-WGV+NR-M+6-304	1
		> IMPELLER-M+6-304	1
		> IMPELLER SPACER Ø16,05X19,45-L36,465-304	1



HELIX VE608-1/16/E/S (4201585)

Item	Article no.	Description	Quantity
1		DRIVE HELIX-VE608-IE4-WE KIT	1
Note: MOTOR BRAND WILO ELEC			
		SPARE PARTS MOTOR:ON REQUEST	1
2	4159707	SCREW M8X30 (4 PIECES)	1
3	4214473	LANTERN FT130 HELIX KIT	1
3.1		> LANT-MOT-VMI-ReDTC6"-FT130-MACHINED+CATA	1
3.2	4184852	> EYELET CPL.FT HELIX (2 PIECES)	1
3.3	4213782	> COUPLING PROTECTOR FT115/130 HELIX KIT	1
4	4159710	COUPLING D.16XD.28 FT130 HELIX KIT	1
6	4177821	STUD BOLT M12X485 KIT	1
6.1		> TIE BOLT M12-485x18x30-1.4057	1
6.2	2094647	> NUT M12 M12 ISO4032 VP.	1
6.3	2123557	> WASHER CS-12.4-24-1.6-NFE25 (4 PIECES)	1
7	4214481	STATIONARY RING HOLDER HELIX D27 ReDTC	1
7.2	4214479	> STATIONARY RING HOLDER HELIX D27 VP.	1
7.3	4176513	> O-RING FOR PUMP JACKET VP.	1
8	4212724	FILING/PURGING PLUG HELIX ReDTC KIT	1
8.1		> FILLING PLUG MVI6"-304	1
8.2	4177800	> O-RING EPDM PLUG HELIX VP.	1
9	4214483	MECH.SEAL HELIX6-10-16 O/E ReDTC KIT	1
9.1	4177801	> MECH.SEAL HELIX6-10-16 O/E VP.	1
7.3	4176513	> O-RING FOR PUMP JACKET VP.	1
10	2127578	HOUSING PIPE D.152x360 1.4307 KIT	1
7.3	4176513	> O-RING FOR PUMP JACKET VP.	1
10.1		> HOUSING-PIPE Ø152-M+1008/1606-304	1
11	4174087	CENTERING STAGE-RETURN HELIX6 1.4301VP.	1
12	4214486	SHAFT EQUIPMENT HELIX V6 ReDTC KIT	1
12.1		> NUT-H-M10-A4.70	1
12.2		> SERRATED LOCK WASHER M+6M3-316L	1
12.3		> 1/2-SNAP-RING-6/10M3-316L	1
12.4		> STOP-RUSH-1/2-D16xd2-M+316	1
4.11		> SCREW CHC-M6X14-8.8-ISO4762-GEOMET500A	1
4.12		> WASHER D.24 L6U ZINK	1
13		HYDRAULIC HELIX V 608 1.4307	1

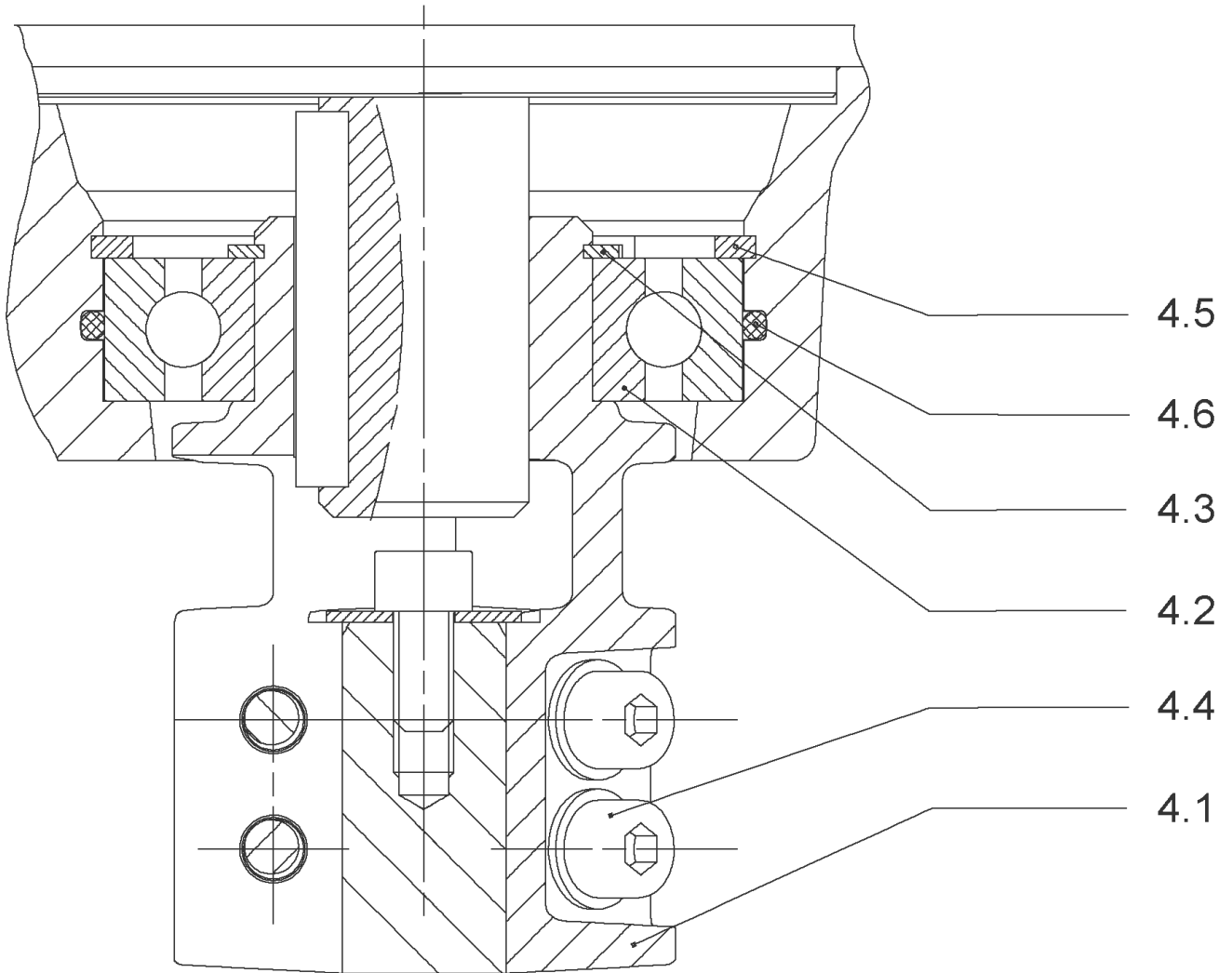
HELIX VE608-1/16/E/S (4201585)

Item	Article no.	Description	Quantity
14	4214504	SHAFT D.16X428 HELIX 1.4057 VP.	1
15	4217897	PUMP HOUSING HELIX DN32 PN16 1.4301 KIT	1
7.3	4176513	> O-RING FOR PUMP JACKET VP.	1
15.1		> BLASTING PPE HOUSING V-PN16-DN32-5"-304	1
15.2	4217891	> COUNTER FLANGE-G1"1/4-PN16-GJL KIT	1
15.3	4171321	> PRIMING/DRAIN PLUG EPDM HELIX KIT	1
16	4177964	BASEPLATE HELIX V2/4/6 PN16 VP.	1



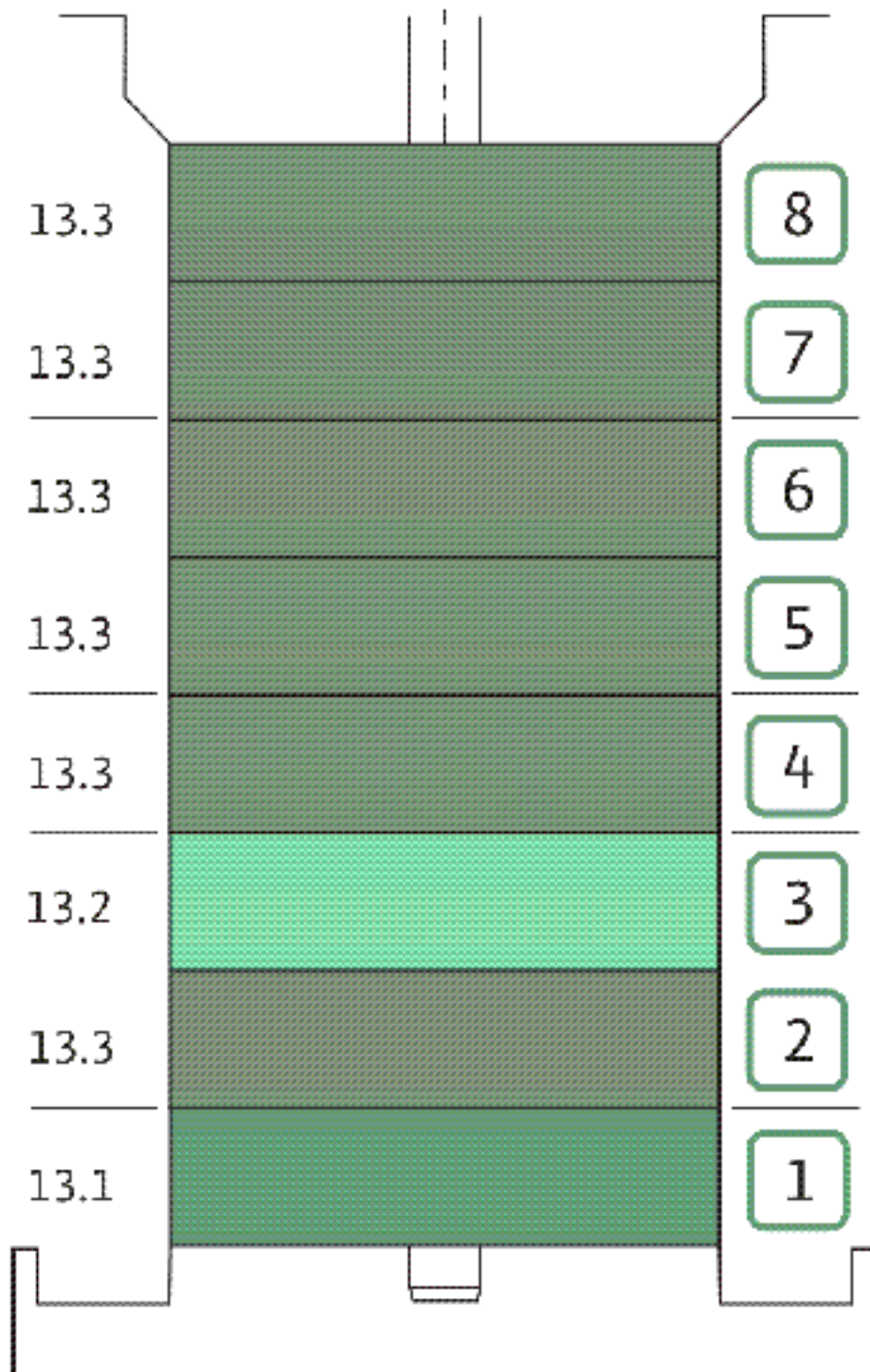
DRIVE HELIX-VE608-IE4-WE KIT

Item	Article no.	Description	Quantity
1.1	4207922	MOTOR 3/2/100 3~ 380V 60HZ IE4 WE VP.	1
		SPARE PARTS MOTOR:ON REQUEST	1
1.2	4209338	MODULE HELIX-VE608-IE4-WE KIT	1
1.22	2054227	> MODULE COVER/GASKET TL3/4 KIT	1
1.23	4215716	> SCREW M5X16 DIN912 8.8 A2A (4pieces) VP.	1
1.24	2057978	> RONDELLE A5,3 DIN6797 FST ZN (4 PIECES)	1



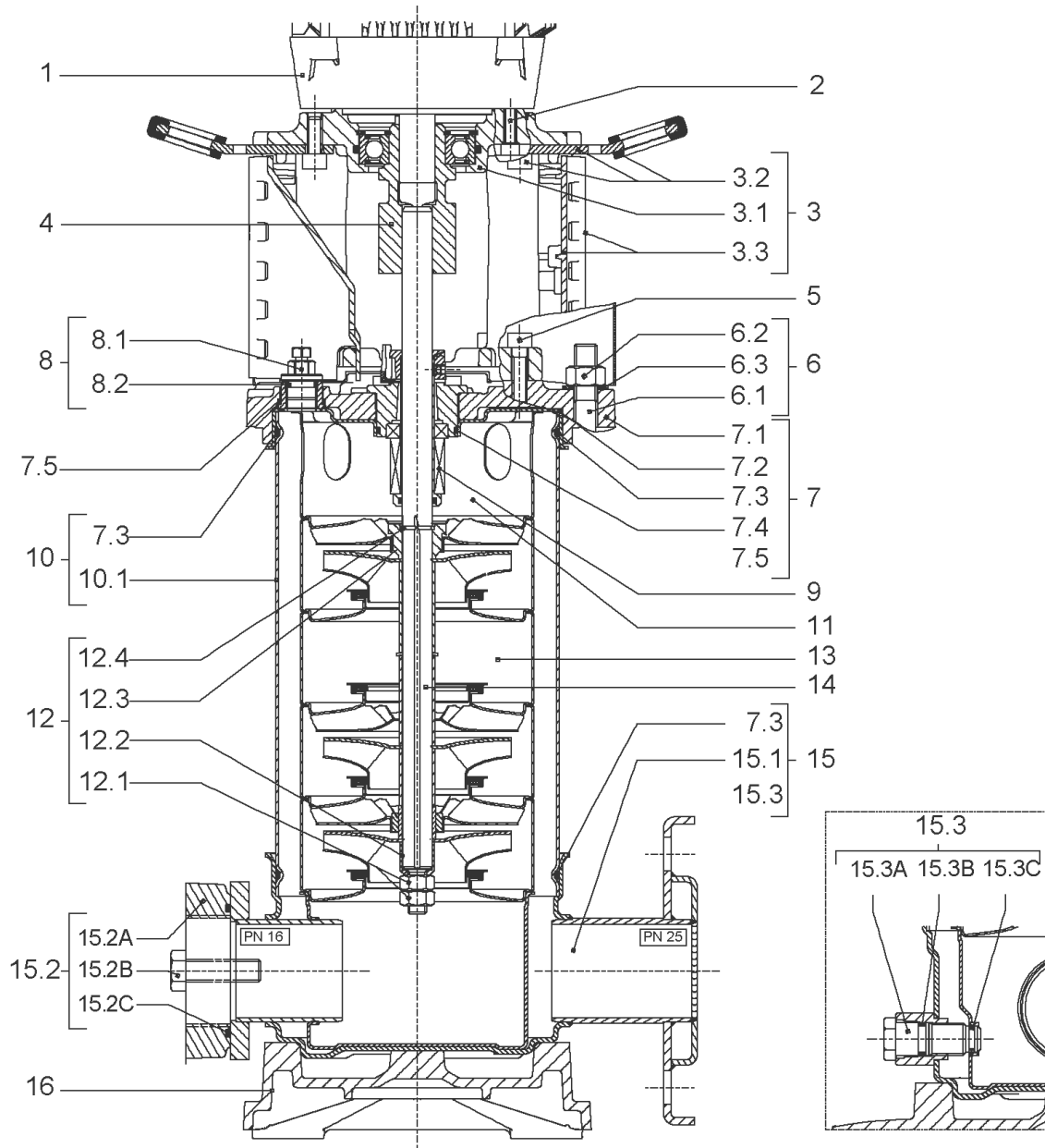
COUPLING D.16XD.28 FT130 HELIX KIT (4159710)

Item	Article no.	Description	Quantity
4.1		COUPLING M+ Ø16XØ28 FT130 MACHINED	1
4.2	2131022	BALL BEARING 6209/ZZ-C3(HT)VP.	1
4.3	4233930	CIRCLIP-FOR-BORES-D45x1,75 VP.	1
4.4	4157726	SCREW KIT M8X30 (4 PIECES)	1
4.5	4234252	CIRCLIPS 85X3 VP.	1
4.6	4234243	O-RING 85X3 VP.	1
		NOMEL CONTACT WASHER 8x16x1,4 STEEL ZC	1



HYDRAULIC HELIX V 608 1.4307

Item	Article no.	Description	Quantity
13.1	4174084	STAGE HELIX 6 1.4301 KIT	1
		> MACH.STG-CASING-WOGV-WNR-M+6-304	1
		> IMPELLER-M+6-304	1
13.2	4174089	INTERMEDIATE STAGE HELIX 6 1.4301 KIT	1
		> MACH.BEARING-STG-CASING-WNR-M+6-304	1
		> IMPELLER-M+6-304	1
		> SHAFT SLEEVE-SPACER-Ø19,35x18,465-304	1
		> SHAFT-SLEEVE-D16xD20x18-CW	1
13.3	4174090	INTERMEDIATE STAGE HELIX 6 1.4301 KIT	1
		> MACH.STD-STG-CASING-WGV+NR-M+6-304	1
		> IMPELLER-M+6-304	1
		> IMPELLER SPACER Ø16,05X19,45-L36,465-304	1

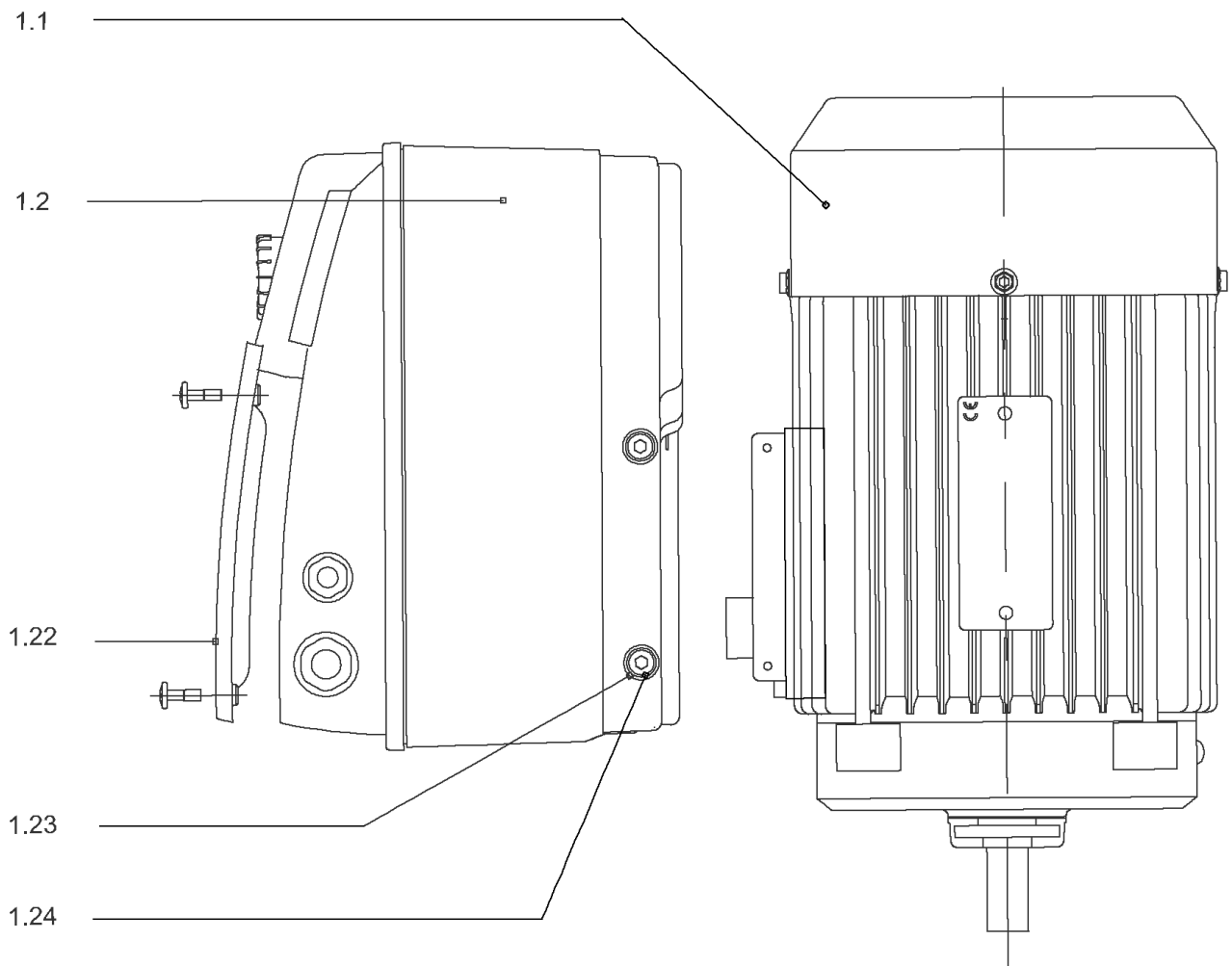


HELIX VE608-1/25/E/KS (4171700)

Item	Article no.	Description	Quantity
1		DRIVE HELIX-VE608IE2-WE KIT	1
Note: MOTOR BRAND WILO ELEC			
1		DRIVE HELIX-VE608-IE4-WE KIT	1
Note: MOTOR BRAND WILO ELEC			
2	4206025	SCREW M8X45 (4 PIECES)	1
3	4171326	LANTERN FT130 HELIX KIT	1
3.1		> LANTERN FT130 M+6" GJL MACHINING+CATA	1
3.2	2127604	> EYELET CPL.FT HELIX(2 PIECES)	1
3.3	4159692	> COUPLING PROTECTOR FT HELIX KIT	1
4	4159710	COUPLING D.16XD.28 FT130 HELIX KIT	1
5	4159707	SCREW M8X30 (4 PIECES)	1
6	2127555	STUD BOLT M12X485 KIT	1
7	4159685	END SHIELD HELIX EPDM KIT	1
7.1		> END SHIELD M+6" GJL250 MACHINING+CATA	1
7.2	2127607	> STATIONARY RING HOLDER 6" HELIX 1.4301 V	1
7.3	4176513	> O-RING FOR PUMP JACKET VP.	1
7.4	2127603	> O-RING ID.37,6x2,4 EPDM VP.	1
7.5	2127602	> O-RING ID.21,35x2 EPDM VP.	1
8	4159686	FILING/PURGING PLUG HELIX EPDM KIT	1
9	4159698	CARTRIDGE HELIX6-10-16 F/E KIT	1
10	2127578	HOUSING PIPE D.152x360 1.4307 KIT	1
7.3	4176513	> O-RING FOR PUMP JACKET VP.	1
10.1		> HOUSING-PIPE Ø152-M+1008/1606-304	1
11	4174087	CENTERING STAGE-RETURN HELIX6 1.4301VP.	1
12	4174085	SHAFTS EQUIPMENT HELIX V6 BI BLOC KIT	1
12.1		> NUT-H-M10-A4.70	1
12.2		> SERRATED LOCK WASHER M+6M3-316L	1
12.3		> STOP COLLAR OF IMPELLER L17,9-Ø16-316L	1
12.4		> STOP-RUSH-1/2-D16xd2-M+316	1
13		HYDRAULIC HELIX V 608 1.4307	1
14	4177829	SHAFT Ø16 X480 1.4301 VP.	1
15	4174081	PUMP HOUSING HELIX DN32 PN25 1.4301 KIT	1
7.3	4176513	> O-RING FOR PUMP JACKET VP.	1
15.1		> BLASTING PPE HOUSING V-PN25-DN32-5"-304	1

HELIX VE608-1/25/E/KS (4171700)

Item	Article no.	Description	Quantity
15.3	4171321	> PRIMING/DRAIN PLUG EPDM HELIX KIT	1
16	4177970	BASEPLATE HELIX V2/4/6 PN25 VP.	1



DRIVE HELIX-VE608IE2-WE KIT

Item	Article no.	Description	Quantity
1.1		M3-T638P55V18H-100F13-SU-N28-WE-IE2 VP.	1
Note: no longer available/nicht mehr lieferbar/n'est plus disponible			
		SPARE PARTS MOTOR:ON REQUEST	1
1.2	4186331	MODULE HELIX-VE608-IE2-WE KIT	1
1.22	2054227	> MODULE COVER/GASKET TL3/4 KIT	1
1.23	4215716	> SCREW M5X16 DIN912 8.8 A2A (4pieces) VP.	1
1.24	2057978	> RONDELLE A5,3 DIN6797 FST ZN (4 PIECES)	1



DRIVE HELIX-VE608-IE4-WE KIT

Item	Article no.	Description	Quantity
1.1	4207922	MOTOR 3/2/100 3~ 380V 60HZ IE4 WE VP.	1
		SPARE PARTS MOTOR:ON REQUEST	1
1.2	4209338	MODULE HELIX-VE608-IE4-WE KIT	1
1.22	2054227	> MODULE COVER/GASKET TL3/4 KIT	1
1.23	4215716	> SCREW M5X16 DIN912 8.8 A2A (4pieces) VP.	1
1.24	2057978	> RONDELLE A5,3 DIN6797 FST ZN (4 PIECES)	1



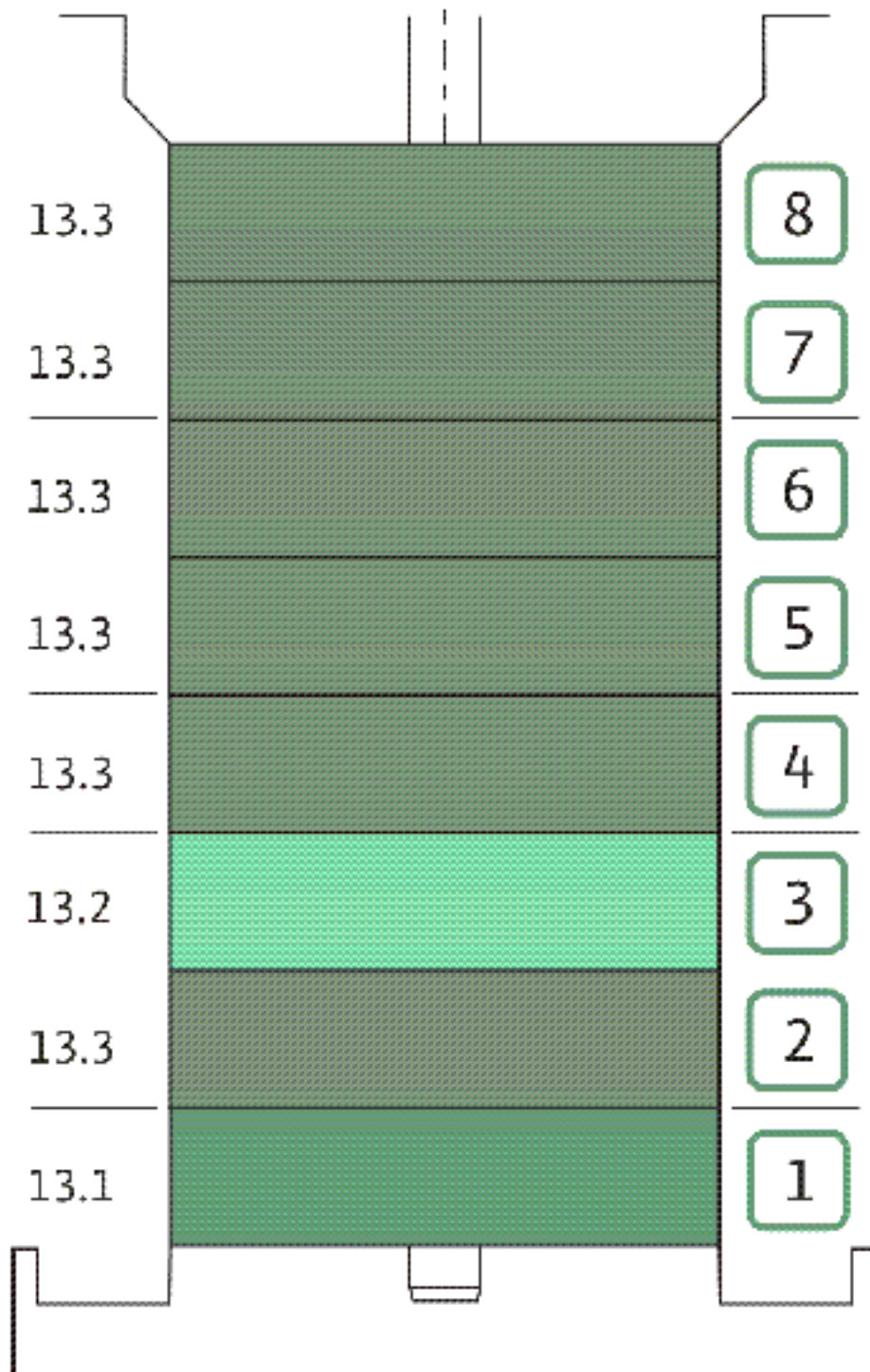
COUPLING D.16XD.28 FT130 HELIX KIT (4159710)

Item	Article no.	Description	Quantity
4.1		COUPLING M+ Ø16XØ28 FT130 MACHINED	1
4.2	2131022	BALL BEARING 6209/ZZ-C3(HT)VP.	1
4.3	4233930	CIRCLIP-FOR-BORES-D45x1,75 VP.	1
4.4	4157726	SCREW KIT M8X30 (4 PIECES)	1
4.5	4234252	CIRCLIPS 85X3 VP.	1
4.6	4234243	O-RING 85X3 VP.	1
		NOMEL CONTACT WASHER 8x16x1,4 STEEL ZC	1



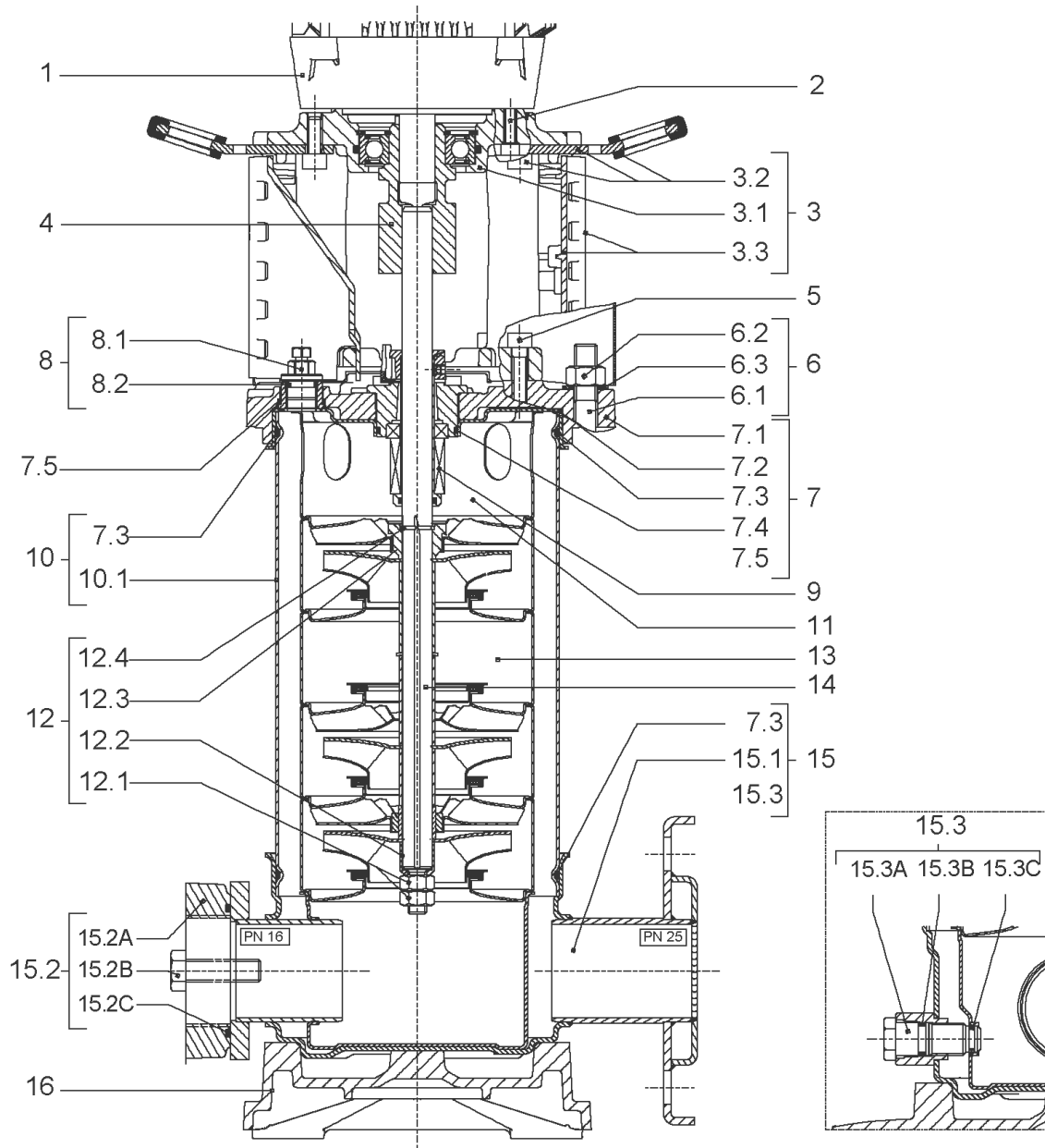
CARTRIDGE HELIX6-10-16 F/E KIT (4159698)

Item	Article no.	Description	Quantity
9.1	4159699	SEAL-KIT-HELIX6-10-16 F/E	1
7.3	4176513	> O-RING FOR PUMP JACKET VP.	1
7.4	2127603	> O-RING ID.37,6x2,4 EPDM VP.	1
9.1A	4176521	> MECH.SEAL HELIX2-4-6-10-16 F/E VP.	1
9.1B	2130967	> O-RING D.16X2,5 EPDM VP.	1
9.1C	4176519	> O-RING Ø16xØ1.25 VP.	1
9.2	2130961	SHAFT SLEEVE D.18/16X72,2 1.4404 VP.	1
9.3	2130962	RING HOLDER D.18 G606/G6 1.4301 VP.	1
9.4	4176520	SCREW CH M5x5 A4-70 (3PIECES)	1
9.5	2130963	DRIVE RING D.29/18x12,4 MACH.VP.	1
9.6	2130964	TOOL M.S.CART.HELIX VP.	1
9.7	2130965	SCREW CHC M5X12 ISO4762 A2.70(4 PIECES)	1



HYDRAULIC HELIX V 608 1.4307

Item	Article no.	Description	Quantity
13.1	4174084	STAGE HELIX 6 1.4301 KIT	1
		> MACH.STG-CASING-WOGV-WNR-M+6-304	1
		> IMPELLER-M+6-304	1
13.2	4174089	INTERMEDIATE STAGE HELIX 6 1.4301 KIT	1
		> MACH.BEARING-STG-CASING-WNR-M+6-304	1
		> IMPELLER-M+6-304	1
		> SHAFT SLEEVE-SPACER-Ø19,35x18,465-304	1
		> SHAFT-SLEEVE-D16xD20x18-CW	1
13.3	4174090	INTERMEDIATE STAGE HELIX 6 1.4301 KIT	1
		> MACH.STD-STG-CASING-WGV+NR-M+6-304	1
		> IMPELLER-M+6-304	1
		> IMPELLER SPACER Ø16,05X19,45-L36,465-304	1

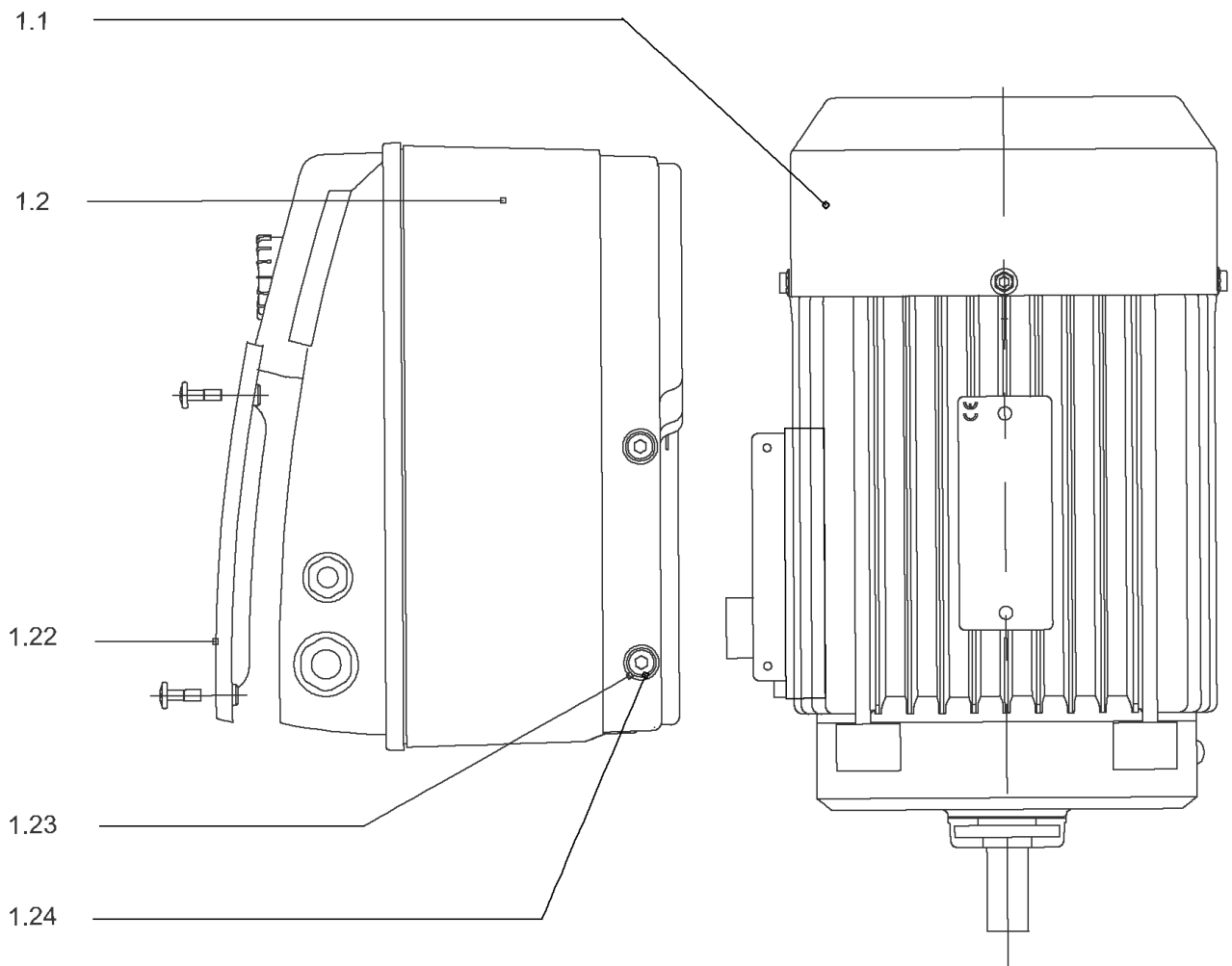


HELIX VE611-1/16/E/KS (4161428)

Item	Article no.	Description	Quantity
1		DRIVE HELIX-VE611-IE2-ATB KIT	1
Note: MOTOR BRAND ATB			
1		DRIVE HELIX-VE611IE2-WE KIT	1
Note: MOTOR BRAND WILO ELEC			
1		DRIVE HELIX-VE611-IE4-WE KIT	1
Note: MOTOR BRAND WILO ELEC			
2	4206025	SCREW M8X45 (4 PIECES)	1
3	4171326	LANTERN FT130 HELIX KIT	1
3.1		> LANTERN FT130 M+6" GJL MACHINING+CATA	1
3.2	2127604	> EYELET CPL.FT HELIX(2 PIECES)	1
3.3	4159692	> COUPLING PROTECTOR FT HELIX KIT	1
4	4159710	COUPLING D.16XD.28 FT130 HELIX KIT	1
5	4159707	SCREW M8X30 (4 PIECES)	1
6	4177842	STUD BOLT M12X638KIT	1
6.1		> TIE BOLT M12-638x18x30-1.4057	1
6.2	2094647	> NUT M12 M12 ISO4032 VP.	1
6.3	2123557	> WASHER CS-12.4-24-1.6-NFE25 (4 PIECES)	1
7	4159685	END SHIELD HELIX EPDM KIT	1
7.1		> END SHIELD M+6" GJL250 MACHINING+CATA	1
7.2	2127607	> STATIONARY RING HOLDER 6" HELIX 1.4301 V	1
7.3	4176513	> O-RING FOR PUMP JACKET VP.	1
7.4	2127603	> O-RING ID.37,6x2,4 EPDM VP.	1
7.5	2127602	> O-RING ID.21,35x2 EPDM VP.	1
8	4159686	FILING/PURGING PLUG HELIX EPDM KIT	1
9	4159696	CARTRIDGE HELIX6-10-16 O/E KIT	1
10	4177843	HOUSING PIPES D.152X510 1.4307 KIT	1
7.3	4176513	> O-RING FOR PUMP JACKET VP.	1
10.1		> HOUSING-PIPE Ø152-M+1012/1609-304	1
11	4174087	CENTERING STAGE-RETURN HELIX6 1.4301VP.	1
12	4174085	SHAFTS EQUIPMENT HELIX V6 BI BLOC KIT	1
12.1		> NUT-H-M10-A4.70	1
12.2		> SERRATED LOCK WASHER M+6M3-316L	1
12.3		> STOP COLLAR OF IMPELLER L17,9-Ø16-316L	1
12.4		> STOP-RUSH-1/2-D16xd2-M+316	1

HELIX VE611-1/16/E/KS (4161428)

Item	Article no.	Description	Quantity
13		HYDRAULIC HELIX V 611 1.4307	1
14	4177844	SHAFT D.16X630 1.4301 VP.	1
15	4217897	PUMP HOUSING HELIX DN32 PN16 1.4301 KIT	1
7.3	4176513	> O-RING FOR PUMP JACKET VP.	1
15.1		> BLASTING PPE HOUSING V-PN16-DN32-5"-304	1
15.2	4217891	> COUNTER FLANGE-G1"1/4-PN16-GJL KIT	1
15.3	4171321	> PRIMING/DRAIN PLUG EPDM HELIX KIT	1
16	4177964	BASEPLATE HELIX V2/4/6 PN16 VP.	1



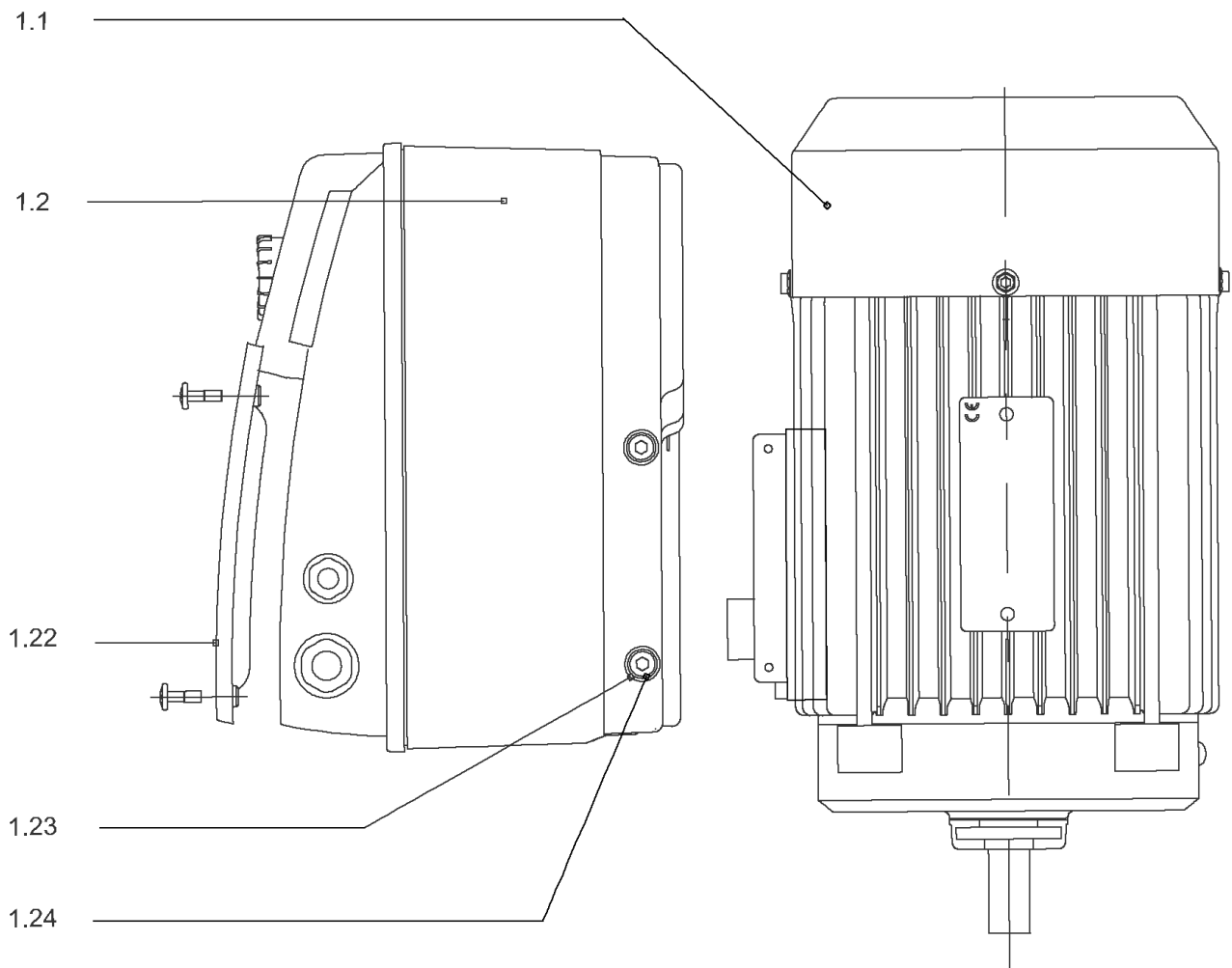
DRIVE HELIX-VE611-IE2-ATB KIT

Item	Article no.	Description	Quantity
1.1		MOTOR 4/2/112 3~ 380V 60HZ IE2 ATB VP.	1
Note: no longer available/nicht mehr lieferbar/n'est plus disponible			
		SPARE PARTS MOTOR:ON REQUEST	1
1.2	4186772	MODULE HELIX-VE611-IE2-ATB KIT	1
1.22	2054227	> MODULE COVER/GASKET TL3/4 KIT	1
1.23	4215716	> SCREW M5X16 DIN912 8.8 A2A (4pieces) VP.	1
1.24	2057978	> RONDELLE A5,3 DIN6797 FST ZN (4 PIECES)	1



DRIVE HELIX-VE611IE2-WE KIT

Item	Article no.	Description	Quantity
1.1	4188824	MO.4/2/112 3~380V 60Hz IE2 WE VP.	1
		SPARE PARTS MOTOR:ON REQUEST	1
1.2	4186332	MODULE HELIX-VE611-IE2-WE KIT	1
1.22	2054227	> MODULE COVER/GASKET TL3/4 KIT	1
1.23	4215716	> SCREW M5X16 DIN912 8.8 A2A (4pieces) VP.	1
1.24	2057978	> RONDELLE A5,3 DIN6797 FST ZN (4 PIECES)	1



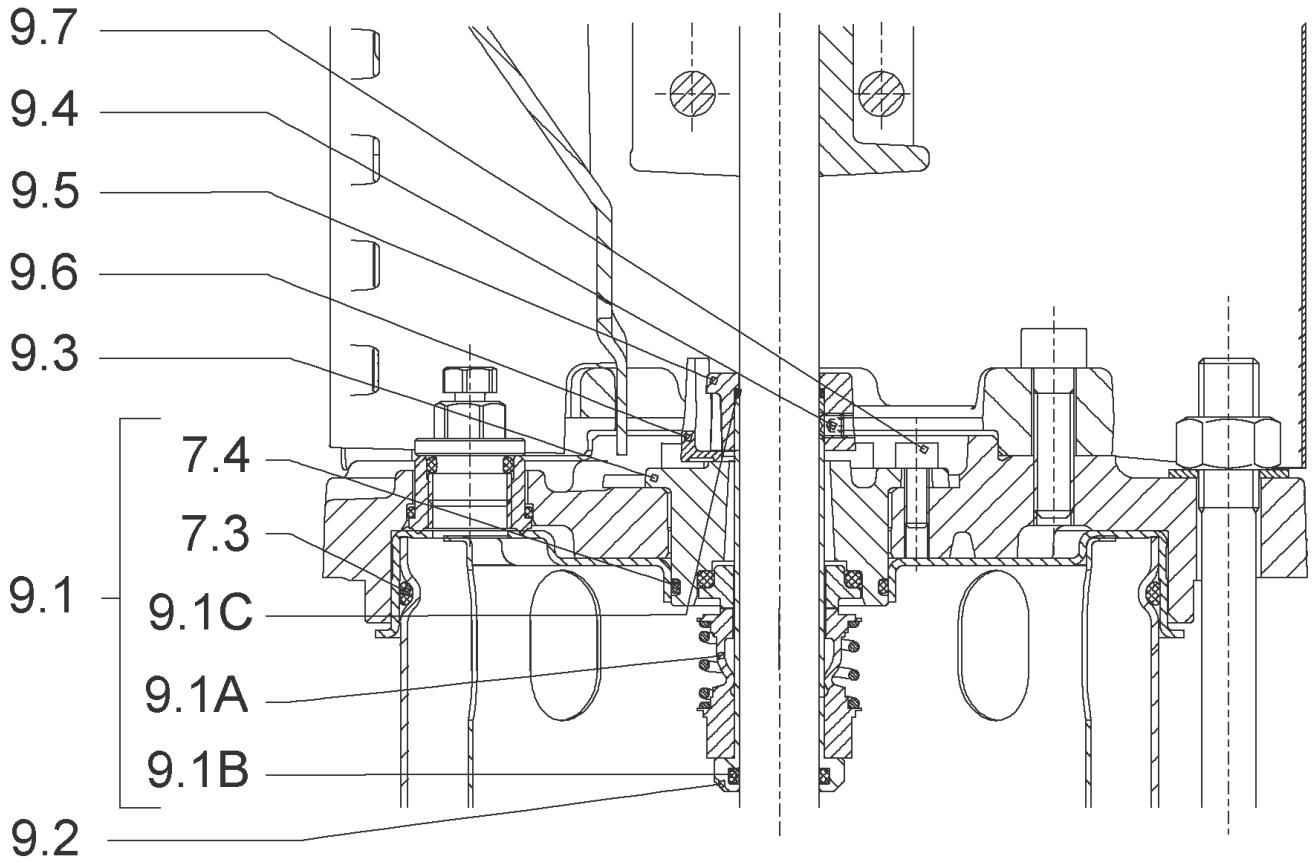
DRIVE HELIX-VE611-IE4-WE KIT

Item	Article no.	Description	Quantity
1.1	4207924	MOTOR 4/2/112 3~ 380V 60HZ IE4 WE VP.	1
		SPARE PARTS MOTOR:ON REQUEST	1
1.2	4209605	MODULE HELIX-VE611-IE4-WE KIT	1
1.22	2054227	> MODULE COVER/GASKET TL3/4 KIT	1
1.23	4215716	> SCREW M5X16 DIN912 8.8 A2A (4pieces) VP.	1
1.24	2057978	> RONDELLE A5,3 DIN6797 FST ZN (4 PIECES)	1



COUPLING D.16XD.28 FT130 HELIX KIT (4159710)

Item	Article no.	Description	Quantity
4.1		COUPLING M+ Ø16XØ28 FT130 MACHINED	1
4.2	2131022	BALL BEARING 6209/ZZ-C3(HT)VP.	1
4.3	4233930	CIRCLIP-FOR-BORES-D45x1,75 VP.	1
4.4	4157726	SCREW KIT M8X30 (4 PIECES)	1
4.5	4234252	CIRCLIPS 85X3 VP.	1
4.6	4234243	O-RING 85X3 VP.	1
		NOMEL CONTACT WASHER 8x16x1,4 STEEL ZC	1



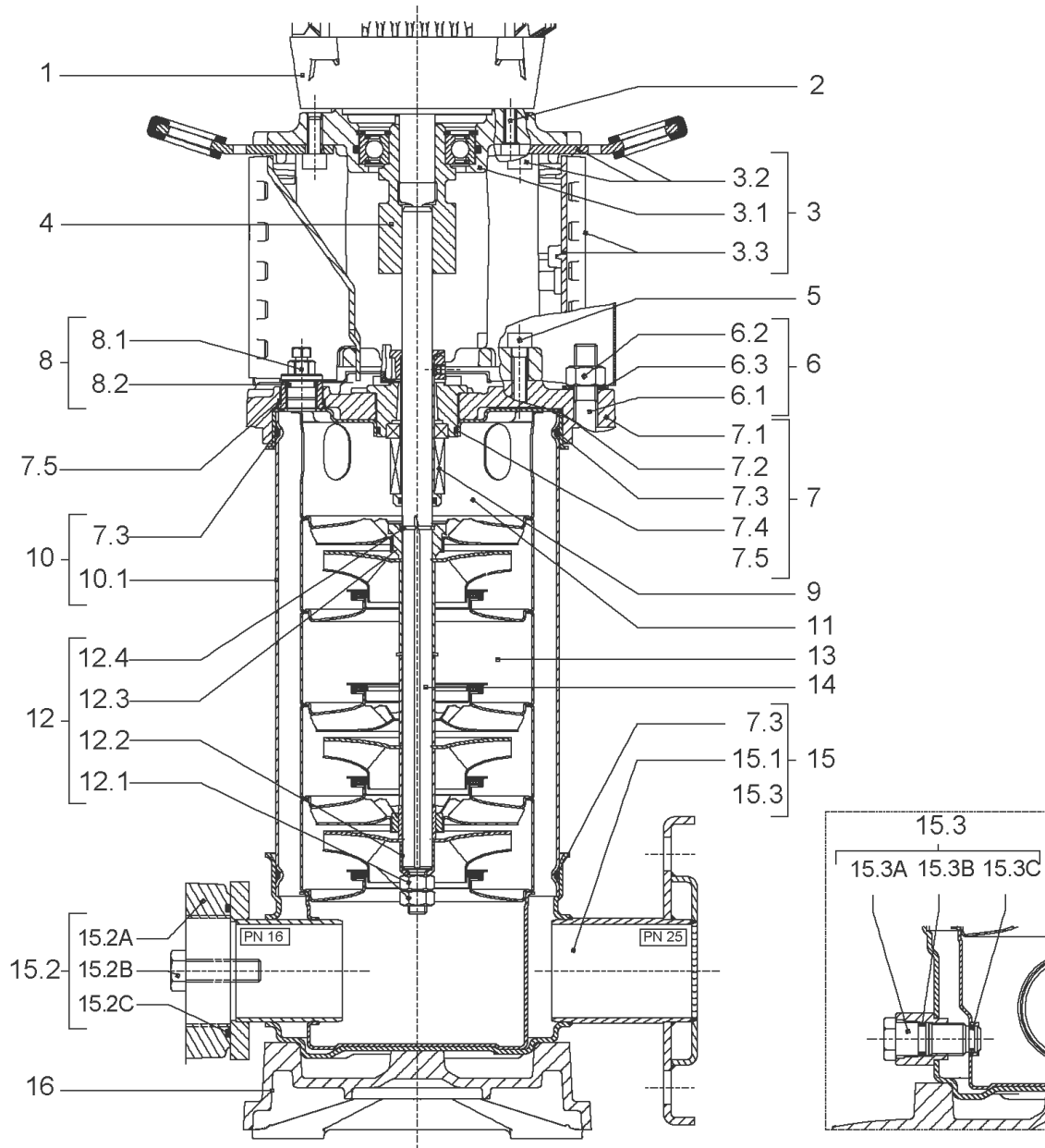
CARTRIDGE HELIX6-10-16 O/E KIT (4159696)

Item	Article no.	Description	Quantity
9.1	4159697	SEAL-KIT-HELIX6-10-16 O/E	1
7.3	4176513	> O-RING FOR PUMP JACKET VP.	1
7.4	2127603	> O-RING ID.37,6x2,4 EPDM VP.	1
9.1A	2130966	> MECH.SEAL HELIX2-4-6-10-16 O/E VP.	1
9.1B	2130967	> O-RING D.16X2,5 EPDM VP.	1
9.1C	4176519	> O-RING Ø16xØ1.25 VP.	1
9.2	2130961	SHAFT SLEEVE D.18/16X72,2 1.4404 VP.	1
9.3	2130962	RING HOLDER D.18 G606/G6 1.4301 VP.	1
9.4	4176520	SCREW CH M5x5 A4-70 (3PIECES)	1
9.5	2130963	DRIVE RING D.29/18x12,4 MACH.VP.	1
9.6	2130964	TOOL M.S.CART.HELIX VP.	1
9.7	2130965	SCREW CHC M5X12 ISO4762 A2.70(4 PIECES)	1



HYDRAULIC HELIX V 611 1.4307

Item	Article no.	Description	Quantity
13.1	4174084	STAGE HELIX 6 1.4301 KIT	1
		> MACH.STG-CASING-WOGV-WNR-M+6-304	1
		> IMPELLER-M+6-304	1
13.2	4174089	INTERMEDIATE STAGE HELIX 6 1.4301 KIT	1
		> MACH.BEARING-STG-CASING-WNR-M+6-304	1
		> IMPELLER-M+6-304	1
		> SHAFT SLEEVE-SPACER-Ø19,35x18,465-304	1
		> SHAFT-SLEEVE-D16xD20x18-CW	1
13.3	4174090	INTERMEDIATE STAGE HELIX 6 1.4301 KIT	1
		> MACH.STD-STG-CASING-WGV+NR-M+6-304	1
		> IMPELLER-M+6-304	1
		> IMPELLER SPACER Ø16,05X19,45-L36,465-304	1
13.4	4174092	EMPTY STAGE HELIX6 1.4301KIT	1
		> MACH.STD-STG-CASING-WGV+NR-M+6-304	1
		> FLAT WASHER-D16.1XD22X1.2-316L	1
		> IMPELLER SPACER Ø16,05X19,45-L36,465-304	1
13.5	4174091	STAGE HELIX 6 1.4301 KIT	1
		> MACH.STG-CASING-WOGV-WNR-M+6-304	1
		> IMPELLER-M+6-304	1
		> IMPELLER SPACER Ø16,05X19,45-L36,465-304	1



HELIX VE611-1/16/E/S (4164635)

Item	Article no.	Description	Quantity
1		DRIVE HELIX-VE611-IE2-ATB KIT	1
Note: MOTOR BRAND ATB			
1		DRIVE HELIX-VE611IE2-WE KIT	1
Note: MOTOR BRAND WILO ELEC			
1		DRIVE HELIX-VE611-IE4-WE KIT	1
Note: MOTOR BRAND WILO ELEC			
2	4206025	SCREW M8X45 (4 PIECES)	1
3	4172789	LANTERN FT130 HELIX V10 KIT	1
3.1		> M+5_6_LANTERN_ONE-PIECE_FT130_CATA	1
3.2	2127604	> EYELET CPL.FT HELIX(2 PIECES)	1
3.3	4159692	> COUPLING PROTECTOR FT HELIX KIT	1
4	4159710	COUPLING D.16XD.28 FT130 HELIX KIT	1
5	4159707	SCREW M8X30 (4 PIECES)	1
6	4177842	STUD BOLT M12X638KIT	1
6.1		> TIE BOLT M12-638x18x30-1.4057	1
6.2	2094647	> NUT M12 M12 ISO4032 VP.	1
6.3	2123557	> WASHER CS-12.4-24-1.6-NFE25 (4 PIECES)	1
7	4210143	STATIONARY RING HOLDER HELIX 6" EPDM	1
7.2	2127607	> STATIONARY RING HOLDER 6" HELIX 1.4301 V	1
7.3	4176513	> O-RING FOR PUMP JACKET VP.	1
7.4	2127603	> O-RING ID.37,6x2,4 EPDM VP.	1
7.5	2127602	> O-RING ID.21,35x2 EPDM VP.	1
8	4159686	FILING/PURGING PLUG HELIX EPDM KIT	1
9	4171327	SEAL-KIT-HELIX6-10-16 O/E KIT	1
10	4177843	HOUSING PIPES D.152X510 1.4307 KIT	1
7.3	4176513	> O-RING FOR PUMP JACKET VP.	1
10.1		> HOUSING-PIPE Ø152-M+1012/1609-304	1
11	4174087	CENTERING STAGE-RETURN HELIX6 1.4301VP.	1
12	4174086	SHAFTS EQUIPMENT HELIX V6 MONOBLOC KIT	1
12.1		> NUT-H-M10-A4.70	1
12.2		> SERRATED LOCK WASHER M+6M3-316L	1
12.3		> IMPELLER STOP RING L33,2-304	1
12.4		> STOP-RUSH-1/2-D16xd2-M+316	1
13		HYDRAULIC HELIX V 611 1.4307	1

HELIX VE611-1/16/E/S (4164635)

Item	Article no.	Description	Quantity
14	4177844	SHAFT D.16X630 1.4301 VP.	1
15	4217897	PUMP HOUSING HELIX DN32 PN16 1.4301 KIT	1
7.3	4176513	> O-RING FOR PUMP JACKET VP.	1
15.1		> BLASTING PPE HOUSING V-PN16-DN32-5"-304	1
15.2	4217891	> COUNTER FLANGE-G1"1/4-PN16-GJL KIT	1
15.3	4171321	> PRIMING/DRAIN PLUG EPDM HELIX KIT	1
16	4177964	BASEPLATE HELIX V2/4/6 PN16 VP.	1



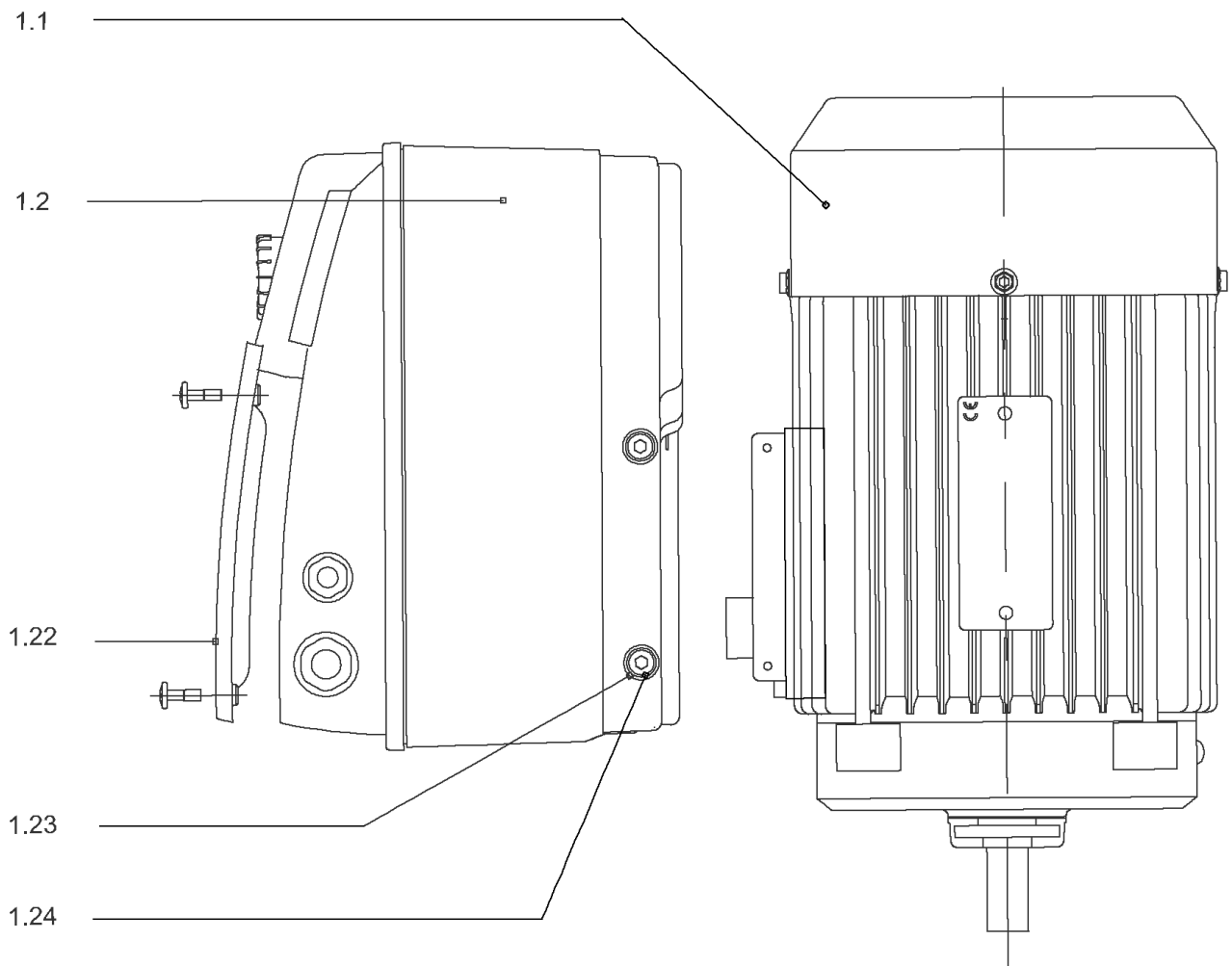
DRIVE HELIX-VE611-IE2-ATB KIT

Item	Article no.	Description	Quantity
1.1		MOTOR 4/2/112 3~ 380V 60HZ IE2 ATB VP.	1
Note: no longer available/nicht mehr lieferbar/n'est plus disponible			
		SPARE PARTS MOTOR:ON REQUEST	1
1.2	4186772	MODULE HELIX-VE611-IE2-ATB KIT	1
1.22	2054227	> MODULE COVER/GASKET TL3/4 KIT	1
1.23	4215716	> SCREW M5X16 DIN912 8.8 A2A (4pieces) VP.	1
1.24	2057978	> RONDELLE A5,3 DIN6797 FST ZN (4 PIECES)	1



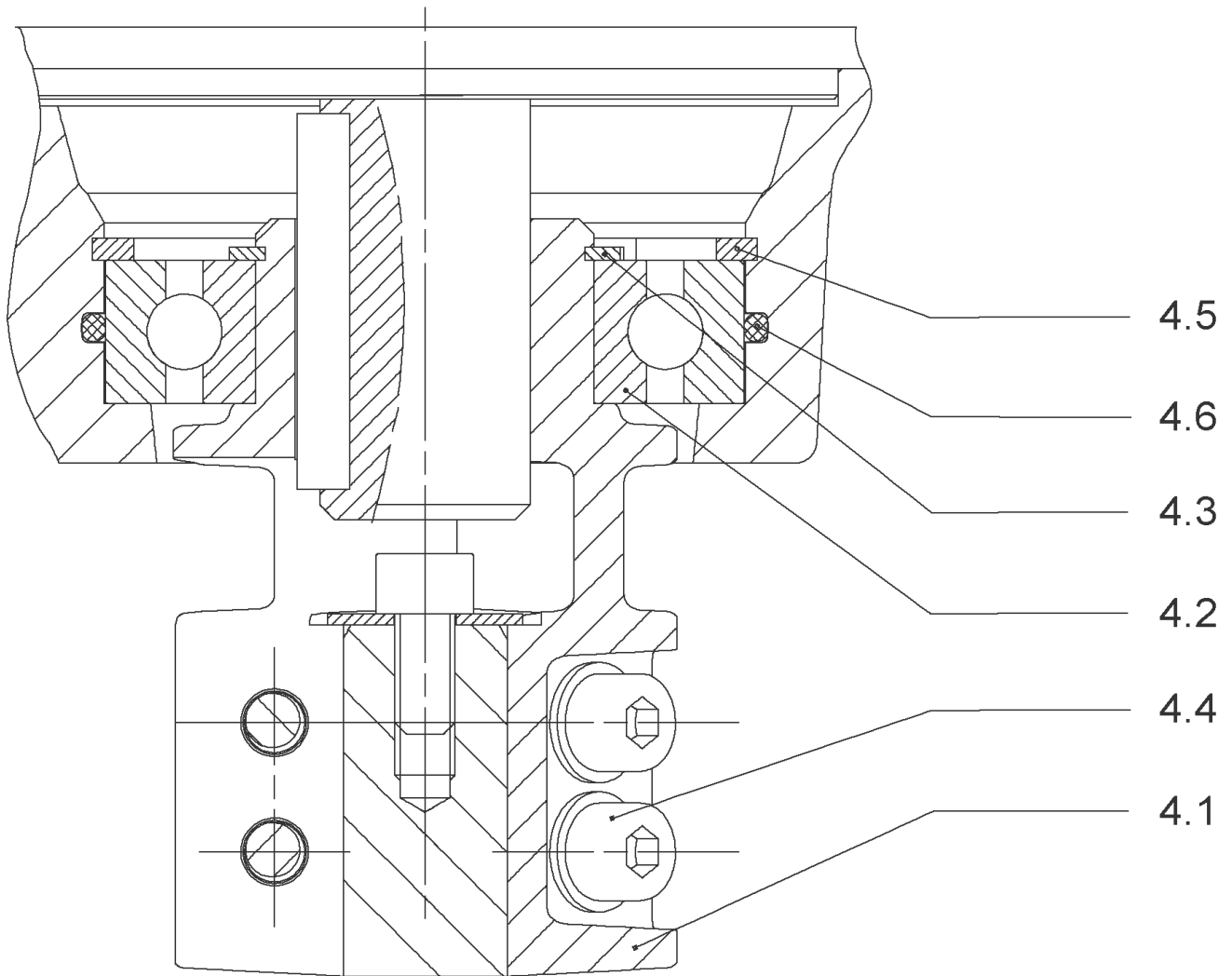
DRIVE HELIX-VE611IE2-WE KIT

Item	Article no.	Description	Quantity
1.1	4188824	MO.4/2/112 3~380V 60Hz IE2 WE VP.	1
		SPARE PARTS MOTOR:ON REQUEST	1
1.2	4186332	MODULE HELIX-VE611-IE2-WE KIT	1
1.22	2054227	> MODULE COVER/GASKET TL3/4 KIT	1
1.23	4215716	> SCREW M5X16 DIN912 8.8 A2A (4pieces) VP.	1
1.24	2057978	> RONDELLE A5,3 DIN6797 FST ZN (4 PIECES)	1



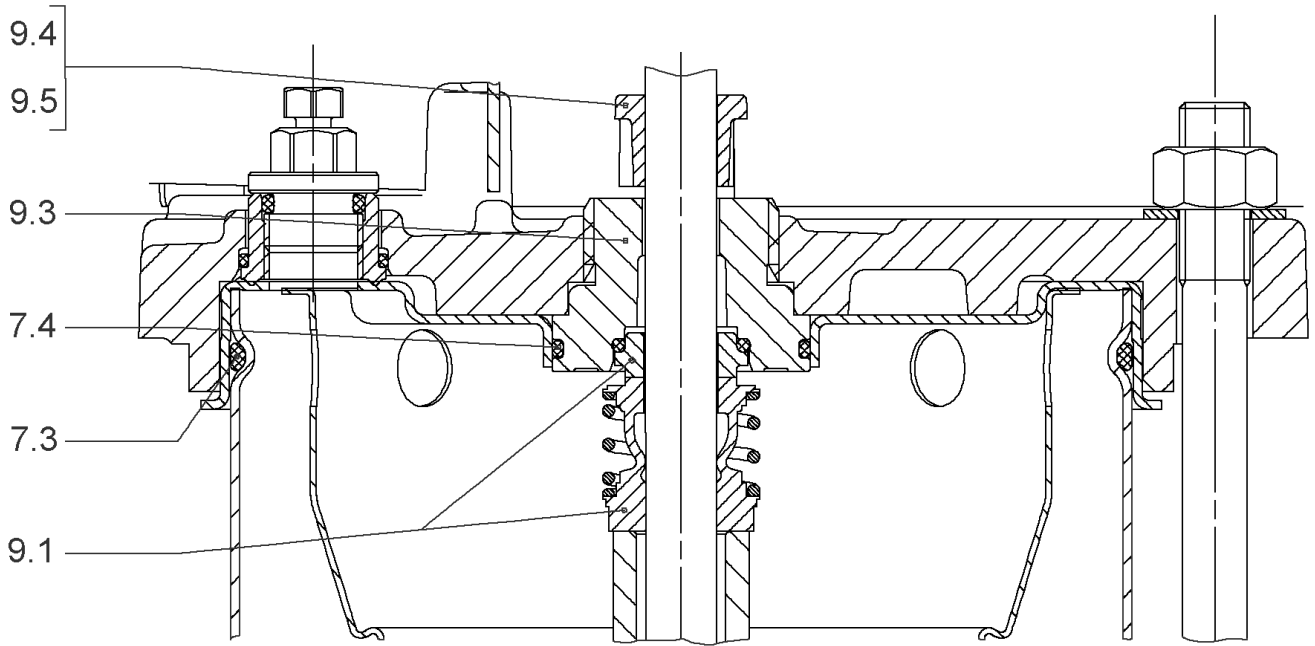
DRIVE HELIX-VE611-IE4-WE KIT

Item	Article no.	Description	Quantity
1.1	4207924	MOTOR 4/2/112 3~ 380V 60HZ IE4 WE VP.	1
		SPARE PARTS MOTOR:ON REQUEST	1
1.2	4209605	MODULE HELIX-VE611-IE4-WE KIT	1
1.22	2054227	> MODULE COVER/GASKET TL3/4 KIT	1
1.23	4215716	> SCREW M5X16 DIN912 8.8 A2A (4pieces) VP.	1
1.24	2057978	> RONDELLE A5,3 DIN6797 FST ZN (4 PIECES)	1



COUPLING D.16XD.28 FT130 HELIX KIT (4159710)

Item	Article no.	Description	Quantity
4.1		COUPLING M+ Ø16XØ28 FT130 MACHINED	1
4.2	2131022	BALL BEARING 6209/ZZ-C3(HT)VP.	1
4.3	4233930	CIRCLIP-FOR-BORES-D45x1,75 VP.	1
4.4	4157726	SCREW KIT M8X30 (4 PIECES)	1
4.5	4234252	CIRCLIPS 85X3 VP.	1
4.6	4234243	O-RING 85X3 VP.	1
		NOMEL CONTACT WASHER 8x16x1,4 STEEL ZC	1



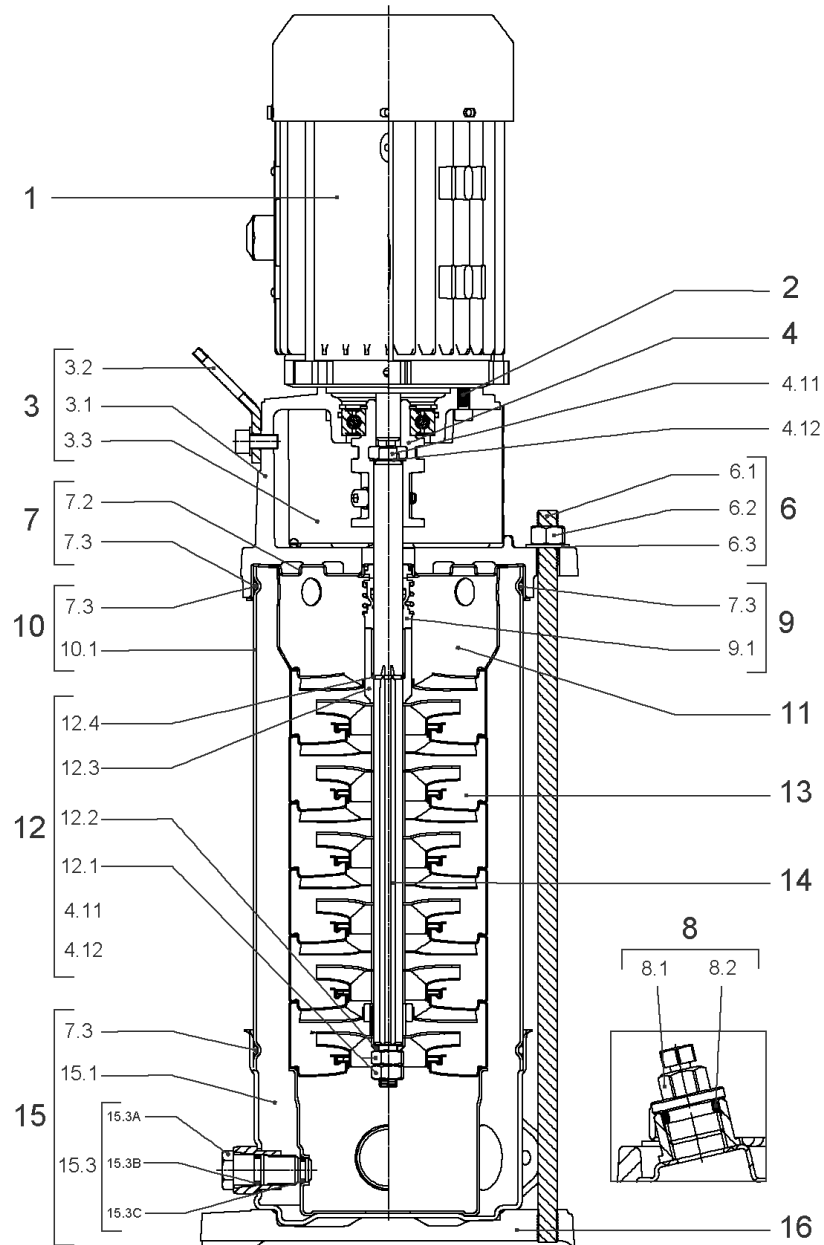
SEAL-KIT-HELIX6-10-16 O/E KIT (4171327)

Item	Article no.	Description	Quantity
7.3	4176513	O-RING FOR PUMP JACKET VP.	1
7.4	2127603	O-RING ID.37,6x2,4 EPDM VP.	1
9.1	4177801	MECH.SEAL HELIX6-10-16 O/E VP.	1
9.3	4177798	MACHINED RING HOLDER M+6" Ø16 304 VP.	1
9.5	4177799	MACHINED DRIVE RING Ø16 VP.	1
9.4	4176520	SCREW CH M5x5 A4-70 (3PIECES)	1



HYDRAULIC HELIX V 611 1.4307

Item	Article no.	Description	Quantity
13.1	4174084	STAGE HELIX 6 1.4301 KIT	1
		> MACH.STG-CASING-WOGV-WNR-M+6-304	1
		> IMPELLER-M+6-304	1
13.2	4174089	INTERMEDIATE STAGE HELIX 6 1.4301 KIT	1
		> MACH.BEARING-STG-CASING-WNR-M+6-304	1
		> IMPELLER-M+6-304	1
		> SHAFT SLEEVE-SPACER-Ø19,35x18,465-304	1
		> SHAFT-SLEEVE-D16xD20x18-CW	1
13.3	4174090	INTERMEDIATE STAGE HELIX 6 1.4301 KIT	1
		> MACH.STD-STG-CASING-WGV+NR-M+6-304	1
		> IMPELLER-M+6-304	1
		> IMPELLER SPACER Ø16,05X19,45-L36,465-304	1
13.4	4174092	EMPTY STAGE HELIX6 1.4301KIT	1
		> MACH.STD-STG-CASING-WGV+NR-M+6-304	1
		> FLAT WASHER-D16.1XD22X1.2-316L	1
		> IMPELLER SPACER Ø16,05X19,45-L36,465-304	1
13.5	4174091	STAGE HELIX 6 1.4301 KIT	1
		> MACH.STG-CASING-WOGV-WNR-M+6-304	1
		> IMPELLER-M+6-304	1
		> IMPELLER SPACER Ø16,05X19,45-L36,465-304	1

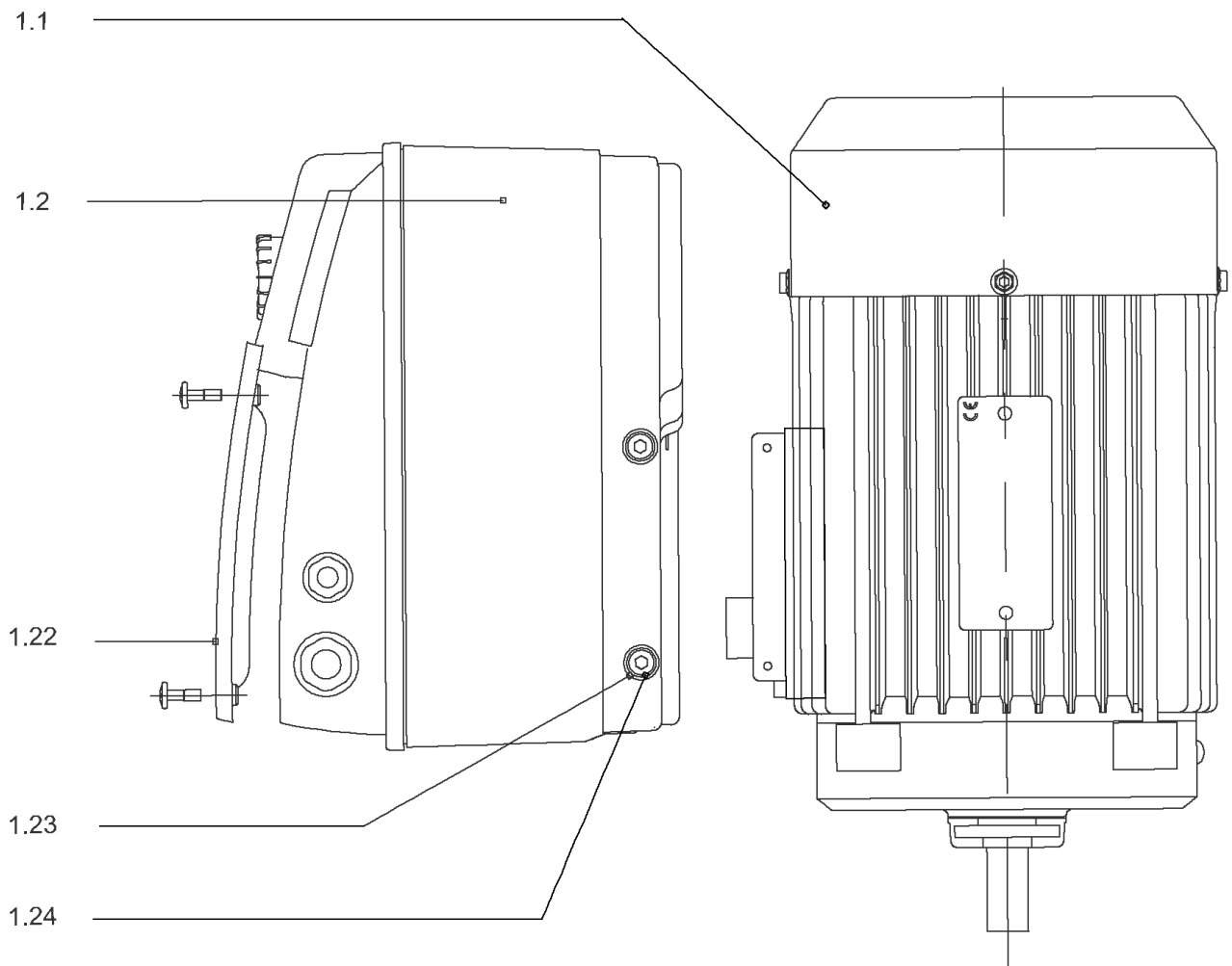


HELIX VE611-1/16/E/S (4201587)

Item	Article no.	Description	Quantity
1		DRIVE HELIX-VE611-IE4-WE KIT	1
Note: MOTOR BRAND WILO ELEC			
		SPARE PARTS MOTOR:ON REQUEST	1
2	4159707	SCREW M8X30 (4 PIECES)	1
3	4214473	LANTERN FT130 HELIX KIT	1
3.1		> LANT-MOT-VMI-ReDTC6"-FT130-MACHINED+CATA	1
3.2	4184852	> EYELET CPL.FT HELIX (2 PIECES)	1
3.3	4213782	> COUPLING PROTECTOR FT115/130 HELIX KIT	1
4	4159710	COUPLING D.16XD.28 FT130 HELIX KIT	1
6	4177842	STUD BOLT M12X638KIT	1
6.1		> TIE BOLT M12-638x18x30-1.4057	1
6.2	2094647	> NUT M12 M12 ISO4032 VP.	1
6.3	2123557	> WASHER CS-12.4-24-1.6-NFE25 (4 PIECES)	1
7	4214481	STATIONARY RING HOLDER HELIX D27 ReDTC	1
7.2	4214479	> STATIONARY RING HOLDER HELIX D27 VP.	1
7.3	4176513	> O-RING FOR PUMP JACKET VP.	1
8	4212724	FILING/PURGING PLUG HELIX ReDTC KIT	1
8.1		> FILLING PLUG MVI6"-304	1
8.2	4177800	> O-RING EPDM PLUG HELIX VP.	1
9	4214483	MECH.SEAL HELIX6-10-16 O/E ReDTC KIT	1
9.1	4177801	> MECH.SEAL HELIX6-10-16 O/E VP.	1
7.3	4176513	> O-RING FOR PUMP JACKET VP.	1
10	4177843	HOUSING PIPES D.152X510 1.4307 KIT	1
7.3	4176513	> O-RING FOR PUMP JACKET VP.	1
10.1		> HOUSING-PIPE Ø152-M+1012/1609-304	1
11	4174087	CENTERING STAGE-RETURN HELIX6 1.4301VP.	1
12	4214486	SHAFT EQUIPMENT HELIX V6 ReDTC KIT	1
12.1		> NUT-H-M10-A4.70	1
12.2		> SERRATED LOCK WASHER M+6M3-316L	1
12.3		> 1/2-SNAP-RING-6/10M3-316L	1
12.4		> STOP-RUSH-1/2-D16xd2-M+316	1
4.11		> SCREW CHC-M6X14-8.8-ISO4762-GEOMET500A	1
4.12		> WASHER D.24 L6U ZINK	1
13		HYDRAULIC HELIX V 611 1.4307	1

HELIX VE611-1/16/E/S (4201587)

Item	Article no.	Description	Quantity
14	4214510	SHAFT D.16X578 HELIX 1.4057 VP.	1
15	4217897	PUMP HOUSING HELIX DN32 PN16 1.4301 KIT	1
7.3	4176513	> O-RING FOR PUMP JACKET VP.	1
15.1		> BLASTING PPE HOUSING V-PN16-DN32-5"-304	1
15.2	4217891	> COUNTER FLANGE-G1"1/4-PN16-GJL KIT	1
15.3	4171321	> PRIMING/DRAIN PLUG EPDM HELIX KIT	1
16	4177964	BASEPLATE HELIX V2/4/6 PN16 VP.	1



DRIVE HELIX-VE611-IE4-WE KIT

Item	Article no.	Description	Quantity
1.1	4207924	MOTOR 4/2/112 3~ 380V 60HZ IE4 WE VP.	1
		SPARE PARTS MOTOR:ON REQUEST	1
1.2	4209605	MODULE HELIX-VE611-IE4-WE KIT	1
1.22	2054227	> MODULE COVER/GASKET TL3/4 KIT	1
1.23	4215716	> SCREW M5X16 DIN912 8.8 A2A (4pieces) VP.	1
1.24	2057978	> RONDELLE A5,3 DIN6797 FST ZN (4 PIECES)	1



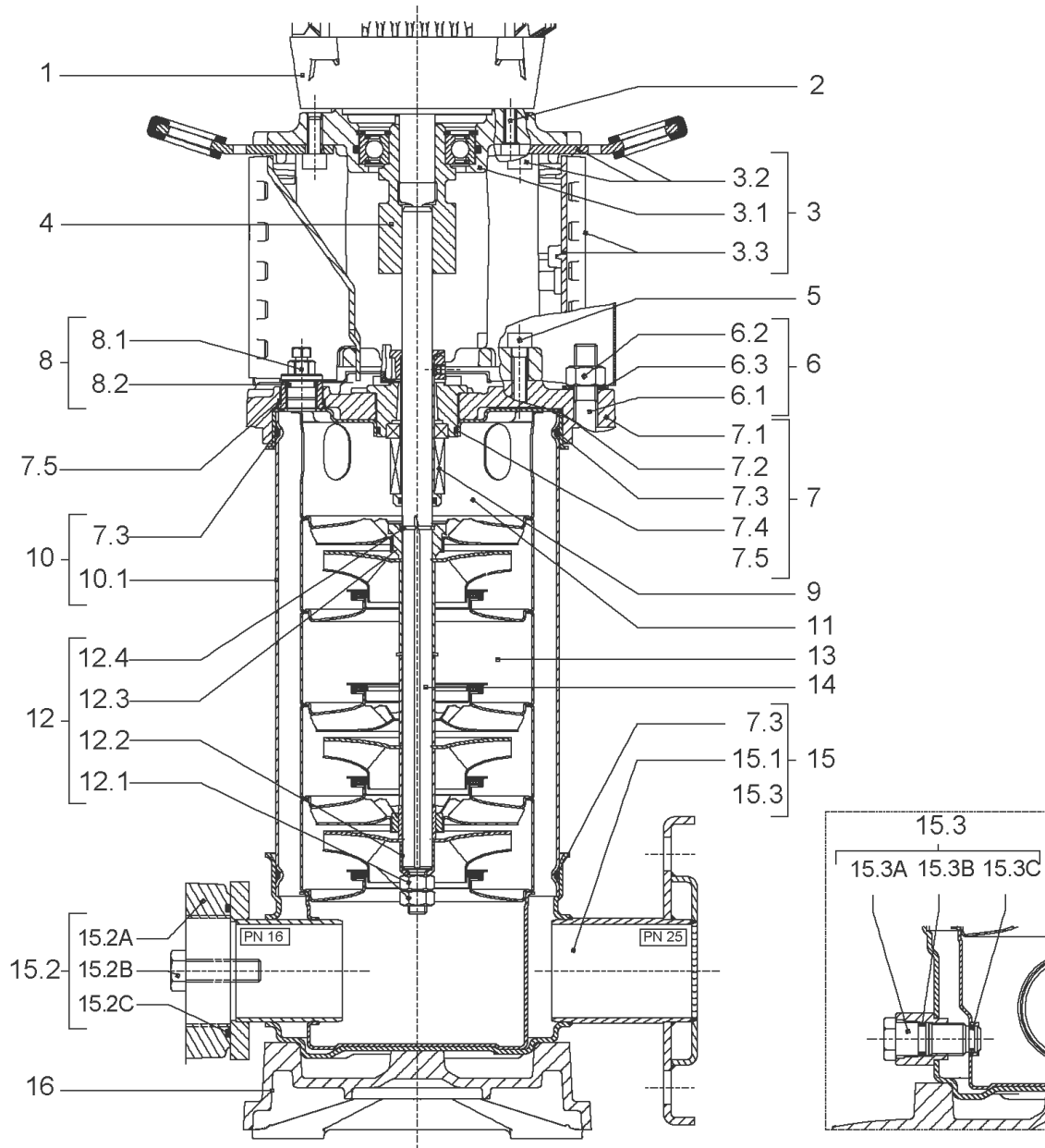
COUPLING D.16XD.28 FT130 HELIX KIT (4159710)

Item	Article no.	Description	Quantity
4.1		COUPLING M+ Ø16XØ28 FT130 MACHINED	1
4.2	2131022	BALL BEARING 6209/ZZ-C3(HT)VP.	1
4.3	4233930	CIRCLIP-FOR-BORES-D45x1,75 VP.	1
4.4	4157726	SCREW KIT M8X30 (4 PIECES)	1
4.5	4234252	CIRCLIPS 85X3 VP.	1
4.6	4234243	O-RING 85X3 VP.	1
		NOMEL CONTACT WASHER 8x16x1,4 STEEL ZC	1



HYDRAULIC HELIX V 611 1.4307

Item	Article no.	Description	Quantity
13.1	4174084	STAGE HELIX 6 1.4301 KIT	1
		> MACH.STG-CASING-WOGV-WNR-M+6-304	1
		> IMPELLER-M+6-304	1
13.2	4174089	INTERMEDIATE STAGE HELIX 6 1.4301 KIT	1
		> MACH.BEARING-STG-CASING-WNR-M+6-304	1
		> IMPELLER-M+6-304	1
		> SHAFT SLEEVE-SPACER-Ø19,35x18,465-304	1
		> SHAFT-SLEEVE-D16xD20x18-CW	1
13.3	4174090	INTERMEDIATE STAGE HELIX 6 1.4301 KIT	1
		> MACH.STD-STG-CASING-WGV+NR-M+6-304	1
		> IMPELLER-M+6-304	1
		> IMPELLER SPACER Ø16,05X19,45-L36,465-304	1
13.4	4174092	EMPTY STAGE HELIX6 1.4301KIT	1
		> MACH.STD-STG-CASING-WGV+NR-M+6-304	1
		> FLAT WASHER-D16.1XD22X1.2-316L	1
		> IMPELLER SPACER Ø16,05X19,45-L36,465-304	1
13.5	4174091	STAGE HELIX 6 1.4301 KIT	1
		> MACH.STG-CASING-WOGV-WNR-M+6-304	1
		> IMPELLER-M+6-304	1
		> IMPELLER SPACER Ø16,05X19,45-L36,465-304	1

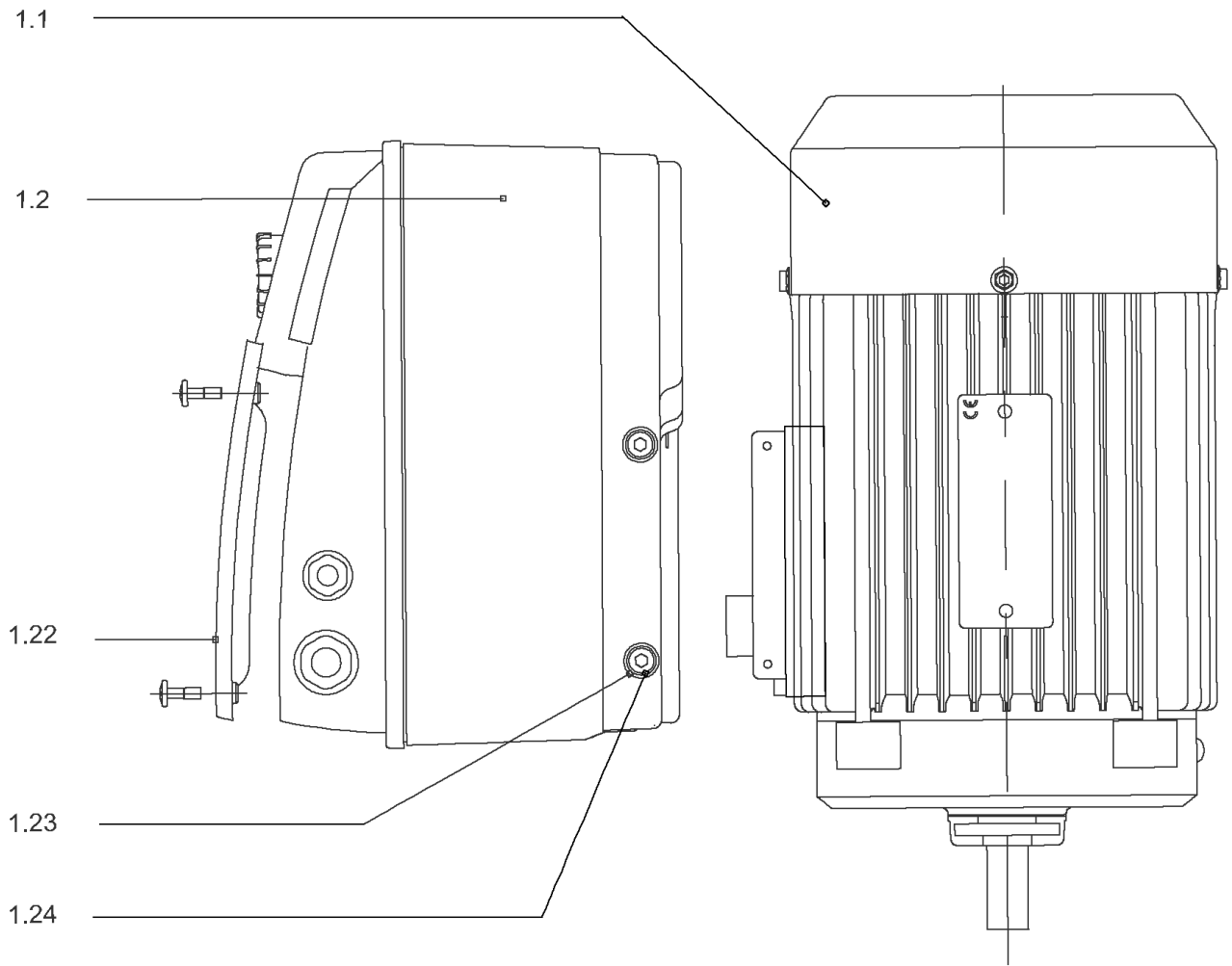


HELIX VE611-1/25/E/KS (4161429)

Item	Article no.	Description	Quantity
1		DRIVE HELIX-VE611-IE2-ATB KIT	1
Note: MOTOR BRAND ATB			
1		DRIVE HELIX-VE611IE2-WE KIT	1
Note: MOTOR BRAND WILO ELEC			
1		DRIVE HELIX-VE611-IE4-WE KIT	1
Note: MOTOR BRAND WILO ELEC			
2	4206025	SCREW M8X45 (4 PIECES)	1
3	4171326	LANTERN FT130 HELIX KIT	1
3.1		> LANTERN FT130 M+6" GJL MACHINING+CATA	1
3.2	2127604	> EYELET CPL.FT HELIX(2 PIECES)	1
3.3	4159692	> COUPLING PROTECTOR FT HELIX KIT	1
4	4159710	COUPLING D.16XD.28 FT130 HELIX KIT	1
5	4159707	SCREW M8X30 (4 PIECES)	1
6	4177842	STUD BOLT M12X638KIT	1
6.1		> TIE BOLT M12-638x18x30-1.4057	1
6.2	2094647	> NUT M12 M12 ISO4032 VP.	1
6.3	2123557	> WASHER CS-12.4-24-1.6-NFE25 (4 PIECES)	1
7	4159685	END SHIELD HELIX EPDM KIT	1
7.1		> END SHIELD M+6" GJL250 MACHINING+CATA	1
7.2	2127607	> STATIONARY RING HOLDER 6" HELIX 1.4301 V	1
7.3	4176513	> O-RING FOR PUMP JACKET VP.	1
7.4	2127603	> O-RING ID.37,6x2,4 EPDM VP.	1
7.5	2127602	> O-RING ID.21,35x2 EPDM VP.	1
8	4159686	FILING/PURGING PLUG HELIX EPDM KIT	1
9	4159698	CARTRIDGE HELIX6-10-16 F/E KIT	1
10	4177843	HOUSING PIPES D.152X510 1.4307 KIT	1
7.3	4176513	> O-RING FOR PUMP JACKET VP.	1
10.1		> HOUSING-PIPE Ø152-M+1012/1609-304	1
11	4174087	CENTERING STAGE-RETURN HELIX6 1.4301VP.	1
12	4174085	SHAFTS EQUIPMENT HELIX V6 BI BLOC KIT	1
12.1		> NUT-H-M10-A4.70	1
12.2		> SERRATED LOCK WASHER M+6M3-316L	1
12.3		> STOP COLLAR OF IMPELLER L17,9-Ø16-316L	1
12.4		> STOP-RUSH-1/2-D16xd2-M+316	1

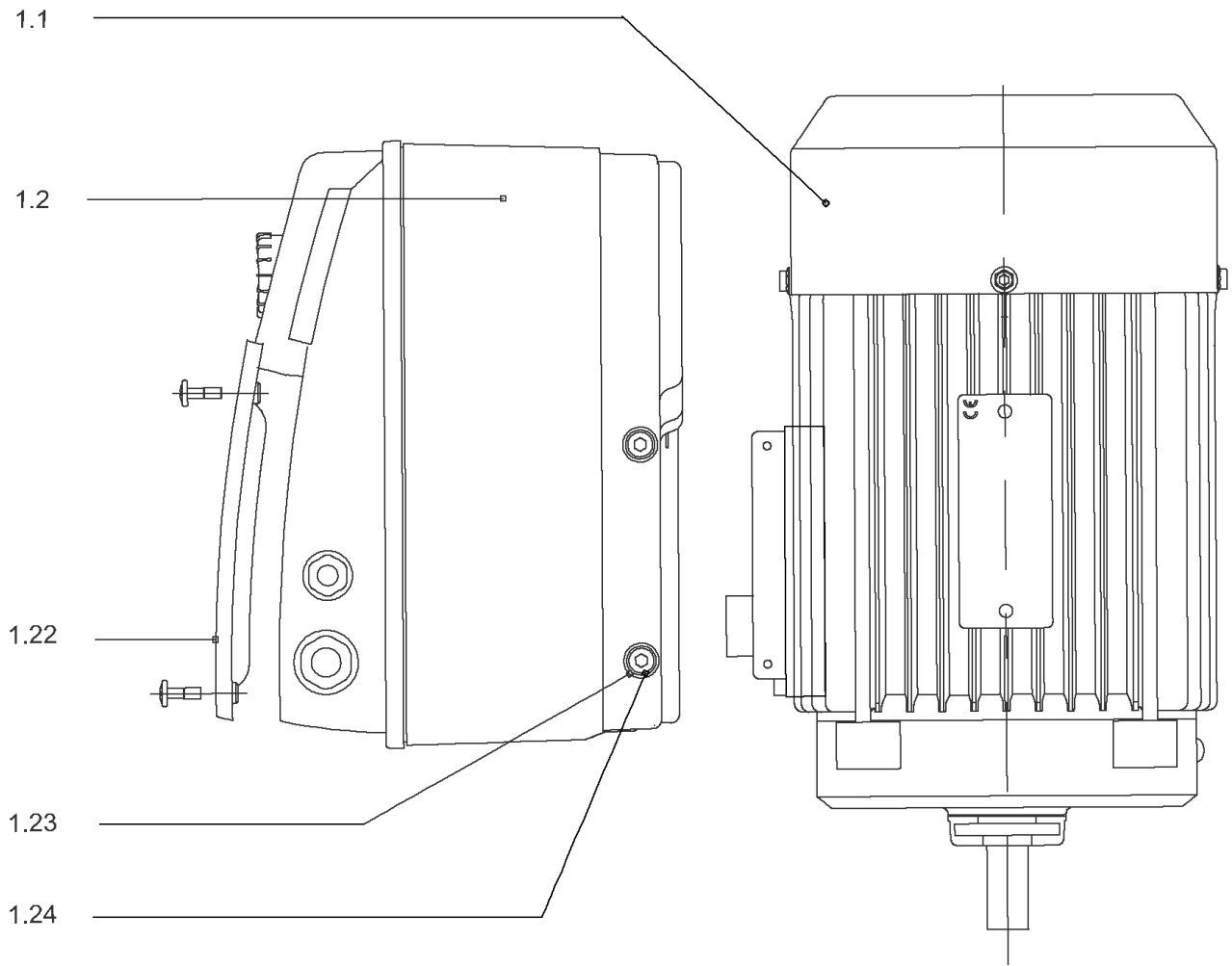
HELIX VE611-1/25/E/KS (4161429)

Item	Article no.	Description	Quantity
13		HYDRAULIC HELIX V 611 1.4307	1
14	4177844	SHAFT D.16X630 1.4301 VP.	1
15	4174081	PUMP HOUSING HELIX DN32 PN25 1.4301 KIT	1
7.3	4176513	> O-RING FOR PUMP JACKET VP.	1
15.1		> BLASTING PPE HOUSING V-PN25-DN32-5"-304	1
15.3	4171321	> PRIMING/DRAIN PLUG EPDM HELIX KIT	1
16	4177970	BASEPLATE HELIX V2/4/6 PN25 VP.	1



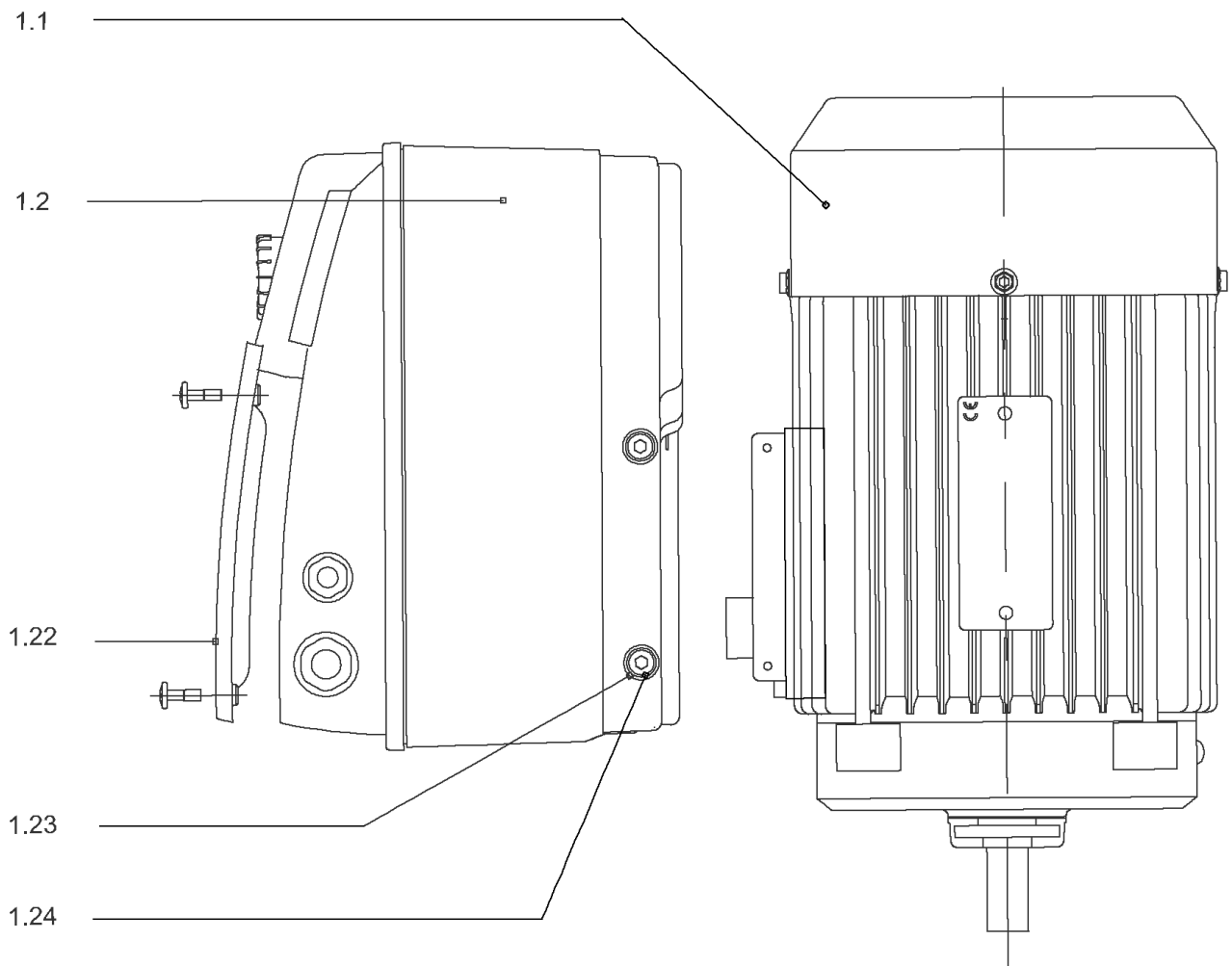
DRIVE HELIX-VE611-IE2-ATB KIT

Item	Article no.	Description	Quantity
1.1		MOTOR 4/2/112 3~ 380V 60HZ IE2 ATB VP.	1
Note: no longer available/nicht mehr lieferbar/n'est plus disponible			
		SPARE PARTS MOTOR:ON REQUEST	1
1.2	4186772	MODULE HELIX-VE611-IE2-ATB KIT	1
1.22	2054227	> MODULE COVER/GASKET TL3/4 KIT	1
1.23	4215716	> SCREW M5X16 DIN912 8.8 A2A (4pieces) VP.	1
1.24	2057978	> RONDELLE A5,3 DIN6797 FST ZN (4 PIECES)	1



DRIVE HELIX-VE611IE2-WE KIT

Item	Article no.	Description	Quantity
1.1	4188824	MO.4/2/112 3~380V 60Hz IE2 WE VP.	1
		SPARE PARTS MOTOR:ON REQUEST	1
1.2	4186332	MODULE HELIX-VE611-IE2-WE KIT	1
1.22	2054227	> MODULE COVER/GASKET TL3/4 KIT	1
1.23	4215716	> SCREW M5X16 DIN912 8.8 A2A (4pieces) VP.	1
1.24	2057978	> RONDELLE A5,3 DIN6797 FST ZN (4 PIECES)	1



DRIVE HELIX-VE611-IE4-WE KIT

Item	Article no.	Description	Quantity
1.1	4207924	MOTOR 4/2/112 3~ 380V 60HZ IE4 WE VP.	1
		SPARE PARTS MOTOR:ON REQUEST	1
1.2	4209605	MODULE HELIX-VE611-IE4-WE KIT	1
1.22	2054227	> MODULE COVER/GASKET TL3/4 KIT	1
1.23	4215716	> SCREW M5X16 DIN912 8.8 A2A (4pieces) VP.	1
1.24	2057978	> RONDELLE A5,3 DIN6797 FST ZN (4 PIECES)	1



COUPLING D.16XD.28 FT130 HELIX KIT (4159710)

Item	Article no.	Description	Quantity
4.1		COUPLING M+ Ø16XØ28 FT130 MACHINED	1
4.2	2131022	BALL BEARING 6209/ZZ-C3(HT)VP.	1
4.3	4233930	CIRCLIP-FOR-BORES-D45x1,75 VP.	1
4.4	4157726	SCREW KIT M8X30 (4 PIECES)	1
4.5	4234252	CIRCLIPS 85X3 VP.	1
4.6	4234243	O-RING 85X3 VP.	1
		NOMEL CONTACT WASHER 8x16x1,4 STEEL ZC	1



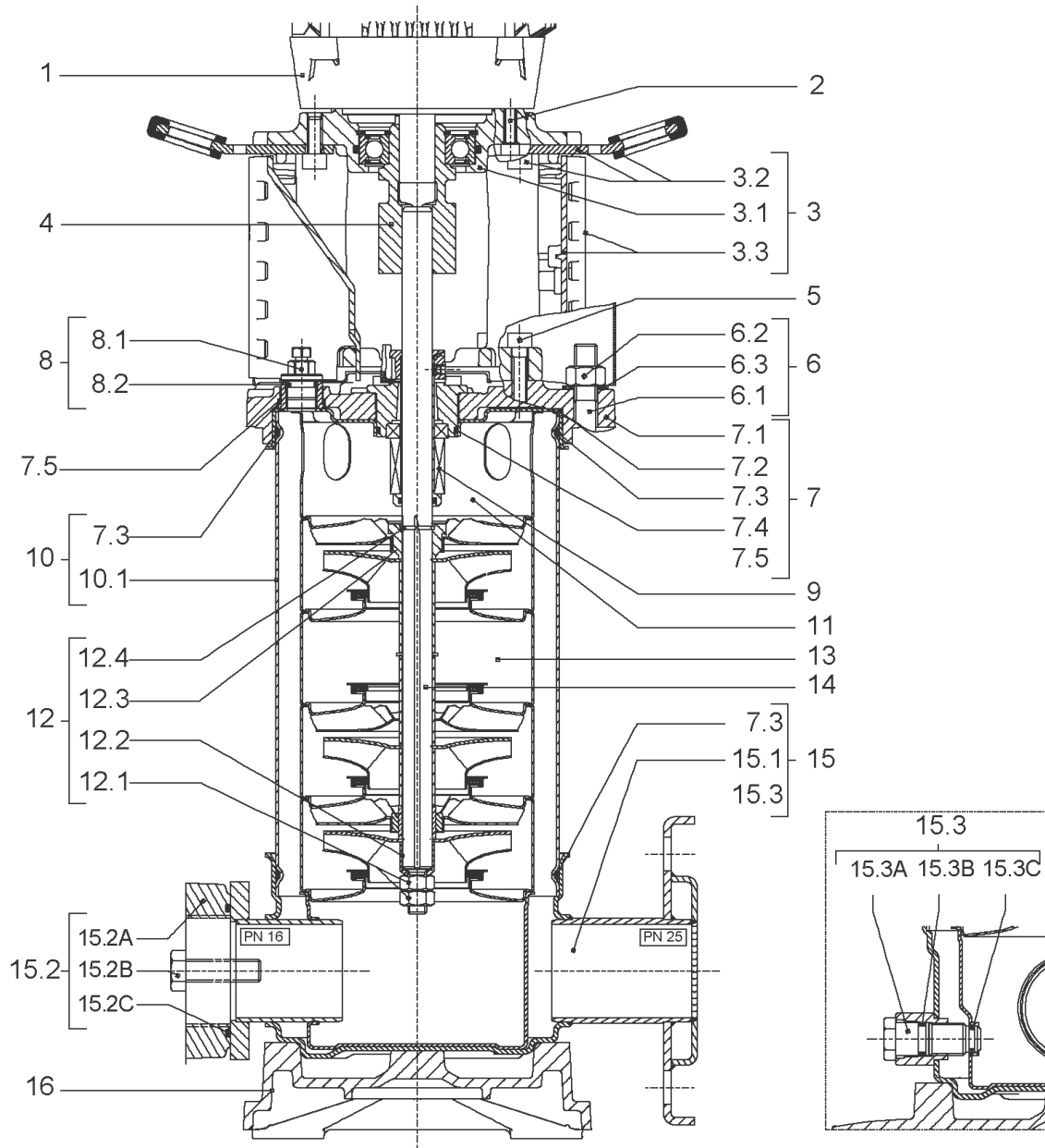
CARTRIDGE HELIX6-10-16 F/E KIT (4159698)

Item	Article no.	Description	Quantity
9.1	4159699	SEAL-KIT-HELIX6-10-16 F/E	1
7.3	4176513	> O-RING FOR PUMP JACKET VP.	1
7.4	2127603	> O-RING ID.37,6x2,4 EPDM VP.	1
9.1A	4176521	> MECH.SEAL HELIX2-4-6-10-16 F/E VP.	1
9.1B	2130967	> O-RING D.16X2,5 EPDM VP.	1
9.1C	4176519	> O-RING Ø16xØ1.25 VP.	1
9.2	2130961	SHAFT SLEEVE D.18/16X72,2 1.4404 VP.	1
9.3	2130962	RING HOLDER D.18 G606/G6 1.4301 VP.	1
9.4	4176520	SCREW CH M5x5 A4-70 (3PIECES)	1
9.5	2130963	DRIVE RING D.29/18x12,4 MACH.VP.	1
9.6	2130964	TOOL M.S.CART.HELIX VP.	1
9.7	2130965	SCREW CHC M5X12 ISO4762 A2.70(4 PIECES)	1



HYDRAULIC HELIX V 611 1.4307

Item	Article no.	Description	Quantity
13.1	4174084	STAGE HELIX 6 1.4301 KIT	1
		> MACH.STG-CASING-WOGV-WNR-M+6-304	1
		> IMPELLER-M+6-304	1
13.2	4174089	INTERMEDIATE STAGE HELIX 6 1.4301 KIT	1
		> MACH.BEARING-STG-CASING-WNR-M+6-304	1
		> IMPELLER-M+6-304	1
		> SHAFT SLEEVE-SPACER-Ø19,35x18,465-304	1
		> SHAFT-SLEEVE-D16xD20x18-CW	1
13.3	4174090	INTERMEDIATE STAGE HELIX 6 1.4301 KIT	1
		> MACH.STD-STG-CASING-WGV+NR-M+6-304	1
		> IMPELLER-M+6-304	1
		> IMPELLER SPACER Ø16,05X19,45-L36,465-304	1
13.4	4174092	EMPTY STAGE HELIX6 1.4301KIT	1
		> MACH.STD-STG-CASING-WGV+NR-M+6-304	1
		> FLAT WASHER-D16.1XD22X1.2-316L	1
		> IMPELLER SPACER Ø16,05X19,45-L36,465-304	1
13.5	4174091	STAGE HELIX 6 1.4301 KIT	1
		> MACH.STG-CASING-WOGV-WNR-M+6-304	1
		> IMPELLER-M+6-304	1
		> IMPELLER SPACER Ø16,05X19,45-L36,465-304	1

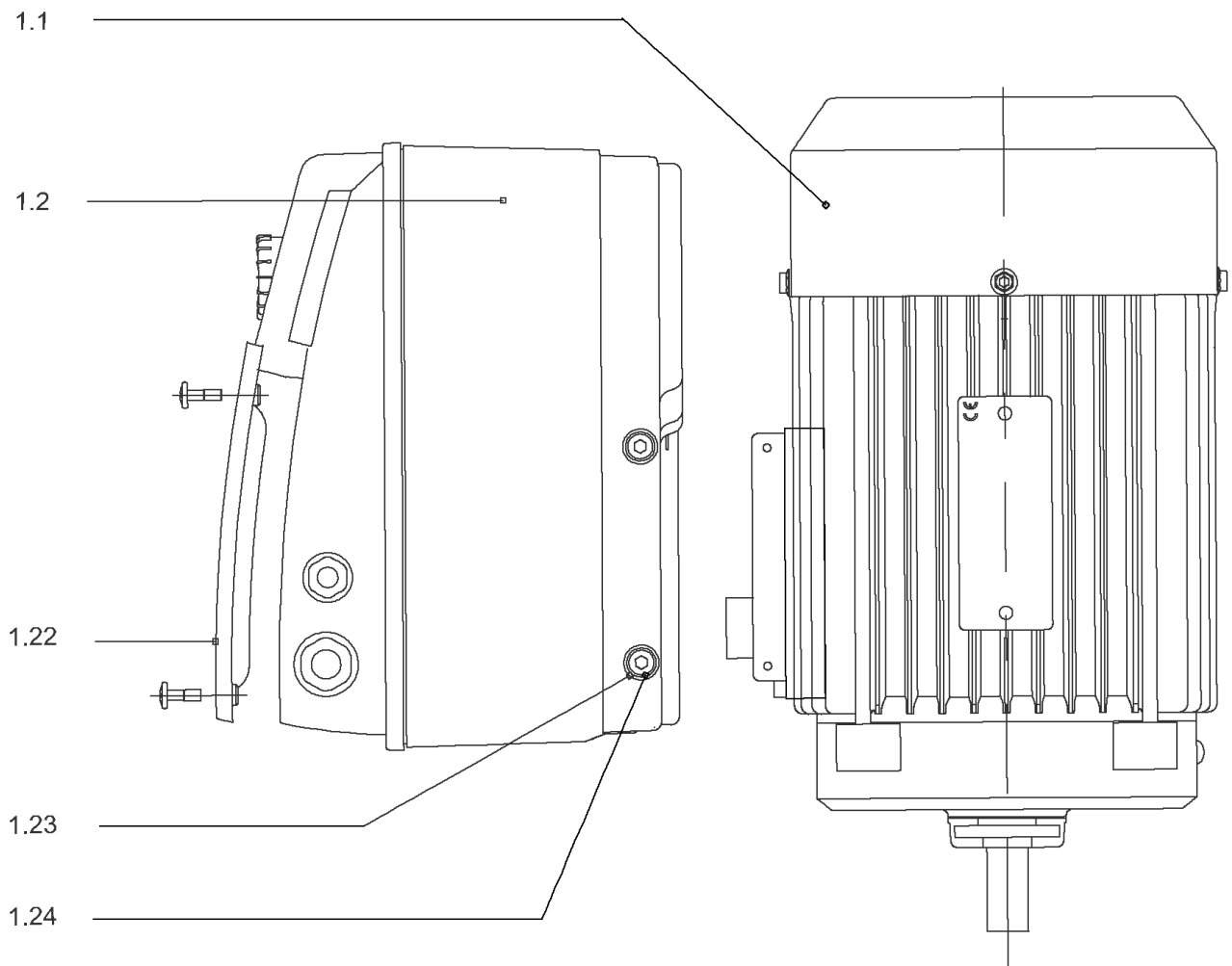


HELIX VE615-1/25/E/KS (4161430)

Item	Article no.	Description	Quantity
1		DRIVE HELIX-VE615 IE2-SIE KIT	1
Note: MOTOR BRAND SIEMENS			
1		DRIVE HELIX-VE615-IE2-ATB KIT	1
Note: MOTOR BRAND WILO ELEC			
1		DRIVE HELIX-VE615-IE4-WE KIT	1
Note: MOTOR BRAND WILO ELEC			
2	4174093	SCREW M12X50 (4 PIECES)	1
3	4159693	LANTERN FF265 HELIX KIT	1
3.1		> LANTERN FF265 M+6" GJL MACHINING+CATA	1
3.2	2127605	> EYELET CPL.FF265 HELIX(2 PIECES)	1
3.3	4159695	> COUPLING PROTECTOR FF HELIX KIT	1
4	4159711	COUPLING D.16XD.38 FF265 HELIX KIT	1
5	4159707	SCREW M8X30 (4 PIECES)	1
6	4177852	STUD BOLT M12X788KIT	1
6.1		> TIE BOLT M12-788x18x30-1.4057	1
6.2	2094647	> NUT M12 M12 ISO4032 VP.	1
6.3	2123557	> WASHER CS-12.4-24-1.6-NFE25 (4 PIECES)	1
7	4159685	END SHIELD HELIX EPDM KIT	1
7.1		> END SHIELD M+6" GJL250 MACHINING+CATA	1
7.2	2127607	> STATIONARY RING HOLDER 6" HELIX 1.4301 V	1
7.3	4176513	> O-RING FOR PUMP JACKET VP.	1
7.4	2127603	> O-RING ID.37,6x2,4 EPDM VP.	1
7.5	2127602	> O-RING ID.21,35x2 EPDM VP.	1
8	4159686	FILING/PURGING PLUG HELIX EPDM KIT	1
9	4159698	CARTRIDGE HELIX6-10-16 F/E KIT	1
10	4177853	HOUSING PIPES D.152X660 1.4307 KIT	1
7.3	4176513	> O-RING FOR PUMP JACKET VP.	1
10.1		> HOUSING-PIPE Ø152-M+1016/1610-304	1
11	4174087	CENTERING STAGE-RETURN HELIX6 1.4301VP.	1
12	4174085	SHAFTS EQUIPMENT HELIX V6 BI BLOC KIT	1
12.1		> NUT-H-M10-A4.70	1
12.2		> SERRATED LOCK WASHER M+6M3-316L	1
12.3		> STOP COLLAR OF IMPELLER L17,9-Ø16-316L	1
12.4		> STOP-RUSH-1/2-D16xd2-M+316	1

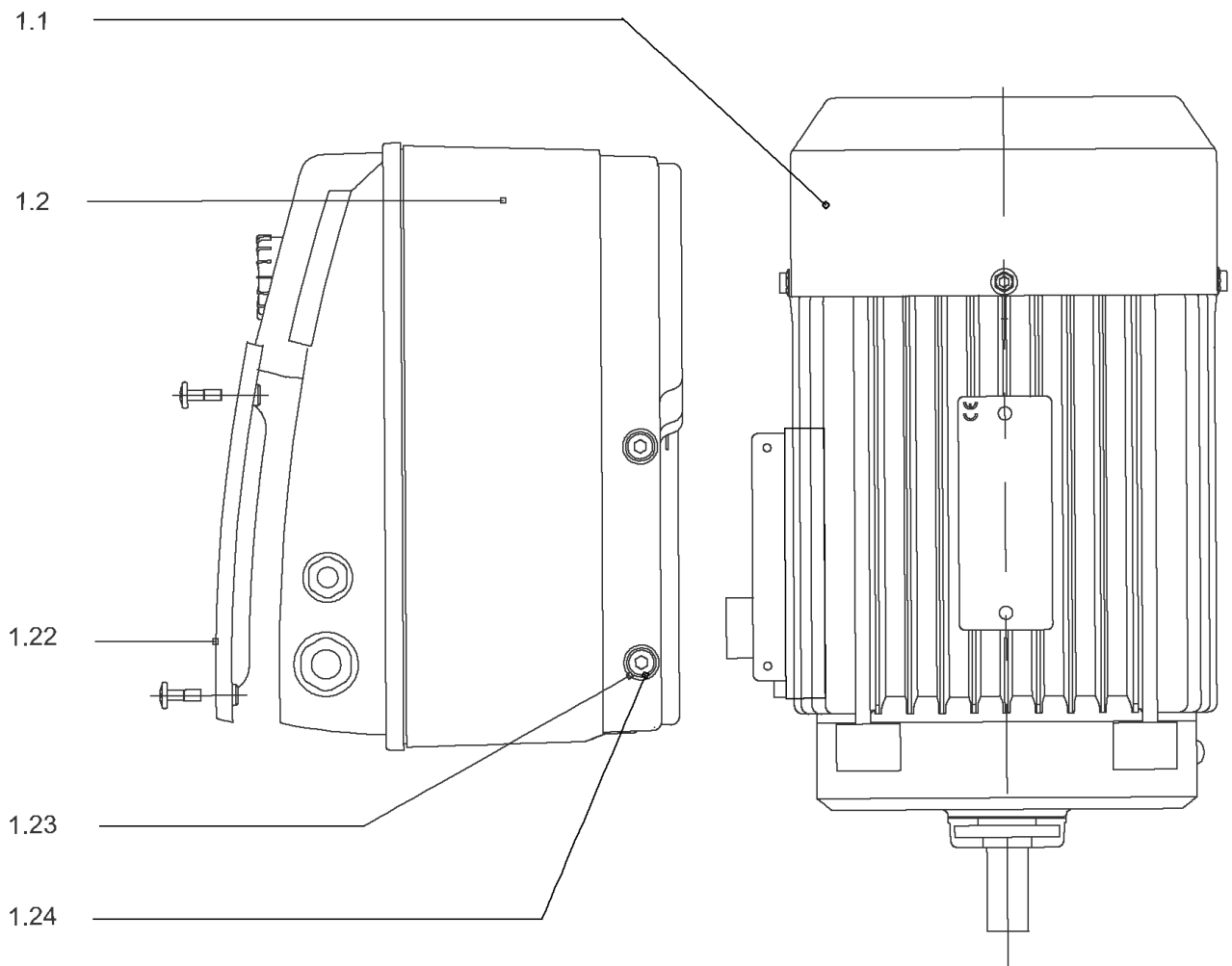
HELIX VE615-1/25/E/KS (4161430)

Item	Article no.	Description	Quantity
13		HYDRAULIC HELIX V 615 1.4307	1
14	4177854	SHAFT D.16 X780 1.4301 VP.	1
15	4174081	PUMP HOUSING HELIX DN32 PN25 1.4301 KIT	1
7.3	4176513	> O-RING FOR PUMP JACKET VP.	1
15.1		> BLASTING PPE HOUSING V-PN25-DN32-5"-304	1
15.3	4171321	> PRIMING/DRAIN PLUG EPDM HELIX KIT	1
16	4177970	BASEPLATE HELIX V2/4/6 PN25 VP.	1



DRIVE HELIX-VE615 IE2-SIE KIT

Item	Article no.	Description	Quantity
1.1		MOTOR 5,5-2T638P55V1-132-ADAPT IE2 VP.	1
Note: no longer available/nicht mehr lieferbar/n'est plus disponible			
		SPARE PARTS MOTOR:ON REQUEST	1
1.2	4186340	MODULE HELIX-VE615-IE2-SIE KIT	1
1.22	2111344	> MODULE COVER/GASKET TL5 KIT	1
1.23	4215716	> SCREW M5X16 DIN912 8.8 A2A (4pieces) VP.	1
1.24	2057978	> RONDELLE A5,3 DIN6797 FST ZN (4 PIECES)	1



DRIVE HELIX-VE615-IE2-ATB KIT

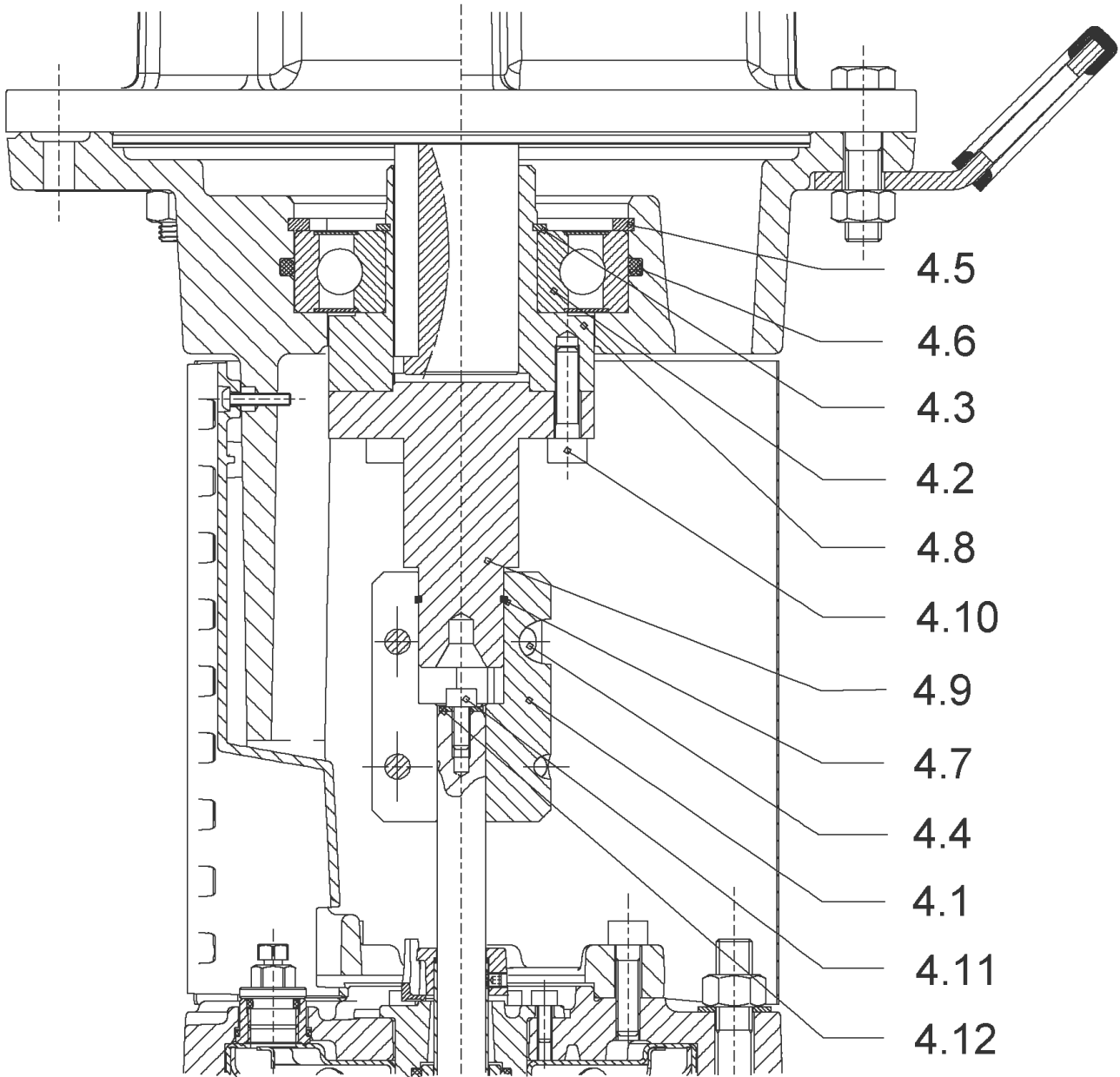
Item	Article no.	Description	Quantity
1.1	4185029	MOTOR 5,5/2/132 3~380V 60HZ IE2 ATB VP.	1
Note: MOTOR BRAND ATB			
		SPARE PARTS MOTOR:ON REQUEST	1
1.2	4186780	MODULE HELIX-VE615-IE2-ATB KIT	1
1.22	2111344	> MODULE COVER/GASKET TL5 KIT	1
1.23	4215716	> SCREW M5X16 DIN912 8.8 A2A (4pieces) VP.	1
1.24	2057978	> RONDELLE A5,3 DIN6797 FST ZN (4 PIECES)	1



DRIVE HELIX-VE615-IE4-WE KIT

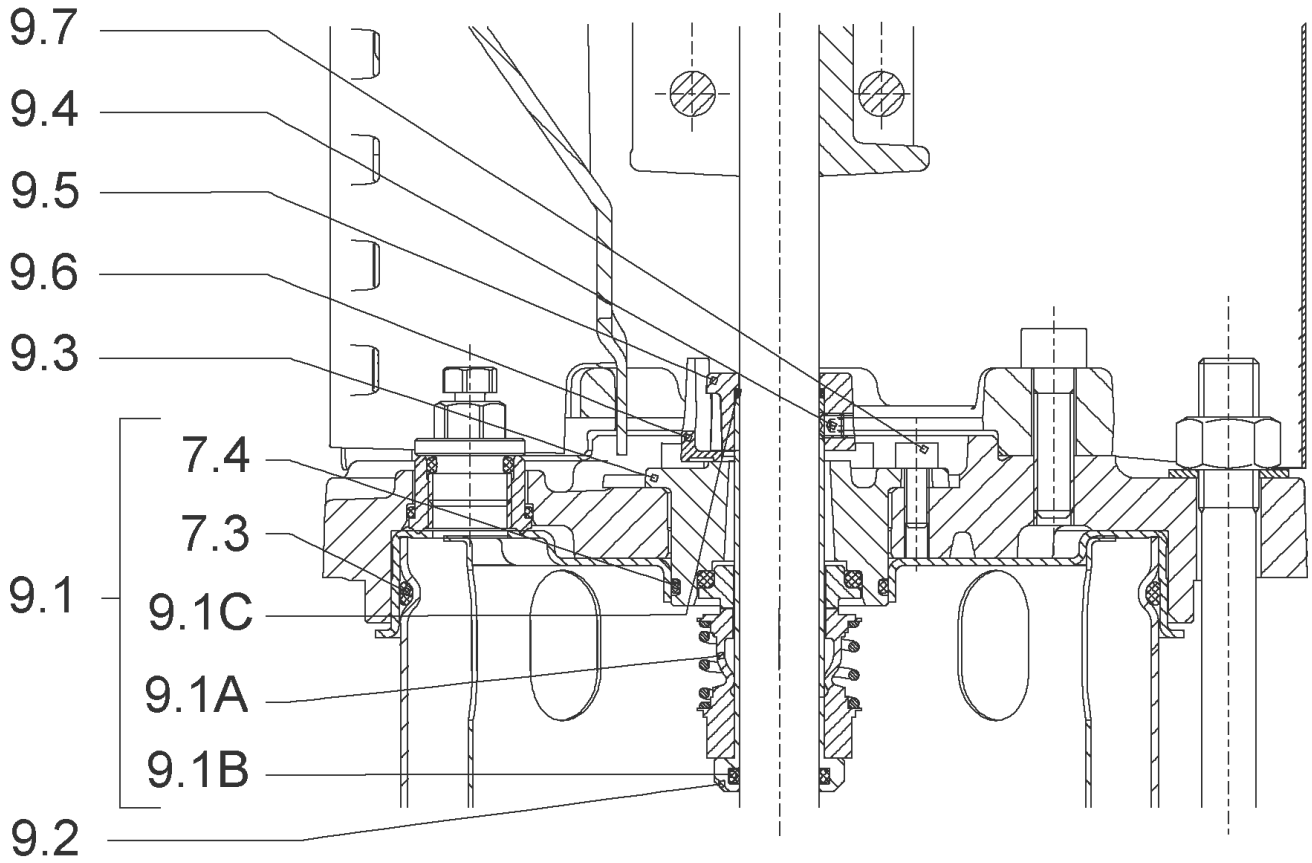
Item	Article no.	Description	Quantity
1.1	4207930	MO.5.5/2/132F260 3~ 380V 60HZ IE4 WE VP.	1
		SPARE PARTS MOTOR:ON REQUEST	1
1.2	4212631	MODULE HELIX-VE615-IE4-WE KIT	1
1.22	2111344	> MODULE COVER/GASKET TL5 KIT	1
1.23	4215716	> SCREW M5X16 DIN912 8.8 A2A (4pieces) VP.	1
1.24	2057978	> RONDELLE A5,3 DIN6797 FST ZN (4 PIECES)	1

COUPLING D.16XD.38 FF265 HELIX KIT (4159711)



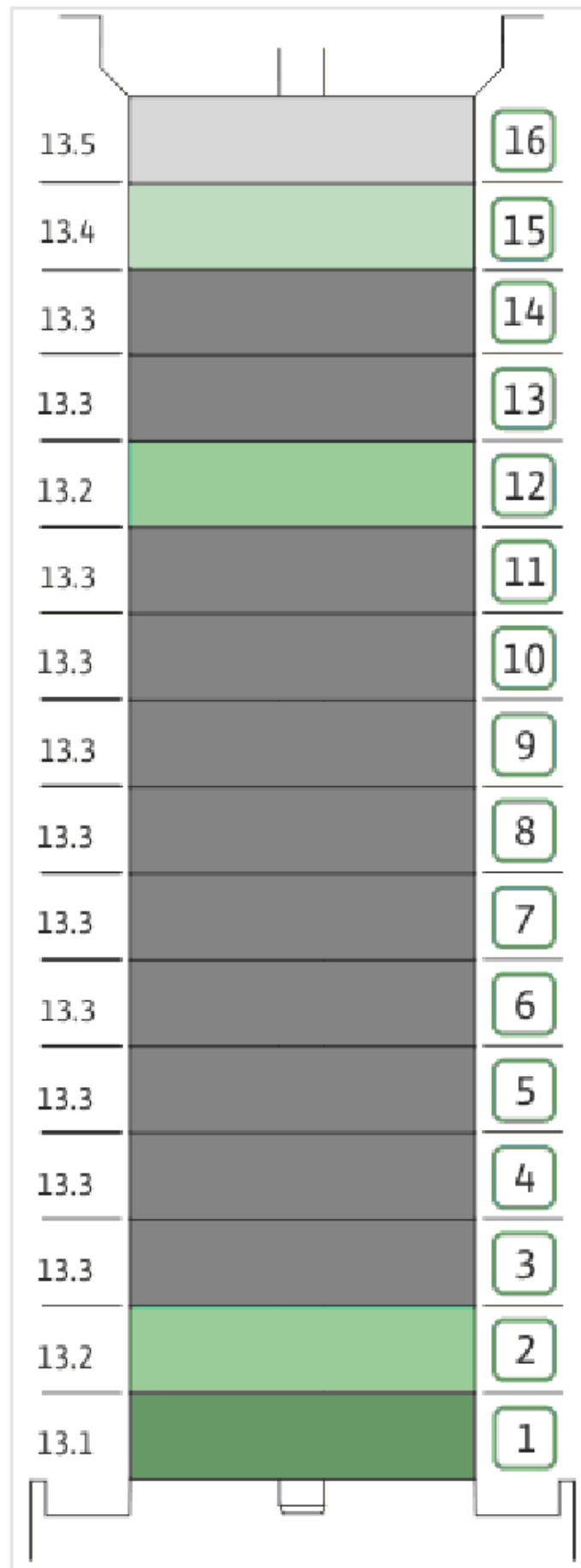
COUPLING D.16XD.38 FF265 HELIX KIT (4159711)

Item	Article no.	Description	Quantity
4.1	2131018	COUPLING 2 PARTS D.16XD.28XL.82,4 VP.	1
4.2	2131017	BALL BEARING 6310/ZZ-C4(HT)VP.	1
4.3	4234253	CIRCLIP-FOR-SHAFT-D50x2 VP.	1
4.4	4157726	SCREW KIT M8X30 (4 PIECES)	1
4.5	4234255	CIRCLIPS 110X4 VP.	1
4.6	4233944	O-RING ID.110 VP.	1
4.7	2131019	RETAINING RING D.26xD.2 DIN7993 VP.	1
4.10	4157726	SCREW KIT M8X30 (4 PIECES)	1
4.11	4102901	SCREW CHC-M6X14-8.8-ISO4762-GEOMET500A	1
4.12	2130995	SERRATED LOCK WASHER D.6,2XD.14,5X28 VP.	1
		NOMEL CONTACT WASHER 8x16x1,4 STEEL ZC	1
4.8	2131020	HUB D.38XD.50 VP.	1
4.9	2131021	SPACER D.28XD.45 VP.	1



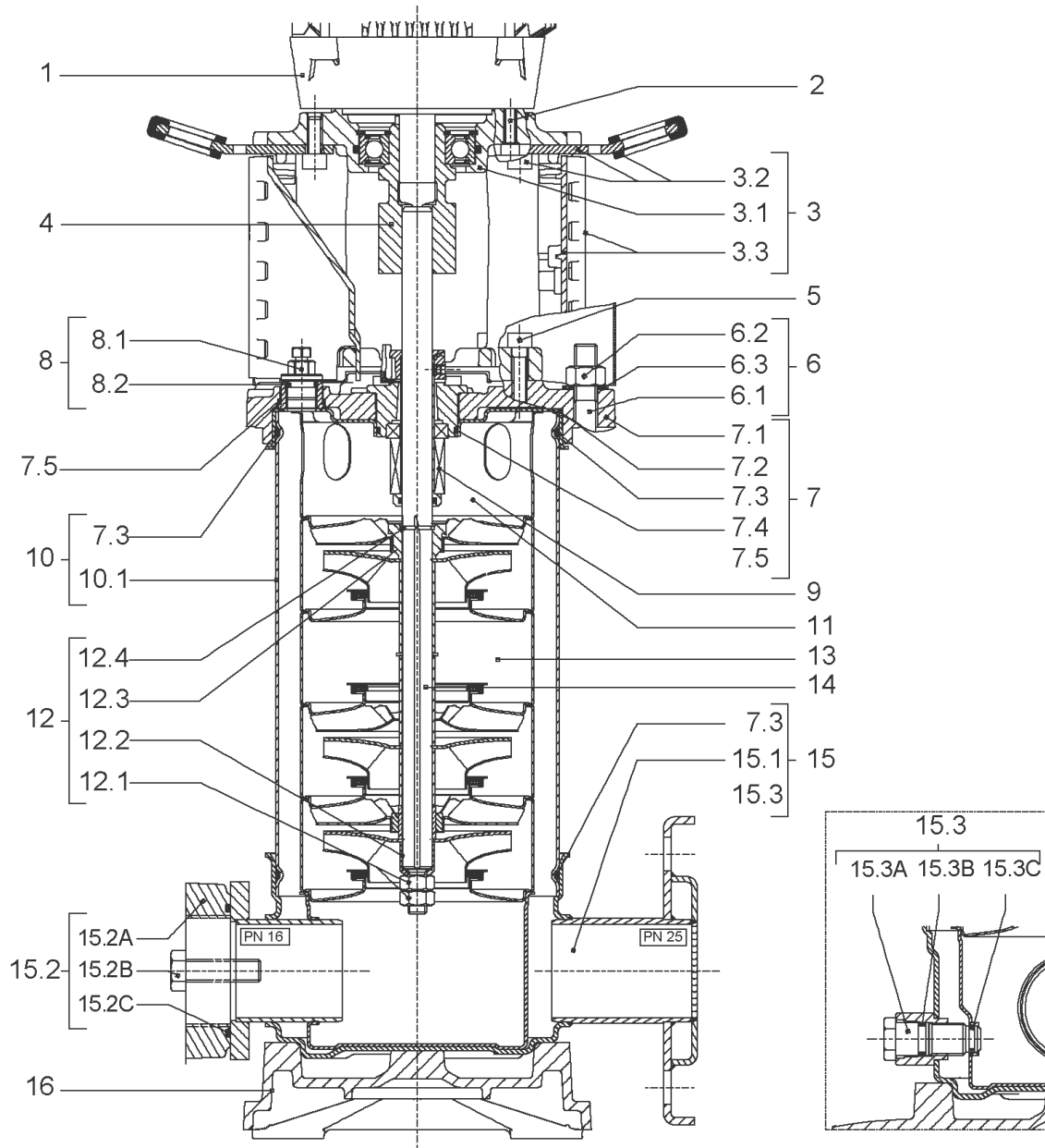
CARTRIDGE HELIX6-10-16 F/E KIT (4159698)

Item	Article no.	Description	Quantity
9.1	4159699	SEAL-KIT-HELIX6-10-16 F/E	1
7.3	4176513	> O-RING FOR PUMP JACKET VP.	1
7.4	2127603	> O-RING ID.37,6x2,4 EPDM VP.	1
9.1A	4176521	> MECH.SEAL HELIX2-4-6-10-16 F/E VP.	1
9.1B	2130967	> O-RING D.16X2,5 EPDM VP.	1
9.1C	4176519	> O-RING Ø16xØ1.25 VP.	1
9.2	2130961	SHAFT SLEEVE D.18/16X72,2 1.4404 VP.	1
9.3	2130962	RING HOLDER D.18 G606/G6 1.4301 VP.	1
9.4	4176520	SCREW CH M5x5 A4-70 (3PIECES)	1
9.5	2130963	DRIVE RING D.29/18x12,4 MACH.VP.	1
9.6	2130964	TOOL M.S.CART.HELIX VP.	1
9.7	2130965	SCREW CHC M5X12 ISO4762 A2.70(4 PIECES)	1



HYDRAULIC HELIX V 615 1.4307

Item	Article no.	Description	Quantity
13.1	4174084	STAGE HELIX 6 1.4301 KIT	1
		> MACH.STG-CASING-WOGV-WNR-M+6-304	1
		> IMPELLER-M+6-304	1
13.2	4174089	INTERMEDIATE STAGE HELIX 6 1.4301 KIT	1
		> MACH.BEARING-STG-CASING-WNR-M+6-304	1
		> IMPELLER-M+6-304	1
		> SHAFT SLEEVE-SPACER-Ø19,35x18,465-304	1
		> SHAFT-SLEEVE-D16xD20x18-CW	1
13.3	4174090	INTERMEDIATE STAGE HELIX 6 1.4301 KIT	1
		> MACH.STD-STG-CASING-WGV+NR-M+6-304	1
		> IMPELLER-M+6-304	1
		> IMPELLER SPACER Ø16,05X19,45-L36,465-304	1
13.4	4174092	EMPTY STAGE HELIX6 1.4301KIT	1
		> MACH.STD-STG-CASING-WGV+NR-M+6-304	1
		> FLAT WASHER-D16.1XD22X1.2-316L	1
		> IMPELLER SPACER Ø16,05X19,45-L36,465-304	1
13.5	4174091	STAGE HELIX 6 1.4301 KIT	1
		> MACH.STG-CASING-WOGV-WNR-M+6-304	1
		> IMPELLER-M+6-304	1
		> IMPELLER SPACER Ø16,05X19,45-L36,465-304	1

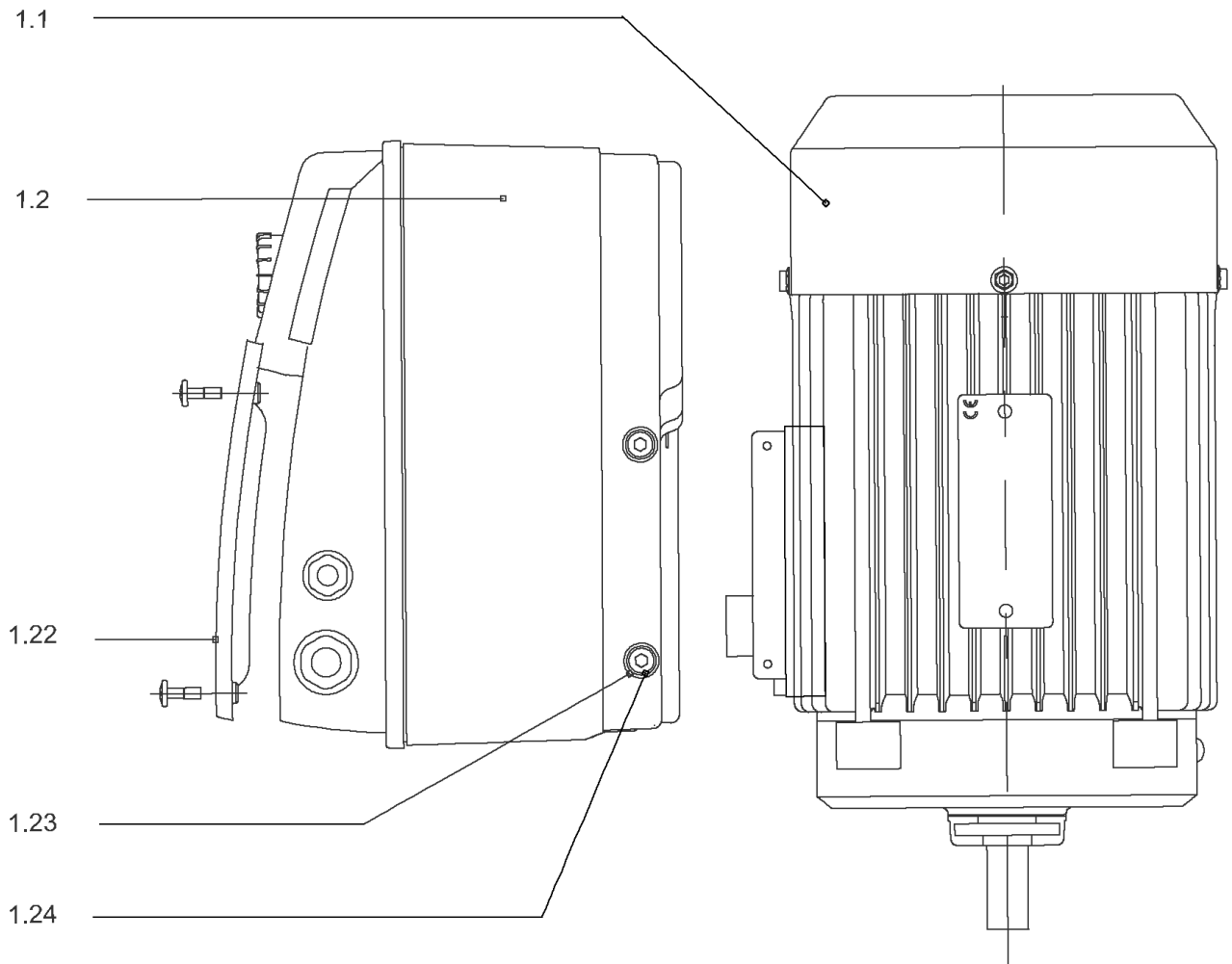


HELIX VE619-1/25/E/KS (4161431)

Item	Article no.	Description	Quantity
1		DRIVE HELIX-VE619-IE2-SIE KIT	1
Note: MOTOR BRAND SIEMENS			
1		DRIVE HELIX-VE619IE2-ATB KIT	1
Note: MOTOR BRAND ATB			
1		DRIVE HELIX-VE619-IE4-WE KIT	1
Note: MOTOR BRAND WILO ELEC			
2	4174093	SCREW M12X50 (4 PIECES)	1
3	4159693	LANTERN FF265 HELIX KIT	1
3.1		> LANTERN FF265 M+6" GJL MACHINING+CATA	1
3.2	2127605	> EYELET CPL.FF265 HELIX(2 PIECES)	1
3.3	4159695	> COUPLING PROTECTOR FF HELIX KIT	1
4	4159711	COUPLING D.16XD.38 FF265 HELIX KIT	1
5	4159707	SCREW M8X30 (4 PIECES)	1
6	4177863	STUD BOLT M12X938 KIT	1
6.1		> TIE BOLT M12-938x18x30-1.4057	1
6.2	2094647	> NUT M12 M12 ISO4032 VP.	1
6.3	2123557	> WASHER CS-12.4-24-1.6-NFE25 (4 PIECES)	1
7	4159685	END SHIELD HELIX EPDM KIT	1
7.1		> END SHIELD M+6" GJL250 MACHINING+CATA	1
7.2	2127607	> STATIONARY RING HOLDER 6" HELIX 1.4301 V	1
7.3	4176513	> O-RING FOR PUMP JACKET VP.	1
7.4	2127603	> O-RING ID.37,6x2,4 EPDM VP.	1
7.5	2127602	> O-RING ID.21,35x2 EPDM VP.	1
8	4159686	FILING/PURGING PLUG HELIX EPDM KIT	1
9	4159698	CARTRIDGE HELIX6-10-16 F/E KIT	1
10	2127583	HOUSING PIPE D.152x810 1.4301 KIT	1
7.3	4176513	> O-RING FOR PUMP JACKET VP.	1
10.1		> HOUSING-PIPE Ø152-M+1020/1613-304	1
11	4174087	CENTERING STAGE-RETURN HELIX6 1.4301VP.	1
12	4174085	SHAFTS EQUIPMENT HELIX V6 BI BLOC KIT	1
12.1		> NUT-H-M10-A4.70	1
12.2		> SERRATED LOCK WASHER M+6M3-316L	1
12.3		> STOP COLLAR OF IMPELLER L17,9-Ø16-316L	1
12.4		> STOP-RUSH-1/2-D16xd2-M+316	1

HELIX VE619-1/25/E/KS (4161431)

Item	Article no.	Description	Quantity
13		HYDRAULIC HELIX V 619 1.4307	1
14	2127571	SHAFT D.16X930 1.4301 VP.	1
15	4174081	PUMP HOUSING HELIX DN32 PN25 1.4301 KIT	1
7.3	4176513	> O-RING FOR PUMP JACKET VP.	1
15.1		> BLASTING PPE HOUSING V-PN25-DN32-5"-304	1
15.3	4171321	> PRIMING/DRAIN PLUG EPDM HELIX KIT	1
16	4177970	BASEPLATE HELIX V2/4/6 PN25 VP.	1



DRIVE HELIX-VE619-IE2-SIE KIT

Item	Article no.	Description	Quantity
1.1		MOTOR 7,5/2/132 3~380V 60HZ IE2 SIE VP.	1
Note: no longer available/nicht mehr lieferbar/n'est plus disponible			
		SPARE PARTS MOTOR:ON REQUEST	1
1.2	4186774	MODULE HELIX-VE619-IE2-SIE KIT	1
1.22	2111344	> MODULE COVER/GASKET TL5 KIT	1
1.23	4215716	> SCREW M5X16 DIN912 8.8 A2A (4pieces) VP.	1
1.24	2057978	> RONDELLE A5,3 DIN6797 FST ZN (4 PIECES)	1



DRIVE HELIX-VE619IE2-ATB KIT

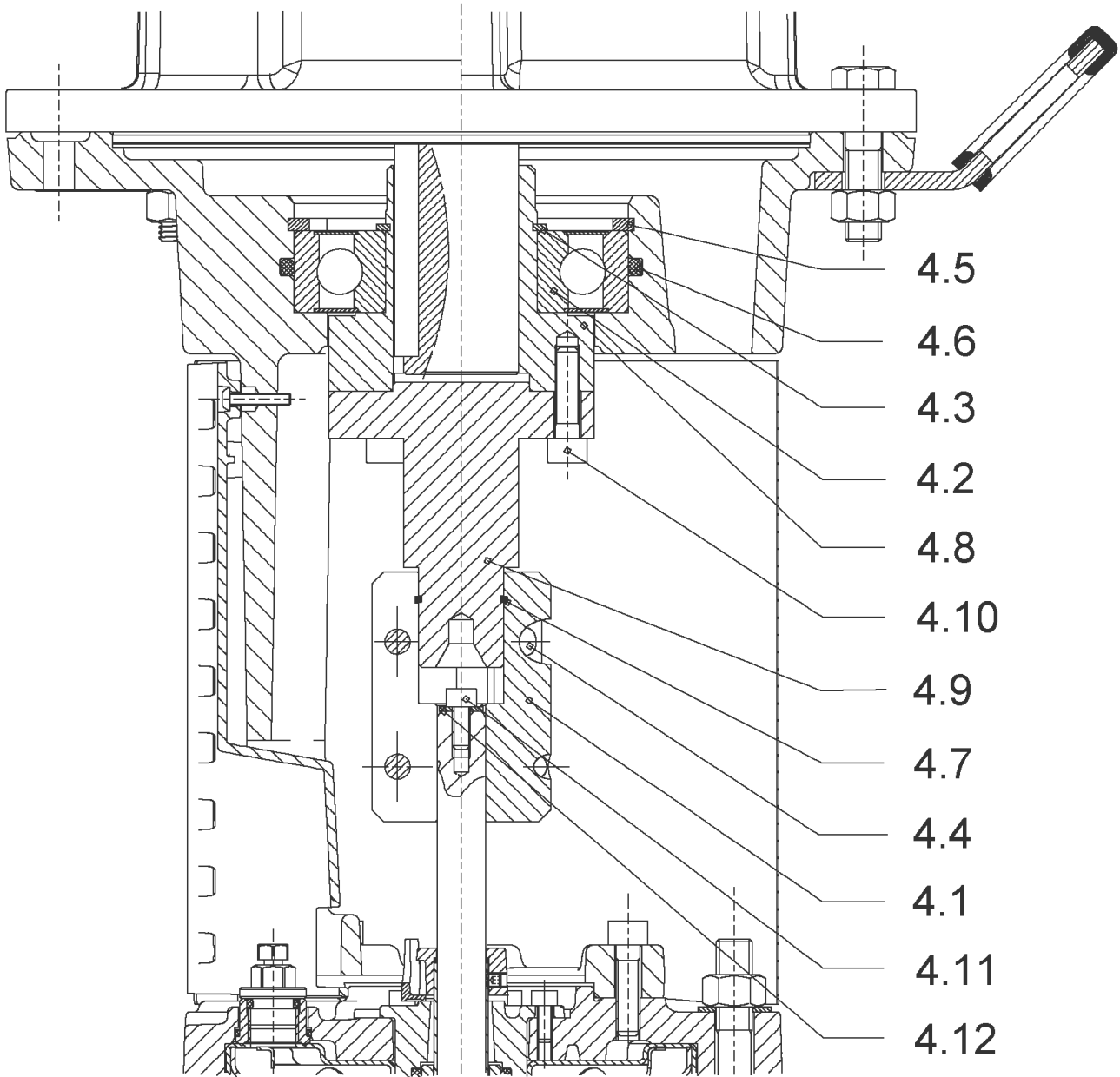
Item	Article no.	Description	Quantity
1.1	4192124	MOTOR 7,5/2/132 3~380V 60HZ IE2 ATB VP.	1
		SPARE PARTS MOTOR:ON REQUEST	1
1.2	4186338	MODULE HELIX-VE619-IE2-ATB KIT	1
1.22	2111344	> MODULE COVER/GASKET TL5 KIT	1
1.23	4215716	> SCREW M5X16 DIN912 8.8 A2A (4pieces) VP.	1
1.24	2057978	> RONDELLE A5,3 DIN6797 FST ZN (4 PIECES)	1



DRIVE HELIX-VE619-IE4-WE KIT

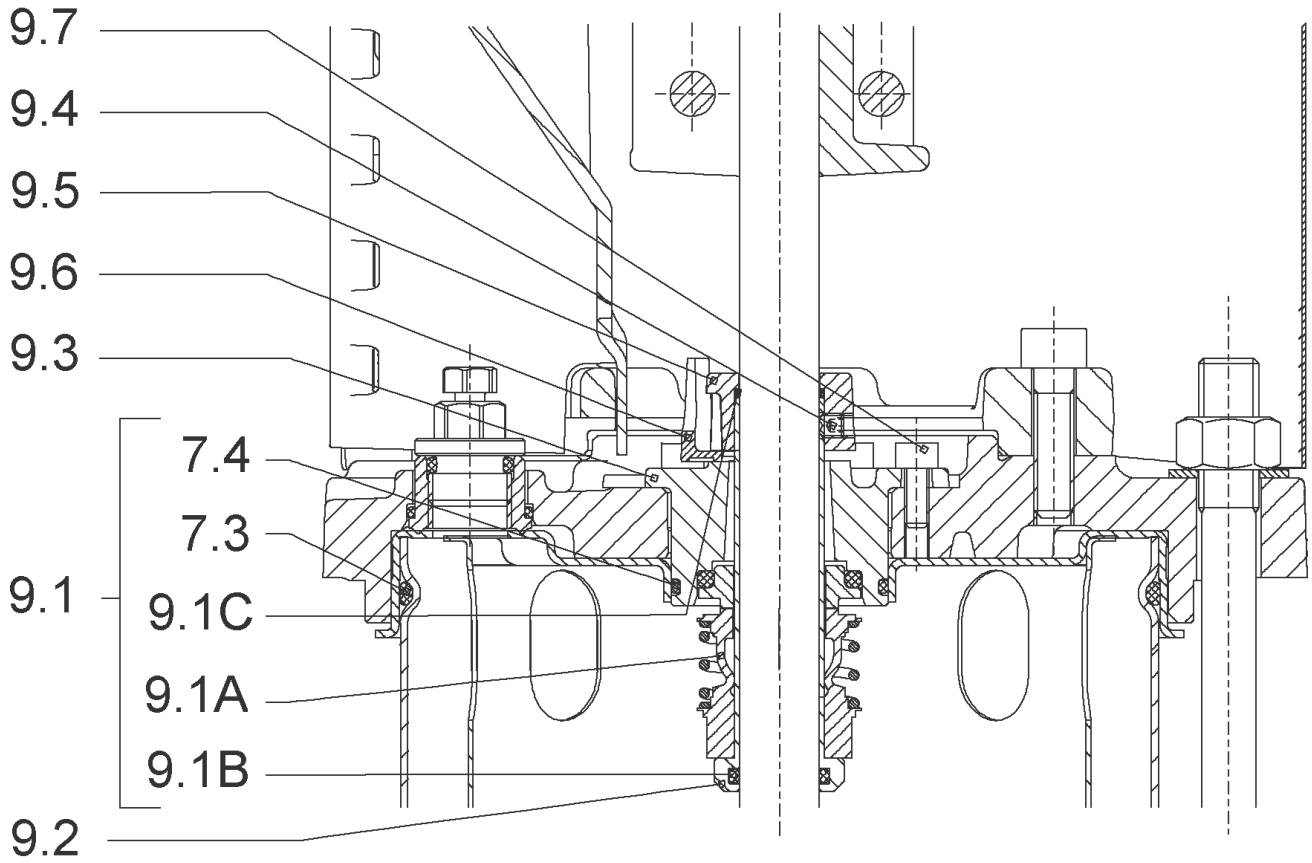
Item	Article no.	Description	Quantity
1.1	4207938	MOT.7.5/2/132F26 3~ 380V 60HZ IE4 WE VP.	1
		SPARE PARTS MOTOR:ON REQUEST	1
1.2	4212637	MODULE HELIX-VE619-IE4-WE KIT	1
1.22	2111344	> MODULE COVER/GASKET TL5 KIT	1
1.23	4215716	> SCREW M5X16 DIN912 8.8 A2A (4pieces) VP.	1
1.24	2057978	> RONDELLE A5,3 DIN6797 FST ZN (4 PIECES)	1

COUPLING D.16XD.38 FF265 HELIX KIT (4159711)



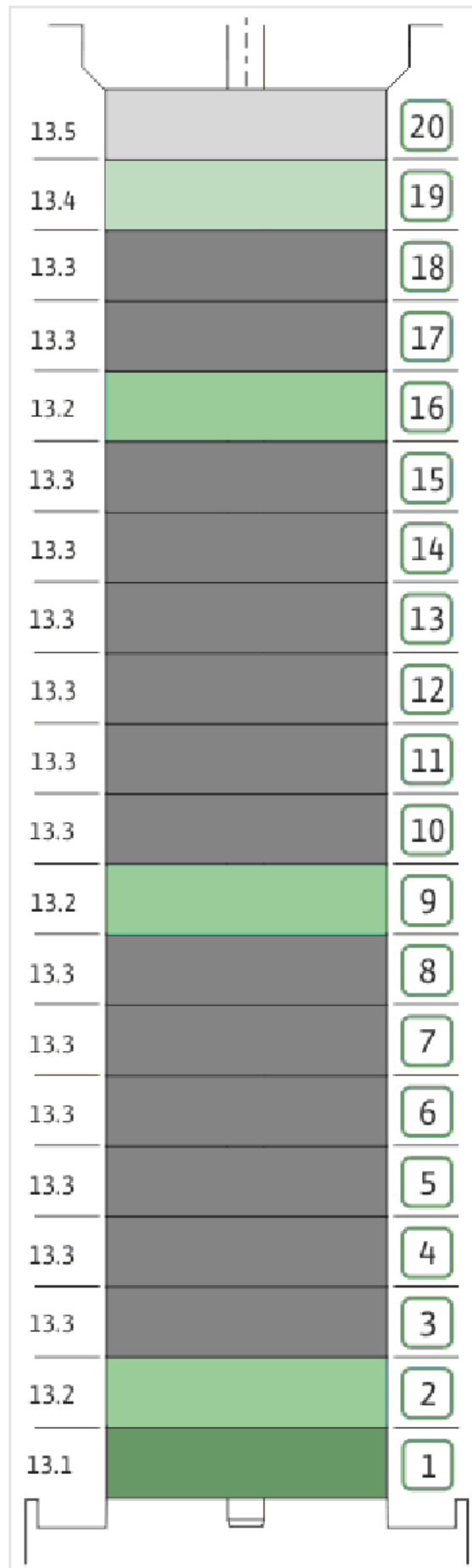
COUPLING D.16XD.38 FF265 HELIX KIT (4159711)

Item	Article no.	Description	Quantity
4.1	2131018	COUPLING 2 PARTS D.16XD.28XL.82,4 VP.	1
4.2	2131017	BALL BEARING 6310/ZZ-C4(HT)VP.	1
4.3	4234253	CIRCLIP-FOR-SHAFT-D50x2 VP.	1
4.4	4157726	SCREW KIT M8X30 (4 PIECES)	1
4.5	4234255	CIRCLIPS 110X4 VP.	1
4.6	4233944	O-RING ID.110 VP.	1
4.7	2131019	RETAINING RING D.26xD.2 DIN7993 VP.	1
4.10	4157726	SCREW KIT M8X30 (4 PIECES)	1
4.11	4102901	SCREW CHC-M6X14-8.8-ISO4762-GEOMET500A	1
4.12	2130995	SERRATED LOCK WASHER D.6,2XD.14,5X28 VP.	1
		NOMEL CONTACT WASHER 8x16x1,4 STEEL ZC	1
4.8	2131020	HUB D.38XD.50 VP.	1
4.9	2131021	SPACER D.28XD.45 VP.	1



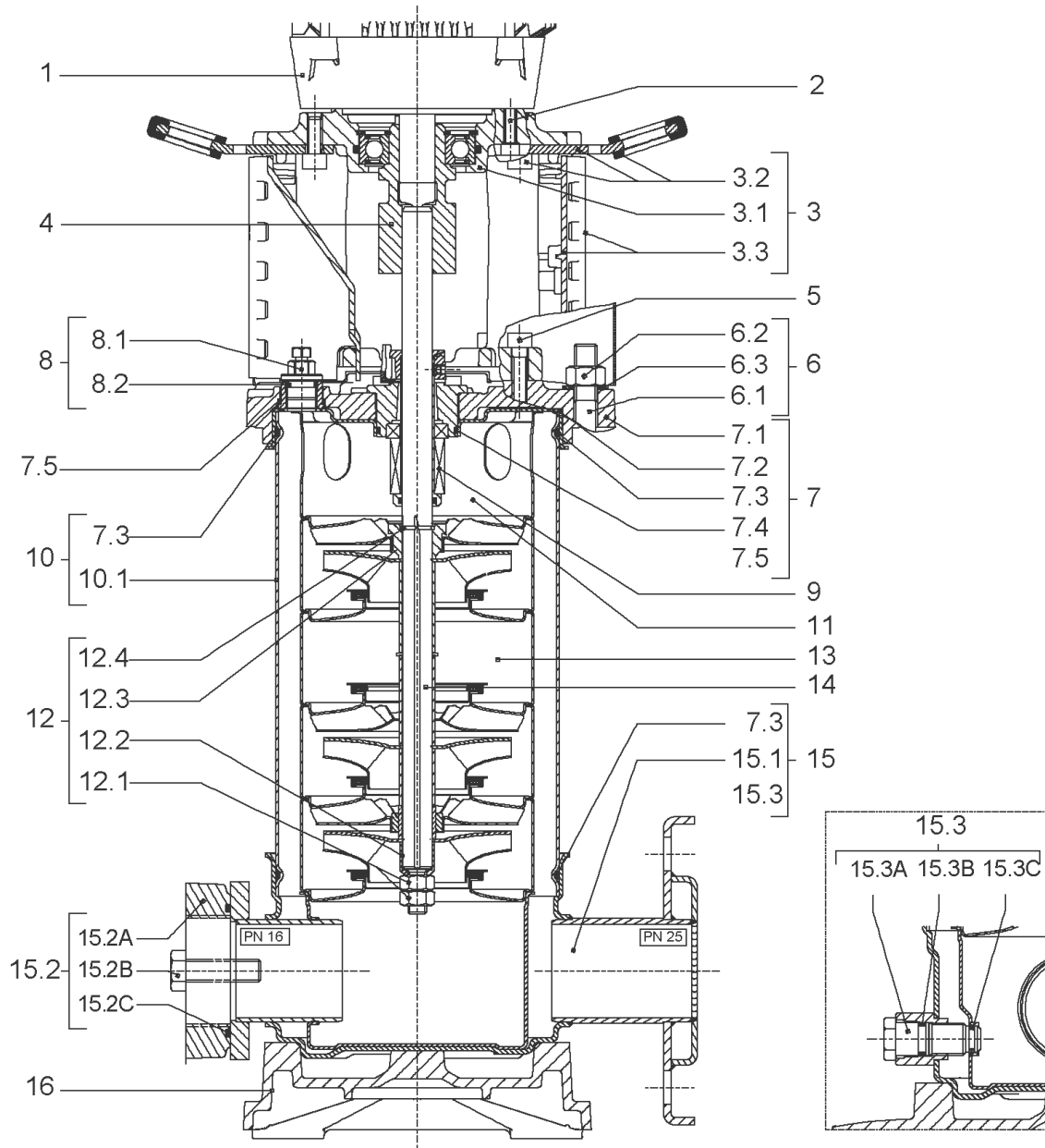
CARTRIDGE HELIX6-10-16 F/E KIT (4159698)

Item	Article no.	Description	Quantity
9.1	4159699	SEAL-KIT-HELIX6-10-16 F/E	1
7.3	4176513	> O-RING FOR PUMP JACKET VP.	1
7.4	2127603	> O-RING ID.37,6x2,4 EPDM VP.	1
9.1A	4176521	> MECH.SEAL HELIX2-4-6-10-16 F/E VP.	1
9.1B	2130967	> O-RING D.16X2,5 EPDM VP.	1
9.1C	4176519	> O-RING Ø16xØ1.25 VP.	1
9.2	2130961	SHAFT SLEEVE D.18/16X72,2 1.4404 VP.	1
9.3	2130962	RING HOLDER D.18 G606/G6 1.4301 VP.	1
9.4	4176520	SCREW CH M5x5 A4-70 (3PIECES)	1
9.5	2130963	DRIVE RING D.29/18x12,4 MACH.VP.	1
9.6	2130964	TOOL M.S.CART.HELIX VP.	1
9.7	2130965	SCREW CHC M5X12 ISO4762 A2.70(4 PIECES)	1



HYDRAULIC HELIX V 619 1.4307

Item	Article no.	Description	Quantity
13.1	4174084	STAGE HELIX 6 1.4301 KIT	1
		> MACH.STG-CASING-WOGV-WNR-M+6-304	1
		> IMPELLER-M+6-304	1
13.2	4174089	INTERMEDIATE STAGE HELIX 6 1.4301 KIT	1
		> MACH.BEARING-STG-CASING-WNR-M+6-304	1
		> IMPELLER-M+6-304	1
		> SHAFT SLEEVE-SPACER-Ø19,35x18,465-304	1
		> SHAFT-SLEEVE-D16xD20x18-CW	1
13.3	4174090	INTERMEDIATE STAGE HELIX 6 1.4301 KIT	1
		> MACH.STD-STG-CASING-WGV+NR-M+6-304	1
		> IMPELLER-M+6-304	1
		> IMPELLER SPACER Ø16,05X19,45-L36,465-304	1
13.4	4174092	EMPTY STAGE HELIX6 1.4301KIT	1
		> MACH.STD-STG-CASING-WGV+NR-M+6-304	1
		> FLAT WASHER-D16.1XD22X1.2-316L	1
		> IMPELLER SPACER Ø16,05X19,45-L36,465-304	1
13.5	4174091	STAGE HELIX 6 1.4301 KIT	1
		> MACH.STG-CASING-WOGV-WNR-M+6-304	1
		> IMPELLER-M+6-304	1
		> IMPELLER SPACER Ø16,05X19,45-L36,465-304	1



HELIX VE1001-1/16/E/KS (4171628)

Item	Article no.	Description	Quantity
1		DRIVE HELIX-VE1001IE2-WE KIT	1
Note: MOTOR BRAND WILO ELEC			
1		DRIVE HELIX-VE1001-IE4-WE KIT	1
Note: MOTOR BRAND WILO ELEC			
2	4159702	SCREW M6X30 (4 PIECES)	1
3	4172788	LANTERN FT100 HELIX KIT	1
3.1		> LANTERN FT100 M+6" GJL MACHINING+CATA	1
3.2	2127604	> EYELET CPL.FT HELIX(2 PIECES)	1
3.3	4159692	> COUPLING PROTECTOR FT HELIX KIT	1
4	4159708	COUPLING D.16XD.19 FT100 HELIX KIT	1
5	4159707	SCREW M8X30 (4 PIECES)	1
6	4177803	STUD BOLT M12X263 KIT	1
6.1		> TIE BOLT M12-263x18x30-1.4057	1
6.2	2094647	> NUT M12 M12 ISO4032 VP.	1
6.3	2123557	> WASHER CS-12.4-24-1.6-NFE25 (4 PIECES)	1
7	4159685	END SHIELD HELIX EPDM KIT	1
7.1		> END SHIELD M+6" GJL250 MACHINING+CATA	1
7.2	2127607	> STATIONARY RING HOLDER 6" HELIX 1.4301 V	1
7.3	4176513	> O-RING FOR PUMP JACKET VP.	1
7.4	2127603	> O-RING ID.37,6x2,4 EPDM VP.	1
7.5	2127602	> O-RING ID.21,35x2 EPDM VP.	1
8	4159686	FILING/PURGING PLUG HELIX EPDM KIT	1
9	4159696	CARTRIDGE HELIX6-10-16 O/E KIT	1
10	4177804	HOUSING PIPES D.152X134 1.4301 KIT	1
7.3	4176513	> O-RING FOR PUMP JACKET VP.	1
10.1		> HOUSING-PIPE Ø152-M+1001/02-304	1
11	4172791	CENTERING STAGE-RETURN HELIX10 1.4301VP.	1
12	4209272	SHAFT EQUIPMENT HELIX V10 BI BLOC KIT	1
12.1		> NUT-H-M10-A4.70	1
12.2		> SERRATED LOCK WASHER M+10M3-316L	1
12.3		> STOP COLLAR OF IMPELLER L16,5-Ø16-316L	1
12.4		> STOP-RUSH-1/2-D16xd2-M+316	1
13		HYDRAULIC HELIX V 1001 1.4307	1
14	4177807	SHAFT D.16X255 1.4301 VP.	1

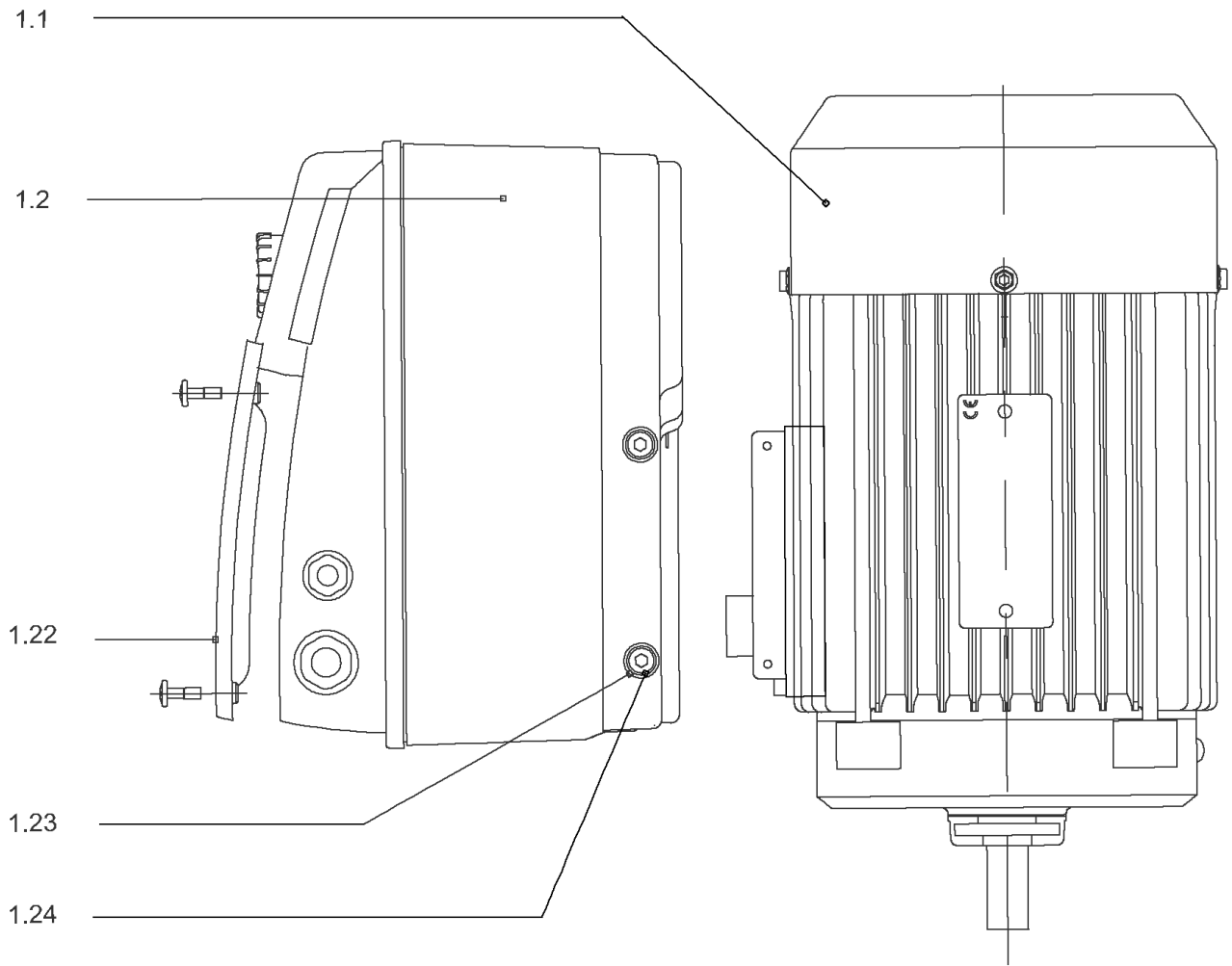
HELIX VE1001-1/16/E/KS (4171628)

Item	Article no.	Description	Quantity
15	4159682	PUMP HOUSING HELIX DN50 PN16 1.4301 KIT	1
7.3	4176513	> O-RING FOR PUMP JACKET VP.	1
15.1		> BLASTING PPE HOUSING V-PN16-DN50-304	1
15.2	4217893	> COUNTER FLANGE-G1"1/2-PN16-GJL KIT	1
15.3	4171321	> PRIMING/DRAIN PLUG EPDM HELIX KIT	1
16	4176517	BASEPLATE V8/10 VP.	1



DRIVE HELIX-VE1001IE2-WE KIT

Item	Article no.	Description	Quantity
1.1		MOTOR 0,75/2/80 3~ 380V 60HZ IE2 WE VP.	1
Note: no longer available/nicht mehr lieferbar/n'est plus disponible			
		SPARE PARTS MOTOR:ON REQUEST	1
1.2	4186334	MODULE HELIX-VE1001-IE2-WE KIT	1
1.22	2054372	> MODULE COVER TL1,TL2+GASKET KIT	1
1.23	4215716	> SCREW M5X16 DIN912 8.8 A2A (4pieces) VP.	1
1.24	2057978	> RONDELLE A5,3 DIN6797 FST ZN (4 PIECES)	1



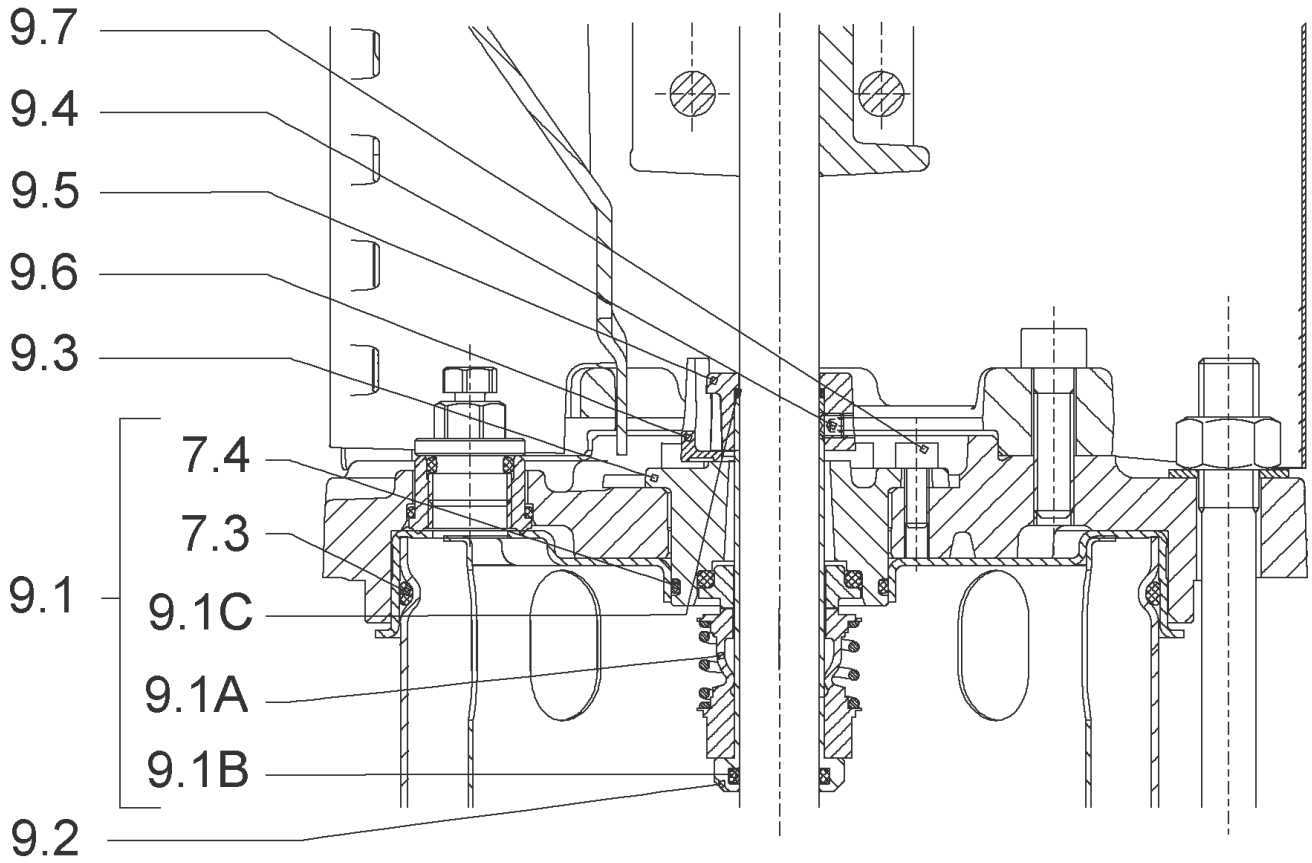
DRIVE HELIX-VE1001-IE4-WE KIT

Item	Article no.	Description	Quantity
1.1	4207914	MOTOR 0.75/2/80 3~ 380V 60HZ IE4 WE VP.	1
		SPARE PARTS MOTOR:ON REQUEST	1
1.2	4209324	MODULE HELIX-VE1001-IE4-WE KIT	1
1.22	2054372	> MODULE COVER TL1,TL2+GASKET KIT	1
1.23	4215716	> SCREW M5X16 DIN912 8.8 A2A (4pieces) VP.	1
1.24	2057978	> RONDELLE A5,3 DIN6797 FST ZN (4 PIECES)	1



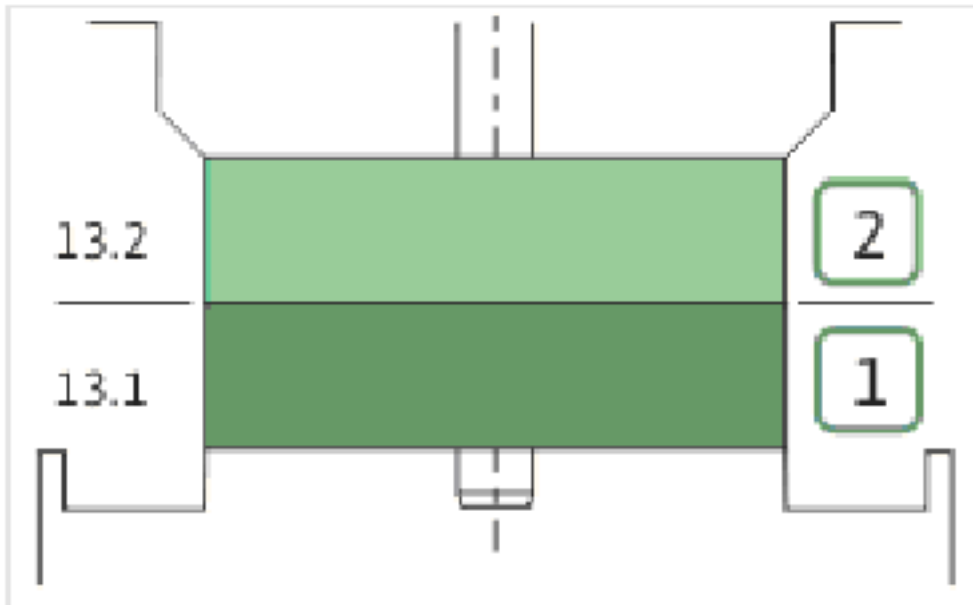
COUPLING D.16XD.19 FT100 HELIX KIT (4159708)

Item	Article no.	Description	Quantity
4.1		COUPLING M+ Ø16XØ19 FT100 MACHINED	1
4.2	2130977	BALL BEARING 6206/ZZ-C3(HT)VP.	1
4.3	4234249	CIRCLIP-FOR-SHAFT-D30x1.5 VP.	1
4.4	4212716	SCREW M6X20 KIT (4PIECES)	1
4.5	4234250	CIRCLIP-D62x2 VP.	1
4.6	4234245	O-RING 63X3 VP.	1
		CONTACT-WASHER-6ETR-6,1x12,2x1,8-STEEL	1



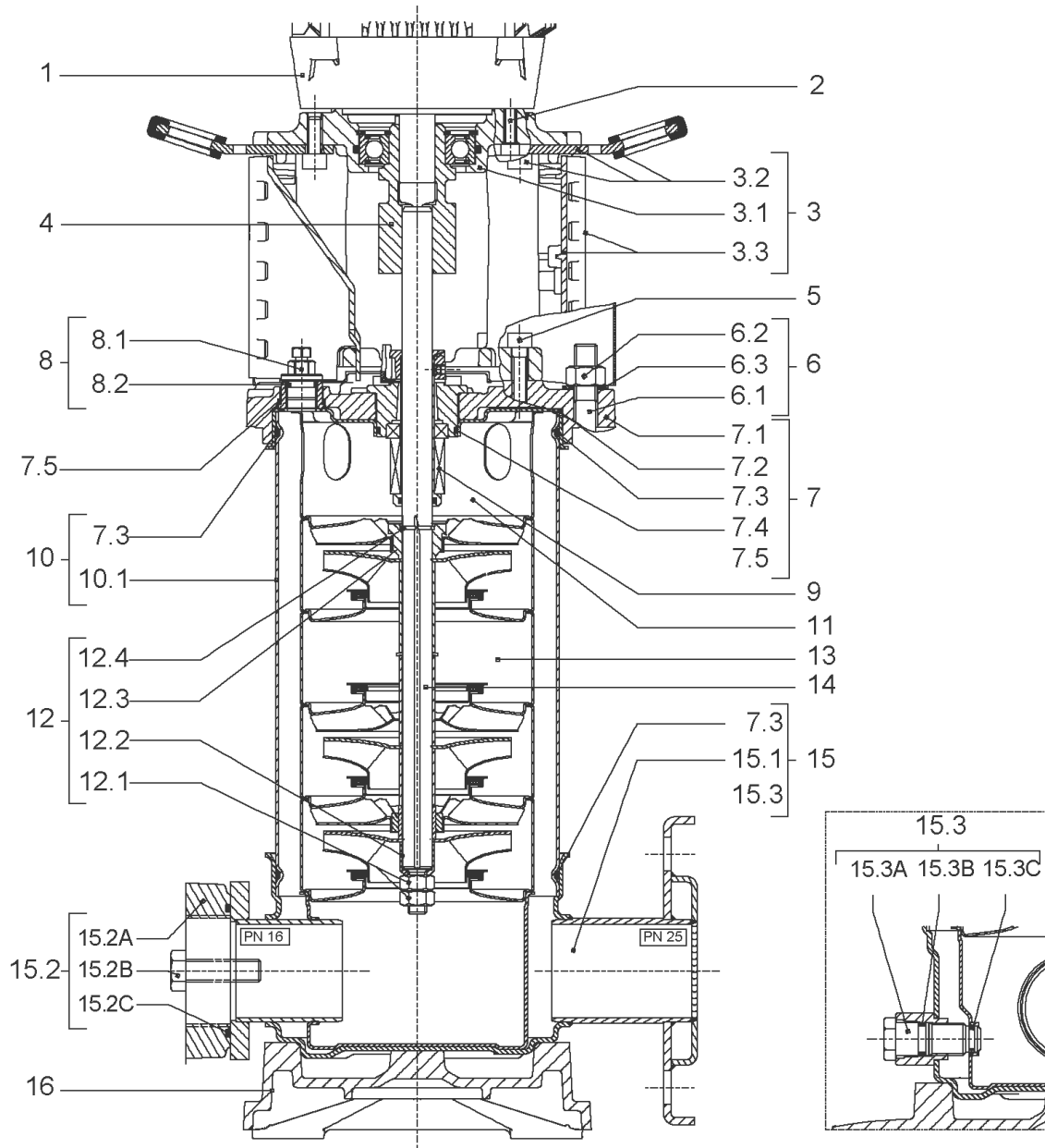
CARTRIDGE HELIX6-10-16 O/E KIT (4159696)

Item	Article no.	Description	Quantity
9.1	4159697	SEAL-KIT-HELIX6-10-16 O/E	1
7.3	4176513	> O-RING FOR PUMP JACKET VP.	1
7.4	2127603	> O-RING ID.37,6x2,4 EPDM VP.	1
9.1A	2130966	> MECH.SEAL HELIX2-4-6-10-16 O/E VP.	1
9.1B	2130967	> O-RING D.16X2,5 EPDM VP.	1
9.1C	4176519	> O-RING Ø16xØ1.25 VP.	1
9.2	2130961	SHAFT SLEEVE D.18/16X72,2 1.4404 VP.	1
9.3	2130962	RING HOLDER D.18 G606/G6 1.4301 VP.	1
9.4	4176520	SCREW CH M5x5 A4-70 (3PIECES)	1
9.5	2130963	DRIVE RING D.29/18x12,4 MACH.VP.	1
9.6	2130964	TOOL M.S.CART.HELIX VP.	1
9.7	2130965	SCREW CHC M5X12 ISO4762 A2.70(4 PIECES)	1



HYDRAULIC HELIX V 1001 1.4307

Item	Article no.	Description	Quantity
13.1	4171331	STAGE HELIX10 1.4301KIT	1
		> MACH.STG-CASING-WOGV-WNR-M+10-304	1
		> IMPELLER-M+10-304	1
13.2	4171330	STAGE BEARING HELIX 16 1.4301 KIT	1
		> MACH.BEARING-STG-CASING-WNR-M+10-304	1
		> STOP COLLAR OF IMPELLER first stage	1
		> SHAFT-SLEEVE-D16xD20x18-CW	1



HELIX VE1002-1/16/E/KS (4161304)

Item	Article no.	Description	Quantity
1		DRIVE HELIX-VE1002-IE2-WE KIT	1
Note: MOTOR BRAND WILO ELEC			
1		DRIVE HELIX-VE1002-IE2-ATB KIT	1
Note: MOTOR BRAND ATB			
1		DRIVE HELIX-VE1002-IE4-WE KIT	1
Note: MOTOR BRAND WILO ELEC			
2	4159702	SCREW M6X30 (4 PIECES)	1
3	4172788	LANTERN FT100 HELIX KIT	1
3.1		> LANTERN FT100 M+6" GJL MACHINING+CATA	1
3.2	2127604	> EYELET CPL.FT HELIX(2 PIECES)	1
3.3	4159692	> COUPLING PROTECTOR FT HELIX KIT	1
4	4159708	COUPLING D.16XD.19 FT100 HELIX KIT	1
5	4159707	SCREW M8X30 (4 PIECES)	1
6	4177803	STUD BOLT M12X263 KIT	1
6.1		> TIE BOLT M12-263x18x30-1.4057	1
6.2	2094647	> NUT M12 M12 ISO4032 VP.	1
6.3	2123557	> WASHER CS-12.4-24-1.6-NFE25 (4 PIECES)	1
7	4159685	END SHIELD HELIX EPDM KIT	1
7.1		> END SHIELD M+6" GJL250 MACHINING+CATA	1
7.2	2127607	> STATIONARY RING HOLDER 6" HELIX 1.4301 V	1
7.3	4176513	> O-RING FOR PUMP JACKET VP.	1
7.4	2127603	> O-RING ID.37,6x2,4 EPDM VP.	1
7.5	2127602	> O-RING ID.21,35x2 EPDM VP.	1
8	4159686	FILING/PURGING PLUG HELIX EPDM KIT	1
9	4159696	CARTRIDGE HELIX6-10-16 O/E KIT	1
10	4177804	HOUSING PIPES D.152X134 1.4301 KIT	1
7.3	4176513	> O-RING FOR PUMP JACKET VP.	1
10.1		> HOUSING-PIPE Ø152-M+1001/02-304	1
11	4172791	CENTERING STAGE-RETURN HELIX10 1.4301VP.	1
12	4209272	SHAFT EQUIPMENT HELIX V10 BI BLOC KIT	1
12.1		> NUT-H-M10-A4.70	1
12.2		> SERRATED LOCK WASHER M+10M3-316L	1
12.3		> STOP COLLAR OF IMPELLER L16,5-Ø16-316L	1
12.4		> STOP-RUSH-1/2-D16xd2-M+316	1

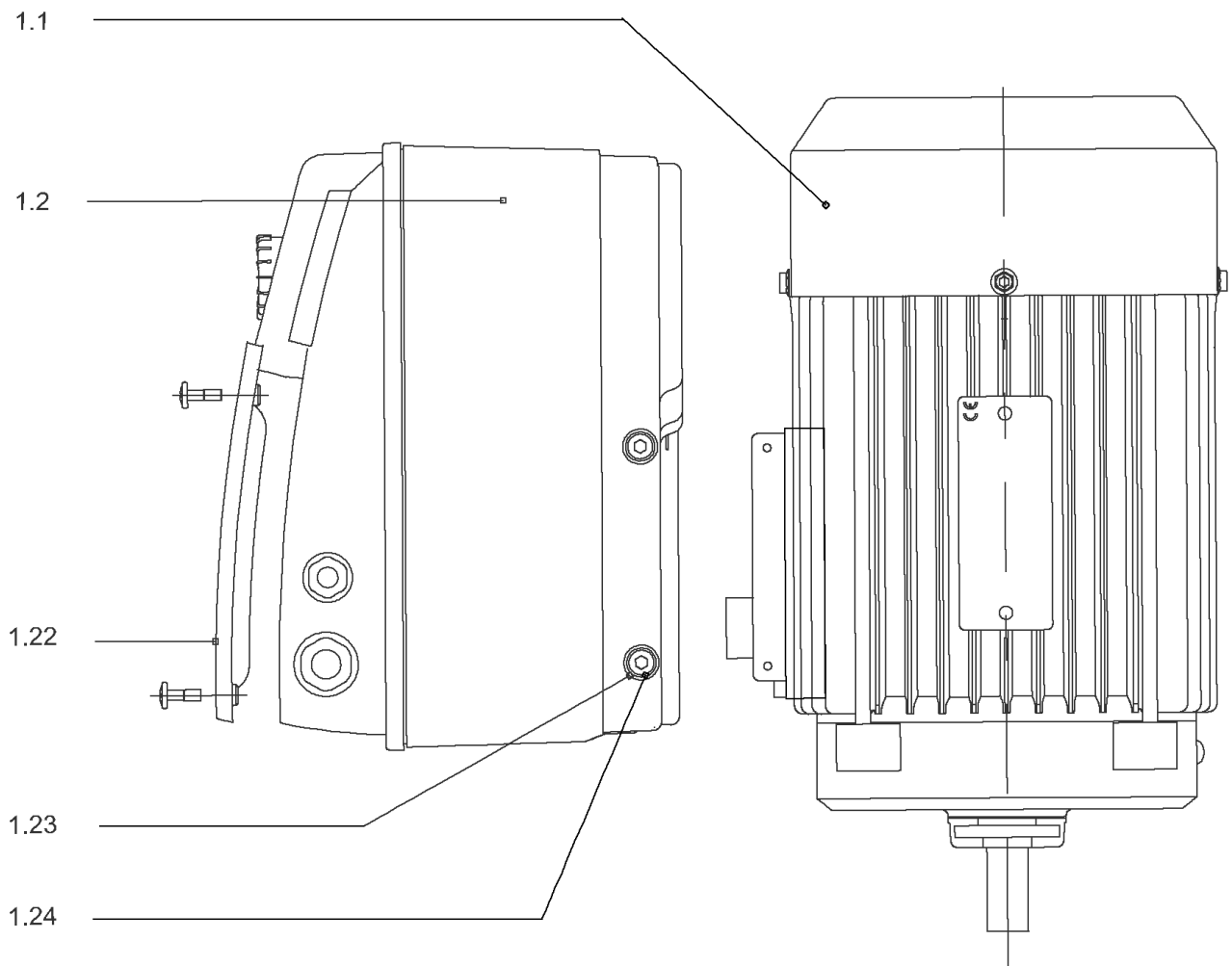
HELIX VE1002-1/16/E/KS (4161304)

Item	Article no.	Description	Quantity
13		HYDRAULIC HELIX V 1002 1.4307	1
14	4177807	SHAFT D.16X255 1.4301 VP.	1
15	4159682	PUMP HOUSING HELIX DN50 PN16 1.4301 KIT	1
7.3	4176513	> O-RING FOR PUMP JACKET VP.	1
15.1		> BLASTING PPE HOUSING V-PN16-DN50-304	1
15.2	4217893	> COUNTER FLANGE-G1"1/2-PN16-GJL KIT	1
15.3	4171321	> PRIMING/DRAIN PLUG EPDM HELIX KIT	1
16	4176517	BASEPLATE V8/10 VP.	1



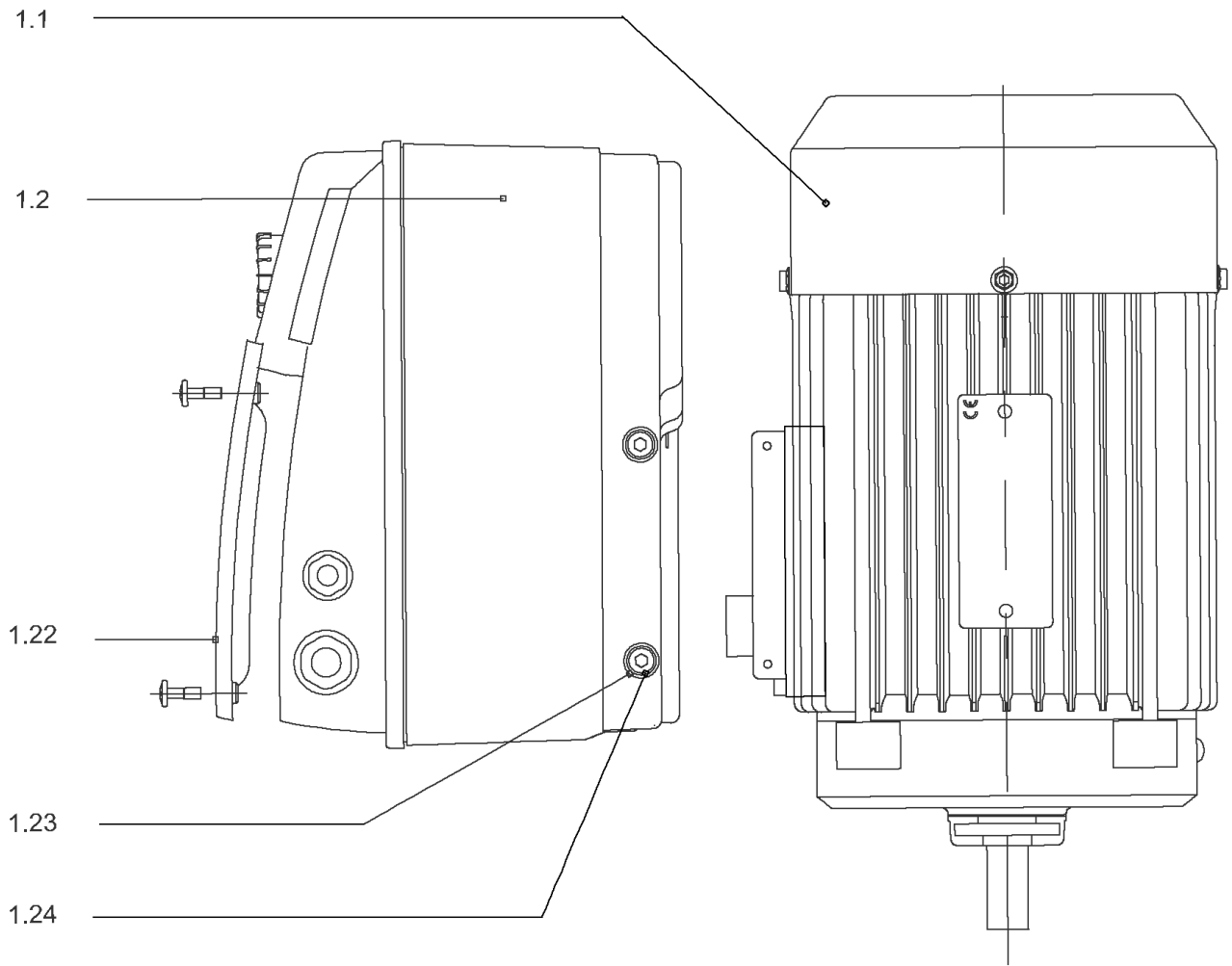
DRIVE HELIX-VE1002-IE2-WE KIT

Item	Article no.	Description	Quantity
1.1	4184817	MOTOR 1,1/2/80 3~ 380V 60HZ IE2 WE VP.	1
		SPARE PARTS MOTOR:ON REQUEST	1
1.2	4186942	MODULE HELIX-VE1002-IE2-WE KIT	1
1.22	2054372	> MODULE COVER TL1,TL2+GASKET KIT	1
1.23	4215716	> SCREW M5X16 DIN912 8.8 A2A (4pieces) VP.	1
1.24	2057978	> RONDELLE A5,3 DIN6797 FST ZN (4 PIECES)	1



DRIVE HELIX-VE1002-IE2-ATB KIT

Item	Article no.	Description	Quantity
1.1		M1,1-2T638P55V18-80F10-SU-N19-ADAPT-IE2	1
Note: no longer available/nicht mehr lieferbar/n'est plus disponible			
		SPARE PARTS MOTOR:ON REQUEST	1
1.2	4228815	MODULE HELIX-VE1002-IE2-ATB KIT	1
1.22	2054372	> MODULE COVER TL1,TL2+GASKET KIT	1
1.23	4215716	> SCREW M5X16 DIN912 8.8 A2A (4pieces) VP.	1
1.24	2057978	> RONDELLE A5,3 DIN6797 FST ZN (4 PIECES)	1



DRIVE HELIX-VE1002-IE4-WE KIT

Item	Article no.	Description	Quantity
1.1	4207916	MOTOR 1.1/2/80 3~ 380V 60HZ IE4 WE VP.	1
		SPARE PARTS MOTOR:ON REQUEST	1
1.2	4209600	MODULE HELIX-VE1002-IE4-WE KIT	1
1.22	2054372	> MODULE COVER TL1,TL2+GASKET KIT	1
1.23	4215716	> SCREW M5X16 DIN912 8.8 A2A (4pieces) VP.	1
1.24	2057978	> RONDELLE A5,3 DIN6797 FST ZN (4 PIECES)	1



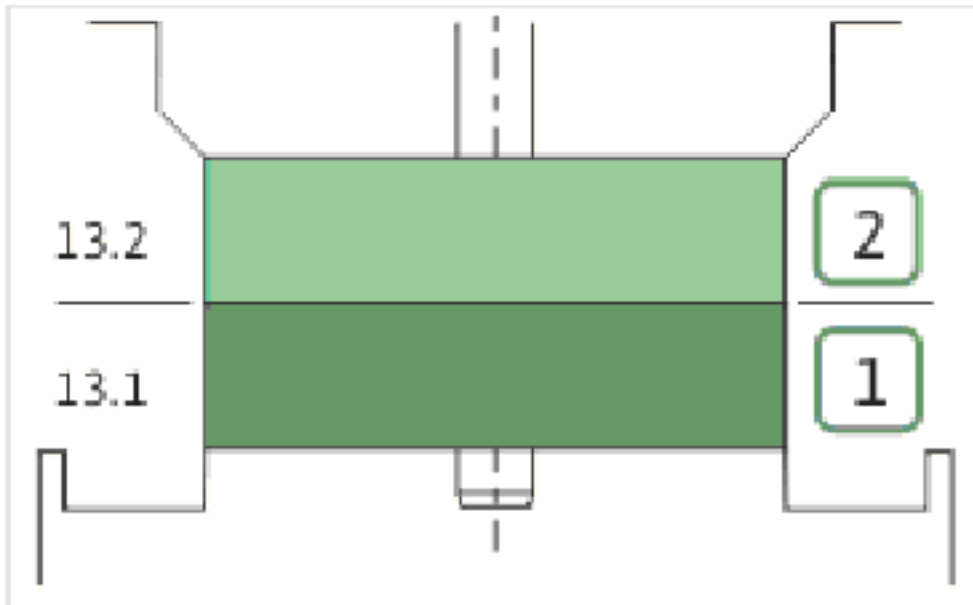
COUPLING D.16XD.19 FT100 HELIX KIT (4159708)

Item	Article no.	Description	Quantity
4.1		COUPLING M+ Ø16XØ19 FT100 MACHINED	1
4.2	2130977	BALL BEARING 6206/ZZ-C3(HT)VP.	1
4.3	4234249	CIRCLIP-FOR-SHAFT-D30x1.5 VP.	1
4.4	4212716	SCREW M6X20 KIT (4PIECES)	1
4.5	4234250	CIRCLIP-D62x2 VP.	1
4.6	4234245	O-RING 63X3 VP.	1
		CONTACT-WASHER-6ETR-6,1x12,2x1,8-STEEL	1



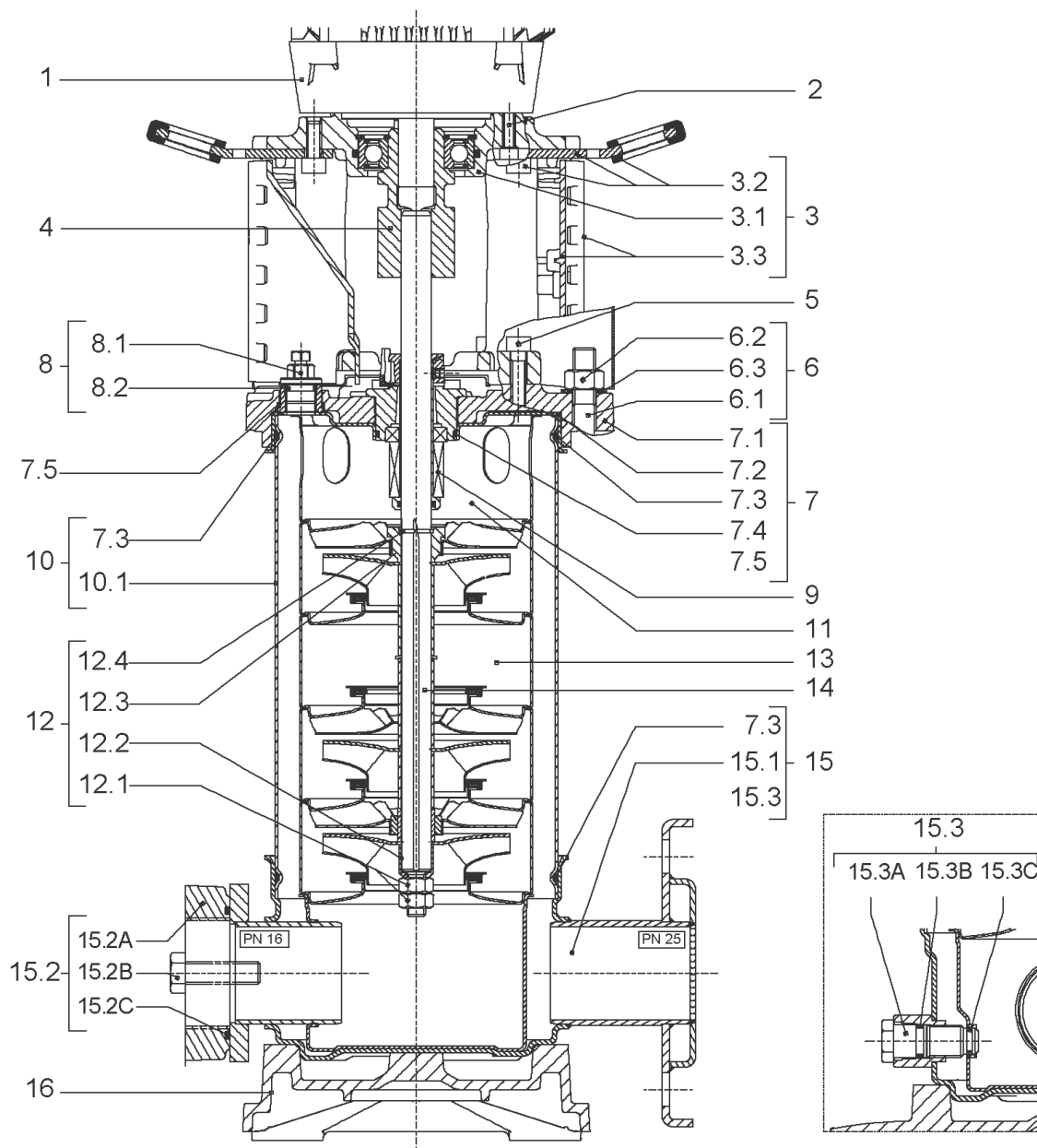
CARTRIDGE HELIX6-10-16 O/E KIT (4159696)

Item	Article no.	Description	Quantity
9.1	4159697	SEAL-KIT-HELIX6-10-16 O/E	1
7.3	4176513	> O-RING FOR PUMP JACKET VP.	1
7.4	2127603	> O-RING ID.37,6x2,4 EPDM VP.	1
9.1A	2130966	> MECH.SEAL HELIX2-4-6-10-16 O/E VP.	1
9.1B	2130967	> O-RING D.16X2,5 EPDM VP.	1
9.1C	4176519	> O-RING Ø16xØ1.25 VP.	1
9.2	2130961	SHAFT SLEEVE D.18/16X72,2 1.4404 VP.	1
9.3	2130962	RING HOLDER D.18 G606/G6 1.4301 VP.	1
9.4	4176520	SCREW CH M5x5 A4-70 (3PIECES)	1
9.5	2130963	DRIVE RING D.29/18x12,4 MACH.VP.	1
9.6	2130964	TOOL M.S.CART.HELIX VP.	1
9.7	2130965	SCREW CHC M5X12 ISO4762 A2.70(4 PIECES)	1



HYDRAULIC HELIX V 1002 1.4307

Item	Article no.	Description	Quantity
13.1	4171331	STAGE HELIX10 1.4301KIT	1
		> MACH.STG-CASING-WOGV-WNR-M+10-304	1
		> IMPELLER-M+10-304	1
13.2	4172792	INTERMEDIATE STAGE HELIX 10 1.4301 KIT	1
		> MACH.BEARING-STG-CASING-WNR-M+10-304	1
		> IMPELLER-M+10-304	1
		> SHAFT SLEEVE-SPACER-Ø19,35x18,465-304	1
		> SHAFT-SLEEVE-D16xD20x18-CW	1

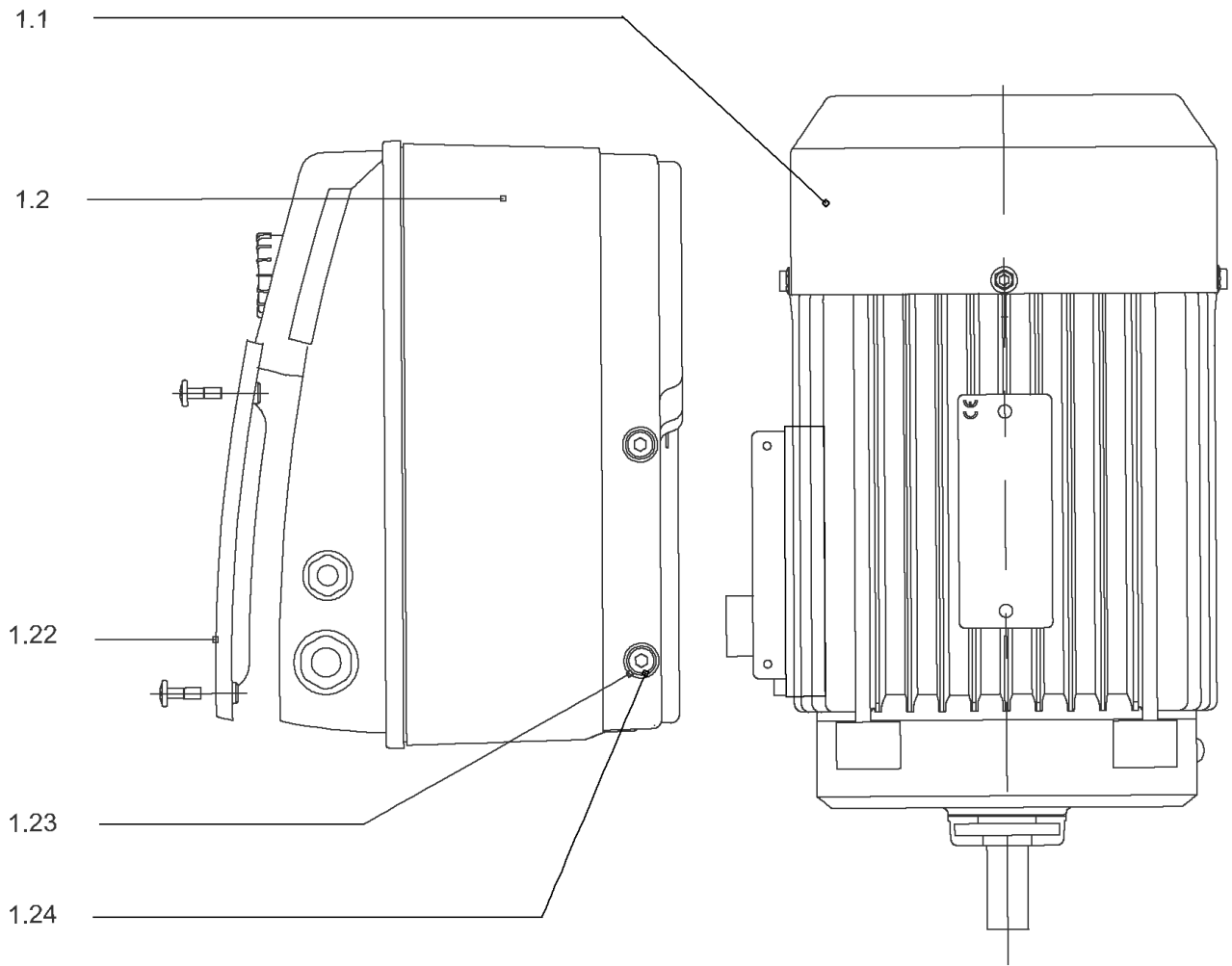


HELIX VE1002-1/16/E/S (4164625)

Item	Article no.	Description	Quantity
1		DRIVE HELIX-VE1002-IE2-WE KIT	1
Note: MOTOR BRAND WILO ELEC			
1		DRIVE HELIX-VE1002-IE2-ATB KIT	1
Note: MOTOR BRAND ATB			
1		DRIVE HELIX-VE1002-IE4-WE KIT	1
Note: MOTOR BRAND WILO ELEC			
2	4159702	SCREW M6X30 (4 PIECES)	1
3	4172790	EQUIPED LANTERN NEXIS FT 100 KIT	1
3.1		> M+5_6_LANTERN_ONE-PIECE_FT100_CATA	1
3.2	2127604	> EYELET CPL.FT HELIX(2 PIECES)	1
3.3	4159692	> COUPLING PROTECTOR FT HELIX KIT	1
4	4159708	COUPLING D.16XD.19 FT100 HELIX KIT	1
5	4159707	SCREW M8X30 (4 PIECES)	1
6	4177803	STUD BOLT M12X263 KIT	1
6.1		> TIE BOLT M12-263x18x30-1.4057	1
6.2	2094647	> NUT M12 M12 ISO4032 VP.	1
6.3	2123557	> WASHER CS-12.4-24-1.6-NFE25 (4 PIECES)	1
7	4210143	STATIONARY RING HOLDER HELIX 6" EPDM	1
7.2	2127607	> STATIONARY RING HOLDER 6" HELIX 1.4301 V	1
7.3	4176513	> O-RING FOR PUMP JACKET VP.	1
7.4	2127603	> O-RING ID.37,6x2,4 EPDM VP.	1
7.5	2127602	> O-RING ID.21,35x2 EPDM VP.	1
8	4159686	FILING/PURGING PLUG HELIX EPDM KIT	1
9	4171327	SEAL-KIT-HELIX6-10-16 O/E KIT	1
10	4177804	HOUSING PIPES D.152X134 1.4301 KIT	1
7.3	4176513	> O-RING FOR PUMP JACKET VP.	1
10.1		> HOUSING-PIPE Ø152-M+1001/02-304	1
11	4172791	CENTERING STAGE-RETURN HELIX10 1.4301VP.	1
12	4209273	SHAFT EQUIPMENT HELIX V10 KIT	1
12.1		> NUT-H-M10-A4.70	1
12.2		> SERRATED LOCK WASHER M+10M3-316L	1
12.3		> IMPELLER STOP RING L33,6-304	1
12.4		> STOP-RUSH-1/2-D16xd2-M+316	1
13		HYDRAULIC HELIX V 1002 1.4307	1

HELIX VE1002-1/16/E/S (4164625)

Item	Article no.	Description	Quantity
14	4177807	SHAFT D.16X255 1.4301 VP.	1
15	4159682	PUMP HOUSING HELIX DN50 PN16 1.4301 KIT	1
7.3	4176513	> O-RING FOR PUMP JACKET VP.	1
15.1		> BLASTING PPE HOUSING V-PN16-DN50-304	1
15.2	4217893	> COUNTER FLANGE-G1"1/2-PN16-GJL KIT	1
15.3	4171321	> PRIMING/DRAIN PLUG EPDM HELIX KIT	1
16	4176517	BASEPLATE V8/10 VP.	1



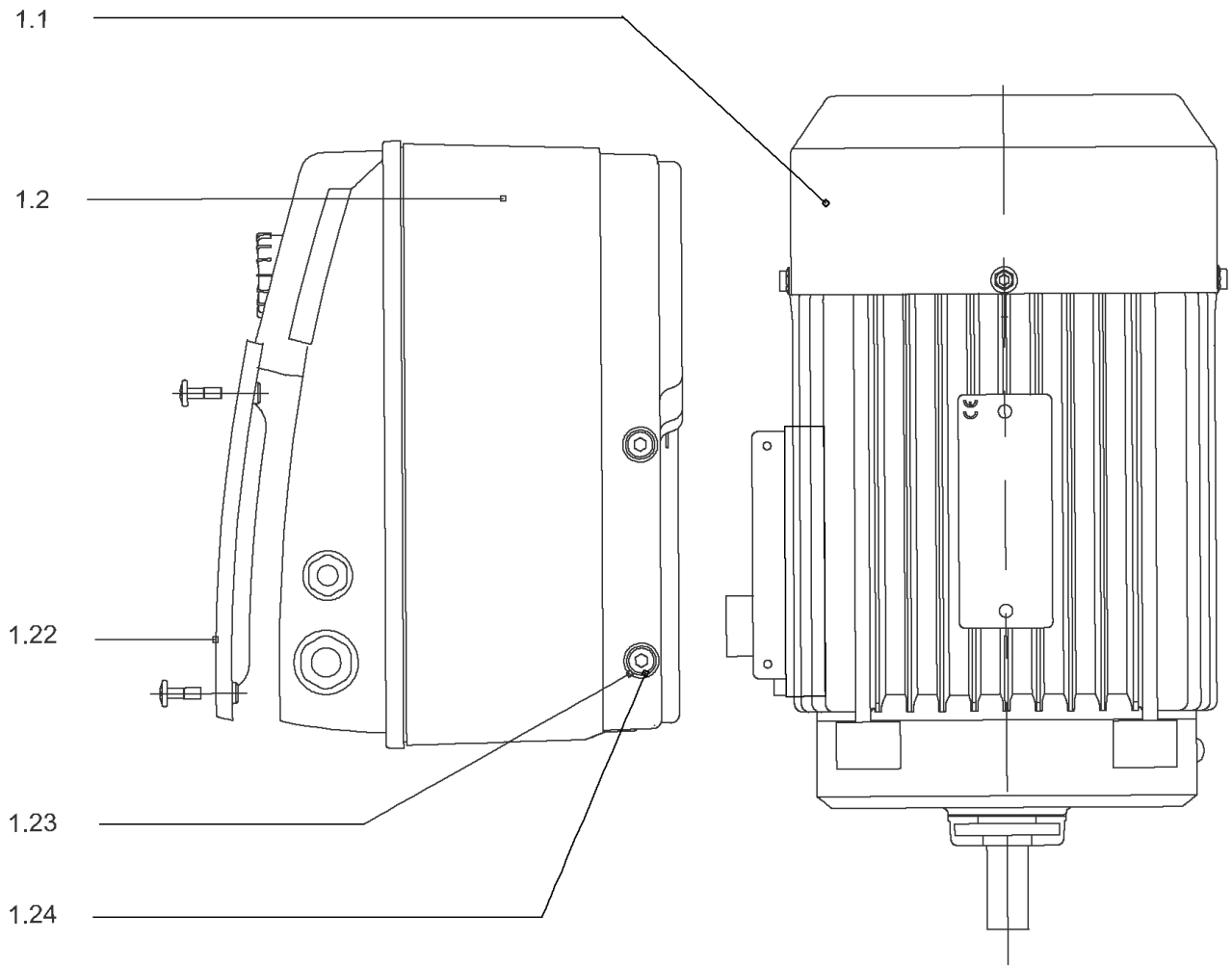
DRIVE HELIX-VE1002-IE2-WE KIT

Item	Article no.	Description	Quantity
1.1	4184817	MOTOR 1,1/2/80 3~ 380V 60HZ IE2 WE VP.	1
		SPARE PARTS MOTOR:ON REQUEST	1
1.2	4186942	MODULE HELIX-VE1002-IE2-WE KIT	1
1.22	2054372	> MODULE COVER TL1,TL2+GASKET KIT	1
1.23	4215716	> SCREW M5X16 DIN912 8.8 A2A (4pieces) VP.	1
1.24	2057978	> RONDELLE A5,3 DIN6797 FST ZN (4 PIECES)	1



DRIVE HELIX-VE1002-IE2-ATB KIT

Item	Article no.	Description	Quantity
1.1		M1,1-2T638P55V18-80F10-SU-N19-ADAPT-IE2	1
Note: no longer available/nicht mehr lieferbar/n'est plus disponible			
		SPARE PARTS MOTOR:ON REQUEST	1
1.2	4228815	MODULE HELIX-VE1002-IE2-ATB KIT	1
1.22	2054372	> MODULE COVER TL1,TL2+GASKET KIT	1
1.23	4215716	> SCREW M5X16 DIN912 8.8 A2A (4pieces) VP.	1
1.24	2057978	> RONDELLE A5,3 DIN6797 FST ZN (4 PIECES)	1



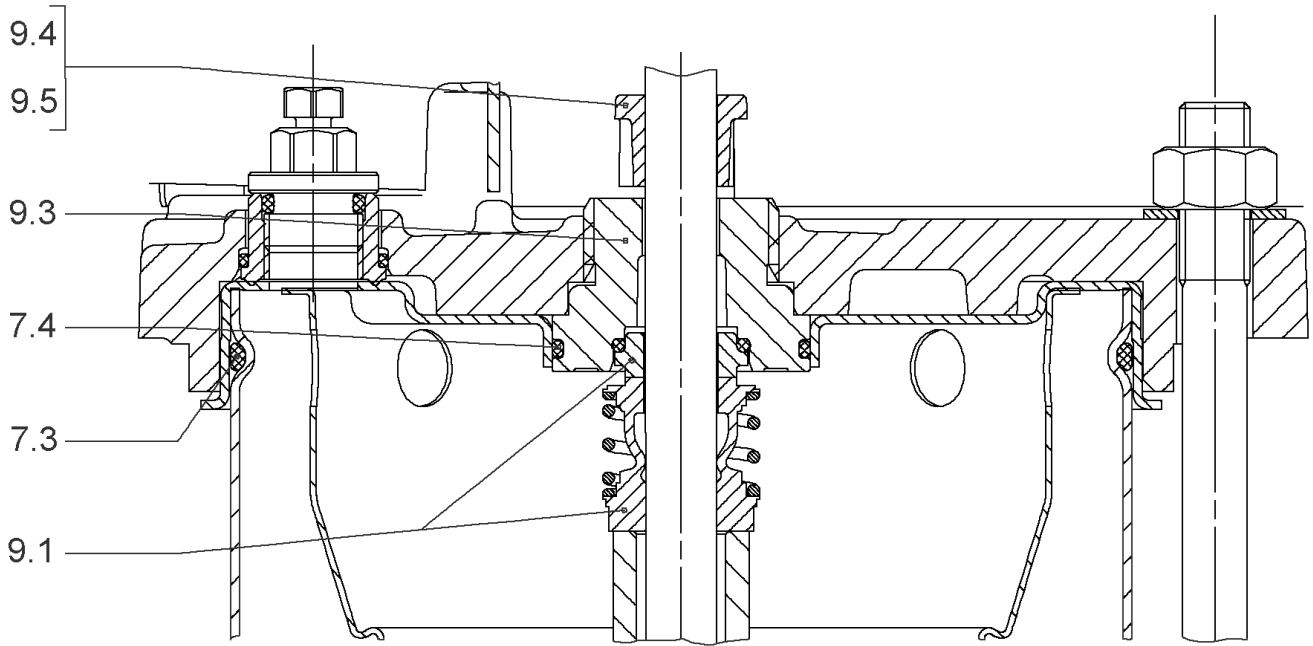
DRIVE HELIX-VE1002-IE4-WE KIT

Item	Article no.	Description	Quantity
1.1	4207916	MOTOR 1.1/2/80 3~ 380V 60HZ IE4 WE VP.	1
		SPARE PARTS MOTOR:ON REQUEST	1
1.2	4209600	MODULE HELIX-VE1002-IE4-WE KIT	1
1.22	2054372	> MODULE COVER TL1,TL2+GASKET KIT	1
1.23	4215716	> SCREW M5X16 DIN912 8.8 A2A (4pieces) VP.	1
1.24	2057978	> RONDELLE A5,3 DIN6797 FST ZN (4 PIECES)	1



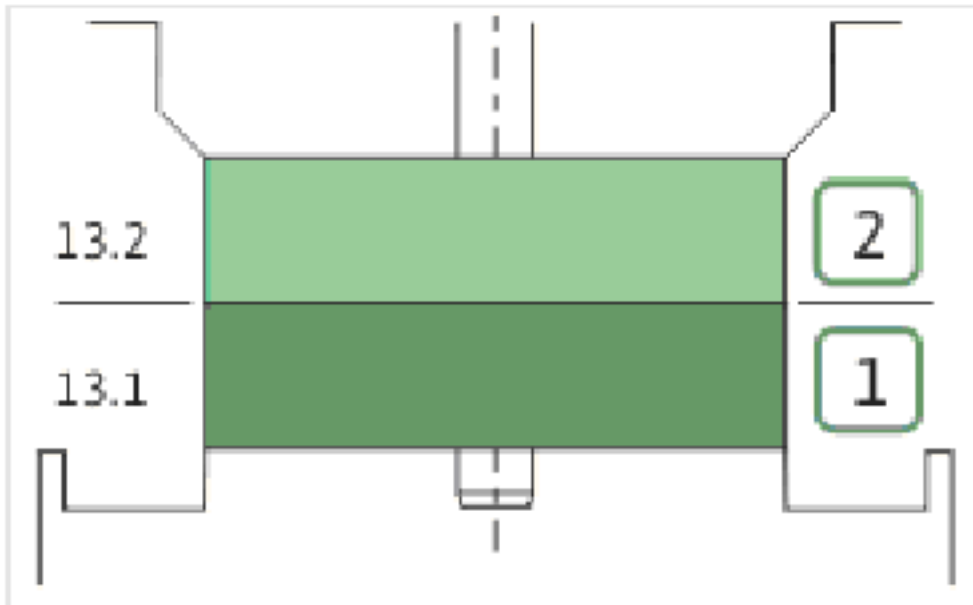
COUPLING D.16XD.19 FT100 HELIX KIT (4159708)

Item	Article no.	Description	Quantity
4.1		COUPLING M+ Ø16XØ19 FT100 MACHINED	1
4.2	2130977	BALL BEARING 6206/ZZ-C3(HT)VP.	1
4.3	4234249	CIRCLIP-FOR-SHAFT-D30x1.5 VP.	1
4.4	4212716	SCREW M6X20 KIT (4PIECES)	1
4.5	4234250	CIRCLIP-D62x2 VP.	1
4.6	4234245	O-RING 63X3 VP.	1
		CONTACT-WASHER-6ETR-6,1x12,2x1,8-STEEL	1



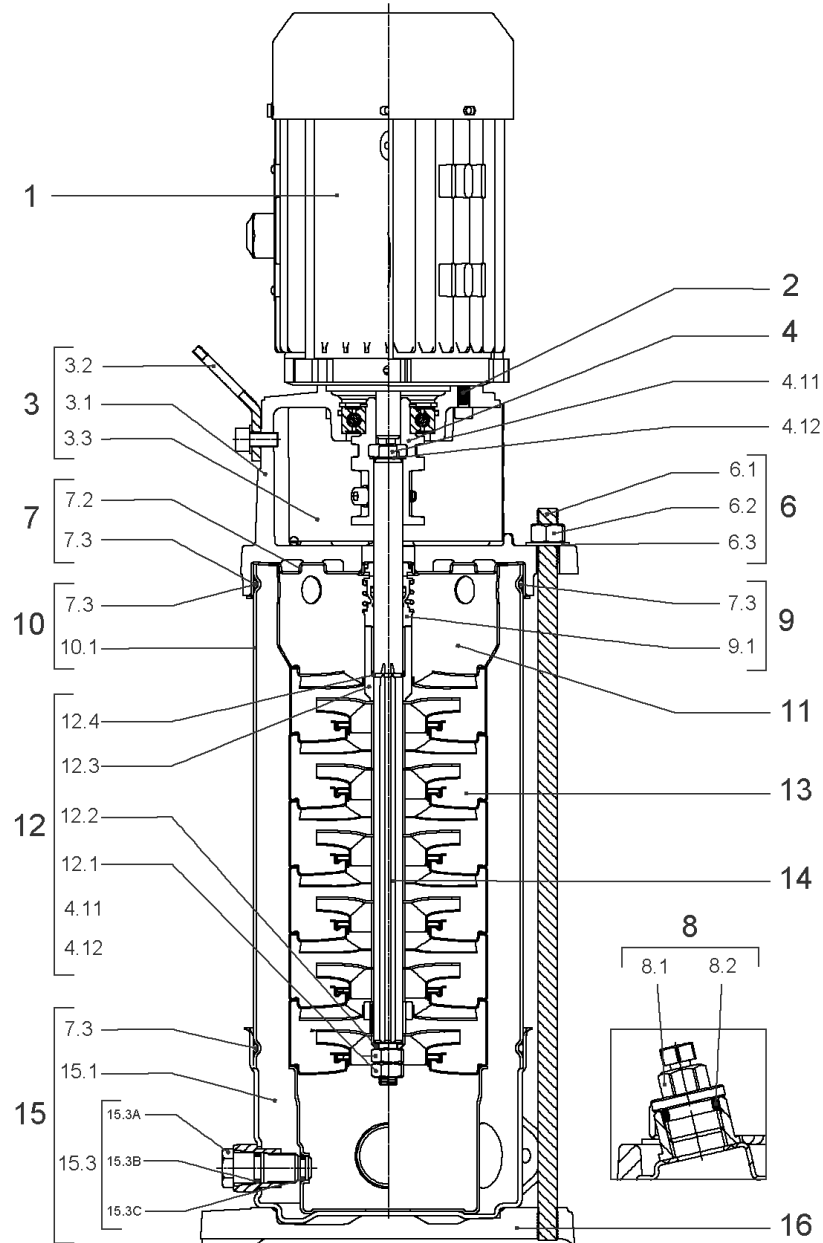
SEAL-KIT-HELIX6-10-16 O/E KIT (4171327)

Item	Article no.	Description	Quantity
7.3	4176513	O-RING FOR PUMP JACKET VP.	1
7.4	2127603	O-RING ID.37,6x2,4 EPDM VP.	1
9.1	4177801	MECH.SEAL HELIX6-10-16 O/E VP.	1
9.3	4177798	MACHINED RING HOLDER M+6" Ø16 304 VP.	1
9.5	4177799	MACHINED DRIVE RING Ø16 VP.	1
9.4	4176520	SCREW CH M5x5 A4-70 (3PIECES)	1



HYDRAULIC HELIX V 1002 1.4307

Item	Article no.	Description	Quantity
13.1	4171331	STAGE HELIX10 1.4301KIT	1
		> MACH.STG-CASING-WOGV-WNR-M+10-304	1
		> IMPELLER-M+10-304	1
13.2	4172792	INTERMEDIATE STAGE HELIX 10 1.4301 KIT	1
		> MACH.BEARING-STG-CASING-WNR-M+10-304	1
		> IMPELLER-M+10-304	1
		> SHAFT SLEEVE-SPACER-Ø19,35x18,465-304	1
		> SHAFT-SLEEVE-D16xD20x18-CW	1



HELIX VE1002-1/16/E/S (4201547)

Item	Article no.	Description	Quantity
1		DRIVE HELIX-VE1002-IE4-WE KIT	1
Note: MOTOR BRAND WILO ELEC			
		SPARE PARTS MOTOR:ON REQUEST	1
2	4212716	SCREW M6X20 KIT (4PIECES)	1
3	4213752	LANTERN FT100 HELIX KIT	1
3.1		> LANT-MOT-VMI-ReDTC6"-FT100-MACHINED+CATA	1
3.2	4184852	> EYELET CPL.FT HELIX (2 PIECES)	1
3.3	4213713	> COUPLING PROTECTOR FT85/100 HELIX KIT	1
4	4159708	COUPLING D.16XD.19 FT100 HELIX KIT	1
6	4177803	STUD BOLT M12X263 KIT	1
6.1		> TIE BOLT M12-263x18x30-1.4057	1
6.2	2094647	> NUT M12 M12 ISO4032 VP.	1
6.3	2123557	> WASHER CS-12.4-24-1.6-NFE25 (4 PIECES)	1
7	4214481	STATIONARY RING HOLDER HELIX D27 ReDTC	1
7.2	4214479	> STATIONARY RING HOLDER HELIX D27 VP.	1
7.3	4176513	> O-RING FOR PUMP JACKET VP.	1
8	4212724	FILING/PURGING PLUG HELIX ReDTC KIT	1
8.1		> FILLING PLUG MVI6"-304	1
8.2	4177800	> O-RING EPDM PLUG HELIX VP.	1
9	4214483	MECH.SEAL HELIX6-10-16 O/E ReDTC KIT	1
9.1	4177801	> MECH.SEAL HELIX6-10-16 O/E VP.	1
7.3	4176513	> O-RING FOR PUMP JACKET VP.	1
10	4177804	HOUSING PIPES D.152X134 1.4301 KIT	1
7.3	4176513	> O-RING FOR PUMP JACKET VP.	1
10.1		> HOUSING-PIPE Ø152-M+1001/02-304	1
11	4172791	CENTERING STAGE-RETURN HELIX10 1.4301VP.	1
12	4214517	SHAFT EQUIPMENT HELIX V10 ReDTC KIT	1
12.1		> NUT-H-M10-A4.70	1
12.2		> SERRATED LOCK WASHER M+10M3-316L	1
12.3		> 1/2-SNAP-RING-6/10M3-316L	1
12.4		> STOP-RUSH-1/2-D16xd2-M+316	1
4.11		> SCREW CHC-M6X14-8.8-ISO4762-GEOMET500A	1
4.12		> WASHER D.24 L6U ZINK	1
13		HYDRAULIC HELIX V 1002 1.4307	1

HELIX VE1002-1/16/E/S (4201547)

Item	Article no.	Description	Quantity
14	4214488	SHAFT D.16X203 HELIX 1.4057 VP.	1
15	4159682	PUMP HOUSING HELIX DN50 PN16 1.4301 KIT	1
7.3	4176513	> O-RING FOR PUMP JACKET VP.	1
15.1		> BLASTING PPE HOUSING V-PN16-DN50-304	1
15.2	4217893	> COUNTER FLANGE-G1"1/2-PN16-GJL KIT	1
15.3	4171321	> PRIMING/DRAIN PLUG EPDM HELIX KIT	1
16	4176517	BASEPLATE V8/10 VP.	1



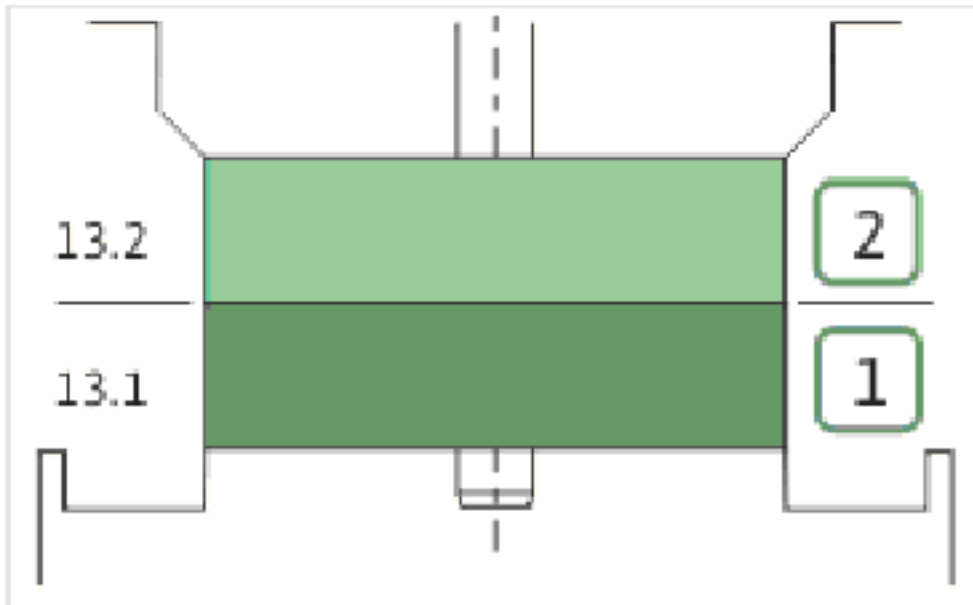
DRIVE HELIX-VE1002-IE4-WE KIT

Item	Article no.	Description	Quantity
1.1	4207916	MOTOR 1.1/2/80 3~ 380V 60HZ IE4 WE VP.	1
		SPARE PARTS MOTOR:ON REQUEST	1
1.2	4209600	MODULE HELIX-VE1002-IE4-WE KIT	1
1.22	2054372	> MODULE COVER TL1,TL2+GASKET KIT	1
1.23	4215716	> SCREW M5X16 DIN912 8.8 A2A (4pieces) VP.	1
1.24	2057978	> RONDELLE A5,3 DIN6797 FST ZN (4 PIECES)	1



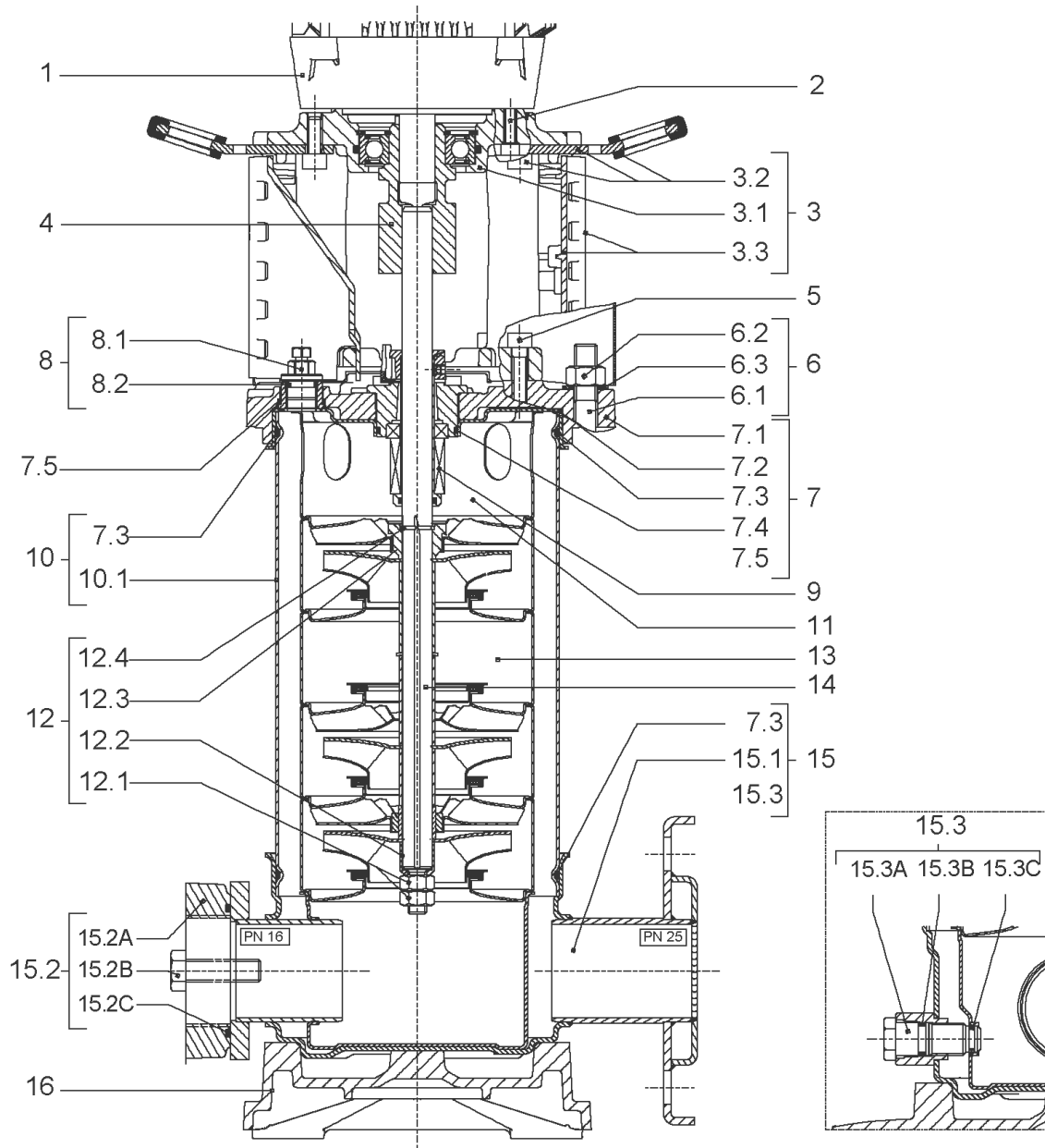
COUPLING D.16XD.19 FT100 HELIX KIT (4159708)

Item	Article no.	Description	Quantity
4.1		COUPLING M+ Ø16XØ19 FT100 MACHINED	1
4.2	2130977	BALL BEARING 6206/ZZ-C3(HT)VP.	1
4.3	4234249	CIRCLIP-FOR-SHAFT-D30x1.5 VP.	1
4.4	4212716	SCREW M6X20 KIT (4PIECES)	1
4.5	4234250	CIRCLIP-D62x2 VP.	1
4.6	4234245	O-RING 63X3 VP.	1
		CONTACT-WASHER-6ETR-6,1x12,2x1,8-STEEL	1



HYDRAULIC HELIX V 1002 1.4307

Item	Article no.	Description	Quantity
13.1	4171331	STAGE HELIX10 1.4301KIT	1
		> MACH.STG-CASING-WOGV-WNR-M+10-304	1
		> IMPELLER-M+10-304	1
13.2	4172792	INTERMEDIATE STAGE HELIX 10 1.4301 KIT	1
		> MACH.BEARING-STG-CASING-WNR-M+10-304	1
		> IMPELLER-M+10-304	1
		> SHAFT SLEEVE-SPACER-Ø19,35x18,465-304	1
		> SHAFT-SLEEVE-D16xD20x18-CW	1

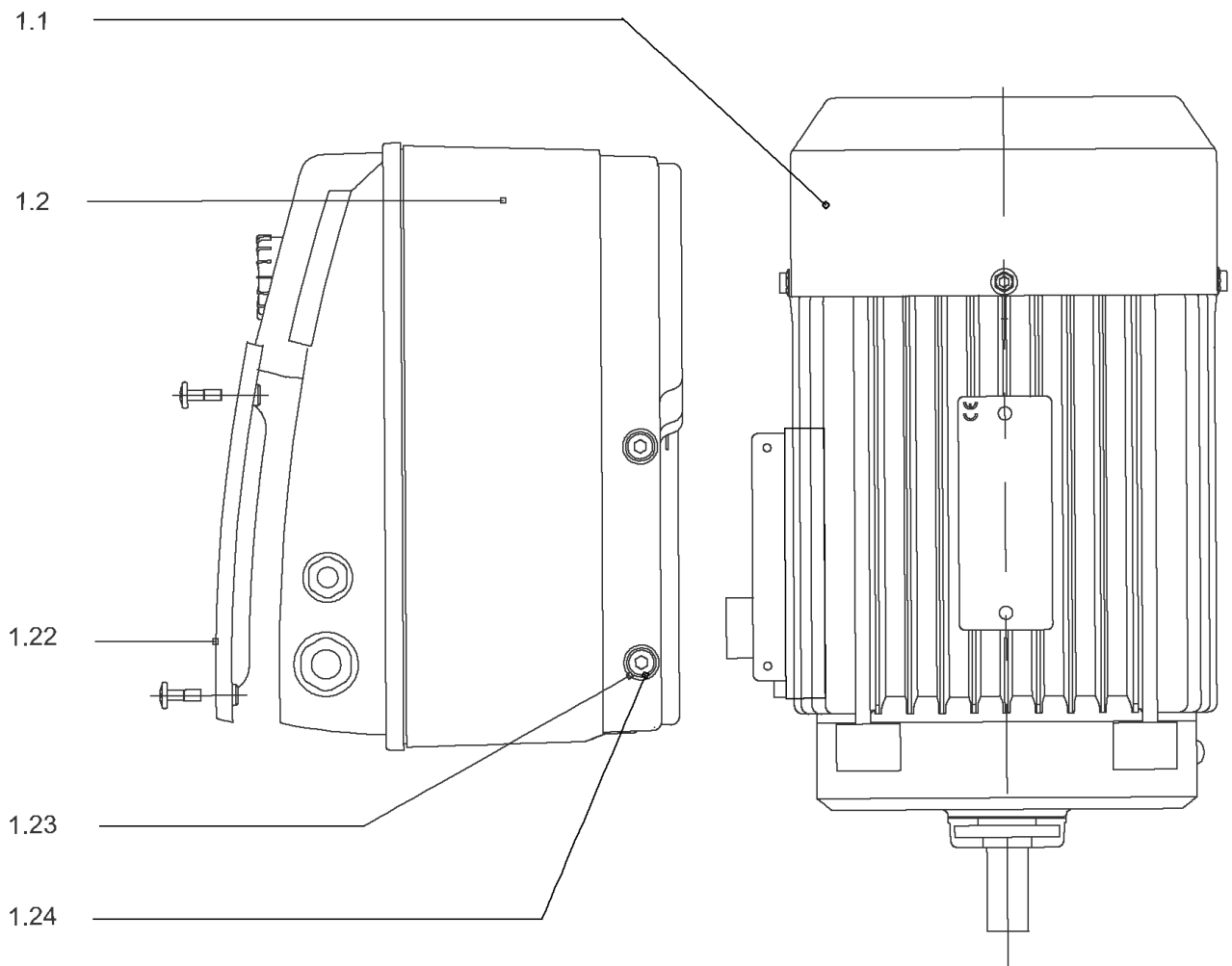


HELIX VE1003-1/16/E/KS (4171638)

Item	Article no.	Description	Quantity
1		DRIVE HELIX-VE1003IE2-WE KIT	1
Note: MOTOR BRAND WILO ELEC			
1		DRIVE HELIX-VE1003-IE4-WE-KIT	1
Note: MOTOR BRAND WILO ELEC			
2	4159703	SCREW M8X40 (4 PIECES)	1
3	4159690	LANTERN FT115 HELIX KIT	1
3.1		> LANTERN FT115 M+6" GJL MACHINING+CATA	1
3.2	2127604	> EYELET CPL.FT HELIX(2 PIECES)	1
3.3	4159692	> COUPLING PROTECTOR FT HELIX KIT	1
4	4159709	COUPLING D.16xD.24 FT115 HELIX KIT	1
5	4159707	SCREW M8X30 (4 PIECES)	1
6	4177812	STUD BOLT M12X300KIT	1
6.1		> TIE BOLT M12-300x18x30-1.4057	1
6.2	2094647	> NUT M12 M12 ISO4032 VP.	1
6.3	2123557	> WASHER CS-12.4-24-1.6-NFE25 (4 PIECES)	1
7	4159685	END SHIELD HELIX EPDM KIT	1
7.1		> END SHIELD M+6" GJL250 MACHINING+CATA	1
7.2	2127607	> STATIONARY RING HOLDER 6" HELIX 1.4301 V	1
7.3	4176513	> O-RING FOR PUMP JACKET VP.	1
7.4	2127603	> O-RING ID.37,6x2,4 EPDM VP.	1
7.5	2127602	> O-RING ID.21,35x2 EPDM VP.	1
8	4159686	FILING/PURGING PLUG HELIX EPDM KIT	1
9	4159696	CARTRIDGE HELIX6-10-16 O/E KIT	1
10	4177813	HOUSING PIPE D.152x172 1.4301 KIT	1
7.3	4176513	> O-RING FOR PUMP JACKET VP.	1
10.1		> HOUSING-PIPE Ø152-M+1003-304	1
11	4172791	CENTERING STAGE-RETURN HELIX10 1.4301VP.	1
12	4209272	SHAFT EQUIPMENT HELIX V10 BI BLOC KIT	1
12.1		> NUT-H-M10-A4.70	1
12.2		> SERRATED LOCK WASHER M+10M3-316L	1
12.3		> STOP COLLAR OF IMPELLER L16,5-Ø16-316L	1
12.4		> STOP-RUSH-1/2-D16xd2-M+316	1
13		HYDRAULIC HELIX V 1003 1.4307	1
14	4177815	SHAFT D.16X292,5 1.4301 VP.	1

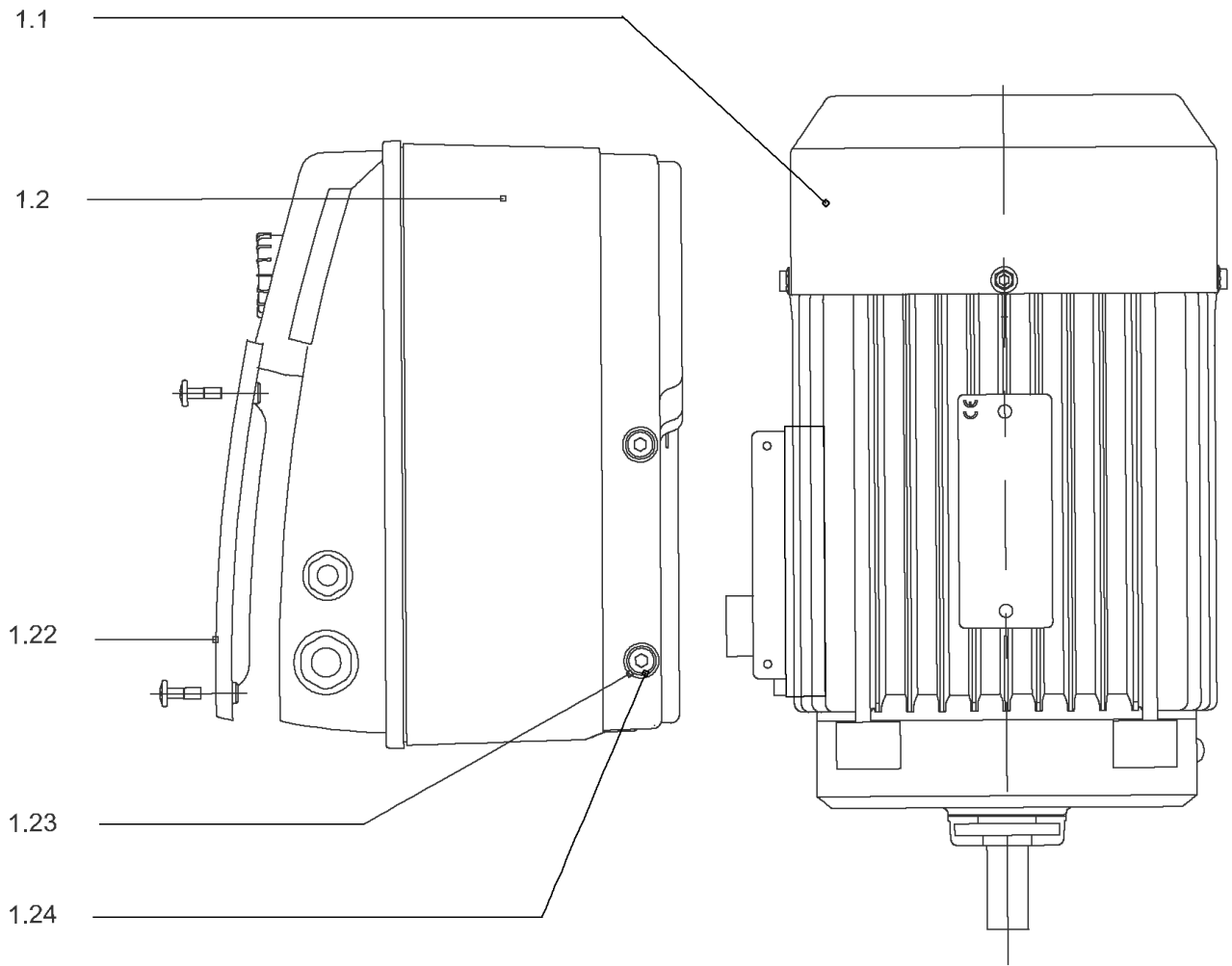
HELIX VE1003-1/16/E/KS (4171638)

Item	Article no.	Description	Quantity
15	4159682	PUMP HOUSING HELIX DN50 PN16 1.4301 KIT	1
7.3	4176513	> O-RING FOR PUMP JACKET VP.	1
15.1		> BLASTING PPE HOUSING V-PN16-DN50-304	1
15.2	4217893	> COUNTER FLANGE-G1"1/2-PN16-GJL KIT	1
15.3	4171321	> PRIMING/DRAIN PLUG EPDM HELIX KIT	1
16	4176517	BASEPLATE V8/10 VP.	1



DRIVE HELIX-VE1003IE2-WE KIT

Item	Article no.	Description	Quantity
1.1		MOTOR 1,5/2/90 3~ 380V 60HZ IE2 WE VP.	1
Note: no longer available/nicht mehr lieferbar/n'est plus disponible			
		SPARE PARTS MOTOR:ON REQUEST	1
1.2	4186336	MODULE HELIX-VE1003-IE2-WE KIT	1
1.22	2054227	> MODULE COVER/GASKET TL3/4 KIT	1
1.23	4215716	> SCREW M5X16 DIN912 8.8 A2A (4pieces) VP.	1
1.24	2057978	> RONDELLE A5,3 DIN6797 FST ZN (4 PIECES)	1



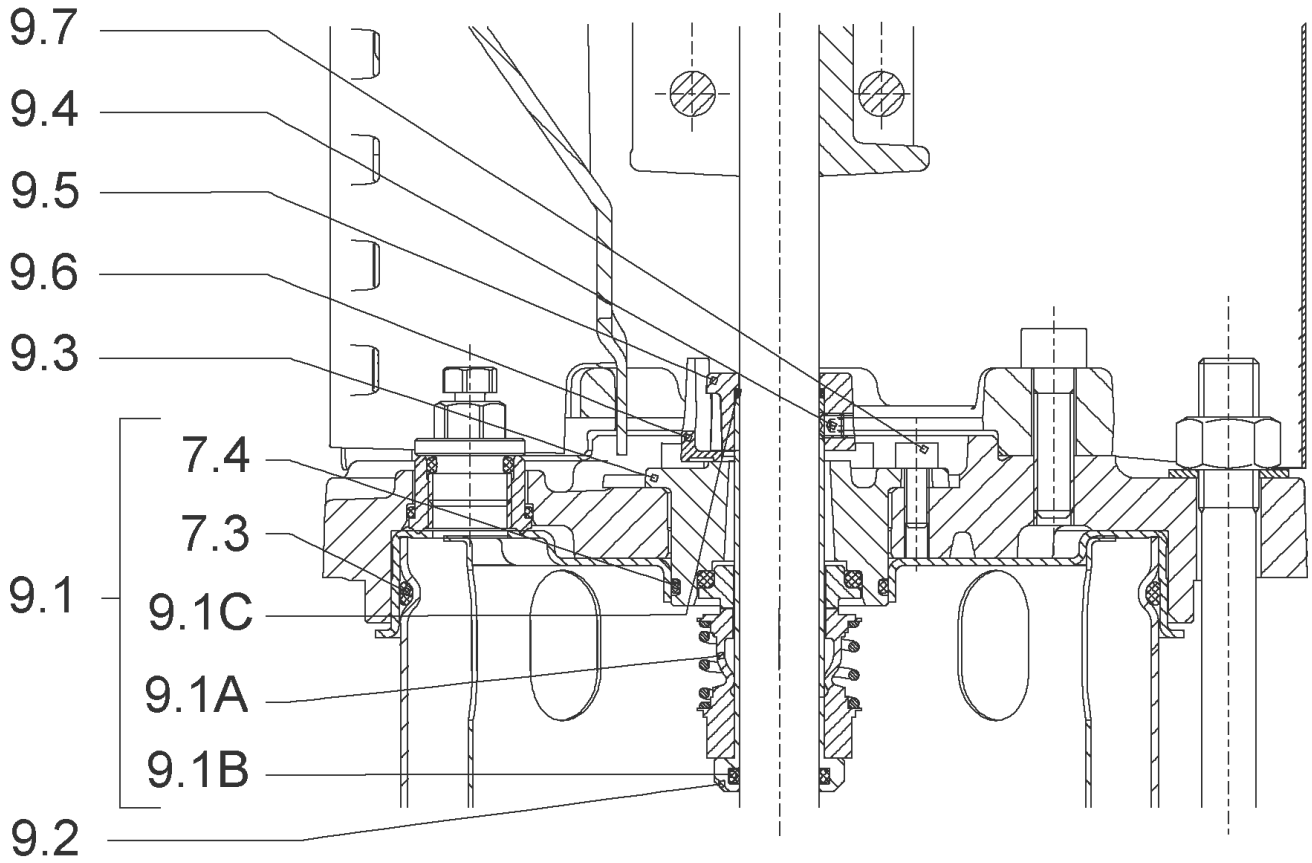
DRIVE HELIX-VE1003-IE4-WE-KIT

Item	Article no.	Description	Quantity
1.1	4207918	MOTOR 1.5/2/90 3~ 380V 60HZ IE4 WE VP.	1
		SPARE PARTS MOTOR:ON REQUEST	1
1.2	4209327	MODULE HELIX-VE1003-IE4-WE KIT	1
1.22	2054227	> MODULE COVER/GASKET TL3/4 KIT	1
1.23	4215716	> SCREW M5X16 DIN912 8.8 A2A (4pieces) VP.	1
1.24	2057978	> RONDELLE A5,3 DIN6797 FST ZN (4 PIECES)	1



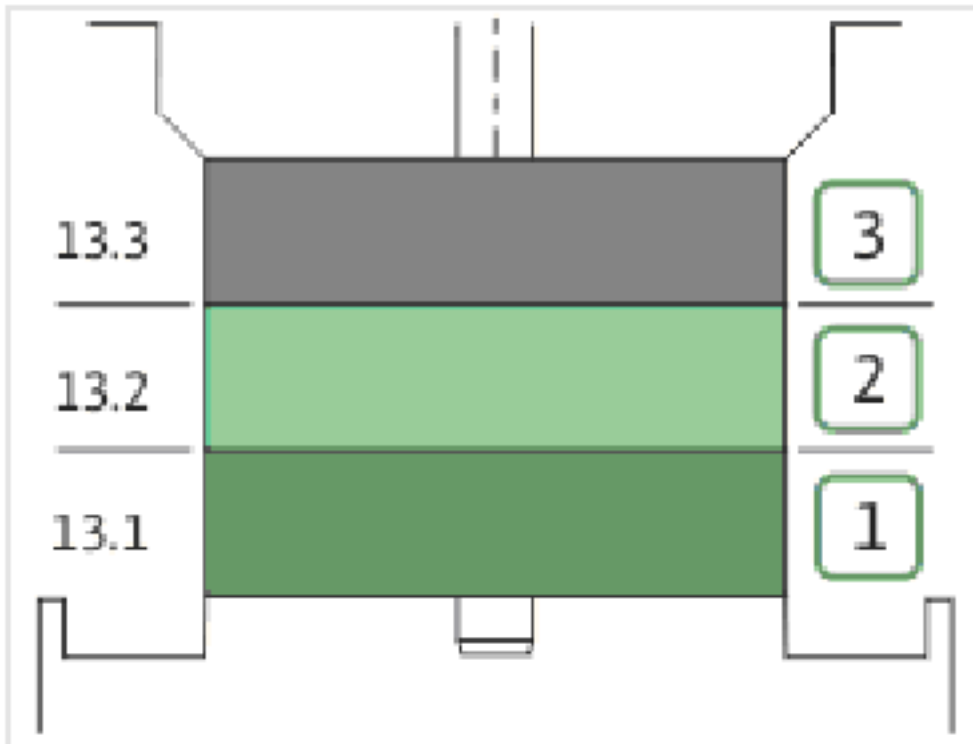
COUPLING D.16xD.24 FT115 HELIX KIT (4159709)

Item	Article no.	Description	Quantity
4.1		COUPLING M+ Ø16XØ24 FT115 MACHINED	1
4.2	2131023	BALL BEARING 6207/ZZ-C3(HT)VP.	1
4.3	4234254	CIRCLIP-FOR-SHAFT-D35x1.5 VP.	1
4.4	4157726	SCREW KIT M8X30 (4 PIECES)	1
4.5	4234251	CIRCLIP-D72x2.5 VP.	1
4.6	4234246	O-RING 72X3 VP.	1
		NOMEL CONTACT WASHER 8x16x1,4 STEEL ZC	1



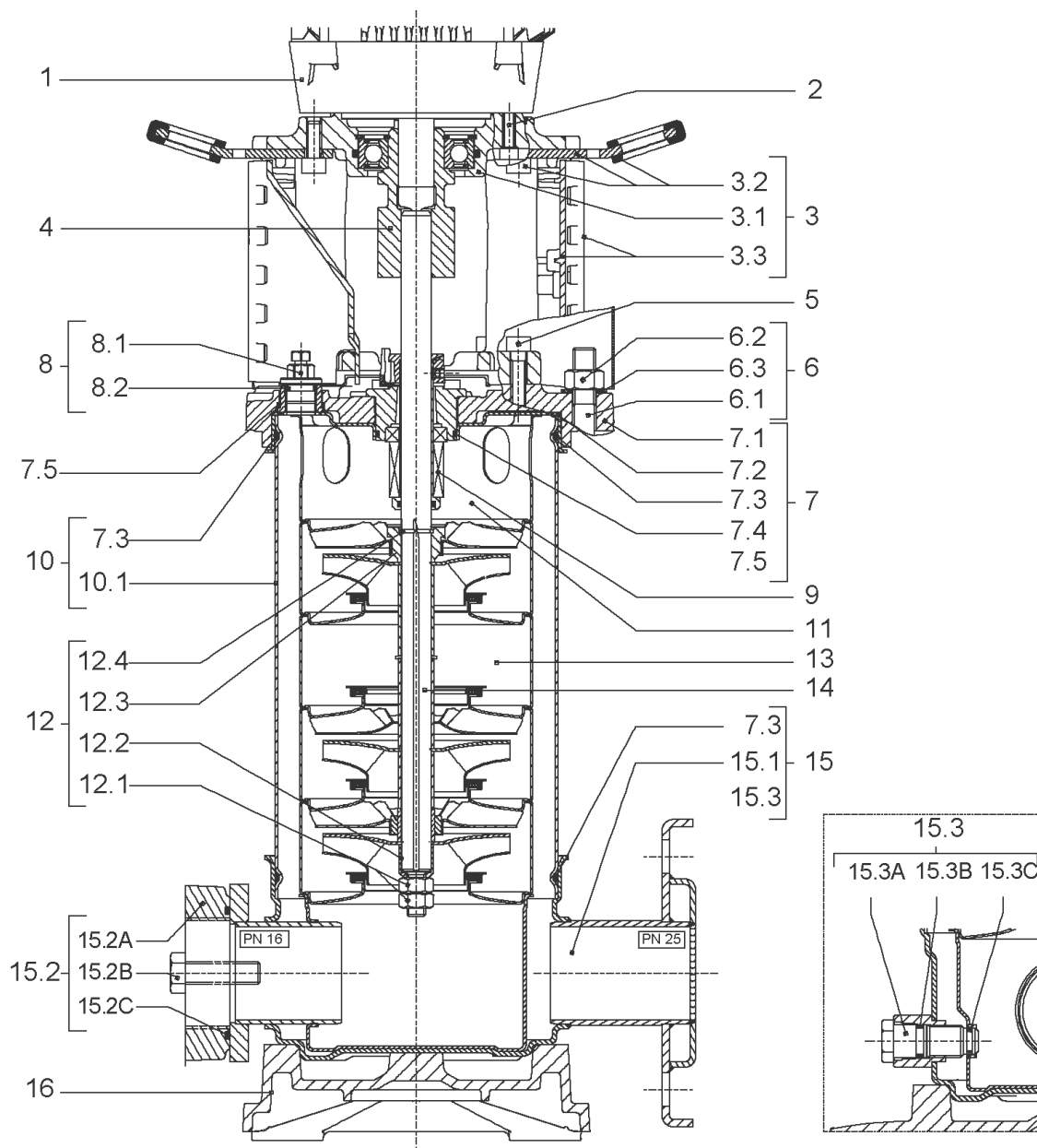
CARTRIDGE HELIX6-10-16 O/E KIT (4159696)

Item	Article no.	Description	Quantity
9.1	4159697	SEAL-KIT-HELIX6-10-16 O/E	1
7.3	4176513	> O-RING FOR PUMP JACKET VP.	1
7.4	2127603	> O-RING ID.37,6x2,4 EPDM VP.	1
9.1A	2130966	> MECH.SEAL HELIX2-4-6-10-16 O/E VP.	1
9.1B	2130967	> O-RING D.16X2,5 EPDM VP.	1
9.1C	4176519	> O-RING Ø16xØ1.25 VP.	1
9.2	2130961	SHAFT SLEEVE D.18/16X72,2 1.4404 VP.	1
9.3	2130962	RING HOLDER D.18 G606/G6 1.4301 VP.	1
9.4	4176520	SCREW CH M5x5 A4-70 (3PIECES)	1
9.5	2130963	DRIVE RING D.29/18x12,4 MACH.VP.	1
9.6	2130964	TOOL M.S.CART.HELIX VP.	1
9.7	2130965	SCREW CHC M5X12 ISO4762 A2.70(4 PIECES)	1



HYDRAULIC HELIX V 1003 1.4307

Item	Article no.	Description	Quantity
13.1	4171331	STAGE HELIX10 1.4301KIT	1
		> MACH.STG-CASING-WOGV-WNR-M+10-304	1
		> IMPELLER-M+10-304	1
13.2	4172792	INTERMEDIATE STAGE HELIX 10 1.4301 KIT	1
		> MACH.BEARING-STG-CASING-WNR-M+10-304	1
		> IMPELLER-M+10-304	1
		> SHAFT SLEEVE-SPACER-Ø19,35x18,465-304	1
		> SHAFT-SLEEVE-D16xD20x18-CW	1
13.3	4172793	INTERMEDIATE STAGE HELIX 10 1.4301 KIT	1
		> MACH.STD-STG-CASING-WGV+NR-M+10-304	1
		> IMPELLER-M+10-304	1
		> IMPELLER SPACER Ø16,05X19,45-L36,465-304	1

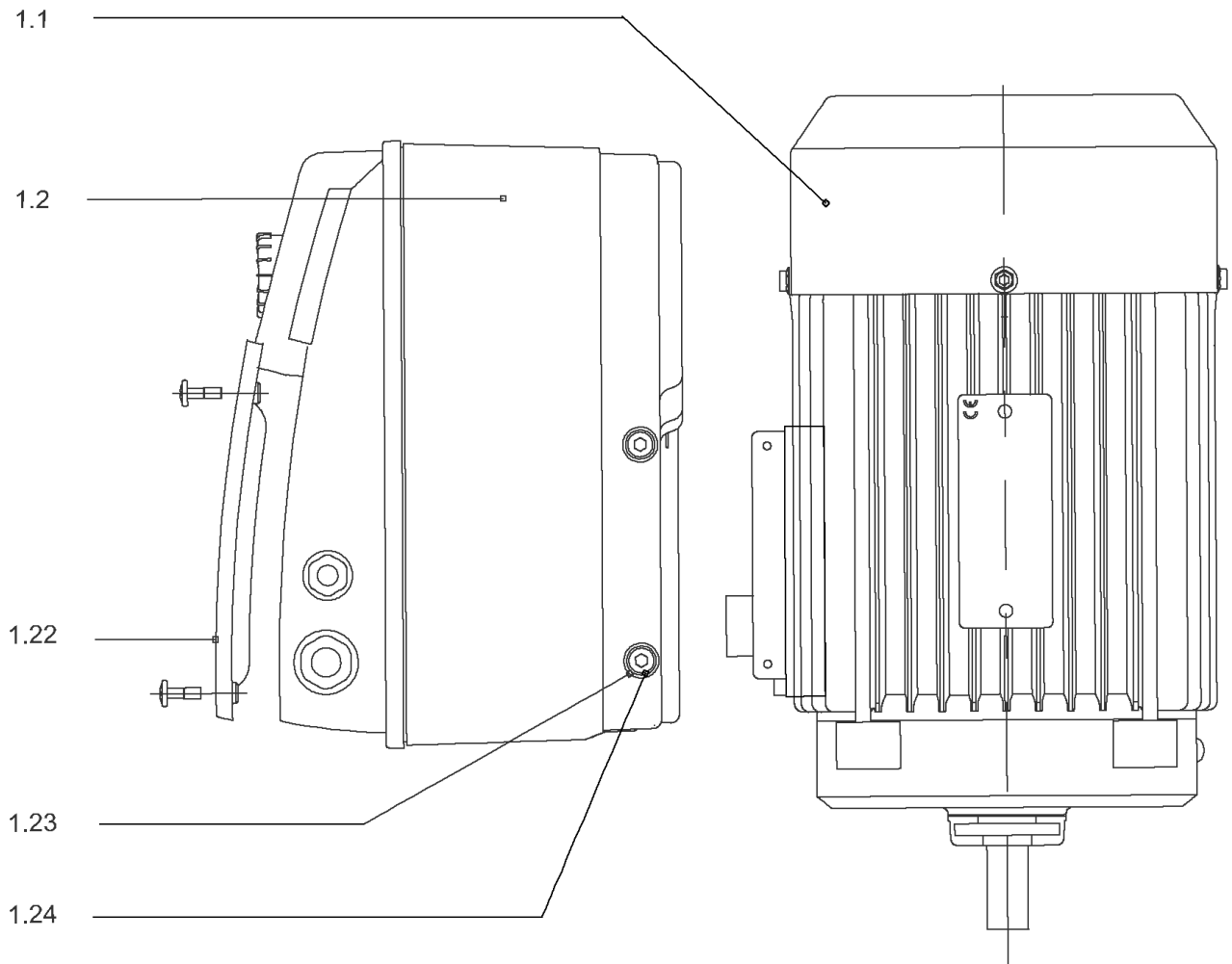


HELIX VE1003-1/16/E/S (4171644)

Item	Article no.	Description	Quantity
1		DRIVE HELIX-VE1003IE2-WE KIT	1
Note: MOTOR BRAND WILO ELEC			
1		DRIVE HELIX-VE1003-IE4-WE-KIT	1
Note: MOTOR BRAND WILO ELEC			
2	4159703	SCREW M8X40 (4 PIECES)	1
3	4172795	LANTERNE FT115 HELIX KIT	1
3.1		> M+5_6_LANTERN_ONE-PIECE_FT115_CATA	1
3.2	2127604	> EYELET CPL.FT HELIX(2 PIECES)	1
3.3	4159692	> COUPLING PROTECTOR FT HELIX KIT	1
4	4159709	COUPLING D.16xD.24 FT115 HELIX KIT	1
5	4159707	SCREW M8X30 (4 PIECES)	1
6	4177812	STUD BOLT M12X300KIT	1
6.1		> TIE BOLT M12-300x18x30-1.4057	1
6.2	2094647	> NUT M12 M12 ISO4032 VP.	1
6.3	2123557	> WASHER CS-12.4-24-1.6-NFE25 (4 PIECES)	1
7	4210143	STATIONARY RING HOLDER HELIX 6" EPDM	1
7.2	2127607	> STATIONARY RING HOLDER 6" HELIX 1.4301 V	1
7.3	4176513	> O-RING FOR PUMP JACKET VP.	1
7.4	2127603	> O-RING ID.37,6x2,4 EPDM VP.	1
7.5	2127602	> O-RING ID.21,35x2 EPDM VP.	1
8	4159686	FILING/PURGING PLUG HELIX EPDM KIT	1
9	4171327	SEAL-KIT-HELIX6-10-16 O/E KIT	1
10	4177813	HOUSING PIPE D.152x172 1.4301 KIT	1
7.3	4176513	> O-RING FOR PUMP JACKET VP.	1
10.1		> HOUSING-PIPE Ø152-M+1003-304	1
11	4172791	CENTERING STAGE-RETURN HELIX10 1.4301VP.	1
12	4209273	SHAFT EQUIPMENT HELIX V10 KIT	1
12.1		> NUT-H-M10-A4.70	1
12.2		> SERRATED LOCK WASHER M+10M3-316L	1
12.3		> IMPELLER STOP RING L33,6-304	1
12.4		> STOP-RUSH-1/2-D16xd2-M+316	1
13		HYDRAULIC HELIX V 1003 1.4307	1
14	4177815	SHAFT D.16X292,5 1.4301 VP.	1
15	4159682	PUMP HOUSING HELIX DN50 PN16 1.4301 KIT	1

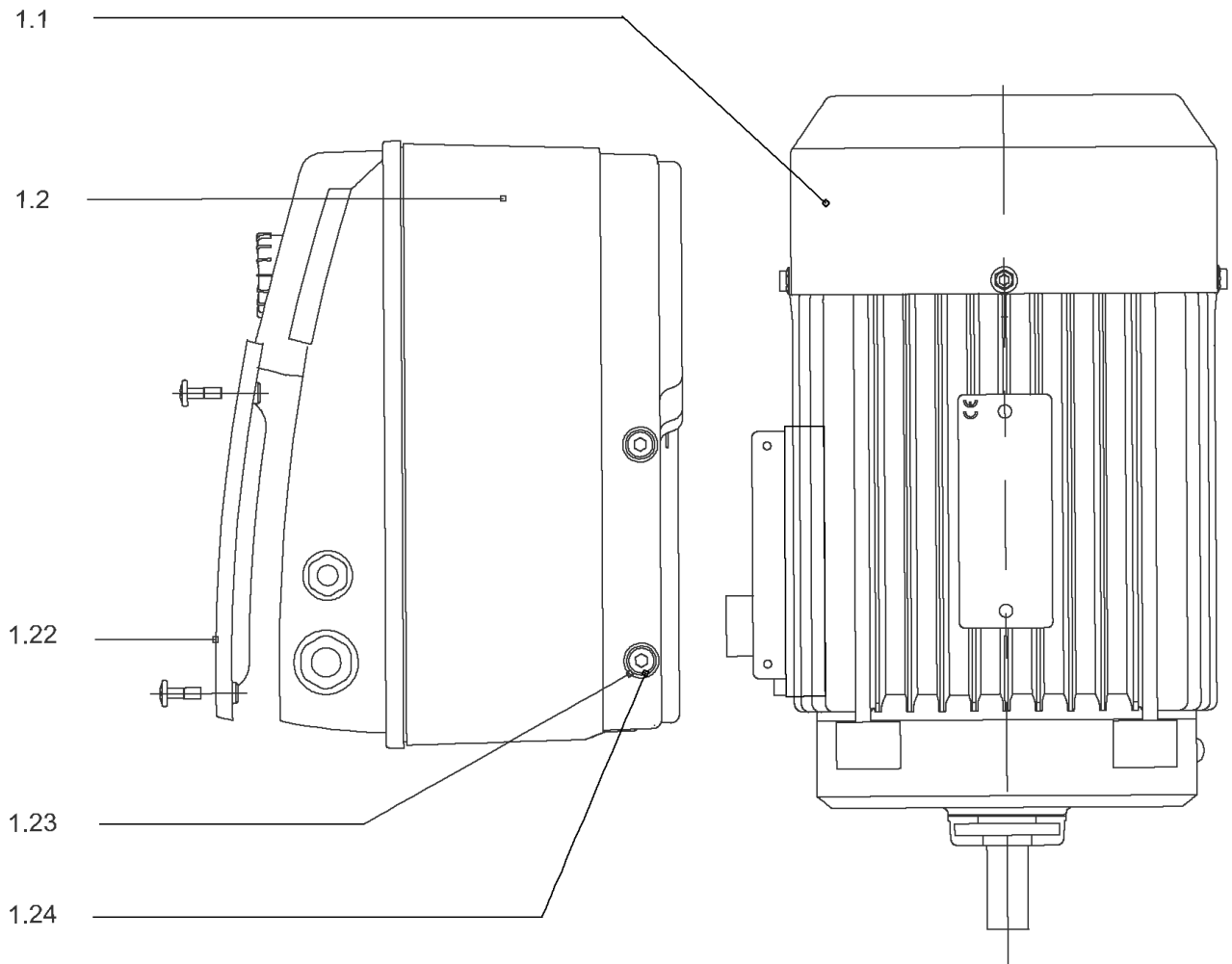
HELIX VE1003-1/16/E/S (4171644)

Item	Article no.	Description	Quantity
7.3	4176513	> O-RING FOR PUMP JACKET VP.	1
15.1		> BLASTING PPE HOUSING V-PN16-DN50-304	1
15.2	4217893	> COUNTER FLANGE-G1"1/2-PN16-GJL KIT	1
15.3	4171321	> PRIMING/DRAIN PLUG EPDM HELIX KIT	1
16	4176517	BASEPLATE V8/10 VP.	1



DRIVE HELIX-VE1003IE2-WE KIT

Item	Article no.	Description	Quantity
1.1		MOTOR 1,5/2/90 3~ 380V 60HZ IE2 WE VP.	1
Note: no longer available/nicht mehr lieferbar/n'est plus disponible			
		SPARE PARTS MOTOR:ON REQUEST	1
1.2	4186336	MODULE HELIX-VE1003-IE2-WE KIT	1
1.22	2054227	> MODULE COVER/GASKET TL3/4 KIT	1
1.23	4215716	> SCREW M5X16 DIN912 8.8 A2A (4pieces) VP.	1
1.24	2057978	> RONDELLE A5,3 DIN6797 FST ZN (4 PIECES)	1



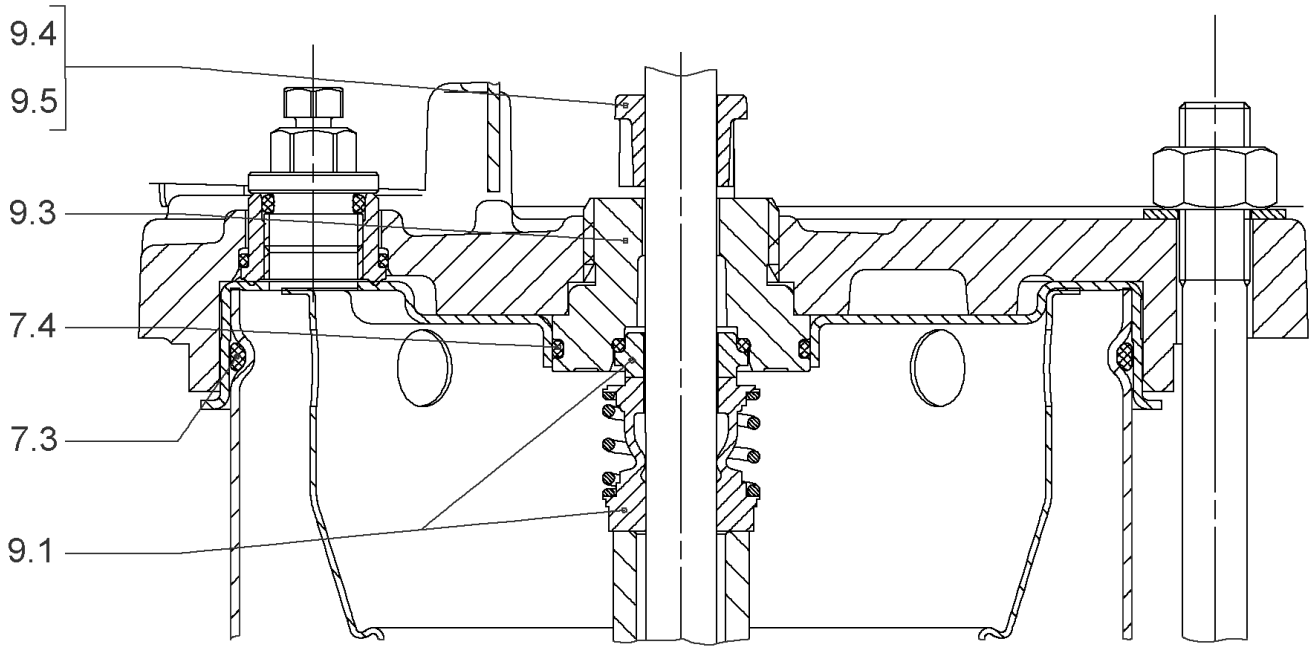
DRIVE HELIX-VE1003-IE4-WE-KIT

Item	Article no.	Description	Quantity
1.1	4207918	MOTOR 1.5/2/90 3~ 380V 60HZ IE4 WE VP.	1
		SPARE PARTS MOTOR:ON REQUEST	1
1.2	4209327	MODULE HELIX-VE1003-IE4-WE KIT	1
1.22	2054227	> MODULE COVER/GASKET TL3/4 KIT	1
1.23	4215716	> SCREW M5X16 DIN912 8.8 A2A (4pieces) VP.	1
1.24	2057978	> RONDELLE A5,3 DIN6797 FST ZN (4 PIECES)	1



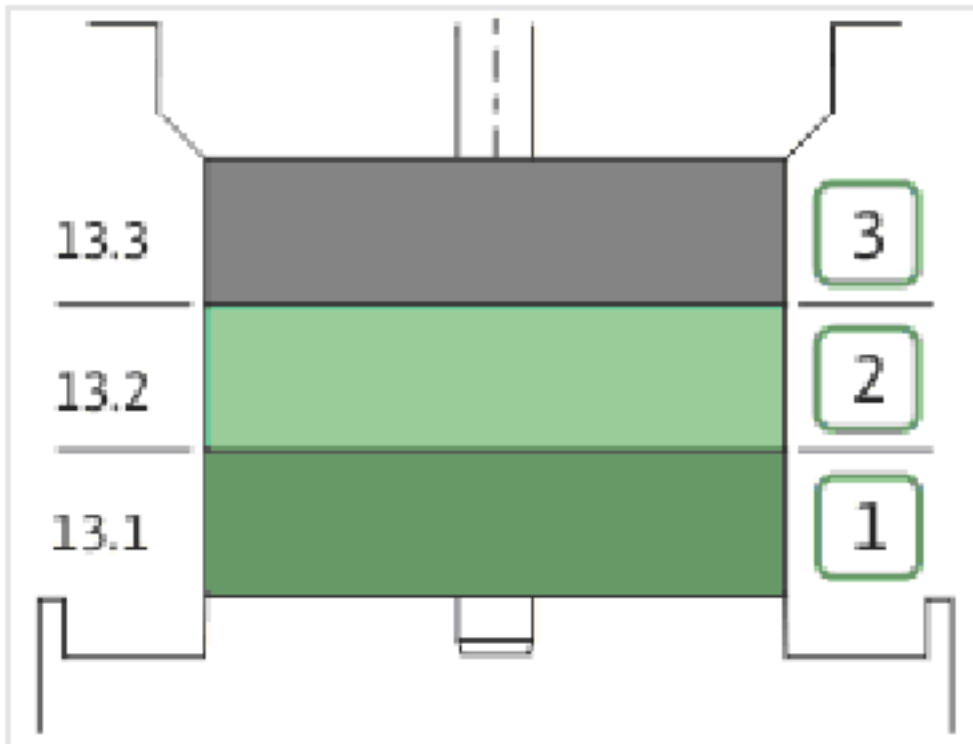
COUPLING D.16xD.24 FT115 HELIX KIT (4159709)

Item	Article no.	Description	Quantity
4.1		COUPLING M+ Ø16XØ24 FT115 MACHINED	1
4.2	2131023	BALL BEARING 6207/ZZ-C3(HT)VP.	1
4.3	4234254	CIRCLIP-FOR-SHAFT-D35x1.5 VP.	1
4.4	4157726	SCREW KIT M8X30 (4 PIECES)	1
4.5	4234251	CIRCLIP-D72x2.5 VP.	1
4.6	4234246	O-RING 72X3 VP.	1
		NOMEL CONTACT WASHER 8x16x1,4 STEEL ZC	1



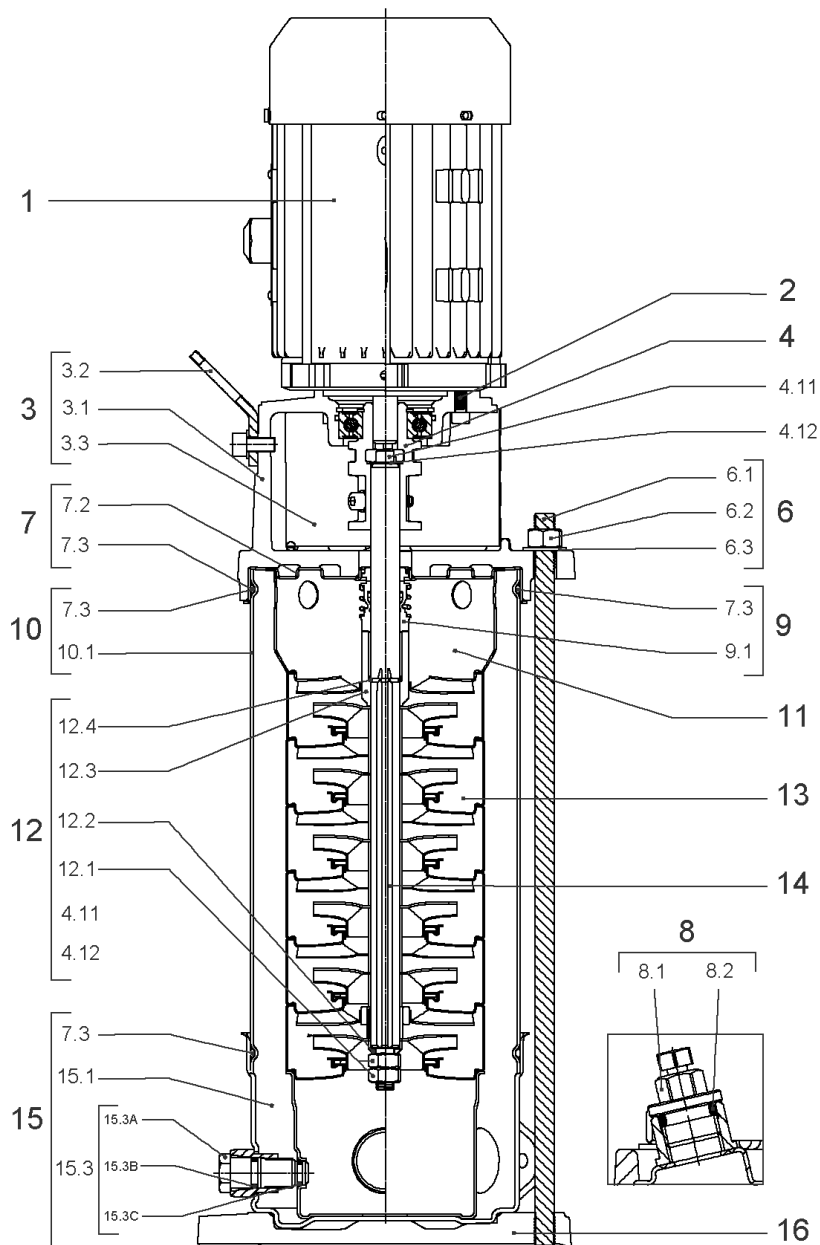
SEAL-KIT-HELIX6-10-16 O/E KIT (4171327)

Item	Article no.	Description	Quantity
7.3	4176513	O-RING FOR PUMP JACKET VP.	1
7.4	2127603	O-RING ID.37,6x2,4 EPDM VP.	1
9.1	4177801	MECH.SEAL HELIX6-10-16 O/E VP.	1
9.3	4177798	MACHINED RING HOLDER M+6" Ø16 304 VP.	1
9.5	4177799	MACHINED DRIVE RING Ø16 VP.	1
9.4	4176520	SCREW CH M5x5 A4-70 (3PIECES)	1



HYDRAULIC HELIX V 1003 1.4307

Item	Article no.	Description	Quantity
13.1	4171331	STAGE HELIX10 1.4301KIT	1
		> MACH.STG-CASING-WOGV-WNR-M+10-304	1
		> IMPELLER-M+10-304	1
13.2	4172792	INTERMEDIATE STAGE HELIX 10 1.4301 KIT	1
		> MACH.BEARING-STG-CASING-WNR-M+10-304	1
		> IMPELLER-M+10-304	1
		> SHAFT SLEEVE-SPACER-Ø19,35x18,465-304	1
		> SHAFT-SLEEVE-D16xD20x18-CW	1
13.3	4172793	INTERMEDIATE STAGE HELIX 10 1.4301 KIT	1
		> MACH.STD-STG-CASING-WGV+NR-M+10-304	1
		> IMPELLER-M+10-304	1
		> IMPELLER SPACER Ø16,05X19,45-L36,465-304	1



HELIX VE1003-1/16/E/S (4201549)

Item	Article no.	Description	Quantity
1		DRIVE HELIX-VE1003-IE4-WE-KIT	1
Note: MOTOR BRAND WILO ELEC			
		SPARE PARTS MOTOR:ON REQUEST	1
2	4159707	SCREW M8X30 (4 PIECES)	1
3	4213784	LANTERN FT115 HELIX KIT	1
3.1		> LANT-MOT-VMI-ReDTC6"-FT115-MACHINED+CATA	1
3.2	4184852	> EYELET CPL.FT HELIX (2 PIECES)	1
3.3	4213782	> COUPLING PROTECTOR FT115/130 HELIX KIT	1
4	4159709	COUPLING D.16xD.24 FT115 HELIX KIT	1
6	4177812	STUD BOLT M12X300KIT	1
6.1		> TIE BOLT M12-300x18x30-1.4057	1
6.2	2094647	> NUT M12 M12 ISO4032 VP.	1
6.3	2123557	> WASHER CS-12.4-24-1.6-NFE25 (4 PIECES)	1
7	4214481	STATIONARY RING HOLDER HELIX D27 ReDTC	1
7.2	4214479	> STATIONARY RING HOLDER HELIX D27 VP.	1
7.3	4176513	> O-RING FOR PUMP JACKET VP.	1
8	4212724	FILING/PURGING PLUG HELIX ReDTC KIT	1
8.1		> FILLING PLUG MVI6"-304	1
8.2	4177800	> O-RING EPDM PLUG HELIX VP.	1
9	4214483	MECH.SEAL HELIX6-10-16 O/E ReDTC KIT	1
9.1	4177801	> MECH.SEAL HELIX6-10-16 O/E VP.	1
7.3	4176513	> O-RING FOR PUMP JACKET VP.	1
10	4177813	HOUSING PIPE D.152x172 1.4301 KIT	1
7.3	4176513	> O-RING FOR PUMP JACKET VP.	1
10.1		> HOUSING-PIPE Ø152-M+1003-304	1
11	4172791	CENTERING STAGE-RETURN HELIX10 1.4301VP.	1
12	4214517	SHAFT EQUIPMENT HELIX V10 ReDTC KIT	1
12.1		> NUT-H-M10-A4.70	1
12.2		> SERRATED LOCK WASHER M+10M3-316L	1
12.3		> 1/2-SNAP-RING-6/10M3-316L	1
12.4		> STOP-RUSH-1/2-D16xd2-M+316	1
4.11		> SCREW CHC-M6X14-8.8-ISO4762-GEOMET500A	1
4.12		> WASHER D.24 L6U ZINK	1
13		HYDRAULIC HELIX V 1003 1.4307	1

HELIX VE1003-1/16/E/S (4201549)

Item	Article no.	Description	Quantity
14	4214493	SHAFT D.16X241 HELIX 1.4057 VP.	1
15	4159682	PUMP HOUSING HELIX DN50 PN16 1.4301 KIT	1
7.3	4176513	> O-RING FOR PUMP JACKET VP.	1
15.1		> BLASTING PPE HOUSING V-PN16-DN50-304	1
15.2	4217893	> COUNTER FLANGE-G1"1/2-PN16-GJL KIT	1
15.3	4171321	> PRIMING/DRAIN PLUG EPDM HELIX KIT	1
16	4176517	BASEPLATE V8/10 VP.	1



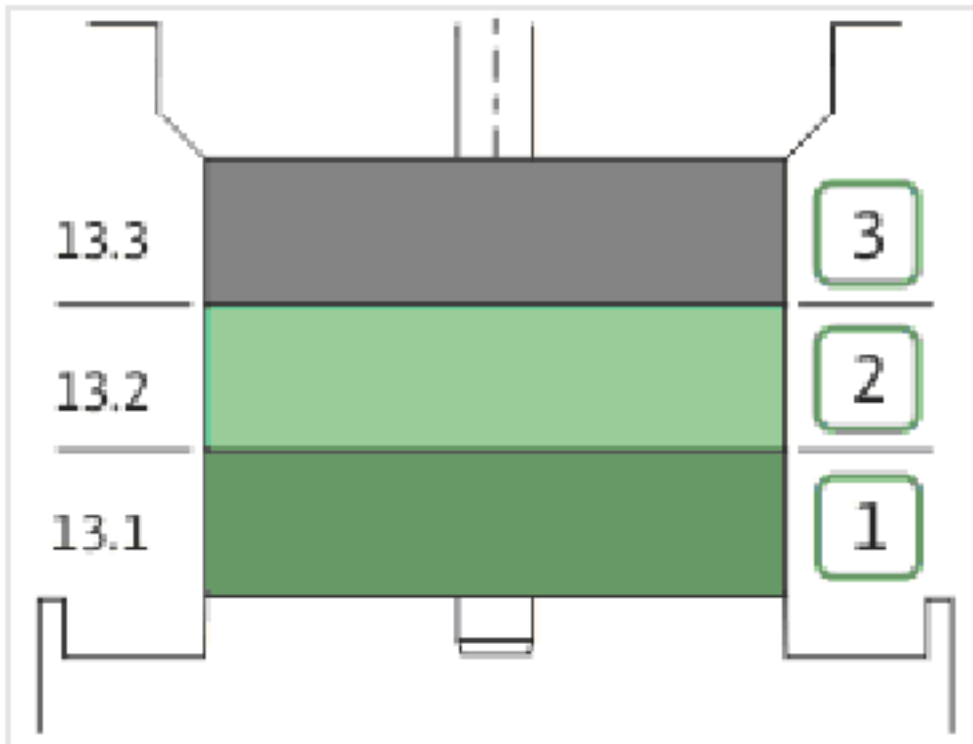
DRIVE HELIX-VE1003-IE4-WE-KIT

Item	Article no.	Description	Quantity
1.1	4207918	MOTOR 1.5/2/90 3~ 380V 60HZ IE4 WE VP.	1
		SPARE PARTS MOTOR:ON REQUEST	1
1.2	4209327	MODULE HELIX-VE1003-IE4-WE KIT	1
1.22	2054227	> MODULE COVER/GASKET TL3/4 KIT	1
1.23	4215716	> SCREW M5X16 DIN912 8.8 A2A (4pieces) VP.	1
1.24	2057978	> RONDELLE A5,3 DIN6797 FST ZN (4 PIECES)	1



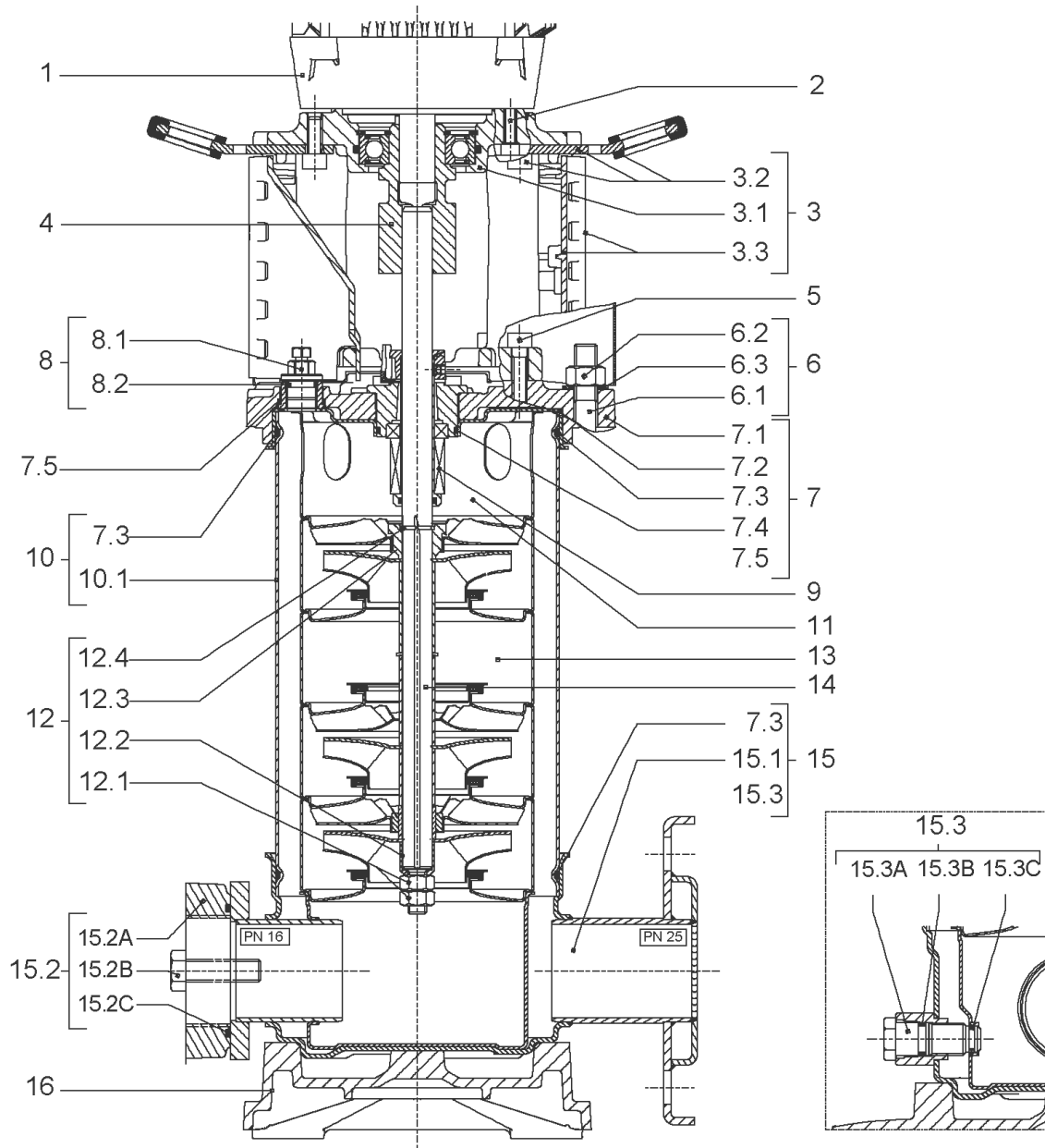
COUPLING D.16xD.24 FT115 HELIX KIT (4159709)

Item	Article no.	Description	Quantity
4.1		COUPLING M+ Ø16XØ24 FT115 MACHINED	1
4.2	2131023	BALL BEARING 6207/ZZ-C3(HT)VP.	1
4.3	4234254	CIRCLIP-FOR-SHAFT-D35x1.5 VP.	1
4.4	4157726	SCREW KIT M8X30 (4 PIECES)	1
4.5	4234251	CIRCLIP-D72x2.5 VP.	1
4.6	4234246	O-RING 72X3 VP.	1
		NOMEL CONTACT WASHER 8x16x1,4 STEEL ZC	1



HYDRAULIC HELIX V 1003 1.4307

Item	Article no.	Description	Quantity
13.1	4171331	STAGE HELIX10 1.4301KIT	1
		> MACH.STG-CASING-WOGV-WNR-M+10-304	1
		> IMPELLER-M+10-304	1
13.2	4172792	INTERMEDIATE STAGE HELIX 10 1.4301 KIT	1
		> MACH.BEARING-STG-CASING-WNR-M+10-304	1
		> IMPELLER-M+10-304	1
		> SHAFT SLEEVE-SPACER-Ø19,35x18,465-304	1
		> SHAFT-SLEEVE-D16xD20x18-CW	1
13.3	4172793	INTERMEDIATE STAGE HELIX 10 1.4301 KIT	1
		> MACH.STD-STG-CASING-WGV+NR-M+10-304	1
		> IMPELLER-M+10-304	1
		> IMPELLER SPACER Ø16,05X19,45-L36,465-304	1

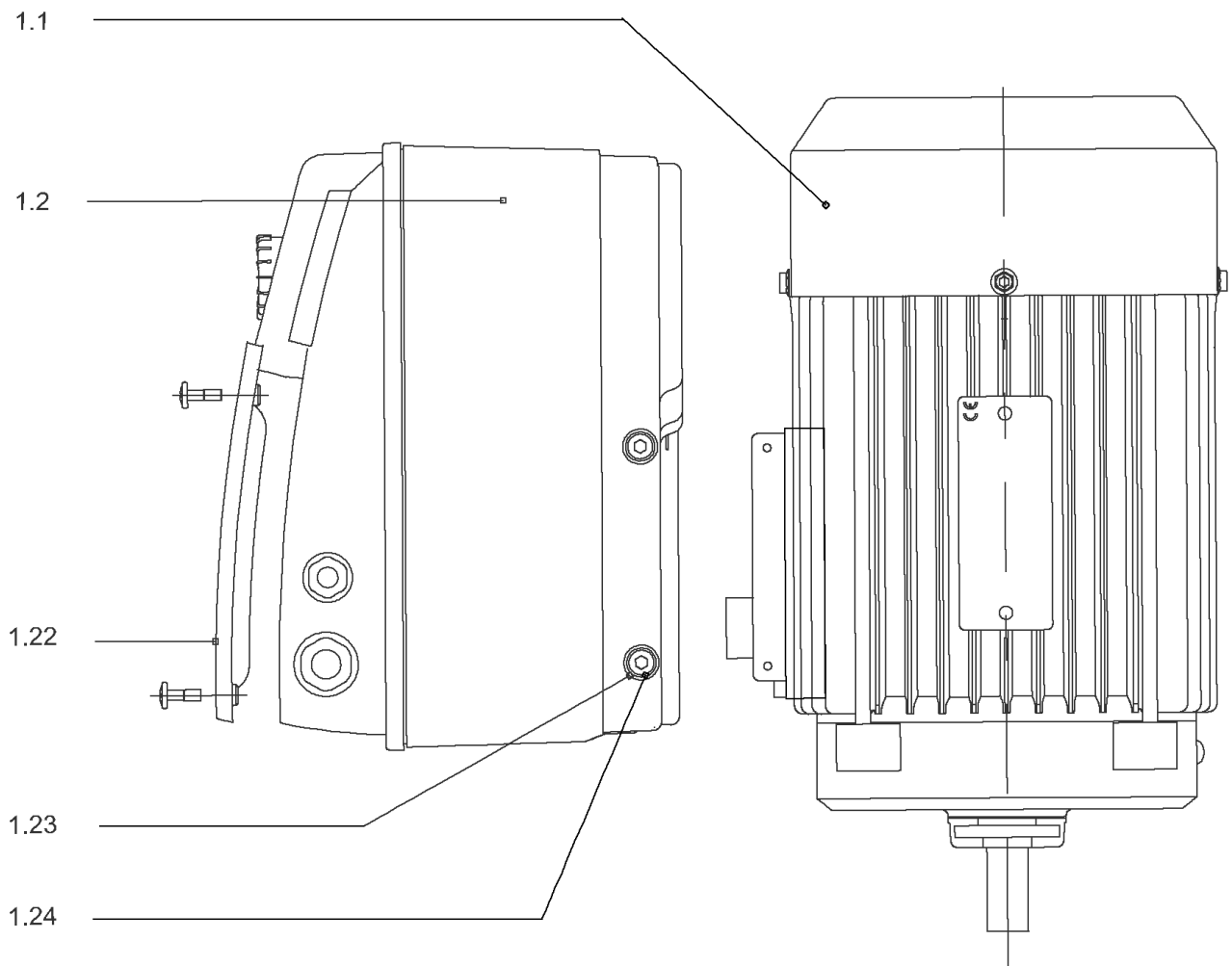


HELIX VE1004-1/16/E/KS (4161306)

Item	Article no.	Description	Quantity
1		DRIVE HELIX-VE1004-IE2-WE KIT	1
Note: MOTOR BRAND WILO ELEC			
1		DRIVE HELIX-VE1004-IE4-WE-KIT	1
Note: MOTOR BRAND WILO ELEC			
2	4159703	SCREW M8X40 (4 PIECES)	1
3	4159690	LANTERN FT115 HELIX KIT	1
3.1		> LANTERN FT115 M+6" GJL MACHINING+CATA	1
3.2	2127604	> EYELET CPL.FT HELIX(2 PIECES)	1
3.3	4159692	> COUPLING PROTECTOR FT HELIX KIT	1
4	4159709	COUPLING D.16xD.24 FT115 HELIX KIT	1
5	4159707	SCREW M8X30 (4 PIECES)	1
6	4177817	STUD BOLT M12X341 KIT	1
6.1		> TIE BOLT M12-341x18x30-1.4057	1
6.2	2094647	> NUT M12 M12 ISO4032 VP.	1
6.3	2123557	> WASHER CS-12.4-24-1.6-NFE25 (4 PIECES)	1
7	4159685	END SHIELD HELIX EPDM KIT	1
7.1		> END SHIELD M+6" GJL250 MACHINING+CATA	1
7.2	2127607	> STATIONARY RING HOLDER 6" HELIX 1.4301 V	1
7.3	4176513	> O-RING FOR PUMP JACKET VP.	1
7.4	2127603	> O-RING ID.37,6x2,4 EPDM VP.	1
7.5	2127602	> O-RING ID.21,35x2 EPDM VP.	1
8	4159686	FILING/PURGING PLUG HELIX EPDM KIT	1
9	4159696	CARTRIDGE HELIX6-10-16 O/E KIT	1
10	2127575	HOUSING PIPE D.152x210 1.4301 KIT	1
11	4172791	CENTERING STAGE-RETURN HELIX10 1.4301VP.	1
12	4209272	SHAFT EQUIPMENT HELIX V10 BI BLOC KIT	1
12.1		> NUT-H-M10-A4.70	1
12.2		> SERRATED LOCK WASHER M+10M3-316L	1
12.3		> STOP COLLAR OF IMPELLER L16,5-Ø16-316L	1
12.4		> STOP-RUSH-1/2-D16xd2-M+316	1
13		HYDRAULIC HELIX V 1004 1.4307	1
14	4177820	SHAFTS Ø16X330 1. 4301 VP.	1
15	4159682	PUMP HOUSING HELIX DN50 PN16 1.4301 KIT	1
7.3	4176513	> O-RING FOR PUMP JACKET VP.	1

HELIX VE1004-1/16/E/KS (4161306)

Item	Article no.	Description	Quantity
15.1		> BLASTING PPE HOUSING V-PN16-DN50-304	1
15.2	4217893	> COUNTER FLANGE-G1"1/2-PN16-GJL KIT	1
15.3	4171321	> PRIMING/DRAIN PLUG EPDM HELIX KIT	1
16	4176517	BASEPLATE V8/10 VP.	1



DRIVE HELIX-VE1004-IE2-WE KIT

Item	Article no.	Description	Quantity
1.1	4185016	MOTOR 2,2/2/90 3~ 380V 60HZ IE2 WE VP.	1
		SPARE PARTS MOTOR:ON REQUEST	1
1.2	4209650	MODULE HELIX-VE1004-IE2-WE KIT	1
1.22	2054227	> MODULE COVER/GASKET TL3/4 KIT	1
1.23	4215716	> SCREW M5X16 DIN912 8.8 A2A (4pieces) VP.	1
1.24	2057978	> RONDELLE A5,3 DIN6797 FST ZN (4 PIECES)	1



DRIVE HELIX-VE1004-IE4-WE-KIT

Item	Article no.	Description	Quantity
1.1	4207920	MOTOR 2.2/2/90 3~ 380V 60HZ IE4 WE VP.	1
		SPARE PARTS MOTOR:ON REQUEST	1
1.2	4209592	MODULE HELIX-VE1004-IE4-WE KIT	1
1.22	2054227	> MODULE COVER/GASKET TL3/4 KIT	1
1.23	4215716	> SCREW M5X16 DIN912 8.8 A2A (4pieces) VP.	1
1.24	2057978	> RONDELLE A5,3 DIN6797 FST ZN (4 PIECES)	1



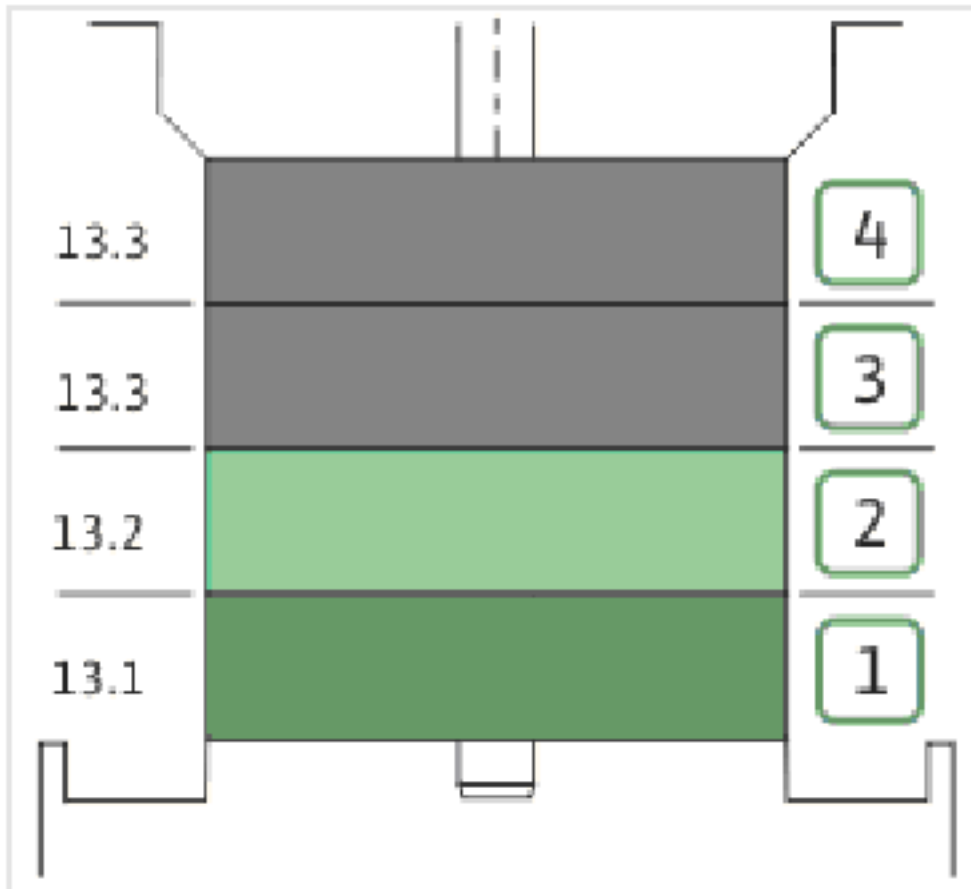
COUPLING D.16xD.24 FT115 HELIX KIT (4159709)

Item	Article no.	Description	Quantity
4.1		COUPLING M+ Ø16XØ24 FT115 MACHINED	1
4.2	2131023	BALL BEARING 6207/ZZ-C3(HT)VP.	1
4.3	4234254	CIRCLIP-FOR-SHAFT-D35x1.5 VP.	1
4.4	4157726	SCREW KIT M8X30 (4 PIECES)	1
4.5	4234251	CIRCLIP-D72x2.5 VP.	1
4.6	4234246	O-RING 72X3 VP.	1
		NOMEL CONTACT WASHER 8x16x1,4 STEEL ZC	1



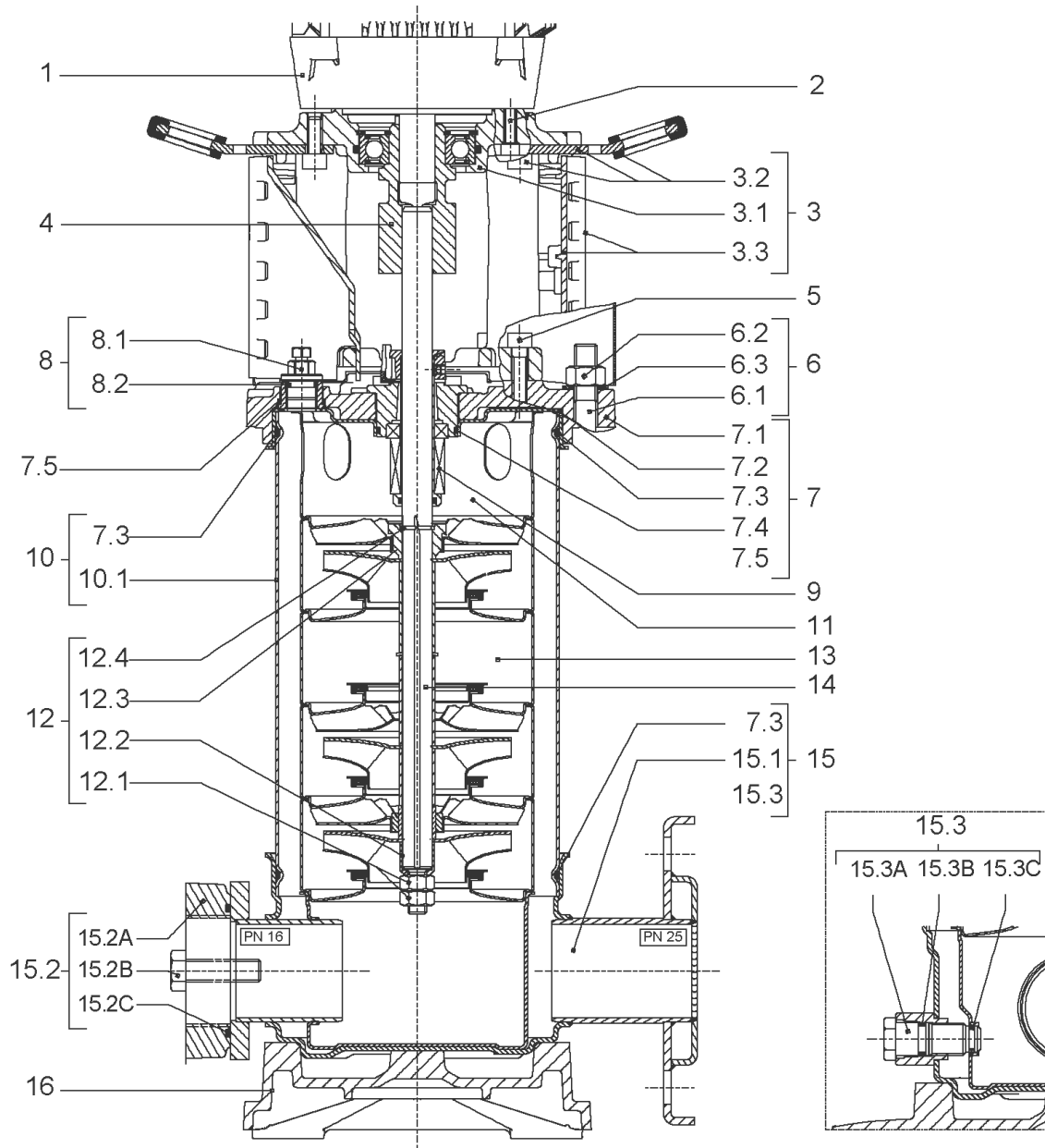
CARTRIDGE HELIX6-10-16 O/E KIT (4159696)

Item	Article no.	Description	Quantity
9.1	4159697	SEAL-KIT-HELIX6-10-16 O/E	1
7.3	4176513	> O-RING FOR PUMP JACKET VP.	1
7.4	2127603	> O-RING ID.37,6x2,4 EPDM VP.	1
9.1A	2130966	> MECH.SEAL HELIX2-4-6-10-16 O/E VP.	1
9.1B	2130967	> O-RING D.16X2,5 EPDM VP.	1
9.1C	4176519	> O-RING Ø16xØ1.25 VP.	1
9.2	2130961	SHAFT SLEEVE D.18/16X72,2 1.4404 VP.	1
9.3	2130962	RING HOLDER D.18 G606/G6 1.4301 VP.	1
9.4	4176520	SCREW CH M5x5 A4-70 (3PIECES)	1
9.5	2130963	DRIVE RING D.29/18x12,4 MACH.VP.	1
9.6	2130964	TOOL M.S.CART.HELIX VP.	1
9.7	2130965	SCREW CHC M5X12 ISO4762 A2.70(4 PIECES)	1



HYDRAULIC HELIX V 1004 1.4307

Item	Article no.	Description	Quantity
13.3	4172793	INTERMEDIATE STAGE HELIX 10 1.4301 KIT	1
		> MACH.STD-STG-CASING-WGV+NR-M+10-304	1
		> IMPELLER-M+10-304	1
		> IMPELLER SPACER Ø16,05X19,45-L36,465-304	1
13.2	4172792	INTERMEDIATE STAGE HELIX 10 1.4301 KIT	1
		> MACH.BEARING-STG-CASING-WNR-M+10-304	1
		> IMPELLER-M+10-304	1
		> SHAFT SLEEVE-SPACER-Ø19,35x18,465-304	1
		> SHAFT-SLEEVE-D16xD20x18-CW	1
13.1	4171331	STAGE HELIX10 1.4301KIT	1
		> MACH.STG-CASING-WOGV-WNR-M+10-304	1
		> IMPELLER-M+10-304	1

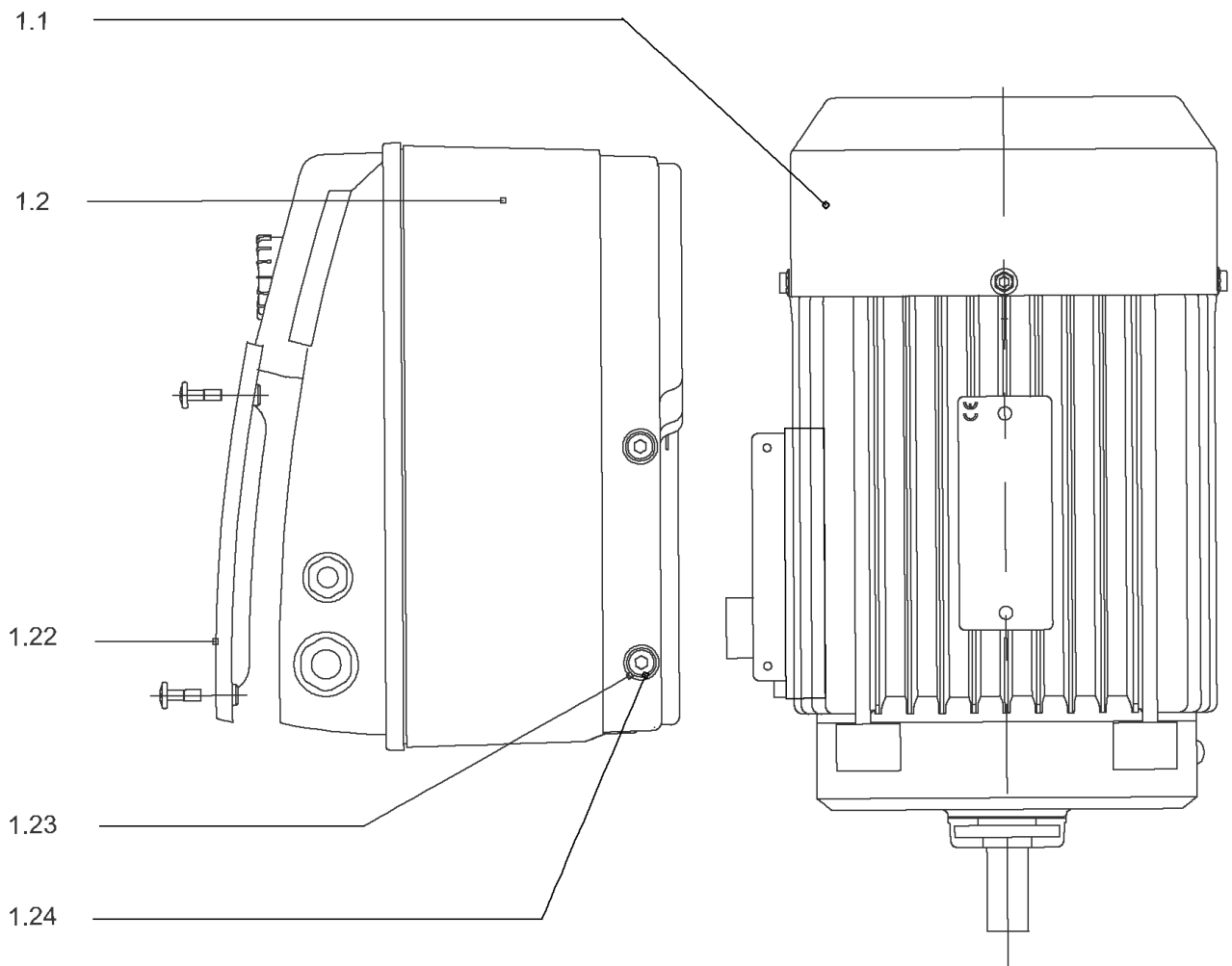


HELIX VE1004-1/16/E/S (4164627)

Item	Article no.	Description	Quantity
1		DRIVE HELIX-VE1004-IE2-WE KIT	1
Note: MOTOR BRAND WILO ELEC			
1		DRIVE HELIX-VE1004-IE4-WE-KIT	1
Note: MOTOR BRAND WILO ELEC			
2	4159703	SCREW M8X40 (4 PIECES)	1
3	4172795	LANTERNE FT115 HELIX KIT	1
3.1		> M+5_6_LANTERN_ONE-PIECE_FT115_CATA	1
3.2	2127604	> EYELET CPL.FT HELIX(2 PIECES)	1
3.3	4159692	> COUPLING PROTECTOR FT HELIX KIT	1
4	4159709	COUPLING D.16xD.24 FT115 HELIX KIT	1
5	4159707	SCREW M8X30 (4 PIECES)	1
6	4177817	STUD BOLT M12X341 KIT	1
6.1		> TIE BOLT M12-341x18x30-1.4057	1
6.2	2094647	> NUT M12 M12 ISO4032 VP.	1
6.3	2123557	> WASHER CS-12.4-24-1.6-NFE25 (4 PIECES)	1
7	4210143	STATIONARY RING HOLDER HELIX 6" EPDM	1
7.2	2127607	> STATIONARY RING HOLDER 6" HELIX 1.4301 V	1
7.3	4176513	> O-RING FOR PUMP JACKET VP.	1
7.4	2127603	> O-RING ID.37,6x2,4 EPDM VP.	1
7.5	2127602	> O-RING ID.21,35x2 EPDM VP.	1
8	4159686	FILING/PURGING PLUG HELIX EPDM KIT	1
9	4171327	SEAL-KIT-HELIX6-10-16 O/E KIT	1
10	2127575	HOUSING PIPE D.152x210 1.4301 KIT	1
11	4172791	CENTERING STAGE-RETURN HELIX10 1.4301VP.	1
12	4209273	SHAFT EQUIPMENT HELIX V10 KIT	1
12.1		> NUT-H-M10-A4.70	1
12.2		> SERRATED LOCK WASHER M+10M3-316L	1
12.3		> IMPELLER STOP RING L33,6-304	1
12.4		> STOP-RUSH-1/2-D16xd2-M+316	1
13		HYDRAULIC HELIX V 1004 1.4307	1
14	4177820	SHAFTS Ø16X330 1. 4301 VP.	1
15	4159682	PUMP HOUSING HELIX DN50 PN16 1.4301 KIT	1
7.3	4176513	> O-RING FOR PUMP JACKET VP.	1
15.1		> BLASTING PPE HOUSING V-PN16-DN50-304	1

HELIX VE1004-1/16/E/S (4164627)

Item	Article no.	Description	Quantity
15.2	4217893	> COUNTER FLANGE-G1"1/2-PN16-GJL KIT	1
15.3	4171321	> PRIMING/DRAIN PLUG EPDM HELIX KIT	1
16	4176517	BASEPLATE V8/10 VP.	1



DRIVE HELIX-VE1004-IE2-WE KIT

Item	Article no.	Description	Quantity
1.1	4185016	MOTOR 2,2/2/90 3~ 380V 60HZ IE2 WE VP.	1
		SPARE PARTS MOTOR:ON REQUEST	1
1.2	4209650	MODULE HELIX-VE1004-IE2-WE KIT	1
1.22	2054227	> MODULE COVER/GASKET TL3/4 KIT	1
1.23	4215716	> SCREW M5X16 DIN912 8.8 A2A (4pieces) VP.	1
1.24	2057978	> RONDELLE A5,3 DIN6797 FST ZN (4 PIECES)	1



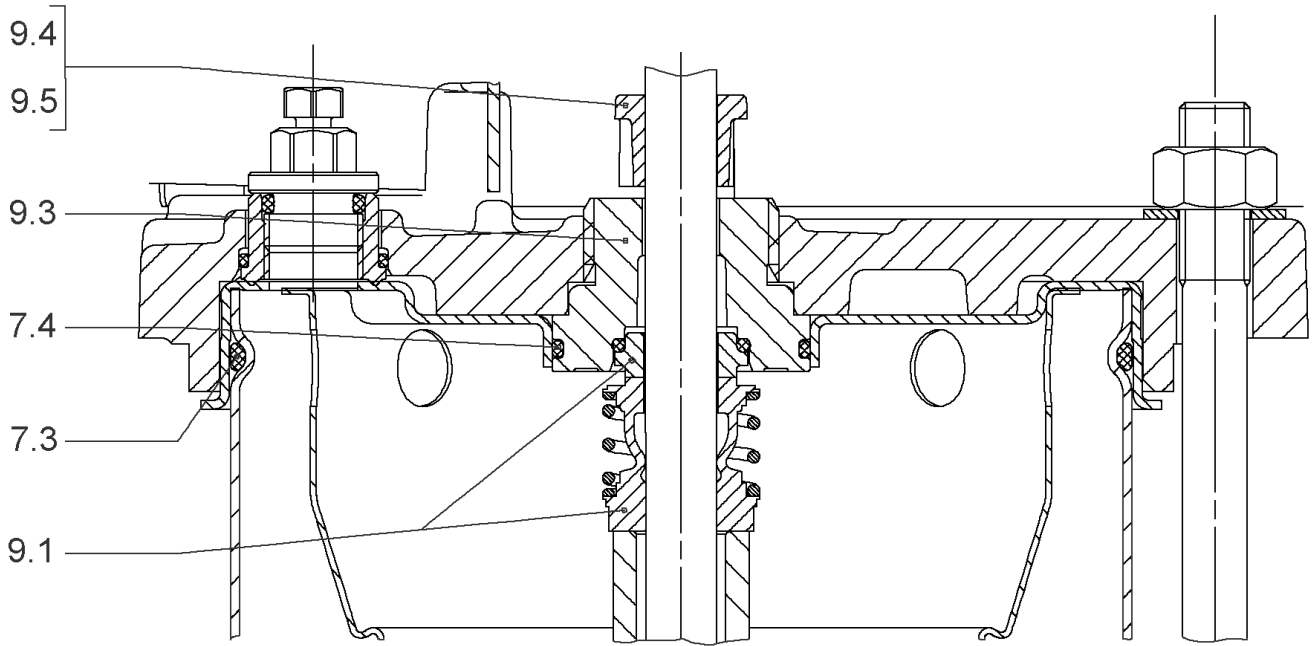
DRIVE HELIX-VE1004-IE4-WE-KIT

Item	Article no.	Description	Quantity
1.1	4207920	MOTOR 2.2/2/90 3~ 380V 60HZ IE4 WE VP.	1
		SPARE PARTS MOTOR:ON REQUEST	1
1.2	4209592	MODULE HELIX-VE1004-IE4-WE KIT	1
1.22	2054227	> MODULE COVER/GASKET TL3/4 KIT	1
1.23	4215716	> SCREW M5X16 DIN912 8.8 A2A (4pieces) VP.	1
1.24	2057978	> RONDELLE A5,3 DIN6797 FST ZN (4 PIECES)	1



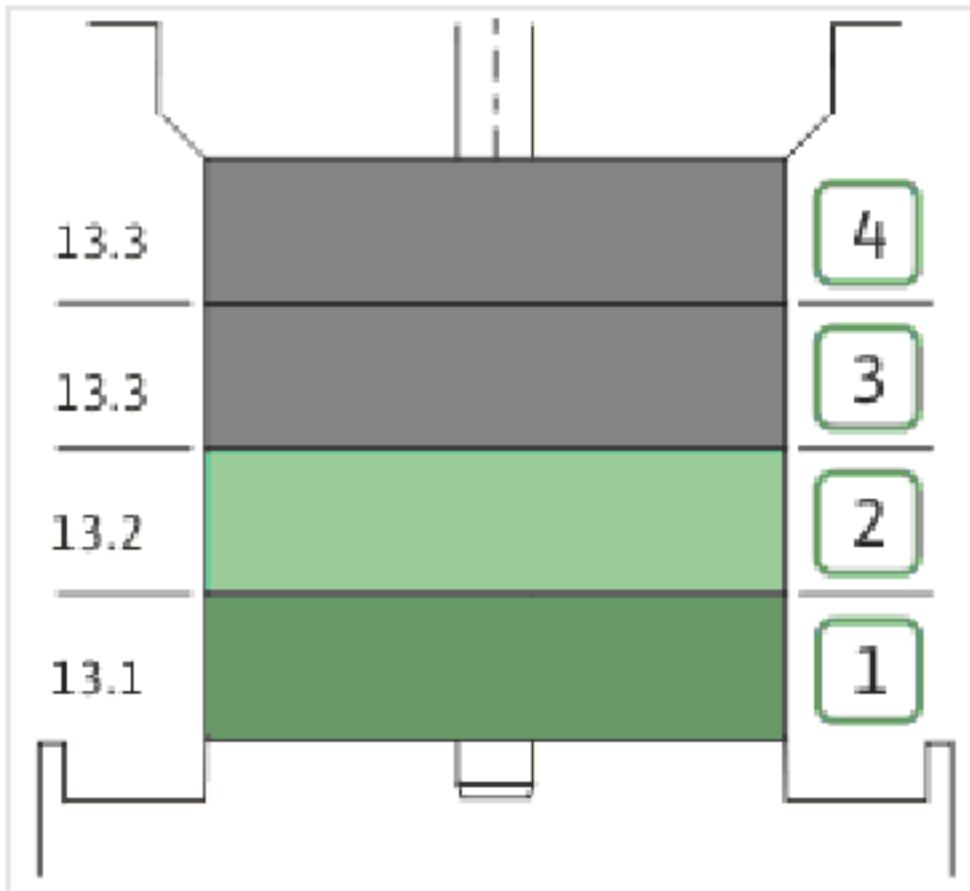
COUPLING D.16xD.24 FT115 HELIX KIT (4159709)

Item	Article no.	Description	Quantity
4.1		COUPLING M+ Ø16XØ24 FT115 MACHINED	1
4.2	2131023	BALL BEARING 6207/ZZ-C3(HT)VP.	1
4.3	4234254	CIRCLIP-FOR-SHAFT-D35x1.5 VP.	1
4.4	4157726	SCREW KIT M8X30 (4 PIECES)	1
4.5	4234251	CIRCLIP-D72x2.5 VP.	1
4.6	4234246	O-RING 72X3 VP.	1
		NOMEL CONTACT WASHER 8x16x1,4 STEEL ZC	1



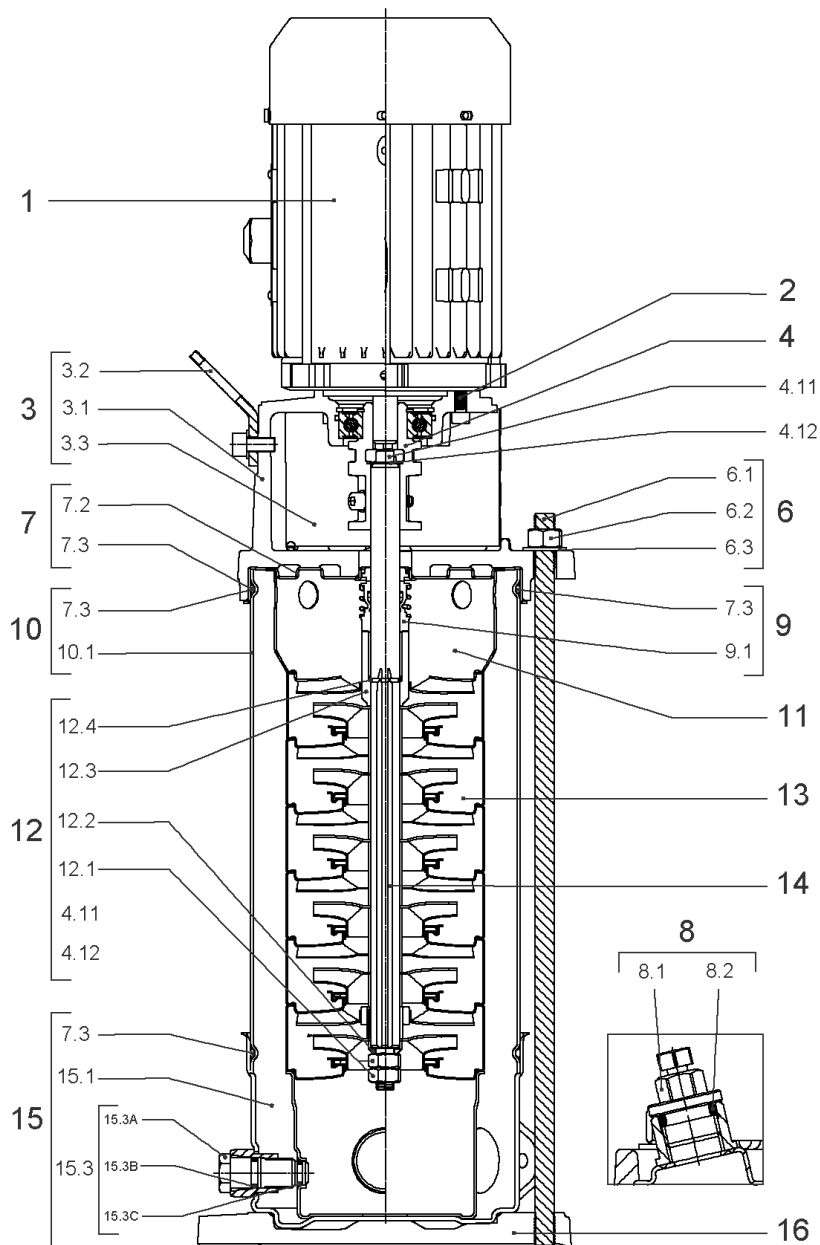
SEAL-KIT-HELIX6-10-16 O/E KIT (4171327)

Item	Article no.	Description	Quantity
7.3	4176513	O-RING FOR PUMP JACKET VP.	1
7.4	2127603	O-RING ID.37,6x2,4 EPDM VP.	1
9.1	4177801	MECH.SEAL HELIX6-10-16 O/E VP.	1
9.3	4177798	MACHINED RING HOLDER M+6" Ø16 304 VP.	1
9.5	4177799	MACHINED DRIVE RING Ø16 VP.	1
9.4	4176520	SCREW CH M5x5 A4-70 (3PIECES)	1



HYDRAULIC HELIX V 1004 1.4307

Item	Article no.	Description	Quantity
13.3	4172793	INTERMEDIATE STAGE HELIX 10 1.4301 KIT	1
		> MACH.STD-STG-CASING-WGV+NR-M+10-304	1
		> IMPELLER-M+10-304	1
		> IMPELLER SPACER Ø16,05X19,45-L36,465-304	1
13.2	4172792	INTERMEDIATE STAGE HELIX 10 1.4301 KIT	1
		> MACH.BEARING-STG-CASING-WNR-M+10-304	1
		> IMPELLER-M+10-304	1
		> SHAFT SLEEVE-SPACER-Ø19,35x18,465-304	1
		> SHAFT-SLEEVE-D16xD20x18-CW	1
13.1	4171331	STAGE HELIX10 1.4301KIT	1
		> MACH.STG-CASING-WOGV-WNR-M+10-304	1
		> IMPELLER-M+10-304	1



HELIX VE1004-1/16/E/S (4201551)

Item	Article no.	Description	Quantity
1		DRIVE HELIX-VE1004-IE4-WE-KIT	1
Note: MOTOR BRAND WILO ELEC			
		SPARE PARTS MOTOR:ON REQUEST	1
2	4159707	SCREW M8X30 (4 PIECES)	1
3	4213784	LANTERN FT115 HELIX KIT	1
3.1		> LANT-MOT-VMI-ReDTC6"-FT115-MACHINED+CATA	1
3.2	4184852	> EYELET CPL.FT HELIX (2 PIECES)	1
3.3	4213782	> COUPLING PROTECTOR FT115/130 HELIX KIT	1
4	4159709	COUPLING D.16xD.24 FT115 HELIX KIT	1
6	4177817	STUD BOLT M12X341 KIT	1
6.1		> TIE BOLT M12-341x18x30-1.4057	1
6.2	2094647	> NUT M12 M12 ISO4032 VP.	1
6.3	2123557	> WASHER CS-12.4-24-1.6-NFE25 (4 PIECES)	1
7	4214481	STATIONARY RING HOLDER HELIX D27 ReDTC	1
7.2	4214479	> STATIONARY RING HOLDER HELIX D27 VP.	1
7.3	4176513	> O-RING FOR PUMP JACKET VP.	1
8	4212724	FILING/PURGING PLUG HELIX ReDTC KIT	1
8.1		> FILLING PLUG MVI6"-304	1
8.2	4177800	> O-RING EPDM PLUG HELIX VP.	1
9	4214483	MECH.SEAL HELIX6-10-16 O/E ReDTC KIT	1
9.1	4177801	> MECH.SEAL HELIX6-10-16 O/E VP.	1
7.3	4176513	> O-RING FOR PUMP JACKET VP.	1
10	4177818	HOUSING PIPES Ø152-M+1004-304 KIT	1
7.3	4176513	> O-RING FOR PUMP JACKET VP.	1
10.1		> HOUSING-PIPE Ø152-M+1004/1603-304	1
11	4172791	CENTERING STAGE-RETURN HELIX10 1.4301VP.	1
12	4214517	SHAFT EQUIPMENT HELIX V10 ReDTC KIT	1
12.1		> NUT-H-M10-A4.70	1
12.2		> SERRATED LOCK WASHER M+10M3-316L	1
12.3		> 1/2-SNAP-RING-6/10M3-316L	1
12.4		> STOP-RUSH-1/2-D16xd2-M+316	1
4.11		> SCREW CHC-M6X14-8.8-ISO4762-GEOMET500A	1
4.12		> WASHER D.24 L6U ZINK	1
13		HYDRAULIC HELIX V 1004 1.4307	1

HELIX VE1004-1/16/E/S (4201551)

Item	Article no.	Description	Quantity
14	4214495	SHAFT D.16X278 HELIX 1.4057 VP.	1
15	4159682	PUMP HOUSING HELIX DN50 PN16 1.4301 KIT	1
7.3	4176513	> O-RING FOR PUMP JACKET VP.	1
15.1		> BLASTING PPE HOUSING V-PN16-DN50-304	1
15.2	4217893	> COUNTER FLANGE-G1"1/2-PN16-GJL KIT	1
15.3	4171321	> PRIMING/DRAIN PLUG EPDM HELIX KIT	1
16	4176517	BASEPLATE V8/10 VP.	1



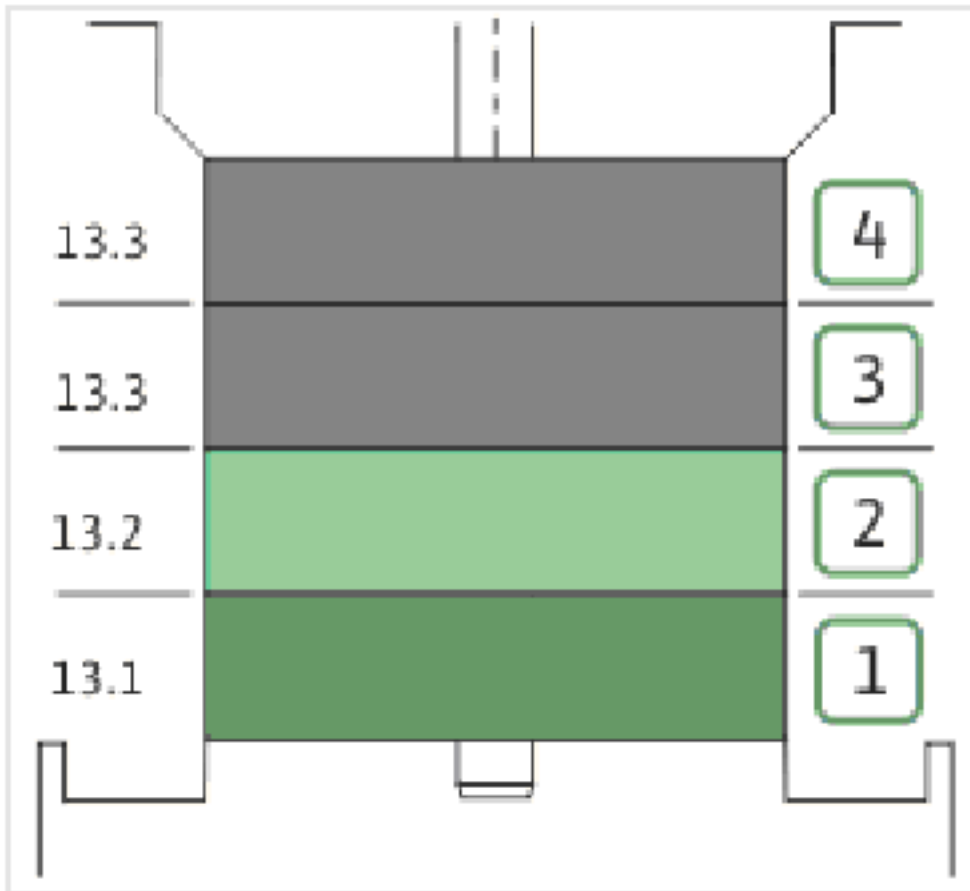
DRIVE HELIX-VE1004-IE4-WE-KIT

Item	Article no.	Description	Quantity
1.1	4207920	MOTOR 2.2/2/90 3~ 380V 60HZ IE4 WE VP.	1
		SPARE PARTS MOTOR:ON REQUEST	1
1.2	4209592	MODULE HELIX-VE1004-IE4-WE KIT	1
1.22	2054227	> MODULE COVER/GASKET TL3/4 KIT	1
1.23	4215716	> SCREW M5X16 DIN912 8.8 A2A (4pieces) VP.	1
1.24	2057978	> RONDELLE A5,3 DIN6797 FST ZN (4 PIECES)	1



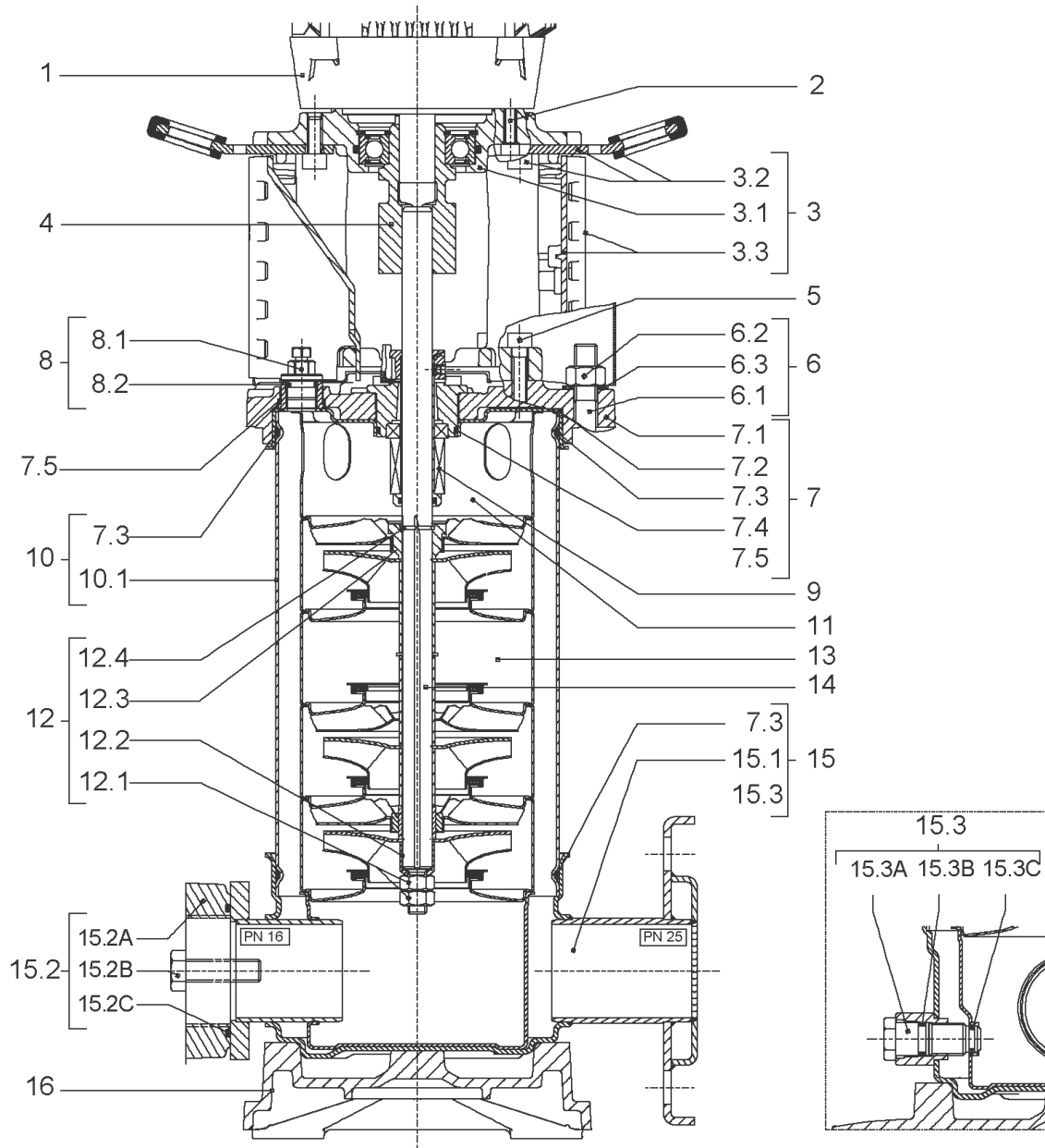
COUPLING D.16xD.24 FT115 HELIX KIT (4159709)

Item	Article no.	Description	Quantity
4.1		COUPLING M+ Ø16XØ24 FT115 MACHINED	1
4.2	2131023	BALL BEARING 6207/ZZ-C3(HT)VP.	1
4.3	4234254	CIRCLIP-FOR-SHAFT-D35x1.5 VP.	1
4.4	4157726	SCREW KIT M8X30 (4 PIECES)	1
4.5	4234251	CIRCLIP-D72x2.5 VP.	1
4.6	4234246	O-RING 72X3 VP.	1
		NOMEL CONTACT WASHER 8x16x1,4 STEEL ZC	1



HYDRAULIC HELIX V 1004 1.4307

Item	Article no.	Description	Quantity
13.3	4172793	INTERMEDIATE STAGE HELIX 10 1.4301 KIT	1
		> MACH.STD-STG-CASING-WGV+NR-M+10-304	1
		> IMPELLER-M+10-304	1
		> IMPELLER SPACER Ø16,05X19,45-L36,465-304	1
13.2	4172792	INTERMEDIATE STAGE HELIX 10 1.4301 KIT	1
		> MACH.BEARING-STG-CASING-WNR-M+10-304	1
		> IMPELLER-M+10-304	1
		> SHAFT SLEEVE-SPACER-Ø19,35x18,465-304	1
		> SHAFT-SLEEVE-D16xD20x18-CW	1
13.1	4171331	STAGE HELIX10 1.4301KIT	1
		> MACH.STG-CASING-WOGV-WNR-M+10-304	1
		> IMPELLER-M+10-304	1

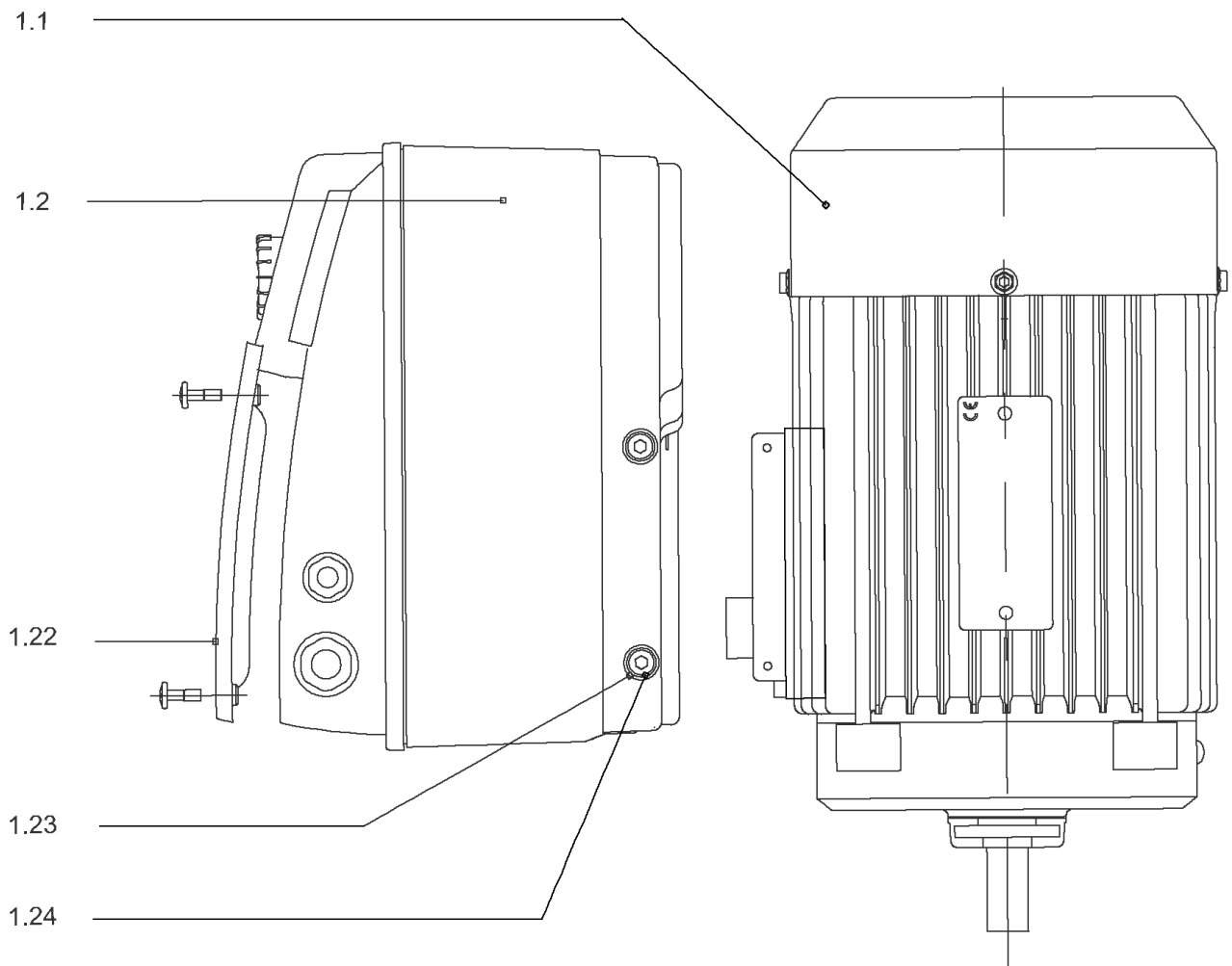


HELIX VE1005-1/16/E/KS (4171650)

Item	Article no.	Description	Quantity
1		DRIVE HELIX-VE1005IE2-WE KIT	1
Note: MOTOR BRAND WILO ELEC			
1		DRIVE HELIX-VE1005-IE4-WE-KIT	1
Note: MOTOR BRAND WILO ELEC			
2	4206025	SCREW M8X45 (4 PIECES)	1
3	4171326	LANTERN FT130 HELIX KIT	1
3.1		> LANTERN FT130 M+6" GJL MACHINING+CATA	1
3.2	2127604	> EYELET CPL.FT HELIX(2 PIECES)	1
3.3	4159692	> COUPLING PROTECTOR FT HELIX KIT	1
4	4159710	COUPLING D.16XD.28 FT130 HELIX KIT	1
5	4159707	SCREW M8X30 (4 PIECES)	1
6	2018576	STUD BOLT M12X377 KIT	1
6.1		> TIE BOLT M12-377x18x30-1.4057	1
6.2	2094647	> NUT M12 M12 ISO4032 VP.	1
6.3	2123557	> WASHER CS-12.4-24-1.6-NFE25 (4 PIECES)	1
7	4159685	END SHIELD HELIX EPDM KIT	1
7.1		> END SHIELD M+6" GJL250 MACHINING+CATA	1
7.2	2127607	> STATIONARY RING HOLDER 6" HELIX 1.4301 V	1
7.3	4176513	> O-RING FOR PUMP JACKET VP.	1
7.4	2127603	> O-RING ID.37,6x2,4 EPDM VP.	1
7.5	2127602	> O-RING ID.21,35x2 EPDM VP.	1
8	4159686	FILING/PURGING PLUG HELIX EPDM KIT	1
9	4159696	CARTRIDGE HELIX6-10-16 O/E KIT	1
10	4176518	HOUSING PIPES D.152X247 1.4301 KIT	1
7.3	4176513	> O-RING FOR PUMP JACKET VP.	1
10.1		> HOUSING-PIPE Ø152-M+1005-304	1
11	4172791	CENTERING STAGE-RETURN HELIX10 1.4301VP.	1
12	4209272	SHAFT EQUIPMENT HELIX V10 BI BLOC KIT	1
12.1		> NUT-H-M10-A4.70	1
12.2		> SERRATED LOCK WASHER M+10M3-316L	1
12.3		> STOP COLLAR OF IMPELLER L16,5-Ø16-316L	1
12.4		> STOP-RUSH-1/2-D16xd2-M+316	1
13		HYDRAULIC HELIX V 1005 1.4307	1
14	4176515	SHAFT D.16 X367,5 1. 4301 VP.	1

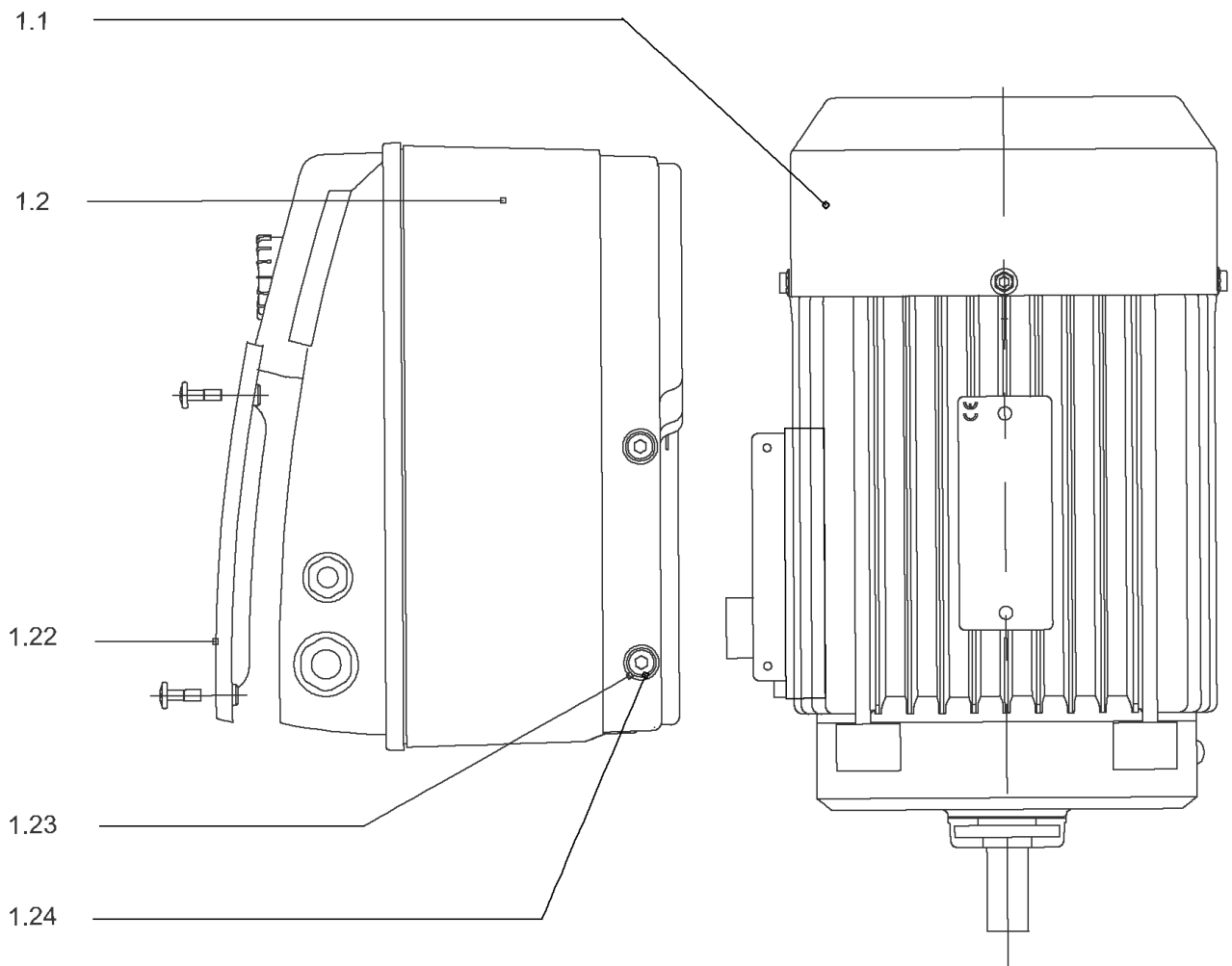
HELIX VE1005-1/16/E/KS (4171650)

Item	Article no.	Description	Quantity
15	4159682	PUMP HOUSING HELIX DN50 PN16 1.4301 KIT	1
7.3	4176513	> O-RING FOR PUMP JACKET VP.	1
15.1		> BLASTING PPE HOUSING V-PN16-DN50-304	1
15.2	4217893	> COUNTER FLANGE-G1"1/2-PN16-GJL KIT	1
15.3	4171321	> PRIMING/DRAIN PLUG EPDM HELIX KIT	1
16	4176517	BASEPLATE V8/10 VP.	1



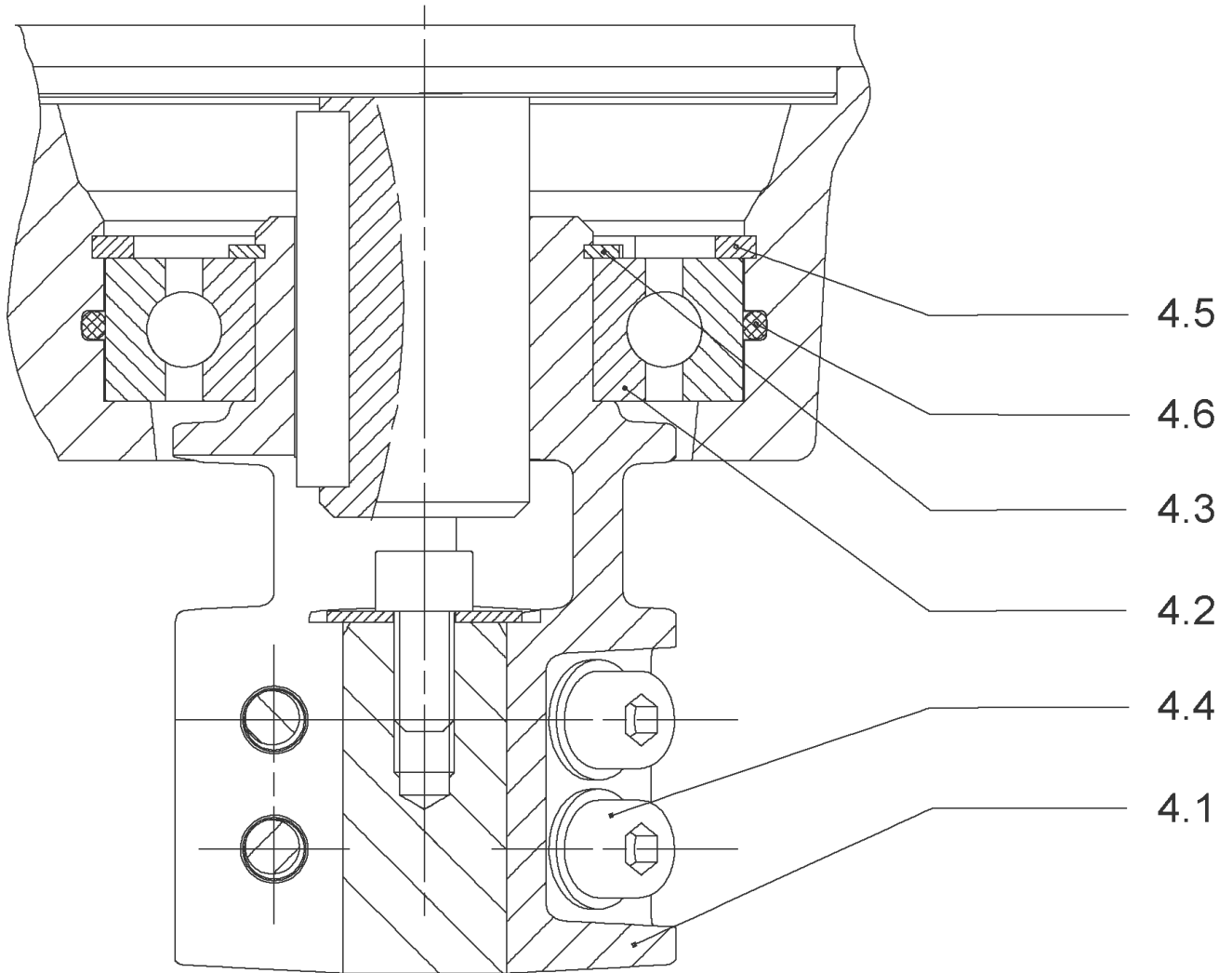
DRIVE HELIX-VE1005IE2-WE KIT

Item	Article no.	Description	Quantity
1.1		M3-T638P55V18H-100F13-SU-N28-WE-IE2 VP.	1
Note: no longer available/nicht mehr lieferbar/n'est plus disponible			
		SPARE PARTS MOTOR:ON REQUEST	1
1.2	4190202	MODULE HELIX-VE1005-IE2-WE KIT	1
1.22	2054227	> MODULE COVER/GASKET TL3/4 KIT	1
1.23	4215716	> SCREW M5X16 DIN912 8.8 A2A (4pieces) VP.	1
1.24	2057978	> RONDELLE A5,3 DIN6797 FST ZN (4 PIECES)	1



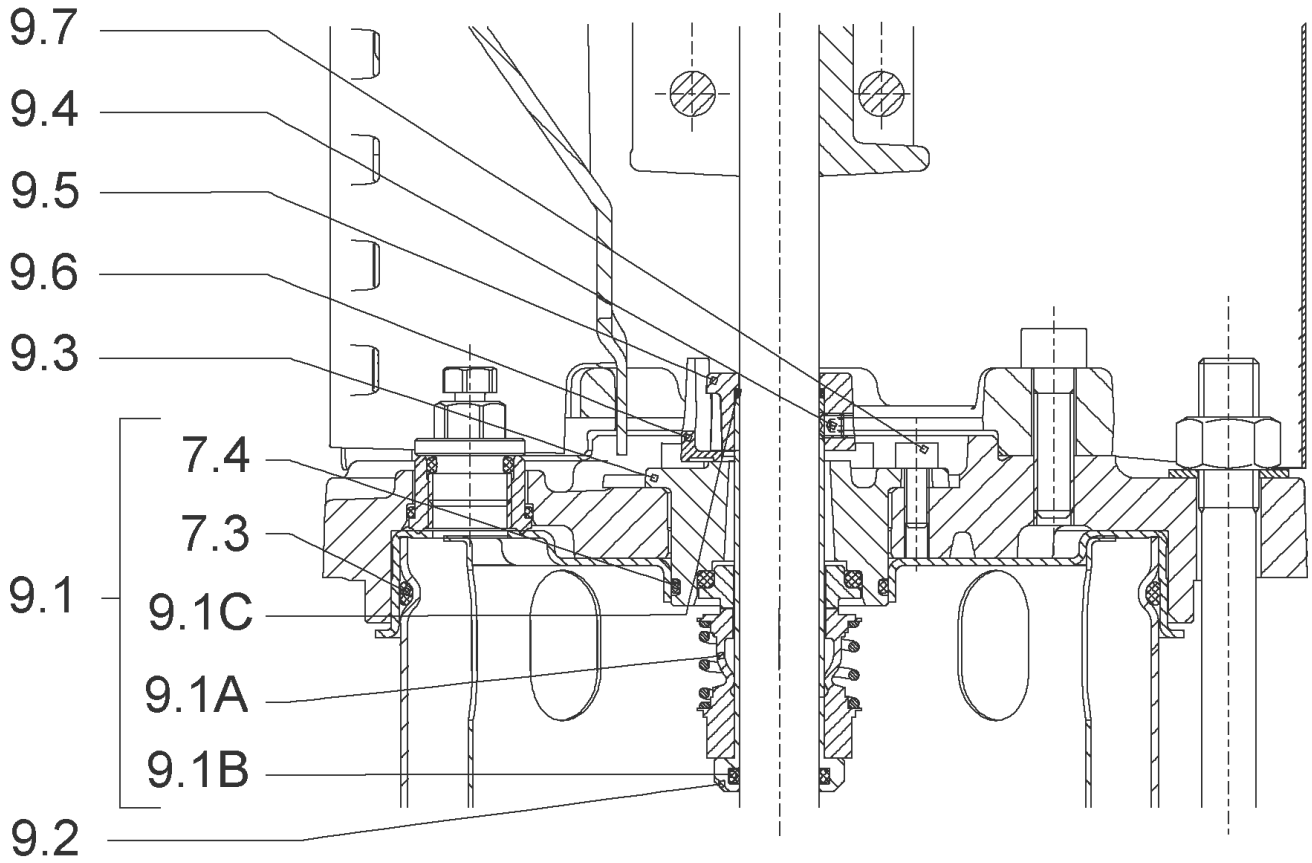
DRIVE HELIX-VE1005-IE4-WE-KIT

Item	Article no.	Description	Quantity
1.1	4207922	MOTOR 3/2/100 3~ 380V 60HZ IE4 WE VP.	1
		SPARE PARTS MOTOR:ON REQUEST	1
1.2	4209339	MODULE HELIX-VE1005-IE4-WE KIT	1
1.22	2054227	> MODULE COVER/GASKET TL3/4 KIT	1
1.23	4215716	> SCREW M5X16 DIN912 8.8 A2A (4pieces) VP.	1
1.24	2057978	> RONDELLE A5,3 DIN6797 FST ZN (4 PIECES)	1



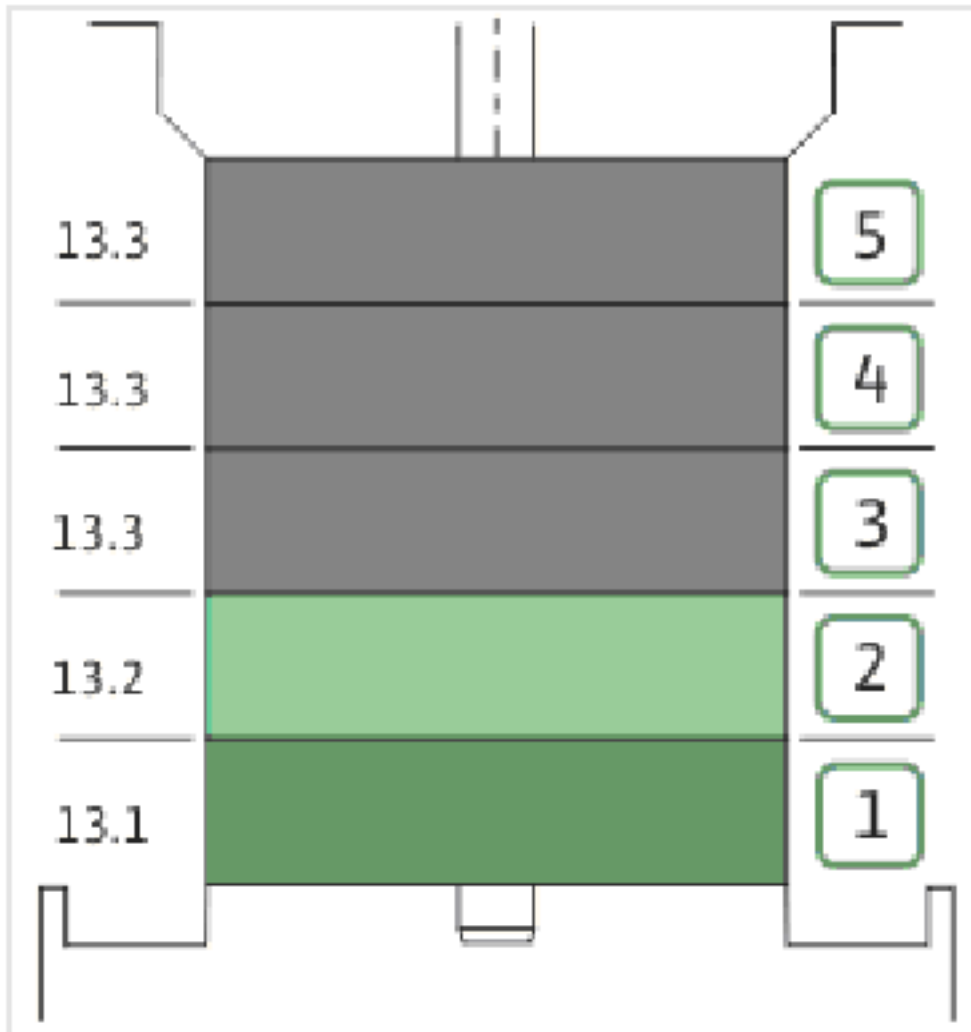
COUPLING D.16XD.28 FT130 HELIX KIT (4159710)

Item	Article no.	Description	Quantity
4.1		COUPLING M+ Ø16XØ28 FT130 MACHINED	1
4.2	2131022	BALL BEARING 6209/ZZ-C3(HT)VP.	1
4.3	4233930	CIRCLIP-FOR-BORES-D45x1,75 VP.	1
4.4	4157726	SCREW KIT M8X30 (4 PIECES)	1
4.5	4234252	CIRCLIPS 85X3 VP.	1
4.6	4234243	O-RING 85X3 VP.	1
		NOMEL CONTACT WASHER 8x16x1,4 STEEL ZC	1



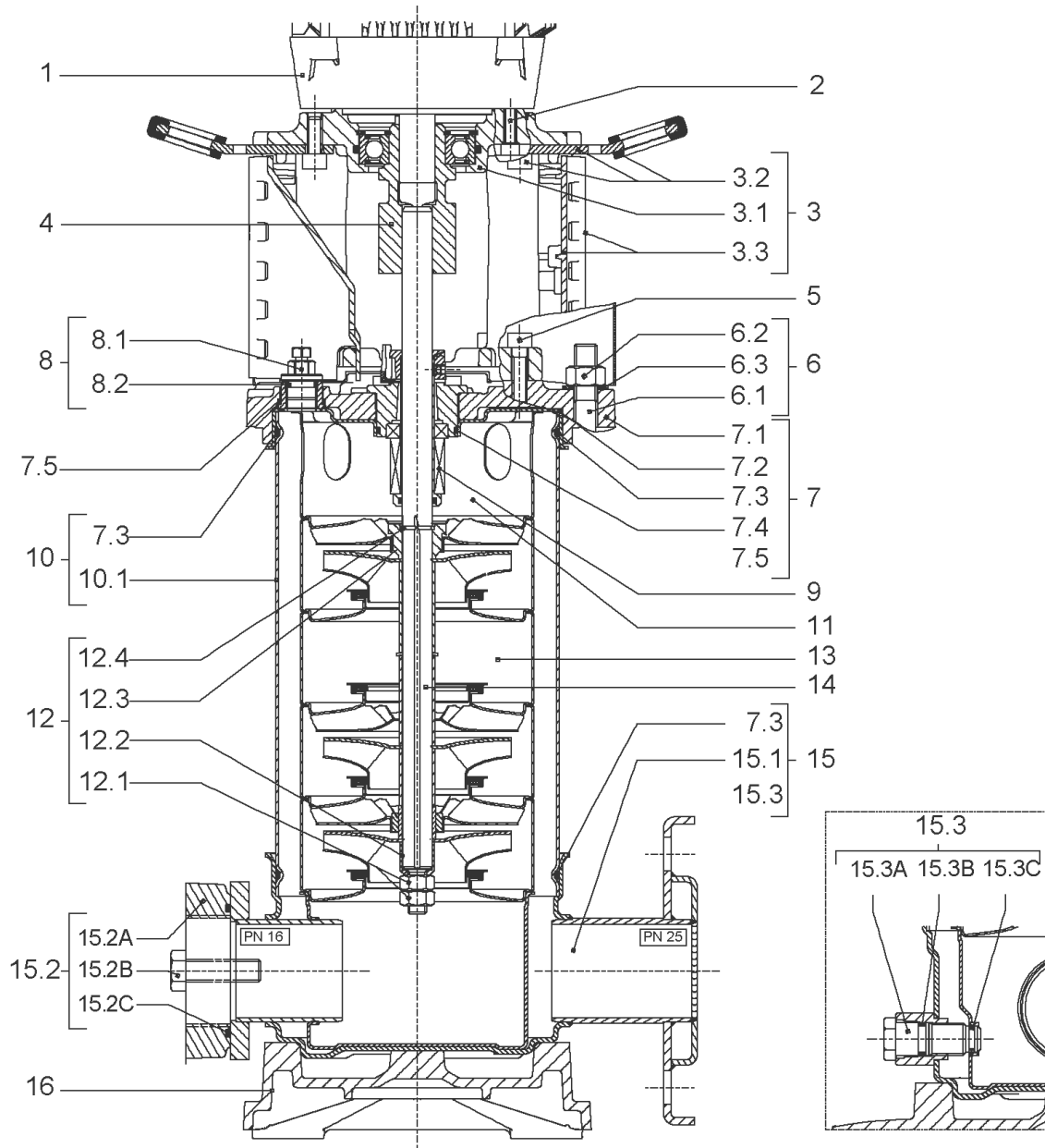
CARTRIDGE HELIX6-10-16 O/E KIT (4159696)

Item	Article no.	Description	Quantity
9.1	4159697	SEAL-KIT-HELIX6-10-16 O/E	1
7.3	4176513	> O-RING FOR PUMP JACKET VP.	1
7.4	2127603	> O-RING ID.37,6x2,4 EPDM VP.	1
9.1A	2130966	> MECH.SEAL HELIX2-4-6-10-16 O/E VP.	1
9.1B	2130967	> O-RING D.16X2,5 EPDM VP.	1
9.1C	4176519	> O-RING Ø16xØ1.25 VP.	1
9.2	2130961	SHAFT SLEEVE D.18/16X72,2 1.4404 VP.	1
9.3	2130962	RING HOLDER D.18 G606/G6 1.4301 VP.	1
9.4	4176520	SCREW CH M5x5 A4-70 (3PIECES)	1
9.5	2130963	DRIVE RING D.29/18x12,4 MACH.VP.	1
9.6	2130964	TOOL M.S.CART.HELIX VP.	1
9.7	2130965	SCREW CHC M5X12 ISO4762 A2.70(4 PIECES)	1



HYDRAULIC HELIX V 1005 1.4307

Item	Article no.	Description	Quantity
13.1	4171331	STAGE HELIX10 1.4301KIT	1
		> MACH.STG-CASING-WOGV-WNR-M+10-304	1
		> IMPELLER-M+10-304	1
13.2	4172792	INTERMEDIATE STAGE HELIX 10 1.4301 KIT	1
		> MACH.BEARING-STG-CASING-WNR-M+10-304	1
		> IMPELLER-M+10-304	1
		> SHAFT SLEEVE-SPACER-Ø19,35x18,465-304	1
		> SHAFT-SLEEVE-D16xD20x18-CW	1
13.3	4172793	INTERMEDIATE STAGE HELIX 10 1.4301 KIT	1
		> MACH.STD-STG-CASING-WGV+NR-M+10-304	1
		> IMPELLER-M+10-304	1
		> IMPELLER SPACER Ø16,05X19,45-L36,465-304	1

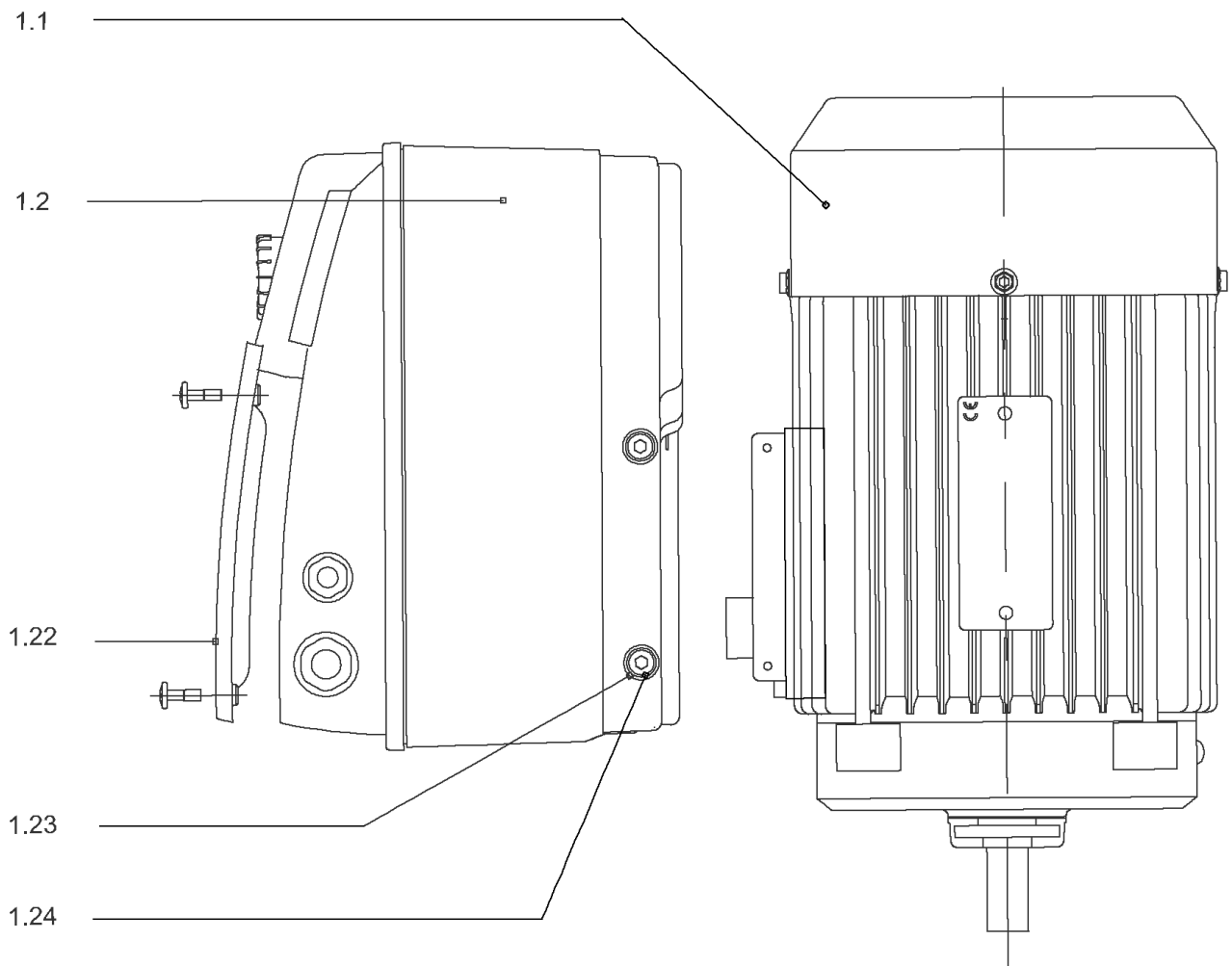


HELIX VE1005-1/16/E/S (4171648)

Item	Article no.	Description	Quantity
1		DRIVE HELIX-VE1005IE2-WE KIT	1
Note: MOTOR BRAND WILO ELEC			
1		DRIVE HELIX-VE1005-IE4-WE-KIT	1
Note: MOTOR BRAND WILO ELEC			
2	4206025	SCREW M8X45 (4 PIECES)	1
3	4172789	LANTERN FT130 HELIX V10 KIT	1
3.1		> M+5_6_LANTERN_ONE-PIECE_FT130_CATA	1
3.2	2127604	> EYELET CPL.FT HELIX(2 PIECES)	1
3.3	4159692	> COUPLING PROTECTOR FT HELIX KIT	1
4	4159710	COUPLING D.16XD.28 FT130 HELIX KIT	1
5	4159707	SCREW M8X30 (4 PIECES)	1
6	2018576	STUD BOLT M12X377 KIT	1
6.1		> TIE BOLT M12-377x18x30-1.4057	1
6.2	2094647	> NUT M12 M12 ISO4032 VP.	1
6.3	2123557	> WASHER CS-12.4-24-1.6-NFE25 (4 PIECES)	1
7	4210143	STATIONARY RING HOLDER HELIX 6" EPDM	1
7.2	2127607	> STATIONARY RING HOLDER 6" HELIX 1.4301 V	1
7.3	4176513	> O-RING FOR PUMP JACKET VP.	1
7.4	2127603	> O-RING ID.37,6x2,4 EPDM VP.	1
7.5	2127602	> O-RING ID.21,35x2 EPDM VP.	1
8	4159686	FILING/PURGING PLUG HELIX EPDM KIT	1
9	4171327	SEAL-KIT-HELIX6-10-16 O/E KIT	1
10	4176518	HOUSING PIPES D.152X247 1.4301 KIT	1
7.3	4176513	> O-RING FOR PUMP JACKET VP.	1
10.1		> HOUSING-PIPE Ø152-M+1005-304	1
11	4172791	CENTERING STAGE-RETURN HELIX10 1.4301VP.	1
12	4209273	SHAFT EQUIPMENT HELIX V10 KIT	1
12.1		> NUT-H-M10-A4.70	1
12.2		> SERRATED LOCK WASHER M+10M3-316L	1
12.3		> IMPELLER STOP RING L33,6-304	1
12.4		> STOP-RUSH-1/2-D16xd2-M+316	1
13		HYDRAULIC HELIX V 1005 1.4307	1
14	4176515	SHAFT D.16 X367,5 1. 4301 VP.	1
15	4159682	PUMP HOUSING HELIX DN50 PN16 1.4301 KIT	1

HELIX VE1005-1/16/E/S (4171648)

Item	Article no.	Description	Quantity
7.3	4176513	> O-RING FOR PUMP JACKET VP.	1
15.1		> BLASTING PPE HOUSING V-PN16-DN50-304	1
15.2	4217893	> COUNTER FLANGE-G1"1/2-PN16-GJL KIT	1
15.3	4171321	> PRIMING/DRAIN PLUG EPDM HELIX KIT	1
16	4176517	BASEPLATE V8/10 VP.	1



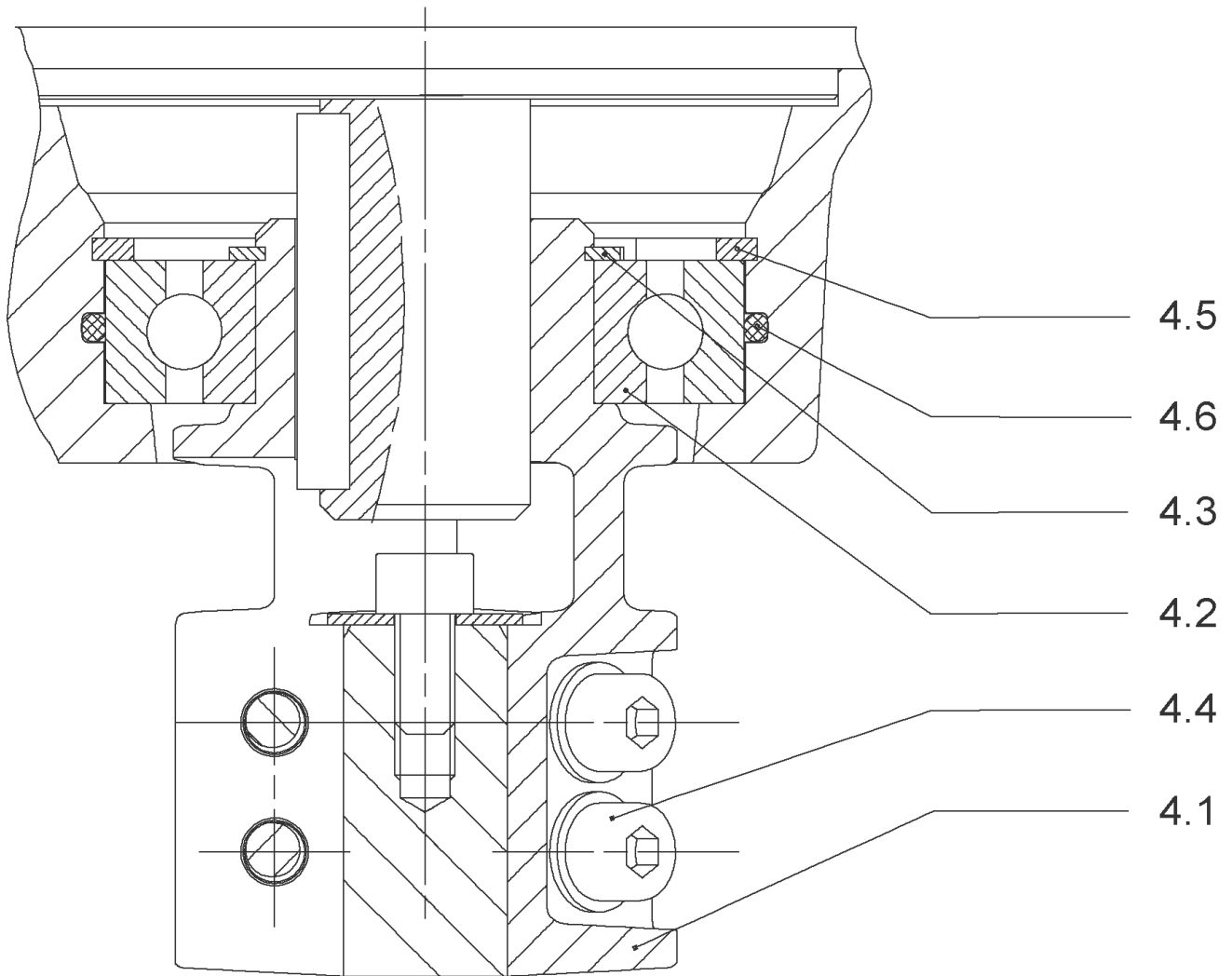
DRIVE HELIX-VE1005IE2-WE KIT

Item	Article no.	Description	Quantity
1.1		M3-T638P55V18H-100F13-SU-N28-WE-IE2 VP.	1
Note: no longer available/nicht mehr lieferbar/n'est plus disponible			
		SPARE PARTS MOTOR:ON REQUEST	1
1.2	4190202	MODULE HELIX-VE1005-IE2-WE KIT	1
1.22	2054227	> MODULE COVER/GASKET TL3/4 KIT	1
1.23	4215716	> SCREW M5X16 DIN912 8.8 A2A (4pieces) VP.	1
1.24	2057978	> RONDELLE A5,3 DIN6797 FST ZN (4 PIECES)	1



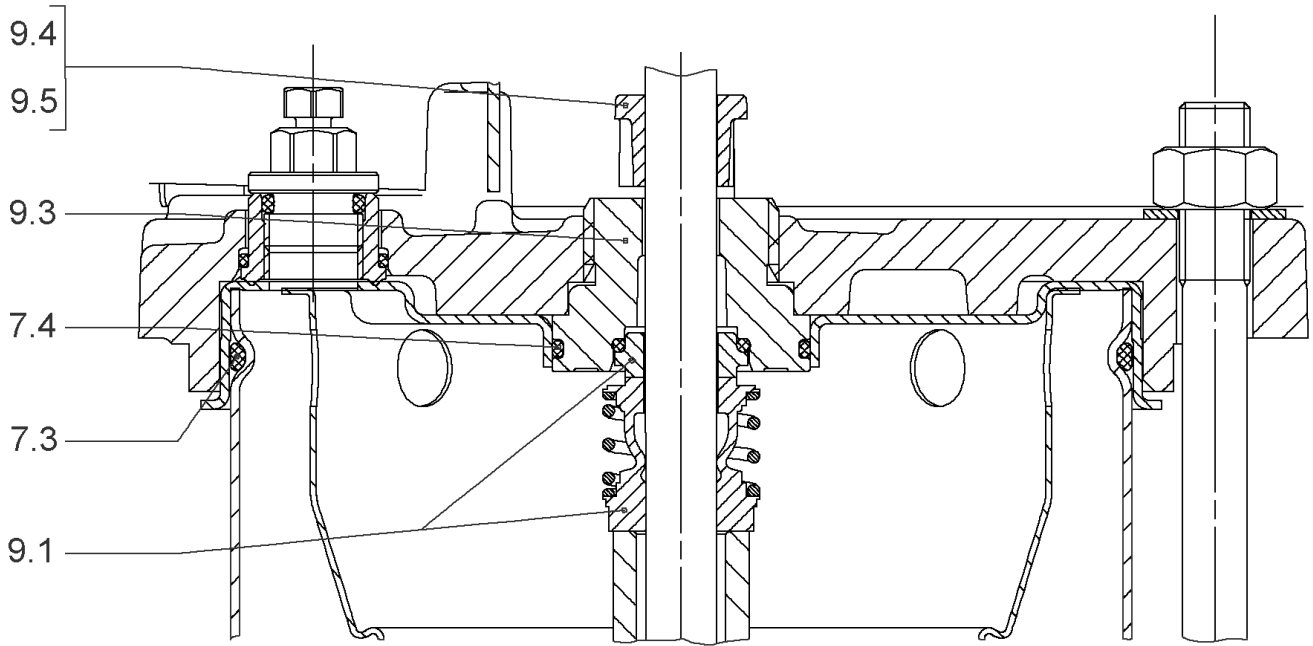
DRIVE HELIX-VE1005-IE4-WE-KIT

Item	Article no.	Description	Quantity
1.1	4207922	MOTOR 3/2/100 3~ 380V 60HZ IE4 WE VP.	1
		SPARE PARTS MOTOR:ON REQUEST	1
1.2	4209339	MODULE HELIX-VE1005-IE4-WE KIT	1
1.22	2054227	> MODULE COVER/GASKET TL3/4 KIT	1
1.23	4215716	> SCREW M5X16 DIN912 8.8 A2A (4pieces) VP.	1
1.24	2057978	> RONDELLE A5,3 DIN6797 FST ZN (4 PIECES)	1



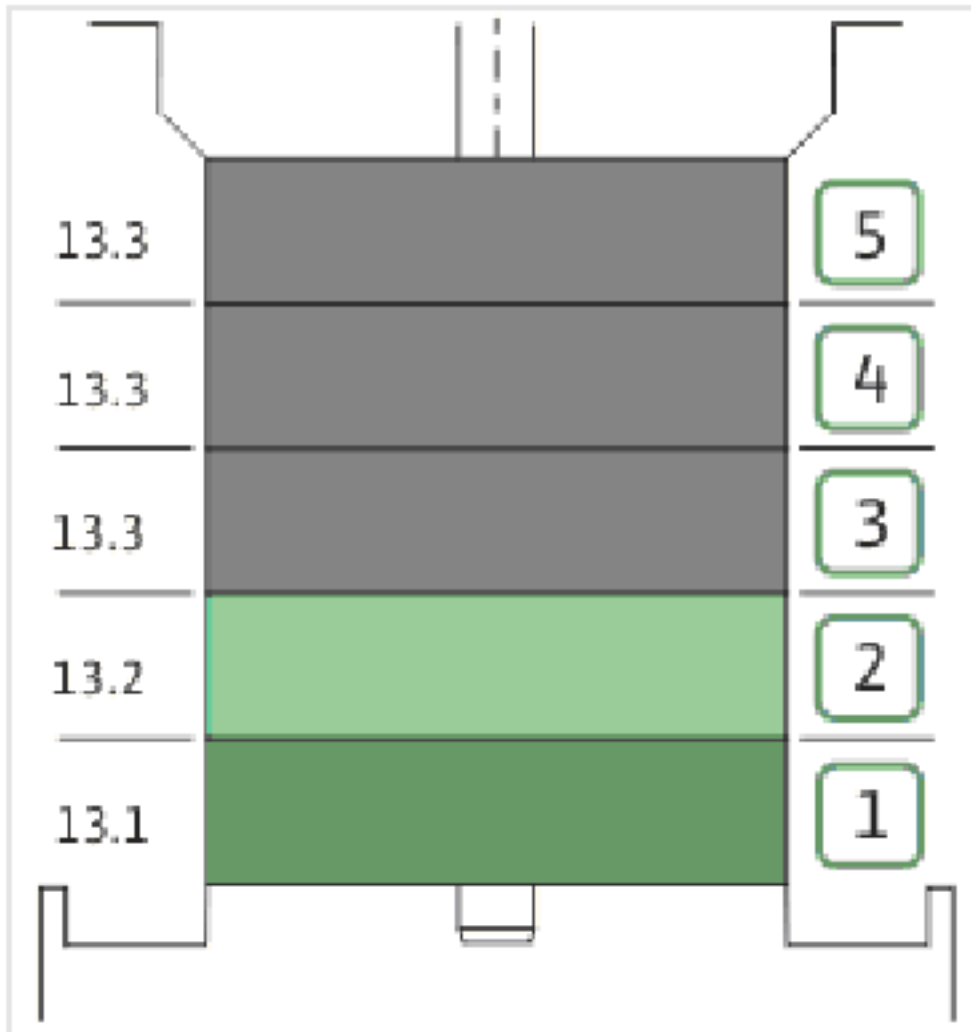
COUPLING D.16XD.28 FT130 HELIX KIT (4159710)

Item	Article no.	Description	Quantity
4.1		COUPLING M+ Ø16XØ28 FT130 MACHINED	1
4.2	2131022	BALL BEARING 6209/ZZ-C3(HT)VP.	1
4.3	4233930	CIRCLIP-FOR-BORES-D45x1,75 VP.	1
4.4	4157726	SCREW KIT M8X30 (4 PIECES)	1
4.5	4234252	CIRCLIPS 85X3 VP.	1
4.6	4234243	O-RING 85X3 VP.	1
		NOMEL CONTACT WASHER 8x16x1,4 STEEL ZC	1



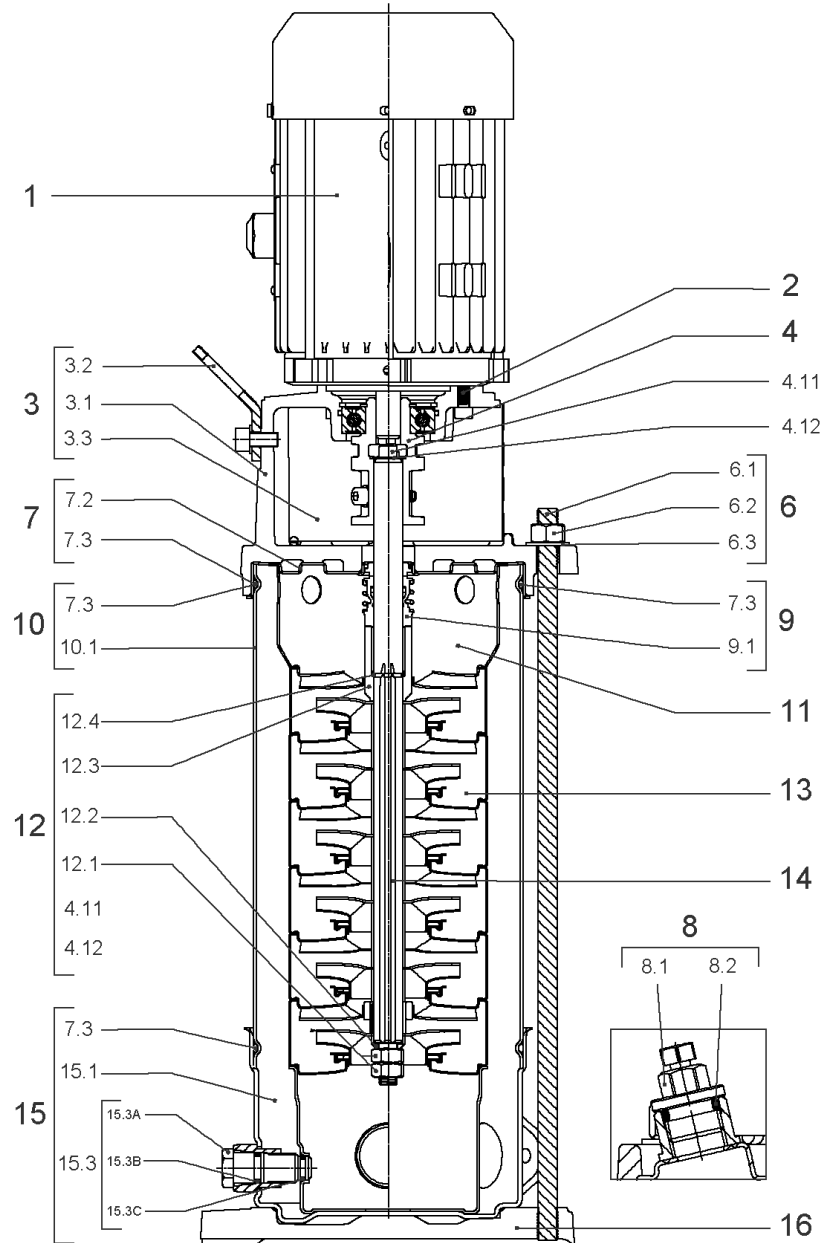
SEAL-KIT-HELIX6-10-16 O/E KIT (4171327)

Item	Article no.	Description	Quantity
7.3	4176513	O-RING FOR PUMP JACKET VP.	1
7.4	2127603	O-RING ID.37,6x2,4 EPDM VP.	1
9.1	4177801	MECH.SEAL HELIX6-10-16 O/E VP.	1
9.3	4177798	MACHINED RING HOLDER M+6" Ø16 304 VP.	1
9.5	4177799	MACHINED DRIVE RING Ø16 VP.	1
9.4	4176520	SCREW CH M5x5 A4-70 (3PIECES)	1



HYDRAULIC HELIX V 1005 1.4307

Item	Article no.	Description	Quantity
13.1	4171331	STAGE HELIX10 1.4301KIT	1
		> MACH.STG-CASING-WOGV-WNR-M+10-304	1
		> IMPELLER-M+10-304	1
13.2	4172792	INTERMEDIATE STAGE HELIX 10 1.4301 KIT	1
		> MACH.BEARING-STG-CASING-WNR-M+10-304	1
		> IMPELLER-M+10-304	1
		> SHAFT SLEEVE-SPACER-Ø19,35x18,465-304	1
		> SHAFT-SLEEVE-D16xD20x18-CW	1
13.3	4172793	INTERMEDIATE STAGE HELIX 10 1.4301 KIT	1
		> MACH.STD-STG-CASING-WGV+NR-M+10-304	1
		> IMPELLER-M+10-304	1
		> IMPELLER SPACER Ø16,05X19,45-L36,465-304	1

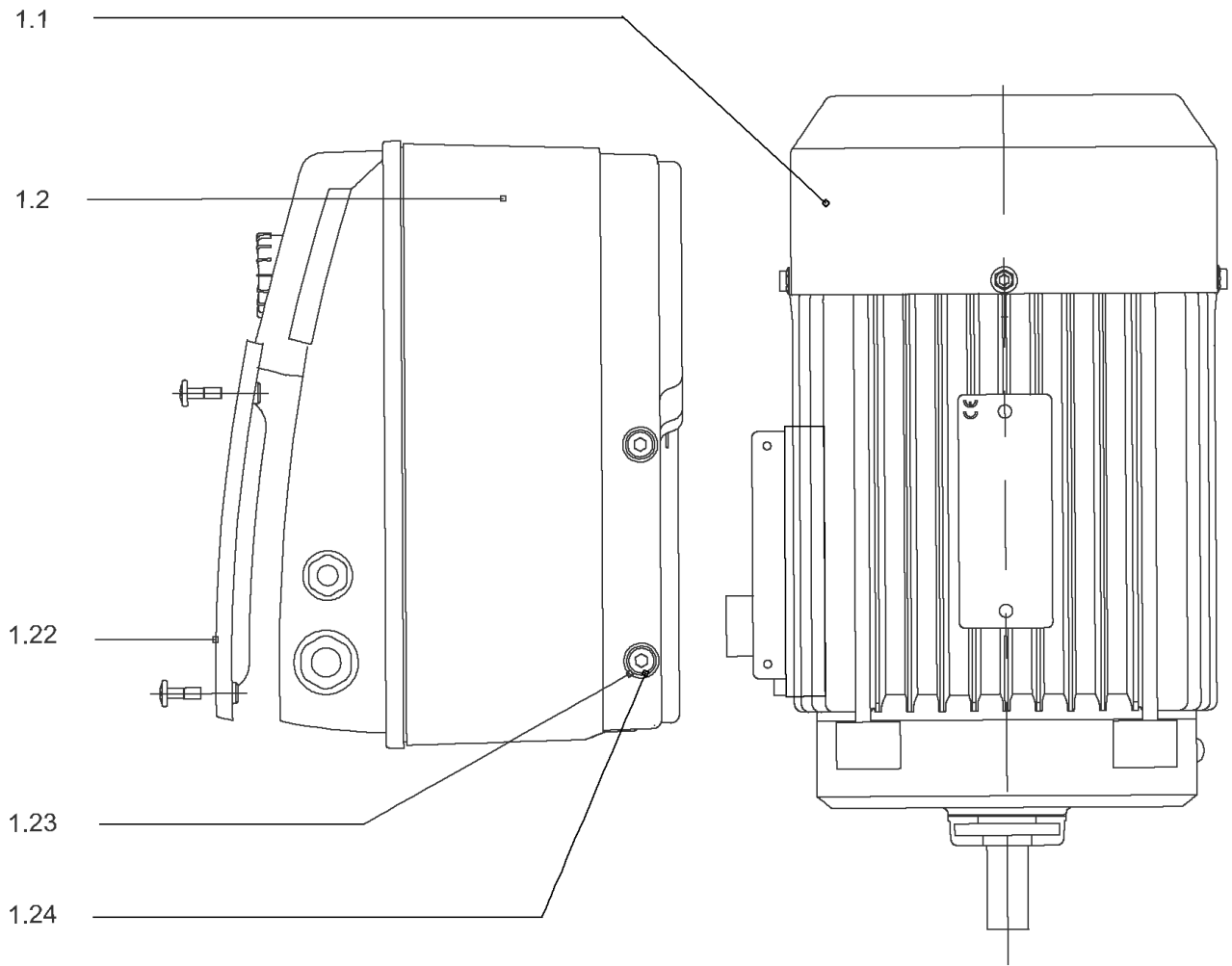


HELIX VE1005-1/16/E/S (4201553)

Item	Article no.	Description	Quantity
1		DRIVE HELIX-VE1005-IE4-WE-KIT	1
Note: MOTOR BRAND WILO ELEC			
		SPARE PARTS MOTOR:ON REQUEST	1
2	4159707	SCREW M8X30 (4 PIECES)	1
3	4214473	LANTERN FT130 HELIX KIT	1
3.1		> LANT-MOT-VMI-ReDTC6"-FT130-MACHINED+CATA	1
3.2	4184852	> EYELET CPL.FT HELIX (2 PIECES)	1
3.3	4213782	> COUPLING PROTECTOR FT115/130 HELIX KIT	1
4	4159710	COUPLING D.16XD.28 FT130 HELIX KIT	1
6	2018576	STUD BOLT M12X377 KIT	1
6.1		> TIE BOLT M12-377x18x30-1.4057	1
6.2	2094647	> NUT M12 M12 ISO4032 VP.	1
6.3	2123557	> WASHER CS-12.4-24-1.6-NFE25 (4 PIECES)	1
7	4214481	STATIONARY RING HOLDER HELIX D27 ReDTC	1
7.2	4214479	> STATIONARY RING HOLDER HELIX D27 VP.	1
7.3	4176513	> O-RING FOR PUMP JACKET VP.	1
8	4212724	FILING/PURGING PLUG HELIX ReDTC KIT	1
8.1		> FILLING PLUG MVI6"-304	1
8.2	4177800	> O-RING EPDM PLUG HELIX VP.	1
9	4214483	MECH.SEAL HELIX6-10-16 O/E ReDTC KIT	1
9.1	4177801	> MECH.SEAL HELIX6-10-16 O/E VP.	1
7.3	4176513	> O-RING FOR PUMP JACKET VP.	1
10	4176518	HOUSING PIPES D.152X247 1.4301 KIT	1
7.3	4176513	> O-RING FOR PUMP JACKET VP.	1
10.1		> HOUSING-PIPE Ø152-M+1005-304	1
11	4172791	CENTERING STAGE-RETURN HELIX10 1.4301VP.	1
12	4214517	SHAFT EQUIPMENT HELIX V10 ReDTC KIT	1
12.1		> NUT-H-M10-A4.70	1
12.2		> SERRATED LOCK WASHER M+10M3-316L	1
12.3		> 1/2-SNAP-RING-6/10M3-316L	1
12.4		> STOP-RUSH-1/2-D16xd2-M+316	1
4.11		> SCREW CHC-M6X14-8.8-ISO4762-GEOMET500A	1
4.12		> WASHER D.24 L6U ZINK	1
13		HYDRAULIC HELIX V 1005 1.4307	1

HELIX VE1005-1/16/E/S (4201553)

Item	Article no.	Description	Quantity
14	4214498	SHAFT D.16X316 HELIX 1.4057 VP.	1
15	4159682	PUMP HOUSING HELIX DN50 PN16 1.4301 KIT	1
7.3	4176513	> O-RING FOR PUMP JACKET VP.	1
15.1		> BLASTING PPE HOUSING V-PN16-DN50-304	1
15.2	4217893	> COUNTER FLANGE-G1"1/2-PN16-GJL KIT	1
15.3	4171321	> PRIMING/DRAIN PLUG EPDM HELIX KIT	1
16	4176517	BASEPLATE V8/10 VP.	1



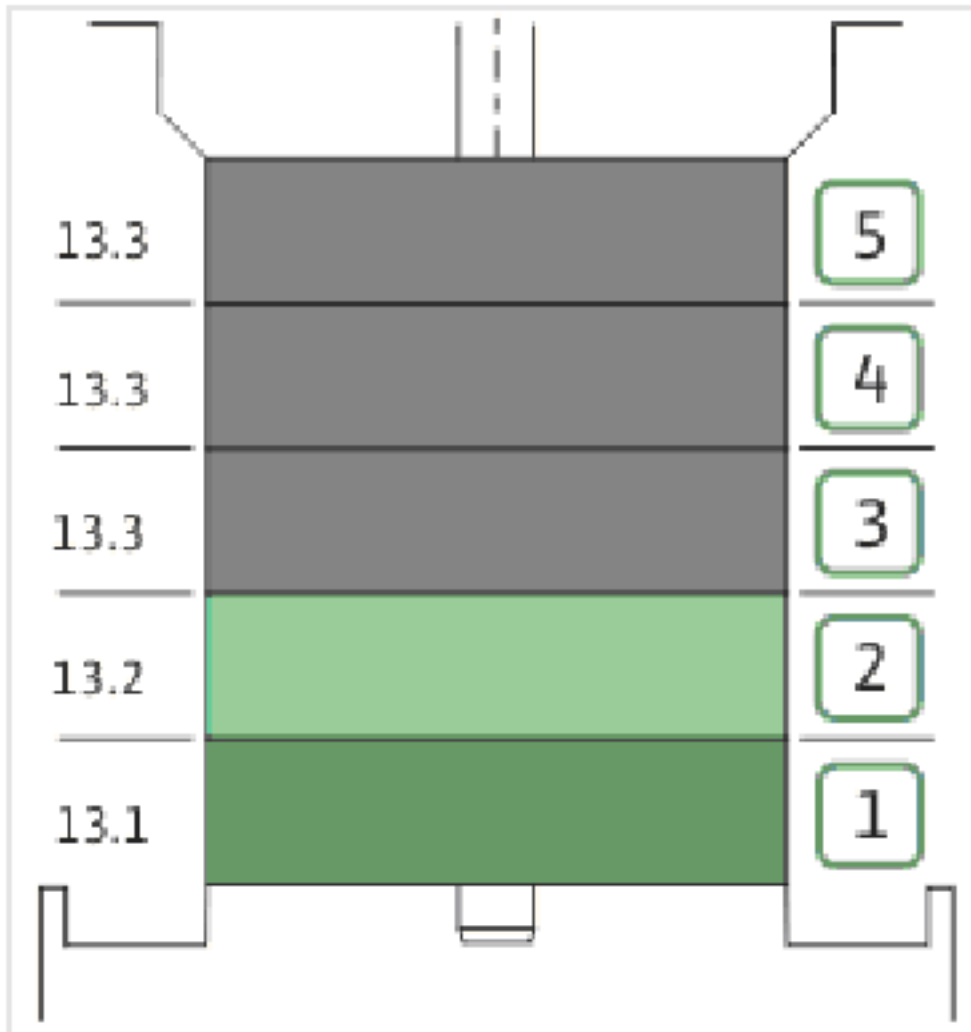
DRIVE HELIX-VE1005-IE4-WE-KIT

Item	Article no.	Description	Quantity
1.1	4207922	MOTOR 3/2/100 3~ 380V 60HZ IE4 WE VP.	1
		SPARE PARTS MOTOR:ON REQUEST	1
1.2	4209339	MODULE HELIX-VE1005-IE4-WE KIT	1
1.22	2054227	> MODULE COVER/GASKET TL3/4 KIT	1
1.23	4215716	> SCREW M5X16 DIN912 8.8 A2A (4pieces) VP.	1
1.24	2057978	> RONDELLE A5,3 DIN6797 FST ZN (4 PIECES)	1



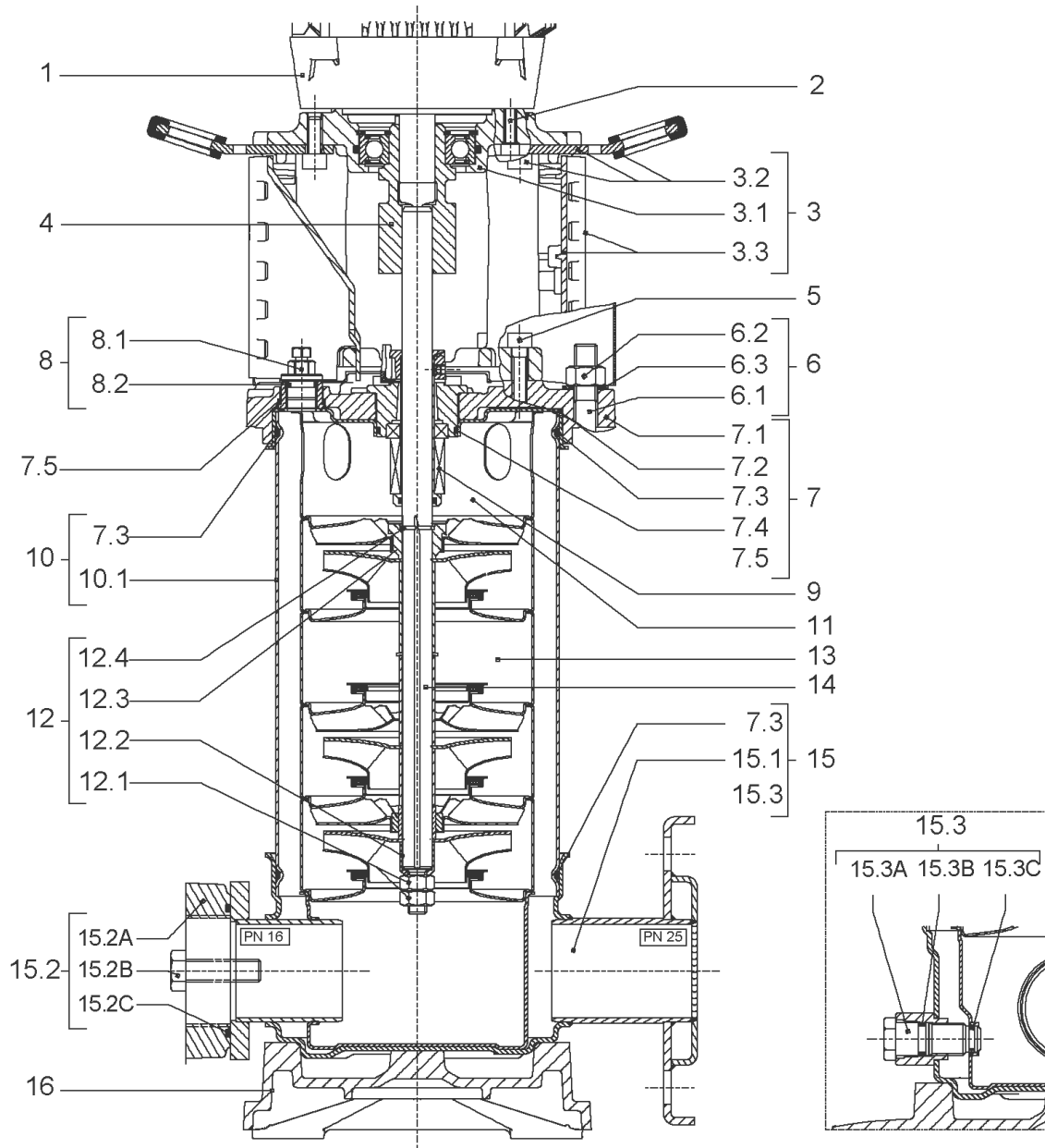
COUPLING D.16XD.28 FT130 HELIX KIT (4159710)

Item	Article no.	Description	Quantity
4.1		COUPLING M+ Ø16XØ28 FT130 MACHINED	1
4.2	2131022	BALL BEARING 6209/ZZ-C3(HT)VP.	1
4.3	4233930	CIRCLIP-FOR-BORES-D45x1,75 VP.	1
4.4	4157726	SCREW KIT M8X30 (4 PIECES)	1
4.5	4234252	CIRCLIPS 85X3 VP.	1
4.6	4234243	O-RING 85X3 VP.	1
		NOMEL CONTACT WASHER 8x16x1,4 STEEL ZC	1



HYDRAULIC HELIX V 1005 1.4307

Item	Article no.	Description	Quantity
13.1	4171331	STAGE HELIX10 1.4301KIT	1
		> MACH.STG-CASING-WOGV-WNR-M+10-304	1
		> IMPELLER-M+10-304	1
13.2	4172792	INTERMEDIATE STAGE HELIX 10 1.4301 KIT	1
		> MACH.BEARING-STG-CASING-WNR-M+10-304	1
		> IMPELLER-M+10-304	1
		> SHAFT SLEEVE-SPACER-Ø19,35x18,465-304	1
		> SHAFT-SLEEVE-D16xD20x18-CW	1
13.3	4172793	INTERMEDIATE STAGE HELIX 10 1.4301 KIT	1
		> MACH.STD-STG-CASING-WGV+NR-M+10-304	1
		> IMPELLER-M+10-304	1
		> IMPELLER SPACER Ø16,05X19,45-L36,465-304	1



HELIX VE1005-1/25/E/KS (4171658)

Item	Article no.	Description	Quantity
1		DRIVE HELIX-VE1005IE2-WE KIT	1
Note: MOTOR BRAND WILO ELEC			
1		DRIVE HELIX-VE1005-IE4-WE-KIT	1
Note: MOTOR BRAND WILO ELEC			
2	4206025	SCREW M8X45 (4 PIECES)	1
3	4171326	LANTERN FT130 HELIX KIT	1
3.1		> LANTERN FT130 M+6" GJL MACHINING+CATA	1
3.2	2127604	> EYELET CPL.FT HELIX(2 PIECES)	1
3.3	4159692	> COUPLING PROTECTOR FT HELIX KIT	1
4	4159710	COUPLING D.16XD.28 FT130 HELIX KIT	1
5	4159707	SCREW M8X30 (4 PIECES)	1
6	2018576	STUD BOLT M12X377 KIT	1
6.1		> TIE BOLT M12-377x18x30-1.4057	1
6.2	2094647	> NUT M12 M12 ISO4032 VP.	1
6.3	2123557	> WASHER CS-12.4-24-1.6-NFE25 (4 PIECES)	1
7	4159685	END SHIELD HELIX EPDM KIT	1
7.1		> END SHIELD M+6" GJL250 MACHINING+CATA	1
7.2	2127607	> STATIONARY RING HOLDER 6" HELIX 1.4301 V	1
7.3	4176513	> O-RING FOR PUMP JACKET VP.	1
7.4	2127603	> O-RING ID.37,6x2,4 EPDM VP.	1
7.5	2127602	> O-RING ID.21,35x2 EPDM VP.	1
8	4159686	FILING/PURGING PLUG HELIX EPDM KIT	1
9	4159698	CARTRIDGE HELIX6-10-16 F/E KIT	1
10	4176518	HOUSING PIPES D.152X247 1.4301 KIT	1
7.3	4176513	> O-RING FOR PUMP JACKET VP.	1
10.1		> HOUSING-PIPE Ø152-M+1005-304	1
11	4172791	CENTERING STAGE-RETURN HELIX10 1.4301VP.	1
12	4209272	SHAFT EQUIPMENT HELIX V10 BI BLOC KIT	1
12.1		> NUT-H-M10-A4.70	1
12.2		> SERRATED LOCK WASHER M+10M3-316L	1
12.3		> STOP COLLAR OF IMPELLER L16,5-Ø16-316L	1
12.4		> STOP-RUSH-1/2-D16xd2-M+316	1
13		HYDRAULIC HELIX V 1005 1.4307	1
14	4176515	SHAFT D.16 X367,5 1. 4301 VP.	1

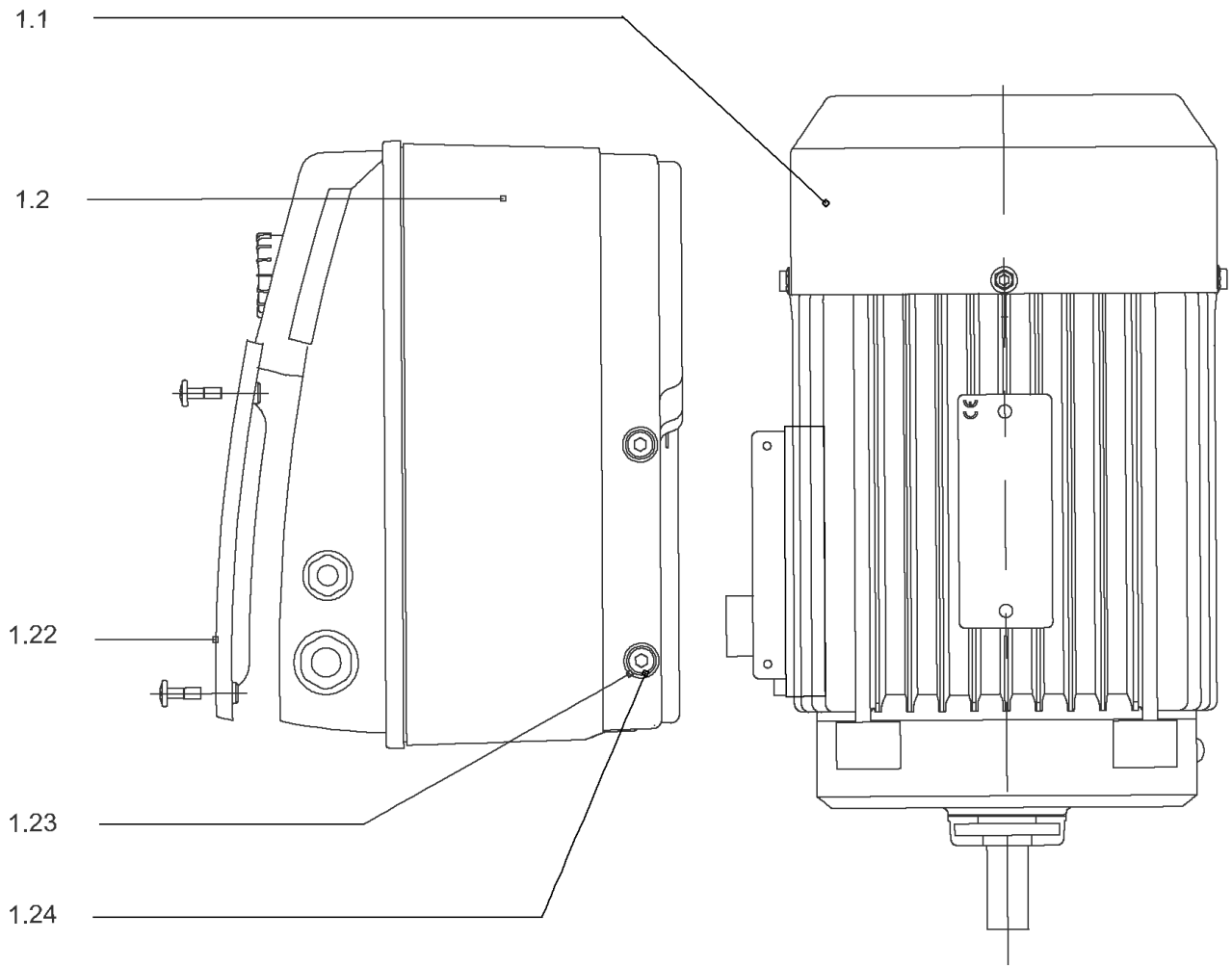
HELIX VE1005-1/25/E/KS (4171658)

Item	Article no.	Description	Quantity
15	4172797	PUMP HOUSING HELIX DN40 PN25 1.4301 KIT	1
7.3	4176513	> O-RING FOR PUMP JACKET VP.	1
15.1		> BLASTING PPE HOUSING V-PN25-DN40-304	1
15.3	4171321	> PRIMING/DRAIN PLUG EPDM HELIX KIT	1
16	4176517	BASEPLATE V8/10 VP.	1



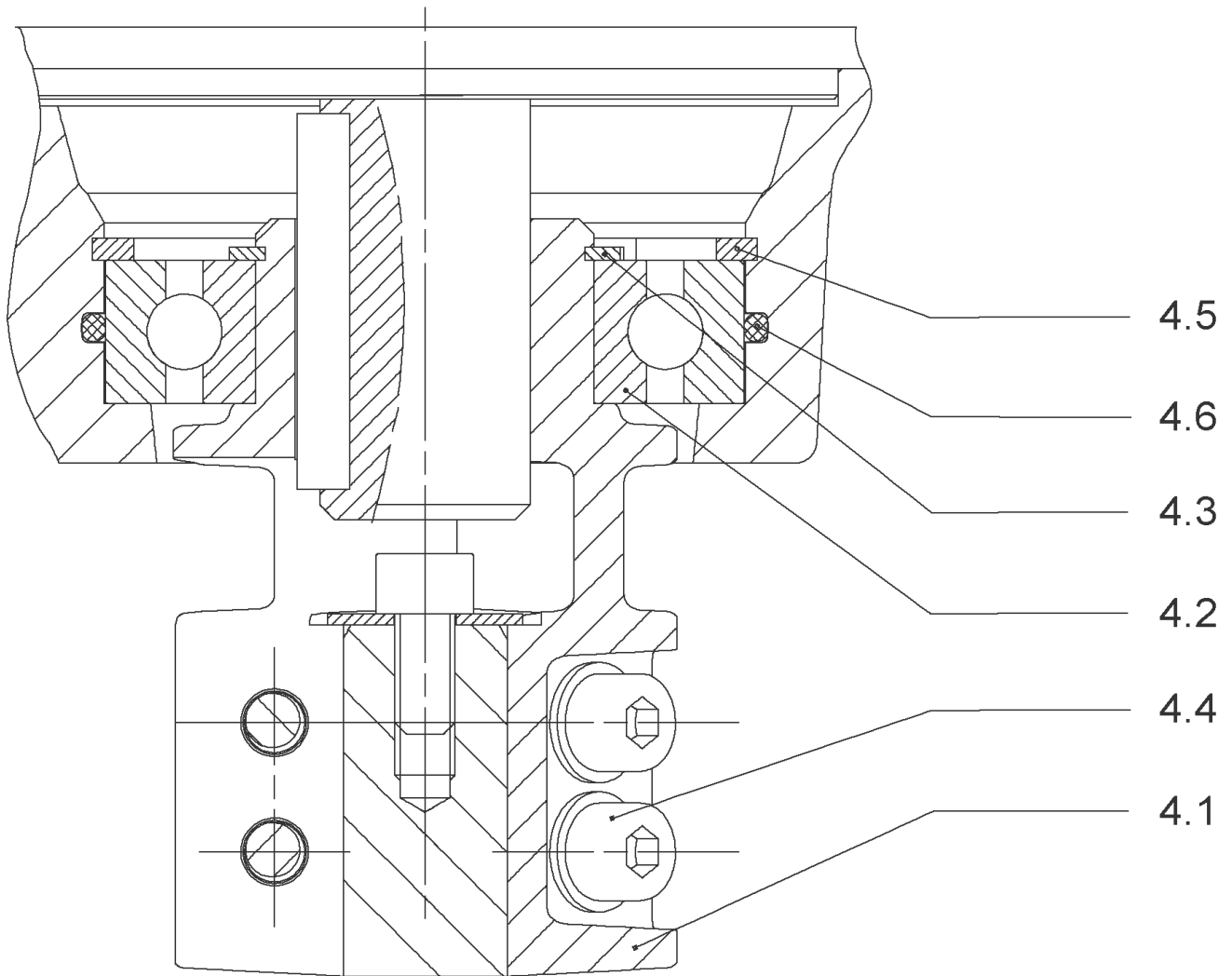
DRIVE HELIX-VE1005IE2-WE KIT

Item	Article no.	Description	Quantity
1.1		M3-T638P55V18H-100F13-SU-N28-WE-IE2 VP.	1
Note: no longer available/nicht mehr lieferbar/n'est plus disponible			
		SPARE PARTS MOTOR:ON REQUEST	1
1.2	4190202	MODULE HELIX-VE1005-IE2-WE KIT	1
1.22	2054227	> MODULE COVER/GASKET TL3/4 KIT	1
1.23	4215716	> SCREW M5X16 DIN912 8.8 A2A (4pieces) VP.	1
1.24	2057978	> RONDELLE A5,3 DIN6797 FST ZN (4 PIECES)	1



DRIVE HELIX-VE1005-IE4-WE-KIT

Item	Article no.	Description	Quantity
1.1	4207922	MOTOR 3/2/100 3~ 380V 60HZ IE4 WE VP.	1
		SPARE PARTS MOTOR:ON REQUEST	1
1.2	4209339	MODULE HELIX-VE1005-IE4-WE KIT	1
1.22	2054227	> MODULE COVER/GASKET TL3/4 KIT	1
1.23	4215716	> SCREW M5X16 DIN912 8.8 A2A (4pieces) VP.	1
1.24	2057978	> RONDELLE A5,3 DIN6797 FST ZN (4 PIECES)	1



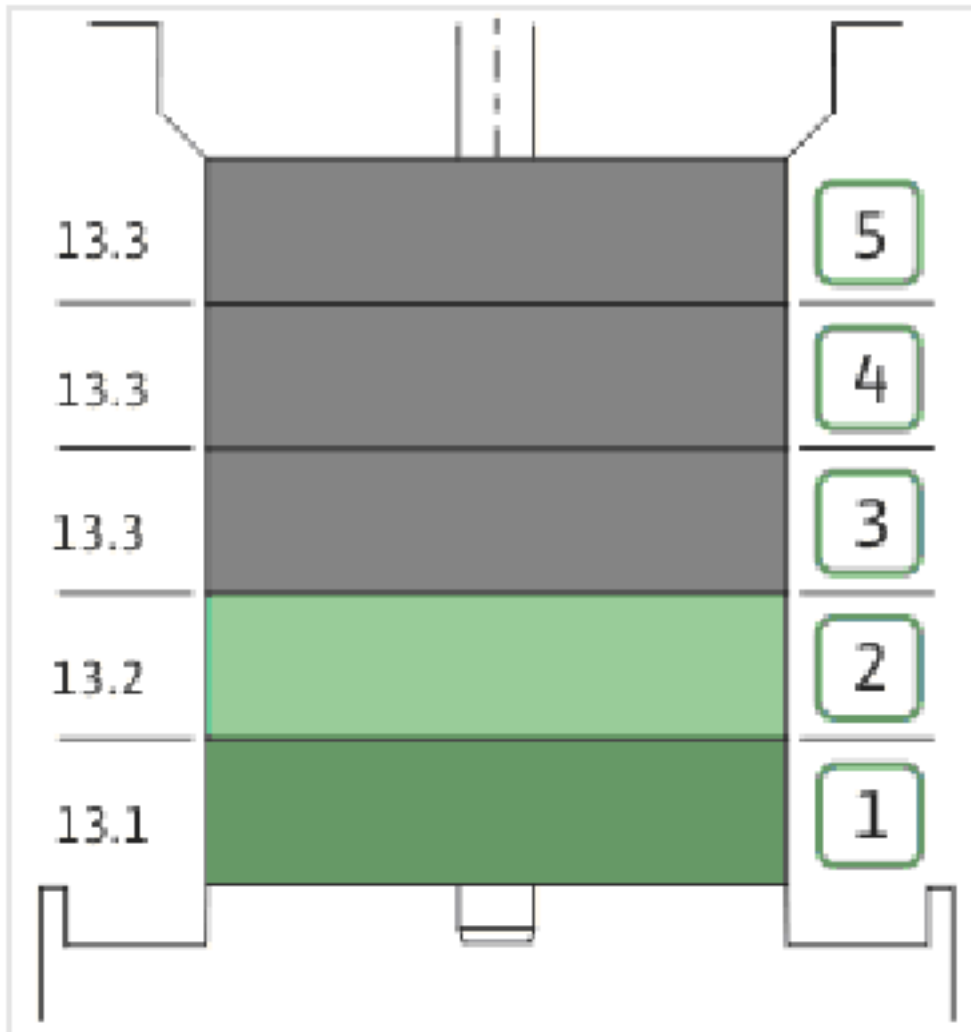
COUPLING D.16XD.28 FT130 HELIX KIT (4159710)

Item	Article no.	Description	Quantity
4.1		COUPLING M+ Ø16XØ28 FT130 MACHINED	1
4.2	2131022	BALL BEARING 6209/ZZ-C3(HT)VP.	1
4.3	4233930	CIRCLIP-FOR-BORES-D45x1,75 VP.	1
4.4	4157726	SCREW KIT M8X30 (4 PIECES)	1
4.5	4234252	CIRCLIPS 85X3 VP.	1
4.6	4234243	O-RING 85X3 VP.	1
		NOMEL CONTACT WASHER 8x16x1,4 STEEL ZC	1



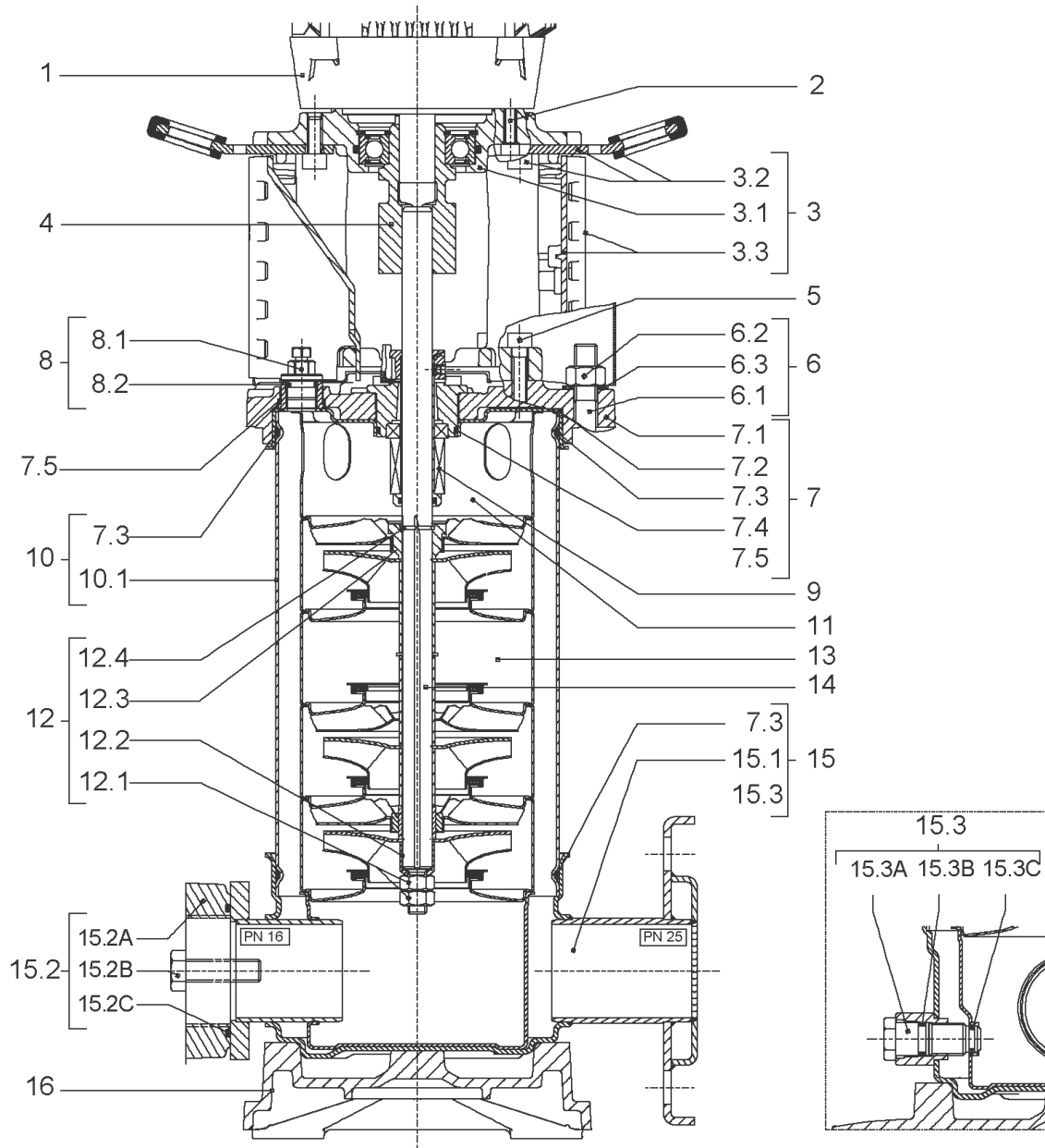
CARTRIDGE HELIX6-10-16 F/E KIT (4159698)

Item	Article no.	Description	Quantity
9.1	4159699	SEAL-KIT-HELIX6-10-16 F/E	1
7.3	4176513	> O-RING FOR PUMP JACKET VP.	1
7.4	2127603	> O-RING ID.37,6x2,4 EPDM VP.	1
9.1A	4176521	> MECH.SEAL HELIX2-4-6-10-16 F/E VP.	1
9.1B	2130967	> O-RING D.16X2,5 EPDM VP.	1
9.1C	4176519	> O-RING Ø16xØ1.25 VP.	1
9.2	2130961	SHAFT SLEEVE D.18/16X72,2 1.4404 VP.	1
9.3	2130962	RING HOLDER D.18 G606/G6 1.4301 VP.	1
9.4	4176520	SCREW CH M5x5 A4-70 (3PIECES)	1
9.5	2130963	DRIVE RING D.29/18x12,4 MACH.VP.	1
9.6	2130964	TOOL M.S.CART.HELIX VP.	1
9.7	2130965	SCREW CHC M5X12 ISO4762 A2.70(4 PIECES)	1



HYDRAULIC HELIX V 1005 1.4307

Item	Article no.	Description	Quantity
13.1	4171331	STAGE HELIX10 1.4301KIT	1
		> MACH.STG-CASING-WOGV-WNR-M+10-304	1
		> IMPELLER-M+10-304	1
13.2	4172792	INTERMEDIATE STAGE HELIX 10 1.4301 KIT	1
		> MACH.BEARING-STG-CASING-WNR-M+10-304	1
		> IMPELLER-M+10-304	1
		> SHAFT SLEEVE-SPACER-Ø19,35x18,465-304	1
		> SHAFT-SLEEVE-D16xD20x18-CW	1
13.3	4172793	INTERMEDIATE STAGE HELIX 10 1.4301 KIT	1
		> MACH.STD-STG-CASING-WGV+NR-M+10-304	1
		> IMPELLER-M+10-304	1
		> IMPELLER SPACER Ø16,05X19,45-L36,465-304	1

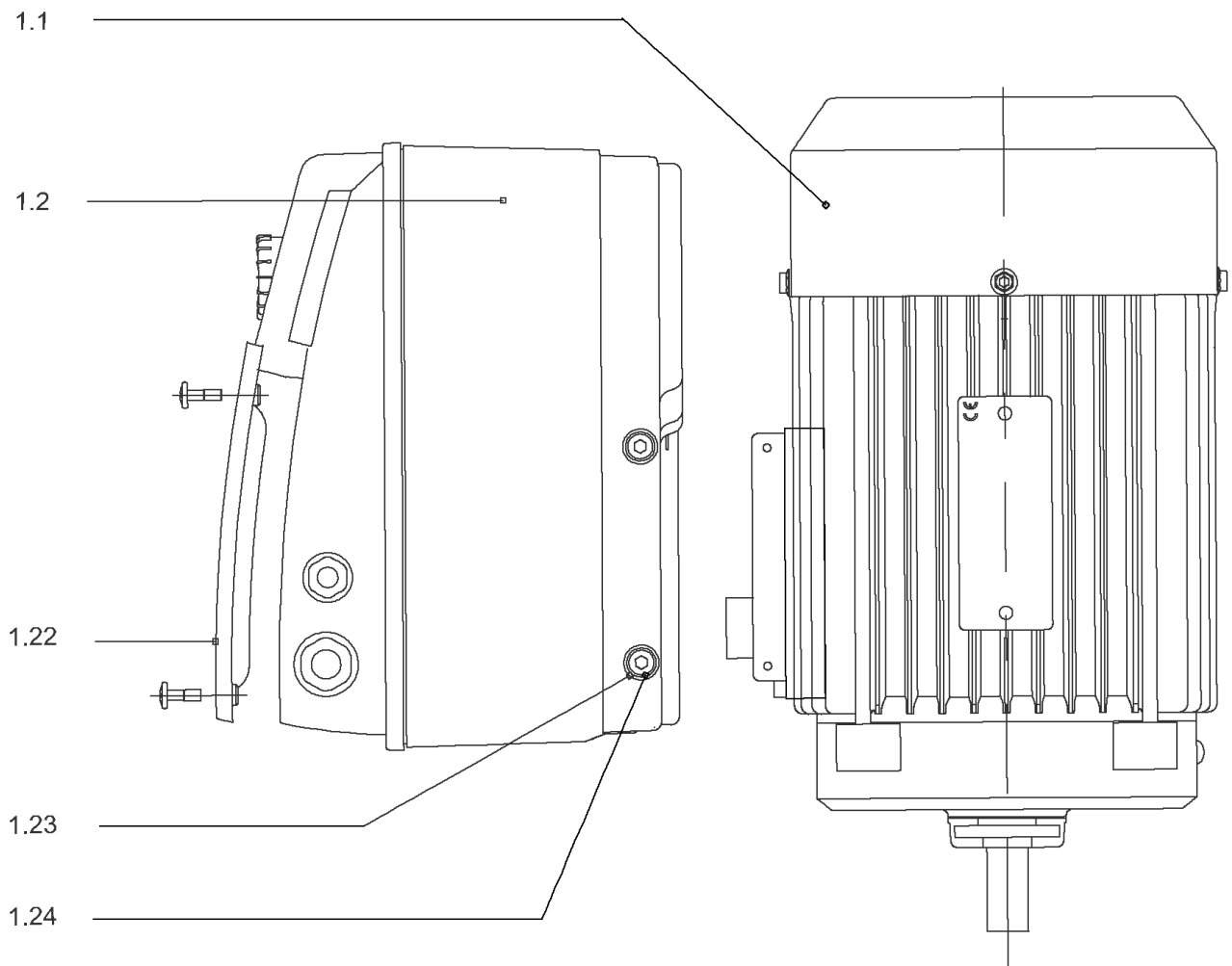


HELIX VE1006-1/16/E/KS (4161308)

Item	Article no.	Description	Quantity
1		DRIVE HELIX-VE1006-IE2-ATB KIT	1
Note: MOTOR BRAND ATB			
1		DRIVE HELIX-VE1006-IE2-WE KIT	1
Note: MOTOR BRAND WILO ELEC			
1		DRIVE HELIX-VE1006-IE4-WE-KIT	1
Note: MOTOR BRAND WILO ELEC			
2	4206025	SCREW M8X45 (4 PIECES)	1
3	4171326	LANTERN FT130 HELIX KIT	1
3.1		> LANTERN FT130 M+6" GJL MACHINING+CATA	1
3.2	2127604	> EYELET CPL.FT HELIX(2 PIECES)	1
3.3	4159692	> COUPLING PROTECTOR FT HELIX KIT	1
4	4159710	COUPLING D.16XD.28 FT130 HELIX KIT	1
5	4159707	SCREW M8X30 (4 PIECES)	1
6	4177822	STUD BOLT M12X413 KIT	1
6.1		> TIE BOLT M12-413x18x30-1.4057	1
6.2	2094647	> NUT M12 M12 ISO4032 VP.	1
6.3	2123557	> WASHER CS-12.4-24-1.6-NFE25 (4 PIECES)	1
7	4159685	END SHIELD HELIX EPDM KIT	1
7.1		> END SHIELD M+6" GJL250 MACHINING+CATA	1
7.2	2127607	> STATIONARY RING HOLDER 6" HELIX 1.4301 V	1
7.3	4176513	> O-RING FOR PUMP JACKET VP.	1
7.4	2127603	> O-RING ID.37,6x2,4 EPDM VP.	1
7.5	2127602	> O-RING ID.21,35x2 EPDM VP.	1
8	4159686	FILING/PURGING PLUG HELIX EPDM KIT	1
9	4159696	CARTRIDGE HELIX6-10-16 O/E KIT	1
10	4177823	HOUSING PIPES D.152X285 1.4301 KIT	1
7.3	4176513	> O-RING FOR PUMP JACKET VP.	1
10.1		> HOUSING-PIPE Ø152-M+1006-304	1
11	4172791	CENTERING STAGE-RETURN HELIX10 1.4301VP.	1
12	4209272	SHAFT EQUIPMENT HELIX V10 BI BLOC KIT	1
12.1		> NUT-H-M10-A4.70	1
12.2		> SERRATED LOCK WASHER M+10M3-316L	1
12.3		> STOP COLLAR OF IMPELLER L16,5-Ø16-316L	1
12.4		> STOP-RUSH-1/2-D16xd2-M+316	1

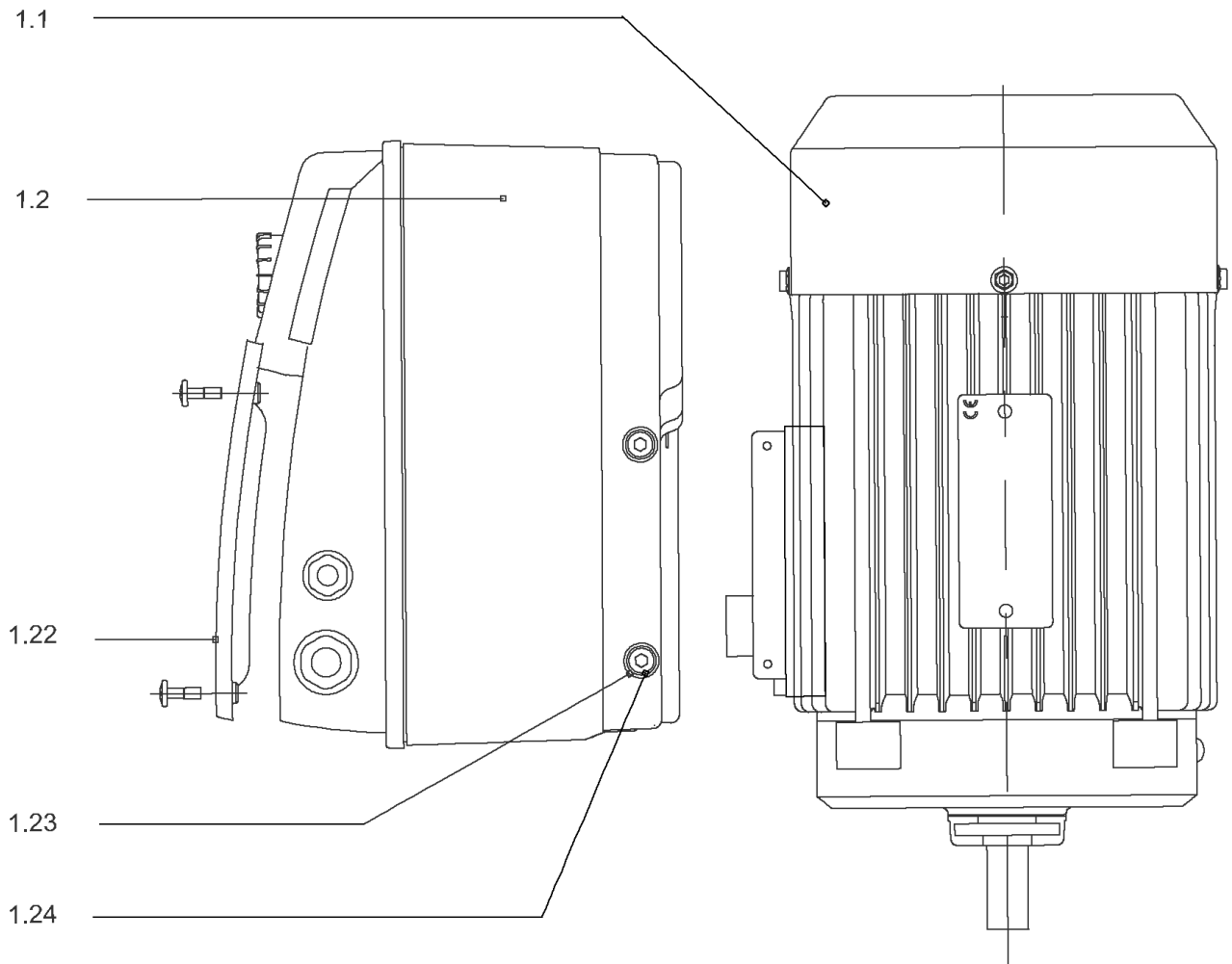
HELIX VE1006-1/16/E/KS (4161308)

Item	Article no.	Description	Quantity
13		HYDRAULIC HELIX V 1006 1.4307	1
14	4177825	SHAFT D.16X405 1.4301 VP.	1
15	4159682	PUMP HOUSING HELIX DN50 PN16 1.4301 KIT	1
7.3	4176513	> O-RING FOR PUMP JACKET VP.	1
15.1		> BLASTING PPE HOUSING V-PN16-DN50-304	1
15.2	4217893	> COUNTER FLANGE-G1"1/2-PN16-GJL KIT	1
15.3	4171321	> PRIMING/DRAIN PLUG EPDM HELIX KIT	1
16	4176517	BASEPLATE V8/10 VP.	1



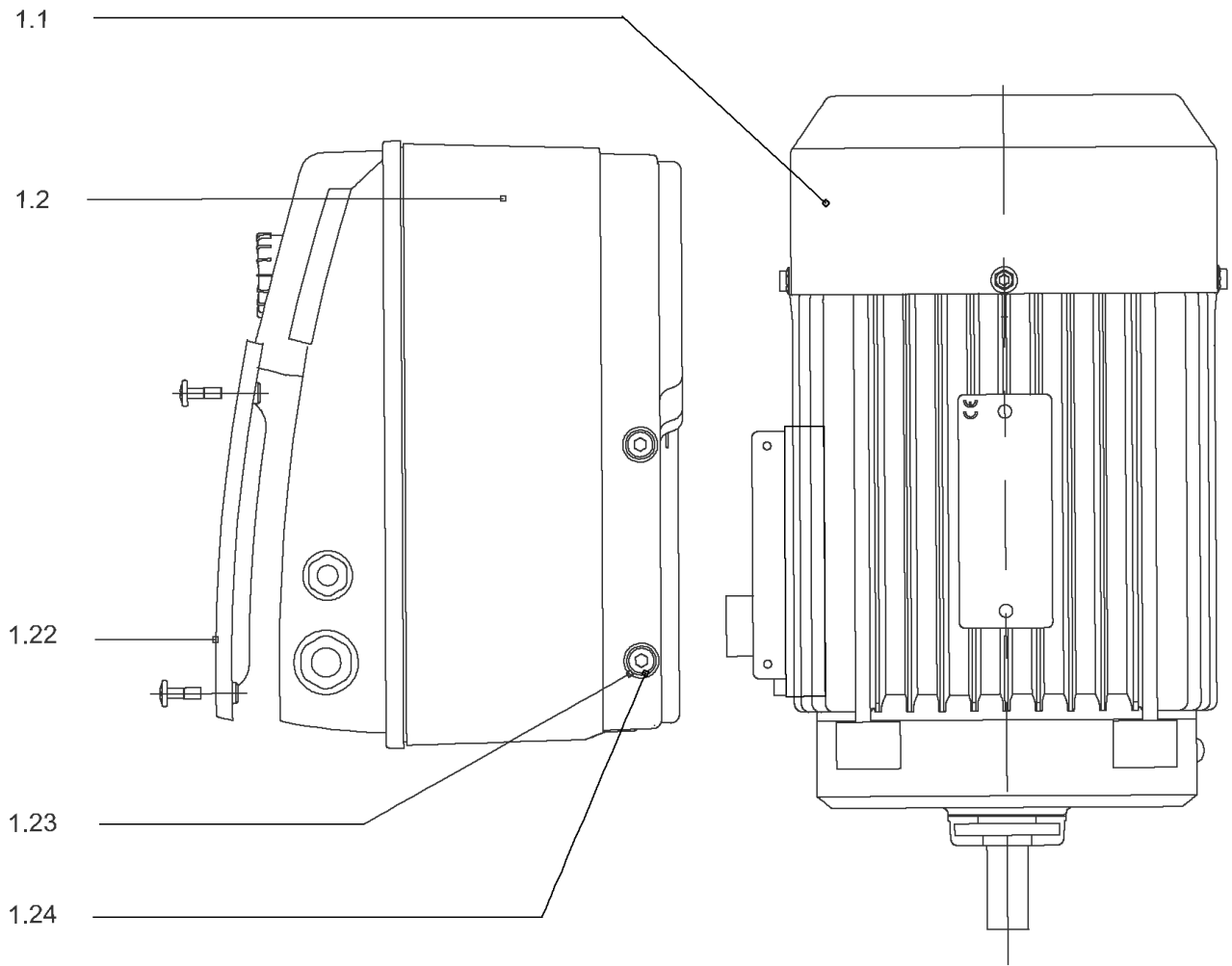
DRIVE HELIX-VE1006-IE2-ATB KIT

Item	Article no.	Description	Quantity
1.1		MOTOR 4/2/112 3~ 380V 60HZ IE2 ATB VP.	1
Note: no longer available/nicht mehr lieferbar/n'est plus disponible			
		SPARE PARTS MOTOR:ON REQUEST	1
1.2	4184684	MODULE HELIX-VE1006-IE2-ATB SET	1
1.22	2054227	> MODULE COVER/GASKET TL3/4 KIT	1
1.23	4215716	> SCREW M5X16 DIN912 8.8 A2A (4pieces) VP.	1
1.24	2057978	> RONDELLE A5,3 DIN6797 FST ZN (4 PIECES)	1



DRIVE HELIX-VE1006-IE2-WE KIT

Item	Article no.	Description	Quantity
1.1	4188824	MO.4/2/112 3~380V 60Hz IE2 WE VP.	1
		SPARE PARTS MOTOR:ON REQUEST	1
1.2	4186397	MODULE HELIX-VE1006-IE2-WE SET	1
1.22	2054227	> MODULE COVER/GASKET TL3/4 KIT	1
1.23	4215716	> SCREW M5X16 DIN912 8.8 A2A (4pieces) VP.	1
1.24	2057978	> RONDELLE A5,3 DIN6797 FST ZN (4 PIECES)	1



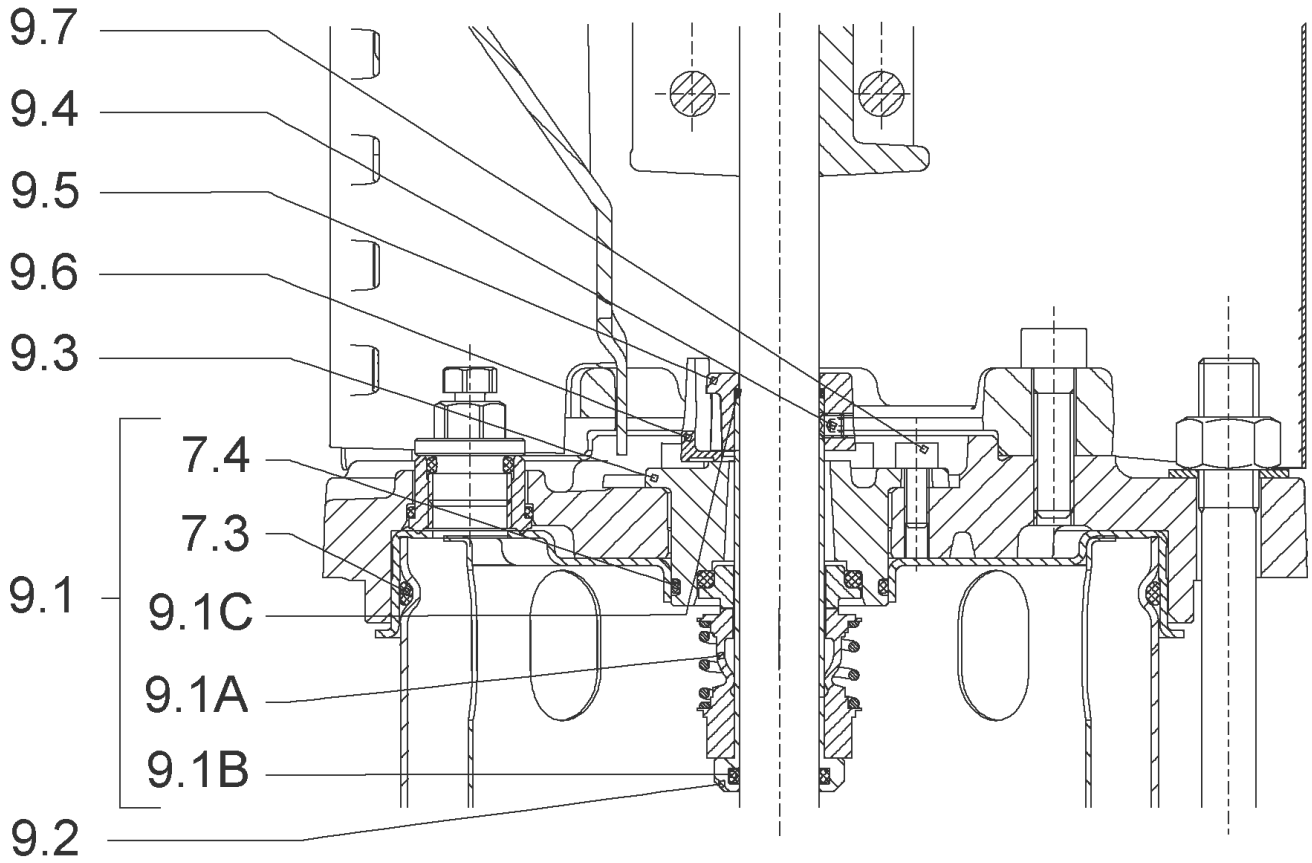
DRIVE HELIX-VE1006-IE4-WE-KIT

Item	Article no.	Description	Quantity
1.1	4207924	MOTOR 4/2/112 3~ 380V 60HZ IE4 WE VP.	1
		SPARE PARTS MOTOR:ON REQUEST	1
1.2	4209606	MODULE HELIX-VE1006-IE4-WE KIT	1
1.22	2054227	> MODULE COVER/GASKET TL3/4 KIT	1
1.23	4215716	> SCREW M5X16 DIN912 8.8 A2A (4pieces) VP.	1
1.24	2057978	> RONDELLE A5,3 DIN6797 FST ZN (4 PIECES)	1



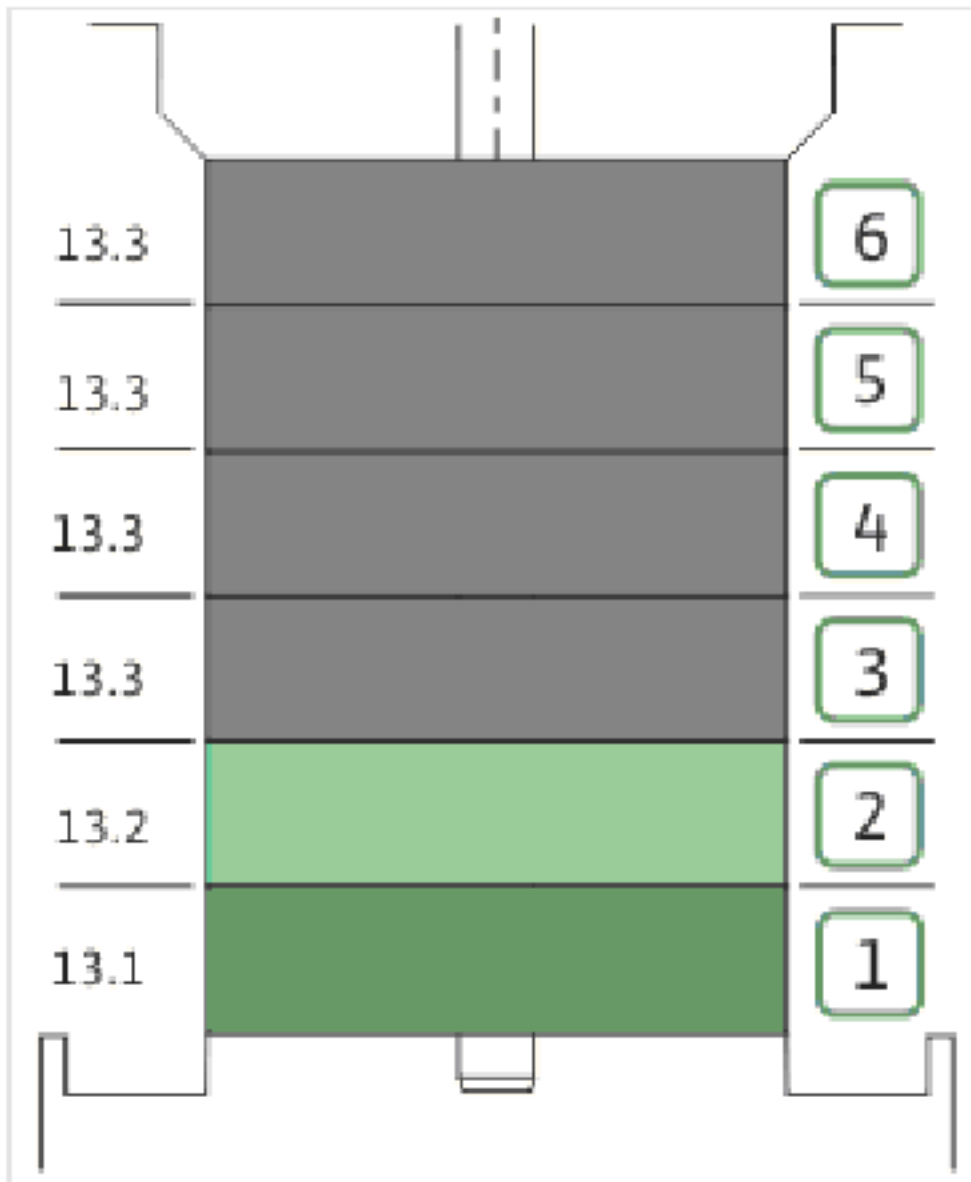
COUPLING D.16XD.28 FT130 HELIX KIT (4159710)

Item	Article no.	Description	Quantity
4.1		COUPLING M+ Ø16XØ28 FT130 MACHINED	1
4.2	2131022	BALL BEARING 6209/ZZ-C3(HT)VP.	1
4.3	4233930	CIRCLIP-FOR-BORES-D45x1,75 VP.	1
4.4	4157726	SCREW KIT M8X30 (4 PIECES)	1
4.5	4234252	CIRCLIPS 85X3 VP.	1
4.6	4234243	O-RING 85X3 VP.	1
		NOMEL CONTACT WASHER 8x16x1,4 STEEL ZC	1



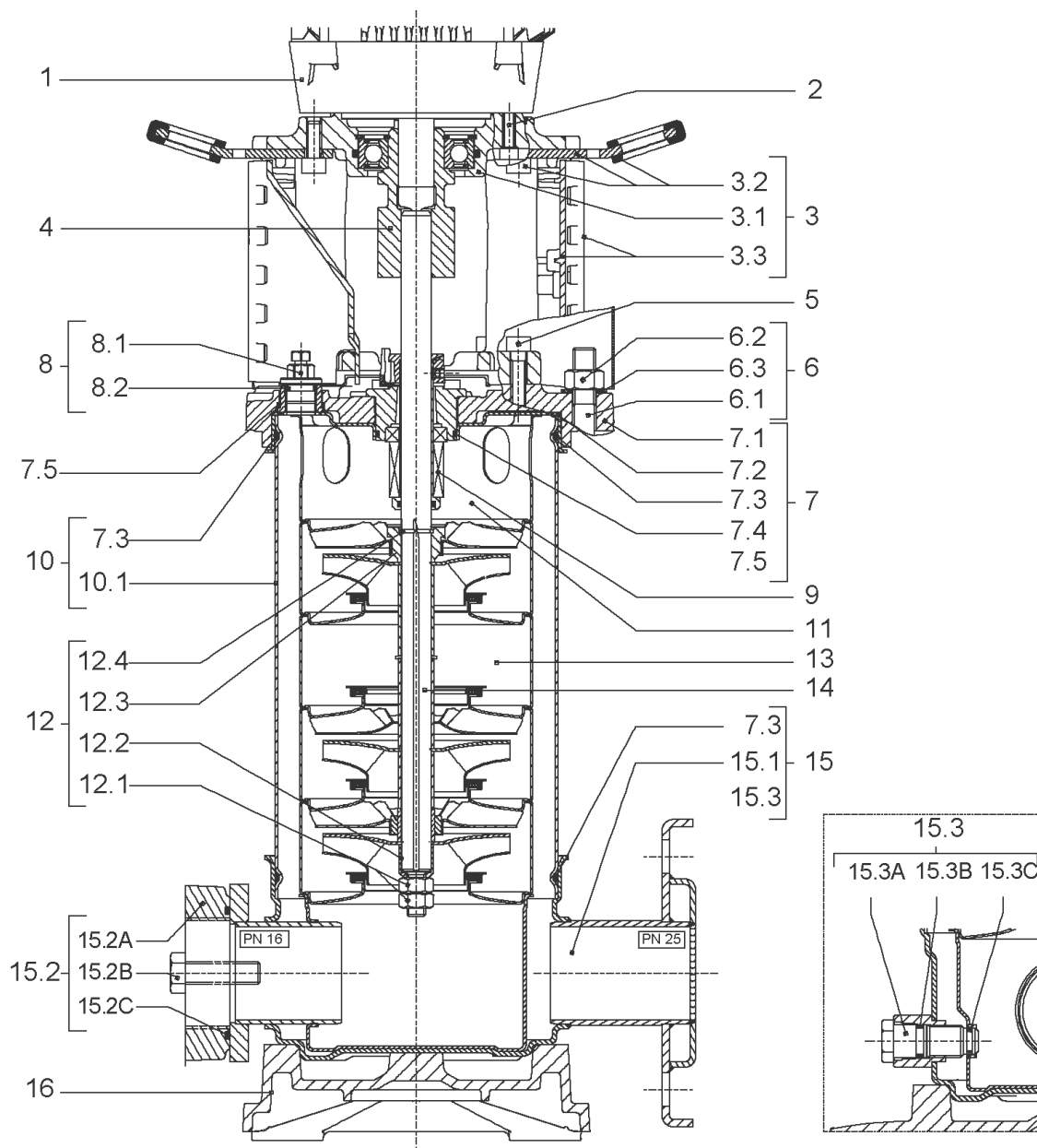
CARTRIDGE HELIX6-10-16 O/E KIT (4159696)

Item	Article no.	Description	Quantity
9.1	4159697	SEAL-KIT-HELIX6-10-16 O/E	1
7.3	4176513	> O-RING FOR PUMP JACKET VP.	1
7.4	2127603	> O-RING ID.37,6x2,4 EPDM VP.	1
9.1A	2130966	> MECH.SEAL HELIX2-4-6-10-16 O/E VP.	1
9.1B	2130967	> O-RING D.16X2,5 EPDM VP.	1
9.1C	4176519	> O-RING Ø16xØ1.25 VP.	1
9.2	2130961	SHAFT SLEEVE D.18/16X72,2 1.4404 VP.	1
9.3	2130962	RING HOLDER D.18 G606/G6 1.4301 VP.	1
9.4	4176520	SCREW CH M5x5 A4-70 (3PIECES)	1
9.5	2130963	DRIVE RING D.29/18x12,4 MACH.VP.	1
9.6	2130964	TOOL M.S.CART.HELIX VP.	1
9.7	2130965	SCREW CHC M5X12 ISO4762 A2.70(4 PIECES)	1



HYDRAULIC HELIX V 1006 1.4307

Item	Article no.	Description	Quantity
13.1	4171331	STAGE HELIX10 1.4301KIT	1
		> MACH.STG-CASING-WOGV-WNR-M+10-304	1
		> IMPELLER-M+10-304	1
13.2	4172792	INTERMEDIATE STAGE HELIX 10 1.4301 KIT	1
		> MACH.BEARING-STG-CASING-WNR-M+10-304	1
		> IMPELLER-M+10-304	1
		> SHAFT SLEEVE-SPACER-Ø19,35x18,465-304	1
		> SHAFT-SLEEVE-D16xD20x18-CW	1
13.3	4172793	INTERMEDIATE STAGE HELIX 10 1.4301 KIT	1
		> MACH.STD-STG-CASING-WGV+NR-M+10-304	1
		> IMPELLER-M+10-304	1
		> IMPELLER SPACER Ø16,05X19,45-L36,465-304	1



HELIX VE1006-1/16/E/S (4164629)

Item	Article no.	Description	Quantity
1		DRIVE HELIX-VE1006-IE2-ATB KIT	1
Note: MOTOR BRAND ATB			
1		DRIVE HELIX-VE1006-IE2-WE KIT	1
Note: MOTOR BRAND WILO ELEC			
1		DRIVE HELIX-VE1006-IE4-WE-KIT	1
Note: MOTOR BRAND WILO ELEC			
2	4206025	SCREW M8X45 (4 PIECES)	1
3	4172789	LANTERN FT130 HELIX V10 KIT	1
3.1		> M+5_6_LANTERN_ONE-PIECE_FT130_CATA	1
3.2	2127604	> EYELET CPL.FT HELIX(2 PIECES)	1
3.3	4159692	> COUPLING PROTECTOR FT HELIX KIT	1
4	4159710	COUPLING D.16XD.28 FT130 HELIX KIT	1
5	4159707	SCREW M8X30 (4 PIECES)	1
6	4177822	STUD BOLT M12X413 KIT	1
6.1		> TIE BOLT M12-413x18x30-1.4057	1
6.2	2094647	> NUT M12 M12 ISO4032 VP.	1
6.3	2123557	> WASHER CS-12.4-24-1.6-NFE25 (4 PIECES)	1
7	4210143	STATIONARY RING HOLDER HELIX 6" EPDM	1
7.2	2127607	> STATIONARY RING HOLDER 6" HELIX 1.4301 V	1
7.3	4176513	> O-RING FOR PUMP JACKET VP.	1
7.4	2127603	> O-RING ID.37,6x2,4 EPDM VP.	1
7.5	2127602	> O-RING ID.21,35x2 EPDM VP.	1
8	4159686	FILING/PURGING PLUG HELIX EPDM KIT	1
9	4171327	SEAL-KIT-HELIX6-10-16 O/E KIT	1
10	4177823	HOUSING PIPES D.152X285 1.4301 KIT	1
7.3	4176513	> O-RING FOR PUMP JACKET VP.	1
10.1		> HOUSING-PIPE Ø152-M+1006-304	1
11	4172791	CENTERING STAGE-RETURN HELIX10 1.4301VP.	1
12	4209273	SHAFT EQUIPMENT HELIX V10 KIT	1
12.1		> NUT-H-M10-A4.70	1
12.2		> SERRATED LOCK WASHER M+10M3-316L	1
12.3		> IMPELLER STOP RING L33,6-304	1
12.4		> STOP-RUSH-1/2-D16xd2-M+316	1
13		HYDRAULIC HELIX V 1006 1.4307	1

HELIX VE1006-1/16/E/S (4164629)

Item	Article no.	Description	Quantity
14	4177825	SHAFT D.16X405 1.4301 VP.	1
15	4159682	PUMP HOUSING HELIX DN50 PN16 1.4301 KIT	1
7.3	4176513	> O-RING FOR PUMP JACKET VP.	1
15.1		> BLASTING PPE HOUSING V-PN16-DN50-304	1
15.2	4217893	> COUNTER FLANGE-G1"1/2-PN16-GJL KIT	1
15.3	4171321	> PRIMING/DRAIN PLUG EPDM HELIX KIT	1
16	4176517	BASEPLATE V8/10 VP.	1



DRIVE HELIX-VE1006-IE2-ATB KIT

Item	Article no.	Description	Quantity
1.1		MOTOR 4/2/112 3~ 380V 60HZ IE2 ATB VP.	1
Note: no longer available/nicht mehr lieferbar/n'est plus disponible			
		SPARE PARTS MOTOR:ON REQUEST	1
1.2	4184684	MODULE HELIX-VE1006-IE2-ATB SET	1
1.22	2054227	> MODULE COVER/GASKET TL3/4 KIT	1
1.23	4215716	> SCREW M5X16 DIN912 8.8 A2A (4pieces) VP.	1
1.24	2057978	> RONDELLE A5,3 DIN6797 FST ZN (4 PIECES)	1



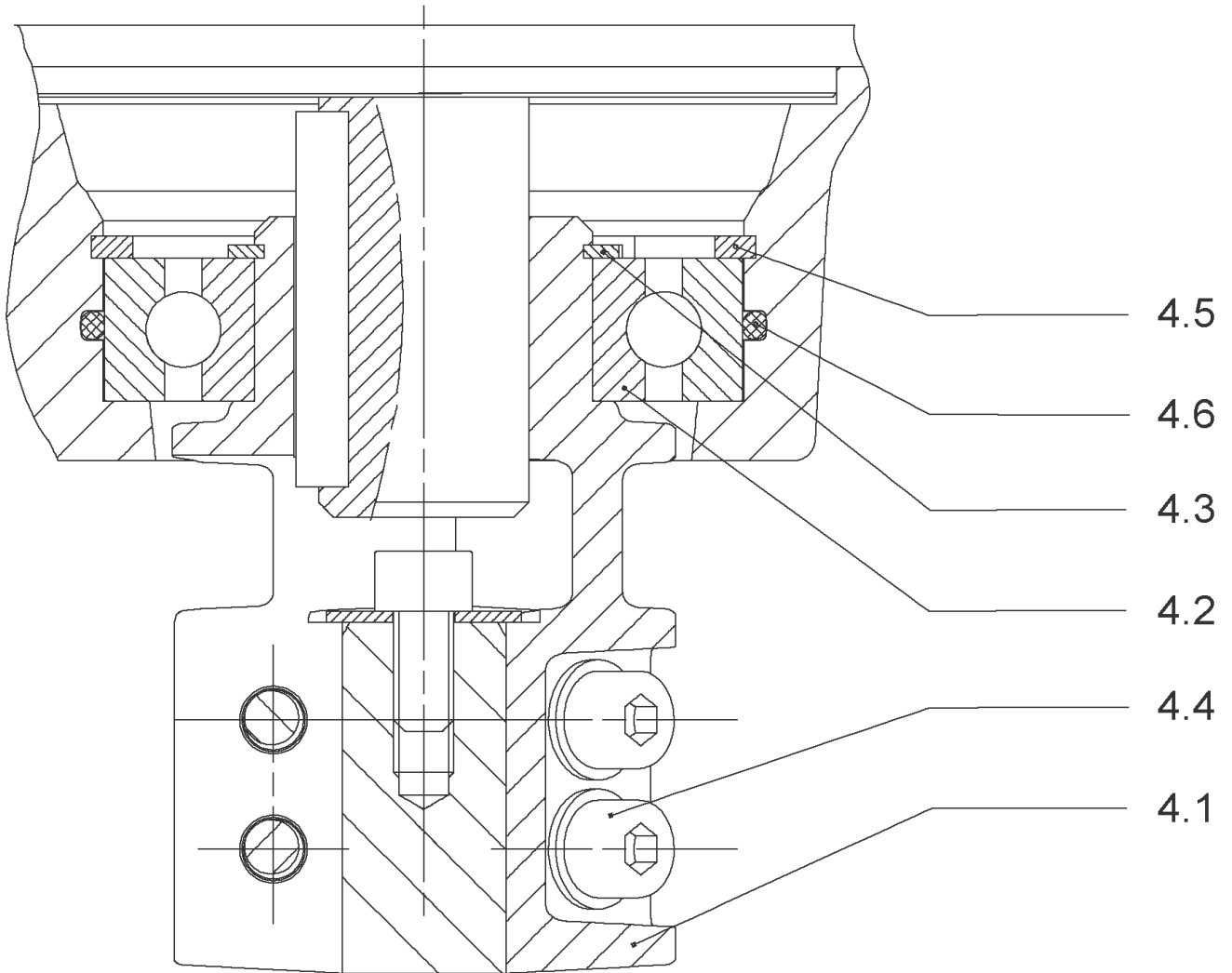
DRIVE HELIX-VE1006-IE2-WE KIT

Item	Article no.	Description	Quantity
1.1	4188824	MO.4/2/112 3~380V 60Hz IE2 WE VP.	1
		SPARE PARTS MOTOR:ON REQUEST	1
1.2	4186397	MODULE HELIX-VE1006-IE2-WE SET	1
1.22	2054227	> MODULE COVER/GASKET TL3/4 KIT	1
1.23	4215716	> SCREW M5X16 DIN912 8.8 A2A (4pieces) VP.	1
1.24	2057978	> RONDELLE A5,3 DIN6797 FST ZN (4 PIECES)	1



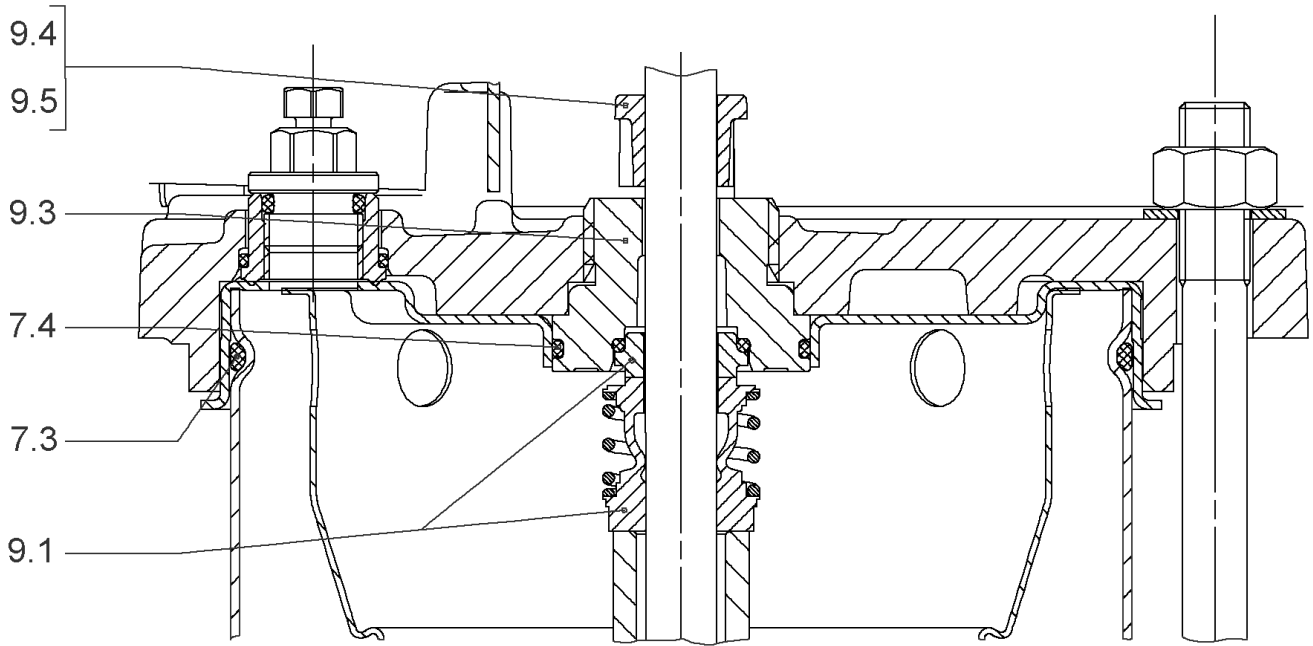
DRIVE HELIX-VE1006-IE4-WE-KIT

Item	Article no.	Description	Quantity
1.1	4207924	MOTOR 4/2/112 3~ 380V 60HZ IE4 WE VP.	1
		SPARE PARTS MOTOR:ON REQUEST	1
1.2	4209606	MODULE HELIX-VE1006-IE4-WE KIT	1
1.22	2054227	> MODULE COVER/GASKET TL3/4 KIT	1
1.23	4215716	> SCREW M5X16 DIN912 8.8 A2A (4pieces) VP.	1
1.24	2057978	> RONDELLE A5,3 DIN6797 FST ZN (4 PIECES)	1



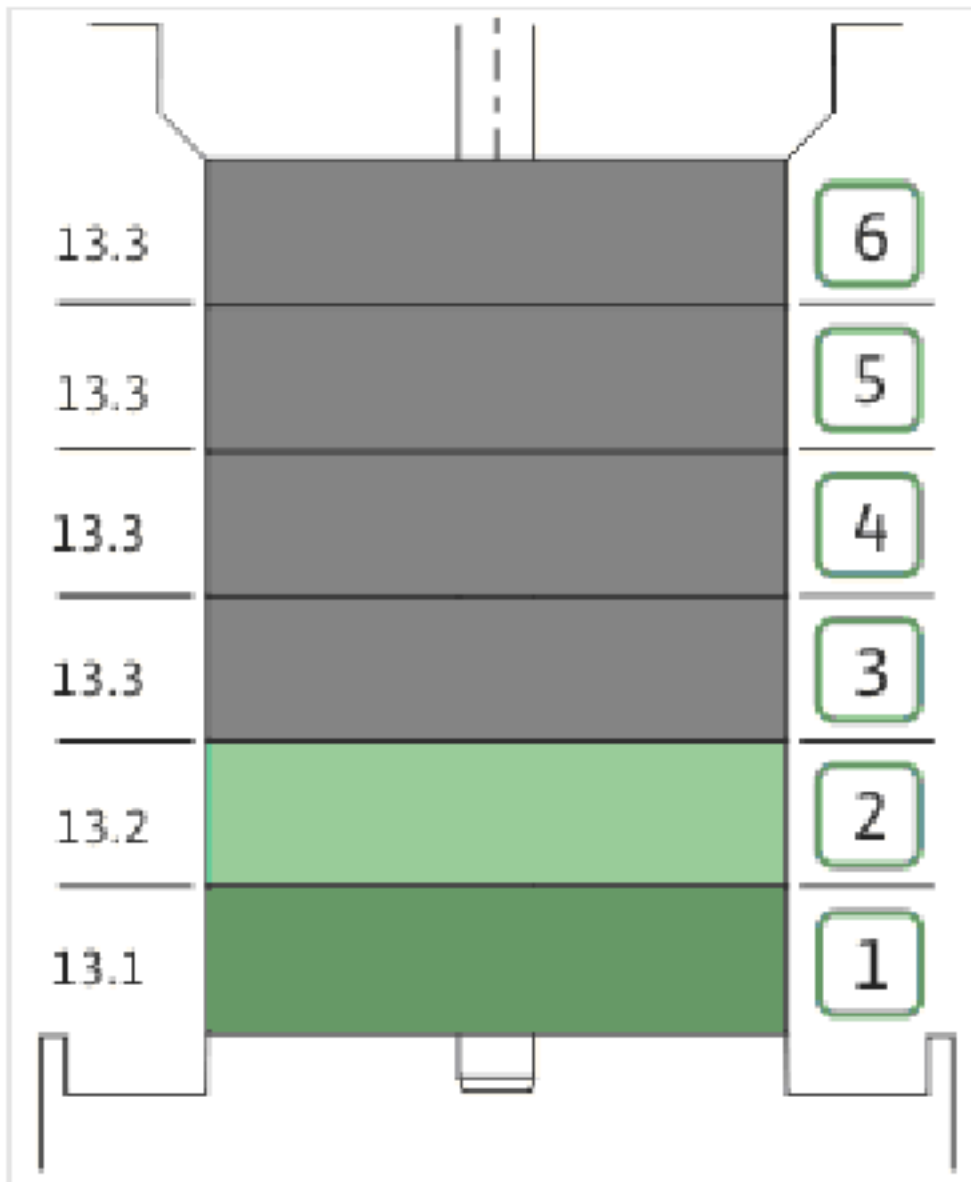
COUPLING D.16XD.28 FT130 HELIX KIT (4159710)

Item	Article no.	Description	Quantity
4.1		COUPLING M+ Ø16XØ28 FT130 MACHINED	1
4.2	2131022	BALL BEARING 6209/ZZ-C3(HT)VP.	1
4.3	4233930	CIRCLIP-FOR-BORES-D45x1,75 VP.	1
4.4	4157726	SCREW KIT M8X30 (4 PIECES)	1
4.5	4234252	CIRCLIPS 85X3 VP.	1
4.6	4234243	O-RING 85X3 VP.	1
		NOMEL CONTACT WASHER 8x16x1,4 STEEL ZC	1



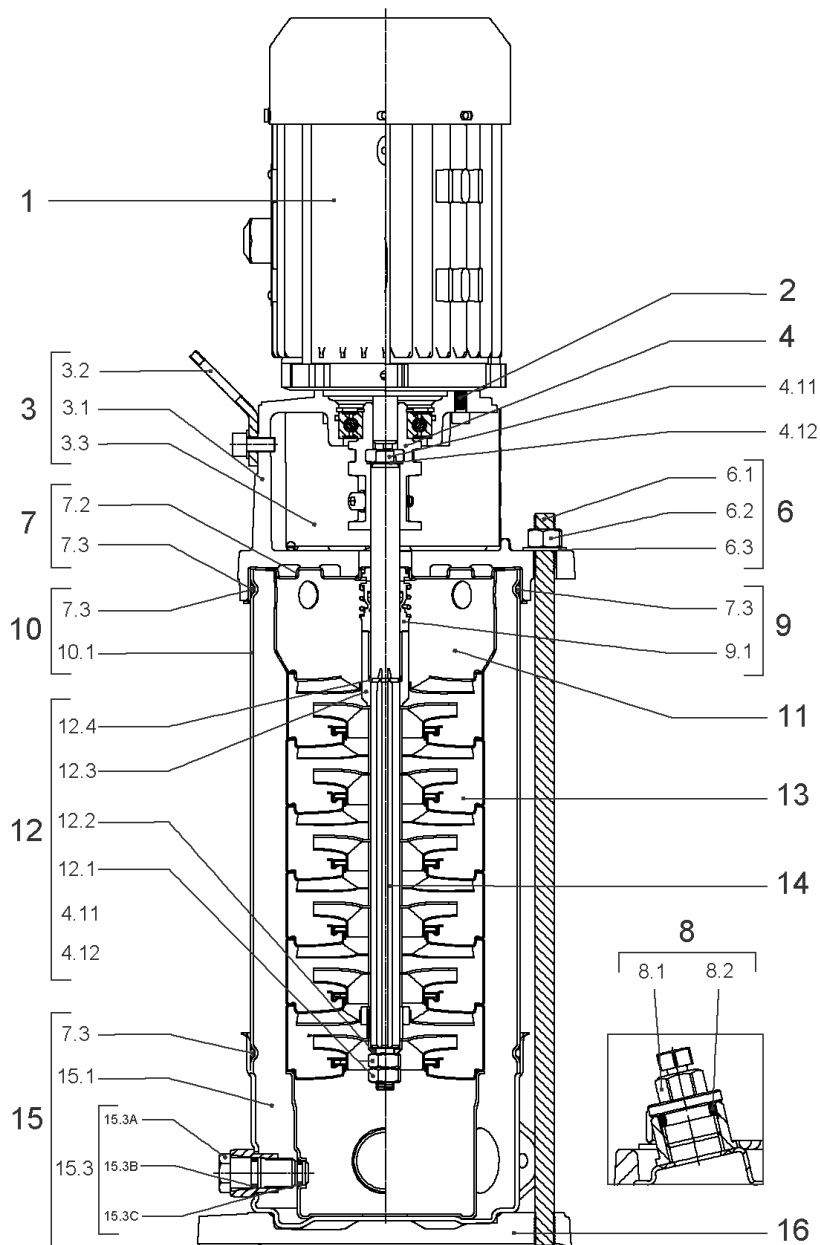
SEAL-KIT-HELIX6-10-16 O/E KIT (4171327)

Item	Article no.	Description	Quantity
7.3	4176513	O-RING FOR PUMP JACKET VP.	1
7.4	2127603	O-RING ID.37,6x2,4 EPDM VP.	1
9.1	4177801	MECH.SEAL HELIX6-10-16 O/E VP.	1
9.3	4177798	MACHINED RING HOLDER M+6" Ø16 304 VP.	1
9.5	4177799	MACHINED DRIVE RING Ø16 VP.	1
9.4	4176520	SCREW CH M5x5 A4-70 (3PIECES)	1



HYDRAULIC HELIX V 1006 1.4307

Item	Article no.	Description	Quantity
13.1	4171331	STAGE HELIX10 1.4301KIT	1
		> MACH.STG-CASING-WOGV-WNR-M+10-304	1
		> IMPELLER-M+10-304	1
13.2	4172792	INTERMEDIATE STAGE HELIX 10 1.4301 KIT	1
		> MACH.BEARING-STG-CASING-WNR-M+10-304	1
		> IMPELLER-M+10-304	1
		> SHAFT SLEEVE-SPACER-Ø19,35x18,465-304	1
		> SHAFT-SLEEVE-D16xD20x18-CW	1
13.3	4172793	INTERMEDIATE STAGE HELIX 10 1.4301 KIT	1
		> MACH.STD-STG-CASING-WGV+NR-M+10-304	1
		> IMPELLER-M+10-304	1
		> IMPELLER SPACER Ø16,05X19,45-L36,465-304	1



HELIX VE1006-1/16/E/S (4201555)

Item	Article no.	Description	Quantity
1		DRIVE HELIX-VE1006-IE4-WE-KIT	1
Note: MOTOR BRAND WILO ELEC			
		SPARE PARTS MOTOR:ON REQUEST	1
2	4159707	SCREW M8X30 (4 PIECES)	1
3	4214473	LANTERN FT130 HELIX KIT	1
3.1		> LANT-MOT-VMI-ReDTC6"-FT130-MACHINED+CATA	1
3.2	4184852	> EYELET CPL.FT HELIX (2 PIECES)	1
3.3	4213782	> COUPLING PROTECTOR FT115/130 HELIX KIT	1
4	4159710	COUPLING D.16XD.28 FT130 HELIX KIT	1
6	4177822	STUD BOLT M12X413 KIT	1
6.1		> TIE BOLT M12-413x18x30-1.4057	1
6.2	2094647	> NUT M12 M12 ISO4032 VP.	1
6.3	2123557	> WASHER CS-12.4-24-1.6-NFE25 (4 PIECES)	1
7	4214481	STATIONARY RING HOLDER HELIX D27 ReDTC	1
7.2	4214479	> STATIONARY RING HOLDER HELIX D27 VP.	1
7.3	4176513	> O-RING FOR PUMP JACKET VP.	1
8	4212724	FILING/PURGING PLUG HELIX ReDTC KIT	1
8.1		> FILLING PLUG MVI6"-304	1
8.2	4177800	> O-RING EPDM PLUG HELIX VP.	1
9	4214483	MECH.SEAL HELIX6-10-16 O/E ReDTC KIT	1
9.1	4177801	> MECH.SEAL HELIX6-10-16 O/E VP.	1
7.3	4176513	> O-RING FOR PUMP JACKET VP.	1
10	4177823	HOUSING PIPES D.152X285 1.4301 KIT	1
7.3	4176513	> O-RING FOR PUMP JACKET VP.	1
10.1		> HOUSING-PIPE Ø152-M+1006-304	1
11	4172791	CENTERING STAGE-RETURN HELIX10 1.4301VP.	1
12	4214517	SHAFT EQUIPMENT HELIX V10 ReDTC KIT	1
12.1		> NUT-H-M10-A4.70	1
12.2		> SERRATED LOCK WASHER M+10M3-316L	1
12.3		> 1/2-SNAP-RING-6/10M3-316L	1
12.4		> STOP-RUSH-1/2-D16xd2-M+316	1
4.11		> SCREW CHC-M6X14-8.8-ISO4762-GEOMET500A	1
4.12		> WASHER D.24 L6U ZINK	1
13		HYDRAULIC HELIX V 1006 1.4307	1

HELIX VE1006-1/16/E/S (4201555)

Item	Article no.	Description	Quantity
14	4214500	SHAFT D.16X353 HELIX 1.4057 VP.	1
15	4159682	PUMP HOUSING HELIX DN50 PN16 1.4301 KIT	1
7.3	4176513	> O-RING FOR PUMP JACKET VP.	1
15.1		> BLASTING PPE HOUSING V-PN16-DN50-304	1
15.2	4217893	> COUNTER FLANGE-G1"1/2-PN16-GJL KIT	1
15.3	4171321	> PRIMING/DRAIN PLUG EPDM HELIX KIT	1
16	4176517	BASEPLATE V8/10 VP.	1



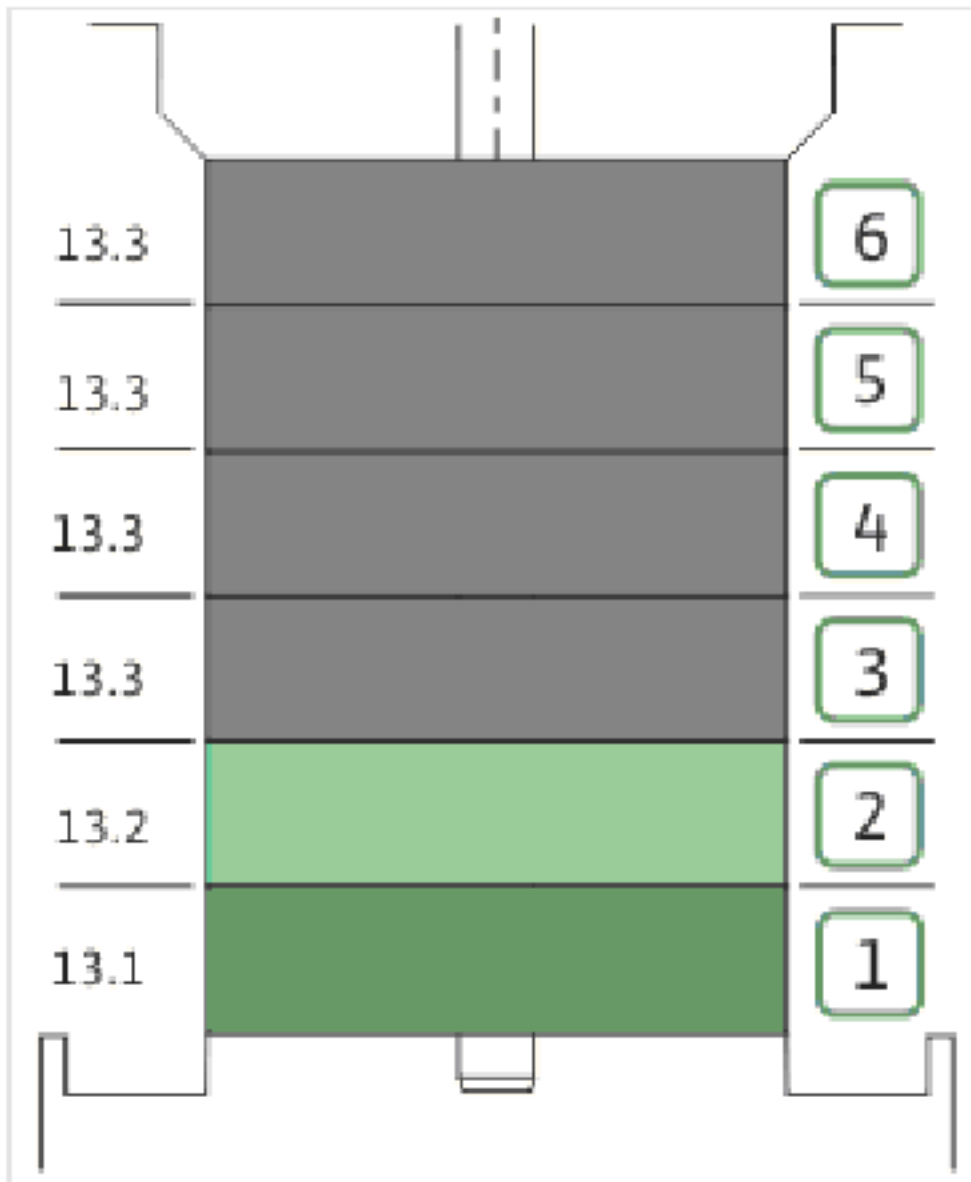
DRIVE HELIX-VE1006-IE4-WE-KIT

Item	Article no.	Description	Quantity
1.1	4207924	MOTOR 4/2/112 3~ 380V 60HZ IE4 WE VP.	1
		SPARE PARTS MOTOR:ON REQUEST	1
1.2	4209606	MODULE HELIX-VE1006-IE4-WE KIT	1
1.22	2054227	> MODULE COVER/GASKET TL3/4 KIT	1
1.23	4215716	> SCREW M5X16 DIN912 8.8 A2A (4pieces) VP.	1
1.24	2057978	> RONDELLE A5,3 DIN6797 FST ZN (4 PIECES)	1



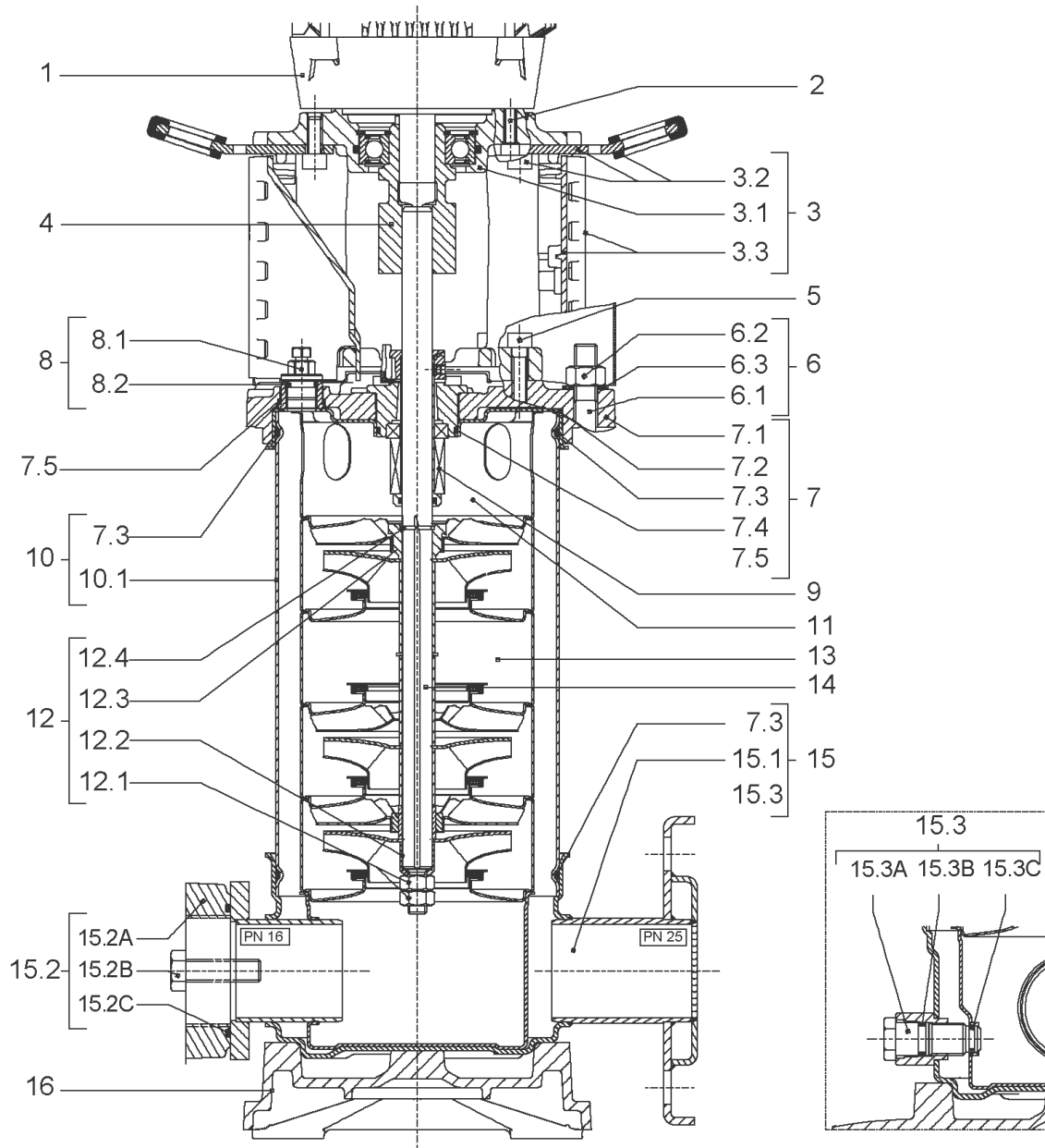
COUPLING D.16XD.28 FT130 HELIX KIT (4159710)

Item	Article no.	Description	Quantity
4.1		COUPLING M+ Ø16XØ28 FT130 MACHINED	1
4.2	2131022	BALL BEARING 6209/ZZ-C3(HT)VP.	1
4.3	4233930	CIRCLIP-FOR-BORES-D45x1,75 VP.	1
4.4	4157726	SCREW KIT M8X30 (4 PIECES)	1
4.5	4234252	CIRCLIPS 85X3 VP.	1
4.6	4234243	O-RING 85X3 VP.	1
		NOMEL CONTACT WASHER 8x16x1,4 STEEL ZC	1



HYDRAULIC HELIX V 1006 1.4307

Item	Article no.	Description	Quantity
13.1	4171331	STAGE HELIX10 1.4301KIT	1
		> MACH.STG-CASING-WOGV-WNR-M+10-304	1
		> IMPELLER-M+10-304	1
13.2	4172792	INTERMEDIATE STAGE HELIX 10 1.4301 KIT	1
		> MACH.BEARING-STG-CASING-WNR-M+10-304	1
		> IMPELLER-M+10-304	1
		> SHAFT SLEEVE-SPACER-Ø19,35x18,465-304	1
		> SHAFT-SLEEVE-D16xD20x18-CW	1
13.3	4172793	INTERMEDIATE STAGE HELIX 10 1.4301 KIT	1
		> MACH.STD-STG-CASING-WGV+NR-M+10-304	1
		> IMPELLER-M+10-304	1
		> IMPELLER SPACER Ø16,05X19,45-L36,465-304	1



HELIX VE1006-1/25/E/KS (4161309)

Item	Article no.	Description	Quantity
1		DRIVE HELIX-VE1006-IE2-ATB KIT	1
Note: MOTOR BRAND ATB			
1		DRIVE HELIX-VE1006-IE2-WE KIT	1
Note: MOTOR BRAND WILO ELEC			
1		DRIVE HELIX-VE1006-IE4-WE-KIT	1
Note: MOTOR BRAND WILO ELEC			
2	4206025	SCREW M8X45 (4 PIECES)	1
3	4171326	LANTERN FT130 HELIX KIT	1
3.1		> LANTERN FT130 M+6" GJL MACHINING+CATA	1
3.2	2127604	> EYELET CPL.FT HELIX(2 PIECES)	1
3.3	4159692	> COUPLING PROTECTOR FT HELIX KIT	1
4	4159710	COUPLING D.16XD.28 FT130 HELIX KIT	1
5	4159707	SCREW M8X30 (4 PIECES)	1
6	4177822	STUD BOLT M12X413 KIT	1
6.1		> TIE BOLT M12-413x18x30-1.4057	1
6.2	2094647	> NUT M12 M12 ISO4032 VP.	1
6.3	2123557	> WASHER CS-12.4-24-1.6-NFE25 (4 PIECES)	1
7	4159685	END SHIELD HELIX EPDM KIT	1
7.1		> END SHIELD M+6" GJL250 MACHINING+CATA	1
7.2	2127607	> STATIONARY RING HOLDER 6" HELIX 1.4301 V	1
7.3	4176513	> O-RING FOR PUMP JACKET VP.	1
7.4	2127603	> O-RING ID.37,6x2,4 EPDM VP.	1
7.5	2127602	> O-RING ID.21,35x2 EPDM VP.	1
8	4159686	FILING/PURGING PLUG HELIX EPDM KIT	1
9	4159698	CARTRIDGE HELIX6-10-16 F/E KIT	1
10	4177823	HOUSING PIPES D.152X285 1.4301 KIT	1
7.3	4176513	> O-RING FOR PUMP JACKET VP.	1
10.1		> HOUSING-PIPE Ø152-M+1006-304	1
11	4172791	CENTERING STAGE-RETURN HELIX10 1.4301VP.	1
12	4209272	SHAFT EQUIPMENT HELIX V10 BI BLOC KIT	1
12.1		> NUT-H-M10-A4.70	1
12.2		> SERRATED LOCK WASHER M+10M3-316L	1
12.3		> STOP COLLAR OF IMPELLER L16,5-Ø16-316L	1
12.4		> STOP-RUSH-1/2-D16xd2-M+316	1

HELIX VE1006-1/25/E/KS (4161309)

Item	Article no.	Description	Quantity
13		HYDRAULIC HELIX V 1006 1.4307	1
14	4177825	SHAFT D.16X405 1.4301 VP.	1
15	4172797	PUMP HOUSING HELIX DN40 PN25 1.4301 KIT	1
7.3	4176513	> O-RING FOR PUMP JACKET VP.	1
15.1		> BLASTING PPE HOUSING V-PN25-DN40-304	1
15.3	4171321	> PRIMING/DRAIN PLUG EPDM HELIX KIT	1
16	4176517	BASEPLATE V8/10 VP.	1



DRIVE HELIX-VE1006-IE2-ATB KIT

Item	Article no.	Description	Quantity
1.1		MOTOR 4/2/112 3~ 380V 60HZ IE2 ATB VP.	1
Note: no longer available/nicht mehr lieferbar/n'est plus disponible			
		SPARE PARTS MOTOR:ON REQUEST	1
1.2	4184684	MODULE HELIX-VE1006-IE2-ATB SET	1
1.22	2054227	> MODULE COVER/GASKET TL3/4 KIT	1
1.23	4215716	> SCREW M5X16 DIN912 8.8 A2A (4pieces) VP.	1
1.24	2057978	> RONDELLE A5,3 DIN6797 FST ZN (4 PIECES)	1



DRIVE HELIX-VE1006-IE2-WE KIT

Item	Article no.	Description	Quantity
1.1	4188824	MO.4/2/112 3~380V 60Hz IE2 WE VP.	1
		SPARE PARTS MOTOR:ON REQUEST	1
1.2	4186397	MODULE HELIX-VE1006-IE2-WE SET	1
1.22	2054227	> MODULE COVER/GASKET TL3/4 KIT	1
1.23	4215716	> SCREW M5X16 DIN912 8.8 A2A (4pieces) VP.	1
1.24	2057978	> RONDELLE A5,3 DIN6797 FST ZN (4 PIECES)	1



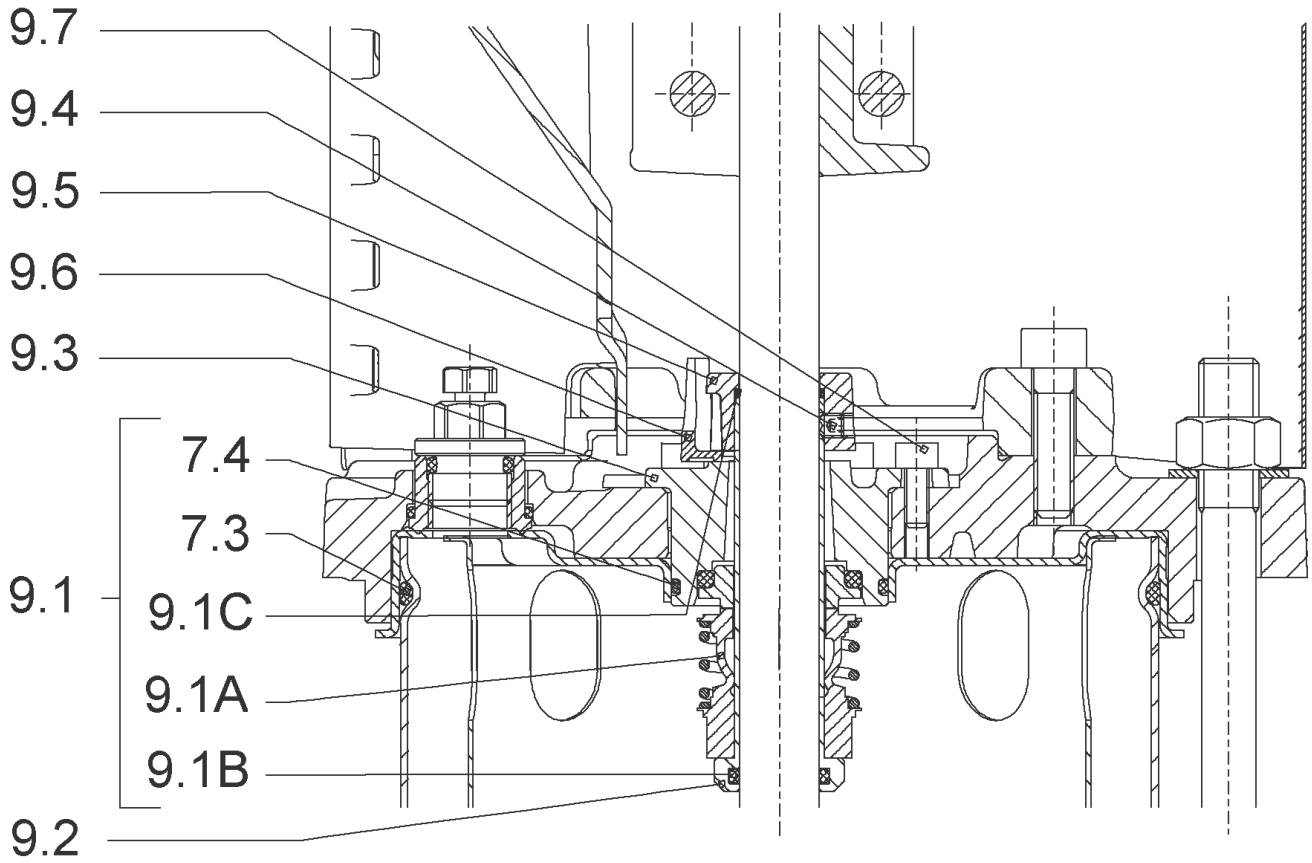
DRIVE HELIX-VE1006-IE4-WE-KIT

Item	Article no.	Description	Quantity
1.1	4207924	MOTOR 4/2/112 3~ 380V 60HZ IE4 WE VP.	1
		SPARE PARTS MOTOR:ON REQUEST	1
1.2	4209606	MODULE HELIX-VE1006-IE4-WE KIT	1
1.22	2054227	> MODULE COVER/GASKET TL3/4 KIT	1
1.23	4215716	> SCREW M5X16 DIN912 8.8 A2A (4pieces) VP.	1
1.24	2057978	> RONDELLE A5,3 DIN6797 FST ZN (4 PIECES)	1



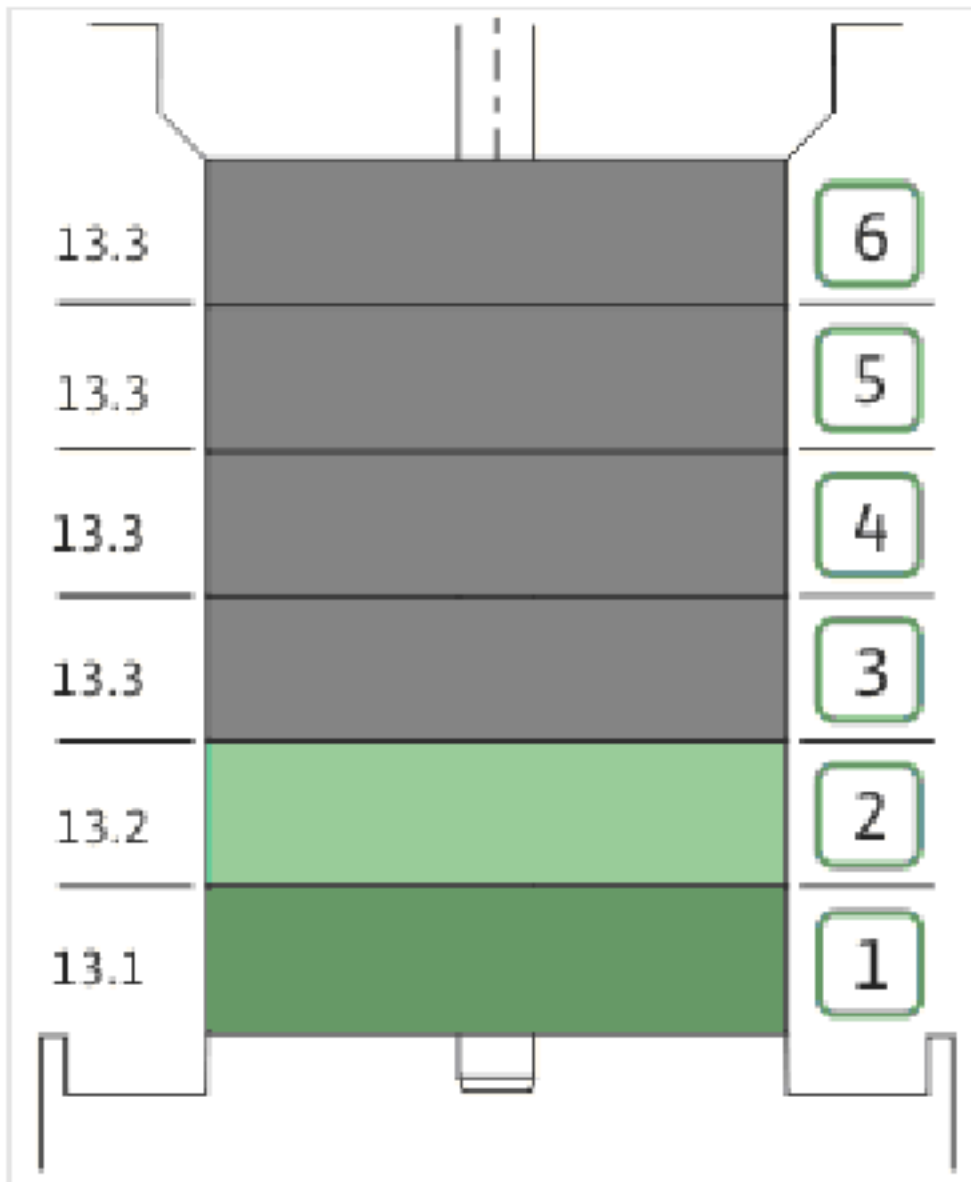
COUPLING D.16XD.28 FT130 HELIX KIT (4159710)

Item	Article no.	Description	Quantity
4.1		COUPLING M+ Ø16XØ28 FT130 MACHINED	1
4.2	2131022	BALL BEARING 6209/ZZ-C3(HT)VP.	1
4.3	4233930	CIRCLIP-FOR-BORES-D45x1,75 VP.	1
4.4	4157726	SCREW KIT M8X30 (4 PIECES)	1
4.5	4234252	CIRCLIPS 85X3 VP.	1
4.6	4234243	O-RING 85X3 VP.	1
		NOMEL CONTACT WASHER 8x16x1,4 STEEL ZC	1



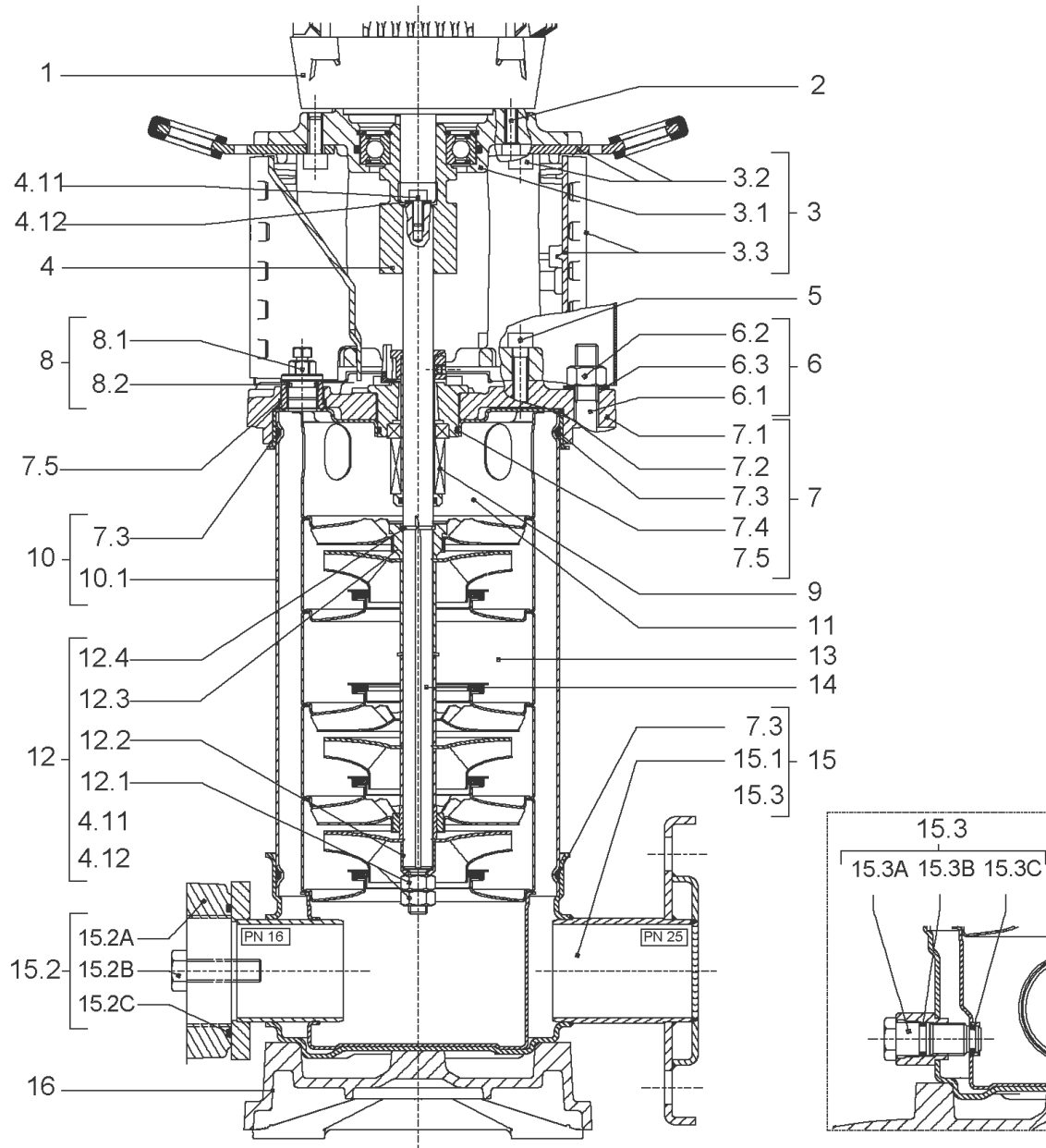
CARTRIDGE HELIX6-10-16 F/E KIT (4159698)

Item	Article no.	Description	Quantity
9.1	4159699	SEAL-KIT-HELIX6-10-16 F/E	1
7.3	4176513	> O-RING FOR PUMP JACKET VP.	1
7.4	2127603	> O-RING ID.37,6x2,4 EPDM VP.	1
9.1A	4176521	> MECH.SEAL HELIX2-4-6-10-16 F/E VP.	1
9.1B	2130967	> O-RING D.16X2,5 EPDM VP.	1
9.1C	4176519	> O-RING Ø16xØ1.25 VP.	1
9.2	2130961	SHAFT SLEEVE D.18/16X72,2 1.4404 VP.	1
9.3	2130962	RING HOLDER D.18 G606/G6 1.4301 VP.	1
9.4	4176520	SCREW CH M5x5 A4-70 (3PIECES)	1
9.5	2130963	DRIVE RING D.29/18x12,4 MACH.VP.	1
9.6	2130964	TOOL M.S.CART.HELIX VP.	1
9.7	2130965	SCREW CHC M5X12 ISO4762 A2.70(4 PIECES)	1



HYDRAULIC HELIX V 1006 1.4307

Item	Article no.	Description	Quantity
13.1	4171331	STAGE HELIX10 1.4301KIT	1
		> MACH.STG-CASING-WOGV-WNR-M+10-304	1
		> IMPELLER-M+10-304	1
13.2	4172792	INTERMEDIATE STAGE HELIX 10 1.4301 KIT	1
		> MACH.BEARING-STG-CASING-WNR-M+10-304	1
		> IMPELLER-M+10-304	1
		> SHAFT SLEEVE-SPACER-Ø19,35x18,465-304	1
		> SHAFT-SLEEVE-D16xD20x18-CW	1
13.3	4172793	INTERMEDIATE STAGE HELIX 10 1.4301 KIT	1
		> MACH.STD-STG-CASING-WGV+NR-M+10-304	1
		> IMPELLER-M+10-304	1
		> IMPELLER SPACER Ø16,05X19,45-L36,465-304	1



HELIX VE1009-1/16/E/KS (4161311)

Item	Article no.	Description	Quantity
1		DRIVE HELIX-VE1009-IE2-ATB KIT	1
Note: MOTOR BRAND ATB			
1		DRIVE HELIX-VE1009-IE2-SIE KIT	1
Note: MOTOR BRAND SIEMENS			
1		DRIVE HELIX-VE1009-IE4-WE-KIT	1
Note: MOTOR BRAND WILO ELEC			
2	4174093	SCREW M12X50 (4 PIECES)	1
3	4159693	LANTERN FF265 HELIX KIT	1
3.1		> LANTERN FF265 M+6" GJL MACHINING+CATA	1
3.2	2127605	> EYELET CPL.FF265 HELIX(2 PIECES)	1
3.3	4159695	> COUPLING PROTECTOR FF HELIX KIT	1
4	4159711	COUPLING D.16XD.38 FF265 HELIX KIT	1
5	4159707	SCREW M8X30 (4 PIECES)	1
6	4177832	STUD BOLT M12X527KIT	1
6.1		> TIE BOLT M12-527x18x30-1.4057	1
6.2	2094647	> NUT M12 M12 ISO4032 VP.	1
6.3	2123557	> WASHER CS-12.4-24-1.6-NFE25 (4 PIECES)	1
7	4159685	END SHIELD HELIX EPDM KIT	1
7.1		> END SHIELD M+6" GJL250 MACHINING+CATA	1
7.2	2127607	> STATIONARY RING HOLDER 6" HELIX 1.4301 V	1
7.3	4176513	> O-RING FOR PUMP JACKET VP.	1
7.4	2127603	> O-RING ID.37,6x2,4 EPDM VP.	1
7.5	2127602	> O-RING ID.21,35x2 EPDM VP.	1
8	4159686	FILING/PURGING PLUG HELIX EPDM KIT	1
9	4159696	CARTRIDGE HELIX6-10-16 O/E KIT	1
10	4177833	HOUSING PIPES D.152X397 1.4301 KIT	1
7.3	4176513	> O-RING FOR PUMP JACKET VP.	1
10.1		> HOUSING-PIPE Ø152-M+1009-304	1
11	4172791	CENTERING STAGE-RETURN HELIX10 1.4301VP.	1
12	4171332	SHAFT EQUIPMENT HELIX V10 BI BLOC KIT	1
4.11	4102901	> SCREW CHC-M6X14-8.8-ISO4762-GEOMET500A	1
4.12	2130995	> SERRATED LOCK WASHER D.6,2XD.14,5X28 VP.	1
12.1		> NUT-H-M10-A4.70	1
12.2		> SERRATED LOCK WASHER M+10M3-316L	1

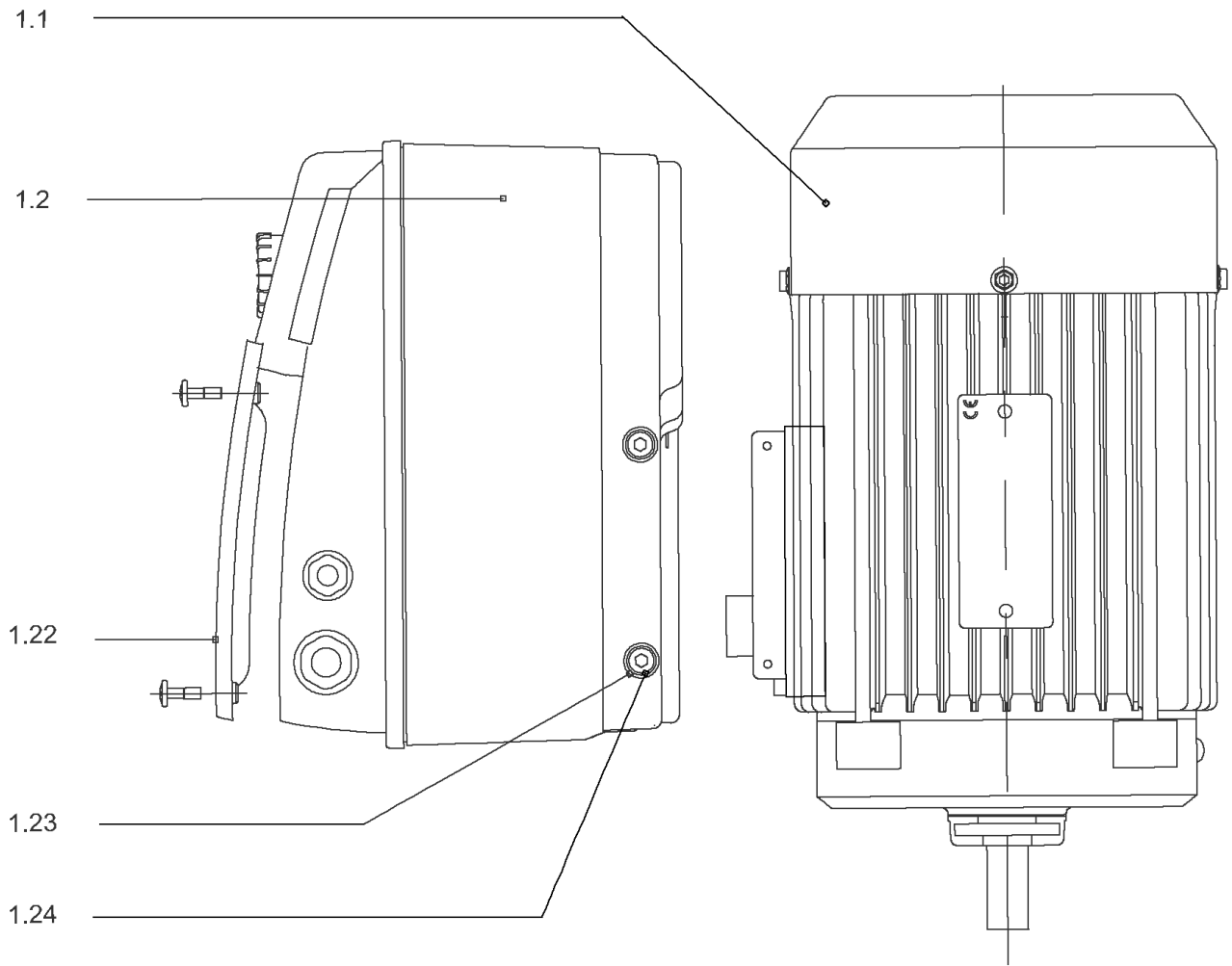
HELIX VE1009-1/16/E/KS (4161311)

Item	Article no.	Description	Quantity
12.3		> STOP COLLAR OF IMPELLER L16,5-Ø16-316L	1
12.4		> STOP-RUSH-1/2-D16xd2-M+316	1
13		HYDRAULIC HELIX V 1009 1.4307	1
14	4177837	SHAFTS D.16X517,5 1.4301 VP.	1
15	4159682	PUMP HOUSING HELIX DN50 PN16 1.4301 KIT	1
7.3	4176513	> O-RING FOR PUMP JACKET VP.	1
15.1		> BLASTING PPE HOUSING V-PN16-DN50-304	1
15.2	4217893	> COUNTER FLANGE-G1"1/2-PN16-GJL KIT	1
15.3	4171321	> PRIMING/DRAIN PLUG EPDM HELIX KIT	1
16	4176517	BASEPLATE V8/10 VP.	1



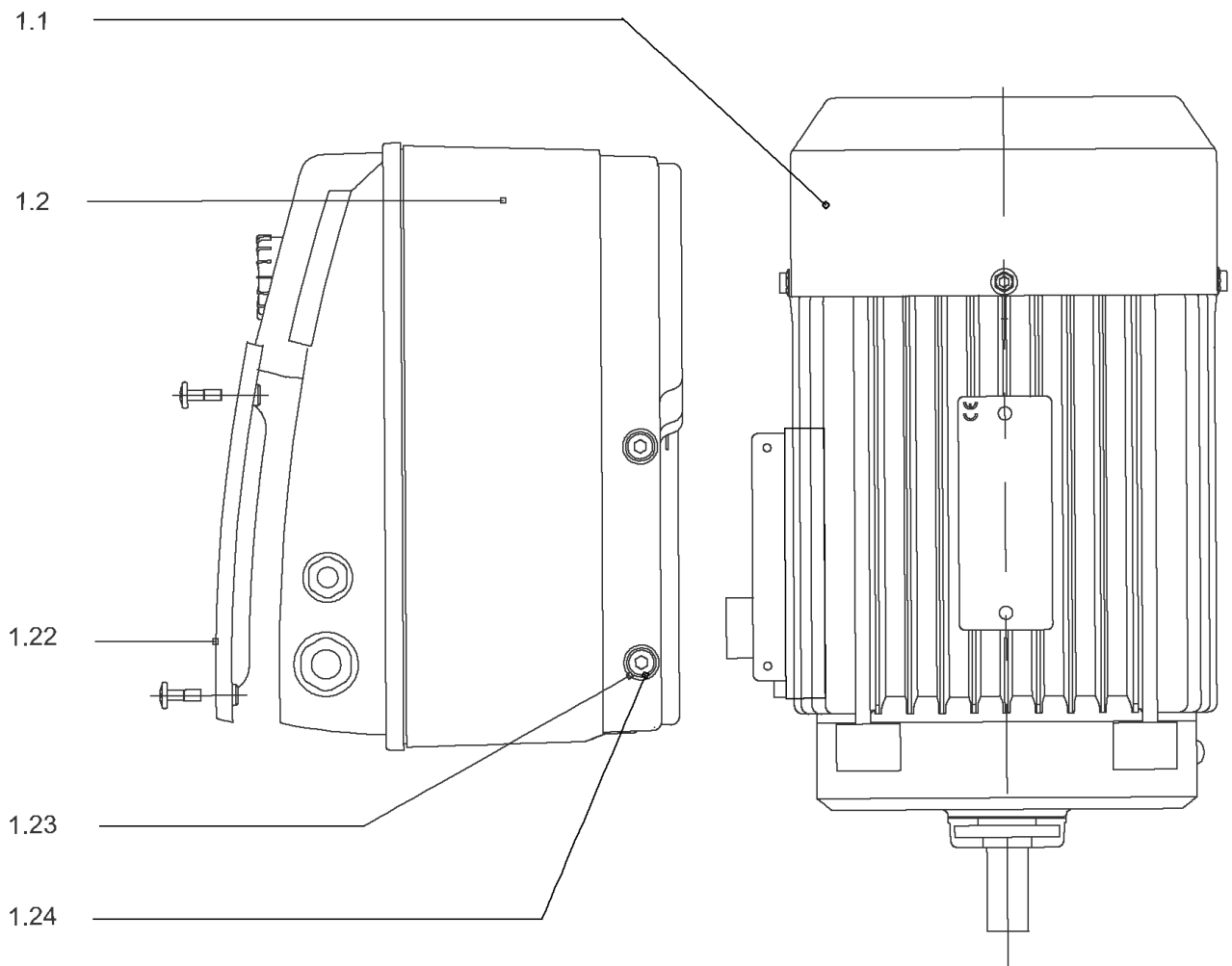
DRIVE HELIX-VE1009-IE2-ATB KIT

Item	Article no.	Description	Quantity
1.1	4185029	MOTOR 5,5/2/132 3~380V 60HZ IE2 ATB VP.	1
		SPARE PARTS MOTOR:ON REQUEST	1
1.2	4186781	MODULE HELIX-VE1009-IE2-ATB KIT	1
1.22	2111344	> MODULE COVER/GASKET TL5 KIT	1
1.23	4215716	> SCREW M5X16 DIN912 8.8 A2A (4pieces) VP.	1
1.24	2057978	> RONDELLE A5,3 DIN6797 FST ZN (4 PIECES)	1



DRIVE HELIX-VE1009-IE2-SIE KIT

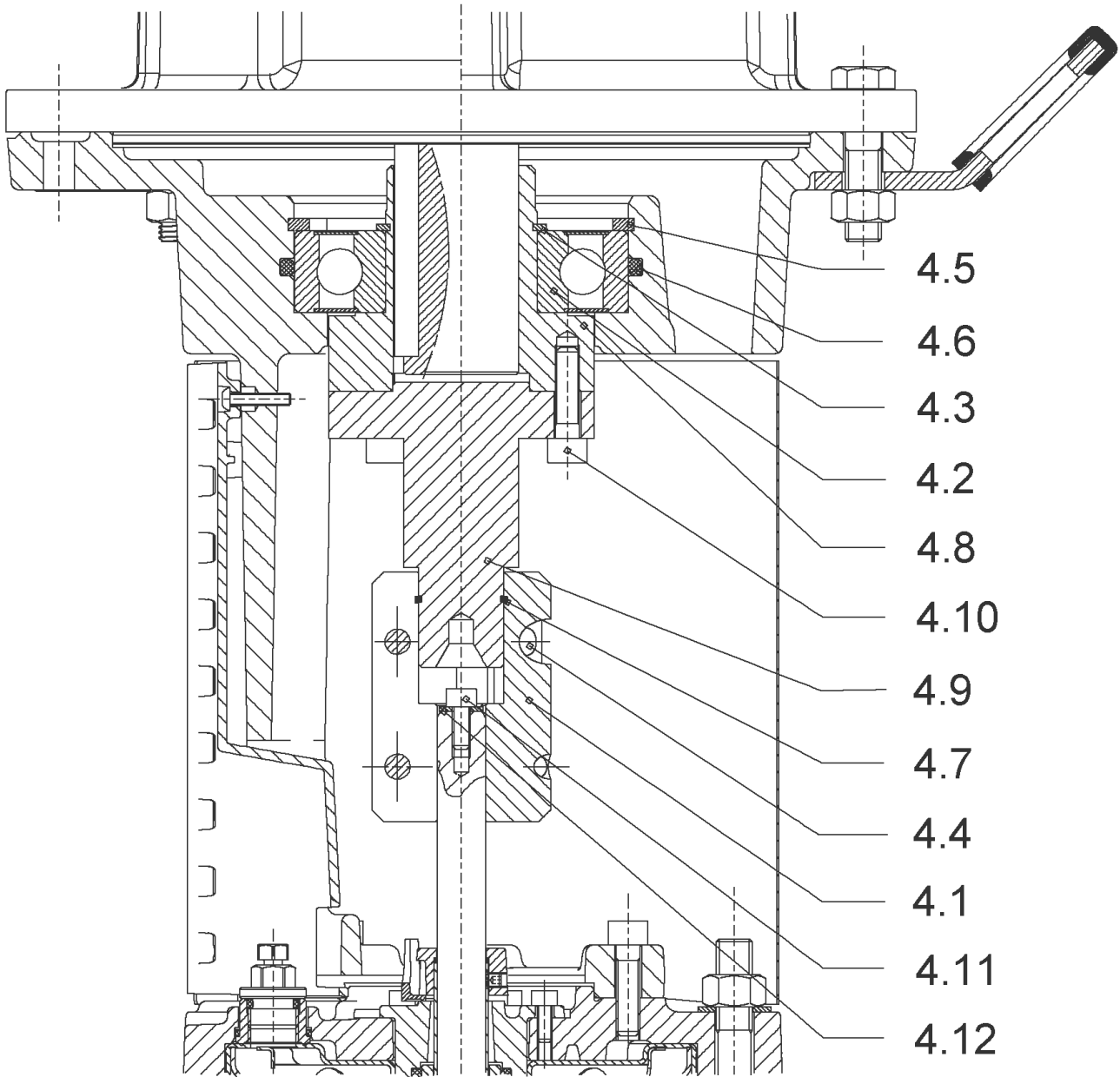
Item	Article no.	Description	Quantity
1.1		MOTOR 5,5-2T638P55V1-132-ADAPT IE2 VP.	1
Note: no longer available/nicht mehr lieferbar/n'est plus disponible			
		SPARE PARTS MOTOR:ON REQUEST	1
1.2	4189607	MODULE HELIX-VE1009-IE2-SIE KIT	1
1.22	2111344	> MODULE COVER/GASKET TL5 KIT	1
1.23	4215716	> SCREW M5X16 DIN912 8.8 A2A (4pieces) VP.	1
1.24	2057978	> RONDELLE A5,3 DIN6797 FST ZN (4 PIECES)	1



DRIVE HELIX-VE1009-IE4-WE-KIT

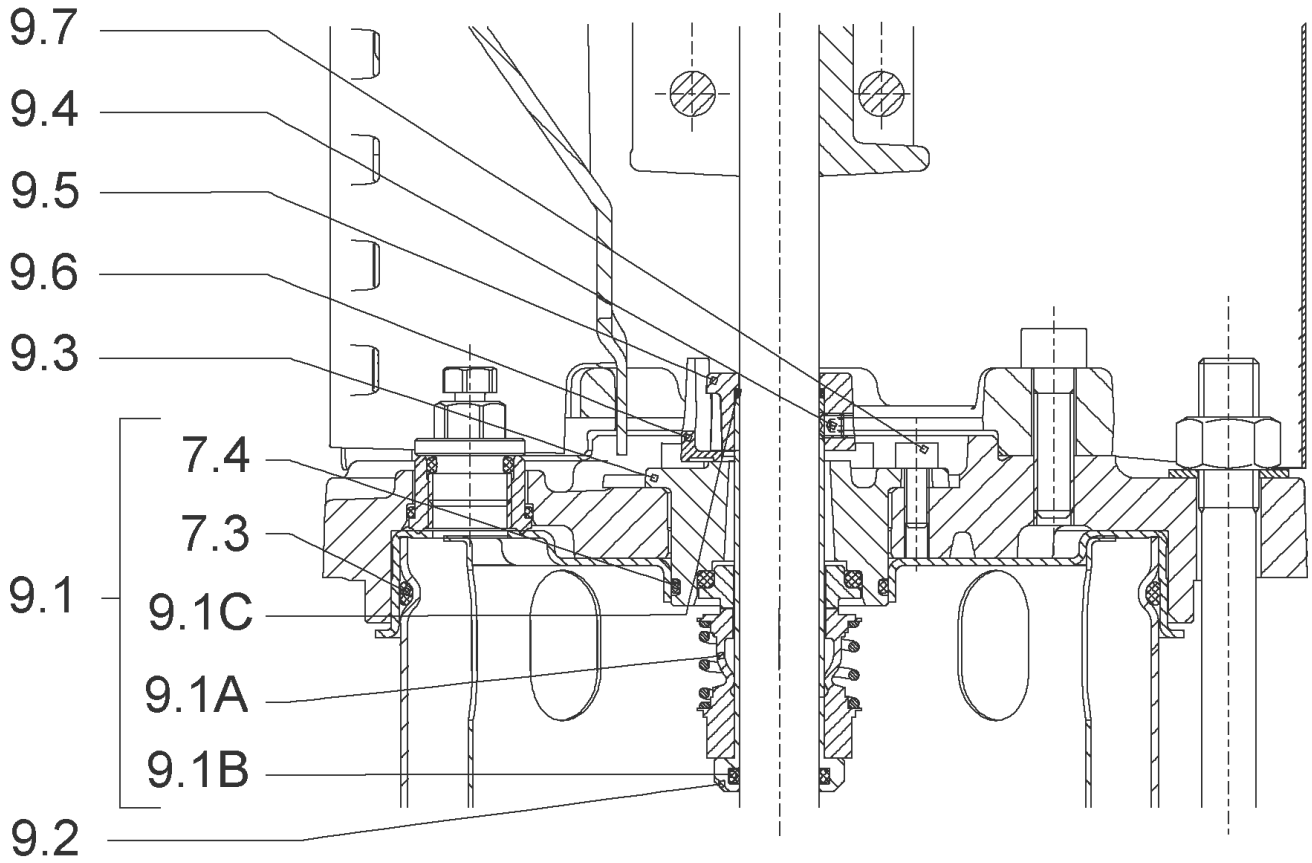
Item	Article no.	Description	Quantity
1.1	4207930	MO.5.5/2/132F260 3~ 380V 60HZ IE4 WE VP.	1
		SPARE PARTS MOTOR:ON REQUEST	1
1.2	4212632	MODULE HELIX-VE1009-IE4-WE KIT	1
1.22	2111344	> MODULE COVER/GASKET TL5 KIT	1
1.23	4215716	> SCREW M5X16 DIN912 8.8 A2A (4pieces) VP.	1
1.24	2057978	> RONDELLE A5,3 DIN6797 FST ZN (4 PIECES)	1

COUPLING D.16XD.38 FF265 HELIX KIT (4159711)



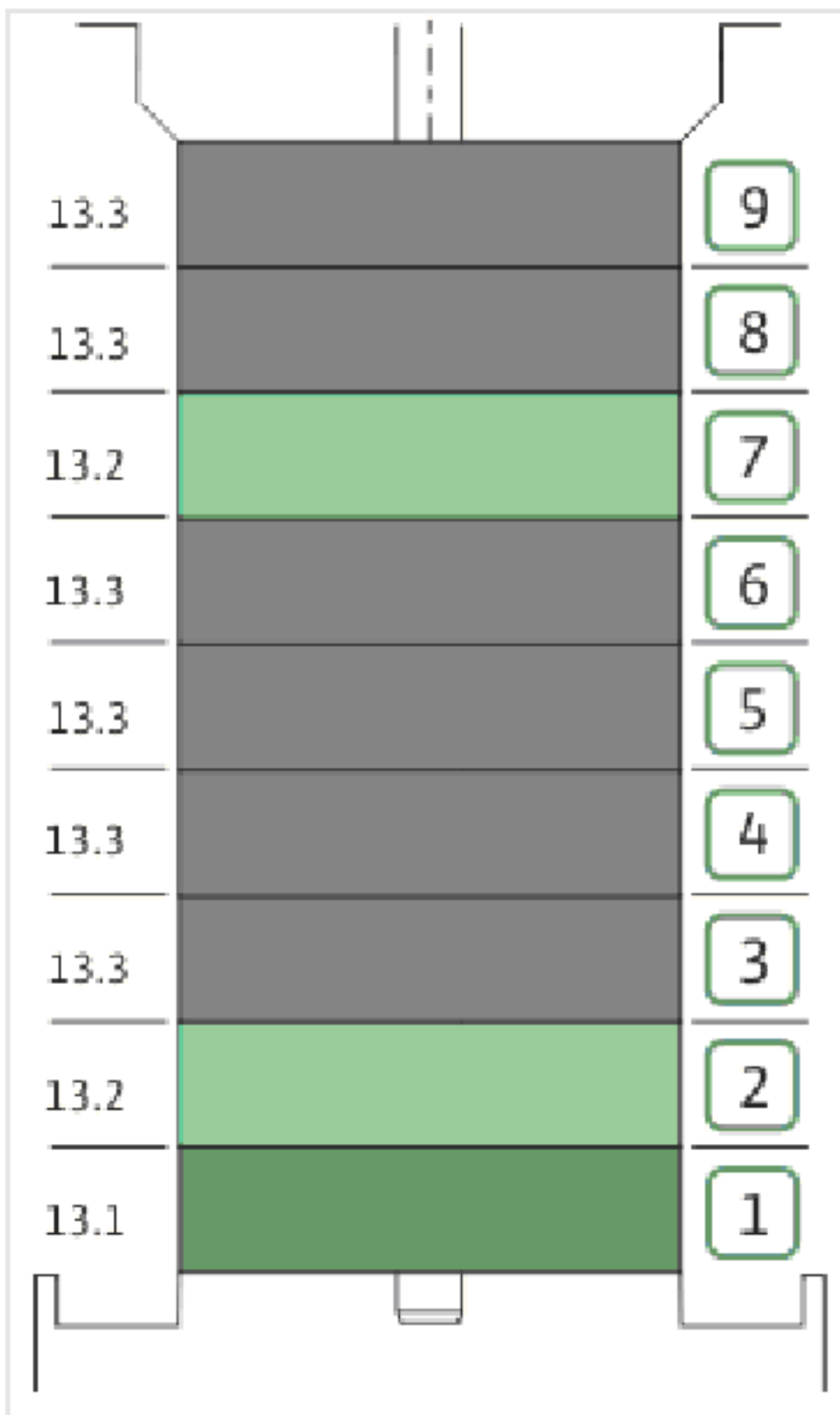
COUPLING D.16XD.38 FF265 HELIX KIT (4159711)

Item	Article no.	Description	Quantity
4.1	2131018	COUPLING 2 PARTS D.16XD.28XL.82,4 VP.	1
4.2	2131017	BALL BEARING 6310/ZZ-C4(HT)VP.	1
4.3	4234253	CIRCLIP-FOR-SHAFT-D50x2 VP.	1
4.4	4157726	SCREW KIT M8X30 (4 PIECES)	1
4.5	4234255	CIRCLIPS 110X4 VP.	1
4.6	4233944	O-RING ID.110 VP.	1
4.7	2131019	RETAINING RING D.26xD.2 DIN7993 VP.	1
4.10	4157726	SCREW KIT M8X30 (4 PIECES)	1
4.11	4102901	SCREW CHC-M6X14-8.8-ISO4762-GEOMET500A	1
4.12	2130995	SERRATED LOCK WASHER D.6,2XD.14,5X28 VP.	1
		NOMEL CONTACT WASHER 8x16x1,4 STEEL ZC	1
4.8	2131020	HUB D.38XD.50 VP.	1
4.9	2131021	SPACER D.28XD.45 VP.	1



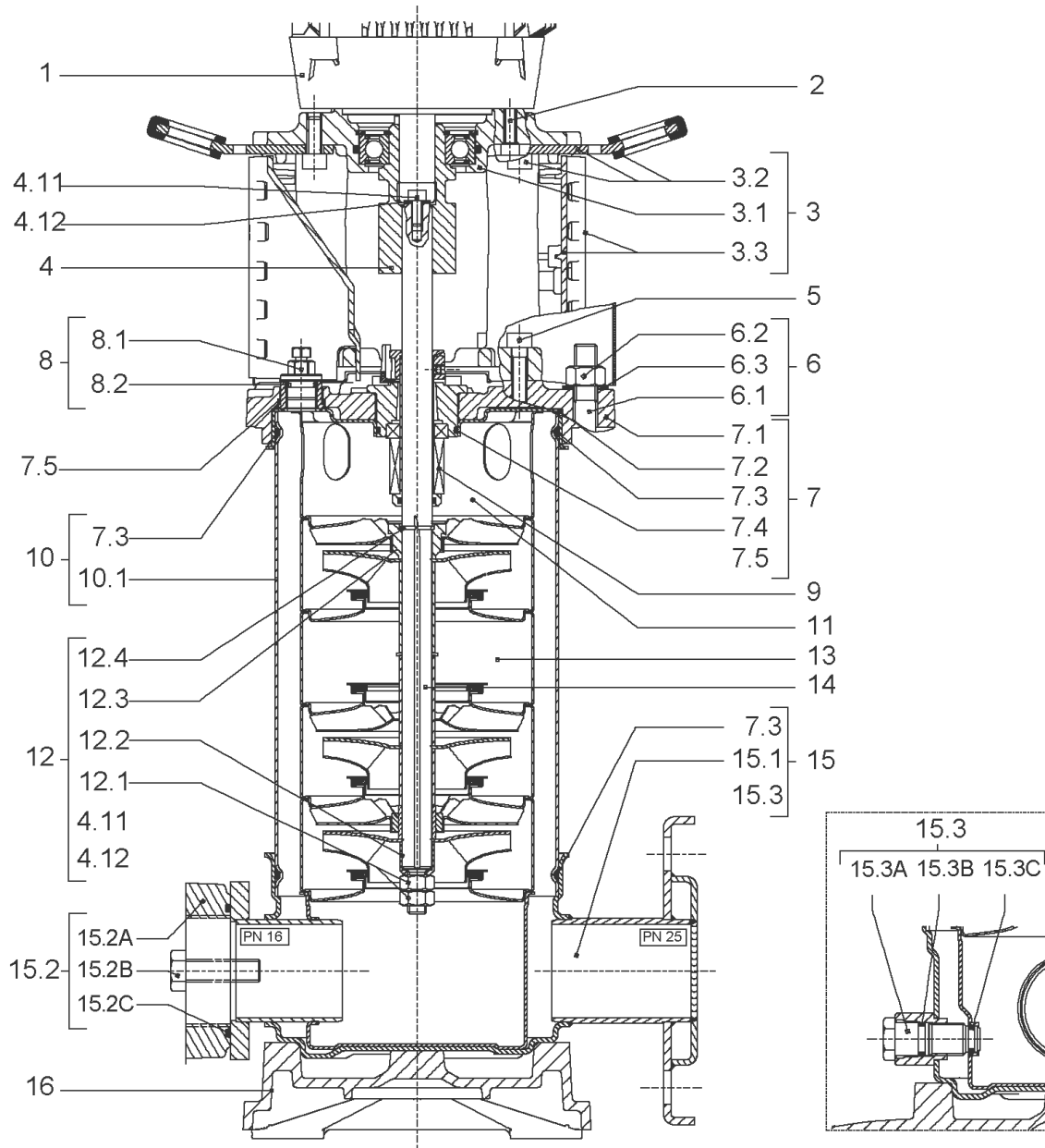
CARTRIDGE HELIX6-10-16 O/E KIT (4159696)

Item	Article no.	Description	Quantity
9.1	4159697	SEAL-KIT-HELIX6-10-16 O/E	1
7.3	4176513	> O-RING FOR PUMP JACKET VP.	1
7.4	2127603	> O-RING ID.37,6x2,4 EPDM VP.	1
9.1A	2130966	> MECH.SEAL HELIX2-4-6-10-16 O/E VP.	1
9.1B	2130967	> O-RING D.16X2,5 EPDM VP.	1
9.1C	4176519	> O-RING Ø16xØ1.25 VP.	1
9.2	2130961	SHAFT SLEEVE D.18/16X72,2 1.4404 VP.	1
9.3	2130962	RING HOLDER D.18 G606/G6 1.4301 VP.	1
9.4	4176520	SCREW CH M5x5 A4-70 (3PIECES)	1
9.5	2130963	DRIVE RING D.29/18x12,4 MACH.VP.	1
9.6	2130964	TOOL M.S.CART.HELIX VP.	1
9.7	2130965	SCREW CHC M5X12 ISO4762 A2.70(4 PIECES)	1



HYDRAULIC HELIX V 1009 1.4307

Item	Article no.	Description	Quantity
13.1	4171331	STAGE HELIX10 1.4301KIT	1
		> MACH.STG-CASING-WOGV-WNR-M+10-304	1
		> IMPELLER-M+10-304	1
13.2	4172792	INTERMEDIATE STAGE HELIX 10 1.4301 KIT	1
		> MACH.BEARING-STG-CASING-WNR-M+10-304	1
		> IMPELLER-M+10-304	1
		> SHAFT SLEEVE-SPACER-Ø19,35x18,465-304	1
		> SHAFT-SLEEVE-D16xD20x18-CW	1
13.3	4172793	INTERMEDIATE STAGE HELIX 10 1.4301 KIT	1
		> MACH.STD-STG-CASING-WGV+NR-M+10-304	1
		> IMPELLER-M+10-304	1
		> IMPELLER SPACER Ø16,05X19,45-L36,465-304	1

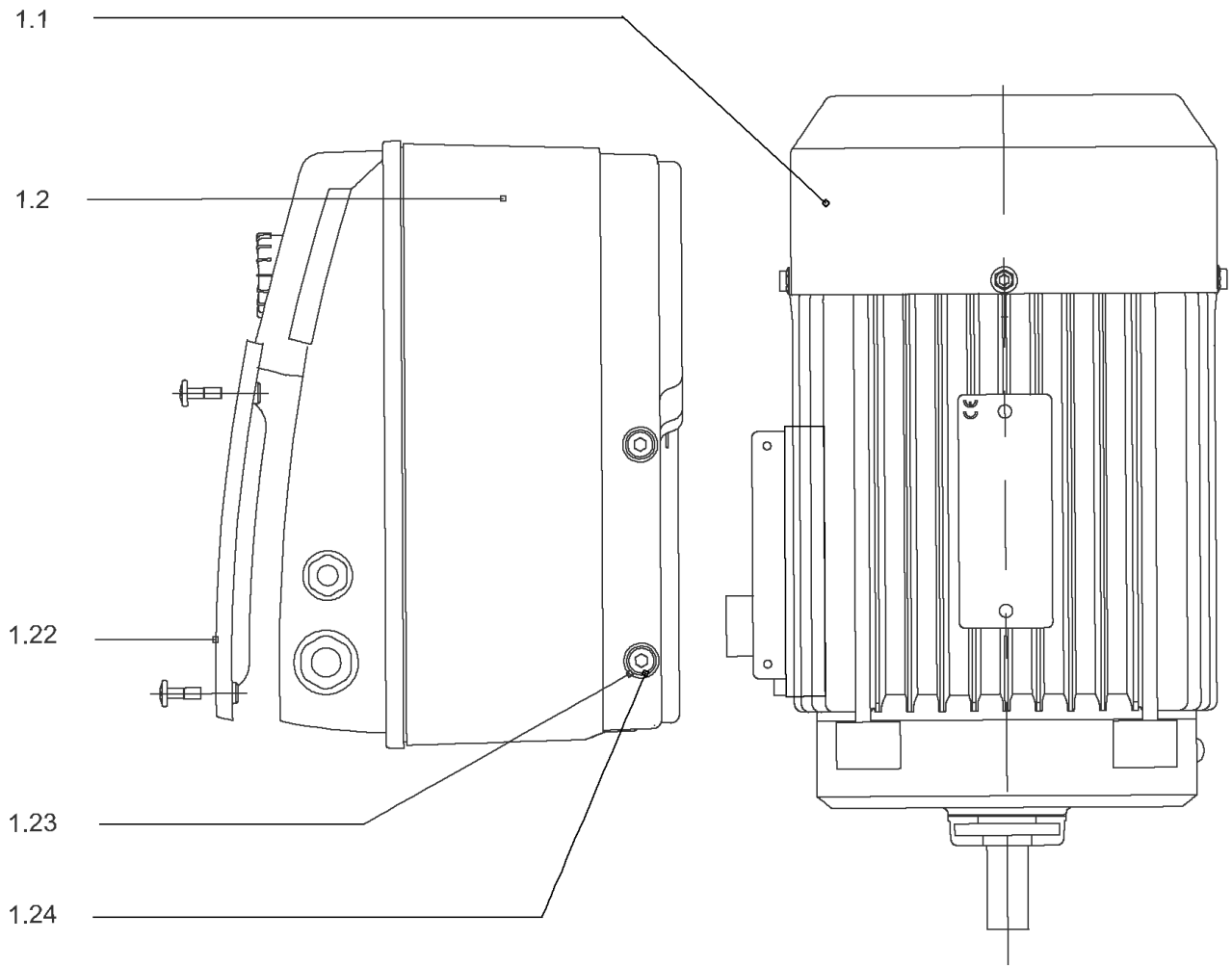


HELIX VE1009-1/25/E/KS (4161312)

Item	Article no.	Description	Quantity
1		DRIVE HELIX-VE1009-IE2-ATB KIT	1
Note: MOTOR BRAND ATB			
1		DRIVE HELIX-VE1009-IE2-SIE KIT	1
Note: MOTOR BRAND SIEMENS			
1		DRIVE HELIX-VE1009-IE4-WE-KIT	1
Note: MOTOR BRAND WILO ELEC			
2	4174093	SCREW M12X50 (4 PIECES)	1
3	4159693	LANTERN FF265 HELIX KIT	1
3.1		> LANTERN FF265 M+6" GJL MACHINING+CATA	1
3.2	2127605	> EYELET CPL.FF265 HELIX(2 PIECES)	1
3.3	4159695	> COUPLING PROTECTOR FF HELIX KIT	1
4	4159711	COUPLING D.16XD.38 FF265 HELIX KIT	1
5	4159707	SCREW M8X30 (4 PIECES)	1
6	4177832	STUD BOLT M12X527KIT	1
6.1		> TIE BOLT M12-527x18x30-1.4057	1
6.2	2094647	> NUT M12 M12 ISO4032 VP.	1
6.3	2123557	> WASHER CS-12.4-24-1.6-NFE25 (4 PIECES)	1
7	4159685	END SHIELD HELIX EPDM KIT	1
7.1		> END SHIELD M+6" GJL250 MACHINING+CATA	1
7.2	2127607	> STATIONARY RING HOLDER 6" HELIX 1.4301 V	1
7.3	4176513	> O-RING FOR PUMP JACKET VP.	1
7.4	2127603	> O-RING ID.37,6x2,4 EPDM VP.	1
7.5	2127602	> O-RING ID.21,35x2 EPDM VP.	1
8	4159686	FILING/PURGING PLUG HELIX EPDM KIT	1
9	4159698	CARTRIDGE HELIX6-10-16 F/E KIT	1
10	4177833	HOUSING PIPES D.152X397 1.4301 KIT	1
7.3	4176513	> O-RING FOR PUMP JACKET VP.	1
10.1		> HOUSING-PIPE Ø152-M+1009-304	1
11	4172791	CENTERING STAGE-RETURN HELIX10 1.4301VP.	1
12	4171332	SHAFT EQUIPMENT HELIX V10 BI BLOC KIT	1
4.11	4102901	> SCREW CHC-M6X14-8.8-ISO4762-GEOMET500A	1
4.12	2130995	> SERRATED LOCK WASHER D.6,2XD.14,5X28 VP.	1
12.1		> NUT-H-M10-A4.70	1
12.2		> SERRATED LOCK WASHER M+10M3-316L	1

HELIX VE1009-1/25/E/KS (4161312)

Item	Article no.	Description	Quantity
12.3		> STOP COLLAR OF IMPELLER L16,5-Ø16-316L	1
12.4		> STOP-RUSH-1/2-D16xd2-M+316	1
13		HYDRAULIC HELIX V 1009 1.4307	1
14	4177837	SHAFTS D.16X517,5 1.4301 VP.	1
15	4172797	PUMP HOUSING HELIX DN40 PN25 1.4301 KIT	1
7.3	4176513	> O-RING FOR PUMP JACKET VP.	1
15.1		> BLASTING PPE HOUSING V-PN25-DN40-304	1
15.3	4171321	> PRIMING/DRAIN PLUG EPDM HELIX KIT	1
16	4176517	BASEPLATE V8/10 VP.	1



DRIVE HELIX-VE1009-IE2-ATB KIT

Item	Article no.	Description	Quantity
1.1	4185029	MOTOR 5,5/2/132 3~380V 60HZ IE2 ATB VP.	1
		SPARE PARTS MOTOR:ON REQUEST	1
1.2	4186781	MODULE HELIX-VE1009-IE2-ATB KIT	1
1.22	2111344	> MODULE COVER/GASKET TL5 KIT	1
1.23	4215716	> SCREW M5X16 DIN912 8.8 A2A (4pieces) VP.	1
1.24	2057978	> RONDELLE A5,3 DIN6797 FST ZN (4 PIECES)	1



DRIVE HELIX-VE1009-IE2-SIE KIT

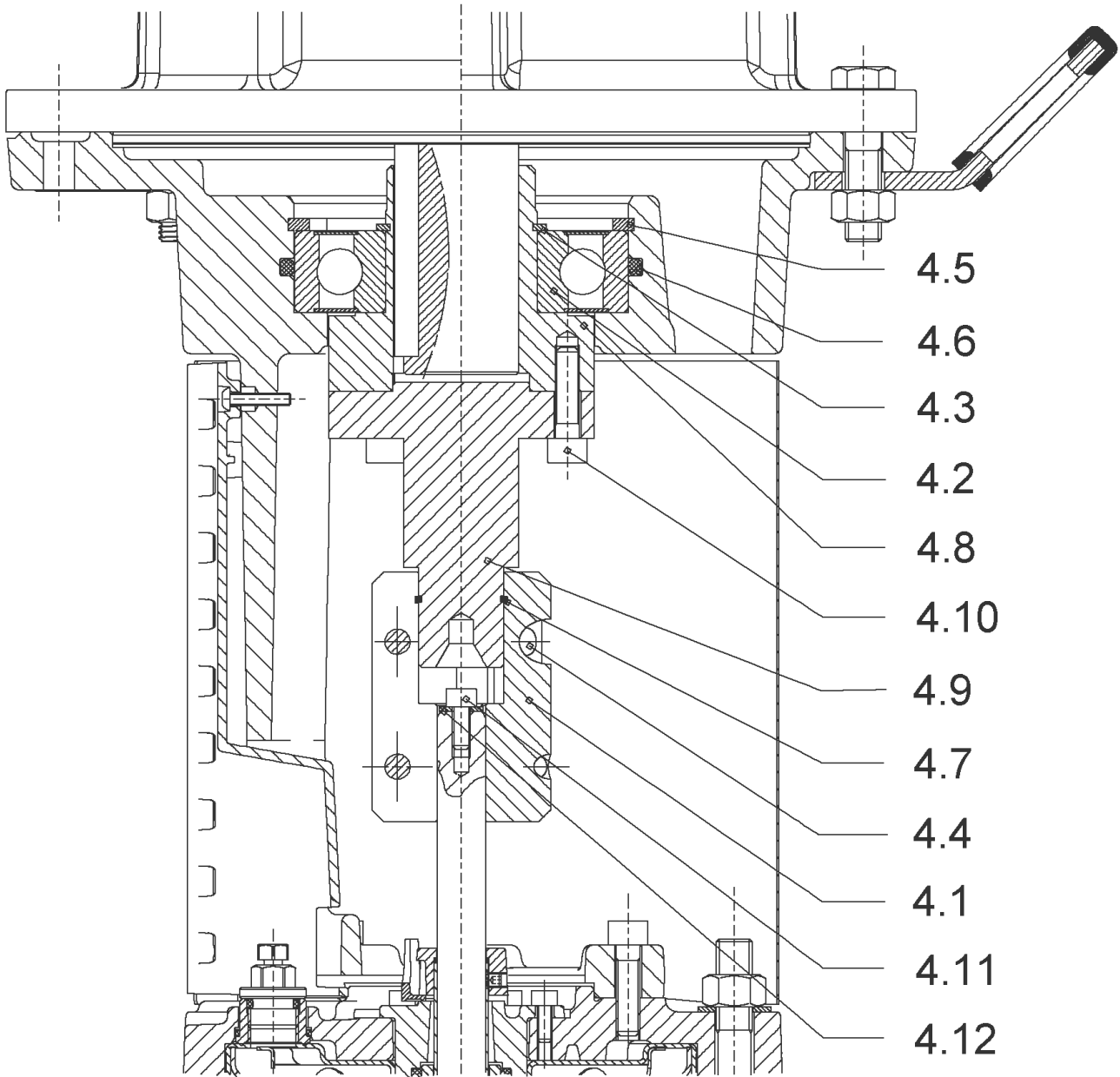
Item	Article no.	Description	Quantity
1.1		MOTOR 5,5-2T638P55V1-132-ADAPT IE2 VP.	1
Note: no longer available/nicht mehr lieferbar/n'est plus disponible			
		SPARE PARTS MOTOR:ON REQUEST	1
1.2	4189607	MODULE HELIX-VE1009-IE2-SIE KIT	1
1.22	2111344	> MODULE COVER/GASKET TL5 KIT	1
1.23	4215716	> SCREW M5X16 DIN912 8.8 A2A (4pieces) VP.	1
1.24	2057978	> RONDELLE A5,3 DIN6797 FST ZN (4 PIECES)	1



DRIVE HELIX-VE1009-IE4-WE-KIT

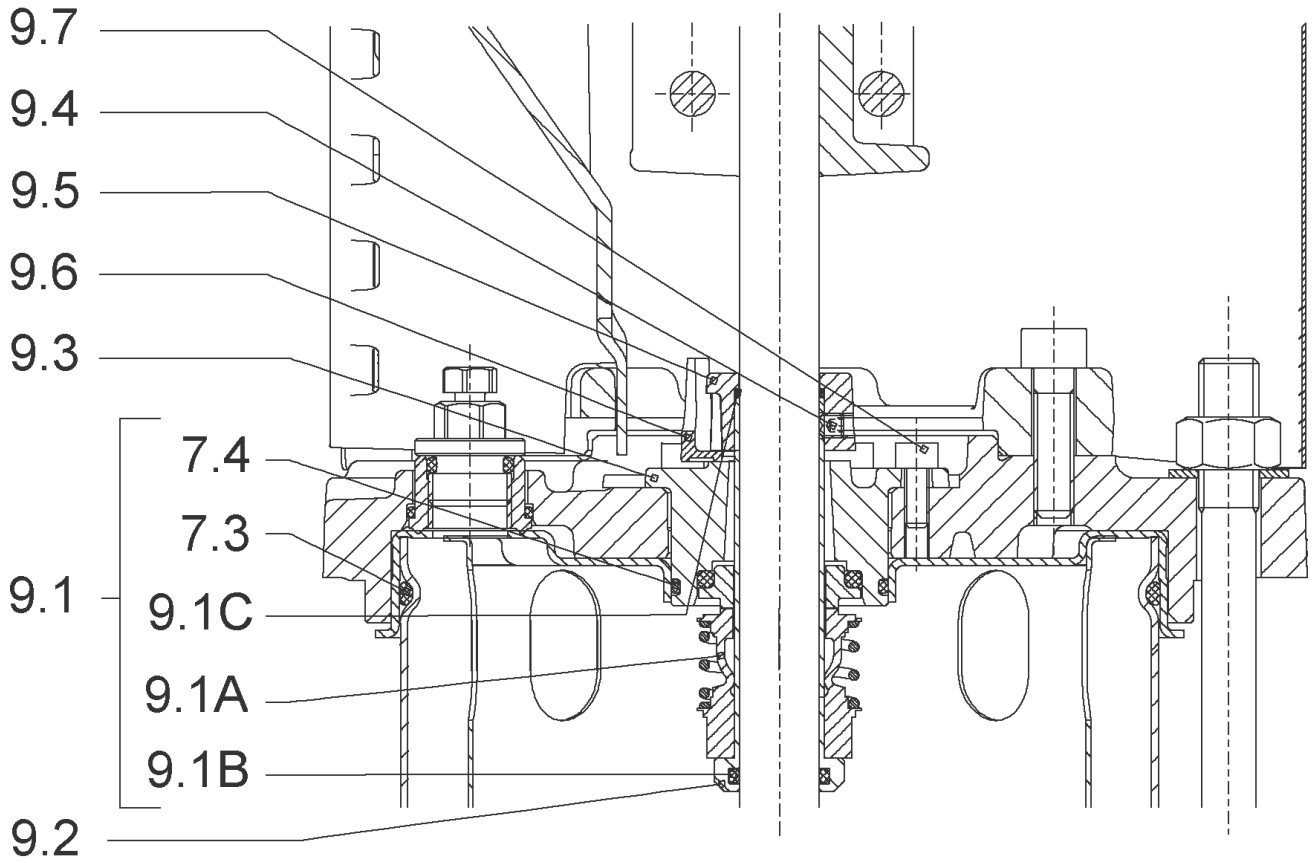
Item	Article no.	Description	Quantity
1.1	4207930	MO.5.5/2/132F260 3~ 380V 60HZ IE4 WE VP.	1
		SPARE PARTS MOTOR:ON REQUEST	1
1.2	4212632	MODULE HELIX-VE1009-IE4-WE KIT	1
1.22	2111344	> MODULE COVER/GASKET TL5 KIT	1
1.23	4215716	> SCREW M5X16 DIN912 8.8 A2A (4pieces) VP.	1
1.24	2057978	> RONDELLE A5,3 DIN6797 FST ZN (4 PIECES)	1

COUPLING D.16XD.38 FF265 HELIX KIT (4159711)



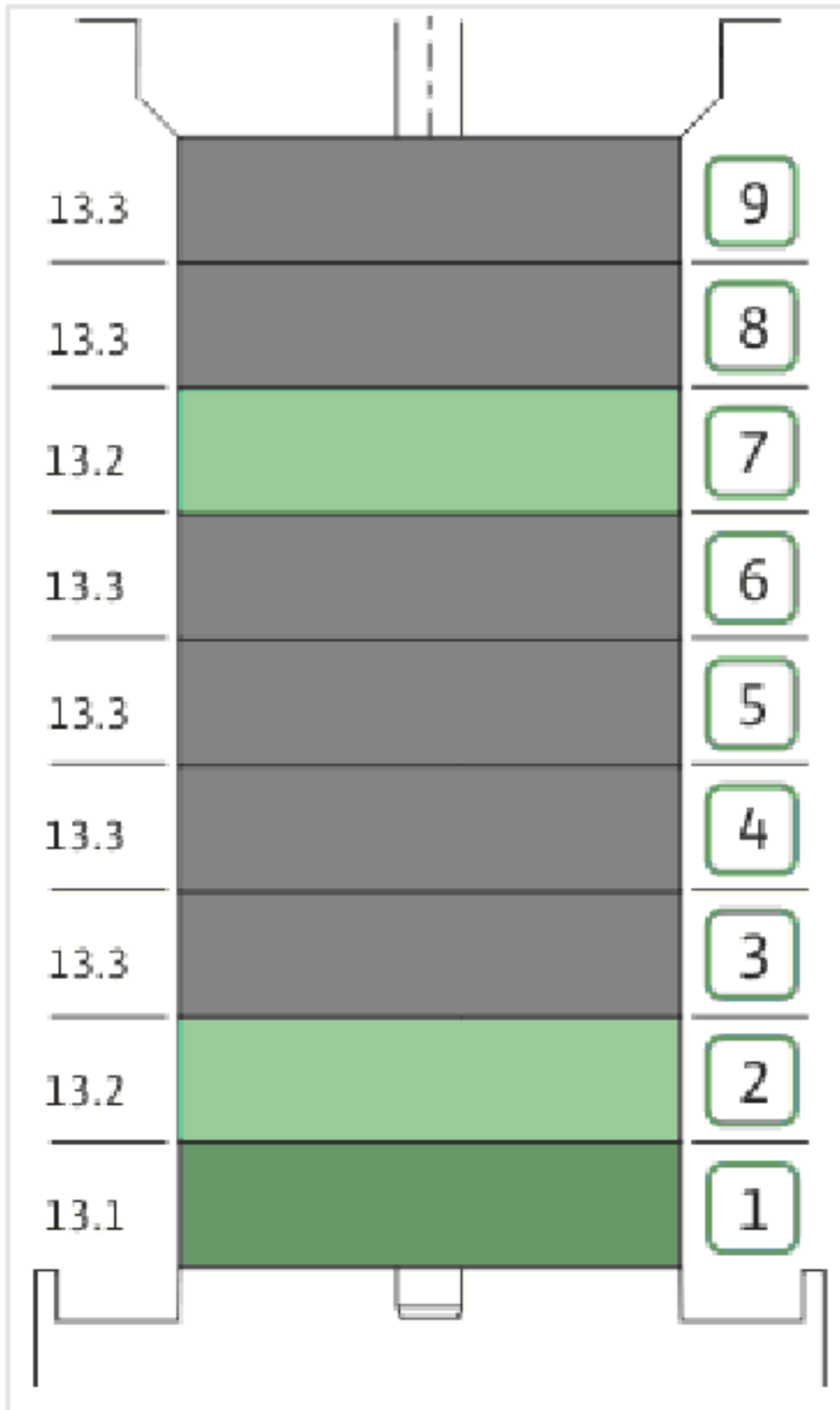
COUPLING D.16XD.38 FF265 HELIX KIT (4159711)

Item	Article no.	Description	Quantity
4.1	2131018	COUPLING 2 PARTS D.16XD.28XL.82,4 VP.	1
4.2	2131017	BALL BEARING 6310/ZZ-C4(HT)VP.	1
4.3	4234253	CIRCLIP-FOR-SHAFT-D50x2 VP.	1
4.4	4157726	SCREW KIT M8X30 (4 PIECES)	1
4.5	4234255	CIRCLIPS 110X4 VP.	1
4.6	4233944	O-RING ID.110 VP.	1
4.7	2131019	RETAINING RING D.26xD.2 DIN7993 VP.	1
4.10	4157726	SCREW KIT M8X30 (4 PIECES)	1
4.11	4102901	SCREW CHC-M6X14-8.8-ISO4762-GEOMET500A	1
4.12	2130995	SERRATED LOCK WASHER D.6,2XD.14,5X28 VP.	1
		NOMEL CONTACT WASHER 8x16x1,4 STEEL ZC	1
4.8	2131020	HUB D.38XD.50 VP.	1
4.9	2131021	SPACER D.28XD.45 VP.	1



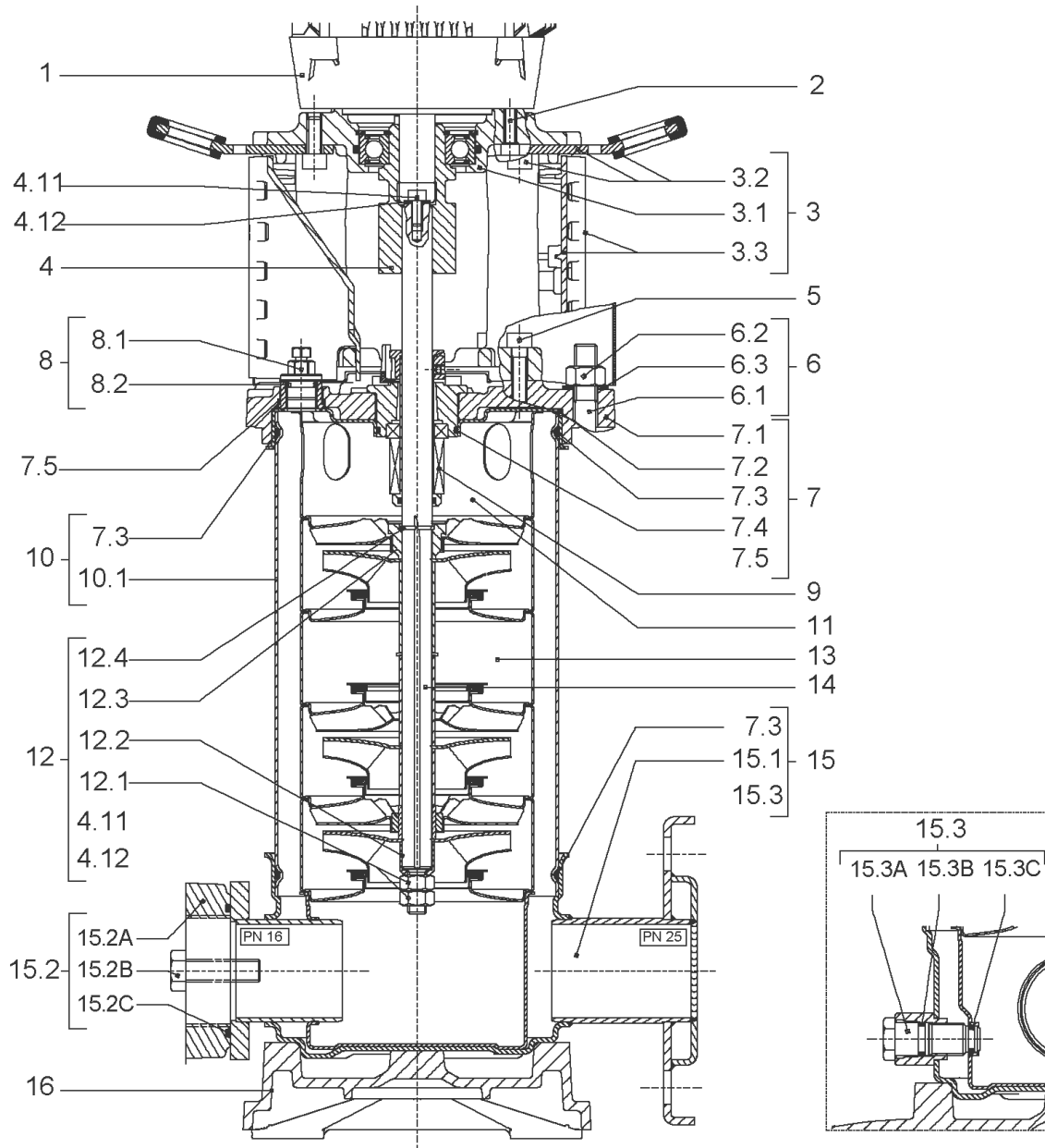
CARTRIDGE HELIX6-10-16 F/E KIT (4159698)

Item	Article no.	Description	Quantity
9.1	4159699	SEAL-KIT-HELIX6-10-16 F/E	1
7.3	4176513	> O-RING FOR PUMP JACKET VP.	1
7.4	2127603	> O-RING ID.37,6x2,4 EPDM VP.	1
9.1A	4176521	> MECH.SEAL HELIX2-4-6-10-16 F/E VP.	1
9.1B	2130967	> O-RING D.16X2,5 EPDM VP.	1
9.1C	4176519	> O-RING Ø16xØ1.25 VP.	1
9.2	2130961	SHAFT SLEEVE D.18/16X72,2 1.4404 VP.	1
9.3	2130962	RING HOLDER D.18 G606/G6 1.4301 VP.	1
9.4	4176520	SCREW CH M5x5 A4-70 (3PIECES)	1
9.5	2130963	DRIVE RING D.29/18x12,4 MACH.VP.	1
9.6	2130964	TOOL M.S.CART.HELIX VP.	1
9.7	2130965	SCREW CHC M5X12 ISO4762 A2.70(4 PIECES)	1



HYDRAULIC HELIX V 1009 1.4307

Item	Article no.	Description	Quantity
13.1	4171331	STAGE HELIX10 1.4301KIT	1
		> MACH.STG-CASING-WOGV-WNR-M+10-304	1
		> IMPELLER-M+10-304	1
13.2	4172792	INTERMEDIATE STAGE HELIX 10 1.4301 KIT	1
		> MACH.BEARING-STG-CASING-WNR-M+10-304	1
		> IMPELLER-M+10-304	1
		> SHAFT SLEEVE-SPACER-Ø19,35x18,465-304	1
		> SHAFT-SLEEVE-D16xD20x18-CW	1
13.3	4172793	INTERMEDIATE STAGE HELIX 10 1.4301 KIT	1
		> MACH.STD-STG-CASING-WGV+NR-M+10-304	1
		> IMPELLER-M+10-304	1
		> IMPELLER SPACER Ø16,05X19,45-L36,465-304	1



HELIX VE1012-1/25/E/KS (4161314)

Item	Article no.	Description	Quantity
1		DRIVE HELIX-VE1012-IE2-SIE KIT	1
Note: MOTOR BRAND SIEMENS			
1		DRIVE HELIX-VE1012-IE2-ATB KIT	1
Note: MOTOR BRAND ATB			
1		DRIVE HELIX-VE1012-IE4-WE-KIT	1
Note: MOTOR BRAND WILO ELEC			
2	4174093	SCREW M12X50 (4 PIECES)	1
3	4159693	LANTERN FF265 HELIX KIT	1
3.1		> LANTERN FF265 M+6" GJL MACHINING+CATA	1
3.2	2127605	> EYELET CPL.FF265 HELIX(2 PIECES)	1
3.3	4159695	> COUPLING PROTECTOR FF HELIX KIT	1
4	4159711	COUPLING D.16XD.38 FF265 HELIX KIT	1
5	4159707	SCREW M8X30 (4 PIECES)	1
6	4177842	STUD BOLT M12X638KIT	1
6.1		> TIE BOLT M12-638x18x30-1.4057	1
6.2	2094647	> NUT M12 M12 ISO4032 VP.	1
6.3	2123557	> WASHER CS-12.4-24-1.6-NFE25 (4 PIECES)	1
7	4159685	END SHIELD HELIX EPDM KIT	1
7.1		> END SHIELD M+6" GJL250 MACHINING+CATA	1
7.2	2127607	> STATIONARY RING HOLDER 6" HELIX 1.4301 V	1
7.3	4176513	> O-RING FOR PUMP JACKET VP.	1
7.4	2127603	> O-RING ID.37,6x2,4 EPDM VP.	1
7.5	2127602	> O-RING ID.21,35x2 EPDM VP.	1
8	4159686	FILING/PURGING PLUG HELIX EPDM KIT	1
9	4159698	CARTRIDGE HELIX6-10-16 F/E KIT	1
10	4177843	HOUSING PIPES D.152X510 1.4307 KIT	1
7.3	4176513	> O-RING FOR PUMP JACKET VP.	1
10.1		> HOUSING-PIPE Ø152-M+1012/1609-304	1
11	4172791	CENTERING STAGE-RETURN HELIX10 1.4301VP.	1
12	4171332	SHAFT EQUIPMENT HELIX V10 BI BLOC KIT	1
4.11	4102901	> SCREW CHC-M6X14-8.8-ISO4762-GEOMET500A	1
4.12	2130995	> SERRATED LOCK WASHER D.6,2XD.14,5X28 VP.	1
12.1		> NUT-H-M10-A4.70	1
12.2		> SERRATED LOCK WASHER M+10M3-316L	1

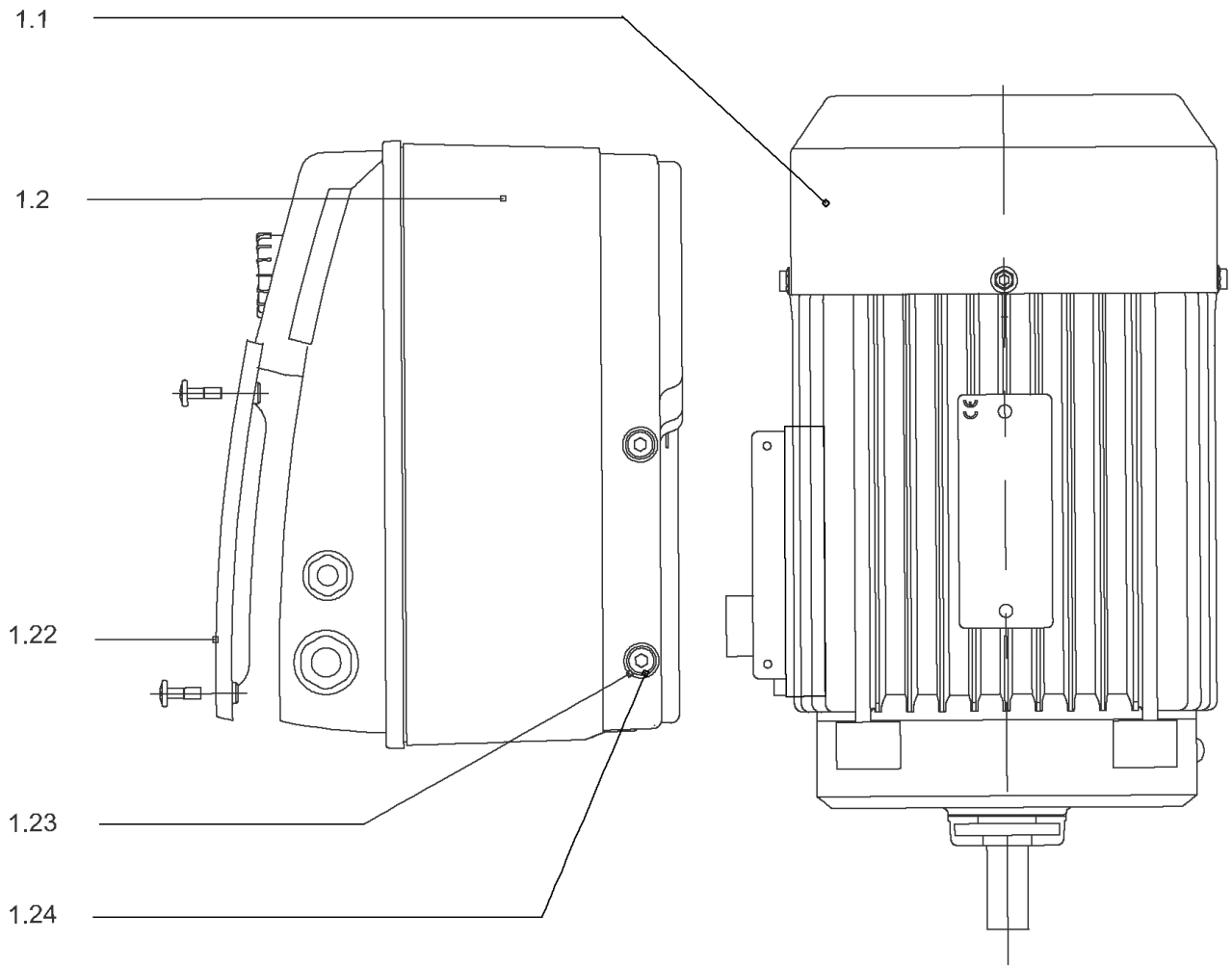
HELIX VE1012-1/25/E/KS (4161314)

Item	Article no.	Description	Quantity
12.3		> STOP COLLAR OF IMPELLER L16,5-Ø16-316L	1
12.4		> STOP-RUSH-1/2-D16xd2-M+316	1
13		HYDRAULIC HELIX V 1012 1.4307	1
14	4177844	SHAFT D.16X630 1.4301 VP.	1
15	4172797	PUMP HOUSING HELIX DN40 PN25 1.4301 KIT	1
7.3	4176513	> O-RING FOR PUMP JACKET VP.	1
15.1		> BLASTING PPE HOUSING V-PN25-DN40-304	1
15.3	4171321	> PRIMING/DRAIN PLUG EPDM HELIX KIT	1
16	4176517	BASEPLATE V8/10 VP.	1



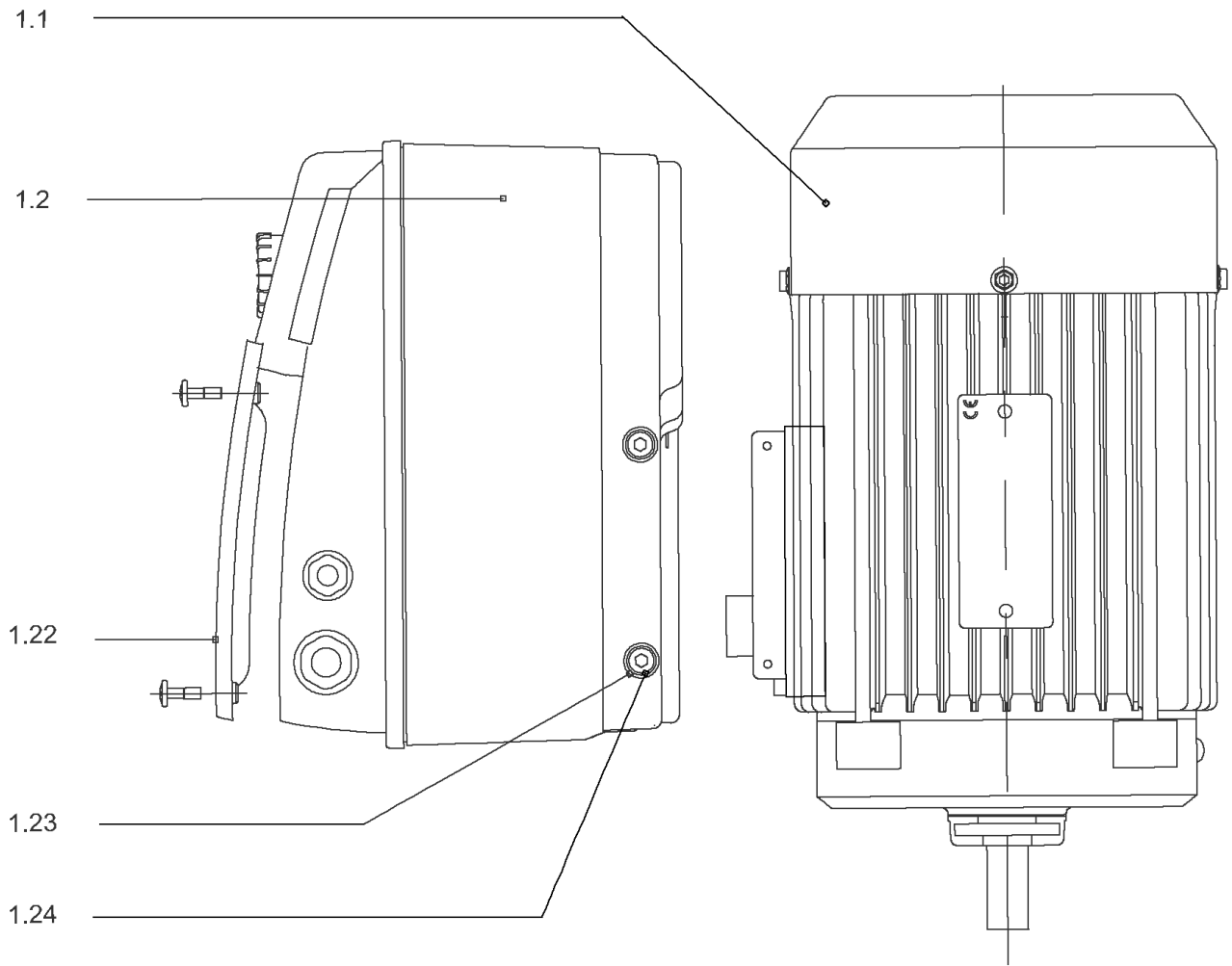
DRIVE HELIX-VE1012-IE2-SIE KIT

Item	Article no.	Description	Quantity
1.1		MOTOR 7,5/2/132 3~380V 60HZ IE2 SIE VP.	1
Note: no longer available/nicht mehr lieferbar/n'est plus disponible			
		SPARE PARTS MOTOR:ON REQUEST	1
1.2	4186775	MODULE HELIX-VE1012-IE2-SIE KIT	1
1.22	2111344	> MODULE COVER/GASKET TL5 KIT	1
1.23	4215716	> SCREW M5X16 DIN912 8.8 A2A (4pieces) VP.	1
1.24	2057978	> RONDELLE A5,3 DIN6797 FST ZN (4 PIECES)	1



DRIVE HELIX-VE1012-IE2-ATB KIT

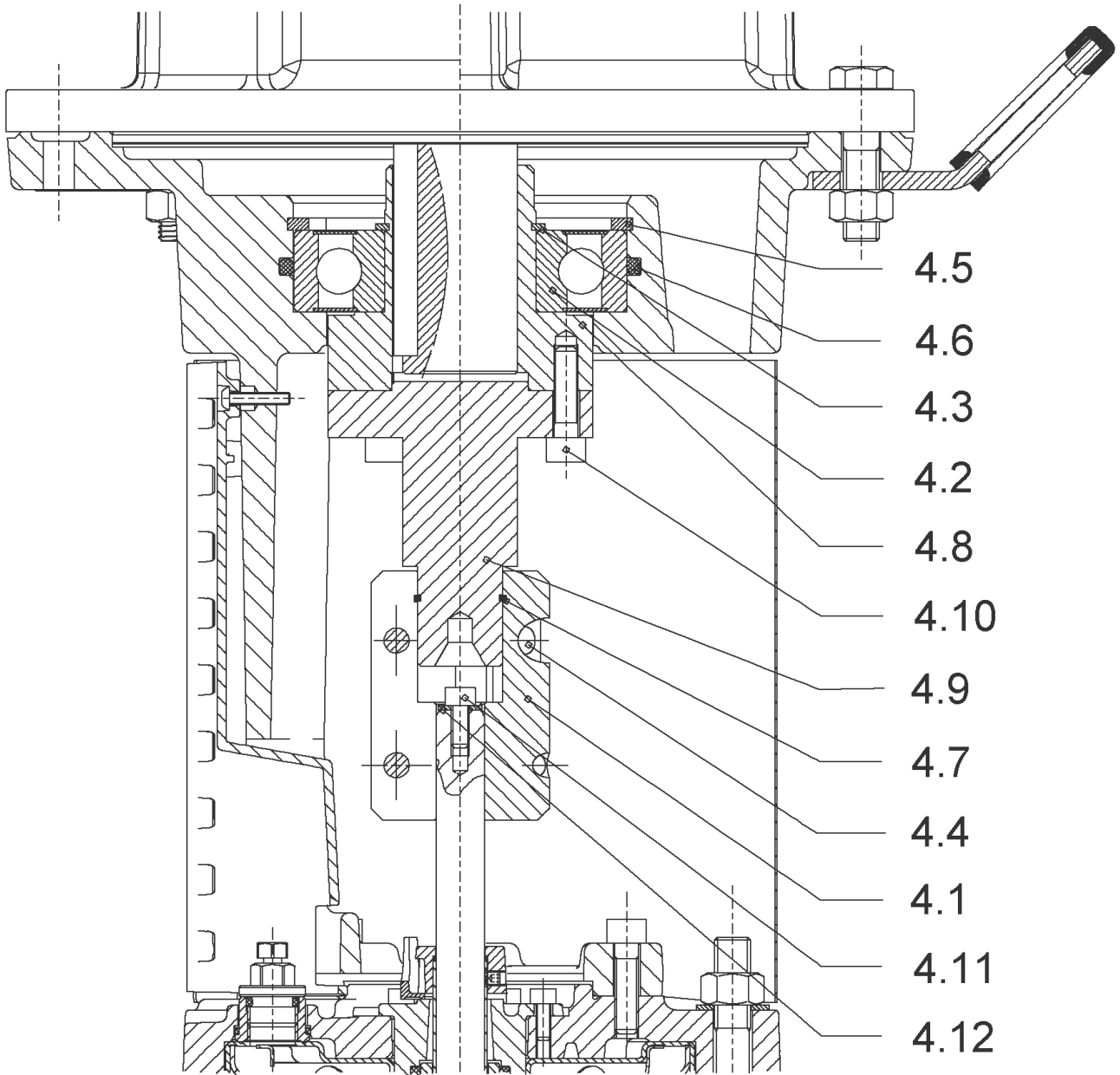
Item	Article no.	Description	Quantity
1.1	4192124	MOTOR 7,5/2/132 3~380V 60HZ IE2 ATB VP.	1
		SPARE PARTS MOTOR:ON REQUEST	1
1.2	4186398	MODULE HELIX-VE1012-IE2-ATB KIT	1
1.22	2111344	> MODULE COVER/GASKET TL5 KIT	1
1.23	4215716	> SCREW M5X16 DIN912 8.8 A2A (4pieces) VP.	1
1.24	2057978	> RONDELLE A5,3 DIN6797 FST ZN (4 PIECES)	1



DRIVE HELIX-VE1012-IE4-WE-KIT

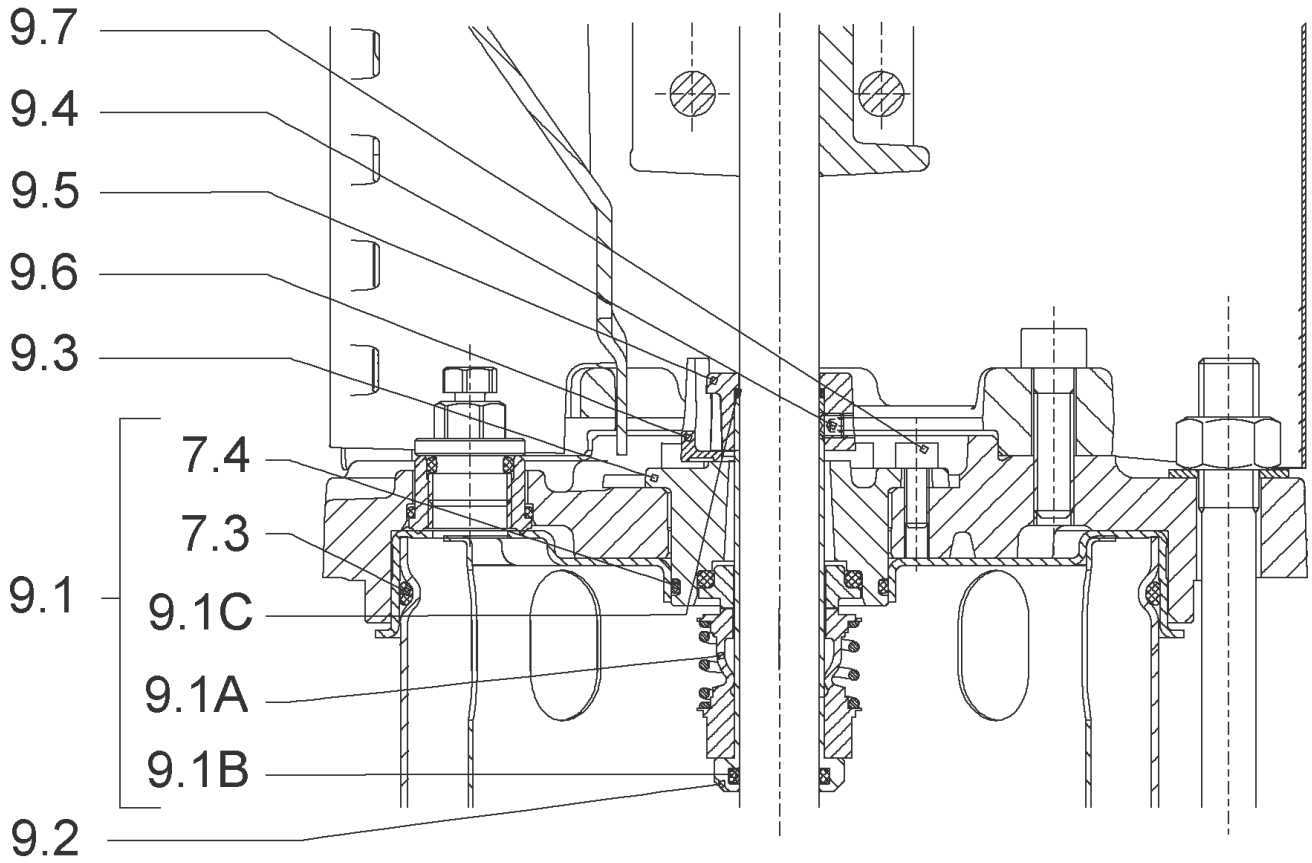
Item	Article no.	Description	Quantity
1.1	4207938	MOT.7.5/2/132F26 3~ 380V 60HZ IE4 WE VP.	1
		SPARE PARTS MOTOR:ON REQUEST	1
1.2	4212638	MODULE HELIX-VE1012-IE4-WE KIT	1
1.22	2111344	> MODULE COVER/GASKET TL5 KIT	1
1.23	4215716	> SCREW M5X16 DIN912 8.8 A2A (4pieces) VP.	1
1.24	2057978	> RONDELLE A5,3 DIN6797 FST ZN (4 PIECES)	1

COUPLING D.16XD.38 FF265 HELIX KIT (4159711)



COUPLING D.16XD.38 FF265 HELIX KIT (4159711)

Item	Article no.	Description	Quantity
4.1	2131018	COUPLING 2 PARTS D.16XD.28XL.82,4 VP.	1
4.2	2131017	BALL BEARING 6310/ZZ-C4(HT)VP.	1
4.3	4234253	CIRCLIP-FOR-SHAFT-D50x2 VP.	1
4.4	4157726	SCREW KIT M8X30 (4 PIECES)	1
4.5	4234255	CIRCLIPS 110X4 VP.	1
4.6	4233944	O-RING ID.110 VP.	1
4.7	2131019	RETAINING RING D.26xD.2 DIN7993 VP.	1
4.10	4157726	SCREW KIT M8X30 (4 PIECES)	1
4.11	4102901	SCREW CHC-M6X14-8.8-ISO4762-GEOMET500A	1
4.12	2130995	SERRATED LOCK WASHER D.6,2XD.14,5X28 VP.	1
		NOMEL CONTACT WASHER 8x16x1,4 STEEL ZC	1
4.8	2131020	HUB D.38XD.50 VP.	1
4.9	2131021	SPACER D.28XD.45 VP.	1



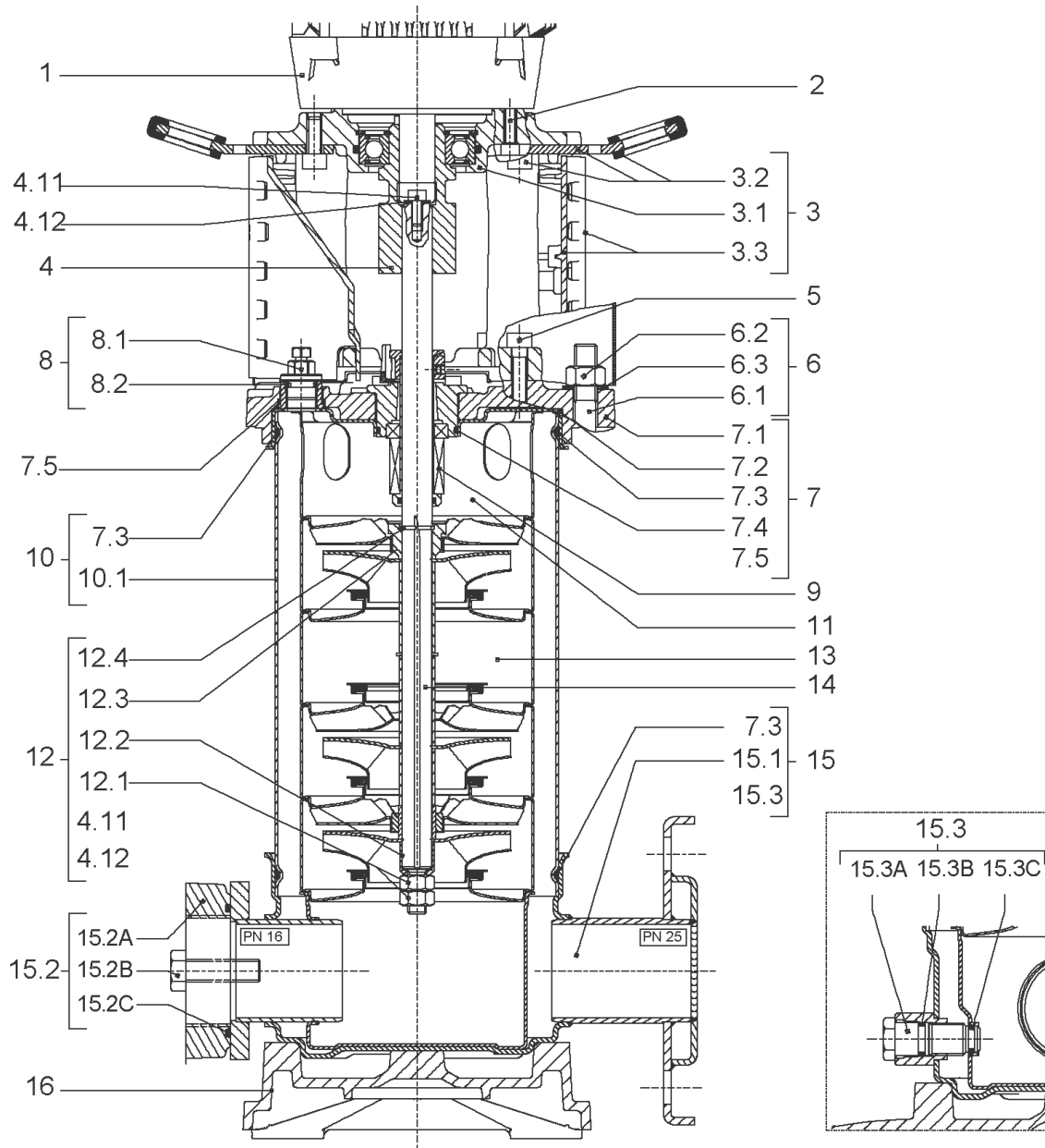
CARTRIDGE HELIX6-10-16 F/E KIT (4159698)

Item	Article no.	Description	Quantity
9.1	4159699	SEAL-KIT-HELIX6-10-16 F/E	1
7.3	4176513	> O-RING FOR PUMP JACKET VP.	1
7.4	2127603	> O-RING ID.37,6x2,4 EPDM VP.	1
9.1A	4176521	> MECH.SEAL HELIX2-4-6-10-16 F/E VP.	1
9.1B	2130967	> O-RING D.16X2,5 EPDM VP.	1
9.1C	4176519	> O-RING Ø16xØ1.25 VP.	1
9.2	2130961	SHAFT SLEEVE D.18/16X72,2 1.4404 VP.	1
9.3	2130962	RING HOLDER D.18 G606/G6 1.4301 VP.	1
9.4	4176520	SCREW CH M5x5 A4-70 (3PIECES)	1
9.5	2130963	DRIVE RING D.29/18x12,4 MACH.VP.	1
9.6	2130964	TOOL M.S.CART.HELIX VP.	1
9.7	2130965	SCREW CHC M5X12 ISO4762 A2.70(4 PIECES)	1



HYDRAULIC HELIX V 1012 1.4307

Item	Article no.	Description	Quantity
13.1	4171331	STAGE HELIX10 1.4301KIT	1
		> MACH.STG-CASING-WOGV-WNR-M+10-304	1
		> IMPELLER-M+10-304	1
13.2	4172792	INTERMEDIATE STAGE HELIX 10 1.4301 KIT	1
		> MACH.BEARING-STG-CASING-WNR-M+10-304	1
		> IMPELLER-M+10-304	1
		> SHAFT SLEEVE-SPACER-Ø19,35x18,465-304	1
		> SHAFT-SLEEVE-D16xD20x18-CW	1
13.3	4172793	INTERMEDIATE STAGE HELIX 10 1.4301 KIT	1
		> MACH.STD-STG-CASING-WGV+NR-M+10-304	1
		> IMPELLER-M+10-304	1
		> IMPELLER SPACER Ø16,05X19,45-L36,465-304	1



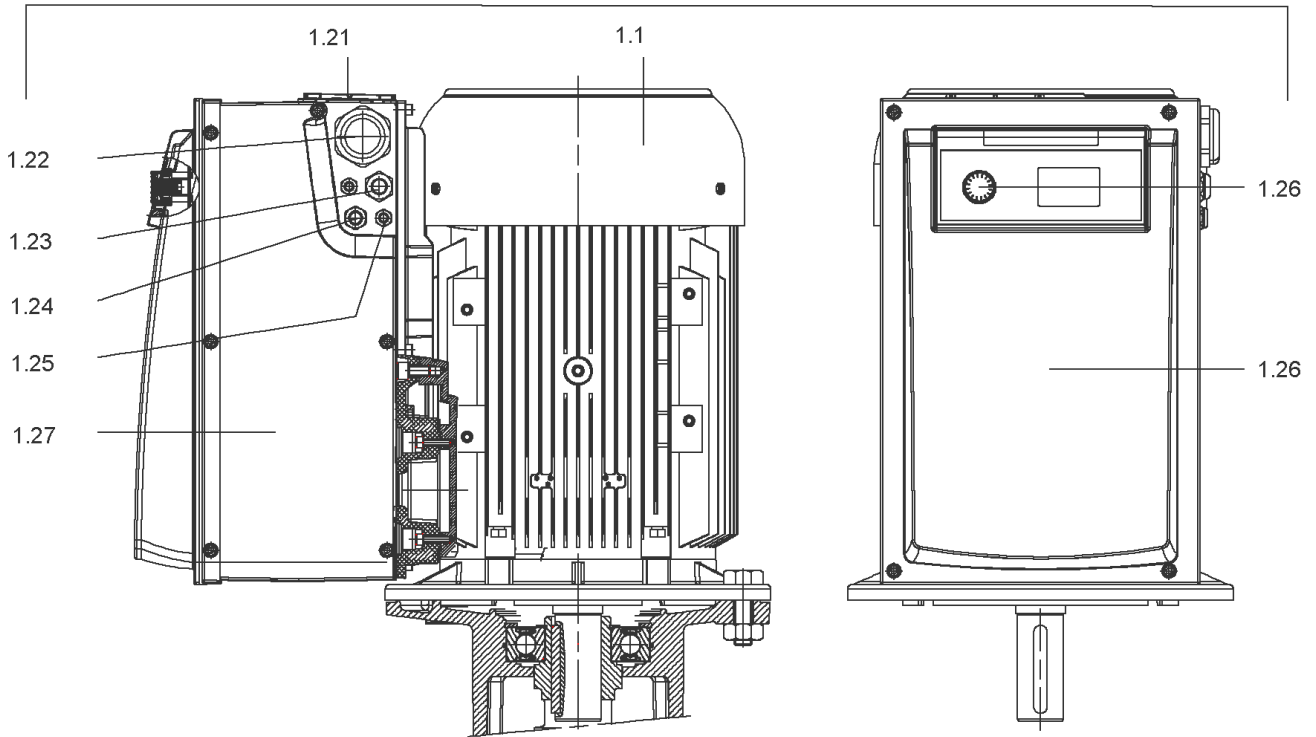
HELIX VE1016-1/25/E/KS/2G (4166287)

Item	Article no.	Description	Quantity
1	4218534	DRIVE HELIX VE1016-IE4-WEG KIT	1
Note: MOTOR BRAND WEG			
1		DRIVE HELIX VE1016-IE2-ARC KIT	1
Note: no longer available/nicht mehr lieferbar/n'est plus disponible			
2	4179586	SCREW M16X60 (4 PIECES)	1
3	4186390	LANTERN FF300 HELIX KIT	1
3.1		> LANTERN FF300 M+6" JL MACH.+CATA	1
3.2	4179589	> EYELET CPL.FF300 HELIX(4 PIECES)	1
3.3	4159695	> COUPLING PROTECTOR FF HELIX KIT	1
4	4159712	COUPLING D.16XD.38 FF300 HELIX KIT	1
5	4159707	SCREW M8X30 (4 PIECES)	1
6	4186391	STUD BOLT M12X810 HELIX V10 KIT	1
6.1		> TIE BOLT M12-810x18x30-1.4057	1
6.2	2094647	> NUT M12 M12 ISO4032 VP.	1
6.3	2123557	> WASHER CS-12.4-24-1.6-NFE25 (4 PIECES)	1
7	4186392	END SHIELD HELIX EV10 EPDM KIT	1
7.1		> END SHIELD M+6" GJL250 FF300 REINFORCED	1
7.2	2127607	> STATIONARY RING HOLDER 6" HELIX 1.4301 V	1
7.3	4176513	> O-RING FOR PUMP JACKET VP.	1
7.4	2127603	> O-RING ID.37,6x2,4 EPDM VP.	1
7.5	2127602	> O-RING ID.21,35x2 EPDM VP.	1
8	4159686	FILING/PURGING PLUG HELIX EPDM KIT	1
9	4159698	CARTRIDGE HELIX6-10-16 F/E KIT	1
10	4177853	HOUSING PIPES D.152X660 1.4307 KIT	1
7.3	4176513	> O-RING FOR PUMP JACKET VP.	1
10.1		> HOUSING-PIPE Ø152-M+1016/1610-304	1
11	4172791	CENTERING STAGE-RETURN HELIX10 1.4301VP.	1
12	4171332	SHAFT EQUIPMENT HELIX V10 BI BLOC KIT	1
4.11	4102901	> SCREW CHC-M6X14-8.8-ISO4762-GEOMET500A	1
4.12	2130995	> SERRATED LOCK WASHER D.6,2XD.14,5X28 VP.	1
12.1		> NUT-H-M10-A4.70	1
12.2		> SERRATED LOCK WASHER M+10M3-316L	1
12.3		> STOP COLLAR OF IMPELLER L16,5-Ø16-316L	1
12.4		> STOP-RUSH-1/2-D16xd2-M+316	1

HELIX VE1016-1/25/E/KS/2G (4166287)

Item	Article no.	Description	Quantity
13		HYDRAULIC HELIX V 1016 1.4307	1
14	4177854	SHAFT D.16 X780 1.4301 VP.	1
15	4172797	PUMP HOUSING HELIX DN40 PN25 1.4301 KIT	1
7.3	4176513	> O-RING FOR PUMP JACKET VP.	1
15.1		> BLASTING PPE HOUSING V-PN25-DN40-304	1
15.3	4171321	> PRIMING/DRAIN PLUG EPDM HELIX KIT	1
16	4176517	BASEPLATE V8/10 VP.	1

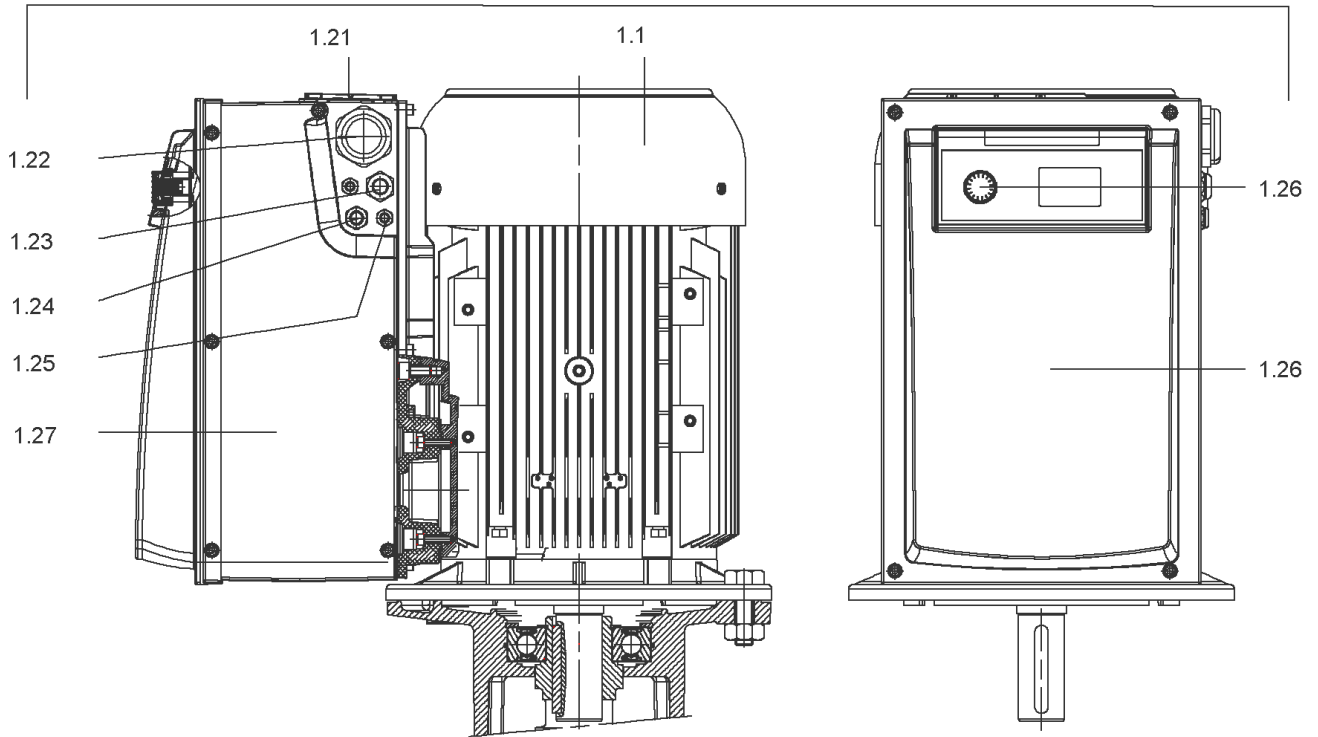
1



DRIVE HELIX VE1016-IE4-WEG KIT (4218534)

Item	Article no.	Description	Quantity
1.1		M11-2T540P55V1-160F30-N42-ADAPT-IE4-WEG	1
		SPARE PARTS MOTOR:ON REQUEST	1
1.21	2132102	FAN SMALL TL6/7 FF KIT	1
1.25	2132097	CABLE CONNECTION M12 TL6/7 FF VP.	1
1.24	2132098	CABLE CONNECTION M16 TL6/7 FF VP.	1
1.23	2132099	CABLE CONNECTION M20 TL6/7 FF VP.	1
1.22	2132100	CABLE CONNECTION SMALL M40 TL6/7 FF VP.	1
1.27	2132104	COVER SIDE TL6/7 FF CPL.VP.	1
1.26	2132452	MODULE COVER/BUTTON TL6/7 FF VP.	1

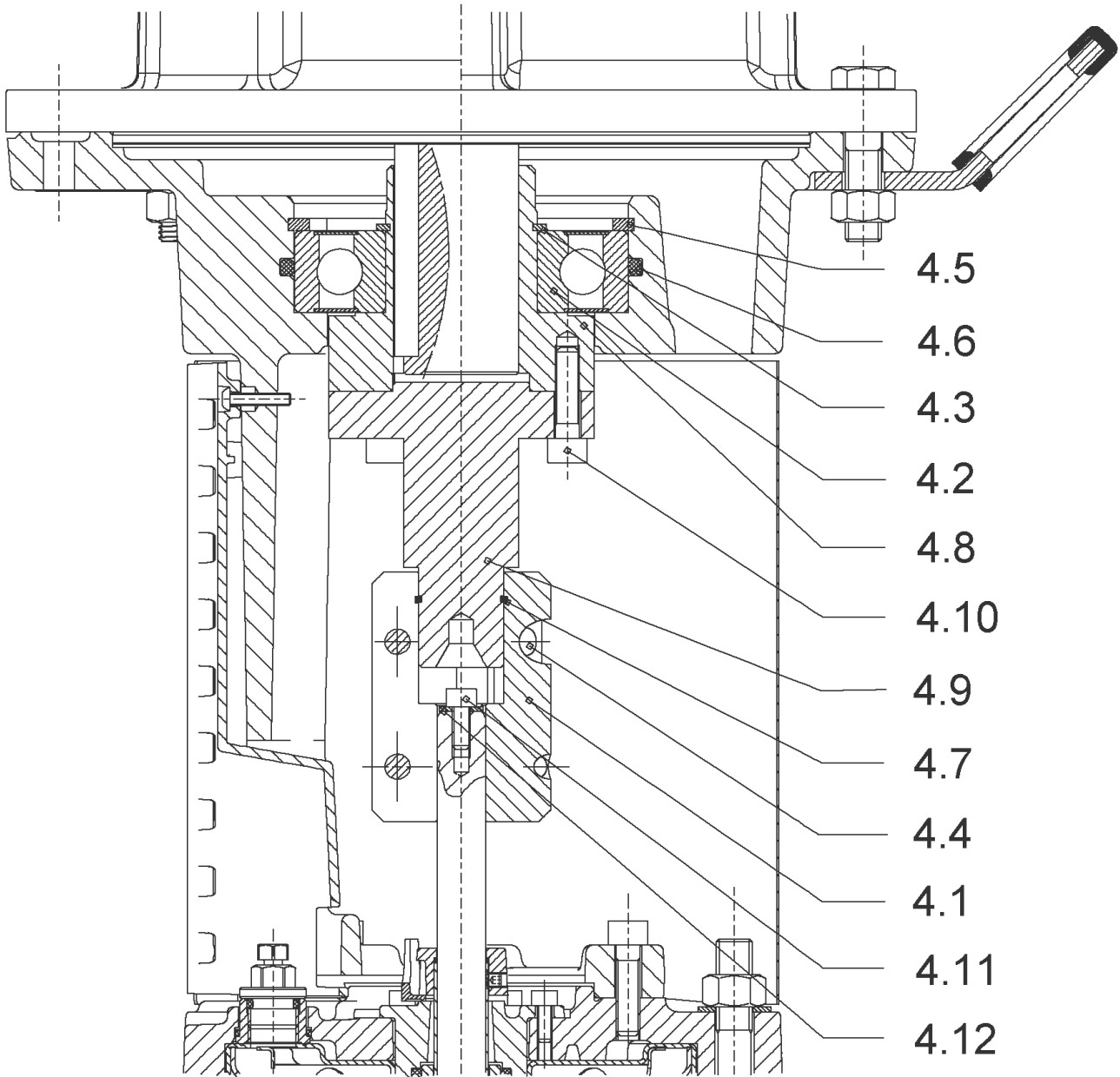
1



DRIVE HELIX VE1016-IE2-ARC KIT

Item	Article no.	Description	Quantity
1.1		M11-2T540P55V1-160F300-N42-IE2	1
		SPARE PARTS MOTOR:ON REQUEST	1
1.21	2132102	FAN SMALL TL6/7 FF KIT	1
1.25	2132097	CABLE CONNECTION M12 TL6/7 FF VP.	1
1.24	2132098	CABLE CONNECTION M16 TL6/7 FF VP.	1
1.23	2132099	CABLE CONNECTION M20 TL6/7 FF VP.	1
1.22	2132100	CABLE CONNECTION SMALL M40 TL6/7 FF VP.	1
1.27	2132104	COVER SIDE TL6/7 FF CPL.VP.	1
1.26	2132452	MODULE COVER/BUTTON TL6/7 FF VP.	1

COUPLING D.16XD.38 FF300 HELIX KIT (4159712)



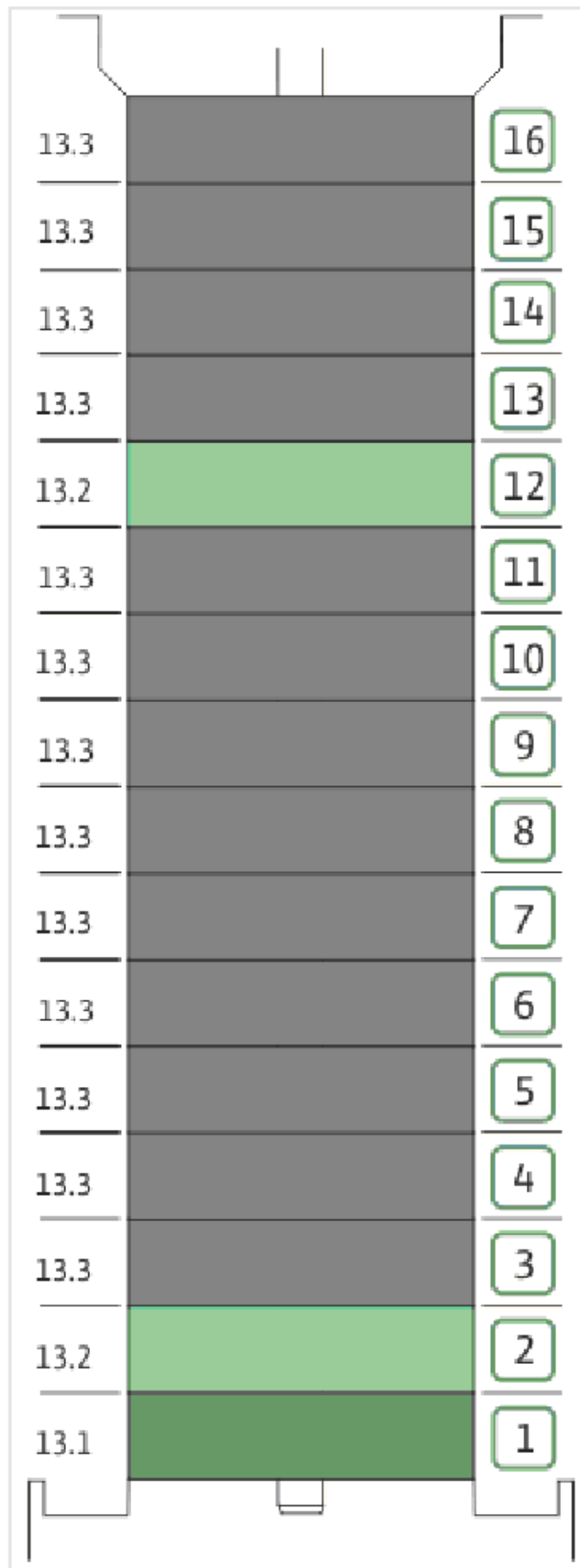
COUPLING D.16XD.38 FF300 HELIX KIT (4159712)

Item	Article no.	Description	Quantity
4.1	2130990	COUPLING 2 PARTS D.16XD.38XL.115 VP.	1
4.2	2123699	BALL BEARING 6312/2Z-C4 (HT) VP.	1
4.3	63428	CIRCLIP-FOR-SHAFT-D60x2	1
4.4	2130991	SCREW M12X30 ISO4762 8.8 ZN(4 PIECES)	1
4.5	4032277	CIRCLIP-HOLE-130x4	1
4.6	4006725	O-RING ID.132,94x3,53 NBR70SR	1
4.7	2130992	RETAINING RING D.35xD.2,5 DIN7993 VP.	1
4.8	2130993	HUB D.42xD.60 JL250 VP.	1
4.9	2130994	SPACER D.38XD.55 VP.	1
4.10	4094462	SCREWS M10 (4 PIECES)	1
4.11	4102901	SCREW CHC-M6X14-8.8-ISO4762-GEOMET500A	1
4.12	2130995	SERRATED LOCK WASHER D.6,2XD.14,5X28 VP.	1



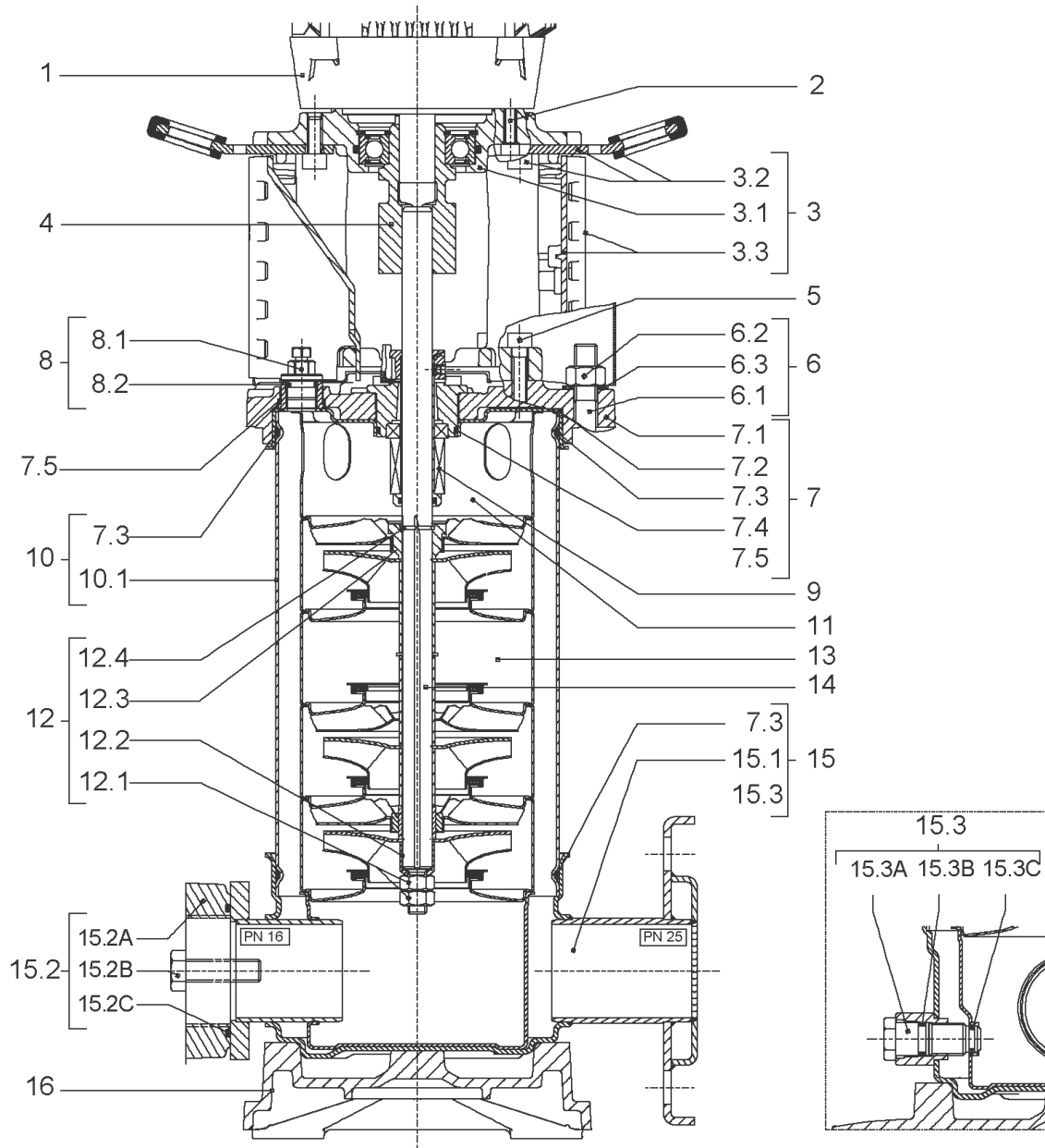
CARTRIDGE HELIX6-10-16 F/E KIT (4159698)

Item	Article no.	Description	Quantity
9.1	4159699	SEAL-KIT-HELIX6-10-16 F/E	1
7.3	4176513	> O-RING FOR PUMP JACKET VP.	1
7.4	2127603	> O-RING ID.37,6x2,4 EPDM VP.	1
9.1A	4176521	> MECH.SEAL HELIX2-4-6-10-16 F/E VP.	1
9.1B	2130967	> O-RING D.16X2,5 EPDM VP.	1
9.1C	4176519	> O-RING Ø16xØ1.25 VP.	1
9.2	2130961	SHAFT SLEEVE D.18/16X72,2 1.4404 VP.	1
9.3	2130962	RING HOLDER D.18 G606/G6 1.4301 VP.	1
9.4	4176520	SCREW CH M5x5 A4-70 (3PIECES)	1
9.5	2130963	DRIVE RING D.29/18x12,4 MACH.VP.	1
9.6	2130964	TOOL M.S.CART.HELIX VP.	1
9.7	2130965	SCREW CHC M5X12 ISO4762 A2.70(4 PIECES)	1



HYDRAULIC HELIX V 1016 1.4307

Item	Article no.	Description	Quantity
13.1	4171331	STAGE HELIX10 1.4301KIT	1
		> MACH.STG-CASING-WOGV-WNR-M+10-304	1
		> IMPELLER-M+10-304	1
13.2	4172792	INTERMEDIATE STAGE HELIX 10 1.4301 KIT	1
		> MACH.BEARING-STG-CASING-WNR-M+10-304	1
		> IMPELLER-M+10-304	1
		> SHAFT SLEEVE-SPACER-Ø19,35x18,465-304	1
		> SHAFT-SLEEVE-D16xD20x18-CW	1
13.3	4172793	INTERMEDIATE STAGE HELIX 10 1.4301 KIT	1
		> MACH.STD-STG-CASING-WGV+NR-M+10-304	1
		> IMPELLER-M+10-304	1
		> IMPELLER SPACER Ø16,05X19,45-L36,465-304	1

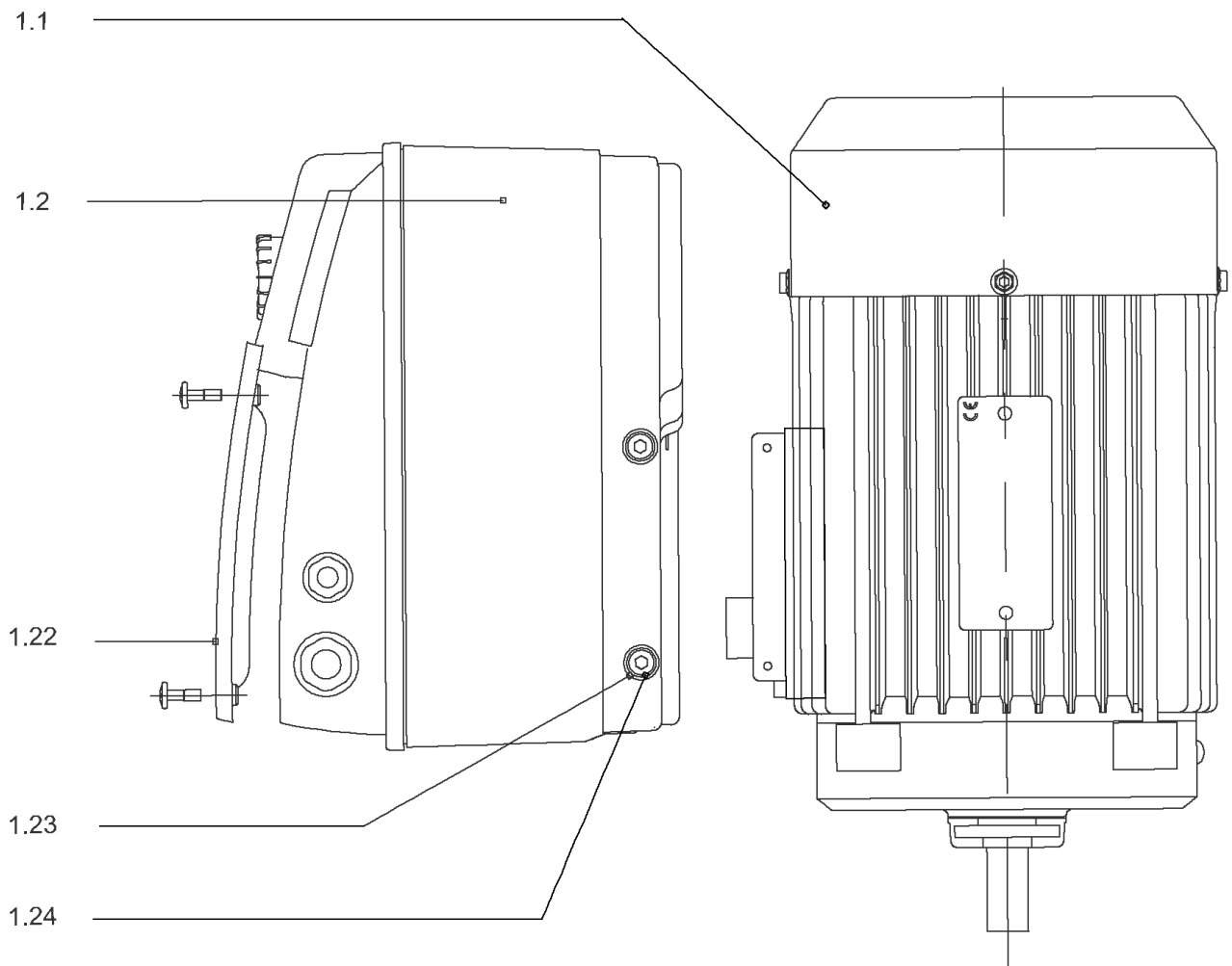


HELIX VE1601-1/16/E/KS (4171608)

Item	Article no.	Description	Quantity
1		DRIVE HELIX-VE1601-IE4-WE KIT	1
Note: MOTOR BRAND WILO ELEC			
2	4159703	SCREW M8X40 (4 PIECES)	1
3	4172788	LANTERN FT100 HELIX KIT	1
3.1		> LANTERN FT100 M+6" GJL MACHINING+CATA	1
3.2	2127604	> EYELET CPL.FT HELIX(2 PIECES)	1
3.3	4159692	> COUPLING PROTECTOR FT HELIX KIT	1
4	4159708	COUPLING D.16XD.19 FT100 HELIX KIT	1
5	4159707	SCREW M8X30 (4 PIECES)	1
6	2018368	STUD BOLT M12X289 KIT	1
6.1		> TIE BOLT M12-289x18x30-1.4057	1
6.2	2094647	> NUT M12 M12 ISO4032 VP.	1
6.3	2123557	> WASHER CS-12.4-24-1.6-NFE25 (4 PIECES)	1
7	4159685	END SHIELD HELIX EPDM KIT	1
7.1		> END SHIELD M+6" GJL250 MACHINING+CATA	1
7.2	2127607	> STATIONARY RING HOLDER 6" HELIX 1.4301 V	1
7.3	4176513	> O-RING FOR PUMP JACKET VP.	1
7.4	2127603	> O-RING ID.37,6x2,4 EPDM VP.	1
7.5	2127602	> O-RING ID.21,35x2 EPDM VP.	1
8	4159686	FILING/PURGING PLUG HELIX EPDM KIT	1
9	4159696	CARTRIDGE HELIX6-10-16 O/E KIT	1
10	2127574	HOUSING PIPE D.152x160 1.4301 KIT	1
7.3	4176513	> O-RING FOR PUMP JACKET VP.	1
10.1		> HOUSING-PIPE Ø152-M+1601/02-304	1
11	2127587	CENTERING STAGE HELIX16 1.4301 VP.	1
12	4159687	SHAFT EQUIPMENT HELIX V1601 KIT	1
12.1		> NUT-H-M10-A4.70	1
12.2		> SERRATED LOCK WASHER M+16M3-316L	1
12.3		> STOP COLLAR OF IMPELLER first stage	1
12.4		> STOP-RUSH-1/2-D16xd2-M+316	1
13		HYDRAULIC HELIX V 1601 1.4307	1
14	2127563	SHAFT D.16X280 1.4301 VP.	1
15	4217899	PUMP HOUSING HELIX DN50 PN16 1.4301 KIT	1
7.3	4176513	> O-RING FOR PUMP JACKET VP.	1

HELIX VE1601-1/16/E/KS (4171608)

Item	Article no.	Description	Quantity
15.1		> BLASTING PPE HOUSING V-PN16-DN50-304	1
15.2	4217895	> COUNTER FLANGE-G2"-PN16-GJL KIT	1
15.3	4171321	> PRIMING/DRAIN PLUG EPDM HELIX KIT	1
16	2127601	BASEPLATE HELIX V16 VP.	1



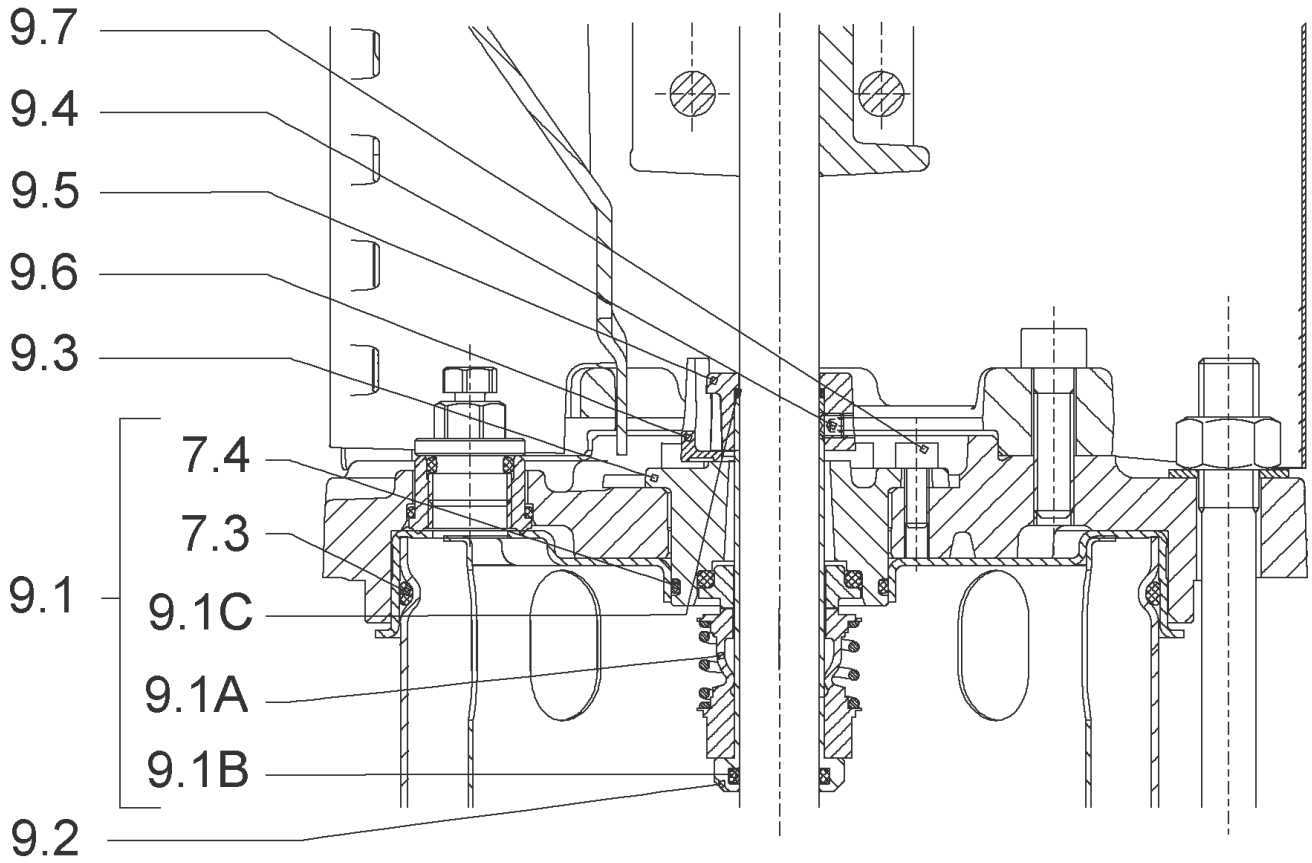
DRIVE HELIX-VE1601-IE4-WE KIT

Item	Article no.	Description	Quantity
1.1	4207916	MOTOR 1.1/2/80 3~ 380V 60HZ IE4 WE VP.	1
		SPARE PARTS MOTOR:ON REQUEST	1
1.2	4209601	MODULE HELIX-VE1601-IE4-WE KIT	1
1.22	2054372	> MODULE COVER TL1,TL2+GASKET KIT	1
1.23	4215716	> SCREW M5X16 DIN912 8.8 A2A (4pieces) VP.	1
1.24	2057978	> RONDELLE A5,3 DIN6797 FST ZN (4 PIECES)	1



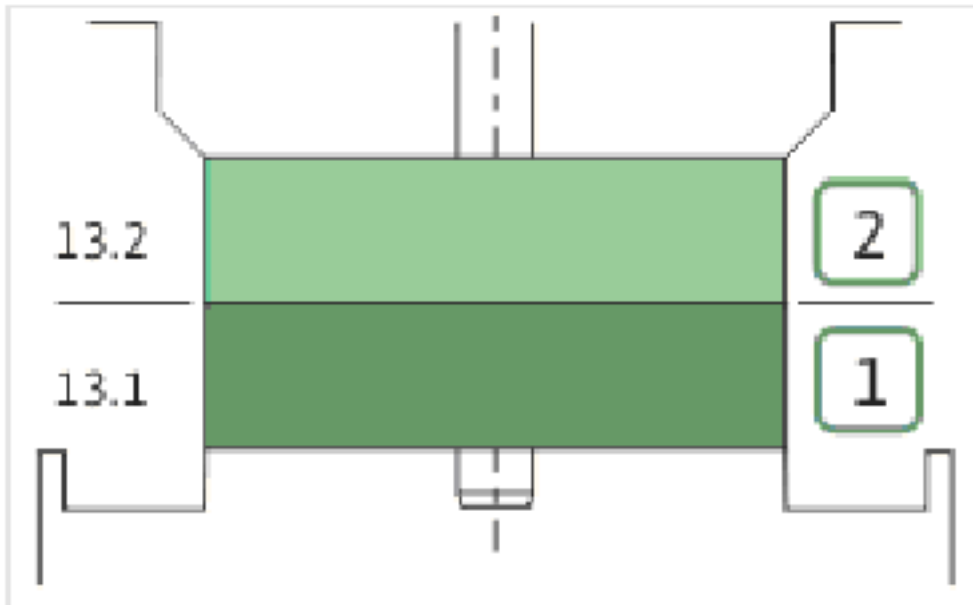
COUPLING D.16XD.19 FT100 HELIX KIT (4159708)

Item	Article no.	Description	Quantity
4.1		COUPLING M+ Ø16XØ19 FT100 MACHINED	1
4.2	2130977	BALL BEARING 6206/ZZ-C3(HT)VP.	1
4.3	4234249	CIRCLIP-FOR-SHAFT-D30x1.5 VP.	1
4.4	4212716	SCREW M6X20 KIT (4PIECES)	1
4.5	4234250	CIRCLIP-D62x2 VP.	1
4.6	4234245	O-RING 63X3 VP.	1
		CONTACT-WASHER-6ETR-6,1x12,2x1,8-STEEL	1



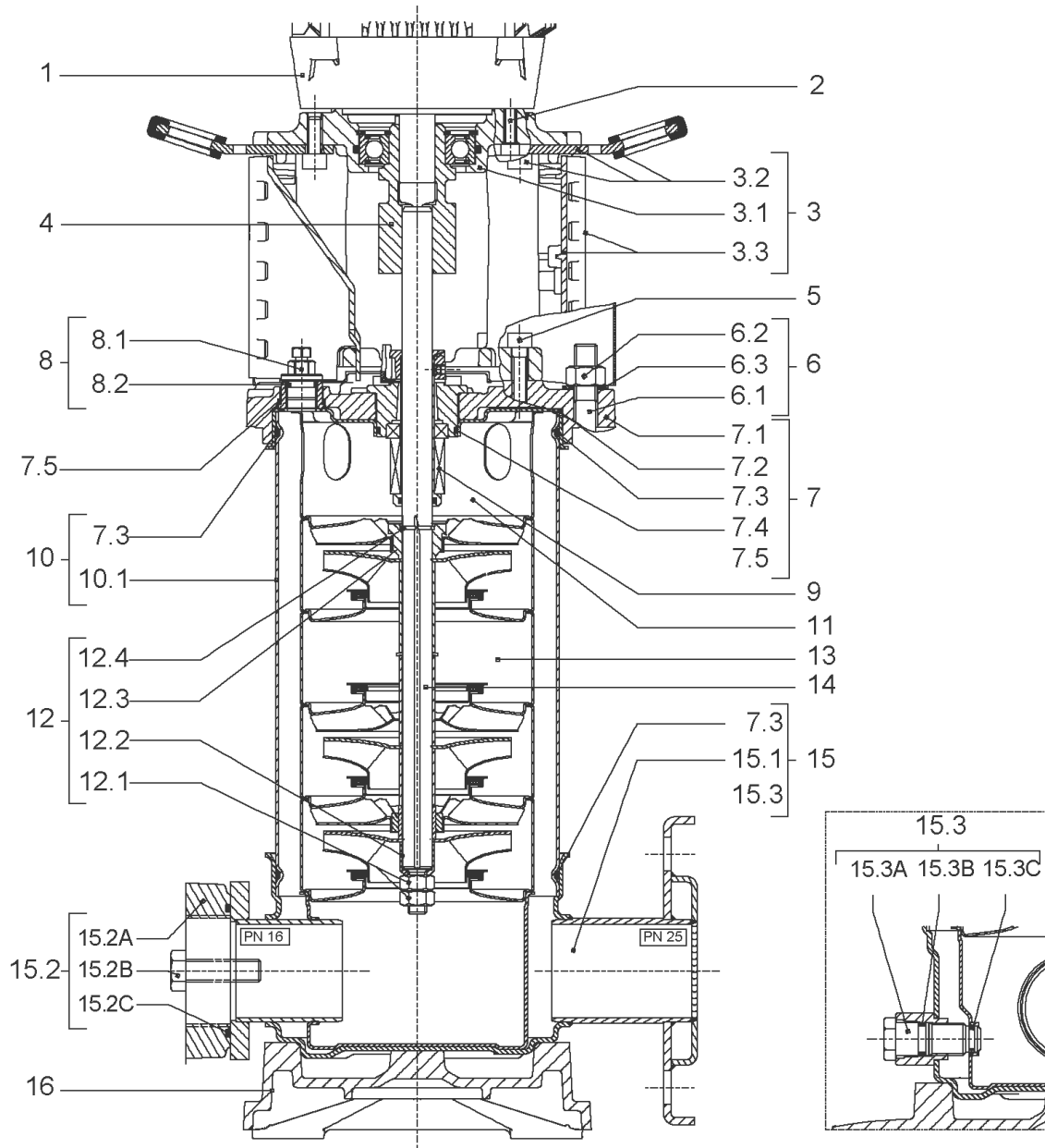
CARTRIDGE HELIX6-10-16 O/E KIT (4159696)

Item	Article no.	Description	Quantity
9.1	4159697	SEAL-KIT-HELIX6-10-16 O/E	1
7.3	4176513	> O-RING FOR PUMP JACKET VP.	1
7.4	2127603	> O-RING ID.37,6x2,4 EPDM VP.	1
9.1A	2130966	> MECH.SEAL HELIX2-4-6-10-16 O/E VP.	1
9.1B	2130967	> O-RING D.16X2,5 EPDM VP.	1
9.1C	4176519	> O-RING Ø16xØ1.25 VP.	1
9.2	2130961	SHAFT SLEEVE D.18/16X72,2 1.4404 VP.	1
9.3	2130962	RING HOLDER D.18 G606/G6 1.4301 VP.	1
9.4	4176520	SCREW CH M5x5 A4-70 (3PIECES)	1
9.5	2130963	DRIVE RING D.29/18x12,4 MACH.VP.	1
9.6	2130964	TOOL M.S.CART.HELIX VP.	1
9.7	2130965	SCREW CHC M5X12 ISO4762 A2.70(4 PIECES)	1



HYDRAULIC HELIX V 1601 1.4307

Item	Article no.	Description	Quantity
13.1	4159720	STAGE HELIX 16 1.4301 KIT	1
		> MACH.STG-CASING-WOGV-WNR-M+16-304	1
		> IMPELLER-M+16-304	1
13.2	4159713	STAGE-BEARING HELIX 16 1.4301 KIT	1
		> MACH.BEARING-STG-CASING-WNR-M+16-304	1
		> SHAFT-SLEEVE-D16xD20x18-CW	1
		> STOP COLLAR OF IMPELLER first stage	1

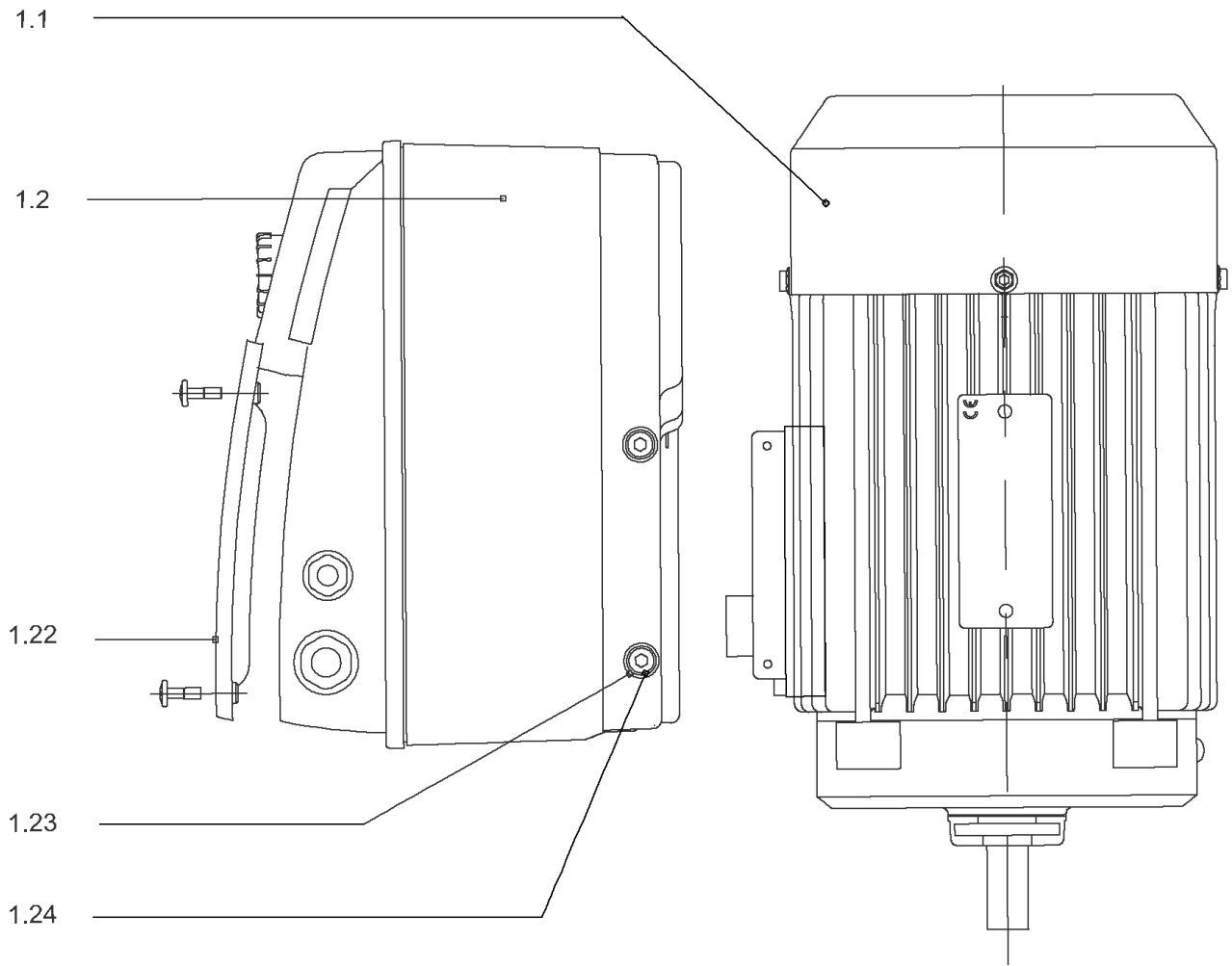


HELIX VE1602-1/16/E/KS (4148083)

Item	Article no.	Description	Quantity
1		DRIVE HELIX-VE1602-IE2-ATB KIT	1
Note: MOTOR BRAND ATB			
1		DRIVE HELIX-VE1602-IE2-WE KIT	1
Note: MOTOR BRAND WILO ELEC			
1		DRIVE HELIX-VE1602-IE4-WE KIT	1
Note: MOTOR BRAND WILO ELEC			
2	4159703	SCREW M8X40 (4 PIECES)	1
3	4159690	LANTERN FT115 HELIX KIT	1
3.1		> LANTERN FT115 M+6" GJL MACHINING+CATA	1
3.2	2127604	> EYELET CPL.FT HELIX(2 PIECES)	1
3.3	4159692	> COUPLING PROTECTOR FT HELIX KIT	1
4	4159709	COUPLING D.16xD.24 FT115 HELIX KIT	1
5	4159707	SCREW M8X30 (4 PIECES)	1
6	2018368	STUD BOLT M12X289 KIT	1
6.1		> TIE BOLT M12-289x18x30-1.4057	1
6.2	2094647	> NUT M12 M12 ISO4032 VP.	1
6.3	2123557	> WASHER CS-12.4-24-1.6-NFE25 (4 PIECES)	1
7	4159685	END SHIELD HELIX EPDM KIT	1
7.1		> END SHIELD M+6" GJL250 MACHINING+CATA	1
7.2	2127607	> STATIONARY RING HOLDER 6" HELIX 1.4301 V	1
7.3	4176513	> O-RING FOR PUMP JACKET VP.	1
7.4	2127603	> O-RING ID.37,6x2,4 EPDM VP.	1
7.5	2127602	> O-RING ID.21,35x2 EPDM VP.	1
8	4159686	FILING/PURGING PLUG HELIX EPDM KIT	1
9	4159696	CARTRIDGE HELIX6-10-16 O/E KIT	1
10	2127574	HOUSING PIPE D.152x160 1.4301 KIT	1
7.3	4176513	> O-RING FOR PUMP JACKET VP.	1
10.1		> HOUSING-PIPE Ø152-M+1601/02-304	1
11	2127588	CENTERING STAGE-RETURN HELIX16 1.4301 VP	1
12	4209328	SHAFT EQUIPMENT HELIX V16 BI BLOC KIT	1
12.1		> NUT-H-M10-A4.70	1
12.2		> SERRATED LOCK WASHER M+16M3-316L	1
12.3		> STOP COLLAR OF IMPELLER L18,8-Ø16-316L	1
12.4		> STOP-RUSH-1/2-D16xd2-M+316	1

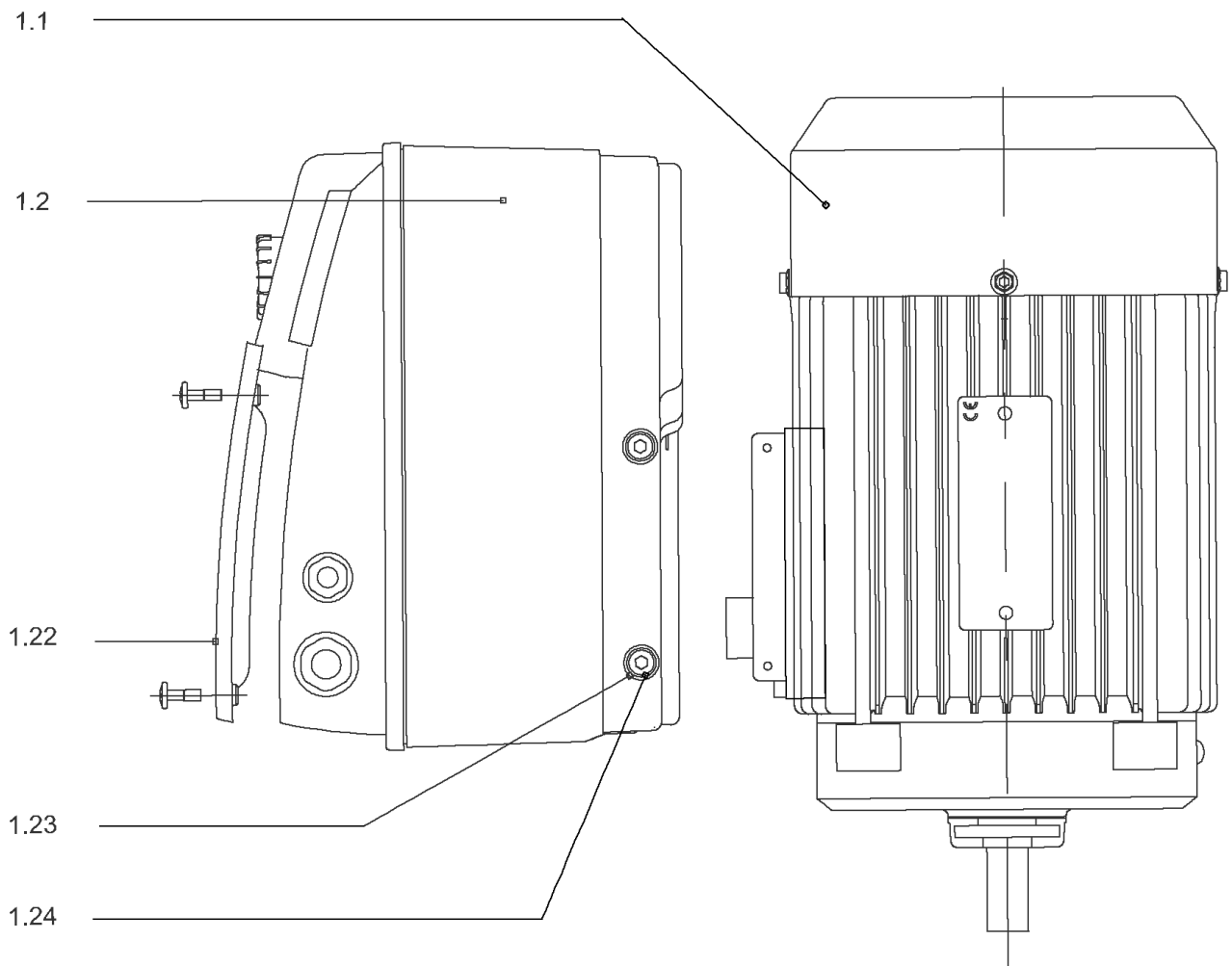
HELIX VE1602-1/16/E/KS (4148083)

Item	Article no.	Description	Quantity
13		HYDRAULIC HELIX V 1602 1.4307	1
14	2127563	SHAFT D.16X280 1.4301 VP.	1
15	4217899	PUMP HOUSING HELIX DN50 PN16 1.4301 KIT	1
7.3	4176513	> O-RING FOR PUMP JACKET VP.	1
15.1		> BLASTING PPE HOUSING V-PN16-DN50-304	1
15.2	4217895	> COUNTER FLANGE-G2"-PN16-GJL KIT	1
15.3	4171321	> PRIMING/DRAIN PLUG EPDM HELIX KIT	1
16	2127601	BASEPLATE HELIX V16 VP.	1



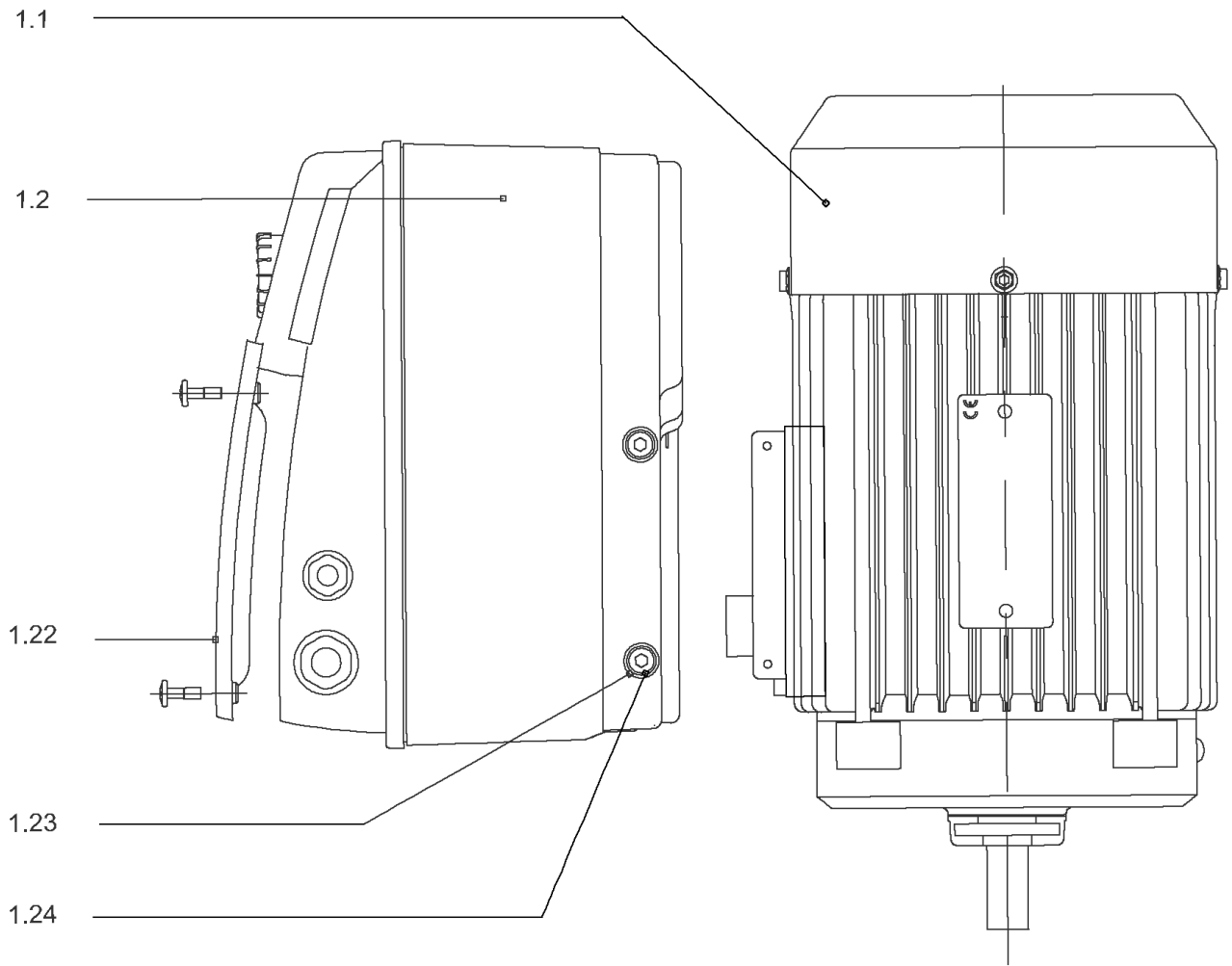
DRIVE HELIX-VE1602-IE2-ATB KIT

Item	Article no.	Description	Quantity
1.1		M2,2-2T638P55V18-90F11-SU-N24-ADAPT-IE2	1
Note: no longer available/nicht mehr lieferbar/n'est plus disponible			
		SPARE PARTS MOTOR:ON REQUEST	1
1.2	4220618	MODULE HELIX-VE1602-IE2-ATB KIT	1
1.22	2054227	> MODULE COVER/GASKET TL3/4 KIT	1
1.23	4215716	> SCREW M5X16 DIN912 8.8 A2A (4pieces) VP.	1
1.24	2057978	> RONDELLE A5,3 DIN6797 FST ZN (4 PIECES)	1



DRIVE HELIX-VE1602-IE2-WE KIT

Item	Article no.	Description	Quantity
1.1	4185016	MOTOR 2,2/2/90 3~ 380V 60HZ IE2 WE VP.	1
		SPARE PARTS MOTOR:ON REQUEST	1
1.2	4185020	MODULE HELIX-VE1602-IE2-WE KIT	1
1.22	2054227	> MODULE COVER/GASKET TL3/4 KIT	1
1.23	4215716	> SCREW M5X16 DIN912 8.8 A2A (4pieces) VP.	1
1.24	2057978	> RONDELLE A5,3 DIN6797 FST ZN (4 PIECES)	1



DRIVE HELIX-VE1602-IE4-WE KIT

Item	Article no.	Description	Quantity
1.1	4207920	MOTOR 2.2/2/90 3~ 380V 60HZ IE4 WE VP.	1
		SPARE PARTS MOTOR:ON REQUEST	1
1.2	4209593	MODULE HELIX-VE1602-IE4-WE KIT	1
1.22	2054227	> MODULE COVER/GASKET TL3/4 KIT	1
1.23	4215716	> SCREW M5X16 DIN912 8.8 A2A (4pieces) VP.	1
1.24	2057978	> RONDELLE A5,3 DIN6797 FST ZN (4 PIECES)	1



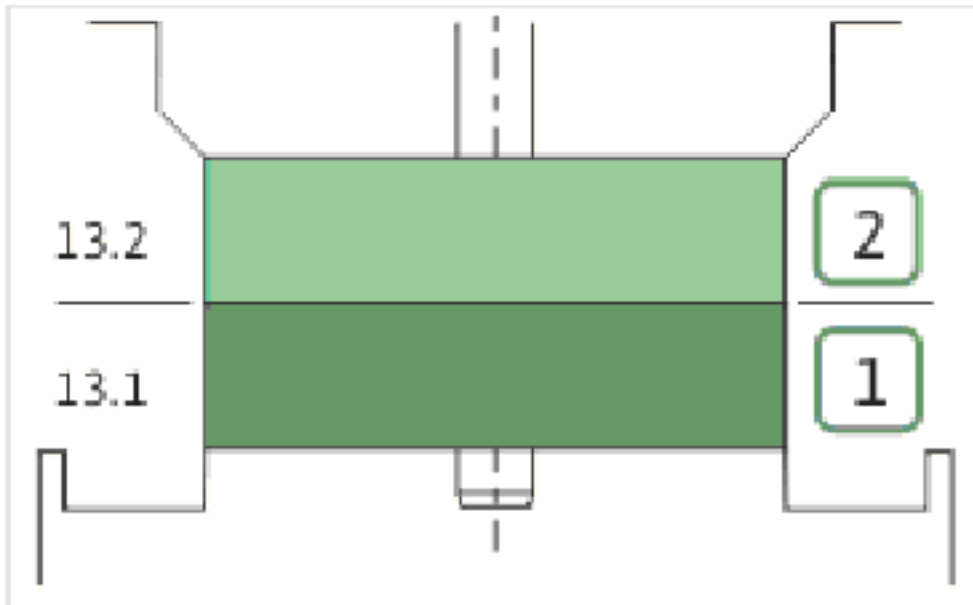
COUPLING D.16xD.24 FT115 HELIX KIT (4159709)

Item	Article no.	Description	Quantity
4.1		COUPLING M+ Ø16XØ24 FT115 MACHINED	1
4.2	2131023	BALL BEARING 6207/ZZ-C3(HT)VP.	1
4.3	4234254	CIRCLIP-FOR-SHAFT-D35x1.5 VP.	1
4.4	4157726	SCREW KIT M8X30 (4 PIECES)	1
4.5	4234251	CIRCLIP-D72x2.5 VP.	1
4.6	4234246	O-RING 72X3 VP.	1
		NOMEL CONTACT WASHER 8x16x1,4 STEEL ZC	1



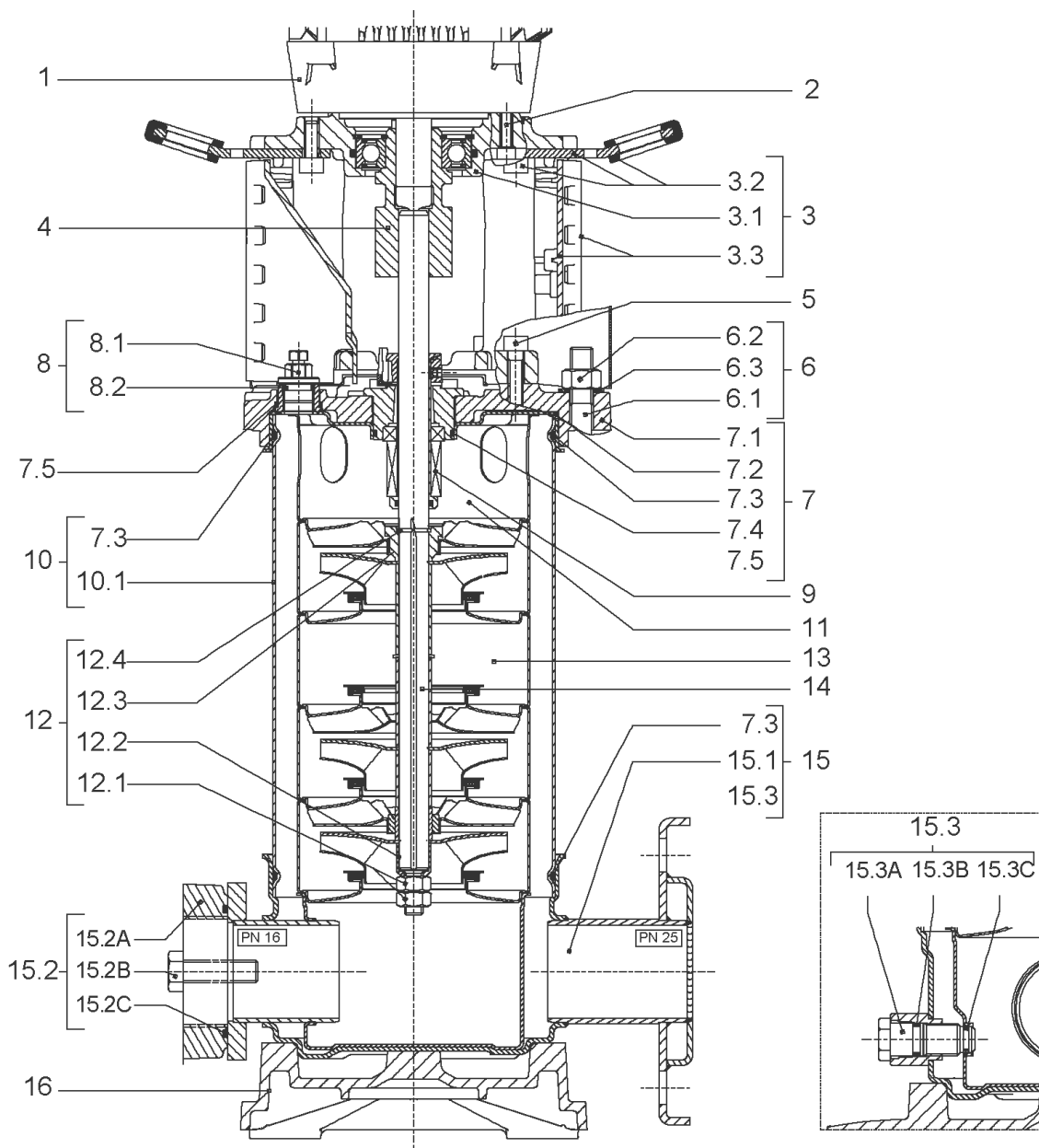
CARTRIDGE HELIX6-10-16 O/E KIT (4159696)

Item	Article no.	Description	Quantity
9.1	4159697	SEAL-KIT-HELIX6-10-16 O/E	1
7.3	4176513	> O-RING FOR PUMP JACKET VP.	1
7.4	2127603	> O-RING ID.37,6x2,4 EPDM VP.	1
9.1A	2130966	> MECH.SEAL HELIX2-4-6-10-16 O/E VP.	1
9.1B	2130967	> O-RING D.16X2,5 EPDM VP.	1
9.1C	4176519	> O-RING Ø16xØ1.25 VP.	1
9.2	2130961	SHAFT SLEEVE D.18/16X72,2 1.4404 VP.	1
9.3	2130962	RING HOLDER D.18 G606/G6 1.4301 VP.	1
9.4	4176520	SCREW CH M5x5 A4-70 (3PIECES)	1
9.5	2130963	DRIVE RING D.29/18x12,4 MACH.VP.	1
9.6	2130964	TOOL M.S.CART.HELIX VP.	1
9.7	2130965	SCREW CHC M5X12 ISO4762 A2.70(4 PIECES)	1



HYDRAULIC HELIX V 1602 1.4307

Item	Article no.	Description	Quantity
13.1	4159720	STAGE HELIX 16 1.4301 KIT	1
		> MACH.STG-CASING-WOGV-WNR-M+16-304	1
		> IMPELLER-M+16-304	1
13.2	4159714	STAGE BEARING HELIX 16 1.4301 KIT	1
		> MACH.BEARING-STG-CASING-WNR-M+16-304	1
		> IMPELLER-M+16-304	1
		> SLEEVE-SPACER-Ø19,35x30,665-304	1
		> SHAFT-SLEEVE-D16xD20x18-CW	1

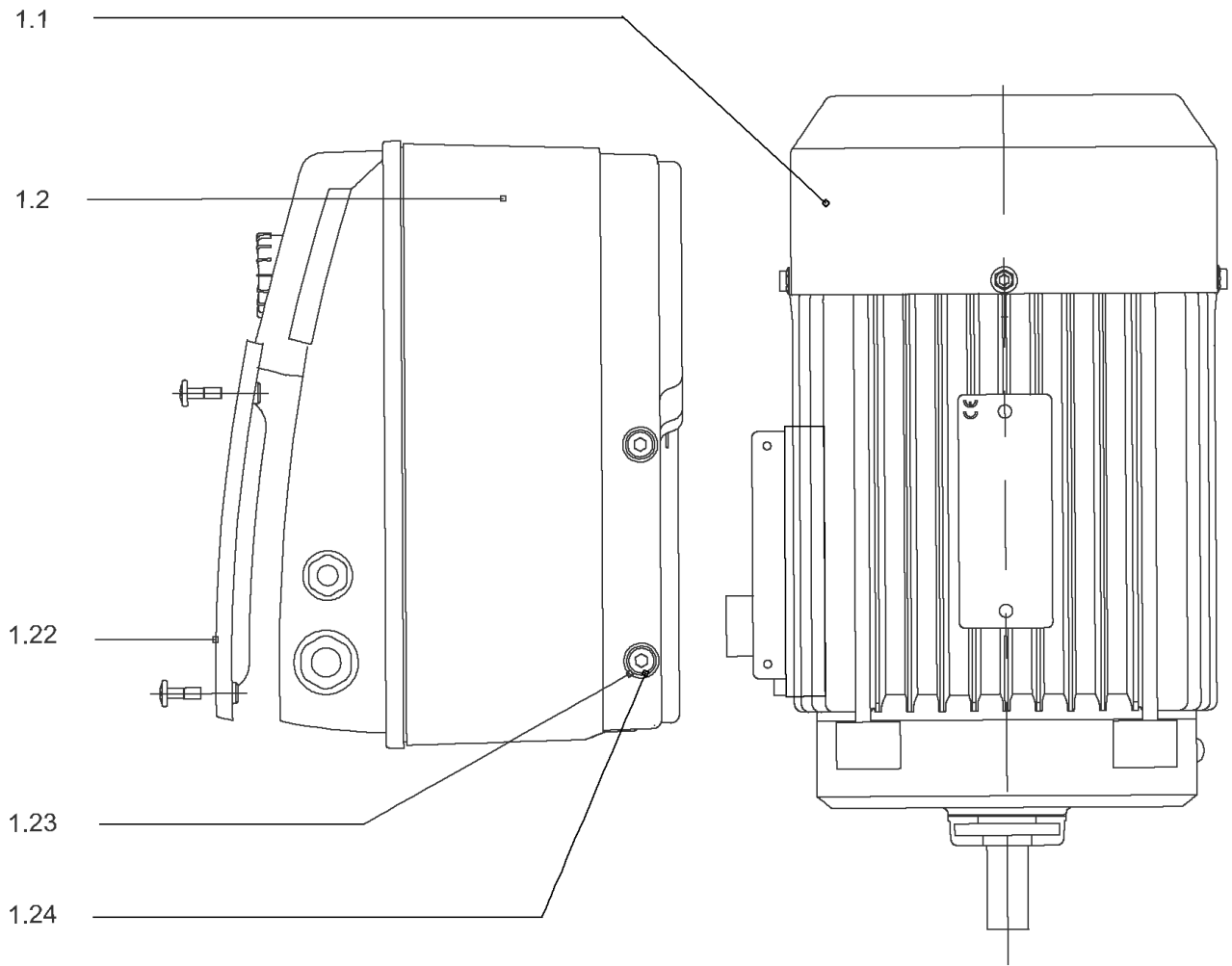


HELIX VE1602-1/16/E/S (4164621)

Item	Article no.	Description	Quantity
1		DRIVE HELIX-VE1602-IE2-ATB KIT	1
Note: MOTOR BRAND ATB			
1		DRIVE HELIX-VE1602-IE2-WE KIT	1
Note: MOTOR BRAND WILO ELEC			
1		DRIVE HELIX-VE1602-IE4-WE KIT	1
Note: MOTOR BRAND WILO ELEC			
2	4159703	SCREW M8X40 (4 PIECES)	1
3	4172795	LANTERNE FT115 HELIX KIT	1
3.1		> M+5_6_LANTERN_ONE-PIECE_FT115_CATA	1
3.2	2127604	> EYELET CPL.FT HELIX(2 PIECES)	1
3.3	4159692	> COUPLING PROTECTOR FT HELIX KIT	1
4	4159709	COUPLING D.16xD.24 FT115 HELIX KIT	1
5	4159707	SCREW M8X30 (4 PIECES)	1
6	2018368	STUD BOLT M12X289 KIT	1
6.1		> TIE BOLT M12-289x18x30-1.4057	1
6.2	2094647	> NUT M12 M12 ISO4032 VP.	1
6.3	2123557	> WASHER CS-12.4-24-1.6-NFE25 (4 PIECES)	1
7	4210143	STATIONARY RING HOLDER HELIX 6" EPDM	1
7.2	2127607	> STATIONARY RING HOLDER 6" HELIX 1.4301 V	1
7.3	4176513	> O-RING FOR PUMP JACKET VP.	1
7.4	2127603	> O-RING ID.37,6x2,4 EPDM VP.	1
7.5	2127602	> O-RING ID.21,35x2 EPDM VP.	1
8	4159686	FILING/PURGING PLUG HELIX EPDM KIT	1
9	4171327	SEAL-KIT-HELIX6-10-16 O/E KIT	1
10	2127574	HOUSING PIPE D.152x160 1.4301 KIT	1
7.3	4176513	> O-RING FOR PUMP JACKET VP.	1
10.1		> HOUSING-PIPE Ø152-M+1601/02-304	1
11	2127588	CENTERING STAGE-RETURN HELIX16 1.4301 VP	1
12	4209329	SHAFT EQUIPMENT HELIX V16 KIT	1
12.1		> NUT-H-M10-A4.70	1
12.2		> SERRATED LOCK WASHER M+16M3-316L	1
12.3		> IMPELLER STOP RING L35,9-304	1
12.4		> STOP-RUSH-1/2-D16xd2-M+316	1
13		HYDRAULIC HELIX V 1602 1.4307	1

HELIX VE1602-1/16/E/S (4164621)

Item	Article no.	Description	Quantity
14	2127563	SHAFT D.16X280 1.4301 VP.	1
15	4217899	PUMP HOUSING HELIX DN50 PN16 1.4301 KIT	1
7.3	4176513	> O-RING FOR PUMP JACKET VP.	1
15.1		> BLASTING PPE HOUSING V-PN16-DN50-304	1
15.2	4217895	> COUNTER FLANGE-G2"-PN16-GJL KIT	1
15.3	4171321	> PRIMING/DRAIN PLUG EPDM HELIX KIT	1
16	2127601	BASEPLATE HELIX V16 VP.	1



DRIVE HELIX-VE1602-IE2-ATB KIT

Item	Article no.	Description	Quantity
1.1		M2,2-2T638P55V18-90F11-SU-N24-ADAPT-IE2	1
Note: no longer available/nicht mehr lieferbar/n'est plus disponible			
		SPARE PARTS MOTOR:ON REQUEST	1
1.2	4220618	MODULE HELIX-VE1602-IE2-ATB KIT	1
1.22	2054227	> MODULE COVER/GASKET TL3/4 KIT	1
1.23	4215716	> SCREW M5X16 DIN912 8.8 A2A (4pieces) VP.	1
1.24	2057978	> RONDELLE A5,3 DIN6797 FST ZN (4 PIECES)	1



DRIVE HELIX-VE1602-IE2-WE KIT

Item	Article no.	Description	Quantity
1.1	4185016	MOTOR 2,2/2/90 3~ 380V 60HZ IE2 WE VP.	1
		SPARE PARTS MOTOR:ON REQUEST	1
1.2	4185020	MODULE HELIX-VE1602-IE2-WE KIT	1
1.22	2054227	> MODULE COVER/GASKET TL3/4 KIT	1
1.23	4215716	> SCREW M5X16 DIN912 8.8 A2A (4pieces) VP.	1
1.24	2057978	> RONDELLE A5,3 DIN6797 FST ZN (4 PIECES)	1



DRIVE HELIX-VE1602-IE4-WE KIT

Item	Article no.	Description	Quantity
1.1	4207920	MOTOR 2.2/2/90 3~ 380V 60HZ IE4 WE VP.	1
		SPARE PARTS MOTOR:ON REQUEST	1
1.2	4209593	MODULE HELIX-VE1602-IE4-WE KIT	1
1.22	2054227	> MODULE COVER/GASKET TL3/4 KIT	1
1.23	4215716	> SCREW M5X16 DIN912 8.8 A2A (4pieces) VP.	1
1.24	2057978	> RONDELLE A5,3 DIN6797 FST ZN (4 PIECES)	1

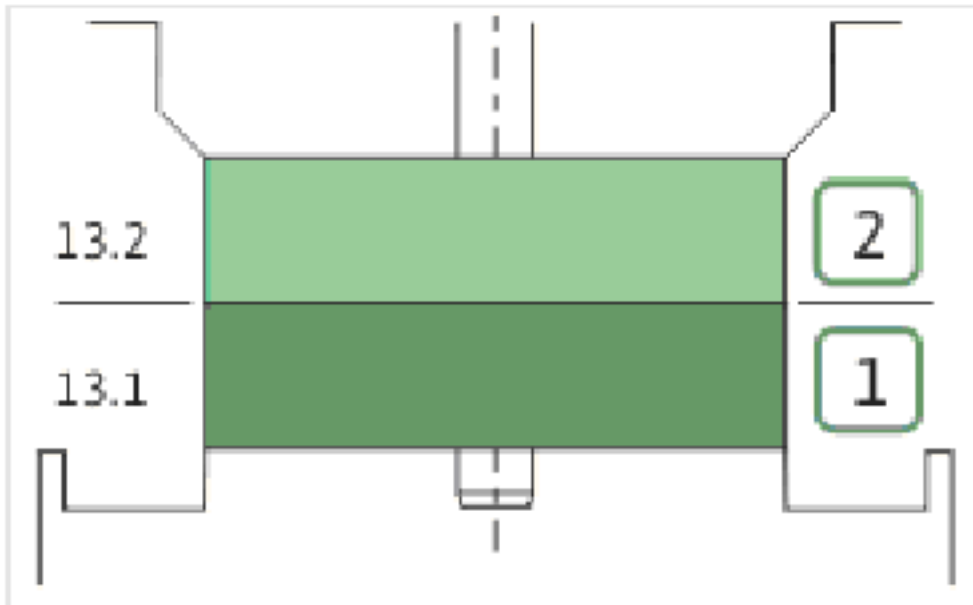


COUPLING D.16xD.24 FT115 HELIX KIT (4159709)

Item	Article no.	Description	Quantity
4.1		COUPLING M+ Ø16XØ24 FT115 MACHINED	1
4.2	2131023	BALL BEARING 6207/ZZ-C3(HT)VP.	1
4.3	4234254	CIRCLIP-FOR-SHAFT-D35x1.5 VP.	1
4.4	4157726	SCREW KIT M8X30 (4 PIECES)	1
4.5	4234251	CIRCLIP-D72x2.5 VP.	1
4.6	4234246	O-RING 72X3 VP.	1
		NOMEL CONTACT WASHER 8x16x1,4 STEEL ZC	1

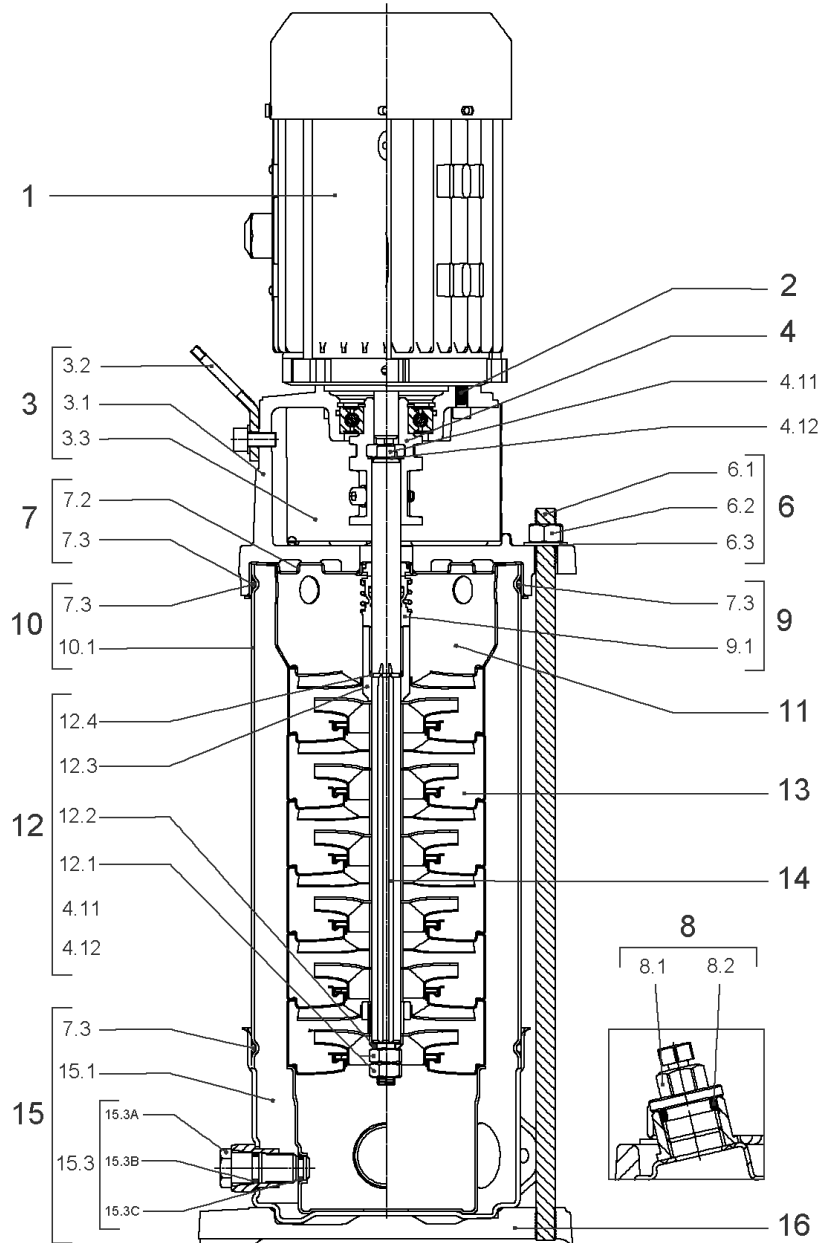
SEAL-KIT-HELIX6-10-16 O/E KIT (4171327)

Item	Article no.	Description	Quantity
7.3	4176513	O-RING FOR PUMP JACKET VP.	1
7.4	2127603	O-RING ID.37,6x2,4 EPDM VP.	1
9.1	4177801	MECH.SEAL HELIX6-10-16 O/E VP.	1
9.3	4177798	MACHINED RING HOLDER M+6" Ø16 304 VP.	1
9.5	4177799	MACHINED DRIVE RING Ø16 VP.	1
9.4	4176520	SCREW CH M5x5 A4-70 (3PIECES)	1



HYDRAULIC HELIX V 1602 1.4307

Item	Article no.	Description	Quantity
13.1	4159720	STAGE HELIX 16 1.4301 KIT	1
		> MACH.STG-CASING-WOGV-WNR-M+16-304	1
		> IMPELLER-M+16-304	1
13.2	4159714	STAGE BEARING HELIX 16 1.4301 KIT	1
		> MACH.BEARING-STG-CASING-WNR-M+16-304	1
		> IMPELLER-M+16-304	1
		> SLEEVE-SPACER-Ø19,35x30,665-304	1
		> SHAFT-SLEEVE-D16xD20x18-CW	1

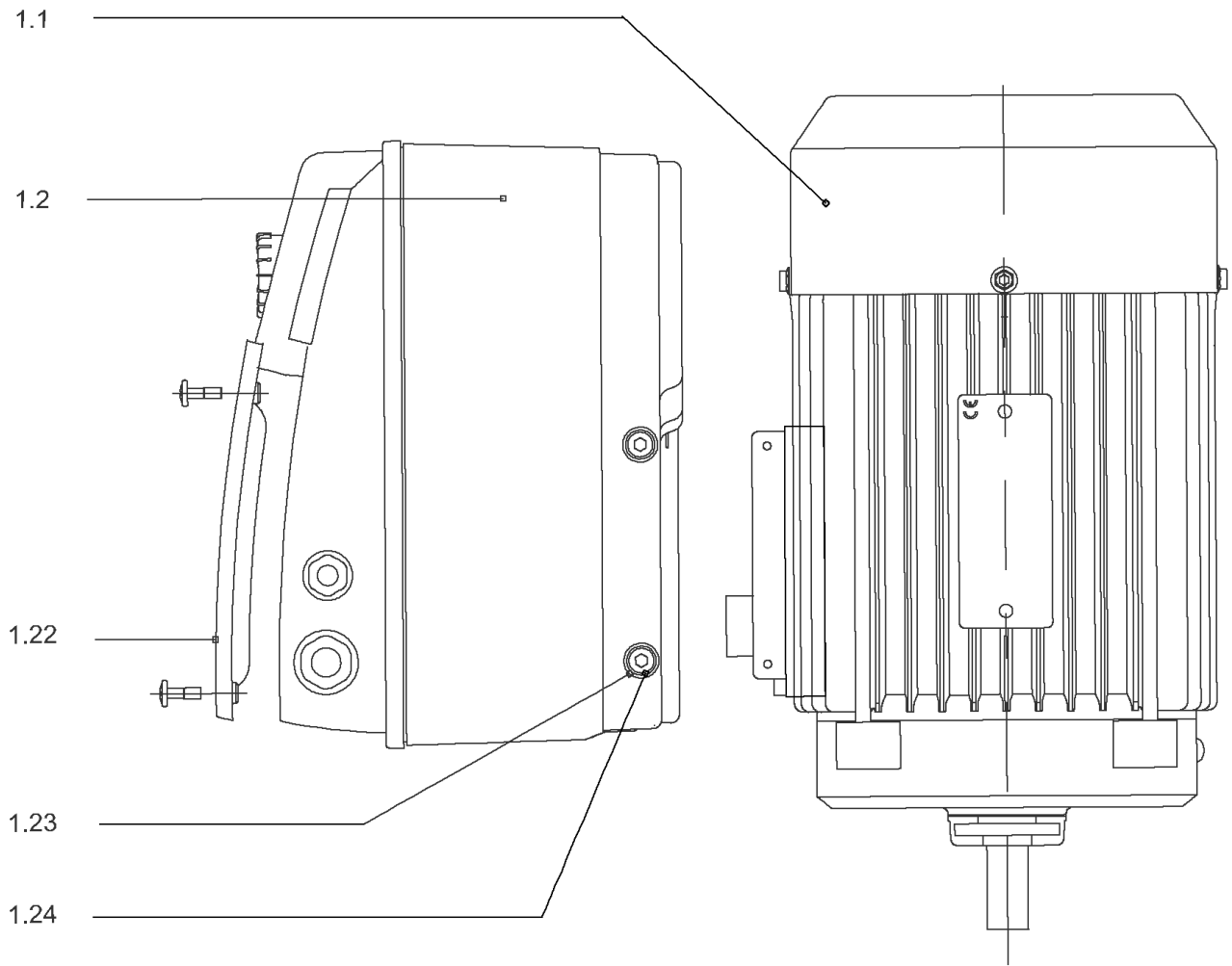


HELIX VE1602-1/16/E/S (4201557)

Item	Article no.	Description	Quantity
1		DRIVE HELIX-VE1602-IE4-WE KIT	1
Note: MOTOR BRAND WILO ELEC			
		SPARE PARTS MOTOR:ON REQUEST	1
2	4159707	SCREW M8X30 (4 PIECES)	1
3	4213784	LANTERN FT115 HELIX KIT	1
3.1		> LANT-MOT-VMI-ReDTC6"-FT115-MACHINED+CATA	1
3.2	4184852	> EYELET CPL.FT HELIX (2 PIECES)	1
3.3	4213782	> COUPLING PROTECTOR FT115/130 HELIX KIT	1
4	4159709	COUPLING D.16xD.24 FT115 HELIX KIT	1
6	2018368	STUD BOLT M12X289 KIT	1
6.1		> TIE BOLT M12-289x18x30-1.4057	1
6.2	2094647	> NUT M12 M12 ISO4032 VP.	1
6.3	2123557	> WASHER CS-12.4-24-1.6-NFE25 (4 PIECES)	1
7	4214481	STATIONARY RING HOLDER HELIX D27 ReDTC	1
7.2	4214479	> STATIONARY RING HOLDER HELIX D27 VP.	1
7.3	4176513	> O-RING FOR PUMP JACKET VP.	1
8	4212724	FILING/PURGING PLUG HELIX ReDTC KIT	1
8.1		> FILLING PLUG MVI6"-304	1
8.2	4177800	> O-RING EPDM PLUG HELIX VP.	1
9	4214483	MECH.SEAL HELIX6-10-16 O/E ReDTC KIT	1
9.1	4177801	> MECH.SEAL HELIX6-10-16 O/E VP.	1
7.3	4176513	> O-RING FOR PUMP JACKET VP.	1
10	2127574	HOUSING PIPE D.152x160 1.4301 KIT	1
7.3	4176513	> O-RING FOR PUMP JACKET VP.	1
10.1		> HOUSING-PIPE Ø152-M+1601/02-304	1
11	2127588	CENTERING STAGE-RETURN HELIX16 1.4301 VP	1
12	4214520	SHAFT EQUIPMENT HELIX V16 ReDTC KIT	1
12.1		> NUT-H-M10-A4.70	1
12.2		> SERRATED LOCK WASHER M+16M3-316L	1
12.3		> 1/2-SNAP-RING-16M3-316L	1
12.4		> STOP-RUSH-1/2-D16xd2-M+316	1
4.11		> SCREW CHC-M6X14-8.8-ISO4762-GEOMET500A	1
4.12		> WASHER D.24 L6U ZINK	1
13		HYDRAULIC HELIX V 1602 1.4307	1

HELIX VE1602-1/16/E/S (4201557)

Item	Article no.	Description	Quantity
14	4214522	SHAFT D.16X228 HELIX 1.4057 VP.	1
15	4217899	PUMP HOUSING HELIX DN50 PN16 1.4301 KIT	1
7.3	4176513	> O-RING FOR PUMP JACKET VP.	1
15.1		> BLASTING PPE HOUSING V-PN16-DN50-304	1
15.2	4217895	> COUNTER FLANGE-G2"-PN16-GJL KIT	1
15.3	4171321	> PRIMING/DRAIN PLUG EPDM HELIX KIT	1
16	2127601	BASEPLATE HELIX V16 VP.	1



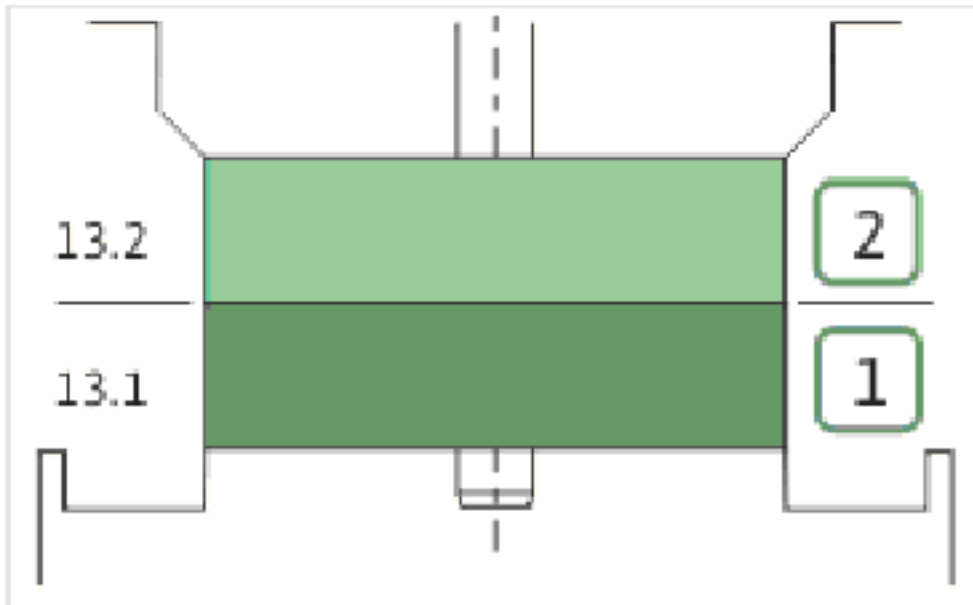
DRIVE HELIX-VE1602-IE4-WE KIT

Item	Article no.	Description	Quantity
1.1	4207920	MOTOR 2.2/2/90 3~ 380V 60HZ IE4 WE VP.	1
		SPARE PARTS MOTOR:ON REQUEST	1
1.2	4209593	MODULE HELIX-VE1602-IE4-WE KIT	1
1.22	2054227	> MODULE COVER/GASKET TL3/4 KIT	1
1.23	4215716	> SCREW M5X16 DIN912 8.8 A2A (4pieces) VP.	1
1.24	2057978	> RONDELLE A5,3 DIN6797 FST ZN (4 PIECES)	1



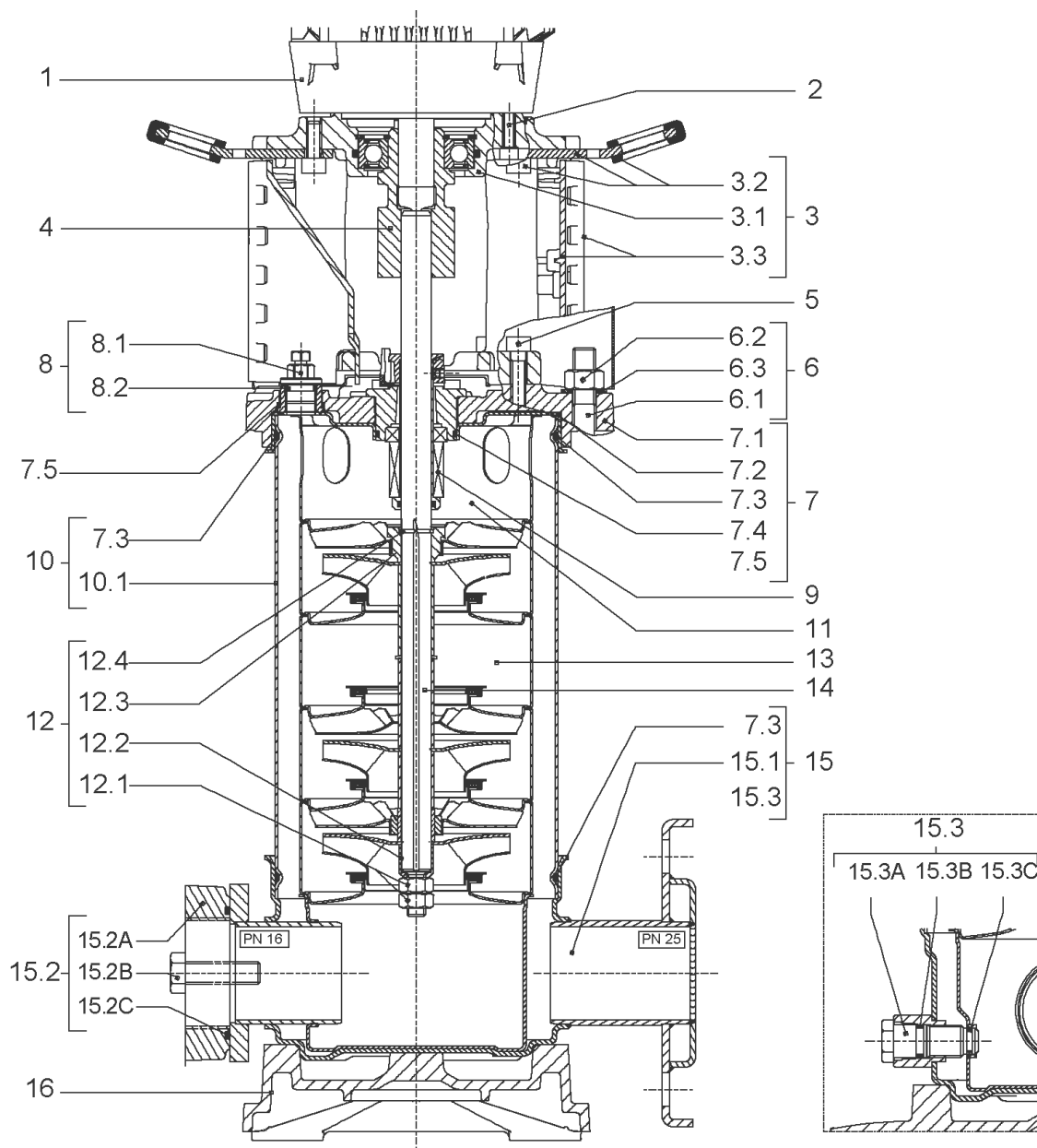
COUPLING D.16xD.24 FT115 HELIX KIT (4159709)

Item	Article no.	Description	Quantity
4.1		COUPLING M+ Ø16XØ24 FT115 MACHINED	1
4.2	2131023	BALL BEARING 6207/ZZ-C3(HT)VP.	1
4.3	4234254	CIRCLIP-FOR-SHAFT-D35x1.5 VP.	1
4.4	4157726	SCREW KIT M8X30 (4 PIECES)	1
4.5	4234251	CIRCLIP-D72x2.5 VP.	1
4.6	4234246	O-RING 72X3 VP.	1
		NOMEL CONTACT WASHER 8x16x1,4 STEEL ZC	1



HYDRAULIC HELIX V 1602 1.4307

Item	Article no.	Description	Quantity
13.1	4159720	STAGE HELIX 16 1.4301 KIT	1
		> MACH.STG-CASING-WOGV-WNR-M+16-304	1
		> IMPELLER-M+16-304	1
13.2	4159714	STAGE BEARING HELIX 16 1.4301 KIT	1
		> MACH.BEARING-STG-CASING-WNR-M+16-304	1
		> IMPELLER-M+16-304	1
		> SLEEVE-SPACER-Ø19,35x30,665-304	1
		> SHAFT-SLEEVE-D16xD20x18-CW	1

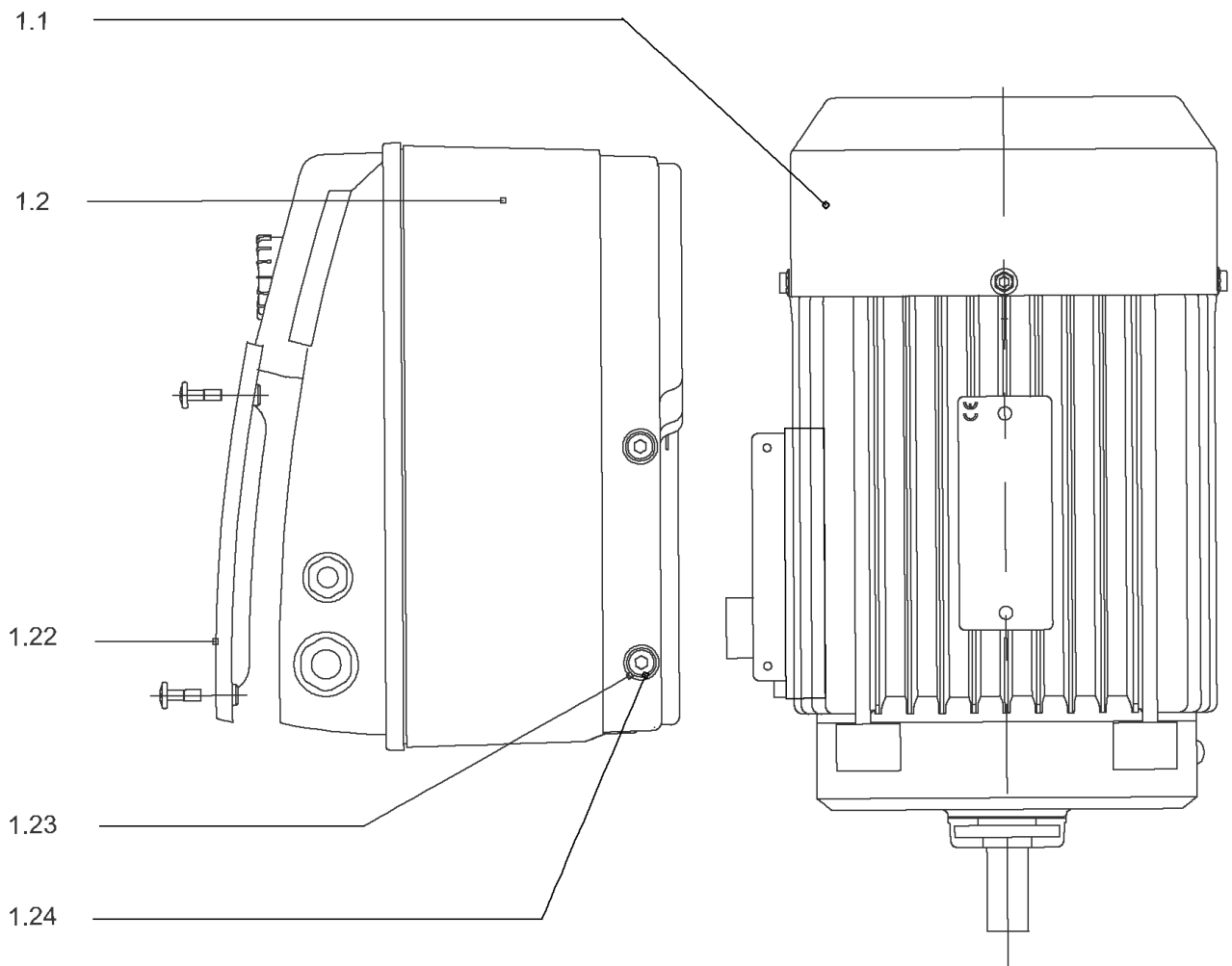


HELIX VE1603-3.0-1/16/E/KS (4171618)

Item	Article no.	Description	Quantity
1		DRIVE HELIXVE1603-3.0-IE2-WE KIT	1
Note: MOTOR BRAND WILO ELEC			
1		DRIVE HELIX-VE1603-3T-IE4-WE-KIT	1
Note: MOTOR BRAND WILO ELEC			
2	4159703	SCREW M8X40 (4 PIECES)	1
3	4171326	LANTERN FT130 HELIX KIT	1
3.1		> LANTERN FT130 M+6" GJL MACHINING+CATA	1
3.2	2127604	> EYELET CPL.FT HELIX(2 PIECES)	1
3.3	4159692	> COUPLING PROTECTOR FT HELIX KIT	1
4	4159710	COUPLING D.16XD.28 FT130 HELIX KIT	1
5	4159707	SCREW M8X30 (4 PIECES)	1
6	4177817	STUD BOLT M12X341 KIT	1
6.1		> TIE BOLT M12-341x18x30-1.4057	1
6.2	2094647	> NUT M12 M12 ISO4032 VP.	1
6.3	2123557	> WASHER CS-12.4-24-1.6-NFE25 (4 PIECES)	1
7	4159685	END SHIELD HELIX EPDM KIT	1
7.1		> END SHIELD M+6" GJL250 MACHINING+CATA	1
7.2	2127607	> STATIONARY RING HOLDER 6" HELIX 1.4301 V	1
7.3	4176513	> O-RING FOR PUMP JACKET VP.	1
7.4	2127603	> O-RING ID.37,6x2,4 EPDM VP.	1
7.5	2127602	> O-RING ID.21,35x2 EPDM VP.	1
8	4159686	FILING/PURGING PLUG HELIX EPDM KIT	1
9	4159696	CARTRIDGE HELIX6-10-16 O/E KIT	1
10	2127575	HOUSING PIPE D.152x210 1.4301 KIT	1
11	2127588	CENTERING STAGE-RETURN HELIX16 1.4301 VP	1
12	4209328	SHAFT EQUIPMENT HELIX V16 BI BLOC KIT	1
12.1		> NUT-H-M10-A4.70	1
12.2		> SERRATED LOCK WASHER M+16M3-316L	1
12.3		> STOP COLLAR OF IMPELLER L18,8-Ø16-316L	1
12.4		> STOP-RUSH-1/2-D16xd2-M+316	1
13		HYDRAULIC HELIX V 1603 1.4307	1
14	2127564	SHAFT D.16X330 1.4301 VP.	1
15	4217899	PUMP HOUSING HELIX DN50 PN16 1.4301 KIT	1
7.3	4176513	> O-RING FOR PUMP JACKET VP.	1

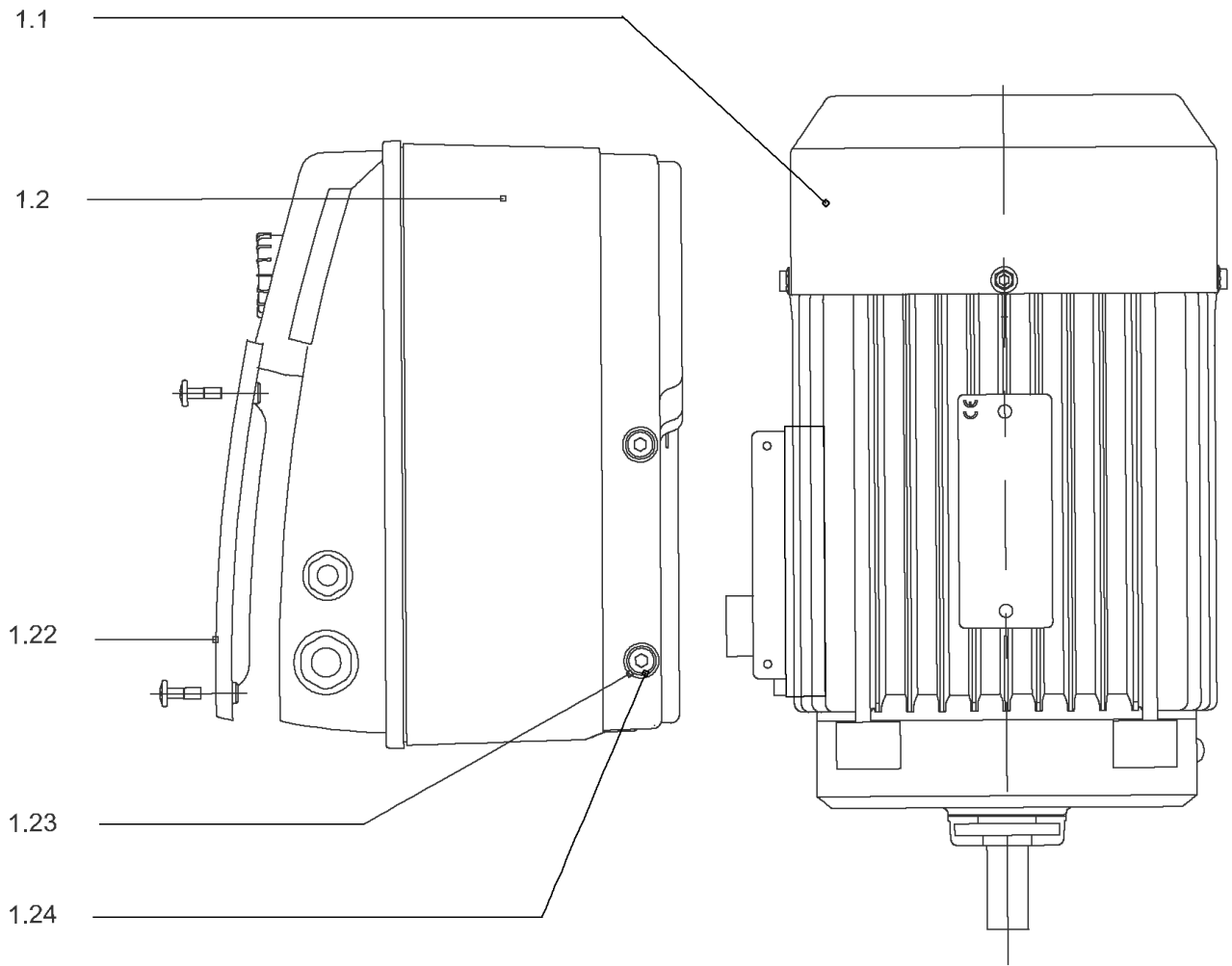
HELIX VE1603-3.0-1/16/E/KS (4171618)

Item	Article no.	Description	Quantity
15.1		> BLASTING PPE HOUSING V-PN16-DN50-304	1
15.2	4217895	> COUNTER FLANGE-G2"-PN16-GJL KIT	1
15.3	4171321	> PRIMING/DRAIN PLUG EPDM HELIX KIT	1
16	2127601	BASEPLATE HELIX V16 VP.	1



DRIVE HELIXVE1603-3.0-IE2-WE KIT

Item	Article no.	Description	Quantity
1.1		M3-T638P55V18H-100F13-SU-N28-WE-IE2 VP.	1
Note: no longer available /nicht mehrlieferbarn'est plus disponible			
		SPARE PARTS MOTOR:ON REQUEST	1
1.2	4186405	MODULE HELIX-VE1603-3.0-IE2-WE KIT	1
1.22	2054227	> MODULE COVER/GASKET TL3/4 KIT	1
1.23	4215716	> SCREW M5X16 DIN912 8.8 A2A (4pieces) VP.	1
1.24	2057978	> RONDELLE A5,3 DIN6797 FST ZN (4 PIECES)	1



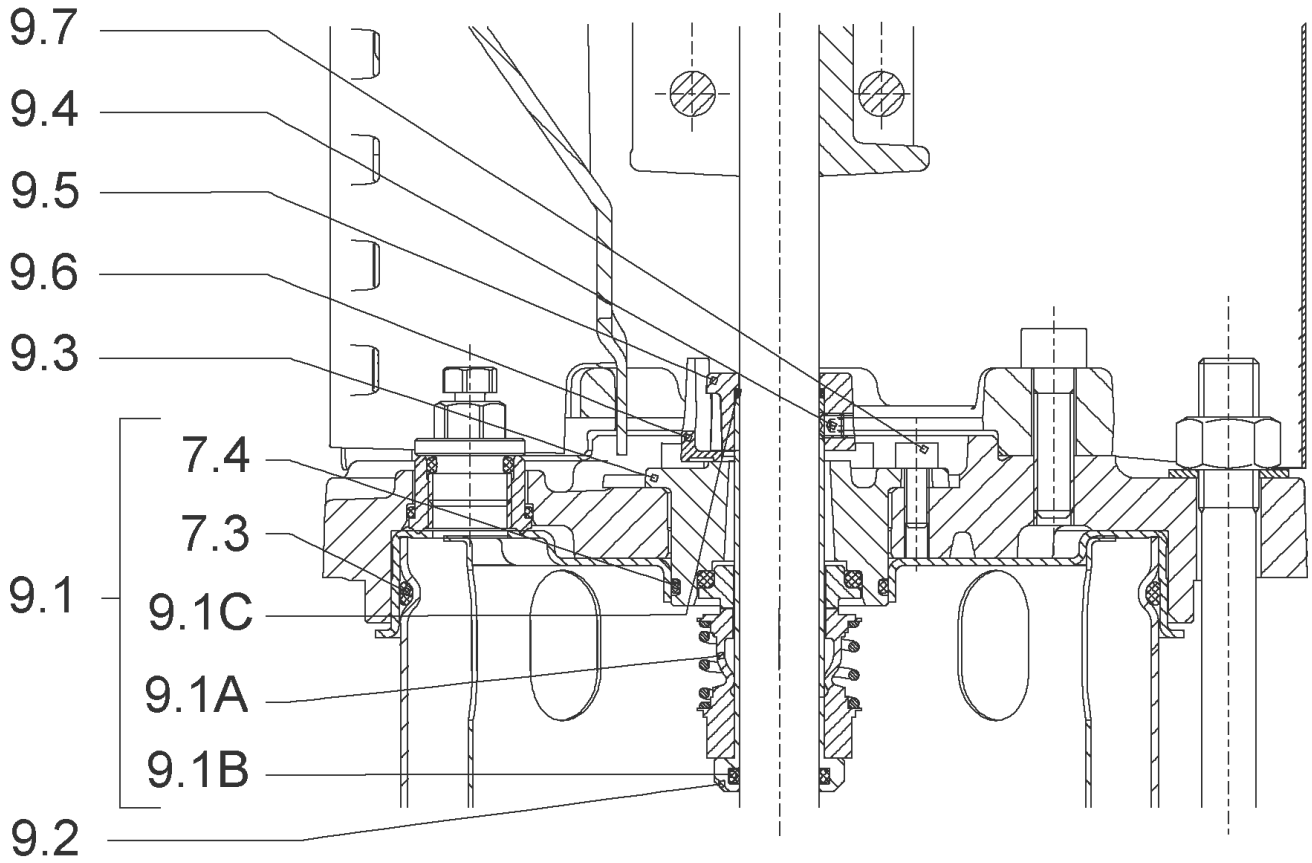
DRIVE HELIX-VE1603-3T-IE4-WE-KIT

Item	Article no.	Description	Quantity
1.1	4207922	MOTOR 3/2/100 3~ 380V 60HZ IE4 WE VP.	1
		SPARE PARTS MOTOR:ON REQUEST	1
1.2	4209340	MODULE HELIX-VE1603-3.0-IE4-WE KIT	1
1.22	2054227	> MODULE COVER/GASKET TL3/4 KIT	1
1.23	4215716	> SCREW M5X16 DIN912 8.8 A2A (4pieces) VP.	1
1.24	2057978	> RONDELLE A5,3 DIN6797 FST ZN (4 PIECES)	1



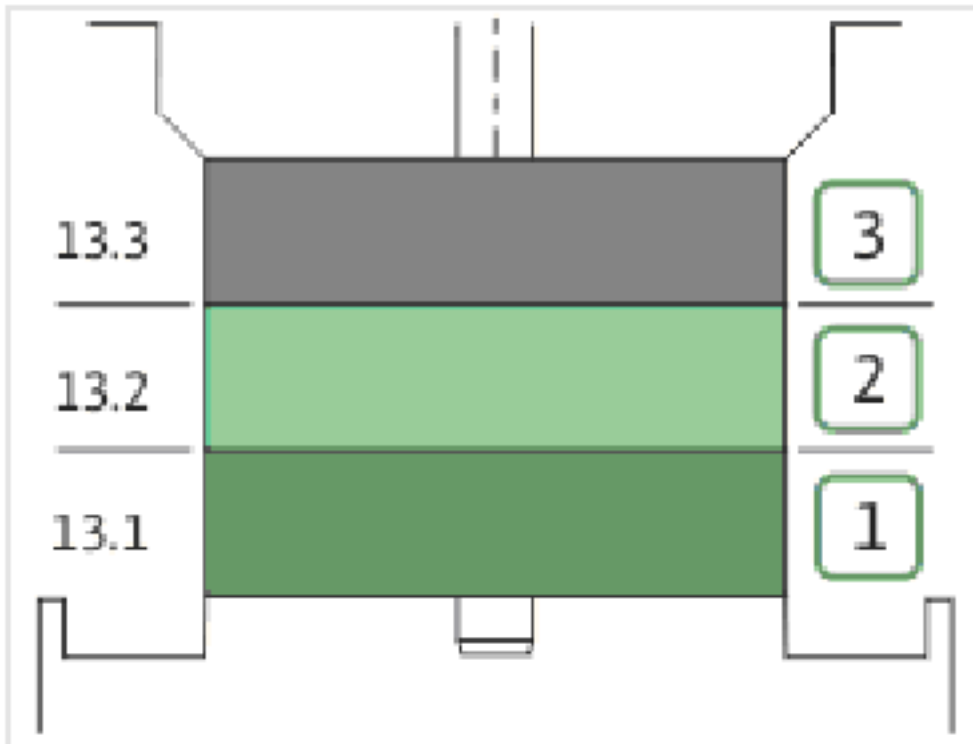
COUPLING D.16XD.28 FT130 HELIX KIT (4159710)

Item	Article no.	Description	Quantity
4.1		COUPLING M+ Ø16XØ28 FT130 MACHINED	1
4.2	2131022	BALL BEARING 6209/ZZ-C3(HT)VP.	1
4.3	4233930	CIRCLIP-FOR-BORES-D45x1,75 VP.	1
4.4	4157726	SCREW KIT M8X30 (4 PIECES)	1
4.5	4234252	CIRCLIPS 85X3 VP.	1
4.6	4234243	O-RING 85X3 VP.	1
		NOMEL CONTACT WASHER 8x16x1,4 STEEL ZC	1



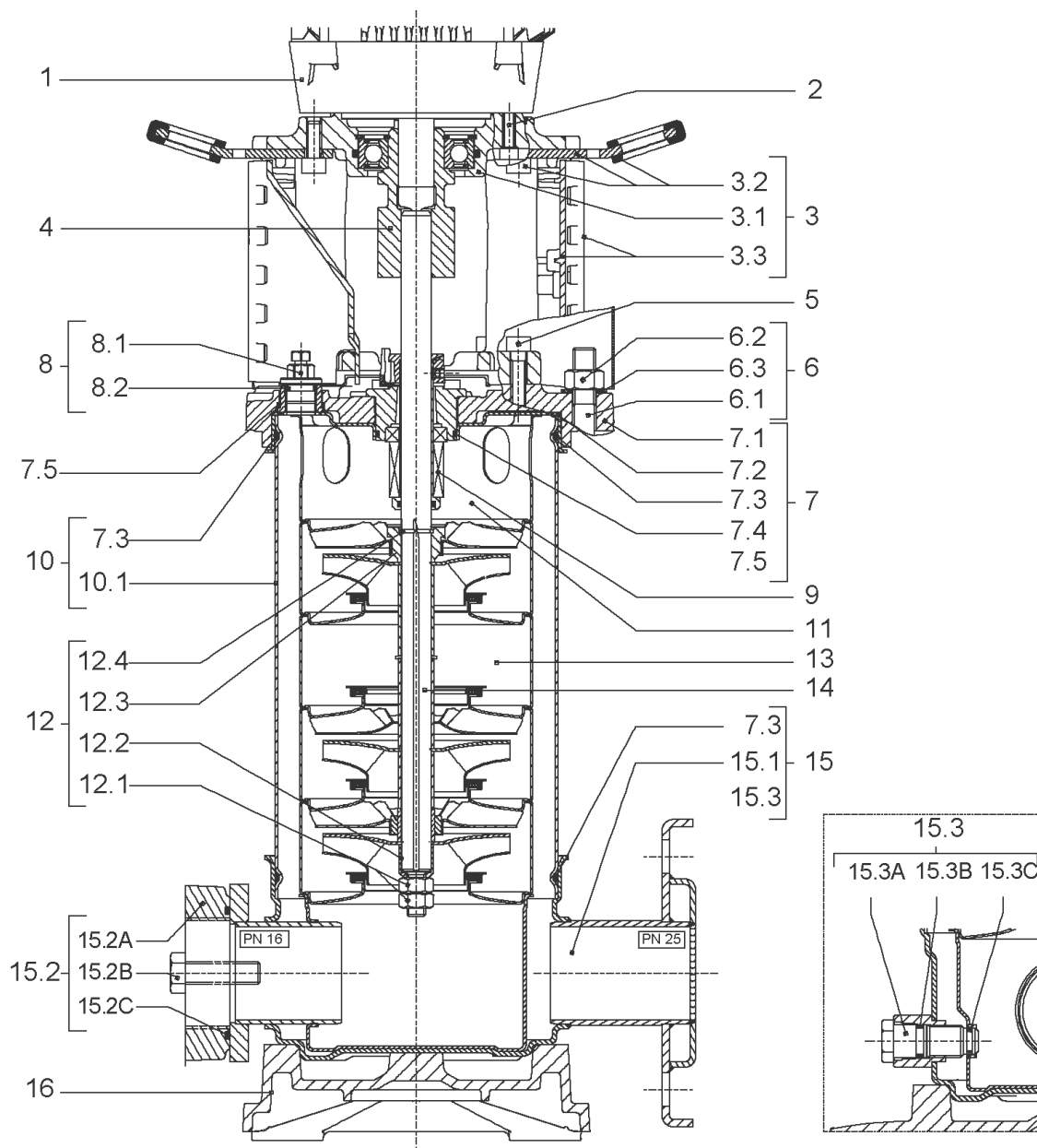
CARTRIDGE HELIX6-10-16 O/E KIT (4159696)

Item	Article no.	Description	Quantity
9.1	4159697	SEAL-KIT-HELIX6-10-16 O/E	1
7.3	4176513	> O-RING FOR PUMP JACKET VP.	1
7.4	2127603	> O-RING ID.37,6x2,4 EPDM VP.	1
9.1A	2130966	> MECH.SEAL HELIX2-4-6-10-16 O/E VP.	1
9.1B	2130967	> O-RING D.16X2,5 EPDM VP.	1
9.1C	4176519	> O-RING Ø16xØ1.25 VP.	1
9.2	2130961	SHAFT SLEEVE D.18/16X72,2 1.4404 VP.	1
9.3	2130962	RING HOLDER D.18 G606/G6 1.4301 VP.	1
9.4	4176520	SCREW CH M5x5 A4-70 (3PIECES)	1
9.5	2130963	DRIVE RING D.29/18x12,4 MACH.VP.	1
9.6	2130964	TOOL M.S.CART.HELIX VP.	1
9.7	2130965	SCREW CHC M5X12 ISO4762 A2.70(4 PIECES)	1



HYDRAULIC HELIX V 1603 1.4307

Item	Article no.	Description	Quantity
13.1	4159720	STAGE HELIX 16 1.4301 KIT	1
		> MACH.STG-CASING-WOGV-WNR-M+16-304	1
		> IMPELLER-M+16-304	1
13.2	4159714	STAGE BEARING HELIX 16 1.4301 KIT	1
		> MACH.BEARING-STG-CASING-WNR-M+16-304	1
		> IMPELLER-M+16-304	1
		> SLEEVE-SPACER-Ø19,35x30,665-304	1
		> SHAFT-SLEEVE-D16xD20x18-CW	1
13.3	4159715	INTERMEDIATE STAGE HELIX 16 1.4301 KIT	1
		> CORPS-ETG-STD-ACR-AJR-USIN.M+16-304	1
		> IMPELLER-M+16-304	1
		> SPACER Ø16X19.4-L48.6-304	1

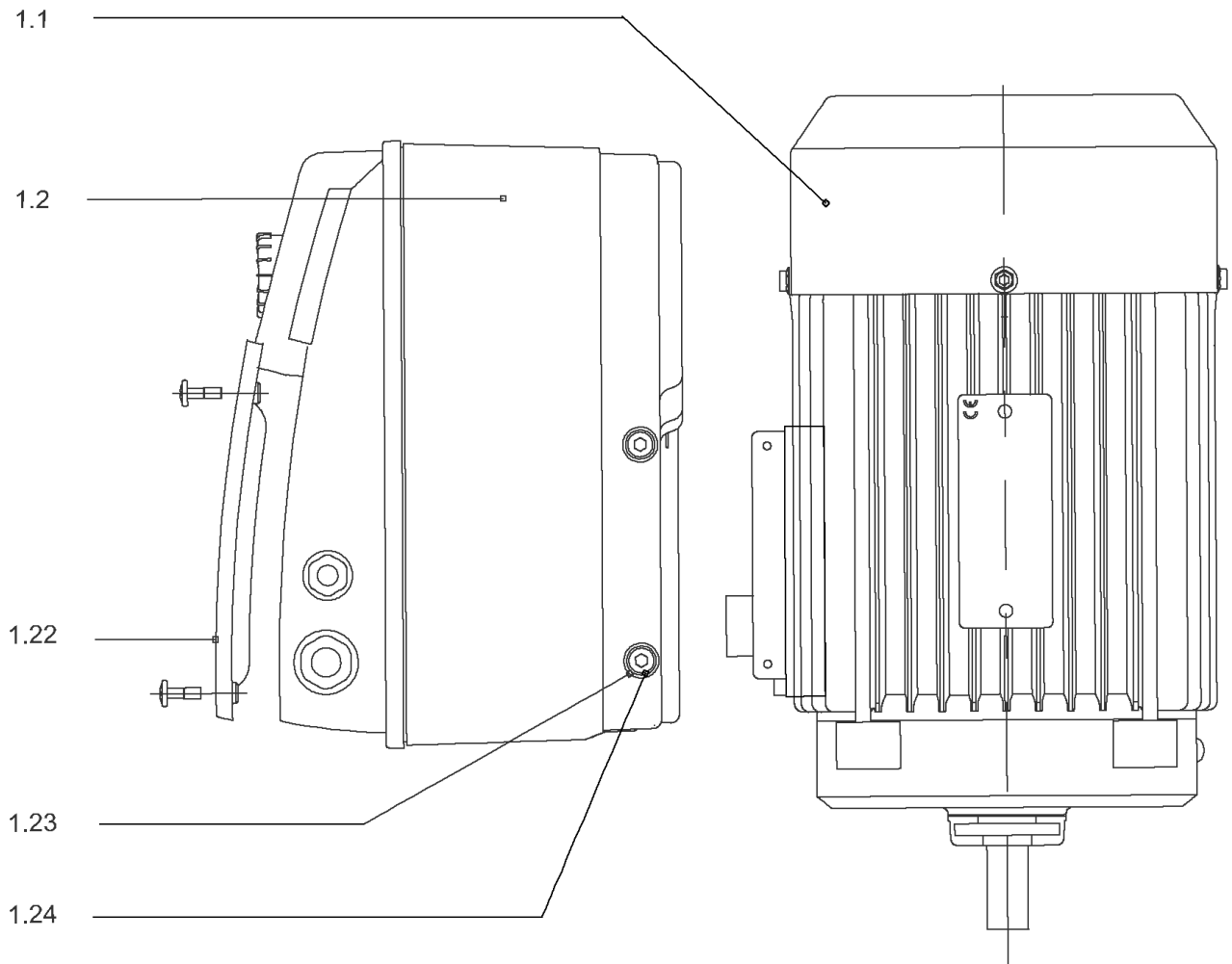


HELIX VE1603-3.0-1/16/E/S (4171624)

Item	Article no.	Description	Quantity
1		DRIVE HELIXVE1603-3.0-IE2-WE KIT	1
Note: MOTOR BRAND WILO ELEC			
1		DRIVE HELIX-VE1603-3T-IE4-WE-KIT	1
Note: MOTOR BRAND WILO ELEC			
2	4159703	SCREW M8X40 (4 PIECES)	1
3	4172789	LANTERN FT130 HELIX V10 KIT	1
3.1		> M+5_6_LANTERN_ONE-PIECE_FT130_CATA	1
3.2	2127604	> EYELET CPL.FT HELIX(2 PIECES)	1
3.3	4159692	> COUPLING PROTECTOR FT HELIX KIT	1
4	4159710	COUPLING D.16XD.28 FT130 HELIX KIT	1
5	4159707	SCREW M8X30 (4 PIECES)	1
6	4177817	STUD BOLT M12X341 KIT	1
6.1		> TIE BOLT M12-341x18x30-1.4057	1
6.2	2094647	> NUT M12 M12 ISO4032 VP.	1
6.3	2123557	> WASHER CS-12.4-24-1.6-NFE25 (4 PIECES)	1
7	4210143	STATIONARY RING HOLDER HELIX 6" EPDM	1
7.2	2127607	> STATIONARY RING HOLDER 6" HELIX 1.4301 V	1
7.3	4176513	> O-RING FOR PUMP JACKET VP.	1
7.4	2127603	> O-RING ID.37,6x2,4 EPDM VP.	1
7.5	2127602	> O-RING ID.21,35x2 EPDM VP.	1
8	4159686	FILING/PURGING PLUG HELIX EPDM KIT	1
9	4171327	SEAL-KIT-HELIX6-10-16 O/E KIT	1
10	2127575	HOUSING PIPE D.152x210 1.4301 KIT	1
11	2127588	CENTERING STAGE-RETURN HELIX16 1.4301 VP	1
12	4209329	SHAFT EQUIPMENT HELIX V16 KIT	1
12.1		> NUT-H-M10-A4.70	1
12.2		> SERRATED LOCK WASHER M+16M3-316L	1
12.3		> IMPELLER STOP RING L35,9-304	1
12.4		> STOP-RUSH-1/2-D16xd2-M+316	1
13		HYDRAULIC HELIX V 1603 1.4307	1
14	2127564	SHAFT D.16X330 1.4301 VP.	1
15	4217899	PUMP HOUSING HELIX DN50 PN16 1.4301 KIT	1
7.3	4176513	> O-RING FOR PUMP JACKET VP.	1
15.1		> BLASTING PPE HOUSING V-PN16-DN50-304	1

HELIX VE1603-3.0-1/16/E/S (4171624)

Item	Article no.	Description	Quantity
15.2	4217895	> COUNTER FLANGE-G2"-PN16-GJL KIT	1
15.3	4171321	> PRIMING/DRAIN PLUG EPDM HELIX KIT	1
16	2127601	BASEPLATE HELIX V16 VP.	1



DRIVE HELIXVE1603-3.0-IE2-WE KIT

Item	Article no.	Description	Quantity
1.1		M3-T638P55V18H-100F13-SU-N28-WE-IE2 VP.	1
Note: no longer available /nicht mehrlieferbarn'est plus disponible			
		SPARE PARTS MOTOR:ON REQUEST	1
1.2	4186405	MODULE HELIX-VE1603-3.0-IE2-WE KIT	1
1.22	2054227	> MODULE COVER/GASKET TL3/4 KIT	1
1.23	4215716	> SCREW M5X16 DIN912 8.8 A2A (4pieces) VP.	1
1.24	2057978	> RONDELLE A5,3 DIN6797 FST ZN (4 PIECES)	1



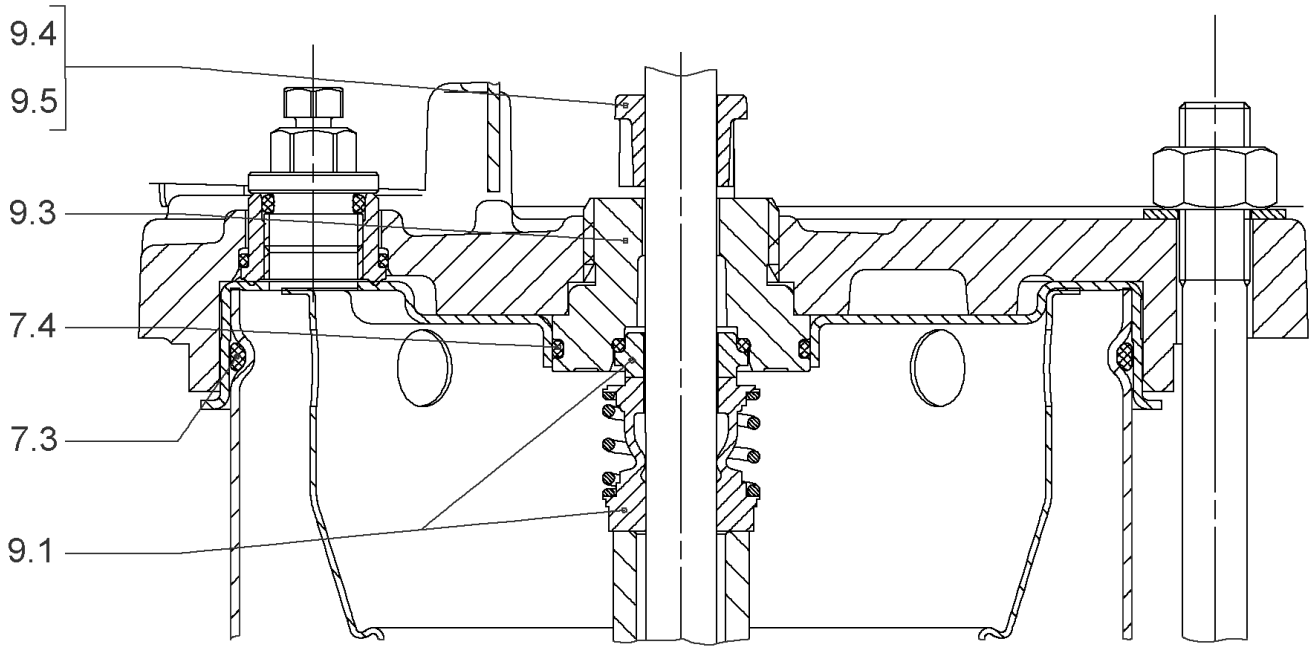
DRIVE HELIX-VE1603-3T-IE4-WE-KIT

Item	Article no.	Description	Quantity
1.1	4207922	MOTOR 3/2/100 3~ 380V 60HZ IE4 WE VP.	1
		SPARE PARTS MOTOR:ON REQUEST	1
1.2	4209340	MODULE HELIX-VE1603-3.0-IE4-WE KIT	1
1.22	2054227	> MODULE COVER/GASKET TL3/4 KIT	1
1.23	4215716	> SCREW M5X16 DIN912 8.8 A2A (4pieces) VP.	1
1.24	2057978	> RONDELLE A5,3 DIN6797 FST ZN (4 PIECES)	1



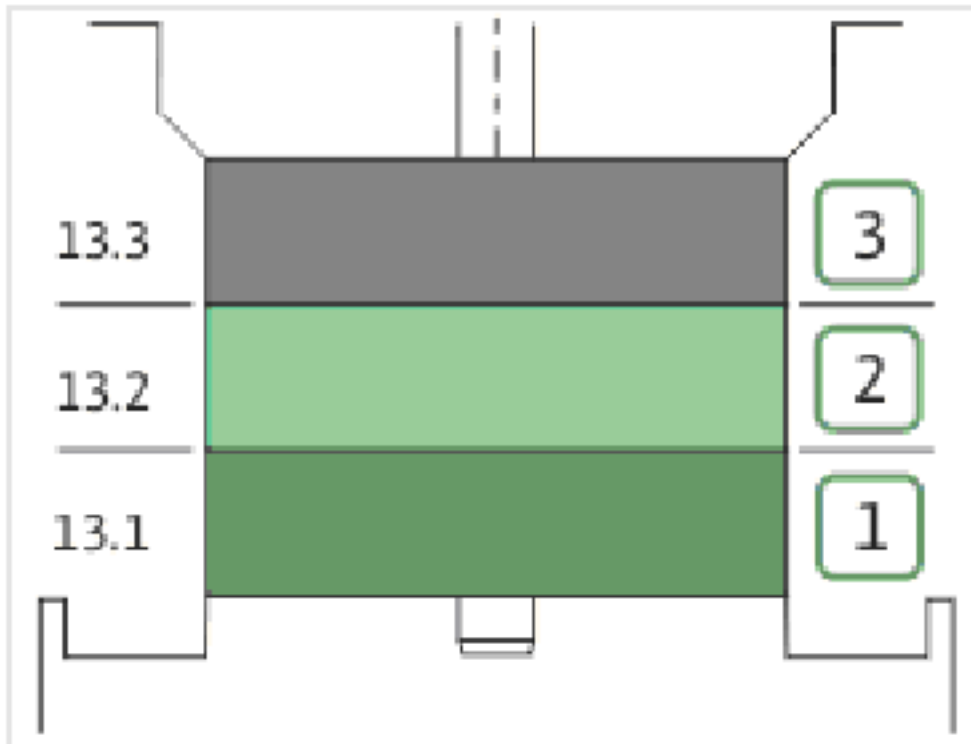
COUPLING D.16XD.28 FT130 HELIX KIT (4159710)

Item	Article no.	Description	Quantity
4.1		COUPLING M+ Ø16XØ28 FT130 MACHINED	1
4.2	2131022	BALL BEARING 6209/ZZ-C3(HT)VP.	1
4.3	4233930	CIRCLIP-FOR-BORES-D45x1,75 VP.	1
4.4	4157726	SCREW KIT M8X30 (4 PIECES)	1
4.5	4234252	CIRCLIPS 85X3 VP.	1
4.6	4234243	O-RING 85X3 VP.	1
		NOMEL CONTACT WASHER 8x16x1,4 STEEL ZC	1



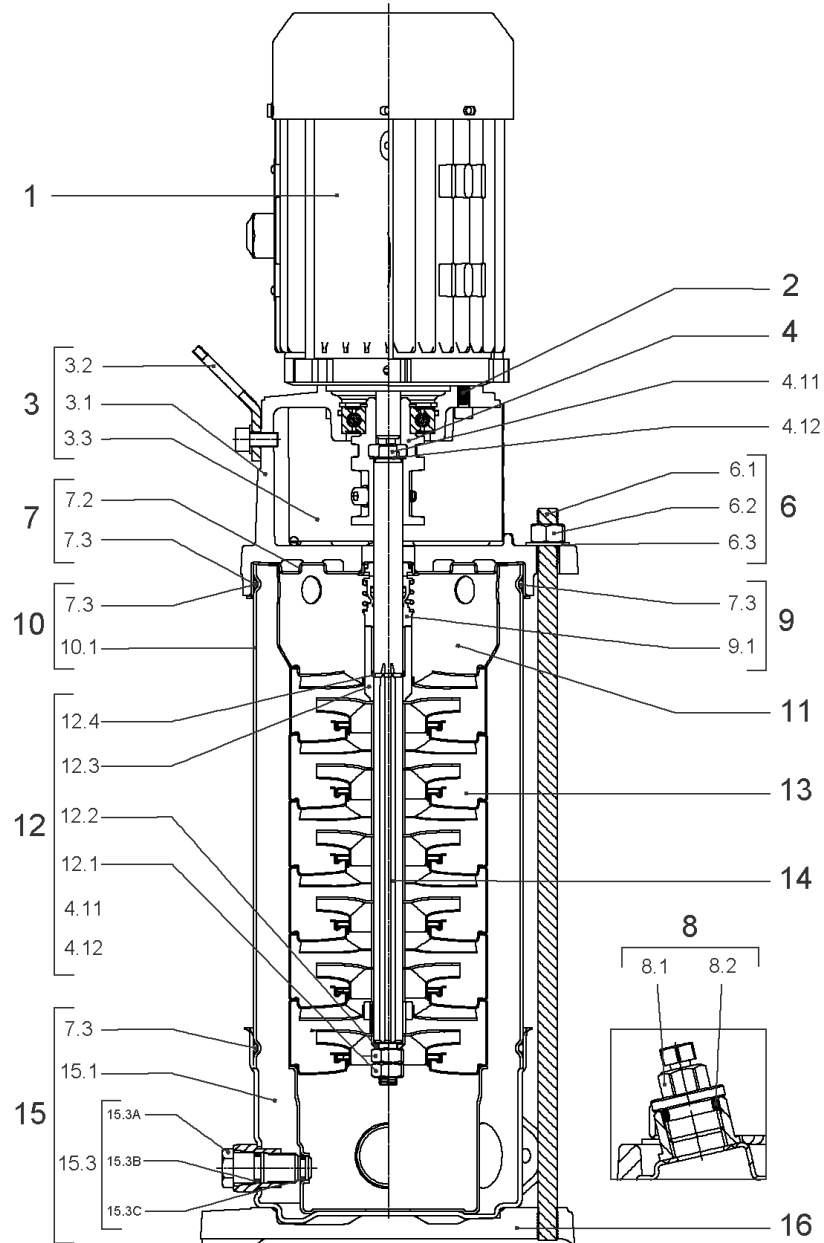
SEAL-KIT-HELIX6-10-16 O/E KIT (4171327)

Item	Article no.	Description	Quantity
7.3	4176513	O-RING FOR PUMP JACKET VP.	1
7.4	2127603	O-RING ID.37,6x2,4 EPDM VP.	1
9.1	4177801	MECH.SEAL HELIX6-10-16 O/E VP.	1
9.3	4177798	MACHINED RING HOLDER M+6" Ø16 304 VP.	1
9.5	4177799	MACHINED DRIVE RING Ø16 VP.	1
9.4	4176520	SCREW CH M5x5 A4-70 (3PIECES)	1



HYDRAULIC HELIX V 1603 1.4307

Item	Article no.	Description	Quantity
13.1	4159720	STAGE HELIX 16 1.4301 KIT	1
		> MACH.STG-CASING-WOGV-WNR-M+16-304	1
		> IMPELLER-M+16-304	1
13.2	4159714	STAGE BEARING HELIX 16 1.4301 KIT	1
		> MACH.BEARING-STG-CASING-WNR-M+16-304	1
		> IMPELLER-M+16-304	1
		> SLEEVE-SPACER-Ø19,35x30,665-304	1
		> SHAFT-SLEEVE-D16xD20x18-CW	1
13.3	4159715	INTERMEDIATE STAGE HELIX 16 1.4301 KIT	1
		> CORPS-ETG-STD-ACR-AJR-USIN.M+16-304	1
		> IMPELLER-M+16-304	1
		> SPACER Ø16X19.4-L48.6-304	1

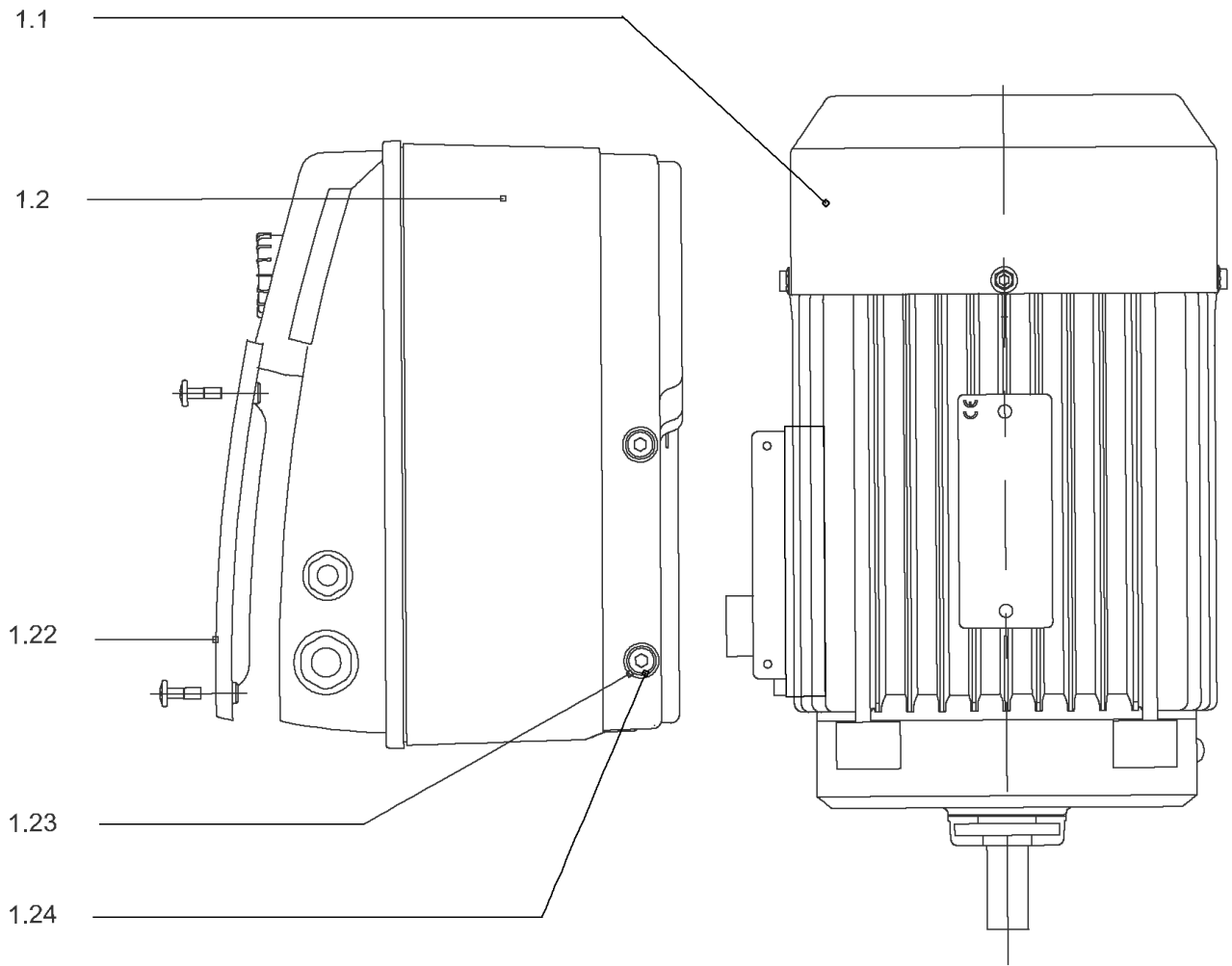


HELIX VE1603-3.0-1/16/E/S (4201559)

Item	Article no.	Description	Quantity
1		DRIVE HELIX-VE1603-3T-IE4-WE-KIT	1
Note: MOTOR BRAND WILO ELEC			
		SPARE PARTS MOTOR:ON REQUEST	1
2	4159707	SCREW M8X30 (4 PIECES)	1
3	4214473	LANTERN FT130 HELIX KIT	1
3.1		> LANT-MOT-VMI-ReDTC6"-FT130-MACHINED+CATA	1
3.2	4184852	> EYELET CPL.FT HELIX (2 PIECES)	1
3.3	4213782	> COUPLING PROTECTOR FT115/130 HELIX KIT	1
4	4159710	COUPLING D.16XD.28 FT130 HELIX KIT	1
6	2127553	STUD BOLT M12X341 KIT	1
7	4214481	STATIONARY RING HOLDER HELIX D27 ReDTC	1
7.2	4214479	> STATIONARY RING HOLDER HELIX D27 VP.	1
7.3	4176513	> O-RING FOR PUMP JACKET VP.	1
8	4212724	FILING/PURGING PLUG HELIX ReDTC KIT	1
8.1		> FILLING PLUG MVI6"-304	1
8.2	4177800	> O-RING EPDM PLUG HELIX VP.	1
9	4214483	MECH.SEAL HELIX6-10-16 O/E ReDTC KIT	1
9.1	4177801	> MECH.SEAL HELIX6-10-16 O/E VP.	1
7.3	4176513	> O-RING FOR PUMP JACKET VP.	1
10	2127575	HOUSING PIPE D.152x210 1.4301 KIT	1
11	2127588	CENTERING STAGE-RETURN HELIX16 1.4301 VP	1
12	4214520	SHAFT EQUIPMENT HELIX V16 ReDTC KIT	1
12.1		> NUT-H-M10-A4.70	1
12.2		> SERRATED LOCK WASHER M+16M3-316L	1
12.3		> 1/2-SNAP-RING-16M3-316L	1
12.4		> STOP-RUSH-1/2-D16xd2-M+316	1
4.11		> SCREW CHC-M6X14-8.8-ISO4762-GEOMET500A	1
4.12		> WASHER D.24 L6U ZINK	1
13		HYDRAULIC HELIX V 1603 1.4307	1
14	4214495	SHAFT D.16X278 HELIX 1.4057 VP.	1
15	4217899	PUMP HOUSING HELIX DN50 PN16 1.4301 KIT	1
7.3	4176513	> O-RING FOR PUMP JACKET VP.	1
15.1		> BLASTING PPE HOUSING V-PN16-DN50-304	1
15.2	4217895	> COUNTER FLANGE-G2"-PN16-GJL KIT	1

HELIX VE1603-3.0-1/16/E/S (4201559)

Item	Article no.	Description	Quantity
15.3	4171321	> PRIMING/DRAIN PLUG EPDM HELIX KIT	1
16	2127601	BASEPLATE HELIX V16 VP.	1



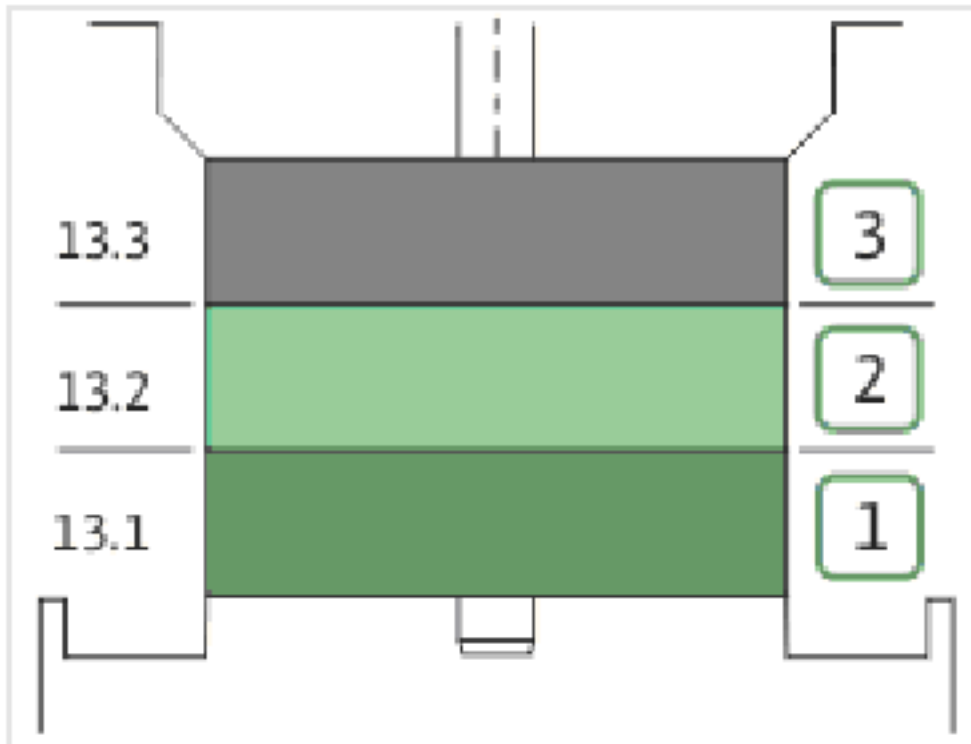
DRIVE HELIX-VE1603-3T-IE4-WE-KIT

Item	Article no.	Description	Quantity
1.1	4207922	MOTOR 3/2/100 3~ 380V 60HZ IE4 WE VP.	1
		SPARE PARTS MOTOR:ON REQUEST	1
1.2	4209340	MODULE HELIX-VE1603-3.0-IE4-WE KIT	1
1.22	2054227	> MODULE COVER/GASKET TL3/4 KIT	1
1.23	4215716	> SCREW M5X16 DIN912 8.8 A2A (4pieces) VP.	1
1.24	2057978	> RONDELLE A5,3 DIN6797 FST ZN (4 PIECES)	1



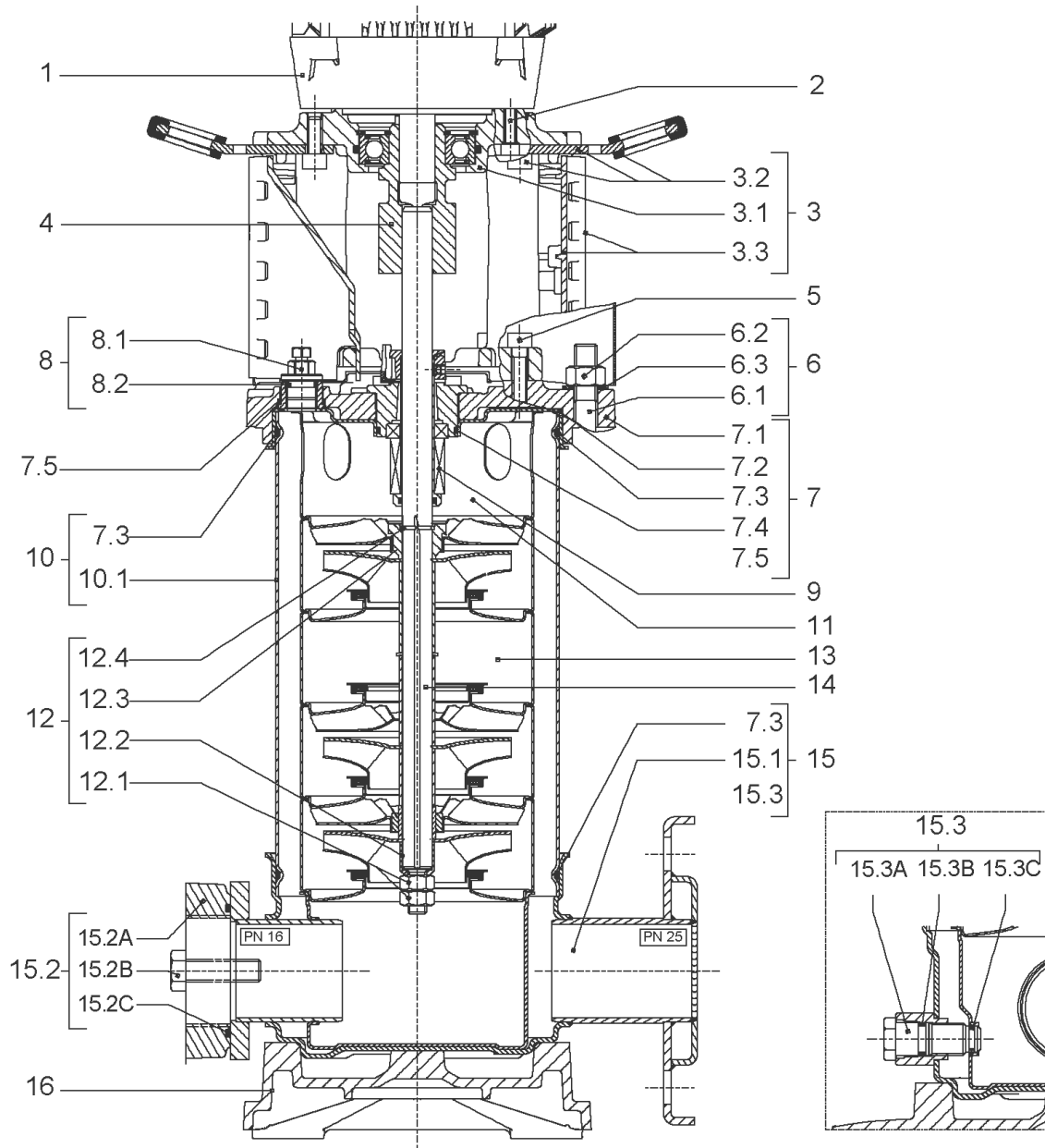
COUPLING D.16XD.28 FT130 HELIX KIT (4159710)

Item	Article no.	Description	Quantity
4.1		COUPLING M+ Ø16XØ28 FT130 MACHINED	1
4.2	2131022	BALL BEARING 6209/ZZ-C3(HT)VP.	1
4.3	4233930	CIRCLIP-FOR-BORES-D45x1,75 VP.	1
4.4	4157726	SCREW KIT M8X30 (4 PIECES)	1
4.5	4234252	CIRCLIPS 85X3 VP.	1
4.6	4234243	O-RING 85X3 VP.	1
		NOMEL CONTACT WASHER 8x16x1,4 STEEL ZC	1



HYDRAULIC HELIX V 1603 1.4307

Item	Article no.	Description	Quantity
13.1	4159720	STAGE HELIX 16 1.4301 KIT	1
		> MACH.STG-CASING-WOGV-WNR-M+16-304	1
		> IMPELLER-M+16-304	1
13.2	4159714	STAGE BEARING HELIX 16 1.4301 KIT	1
		> MACH.BEARING-STG-CASING-WNR-M+16-304	1
		> IMPELLER-M+16-304	1
		> SLEEVE-SPACER-Ø19,35x30,665-304	1
		> SHAFT-SLEEVE-D16xD20x18-CW	1
13.3	4159715	INTERMEDIATE STAGE HELIX 16 1.4301 KIT	1
		> CORPS-ETG-STD-ACR-AJR-USIN.M+16-304	1
		> IMPELLER-M+16-304	1
		> SPACER Ø16X19.4-L48.6-304	1

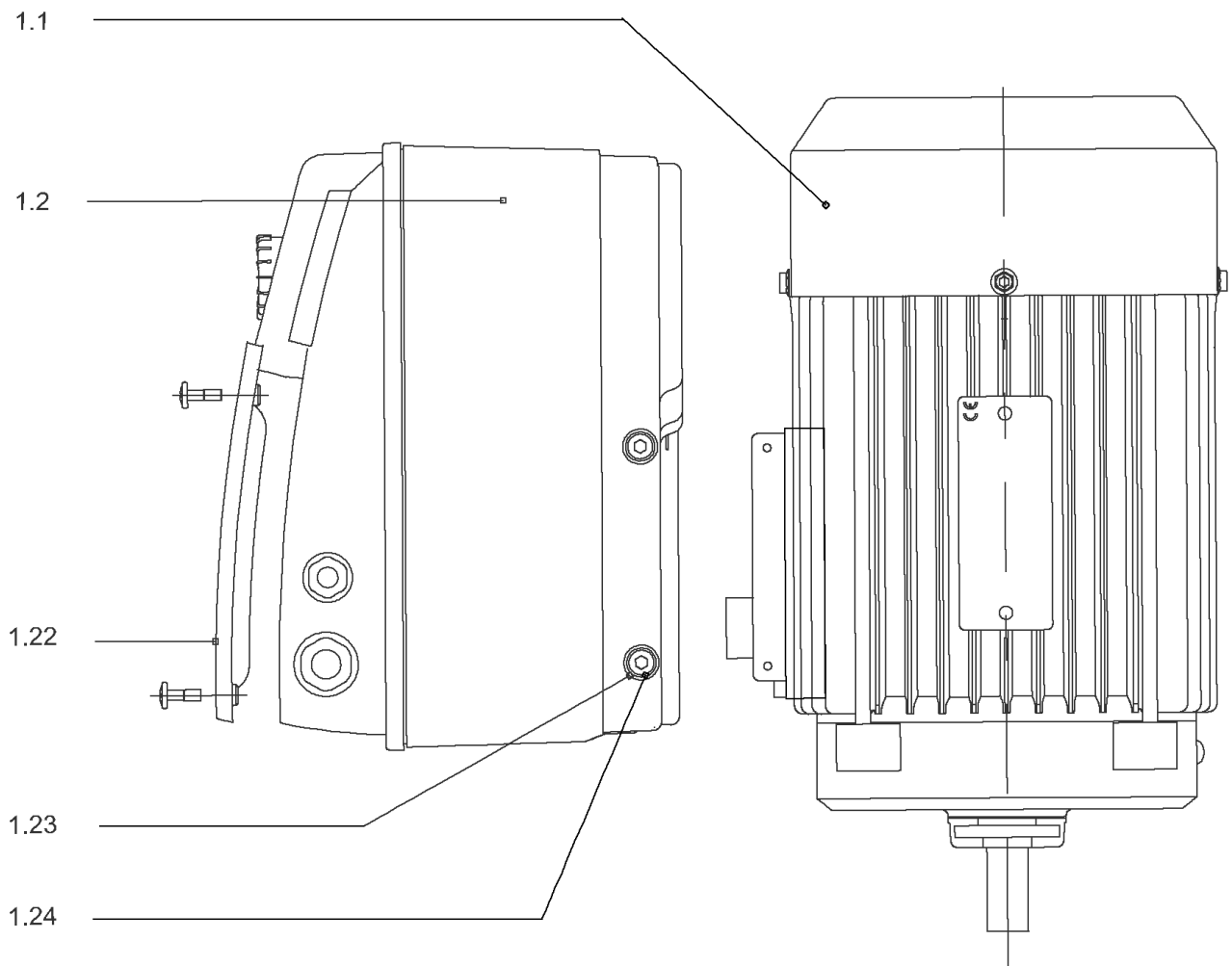


HELIX VE1603-4.0-1/16/E/KS (4148086)

Item	Article no.	Description	Quantity
1		DRIVE HELIX-VE1603-IE2-ATB KIT	1
Note: MOTOR BRAND ATB			
1		DRIVE HELIX-VE1603-IE2-WE KIT	1
Note: MOTOR BRAND WILO ELEC			
1		DRIVE HELIX-VE1603-4T-IE4-WE-KIT	1
Note: MOTOR BRAND WILO ELEC			
2	4159703	SCREW M8X40 (4 PIECES)	1
3	4171326	LANTERN FT130 HELIX KIT	1
3.1		> LANTERN FT130 M+6" GJL MACHINING+CATA	1
3.2	2127604	> EYELET CPL.FT HELIX(2 PIECES)	1
3.3	4159692	> COUPLING PROTECTOR FT HELIX KIT	1
4	4159710	COUPLING D.16XD.28 FT130 HELIX KIT	1
5	4159707	SCREW M8X30 (4 PIECES)	1
6	4177817	STUD BOLT M12X341 KIT	1
6.1		> TIE BOLT M12-341x18x30-1.4057	1
6.2	2094647	> NUT M12 M12 ISO4032 VP.	1
6.3	2123557	> WASHER CS-12.4-24-1.6-NFE25 (4 PIECES)	1
7	4159685	END SHIELD HELIX EPDM KIT	1
7.1		> END SHIELD M+6" GJL250 MACHINING+CATA	1
7.2	2127607	> STATIONARY RING HOLDER 6" HELIX 1.4301 V	1
7.3	4176513	> O-RING FOR PUMP JACKET VP.	1
7.4	2127603	> O-RING ID.37,6x2,4 EPDM VP.	1
7.5	2127602	> O-RING ID.21,35x2 EPDM VP.	1
8	4159686	FILING/PURGING PLUG HELIX EPDM KIT	1
9	4159696	CARTRIDGE HELIX6-10-16 O/E KIT	1
10	2127575	HOUSING PIPE D.152x210 1.4301 KIT	1
11	2127588	CENTERING STAGE-RETURN HELIX16 1.4301 VP	1
12	4209328	SHAFT EQUIPMENT HELIX V16 BI BLOC KIT	1
12.1		> NUT-H-M10-A4.70	1
12.2		> SERRATED LOCK WASHER M+16M3-316L	1
12.3		> STOP COLLAR OF IMPELLER L18,8-Ø16-316L	1
12.4		> STOP-RUSH-1/2-D16xd2-M+316	1
13		HYDRAULIC HELIX V 1603 1.4307	1
14	2127564	SHAFT D.16X330 1.4301 VP.	1

HELIX VE1603-4.0-1/16/E/KS (4148086)

Item	Article no.	Description	Quantity
15	4217899	PUMP HOUSING HELIX DN50 PN16 1.4301 KIT	1
7.3	4176513	> O-RING FOR PUMP JACKET VP.	1
15.1		> BLASTING PPE HOUSING V-PN16-DN50-304	1
15.2	4217895	> COUNTER FLANGE-G2"-PN16-GJL KIT	1
15.3	4171321	> PRIMING/DRAIN PLUG EPDM HELIX KIT	1
16	2127601	BASEPLATE HELIX V16 VP.	1



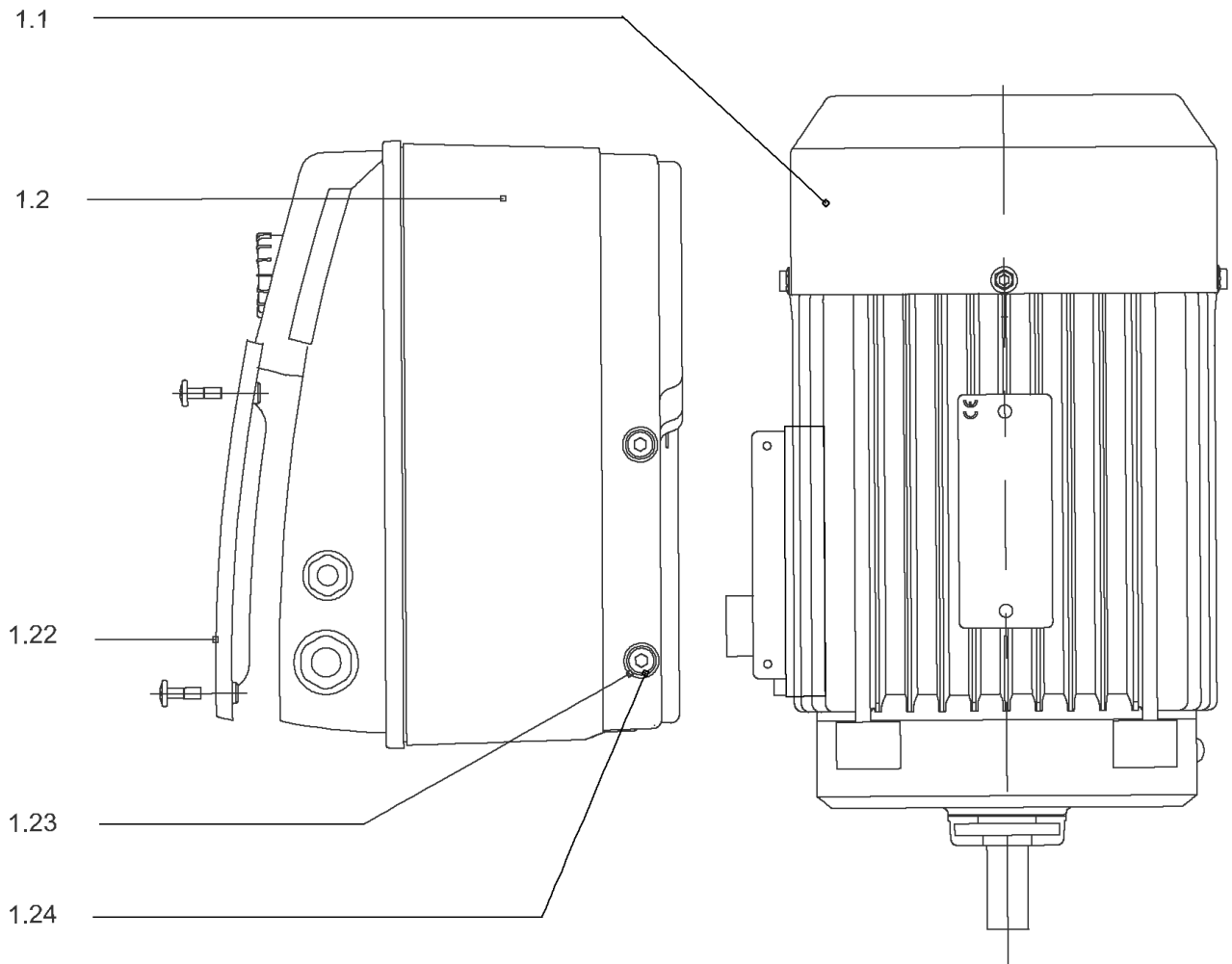
DRIVE HELIX-VE1603-IE2-ATB KIT

Item	Article no.	Description	Quantity
1.1		MOTOR 4/2/112 3~ 380V 60HZ IE2 ATB VP.	1
Note: no longer available /nicht mehrlieferbarn'est plus disponible			
		SPARE PARTS MOTOR:ON REQUEST	1
1.2	4179126	MODULE HELIX-VE1603-IE2-ATB KIT	1
1.22	2054227	> MODULE COVER/GASKET TL3/4 KIT	1
1.23	4215716	> SCREW M5X16 DIN912 8.8 A2A (4pieces) VP.	1
1.24	2057978	> RONDELLE A5,3 DIN6797 FST ZN (4 PIECES)	1



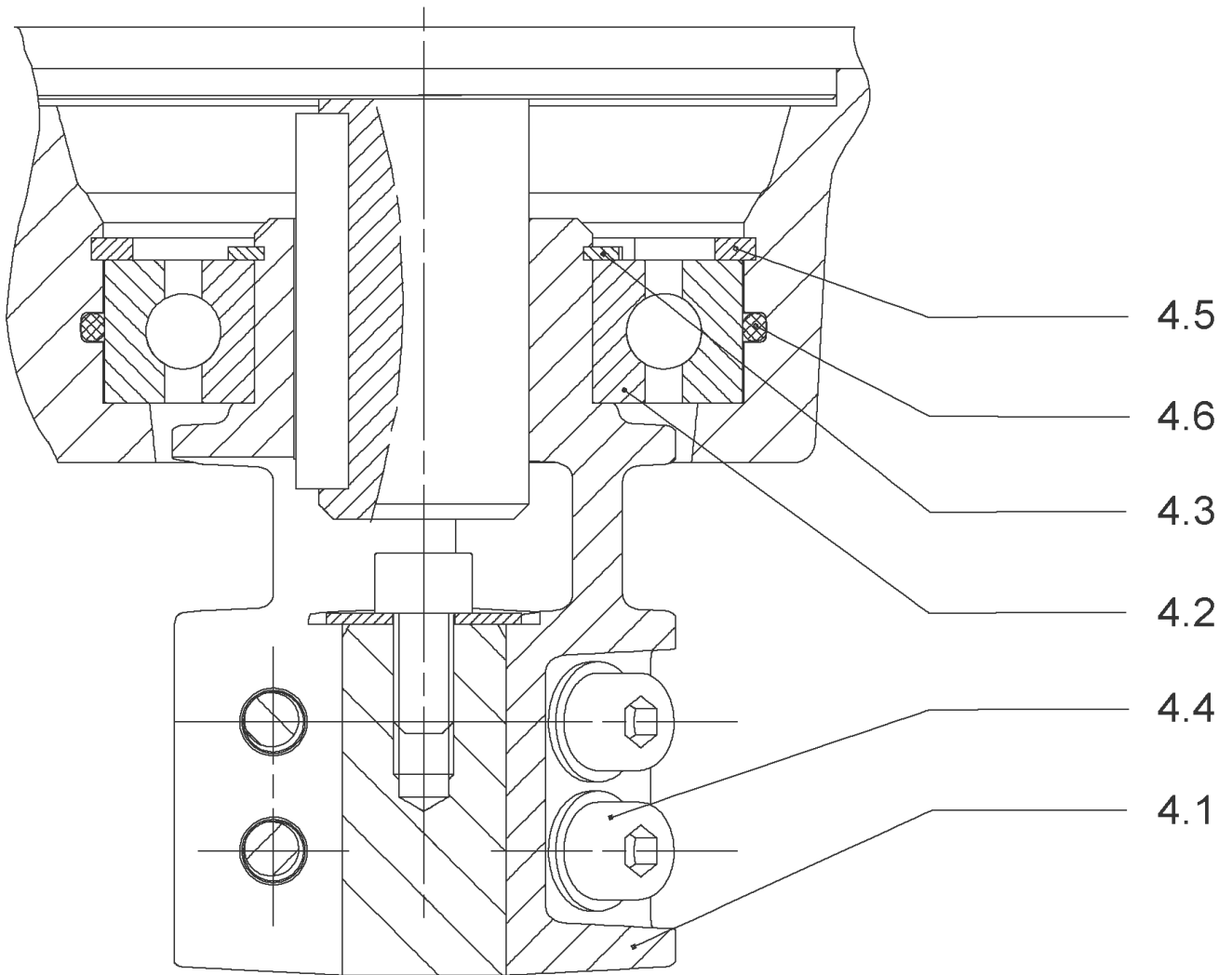
DRIVE HELIX-VE1603-IE2-WE KIT

Item	Article no.	Description	Quantity
1.1	4188824	MO.4/2/112 3~380V 60Hz IE2 WE VP.	1
		SPARE PARTS MOTOR:ON REQUEST	1
1.2	4188825	MODULE HELIX-VE1603-4.0-IE2-WE KIT	1
1.22	2054227	> MODULE COVER/GASKET TL3/4 KIT	1
1.23	4215716	> SCREW M5X16 DIN912 8.8 A2A (4pieces) VP.	1
1.24	2057978	> RONDELLE A5,3 DIN6797 FST ZN (4 PIECES)	1



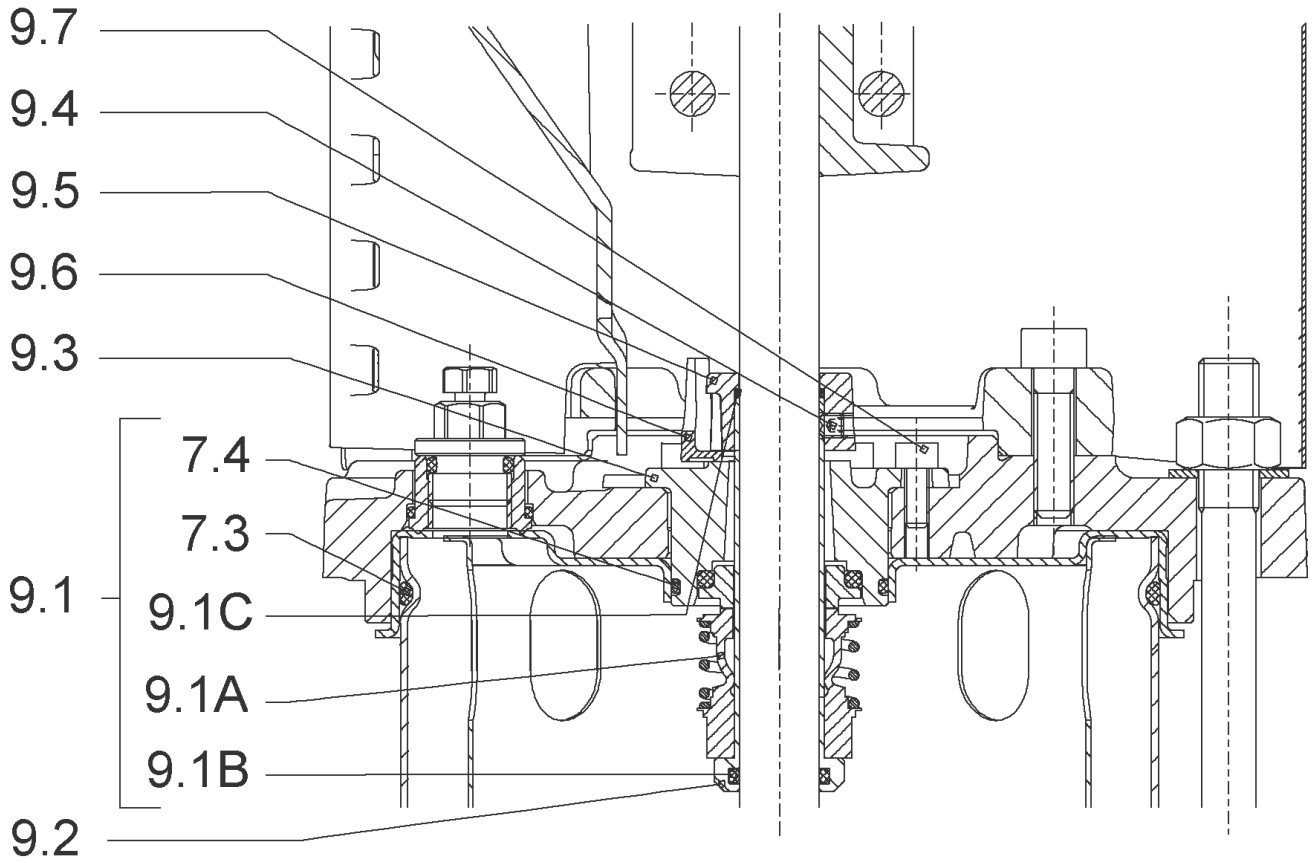
DRIVE HELIX-VE1603-4T-IE4-WE-KIT

Item	Article no.	Description	Quantity
1.1	4207924	MOTOR 4/2/112 3~ 380V 60HZ IE4 WE VP.	1
		SPARE PARTS MOTOR:ON REQUEST	1
1.2	4209607	MODULE HELIX-VE1603-4.0-IE4-WE KIT	1
1.22	2054227	> MODULE COVER/GASKET TL3/4 KIT	1
1.23	4215716	> SCREW M5X16 DIN912 8.8 A2A (4pieces) VP.	1
1.24	2057978	> RONDELLE A5,3 DIN6797 FST ZN (4 PIECES)	1



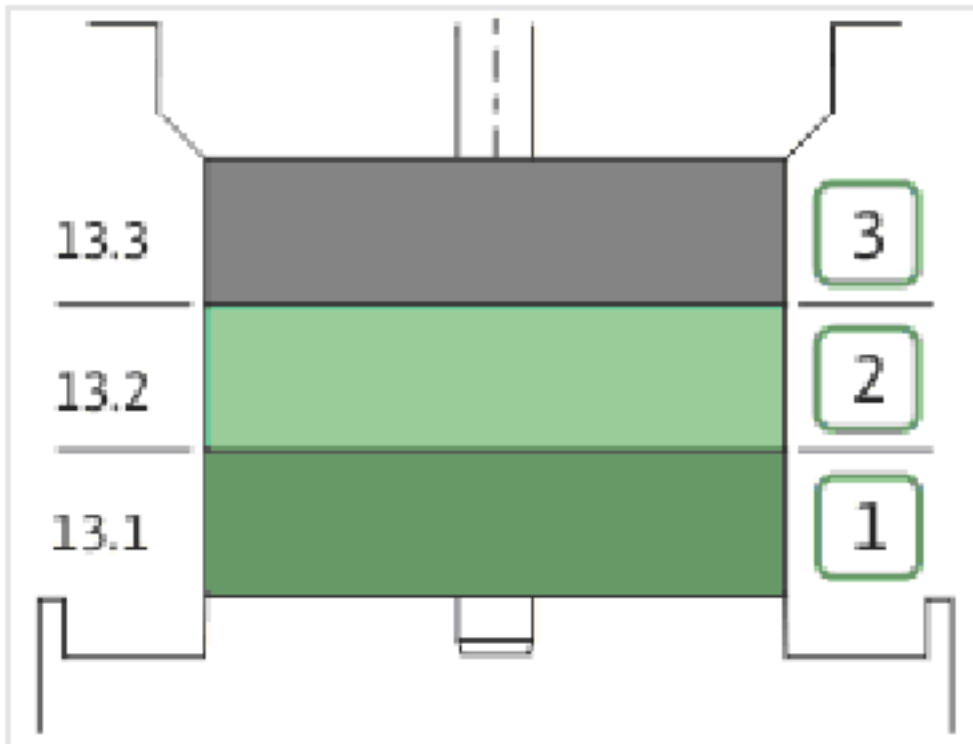
COUPLING D.16XD.28 FT130 HELIX KIT (4159710)

Item	Article no.	Description	Quantity
4.1		COUPLING M+ Ø16XØ28 FT130 MACHINED	1
4.2	2131022	BALL BEARING 6209/ZZ-C3(HT)VP.	1
4.3	4233930	CIRCLIP-FOR-BORES-D45x1,75 VP.	1
4.4	4157726	SCREW KIT M8X30 (4 PIECES)	1
4.5	4234252	CIRCLIPS 85X3 VP.	1
4.6	4234243	O-RING 85X3 VP.	1
		NOMEL CONTACT WASHER 8x16x1,4 STEEL ZC	1



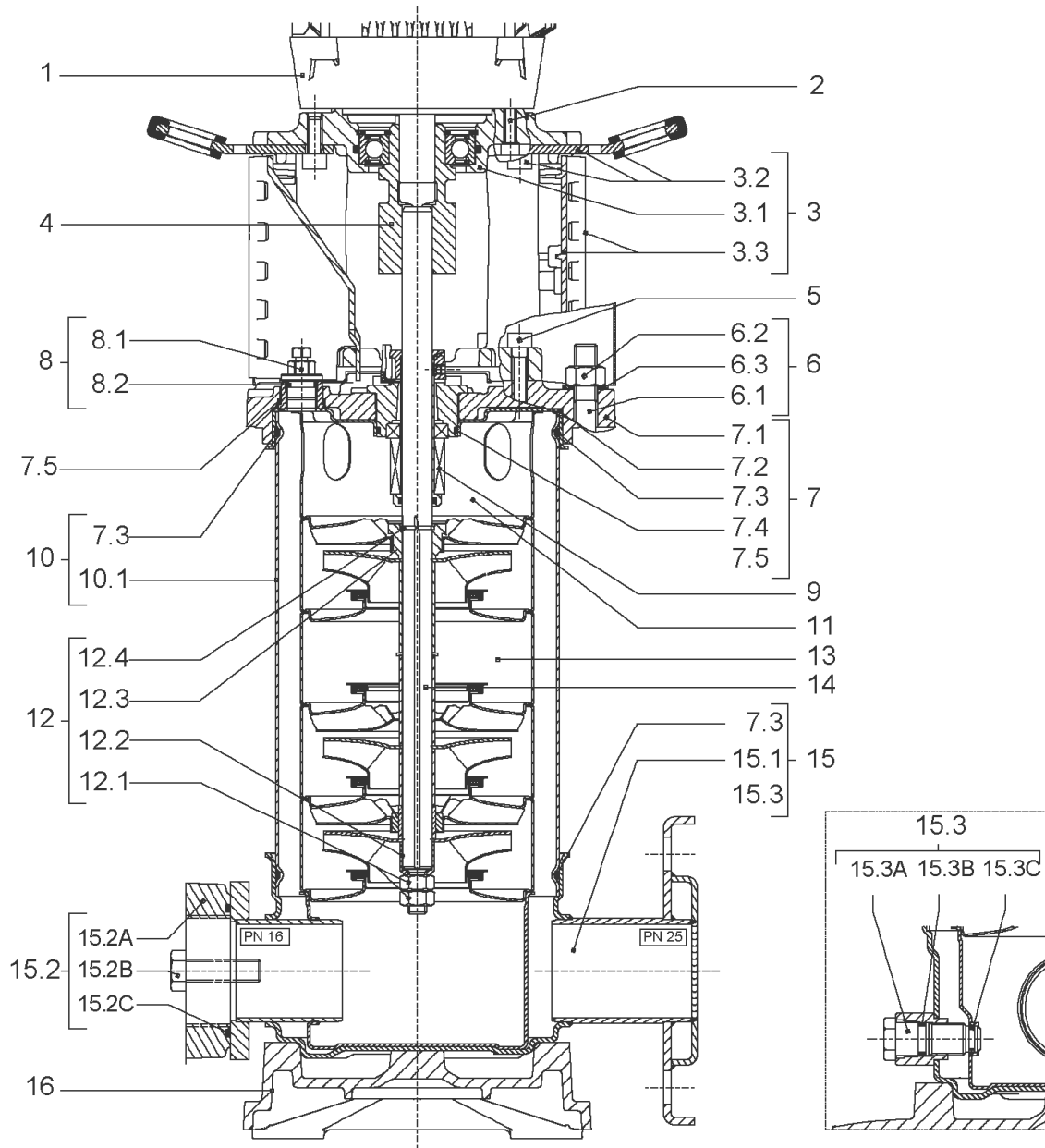
CARTRIDGE HELIX6-10-16 O/E KIT (4159696)

Item	Article no.	Description	Quantity
9.1	4159697	SEAL-KIT-HELIX6-10-16 O/E	1
7.3	4176513	> O-RING FOR PUMP JACKET VP.	1
7.4	2127603	> O-RING ID.37,6x2,4 EPDM VP.	1
9.1A	2130966	> MECH.SEAL HELIX2-4-6-10-16 O/E VP.	1
9.1B	2130967	> O-RING D.16X2,5 EPDM VP.	1
9.1C	4176519	> O-RING Ø16xØ1.25 VP.	1
9.2	2130961	SHAFT SLEEVE D.18/16X72,2 1.4404 VP.	1
9.3	2130962	RING HOLDER D.18 G606/G6 1.4301 VP.	1
9.4	4176520	SCREW CH M5x5 A4-70 (3PIECES)	1
9.5	2130963	DRIVE RING D.29/18x12,4 MACH.VP.	1
9.6	2130964	TOOL M.S.CART.HELIX VP.	1
9.7	2130965	SCREW CHC M5X12 ISO4762 A2.70(4 PIECES)	1



HYDRAULIC HELIX V 1603 1.4307

Item	Article no.	Description	Quantity
13.1	4159720	STAGE HELIX 16 1.4301 KIT	1
		> MACH.STG-CASING-WOGV-WNR-M+16-304	1
		> IMPELLER-M+16-304	1
13.2	4159714	STAGE BEARING HELIX 16 1.4301 KIT	1
		> MACH.BEARING-STG-CASING-WNR-M+16-304	1
		> IMPELLER-M+16-304	1
		> SLEEVE-SPACER-Ø19,35x30,665-304	1
		> SHAFT-SLEEVE-D16xD20x18-CW	1
13.3	4159715	INTERMEDIATE STAGE HELIX 16 1.4301 KIT	1
		> CORPS-ETG-STD-ACR-AJR-USIN.M+16-304	1
		> IMPELLER-M+16-304	1
		> SPACER Ø16X19.4-L48.6-304	1

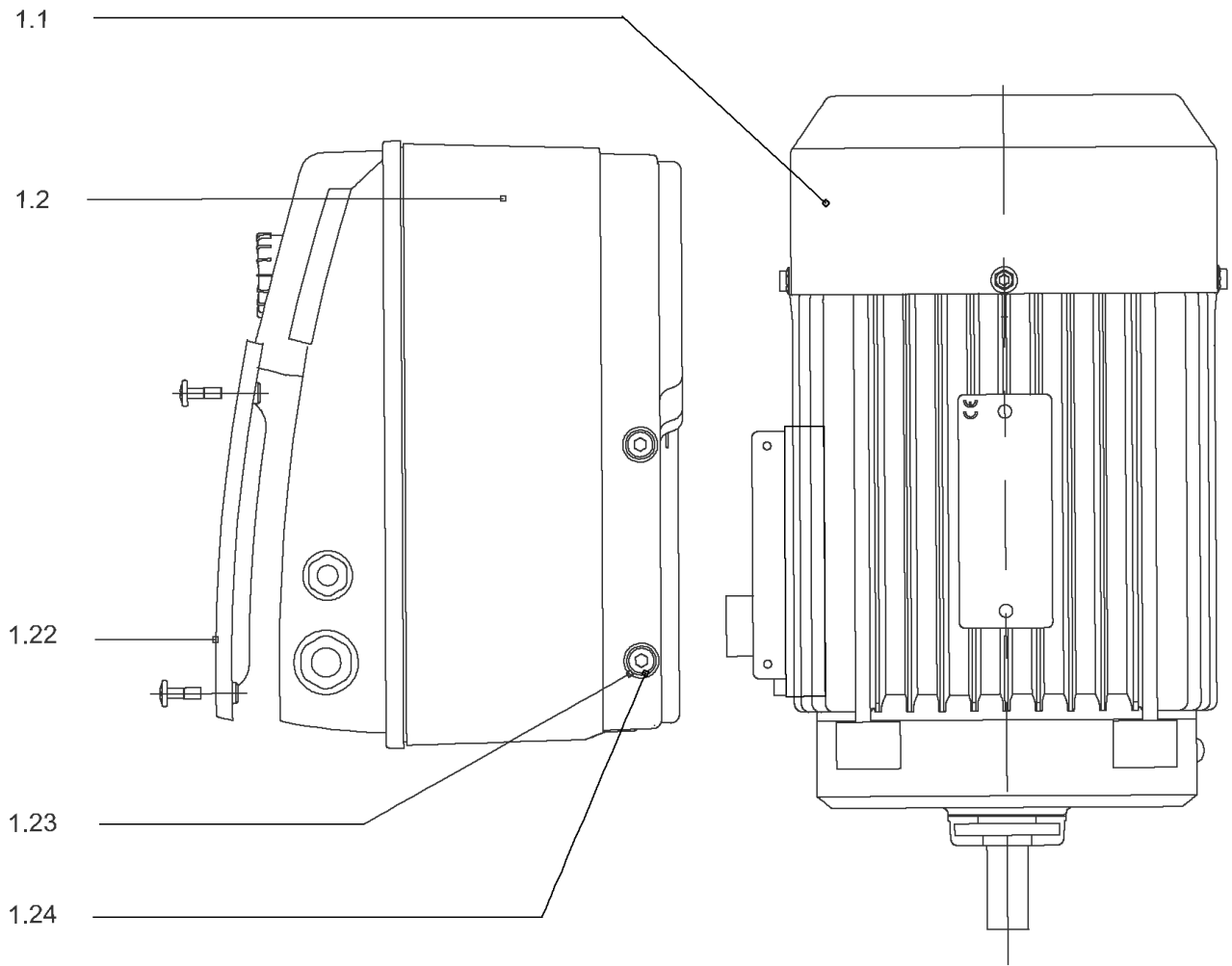


HELIX VE1603-4.0-1/16/E/S (4164623)

Item	Article no.	Description	Quantity
1		DRIVE HELIX-VE1603-IE2-ATB KIT	1
Note: MOTOR BRAND ATB			
1		DRIVE HELIX-VE1603-IE2-WE KIT	1
Note: MOTOR BRAND WILO ELEC			
1		DRIVE HELIX-VE1603-4T-IE4-WE-KIT	1
Note: MOTOR BRAND WILO ELEC			
2	4159703	SCREW M8X40 (4 PIECES)	1
3	4172789	LANTERN FT130 HELIX V10 KIT	1
3.1		> M+5_6_LANTERN_ONE-PIECE_FT130_CATA	1
3.2	2127604	> EYELET CPL.FT HELIX(2 PIECES)	1
3.3	4159692	> COUPLING PROTECTOR FT HELIX KIT	1
4	4159710	COUPLING D.16XD.28 FT130 HELIX KIT	1
5	4159707	SCREW M8X30 (4 PIECES)	1
6	4177817	STUD BOLT M12X341 KIT	1
6.1		> TIE BOLT M12-341x18x30-1.4057	1
6.2	2094647	> NUT M12 M12 ISO4032 VP.	1
6.3	2123557	> WASHER CS-12.4-24-1.6-NFE25 (4 PIECES)	1
7	4210143	STATIONARY RING HOLDER HELIX 6" EPDM	1
7.2	2127607	> STATIONARY RING HOLDER 6" HELIX 1.4301 V	1
7.3	4176513	> O-RING FOR PUMP JACKET VP.	1
7.4	2127603	> O-RING ID.37,6x2,4 EPDM VP.	1
7.5	2127602	> O-RING ID.21,35x2 EPDM VP.	1
8	4159686	FILING/PURGING PLUG HELIX EPDM KIT	1
9	4171327	SEAL-KIT-HELIX6-10-16 O/E KIT	1
10	2127575	HOUSING PIPE D.152x210 1.4301 KIT	1
11	2127588	CENTERING STAGE-RETURN HELIX16 1.4301 VP	1
12	4209329	SHAFT EQUIPMENT HELIX V16 KIT	1
12.1		> NUT-H-M10-A4.70	1
12.2		> SERRATED LOCK WASHER M+16M3-316L	1
12.3		> IMPELLER STOP RING L35,9-304	1
12.4		> STOP-RUSH-1/2-D16xd2-M+316	1
13		HYDRAULIC HELIX V 1603 1.4307	1
14	2127564	SHAFT D.16X330 1.4301 VP.	1
15	4217899	PUMP HOUSING HELIX DN50 PN16 1.4301 KIT	1

HELIX VE1603-4.0-1/16/E/S (4164623)

Item	Article no.	Description	Quantity
7.3	4176513	> O-RING FOR PUMP JACKET VP.	1
15.1		> BLASTING PPE HOUSING V-PN16-DN50-304	1
15.2	4217895	> COUNTER FLANGE-G2"-PN16-GJL KIT	1
15.3	4171321	> PRIMING/DRAIN PLUG EPDM HELIX KIT	1
16	2127601	BASEPLATE HELIX V16 VP.	1



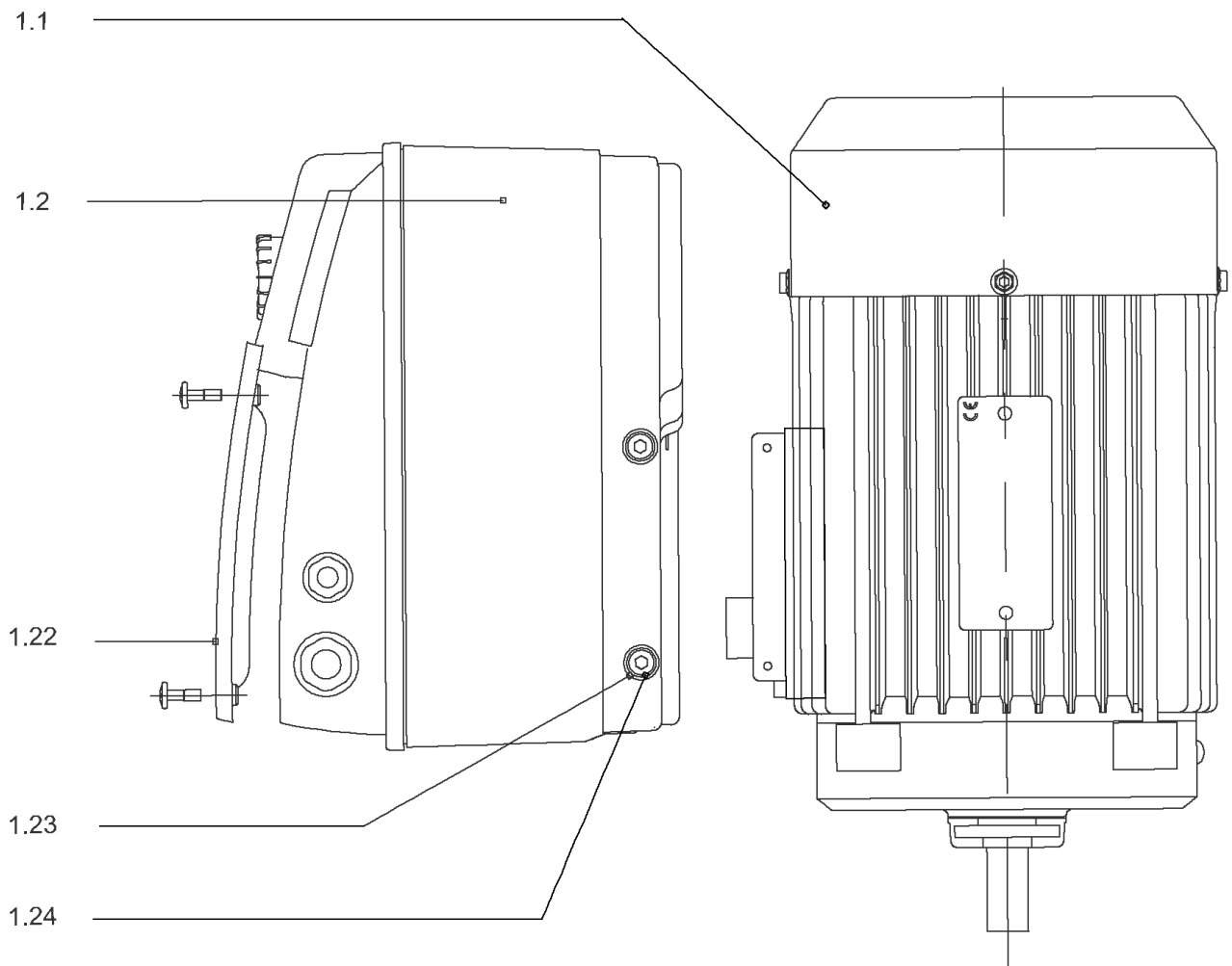
DRIVE HELIX-VE1603-IE2-ATB KIT

Item	Article no.	Description	Quantity
1.1		MOTOR 4/2/112 3~ 380V 60HZ IE2 ATB VP.	1
Note: no longer available /nicht mehrlieferbarn'est plus disponible			
		SPARE PARTS MOTOR:ON REQUEST	1
1.2	4179126	MODULE HELIX-VE1603-IE2-ATB KIT	1
1.22	2054227	> MODULE COVER/GASKET TL3/4 KIT	1
1.23	4215716	> SCREW M5X16 DIN912 8.8 A2A (4pieces) VP.	1
1.24	2057978	> RONDELLE A5,3 DIN6797 FST ZN (4 PIECES)	1



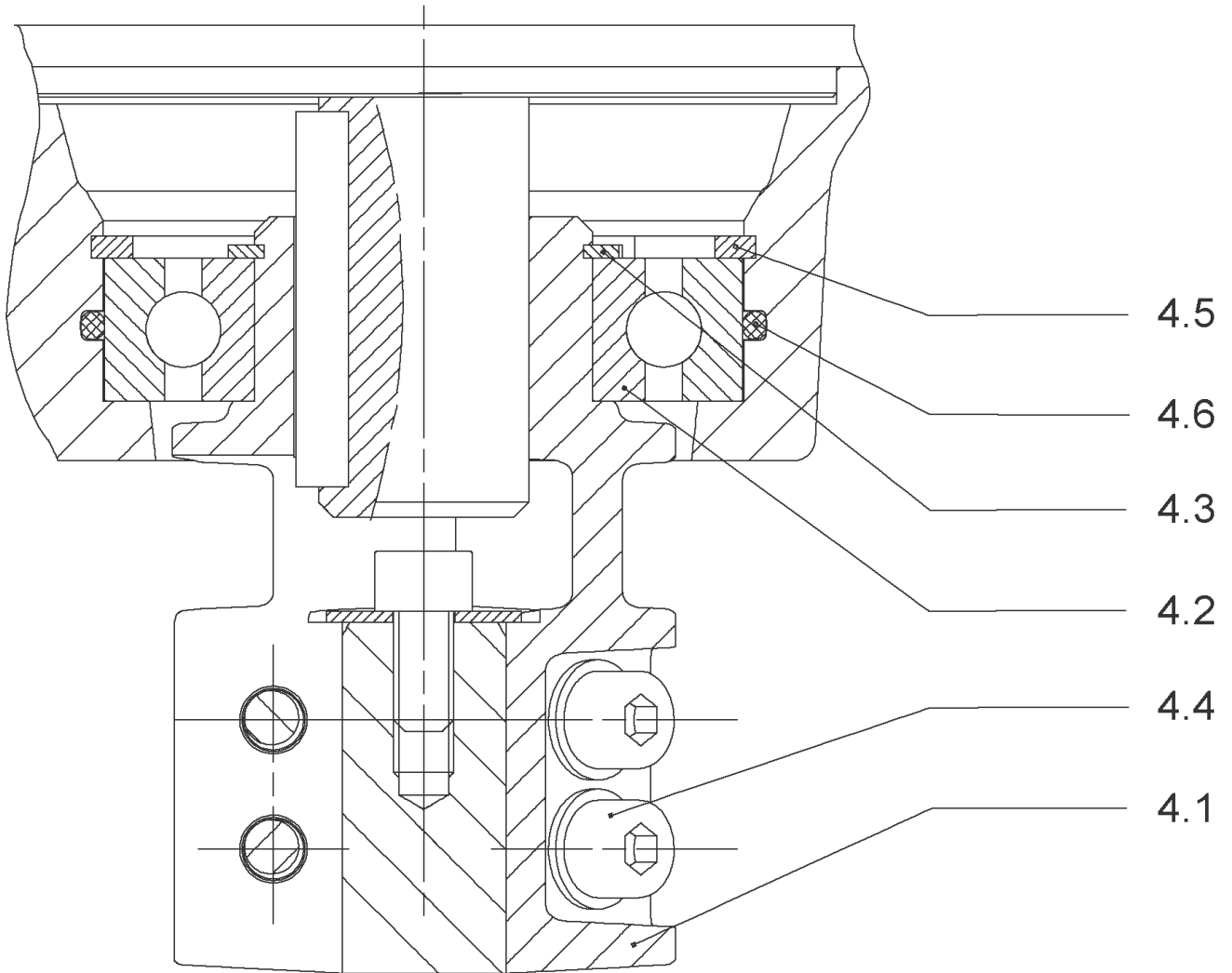
DRIVE HELIX-VE1603-IE2-WE KIT

Item	Article no.	Description	Quantity
1.1	4188824	MO.4/2/112 3~380V 60Hz IE2 WE VP.	1
		SPARE PARTS MOTOR:ON REQUEST	1
1.2	4188825	MODULE HELIX-VE1603-4.0-IE2-WE KIT	1
1.22	2054227	> MODULE COVER/GASKET TL3/4 KIT	1
1.23	4215716	> SCREW M5X16 DIN912 8.8 A2A (4pieces) VP.	1
1.24	2057978	> RONDELLE A5,3 DIN6797 FST ZN (4 PIECES)	1



DRIVE HELIX-VE1603-4T-IE4-WE-KIT

Item	Article no.	Description	Quantity
1.1	4207924	MOTOR 4/2/112 3~ 380V 60HZ IE4 WE VP.	1
		SPARE PARTS MOTOR:ON REQUEST	1
1.2	4209607	MODULE HELIX-VE1603-4.0-IE4-WE KIT	1
1.22	2054227	> MODULE COVER/GASKET TL3/4 KIT	1
1.23	4215716	> SCREW M5X16 DIN912 8.8 A2A (4pieces) VP.	1
1.24	2057978	> RONDELLE A5,3 DIN6797 FST ZN (4 PIECES)	1

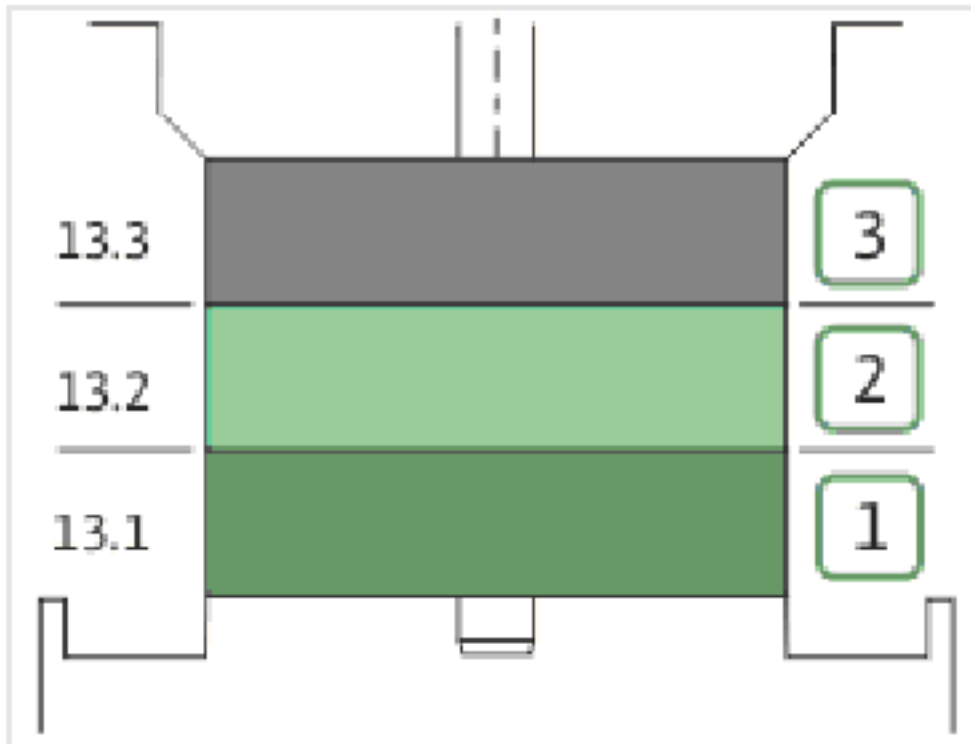


COUPLING D.16XD.28 FT130 HELIX KIT (4159710)

Item	Article no.	Description	Quantity
4.1		COUPLING M+ Ø16XØ28 FT130 MACHINED	1
4.2	2131022	BALL BEARING 6209/ZZ-C3(HT)VP.	1
4.3	4233930	CIRCLIP-FOR-BORES-D45x1,75 VP.	1
4.4	4157726	SCREW KIT M8X30 (4 PIECES)	1
4.5	4234252	CIRCLIPS 85X3 VP.	1
4.6	4234243	O-RING 85X3 VP.	1
		NOMEL CONTACT WASHER 8x16x1,4 STEEL ZC	1

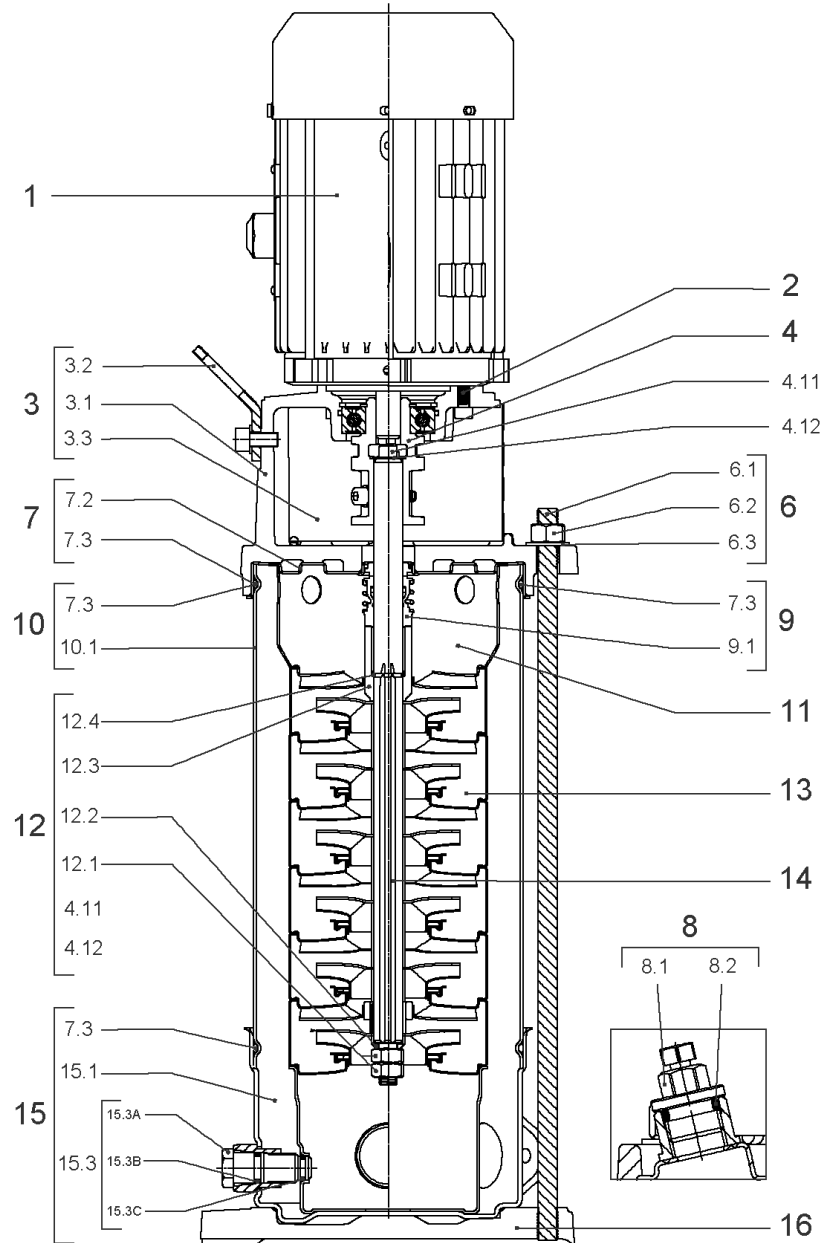
SEAL-KIT-HELIX6-10-16 O/E KIT (4171327)

Item	Article no.	Description	Quantity
7.3	4176513	O-RING FOR PUMP JACKET VP.	1
7.4	2127603	O-RING ID.37,6x2,4 EPDM VP.	1
9.1	4177801	MECH.SEAL HELIX6-10-16 O/E VP.	1
9.3	4177798	MACHINED RING HOLDER M+6" Ø16 304 VP.	1
9.5	4177799	MACHINED DRIVE RING Ø16 VP.	1
9.4	4176520	SCREW CH M5x5 A4-70 (3PIECES)	1



HYDRAULIC HELIX V 1603 1.4307

Item	Article no.	Description	Quantity
13.1	4159720	STAGE HELIX 16 1.4301 KIT	1
		> MACH.STG-CASING-WOGV-WNR-M+16-304	1
		> IMPELLER-M+16-304	1
13.2	4159714	STAGE BEARING HELIX 16 1.4301 KIT	1
		> MACH.BEARING-STG-CASING-WNR-M+16-304	1
		> IMPELLER-M+16-304	1
		> SLEEVE-SPACER-Ø19,35x30,665-304	1
		> SHAFT-SLEEVE-D16xD20x18-CW	1
13.3	4159715	INTERMEDIATE STAGE HELIX 16 1.4301 KIT	1
		> CORPS-ETG-STD-ACR-AJR-USIN.M+16-304	1
		> IMPELLER-M+16-304	1
		> SPACER Ø16X19.4-L48.6-304	1

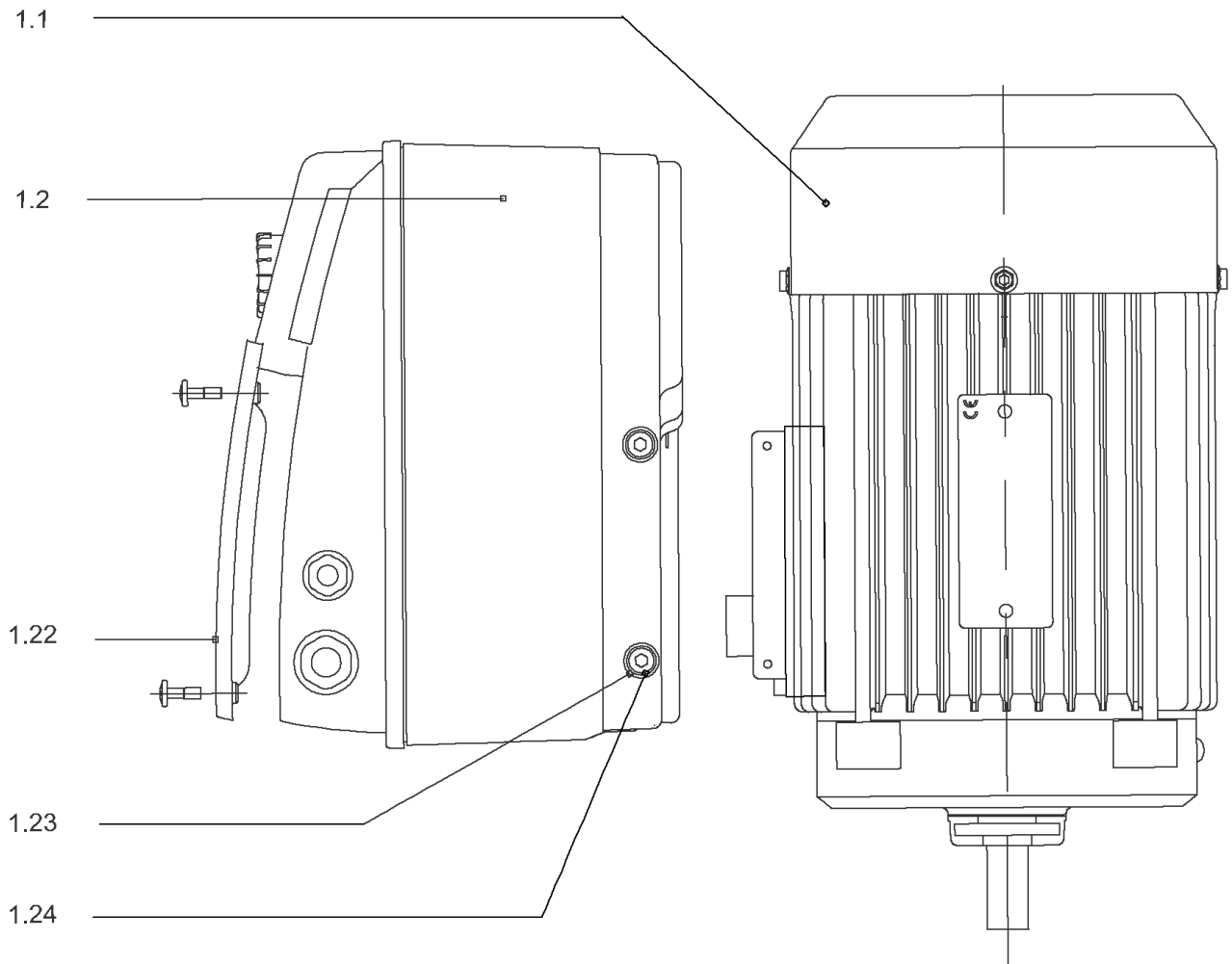


HELIX VE1603-4.0-1/16/E/S (4201561)

Item	Article no.	Description	Quantity
1		DRIVE HELIX-VE1603-4T-IE4-WE-KIT	1
Note: MOTOR BRAND WILO ELEC			
		SPARE PARTS MOTOR:ON REQUEST	1
2	4159707	SCREW M8X30 (4 PIECES)	1
3	4214473	LANTERN FT130 HELIX KIT	1
3.1		> LANT-MOT-VMI-ReDTC6"-FT130-MACHINED+CATA	1
3.2	4184852	> EYELET CPL.FT HELIX (2 PIECES)	1
3.3	4213782	> COUPLING PROTECTOR FT115/130 HELIX KIT	1
4	4159710	COUPLING D.16XD.28 FT130 HELIX KIT	1
6	2127553	STUD BOLT M12X341 KIT	1
7	4214481	STATIONARY RING HOLDER HELIX D27 ReDTC	1
7.2	4214479	> STATIONARY RING HOLDER HELIX D27 VP.	1
7.3	4176513	> O-RING FOR PUMP JACKET VP.	1
8	4212724	FILING/PURGING PLUG HELIX ReDTC KIT	1
8.1		> FILLING PLUG MVI6"-304	1
8.2	4177800	> O-RING EPDM PLUG HELIX VP.	1
9	4214483	MECH.SEAL HELIX6-10-16 O/E ReDTC KIT	1
9.1	4177801	> MECH.SEAL HELIX6-10-16 O/E VP.	1
7.3	4176513	> O-RING FOR PUMP JACKET VP.	1
10	2127575	HOUSING PIPE D.152x210 1.4301 KIT	1
11	2127588	CENTERING STAGE-RETURN HELIX16 1.4301 VP	1
12	4214520	SHAFT EQUIPMENT HELIX V16 ReDTC KIT	1
12.1		> NUT-H-M10-A4.70	1
12.2		> SERRATED LOCK WASHER M+16M3-316L	1
12.3		> 1/2-SNAP-RING-16M3-316L	1
12.4		> STOP-RUSH-1/2-D16xd2-M+316	1
4.11		> SCREW CHC-M6X14-8.8-ISO4762-GEOMET500A	1
4.12		> WASHER D.24 L6U ZINK	1
13		HYDRAULIC HELIX V 1603 1.4307	1
14	4214495	SHAFT D.16X278 HELIX 1.4057 VP.	1
15	4217899	PUMP HOUSING HELIX DN50 PN16 1.4301 KIT	1
7.3	4176513	> O-RING FOR PUMP JACKET VP.	1
15.1		> BLASTING PPE HOUSING V-PN16-DN50-304	1
15.2	4217895	> COUNTER FLANGE-G2"-PN16-GJL KIT	1

HELIX VE1603-4.0-1/16/E/S (4201561)

Item	Article no.	Description	Quantity
15.3	4171321	> PRIMING/DRAIN PLUG EPDM HELIX KIT	1
16	2127601	BASEPLATE HELIX V16 VP.	1



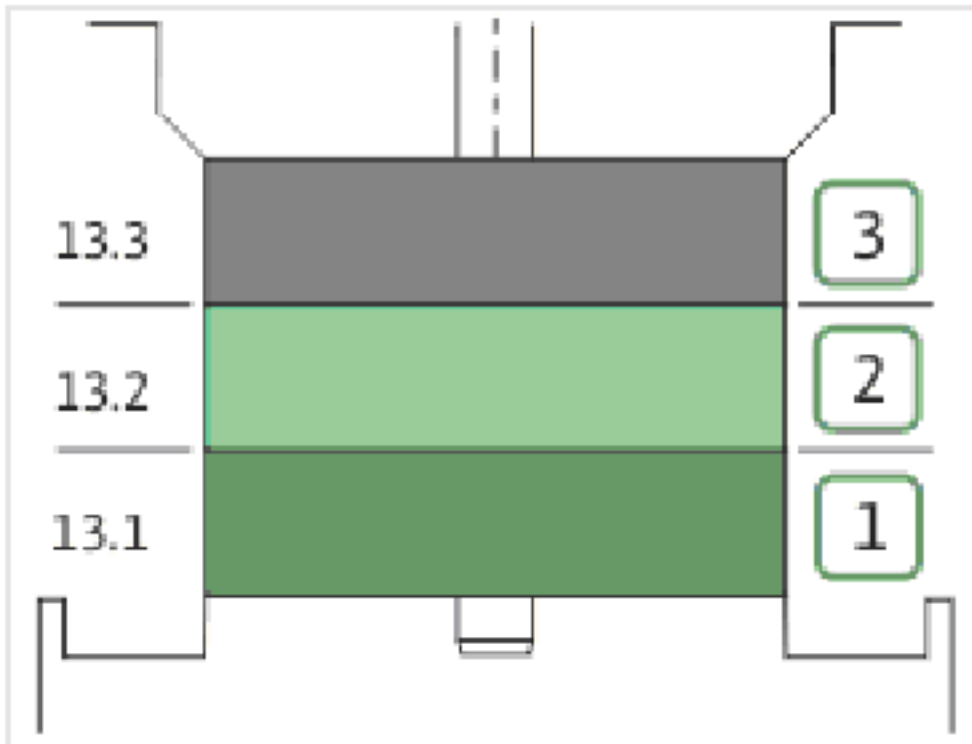
DRIVE HELIX-VE1603-4T-IE4-WE-KIT

Item	Article no.	Description	Quantity
1.1	4207924	MOTOR 4/2/112 3~ 380V 60HZ IE4 WE VP.	1
		SPARE PARTS MOTOR:ON REQUEST	1
1.2	4209607	MODULE HELIX-VE1603-4.0-IE4-WE KIT	1
1.22	2054227	> MODULE COVER/GASKET TL3/4 KIT	1
1.23	4215716	> SCREW M5X16 DIN912 8.8 A2A (4pieces) VP.	1
1.24	2057978	> RONDELLE A5,3 DIN6797 FST ZN (4 PIECES)	1



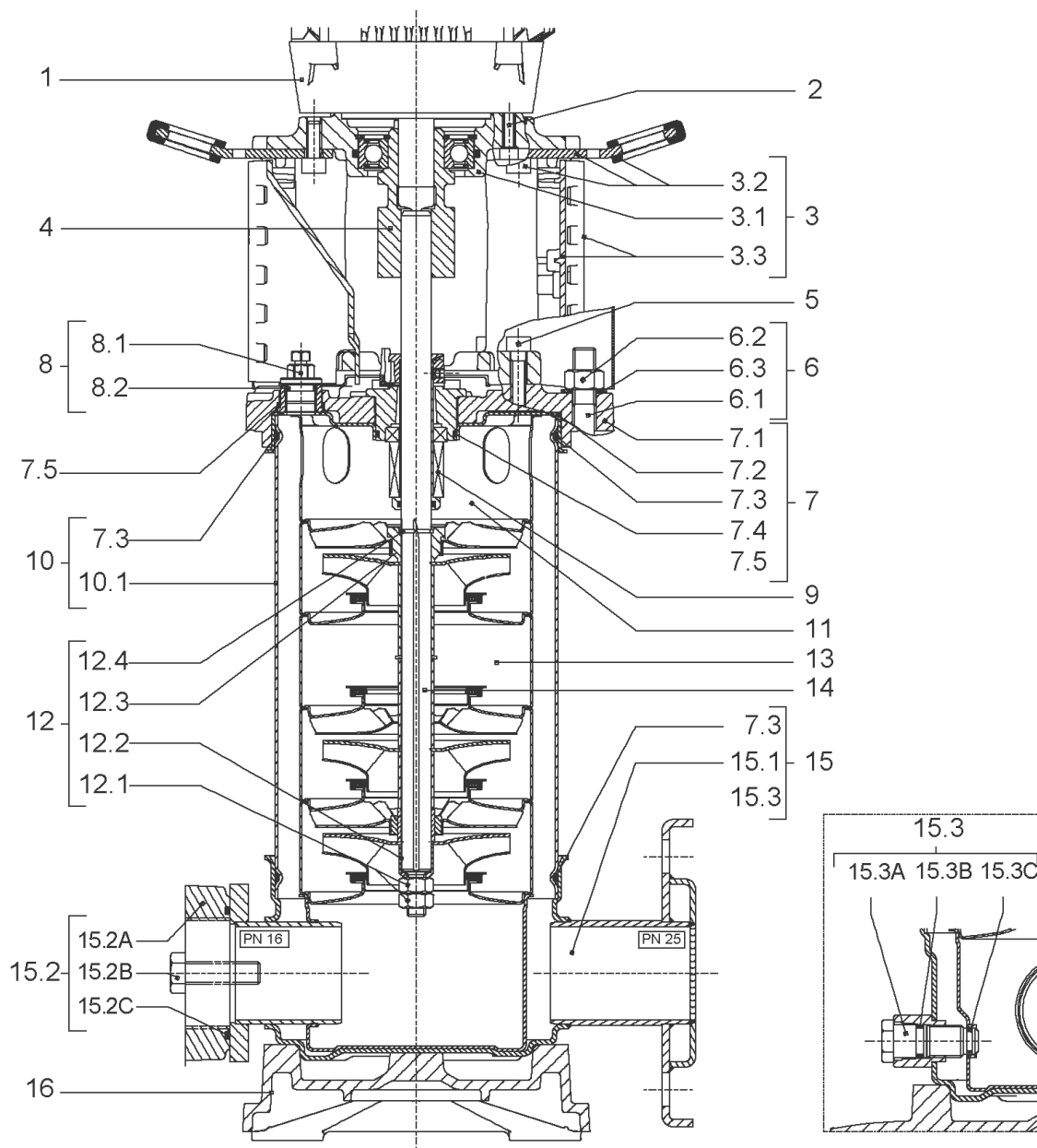
COUPLING D.16XD.28 FT130 HELIX KIT (4159710)

Item	Article no.	Description	Quantity
4.1		COUPLING M+ Ø16XØ28 FT130 MACHINED	1
4.2	2131022	BALL BEARING 6209/ZZ-C3(HT)VP.	1
4.3	4233930	CIRCLIP-FOR-BORES-D45x1,75 VP.	1
4.4	4157726	SCREW KIT M8X30 (4 PIECES)	1
4.5	4234252	CIRCLIPS 85X3 VP.	1
4.6	4234243	O-RING 85X3 VP.	1
		NOMEL CONTACT WASHER 8x16x1,4 STEEL ZC	1



HYDRAULIC HELIX V 1603 1.4307

Item	Article no.	Description	Quantity
13.1	4159720	STAGE HELIX 16 1.4301 KIT	1
		> MACH.STG-CASING-WOGV-WNR-M+16-304	1
		> IMPELLER-M+16-304	1
13.2	4159714	STAGE BEARING HELIX 16 1.4301 KIT	1
		> MACH.BEARING-STG-CASING-WNR-M+16-304	1
		> IMPELLER-M+16-304	1
		> SLEEVE-SPACER-Ø19,35x30,665-304	1
		> SHAFT-SLEEVE-D16xD20x18-CW	1
13.3	4159715	INTERMEDIATE STAGE HELIX 16 1.4301 KIT	1
		> CORPS-ETG-STD-ACR-AJR-USIN.M+16-304	1
		> IMPELLER-M+16-304	1
		> SPACER Ø16X19.4-L48.6-304	1



HELIX VE1603-4.0-1/25/E/KS (4148087)

Item	Article no.	Description	Quantity
1		DRIVE HELIX-VE1603-IE2-ATB KIT	1
Note: MOTOR BRAND ATB			
1		DRIVE HELIX-VE1603-IE2-WE KIT	1
Note: MOTOR BRAND WILO ELEC			
1		DRIVE HELIX-VE1603-4T-IE4-WE-KIT	1
Note: MOTOR BRAND WILO ELEC			
2	4159703	SCREW M8X40 (4 PIECES)	1
3	4171326	LANTERN FT130 HELIX KIT	1
3.1		> LANTERN FT130 M+6" GJL MACHINING+CATA	1
3.2	2127604	> EYELET CPL.FT HELIX(2 PIECES)	1
3.3	4159692	> COUPLING PROTECTOR FT HELIX KIT	1
4	4159710	COUPLING D.16XD.28 FT130 HELIX KIT	1
5	4159707	SCREW M8X30 (4 PIECES)	1
6	4177817	STUD BOLT M12X341 KIT	1
6.1		> TIE BOLT M12-341x18x30-1.4057	1
6.2	2094647	> NUT M12 M12 ISO4032 VP.	1
6.3	2123557	> WASHER CS-12.4-24-1.6-NFE25 (4 PIECES)	1
7	4159685	END SHIELD HELIX EPDM KIT	1
7.1		> END SHIELD M+6" GJL250 MACHINING+CATA	1
7.2	2127607	> STATIONARY RING HOLDER 6" HELIX 1.4301 V	1
7.3	4176513	> O-RING FOR PUMP JACKET VP.	1
7.4	2127603	> O-RING ID.37,6x2,4 EPDM VP.	1
7.5	2127602	> O-RING ID.21,35x2 EPDM VP.	1
8	4159686	FILING/PURGING PLUG HELIX EPDM KIT	1
9	4159698	CARTRIDGE HELIX6-10-16 F/E KIT	1
10	2127575	HOUSING PIPE D.152x210 1.4301 KIT	1
11	2127588	CENTERING STAGE-RETURN HELIX16 1.4301 VP	1
12	4209328	SHAFT EQUIPMENT HELIX V16 BI BLOC KIT	1
12.1		> NUT-H-M10-A4.70	1
12.2		> SERRATED LOCK WASHER M+16M3-316L	1
12.3		> STOP COLLAR OF IMPELLER L18,8-Ø16-316L	1
12.4		> STOP-RUSH-1/2-D16xd2-M+316	1
13		HYDRAULIC HELIX V 1603 1.4307	1
14	2127564	SHAFT D.16X330 1.4301 VP.	1

HELIX VE1603-4.0-1/25/E/KS (4148087)

Item	Article no.	Description	Quantity
15	4159683	PUMP HOUSING HELIX DN50 PN25 1.4301 KIT	1
7.3	4176513	> O-RING FOR PUMP JACKET VP.	1
15.1		> BLASTING PPE HOUSING V-PN25-DN50-304	1
15.3	4171321	> PRIMING/DRAIN PLUG EPDM HELIX KIT	1
16	2127601	BASEPLATE HELIX V16 VP.	1



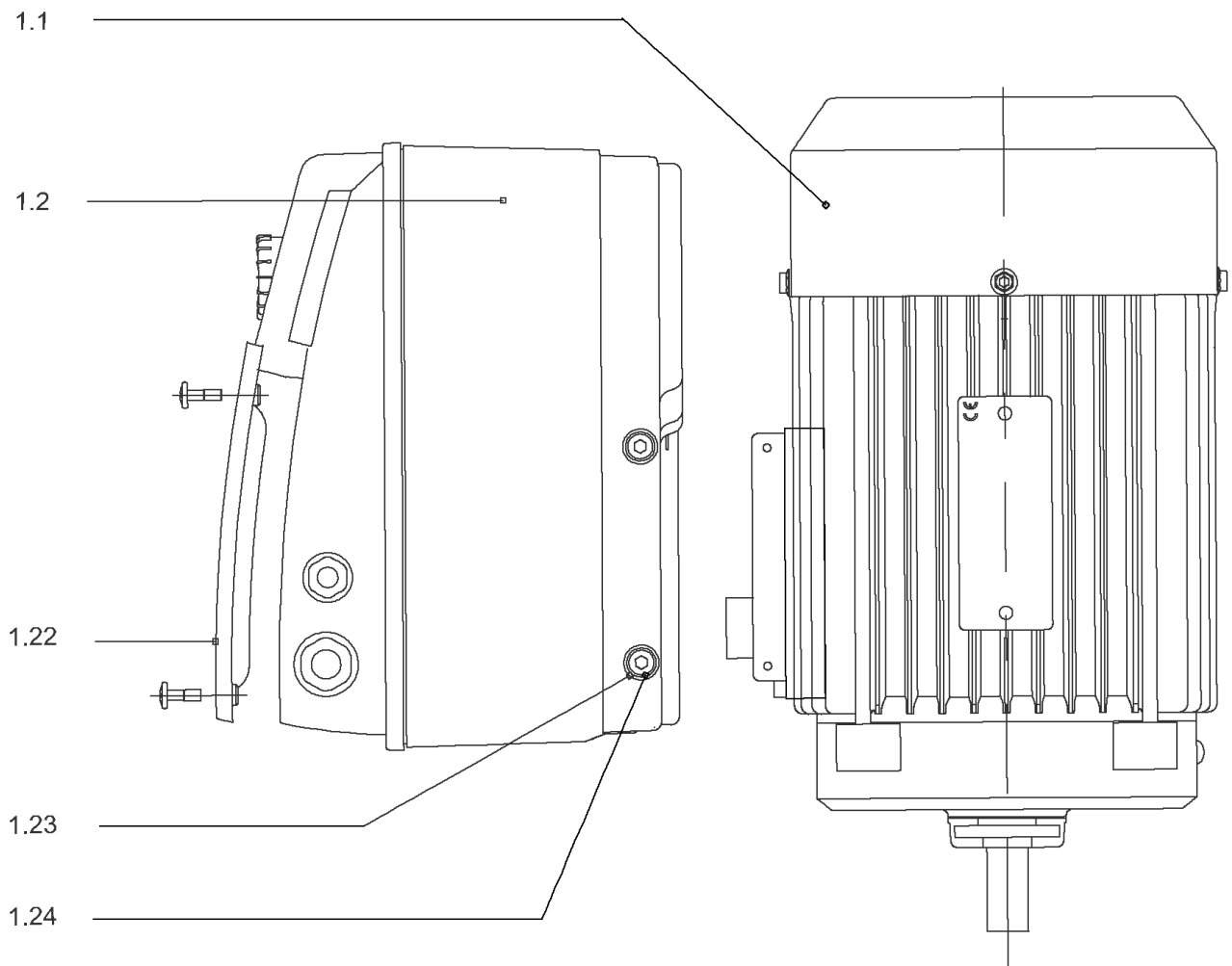
DRIVE HELIX-VE1603-IE2-ATB KIT

Item	Article no.	Description	Quantity
1.1		MOTOR 4/2/112 3~ 380V 60HZ IE2 ATB VP.	1
Note: no longer available /nicht mehrlieferbarn'est plus disponible			
		SPARE PARTS MOTOR:ON REQUEST	1
1.2	4179126	MODULE HELIX-VE1603-IE2-ATB KIT	1
1.22	2054227	> MODULE COVER/GASKET TL3/4 KIT	1
1.23	4215716	> SCREW M5X16 DIN912 8.8 A2A (4pieces) VP.	1
1.24	2057978	> RONDELLE A5,3 DIN6797 FST ZN (4 PIECES)	1



DRIVE HELIX-VE1603-IE2-WE KIT

Item	Article no.	Description	Quantity
1.1	4188824	MO.4/2/112 3~380V 60Hz IE2 WE VP.	1
		SPARE PARTS MOTOR:ON REQUEST	1
1.2	4188825	MODULE HELIX-VE1603-4.0-IE2-WE KIT	1
1.22	2054227	> MODULE COVER/GASKET TL3/4 KIT	1
1.23	4215716	> SCREW M5X16 DIN912 8.8 A2A (4pieces) VP.	1
1.24	2057978	> RONDELLE A5,3 DIN6797 FST ZN (4 PIECES)	1



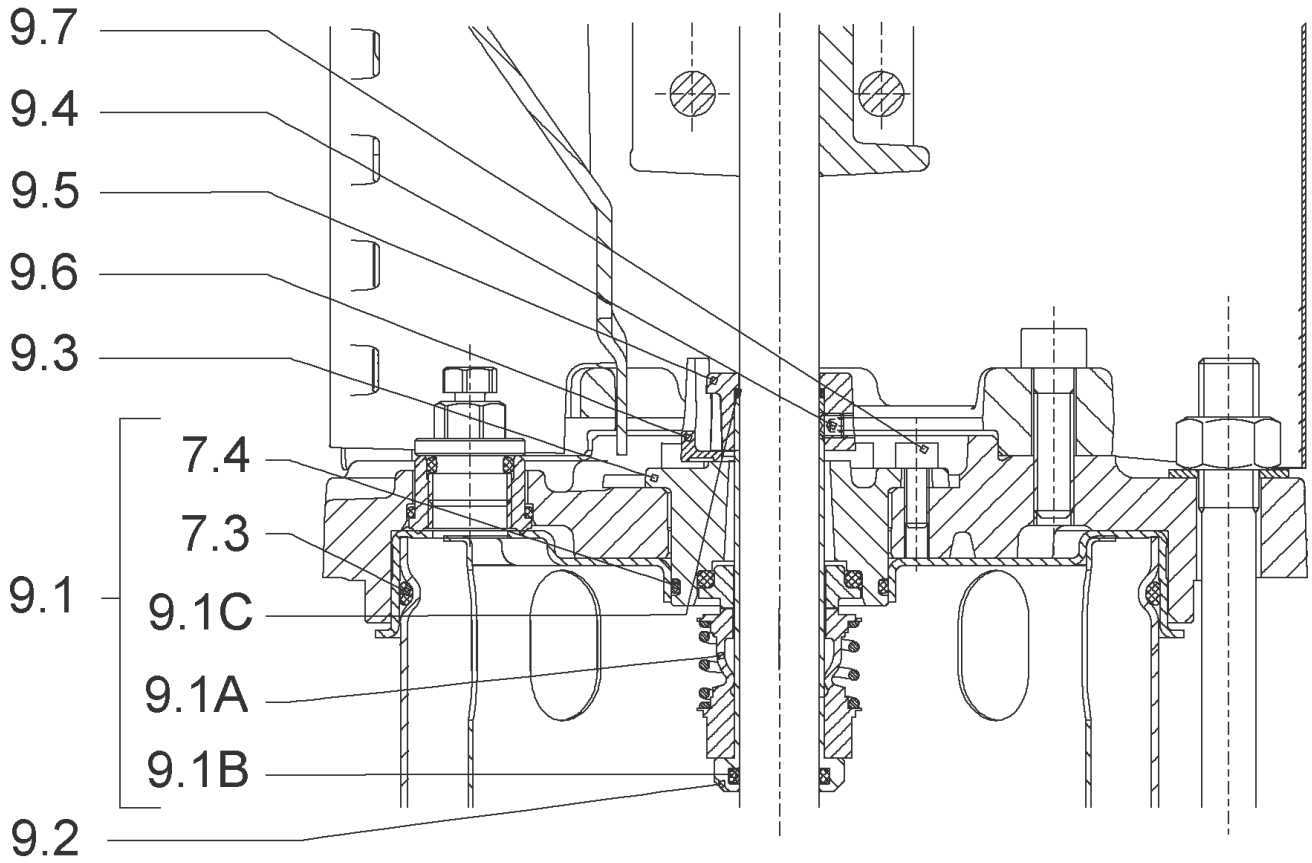
DRIVE HELIX-VE1603-4T-IE4-WE-KIT

Item	Article no.	Description	Quantity
1.1	4207924	MOTOR 4/2/112 3~ 380V 60HZ IE4 WE VP.	1
		SPARE PARTS MOTOR:ON REQUEST	1
1.2	4209607	MODULE HELIX-VE1603-4.0-IE4-WE KIT	1
1.22	2054227	> MODULE COVER/GASKET TL3/4 KIT	1
1.23	4215716	> SCREW M5X16 DIN912 8.8 A2A (4pieces) VP.	1
1.24	2057978	> RONDELLE A5,3 DIN6797 FST ZN (4 PIECES)	1



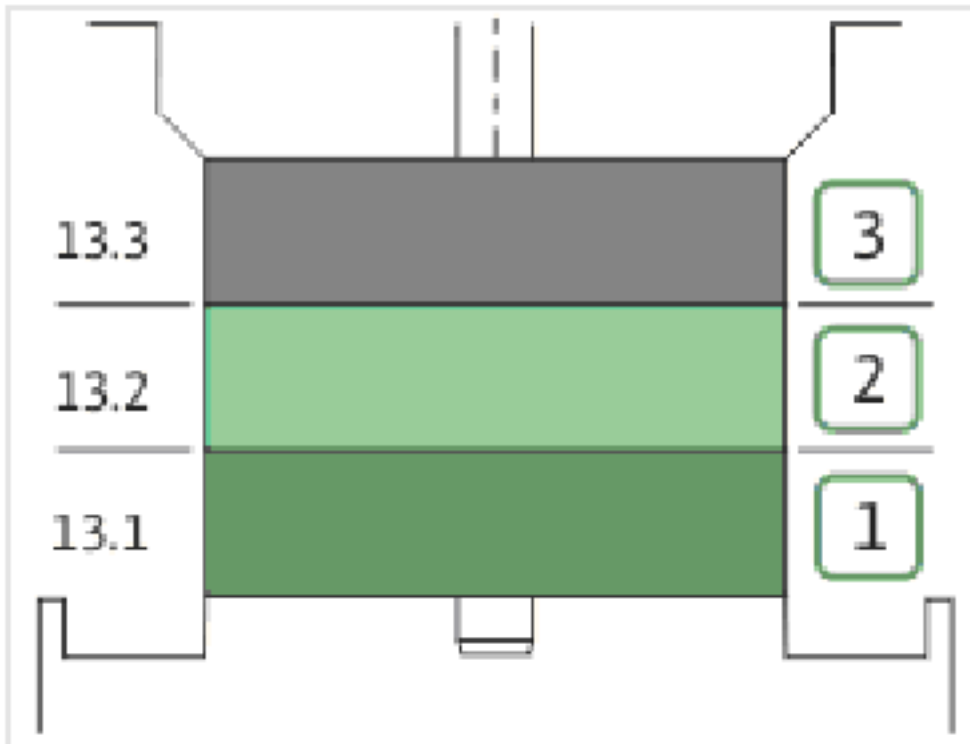
COUPLING D.16XD.28 FT130 HELIX KIT (4159710)

Item	Article no.	Description	Quantity
4.1		COUPLING M+ Ø16XØ28 FT130 MACHINED	1
4.2	2131022	BALL BEARING 6209/ZZ-C3(HT)VP.	1
4.3	4233930	CIRCLIP-FOR-BORES-D45x1,75 VP.	1
4.4	4157726	SCREW KIT M8X30 (4 PIECES)	1
4.5	4234252	CIRCLIPS 85X3 VP.	1
4.6	4234243	O-RING 85X3 VP.	1
		NOMEL CONTACT WASHER 8x16x1,4 STEEL ZC	1



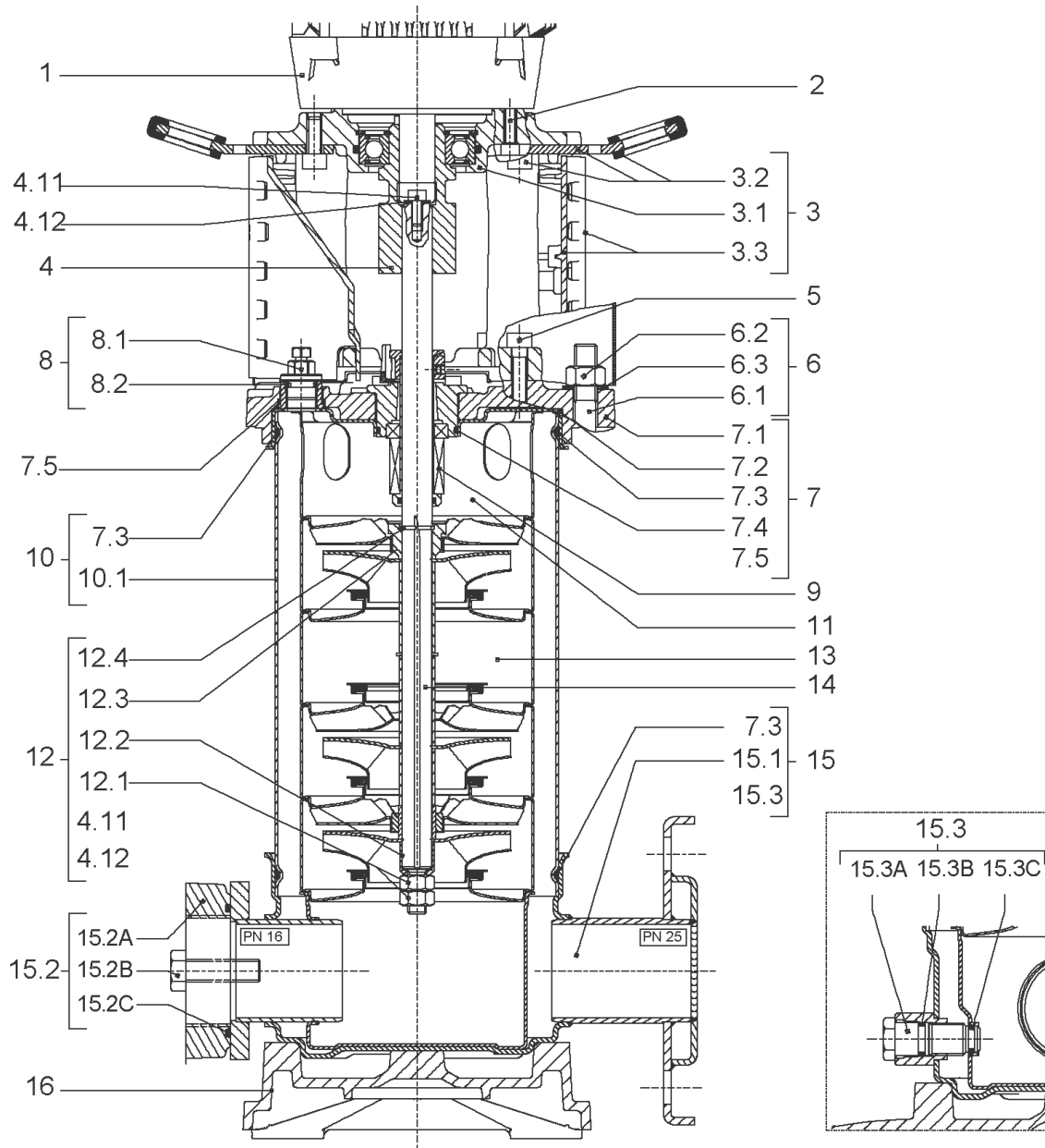
CARTRIDGE HELIX6-10-16 F/E KIT (4159698)

Item	Article no.	Description	Quantity
9.1	4159699	SEAL-KIT-HELIX6-10-16 F/E	1
7.3	4176513	> O-RING FOR PUMP JACKET VP.	1
7.4	2127603	> O-RING ID.37,6x2,4 EPDM VP.	1
9.1A	4176521	> MECH.SEAL HELIX2-4-6-10-16 F/E VP.	1
9.1B	2130967	> O-RING D.16X2,5 EPDM VP.	1
9.1C	4176519	> O-RING Ø16xØ1.25 VP.	1
9.2	2130961	SHAFT SLEEVE D.18/16X72,2 1.4404 VP.	1
9.3	2130962	RING HOLDER D.18 G606/G6 1.4301 VP.	1
9.4	4176520	SCREW CH M5x5 A4-70 (3PIECES)	1
9.5	2130963	DRIVE RING D.29/18x12,4 MACH.VP.	1
9.6	2130964	TOOL M.S.CART.HELIX VP.	1
9.7	2130965	SCREW CHC M5X12 ISO4762 A2.70(4 PIECES)	1



HYDRAULIC HELIX V 1603 1.4307

Item	Article no.	Description	Quantity
13.1	4159720	STAGE HELIX 16 1.4301 KIT	1
		> MACH.STG-CASING-WOGV-WNR-M+16-304	1
		> IMPELLER-M+16-304	1
13.2	4159714	STAGE BEARING HELIX 16 1.4301 KIT	1
		> MACH.BEARING-STG-CASING-WNR-M+16-304	1
		> IMPELLER-M+16-304	1
		> SLEEVE-SPACER-Ø19,35x30,665-304	1
		> SHAFT-SLEEVE-D16xD20x18-CW	1
13.3	4159715	INTERMEDIATE STAGE HELIX 16 1.4301 KIT	1
		> CORPS-ETG-STD-ACR-AJR-USIN.M+16-304	1
		> IMPELLER-M+16-304	1
		> SPACER Ø16X19.4-L48.6-304	1

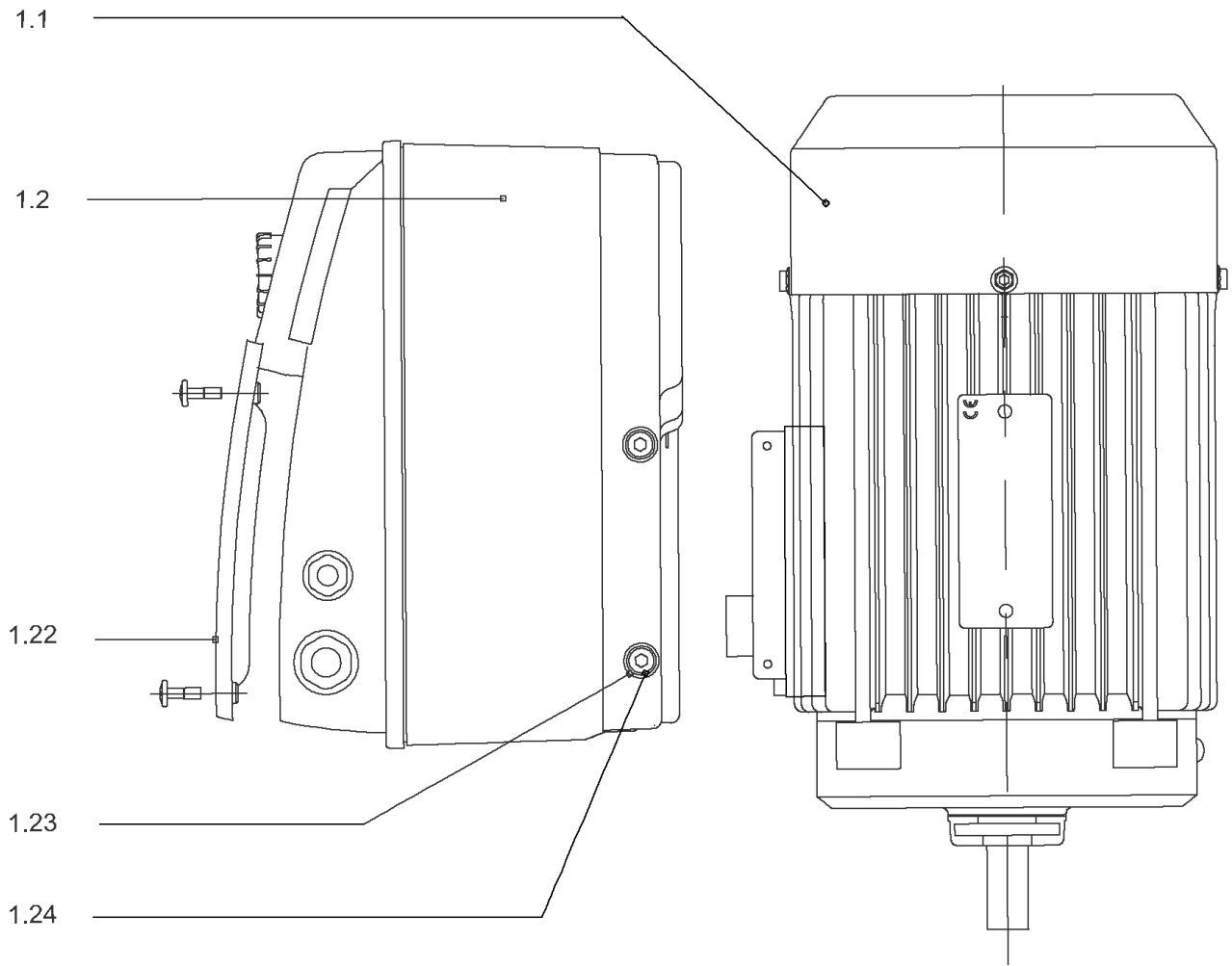


HELIX VE1605-1/16/E/KS (4141464)

Item	Article no.	Description	Quantity
1		DRIVE HELIX-VE1605-IE2-ATB KIT	1
Note: MOTOR BRAND ATB			
1		DRIVE HELIX-VE1605-IE2-SIE KIT	1
Note: MOTOR BRAND SIEMENS			
1		DRIVE HELIX-VE1605-IE4-WE KIT	1
Note: MOTOR BRAND WILO ELEC			
2	4174093	SCREW M12X50 (4 PIECES)	1
3	4159693	LANTERN FF265 HELIX KIT	1
3.1		> LANTERN FF265 M+6" GJL MACHINING+CATA	1
3.2	2127605	> EYELET CPL.FF265 HELIX(2 PIECES)	1
3.3	4159695	> COUPLING PROTECTOR FF HELIX KIT	1
4	4159711	COUPLING D.16XD.38 FF265 HELIX KIT	1
5	4159707	SCREW M8X30 (4 PIECES)	1
6	2127554	STUD BOLT M12X437 KIT	1
7	4159685	END SHIELD HELIX EPDM KIT	1
7.1		> END SHIELD M+6" GJL250 MACHINING+CATA	1
7.2	2127607	> STATIONARY RING HOLDER 6" HELIX 1.4301 V	1
7.3	4176513	> O-RING FOR PUMP JACKET VP.	1
7.4	2127603	> O-RING ID.37,6x2,4 EPDM VP.	1
7.5	2127602	> O-RING ID.21,35x2 EPDM VP.	1
8	4159686	FILING/PURGING PLUG HELIX EPDM KIT	1
9	4159696	CARTRIDGE HELIX6-10-16 O/E KIT	1
10	2127577	HOUSING PIPE D.152x310 1.4301 KIT	1
11	2127588	CENTERING STAGE-RETURN HELIX16 1.4301 VP	1
12	4159688	SHAFT EQUIPMENT HELIX V16 BI BLOC KIT	1
4.11	4102901	> SCREW CHC-M6X14-8.8-ISO4762-GEOMET500A	1
4.12	2130995	> SERRATED LOCK WASHER D.6,2XD.14,5X28 VP.	1
12.1		> NUT-H-M10-A4.70	1
12.2		> SERRATED LOCK WASHER M+16M3-316L	1
12.3		> STOP COLLAR OF IMPELLER L18,8-Ø16-316L	1
12.4		> STOP-RUSH-1/2-D16xd2-M+316	1
13		HYDRAULIC HELIX V 1605 1.4307	1
14	2127566	SHAFT D.16X430 1.4301 VP.	1
15	4217899	PUMP HOUSING HELIX DN50 PN16 1.4301 KIT	1

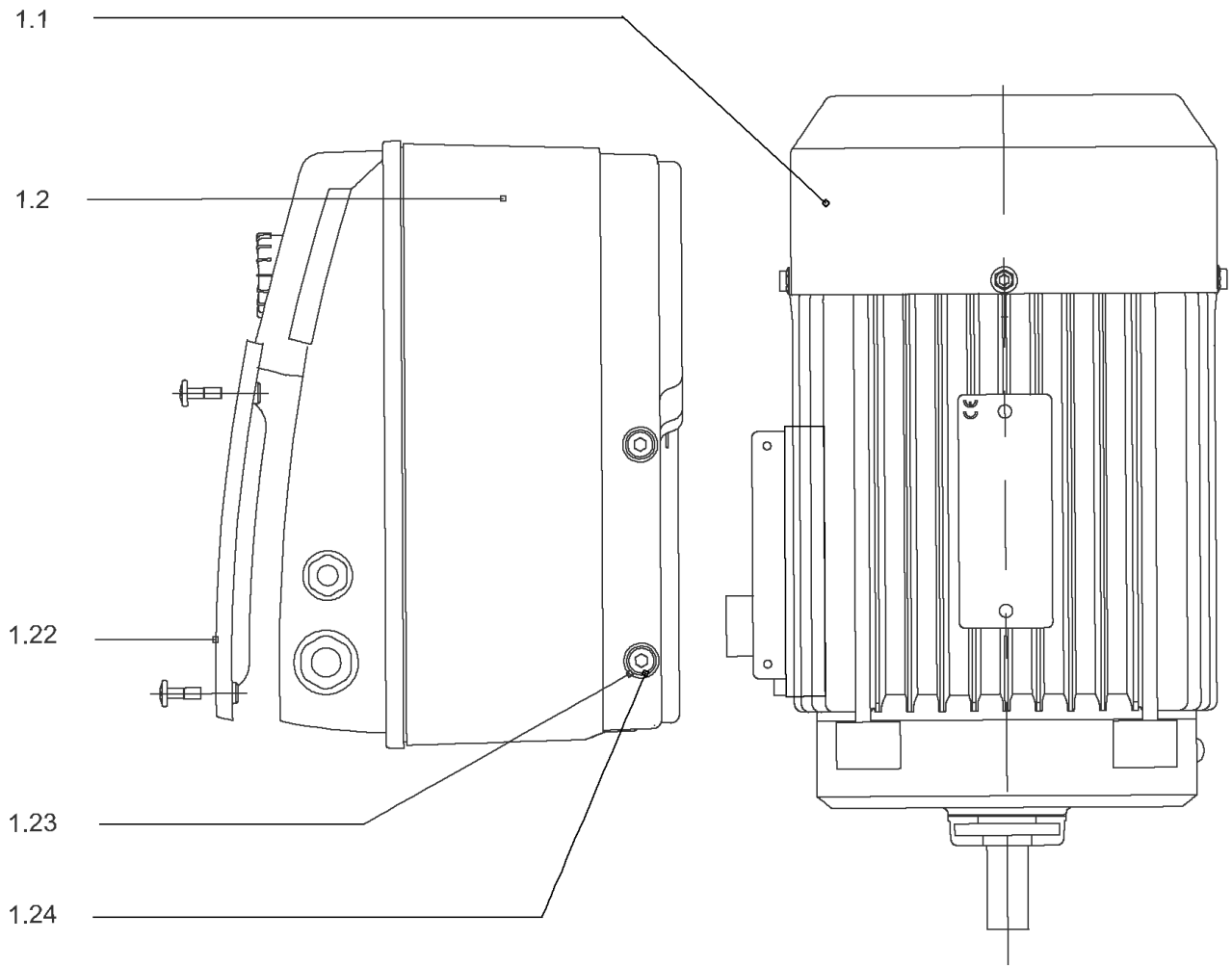
HELIX VE1605-1/16/E/KS (4141464)

Item	Article no.	Description	Quantity
7.3	4176513	> O-RING FOR PUMP JACKET VP.	1
15.1		> BLASTING PPE HOUSING V-PN16-DN50-304	1
15.2	4217895	> COUNTER FLANGE-G2"-PN16-GJL KIT	1
15.3	4171321	> PRIMING/DRAIN PLUG EPDM HELIX KIT	1
16	2127601	BASEPLATE HELIX V16 VP.	1



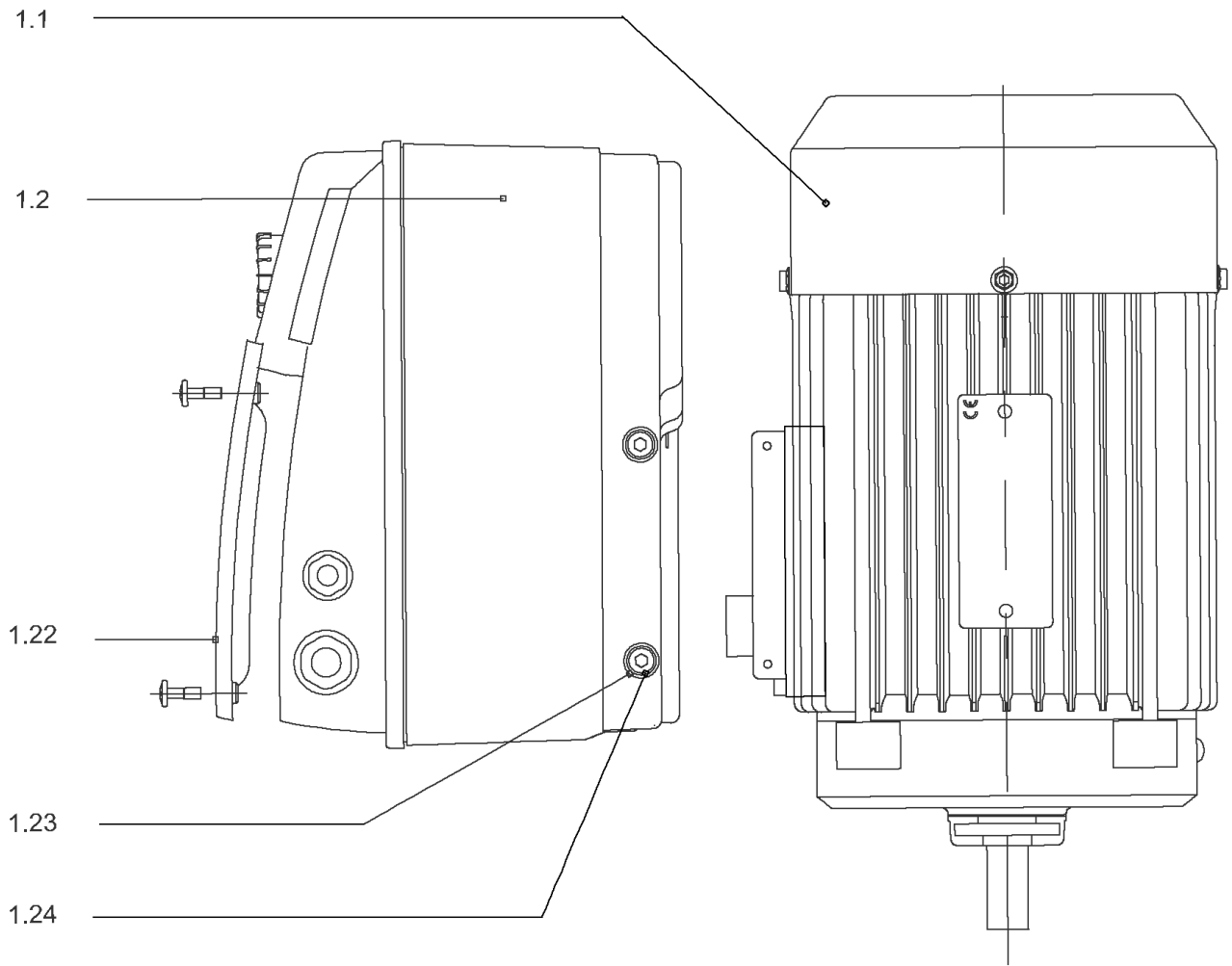
DRIVE HELIX-VE1605-IE2-ATB KIT

Item	Article no.	Description	Quantity
1.1	4185029	MOTOR 5,5/2/132 3~380V 60HZ IE2 ATB VP.	1
		SPARE PARTS MOTOR:ON REQUEST	1
1.2	4184971	MODULE HELIX-VE1605-IE2-ATB KIT	1
1.22	2111344	> MODULE COVER/GASKET TL5 KIT	1
1.23	4215716	> SCREW M5X16 DIN912 8.8 A2A (4pieces) VP.	1
1.24	2057978	> RONDELLE A5,3 DIN6797 FST ZN (4 PIECES)	1



DRIVE HELIX-VE1605-IE2-SIE KIT

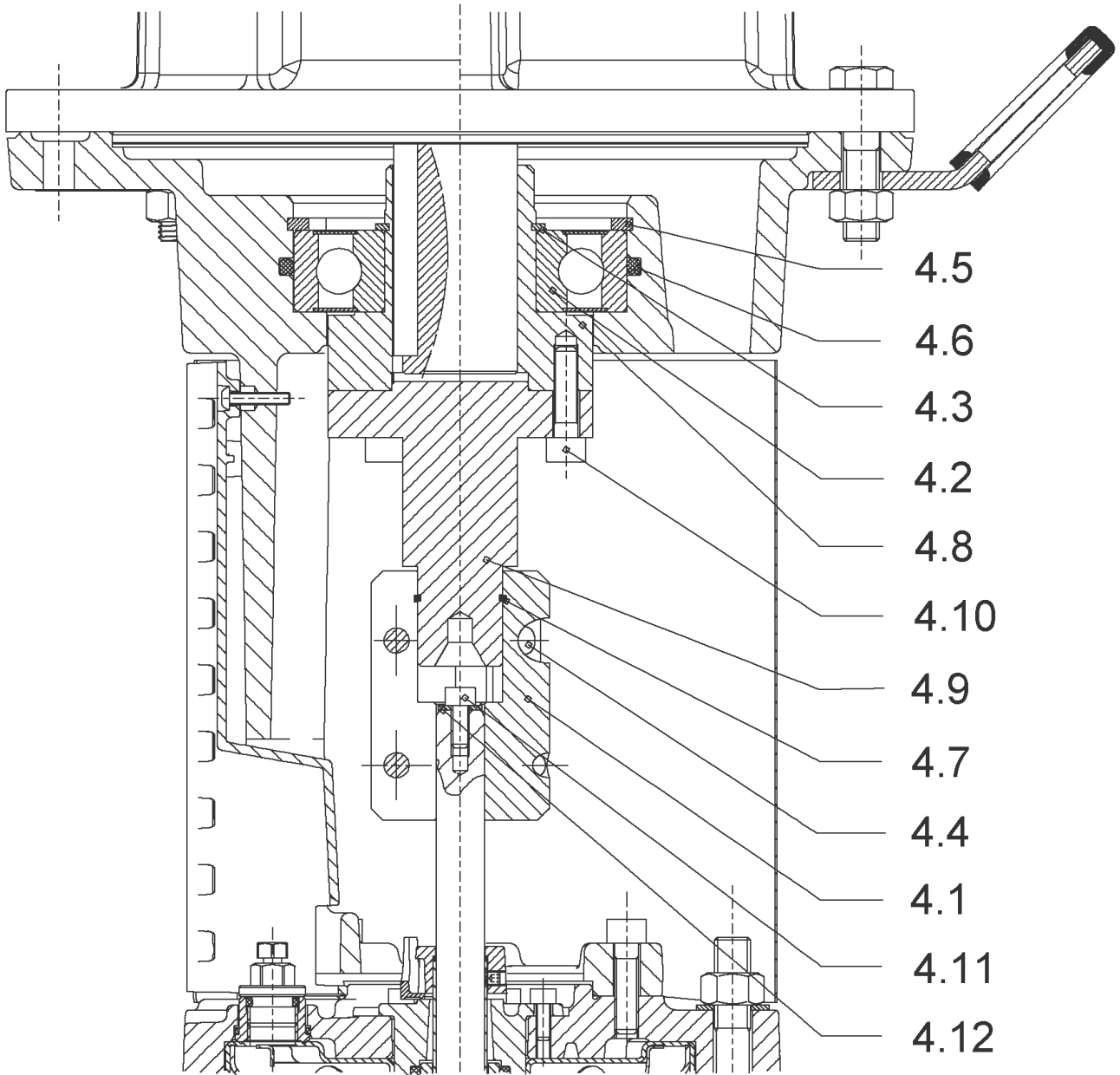
Item	Article no.	Description	Quantity
1.1		MOTOR 5,5-2T638P55V1-132-ADAPT IE2 VP.	1
Note: no longer available/nicht mehr lieferbar/n'est plus disponible			
		SPARE PARTS MOTOR:ON REQUEST	1
1.2	4191518	MODULE HELIX-VE1605-IE2-SIE KIT	1
1.22	2111344	> MODULE COVER/GASKET TL5 KIT	1
1.23	4215716	> SCREW M5X16 DIN912 8.8 A2A (4pieces) VP.	1
1.24	2057978	> RONDELLE A5,3 DIN6797 FST ZN (4 PIECES)	1



DRIVE HELIX-VE1605-IE4-WE KIT

Item	Article no.	Description	Quantity
1.1	4207930	MO.5.5/2/132F260 3~ 380V 60HZ IE4 WE VP.	1
		SPARE PARTS MOTOR:ON REQUEST	1
1.2	4212633	MODULE HELIX-VE1605-IE4-WE KIT	1
1.22	2111344	> MODULE COVER/GASKET TL5 KIT	1
1.23	4215716	> SCREW M5X16 DIN912 8.8 A2A (4pieces) VP.	1
1.24	2057978	> RONDELLE A5,3 DIN6797 FST ZN (4 PIECES)	1

COUPLING D.16XD.38 FF265 HELIX KIT (4159711)



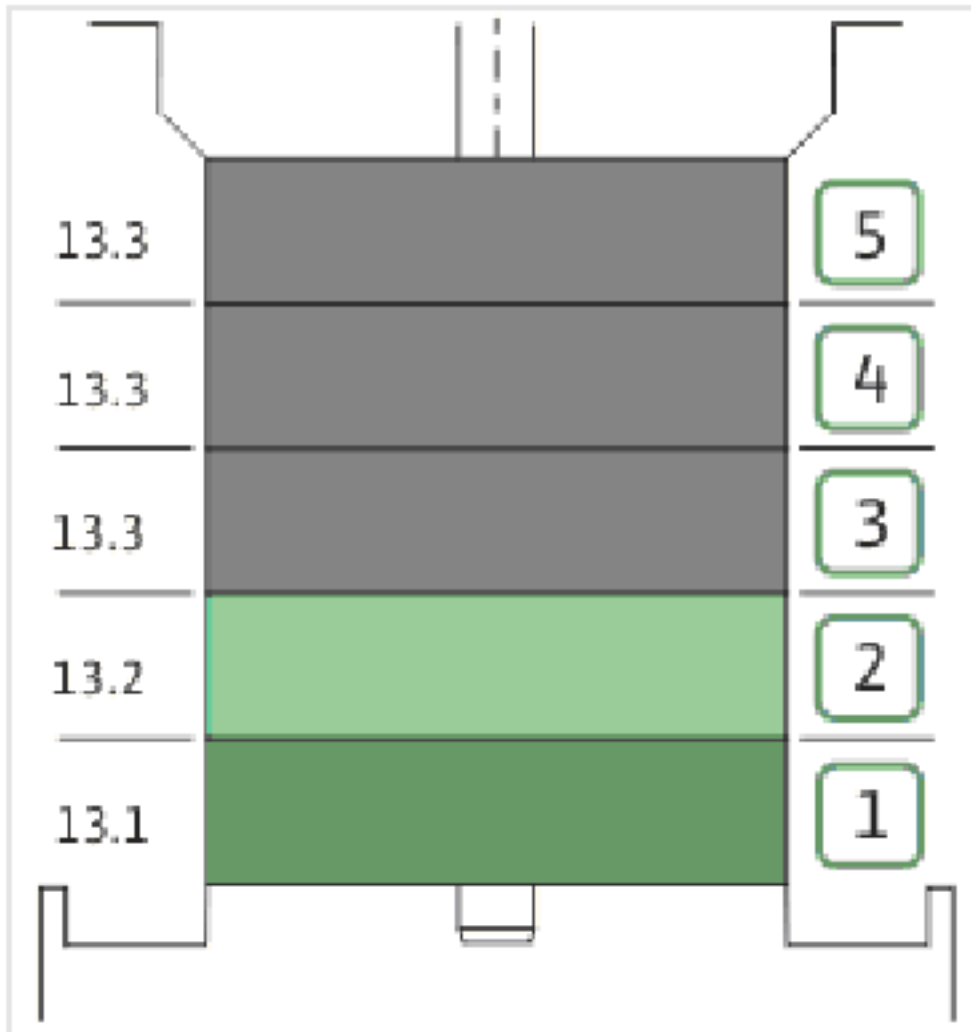
COUPLING D.16XD.38 FF265 HELIX KIT (4159711)

Item	Article no.	Description	Quantity
4.1	2131018	COUPLING 2 PARTS D.16XD.28XL.82,4 VP.	1
4.2	2131017	BALL BEARING 6310/ZZ-C4(HT)VP.	1
4.3	4234253	CIRCLIP-FOR-SHAFT-D50x2 VP.	1
4.4	4157726	SCREW KIT M8X30 (4 PIECES)	1
4.5	4234255	CIRCLIPS 110X4 VP.	1
4.6	4233944	O-RING ID.110 VP.	1
4.7	2131019	RETAINING RING D.26xD.2 DIN7993 VP.	1
4.10	4157726	SCREW KIT M8X30 (4 PIECES)	1
4.11	4102901	SCREW CHC-M6X14-8.8-ISO4762-GEOMET500A	1
4.12	2130995	SERRATED LOCK WASHER D.6,2XD.14,5X28 VP.	1
		NOMEL CONTACT WASHER 8x16x1,4 STEEL ZC	1
4.8	2131020	HUB D.38XD.50 VP.	1
4.9	2131021	SPACER D.28XD.45 VP.	1



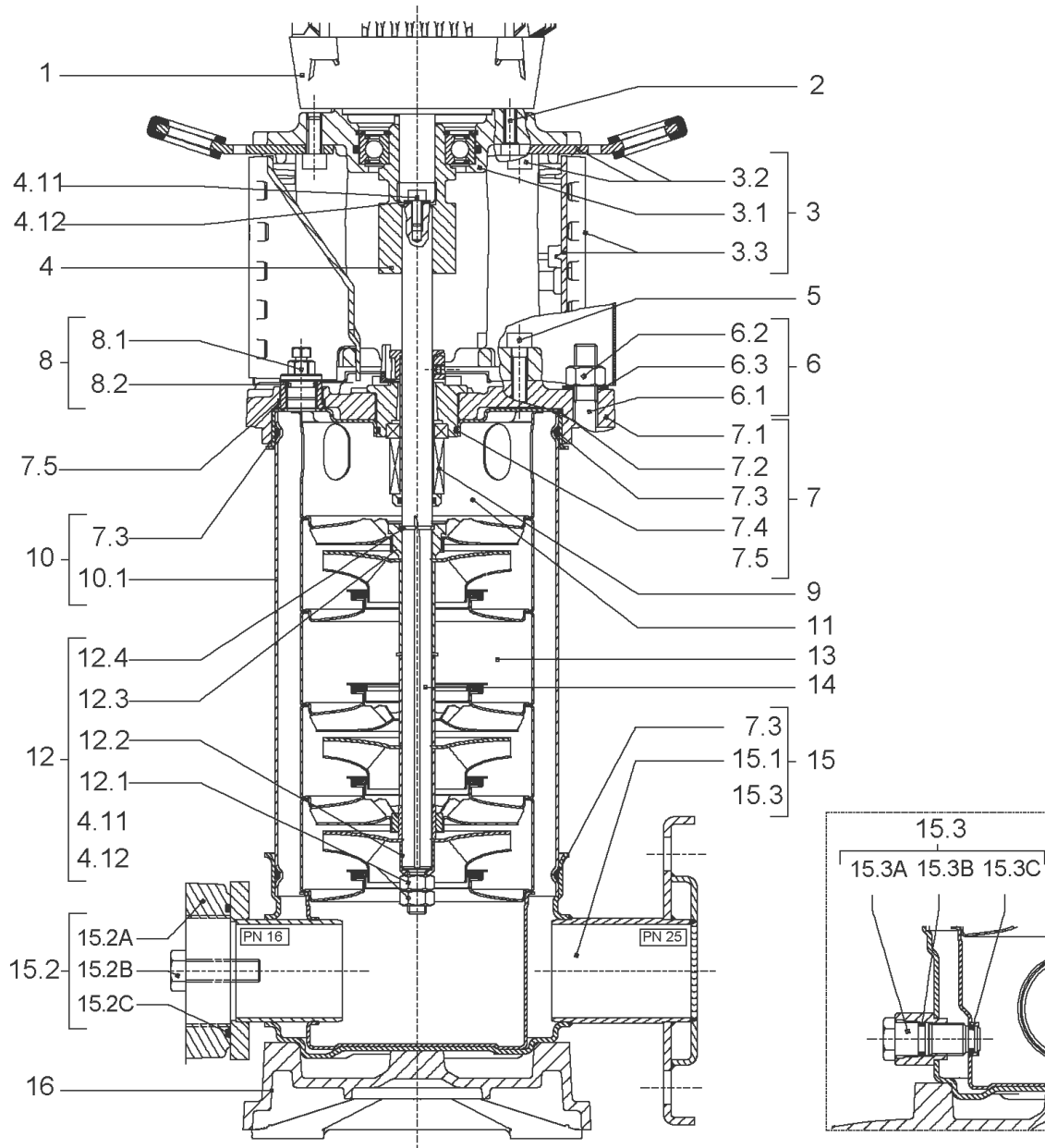
CARTRIDGE HELIX6-10-16 O/E KIT (4159696)

Item	Article no.	Description	Quantity
9.1	4159697	SEAL-KIT-HELIX6-10-16 O/E	1
7.3	4176513	> O-RING FOR PUMP JACKET VP.	1
7.4	2127603	> O-RING ID.37,6x2,4 EPDM VP.	1
9.1A	2130966	> MECH.SEAL HELIX2-4-6-10-16 O/E VP.	1
9.1B	2130967	> O-RING D.16X2,5 EPDM VP.	1
9.1C	4176519	> O-RING Ø16xØ1.25 VP.	1
9.2	2130961	SHAFT SLEEVE D.18/16X72,2 1.4404 VP.	1
9.3	2130962	RING HOLDER D.18 G606/G6 1.4301 VP.	1
9.4	4176520	SCREW CH M5x5 A4-70 (3PIECES)	1
9.5	2130963	DRIVE RING D.29/18x12,4 MACH.VP.	1
9.6	2130964	TOOL M.S.CART.HELIX VP.	1
9.7	2130965	SCREW CHC M5X12 ISO4762 A2.70(4 PIECES)	1



HYDRAULIC HELIX V 1605 1.4307

Item	Article no.	Description	Quantity
13.1	4159720	STAGE HELIX 16 1.4301 KIT	1
		> MACH.STG-CASING-WOGV-WNR-M+16-304	1
		> IMPELLER-M+16-304	1
13.2	4159714	STAGE BEARING HELIX 16 1.4301 KIT	1
		> MACH.BEARING-STG-CASING-WNR-M+16-304	1
		> IMPELLER-M+16-304	1
		> SLEEVE-SPACER-Ø19,35x30,665-304	1
		> SHAFT-SLEEVE-D16xD20x18-CW	1
13.3	4159715	INTERMEDIATE STAGE HELIX 16 1.4301 KIT	1
		> CORPS-ETG-STD-ACR-AJR-USIN.M+16-304	1
		> IMPELLER-M+16-304	1
		> SPACER Ø16X19.4-L48.6-304	1

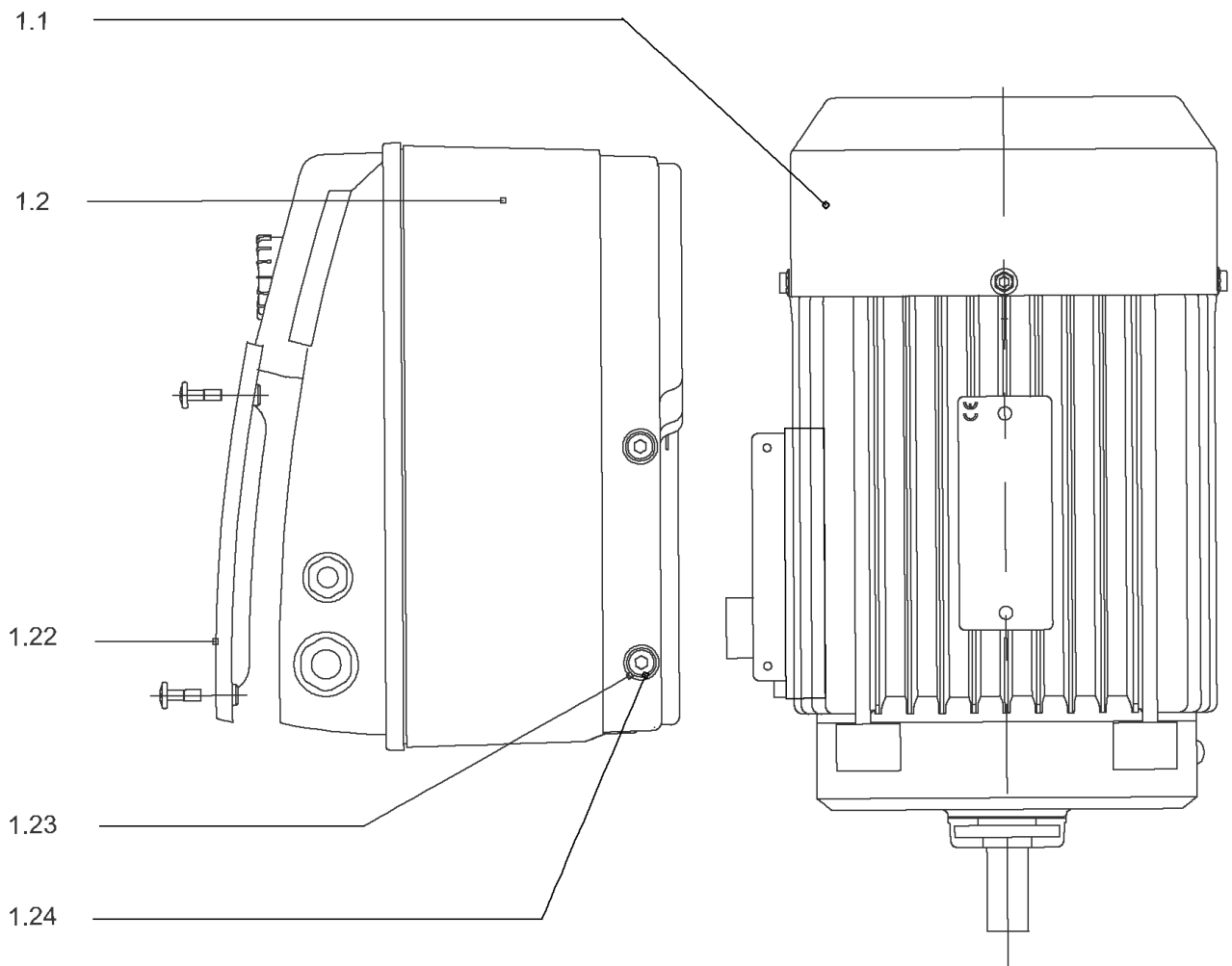


HELIX VE1605-1/25/E/KS (4141466)

Item	Article no.	Description	Quantity
1		DRIVE HELIX-VE1605-IE2-ATB KIT	1
Note: MOTOR BRAND ATB			
1		DRIVE HELIX-VE1605-IE2-SIE KIT	1
Note: MOTOR BRAND SIEMENS			
1		DRIVE HELIX-VE1605-IE4-WE KIT	1
Note: MOTOR BRAND WILO ELEC			
2	4174093	SCREW M12X50 (4 PIECES)	1
3	4159693	LANTERN FF265 HELIX KIT	1
3.1		> LANTERN FF265 M+6" GJL MACHINING+CATA	1
3.2	2127605	> EYELET CPL.FF265 HELIX(2 PIECES)	1
3.3	4159695	> COUPLING PROTECTOR FF HELIX KIT	1
4	4159711	COUPLING D.16XD.38 FF265 HELIX KIT	1
5	4159707	SCREW M8X30 (4 PIECES)	1
6	2127554	STUD BOLT M12X437 KIT	1
7	4159685	END SHIELD HELIX EPDM KIT	1
7.1		> END SHIELD M+6" GJL250 MACHINING+CATA	1
7.2	2127607	> STATIONARY RING HOLDER 6" HELIX 1.4301 V	1
7.3	4176513	> O-RING FOR PUMP JACKET VP.	1
7.4	2127603	> O-RING ID.37,6x2,4 EPDM VP.	1
7.5	2127602	> O-RING ID.21,35x2 EPDM VP.	1
8	4159686	FILING/PURGING PLUG HELIX EPDM KIT	1
9	4159698	CARTRIDGE HELIX6-10-16 F/E KIT	1
10	2127577	HOUSING PIPE D.152x310 1.4301 KIT	1
11	2127588	CENTERING STAGE-RETURN HELIX16 1.4301 VP	1
12	4159688	SHAFT EQUIPMENT HELIX V16 BI BLOC KIT	1
4.11	4102901	> SCREW CHC-M6X14-8.8-ISO4762-GEOMET500A	1
4.12	2130995	> SERRATED LOCK WASHER D.6,2XD.14,5X28 VP.	1
12.1		> NUT-H-M10-A4.70	1
12.2		> SERRATED LOCK WASHER M+16M3-316L	1
12.3		> STOP COLLAR OF IMPELLER L18,8-Ø16-316L	1
12.4		> STOP-RUSH-1/2-D16xd2-M+316	1
13		HYDRAULIC HELIX V 1605 1.4307	1
14	2127566	SHAFT D.16X430 1.4301 VP.	1
15	4159683	PUMP HOUSING HELIX DN50 PN25 1.4301 KIT	1

HELIX VE1605-1/25/E/KS (4141466)

Item	Article no.	Description	Quantity
7.3	4176513	> O-RING FOR PUMP JACKET VP.	1
15.1		> BLASTING PPE HOUSING V-PN25-DN50-304	1
15.3	4171321	> PRIMING/DRAIN PLUG EPDM HELIX KIT	1
16	2127601	BASEPLATE HELIX V16 VP.	1



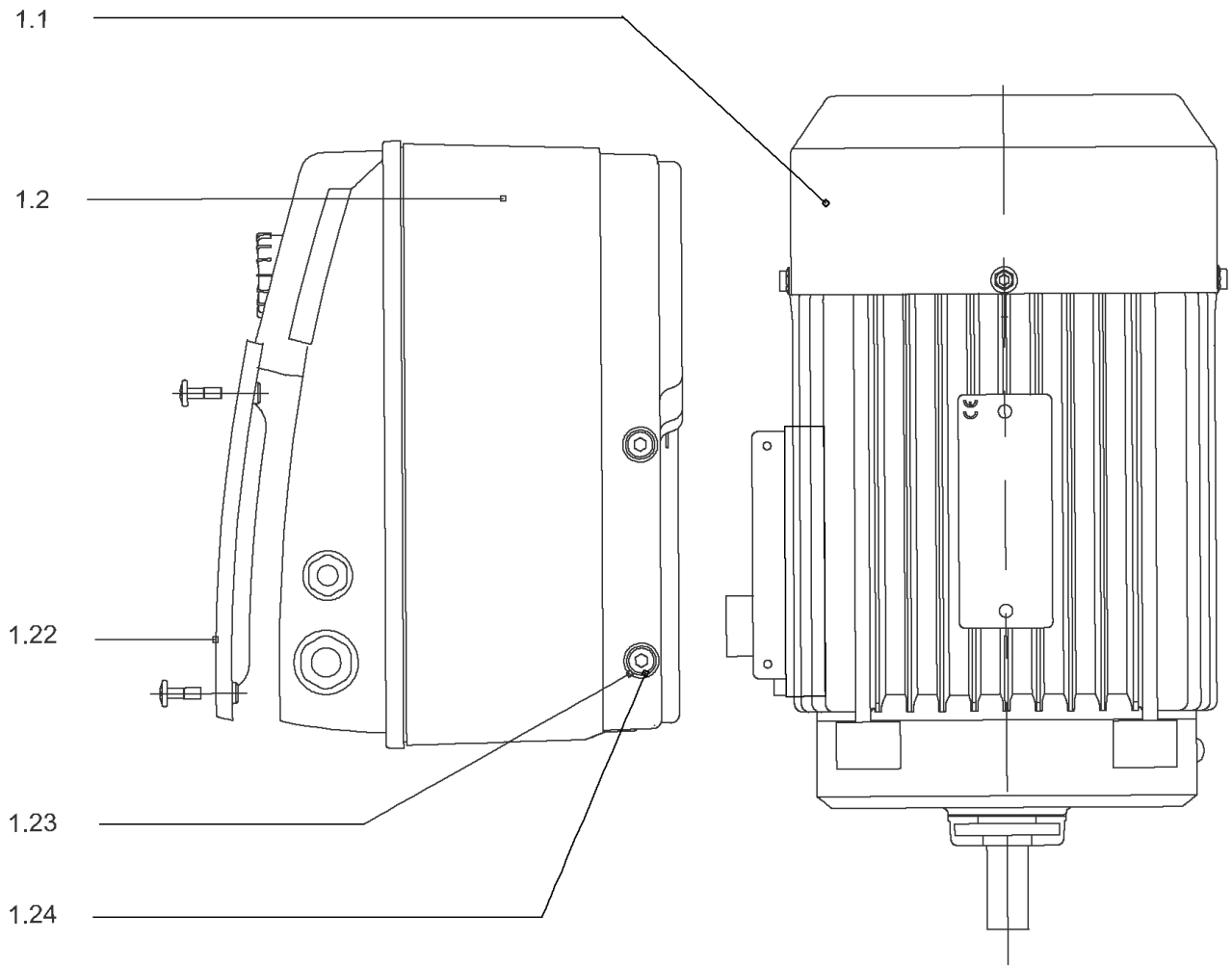
DRIVE HELIX-VE1605-IE2-ATB KIT

Item	Article no.	Description	Quantity
1.1	4185029	MOTOR 5,5/2/132 3~380V 60HZ IE2 ATB VP.	1
		SPARE PARTS MOTOR:ON REQUEST	1
1.2	4184971	MODULE HELIX-VE1605-IE2-ATB KIT	1
1.22	2111344	> MODULE COVER/GASKET TL5 KIT	1
1.23	4215716	> SCREW M5X16 DIN912 8.8 A2A (4pieces) VP.	1
1.24	2057978	> RONDELLE A5,3 DIN6797 FST ZN (4 PIECES)	1



DRIVE HELIX-VE1605-IE2-SIE KIT

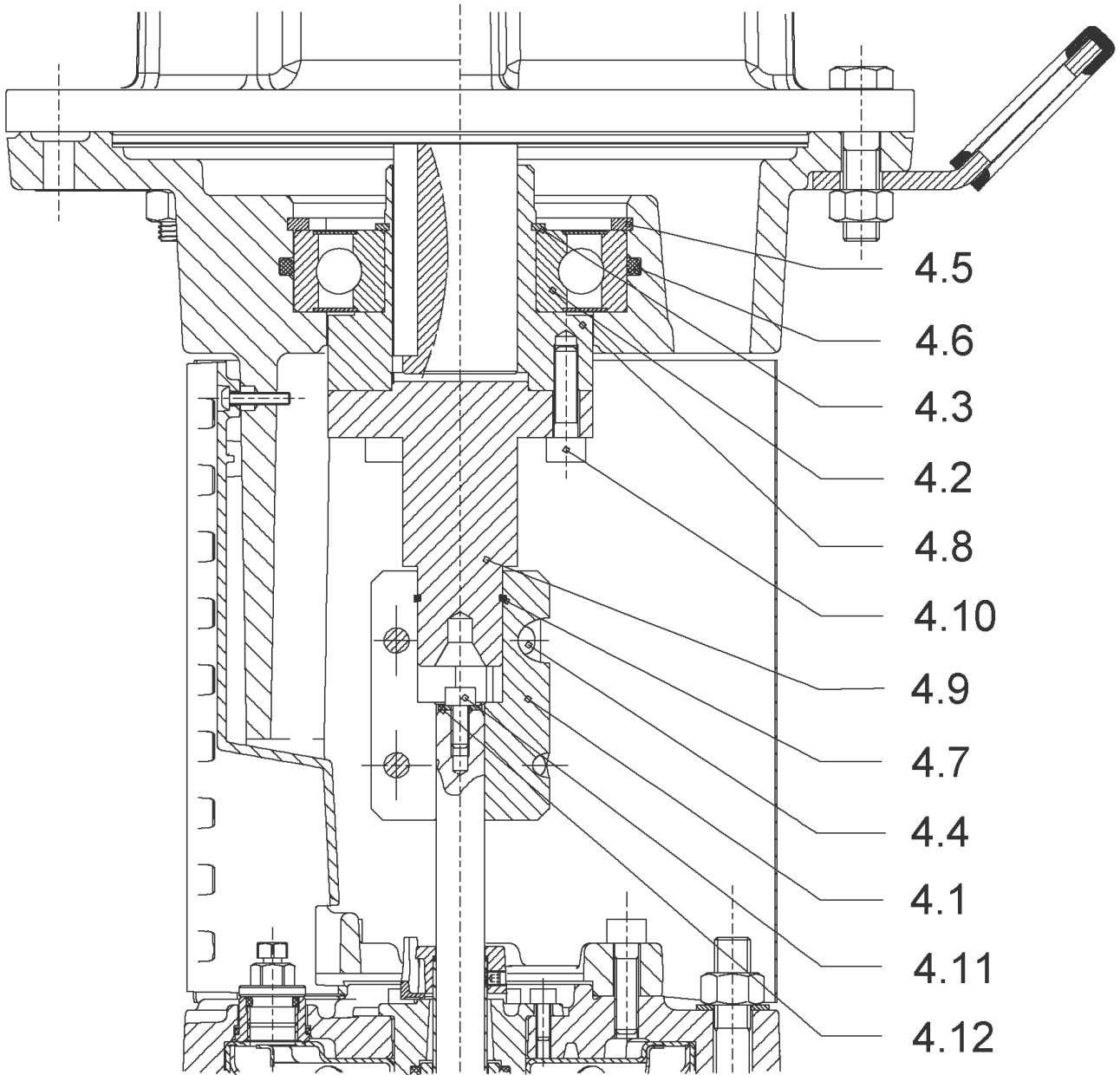
Item	Article no.	Description	Quantity
1.1		MOTOR 5,5-2T638P55V1-132-ADAPT IE2 VP.	1
Note: no longer available/nicht mehr lieferbar/n'est plus disponible			
		SPARE PARTS MOTOR:ON REQUEST	1
1.2	4191518	MODULE HELIX-VE1605-IE2-SIE KIT	1
1.22	2111344	> MODULE COVER/GASKET TL5 KIT	1
1.23	4215716	> SCREW M5X16 DIN912 8.8 A2A (4pieces) VP.	1
1.24	2057978	> RONDELLE A5,3 DIN6797 FST ZN (4 PIECES)	1



DRIVE HELIX-VE1605-IE4-WE KIT

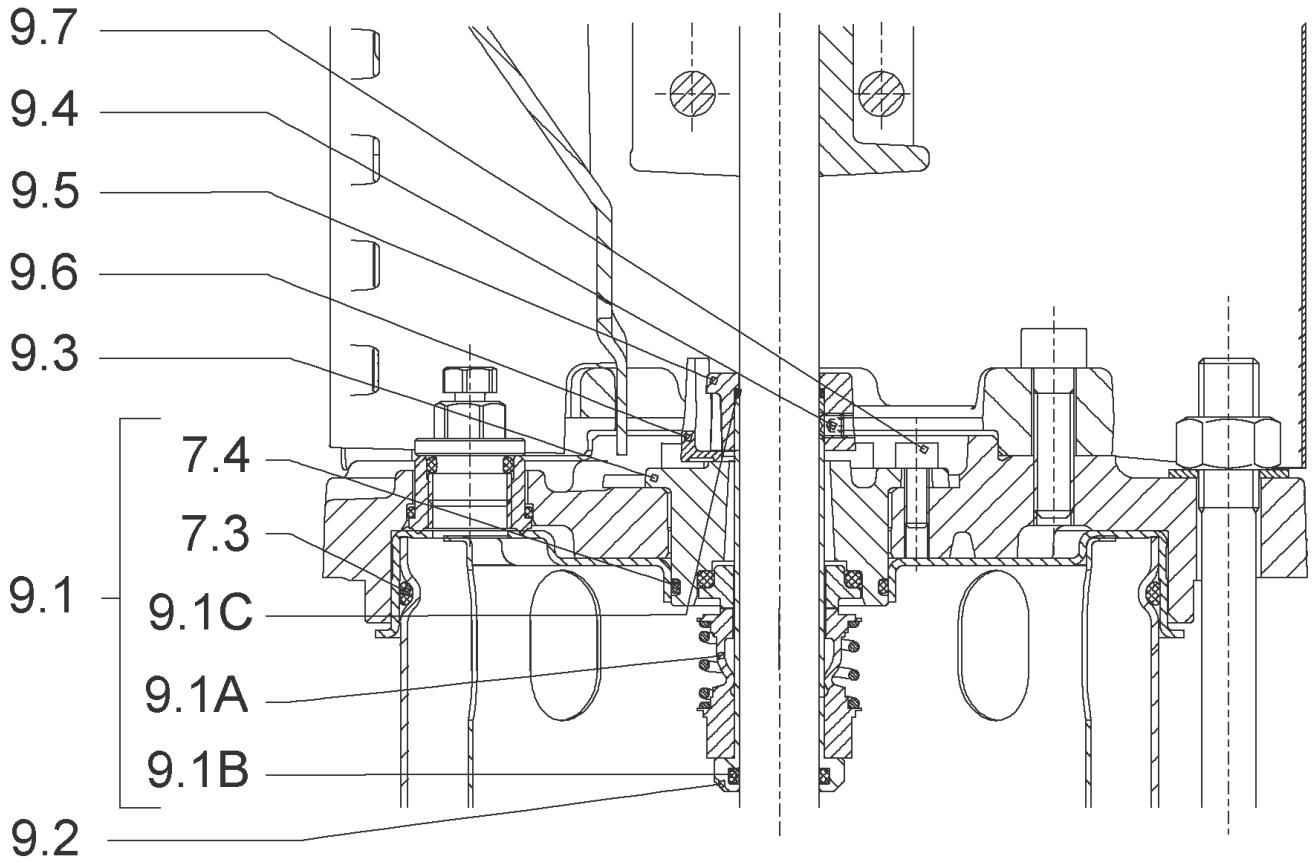
Item	Article no.	Description	Quantity
1.1	4207930	MO.5.5/2/132F260 3~ 380V 60HZ IE4 WE VP.	1
		SPARE PARTS MOTOR:ON REQUEST	1
1.2	4212633	MODULE HELIX-VE1605-IE4-WE KIT	1
1.22	2111344	> MODULE COVER/GASKET TL5 KIT	1
1.23	4215716	> SCREW M5X16 DIN912 8.8 A2A (4pieces) VP.	1
1.24	2057978	> RONDELLE A5,3 DIN6797 FST ZN (4 PIECES)	1

COUPLING D.16XD.38 FF265 HELIX KIT (4159711)



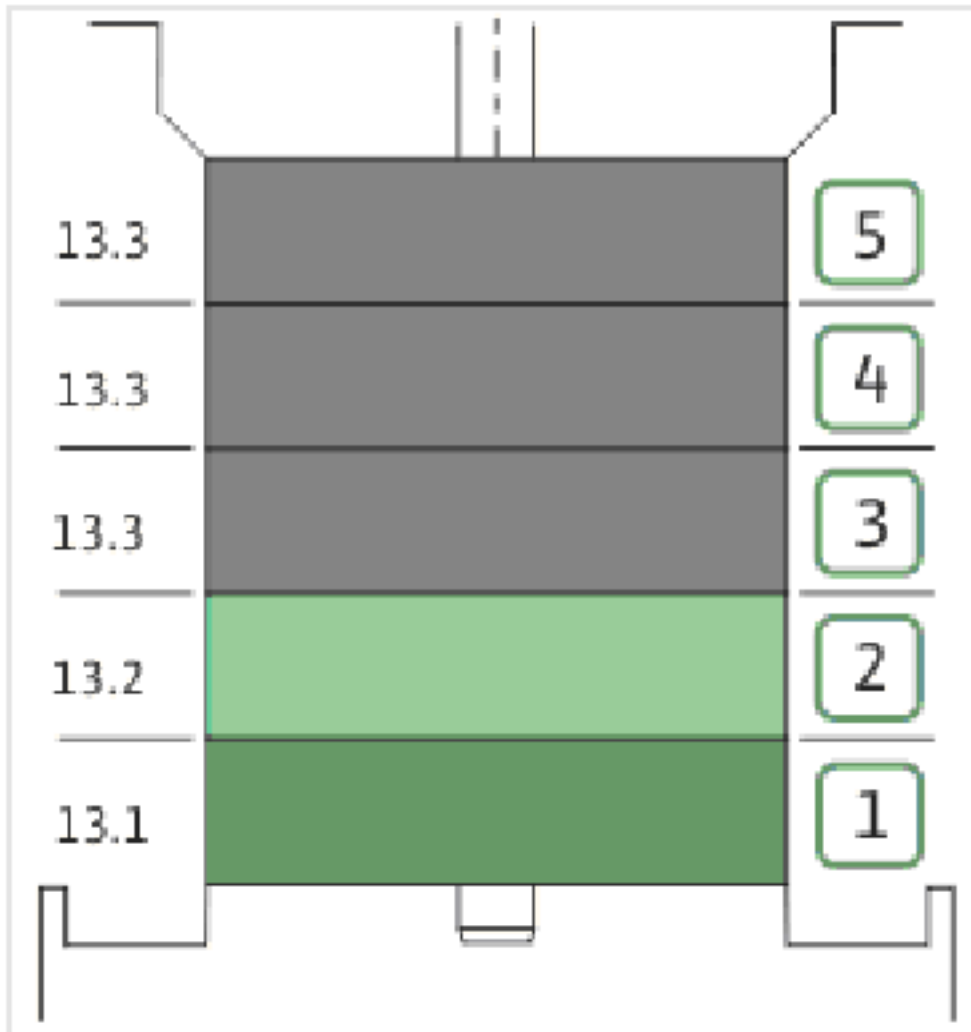
COUPLING D.16XD.38 FF265 HELIX KIT (4159711)

Item	Article no.	Description	Quantity
4.1	2131018	COUPLING 2 PARTS D.16XD.28XL.82,4 VP.	1
4.2	2131017	BALL BEARING 6310/ZZ-C4(HT)VP.	1
4.3	4234253	CIRCLIP-FOR-SHAFT-D50x2 VP.	1
4.4	4157726	SCREW KIT M8X30 (4 PIECES)	1
4.5	4234255	CIRCLIPS 110X4 VP.	1
4.6	4233944	O-RING ID.110 VP.	1
4.7	2131019	RETAINING RING D.26xD.2 DIN7993 VP.	1
4.10	4157726	SCREW KIT M8X30 (4 PIECES)	1
4.11	4102901	SCREW CHC-M6X14-8.8-ISO4762-GEOMET500A	1
4.12	2130995	SERRATED LOCK WASHER D.6,2XD.14,5X28 VP.	1
		NOMEL CONTACT WASHER 8x16x1,4 STEEL ZC	1
4.8	2131020	HUB D.38XD.50 VP.	1
4.9	2131021	SPACER D.28XD.45 VP.	1



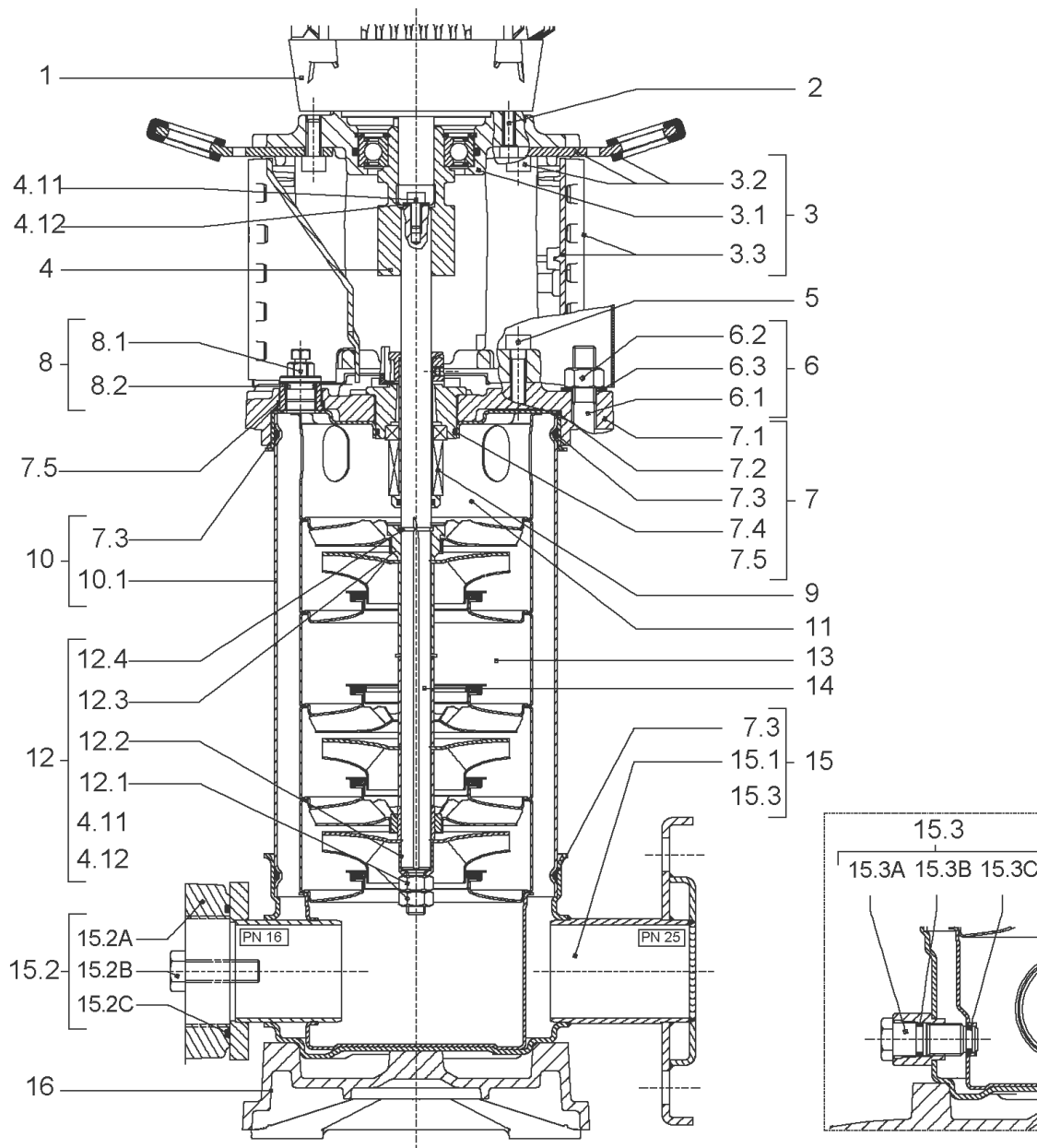
CARTRIDGE HELIX6-10-16 F/E KIT (4159698)

Item	Article no.	Description	Quantity
9.1	4159699	SEAL-KIT-HELIX6-10-16 F/E	1
7.3	4176513	> O-RING FOR PUMP JACKET VP.	1
7.4	2127603	> O-RING ID.37,6x2,4 EPDM VP.	1
9.1A	4176521	> MECH.SEAL HELIX2-4-6-10-16 F/E VP.	1
9.1B	2130967	> O-RING D.16X2,5 EPDM VP.	1
9.1C	4176519	> O-RING Ø16xØ1.25 VP.	1
9.2	2130961	SHAFT SLEEVE D.18/16X72,2 1.4404 VP.	1
9.3	2130962	RING HOLDER D.18 G606/G6 1.4301 VP.	1
9.4	4176520	SCREW CH M5x5 A4-70 (3PIECES)	1
9.5	2130963	DRIVE RING D.29/18x12,4 MACH.VP.	1
9.6	2130964	TOOL M.S.CART.HELIX VP.	1
9.7	2130965	SCREW CHC M5X12 ISO4762 A2.70(4 PIECES)	1



HYDRAULIC HELIX V 1605 1.4307

Item	Article no.	Description	Quantity
13.1	4159720	STAGE HELIX 16 1.4301 KIT	1
		> MACH.STG-CASING-WOGV-WNR-M+16-304	1
		> IMPELLER-M+16-304	1
13.2	4159714	STAGE BEARING HELIX 16 1.4301 KIT	1
		> MACH.BEARING-STG-CASING-WNR-M+16-304	1
		> IMPELLER-M+16-304	1
		> SLEEVE-SPACER-Ø19,35x30,665-304	1
		> SHAFT-SLEEVE-D16xD20x18-CW	1
13.3	4159715	INTERMEDIATE STAGE HELIX 16 1.4301 KIT	1
		> CORPS-ETG-STD-ACR-AJR-USIN.M+16-304	1
		> IMPELLER-M+16-304	1
		> SPACER Ø16X19.4-L48.6-304	1



HELIX VE1605-1/16/E/KS/FF240 (4190746)

Item	Article no.	Description	Quantity
1		DRIVE HELIX-VE1605-FF24-IE2-ATB KIT	1
Note: MOTOR BRAND ATB			
1		DRIVE HELIX-VE1605-IE4-FF240 WE KIT	1
Note: MOTOR BRAND WILO ELEC			
2	4174093	SCREW M12X50 (4 PIECES)	1
3	4197828	LANTERN FF240 HELIX KIT	1
3.1		> LANTERN FF240 M+6" JL250 MACHINING+CATA	1
3.2	4186346	> EYELET CPL.FF240 HELIX (4 PIECES)	1
3.3	4159695	> COUPLING PROTECTOR FF HELIX KIT	1
4	4159711	COUPLING D.16XD.38 FF265 HELIX KIT	1
5	4159707	SCREW M8X30 (4 PIECES)	1
6	2127554	STUD BOLT M12X437 KIT	1
7	4159685	END SHIELD HELIX EPDM KIT	1
7.1		> END SHIELD M+6" GJL250 MACHINING+CATA	1
7.2	2127607	> STATIONARY RING HOLDER 6" HELIX 1.4301 V	1
7.3	4176513	> O-RING FOR PUMP JACKET VP.	1
7.4	2127603	> O-RING ID.37,6x2,4 EPDM VP.	1
7.5	2127602	> O-RING ID.21,35x2 EPDM VP.	1
8	4159686	FILING/PURGING PLUG HELIX EPDM KIT	1
9	4159696	CARTRIDGE HELIX6-10-16 O/E KIT	1
10	2127577	HOUSING PIPE D.152x310 1.4301 KIT	1
11	2127588	CENTERING STAGE-RETURN HELIX16 1.4301 VP	1
12	4159688	SHAFT EQUIPMENT HELIX V16 BI BLOC KIT	1
4.11	4102901	> SCREW CHC-M6X14-8.8-ISO4762-GEOMET500A	1
4.12	2130995	> SERRATED LOCK WASHER D.6,2XD.14,5X28 VP.	1
12.1		> NUT-H-M10-A4.70	1
12.2		> SERRATED LOCK WASHER M+16M3-316L	1
12.3		> STOP COLLAR OF IMPELLER L18,8-Ø16-316L	1
12.4		> STOP-RUSH-1/2-D16xd2-M+316	1
13		HYDRAULIC HELIX V 1605 1.4307	1
14	2127566	SHAFT D.16X430 1.4301 VP.	1
15	4217899	PUMP HOUSING HELIX DN50 PN16 1.4301 KIT	1
7.3	4176513	> O-RING FOR PUMP JACKET VP.	1
15.1		> BLASTING PPE HOUSING V-PN16-DN50-304	1

HELIX VE1605-1/16/E/KS/FF240 (4190746)

Item	Article no.	Description	Quantity
15.2	4217895	> COUNTER FLANGE-G2"-PN16-GJL KIT	1
15.3	4171321	> PRIMING/DRAIN PLUG EPDM HELIX KIT	1
16	2127601	BASEPLATE HELIX V16 VP.	1



DRIVE HELIX-VE1605-FF24-IE2-ATB KIT

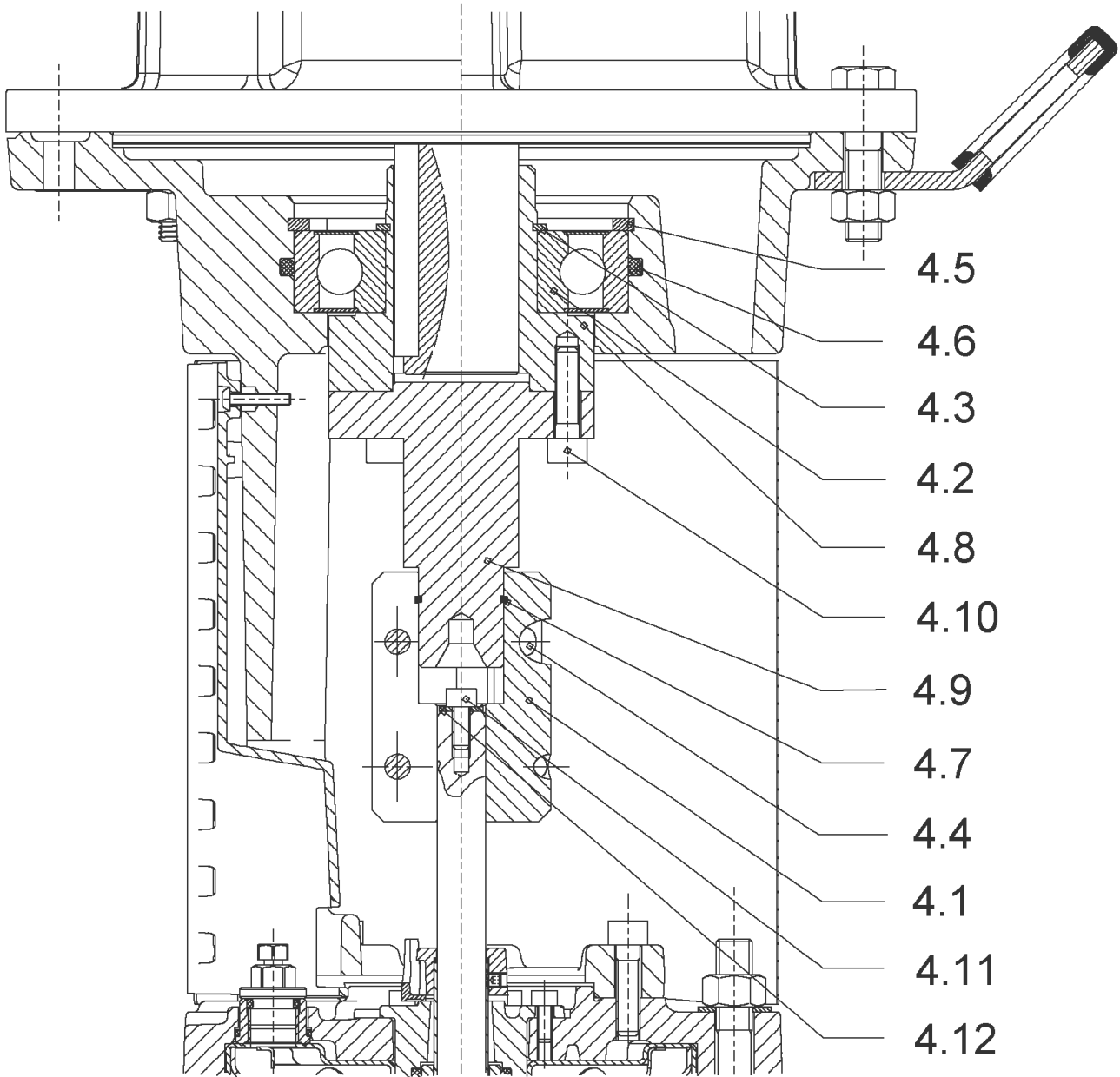
Item	Article no.	Description	Quantity
1.1		MOTOR 5,5/2/132 FF240 3~380V 60HZ IE2 VP	1
Note: no longer available/nicht mehr lieferbar/n'est plus disponible			
		SPARE PARTS MOTOR:ON REQUEST	1
1.2	4184971	MODULE HELIX-VE1605-IE2-ATB KIT	1
1.22	2111344	> MODULE COVER/GASKET TL5 KIT	1
1.23	4215716	> SCREW M5X16 DIN912 8.8 A2A (4pieces) VP.	1
1.24	2057978	> RONDELLE A5,3 DIN6797 FST ZN (4 PIECES)	1



DRIVE HELIX-VE1605-IE4-FF240 WE KIT

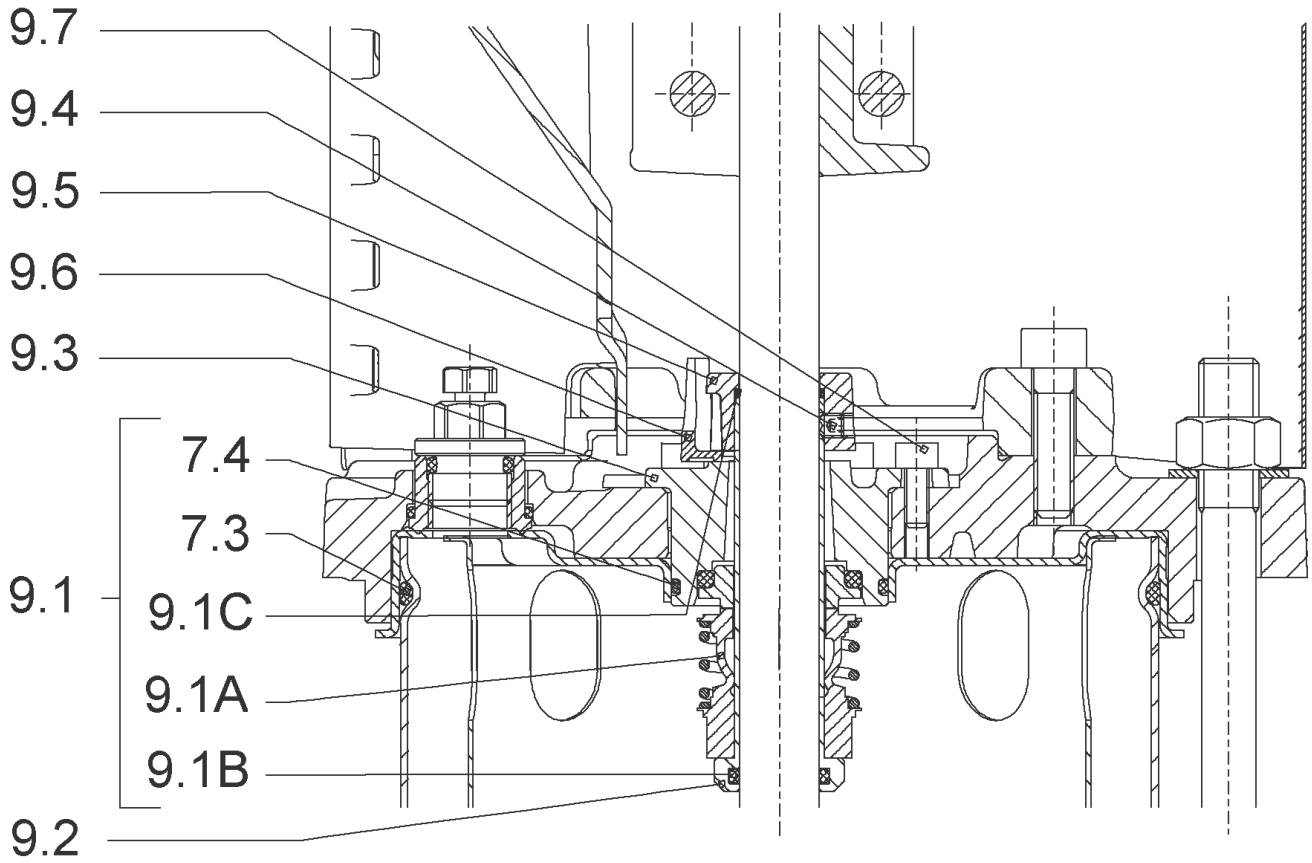
Item	Article no.	Description	Quantity
1.1	4207932	MO.5.5/2/132FF240 3~380V 60Hz IE4 WE VP.	1
		SPARE PARTS MOTOR:ON REQUEST	1
1.2	4212633	MODULE HELIX-VE1605-IE4-WE KIT	1
1.22	2111344	> MODULE COVER/GASKET TL5 KIT	1
1.23	4215716	> SCREW M5X16 DIN912 8.8 A2A (4pieces) VP.	1
1.24	2057978	> RONDELLE A5,3 DIN6797 FST ZN (4 PIECES)	1

COUPLING D.16XD.38 FF265 HELIX KIT (4159711)



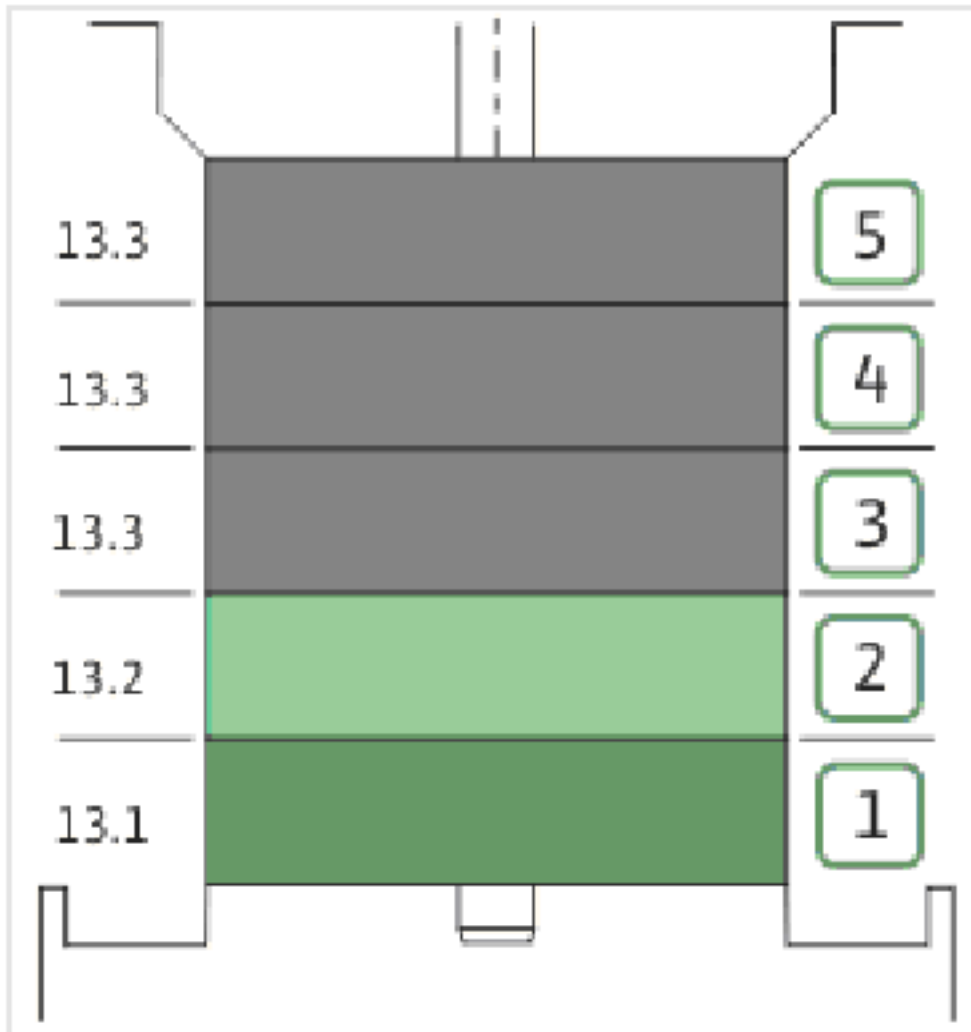
COUPLING D.16XD.38 FF265 HELIX KIT (4159711)

Item	Article no.	Description	Quantity
4.1	2131018	COUPLING 2 PARTS D.16XD.28XL.82,4 VP.	1
4.2	2131017	BALL BEARING 6310/ZZ-C4(HT)VP.	1
4.3	4234253	CIRCLIP-FOR-SHAFT-D50x2 VP.	1
4.4	4157726	SCREW KIT M8X30 (4 PIECES)	1
4.5	4234255	CIRCLIPS 110X4 VP.	1
4.6	4233944	O-RING ID.110 VP.	1
4.7	2131019	RETAINING RING D.26xD.2 DIN7993 VP.	1
4.10	4157726	SCREW KIT M8X30 (4 PIECES)	1
4.11	4102901	SCREW CHC-M6X14-8.8-ISO4762-GEOMET500A	1
4.12	2130995	SERRATED LOCK WASHER D.6,2XD.14,5X28 VP.	1
		NOMEL CONTACT WASHER 8x16x1,4 STEEL ZC	1
4.8	2131020	HUB D.38XD.50 VP.	1
4.9	2131021	SPACER D.28XD.45 VP.	1



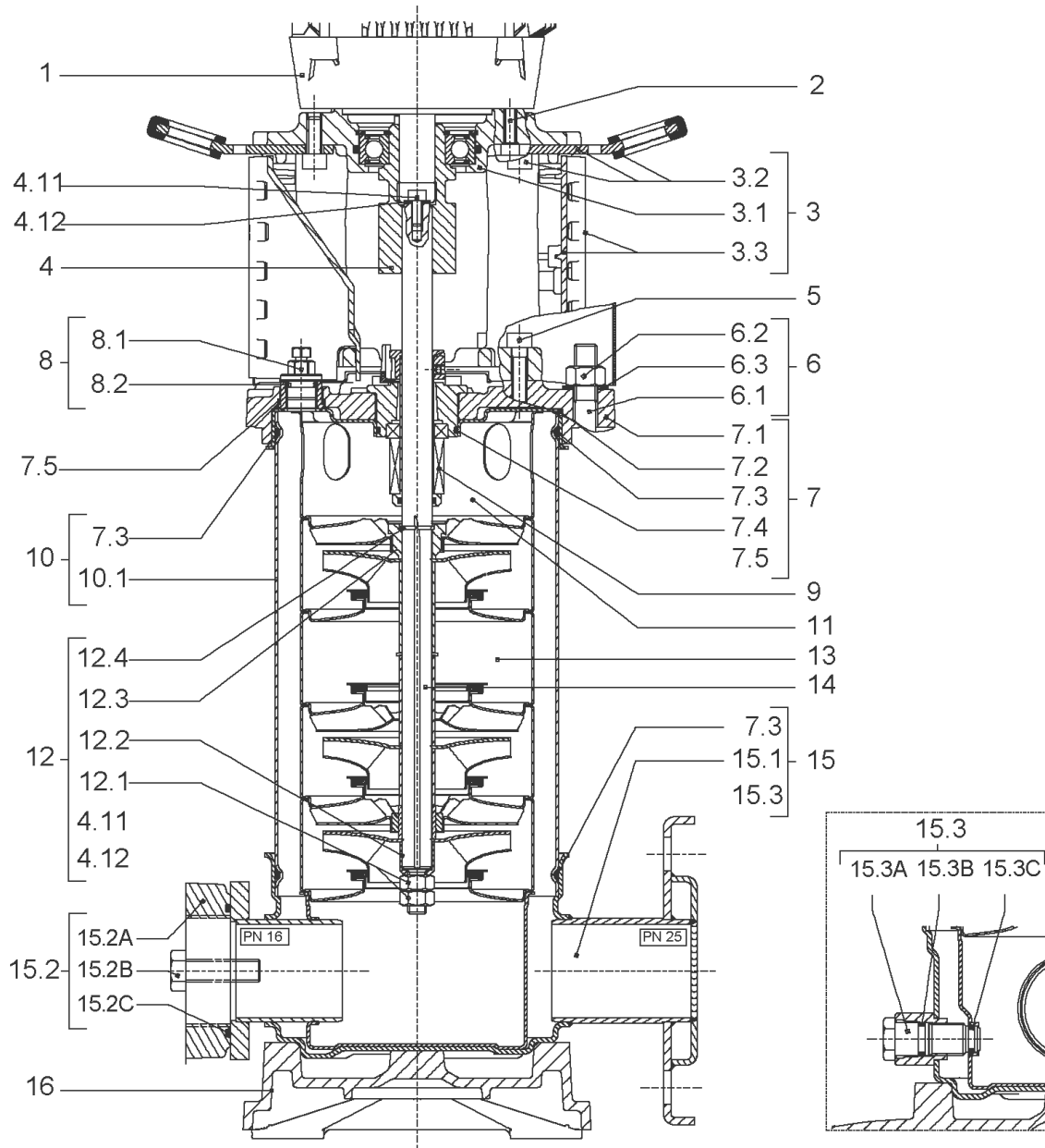
CARTRIDGE HELIX6-10-16 O/E KIT (4159696)

Item	Article no.	Description	Quantity
9.1	4159697	SEAL-KIT-HELIX6-10-16 O/E	1
7.3	4176513	> O-RING FOR PUMP JACKET VP.	1
7.4	2127603	> O-RING ID.37,6x2,4 EPDM VP.	1
9.1A	2130966	> MECH.SEAL HELIX2-4-6-10-16 O/E VP.	1
9.1B	2130967	> O-RING D.16X2,5 EPDM VP.	1
9.1C	4176519	> O-RING Ø16xØ1.25 VP.	1
9.2	2130961	SHAFT SLEEVE D.18/16X72,2 1.4404 VP.	1
9.3	2130962	RING HOLDER D.18 G606/G6 1.4301 VP.	1
9.4	4176520	SCREW CH M5x5 A4-70 (3PIECES)	1
9.5	2130963	DRIVE RING D.29/18x12,4 MACH.VP.	1
9.6	2130964	TOOL M.S.CART.HELIX VP.	1
9.7	2130965	SCREW CHC M5X12 ISO4762 A2.70(4 PIECES)	1



HYDRAULIC HELIX V 1605 1.4307

Item	Article no.	Description	Quantity
13.1	4159720	STAGE HELIX 16 1.4301 KIT	1
		> MACH.STG-CASING-WOGV-WNR-M+16-304	1
		> IMPELLER-M+16-304	1
13.2	4159714	STAGE BEARING HELIX 16 1.4301 KIT	1
		> MACH.BEARING-STG-CASING-WNR-M+16-304	1
		> IMPELLER-M+16-304	1
		> SLEEVE-SPACER-Ø19,35x30,665-304	1
		> SHAFT-SLEEVE-D16xD20x18-CW	1
13.3	4159715	INTERMEDIATE STAGE HELIX 16 1.4301 KIT	1
		> CORPS-ETG-STD-ACR-AJR-USIN.M+16-304	1
		> IMPELLER-M+16-304	1
		> SPACER Ø16X19.4-L48.6-304	1

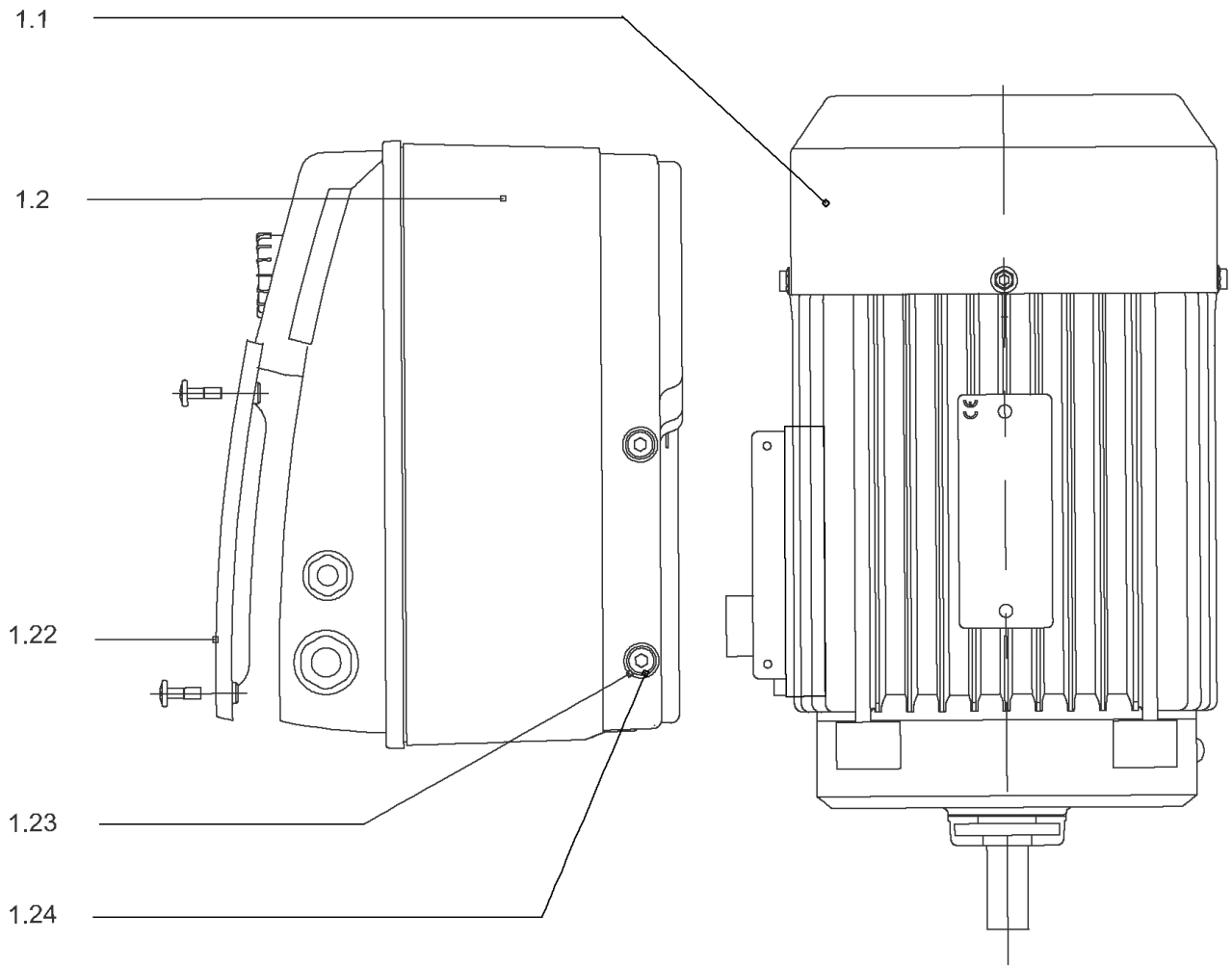


HELIX VE1606-1/16/E/KS (4141465)

Item	Article no.	Description	Quantity
1		DRIVE HELIX-VE1606-IE2-SIE KIT	1
Note: MOTOR BRAND SIEMENS			
1		DRIVE HELIX-VE1606-IE2-ATB KIT	1
Note: MOTOR BRAND ATB			
1		DRIVE HELIX-VE1606-IE4-WE KIT	1
Note: MOTOR BRAND WILO ELEC			
2	4174093	SCREW M12X50 (4 PIECES)	1
3	4159693	LANTERN FF265 HELIX KIT	1
3.1		> LANTERN FF265 M+6" GJL MACHINING+CATA	1
3.2	2127605	> EYELET CPL.FF265 HELIX(2 PIECES)	1
3.3	4159695	> COUPLING PROTECTOR FF HELIX KIT	1
4	4159711	COUPLING D.16XD.38 FF265 HELIX KIT	1
5	4159707	SCREW M8X30 (4 PIECES)	1
6	2127555	STUD BOLT M12X485 KIT	1
7	4159685	END SHIELD HELIX EPDM KIT	1
7.1		> END SHIELD M+6" GJL250 MACHINING+CATA	1
7.2	2127607	> STATIONARY RING HOLDER 6" HELIX 1.4301 V	1
7.3	4176513	> O-RING FOR PUMP JACKET VP.	1
7.4	2127603	> O-RING ID.37,6x2,4 EPDM VP.	1
7.5	2127602	> O-RING ID.21,35x2 EPDM VP.	1
8	4159686	FILING/PURGING PLUG HELIX EPDM KIT	1
9	4159696	CARTRIDGE HELIX6-10-16 O/E KIT	1
10	2127578	HOUSING PIPE D.152x360 1.4307 KIT	1
7.3	4176513	> O-RING FOR PUMP JACKET VP.	1
10.1		> HOUSING-PIPE Ø152-M+1008/1606-304	1
11	2127588	CENTERING STAGE-RETURN HELIX16 1.4301 VP	1
12	4159688	SHAFT EQUIPMENT HELIX V16 BI BLOC KIT	1
4.11	4102901	> SCREW CHC-M6X14-8.8-ISO4762-GEOMET500A	1
4.12	2130995	> SERRATED LOCK WASHER D.6,2XD.14,5X28 VP.	1
12.1		> NUT-H-M10-A4.70	1
12.2		> SERRATED LOCK WASHER M+16M3-316L	1
12.3		> STOP COLLAR OF IMPELLER L18,8-Ø16-316L	1
12.4		> STOP-RUSH-1/2-D16xd2-M+316	1
13		HYDRAULIC HELIX V 1606 1.4307	1

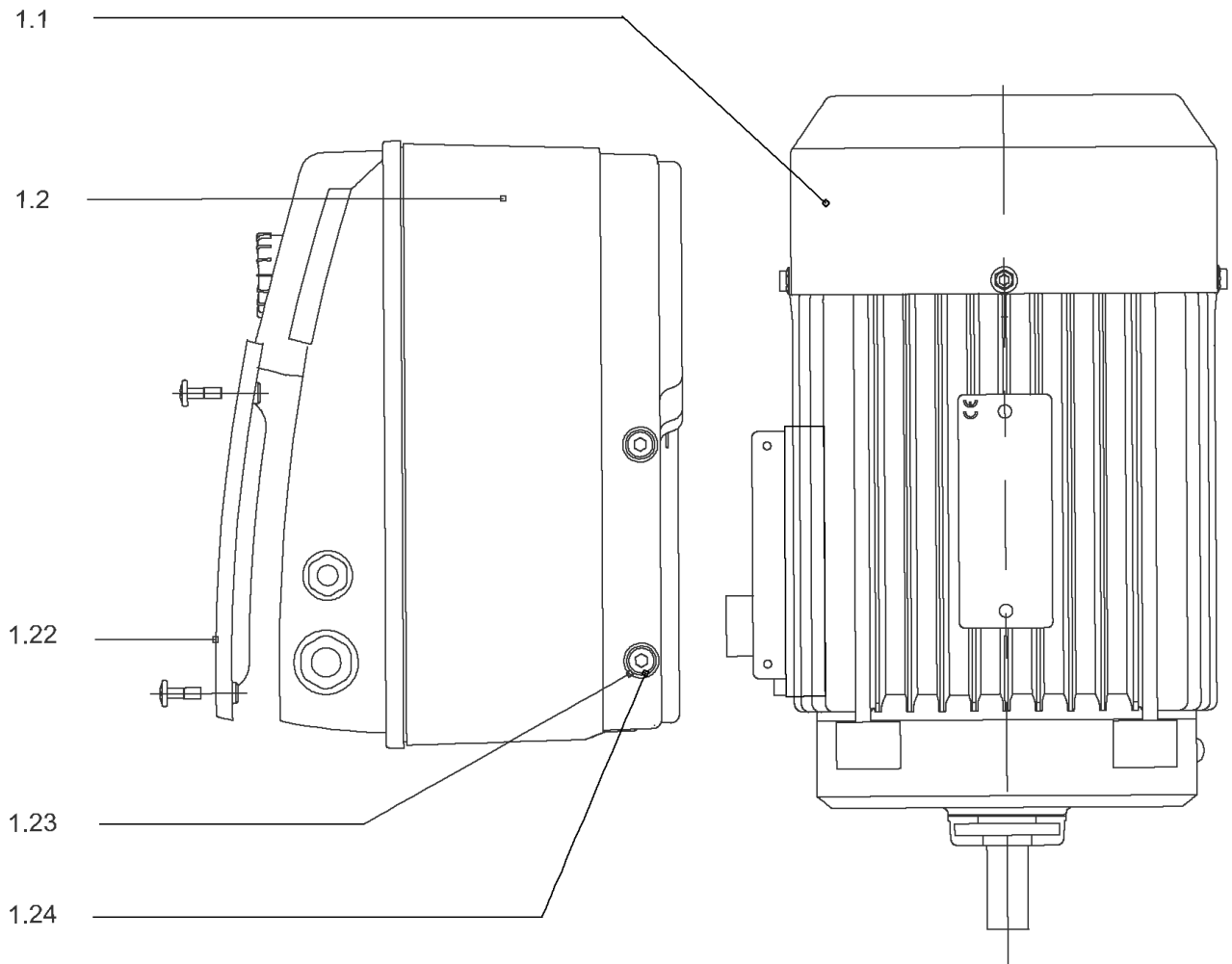
HELIX VE1606-1/16/E/KS (4141465)

Item	Article no.	Description	Quantity
14	2127397	SHAFT D.16X480 1.4301 VP.	1
15	4217899	PUMP HOUSING HELIX DN50 PN16 1.4301 KIT	1
7.3	4176513	> O-RING FOR PUMP JACKET VP.	1
15.1		> BLASTING PPE HOUSING V-PN16-DN50-304	1
15.2	4217895	> COUNTER FLANGE-G2"-PN16-GJL KIT	1
15.3	4171321	> PRIMING/DRAIN PLUG EPDM HELIX KIT	1
16	2127601	BASEPLATE HELIX V16 VP.	1



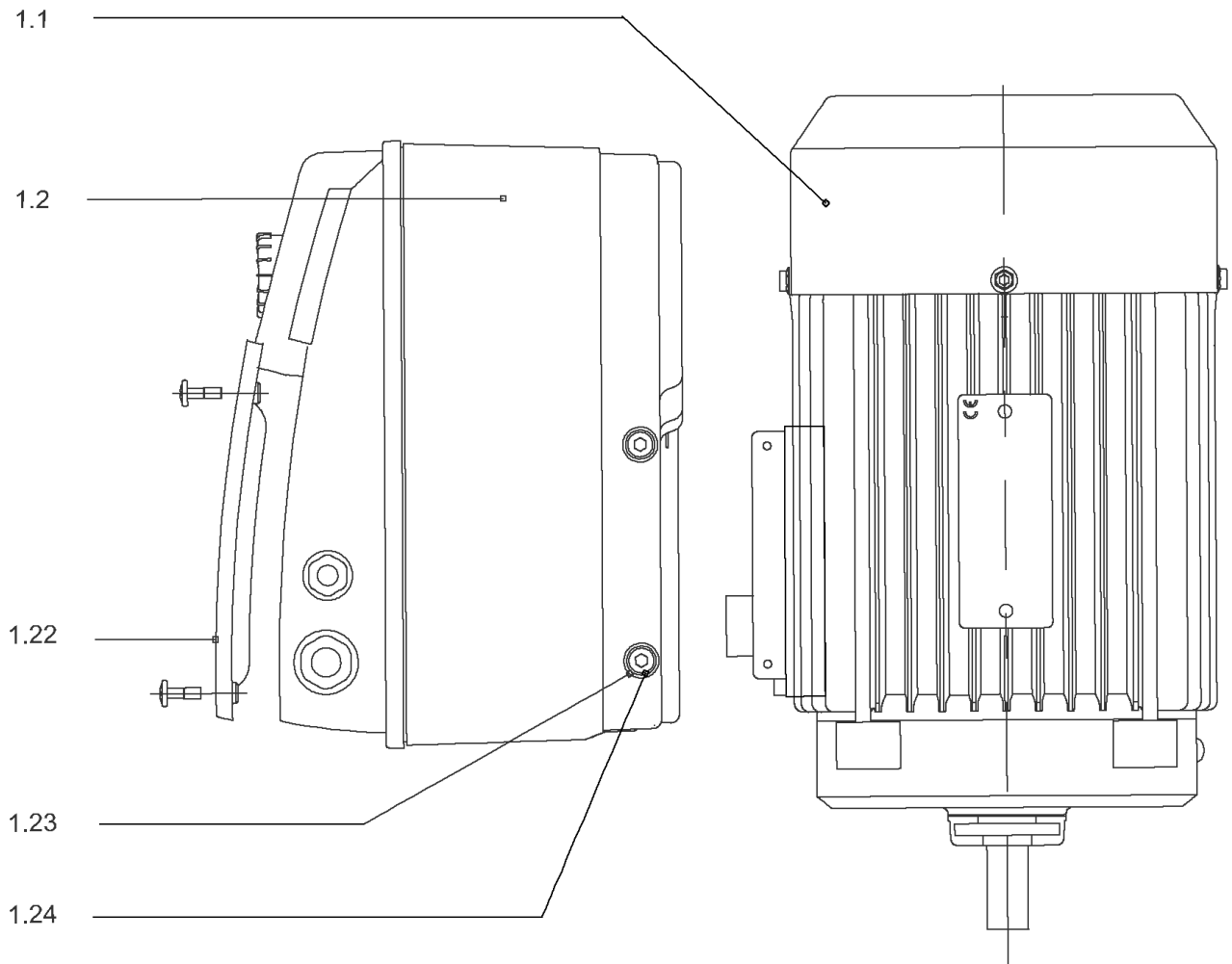
DRIVE HELIX-VE1606-IE2-SIE KIT

Item	Article no.	Description	Quantity
1.1		MOTOR 7,5/2/132 3~380V 60HZ IE2 SIE VP.	1
Note: no longer available/nicht mehr lieferbar/n'est plus disponible			
		SPARE PARTS MOTOR:ON REQUEST	1
1.2	4186776	MODULE HELIX-VE1606-IE2-SIE KIT	1
1.22	2111344	> MODULE COVER/GASKET TL5 KIT	1
1.23	4215716	> SCREW M5X16 DIN912 8.8 A2A (4pieces) VP.	1
1.24	2057978	> RONDELLE A5,3 DIN6797 FST ZN (4 PIECES)	1



DRIVE HELIX-VE1606-IE2-ATB KIT

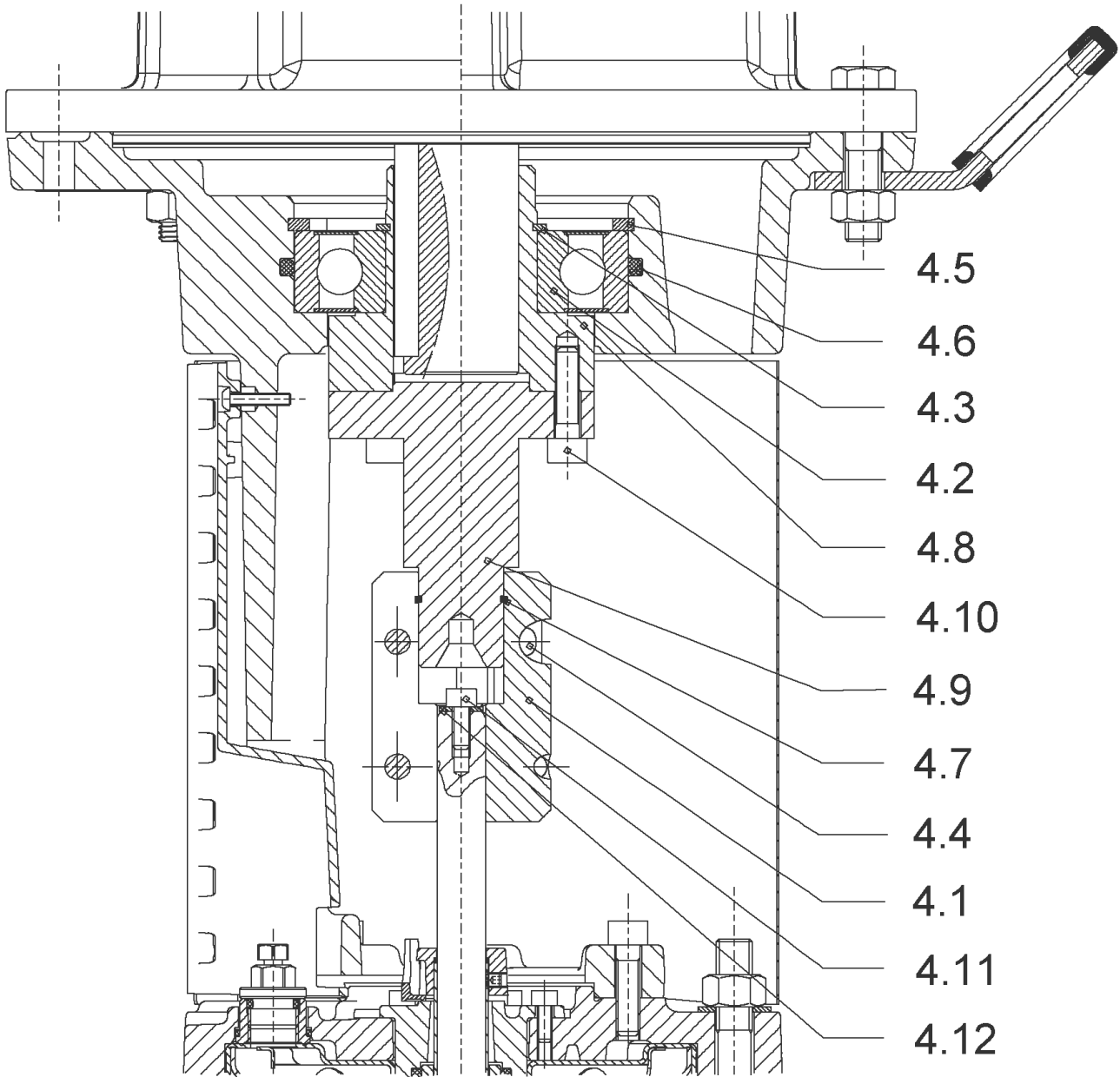
Item	Article no.	Description	Quantity
1.1	4192124	MOTOR 7,5/2/132 3~380V 60HZ IE2 ATB VP.	1
		SPARE PARTS MOTOR:ON REQUEST	1
1.2	4193492	MODULE HELIX-VE1606-IE2-ATB KIT	1
1.22	2111344	> MODULE COVER/GASKET TL5 KIT	1
1.23	4215716	> SCREW M5X16 DIN912 8.8 A2A (4pieces) VP.	1
1.24	2057978	> RONDELLE A5,3 DIN6797 FST ZN (4 PIECES)	1



DRIVE HELIX-VE1606-IE4-WE KIT

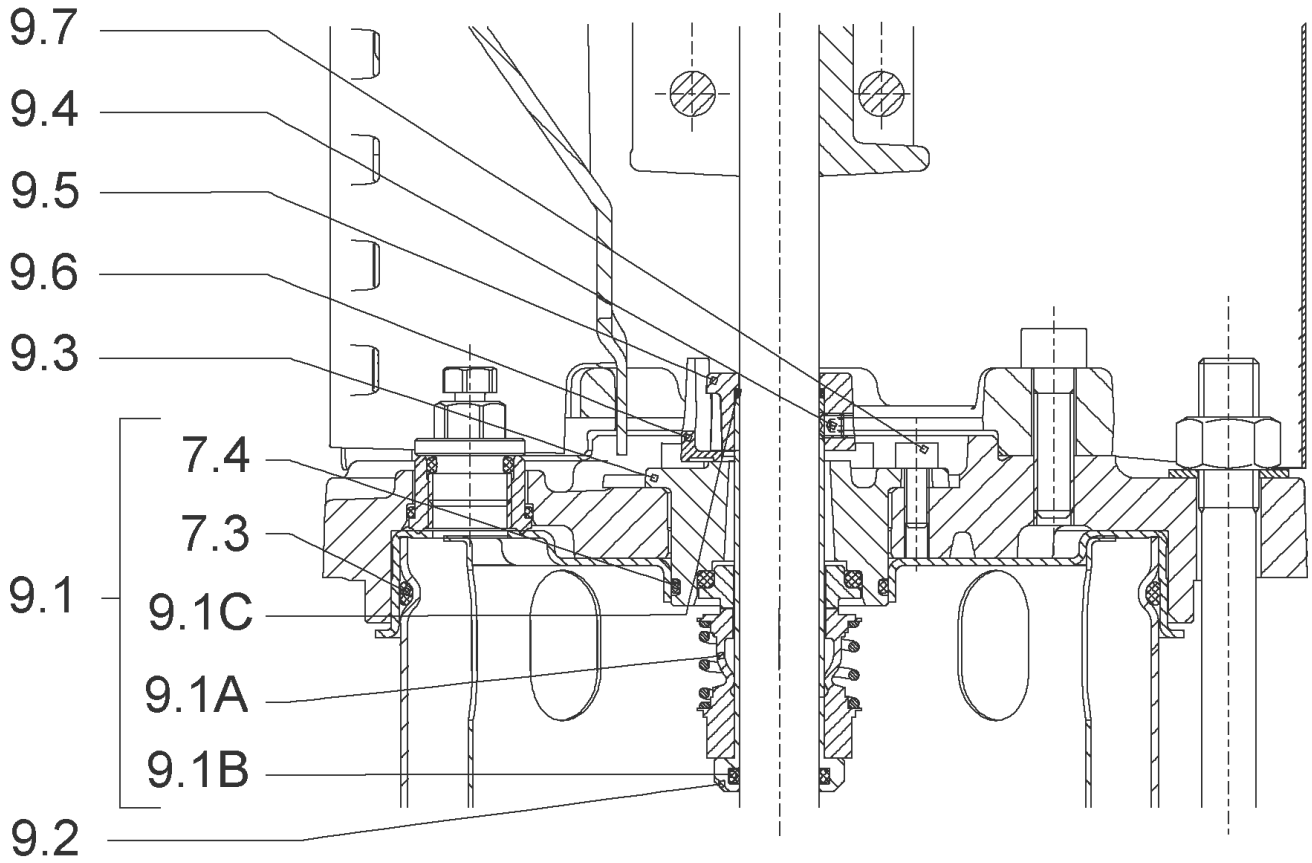
Item	Article no.	Description	Quantity
1.1	4207938	MOT.7.5/2/132F26 3~ 380V 60HZ IE4 WE VP.	1
		SPARE PARTS MOTOR:ON REQUEST	1
1.2	4210160	MODULE HELIX-VE1606-IE4-WE KIT	1
1.22	2111344	> MODULE COVER/GASKET TL5 KIT	1
1.23	4215716	> SCREW M5X16 DIN912 8.8 A2A (4pieces) VP.	1
1.24	2057978	> RONDELLE A5,3 DIN6797 FST ZN (4 PIECES)	1

COUPLING D.16XD.38 FF265 HELIX KIT (4159711)



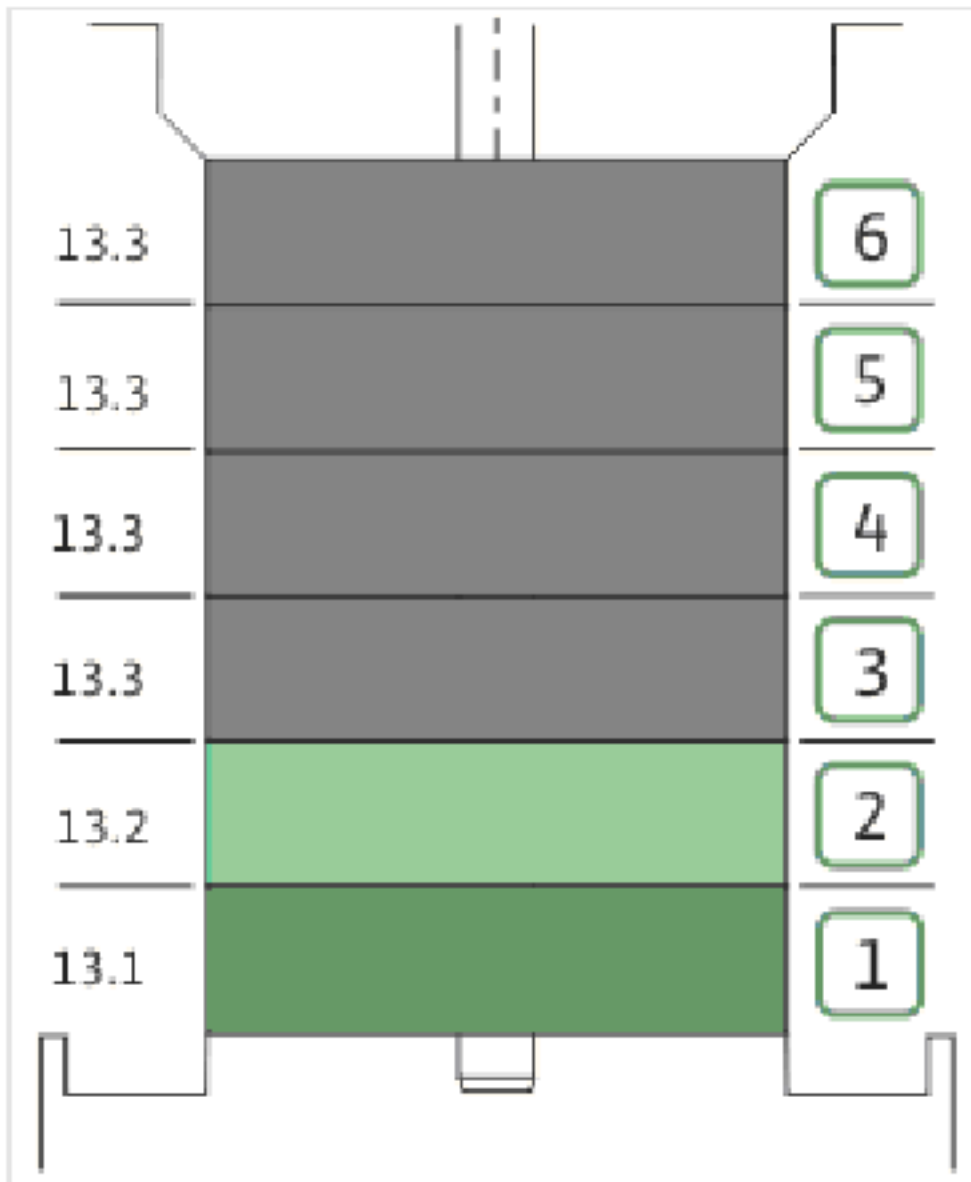
COUPLING D.16XD.38 FF265 HELIX KIT (4159711)

Item	Article no.	Description	Quantity
4.1	2131018	COUPLING 2 PARTS D.16XD.28XL.82,4 VP.	1
4.2	2131017	BALL BEARING 6310/ZZ-C4(HT)VP.	1
4.3	4234253	CIRCLIP-FOR-SHAFT-D50x2 VP.	1
4.4	4157726	SCREW KIT M8X30 (4 PIECES)	1
4.5	4234255	CIRCLIPS 110X4 VP.	1
4.6	4233944	O-RING ID.110 VP.	1
4.7	2131019	RETAINING RING D.26xD.2 DIN7993 VP.	1
4.10	4157726	SCREW KIT M8X30 (4 PIECES)	1
4.11	4102901	SCREW CHC-M6X14-8.8-ISO4762-GEOMET500A	1
4.12	2130995	SERRATED LOCK WASHER D.6,2XD.14,5X28 VP.	1
		NOMEL CONTACT WASHER 8x16x1,4 STEEL ZC	1
4.8	2131020	HUB D.38XD.50 VP.	1
4.9	2131021	SPACER D.28XD.45 VP.	1



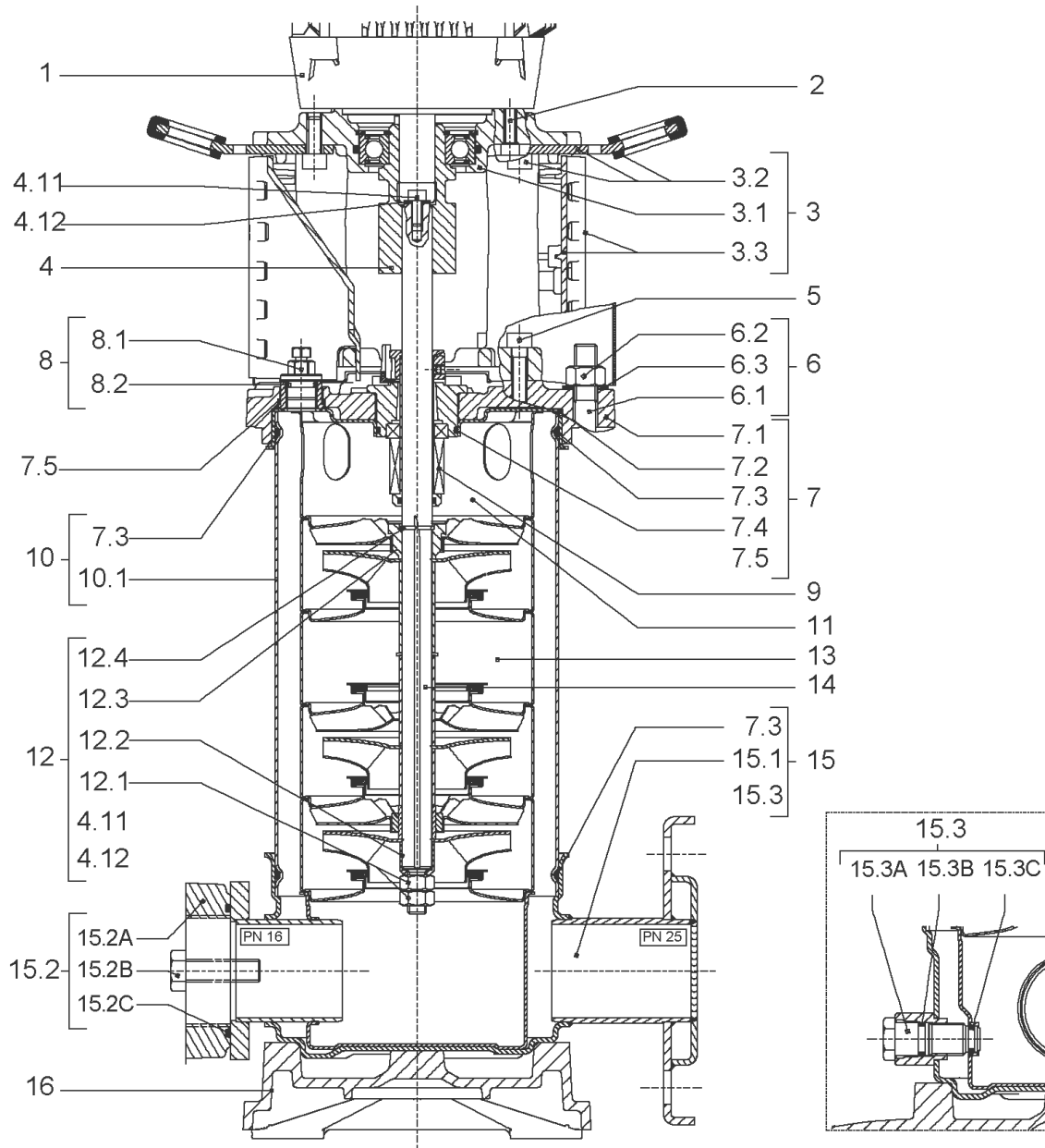
CARTRIDGE HELIX6-10-16 O/E KIT (4159696)

Item	Article no.	Description	Quantity
9.1	4159697	SEAL-KIT-HELIX6-10-16 O/E	1
7.3	4176513	> O-RING FOR PUMP JACKET VP.	1
7.4	2127603	> O-RING ID.37,6x2,4 EPDM VP.	1
9.1A	2130966	> MECH.SEAL HELIX2-4-6-10-16 O/E VP.	1
9.1B	2130967	> O-RING D.16X2,5 EPDM VP.	1
9.1C	4176519	> O-RING Ø16xØ1.25 VP.	1
9.2	2130961	SHAFT SLEEVE D.18/16X72,2 1.4404 VP.	1
9.3	2130962	RING HOLDER D.18 G606/G6 1.4301 VP.	1
9.4	4176520	SCREW CH M5x5 A4-70 (3PIECES)	1
9.5	2130963	DRIVE RING D.29/18x12,4 MACH.VP.	1
9.6	2130964	TOOL M.S.CART.HELIX VP.	1
9.7	2130965	SCREW CHC M5X12 ISO4762 A2.70(4 PIECES)	1



HYDRAULIC HELIX V 1606 1.4307

Item	Article no.	Description	Quantity
13.1	4159720	STAGE HELIX 16 1.4301 KIT	1
		> MACH.STG-CASING-WOGV-WNR-M+16-304	1
		> IMPELLER-M+16-304	1
13.2	4159714	STAGE BEARING HELIX 16 1.4301 KIT	1
		> MACH.BEARING-STG-CASING-WNR-M+16-304	1
		> IMPELLER-M+16-304	1
		> SLEEVE-SPACER-Ø19,35x30,665-304	1
		> SHAFT-SLEEVE-D16xD20x18-CW	1
13.3	4159715	INTERMEDIATE STAGE HELIX 16 1.4301 KIT	1
		> CORPS-ETG-STD-ACR-AJR-USIN.M+16-304	1
		> IMPELLER-M+16-304	1
		> SPACER Ø16X19.4-L48.6-304	1

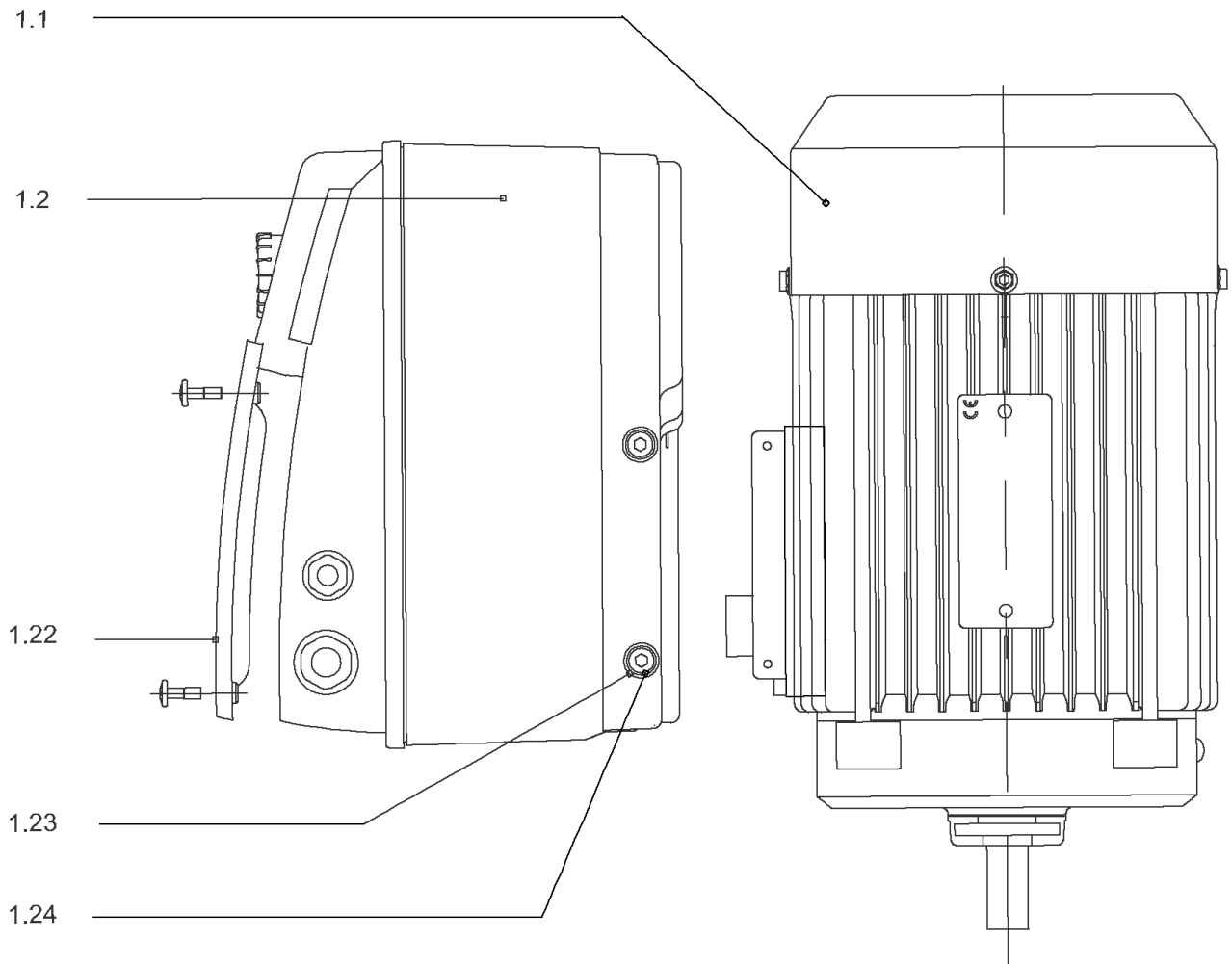


HELIX VE1606-1/25/E/KS (4141467)

Item	Article no.	Description	Quantity
1		DRIVE HELIX-VE1606-IE2-SIE KIT	1
Note: MOTOR BRAND SIEMENS			
1		DRIVE HELIX-VE1606-IE2-ATB KIT	1
Note: MOTOR BRAND ATB			
1		DRIVE HELIX-VE1606-IE4-WE KIT	1
Note: MOTOR BRAND WILO ELEC			
2	4174093	SCREW M12X50 (4 PIECES)	1
3	4159693	LANTERN FF265 HELIX KIT	1
3.1		> LANTERN FF265 M+6" GJL MACHINING+CATA	1
3.2	2127605	> EYELET CPL.FF265 HELIX(2 PIECES)	1
3.3	4159695	> COUPLING PROTECTOR FF HELIX KIT	1
4	4159711	COUPLING D.16XD.38 FF265 HELIX KIT	1
5	4159707	SCREW M8X30 (4 PIECES)	1
6	2127555	STUD BOLT M12X485 KIT	1
7	4159685	END SHIELD HELIX EPDM KIT	1
7.1		> END SHIELD M+6" GJL250 MACHINING+CATA	1
7.2	2127607	> STATIONARY RING HOLDER 6" HELIX 1.4301 V	1
7.3	4176513	> O-RING FOR PUMP JACKET VP.	1
7.4	2127603	> O-RING ID.37,6x2,4 EPDM VP.	1
7.5	2127602	> O-RING ID.21,35x2 EPDM VP.	1
8	4159686	FILING/PURGING PLUG HELIX EPDM KIT	1
9	4159698	CARTRIDGE HELIX6-10-16 F/E KIT	1
10	2127578	HOUSING PIPE D.152x360 1.4307 KIT	1
7.3	4176513	> O-RING FOR PUMP JACKET VP.	1
10.1		> HOUSING-PIPE Ø152-M+1008/1606-304	1
11	2127588	CENTERING STAGE-RETURN HELIX16 1.4301 VP	1
12	4159688	SHAFT EQUIPMENT HELIX V16 BI BLOC KIT	1
4.11	4102901	> SCREW CHC-M6X14-8.8-ISO4762-GEOMET500A	1
4.12	2130995	> SERRATED LOCK WASHER D.6,2XD.14,5X28 VP.	1
12.1		> NUT-H-M10-A4.70	1
12.2		> SERRATED LOCK WASHER M+16M3-316L	1
12.3		> STOP COLLAR OF IMPELLER L18,8-Ø16-316L	1
12.4		> STOP-RUSH-1/2-D16xd2-M+316	1
13		HYDRAULIC HELIX V 1606 1.4307	1

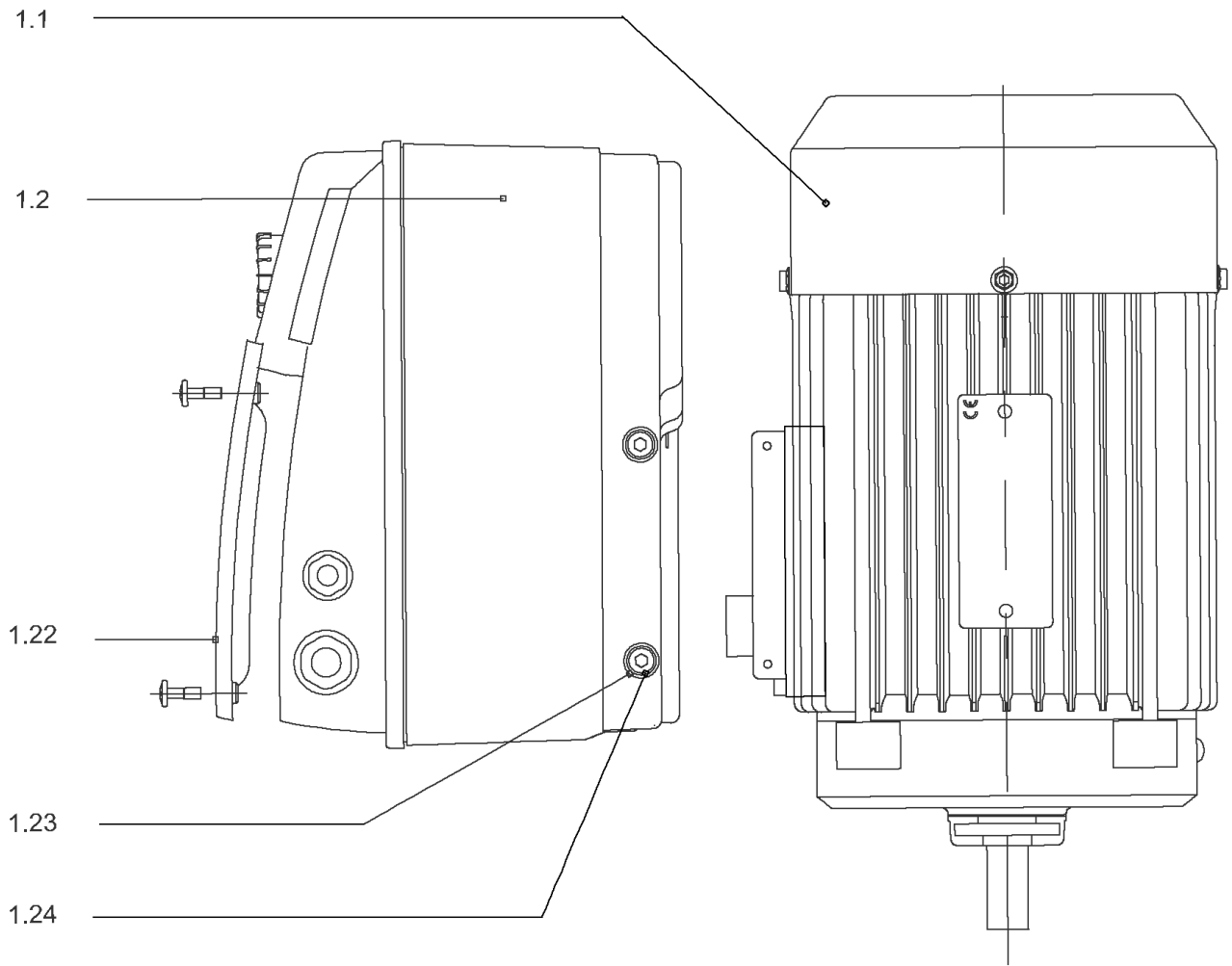
HELIX VE1606-1/25/E/KS (4141467)

Item	Article no.	Description	Quantity
14	2127397	SHAFT D.16X480 1.4301 VP.	1
15	4159683	PUMP HOUSING HELIX DN50 PN25 1.4301 KIT	1
7.3	4176513	> O-RING FOR PUMP JACKET VP.	1
15.1		> BLASTING PPE HOUSING V-PN25-DN50-304	1
15.3	4171321	> PRIMING/DRAIN PLUG EPDM HELIX KIT	1
16	2127601	BASEPLATE HELIX V16 VP.	1



DRIVE HELIX-VE1606-IE2-SIE KIT

Item	Article no.	Description	Quantity
1.1		MOTOR 7,5/2/132 3~380V 60HZ IE2 SIE VP.	1
Note: no longer available/nicht mehr lieferbar/n'est plus disponible			
		SPARE PARTS MOTOR:ON REQUEST	1
1.2	4186776	MODULE HELIX-VE1606-IE2-SIE KIT	1
1.22	2111344	> MODULE COVER/GASKET TL5 KIT	1
1.23	4215716	> SCREW M5X16 DIN912 8.8 A2A (4pieces) VP.	1
1.24	2057978	> RONDELLE A5,3 DIN6797 FST ZN (4 PIECES)	1



DRIVE HELIX-VE1606-IE2-ATB KIT

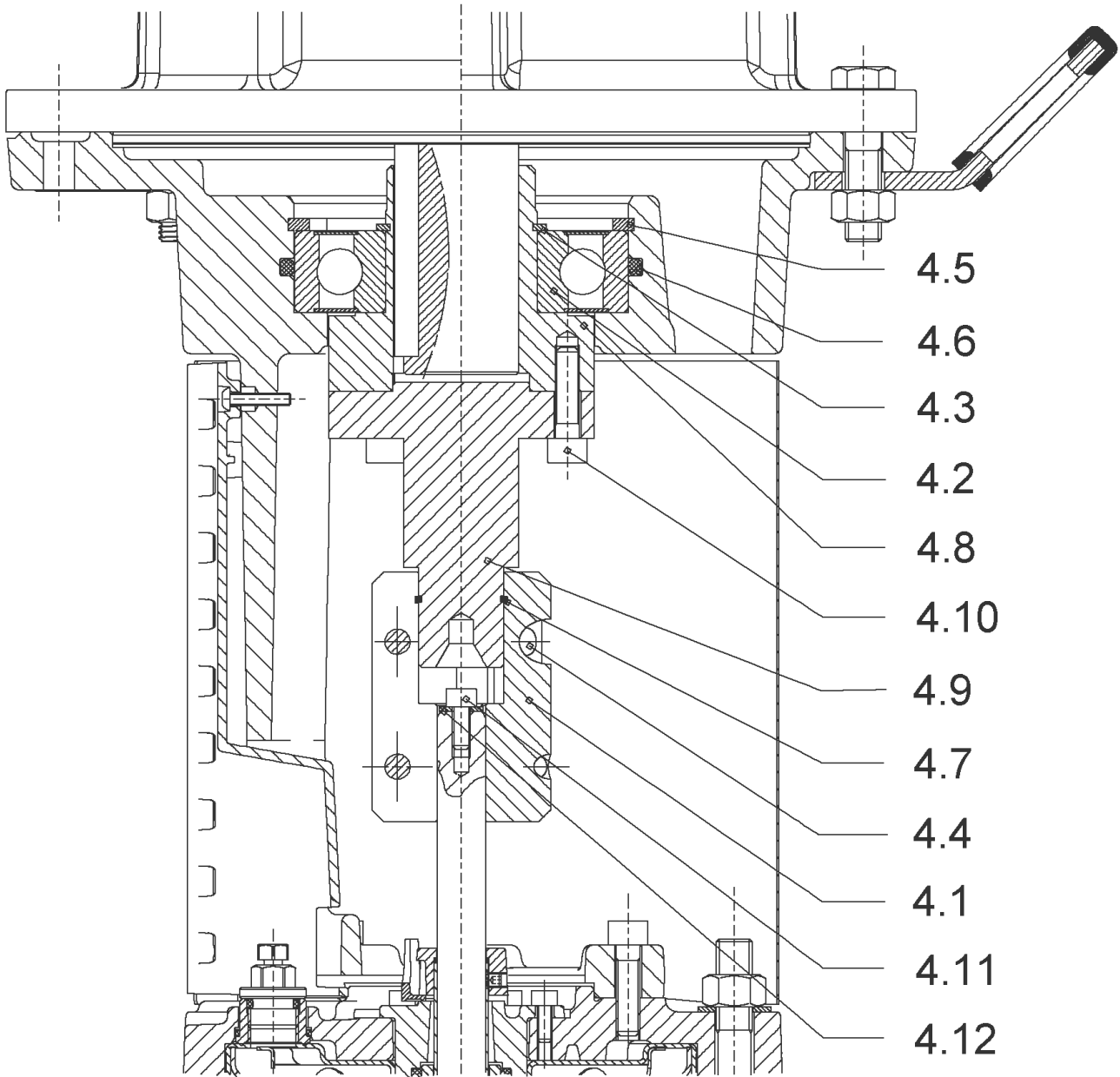
Item	Article no.	Description	Quantity
1.1	4192124	MOTOR 7,5/2/132 3~380V 60HZ IE2 ATB VP.	1
		SPARE PARTS MOTOR:ON REQUEST	1
1.2	4193492	MODULE HELIX-VE1606-IE2-ATB KIT	1
1.22	2111344	> MODULE COVER/GASKET TL5 KIT	1
1.23	4215716	> SCREW M5X16 DIN912 8.8 A2A (4pieces) VP.	1
1.24	2057978	> RONDELLE A5,3 DIN6797 FST ZN (4 PIECES)	1



DRIVE HELIX-VE1606-IE4-WE KIT

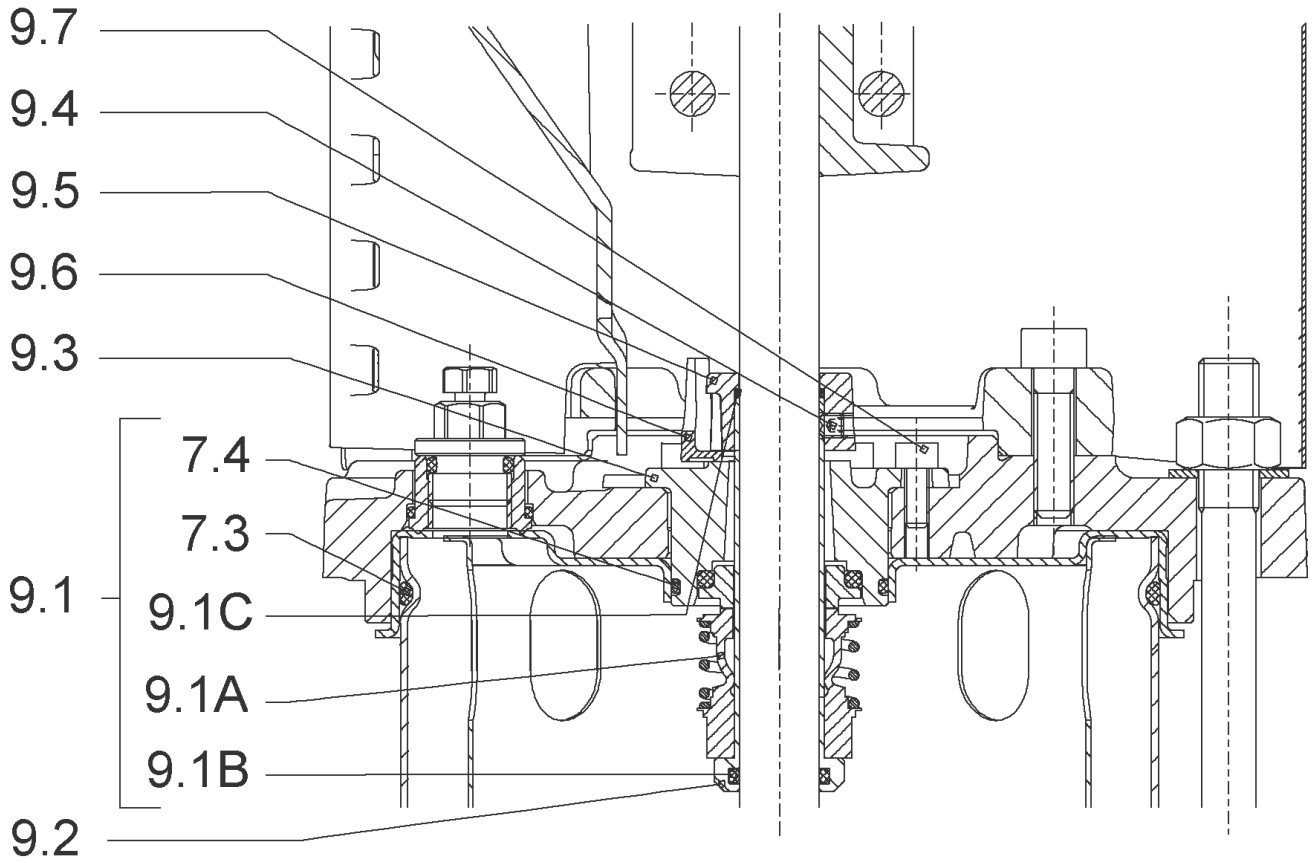
Item	Article no.	Description	Quantity
1.1	4207938	MOT.7.5/2/132F26 3~ 380V 60HZ IE4 WE VP.	1
		SPARE PARTS MOTOR:ON REQUEST	1
1.2	4210160	MODULE HELIX-VE1606-IE4-WE KIT	1
1.22	2111344	> MODULE COVER/GASKET TL5 KIT	1
1.23	4215716	> SCREW M5X16 DIN912 8.8 A2A (4pieces) VP.	1
1.24	2057978	> RONDELLE A5,3 DIN6797 FST ZN (4 PIECES)	1

COUPLING D.16XD.38 FF265 HELIX KIT (4159711)



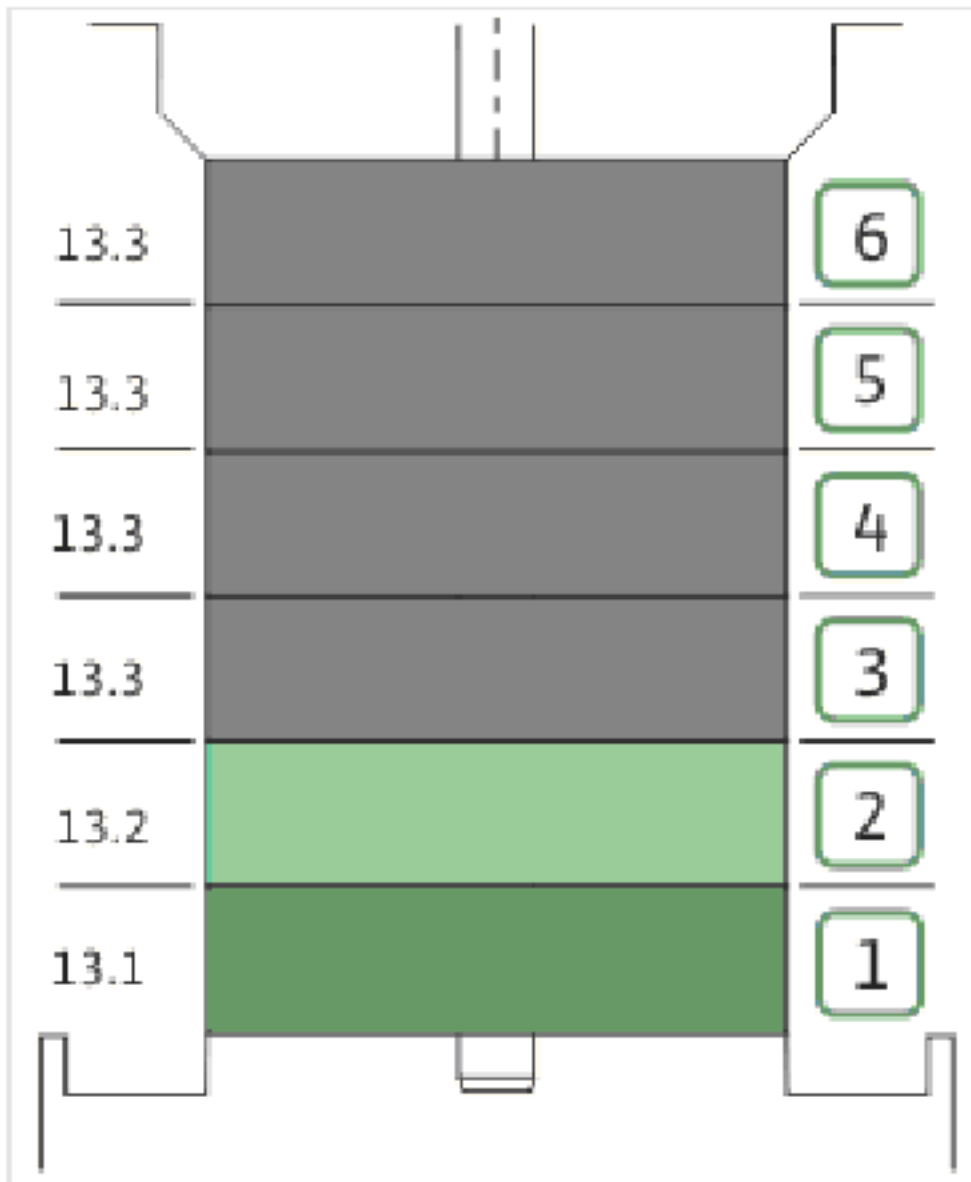
COUPLING D.16XD.38 FF265 HELIX KIT (4159711)

Item	Article no.	Description	Quantity
4.1	2131018	COUPLING 2 PARTS D.16XD.28XL.82,4 VP.	1
4.2	2131017	BALL BEARING 6310/ZZ-C4(HT)VP.	1
4.3	4234253	CIRCLIP-FOR-SHAFT-D50x2 VP.	1
4.4	4157726	SCREW KIT M8X30 (4 PIECES)	1
4.5	4234255	CIRCLIPS 110X4 VP.	1
4.6	4233944	O-RING ID.110 VP.	1
4.7	2131019	RETAINING RING D.26xD.2 DIN7993 VP.	1
4.10	4157726	SCREW KIT M8X30 (4 PIECES)	1
4.11	4102901	SCREW CHC-M6X14-8.8-ISO4762-GEOMET500A	1
4.12	2130995	SERRATED LOCK WASHER D.6,2XD.14,5X28 VP.	1
		NOMEL CONTACT WASHER 8x16x1,4 STEEL ZC	1
4.8	2131020	HUB D.38XD.50 VP.	1
4.9	2131021	SPACER D.28XD.45 VP.	1



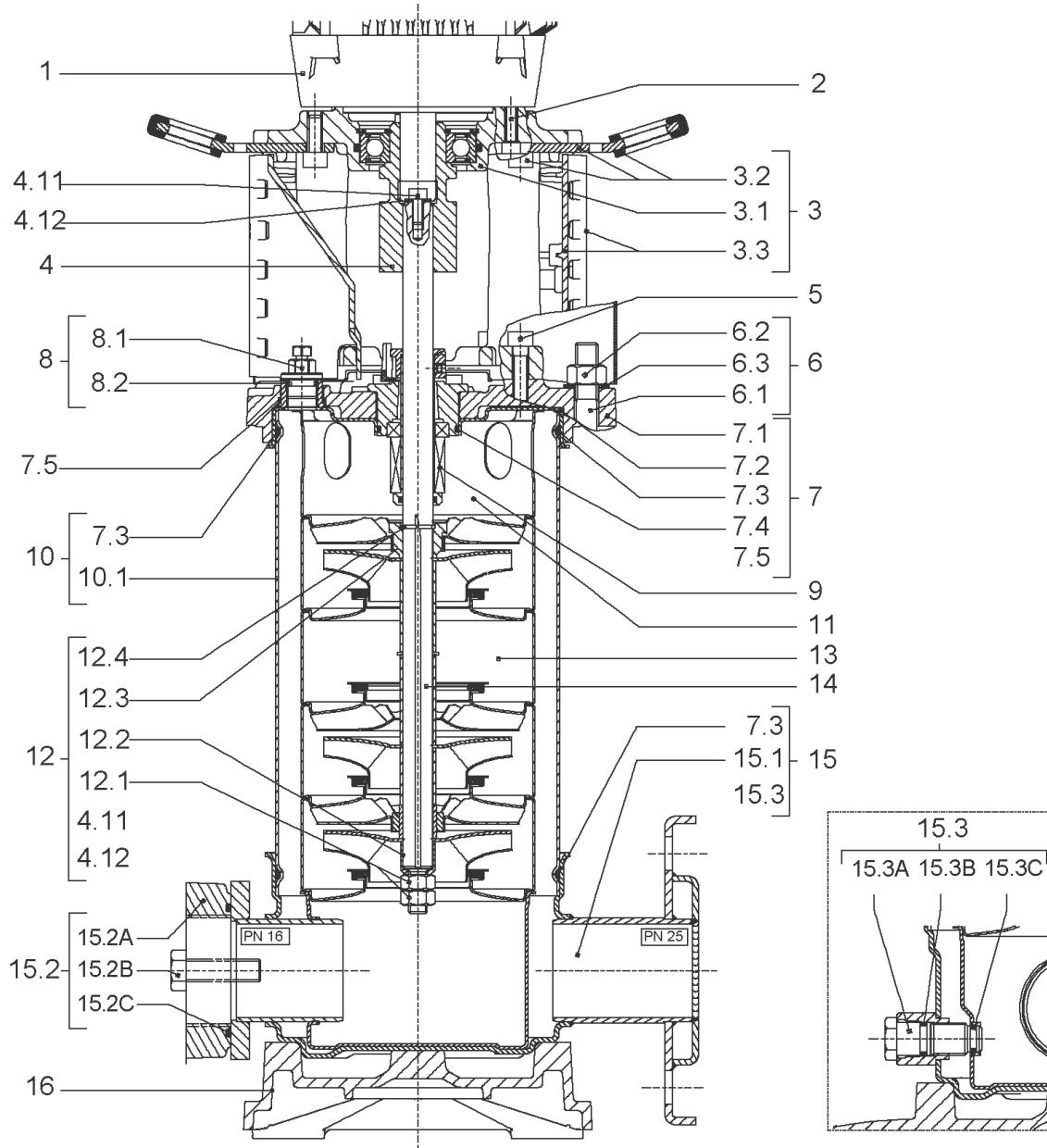
CARTRIDGE HELIX6-10-16 F/E KIT (4159698)

Item	Article no.	Description	Quantity
9.1	4159699	SEAL-KIT-HELIX6-10-16 F/E	1
7.3	4176513	> O-RING FOR PUMP JACKET VP.	1
7.4	2127603	> O-RING ID.37,6x2,4 EPDM VP.	1
9.1A	4176521	> MECH.SEAL HELIX2-4-6-10-16 F/E VP.	1
9.1B	2130967	> O-RING D.16X2,5 EPDM VP.	1
9.1C	4176519	> O-RING Ø16xØ1.25 VP.	1
9.2	2130961	SHAFT SLEEVE D.18/16X72,2 1.4404 VP.	1
9.3	2130962	RING HOLDER D.18 G606/G6 1.4301 VP.	1
9.4	4176520	SCREW CH M5x5 A4-70 (3PIECES)	1
9.5	2130963	DRIVE RING D.29/18x12,4 MACH.VP.	1
9.6	2130964	TOOL M.S.CART.HELIX VP.	1
9.7	2130965	SCREW CHC M5X12 ISO4762 A2.70(4 PIECES)	1



HYDRAULIC HELIX V 1606 1.4307

Item	Article no.	Description	Quantity
13.1	4159720	STAGE HELIX 16 1.4301 KIT	1
		> MACH.STG-CASING-WOGV-WNR-M+16-304	1
		> IMPELLER-M+16-304	1
13.2	4159714	STAGE BEARING HELIX 16 1.4301 KIT	1
		> MACH.BEARING-STG-CASING-WNR-M+16-304	1
		> IMPELLER-M+16-304	1
		> SLEEVE-SPACER-Ø19,35x30,665-304	1
		> SHAFT-SLEEVE-D16xD20x18-CW	1
13.3	4159715	INTERMEDIATE STAGE HELIX 16 1.4301 KIT	1
		> CORPS-ETG-STD-ACR-AJR-USIN.M+16-304	1
		> IMPELLER-M+16-304	1
		> SPACER Ø16X19.4-L48.6-304	1



HELIX VE1606-1/16/E/KS/FF240 (4190747)

Item	Article no.	Description	Quantity
1		DRIVE HELIX-VE1606-FF24-IE2-ATB KIT	1
Note: MOTOR BRAND ATB			
1		DRIVE HELIX-VE1606-IE4-FF240 WE KIT	1
Note: MOTOR BRAND WILO ELEC			
2	4174093	SCREW M12X50 (4 PIECES)	1
3	4197828	LANTERN FF240 HELIX KIT	1
3.1		> LANTERN FF240 M+6" JL250 MACHINING+CATA	1
3.2	4186346	> EYELET CPL.FF240 HELIX (4 PIECES)	1
3.3	4159695	> COUPLING PROTECTOR FF HELIX KIT	1
4	4159711	COUPLING D.16XD.38 FF265 HELIX KIT	1
5	4159707	SCREW M8X30 (4 PIECES)	1
6	2127555	STUD BOLT M12X485 KIT	1
7	4159685	END SHIELD HELIX EPDM KIT	1
7.1		> END SHIELD M+6" GJL250 MACHINING+CATA	1
7.2	2127607	> STATIONARY RING HOLDER 6" HELIX 1.4301 V	1
7.3	4176513	> O-RING FOR PUMP JACKET VP.	1
7.4	2127603	> O-RING ID.37,6x2,4 EPDM VP.	1
7.5	2127602	> O-RING ID.21,35x2 EPDM VP.	1
8	4159686	FILING/PURGING PLUG HELIX EPDM KIT	1
9	4159696	CARTRIDGE HELIX6-10-16 O/E KIT	1
10	2127578	HOUSING PIPE D.152x360 1.4307 KIT	1
7.3	4176513	> O-RING FOR PUMP JACKET VP.	1
10.1		> HOUSING-PIPE Ø152-M+1008/1606-304	1
11	2127588	CENTERING STAGE-RETURN HELIX16 1.4301 VP	1
12	4159688	SHAFT EQUIPMENT HELIX V16 BI BLOC KIT	1
4.11	4102901	> SCREW CHC-M6X14-8.8-ISO4762-GEOMET500A	1
4.12	2130995	> SERRATED LOCK WASHER D.6,2XD.14,5X28 VP.	1
12.1		> NUT-H-M10-A4.70	1
12.2		> SERRATED LOCK WASHER M+16M3-316L	1
12.3		> STOP COLLAR OF IMPELLER L18,8-Ø16-316L	1
12.4		> STOP-RUSH-1/2-D16xd2-M+316	1
13		HYDRAULIC HELIX V 1606 1.4307	1
14	2127397	SHAFT D.16X480 1.4301 VP.	1
15	4217899	PUMP HOUSING HELIX DN50 PN16 1.4301 KIT	1

HELIX VE1606-1/16/E/KS/FF240 (4190747)

Item	Article no.	Description	Quantity
7.3	4176513	> O-RING FOR PUMP JACKET VP.	1
15.1		> BLASTING PPE HOUSING V-PN16-DN50-304	1
15.2	4217895	> COUNTER FLANGE-G2"-PN16-GJL KIT	1
15.3	4171321	> PRIMING/DRAIN PLUG EPDM HELIX KIT	1
16	2127601	BASEPLATE HELIX V16 VP.	1



DRIVE HELIX-VE1606-FF24-IE2-ATB KIT

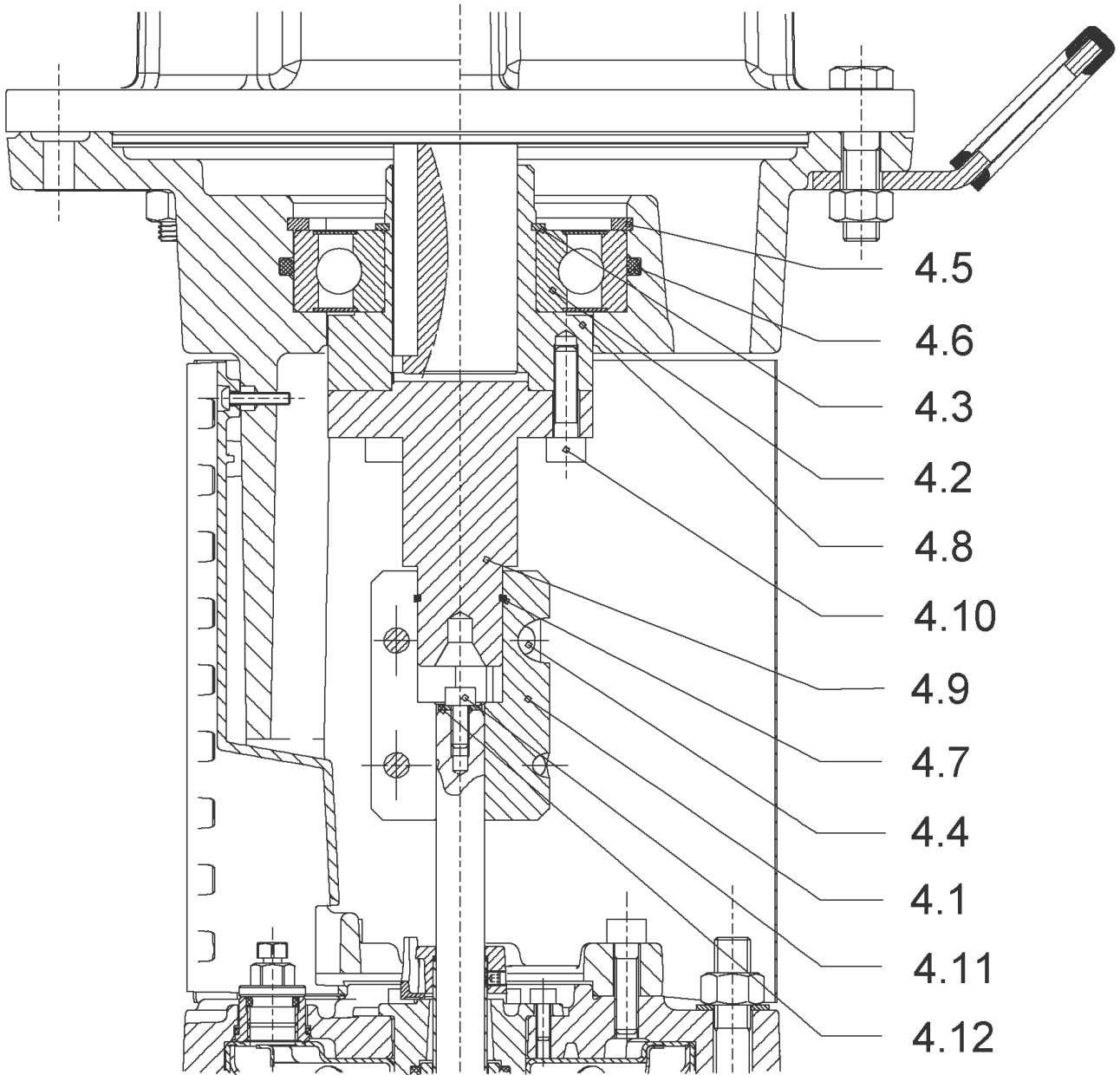
Item	Article no.	Description	Quantity
1.1		MOTOR 7,5/2/132 FF240 3~380V 60HZ IE2 VP	1
Note: no longer available/nicht mehr lieferbar/n'est plus disponible			
		SPARE PARTS MOTOR:ON REQUEST	1
1.2	4193492	MODULE HELIX-VE1606-IE2-ATB KIT	1
1.22	2111344	> MODULE COVER/GASKET TL5 KIT	1
1.23	4215716	> SCREW M5X16 DIN912 8.8 A2A (4pieces) VP.	1
1.24	2057978	> RONDELLE A5,3 DIN6797 FST ZN (4 PIECES)	1



DRIVE HELIX-VE1606-IE4-FF240 WE KIT

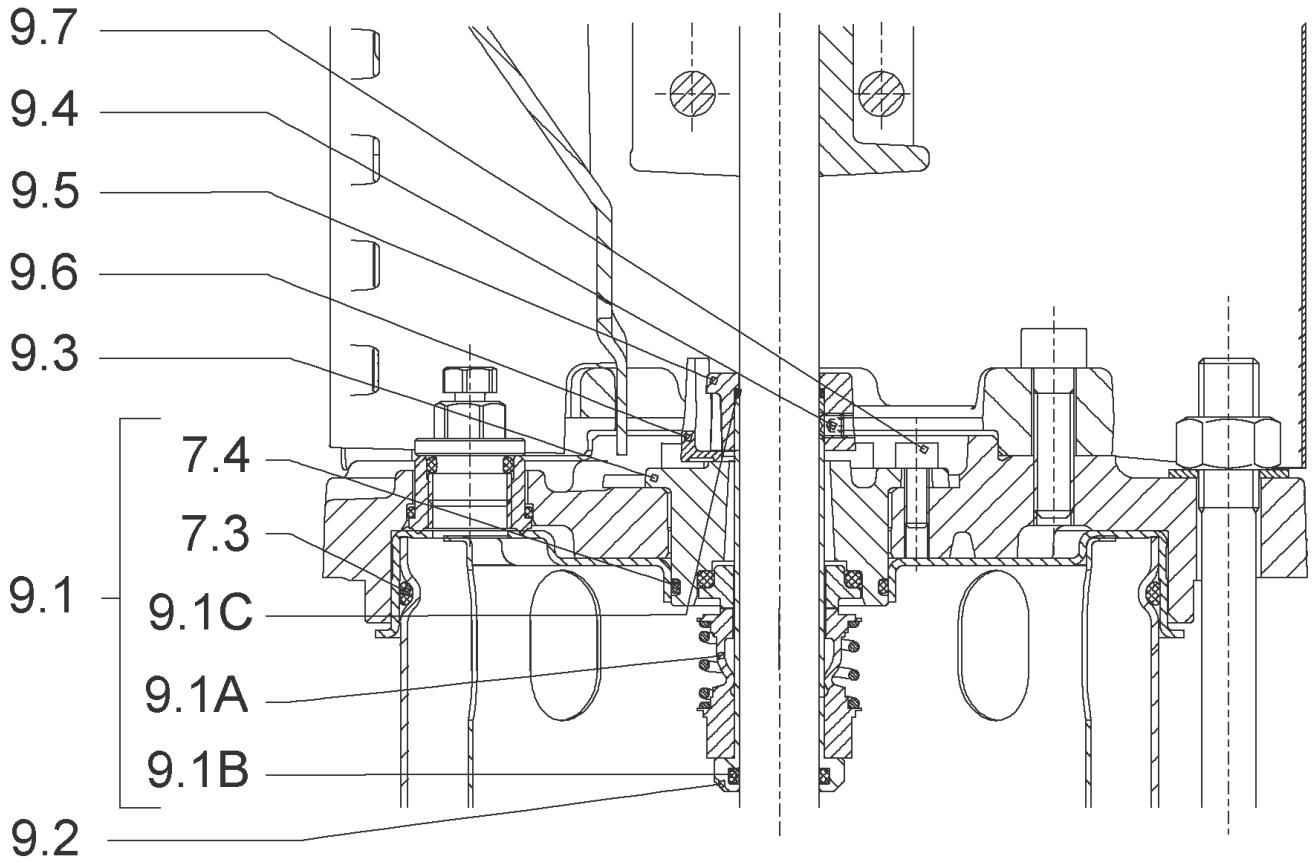
Item	Article no.	Description	Quantity
1.1	4207940	MO.7.5/2/132FF240 3~380V 60Hz IE4 WE VP.	1
		SPARE PARTS MOTOR:ON REQUEST	1
1.2	4210160	MODULE HELIX-VE1606-IE4-WE KIT	1
1.22	2111344	> MODULE COVER/GASKET TL5 KIT	1
1.23	4215716	> SCREW M5X16 DIN912 8.8 A2A (4pieces) VP.	1
1.24	2057978	> RONDELLE A5,3 DIN6797 FST ZN (4 PIECES)	1

COUPLING D.16XD.38 FF265 HELIX KIT (4159711)



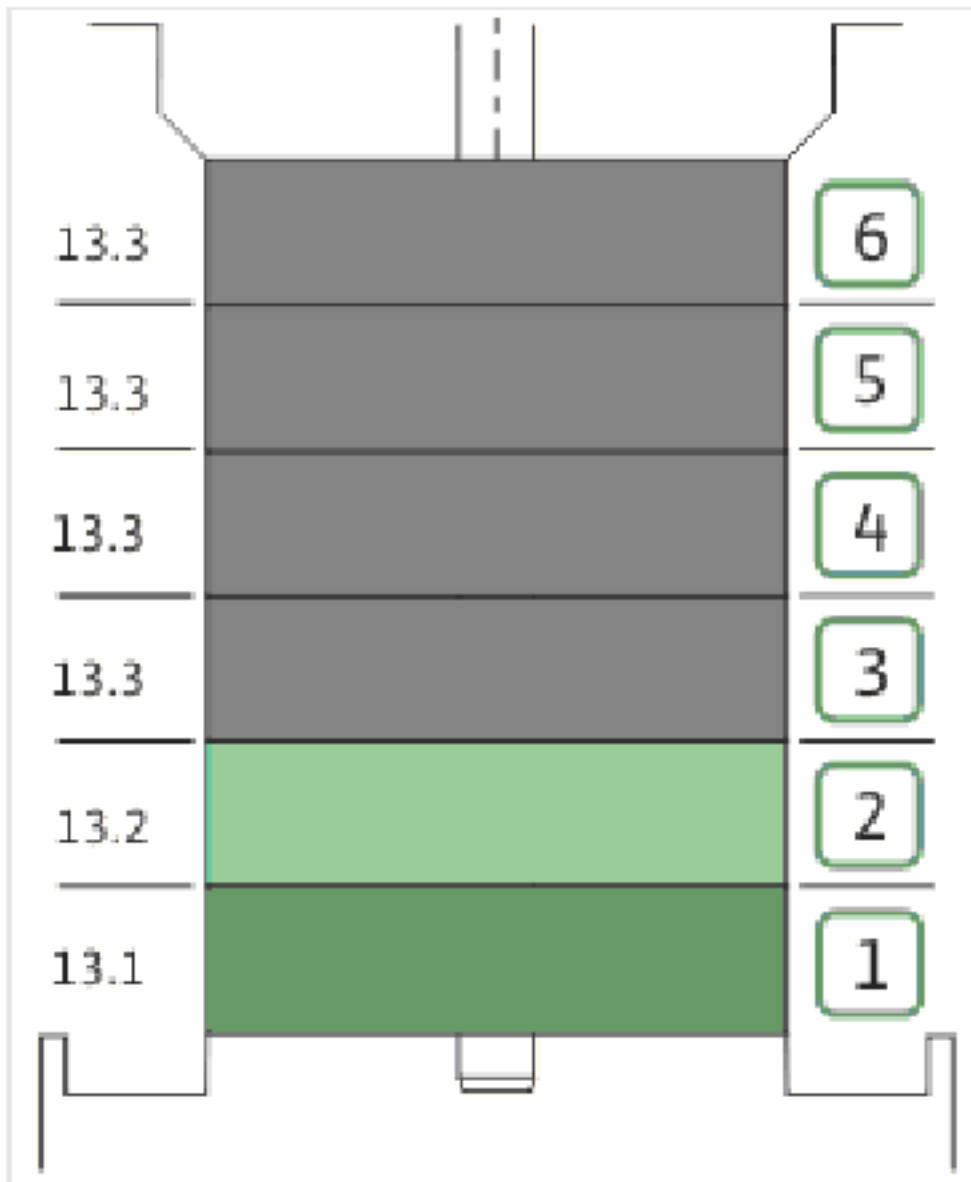
COUPLING D.16XD.38 FF265 HELIX KIT (4159711)

Item	Article no.	Description	Quantity
4.1	2131018	COUPLING 2 PARTS D.16XD.28XL.82,4 VP.	1
4.2	2131017	BALL BEARING 6310/ZZ-C4(HT)VP.	1
4.3	4234253	CIRCLIP-FOR-SHAFT-D50x2 VP.	1
4.4	4157726	SCREW KIT M8X30 (4 PIECES)	1
4.5	4234255	CIRCLIPS 110X4 VP.	1
4.6	4233944	O-RING ID.110 VP.	1
4.7	2131019	RETAINING RING D.26xD.2 DIN7993 VP.	1
4.10	4157726	SCREW KIT M8X30 (4 PIECES)	1
4.11	4102901	SCREW CHC-M6X14-8.8-ISO4762-GEOMET500A	1
4.12	2130995	SERRATED LOCK WASHER D.6,2XD.14,5X28 VP.	1
		NOMEL CONTACT WASHER 8x16x1,4 STEEL ZC	1
4.8	2131020	HUB D.38XD.50 VP.	1
4.9	2131021	SPACER D.28XD.45 VP.	1



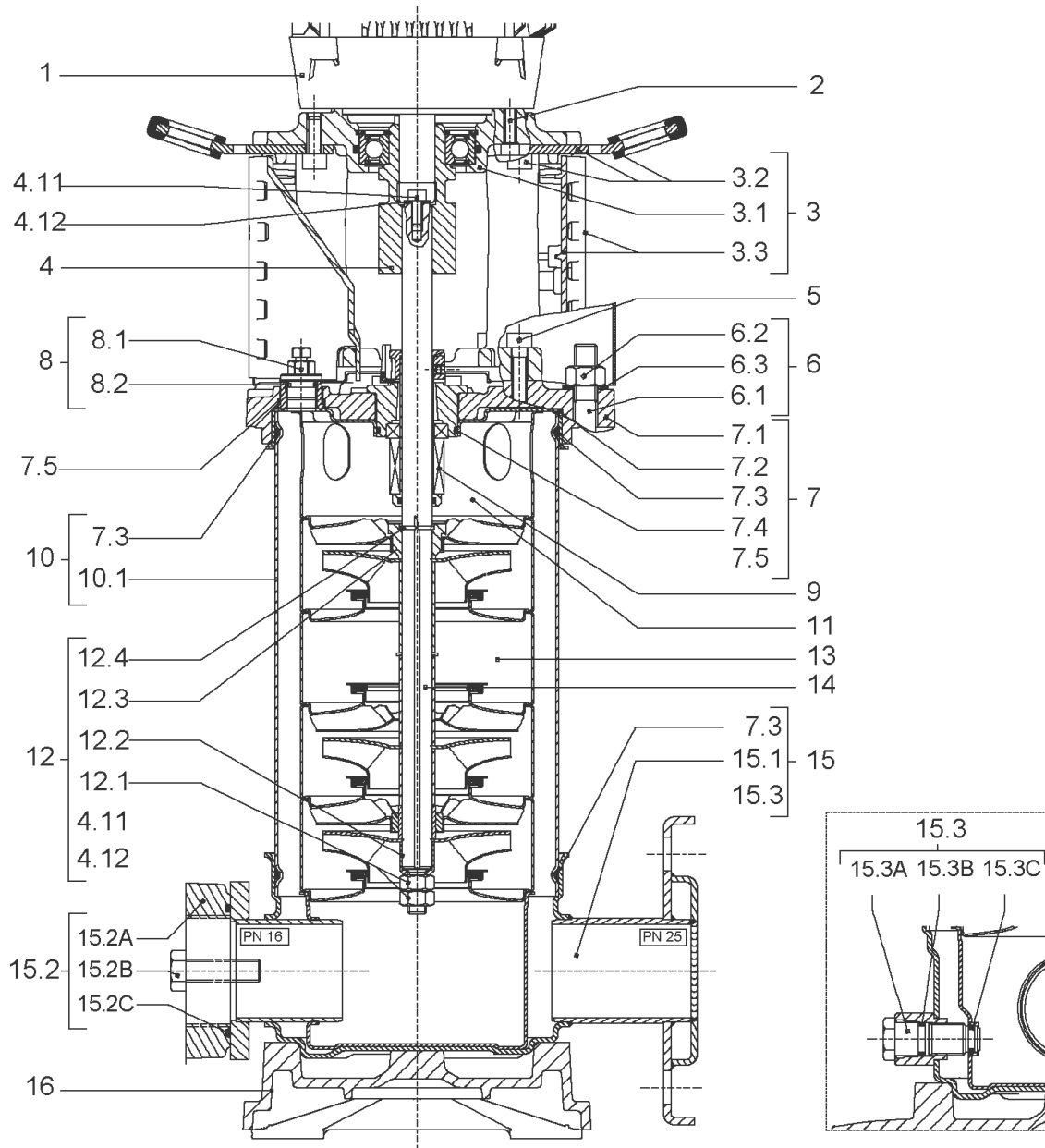
CARTRIDGE HELIX6-10-16 O/E KIT (4159696)

Item	Article no.	Description	Quantity
9.1	4159697	SEAL-KIT-HELIX6-10-16 O/E	1
7.3	4176513	> O-RING FOR PUMP JACKET VP.	1
7.4	2127603	> O-RING ID.37,6x2,4 EPDM VP.	1
9.1A	2130966	> MECH.SEAL HELIX2-4-6-10-16 O/E VP.	1
9.1B	2130967	> O-RING D.16X2,5 EPDM VP.	1
9.1C	4176519	> O-RING Ø16xØ1.25 VP.	1
9.2	2130961	SHAFT SLEEVE D.18/16X72,2 1.4404 VP.	1
9.3	2130962	RING HOLDER D.18 G606/G6 1.4301 VP.	1
9.4	4176520	SCREW CH M5x5 A4-70 (3PIECES)	1
9.5	2130963	DRIVE RING D.29/18x12,4 MACH.VP.	1
9.6	2130964	TOOL M.S.CART.HELIX VP.	1
9.7	2130965	SCREW CHC M5X12 ISO4762 A2.70(4 PIECES)	1



HYDRAULIC HELIX V 1606 1.4307

Item	Article no.	Description	Quantity
13.1	4159720	STAGE HELIX 16 1.4301 KIT	1
		> MACH.STG-CASING-WOGV-WNR-M+16-304	1
		> IMPELLER-M+16-304	1
13.2	4159714	STAGE BEARING HELIX 16 1.4301 KIT	1
		> MACH.BEARING-STG-CASING-WNR-M+16-304	1
		> IMPELLER-M+16-304	1
		> SLEEVE-SPACER-Ø19,35x30,665-304	1
		> SHAFT-SLEEVE-D16xD20x18-CW	1
13.3	4159715	INTERMEDIATE STAGE HELIX 16 1.4301 KIT	1
		> CORPS-ETG-STD-ACR-AJR-USIN.M+16-304	1
		> IMPELLER-M+16-304	1
		> SPACER Ø16X19.4-L48.6-304	1



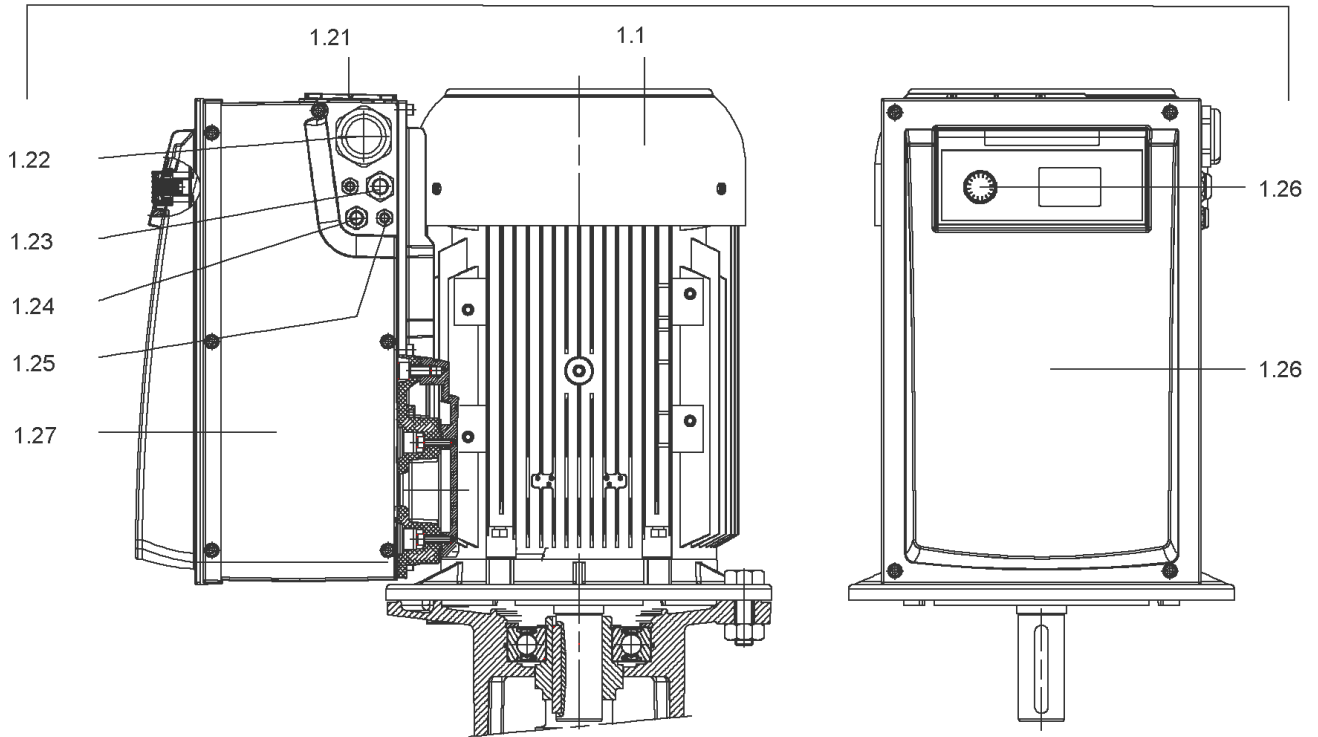
HELIX VE1609-1/25/E/KS/2G (4166279)

Item	Article no.	Description	Quantity
1		DRIVE HELIX VE1609-IE2-ARC KIT	1
Note: no longer available/nicht mehr lieferbar/n'est plus disponible			
1	4218535	DRIVE HELIX VE1609-IE4-WEG KIT	1
Note: MOTOR BRAND WEG			
2	4179586	SCREW M16X60 (4 PIECES)	1
3	4159694	LANTERN FF300 HELIX KIT	1
4	4159712	COUPLING D.16XD.38 FF300 HELIX KIT	1
5	4159707	SCREW M8X30 (4 PIECES)	1
6	4177842	STUD BOLT M12X638KIT	1
6.1		> TIE BOLT M12-638x18x30-1.4057	1
6.2	2094647	> NUT M12 M12 ISO4032 VP.	1
6.3	2123557	> WASHER CS-12.4-24-1.6-NFE25 (4 PIECES)	1
7	4159685	END SHIELD HELIX EPDM KIT	1
7.1		> END SHIELD M+6" GJL250 MACHINING+CATA	1
7.2	2127607	> STATIONARY RING HOLDER 6" HELIX 1.4301 V	1
7.3	4176513	> O-RING FOR PUMP JACKET VP.	1
7.4	2127603	> O-RING ID.37,6x2,4 EPDM VP.	1
7.5	2127602	> O-RING ID.21,35x2 EPDM VP.	1
8	4159686	FILING/PURGING PLUG HELIX EPDM KIT	1
9	4159698	CARTRIDGE HELIX6-10-16 F/E KIT	1
10	4177843	HOUSING PIPES D.152X510 1.4307 KIT	1
7.3	4176513	> O-RING FOR PUMP JACKET VP.	1
10.1		> HOUSING-PIPE Ø152-M+1012/1609-304	1
11	2127588	CENTERING STAGE-RETURN HELIX16 1.4301 VP	1
12	4159688	SHAFT EQUIPMENT HELIX V16 BI BLOC KIT	1
4.11	4102901	> SCREW CHC-M6X14-8.8-ISO4762-GEOMET500A	1
4.12	2130995	> SERRATED LOCK WASHER D.6,2XD.14,5X28 VP.	1
12.1		> NUT-H-M10-A4.70	1
12.2		> SERRATED LOCK WASHER M+16M3-316L	1
12.3		> STOP COLLAR OF IMPELLER L18,8-Ø16-316L	1
12.4		> STOP-RUSH-1/2-D16xd2-M+316	1
13		HYDRAULIC HELIX V 1609 1.4307	1
14	4177844	SHAFT D.16X630 1.4301 VP.	1
15	4159683	PUMP HOUSING HELIX DN50 PN25 1.4301 KIT	1

HELIX VE1609-1/25/E/KS/2G (4166279)

Item	Article no.	Description	Quantity
7.3	4176513	> O-RING FOR PUMP JACKET VP.	1
15.1		> BLASTING PPE HOUSING V-PN25-DN50-304	1
15.3	4171321	> PRIMING/DRAIN PLUG EPDM HELIX KIT	1
16	2127601	BASEPLATE HELIX V16 VP.	1

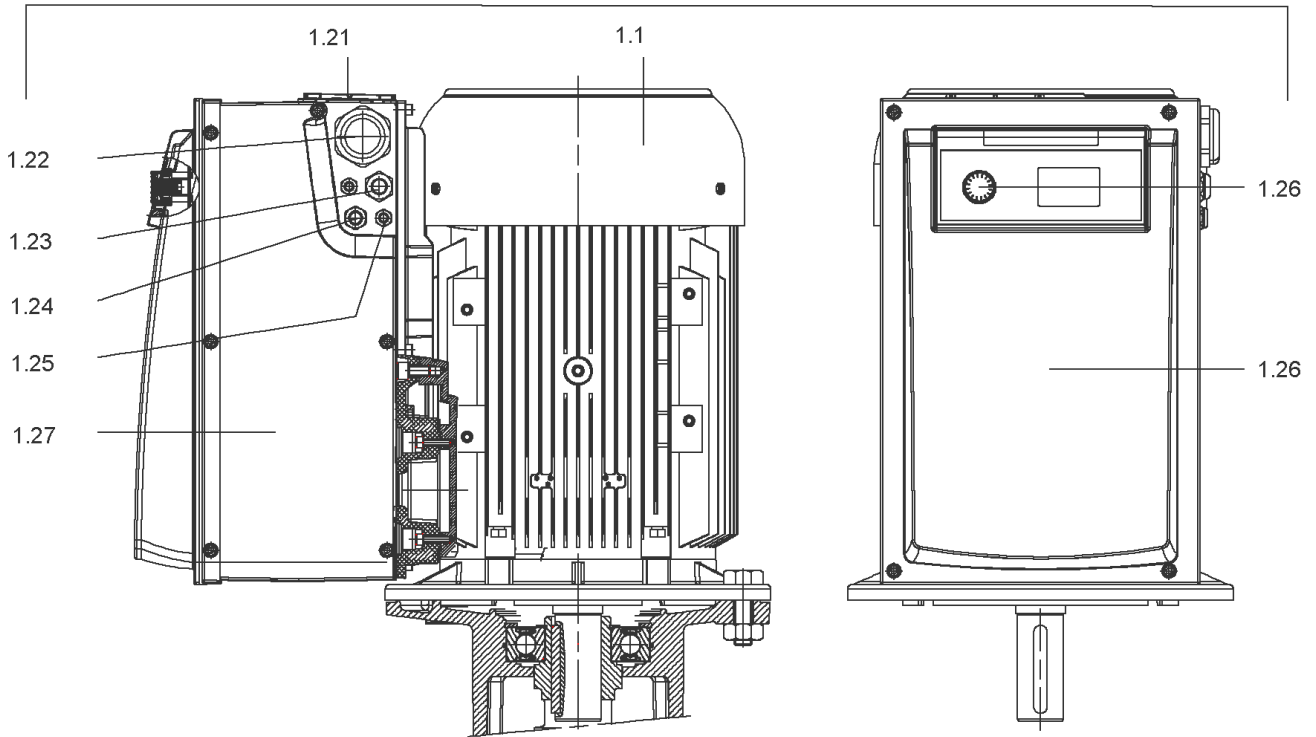
1



DRIVE HELIX VE1609-IE2-ARC KIT

Item	Article no.	Description	Quantity
1.1		M11-2T638P55V1-160F300-N42-IE2	1
		SPARE PARTS MOTOR:ON REQUEST	1
1.21	2132102	FAN SMALL TL6/7 FF KIT	1
1.25	2132097	CABLE CONNECTION M12 TL6/7 FF VP.	1
1.24	2132098	CABLE CONNECTION M16 TL6/7 FF VP.	1
1.23	2132099	CABLE CONNECTION M20 TL6/7 FF VP.	1
1.22	2132100	CABLE CONNECTION SMALL M40 TL6/7 FF VP.	1
1.27	2132104	COVER SIDE TL6/7 FF CPL.VP.	1
1.26	2132452	MODULE COVER/BUTTON TL6/7 FF VP.	1

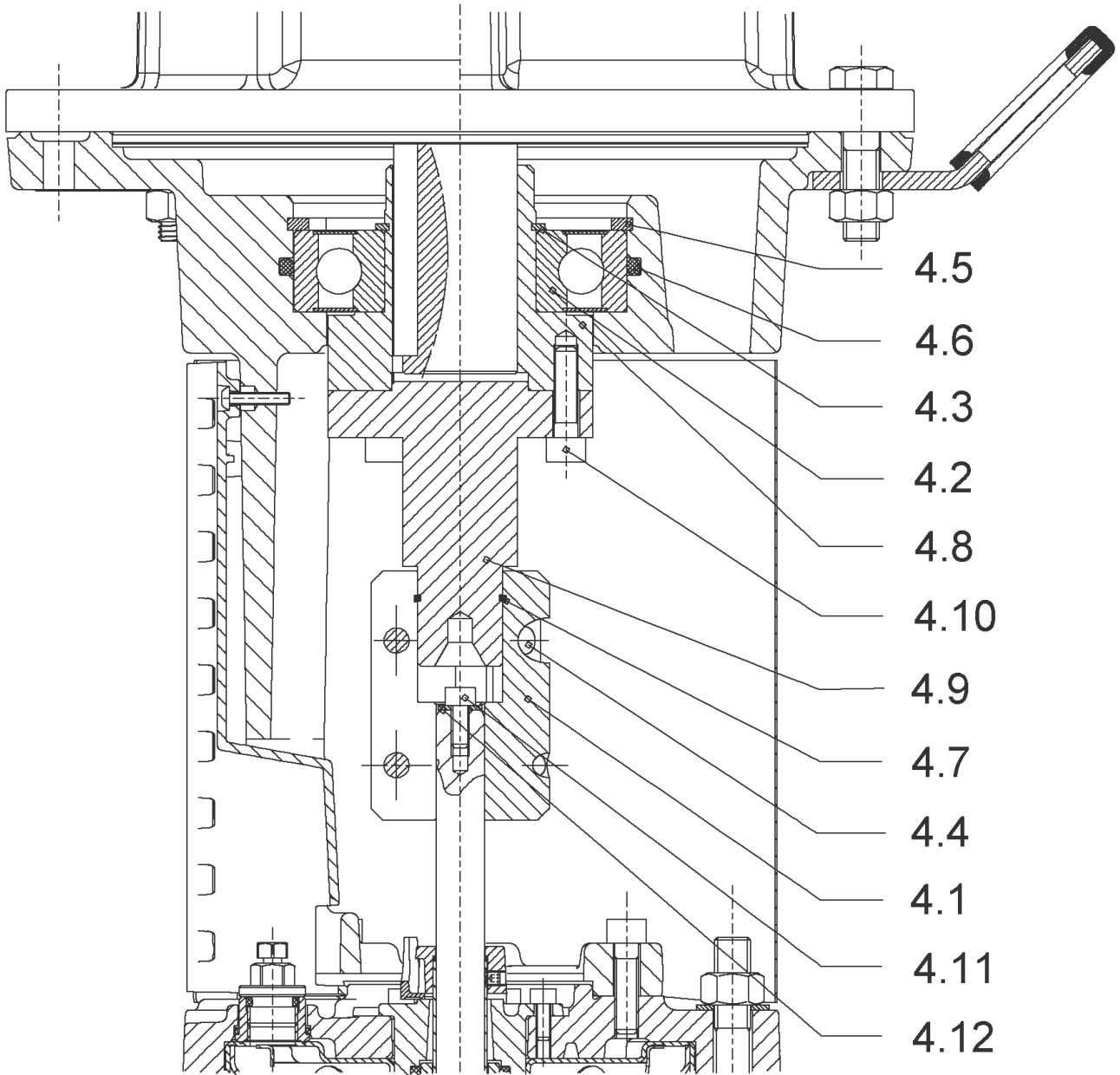
1



DRIVE HELIX VE1609-IE4-WEG KIT (4218535)

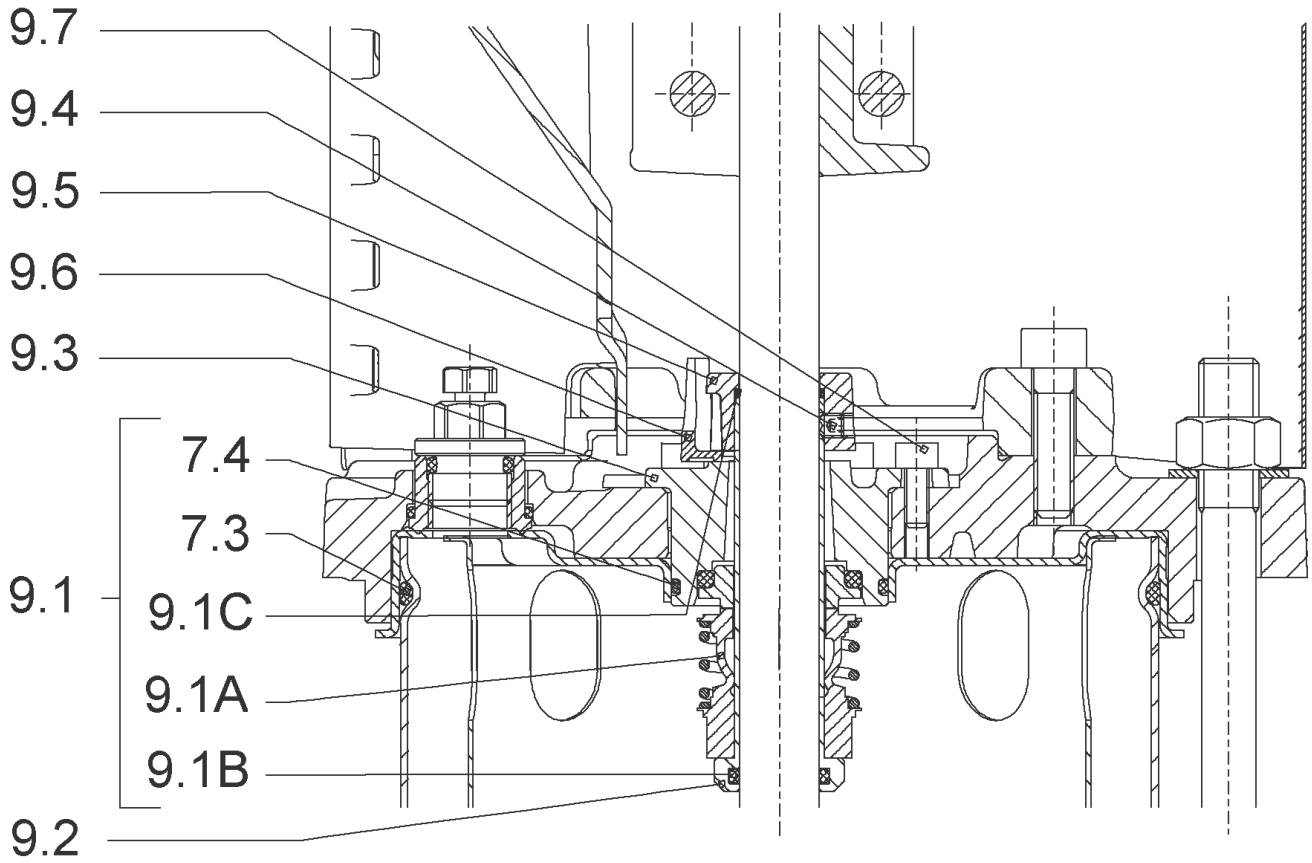
Item	Article no.	Description	Quantity
1.1		M11-2T638P55V1-160F30-N42-ADAPT-IE4-WEG	1
		SPARE PARTS MOTOR:ON REQUEST	1
1.21	2132102	FAN SMALL TL6/7 FF KIT	1
1.25	2132097	CABLE CONNECTION M12 TL6/7 FF VP.	1
1.24	2132098	CABLE CONNECTION M16 TL6/7 FF VP.	1
1.23	2132099	CABLE CONNECTION M20 TL6/7 FF VP.	1
1.22	2132100	CABLE CONNECTION SMALL M40 TL6/7 FF VP.	1
1.27	2132104	COVER SIDE TL6/7 FF CPL.VP.	1
1.26	2132452	MODULE COVER/BUTTON TL6/7 FF VP.	1

COUPLING D.16XD.38 FF300 HELIX KIT (4159712)



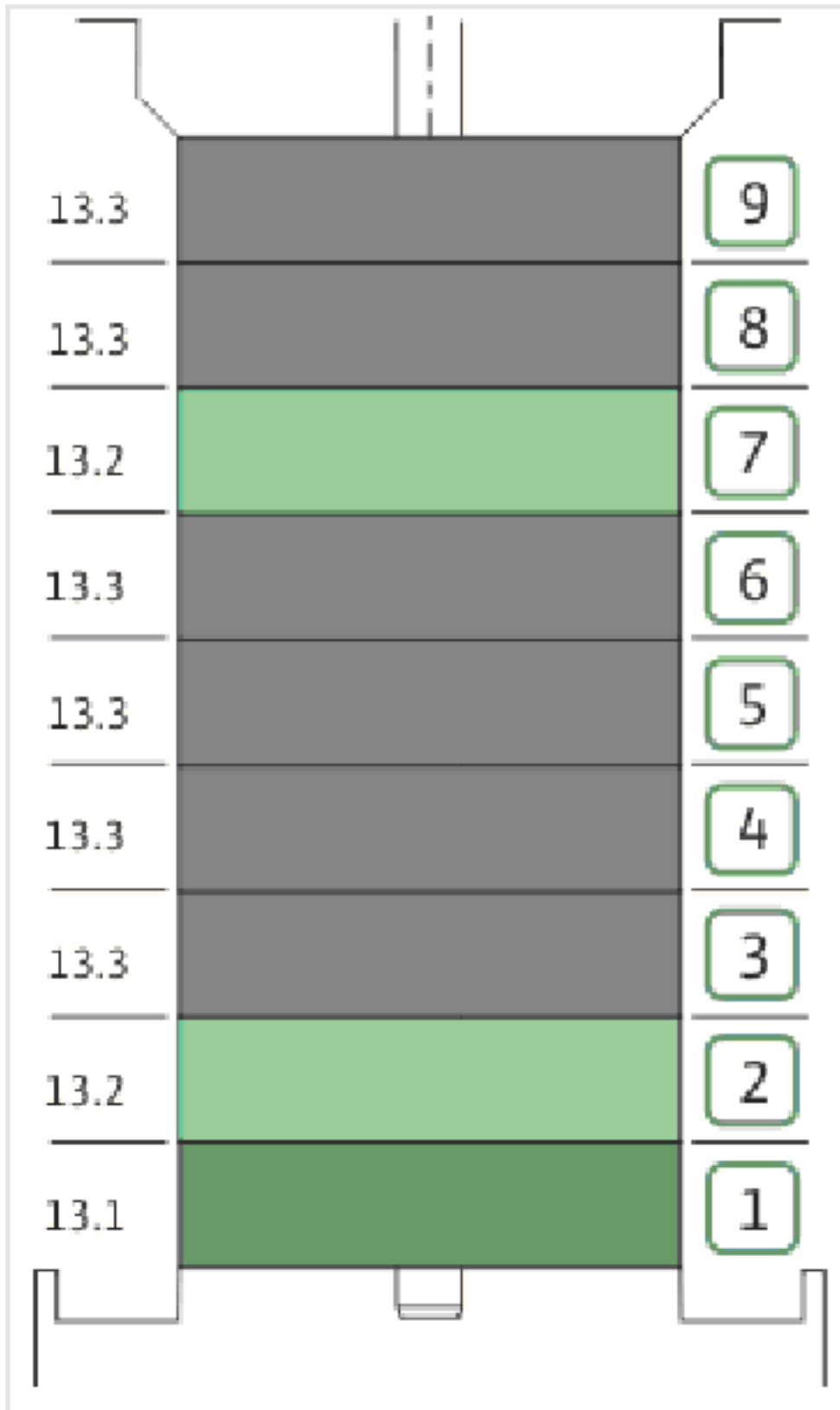
COUPLING D.16XD.38 FF300 HELIX KIT (4159712)

Item	Article no.	Description	Quantity
4.1	2130990	COUPLING 2 PARTS D.16XD.38XL.115 VP.	1
4.2	2123699	BALL BEARING 6312/2Z-C4 (HT) VP.	1
4.3	63428	CIRCLIP-FOR-SHAFT-D60x2	1
4.4	2130991	SCREW M12X30 ISO4762 8.8 ZN(4 PIECES)	1
4.5	4032277	CIRCLIP-HOLE-130x4	1
4.6	4006725	O-RING ID.132,94x3,53 NBR70SR	1
4.7	2130992	RETAINING RING D.35xD.2,5 DIN7993 VP.	1
4.8	2130993	HUB D.42xD.60 JL250 VP.	1
4.9	2130994	SPACER D.38XD.55 VP.	1
4.10	4094462	SCREWS M10 (4 PIECES)	1
4.11	4102901	SCREW CHC-M6X14-8.8-ISO4762-GEOMET500A	1
4.12	2130995	SERRATED LOCK WASHER D.6,2XD.14,5X28 VP.	1



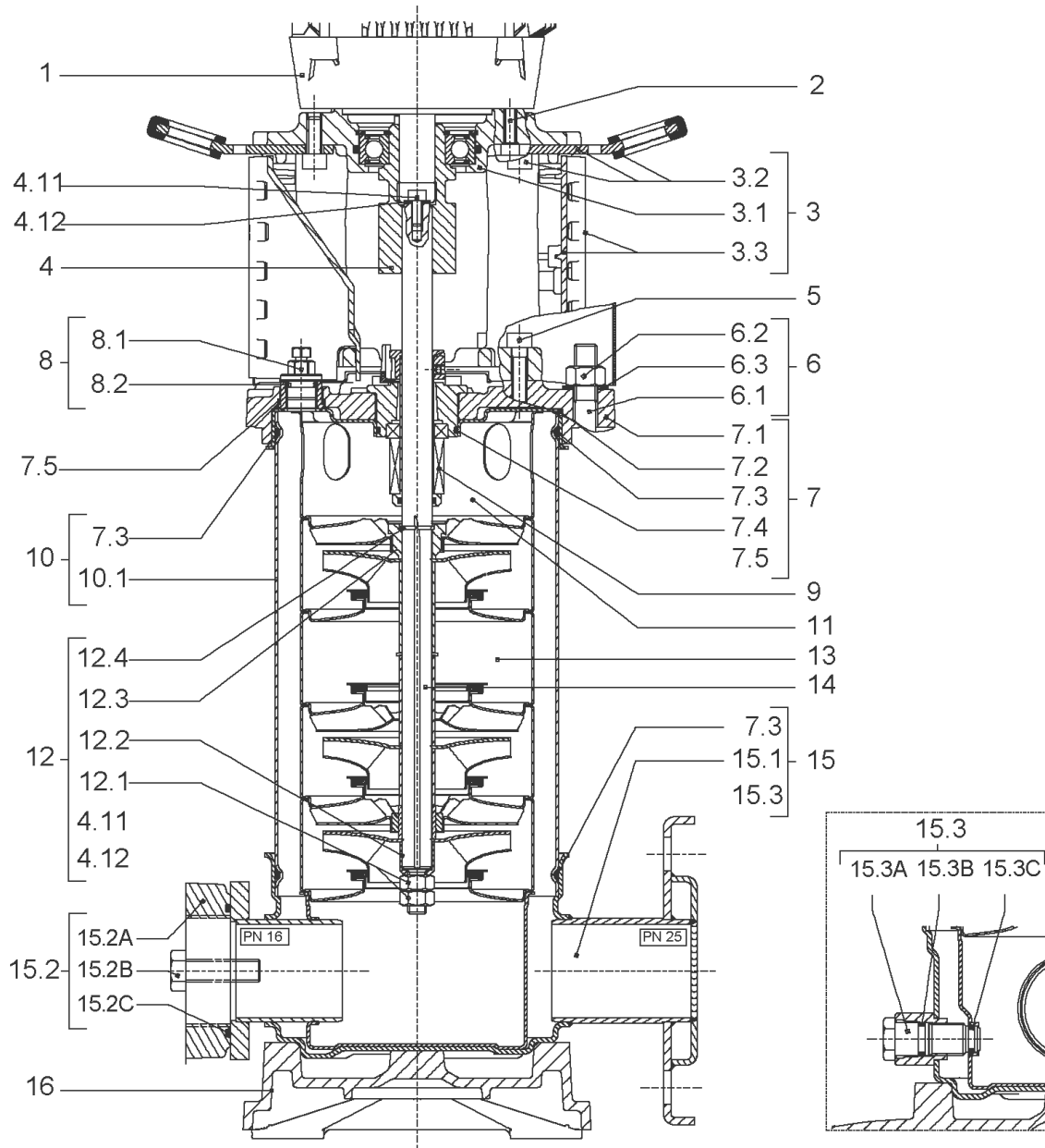
CARTRIDGE HELIX6-10-16 F/E KIT (4159698)

Item	Article no.	Description	Quantity
9.1	4159699	SEAL-KIT-HELIX6-10-16 F/E	1
7.3	4176513	> O-RING FOR PUMP JACKET VP.	1
7.4	2127603	> O-RING ID.37,6x2,4 EPDM VP.	1
9.1A	4176521	> MECH.SEAL HELIX2-4-6-10-16 F/E VP.	1
9.1B	2130967	> O-RING D.16X2,5 EPDM VP.	1
9.1C	4176519	> O-RING Ø16xØ1.25 VP.	1
9.2	2130961	SHAFT SLEEVE D.18/16X72,2 1.4404 VP.	1
9.3	2130962	RING HOLDER D.18 G606/G6 1.4301 VP.	1
9.4	4176520	SCREW CH M5x5 A4-70 (3PIECES)	1
9.5	2130963	DRIVE RING D.29/18x12,4 MACH.VP.	1
9.6	2130964	TOOL M.S.CART.HELIX VP.	1
9.7	2130965	SCREW CHC M5X12 ISO4762 A2.70(4 PIECES)	1



HYDRAULIC HELIX V 1609 1.4307

Item	Article no.	Description	Quantity
13.1	4159720	STAGE HELIX 16 1.4301 KIT	1
		> MACH.STG-CASING-WOGV-WNR-M+16-304	1
		> IMPELLER-M+16-304	1
13.2	4159714	STAGE BEARING HELIX 16 1.4301 KIT	1
		> MACH.BEARING-STG-CASING-WNR-M+16-304	1
		> IMPELLER-M+16-304	1
		> SLEEVE-SPACER-Ø19,35x30,665-304	1
		> SHAFT-SLEEVE-D16xD20x18-CW	1
13.3	4159715	INTERMEDIATE STAGE HELIX 16 1.4301 KIT	1
		> CORPS-ETG-STD-ACR-AJR-USIN.M+16-304	1
		> IMPELLER-M+16-304	1
		> SPACER Ø16X19.4-L48.6-304	1



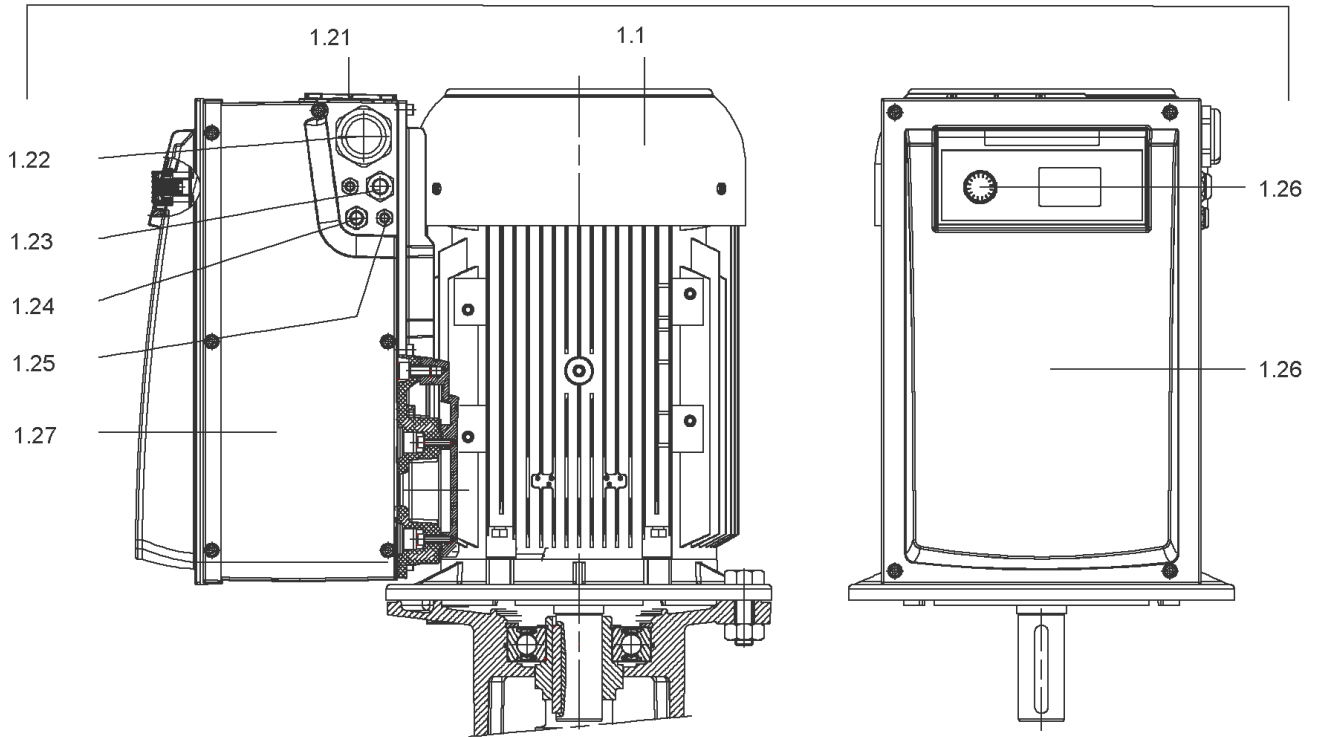
HELIX VE1609-1/25/E/K (4141468)

Item	Article no.	Description	Quantity
1		DRIVE HELIX VE1609-IE2-ARC KIT	1
Note: no longer available/nicht mehr lieferbar/n'est plus disponible			
2	4179586	SCREW M16X60 (4 PIECES)	1
3	4159694	LANTERN FF300 HELIX KIT	1
4	4159712	COUPLING D.16XD.38 FF300 HELIX KIT	1
5	4159707	SCREW M8X30 (4 PIECES)	1
6	4177842	STUD BOLT M12X638KIT	1
6.1		> TIE BOLT M12-638x18x30-1.4057	1
6.2	2094647	> NUT M12 M12 ISO4032 VP.	1
6.3	2123557	> WASHER CS-12.4-24-1.6-NFE25 (4 PIECES)	1
7	4159685	END SHIELD HELIX EPDM KIT	1
7.1		> END SHIELD M+6" GJL250 MACHINING+CATA	1
7.2	2127607	> STATIONARY RING HOLDER 6" HELIX 1.4301 V	1
7.3	4176513	> O-RING FOR PUMP JACKET VP.	1
7.4	2127603	> O-RING ID.37,6x2,4 EPDM VP.	1
7.5	2127602	> O-RING ID.21,35x2 EPDM VP.	1
8	4159686	FILING/PURGING PLUG HELIX EPDM KIT	1
9	4159698	CARTRIDGE HELIX6-10-16 F/E KIT	1
10	4177843	HOUSING PIPES D.152X510 1.4307 KIT	1
7.3	4176513	> O-RING FOR PUMP JACKET VP.	1
10.1		> HOUSING-PIPE Ø152-M+1012/1609-304	1
11	2127588	CENTERING STAGE-RETURN HELIX16 1.4301 VP	1
12	4159688	SHAFT EQUIPMENT HELIX V16 BI BLOC KIT	1
4.11	4102901	> SCREW CHC-M6X14-8.8-ISO4762-GEOMET500A	1
4.12	2130995	> SERRATED LOCK WASHER D.6,2XD.14,5X28 VP.	1
12.1		> NUT-H-M10-A4.70	1
12.2		> SERRATED LOCK WASHER M+16M3-316L	1
12.3		> STOP COLLAR OF IMPELLER L18,8-Ø16-316L	1
12.4		> STOP-RUSH-1/2-D16xd2-M+316	1
13		HYDRAULIC HELIX V 1609 1.4307	1
14	4177844	SHAFT D.16X630 1.4301 VP.	1
15	4159683	PUMP HOUSING HELIX DN50 PN25 1.4301 KIT	1
7.3	4176513	> O-RING FOR PUMP JACKET VP.	1
15.1		> BLASTING PPE HOUSING V-PN25-DN50-304	1

HELIX VE1609-1/25/E/K (4141468)

Item	Article no.	Description	Quantity
15.3	4171321	> PRIMING/DRAIN PLUG EPDM HELIX KIT	1
16	2127601	BASEPLATE HELIX V16 VP.	1

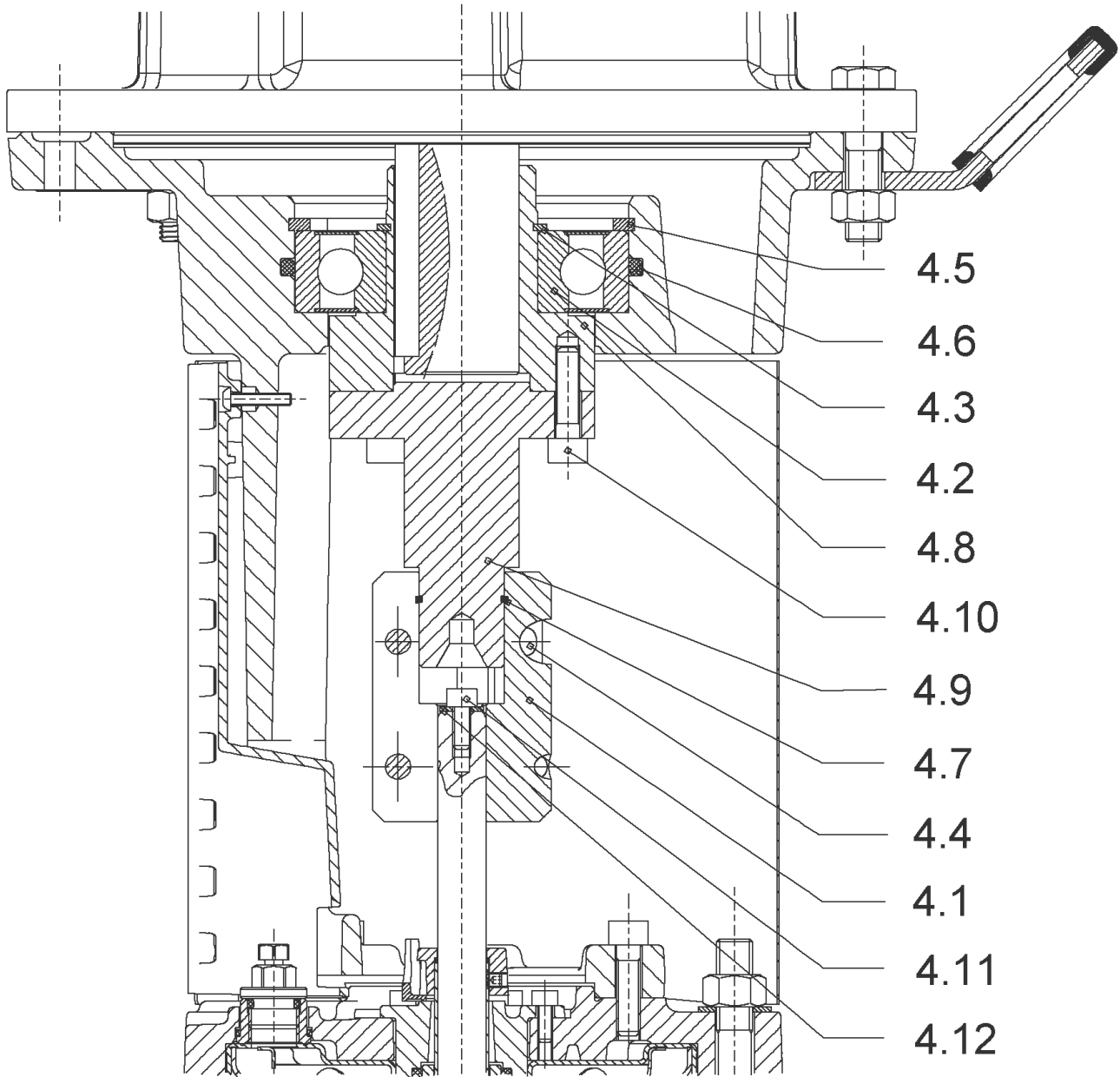
1



DRIVE HELIX VE1609-IE2-ARC KIT

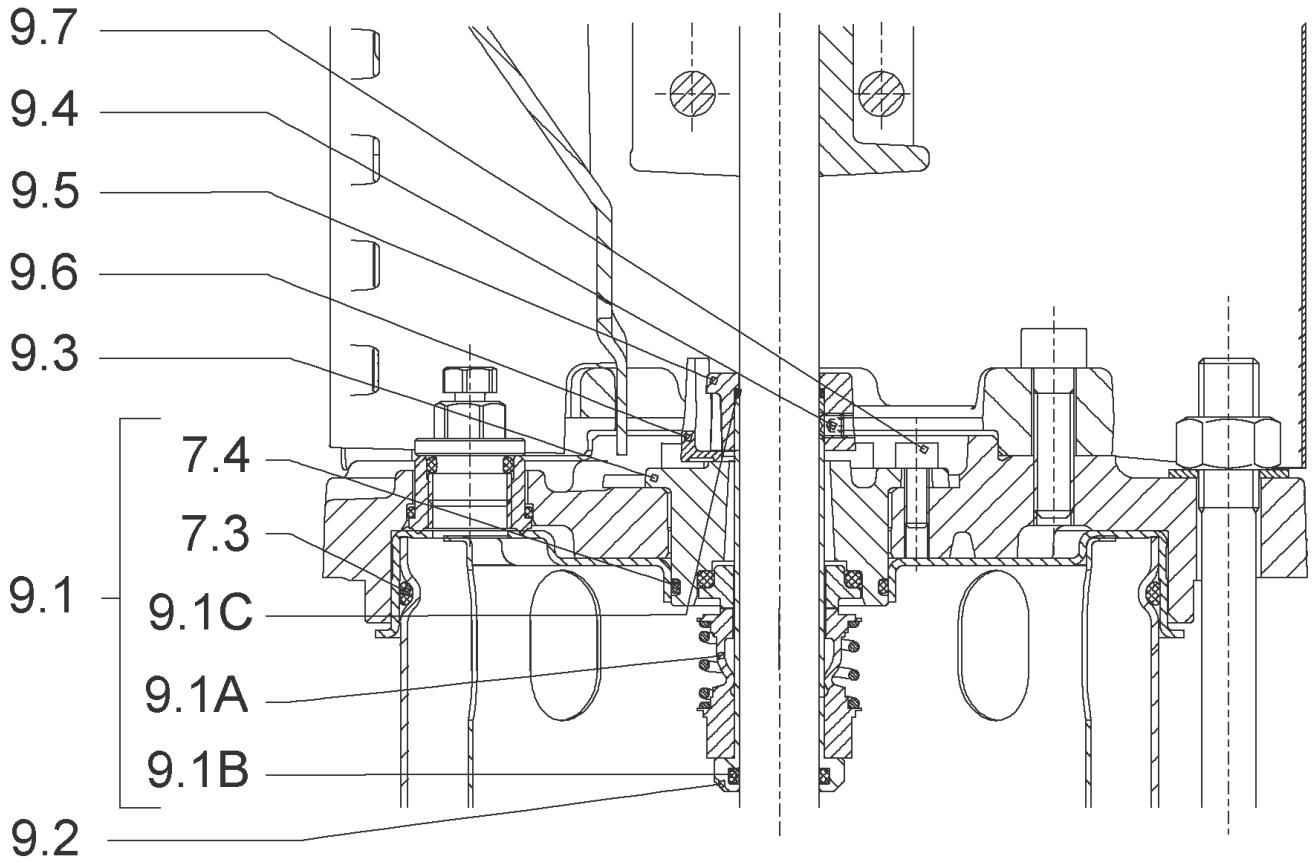
Item	Article no.	Description	Quantity
1.1		M11-2T638P55V1-160F300-N42-IE2	1
		SPARE PARTS MOTOR:ON REQUEST	1
1.21	2132102	FAN SMALL TL6/7 FF KIT	1
1.25	2132097	CABLE CONNECTION M12 TL6/7 FF VP.	1
1.24	2132098	CABLE CONNECTION M16 TL6/7 FF VP.	1
1.23	2132099	CABLE CONNECTION M20 TL6/7 FF VP.	1
1.22	2132100	CABLE CONNECTION SMALL M40 TL6/7 FF VP.	1
1.27	2132104	COVER SIDE TL6/7 FF CPL.VP.	1
1.26	2132452	MODULE COVER/BUTTON TL6/7 FF VP.	1

COUPLING D.16XD.38 FF300 HELIX KIT (4159712)



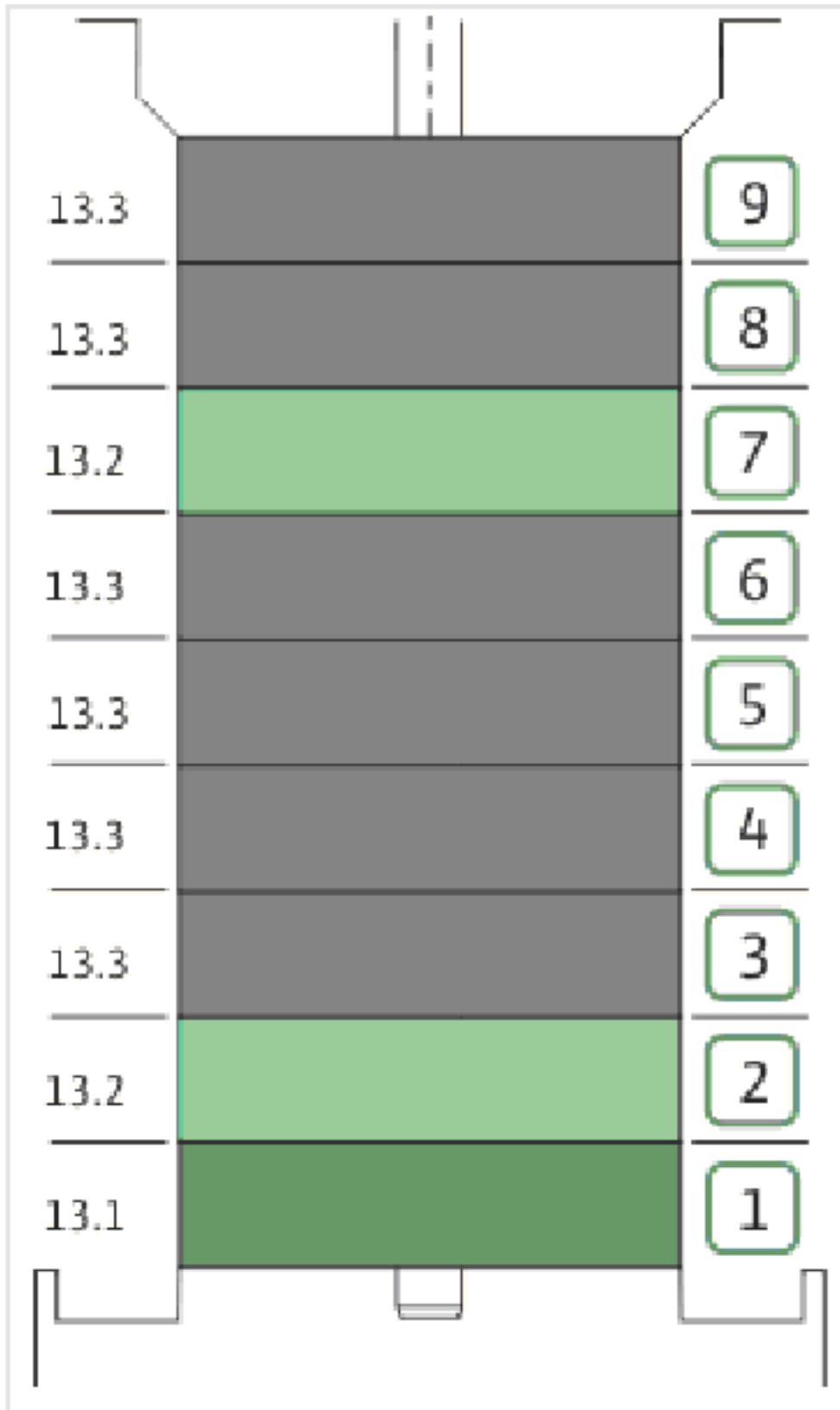
COUPLING D.16XD.38 FF300 HELIX KIT (4159712)

Item	Article no.	Description	Quantity
4.1	2130990	COUPLING 2 PARTS D.16XD.38XL.115 VP.	1
4.2	2123699	BALL BEARING 6312/2Z-C4 (HT) VP.	1
4.3	63428	CIRCLIP-FOR-SHAFT-D60x2	1
4.4	2130991	SCREW M12X30 ISO4762 8.8 ZN(4 PIECES)	1
4.5	4032277	CIRCLIP-HOLE-130x4	1
4.6	4006725	O-RING ID.132,94x3,53 NBR70SR	1
4.7	2130992	RETAINING RING D.35xD.2,5 DIN7993 VP.	1
4.8	2130993	HUB D.42xD.60 JL250 VP.	1
4.9	2130994	SPACER D.38XD.55 VP.	1
4.10	4094462	SCREWS M10 (4 PIECES)	1
4.11	4102901	SCREW CHC-M6X14-8.8-ISO4762-GEOMET500A	1
4.12	2130995	SERRATED LOCK WASHER D.6,2XD.14,5X28 VP.	1



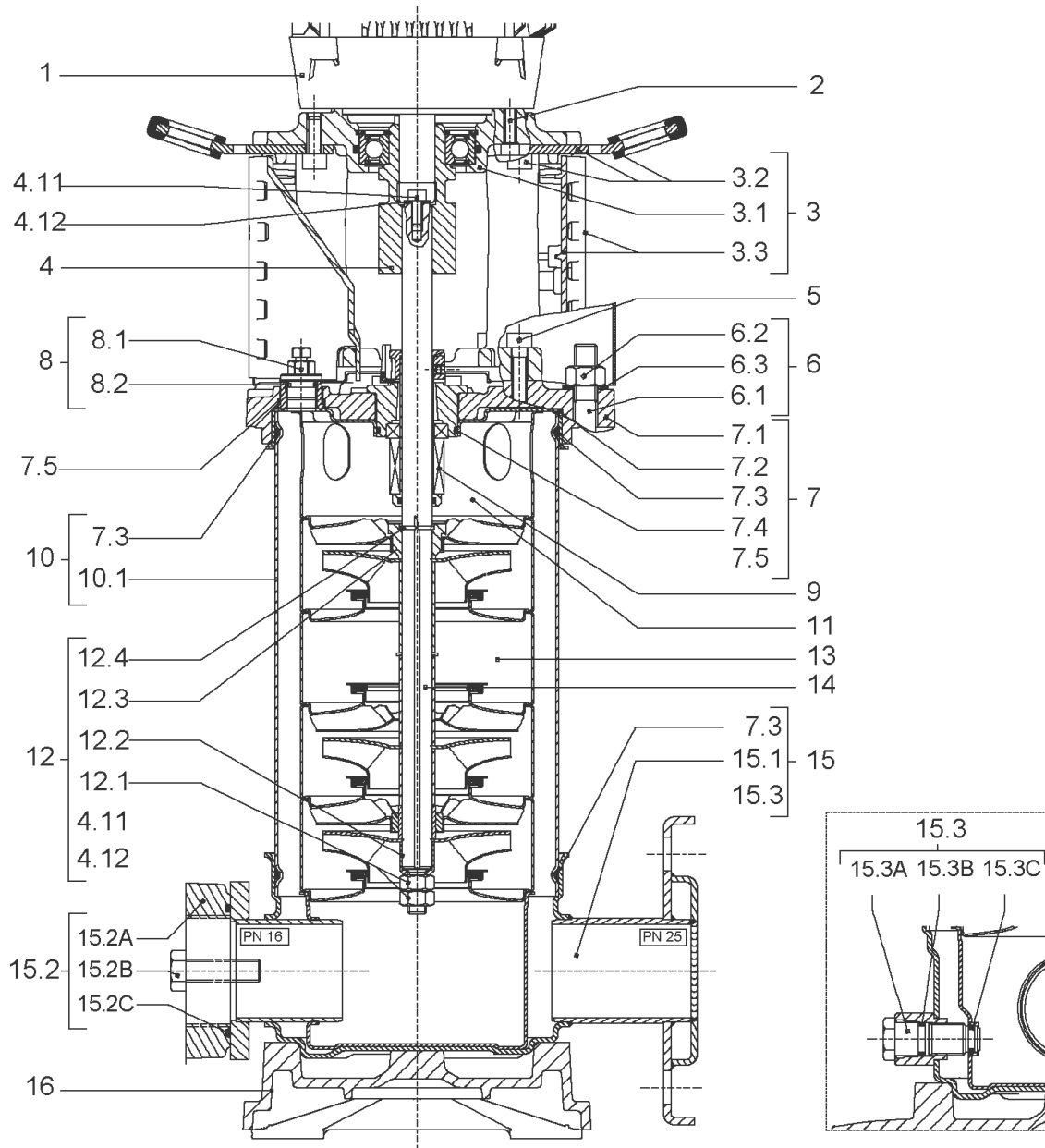
CARTRIDGE HELIX6-10-16 F/E KIT (4159698)

Item	Article no.	Description	Quantity
9.1	4159699	SEAL-KIT-HELIX6-10-16 F/E	1
7.3	4176513	> O-RING FOR PUMP JACKET VP.	1
7.4	2127603	> O-RING ID.37,6x2,4 EPDM VP.	1
9.1A	4176521	> MECH.SEAL HELIX2-4-6-10-16 F/E VP.	1
9.1B	2130967	> O-RING D.16X2,5 EPDM VP.	1
9.1C	4176519	> O-RING Ø16xØ1.25 VP.	1
9.2	2130961	SHAFT SLEEVE D.18/16X72,2 1.4404 VP.	1
9.3	2130962	RING HOLDER D.18 G606/G6 1.4301 VP.	1
9.4	4176520	SCREW CH M5x5 A4-70 (3PIECES)	1
9.5	2130963	DRIVE RING D.29/18x12,4 MACH.VP.	1
9.6	2130964	TOOL M.S.CART.HELIX VP.	1
9.7	2130965	SCREW CHC M5X12 ISO4762 A2.70(4 PIECES)	1



HYDRAULIC HELIX V 1609 1.4307

Item	Article no.	Description	Quantity
13.1	4159720	STAGE HELIX 16 1.4301 KIT	1
		> MACH.STG-CASING-WOGV-WNR-M+16-304	1
		> IMPELLER-M+16-304	1
13.2	4159714	STAGE BEARING HELIX 16 1.4301 KIT	1
		> MACH.BEARING-STG-CASING-WNR-M+16-304	1
		> IMPELLER-M+16-304	1
		> SLEEVE-SPACER-Ø19,35x30,665-304	1
		> SHAFT-SLEEVE-D16xD20x18-CW	1
13.3	4159715	INTERMEDIATE STAGE HELIX 16 1.4301 KIT	1
		> CORPS-ETG-STD-ACR-AJR-USIN.M+16-304	1
		> IMPELLER-M+16-304	1
		> SPACER Ø16X19.4-L48.6-304	1



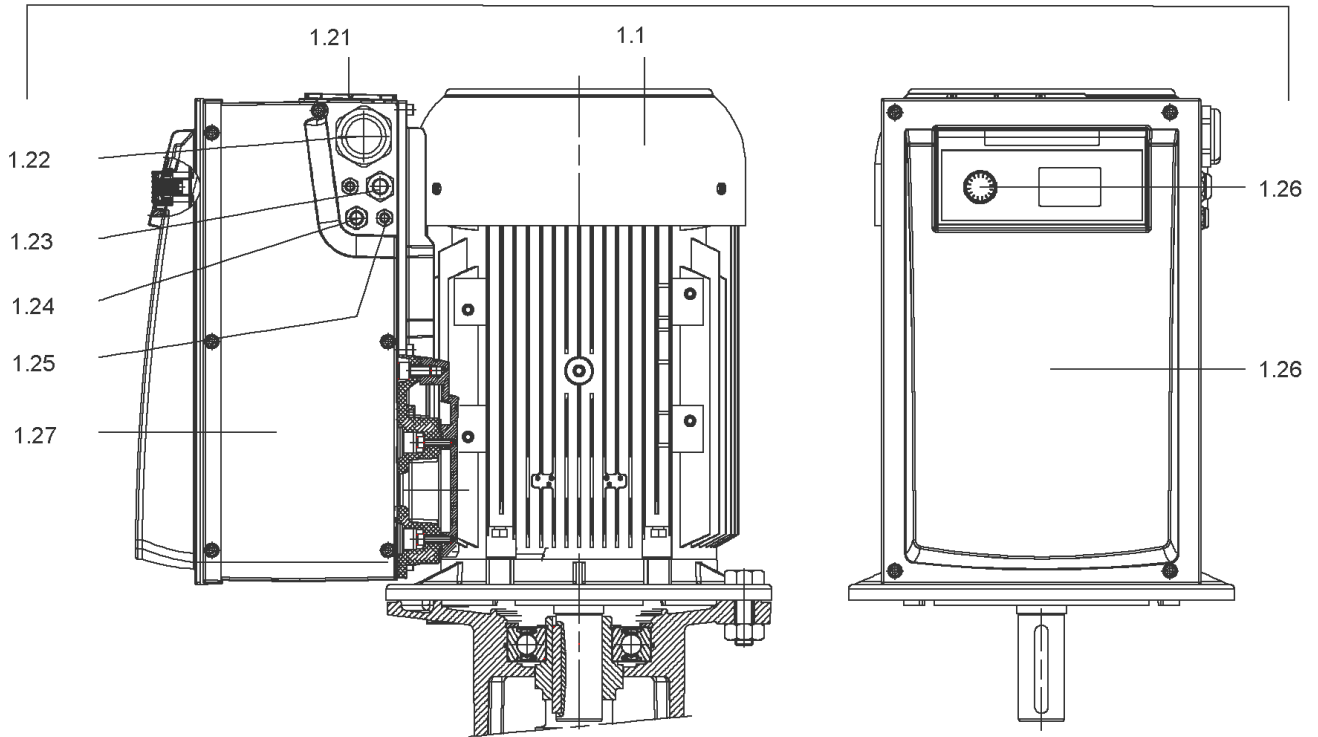
HELIX VE1612-1/25/E/K/2G (4166280)

Item	Article no.	Description	Quantity
1		DRIVE HELIX VE1612-IE2-ARC KIT	1
Note: no longer available/nicht mehr lieferbar/n'est plus disponible			
1	4220065	DRIVE HELIX VE1612-IE4-WEG KIT	1
Note: MOTOR BRAND WEG			
2	4179586	SCREW M16X60 (4 PIECES)	1
3	4186390	LANTERN FF300 HELIX KIT	1
3.1		> LANTERN FF300 M+6" JL MACH.+CATA	1
3.2	4179589	> EYELET CPL.FF300 HELIX(4 PIECES)	1
3.3	4159695	> COUPLING PROTECTOR FF HELIX KIT	1
4	4159712	COUPLING D.16XD.38 FF300 HELIX KIT	1
5	4159707	SCREW M8X30 (4 PIECES)	1
6	4186391	STUD BOLT M12X810 HELIX V10 KIT	1
6.1		> TIE BOLT M12-810x18x30-1.4057	1
6.2	2094647	> NUT M12 M12 ISO4032 VP.	1
6.3	2123557	> WASHER CS-12.4-24-1.6-NFE25 (4 PIECES)	1
7	4186392	END SHIELD HELIX EV10 EPDM KIT	1
7.1		> END SHIELD M+6" GJL250 FF300 REINFORCED	1
7.2	2127607	> STATIONARY RING HOLDER 6" HELIX 1.4301 V	1
7.3	4176513	> O-RING FOR PUMP JACKET VP.	1
7.4	2127603	> O-RING ID.37,6x2,4 EPDM VP.	1
7.5	2127602	> O-RING ID.21,35x2 EPDM VP.	1
8	4159686	FILING/PURGING PLUG HELIX EPDM KIT	1
9	4159698	CARTRIDGE HELIX6-10-16 F/E KIT	1
10	4177853	HOUSING PIPES D.152X660 1.4307 KIT	1
7.3	4176513	> O-RING FOR PUMP JACKET VP.	1
10.1		> HOUSING-PIPE Ø152-M+1016/1610-304	1
11	2127588	CENTERING STAGE-RETURN HELIX16 1.4301 VP	1
12	4159688	SHAFT EQUIPMENT HELIX V16 BI BLOC KIT	1
4.11	4102901	> SCREW CHC-M6X14-8.8-ISO4762-GEOMET500A	1
4.12	2130995	> SERRATED LOCK WASHER D.6,2XD.14,5X28 VP.	1
12.1		> NUT-H-M10-A4.70	1
12.2		> SERRATED LOCK WASHER M+16M3-316L	1
12.3		> STOP COLLAR OF IMPELLER L18,8-Ø16-316L	1
12.4		> STOP-RUSH-1/2-D16xd2-M+316	1

HELIX VE1612-1/25/E/K/2G (4166280)

Item	Article no.	Description	Quantity
13		HYDRAULIC HELIX V 1612 1.4307	1
14	4177854	SHAFT D.16 X780 1.4301 VP.	1
15	4159683	PUMP HOUSING HELIX DN50 PN25 1.4301 KIT	1
7.3	4176513	> O-RING FOR PUMP JACKET VP.	1
15.1		> BLASTING PPE HOUSING V-PN25-DN50-304	1
15.3	4171321	> PRIMING/DRAIN PLUG EPDM HELIX KIT	1
16	2127601	BASEPLATE HELIX V16 VP.	1

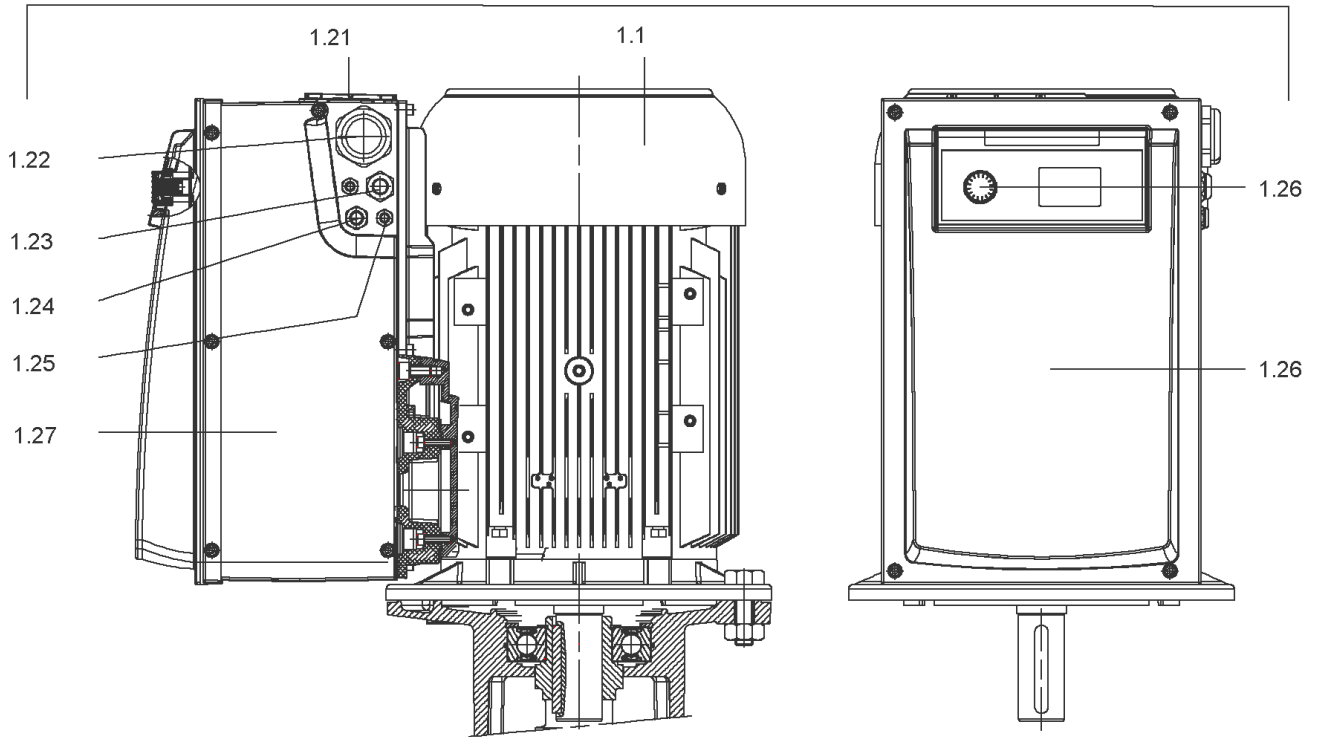
1



DRIVE HELIX VE1612-IE2-ARC KIT

Item	Article no.	Description	Quantity
1.1		M15-2T638P55V1-160F300-N42-IE2	1
		SPARE PARTS MOTOR:ON REQUEST	1
1.21	2132102	FAN SMALL TL6/7 FF KIT	1
1.25	2132097	CABLE CONNECTION M12 TL6/7 FF VP.	1
1.24	2132098	CABLE CONNECTION M16 TL6/7 FF VP.	1
1.23	2132099	CABLE CONNECTION M20 TL6/7 FF VP.	1
1.22	2132100	CABLE CONNECTION SMALL M40 TL6/7 FF VP.	1
1.27	2132104	COVER SIDE TL6/7 FF CPL.VP.	1
1.26	2132452	MODULE COVER/BUTTON TL6/7 FF VP.	1

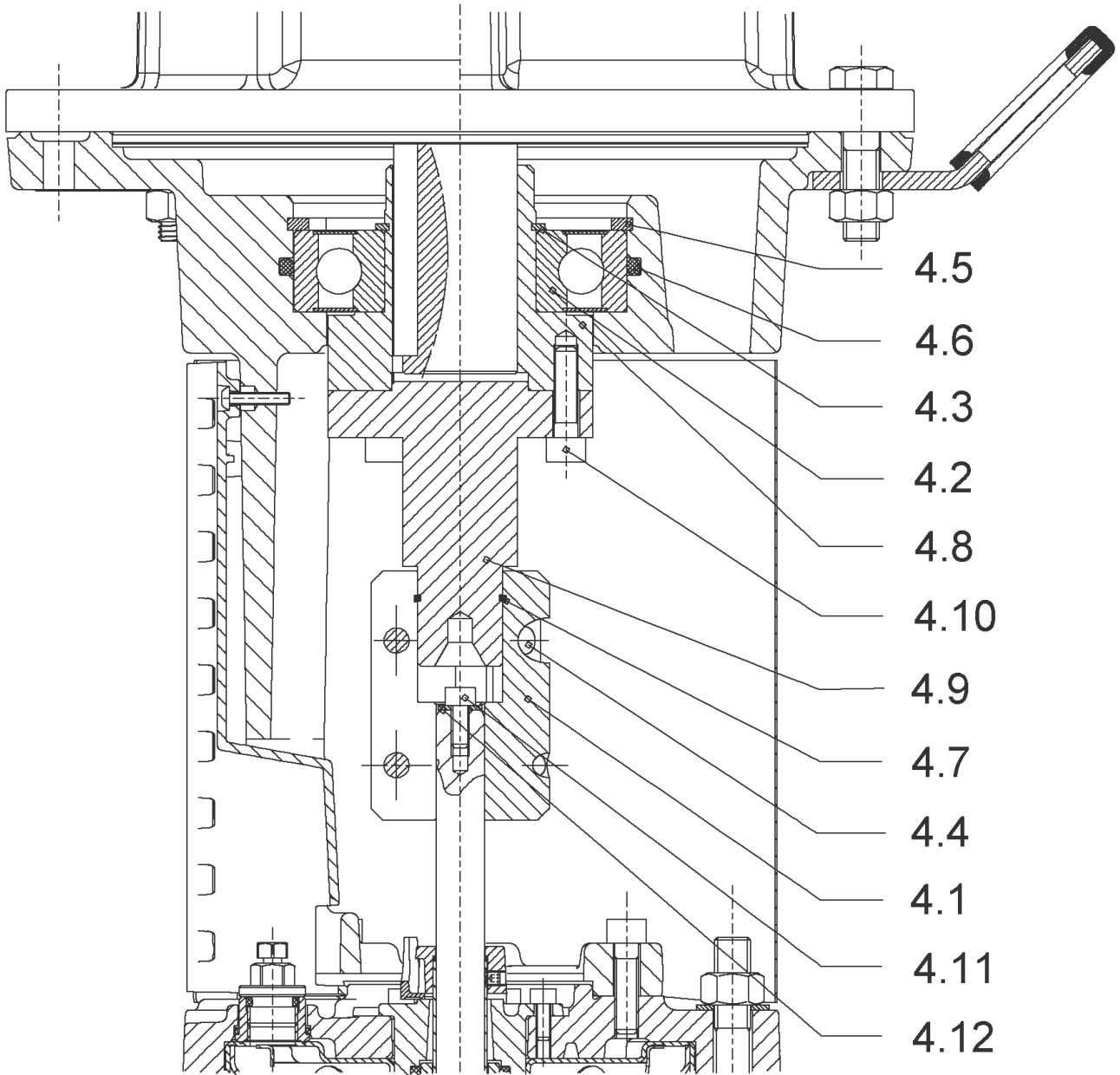
1



DRIVE HELIX VE1612-IE4-WEG KIT (4220065)

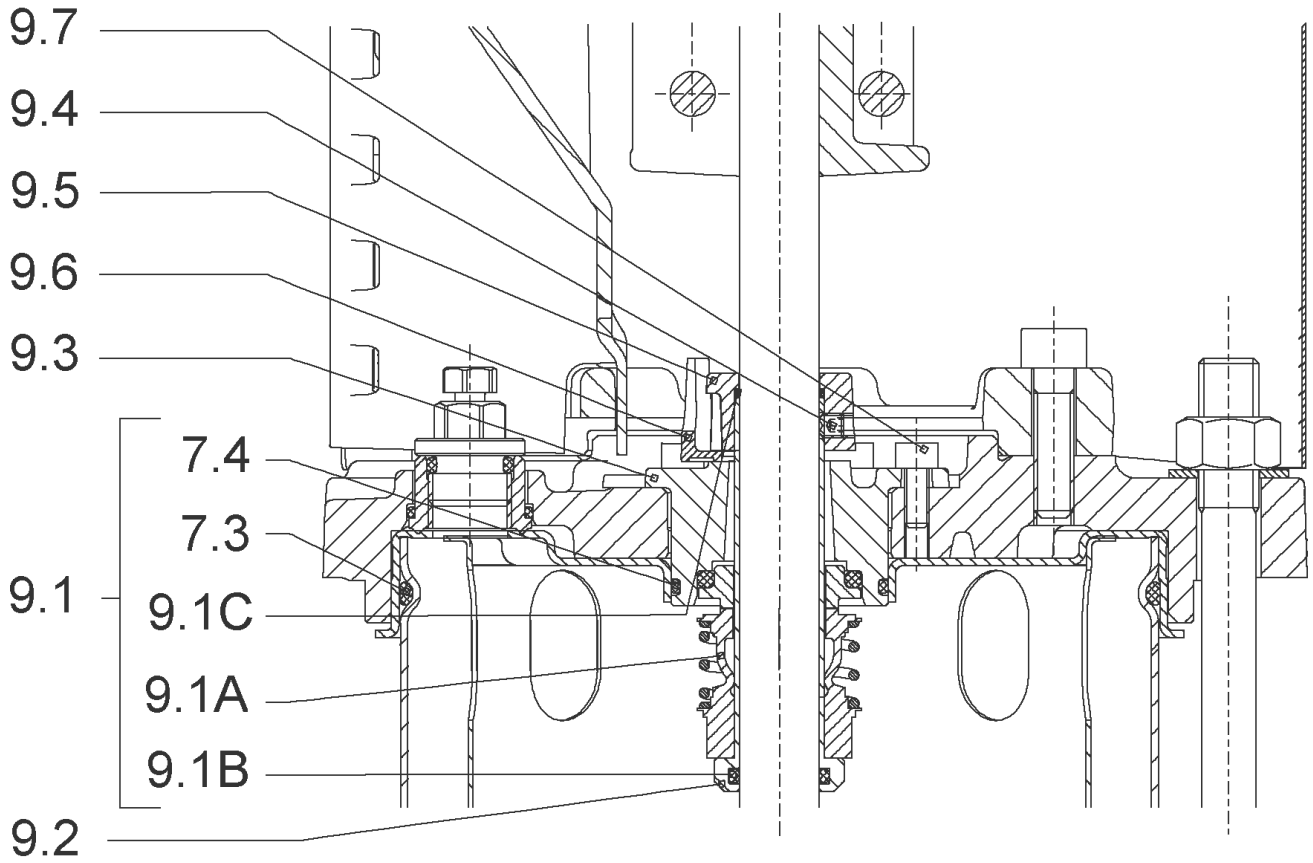
Item	Article no.	Description	Quantity
1.1		M15-2T638P55V1-160F30-N42-ADAPT-IE4-WEG	1
		SPARE PARTS MOTOR:ON REQUEST	1
1.21	2132102	FAN SMALL TL6/7 FF KIT	1
1.25	2132097	CABLE CONNECTION M12 TL6/7 FF VP.	1
1.24	2132098	CABLE CONNECTION M16 TL6/7 FF VP.	1
1.23	2132099	CABLE CONNECTION M20 TL6/7 FF VP.	1
1.22	2132100	CABLE CONNECTION SMALL M40 TL6/7 FF VP.	1
1.27	2132104	COVER SIDE TL6/7 FF CPL.VP.	1
1.26	2132452	MODULE COVER/BUTTON TL6/7 FF VP.	1

COUPLING D.16XD.38 FF300 HELIX KIT (4159712)



COUPLING D.16XD.38 FF300 HELIX KIT (4159712)

Item	Article no.	Description	Quantity
4.1	2130990	COUPLING 2 PARTS D.16XD.38XL.115 VP.	1
4.2	2123699	BALL BEARING 6312/2Z-C4 (HT) VP.	1
4.3	63428	CIRCLIP-FOR-SHAFT-D60x2	1
4.4	2130991	SCREW M12X30 ISO4762 8.8 ZN(4 PIECES)	1
4.5	4032277	CIRCLIP-HOLE-130x4	1
4.6	4006725	O-RING ID.132,94x3,53 NBR70SR	1
4.7	2130992	RETAINING RING D.35xD.2,5 DIN7993 VP.	1
4.8	2130993	HUB D.42xD.60 JL250 VP.	1
4.9	2130994	SPACER D.38XD.55 VP.	1
4.10	4094462	SCREWS M10 (4 PIECES)	1
4.11	4102901	SCREW CHC-M6X14-8.8-ISO4762-GEOMET500A	1
4.12	2130995	SERRATED LOCK WASHER D.6,2XD.14,5X28 VP.	1



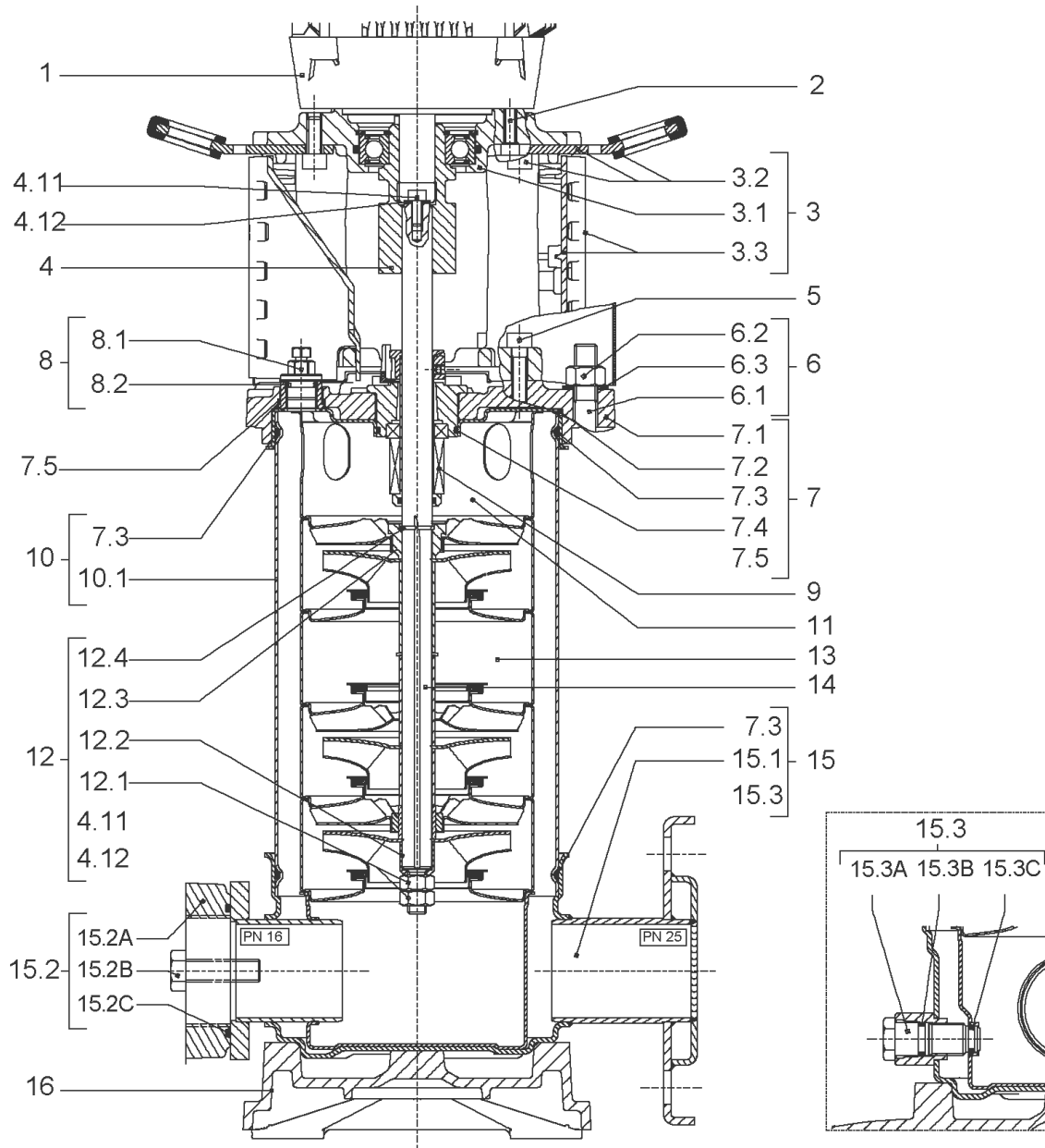
CARTRIDGE HELIX6-10-16 F/E KIT (4159698)

Item	Article no.	Description	Quantity
9.1	4159699	SEAL-KIT-HELIX6-10-16 F/E	1
7.3	4176513	> O-RING FOR PUMP JACKET VP.	1
7.4	2127603	> O-RING ID.37,6x2,4 EPDM VP.	1
9.1A	4176521	> MECH.SEAL HELIX2-4-6-10-16 F/E VP.	1
9.1B	2130967	> O-RING D.16X2,5 EPDM VP.	1
9.1C	4176519	> O-RING Ø16xØ1.25 VP.	1
9.2	2130961	SHAFT SLEEVE D.18/16X72,2 1.4404 VP.	1
9.3	2130962	RING HOLDER D.18 G606/G6 1.4301 VP.	1
9.4	4176520	SCREW CH M5x5 A4-70 (3PIECES)	1
9.5	2130963	DRIVE RING D.29/18x12,4 MACH.VP.	1
9.6	2130964	TOOL M.S.CART.HELIX VP.	1
9.7	2130965	SCREW CHC M5X12 ISO4762 A2.70(4 PIECES)	1



HYDRAULIC HELIX V 1612 1.4307

Item	Article no.	Description	Quantity
13.1	4159720	STAGE HELIX 16 1.4301 KIT	1
		> MACH.STG-CASING-WOGV-WNR-M+16-304	1
		> IMPELLER-M+16-304	1
13.2	4159714	STAGE BEARING HELIX 16 1.4301 KIT	1
		> MACH.BEARING-STG-CASING-WNR-M+16-304	1
		> IMPELLER-M+16-304	1
		> SLEEVE-SPACER-Ø19,35x30,665-304	1
		> SHAFT-SLEEVE-D16xD20x18-CW	1
13.3	4159715	INTERMEDIATE STAGE HELIX 16 1.4301 KIT	1
		> CORPS-ETG-STD-ACR-AJR-USIN.M+16-304	1
		> IMPELLER-M+16-304	1
		> SPACER Ø16X19.4-L48.6-304	1



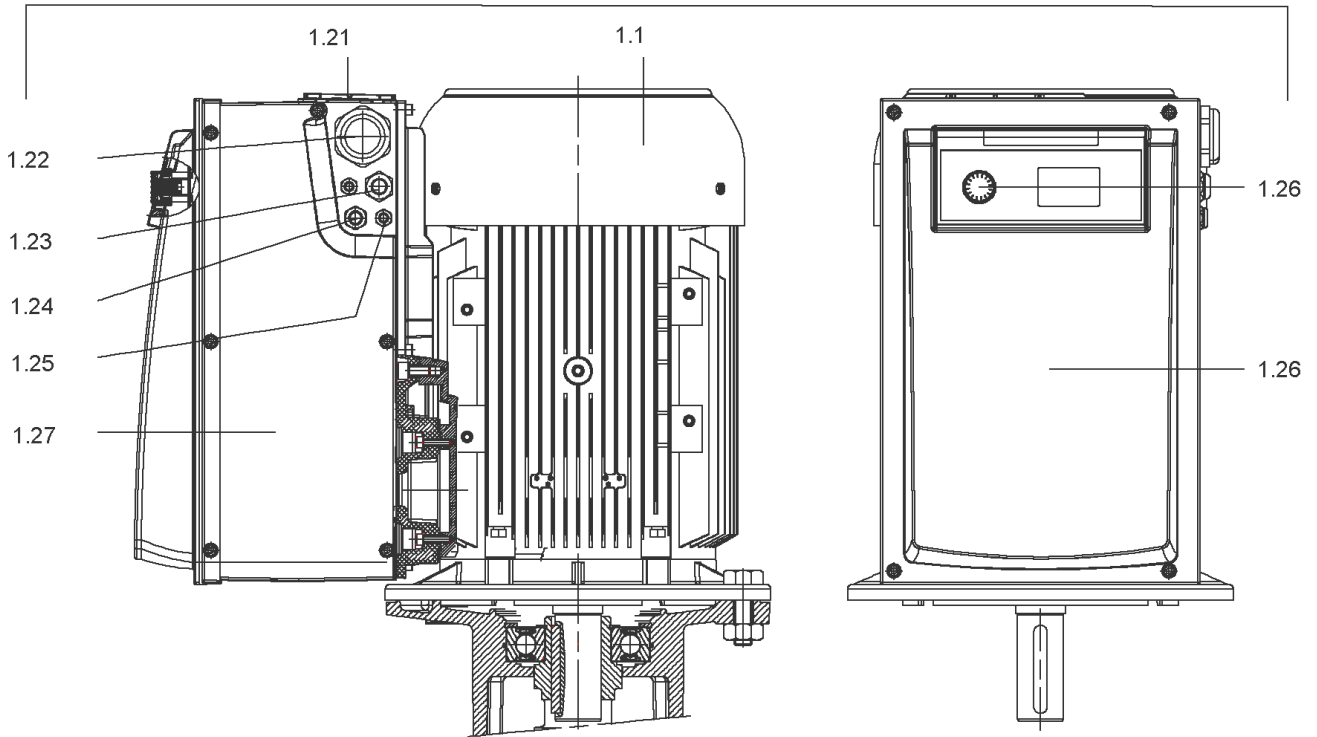
HELIX VE1612-1/25/E/KS/2G (4189718)

Item	Article no.	Description	Quantity
1		DRIVE HELIX VE1612-IE2-ARC KIT	1
Note: no longer available/nicht mehr lieferbar/n'est plus disponible			
1	4220065	DRIVE HELIX VE1612-IE4-WEG KIT	1
Note: MOTOR BRAND WEG			
2	4179586	SCREW M16X60 (4 PIECES)	1
3	4186390	LANTERN FF300 HELIX KIT	1
3.1		> LANTERN FF300 M+6" JL MACH.+CATA	1
3.2	4179589	> EYELET CPL.FF300 HELIX(4 PIECES)	1
3.3	4159695	> COUPLING PROTECTOR FF HELIX KIT	1
4	4159712	COUPLING D.16XD.38 FF300 HELIX KIT	1
5	4159707	SCREW M8X30 (4 PIECES)	1
6	4186391	STUD BOLT M12X810 HELIX V10 KIT	1
6.1		> TIE BOLT M12-810x18x30-1.4057	1
6.2	2094647	> NUT M12 M12 ISO4032 VP.	1
6.3	2123557	> WASHER CS-12.4-24-1.6-NFE25 (4 PIECES)	1
7	4186392	END SHIELD HELIX EV10 EPDM KIT	1
7.1		> END SHIELD M+6" GJL250 FF300 REINFORCED	1
7.2	2127607	> STATIONARY RING HOLDER 6" HELIX 1.4301 V	1
7.3	4176513	> O-RING FOR PUMP JACKET VP.	1
7.4	2127603	> O-RING ID.37,6x2,4 EPDM VP.	1
7.5	2127602	> O-RING ID.21,35x2 EPDM VP.	1
8	4159686	FILING/PURGING PLUG HELIX EPDM KIT	1
9	4159698	CARTRIDGE HELIX6-10-16 F/E KIT	1
10	4177853	HOUSING PIPES D.152X660 1.4307 KIT	1
7.3	4176513	> O-RING FOR PUMP JACKET VP.	1
10.1		> HOUSING-PIPE Ø152-M+1016/1610-304	1
11	2127588	CENTERING STAGE-RETURN HELIX16 1.4301 VP	1
12	4159688	SHAFT EQUIPMENT HELIX V16 BI BLOC KIT	1
4.11	4102901	> SCREW CHC-M6X14-8.8-ISO4762-GEOMET500A	1
4.12	2130995	> SERRATED LOCK WASHER D.6,2XD.14,5X28 VP.	1
12.1		> NUT-H-M10-A4.70	1
12.2		> SERRATED LOCK WASHER M+16M3-316L	1
12.3		> STOP COLLAR OF IMPELLER L18,8-Ø16-316L	1
12.4		> STOP-RUSH-1/2-D16xd2-M+316	1

HELIX VE1612-1/25/E/KS/2G (4189718)

Item	Article no.	Description	Quantity
13		HYDRAULIC HELIX V 1612 1.4307	1
14	4177854	SHAFT D.16 X780 1.4301 VP.	1
15	4159683	PUMP HOUSING HELIX DN50 PN25 1.4301 KIT	1
7.3	4176513	> O-RING FOR PUMP JACKET VP.	1
15.1		> BLASTING PPE HOUSING V-PN25-DN50-304	1
15.3	4171321	> PRIMING/DRAIN PLUG EPDM HELIX KIT	1
16	2127601	BASEPLATE HELIX V16 VP.	1

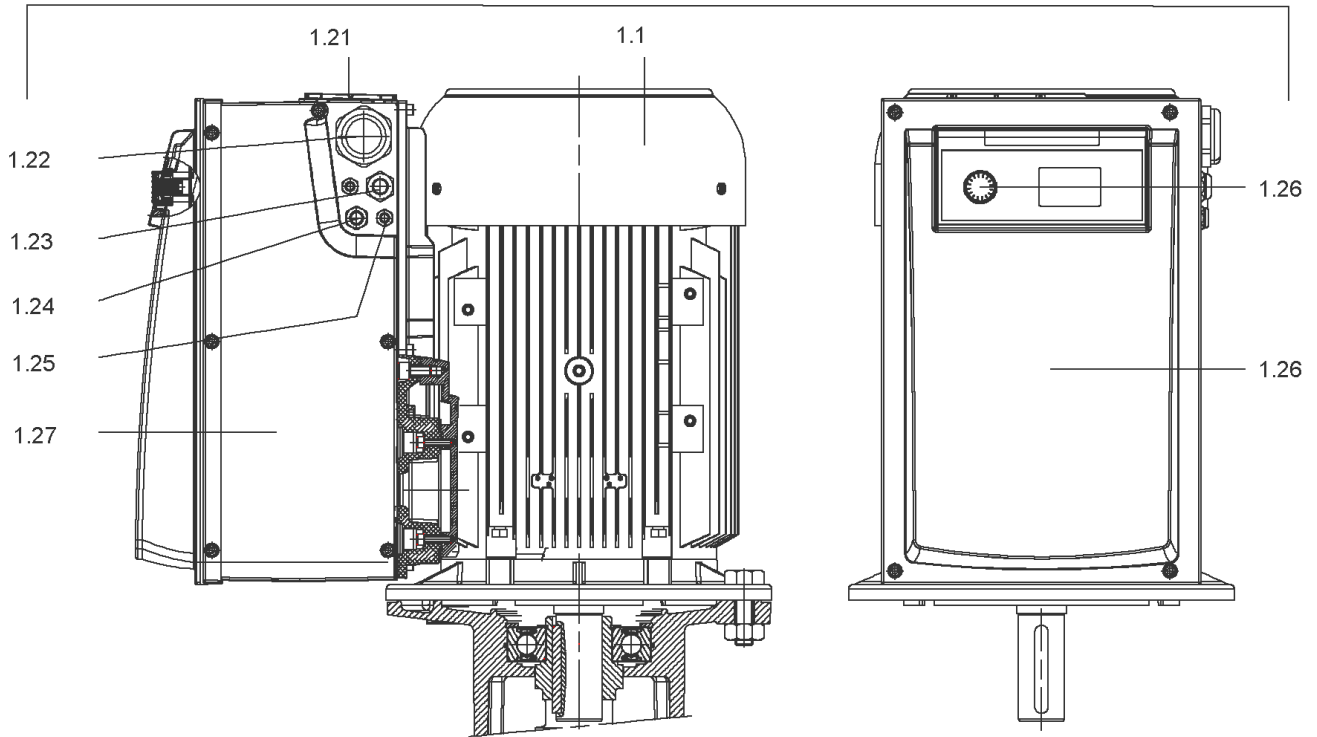
1



DRIVE HELIX VE1612-IE2-ARC KIT

Item	Article no.	Description	Quantity
1.1		M15-2T638P55V1-160F300-N42-IE2	1
		SPARE PARTS MOTOR:ON REQUEST	1
1.21	2132102	FAN SMALL TL6/7 FF KIT	1
1.25	2132097	CABLE CONNECTION M12 TL6/7 FF VP.	1
1.24	2132098	CABLE CONNECTION M16 TL6/7 FF VP.	1
1.23	2132099	CABLE CONNECTION M20 TL6/7 FF VP.	1
1.22	2132100	CABLE CONNECTION SMALL M40 TL6/7 FF VP.	1
1.27	2132104	COVER SIDE TL6/7 FF CPL.VP.	1
1.26	2132452	MODULE COVER/BUTTON TL6/7 FF VP.	1

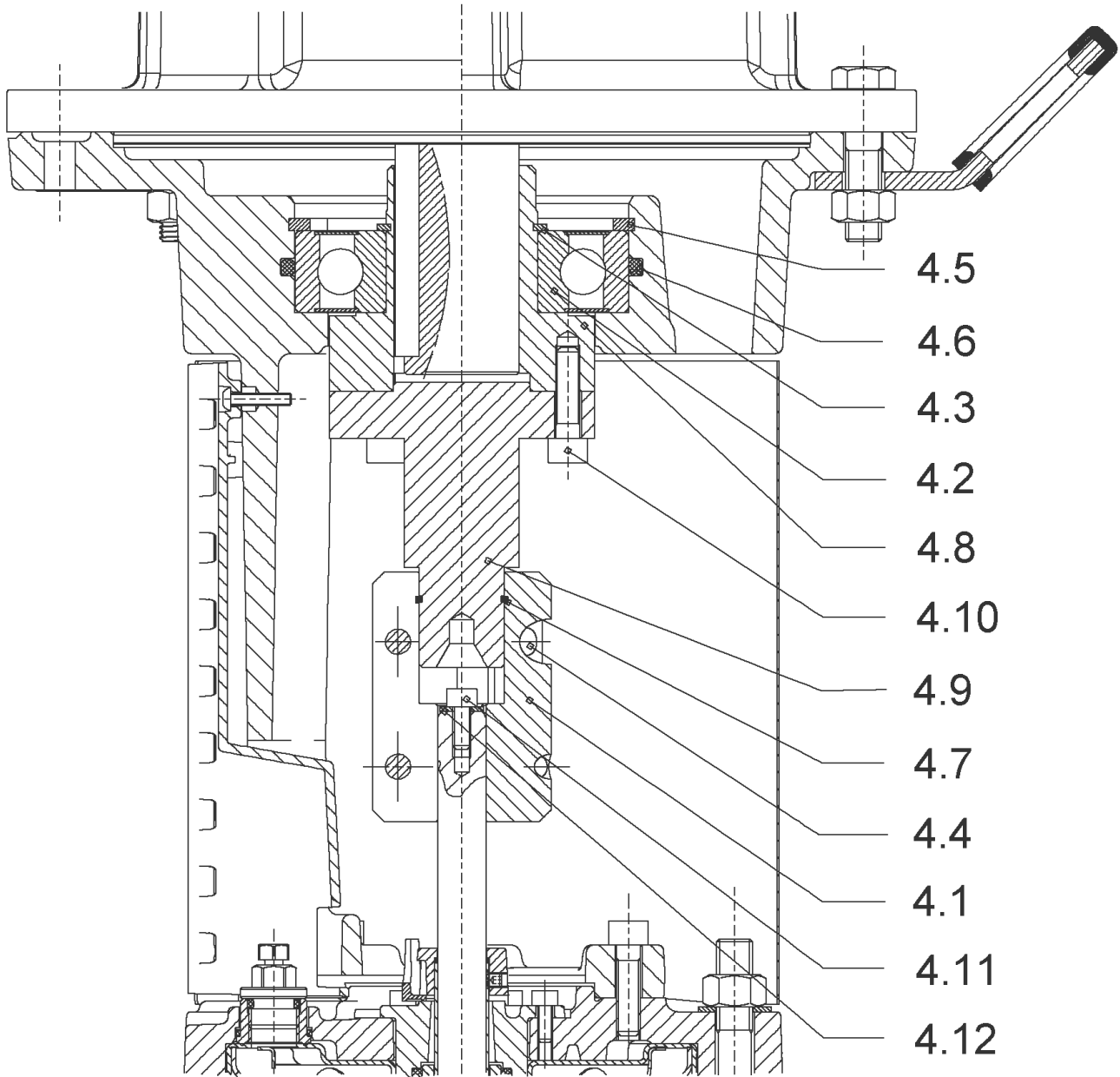
1



DRIVE HELIX VE1612-IE4-WEG KIT (4220065)

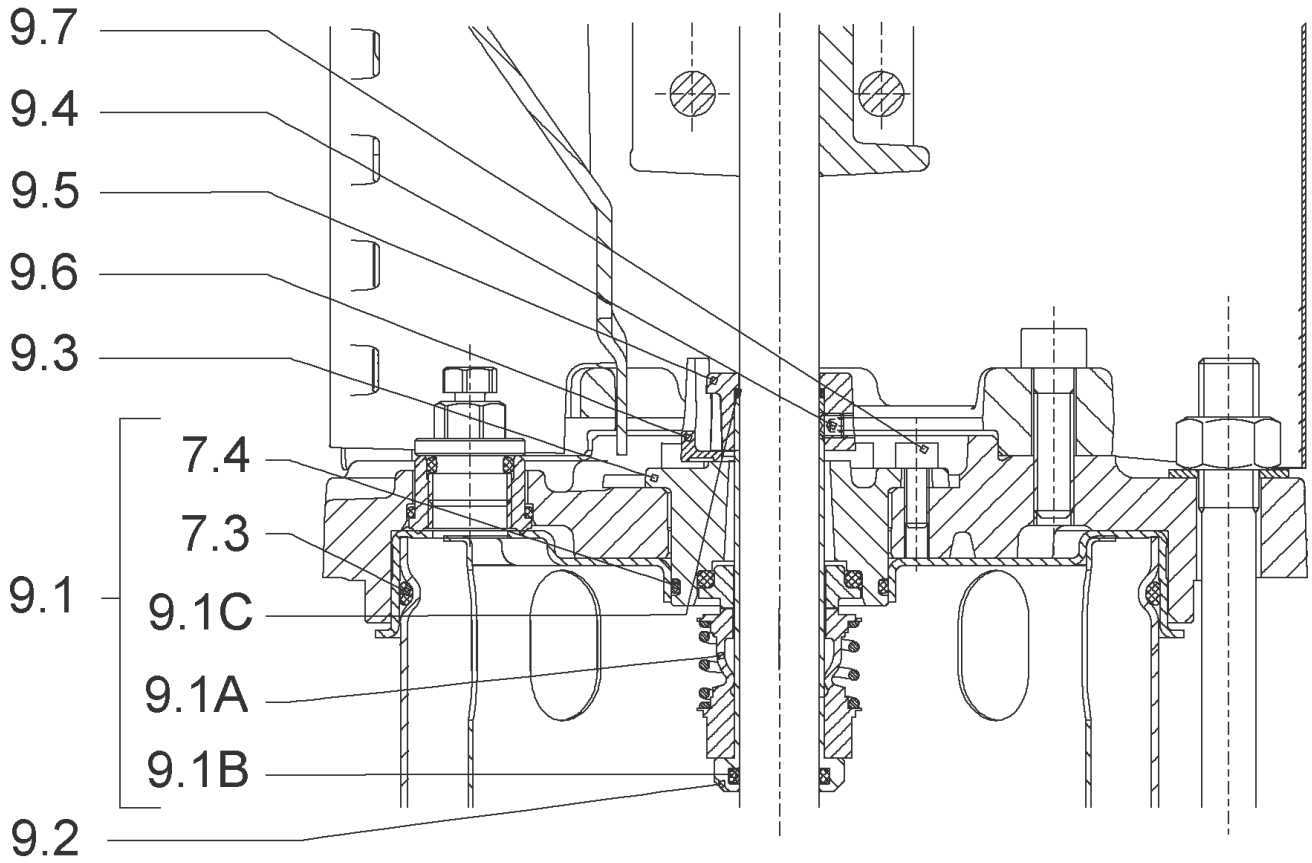
Item	Article no.	Description	Quantity
1.1		M15-2T638P55V1-160F30-N42-ADAPT-IE4-WEG	1
		SPARE PARTS MOTOR:ON REQUEST	1
1.21	2132102	FAN SMALL TL6/7 FF KIT	1
1.25	2132097	CABLE CONNECTION M12 TL6/7 FF VP.	1
1.24	2132098	CABLE CONNECTION M16 TL6/7 FF VP.	1
1.23	2132099	CABLE CONNECTION M20 TL6/7 FF VP.	1
1.22	2132100	CABLE CONNECTION SMALL M40 TL6/7 FF VP.	1
1.27	2132104	COVER SIDE TL6/7 FF CPL.VP.	1
1.26	2132452	MODULE COVER/BUTTON TL6/7 FF VP.	1

COUPLING D.16XD.38 FF300 HELIX KIT (4159712)



COUPLING D.16XD.38 FF300 HELIX KIT (4159712)

Item	Article no.	Description	Quantity
4.1	2130990	COUPLING 2 PARTS D.16XD.38XL.115 VP.	1
4.2	2123699	BALL BEARING 6312/2Z-C4 (HT) VP.	1
4.3	63428	CIRCLIP-FOR-SHAFT-D60x2	1
4.4	2130991	SCREW M12X30 ISO4762 8.8 ZN(4 PIECES)	1
4.5	4032277	CIRCLIP-HOLE-130x4	1
4.6	4006725	O-RING ID.132,94x3,53 NBR70SR	1
4.7	2130992	RETAINING RING D.35xD.2,5 DIN7993 VP.	1
4.8	2130993	HUB D.42xD.60 JL250 VP.	1
4.9	2130994	SPACER D.38XD.55 VP.	1
4.10	4094462	SCREWS M10 (4 PIECES)	1
4.11	4102901	SCREW CHC-M6X14-8.8-ISO4762-GEOMET500A	1
4.12	2130995	SERRATED LOCK WASHER D.6,2XD.14,5X28 VP.	1



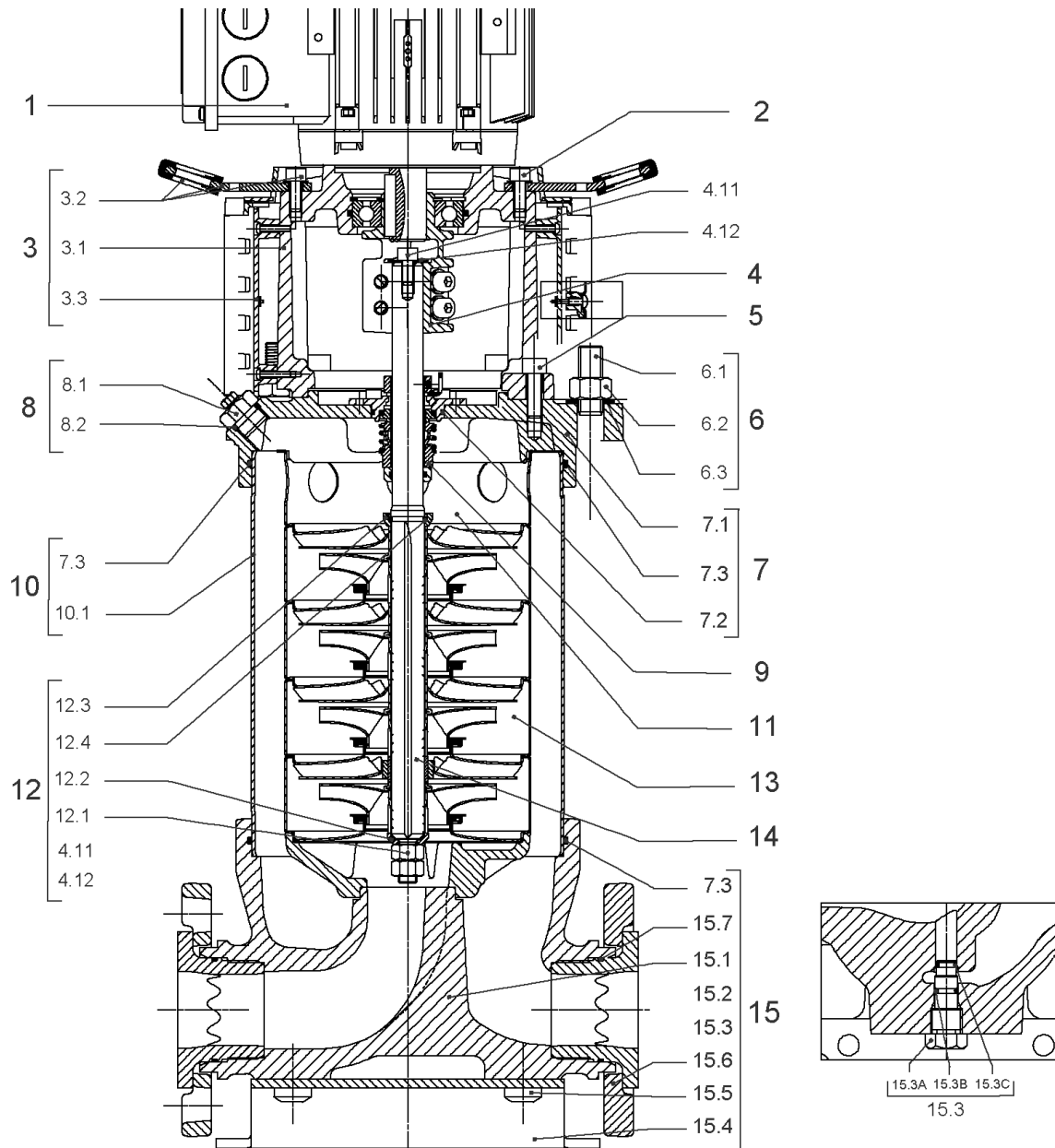
CARTRIDGE HELIX6-10-16 F/E KIT (4159698)

Item	Article no.	Description	Quantity
9.1	4159699	SEAL-KIT-HELIX6-10-16 F/E	1
7.3	4176513	> O-RING FOR PUMP JACKET VP.	1
7.4	2127603	> O-RING ID.37,6x2,4 EPDM VP.	1
9.1A	4176521	> MECH.SEAL HELIX2-4-6-10-16 F/E VP.	1
9.1B	2130967	> O-RING D.16X2,5 EPDM VP.	1
9.1C	4176519	> O-RING Ø16xØ1.25 VP.	1
9.2	2130961	SHAFT SLEEVE D.18/16X72,2 1.4404 VP.	1
9.3	2130962	RING HOLDER D.18 G606/G6 1.4301 VP.	1
9.4	4176520	SCREW CH M5x5 A4-70 (3PIECES)	1
9.5	2130963	DRIVE RING D.29/18x12,4 MACH.VP.	1
9.6	2130964	TOOL M.S.CART.HELIX VP.	1
9.7	2130965	SCREW CHC M5X12 ISO4762 A2.70(4 PIECES)	1



HYDRAULIC HELIX V 1612 1.4307

Item	Article no.	Description	Quantity
13.1	4159720	STAGE HELIX 16 1.4301 KIT	1
		> MACH.STG-CASING-WOGV-WNR-M+16-304	1
		> IMPELLER-M+16-304	1
13.2	4159714	STAGE BEARING HELIX 16 1.4301 KIT	1
		> MACH.BEARING-STG-CASING-WNR-M+16-304	1
		> IMPELLER-M+16-304	1
		> SLEEVE-SPACER-Ø19,35x30,665-304	1
		> SHAFT-SLEEVE-D16xD20x18-CW	1
13.3	4159715	INTERMEDIATE STAGE HELIX 16 1.4301 KIT	1
		> CORPS-ETG-STD-ACR-AJR-USIN.M+16-304	1
		> IMPELLER-M+16-304	1
		> SPACER Ø16X19.4-L48.6-304	1

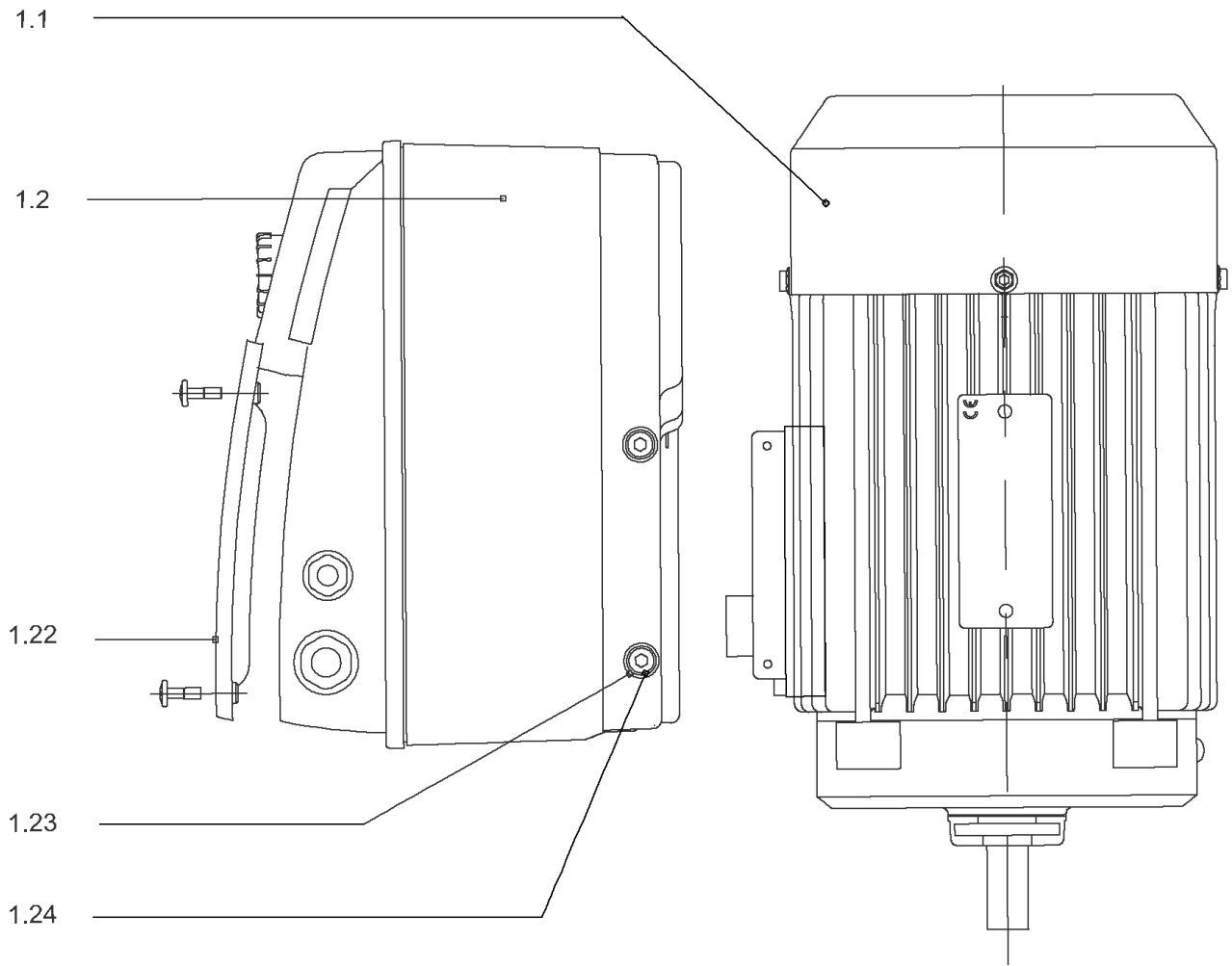


HELIX VE2201-3/16/E/KS (4166862)

Item	Article no.	Description	Quantity
1		DRIVE HELIX-VE2201-IE4-WE KIT	1
Note: MOTOR BRAND WILO ELEC			
2	4159707	SCREW M8X30 (4 PIECES)	1
3	4157718	LANTERN FT115 HELIX V22/V36 KIT	1
3.1		> LANTERN FT1115 M+ GJL MACHINED+CATA	1
3.2	4179561	> EYELET CPL.FT HELIX(2 PIECES)	1
3.3	4143968	> COUPLING PROTECT HELIX FT KIT	1
4	4143963	COUPLING D.22XD.36 FT115 KIT	1
5	4094462	SCREWS M10 (4 PIECES)	1
6	4181156	STUD BOLT M16X233 KIT	1
6.1		> TIE BOLT M16-233x24x44-1.4057	1
6.2	4179562	> NUT M16 8.8 ISO4032 (4 PIECES)	1
6.3	4097852	> WASHER-CS-16.4-32-2.8-NFE25-511-A2	1
7	4179565	END SHIELD HELIX 8" EPDM KIT	1
7.1		> END SHIELD M+ GJL MACHINED+CATA	1
7.2	4179564	> O-RING D.42.52x2.62 EPDM VP.	1
7.3	4179571	> O-RING HOUSING PIPE HELIX22/36/52 VP.	1
8	4186377	FILING/PURGING PLUG 304 HELIX KIT	1
8.1		> FILLING/VENTING-PLUG-MVI8/10"-304	1
8.2	4032291	> O-RING 17x3 EPDM KTW/WRC	1
9	4143973	CARTRIDGE HELIX22-36-52 O/E KIT	1
10	4181154	HOUSING PIPE D.204X164 1.4307 KIT	1
7.3	4179571	> O-RING HOUSING PIPE HELIX22/36/52 VP.	1
10.1		> HOUSING-PIPE Ø204-M+2201/2202-304	1
11	4181155	CENTERING STAGE RETURN HELIX22 1.4307 VP	1
12	4143967	SHAFT EQUIPMENT HELIX V KIT	1
13		HYDRAULIC HELIX V 2201	1
14	4179579	SHAFTS D.22X304 1.4057 VP.	1
15	4181158	EQUIPED HOUSING HELIX 22 GJL KIT	1
7.3	4179571	> O-RING HOUSING PIPE HELIX22/36/52 VP.	1
15.1		> PUMP HOUSING SET with COATED PARTS-DN50	1
15.3	4143766	> DRAIN/PRIMING PLUG EPDM HELIX KIT	1
15.3A		>> PRIMING/DRAIN PLUG-304-VERSION 1	1
15.3B	4032293	>> O-RING-10x3-EPDM-KTW/WRC	1

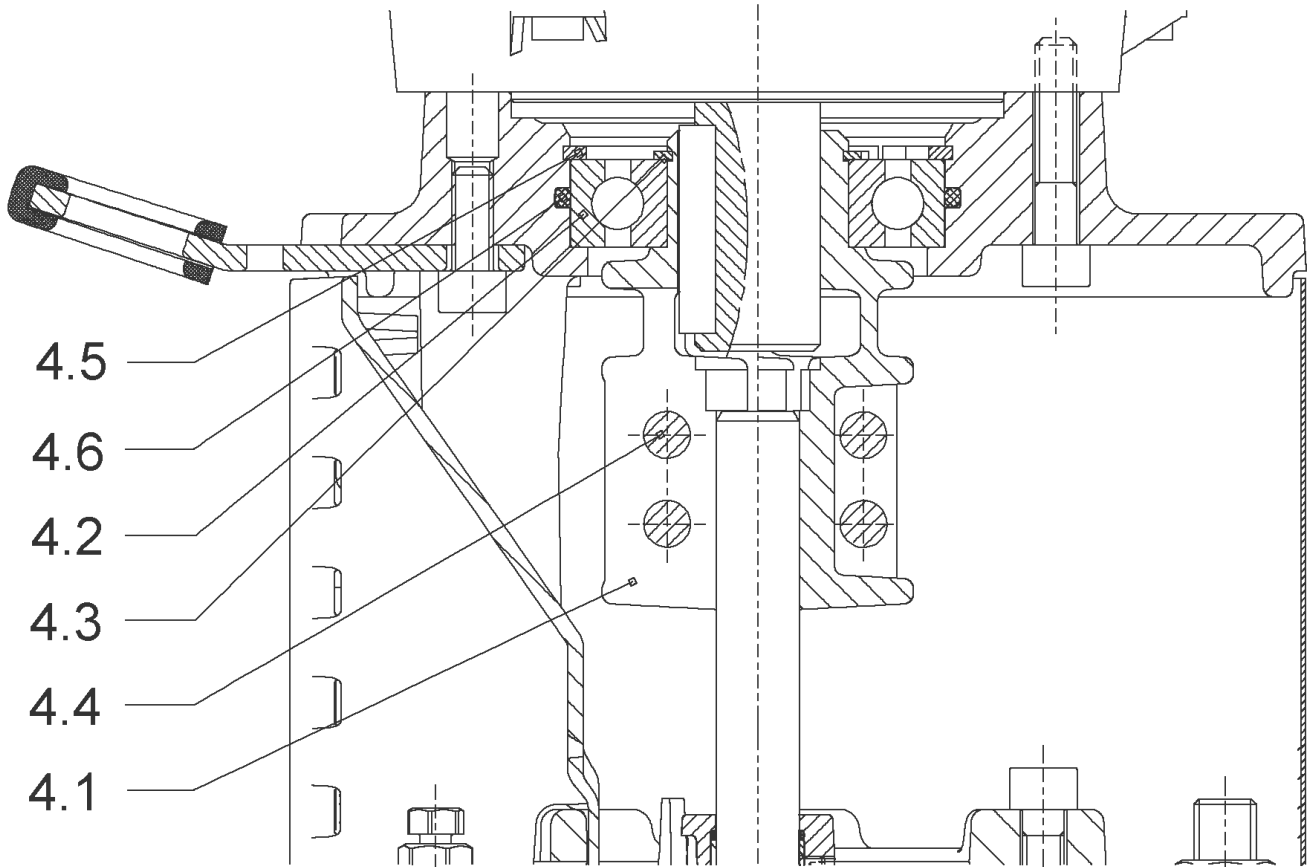
HELIX VE2201-3/16/E/KS (4166862)

Item	Article no.	Description	Quantity
15.3C	4233957	>> O-RING ID.9 EPDM VP.	1
15.4	4221729	> BASE M+ DN50/65/80 VP.	1
15.6		> FLANGE M+ DN50 CATA	1
15.7		> O-RING Ø63.17xØ2.62 EPDM	1
15.5		> SCREW TBHC M12x25 ISO7380 ZN	1



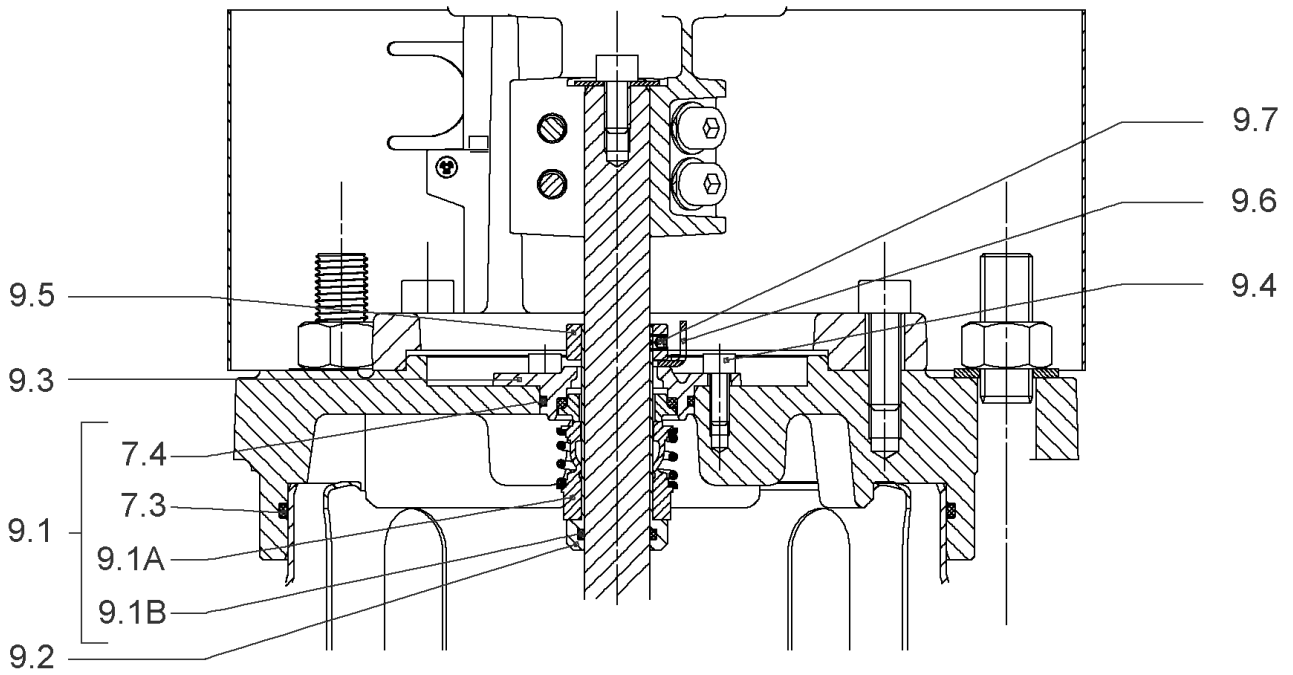
DRIVE HELIX-VE2201-IE4-WE KIT

Item	Article no.	Description	Quantity
1.1	4207920	MOTOR 2.2/2/90 3~ 380V 60HZ IE4 WE VP.	1
		SPARE PARTS MOTOR:ON REQUEST	1
1.2	4209594	MODULE HELIX-VE2201-IE4-WE KIT	1
1.22	2054227	> MODULE COVER/GASKET TL3/4 KIT	1
1.23	4215716	> SCREW M5X16 DIN912 8.8 A2A (4pieces) VP.	1
1.24	2057978	> RONDELLE A5,3 DIN6797 FST ZN (4 PIECES)	1



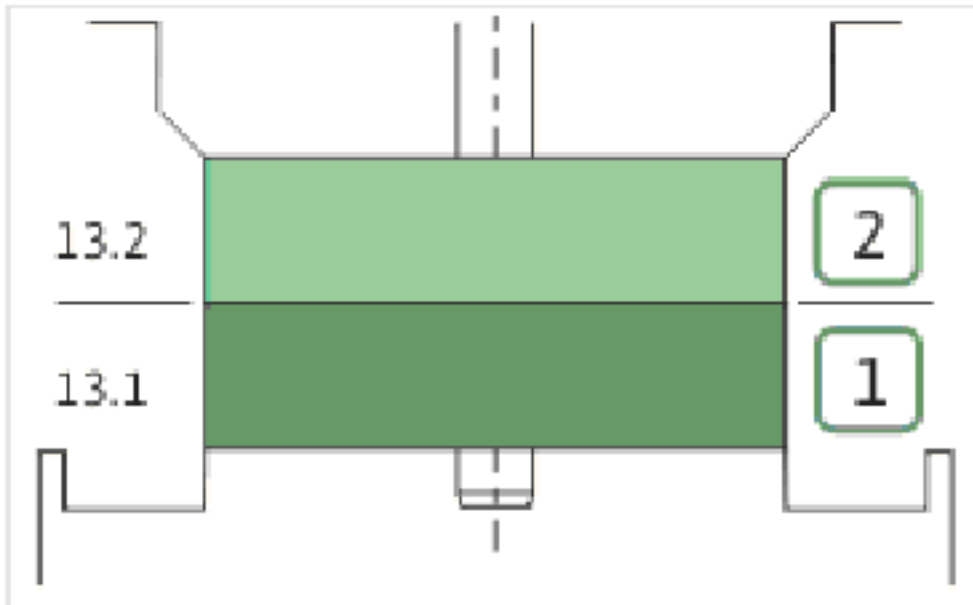
COUPLING D.22XD.36 FT115 KIT (4143963)

Item	Article no.	Description	Quantity
4.1		COUPLING-M+ Ø20XØ24-FT115-MACHINED	1
4.2	2131023	BALL BEARING 6207/ZZ-C3(HT)VP.	1
4.3	4234254	CIRCLIP-FOR-SHAFT-D35x1.5 VP.	1
4.4	4157726	SCREW KIT M8X30 (4 PIECES)	1
4.5	4234251	CIRCLIP-D72x2.5 VP.	1
4.6	4234246	O-RING 72X3 VP.	1



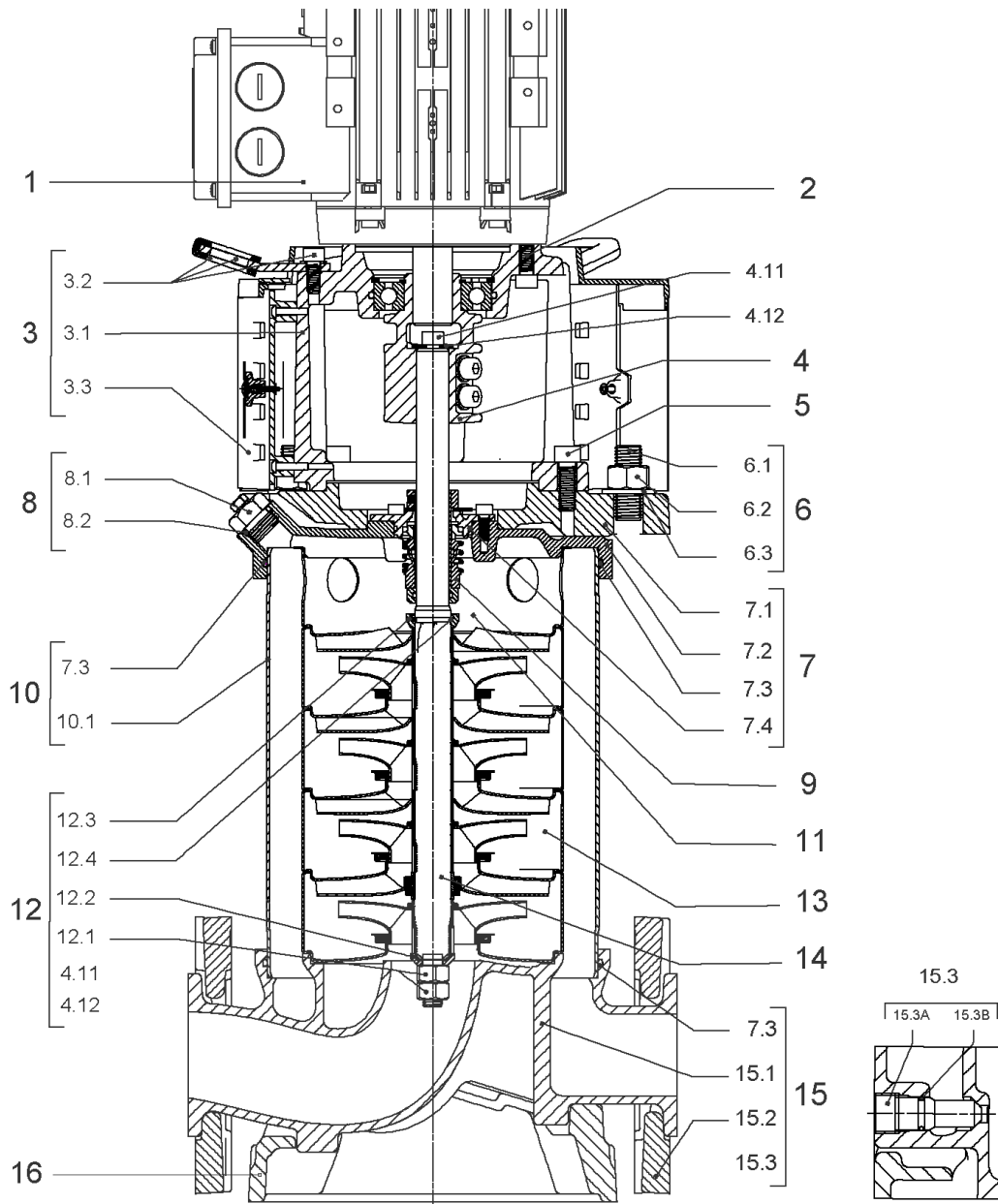
CARTRIDGE HELIX22-36-52 O/E KIT (4143973)

Item	Article no.	Description	Quantity
9.1	4143974	SEAL-KIT-HELIX22-36-52 O/E	1
7.3	4179571	> O-RING HOUSING PIPE HELIX22/36/52 VP.	1
7.4	4179572	> O-RING ID.42.52X2.62 EPDM VP.	1
9.1A	4179573	> M.SEAL.HELIX22-36-52 O/E VP.	1
9.1B	4179574	> O-RING ID.20x2.65 EPDM VP.	1
9.2	4179566	SHAFT SLEEVE D.20/20X60 1.4404 VP.	1
9.3	4179567	RING HOLDER Ø22 1.4301 VP.	1
9.4	4176520	SCREW CH M5x5 A4-70 (3PIECES)	1
9.5	4179568	DRIVE RING D.31/22.1x11 MACH.VP.	1
9.6	4179569	TOOL M.S.CART.HELIX 8" VP.	1
9.7	4179570	SCREW M6X16 ISO4762 8.8 GEOMET(4 PIECES)	1



HYDRAULIC HELIX V 2201

Item	Article no.	Description	Quantity
13.1	4157739	FIRST STAGE HELIX 22 1.4307 KIT	1
		> IMPELLER-H1-M+22-304	1
		> MACH.STG-CASING-WOGV-WNR-M+22-304	1
13.2	4157738	BEARING STAGE HELIX V2201 1.4307 KIT	1



HELIX VE2201-1/16/E/KS (4198845)

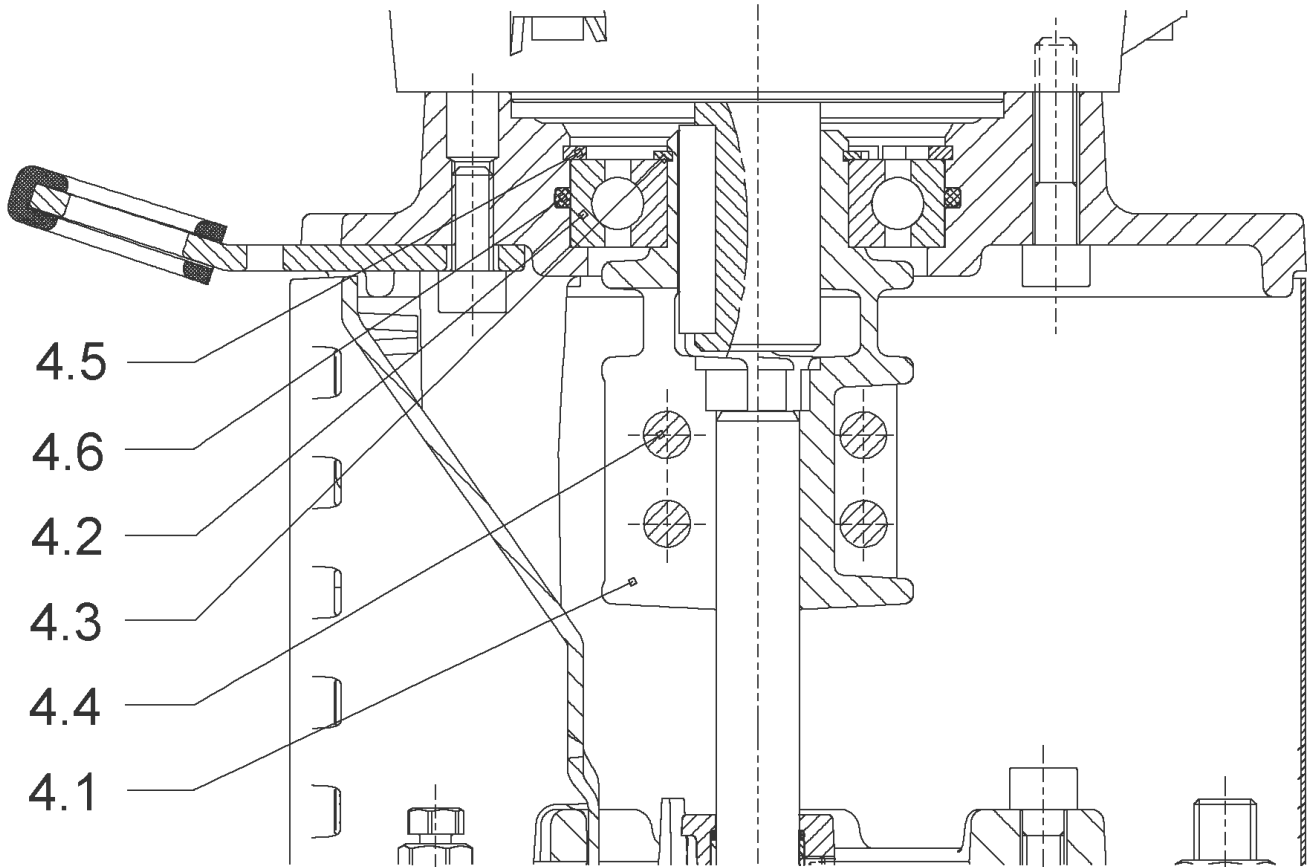
Item	Article no.	Description	Quantity
1		DRIVE HELIX-VE2201-IE4-WE KIT	1
Note: MOTOR BRAND WILO ELEC			
2	4159707	SCREW M8X30 (4 PIECES)	1
3	4157718	LANTERN FT115 HELIX V22/V36 KIT	1
3.1		> LANTERN FT1115 M+ GJL MACHINED+CATA	1
3.2	4179561	> EYELET CPL.FT HELIX(2 PIECES)	1
3.3	4143968	> COUPLING PROTECT HELIX FT KIT	1
4	4143963	COUPLING D.22XD.36 FT115 KIT	1
5	4094462	SCREWS M10 (4 PIECES)	1
6	4186348	STUD BOLT M16X353 KIT	1
6.1		> TIE BOLT M16-353x24x44-1.4057	1
6.2	4179562	> NUT M16 8.8 ISO4032 (4 PIECES)	1
6.3	4097852	> WASHER-CS-16.4-32-2.8-NFE25-511-A2	1
7	4217176	END SHIELD HELIX OPTI 8" EPDM KIT	1
7.1		> upper flange machined + cataphoresis	1
7.2	4217174	> STATIONARY RING HOLDER 8" HELIX OPTI VP.	1
7.3	4179571	> O-RING HOUSING PIPE HELIX22/36/52 VP.	1
7.4	4179572	> O-RING ID.42.52X2.62 EPDM VP.	1
8	4186377	FILING/PURGING PLUG 304 HELIX KIT	1
8.1		> FILLING/VENTING-PLUG-MVI8/10"-304	1
8.2	4032291	> O-RING 17x3 EPDM KTW/WRC	1
9	4143973	CARTRIDGE HELIX22-36-52 O/E KIT	1
10	4181154	HOUSING PIPE D.204X164 1.4307 KIT	1
7.3	4179571	> O-RING HOUSING PIPE HELIX22/36/52 VP.	1
10.1		> HOUSING-PIPE Ø204-M+2201/2202-304	1
11	4181155	CENTERING STAGE RETURN HELIX22 1.4307 VP	1
12	4143967	SHAFT EQUIPMENT HELIX V KIT	1
13		HYDRAULIC HELIX V 2201	1
14	4179579	SHAFTS D.22X304 1.4057 VP.	1
15	4217852	EQUIPED HOUSING DN50 HELIX OPTI 8" KIT	1
15.1		> pump casing machined DN50	1
15.2	4217178	> HALF FLANGE DN50 HELIX OPTI 8" VP.	1
15.3	4217850	> DRAIN/PRIMING PLUG HELIX OPTI 8" KIT	1
7.3	4179571	> O-RING HOUSING PIPE HELIX22/36/52 VP.	1

Item	Article no.	Description	Quantity
16	4217854	BASEPLATE DN50 HELIX OPTI 8" VP.	1



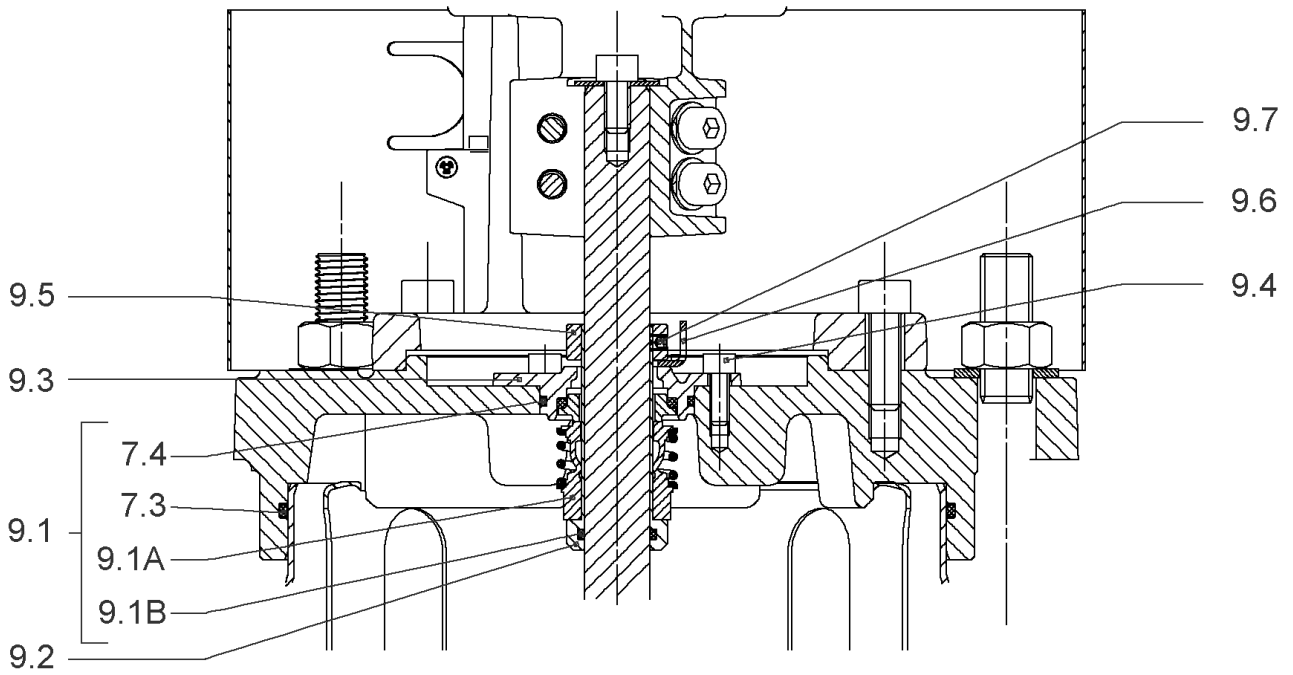
DRIVE HELIX-VE2201-IE4-WE KIT

Item	Article no.	Description	Quantity
1.1	4207920	MOTOR 2.2/2/90 3~ 380V 60HZ IE4 WE VP.	1
		SPARE PARTS MOTOR:ON REQUEST	1
1.2	4209594	MODULE HELIX-VE2201-IE4-WE KIT	1
1.22	2054227	> MODULE COVER/GASKET TL3/4 KIT	1
1.23	4215716	> SCREW M5X16 DIN912 8.8 A2A (4pieces) VP.	1
1.24	2057978	> RONDELLE A5,3 DIN6797 FST ZN (4 PIECES)	1



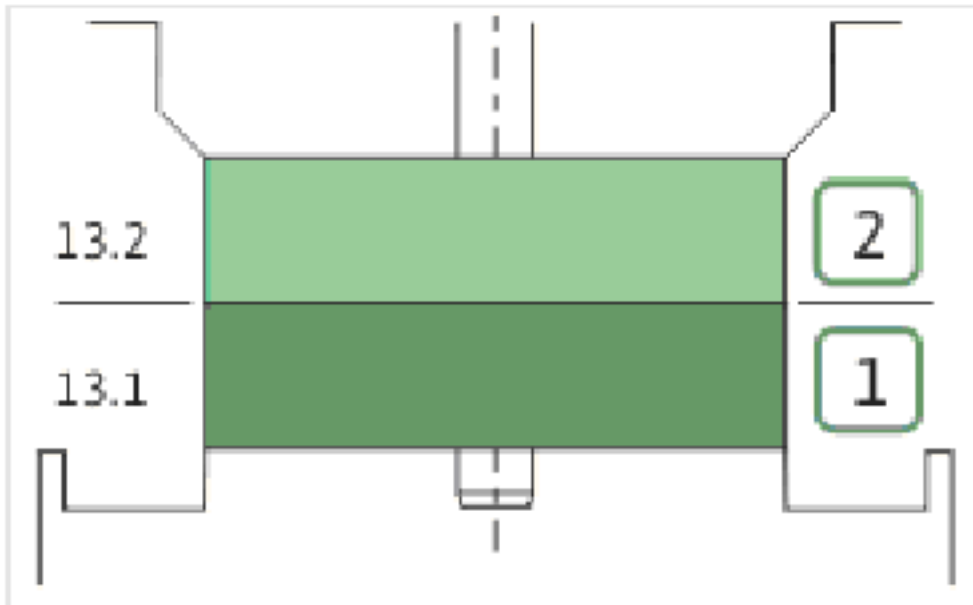
COUPLING D.22XD.36 FT115 KIT (4143963)

Item	Article no.	Description	Quantity
4.1		COUPLING-M+ Ø20XØ24-FT115-MACHINED	1
4.2	2131023	BALL BEARING 6207/ZZ-C3(HT)VP.	1
4.3	4234254	CIRCLIP-FOR-SHAFT-D35x1.5 VP.	1
4.4	4157726	SCREW KIT M8X30 (4 PIECES)	1
4.5	4234251	CIRCLIP-D72x2.5 VP.	1
4.6	4234246	O-RING 72X3 VP.	1



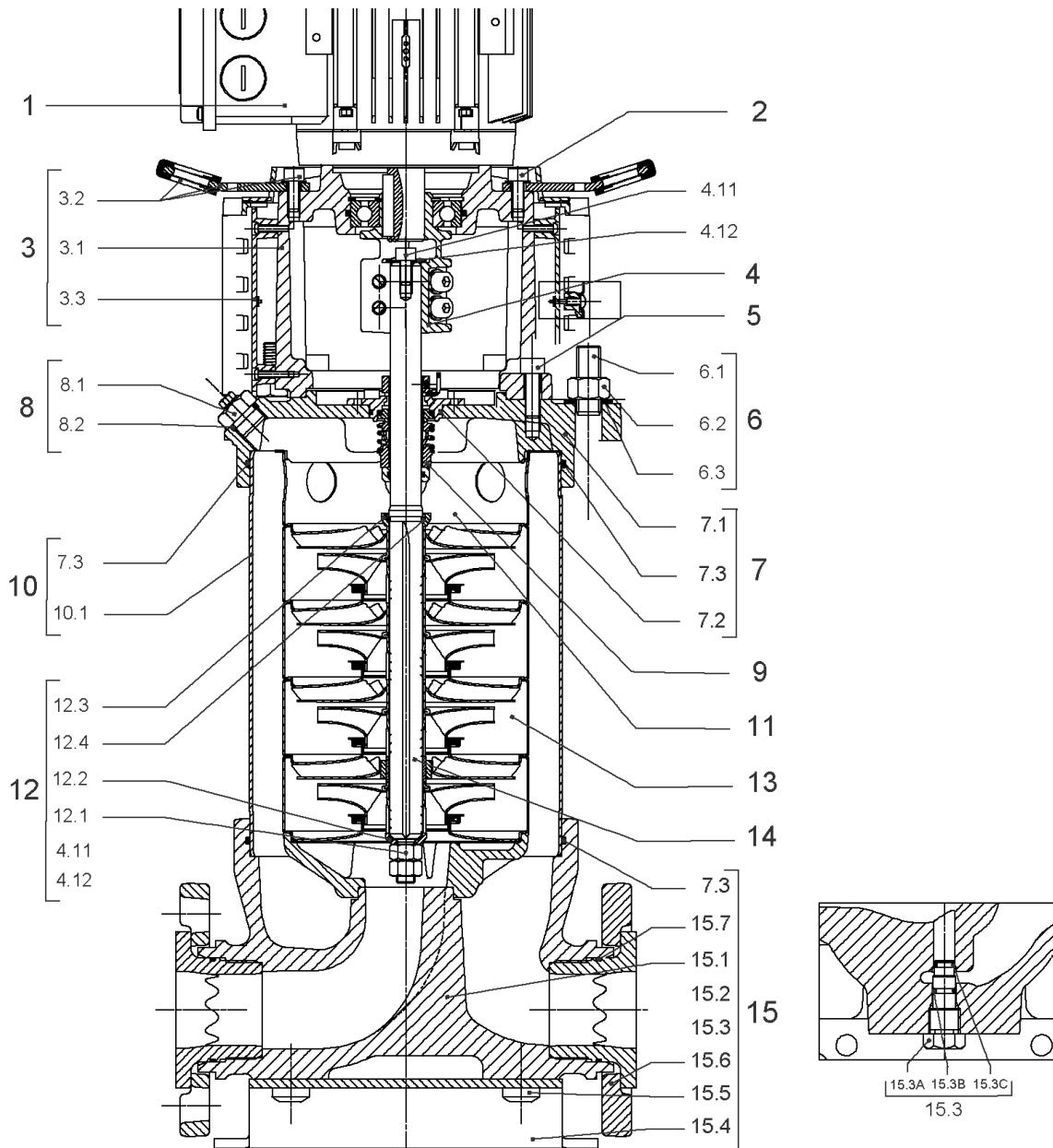
CARTRIDGE HELIX22-36-52 O/E KIT (4143973)

Item	Article no.	Description	Quantity
9.1	4143974	SEAL-KIT-HELIX22-36-52 O/E	1
7.3	4179571	> O-RING HOUSING PIPE HELIX22/36/52 VP.	1
7.4	4179572	> O-RING ID.42.52X2.62 EPDM VP.	1
9.1A	4179573	> M.SEAL.HELIX22-36-52 O/E VP.	1
9.1B	4179574	> O-RING ID.20x2.65 EPDM VP.	1
9.2	4179566	SHAFT SLEEVE D.20/20X60 1.4404 VP.	1
9.3	4179567	RING HOLDER Ø22 1.4301 VP.	1
9.4	4176520	SCREW CH M5x5 A4-70 (3PIECES)	1
9.5	4179568	DRIVE RING D.31/22.1x11 MACH.VP.	1
9.6	4179569	TOOL M.S.CART.HELIX 8" VP.	1
9.7	4179570	SCREW M6X16 ISO4762 8.8 GEOMET(4 PIECES)	1



HYDRAULIC HELIX V 2201

Item	Article no.	Description	Quantity
13.1	4157739	FIRST STAGE HELIX 22 1.4307 KIT	1
		> IMPELLER-H1-M+22-304	1
		> MACH.STG-CASING-WOGV-WNR-M+22-304	1
13.2	4157738	BEARING STAGE HELIX V2201 1.4307 KIT	1

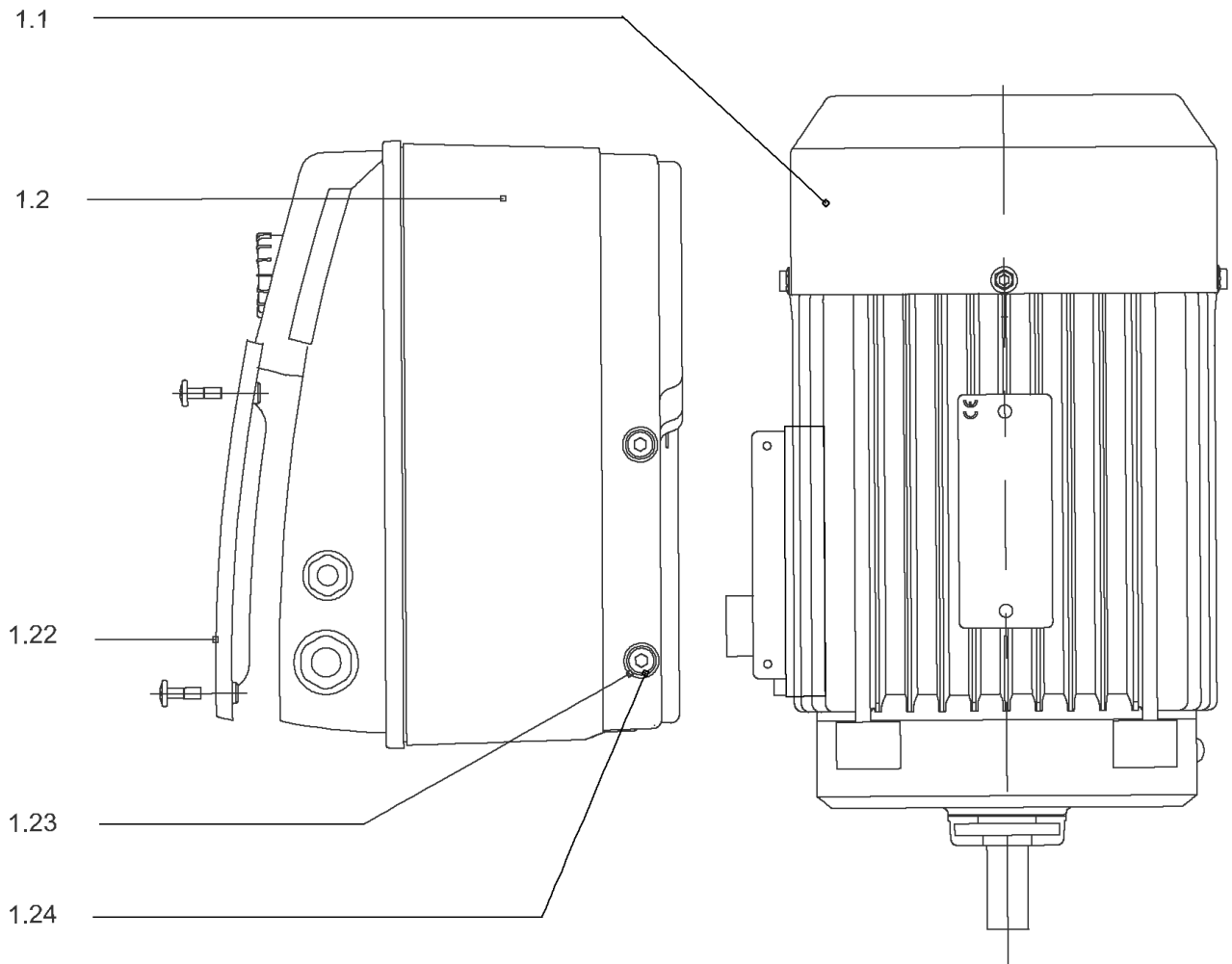


HELIX VE2202-3.0-3/16/E/KS (4171604)

Item	Article no.	Description	Quantity
1		DRIVE HELIX-VE2202-3.0-WE KIT	1
Note: MOTOR BRAND WILO ELEC			
1		DRIVE HELIX-VE2202-3.0-IE4-WE KIT	1
Note: MOTOR BRAND WILO ELEC			
2	4159707	SCREW M8X30 (4 PIECES)	1
3	4157719	LANTERN HELIX 22/36 FT130 KIT	1
3.1		> LANTERN FT130 M+ GJL MACHINED+CATA	1
3.2	4179561	> EYELET CPL.FT HELIX(2 PIECES)	1
3.3	4143968	> COUPLING PROTECT HELIX FT KIT	1
4	4143964	COUPLING D.20XD.28 FT130 KIT	1
5	4094462	SCREWS M10 (4 PIECES)	1
6	4181156	STUD BOLT M16X233 KIT	1
6.1		> TIE BOLT M16-233x24x44-1.4057	1
6.2	4179562	> NUT M16 8.8 ISO4032 (4 PIECES)	1
6.3	4097852	> WASHER-CS-16.4-32-2.8-NFE25-511-A2	1
7	4179565	END SHIELD HELIX 8" EPDM KIT	1
7.1		> END SHIELD M+ GJL MACHINED+CATA	1
7.2	4179564	> O-RING D.42.52x2.62 EPDM VP.	1
7.3	4179571	> O-RING HOUSING PIPE HELIX22/36/52 VP.	1
8	4186377	FILING/PURGING PLUG 304 HELIX KIT	1
8.1		> FILLING/VENTING-PLUG-MVI8/10"-304	1
8.2	4032291	> O-RING 17x3 EPDM KTW/WRC	1
9	4143973	CARTRIDGE HELIX22-36-52 O/E KIT	1
10	4181154	HOUSING PIPE D.204X164 1.4307 KIT	1
7.3	4179571	> O-RING HOUSING PIPE HELIX22/36/52 VP.	1
10.1		> HOUSING-PIPE Ø204-M+2201/2202-304	1
11	4179143	CENTERING STAGE-RETURN HELIX22 1.4307 VP	1
12	4143967	SHAFT EQUIPMENT HELIX V KIT	1
14		HYDRAULIC HELIX V 2202	1
14	4179579	SHAFTS D.22X304 1.4057 VP.	1
15	4181158	EQUIPED HOUSING HELIX 22 GJL KIT	1
7.3	4179571	> O-RING HOUSING PIPE HELIX22/36/52 VP.	1
15.1		> PUMP HOUSING SET with COATED PARTS-DN50	1
15.3	4143766	> DRAIN/PRIMING PLUG EPDM HELIX KIT	1

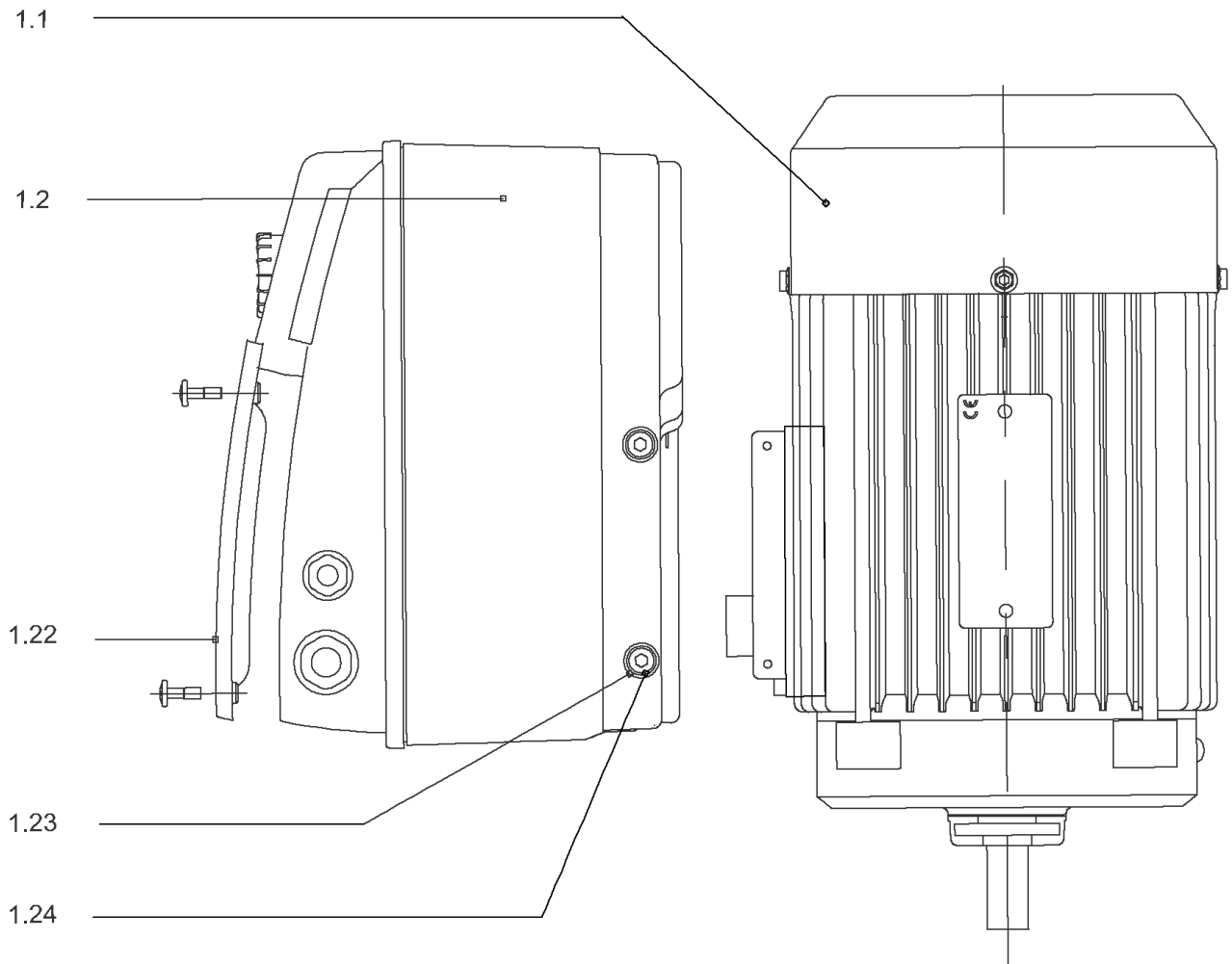
HELIX VE2202-3.0-3/16/E/KS (4171604)

Item	Article no.	Description	Quantity
15.3A		>> PRIMING/DRAIN PLUG-304-VERSION 1	1
15.3B	4032293	>> O-RING-10x3-EPDM-KTW/WRC	1
15.3C	4233957	>> O-RING ID.9 EPDM VP.	1
15.4	4221729	> BASE M+ DN50/65/80 VP.	1
15.6		> FLANGE M+ DN50 CATA	1
15.7		> O-RING Ø63.17xØ2.62 EPDM	1
15.5		> SCREW TBHC M12x25 ISO7380 ZN	1



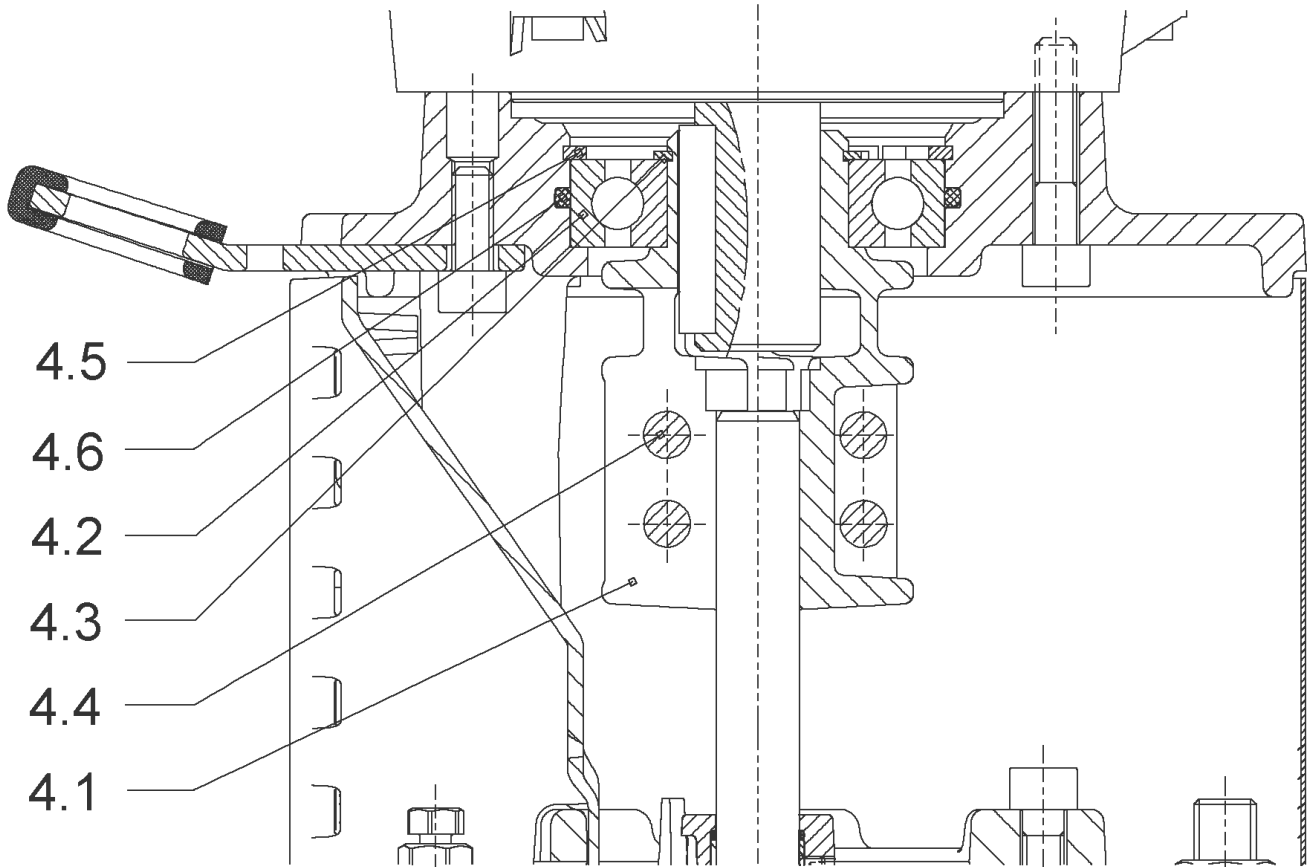
DRIVE HELIX-VE2202-3.0-WE KIT

Item	Article no.	Description	Quantity
1.1		M3-T638P55V18H-100F13-SU-N28-WE-IE2 VP.	1
Note: no longer available/nicht mehr lieferbar/n'est plus disponible			
		SPARE PARTS MOTOR:ON REQUEST	1
1.2	4186411	MODULE HELIX-VE2202-3.0-IE2-WE KIT	1
1.22	2054227	> MODULE COVER/GASKET TL3/4 KIT	1
1.23	4215716	> SCREW M5X16 DIN912 8.8 A2A (4pieces) VP.	1
1.24	2057978	> RONDELLE A5,3 DIN6797 FST ZN (4 PIECES)	1



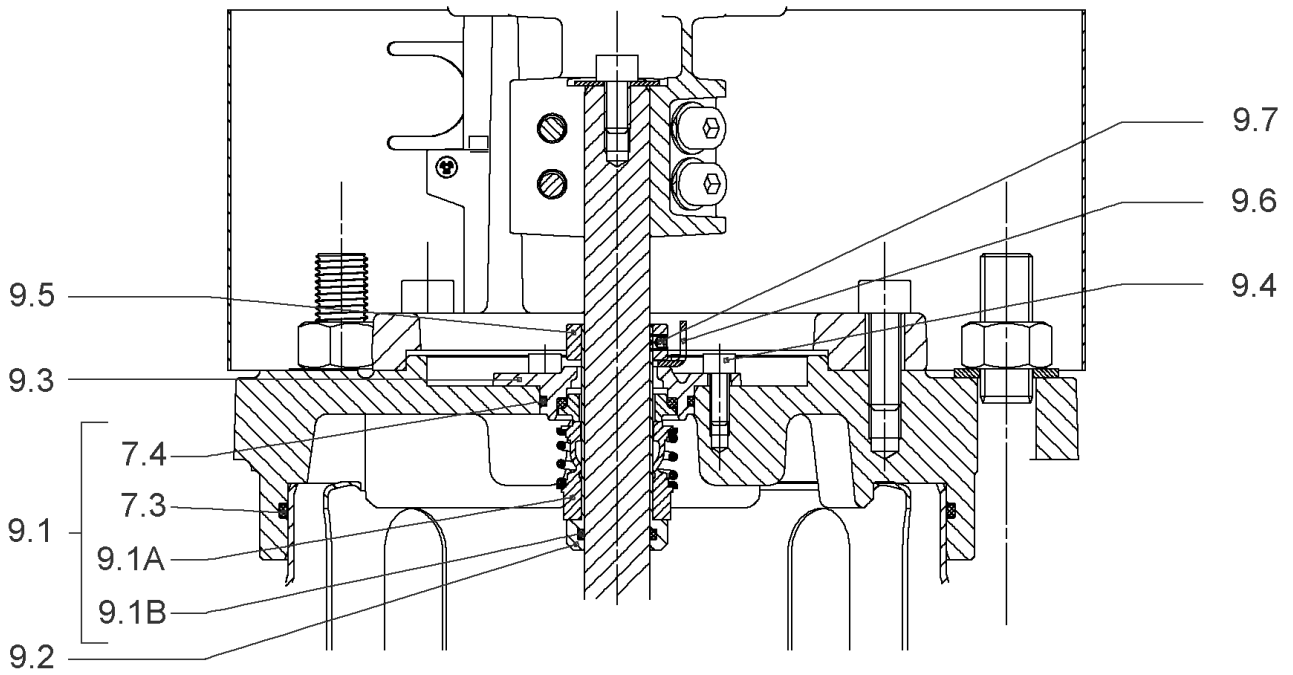
DRIVE HELIX-VE2202-3.0-IE4-WE KIT

Item	Article no.	Description	Quantity
1.1	4207922	MOTOR 3/2/100 3~ 380V 60HZ IE4 WE VP.	1
		SPARE PARTS MOTOR:ON REQUEST	1
1.2	4209341	MODULE HELIX-VE2202-3.0-IE4-WE KIT	1
1.22	2054227	> MODULE COVER/GASKET TL3/4 KIT	1
1.23	4215716	> SCREW M5X16 DIN912 8.8 A2A (4pieces) VP.	1
1.24	2057978	> RONDELLE A5,3 DIN6797 FST ZN (4 PIECES)	1



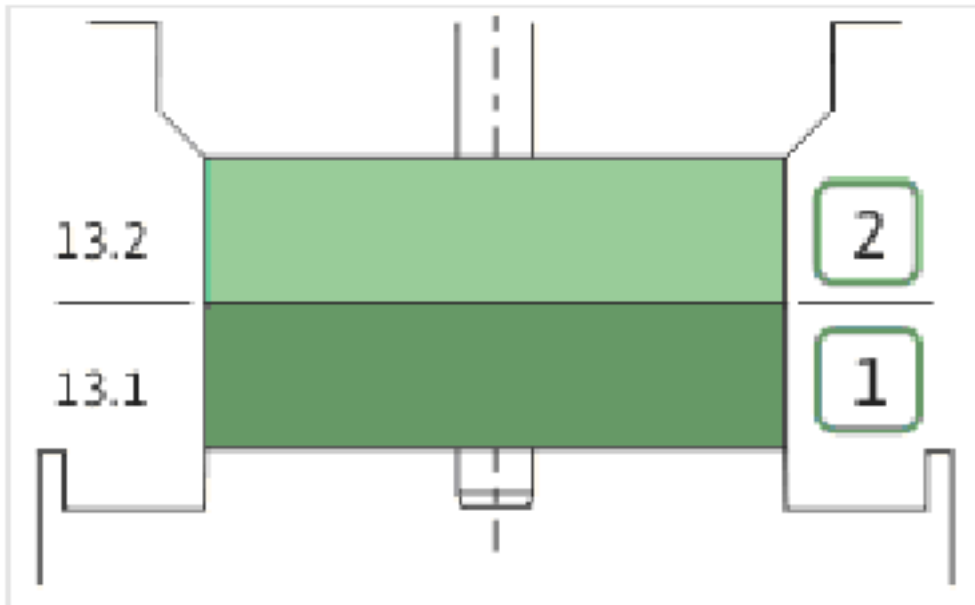
COUPLING D.20XD.28 FT130 KIT (4143964)

Item	Article no.	Description	Quantity
4.1		COUPLING M+ Ø20XØ28-FT130 MACHINED	1
4.2	2131022	BALL BEARING 6209/ZZ-C3(HT)VP.	1
4.3	4233930	CIRCLIP-FOR-BORES-D45x1,75 VP.	1
4.4	4157726	SCREW KIT M8X30 (4 PIECES)	1
4.5	4234252	CIRCLIPS 85X3 VP.	1
4.6	4234243	O-RING 85X3 VP.	1
		NOMEL CONTACT WASHER 8x16x1,4 STEEL ZC	1

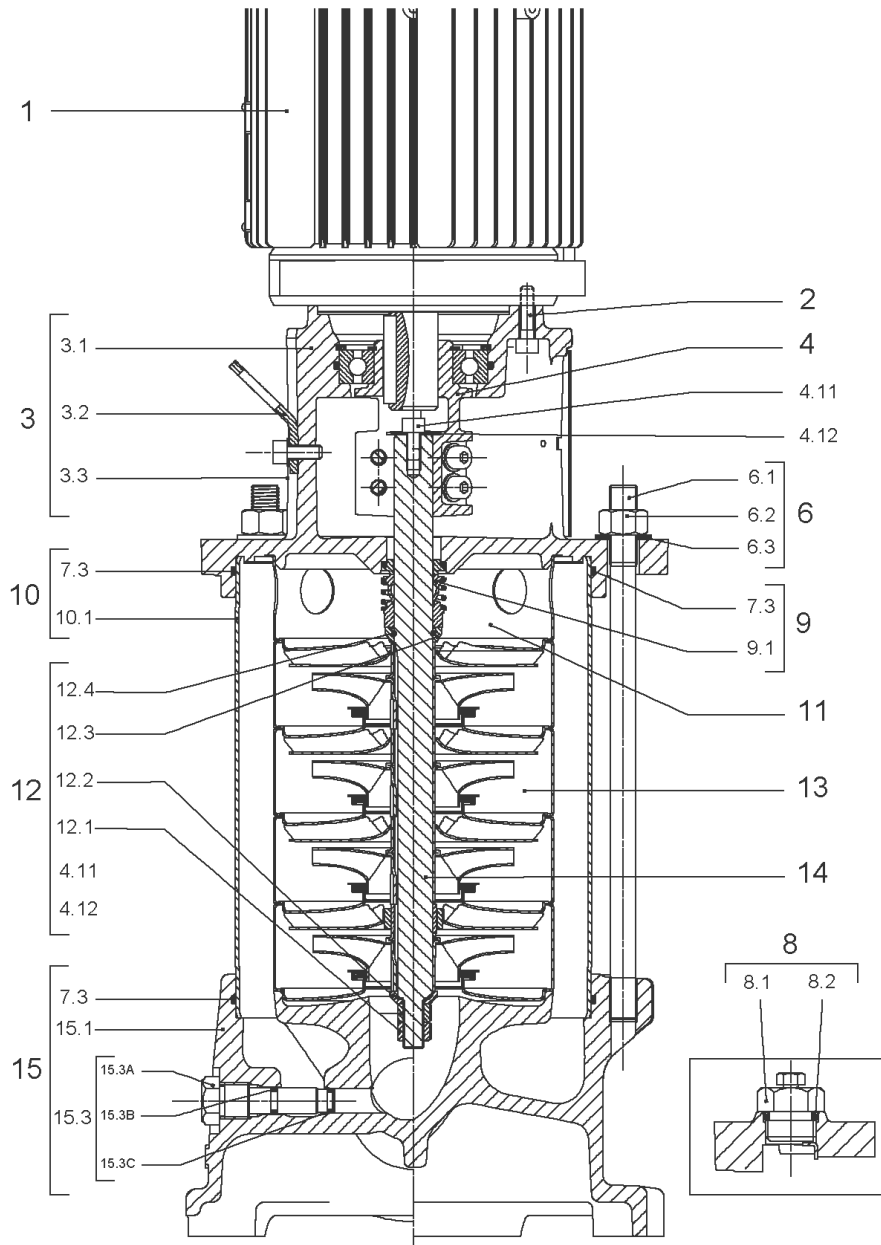


CARTRIDGE HELIX22-36-52 O/E KIT (4143973)

Item	Article no.	Description	Quantity
9.1	4143974	SEAL-KIT-HELIX22-36-52 O/E	1
7.3	4179571	> O-RING HOUSING PIPE HELIX22/36/52 VP.	1
7.4	4179572	> O-RING ID.42.52X2.62 EPDM VP.	1
9.1A	4179573	> M.SEAL.HELIX22-36-52 O/E VP.	1
9.1B	4179574	> O-RING ID.20x2.65 EPDM VP.	1
9.2	4179566	SHAFT SLEEVE D.20/20X60 1.4404 VP.	1
9.3	4179567	RING HOLDER Ø22 1.4301 VP.	1
9.4	4176520	SCREW CH M5x5 A4-70 (3PIECES)	1
9.5	4179568	DRIVE RING D.31/22.1x11 MACH.VP.	1
9.6	4179569	TOOL M.S.CART.HELIX 8" VP.	1
9.7	4179570	SCREW M6X16 ISO4762 8.8 GEOMET(4 PIECES)	1

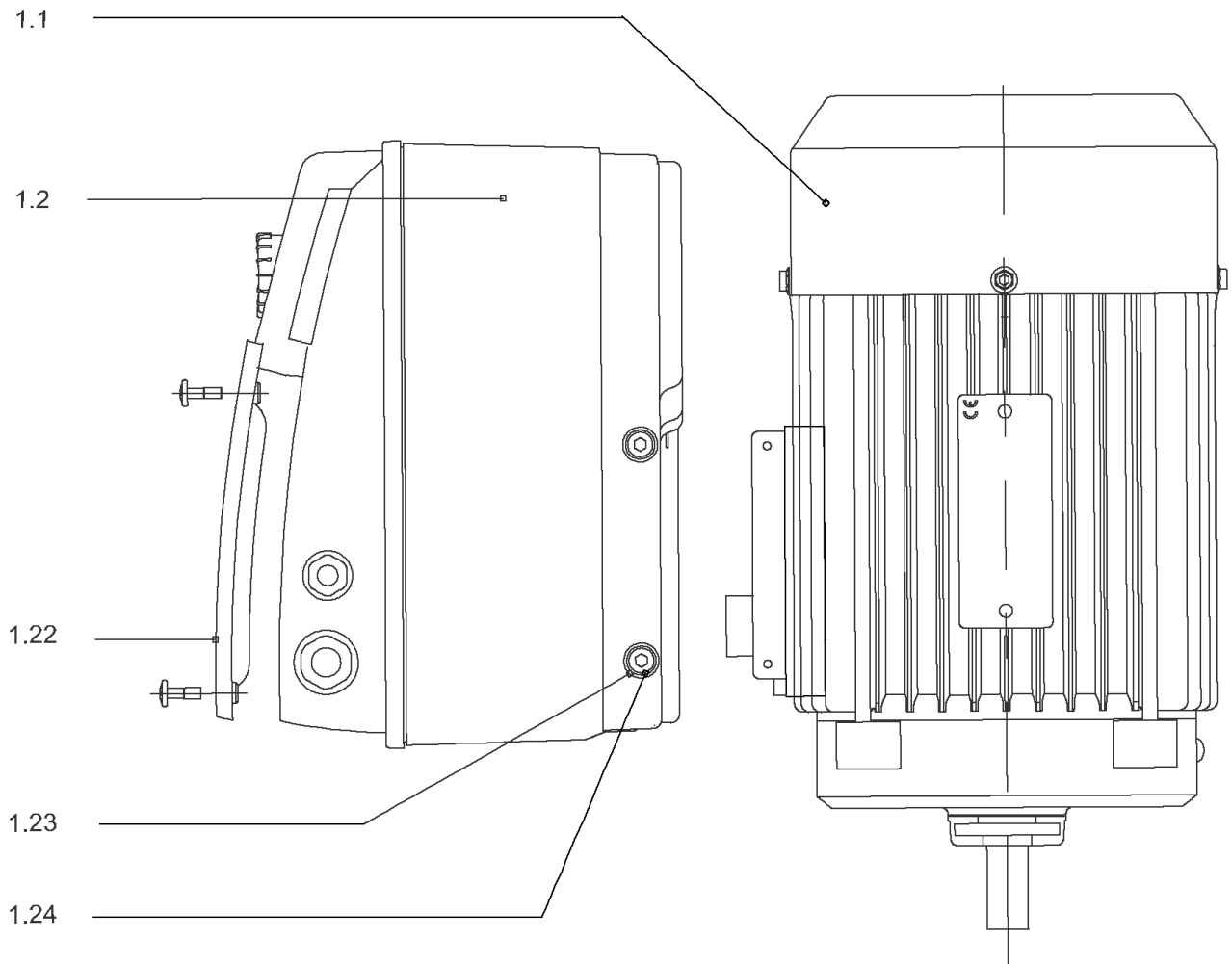


Item	Article no.	Description	Quantity
13.1	4157739	FIRST STAGE HELIX 22 1.4307 KIT	1
		> IMPELLER-H1-M+22-304	1
		> MACH.STG-CASING-WOGV-WNR-M+22-304	1
13.2	4157740	BEARING STAGE HELIX 22 1.4307 KIT	1
		> IMPELLER-H2-M+22-304	1
		> MACH.BEARING-STG-CASING-WNR-M+22-304	1
		> SHAFT-SLEEVE-D26xD22x16-CW	1



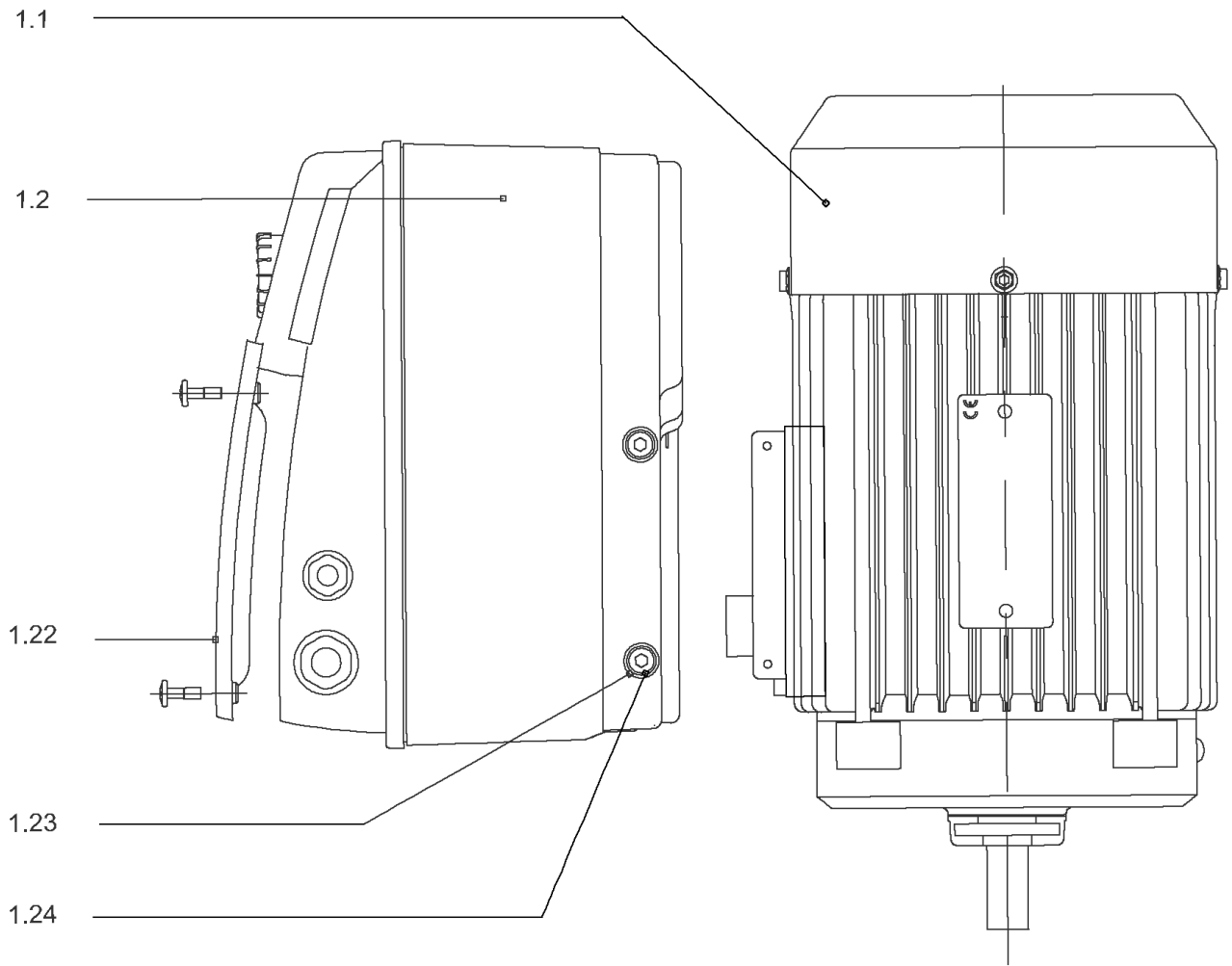
HELIX VE2202-3.0-4/16/E/S (4184614)

Item	Article no.	Description	Quantity
1		DRIVE HELIX-VE2202-3.0-WE KIT	1
Note: MOTOR BRAND WILO ELEC			
1		DRIVE HELIX-VE2202-3.0-IE4-WE KIT	1
Note: MOTOR BRAND WILO ELEC			
2	4159707	SCREW M8X30 (4 PIECES)	1
3	4186356	LANTERN HELIX OPTI 8" FT130 KIT	1
3.1		> M+8_LANTERN_ONE-PIECE_FT130_CATA_DWA	1
3.2	4184852	> EYELET CPL.FT HELIX (2 PIECES)	1
3.3	4184853	> COUPLING PROTECTOR FT HELIX 8" KIT	1
4	4184854	COUPLING D.22XD.28 FT130 HELIX KIT	1
6	4179563	STUD BOLT M16X198 KIT	1
6.1		> TIE BOLT M16-198x24x44-1.4057	1
6.2	4179562	> NUT M16 8.8 ISO4032 (4 PIECES)	1
6.3	4097852	> WASHER-CS-16.4-32-2.8-NFE25-511-A2	1
8	4186377	FILING/PURGING PLUG 304 HELIX KIT	1
8.1		> FILLING/VENTING-PLUG-MVI8/10"-304	1
8.2	4032291	> O-RING 17x3 EPDM KTW/WRC	1
9	4192148	SEAL-KIT-HELIX22-36-52 FIRST O/E	1
7.3	4179571	> O-RING HOUSING PIPE HELIX22/36/52 VP.	1
9.1	4179573	> M.SEAL.HELIX22-36-52 O/E VP.	1
10	4181154	HOUSING PIPE D.204X164 1.4307 KIT	1
7.3	4179571	> O-RING HOUSING PIPE HELIX22/36/52 VP.	1
10.1		> HOUSING-PIPE Ø204-M+2201/2202-304	1
11	4179143	CENTERING STAGE-RETURN HELIX22 1.4307 VP	1
12	4184856	SHAFT EQUIPMENT HELIX 22 FIRST KIT	1
13		HYDRAULIC HELIX V 2202	1
14	4184857	SHAFT D.22X251 1.4057 VP.	1
15	4186357	EQUIPED HOUSING HELIX OPTI DN50 GJL KIT	1
15.1		> PUMP CASING MONO.GJL M+8" DN50 DWA	1
15.3	4106048	> DRAIN/PRIMING PLUG EPDM HELIX FIRST KIT	1
15.3A		>> DRAIN AND PRIMING PLUG-VMI10"-304	1
15.3B	4032293	>> O-RING-10x3-EPDM-KTW/WRC	1
15.3C	4233957	>> O-RING ID.9 EPDM VP.	1
7.3	4179571	> O-RING HOUSING PIPE HELIX22/36/52 VP.	1



DRIVE HELIX-VE2202-3.0-WE KIT

Item	Article no.	Description	Quantity
1.1		M3-T638P55V18H-100F13-SU-N28-WE-IE2 VP.	1
Note: no longer available/nicht mehr lieferbar/n'est plus disponible			
		SPARE PARTS MOTOR:ON REQUEST	1
1.2	4186411	MODULE HELIX-VE2202-3.0-IE2-WE KIT	1
1.22	2054227	> MODULE COVER/GASKET TL3/4 KIT	1
1.23	4215716	> SCREW M5X16 DIN912 8.8 A2A (4pieces) VP.	1
1.24	2057978	> RONDELLE A5,3 DIN6797 FST ZN (4 PIECES)	1



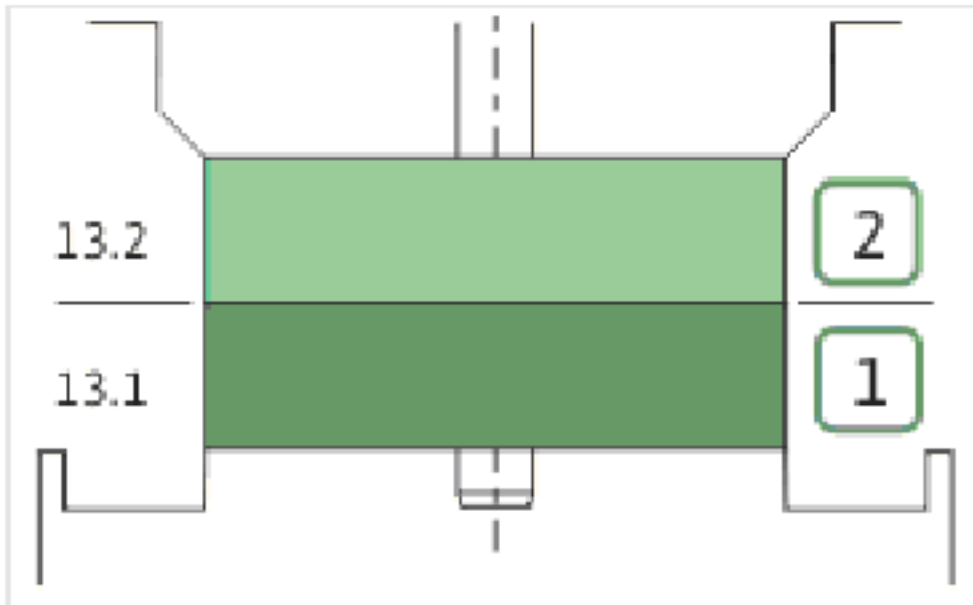
DRIVE HELIX-VE2202-3.0-IE4-WE KIT

Item	Article no.	Description	Quantity
1.1	4207922	MOTOR 3/2/100 3~ 380V 60HZ IE4 WE VP.	1
		SPARE PARTS MOTOR:ON REQUEST	1
1.2	4209341	MODULE HELIX-VE2202-3.0-IE4-WE KIT	1
1.22	2054227	> MODULE COVER/GASKET TL3/4 KIT	1
1.23	4215716	> SCREW M5X16 DIN912 8.8 A2A (4pieces) VP.	1
1.24	2057978	> RONDELLE A5,3 DIN6797 FST ZN (4 PIECES)	1

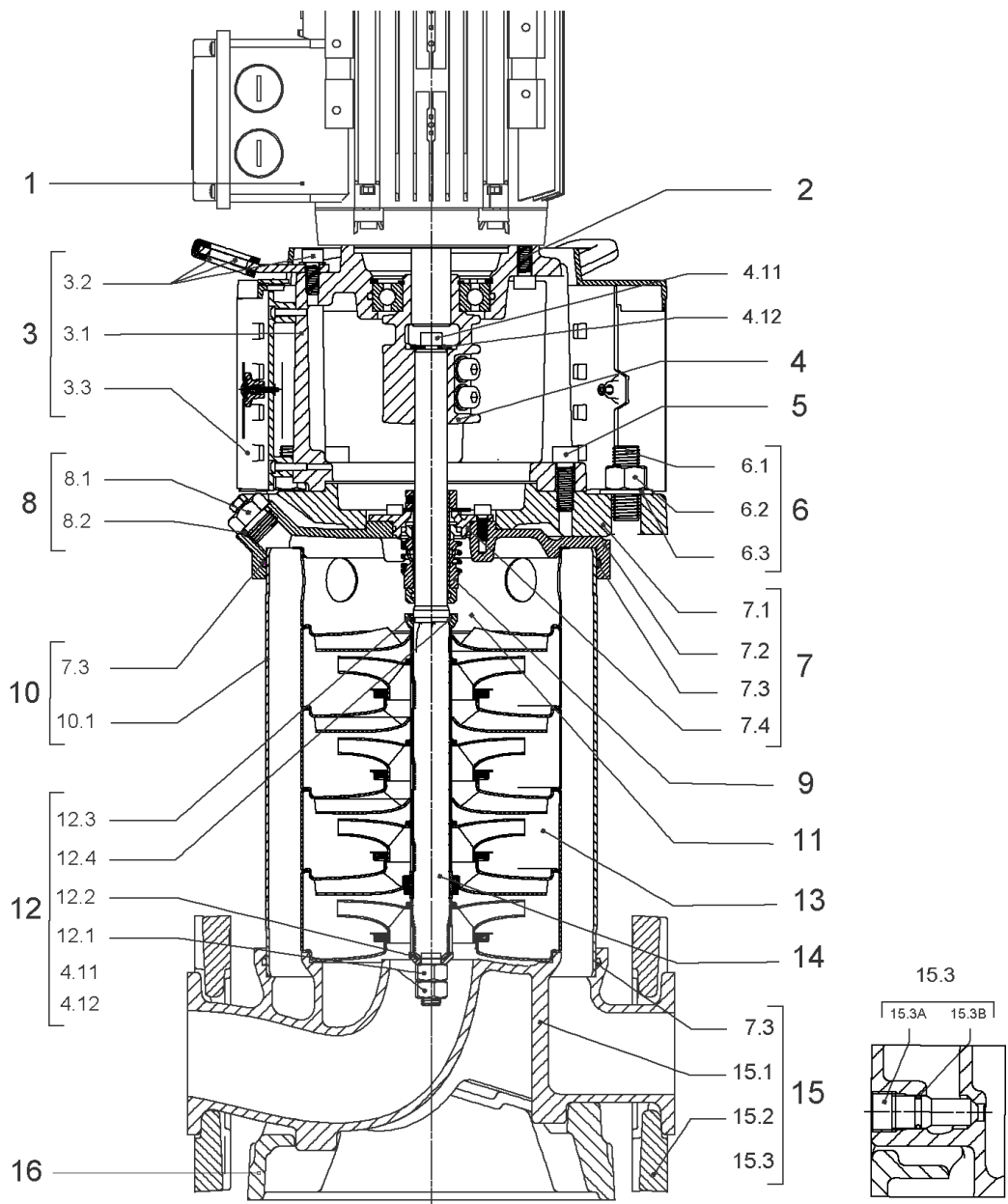


COUPLING D.22XD.28 FT130 HELIX KIT (4184854)

Item	Article no.	Description	Quantity
4.1		COUPLING-VMI-Ø22xØ28-FT130-MACHINED	1
4.2	2131022	BALL BEARING 6209/ZZ-C3(HT)VP.	1
4.3	4233930	CIRCLIP-FOR-BORES-D45x1,75 VP.	1
4.4	4157726	SCREW KIT M8X30 (4 PIECES)	1
4.5	4234252	CIRCLIPS 85X3 VP.	1
4.6	4234243	O-RING 85X3 VP.	1
		NOMEL CONTACT WASHER 8x16x1,4 STEEL ZC	1



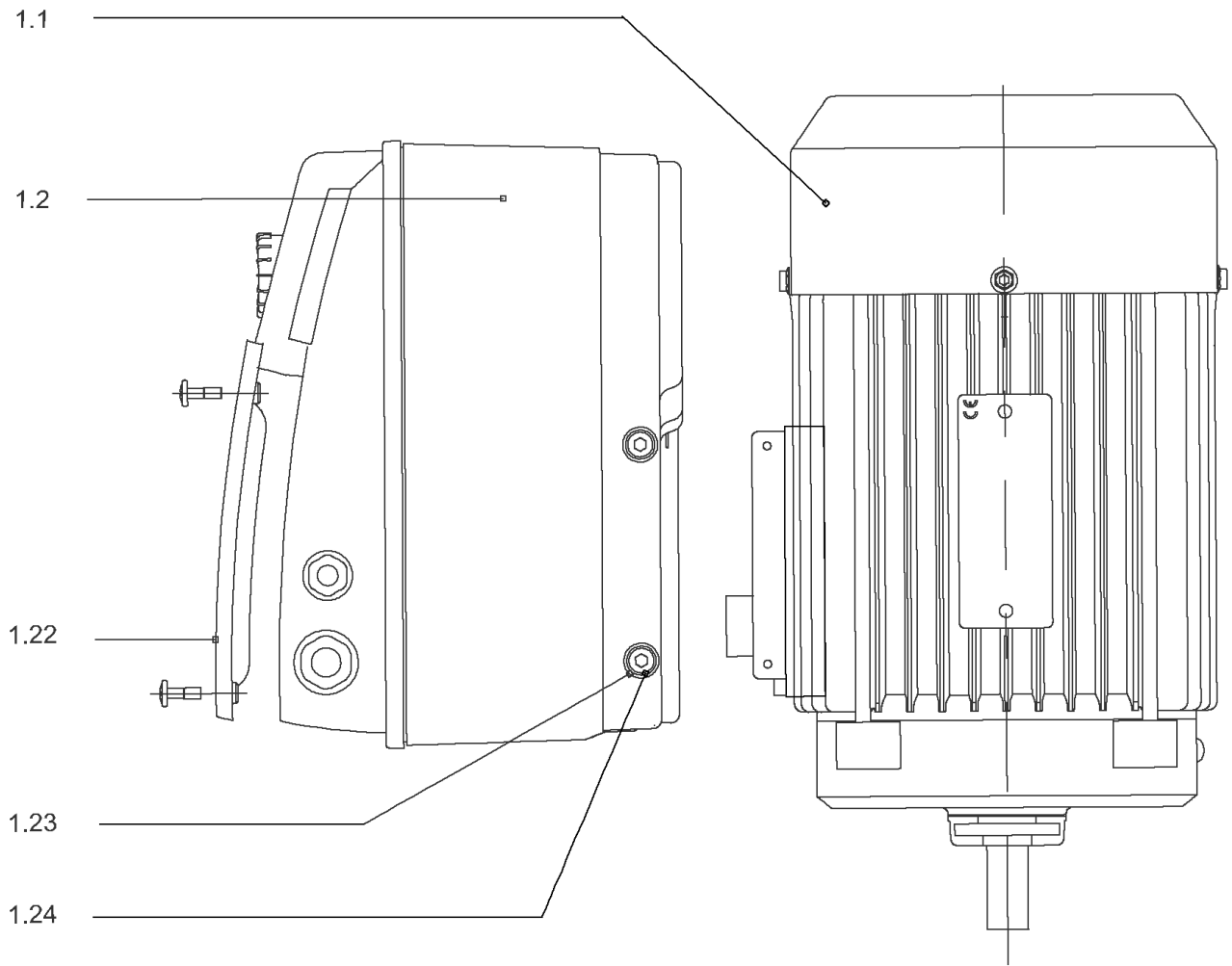
Item	Article no.	Description	Quantity
13.1	4157739	FIRST STAGE HELIX 22 1.4307 KIT	1
		> IMPELLER-H1-M+22-304	1
		> MACH.STG-CASING-WOGV-WNR-M+22-304	1
13.2	4157740	BEARING STAGE HELIX 22 1.4307 KIT	1
		> IMPELLER-H2-M+22-304	1
		> MACH.BEARING-STG-CASING-WNR-M+22-304	1
		> SHAFT-SLEEVE-D26xD22x16-CW	1



HELIX VE2202-3.0-1/16/E/KS (4198847)

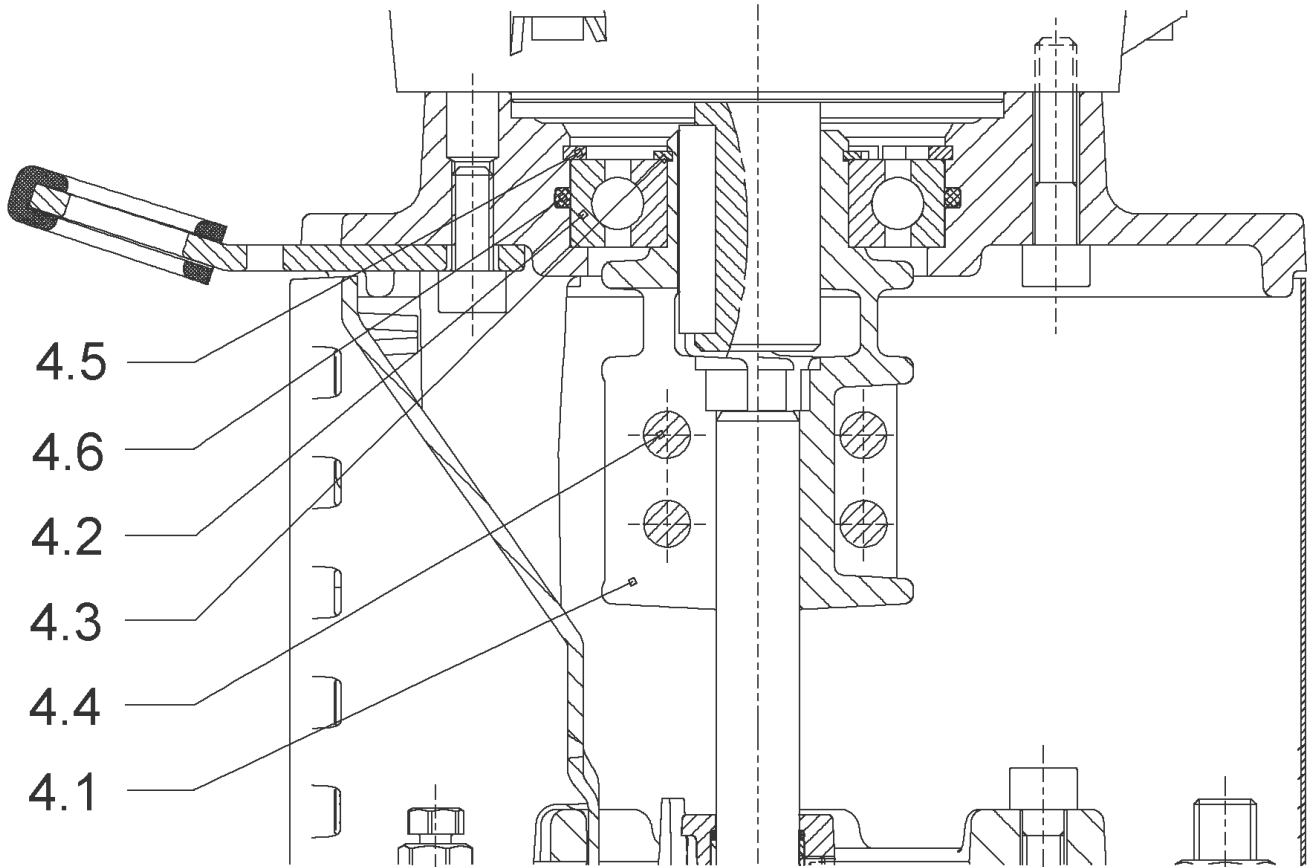
Item	Article no.	Description	Quantity
1		DRIVE HELIX-VE2202-3.0-IE4-WE KIT	1
Note: MOTOR BRAND WILO ELEC			
2	4159707	SCREW M8X30 (4 PIECES)	1
3	4157719	LANTERN HELIX 22/36 FT130 KIT	1
3.1		> LANTERN FT130 M+ GJL MACHINED+CATA	1
3.2	4179561	> EYELET CPL.FT HELIX(2 PIECES)	1
3.3	4143968	> COUPLING PROTECT HELIX FT KIT	1
4	4143964	COUPLING D.20XD.28 FT130 KIT	1
5	4094462	SCREWS M10 (4 PIECES)	1
6	4186348	STUD BOLT M16X353 KIT	1
6.1		> TIE BOLT M16-353x24x44-1.4057	1
6.2	4179562	> NUT M16 8.8 ISO4032 (4 PIECES)	1
6.3	4097852	> WASHER-CS-16.4-32-2.8-NFE25-511-A2	1
7	4217176	END SHIELD HELIX OPTI 8" EPDM KIT	1
7.1		> upper flange machined + cataphoresis	1
7.2	4217174	> STATIONARY RING HOLDER 8" HELIX OPTI VP.	1
7.3	4179571	> O-RING HOUSING PIPE HELIX22/36/52 VP.	1
7.4	4179572	> O-RING ID.42.52X2.62 EPDM VP.	1
8	4186377	FILING/PURGING PLUG 304 HELIX KIT	1
8.1		> FILLING/VENTING-PLUG-MVI8/10"-304	1
8.2	4032291	> O-RING 17x3 EPDM KTW/WRC	1
9	4143973	CARTRIDGE HELIX22-36-52 O/E KIT	1
10	4181154	HOUSING PIPE D.204X164 1.4307 KIT	1
7.3	4179571	> O-RING HOUSING PIPE HELIX22/36/52 VP.	1
10.1		> HOUSING-PIPE Ø204-M+2201/2202-304	1
11	4179143	CENTERING STAGE-RETURN HELIX22 1.4307 VP	1
12	4143967	SHAFT EQUIPMENT HELIX V KIT	1
13		HYDRAULIC HELIX V 2202	1
14	4179579	SHAFTS D.22X304 1.4057 VP.	1
15	4217852	EQUIPED HOUSING DN50 HELIX OPTI 8" KIT	1
15.1		> pump casing machined DN50	1
15.2	4217178	> HALF FLANGE DN50 HELIX OPTI 8" VP.	1
15.3	4217850	> DRAIN/PRIMING PLUG HELIX OPTI 8" KIT	1
7.3	4179571	> O-RING HOUSING PIPE HELIX22/36/52 VP.	1

Item	Article no.	Description	Quantity
16	4217854	BASEPLATE DN50 HELIX OPTI 8" VP.	1



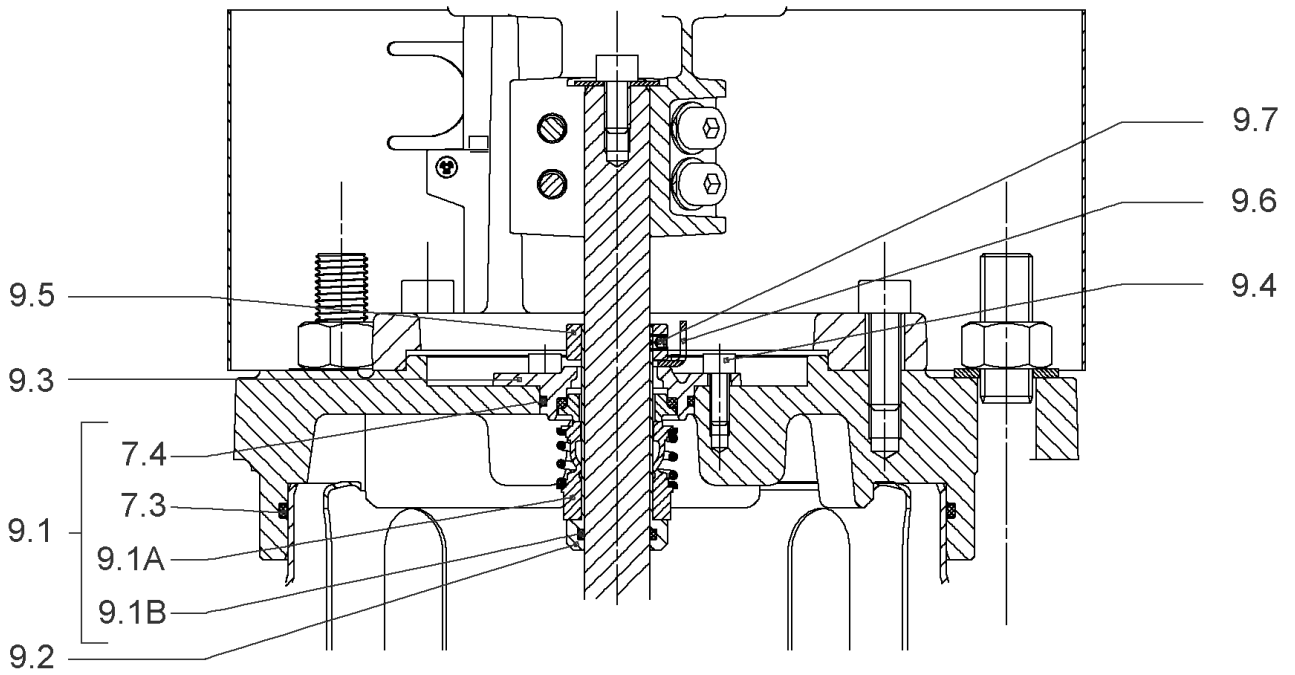
DRIVE HELIX-VE2202-3.0-IE4-WE KIT

Item	Article no.	Description	Quantity
1.1	4207922	MOTOR 3/2/100 3~ 380V 60HZ IE4 WE VP.	1
		SPARE PARTS MOTOR:ON REQUEST	1
1.2	4209341	MODULE HELIX-VE2202-3.0-IE4-WE KIT	1
1.22	2054227	> MODULE COVER/GASKET TL3/4 KIT	1
1.23	4215716	> SCREW M5X16 DIN912 8.8 A2A (4pieces) VP.	1
1.24	2057978	> RONDELLE A5,3 DIN6797 FST ZN (4 PIECES)	1



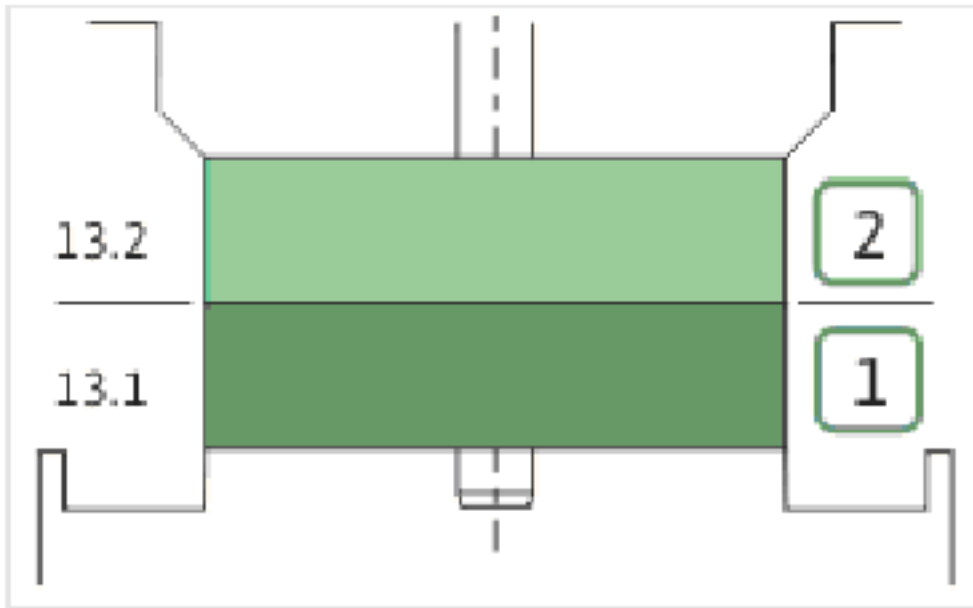
COUPLING D.20XD.28 FT130 KIT (4143964)

Item	Article no.	Description	Quantity
4.1		COUPLING M+ Ø20XØ28-FT130 MACHINED	1
4.2	2131022	BALL BEARING 6209/ZZ-C3(HT)VP.	1
4.3	4233930	CIRCLIP-FOR-BORES-D45x1,75 VP.	1
4.4	4157726	SCREW KIT M8X30 (4 PIECES)	1
4.5	4234252	CIRCLIPS 85X3 VP.	1
4.6	4234243	O-RING 85X3 VP.	1
		NOMEL CONTACT WASHER 8x16x1,4 STEEL ZC	1

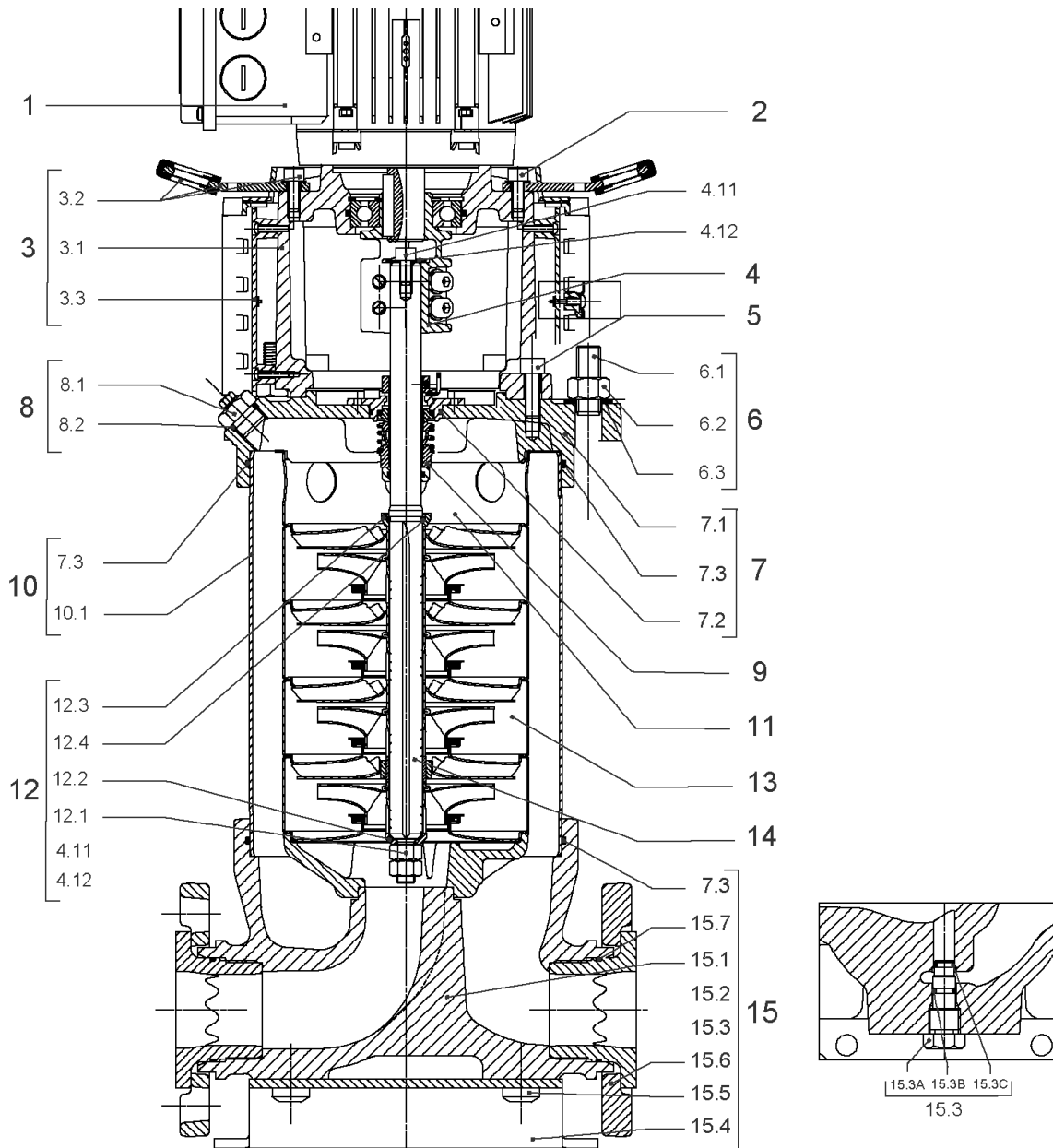


CARTRIDGE HELIX22-36-52 O/E KIT (4143973)

Item	Article no.	Description	Quantity
9.1	4143974	SEAL-KIT-HELIX22-36-52 O/E	1
7.3	4179571	> O-RING HOUSING PIPE HELIX22/36/52 VP.	1
7.4	4179572	> O-RING ID.42.52X2.62 EPDM VP.	1
9.1A	4179573	> M.SEAL.HELIX22-36-52 O/E VP.	1
9.1B	4179574	> O-RING ID.20x2.65 EPDM VP.	1
9.2	4179566	SHAFT SLEEVE D.20/20X60 1.4404 VP.	1
9.3	4179567	RING HOLDER Ø22 1.4301 VP.	1
9.4	4176520	SCREW CH M5x5 A4-70 (3PIECES)	1
9.5	4179568	DRIVE RING D.31/22.1x11 MACH.VP.	1
9.6	4179569	TOOL M.S.CART.HELIX 8" VP.	1
9.7	4179570	SCREW M6X16 ISO4762 8.8 GEOMET(4 PIECES)	1



Item	Article no.	Description	Quantity
13.1	4157739	FIRST STAGE HELIX 22 1.4307 KIT	1
		> IMPELLER-H1-M+22-304	1
		> MACH.STG-CASING-WOGV-WNR-M+22-304	1
13.2	4157740	BEARING STAGE HELIX 22 1.4307 KIT	1
		> IMPELLER-H2-M+22-304	1
		> MACH.BEARING-STG-CASING-WNR-M+22-304	1
		> SHAFT-SLEEVE-D26xD22x16-CW	1



HELIX VE2202-4.0-3/16/E/KS (4147999)

Item	Article no.	Description	Quantity
1		DRIVE HELIX-VE2202-IE2-ATB KIT	1
Note: MOTOR BRAND ATB			
1		DRIVE HELIX-VE2202-4.0-WE KIT	1
Note: MOTOR BRAND WILO ELEC			
1		DRIVE HELIX-VE2202-4.0-IE4-WE KIT	1
Note: MOTOR BRAND WILO ELEC			
2	4159707	SCREW M8X30 (4 PIECES)	1
3	4157719	LANTERN HELIX 22/36 FT130 KIT	1
3.1		> LANTERN FT130 M+ GJL MACHINED+CATA	1
3.2	4179561	> EYELET CPL.FT HELIX(2 PIECES)	1
3.3	4143968	> COUPLING PROTECT HELIX FT KIT	1
4	4143964	COUPLING D.20XD.28 FT130 KIT	1
5	4094462	SCREWS M10 (4 PIECES)	1
6	4181156	STUD BOLT M16X233 KIT	1
6.1		> TIE BOLT M16-233x24x44-1.4057	1
6.2	4179562	> NUT M16 8.8 ISO4032 (4 PIECES)	1
6.3	4097852	> WASHER-CS-16.4-32-2.8-NFE25-511-A2	1
7	4179565	END SHIELD HELIX 8" EPDM KIT	1
7.1		> END SHIELD M+ GJL MACHINED+CATA	1
7.2	4179564	> O-RING D.42.52x2.62 EPDM VP.	1
7.3	4179571	> O-RING HOUSING PIPE HELIX22/36/52 VP.	1
8	4186377	FILING/PURGING PLUG 304 HELIX KIT	1
8.1		> FILLING/VENTING-PLUG-MVI8/10"-304	1
8.2	4032291	> O-RING 17x3 EPDM KTW/WRC	1
9	4143973	CARTRIDGE HELIX22-36-52 O/E KIT	1
10	4181154	HOUSING PIPE D.204X164 1.4307 KIT	1
7.3	4179571	> O-RING HOUSING PIPE HELIX22/36/52 VP.	1
10.1		> HOUSING-PIPE Ø204-M+2201/2202-304	1
11	4179143	CENTERING STAGE-RETURN HELIX22 1.4307 VP	1
12	4143967	SHAFT EQUIPMENT HELIX V KIT	1
13		HYDRAULIC HELIX V 2202	1
14	4179579	SHAFTS D.22X304 1.4057 VP.	1
15	4181158	EQUIPED HOUSING HELIX 22 GJL KIT	1
7.3	4179571	> O-RING HOUSING PIPE HELIX22/36/52 VP.	1

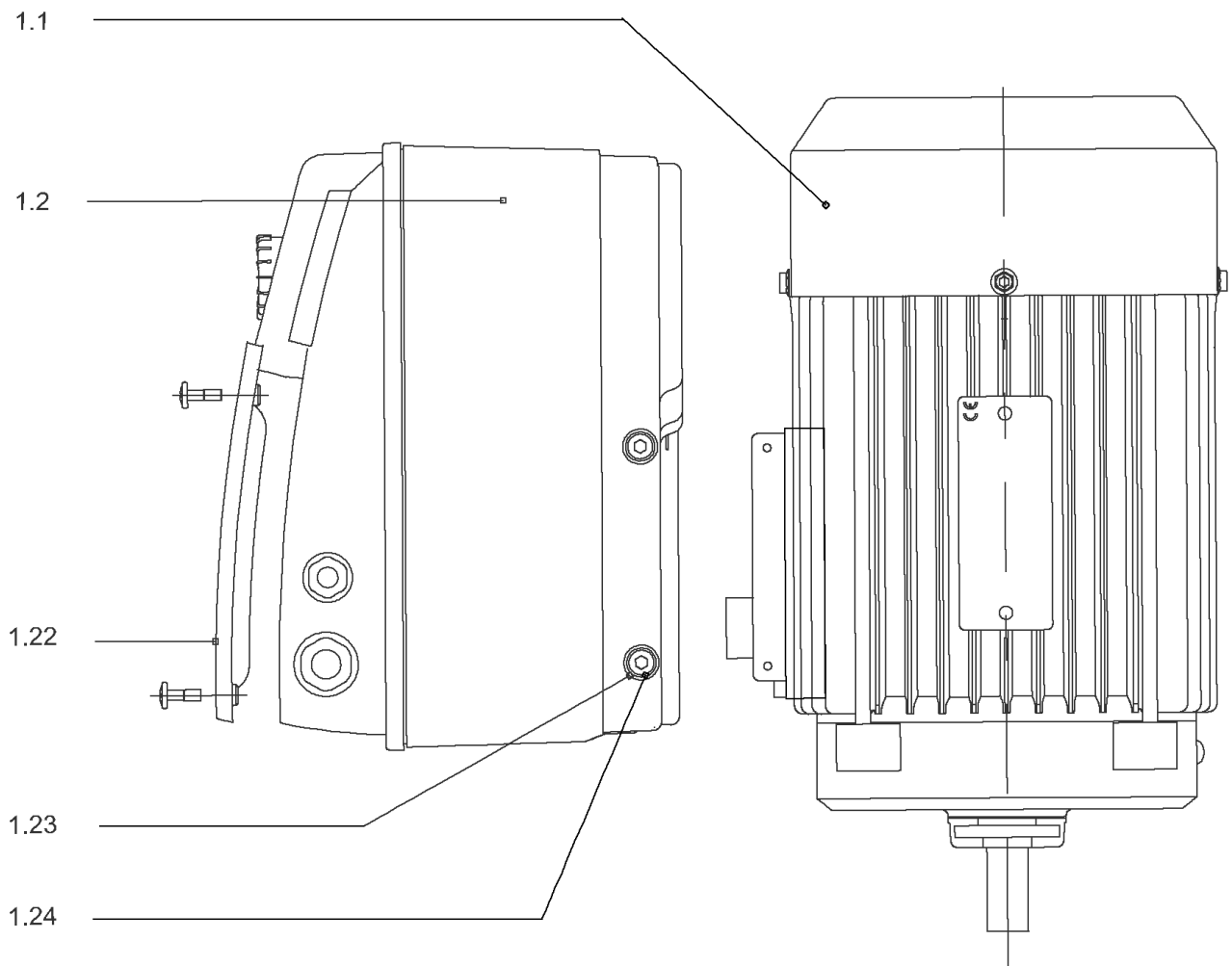
HELIX VE2202-4.0-3/16/E/KS (4147999)

Item	Article no.	Description	Quantity
15.1		> PUMP HOUSING SET with COATED PARTS-DN50	1
15.3	4143766	> DRAIN/PRIMING PLUG EPDM HELIX KIT	1
15.3A		>> PRIMING/DRAIN PLUG-304-VERSION 1	1
15.3B	4032293	>> O-RING-10x3-EPDM-KTW/WRC	1
15.3C	4233957	>> O-RING ID.9 EPDM VP.	1
15.4	4221729	> BASE M+ DN50/65/80 VP.	1
15.6		> FLANGE M+ DN50 CATA	1
15.7		> O-RING Ø63.17xØ2.62 EPDM	1
15.5		> SCREW TBHC M12x25 ISO7380 ZN	1



DRIVE HELIX-VE2202-IE2-ATB KIT

Item	Article no.	Description	Quantity
1.1		MOTOR 4/2/112 3~ 380V 60HZ IE2 ATB VP.	1
Note: no longer available/nicht mehr lieferbar/n'est plus disponible			
		SPARE PARTS MOTOR:ON REQUEST	1
1.2	4185022	MODULE HELIX-VE2202-4.0-IE2-ATB KIT	1
1.22	2054227	> MODULE COVER/GASKET TL3/4 KIT	1
1.23	4215716	> SCREW M5X16 DIN912 8.8 A2A (4pieces) VP.	1
1.24	2057978	> RONDELLE A5,3 DIN6797 FST ZN (4 PIECES)	1



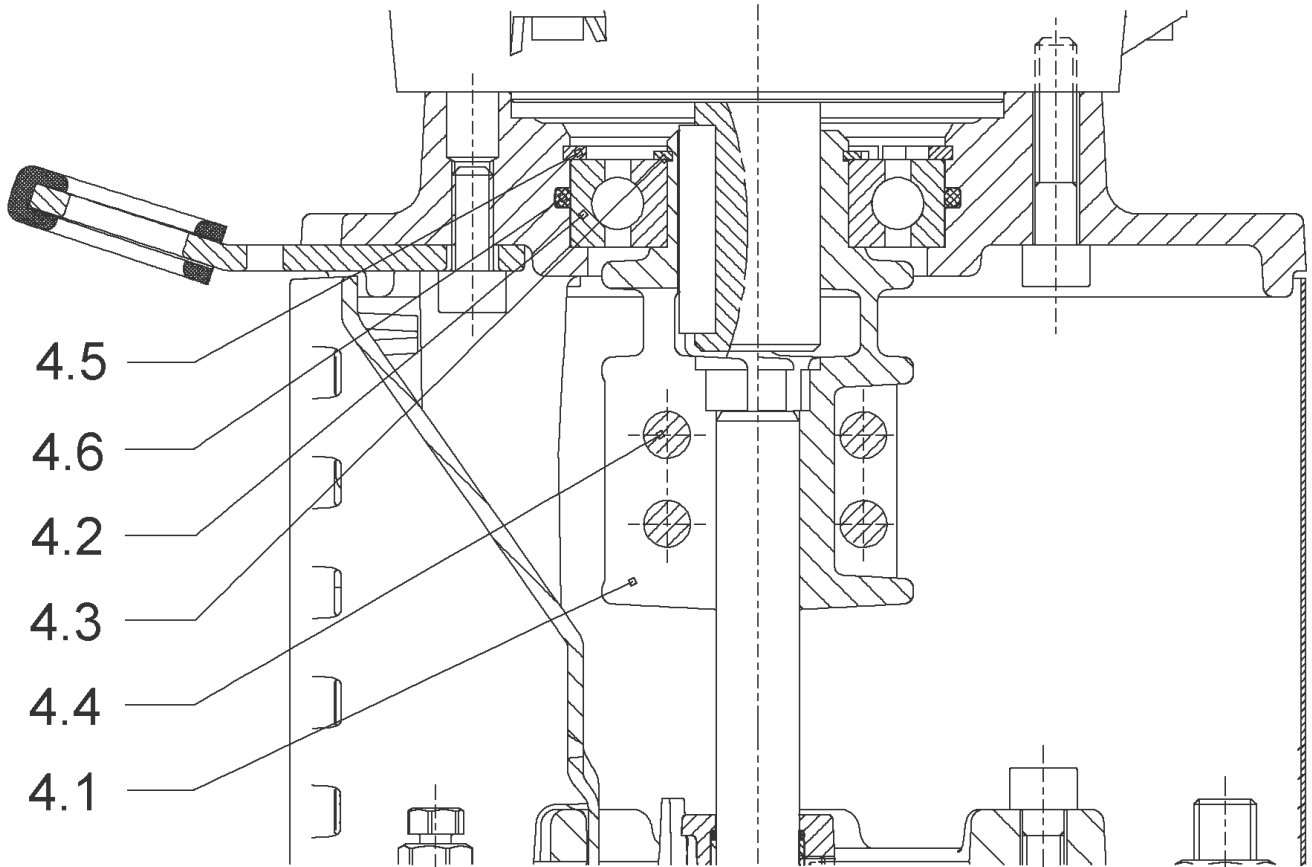
DRIVE HELIX-VE2202-4.0-WE KIT

Item	Article no.	Description	Quantity
1.1	4188824	MO.4/2/112 3~380V 60Hz IE2 WE VP.	1
		SPARE PARTS MOTOR:ON REQUEST	1
1.2	4186409	MODULE HELIX-VE2202-4.0-IE2-WE KIT	1
1.22	2054227	> MODULE COVER/GASKET TL3/4 KIT	1
1.23	4215716	> SCREW M5X16 DIN912 8.8 A2A (4pieces) VP.	1
1.24	2057978	> RONDELLE A5,3 DIN6797 FST ZN (4 PIECES)	1



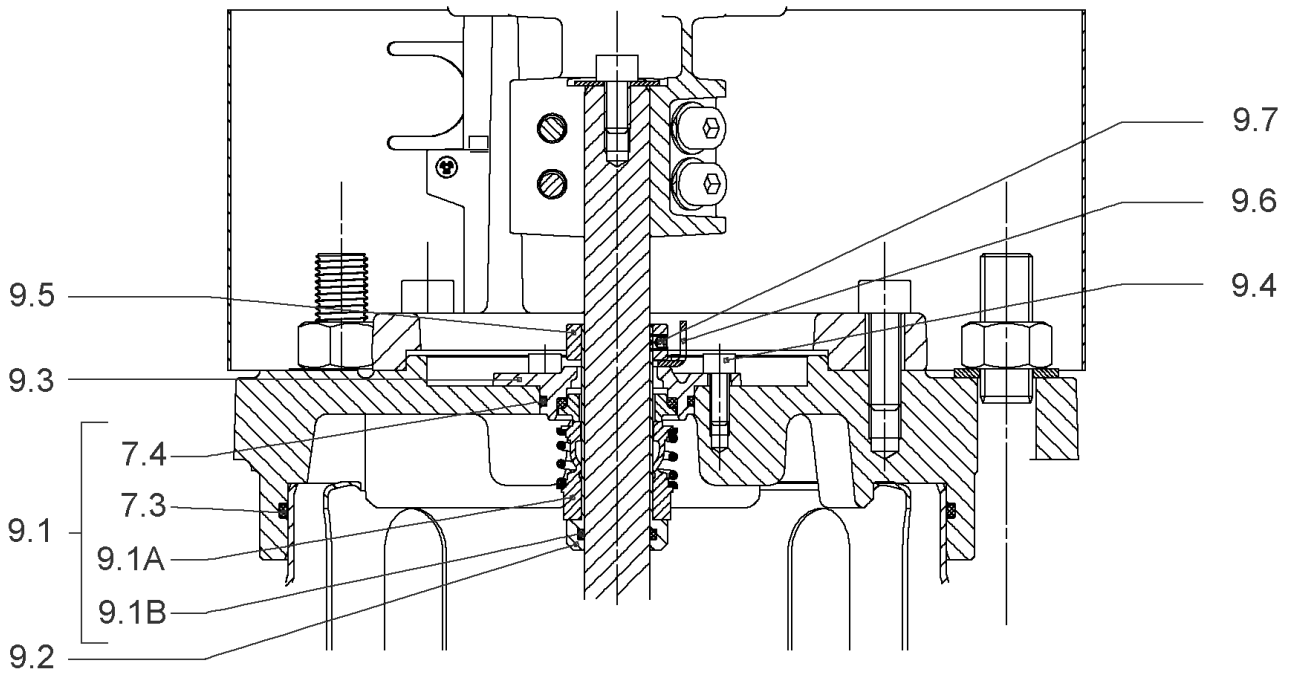
DRIVE HELIX-VE2202-4.0-IE4-WE KIT

Item	Article no.	Description	Quantity
1.1	4207924	MOTOR 4/2/112 3~ 380V 60HZ IE4 WE VP.	1
		SPARE PARTS MOTOR:ON REQUEST	1
1.2	4209608	MODULE HELIX-VE2202-4.0-IE4-WE KIT	1
1.22	2054227	> MODULE COVER/GASKET TL3/4 KIT	1
1.23	4215716	> SCREW M5X16 DIN912 8.8 A2A (4pieces) VP.	1
1.24	2057978	> RONDELLE A5,3 DIN6797 FST ZN (4 PIECES)	1



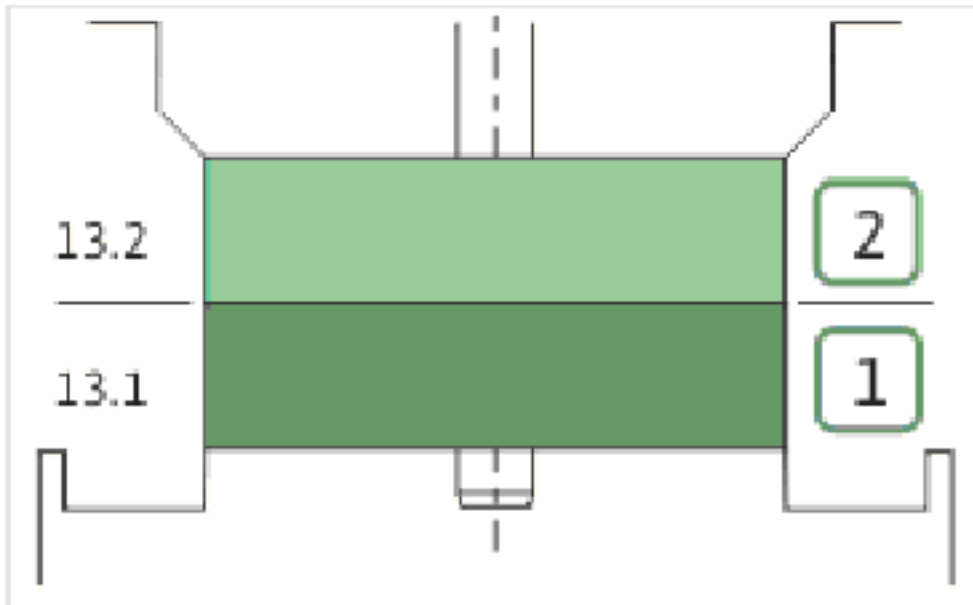
COUPLING D.20XD.28 FT130 KIT (4143964)

Item	Article no.	Description	Quantity
4.1		COUPLING M+ Ø20XØ28-FT130 MACHINED	1
4.2	2131022	BALL BEARING 6209/ZZ-C3(HT)VP.	1
4.3	4233930	CIRCLIP-FOR-BORES-D45x1,75 VP.	1
4.4	4157726	SCREW KIT M8X30 (4 PIECES)	1
4.5	4234252	CIRCLIPS 85X3 VP.	1
4.6	4234243	O-RING 85X3 VP.	1
		NOMEL CONTACT WASHER 8x16x1,4 STEEL ZC	1

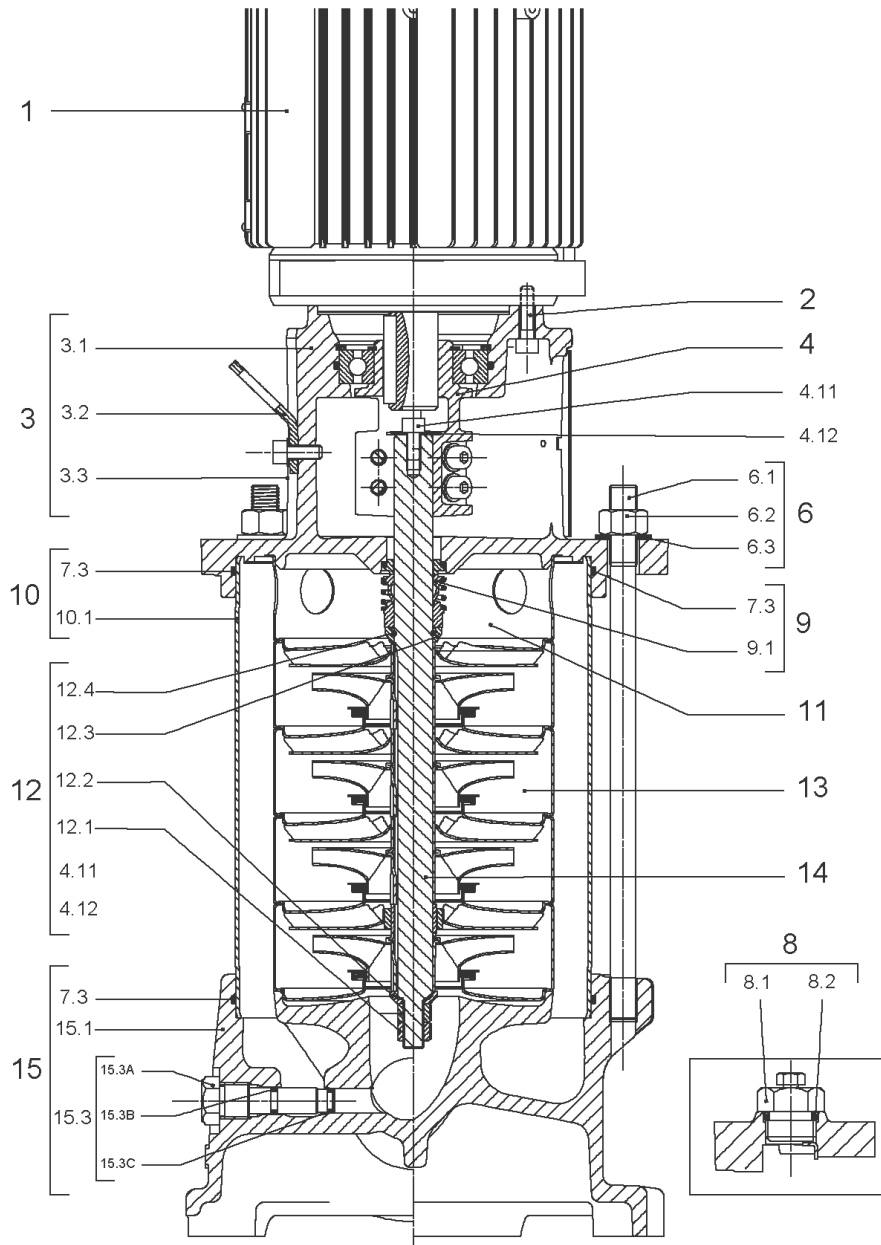


CARTRIDGE HELIX22-36-52 O/E KIT (4143973)

Item	Article no.	Description	Quantity
9.1	4143974	SEAL-KIT-HELIX22-36-52 O/E	1
7.3	4179571	> O-RING HOUSING PIPE HELIX22/36/52 VP.	1
7.4	4179572	> O-RING ID.42.52X2.62 EPDM VP.	1
9.1A	4179573	> M.SEAL.HELIX22-36-52 O/E VP.	1
9.1B	4179574	> O-RING ID.20x2.65 EPDM VP.	1
9.2	4179566	SHAFT SLEEVE D.20/20X60 1.4404 VP.	1
9.3	4179567	RING HOLDER Ø22 1.4301 VP.	1
9.4	4176520	SCREW CH M5x5 A4-70 (3PIECES)	1
9.5	4179568	DRIVE RING D.31/22.1x11 MACH.VP.	1
9.6	4179569	TOOL M.S.CART.HELIX 8" VP.	1
9.7	4179570	SCREW M6X16 ISO4762 8.8 GEOMET(4 PIECES)	1



Item	Article no.	Description	Quantity
13.1	4157739	FIRST STAGE HELIX 22 1.4307 KIT	1
		> IMPELLER-H1-M+22-304	1
		> MACH.STG-CASING-WOGV-WNR-M+22-304	1
13.2	4157740	BEARING STAGE HELIX 22 1.4307 KIT	1
		> IMPELLER-H2-M+22-304	1
		> MACH.BEARING-STG-CASING-WNR-M+22-304	1
		> SHAFT-SLEEVE-D26xD22x16-CW	1

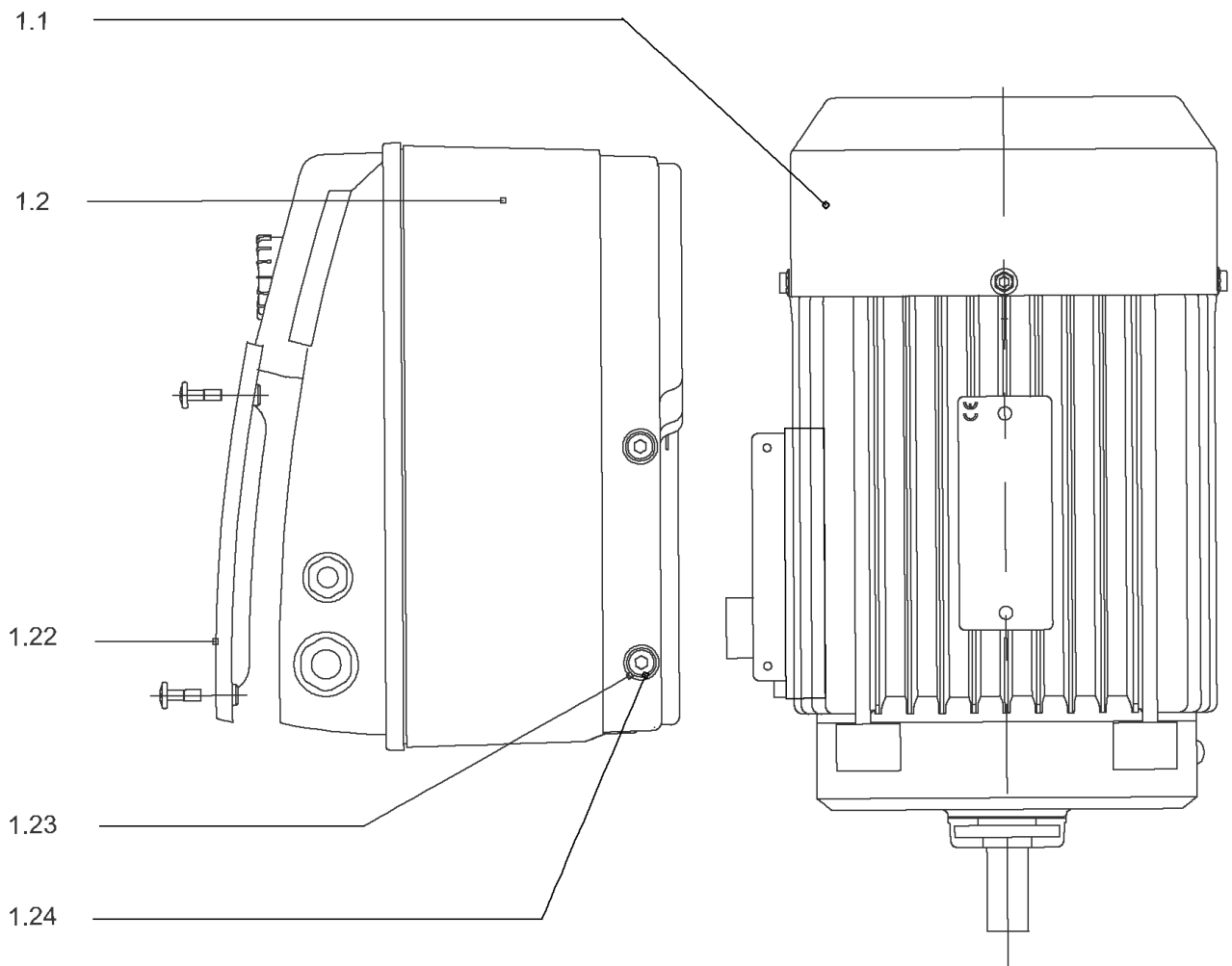


HELIX VE2202-4.0-4/16/E/S (4183452)

Item	Article no.	Description	Quantity
1		DRIVE HELIX-VE2202-4.0-WE KIT	1
Note: MOTOR BRAND WILO ELEC			
1		DRIVE HELIX-VE2202-IE2-ATB KIT	1
Note: MOTOR BRAND ATB			
1		DRIVE HELIX-VE2202-4.0-IE4-WE KIT	1
Note: MOTOR BRAND WILO ELEC			
2	4159707	SCREW M8X30 (4 PIECES)	1
3	4186356	LANTERN HELIX OPTI 8" FT130 KIT	1
3.1		> M+8_LANTERN_ONE-PIECE_FT130_CATA_DWA	1
3.2	4184852	> EYELET CPL.FT HELIX (2 PIECES)	1
3.3	4184853	> COUPLING PROTECTOR FT HELIX 8" KIT	1
4	4184854	COUPLING D.22XD.28 FT130 HELIX KIT	1
6	4179563	STUD BOLT M16X198 KIT	1
6.1		> TIE BOLT M16-198x24x44-1.4057	1
6.2	4179562	> NUT M16 8.8 ISO4032 (4 PIECES)	1
6.3	4097852	> WASHER-CS-16.4-32-2.8-NFE25-511-A2	1
8	4186377	FILING/PURGING PLUG 304 HELIX KIT	1
8.1		> FILLING/VENTING-PLUG-MVI8/10"-304	1
8.2	4032291	> O-RING 17x3 EPDM KTW/WRC	1
9	4192148	SEAL-KIT-HELIX22-36-52 FIRST O/E	1
7.3	4179571	> O-RING HOUSING PIPE HELIX22/36/52 VP.	1
9.1	4179573	> M.SEAL.HELIX22-36-52 O/E VP.	1
10	4181154	HOUSING PIPE D.204X164 1.4307 KIT	1
7.3	4179571	> O-RING HOUSING PIPE HELIX22/36/52 VP.	1
10.1		> HOUSING-PIPE Ø204-M+2201/2202-304	1
11	4179143	CENTERING STAGE-RETURN HELIX22 1.4307 VP	1
12	4184856	SHAFT EQUIPMENT HELIX 22 FIRST KIT	1
13		HYDRAULIC HELIX V 2202	1
14	4184857	SHAFT D.22X251 1.4057 VP.	1
15	4186357	EQUIPED HOUSING HELIX OPTI DN50 GJL KIT	1
15.1		> PUMP CASING MONO.GJL M+8" DN50 DWA	1
15.3	4106048	> DRAIN/PRIMING PLUG EPDM HELIX FIRST KIT	1
15.3A		>> DRAIN AND PRIMING PLUG-VMI10"-304	1
15.3B	4032293	>> O-RING-10x3-EPDM-KTW/WRC	1

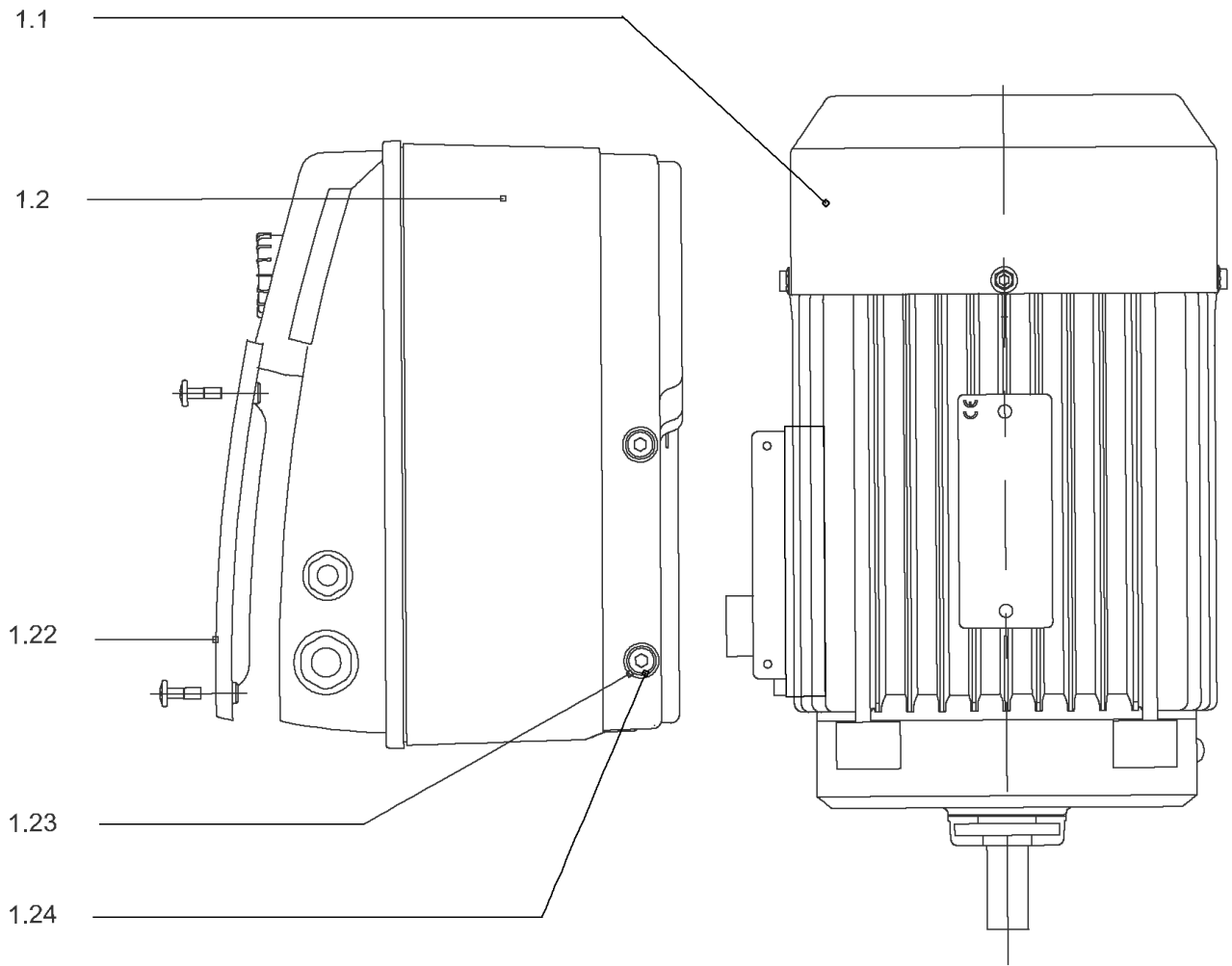
HELIX VE2202-4.0-4/16/E/S (4183452)

Item	Article no.	Description	Quantity
15.3C	4233957	>> O-RING ID.9 EPDM VP.	1
7.3	4179571	> O-RING HOUSING PIPE HELIX22/36/52 VP.	1



DRIVE HELIX-VE2202-4.0-WE KIT

Item	Article no.	Description	Quantity
1.1	4188824	MO.4/2/112 3~380V 60Hz IE2 WE VP.	1
		SPARE PARTS MOTOR:ON REQUEST	1
1.2	4186409	MODULE HELIX-VE2202-4.0-IE2-WE KIT	1
1.22	2054227	> MODULE COVER/GASKET TL3/4 KIT	1
1.23	4215716	> SCREW M5X16 DIN912 8.8 A2A (4pieces) VP.	1
1.24	2057978	> RONDELLE A5,3 DIN6797 FST ZN (4 PIECES)	1



DRIVE HELIX-VE2202-IE2-ATB KIT

Item	Article no.	Description	Quantity
1.1		MOTOR 4/2/112 3~ 380V 60HZ IE2 ATB VP.	1
Note: no longer available/nicht mehr lieferbar/n'est plus disponible			
		SPARE PARTS MOTOR:ON REQUEST	1
1.2	4185022	MODULE HELIX-VE2202-4.0-IE2-ATB KIT	1
1.22	2054227	> MODULE COVER/GASKET TL3/4 KIT	1
1.23	4215716	> SCREW M5X16 DIN912 8.8 A2A (4pieces) VP.	1
1.24	2057978	> RONDELLE A5,3 DIN6797 FST ZN (4 PIECES)	1



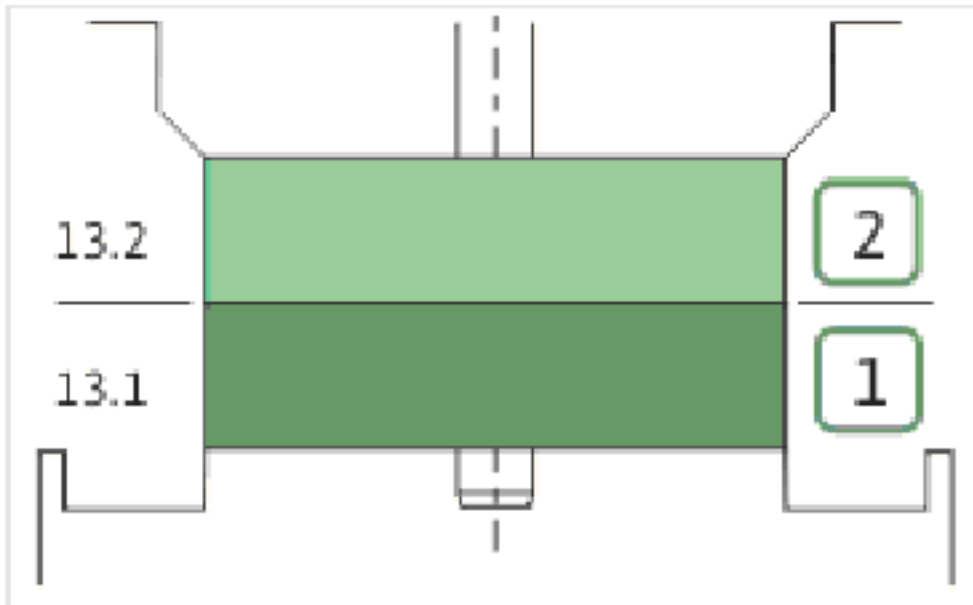
DRIVE HELIX-VE2202-4.0-IE4-WE KIT

Item	Article no.	Description	Quantity
1.1	4207924	MOTOR 4/2/112 3~ 380V 60HZ IE4 WE VP.	1
		SPARE PARTS MOTOR:ON REQUEST	1
1.2	4209608	MODULE HELIX-VE2202-4.0-IE4-WE KIT	1
1.22	2054227	> MODULE COVER/GASKET TL3/4 KIT	1
1.23	4215716	> SCREW M5X16 DIN912 8.8 A2A (4pieces) VP.	1
1.24	2057978	> RONDELLE A5,3 DIN6797 FST ZN (4 PIECES)	1

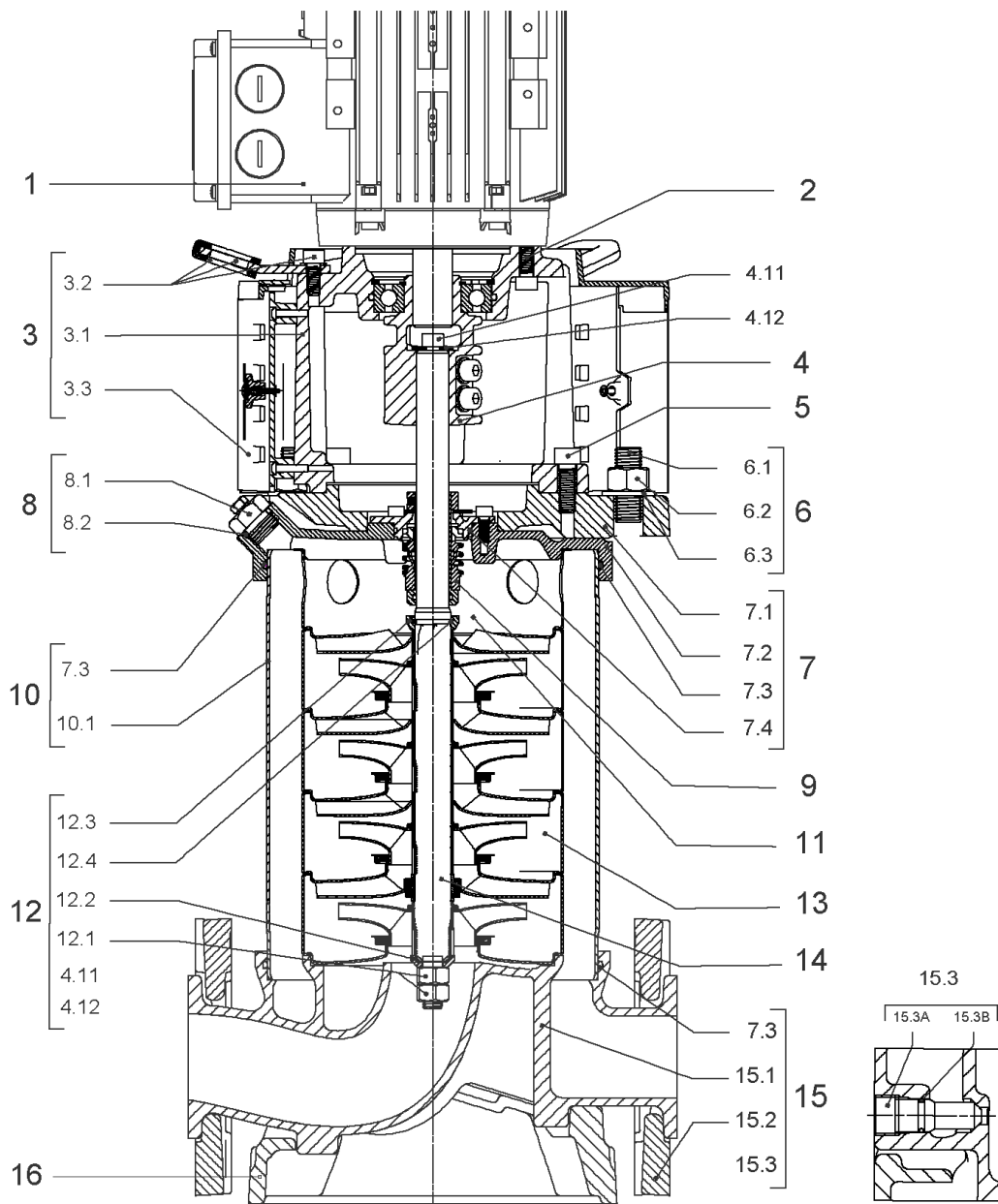


COUPLING D.22XD.28 FT130 HELIX KIT (4184854)

Item	Article no.	Description	Quantity
4.1		COUPLING-VMI-Ø22xØ28-FT130-MACHINED	1
4.2	2131022	BALL BEARING 6209/ZZ-C3(HT)VP.	1
4.3	4233930	CIRCLIP-FOR-BORES-D45x1,75 VP.	1
4.4	4157726	SCREW KIT M8X30 (4 PIECES)	1
4.5	4234252	CIRCLIPS 85X3 VP.	1
4.6	4234243	O-RING 85X3 VP.	1
		NOMEL CONTACT WASHER 8x16x1,4 STEEL ZC	1



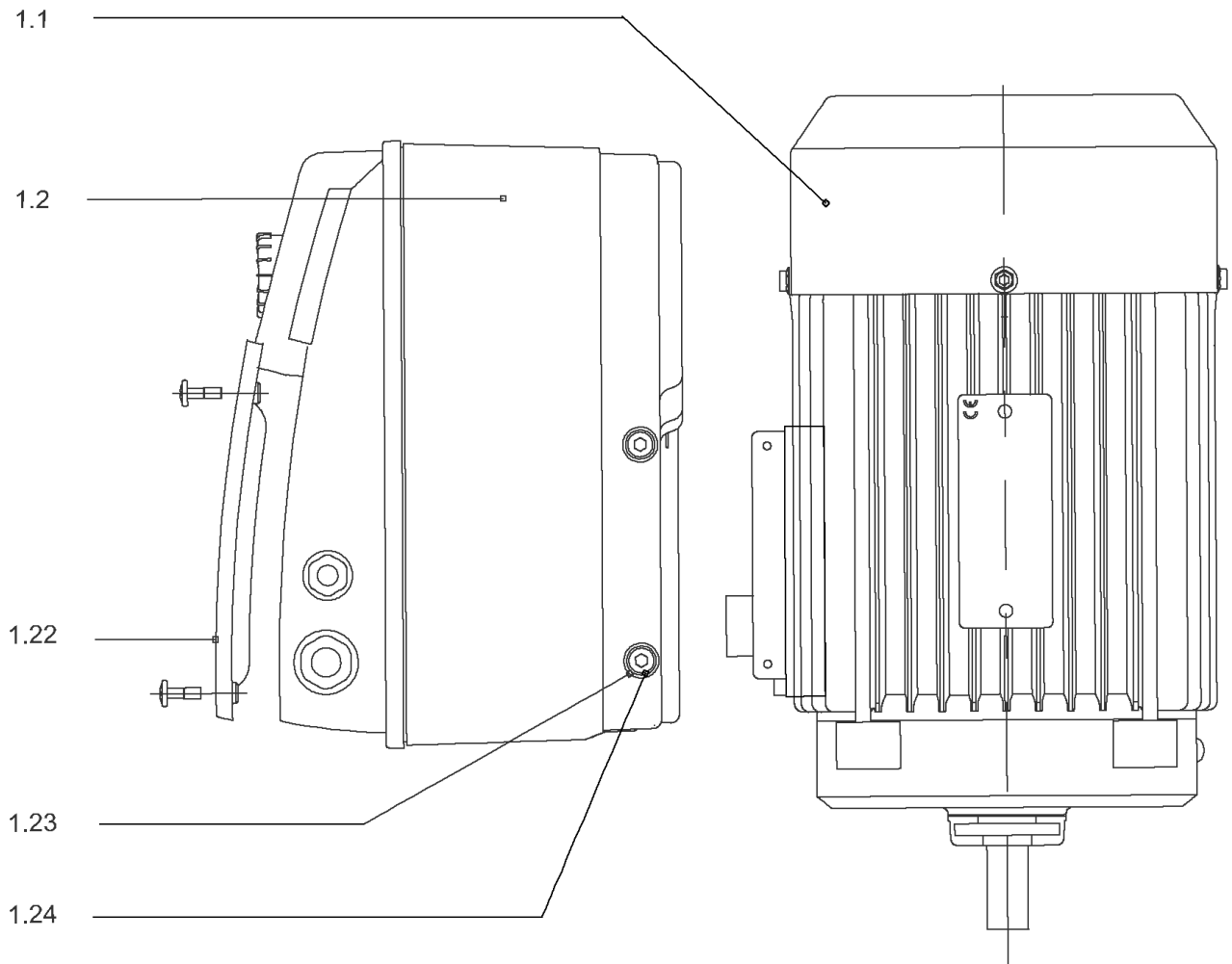
Item	Article no.	Description	Quantity
13.1	4157739	FIRST STAGE HELIX 22 1.4307 KIT	1
		> IMPELLER-H1-M+22-304	1
		> MACH.STG-CASING-WOGV-WNR-M+22-304	1
13.2	4157740	BEARING STAGE HELIX 22 1.4307 KIT	1
		> IMPELLER-H2-M+22-304	1
		> MACH.BEARING-STG-CASING-WNR-M+22-304	1
		> SHAFT-SLEEVE-D26xD22x16-CW	1



HELIX VE2202-4.0-1/16/E/KS (4198849)

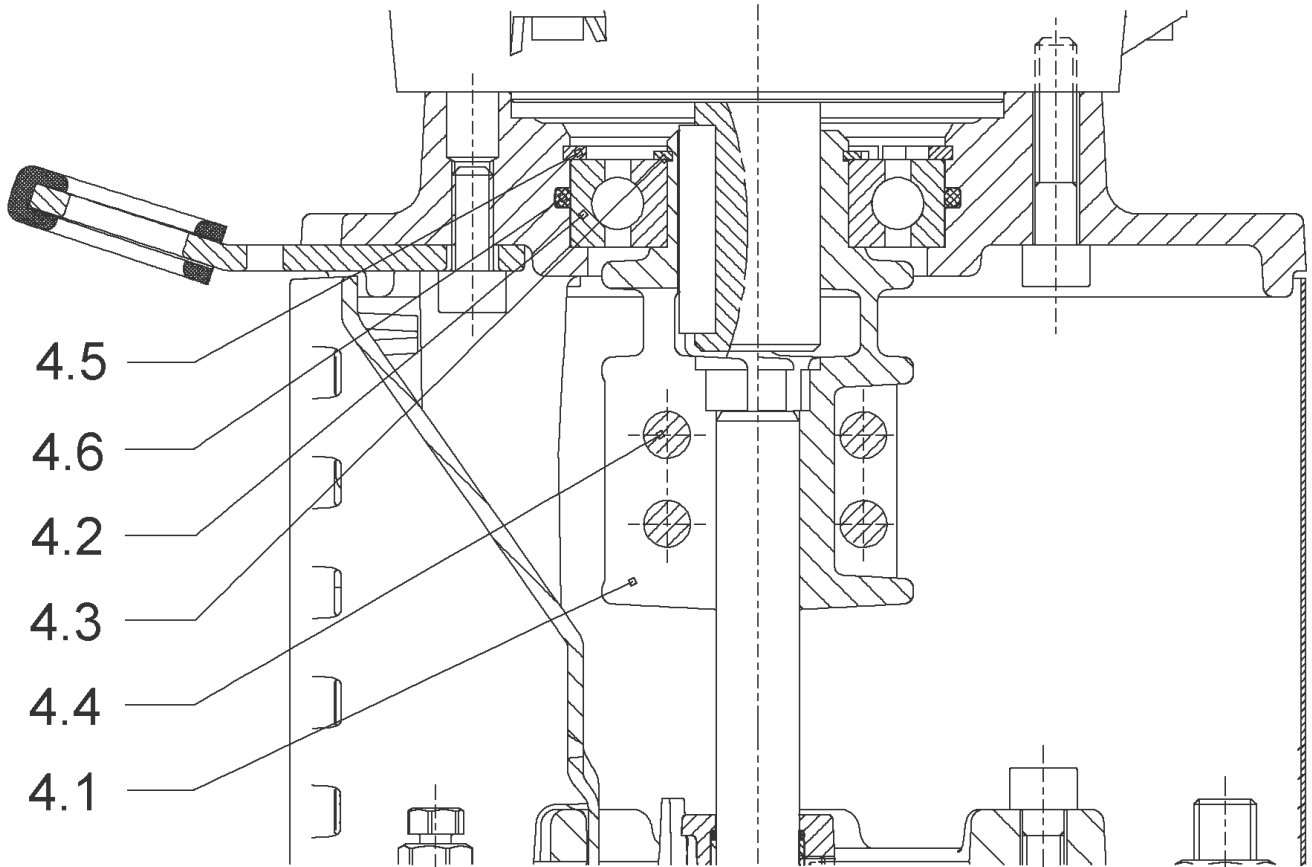
Item	Article no.	Description	Quantity
1		DRIVE HELIX-VE2202-4.0-IE4-WE KIT	1
Note: MOTOR BRAND WILO ELEC			
2	4159707	SCREW M8X30 (4 PIECES)	1
3	4157719	LANTERN HELIX 22/36 FT130 KIT	1
3.1		> LANTERN FT130 M+ GJL MACHINED+CATA	1
3.2	4179561	> EYELET CPL.FT HELIX(2 PIECES)	1
3.3	4143968	> COUPLING PROTECT HELIX FT KIT	1
4	4143964	COUPLING D.20XD.28 FT130 KIT	1
5	4094462	SCREWS M10 (4 PIECES)	1
6	4186348	STUD BOLT M16X353 KIT	1
6.1		> TIE BOLT M16-353x24x44-1.4057	1
6.2	4179562	> NUT M16 8.8 ISO4032 (4 PIECES)	1
6.3	4097852	> WASHER-CS-16.4-32-2.8-NFE25-511-A2	1
7	4217176	END SHIELD HELIX OPTI 8" EPDM KIT	1
7.1		> upper flange machined + cataphoresis	1
7.2	4217174	> STATIONARY RING HOLDER 8" HELIX OPTI VP.	1
7.3	4179571	> O-RING HOUSING PIPE HELIX22/36/52 VP.	1
7.4	4179572	> O-RING ID.42.52X2.62 EPDM VP.	1
8	4186377	FILING/PURGING PLUG 304 HELIX KIT	1
8.1		> FILLING/VENTING-PLUG-MVI8/10"-304	1
8.2	4032291	> O-RING 17x3 EPDM KTW/WRC	1
9	4143973	CARTRIDGE HELIX22-36-52 O/E KIT	1
10	4181154	HOUSING PIPE D.204X164 1.4307 KIT	1
7.3	4179571	> O-RING HOUSING PIPE HELIX22/36/52 VP.	1
10.1		> HOUSING-PIPE Ø204-M+2201/2202-304	1
11	4179143	CENTERING STAGE-RETURN HELIX22 1.4307 VP	1
12	4143967	SHAFT EQUIPMENT HELIX V KIT	1
13		HYDRAULIC HELIX V 2202	1
14	4179579	SHAFTS D.22X304 1.4057 VP.	1
15	4217852	EQUIPED HOUSING DN50 HELIX OPTI 8" KIT	1
15.1		> pump casing machined DN50	1
15.2	4217178	> HALF FLANGE DN50 HELIX OPTI 8" VP.	1
15.3	4217850	> DRAIN/PRIMING PLUG HELIX OPTI 8" KIT	1
7.3	4179571	> O-RING HOUSING PIPE HELIX22/36/52 VP.	1

Item	Article no.	Description	Quantity
16	4217854	BASEPLATE DN50 HELIX OPTI 8" VP.	1



DRIVE HELIX-VE2202-4.0-IE4-WE KIT

Item	Article no.	Description	Quantity
1.1	4207924	MOTOR 4/2/112 3~ 380V 60HZ IE4 WE VP.	1
		SPARE PARTS MOTOR:ON REQUEST	1
1.2	4209608	MODULE HELIX-VE2202-4.0-IE4-WE KIT	1
1.22	2054227	> MODULE COVER/GASKET TL3/4 KIT	1
1.23	4215716	> SCREW M5X16 DIN912 8.8 A2A (4pieces) VP.	1
1.24	2057978	> RONDELLE A5,3 DIN6797 FST ZN (4 PIECES)	1



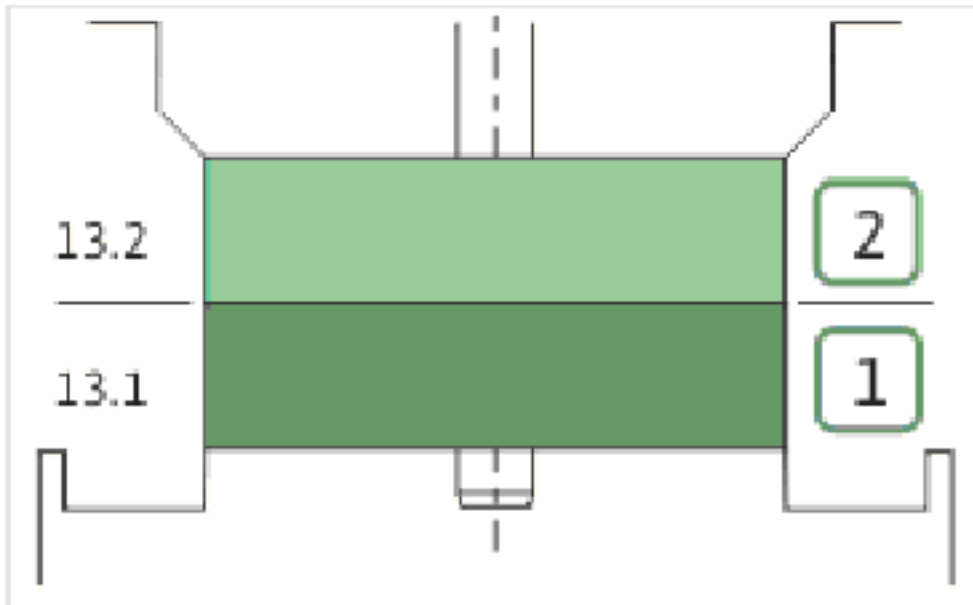
COUPLING D.20XD.28 FT130 KIT (4143964)

Item	Article no.	Description	Quantity
4.1		COUPLING M+ Ø20XØ28-FT130 MACHINED	1
4.2	2131022	BALL BEARING 6209/ZZ-C3(HT)VP.	1
4.3	4233930	CIRCLIP-FOR-BORES-D45x1,75 VP.	1
4.4	4157726	SCREW KIT M8X30 (4 PIECES)	1
4.5	4234252	CIRCLIPS 85X3 VP.	1
4.6	4234243	O-RING 85X3 VP.	1
		NOMEL CONTACT WASHER 8x16x1,4 STEEL ZC	1

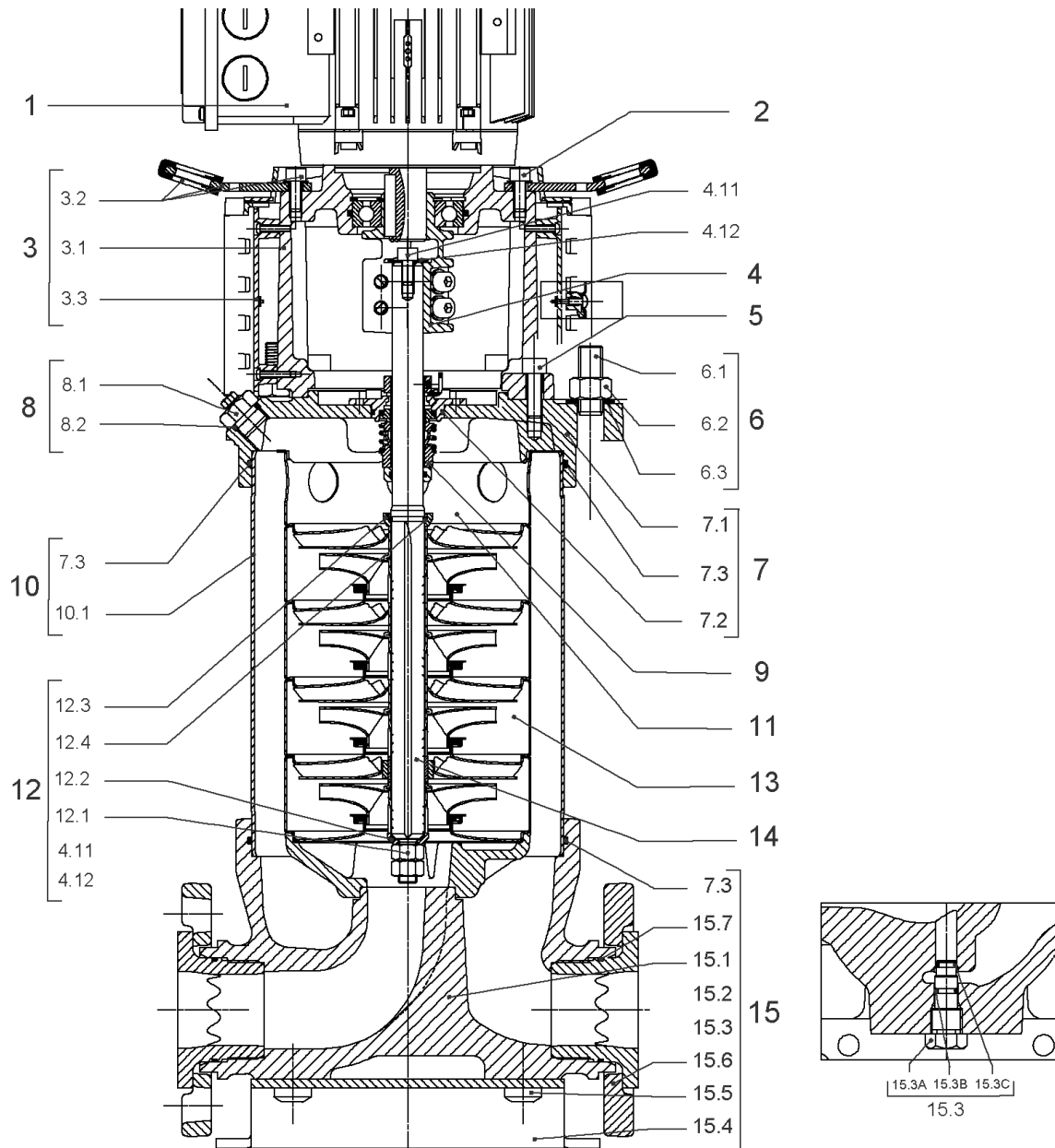


CARTRIDGE HELIX22-36-52 O/E KIT (4143973)

Item	Article no.	Description	Quantity
9.1	4143974	SEAL-KIT-HELIX22-36-52 O/E	1
7.3	4179571	> O-RING HOUSING PIPE HELIX22/36/52 VP.	1
7.4	4179572	> O-RING ID.42.52X2.62 EPDM VP.	1
9.1A	4179573	> M.SEAL.HELIX22-36-52 O/E VP.	1
9.1B	4179574	> O-RING ID.20x2.65 EPDM VP.	1
9.2	4179566	SHAFT SLEEVE D.20/20X60 1.4404 VP.	1
9.3	4179567	RING HOLDER Ø22 1.4301 VP.	1
9.4	4176520	SCREW CH M5x5 A4-70 (3PIECES)	1
9.5	4179568	DRIVE RING D.31/22.1x11 MACH.VP.	1
9.6	4179569	TOOL M.S.CART.HELIX 8" VP.	1
9.7	4179570	SCREW M6X16 ISO4762 8.8 GEOMET(4 PIECES)	1



Item	Article no.	Description	Quantity
13.1	4157739	FIRST STAGE HELIX 22 1.4307 KIT	1
		> IMPELLER-H1-M+22-304	1
		> MACH.STG-CASING-WOGV-WNR-M+22-304	1
13.2	4157740	BEARING STAGE HELIX 22 1.4307 KIT	1
		> IMPELLER-H2-M+22-304	1
		> MACH.BEARING-STG-CASING-WNR-M+22-304	1
		> SHAFT-SLEEVE-D26xD22x16-CW	1

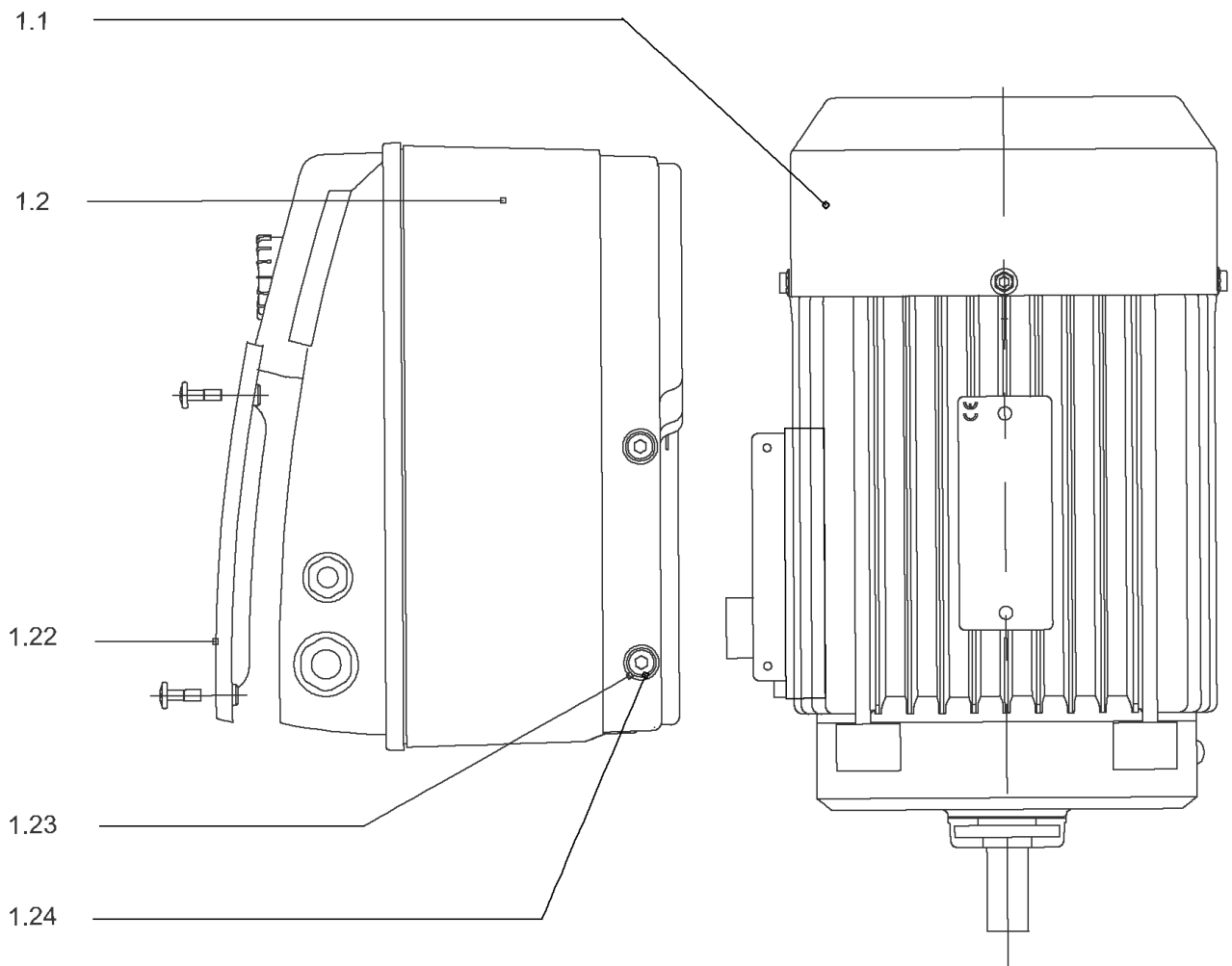


HELIX VE2203-3/16/E/K (4123338)

Item	Article no.	Description	Quantity
1		DRIVE HELIX-VE2203-IE2-ATB KIT	1
Note: MOTOR BRAND ATB			
1		DRIVE HELIX-VE2203-IE2-SIE KIT	1
Note: MOTOR BRAND SIEMENS			
1		DRIVE HELIX-VE2203-IE4-WE KIT	1
Note: MOTOR BRAND WILO ELEC			
2	4174093	SCREW M12X50 (4 PIECES)	1
3	4161187	LANTERN FF265 HELIX 8" KIT	1
3.1		> LANTERN FF265 M+ GJL MACHINED+CATA	1
3.2	2127605	> EYELET CPL.FF265 HELIX(2 PIECES)	1
3.3	4143969	> COUPLING PROTECT HELIX FF KIT	1
4	4143965	COUPLING D.20XD.28 FF265 KIT	1
5	4157725	SCREW M10X40 (4 PIECES)	1
6	4181160	STUD BOLT M16X279 KIT	1
6.1		> TIE BOLT M16-279x24x44-1.4057	1
6.2	4179562	> NUT M16 8.8 ISO4032 (4 PIECES)	1
6.3	4097852	> WASHER-CS-16.4-32-2.8-NFE25-511-A2	1
7	4179565	END SHIELD HELIX 8" EPDM KIT	1
7.1		> END SHIELD M+ GJL MACHINED+CATA	1
7.2	4179564	> O-RING D.42.52x2.62 EPDM VP.	1
7.3	4179571	> O-RING HOUSING PIPE HELIX22/36/52 VP.	1
8	4143765	FILING/PURGING PLUG 316L HELIX KIT	1
8.1		> FILLING/VENTING-PLUG-VMI8/10-316L	1
8.2	4032291	> O-RING 17x3 EPDM KTW/WRC	1
9	4143973	CARTRIDGE HELIX22-36-52 O/E KIT	1
10	4181161	HOUSING PIPE D.204X214 1.4307 KIT	1
10.1		> HOUSING-PIPE Ø204-M+2203-304	1
7.3	4179571	> O-RING HOUSING PIPE HELIX22/36/52 VP.	1
11	4179143	CENTERING STAGE-RETURN HELIX22 1.4307 VP	1
12	4143967	SHAFT EQUIPMENT HELIX V KIT	1
13		HYDRAULIC HELIX V 2203	1
14	4181073	SHAFTS D.22X354 1.4057 VP.	1
15	4181158	EQUIPED HOUSING HELIX 22 GJL KIT	1
7.3	4179571	> O-RING HOUSING PIPE HELIX22/36/52 VP.	1

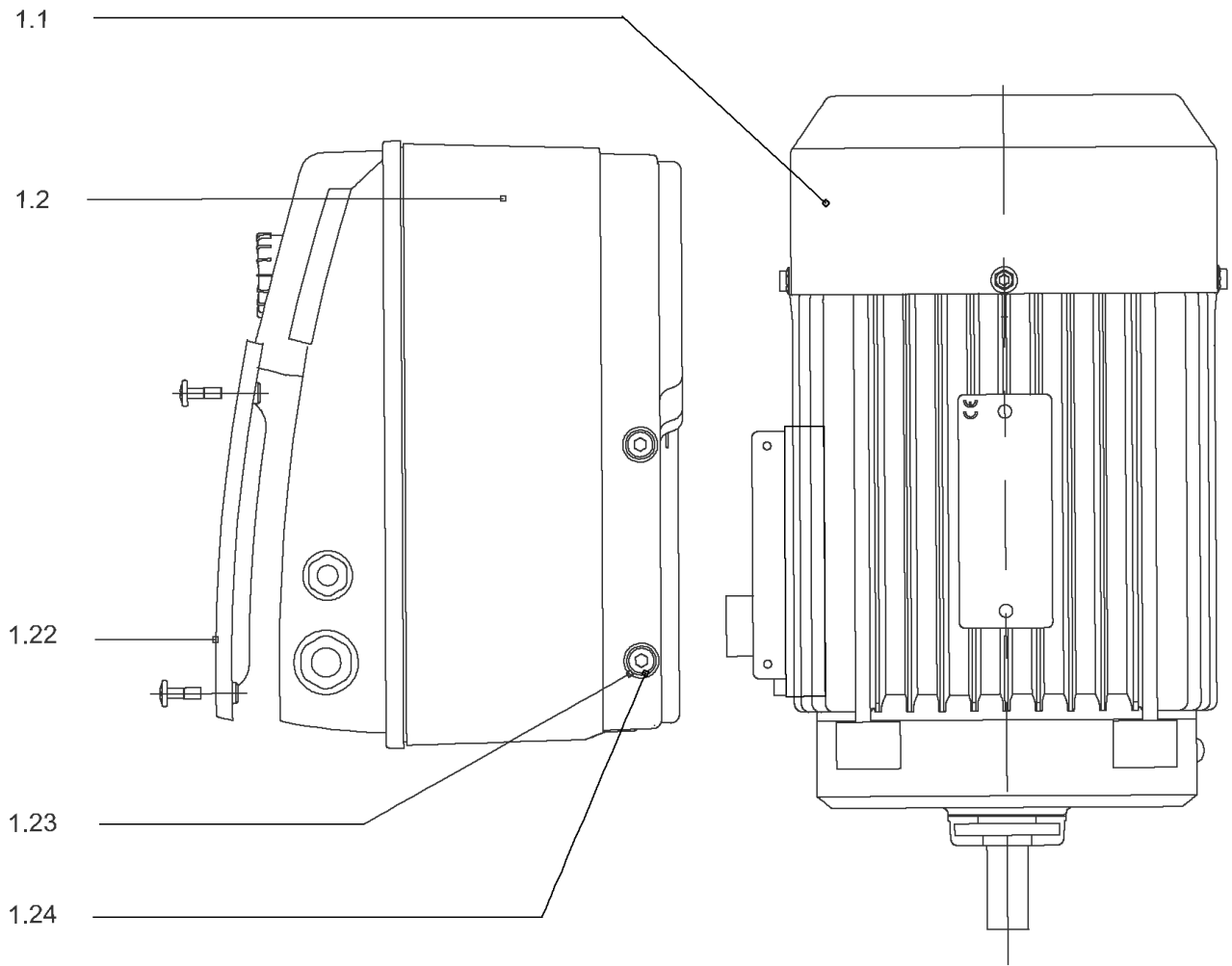
HELIX VE2203-3/16/E/K (4123338)

Item	Article no.	Description	Quantity
15.1		> PUMP HOUSING SET with COATED PARTS-DN50	1
15.3	4143766	> DRAIN/PRIMING PLUG EPDM HELIX KIT	1
15.3A		>> PRIMING/DRAIN PLUG-304-VERSION 1	1
15.3B	4032293	>> O-RING-10x3-EPDM-KTW/WRC	1
15.3C	4233957	>> O-RING ID.9 EPDM VP.	1
15.4	4221729	> BASE M+ DN50/65/80 VP.	1
15.6		> FLANGE M+ DN50 CATA	1
15.7		> O-RING Ø63.17xØ2.62 EPDM	1
15.5		> SCREW TBHC M12x25 ISO7380 ZN	1



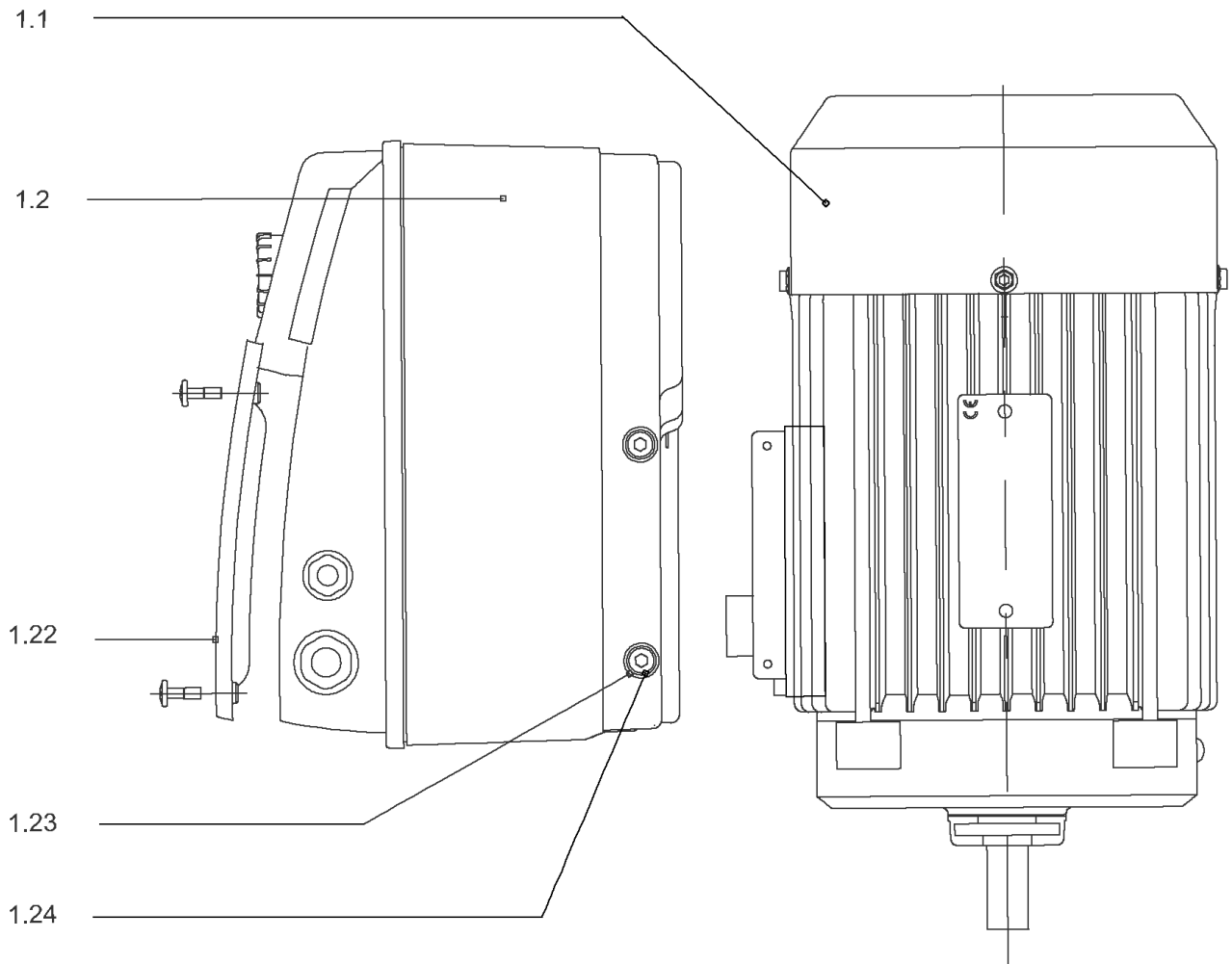
DRIVE HELIX-VE2203-IE2-ATB KIT

Item	Article no.	Description	Quantity
1.1	4185029	MOTOR 5,5/2/132 3~380V 60HZ IE2 ATB VP.	1
		SPARE PARTS MOTOR:ON REQUEST	1
1.2	4186782	MODULE HELIX-VE2203-IE2-ATB KIT	1
1.22	2111344	> MODULE COVER/GASKET TL5 KIT	1
1.23	4215716	> SCREW M5X16 DIN912 8.8 A2A (4pieces) VP.	1
1.24	2057978	> RONDELLE A5,3 DIN6797 FST ZN (4 PIECES)	1



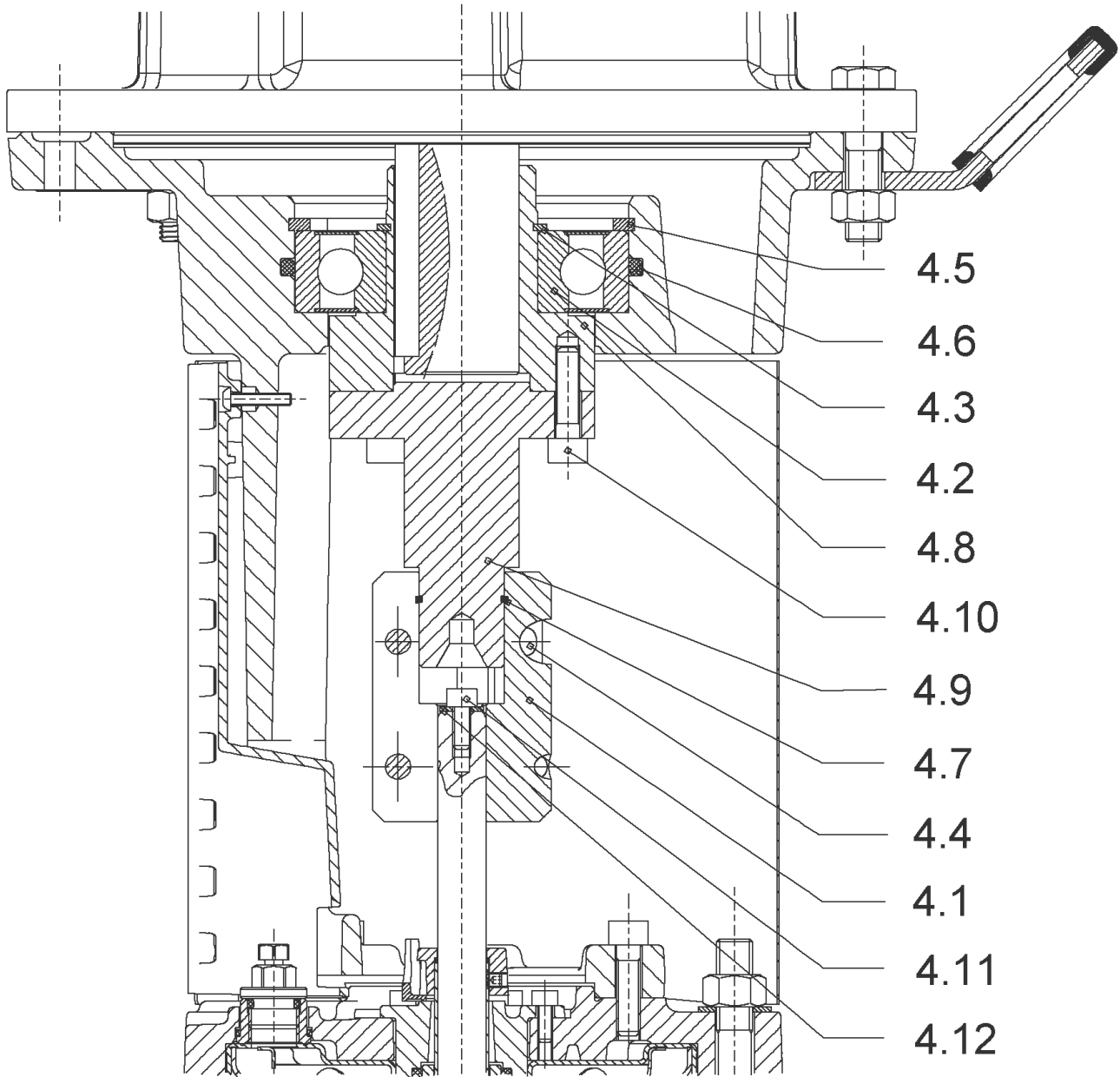
DRIVE HELIX-VE2203-IE2-SIE KIT

Item	Article no.	Description	Quantity
1.1		MOTOR 5,5-2T638P55V1-132-ADAPT IE2 VP.	1
Note: no longer available/nicht mehr lieferbar/n'est plus disponible			
		SPARE PARTS MOTOR:ON REQUEST	1
1.2	4144856	MODULE HELIX-VE2203-IE2-SIE KIT	1
1.22	2111344	> MODULE COVER/GASKET TL5 KIT	1
1.23	4215716	> SCREW M5X16 DIN912 8.8 A2A (4pieces) VP.	1
1.24	2057978	> RONDELLE A5,3 DIN6797 FST ZN (4 PIECES)	1



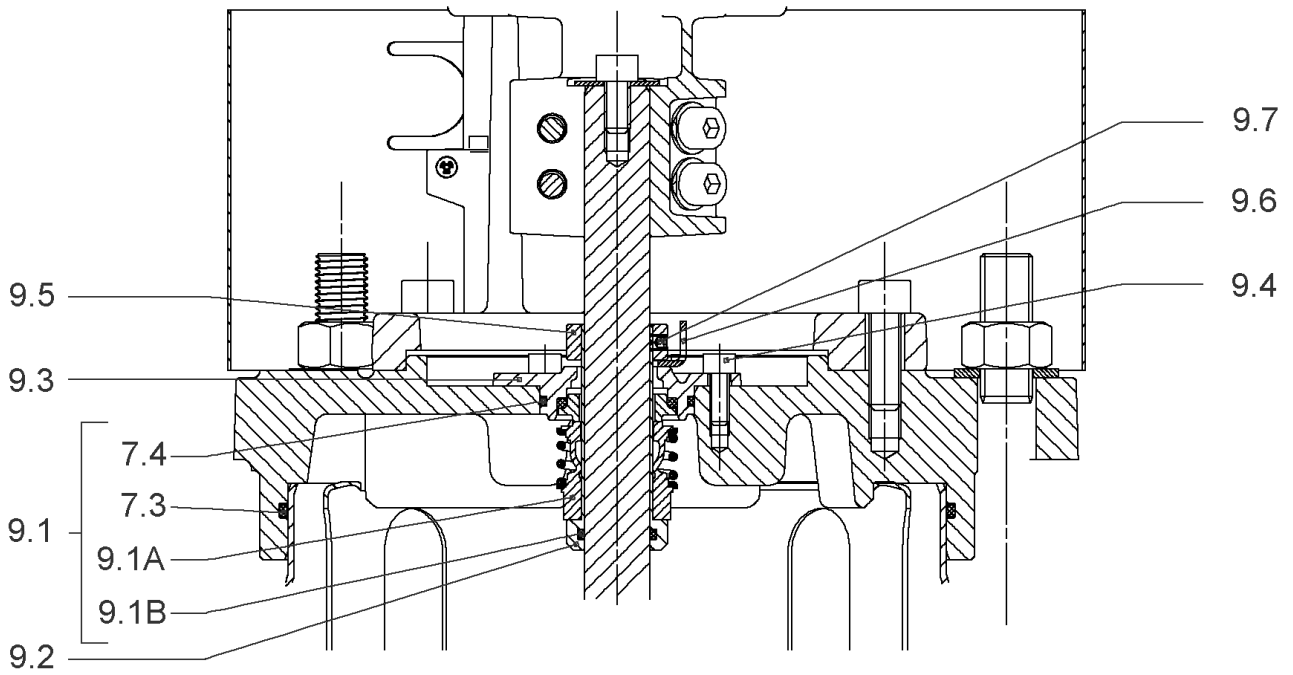
DRIVE HELIX-VE2203-IE4-WE KIT

Item	Article no.	Description	Quantity
1.1	4207930	MO.5.5/2/132F260 3~ 380V 60HZ IE4 WE VP.	1
		SPARE PARTS MOTOR:ON REQUEST	1
1.2	4212634	MODULE HELIX-VE2203-IE4-WE KIT	1
1.22	2111344	> MODULE COVER/GASKET TL5 KIT	1
1.23	4215716	> SCREW M5X16 DIN912 8.8 A2A (4pieces) VP.	1
1.24	2057978	> RONDELLE A5,3 DIN6797 FST ZN (4 PIECES)	1



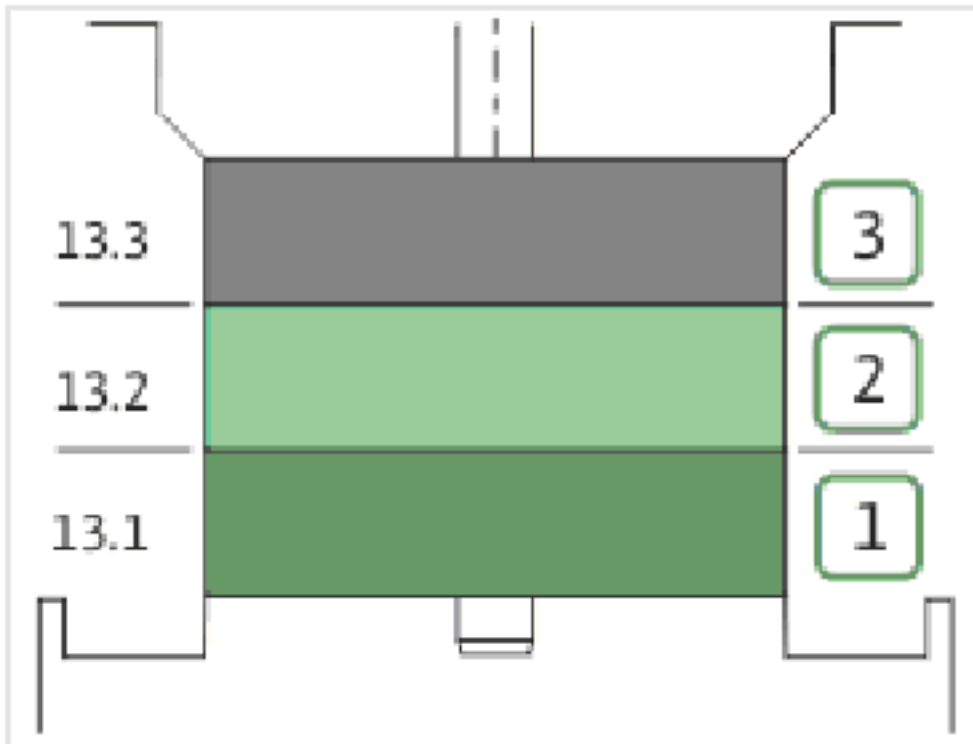
COUPLING D.20XD.28 FF265 KIT (4143965)

Item	Article no.	Description	Quantity
4.1	4179584	COUPLING 2 PARTS D.20XD.28XL83 VP.	1
4.2	2131017	BALL BEARING 6310/ZZ-C4(HT)VP.	1
4.3	4234253	CIRCLIP-FOR-SHAFT-D50x2 VP.	1
4.4	4159707	SCREW M8X30 (4 PIECES)	1
4.5	4234255	CIRCLIPS 110X4 VP.	1
4.6	4233944	O-RING ID.110 VP.	1
4.7	4179585	STOP-RUSH D26xD2 DIN7993 STEEL VP.	1
4.8	2131020	HUB D.38XD.50 VP.	1
4.9	2131021	SPACER D.28XD.45 VP.	1
4.10	4157726	SCREW KIT M8X30 (4 PIECES)	1
4.11	4233959	SCREW M8x16 VP.	1
4.12		SERRATED LOCK WASHER Ø8.2XØ25X35X2	1

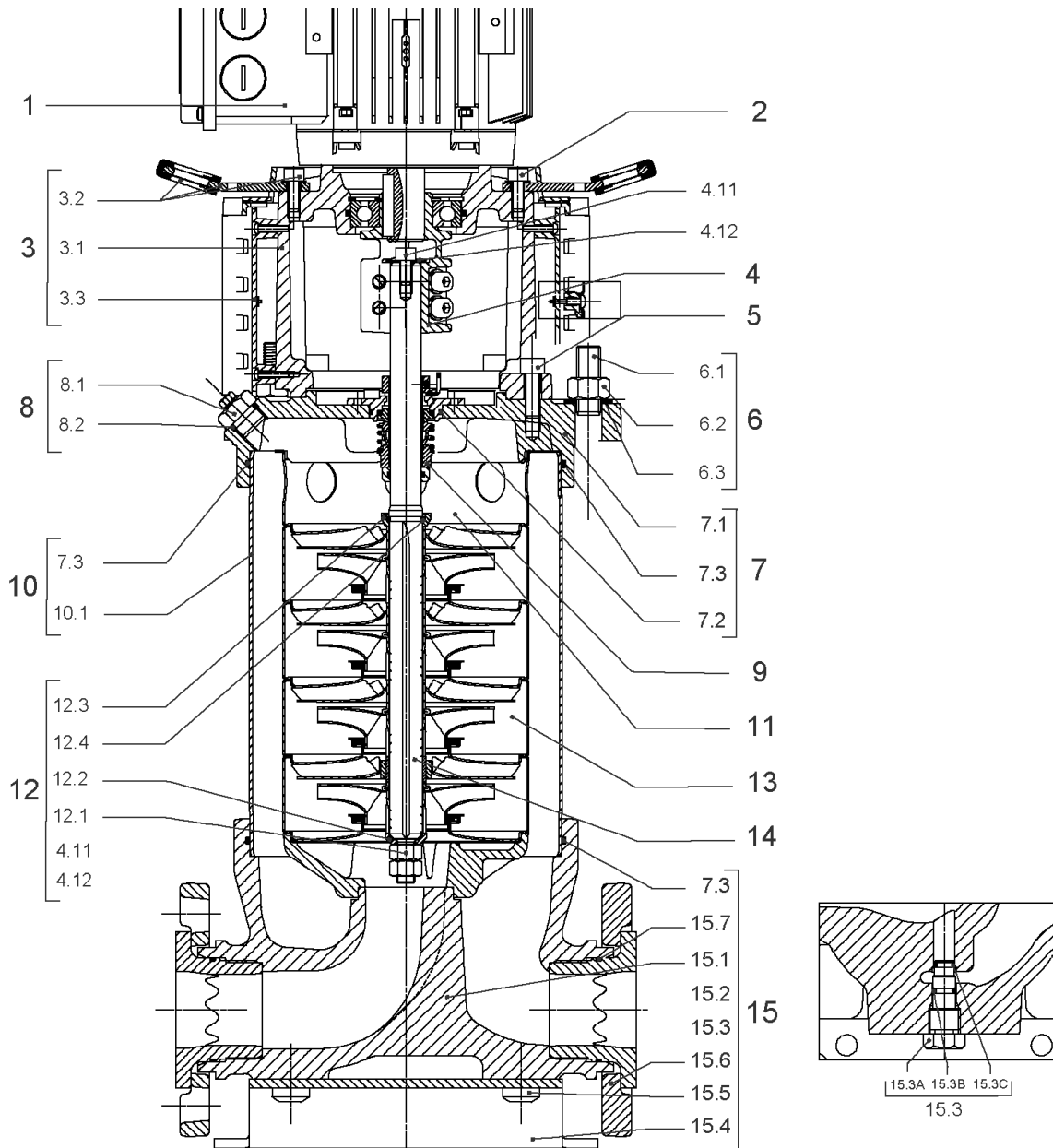


CARTRIDGE HELIX22-36-52 O/E KIT (4143973)

Item	Article no.	Description	Quantity
9.1	4143974	SEAL-KIT-HELIX22-36-52 O/E	1
7.3	4179571	> O-RING HOUSING PIPE HELIX22/36/52 VP.	1
7.4	4179572	> O-RING ID.42.52X2.62 EPDM VP.	1
9.1A	4179573	> M.SEAL.HELIX22-36-52 O/E VP.	1
9.1B	4179574	> O-RING ID.20x2.65 EPDM VP.	1
9.2	4179566	SHAFT SLEEVE D.20/20X60 1.4404 VP.	1
9.3	4179567	RING HOLDER Ø22 1.4301 VP.	1
9.4	4176520	SCREW CH M5x5 A4-70 (3PIECES)	1
9.5	4179568	DRIVE RING D.31/22.1x11 MACH.VP.	1
9.6	4179569	TOOL M.S.CART.HELIX 8" VP.	1
9.7	4179570	SCREW M6X16 ISO4762 8.8 GEOMET(4 PIECES)	1



Item	Article no.	Description	Quantity
13.1	4157739	FIRST STAGE HELIX 22 1.4307 KIT	1
		> IMPELLER-H1-M+22-304	1
		> MACH.STG-CASING-WOGV-WNR-M+22-304	1
13.2	4157740	BEARING STAGE HELIX 22 1.4307 KIT	1
		> IMPELLER-H2-M+22-304	1
		> MACH.BEARING-STG-CASING-WNR-M+22-304	1
		> SHAFT-SLEEVE-D26xD22x16-CW	1
13.3	4157743	INTERMEDIATE STAGE HELIX 22 KIT	1
		> MACH.STD-STG-CASING-WGV+NR-M+22-304	1
		> IMPELLER-H2-M+22-304	1

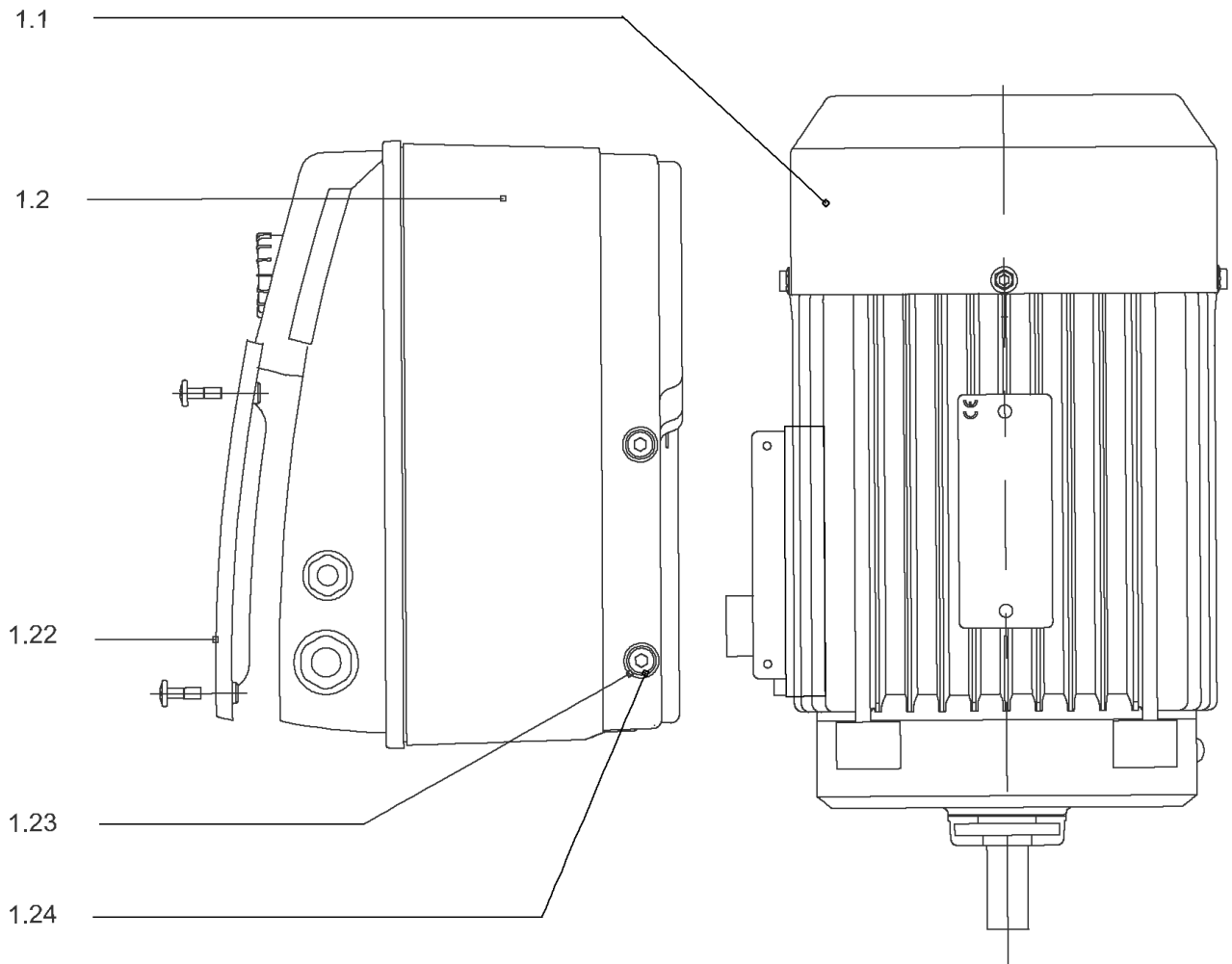


HELIX VE2203-3/16/E/KS (4123344)

Item	Article no.	Description	Quantity
1		DRIVE HELIX-VE2203-IE2-SIE KIT	1
Note: MOTOR BRAND SIEMENS			
1		DRIVE HELIX-VE2203-IE2-ATB KIT	1
Note: MOTOR BRAND ATB			
1		DRIVE HELIX-VE2203-IE4-WE KIT	1
Note: MOTOR BRAND WILO ELEC			
2	4174093	SCREW M12X50 (4 PIECES)	1
3	4161187	LANTERN FF265 HELIX 8" KIT	1
3.1		> LANTERN FF265 M+ GJL MACHINED+CATA	1
3.2	2127605	> EYELET CPL.FF265 HELIX(2 PIECES)	1
3.3	4143969	> COUPLING PROTECT HELIX FF KIT	1
4	4143965	COUPLING D.20XD.28 FF265 KIT	1
5	4157725	SCREW M10X40 (4 PIECES)	1
6	4181160	STUD BOLT M16X279 KIT	1
6.1		> TIE BOLT M16-279x24x44-1.4057	1
6.2	4179562	> NUT M16 8.8 ISO4032 (4 PIECES)	1
6.3	4097852	> WASHER-CS-16.4-32-2.8-NFE25-511-A2	1
7	4179565	END SHIELD HELIX 8" EPDM KIT	1
7.1		> END SHIELD M+ GJL MACHINED+CATA	1
7.2	4179564	> O-RING D.42.52x2.62 EPDM VP.	1
7.3	4179571	> O-RING HOUSING PIPE HELIX22/36/52 VP.	1
8	4186377	FILING/PURGING PLUG 304 HELIX KIT	1
8.1		> FILLING/VENTING-PLUG-MVI8/10"-304	1
8.2	4032291	> O-RING 17x3 EPDM KTW/WRC	1
9	4143973	CARTRIDGE HELIX22-36-52 O/E KIT	1
10	4181161	HOUSING PIPE D.204X214 1.4307 KIT	1
10.1		> HOUSING-PIPE Ø204-M+2203-304	1
7.3	4179571	> O-RING HOUSING PIPE HELIX22/36/52 VP.	1
11	4179143	CENTERING STAGE-RETURN HELIX22 1.4307 VP	1
12	4143967	SHAFT EQUIPMENT HELIX V KIT	1
13		HYDRAULIC HELIX V 2203	1
14	4181073	SHAFTS D.22X354 1.4057 VP.	1
15	4181158	EQUIPED HOUSING HELIX 22 GJL KIT	1
7.3	4179571	> O-RING HOUSING PIPE HELIX22/36/52 VP.	1

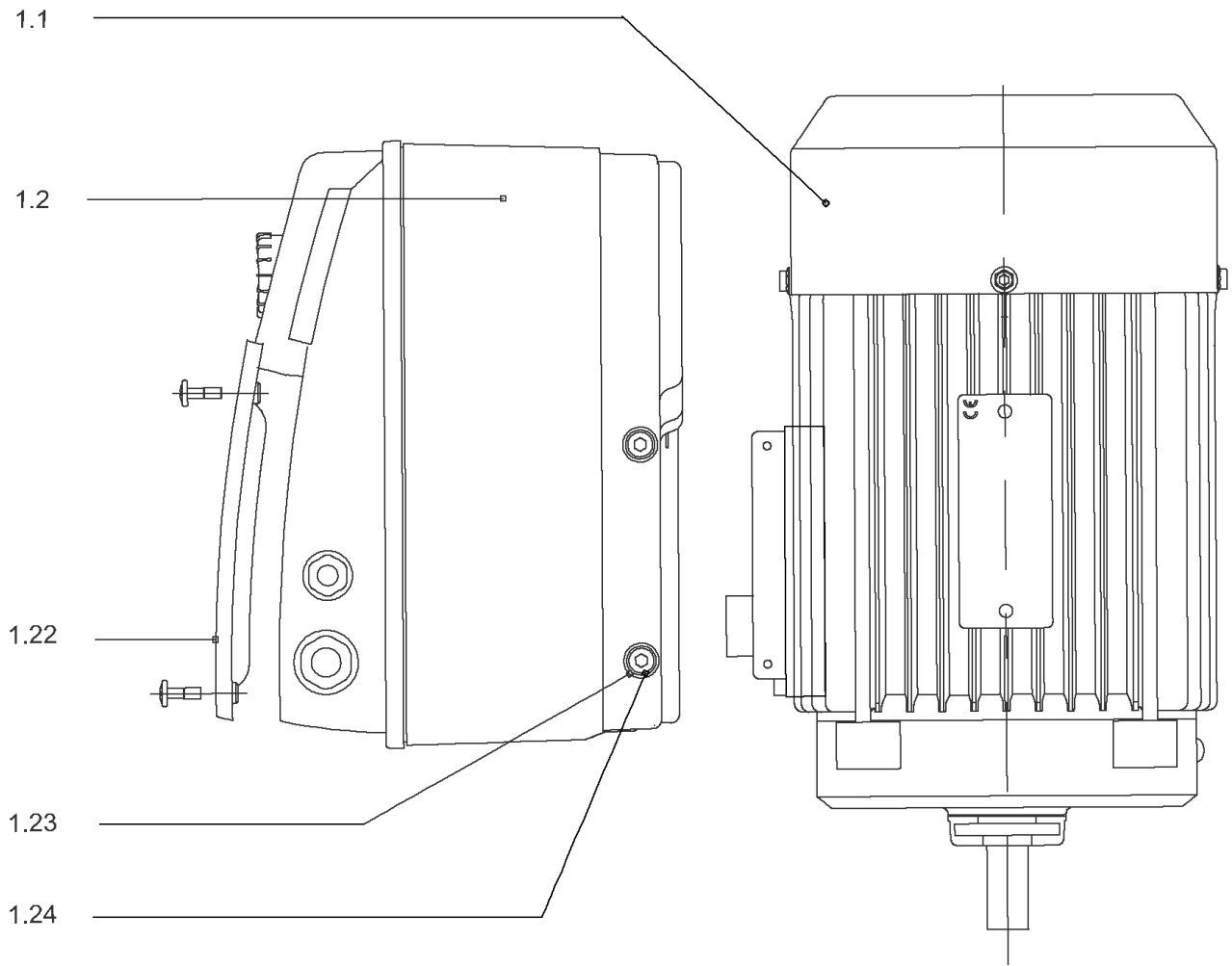
HELIX VE2203-3/16/E/KS (4123344)

Item	Article no.	Description	Quantity
15.1		> PUMP HOUSING SET with COATED PARTS-DN50	1
15.3	4143766	> DRAIN/PRIMING PLUG EPDM HELIX KIT	1
15.3A		>> PRIMING/DRAIN PLUG-304-VERSION 1	1
15.3B	4032293	>> O-RING-10x3-EPDM-KTW/WRC	1
15.3C	4233957	>> O-RING ID.9 EPDM VP.	1
15.4	4221729	> BASE M+ DN50/65/80 VP.	1
15.6		> FLANGE M+ DN50 CATA	1
15.7		> O-RING Ø63.17xØ2.62 EPDM	1
15.5		> SCREW TBHC M12x25 ISO7380 ZN	1



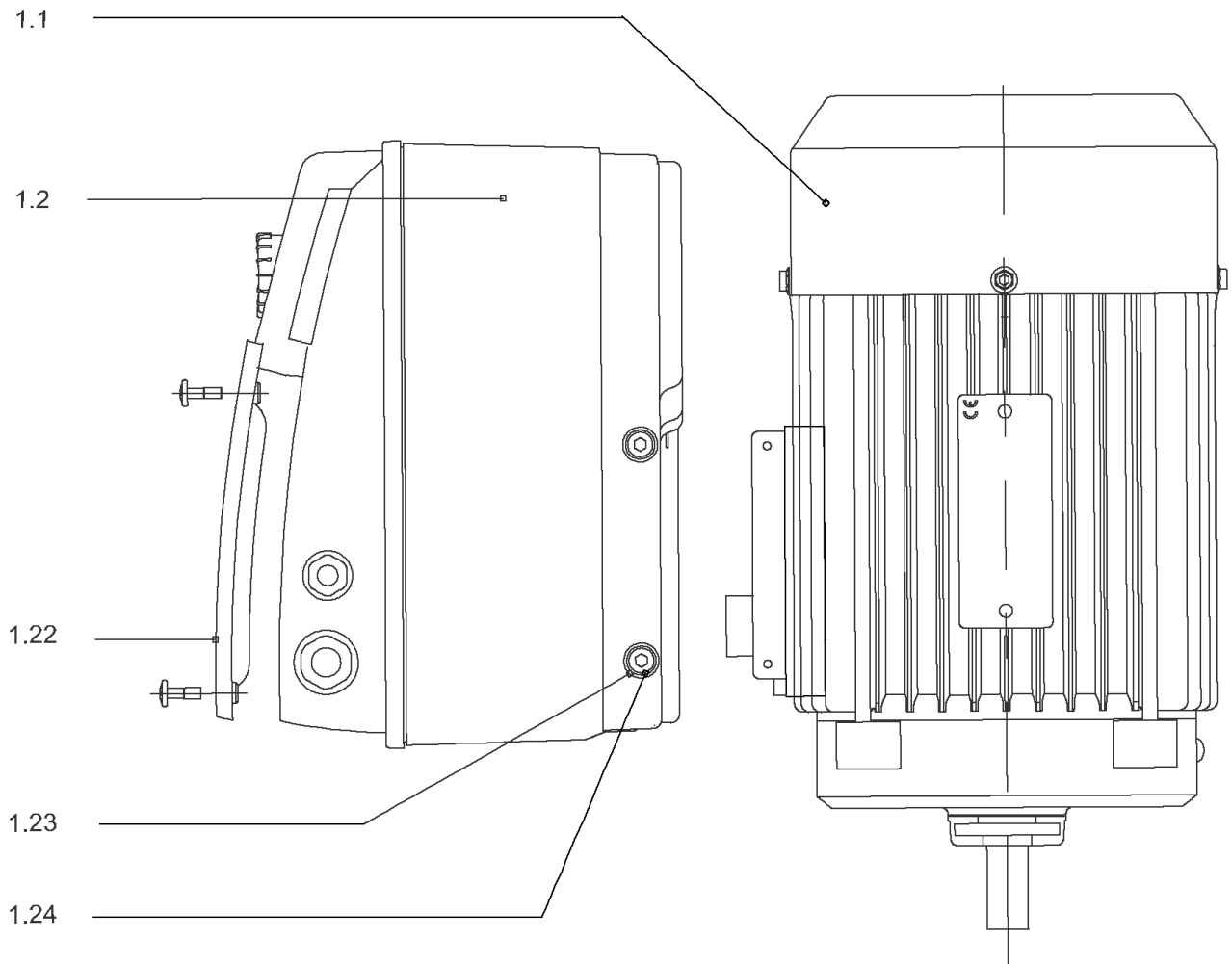
DRIVE HELIX-VE2203-IE2-SIE KIT

Item	Article no.	Description	Quantity
1.1		MOTOR 5,5-2T638P55V1-132-ADAPT IE2 VP.	1
Note: no longer available/nicht mehr lieferbar/n'est plus disponible			
		SPARE PARTS MOTOR:ON REQUEST	1
1.2	4144856	MODULE HELIX-VE2203-IE2-SIE KIT	1
1.22	2111344	> MODULE COVER/GASKET TL5 KIT	1
1.23	4215716	> SCREW M5X16 DIN912 8.8 A2A (4pieces) VP.	1
1.24	2057978	> RONDELLE A5,3 DIN6797 FST ZN (4 PIECES)	1



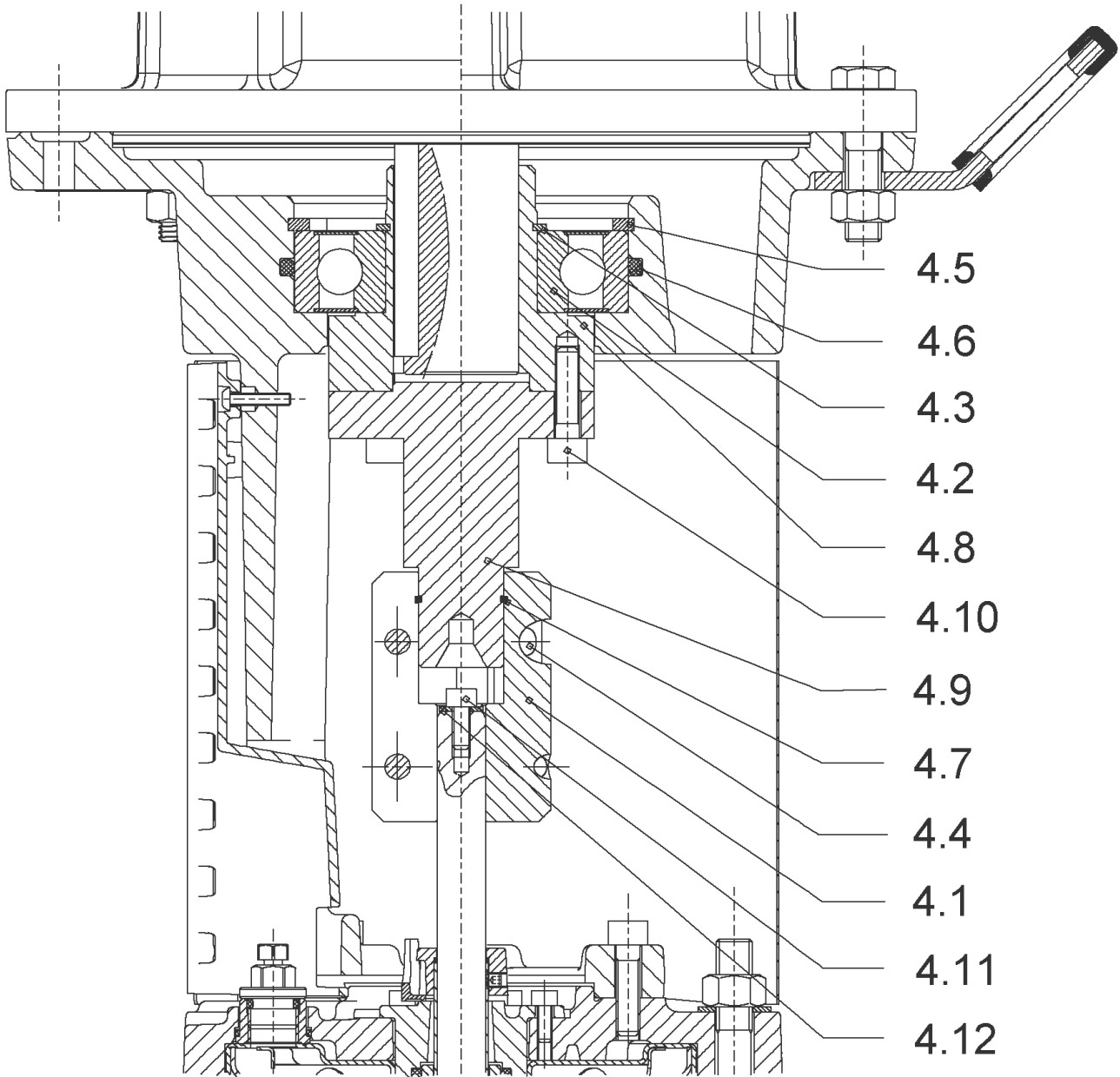
DRIVE HELIX-VE2203-IE2-ATB KIT

Item	Article no.	Description	Quantity
1.1	4185029	MOTOR 5,5/2/132 3~380V 60HZ IE2 ATB VP.	1
		SPARE PARTS MOTOR:ON REQUEST	1
1.2	4186782	MODULE HELIX-VE2203-IE2-ATB KIT	1
1.22	2111344	> MODULE COVER/GASKET TL5 KIT	1
1.23	4215716	> SCREW M5X16 DIN912 8.8 A2A (4pieces) VP.	1
1.24	2057978	> RONDELLE A5,3 DIN6797 FST ZN (4 PIECES)	1



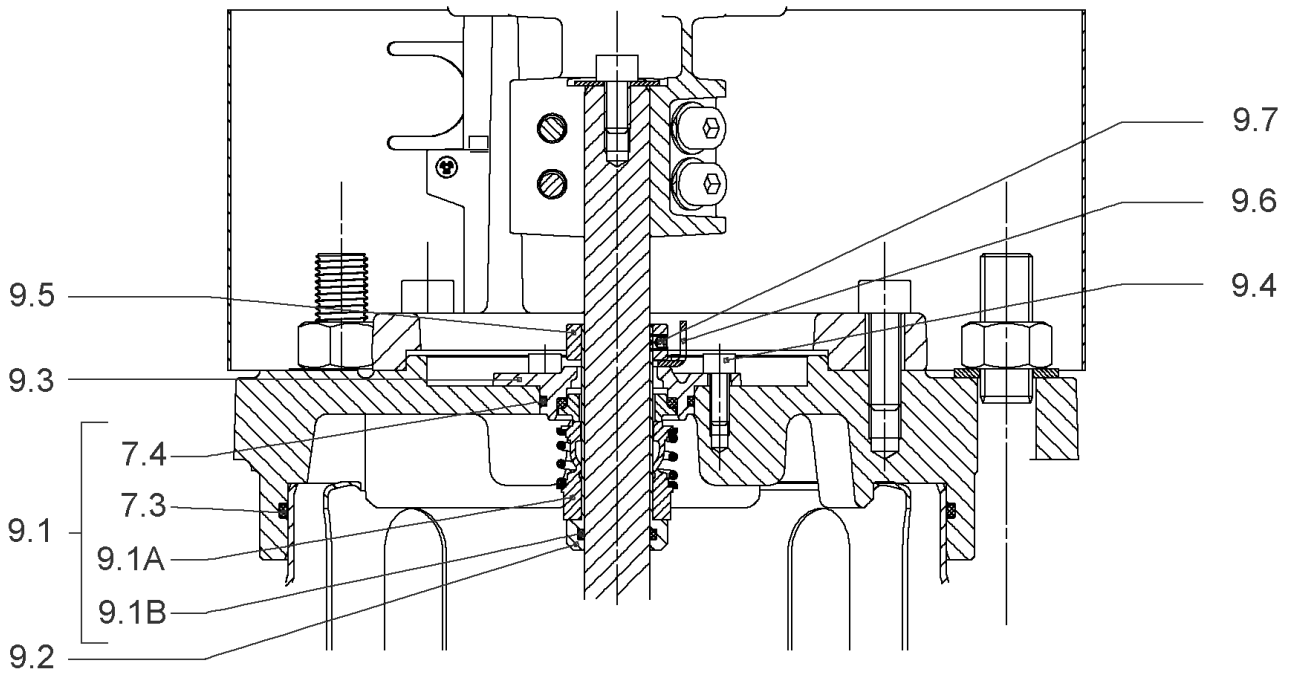
DRIVE HELIX-VE2203-IE4-WE KIT

Item	Article no.	Description	Quantity
1.1	4207930	MO.5.5/2/132F260 3~ 380V 60HZ IE4 WE VP.	1
		SPARE PARTS MOTOR:ON REQUEST	1
1.2	4212634	MODULE HELIX-VE2203-IE4-WE KIT	1
1.22	2111344	> MODULE COVER/GASKET TL5 KIT	1
1.23	4215716	> SCREW M5X16 DIN912 8.8 A2A (4pieces) VP.	1
1.24	2057978	> RONDELLE A5,3 DIN6797 FST ZN (4 PIECES)	1



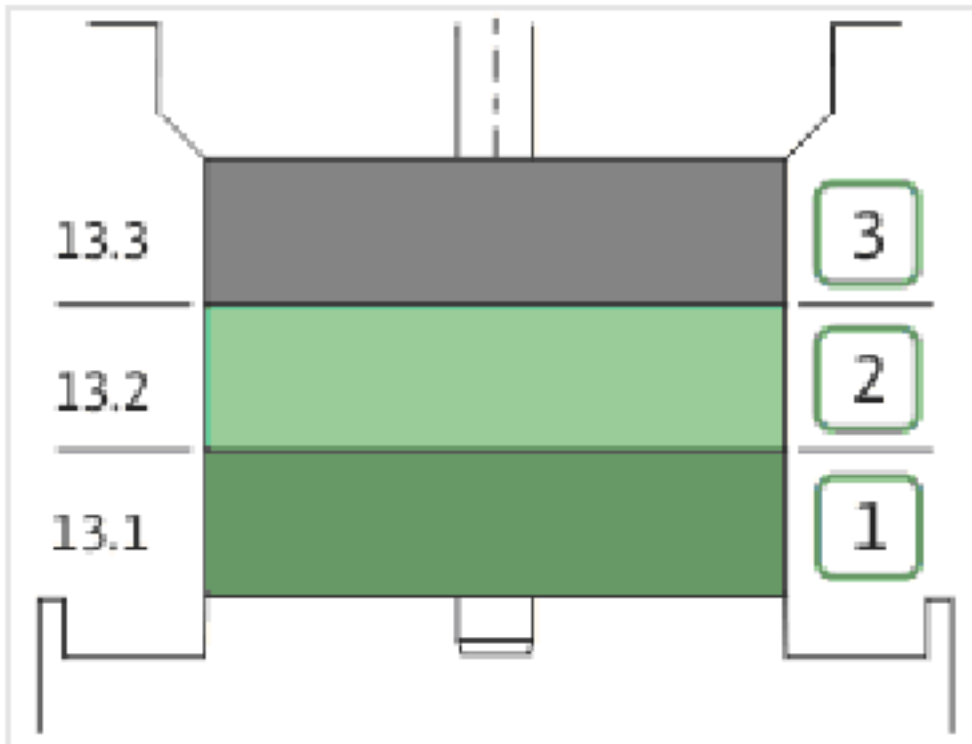
COUPLING D.20XD.28 FF265 KIT (4143965)

Item	Article no.	Description	Quantity
4.1	4179584	COUPLING 2 PARTS D.20XD.28XL83 VP.	1
4.2	2131017	BALL BEARING 6310/ZZ-C4(HT)VP.	1
4.3	4234253	CIRCLIP-FOR-SHAFT-D50x2 VP.	1
4.4	4159707	SCREW M8X30 (4 PIECES)	1
4.5	4234255	CIRCLIPS 110X4 VP.	1
4.6	4233944	O-RING ID.110 VP.	1
4.7	4179585	STOP-RUSH D26xD2 DIN7993 STEEL VP.	1
4.8	2131020	HUB D.38XD.50 VP.	1
4.9	2131021	SPACER D.28XD.45 VP.	1
4.10	4157726	SCREW KIT M8X30 (4 PIECES)	1
4.11	4233959	SCREW M8x16 VP.	1
4.12		SERRATED LOCK WASHER Ø8.2XØ25X35X2	1

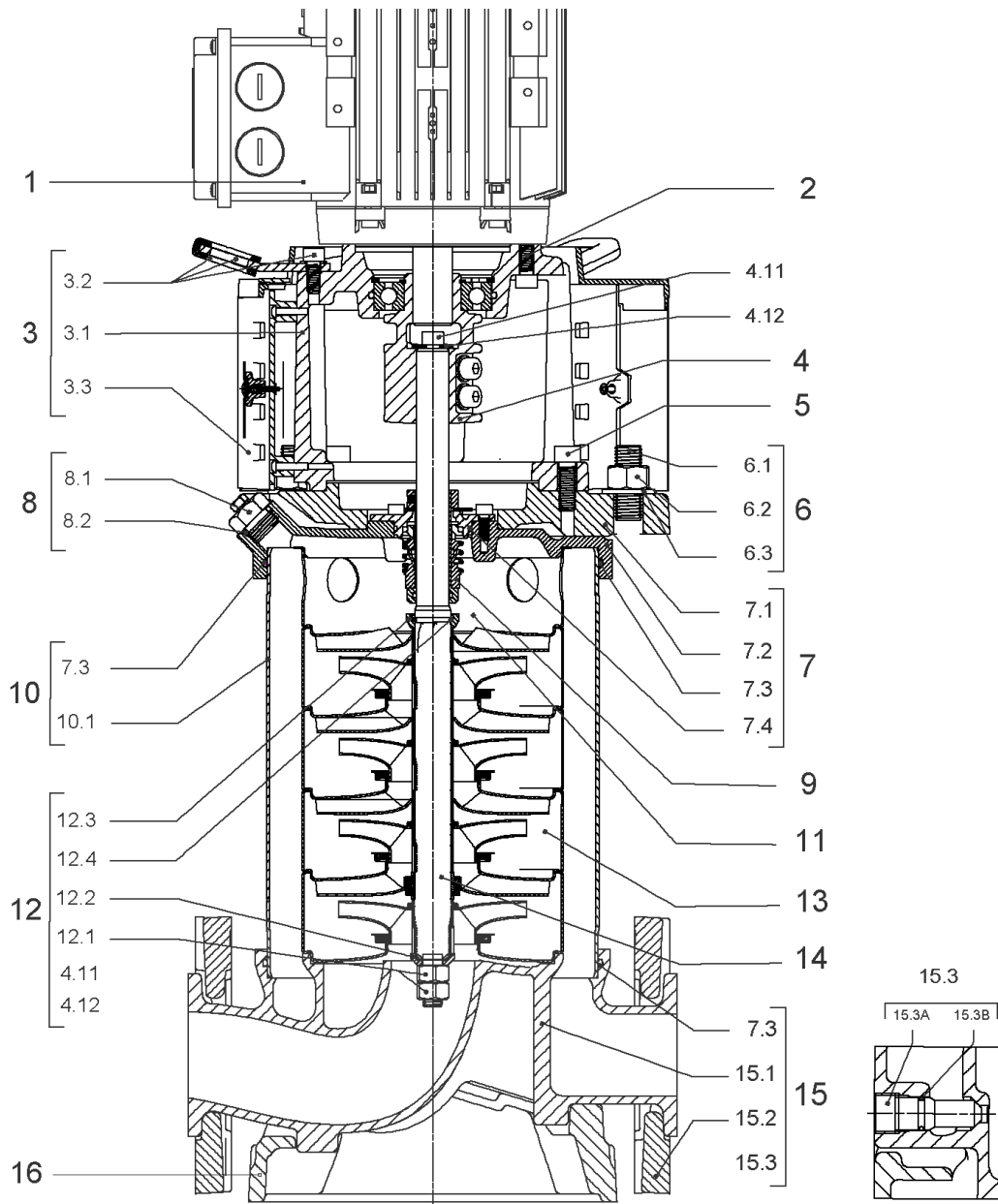


CARTRIDGE HELIX22-36-52 O/E KIT (4143973)

Item	Article no.	Description	Quantity
9.1	4143974	SEAL-KIT-HELIX22-36-52 O/E	1
7.3	4179571	> O-RING HOUSING PIPE HELIX22/36/52 VP.	1
7.4	4179572	> O-RING ID.42.52X2.62 EPDM VP.	1
9.1A	4179573	> M.SEAL.HELIX22-36-52 O/E VP.	1
9.1B	4179574	> O-RING ID.20x2.65 EPDM VP.	1
9.2	4179566	SHAFT SLEEVE D.20/20X60 1.4404 VP.	1
9.3	4179567	RING HOLDER Ø22 1.4301 VP.	1
9.4	4176520	SCREW CH M5x5 A4-70 (3PIECES)	1
9.5	4179568	DRIVE RING D.31/22.1x11 MACH.VP.	1
9.6	4179569	TOOL M.S.CART.HELIX 8" VP.	1
9.7	4179570	SCREW M6X16 ISO4762 8.8 GEOMET(4 PIECES)	1



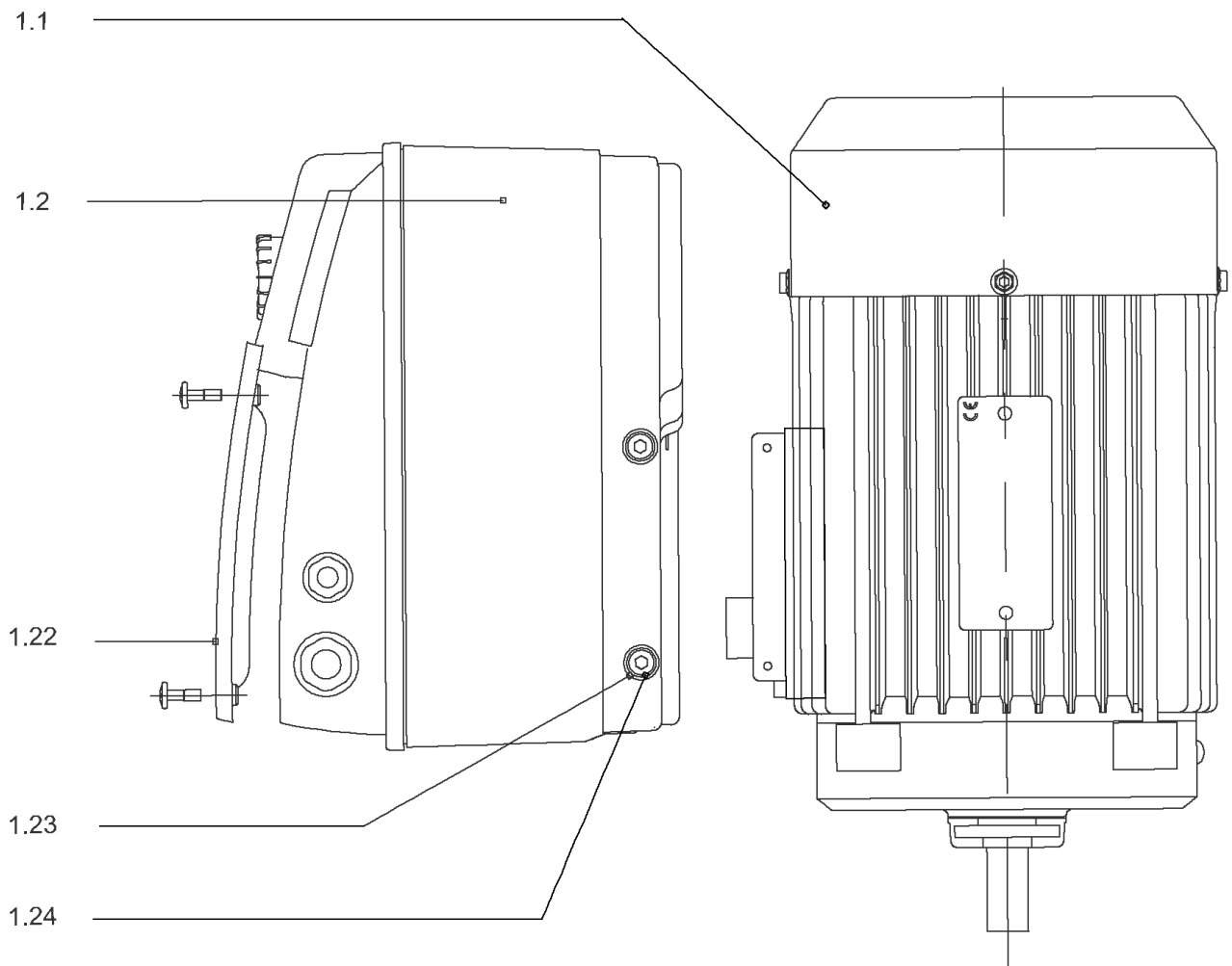
Item	Article no.	Description	Quantity
13.1	4157739	FIRST STAGE HELIX 22 1.4307 KIT	1
		> IMPELLER-H1-M+22-304	1
		> MACH.STG-CASING-WOGV-WNR-M+22-304	1
13.2	4157740	BEARING STAGE HELIX 22 1.4307 KIT	1
		> IMPELLER-H2-M+22-304	1
		> MACH.BEARING-STG-CASING-WNR-M+22-304	1
		> SHAFT-SLEEVE-D26xD22x16-CW	1
13.3	4157743	INTERMEDIATE STAGE HELIX 22 KIT	1
		> MACH.STD-STG-CASING-WGV+NR-M+22-304	1
		> IMPELLER-H2-M+22-304	1



HELIX VE2203-1/16/E/KS (4198851)

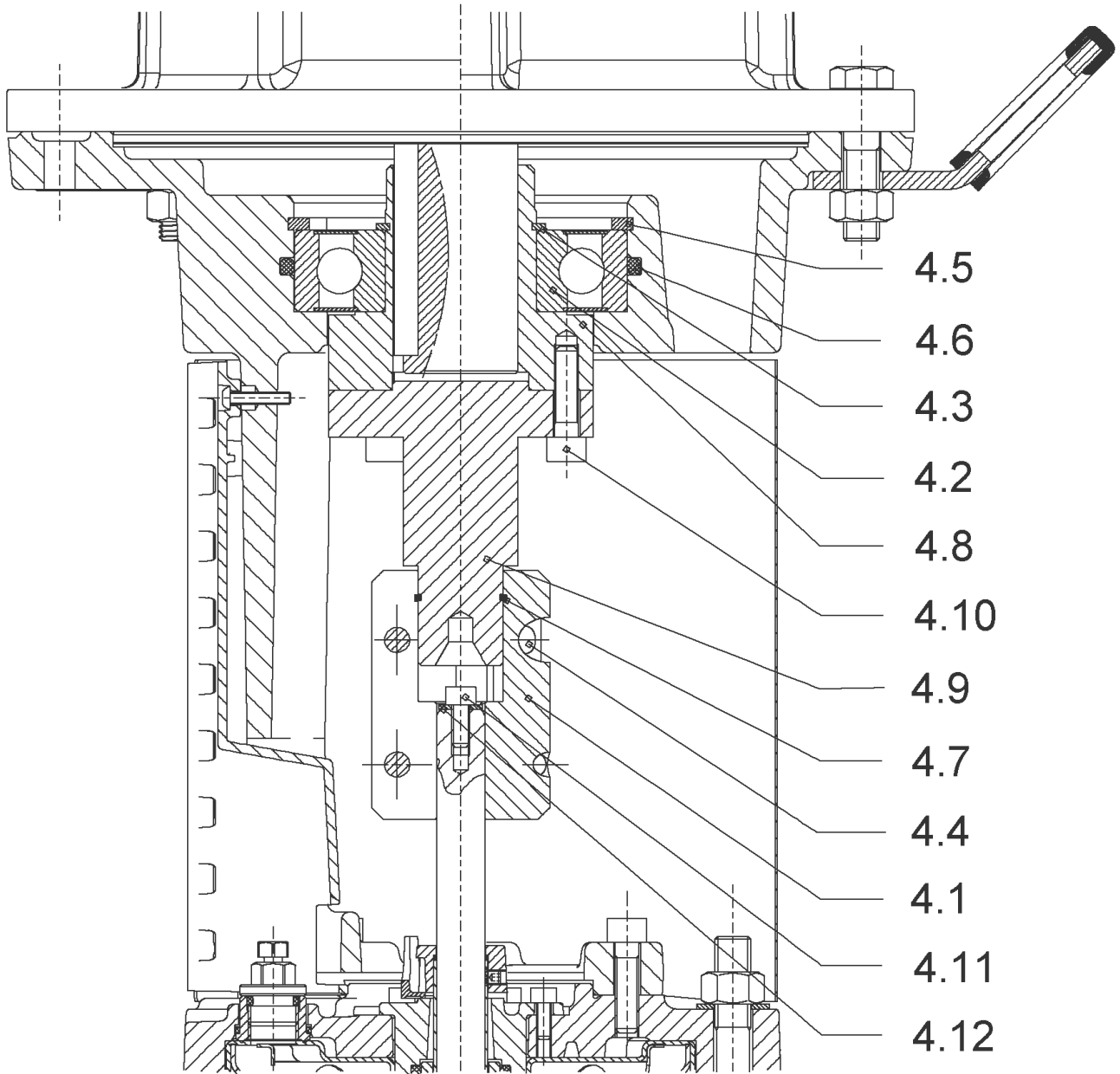
Item	Article no.	Description	Quantity
1		DRIVE HELIX-VE2203-IE4-WE KIT	1
Note: MOTOR BRAND WILO ELEC			
2	4174093	SCREW M12X50 (4 PIECES)	1
3	4161187	LANTERN FF265 HELIX 8" KIT	1
3.1		> LANTERN FF265 M+ GJL MACHINED+CATA	1
3.2	2127605	> EYELET CPL.FF265 HELIX(2 PIECES)	1
3.3	4143969	> COUPLING PROTECT HELIX FF KIT	1
4	4143965	COUPLING D.20XD.28 FF265 KIT	1
5	4157725	SCREW M10X40 (4 PIECES)	1
6	4179592	STUD BOLT M16X405 KIT	1
6.1		> TIE BOLT M16-405x24x44-1.4057	1
6.2	4179562	> NUT M16 8.8 ISO4032 (4 PIECES)	1
6.3	4097852	> WASHER-CS-16.4-32-2.8-NFE25-511-A2	1
7	4217176	END SHIELD HELIX OPTI 8" EPDM KIT	1
7.1		> upper flange machined + cataphoresis	1
7.2	4217174	> STATIONARY RING HOLDER 8" HELIX OPTI VP.	1
7.3	4179571	> O-RING HOUSING PIPE HELIX22/36/52 VP.	1
7.4	4179572	> O-RING ID.42.52X2.62 EPDM VP.	1
8	4186377	FILING/PURGING PLUG 304 HELIX KIT	1
8.1		> FILLING/VENTING-PLUG-MVI8/10"-304	1
8.2	4032291	> O-RING 17x3 EPDM KTW/WRC	1
9	4143973	CARTRIDGE HELIX22-36-52 O/E KIT	1
10	4181161	HOUSING PIPE D.204X214 1.4307 KIT	1
10.1		> HOUSING-PIPE Ø204-M+2203-304	1
7.3	4179571	> O-RING HOUSING PIPE HELIX22/36/52 VP.	1
11	4179143	CENTERING STAGE-RETURN HELIX22 1.4307 VP	1
12	4143967	SHAFT EQUIPMENT HELIX V KIT	1
13		HYDRAULIC HELIX V 2203	1
14	4181073	SHAFTS D.22X354 1.4057 VP.	1
15	4217852	EQUIPED HOUSING DN50 HELIX OPTI 8" KIT	1
15.1		> pump casing machined DN50	1
15.2	4217178	> HALF FLANGE DN50 HELIX OPTI 8" VP.	1
15.3	4217850	> DRAIN/PRIMING PLUG HELIX OPTI 8" KIT	1
7.3	4179571	> O-RING HOUSING PIPE HELIX22/36/52 VP.	1

Item	Article no.	Description	Quantity
16	4217854	BASEPLATE DN50 HELIX OPTI 8" VP.	1



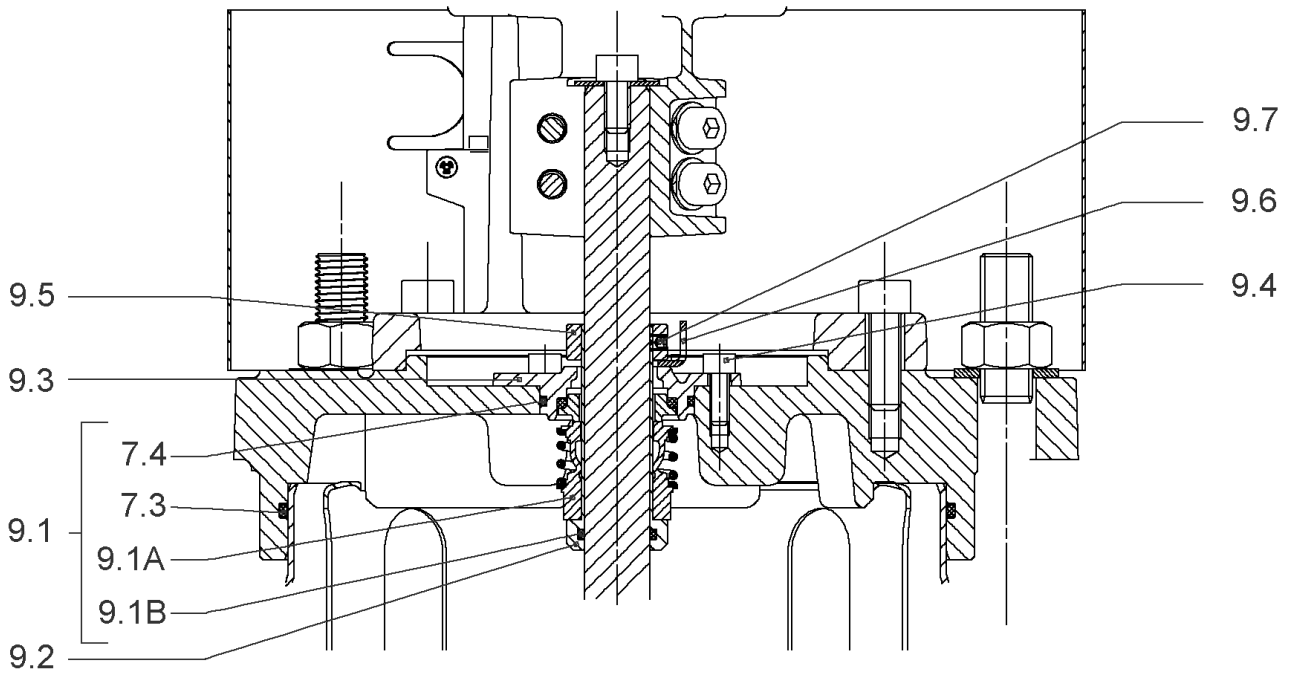
DRIVE HELIX-VE2203-IE4-WE KIT

Item	Article no.	Description	Quantity
1.1	4207930	MO.5.5/2/132F260 3~ 380V 60HZ IE4 WE VP.	1
		SPARE PARTS MOTOR:ON REQUEST	1
1.2	4212634	MODULE HELIX-VE2203-IE4-WE KIT	1
1.22	2111344	> MODULE COVER/GASKET TL5 KIT	1
1.23	4215716	> SCREW M5X16 DIN912 8.8 A2A (4pieces) VP.	1
1.24	2057978	> RONDELLE A5,3 DIN6797 FST ZN (4 PIECES)	1



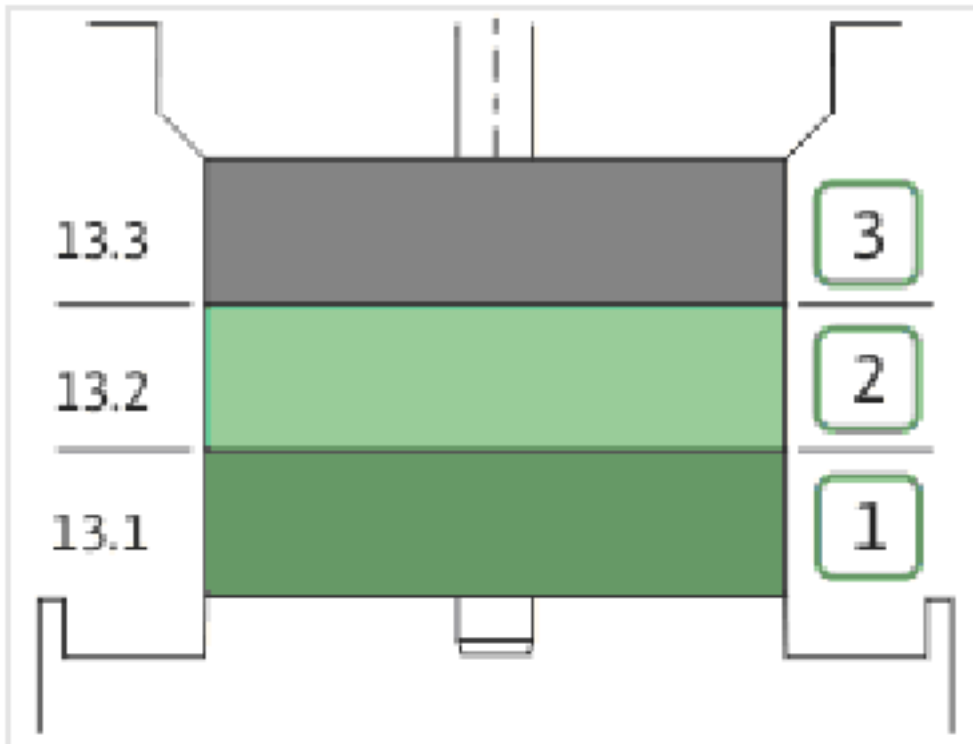
COUPLING D.20XD.28 FF265 KIT (4143965)

Item	Article no.	Description	Quantity
4.1	4179584	COUPLING 2 PARTS D.20XD.28XL83 VP.	1
4.2	2131017	BALL BEARING 6310/ZZ-C4(HT)VP.	1
4.3	4234253	CIRCLIP-FOR-SHAFT-D50x2 VP.	1
4.4	4159707	SCREW M8X30 (4 PIECES)	1
4.5	4234255	CIRCLIPS 110X4 VP.	1
4.6	4233944	O-RING ID.110 VP.	1
4.7	4179585	STOP-RUSH D26xD2 DIN7993 STEEL VP.	1
4.8	2131020	HUB D.38XD.50 VP.	1
4.9	2131021	SPACER D.28XD.45 VP.	1
4.10	4157726	SCREW KIT M8X30 (4 PIECES)	1
4.11	4233959	SCREW M8x16 VP.	1
4.12		SERRATED LOCK WASHER Ø8.2XØ25X35X2	1

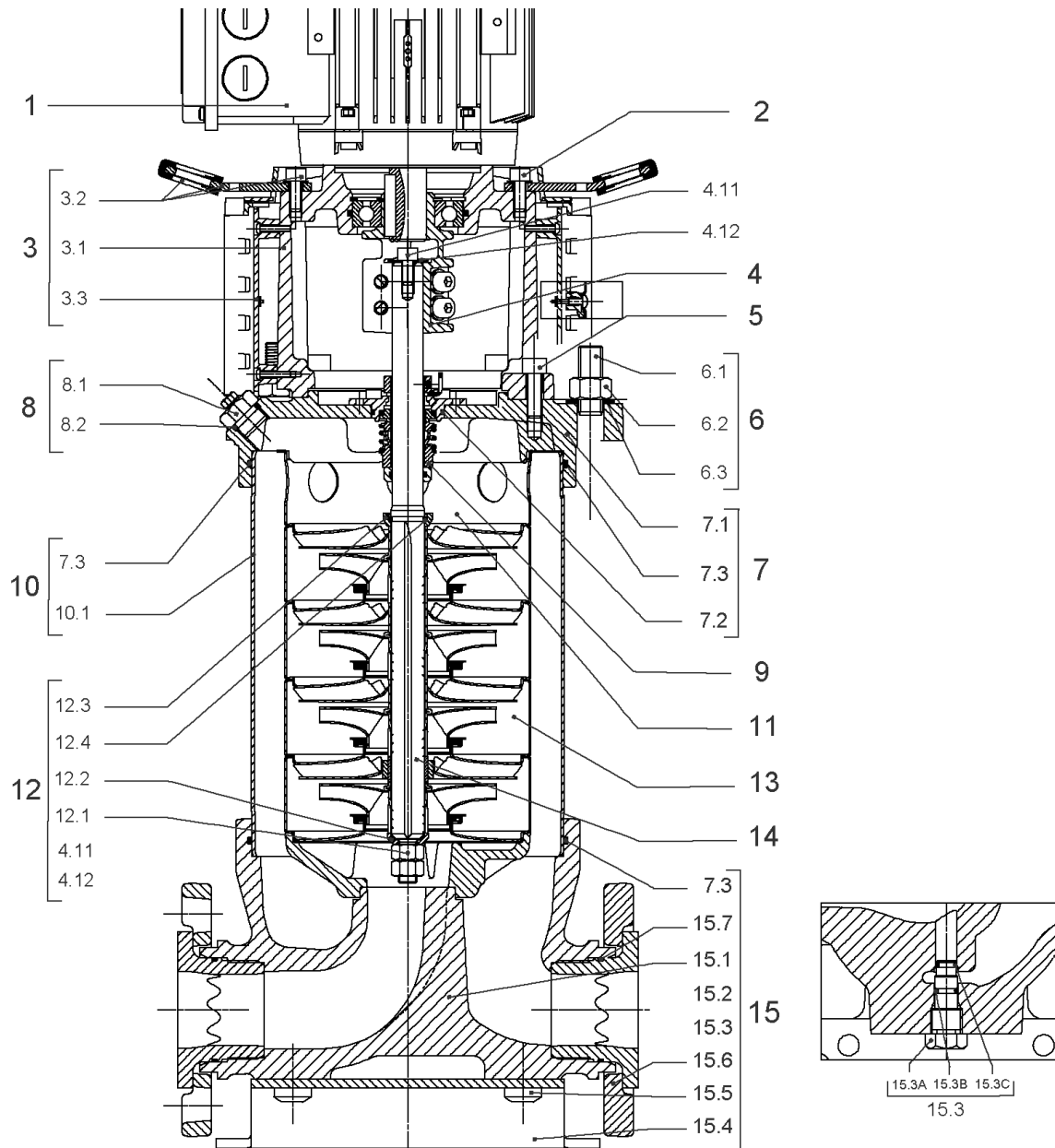


CARTRIDGE HELIX22-36-52 O/E KIT (4143973)

Item	Article no.	Description	Quantity
9.1	4143974	SEAL-KIT-HELIX22-36-52 O/E	1
7.3	4179571	> O-RING HOUSING PIPE HELIX22/36/52 VP.	1
7.4	4179572	> O-RING ID.42.52X2.62 EPDM VP.	1
9.1A	4179573	> M.SEAL.HELIX22-36-52 O/E VP.	1
9.1B	4179574	> O-RING ID.20x2.65 EPDM VP.	1
9.2	4179566	SHAFT SLEEVE D.20/20X60 1.4404 VP.	1
9.3	4179567	RING HOLDER Ø22 1.4301 VP.	1
9.4	4176520	SCREW CH M5x5 A4-70 (3PIECES)	1
9.5	4179568	DRIVE RING D.31/22.1x11 MACH.VP.	1
9.6	4179569	TOOL M.S.CART.HELIX 8" VP.	1
9.7	4179570	SCREW M6X16 ISO4762 8.8 GEOMET(4 PIECES)	1



Item	Article no.	Description	Quantity
13.1	4157739	FIRST STAGE HELIX 22 1.4307 KIT	1
		> IMPELLER-H1-M+22-304	1
		> MACH.STG-CASING-WOGV-WNR-M+22-304	1
13.2	4157740	BEARING STAGE HELIX 22 1.4307 KIT	1
		> IMPELLER-H2-M+22-304	1
		> MACH.BEARING-STG-CASING-WNR-M+22-304	1
		> SHAFT-SLEEVE-D26xD22x16-CW	1
13.3	4157743	INTERMEDIATE STAGE HELIX 22 KIT	1
		> MACH.STD-STG-CASING-WGV+NR-M+22-304	1
		> IMPELLER-H2-M+22-304	1



HELIX VE2203-3/25/E/KS (4140696)

Item	Article no.	Description	Quantity
1		DRIVE HELIX-VE2203-IE2-ATB KIT	1
Note: MOTOR BRAND ATB			
1		DRIVE HELIX-VE2203-IE2-SIE KIT	1
Note: MOTOR BRAND SIEMENS			
1		DRIVE HELIX-VE2203-IE4-WE KIT	1
Note: MOTOR BRAND WILO ELEC			
2	4174093	SCREW M12X50 (4 PIECES)	1
3	4161187	LANTERN FF265 HELIX 8" KIT	1
3.1		> LANTERN FF265 M+ GJL MACHINED+CATA	1
3.2	2127605	> EYELET CPL.FF265 HELIX(2 PIECES)	1
3.3	4143969	> COUPLING PROTECT HELIX FF KIT	1
4	4143965	COUPLING D.20XD.28 FF265 KIT	1
5	4157725	SCREW M10X40 (4 PIECES)	1
6	4181160	STUD BOLT M16X279 KIT	1
6.1		> TIE BOLT M16-279x24x44-1.4057	1
6.2	4179562	> NUT M16 8.8 ISO4032 (4 PIECES)	1
6.3	4097852	> WASHER-CS-16.4-32-2.8-NFE25-511-A2	1
7	4179565	END SHIELD HELIX 8" EPDM KIT	1
7.1		> END SHIELD M+ GJL MACHINED+CATA	1
7.2	4179564	> O-RING D.42.52x2.62 EPDM VP.	1
7.3	4179571	> O-RING HOUSING PIPE HELIX22/36/52 VP.	1
8	4186377	FILING/PURGING PLUG 304 HELIX KIT	1
8.1		> FILLING/VENTING-PLUG-MVI8/10"-304	1
8.2	4032291	> O-RING 17x3 EPDM KTW/WRC	1
9	4143975	CARTRIDGE HELIX22-36-52 F/E KIT	1
10	4181161	HOUSING PIPE D.204X214 1.4307 KIT	1
10.1		> HOUSING-PIPE Ø204-M+2203-304	1
7.3	4179571	> O-RING HOUSING PIPE HELIX22/36/52 VP.	1
11	4179143	CENTERING STAGE-RETURN HELIX22 1.4307 VP	1
12	4143967	SHAFT EQUIPMENT HELIX V KIT	1
13		HYDRAULIC HELIX V 2203	1
14	4181073	SHAFTS D.22X354 1.4057 VP.	1
15	4181158	EQUIPED HOUSING HELIX 22 GJL KIT	1
7.3	4179571	> O-RING HOUSING PIPE HELIX22/36/52 VP.	1

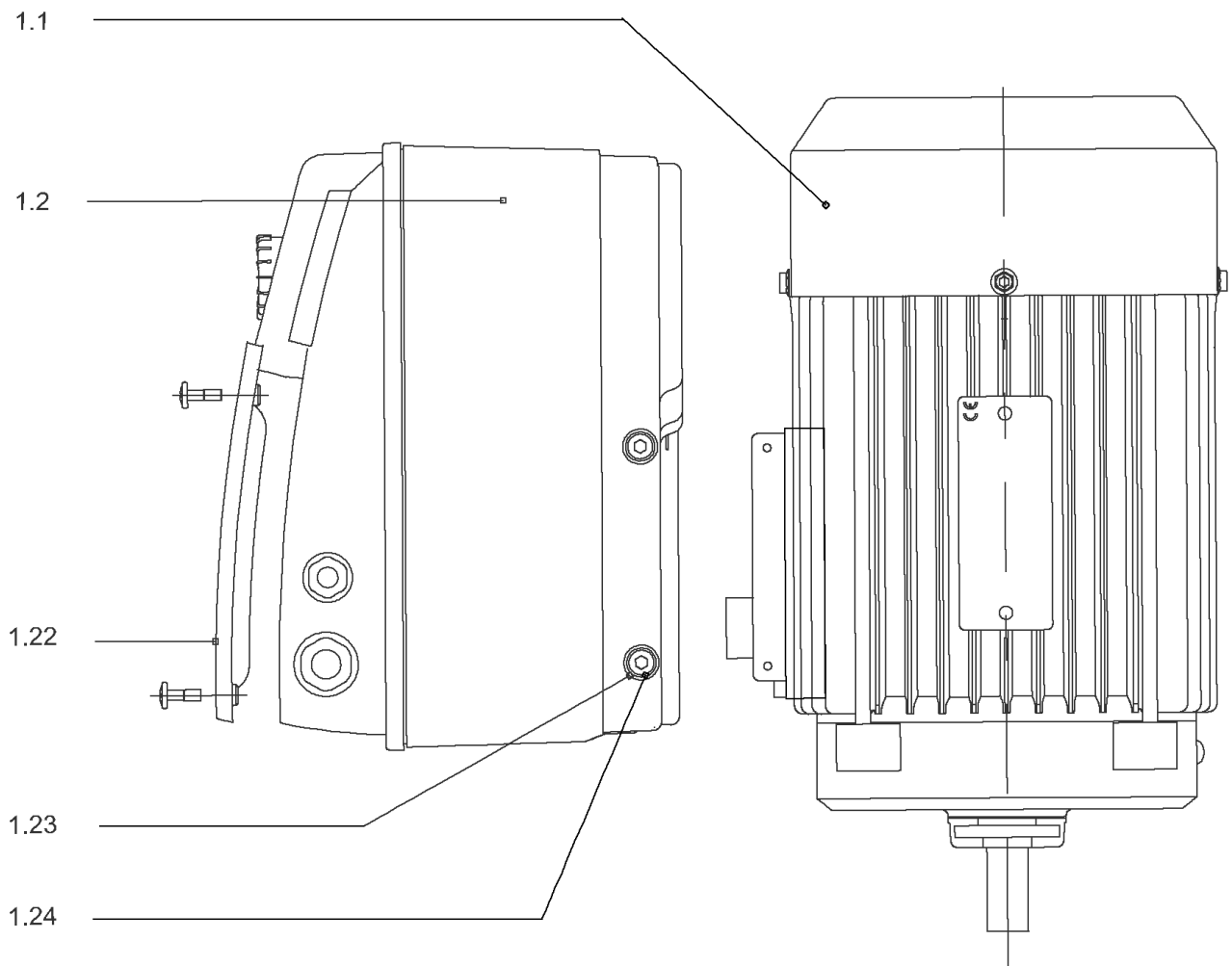
HELIX VE2203-3/25/E/KS (4140696)

Item	Article no.	Description	Quantity
15.1		> PUMP HOUSING SET with COATED PARTS-DN50	1
15.3	4143766	> DRAIN/PRIMING PLUG EPDM HELIX KIT	1
15.3A		>> PRIMING/DRAIN PLUG-304-VERSION 1	1
15.3B	4032293	>> O-RING-10x3-EPDM-KTW/WRC	1
15.3C	4233957	>> O-RING ID.9 EPDM VP.	1
15.4	4221729	> BASE M+ DN50/65/80 VP.	1
15.6		> FLANGE M+ DN50 CATA	1
15.7		> O-RING Ø63.17xØ2.62 EPDM	1
15.5		> SCREW TBHC M12x25 ISO7380 ZN	1



DRIVE HELIX-VE2203-IE2-ATB KIT

Item	Article no.	Description	Quantity
1.1	4185029	MOTOR 5,5/2/132 3~380V 60HZ IE2 ATB VP.	1
		SPARE PARTS MOTOR:ON REQUEST	1
1.2	4186782	MODULE HELIX-VE2203-IE2-ATB KIT	1
1.22	2111344	> MODULE COVER/GASKET TL5 KIT	1
1.23	4215716	> SCREW M5X16 DIN912 8.8 A2A (4pieces) VP.	1
1.24	2057978	> RONDELLE A5,3 DIN6797 FST ZN (4 PIECES)	1



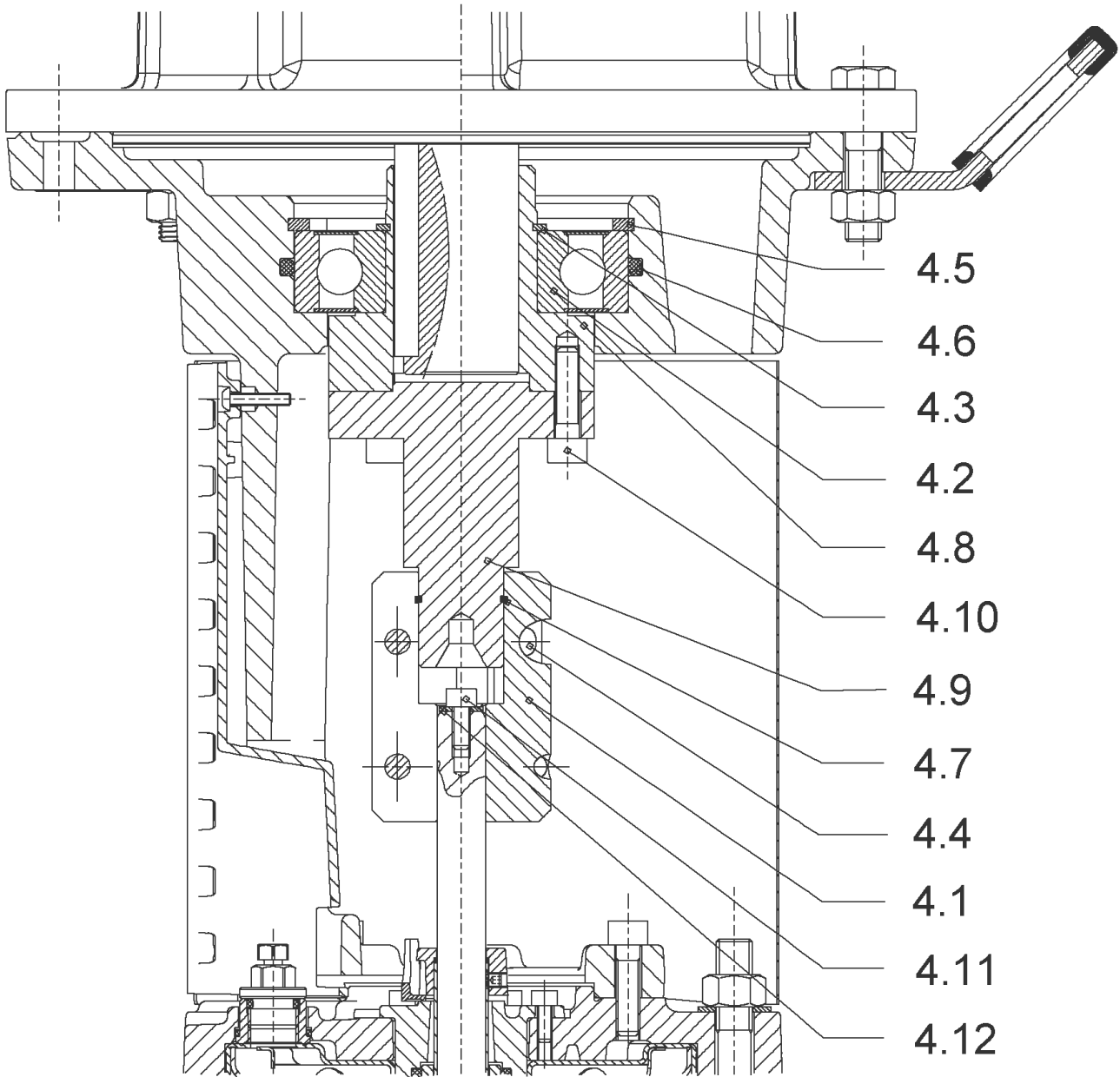
DRIVE HELIX-VE2203-IE2-SIE KIT

Item	Article no.	Description	Quantity
1.1		MOTOR 5,5-2T638P55V1-132-ADAPT IE2 VP.	1
Note: no longer available/nicht mehr lieferbar/n'est plus disponible			
		SPARE PARTS MOTOR:ON REQUEST	1
1.2	4144856	MODULE HELIX-VE2203-IE2-SIE KIT	1
1.22	2111344	> MODULE COVER/GASKET TL5 KIT	1
1.23	4215716	> SCREW M5X16 DIN912 8.8 A2A (4pieces) VP.	1
1.24	2057978	> RONDELLE A5,3 DIN6797 FST ZN (4 PIECES)	1



DRIVE HELIX-VE2203-IE4-WE KIT

Item	Article no.	Description	Quantity
1.1	4207930	MO.5.5/2/132F260 3~ 380V 60HZ IE4 WE VP.	1
		SPARE PARTS MOTOR:ON REQUEST	1
1.2	4212634	MODULE HELIX-VE2203-IE4-WE KIT	1
1.22	2111344	> MODULE COVER/GASKET TL5 KIT	1
1.23	4215716	> SCREW M5X16 DIN912 8.8 A2A (4pieces) VP.	1
1.24	2057978	> RONDELLE A5,3 DIN6797 FST ZN (4 PIECES)	1



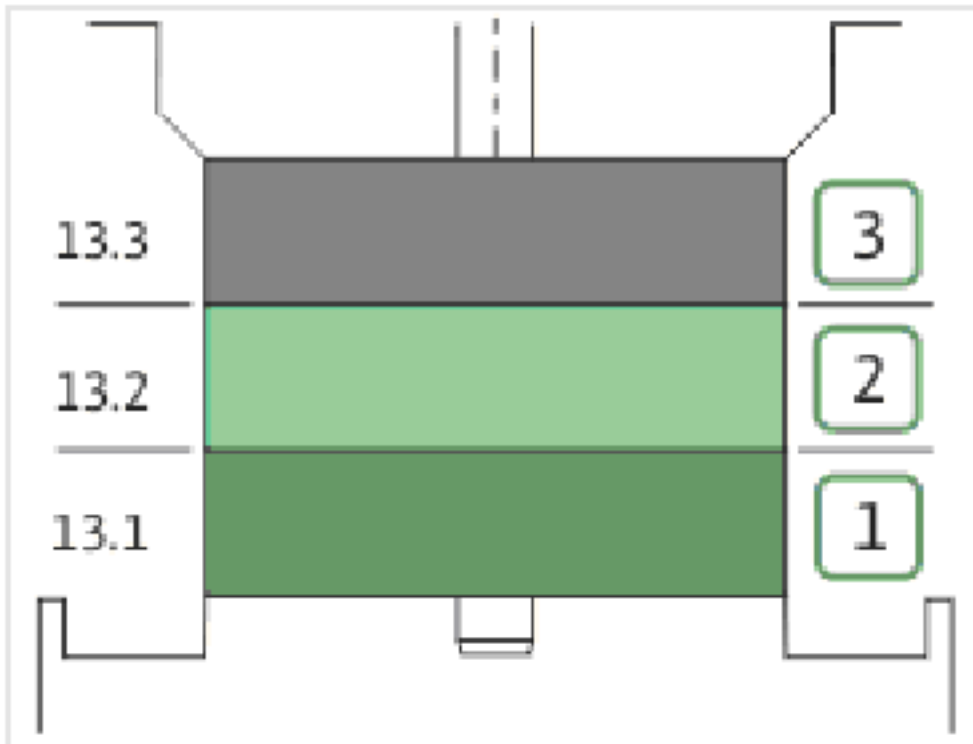
COUPLING D.20XD.28 FF265 KIT (4143965)

Item	Article no.	Description	Quantity
4.1	4179584	COUPLING 2 PARTS D.20XD.28XL83 VP.	1
4.2	2131017	BALL BEARING 6310/ZZ-C4(HT)VP.	1
4.3	4234253	CIRCLIP-FOR-SHAFT-D50x2 VP.	1
4.4	4159707	SCREW M8X30 (4 PIECES)	1
4.5	4234255	CIRCLIPS 110X4 VP.	1
4.6	4233944	O-RING ID.110 VP.	1
4.7	4179585	STOP-RUSH D26xD2 DIN7993 STEEL VP.	1
4.8	2131020	HUB D.38XD.50 VP.	1
4.9	2131021	SPACER D.28XD.45 VP.	1
4.10	4157726	SCREW KIT M8X30 (4 PIECES)	1
4.11	4233959	SCREW M8x16 VP.	1
4.12		SERRATED LOCK WASHER Ø8.2XØ25X35X2	1

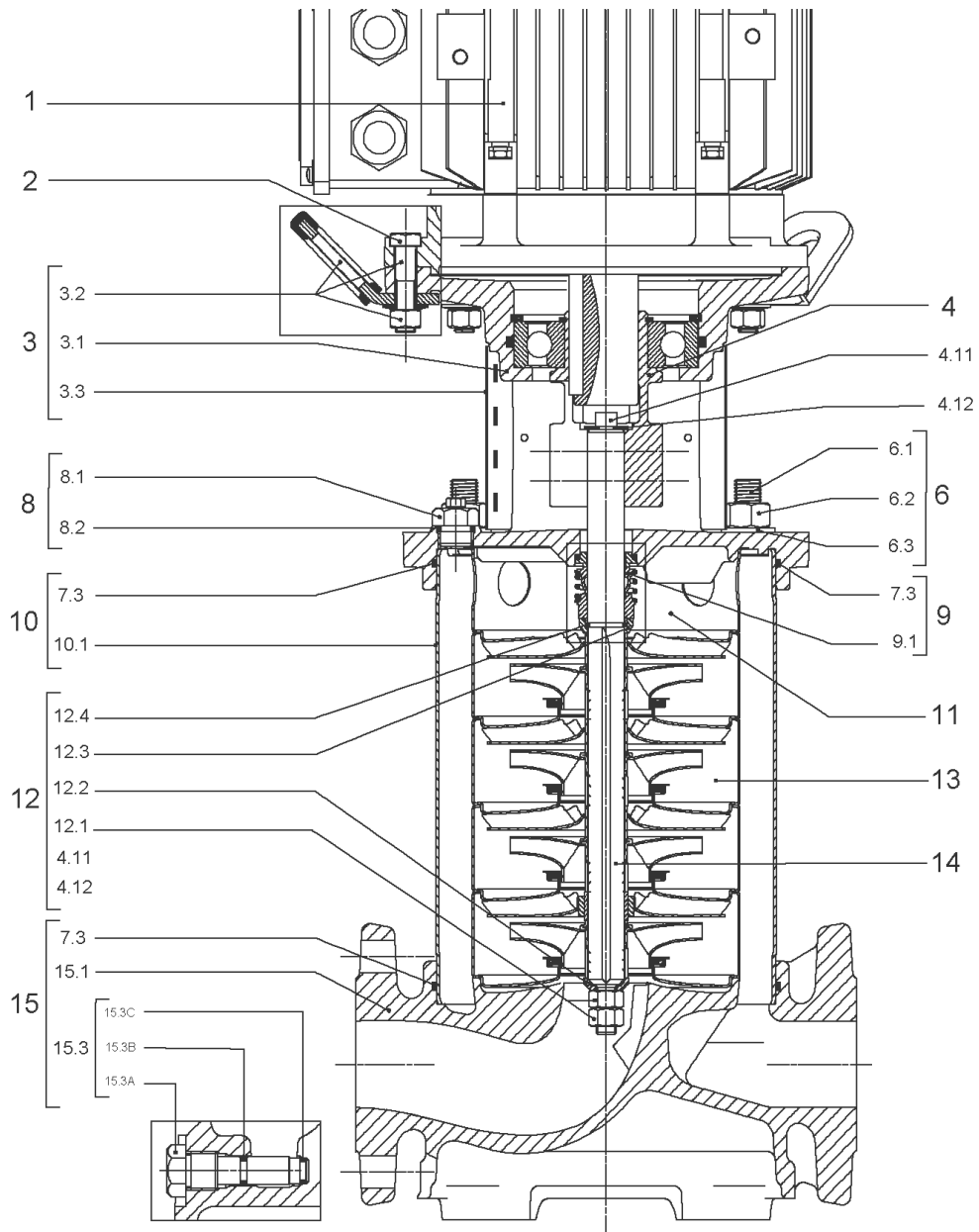


CARTRIDGE HELIX22-36-52 F/E KIT (4143975)

Item	Article no.	Description	Quantity
9.1	4143976	SEAL-KIT-HELIX22-36-52 F/E	1
7.3	4179571	> O-RING HOUSING PIPE HELIX22/36/52 VP.	1
7.4	4179572	> O-RING ID.42.52X2.62 EPDM VP.	1
9.1A	2127447	> M.SEAL.HELIX22-36-52 F/E VP.	1
9.1B	4179574	> O-RING ID.20x2.65 EPDM VP.	1
9.2	4179566	SHAFT SLEEVE D.20/20X60 1.4404 VP.	1
9.3	4179567	RING HOLDER Ø22 1.4301 VP.	1
9.4	4176520	SCREW CH M5x5 A4-70 (3PIECES)	1
9.5	4179568	DRIVE RING D.31/22.1x11 MACH.VP.	1
9.6	4179569	TOOL M.S.CART.HELIX 8" VP.	1
9.7	4179570	SCREW M6X16 ISO4762 8.8 GEOMET(4 PIECES)	1



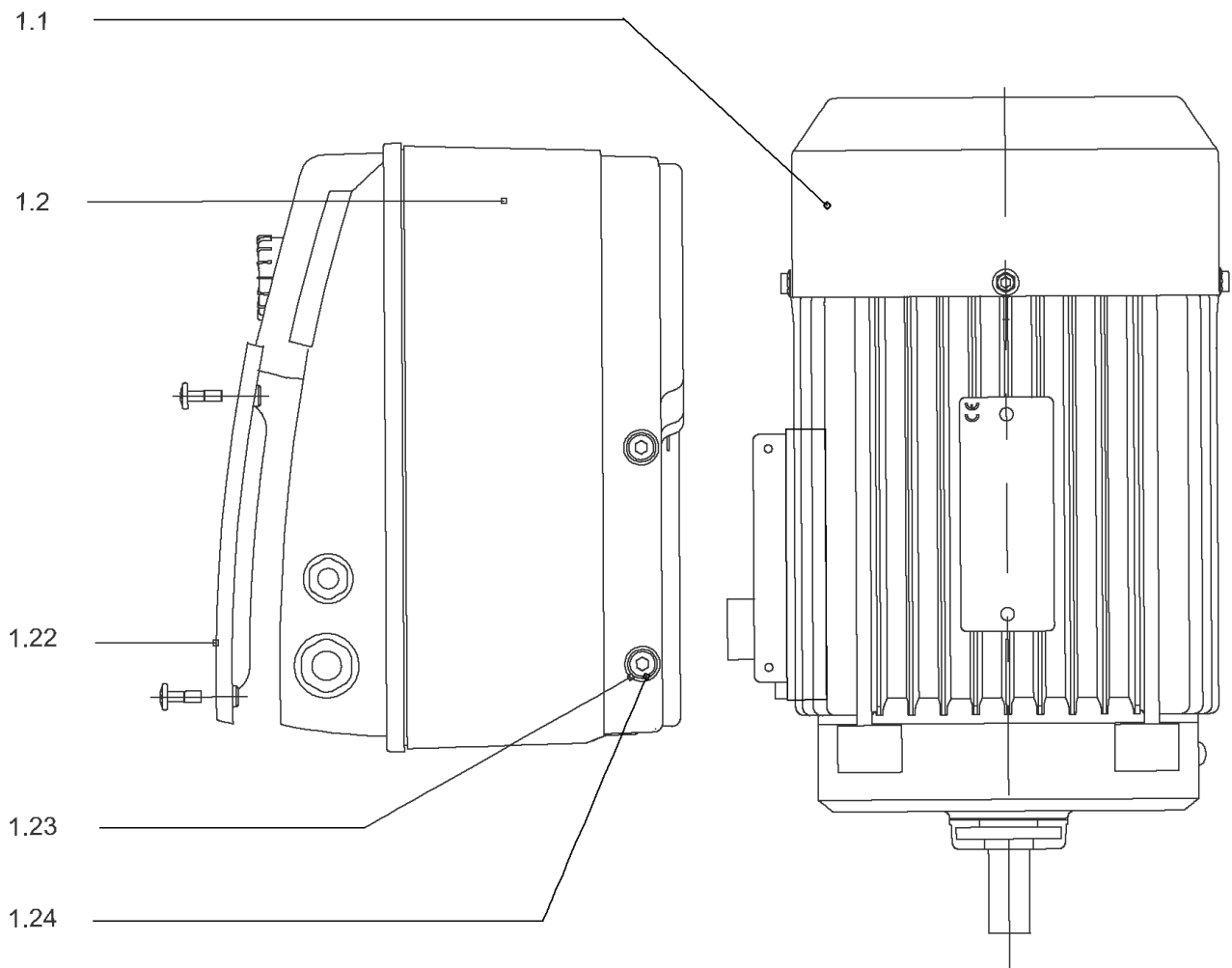
Item	Article no.	Description	Quantity
13.1	4157739	FIRST STAGE HELIX 22 1.4307 KIT	1
		> IMPELLER-H1-M+22-304	1
		> MACH.STG-CASING-WOGV-WNR-M+22-304	1
13.2	4157740	BEARING STAGE HELIX 22 1.4307 KIT	1
		> IMPELLER-H2-M+22-304	1
		> MACH.BEARING-STG-CASING-WNR-M+22-304	1
		> SHAFT-SLEEVE-D26xD22x16-CW	1
13.3	4157743	INTERMEDIATE STAGE HELIX 22 KIT	1
		> MACH.STD-STG-CASING-WGV+NR-M+22-304	1
		> IMPELLER-H2-M+22-304	1



HELIX VE2203-4/16/E/S-FF240 (4183453)

Item	Article no.	Description	Quantity
1		DRIVE HELIX-VE2203-FF240-IE2-ATB KIT	1
Note: MOTOR BRAND ATB			
1		DRIVE HELIX-VE2203-FF240-IE4-WE KIT	1
Note: MOTOR BRAND WILO ELEC			
		SPARE PARTS MOTOR:ON REQUEST	1
2	4174093	SCREW M12X50 (4 PIECES)	1
3	4186358	LANTERN HELIX OPTI 8" FF240 KIT	1
3.1		> M+8_LANTERN_ONE-PIECE_FF240_CATA_DWA	1
3.2	4186346	> EYELET CPL.FF240 HELIX (4 PIECES)	1
3.3	4184853	> COUPLING PROTECTOR FT HELIX 8" KIT	1
4	4186347	COUPLING D.22XD.38 FF240T130 HELIX KIT	1
6	4186342	STUD BOLT M16X253 KIT	1
6.1		> TIE BOLT M16-253x24x44-1.4057	1
6.2	4179562	> NUT M16 8.8 ISO4032 (4 PIECES)	1
6.3	4097852	> WASHER-CS-16.4-32-2.8-NFE25-511-A2	1
8	4186377	FILING/PURGING PLUG 304 HELIX KIT	1
8.1		> FILLING/VENTING-PLUG-MVI8/10"-304	1
8.2	4032291	> O-RING 17x3 EPDM KTW/WRC	1
9	4192148	SEAL-KIT-HELIX22-36-52 FIRST O/E	1
7.3	4179571	> O-RING HOUSING PIPE HELIX22/36/52 VP.	1
9.1	4179573	> M.SEAL.HELIX22-36-52 O/E VP.	1
10	4181161	HOUSING PIPE D.204X214 1.4307 KIT	1
10.1		> HOUSING-PIPE Ø204-M+2203-304	1
7.3	4179571	> O-RING HOUSING PIPE HELIX22/36/52 VP.	1
11	4179143	CENTERING STAGE-RETURN HELIX22 1.4307 VP	1
12	4184856	SHAFT EQUIPMENT HELIX 22 FIRST KIT	1
13		HYDRAULIC HELIX V 2203	1
14	4186343	SHAFT D.22X301 1.4057 VP.	1
15	4186357	EQUIPED HOUSING HELIX OPTI DN50 GJL KIT	1
15.1		> PUMP CASING MONO.GJL M+8" DN50 DWA	1
15.3	4106048	> DRAIN/PRIMING PLUG EPDM HELIX FIRST KIT	1
15.3A		>> DRAIN AND PRIMING PLUG-VMI10"-304	1
15.3B	4032293	>> O-RING-10x3-EPDM-KTW/WRC	1
15.3C	4233957	>> O-RING ID.9 EPDM VP.	1

Item	Article no.	Description	Quantity
7.3	4179571	> O-RING HOUSING PIPE HELIX22/36/52 VP.	1



DRIVE HELIX-VE2203-FF240-IE2-ATB KIT

Item	Article no.	Description	Quantity
1.1		MOTOR 5,5/2/132 FF240 3~380V 60HZ IE2 VP	1
Note: no longer available/nicht mehr lieferbar/n'est plus disponible			
		SPARE PARTS MOTOR:ON REQUEST	1
1.2	4186782	MODULE HELIX-VE2203-IE2-ATB KIT	1
1.22	2111344	> MODULE COVER/GASKET TL5 KIT	1
1.23	4215716	> SCREW M5X16 DIN912 8.8 A2A (4pieces) VP.	1
1.24	2057978	> RONDELLE A5,3 DIN6797 FST ZN (4 PIECES)	1



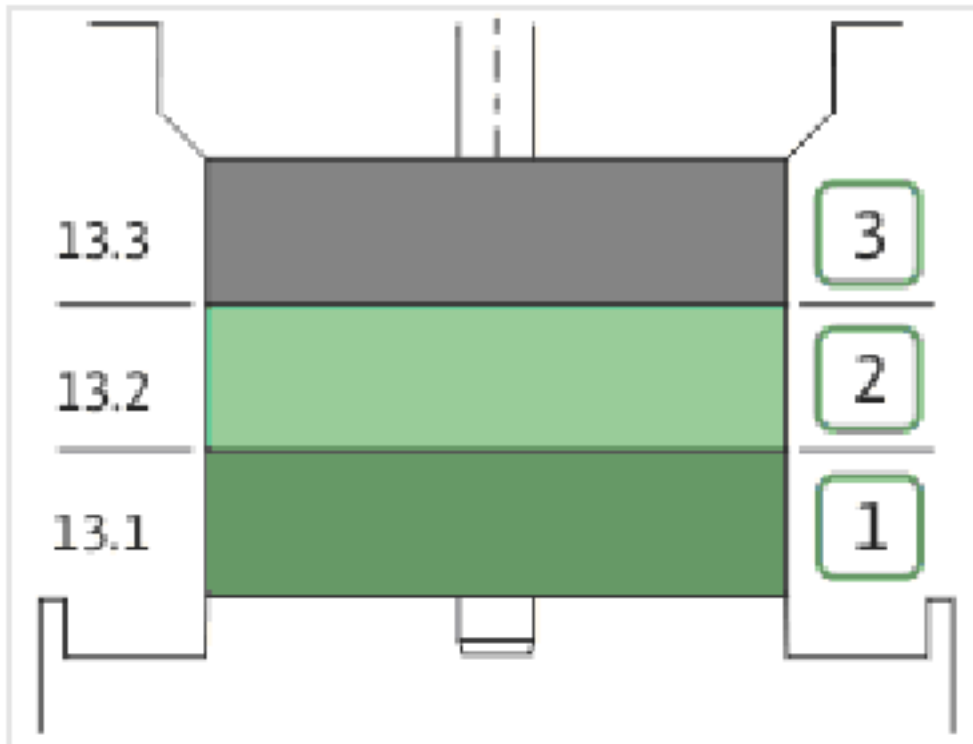
DRIVE HELIX-VE2203-FF240-IE4-WE KIT

Item	Article no.	Description	Quantity
1.1	4207932	MO.5.5/2/132FF240 3~380V 60Hz IE4 WE VP.	1
		SPARE PARTS MOTOR:ON REQUEST	1
1.2	4212634	MODULE HELIX-VE2203-IE4-WE KIT	1
1.22	2111344	> MODULE COVER/GASKET TL5 KIT	1
1.23	4215716	> SCREW M5X16 DIN912 8.8 A2A (4pieces) VP.	1
1.24	2057978	> RONDELLE A5,3 DIN6797 FST ZN (4 PIECES)	1

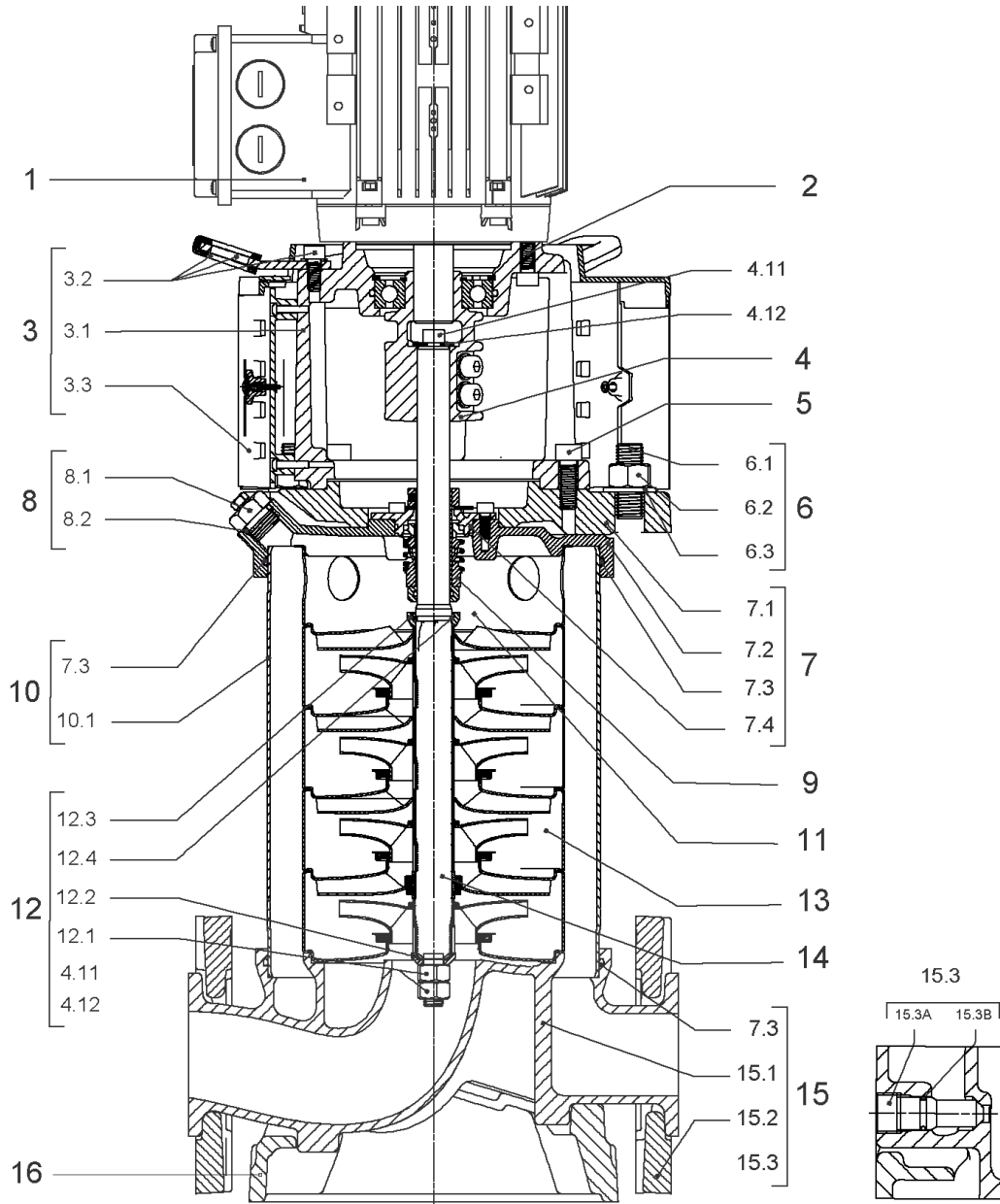


COUPLING D.22XD.38 FF240T130 HELIX KIT (4186347)

Item	Article no.	Description	Quantity
4.1		COUPLING-VMI-D22xD38-FF265-MACHINED	1
4.2	2131017	BALL BEARING 6310/ZZ-C4(HT)VP.	1
4.3	4234253	CIRCLIP-FOR-SHAFT-D50x2 VP.	1
4.4	4157726	SCREW KIT M8X30 (4 PIECES)	1
4.5	4234255	CIRCLIPS 110X4 VP.	1
4.6	4233944	O-RING ID.110 VP.	1
		NOMEL CONTACT WASHER 8x16x1,4 STEEL ZC	1



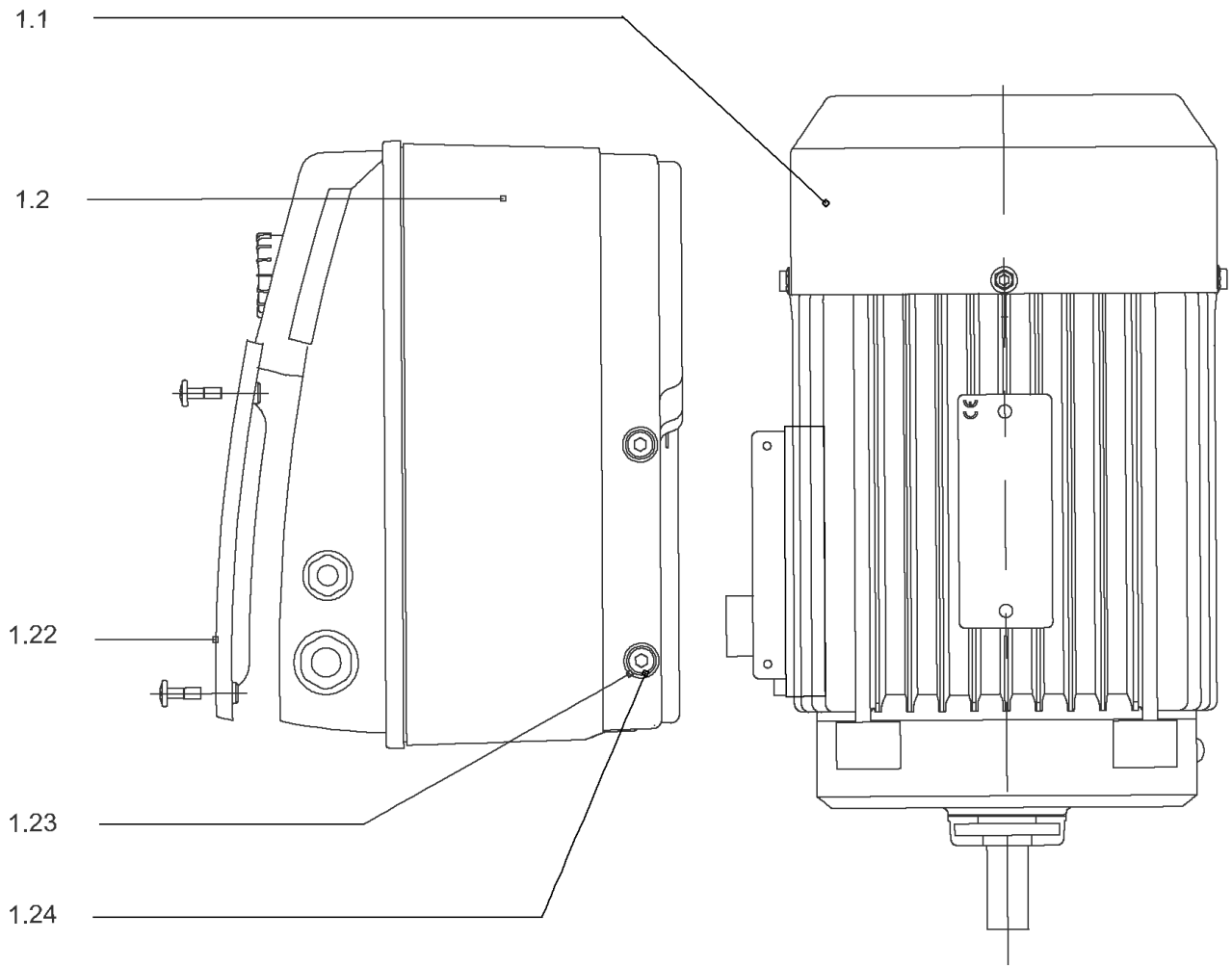
Item	Article no.	Description	Quantity
13.1	4157739	FIRST STAGE HELIX 22 1.4307 KIT	1
		> IMPELLER-H1-M+22-304	1
		> MACH.STG-CASING-WOGV-WNR-M+22-304	1
13.2	4157740	BEARING STAGE HELIX 22 1.4307 KIT	1
		> IMPELLER-H2-M+22-304	1
		> MACH.BEARING-STG-CASING-WNR-M+22-304	1
		> SHAFT-SLEEVE-D26xD22x16-CW	1
13.3	4157743	INTERMEDIATE STAGE HELIX 22 KIT	1
		> MACH.STD-STG-CASING-WGV+NR-M+22-304	1
		> IMPELLER-H2-M+22-304	1



HELIX VE2203-1/16/E/KS/FF240/EC (4215826)

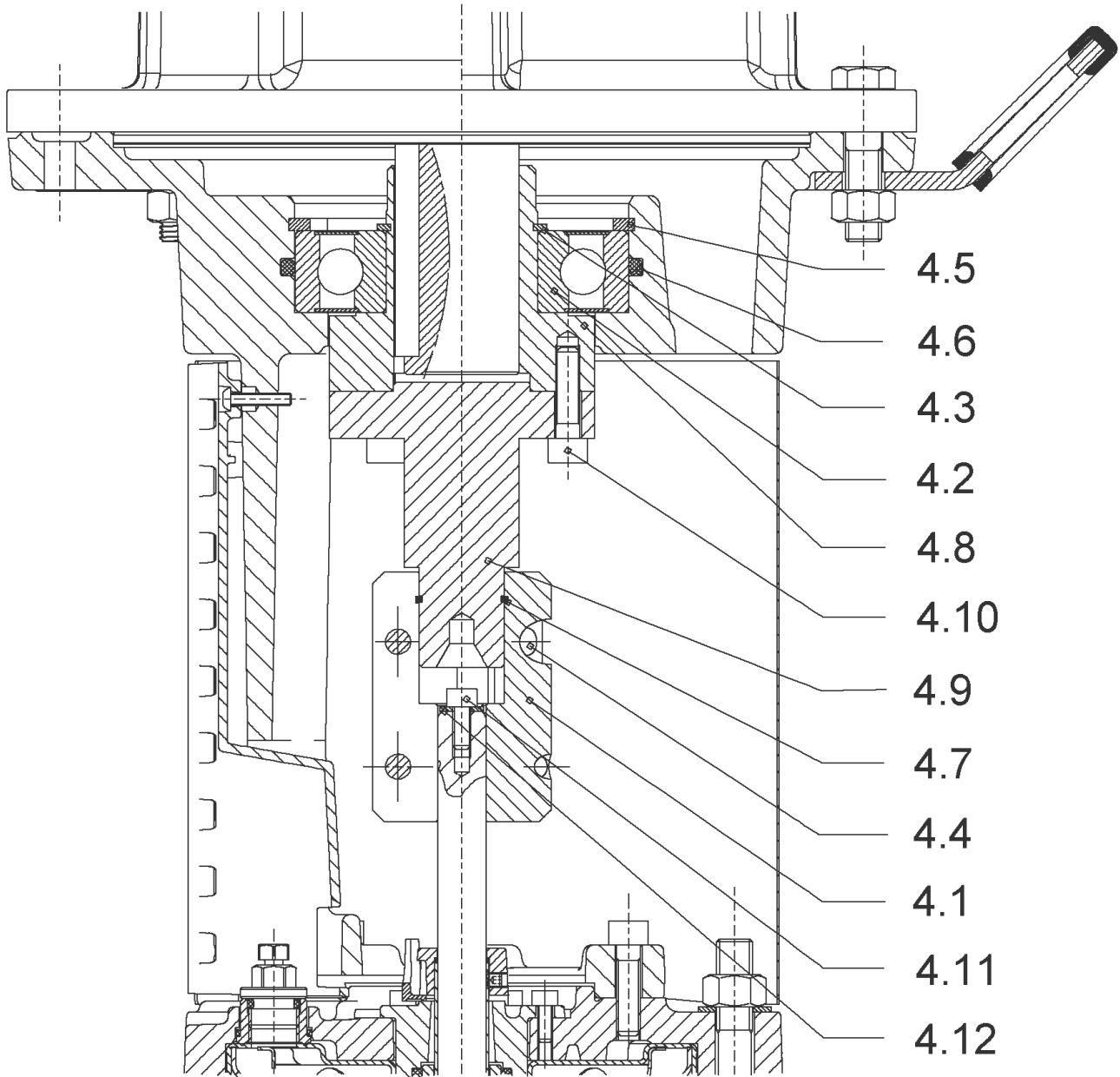
Item	Article no.	Description	Quantity
1		DRIVE HELIX-VE2203-FF240-IE4-WE KIT	1
Note: MOTOR BRAND WILO ELEC			
2	4174093	SCREW M12X50 (4 PIECES)	1
3	4228544	LANTERN HELIX OPTI 8" FF240 KIT	1
3.1		> LANTERN FF240 M+8" JL250 MACHINING+CATA	1
3.2	2127605	> EYELET CPL.FF265 HELIX(2 PIECES)	1
3.3	4143969	> COUPLING PROTECT HELIX FF KIT	1
4	4143965	COUPLING D.20XD.28 FF265 KIT	1
5	4157725	SCREW M10X40 (4 PIECES)	1
6	4179592	STUD BOLT M16X405 KIT	1
6.1		> TIE BOLT M16-405x24x44-1.4057	1
6.2	4179562	> NUT M16 8.8 ISO4032 (4 PIECES)	1
6.3	4097852	> WASHER-CS-16.4-32-2.8-NFE25-511-A2	1
7	4217176	END SHIELD HELIX OPTI 8" EPDM KIT	1
7.1		> upper flange machined + cataphoresis	1
7.2	4217174	> STATIONARY RING HOLDER 8" HELIX OPTI VP.	1
7.3	4179571	> O-RING HOUSING PIPE HELIX22/36/52 VP.	1
7.4	4179572	> O-RING ID.42.52X2.62 EPDM VP.	1
8	4186377	FILING/PURGING PLUG 304 HELIX KIT	1
8.1		> FILLING/VENTING-PLUG-MVI8/10"-304	1
8.2	4032291	> O-RING 17x3 EPDM KTW/WRC	1
9	4143973	CARTRIDGE HELIX22-36-52 O/E KIT	1
10	4181161	HOUSING PIPE D.204X214 1.4307 KIT	1
10.1		> HOUSING-PIPE Ø204-M+2203-304	1
7.3	4179571	> O-RING HOUSING PIPE HELIX22/36/52 VP.	1
11	4179143	CENTERING STAGE-RETURN HELIX22 1.4307 VP	1
12	4143967	SHAFT EQUIPMENT HELIX V KIT	1
13		HYDRAULIC HELIX V 2203	1
14	4181073	SHAFTS D.22X354 1.4057 VP.	1
15	4217852	EQUIPED HOUSING DN50 HELIX OPTI 8" KIT	1
15.1		> pump casing machined DN50	1
15.2	4217178	> HALF FLANGE DN50 HELIX OPTI 8" VP.	1
15.3	4217850	> DRAIN/PRIMING PLUG HELIX OPTI 8" KIT	1
7.3	4179571	> O-RING HOUSING PIPE HELIX22/36/52 VP.	1

Item	Article no.	Description	Quantity
16	4217854	BASEPLATE DN50 HELIX OPTI 8" VP.	1



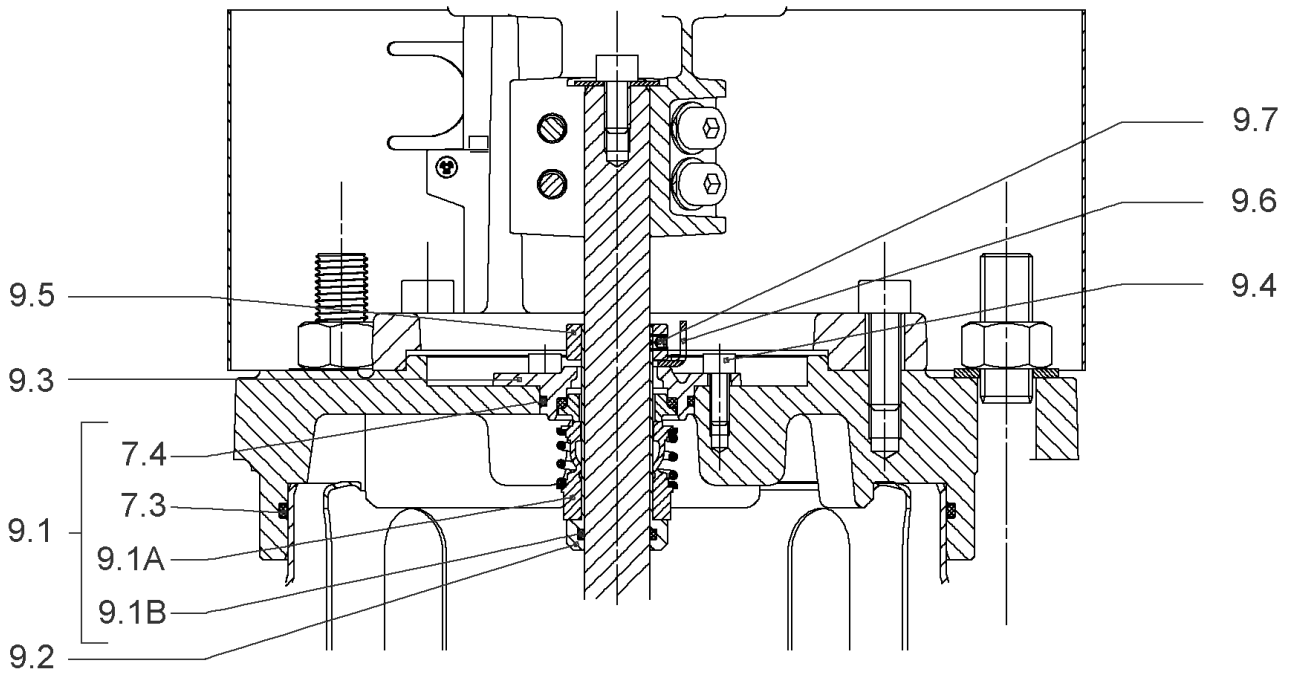
DRIVE HELIX-VE2203-FF240-IE4-WE KIT

Item	Article no.	Description	Quantity
1.1	4207932	MO.5.5/2/132FF240 3~380V 60Hz IE4 WE VP.	1
		SPARE PARTS MOTOR:ON REQUEST	1
1.2	4212634	MODULE HELIX-VE2203-IE4-WE KIT	1
1.22	2111344	> MODULE COVER/GASKET TL5 KIT	1
1.23	4215716	> SCREW M5X16 DIN912 8.8 A2A (4pieces) VP.	1
1.24	2057978	> RONDELLE A5,3 DIN6797 FST ZN (4 PIECES)	1



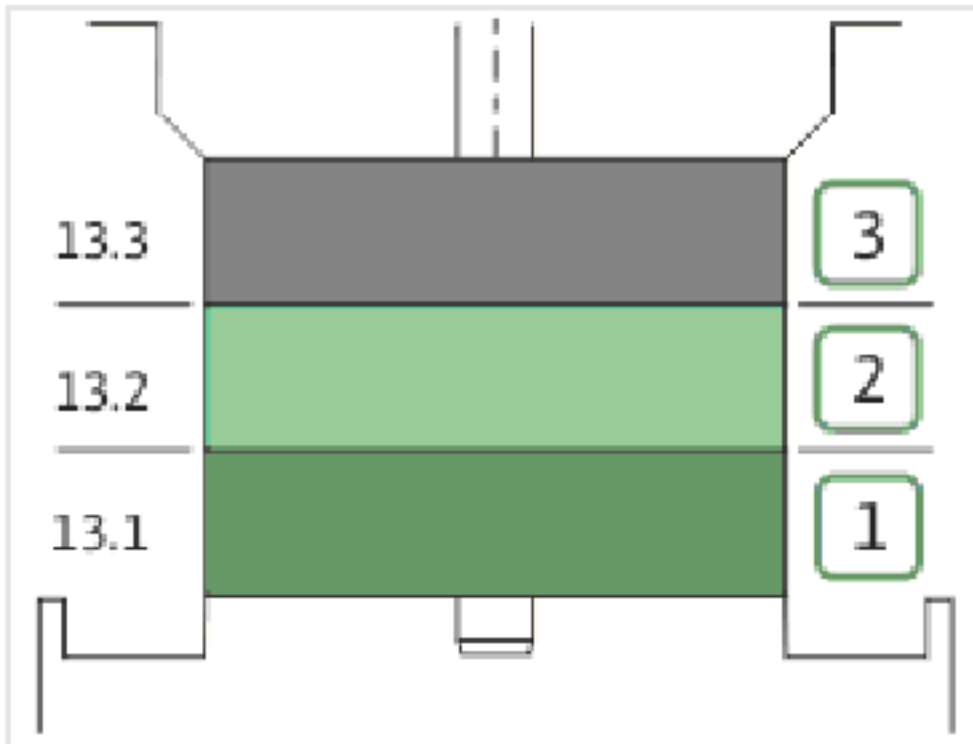
COUPLING D.20XD.28 FF265 KIT (4143965)

Item	Article no.	Description	Quantity
4.1	4179584	COUPLING 2 PARTS D.20XD.28XL83 VP.	1
4.2	2131017	BALL BEARING 6310/ZZ-C4(HT)VP.	1
4.3	4234253	CIRCLIP-FOR-SHAFT-D50x2 VP.	1
4.4	4159707	SCREW M8X30 (4 PIECES)	1
4.5	4234255	CIRCLIPS 110X4 VP.	1
4.6	4233944	O-RING ID.110 VP.	1
4.7	4179585	STOP-RUSH D26xD2 DIN7993 STEEL VP.	1
4.8	2131020	HUB D.38XD.50 VP.	1
4.9	2131021	SPACER D.28XD.45 VP.	1
4.10	4157726	SCREW KIT M8X30 (4 PIECES)	1
4.11	4233959	SCREW M8x16 VP.	1
4.12		SERRATED LOCK WASHER Ø8.2XØ25X35X2	1

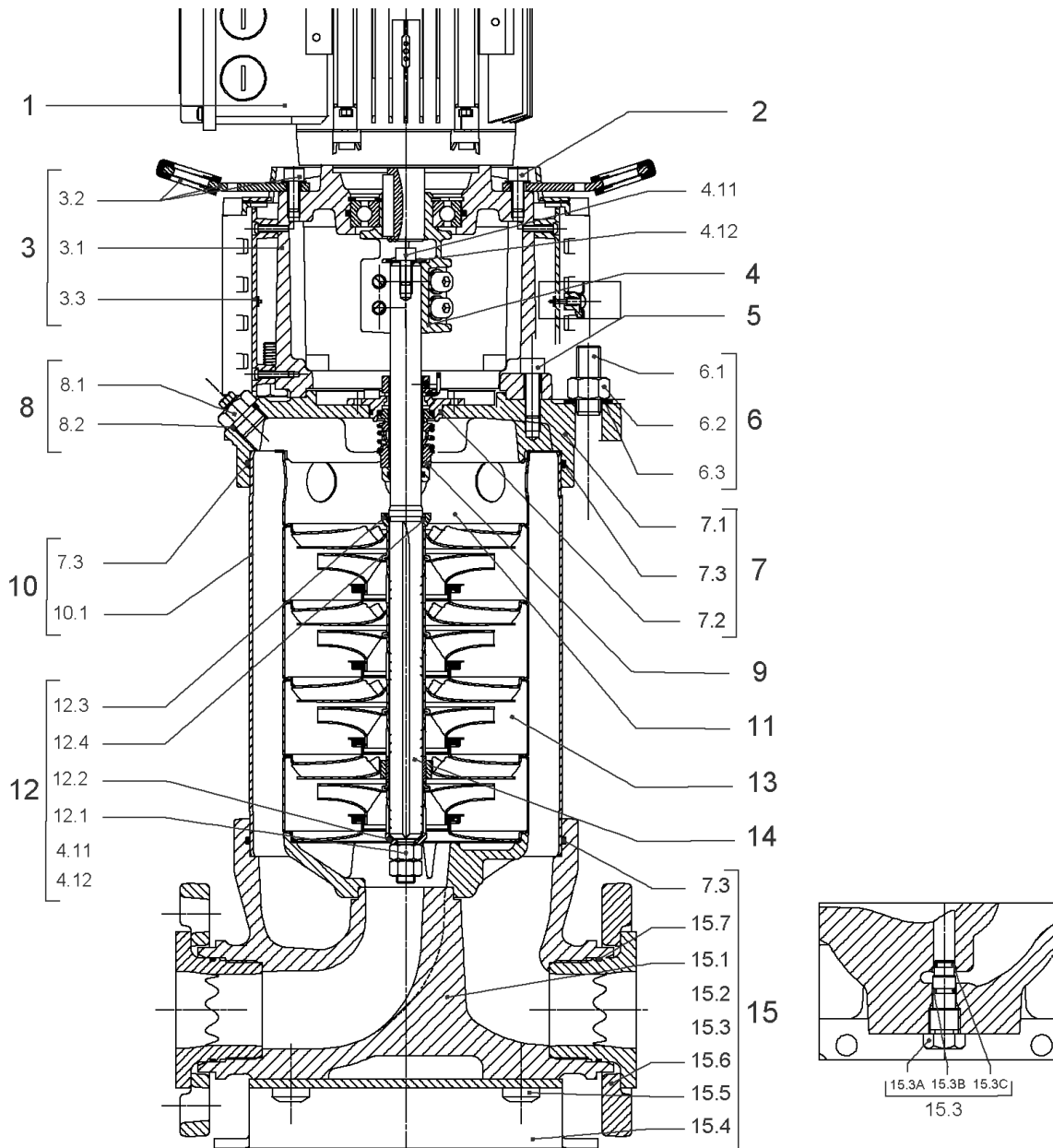


CARTRIDGE HELIX22-36-52 O/E KIT (4143973)

Item	Article no.	Description	Quantity
9.1	4143974	SEAL-KIT-HELIX22-36-52 O/E	1
7.3	4179571	> O-RING HOUSING PIPE HELIX22/36/52 VP.	1
7.4	4179572	> O-RING ID.42.52X2.62 EPDM VP.	1
9.1A	4179573	> M.SEAL.HELIX22-36-52 O/E VP.	1
9.1B	4179574	> O-RING ID.20x2.65 EPDM VP.	1
9.2	4179566	SHAFT SLEEVE D.20/20X60 1.4404 VP.	1
9.3	4179567	RING HOLDER Ø22 1.4301 VP.	1
9.4	4176520	SCREW CH M5x5 A4-70 (3PIECES)	1
9.5	4179568	DRIVE RING D.31/22.1x11 MACH.VP.	1
9.6	4179569	TOOL M.S.CART.HELIX 8" VP.	1
9.7	4179570	SCREW M6X16 ISO4762 8.8 GEOMET(4 PIECES)	1



Item	Article no.	Description	Quantity
13.1	4157739	FIRST STAGE HELIX 22 1.4307 KIT	1
		> IMPELLER-H1-M+22-304	1
		> MACH.STG-CASING-WOGV-WNR-M+22-304	1
13.2	4157740	BEARING STAGE HELIX 22 1.4307 KIT	1
		> IMPELLER-H2-M+22-304	1
		> MACH.BEARING-STG-CASING-WNR-M+22-304	1
		> SHAFT-SLEEVE-D26xD22x16-CW	1
13.3	4157743	INTERMEDIATE STAGE HELIX 22 KIT	1
		> MACH.STD-STG-CASING-WGV+NR-M+22-304	1
		> IMPELLER-H2-M+22-304	1

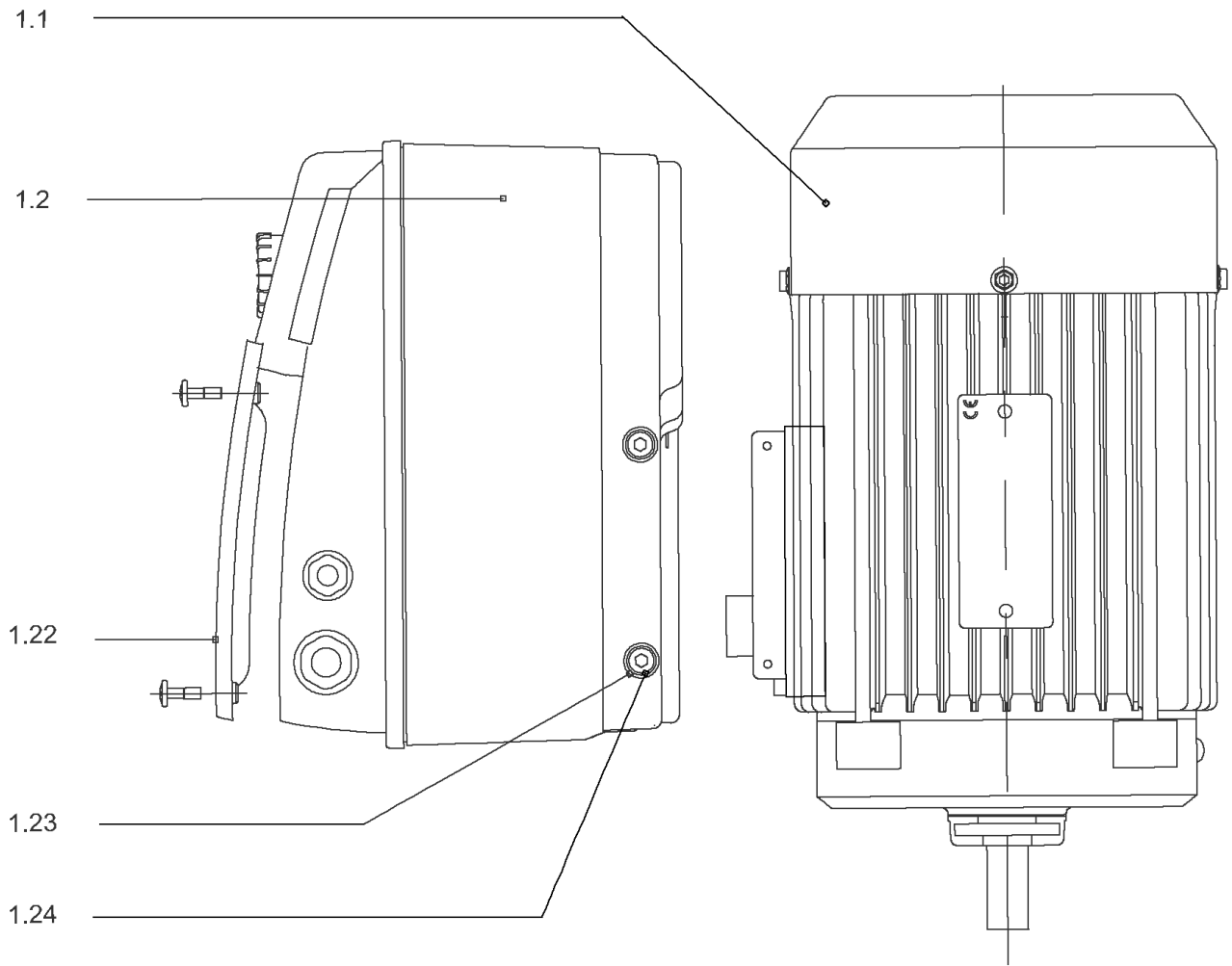


HELIX VE2204-3/16/E/K (4123339)

Item	Article no.	Description	Quantity
1		DRIVE HELIX-VE2204-IE2-SIE KIT	1
Note: MOTOR BRAND SIEMENS			
1		DRIVE HELIX-VE2204-IE2-ATB KIT	1
Note: MOTOR BRAND ATB			
1		DRIVE HELIX-VE2204-IE4-WE KIT	1
Note: MOTOR BRAND WILO ELEC			
2	4174093	SCREW M12X50 (4 PIECES)	1
3	4161187	LANTERN FF265 HELIX 8" KIT	1
3.1		> LANTERN FF265 M+ GJL MACHINED+CATA	1
3.2	2127605	> EYELET CPL.FF265 HELIX(2 PIECES)	1
3.3	4143969	> COUPLING PROTECT HELIX FF KIT	1
4	4143965	COUPLING D.20XD.28 FF265 KIT	1
5	4157725	SCREW M10X40 (4 PIECES)	1
6	4181076	STUD BOLT M16X338 KIT	1
		> TIE BOLT M16-338x24x44-1.4057	1
	4179562	> NUT M16 8.8 ISO4032 (4 PIECES)	1
	4097852	> WASHER-CS-16.4-32-2.8-NFE25-511-A2	1
7	4179565	END SHIELD HELIX 8" EPDM KIT	1
7.1		> END SHIELD M+ GJL MACHINED+CATA	1
7.2	4179564	> O-RING D.42.52x2.62 EPDM VP.	1
7.3	4179571	> O-RING HOUSING PIPE HELIX22/36/52 VP.	1
8	4143765	FILING/PURGING PLUG 316L HELIX KIT	1
8.1		> FILLING/VENTING-PLUG-VMI8/10-316L	1
8.2	4032291	> O-RING 17x3 EPDM KTW/WRC	1
9	4143973	CARTRIDGE HELIX22-36-52 O/E KIT	1
10	4181077	HOUSING-PIPE D.204X264 1.4307 KIT	1
7.3	4179571	> O-RING HOUSING PIPE HELIX22/36/52 VP.	1
10.1		> HOUSING-PIPE Ø204-M+2204/3603-304	1
11	4179143	CENTERING STAGE-RETURN HELIX22 1.4307 VP	1
12	4143967	SHAFT EQUIPMENT HELIX V KIT	1
13		HYDRAULIC HELIX V 2204	1
14	2132516	SHAFT D.22X404 1.4301 VP.	1
15	4181158	EQUIPED HOUSING HELIX 22 GJL KIT	1
7.3	4179571	> O-RING HOUSING PIPE HELIX22/36/52 VP.	1

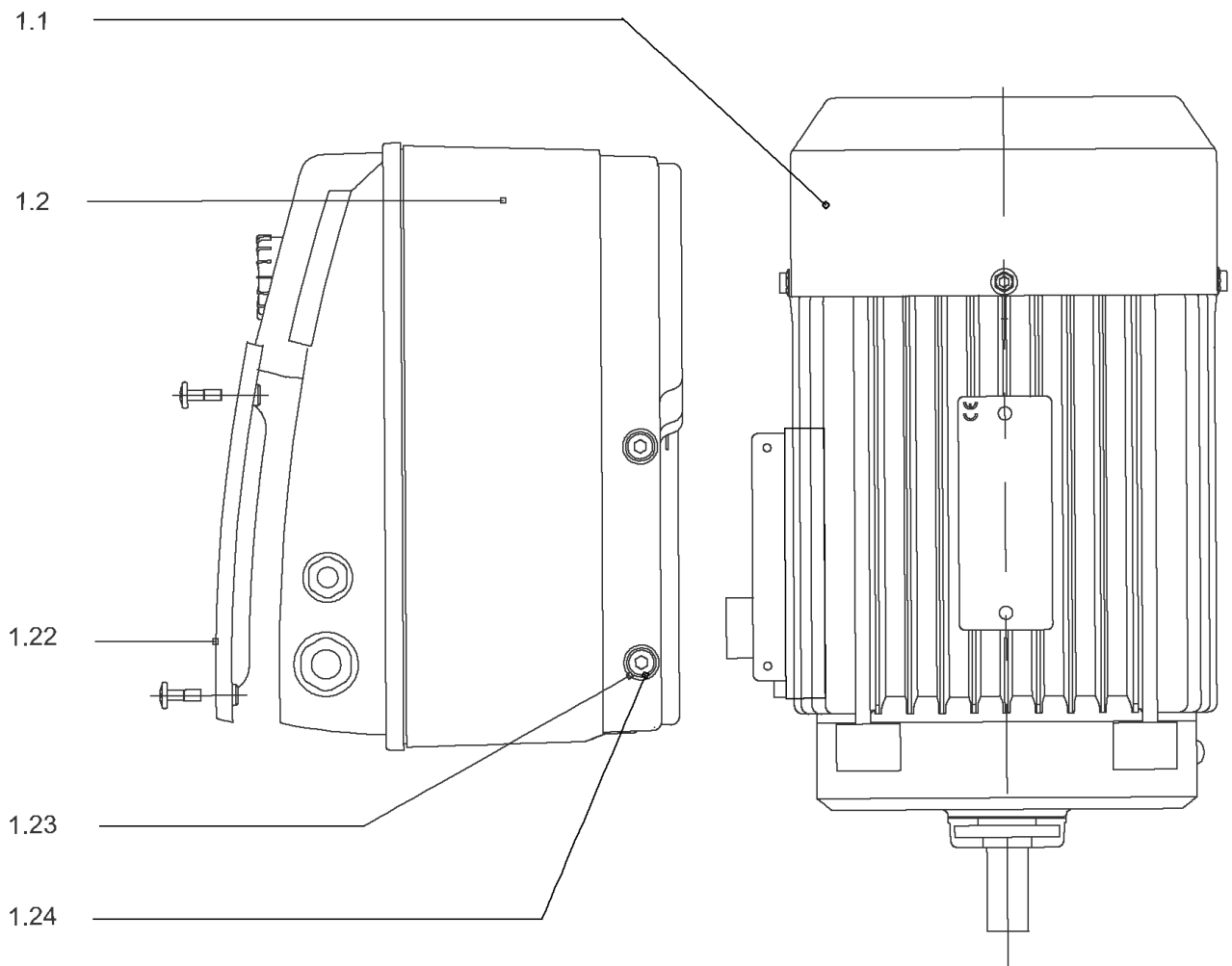
HELIX VE2204-3/16/E/K (4123339)

Item	Article no.	Description	Quantity
15.1		> PUMP HOUSING SET with COATED PARTS-DN50	1
15.3	4143766	> DRAIN/PRIMING PLUG EPDM HELIX KIT	1
15.3A		>> PRIMING/DRAIN PLUG-304-VERSION 1	1
15.3B	4032293	>> O-RING-10x3-EPDM-KTW/WRC	1
15.3C	4233957	>> O-RING ID.9 EPDM VP.	1
15.4	4221729	> BASE M+ DN50/65/80 VP.	1
15.6		> FLANGE M+ DN50 CATA	1
15.7		> O-RING Ø63.17xØ2.62 EPDM	1
15.5		> SCREW TBHC M12x25 ISO7380 ZN	1



DRIVE HELIX-VE2204-IE2-SIE KIT

Item	Article no.	Description	Quantity
1.1		MOTOR 7,5/2/132 3~380V 60HZ IE2 SIE VP.	1
Note: no longer available/nicht mehr lieferbar/n'est plus disponible			
		SPARE PARTS MOTOR:ON REQUEST	1
1.2	4186777	MODULE HELIX-VE2204-IE2-SIE KIT	1
1.22	2111344	> MODULE COVER/GASKET TL5 KIT	1
1.23	4215716	> SCREW M5X16 DIN912 8.8 A2A (4pieces) VP.	1
1.24	2057978	> RONDELLE A5,3 DIN6797 FST ZN (4 PIECES)	1



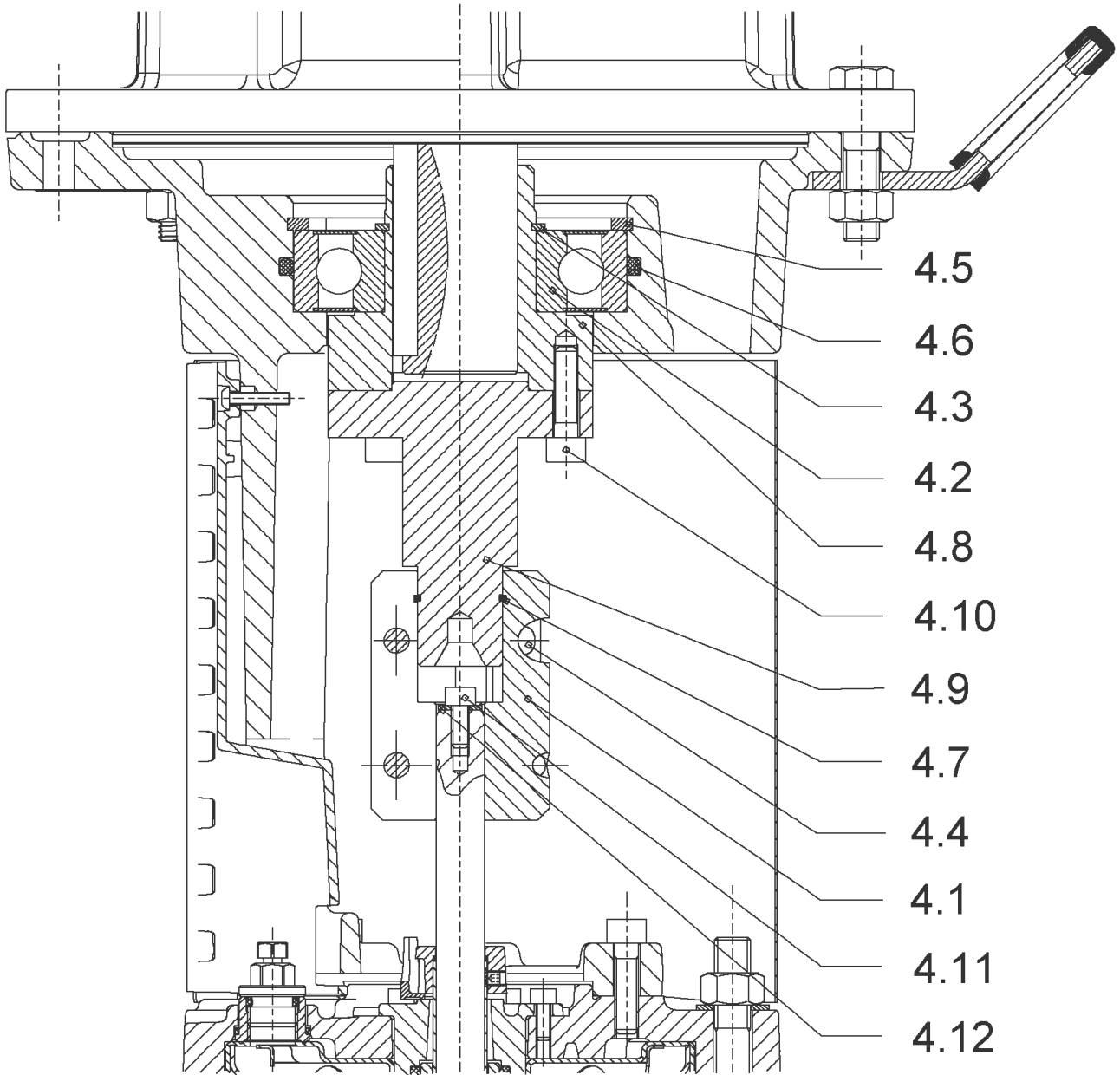
DRIVE HELIX-VE2204-IE2-ATB KIT

Item	Article no.	Description	Quantity
1.1	4192124	MOTOR 7,5/2/132 3~380V 60HZ IE2 ATB VP.	1
		SPARE PARTS MOTOR:ON REQUEST	1
1.2	4144857	MODULE HELIX-VE2204-IE2-ATB KIT	1
1.22	2111344	> MODULE COVER/GASKET TL5 KIT	1
1.23	4215716	> SCREW M5X16 DIN912 8.8 A2A (4pieces) VP.	1
1.24	2057978	> RONDELLE A5,3 DIN6797 FST ZN (4 PIECES)	1



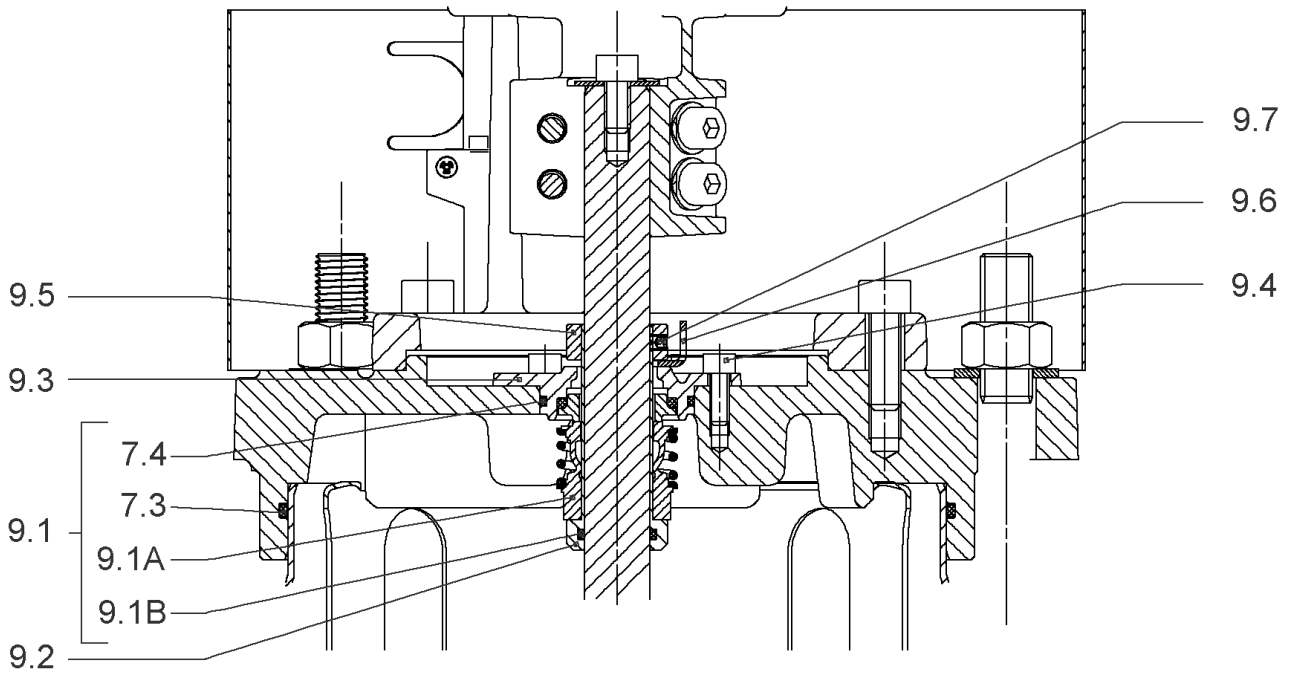
DRIVE HELIX-VE2204-IE4-WE KIT

Item	Article no.	Description	Quantity
1.1	4207938	MOT.7.5/2/132F26 3~ 380V 60HZ IE4 WE VP.	1
		SPARE PARTS MOTOR:ON REQUEST	1
1.2	4212639	MODULE HELIX-VE2204-IE4-WE KIT	1
1.22	2111344	> MODULE COVER/GASKET TL5 KIT	1
1.23	4215716	> SCREW M5X16 DIN912 8.8 A2A (4pieces) VP.	1
1.24	2057978	> RONDELLE A5,3 DIN6797 FST ZN (4 PIECES)	1



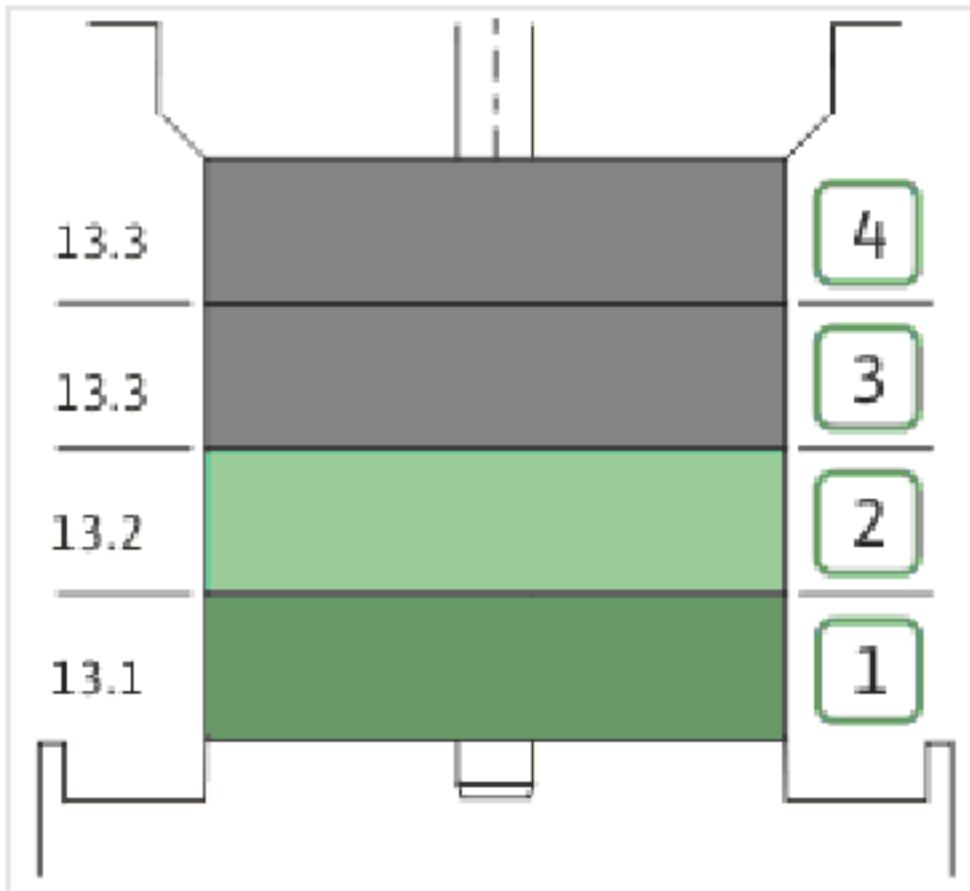
COUPLING D.20XD.28 FF265 KIT (4143965)

Item	Article no.	Description	Quantity
4.1	4179584	COUPLING 2 PARTS D.20XD.28XL83 VP.	1
4.2	2131017	BALL BEARING 6310/ZZ-C4(HT)VP.	1
4.3	4234253	CIRCLIP-FOR-SHAFT-D50x2 VP.	1
4.4	4159707	SCREW M8X30 (4 PIECES)	1
4.5	4234255	CIRCLIPS 110X4 VP.	1
4.6	4233944	O-RING ID.110 VP.	1
4.7	4179585	STOP-RUSH D26xD2 DIN7993 STEEL VP.	1
4.8	2131020	HUB D.38XD.50 VP.	1
4.9	2131021	SPACER D.28XD.45 VP.	1
4.10	4157726	SCREW KIT M8X30 (4 PIECES)	1
4.11	4233959	SCREW M8x16 VP.	1
4.12		SERRATED LOCK WASHER Ø8.2XØ25X35X2	1

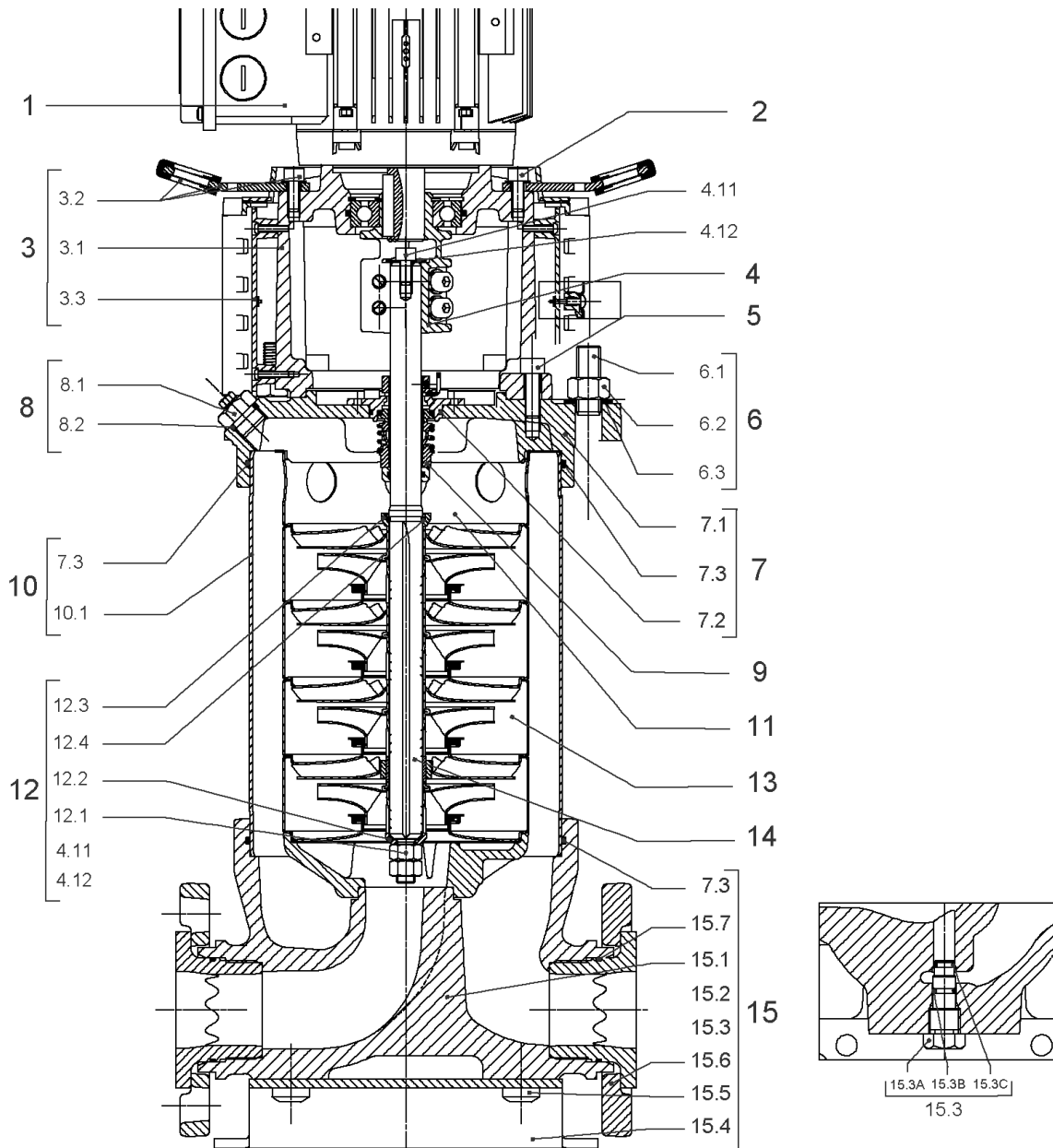


CARTRIDGE HELIX22-36-52 O/E KIT (4143973)

Item	Article no.	Description	Quantity
9.1	4143974	SEAL-KIT-HELIX22-36-52 O/E	1
7.3	4179571	> O-RING HOUSING PIPE HELIX22/36/52 VP.	1
7.4	4179572	> O-RING ID.42.52X2.62 EPDM VP.	1
9.1A	4179573	> M.SEAL.HELIX22-36-52 O/E VP.	1
9.1B	4179574	> O-RING ID.20x2.65 EPDM VP.	1
9.2	4179566	SHAFT SLEEVE D.20/20X60 1.4404 VP.	1
9.3	4179567	RING HOLDER Ø22 1.4301 VP.	1
9.4	4176520	SCREW CH M5x5 A4-70 (3PIECES)	1
9.5	4179568	DRIVE RING D.31/22.1x11 MACH.VP.	1
9.6	4179569	TOOL M.S.CART.HELIX 8" VP.	1
9.7	4179570	SCREW M6X16 ISO4762 8.8 GEOMET(4 PIECES)	1



Item	Article no.	Description	Quantity
13.1	4157739	FIRST STAGE HELIX 22 1.4307 KIT	1
		> IMPELLER-H1-M+22-304	1
		> MACH.STG-CASING-WOGV-WNR-M+22-304	1
13.2	4157740	BEARING STAGE HELIX 22 1.4307 KIT	1
		> IMPELLER-H2-M+22-304	1
		> MACH.BEARING-STG-CASING-WNR-M+22-304	1
		> SHAFT-SLEEVE-D26xD22x16-CW	1
13.3	4157743	INTERMEDIATE STAGE HELIX 22 KIT	1
		> MACH.STD-STG-CASING-WGV+NR-M+22-304	1
		> IMPELLER-H2-M+22-304	1



HELIX VE2204-3/16/E/KS (4123345)

Item	Article no.	Description	Quantity
1		DRIVE HELIX-VE2204-IE2-SIE KIT	1
Note: MOTOR BRAND SIEMENS			
1		DRIVE HELIX-VE2204-IE2-ATB KIT	1
Note: MOTOR BRAND ATB			
1		DRIVE HELIX-VE2204-IE4-WE KIT	1
Note: MOTOR BRAND WILO ELEC			
2	4174093	SCREW M12X50 (4 PIECES)	1
3	4161187	LANTERN FF265 HELIX 8" KIT	1
3.1		> LANTERN FF265 M+ GJL MACHINED+CATA	1
3.2	2127605	> EYELET CPL.FF265 HELIX(2 PIECES)	1
3.3	4143969	> COUPLING PROTECT HELIX FF KIT	1
4	4143965	COUPLING D.20XD.28 FF265 KIT	1
5	4157725	SCREW M10X40 (4 PIECES)	1
6	4181076	STUD BOLT M16X338 KIT	1
		> TIE BOLT M16-338x24x44-1.4057	1
	4179562	> NUT M16 8.8 ISO4032 (4 PIECES)	1
	4097852	> WASHER-CS-16.4-32-2.8-NFE25-511-A2	1
7	4179565	END SHIELD HELIX 8" EPDM KIT	1
7.1		> END SHIELD M+ GJL MACHINED+CATA	1
7.2	4179564	> O-RING D.42.52x2.62 EPDM VP.	1
7.3	4179571	> O-RING HOUSING PIPE HELIX22/36/52 VP.	1
8	4186377	FILING/PURGING PLUG 304 HELIX KIT	1
8.1		> FILLING/VENTING-PLUG-MVI8/10"-304	1
8.2	4032291	> O-RING 17x3 EPDM KTW/WRC	1
9	4143973	CARTRIDGE HELIX22-36-52 O/E KIT	1
10	4181077	HOUSING-PIPE D.204X264 1.4307 KIT	1
7.3	4179571	> O-RING HOUSING PIPE HELIX22/36/52 VP.	1
10.1		> HOUSING-PIPE Ø204-M+2204/3603-304	1
11	4179143	CENTERING STAGE-RETURN HELIX22 1.4307 VP	1
12	4143967	SHAFT EQUIPMENT HELIX V KIT	1
13		HYDRAULIC HELIX V 2204	1
14	2132516	SHAFT D.22X404 1.4301 VP.	1
15	4181158	EQUIPED HOUSING HELIX 22 GJL KIT	1
7.3	4179571	> O-RING HOUSING PIPE HELIX22/36/52 VP.	1

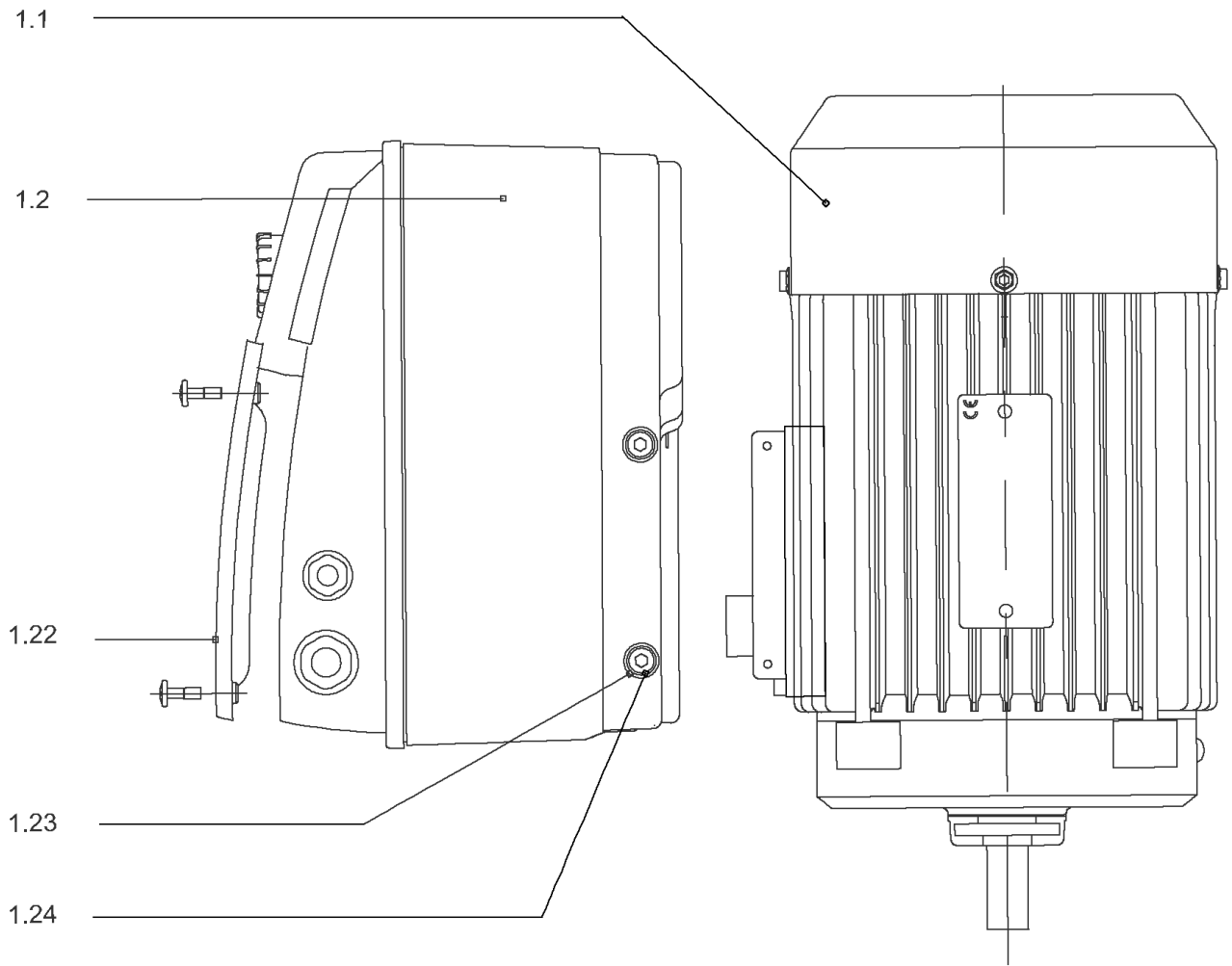
HELIX VE2204-3/16/E/KS (4123345)

Item	Article no.	Description	Quantity
15.1		> PUMP HOUSING SET with COATED PARTS-DN50	1
15.3	4143766	> DRAIN/PRIMING PLUG EPDM HELIX KIT	1
15.3A		>> PRIMING/DRAIN PLUG-304-VERSION 1	1
15.3B	4032293	>> O-RING-10x3-EPDM-KTW/WRC	1
15.3C	4233957	>> O-RING ID.9 EPDM VP.	1
15.4	4221729	> BASE M+ DN50/65/80 VP.	1
15.6		> FLANGE M+ DN50 CATA	1
15.7		> O-RING Ø63.17xØ2.62 EPDM	1
15.5		> SCREW TBHC M12x25 ISO7380 ZN	1



DRIVE HELIX-VE2204-IE2-SIE KIT

Item	Article no.	Description	Quantity
1.1		MOTOR 7,5/2/132 3~380V 60HZ IE2 SIE VP.	1
Note: no longer available/nicht mehr lieferbar/n'est plus disponible			
		SPARE PARTS MOTOR:ON REQUEST	1
1.2	4186777	MODULE HELIX-VE2204-IE2-SIE KIT	1
1.22	2111344	> MODULE COVER/GASKET TL5 KIT	1
1.23	4215716	> SCREW M5X16 DIN912 8.8 A2A (4pieces) VP.	1
1.24	2057978	> RONDELLE A5,3 DIN6797 FST ZN (4 PIECES)	1



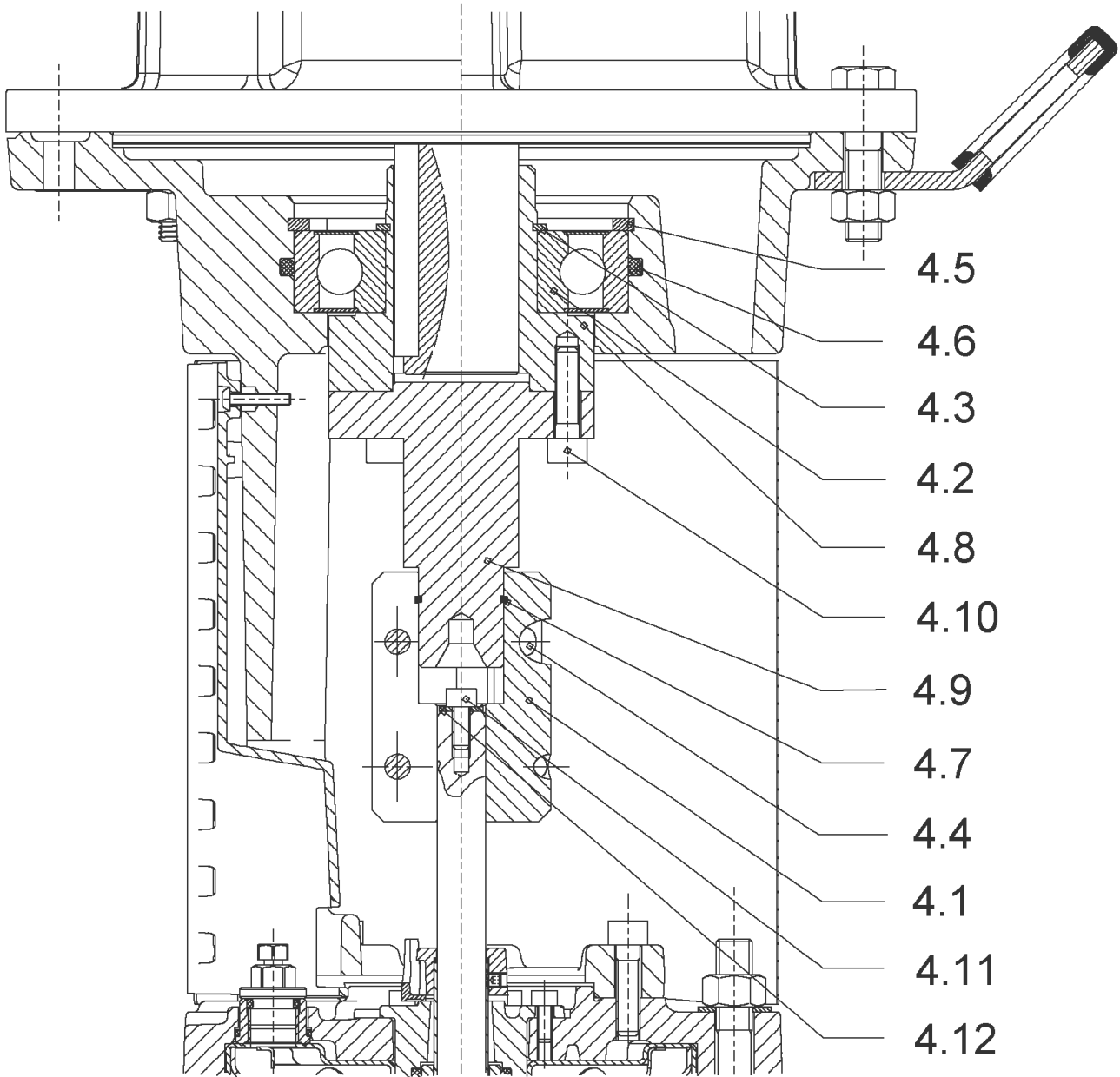
DRIVE HELIX-VE2204-IE2-ATB KIT

Item	Article no.	Description	Quantity
1.1	4192124	MOTOR 7,5/2/132 3~380V 60HZ IE2 ATB VP.	1
		SPARE PARTS MOTOR:ON REQUEST	1
1.2	4144857	MODULE HELIX-VE2204-IE2-ATB KIT	1
1.22	2111344	> MODULE COVER/GASKET TL5 KIT	1
1.23	4215716	> SCREW M5X16 DIN912 8.8 A2A (4pieces) VP.	1
1.24	2057978	> RONDELLE A5,3 DIN6797 FST ZN (4 PIECES)	1



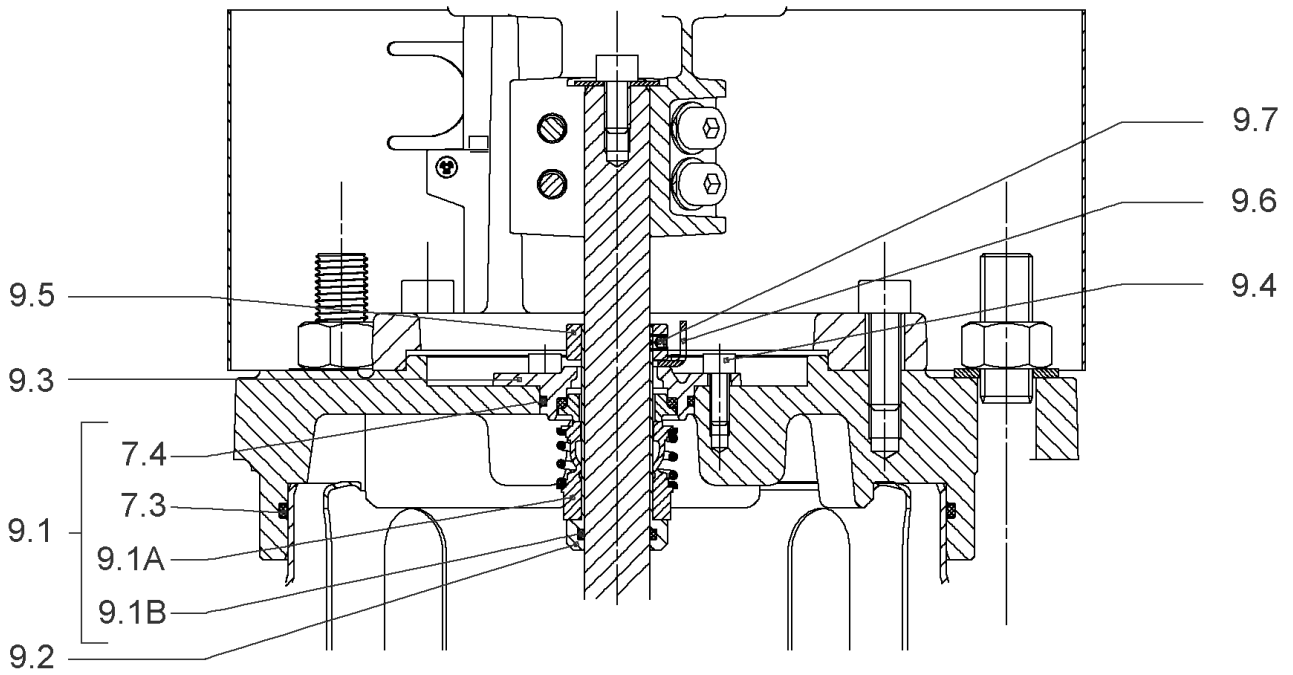
DRIVE HELIX-VE2204-IE4-WE KIT

Item	Article no.	Description	Quantity
1.1	4207938	MOT.7.5/2/132F26 3~ 380V 60HZ IE4 WE VP.	1
		SPARE PARTS MOTOR:ON REQUEST	1
1.2	4212639	MODULE HELIX-VE2204-IE4-WE KIT	1
1.22	2111344	> MODULE COVER/GASKET TL5 KIT	1
1.23	4215716	> SCREW M5X16 DIN912 8.8 A2A (4pieces) VP.	1
1.24	2057978	> RONDELLE A5,3 DIN6797 FST ZN (4 PIECES)	1



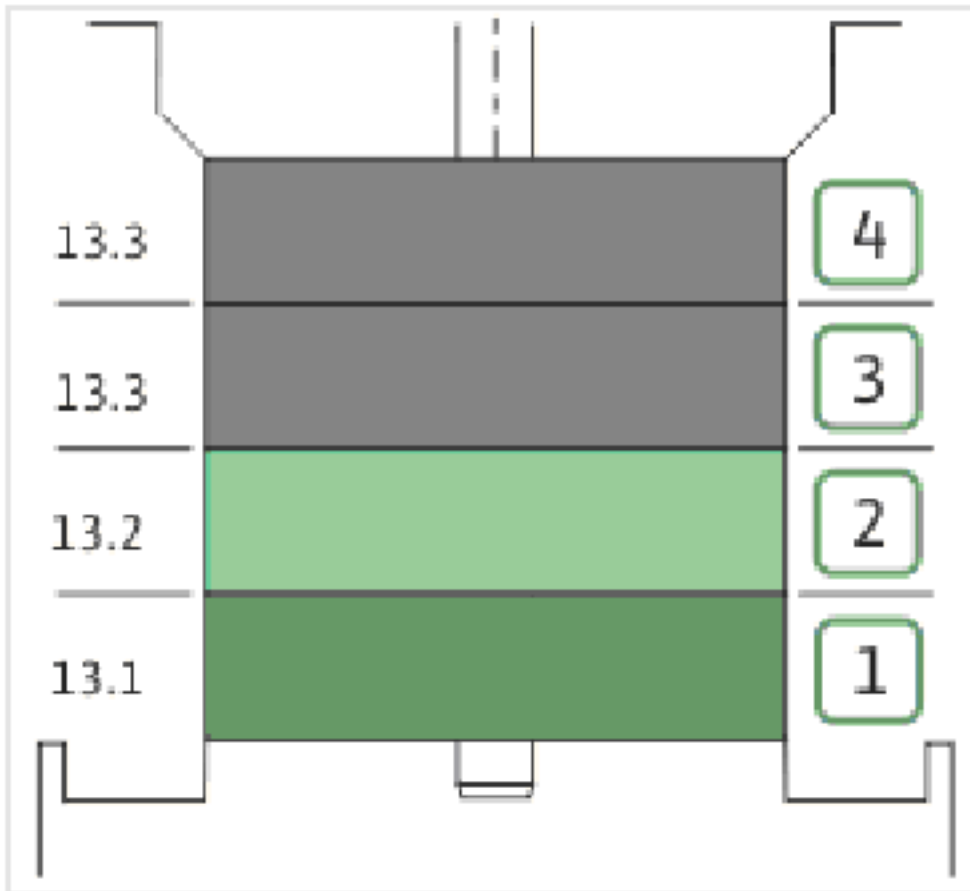
COUPLING D.20XD.28 FF265 KIT (4143965)

Item	Article no.	Description	Quantity
4.1	4179584	COUPLING 2 PARTS D.20XD.28XL83 VP.	1
4.2	2131017	BALL BEARING 6310/ZZ-C4(HT)VP.	1
4.3	4234253	CIRCLIP-FOR-SHAFT-D50x2 VP.	1
4.4	4159707	SCREW M8X30 (4 PIECES)	1
4.5	4234255	CIRCLIPS 110X4 VP.	1
4.6	4233944	O-RING ID.110 VP.	1
4.7	4179585	STOP-RUSH D26xD2 DIN7993 STEEL VP.	1
4.8	2131020	HUB D.38XD.50 VP.	1
4.9	2131021	SPACER D.28XD.45 VP.	1
4.10	4157726	SCREW KIT M8X30 (4 PIECES)	1
4.11	4233959	SCREW M8x16 VP.	1
4.12		SERRATED LOCK WASHER Ø8.2XØ25X35X2	1

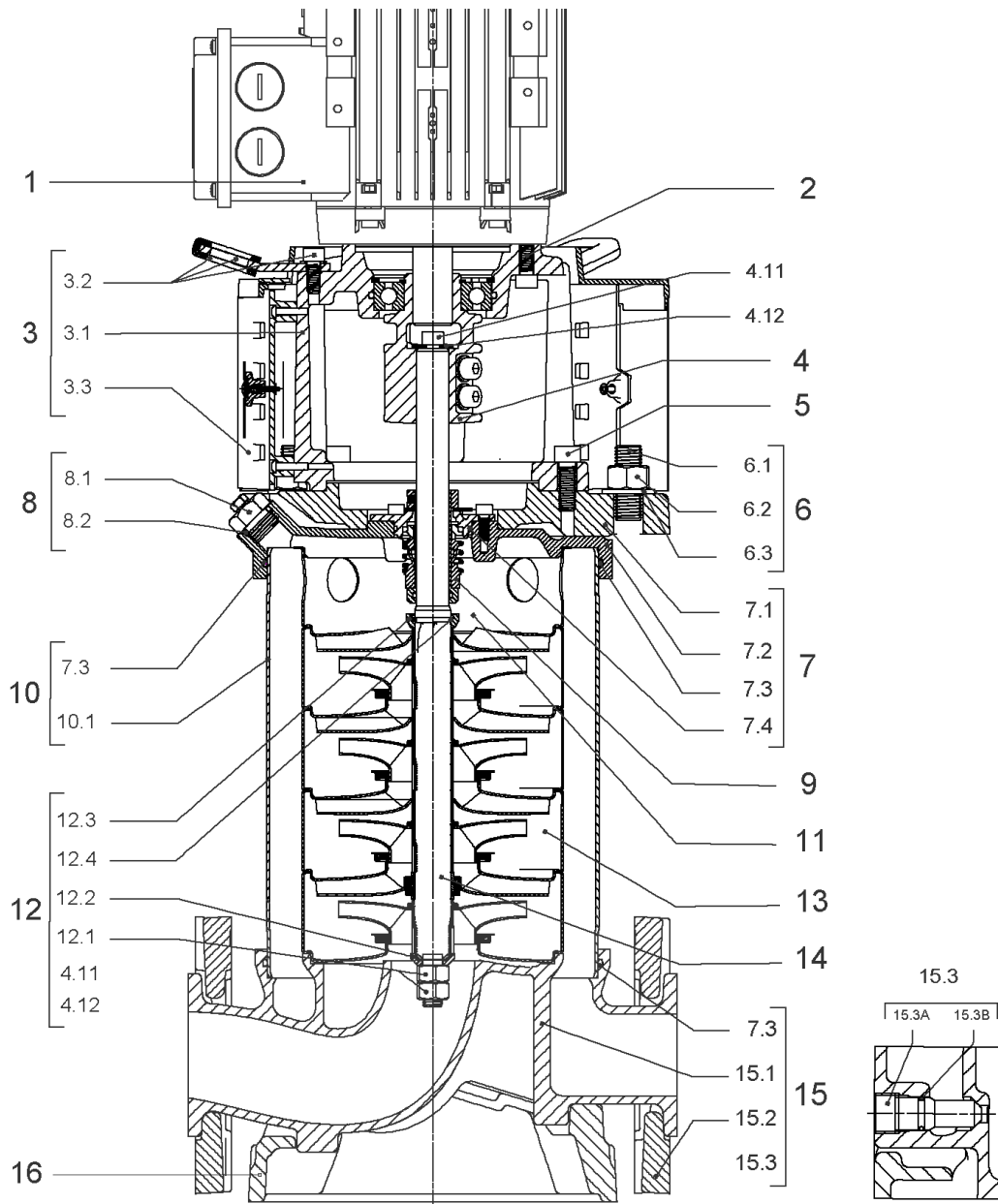


CARTRIDGE HELIX22-36-52 O/E KIT (4143973)

Item	Article no.	Description	Quantity
9.1	4143974	SEAL-KIT-HELIX22-36-52 O/E	1
7.3	4179571	> O-RING HOUSING PIPE HELIX22/36/52 VP.	1
7.4	4179572	> O-RING ID.42.52X2.62 EPDM VP.	1
9.1A	4179573	> M.SEAL.HELIX22-36-52 O/E VP.	1
9.1B	4179574	> O-RING ID.20x2.65 EPDM VP.	1
9.2	4179566	SHAFT SLEEVE D.20/20X60 1.4404 VP.	1
9.3	4179567	RING HOLDER Ø22 1.4301 VP.	1
9.4	4176520	SCREW CH M5x5 A4-70 (3PIECES)	1
9.5	4179568	DRIVE RING D.31/22.1x11 MACH.VP.	1
9.6	4179569	TOOL M.S.CART.HELIX 8" VP.	1
9.7	4179570	SCREW M6X16 ISO4762 8.8 GEOMET(4 PIECES)	1



Item	Article no.	Description	Quantity
13.1	4157739	FIRST STAGE HELIX 22 1.4307 KIT	1
		> IMPELLER-H1-M+22-304	1
		> MACH.STG-CASING-WOGV-WNR-M+22-304	1
13.2	4157740	BEARING STAGE HELIX 22 1.4307 KIT	1
		> IMPELLER-H2-M+22-304	1
		> MACH.BEARING-STG-CASING-WNR-M+22-304	1
		> SHAFT-SLEEVE-D26xD22x16-CW	1
13.3	4157743	INTERMEDIATE STAGE HELIX 22 KIT	1
		> MACH.STD-STG-CASING-WGV+NR-M+22-304	1
		> IMPELLER-H2-M+22-304	1



HELIX VE2204-1/16/E/KS (4198853)

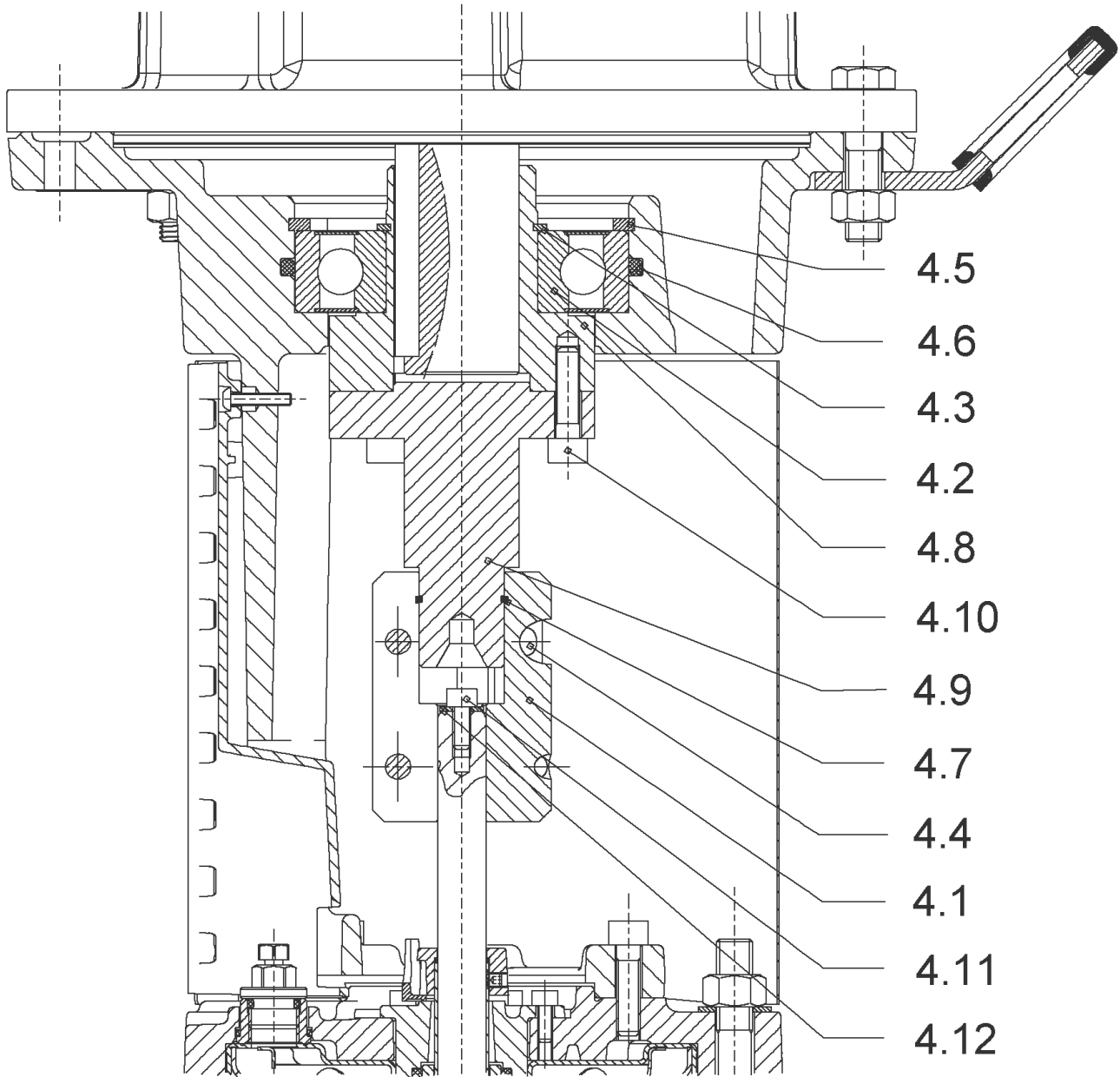
Item	Article no.	Description	Quantity
1		DRIVE HELIX-VE2204-IE4-WE KIT	1
Note: MOTOR BRAND WILO ELEC			
2	4174093	SCREW M12X50 (4 PIECES)	1
3	4161187	LANTERN FF265 HELIX 8" KIT	1
3.1		> LANTERN FF265 M+ GJL MACHINED+CATA	1
3.2	2127605	> EYELET CPL.FF265 HELIX(2 PIECES)	1
3.3	4143969	> COUPLING PROTECT HELIX FF KIT	1
4	4143965	COUPLING D.20XD.28 FF265 KIT	1
5	4157725	SCREW M10X40 (4 PIECES)	1
6	4186355	STUD BOLT M16X453 KIT	1
6.1		> TIE BOLT M16-453x24x44-1.4057	1
6.2	4179562	> NUT M16 8.8 ISO4032 (4 PIECES)	1
6.3	4097852	> WASHER-CS-16.4-32-2.8-NFE25-511-A2	1
7	4217176	END SHIELD HELIX OPTI 8" EPDM KIT	1
7.1		> upper flange machined + cataphoresis	1
7.2	4217174	> STATIONARY RING HOLDER 8" HELIX OPTI VP.	1
7.3	4179571	> O-RING HOUSING PIPE HELIX22/36/52 VP.	1
7.4	4179572	> O-RING ID.42.52X2.62 EPDM VP.	1
8	4186377	FILING/PURGING PLUG 304 HELIX KIT	1
8.1		> FILLING/VENTING-PLUG-MVI8/10"-304	1
8.2	4032291	> O-RING 17x3 EPDM KTW/WRC	1
9	4143973	CARTRIDGE HELIX22-36-52 O/E KIT	1
10	4181077	HOUSING-PIPE D.204X264 1.4307 KIT	1
7.3	4179571	> O-RING HOUSING PIPE HELIX22/36/52 VP.	1
10.1		> HOUSING-PIPE Ø204-M+2204/3603-304	1
11	4179143	CENTERING STAGE-RETURN HELIX22 1.4307 VP	1
12	4143967	SHAFT EQUIPMENT HELIX V KIT	1
13		HYDRAULIC HELIX V 2204	1
14	2132516	SHAFT D.22X404 1.4301 VP.	1
15	4217852	EQUIPED HOUSING DN50 HELIX OPTI 8" KIT	1
15.1		> pump casing machined DN50	1
15.2	4217178	> HALF FLANGE DN50 HELIX OPTI 8" VP.	1
15.3	4217850	> DRAIN/PRIMING PLUG HELIX OPTI 8" KIT	1
7.3	4179571	> O-RING HOUSING PIPE HELIX22/36/52 VP.	1

Item	Article no.	Description	Quantity
16	4217854	BASEPLATE DN50 HELIX OPTI 8" VP.	1



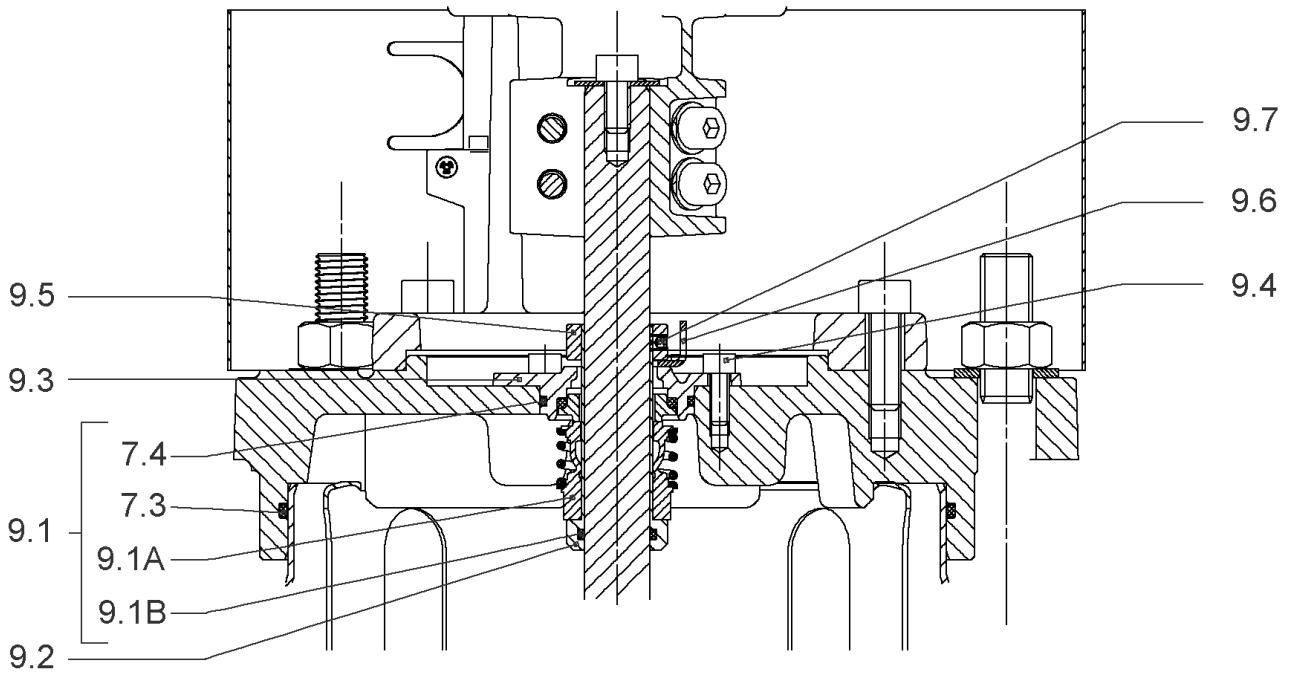
DRIVE HELIX-VE2204-IE4-WE KIT

Item	Article no.	Description	Quantity
1.1	4207938	MOT.7.5/2/132F26 3~ 380V 60HZ IE4 WE VP.	1
		SPARE PARTS MOTOR:ON REQUEST	1
1.2	4212639	MODULE HELIX-VE2204-IE4-WE KIT	1
1.22	2111344	> MODULE COVER/GASKET TL5 KIT	1
1.23	4215716	> SCREW M5X16 DIN912 8.8 A2A (4pieces) VP.	1
1.24	2057978	> RONDELLE A5,3 DIN6797 FST ZN (4 PIECES)	1



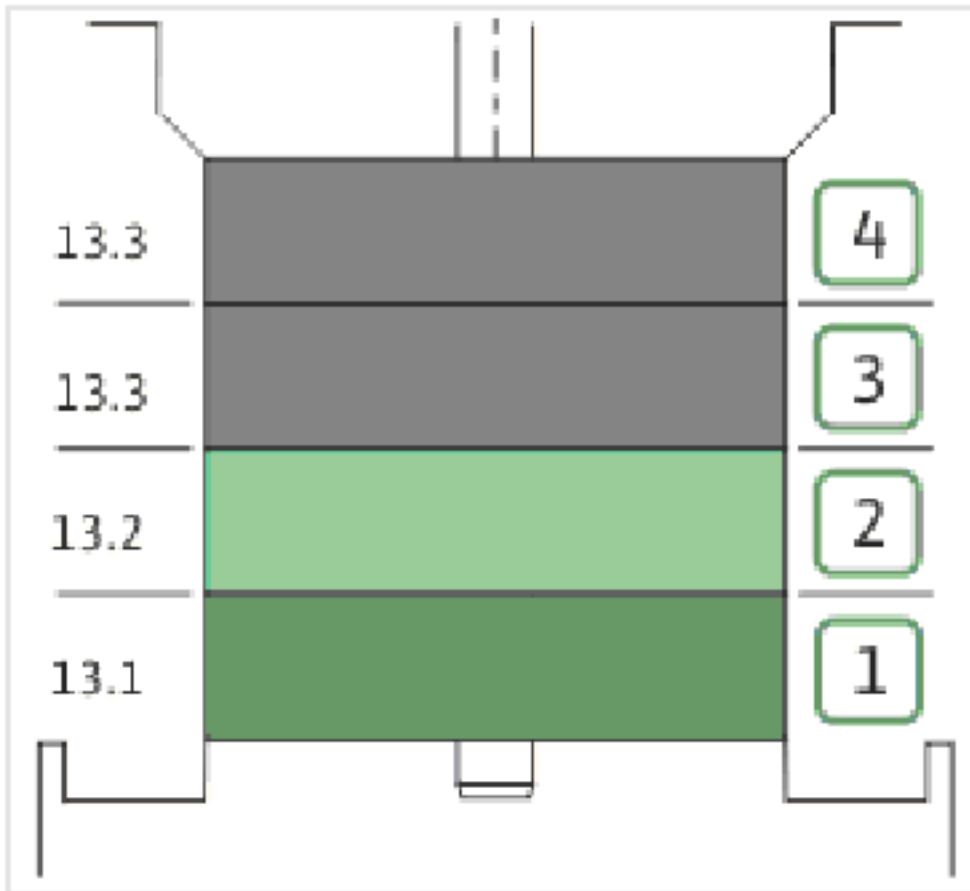
COUPLING D.20XD.28 FF265 KIT (4143965)

Item	Article no.	Description	Quantity
4.1	4179584	COUPLING 2 PARTS D.20XD.28XL83 VP.	1
4.2	2131017	BALL BEARING 6310/ZZ-C4(HT)VP.	1
4.3	4234253	CIRCLIP-FOR-SHAFT-D50x2 VP.	1
4.4	4159707	SCREW M8X30 (4 PIECES)	1
4.5	4234255	CIRCLIPS 110X4 VP.	1
4.6	4233944	O-RING ID.110 VP.	1
4.7	4179585	STOP-RUSH D26xD2 DIN7993 STEEL VP.	1
4.8	2131020	HUB D.38XD.50 VP.	1
4.9	2131021	SPACER D.28XD.45 VP.	1
4.10	4157726	SCREW KIT M8X30 (4 PIECES)	1
4.11	4233959	SCREW M8x16 VP.	1
4.12		SERRATED LOCK WASHER Ø8.2XØ25X35X2	1

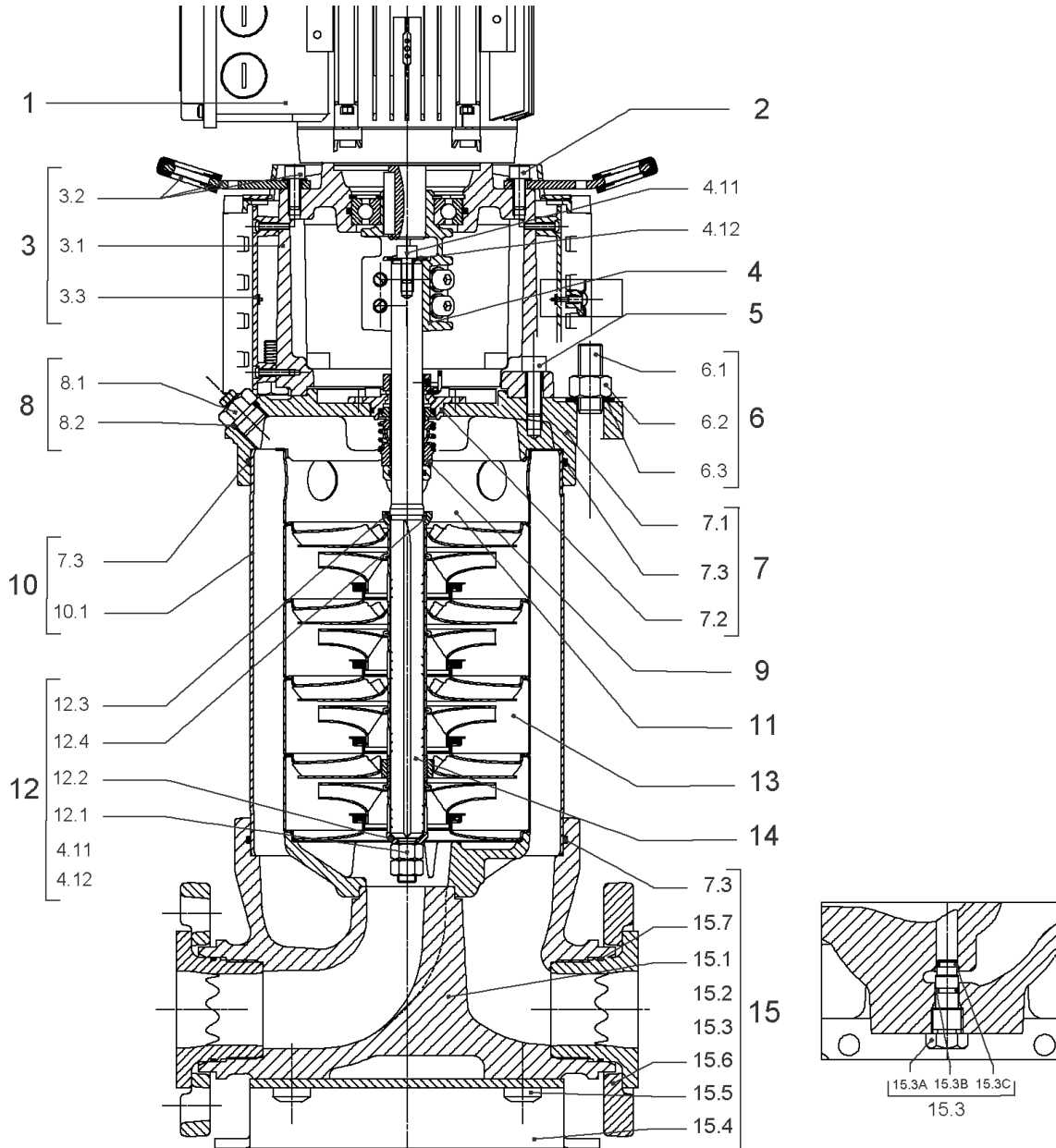


CARTRIDGE HELIX22-36-52 O/E KIT (4143973)

Item	Article no.	Description	Quantity
9.1	4143974	SEAL-KIT-HELIX22-36-52 O/E	1
7.3	4179571	> O-RING HOUSING PIPE HELIX22/36/52 VP.	1
7.4	4179572	> O-RING ID.42.52X2.62 EPDM VP.	1
9.1A	4179573	> M.SEAL.HELIX22-36-52 O/E VP.	1
9.1B	4179574	> O-RING ID.20x2.65 EPDM VP.	1
9.2	4179566	SHAFT SLEEVE D.20/20X60 1.4404 VP.	1
9.3	4179567	RING HOLDER Ø22 1.4301 VP.	1
9.4	4176520	SCREW CH M5x5 A4-70 (3PIECES)	1
9.5	4179568	DRIVE RING D.31/22.1x11 MACH.VP.	1
9.6	4179569	TOOL M.S.CART.HELIX 8" VP.	1
9.7	4179570	SCREW M6X16 ISO4762 8.8 GEOMET(4 PIECES)	1



Item	Article no.	Description	Quantity
13.1	4157739	FIRST STAGE HELIX 22 1.4307 KIT	1
		> IMPELLER-H1-M+22-304	1
		> MACH.STG-CASING-WOGV-WNR-M+22-304	1
13.2	4157740	BEARING STAGE HELIX 22 1.4307 KIT	1
		> IMPELLER-H2-M+22-304	1
		> MACH.BEARING-STG-CASING-WNR-M+22-304	1
		> SHAFT-SLEEVE-D26xD22x16-CW	1
13.3	4157743	INTERMEDIATE STAGE HELIX 22 KIT	1
		> MACH.STD-STG-CASING-WGV+NR-M+22-304	1
		> IMPELLER-H2-M+22-304	1

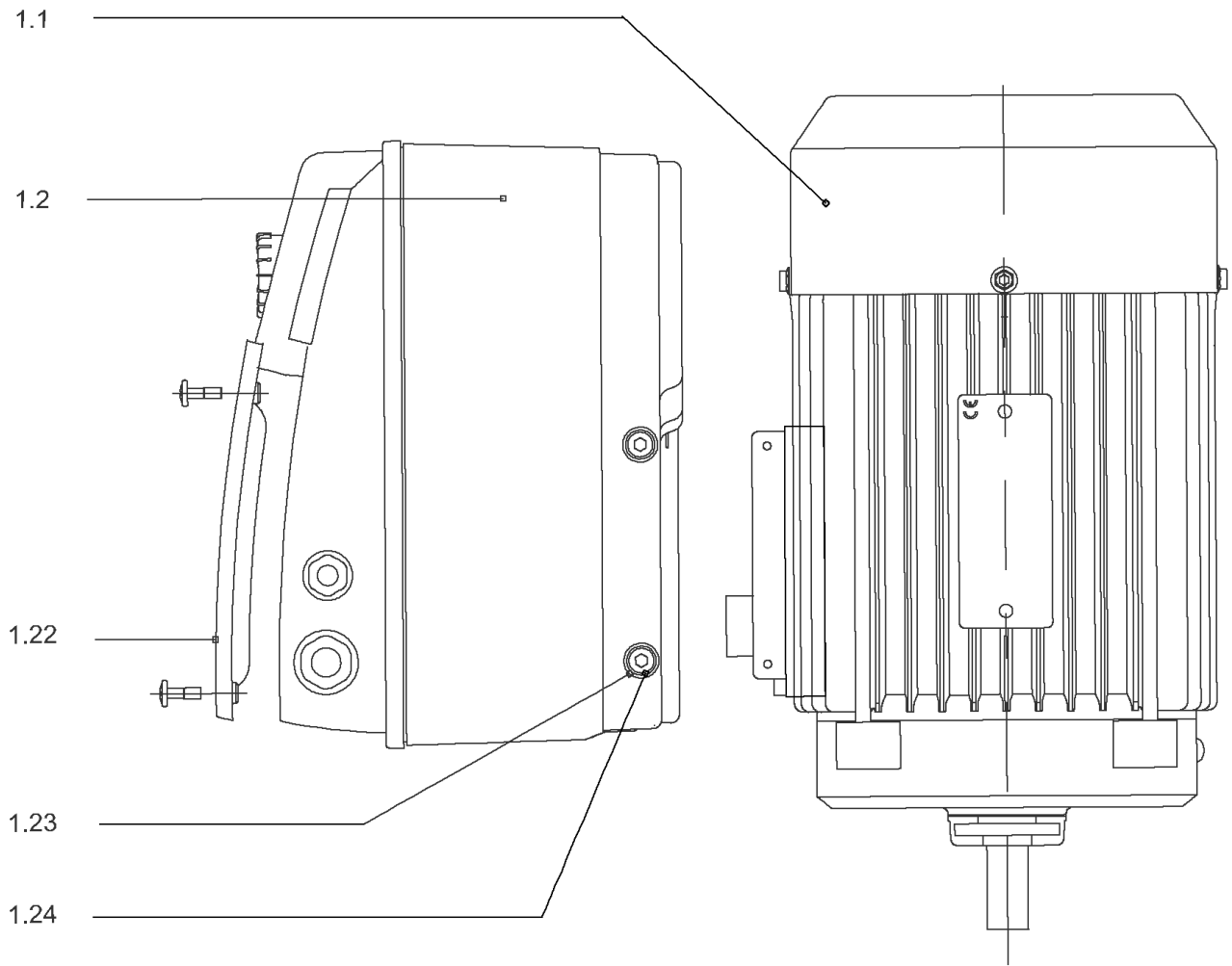


HELIX VE2204-3/25/E/KS (4140697)

Item	Article no.	Description	Quantity
1		DRIVE HELIX-VE2204-IE2-SIE KIT	1
Note: MOTOR BRAND SIEMENS			
1		DRIVE HELIX-VE2204-IE2-ATB KIT	1
Note: MOTOR BRAND ATB			
1		DRIVE HELIX-VE2204-IE4-WE KIT	1
Note: MOTOR BRAND WILO ELEC			
2	4174093	SCREW M12X50 (4 PIECES)	1
3	4161187	LANTERN FF265 HELIX 8" KIT	1
3.1		> LANTERN FF265 M+ GJL MACHINED+CATA	1
3.2	2127605	> EYELET CPL.FF265 HELIX(2 PIECES)	1
3.3	4143969	> COUPLING PROTECT HELIX FF KIT	1
4	4143965	COUPLING D.20XD.28 FF265 KIT	1
5	4157725	SCREW M10X40 (4 PIECES)	1
6	4181076	STUD BOLT M16X338 KIT	1
		> TIE BOLT M16-338x24x44-1.4057	1
	4179562	> NUT M16 8.8 ISO4032 (4 PIECES)	1
	4097852	> WASHER-CS-16.4-32-2.8-NFE25-511-A2	1
7	4179565	END SHIELD HELIX 8" EPDM KIT	1
7.1		> END SHIELD M+ GJL MACHINED+CATA	1
7.2	4179564	> O-RING D.42.52x2.62 EPDM VP.	1
7.3	4179571	> O-RING HOUSING PIPE HELIX22/36/52 VP.	1
8	4186377	FILING/PURGING PLUG 304 HELIX KIT	1
8.1		> FILLING/VENTING-PLUG-MVI8/10"-304	1
8.2	4032291	> O-RING 17x3 EPDM KTW/WRC	1
9	4143975	CARTRIDGE HELIX22-36-52 F/E KIT	1
10	4181077	HOUSING-PIPE D.204X264 1.4307 KIT	1
7.3	4179571	> O-RING HOUSING PIPE HELIX22/36/52 VP.	1
10.1		> HOUSING-PIPE Ø204-M+2204/3603-304	1
11	4179143	CENTERING STAGE-RETURN HELIX22 1.4307 VP	1
12	4143967	SHAFT EQUIPMENT HELIX V KIT	1
13		HYDRAULIC HELIX V 2204	1
14	2132516	SHAFT D.22X404 1.4301 VP.	1
15	4181158	EQUIPED HOUSING HELIX 22 GJL KIT	1
7.3	4179571	> O-RING HOUSING PIPE HELIX22/36/52 VP.	1

HELIX VE2204-3/25/E/KS (4140697)

Item	Article no.	Description	Quantity
15.1		> PUMP HOUSING SET with COATED PARTS-DN50	1
15.3	4143766	> DRAIN/PRIMING PLUG EPDM HELIX KIT	1
15.3A		>> PRIMING/DRAIN PLUG-304-VERSION 1	1
15.3B	4032293	>> O-RING-10x3-EPDM-KTW/WRC	1
15.3C	4233957	>> O-RING ID.9 EPDM VP.	1
15.4	4221729	> BASE M+ DN50/65/80 VP.	1
15.6		> FLANGE M+ DN50 CATA	1
15.7		> O-RING Ø63.17xØ2.62 EPDM	1
15.5		> SCREW TBHC M12x25 ISO7380 ZN	1



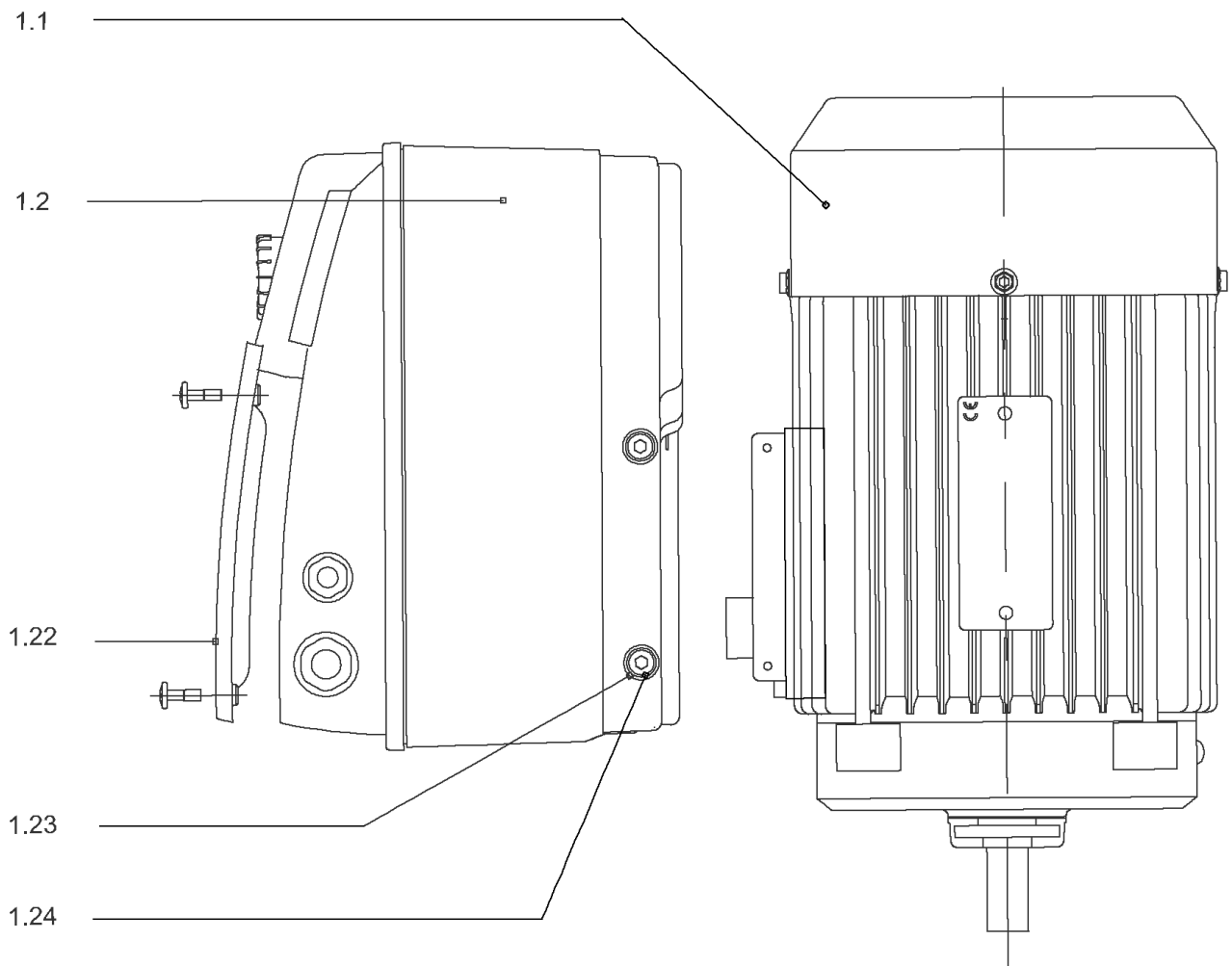
DRIVE HELIX-VE2204-IE2-SIE KIT

Item	Article no.	Description	Quantity
1.1		MOTOR 7,5/2/132 3~380V 60HZ IE2 SIE VP.	1
Note: no longer available/nicht mehr lieferbar/n'est plus disponible			
		SPARE PARTS MOTOR:ON REQUEST	1
1.2	4186777	MODULE HELIX-VE2204-IE2-SIE KIT	1
1.22	2111344	> MODULE COVER/GASKET TL5 KIT	1
1.23	4215716	> SCREW M5X16 DIN912 8.8 A2A (4pieces) VP.	1
1.24	2057978	> RONDELLE A5,3 DIN6797 FST ZN (4 PIECES)	1



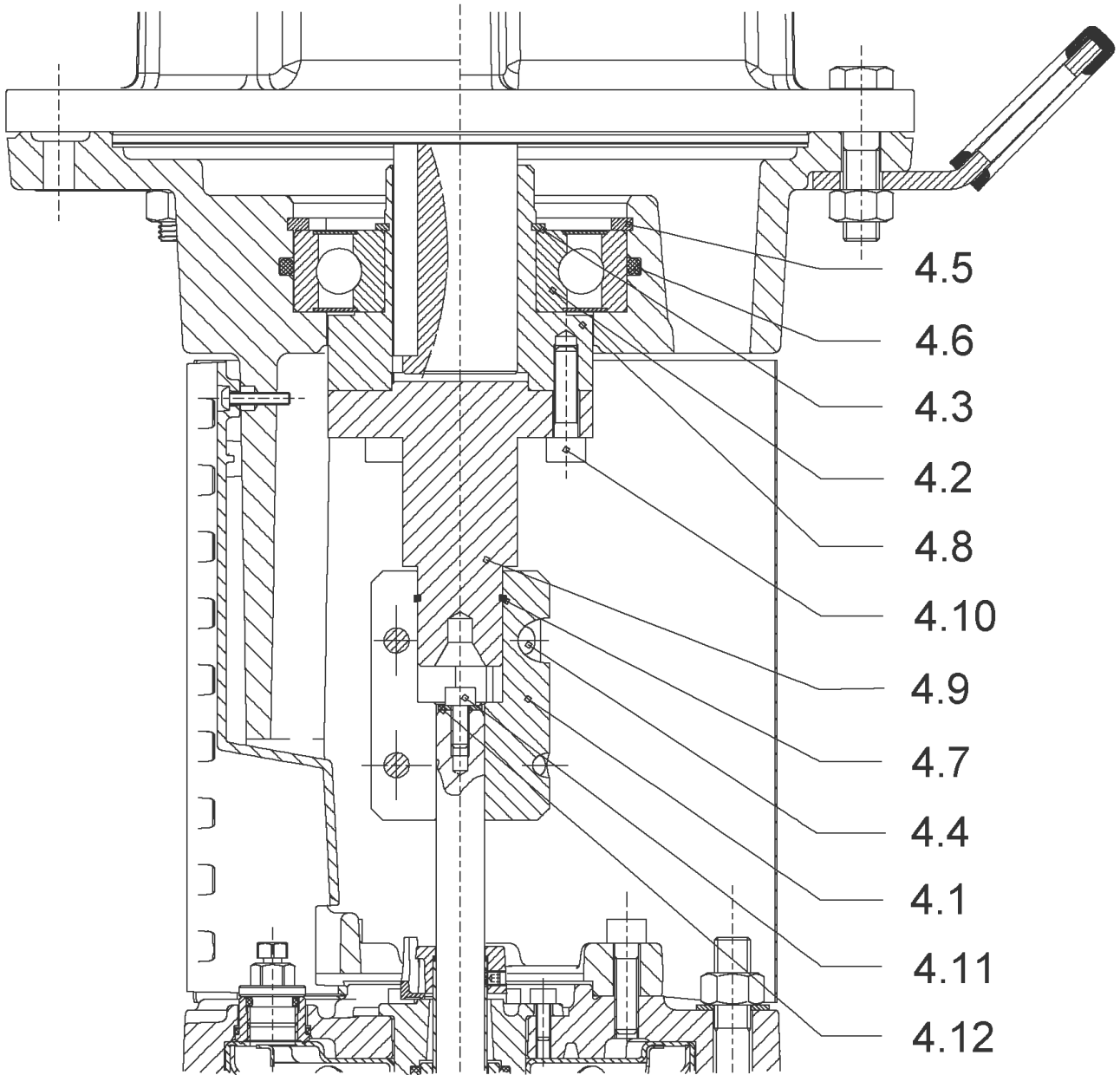
DRIVE HELIX-VE2204-IE2-ATB KIT

Item	Article no.	Description	Quantity
1.1	4192124	MOTOR 7,5/2/132 3~380V 60HZ IE2 ATB VP.	1
		SPARE PARTS MOTOR:ON REQUEST	1
1.2	4144857	MODULE HELIX-VE2204-IE2-ATB KIT	1
1.22	2111344	> MODULE COVER/GASKET TL5 KIT	1
1.23	4215716	> SCREW M5X16 DIN912 8.8 A2A (4pieces) VP.	1
1.24	2057978	> RONDELLE A5,3 DIN6797 FST ZN (4 PIECES)	1



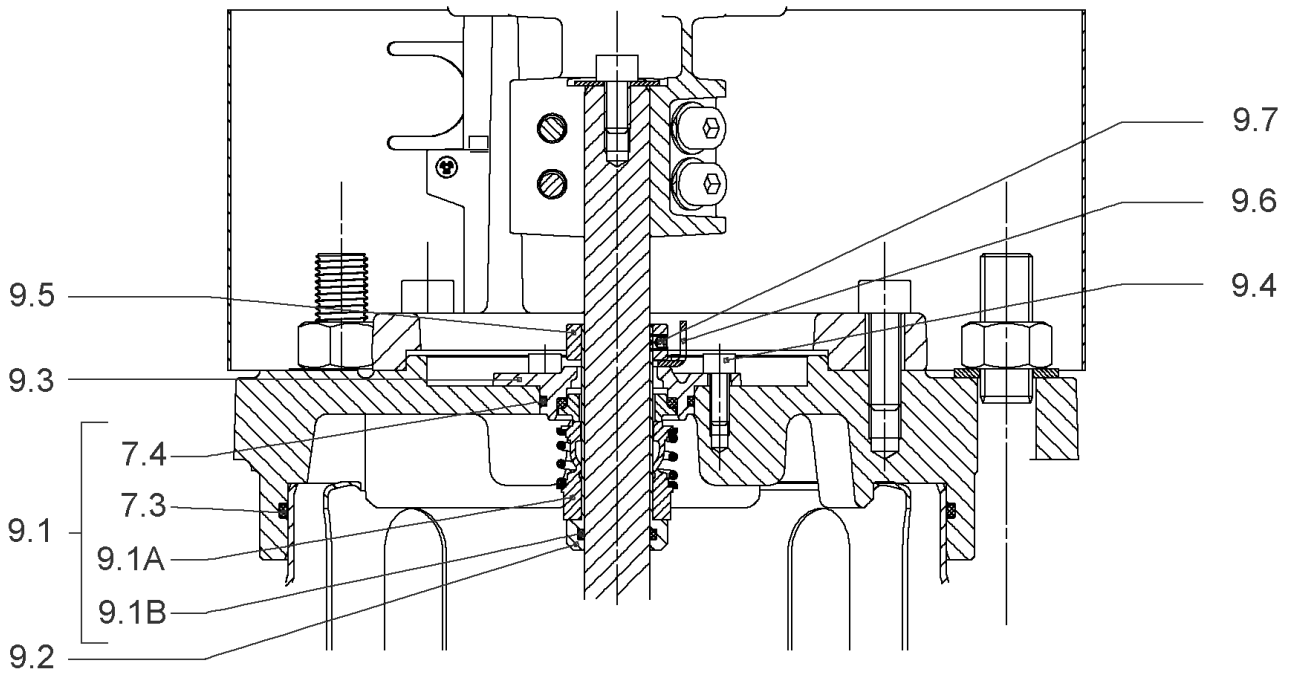
DRIVE HELIX-VE2204-IE4-WE KIT

Item	Article no.	Description	Quantity
1.1	4207938	MOT.7.5/2/132F26 3~ 380V 60HZ IE4 WE VP.	1
		SPARE PARTS MOTOR:ON REQUEST	1
1.2	4212639	MODULE HELIX-VE2204-IE4-WE KIT	1
1.22	2111344	> MODULE COVER/GASKET TL5 KIT	1
1.23	4215716	> SCREW M5X16 DIN912 8.8 A2A (4pieces) VP.	1
1.24	2057978	> RONDELLE A5,3 DIN6797 FST ZN (4 PIECES)	1



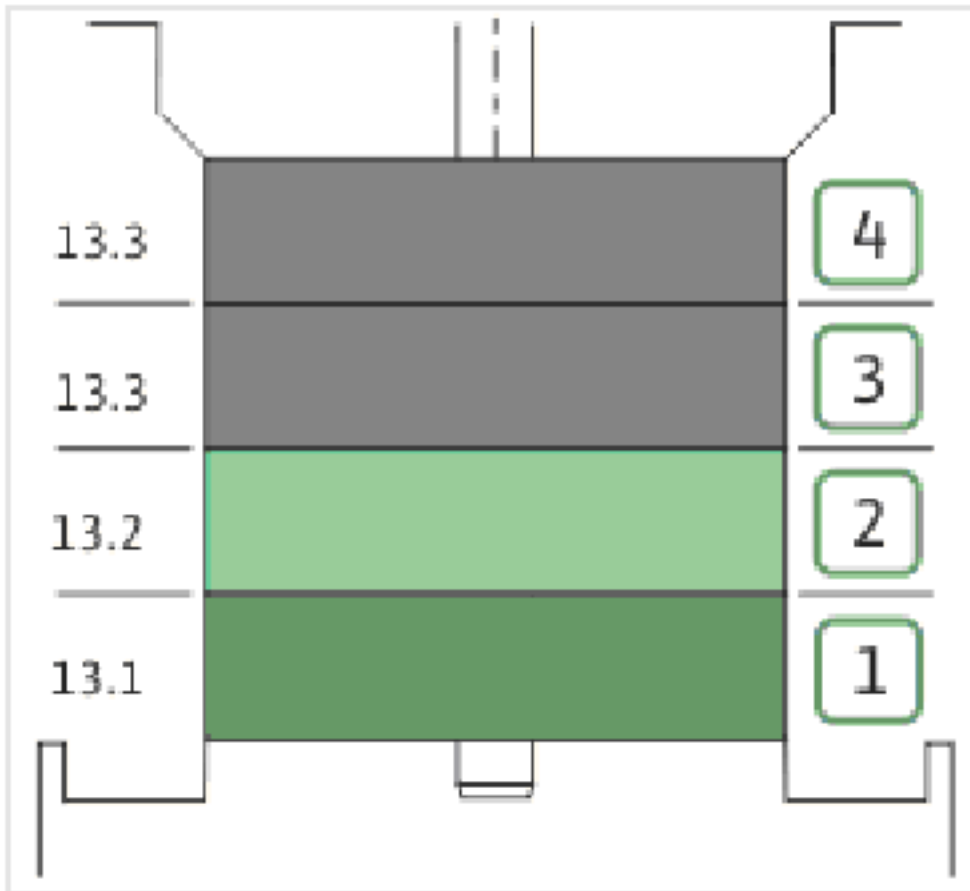
COUPLING D.20XD.28 FF265 KIT (4143965)

Item	Article no.	Description	Quantity
4.1	4179584	COUPLING 2 PARTS D.20XD.28XL83 VP.	1
4.2	2131017	BALL BEARING 6310/ZZ-C4(HT)VP.	1
4.3	4234253	CIRCLIP-FOR-SHAFT-D50x2 VP.	1
4.4	4159707	SCREW M8X30 (4 PIECES)	1
4.5	4234255	CIRCLIPS 110X4 VP.	1
4.6	4233944	O-RING ID.110 VP.	1
4.7	4179585	STOP-RUSH D26xD2 DIN7993 STEEL VP.	1
4.8	2131020	HUB D.38XD.50 VP.	1
4.9	2131021	SPACER D.28XD.45 VP.	1
4.10	4157726	SCREW KIT M8X30 (4 PIECES)	1
4.11	4233959	SCREW M8x16 VP.	1
4.12		SERRATED LOCK WASHER Ø8.2XØ25X35X2	1

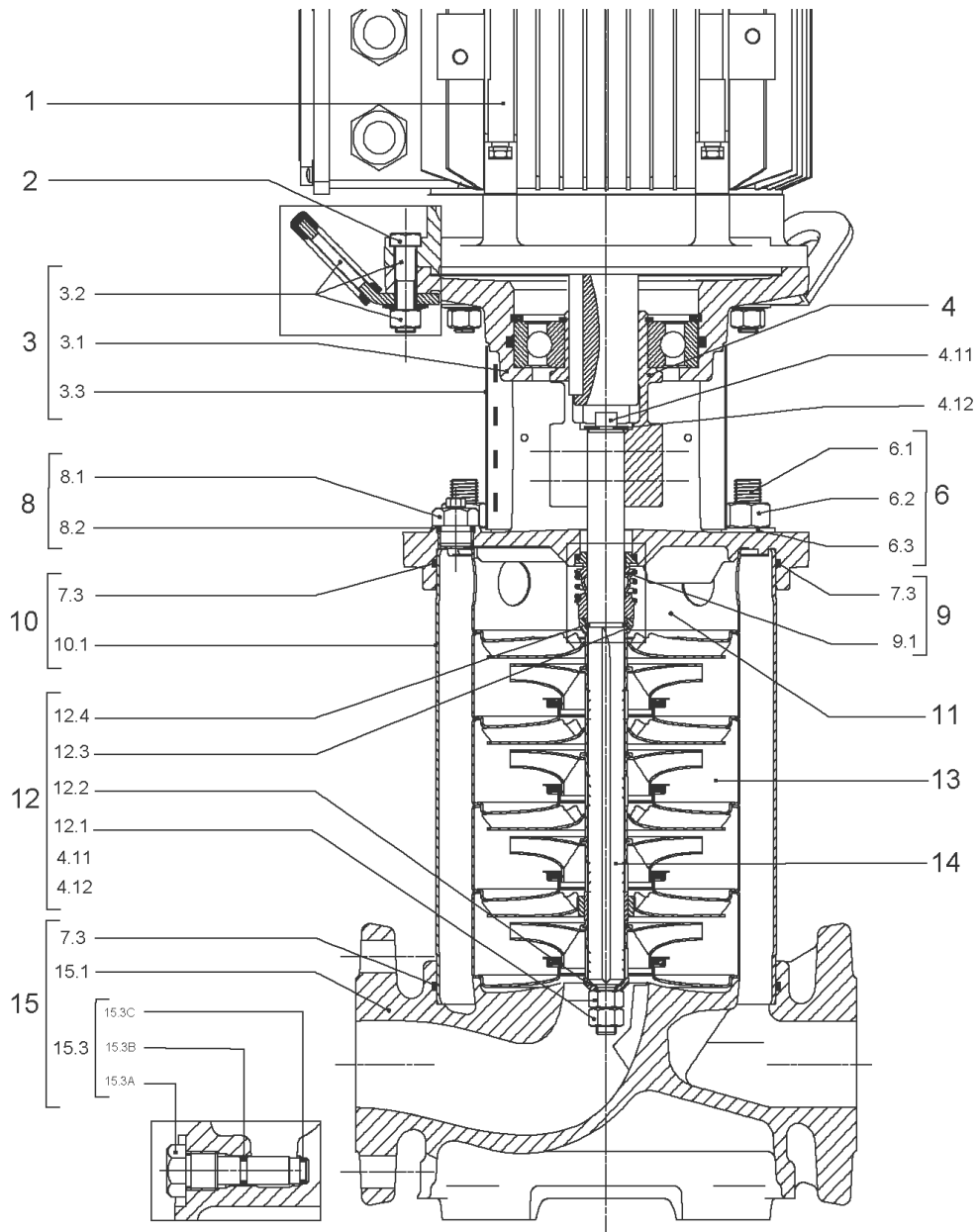


CARTRIDGE HELIX22-36-52 F/E KIT (4143975)

Item	Article no.	Description	Quantity
9.1	4143976	SEAL-KIT-HELIX22-36-52 F/E	1
7.3	4179571	> O-RING HOUSING PIPE HELIX22/36/52 VP.	1
7.4	4179572	> O-RING ID.42.52X2.62 EPDM VP.	1
9.1A	2127447	> M.SEAL.HELIX22-36-52 F/E VP.	1
9.1B	4179574	> O-RING ID.20x2.65 EPDM VP.	1
9.2	4179566	SHAFT SLEEVE D.20/20X60 1.4404 VP.	1
9.3	4179567	RING HOLDER Ø22 1.4301 VP.	1
9.4	4176520	SCREW CH M5x5 A4-70 (3PIECES)	1
9.5	4179568	DRIVE RING D.31/22.1x11 MACH.VP.	1
9.6	4179569	TOOL M.S.CART.HELIX 8" VP.	1
9.7	4179570	SCREW M6X16 ISO4762 8.8 GEOMET(4 PIECES)	1



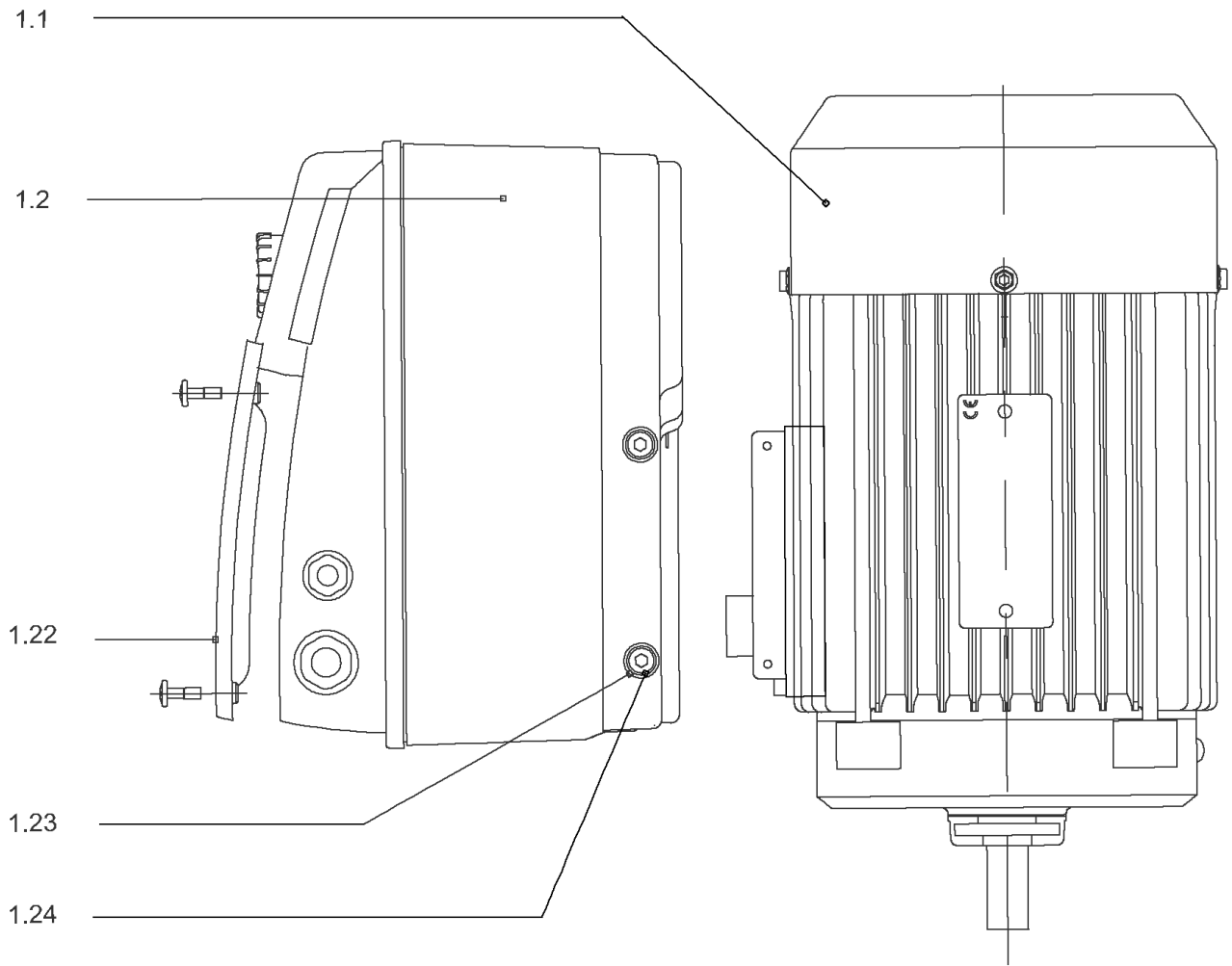
Item	Article no.	Description	Quantity
13.1	4157739	FIRST STAGE HELIX 22 1.4307 KIT	1
		> IMPELLER-H1-M+22-304	1
		> MACH.STG-CASING-WOGV-WNR-M+22-304	1
13.2	4157740	BEARING STAGE HELIX 22 1.4307 KIT	1
		> IMPELLER-H2-M+22-304	1
		> MACH.BEARING-STG-CASING-WNR-M+22-304	1
		> SHAFT-SLEEVE-D26xD22x16-CW	1
13.3	4157743	INTERMEDIATE STAGE HELIX 22 KIT	1
		> MACH.STD-STG-CASING-WGV+NR-M+22-304	1
		> IMPELLER-H2-M+22-304	1



HELIX VE2204-4/16/E/S-FF240 (4183454)

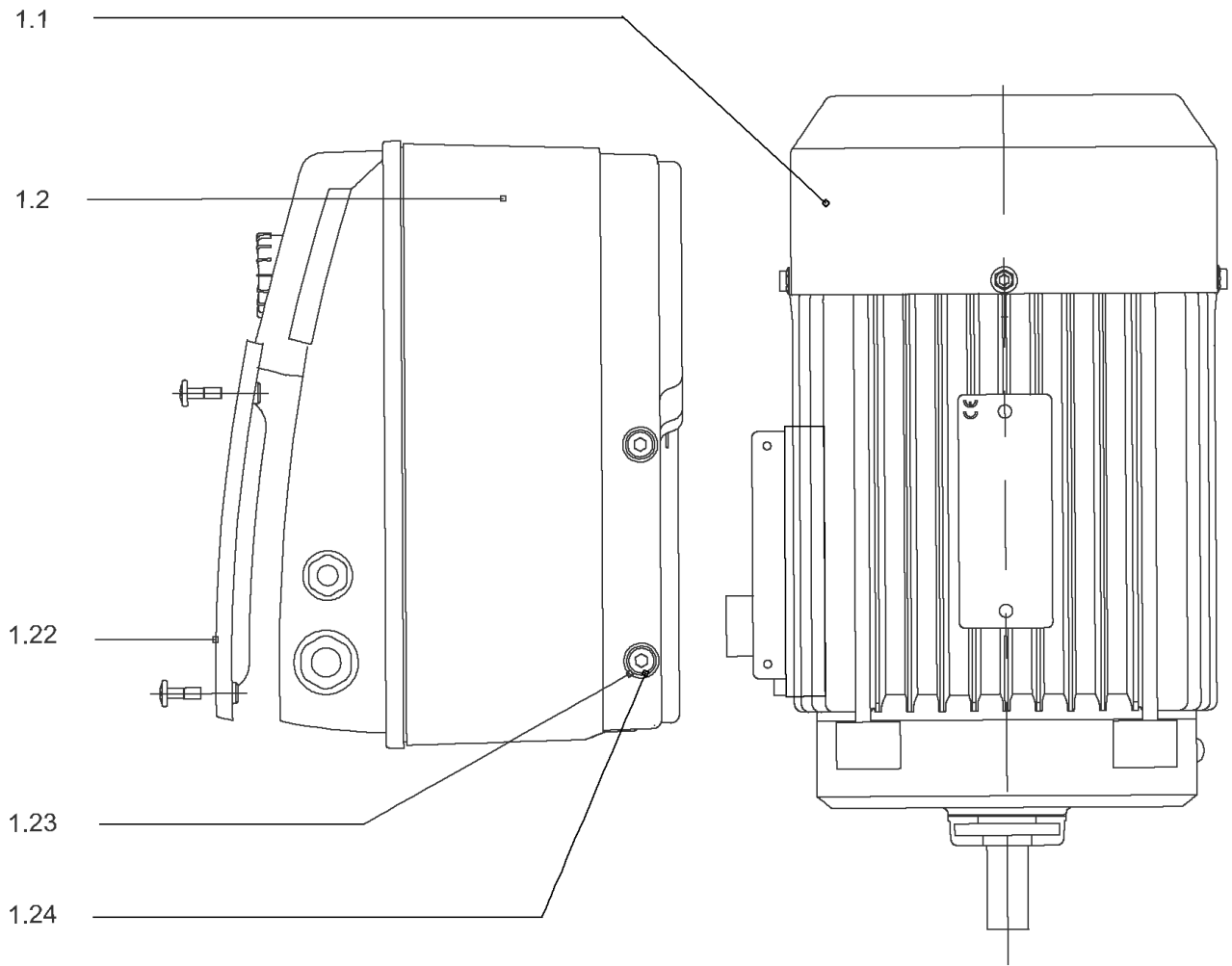
Item	Article no.	Description	Quantity
1		DRIVE HELIX-VE2204-FF240-IE2-ATB KIT	1
Note: MOTOR BRAND ATB			
1		DRIVE HELIX-VE2204-FF240-IE4-WE KIT	1
Note: MOTOR BRAND WILO ELEC			
		SPARE PARTS MOTOR:ON REQUEST	1
2	4174093	SCREW M12X50 (4 PIECES)	1
3	4186358	LANTERN HELIX OPTI 8" FF240 KIT	1
3.1		> M+8_LANTERN_ONE-PIECE_FF240_CATA_DWA	1
3.2	4186346	> EYELET CPL.FF240 HELIX (4 PIECES)	1
3.3	4184853	> COUPLING PROTECTOR FT HELIX 8" KIT	1
4	4186347	COUPLING D.22XD.38 FF240T130 HELIX KIT	1
6	4179581	STUD BOLT M16X305.5 KIT	1
6.1		> TIE BOLT M16-305.5x24x44-1.4057	1
6.2	4179562	> NUT M16 8.8 ISO4032 (4 PIECES)	1
6.3	4097852	> WASHER-CS-16.4-32-2.8-NFE25-511-A2	1
8	4186377	FILING/PURGING PLUG 304 HELIX KIT	1
8.1		> FILLING/VENTING-PLUG-MVI8/10"-304	1
8.2	4032291	> O-RING 17x3 EPDM KTW/WRC	1
9	4192148	SEAL-KIT-HELIX22-36-52 FIRST O/E	1
7.3	4179571	> O-RING HOUSING PIPE HELIX22/36/52 VP.	1
9.1	4179573	> M.SEAL.HELIX22-36-52 O/E VP.	1
10	4181077	HOUSING-PIPE D.204X264 1.4307 KIT	1
7.3	4179571	> O-RING HOUSING PIPE HELIX22/36/52 VP.	1
10.1		> HOUSING-PIPE Ø204-M+2204/3603-304	1
11	4179143	CENTERING STAGE-RETURN HELIX22 1.4307 VP	1
12	4184856	SHAFT EQUIPMENT HELIX 22 FIRST KIT	1
13		HYDRAULIC HELIX V 2204	1
14	4186344	SHAFT D.22X351 1.4057 VP.	1
15	4186357	EQUIPED HOUSING HELIX OPTI DN50 GJL KIT	1
15.1		> PUMP CASING MONO.GJL M+8" DN50 DWA	1
15.3	4106048	> DRAIN/PRIMING PLUG EPDM HELIX FIRST KIT	1
15.3A		>> DRAIN AND PRIMING PLUG-VMI10"-304	1
15.3B	4032293	>> O-RING-10x3-EPDM-KTW/WRC	1
15.3C	4233957	>> O-RING ID.9 EPDM VP.	1

Item	Article no.	Description	Quantity
7.3	4179571	> O-RING HOUSING PIPE HELIX22/36/52 VP.	1



DRIVE HELIX-VE2204-FF240-IE2-ATB KIT

Item	Article no.	Description	Quantity
1.1		MOTOR 7,5/2/132 FF240 3~380V 60HZ IE2 VP	1
Note: no longer available/nicht mehr lieferbar/n'est plus disponible			
		SPARE PARTS MOTOR:ON REQUEST	1
1.2	4144857	MODULE HELIX-VE2204-IE2-ATB KIT	1
1.22	2111344	> MODULE COVER/GASKET TL5 KIT	1
1.23	4215716	> SCREW M5X16 DIN912 8.8 A2A (4pieces) VP.	1
1.24	2057978	> RONDELLE A5,3 DIN6797 FST ZN (4 PIECES)	1



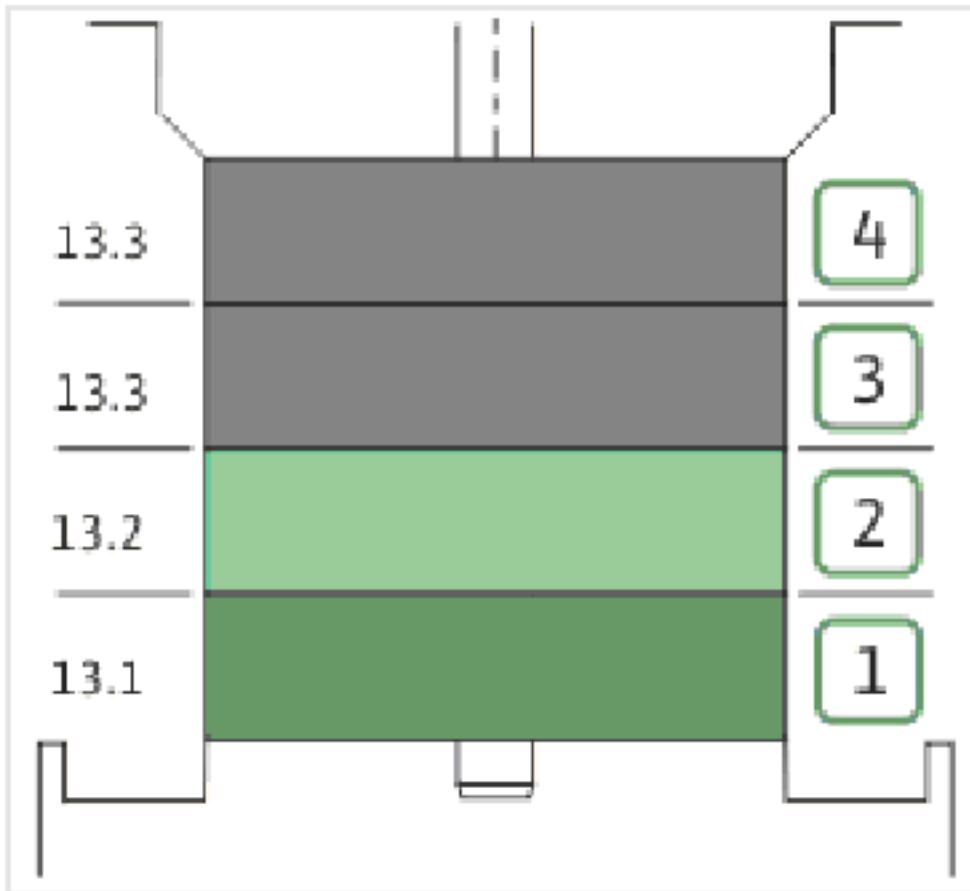
DRIVE HELIX-VE2204-FF240-IE4-WE KIT

Item	Article no.	Description	Quantity
1.1	4207940	MO.7.5/2/132FF240 3~380V 60Hz IE4 WE VP.	1
		SPARE PARTS MOTOR:ON REQUEST	1
1.2	4212639	MODULE HELIX-VE2204-IE4-WE KIT	1
1.22	2111344	> MODULE COVER/GASKET TL5 KIT	1
1.23	4215716	> SCREW M5X16 DIN912 8.8 A2A (4pieces) VP.	1
1.24	2057978	> RONDELLE A5,3 DIN6797 FST ZN (4 PIECES)	1

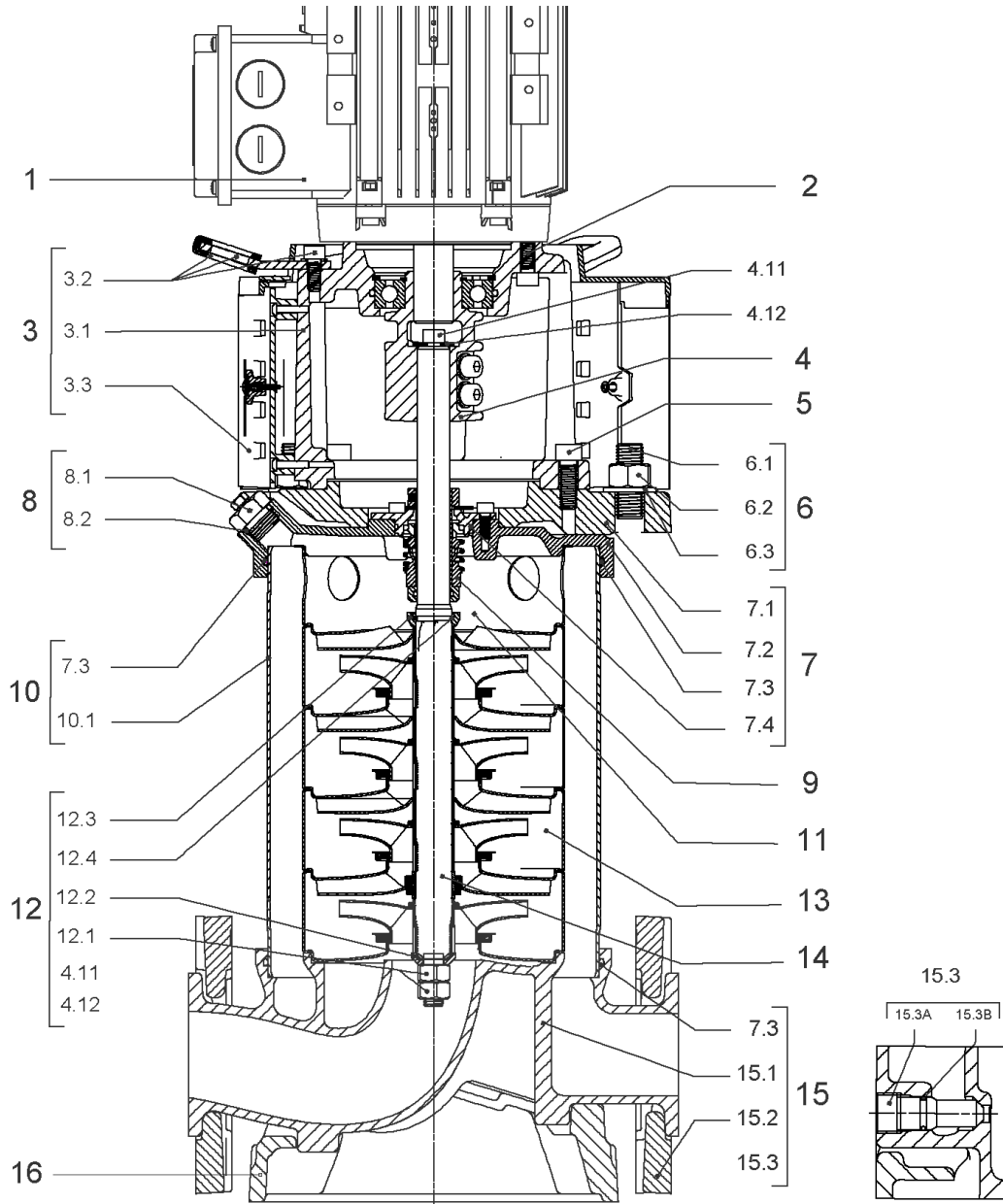


COUPLING D.22XD.38 FF240T130 HELIX KIT (4186347)

Item	Article no.	Description	Quantity
4.1		COUPLING-VMI-D22xD38-FF265-MACHINED	1
4.2	2131017	BALL BEARING 6310/ZZ-C4(HT)VP.	1
4.3	4234253	CIRCLIP-FOR-SHAFT-D50x2 VP.	1
4.4	4157726	SCREW KIT M8X30 (4 PIECES)	1
4.5	4234255	CIRCLIPS 110X4 VP.	1
4.6	4233944	O-RING ID.110 VP.	1
		NOMEL CONTACT WASHER 8x16x1,4 STEEL ZC	1



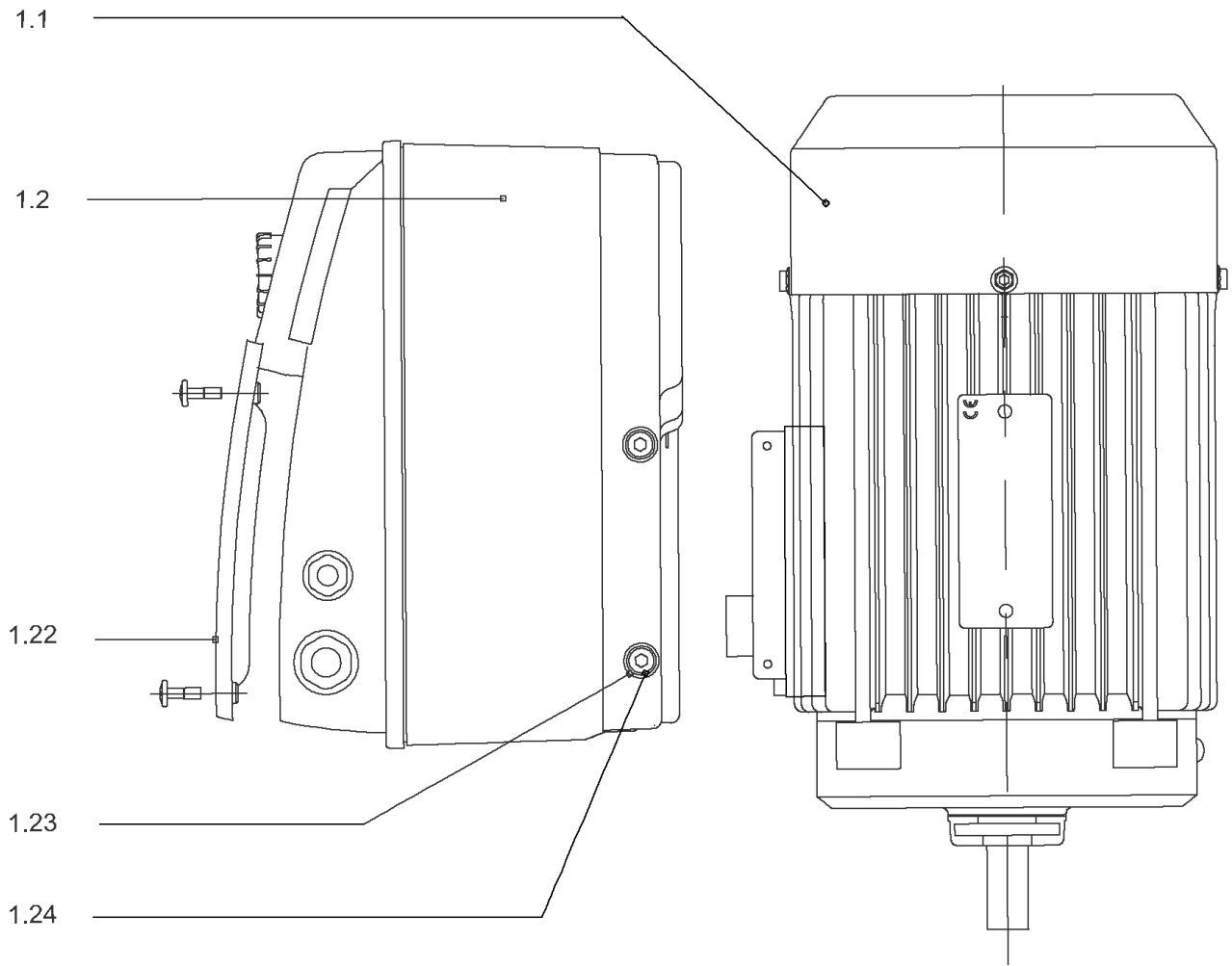
Item	Article no.	Description	Quantity
13.1	4157739	FIRST STAGE HELIX 22 1.4307 KIT	1
		> IMPELLER-H1-M+22-304	1
		> MACH.STG-CASING-WOGV-WNR-M+22-304	1
13.2	4157740	BEARING STAGE HELIX 22 1.4307 KIT	1
		> IMPELLER-H2-M+22-304	1
		> MACH.BEARING-STG-CASING-WNR-M+22-304	1
		> SHAFT-SLEEVE-D26xD22x16-CW	1
13.3	4157743	INTERMEDIATE STAGE HELIX 22 KIT	1
		> MACH.STD-STG-CASING-WGV+NR-M+22-304	1
		> IMPELLER-H2-M+22-304	1



HELIX VE2204-1/16/E/KS/FF240/EC (4215828)

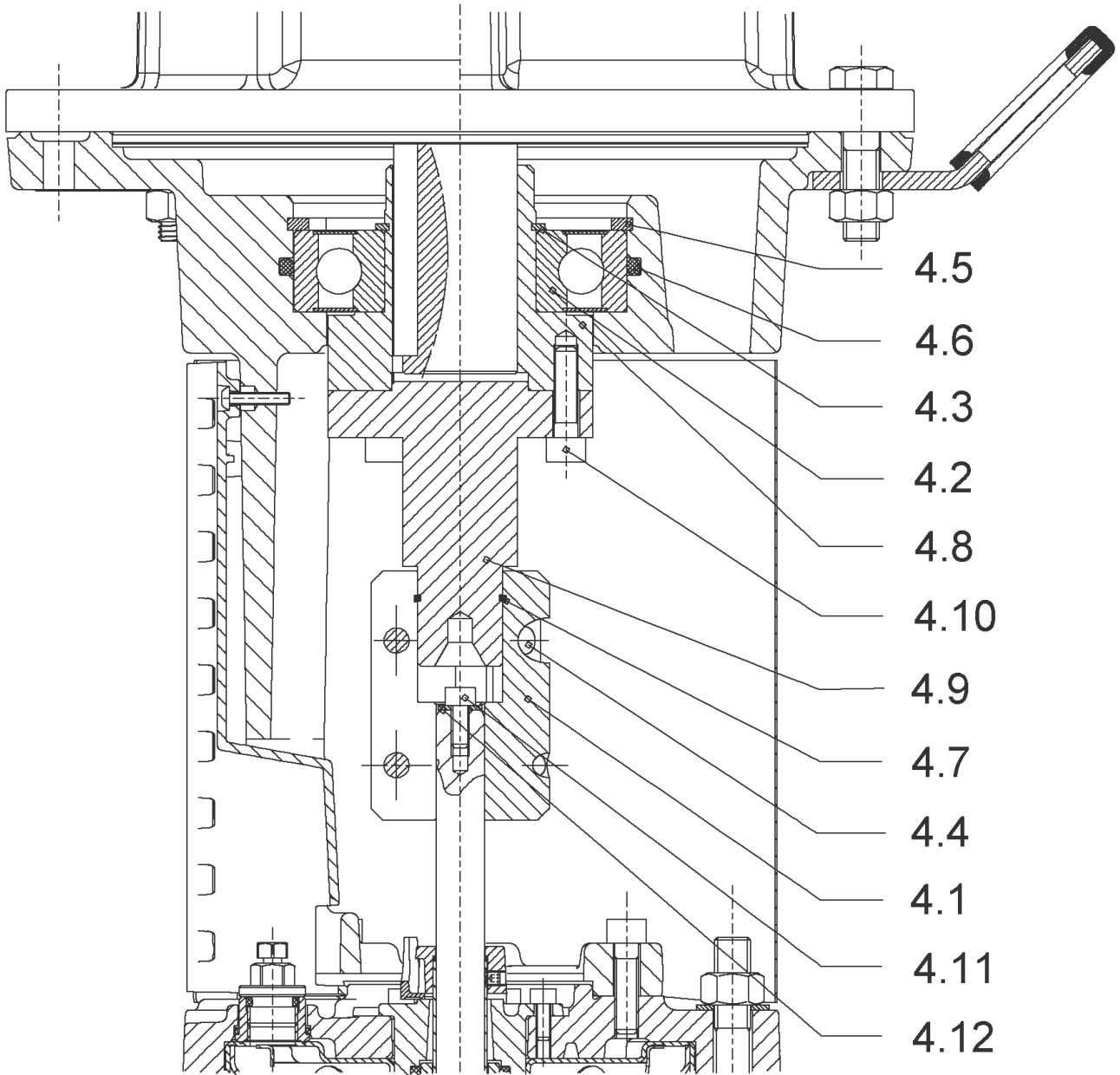
Item	Article no.	Description	Quantity
1		DRIVE HELIX-VE2204-FF240-IE4-WE KIT	1
Note: MOTOR BRAND WILO ELEC			
2	4174093	SCREW M12X50 (4 PIECES)	1
3	4228544	LANTERN HELIX OPTI 8" FF240 KIT	1
3.1		> LANTERN FF240 M+8" JL250 MACHINING+CATA	1
3.2	2127605	> EYELET CPL.FF265 HELIX(2 PIECES)	1
3.3	4143969	> COUPLING PROTECT HELIX FF KIT	1
4	4143965	COUPLING D.20XD.28 FF265 KIT	1
5	4157725	SCREW M10X40 (4 PIECES)	1
6	4186355	STUD BOLT M16X453 KIT	1
6.1		> TIE BOLT M16-453x24x44-1.4057	1
6.2	4179562	> NUT M16 8.8 ISO4032 (4 PIECES)	1
6.3	4097852	> WASHER-CS-16.4-32-2.8-NFE25-511-A2	1
7	4217176	END SHIELD HELIX OPTI 8" EPDM KIT	1
7.1		> upper flange machined + cataphoresis	1
7.2	4217174	> STATIONARY RING HOLDER 8" HELIX OPTI VP.	1
7.3	4179571	> O-RING HOUSING PIPE HELIX22/36/52 VP.	1
7.4	4179572	> O-RING ID.42.52X2.62 EPDM VP.	1
8	4186377	FILING/PURGING PLUG 304 HELIX KIT	1
8.1		> FILLING/VENTING-PLUG-MVI8/10"-304	1
8.2	4032291	> O-RING 17x3 EPDM KTW/WRC	1
9	4143973	CARTRIDGE HELIX22-36-52 O/E KIT	1
10	4181077	HOUSING-PIPE D.204X264 1.4307 KIT	1
7.3	4179571	> O-RING HOUSING PIPE HELIX22/36/52 VP.	1
10.1		> HOUSING-PIPE Ø204-M+2204/3603-304	1
11	4179143	CENTERING STAGE-RETURN HELIX22 1.4307 VP	1
12	4143967	SHAFT EQUIPMENT HELIX V KIT	1
13		HYDRAULIC HELIX V 2204	1
14	2132516	SHAFT D.22X404 1.4301 VP.	1
15	4217852	EQUIPED HOUSING DN50 HELIX OPTI 8" KIT	1
15.1		> pump casing machined DN50	1
15.2	4217178	> HALF FLANGE DN50 HELIX OPTI 8" VP.	1
15.3	4217850	> DRAIN/PRIMING PLUG HELIX OPTI 8" KIT	1
7.3	4179571	> O-RING HOUSING PIPE HELIX22/36/52 VP.	1

Item	Article no.	Description	Quantity
16	4217854	BASEPLATE DN50 HELIX OPTI 8" VP.	1



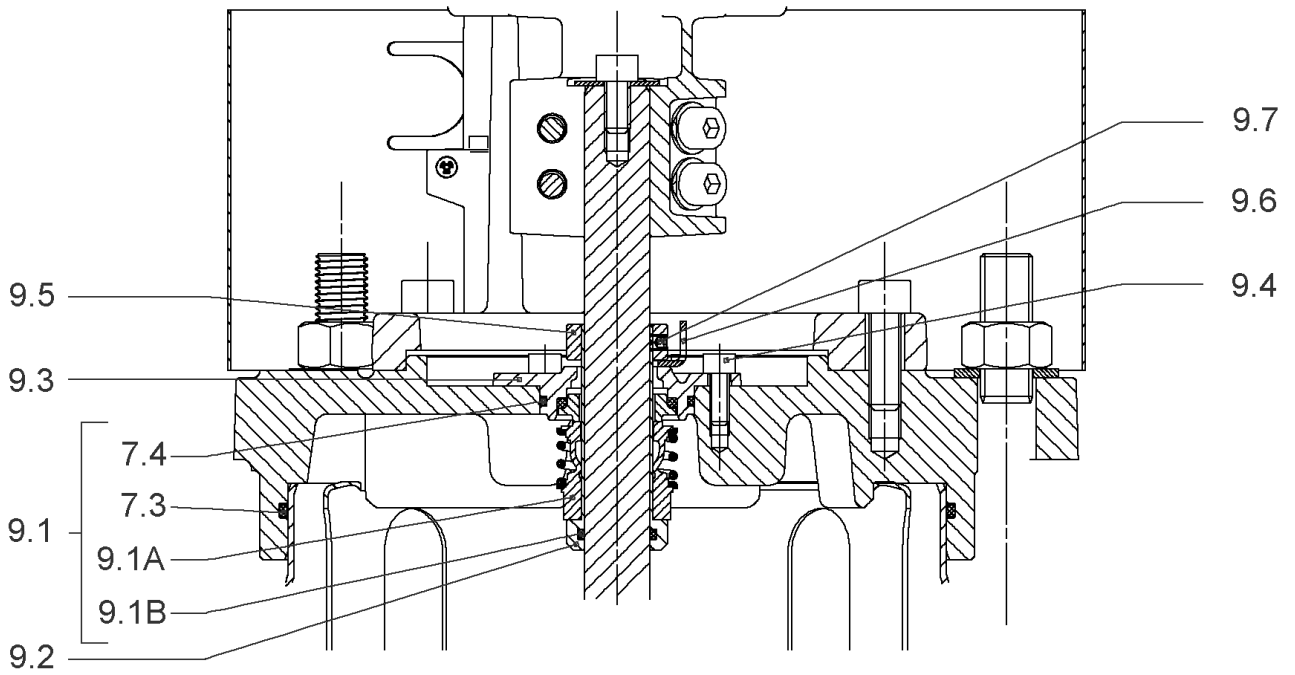
DRIVE HELIX-VE2204-FF240-IE4-WE KIT

Item	Article no.	Description	Quantity
1.1	4207940	MO.7.5/2/132FF240 3~380V 60Hz IE4 WE VP.	1
		SPARE PARTS MOTOR:ON REQUEST	1
1.2	4212639	MODULE HELIX-VE2204-IE4-WE KIT	1
1.22	2111344	> MODULE COVER/GASKET TL5 KIT	1
1.23	4215716	> SCREW M5X16 DIN912 8.8 A2A (4pieces) VP.	1
1.24	2057978	> RONDELLE A5,3 DIN6797 FST ZN (4 PIECES)	1



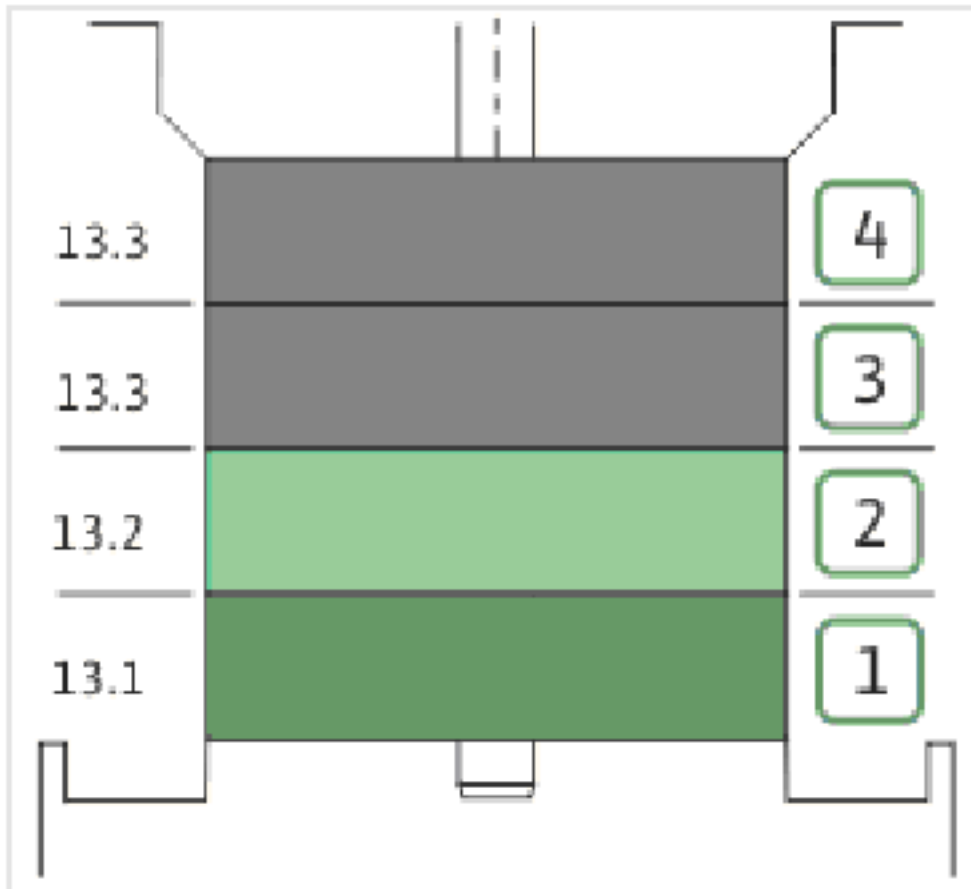
COUPLING D.20XD.28 FF265 KIT (4143965)

Item	Article no.	Description	Quantity
4.1	4179584	COUPLING 2 PARTS D.20XD.28XL83 VP.	1
4.2	2131017	BALL BEARING 6310/ZZ-C4(HT)VP.	1
4.3	4234253	CIRCLIP-FOR-SHAFT-D50x2 VP.	1
4.4	4159707	SCREW M8X30 (4 PIECES)	1
4.5	4234255	CIRCLIPS 110X4 VP.	1
4.6	4233944	O-RING ID.110 VP.	1
4.7	4179585	STOP-RUSH D26xD2 DIN7993 STEEL VP.	1
4.8	2131020	HUB D.38XD.50 VP.	1
4.9	2131021	SPACER D.28XD.45 VP.	1
4.10	4157726	SCREW KIT M8X30 (4 PIECES)	1
4.11	4233959	SCREW M8x16 VP.	1
4.12		SERRATED LOCK WASHER Ø8.2XØ25X35X2	1

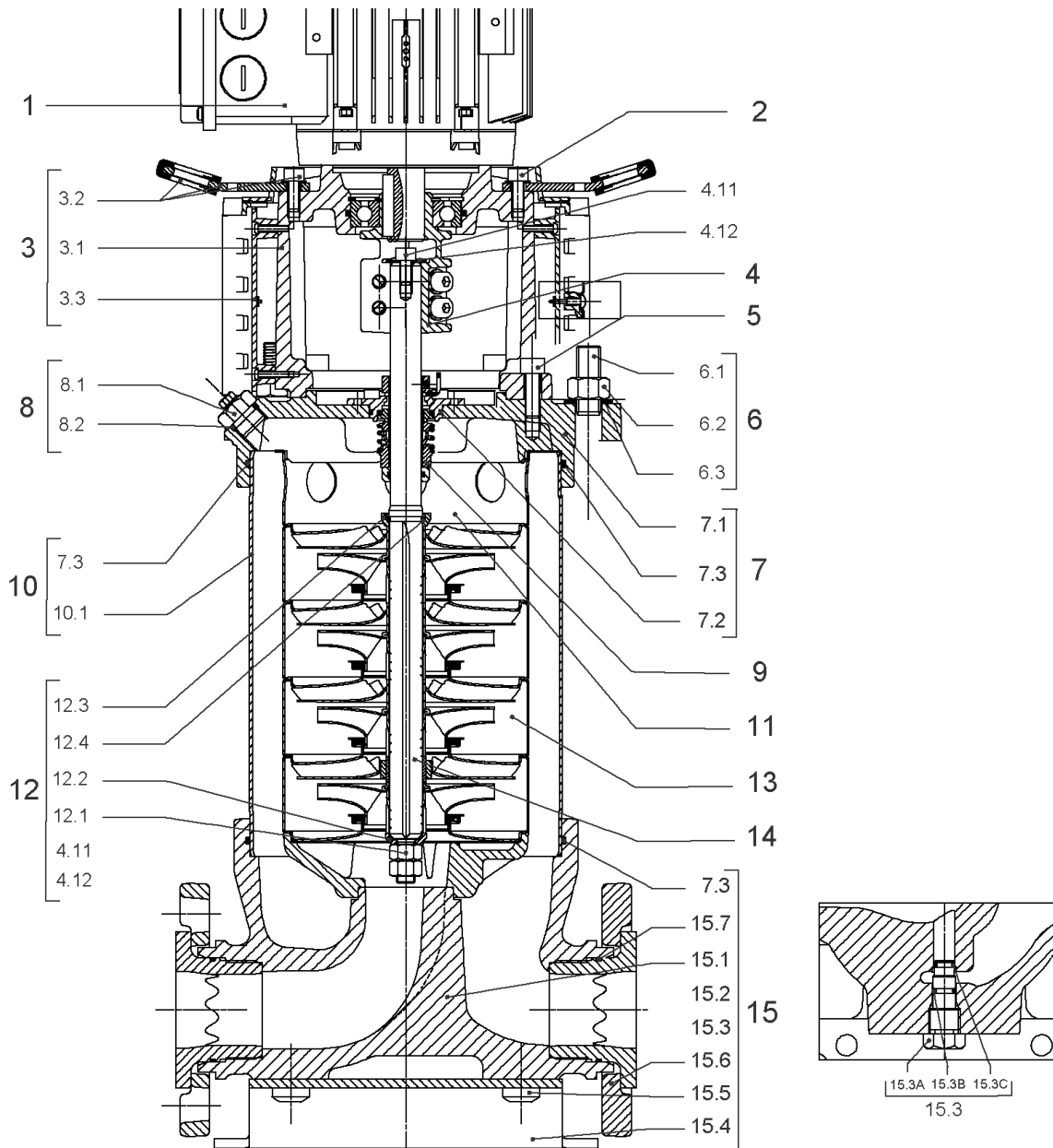


CARTRIDGE HELIX22-36-52 O/E KIT (4143973)

Item	Article no.	Description	Quantity
9.1	4143974	SEAL-KIT-HELIX22-36-52 O/E	1
7.3	4179571	> O-RING HOUSING PIPE HELIX22/36/52 VP.	1
7.4	4179572	> O-RING ID.42.52X2.62 EPDM VP.	1
9.1A	4179573	> M.SEAL.HELIX22-36-52 O/E VP.	1
9.1B	4179574	> O-RING ID.20x2.65 EPDM VP.	1
9.2	4179566	SHAFT SLEEVE D.20/20X60 1.4404 VP.	1
9.3	4179567	RING HOLDER Ø22 1.4301 VP.	1
9.4	4176520	SCREW CH M5x5 A4-70 (3PIECES)	1
9.5	4179568	DRIVE RING D.31/22.1x11 MACH.VP.	1
9.6	4179569	TOOL M.S.CART.HELIX 8" VP.	1
9.7	4179570	SCREW M6X16 ISO4762 8.8 GEOMET(4 PIECES)	1



Item	Article no.	Description	Quantity
13.1	4157739	FIRST STAGE HELIX 22 1.4307 KIT	1
		> IMPELLER-H1-M+22-304	1
		> MACH.STG-CASING-WOGV-WNR-M+22-304	1
13.2	4157740	BEARING STAGE HELIX 22 1.4307 KIT	1
		> IMPELLER-H2-M+22-304	1
		> MACH.BEARING-STG-CASING-WNR-M+22-304	1
		> SHAFT-SLEEVE-D26xD22x16-CW	1
13.3	4157743	INTERMEDIATE STAGE HELIX 22 KIT	1
		> MACH.STD-STG-CASING-WGV+NR-M+22-304	1
		> IMPELLER-H2-M+22-304	1



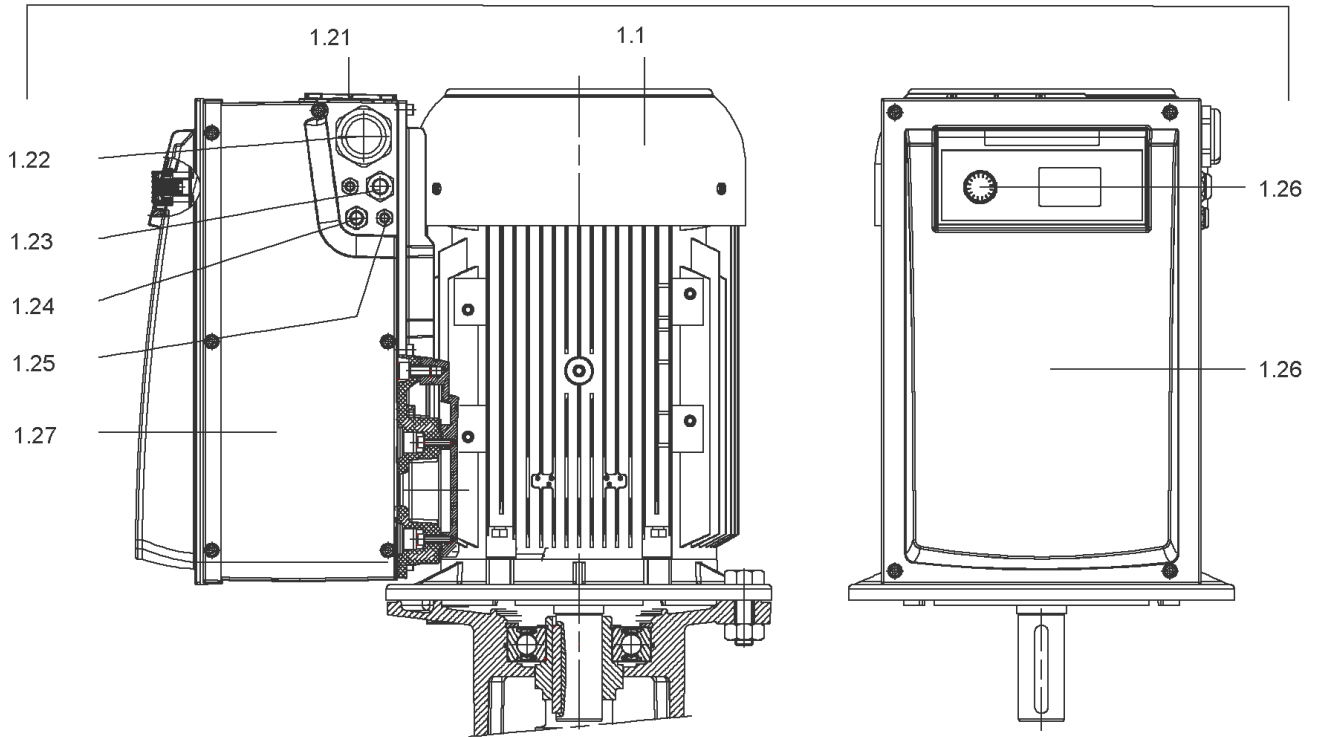
HELIX VE2205-3/16/E/K/2G (4166183)

Item	Article no.	Description	Quantity
1		DRIVE HELIX VE2205-IE2-ARC KIT	1
Note: no longer available/nicht mehr lieferbar/n'est plus disponible			
1	4218536	DRIVE HELIX VE2205-IE4-WEG KIT	1
Note: MOTOR BRAND WEG			
2	4179586	SCREW M16X60 (4 PIECES)	1
3	4157721	LANTERN HELIX 22/36 FF300 BB6312 KIT	1
3.1		> LANTERN FF300 M+ GJL MACHINED+CATA 6312	1
3.2	4179589	> EYELET CPL.FF300 HELIX(4 PIECES)	1
3.3	4143969	> COUPLING PROTECT HELIX FF KIT	1
4	4143966	COUPLING D.20XD.38 FF300 KIT	1
5	4157725	SCREW M10X40 (4 PIECES)	1
6	4181164	STUD BOLT M16X382 KIT	1
6.1		> TIE BOLT M16-382x24x44-1.4057	1
6.2	4179562	> NUT M16 8.8 ISO4032 (4 PIECES)	1
6.3	4097852	> WASHER-CS-16.4-32-2.8-NFE25-511-A2	1
7	4179565	END SHIELD HELIX 8" EPDM KIT	1
7.1		> END SHIELD M+ GJL MACHINED+CATA	1
7.2	4179564	> O-RING D.42.52x2.62 EPDM VP.	1
7.3	4179571	> O-RING HOUSING PIPE HELIX22/36/52 VP.	1
8	4186377	FILING/PURGING PLUG 304 HELIX KIT	1
8.1		> FILLING/VENTING-PLUG-MVI8/10"-304	1
8.2	4032291	> O-RING 17x3 EPDM KTW/WRC	1
9	4143973	CARTRIDGE HELIX22-36-52 O/E KIT	1
10	4181165	HOUSING PIPE D.204X314 1.4301 KIT	1
7.3	4179571	> O-RING HOUSING PIPE HELIX22/36/52 VP.	1
10.1		> HOUSING-PIPE Ø204-M+2205-304	1
11	4179143	CENTERING STAGE-RETURN HELIX22 1.4307 VP	1
12	4143967	SHAFT EQUIPMENT HELIX V KIT	1
13		HYDRAULIC HELIX V 2205	1
14	2114267	SHAFT D.22X454 1.4057 VP.	1
15	4181158	EQUIPED HOUSING HELIX 22 GJL KIT	1
7.3	4179571	> O-RING HOUSING PIPE HELIX22/36/52 VP.	1
15.1		> PUMP HOUSING SET with COATED PARTS-DN50	1
15.3	4143766	> DRAIN/PRIMING PLUG EPDM HELIX KIT	1

HELIX VE2205-3/16/E/K/2G (4166183)

Item	Article no.	Description	Quantity
15.3A		>> PRIMING/DRAIN PLUG-304-VERSION 1	1
15.3B	4032293	>> O-RING-10x3-EPDM-KTW/WRC	1
15.3C	4233957	>> O-RING ID.9 EPDM VP.	1
15.4	4221729	> BASE M+ DN50/65/80 VP.	1
15.6		> FLANGE M+ DN50 CATA	1
15.7		> O-RING Ø63.17xØ2.62 EPDM	1
15.5		> SCREW TBHC M12x25 ISO7380 ZN	1

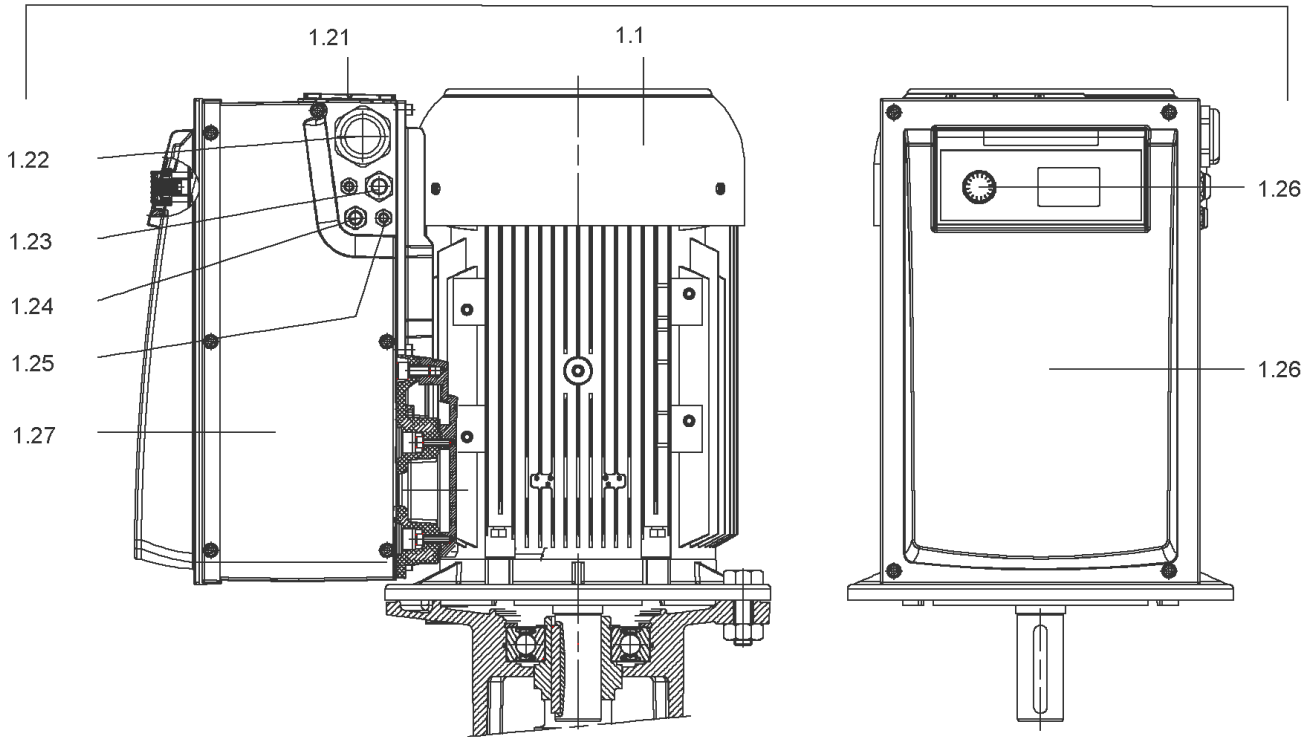
1



DRIVE HELIX VE2205-IE2-ARC KIT

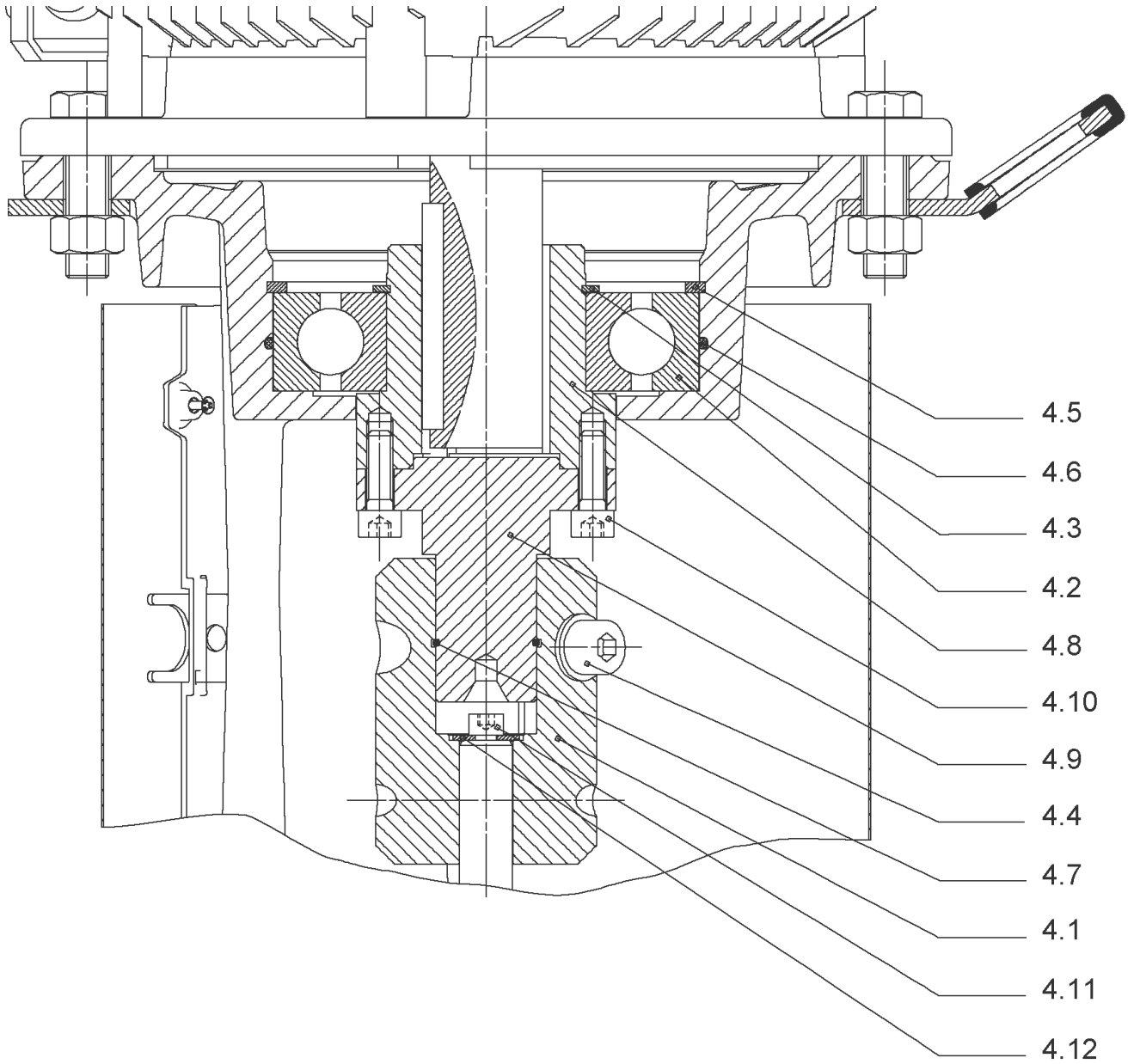
Item	Article no.	Description	Quantity
1.1		M11-2T638P55V1-160F300-N42-IE2	1
		SPARE PARTS MOTOR:ON REQUEST	1
1.21	2132102	FAN SMALL TL6/7 FF KIT	1
1.25	2132097	CABLE CONNECTION M12 TL6/7 FF VP.	1
1.24	2132098	CABLE CONNECTION M16 TL6/7 FF VP.	1
1.23	2132099	CABLE CONNECTION M20 TL6/7 FF VP.	1
1.22	2132100	CABLE CONNECTION SMALL M40 TL6/7 FF VP.	1
1.27	2132104	COVER SIDE TL6/7 FF CPL.VP.	1
1.26	2132452	MODULE COVER/BUTTON TL6/7 FF VP.	1

1



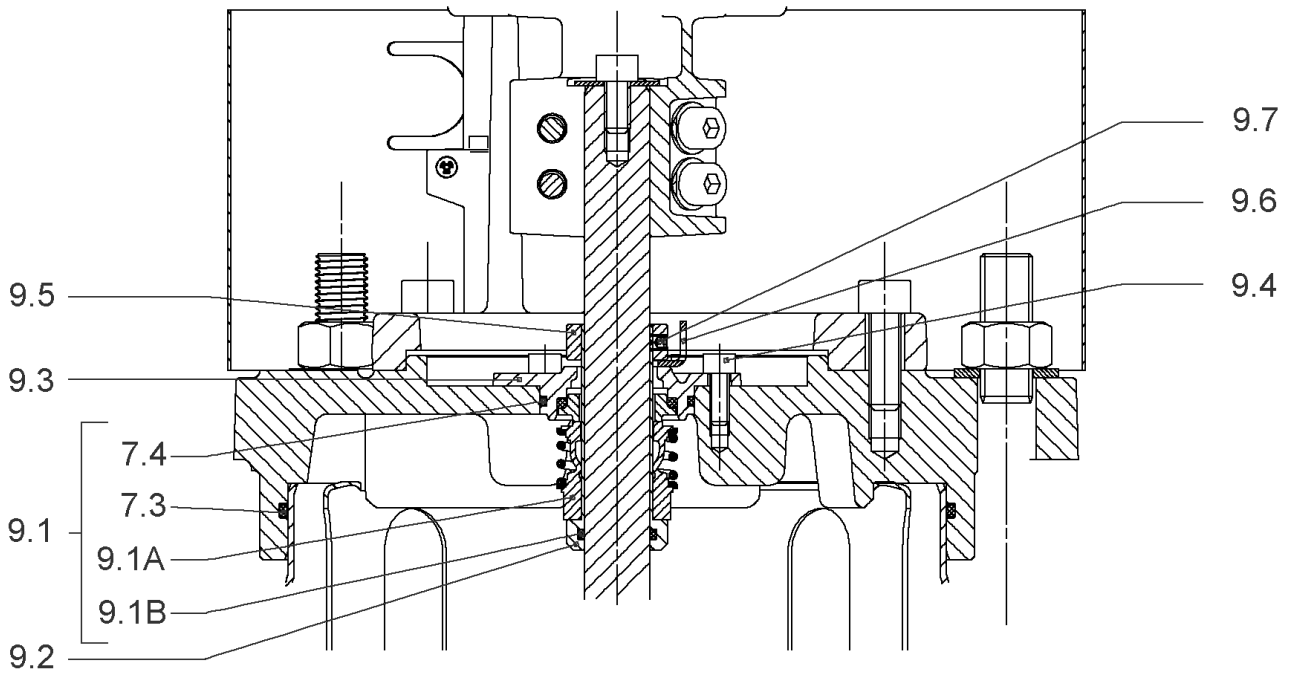
DRIVE HELIX VE2205-IE4-WEG KIT (4218536)

Item	Article no.	Description	Quantity
1.1		M11-2T638P55V1-160F30-N42-ADAPT-IE4-WEG	1
		SPARE PARTS MOTOR:ON REQUEST	1
1.21	2132102	FAN SMALL TL6/7 FF KIT	1
1.25	2132097	CABLE CONNECTION M12 TL6/7 FF VP.	1
1.24	2132098	CABLE CONNECTION M16 TL6/7 FF VP.	1
1.23	2132099	CABLE CONNECTION M20 TL6/7 FF VP.	1
1.22	2132100	CABLE CONNECTION SMALL M40 TL6/7 FF VP.	1
1.27	2132104	COVER SIDE TL6/7 FF CPL.VP.	1
1.26	2132452	MODULE COVER/BUTTON TL6/7 FF VP.	1



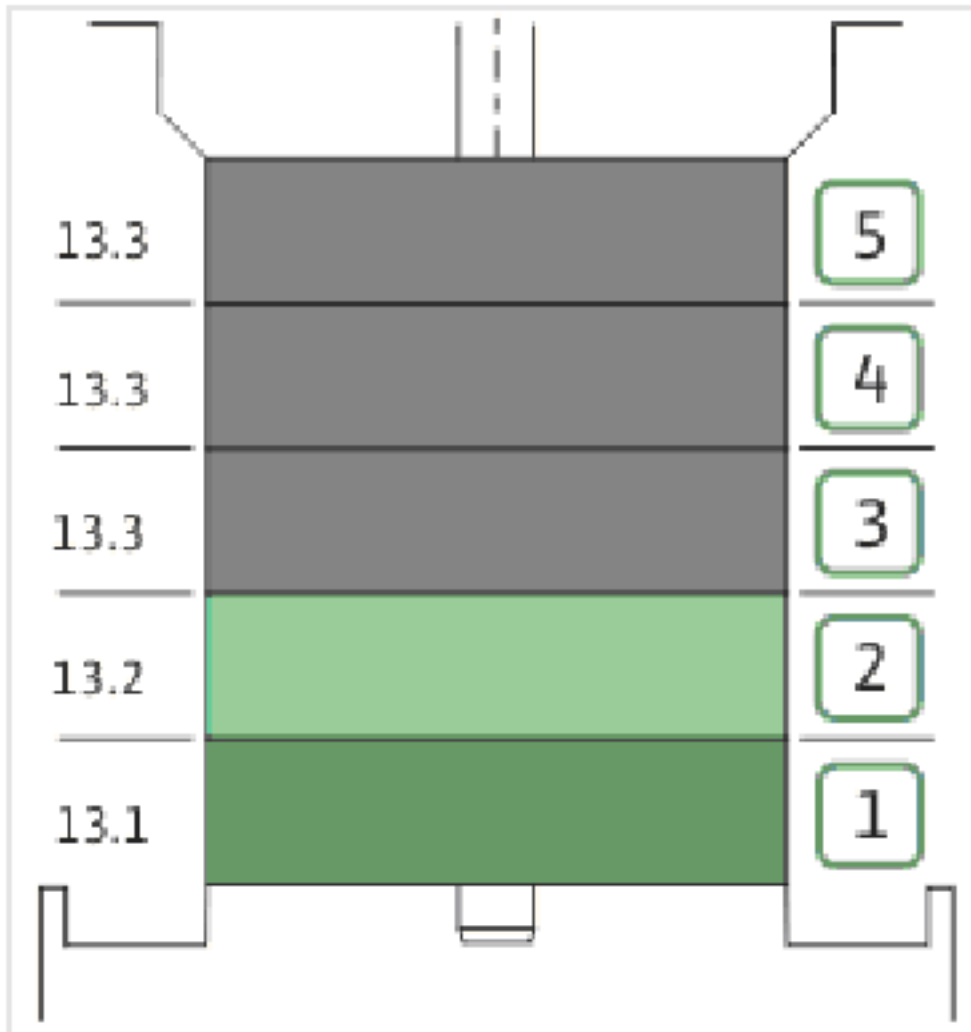
COUPLING D.20XD.38 FF300 KIT (4143966)

Item	Article no.	Description	Quantity
4.1	4179590	COUPLING 2 PARTS D.20XD.38XL115 VP.	1
4.2	2123699	BALL BEARING 6312/2Z-C4 (HT) VP.	1
4.3	63428	CIRCLIP-FOR-SHAFT-D60x2	1
4.4	2130991	SCREW M12X30 ISO4762 8.8 ZN(4 PIECES)	1
4.5	4032277	CIRCLIP-HOLE-130x4	1
4.6	4006725	O-RING ID.132,94x3,53 NBR70SR	1
4.7	2130992	RETAINING RING D.35xD.2,5 DIN7993 VP.	1
4.8	4179591	HUB D.42xD.60 VP.	1
4.9	2130994	SPACER D.38XD.55 VP.	1
4.10	4094462	SCREWS M10 (4 PIECES)	1
4.11	4233959	SCREW M8x16 VP.	1
4.12		SERRATED LOCK WASHER Ø8.2XØ25X35X2	1

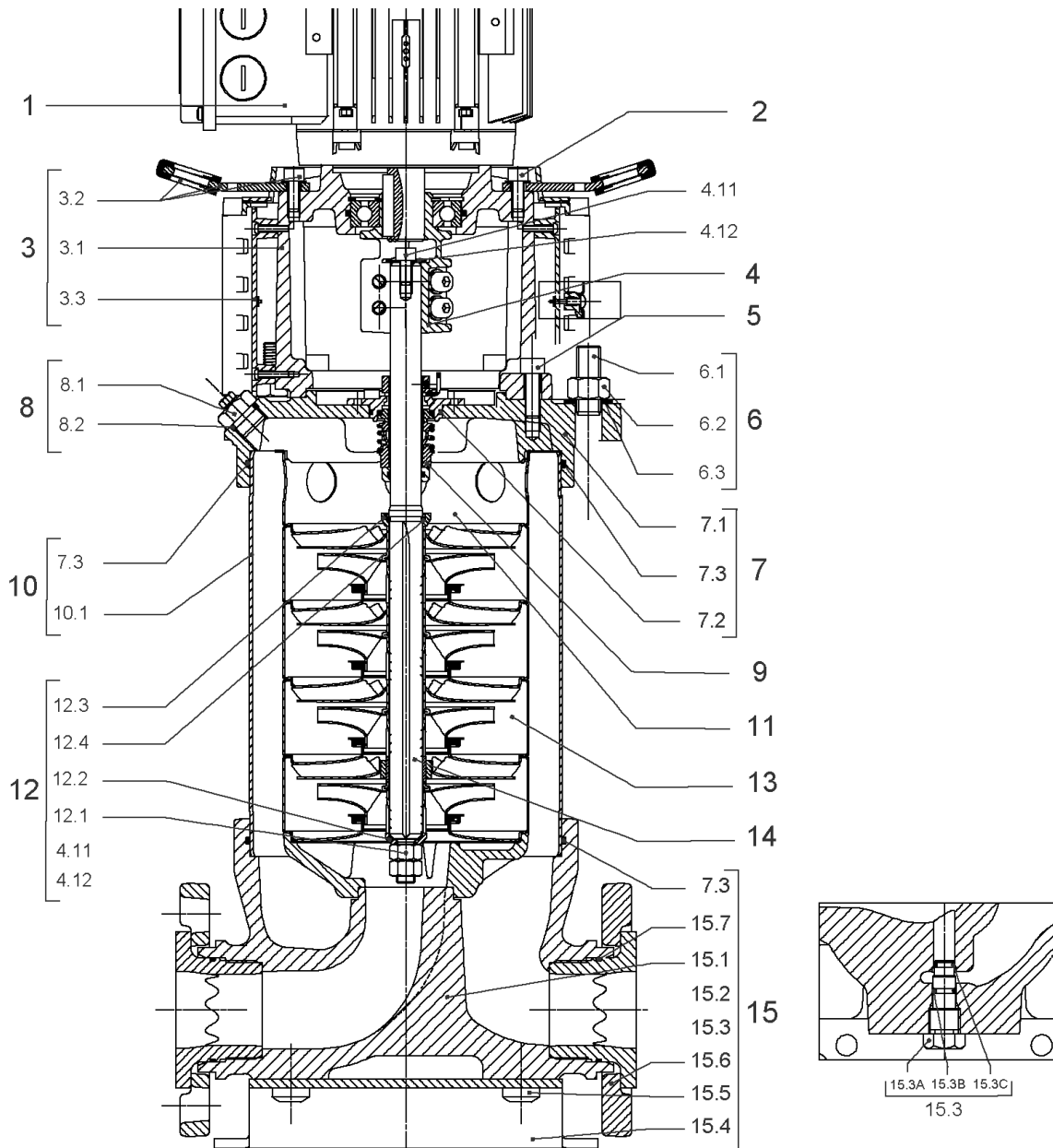


CARTRIDGE HELIX22-36-52 O/E KIT (4143973)

Item	Article no.	Description	Quantity
9.1	4143974	SEAL-KIT-HELIX22-36-52 O/E	1
7.3	4179571	> O-RING HOUSING PIPE HELIX22/36/52 VP.	1
7.4	4179572	> O-RING ID.42.52X2.62 EPDM VP.	1
9.1A	4179573	> M.SEAL.HELIX22-36-52 O/E VP.	1
9.1B	4179574	> O-RING ID.20x2.65 EPDM VP.	1
9.2	4179566	SHAFT SLEEVE D.20/20X60 1.4404 VP.	1
9.3	4179567	RING HOLDER Ø22 1.4301 VP.	1
9.4	4176520	SCREW CH M5x5 A4-70 (3PIECES)	1
9.5	4179568	DRIVE RING D.31/22.1x11 MACH.VP.	1
9.6	4179569	TOOL M.S.CART.HELIX 8" VP.	1
9.7	4179570	SCREW M6X16 ISO4762 8.8 GEOMET(4 PIECES)	1



Item	Article no.	Description	Quantity
13.1	4157739	FIRST STAGE HELIX 22 1.4307 KIT	1
		> IMPELLER-H1-M+22-304	1
		> MACH.STG-CASING-WOGV-WNR-M+22-304	1
13.2	4157740	BEARING STAGE HELIX 22 1.4307 KIT	1
		> IMPELLER-H2-M+22-304	1
		> MACH.BEARING-STG-CASING-WNR-M+22-304	1
		> SHAFT-SLEEVE-D26xD22x16-CW	1
13.3	4157743	INTERMEDIATE STAGE HELIX 22 KIT	1
		> MACH.STD-STG-CASING-WGV+NR-M+22-304	1
		> IMPELLER-H2-M+22-304	1



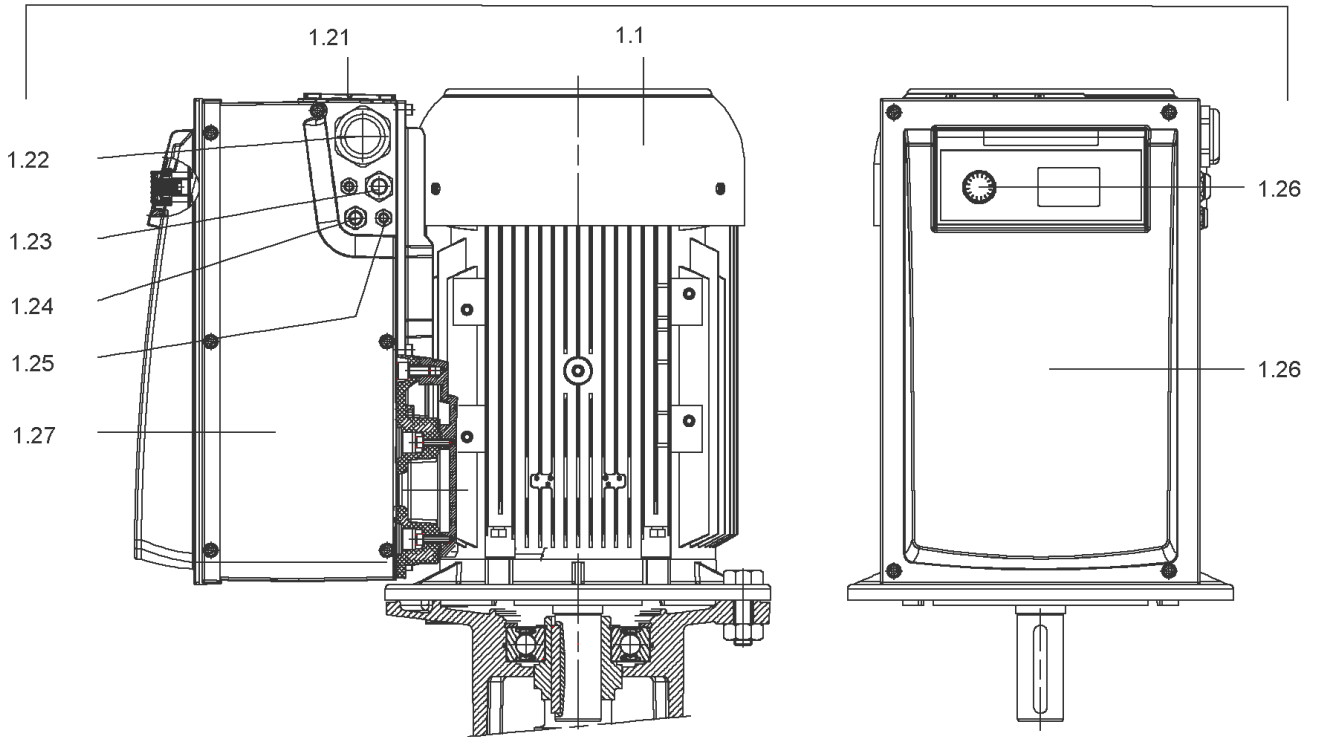
HELIX VE2205-3/16/E/KS/2G (4166187)

Item	Article no.	Description	Quantity
1		DRIVE HELIX VE2205-IE2-ARC KIT	1
Note: no longer available/nicht mehr lieferbar/n'est plus disponible			
1	4218536	DRIVE HELIX VE2205-IE4-WEG KIT	1
Note: MOTOR BRAND WEG			
2	4179586	SCREW M16X60 (4 PIECES)	1
3	4157721	LANTERN HELIX 22/36 FF300 BB6312 KIT	1
3.1		> LANTERN FF300 M+ GJL MACHINED+CATA 6312	1
3.2	4179589	> EYELET CPL.FF300 HELIX(4 PIECES)	1
3.3	4143969	> COUPLING PROTECT HELIX FF KIT	1
4	4143966	COUPLING D.20XD.38 FF300 KIT	1
5	4157725	SCREW M10X40 (4 PIECES)	1
6	4181164	STUD BOLT M16X382 KIT	1
6.1		> TIE BOLT M16-382x24x44-1.4057	1
6.2	4179562	> NUT M16 8.8 ISO4032 (4 PIECES)	1
6.3	4097852	> WASHER-CS-16.4-32-2.8-NFE25-511-A2	1
7	4179565	END SHIELD HELIX 8" EPDM KIT	1
7.1		> END SHIELD M+ GJL MACHINED+CATA	1
7.2	4179564	> O-RING D.42.52x2.62 EPDM VP.	1
7.3	4179571	> O-RING HOUSING PIPE HELIX22/36/52 VP.	1
8	4186377	FILING/PURGING PLUG 304 HELIX KIT	1
8.1		> FILLING/VENTING-PLUG-MVI8/10"-304	1
8.2	4032291	> O-RING 17x3 EPDM KTW/WRC	1
9	4143973	CARTRIDGE HELIX22-36-52 O/E KIT	1
10	4181165	HOUSING PIPE D.204X314 1.4301 KIT	1
7.3	4179571	> O-RING HOUSING PIPE HELIX22/36/52 VP.	1
10.1		> HOUSING-PIPE Ø204-M+2205-304	1
11	4179143	CENTERING STAGE-RETURN HELIX22 1.4307 VP	1
12	4143967	SHAFT EQUIPMENT HELIX V KIT	1
13		HYDRAULIC HELIX V 2205	1
14	2114267	SHAFT D.22X454 1.4057 VP.	1
15	4181158	EQUIPED HOUSING HELIX 22 GJL KIT	1
7.3	4179571	> O-RING HOUSING PIPE HELIX22/36/52 VP.	1
15.1		> PUMP HOUSING SET with COATED PARTS-DN50	1
15.3	4143766	> DRAIN/PRIMING PLUG EPDM HELIX KIT	1

HELIX VE2205-3/16/E/KS/2G (4166187)

Item	Article no.	Description	Quantity
15.3A		>> PRIMING/DRAIN PLUG-304-VERSION 1	1
15.3B	4032293	>> O-RING-10x3-EPDM-KTW/WRC	1
15.3C	4233957	>> O-RING ID.9 EPDM VP.	1
15.4	4221729	> BASE M+ DN50/65/80 VP.	1
15.6		> FLANGE M+ DN50 CATA	1
15.7		> O-RING Ø63.17xØ2.62 EPDM	1
15.5		> SCREW TBHC M12x25 ISO7380 ZN	1

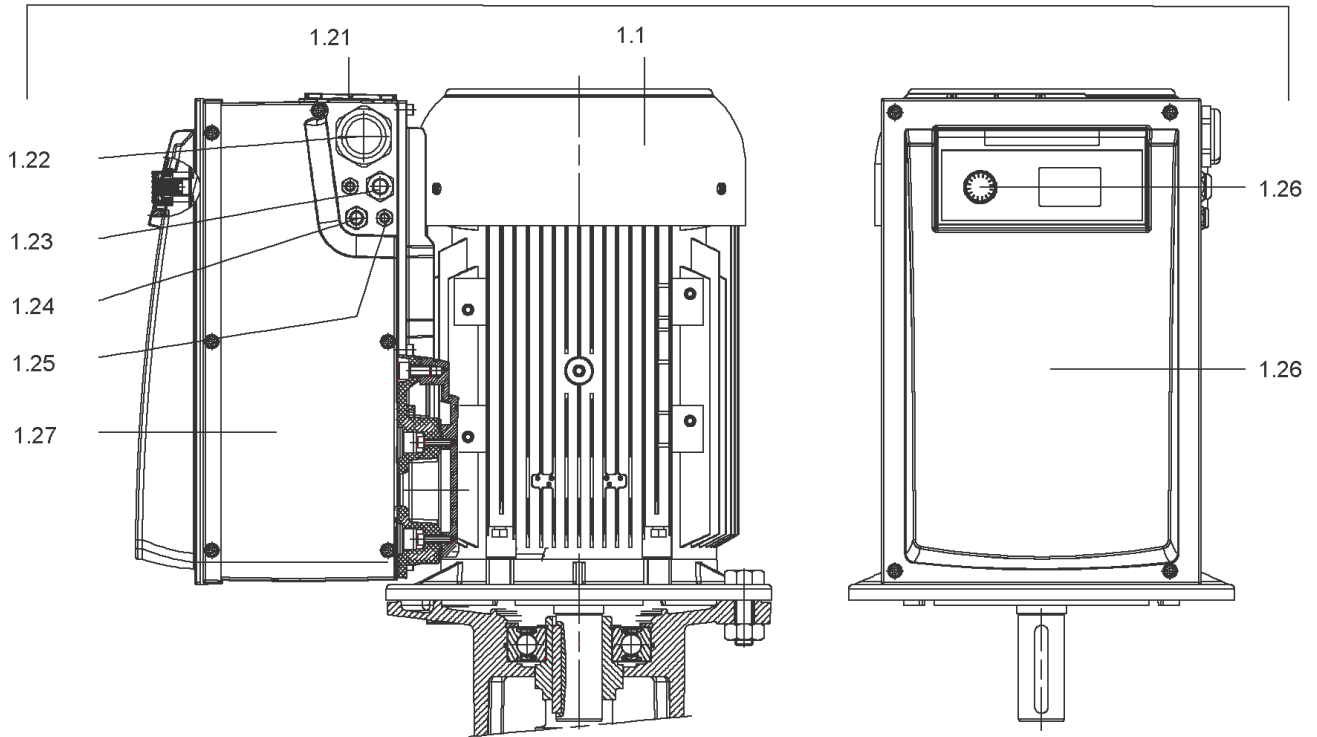
1



DRIVE HELIX VE2205-IE2-ARC KIT

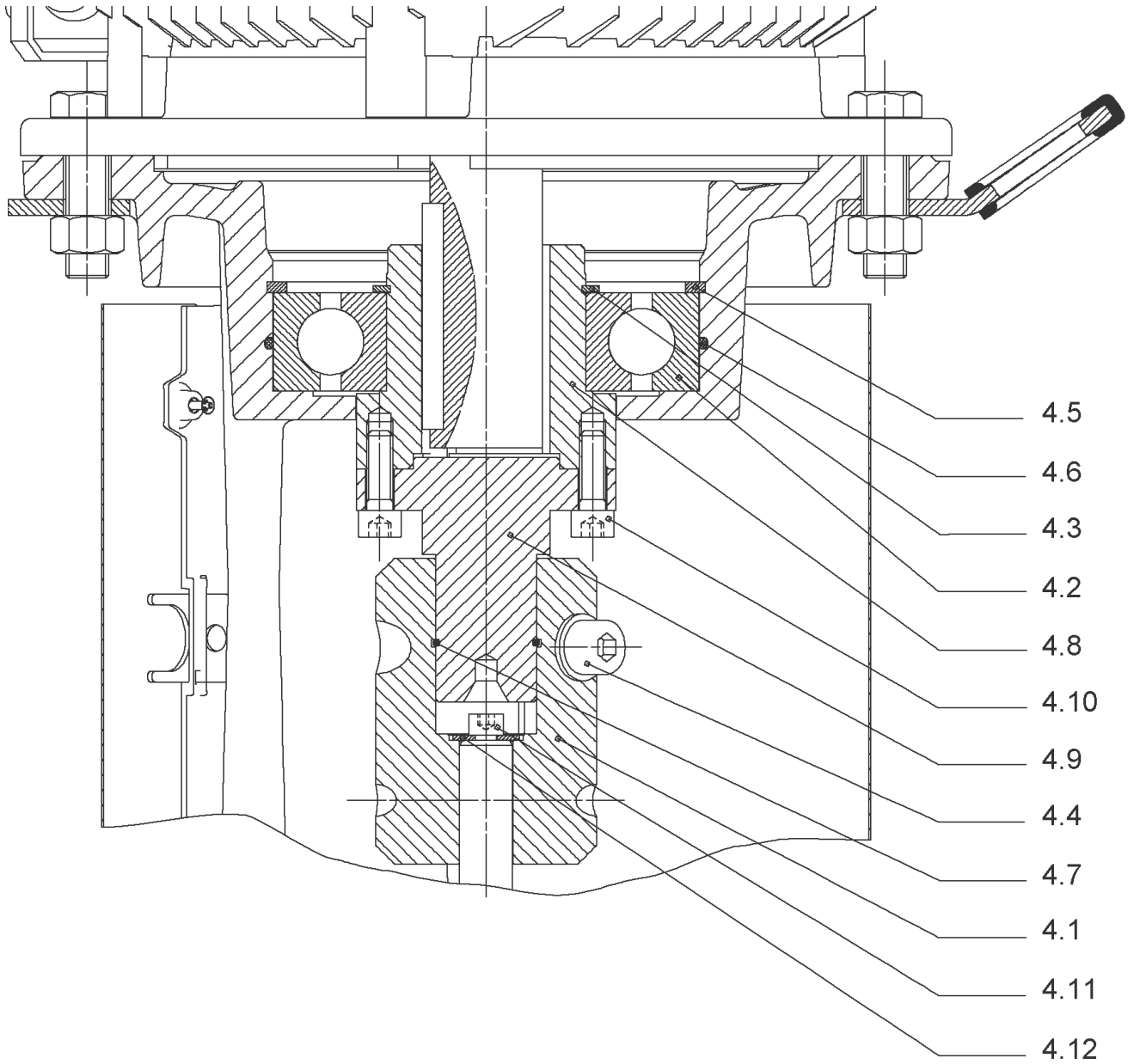
Item	Article no.	Description	Quantity
1.1		M11-2T638P55V1-160F300-N42-IE2	1
		SPARE PARTS MOTOR:ON REQUEST	1
1.21	2132102	FAN SMALL TL6/7 FF KIT	1
1.25	2132097	CABLE CONNECTION M12 TL6/7 FF VP.	1
1.24	2132098	CABLE CONNECTION M16 TL6/7 FF VP.	1
1.23	2132099	CABLE CONNECTION M20 TL6/7 FF VP.	1
1.22	2132100	CABLE CONNECTION SMALL M40 TL6/7 FF VP.	1
1.27	2132104	COVER SIDE TL6/7 FF CPL.VP.	1
1.26	2132452	MODULE COVER/BUTTON TL6/7 FF VP.	1

1



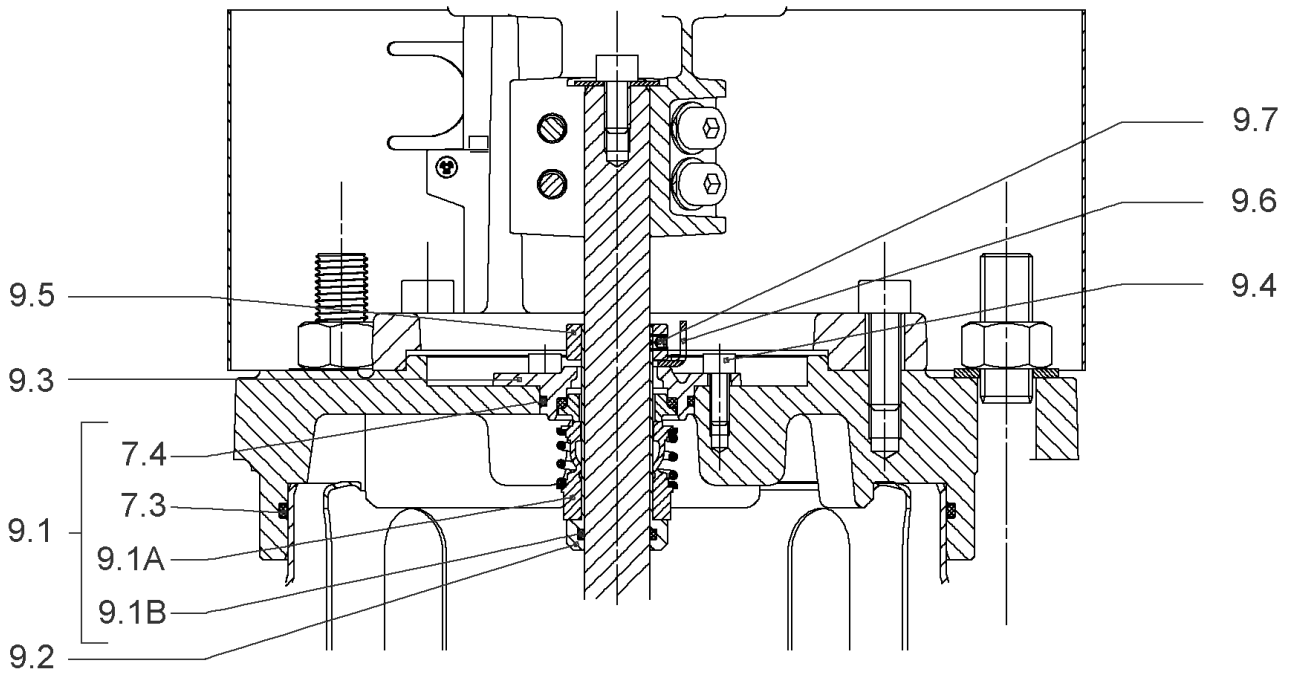
DRIVE HELIX VE2205-IE4-WEG KIT (4218536)

Item	Article no.	Description	Quantity
1.1		M11-2T638P55V1-160F30-N42-ADAPT-IE4-WEG	1
		SPARE PARTS MOTOR:ON REQUEST	1
1.21	2132102	FAN SMALL TL6/7 FF KIT	1
1.25	2132097	CABLE CONNECTION M12 TL6/7 FF VP.	1
1.24	2132098	CABLE CONNECTION M16 TL6/7 FF VP.	1
1.23	2132099	CABLE CONNECTION M20 TL6/7 FF VP.	1
1.22	2132100	CABLE CONNECTION SMALL M40 TL6/7 FF VP.	1
1.27	2132104	COVER SIDE TL6/7 FF CPL.VP.	1
1.26	2132452	MODULE COVER/BUTTON TL6/7 FF VP.	1



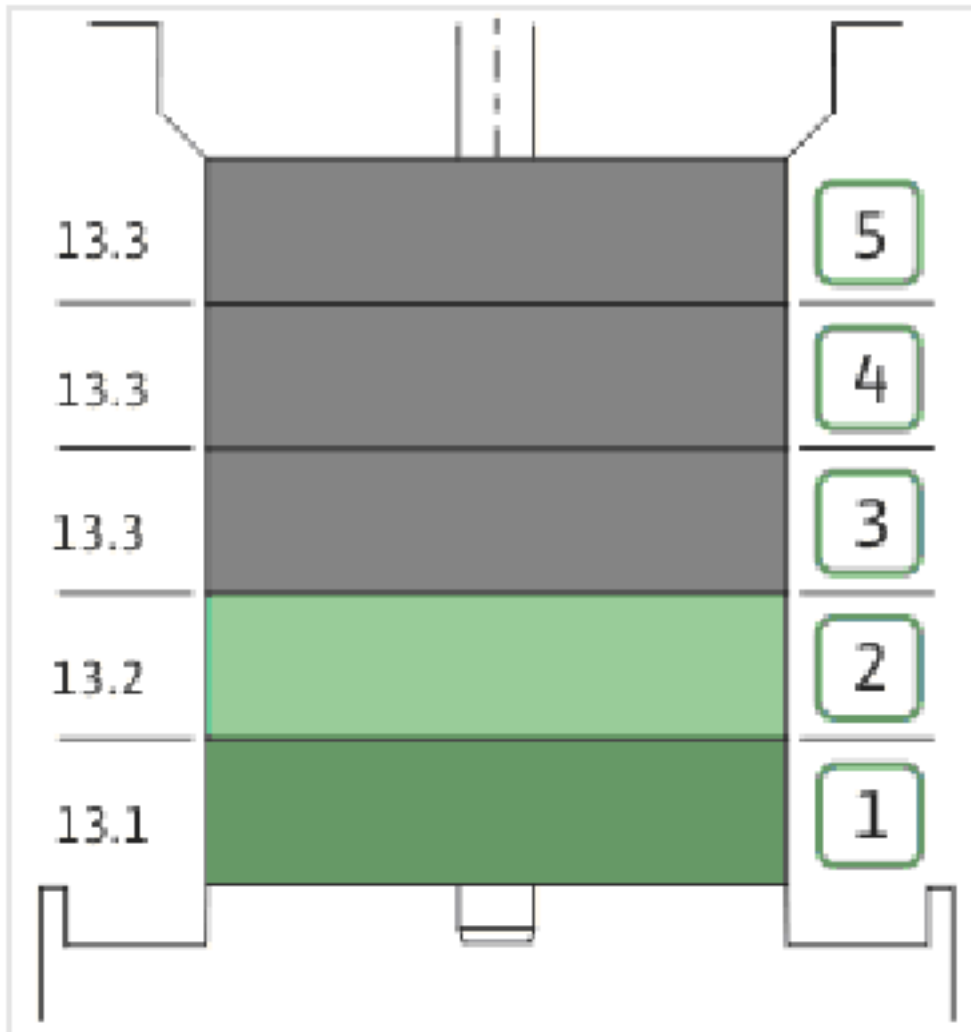
COUPLING D.20XD.38 FF300 KIT (4143966)

Item	Article no.	Description	Quantity
4.1	4179590	COUPLING 2 PARTS D.20XD.38XL115 VP.	1
4.2	2123699	BALL BEARING 6312/2Z-C4 (HT) VP.	1
4.3	63428	CIRCLIP-FOR-SHAFT-D60x2	1
4.4	2130991	SCREW M12X30 ISO4762 8.8 ZN(4 PIECES)	1
4.5	4032277	CIRCLIP-HOLE-130x4	1
4.6	4006725	O-RING ID.132,94x3,53 NBR70SR	1
4.7	2130992	RETAINING RING D.35xD.2,5 DIN7993 VP.	1
4.8	4179591	HUB D.42xD.60 VP.	1
4.9	2130994	SPACER D.38XD.55 VP.	1
4.10	4094462	SCREWS M10 (4 PIECES)	1
4.11	4233959	SCREW M8x16 VP.	1
4.12		SERRATED LOCK WASHER Ø8.2XØ25X35X2	1

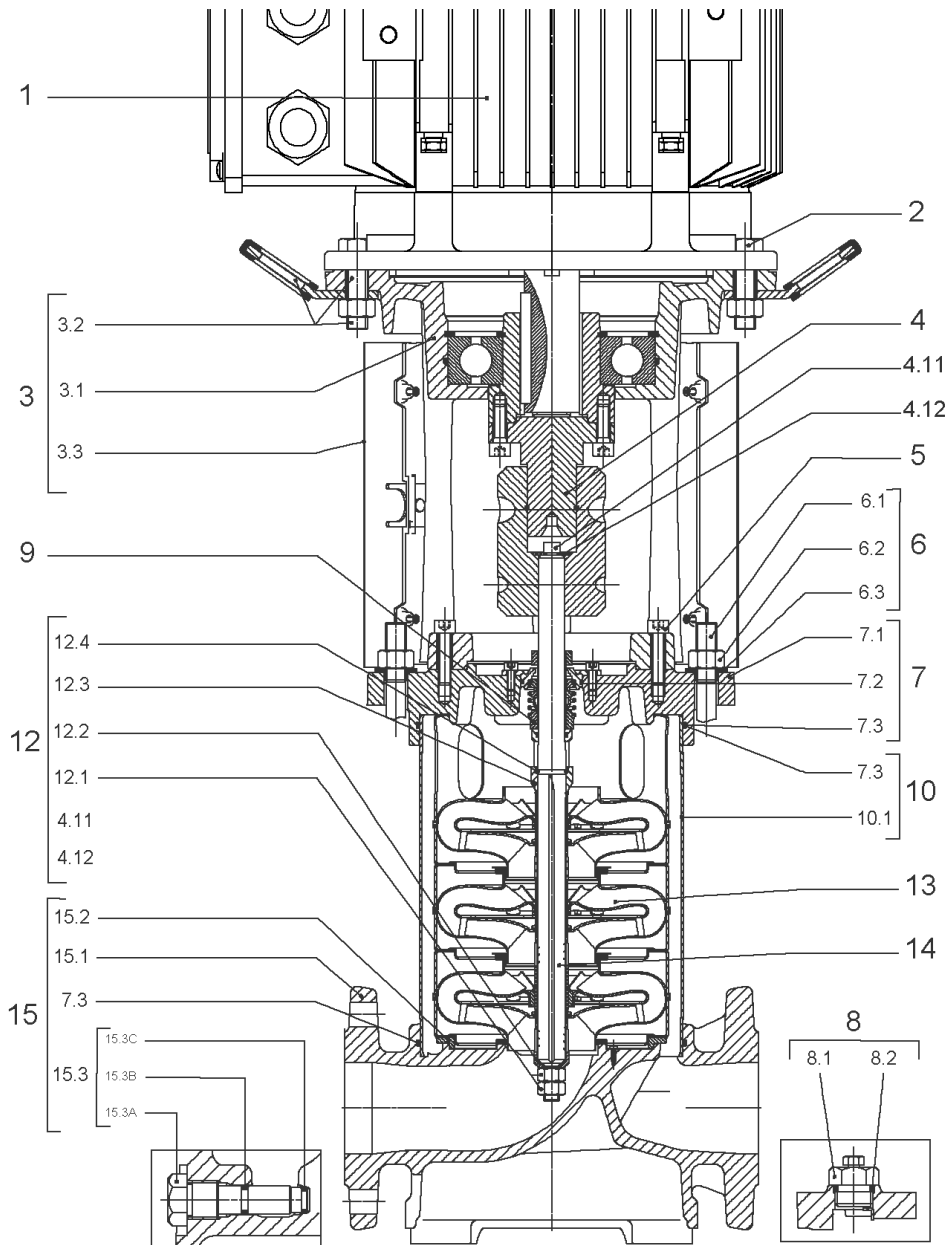


CARTRIDGE HELIX22-36-52 O/E KIT (4143973)

Item	Article no.	Description	Quantity
9.1	4143974	SEAL-KIT-HELIX22-36-52 O/E	1
7.3	4179571	> O-RING HOUSING PIPE HELIX22/36/52 VP.	1
7.4	4179572	> O-RING ID.42.52X2.62 EPDM VP.	1
9.1A	4179573	> M.SEAL.HELIX22-36-52 O/E VP.	1
9.1B	4179574	> O-RING ID.20x2.65 EPDM VP.	1
9.2	4179566	SHAFT SLEEVE D.20/20X60 1.4404 VP.	1
9.3	4179567	RING HOLDER Ø22 1.4301 VP.	1
9.4	4176520	SCREW CH M5x5 A4-70 (3PIECES)	1
9.5	4179568	DRIVE RING D.31/22.1x11 MACH.VP.	1
9.6	4179569	TOOL M.S.CART.HELIX 8" VP.	1
9.7	4179570	SCREW M6X16 ISO4762 8.8 GEOMET(4 PIECES)	1



Item	Article no.	Description	Quantity
13.1	4157739	FIRST STAGE HELIX 22 1.4307 KIT	1
		> IMPELLER-H1-M+22-304	1
		> MACH.STG-CASING-WOGV-WNR-M+22-304	1
13.2	4157740	BEARING STAGE HELIX 22 1.4307 KIT	1
		> IMPELLER-H2-M+22-304	1
		> MACH.BEARING-STG-CASING-WNR-M+22-304	1
		> SHAFT-SLEEVE-D26xD22x16-CW	1
13.3	4157743	INTERMEDIATE STAGE HELIX 22 KIT	1
		> MACH.STD-STG-CASING-WGV+NR-M+22-304	1
		> IMPELLER-H2-M+22-304	1



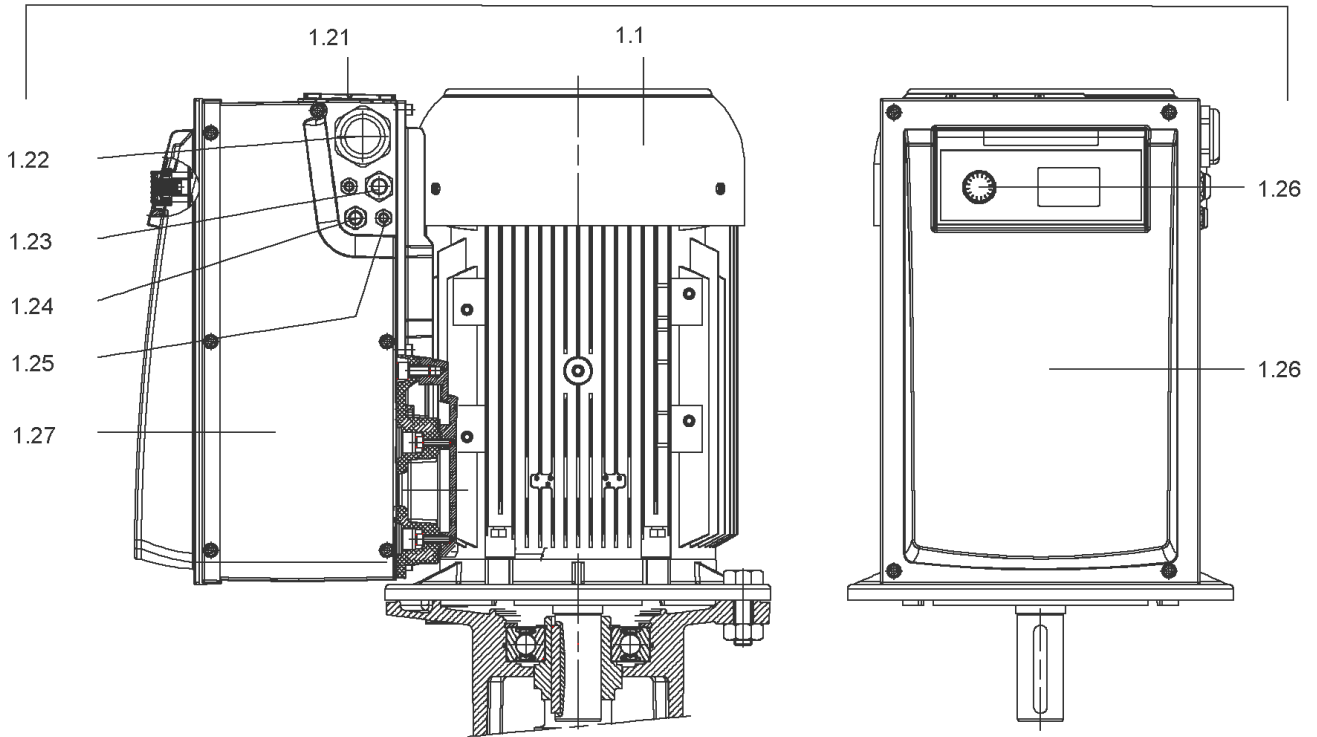
HELIX VE2205-4/16/E/KS/2G (4183455)

Item	Article no.	Description	Quantity
1		DRIVE HELIX VE2205-IE2-ARC KIT	1
Note: no longer available/nicht mehr lieferbar/n'est plus disponible			
1	4218536	DRIVE HELIX VE2205-IE4-WEG KIT	1
Note: MOTOR BRAND WEG			
2	4179586	SCREW M16X60 (4 PIECES)	1
3	4157721	LANTERN HELIX 22/36 FF300 BB6312 KIT	1
3.1		> LANTERN FF300 M+ GJL MACHINED+CATA 6312	1
3.2	4179589	> EYELET CPL.FF300 HELIX(4 PIECES)	1
3.3	4143969	> COUPLING PROTECT HELIX FF KIT	1
4	4143966	COUPLING D.20XD.38 FF300 KIT	1
5	4157725	SCREW M10X40 (4 PIECES)	1
6	4181164	STUD BOLT M16X382 KIT	1
6.1		> TIE BOLT M16-382x24x44-1.4057	1
6.2	4179562	> NUT M16 8.8 ISO4032 (4 PIECES)	1
6.3	4097852	> WASHER-CS-16.4-32-2.8-NFE25-511-A2	1
7	4179565	END SHIELD HELIX 8" EPDM KIT	1
7.1		> END SHIELD M+ GJL MACHINED+CATA	1
7.2	4179564	> O-RING D.42.52x2.62 EPDM VP.	1
7.3	4179571	> O-RING HOUSING PIPE HELIX22/36/52 VP.	1
8	4186377	FILING/PURGING PLUG 304 HELIX KIT	1
8.1		> FILLING/VENTING-PLUG-MVI8/10"-304	1
8.2	4032291	> O-RING 17x3 EPDM KTW/WRC	1
9	4143973	CARTRIDGE HELIX22-36-52 O/E KIT	1
10	4181165	HOUSING PIPE D.204X314 1.4301 KIT	1
7.3	4179571	> O-RING HOUSING PIPE HELIX22/36/52 VP.	1
10.1		> HOUSING-PIPE Ø204-M+2205-304	1
11	4179143	CENTERING STAGE-RETURN HELIX22 1.4307 VP	1
12	4143967	SHAFT EQUIPMENT HELIX V KIT	1
13		HYDRAULIC HELIX V 2205	1
14	2114267	SHAFT D.22X454 1.4057 VP.	1
15	4186357	EQUIPED HOUSING HELIX OPTI DN50 GJL KIT	1
15.1		> PUMP CASING MONO.GJL M+8" DN50 DWA	1
15.3	4106048	> DRAIN/PRIMING PLUG EPDM HELIX FIRST KIT	1
15.3A		>> DRAIN AND PRIMING PLUG-VMI10"-304	1

HELIX VE2205-4/16/E/KS/2G (4183455)

Item	Article no.	Description	Quantity
15.3B	4032293	>> O-RING-10x3-EPDM-KTW/WRC	1
15.3C	4233957	>> O-RING ID.9 EPDM VP.	1
7.3	4179571	> O-RING HOUSING PIPE HELIX22/36/52 VP.	1

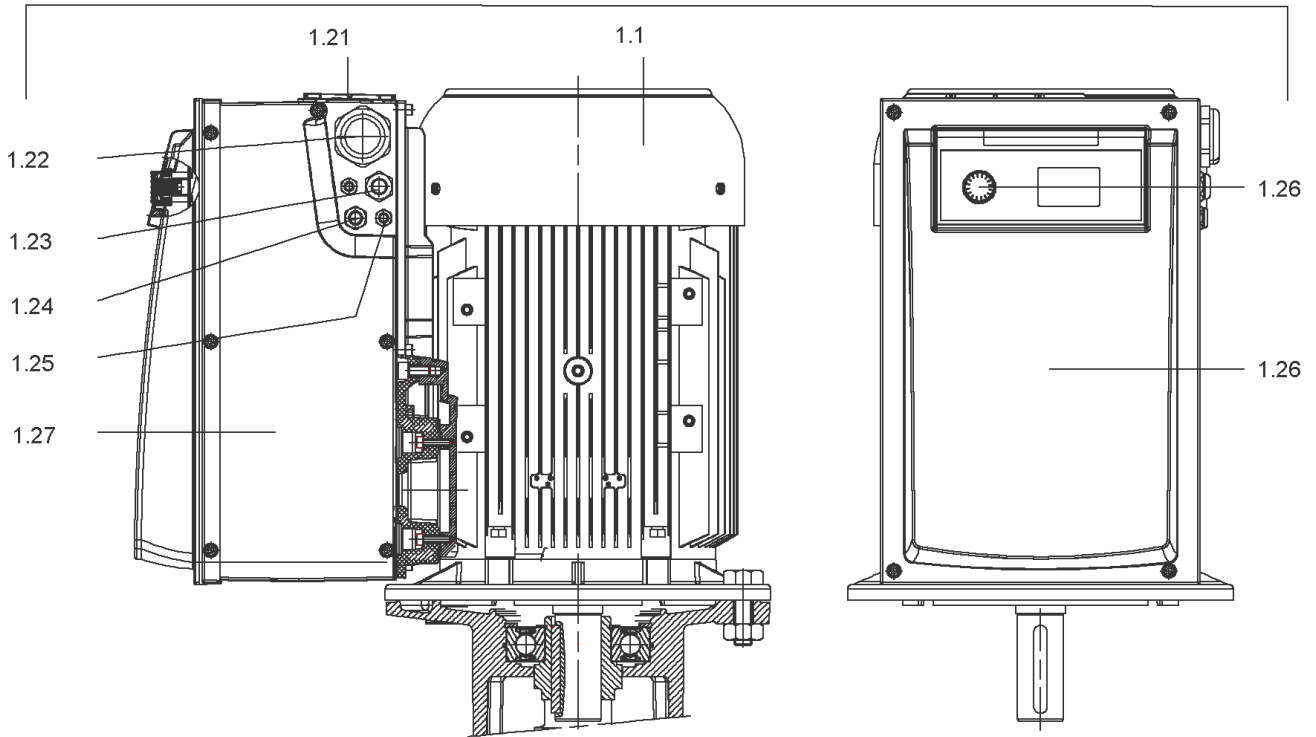
1



DRIVE HELIX VE2205-IE2-ARC KIT

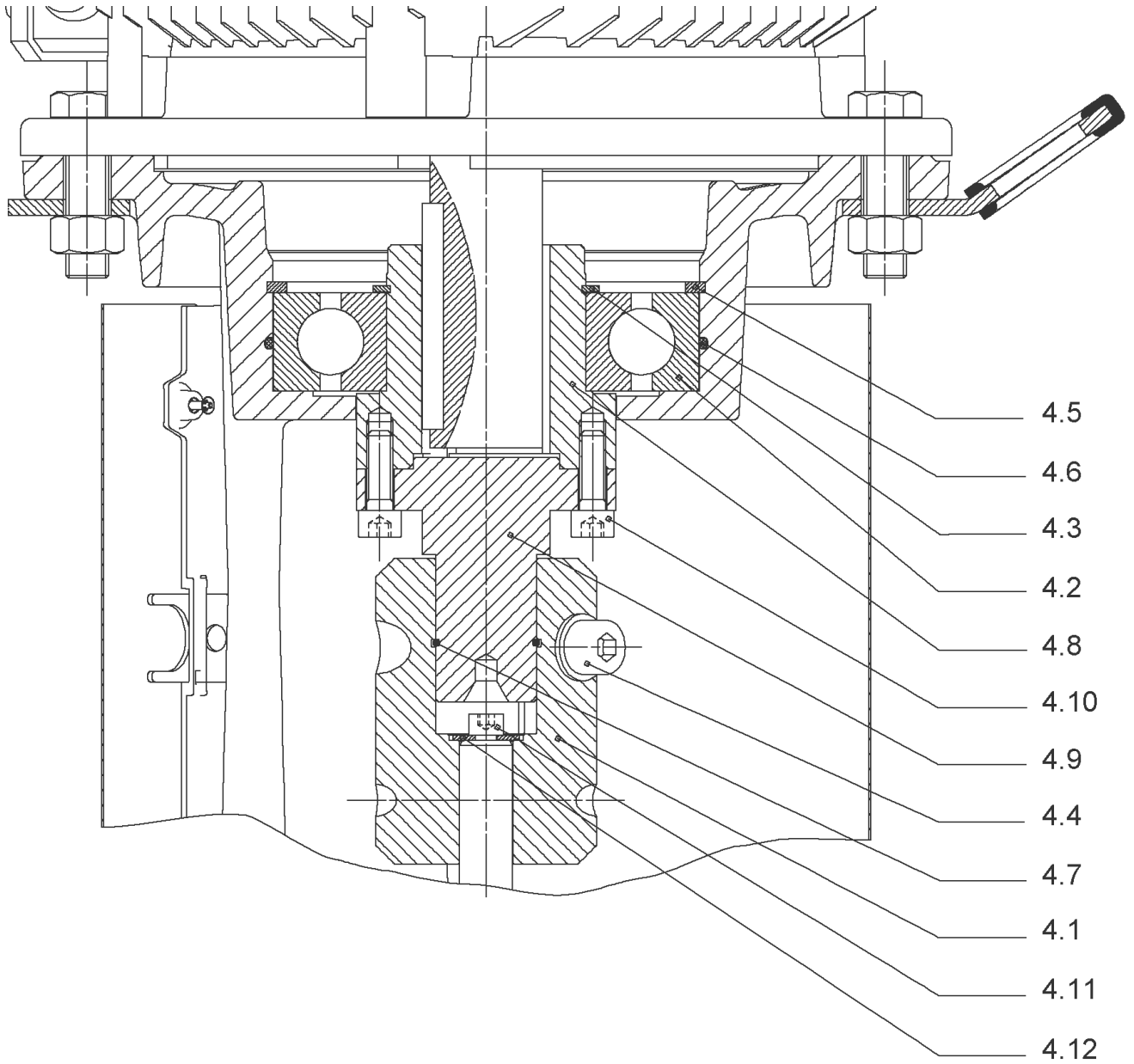
Item	Article no.	Description	Quantity
1.1		M11-2T638P55V1-160F300-N42-IE2	1
		SPARE PARTS MOTOR:ON REQUEST	1
1.21	2132102	FAN SMALL TL6/7 FF KIT	1
1.25	2132097	CABLE CONNECTION M12 TL6/7 FF VP.	1
1.24	2132098	CABLE CONNECTION M16 TL6/7 FF VP.	1
1.23	2132099	CABLE CONNECTION M20 TL6/7 FF VP.	1
1.22	2132100	CABLE CONNECTION SMALL M40 TL6/7 FF VP.	1
1.27	2132104	COVER SIDE TL6/7 FF CPL.VP.	1
1.26	2132452	MODULE COVER/BUTTON TL6/7 FF VP.	1

1



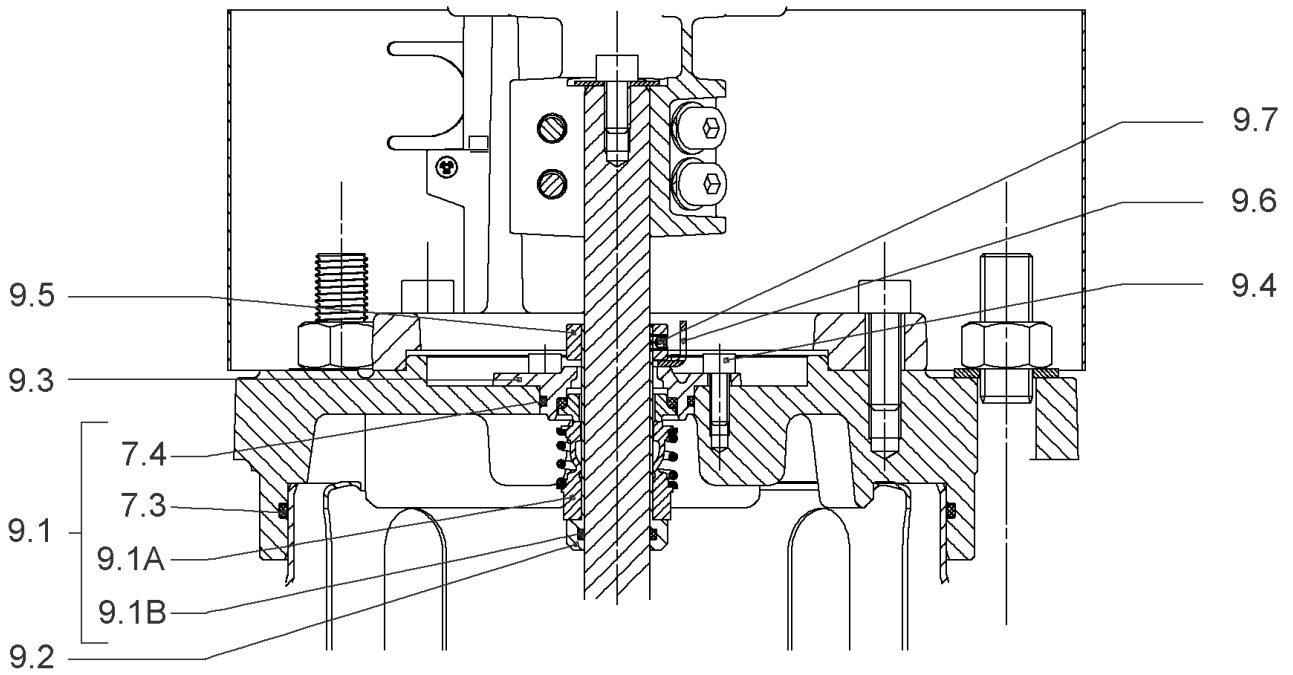
DRIVE HELIX VE2205-IE4-WEG KIT (4218536)

Item	Article no.	Description	Quantity
1.1		M11-2T638P55V1-160F30-N42-ADAPT-IE4-WEG	1
		SPARE PARTS MOTOR:ON REQUEST	1
1.21	2132102	FAN SMALL TL6/7 FF KIT	1
1.25	2132097	CABLE CONNECTION M12 TL6/7 FF VP.	1
1.24	2132098	CABLE CONNECTION M16 TL6/7 FF VP.	1
1.23	2132099	CABLE CONNECTION M20 TL6/7 FF VP.	1
1.22	2132100	CABLE CONNECTION SMALL M40 TL6/7 FF VP.	1
1.27	2132104	COVER SIDE TL6/7 FF CPL.VP.	1
1.26	2132452	MODULE COVER/BUTTON TL6/7 FF VP.	1



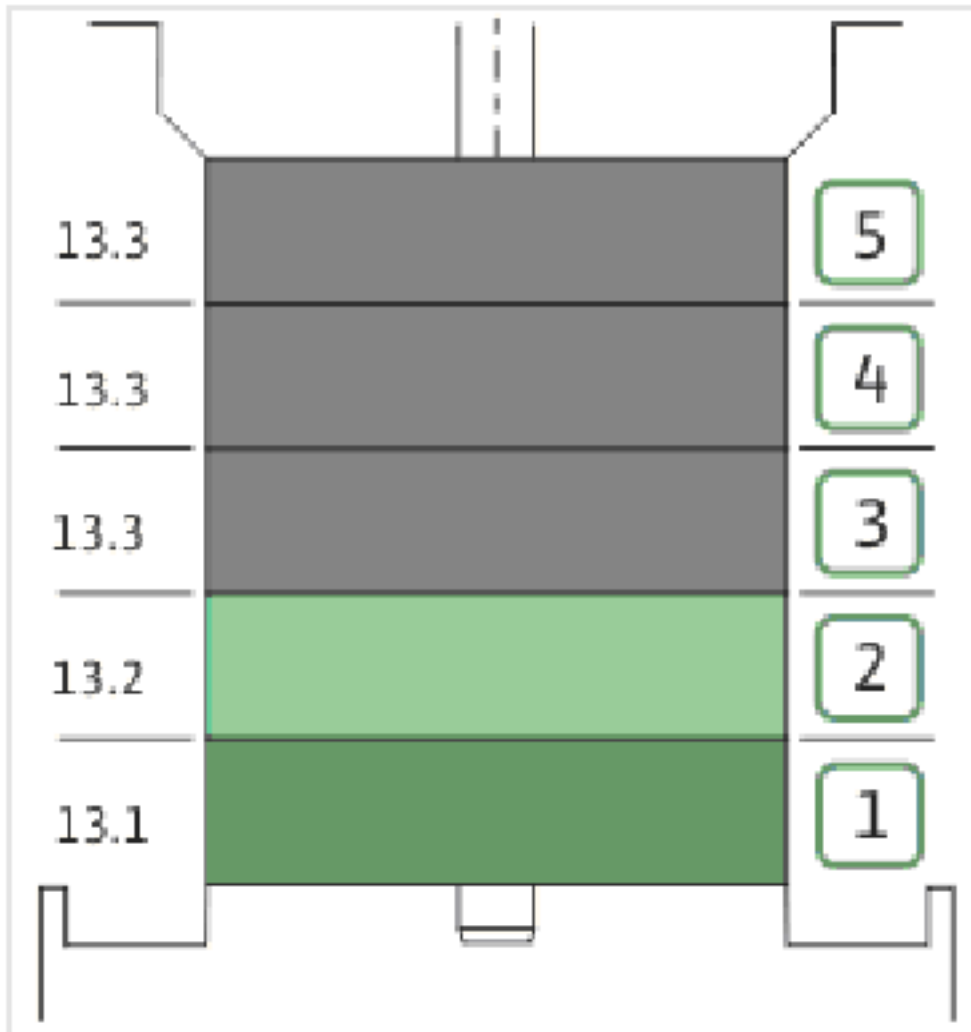
COUPLING D.20XD.38 FF300 KIT (4143966)

Item	Article no.	Description	Quantity
4.1	4179590	COUPLING 2 PARTS D.20XD.38XL115 VP.	1
4.2	2123699	BALL BEARING 6312/2Z-C4 (HT) VP.	1
4.3	63428	CIRCLIP-FOR-SHAFT-D60x2	1
4.4	2130991	SCREW M12X30 ISO4762 8.8 ZN(4 PIECES)	1
4.5	4032277	CIRCLIP-HOLE-130x4	1
4.6	4006725	O-RING ID.132,94x3,53 NBR70SR	1
4.7	2130992	RETAINING RING D.35xD.2,5 DIN7993 VP.	1
4.8	4179591	HUB D.42xD.60 VP.	1
4.9	2130994	SPACER D.38XD.55 VP.	1
4.10	4094462	SCREWS M10 (4 PIECES)	1
4.11	4233959	SCREW M8x16 VP.	1
4.12		SERRATED LOCK WASHER Ø8.2XØ25X35X2	1

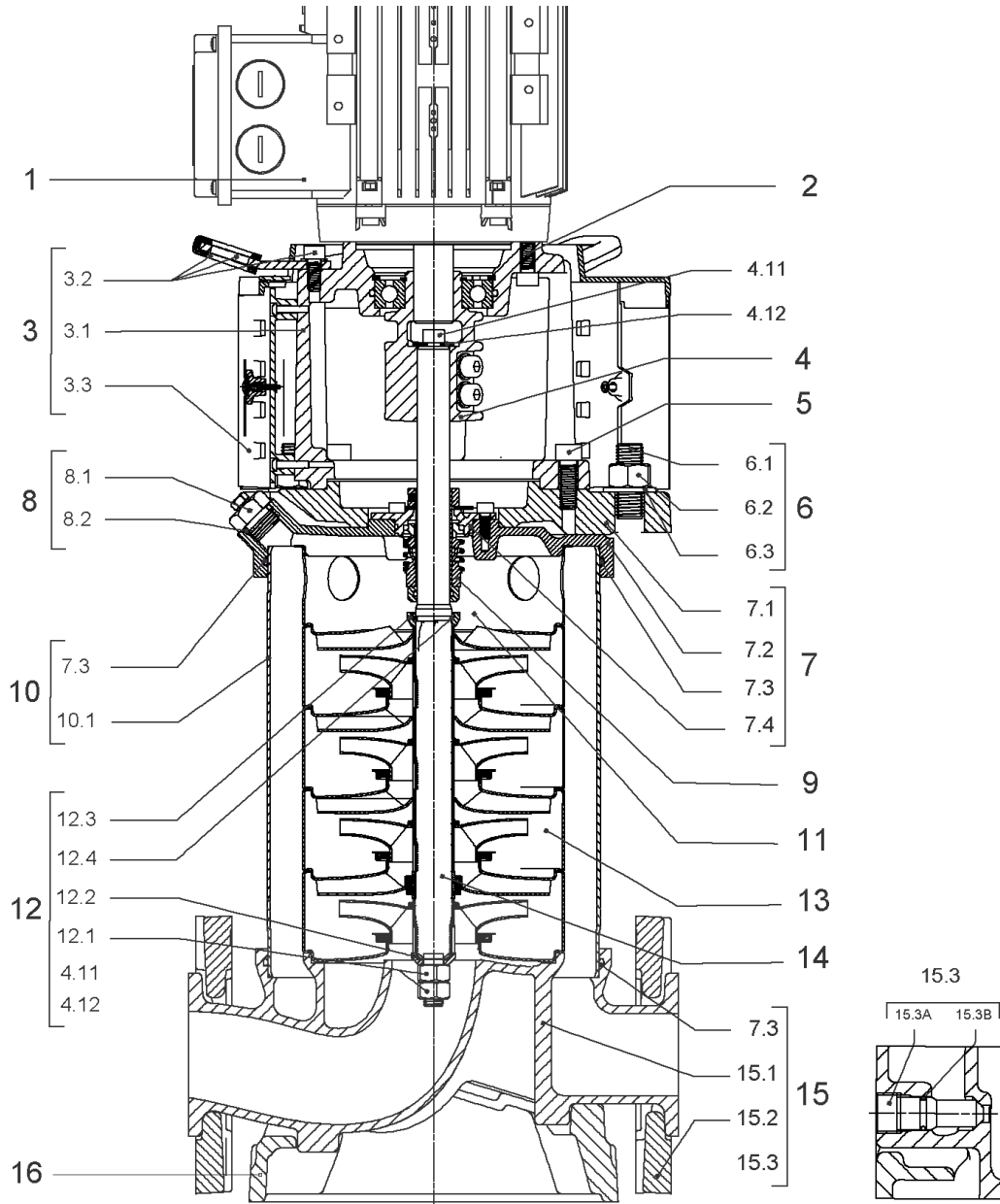


CARTRIDGE HELIX22-36-52 O/E KIT (4143973)

Item	Article no.	Description	Quantity
9.1	4143974	SEAL-KIT-HELIX22-36-52 O/E	1
7.3	4179571	> O-RING HOUSING PIPE HELIX22/36/52 VP.	1
7.4	4179572	> O-RING ID.42.52X2.62 EPDM VP.	1
9.1A	4179573	> M.SEAL.HELIX22-36-52 O/E VP.	1
9.1B	4179574	> O-RING ID.20x2.65 EPDM VP.	1
9.2	4179566	SHAFT SLEEVE D.20/20X60 1.4404 VP.	1
9.3	4179567	RING HOLDER Ø22 1.4301 VP.	1
9.4	4176520	SCREW CH M5x5 A4-70 (3PIECES)	1
9.5	4179568	DRIVE RING D.31/22.1x11 MACH.VP.	1
9.6	4179569	TOOL M.S.CART.HELIX 8" VP.	1
9.7	4179570	SCREW M6X16 ISO4762 8.8 GEOMET(4 PIECES)	1



Item	Article no.	Description	Quantity
13.1	4157739	FIRST STAGE HELIX 22 1.4307 KIT	1
		> IMPELLER-H1-M+22-304	1
		> MACH.STG-CASING-WOGV-WNR-M+22-304	1
13.2	4157740	BEARING STAGE HELIX 22 1.4307 KIT	1
		> IMPELLER-H2-M+22-304	1
		> MACH.BEARING-STG-CASING-WNR-M+22-304	1
		> SHAFT-SLEEVE-D26xD22x16-CW	1
13.3	4157743	INTERMEDIATE STAGE HELIX 22 KIT	1
		> MACH.STD-STG-CASING-WGV+NR-M+22-304	1
		> IMPELLER-H2-M+22-304	1

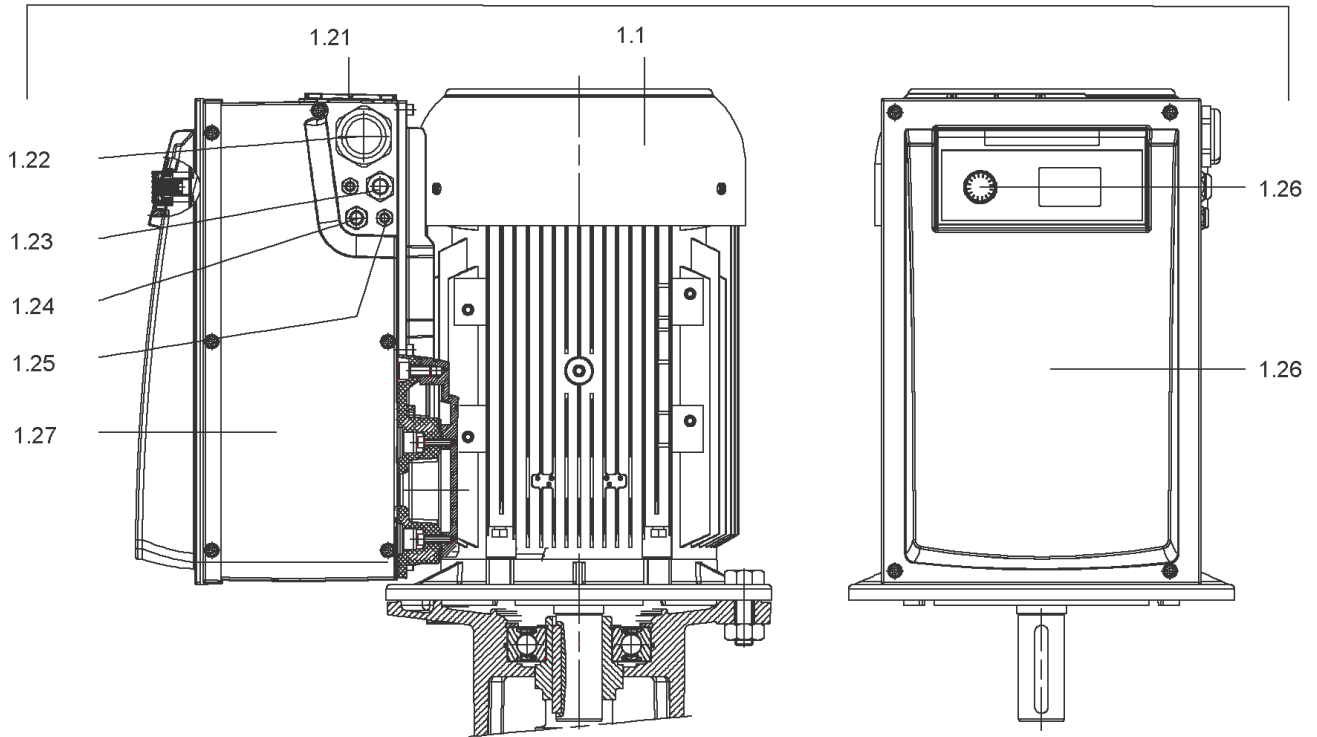


HELIX VE2205-1/16/E/KS (4198855)

Item	Article no.	Description	Quantity
1	4218536	DRIVE HELIX VE2205-IE4-WEG KIT	1
Note: MOTOR BRAND WEG			
2	4179586	SCREW M16X60 (4 PIECES)	1
3	4157721	LANTERN HELIX 22/36 FF300 BB6312 KIT	1
3.1		> LANTERN FF300 M+ GJL MACHINED+CATA 6312	1
3.2	4179589	> EYELET CPL.FF300 HELIX(4 PIECES)	1
3.3	4143969	> COUPLING PROTECT HELIX FF KIT	1
4	4143966	COUPLING D.20XD.38 FF300 KIT	1
5	4157725	SCREW M10X40 (4 PIECES)	1
6	4179919	STUD BOLT M16X500 KIT	1
6.1		> TIE BOLT M16-500x24x44-1.4057	1
6.2	4179562	> NUT M16 8.8 ISO4032 (4 PIECES)	1
6.3	4097852	> WASHER-CS-16.4-32-2.8-NFE25-511-A2	1
7	4217176	END SHIELD HELIX OPTI 8" EPDM KIT	1
7.1		> upper flange machined + cataphoresis	1
7.2	4217174	> STATIONARY RING HOLDER 8" HELIX OPTI VP.	1
7.3	4179571	> O-RING HOUSING PIPE HELIX22/36/52 VP.	1
7.4	4179572	> O-RING ID.42.52X2.62 EPDM VP.	1
8	4186377	FILING/PURGING PLUG 304 HELIX KIT	1
8.1		> FILLING/VENTING-PLUG-MVI8/10"-304	1
8.2	4032291	> O-RING 17x3 EPDM KTW/WRC	1
9	4143973	CARTRIDGE HELIX22-36-52 O/E KIT	1
10	4181165	HOUSING PIPE D.204X314 1.4301 KIT	1
7.3	4179571	> O-RING HOUSING PIPE HELIX22/36/52 VP.	1
10.1		> HOUSING-PIPE Ø204-M+2205-304	1
11	4179143	CENTERING STAGE-RETURN HELIX22 1.4307 VP	1
12	4143967	SHAFT EQUIPMENT HELIX V KIT	1
13		HYDRAULIC HELIX V 2205	1
14	2114267	SHAFT D.22X454 1.4057 VP.	1
15	4217852	EQUIPED HOUSING DN50 HELIX OPTI 8" KIT	1
15.1		> pump casing machined DN50	1
15.2	4217178	> HALF FLANGE DN50 HELIX OPTI 8" VP.	1
15.3	4217850	> DRAIN/PRIMING PLUG HELIX OPTI 8" KIT	1
7.3	4179571	> O-RING HOUSING PIPE HELIX22/36/52 VP.	1

Item	Article no.	Description	Quantity
16	4217854	BASEPLATE DN50 HELIX OPTI 8" VP.	1

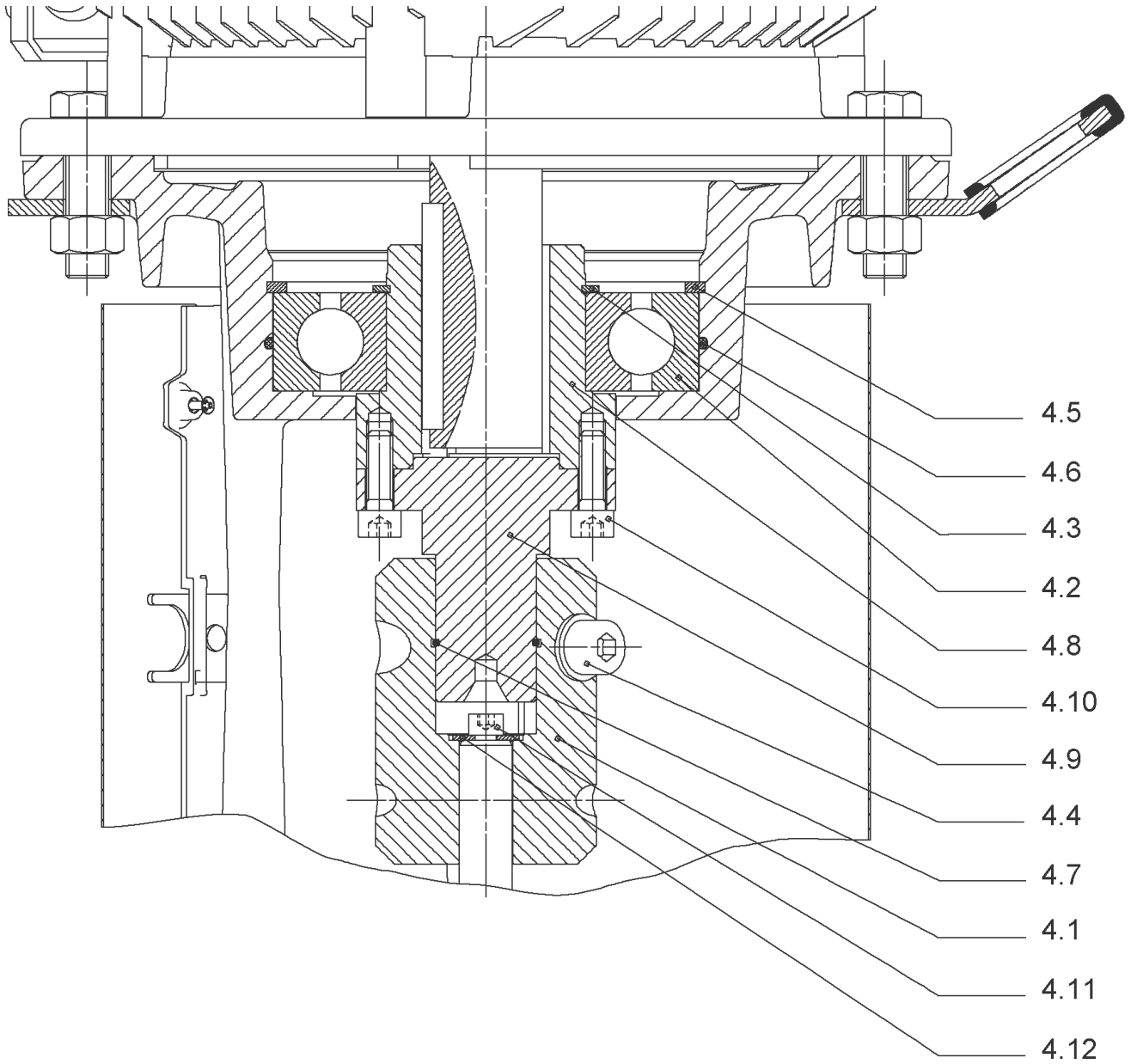
1



DRIVE HELIX VE2205-IE4-WEG KIT (4218536)

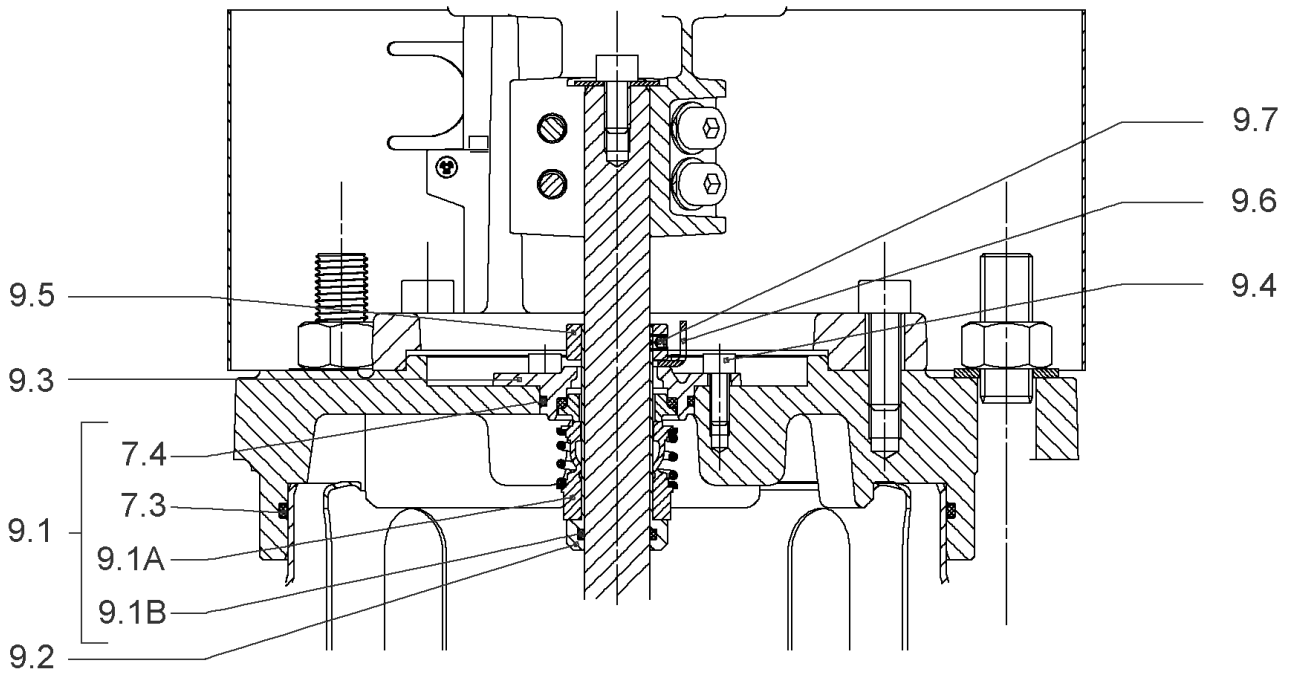
Item	Article no.	Description	Quantity
1.1		M11-2T638P55V1-160F30-N42-ADAPT-IE4-WEG	1
		SPARE PARTS MOTOR:ON REQUEST	1
1.21	2132102	FAN SMALL TL6/7 FF KIT	1
1.25	2132097	CABLE CONNECTION M12 TL6/7 FF VP.	1
1.24	2132098	CABLE CONNECTION M16 TL6/7 FF VP.	1
1.23	2132099	CABLE CONNECTION M20 TL6/7 FF VP.	1
1.22	2132100	CABLE CONNECTION SMALL M40 TL6/7 FF VP.	1
1.27	2132104	COVER SIDE TL6/7 FF CPL.VP.	1
1.26	2132452	MODULE COVER/BUTTON TL6/7 FF VP.	1

COUPLING D.20XD.38 FF300 KIT (4143966)



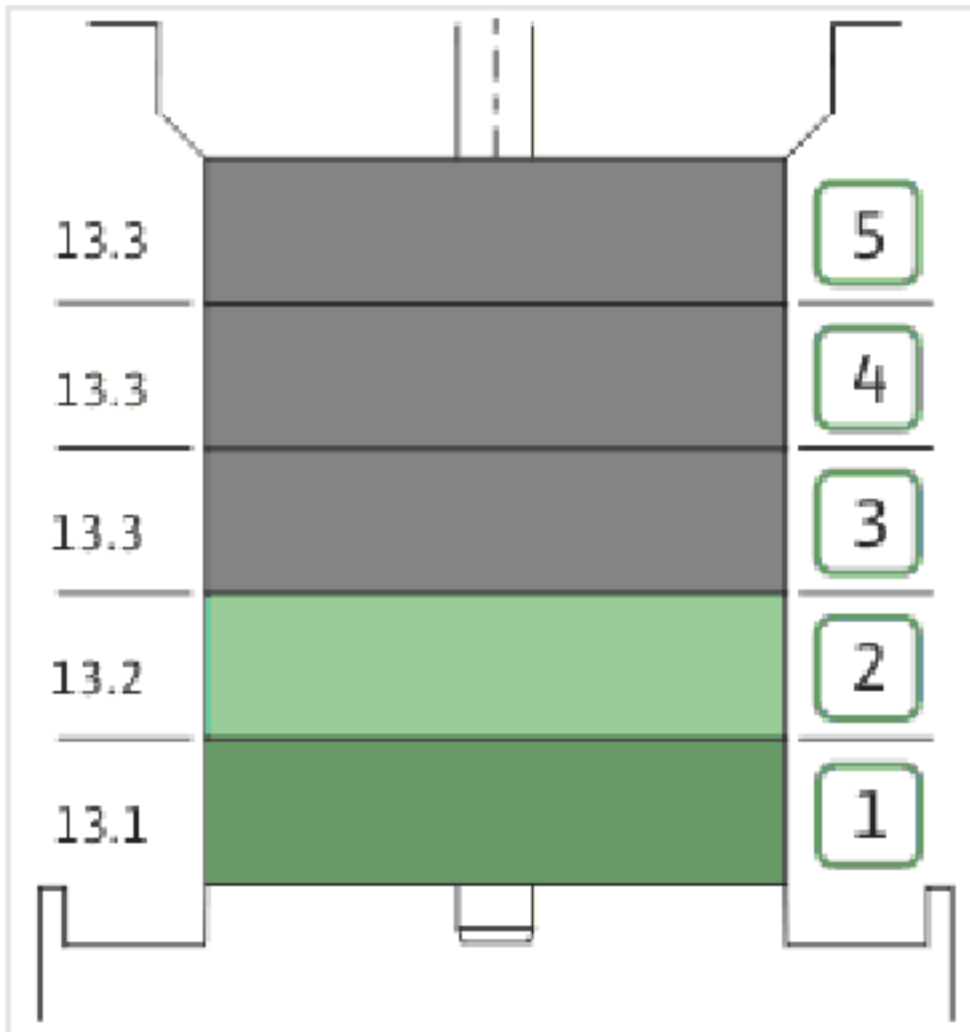
COUPLING D.20XD.38 FF300 KIT (4143966)

Item	Article no.	Description	Quantity
4.1	4179590	COUPLING 2 PARTS D.20XD.38XL115 VP.	1
4.2	2123699	BALL BEARING 6312/2Z-C4 (HT) VP.	1
4.3	63428	CIRCLIP-FOR-SHAFT-D60x2	1
4.4	2130991	SCREW M12X30 ISO4762 8.8 ZN(4 PIECES)	1
4.5	4032277	CIRCLIP-HOLE-130x4	1
4.6	4006725	O-RING ID.132,94x3,53 NBR70SR	1
4.7	2130992	RETAINING RING D.35xD.2,5 DIN7993 VP.	1
4.8	4179591	HUB D.42xD.60 VP.	1
4.9	2130994	SPACER D.38XD.55 VP.	1
4.10	4094462	SCREWS M10 (4 PIECES)	1
4.11	4233959	SCREW M8x16 VP.	1
4.12		SERRATED LOCK WASHER Ø8.2XØ25X35X2	1

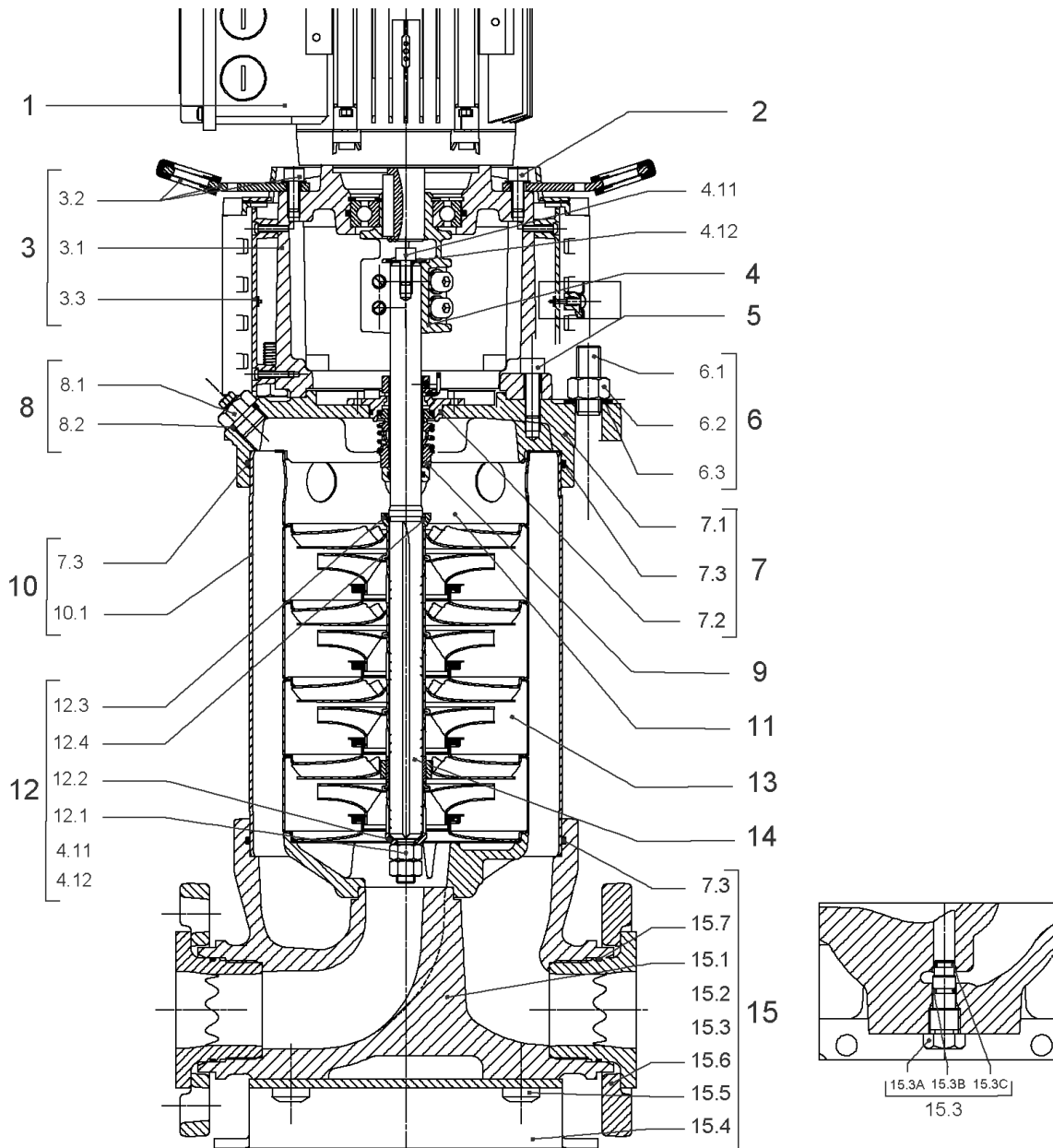


CARTRIDGE HELIX22-36-52 O/E KIT (4143973)

Item	Article no.	Description	Quantity
9.1	4143974	SEAL-KIT-HELIX22-36-52 O/E	1
7.3	4179571	> O-RING HOUSING PIPE HELIX22/36/52 VP.	1
7.4	4179572	> O-RING ID.42.52X2.62 EPDM VP.	1
9.1A	4179573	> M.SEAL.HELIX22-36-52 O/E VP.	1
9.1B	4179574	> O-RING ID.20x2.65 EPDM VP.	1
9.2	4179566	SHAFT SLEEVE D.20/20X60 1.4404 VP.	1
9.3	4179567	RING HOLDER Ø22 1.4301 VP.	1
9.4	4176520	SCREW CH M5x5 A4-70 (3PIECES)	1
9.5	4179568	DRIVE RING D.31/22.1x11 MACH.VP.	1
9.6	4179569	TOOL M.S.CART.HELIX 8" VP.	1
9.7	4179570	SCREW M6X16 ISO4762 8.8 GEOMET(4 PIECES)	1



Item	Article no.	Description	Quantity
13.1	4157739	FIRST STAGE HELIX 22 1.4307 KIT	1
		> IMPELLER-H1-M+22-304	1
		> MACH.STG-CASING-WOGV-WNR-M+22-304	1
13.2	4157740	BEARING STAGE HELIX 22 1.4307 KIT	1
		> IMPELLER-H2-M+22-304	1
		> MACH.BEARING-STG-CASING-WNR-M+22-304	1
		> SHAFT-SLEEVE-D26xD22x16-CW	1
13.3	4157743	INTERMEDIATE STAGE HELIX 22 KIT	1
		> MACH.STD-STG-CASING-WGV+NR-M+22-304	1
		> IMPELLER-H2-M+22-304	1



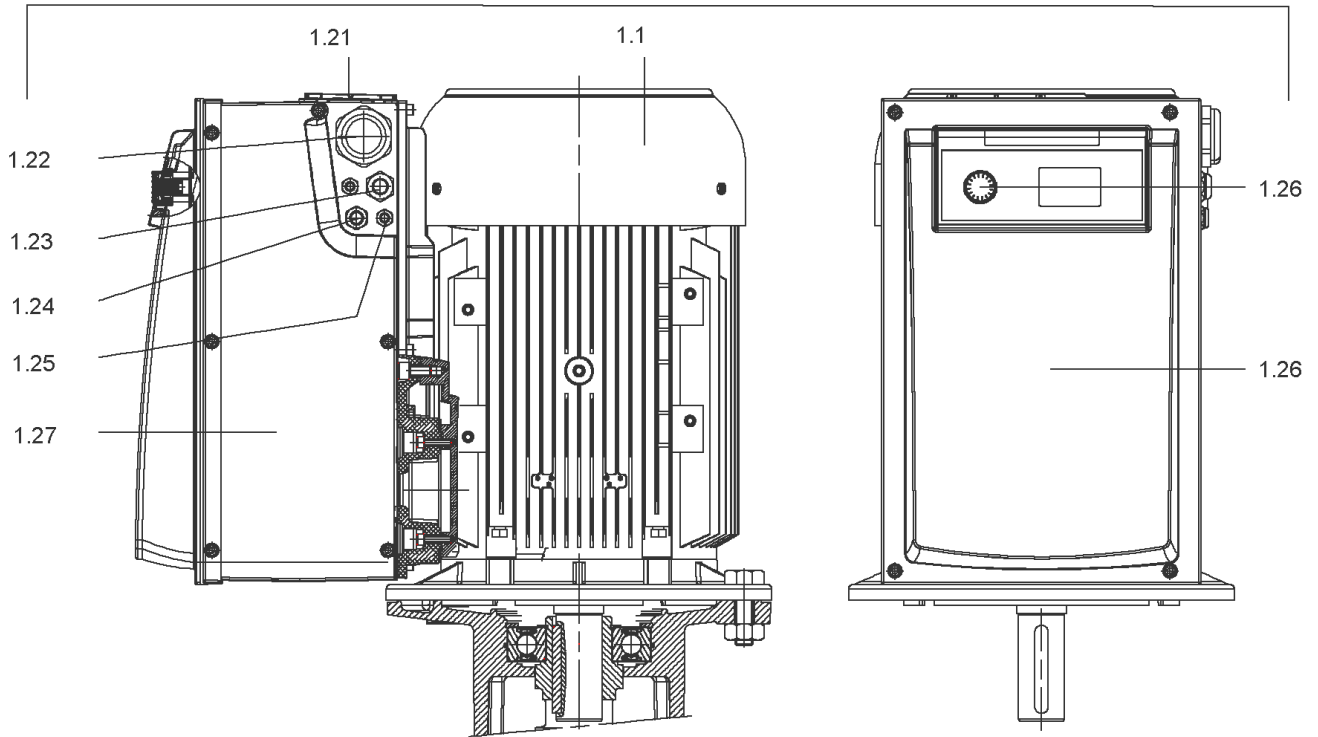
HELIX VE2205-3/25/E/KS (4166209)

Item	Article no.	Description	Quantity
1		DRIVE HELIX VE2205-IE2-ARC KIT	1
Note: no longer available/nicht mehr lieferbar/n'est plus disponible			
1	4218536	DRIVE HELIX VE2205-IE4-WEG KIT	1
Note: MOTOR BRAND WEG			
2	4179586	SCREW M16X60 (4 PIECES)	1
3	4157721	LANTERN HELIX 22/36 FF300 BB6312 KIT	1
3.1		> LANTERN FF300 M+ GJL MACHINED+CATA 6312	1
3.2	4179589	> EYELET CPL.FF300 HELIX(4 PIECES)	1
3.3	4143969	> COUPLING PROTECT HELIX FF KIT	1
4	4143966	COUPLING D.20XD.38 FF300 KIT	1
5	4157725	SCREW M10X40 (4 PIECES)	1
6	4181164	STUD BOLT M16X382 KIT	1
6.1		> TIE BOLT M16-382x24x44-1.4057	1
6.2	4179562	> NUT M16 8.8 ISO4032 (4 PIECES)	1
6.3	4097852	> WASHER-CS-16.4-32-2.8-NFE25-511-A2	1
7	4179565	END SHIELD HELIX 8" EPDM KIT	1
7.1		> END SHIELD M+ GJL MACHINED+CATA	1
7.2	4179564	> O-RING D.42.52x2.62 EPDM VP.	1
7.3	4179571	> O-RING HOUSING PIPE HELIX22/36/52 VP.	1
8	4186377	FILING/PURGING PLUG 304 HELIX KIT	1
8.1		> FILLING/VENTING-PLUG-MVI8/10"-304	1
8.2	4032291	> O-RING 17x3 EPDM KTW/WRC	1
9	4143975	CARTRIDGE HELIX22-36-52 F/E KIT	1
10	4181165	HOUSING PIPE D.204X314 1.4301 KIT	1
7.3	4179571	> O-RING HOUSING PIPE HELIX22/36/52 VP.	1
10.1		> HOUSING-PIPE Ø204-M+2205-304	1
11	4179143	CENTERING STAGE-RETURN HELIX22 1.4307 VP	1
12	4143967	SHAFT EQUIPMENT HELIX V KIT	1
13		HYDRAULIC HELIX V 2205	1
14	2114267	SHAFT D.22X454 1.4057 VP.	1
15	4181158	EQUIPED HOUSING HELIX 22 GJL KIT	1
7.3	4179571	> O-RING HOUSING PIPE HELIX22/36/52 VP.	1
15.1		> PUMP HOUSING SET with COATED PARTS-DN50	1
15.3	4143766	> DRAIN/PRIMING PLUG EPDM HELIX KIT	1

HELIX VE2205-3/25/E/KS (4166209)

Item	Article no.	Description	Quantity
15.3A		>> PRIMING/DRAIN PLUG-304-VERSION 1	1
15.3B	4032293	>> O-RING-10x3-EPDM-KTW/WRC	1
15.3C	4233957	>> O-RING ID.9 EPDM VP.	1
15.4	4221729	> BASE M+ DN50/65/80 VP.	1
15.6		> FLANGE M+ DN50 CATA	1
15.7		> O-RING Ø63.17xØ2.62 EPDM	1
15.5		> SCREW TBHC M12x25 ISO7380 ZN	1

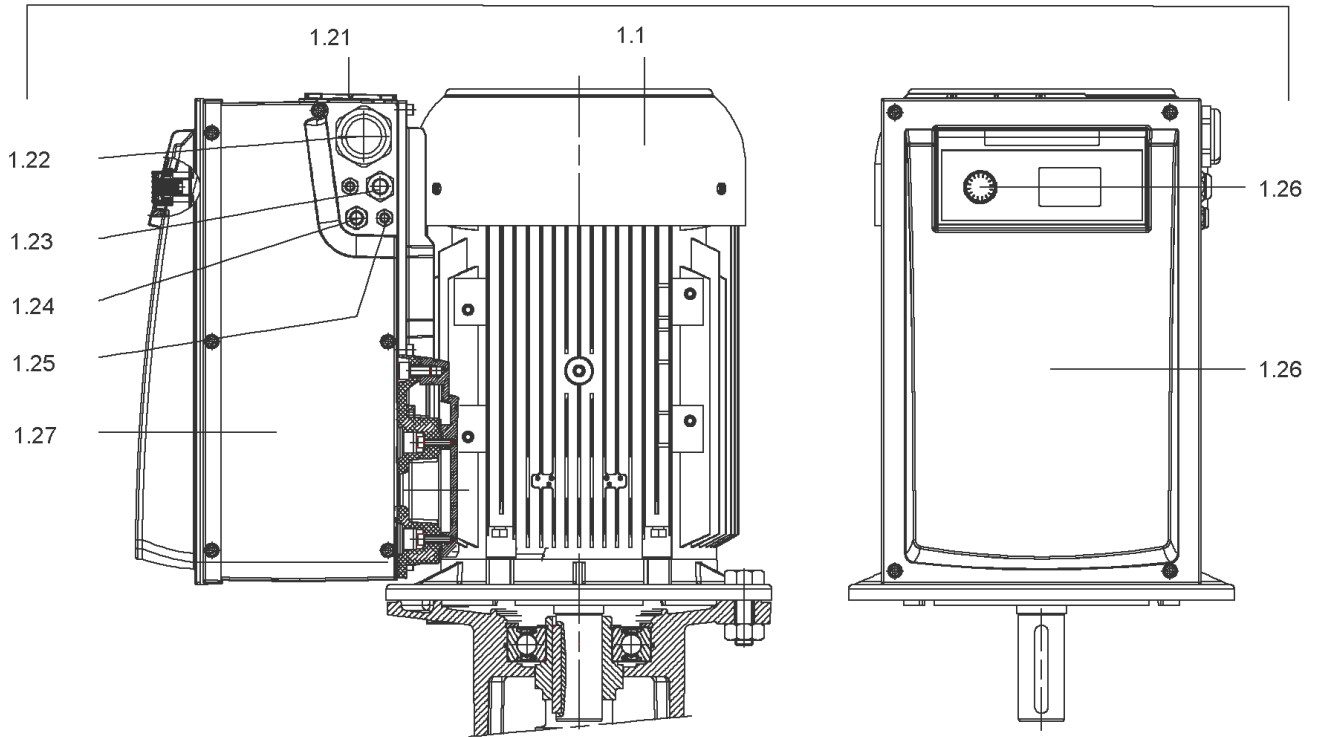
1



DRIVE HELIX VE2205-IE2-ARC KIT

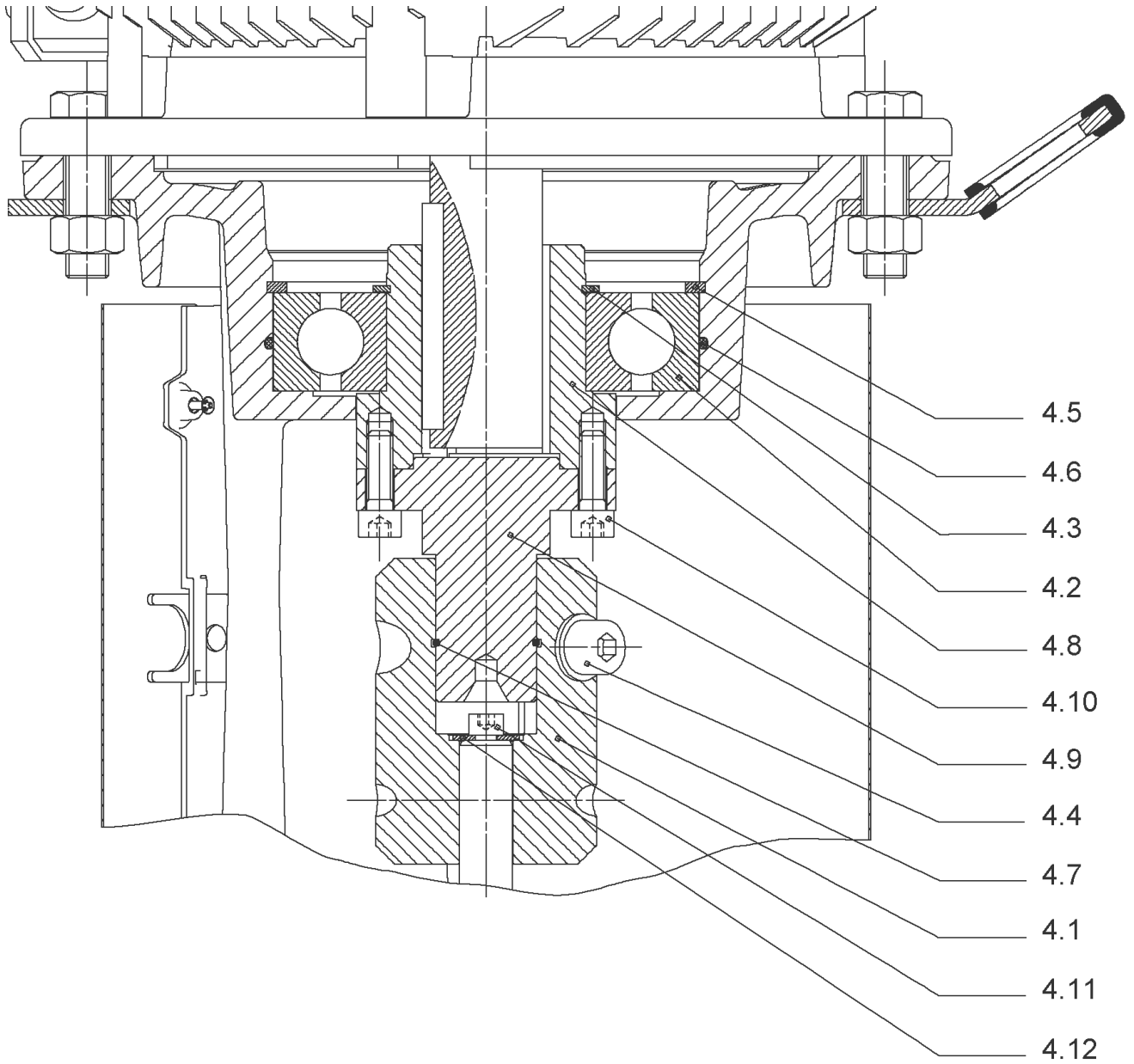
Item	Article no.	Description	Quantity
1.1		M11-2T638P55V1-160F300-N42-IE2	1
		SPARE PARTS MOTOR:ON REQUEST	1
1.21	2132102	FAN SMALL TL6/7 FF KIT	1
1.25	2132097	CABLE CONNECTION M12 TL6/7 FF VP.	1
1.24	2132098	CABLE CONNECTION M16 TL6/7 FF VP.	1
1.23	2132099	CABLE CONNECTION M20 TL6/7 FF VP.	1
1.22	2132100	CABLE CONNECTION SMALL M40 TL6/7 FF VP.	1
1.27	2132104	COVER SIDE TL6/7 FF CPL.VP.	1
1.26	2132452	MODULE COVER/BUTTON TL6/7 FF VP.	1

1



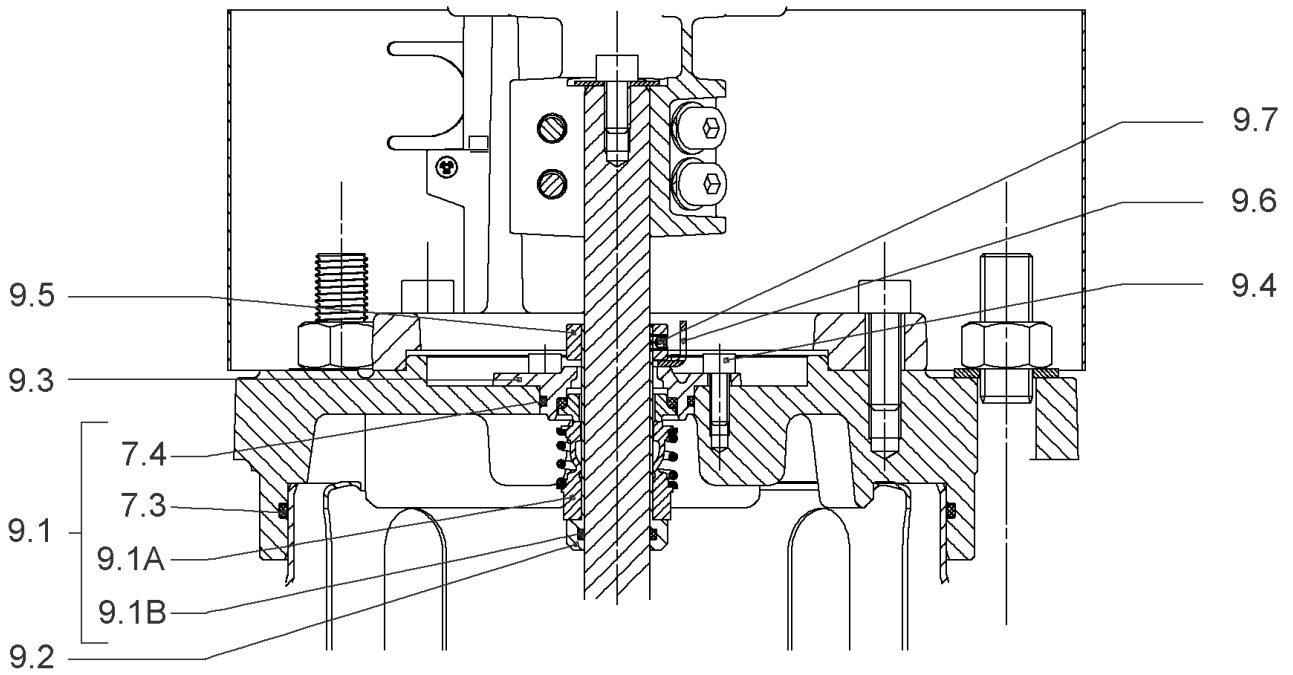
DRIVE HELIX VE2205-IE4-WEG KIT (4218536)

Item	Article no.	Description	Quantity
1.1		M11-2T638P55V1-160F30-N42-ADAPT-IE4-WEG	1
		SPARE PARTS MOTOR:ON REQUEST	1
1.21	2132102	FAN SMALL TL6/7 FF KIT	1
1.25	2132097	CABLE CONNECTION M12 TL6/7 FF VP.	1
1.24	2132098	CABLE CONNECTION M16 TL6/7 FF VP.	1
1.23	2132099	CABLE CONNECTION M20 TL6/7 FF VP.	1
1.22	2132100	CABLE CONNECTION SMALL M40 TL6/7 FF VP.	1
1.27	2132104	COVER SIDE TL6/7 FF CPL.VP.	1
1.26	2132452	MODULE COVER/BUTTON TL6/7 FF VP.	1



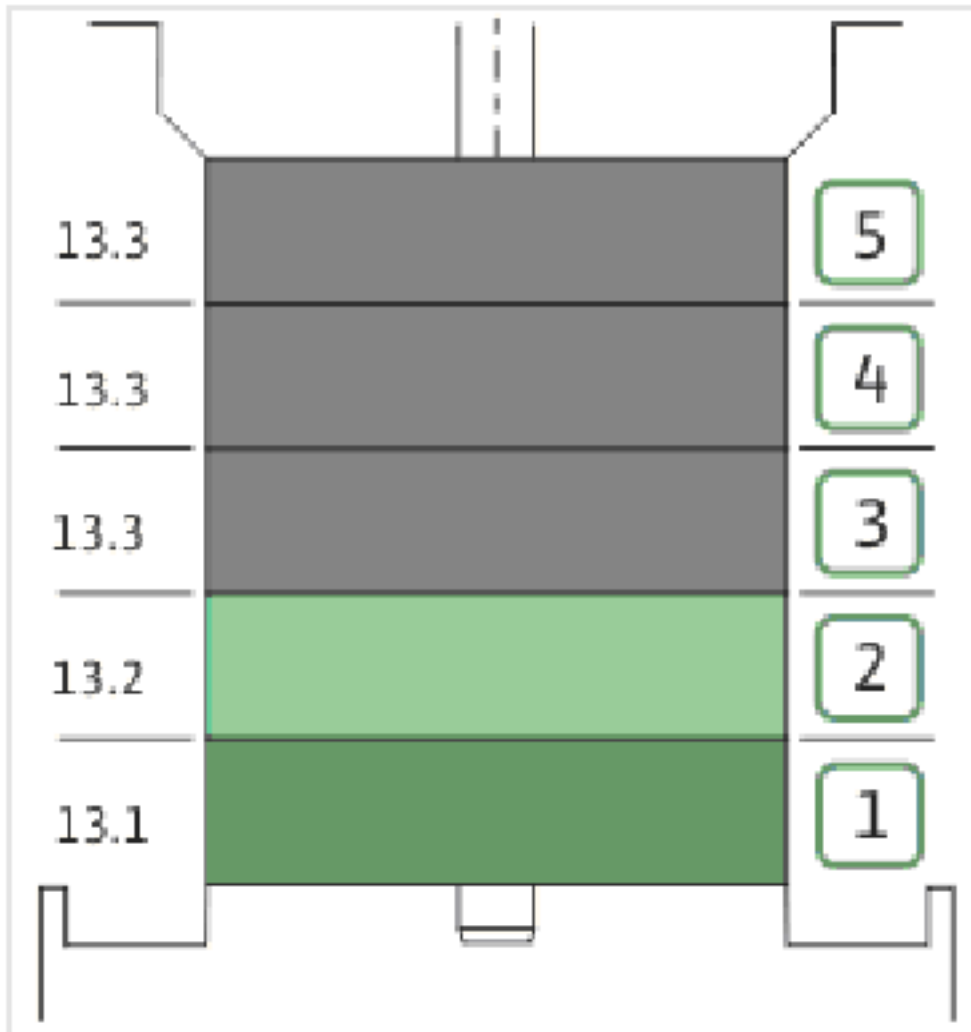
COUPLING D.20XD.38 FF300 KIT (4143966)

Item	Article no.	Description	Quantity
4.1	4179590	COUPLING 2 PARTS D.20XD.38XL115 VP.	1
4.2	2123699	BALL BEARING 6312/2Z-C4 (HT) VP.	1
4.3	63428	CIRCLIP-FOR-SHAFT-D60x2	1
4.4	2130991	SCREW M12X30 ISO4762 8.8 ZN(4 PIECES)	1
4.5	4032277	CIRCLIP-HOLE-130x4	1
4.6	4006725	O-RING ID.132,94x3,53 NBR70SR	1
4.7	2130992	RETAINING RING D.35xD.2,5 DIN7993 VP.	1
4.8	4179591	HUB D.42xD.60 VP.	1
4.9	2130994	SPACER D.38XD.55 VP.	1
4.10	4094462	SCREWS M10 (4 PIECES)	1
4.11	4233959	SCREW M8x16 VP.	1
4.12		SERRATED LOCK WASHER Ø8.2XØ25X35X2	1

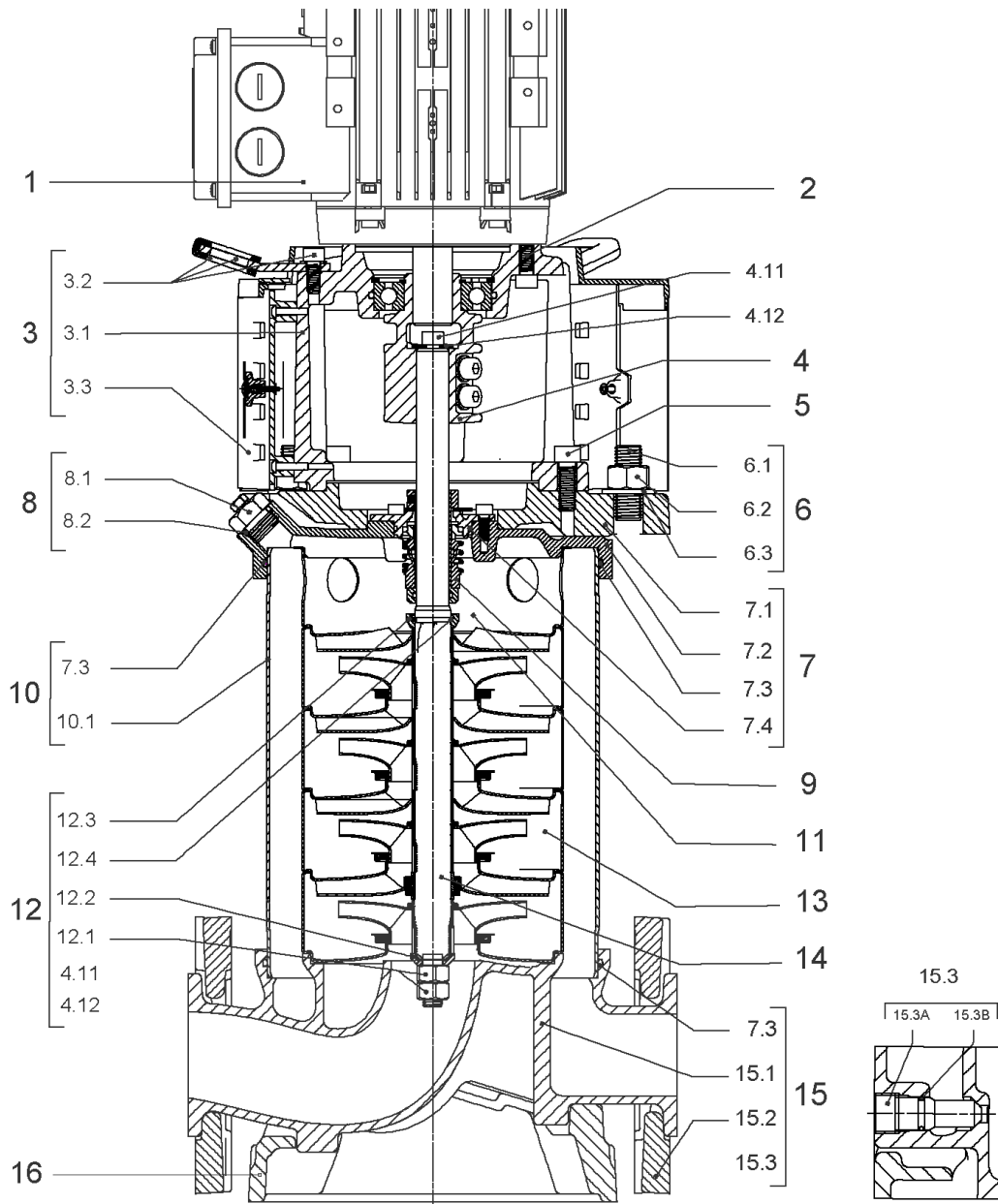


CARTRIDGE HELIX22-36-52 F/E KIT (4143975)

Item	Article no.	Description	Quantity
9.1	4143976	SEAL-KIT-HELIX22-36-52 F/E	1
7.3	4179571	> O-RING HOUSING PIPE HELIX22/36/52 VP.	1
7.4	4179572	> O-RING ID.42.52X2.62 EPDM VP.	1
9.1A	2127447	> M.SEAL.HELIX22-36-52 F/E VP.	1
9.1B	4179574	> O-RING ID.20x2.65 EPDM VP.	1
9.2	4179566	SHAFT SLEEVE D.20/20X60 1.4404 VP.	1
9.3	4179567	RING HOLDER Ø22 1.4301 VP.	1
9.4	4176520	SCREW CH M5x5 A4-70 (3PIECES)	1
9.5	4179568	DRIVE RING D.31/22.1x11 MACH.VP.	1
9.6	4179569	TOOL M.S.CART.HELIX 8" VP.	1
9.7	4179570	SCREW M6X16 ISO4762 8.8 GEOMET(4 PIECES)	1



Item	Article no.	Description	Quantity
13.1	4157739	FIRST STAGE HELIX 22 1.4307 KIT	1
		> IMPELLER-H1-M+22-304	1
		> MACH.STG-CASING-WOGV-WNR-M+22-304	1
13.2	4157740	BEARING STAGE HELIX 22 1.4307 KIT	1
		> IMPELLER-H2-M+22-304	1
		> MACH.BEARING-STG-CASING-WNR-M+22-304	1
		> SHAFT-SLEEVE-D26xD22x16-CW	1
13.3	4157743	INTERMEDIATE STAGE HELIX 22 KIT	1
		> MACH.STD-STG-CASING-WGV+NR-M+22-304	1
		> IMPELLER-H2-M+22-304	1

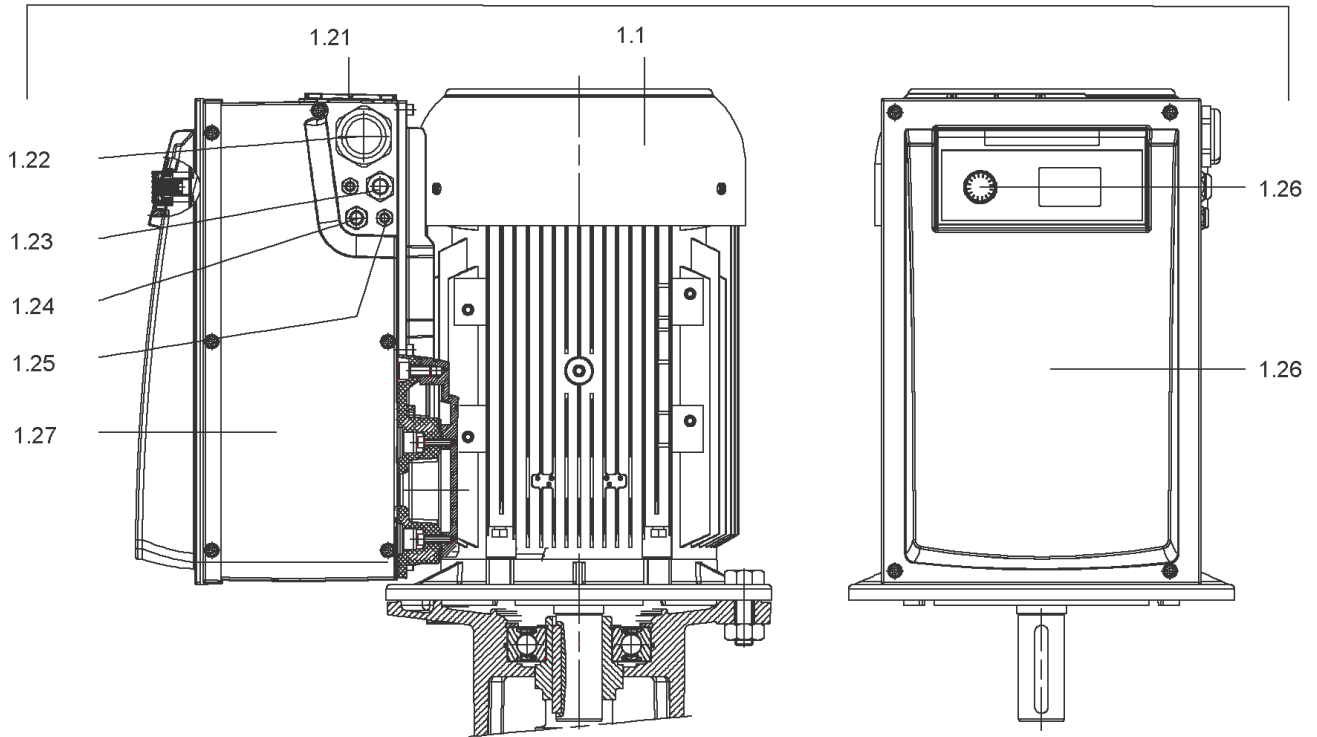


HELIX VE2205-1/25/E/KS (4198856)

Item	Article no.	Description	Quantity
1	4218536	DRIVE HELIX VE2205-IE4-WEG KIT	1
Note: MOTOR BRAND WEG			
2	4179586	SCREW M16X60 (4 PIECES)	1
3	4157721	LANTERN HELIX 22/36 FF300 BB6312 KIT	1
3.1		> LANTERN FF300 M+ GJL MACHINED+CATA 6312	1
3.2	4179589	> EYELET CPL.FF300 HELIX(4 PIECES)	1
3.3	4143969	> COUPLING PROTECT HELIX FF KIT	1
4	4143966	COUPLING D.20XD.38 FF300 KIT	1
5	4157725	SCREW M10X40 (4 PIECES)	1
6	4179919	STUD BOLT M16X500 KIT	1
6.1		> TIE BOLT M16-500x24x44-1.4057	1
6.2	4179562	> NUT M16 8.8 ISO4032 (4 PIECES)	1
6.3	4097852	> WASHER-CS-16.4-32-2.8-NFE25-511-A2	1
7	4217176	END SHIELD HELIX OPTI 8" EPDM KIT	1
7.1		> upper flange machined + cataphoresis	1
7.2	4217174	> STATIONARY RING HOLDER 8" HELIX OPTI VP.	1
7.3	4179571	> O-RING HOUSING PIPE HELIX22/36/52 VP.	1
7.4	4179572	> O-RING ID.42.52X2.62 EPDM VP.	1
8	4186377	FILING/PURGING PLUG 304 HELIX KIT	1
8.1		> FILLING/VENTING-PLUG-MVI8/10"-304	1
8.2	4032291	> O-RING 17x3 EPDM KTW/WRC	1
9	4143975	CARTRIDGE HELIX22-36-52 F/E KIT	1
10	4181165	HOUSING PIPE D.204X314 1.4301 KIT	1
7.3	4179571	> O-RING HOUSING PIPE HELIX22/36/52 VP.	1
10.1		> HOUSING-PIPE Ø204-M+2205-304	1
11	4179143	CENTERING STAGE-RETURN HELIX22 1.4307 VP	1
12	4143967	SHAFT EQUIPMENT HELIX V KIT	1
13		HYDRAULIC HELIX V 2205	1
14	2114267	SHAFT D.22X454 1.4057 VP.	1
15	4217852	EQUIPED HOUSING DN50 HELIX OPTI 8" KIT	1
15.1		> pump casing machined DN50	1
15.2	4217178	> HALF FLANGE DN50 HELIX OPTI 8" VP.	1
15.3	4217850	> DRAIN/PRIMING PLUG HELIX OPTI 8" KIT	1
7.3	4179571	> O-RING HOUSING PIPE HELIX22/36/52 VP.	1

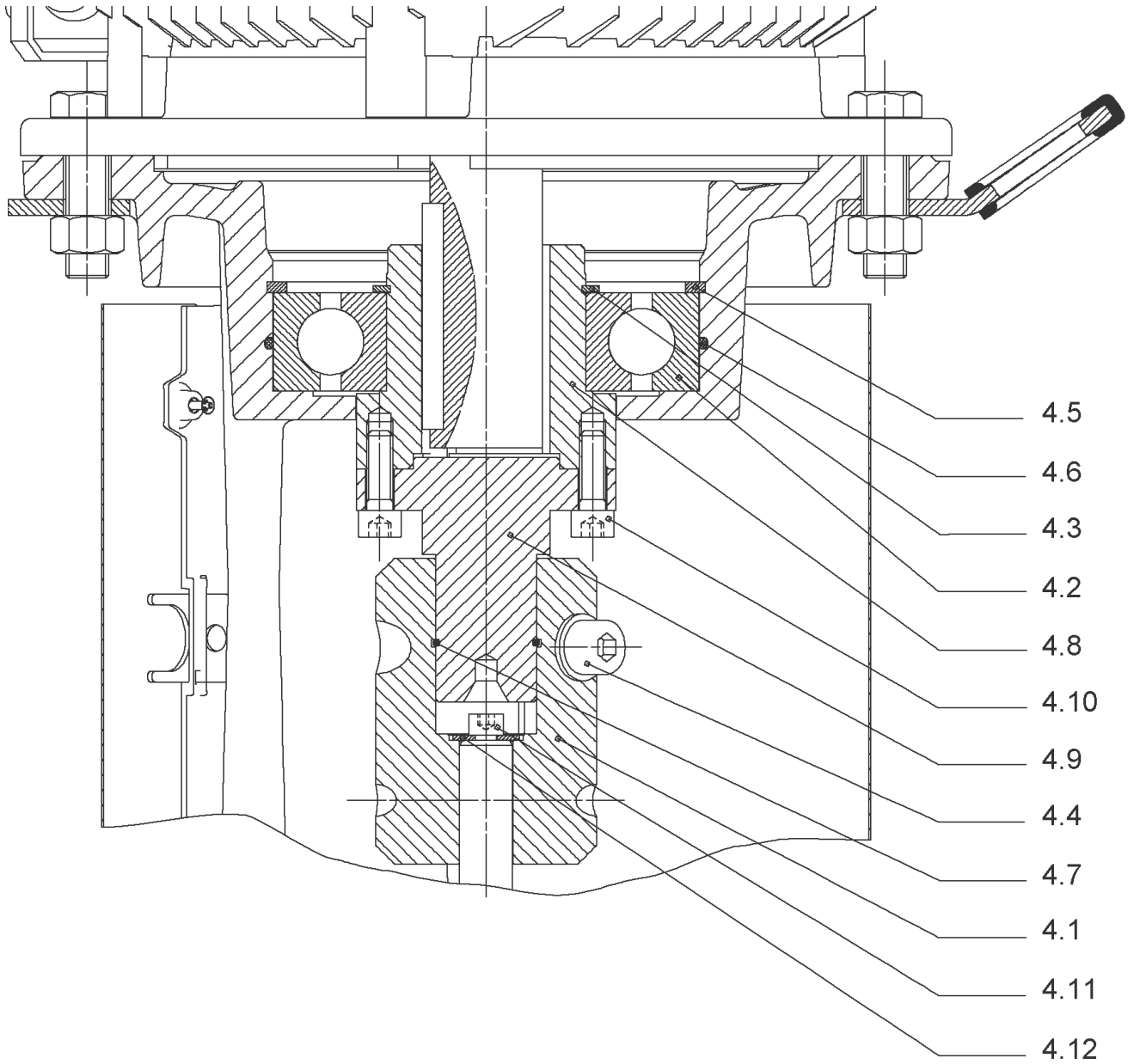
Item	Article no.	Description	Quantity
16	4217854	BASEPLATE DN50 HELIX OPTI 8" VP.	1

1



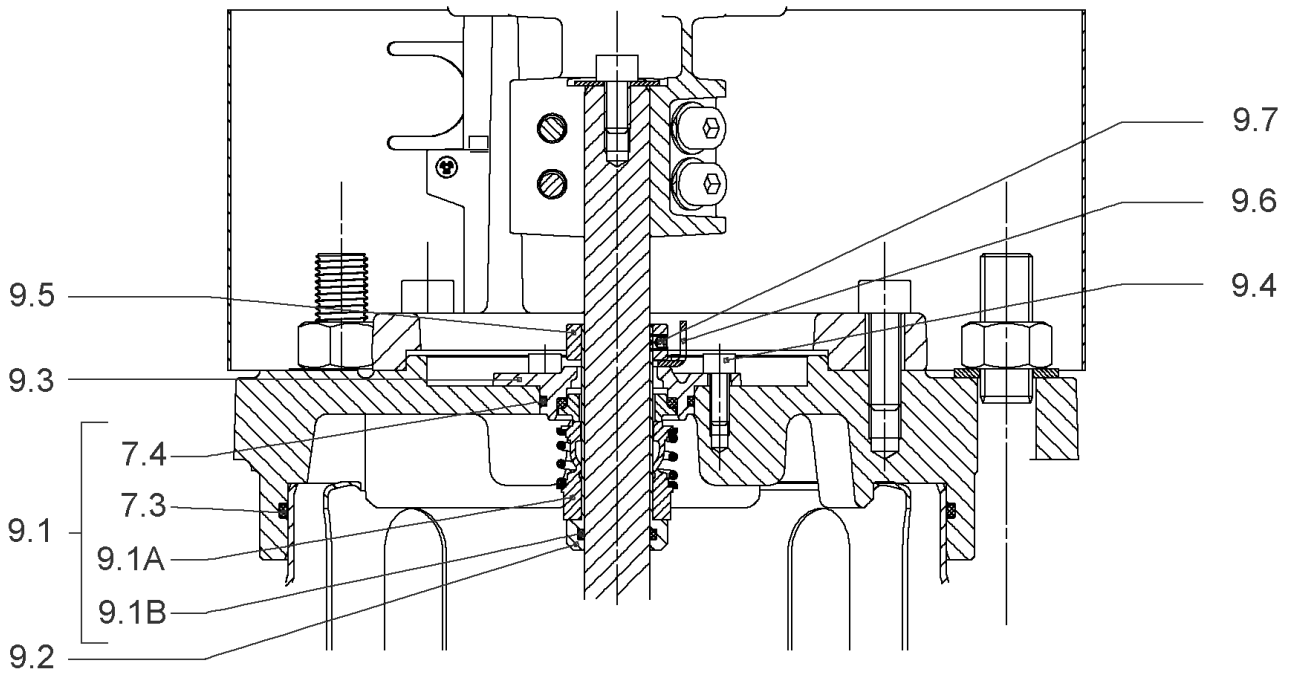
DRIVE HELIX VE2205-IE4-WEG KIT (4218536)

Item	Article no.	Description	Quantity
1.1		M11-2T638P55V1-160F30-N42-ADAPT-IE4-WEG	1
		SPARE PARTS MOTOR:ON REQUEST	1
1.21	2132102	FAN SMALL TL6/7 FF KIT	1
1.25	2132097	CABLE CONNECTION M12 TL6/7 FF VP.	1
1.24	2132098	CABLE CONNECTION M16 TL6/7 FF VP.	1
1.23	2132099	CABLE CONNECTION M20 TL6/7 FF VP.	1
1.22	2132100	CABLE CONNECTION SMALL M40 TL6/7 FF VP.	1
1.27	2132104	COVER SIDE TL6/7 FF CPL.VP.	1
1.26	2132452	MODULE COVER/BUTTON TL6/7 FF VP.	1



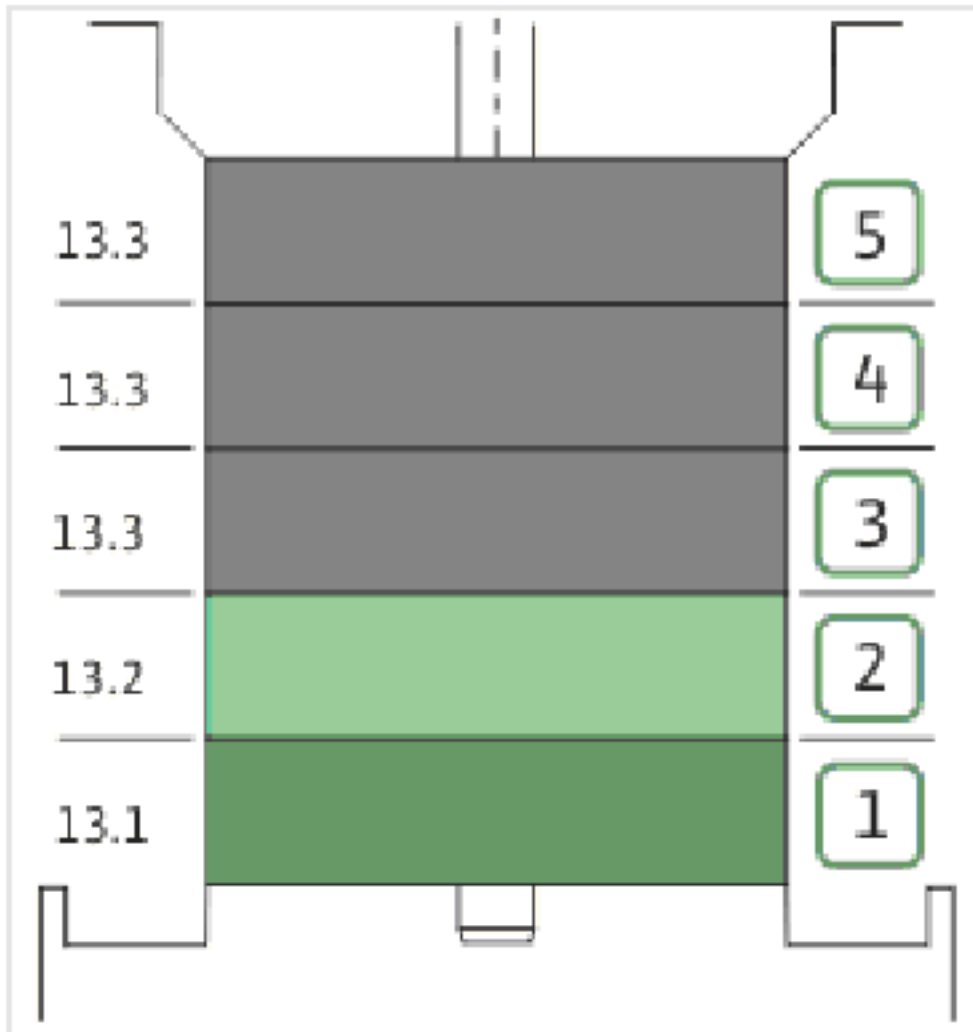
COUPLING D.20XD.38 FF300 KIT (4143966)

Item	Article no.	Description	Quantity
4.1	4179590	COUPLING 2 PARTS D.20XD.38XL115 VP.	1
4.2	2123699	BALL BEARING 6312/2Z-C4 (HT) VP.	1
4.3	63428	CIRCLIP-FOR-SHAFT-D60x2	1
4.4	2130991	SCREW M12X30 ISO4762 8.8 ZN(4 PIECES)	1
4.5	4032277	CIRCLIP-HOLE-130x4	1
4.6	4006725	O-RING ID.132,94x3,53 NBR70SR	1
4.7	2130992	RETAINING RING D.35xD.2,5 DIN7993 VP.	1
4.8	4179591	HUB D.42xD.60 VP.	1
4.9	2130994	SPACER D.38XD.55 VP.	1
4.10	4094462	SCREWS M10 (4 PIECES)	1
4.11	4233959	SCREW M8x16 VP.	1
4.12		SERRATED LOCK WASHER Ø8.2XØ25X35X2	1

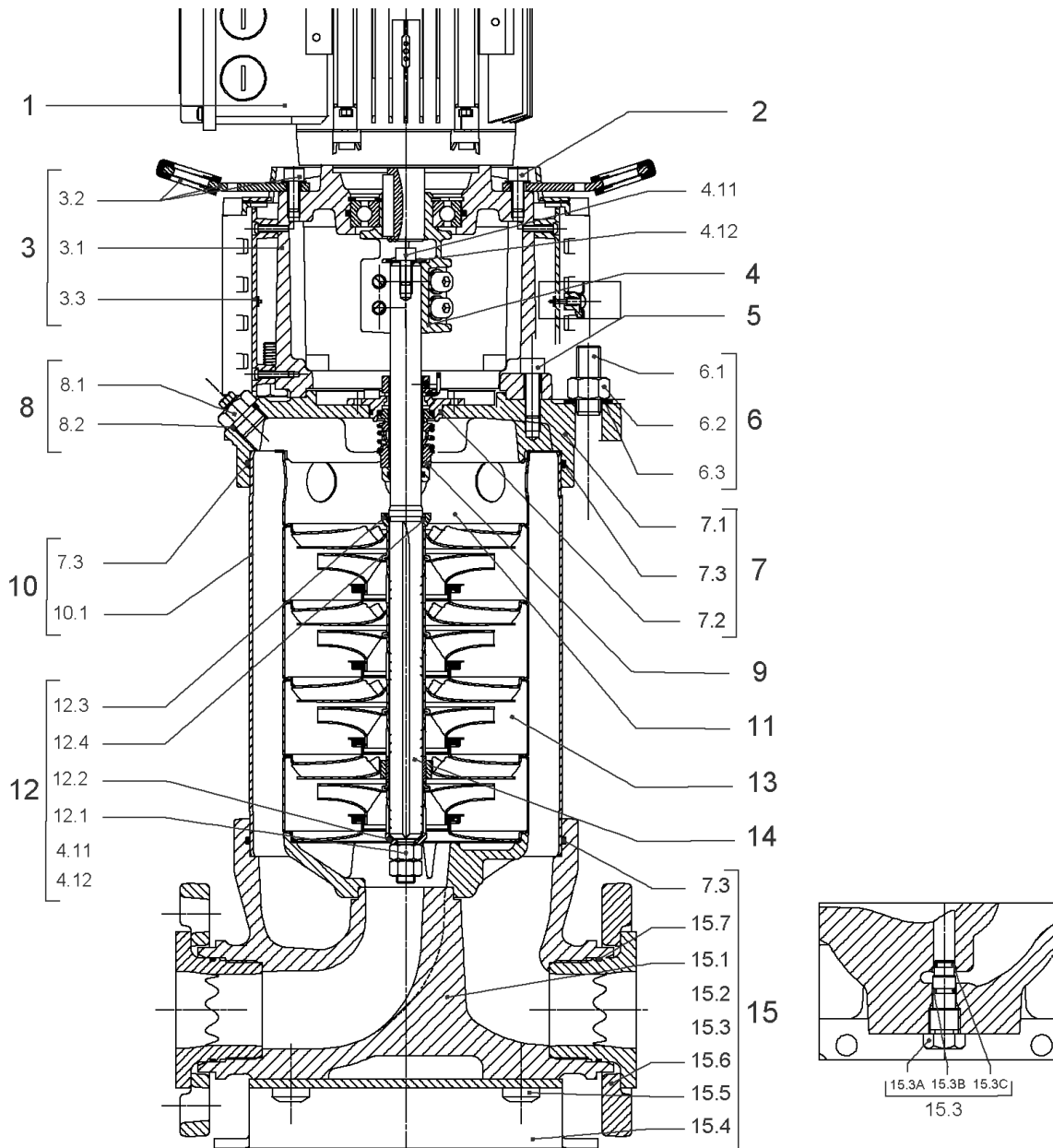


CARTRIDGE HELIX22-36-52 F/E KIT (4143975)

Item	Article no.	Description	Quantity
9.1	4143976	SEAL-KIT-HELIX22-36-52 F/E	1
7.3	4179571	> O-RING HOUSING PIPE HELIX22/36/52 VP.	1
7.4	4179572	> O-RING ID.42.52X2.62 EPDM VP.	1
9.1A	2127447	> M.SEAL.HELI22-36-52 F/E VP.	1
9.1B	4179574	> O-RING ID.20x2.65 EPDM VP.	1
9.2	4179566	SHAFT SLEEVE D.20/20X60 1.4404 VP.	1
9.3	4179567	RING HOLDER Ø22 1.4301 VP.	1
9.4	4176520	SCREW CH M5x5 A4-70 (3PIECES)	1
9.5	4179568	DRIVE RING D.31/22.1x11 MACH.VP.	1
9.6	4179569	TOOL M.S.CART.HELI2 8" VP.	1
9.7	4179570	SCREW M6X16 ISO4762 8.8 GEOMET(4 PIECES)	1



Item	Article no.	Description	Quantity
13.1	4157739	FIRST STAGE HELIX 22 1.4307 KIT	1
		> IMPELLER-H1-M+22-304	1
		> MACH.STG-CASING-WOGV-WNR-M+22-304	1
13.2	4157740	BEARING STAGE HELIX 22 1.4307 KIT	1
		> IMPELLER-H2-M+22-304	1
		> MACH.BEARING-STG-CASING-WNR-M+22-304	1
		> SHAFT-SLEEVE-D26xD22x16-CW	1
13.3	4157743	INTERMEDIATE STAGE HELIX 22 KIT	1
		> MACH.STD-STG-CASING-WGV+NR-M+22-304	1
		> IMPELLER-H2-M+22-304	1



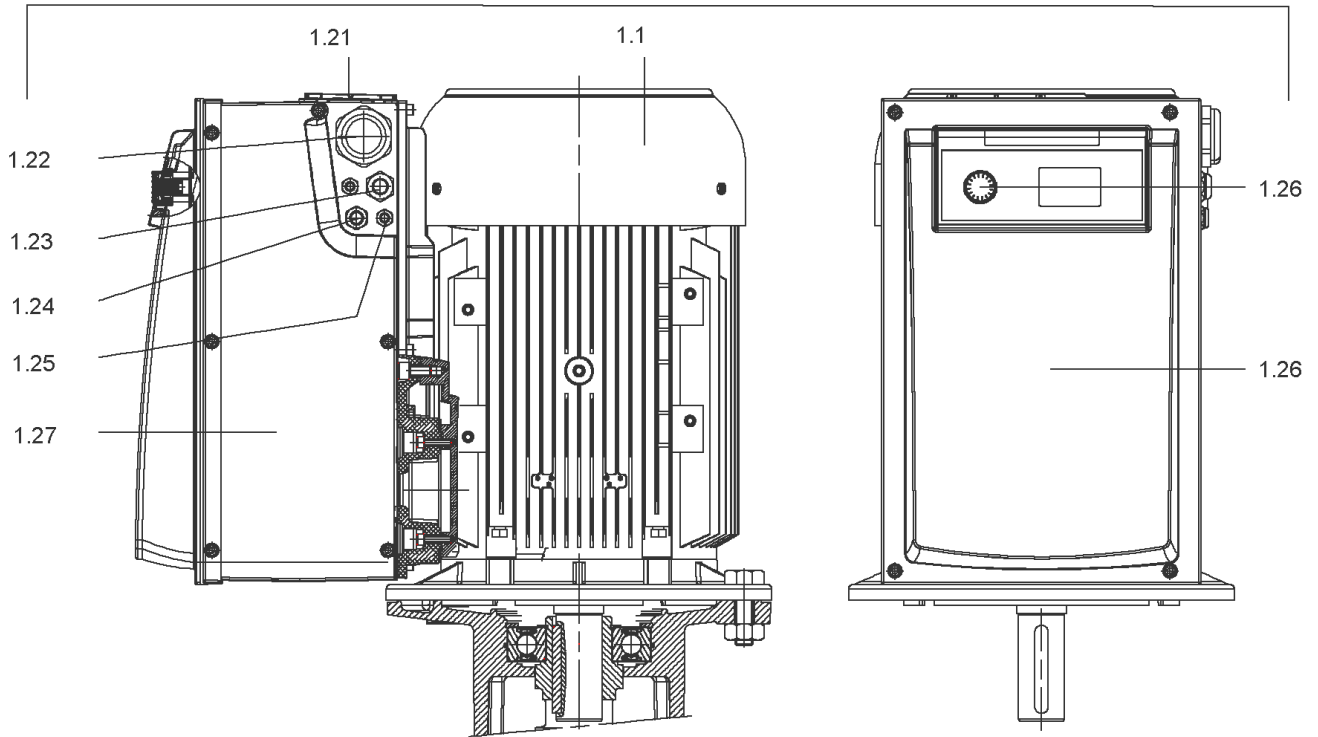
HELIX VE2207-3/25/E/K/2G (4166184)

Item	Article no.	Description	Quantity
1		DRIVE HELIX VE2207-IE2-ARC KIT	1
Note: no longer available/nicht mehr lieferbar/n'est plus disponible			
1	4218531	DRIVE HELIX VE2207-IE4-WEG KIT	1
Note: MOTOR BRAND WEG			
2	4179586	SCREW M16X60 (4 PIECES)	1
3	4157721	LANTERN HELIX 22/36 FF300 BB6312 KIT	1
3.1		> LANTERN FF300 M+ GJL MACHINED+CATA 6312	1
3.2	4179589	> EYELET CPL.FF300 HELIX(4 PIECES)	1
3.3	4143969	> COUPLING PROTECT HELIX FF KIT	1
4	4143966	COUPLING D.20XD.38 FF300 KIT	1
5	4157725	SCREW M10X40 (4 PIECES)	1
6	4181665	STUD BOLT M16X483 KIT	1
6.1		> TIE BOLT M16-483x24x44-1.4057	1
6.2	4179562	> NUT M16 8.8 ISO4032 (4 PIECES)	1
6.3	4097852	> WASHER-CS-16.4-32-2.8-NFE25-511-A2	1
7	4179565	END SHIELD HELIX 8" EPDM KIT	1
7.1		> END SHIELD M+ GJL MACHINED+CATA	1
7.2	4179564	> O-RING D.42.52x2.62 EPDM VP.	1
7.3	4179571	> O-RING HOUSING PIPE HELIX22/36/52 VP.	1
8	4186377	FILING/PURGING PLUG 304 HELIX KIT	1
8.1		> FILLING/VENTING-PLUG-MVI8/10"-304	1
8.2	4032291	> O-RING 17x3 EPDM KTW/WRC	1
9	4143975	CARTRIDGE HELIX22-36-52 F/E KIT	1
10	4181666	HOUSING PIPE D.204X414 1.4307 KIT	1
7.3	4179571	> O-RING HOUSING PIPE HELIX22/36/52 VP.	1
10.1		> HOUSING-PIPE Ø204-M+2207-304	1
11	4179143	CENTERING STAGE-RETURN HELIX22 1.4307 VP	1
12	4143967	SHAFT EQUIPMENT HELIX V KIT	1
13		HYDRAULIC HELIX V 2207	1
14	4179578	SHAFT D.22X554 1.4057 VP.	1
15	4181158	EQUIPED HOUSING HELIX 22 GJL KIT	1
7.3	4179571	> O-RING HOUSING PIPE HELIX22/36/52 VP.	1
15.1		> PUMP HOUSING SET with COATED PARTS-DN50	1
15.3	4143766	> DRAIN/PRIMING PLUG EPDM HELIX KIT	1

HELIX VE2207-3/25/E/K/2G (4166184)

Item	Article no.	Description	Quantity
15.3A		>> PRIMING/DRAIN PLUG-304-VERSION 1	1
15.3B	4032293	>> O-RING-10x3-EPDM-KTW/WRC	1
15.3C	4233957	>> O-RING ID.9 EPDM VP.	1
15.4	4221729	> BASE M+ DN50/65/80 VP.	1
15.6		> FLANGE M+ DN50 CATA	1
15.7		> O-RING Ø63.17xØ2.62 EPDM	1
15.5		> SCREW TBHC M12x25 ISO7380 ZN	1

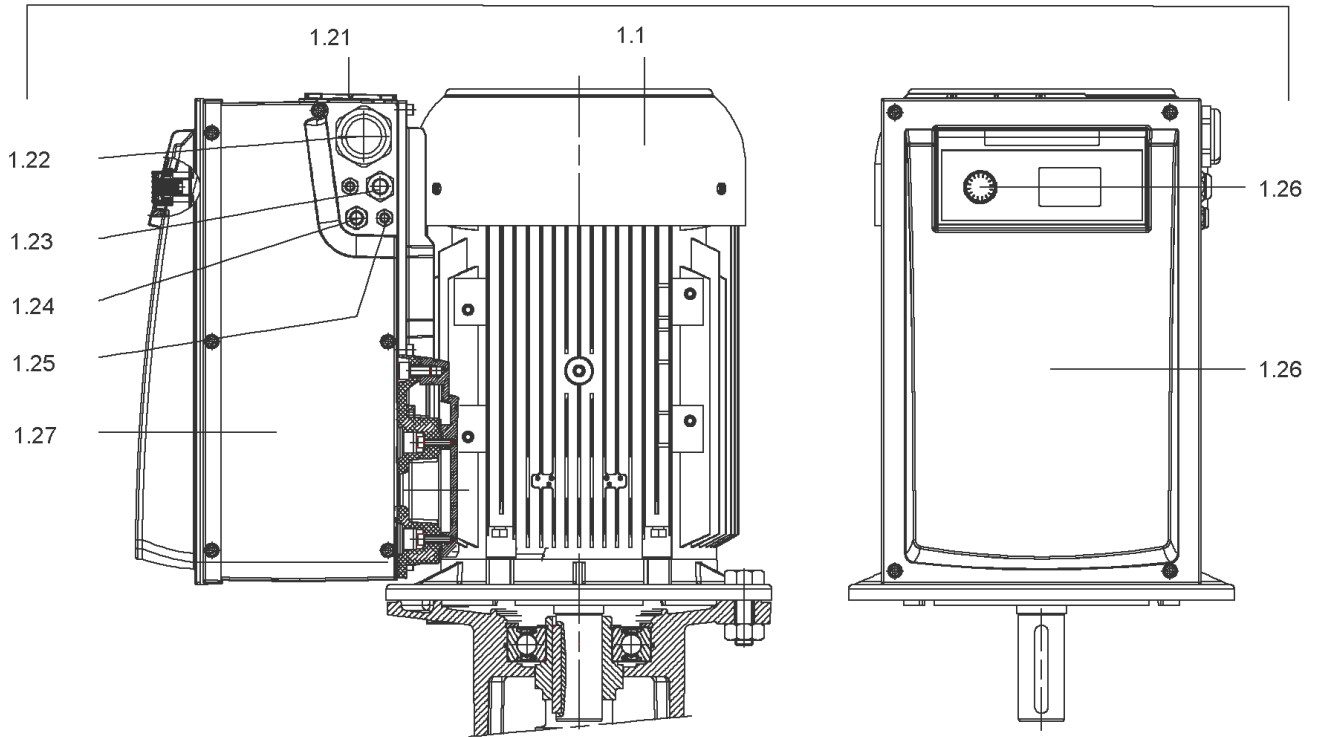
1



DRIVE HELIX VE2207-IE2-ARC KIT

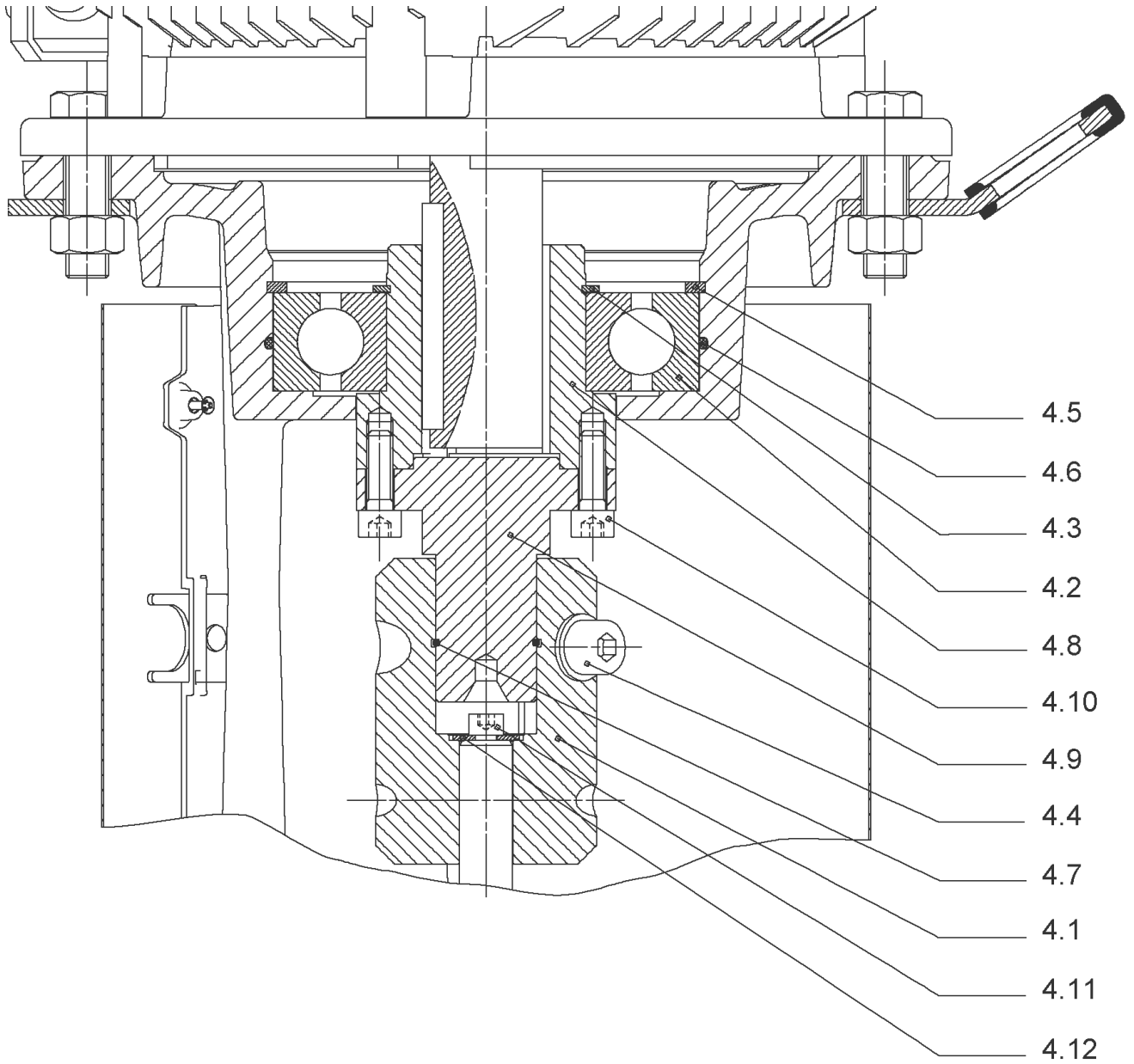
Item	Article no.	Description	Quantity
1.1		M15-2T638P55V1-160F300-N42-IE2	1
		SPARE PARTS MOTOR:ON REQUEST	1
1.21	2132102	FAN SMALL TL6/7 FF KIT	1
1.25	2132097	CABLE CONNECTION M12 TL6/7 FF VP.	1
1.24	2132098	CABLE CONNECTION M16 TL6/7 FF VP.	1
1.23	2132099	CABLE CONNECTION M20 TL6/7 FF VP.	1
1.22	2132100	CABLE CONNECTION SMALL M40 TL6/7 FF VP.	1
1.27	2132104	COVER SIDE TL6/7 FF CPL.VP.	1
1.26	2132452	MODULE COVER/BUTTON TL6/7 FF VP.	1

1



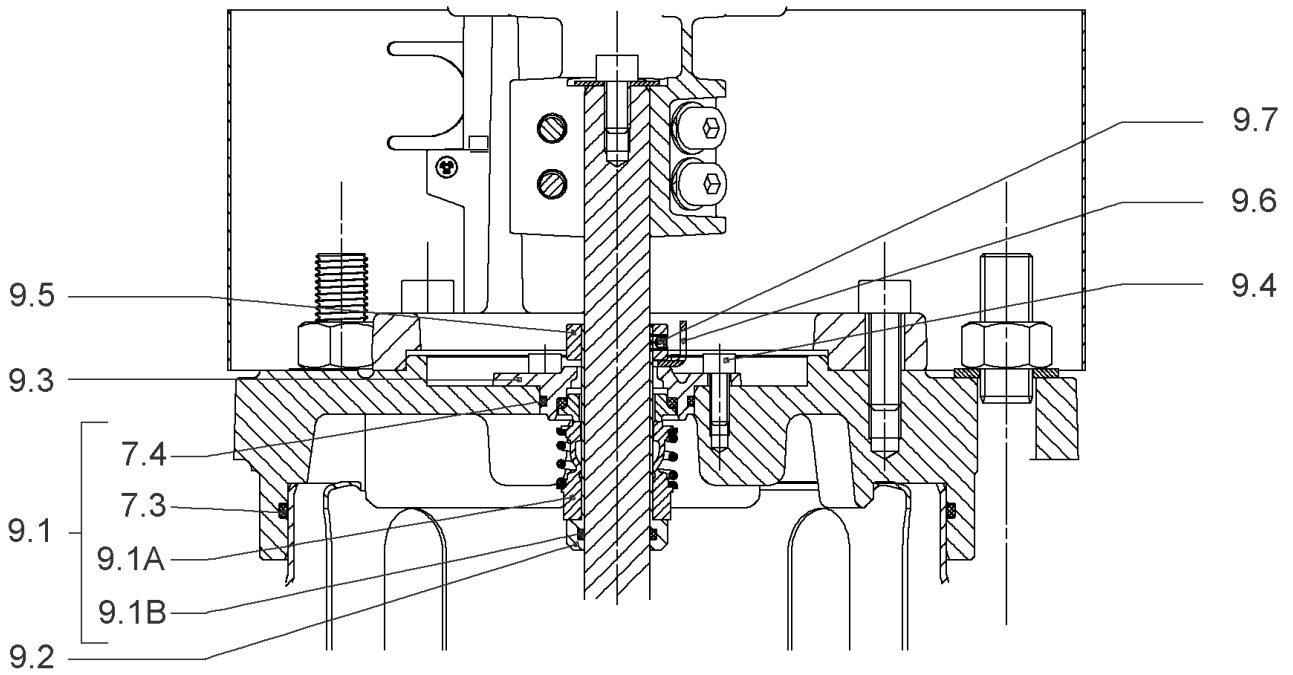
DRIVE HELIX VE2207-IE4-WEG KIT (4218531)

Item	Article no.	Description	Quantity
1.1		M15-2T638P55V1-160F30-N42-ADAPT-IE4-WEG	1
		SPARE PARTS MOTOR:ON REQUEST	1
1.21	2132102	FAN SMALL TL6/7 FF KIT	1
1.25	2132097	CABLE CONNECTION M12 TL6/7 FF VP.	1
1.24	2132098	CABLE CONNECTION M16 TL6/7 FF VP.	1
1.23	2132099	CABLE CONNECTION M20 TL6/7 FF VP.	1
1.22	2132100	CABLE CONNECTION SMALL M40 TL6/7 FF VP.	1
1.27	2132104	COVER SIDE TL6/7 FF CPL.VP.	1
1.26	2132452	MODULE COVER/BUTTON TL6/7 FF VP.	1



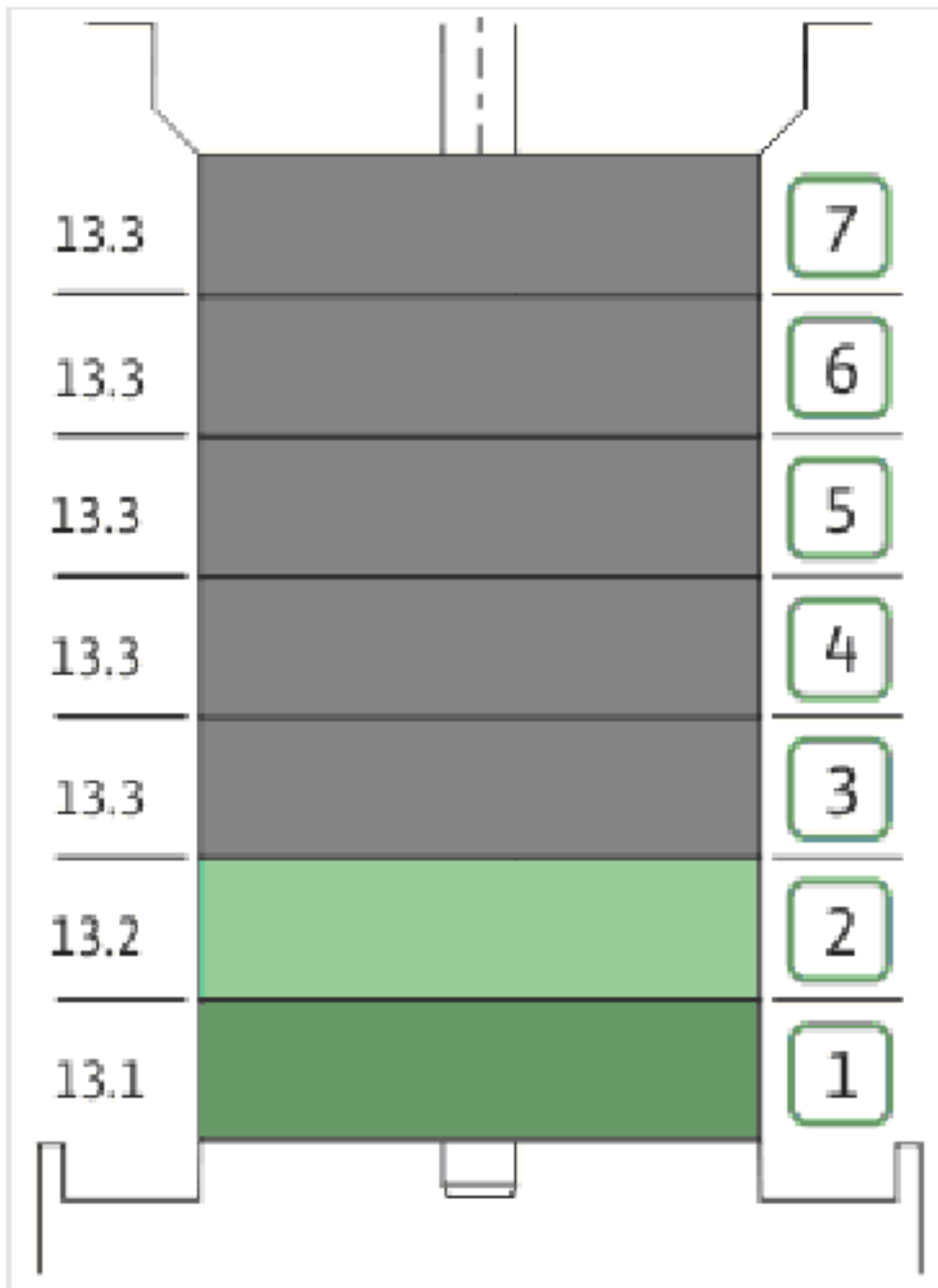
COUPLING D.20XD.38 FF300 KIT (4143966)

Item	Article no.	Description	Quantity
4.1	4179590	COUPLING 2 PARTS D.20XD.38XL115 VP.	1
4.2	2123699	BALL BEARING 6312/2Z-C4 (HT) VP.	1
4.3	63428	CIRCLIP-FOR-SHAFT-D60x2	1
4.4	2130991	SCREW M12X30 ISO4762 8.8 ZN(4 PIECES)	1
4.5	4032277	CIRCLIP-HOLE-130x4	1
4.6	4006725	O-RING ID.132,94x3,53 NBR70SR	1
4.7	2130992	RETAINING RING D.35xD.2,5 DIN7993 VP.	1
4.8	4179591	HUB D.42xD.60 VP.	1
4.9	2130994	SPACER D.38XD.55 VP.	1
4.10	4094462	SCREWS M10 (4 PIECES)	1
4.11	4233959	SCREW M8x16 VP.	1
4.12		SERRATED LOCK WASHER Ø8.2XØ25X35X2	1

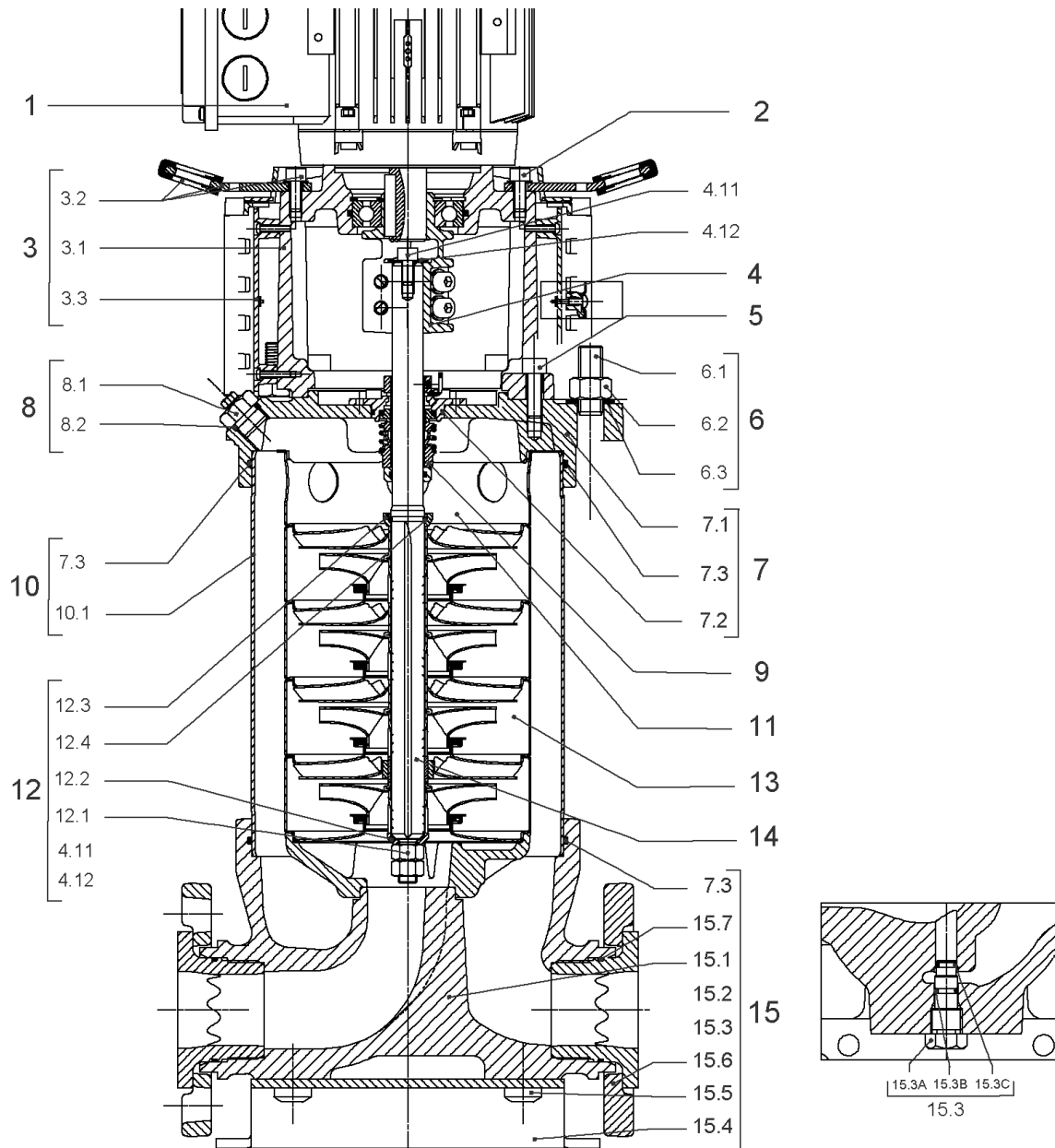


CARTRIDGE HELIX22-36-52 F/E KIT (4143975)

Item	Article no.	Description	Quantity
9.1	4143976	SEAL-KIT-HELIX22-36-52 F/E	1
7.3	4179571	> O-RING HOUSING PIPE HELIX22/36/52 VP.	1
7.4	4179572	> O-RING ID.42.52X2.62 EPDM VP.	1
9.1A	2127447	> M.SEAL.HELIX22-36-52 F/E VP.	1
9.1B	4179574	> O-RING ID.20x2.65 EPDM VP.	1
9.2	4179566	SHAFT SLEEVE D.20/20X60 1.4404 VP.	1
9.3	4179567	RING HOLDER Ø22 1.4301 VP.	1
9.4	4176520	SCREW CH M5x5 A4-70 (3PIECES)	1
9.5	4179568	DRIVE RING D.31/22.1x11 MACH.VP.	1
9.6	4179569	TOOL M.S.CART.HELIX 8" VP.	1
9.7	4179570	SCREW M6X16 ISO4762 8.8 GEOMET(4 PIECES)	1



Item	Article no.	Description	Quantity
13.1	4157739	FIRST STAGE HELIX 22 1.4307 KIT	1
		> IMPELLER-H1-M+22-304	1
		> MACH.STG-CASING-WOGV-WNR-M+22-304	1
13.2	4157740	BEARING STAGE HELIX 22 1.4307 KIT	1
		> IMPELLER-H2-M+22-304	1
		> MACH.BEARING-STG-CASING-WNR-M+22-304	1
		> SHAFT-SLEEVE-D26xD22x16-CW	1
13.3	4157743	INTERMEDIATE STAGE HELIX 22 KIT	1
		> MACH.STD-STG-CASING-WGV+NR-M+22-304	1
		> IMPELLER-H2-M+22-304	1



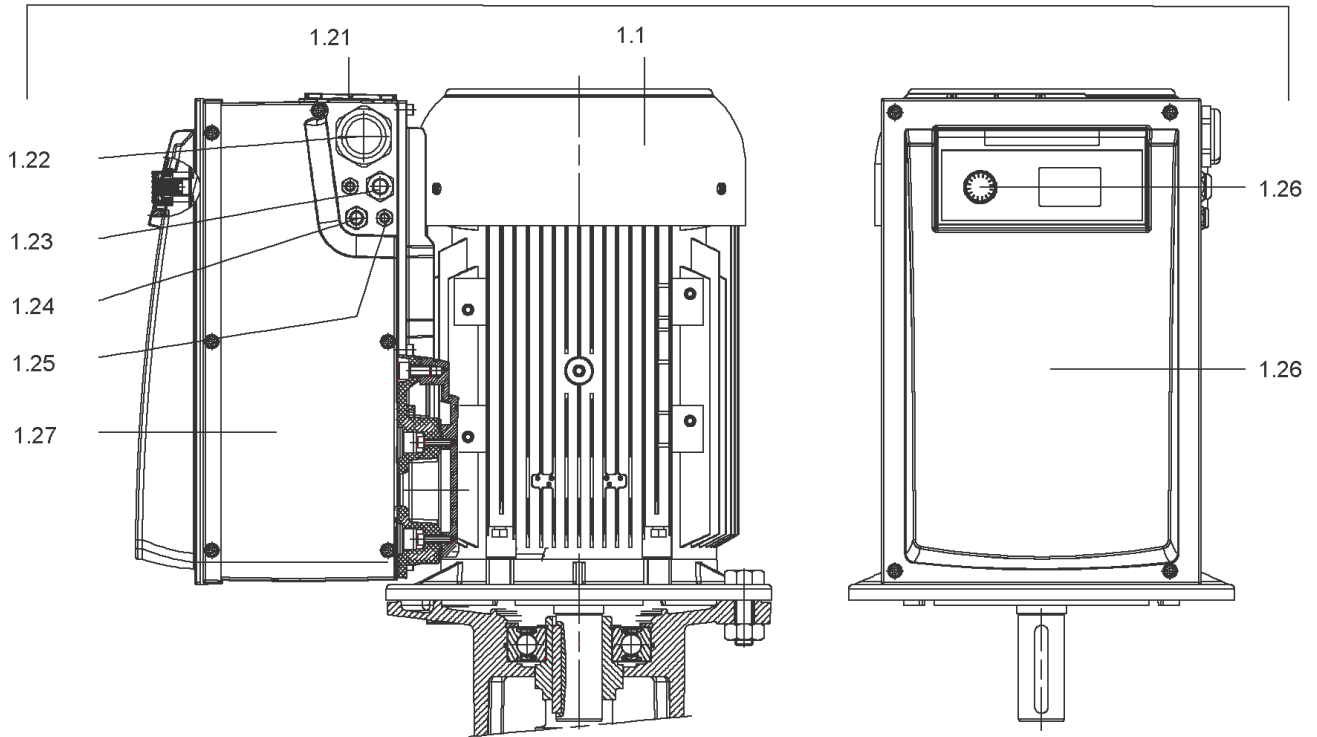
HELIX VE2207-3/25/E/KS/2G (4166188)

Item	Article no.	Description	Quantity
1		DRIVE HELIX VE2207-IE2-ARC KIT	1
Note: no longer available/nicht mehr lieferbar/n'est plus disponible			
1	4218531	DRIVE HELIX VE2207-IE4-WEG KIT	1
Note: MOTOR BRAND WEG			
2	4179586	SCREW M16X60 (4 PIECES)	1
3	4157721	LANTERN HELIX 22/36 FF300 BB6312 KIT	1
3.1		> LANTERN FF300 M+ GJL MACHINED+CATA 6312	1
3.2	4179589	> EYELET CPL.FF300 HELIX(4 PIECES)	1
3.3	4143969	> COUPLING PROTECT HELIX FF KIT	1
4	4143966	COUPLING D.20XD.38 FF300 KIT	1
5	4157725	SCREW M10X40 (4 PIECES)	1
6	4181665	STUD BOLT M16X483 KIT	1
6.1		> TIE BOLT M16-483x24x44-1.4057	1
6.2	4179562	> NUT M16 8.8 ISO4032 (4 PIECES)	1
6.3	4097852	> WASHER-CS-16.4-32-2.8-NFE25-511-A2	1
7	4179565	END SHIELD HELIX 8" EPDM KIT	1
7.1		> END SHIELD M+ GJL MACHINED+CATA	1
7.2	4179564	> O-RING D.42.52x2.62 EPDM VP.	1
7.3	4179571	> O-RING HOUSING PIPE HELIX22/36/52 VP.	1
8	4186377	FILING/PURGING PLUG 304 HELIX KIT	1
8.1		> FILLING/VENTING-PLUG-MVI8/10"-304	1
8.2	4032291	> O-RING 17x3 EPDM KTW/WRC	1
9	4143975	CARTRIDGE HELIX22-36-52 F/E KIT	1
10	4181666	HOUSING PIPE D.204X414 1.4307 KIT	1
7.3	4179571	> O-RING HOUSING PIPE HELIX22/36/52 VP.	1
10.1		> HOUSING-PIPE Ø204-M+2207-304	1
11	4179143	CENTERING STAGE-RETURN HELIX22 1.4307 VP	1
12	4143967	SHAFT EQUIPMENT HELIX V KIT	1
13		HYDRAULIC HELIX V 2207	1
14	4179578	SHAFT D.22X554 1.4057 VP.	1
15	4181158	EQUIPED HOUSING HELIX 22 GJL KIT	1
7.3	4179571	> O-RING HOUSING PIPE HELIX22/36/52 VP.	1
15.1		> PUMP HOUSING SET with COATED PARTS-DN50	1
15.3	4143766	> DRAIN/PRIMING PLUG EPDM HELIX KIT	1

HELIX VE2207-3/25/E/KS/2G (4166188)

Item	Article no.	Description	Quantity
15.3A		>> PRIMING/DRAIN PLUG-304-VERSION 1	1
15.3B	4032293	>> O-RING-10x3-EPDM-KTW/WRC	1
15.3C	4233957	>> O-RING ID.9 EPDM VP.	1
15.4	4221729	> BASE M+ DN50/65/80 VP.	1
15.6		> FLANGE M+ DN50 CATA	1
15.7		> O-RING Ø63.17xØ2.62 EPDM	1
15.5		> SCREW TBHC M12x25 ISO7380 ZN	1

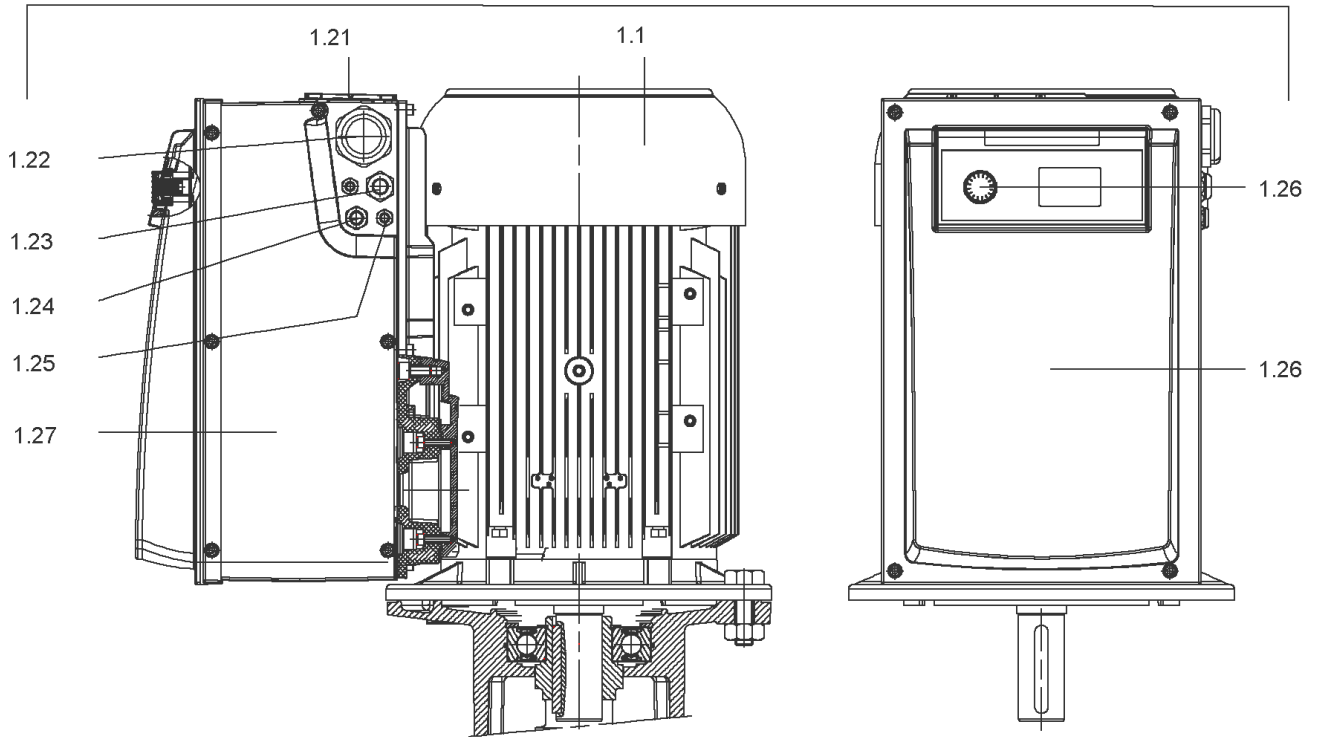
1



DRIVE HELIX VE2207-IE2-ARC KIT

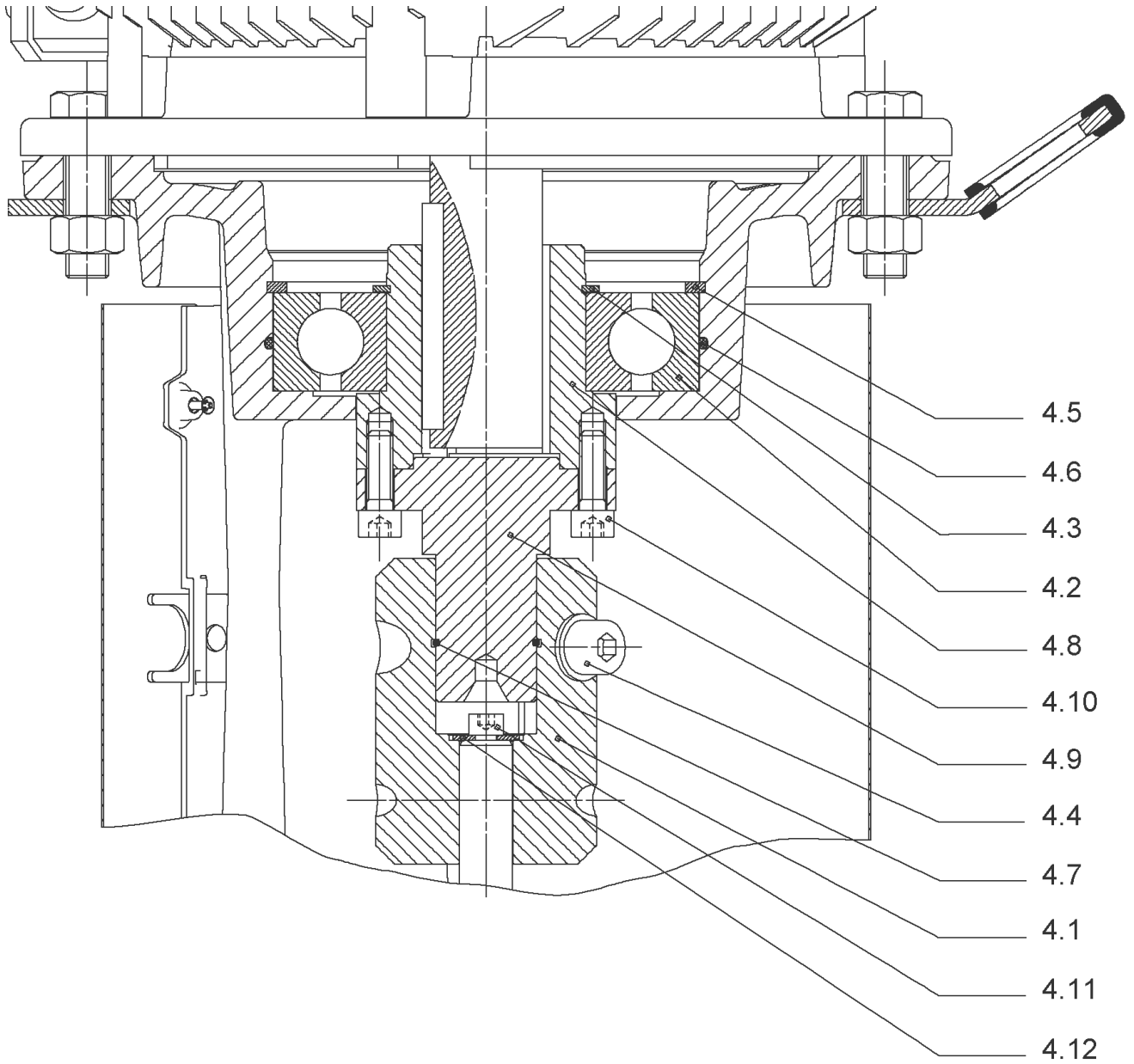
Item	Article no.	Description	Quantity
1.1		M15-2T638P55V1-160F300-N42-IE2	1
		SPARE PARTS MOTOR:ON REQUEST	1
1.21	2132102	FAN SMALL TL6/7 FF KIT	1
1.25	2132097	CABLE CONNECTION M12 TL6/7 FF VP.	1
1.24	2132098	CABLE CONNECTION M16 TL6/7 FF VP.	1
1.23	2132099	CABLE CONNECTION M20 TL6/7 FF VP.	1
1.22	2132100	CABLE CONNECTION SMALL M40 TL6/7 FF VP.	1
1.27	2132104	COVER SIDE TL6/7 FF CPL.VP.	1
1.26	2132452	MODULE COVER/BUTTON TL6/7 FF VP.	1

1



DRIVE HELIX VE2207-IE4-WEG KIT (4218531)

Item	Article no.	Description	Quantity
1.1		M15-2T638P55V1-160F30-N42-ADAPT-IE4-WEG	1
		SPARE PARTS MOTOR:ON REQUEST	1
1.21	2132102	FAN SMALL TL6/7 FF KIT	1
1.25	2132097	CABLE CONNECTION M12 TL6/7 FF VP.	1
1.24	2132098	CABLE CONNECTION M16 TL6/7 FF VP.	1
1.23	2132099	CABLE CONNECTION M20 TL6/7 FF VP.	1
1.22	2132100	CABLE CONNECTION SMALL M40 TL6/7 FF VP.	1
1.27	2132104	COVER SIDE TL6/7 FF CPL.VP.	1
1.26	2132452	MODULE COVER/BUTTON TL6/7 FF VP.	1



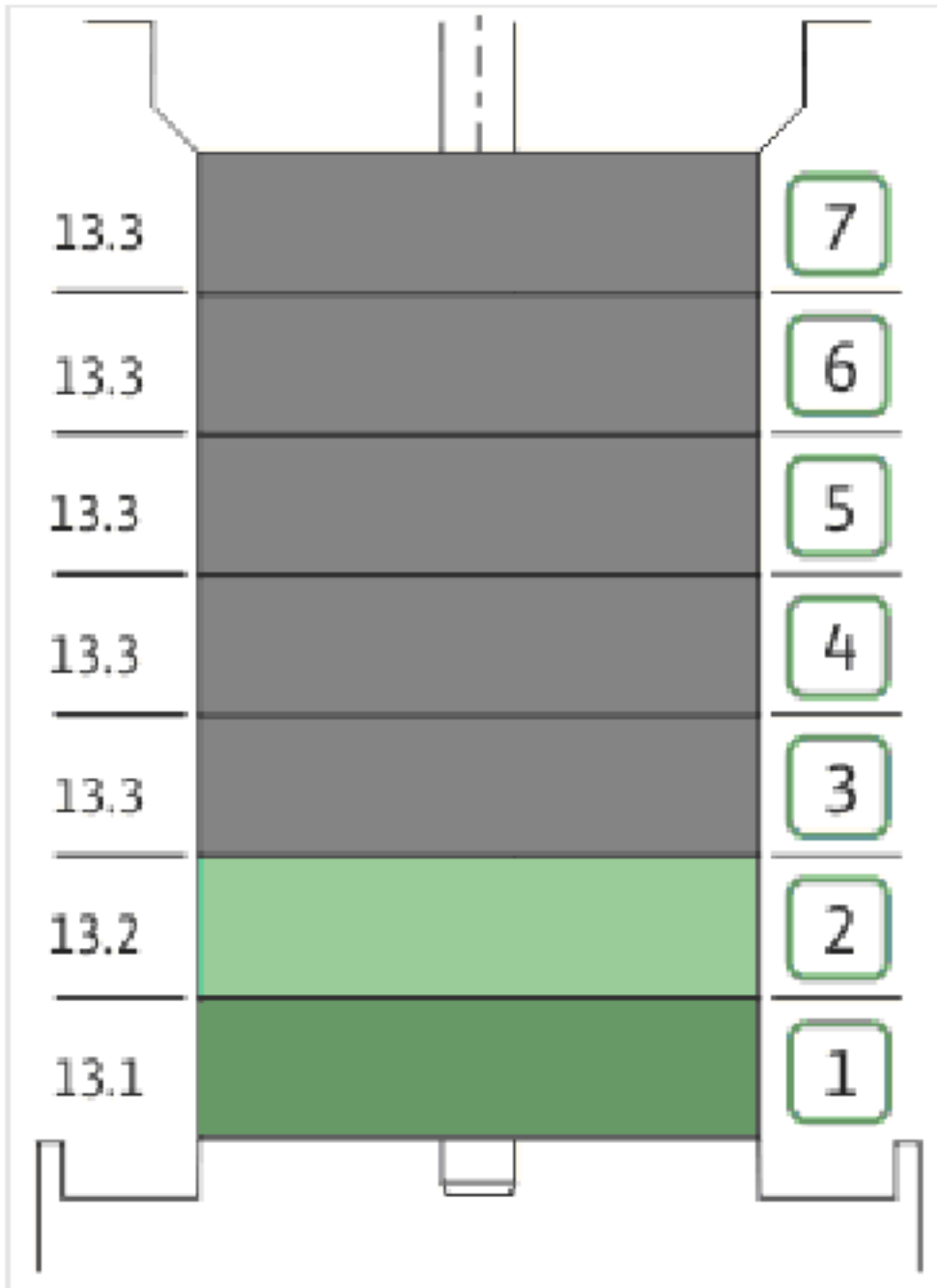
COUPLING D.20XD.38 FF300 KIT (4143966)

Item	Article no.	Description	Quantity
4.1	4179590	COUPLING 2 PARTS D.20XD.38XL115 VP.	1
4.2	2123699	BALL BEARING 6312/2Z-C4 (HT) VP.	1
4.3	63428	CIRCLIP-FOR-SHAFT-D60x2	1
4.4	2130991	SCREW M12X30 ISO4762 8.8 ZN(4 PIECES)	1
4.5	4032277	CIRCLIP-HOLE-130x4	1
4.6	4006725	O-RING ID.132,94x3,53 NBR70SR	1
4.7	2130992	RETAINING RING D.35xD.2,5 DIN7993 VP.	1
4.8	4179591	HUB D.42xD.60 VP.	1
4.9	2130994	SPACER D.38XD.55 VP.	1
4.10	4094462	SCREWS M10 (4 PIECES)	1
4.11	4233959	SCREW M8x16 VP.	1
4.12		SERRATED LOCK WASHER Ø8.2XØ25X35X2	1

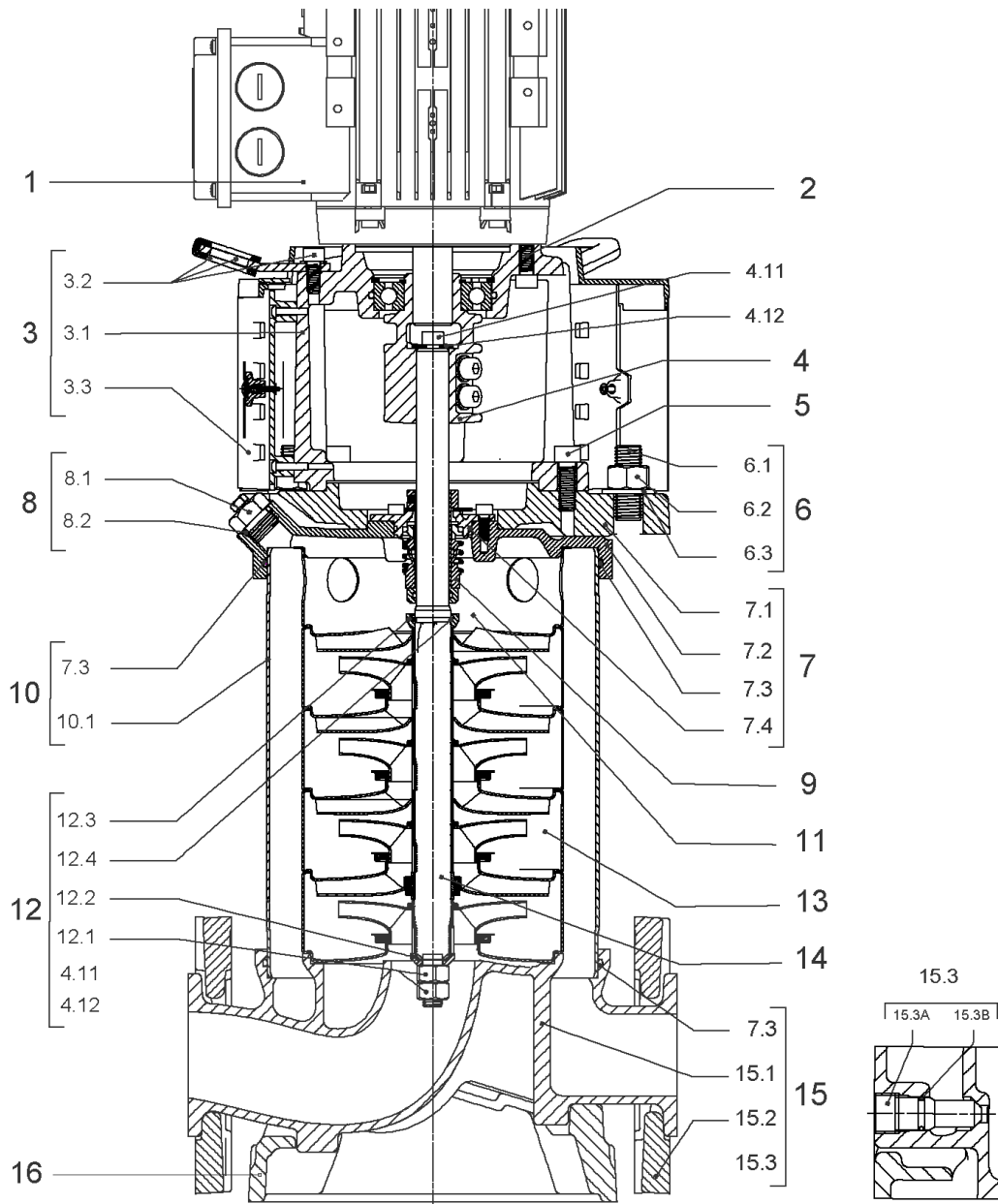


CARTRIDGE HELIX22-36-52 F/E KIT (4143975)

Item	Article no.	Description	Quantity
9.1	4143976	SEAL-KIT-HELIX22-36-52 F/E	1
7.3	4179571	> O-RING HOUSING PIPE HELIX22/36/52 VP.	1
7.4	4179572	> O-RING ID.42.52X2.62 EPDM VP.	1
9.1A	2127447	> M.SEAL.HELIX22-36-52 F/E VP.	1
9.1B	4179574	> O-RING ID.20x2.65 EPDM VP.	1
9.2	4179566	SHAFT SLEEVE D.20/20X60 1.4404 VP.	1
9.3	4179567	RING HOLDER Ø22 1.4301 VP.	1
9.4	4176520	SCREW CH M5x5 A4-70 (3PIECES)	1
9.5	4179568	DRIVE RING D.31/22.1x11 MACH.VP.	1
9.6	4179569	TOOL M.S.CART.HELIX 8" VP.	1
9.7	4179570	SCREW M6X16 ISO4762 8.8 GEOMET(4 PIECES)	1



Item	Article no.	Description	Quantity
13.1	4157739	FIRST STAGE HELIX 22 1.4307 KIT	1
		> IMPELLER-H1-M+22-304	1
		> MACH.STG-CASING-WOGV-WNR-M+22-304	1
13.2	4157740	BEARING STAGE HELIX 22 1.4307 KIT	1
		> IMPELLER-H2-M+22-304	1
		> MACH.BEARING-STG-CASING-WNR-M+22-304	1
		> SHAFT-SLEEVE-D26xD22x16-CW	1
13.3	4157743	INTERMEDIATE STAGE HELIX 22 KIT	1
		> MACH.STD-STG-CASING-WGV+NR-M+22-304	1
		> IMPELLER-H2-M+22-304	1

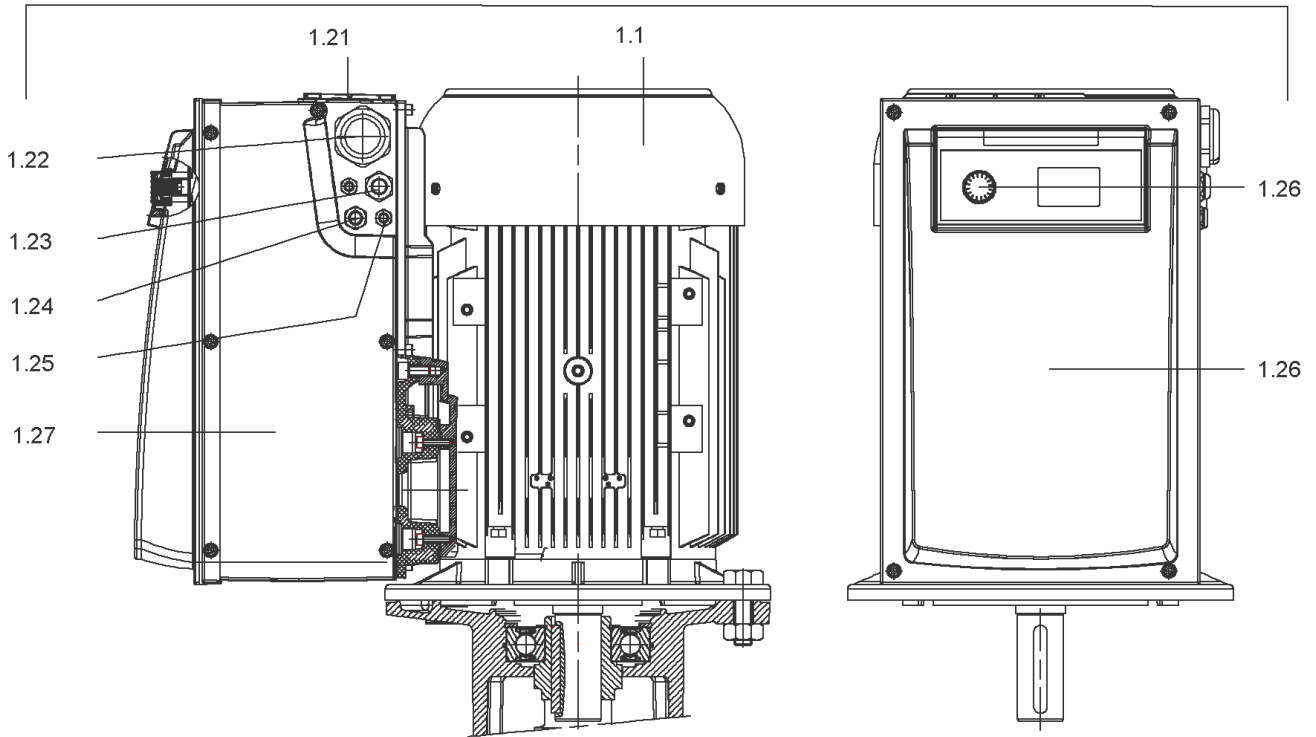


HELIX VE2207-1/25/E/KS (4198857)

Item	Article no.	Description	Quantity
1	4218531	DRIVE HELIX VE2207-IE4-WEG KIT	1
Note: MOTOR BRAND WEG			
2	4179586	SCREW M16X60 (4 PIECES)	1
3	4157721	LANTERN HELIX 22/36 FF300 BB6312 KIT	1
3.1		> LANTERN FF300 M+ GJL MACHINED+CATA 6312	1
3.2	4179589	> EYELET CPL.FF300 HELIX(4 PIECES)	1
3.3	4143969	> COUPLING PROTECT HELIX FF KIT	1
4	4143966	COUPLING D.20XD.38 FF300 KIT	1
5	4157725	SCREW M10X40 (4 PIECES)	1
6	4179923	STUD BOLT M16X600 KIT	1
6.1		> TIE BOLT M16-600x24x44-1.4057	1
6.2	4179562	> NUT M16 8.8 ISO4032 (4 PIECES)	1
6.3	4097852	> WASHER-CS-16.4-32-2.8-NFE25-511-A2	1
7	4217176	END SHIELD HELIX OPTI 8" EPDM KIT	1
7.1		> upper flange machined + cataphoresis	1
7.2	4217174	> STATIONARY RING HOLDER 8" HELIX OPTI VP.	1
7.3	4179571	> O-RING HOUSING PIPE HELIX22/36/52 VP.	1
7.4	4179572	> O-RING ID.42.52X2.62 EPDM VP.	1
8	4186377	FILING/PURGING PLUG 304 HELIX KIT	1
8.1		> FILLING/VENTING-PLUG-MVI8/10"-304	1
8.2	4032291	> O-RING 17x3 EPDM KTW/WRC	1
9	4143975	CARTRIDGE HELIX22-36-52 F/E KIT	1
10	4181666	HOUSING PIPE D.204X414 1.4307 KIT	1
7.3	4179571	> O-RING HOUSING PIPE HELIX22/36/52 VP.	1
10.1		> HOUSING-PIPE Ø204-M+2207-304	1
11	4179143	CENTERING STAGE-RETURN HELIX22 1.4307 VP	1
12	4143967	SHAFT EQUIPMENT HELIX V KIT	1
13		HYDRAULIC HELIX V 2207	1
14	4179578	SHAFT D.22X554 1.4057 VP.	1
15	4217852	EQUIPED HOUSING DN50 HELIX OPTI 8" KIT	1
15.1		> pump casing machined DN50	1
15.2	4217178	> HALF FLANGE DN50 HELIX OPTI 8" VP.	1
15.3	4217850	> DRAIN/PRIMING PLUG HELIX OPTI 8" KIT	1
7.3	4179571	> O-RING HOUSING PIPE HELIX22/36/52 VP.	1

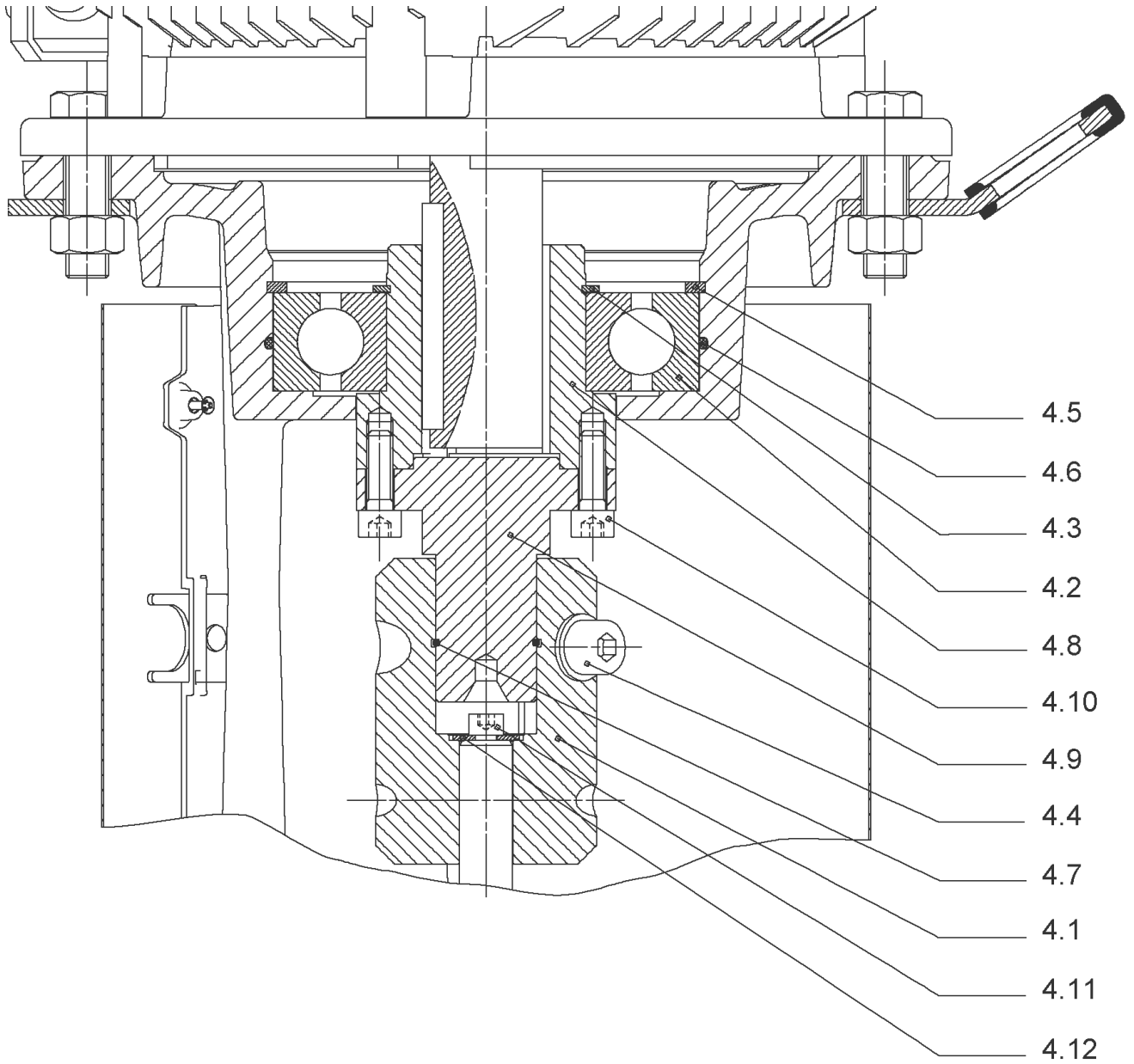
Item	Article no.	Description	Quantity
16	4217854	BASEPLATE DN50 HELIX OPTI 8" VP.	1

1



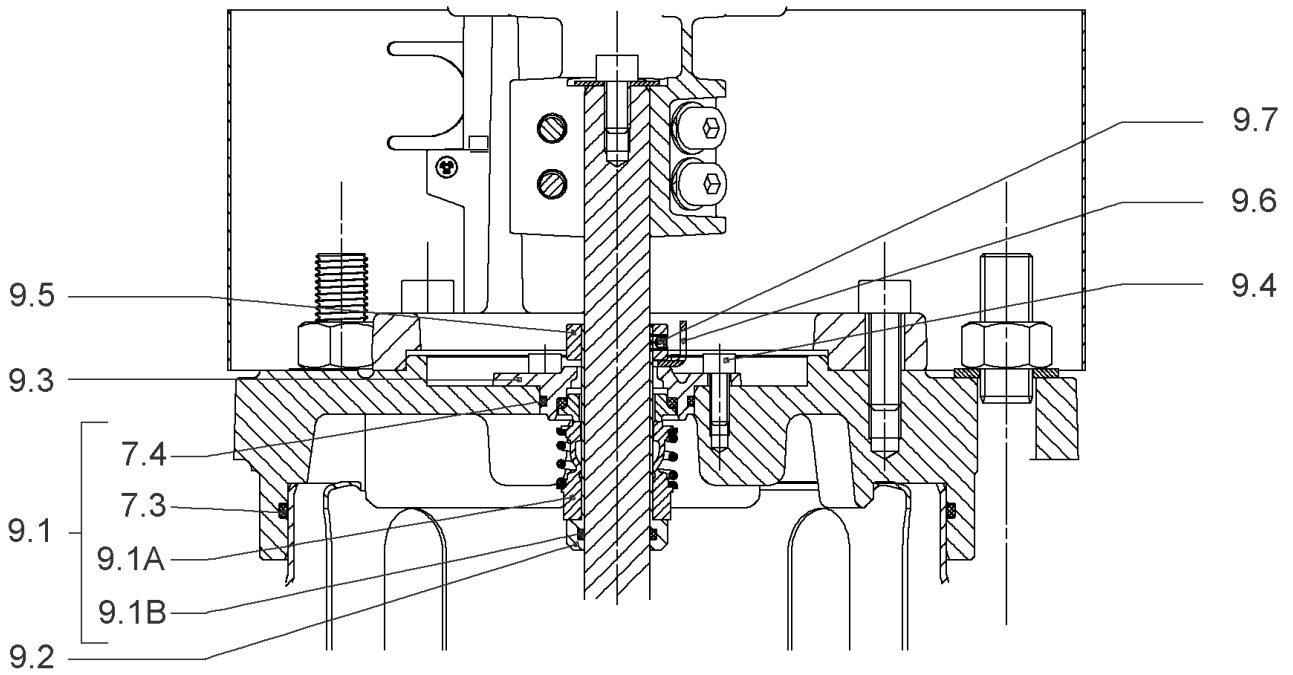
DRIVE HELIX VE2207-IE4-WEG KIT (4218531)

Item	Article no.	Description	Quantity
1.1		M15-2T638P55V1-160F30-N42-ADAPT-IE4-WEG	1
		SPARE PARTS MOTOR:ON REQUEST	1
1.21	2132102	FAN SMALL TL6/7 FF KIT	1
1.25	2132097	CABLE CONNECTION M12 TL6/7 FF VP.	1
1.24	2132098	CABLE CONNECTION M16 TL6/7 FF VP.	1
1.23	2132099	CABLE CONNECTION M20 TL6/7 FF VP.	1
1.22	2132100	CABLE CONNECTION SMALL M40 TL6/7 FF VP.	1
1.27	2132104	COVER SIDE TL6/7 FF CPL.VP.	1
1.26	2132452	MODULE COVER/BUTTON TL6/7 FF VP.	1



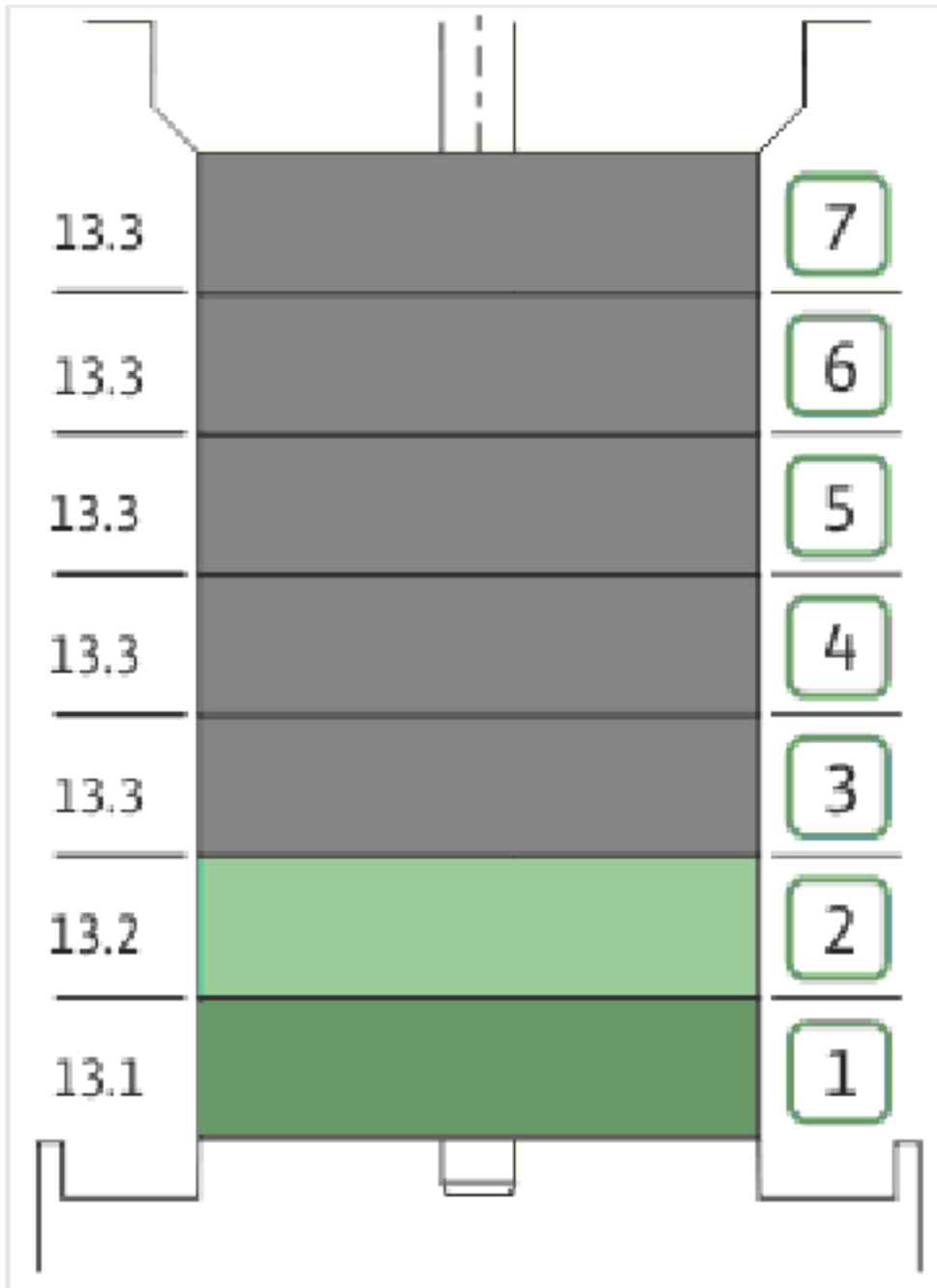
COUPLING D.20XD.38 FF300 KIT (4143966)

Item	Article no.	Description	Quantity
4.1	4179590	COUPLING 2 PARTS D.20XD.38XL115 VP.	1
4.2	2123699	BALL BEARING 6312/2Z-C4 (HT) VP.	1
4.3	63428	CIRCLIP-FOR-SHAFT-D60x2	1
4.4	2130991	SCREW M12X30 ISO4762 8.8 ZN(4 PIECES)	1
4.5	4032277	CIRCLIP-HOLE-130x4	1
4.6	4006725	O-RING ID.132,94x3,53 NBR70SR	1
4.7	2130992	RETAINING RING D.35xD.2,5 DIN7993 VP.	1
4.8	4179591	HUB D.42xD.60 VP.	1
4.9	2130994	SPACER D.38XD.55 VP.	1
4.10	4094462	SCREWS M10 (4 PIECES)	1
4.11	4233959	SCREW M8x16 VP.	1
4.12		SERRATED LOCK WASHER Ø8.2XØ25X35X2	1

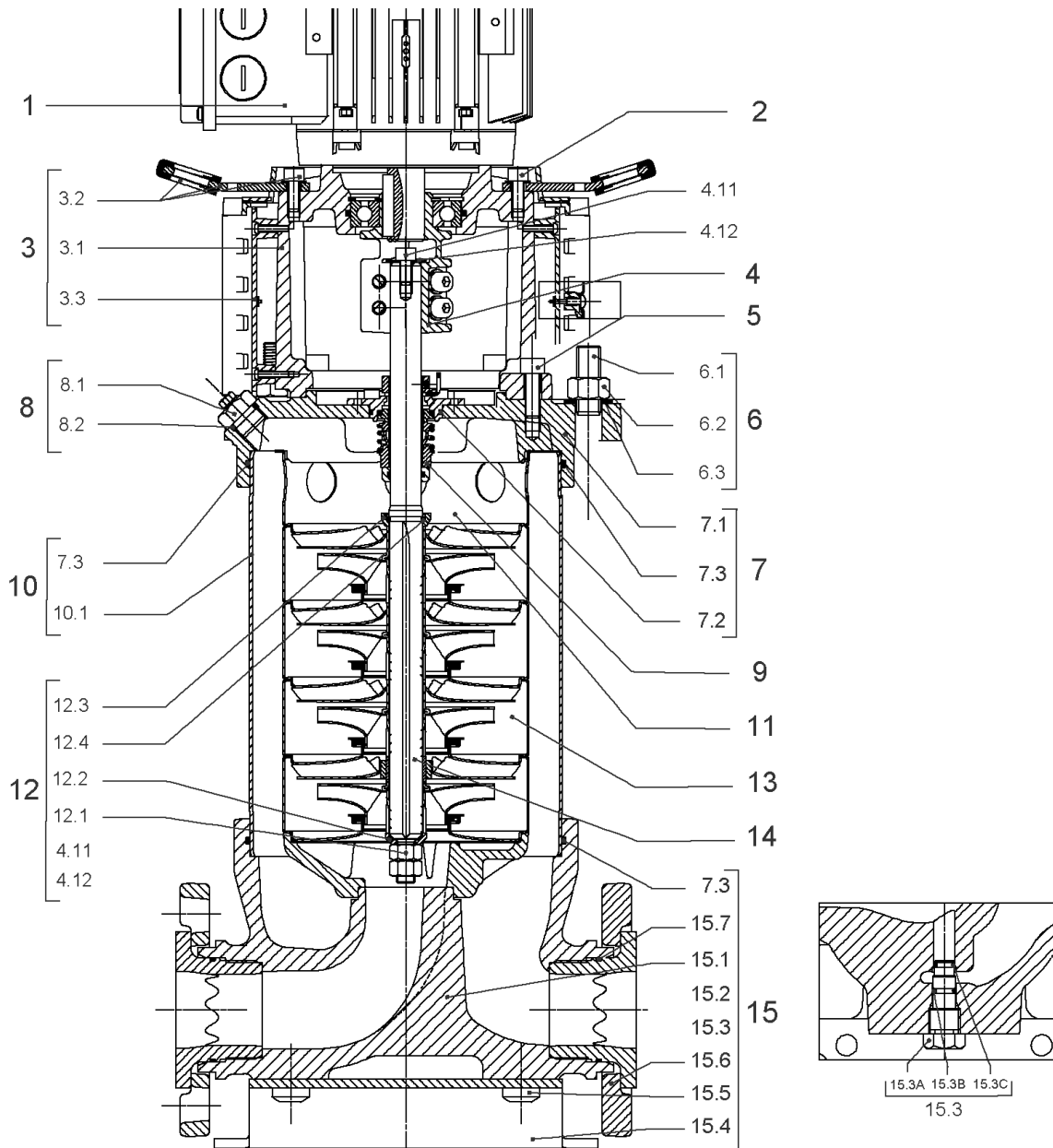


CARTRIDGE HELIX22-36-52 F/E KIT (4143975)

Item	Article no.	Description	Quantity
9.1	4143976	SEAL-KIT-HELIX22-36-52 F/E	1
7.3	4179571	> O-RING HOUSING PIPE HELIX22/36/52 VP.	1
7.4	4179572	> O-RING ID.42.52X2.62 EPDM VP.	1
9.1A	2127447	> M.SEAL.HELIX22-36-52 F/E VP.	1
9.1B	4179574	> O-RING ID.20x2.65 EPDM VP.	1
9.2	4179566	SHAFT SLEEVE D.20/20X60 1.4404 VP.	1
9.3	4179567	RING HOLDER Ø22 1.4301 VP.	1
9.4	4176520	SCREW CH M5x5 A4-70 (3PIECES)	1
9.5	4179568	DRIVE RING D.31/22.1x11 MACH.VP.	1
9.6	4179569	TOOL M.S.CART.HELIX 8" VP.	1
9.7	4179570	SCREW M6X16 ISO4762 8.8 GEOMET(4 PIECES)	1



Item	Article no.	Description	Quantity
13.1	4157739	FIRST STAGE HELIX 22 1.4307 KIT	1
		> IMPELLER-H1-M+22-304	1
		> MACH.STG-CASING-WOGV-WNR-M+22-304	1
13.2	4157740	BEARING STAGE HELIX 22 1.4307 KIT	1
		> IMPELLER-H2-M+22-304	1
		> MACH.BEARING-STG-CASING-WNR-M+22-304	1
		> SHAFT-SLEEVE-D26xD22x16-CW	1
13.3	4157743	INTERMEDIATE STAGE HELIX 22 KIT	1
		> MACH.STD-STG-CASING-WGV+NR-M+22-304	1
		> IMPELLER-H2-M+22-304	1



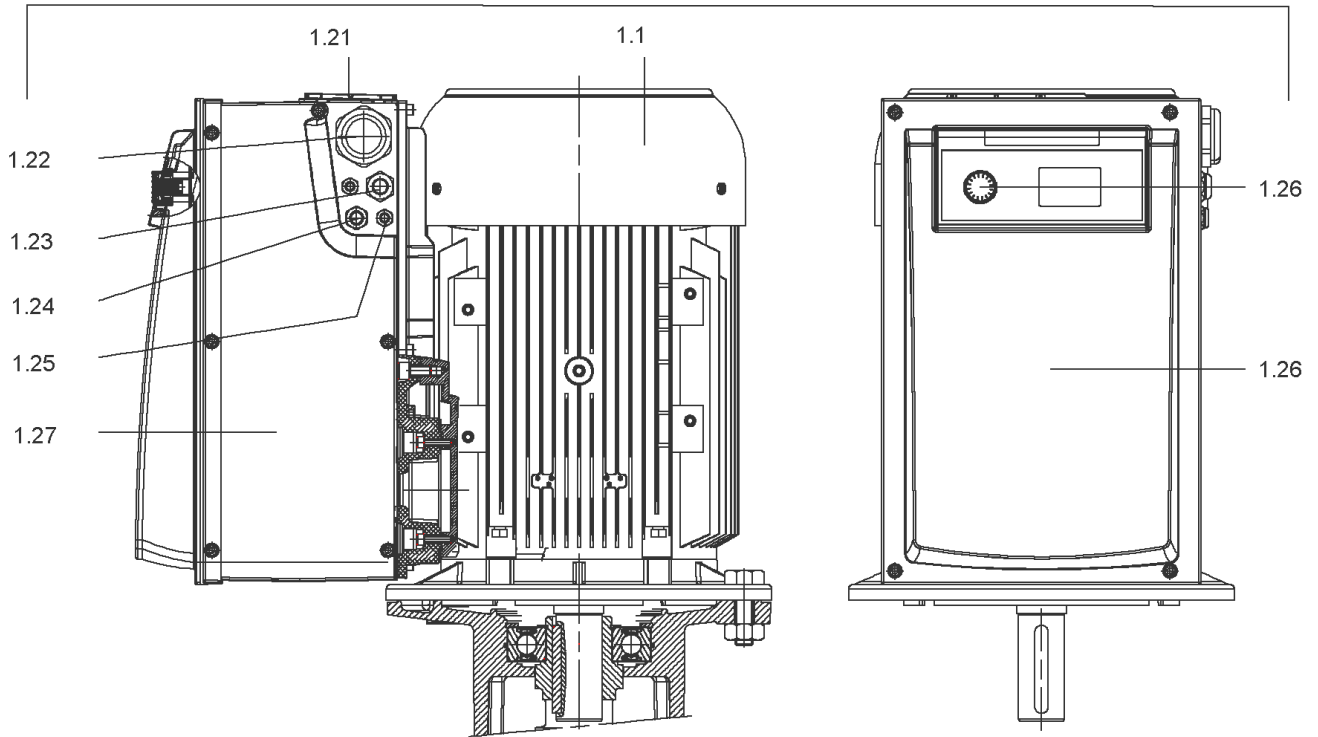
HELIX VE2208-3/25/E/K/2G (4166185)

Item	Article no.	Description	Quantity
1		DRIVE HELIX VE2208-IE2-ARC KIT	1
Note: no longer available/nicht mehr lieferbar/n'est plus disponible			
1	4218541	DRIVE HELIX VE2208-IE4-WEG KIT	1
Note: MOTOR BRAND WEG			
2	4179586	SCREW M16X60 (4 PIECES)	1
3	4157721	LANTERN HELIX 22/36 FF300 BB6312 KIT	1
3.1		> LANTERN FF300 M+ GJL MACHINED+CATA 6312	1
3.2	4179589	> EYELET CPL.FF300 HELIX(4 PIECES)	1
3.3	4143969	> COUPLING PROTECT HELIX FF KIT	1
4	4143966	COUPLING D.20XD.38 FF300 KIT	1
5	4157725	SCREW M10X40 (4 PIECES)	1
6	4181086	STUD BOLT M16X533 KIT	1
6.1		> TIE BOLT M16-533x24x44-1.4057	1
6.2	4179562	> NUT M16 8.8 ISO4032 (4 PIECES)	1
6.3	4097852	> WASHER-CS-16.4-32-2.8-NFE25-511-A2	1
7	4179565	END SHIELD HELIX 8" EPDM KIT	1
7.1		> END SHIELD M+ GJL MACHINED+CATA	1
7.2	4179564	> O-RING D.42.52x2.62 EPDM VP.	1
7.3	4179571	> O-RING HOUSING PIPE HELIX22/36/52 VP.	1
8	4186377	FILING/PURGING PLUG 304 HELIX KIT	1
8.1		> FILLING/VENTING-PLUG-MVI8/10"-304	1
8.2	4032291	> O-RING 17x3 EPDM KTW/WRC	1
9	4143975	CARTRIDGE HELIX22-36-52 F/E KIT	1
10	4181087	HOUSING PIPE D.204x464,13 1.4307 KIT	1
7.3	4179571	> O-RING HOUSING PIPE HELIX22/36/52 VP.	1
10.1		> HOUSING-PIPE Ø204-M+2208/3606-304	1
11	4179143	CENTERING STAGE-RETURN HELIX22 1.4307 VP	1
12	4143967	SHAFT EQUIPMENT HELIX V KIT	1
13		HYDRAULIC HELIX V 2208	1
14	4180848	SHAFT D.22X604 1.4057 VP.	1
15	4181158	EQUIPED HOUSING HELIX 22 GJL KIT	1
7.3	4179571	> O-RING HOUSING PIPE HELIX22/36/52 VP.	1
15.1		> PUMP HOUSING SET with COATED PARTS-DN50	1
15.3	4143766	> DRAIN/PRIMING PLUG EPDM HELIX KIT	1

HELIX VE2208-3/25/E/K/2G (4166185)

Item	Article no.	Description	Quantity
15.3A		>> PRIMING/DRAIN PLUG-304-VERSION 1	1
15.3B	4032293	>> O-RING-10x3-EPDM-KTW/WRC	1
15.3C	4233957	>> O-RING ID.9 EPDM VP.	1
15.4	4221729	> BASE M+ DN50/65/80 VP.	1
15.6		> FLANGE M+ DN50 CATA	1
15.7		> O-RING Ø63.17xØ2.62 EPDM	1
15.5		> SCREW TBHC M12x25 ISO7380 ZN	1

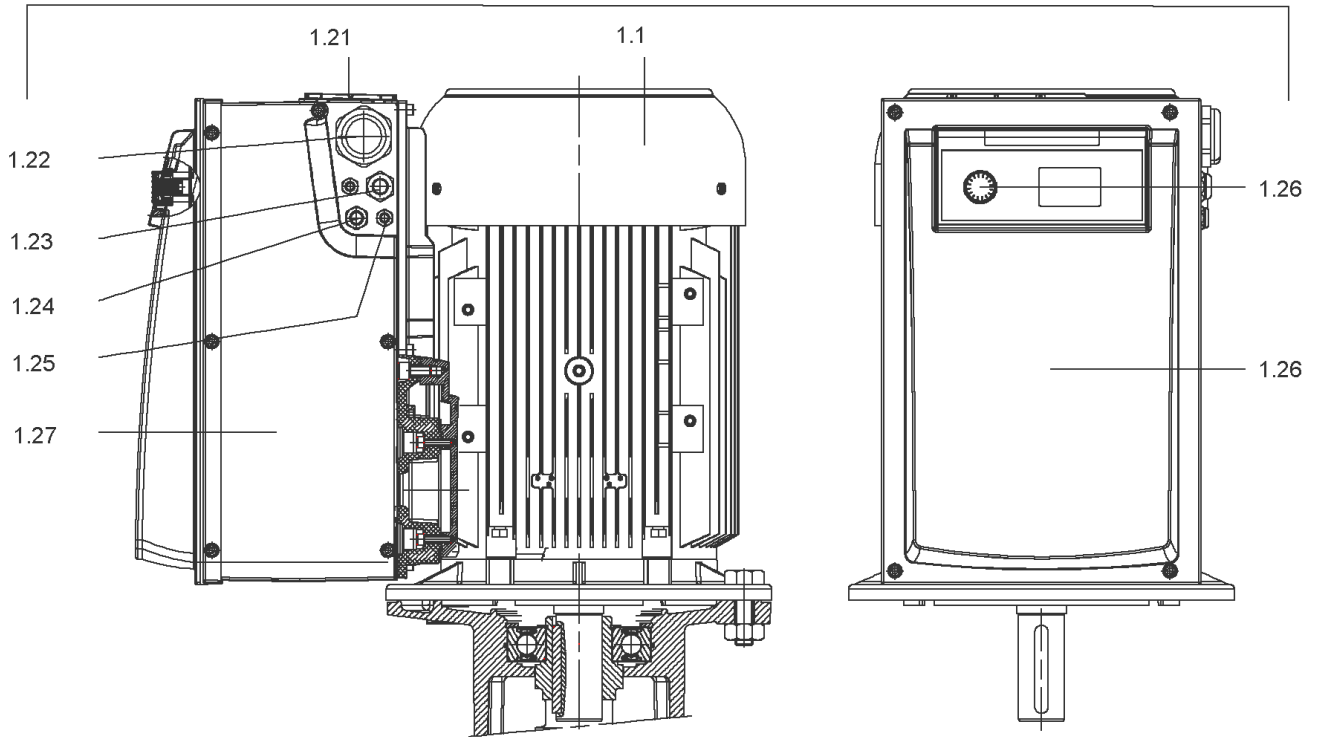
1



DRIVE HELIX VE2208-IE2-ARC KIT

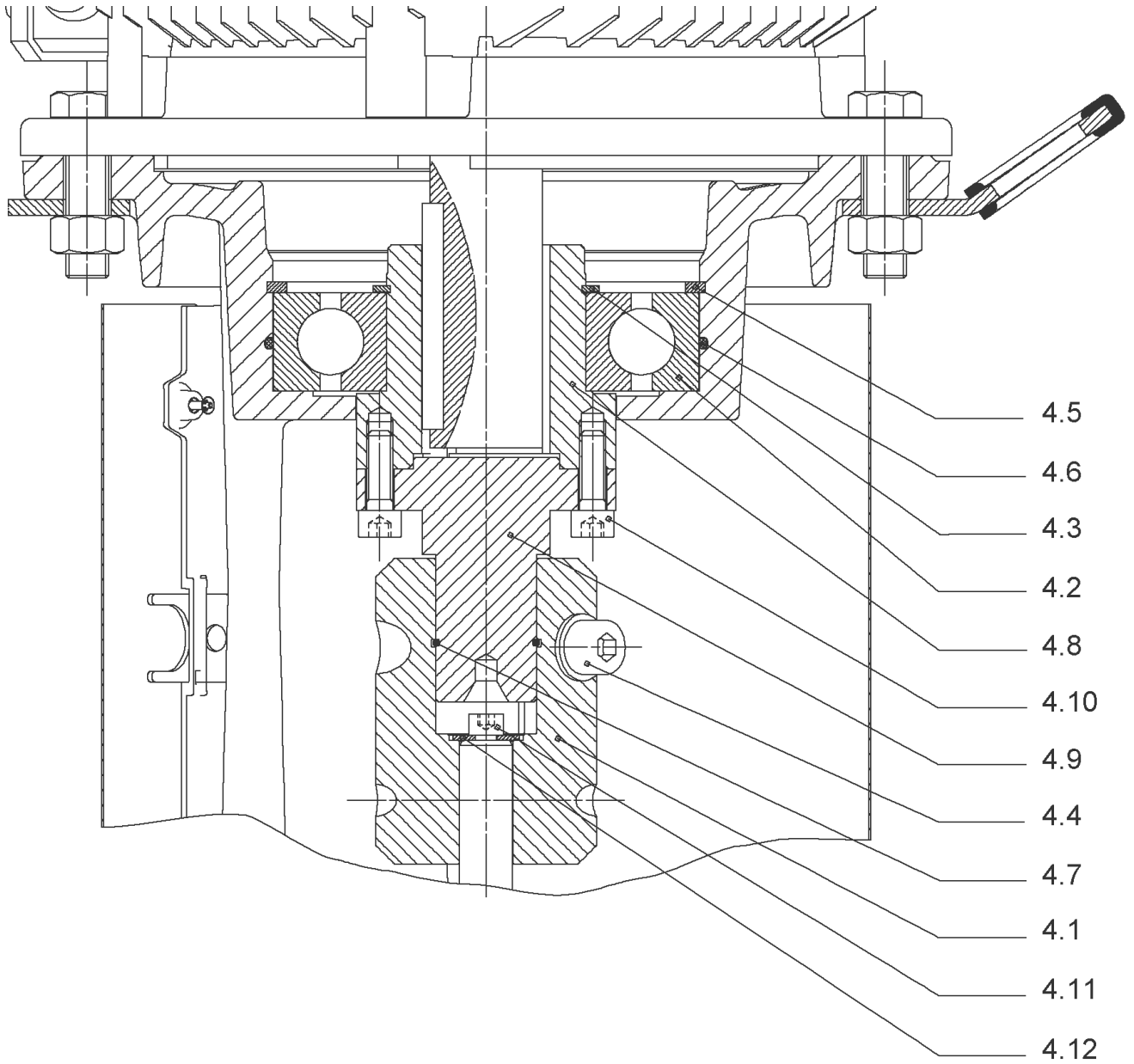
Item	Article no.	Description	Quantity
1.1		M18.5-2T638P55V1-160F300-N42-IE2	1
		SPARE PARTS MOTOR:ON REQUEST	1
1.21	2132103	FAN LARGE TL6/7 FF KIT	1
1.25	2132097	CABLE CONNECTION M12 TL6/7 FF VP.	1
1.24	2132098	CABLE CONNECTION M16 TL6/7 FF VP.	1
1.23	2132099	CABLE CONNECTION M20 TL6/7 FF VP.	1
1.22	2132101	CABLE CONNECTION LARGE M40 TL6/7 FF VP.	1
1.27	2132104	COVER SIDE TL6/7 FF CPL.VP.	1
1.26	2132452	MODULE COVER/BUTTON TL6/7 FF VP.	1

1



DRIVE HELIX VE2208-IE4-WEG KIT (4218541)

Item	Article no.	Description	Quantity
1.1		M18,5-2T638P55V1-160F30-N42-ADAP-IE4-WEG	1
		SPARE PARTS MOTOR:ON REQUEST	1
1.21	2132102	FAN SMALL TL6/7 FF KIT	1
1.25	2132097	CABLE CONNECTION M12 TL6/7 FF VP.	1
1.24	2132098	CABLE CONNECTION M16 TL6/7 FF VP.	1
1.23	2132099	CABLE CONNECTION M20 TL6/7 FF VP.	1
1.22	2132100	CABLE CONNECTION SMALL M40 TL6/7 FF VP.	1
1.27	2132104	COVER SIDE TL6/7 FF CPL.VP.	1
1.26	2132452	MODULE COVER/BUTTON TL6/7 FF VP.	1



COUPLING D.20XD.38 FF300 KIT (4143966)

Item	Article no.	Description	Quantity
4.1	4179590	COUPLING 2 PARTS D.20XD.38XL115 VP.	1
4.2	2123699	BALL BEARING 6312/2Z-C4 (HT) VP.	1
4.3	63428	CIRCLIP-FOR-SHAFT-D60x2	1
4.4	2130991	SCREW M12X30 ISO4762 8.8 ZN(4 PIECES)	1
4.5	4032277	CIRCLIP-HOLE-130x4	1
4.6	4006725	O-RING ID.132,94x3,53 NBR70SR	1
4.7	2130992	RETAINING RING D.35xD.2,5 DIN7993 VP.	1
4.8	4179591	HUB D.42xD.60 VP.	1
4.9	2130994	SPACER D.38XD.55 VP.	1
4.10	4094462	SCREWS M10 (4 PIECES)	1
4.11	4233959	SCREW M8x16 VP.	1
4.12		SERRATED LOCK WASHER Ø8.2XØ25X35X2	1

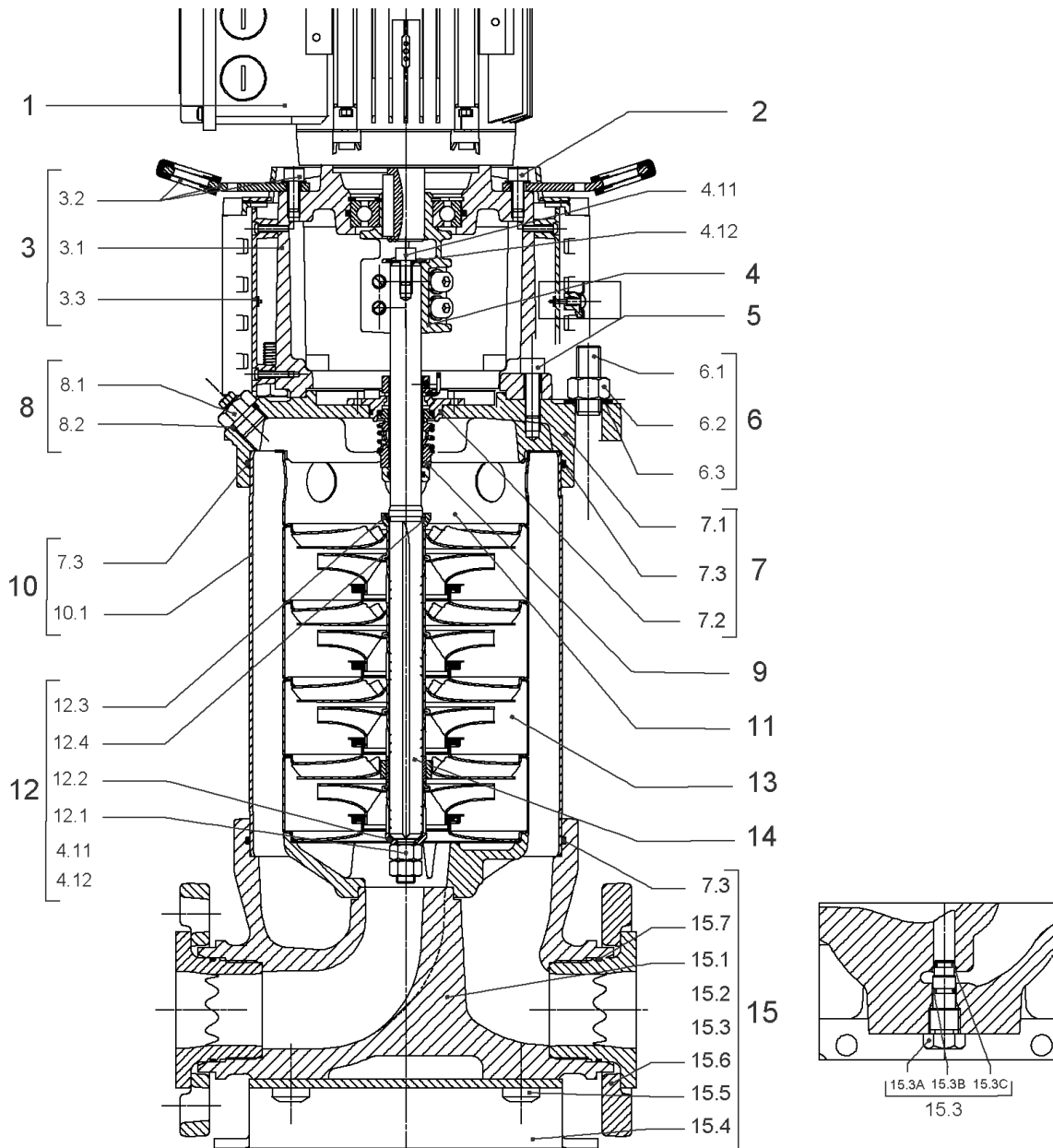


CARTRIDGE HELIX22-36-52 F/E KIT (4143975)

Item	Article no.	Description	Quantity
9.1	4143976	SEAL-KIT-HELIX22-36-52 F/E	1
7.3	4179571	> O-RING HOUSING PIPE HELIX22/36/52 VP.	1
7.4	4179572	> O-RING ID.42.52X2.62 EPDM VP.	1
9.1A	2127447	> M.SEAL.HELIX22-36-52 F/E VP.	1
9.1B	4179574	> O-RING ID.20x2.65 EPDM VP.	1
9.2	4179566	SHAFT SLEEVE D.20/20X60 1.4404 VP.	1
9.3	4179567	RING HOLDER Ø22 1.4301 VP.	1
9.4	4176520	SCREW CH M5x5 A4-70 (3PIECES)	1
9.5	4179568	DRIVE RING D.31/22.1x11 MACH.VP.	1
9.6	4179569	TOOL M.S.CART.HELIX 8" VP.	1
9.7	4179570	SCREW M6X16 ISO4762 8.8 GEOMET(4 PIECES)	1



Item	Article no.	Description	Quantity
13.1	4157739	FIRST STAGE HELIX 22 1.4307 KIT	1
		> IMPELLER-H1-M+22-304	1
		> MACH.STG-CASING-WOGV-WNR-M+22-304	1
13.2	4157740	BEARING STAGE HELIX 22 1.4307 KIT	1
		> IMPELLER-H2-M+22-304	1
		> MACH.BEARING-STG-CASING-WNR-M+22-304	1
		> SHAFT-SLEEVE-D26xD22x16-CW	1
13.3	4157743	INTERMEDIATE STAGE HELIX 22 KIT	1
		> MACH.STD-STG-CASING-WGV+NR-M+22-304	1
		> IMPELLER-H2-M+22-304	1



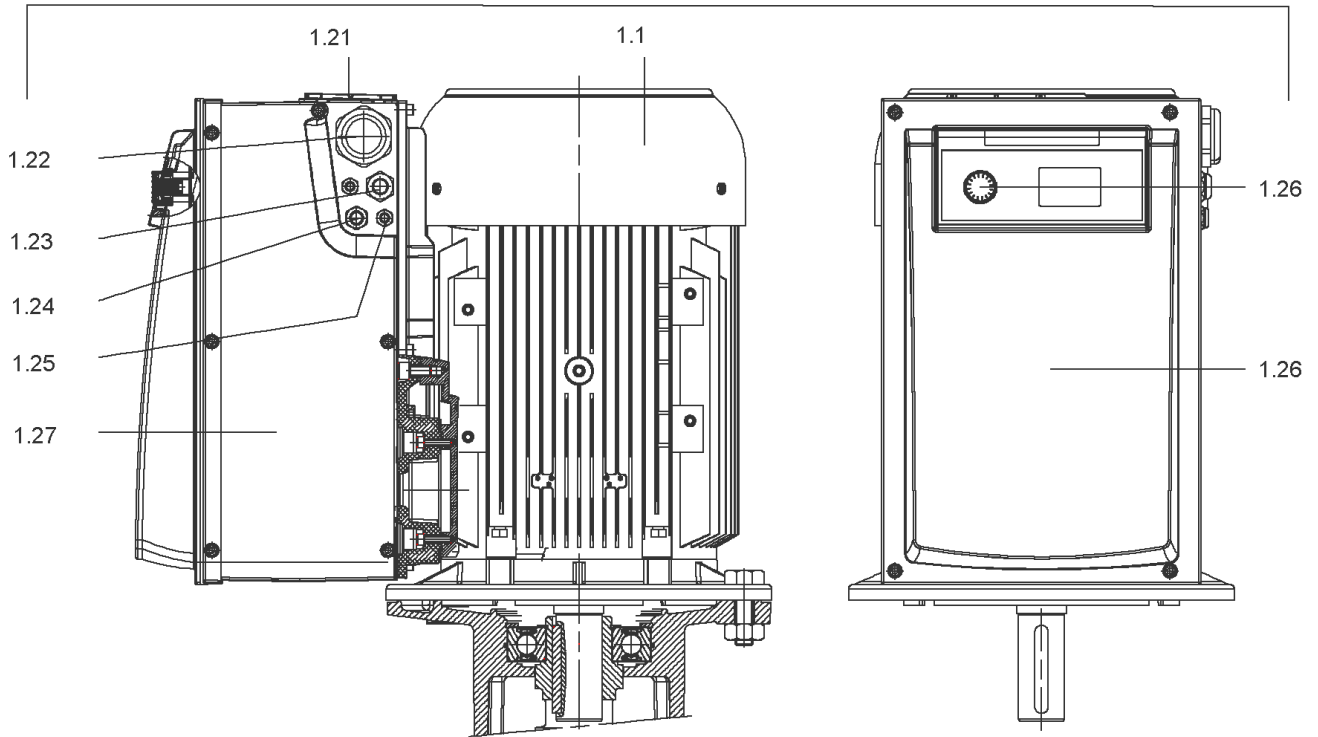
HELIX VE2208-3/25/E/KS/2G (4166189)

Item	Article no.	Description	Quantity
1		DRIVE HELIX VE2208-IE2-ARC KIT	1
Note: no longer available/nicht mehr lieferbar/n'est plus disponible			
1	4218541	DRIVE HELIX VE2208-IE4-WEG KIT	1
Note: MOTOR BRAND WEG			
2	4179586	SCREW M16X60 (4 PIECES)	1
3	4157721	LANTERN HELIX 22/36 FF300 BB6312 KIT	1
3.1		> LANTERN FF300 M+ GJL MACHINED+CATA 6312	1
3.2	4179589	> EYELET CPL.FF300 HELIX(4 PIECES)	1
3.3	4143969	> COUPLING PROTECT HELIX FF KIT	1
4	4143966	COUPLING D.20XD.38 FF300 KIT	1
5	4157725	SCREW M10X40 (4 PIECES)	1
6	4181086	STUD BOLT M16X533 KIT	1
6.1		> TIE BOLT M16-533x24x44-1.4057	1
6.2	4179562	> NUT M16 8.8 ISO4032 (4 PIECES)	1
6.3	4097852	> WASHER-CS-16.4-32-2.8-NFE25-511-A2	1
7	4179565	END SHIELD HELIX 8" EPDM KIT	1
7.1		> END SHIELD M+ GJL MACHINED+CATA	1
7.2	4179564	> O-RING D.42.52x2.62 EPDM VP.	1
7.3	4179571	> O-RING HOUSING PIPE HELIX22/36/52 VP.	1
8	4186377	FILING/PURGING PLUG 304 HELIX KIT	1
8.1		> FILLING/VENTING-PLUG-MVI8/10"-304	1
8.2	4032291	> O-RING 17x3 EPDM KTW/WRC	1
9	4143975	CARTRIDGE HELIX22-36-52 F/E KIT	1
10	4181087	HOUSING PIPE D.204x464,13 1.4307 KIT	1
7.3	4179571	> O-RING HOUSING PIPE HELIX22/36/52 VP.	1
10.1		> HOUSING-PIPE Ø204-M+2208/3606-304	1
11	4179143	CENTERING STAGE-RETURN HELIX22 1.4307 VP	1
12	4143967	SHAFT EQUIPMENT HELIX V KIT	1
13		HYDRAULIC HELIX V 2208	1
14	4180848	SHAFT D.22X604 1.4057 VP.	1
15	4181158	EQUIPED HOUSING HELIX 22 GJL KIT	1
7.3	4179571	> O-RING HOUSING PIPE HELIX22/36/52 VP.	1
15.1		> PUMP HOUSING SET with COATED PARTS-DN50	1
15.3	4143766	> DRAIN/PRIMING PLUG EPDM HELIX KIT	1

HELIX VE2208-3/25/E/KS/2G (4166189)

Item	Article no.	Description	Quantity
15.3A		>> PRIMING/DRAIN PLUG-304-VERSION 1	1
15.3B	4032293	>> O-RING-10x3-EPDM-KTW/WRC	1
15.3C	4233957	>> O-RING ID.9 EPDM VP.	1
15.4	4221729	> BASE M+ DN50/65/80 VP.	1
15.6		> FLANGE M+ DN50 CATA	1
15.7		> O-RING Ø63.17xØ2.62 EPDM	1
15.5		> SCREW TBHC M12x25 ISO7380 ZN	1

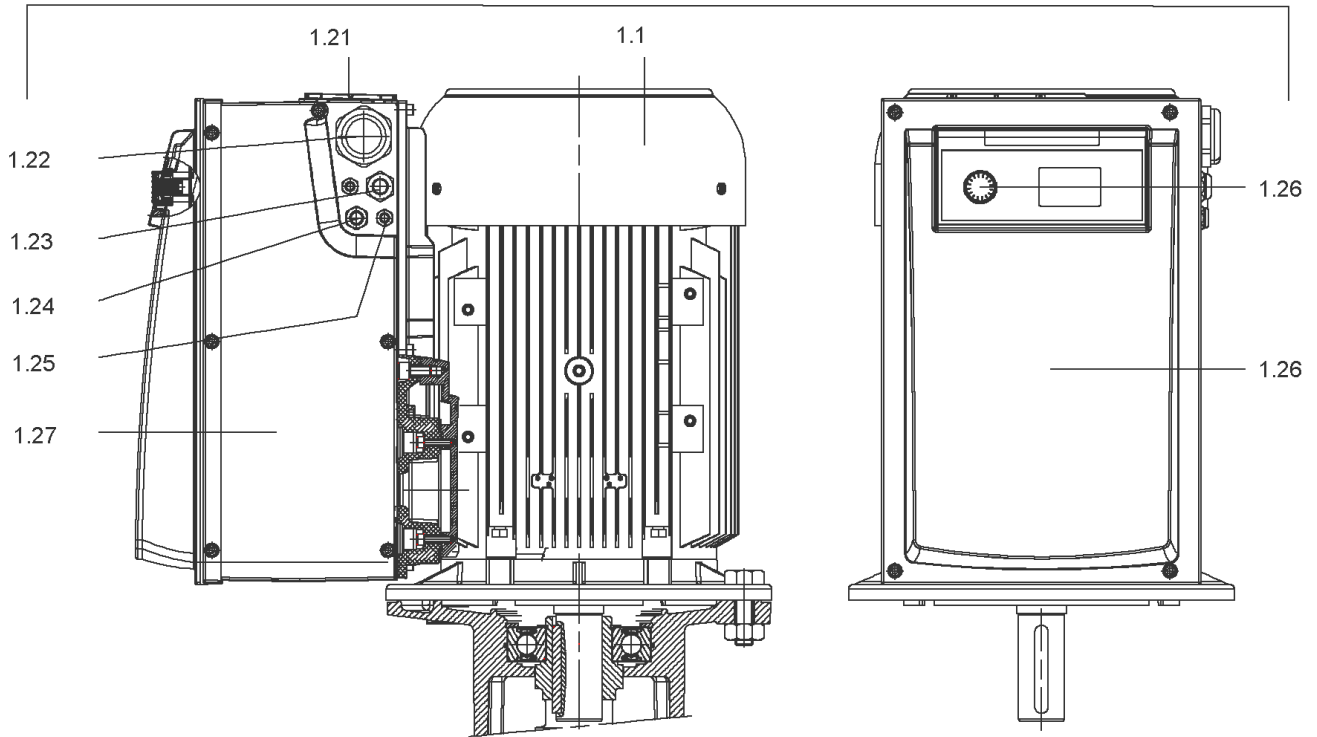
1



DRIVE HELIX VE2208-IE2-ARC KIT

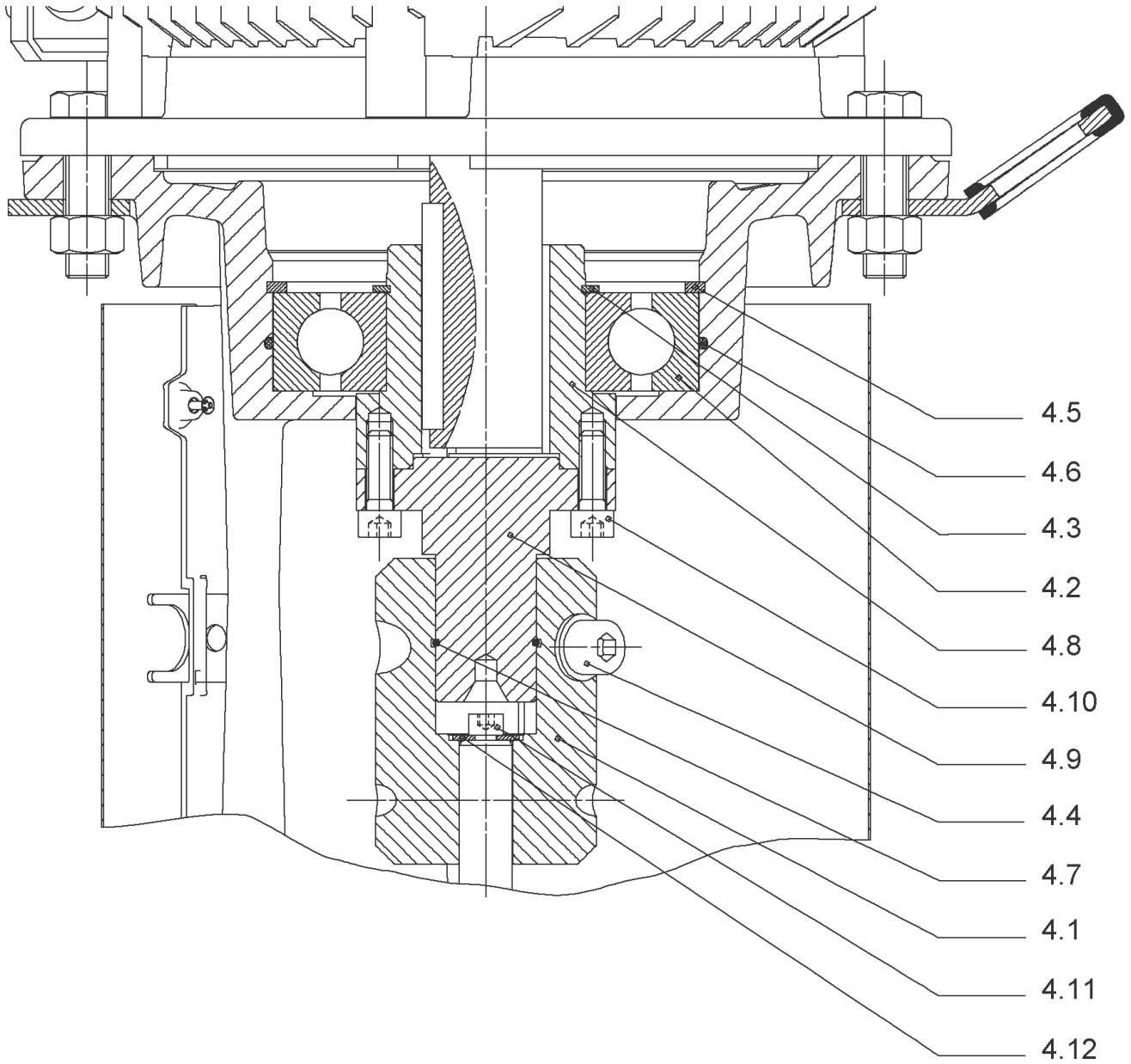
Item	Article no.	Description	Quantity
1.1		M18.5-2T638P55V1-160F300-N42-IE2	1
		SPARE PARTS MOTOR:ON REQUEST	1
1.21	2132103	FAN LARGE TL6/7 FF KIT	1
1.25	2132097	CABLE CONNECTION M12 TL6/7 FF VP.	1
1.24	2132098	CABLE CONNECTION M16 TL6/7 FF VP.	1
1.23	2132099	CABLE CONNECTION M20 TL6/7 FF VP.	1
1.22	2132101	CABLE CONNECTION LARGE M40 TL6/7 FF VP.	1
1.27	2132104	COVER SIDE TL6/7 FF CPL.VP.	1
1.26	2132452	MODULE COVER/BUTTON TL6/7 FF VP.	1

1



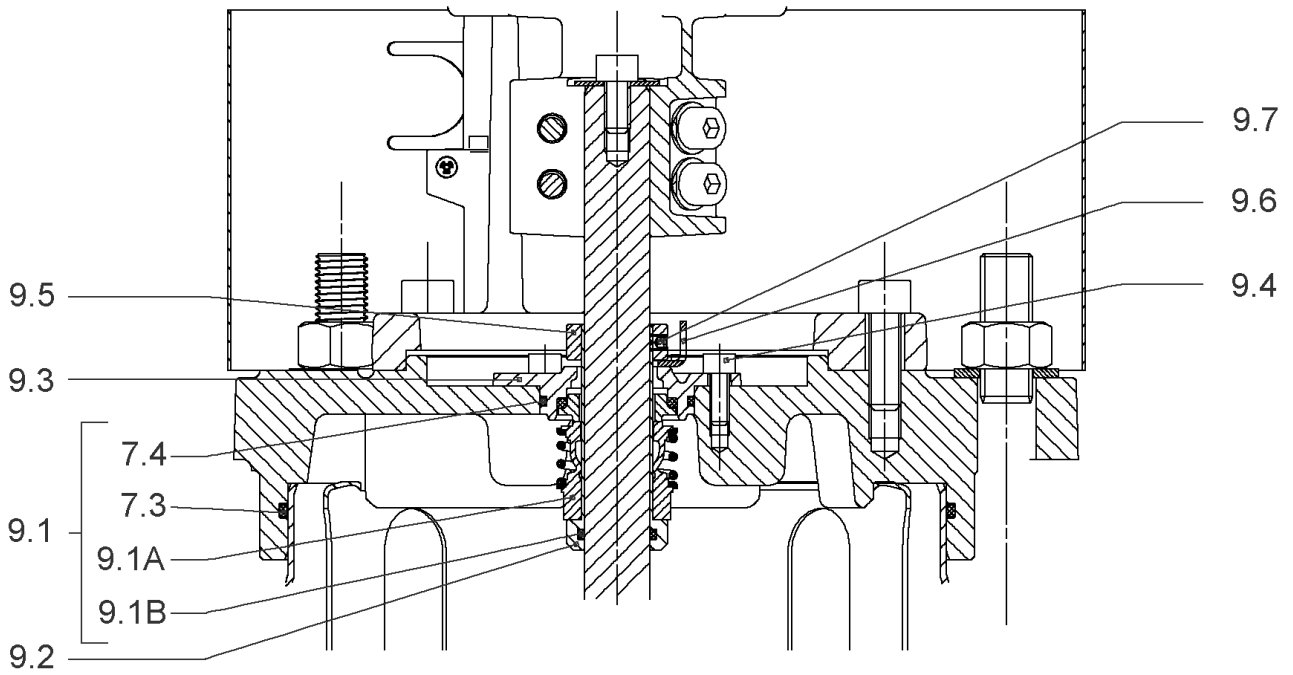
DRIVE HELIX VE2208-IE4-WEG KIT (4218541)

Item	Article no.	Description	Quantity
1.1		M18,5-2T638P55V1-160F30-N42-ADAP-IE4-WEG	1
		SPARE PARTS MOTOR:ON REQUEST	1
1.21	2132102	FAN SMALL TL6/7 FF KIT	1
1.25	2132097	CABLE CONNECTION M12 TL6/7 FF VP.	1
1.24	2132098	CABLE CONNECTION M16 TL6/7 FF VP.	1
1.23	2132099	CABLE CONNECTION M20 TL6/7 FF VP.	1
1.22	2132100	CABLE CONNECTION SMALL M40 TL6/7 FF VP.	1
1.27	2132104	COVER SIDE TL6/7 FF CPL.VP.	1
1.26	2132452	MODULE COVER/BUTTON TL6/7 FF VP.	1



COUPLING D.20XD.38 FF300 KIT (4143966)

Item	Article no.	Description	Quantity
4.1	4179590	COUPLING 2 PARTS D.20XD.38XL115 VP.	1
4.2	2123699	BALL BEARING 6312/2Z-C4 (HT) VP.	1
4.3	63428	CIRCLIP-FOR-SHAFT-D60x2	1
4.4	2130991	SCREW M12X30 ISO4762 8.8 ZN(4 PIECES)	1
4.5	4032277	CIRCLIP-HOLE-130x4	1
4.6	4006725	O-RING ID.132,94x3,53 NBR70SR	1
4.7	2130992	RETAINING RING D.35xD.2,5 DIN7993 VP.	1
4.8	4179591	HUB D.42xD.60 VP.	1
4.9	2130994	SPACER D.38XD.55 VP.	1
4.10	4094462	SCREWS M10 (4 PIECES)	1
4.11	4233959	SCREW M8x16 VP.	1
4.12		SERRATED LOCK WASHER Ø8.2XØ25X35X2	1

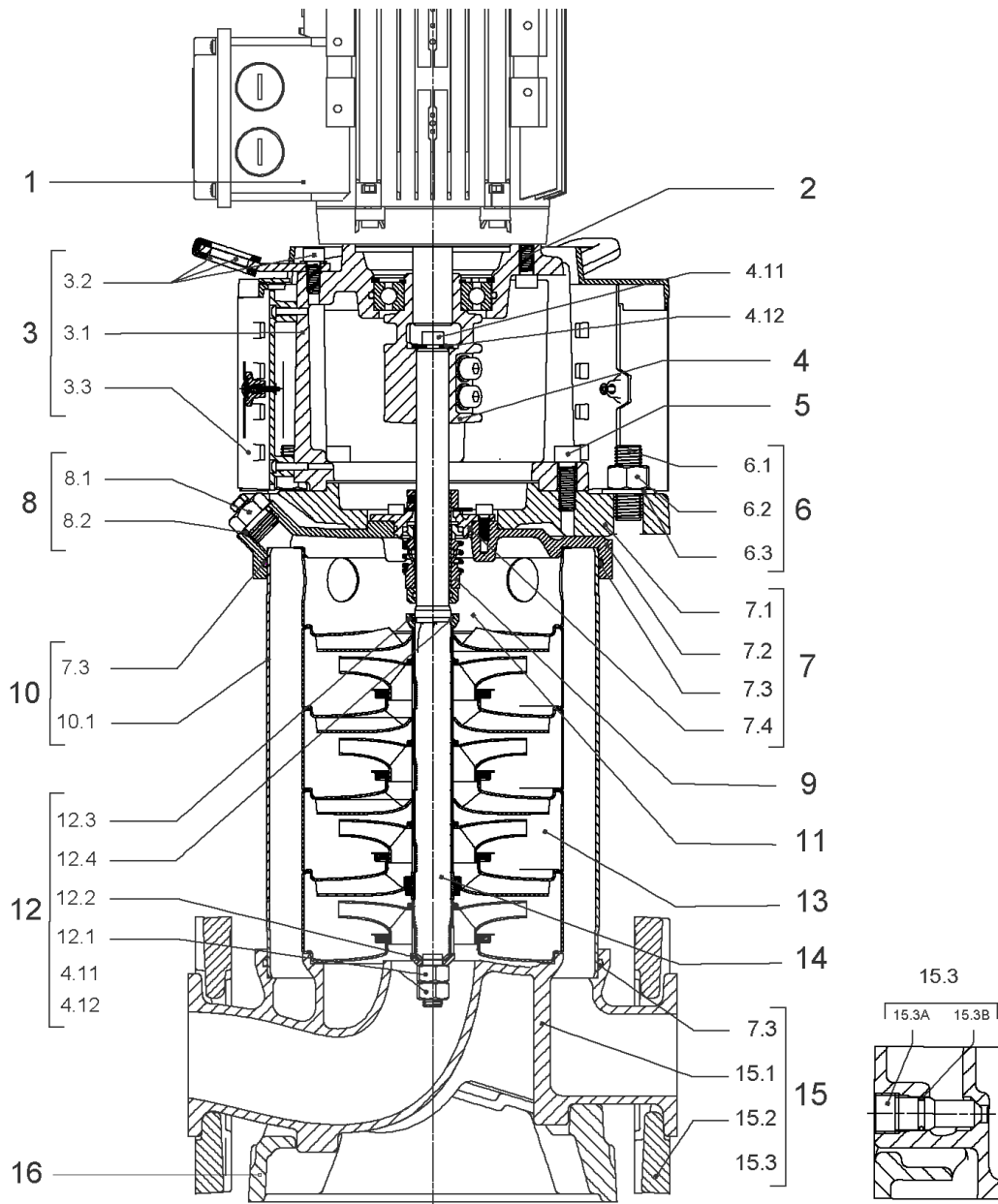


CARTRIDGE HELIX22-36-52 F/E KIT (4143975)

Item	Article no.	Description	Quantity
9.1	4143976	SEAL-KIT-HELIX22-36-52 F/E	1
7.3	4179571	> O-RING HOUSING PIPE HELIX22/36/52 VP.	1
7.4	4179572	> O-RING ID.42.52X2.62 EPDM VP.	1
9.1A	2127447	> M.SEAL.HELIX22-36-52 F/E VP.	1
9.1B	4179574	> O-RING ID.20x2.65 EPDM VP.	1
9.2	4179566	SHAFT SLEEVE D.20/20X60 1.4404 VP.	1
9.3	4179567	RING HOLDER Ø22 1.4301 VP.	1
9.4	4176520	SCREW CH M5x5 A4-70 (3PIECES)	1
9.5	4179568	DRIVE RING D.31/22.1x11 MACH.VP.	1
9.6	4179569	TOOL M.S.CART.HELIX 8" VP.	1
9.7	4179570	SCREW M6X16 ISO4762 8.8 GEOMET(4 PIECES)	1



Item	Article no.	Description	Quantity
13.1	4157739	FIRST STAGE HELIX 22 1.4307 KIT	1
		> IMPELLER-H1-M+22-304	1
		> MACH.STG-CASING-WOGV-WNR-M+22-304	1
13.2	4157740	BEARING STAGE HELIX 22 1.4307 KIT	1
		> IMPELLER-H2-M+22-304	1
		> MACH.BEARING-STG-CASING-WNR-M+22-304	1
		> SHAFT-SLEEVE-D26xD22x16-CW	1
13.3	4157743	INTERMEDIATE STAGE HELIX 22 KIT	1
		> MACH.STD-STG-CASING-WGV+NR-M+22-304	1
		> IMPELLER-H2-M+22-304	1

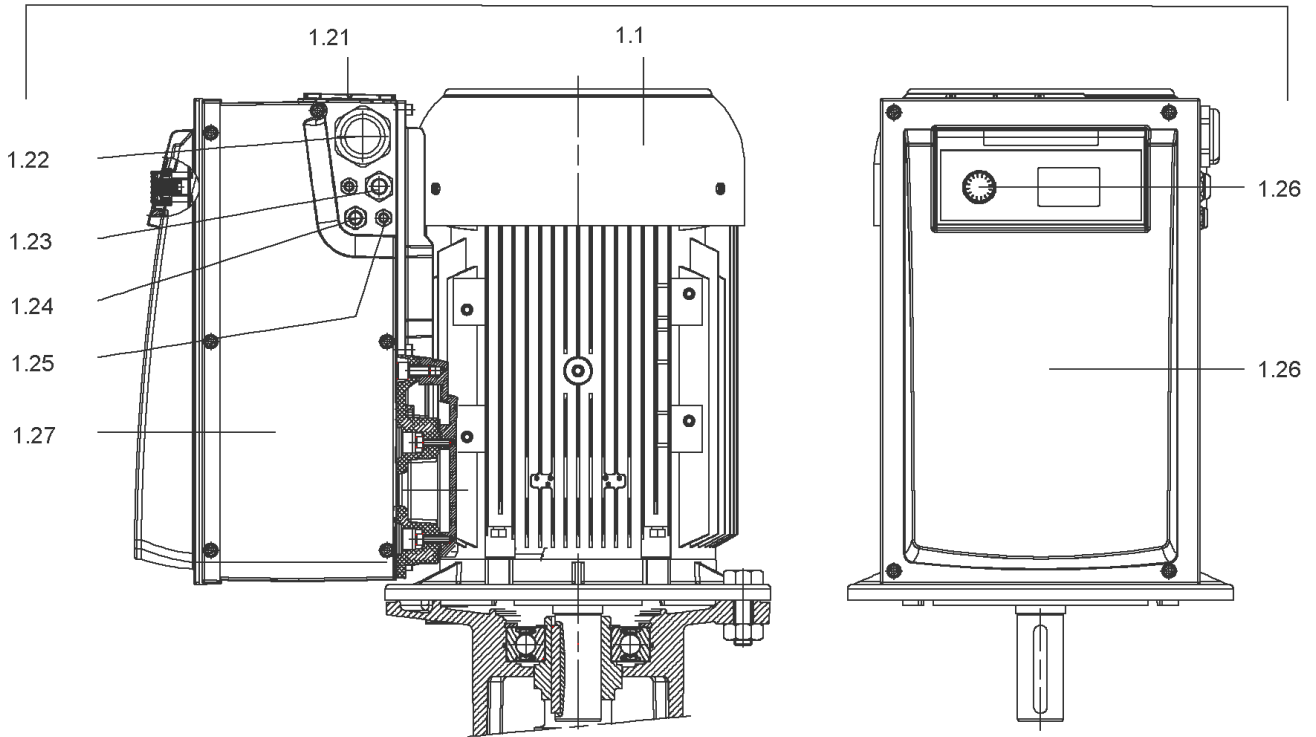


HELIX VE2208-1/25/E/KS (4198858)

Item	Article no.	Description	Quantity
1	4218541	DRIVE HELIX VE2208-IE4-WEG KIT	1
Note: MOTOR BRAND WEG			
2	4179586	SCREW M16X60 (4 PIECES)	1
3	4157721	LANTERN HELIX 22/36 FF300 BB6312 KIT	1
3.1		> LANTERN FF300 M+ GJL MACHINED+CATA 6312	1
3.2	4179589	> EYELET CPL.FF300 HELIX(4 PIECES)	1
3.3	4143969	> COUPLING PROTECT HELIX FF KIT	1
4	4143966	COUPLING D.20XD.38 FF300 KIT	1
5	4157725	SCREW M10X40 (4 PIECES)	1
6	4217859	STUD BOLT M16X646 KIT	1
6.1		> TIE BOLT M16-646x24x44-1.4057	1
6.2	4179562	> NUT M16 8.8 ISO4032 (4 PIECES)	1
6.3	4097852	> WASHER-CS-16.4-32-2.8-NFE25-511-A2	1
7	4217176	END SHIELD HELIX OPTI 8" EPDM KIT	1
7.1		> upper flange machined + cataphoresis	1
7.2	4217174	> STATIONARY RING HOLDER 8" HELIX OPTI VP.	1
7.3	4179571	> O-RING HOUSING PIPE HELIX22/36/52 VP.	1
7.4	4179572	> O-RING ID.42.52X2.62 EPDM VP.	1
8	4186377	FILING/PURGING PLUG 304 HELIX KIT	1
8.1		> FILLING/VENTING-PLUG-MVI8/10"-304	1
8.2	4032291	> O-RING 17x3 EPDM KTW/WRC	1
9	4143975	CARTRIDGE HELIX22-36-52 F/E KIT	1
10	4181087	HOUSING PIPE D.204x464,13 1.4307 KIT	1
7.3	4179571	> O-RING HOUSING PIPE HELIX22/36/52 VP.	1
10.1		> HOUSING-PIPE Ø204-M+2208/3606-304	1
11	4179143	CENTERING STAGE-RETURN HELIX22 1.4307 VP	1
12	4143967	SHAFT EQUIPMENT HELIX V KIT	1
13		HYDRAULIC HELIX V 2208	1
14	4180848	SHAFT D.22X604 1.4057 VP.	1
15	4217852	EQUIPED HOUSING DN50 HELIX OPTI 8" KIT	1
15.1		> pump casing machined DN50	1
15.2	4217178	> HALF FLANGE DN50 HELIX OPTI 8" VP.	1
15.3	4217850	> DRAIN/PRIMING PLUG HELIX OPTI 8" KIT	1
7.3	4179571	> O-RING HOUSING PIPE HELIX22/36/52 VP.	1

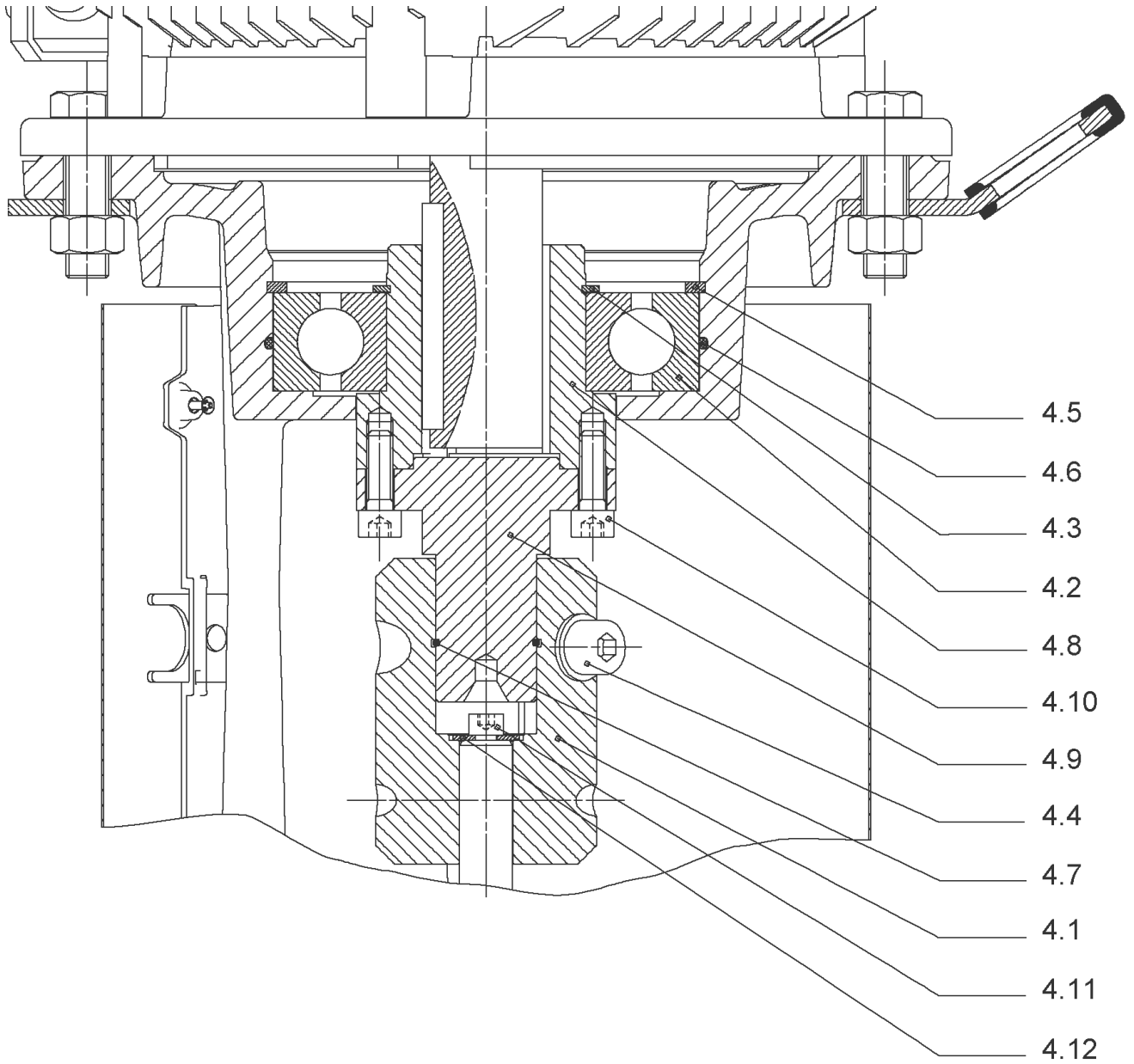
Item	Article no.	Description	Quantity
16	4217854	BASEPLATE DN50 HELIX OPTI 8" VP.	1

1



DRIVE HELIX VE2208-IE4-WEG KIT (4218541)

Item	Article no.	Description	Quantity
1.1		M18,5-2T638P55V1-160F30-N42-ADAP-IE4-WEG	1
		SPARE PARTS MOTOR:ON REQUEST	1
1.21	2132102	FAN SMALL TL6/7 FF KIT	1
1.25	2132097	CABLE CONNECTION M12 TL6/7 FF VP.	1
1.24	2132098	CABLE CONNECTION M16 TL6/7 FF VP.	1
1.23	2132099	CABLE CONNECTION M20 TL6/7 FF VP.	1
1.22	2132100	CABLE CONNECTION SMALL M40 TL6/7 FF VP.	1
1.27	2132104	COVER SIDE TL6/7 FF CPL.VP.	1
1.26	2132452	MODULE COVER/BUTTON TL6/7 FF VP.	1



COUPLING D.20XD.38 FF300 KIT (4143966)

Item	Article no.	Description	Quantity
4.1	4179590	COUPLING 2 PARTS D.20XD.38XL115 VP.	1
4.2	2123699	BALL BEARING 6312/2Z-C4 (HT) VP.	1
4.3	63428	CIRCLIP-FOR-SHAFT-D60x2	1
4.4	2130991	SCREW M12X30 ISO4762 8.8 ZN(4 PIECES)	1
4.5	4032277	CIRCLIP-HOLE-130x4	1
4.6	4006725	O-RING ID.132,94x3,53 NBR70SR	1
4.7	2130992	RETAINING RING D.35xD.2,5 DIN7993 VP.	1
4.8	4179591	HUB D.42xD.60 VP.	1
4.9	2130994	SPACER D.38XD.55 VP.	1
4.10	4094462	SCREWS M10 (4 PIECES)	1
4.11	4233959	SCREW M8x16 VP.	1
4.12		SERRATED LOCK WASHER Ø8.2XØ25X35X2	1

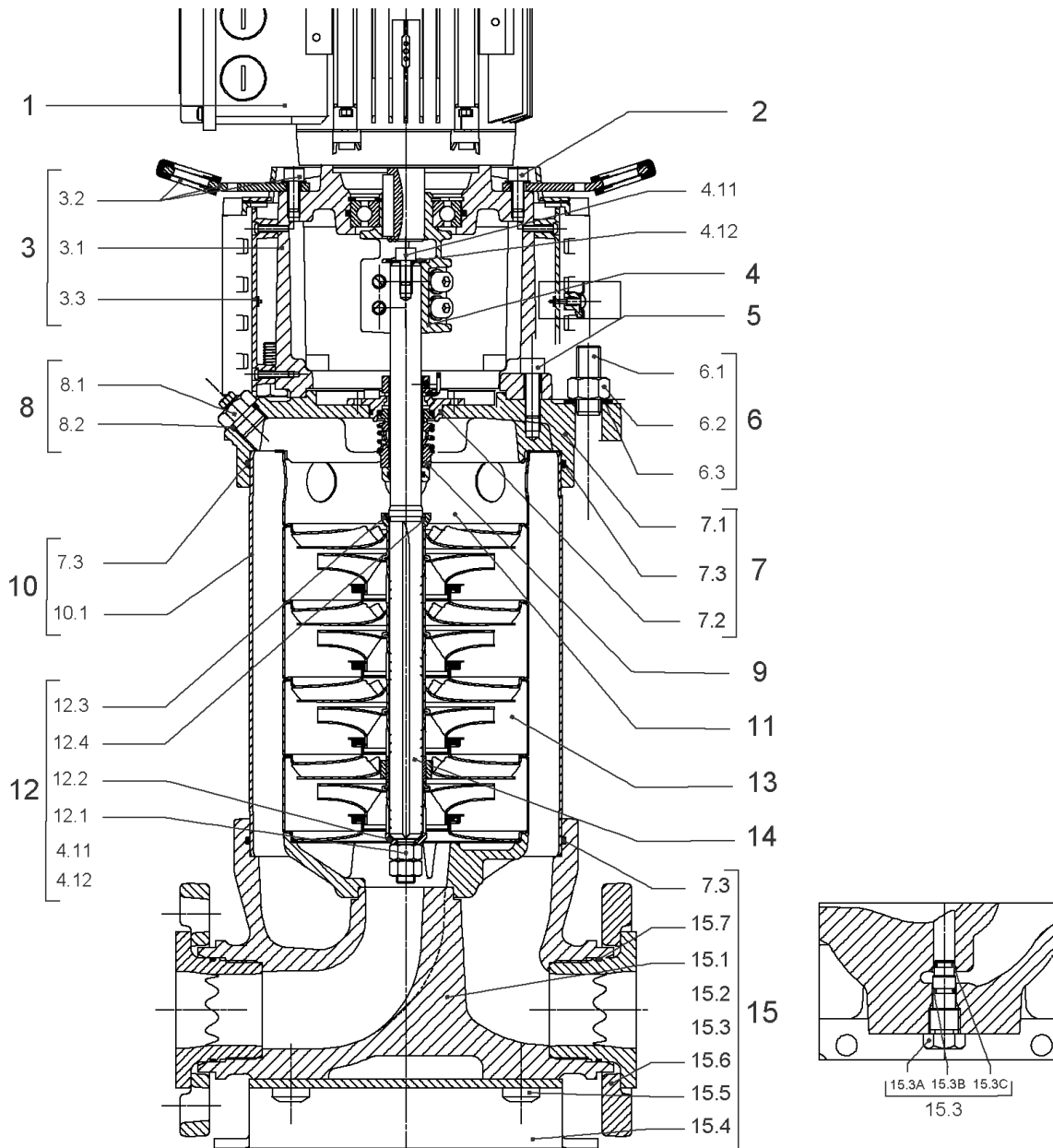


CARTRIDGE HELIX22-36-52 F/E KIT (4143975)

Item	Article no.	Description	Quantity
9.1	4143976	SEAL-KIT-HELIX22-36-52 F/E	1
7.3	4179571	> O-RING HOUSING PIPE HELIX22/36/52 VP.	1
7.4	4179572	> O-RING ID.42.52X2.62 EPDM VP.	1
9.1A	2127447	> M.SEAL.HELIX22-36-52 F/E VP.	1
9.1B	4179574	> O-RING ID.20x2.65 EPDM VP.	1
9.2	4179566	SHAFT SLEEVE D.20/20X60 1.4404 VP.	1
9.3	4179567	RING HOLDER Ø22 1.4301 VP.	1
9.4	4176520	SCREW CH M5x5 A4-70 (3PIECES)	1
9.5	4179568	DRIVE RING D.31/22.1x11 MACH.VP.	1
9.6	4179569	TOOL M.S.CART.HELIX 8" VP.	1
9.7	4179570	SCREW M6X16 ISO4762 8.8 GEOMET(4 PIECES)	1



Item	Article no.	Description	Quantity
13.1	4157739	FIRST STAGE HELIX 22 1.4307 KIT	1
		> IMPELLER-H1-M+22-304	1
		> MACH.STG-CASING-WOGV-WNR-M+22-304	1
13.2	4157740	BEARING STAGE HELIX 22 1.4307 KIT	1
		> IMPELLER-H2-M+22-304	1
		> MACH.BEARING-STG-CASING-WNR-M+22-304	1
		> SHAFT-SLEEVE-D26xD22x16-CW	1
13.3	4157743	INTERMEDIATE STAGE HELIX 22 KIT	1
		> MACH.STD-STG-CASING-WGV+NR-M+22-304	1
		> IMPELLER-H2-M+22-304	1



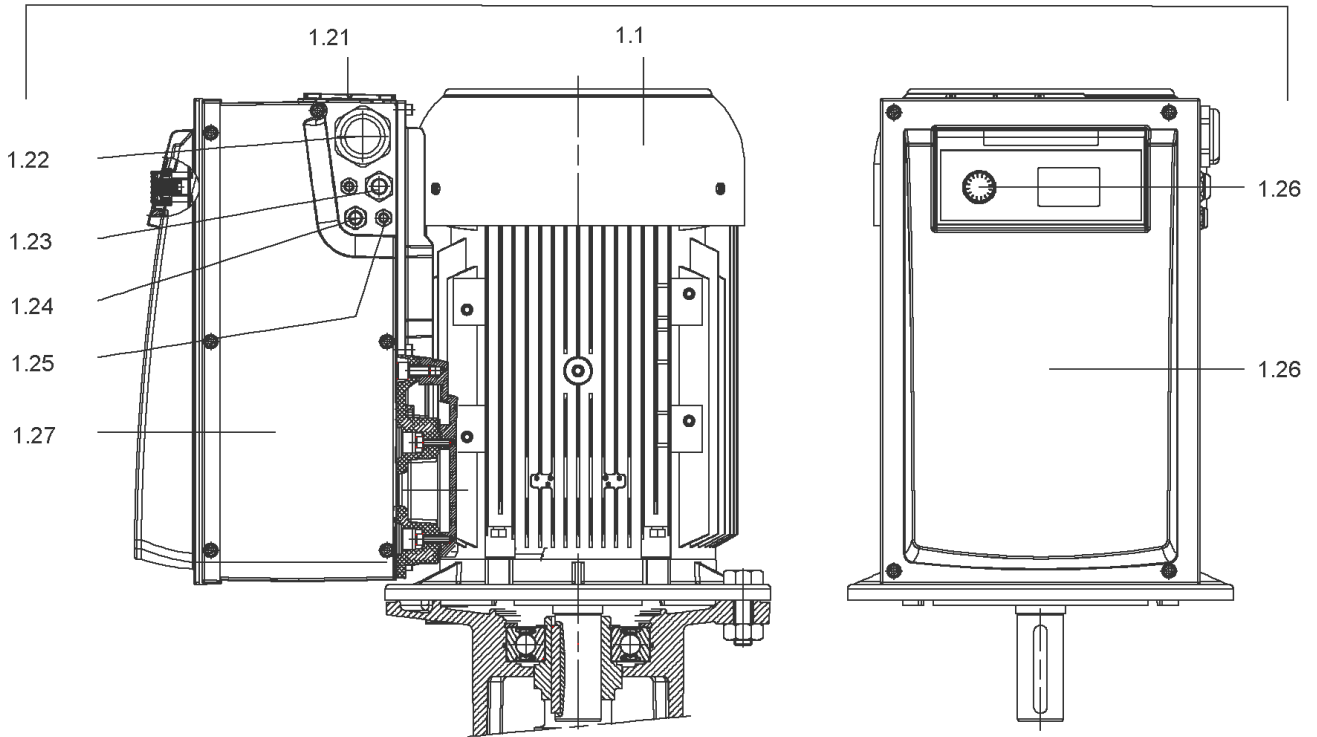
HELIX VE2209-3/25/E/K/2G (4166186)

Item	Article no.	Description	Quantity
1		DRIVE HELIX VE2209-IE2-ARC KIT	1
Note: no longer available/nicht mehr lieferbar/n'est plus disponible			
1	4220028	DRIVE HELIX VE2209-IE4-WEG KIT	1
Note: MOTOR BRAND WEG			
2	4179586	SCREW M16X60 (4 PIECES)	1
3	4157721	LANTERN HELIX 22/36 FF300 BB6312 KIT	1
3.1		> LANTERN FF300 M+ GJL MACHINED+CATA 6312	1
3.2	4179589	> EYELET CPL.FF300 HELIX(4 PIECES)	1
3.3	4143969	> COUPLING PROTECT HELIX FF KIT	1
4	4143966	COUPLING D.20XD.38 FF300 KIT	1
5	4157725	SCREW M10X40 (4 PIECES)	1
6	4181669	STUD BOLT M16X578 KIT	1
6.1		> TIE BOLT M16-578x24x44-1.4057	1
6.2	4179562	> NUT M16 8.8 ISO4032 (4 PIECES)	1
6.3	4097852	> WASHER-CS-16.4-32-2.8-NFE25-511-A2	1
7	4179565	END SHIELD HELIX 8" EPDM KIT	1
7.1		> END SHIELD M+ GJL MACHINED+CATA	1
7.2	4179564	> O-RING D.42.52x2.62 EPDM VP.	1
7.3	4179571	> O-RING HOUSING PIPE HELIX22/36/52 VP.	1
8	4186377	FILING/PURGING PLUG 304 HELIX KIT	1
8.1		> FILLING/VENTING-PLUG-MVI8/10"-304	1
8.2	4032291	> O-RING 17x3 EPDM KTW/WRC	1
9	4143975	CARTRIDGE HELIX22-36-52 F/E KIT	1
10	4181670	HOUSING PIPE D.204X514 1.4301 KIT	1
7.3	4179571	> O-RING HOUSING PIPE HELIX22/36/52 VP.	1
10.1		> HOUSING-PIPE Ø204-M+2209-304	1
11	4179143	CENTERING STAGE-RETURN HELIX22 1.4307 VP	1
12	4143967	SHAFT EQUIPMENT HELIX V KIT	1
13		HYDRAULIC HELIX V 2209	1
14	4181672	SHAFTS D.22X654 1.4057 VP.	1
15	4181158	EQUIPED HOUSING HELIX 22 GJL KIT	1
7.3	4179571	> O-RING HOUSING PIPE HELIX22/36/52 VP.	1
15.1		> PUMP HOUSING SET with COATED PARTS-DN50	1
15.3	4143766	> DRAIN/PRIMING PLUG EPDM HELIX KIT	1

HELIX VE2209-3/25/E/K/2G (4166186)

Item	Article no.	Description	Quantity
15.3A		>> PRIMING/DRAIN PLUG-304-VERSION 1	1
15.3B	4032293	>> O-RING-10x3-EPDM-KTW/WRC	1
15.3C	4233957	>> O-RING ID.9 EPDM VP.	1
15.4	4221729	> BASE M+ DN50/65/80 VP.	1
15.6		> FLANGE M+ DN50 CATA	1
15.7		> O-RING Ø63.17xØ2.62 EPDM	1
15.5		> SCREW TBHC M12x25 ISO7380 ZN	1

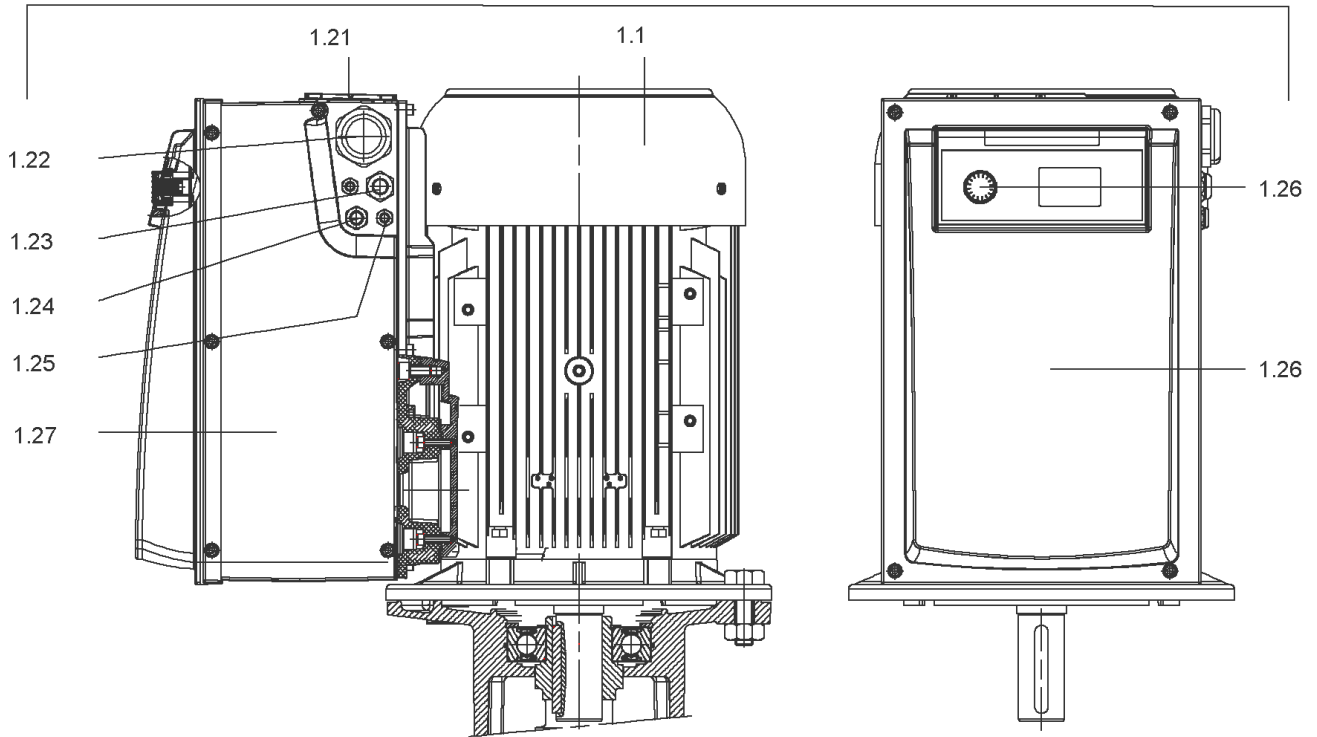
1



DRIVE HELIX VE2209-IE2-ARC KIT

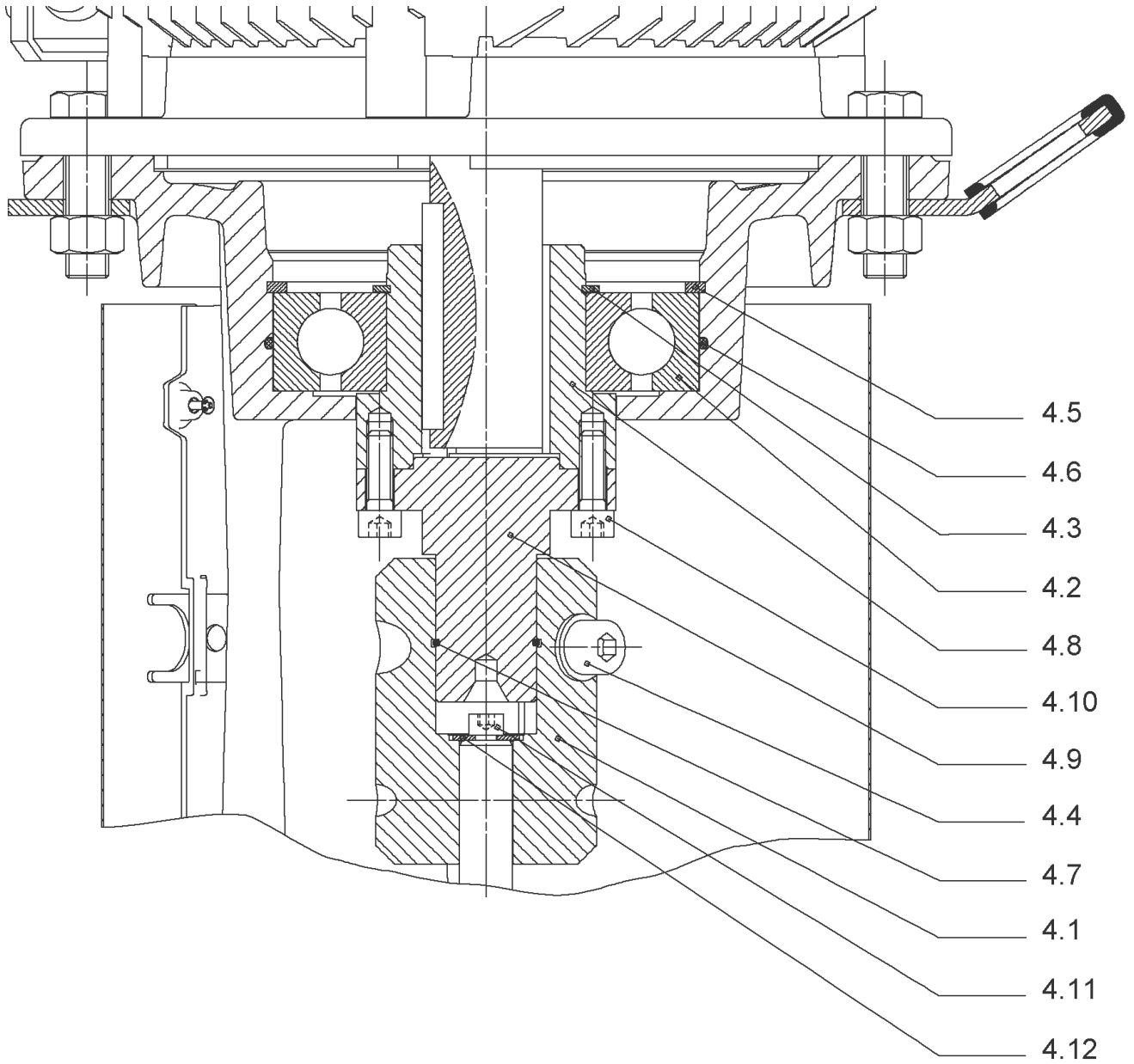
Item	Article no.	Description	Quantity
1.1		M22-2T638P55V1-160F300-N42-IE2	1
		SPARE PARTS MOTOR:ON REQUEST	1
1.21	2132102	FAN SMALL TL6/7 FF KIT	1
1.25	2132097	CABLE CONNECTION M12 TL6/7 FF VP.	1
1.24	2132098	CABLE CONNECTION M16 TL6/7 FF VP.	1
1.23	2132099	CABLE CONNECTION M20 TL6/7 FF VP.	1
1.22	2132100	CABLE CONNECTION SMALL M40 TL6/7 FF VP.	1
1.27	2132104	COVER SIDE TL6/7 FF CPL.VP.	1
1.26	2132452	MODULE COVER/BUTTON TL6/7 FF VP.	1

1



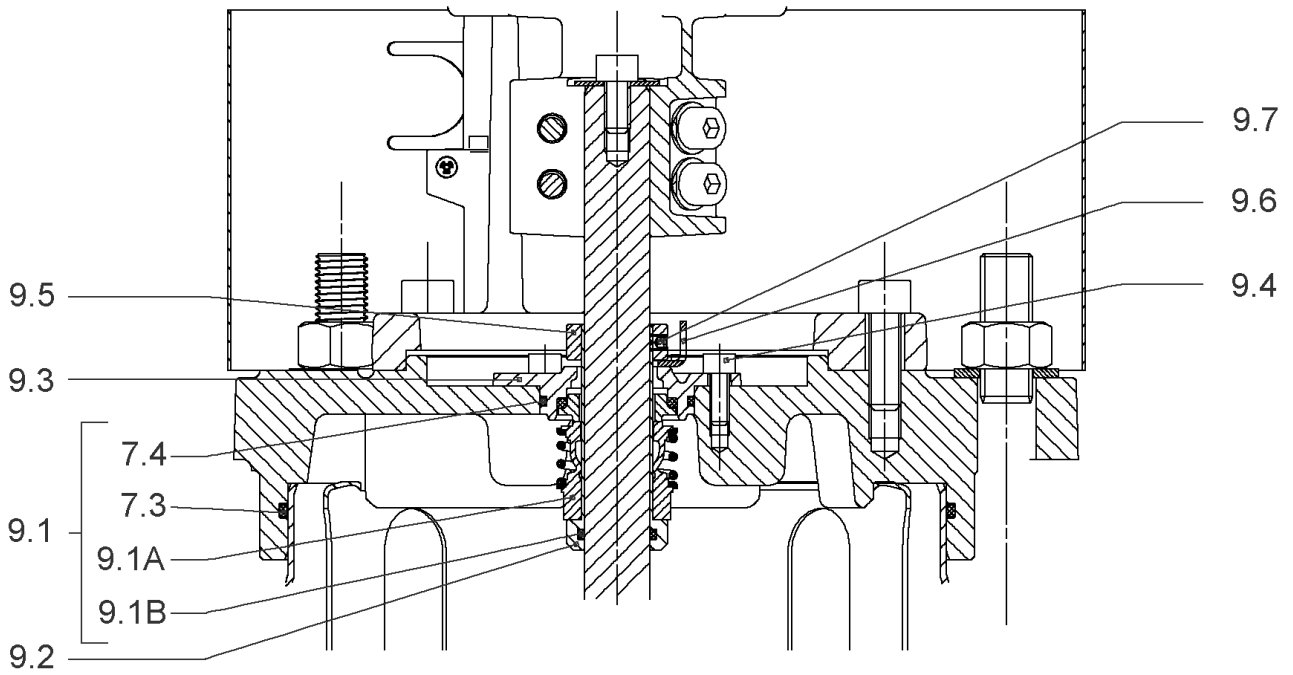
DRIVE HELIX VE2209-IE4-WEG KIT (4220028)

Item	Article no.	Description	Quantity
1.1		M22-2T638P55V1-180F30-N48-ADAPT-IE4-WEG	1
		SPARE PARTS MOTOR:ON REQUEST	1
1.21	2132102	FAN SMALL TL6/7 FF KIT	1
1.25	2132097	CABLE CONNECTION M12 TL6/7 FF VP.	1
1.24	2132098	CABLE CONNECTION M16 TL6/7 FF VP.	1
1.23	2132099	CABLE CONNECTION M20 TL6/7 FF VP.	1
1.22	2132100	CABLE CONNECTION SMALL M40 TL6/7 FF VP.	1
1.27	2132104	COVER SIDE TL6/7 FF CPL.VP.	1
1.26	2132452	MODULE COVER/BUTTON TL6/7 FF VP.	1



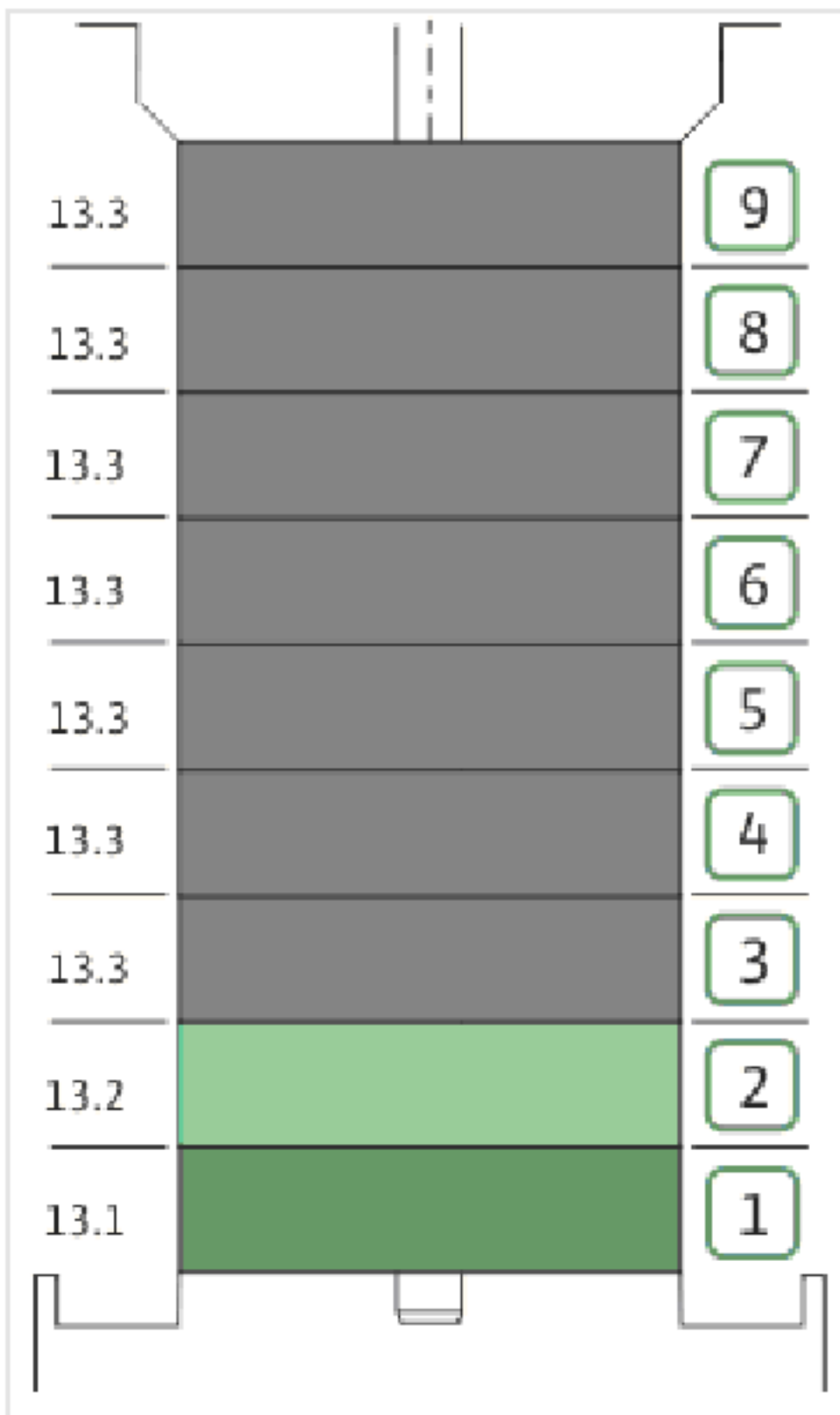
COUPLING D.20XD.38 FF300 KIT (4143966)

Item	Article no.	Description	Quantity
4.1	4179590	COUPLING 2 PARTS D.20XD.38XL115 VP.	1
4.2	2123699	BALL BEARING 6312/2Z-C4 (HT) VP.	1
4.3	63428	CIRCLIP-FOR-SHAFT-D60x2	1
4.4	2130991	SCREW M12X30 ISO4762 8.8 ZN(4 PIECES)	1
4.5	4032277	CIRCLIP-HOLE-130x4	1
4.6	4006725	O-RING ID.132,94x3,53 NBR70SR	1
4.7	2130992	RETAINING RING D.35xD.2,5 DIN7993 VP.	1
4.8	4179591	HUB D.42xD.60 VP.	1
4.9	2130994	SPACER D.38XD.55 VP.	1
4.10	4094462	SCREWS M10 (4 PIECES)	1
4.11	4233959	SCREW M8x16 VP.	1
4.12		SERRATED LOCK WASHER Ø8.2XØ25X35X2	1

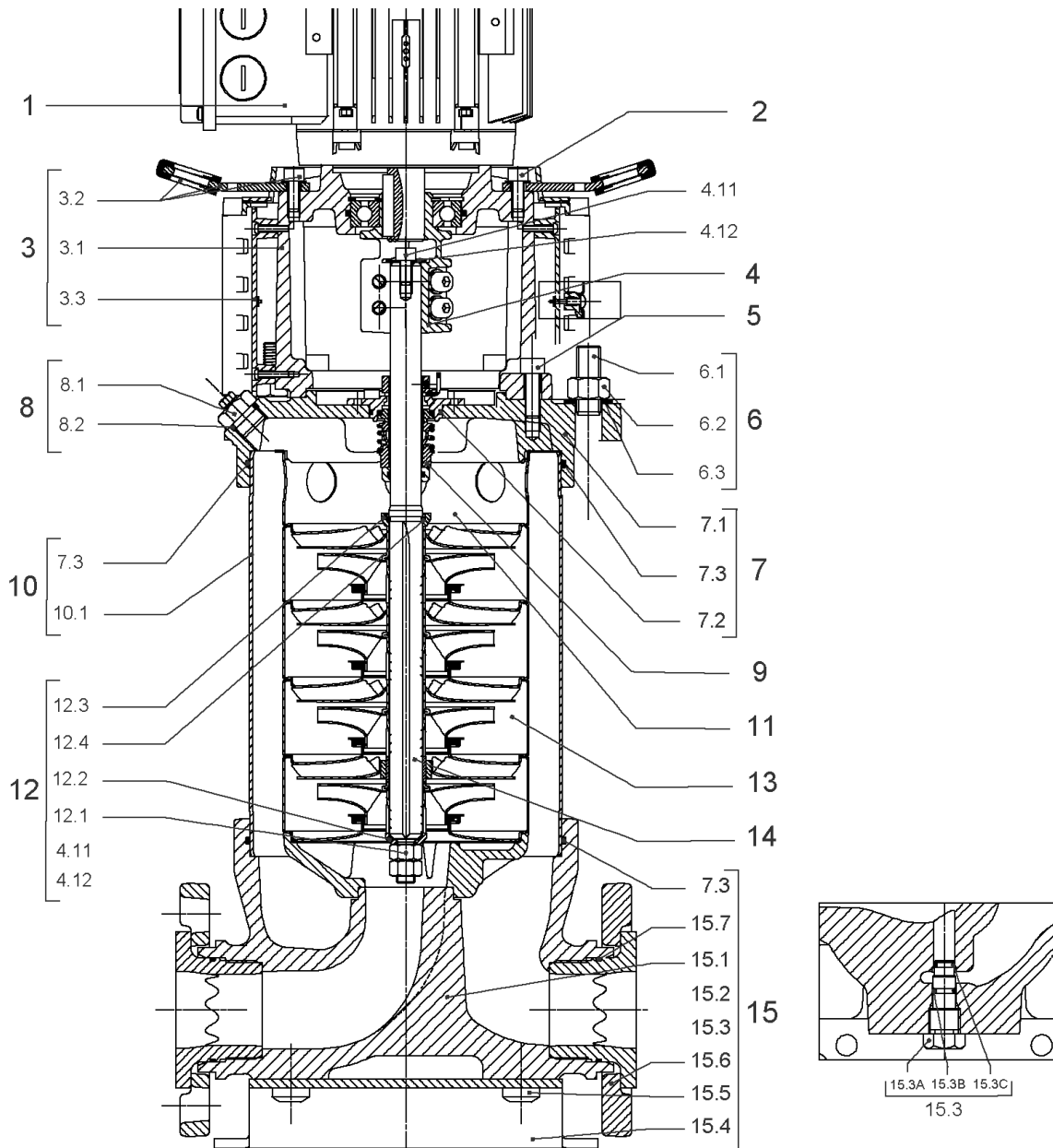


CARTRIDGE HELIX22-36-52 F/E KIT (4143975)

Item	Article no.	Description	Quantity
9.1	4143976	SEAL-KIT-HELIX22-36-52 F/E	1
7.3	4179571	> O-RING HOUSING PIPE HELIX22/36/52 VP.	1
7.4	4179572	> O-RING ID.42.52X2.62 EPDM VP.	1
9.1A	2127447	> M.SEAL.HELIX22-36-52 F/E VP.	1
9.1B	4179574	> O-RING ID.20x2.65 EPDM VP.	1
9.2	4179566	SHAFT SLEEVE D.20/20X60 1.4404 VP.	1
9.3	4179567	RING HOLDER Ø22 1.4301 VP.	1
9.4	4176520	SCREW CH M5x5 A4-70 (3PIECES)	1
9.5	4179568	DRIVE RING D.31/22.1x11 MACH.VP.	1
9.6	4179569	TOOL M.S.CART.HELIX 8" VP.	1
9.7	4179570	SCREW M6X16 ISO4762 8.8 GEOMET(4 PIECES)	1



Item	Article no.	Description	Quantity
13.1	4157739	FIRST STAGE HELIX 22 1.4307 KIT	1
		> IMPELLER-H1-M+22-304	1
		> MACH.STG-CASING-WOGV-WNR-M+22-304	1
13.2	4157740	BEARING STAGE HELIX 22 1.4307 KIT	1
		> IMPELLER-H2-M+22-304	1
		> MACH.BEARING-STG-CASING-WNR-M+22-304	1
		> SHAFT-SLEEVE-D26xD22x16-CW	1
13.3	4157743	INTERMEDIATE STAGE HELIX 22 KIT	1
		> MACH.STD-STG-CASING-WGV+NR-M+22-304	1
		> IMPELLER-H2-M+22-304	1



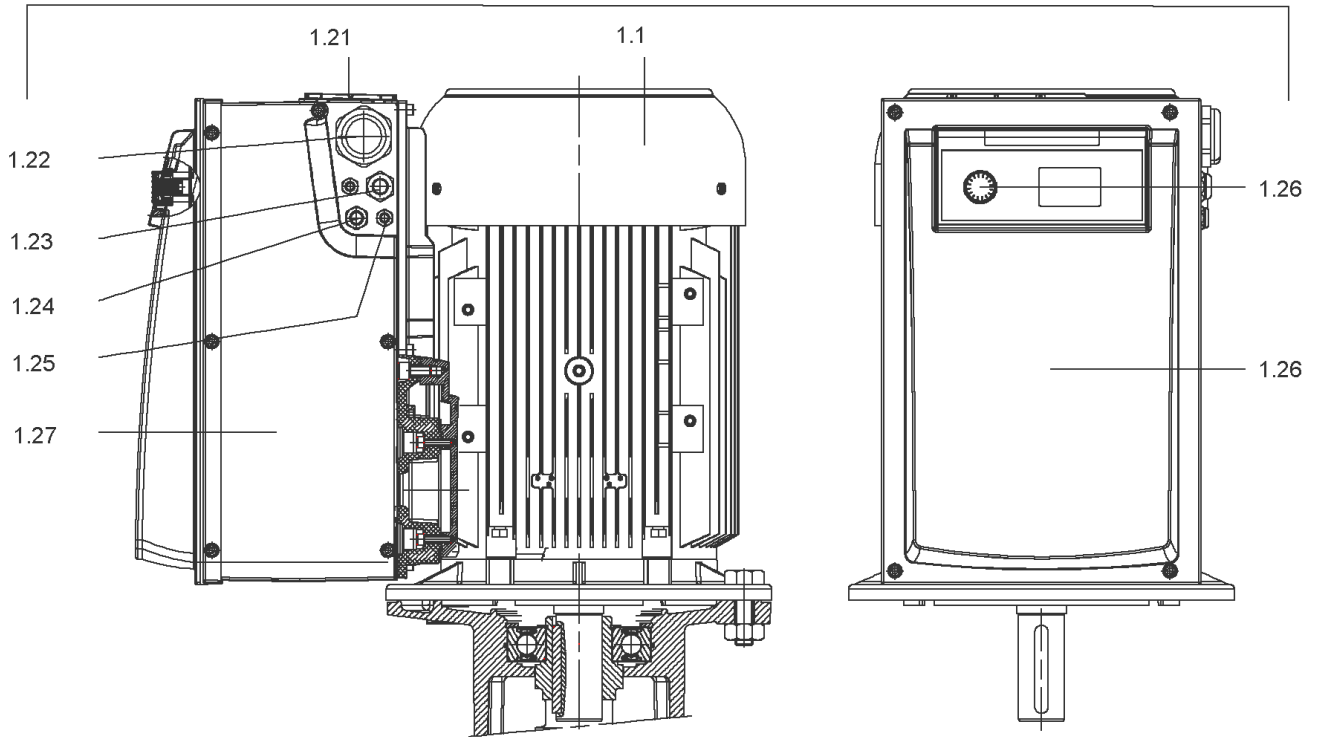
HELIX VE2209-3/25/E/KS/2G (4166190)

Item	Article no.	Description	Quantity
1		DRIVE HELIX VE2209-IE2-ARC KIT	1
Note: no longer available/nicht mehr lieferbar/n'est plus disponible			
1	4220028	DRIVE HELIX VE2209-IE4-WEG KIT	1
Note: MOTOR BRAND WEG			
2	4179586	SCREW M16X60 (4 PIECES)	1
3	4161188	LANTERN HELIX V36/52 FF300 BB6313 KIT	1
3.1		> LANTERN FF300 M+ GJL MACHINED+CATA 6313	1
3.2	4179589	> EYELET CPL.FF300 HELIX(4 PIECES)	1
3.3	4143969	> COUPLING PROTECT HELIX FF KIT	1
4	4161190	COUPLING D.20XD.38 FF300 KIT	1
5	4157725	SCREW M10X40 (4 PIECES)	1
6	4181669	STUD BOLT M16X578 KIT	1
6.1		> TIE BOLT M16-578x24x44-1.4057	1
6.2	4179562	> NUT M16 8.8 ISO4032 (4 PIECES)	1
6.3	4097852	> WASHER-CS-16.4-32-2.8-NFE25-511-A2	1
7	4179565	END SHIELD HELIX 8" EPDM KIT	1
7.1		> END SHIELD M+ GJL MACHINED+CATA	1
7.2	4179564	> O-RING D.42.52x2.62 EPDM VP.	1
7.3	4179571	> O-RING HOUSING PIPE HELIX22/36/52 VP.	1
8	4186377	FILING/PURGING PLUG 304 HELIX KIT	1
8.1		> FILLING/VENTING-PLUG-MVI8/10"-304	1
8.2	4032291	> O-RING 17x3 EPDM KTW/WRC	1
9	4143975	CARTRIDGE HELIX22-36-52 F/E KIT	1
10	4181670	HOUSING PIPE D.204X514 1.4301 KIT	1
7.3	4179571	> O-RING HOUSING PIPE HELIX22/36/52 VP.	1
10.1		> HOUSING-PIPE Ø204-M+2209-304	1
11	4179143	CENTERING STAGE-RETURN HELIX22 1.4307 VP	1
12	4143967	SHAFT EQUIPMENT HELIX V KIT	1
13		HYDRAULIC HELIX V 2209	1
14	4181672	SHAFTS D.22X654 1.4057 VP.	1
15	4181158	EQUIPED HOUSING HELIX 22 GJL KIT	1
7.3	4179571	> O-RING HOUSING PIPE HELIX22/36/52 VP.	1
15.1		> PUMP HOUSING SET with COATED PARTS-DN50	1
15.3	4143766	> DRAIN/PRIMING PLUG EPDM HELIX KIT	1

HELIX VE2209-3/25/E/KS/2G (4166190)

Item	Article no.	Description	Quantity
15.3A		>> PRIMING/DRAIN PLUG-304-VERSION 1	1
15.3B	4032293	>> O-RING-10x3-EPDM-KTW/WRC	1
15.3C	4233957	>> O-RING ID.9 EPDM VP.	1
15.4	4221729	> BASE M+ DN50/65/80 VP.	1
15.6		> FLANGE M+ DN50 CATA	1
15.7		> O-RING Ø63.17xØ2.62 EPDM	1
15.5		> SCREW TBHC M12x25 ISO7380 ZN	1

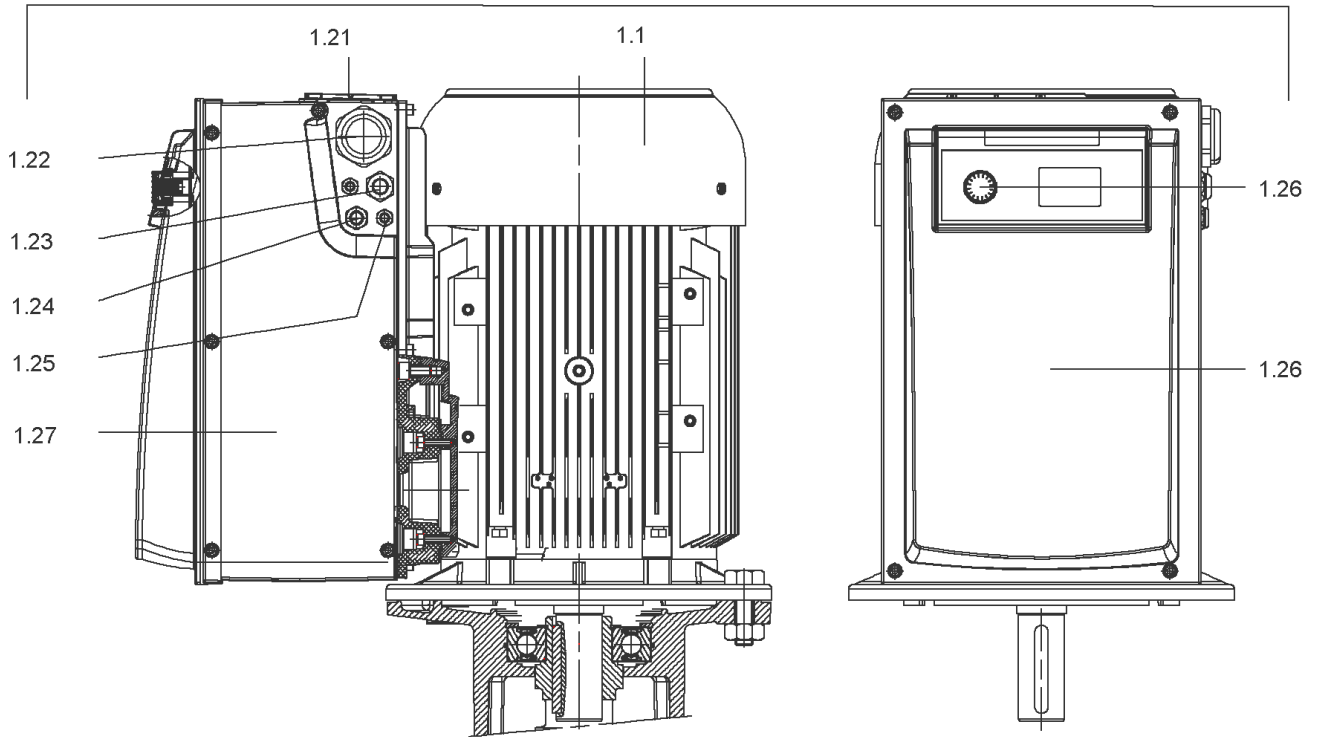
1



DRIVE HELIX VE2209-IE2-ARC KIT

Item	Article no.	Description	Quantity
1.1		M22-2T638P55V1-160F300-N42-IE2	1
		SPARE PARTS MOTOR:ON REQUEST	1
1.21	2132102	FAN SMALL TL6/7 FF KIT	1
1.25	2132097	CABLE CONNECTION M12 TL6/7 FF VP.	1
1.24	2132098	CABLE CONNECTION M16 TL6/7 FF VP.	1
1.23	2132099	CABLE CONNECTION M20 TL6/7 FF VP.	1
1.22	2132100	CABLE CONNECTION SMALL M40 TL6/7 FF VP.	1
1.27	2132104	COVER SIDE TL6/7 FF CPL.VP.	1
1.26	2132452	MODULE COVER/BUTTON TL6/7 FF VP.	1

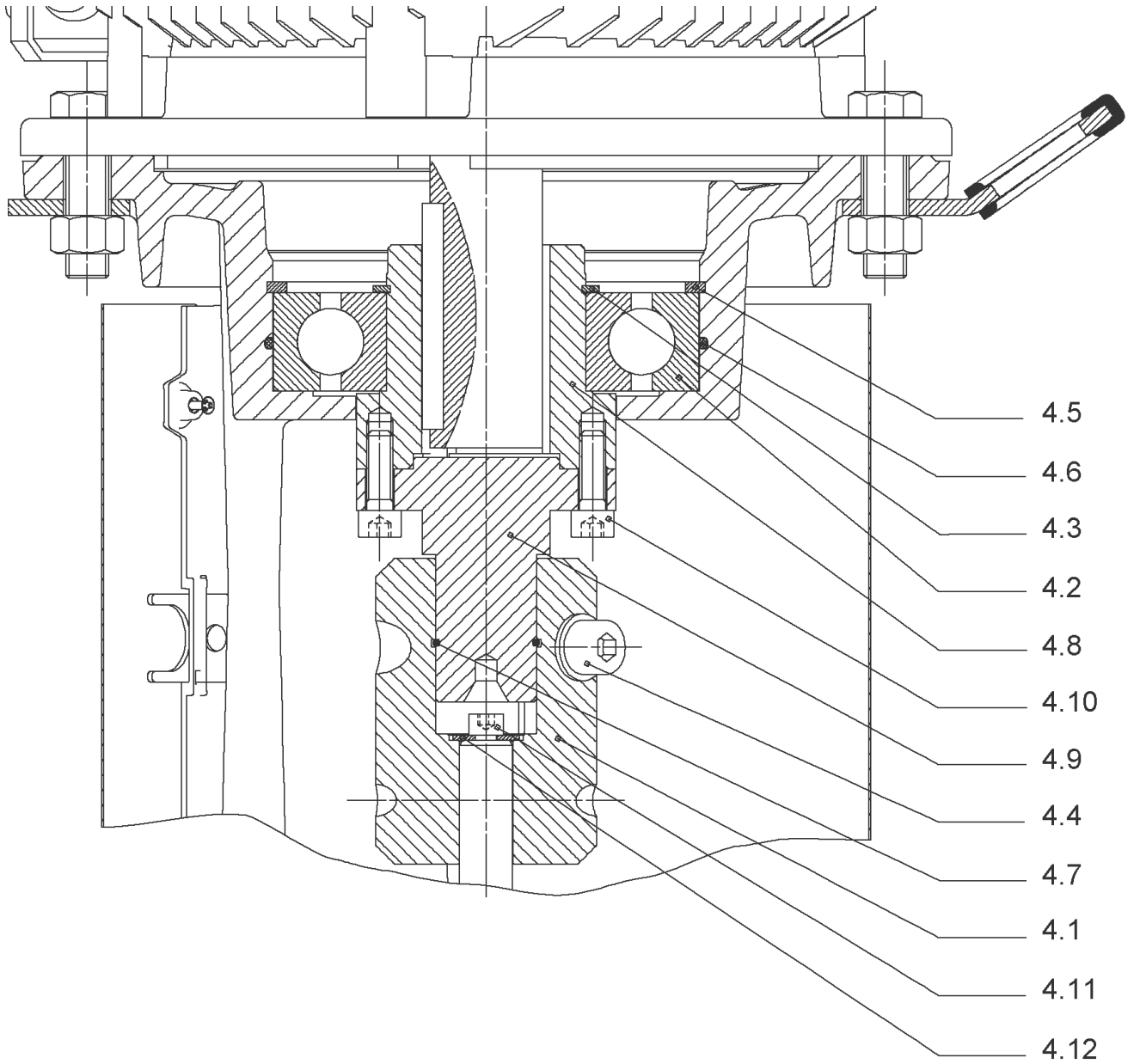
1



DRIVE HELIX VE2209-IE4-WEG KIT (4220028)

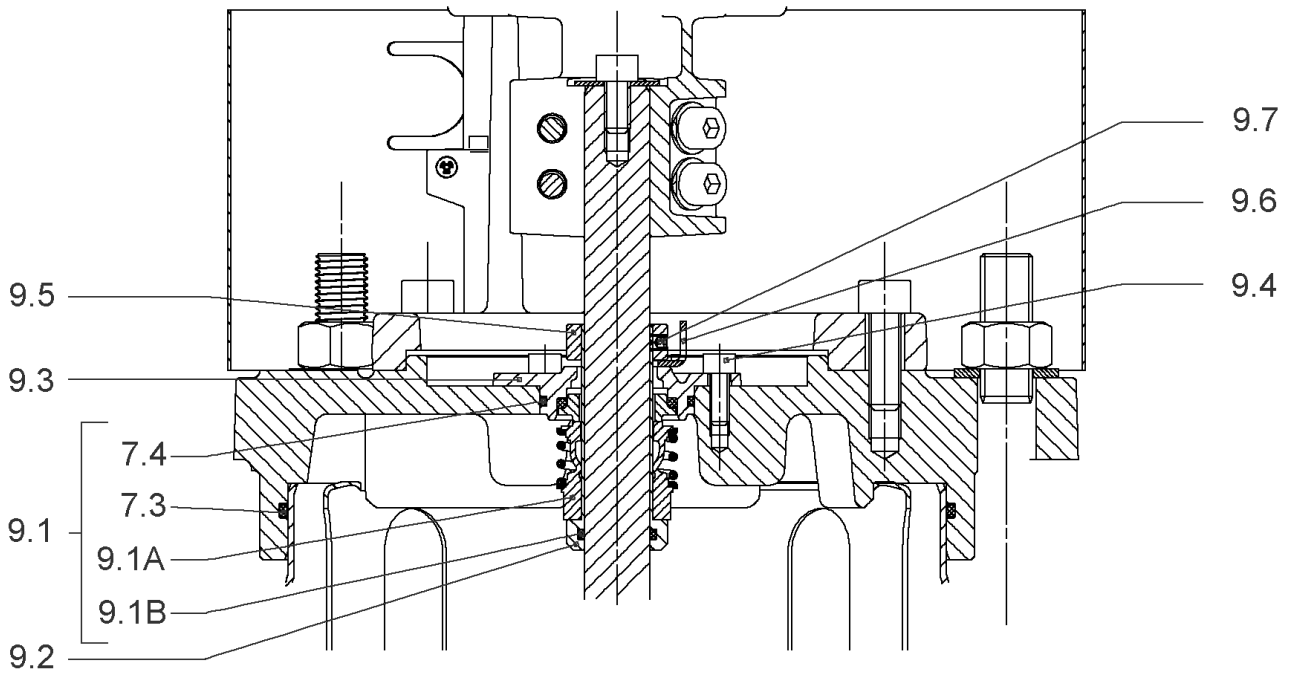
Item	Article no.	Description	Quantity
1.1		M22-2T638P55V1-180F30-N48-ADAPT-IE4-WEG	1
		SPARE PARTS MOTOR:ON REQUEST	1
1.21	2132102	FAN SMALL TL6/7 FF KIT	1
1.25	2132097	CABLE CONNECTION M12 TL6/7 FF VP.	1
1.24	2132098	CABLE CONNECTION M16 TL6/7 FF VP.	1
1.23	2132099	CABLE CONNECTION M20 TL6/7 FF VP.	1
1.22	2132100	CABLE CONNECTION SMALL M40 TL6/7 FF VP.	1
1.27	2132104	COVER SIDE TL6/7 FF CPL.VP.	1
1.26	2132452	MODULE COVER/BUTTON TL6/7 FF VP.	1

COUPLING D.20XD.38 FF300 KIT (4161190)



COUPLING D.20XD.38 FF300 KIT (4161190)

Item	Article no.	Description	Quantity
4.1	4179590	COUPLING 2 PARTS D.20XD.38XL115 VP.	1
4.2	2132521	BALL BEARING 6313/2Z-C4(HT)VP.	1
4.3	4032276	CIRCLIP-SHAFT-D65x2,5	1
4.4	2130991	SCREW M12X30 ISO4762 8.8 ZN(4 PIECES)	1
4.5	4233130	CIRCLIP-FOR-BORES-D140 VP.	1
4.6	4233945	O-RING ID.140 VP.	1
4.7	2130992	RETAINING RING D.35xD.2,5 DIN7993 VP.	1
4.8	4179928	HUB D.48xD.65 VP.	1
4.9	2130994	SPACER D.38XD.55 VP.	1
4.10	4094462	SCREWS M10 (4 PIECES)	1
4.11	4233959	SCREW M8x16 VP.	1
4.12		SERRATED LOCK WASHER Ø8.2XØ25X35X2	1

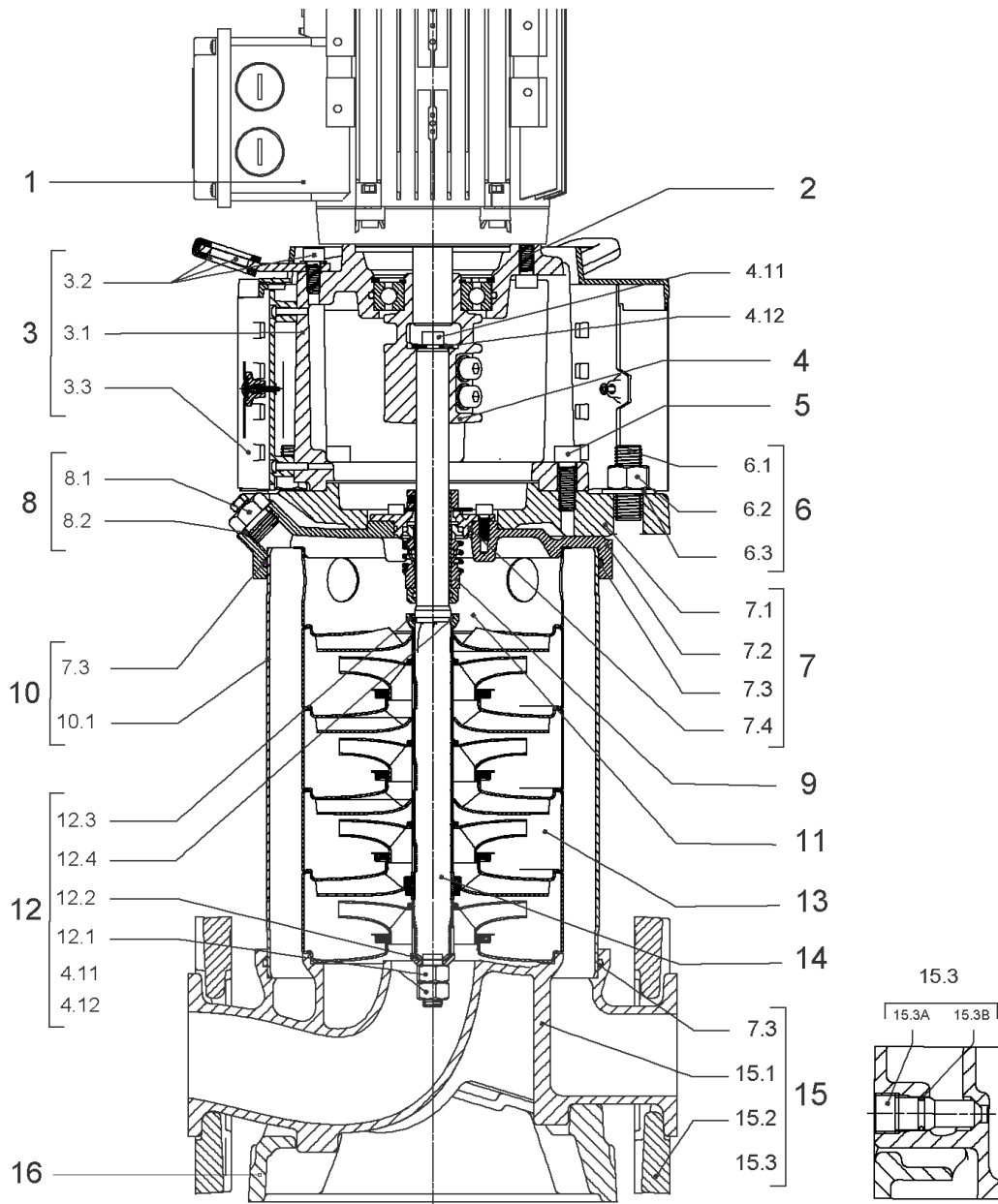


CARTRIDGE HELIX22-36-52 F/E KIT (4143975)

Item	Article no.	Description	Quantity
9.1	4143976	SEAL-KIT-HELIX22-36-52 F/E	1
7.3	4179571	> O-RING HOUSING PIPE HELIX22/36/52 VP.	1
7.4	4179572	> O-RING ID.42.52X2.62 EPDM VP.	1
9.1A	2127447	> M.SEAL.HELIX22-36-52 F/E VP.	1
9.1B	4179574	> O-RING ID.20x2.65 EPDM VP.	1
9.2	4179566	SHAFT SLEEVE D.20/20X60 1.4404 VP.	1
9.3	4179567	RING HOLDER Ø22 1.4301 VP.	1
9.4	4176520	SCREW CH M5x5 A4-70 (3PIECES)	1
9.5	4179568	DRIVE RING D.31/22.1x11 MACH.VP.	1
9.6	4179569	TOOL M.S.CART.HELIX 8" VP.	1
9.7	4179570	SCREW M6X16 ISO4762 8.8 GEOMET(4 PIECES)	1



Item	Article no.	Description	Quantity
13.1	4157739	FIRST STAGE HELIX 22 1.4307 KIT	1
		> IMPELLER-H1-M+22-304	1
		> MACH.STG-CASING-WOGV-WNR-M+22-304	1
13.2	4157740	BEARING STAGE HELIX 22 1.4307 KIT	1
		> IMPELLER-H2-M+22-304	1
		> MACH.BEARING-STG-CASING-WNR-M+22-304	1
		> SHAFT-SLEEVE-D26xD22x16-CW	1
13.3	4157743	INTERMEDIATE STAGE HELIX 22 KIT	1
		> MACH.STD-STG-CASING-WGV+NR-M+22-304	1
		> IMPELLER-H2-M+22-304	1

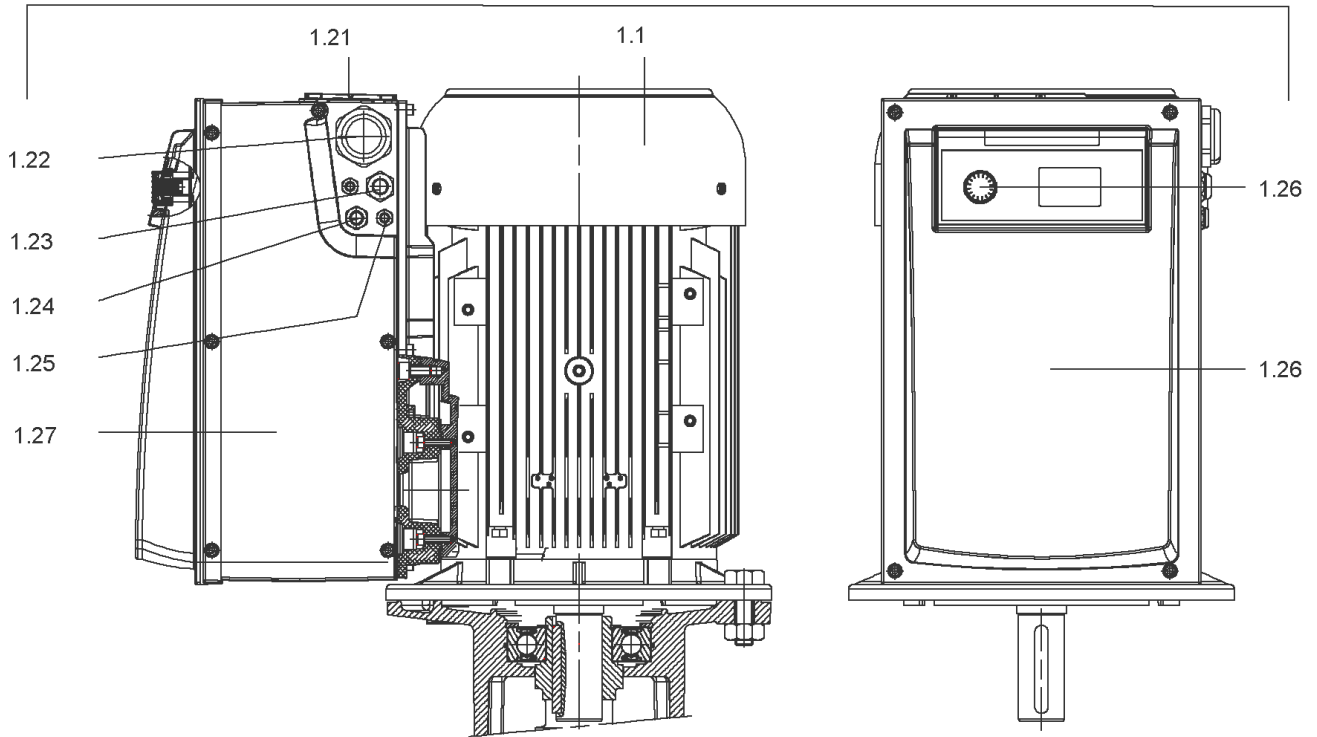


HELIX VE2209-1/25/E/KS (4198859)

Item	Article no.	Description	Quantity
1	4220028	DRIVE HELIX VE2209-IE4-WEG KIT	1
Note: MOTOR BRAND WEG			
2	4179586	SCREW M16X60 (4 PIECES)	1
3	4161188	LANTERN HELIX V36/52 FF300 BB6313 KIT	1
3.1		> LANTERN FF300 M+ GJL MACHINED+CATA 6313	1
3.2	4179589	> EYELET CPL.FF300 HELIX(4 PIECES)	1
3.3	4143969	> COUPLING PROTECT HELIX FF KIT	1
4	4161190	COUPLING D.20XD.38 FF300 KIT	1
5	4157725	SCREW M10X40 (4 PIECES)	1
6	4179929	STUD BOLT M16X704 KIT	1
6.1		> TIE BOLT M16-704x24x44-1.4057	1
6.2	4179562	> NUT M16 8.8 ISO4032 (4 PIECES)	1
6.3	4097852	> WASHER-CS-16.4-32-2.8-NFE25-511-A2	1
7	4217176	END SHIELD HELIX OPTI 8" EPDM KIT	1
7.1		> upper flange machined + cataphoresis	1
7.2	4217174	> STATIONARY RING HOLDER 8" HELIX OPTI VP.	1
7.3	4179571	> O-RING HOUSING PIPE HELIX22/36/52 VP.	1
7.4	4179572	> O-RING ID.42.52X2.62 EPDM VP.	1
8	4186377	FILING/PURGING PLUG 304 HELIX KIT	1
8.1		> FILLING/VENTING-PLUG-MVI8/10"-304	1
8.2	4032291	> O-RING 17x3 EPDM KTW/WRC	1
9	4143975	CARTRIDGE HELIX22-36-52 F/E KIT	1
10	4181670	HOUSING PIPE D.204X514 1.4301 KIT	1
7.3	4179571	> O-RING HOUSING PIPE HELIX22/36/52 VP.	1
10.1		> HOUSING-PIPE Ø204-M+2209-304	1
11	4179143	CENTERING STAGE-RETURN HELIX22 1.4307 VP	1
12	4143967	SHAFT EQUIPMENT HELIX V KIT	1
13		HYDRAULIC HELIX V 2209	1
14	4181672	SHAFTS D.22X654 1.4057 VP.	1
15	4217852	EQUIPED HOUSING DN50 HELIX OPTI 8" KIT	1
15.1		> pump casing machined DN50	1
15.2	4217178	> HALF FLANGE DN50 HELIX OPTI 8" VP.	1
15.3	4217850	> DRAIN/PRIMING PLUG HELIX OPTI 8" KIT	1
7.3	4179571	> O-RING HOUSING PIPE HELIX22/36/52 VP.	1

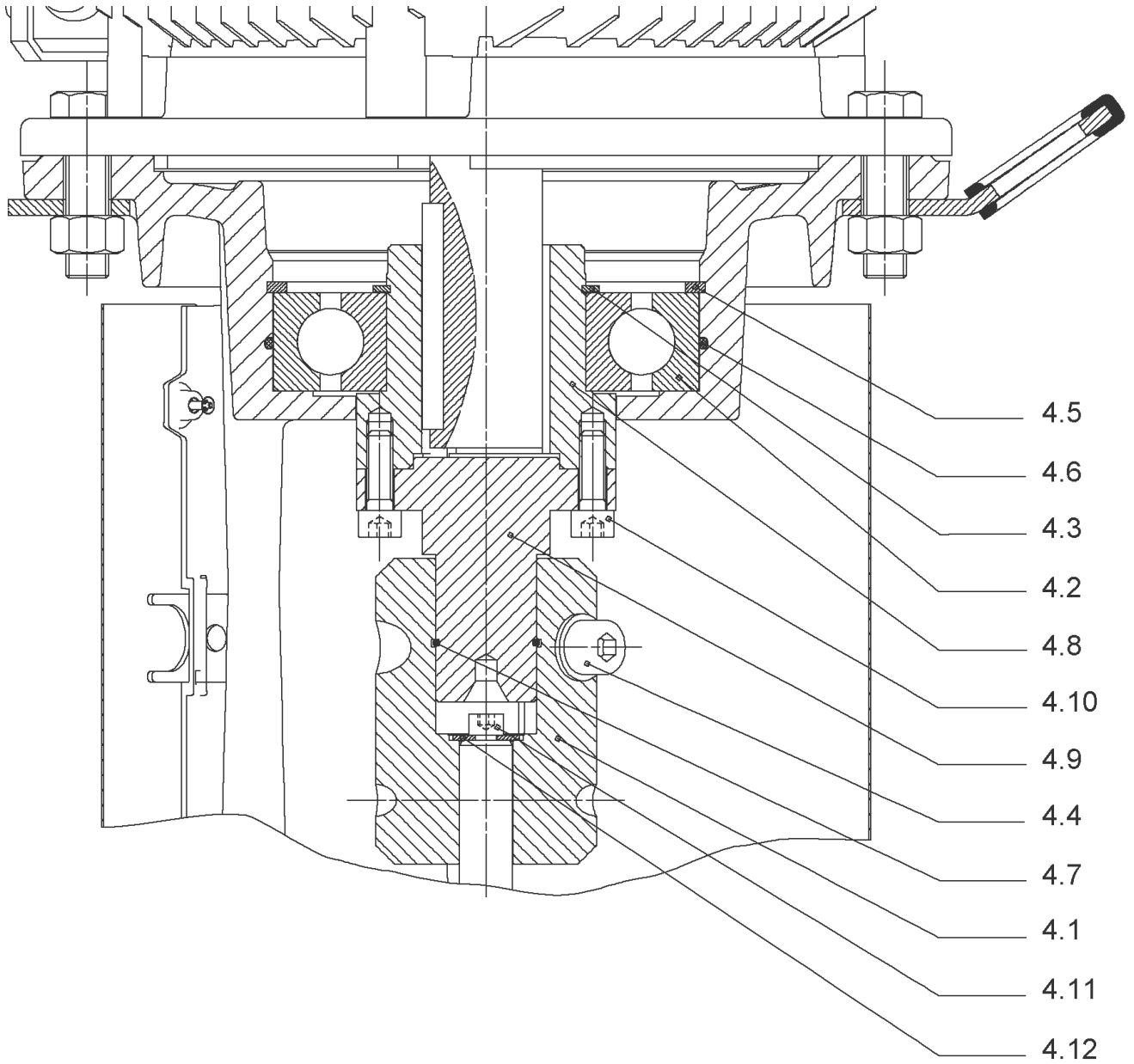
Item	Article no.	Description	Quantity
16	4217854	BASEPLATE DN50 HELIX OPTI 8" VP.	1

1



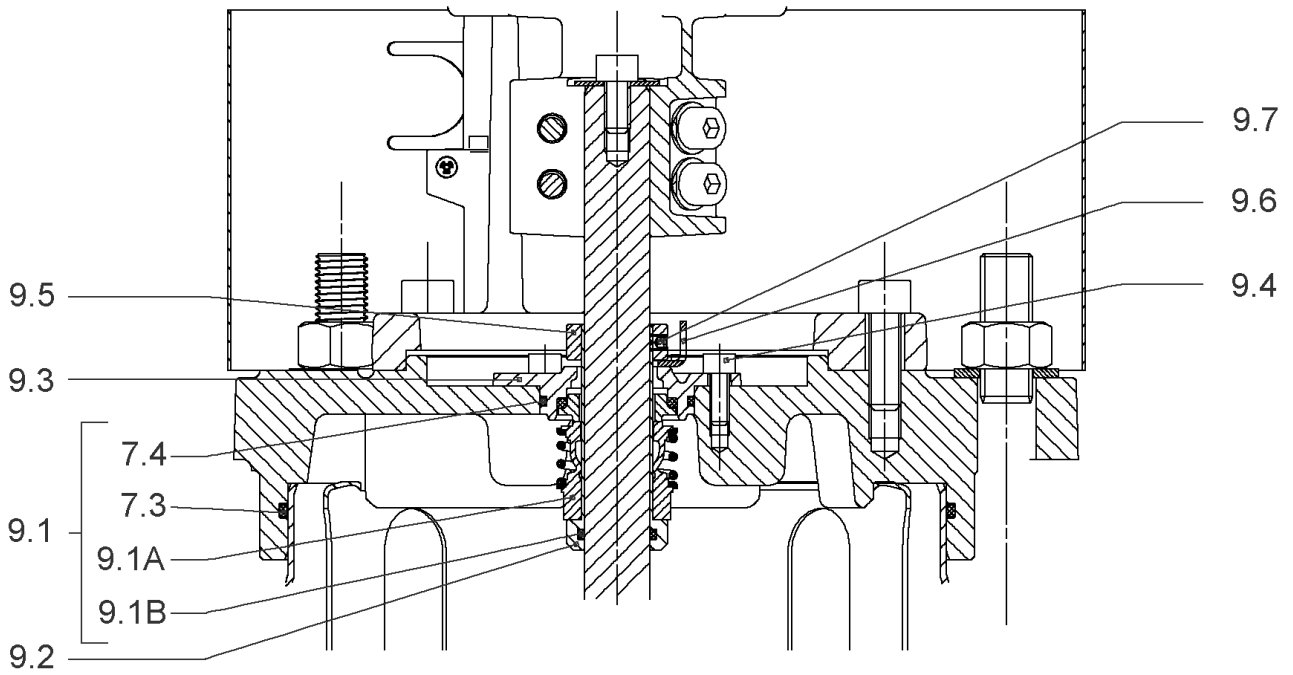
DRIVE HELIX VE2209-IE4-WEG KIT (4220028)

Item	Article no.	Description	Quantity
1.1		M22-2T638P55V1-180F30-N48-ADAPT-IE4-WEG	1
		SPARE PARTS MOTOR:ON REQUEST	1
1.21	2132102	FAN SMALL TL6/7 FF KIT	1
1.25	2132097	CABLE CONNECTION M12 TL6/7 FF VP.	1
1.24	2132098	CABLE CONNECTION M16 TL6/7 FF VP.	1
1.23	2132099	CABLE CONNECTION M20 TL6/7 FF VP.	1
1.22	2132100	CABLE CONNECTION SMALL M40 TL6/7 FF VP.	1
1.27	2132104	COVER SIDE TL6/7 FF CPL.VP.	1
1.26	2132452	MODULE COVER/BUTTON TL6/7 FF VP.	1



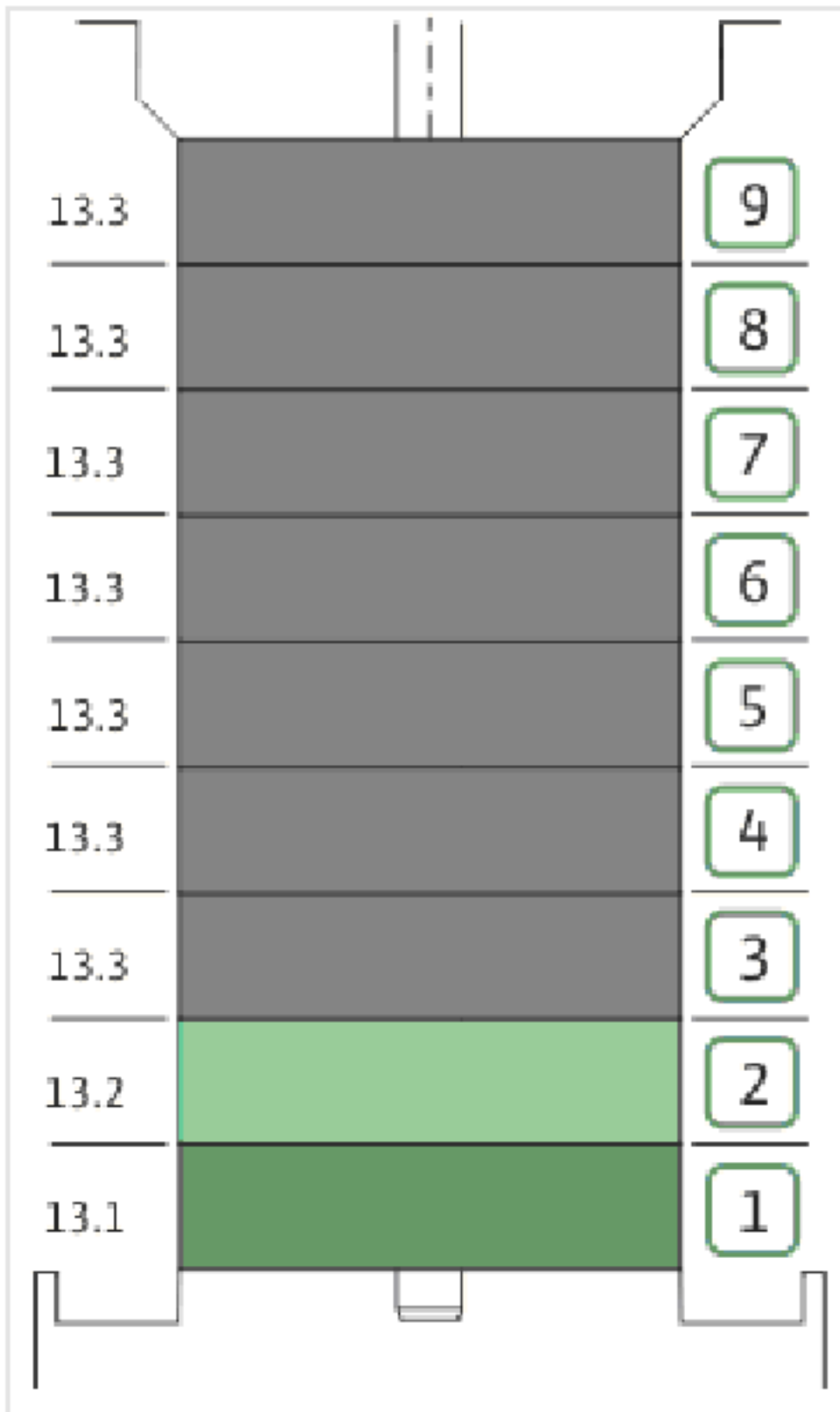
COUPLING D.20XD.38 FF300 KIT (4161190)

Item	Article no.	Description	Quantity
4.1	4179590	COUPLING 2 PARTS D.20XD.38XL115 VP.	1
4.2	2132521	BALL BEARING 6313/2Z-C4(HT)VP.	1
4.3	4032276	CIRCLIP-SHAFT-D65x2,5	1
4.4	2130991	SCREW M12X30 ISO4762 8.8 ZN(4 PIECES)	1
4.5	4233130	CIRCLIP-FOR-BORES-D140 VP.	1
4.6	4233945	O-RING ID.140 VP.	1
4.7	2130992	RETAINING RING D.35xD.2,5 DIN7993 VP.	1
4.8	4179928	HUB D.48xD.65 VP.	1
4.9	2130994	SPACER D.38XD.55 VP.	1
4.10	4094462	SCREWS M10 (4 PIECES)	1
4.11	4233959	SCREW M8x16 VP.	1
4.12		SERRATED LOCK WASHER Ø8.2XØ25X35X2	1

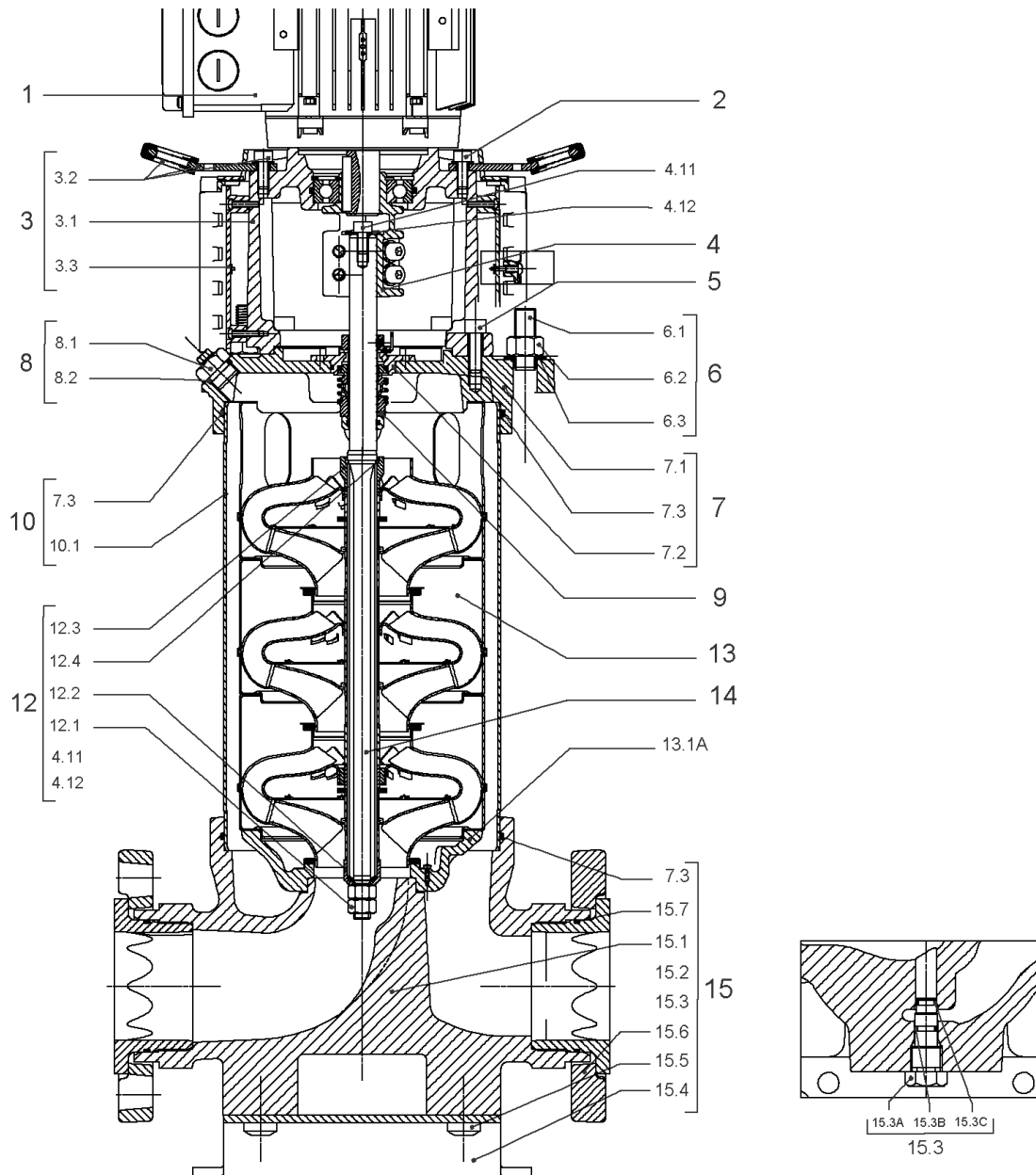


CARTRIDGE HELIX22-36-52 F/E KIT (4143975)

Item	Article no.	Description	Quantity
9.1	4143976	SEAL-KIT-HELIX22-36-52 F/E	1
7.3	4179571	> O-RING HOUSING PIPE HELIX22/36/52 VP.	1
7.4	4179572	> O-RING ID.42.52X2.62 EPDM VP.	1
9.1A	2127447	> M.SEAL.HELIX22-36-52 F/E VP.	1
9.1B	4179574	> O-RING ID.20x2.65 EPDM VP.	1
9.2	4179566	SHAFT SLEEVE D.20/20X60 1.4404 VP.	1
9.3	4179567	RING HOLDER Ø22 1.4301 VP.	1
9.4	4176520	SCREW CH M5x5 A4-70 (3PIECES)	1
9.5	4179568	DRIVE RING D.31/22.1x11 MACH.VP.	1
9.6	4179569	TOOL M.S.CART.HELIX 8" VP.	1
9.7	4179570	SCREW M6X16 ISO4762 8.8 GEOMET(4 PIECES)	1



Item	Article no.	Description	Quantity
13.1	4157739	FIRST STAGE HELIX 22 1.4307 KIT	1
		> IMPELLER-H1-M+22-304	1
		> MACH.STG-CASING-WOGV-WNR-M+22-304	1
13.2	4157740	BEARING STAGE HELIX 22 1.4307 KIT	1
		> IMPELLER-H2-M+22-304	1
		> MACH.BEARING-STG-CASING-WNR-M+22-304	1
		> SHAFT-SLEEVE-D26xD22x16-CW	1
13.3	4157743	INTERMEDIATE STAGE HELIX 22 KIT	1
		> MACH.STD-STG-CASING-WGV+NR-M+22-304	1
		> IMPELLER-H2-M+22-304	1



HELIX VE3601-3/16/E/KS (4148003)

Item	Article no.	Description	Quantity
1		DRIVE HELIX-VE3601-IE2-ATB KIT	1
Note: MOTOR BRAND ATB			
1		DRIVE HELIX-VE3601-IE2-WE KIT	1
Note: MOTOR BRAND WILO ELEC			
1		DRIVE HELIX-VE3601-IE4-WE KIT	1
Note: MOTOR BRAND WILO ELEC			
2	4159707	SCREW M8X30 (4 PIECES)	1
3	4157719	LANTERN HELIX 22/36 FT130 KIT	1
3.1		> LANTERN FT130 M+ GJL MACHINED+CATA	1
3.2	4179561	> EYELET CPL.FT HELIX(2 PIECES)	1
3.3	4143968	> COUPLING PROTECT HELIX FT KIT	1
4	4143964	COUPLING D.20XD.28 FT130 KIT	1
5	4094462	SCREWS M10 (4 PIECES)	1
6	4179563	STUD BOLT M16X198 KIT	1
6.1		> TIE BOLT M16-198x24x44-1.4057	1
6.2	4179562	> NUT M16 8.8 ISO4032 (4 PIECES)	1
6.3	4097852	> WASHER-CS-16.4-32-2.8-NFE25-511-A2	1
7	4179565	END SHIELD HELIX 8" EPDM KIT	1
7.1		> END SHIELD M+ GJL MACHINED+CATA	1
7.2	4179564	> O-RING D.42.52x2.62 EPDM VP.	1
7.3	4179571	> O-RING HOUSING PIPE HELIX22/36/52 VP.	1
8	4186377	FILING/PURGING PLUG 304 HELIX KIT	1
8.1		> FILLING/VENTING-PLUG-MVI8/10"-304	1
8.2	4032291	> O-RING 17x3 EPDM KTW/WRC	1
9	4143973	CARTRIDGE HELIX22-36-52 O/E KIT	1
10	4179575	HOUSING PIPE D.204X130 1.4301 KIT	1
7.3	4179571	> O-RING HOUSING PIPE HELIX22/36/52 VP.	1
10.1		> HOUSING-PIPE Ø204-M+3601/5201-304	1
11	4180015	CENTRALIZER HELIX 8" M+36 1.4301VP.	1
12	4161186	SHAFT EQUIPMENT HELIX V36 8" KIT	1
13		HYDRAULICHELIX V 3601	1
14	4180017	SHAFT D.22X287,34 1.4057 VP.	1
15	4161185	EQUIPED HOUSING HELIX 36 GJL KIT	1
15.1		> PUMP HOUSING SET with CATA. PARTS-DN65	1

HELIX VE3601-3/16/E/KS (4148003)

Item	Article no.	Description	Quantity
15.3	4143766	> DRAIN/PRIMING PLUG EPDM HELIX KIT	1
15.3A		>> PRIMING/DRAIN PLUG-304-VERSION 1	1
15.3B	4032293	>> O-RING-10x3-EPDM-KTW/WRC	1
15.3C	4233957	>> O-RING ID.9 EPDM VP.	1
15.4	4221729	> BASE M+ DN50/65/80 VP.	1
15.5		> SCREW TBHC M12x25 ISO7380 ZN	1
15.6		> FLANGE M+ DN65 NF PN16-25 ASME PN16 CATA	1
15.7		> O-RING Ø79.5xØ3 EPDM	1
13.1A	4161200	> NECK RING 1.STAGE HELIX V36/52 KIT	1
		>> NECK-RING-M+36/52	1
		>> HYDRAULIC SUPPORT CAP M+36/52 304	1
		>> SCREW TCL M3X8 A4 POZIDRIV	1
7.3	4179571	> O-RING HOUSING PIPE HELIX22/36/52 VP.	1



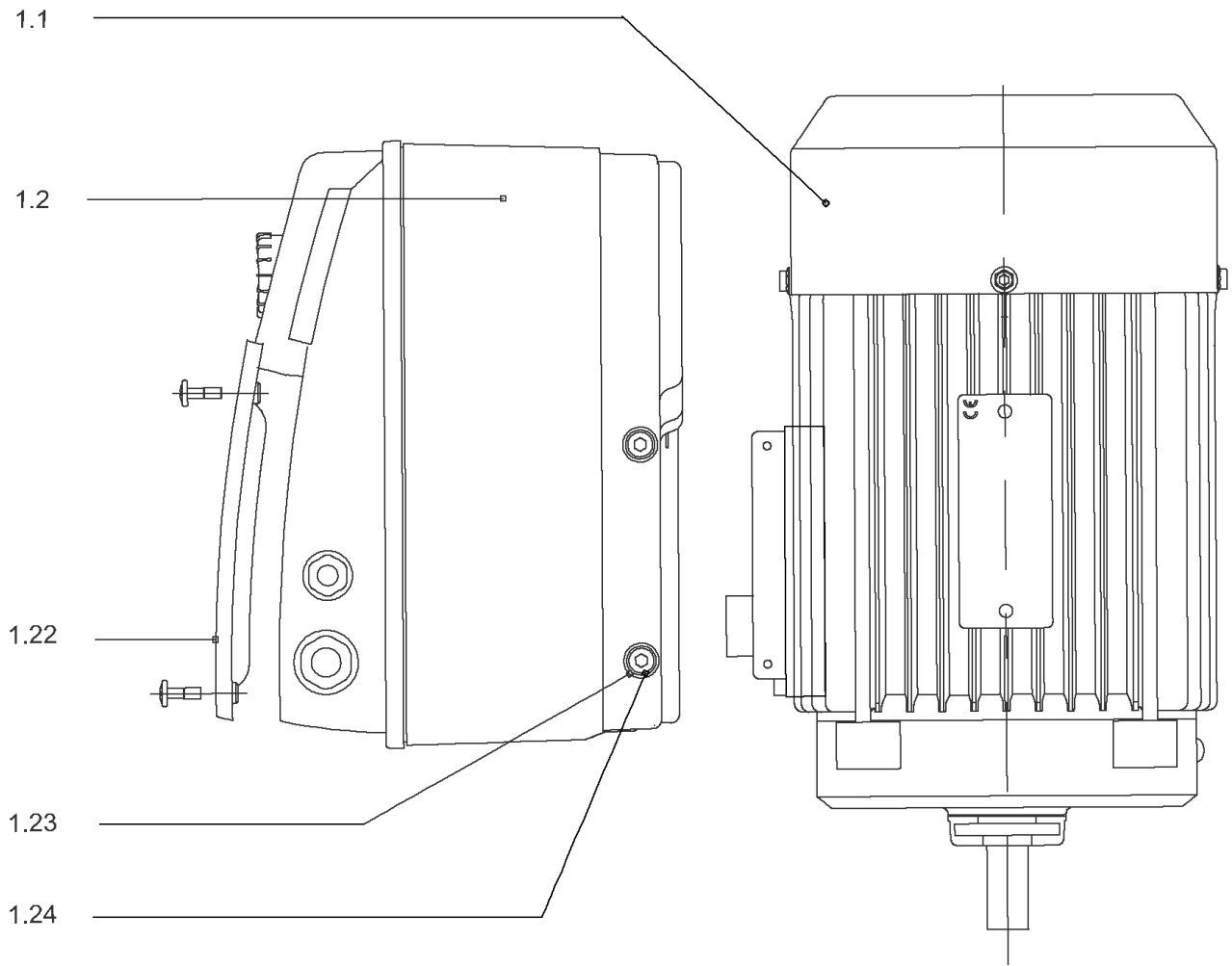
DRIVE HELIX-VE3601-IE2-ATB KIT

Item	Article no.	Description	Quantity
1.1		MOTOR 4/2/112 3~ 380V 60HZ IE2 ATB VP.	1
Note: no longer available/nicht mehr lieferbar/n'est plus disponible			
		SPARE PARTS MOTOR:ON REQUEST	1
1.2	4176420	MODULE HELIX-VE3601-IE2-ATB KIT	1
1.22	2054227	> MODULE COVER/GASKET TL3/4 KIT	1
1.23	4215716	> SCREW M5X16 DIN912 8.8 A2A (4pieces) VP.	1
1.24	2057978	> RONDELLE A5,3 DIN6797 FST ZN (4 PIECES)	1



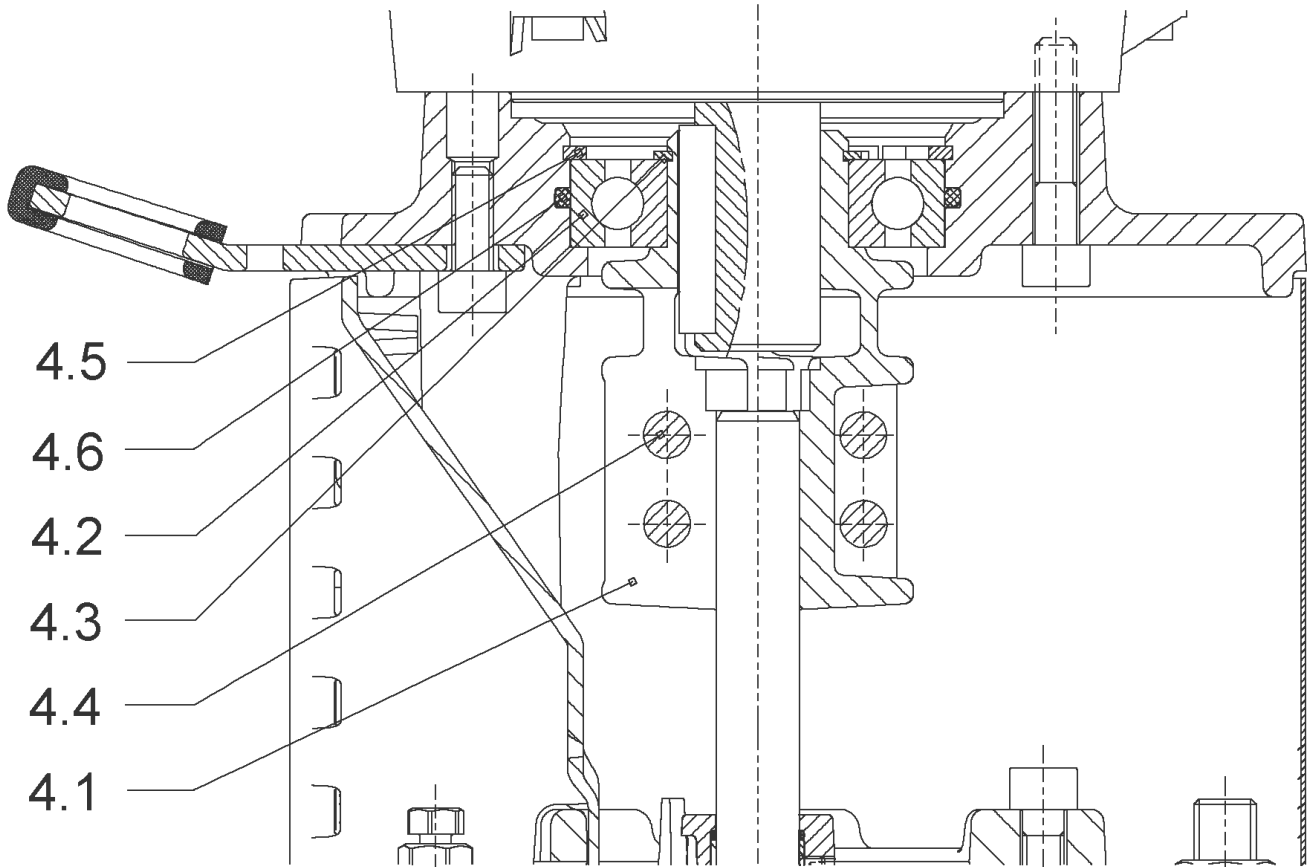
DRIVE HELIX-VE3601-IE2-WE KIT

Item	Article no.	Description	Quantity
1.1	4188824	MO.4/2/112 3~380V 60Hz IE2 WE VP.	1
		SPARE PARTS MOTOR:ON REQUEST	1
1.2	4195906	MODULE HELIX-VE3601-IE2-WE KIT	1
1.22	2054227	> MODULE COVER/GASKET TL3/4 KIT	1
1.23	4215716	> SCREW M5X16 DIN912 8.8 A2A (4pieces) VP.	1
1.24	2057978	> RONDELLE A5,3 DIN6797 FST ZN (4 PIECES)	1



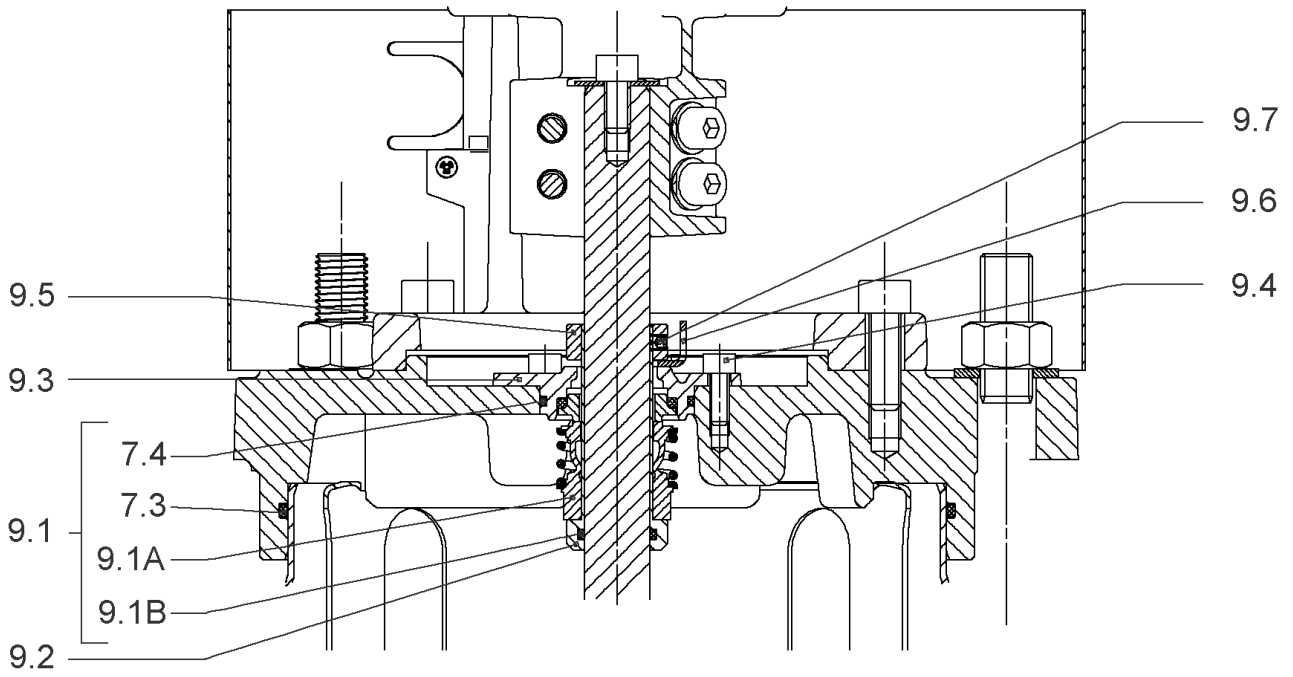
DRIVE HELIX-VE3601-IE4-WE KIT

Item	Article no.	Description	Quantity
1.1	4207924	MOTOR 4/2/112 3~ 380V 60HZ IE4 WE VP.	1
		SPARE PARTS MOTOR:ON REQUEST	1
1.2	4209609	MODULE HELIX-VE3601-IE4-WE KIT	1
1.22	2054227	> MODULE COVER/GASKET TL3/4 KIT	1
1.23	4215716	> SCREW M5X16 DIN912 8.8 A2A (4pieces) VP.	1
1.24	2057978	> RONDELLE A5,3 DIN6797 FST ZN (4 PIECES)	1



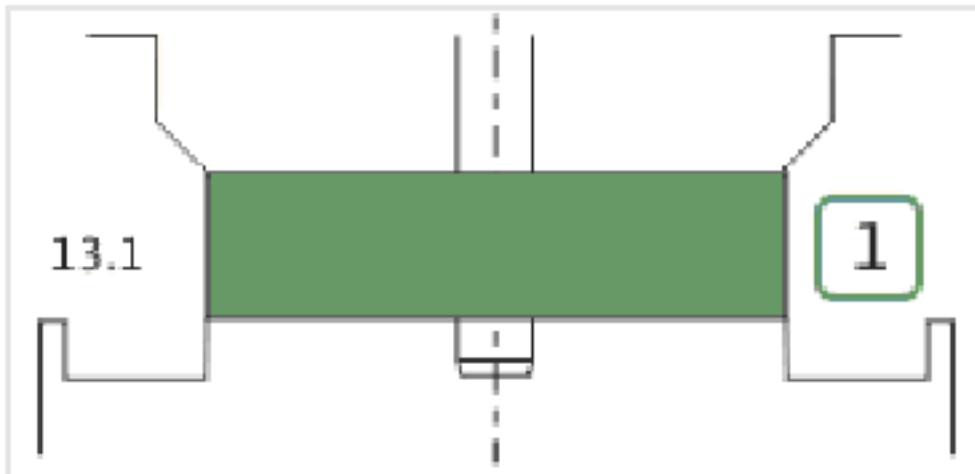
COUPLING D.20XD.28 FT130 KIT (4143964)

Item	Article no.	Description	Quantity
4.1		COUPLING M+ Ø20XØ28-FT130 MACHINED	1
4.2	2131022	BALL BEARING 6209/ZZ-C3(HT)VP.	1
4.3	4233930	CIRCLIP-FOR-BORES-D45x1,75 VP.	1
4.4	4157726	SCREW KIT M8X30 (4 PIECES)	1
4.5	4234252	CIRCLIPS 85X3 VP.	1
4.6	4234243	O-RING 85X3 VP.	1
		NOMEL CONTACT WASHER 8x16x1,4 STEEL ZC	1

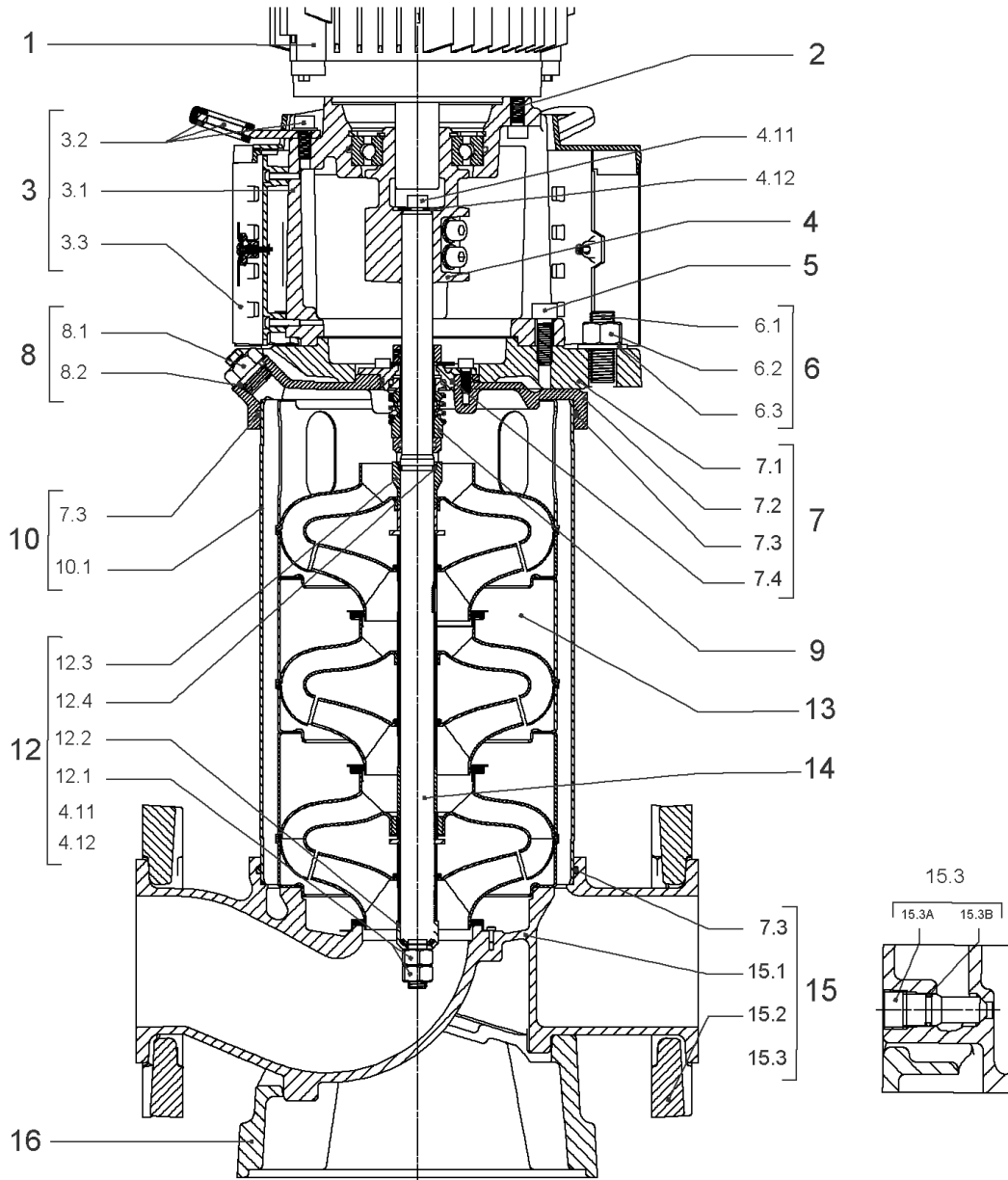


CARTRIDGE HELIX22-36-52 O/E KIT (4143973)

Item	Article no.	Description	Quantity
9.1	4143974	SEAL-KIT-HELIX22-36-52 O/E	1
7.3	4179571	> O-RING HOUSING PIPE HELIX22/36/52 VP.	1
7.4	4179572	> O-RING ID.42.52X2.62 EPDM VP.	1
9.1A	4179573	> M.SEAL.HELIX22-36-52 O/E VP.	1
9.1B	4179574	> O-RING ID.20x2.65 EPDM VP.	1
9.2	4179566	SHAFT SLEEVE D.20/20X60 1.4404 VP.	1
9.3	4179567	RING HOLDER Ø22 1.4301 VP.	1
9.4	4176520	SCREW CH M5x5 A4-70 (3PIECES)	1
9.5	4179568	DRIVE RING D.31/22.1x11 MACH.VP.	1
9.6	4179569	TOOL M.S.CART.HELIX 8" VP.	1
9.7	4179570	SCREW M6X16 ISO4762 8.8 GEOMET(4 PIECES)	1

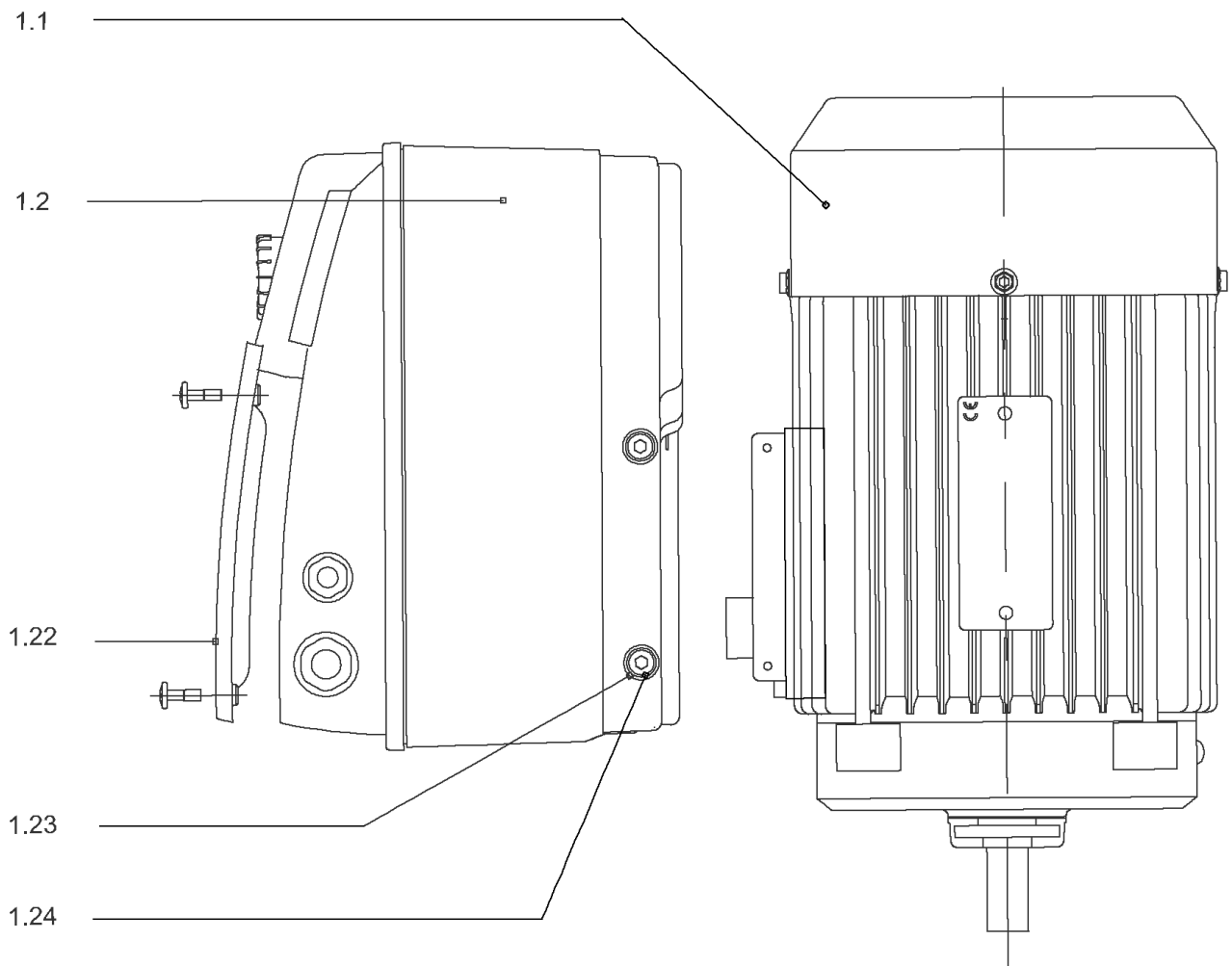


Item	Article no.	Description	Quantity
13.1	4161198	UPPER STAGE HELIX 36 1.4301 KIT	1
		> STOP COLLAR OF IMPELLER L20-Ø22-316L	1
		> SHAFT-SLEEVE-D26xD22x16-CW	1
		> SLEEVE-SPACER-D22XL16,66-316L	1
		> IMPELLER-H1-M+36-304	1
		> MACH.-RIGID-BEARING-DISC.-CHAMBER-M+36-3	1
13.1A	4161200	> NECK RING 1.STAGE HELIX V36/52 KIT	1
		>> NECK-RING-M+36/52	1
		>> HYDRAULIC SUPPORT CAP M+36/52 304	1
		>> SCREW TCL M3X8 A4 POZIDRIV	1



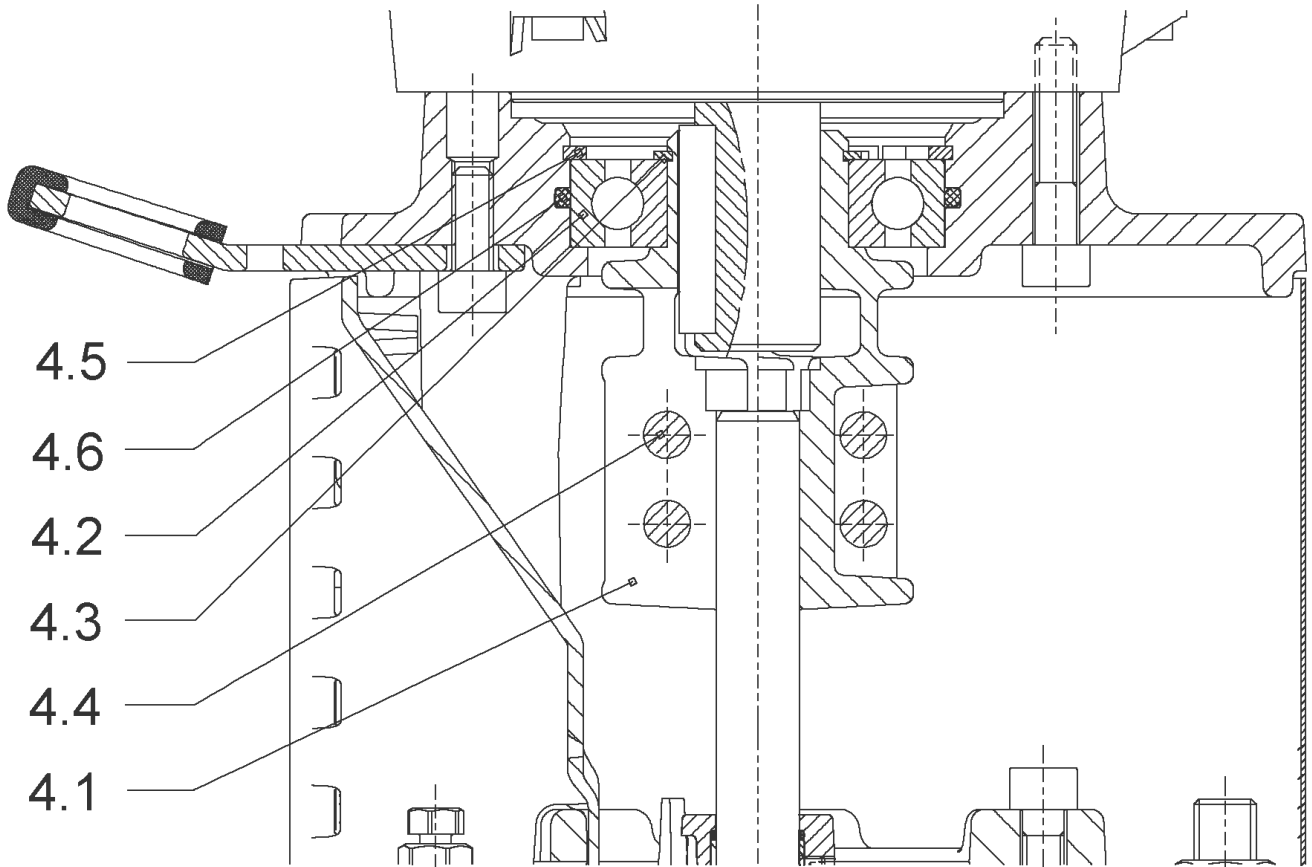
HELIX VE3601-1/16/E/KS (4198860)

Item	Article no.	Description	Quantity
1		DRIVE HELIX-VE3601-IE4-WE KIT	1
Note: MOTOR BRAND WILO ELEC			
2	4159707	SCREW M8X30 (4 PIECES)	1
3	4157719	LANTERN HELIX 22/36 FT130 KIT	1
3.1		> LANTERN FT130 M+ GJL MACHINED+CATA	1
3.2	4179561	> EYELET CPL.FT HELIX(2 PIECES)	1
3.3	4143968	> COUPLING PROTECT HELIX FT KIT	1
4	4143964	COUPLING D.20XD.28 FT130 KIT	1
5	4094462	SCREWS M10 (4 PIECES)	1
6	4217903	STUD BOLT M16X319 KIT	1
6.1		> TIE BOLT M16-319x24x44-1.4057	1
6.2	4179562	> NUT M16 8.8 ISO4032 (4 PIECES)	1
6.3	4097852	> WASHER-CS-16.4-32-2.8-NFE25-511-A2	1
7	4217176	END SHIELD HELIX OPTI 8" EPDM KIT	1
7.1		> upper flange machined + cataphoresis	1
7.2	4217174	> STATIONARY RING HOLDER 8" HELIX OPTI VP.	1
7.3	4179571	> O-RING HOUSING PIPE HELIX22/36/52 VP.	1
7.4	4179572	> O-RING ID.42.52X2.62 EPDM VP.	1
8	4186377	FILING/PURGING PLUG 304 HELIX KIT	1
8.1		> FILLING/VENTING-PLUG-MVI8/10"-304	1
8.2	4032291	> O-RING 17x3 EPDM KTW/WRC	1
9	4143973	CARTRIDGE HELIX22-36-52 O/E KIT	1
10	4217905	HOUSING PIPE D.204X97 1.4307 KIT	1
7.3	4179571	> O-RING HOUSING PIPE HELIX22/36/52 VP.	1
10.1		> HOUSING-PIPE Ø204-L97,37-304	1
12	4161186	SHAFT EQUIPMENT HELIX V36 8" KIT	1
13		HYDRAULICHELIX V 3601	1
14	4180017	SHAFT D.22X287,34 1.4057 VP.	1
15	4217909	EQUIPED HOUSING DN65 HELIX OPTI 8" KIT	1
15.1		> pump casing machined DN65	1
15.2	4217907	> HALF FLANGE DN65 HELIX OPTI 8" VP.	1
15.3	4217850	> DRAIN/PRIMING PLUG HELIX OPTI 8" KIT	1
7.3	4179571	> O-RING HOUSING PIPE HELIX22/36/52 VP.	1
16	4217911	BASEPLATE DN65 HELIX OPTI 8" VP.	1



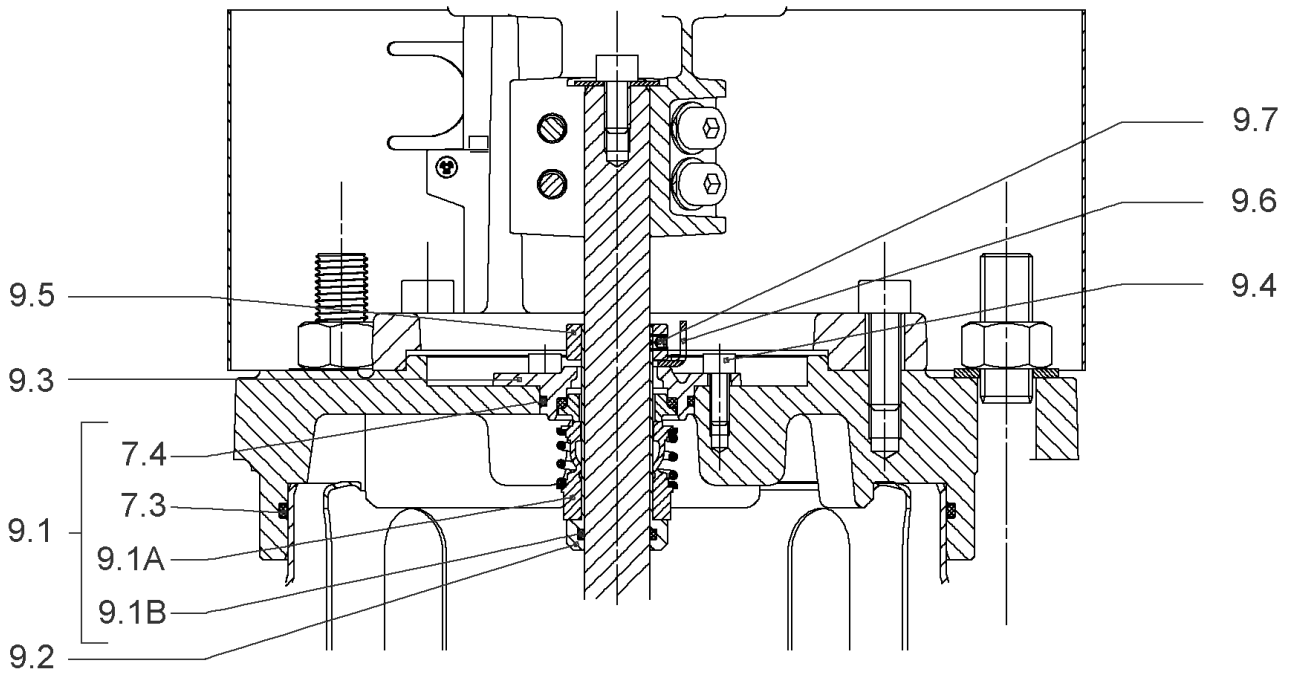
DRIVE HELIX-VE3601-IE4-WE KIT

Item	Article no.	Description	Quantity
1.1	4207924	MOTOR 4/2/112 3~ 380V 60HZ IE4 WE VP.	1
		SPARE PARTS MOTOR:ON REQUEST	1
1.2	4209609	MODULE HELIX-VE3601-IE4-WE KIT	1
1.22	2054227	> MODULE COVER/GASKET TL3/4 KIT	1
1.23	4215716	> SCREW M5X16 DIN912 8.8 A2A (4pieces) VP.	1
1.24	2057978	> RONDELLE A5,3 DIN6797 FST ZN (4 PIECES)	1



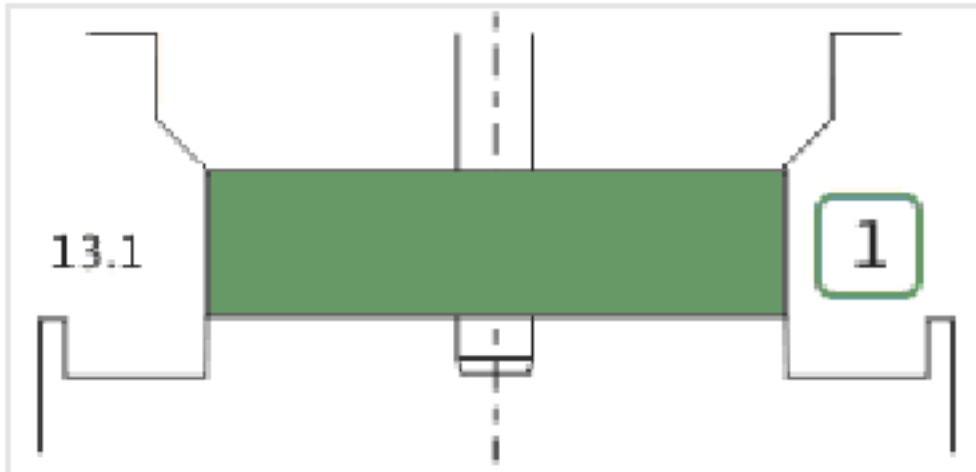
COUPLING D.20XD.28 FT130 KIT (4143964)

Item	Article no.	Description	Quantity
4.1		COUPLING M+ Ø20XØ28-FT130 MACHINED	1
4.2	2131022	BALL BEARING 6209/ZZ-C3(HT)VP.	1
4.3	4233930	CIRCLIP-FOR-BORES-D45x1,75 VP.	1
4.4	4157726	SCREW KIT M8X30 (4 PIECES)	1
4.5	4234252	CIRCLIPS 85X3 VP.	1
4.6	4234243	O-RING 85X3 VP.	1
		NOMEL CONTACT WASHER 8x16x1,4 STEEL ZC	1

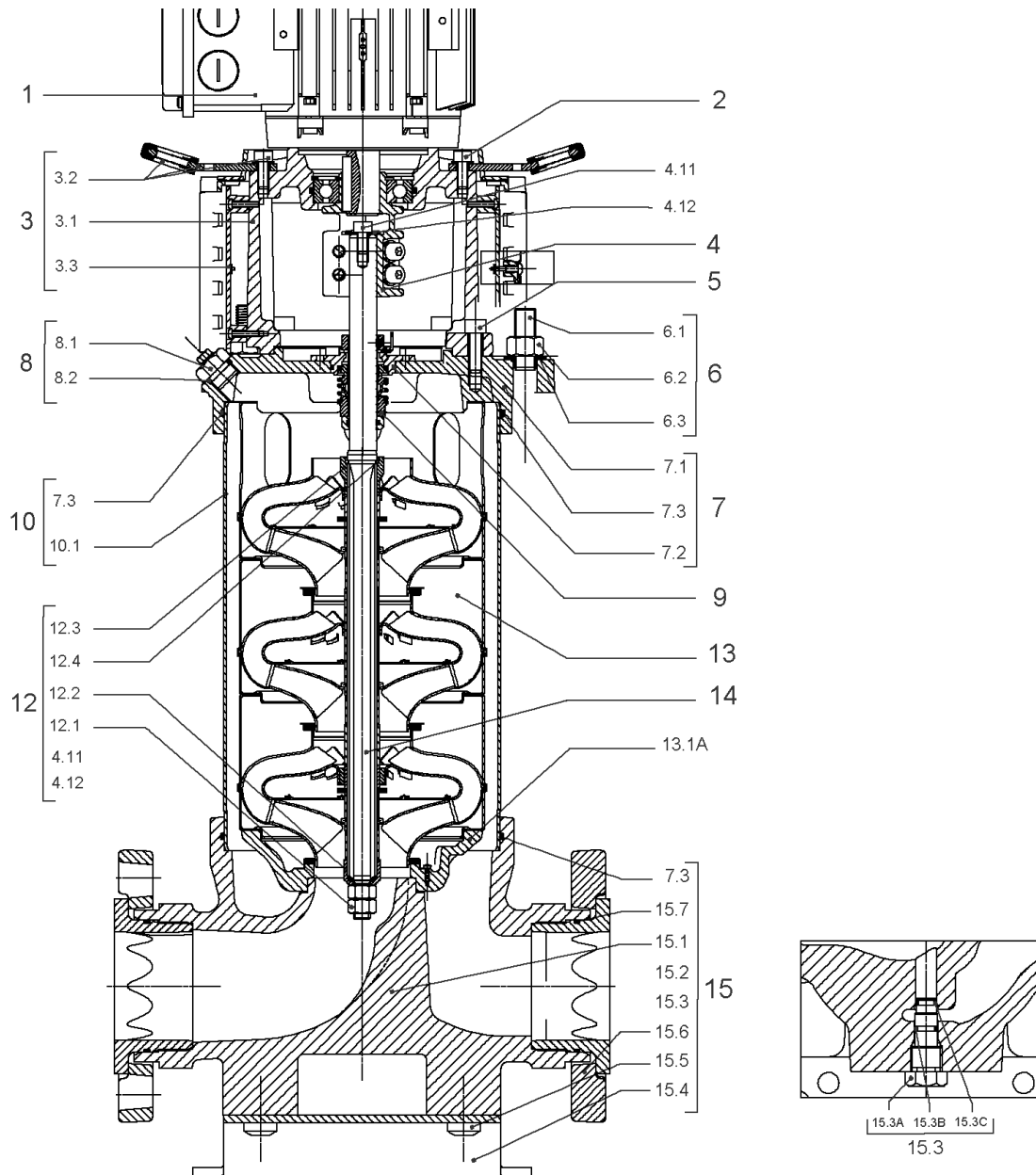


CARTRIDGE HELIX22-36-52 O/E KIT (4143973)

Item	Article no.	Description	Quantity
9.1	4143974	SEAL-KIT-HELIX22-36-52 O/E	1
7.3	4179571	> O-RING HOUSING PIPE HELIX22/36/52 VP.	1
7.4	4179572	> O-RING ID.42.52X2.62 EPDM VP.	1
9.1A	4179573	> M.SEAL.HELIX22-36-52 O/E VP.	1
9.1B	4179574	> O-RING ID.20x2.65 EPDM VP.	1
9.2	4179566	SHAFT SLEEVE D.20/20X60 1.4404 VP.	1
9.3	4179567	RING HOLDER Ø22 1.4301 VP.	1
9.4	4176520	SCREW CH M5x5 A4-70 (3PIECES)	1
9.5	4179568	DRIVE RING D.31/22.1x11 MACH.VP.	1
9.6	4179569	TOOL M.S.CART.HELIX 8" VP.	1
9.7	4179570	SCREW M6X16 ISO4762 8.8 GEOMET(4 PIECES)	1



Item	Article no.	Description	Quantity
13.1	4161198	UPPER STAGE HELIX 36 1.4301 KIT	1
		> STOP COLLAR OF IMPELLER L20-Ø22-316L	1
		> SHAFT-SLEEVE-D26xD22x16-CW	1
		> SLEEVE-SPACER-D22XL16,66-316L	1
		> IMPELLER-H1-M+36-304	1
		> MACH.-RIGID-BEARING-DISC.-CHAMBER-M+36-3	1
13.1A	4161200	> NECK RING 1.STAGE HELIX V36/52 KIT	1
		>> NECK-RING-M+36/52	1
		>> HYDRAULIC SUPPORT CAP M+36/52 304	1
		>> SCREW TCL M3X8 A4 POZIDRIV	1

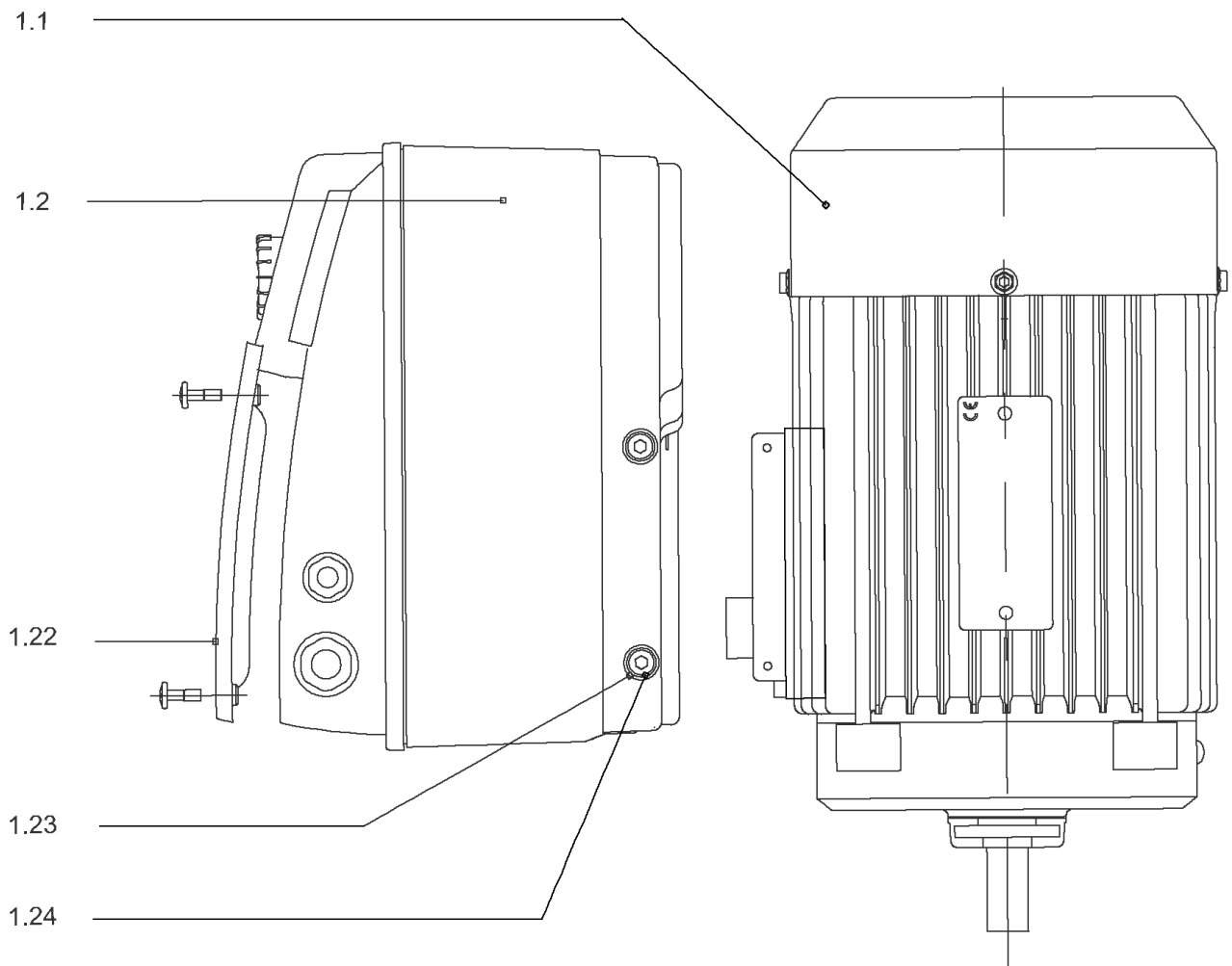


HELIX VE3602-5,5-3/16/E/K (4140702)

Item	Article no.	Description	Quantity
1		DRIVE HELIX-VE3602-IE2-ATB KIT	1
Note: MOTOR BRAND ATB			
1		DRIVE HELIX-VE3602-IE2-SIE KIT	1
Note: MOTOR BRAND SIEMENS			
1		DRIVE HELIXVE3602-5,5Kw- IE4-WE KIT	1
Note: MOTOR BRAND WILO ELEC			
2	4174093	SCREW M12X50 (4 PIECES)	1
3	4161187	LANTERN FF265 HELIX 8" KIT	1
3.1		> LANTERN FF265 M+ GJL MACHINED+CATA	1
3.2	2127605	> EYELET CPL.FF265 HELIX(2 PIECES)	1
3.3	4143969	> COUPLING PROTECT HELIX FF KIT	1
4	4143965	COUPLING D.20XD.28 FF265 KIT	1
5	4157725	SCREW M10X40 (4 PIECES)	1
6	4180018	STUD BOLT M16X267 KIT	1
6.1		> TIE BOLT M16-267x24x44-1.4057	1
6.2	4179562	> NUT M16 8.8 ISO4032 (4 PIECES)	1
6.3	4097852	> WASHER-CS-16.4-32-2.8-NFE25-511-A2	1
7	4179565	END SHIELD HELIX 8" EPDM KIT	1
7.1		> END SHIELD M+ GJL MACHINED+CATA	1
7.2	4179564	> O-RING D.42.52x2.62 EPDM VP.	1
7.3	4179571	> O-RING HOUSING PIPE HELIX22/36/52 VP.	1
8	4186377	FILING/PURGING PLUG 304 HELIX KIT	1
8.1		> FILLING/VENTING-PLUG-MVI8/10"-304	1
8.2	4032291	> O-RING 17x3 EPDM KTW/WRC	1
9	4143973	CARTRIDGE HELIX22-36-52 O/E KIT	1
10	4181070	HOUSING PIPE D.204X197 1.4307 KIT	1
7.3	4179571	> O-RING HOUSING PIPE HELIX22/36/52 VP.	1
10.1		> HOUSING-PIPE Ø204-M+3602-304	1
11	4181071	CENTRALIZER HELIX 8" M+36 1.4301 VP.	1
12	4161186	SHAFT EQUIPMENT HELIX V36 8" KIT	1
13		HYDRAULIC HELIX V 3602	1
14	4181073	SHAFTS D.22X354 1.4057 VP.	1
15	4161185	EQUIPED HOUSING HELIX 36 GJL KIT	1
15.1		> PUMP HOUSING SET with CATA. PARTS-DN65	1

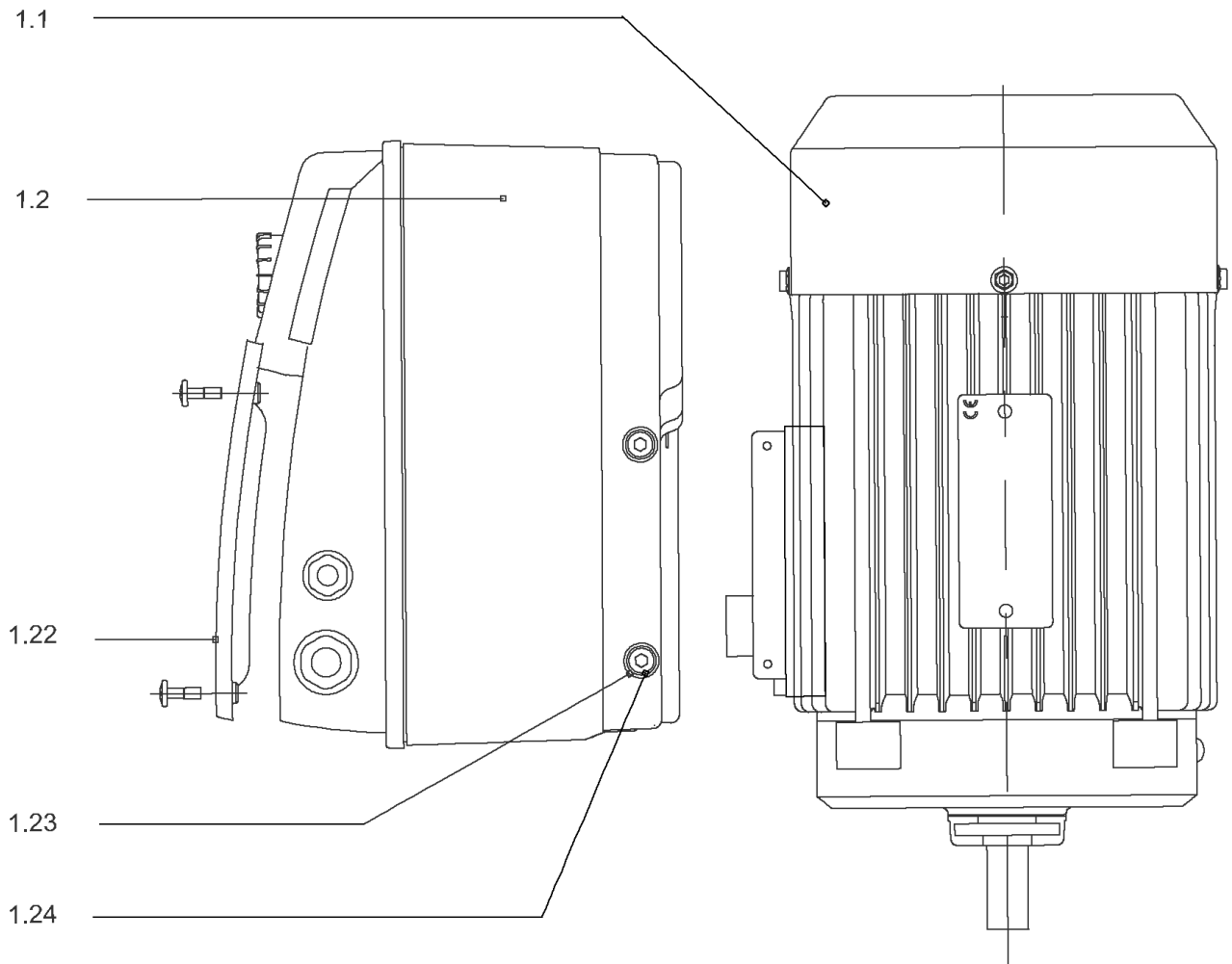
HELIX VE3602-5,5-3/16/E/K (4140702)

Item	Article no.	Description	Quantity
15.3	4143766	> DRAIN/PRIMING PLUG EPDM HELIX KIT	1
15.3A		>> PRIMING/DRAIN PLUG-304-VERSION 1	1
15.3B	4032293	>> O-RING-10x3-EPDM-KTW/WRC	1
15.3C	4233957	>> O-RING ID.9 EPDM VP.	1
15.4	4221729	> BASE M+ DN50/65/80 VP.	1
15.5		> SCREW TBHC M12x25 ISO7380 ZN	1
15.6		> FLANGE M+ DN65 NF PN16-25 ASME PN16 CATA	1
15.7		> O-RING Ø79.5xØ3 EPDM	1
13.1A	4161200	> NECK RING 1.STAGE HELIX V36/52 KIT	1
		>> NECK-RING-M+36/52	1
		>> HYDRAULIC SUPPORT CAP M+36/52 304	1
		>> SCREW TCL M3X8 A4 POZIDRIV	1
7.3	4179571	> O-RING HOUSING PIPE HELIX22/36/52 VP.	1



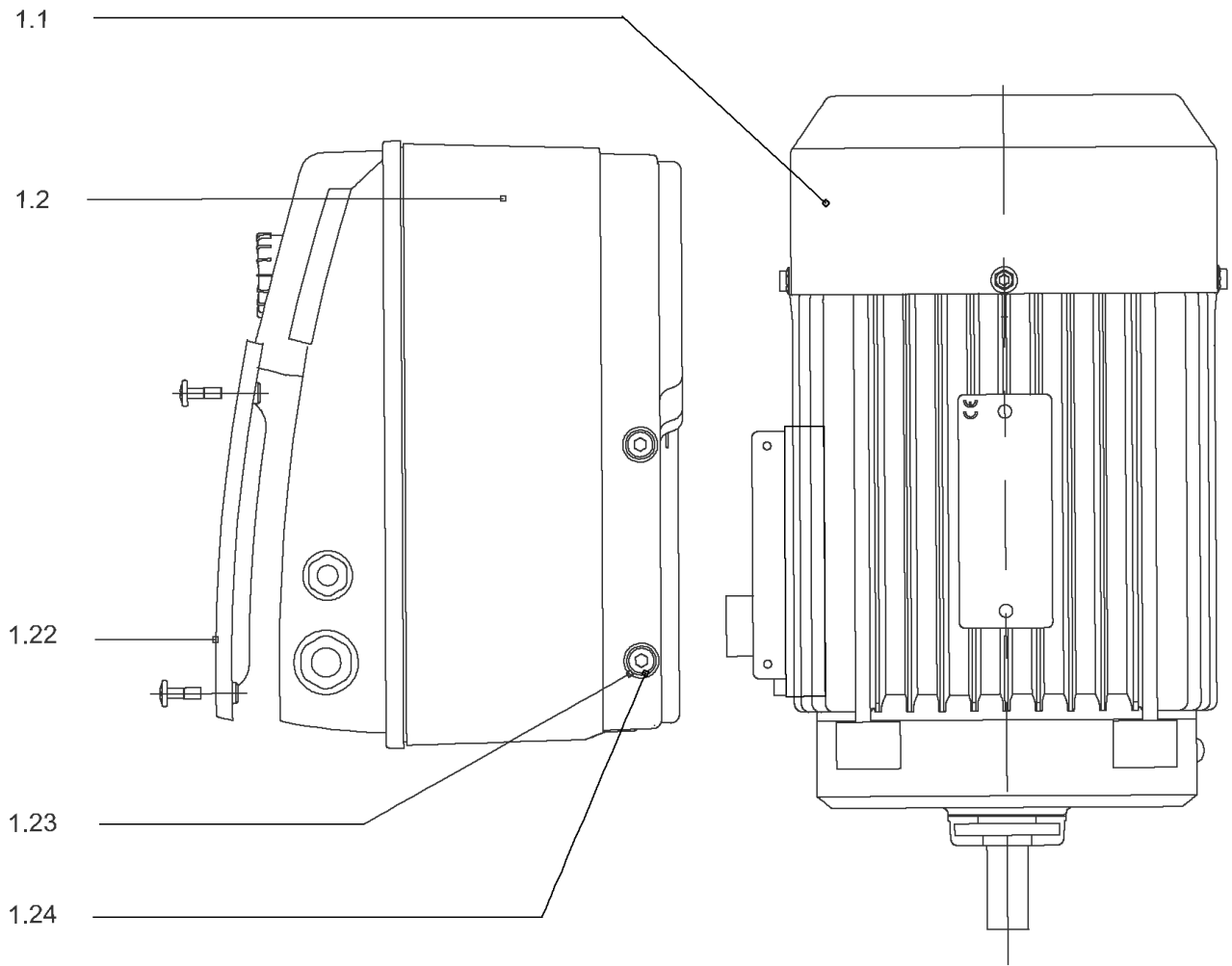
DRIVE HELIX-VE3602-IE2-ATB KIT

Item	Article no.	Description	Quantity
1.1	4233989	MOTOR 5.5/2/132 3~400V 50HZ IE2 ATB VP.	1
Note: MOTOR BRAND ATB			
		SPARE PARTS MOTOR:ON REQUEST	1
1.2	4186773	MODULE HELIX-VE3602-IE2-ATB KIT	1
1.22	2111344	> MODULE COVER/GASKET TL5 KIT	1
1.23	4215716	> SCREW M5X16 DIN912 8.8 A2A (4pieces) VP.	1
1.24	2057978	> RONDELLE A5,3 DIN6797 FST ZN (4 PIECES)	1



DRIVE HELIX-VE3602-IE2-SIE KIT

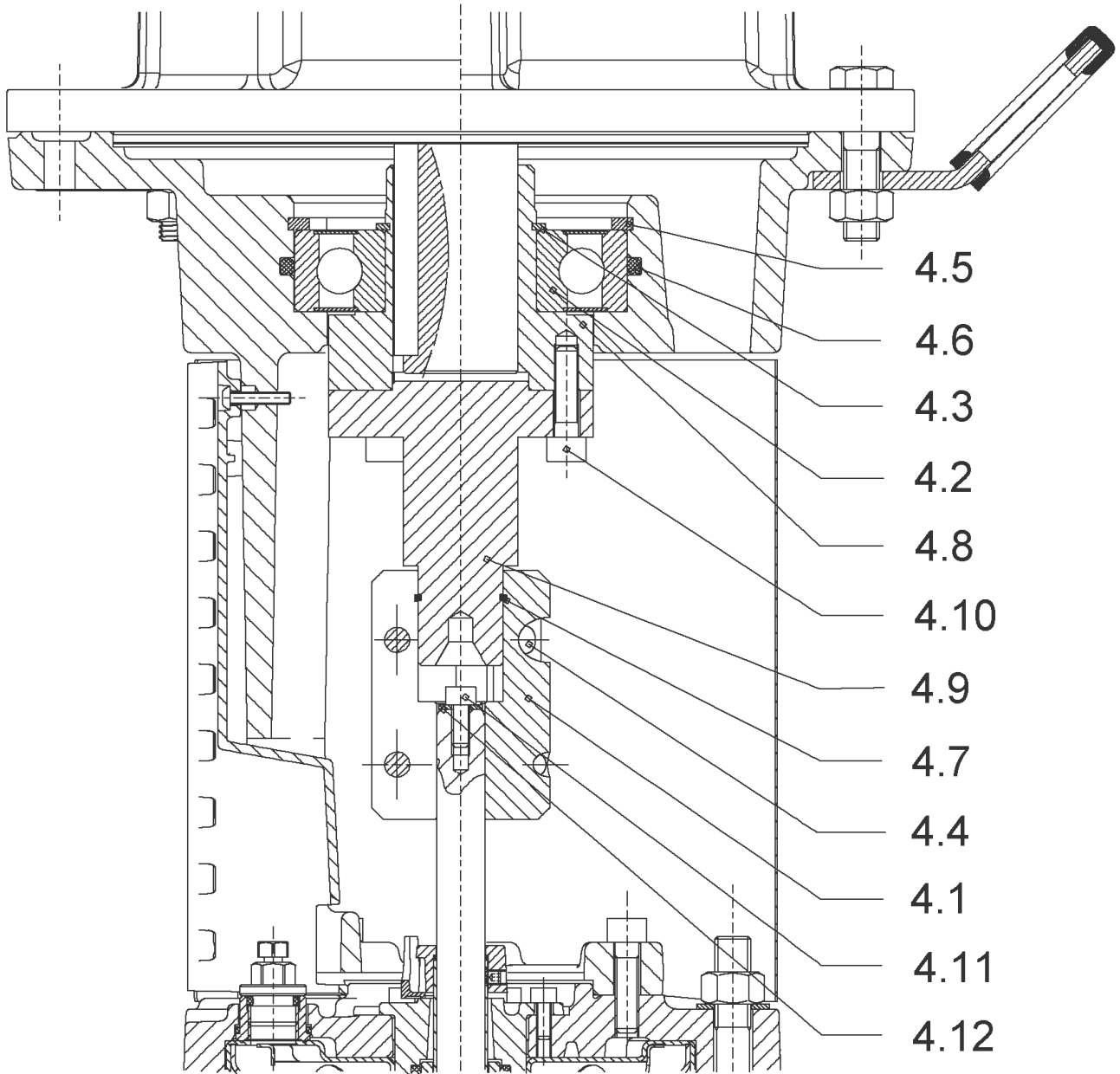
Item	Article no.	Description	Quantity
1.1		MOTOR 5,5/2/132 3~400V 50HZ IE2 SIE VP.	1
Note: no longer available/nicht mehr lieferbar/n'est plus disponible			
		SPARE PARTS MOTOR:ON REQUEST	1
1.2	4186642	MODULE HELIX-VE3602--IE2-SIE KIT	1
1.22	2111344	> MODULE COVER/GASKET TL5 KIT	1
1.23	4215716	> SCREW M5X16 DIN912 8.8 A2A (4pieces) VP.	1
1.24	2057978	> RONDELLE A5,3 DIN6797 FST ZN (4 PIECES)	1



DRIVE HELIXVE3602-5,5Kw- IE4-WE KIT

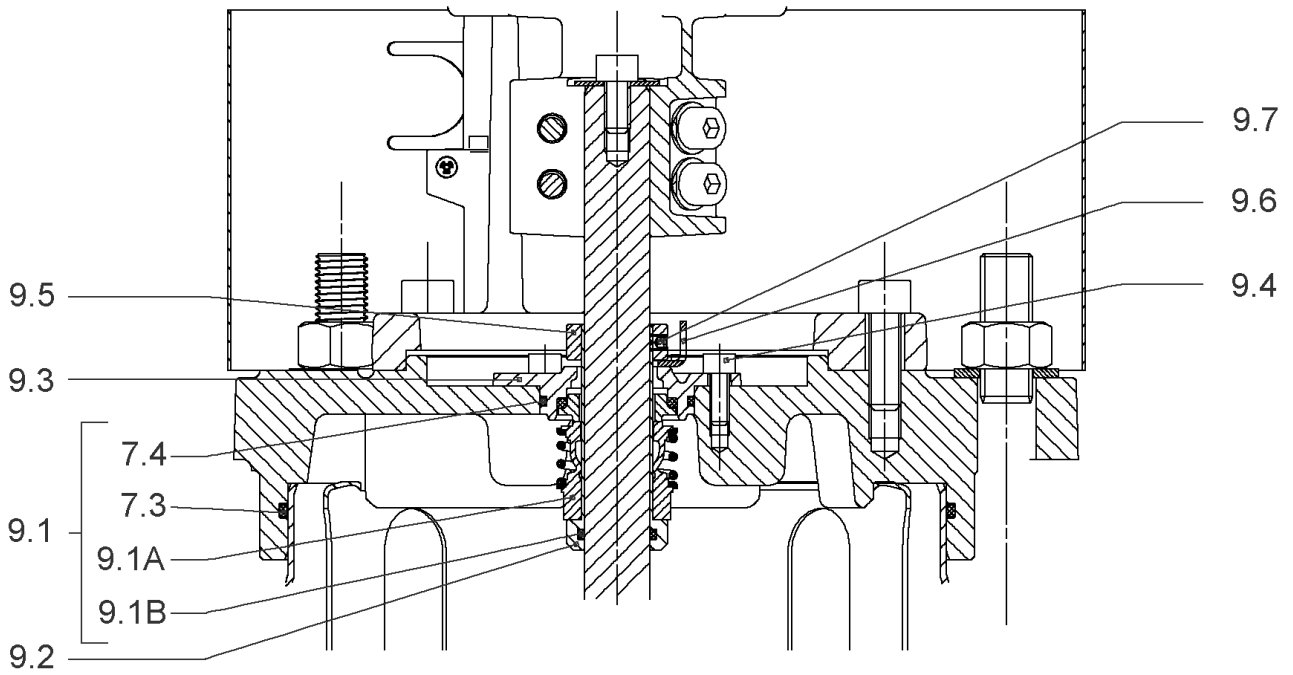
Item	Article no.	Description	Quantity
1.1	4207926	MOT.5.5/2/132F26 3~ 400V 50HZ IE4 WE VP.	1
		SPARE PARTS MOTOR:ON REQUEST	1
1.2	4212635	MODULE HELIX-VE3602-IE4-WE KIT	1
1.22	2111344	> MODULE COVER/GASKET TL5 KIT	1
1.23	4215716	> SCREW M5X16 DIN912 8.8 A2A (4pieces) VP.	1
1.24	2057978	> RONDELLE A5,3 DIN6797 FST ZN (4 PIECES)	1

COUPLING D.20XD.28 FF265 KIT (4143965)



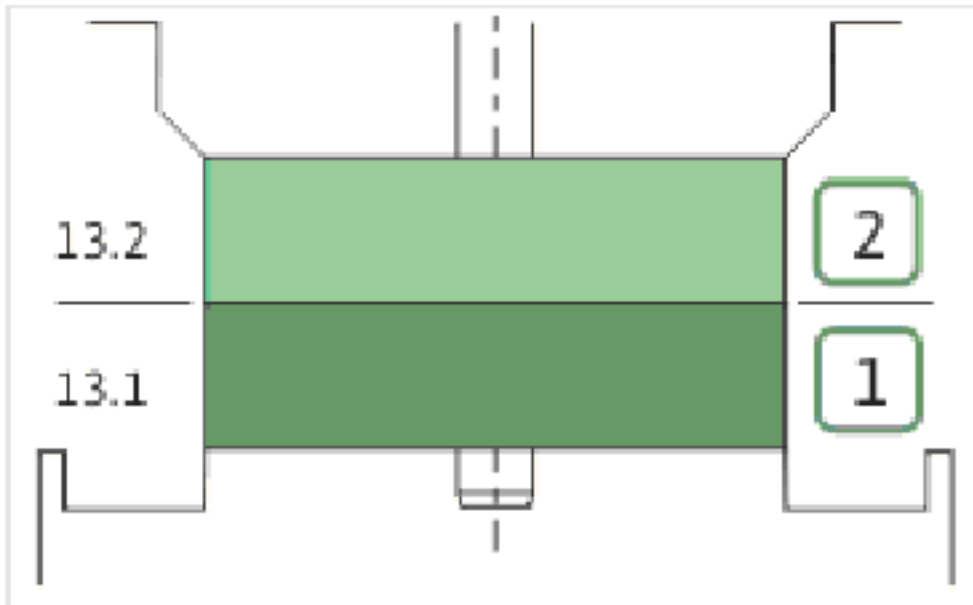
COUPLING D.20XD.28 FF265 KIT (4143965)

Item	Article no.	Description	Quantity
4.1	4179584	COUPLING 2 PARTS D.20XD.28XL83 VP.	1
4.2	2131017	BALL BEARING 6310/ZZ-C4(HT)VP.	1
4.3	4234253	CIRCLIP-FOR-SHAFT-D50x2 VP.	1
4.4	4159707	SCREW M8X30 (4 PIECES)	1
4.5	4234255	CIRCLIPS 110X4 VP.	1
4.6	4233944	O-RING ID.110 VP.	1
4.7	4179585	STOP-RUSH D26xD2 DIN7993 STEEL VP.	1
4.8	2131020	HUB D.38XD.50 VP.	1
4.9	2131021	SPACER D.28XD.45 VP.	1
4.10	4157726	SCREW KIT M8X30 (4 PIECES)	1
4.11	4233959	SCREW M8x16 VP.	1
4.12		SERRATED LOCK WASHER Ø8.2XØ25X35X2	1



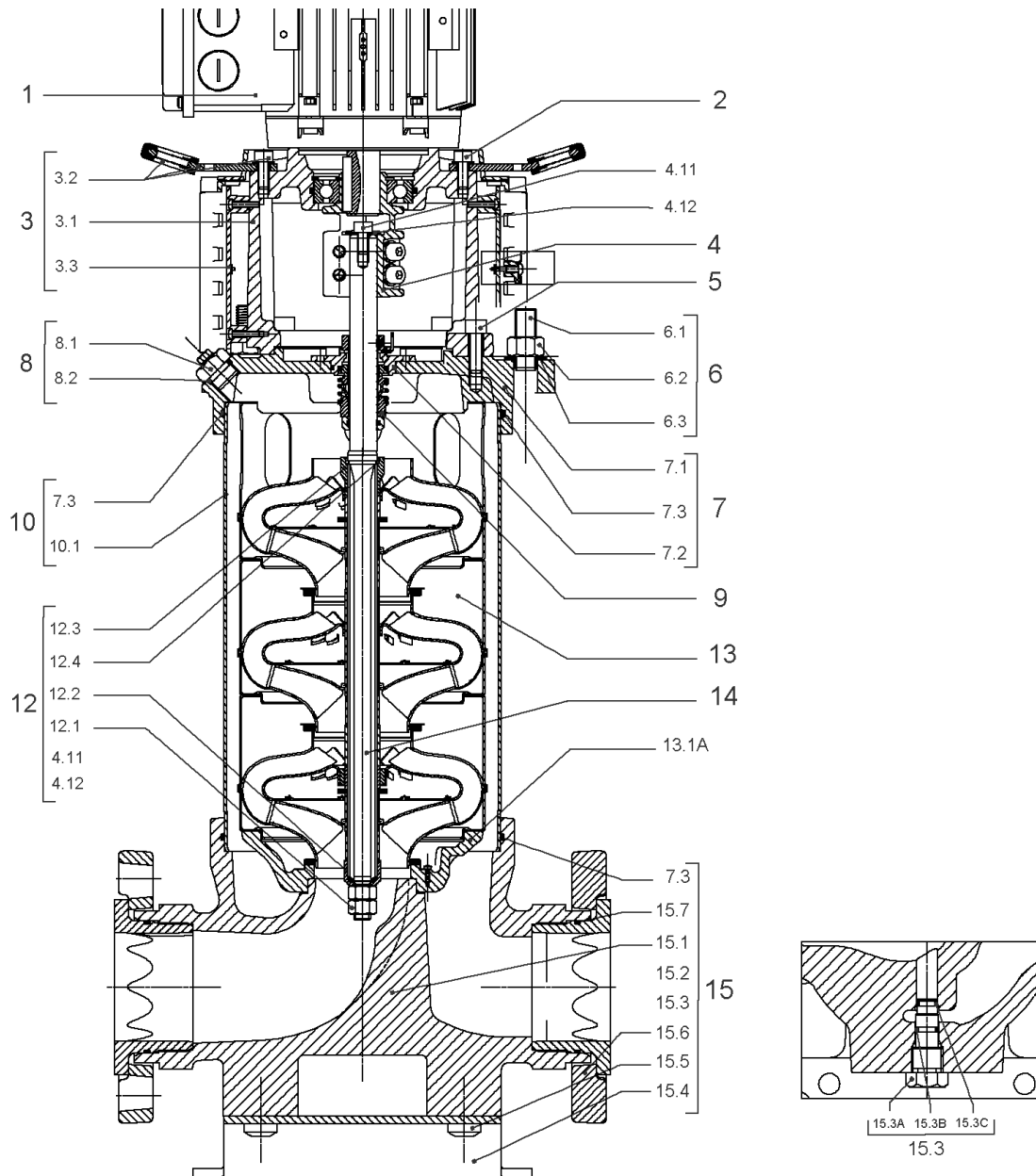
CARTRIDGE HELIX22-36-52 O/E KIT (4143973)

Item	Article no.	Description	Quantity
9.1	4143974	SEAL-KIT-HELIX22-36-52 O/E	1
7.3	4179571	> O-RING HOUSING PIPE HELIX22/36/52 VP.	1
7.4	4179572	> O-RING ID.42.52X2.62 EPDM VP.	1
9.1A	4179573	> M.SEAL.HELIX22-36-52 O/E VP.	1
9.1B	4179574	> O-RING ID.20x2.65 EPDM VP.	1
9.2	4179566	SHAFT SLEEVE D.20/20X60 1.4404 VP.	1
9.3	4179567	RING HOLDER Ø22 1.4301 VP.	1
9.4	4176520	SCREW CH M5x5 A4-70 (3PIECES)	1
9.5	4179568	DRIVE RING D.31/22.1x11 MACH.VP.	1
9.6	4179569	TOOL M.S.CART.HELIX 8" VP.	1
9.7	4179570	SCREW M6X16 ISO4762 8.8 GEOMET(4 PIECES)	1



HYDRAULIC HELIX V 3602

Item	Article no.	Description	Quantity
13.1	4161192	INTERMEDIATE STAGE HELIX V36 1.4301 KIT	1
		> SLEEVE-SPACER-D22XL16,66-316L	1
		> MACH.BEARING-DIFFUSER+NR-M+36-304	1
		> SHAFT-SLEEVE-D26xD22x16-CW	1
		> IMPELLER-H1-M+36-304	1
13.1A	4161200	> NECK RING 1.STAGE HELIX V36/52 KIT	1
		>> NECK-RING-M+36/52	1
		>> HYDRAULIC SUPPORT CAP M+36/52 304	1
		>> SCREW TCL M3X8 A4 POZIDRIV	1
13.2	4161194	UPPER STAGE HELIX 36 1.4301 KIT	1
		> STOP COLLAR OF IMPELLER L20-Ø22-316L	1
		> IMPELLER-H4-M+36-304	1
		> MACH.-RIGID-STD-DISCH.-CHAMBER-M+36-304	1



HELIX VE3602-5,5-3/16/E/KS (4140710)

Item	Article no.	Description	Quantity
1		DRIVE HELIX-VE3602-IE2-ATB KIT	1
Note: MOTOR BRAND ATB			
1		DRIVE HELIX-VE3602-IE2-SIE KIT	1
Note: MOTOR BRAND SIEMENS			
1		DRIVE HELIXVE3602-5,5Kw- IE4-WE KIT	1
Note: MOTOR BRAND WILO ELEC			
2	4174093	SCREW M12X50 (4 PIECES)	1
3	4161187	LANTERN FF265 HELIX 8" KIT	1
3.1		> LANTERN FF265 M+ GJL MACHINED+CATA	1
3.2	2127605	> EYELET CPL.FF265 HELIX(2 PIECES)	1
3.3	4143969	> COUPLING PROTECT HELIX FF KIT	1
4	4143965	COUPLING D.20XD.28 FF265 KIT	1
5	4157725	SCREW M10X40 (4 PIECES)	1
6	4180018	STUD BOLT M16X267 KIT	1
6.1		> TIE BOLT M16-267x24x44-1.4057	1
6.2	4179562	> NUT M16 8.8 ISO4032 (4 PIECES)	1
6.3	4097852	> WASHER-CS-16.4-32-2.8-NFE25-511-A2	1
7	4179565	END SHIELD HELIX 8" EPDM KIT	1
7.1		> END SHIELD M+ GJL MACHINED+CATA	1
7.2	4179564	> O-RING D.42.52x2.62 EPDM VP.	1
7.3	4179571	> O-RING HOUSING PIPE HELIX22/36/52 VP.	1
8	4186377	FILING/PURGING PLUG 304 HELIX KIT	1
8.1		> FILLING/VENTING-PLUG-MVI8/10"-304	1
8.2	4032291	> O-RING 17x3 EPDM KTW/WRC	1
9	4143973	CARTRIDGE HELIX22-36-52 O/E KIT	1
10	4181070	HOUSING PIPE D.204X197 1.4307 KIT	1
7.3	4179571	> O-RING HOUSING PIPE HELIX22/36/52 VP.	1
10.1		> HOUSING-PIPE Ø204-M+3602-304	1
11	4181071	CENTRALIZER HELIX 8" M+36 1.4301 VP.	1
12	4161186	SHAFT EQUIPMENT HELIX V36 8" KIT	1
13		HYDRAULIC HELIX V 3602	1
14	4181073	SHAFTS D.22X354 1.4057 VP.	1
15	4161185	EQUIPED HOUSING HELIX 36 GJL KIT	1
15.1		> PUMP HOUSING SET with CATA. PARTS-DN65	1

HELIX VE3602-5,5-3/16/E/KS (4140710)

Item	Article no.	Description	Quantity
15.3	4143766	> DRAIN/PRIMING PLUG EPDM HELIX KIT	1
15.3A		>> PRIMING/DRAIN PLUG-304-VERSION 1	1
15.3B	4032293	>> O-RING-10x3-EPDM-KTW/WRC	1
15.3C	4233957	>> O-RING ID.9 EPDM VP.	1
15.4	4221729	> BASE M+ DN50/65/80 VP.	1
15.5		> SCREW TBHC M12x25 ISO7380 ZN	1
15.6		> FLANGE M+ DN65 NF PN16-25 ASME PN16 CATA	1
15.7		> O-RING Ø79.5xØ3 EPDM	1
13.1A	4161200	> NECK RING 1.STAGE HELIX V36/52 KIT	1
		>> NECK-RING-M+36/52	1
		>> HYDRAULIC SUPPORT CAP M+36/52 304	1
		>> SCREW TCL M3X8 A4 POZIDRIV	1
7.3	4179571	> O-RING HOUSING PIPE HELIX22/36/52 VP.	1



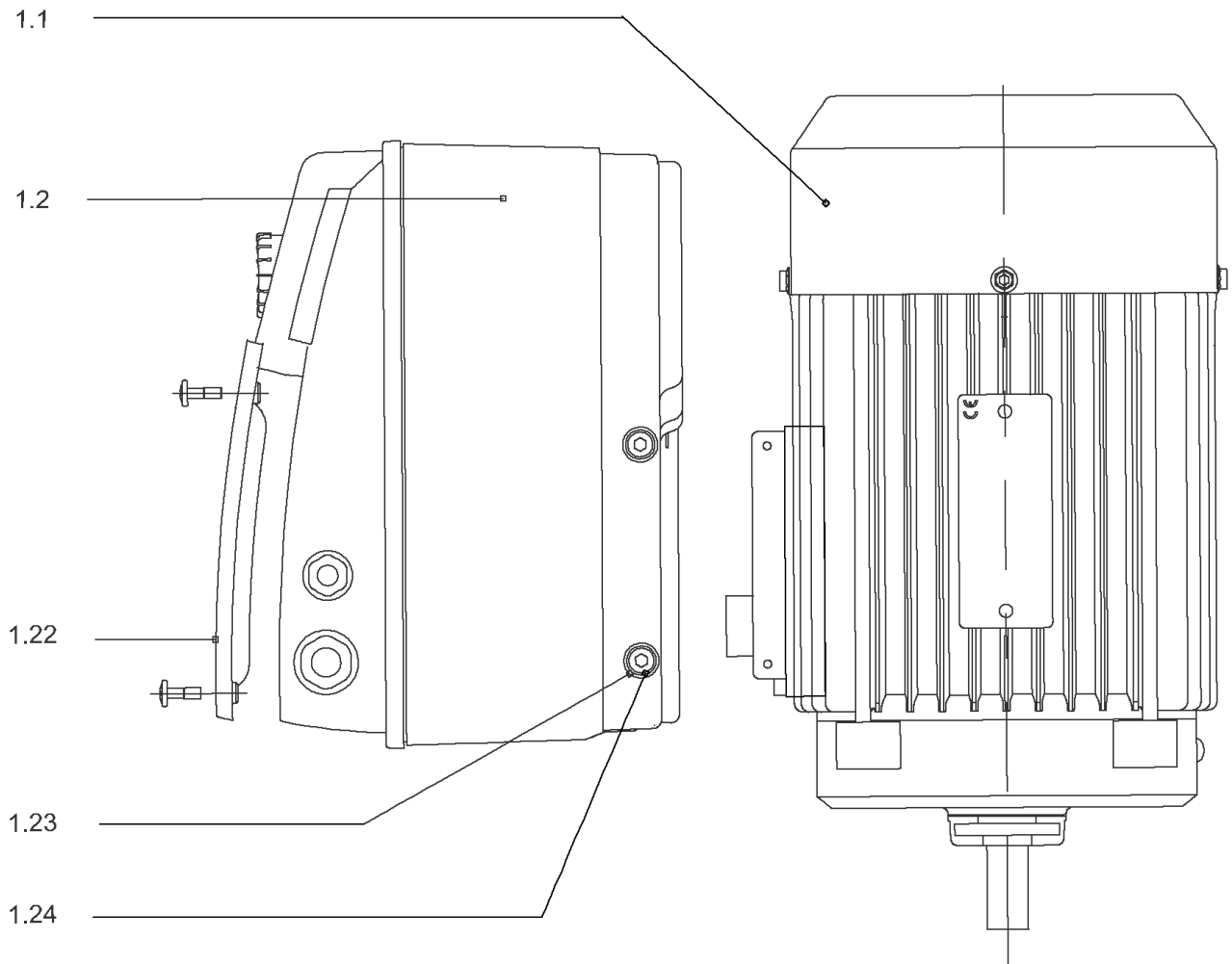
DRIVE HELIX-VE3602-IE2-ATB KIT

Item	Article no.	Description	Quantity
1.1	4233989	MOTOR 5.5/2/132 3~400V 50HZ IE2 ATB VP.	1
Note: MOTOR BRAND ATB			
		SPARE PARTS MOTOR:ON REQUEST	1
1.2	4186773	MODULE HELIX-VE3602-IE2-ATB KIT	1
1.22	2111344	> MODULE COVER/GASKET TL5 KIT	1
1.23	4215716	> SCREW M5X16 DIN912 8.8 A2A (4pieces) VP.	1
1.24	2057978	> RONDELLE A5,3 DIN6797 FST ZN (4 PIECES)	1



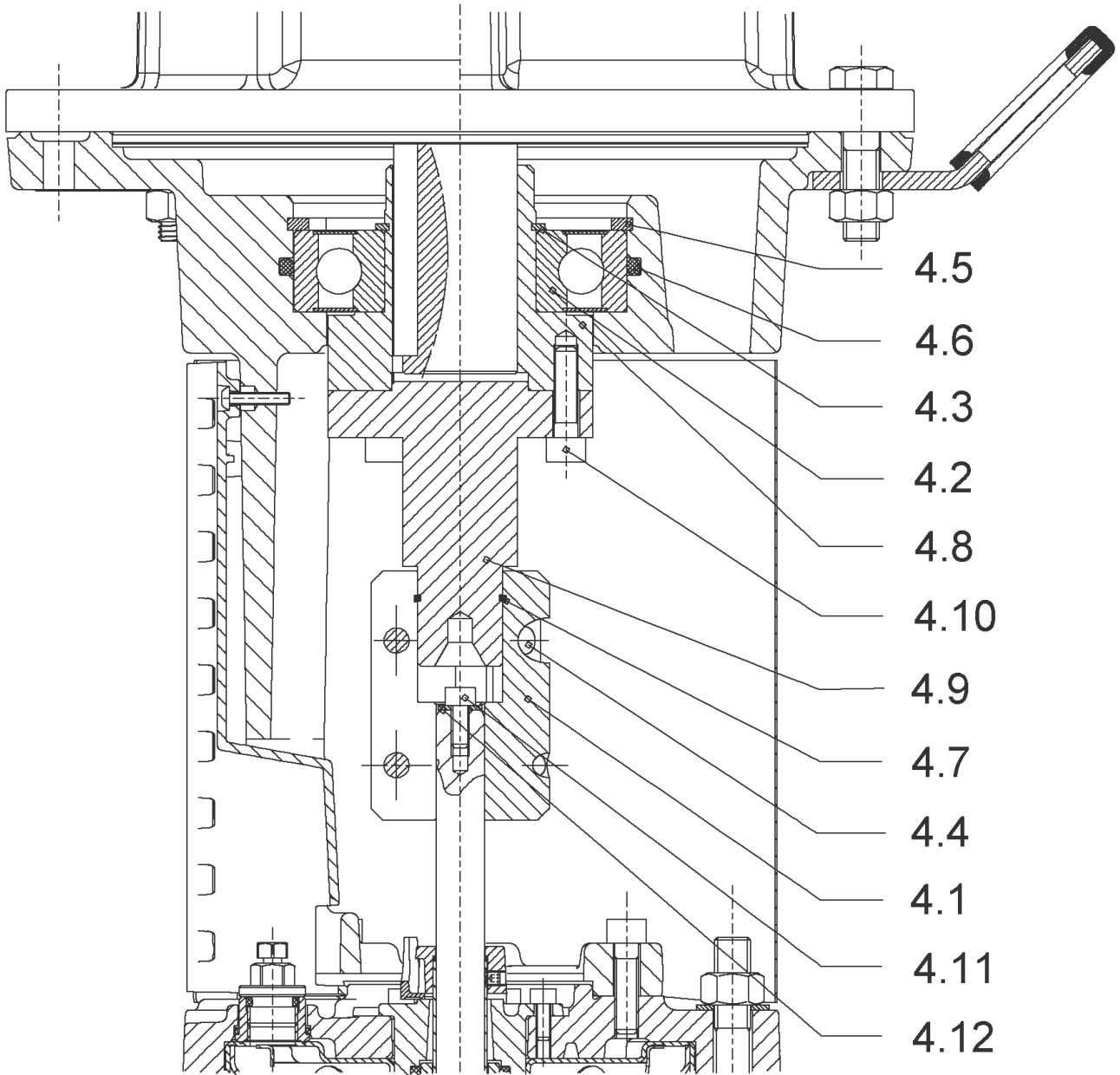
DRIVE HELIX-VE3602-IE2-SIE KIT

Item	Article no.	Description	Quantity
1.1		MOTOR 5,5/2/132 3~400V 50HZ IE2 SIE VP.	1
Note: no longer available/nicht mehr lieferbar/n'est plus disponible			
		SPARE PARTS MOTOR:ON REQUEST	1
1.2	4186642	MODULE HELIX-VE3602--IE2-SIE KIT	1
1.22	2111344	> MODULE COVER/GASKET TL5 KIT	1
1.23	4215716	> SCREW M5X16 DIN912 8.8 A2A (4pieces) VP.	1
1.24	2057978	> RONDELLE A5,3 DIN6797 FST ZN (4 PIECES)	1



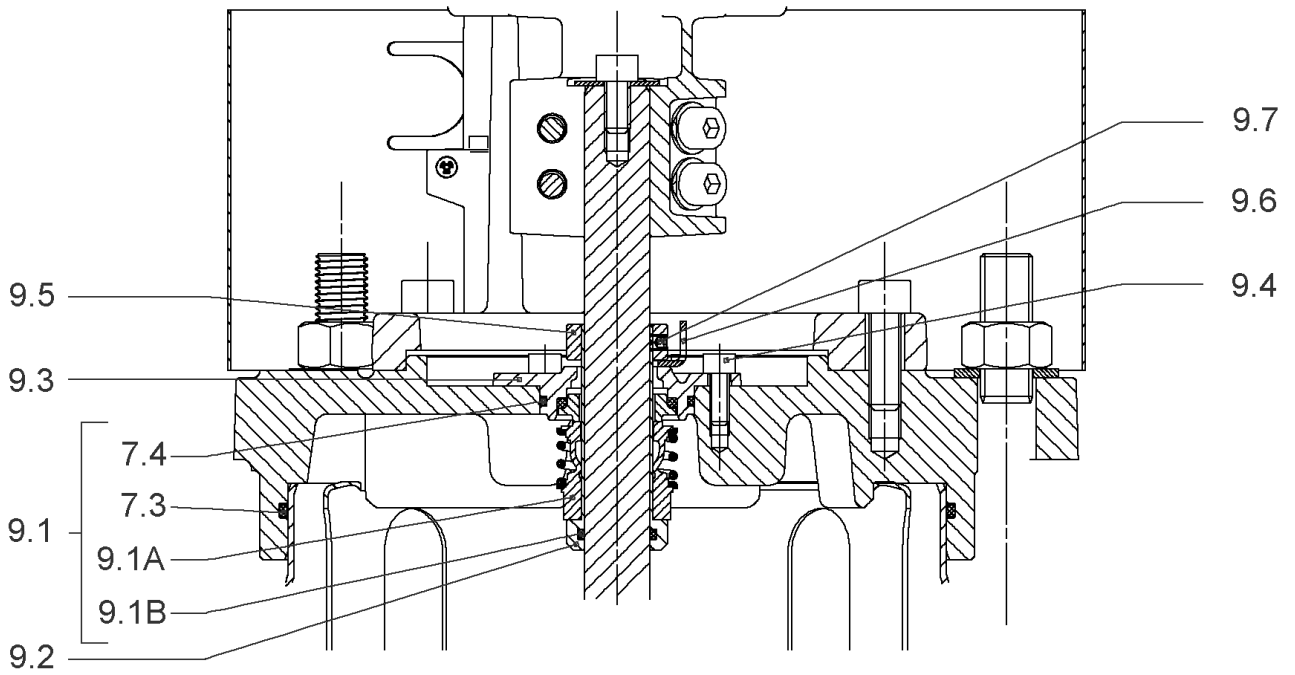
DRIVE HELIXVE3602-5,5Kw- IE4-WE KIT

Item	Article no.	Description	Quantity
1.1	4207926	MOT.5.5/2/132F26 3~ 400V 50HZ IE4 WE VP.	1
		SPARE PARTS MOTOR:ON REQUEST	1
1.2	4212635	MODULE HELIX-VE3602-IE4-WE KIT	1
1.22	2111344	> MODULE COVER/GASKET TL5 KIT	1
1.23	4215716	> SCREW M5X16 DIN912 8.8 A2A (4pieces) VP.	1
1.24	2057978	> RONDELLE A5,3 DIN6797 FST ZN (4 PIECES)	1



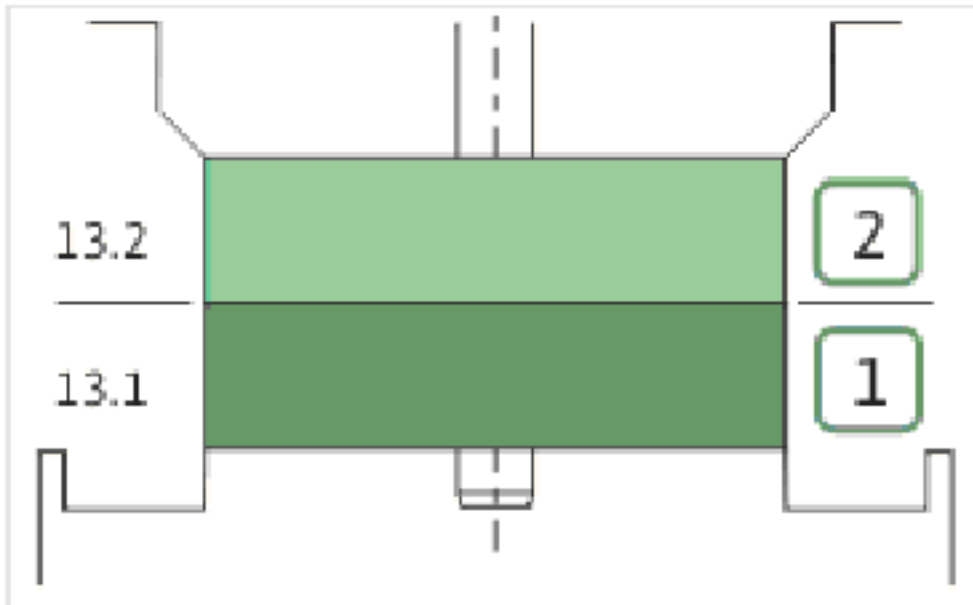
COUPLING D.20XD.28 FF265 KIT (4143965)

Item	Article no.	Description	Quantity
4.1	4179584	COUPLING 2 PARTS D.20XD.28XL83 VP.	1
4.2	2131017	BALL BEARING 6310/ZZ-C4(HT)VP.	1
4.3	4234253	CIRCLIP-FOR-SHAFT-D50x2 VP.	1
4.4	4159707	SCREW M8X30 (4 PIECES)	1
4.5	4234255	CIRCLIPS 110X4 VP.	1
4.6	4233944	O-RING ID.110 VP.	1
4.7	4179585	STOP-RUSH D26xD2 DIN7993 STEEL VP.	1
4.8	2131020	HUB D.38XD.50 VP.	1
4.9	2131021	SPACER D.28XD.45 VP.	1
4.10	4157726	SCREW KIT M8X30 (4 PIECES)	1
4.11	4233959	SCREW M8x16 VP.	1
4.12		SERRATED LOCK WASHER Ø8.2XØ25X35X2	1



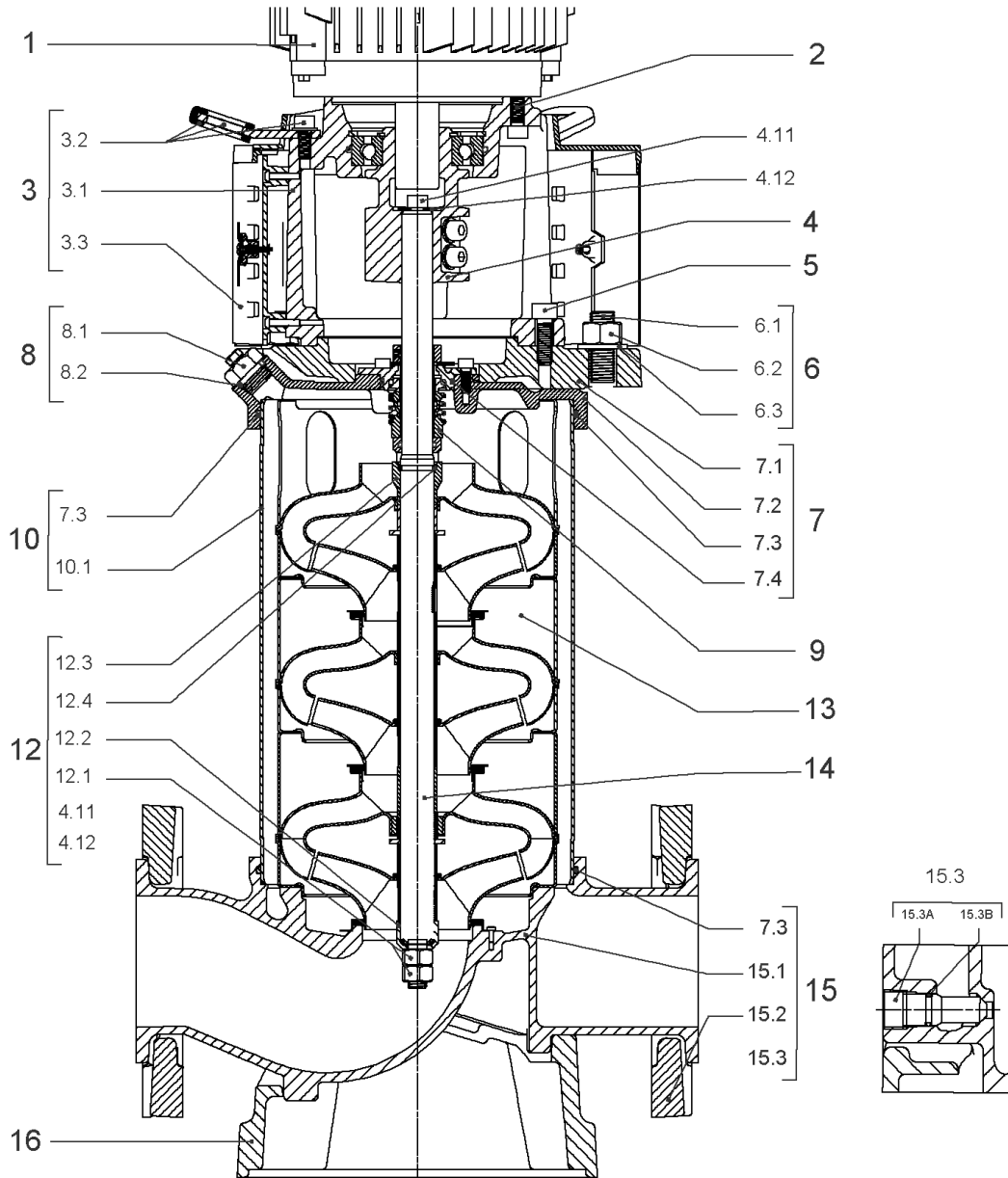
CARTRIDGE HELIX22-36-52 O/E KIT (4143973)

Item	Article no.	Description	Quantity
9.1	4143974	SEAL-KIT-HELIX22-36-52 O/E	1
7.3	4179571	> O-RING HOUSING PIPE HELIX22/36/52 VP.	1
7.4	4179572	> O-RING ID.42.52X2.62 EPDM VP.	1
9.1A	4179573	> M.SEAL.HELIX22-36-52 O/E VP.	1
9.1B	4179574	> O-RING ID.20x2.65 EPDM VP.	1
9.2	4179566	SHAFT SLEEVE D.20/20X60 1.4404 VP.	1
9.3	4179567	RING HOLDER Ø22 1.4301 VP.	1
9.4	4176520	SCREW CH M5x5 A4-70 (3PIECES)	1
9.5	4179568	DRIVE RING D.31/22.1x11 MACH.VP.	1
9.6	4179569	TOOL M.S.CART.HELIX 8" VP.	1
9.7	4179570	SCREW M6X16 ISO4762 8.8 GEOMET(4 PIECES)	1



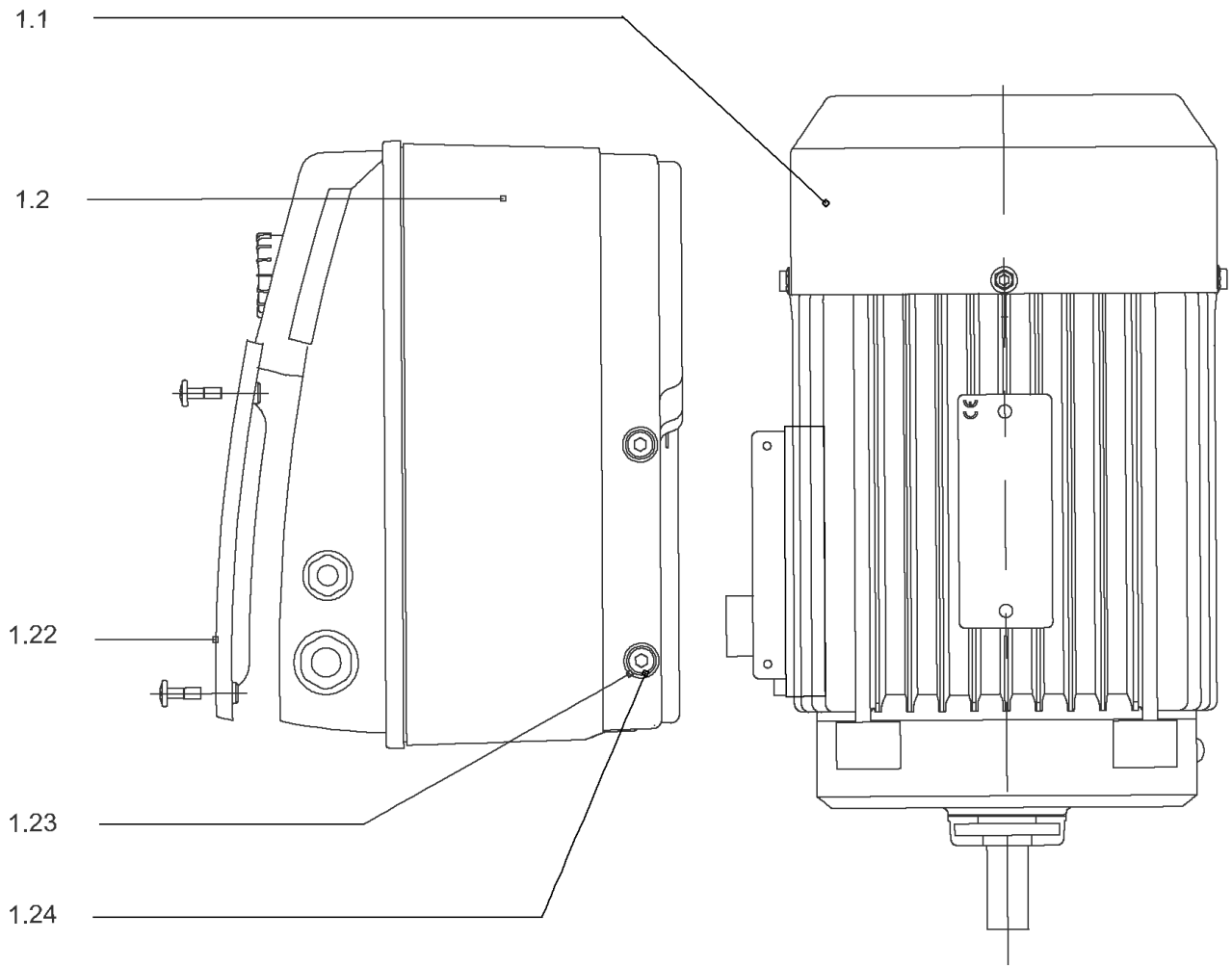
HYDRAULIC HELIX V 3602

Item	Article no.	Description	Quantity
13.1	4161192	INTERMEDIATE STAGE HELIX V36 1.4301 KIT	1
		> SLEEVE-SPACER-D22XL16,66-316L	1
		> MACH.BEARING-DIFFUSER+NR-M+36-304	1
		> SHAFT-SLEEVE-D26xD22x16-CW	1
		> IMPELLER-H1-M+36-304	1
13.1A	4161200	> NECK RING 1.STAGE HELIX V36/52 KIT	1
		>> NECK-RING-M+36/52	1
		>> HYDRAULIC SUPPORT CAP M+36/52 304	1
		>> SCREW TCL M3X8 A4 POZIDRIV	1
13.2	4161194	UPPER STAGE HELIX 36 1.4301 KIT	1
		> STOP COLLAR OF IMPELLER L20-Ø22-316L	1
		> IMPELLER-H4-M+36-304	1
		> MACH.-RIGID-STD-DISCH.-CHAMBER-M+36-304	1



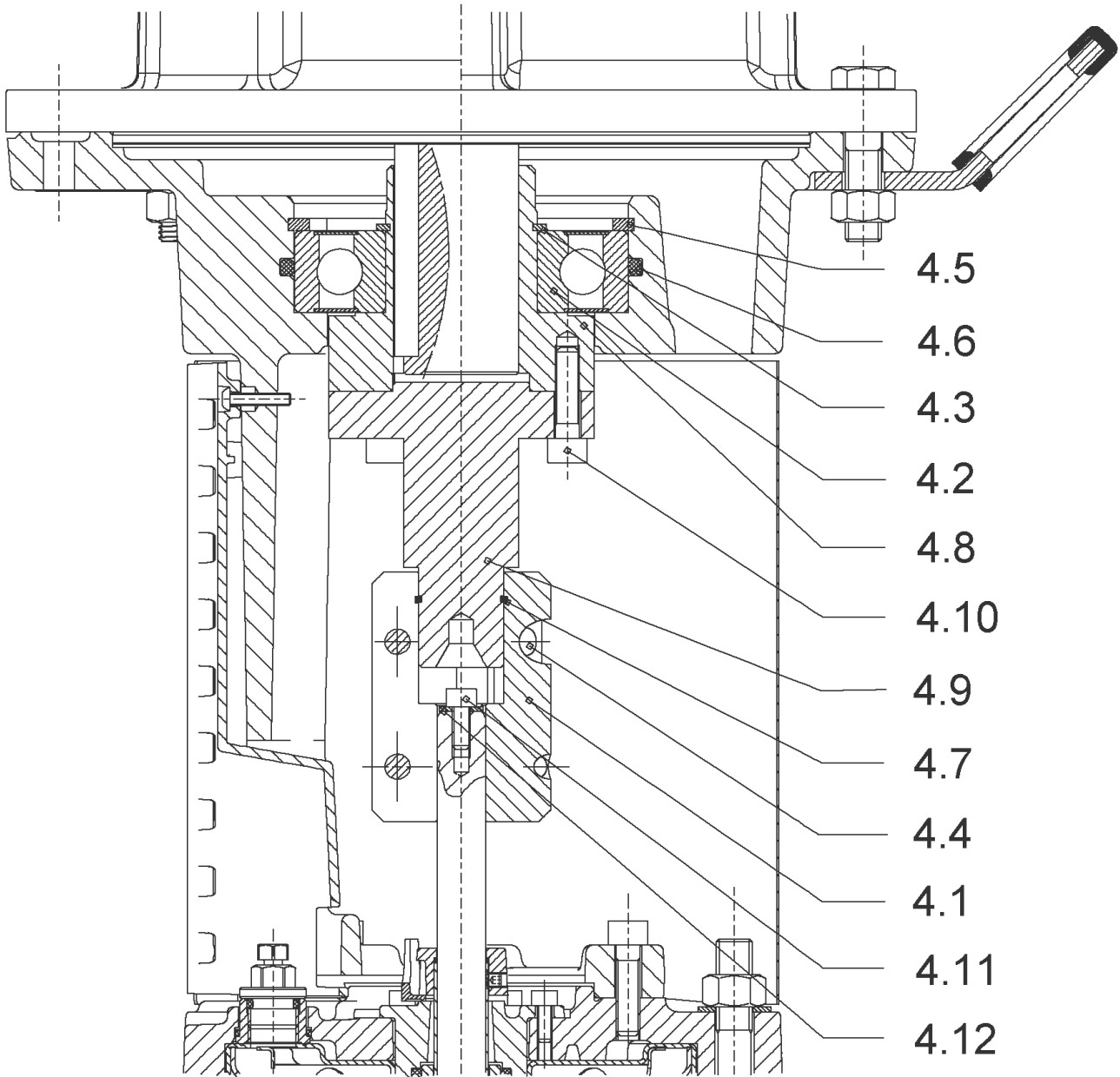
HELIX VE3602-5,5-1/16/E/KS (4198861)

Item	Article no.	Description	Quantity
1		DRIVE HELIXVE3602-5,5Kw- IE4-WE KIT	1
Note: MOTOR BRAND WILO ELEC			
2	4159707	SCREW M8X30 (4 PIECES)	1
3	4161187	LANTERN FF265 HELIX 8" KIT	1
3.1		> LANTERN FF265 M+ GJL MACHINED+CATA	1
3.2	2127605	> EYELET CPL.FF265 HELIX(2 PIECES)	1
3.3	4143969	> COUPLING PROTECT HELIX FF KIT	1
4	4143965	COUPLING D.20XD.28 FF265 KIT	1
5	4157725	SCREW M10X40 (4 PIECES)	1
6	4181164	STUD BOLT M16X382 KIT	1
6.1		> TIE BOLT M16-382x24x44-1.4057	1
6.2	4179562	> NUT M16 8.8 ISO4032 (4 PIECES)	1
6.3	4097852	> WASHER-CS-16.4-32-2.8-NFE25-511-A2	1
7	4217176	END SHIELD HELIX OPTI 8" EPDM KIT	1
7.1		> upper flange machined + cataphoresis	1
7.2	4217174	> STATIONARY RING HOLDER 8" HELIX OPTI VP.	1
7.3	4179571	> O-RING HOUSING PIPE HELIX22/36/52 VP.	1
7.4	4179572	> O-RING ID.42.52X2.62 EPDM VP.	1
8	4186377	FILING/PURGING PLUG 304 HELIX KIT	1
8.1		> FILLING/VENTING-PLUG-MVI8/10"-304	1
8.2	4032291	> O-RING 17x3 EPDM KTW/WRC	1
9	4143973	CARTRIDGE HELIX22-36-52 O/E KIT	1
10	4181154	HOUSING PIPE D.204X164 1.4307 KIT	1
7.3	4179571	> O-RING HOUSING PIPE HELIX22/36/52 VP.	1
10.1		> HOUSING-PIPE Ø204-M+2201/2202-304	1
12	4161186	SHAFT EQUIPMENT HELIX V36 8" KIT	1
13		HYDRAULIC HELIX V 3602	1
14	4181073	SHAFTS D.22X354 1.4057 VP.	1
15	4217909	EQUIPED HOUSING DN65 HELIX OPTI 8" KIT	1
15.1		> pump casing machined DN65	1
15.2	4217907	> HALF FLANGE DN65 HELIX OPTI 8" VP.	1
15.3	4217850	> DRAIN/PRIMING PLUG HELIX OPTI 8" KIT	1
7.3	4179571	> O-RING HOUSING PIPE HELIX22/36/52 VP.	1
16	4217911	BASEPLATE DN65 HELIX OPTI 8" VP.	1



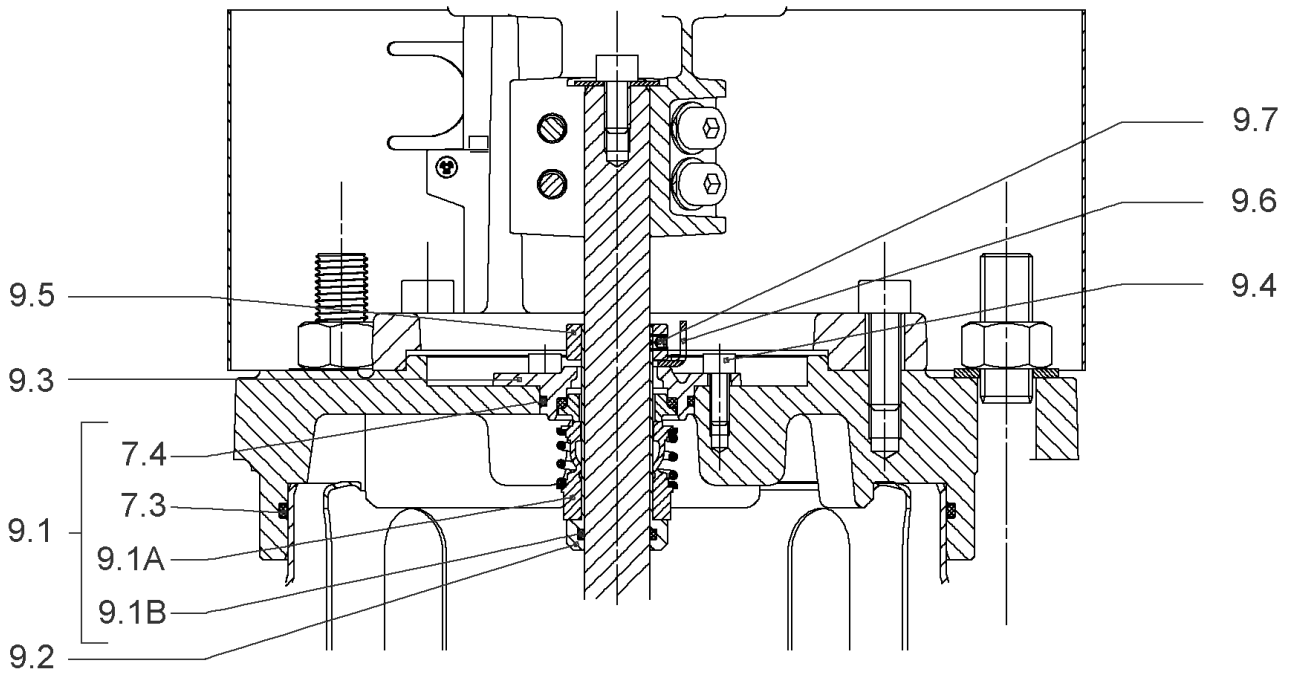
DRIVE HELIXVE3602-5,5Kw- IE4-WE KIT

Item	Article no.	Description	Quantity
1.1	4207926	MOT.5.5/2/132F26 3~ 400V 50HZ IE4 WE VP.	1
		SPARE PARTS MOTOR:ON REQUEST	1
1.2	4212635	MODULE HELIX-VE3602-IE4-WE KIT	1
1.22	2111344	> MODULE COVER/GASKET TL5 KIT	1
1.23	4215716	> SCREW M5X16 DIN912 8.8 A2A (4pieces) VP.	1
1.24	2057978	> RONDELLE A5,3 DIN6797 FST ZN (4 PIECES)	1



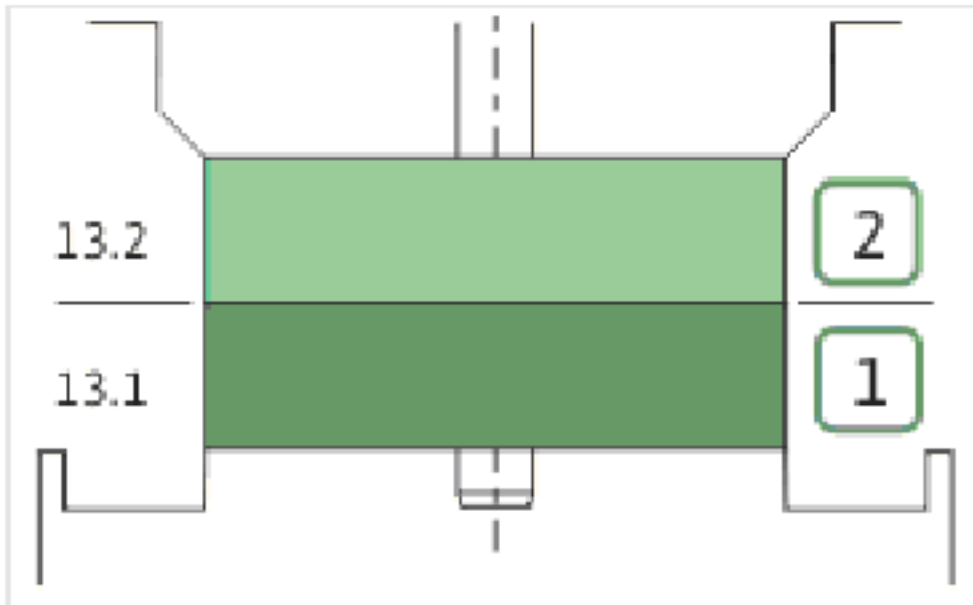
COUPLING D.20XD.28 FF265 KIT (4143965)

Item	Article no.	Description	Quantity
4.1	4179584	COUPLING 2 PARTS D.20XD.28XL83 VP.	1
4.2	2131017	BALL BEARING 6310/ZZ-C4(HT)VP.	1
4.3	4234253	CIRCLIP-FOR-SHAFT-D50x2 VP.	1
4.4	4159707	SCREW M8X30 (4 PIECES)	1
4.5	4234255	CIRCLIPS 110X4 VP.	1
4.6	4233944	O-RING ID.110 VP.	1
4.7	4179585	STOP-RUSH D26xD2 DIN7993 STEEL VP.	1
4.8	2131020	HUB D.38XD.50 VP.	1
4.9	2131021	SPACER D.28XD.45 VP.	1
4.10	4157726	SCREW KIT M8X30 (4 PIECES)	1
4.11	4233959	SCREW M8x16 VP.	1
4.12		SERRATED LOCK WASHER Ø8.2XØ25X35X2	1



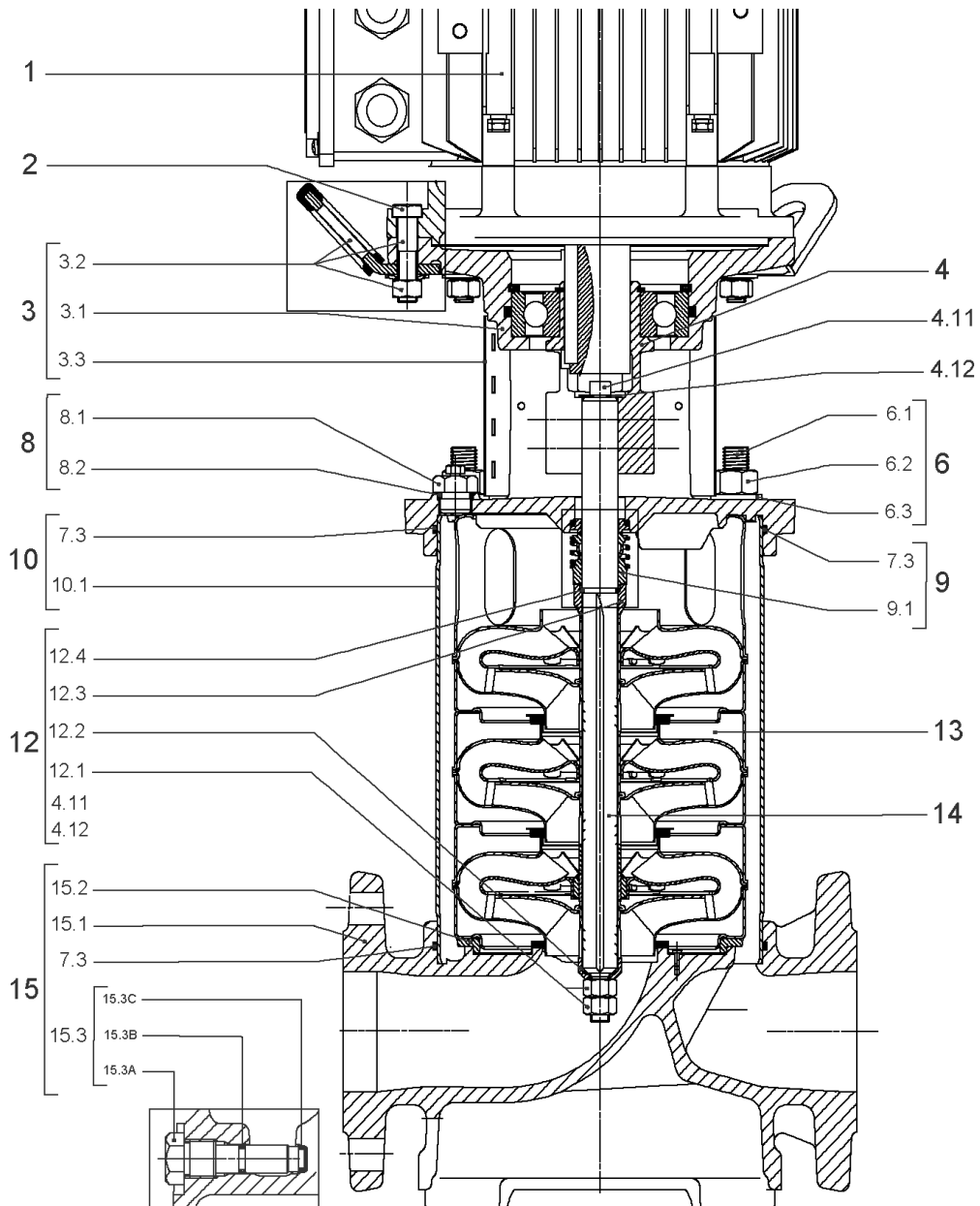
CARTRIDGE HELIX22-36-52 O/E KIT (4143973)

Item	Article no.	Description	Quantity
9.1	4143974	SEAL-KIT-HELIX22-36-52 O/E	1
7.3	4179571	> O-RING HOUSING PIPE HELIX22/36/52 VP.	1
7.4	4179572	> O-RING ID.42.52X2.62 EPDM VP.	1
9.1A	4179573	> M.SEAL.HELIX22-36-52 O/E VP.	1
9.1B	4179574	> O-RING ID.20x2.65 EPDM VP.	1
9.2	4179566	SHAFT SLEEVE D.20/20X60 1.4404 VP.	1
9.3	4179567	RING HOLDER Ø22 1.4301 VP.	1
9.4	4176520	SCREW CH M5x5 A4-70 (3PIECES)	1
9.5	4179568	DRIVE RING D.31/22.1x11 MACH.VP.	1
9.6	4179569	TOOL M.S.CART.HELIX 8" VP.	1
9.7	4179570	SCREW M6X16 ISO4762 8.8 GEOMET(4 PIECES)	1



HYDRAULIC HELIX V 3602

Item	Article no.	Description	Quantity
13.1	4161192	INTERMEDIATE STAGE HELIX V36 1.4301 KIT	1
		> SLEEVE-SPACER-D22XL16,66-316L	1
		> MACH.BEARING-DIFFUSER+NR-M+36-304	1
		> SHAFT-SLEEVE-D26xD22x16-CW	1
		> IMPELLER-H1-M+36-304	1
13.1A	4161200	> NECK RING 1.STAGE HELIX V36/52 KIT	1
		>> NECK-RING-M+36/52	1
		>> HYDRAULIC SUPPORT CAP M+36/52 304	1
		>> SCREW TCL M3X8 A4 POZIDRIV	1
13.2	4161194	UPPER STAGE HELIX 36 1.4301 KIT	1
		> STOP COLLAR OF IMPELLER L20-Ø22-316L	1
		> IMPELLER-H4-M+36-304	1
		> MACH.-RIGID-STD-DISCH.-CHAMBER-M+36-304	1

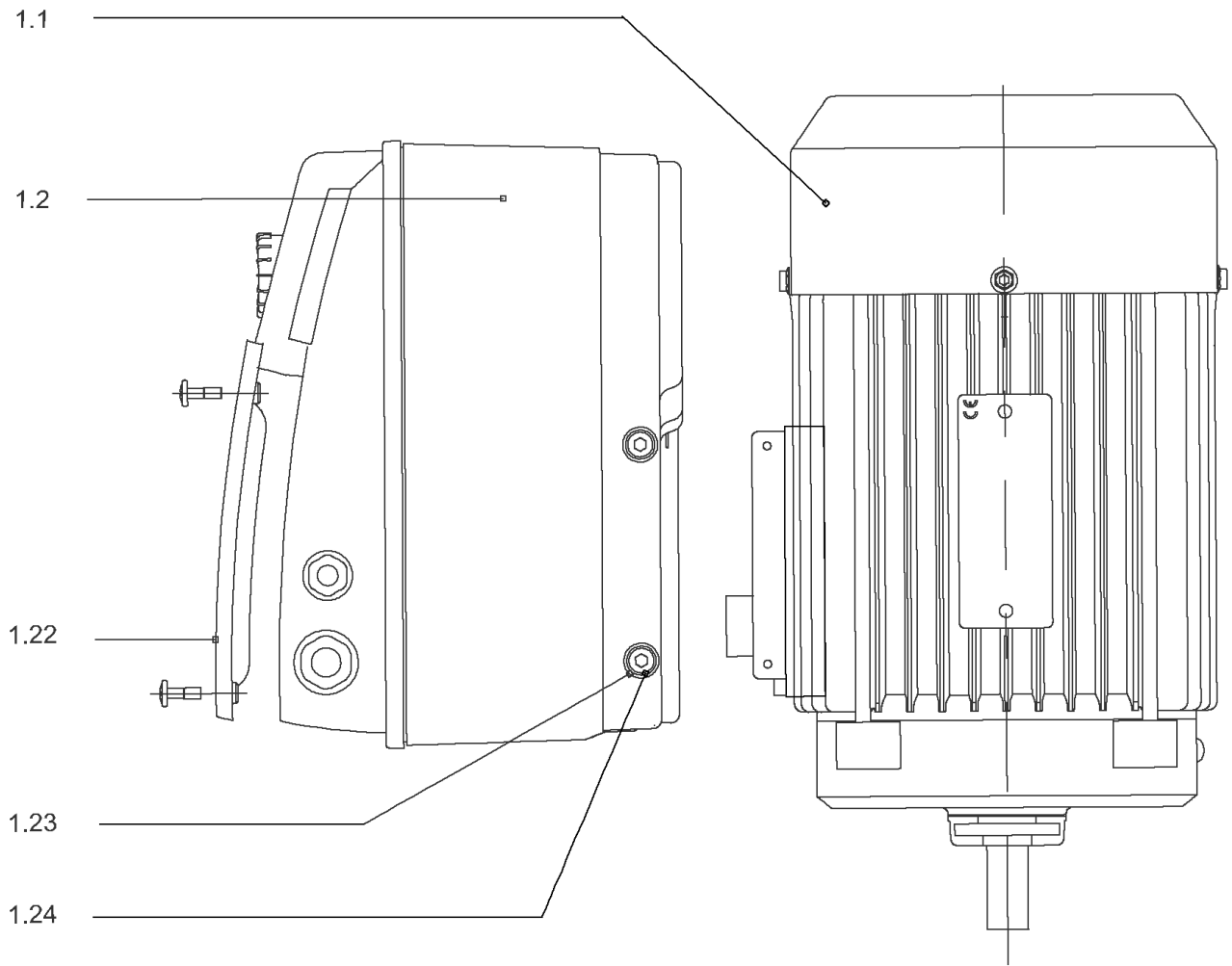


HELIX VE3602-5,5-4/16/E/S-FF240 (4183460)

Item	Article no.	Description	Quantity
1		DRIVE HELIX-VE3602-FF240-IE2-ATB KIT	1
Note: MOTOR BRAND ATB			
1		DRIVE HELIXVE3602-5Kw-FF240 IE4-WE KIT	1
Note: MOTOR BRAND WILO ELEC			
		SPARE PARTS MOTOR:ON REQUEST	1
2	4174093	SCREW M12X50 (4 PIECES)	1
3	4186358	LANTERN HELIX OPTI 8" FF240 KIT	1
3.1		> M+8_LANTERN_ONE-PIECE_FF240_CATA_DWA	1
3.2	4186346	> EYELET CPL.FF240 HELIX (4 PIECES)	1
3.3	4184853	> COUPLING PROTECTOR FT HELIX 8" KIT	1
4	4186347	COUPLING D.22XD.38 FF240T130 HELIX KIT	1
6	4181156	STUD BOLT M16X233 KIT	1
6.1		> TIE BOLT M16-233x24x44-1.4057	1
6.2	4179562	> NUT M16 8.8 ISO4032 (4 PIECES)	1
6.3	4097852	> WASHER-CS-16.4-32-2.8-NFE25-511-A2	1
8	4186377	FILING/PURGING PLUG 304 HELIX KIT	1
8.1		> FILLING/VENTING-PLUG-MVI8/10"-304	1
8.2	4032291	> O-RING 17x3 EPDM KTW/WRC	1
9	4192148	SEAL-KIT-HELIX22-36-52 FIRST O/E	1
7.3	4179571	> O-RING HOUSING PIPE HELIX22/36/52 VP.	1
9.1	4179573	> M.SEAL.HELIX22-36-52 O/E VP.	1
10	4181070	HOUSING PIPE D.204X197 1.4307 KIT	1
7.3	4179571	> O-RING HOUSING PIPE HELIX22/36/52 VP.	1
10.1		> HOUSING-PIPE Ø204-M+3602-304	1
12	4186374	SHAFT EQUIPMENT HELIX 36 FIRST KIT	1
13		HYDRAULIC HELIX V 3602	1
14	4186343	SHAFT D.22X301 1.4057 VP.	1
15	4186381	EQUIPED HOUSING HELIX OPTI DN65 GJL KIT	1
15.1		> PUMP CASING MONO.M+8" DN65 PN16 DWA	1
15.2		> HYD.SUP.M+8" MONO.HOUSING DN65 DWA	1
15.3	4106048	> DRAIN/PRIMING PLUG EPDM HELIX FIRST KIT	1
15.3A		>> DRAIN AND PRIMING PLUG-VMI10"-304	1
15.3B	4032293	>> O-RING-10x3-EPDM-KTW/WRC	1
15.3C	4233957	>> O-RING ID.9 EPDM VP.	1

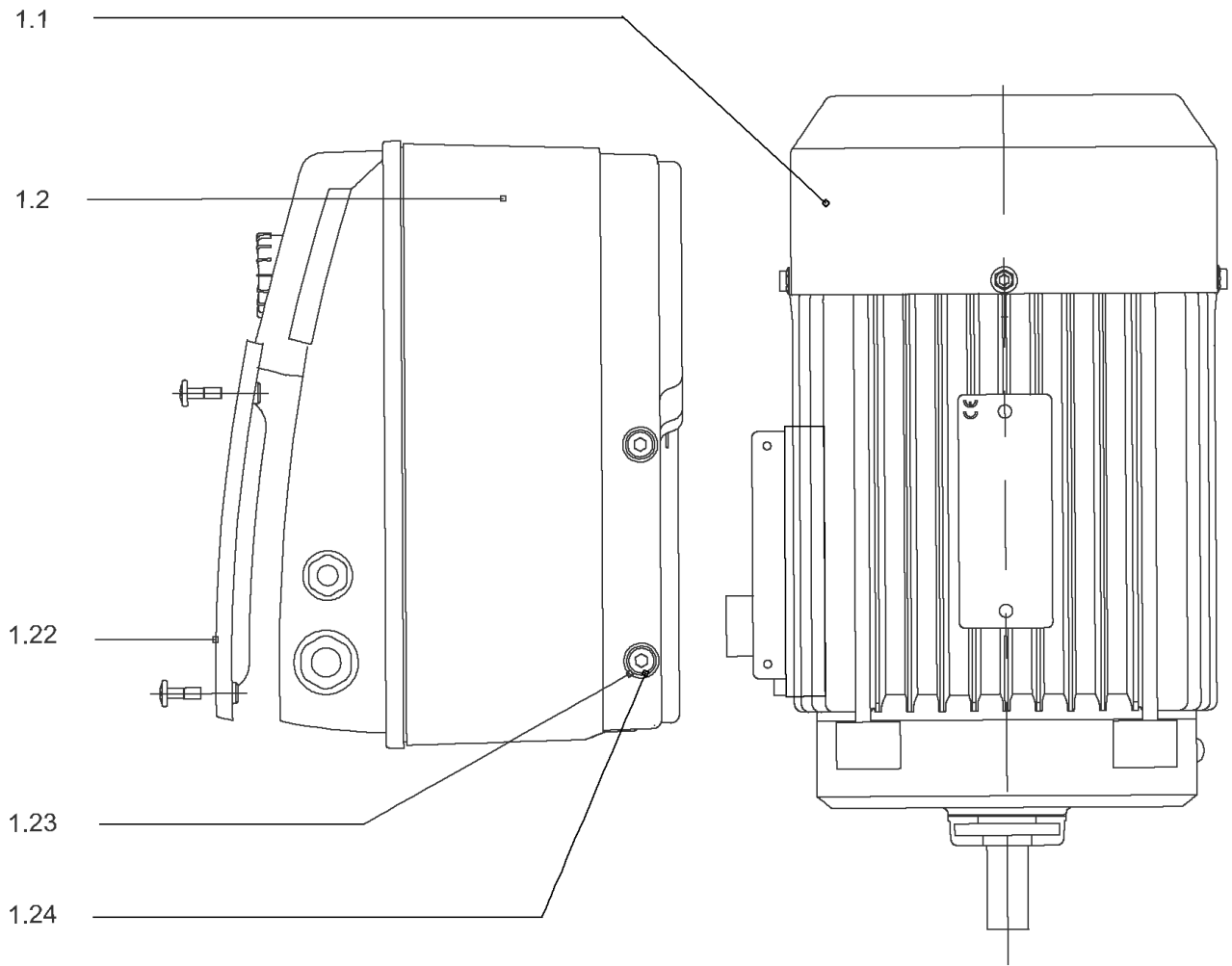
HELIX VE3602-5,5-4/16/E/S-FF240 (4183460)

Item	Article no.	Description	Quantity
7.3	4179571	> O-RING HOUSING PIPE HELIX22/36/52 VP.	1
13.1A	4161200	> NECK RING 1.STAGE HELIX V36/52 KIT	1
		>> NECK-RING-M+36/52	1
		>> HYDRAULIC SUPPORT CAP M+36/52 304	1
		>> SCREW TCL M3X8 A4 POZIDRIV	1



DRIVE HELIX-VE3602-FF240-IE2-ATB KIT

Item	Article no.	Description	Quantity
1.1		MOTOR 5,5/2/132 FF240 T400V 50HZ IE2 VP	1
Note: no longer available/nicht mehr lieferbar/n'est plus disponible			
		SPARE PARTS MOTOR:ON REQUEST	1
1.2	4186773	MODULE HELIX-VE3602-IE2-ATB KIT	1
1.22	2111344	> MODULE COVER/GASKET TL5 KIT	1
1.23	4215716	> SCREW M5X16 DIN912 8.8 A2A (4pieces) VP.	1
1.24	2057978	> RONDELLE A5,3 DIN6797 FST ZN (4 PIECES)	1



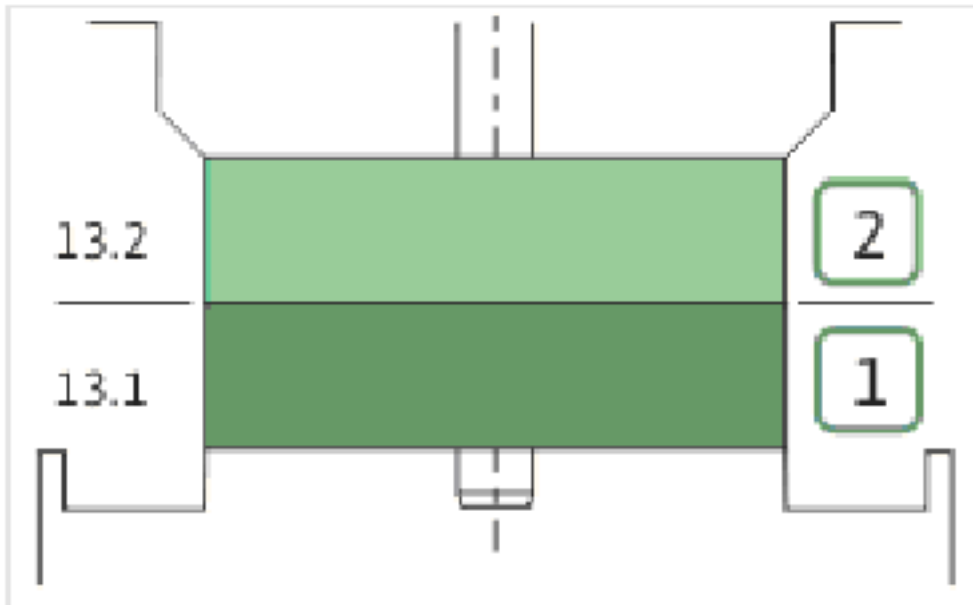
DRIVE HELIXVE3602-5Kw-FF240 IE4-WE KIT

Item	Article no.	Description	Quantity
1.1	4207928	MO.5.5/2/132FF240 3~400V 50Hz IE4 WE VP.	1
		SPARE PARTS MOTOR:ON REQUEST	1
1.2	4212635	MODULE HELIX-VE3602-IE4-WE KIT	1
1.22	2111344	> MODULE COVER/GASKET TL5 KIT	1
1.23	4215716	> SCREW M5X16 DIN912 8.8 A2A (4pieces) VP.	1
1.24	2057978	> RONDELLE A5,3 DIN6797 FST ZN (4 PIECES)	1



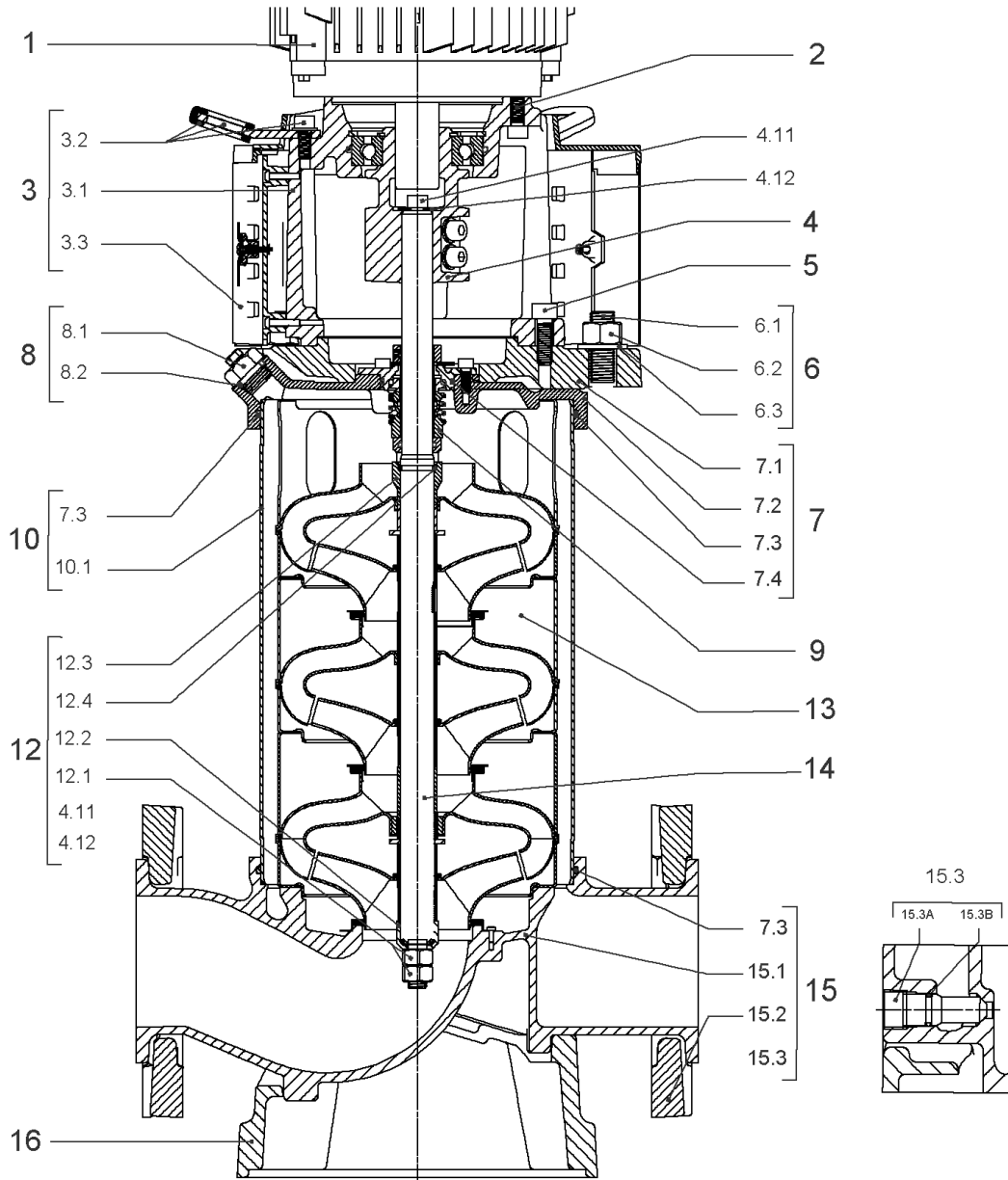
COUPLING D.22XD.38 FF240T130 HELIX KIT (4186347)

Item	Article no.	Description	Quantity
4.1		COUPLING-VMI-D22xD38-FF265-MACHINED	1
4.2	2131017	BALL BEARING 6310/ZZ-C4(HT)VP.	1
4.3	4234253	CIRCLIP-FOR-SHAFT-D50x2 VP.	1
4.4	4157726	SCREW KIT M8X30 (4 PIECES)	1
4.5	4234255	CIRCLIPS 110X4 VP.	1
4.6	4233944	O-RING ID.110 VP.	1
		NOMEL CONTACT WASHER 8x16x1,4 STEEL ZC	1



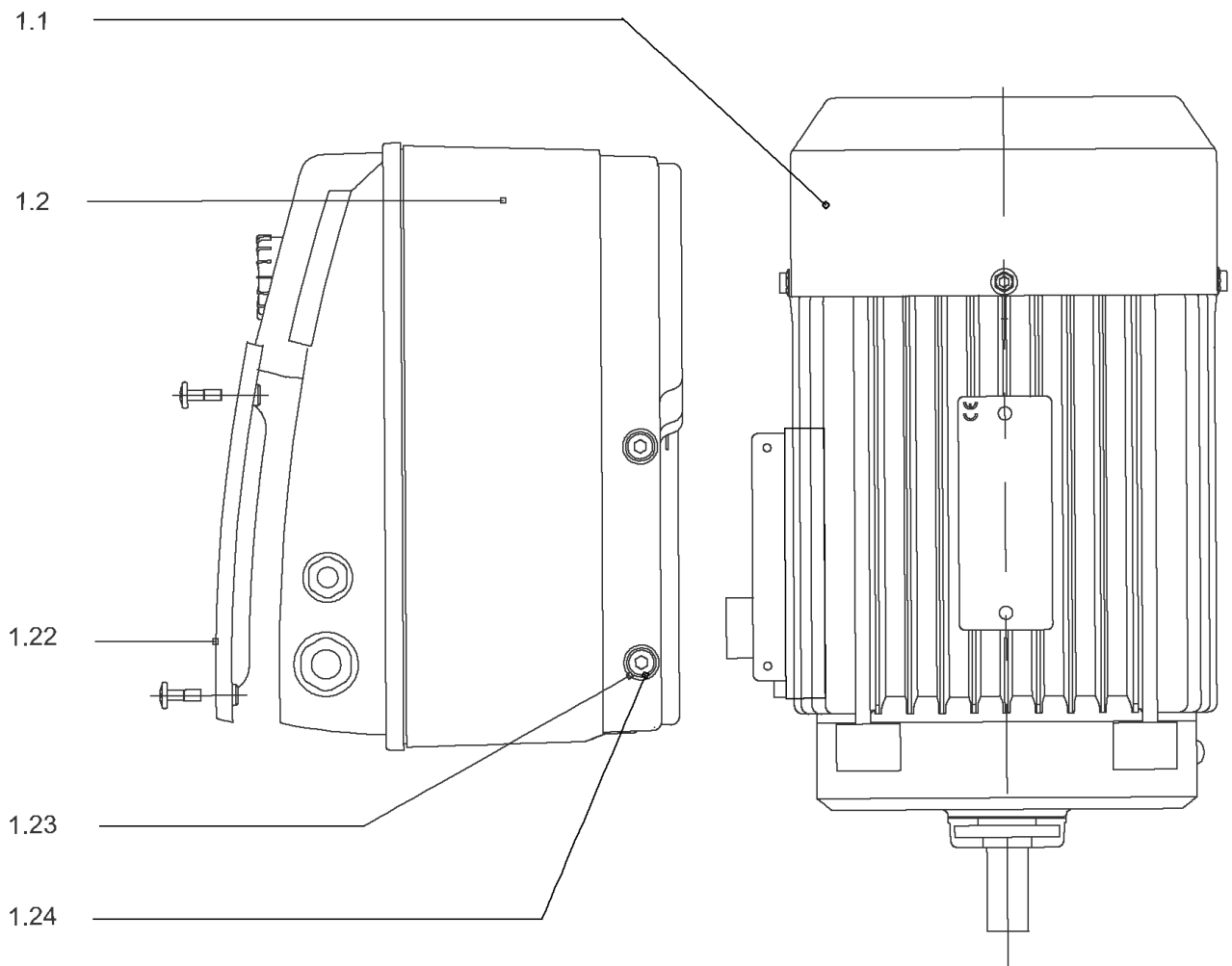
HYDRAULIC HELIX V 3602

Item	Article no.	Description	Quantity
13.1	4161192	INTERMEDIATE STAGE HELIX V36 1.4301 KIT	1
		> SLEEVE-SPACER-D22XL16,66-316L	1
		> MACH.BEARING-DIFFUSER+NR-M+36-304	1
		> SHAFT-SLEEVE-D26xD22x16-CW	1
		> IMPELLER-H1-M+36-304	1
13.1A	4161200	> NECK RING 1.STAGE HELIX V36/52 KIT	1
		>> NECK-RING-M+36/52	1
		>> HYDRAULIC SUPPORT CAP M+36/52 304	1
		>> SCREW TCL M3X8 A4 POZIDRIV	1
13.2	4161194	UPPER STAGE HELIX 36 1.4301 KIT	1
		> STOP COLLAR OF IMPELLER L20-Ø22-316L	1
		> IMPELLER-H4-M+36-304	1
		> MACH.-RIGID-STD-DISCH.-CHAMBER-M+36-304	1



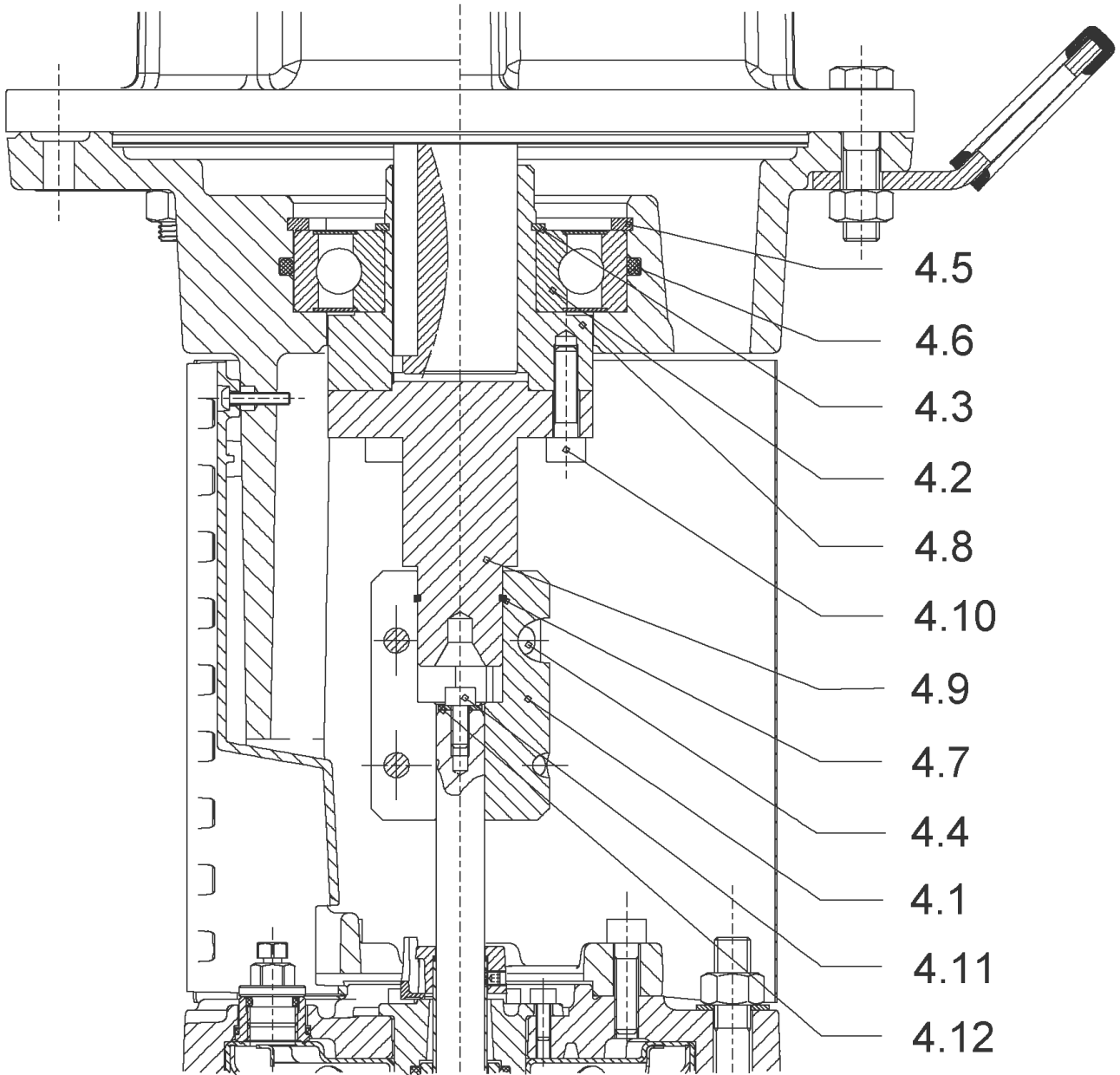
HELIX VE3602-5,5-1/16/E/KS/FF240/EC (4215830)

Item	Article no.	Description	Quantity
1		DRIVE HELIXVE3602-5Kw-FF240 IE4-WE KIT	1
Note: MOTOR BRAND WILO ELEC			
2	4159707	SCREW M8X30 (4 PIECES)	1
3	4228544	LANTERN HELIX OPTI 8" FF240 KIT	1
3.1		> LANTERN FF240 M+8" JL250 MACHINING+CATA	1
3.2	2127605	> EYELET CPL.FF265 HELIX(2 PIECES)	1
3.3	4143969	> COUPLING PROTECT HELIX FF KIT	1
4	4143965	COUPLING D.20XD.28 FF265 KIT	1
5	4157725	SCREW M10X40 (4 PIECES)	1
6	4181164	STUD BOLT M16X382 KIT	1
6.1		> TIE BOLT M16-382x24x44-1.4057	1
6.2	4179562	> NUT M16 8.8 ISO4032 (4 PIECES)	1
6.3	4097852	> WASHER-CS-16.4-32-2.8-NFE25-511-A2	1
7	4217176	END SHIELD HELIX OPTI 8" EPDM KIT	1
7.1		> upper flange machined + cataphoresis	1
7.2	4217174	> STATIONARY RING HOLDER 8" HELIX OPTI VP.	1
7.3	4179571	> O-RING HOUSING PIPE HELIX22/36/52 VP.	1
7.4	4179572	> O-RING ID.42.52X2.62 EPDM VP.	1
8	4186377	FILING/PURGING PLUG 304 HELIX KIT	1
8.1		> FILLING/VENTING-PLUG-MVI8/10"-304	1
8.2	4032291	> O-RING 17x3 EPDM KTW/WRC	1
9	4143973	CARTRIDGE HELIX22-36-52 O/E KIT	1
10	4181154	HOUSING PIPE D.204X164 1.4307 KIT	1
7.3	4179571	> O-RING HOUSING PIPE HELIX22/36/52 VP.	1
10.1		> HOUSING-PIPE Ø204-M+2201/2202-304	1
12	4161186	SHAFT EQUIPMENT HELIX V36 8" KIT	1
13		HYDRAULIC HELIX V 3602	1
14	4181073	SHAFTS D.22X354 1.4057 VP.	1
15	4217909	EQUIPED HOUSING DN65 HELIX OPTI 8" KIT	1
15.1		> pump casing machined DN65	1
15.2	4217907	> HALF FLANGE DN65 HELIX OPTI 8" VP.	1
15.3	4217850	> DRAIN/PRIMING PLUG HELIX OPTI 8" KIT	1
7.3	4179571	> O-RING HOUSING PIPE HELIX22/36/52 VP.	1
16	4217911	BASEPLATE DN65 HELIX OPTI 8" VP.	1



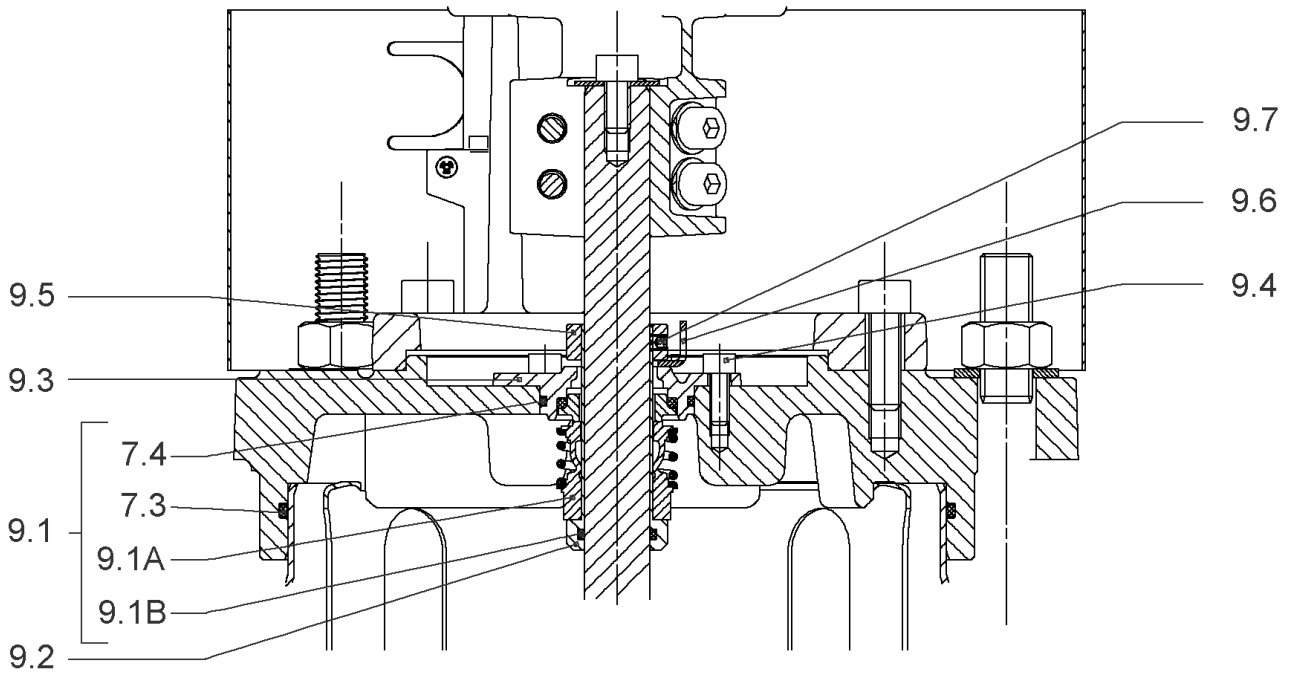
DRIVE HELIXVE3602-5Kw-FF240 IE4-WE KIT

Item	Article no.	Description	Quantity
1.1	4207928	MO.5.5/2/132FF240 3~400V 50Hz IE4 WE VP.	1
		SPARE PARTS MOTOR:ON REQUEST	1
1.2	4212635	MODULE HELIX-VE3602-IE4-WE KIT	1
1.22	2111344	> MODULE COVER/GASKET TL5 KIT	1
1.23	4215716	> SCREW M5X16 DIN912 8.8 A2A (4pieces) VP.	1
1.24	2057978	> RONDELLE A5,3 DIN6797 FST ZN (4 PIECES)	1



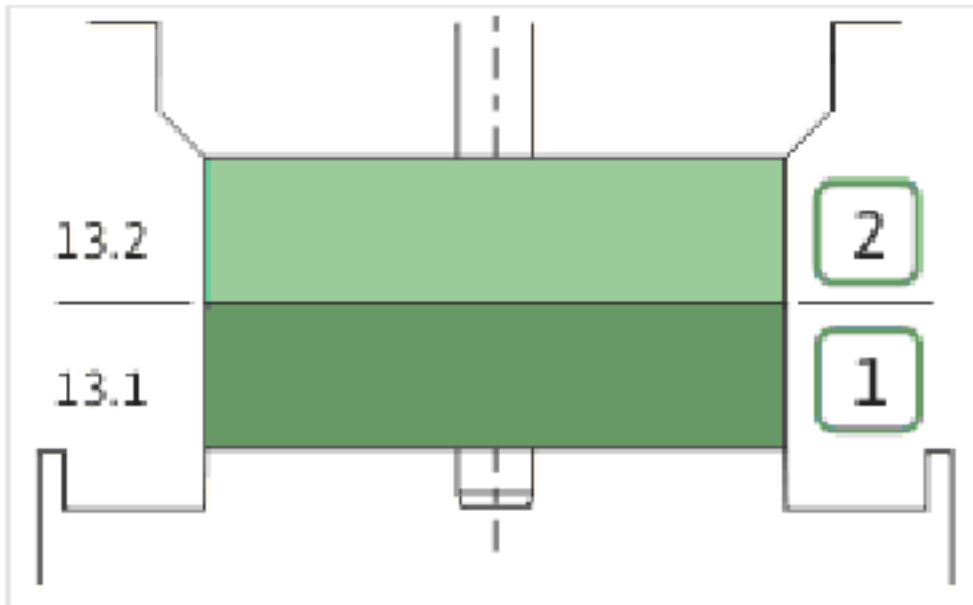
COUPLING D.20XD.28 FF265 KIT (4143965)

Item	Article no.	Description	Quantity
4.1	4179584	COUPLING 2 PARTS D.20XD.28XL83 VP.	1
4.2	2131017	BALL BEARING 6310/ZZ-C4(HT)VP.	1
4.3	4234253	CIRCLIP-FOR-SHAFT-D50x2 VP.	1
4.4	4159707	SCREW M8X30 (4 PIECES)	1
4.5	4234255	CIRCLIPS 110X4 VP.	1
4.6	4233944	O-RING ID.110 VP.	1
4.7	4179585	STOP-RUSH D26xD2 DIN7993 STEEL VP.	1
4.8	2131020	HUB D.38XD.50 VP.	1
4.9	2131021	SPACER D.28XD.45 VP.	1
4.10	4157726	SCREW KIT M8X30 (4 PIECES)	1
4.11	4233959	SCREW M8x16 VP.	1
4.12		SERRATED LOCK WASHER Ø8.2XØ25X35X2	1



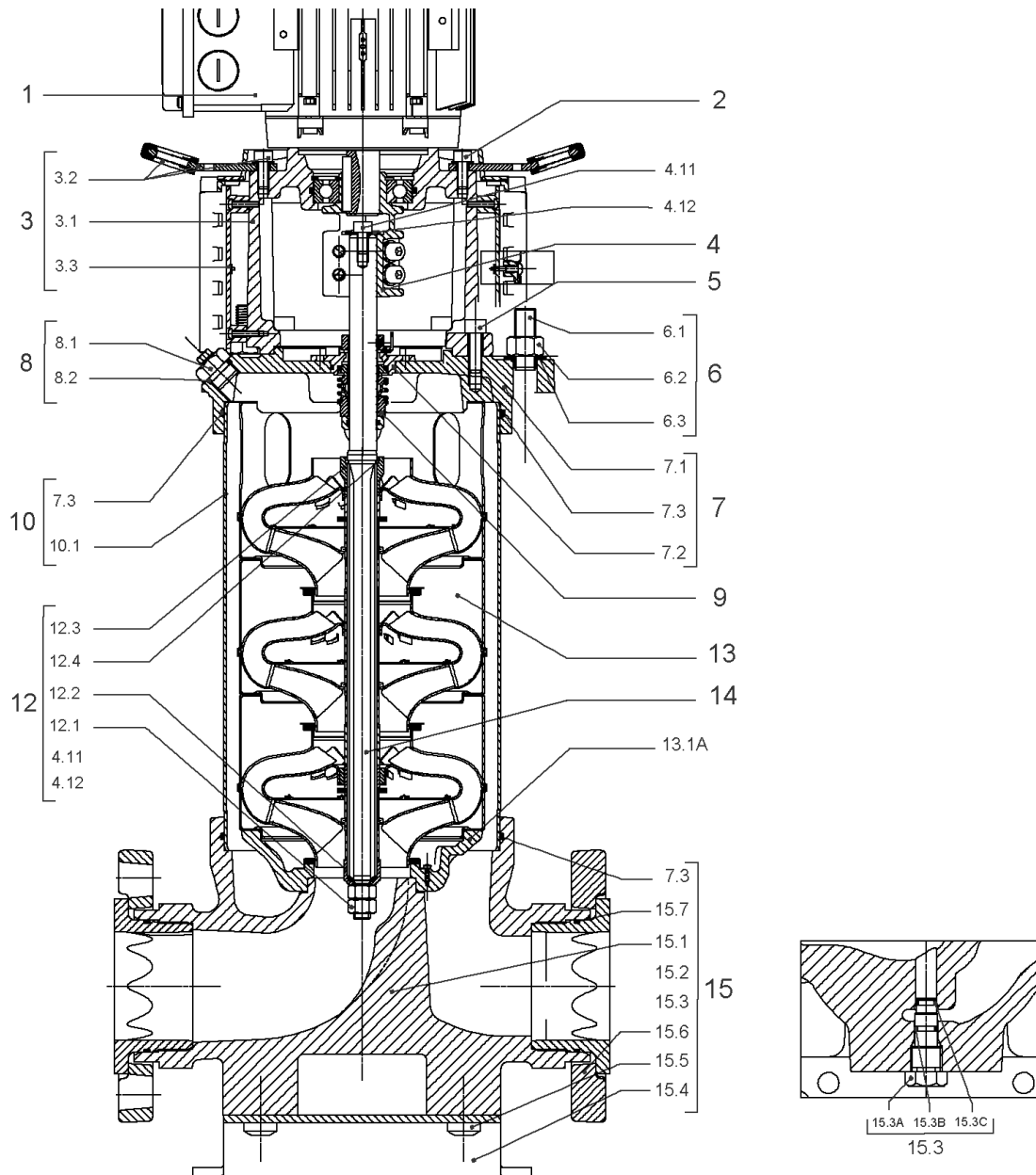
CARTRIDGE HELIX22-36-52 O/E KIT (4143973)

Item	Article no.	Description	Quantity
9.1	4143974	SEAL-KIT-HELIX22-36-52 O/E	1
7.3	4179571	> O-RING HOUSING PIPE HELIX22/36/52 VP.	1
7.4	4179572	> O-RING ID.42.52X2.62 EPDM VP.	1
9.1A	4179573	> M.SEAL.HELIX22-36-52 O/E VP.	1
9.1B	4179574	> O-RING ID.20x2.65 EPDM VP.	1
9.2	4179566	SHAFT SLEEVE D.20/20X60 1.4404 VP.	1
9.3	4179567	RING HOLDER Ø22 1.4301 VP.	1
9.4	4176520	SCREW CH M5x5 A4-70 (3PIECES)	1
9.5	4179568	DRIVE RING D.31/22.1x11 MACH.VP.	1
9.6	4179569	TOOL M.S.CART.HELIX 8" VP.	1
9.7	4179570	SCREW M6X16 ISO4762 8.8 GEOMET(4 PIECES)	1



HYDRAULIC HELIX V 3602

Item	Article no.	Description	Quantity
13.1	4161192	INTERMEDIATE STAGE HELIX V36 1.4301 KIT	1
		> SLEEVE-SPACER-D22XL16,66-316L	1
		> MACH.BEARING-DIFFUSER+NR-M+36-304	1
		> SHAFT-SLEEVE-D26xD22x16-CW	1
		> IMPELLER-H1-M+36-304	1
13.1A	4161200	> NECK RING 1.STAGE HELIX V36/52 KIT	1
		>> NECK-RING-M+36/52	1
		>> HYDRAULIC SUPPORT CAP M+36/52 304	1
		>> SCREW TCL M3X8 A4 POZIDRIV	1
13.2	4161194	UPPER STAGE HELIX 36 1.4301 KIT	1
		> STOP COLLAR OF IMPELLER L20-Ø22-316L	1
		> IMPELLER-H4-M+36-304	1
		> MACH.-RIGID-STD-DISCH.-CHAMBER-M+36-304	1

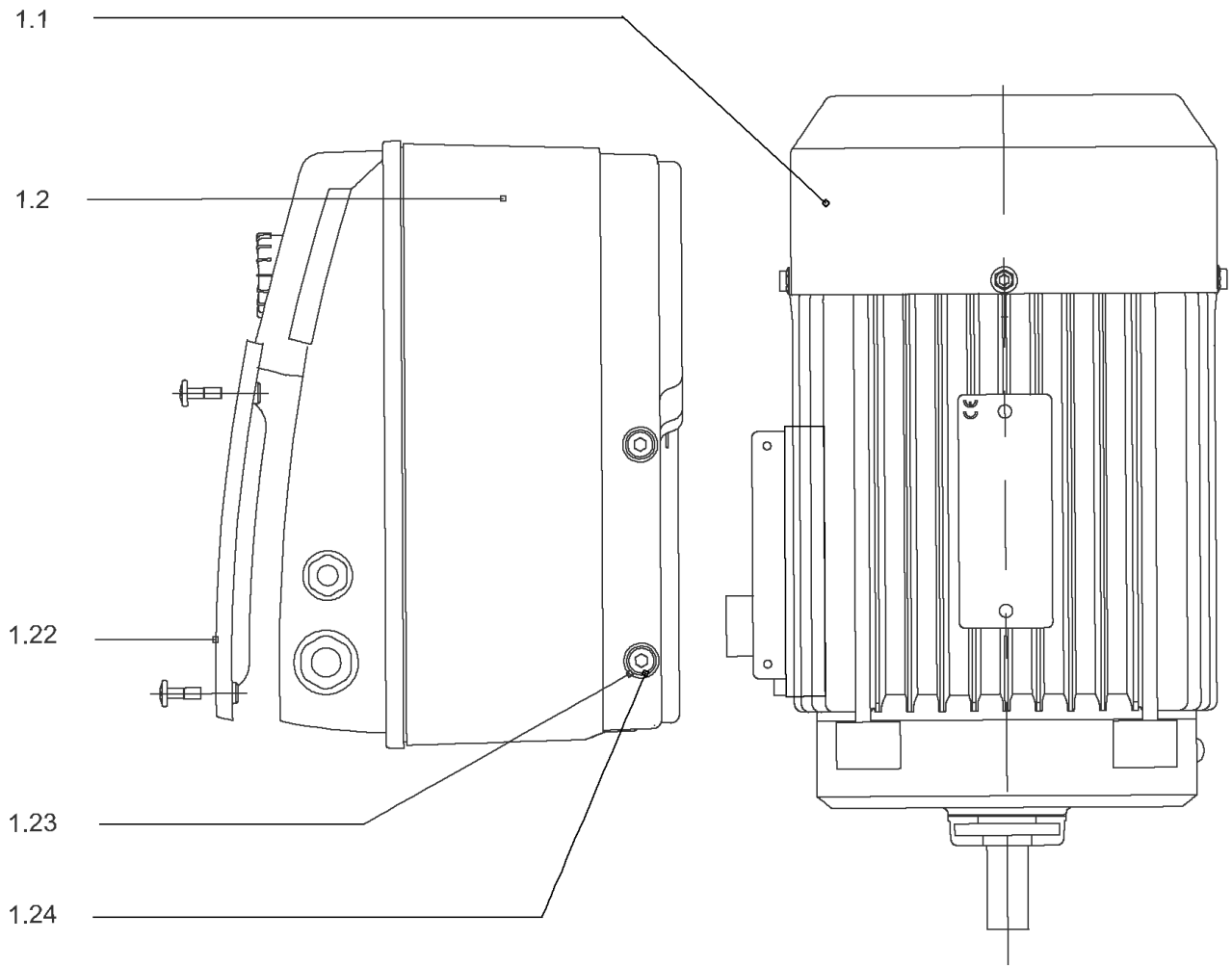


HELIX VE3602-7,5-3/16/E/K (4140703)

Item	Article no.	Description	Quantity
1		DRIVE HELIX-VE3602-7.5-IE2-SIE KIT	1
Note: MOTOR BRAND SIEMENS			
1		DRIVE HELIX-VE3602-7.5-IE2-ATB KIT	1
Note: MOTOR BRAND ATB			
1		DRIVE HELIXVE3602-7,5Kw- IE4-WE KIT	1
Note: MOTOR BRAND WILO ELEC			
2	4174093	SCREW M12X50 (4 PIECES)	1
3	4161187	LANTERN FF265 HELIX 8" KIT	1
3.1		> LANTERN FF265 M+ GJL MACHINED+CATA	1
3.2	2127605	> EYELET CPL.FF265 HELIX(2 PIECES)	1
3.3	4143969	> COUPLING PROTECT HELIX FF KIT	1
4	4143965	COUPLING D.20XD.28 FF265 KIT	1
5	4157725	SCREW M10X40 (4 PIECES)	1
6	4180018	STUD BOLT M16X267 KIT	1
6.1		> TIE BOLT M16-267x24x44-1.4057	1
6.2	4179562	> NUT M16 8.8 ISO4032 (4 PIECES)	1
6.3	4097852	> WASHER-CS-16.4-32-2.8-NFE25-511-A2	1
7	4179565	END SHIELD HELIX 8" EPDM KIT	1
7.1		> END SHIELD M+ GJL MACHINED+CATA	1
7.2	4179564	> O-RING D.42.52x2.62 EPDM VP.	1
7.3	4179571	> O-RING HOUSING PIPE HELIX22/36/52 VP.	1
8	4186377	FILING/PURGING PLUG 304 HELIX KIT	1
8.1		> FILLING/VENTING-PLUG-MVI8/10"-304	1
8.2	4032291	> O-RING 17x3 EPDM KTW/WRC	1
9	4143973	CARTRIDGE HELIX22-36-52 O/E KIT	1
10	4181070	HOUSING PIPE D.204X197 1.4307 KIT	1
7.3	4179571	> O-RING HOUSING PIPE HELIX22/36/52 VP.	1
10.1		> HOUSING-PIPE Ø204-M+3602-304	1
11	4181071	CENTRALIZER HELIX 8" M+36 1.4301 VP.	1
12	4161186	SHAFT EQUIPMENT HELIX V36 8" KIT	1
13		HYDRAULIC HELIX V 3602	1
14	4181073	SHAFTS D.22X354 1.4057 VP.	1
15	4161185	EQUIPED HOUSING HELIX 36 GJL KIT	1
15.1		> PUMP HOUSING SET with CATA. PARTS-DN65	1

HELIX VE3602-7,5-3/16/E/K (4140703)

Item	Article no.	Description	Quantity
15.3	4143766	> DRAIN/PRIMING PLUG EPDM HELIX KIT	1
15.3A		>> PRIMING/DRAIN PLUG-304-VERSION 1	1
15.3B	4032293	>> O-RING-10x3-EPDM-KTW/WRC	1
15.3C	4233957	>> O-RING ID.9 EPDM VP.	1
15.4	4221729	> BASE M+ DN50/65/80 VP.	1
15.5		> SCREW TBHC M12x25 ISO7380 ZN	1
15.6		> FLANGE M+ DN65 NF PN16-25 ASME PN16 CATA	1
15.7		> O-RING Ø79.5xØ3 EPDM	1
13.1A	4161200	> NECK RING 1.STAGE HELIX V36/52 KIT	1
		>> NECK-RING-M+36/52	1
		>> HYDRAULIC SUPPORT CAP M+36/52 304	1
		>> SCREW TCL M3X8 A4 POZIDRIV	1
7.3	4179571	> O-RING HOUSING PIPE HELIX22/36/52 VP.	1



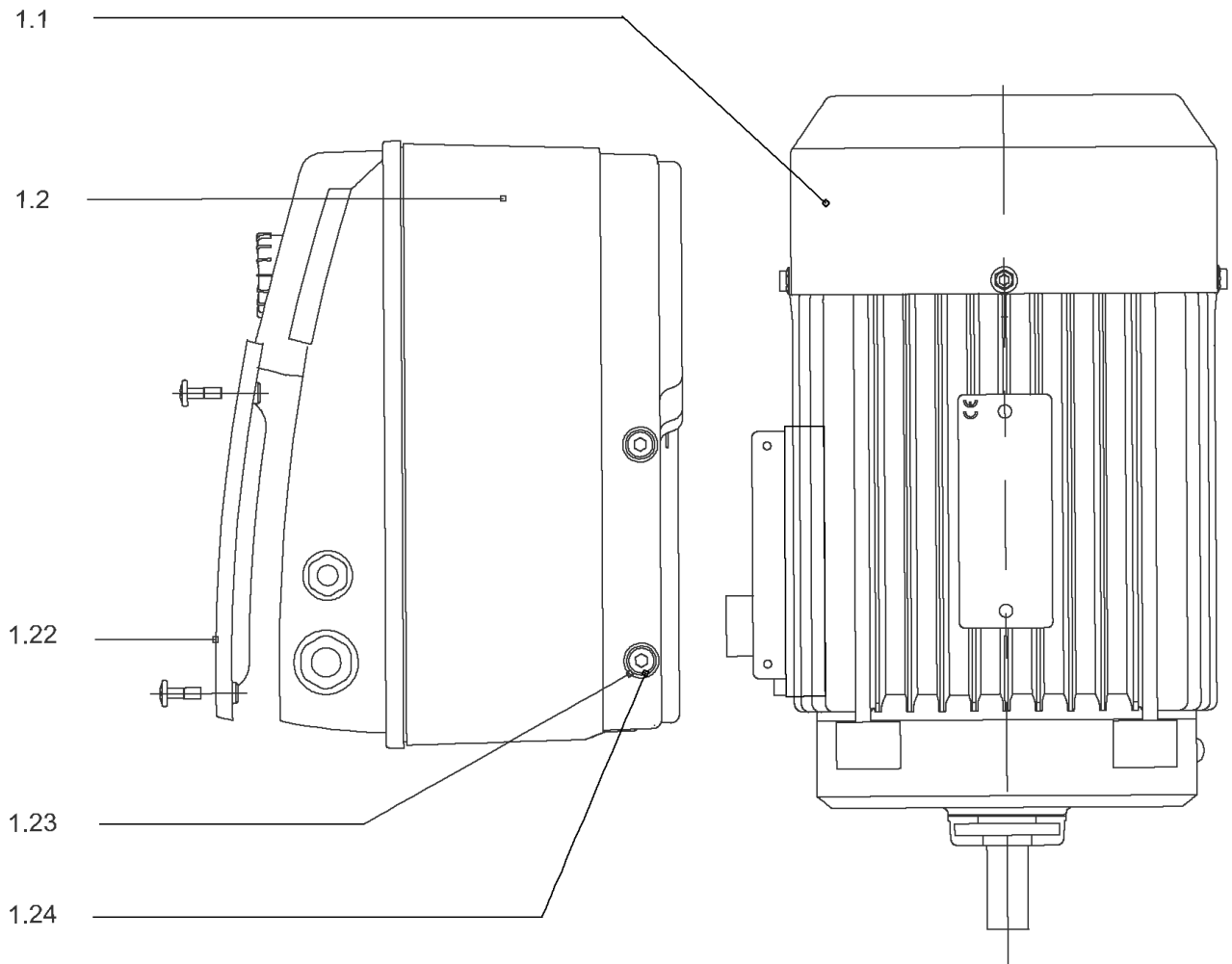
DRIVE HELIX-VE3602-7.5-IE2-SIE KIT

Item	Article no.	Description	Quantity
1.1		MOTOR 7,5/2/132 3~380V 60HZ IE2 SIE VP.	1
Note: no longer available/nicht mehr lieferbar/n'est plus disponible			
		SPARE PARTS MOTOR:ON REQUEST	1
1.2	4186778	MODULE HELIX-VE3602-7.5-IE2-SIE KIT	1
1.22	2111344	> MODULE COVER/GASKET TL5 KIT	1
1.23	4215716	> SCREW M5X16 DIN912 8.8 A2A (4pieces) VP.	1
1.24	2057978	> RONDELLE A5,3 DIN6797 FST ZN (4 PIECES)	1



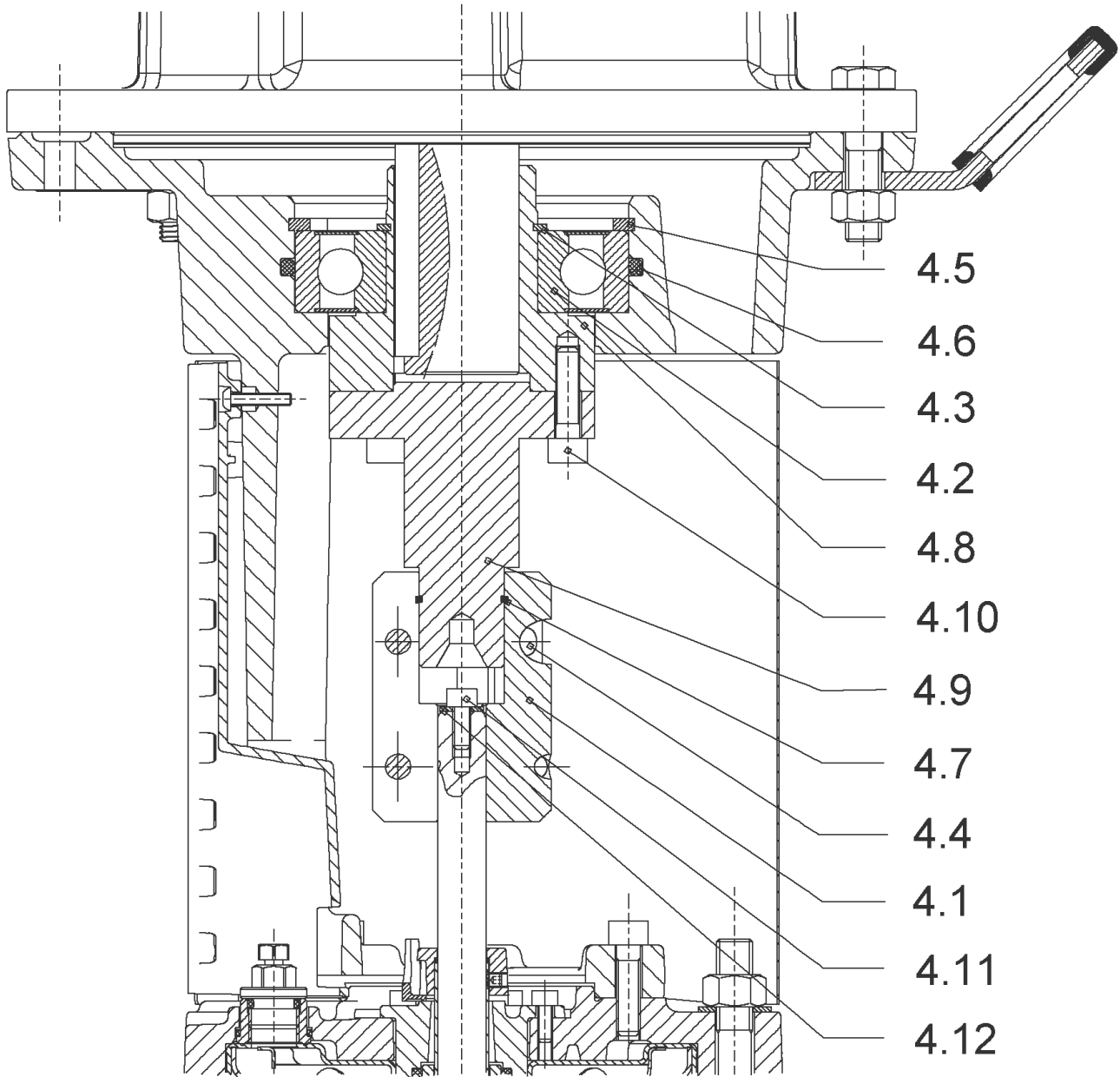
DRIVE HELIX-VE3602-7.5-IE2-ATB KIT

Item	Article no.	Description	Quantity
1.1	4192124	MOTOR 7,5/2/132 3~380V 60HZ IE2 ATB VP.	1
		SPARE PARTS MOTOR:ON REQUEST	1
1.2	4195909	MODULE HELIX-VE3602-7.5-IE2-ATB KIT	1
1.22	2111344	> MODULE COVER/GASKET TL5 KIT	1
1.23	4215716	> SCREW M5X16 DIN912 8.8 A2A (4pieces) VP.	1
1.24	2057978	> RONDELLE A5,3 DIN6797 FST ZN (4 PIECES)	1



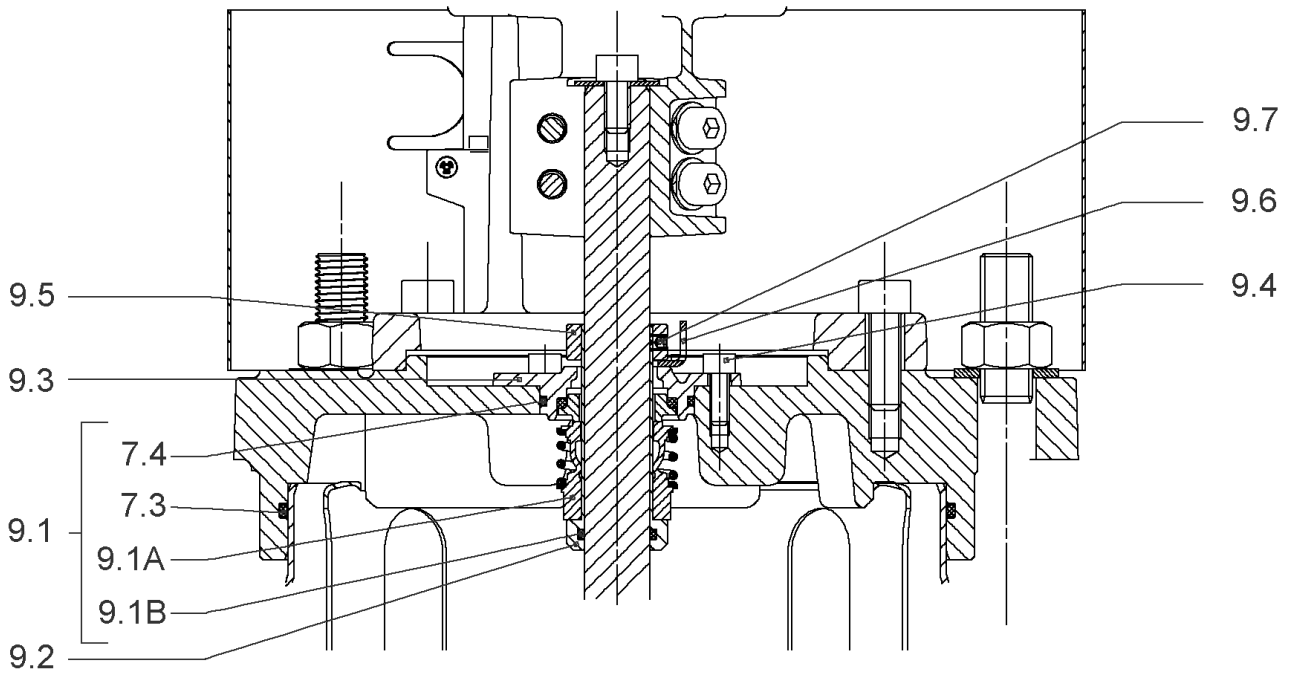
DRIVE HELIXVE3602-7,5Kw- IE4-WE KIT

Item	Article no.	Description	Quantity
1.1	4207938	MOT.7.5/2/132F26 3~ 380V 60HZ IE4 WE VP.	1
		SPARE PARTS MOTOR:ON REQUEST	1
1.2	4212640	MODULE HELIX-VE3602-IE4-WE KIT	1
1.22	2111344	> MODULE COVER/GASKET TL5 KIT	1
1.23	4215716	> SCREW M5X16 DIN912 8.8 A2A (4pieces) VP.	1
1.24	2057978	> RONDELLE A5,3 DIN6797 FST ZN (4 PIECES)	1



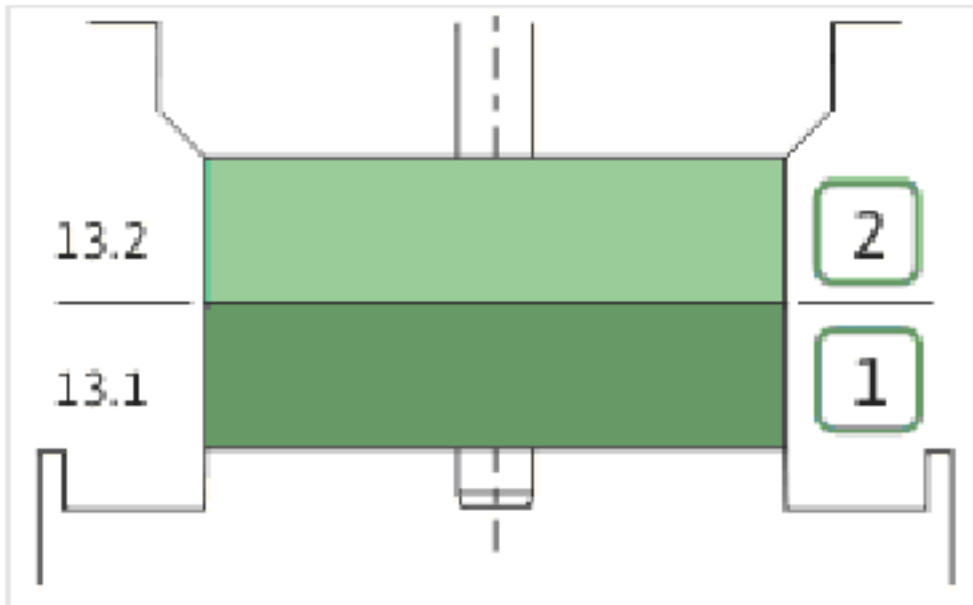
COUPLING D.20XD.28 FF265 KIT (4143965)

Item	Article no.	Description	Quantity
4.1	4179584	COUPLING 2 PARTS D.20XD.28XL83 VP.	1
4.2	2131017	BALL BEARING 6310/ZZ-C4(HT)VP.	1
4.3	4234253	CIRCLIP-FOR-SHAFT-D50x2 VP.	1
4.4	4159707	SCREW M8X30 (4 PIECES)	1
4.5	4234255	CIRCLIPS 110X4 VP.	1
4.6	4233944	O-RING ID.110 VP.	1
4.7	4179585	STOP-RUSH D26xD2 DIN7993 STEEL VP.	1
4.8	2131020	HUB D.38XD.50 VP.	1
4.9	2131021	SPACER D.28XD.45 VP.	1
4.10	4157726	SCREW KIT M8X30 (4 PIECES)	1
4.11	4233959	SCREW M8x16 VP.	1
4.12		SERRATED LOCK WASHER Ø8.2XØ25X35X2	1

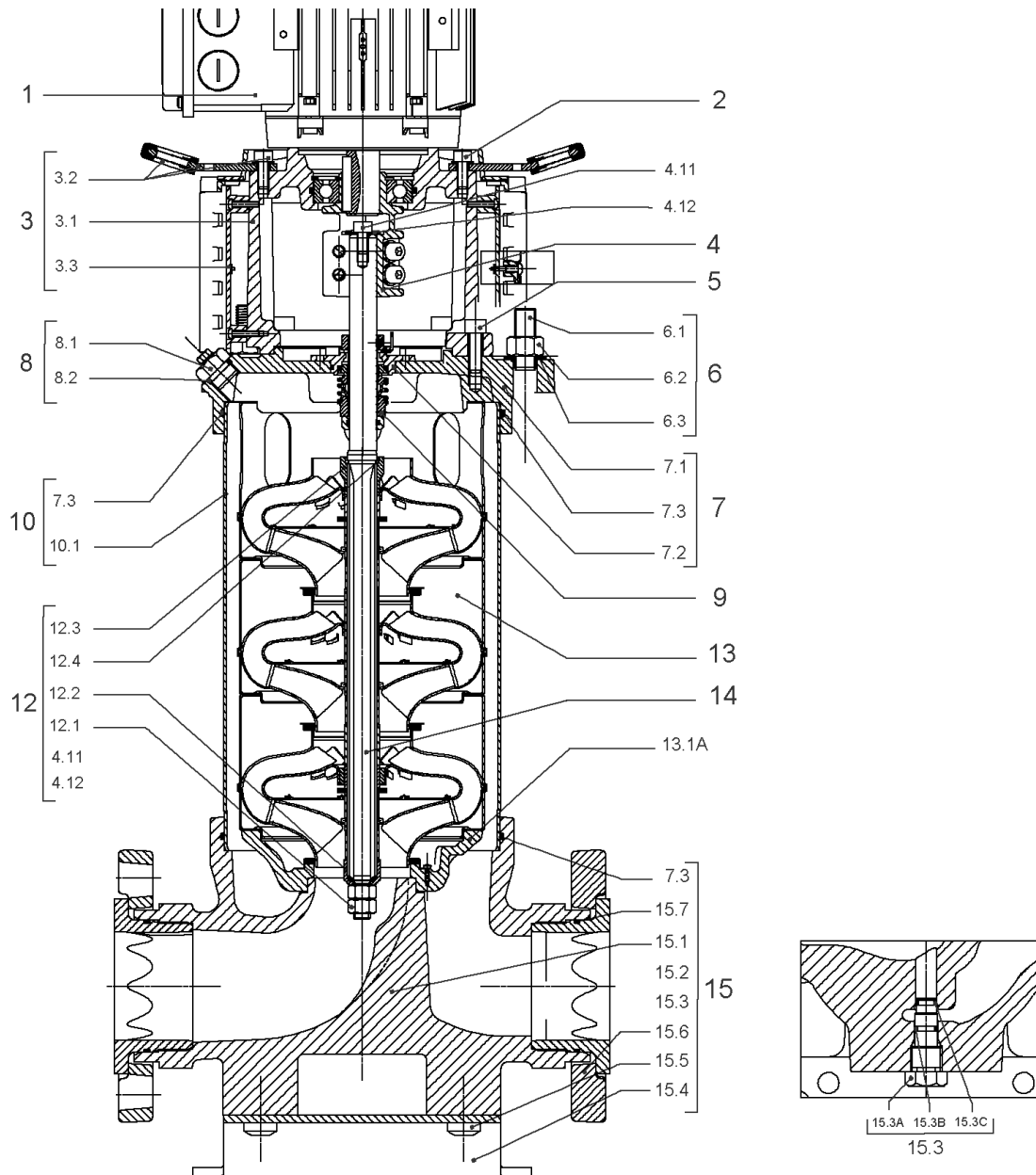


CARTRIDGE HELIX22-36-52 O/E KIT (4143973)

Item	Article no.	Description	Quantity
9.1	4143974	SEAL-KIT-HELIX22-36-52 O/E	1
7.3	4179571	> O-RING HOUSING PIPE HELIX22/36/52 VP.	1
7.4	4179572	> O-RING ID.42.52X2.62 EPDM VP.	1
9.1A	4179573	> M.SEAL.HELIX22-36-52 O/E VP.	1
9.1B	4179574	> O-RING ID.20x2.65 EPDM VP.	1
9.2	4179566	SHAFT SLEEVE D.20/20X60 1.4404 VP.	1
9.3	4179567	RING HOLDER Ø22 1.4301 VP.	1
9.4	4176520	SCREW CH M5x5 A4-70 (3PIECES)	1
9.5	4179568	DRIVE RING D.31/22.1x11 MACH.VP.	1
9.6	4179569	TOOL M.S.CART.HELIX 8" VP.	1
9.7	4179570	SCREW M6X16 ISO4762 8.8 GEOMET(4 PIECES)	1



Item	Article no.	Description	Quantity
13.1	4161192	INTERMEDIATE STAGE HELIX V36 1.4301 KIT	1
		> SLEEVE-SPACER-D22XL16,66-316L	1
		> MACH.BEARING-DIFFUSER+NR-M+36-304	1
		> SHAFT-SLEEVE-D26xD22x16-CW	1
		> IMPELLER-H1-M+36-304	1
13.1A	4161200	> NECK RING 1.STAGE HELIX V36/52 KIT	1
		>> NECK-RING-M+36/52	1
		>> HYDRAULIC SUPPORT CAP M+36/52 304	1
		>> SCREW TCL M3X8 A4 POZIDRIV	1
13.2	4161194	UPPER STAGE HELIX 36 1.4301 KIT	1
		> STOP COLLAR OF IMPELLER L20-Ø22-316L	1
		> IMPELLER-H4-M+36-304	1
		> MACH.-RIGID-STD-DISCH.-CHAMBER-M+36-304	1

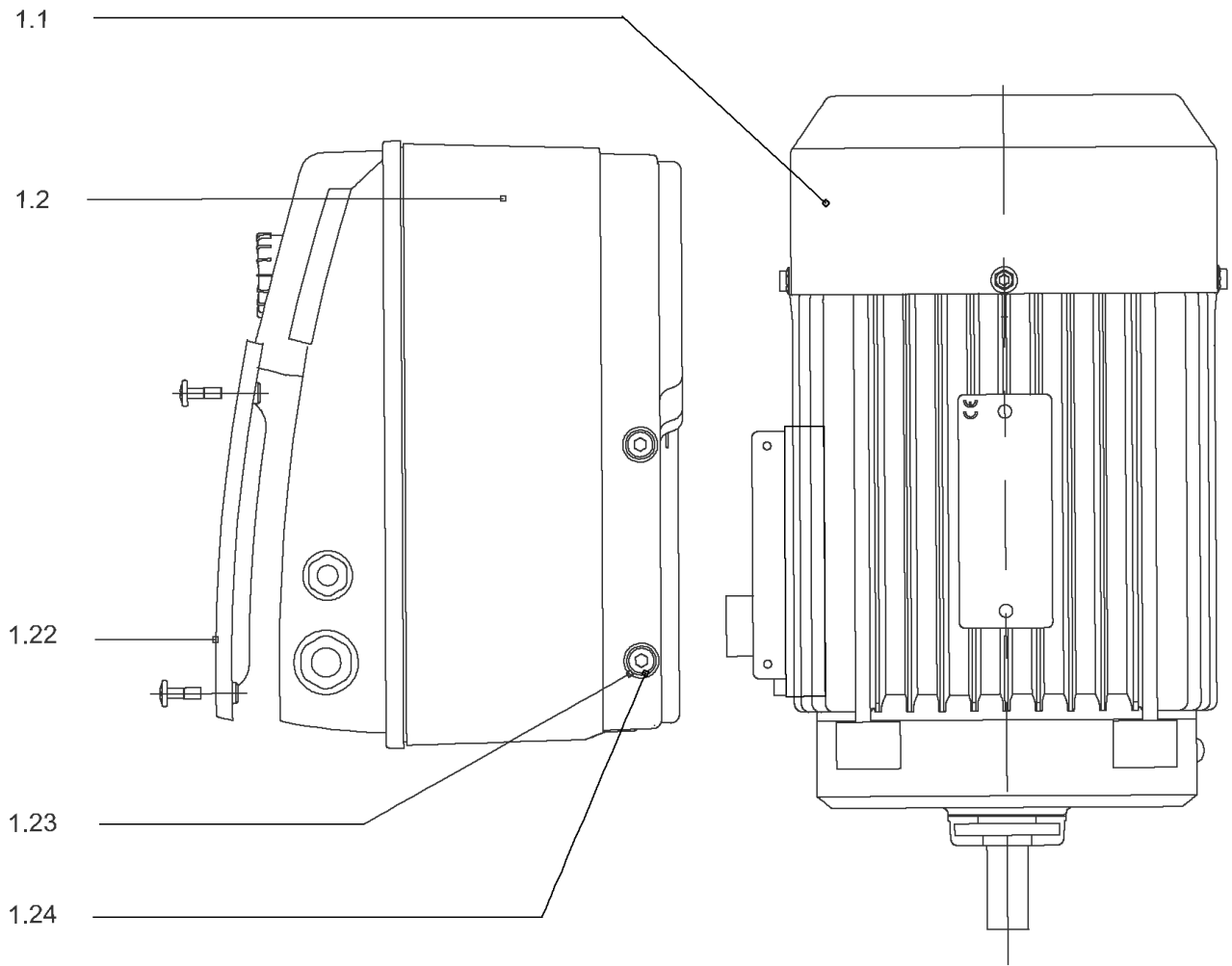


HELIX VE3602-7,5-3/16/E/KS (4140711)

Item	Article no.	Description	Quantity
1		DRIVE HELIX-VE3602-7.5-IE2-SIE KIT	1
Note: MOTOR BRAND SIEMENS			
1		DRIVE HELIX-VE3602-7.5-IE2-ATB KIT	1
Note: MOTOR BRAND ATB			
1		DRIVE HELIXVE3602-7,5Kw- IE4-WE KIT	1
Note: MOTOR BRAND WILO ELEC			
2	4174093	SCREW M12X50 (4 PIECES)	1
3	4161187	LANTERN FF265 HELIX 8" KIT	1
3.1		> LANTERN FF265 M+ GJL MACHINED+CATA	1
3.2	2127605	> EYELET CPL.FF265 HELIX(2 PIECES)	1
3.3	4143969	> COUPLING PROTECT HELIX FF KIT	1
4	4143965	COUPLING D.20XD.28 FF265 KIT	1
5	4157725	SCREW M10X40 (4 PIECES)	1
6	4180018	STUD BOLT M16X267 KIT	1
6.1		> TIE BOLT M16-267x24x44-1.4057	1
6.2	4179562	> NUT M16 8.8 ISO4032 (4 PIECES)	1
6.3	4097852	> WASHER-CS-16.4-32-2.8-NFE25-511-A2	1
7	4179565	END SHIELD HELIX 8" EPDM KIT	1
7.1		> END SHIELD M+ GJL MACHINED+CATA	1
7.2	4179564	> O-RING D.42.52x2.62 EPDM VP.	1
7.3	4179571	> O-RING HOUSING PIPE HELIX22/36/52 VP.	1
8	4186377	FILING/PURGING PLUG 304 HELIX KIT	1
8.1		> FILLING/VENTING-PLUG-MVI8/10"-304	1
8.2	4032291	> O-RING 17x3 EPDM KTW/WRC	1
9	4143973	CARTRIDGE HELIX22-36-52 O/E KIT	1
10	4181070	HOUSING PIPE D.204X197 1.4307 KIT	1
7.3	4179571	> O-RING HOUSING PIPE HELIX22/36/52 VP.	1
10.1		> HOUSING-PIPE Ø204-M+3602-304	1
11	4181071	CENTRALIZER HELIX 8" M+36 1.4301 VP.	1
12	4161186	SHAFT EQUIPMENT HELIX V36 8" KIT	1
13		HYDRAULIC HELIX V 3602	1
14	4181073	SHAFTS D.22X354 1.4057 VP.	1
15	4161185	EQUIPED HOUSING HELIX 36 GJL KIT	1
15.1		> PUMP HOUSING SET with CATA. PARTS-DN65	1

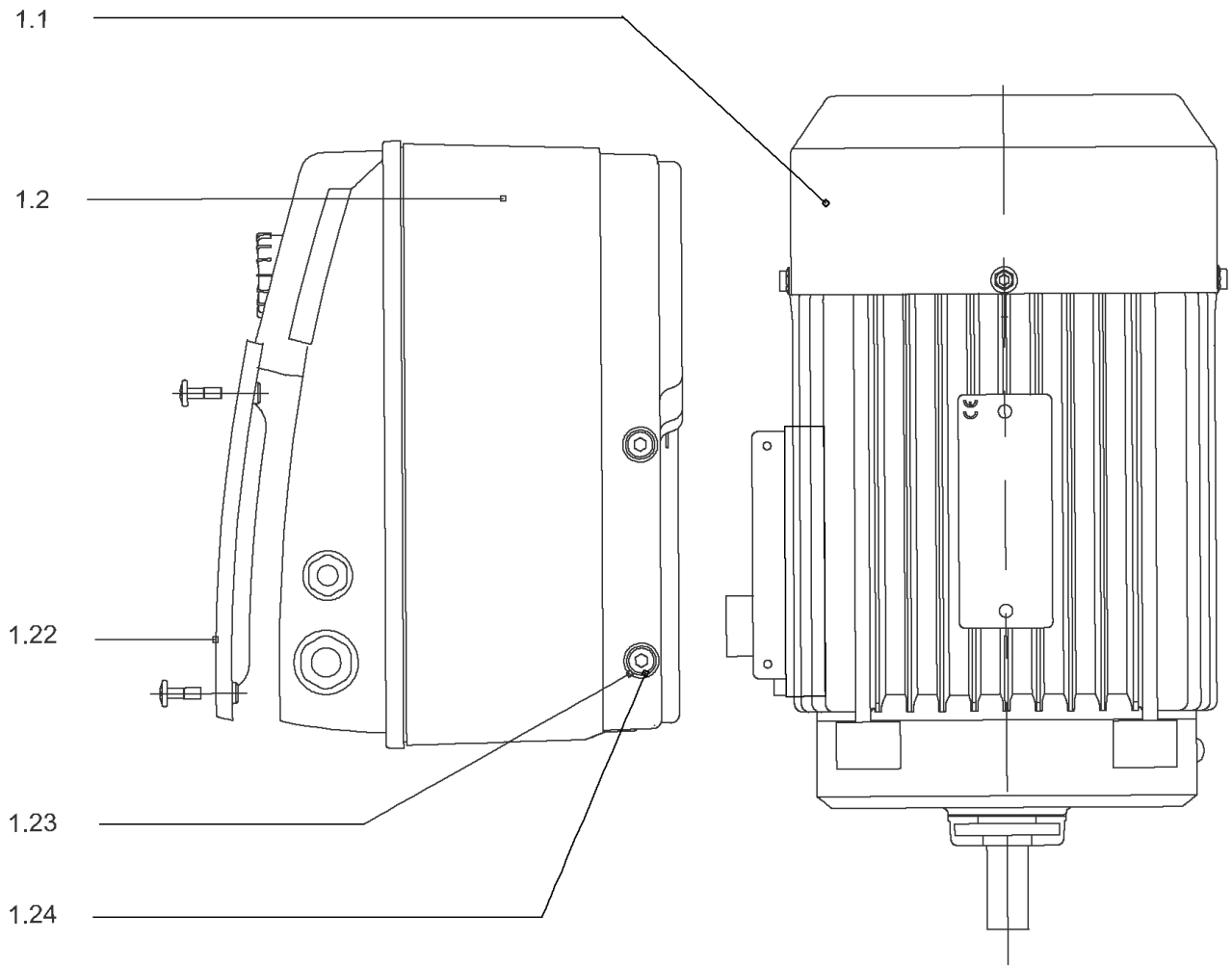
HELIX VE3602-7,5-3/16/E/KS (4140711)

Item	Article no.	Description	Quantity
15.3	4143766	> DRAIN/PRIMING PLUG EPDM HELIX KIT	1
15.3A		>> PRIMING/DRAIN PLUG-304-VERSION 1	1
15.3B	4032293	>> O-RING-10x3-EPDM-KTW/WRC	1
15.3C	4233957	>> O-RING ID.9 EPDM VP.	1
15.4	4221729	> BASE M+ DN50/65/80 VP.	1
15.5		> SCREW TBHC M12x25 ISO7380 ZN	1
15.6		> FLANGE M+ DN65 NF PN16-25 ASME PN16 CATA	1
15.7		> O-RING Ø79.5xØ3 EPDM	1
13.1A	4161200	> NECK RING 1.STAGE HELIX V36/52 KIT	1
		>> NECK-RING-M+36/52	1
		>> HYDRAULIC SUPPORT CAP M+36/52 304	1
		>> SCREW TCL M3X8 A4 POZIDRIV	1
7.3	4179571	> O-RING HOUSING PIPE HELIX22/36/52 VP.	1



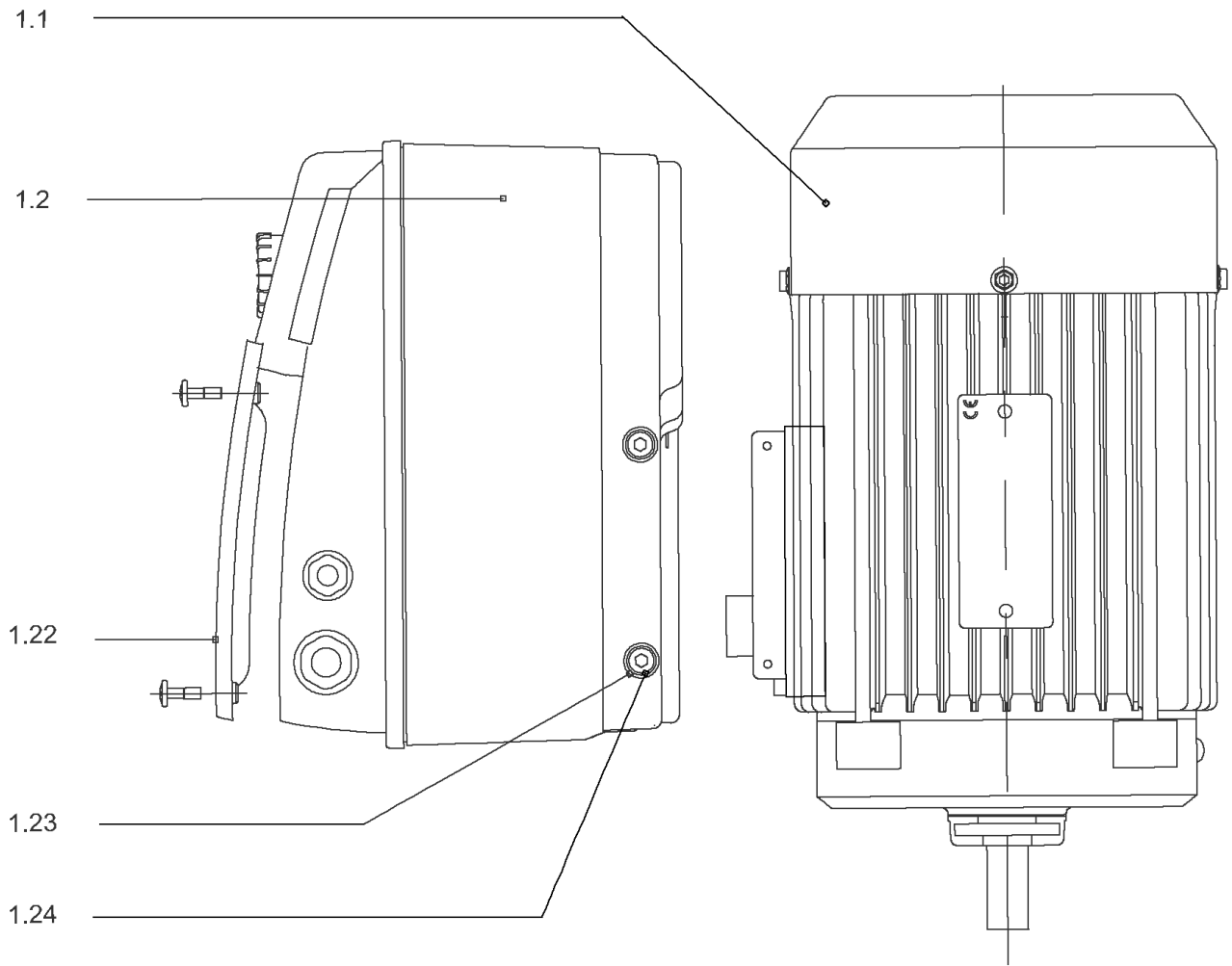
DRIVE HELIX-VE3602-7.5-IE2-SIE KIT

Item	Article no.	Description	Quantity
1.1		MOTOR 7,5/2/132 3~380V 60HZ IE2 SIE VP.	1
Note: no longer available/nicht mehr lieferbar/n'est plus disponible			
		SPARE PARTS MOTOR:ON REQUEST	1
1.2	4186778	MODULE HELIX-VE3602-7.5-IE2-SIE KIT	1
1.22	2111344	> MODULE COVER/GASKET TL5 KIT	1
1.23	4215716	> SCREW M5X16 DIN912 8.8 A2A (4pieces) VP.	1
1.24	2057978	> RONDELLE A5,3 DIN6797 FST ZN (4 PIECES)	1



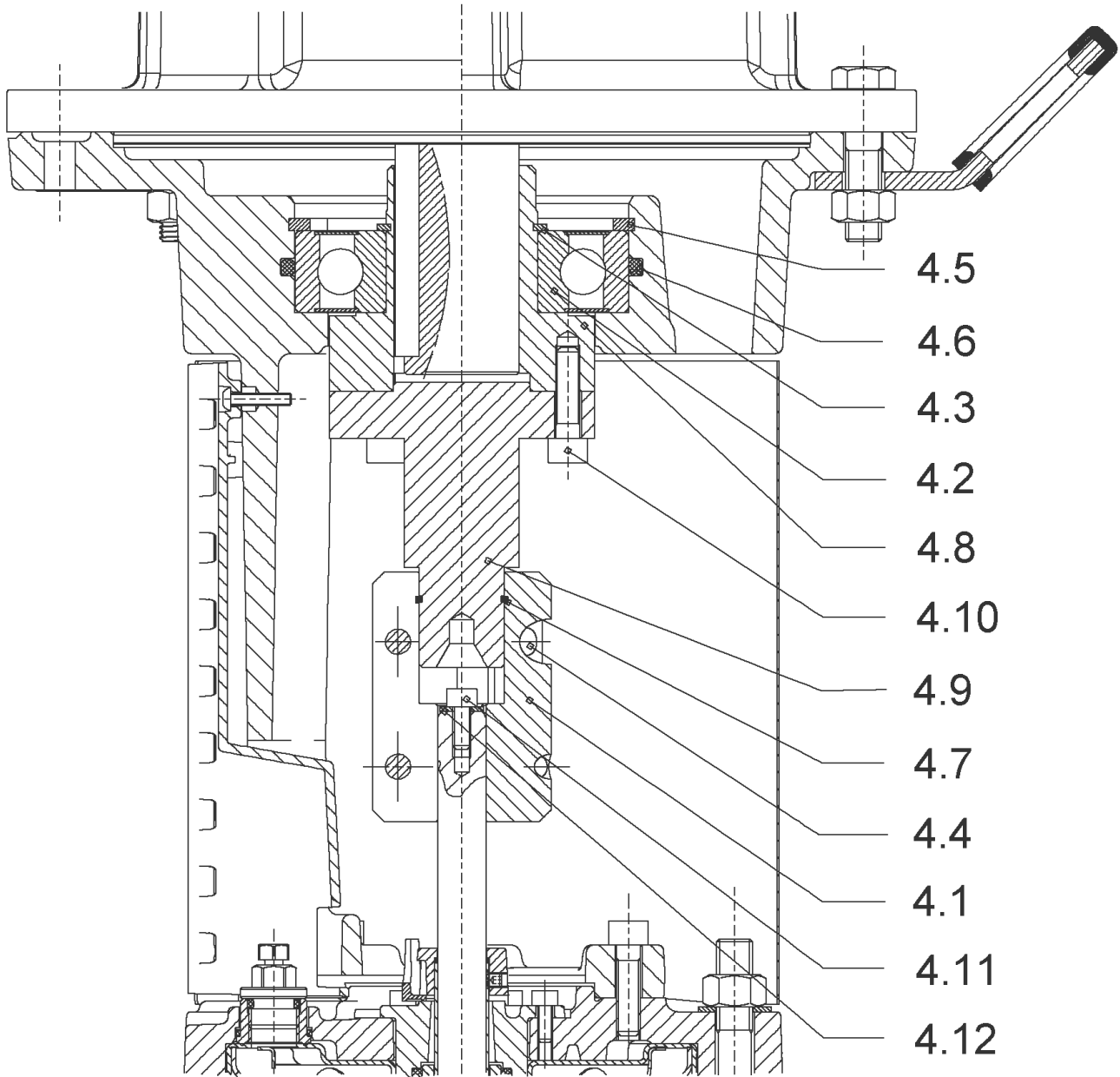
DRIVE HELIX-VE3602-7.5-IE2-ATB KIT

Item	Article no.	Description	Quantity
1.1	4192124	MOTOR 7,5/2/132 3~380V 60HZ IE2 ATB VP.	1
		SPARE PARTS MOTOR:ON REQUEST	1
1.2	4195909	MODULE HELIX-VE3602-7.5-IE2-ATB KIT	1
1.22	2111344	> MODULE COVER/GASKET TL5 KIT	1
1.23	4215716	> SCREW M5X16 DIN912 8.8 A2A (4pieces) VP.	1
1.24	2057978	> RONDELLE A5,3 DIN6797 FST ZN (4 PIECES)	1



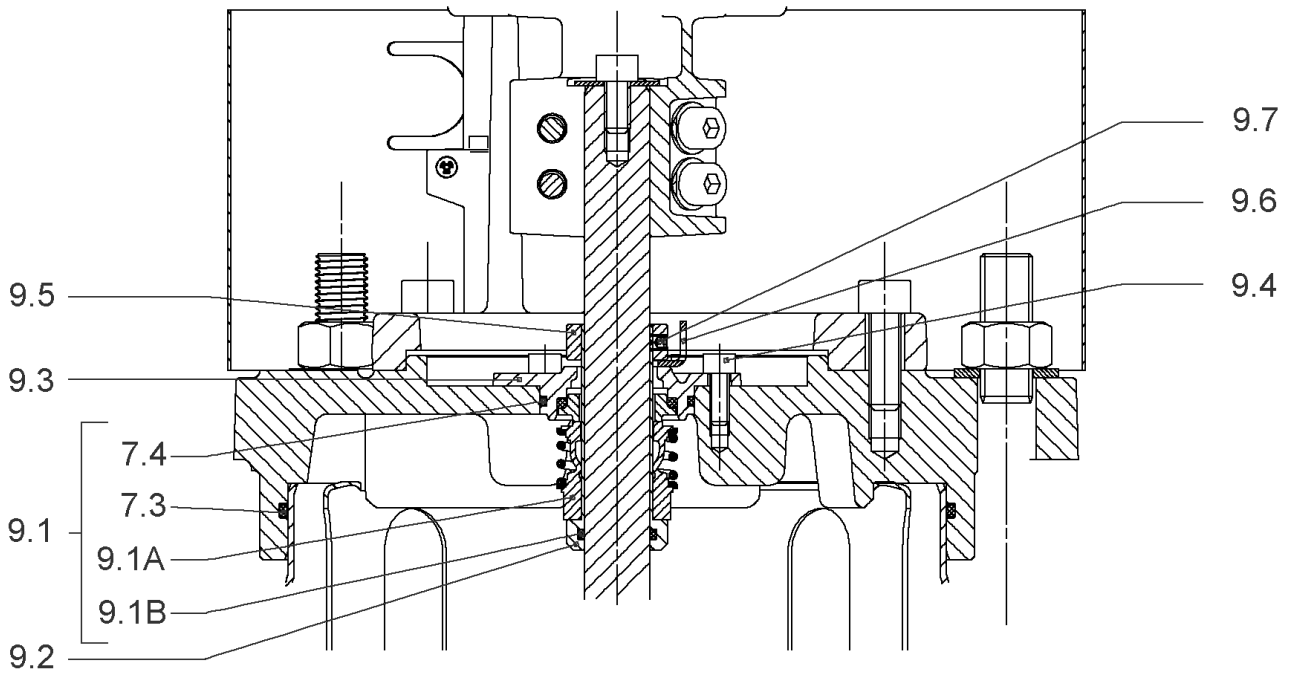
DRIVE HELIXVE3602-7,5Kw- IE4-WE KIT

Item	Article no.	Description	Quantity
1.1	4207938	MOT.7.5/2/132F26 3~ 380V 60HZ IE4 WE VP.	1
		SPARE PARTS MOTOR:ON REQUEST	1
1.2	4212640	MODULE HELIX-VE3602-IE4-WE KIT	1
1.22	2111344	> MODULE COVER/GASKET TL5 KIT	1
1.23	4215716	> SCREW M5X16 DIN912 8.8 A2A (4pieces) VP.	1
1.24	2057978	> RONDELLE A5,3 DIN6797 FST ZN (4 PIECES)	1



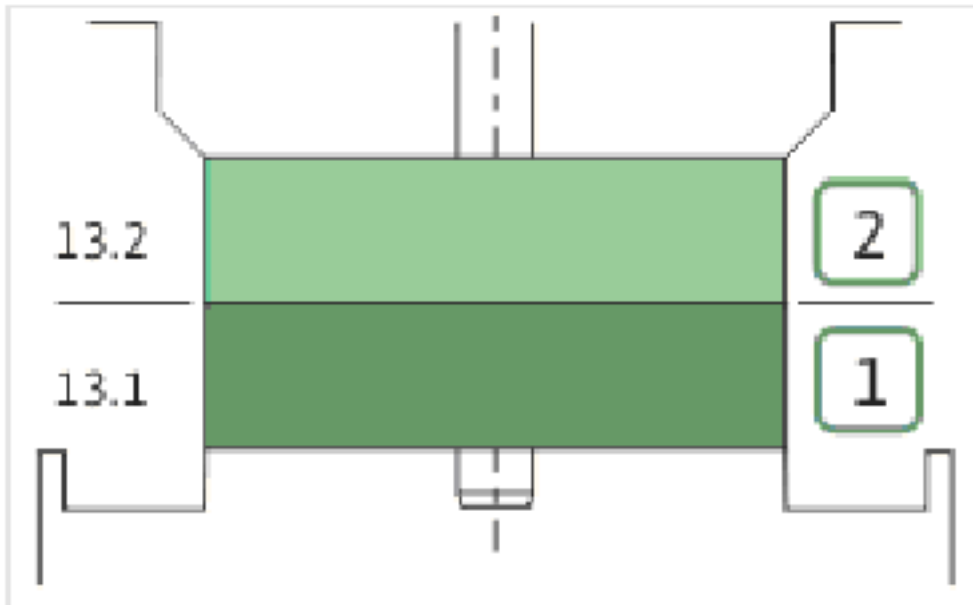
COUPLING D.20XD.28 FF265 KIT (4143965)

Item	Article no.	Description	Quantity
4.1	4179584	COUPLING 2 PARTS D.20XD.28XL83 VP.	1
4.2	2131017	BALL BEARING 6310/ZZ-C4(HT)VP.	1
4.3	4234253	CIRCLIP-FOR-SHAFT-D50x2 VP.	1
4.4	4159707	SCREW M8X30 (4 PIECES)	1
4.5	4234255	CIRCLIPS 110X4 VP.	1
4.6	4233944	O-RING ID.110 VP.	1
4.7	4179585	STOP-RUSH D26xD2 DIN7993 STEEL VP.	1
4.8	2131020	HUB D.38XD.50 VP.	1
4.9	2131021	SPACER D.28XD.45 VP.	1
4.10	4157726	SCREW KIT M8X30 (4 PIECES)	1
4.11	4233959	SCREW M8x16 VP.	1
4.12		SERRATED LOCK WASHER Ø8.2XØ25X35X2	1



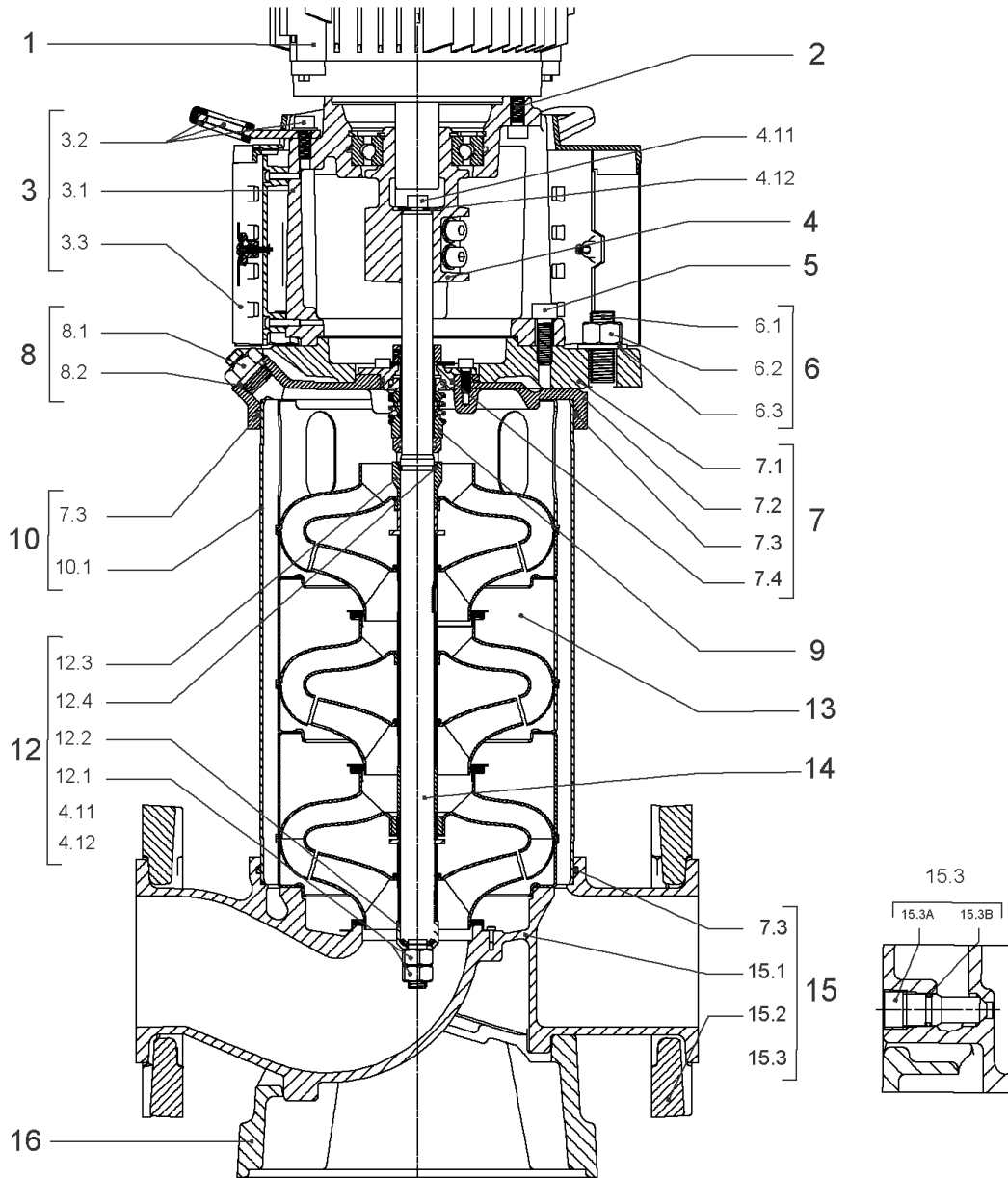
CARTRIDGE HELIX22-36-52 O/E KIT (4143973)

Item	Article no.	Description	Quantity
9.1	4143974	SEAL-KIT-HELIX22-36-52 O/E	1
7.3	4179571	> O-RING HOUSING PIPE HELIX22/36/52 VP.	1
7.4	4179572	> O-RING ID.42.52X2.62 EPDM VP.	1
9.1A	4179573	> M.SEAL.HELIX22-36-52 O/E VP.	1
9.1B	4179574	> O-RING ID.20x2.65 EPDM VP.	1
9.2	4179566	SHAFT SLEEVE D.20/20X60 1.4404 VP.	1
9.3	4179567	RING HOLDER Ø22 1.4301 VP.	1
9.4	4176520	SCREW CH M5x5 A4-70 (3PIECES)	1
9.5	4179568	DRIVE RING D.31/22.1x11 MACH.VP.	1
9.6	4179569	TOOL M.S.CART.HELIX 8" VP.	1
9.7	4179570	SCREW M6X16 ISO4762 8.8 GEOMET(4 PIECES)	1



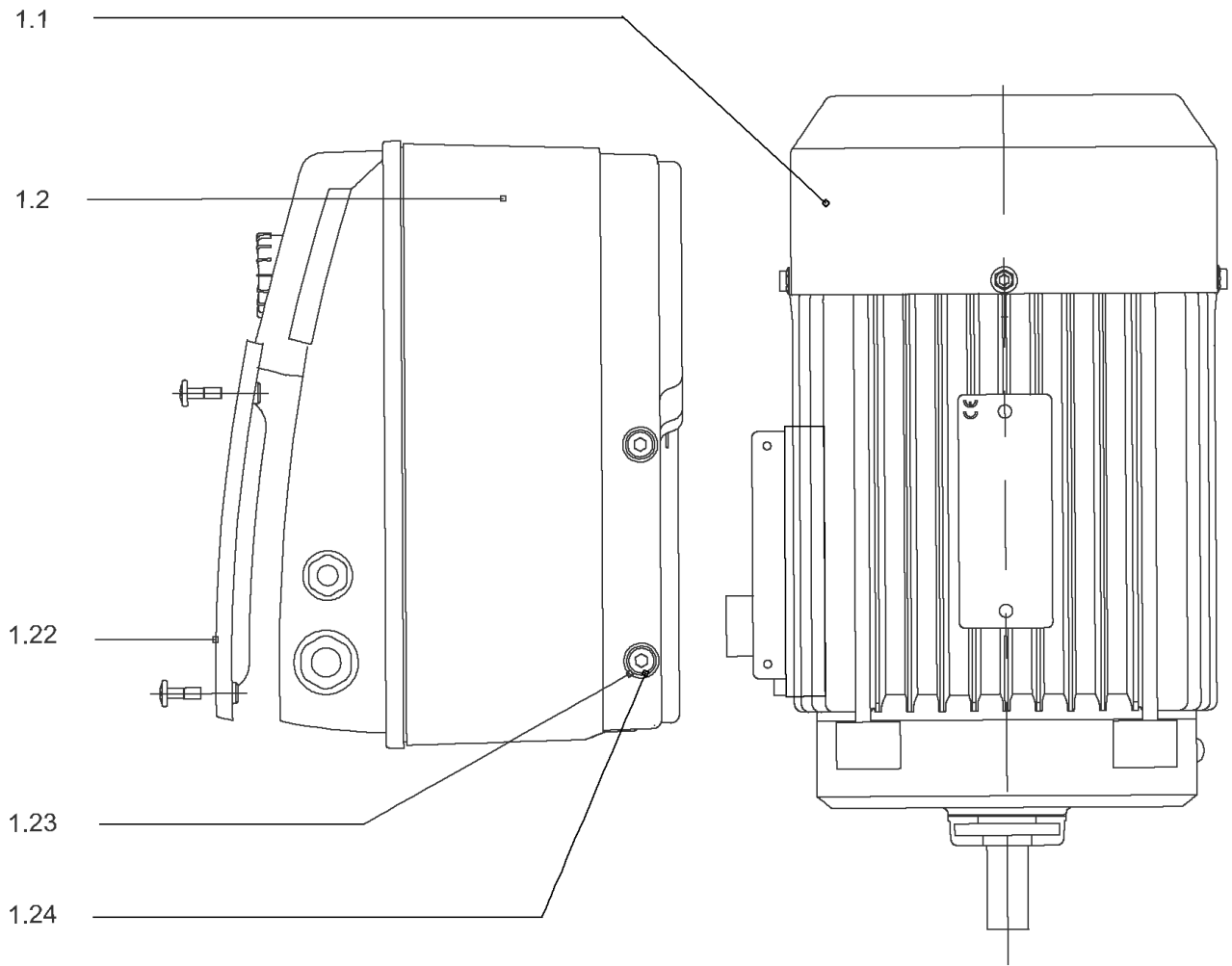
HYDRAULIC HELIX V 3602

Item	Article no.	Description	Quantity
13.1	4161192	INTERMEDIATE STAGE HELIX V36 1.4301 KIT	1
		> SLEEVE-SPACER-D22XL16,66-316L	1
		> MACH.BEARING-DIFFUSER+NR-M+36-304	1
		> SHAFT-SLEEVE-D26xD22x16-CW	1
		> IMPELLER-H1-M+36-304	1
13.1A	4161200	> NECK RING 1.STAGE HELIX V36/52 KIT	1
		>> NECK-RING-M+36/52	1
		>> HYDRAULIC SUPPORT CAP M+36/52 304	1
		>> SCREW TCL M3X8 A4 POZIDRIV	1
13.2	4161194	UPPER STAGE HELIX 36 1.4301 KIT	1
		> STOP COLLAR OF IMPELLER L20-Ø22-316L	1
		> IMPELLER-H4-M+36-304	1
		> MACH.-RIGID-STD-DISCH.-CHAMBER-M+36-304	1



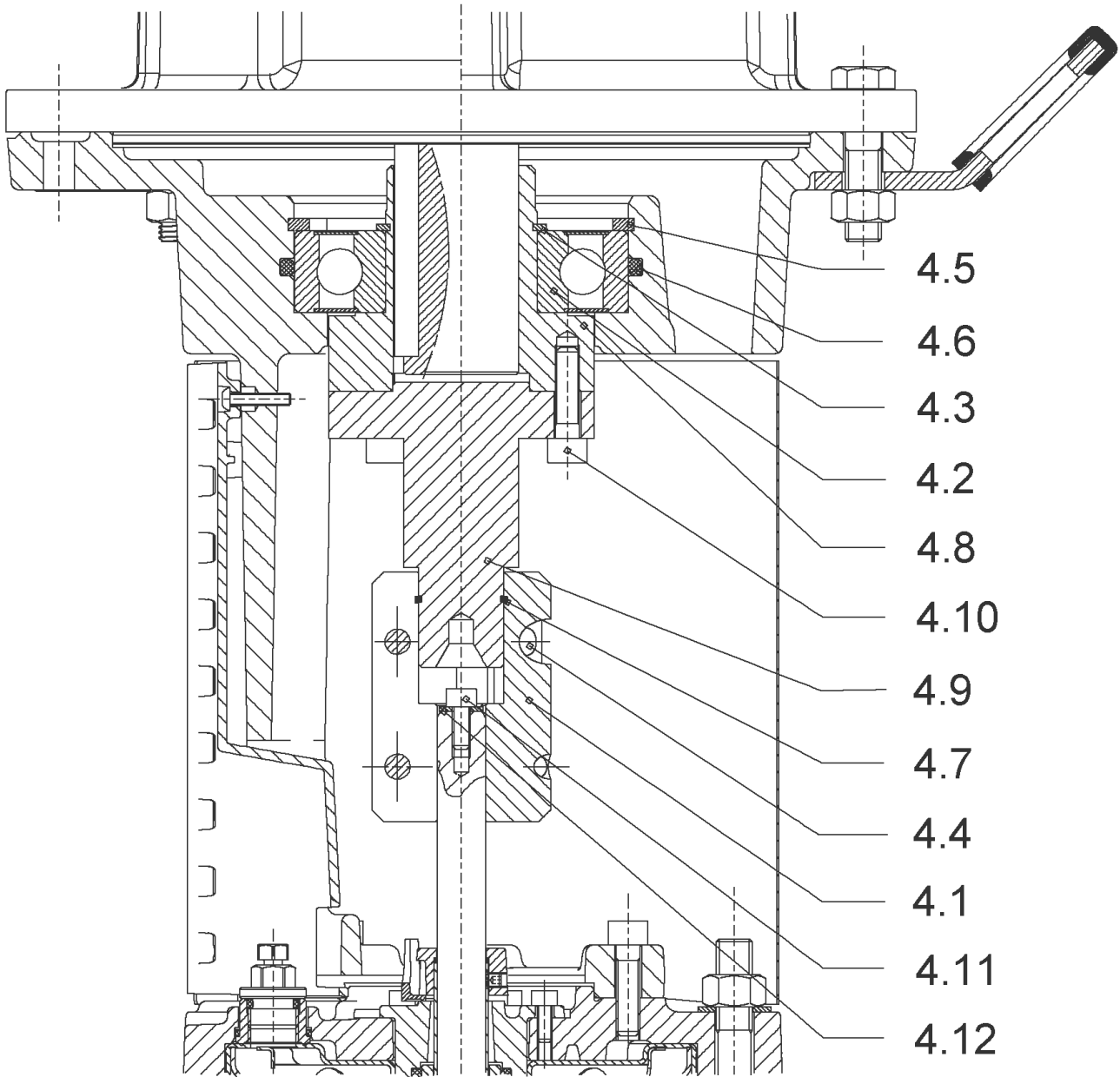
HELIX VE3602-7,5-1/16/E/KS (4198862)

Item	Article no.	Description	Quantity
1		DRIVE HELIXVE3602-7,5Kw- IE4-WE KIT	1
Note: MOTOR BRAND WILO ELEC			
2	4159707	SCREW M8X30 (4 PIECES)	1
3	4161187	LANTERN FF265 HELIX 8" KIT	1
3.1		> LANTERN FF265 M+ GJL MACHINED+CATA	1
3.2	2127605	> EYELET CPL.FF265 HELIX(2 PIECES)	1
3.3	4143969	> COUPLING PROTECT HELIX FF KIT	1
4	4143965	COUPLING D.20XD.28 FF265 KIT	1
5	4157725	SCREW M10X40 (4 PIECES)	1
6	4181164	STUD BOLT M16X382 KIT	1
6.1		> TIE BOLT M16-382x24x44-1.4057	1
6.2	4179562	> NUT M16 8.8 ISO4032 (4 PIECES)	1
6.3	4097852	> WASHER-CS-16.4-32-2.8-NFE25-511-A2	1
7	4217176	END SHIELD HELIX OPTI 8" EPDM KIT	1
7.1		> upper flange machined + cataphoresis	1
7.2	4217174	> STATIONARY RING HOLDER 8" HELIX OPTI VP.	1
7.3	4179571	> O-RING HOUSING PIPE HELIX22/36/52 VP.	1
7.4	4179572	> O-RING ID.42.52X2.62 EPDM VP.	1
8	4186377	FILING/PURGING PLUG 304 HELIX KIT	1
8.1		> FILLING/VENTING-PLUG-MVI8/10"-304	1
8.2	4032291	> O-RING 17x3 EPDM KTW/WRC	1
9	4143973	CARTRIDGE HELIX22-36-52 O/E KIT	1
10	4181154	HOUSING PIPE D.204X164 1.4307 KIT	1
7.3	4179571	> O-RING HOUSING PIPE HELIX22/36/52 VP.	1
10.1		> HOUSING-PIPE Ø204-M+2201/2202-304	1
12	4161186	SHAFT EQUIPMENT HELIX V36 8" KIT	1
13		HYDRAULIC HELIX V 3602	1
14	4181073	SHAFTS D.22X354 1.4057 VP.	1
15	4217909	EQUIPED HOUSING DN65 HELIX OPTI 8" KIT	1
15.1		> pump casing machined DN65	1
15.2	4217907	> HALF FLANGE DN65 HELIX OPTI 8" VP.	1
15.3	4217850	> DRAIN/PRIMING PLUG HELIX OPTI 8" KIT	1
7.3	4179571	> O-RING HOUSING PIPE HELIX22/36/52 VP.	1
16	4217911	BASEPLATE DN65 HELIX OPTI 8" VP.	1



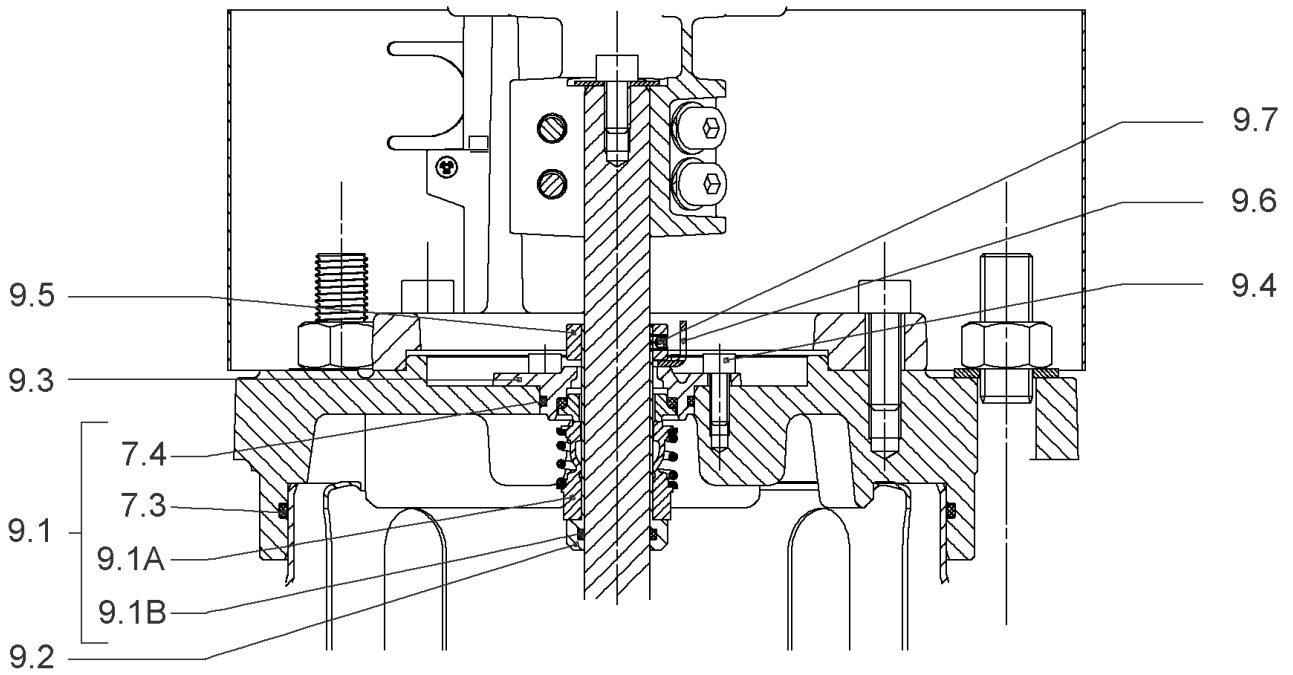
DRIVE HELIXVE3602-7,5Kw- IE4-WE KIT

Item	Article no.	Description	Quantity
1.1	4207938	MOT.7.5/2/132F26 3~ 380V 60HZ IE4 WE VP.	1
		SPARE PARTS MOTOR:ON REQUEST	1
1.2	4212640	MODULE HELIX-VE3602-IE4-WE KIT	1
1.22	2111344	> MODULE COVER/GASKET TL5 KIT	1
1.23	4215716	> SCREW M5X16 DIN912 8.8 A2A (4pieces) VP.	1
1.24	2057978	> RONDELLE A5,3 DIN6797 FST ZN (4 PIECES)	1



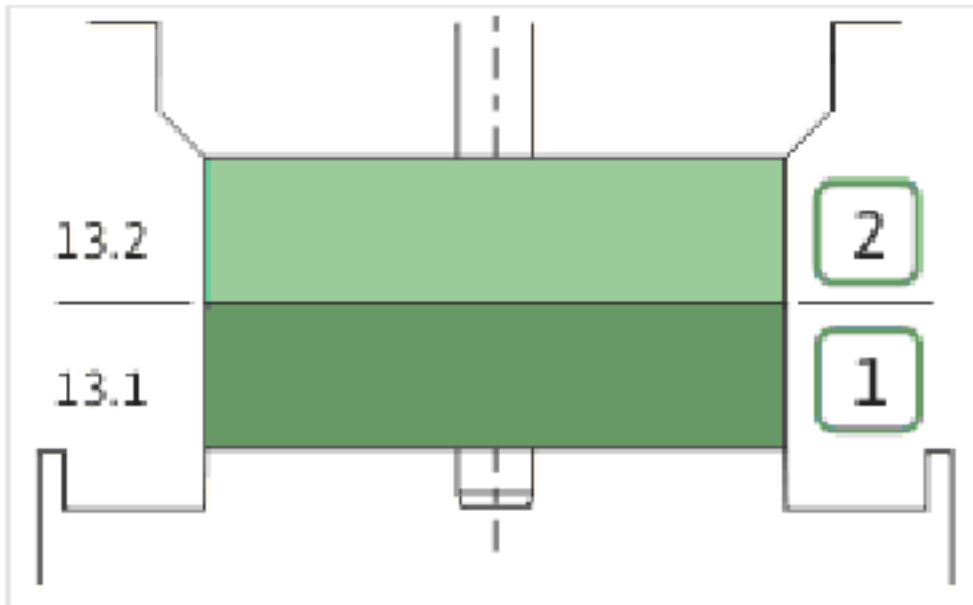
COUPLING D.20XD.28 FF265 KIT (4143965)

Item	Article no.	Description	Quantity
4.1	4179584	COUPLING 2 PARTS D.20XD.28XL83 VP.	1
4.2	2131017	BALL BEARING 6310/ZZ-C4(HT)VP.	1
4.3	4234253	CIRCLIP-FOR-SHAFT-D50x2 VP.	1
4.4	4159707	SCREW M8X30 (4 PIECES)	1
4.5	4234255	CIRCLIPS 110X4 VP.	1
4.6	4233944	O-RING ID.110 VP.	1
4.7	4179585	STOP-RUSH D26xD2 DIN7993 STEEL VP.	1
4.8	2131020	HUB D.38XD.50 VP.	1
4.9	2131021	SPACER D.28XD.45 VP.	1
4.10	4157726	SCREW KIT M8X30 (4 PIECES)	1
4.11	4233959	SCREW M8x16 VP.	1
4.12		SERRATED LOCK WASHER Ø8.2XØ25X35X2	1



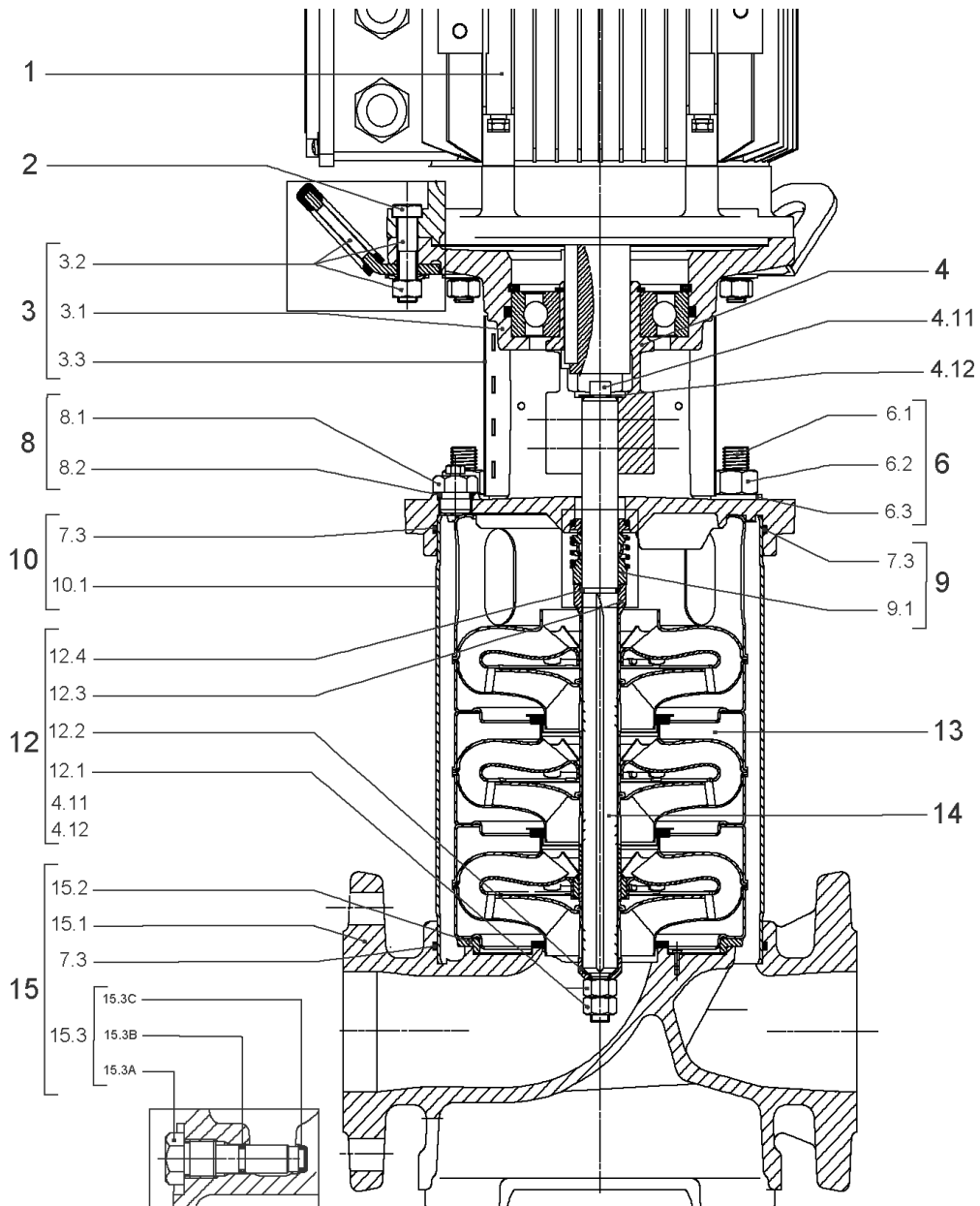
CARTRIDGE HELIX22-36-52 O/E KIT (4143973)

Item	Article no.	Description	Quantity
9.1	4143974	SEAL-KIT-HELIX22-36-52 O/E	1
7.3	4179571	> O-RING HOUSING PIPE HELIX22/36/52 VP.	1
7.4	4179572	> O-RING ID.42.52X2.62 EPDM VP.	1
9.1A	4179573	> M.SEAL.HELIX22-36-52 O/E VP.	1
9.1B	4179574	> O-RING ID.20x2.65 EPDM VP.	1
9.2	4179566	SHAFT SLEEVE D.20/20X60 1.4404 VP.	1
9.3	4179567	RING HOLDER Ø22 1.4301 VP.	1
9.4	4176520	SCREW CH M5x5 A4-70 (3PIECES)	1
9.5	4179568	DRIVE RING D.31/22.1x11 MACH.VP.	1
9.6	4179569	TOOL M.S.CART.HELIX 8" VP.	1
9.7	4179570	SCREW M6X16 ISO4762 8.8 GEOMET(4 PIECES)	1



HYDRAULIC HELIX V 3602

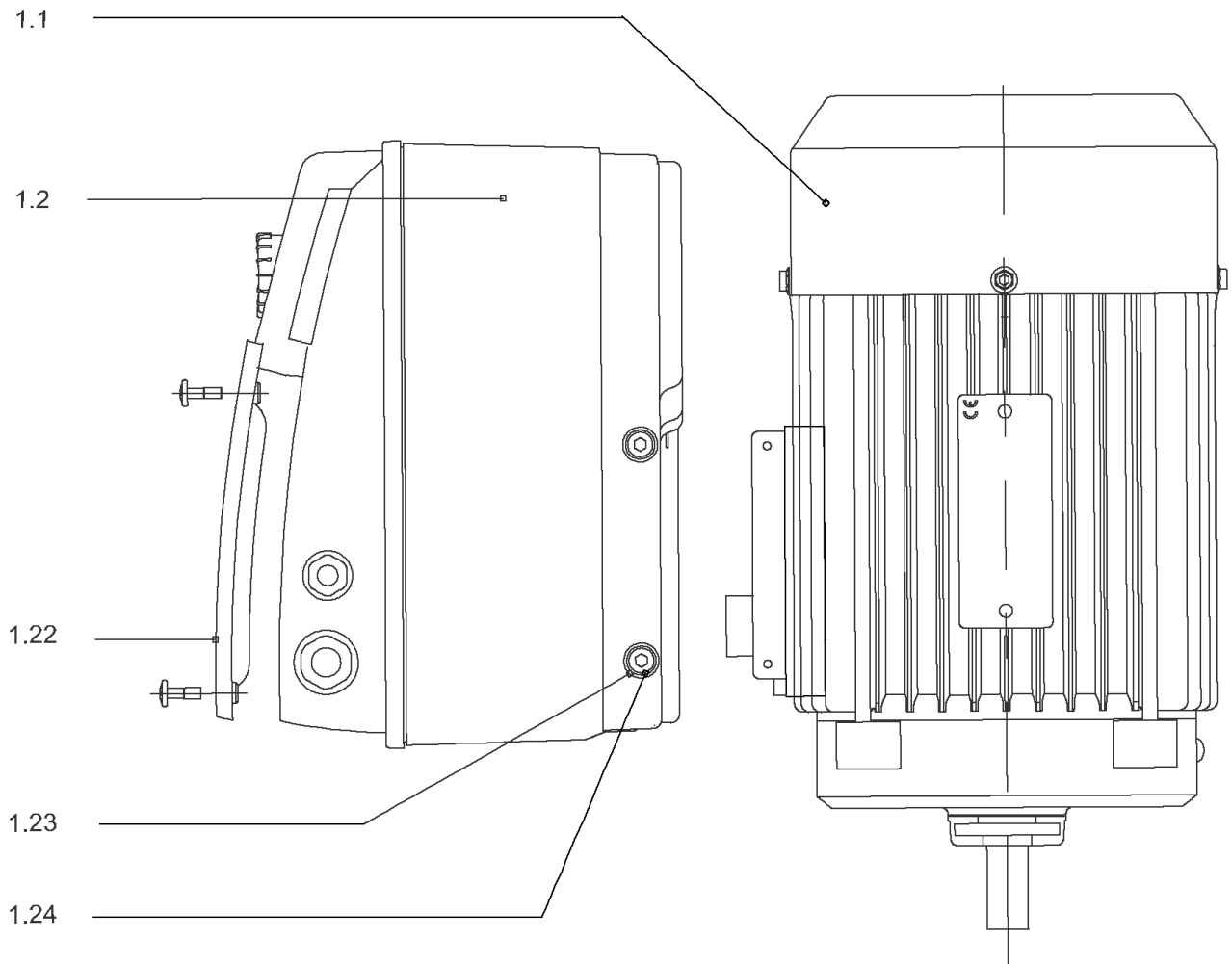
Item	Article no.	Description	Quantity
13.1	4161192	INTERMEDIATE STAGE HELIX V36 1.4301 KIT	1
		> SLEEVE-SPACER-D22XL16,66-316L	1
		> MACH.BEARING-DIFFUSER+NR-M+36-304	1
		> SHAFT-SLEEVE-D26xD22x16-CW	1
		> IMPELLER-H1-M+36-304	1
13.1A	4161200	> NECK RING 1.STAGE HELIX V36/52 KIT	1
		>> NECK-RING-M+36/52	1
		>> HYDRAULIC SUPPORT CAP M+36/52 304	1
		>> SCREW TCL M3X8 A4 POZIDRIV	1
13.2	4161194	UPPER STAGE HELIX 36 1.4301 KIT	1
		> STOP COLLAR OF IMPELLER L20-Ø22-316L	1
		> IMPELLER-H4-M+36-304	1
		> MACH.-RIGID-STD-DISCH.-CHAMBER-M+36-304	1



Item	Article no.	Description	Quantity
1		DRIVE HELIX-VE3602-FF240-IE2-ATB KIT	1
Note: MOTOR BRAND ATB			
1		DRIVE HELIXVE3602-7Kw-FF240 IE4-WE KIT	1
Note: MOTOR BRAND WILO ELEC			
		SPARE PARTS MOTOR:ON REQUEST	1
2	4174093	SCREW M12X50 (4 PIECES)	1
3	4186358	LANTERN HELIX OPTI 8" FF240 KIT	1
3.1		> M+8_LANTERN_ONE-PIECE_FF240_CATA_DWA	1
3.2	4186346	> EYELET CPL.FF240 HELIX (4 PIECES)	1
3.3	4184853	> COUPLING PROTECTOR FT HELIX 8" KIT	1
4	4186347	COUPLING D.22XD.38 FF240T130 HELIX KIT	1
6	4181156	STUD BOLT M16X233 KIT	1
6.1		> TIE BOLT M16-233x24x44-1.4057	1
6.2	4179562	> NUT M16 8.8 ISO4032 (4 PIECES)	1
6.3	4097852	> WASHER-CS-16.4-32-2.8-NFE25-511-A2	1
8	4186377	FILING/PURGING PLUG 304 HELIX KIT	1
8.1		> FILLING/VENTING-PLUG-MVI8/10"-304	1
8.2	4032291	> O-RING 17x3 EPDM KTW/WRC	1
9	4192148	SEAL-KIT-HELIX22-36-52 FIRST O/E	1
7.3	4179571	> O-RING HOUSING PIPE HELIX22/36/52 VP.	1
9.1	4179573	> M.SEAL.HELIX22-36-52 O/E VP.	1
10	4181070	HOUSING PIPE D.204X197 1.4307 KIT	1
7.3	4179571	> O-RING HOUSING PIPE HELIX22/36/52 VP.	1
10.1		> HOUSING-PIPE Ø204-M+3602-304	1
12	4186374	SHAFT EQUIPMENT HELIX 36 FIRST KIT	1
13		HYDRAULIC HELIX V 3602	1
14	4186343	SHAFT D.22X301 1.4057 VP.	1
15	4186381	EQUIPED HOUSING HELIX OPTI DN65 GJL KIT	1
15.1		> PUMP CASING MONO.M+8" DN65 PN16 DWA	1
15.2		> HYD.SUP.M+8" MONO.HOUSING DN65 DWA	1
15.3	4106048	> DRAIN/PRIMING PLUG EPDM HELIX FIRST KIT	1
15.3A		>> DRAIN AND PRIMING PLUG-VMI10"-304	1
15.3B	4032293	>> O-RING-10x3-EPDM-KTW/WRC	1
15.3C	4233957	>> O-RING ID.9 EPDM VP.	1

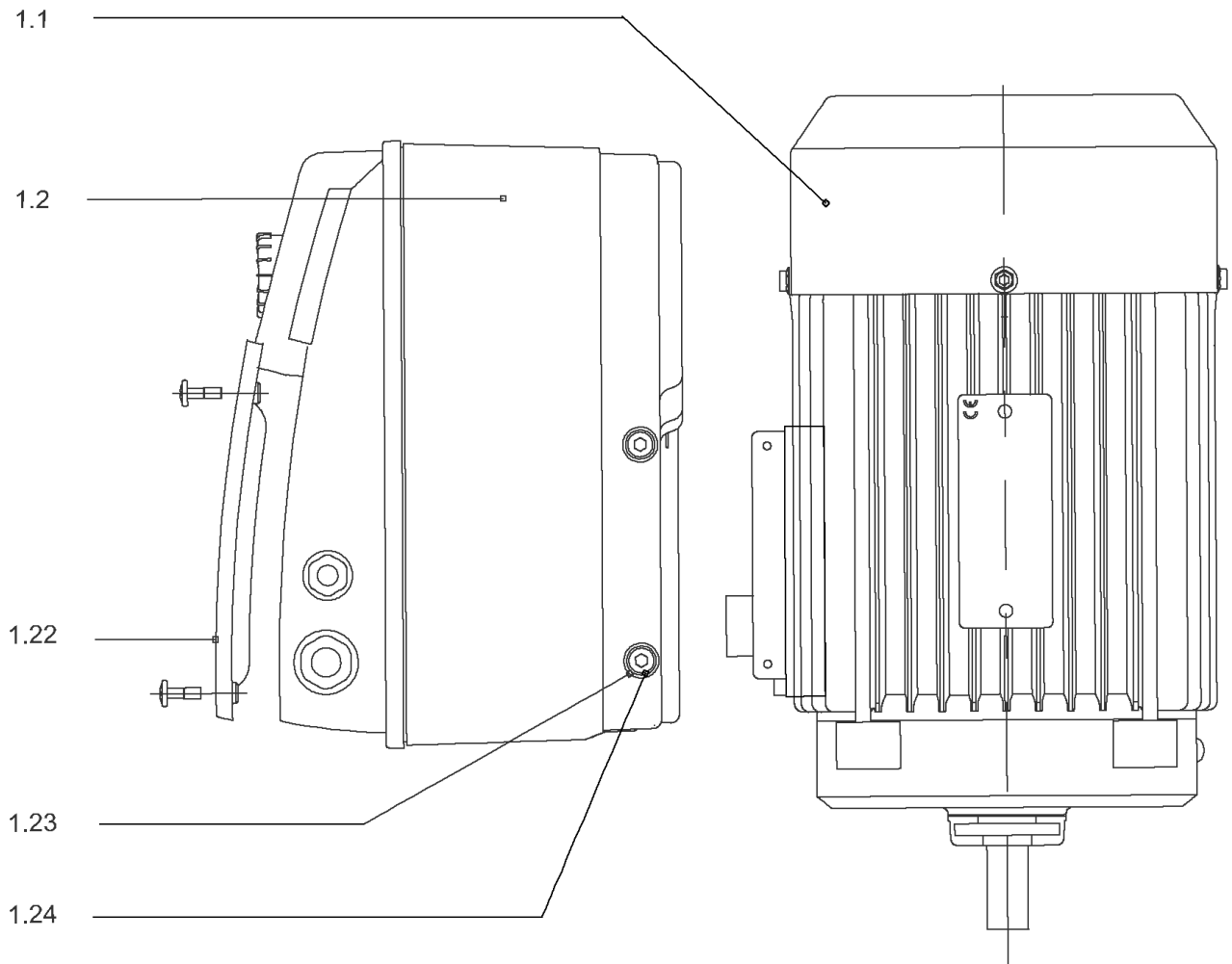
HELIX VE3602-7,5-4/16/E/S-FF240 (4183461)

Item	Article no.	Description	Quantity
7.3	4179571	> O-RING HOUSING PIPE HELIX22/36/52 VP.	1
13.1A	4161200	> NECK RING 1.STAGE HELIX V36/52 KIT	1
		>> NECK-RING-M+36/52	1
		>> HYDRAULIC SUPPORT CAP M+36/52 304	1
		>> SCREW TCL M3X8 A4 POZIDRIV	1



DRIVE HELIX-VE3602-FF240-IE2-ATB KIT

Item	Article no.	Description	Quantity
1.1		MOTOR 7,5/2/132 FF240 3~380V 60HZ IE2 VP	1
Note: no longer available/nicht mehr lieferbar/n'est plus disponible			
		SPARE PARTS MOTOR:ON REQUEST	1
1.2	4195909	MODULE HELIX-VE3602-7.5-IE2-ATB KIT	1
1.22	2111344	> MODULE COVER/GASKET TL5 KIT	1
1.23	4215716	> SCREW M5X16 DIN912 8.8 A2A (4pieces) VP.	1
1.24	2057978	> RONDELLE A5,3 DIN6797 FST ZN (4 PIECES)	1



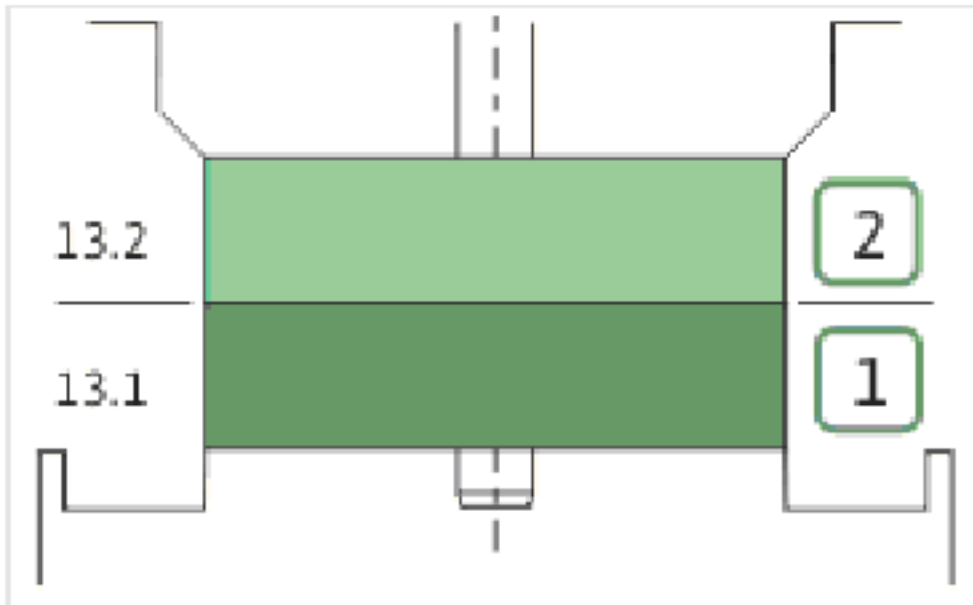
DRIVE HELIXVE3602-7Kw-FF240 IE4-WE KIT

Item	Article no.	Description	Quantity
1.1	4207940	MO.7.5/2/132FF240 3~380V 60Hz IE4 WE VP.	1
		SPARE PARTS MOTOR:ON REQUEST	1
1.2	4212640	MODULE HELIX-VE3602-IE4-WE KIT	1
1.22	2111344	> MODULE COVER/GASKET TL5 KIT	1
1.23	4215716	> SCREW M5X16 DIN912 8.8 A2A (4pieces) VP.	1
1.24	2057978	> RONDELLE A5,3 DIN6797 FST ZN (4 PIECES)	1



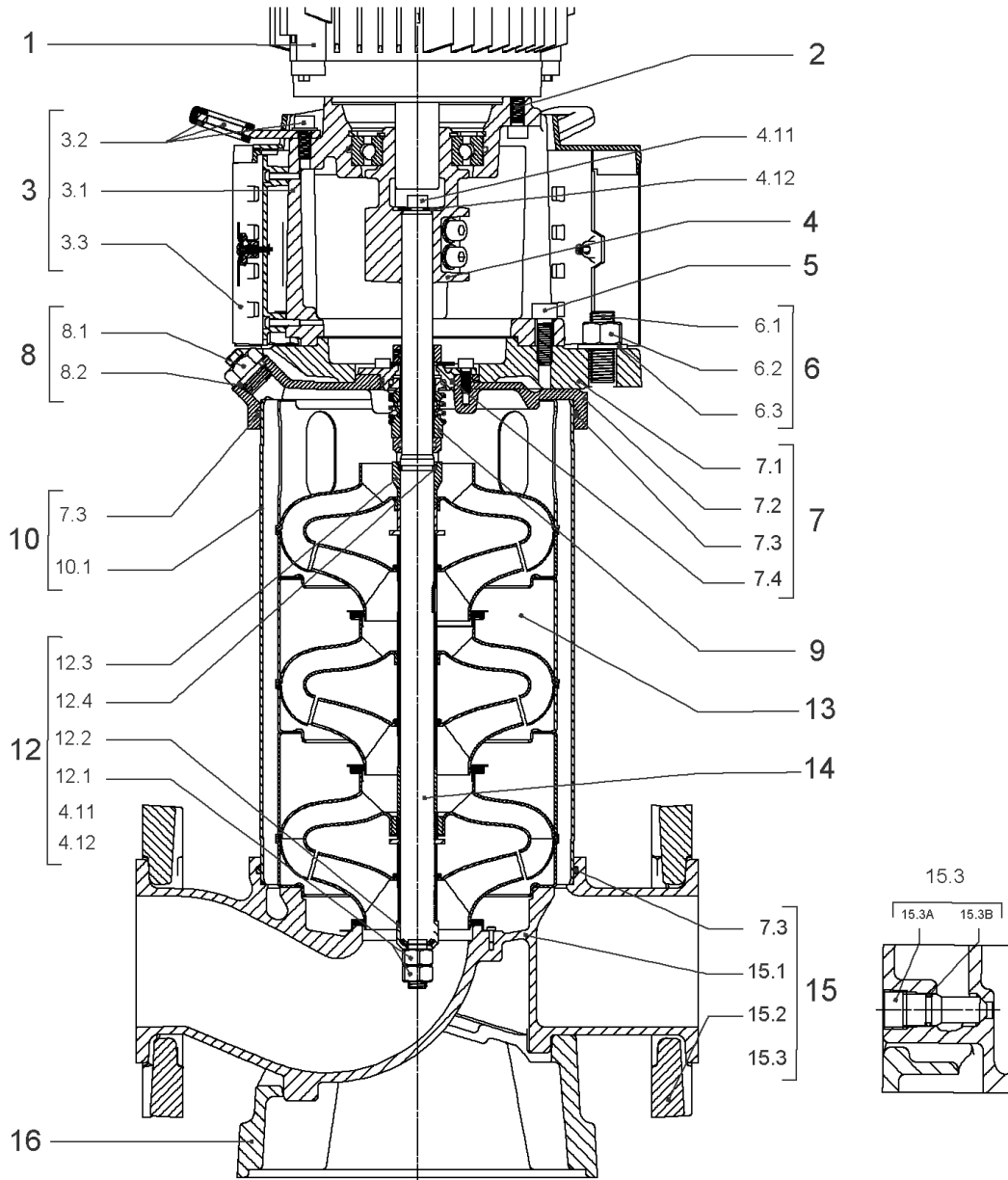
COUPLING D.22XD.38 FF240T130 HELIX KIT (4186347)

Item	Article no.	Description	Quantity
4.1		COUPLING-VMI-D22xD38-FF265-MACHINED	1
4.2	2131017	BALL BEARING 6310/ZZ-C4(HT)VP.	1
4.3	4234253	CIRCLIP-FOR-SHAFT-D50x2 VP.	1
4.4	4157726	SCREW KIT M8X30 (4 PIECES)	1
4.5	4234255	CIRCLIPS 110X4 VP.	1
4.6	4233944	O-RING ID.110 VP.	1
		NOMEL CONTACT WASHER 8x16x1,4 STEEL ZC	1



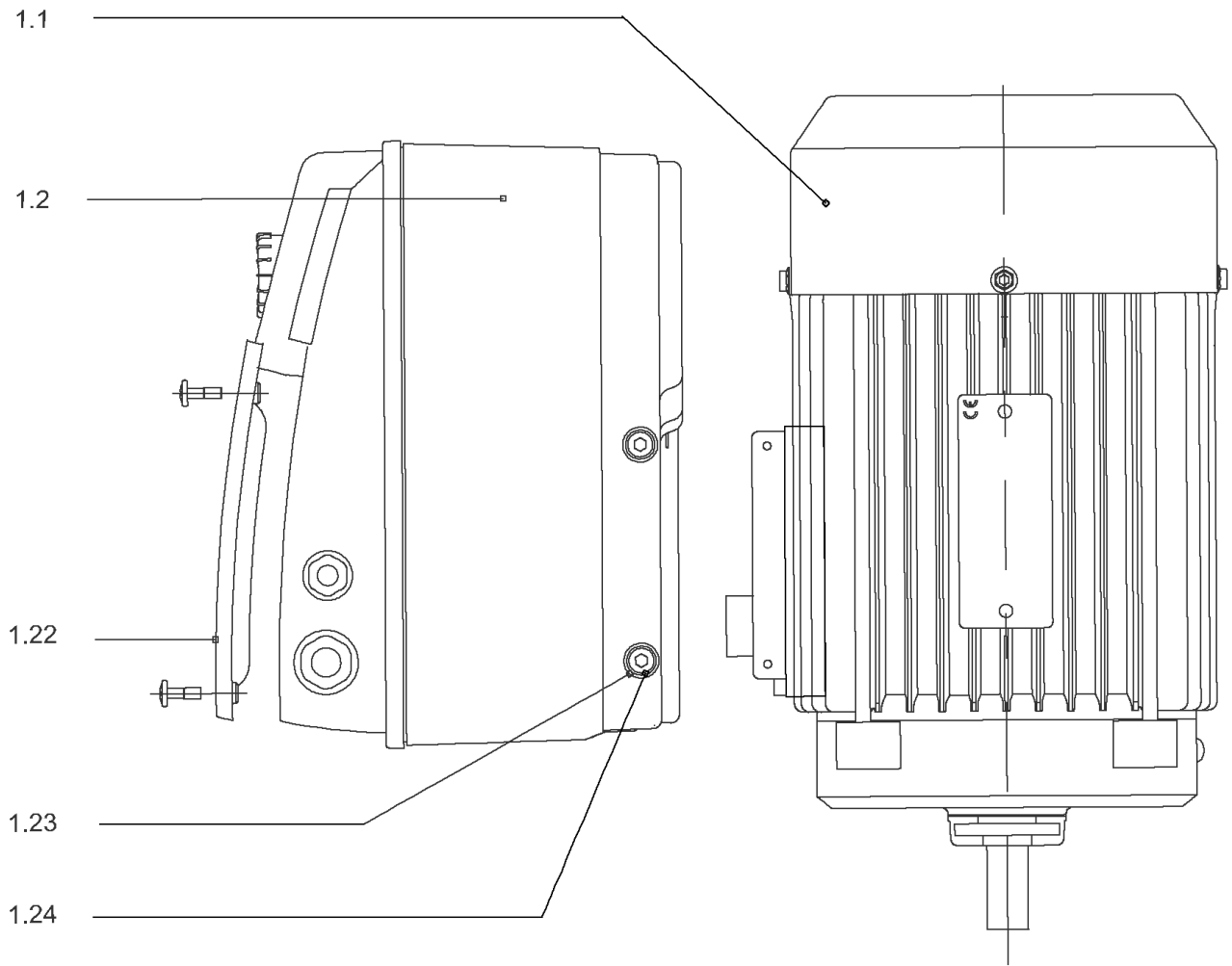
HYDRAULIC HELIX V 3602

Item	Article no.	Description	Quantity
13.1	4161192	INTERMEDIATE STAGE HELIX V36 1.4301 KIT	1
		> SLEEVE-SPACER-D22XL16,66-316L	1
		> MACH.BEARING-DIFFUSER+NR-M+36-304	1
		> SHAFT-SLEEVE-D26xD22x16-CW	1
		> IMPELLER-H1-M+36-304	1
13.1A	4161200	> NECK RING 1.STAGE HELIX V36/52 KIT	1
		>> NECK-RING-M+36/52	1
		>> HYDRAULIC SUPPORT CAP M+36/52 304	1
		>> SCREW TCL M3X8 A4 POZIDRIV	1
13.2	4161194	UPPER STAGE HELIX 36 1.4301 KIT	1
		> STOP COLLAR OF IMPELLER L20-Ø22-316L	1
		> IMPELLER-H4-M+36-304	1
		> MACH.-RIGID-STD-DISCH.-CHAMBER-M+36-304	1



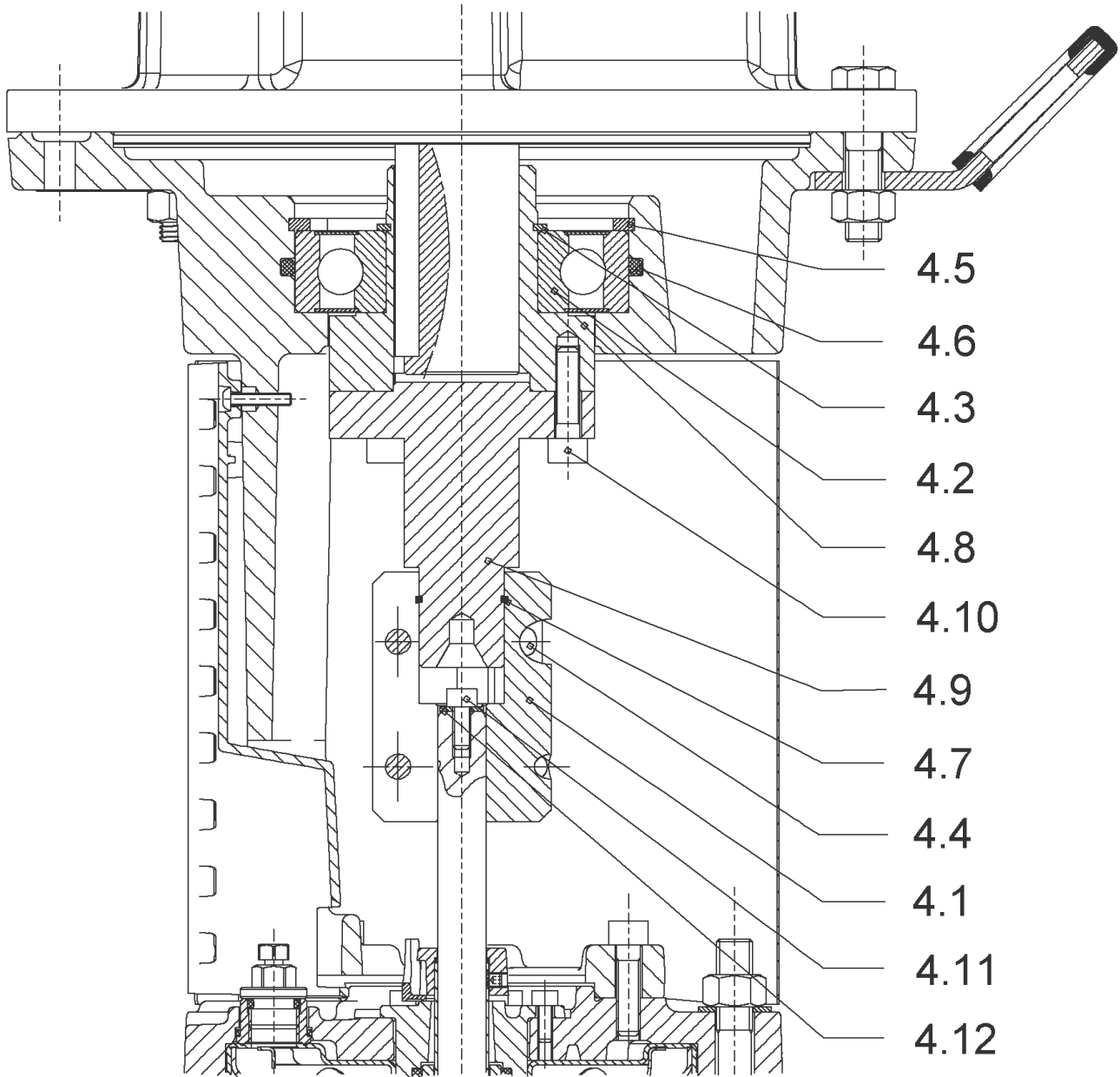
HELIX VE3602-7,5-1/16/E/KS/FF240/EC (4215832)

Item	Article no.	Description	Quantity
1		DRIVE HELIXVE3602-7Kw-FF240 IE4-WE KIT	1
Note: MOTOR BRAND WILO ELEC			
2	4159707	SCREW M8X30 (4 PIECES)	1
3	4228544	LANTERN HELIX OPTI 8" FF240 KIT	1
3.1		> LANTERN FF240 M+8" JL250 MACHINING+CATA	1
3.2	2127605	> EYELET CPL.FF265 HELIX(2 PIECES)	1
3.3	4143969	> COUPLING PROTECT HELIX FF KIT	1
4	4143965	COUPLING D.20XD.28 FF265 KIT	1
5	4157725	SCREW M10X40 (4 PIECES)	1
6	4181164	STUD BOLT M16X382 KIT	1
6.1		> TIE BOLT M16-382x24x44-1.4057	1
6.2	4179562	> NUT M16 8.8 ISO4032 (4 PIECES)	1
6.3	4097852	> WASHER-CS-16.4-32-2.8-NFE25-511-A2	1
7	4217176	END SHIELD HELIX OPTI 8" EPDM KIT	1
7.1		> upper flange machined + cataphoresis	1
7.2	4217174	> STATIONARY RING HOLDER 8" HELIX OPTI VP.	1
7.3	4179571	> O-RING HOUSING PIPE HELIX22/36/52 VP.	1
7.4	4179572	> O-RING ID.42.52X2.62 EPDM VP.	1
8	4186377	FILING/PURGING PLUG 304 HELIX KIT	1
8.1		> FILLING/VENTING-PLUG-MVI8/10"-304	1
8.2	4032291	> O-RING 17x3 EPDM KTW/WRC	1
9	4143973	CARTRIDGE HELIX22-36-52 O/E KIT	1
10	4181154	HOUSING PIPE D.204X164 1.4307 KIT	1
7.3	4179571	> O-RING HOUSING PIPE HELIX22/36/52 VP.	1
10.1		> HOUSING-PIPE Ø204-M+2201/2202-304	1
12	4161186	SHAFT EQUIPMENT HELIX V36 8" KIT	1
13		HYDRAULIC HELIX V 3602	1
14	4181073	SHAFTS D.22X354 1.4057 VP.	1
15	4217909	EQUIPED HOUSING DN65 HELIX OPTI 8" KIT	1
15.1		> pump casing machined DN65	1
15.2	4217907	> HALF FLANGE DN65 HELIX OPTI 8" VP.	1
15.3	4217850	> DRAIN/PRIMING PLUG HELIX OPTI 8" KIT	1
7.3	4179571	> O-RING HOUSING PIPE HELIX22/36/52 VP.	1
16	4217911	BASEPLATE DN65 HELIX OPTI 8" VP.	1



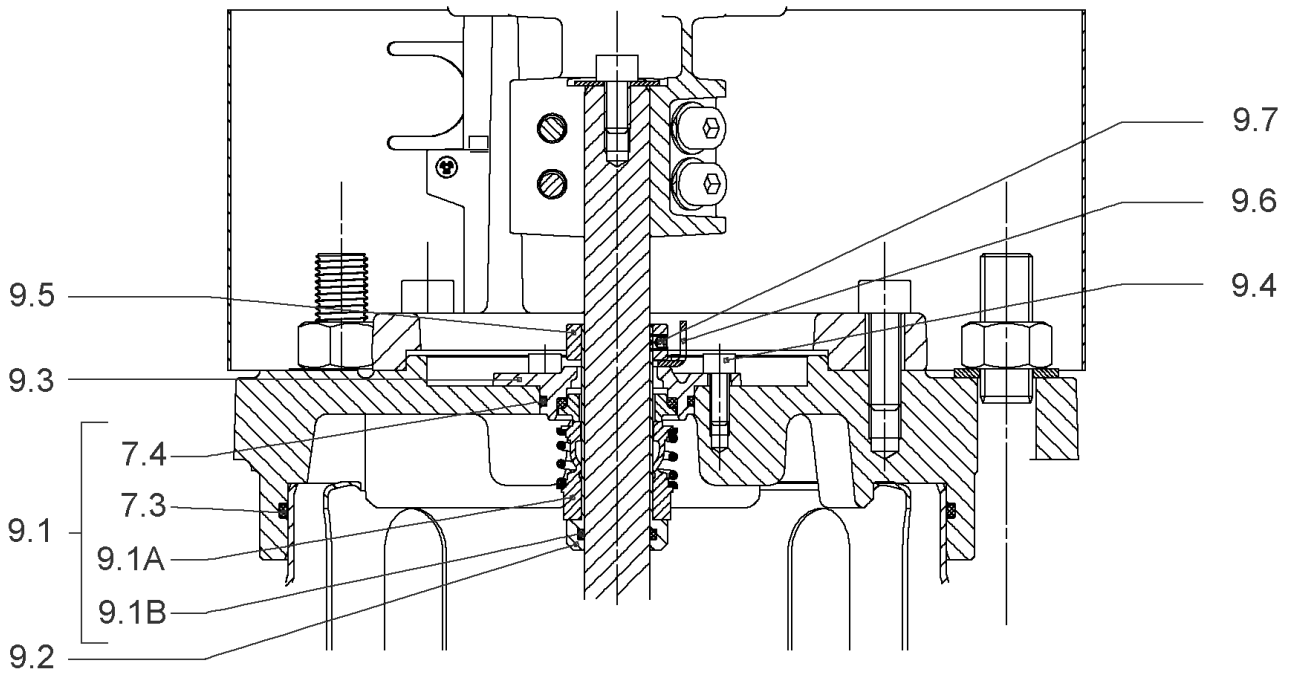
DRIVE HELIXVE3602-7Kw-FF240 IE4-WE KIT

Item	Article no.	Description	Quantity
1.1	4207940	MO.7.5/2/132FF240 3~380V 60Hz IE4 WE VP.	1
		SPARE PARTS MOTOR:ON REQUEST	1
1.2	4212640	MODULE HELIX-VE3602-IE4-WE KIT	1
1.22	2111344	> MODULE COVER/GASKET TL5 KIT	1
1.23	4215716	> SCREW M5X16 DIN912 8.8 A2A (4pieces) VP.	1
1.24	2057978	> RONDELLE A5,3 DIN6797 FST ZN (4 PIECES)	1



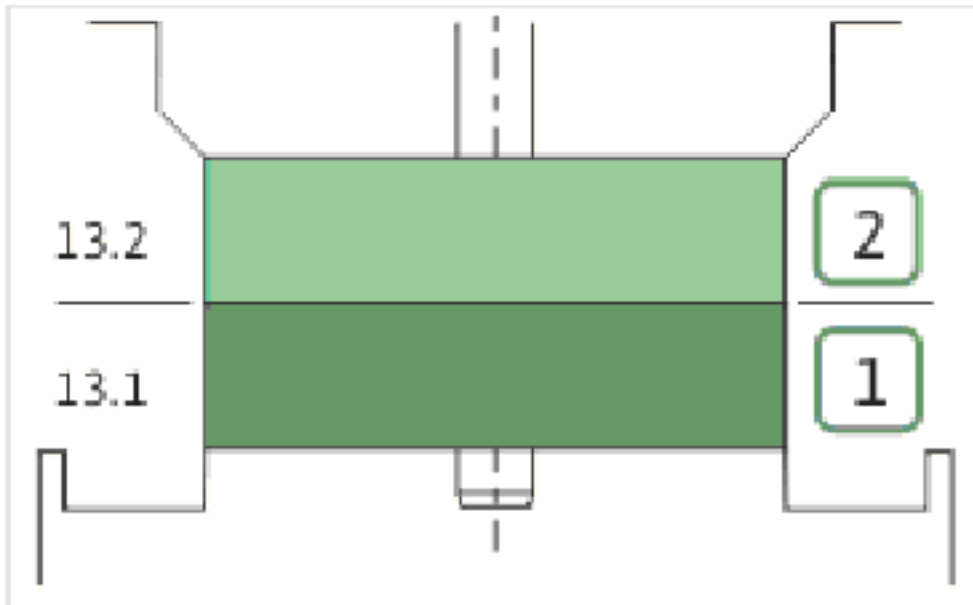
COUPLING D.20XD.28 FF265 KIT (4143965)

Item	Article no.	Description	Quantity
4.1	4179584	COUPLING 2 PARTS D.20XD.28XL83 VP.	1
4.2	2131017	BALL BEARING 6310/ZZ-C4(HT)VP.	1
4.3	4234253	CIRCLIP-FOR-SHAFT-D50x2 VP.	1
4.4	4159707	SCREW M8X30 (4 PIECES)	1
4.5	4234255	CIRCLIPS 110X4 VP.	1
4.6	4233944	O-RING ID.110 VP.	1
4.7	4179585	STOP-RUSH D26xD2 DIN7993 STEEL VP.	1
4.8	2131020	HUB D.38XD.50 VP.	1
4.9	2131021	SPACER D.28XD.45 VP.	1
4.10	4157726	SCREW KIT M8X30 (4 PIECES)	1
4.11	4233959	SCREW M8x16 VP.	1
4.12		SERRATED LOCK WASHER Ø8.2XØ25X35X2	1



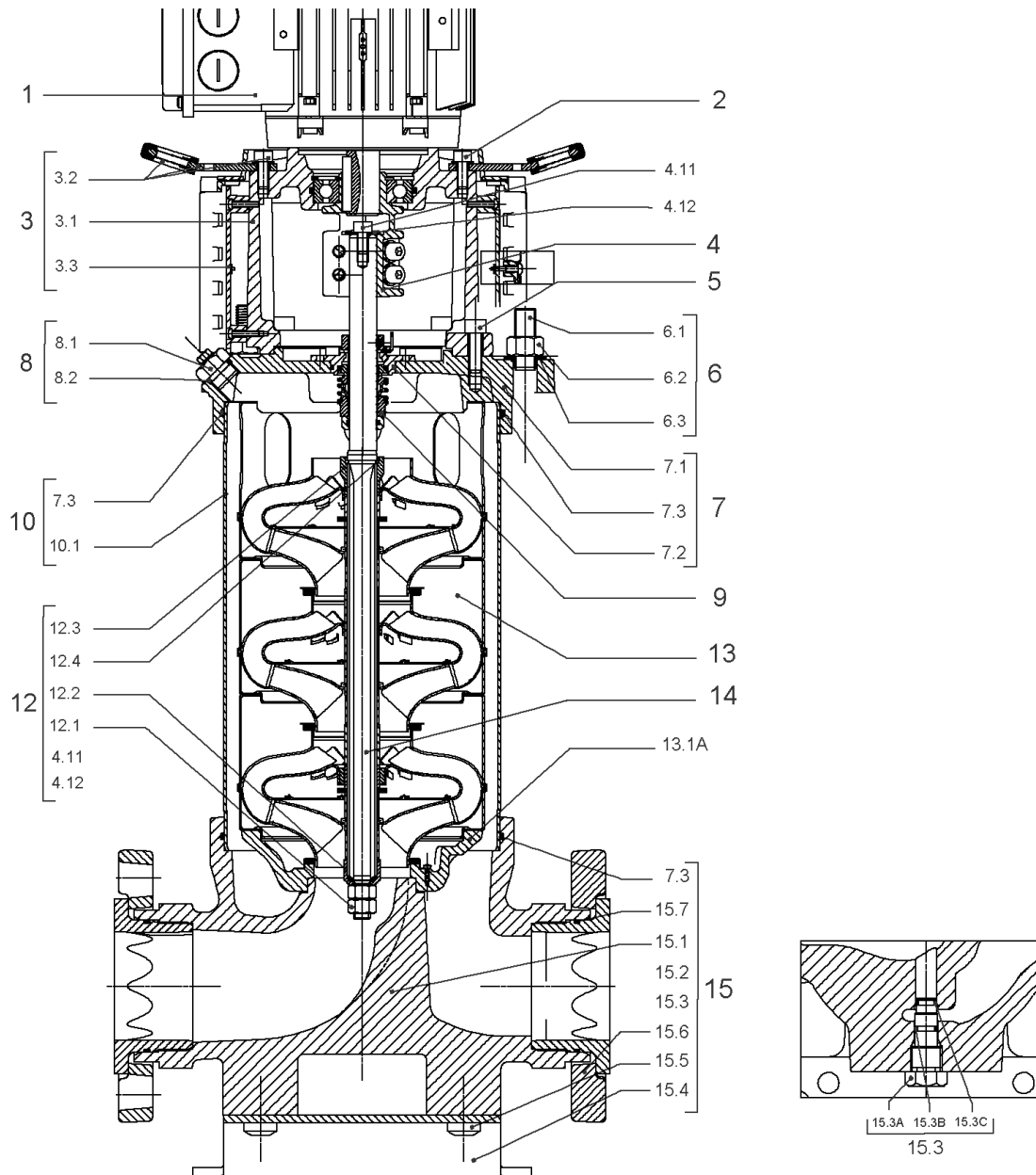
CARTRIDGE HELIX22-36-52 O/E KIT (4143973)

Item	Article no.	Description	Quantity
9.1	4143974	SEAL-KIT-HELIX22-36-52 O/E	1
7.3	4179571	> O-RING HOUSING PIPE HELIX22/36/52 VP.	1
7.4	4179572	> O-RING ID.42.52X2.62 EPDM VP.	1
9.1A	4179573	> M.SEAL.HELIX22-36-52 O/E VP.	1
9.1B	4179574	> O-RING ID.20x2.65 EPDM VP.	1
9.2	4179566	SHAFT SLEEVE D.20/20X60 1.4404 VP.	1
9.3	4179567	RING HOLDER Ø22 1.4301 VP.	1
9.4	4176520	SCREW CH M5x5 A4-70 (3PIECES)	1
9.5	4179568	DRIVE RING D.31/22.1x11 MACH.VP.	1
9.6	4179569	TOOL M.S.CART.HELIX 8" VP.	1
9.7	4179570	SCREW M6X16 ISO4762 8.8 GEOMET(4 PIECES)	1



HYDRAULIC HELIX V 3602

Item	Article no.	Description	Quantity
13.1	4161192	INTERMEDIATE STAGE HELIX V36 1.4301 KIT	1
		> SLEEVE-SPACER-D22XL16,66-316L	1
		> MACH.BEARING-DIFFUSER+NR-M+36-304	1
		> SHAFT-SLEEVE-D26xD22x16-CW	1
		> IMPELLER-H1-M+36-304	1
13.1A	4161200	> NECK RING 1.STAGE HELIX V36/52 KIT	1
		>> NECK-RING-M+36/52	1
		>> HYDRAULIC SUPPORT CAP M+36/52 304	1
		>> SCREW TCL M3X8 A4 POZIDRIV	1
13.2	4161194	UPPER STAGE HELIX 36 1.4301 KIT	1
		> STOP COLLAR OF IMPELLER L20-Ø22-316L	1
		> IMPELLER-H4-M+36-304	1
		> MACH.-RIGID-STD-DISCH.-CHAMBER-M+36-304	1



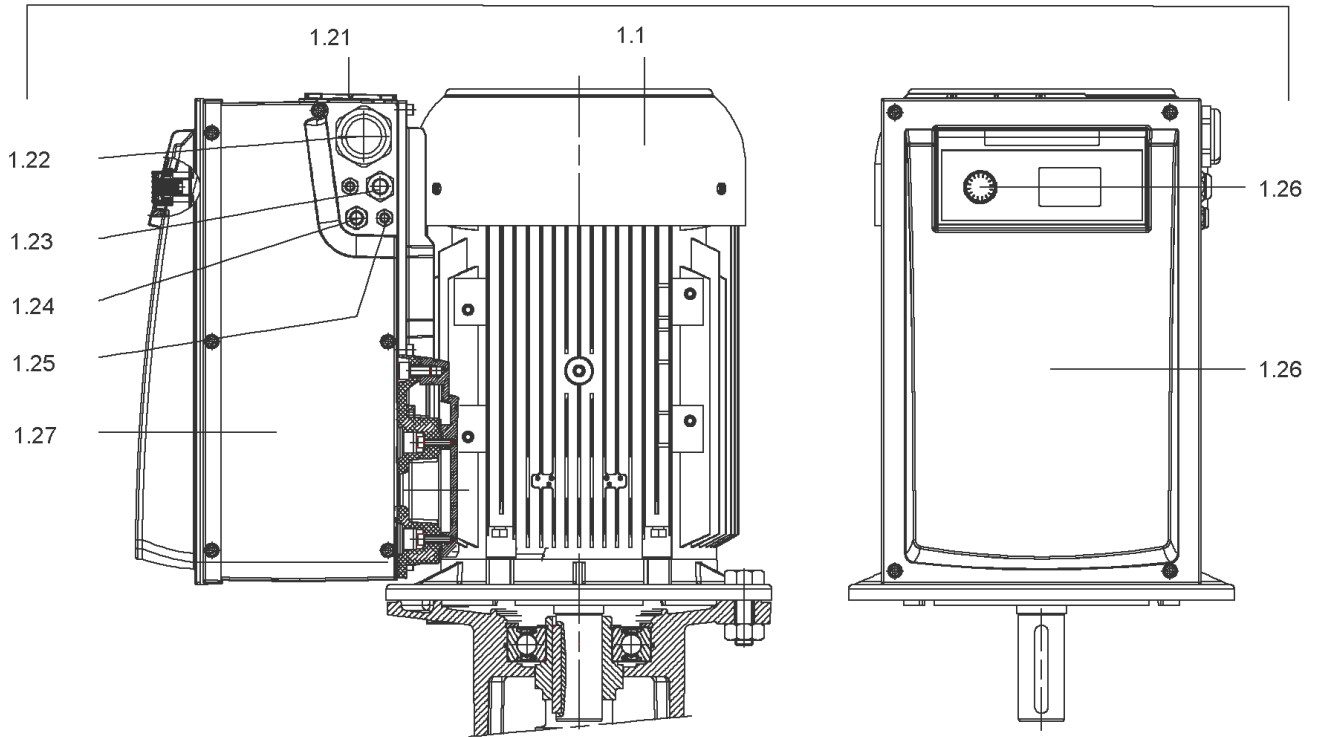
HELIX VE3604-3/16/E/K/2G (4166211)

Item	Article no.	Description	Quantity
1		DRIVE HELIX VE3604-IE2-ARC KIT	1
Note: no longer available/nicht mehr lieferbar/n'est plus disponible			
1	4218537	DRIVE HELIX VE3604-IE4-WEG KIT	1
2	4179586	SCREW M16X60 (4 PIECES)	1
3	4157721	LANTERN HELIX 22/36 FF300 BB6312 KIT	1
3.1		> LANTERN FF300 M+ GJL MACHINED+CATA 6312	1
3.2	4179589	> EYELET CPL.FF300 HELIX(4 PIECES)	1
3.3	4143969	> COUPLING PROTECT HELIX FF KIT	1
4	4143966	COUPLING D.20XD.38 FF300 KIT	1
5	4157725	SCREW M10X40 (4 PIECES)	1
6	4179592	STUD BOLT M16X405 KIT	1
6.1		> TIE BOLT M16-405x24x44-1.4057	1
6.2	4179562	> NUT M16 8.8 ISO4032 (4 PIECES)	1
6.3	4097852	> WASHER-CS-16.4-32-2.8-NFE25-511-A2	1
7	4179565	END SHIELD HELIX 8" EPDM KIT	1
7.1		> END SHIELD M+ GJL MACHINED+CATA	1
7.2	4179564	> O-RING D.42.52x2.62 EPDM VP.	1
7.3	4179571	> O-RING HOUSING PIPE HELIX22/36/52 VP.	1
8	4186377	FILING/PURGING PLUG 304 HELIX KIT	1
8.1		> FILLING/VENTING-PLUG-MVI8/10"-304	1
8.2	4032291	> O-RING 17x3 EPDM KTW/WRC	1
9	4143973	CARTRIDGE HELIX22-36-52 O/E KIT	1
10	4179593	HOUSING PIPE D.204X330 1.4307 KIT	1
7.3	4179571	> O-RING HOUSING PIPE HELIX22/36/52 VP.	1
10.1		> HOUSING-PIPE Ø204-M+3604/5203-304	1
11	4181071	CENTRALIZER HELIX 8" M+36 1.4301 VP.	1
12	4161186	SHAFT EQUIPMENT HELIX V36 8" KIT	1
13		HYDRAULIC HELIX V 3604	1
14	2123751	SHAFT D.22 LG.487,34 HELIX 1.4057 VP.	1
15	4161185	EQUIPED HOUSING HELIX 36 GJL KIT	1
15.1		> PUMP HOUSING SET with CATA. PARTS-DN65	1
15.3	4143766	> DRAIN/PRIMING PLUG EPDM HELIX KIT	1
15.3A		>> PRIMING/DRAIN PLUG-304-VERSION 1	1
15.3B	4032293	>> O-RING-10x3-EPDM-KTW/WRC	1

HELIX VE3604-3/16/E/K/2G (4166211)

Item	Article no.	Description	Quantity
15.3C	4233957	>> O-RING ID.9 EPDM VP.	1
15.4	4221729	> BASE M+ DN50/65/80 VP.	1
15.5		> SCREW TBHC M12x25 ISO7380 ZN	1
15.6		> FLANGE M+ DN65 NF PN16-25 ASME PN16 CATA	1
15.7		> O-RING Ø79.5xØ3 EPDM	1
13.1A	4161200	> NECK RING 1.STAGE HELIX V36/52 KIT	1
		>> NECK-RING-M+36/52	1
		>> HYDRAULIC SUPPORT CAP M+36/52 304	1
		>> SCREW TCL M3X8 A4 POZIDRIV	1
7.3	4179571	> O-RING HOUSING PIPE HELIX22/36/52 VP.	1

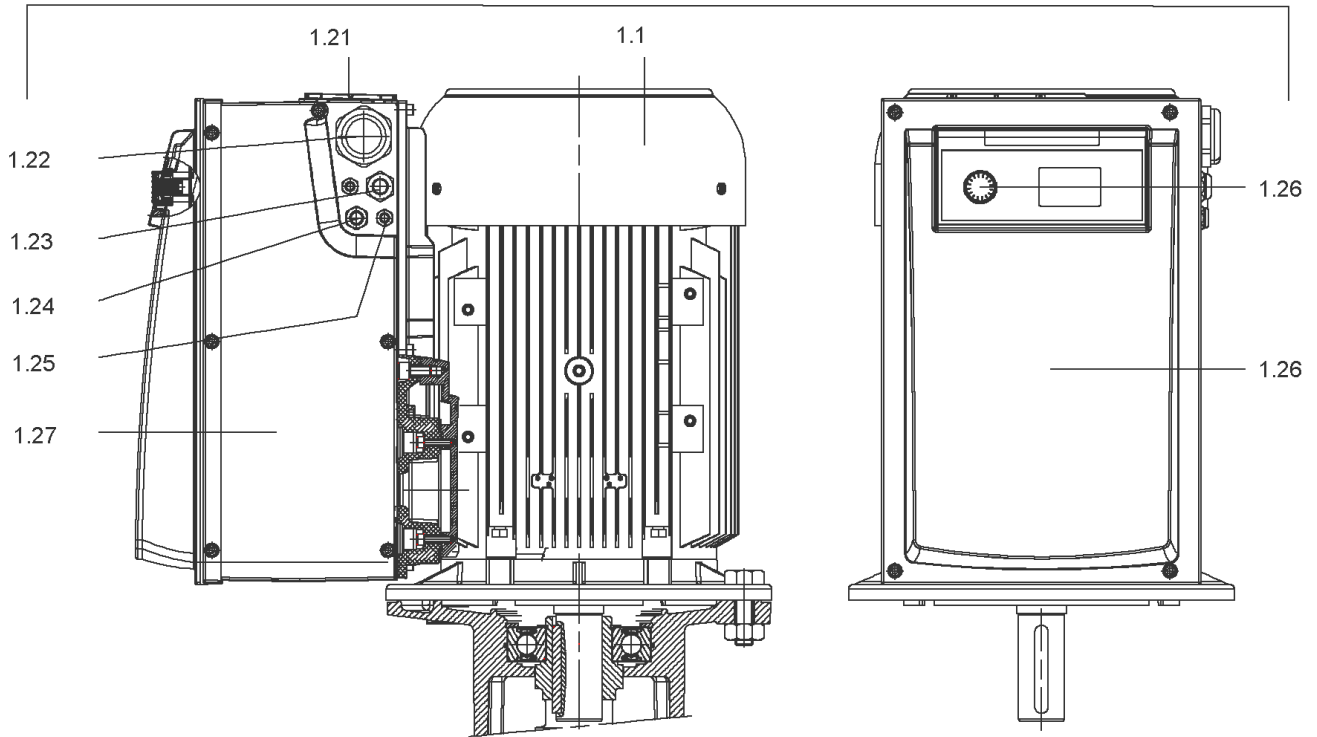
1



DRIVE HELIX VE3604-IE2-ARC KIT

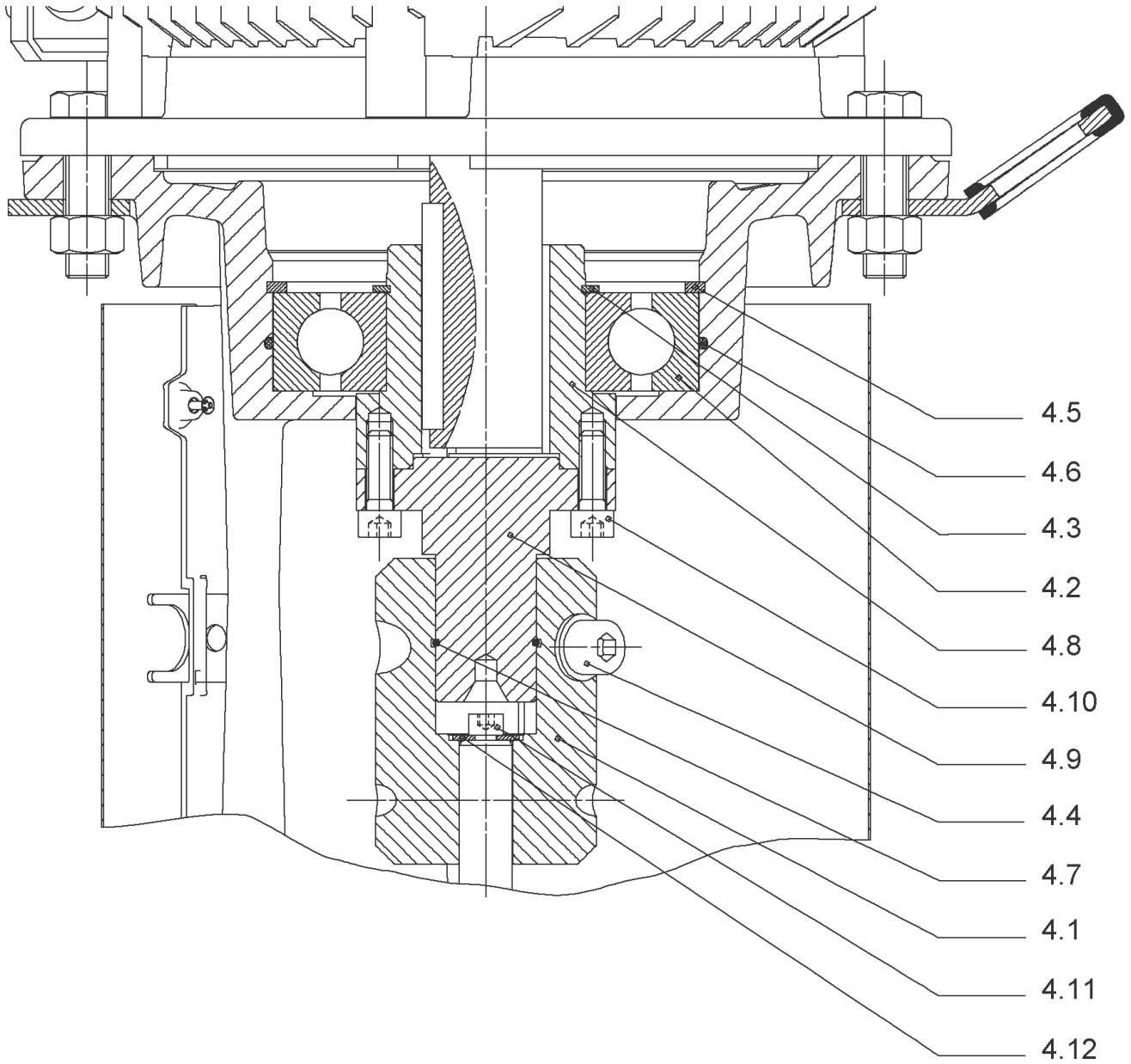
Item	Article no.	Description	Quantity
1.1		M11-2T540P55V1-160F300-N42-IE2	1
		SPARE PARTS MOTOR:ON REQUEST	1
1.21	2132102	FAN SMALL TL6/7 FF KIT	1
1.25	2132097	CABLE CONNECTION M12 TL6/7 FF VP.	1
1.24	2132098	CABLE CONNECTION M16 TL6/7 FF VP.	1
1.23	2132099	CABLE CONNECTION M20 TL6/7 FF VP.	1
1.22	2132100	CABLE CONNECTION SMALL M40 TL6/7 FF VP.	1
1.27	2132104	COVER SIDE TL6/7 FF CPL.VP.	1
1.26	2132452	MODULE COVER/BUTTON TL6/7 FF VP.	1

1



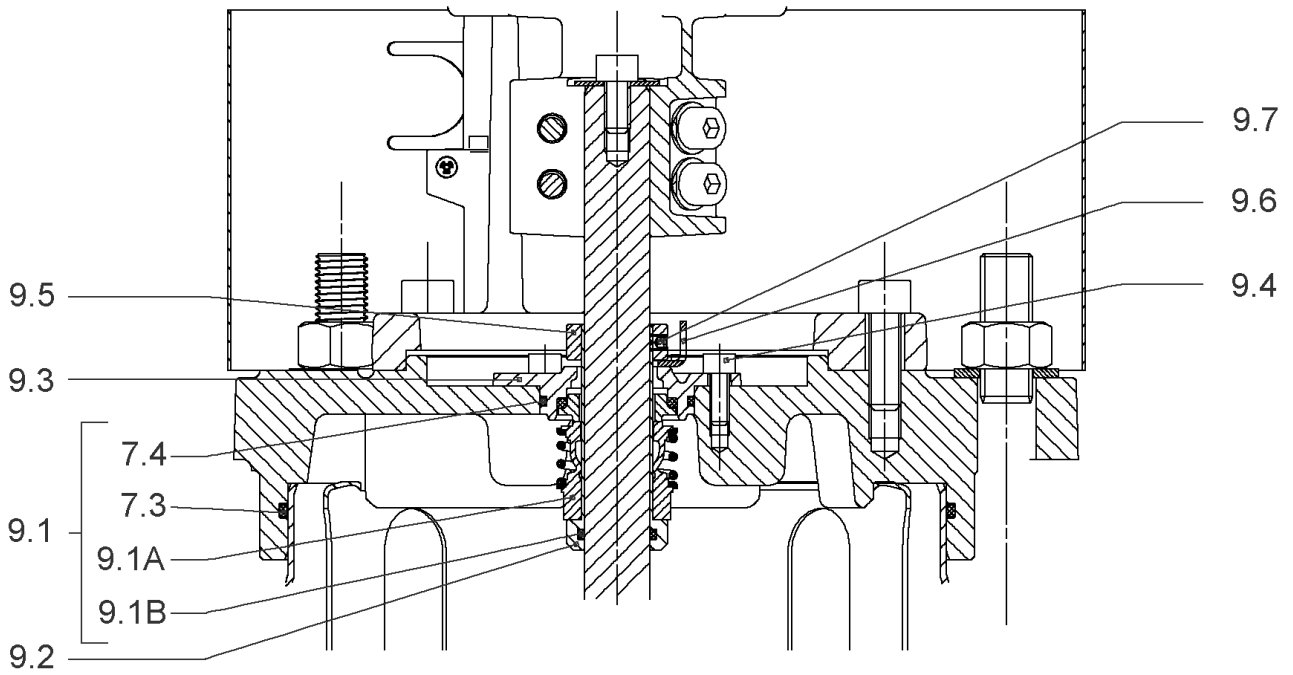
DRIVE HELIX VE3604-IE4-WEG KIT (4218537)

Item	Article no.	Description	Quantity
1.1		M11-2T540P55V1-160F30-N42-ADAPT-IE4-WEG	1
		SPARE PARTS MOTOR:ON REQUEST	1
1.21	2132102	FAN SMALL TL6/7 FF KIT	1
1.25	2132097	CABLE CONNECTION M12 TL6/7 FF VP.	1
1.24	2132098	CABLE CONNECTION M16 TL6/7 FF VP.	1
1.23	2132099	CABLE CONNECTION M20 TL6/7 FF VP.	1
1.22	2132100	CABLE CONNECTION SMALL M40 TL6/7 FF VP.	1
1.27	2132104	COVER SIDE TL6/7 FF CPL.VP.	1
1.26	2132452	MODULE COVER/BUTTON TL6/7 FF VP.	1



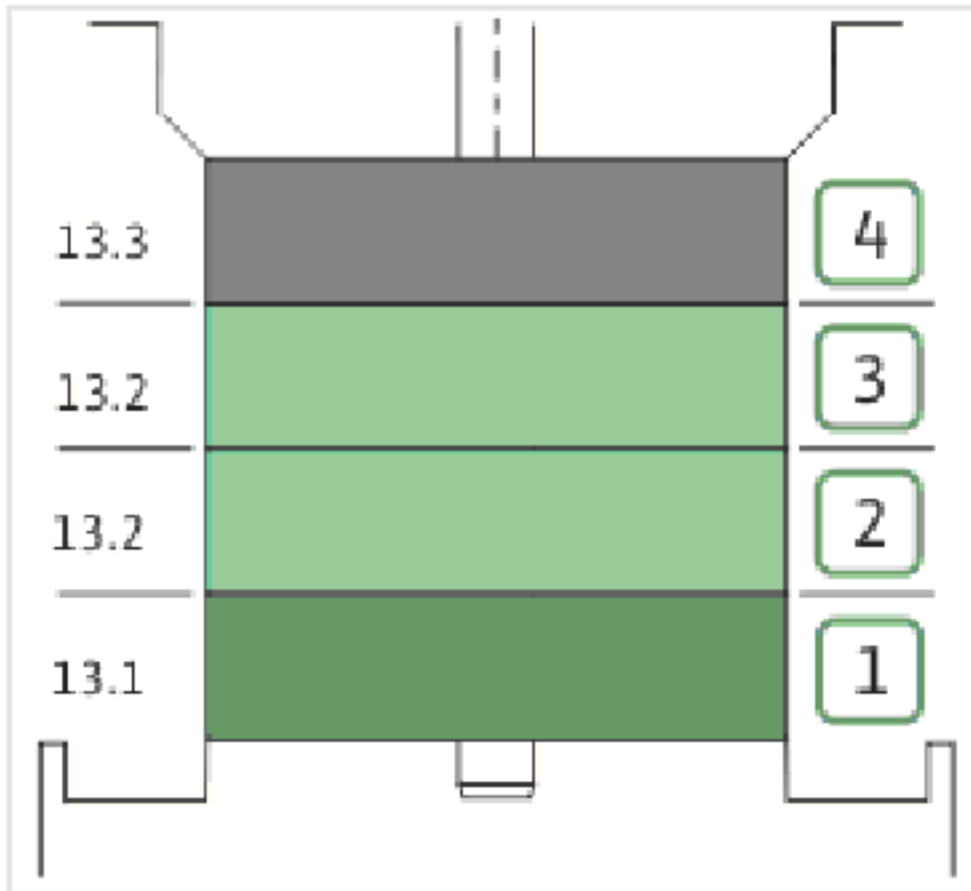
COUPLING D.20XD.38 FF300 KIT (4143966)

Item	Article no.	Description	Quantity
4.1	4179590	COUPLING 2 PARTS D.20XD.38XL115 VP.	1
4.2	2123699	BALL BEARING 6312/2Z-C4 (HT) VP.	1
4.3	63428	CIRCLIP-FOR-SHAFT-D60x2	1
4.4	2130991	SCREW M12X30 ISO4762 8.8 ZN(4 PIECES)	1
4.5	4032277	CIRCLIP-HOLE-130x4	1
4.6	4006725	O-RING ID.132,94x3,53 NBR70SR	1
4.7	2130992	RETAINING RING D.35xD.2,5 DIN7993 VP.	1
4.8	4179591	HUB D.42xD.60 VP.	1
4.9	2130994	SPACER D.38XD.55 VP.	1
4.10	4094462	SCREWS M10 (4 PIECES)	1
4.11	4233959	SCREW M8x16 VP.	1
4.12		SERRATED LOCK WASHER Ø8.2XØ25X35X2	1



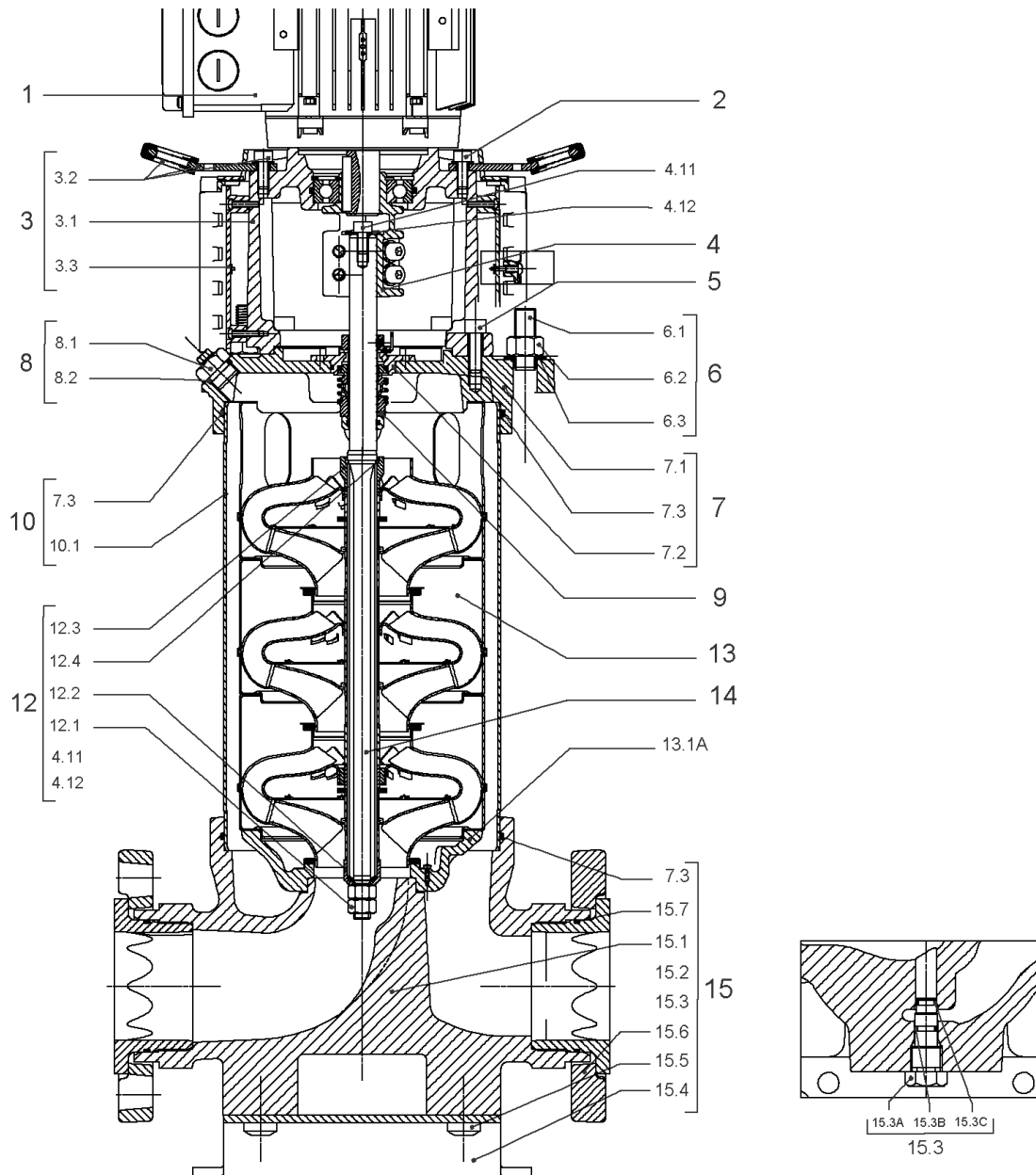
CARTRIDGE HELIX22-36-52 O/E KIT (4143973)

Item	Article no.	Description	Quantity
9.1	4143974	SEAL-KIT-HELIX22-36-52 O/E	1
7.3	4179571	> O-RING HOUSING PIPE HELIX22/36/52 VP.	1
7.4	4179572	> O-RING ID.42.52X2.62 EPDM VP.	1
9.1A	4179573	> M.SEAL.HELIX22-36-52 O/E VP.	1
9.1B	4179574	> O-RING ID.20x2.65 EPDM VP.	1
9.2	4179566	SHAFT SLEEVE D.20/20X60 1.4404 VP.	1
9.3	4179567	RING HOLDER Ø22 1.4301 VP.	1
9.4	4176520	SCREW CH M5x5 A4-70 (3PIECES)	1
9.5	4179568	DRIVE RING D.31/22.1x11 MACH.VP.	1
9.6	4179569	TOOL M.S.CART.HELIX 8" VP.	1
9.7	4179570	SCREW M6X16 ISO4762 8.8 GEOMET(4 PIECES)	1



HYDRAULIC HELIX V 3604

Item	Article no.	Description	Quantity
13.1	4161192	INTERMEDIATE STAGE HELIX V36 1.4301 KIT	1
		> SLEEVE-SPACER-D22XL16,66-316L	1
		> MACH.BEARING-DIFFUSER+NR-M+36-304	1
		> SHAFT-SLEEVE-D26xD22x16-CW	1
		> IMPELLER-H1-M+36-304	1
13.1A	4161200	> NECK RING 1.STAGE HELIX V36/52 KIT	1
		>> NECK-RING-M+36/52	1
		>> HYDRAULIC SUPPORT CAP M+36/52 304	1
		>> SCREW TCL M3X8 A4 POZIDRIV	1
13.2	4161193	INTERMEDIATE STAGE HELIX V36 1.4301 KIT	1
		> MACH.STD-DIFFUSER+NR-M+36-304	1
		> IMPELLER-H4-M+36-304	1
13.3	4161194	UPPER STAGE HELIX 36 1.4301 KIT	1
		> STOP COLLAR OF IMPELLER L20-Ø22-316L	1
		> IMPELLER-H4-M+36-304	1
		> MACH.-RIGID-STD-DISCH.-CHAMBER-M+36-304	1



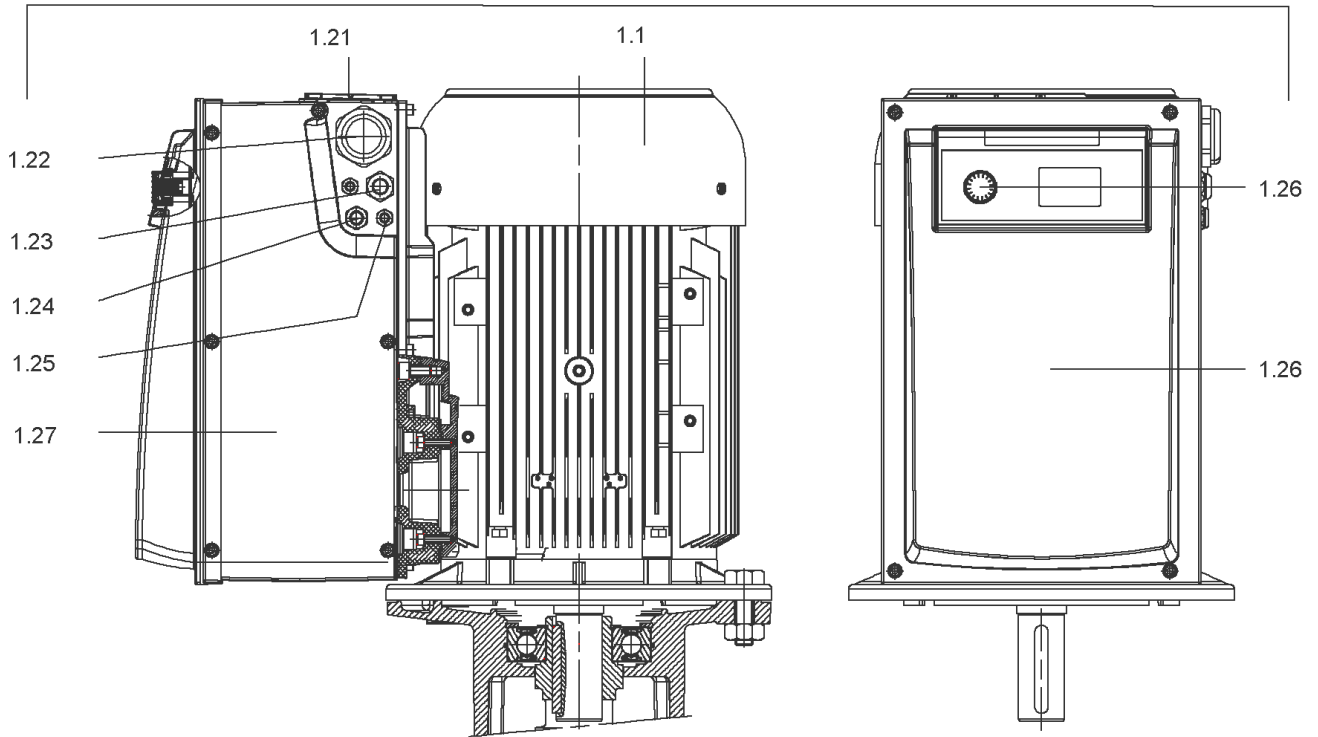
HELIX VE3604-3/16/E/KS/2G (4166217)

Item	Article no.	Description	Quantity
1		DRIVE HELIX VE3604-IE2-ARC KIT	1
Note: no longer available/nicht mehr lieferbar/n'est plus disponible			
1	4218537	DRIVE HELIX VE3604-IE4-WEG KIT	1
Note: MOTOR BRAND WEG			
2	4179586	SCREW M16X60 (4 PIECES)	1
3	4157721	LANTERN HELIX 22/36 FF300 BB6312 KIT	1
3.1		> LANTERN FF300 M+ GJL MACHINED+CATA 6312	1
3.2	4179589	> EYELET CPL.FF300 HELIX(4 PIECES)	1
3.3	4143969	> COUPLING PROTECT HELIX FF KIT	1
4	4143966	COUPLING D.20XD.38 FF300 KIT	1
5	4157725	SCREW M10X40 (4 PIECES)	1
6	4179592	STUD BOLT M16X405 KIT	1
6.1		> TIE BOLT M16-405x24x44-1.4057	1
6.2	4179562	> NUT M16 8.8 ISO4032 (4 PIECES)	1
6.3	4097852	> WASHER-CS-16.4-32-2.8-NFE25-511-A2	1
7	4179565	END SHIELD HELIX 8" EPDM KIT	1
7.1		> END SHIELD M+ GJL MACHINED+CATA	1
7.2	4179564	> O-RING D.42.52x2.62 EPDM VP.	1
7.3	4179571	> O-RING HOUSING PIPE HELIX22/36/52 VP.	1
8	4186377	FILING/PURGING PLUG 304 HELIX KIT	1
8.1		> FILLING/VENTING-PLUG-MVI8/10"-304	1
8.2	4032291	> O-RING 17x3 EPDM KTW/WRC	1
9	4143973	CARTRIDGE HELIX22-36-52 O/E KIT	1
10	4179593	HOUSING PIPE D.204X330 1.4307 KIT	1
7.3	4179571	> O-RING HOUSING PIPE HELIX22/36/52 VP.	1
10.1		> HOUSING-PIPE Ø204-M+3604/5203-304	1
11	4181071	CENTRALIZER HELIX 8" M+36 1.4301 VP.	1
12	4161186	SHAFT EQUIPMENT HELIX V36 8" KIT	1
13		HYDRAULIC HELIX V 3604	1
14	2123751	SHAFT D.22 LG.487,34 HELIX 1.4057 VP.	1
15	4161185	EQUIPED HOUSING HELIX 36 GJL KIT	1
15.1		> PUMP HOUSING SET with CATA. PARTS-DN65	1
15.3	4143766	> DRAIN/PRIMING PLUG EPDM HELIX KIT	1
15.3A		>> PRIMING/DRAIN PLUG-304-VERSION 1	1

HELIX VE3604-3/16/E/KS/2G (4166217)

Item	Article no.	Description	Quantity
15.3B	4032293	>> O-RING-10x3-EPDM-KTW/WRC	1
15.3C	4233957	>> O-RING ID.9 EPDM VP.	1
15.4	4221729	> BASE M+ DN50/65/80 VP.	1
15.5		> SCREW TBHC M12x25 ISO7380 ZN	1
15.6		> FLANGE M+ DN65 NF PN16-25 ASME PN16 CATA	1
15.7		> O-RING Ø79.5xØ3 EPDM	1
13.1A	4161200	> NECK RING 1.STAGE HELIX V36/52 KIT	1
		>> NECK-RING-M+36/52	1
		>> HYDRAULIC SUPPORT CAP M+36/52 304	1
		>> SCREW TCL M3X8 A4 POZIDRIV	1
7.3	4179571	> O-RING HOUSING PIPE HELIX22/36/52 VP.	1

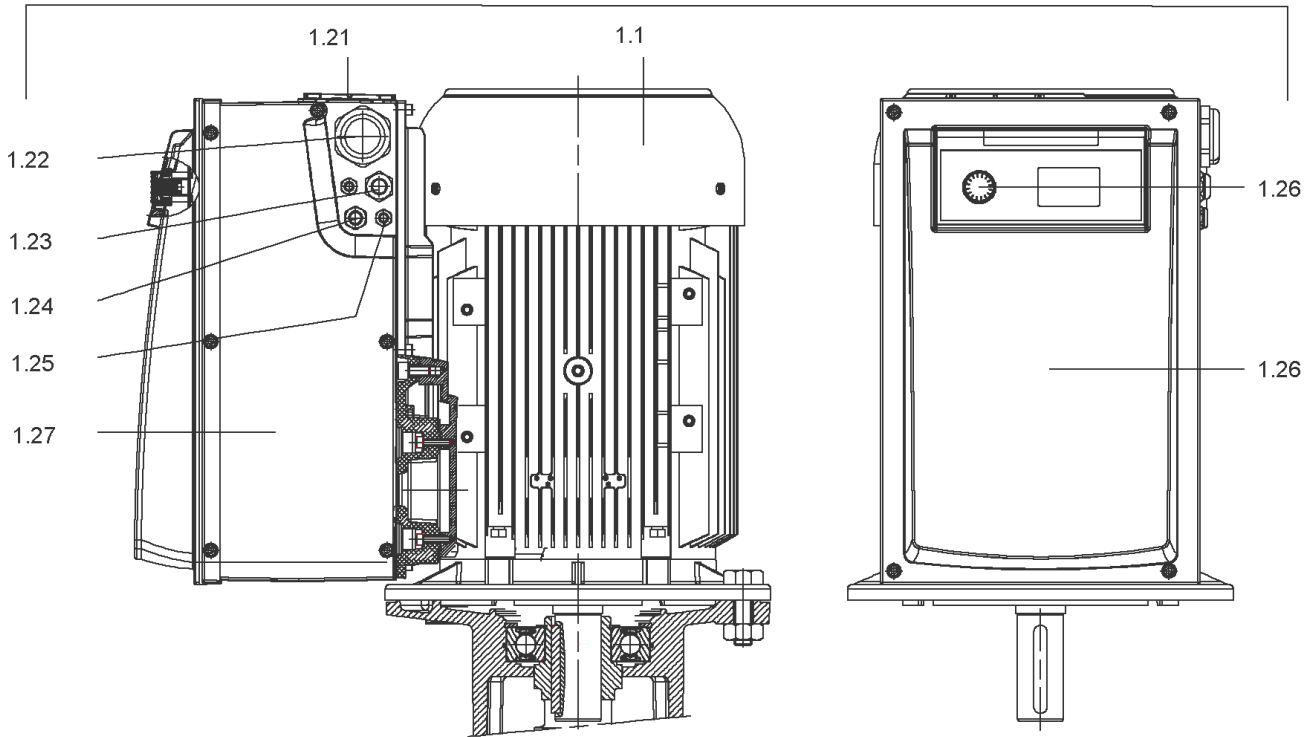
1



DRIVE HELIX VE3604-IE2-ARC KIT

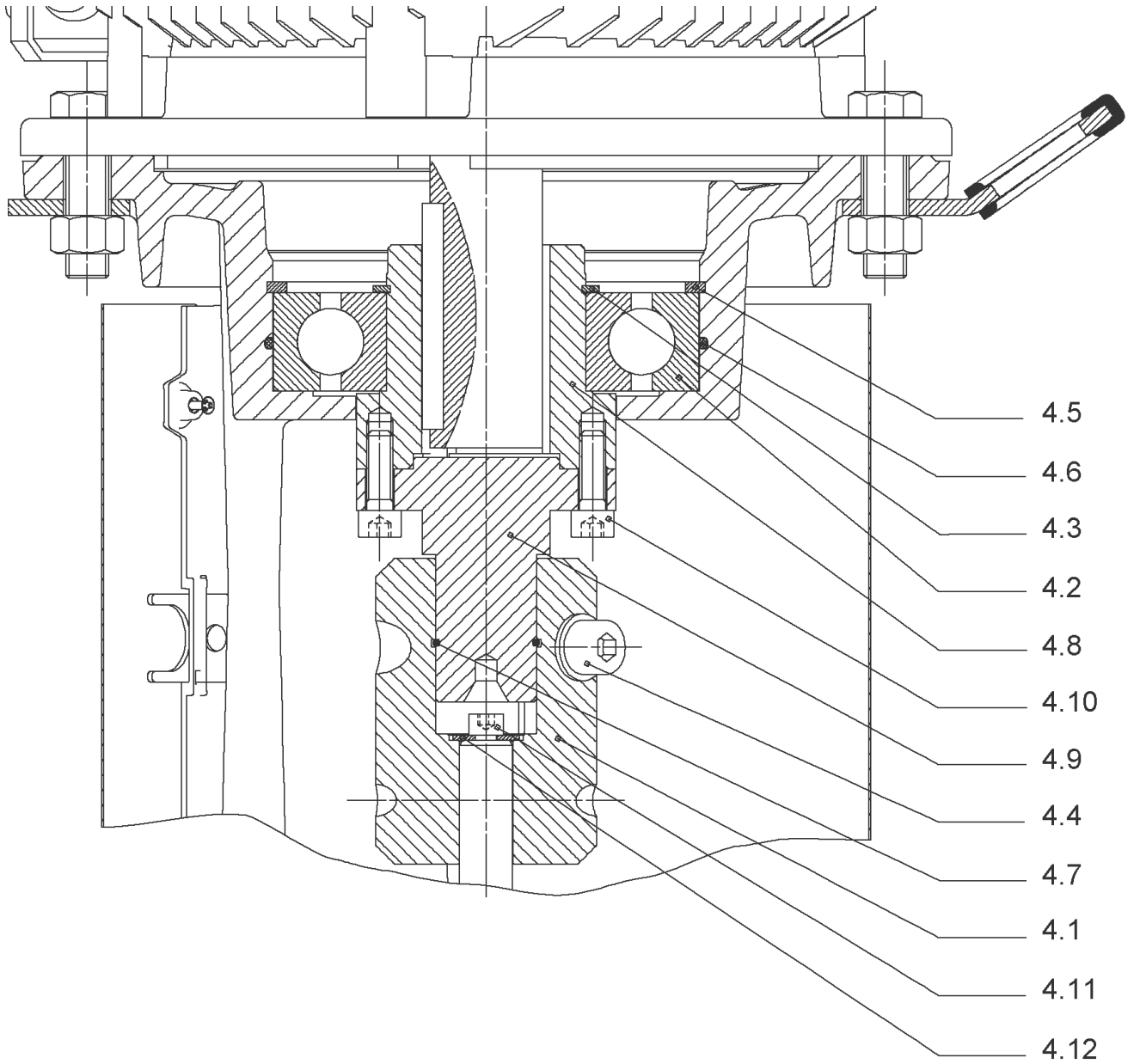
Item	Article no.	Description	Quantity
1.1		M11-2T540P55V1-160F300-N42-IE2	1
		SPARE PARTS MOTOR:ON REQUEST	1
1.21	2132102	FAN SMALL TL6/7 FF KIT	1
1.25	2132097	CABLE CONNECTION M12 TL6/7 FF VP.	1
1.24	2132098	CABLE CONNECTION M16 TL6/7 FF VP.	1
1.23	2132099	CABLE CONNECTION M20 TL6/7 FF VP.	1
1.22	2132100	CABLE CONNECTION SMALL M40 TL6/7 FF VP.	1
1.27	2132104	COVER SIDE TL6/7 FF CPL.VP.	1
1.26	2132452	MODULE COVER/BUTTON TL6/7 FF VP.	1

1



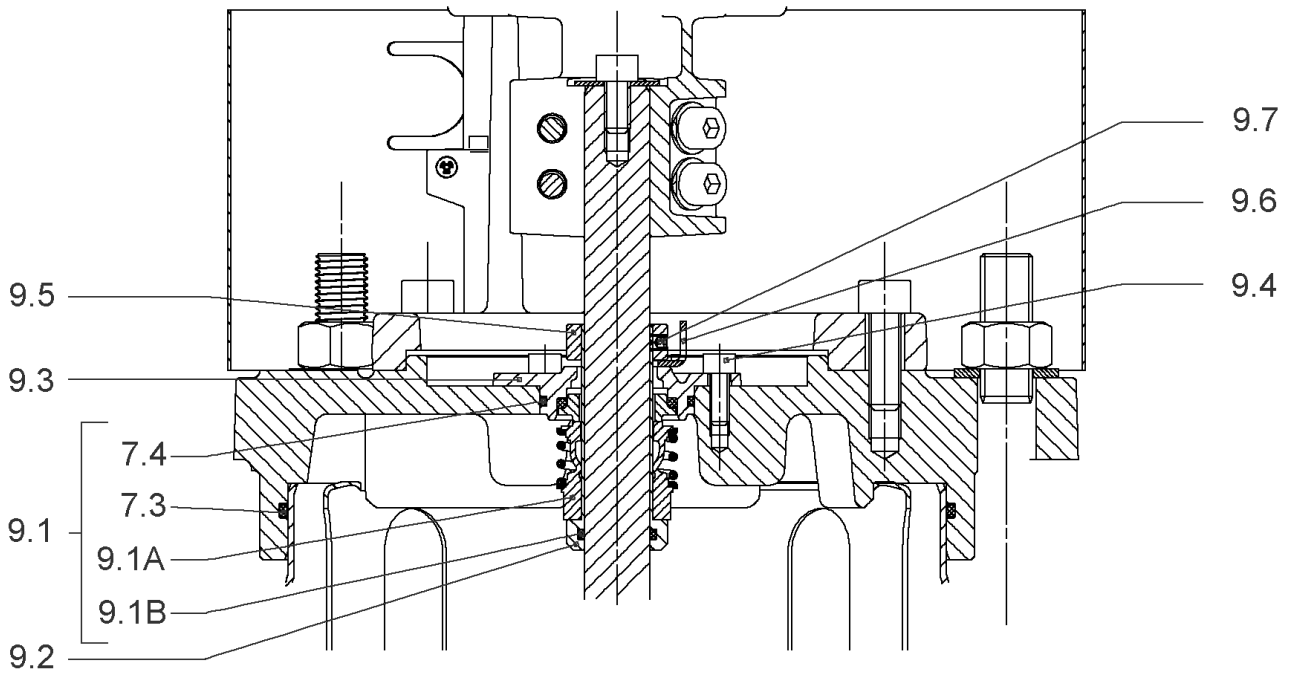
DRIVE HELIX VE3604-IE4-WEG KIT (4218537)

Item	Article no.	Description	Quantity
1.1		M11-2T540P55V1-160F30-N42-ADAPT-IE4-WEG	1
		SPARE PARTS MOTOR:ON REQUEST	1
1.21	2132102	FAN SMALL TL6/7 FF KIT	1
1.25	2132097	CABLE CONNECTION M12 TL6/7 FF VP.	1
1.24	2132098	CABLE CONNECTION M16 TL6/7 FF VP.	1
1.23	2132099	CABLE CONNECTION M20 TL6/7 FF VP.	1
1.22	2132100	CABLE CONNECTION SMALL M40 TL6/7 FF VP.	1
1.27	2132104	COVER SIDE TL6/7 FF CPL.VP.	1
1.26	2132452	MODULE COVER/BUTTON TL6/7 FF VP.	1



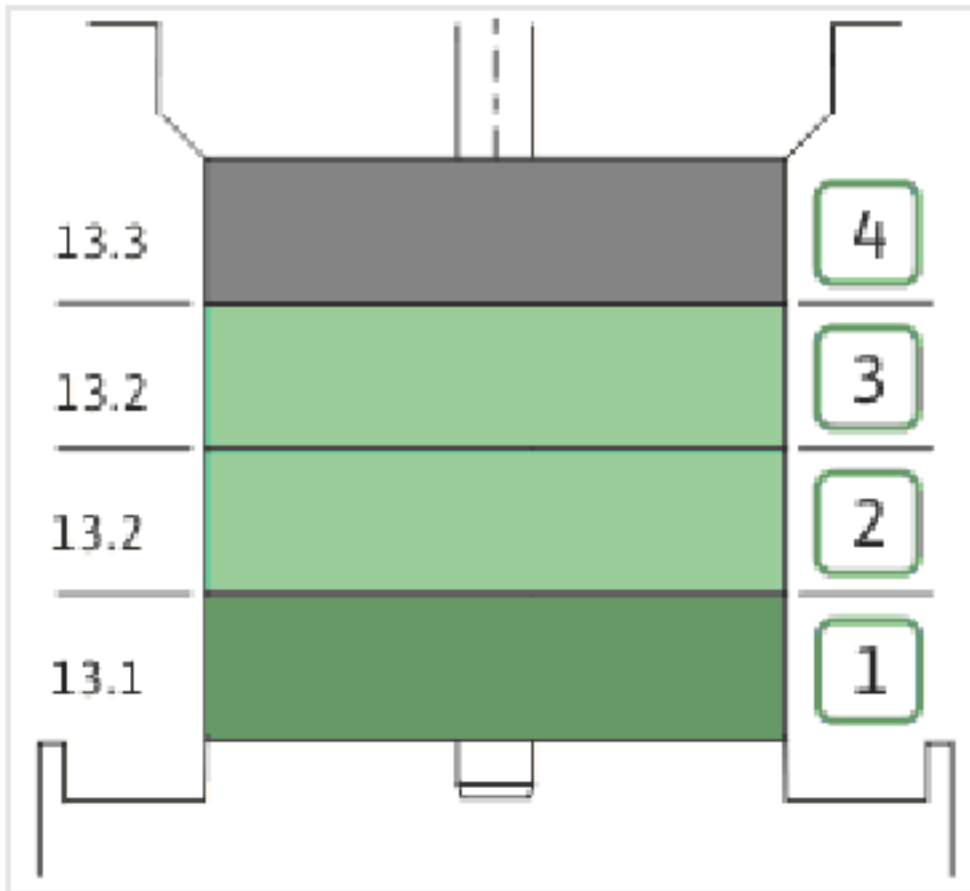
COUPLING D.20XD.38 FF300 KIT (4143966)

Item	Article no.	Description	Quantity
4.1	4179590	COUPLING 2 PARTS D.20XD.38XL115 VP.	1
4.2	2123699	BALL BEARING 6312/2Z-C4 (HT) VP.	1
4.3	63428	CIRCLIP-FOR-SHAFT-D60x2	1
4.4	2130991	SCREW M12X30 ISO4762 8.8 ZN(4 PIECES)	1
4.5	4032277	CIRCLIP-HOLE-130x4	1
4.6	4006725	O-RING ID.132,94x3,53 NBR70SR	1
4.7	2130992	RETAINING RING D.35xD.2,5 DIN7993 VP.	1
4.8	4179591	HUB D.42xD.60 VP.	1
4.9	2130994	SPACER D.38XD.55 VP.	1
4.10	4094462	SCREWS M10 (4 PIECES)	1
4.11	4233959	SCREW M8x16 VP.	1
4.12		SERRATED LOCK WASHER Ø8.2XØ25X35X2	1



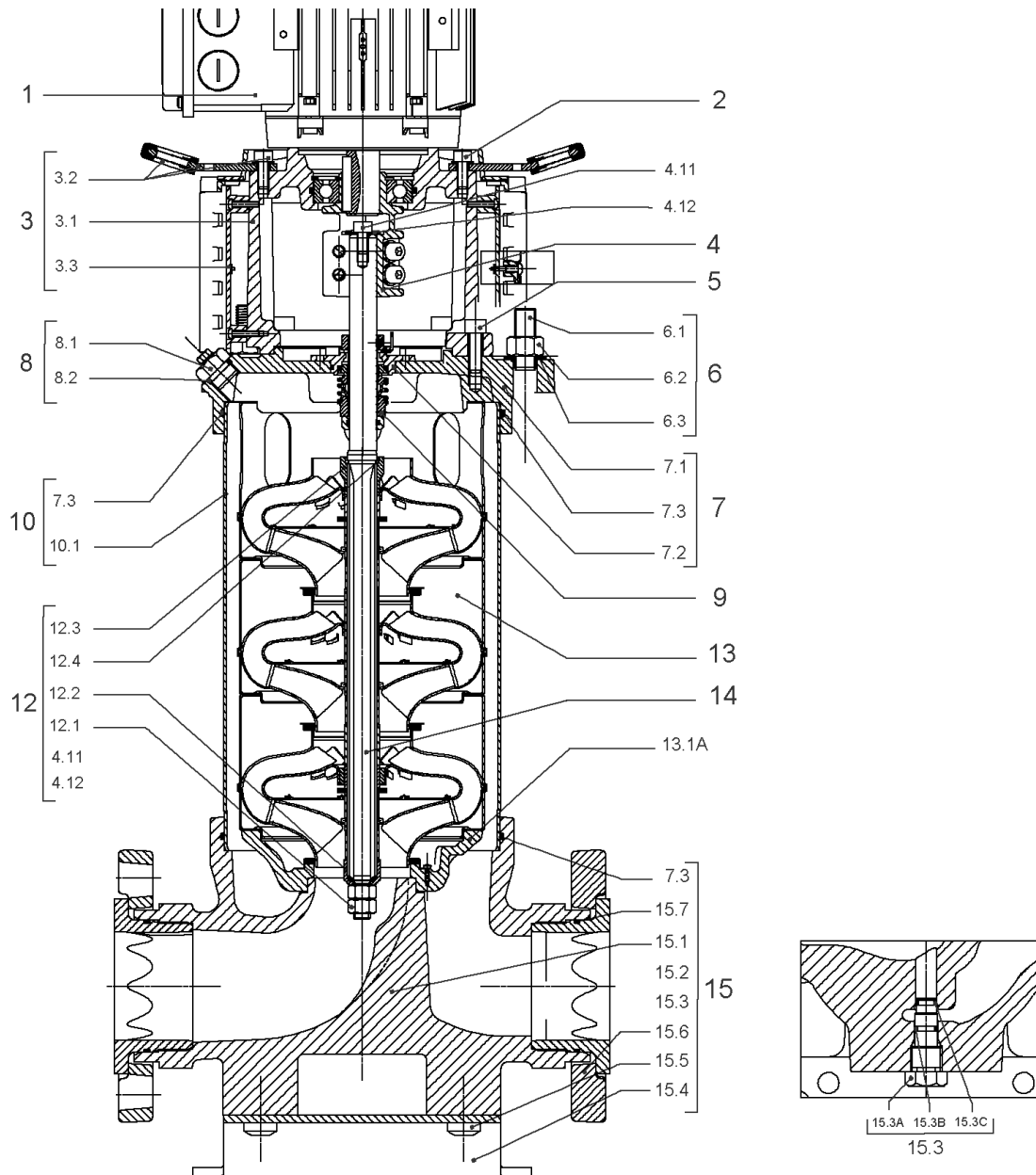
CARTRIDGE HELIX22-36-52 O/E KIT (4143973)

Item	Article no.	Description	Quantity
9.1	4143974	SEAL-KIT-HELIX22-36-52 O/E	1
7.3	4179571	> O-RING HOUSING PIPE HELIX22/36/52 VP.	1
7.4	4179572	> O-RING ID.42.52X2.62 EPDM VP.	1
9.1A	4179573	> M.SEAL.HELIX22-36-52 O/E VP.	1
9.1B	4179574	> O-RING ID.20x2.65 EPDM VP.	1
9.2	4179566	SHAFT SLEEVE D.20/20X60 1.4404 VP.	1
9.3	4179567	RING HOLDER Ø22 1.4301 VP.	1
9.4	4176520	SCREW CH M5x5 A4-70 (3PIECES)	1
9.5	4179568	DRIVE RING D.31/22.1x11 MACH.VP.	1
9.6	4179569	TOOL M.S.CART.HELIX 8" VP.	1
9.7	4179570	SCREW M6X16 ISO4762 8.8 GEOMET(4 PIECES)	1



HYDRAULIC HELIX V 3604

Item	Article no.	Description	Quantity
13.1	4161192	INTERMEDIATE STAGE HELIX V36 1.4301 KIT	1
		> SLEEVE-SPACER-D22XL16,66-316L	1
		> MACH.BEARING-DIFFUSER+NR-M+36-304	1
		> SHAFT-SLEEVE-D26xD22x16-CW	1
		> IMPELLER-H1-M+36-304	1
13.1A	4161200	> NECK RING 1.STAGE HELIX V36/52 KIT	1
		>> NECK-RING-M+36/52	1
		>> HYDRAULIC SUPPORT CAP M+36/52 304	1
		>> SCREW TCL M3X8 A4 POZIDRIV	1
13.2	4161193	INTERMEDIATE STAGE HELIX V36 1.4301 KIT	1
		> MACH.STD-DIFFUSER+NR-M+36-304	1
		> IMPELLER-H4-M+36-304	1
13.3	4161194	UPPER STAGE HELIX 36 1.4301 KIT	1
		> STOP COLLAR OF IMPELLER L20-Ø22-316L	1
		> IMPELLER-H4-M+36-304	1
		> MACH.-RIGID-STD-DISCH.-CHAMBER-M+36-304	1



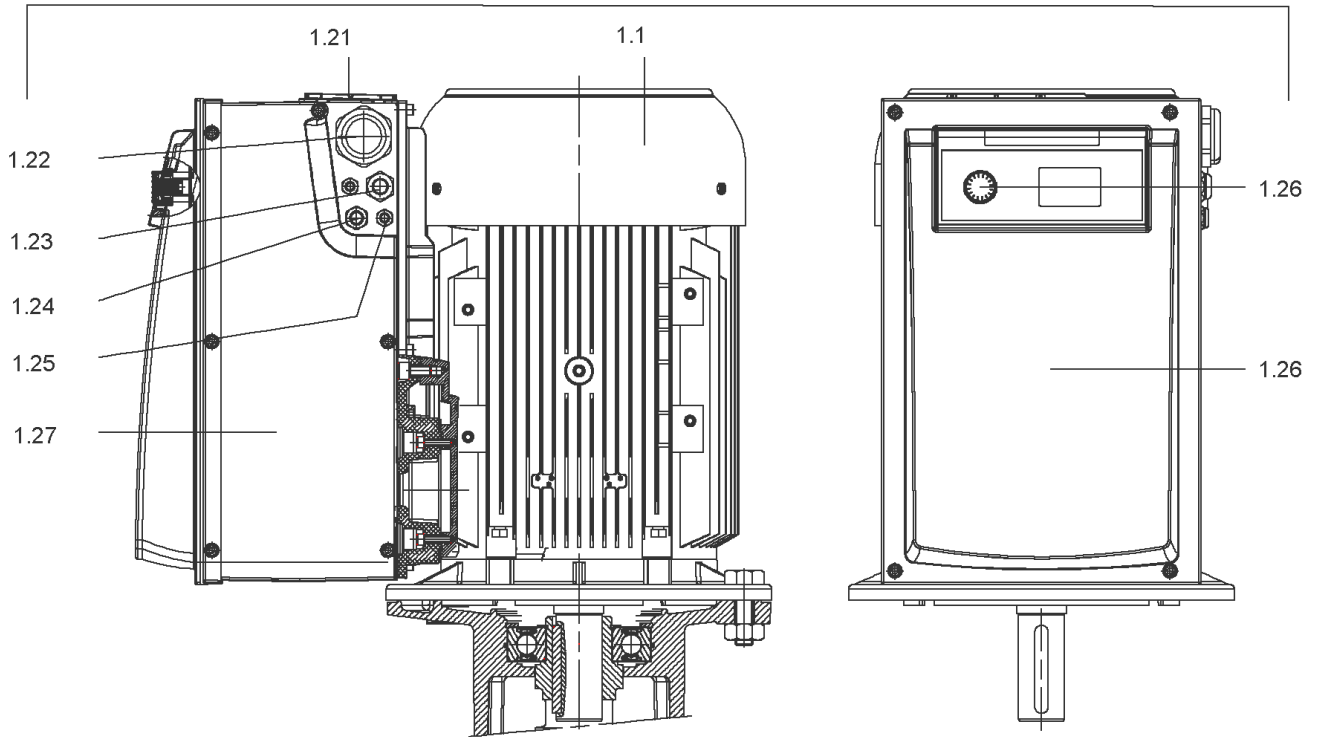
HELIX VE3604-4/16/E/KS/2G (4183462)

Item	Article no.	Description	Quantity
1		DRIVE HELIX VE3604-IE2-ARC KIT	1
Note: no longer available/nicht mehr lieferbar/n'est plus disponible			
1	4218537	DRIVE HELIX VE3604-IE4-WEG KIT	1
Note: MOTOR BRAND WEG			
2	4179586	SCREW M16X60 (4 PIECES)	1
3	4157721	LANTERN HELIX 22/36 FF300 BB6312 KIT	1
3.1		> LANTERN FF300 M+ GJL MACHINED+CATA 6312	1
3.2	4179589	> EYELET CPL.FF300 HELIX(4 PIECES)	1
3.3	4143969	> COUPLING PROTECT HELIX FF KIT	1
4	4143966	COUPLING D.20XD.38 FF300 KIT	1
5	4157725	SCREW M10X40 (4 PIECES)	1
6	4179592	STUD BOLT M16X405 KIT	1
6.1		> TIE BOLT M16-405x24x44-1.4057	1
6.2	4179562	> NUT M16 8.8 ISO4032 (4 PIECES)	1
6.3	4097852	> WASHER-CS-16.4-32-2.8-NFE25-511-A2	1
7	4179565	END SHIELD HELIX 8" EPDM KIT	1
7.1		> END SHIELD M+ GJL MACHINED+CATA	1
7.2	4179564	> O-RING D.42.52x2.62 EPDM VP.	1
7.3	4179571	> O-RING HOUSING PIPE HELIX22/36/52 VP.	1
8	4186377	FILING/PURGING PLUG 304 HELIX KIT	1
8.1		> FILLING/VENTING-PLUG-MVI8/10"-304	1
8.2	4032291	> O-RING 17x3 EPDM KTW/WRC	1
9	4143973	CARTRIDGE HELIX22-36-52 O/E KIT	1
10	4179593	HOUSING PIPE D.204X330 1.4307 KIT	1
7.3	4179571	> O-RING HOUSING PIPE HELIX22/36/52 VP.	1
10.1		> HOUSING-PIPE Ø204-M+3604/5203-304	1
11	4181071	CENTRALIZER HELIX 8" M+36 1.4301 VP.	1
12	4161186	SHAFT EQUIPMENT HELIX V36 8" KIT	1
13		HYDRAULIC HELIX V 3604	1
14	2123751	SHAFT D.22 LG.487,34 HELIX 1.4057 VP.	1
15	4186381	EQUIPED HOUSING HELIX OPTI DN65 GJL KIT	1
15.1		> PUMP CASING MONO.M+8" DN65 PN16 DWA	1
15.2		> HYD.SUP.M+8" MONO.HOUSING DN65 DWA	1
15.3	4106048	> DRAIN/PRIMING PLUG EPDM HELIX FIRST KIT	1

HELIX VE3604-4/16/E/KS/2G (4183462)

Item	Article no.	Description	Quantity
15.3A		>> DRAIN AND PRIMING PLUG-VM110"-304	1
15.3B	4032293	>> O-RING-10x3-EPDM-KTW/WRC	1
15.3C	4233957	>> O-RING ID.9 EPDM VP.	1
7.3	4179571	> O-RING HOUSING PIPE HELIX22/36/52 VP.	1
13.1A	4161200	> NECK RING 1.STAGE HELIX V36/52 KIT	1
		>> NECK-RING-M+36/52	1
		>> HYDRAULIC SUPPORT CAP M+36/52 304	1
		>> SCREW TCL M3X8 A4 POZIDRIV	1

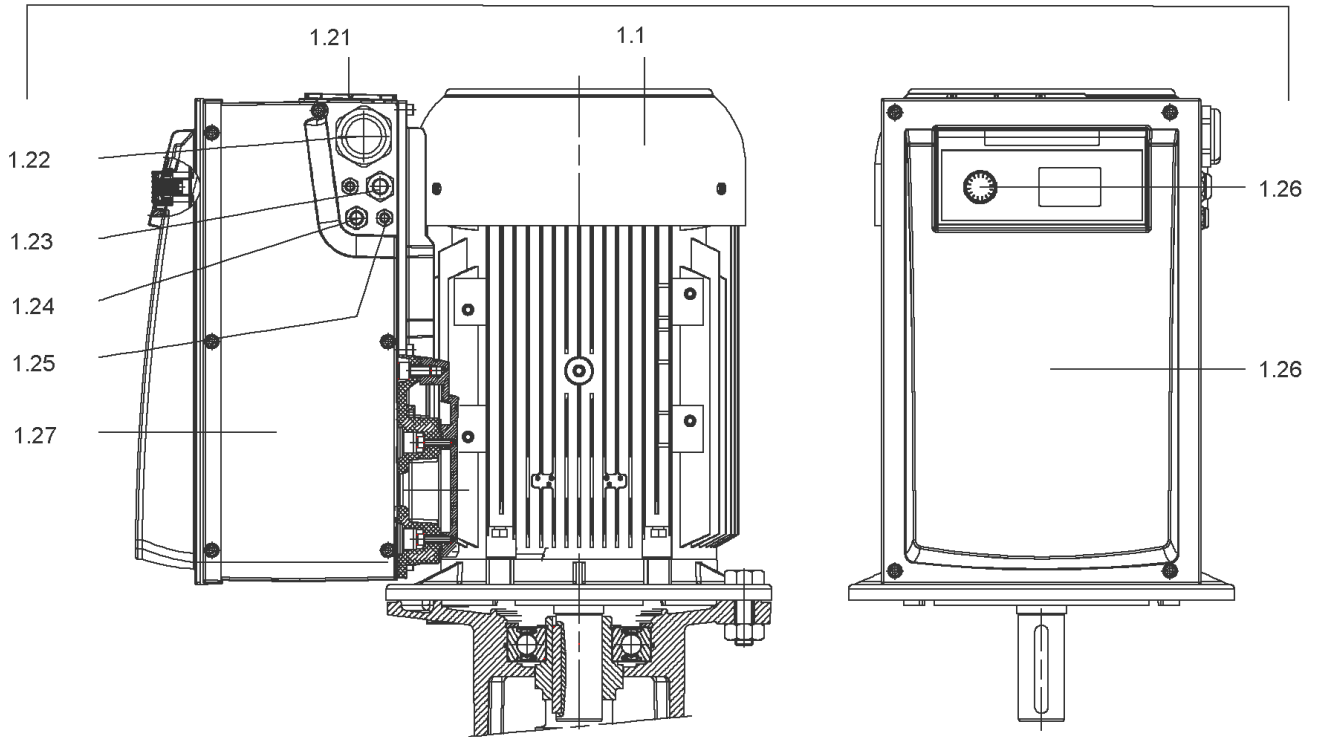
1



DRIVE HELIX VE3604-IE2-ARC KIT

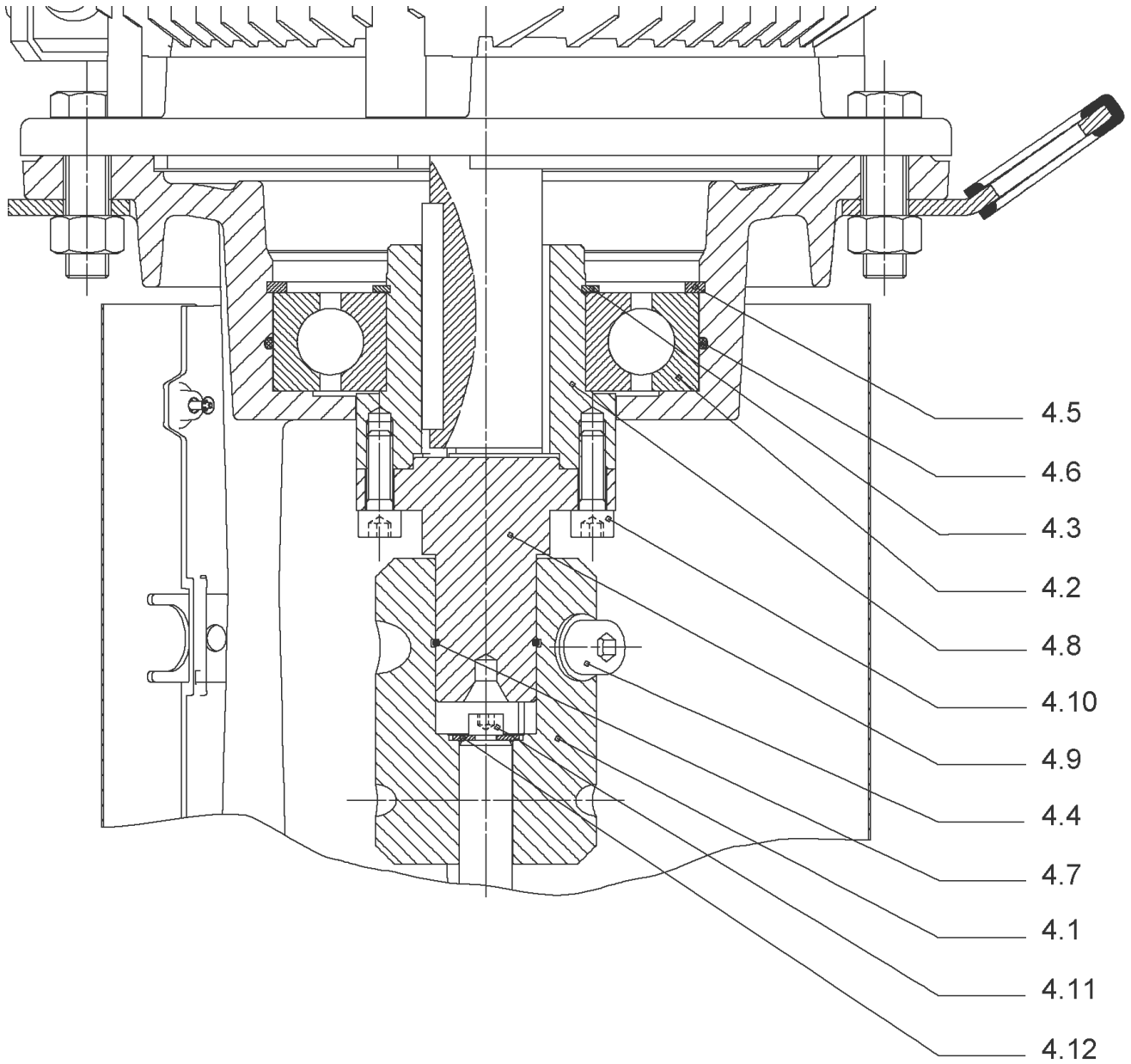
Item	Article no.	Description	Quantity
1.1		M11-2T540P55V1-160F300-N42-IE2	1
		SPARE PARTS MOTOR:ON REQUEST	1
1.21	2132102	FAN SMALL TL6/7 FF KIT	1
1.25	2132097	CABLE CONNECTION M12 TL6/7 FF VP.	1
1.24	2132098	CABLE CONNECTION M16 TL6/7 FF VP.	1
1.23	2132099	CABLE CONNECTION M20 TL6/7 FF VP.	1
1.22	2132100	CABLE CONNECTION SMALL M40 TL6/7 FF VP.	1
1.27	2132104	COVER SIDE TL6/7 FF CPL.VP.	1
1.26	2132452	MODULE COVER/BUTTON TL6/7 FF VP.	1

1



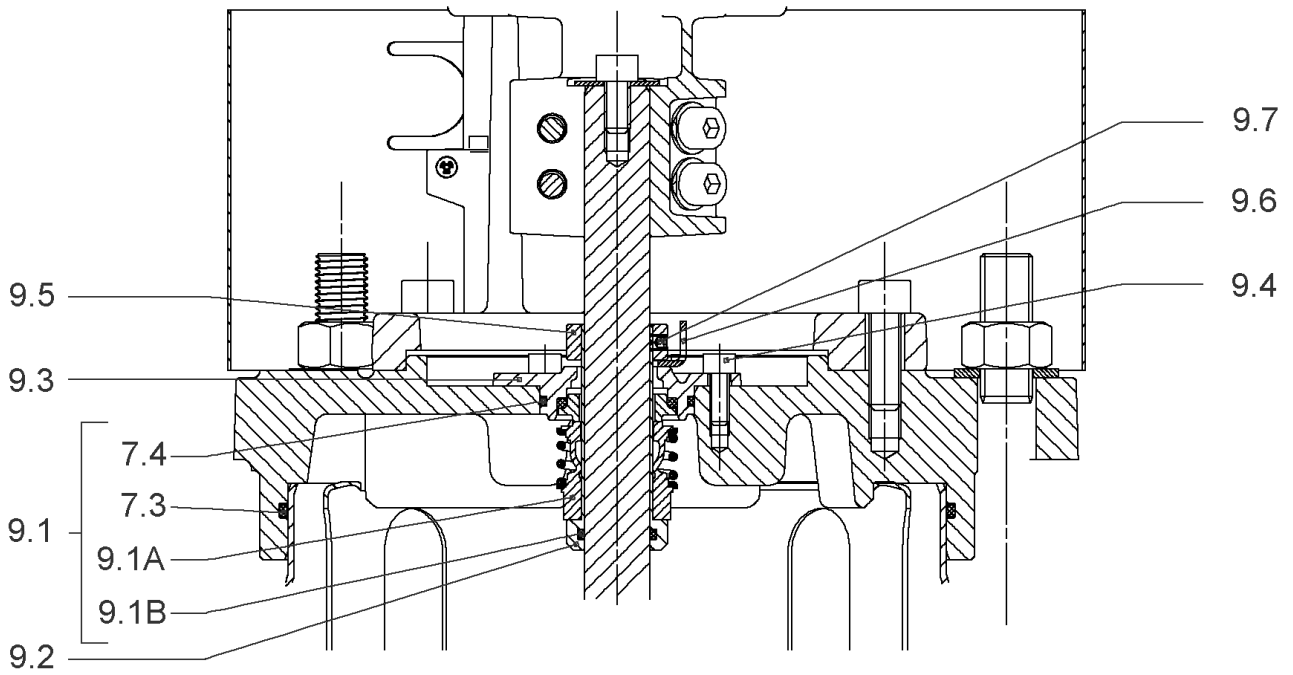
DRIVE HELIX VE3604-IE4-WEG KIT (4218537)

Item	Article no.	Description	Quantity
1.1		M11-2T540P55V1-160F30-N42-ADAPT-IE4-WEG	1
		SPARE PARTS MOTOR:ON REQUEST	1
1.21	2132102	FAN SMALL TL6/7 FF KIT	1
1.25	2132097	CABLE CONNECTION M12 TL6/7 FF VP.	1
1.24	2132098	CABLE CONNECTION M16 TL6/7 FF VP.	1
1.23	2132099	CABLE CONNECTION M20 TL6/7 FF VP.	1
1.22	2132100	CABLE CONNECTION SMALL M40 TL6/7 FF VP.	1
1.27	2132104	COVER SIDE TL6/7 FF CPL.VP.	1
1.26	2132452	MODULE COVER/BUTTON TL6/7 FF VP.	1



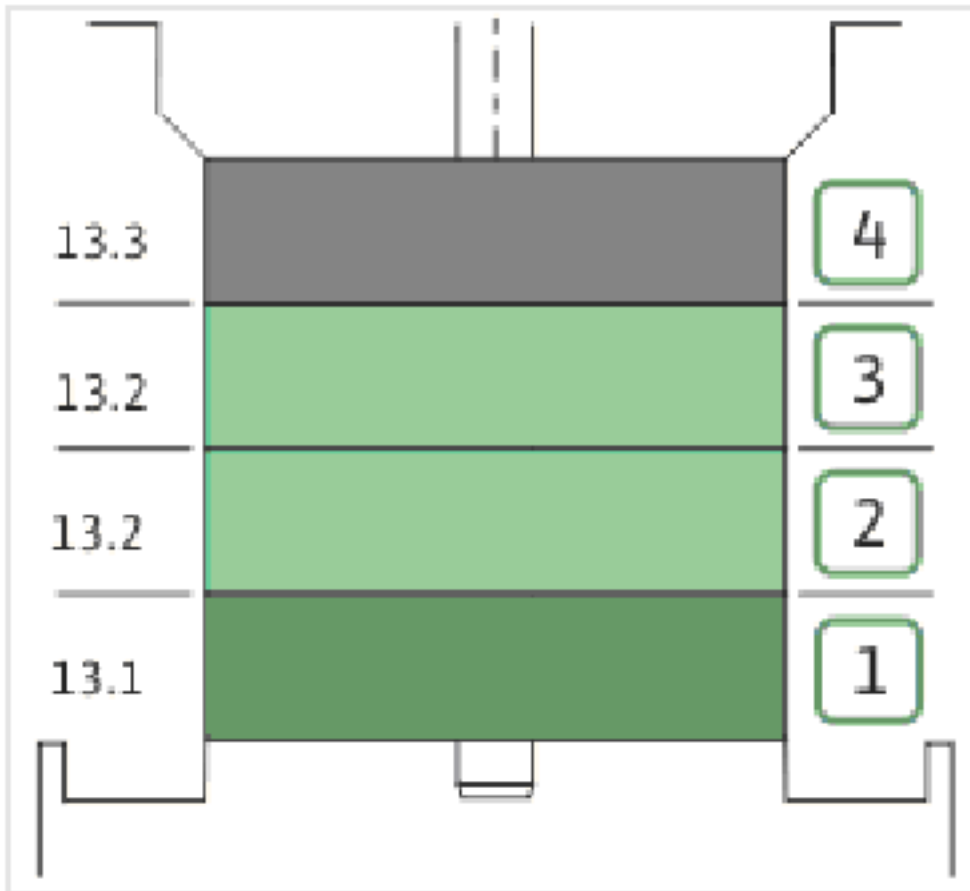
COUPLING D.20XD.38 FF300 KIT (4143966)

Item	Article no.	Description	Quantity
4.1	4179590	COUPLING 2 PARTS D.20XD.38XL115 VP.	1
4.2	2123699	BALL BEARING 6312/2Z-C4 (HT) VP.	1
4.3	63428	CIRCLIP-FOR-SHAFT-D60x2	1
4.4	2130991	SCREW M12X30 ISO4762 8.8 ZN(4 PIECES)	1
4.5	4032277	CIRCLIP-HOLE-130x4	1
4.6	4006725	O-RING ID.132,94x3,53 NBR70SR	1
4.7	2130992	RETAINING RING D.35xD.2,5 DIN7993 VP.	1
4.8	4179591	HUB D.42xD.60 VP.	1
4.9	2130994	SPACER D.38XD.55 VP.	1
4.10	4094462	SCREWS M10 (4 PIECES)	1
4.11	4233959	SCREW M8x16 VP.	1
4.12		SERRATED LOCK WASHER Ø8.2XØ25X35X2	1



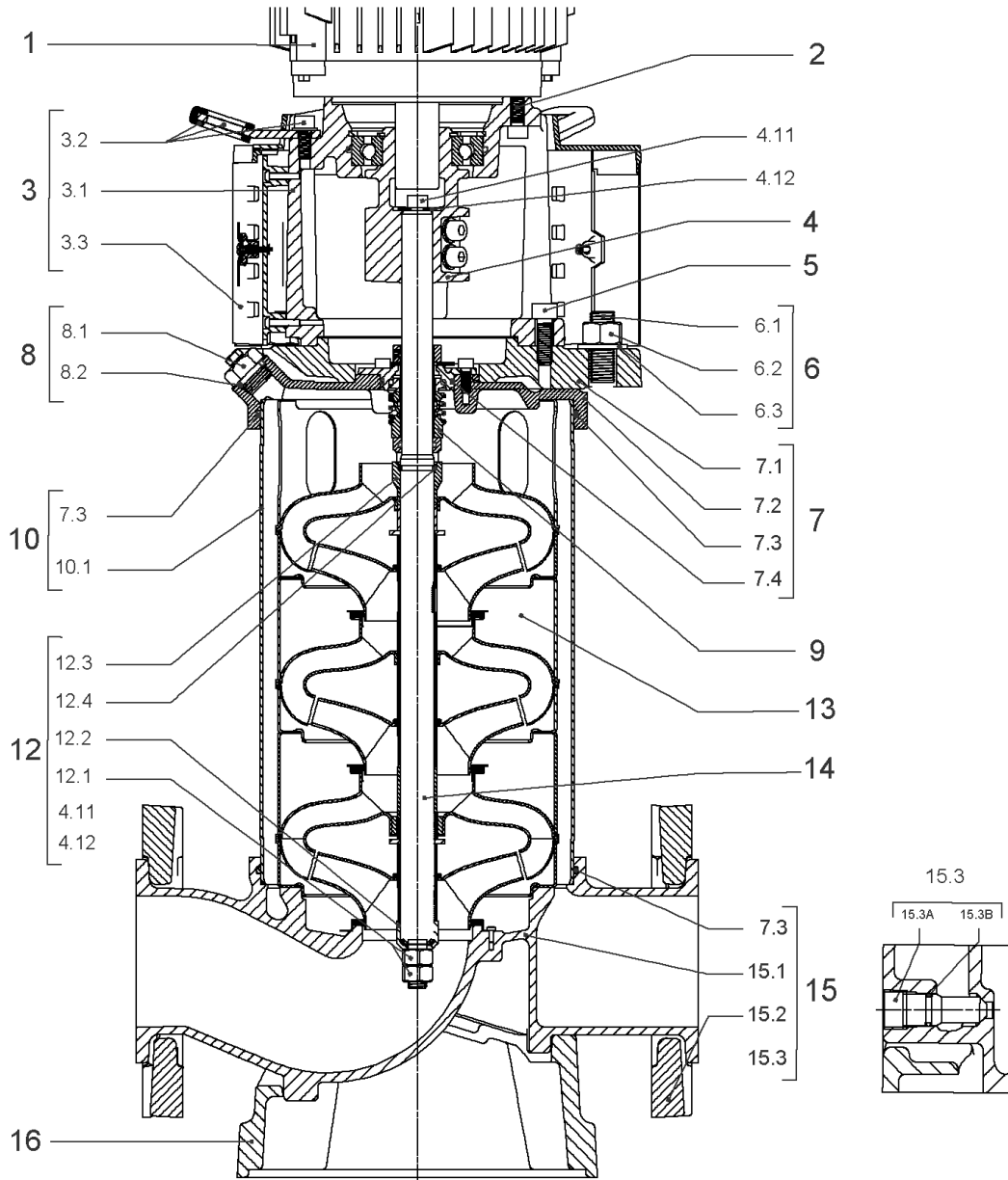
CARTRIDGE HELIX22-36-52 O/E KIT (4143973)

Item	Article no.	Description	Quantity
9.1	4143974	SEAL-KIT-HELIX22-36-52 O/E	1
7.3	4179571	> O-RING HOUSING PIPE HELIX22/36/52 VP.	1
7.4	4179572	> O-RING ID.42.52X2.62 EPDM VP.	1
9.1A	4179573	> M.SEAL.HELIX22-36-52 O/E VP.	1
9.1B	4179574	> O-RING ID.20x2.65 EPDM VP.	1
9.2	4179566	SHAFT SLEEVE D.20/20X60 1.4404 VP.	1
9.3	4179567	RING HOLDER Ø22 1.4301 VP.	1
9.4	4176520	SCREW CH M5x5 A4-70 (3PIECES)	1
9.5	4179568	DRIVE RING D.31/22.1x11 MACH.VP.	1
9.6	4179569	TOOL M.S.CART.HELIX 8" VP.	1
9.7	4179570	SCREW M6X16 ISO4762 8.8 GEOMET(4 PIECES)	1



HYDRAULIC HELIX V 3604

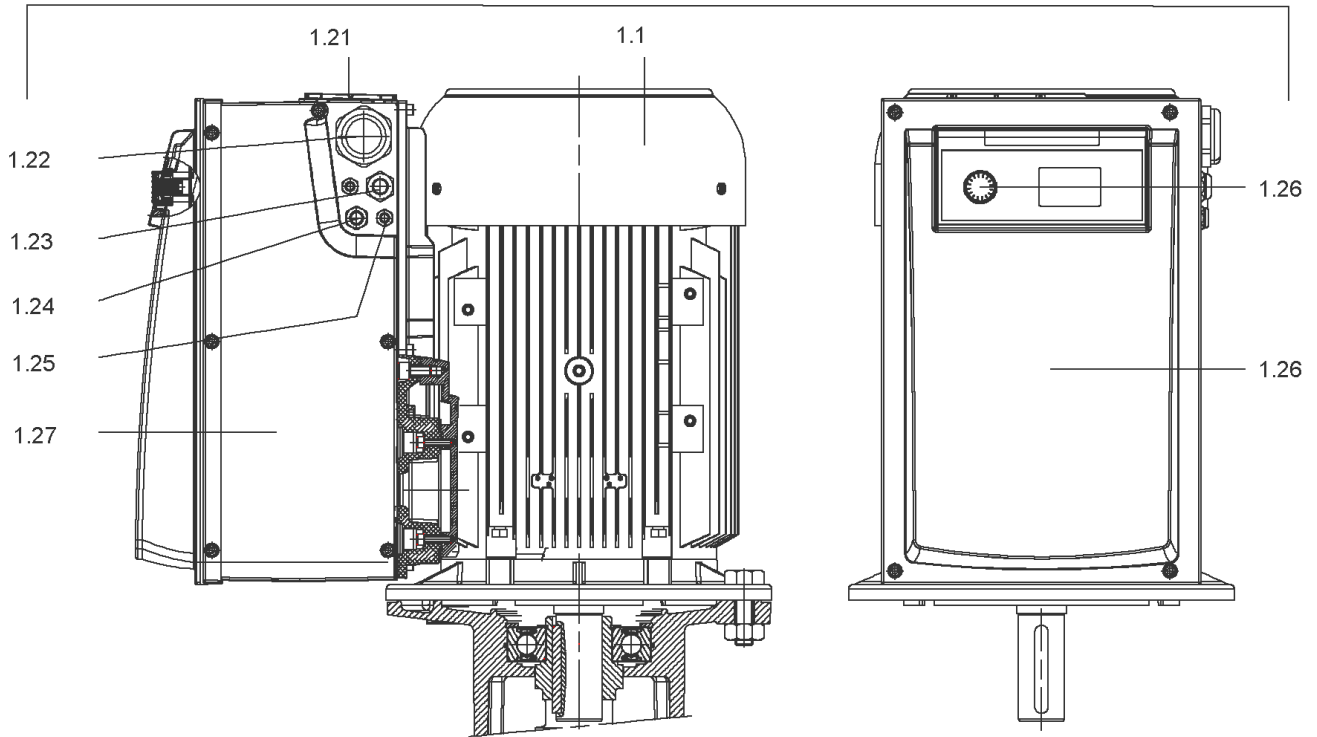
Item	Article no.	Description	Quantity
13.1	4161192	INTERMEDIATE STAGE HELIX V36 1.4301 KIT	1
		> SLEEVE-SPACER-D22XL16,66-316L	1
		> MACH.BEARING-DIFFUSER+NR-M+36-304	1
		> SHAFT-SLEEVE-D26xD22x16-CW	1
		> IMPELLER-H1-M+36-304	1
13.1A	4161200	> NECK RING 1.STAGE HELIX V36/52 KIT	1
		>> NECK-RING-M+36/52	1
		>> HYDRAULIC SUPPORT CAP M+36/52 304	1
		>> SCREW TCL M3X8 A4 POZIDRIV	1
13.2	4161193	INTERMEDIATE STAGE HELIX V36 1.4301 KIT	1
		> MACH.STD-DIFFUSER+NR-M+36-304	1
		> IMPELLER-H4-M+36-304	1
13.3	4161194	UPPER STAGE HELIX 36 1.4301 KIT	1
		> STOP COLLAR OF IMPELLER L20-Ø22-316L	1
		> IMPELLER-H4-M+36-304	1
		> MACH.-RIGID-STD-DISCH.-CHAMBER-M+36-304	1



HELIX VE3604-1/16/E/KS (4198863)

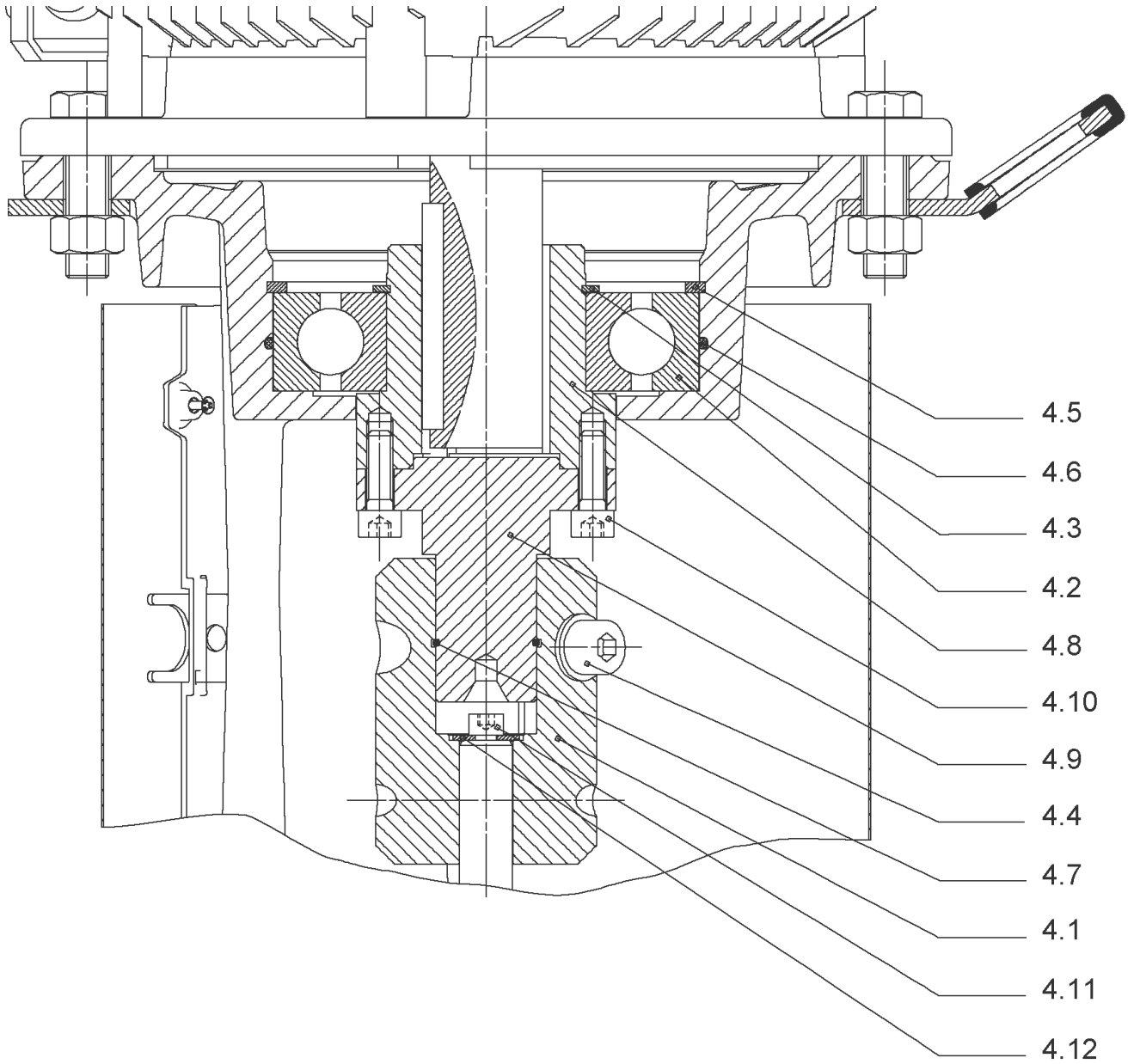
Item	Article no.	Description	Quantity
1	4218537	DRIVE HELIX VE3604-IE4-WEG KIT	1
Note: MOTOR BRAND WEG			
2	4179586	SCREW M16X60 (4 PIECES)	1
3	4157721	LANTERN HELIX 22/36 FF300 BB6312 KIT	1
3.1		> LANTERN FF300 M+ GJL MACHINED+CATA 6312	1
3.2	4179589	> EYELET CPL.FF300 HELIX(4 PIECES)	1
3.3	4143969	> COUPLING PROTECT HELIX FF KIT	1
4	4143966	COUPLING D.20XD.38 FF300 KIT	1
5	4157725	SCREW M10X40 (4 PIECES)	1
6	4217922	STUD BOLT M16X509 KIT	1
6.1		> TIE BOLT M16-509x24x44-1.4057	1
6.2	4179562	> NUT M16 8.8 ISO4032 (4 PIECES)	1
6.3	4097852	> WASHER-CS-16.4-32-2.8-NFE25-511-A2	1
7	4217176	END SHIELD HELIX OPTI 8" EPDM KIT	1
7.1		> upper flange machined + cataphoresis	1
7.2	4217174	> STATIONARY RING HOLDER 8" HELIX OPTI VP.	1
7.3	4179571	> O-RING HOUSING PIPE HELIX22/36/52 VP.	1
7.4	4179572	> O-RING ID.42.52X2.62 EPDM VP.	1
8	4186377	FILING/PURGING PLUG 304 HELIX KIT	1
8.1		> FILLING/VENTING-PLUG-MVI8/10"-304	1
8.2	4032291	> O-RING 17x3 EPDM KTW/WRC	1
9	4143973	CARTRIDGE HELIX22-36-52 O/E KIT	1
10	4217924	HOUSING PIPE D.204X297 1.4307 KIT	1
7.3	4179571	> O-RING HOUSING PIPE HELIX22/36/52 VP.	1
10.1		> HOUSING-PIPE Ø204-L297,43-304	1
12	4161186	SHAFT EQUIPMENT HELIX V36 8" KIT	1
13		HYDRAULIC HELIX V 3604	1
14	2123751	SHAFT D.22 LG.487,34 HELIX 1.4057 VP.	1
15	4217909	EQUIPED HOUSING DN65 HELIX OPTI 8" KIT	1
15.1		> pump casing machined DN65	1
15.2	4217907	> HALF FLANGE DN65 HELIX OPTI 8" VP.	1
15.3	4217850	> DRAIN/PRIMING PLUG HELIX OPTI 8" KIT	1
7.3	4179571	> O-RING HOUSING PIPE HELIX22/36/52 VP.	1
16	4217911	BASEPLATE DN65 HELIX OPTI 8" VP.	1

1



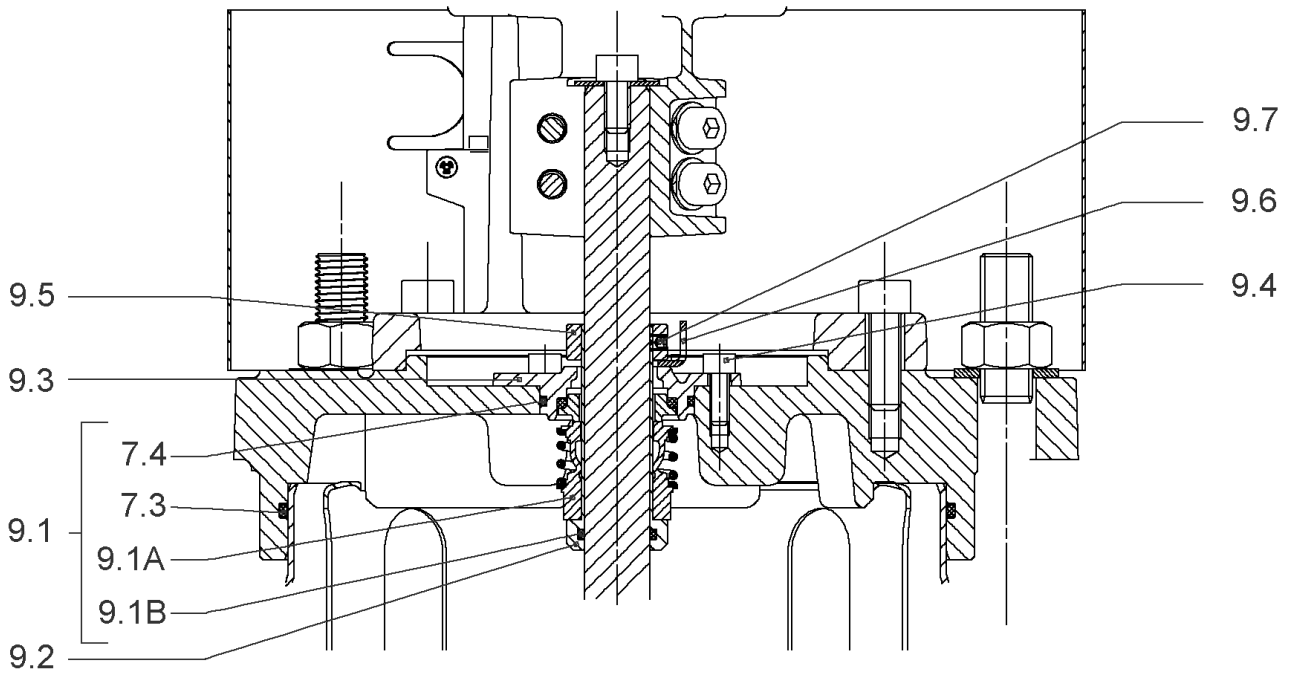
DRIVE HELIX VE3604-IE4-WEG KIT (4218537)

Item	Article no.	Description	Quantity
1.1		M11-2T540P55V1-160F30-N42-ADAPT-IE4-WEG	1
		SPARE PARTS MOTOR:ON REQUEST	1
1.21	2132102	FAN SMALL TL6/7 FF KIT	1
1.25	2132097	CABLE CONNECTION M12 TL6/7 FF VP.	1
1.24	2132098	CABLE CONNECTION M16 TL6/7 FF VP.	1
1.23	2132099	CABLE CONNECTION M20 TL6/7 FF VP.	1
1.22	2132100	CABLE CONNECTION SMALL M40 TL6/7 FF VP.	1
1.27	2132104	COVER SIDE TL6/7 FF CPL.VP.	1
1.26	2132452	MODULE COVER/BUTTON TL6/7 FF VP.	1



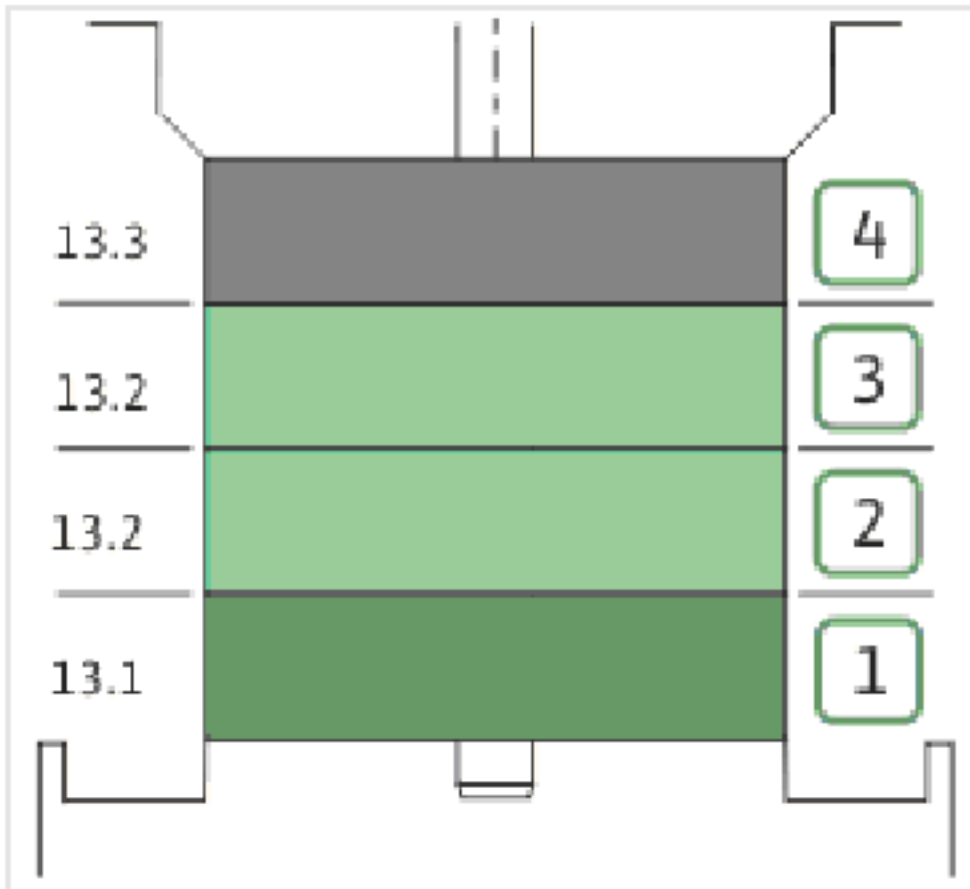
COUPLING D.20XD.38 FF300 KIT (4143966)

Item	Article no.	Description	Quantity
4.1	4179590	COUPLING 2 PARTS D.20XD.38XL115 VP.	1
4.2	2123699	BALL BEARING 6312/2Z-C4 (HT) VP.	1
4.3	63428	CIRCLIP-FOR-SHAFT-D60x2	1
4.4	2130991	SCREW M12X30 ISO4762 8.8 ZN(4 PIECES)	1
4.5	4032277	CIRCLIP-HOLE-130x4	1
4.6	4006725	O-RING ID.132,94x3,53 NBR70SR	1
4.7	2130992	RETAINING RING D.35xD.2,5 DIN7993 VP.	1
4.8	4179591	HUB D.42xD.60 VP.	1
4.9	2130994	SPACER D.38XD.55 VP.	1
4.10	4094462	SCREWS M10 (4 PIECES)	1
4.11	4233959	SCREW M8x16 VP.	1
4.12		SERRATED LOCK WASHER Ø8.2XØ25X35X2	1



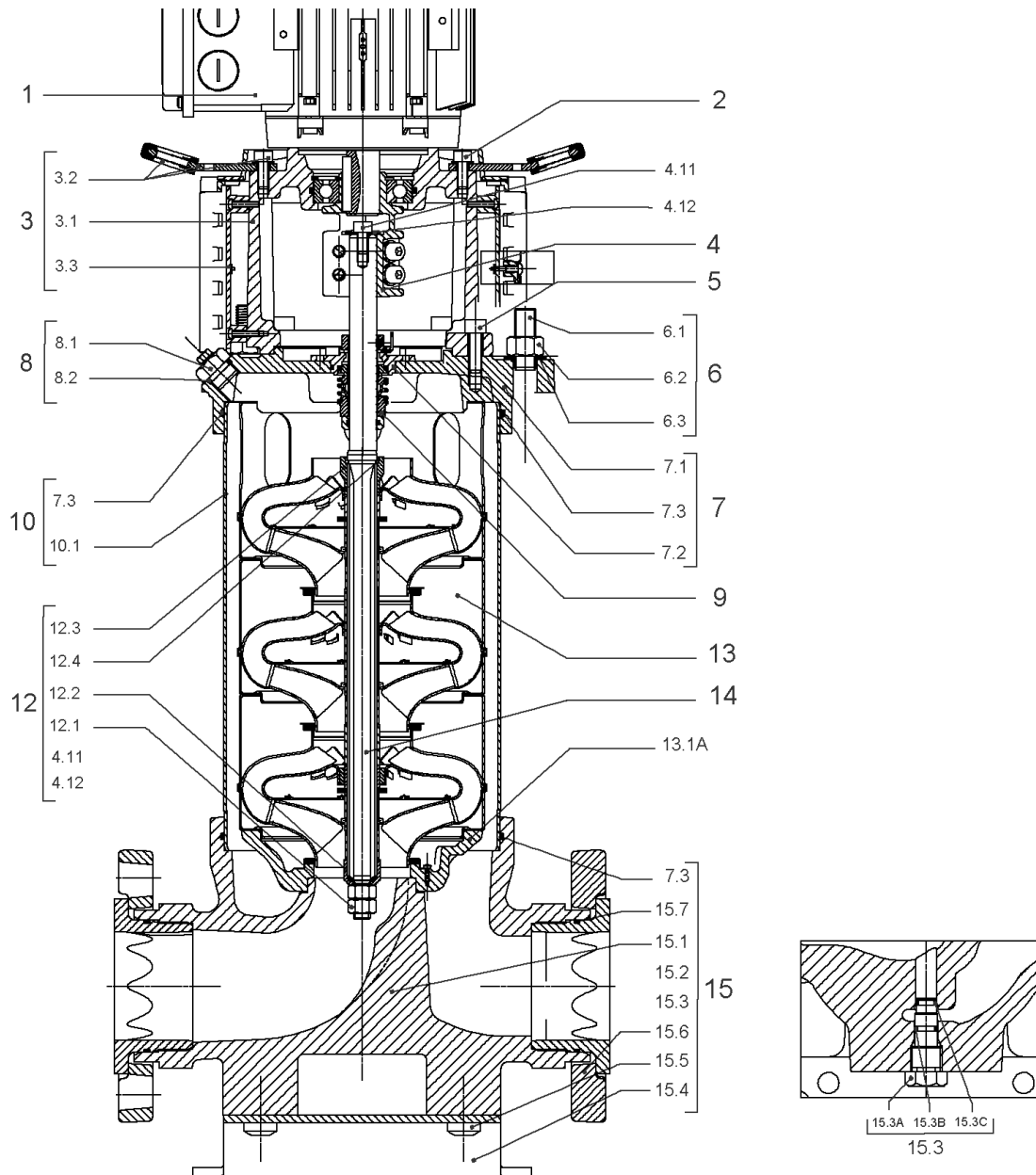
CARTRIDGE HELIX22-36-52 O/E KIT (4143973)

Item	Article no.	Description	Quantity
9.1	4143974	SEAL-KIT-HELIX22-36-52 O/E	1
7.3	4179571	> O-RING HOUSING PIPE HELIX22/36/52 VP.	1
7.4	4179572	> O-RING ID.42.52X2.62 EPDM VP.	1
9.1A	4179573	> M.SEAL.HELIX22-36-52 O/E VP.	1
9.1B	4179574	> O-RING ID.20x2.65 EPDM VP.	1
9.2	4179566	SHAFT SLEEVE D.20/20X60 1.4404 VP.	1
9.3	4179567	RING HOLDER Ø22 1.4301 VP.	1
9.4	4176520	SCREW CH M5x5 A4-70 (3PIECES)	1
9.5	4179568	DRIVE RING D.31/22.1x11 MACH.VP.	1
9.6	4179569	TOOL M.S.CART.HELIX 8" VP.	1
9.7	4179570	SCREW M6X16 ISO4762 8.8 GEOMET(4 PIECES)	1



HYDRAULIC HELIX V 3604

Item	Article no.	Description	Quantity
13.1	4161192	INTERMEDIATE STAGE HELIX V36 1.4301 KIT	1
		> SLEEVE-SPACER-D22XL16,66-316L	1
		> MACH.BEARING-DIFFUSER+NR-M+36-304	1
		> SHAFT-SLEEVE-D26xD22x16-CW	1
		> IMPELLER-H1-M+36-304	1
13.1A	4161200	> NECK RING 1.STAGE HELIX V36/52 KIT	1
		>> NECK-RING-M+36/52	1
		>> HYDRAULIC SUPPORT CAP M+36/52 304	1
		>> SCREW TCL M3X8 A4 POZIDRIV	1
13.2	4161193	INTERMEDIATE STAGE HELIX V36 1.4301 KIT	1
		> MACH.STD-DIFFUSER+NR-M+36-304	1
		> IMPELLER-H4-M+36-304	1
13.3	4161194	UPPER STAGE HELIX 36 1.4301 KIT	1
		> STOP COLLAR OF IMPELLER L20-Ø22-316L	1
		> IMPELLER-H4-M+36-304	1
		> MACH.-RIGID-STD-DISCH.-CHAMBER-M+36-304	1



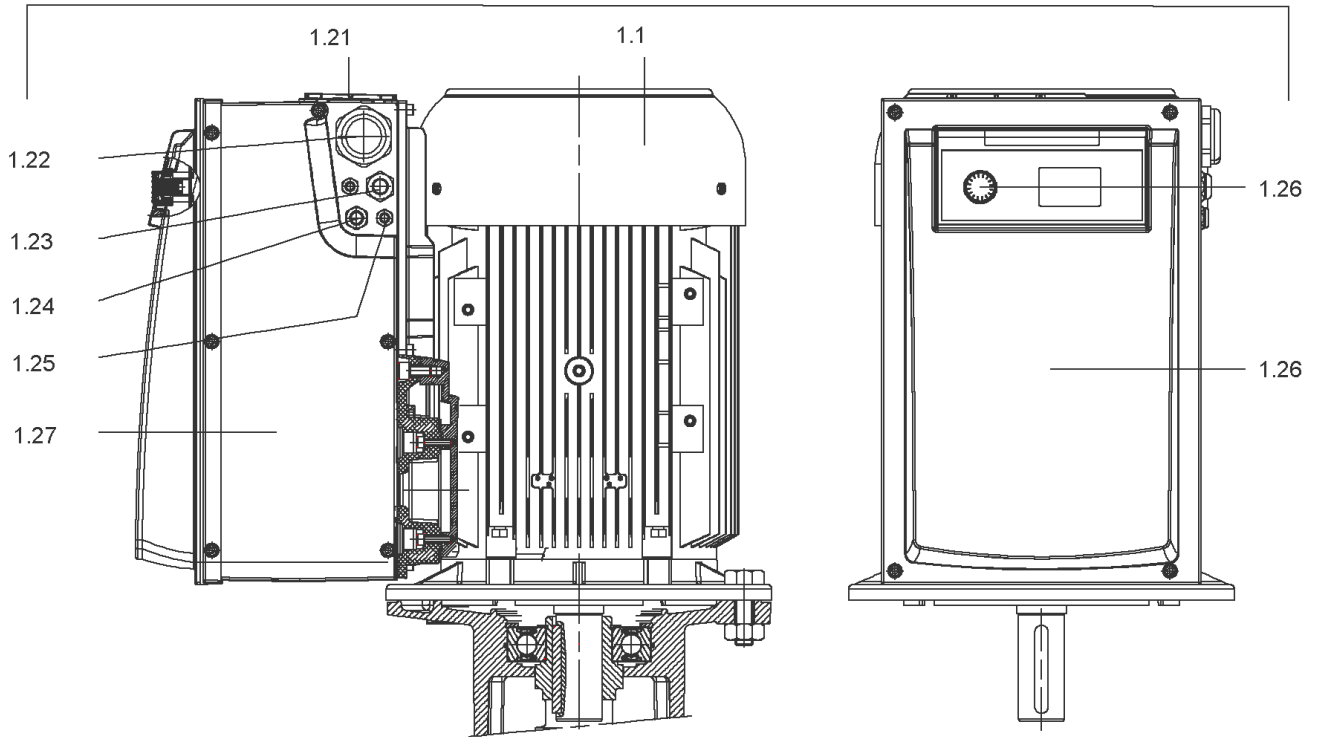
HELIX VE3604-3/25/E/KS (4166213)

Item	Article no.	Description	Quantity
1		DRIVE HELIX VE3604-IE2-ARC KIT	1
Note: no longer available/nicht mehr lieferbar/n'est plus disponible			
1	4218537	DRIVE HELIX VE3604-IE4-WEG KIT	1
Note: MOTOR BRAND WEG			
2	4179586	SCREW M16X60 (4 PIECES)	1
3	4157721	LANTERN HELIX 22/36 FF300 BB6312 KIT	1
3.1		> LANTERN FF300 M+ GJL MACHINED+CATA 6312	1
3.2	4179589	> EYELET CPL.FF300 HELIX(4 PIECES)	1
3.3	4143969	> COUPLING PROTECT HELIX FF KIT	1
4	4143966	COUPLING D.20XD.38 FF300 KIT	1
5	4157725	SCREW M10X40 (4 PIECES)	1
6	4179592	STUD BOLT M16X405 KIT	1
6.1		> TIE BOLT M16-405x24x44-1.4057	1
6.2	4179562	> NUT M16 8.8 ISO4032 (4 PIECES)	1
6.3	4097852	> WASHER-CS-16.4-32-2.8-NFE25-511-A2	1
7	4179565	END SHIELD HELIX 8" EPDM KIT	1
7.1		> END SHIELD M+ GJL MACHINED+CATA	1
7.2	4179564	> O-RING D.42.52x2.62 EPDM VP.	1
7.3	4179571	> O-RING HOUSING PIPE HELIX22/36/52 VP.	1
8	4186377	FILING/PURGING PLUG 304 HELIX KIT	1
8.1		> FILLING/VENTING-PLUG-MVI8/10"-304	1
8.2	4032291	> O-RING 17x3 EPDM KTW/WRC	1
9	4143975	CARTRIDGE HELIX22-36-52 F/E KIT	1
10	4179593	HOUSING PIPE D.204X330 1.4307 KIT	1
7.3	4179571	> O-RING HOUSING PIPE HELIX22/36/52 VP.	1
10.1		> HOUSING-PIPE Ø204-M+3604/5203-304	1
11	4181071	CENTRALIZER HELIX 8" M+36 1.4301 VP.	1
12	4161186	SHAFT EQUIPMENT HELIX V36 8" KIT	1
13		HYDRAULIC HELIX V 3604	1
14	2123751	SHAFT D.22 LG.487,34 HELIX 1.4057 VP.	1
15	4161185	EQUIPED HOUSING HELIX 36 GJL KIT	1
15.1		> PUMP HOUSING SET with CATA. PARTS-DN65	1
15.3	4143766	> DRAIN/PRIMING PLUG EPDM HELIX KIT	1
15.3A		>> PRIMING/DRAIN PLUG-304-VERSION 1	1

HELIX VE3604-3/25/E/KS (4166213)

Item	Article no.	Description	Quantity
15.3B	4032293	>> O-RING-10x3-EPDM-KTW/WRC	1
15.3C	4233957	>> O-RING ID.9 EPDM VP.	1
15.4	4221729	> BASE M+ DN50/65/80 VP.	1
15.5		> SCREW TBHC M12x25 ISO7380 ZN	1
15.6		> FLANGE M+ DN65 NF PN16-25 ASME PN16 CATA	1
15.7		> O-RING Ø79.5xØ3 EPDM	1
13.1A	4161200	> NECK RING 1.STAGE HELIX V36/52 KIT	1
		>> NECK-RING-M+36/52	1
		>> HYDRAULIC SUPPORT CAP M+36/52 304	1
		>> SCREW TCL M3X8 A4 POZIDRIV	1
7.3	4179571	> O-RING HOUSING PIPE HELIX22/36/52 VP.	1

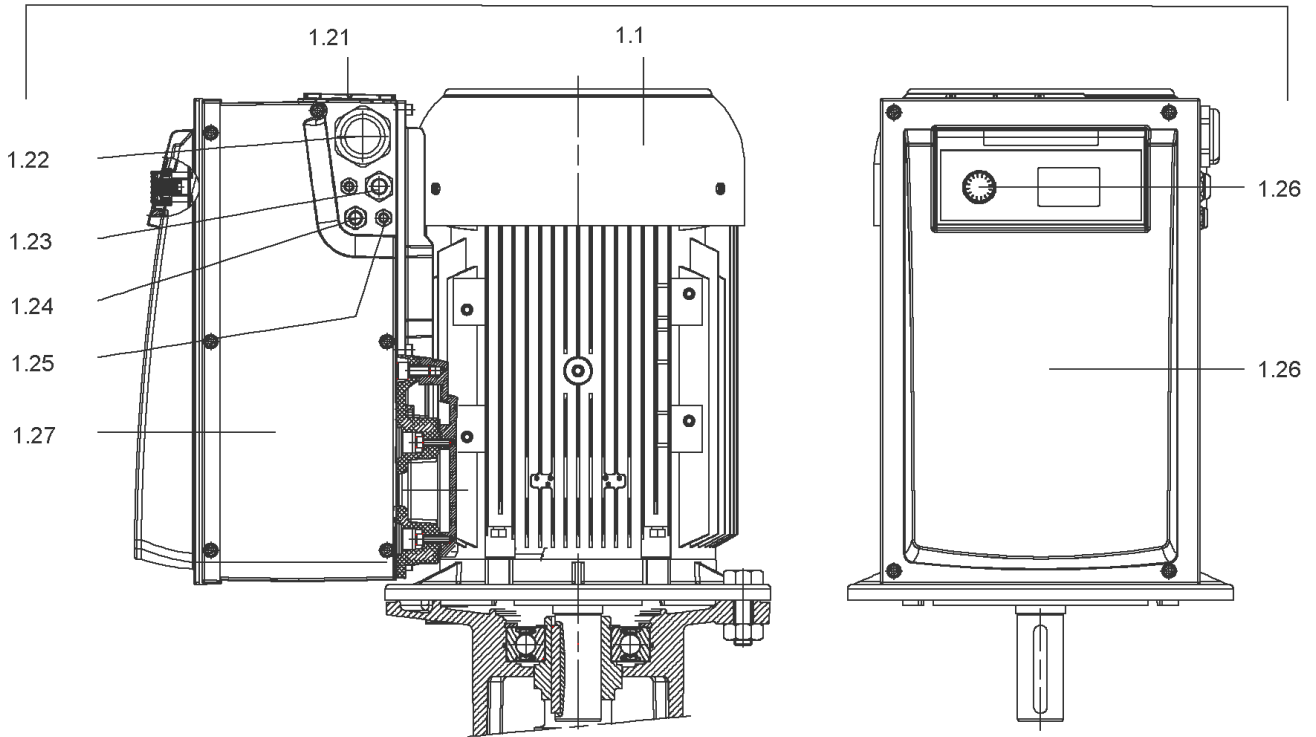
1



DRIVE HELIX VE3604-IE2-ARC KIT

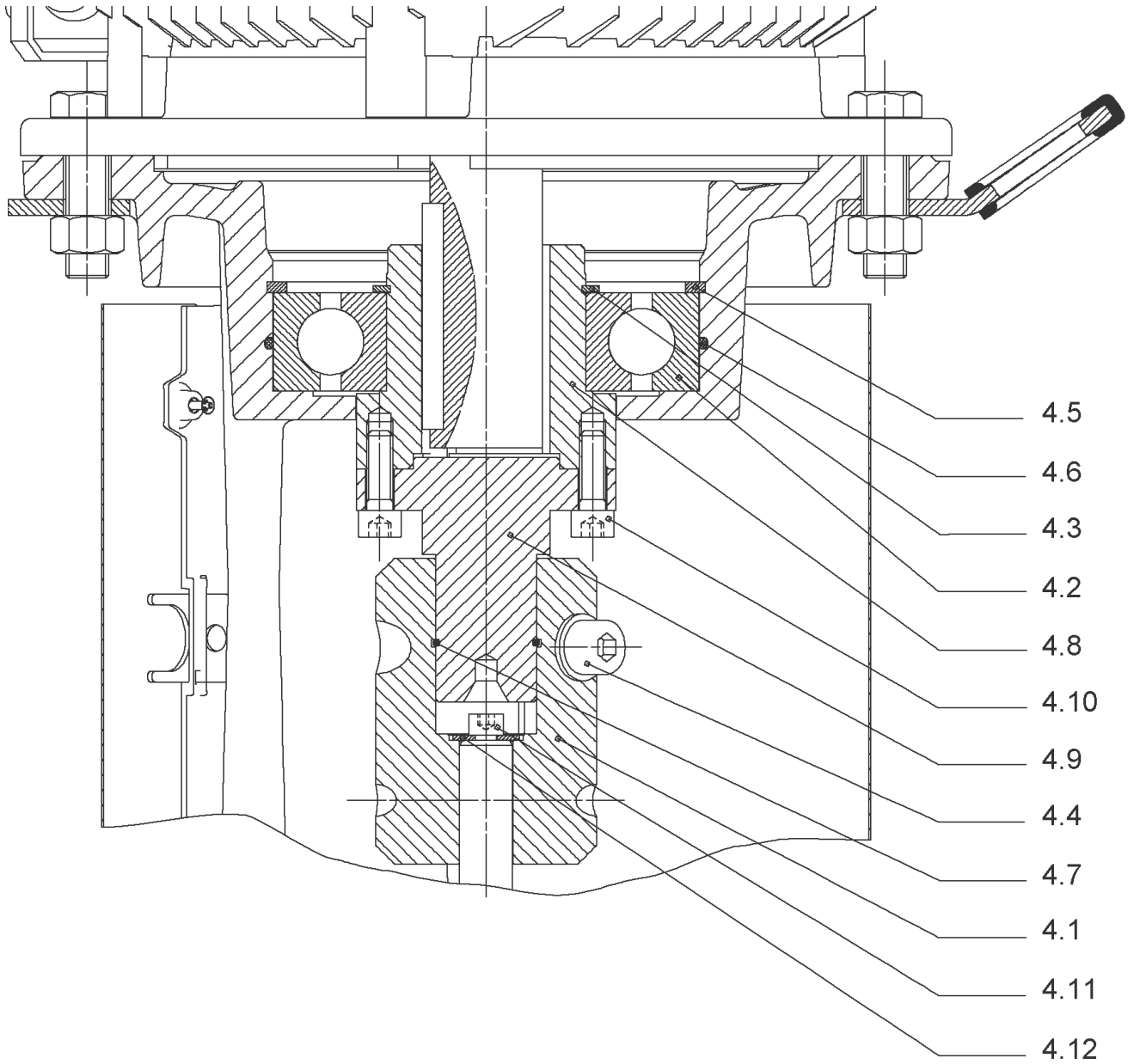
Item	Article no.	Description	Quantity
1.1		M11-2T540P55V1-160F300-N42-IE2	1
		SPARE PARTS MOTOR:ON REQUEST	1
1.21	2132102	FAN SMALL TL6/7 FF KIT	1
1.25	2132097	CABLE CONNECTION M12 TL6/7 FF VP.	1
1.24	2132098	CABLE CONNECTION M16 TL6/7 FF VP.	1
1.23	2132099	CABLE CONNECTION M20 TL6/7 FF VP.	1
1.22	2132100	CABLE CONNECTION SMALL M40 TL6/7 FF VP.	1
1.27	2132104	COVER SIDE TL6/7 FF CPL.VP.	1
1.26	2132452	MODULE COVER/BUTTON TL6/7 FF VP.	1

1



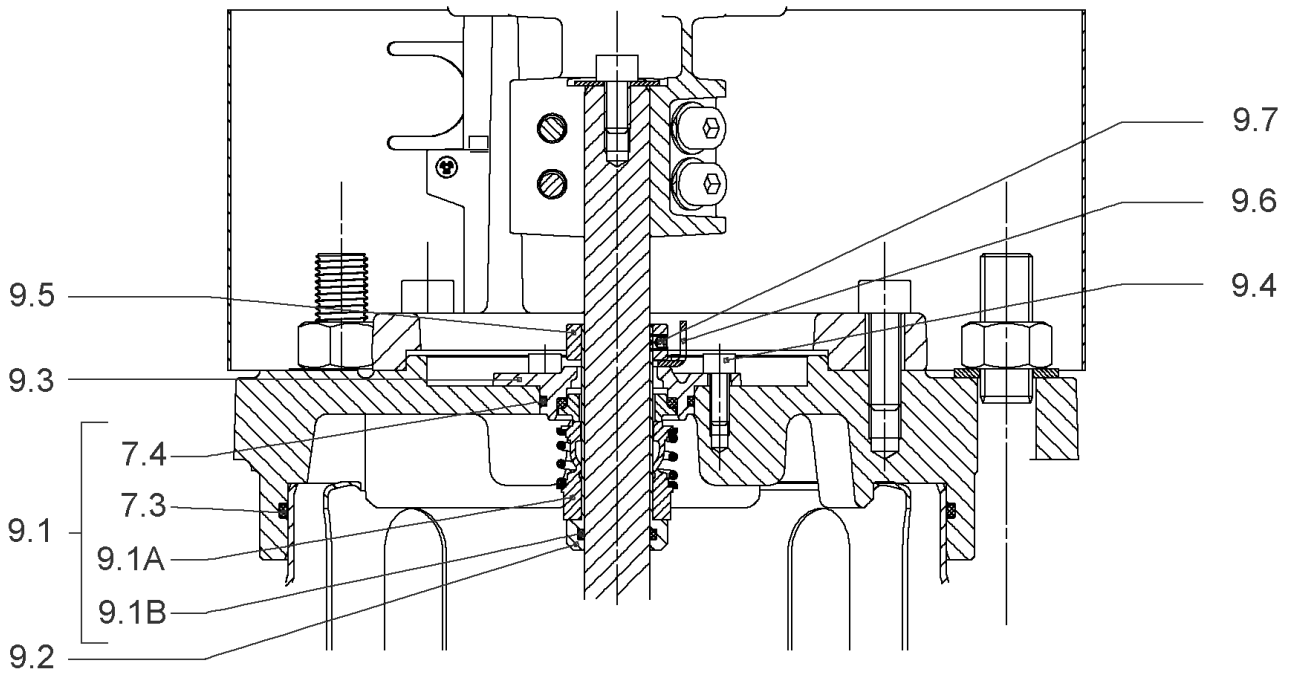
DRIVE HELIX VE3604-IE4-WEG KIT (4218537)

Item	Article no.	Description	Quantity
1.1		M11-2T540P55V1-160F30-N42-ADAPT-IE4-WEG	1
		SPARE PARTS MOTOR:ON REQUEST	1
1.21	2132102	FAN SMALL TL6/7 FF KIT	1
1.25	2132097	CABLE CONNECTION M12 TL6/7 FF VP.	1
1.24	2132098	CABLE CONNECTION M16 TL6/7 FF VP.	1
1.23	2132099	CABLE CONNECTION M20 TL6/7 FF VP.	1
1.22	2132100	CABLE CONNECTION SMALL M40 TL6/7 FF VP.	1
1.27	2132104	COVER SIDE TL6/7 FF CPL.VP.	1
1.26	2132452	MODULE COVER/BUTTON TL6/7 FF VP.	1



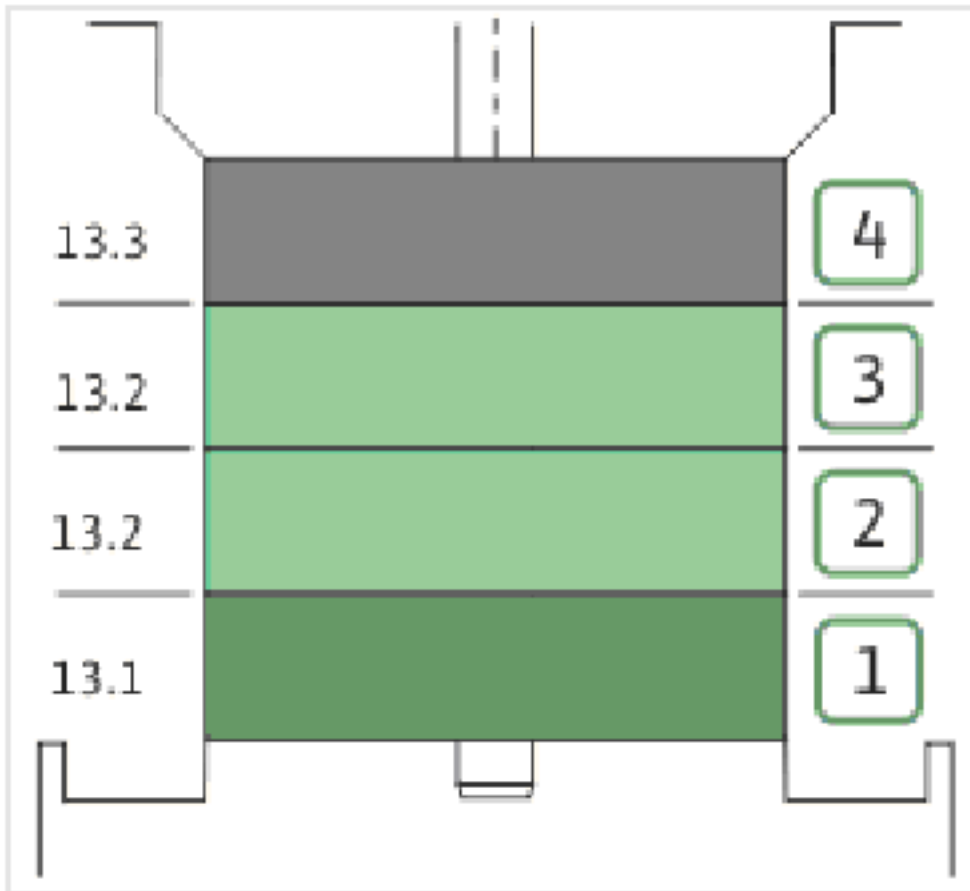
COUPLING D.20XD.38 FF300 KIT (4143966)

Item	Article no.	Description	Quantity
4.1	4179590	COUPLING 2 PARTS D.20XD.38XL115 VP.	1
4.2	2123699	BALL BEARING 6312/2Z-C4 (HT) VP.	1
4.3	63428	CIRCLIP-FOR-SHAFT-D60x2	1
4.4	2130991	SCREW M12X30 ISO4762 8.8 ZN(4 PIECES)	1
4.5	4032277	CIRCLIP-HOLE-130x4	1
4.6	4006725	O-RING ID.132,94x3,53 NBR70SR	1
4.7	2130992	RETAINING RING D.35xD.2,5 DIN7993 VP.	1
4.8	4179591	HUB D.42xD.60 VP.	1
4.9	2130994	SPACER D.38XD.55 VP.	1
4.10	4094462	SCREWS M10 (4 PIECES)	1
4.11	4233959	SCREW M8x16 VP.	1
4.12		SERRATED LOCK WASHER Ø8.2XØ25X35X2	1



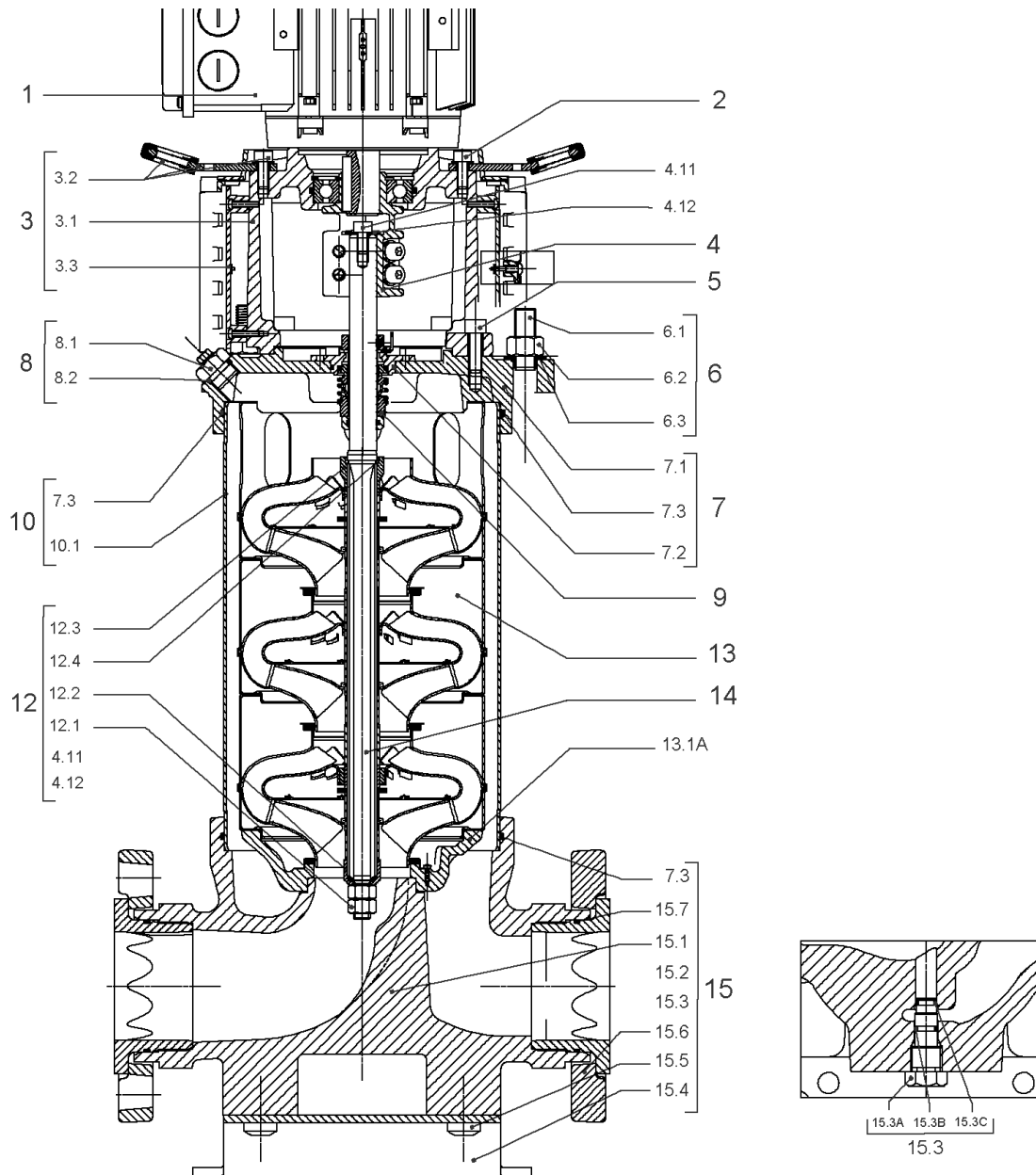
CARTRIDGE HELIX22-36-52 F/E KIT (4143975)

Item	Article no.	Description	Quantity
9.1	4143976	SEAL-KIT-HELIX22-36-52 F/E	1
7.3	4179571	> O-RING HOUSING PIPE HELIX22/36/52 VP.	1
7.4	4179572	> O-RING ID.42.52X2.62 EPDM VP.	1
9.1A	2127447	> M.SEAL.HELIX22-36-52 F/E VP.	1
9.1B	4179574	> O-RING ID.20x2.65 EPDM VP.	1
9.2	4179566	SHAFT SLEEVE D.20/20X60 1.4404 VP.	1
9.3	4179567	RING HOLDER Ø22 1.4301 VP.	1
9.4	4176520	SCREW CH M5x5 A4-70 (3PIECES)	1
9.5	4179568	DRIVE RING D.31/22.1x11 MACH.VP.	1
9.6	4179569	TOOL M.S.CART.HELIX 8" VP.	1
9.7	4179570	SCREW M6X16 ISO4762 8.8 GEOMET(4 PIECES)	1



HYDRAULIC HELIX V 3604

Item	Article no.	Description	Quantity
13.1	4161192	INTERMEDIATE STAGE HELIX V36 1.4301 KIT	1
		> SLEEVE-SPACER-D22XL16,66-316L	1
		> MACH.BEARING-DIFFUSER+NR-M+36-304	1
		> SHAFT-SLEEVE-D26xD22x16-CW	1
		> IMPELLER-H1-M+36-304	1
13.1A	4161200	> NECK RING 1.STAGE HELIX V36/52 KIT	1
		>> NECK-RING-M+36/52	1
		>> HYDRAULIC SUPPORT CAP M+36/52 304	1
		>> SCREW TCL M3X8 A4 POZIDRIV	1
13.2	4161193	INTERMEDIATE STAGE HELIX V36 1.4301 KIT	1
		> MACH.STD-DIFFUSER+NR-M+36-304	1
		> IMPELLER-H4-M+36-304	1
13.3	4161194	UPPER STAGE HELIX 36 1.4301 KIT	1
		> STOP COLLAR OF IMPELLER L20-Ø22-316L	1
		> IMPELLER-H4-M+36-304	1
		> MACH.-RIGID-STD-DISCH.-CHAMBER-M+36-304	1



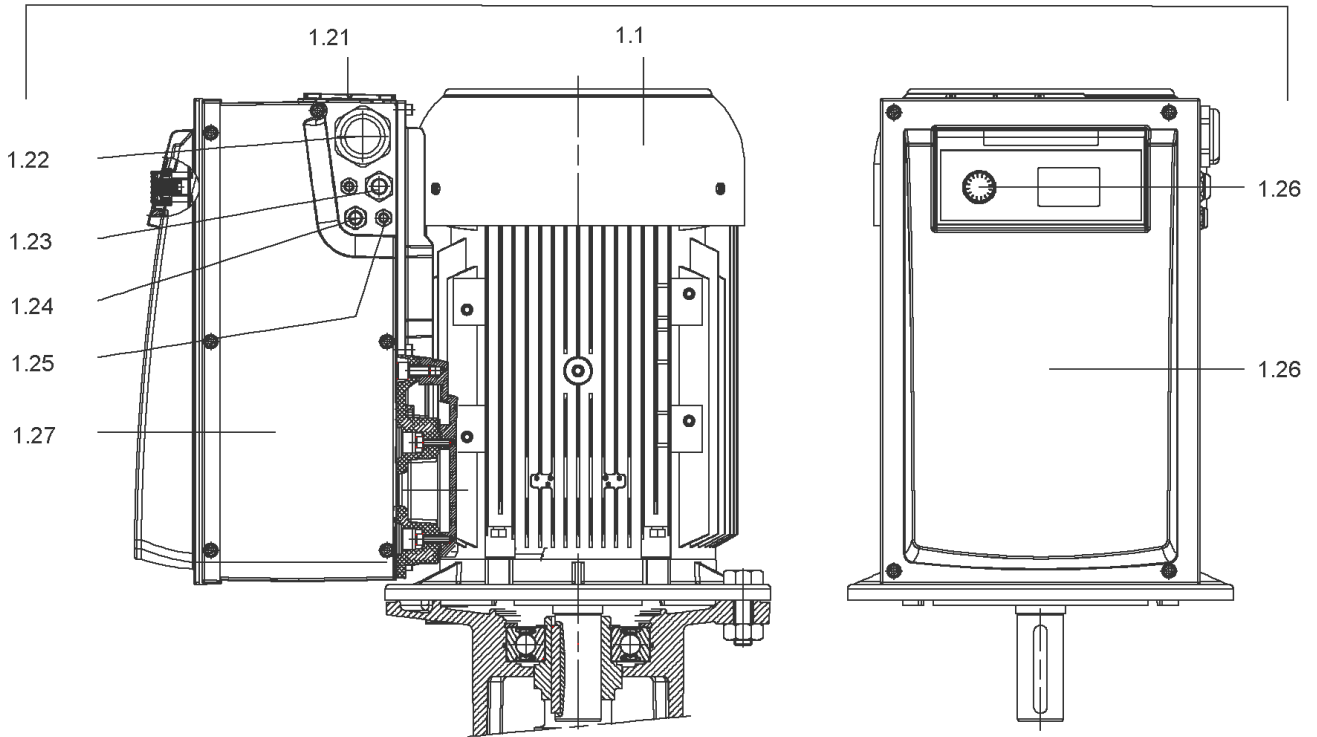
HELIX VE3605-3/16/E/K/2G (4166212)

Item	Article no.	Description	Quantity
1		DRIVE HELIX VE3605-IE2-ARC KIT	1
Note: no longer available/nicht mehr lieferbar/n'est plus disponible			
1	4218532	DRIVE HELIX VE3605-IE4-WEG KIT	1
Note: MOTOR BRAND WEG			
2	4179586	SCREW M16X60 (4 PIECES)	1
3	4157721	LANTERN HELIX 22/36 FF300 BB6312 KIT	1
3.1		> LANTERN FF300 M+ GJL MACHINED+CATA 6312	1
3.2	4179589	> EYELET CPL.FF300 HELIX(4 PIECES)	1
3.3	4143969	> COUPLING PROTECT HELIX FF KIT	1
4	4143966	COUPLING D.20XD.38 FF300 KIT	1
5	4157725	SCREW M10X40 (4 PIECES)	1
6	4181083	STUD BOLT M16X466 KIT	1
6.1		> TIE BOLT M16-466x24x44-1.4057	1
6.2	4179562	> NUT M16 8.8 ISO4032 (4 PIECES)	1
6.3	4097852	> WASHER-CS-16.4-32-2.8-NFE25-511-A2	1
7	4179565	END SHIELD HELIX 8" EPDM KIT	1
7.1		> END SHIELD M+ GJL MACHINED+CATA	1
7.2	4179564	> O-RING D.42.52x2.62 EPDM VP.	1
7.3	4179571	> O-RING HOUSING PIPE HELIX22/36/52 VP.	1
8	4186377	FILING/PURGING PLUG 304 HELIX KIT	1
8.1		> FILLING/VENTING-PLUG-MVI8/10"-304	1
8.2	4032291	> O-RING 17x3 EPDM KTW/WRC	1
9	4143973	CARTRIDGE HELIX22-36-52 O/E KIT	1
10	2131084	HOUSING PIPE D.204x397,44 1.4307 KIT	1
7.3	4179571	> O-RING HOUSING PIPE HELIX22/36/52 VP.	1
10.1		> HOUSING-PIPE Ø204-M+3605-304	1
11	4181071	CENTRALIZER HELIX 8" M+36 1.4301 VP.	1
12	4161186	SHAFT EQUIPMENT HELIX V36 8" KIT	1
13		HYDRAULIC HELIX V 3605	1
14	4179578	SHAFT D.22X554 1.4057 VP.	1
15	4161185	EQUIPED HOUSING HELIX 36 GJL KIT	1
15.1		> PUMP HOUSING SET with CATA. PARTS-DN65	1
15.3	4143766	> DRAIN/PRIMING PLUG EPDM HELIX KIT	1
15.3A		>> PRIMING/DRAIN PLUG-304-VERSION 1	1

HELIX VE3605-3/16/E/K/2G (4166212)

Item	Article no.	Description	Quantity
15.3B	4032293	>> O-RING-10x3-EPDM-KTW/WRC	1
15.3C	4233957	>> O-RING ID.9 EPDM VP.	1
15.4	4221729	> BASE M+ DN50/65/80 VP.	1
15.5		> SCREW TBHC M12x25 ISO7380 ZN	1
15.6		> FLANGE M+ DN65 NF PN16-25 ASME PN16 CATA	1
15.7		> O-RING Ø79.5xØ3 EPDM	1
13.1A	4161200	> NECK RING 1.STAGE HELIX V36/52 KIT	1
		>> NECK-RING-M+36/52	1
		>> HYDRAULIC SUPPORT CAP M+36/52 304	1
		>> SCREW TCL M3X8 A4 POZIDRIV	1
7.3	4179571	> O-RING HOUSING PIPE HELIX22/36/52 VP.	1

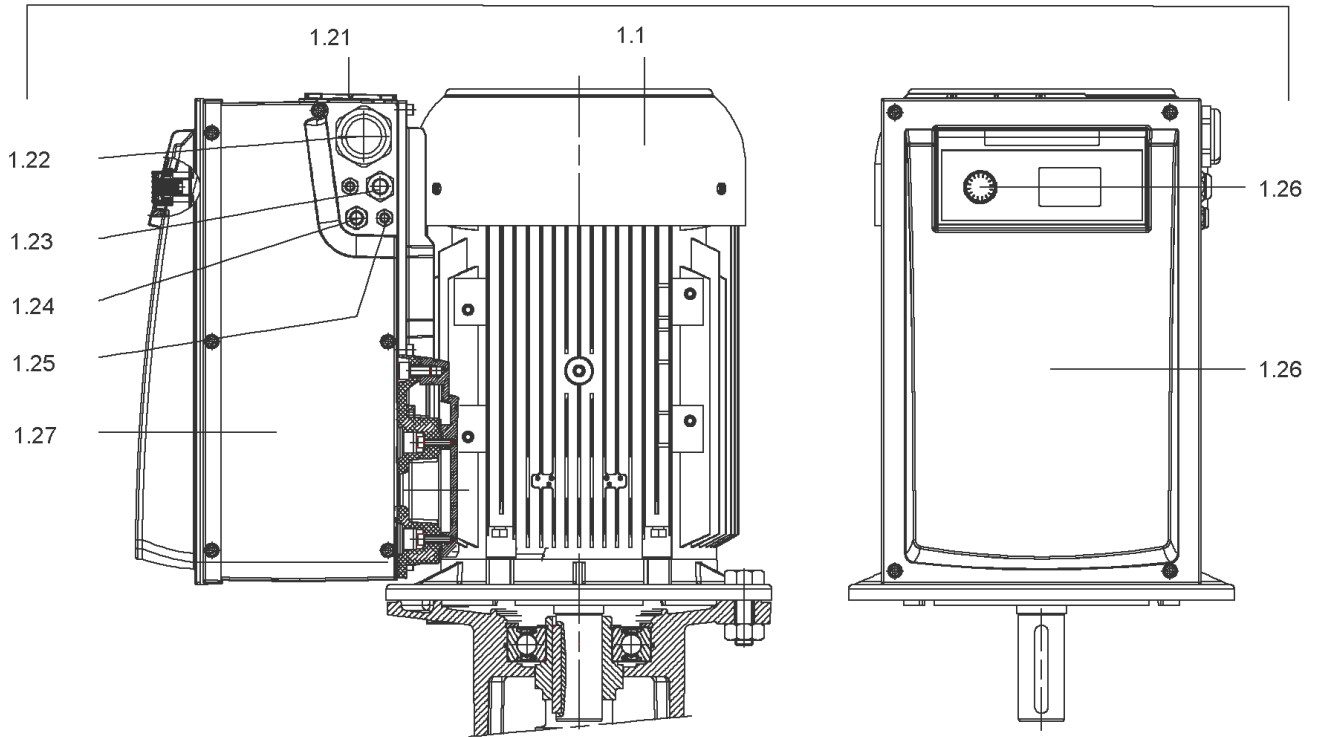
1



DRIVE HELIX VE3605-IE2-ARC KIT

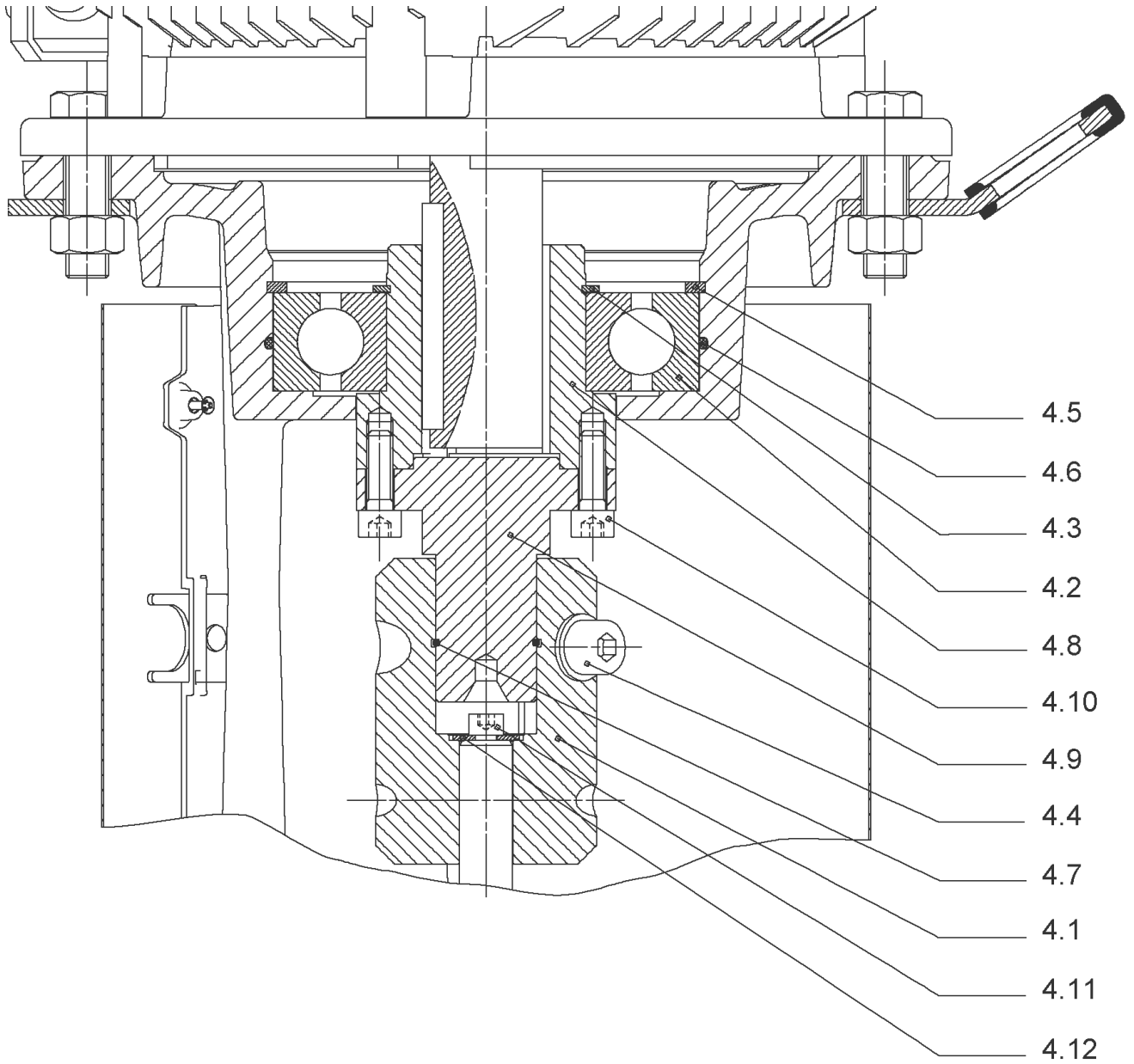
Item	Article no.	Description	Quantity
1.1		M15-2T540P55V1-160F300-N42-IE2	1
		SPARE PARTS MOTOR:ON REQUEST	1
1.21	2132102	FAN SMALL TL6/7 FF KIT	1
1.25	2132097	CABLE CONNECTION M12 TL6/7 FF VP.	1
1.24	2132098	CABLE CONNECTION M16 TL6/7 FF VP.	1
1.23	2132099	CABLE CONNECTION M20 TL6/7 FF VP.	1
1.22	2132100	CABLE CONNECTION SMALL M40 TL6/7 FF VP.	1
1.27	2132104	COVER SIDE TL6/7 FF CPL.VP.	1
1.26	2132452	MODULE COVER/BUTTON TL6/7 FF VP.	1

1



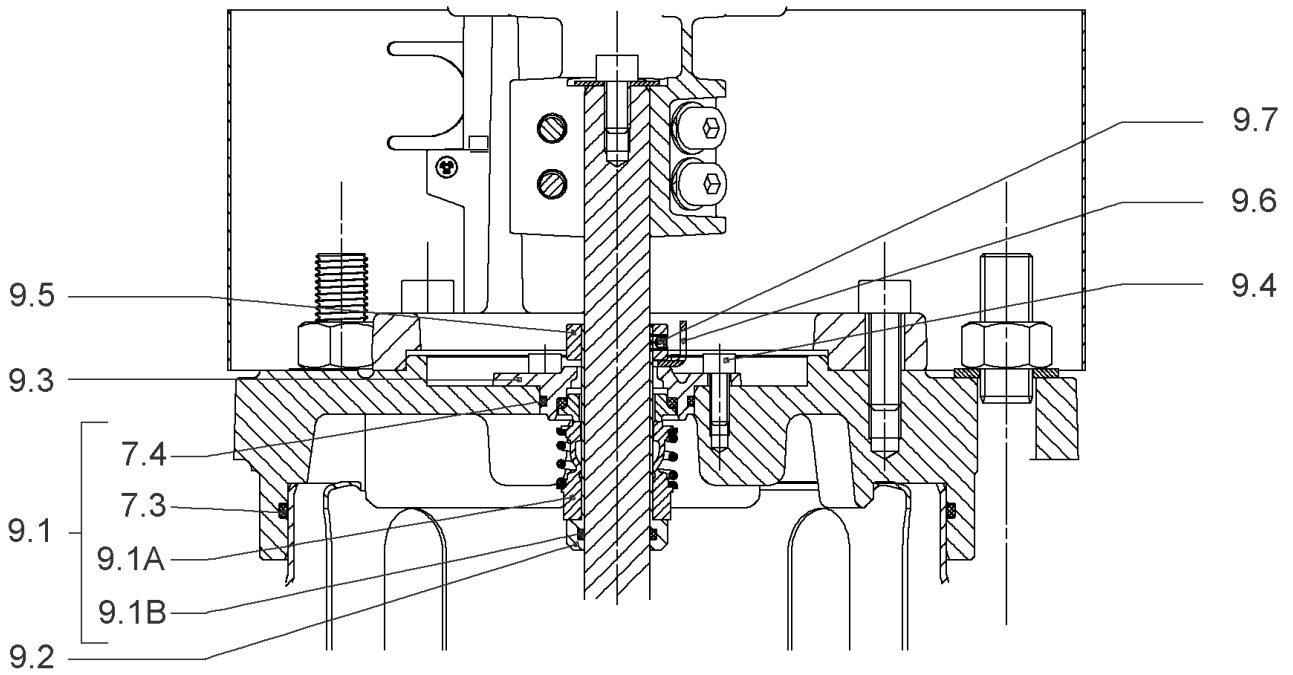
DRIVE HELIX VE3605-IE4-WEG KIT (4218532)

Item	Article no.	Description	Quantity
1.1		M15-2T540P55V1-160F30-N42-ADAPT-IE4-WEG	1
		SPARE PARTS MOTOR:ON REQUEST	1
1.21	2132102	FAN SMALL TL6/7 FF KIT	1
1.25	2132097	CABLE CONNECTION M12 TL6/7 FF VP.	1
1.24	2132098	CABLE CONNECTION M16 TL6/7 FF VP.	1
1.23	2132099	CABLE CONNECTION M20 TL6/7 FF VP.	1
1.22	2132100	CABLE CONNECTION SMALL M40 TL6/7 FF VP.	1
1.27	2132104	COVER SIDE TL6/7 FF CPL.VP.	1
1.26	2132452	MODULE COVER/BUTTON TL6/7 FF VP.	1



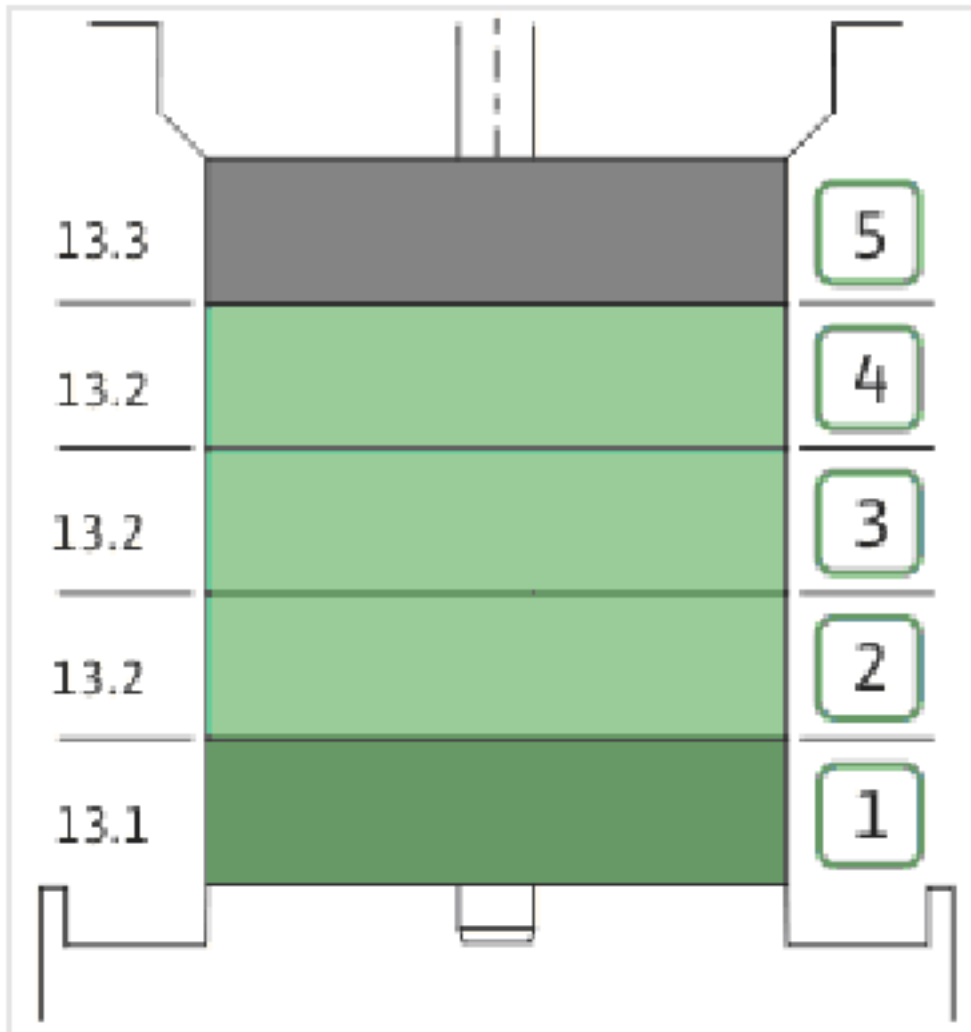
COUPLING D.20XD.38 FF300 KIT (4143966)

Item	Article no.	Description	Quantity
4.1	4179590	COUPLING 2 PARTS D.20XD.38XL115 VP.	1
4.2	2123699	BALL BEARING 6312/2Z-C4 (HT) VP.	1
4.3	63428	CIRCLIP-FOR-SHAFT-D60x2	1
4.4	2130991	SCREW M12X30 ISO4762 8.8 ZN(4 PIECES)	1
4.5	4032277	CIRCLIP-HOLE-130x4	1
4.6	4006725	O-RING ID.132,94x3,53 NBR70SR	1
4.7	2130992	RETAINING RING D.35xD.2,5 DIN7993 VP.	1
4.8	4179591	HUB D.42xD.60 VP.	1
4.9	2130994	SPACER D.38XD.55 VP.	1
4.10	4094462	SCREWS M10 (4 PIECES)	1
4.11	4233959	SCREW M8x16 VP.	1
4.12		SERRATED LOCK WASHER Ø8.2XØ25X35X2	1



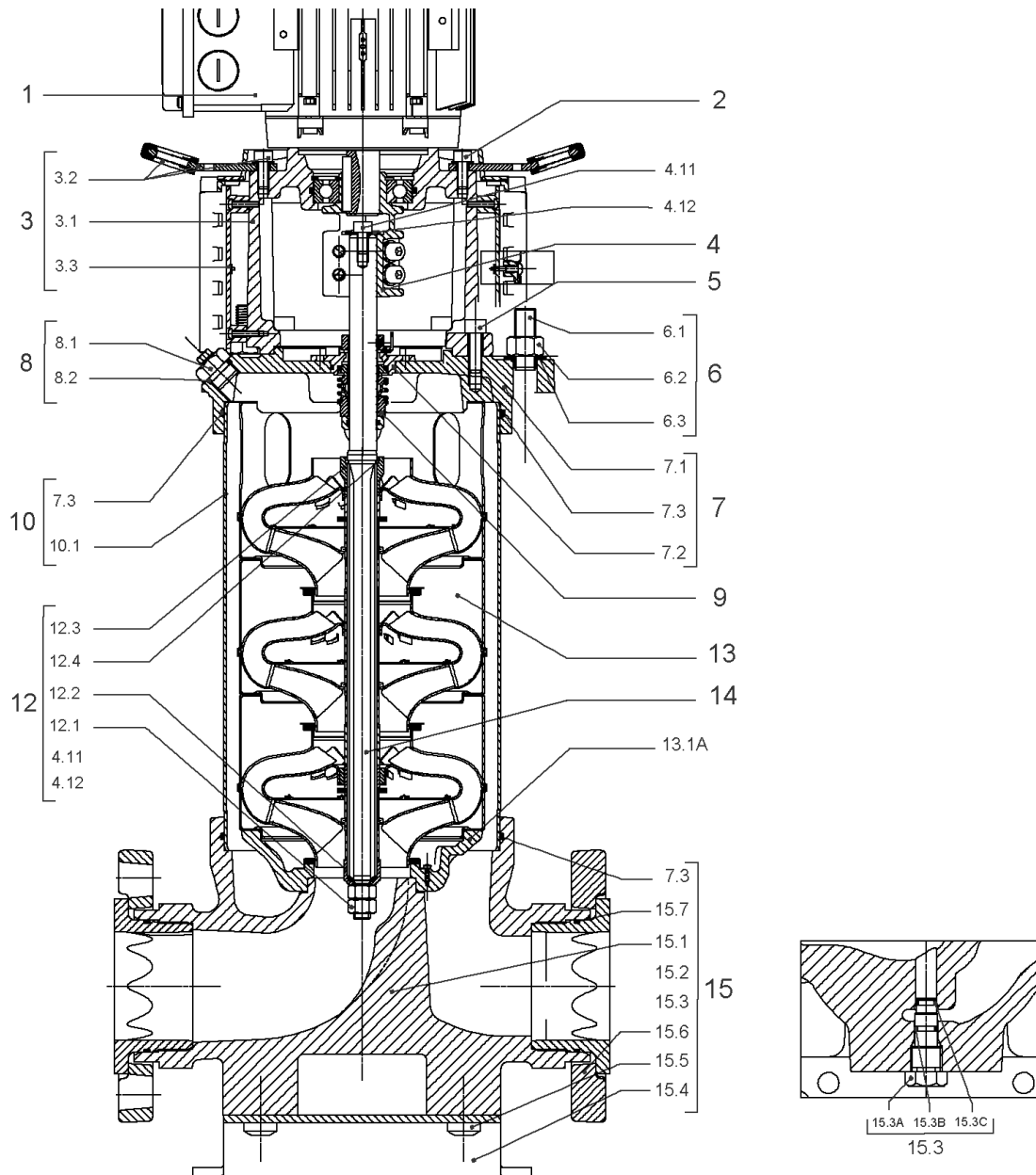
CARTRIDGE HELIX22-36-52 O/E KIT (4143973)

Item	Article no.	Description	Quantity
9.1	4143974	SEAL-KIT-HELIX22-36-52 O/E	1
7.3	4179571	> O-RING HOUSING PIPE HELIX22/36/52 VP.	1
7.4	4179572	> O-RING ID.42.52X2.62 EPDM VP.	1
9.1A	4179573	> M.SEAL.HELIX22-36-52 O/E VP.	1
9.1B	4179574	> O-RING ID.20x2.65 EPDM VP.	1
9.2	4179566	SHAFT SLEEVE D.20/20X60 1.4404 VP.	1
9.3	4179567	RING HOLDER Ø22 1.4301 VP.	1
9.4	4176520	SCREW CH M5x5 A4-70 (3PIECES)	1
9.5	4179568	DRIVE RING D.31/22.1x11 MACH.VP.	1
9.6	4179569	TOOL M.S.CART.HELIX 8" VP.	1
9.7	4179570	SCREW M6X16 ISO4762 8.8 GEOMET(4 PIECES)	1



HYDRAULIC HELIX V 3605

Item	Article no.	Description	Quantity
13.1	4161192	INTERMEDIATE STAGE HELIX V36 1.4301 KIT	1
		> SLEEVE-SPACER-D22XL16,66-316L	1
		> MACH.BEARING-DIFFUSER+NR-M+36-304	1
		> SHAFT-SLEEVE-D26xD22x16-CW	1
		> IMPELLER-H1-M+36-304	1
13.1A	4161200	> NECK RING 1.STAGE HELIX V36/52 KIT	1
		>> NECK-RING-M+36/52	1
		>> HYDRAULIC SUPPORT CAP M+36/52 304	1
		>> SCREW TCL M3X8 A4 POZIDRIV	1
13.2	4161193	INTERMEDIATE STAGE HELIX V36 1.4301 KIT	1
		> MACH.STD-DIFFUSER+NR-M+36-304	1
		> IMPELLER-H4-M+36-304	1
13.3	4161194	UPPER STAGE HELIX 36 1.4301 KIT	1
		> STOP COLLAR OF IMPELLER L20-Ø22-316L	1
		> IMPELLER-H4-M+36-304	1
		> MACH.-RIGID-STD-DISCH.-CHAMBER-M+36-304	1



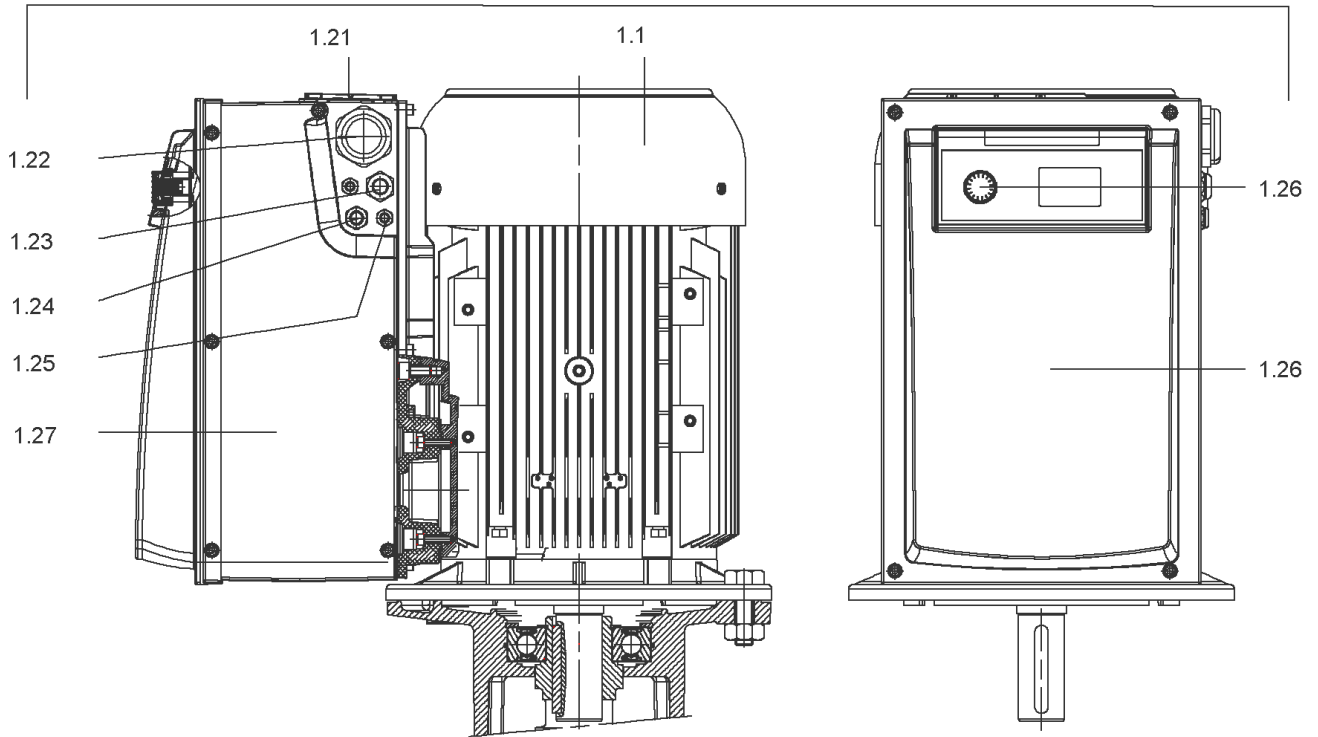
HELIX VE3605-3/16/E/KS/2G (4166218)

Item	Article no.	Description	Quantity
1		DRIVE HELIX VE3605-IE2-ARC KIT	1
Note: no longer available/nicht mehr lieferbar/n'est plus disponible			
1	4218532	DRIVE HELIX VE3605-IE4-WEG KIT	1
Note: MOTOR BRAND WEG			
2	4179586	SCREW M16X60 (4 PIECES)	1
3	4157721	LANTERN HELIX 22/36 FF300 BB6312 KIT	1
3.1		> LANTERN FF300 M+ GJL MACHINED+CATA 6312	1
3.2	4179589	> EYELET CPL.FF300 HELIX(4 PIECES)	1
3.3	4143969	> COUPLING PROTECT HELIX FF KIT	1
4	4143966	COUPLING D.20XD.38 FF300 KIT	1
5	4157725	SCREW M10X40 (4 PIECES)	1
6	4181083	STUD BOLT M16X466 KIT	1
6.1		> TIE BOLT M16-466x24x44-1.4057	1
6.2	4179562	> NUT M16 8.8 ISO4032 (4 PIECES)	1
6.3	4097852	> WASHER-CS-16.4-32-2.8-NFE25-511-A2	1
7	4179565	END SHIELD HELIX 8" EPDM KIT	1
7.1		> END SHIELD M+ GJL MACHINED+CATA	1
7.2	4179564	> O-RING D.42.52x2.62 EPDM VP.	1
7.3	4179571	> O-RING HOUSING PIPE HELIX22/36/52 VP.	1
8	4186377	FILING/PURGING PLUG 304 HELIX KIT	1
8.1		> FILLING/VENTING-PLUG-MVI8/10"-304	1
8.2	4032291	> O-RING 17x3 EPDM KTW/WRC	1
9	4143973	CARTRIDGE HELIX22-36-52 O/E KIT	1
10	2131084	HOUSING PIPE D.204x397,44 1.4307 KIT	1
7.3	4179571	> O-RING HOUSING PIPE HELIX22/36/52 VP.	1
10.1		> HOUSING-PIPE Ø204-M+3605-304	1
11	4181071	CENTRALIZER HELIX 8" M+36 1.4301 VP.	1
12	4161186	SHAFT EQUIPMENT HELIX V36 8" KIT	1
13		HYDRAULIC HELIX V 3605	1
14	4179578	SHAFT D.22X554 1.4057 VP.	1
15	4161185	EQUIPED HOUSING HELIX 36 GJL KIT	1
15.1		> PUMP HOUSING SET with CATA. PARTS-DN65	1
15.3	4143766	> DRAIN/PRIMING PLUG EPDM HELIX KIT	1
15.3A		>> PRIMING/DRAIN PLUG-304-VERSION 1	1

HELIX VE3605-3/16/E/KS/2G (4166218)

Item	Article no.	Description	Quantity
15.3B	4032293	>> O-RING-10x3-EPDM-KTW/WRC	1
15.3C	4233957	>> O-RING ID.9 EPDM VP.	1
15.4	4221729	> BASE M+ DN50/65/80 VP.	1
15.5		> SCREW TBHC M12x25 ISO7380 ZN	1
15.6		> FLANGE M+ DN65 NF PN16-25 ASME PN16 CATA	1
15.7		> O-RING Ø79.5xØ3 EPDM	1
13.1A	4161200	> NECK RING 1.STAGE HELIX V36/52 KIT	1
		>> NECK-RING-M+36/52	1
		>> HYDRAULIC SUPPORT CAP M+36/52 304	1
		>> SCREW TCL M3X8 A4 POZIDRIV	1
7.3	4179571	> O-RING HOUSING PIPE HELIX22/36/52 VP.	1

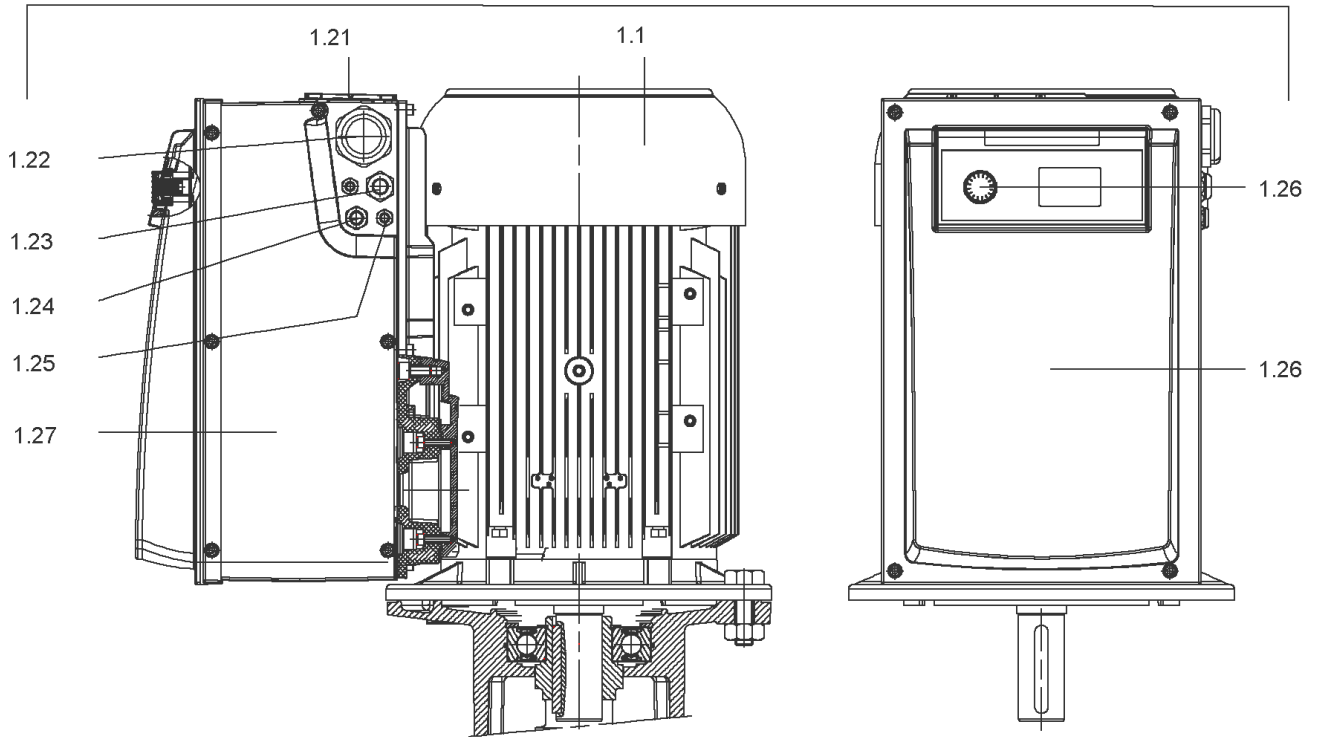
1



DRIVE HELIX VE3605-IE2-ARC KIT

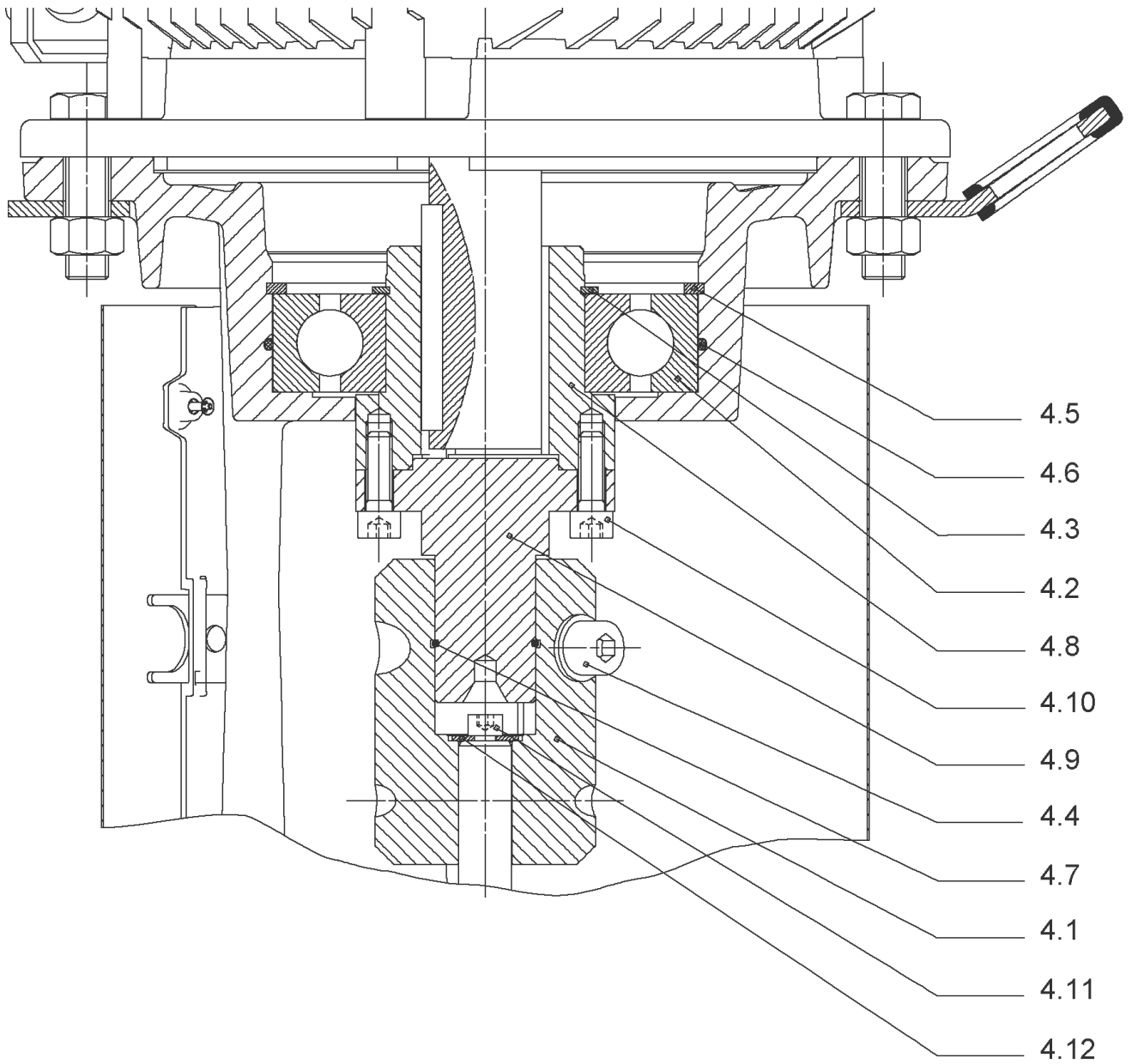
Item	Article no.	Description	Quantity
1.1		M15-2T540P55V1-160F300-N42-IE2	1
		SPARE PARTS MOTOR:ON REQUEST	1
1.21	2132102	FAN SMALL TL6/7 FF KIT	1
1.25	2132097	CABLE CONNECTION M12 TL6/7 FF VP.	1
1.24	2132098	CABLE CONNECTION M16 TL6/7 FF VP.	1
1.23	2132099	CABLE CONNECTION M20 TL6/7 FF VP.	1
1.22	2132100	CABLE CONNECTION SMALL M40 TL6/7 FF VP.	1
1.27	2132104	COVER SIDE TL6/7 FF CPL.VP.	1
1.26	2132452	MODULE COVER/BUTTON TL6/7 FF VP.	1

1



DRIVE HELIX VE3605-IE4-WEG KIT (4218532)

Item	Article no.	Description	Quantity
1.1		M15-2T540P55V1-160F30-N42-ADAPT-IE4-WEG	1
		SPARE PARTS MOTOR:ON REQUEST	1
1.21	2132102	FAN SMALL TL6/7 FF KIT	1
1.25	2132097	CABLE CONNECTION M12 TL6/7 FF VP.	1
1.24	2132098	CABLE CONNECTION M16 TL6/7 FF VP.	1
1.23	2132099	CABLE CONNECTION M20 TL6/7 FF VP.	1
1.22	2132100	CABLE CONNECTION SMALL M40 TL6/7 FF VP.	1
1.27	2132104	COVER SIDE TL6/7 FF CPL.VP.	1
1.26	2132452	MODULE COVER/BUTTON TL6/7 FF VP.	1



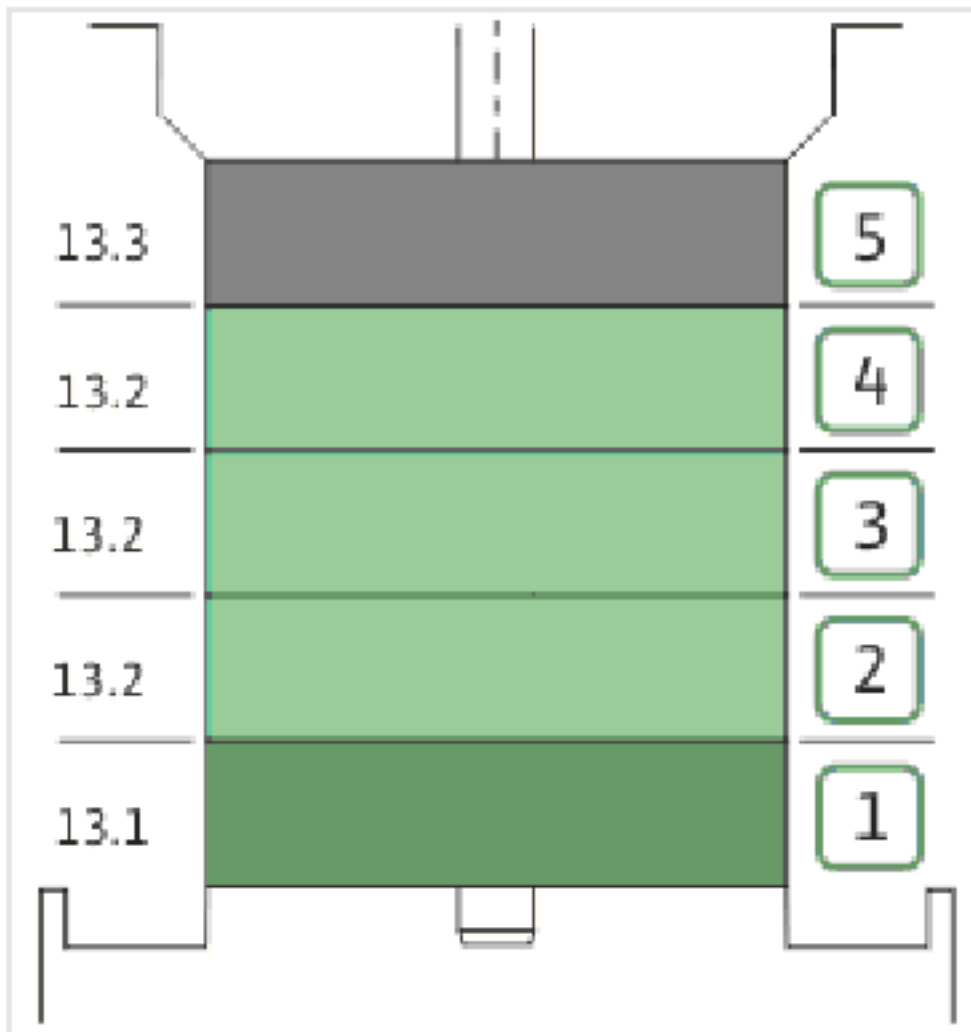
COUPLING D.20XD.38 FF300 KIT (4143966)

Item	Article no.	Description	Quantity
4.1	4179590	COUPLING 2 PARTS D.20XD.38XL115 VP.	1
4.2	2123699	BALL BEARING 6312/2Z-C4 (HT) VP.	1
4.3	63428	CIRCLIP-FOR-SHAFT-D60x2	1
4.4	2130991	SCREW M12X30 ISO4762 8.8 ZN(4 PIECES)	1
4.5	4032277	CIRCLIP-HOLE-130x4	1
4.6	4006725	O-RING ID.132,94x3,53 NBR70SR	1
4.7	2130992	RETAINING RING D.35xD.2,5 DIN7993 VP.	1
4.8	4179591	HUB D.42xD.60 VP.	1
4.9	2130994	SPACER D.38XD.55 VP.	1
4.10	4094462	SCREWS M10 (4 PIECES)	1
4.11	4233959	SCREW M8x16 VP.	1
4.12		SERRATED LOCK WASHER Ø8.2XØ25X35X2	1



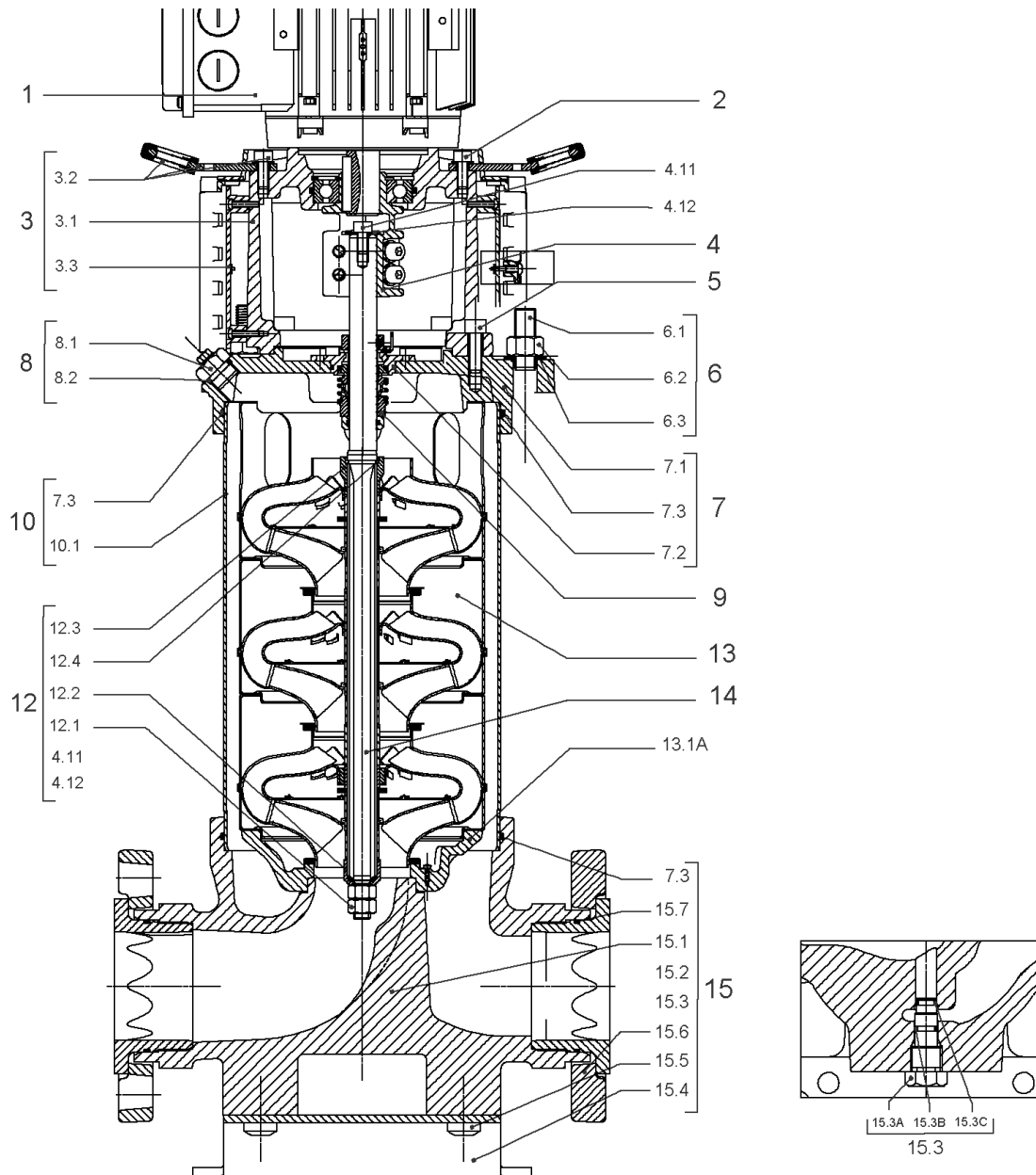
CARTRIDGE HELIX22-36-52 O/E KIT (4143973)

Item	Article no.	Description	Quantity
9.1	4143974	SEAL-KIT-HELIX22-36-52 O/E	1
7.3	4179571	> O-RING HOUSING PIPE HELIX22/36/52 VP.	1
7.4	4179572	> O-RING ID.42.52X2.62 EPDM VP.	1
9.1A	4179573	> M.SEAL.HELIX22-36-52 O/E VP.	1
9.1B	4179574	> O-RING ID.20x2.65 EPDM VP.	1
9.2	4179566	SHAFT SLEEVE D.20/20X60 1.4404 VP.	1
9.3	4179567	RING HOLDER Ø22 1.4301 VP.	1
9.4	4176520	SCREW CH M5x5 A4-70 (3PIECES)	1
9.5	4179568	DRIVE RING D.31/22.1x11 MACH.VP.	1
9.6	4179569	TOOL M.S.CART.HELIX 8" VP.	1
9.7	4179570	SCREW M6X16 ISO4762 8.8 GEOMET(4 PIECES)	1



HYDRAULIC HELIX V 3605

Item	Article no.	Description	Quantity
13.1	4161192	INTERMEDIATE STAGE HELIX V36 1.4301 KIT	1
		> SLEEVE-SPACER-D22XL16,66-316L	1
		> MACH.BEARING-DIFFUSER+NR-M+36-304	1
		> SHAFT-SLEEVE-D26xD22x16-CW	1
		> IMPELLER-H1-M+36-304	1
13.1A	4161200	> NECK RING 1.STAGE HELIX V36/52 KIT	1
		>> NECK-RING-M+36/52	1
		>> HYDRAULIC SUPPORT CAP M+36/52 304	1
		>> SCREW TCL M3X8 A4 POZIDRIV	1
13.2	4161193	INTERMEDIATE STAGE HELIX V36 1.4301 KIT	1
		> MACH.STD-DIFFUSER+NR-M+36-304	1
		> IMPELLER-H4-M+36-304	1
13.3	4161194	UPPER STAGE HELIX 36 1.4301 KIT	1
		> STOP COLLAR OF IMPELLER L20-Ø22-316L	1
		> IMPELLER-H4-M+36-304	1
		> MACH.-RIGID-STD-DISCH.-CHAMBER-M+36-304	1



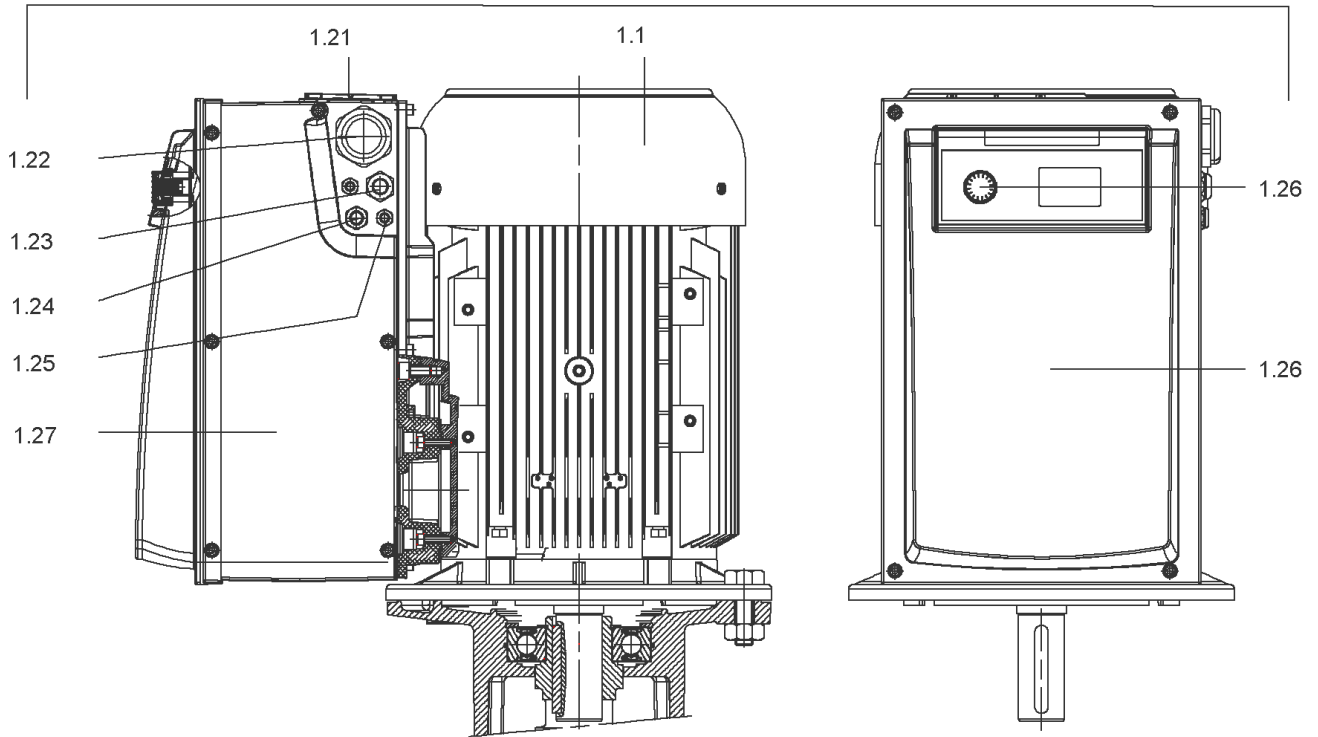
HELIX VE3605-4/16/E/KS/2G (4183463)

Item	Article no.	Description	Quantity
1		DRIVE HELIX VE3605-IE2-ARC KIT	1
Note: no longer available/nicht mehr lieferbar/n'est plus disponible			
1	4218532	DRIVE HELIX VE3605-IE4-WEG KIT	1
Note: MOTOR BRAND WEG			
2	4179586	SCREW M16X60 (4 PIECES)	1
3	4157721	LANTERN HELIX 22/36 FF300 BB6312 KIT	1
3.1		> LANTERN FF300 M+ GJL MACHINED+CATA 6312	1
3.2	4179589	> EYELET CPL.FF300 HELIX(4 PIECES)	1
3.3	4143969	> COUPLING PROTECT HELIX FF KIT	1
4	4143966	COUPLING D.20XD.38 FF300 KIT	1
5	4157725	SCREW M10X40 (4 PIECES)	1
6	4181083	STUD BOLT M16X466 KIT	1
6.1		> TIE BOLT M16-466x24x44-1.4057	1
6.2	4179562	> NUT M16 8.8 ISO4032 (4 PIECES)	1
6.3	4097852	> WASHER-CS-16.4-32-2.8-NFE25-511-A2	1
7	4179565	END SHIELD HELIX 8" EPDM KIT	1
7.1		> END SHIELD M+ GJL MACHINED+CATA	1
7.2	4179564	> O-RING D.42.52x2.62 EPDM VP.	1
7.3	4179571	> O-RING HOUSING PIPE HELIX22/36/52 VP.	1
8	4186377	FILING/PURGING PLUG 304 HELIX KIT	1
8.1		> FILLING/VENTING-PLUG-MVI8/10"-304	1
8.2	4032291	> O-RING 17x3 EPDM KTW/WRC	1
9	4143973	CARTRIDGE HELIX22-36-52 O/E KIT	1
10	2131084	HOUSING PIPE D.204x397,44 1.4307 KIT	1
7.3	4179571	> O-RING HOUSING PIPE HELIX22/36/52 VP.	1
10.1		> HOUSING-PIPE Ø204-M+3605-304	1
11	4181071	CENTRALIZER HELIX 8" M+36 1.4301 VP.	1
12	4161186	SHAFT EQUIPMENT HELIX V36 8" KIT	1
13		HYDRAULIC HELIX V 3605	1
14	4179578	SHAFT D.22X554 1.4057 VP.	1
15	4186381	EQUIPED HOUSING HELIX OPTI DN65 GJL KIT	1
15.1		> PUMP CASING MONO.M+8" DN65 PN16 DWA	1
15.2		> HYD.SUP.M+8" MONO.HOUSING DN65 DWA	1
15.3	4106048	> DRAIN/PRIMING PLUG EPDM HELIX FIRST KIT	1

HELIX VE3605-4/16/E/KS/2G (4183463)

Item	Article no.	Description	Quantity
15.3A		>> DRAIN AND PRIMING PLUG-VM110"-304	1
15.3B	4032293	>> O-RING-10x3-EPDM-KTW/WRC	1
15.3C	4233957	>> O-RING ID.9 EPDM VP.	1
7.3	4179571	> O-RING HOUSING PIPE HELIX22/36/52 VP.	1
13.1A	4161200	> NECK RING 1.STAGE HELIX V36/52 KIT	1
		>> NECK-RING-M+36/52	1
		>> HYDRAULIC SUPPORT CAP M+36/52 304	1
		>> SCREW TCL M3X8 A4 POZIDRIV	1

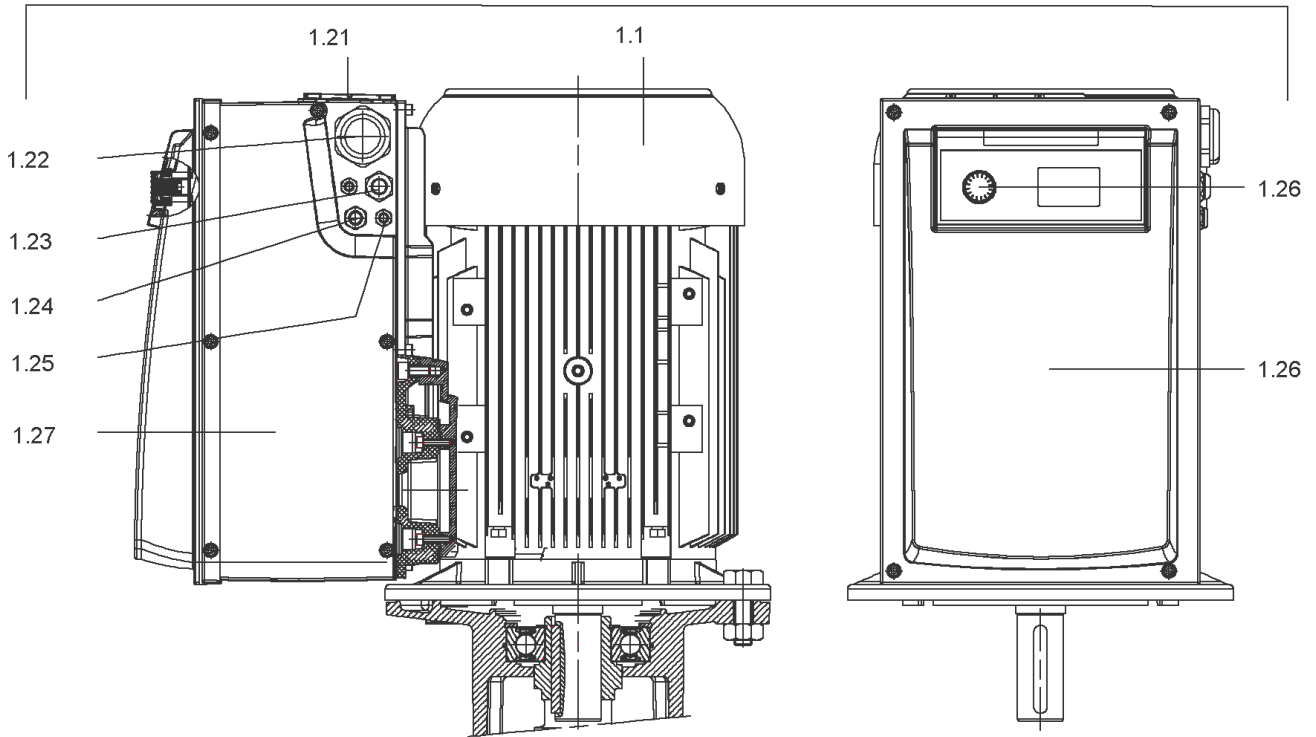
1



DRIVE HELIX VE3605-IE2-ARC KIT

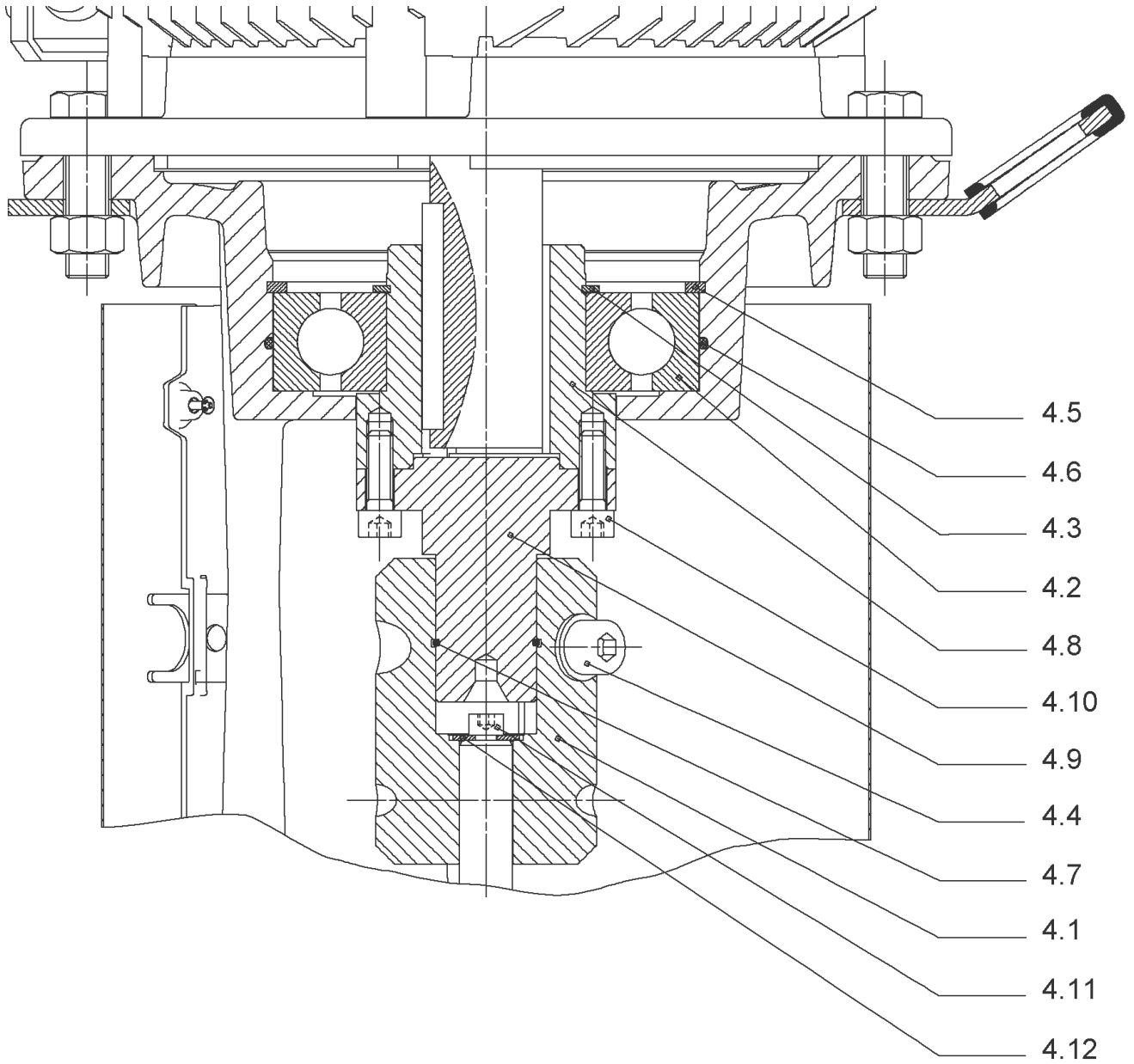
Item	Article no.	Description	Quantity
1.1		M15-2T540P55V1-160F300-N42-IE2	1
		SPARE PARTS MOTOR:ON REQUEST	1
1.21	2132102	FAN SMALL TL6/7 FF KIT	1
1.25	2132097	CABLE CONNECTION M12 TL6/7 FF VP.	1
1.24	2132098	CABLE CONNECTION M16 TL6/7 FF VP.	1
1.23	2132099	CABLE CONNECTION M20 TL6/7 FF VP.	1
1.22	2132100	CABLE CONNECTION SMALL M40 TL6/7 FF VP.	1
1.27	2132104	COVER SIDE TL6/7 FF CPL.VP.	1
1.26	2132452	MODULE COVER/BUTTON TL6/7 FF VP.	1

1



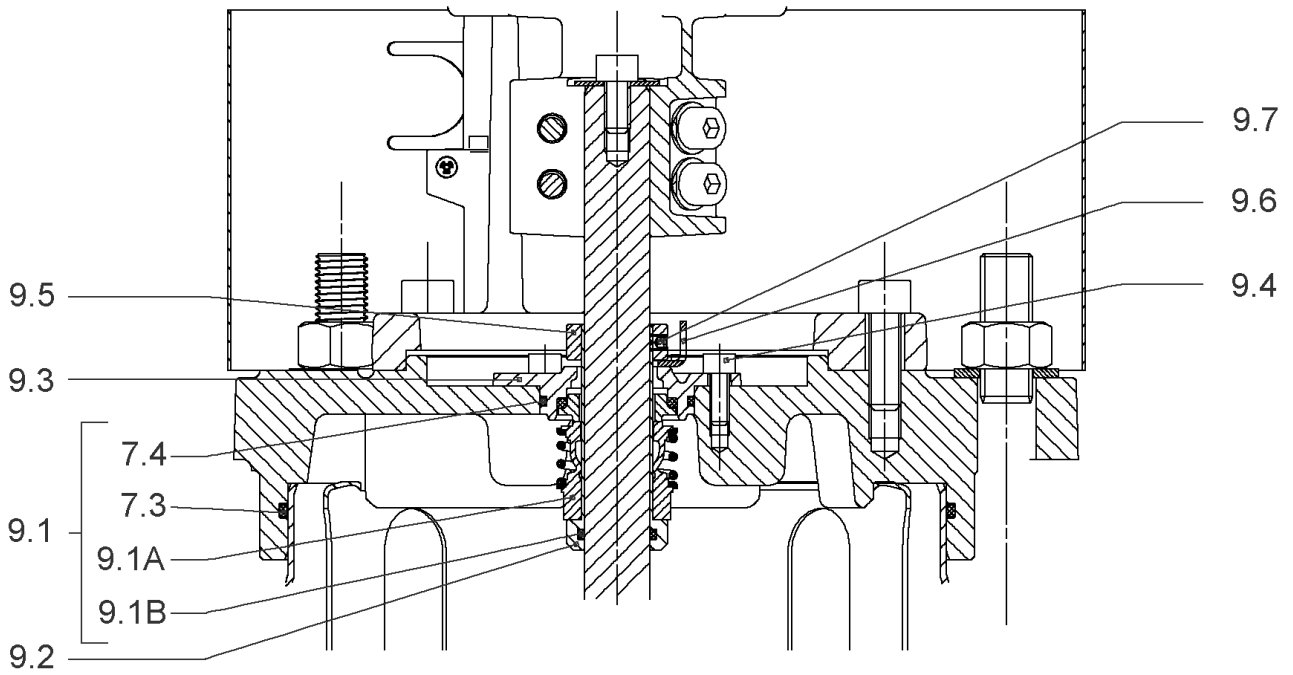
DRIVE HELIX VE3605-IE4-WEG KIT (4218532)

Item	Article no.	Description	Quantity
1.1		M15-2T540P55V1-160F30-N42-ADAPT-IE4-WEG	1
		SPARE PARTS MOTOR:ON REQUEST	1
1.21	2132102	FAN SMALL TL6/7 FF KIT	1
1.25	2132097	CABLE CONNECTION M12 TL6/7 FF VP.	1
1.24	2132098	CABLE CONNECTION M16 TL6/7 FF VP.	1
1.23	2132099	CABLE CONNECTION M20 TL6/7 FF VP.	1
1.22	2132100	CABLE CONNECTION SMALL M40 TL6/7 FF VP.	1
1.27	2132104	COVER SIDE TL6/7 FF CPL.VP.	1
1.26	2132452	MODULE COVER/BUTTON TL6/7 FF VP.	1



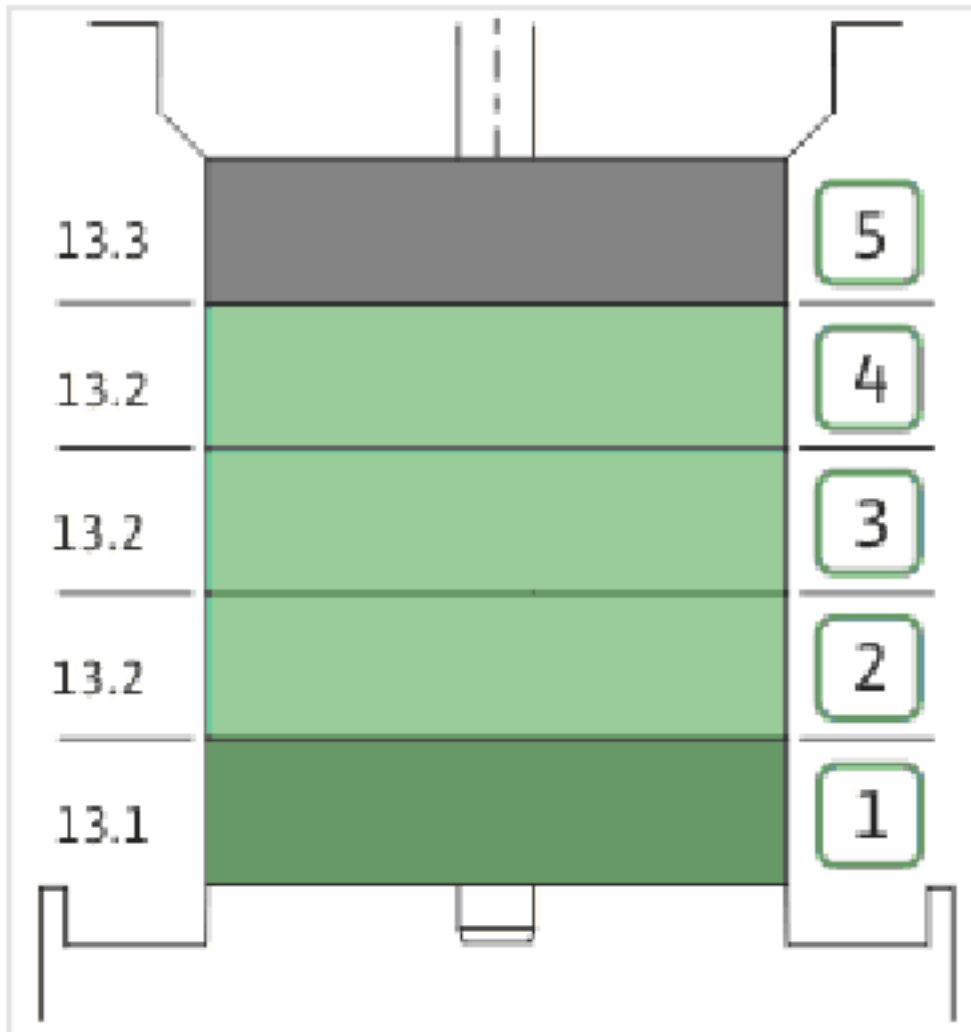
COUPLING D.20XD.38 FF300 KIT (4143966)

Item	Article no.	Description	Quantity
4.1	4179590	COUPLING 2 PARTS D.20XD.38XL115 VP.	1
4.2	2123699	BALL BEARING 6312/2Z-C4 (HT) VP.	1
4.3	63428	CIRCLIP-FOR-SHAFT-D60x2	1
4.4	2130991	SCREW M12X30 ISO4762 8.8 ZN(4 PIECES)	1
4.5	4032277	CIRCLIP-HOLE-130x4	1
4.6	4006725	O-RING ID.132,94x3,53 NBR70SR	1
4.7	2130992	RETAINING RING D.35xD.2,5 DIN7993 VP.	1
4.8	4179591	HUB D.42xD.60 VP.	1
4.9	2130994	SPACER D.38XD.55 VP.	1
4.10	4094462	SCREWS M10 (4 PIECES)	1
4.11	4233959	SCREW M8x16 VP.	1
4.12		SERRATED LOCK WASHER Ø8.2XØ25X35X2	1



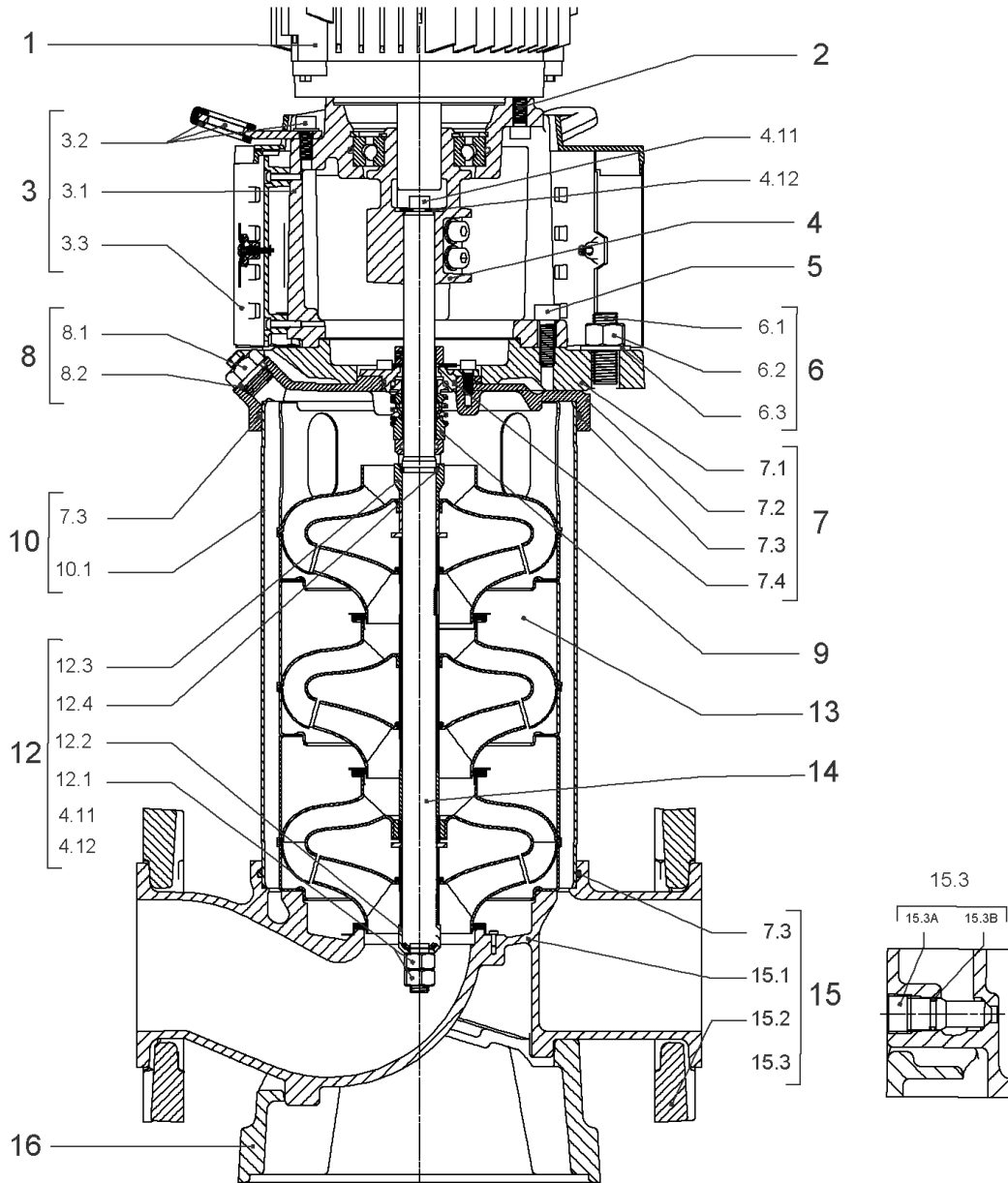
CARTRIDGE HELIX22-36-52 O/E KIT (4143973)

Item	Article no.	Description	Quantity
9.1	4143974	SEAL-KIT-HELIX22-36-52 O/E	1
7.3	4179571	> O-RING HOUSING PIPE HELIX22/36/52 VP.	1
7.4	4179572	> O-RING ID.42.52X2.62 EPDM VP.	1
9.1A	4179573	> M.SEAL.HELIX22-36-52 O/E VP.	1
9.1B	4179574	> O-RING ID.20x2.65 EPDM VP.	1
9.2	4179566	SHAFT SLEEVE D.20/20X60 1.4404 VP.	1
9.3	4179567	RING HOLDER Ø22 1.4301 VP.	1
9.4	4176520	SCREW CH M5x5 A4-70 (3PIECES)	1
9.5	4179568	DRIVE RING D.31/22.1x11 MACH.VP.	1
9.6	4179569	TOOL M.S.CART.HELIX 8" VP.	1
9.7	4179570	SCREW M6X16 ISO4762 8.8 GEOMET(4 PIECES)	1



HYDRAULIC HELIX V 3605

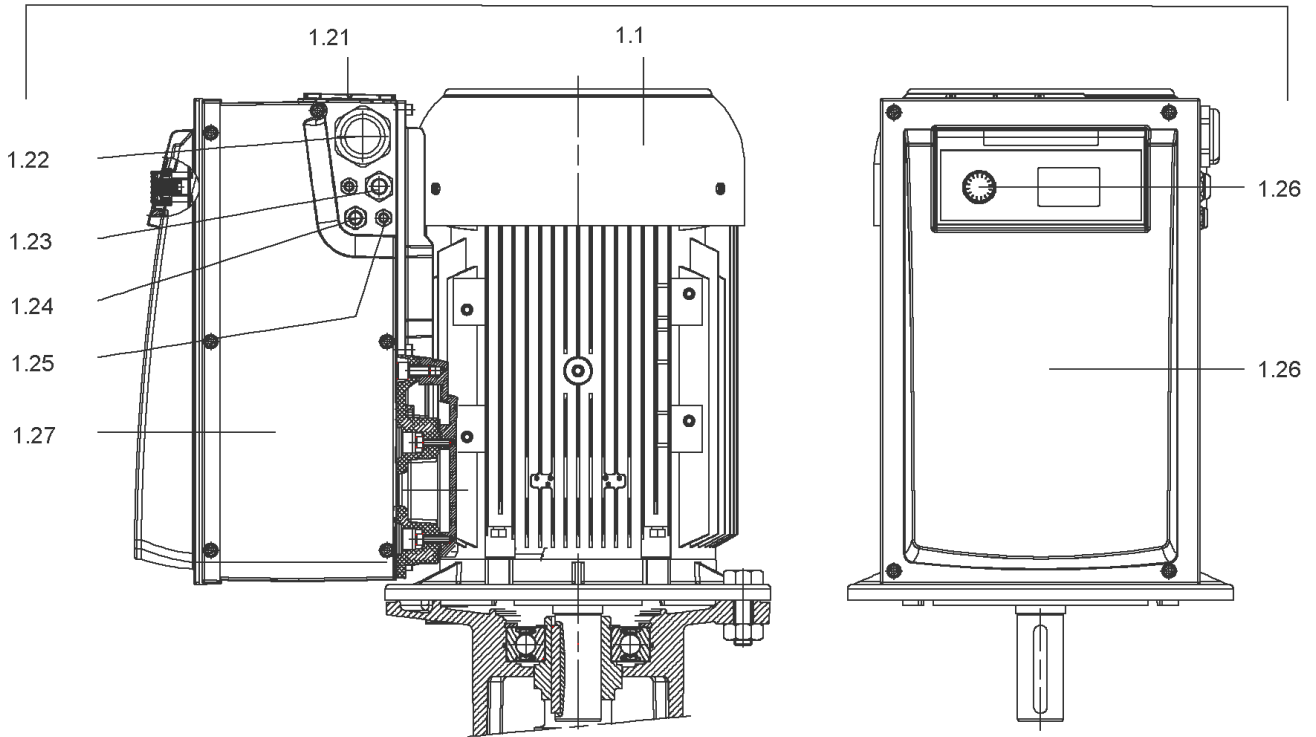
Item	Article no.	Description	Quantity
13.1	4161192	INTERMEDIATE STAGE HELIX V36 1.4301 KIT	1
		> SLEEVE-SPACER-D22XL16,66-316L	1
		> MACH.BEARING-DIFFUSER+NR-M+36-304	1
		> SHAFT-SLEEVE-D26xD22x16-CW	1
		> IMPELLER-H1-M+36-304	1
13.1A	4161200	> NECK RING 1.STAGE HELIX V36/52 KIT	1
		>> NECK-RING-M+36/52	1
		>> HYDRAULIC SUPPORT CAP M+36/52 304	1
		>> SCREW TCL M3X8 A4 POZIDRIV	1
13.2	4161193	INTERMEDIATE STAGE HELIX V36 1.4301 KIT	1
		> MACH.STD-DIFFUSER+NR-M+36-304	1
		> IMPELLER-H4-M+36-304	1
13.3	4161194	UPPER STAGE HELIX 36 1.4301 KIT	1
		> STOP COLLAR OF IMPELLER L20-Ø22-316L	1
		> IMPELLER-H4-M+36-304	1
		> MACH.-RIGID-STD-DISCH.-CHAMBER-M+36-304	1



HELIX VE3605-1/16/E/KS (4198864)

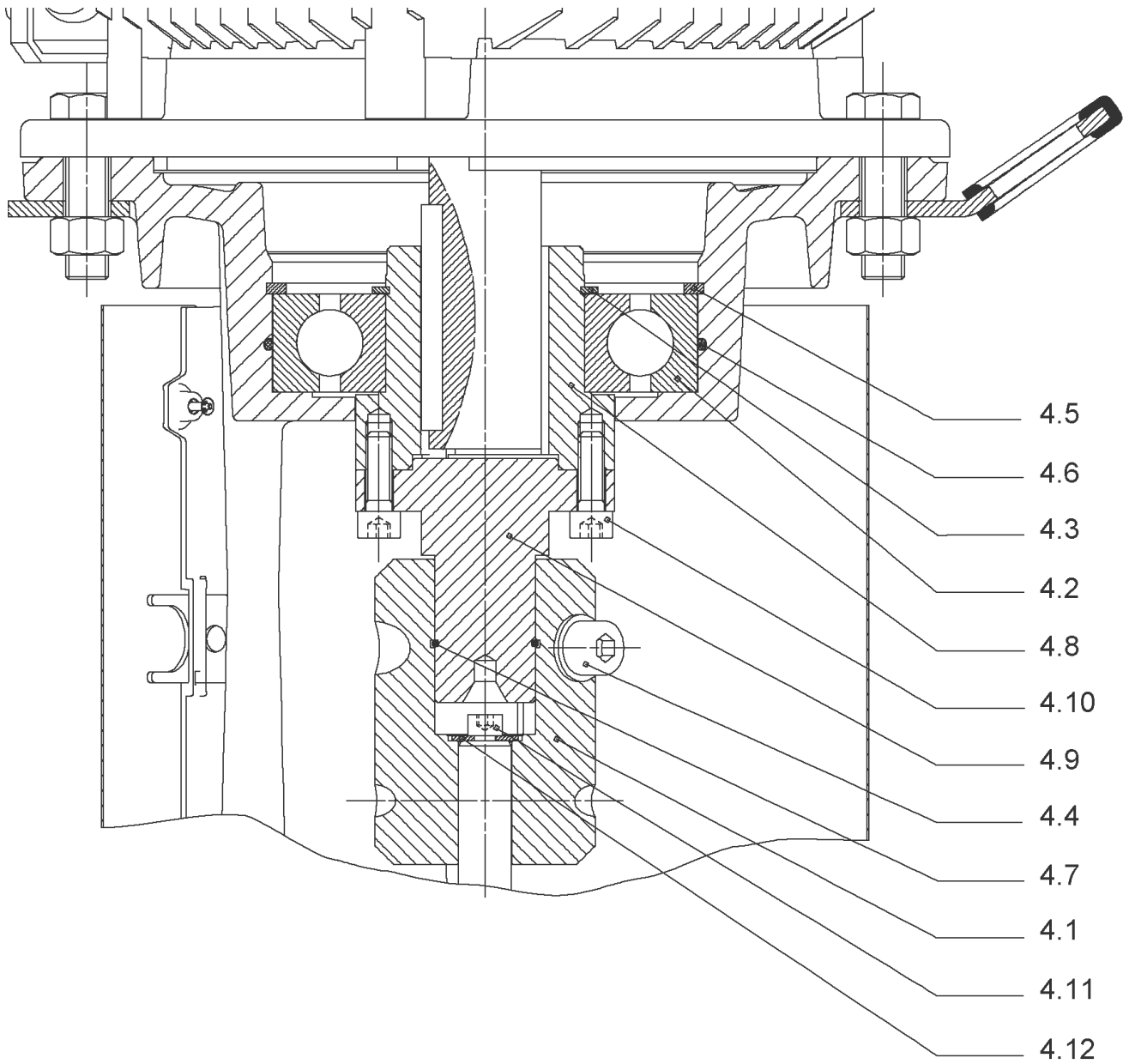
Item	Article no.	Description	Quantity
1	4218532	DRIVE HELIX VE3605-IE4-WEG KIT	1
Note: MOTOR BRAND WEG			
2	4179586	SCREW M16X60 (4 PIECES)	1
3	4157721	LANTERN HELIX 22/36 FF300 BB6312 KIT	1
3.1		> LANTERN FF300 M+ GJL MACHINED+CATA 6312	1
3.2	4179589	> EYELET CPL.FF300 HELIX(4 PIECES)	1
3.3	4143969	> COUPLING PROTECT HELIX FF KIT	1
4	4143966	COUPLING D.20XD.38 FF300 KIT	1
5	4157725	SCREW M10X40 (4 PIECES)	1
6	4181669	STUD BOLT M16X578 KIT	1
6.1		> TIE BOLT M16-578x24x44-1.4057	1
6.2	4179562	> NUT M16 8.8 ISO4032 (4 PIECES)	1
6.3	4097852	> WASHER-CS-16.4-32-2.8-NFE25-511-A2	1
7	4217176	END SHIELD HELIX OPTI 8" EPDM KIT	1
7.1		> upper flange machined + cataphoresis	1
7.2	4217174	> STATIONARY RING HOLDER 8" HELIX OPTI VP.	1
7.3	4179571	> O-RING HOUSING PIPE HELIX22/36/52 VP.	1
7.4	4179572	> O-RING ID.42.52X2.62 EPDM VP.	1
8	4186377	FILING/PURGING PLUG 304 HELIX KIT	1
8.1		> FILLING/VENTING-PLUG-MVI8/10"-304	1
8.2	4032291	> O-RING 17x3 EPDM KTW/WRC	1
9	4143973	CARTRIDGE HELIX22-36-52 O/E KIT	1
10	4181168	HOUSING PIPE D.204X364 1.4307 KIT	1
7.3	4179571	> O-RING HOUSING PIPE HELIX22/36/52 VP.	1
10.1		> HOUSING-PIPE Ø204-M+2206-304	1
12	4161186	SHAFT EQUIPMENT HELIX V36 8" KIT	1
13		HYDRAULIC HELIX V 3605	1
14	4179578	SHAFT D.22X554 1.4057 VP.	1
15	4217909	EQUIPED HOUSING DN65 HELIX OPTI 8" KIT	1
15.1		> pump casing machined DN65	1
15.2	4217907	> HALF FLANGE DN65 HELIX OPTI 8" VP.	1
15.3	4217850	> DRAIN/PRIMING PLUG HELIX OPTI 8" KIT	1
7.3	4179571	> O-RING HOUSING PIPE HELIX22/36/52 VP.	1
16	4217911	BASEPLATE DN65 HELIX OPTI 8" VP.	1

1



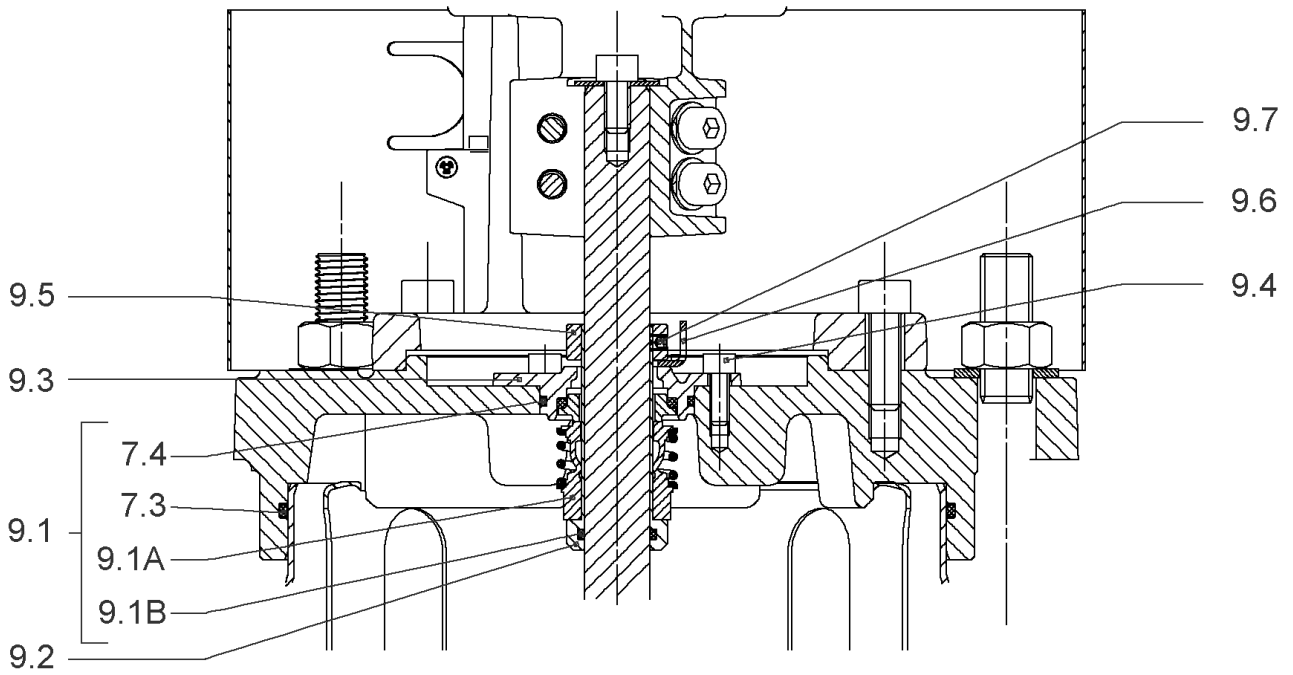
DRIVE HELIX VE3605-IE4-WEG KIT (4218532)

Item	Article no.	Description	Quantity
1.1		M15-2T540P55V1-160F30-N42-ADAPT-IE4-WEG	1
		SPARE PARTS MOTOR:ON REQUEST	1
1.21	2132102	FAN SMALL TL6/7 FF KIT	1
1.25	2132097	CABLE CONNECTION M12 TL6/7 FF VP.	1
1.24	2132098	CABLE CONNECTION M16 TL6/7 FF VP.	1
1.23	2132099	CABLE CONNECTION M20 TL6/7 FF VP.	1
1.22	2132100	CABLE CONNECTION SMALL M40 TL6/7 FF VP.	1
1.27	2132104	COVER SIDE TL6/7 FF CPL.VP.	1
1.26	2132452	MODULE COVER/BUTTON TL6/7 FF VP.	1



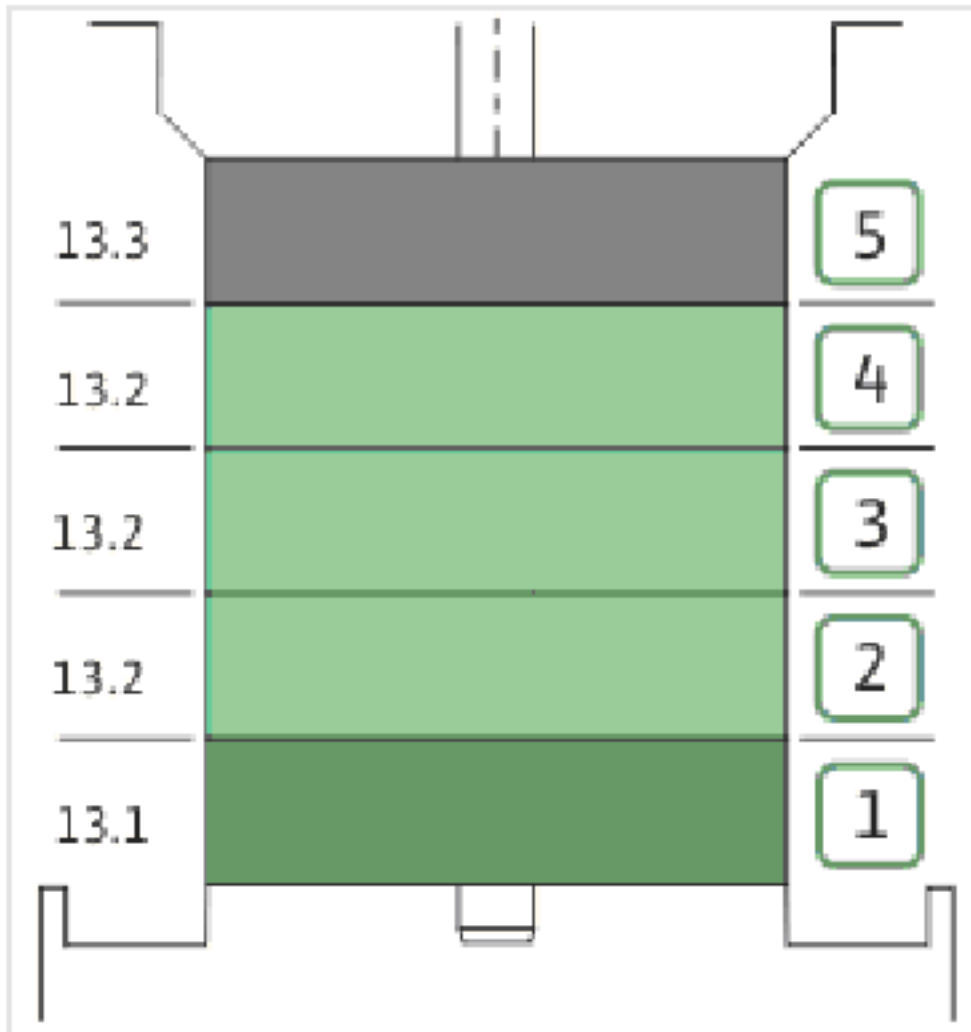
COUPLING D.20XD.38 FF300 KIT (4143966)

Item	Article no.	Description	Quantity
4.1	4179590	COUPLING 2 PARTS D.20XD.38XL115 VP.	1
4.2	2123699	BALL BEARING 6312/2Z-C4 (HT) VP.	1
4.3	63428	CIRCLIP-FOR-SHAFT-D60x2	1
4.4	2130991	SCREW M12X30 ISO4762 8.8 ZN(4 PIECES)	1
4.5	4032277	CIRCLIP-HOLE-130x4	1
4.6	4006725	O-RING ID.132,94x3,53 NBR70SR	1
4.7	2130992	RETAINING RING D.35xD.2,5 DIN7993 VP.	1
4.8	4179591	HUB D.42xD.60 VP.	1
4.9	2130994	SPACER D.38XD.55 VP.	1
4.10	4094462	SCREWS M10 (4 PIECES)	1
4.11	4233959	SCREW M8x16 VP.	1
4.12		SERRATED LOCK WASHER Ø8.2XØ25X35X2	1



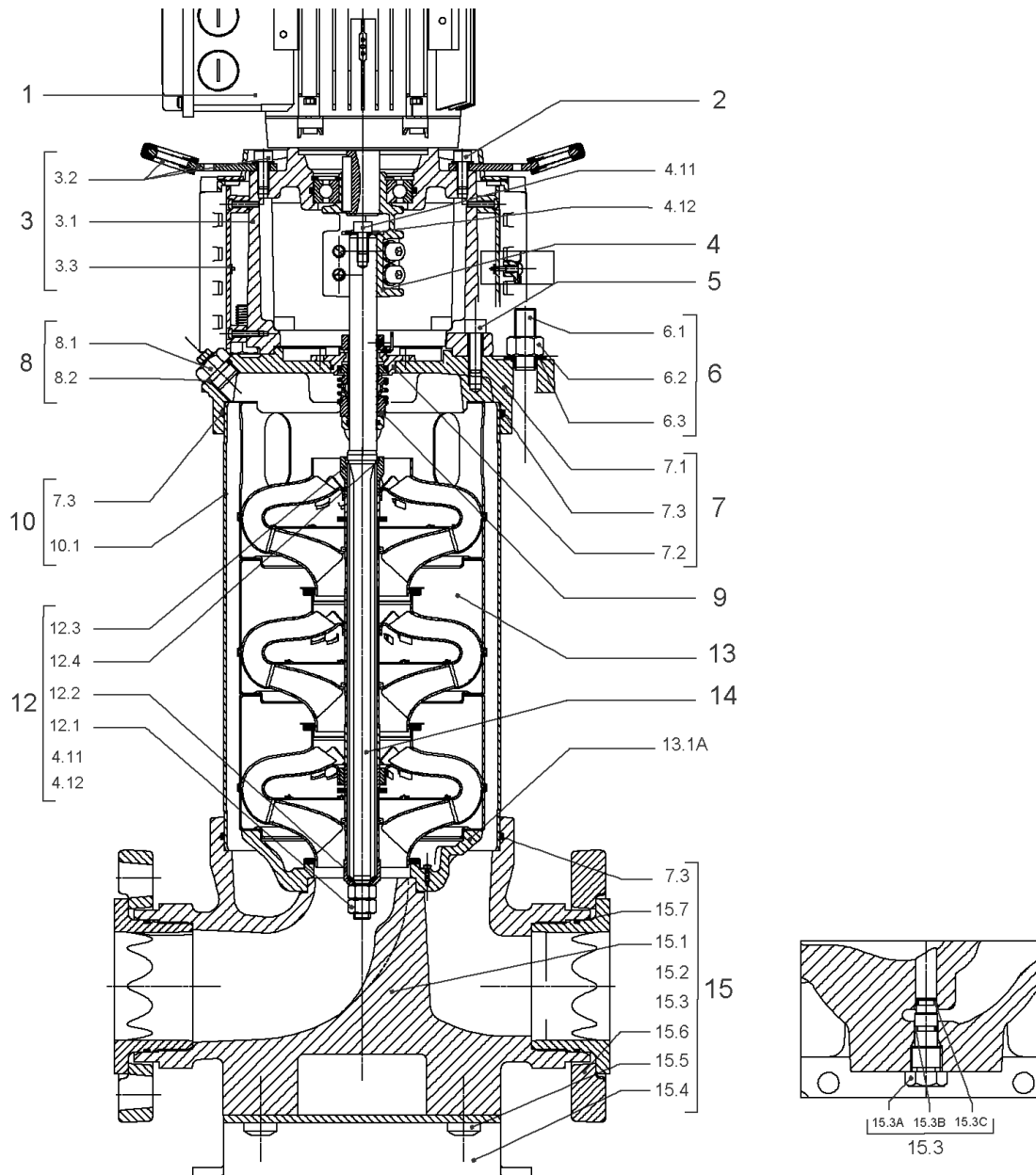
CARTRIDGE HELIX22-36-52 O/E KIT (4143973)

Item	Article no.	Description	Quantity
9.1	4143974	SEAL-KIT-HELIX22-36-52 O/E	1
7.3	4179571	> O-RING HOUSING PIPE HELIX22/36/52 VP.	1
7.4	4179572	> O-RING ID.42.52X2.62 EPDM VP.	1
9.1A	4179573	> M.SEAL.HELIX22-36-52 O/E VP.	1
9.1B	4179574	> O-RING ID.20x2.65 EPDM VP.	1
9.2	4179566	SHAFT SLEEVE D.20/20X60 1.4404 VP.	1
9.3	4179567	RING HOLDER Ø22 1.4301 VP.	1
9.4	4176520	SCREW CH M5x5 A4-70 (3PIECES)	1
9.5	4179568	DRIVE RING D.31/22.1x11 MACH.VP.	1
9.6	4179569	TOOL M.S.CART.HELIX 8" VP.	1
9.7	4179570	SCREW M6X16 ISO4762 8.8 GEOMET(4 PIECES)	1



HYDRAULIC HELIX V 3605

Item	Article no.	Description	Quantity
13.1	4161192	INTERMEDIATE STAGE HELIX V36 1.4301 KIT	1
		> SLEEVE-SPACER-D22XL16,66-316L	1
		> MACH.BEARING-DIFFUSER+NR-M+36-304	1
		> SHAFT-SLEEVE-D26xD22x16-CW	1
		> IMPELLER-H1-M+36-304	1
13.1A	4161200	> NECK RING 1.STAGE HELIX V36/52 KIT	1
		>> NECK-RING-M+36/52	1
		>> HYDRAULIC SUPPORT CAP M+36/52 304	1
		>> SCREW TCL M3X8 A4 POZIDRIV	1
13.2	4161193	INTERMEDIATE STAGE HELIX V36 1.4301 KIT	1
		> MACH.STD-DIFFUSER+NR-M+36-304	1
		> IMPELLER-H4-M+36-304	1
13.3	4161194	UPPER STAGE HELIX 36 1.4301 KIT	1
		> STOP COLLAR OF IMPELLER L20-Ø22-316L	1
		> IMPELLER-H4-M+36-304	1
		> MACH.-RIGID-STD-DISCH.-CHAMBER-M+36-304	1



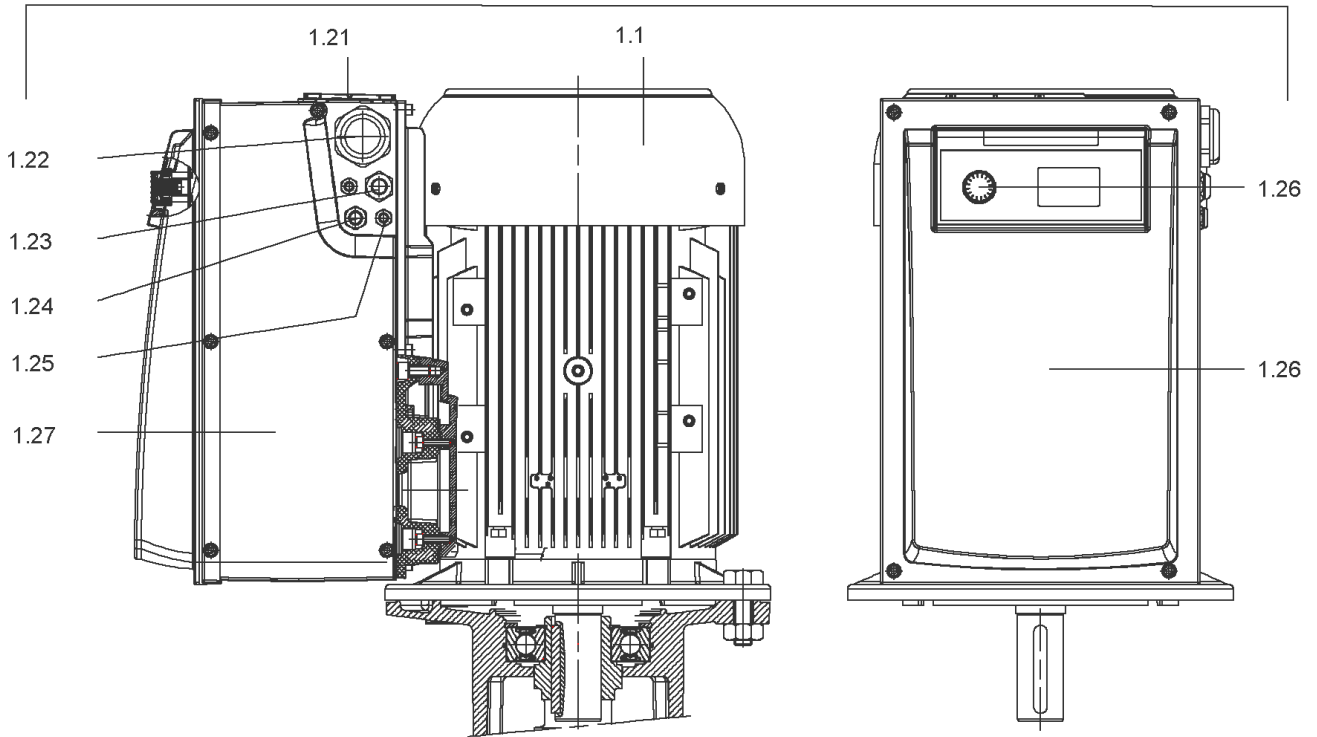
HELIX VE3605-3/25/E/KS (4166214)

Item	Article no.	Description	Quantity
1		DRIVE HELIX VE3605-IE2-ARC KIT	1
Note: no longer available/nicht mehr lieferbar/n'est plus disponible			
1	4218532	DRIVE HELIX VE3605-IE4-WEG KIT	1
Note: MOTOR BRAND WEG			
2	4179586	SCREW M16X60 (4 PIECES)	1
3	4157721	LANTERN HELIX 22/36 FF300 BB6312 KIT	1
3.1		> LANTERN FF300 M+ GJL MACHINED+CATA 6312	1
3.2	4179589	> EYELET CPL.FF300 HELIX(4 PIECES)	1
3.3	4143969	> COUPLING PROTECT HELIX FF KIT	1
4	4143966	COUPLING D.20XD.38 FF300 KIT	1
5	4157725	SCREW M10X40 (4 PIECES)	1
6	4181083	STUD BOLT M16X466 KIT	1
6.1		> TIE BOLT M16-466x24x44-1.4057	1
6.2	4179562	> NUT M16 8.8 ISO4032 (4 PIECES)	1
6.3	4097852	> WASHER-CS-16.4-32-2.8-NFE25-511-A2	1
7	4179565	END SHIELD HELIX 8" EPDM KIT	1
7.1		> END SHIELD M+ GJL MACHINED+CATA	1
7.2	4179564	> O-RING D.42.52x2.62 EPDM VP.	1
7.3	4179571	> O-RING HOUSING PIPE HELIX22/36/52 VP.	1
8	4186377	FILING/PURGING PLUG 304 HELIX KIT	1
8.1		> FILLING/VENTING-PLUG-MVI8/10"-304	1
8.2	4032291	> O-RING 17x3 EPDM KTW/WRC	1
9	4143975	CARTRIDGE HELIX22-36-52 F/E KIT	1
10	2131084	HOUSING PIPE D.204x397,44 1.4307 KIT	1
7.3	4179571	> O-RING HOUSING PIPE HELIX22/36/52 VP.	1
10.1		> HOUSING-PIPE Ø204-M+3605-304	1
11	4181071	CENTRALIZER HELIX 8" M+36 1.4301 VP.	1
12	4161186	SHAFT EQUIPMENT HELIX V36 8" KIT	1
13		HYDRAULIC HELIX V 3605	1
14	4179578	SHAFT D.22X554 1.4057 VP.	1
15	4161185	EQUIPED HOUSING HELIX 36 GJL KIT	1
15.1		> PUMP HOUSING SET with CATA. PARTS-DN65	1
15.3	4143766	> DRAIN/PRIMING PLUG EPDM HELIX KIT	1
15.3A		>> PRIMING/DRAIN PLUG-304-VERSION 1	1

HELIX VE3605-3/25/E/KS (4166214)

Item	Article no.	Description	Quantity
15.3B	4032293	>> O-RING-10x3-EPDM-KTW/WRC	1
15.3C	4233957	>> O-RING ID.9 EPDM VP.	1
15.4	4221729	> BASE M+ DN50/65/80 VP.	1
15.5		> SCREW TBHC M12x25 ISO7380 ZN	1
15.6		> FLANGE M+ DN65 NF PN16-25 ASME PN16 CATA	1
15.7		> O-RING Ø79.5xØ3 EPDM	1
13.1A	4161200	> NECK RING 1.STAGE HELIX V36/52 KIT	1
		>> NECK-RING-M+36/52	1
		>> HYDRAULIC SUPPORT CAP M+36/52 304	1
		>> SCREW TCL M3X8 A4 POZIDRIV	1
7.3	4179571	> O-RING HOUSING PIPE HELIX22/36/52 VP.	1

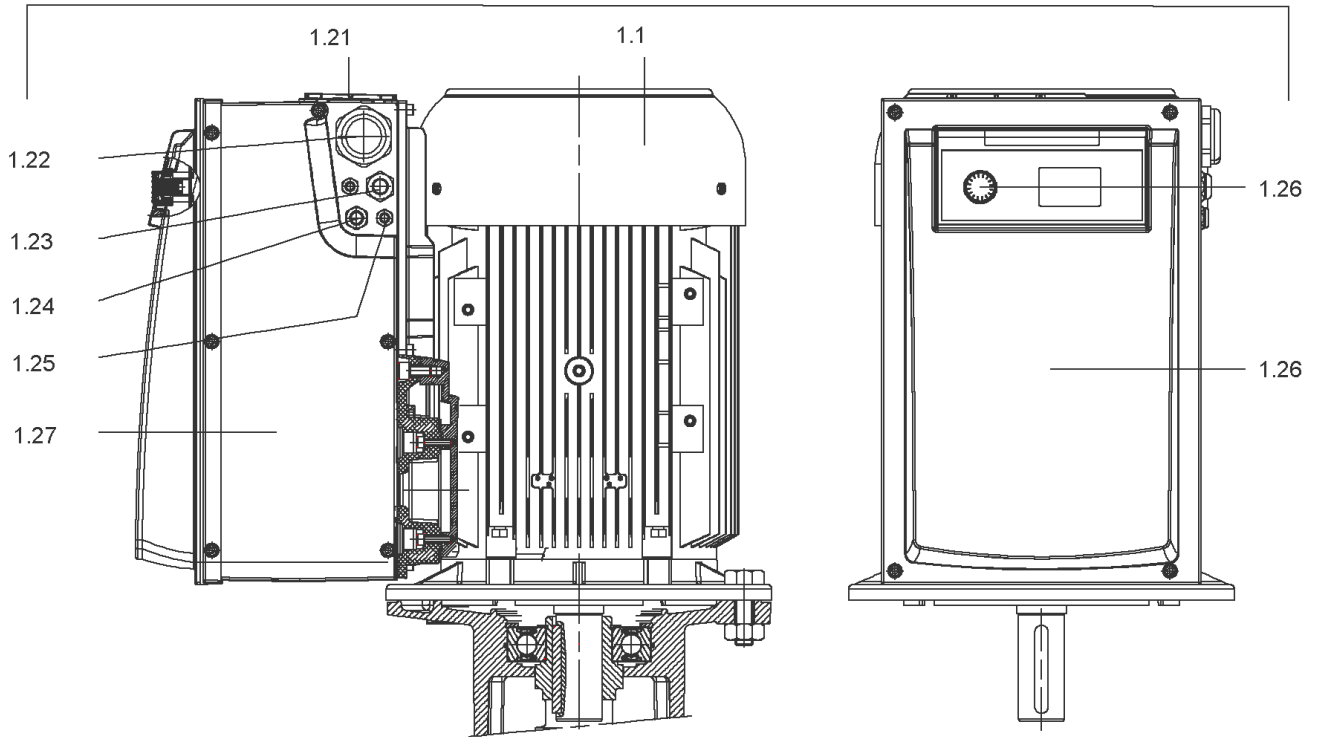
1



DRIVE HELIX VE3605-IE2-ARC KIT

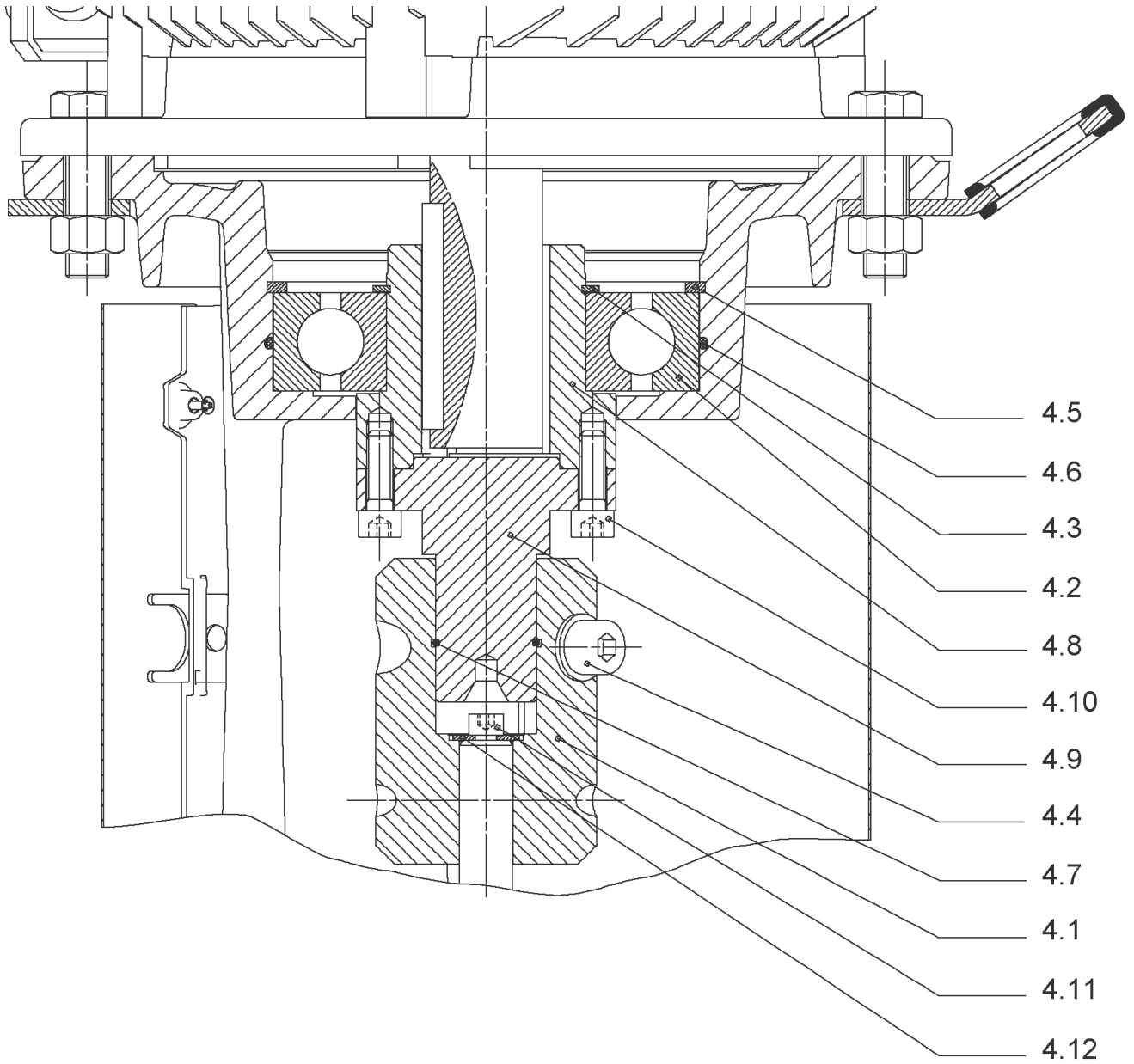
Item	Article no.	Description	Quantity
1.1		M15-2T540P55V1-160F300-N42-IE2	1
		SPARE PARTS MOTOR:ON REQUEST	1
1.21	2132102	FAN SMALL TL6/7 FF KIT	1
1.25	2132097	CABLE CONNECTION M12 TL6/7 FF VP.	1
1.24	2132098	CABLE CONNECTION M16 TL6/7 FF VP.	1
1.23	2132099	CABLE CONNECTION M20 TL6/7 FF VP.	1
1.22	2132100	CABLE CONNECTION SMALL M40 TL6/7 FF VP.	1
1.27	2132104	COVER SIDE TL6/7 FF CPL.VP.	1
1.26	2132452	MODULE COVER/BUTTON TL6/7 FF VP.	1

1



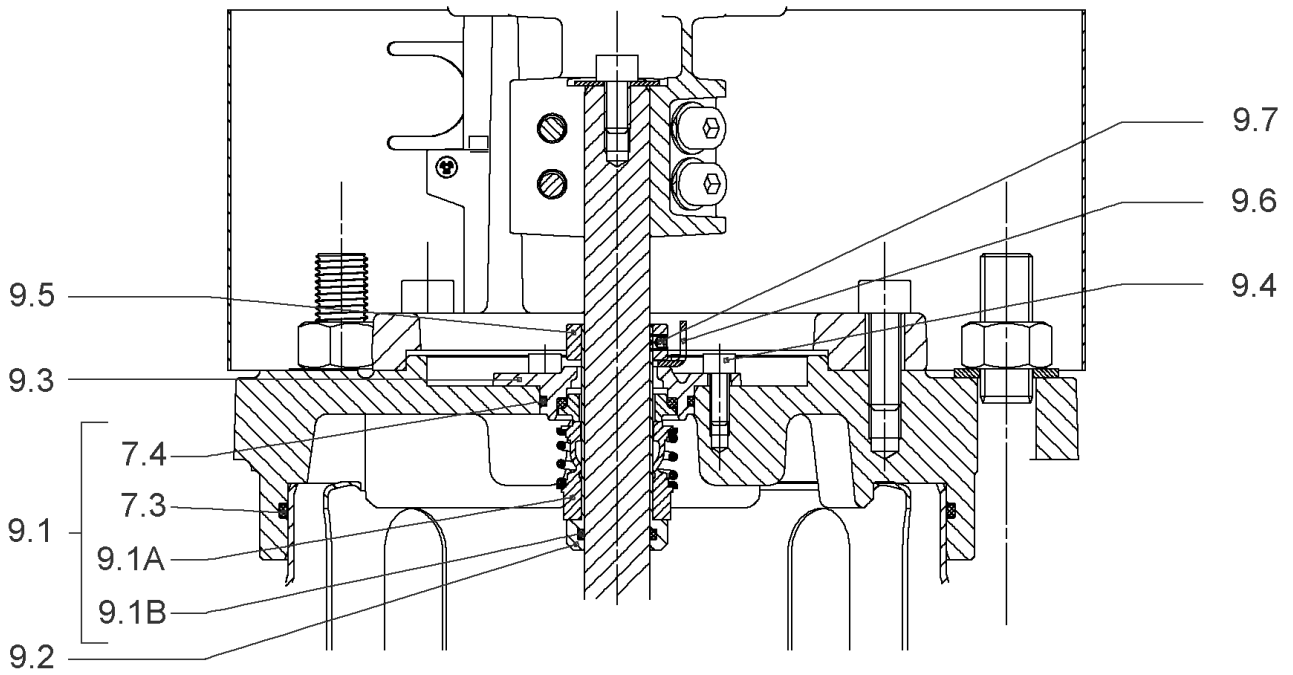
DRIVE HELIX VE3605-IE4-WEG KIT (4218532)

Item	Article no.	Description	Quantity
1.1		M15-2T540P55V1-160F30-N42-ADAPT-IE4-WEG	1
		SPARE PARTS MOTOR:ON REQUEST	1
1.21	2132102	FAN SMALL TL6/7 FF KIT	1
1.25	2132097	CABLE CONNECTION M12 TL6/7 FF VP.	1
1.24	2132098	CABLE CONNECTION M16 TL6/7 FF VP.	1
1.23	2132099	CABLE CONNECTION M20 TL6/7 FF VP.	1
1.22	2132100	CABLE CONNECTION SMALL M40 TL6/7 FF VP.	1
1.27	2132104	COVER SIDE TL6/7 FF CPL.VP.	1
1.26	2132452	MODULE COVER/BUTTON TL6/7 FF VP.	1



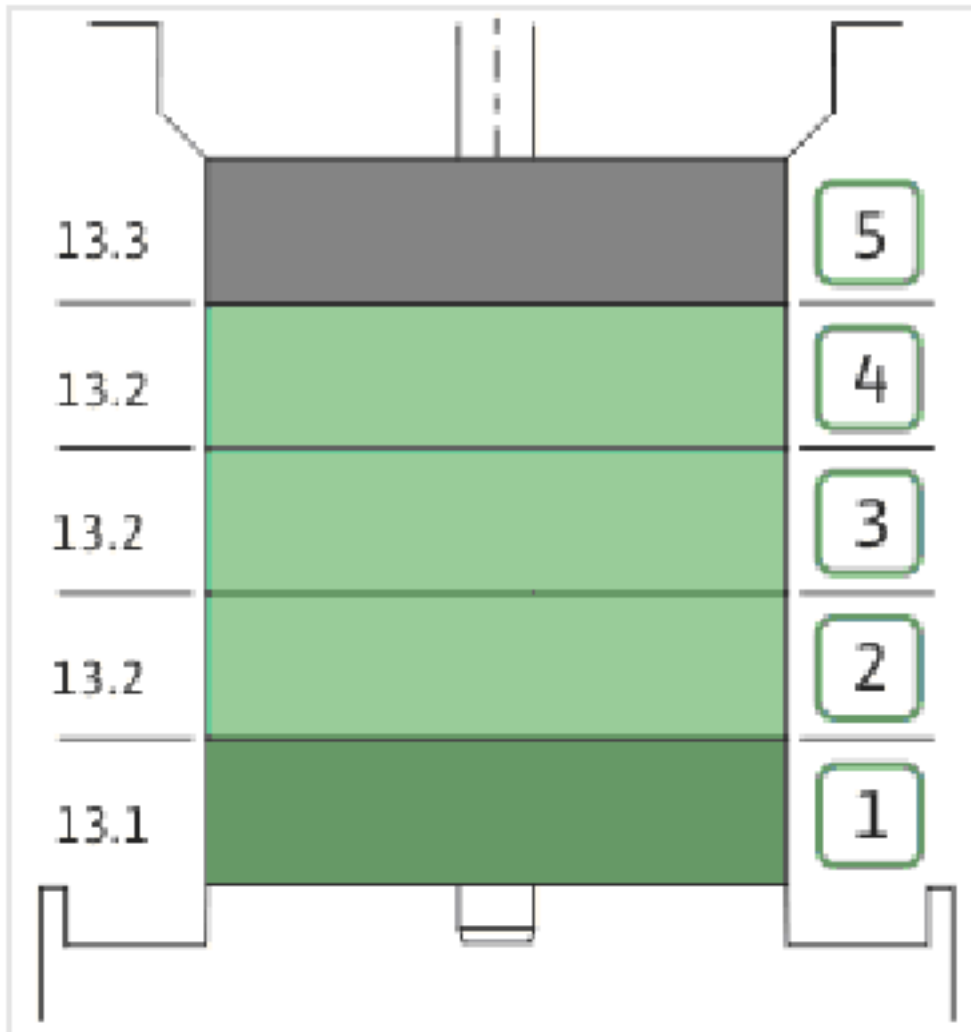
COUPLING D.20XD.38 FF300 KIT (4143966)

Item	Article no.	Description	Quantity
4.1	4179590	COUPLING 2 PARTS D.20XD.38XL115 VP.	1
4.2	2123699	BALL BEARING 6312/2Z-C4 (HT) VP.	1
4.3	63428	CIRCLIP-FOR-SHAFT-D60x2	1
4.4	2130991	SCREW M12X30 ISO4762 8.8 ZN(4 PIECES)	1
4.5	4032277	CIRCLIP-HOLE-130x4	1
4.6	4006725	O-RING ID.132,94x3,53 NBR70SR	1
4.7	2130992	RETAINING RING D.35xD.2,5 DIN7993 VP.	1
4.8	4179591	HUB D.42xD.60 VP.	1
4.9	2130994	SPACER D.38XD.55 VP.	1
4.10	4094462	SCREWS M10 (4 PIECES)	1
4.11	4233959	SCREW M8x16 VP.	1
4.12		SERRATED LOCK WASHER Ø8.2XØ25X35X2	1



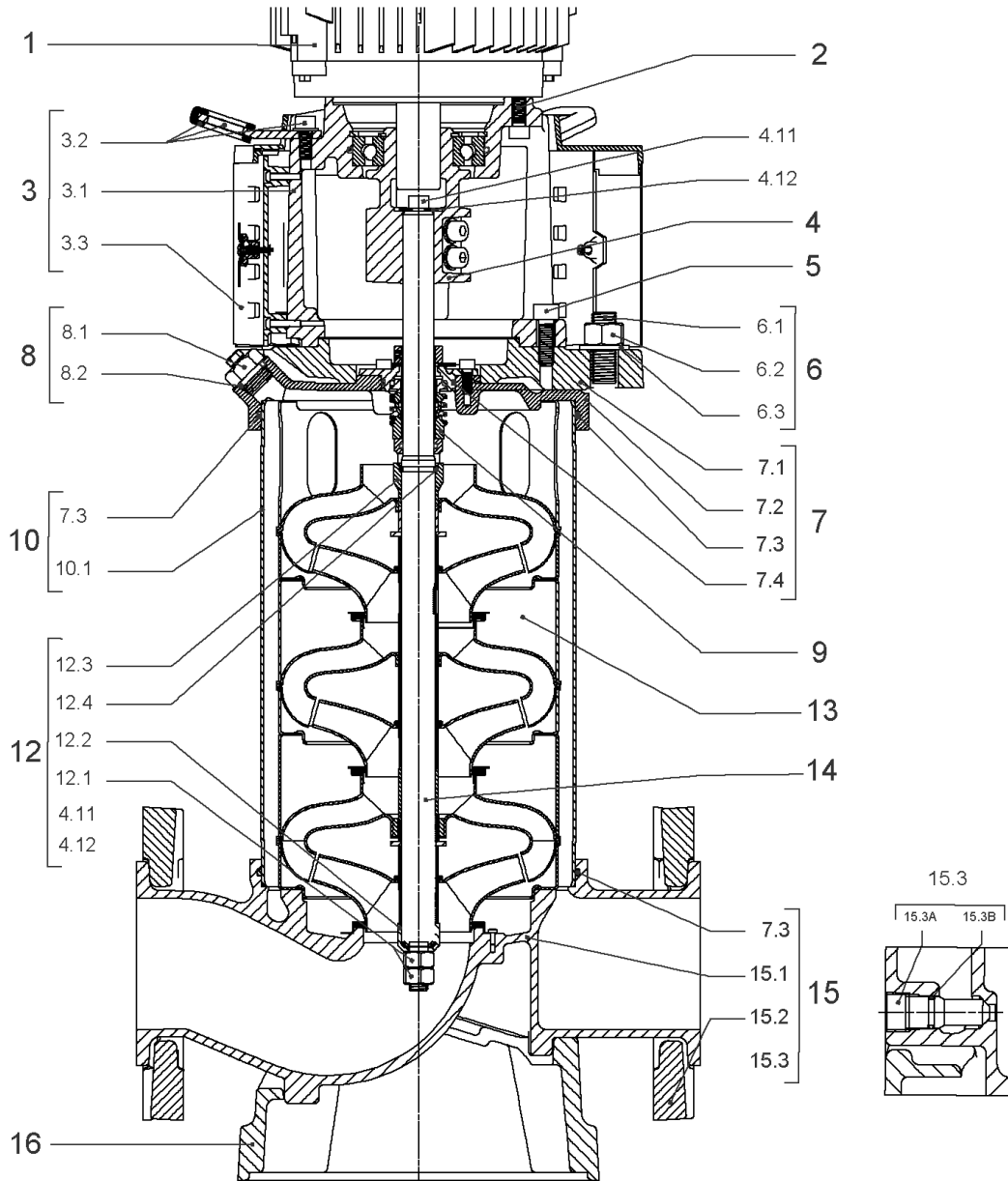
CARTRIDGE HELIX22-36-52 F/E KIT (4143975)

Item	Article no.	Description	Quantity
9.1	4143976	SEAL-KIT-HELIX22-36-52 F/E	1
7.3	4179571	> O-RING HOUSING PIPE HELIX22/36/52 VP.	1
7.4	4179572	> O-RING ID.42.52X2.62 EPDM VP.	1
9.1A	2127447	> M.SEAL.HELIX22-36-52 F/E VP.	1
9.1B	4179574	> O-RING ID.20x2.65 EPDM VP.	1
9.2	4179566	SHAFT SLEEVE D.20/20X60 1.4404 VP.	1
9.3	4179567	RING HOLDER Ø22 1.4301 VP.	1
9.4	4176520	SCREW CH M5x5 A4-70 (3PIECES)	1
9.5	4179568	DRIVE RING D.31/22.1x11 MACH.VP.	1
9.6	4179569	TOOL M.S.CART.HELIX 8" VP.	1
9.7	4179570	SCREW M6X16 ISO4762 8.8 GEOMET(4 PIECES)	1



HYDRAULIC HELIX V 3605

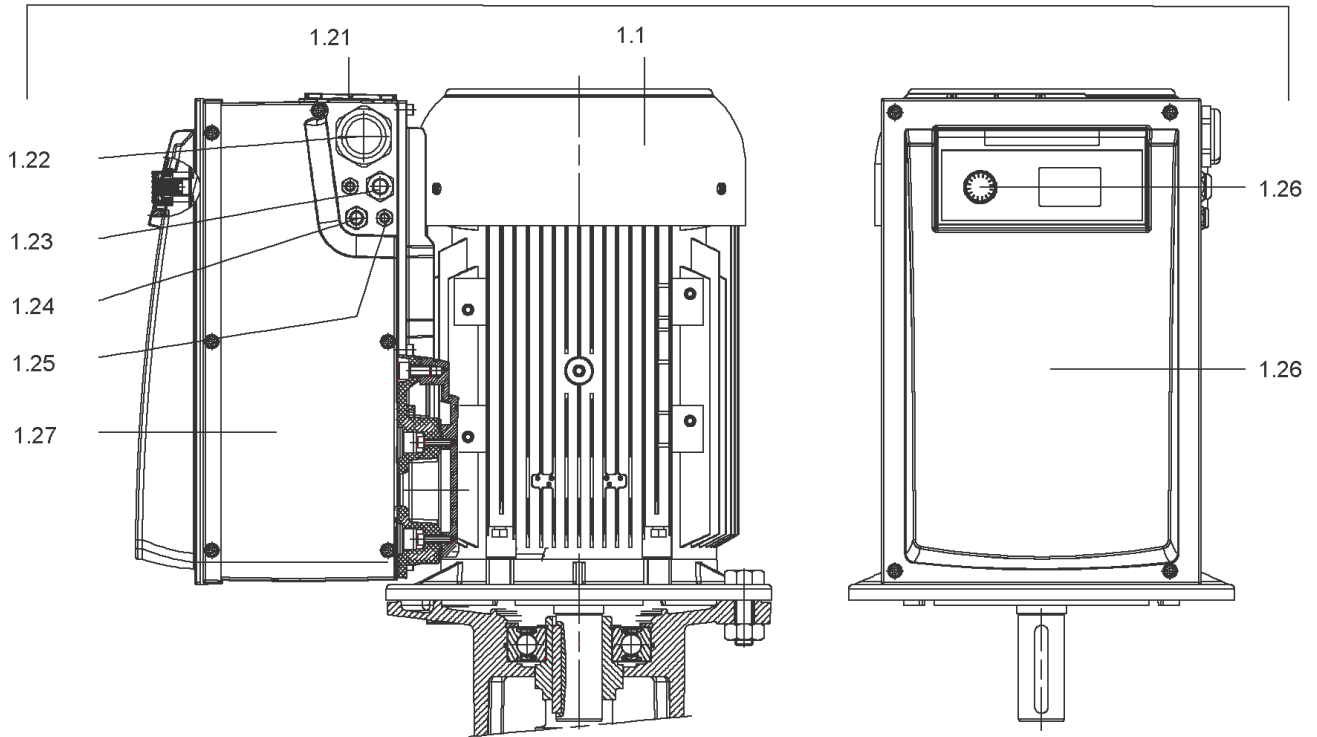
Item	Article no.	Description	Quantity
13.1	4161192	INTERMEDIATE STAGE HELIX V36 1.4301 KIT	1
		> SLEEVE-SPACER-D22XL16,66-316L	1
		> MACH.BEARING-DIFFUSER+NR-M+36-304	1
		> SHAFT-SLEEVE-D26xD22x16-CW	1
		> IMPELLER-H1-M+36-304	1
13.1A	4161200	> NECK RING 1.STAGE HELIX V36/52 KIT	1
		>> NECK-RING-M+36/52	1
		>> HYDRAULIC SUPPORT CAP M+36/52 304	1
		>> SCREW TCL M3X8 A4 POZIDRIV	1
13.2	4161193	INTERMEDIATE STAGE HELIX V36 1.4301 KIT	1
		> MACH.STD-DIFFUSER+NR-M+36-304	1
		> IMPELLER-H4-M+36-304	1
13.3	4161194	UPPER STAGE HELIX 36 1.4301 KIT	1
		> STOP COLLAR OF IMPELLER L20-Ø22-316L	1
		> IMPELLER-H4-M+36-304	1
		> MACH.-RIGID-STD-DISCH.-CHAMBER-M+36-304	1



HELIX VE3605-1/25/E/KS (4198865)

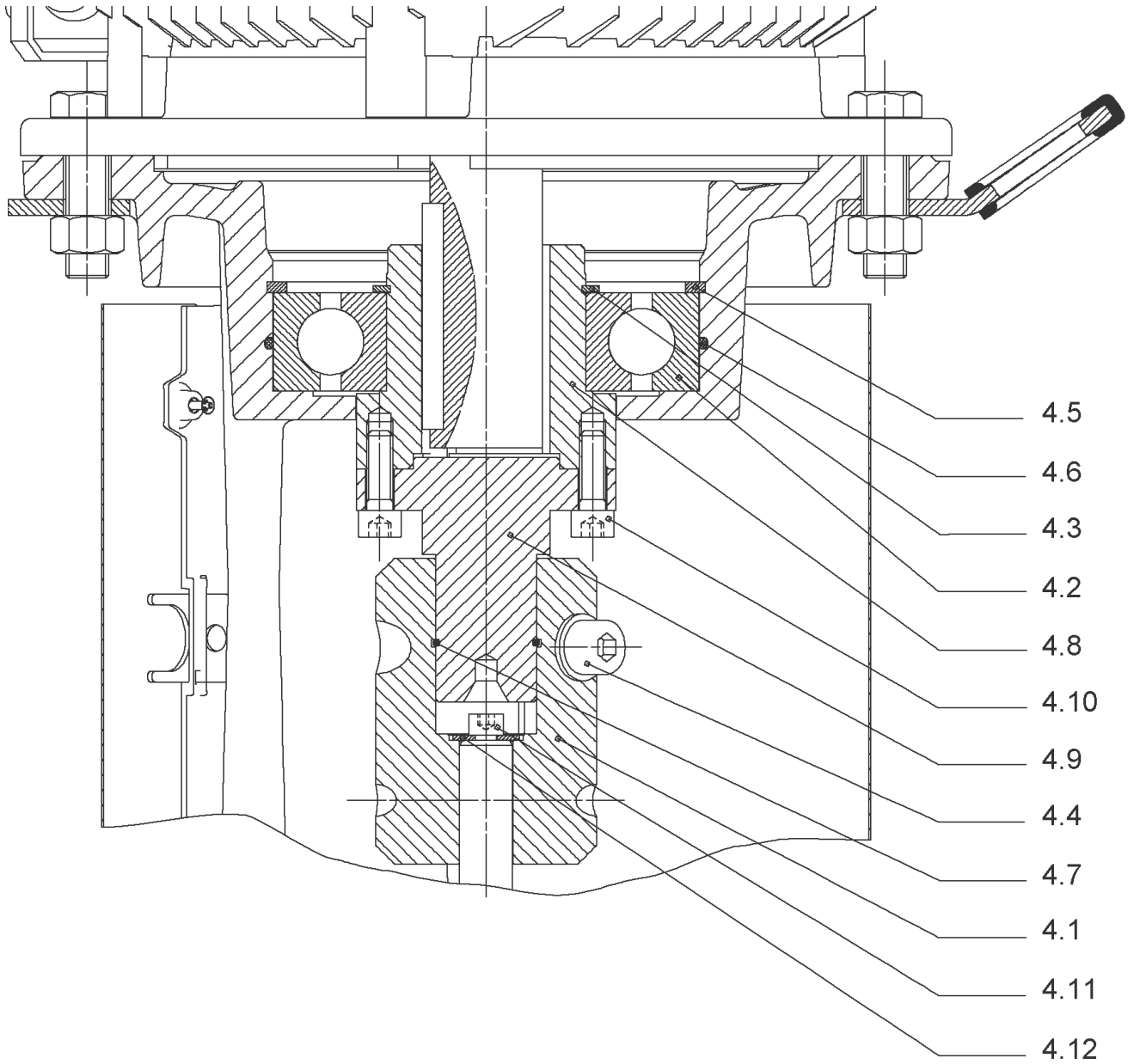
Item	Article no.	Description	Quantity
1	4218532	DRIVE HELIX VE3605-IE4-WEG KIT	1
Note: MOTOR BRAND WEG			
2	4179586	SCREW M16X60 (4 PIECES)	1
3	4157721	LANTERN HELIX 22/36 FF300 BB6312 KIT	1
3.1		> LANTERN FF300 M+ GJL MACHINED+CATA 6312	1
3.2	4179589	> EYELET CPL.FF300 HELIX(4 PIECES)	1
3.3	4143969	> COUPLING PROTECT HELIX FF KIT	1
4	4143966	COUPLING D.20XD.38 FF300 KIT	1
5	4157725	SCREW M10X40 (4 PIECES)	1
6	4181669	STUD BOLT M16X578 KIT	1
6.1		> TIE BOLT M16-578x24x44-1.4057	1
6.2	4179562	> NUT M16 8.8 ISO4032 (4 PIECES)	1
6.3	4097852	> WASHER-CS-16.4-32-2.8-NFE25-511-A2	1
7	4217176	END SHIELD HELIX OPTI 8" EPDM KIT	1
7.1		> upper flange machined + cataphoresis	1
7.2	4217174	> STATIONARY RING HOLDER 8" HELIX OPTI VP.	1
7.3	4179571	> O-RING HOUSING PIPE HELIX22/36/52 VP.	1
7.4	4179572	> O-RING ID.42.52X2.62 EPDM VP.	1
8	4186377	FILING/PURGING PLUG 304 HELIX KIT	1
8.1		> FILLING/VENTING-PLUG-MVI8/10"-304	1
8.2	4032291	> O-RING 17x3 EPDM KTW/WRC	1
9	4143975	CARTRIDGE HELIX22-36-52 F/E KIT	1
10	4181168	HOUSING PIPE D.204X364 1.4307 KIT	1
7.3	4179571	> O-RING HOUSING PIPE HELIX22/36/52 VP.	1
10.1		> HOUSING-PIPE Ø204-M+2206-304	1
12	4161186	SHAFT EQUIPMENT HELIX V36 8" KIT	1
13		HYDRAULIC HELIX V 3605	1
14	4179578	SHAFT D.22X554 1.4057 VP.	1
15	4217909	EQUIPED HOUSING DN65 HELIX OPTI 8" KIT	1
15.1		> pump casing machined DN65	1
15.2	4217907	> HALF FLANGE DN65 HELIX OPTI 8" VP.	1
15.3	4217850	> DRAIN/PRIMING PLUG HELIX OPTI 8" KIT	1
7.3	4179571	> O-RING HOUSING PIPE HELIX22/36/52 VP.	1
16	4217911	BASEPLATE DN65 HELIX OPTI 8" VP.	1

1



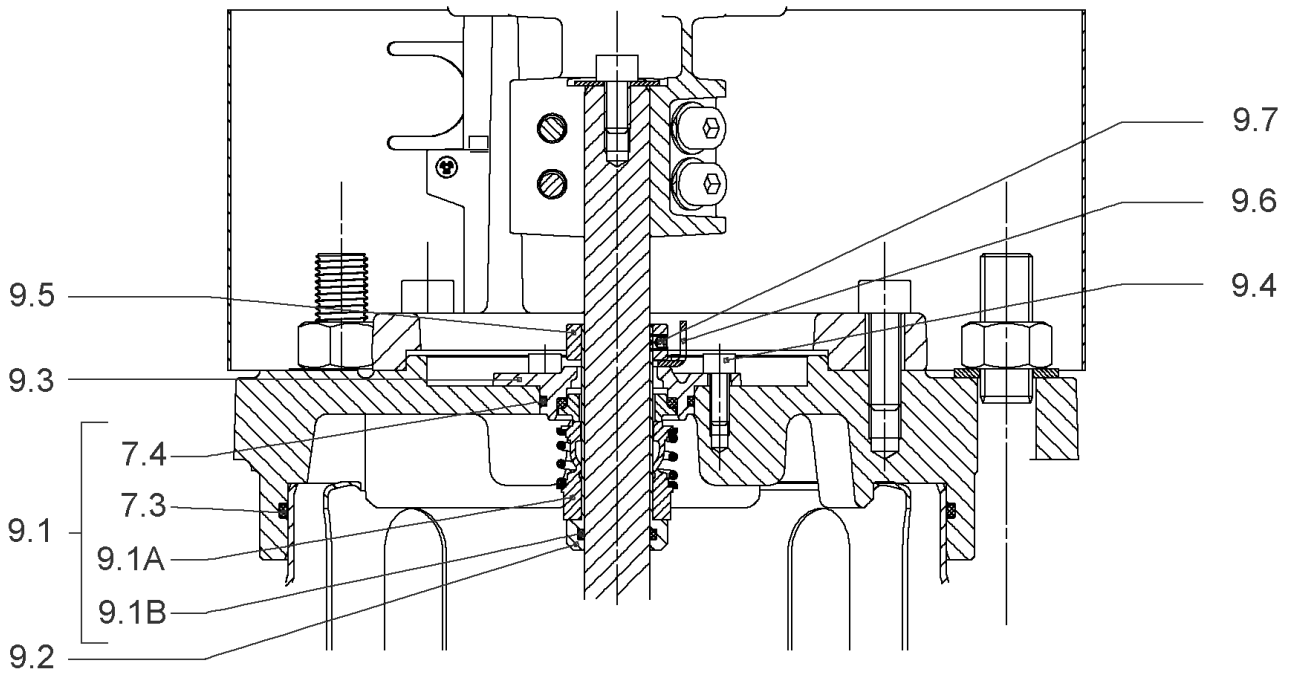
DRIVE HELIX VE3605-IE4-WEG KIT (4218532)

Item	Article no.	Description	Quantity
1.1		M15-2T540P55V1-160F30-N42-ADAPT-IE4-WEG	1
		SPARE PARTS MOTOR:ON REQUEST	1
1.21	2132102	FAN SMALL TL6/7 FF KIT	1
1.25	2132097	CABLE CONNECTION M12 TL6/7 FF VP.	1
1.24	2132098	CABLE CONNECTION M16 TL6/7 FF VP.	1
1.23	2132099	CABLE CONNECTION M20 TL6/7 FF VP.	1
1.22	2132100	CABLE CONNECTION SMALL M40 TL6/7 FF VP.	1
1.27	2132104	COVER SIDE TL6/7 FF CPL.VP.	1
1.26	2132452	MODULE COVER/BUTTON TL6/7 FF VP.	1



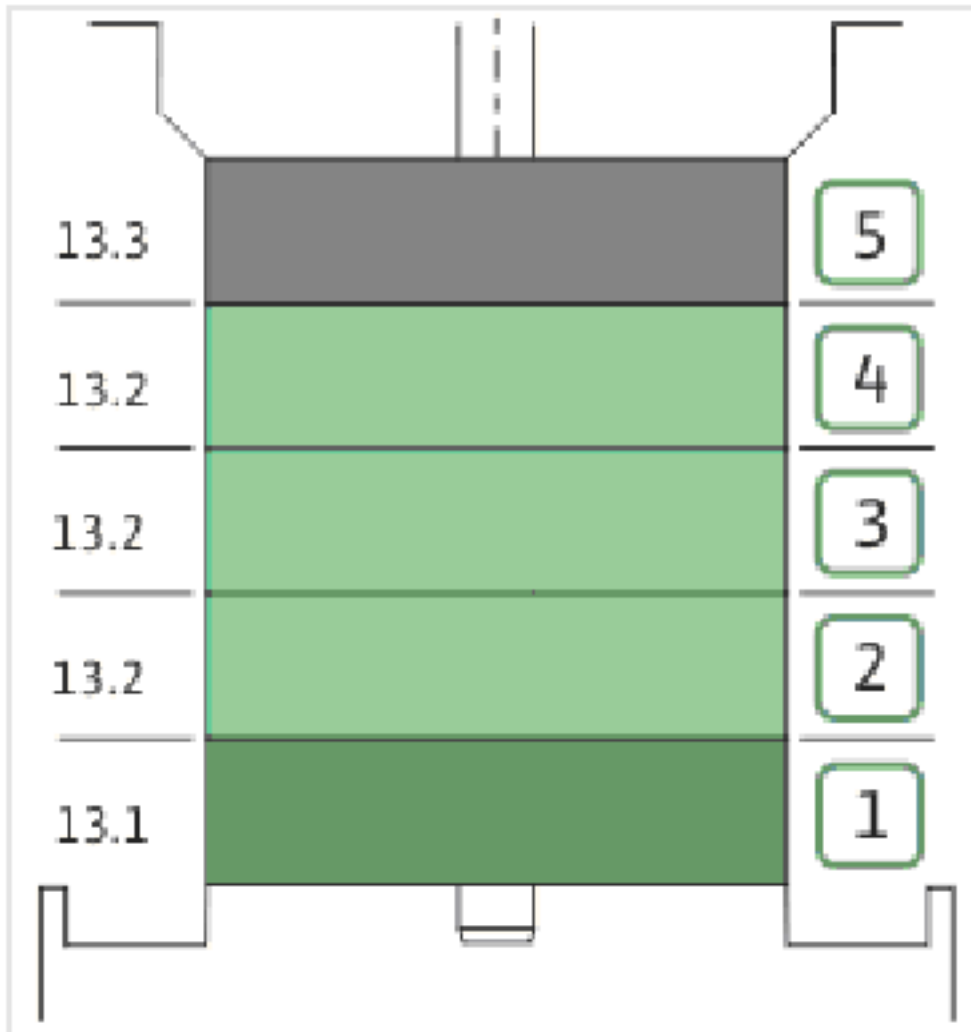
COUPLING D.20XD.38 FF300 KIT (4143966)

Item	Article no.	Description	Quantity
4.1	4179590	COUPLING 2 PARTS D.20XD.38XL115 VP.	1
4.2	2123699	BALL BEARING 6312/2Z-C4 (HT) VP.	1
4.3	63428	CIRCLIP-FOR-SHAFT-D60x2	1
4.4	2130991	SCREW M12X30 ISO4762 8.8 ZN(4 PIECES)	1
4.5	4032277	CIRCLIP-HOLE-130x4	1
4.6	4006725	O-RING ID.132,94x3,53 NBR70SR	1
4.7	2130992	RETAINING RING D.35xD.2,5 DIN7993 VP.	1
4.8	4179591	HUB D.42xD.60 VP.	1
4.9	2130994	SPACER D.38XD.55 VP.	1
4.10	4094462	SCREWS M10 (4 PIECES)	1
4.11	4233959	SCREW M8x16 VP.	1
4.12		SERRATED LOCK WASHER Ø8.2XØ25X35X2	1



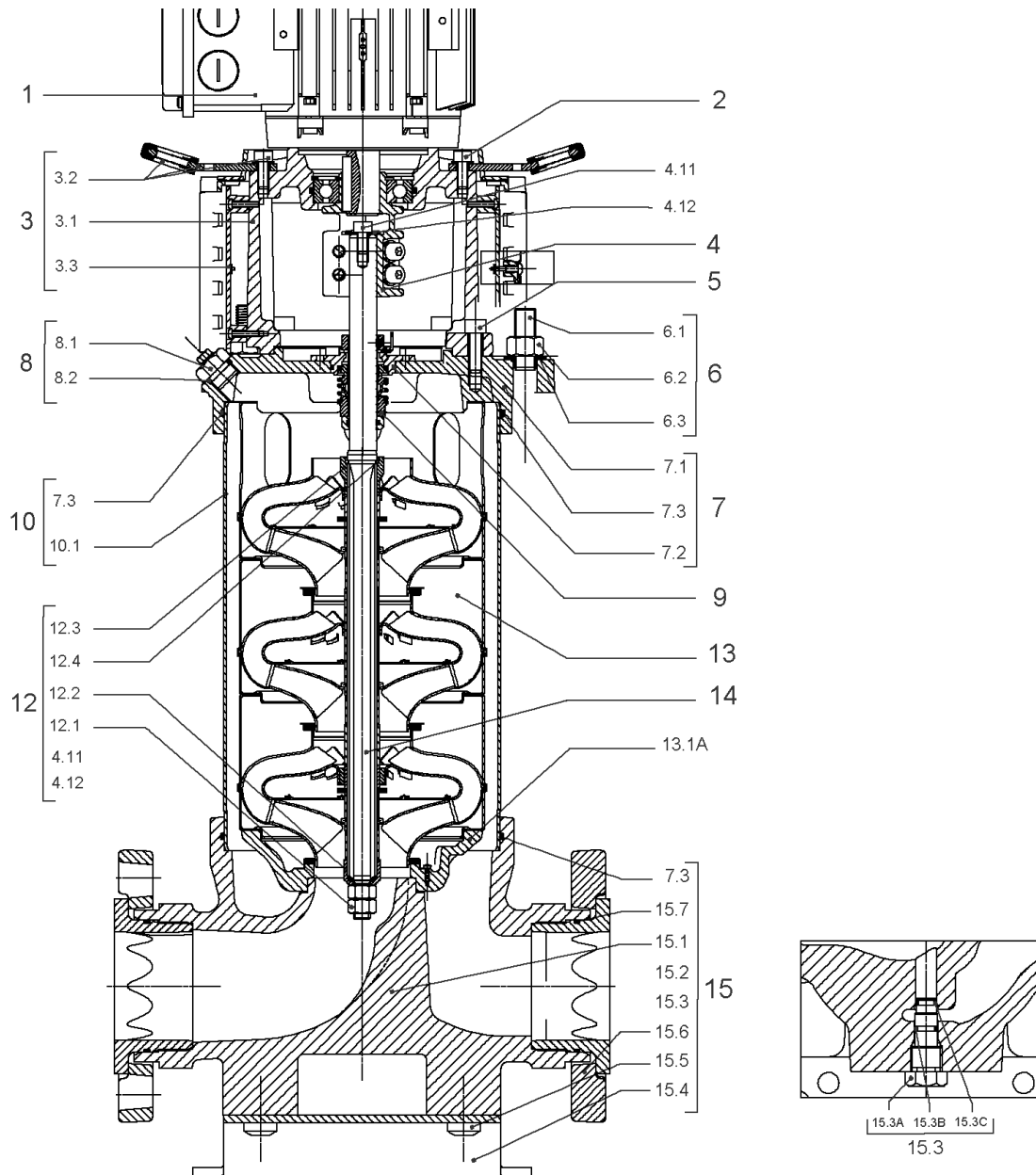
CARTRIDGE HELIX22-36-52 F/E KIT (4143975)

Item	Article no.	Description	Quantity
9.1	4143976	SEAL-KIT-HELIX22-36-52 F/E	1
7.3	4179571	> O-RING HOUSING PIPE HELIX22/36/52 VP.	1
7.4	4179572	> O-RING ID.42.52X2.62 EPDM VP.	1
9.1A	2127447	> M.SEAL.HELIX22-36-52 F/E VP.	1
9.1B	4179574	> O-RING ID.20x2.65 EPDM VP.	1
9.2	4179566	SHAFT SLEEVE D.20/20X60 1.4404 VP.	1
9.3	4179567	RING HOLDER Ø22 1.4301 VP.	1
9.4	4176520	SCREW CH M5x5 A4-70 (3PIECES)	1
9.5	4179568	DRIVE RING D.31/22.1x11 MACH.VP.	1
9.6	4179569	TOOL M.S.CART.HELIX 8" VP.	1
9.7	4179570	SCREW M6X16 ISO4762 8.8 GEOMET(4 PIECES)	1



HYDRAULIC HELIX V 3605

Item	Article no.	Description	Quantity
13.1	4161192	INTERMEDIATE STAGE HELIX V36 1.4301 KIT	1
		> SLEEVE-SPACER-D22XL16,66-316L	1
		> MACH.BEARING-DIFFUSER+NR-M+36-304	1
		> SHAFT-SLEEVE-D26xD22x16-CW	1
		> IMPELLER-H1-M+36-304	1
13.1A	4161200	> NECK RING 1.STAGE HELIX V36/52 KIT	1
		>> NECK-RING-M+36/52	1
		>> HYDRAULIC SUPPORT CAP M+36/52 304	1
		>> SCREW TCL M3X8 A4 POZIDRIV	1
13.2	4161193	INTERMEDIATE STAGE HELIX V36 1.4301 KIT	1
		> MACH.STD-DIFFUSER+NR-M+36-304	1
		> IMPELLER-H4-M+36-304	1
13.3	4161194	UPPER STAGE HELIX 36 1.4301 KIT	1
		> STOP COLLAR OF IMPELLER L20-Ø22-316L	1
		> IMPELLER-H4-M+36-304	1
		> MACH.-RIGID-STD-DISCH.-CHAMBER-M+36-304	1



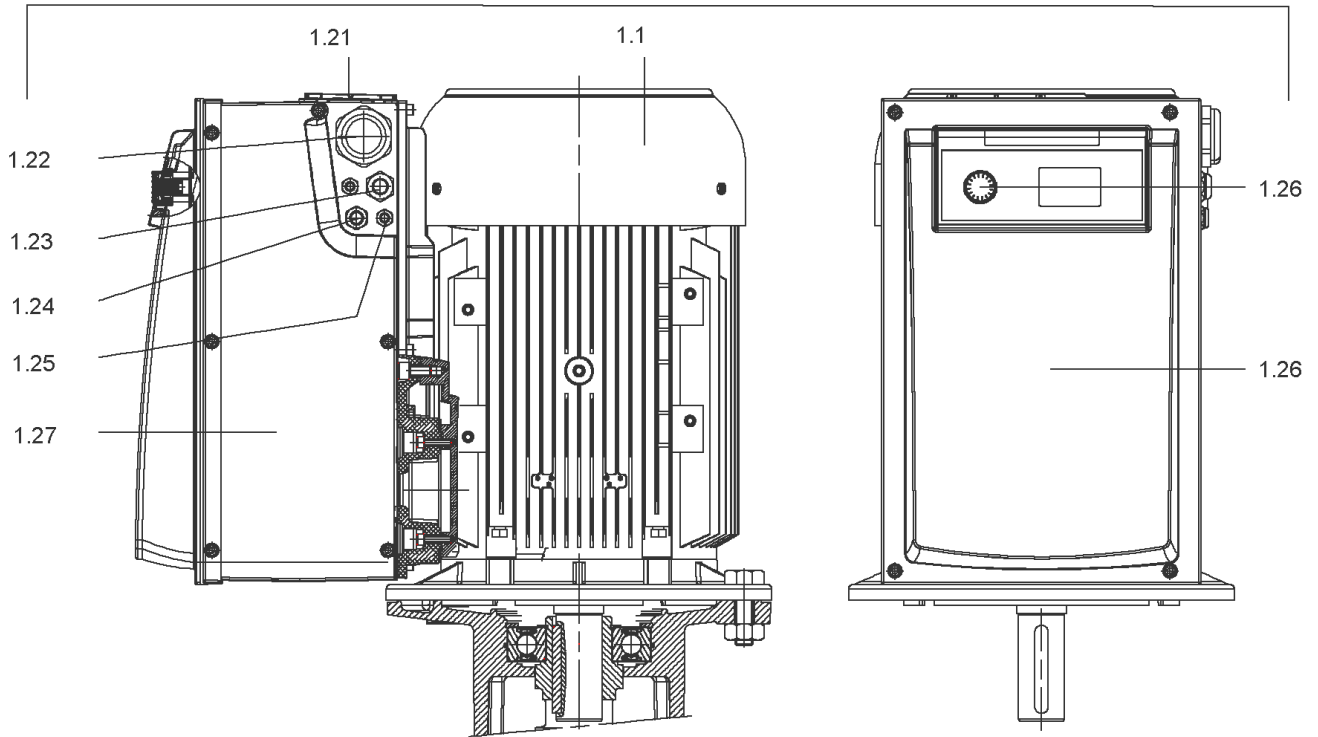
HELIX VE3607-3/25/E/K/2G (4166215)

Item	Article no.	Description	Quantity
1		DRIVE HELIX VE3607-IE2-ARC KIT	1
Note: no longer available/nicht mehr lieferbar/n'est plus disponible			
1	4218542	DRIVE HELIX VE3607-IE4-WEG KIT	1
Note: MOTOR BRAND WEG			
2	4179586	SCREW M16X60 (4 PIECES)	1
3	4157721	LANTERN HELIX 22/36 FF300 BB6312 KIT	1
3.1		> LANTERN FF300 M+ GJL MACHINED+CATA 6312	1
3.2	4179589	> EYELET CPL.FF300 HELIX(4 PIECES)	1
3.3	4143969	> COUPLING PROTECT HELIX FF KIT	1
4	4143966	COUPLING D.20XD.38 FF300 KIT	1
5	4157725	SCREW M10X40 (4 PIECES)	1
6	4179923	STUD BOLT M16X600 KIT	1
6.1		> TIE BOLT M16-600x24x44-1.4057	1
6.2	4179562	> NUT M16 8.8 ISO4032 (4 PIECES)	1
6.3	4097852	> WASHER-CS-16.4-32-2.8-NFE25-511-A2	1
7	4179565	END SHIELD HELIX 8" EPDM KIT	1
7.1		> END SHIELD M+ GJL MACHINED+CATA	1
7.2	4179564	> O-RING D.42.52x2.62 EPDM VP.	1
7.3	4179571	> O-RING HOUSING PIPE HELIX22/36/52 VP.	1
8	4186377	FILING/PURGING PLUG 304 HELIX KIT	1
8.1		> FILLING/VENTING-PLUG-MVI8/10"-304	1
8.2	4032291	> O-RING 17x3 EPDM KTW/WRC	1
9	4143975	CARTRIDGE HELIX22-36-52 F/E KIT	1
10	4179924	HOUSING PIPE D.204X530 1.4301 KIT	1
7.3	4179571	> O-RING HOUSING PIPE HELIX22/36/52 VP.	1
10.1		> HOUSING-PIPE Ø204-M+3607/5205-304	1
11	4181071	CENTRALIZER HELIX 8" M+36 1.4301 VP.	1
12	4161186	SHAFT EQUIPMENT HELIX V36 8" KIT	1
13		HYDRAULIC HELIX V 3607	1
14	4181091	SHAFT D.22X687,34 1.4057 VP.	1
15	4161185	EQUIPED HOUSING HELIX 36 GJL KIT	1
15.1		> PUMP HOUSING SET with CATA. PARTS-DN65	1
15.3	4143766	> DRAIN/PRIMING PLUG EPDM HELIX KIT	1
15.3A		>> PRIMING/DRAIN PLUG-304-VERSION 1	1

HELIX VE3607-3/25/E/K/2G (4166215)

Item	Article no.	Description	Quantity
15.3B	4032293	>> O-RING-10x3-EPDM-KTW/WRC	1
15.3C	4233957	>> O-RING ID.9 EPDM VP.	1
15.4	4221729	> BASE M+ DN50/65/80 VP.	1
15.5		> SCREW TBHC M12x25 ISO7380 ZN	1
15.6		> FLANGE M+ DN65 NF PN16-25 ASME PN16 CATA	1
15.7		> O-RING Ø79.5xØ3 EPDM	1
13.1A	4161200	> NECK RING 1.STAGE HELIX V36/52 KIT	1
		>> NECK-RING-M+36/52	1
		>> HYDRAULIC SUPPORT CAP M+36/52 304	1
		>> SCREW TCL M3X8 A4 POZIDRIV	1
7.3	4179571	> O-RING HOUSING PIPE HELIX22/36/52 VP.	1

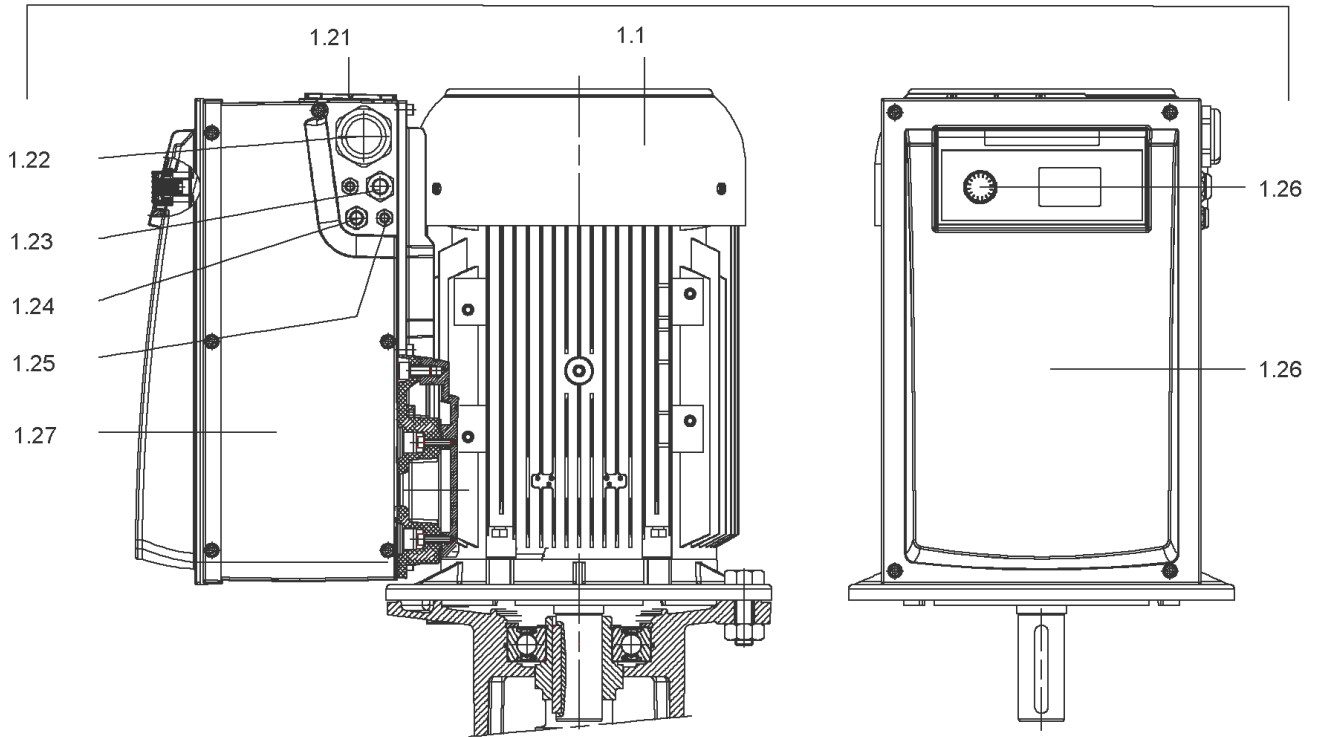
1



DRIVE HELIX VE3607-IE2-ARC KIT

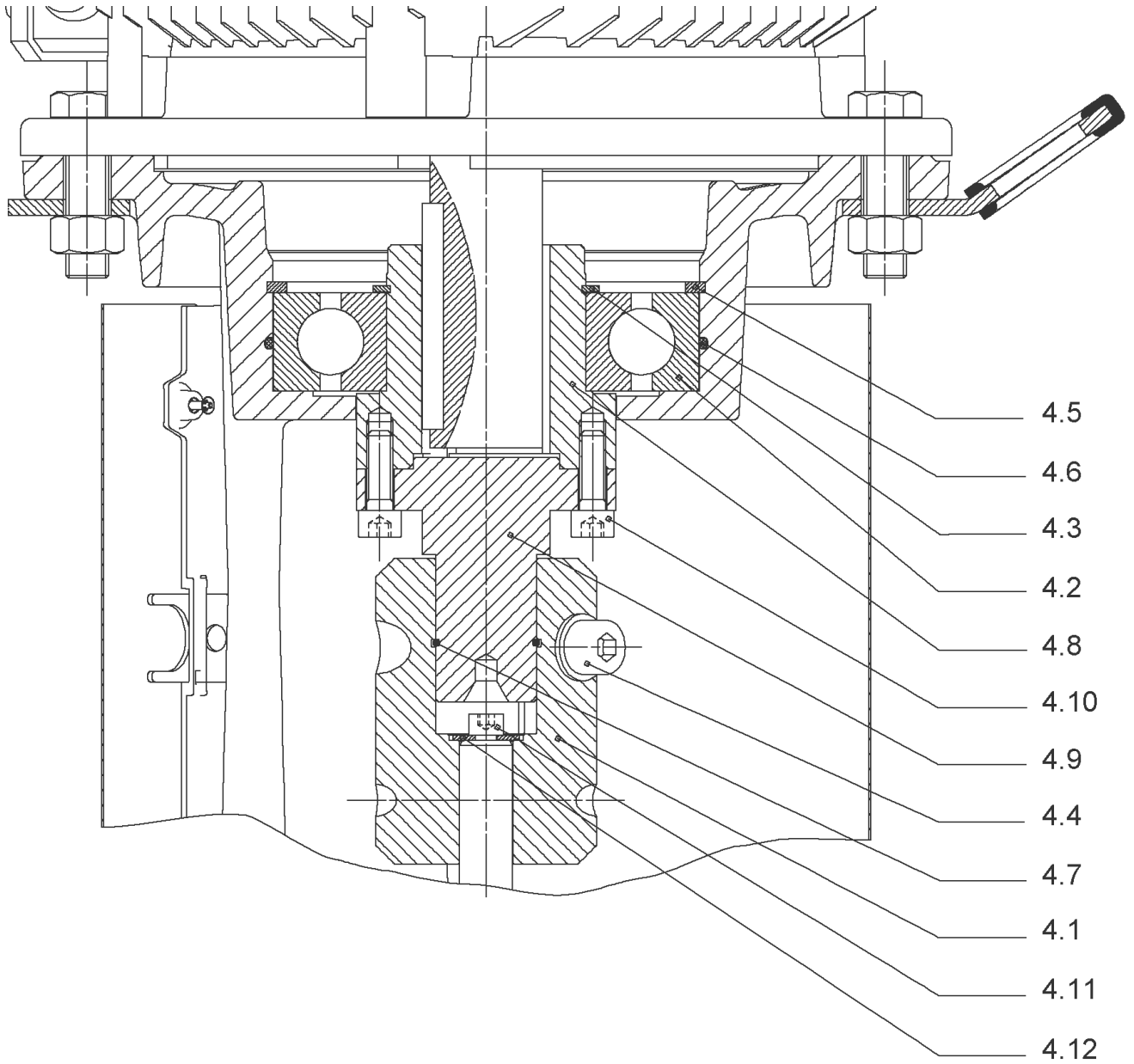
Item	Article no.	Description	Quantity
1.1		M18.5-2T540P55V1-160F300-N42-IE2	1
		SPARE PARTS MOTOR:ON REQUEST	1
1.21	2132103	FAN LARGE TL6/7 FF KIT	1
1.25	2132097	CABLE CONNECTION M12 TL6/7 FF VP.	1
1.24	2132098	CABLE CONNECTION M16 TL6/7 FF VP.	1
1.23	2132099	CABLE CONNECTION M20 TL6/7 FF VP.	1
1.22	2132101	CABLE CONNECTION LARGE M40 TL6/7 FF VP.	1
1.27	2132104	COVER SIDE TL6/7 FF CPL.VP.	1
1.26	2132452	MODULE COVER/BUTTON TL6/7 FF VP.	1

1



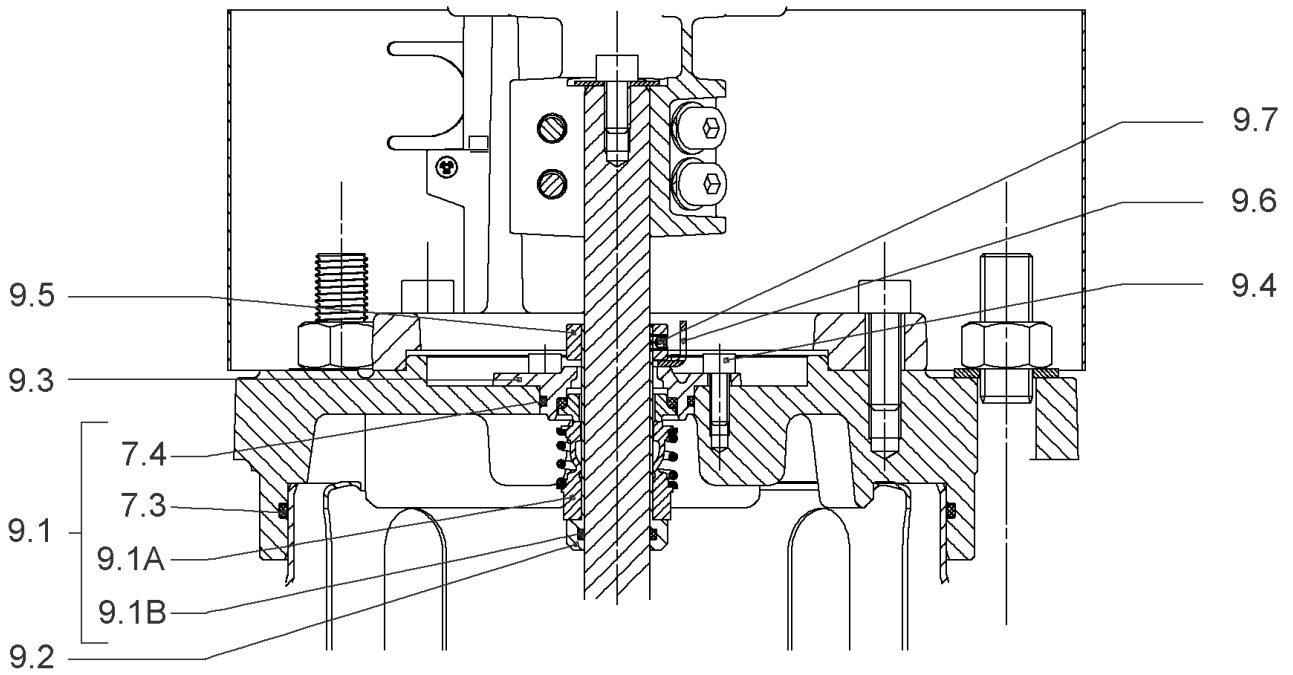
DRIVE HELIX VE3607-IE4-WEG KIT (4218542)

Item	Article no.	Description	Quantity
1.1		M18,5-2T540P55V1-180F30-N42-ADAP-IE4-WEG	1
		SPARE PARTS MOTOR:ON REQUEST	1
1.21	2132102	FAN SMALL TL6/7 FF KIT	1
1.25	2132097	CABLE CONNECTION M12 TL6/7 FF VP.	1
1.24	2132098	CABLE CONNECTION M16 TL6/7 FF VP.	1
1.23	2132099	CABLE CONNECTION M20 TL6/7 FF VP.	1
1.22	2132100	CABLE CONNECTION SMALL M40 TL6/7 FF VP.	1
1.27	2132104	COVER SIDE TL6/7 FF CPL.VP.	1
1.26	2132452	MODULE COVER/BUTTON TL6/7 FF VP.	1



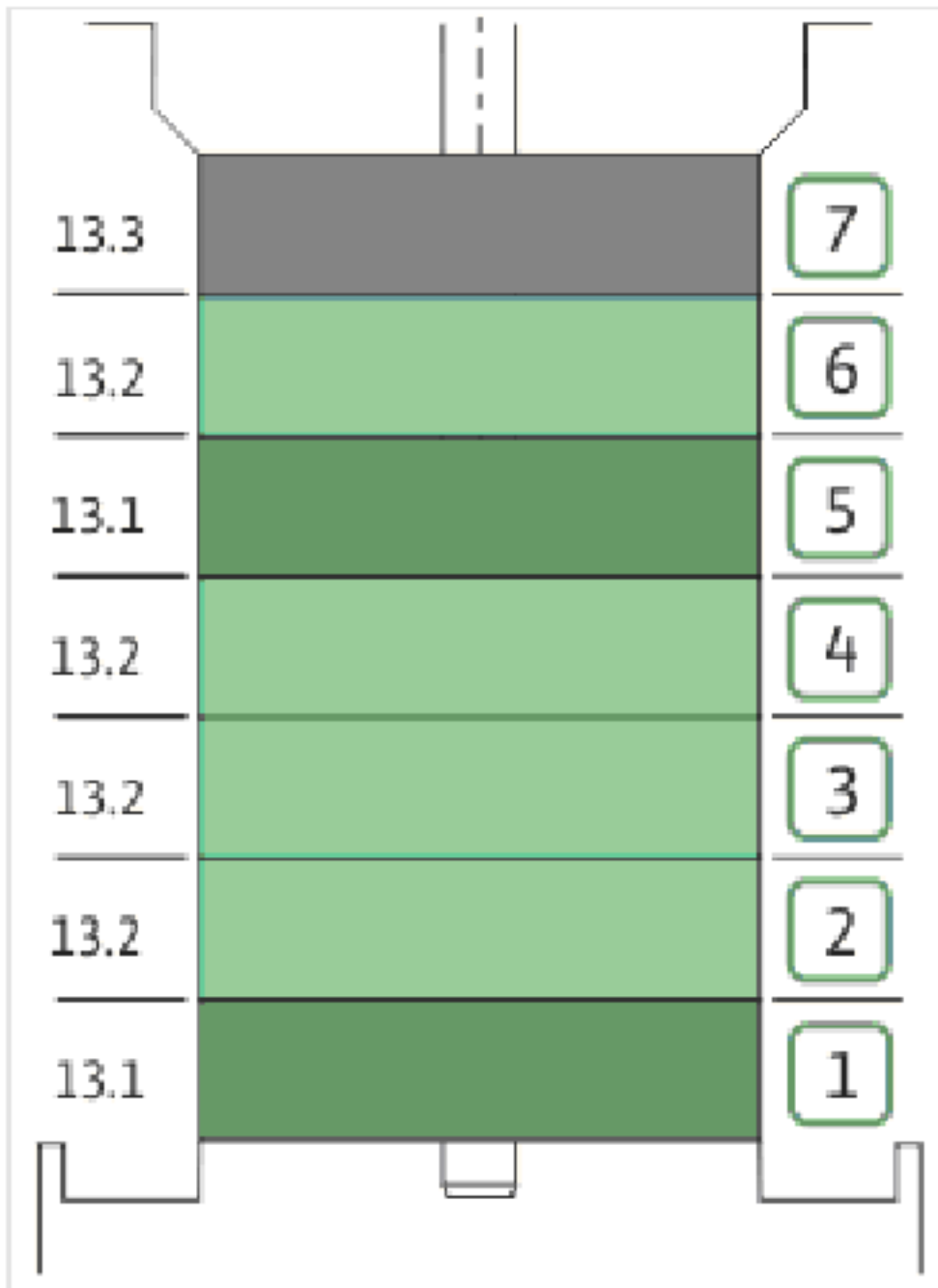
COUPLING D.20XD.38 FF300 KIT (4143966)

Item	Article no.	Description	Quantity
4.1	4179590	COUPLING 2 PARTS D.20XD.38XL115 VP.	1
4.2	2123699	BALL BEARING 6312/2Z-C4 (HT) VP.	1
4.3	63428	CIRCLIP-FOR-SHAFT-D60x2	1
4.4	2130991	SCREW M12X30 ISO4762 8.8 ZN(4 PIECES)	1
4.5	4032277	CIRCLIP-HOLE-130x4	1
4.6	4006725	O-RING ID.132,94x3,53 NBR70SR	1
4.7	2130992	RETAINING RING D.35xD.2,5 DIN7993 VP.	1
4.8	4179591	HUB D.42xD.60 VP.	1
4.9	2130994	SPACER D.38XD.55 VP.	1
4.10	4094462	SCREWS M10 (4 PIECES)	1
4.11	4233959	SCREW M8x16 VP.	1
4.12		SERRATED LOCK WASHER Ø8.2XØ25X35X2	1



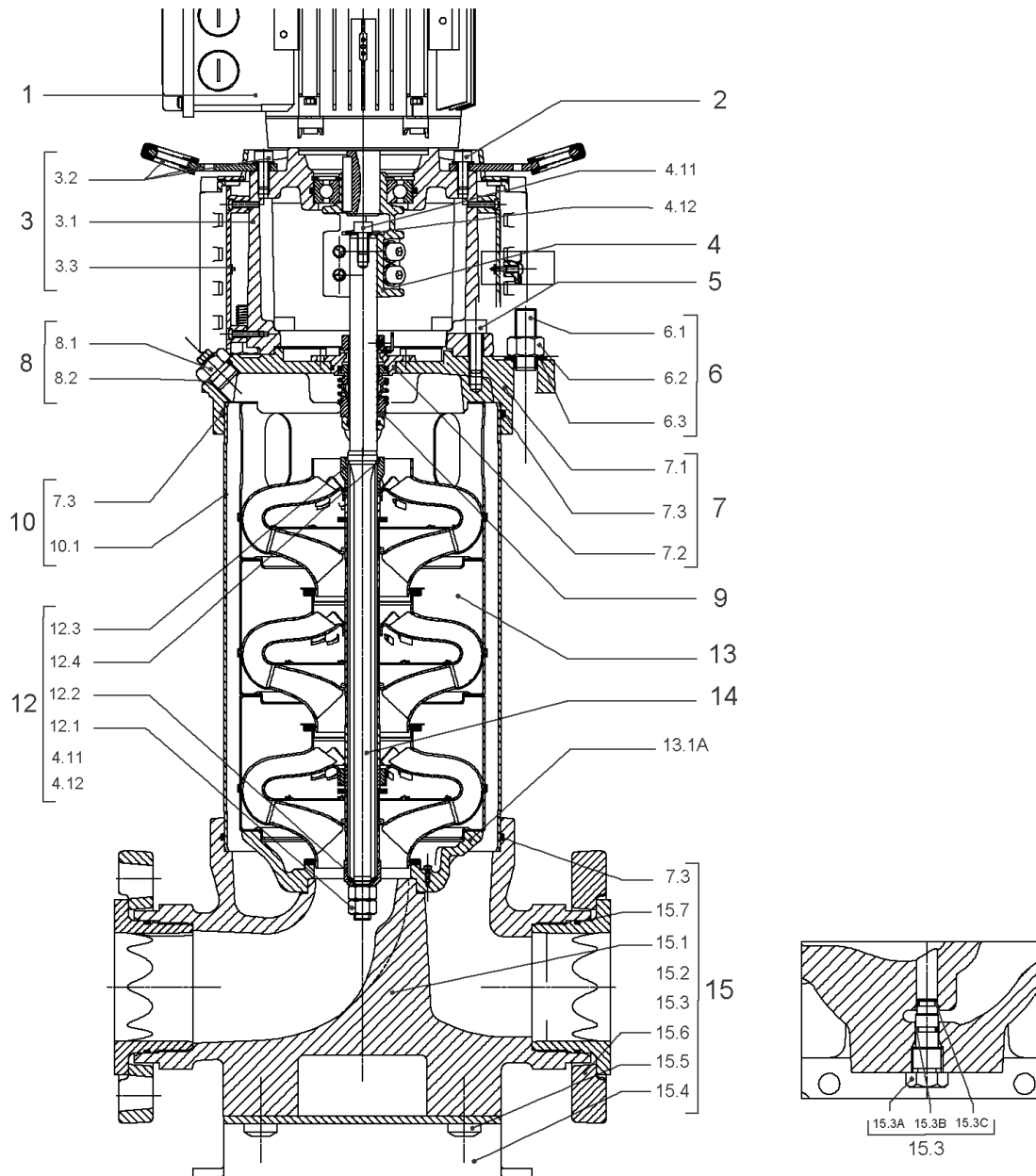
CARTRIDGE HELIX22-36-52 F/E KIT (4143975)

Item	Article no.	Description	Quantity
9.1	4143976	SEAL-KIT-HELIX22-36-52 F/E	1
7.3	4179571	> O-RING HOUSING PIPE HELIX22/36/52 VP.	1
7.4	4179572	> O-RING ID.42.52X2.62 EPDM VP.	1
9.1A	2127447	> M.SEAL.HELIX22-36-52 F/E VP.	1
9.1B	4179574	> O-RING ID.20x2.65 EPDM VP.	1
9.2	4179566	SHAFT SLEEVE D.20/20X60 1.4404 VP.	1
9.3	4179567	RING HOLDER Ø22 1.4301 VP.	1
9.4	4176520	SCREW CH M5x5 A4-70 (3PIECES)	1
9.5	4179568	DRIVE RING D.31/22.1x11 MACH.VP.	1
9.6	4179569	TOOL M.S.CART.HELIX 8" VP.	1
9.7	4179570	SCREW M6X16 ISO4762 8.8 GEOMET(4 PIECES)	1



HYDRAULIC HELIX V 3607

Item	Article no.	Description	Quantity
13.1	4161192	INTERMEDIATE STAGE HELIX V36 1.4301 KIT	1
		> SLEEVE-SPACER-D22XL16,66-316L	1
		> MACH.BEARING-DIFFUSER+NR-M+36-304	1
		> SHAFT-SLEEVE-D26xD22x16-CW	1
		> IMPELLER-H1-M+36-304	1
13.1A	4161200	> NECK RING 1.STAGE HELIX V36/52 KIT	1
		>> NECK-RING-M+36/52	1
		>> HYDRAULIC SUPPORT CAP M+36/52 304	1
		>> SCREW TCL M3X8 A4 POZIDRIV	1
13.2	4161193	INTERMEDIATE STAGE HELIX V36 1.4301 KIT	1
		> MACH.STD-DIFFUSER+NR-M+36-304	1
		> IMPELLER-H4-M+36-304	1
13.3	4161194	UPPER STAGE HELIX 36 1.4301 KIT	1
		> STOP COLLAR OF IMPELLER L20-Ø22-316L	1
		> IMPELLER-H4-M+36-304	1
		> MACH.-RIGID-STD-DISCH.-CHAMBER-M+36-304	1



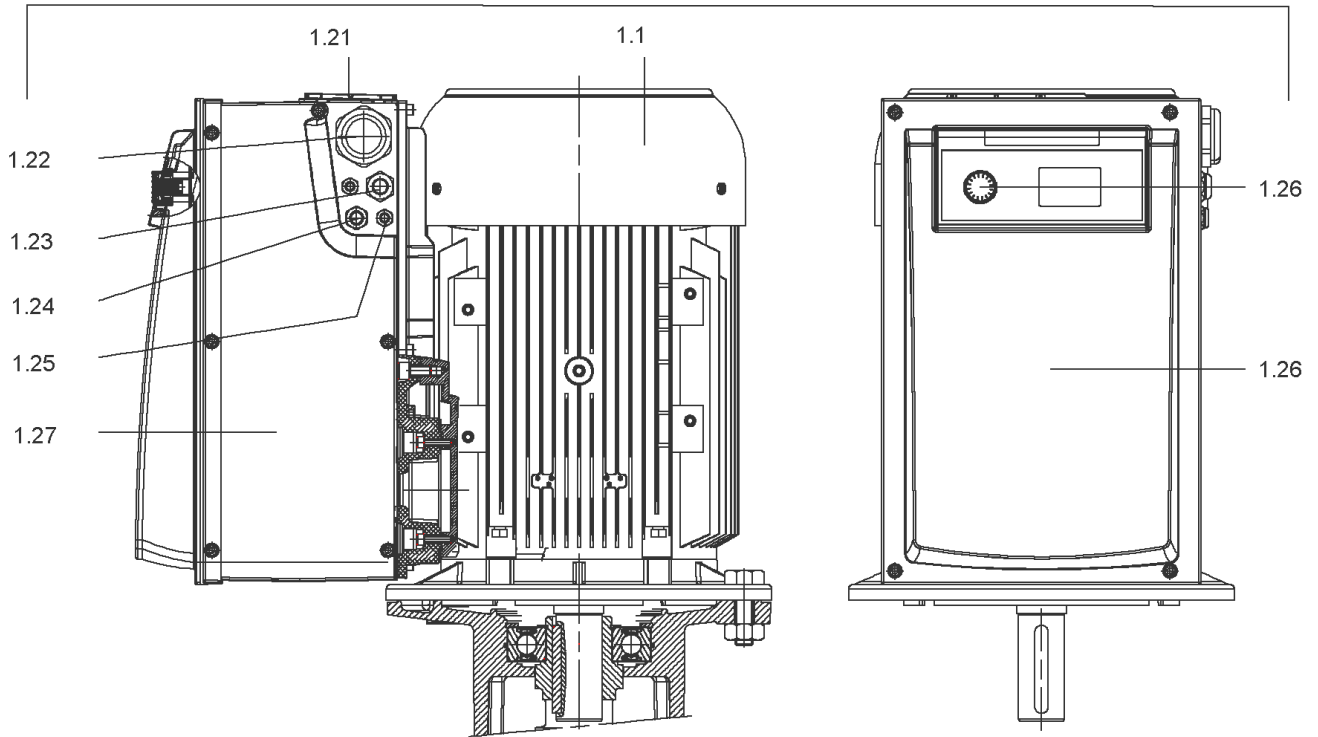
HELIX VE3607-3/25/E/KS/2G (4166219)

Item	Article no.	Description	Quantity
1		DRIVE HELIX VE3607-IE2-ARC KIT	1
Note: no longer available/nicht mehr lieferbar/n'est plus disponible			
1	4218542	DRIVE HELIX VE3607-IE4-WEG KIT	1
Note: MOTOR BRAND WEG			
2	4179586	SCREW M16X60 (4 PIECES)	1
3	4157721	LANTERN HELIX 22/36 FF300 BB6312 KIT	1
3.1		> LANTERN FF300 M+ GJL MACHINED+CATA 6312	1
3.2	4179589	> EYELET CPL.FF300 HELIX(4 PIECES)	1
3.3	4143969	> COUPLING PROTECT HELIX FF KIT	1
4	4143966	COUPLING D.20XD.38 FF300 KIT	1
5	4157725	SCREW M10X40 (4 PIECES)	1
6	4179923	STUD BOLT M16X600 KIT	1
6.1		> TIE BOLT M16-600x24x44-1.4057	1
6.2	4179562	> NUT M16 8.8 ISO4032 (4 PIECES)	1
6.3	4097852	> WASHER-CS-16.4-32-2.8-NFE25-511-A2	1
7	4179565	END SHIELD HELIX 8" EPDM KIT	1
7.1		> END SHIELD M+ GJL MACHINED+CATA	1
7.2	4179564	> O-RING D.42.52x2.62 EPDM VP.	1
7.3	4179571	> O-RING HOUSING PIPE HELIX22/36/52 VP.	1
8	4186377	FILING/PURGING PLUG 304 HELIX KIT	1
8.1		> FILLING/VENTING-PLUG-MVI8/10"-304	1
8.2	4032291	> O-RING 17x3 EPDM KTW/WRC	1
9	4143975	CARTRIDGE HELIX22-36-52 F/E KIT	1
10	4179924	HOUSING PIPE D.204X530 1.4301 KIT	1
7.3	4179571	> O-RING HOUSING PIPE HELIX22/36/52 VP.	1
10.1		> HOUSING-PIPE Ø204-M+3607/5205-304	1
11	4181071	CENTRALIZER HELIX 8" M+36 1.4301 VP.	1
12	4161186	SHAFT EQUIPMENT HELIX V36 8" KIT	1
13		HYDRAULIC HELIX V 3607	1
14	4181091	SHAFT D.22X687,34 1.4057 VP.	1
15	4161185	EQUIPED HOUSING HELIX 36 GJL KIT	1
15.1		> PUMP HOUSING SET with CATA. PARTS-DN65	1
15.3	4143766	> DRAIN/PRIMING PLUG EPDM HELIX KIT	1
15.3A		>> PRIMING/DRAIN PLUG-304-VERSION 1	1

HELIX VE3607-3/25/E/KS/2G (4166219)

Item	Article no.	Description	Quantity
15.3B	4032293	>> O-RING-10x3-EPDM-KTW/WRC	1
15.3C	4233957	>> O-RING ID.9 EPDM VP.	1
15.4	4221729	> BASE M+ DN50/65/80 VP.	1
15.5		> SCREW TBHC M12x25 ISO7380 ZN	1
15.6		> FLANGE M+ DN65 NF PN16-25 ASME PN16 CATA	1
15.7		> O-RING Ø79.5xØ3 EPDM	1
13.1A	4161200	> NECK RING 1.STAGE HELIX V36/52 KIT	1
		>> NECK-RING-M+36/52	1
		>> HYDRAULIC SUPPORT CAP M+36/52 304	1
		>> SCREW TCL M3X8 A4 POZIDRIV	1
7.3	4179571	> O-RING HOUSING PIPE HELIX22/36/52 VP.	1

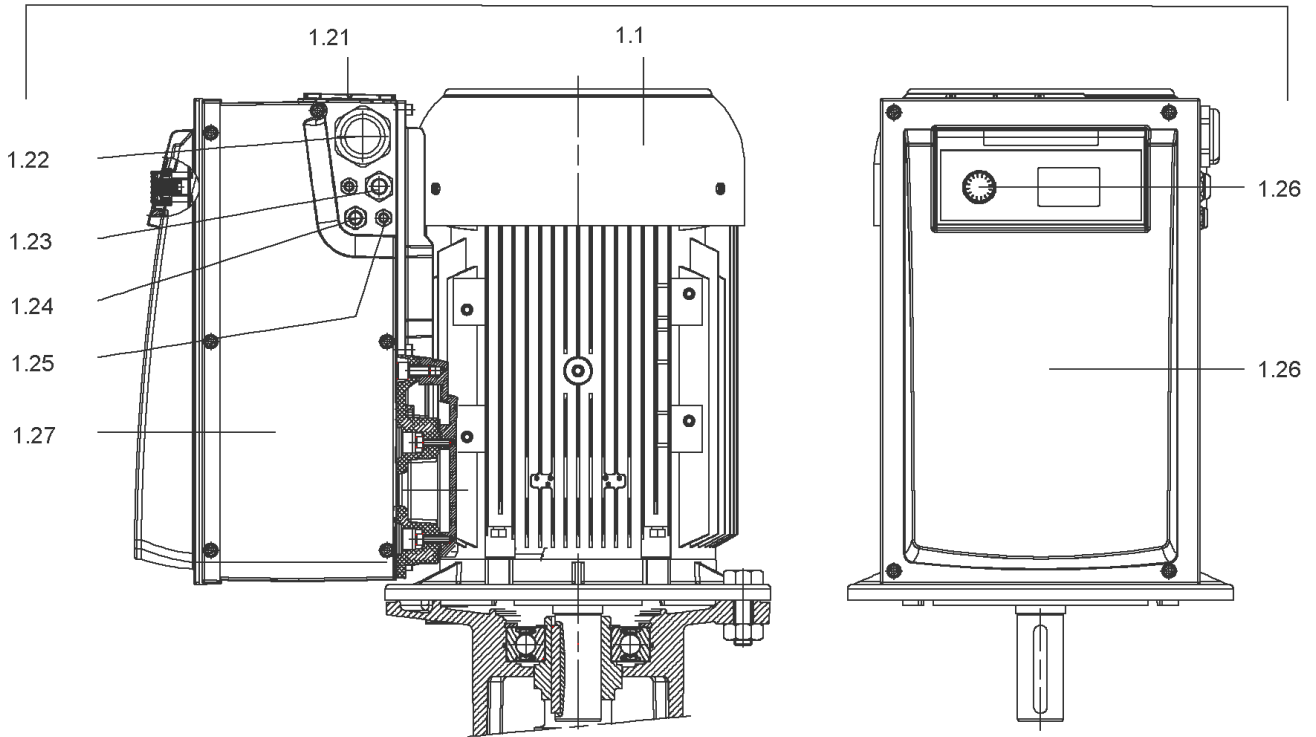
1



DRIVE HELIX VE3607-IE2-ARC KIT

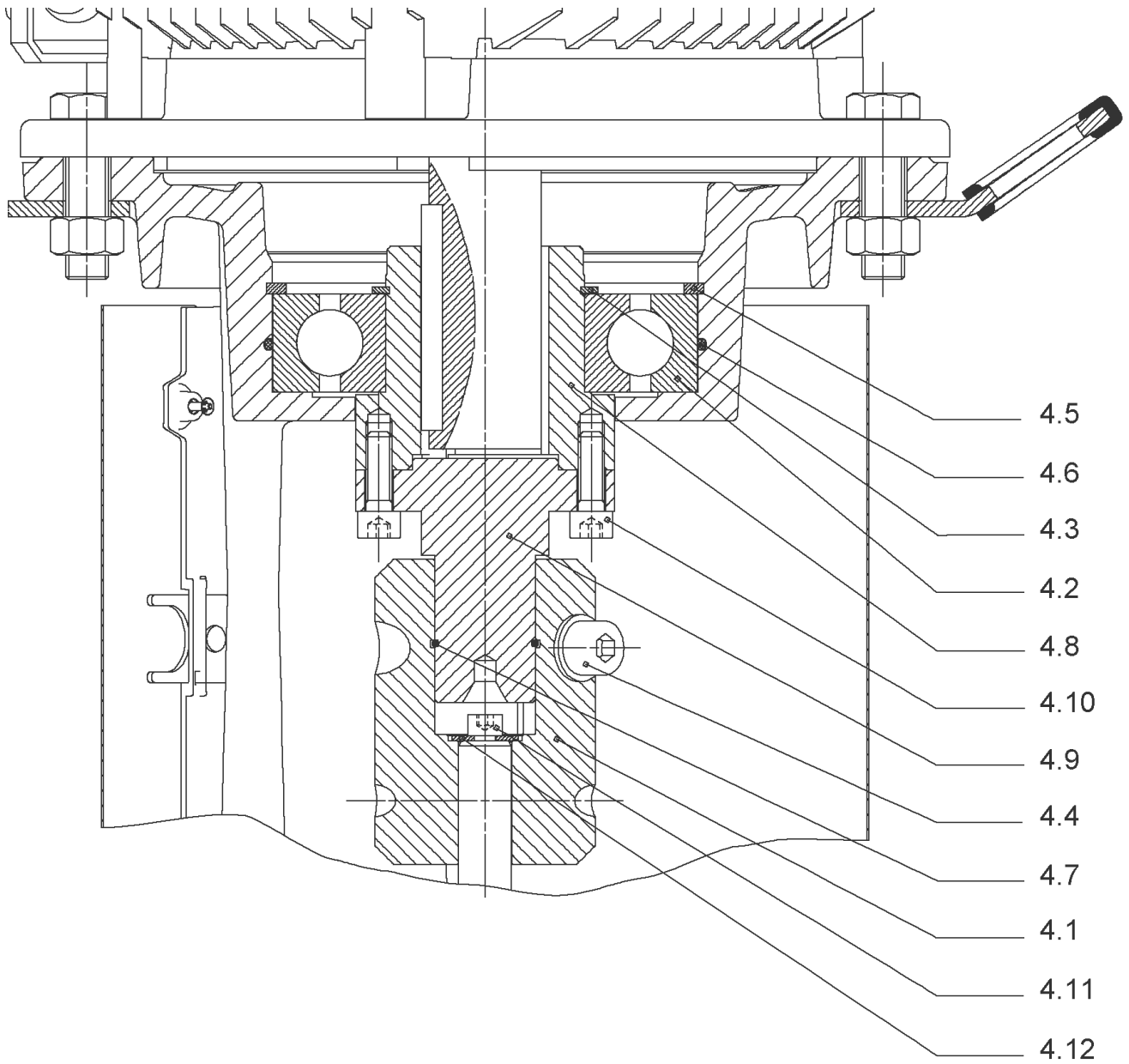
Item	Article no.	Description	Quantity
1.1		M18.5-2T540P55V1-160F300-N42-IE2	1
		SPARE PARTS MOTOR:ON REQUEST	1
1.21	2132103	FAN LARGE TL6/7 FF KIT	1
1.25	2132097	CABLE CONNECTION M12 TL6/7 FF VP.	1
1.24	2132098	CABLE CONNECTION M16 TL6/7 FF VP.	1
1.23	2132099	CABLE CONNECTION M20 TL6/7 FF VP.	1
1.22	2132101	CABLE CONNECTION LARGE M40 TL6/7 FF VP.	1
1.27	2132104	COVER SIDE TL6/7 FF CPL.VP.	1
1.26	2132452	MODULE COVER/BUTTON TL6/7 FF VP.	1

1



DRIVE HELIX VE3607-IE4-WEG KIT (4218542)

Item	Article no.	Description	Quantity
1.1		M18,5-2T540P55V1-180F30-N42-ADAP-IE4-WEG	1
		SPARE PARTS MOTOR:ON REQUEST	1
1.21	2132102	FAN SMALL TL6/7 FF KIT	1
1.25	2132097	CABLE CONNECTION M12 TL6/7 FF VP.	1
1.24	2132098	CABLE CONNECTION M16 TL6/7 FF VP.	1
1.23	2132099	CABLE CONNECTION M20 TL6/7 FF VP.	1
1.22	2132100	CABLE CONNECTION SMALL M40 TL6/7 FF VP.	1
1.27	2132104	COVER SIDE TL6/7 FF CPL.VP.	1
1.26	2132452	MODULE COVER/BUTTON TL6/7 FF VP.	1



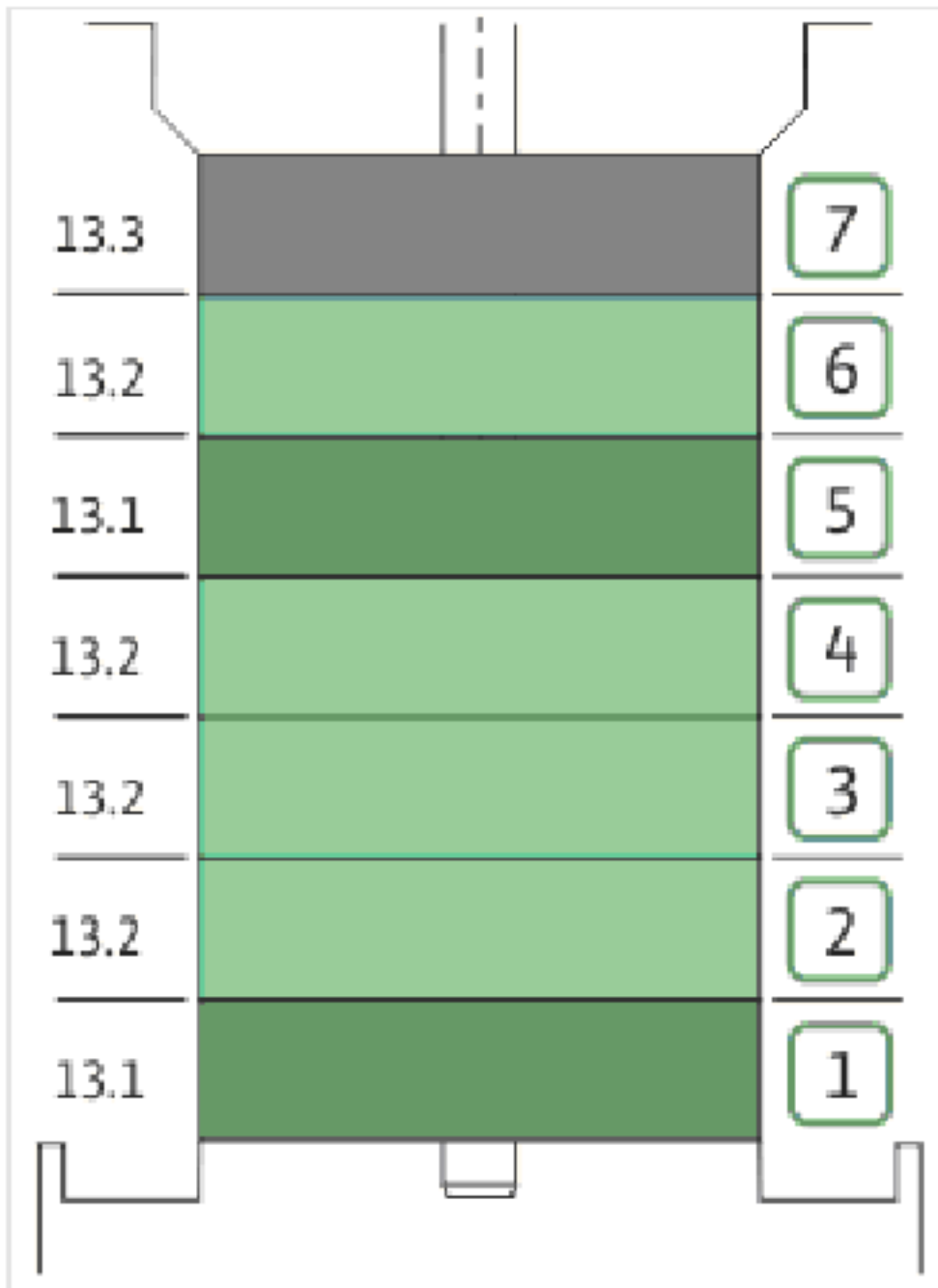
COUPLING D.20XD.38 FF300 KIT (4143966)

Item	Article no.	Description	Quantity
4.1	4179590	COUPLING 2 PARTS D.20XD.38XL115 VP.	1
4.2	2123699	BALL BEARING 6312/2Z-C4 (HT) VP.	1
4.3	63428	CIRCLIP-FOR-SHAFT-D60x2	1
4.4	2130991	SCREW M12X30 ISO4762 8.8 ZN(4 PIECES)	1
4.5	4032277	CIRCLIP-HOLE-130x4	1
4.6	4006725	O-RING ID.132,94x3,53 NBR70SR	1
4.7	2130992	RETAINING RING D.35xD.2,5 DIN7993 VP.	1
4.8	4179591	HUB D.42xD.60 VP.	1
4.9	2130994	SPACER D.38XD.55 VP.	1
4.10	4094462	SCREWS M10 (4 PIECES)	1
4.11	4233959	SCREW M8x16 VP.	1
4.12		SERRATED LOCK WASHER Ø8.2XØ25X35X2	1



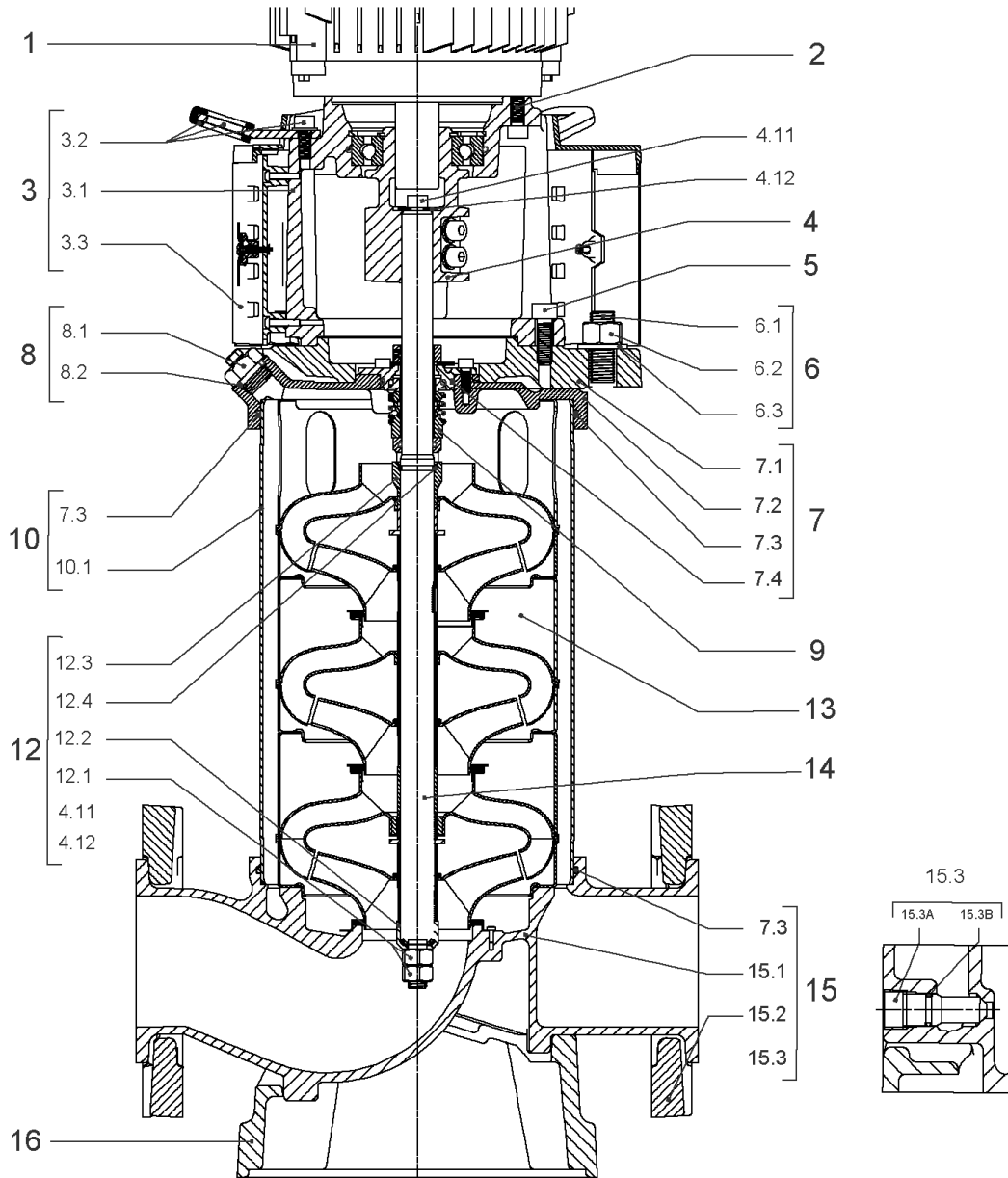
CARTRIDGE HELIX22-36-52 F/E KIT (4143975)

Item	Article no.	Description	Quantity
9.1	4143976	SEAL-KIT-HELIX22-36-52 F/E	1
7.3	4179571	> O-RING HOUSING PIPE HELIX22/36/52 VP.	1
7.4	4179572	> O-RING ID.42.52X2.62 EPDM VP.	1
9.1A	2127447	> M.SEAL.HELIX22-36-52 F/E VP.	1
9.1B	4179574	> O-RING ID.20x2.65 EPDM VP.	1
9.2	4179566	SHAFT SLEEVE D.20/20X60 1.4404 VP.	1
9.3	4179567	RING HOLDER Ø22 1.4301 VP.	1
9.4	4176520	SCREW CH M5x5 A4-70 (3PIECES)	1
9.5	4179568	DRIVE RING D.31/22.1x11 MACH.VP.	1
9.6	4179569	TOOL M.S.CART.HELIX 8" VP.	1
9.7	4179570	SCREW M6X16 ISO4762 8.8 GEOMET(4 PIECES)	1



HYDRAULIC HELIX V 3607

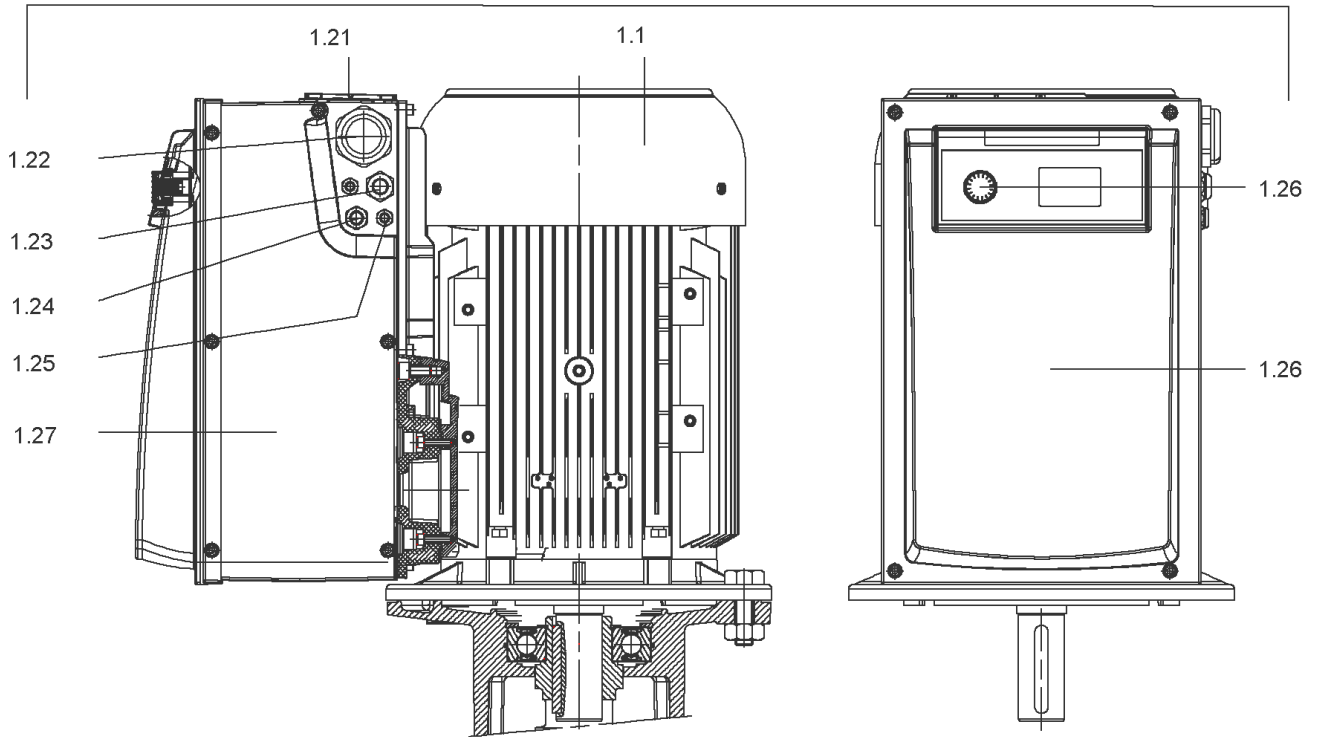
Item	Article no.	Description	Quantity
13.1	4161192	INTERMEDIATE STAGE HELIX V36 1.4301 KIT	1
		> SLEEVE-SPACER-D22XL16,66-316L	1
		> MACH.BEARING-DIFFUSER+NR-M+36-304	1
		> SHAFT-SLEEVE-D26xD22x16-CW	1
		> IMPELLER-H1-M+36-304	1
13.1A	4161200	> NECK RING 1.STAGE HELIX V36/52 KIT	1
		>> NECK-RING-M+36/52	1
		>> HYDRAULIC SUPPORT CAP M+36/52 304	1
		>> SCREW TCL M3X8 A4 POZIDRIV	1
13.2	4161193	INTERMEDIATE STAGE HELIX V36 1.4301 KIT	1
		> MACH.STD-DIFFUSER+NR-M+36-304	1
		> IMPELLER-H4-M+36-304	1
13.3	4161194	UPPER STAGE HELIX 36 1.4301 KIT	1
		> STOP COLLAR OF IMPELLER L20-Ø22-316L	1
		> IMPELLER-H4-M+36-304	1
		> MACH.-RIGID-STD-DISCH.-CHAMBER-M+36-304	1



HELIX VE3607-1/25/E/KS (4198866)

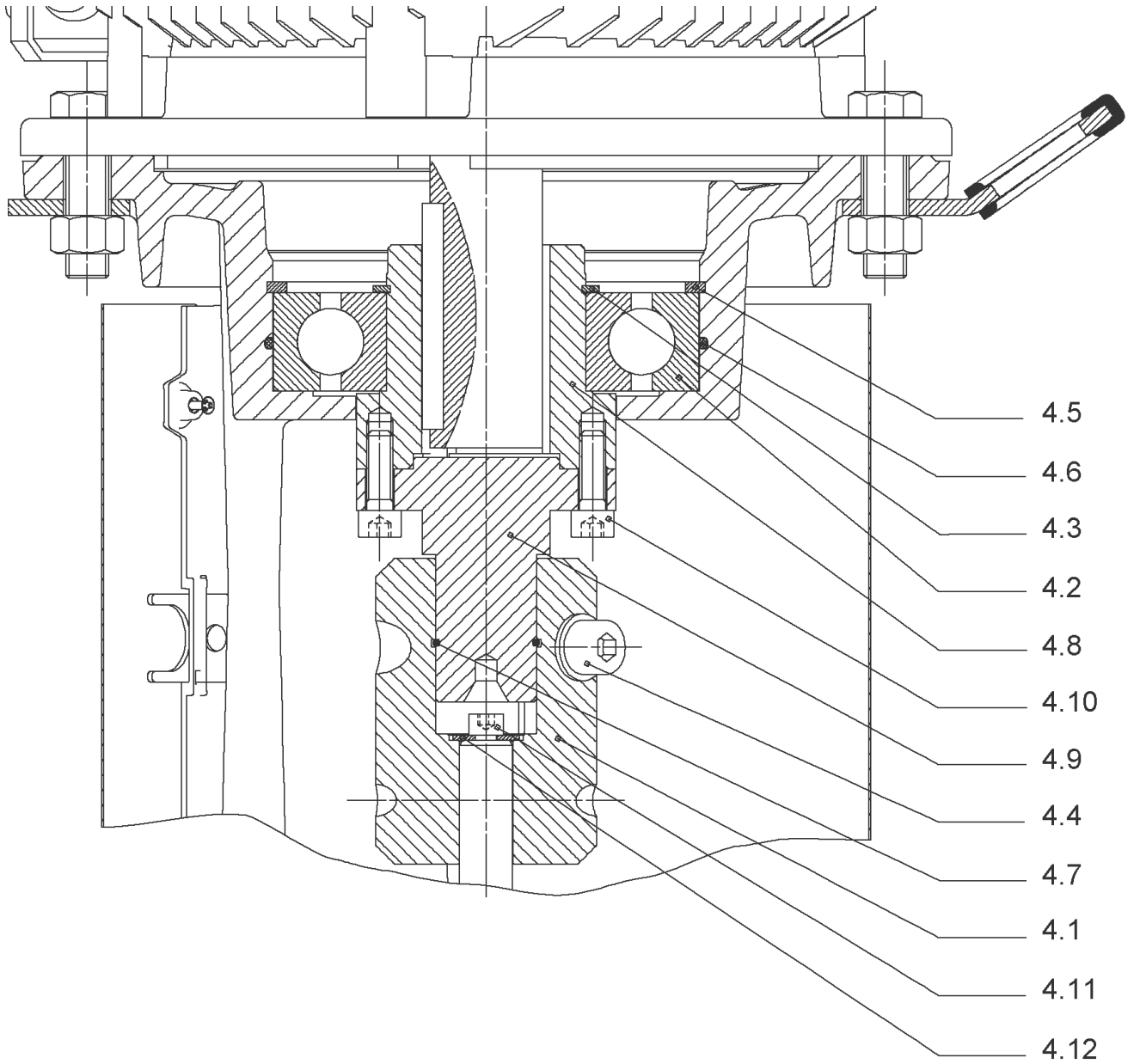
Item	Article no.	Description	Quantity
1	4218542	DRIVE HELIX VE3607-IE4-WEG KIT	1
Note: MOTOR BRAND WEG			
2	4179586	SCREW M16X60 (4 PIECES)	1
3	4157721	LANTERN HELIX 22/36 FF300 BB6312 KIT	1
3.1		> LANTERN FF300 M+ GJL MACHINED+CATA 6312	1
3.2	4179589	> EYELET CPL.FF300 HELIX(4 PIECES)	1
3.3	4143969	> COUPLING PROTECT HELIX FF KIT	1
4	4143966	COUPLING D.20XD.38 FF300 KIT	1
5	4157725	SCREW M10X40 (4 PIECES)	1
6	4218361	STUD BOLT M16X719 KIT	1
6.1		> TIE BOLT M16-719x24x44-1.4057	1
6.2	4179562	> NUT M16 8.8 ISO4032 (4 PIECES)	1
6.3	4097852	> WASHER-CS-16.4-32-2.8-NFE25-511-A2	1
7	4217176	END SHIELD HELIX OPTI 8" EPDM KIT	1
7.1		> upper flange machined + cataphoresis	1
7.2	4217174	> STATIONARY RING HOLDER 8" HELIX OPTI VP.	1
7.3	4179571	> O-RING HOUSING PIPE HELIX22/36/52 VP.	1
7.4	4179572	> O-RING ID.42.52X2.62 EPDM VP.	1
8	4186377	FILING/PURGING PLUG 304 HELIX KIT	1
8.1		> FILLING/VENTING-PLUG-MVI8/10"-304	1
8.2	4032291	> O-RING 17x3 EPDM KTW/WRC	1
9	4143975	CARTRIDGE HELIX22-36-52 F/E KIT	1
10	4218363	HOUSING PIPE D204 X 497 1.4301 KIT	1
7.3	4179571	> O-RING HOUSING PIPE HELIX22/36/52 VP.	1
10.1		> HOUSING-PIPE Ø204-L497,48-304	1
12	4161186	SHAFT EQUIPMENT HELIX V36 8" KIT	1
13		HYDRAULIC HELIX V 3607	1
14	4181091	SHAFT D.22X687,34 1.4057 VP.	1
15	4217909	EQUIPED HOUSING DN65 HELIX OPTI 8" KIT	1
15.1		> pump casing machined DN65	1
15.2	4217907	> HALF FLANGE DN65 HELIX OPTI 8" VP.	1
15.3	4217850	> DRAIN/PRIMING PLUG HELIX OPTI 8" KIT	1
7.3	4179571	> O-RING HOUSING PIPE HELIX22/36/52 VP.	1
16	4217911	BASEPLATE DN65 HELIX OPTI 8" VP.	1

1



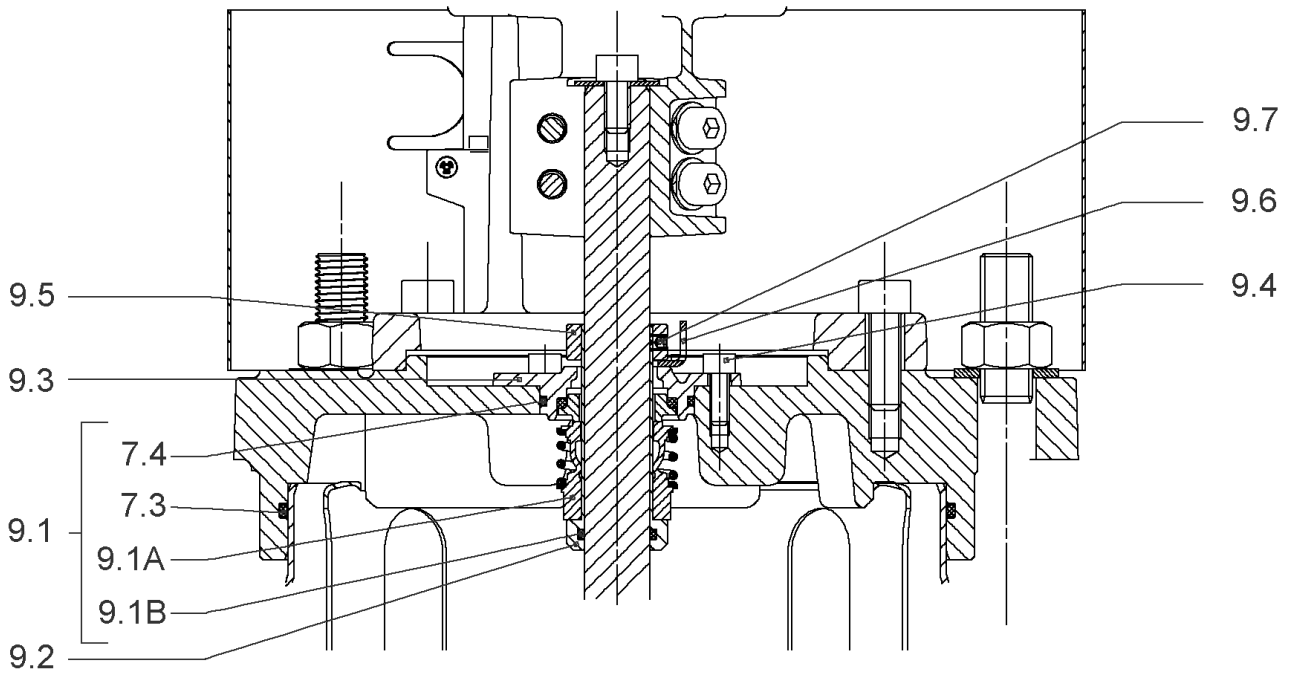
DRIVE HELIX VE3607-IE4-WEG KIT (4218542)

Item	Article no.	Description	Quantity
1.1		M18,5-2T540P55V1-180F30-N42-ADAP-IE4-WEG	1
		SPARE PARTS MOTOR:ON REQUEST	1
1.21	2132102	FAN SMALL TL6/7 FF KIT	1
1.25	2132097	CABLE CONNECTION M12 TL6/7 FF VP.	1
1.24	2132098	CABLE CONNECTION M16 TL6/7 FF VP.	1
1.23	2132099	CABLE CONNECTION M20 TL6/7 FF VP.	1
1.22	2132100	CABLE CONNECTION SMALL M40 TL6/7 FF VP.	1
1.27	2132104	COVER SIDE TL6/7 FF CPL.VP.	1
1.26	2132452	MODULE COVER/BUTTON TL6/7 FF VP.	1



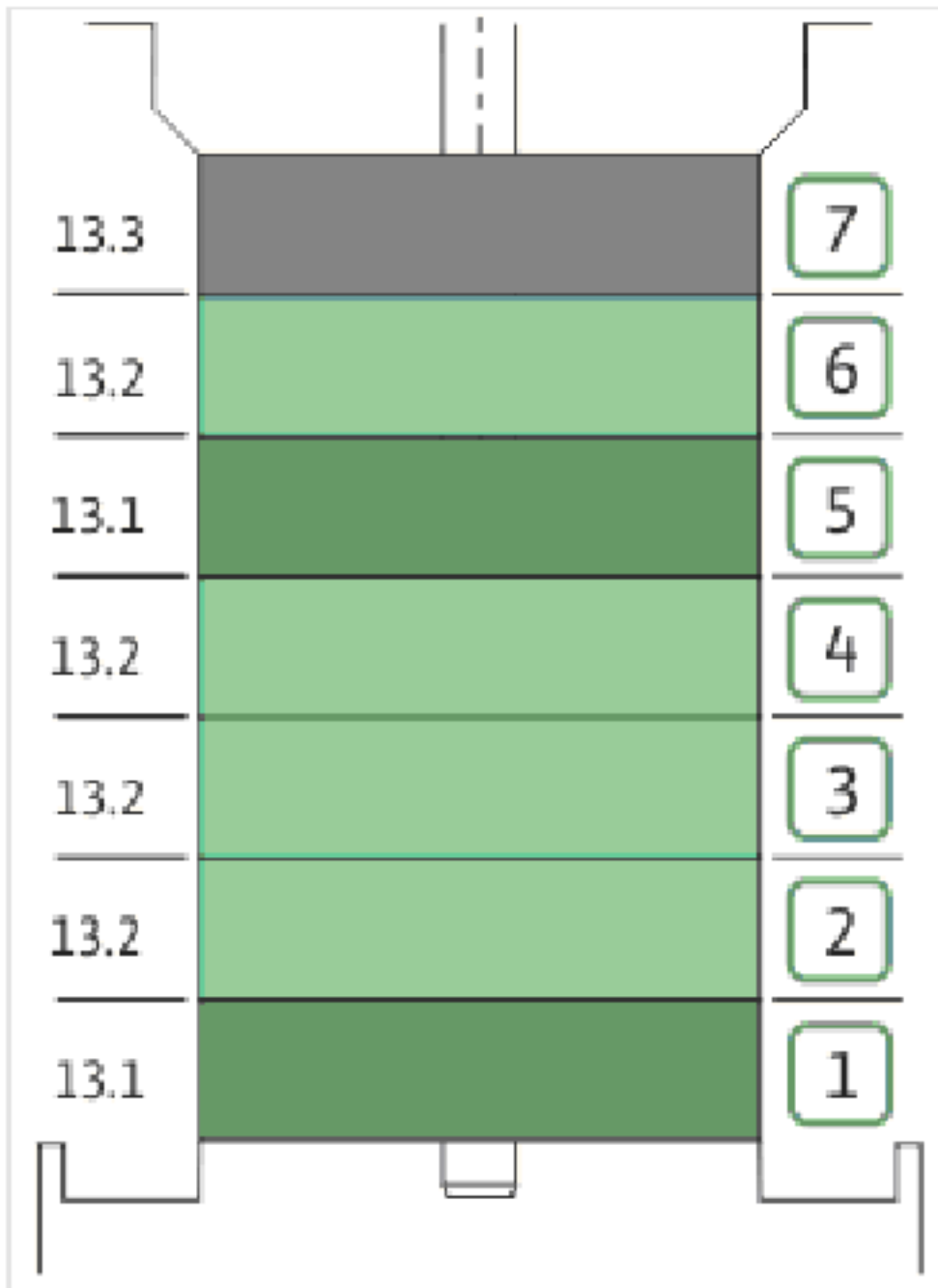
COUPLING D.20XD.38 FF300 KIT (4143966)

Item	Article no.	Description	Quantity
4.1	4179590	COUPLING 2 PARTS D.20XD.38XL115 VP.	1
4.2	2123699	BALL BEARING 6312/2Z-C4 (HT) VP.	1
4.3	63428	CIRCLIP-FOR-SHAFT-D60x2	1
4.4	2130991	SCREW M12X30 ISO4762 8.8 ZN(4 PIECES)	1
4.5	4032277	CIRCLIP-HOLE-130x4	1
4.6	4006725	O-RING ID.132,94x3,53 NBR70SR	1
4.7	2130992	RETAINING RING D.35xD.2,5 DIN7993 VP.	1
4.8	4179591	HUB D.42xD.60 VP.	1
4.9	2130994	SPACER D.38XD.55 VP.	1
4.10	4094462	SCREWS M10 (4 PIECES)	1
4.11	4233959	SCREW M8x16 VP.	1
4.12		SERRATED LOCK WASHER Ø8.2XØ25X35X2	1



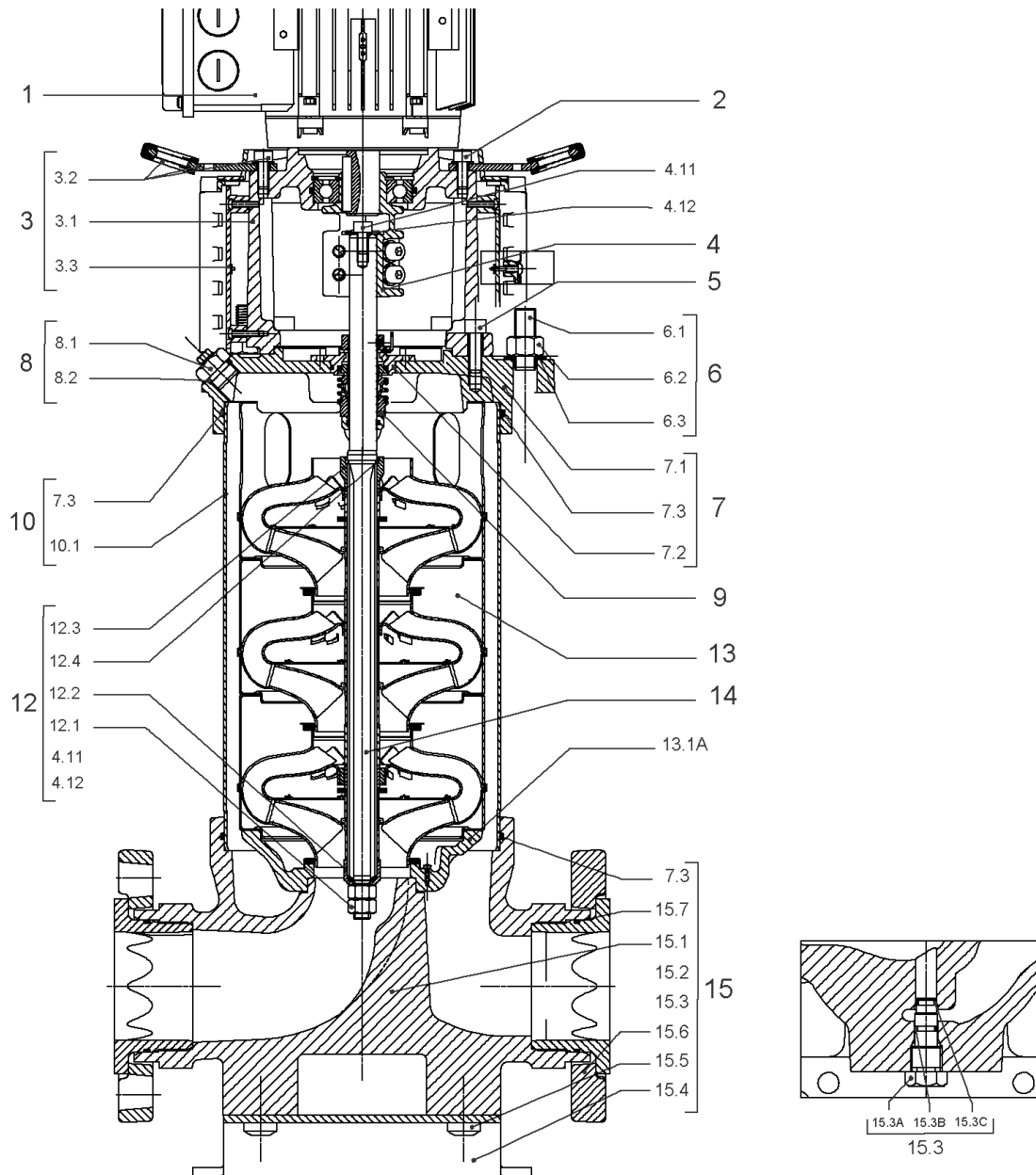
CARTRIDGE HELIX22-36-52 F/E KIT (4143975)

Item	Article no.	Description	Quantity
9.1	4143976	SEAL-KIT-HELIX22-36-52 F/E	1
7.3	4179571	> O-RING HOUSING PIPE HELIX22/36/52 VP.	1
7.4	4179572	> O-RING ID.42.52X2.62 EPDM VP.	1
9.1A	2127447	> M.SEAL.HELIX22-36-52 F/E VP.	1
9.1B	4179574	> O-RING ID.20x2.65 EPDM VP.	1
9.2	4179566	SHAFT SLEEVE D.20/20X60 1.4404 VP.	1
9.3	4179567	RING HOLDER Ø22 1.4301 VP.	1
9.4	4176520	SCREW CH M5x5 A4-70 (3PIECES)	1
9.5	4179568	DRIVE RING D.31/22.1x11 MACH.VP.	1
9.6	4179569	TOOL M.S.CART.HELIX 8" VP.	1
9.7	4179570	SCREW M6X16 ISO4762 8.8 GEOMET(4 PIECES)	1



HYDRAULIC HELIX V 3607

Item	Article no.	Description	Quantity
13.1	4161192	INTERMEDIATE STAGE HELIX V36 1.4301 KIT	1
		> SLEEVE-SPACER-D22XL16,66-316L	1
		> MACH.BEARING-DIFFUSER+NR-M+36-304	1
		> SHAFT-SLEEVE-D26xD22x16-CW	1
		> IMPELLER-H1-M+36-304	1
13.1A	4161200	> NECK RING 1.STAGE HELIX V36/52 KIT	1
		>> NECK-RING-M+36/52	1
		>> HYDRAULIC SUPPORT CAP M+36/52 304	1
		>> SCREW TCL M3X8 A4 POZIDRIV	1
13.2	4161193	INTERMEDIATE STAGE HELIX V36 1.4301 KIT	1
		> MACH.STD-DIFFUSER+NR-M+36-304	1
		> IMPELLER-H4-M+36-304	1
13.3	4161194	UPPER STAGE HELIX 36 1.4301 KIT	1
		> STOP COLLAR OF IMPELLER L20-Ø22-316L	1
		> IMPELLER-H4-M+36-304	1
		> MACH.-RIGID-STD-DISCH.-CHAMBER-M+36-304	1



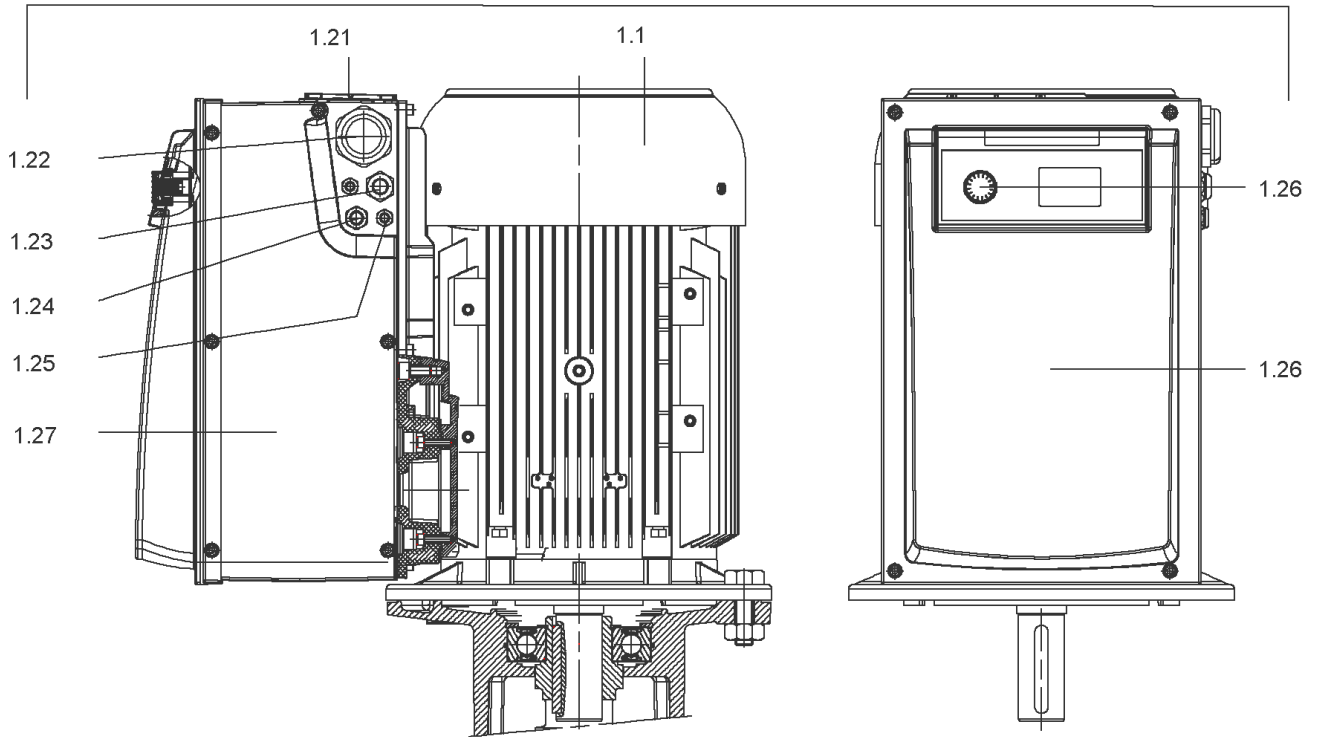
HELIX VE3608-3/25/E/K/2G (4166216)

Item	Article no.	Description	Quantity
1		DRIVE HELIX VE3608-IE2-ARC KIT	1
Note: no longer available/nicht mehr lieferbar/n'est plus disponible			
1	4220029	DRIVE HELIX VE3608-IE4-WEG KIT	1
Note: MOTOR BRAND WEG			
2	4179586	SCREW M16X60 (4 PIECES)	1
3	4157721	LANTERN HELIX 22/36 FF300 BB6312 KIT	1
3.1		> LANTERN FF300 M+ GJL MACHINED+CATA 6312	1
3.2	4179589	> EYELET CPL.FF300 HELIX(4 PIECES)	1
3.3	4143969	> COUPLING PROTECT HELIX FF KIT	1
4	4143966	COUPLING D.20XD.38 FF300 KIT	1
5	4157725	SCREW M10X40 (4 PIECES)	1
6	4181093	STUD BOLT M16X666 KIT	1
6.1		> TIE BOLT M16-666x24x44-1.4057	1
6.2	4179562	> NUT M16 8.8 ISO4032 (4 PIECES)	1
6.3	4097852	> WASHER-CS-16.4-32-2.8-NFE25-511-A2	1
7	4179565	END SHIELD HELIX 8" EPDM KIT	1
7.1		> END SHIELD M+ GJL MACHINED+CATA	1
7.2	4179564	> O-RING D.42.52x2.62 EPDM VP.	1
7.3	4179571	> O-RING HOUSING PIPE HELIX22/36/52 VP.	1
8	4186377	FILING/PURGING PLUG 304 HELIX KIT	1
8.1		> FILLING/VENTING-PLUG-MVI8/10"-304	1
8.2	4032291	> O-RING 17x3 EPDM KTW/WRC	1
9	4143975	CARTRIDGE HELIX22-36-52 F/E KIT	1
10	4181094	HOUSING PIPE D.204X597 1.4301 KIT	1
7.3	4179571	> O-RING HOUSING PIPE HELIX22/36/52 VP.	1
10.1		> HOUSING-PIPE Ø204-M+3608-304	1
11	4181071	CENTRALIZER HELIX 8" M+36 1.4301 VP.	1
12	4161186	SHAFT EQUIPMENT HELIX V36 8" KIT	1
13		HYDRAULIC HELIX V 3608	1
14	4181096	SHAFT D.22X754 1.4057 VP.	1
15	4161185	EQUIPED HOUSING HELIX 36 GJL KIT	1
15.1		> PUMP HOUSING SET with CATA. PARTS-DN65	1
15.3	4143766	> DRAIN/PRIMING PLUG EPDM HELIX KIT	1
15.3A		>> PRIMING/DRAIN PLUG-304-VERSION 1	1

HELIX VE3608-3/25/E/K/2G (4166216)

Item	Article no.	Description	Quantity
15.3B	4032293	>> O-RING-10x3-EPDM-KTW/WRC	1
15.3C	4233957	>> O-RING ID.9 EPDM VP.	1
15.4	4221729	> BASE M+ DN50/65/80 VP.	1
15.5		> SCREW TBHC M12x25 ISO7380 ZN	1
15.6		> FLANGE M+ DN65 NF PN16-25 ASME PN16 CATA	1
15.7		> O-RING Ø79.5xØ3 EPDM	1
13.1A	4161200	> NECK RING 1.STAGE HELIX V36/52 KIT	1
		>> NECK-RING-M+36/52	1
		>> HYDRAULIC SUPPORT CAP M+36/52 304	1
		>> SCREW TCL M3X8 A4 POZIDRIV	1
7.3	4179571	> O-RING HOUSING PIPE HELIX22/36/52 VP.	1

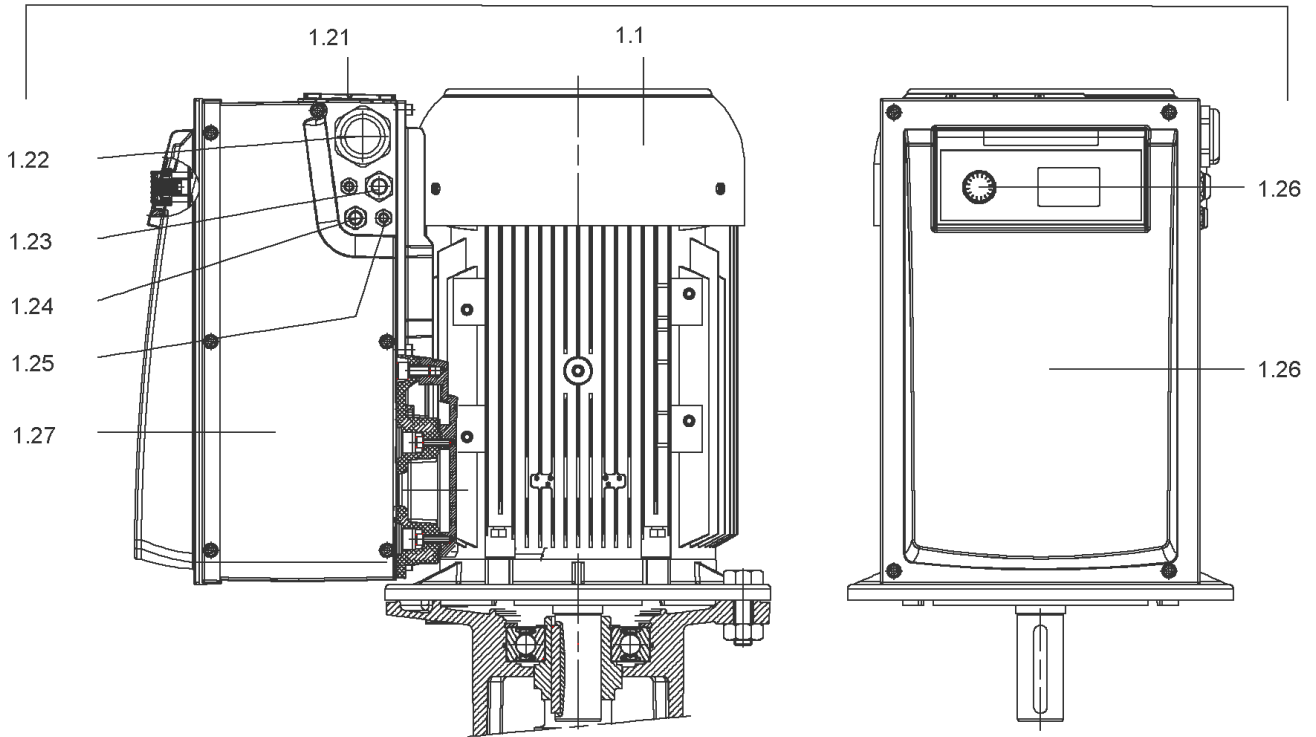
1



DRIVE HELIX VE3608-IE2-ARC KIT

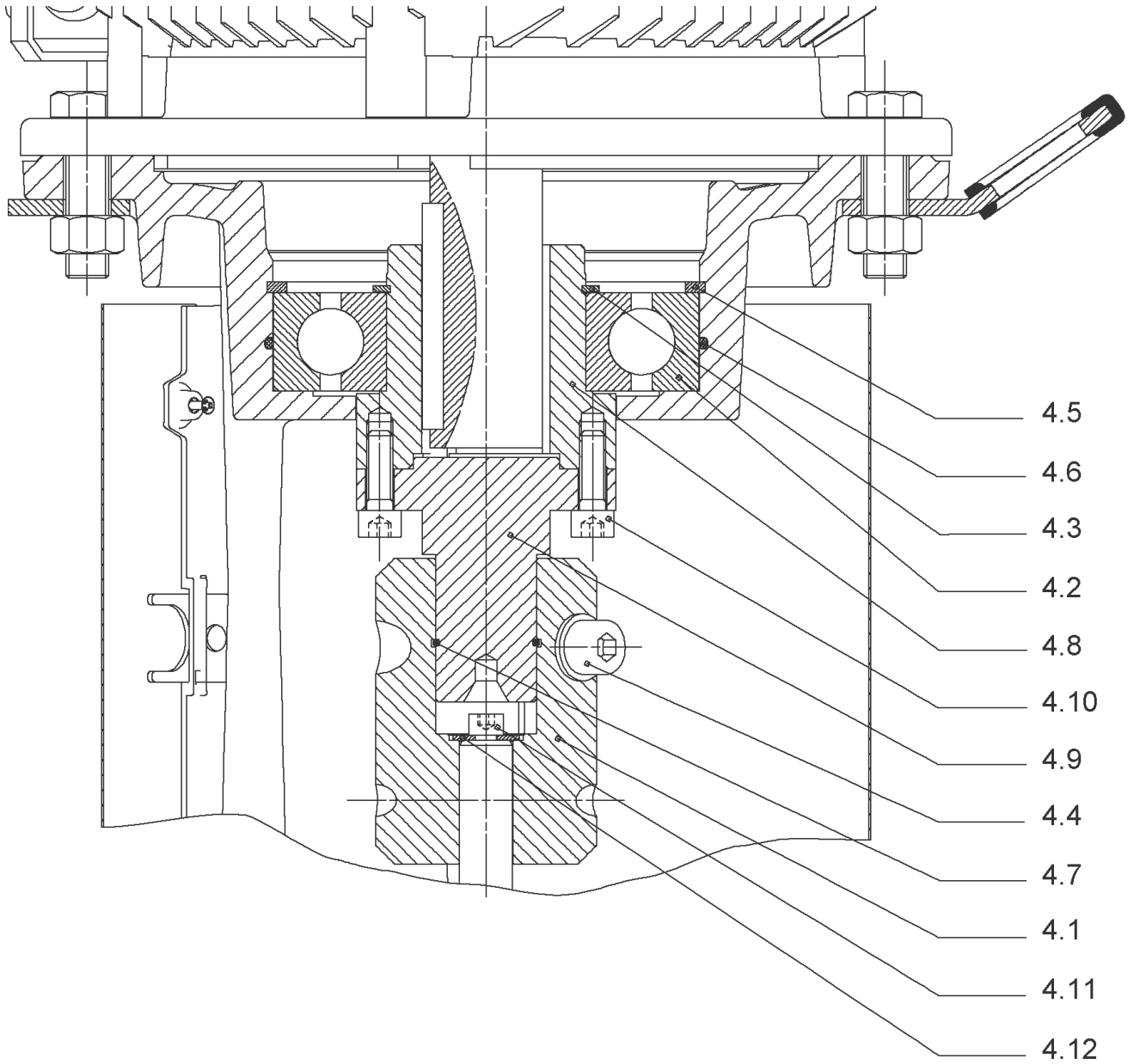
Item	Article no.	Description	Quantity
1.1		M22-2T540P55V1-160F300-N42-IE2	1
		SPARE PARTS MOTOR:ON REQUEST	1
1.21	2132102	FAN SMALL TL6/7 FF KIT	1
1.25	2132097	CABLE CONNECTION M12 TL6/7 FF VP.	1
1.24	2132098	CABLE CONNECTION M16 TL6/7 FF VP.	1
1.23	2132099	CABLE CONNECTION M20 TL6/7 FF VP.	1
1.22	2132100	CABLE CONNECTION SMALL M40 TL6/7 FF VP.	1
1.27	2132104	COVER SIDE TL6/7 FF CPL.VP.	1
1.26	2132452	MODULE COVER/BUTTON TL6/7 FF VP.	1

1



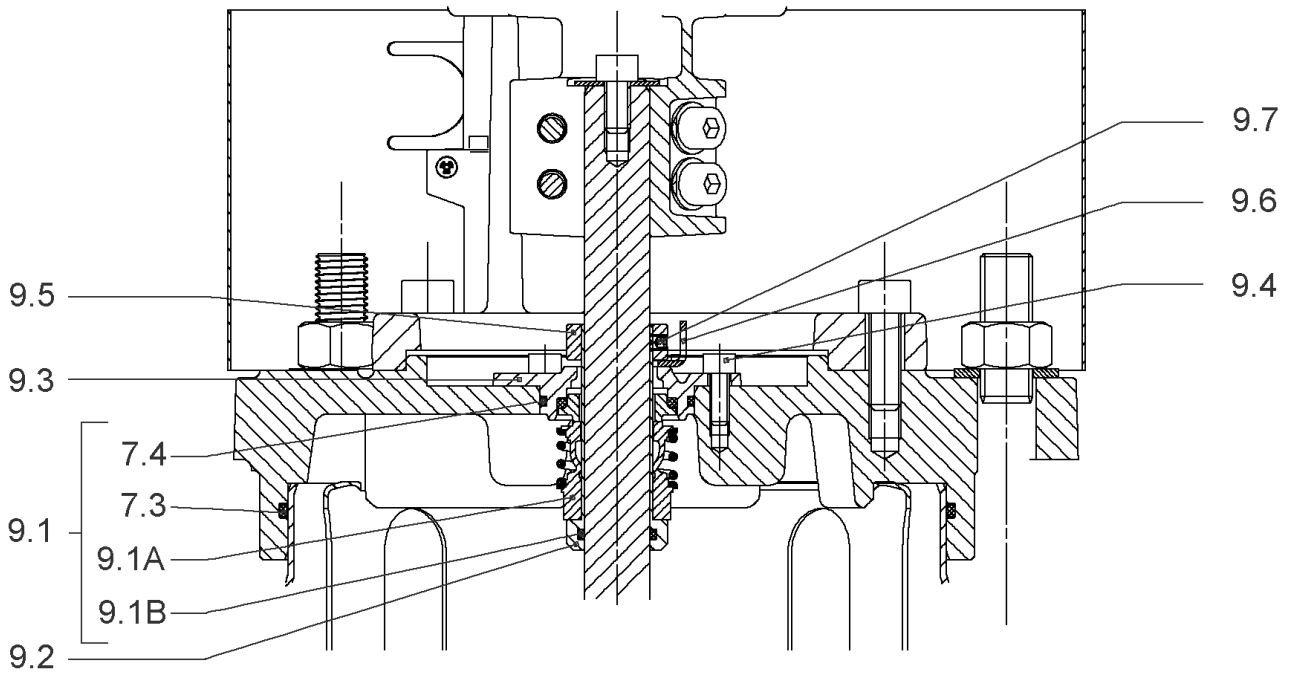
DRIVE HELIX VE3608-IE4-WEG KIT (4220029)

Item	Article no.	Description	Quantity
1.1		M22-2T540P55V1-180F30-N48-ADAPT-IE4-WEG	1
		SPARE PARTS MOTOR:ON REQUEST	1
1.21	2132102	FAN SMALL TL6/7 FF KIT	1
1.25	2132097	CABLE CONNECTION M12 TL6/7 FF VP.	1
1.24	2132098	CABLE CONNECTION M16 TL6/7 FF VP.	1
1.23	2132099	CABLE CONNECTION M20 TL6/7 FF VP.	1
1.22	2132100	CABLE CONNECTION SMALL M40 TL6/7 FF VP.	1
1.27	2132104	COVER SIDE TL6/7 FF CPL.VP.	1
1.26	2132452	MODULE COVER/BUTTON TL6/7 FF VP.	1



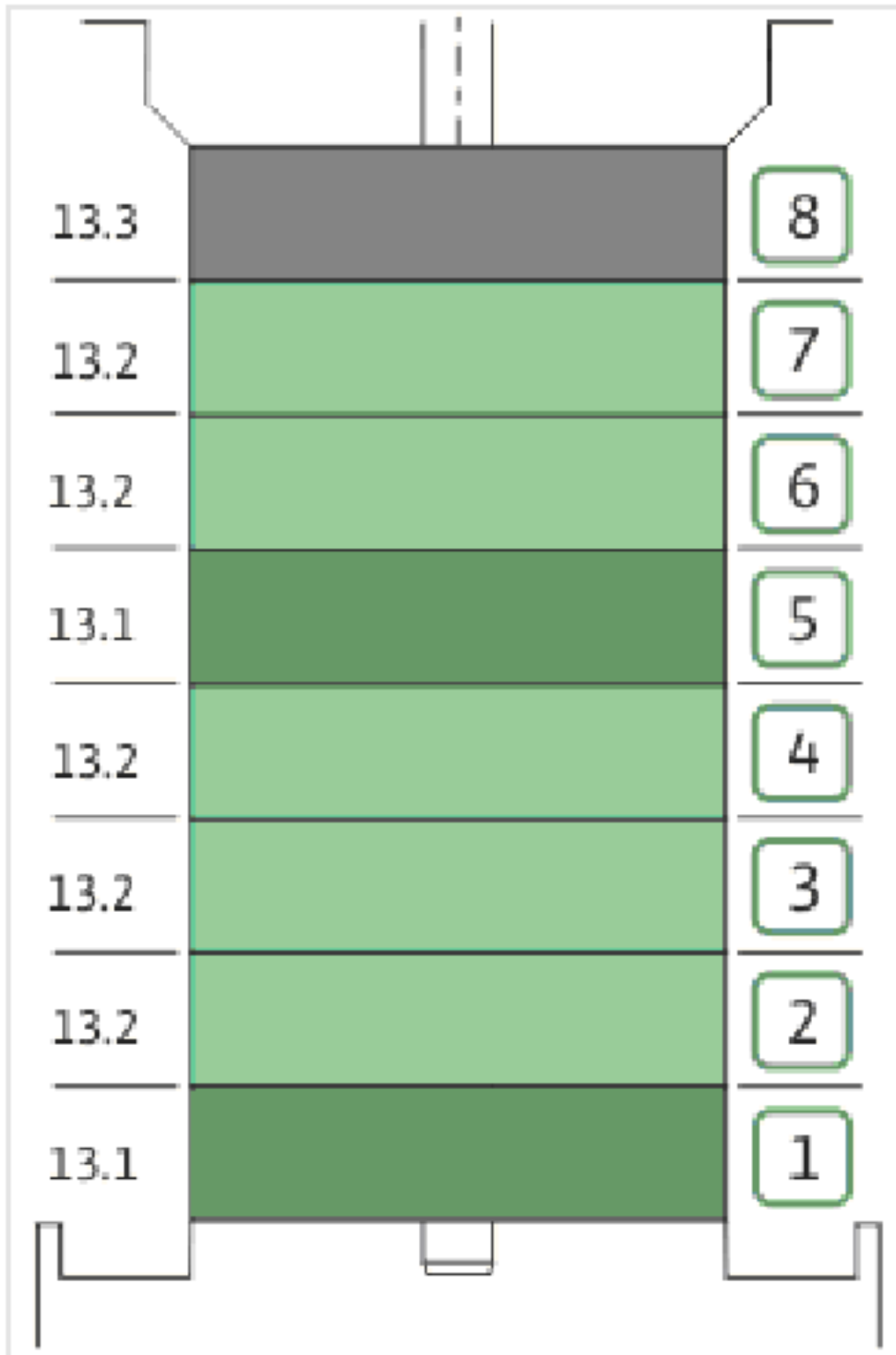
COUPLING D.20XD.38 FF300 KIT (4143966)

Item	Article no.	Description	Quantity
4.1	4179590	COUPLING 2 PARTS D.20XD.38XL115 VP.	1
4.2	2123699	BALL BEARING 6312/2Z-C4 (HT) VP.	1
4.3	63428	CIRCLIP-FOR-SHAFT-D60x2	1
4.4	2130991	SCREW M12X30 ISO4762 8.8 ZN(4 PIECES)	1
4.5	4032277	CIRCLIP-HOLE-130x4	1
4.6	4006725	O-RING ID.132,94x3,53 NBR70SR	1
4.7	2130992	RETAINING RING D.35xD.2,5 DIN7993 VP.	1
4.8	4179591	HUB D.42xD.60 VP.	1
4.9	2130994	SPACER D.38XD.55 VP.	1
4.10	4094462	SCREWS M10 (4 PIECES)	1
4.11	4233959	SCREW M8x16 VP.	1
4.12		SERRATED LOCK WASHER Ø8.2XØ25X35X2	1



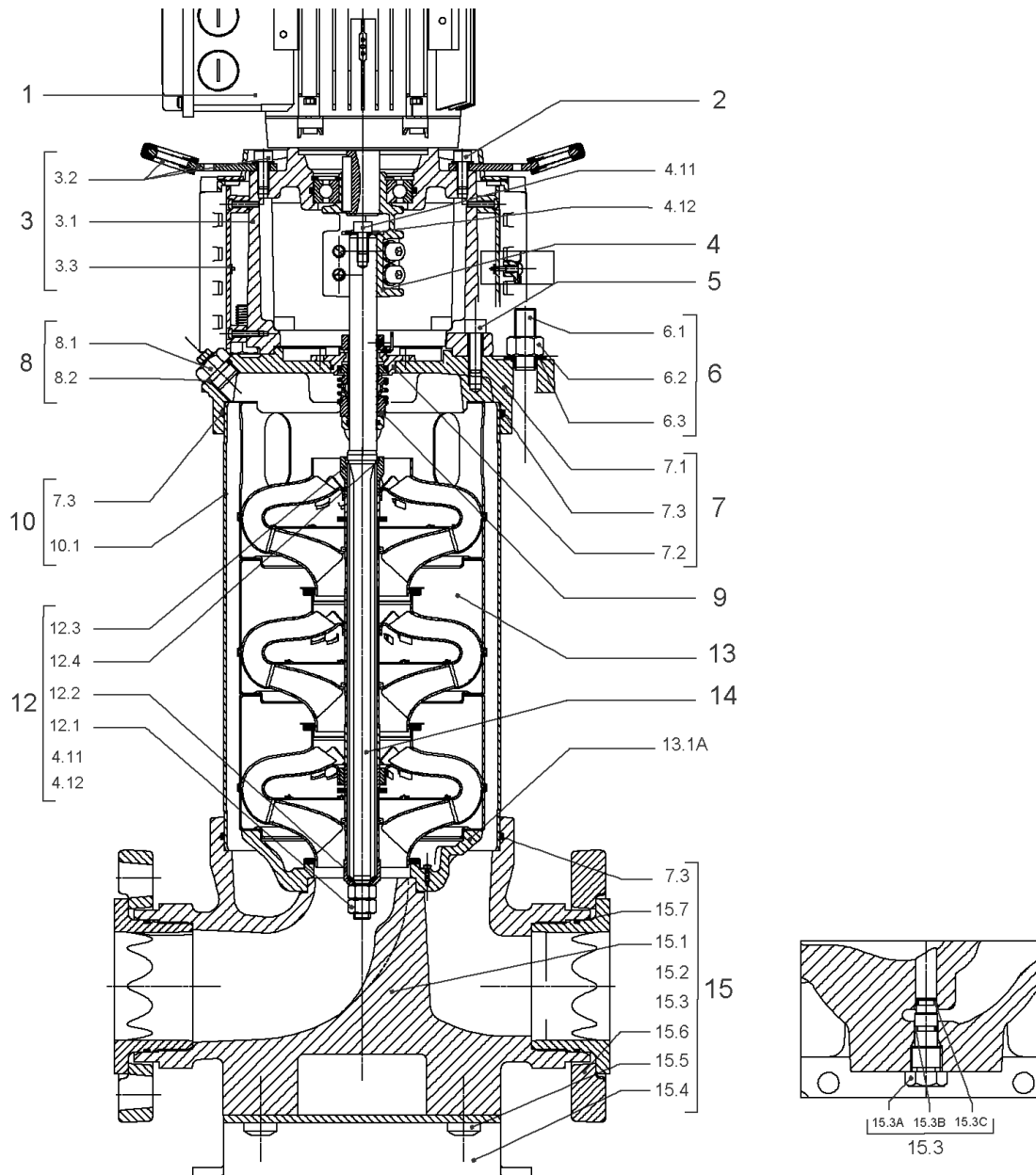
CARTRIDGE HELIX22-36-52 F/E KIT (4143975)

Item	Article no.	Description	Quantity
9.1	4143976	SEAL-KIT-HELIX22-36-52 F/E	1
7.3	4179571	> O-RING HOUSING PIPE HELIX22/36/52 VP.	1
7.4	4179572	> O-RING ID.42.52X2.62 EPDM VP.	1
9.1A	2127447	> M.SEAL.HELIX22-36-52 F/E VP.	1
9.1B	4179574	> O-RING ID.20x2.65 EPDM VP.	1
9.2	4179566	SHAFT SLEEVE D.20/20X60 1.4404 VP.	1
9.3	4179567	RING HOLDER Ø22 1.4301 VP.	1
9.4	4176520	SCREW CH M5x5 A4-70 (3PIECES)	1
9.5	4179568	DRIVE RING D.31/22.1x11 MACH.VP.	1
9.6	4179569	TOOL M.S.CART.HELIX 8" VP.	1
9.7	4179570	SCREW M6X16 ISO4762 8.8 GEOMET(4 PIECES)	1



HYDRAULIC HELIX V 3608

Item	Article no.	Description	Quantity
13.1	4161192	INTERMEDIATE STAGE HELIX V36 1.4301 KIT	1
		> SLEEVE-SPACER-D22XL16,66-316L	1
		> MACH.BEARING-DIFFUSER+NR-M+36-304	1
		> SHAFT-SLEEVE-D26xD22x16-CW	1
		> IMPELLER-H1-M+36-304	1
13.1A	4161200	> NECK RING 1.STAGE HELIX V36/52 KIT	1
		>> NECK-RING-M+36/52	1
		>> HYDRAULIC SUPPORT CAP M+36/52 304	1
		>> SCREW TCL M3X8 A4 POZIDRIV	1
13.2	4161193	INTERMEDIATE STAGE HELIX V36 1.4301 KIT	1
		> MACH.STD-DIFFUSER+NR-M+36-304	1
		> IMPELLER-H4-M+36-304	1
13.3	4161194	UPPER STAGE HELIX 36 1.4301 KIT	1
		> STOP COLLAR OF IMPELLER L20-Ø22-316L	1
		> IMPELLER-H4-M+36-304	1
		> MACH.-RIGID-STD-DISCH.-CHAMBER-M+36-304	1



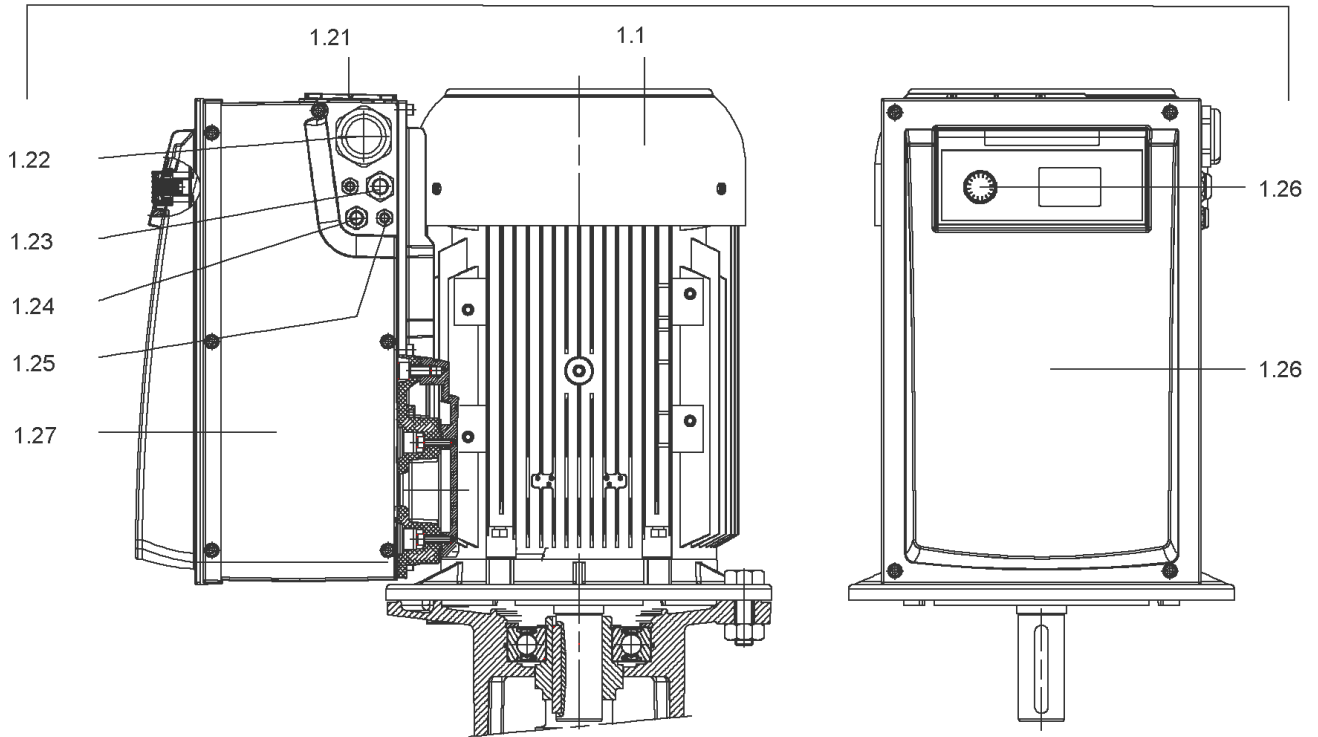
HELIX VE3608-3/25/E/KS/2G (4166220)

Item	Article no.	Description	Quantity
1		DRIVE HELIX VE3608-IE2-ARC KIT	1
Note: no longer available/nicht mehr lieferbar/n'est plus disponible			
1	4220029	DRIVE HELIX VE3608-IE4-WEG KIT	1
Note: MOTOR BRAND WEG			
2	4179586	SCREW M16X60 (4 PIECES)	1
3	4161188	LANTERN HELIX V36/52 FF300 BB6313 KIT	1
3.1		> LANTERN FF300 M+ GJL MACHINED+CATA 6313	1
3.2	4179589	> EYELET CPL.FF300 HELIX(4 PIECES)	1
3.3	4143969	> COUPLING PROTECT HELIX FF KIT	1
4	4161190	COUPLING D.20XD.38 FF300 KIT	1
5	4157725	SCREW M10X40 (4 PIECES)	1
6	4181093	STUD BOLT M16X666 KIT	1
6.1		> TIE BOLT M16-666x24x44-1.4057	1
6.2	4179562	> NUT M16 8.8 ISO4032 (4 PIECES)	1
6.3	4097852	> WASHER-CS-16.4-32-2.8-NFE25-511-A2	1
7	4179565	END SHIELD HELIX 8" EPDM KIT	1
7.1		> END SHIELD M+ GJL MACHINED+CATA	1
7.2	4179564	> O-RING D.42.52x2.62 EPDM VP.	1
7.3	4179571	> O-RING HOUSING PIPE HELIX22/36/52 VP.	1
8	4186377	FILING/PURGING PLUG 304 HELIX KIT	1
8.1		> FILLING/VENTING-PLUG-MVI8/10"-304	1
8.2	4032291	> O-RING 17x3 EPDM KTW/WRC	1
9	4143975	CARTRIDGE HELIX22-36-52 F/E KIT	1
10	4181094	HOUSING PIPE D.204X597 1.4301 KIT	1
7.3	4179571	> O-RING HOUSING PIPE HELIX22/36/52 VP.	1
10.1		> HOUSING-PIPE Ø204-M+3608-304	1
11	4181071	CENTRALIZER HELIX 8" M+36 1.4301 VP.	1
12	4161186	SHAFT EQUIPMENT HELIX V36 8" KIT	1
13		HYDRAULIC HELIX V 3608	1
14	4181096	SHAFT D.22X754 1.4057 VP.	1
15	4161185	EQUIPED HOUSING HELIX 36 GJL KIT	1
15.1		> PUMP HOUSING SET with CATA. PARTS-DN65	1
15.3	4143766	> DRAIN/PRIMING PLUG EPDM HELIX KIT	1
15.3A		>> PRIMING/DRAIN PLUG-304-VERSION 1	1

HELIX VE3608-3/25/E/KS/2G (4166220)

Item	Article no.	Description	Quantity
15.3B	4032293	>> O-RING-10x3-EPDM-KTW/WRC	1
15.3C	4233957	>> O-RING ID.9 EPDM VP.	1
15.4	4221729	> BASE M+ DN50/65/80 VP.	1
15.5		> SCREW TBHC M12x25 ISO7380 ZN	1
15.6		> FLANGE M+ DN65 NF PN16-25 ASME PN16 CATA	1
15.7		> O-RING Ø79.5xØ3 EPDM	1
13.1A	4161200	> NECK RING 1.STAGE HELIX V36/52 KIT	1
		>> NECK-RING-M+36/52	1
		>> HYDRAULIC SUPPORT CAP M+36/52 304	1
		>> SCREW TCL M3X8 A4 POZIDRIV	1
7.3	4179571	> O-RING HOUSING PIPE HELIX22/36/52 VP.	1

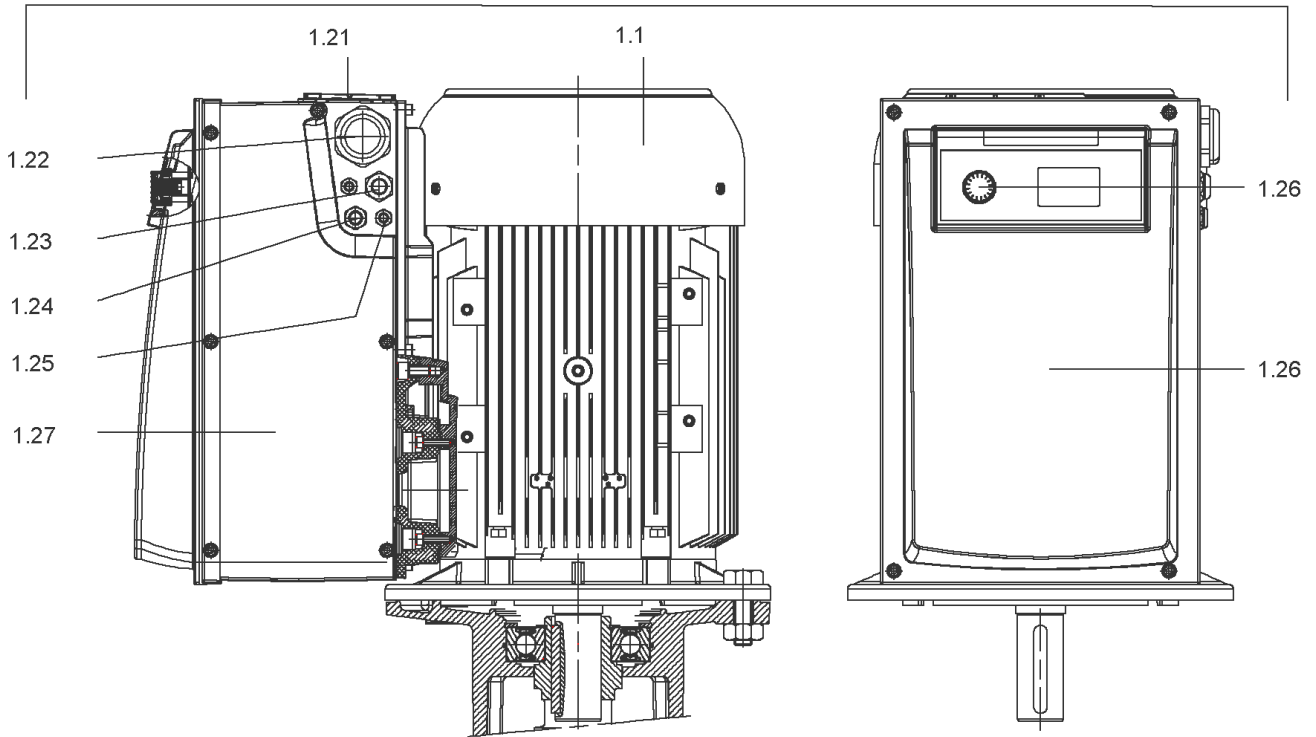
1



DRIVE HELIX VE3608-IE2-ARC KIT

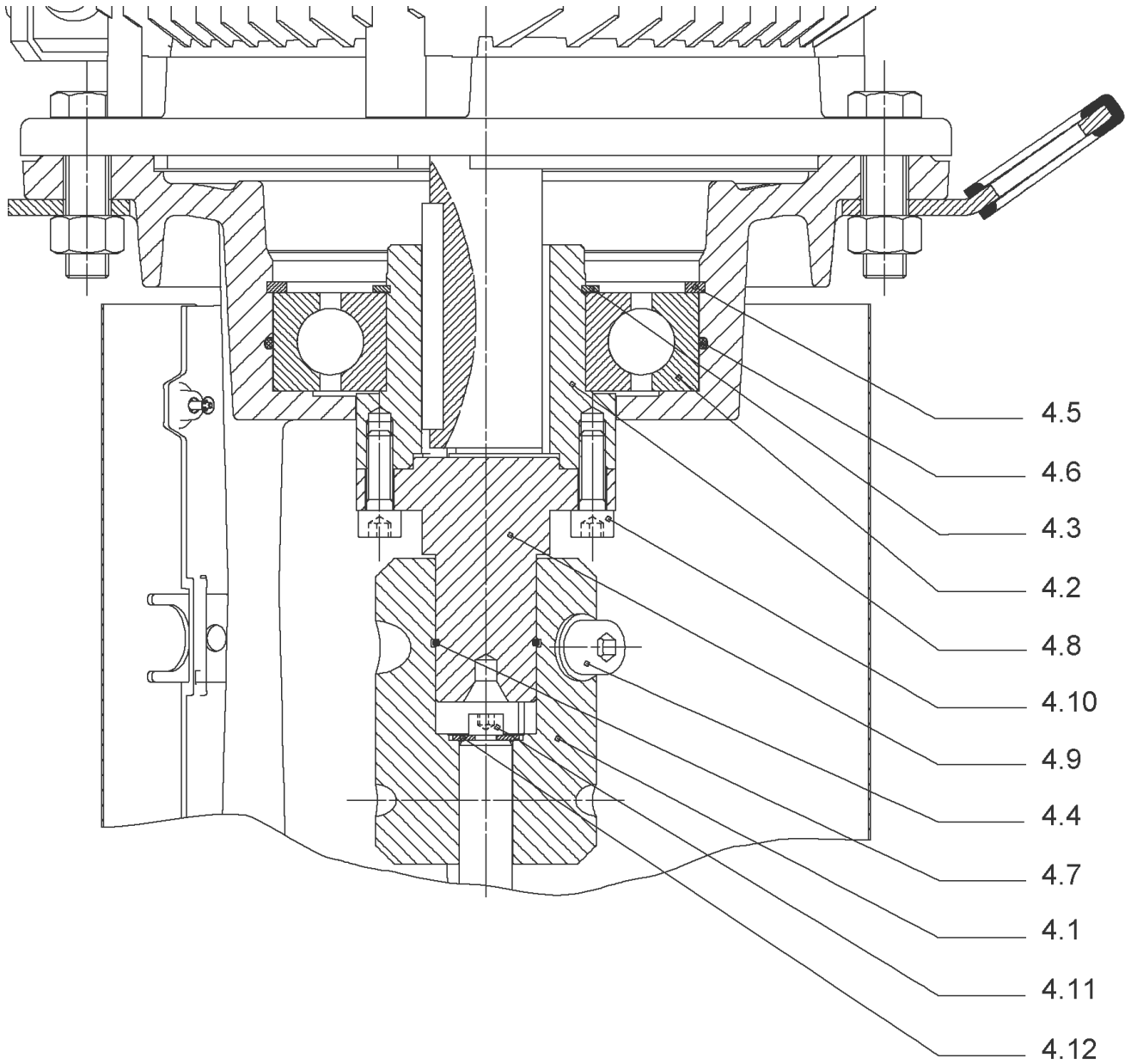
Item	Article no.	Description	Quantity
1.1		M22-2T540P55V1-160F300-N42-IE2	1
		SPARE PARTS MOTOR:ON REQUEST	1
1.21	2132102	FAN SMALL TL6/7 FF KIT	1
1.25	2132097	CABLE CONNECTION M12 TL6/7 FF VP.	1
1.24	2132098	CABLE CONNECTION M16 TL6/7 FF VP.	1
1.23	2132099	CABLE CONNECTION M20 TL6/7 FF VP.	1
1.22	2132100	CABLE CONNECTION SMALL M40 TL6/7 FF VP.	1
1.27	2132104	COVER SIDE TL6/7 FF CPL.VP.	1
1.26	2132452	MODULE COVER/BUTTON TL6/7 FF VP.	1

1



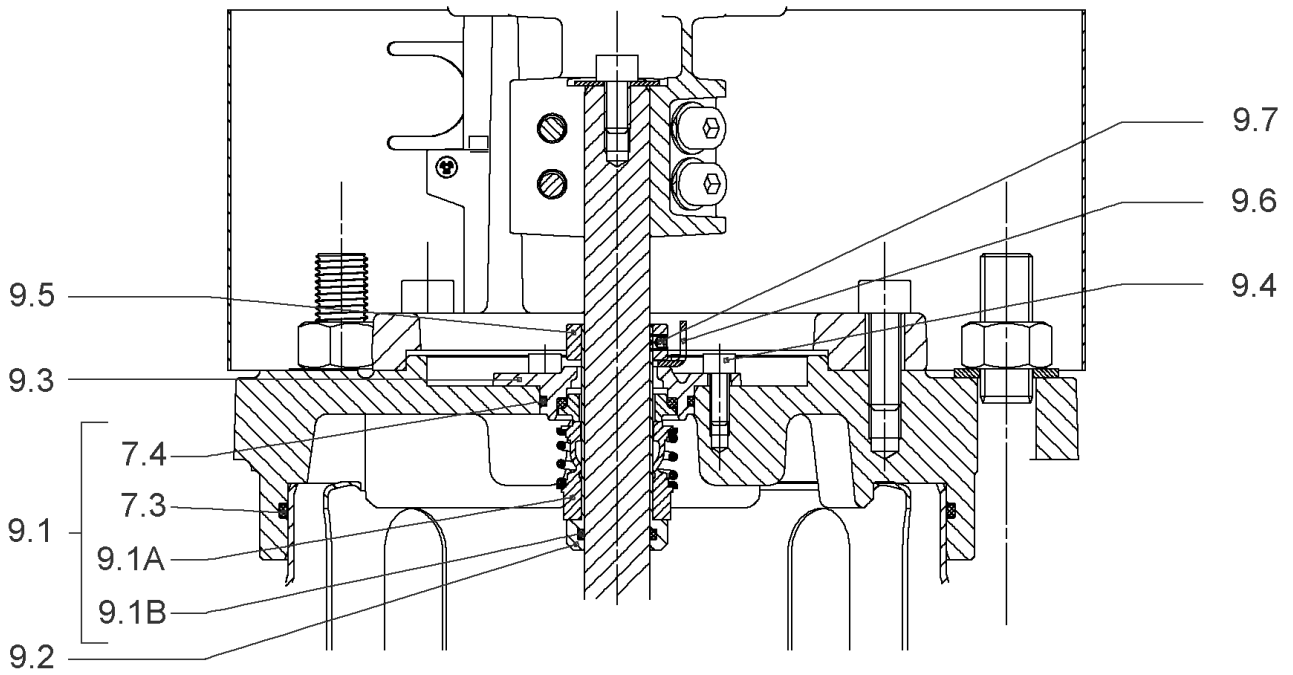
DRIVE HELIX VE3608-IE4-WEG KIT (4220029)

Item	Article no.	Description	Quantity
1.1		M22-2T540P55V1-180F30-N48-ADAPT-IE4-WEG	1
		SPARE PARTS MOTOR:ON REQUEST	1
1.21	2132102	FAN SMALL TL6/7 FF KIT	1
1.25	2132097	CABLE CONNECTION M12 TL6/7 FF VP.	1
1.24	2132098	CABLE CONNECTION M16 TL6/7 FF VP.	1
1.23	2132099	CABLE CONNECTION M20 TL6/7 FF VP.	1
1.22	2132100	CABLE CONNECTION SMALL M40 TL6/7 FF VP.	1
1.27	2132104	COVER SIDE TL6/7 FF CPL.VP.	1
1.26	2132452	MODULE COVER/BUTTON TL6/7 FF VP.	1



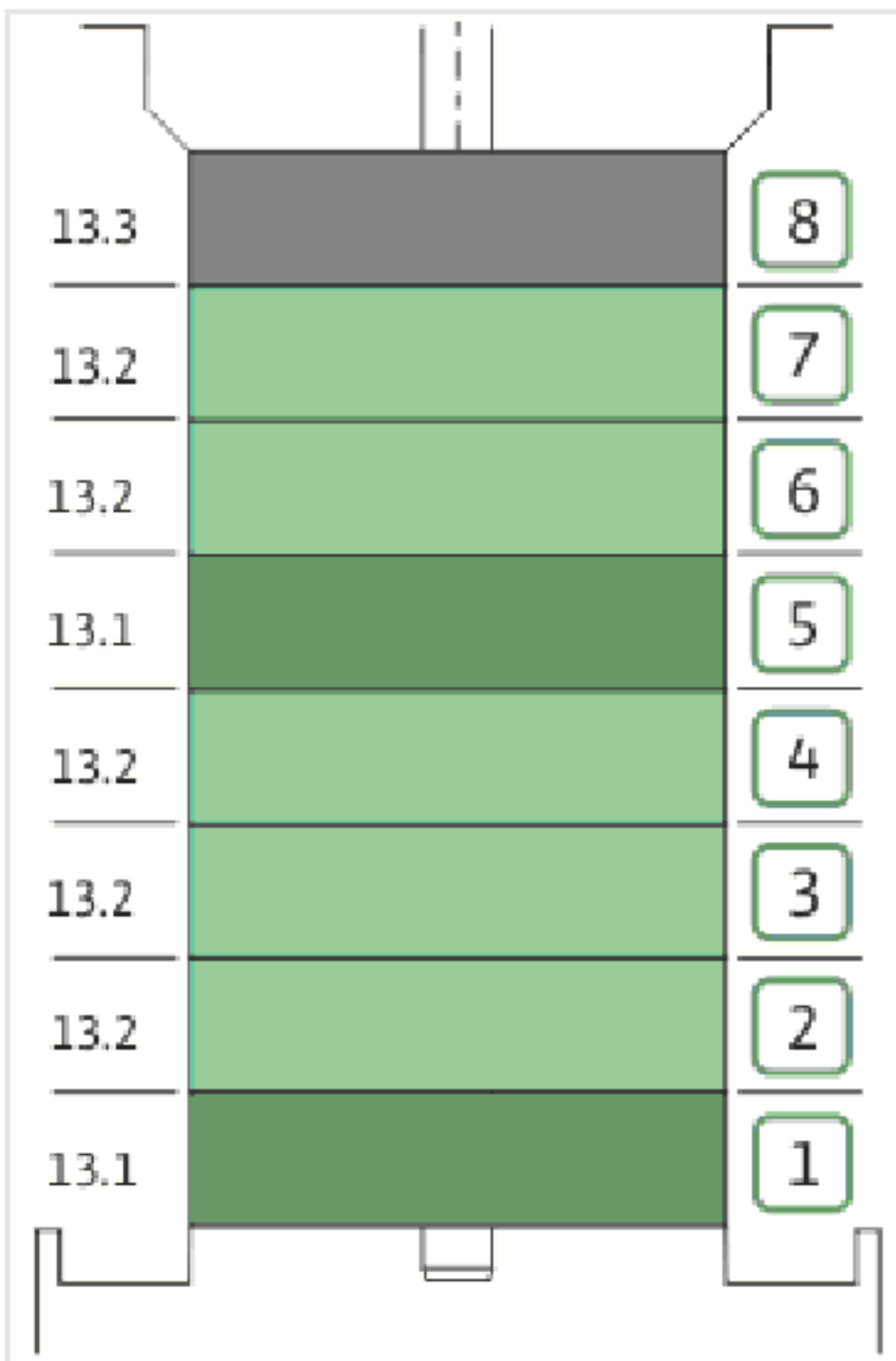
COUPLING D.20XD.38 FF300 KIT (4161190)

Item	Article no.	Description	Quantity
4.1	4179590	COUPLING 2 PARTS D.20XD.38XL115 VP.	1
4.2	2132521	BALL BEARING 6313/2Z-C4(HT)VP.	1
4.3	4032276	CIRCLIP-SHAFT-D65x2,5	1
4.4	2130991	SCREW M12X30 ISO4762 8.8 ZN(4 PIECES)	1
4.5	4233130	CIRCLIP-FOR-BORES-D140 VP.	1
4.6	4233945	O-RING ID.140 VP.	1
4.7	2130992	RETAINING RING D.35xD.2,5 DIN7993 VP.	1
4.8	4179928	HUB D.48xD.65 VP.	1
4.9	2130994	SPACER D.38XD.55 VP.	1
4.10	4094462	SCREWS M10 (4 PIECES)	1
4.11	4233959	SCREW M8x16 VP.	1
4.12		SERRATED LOCK WASHER Ø8.2XØ25X35X2	1



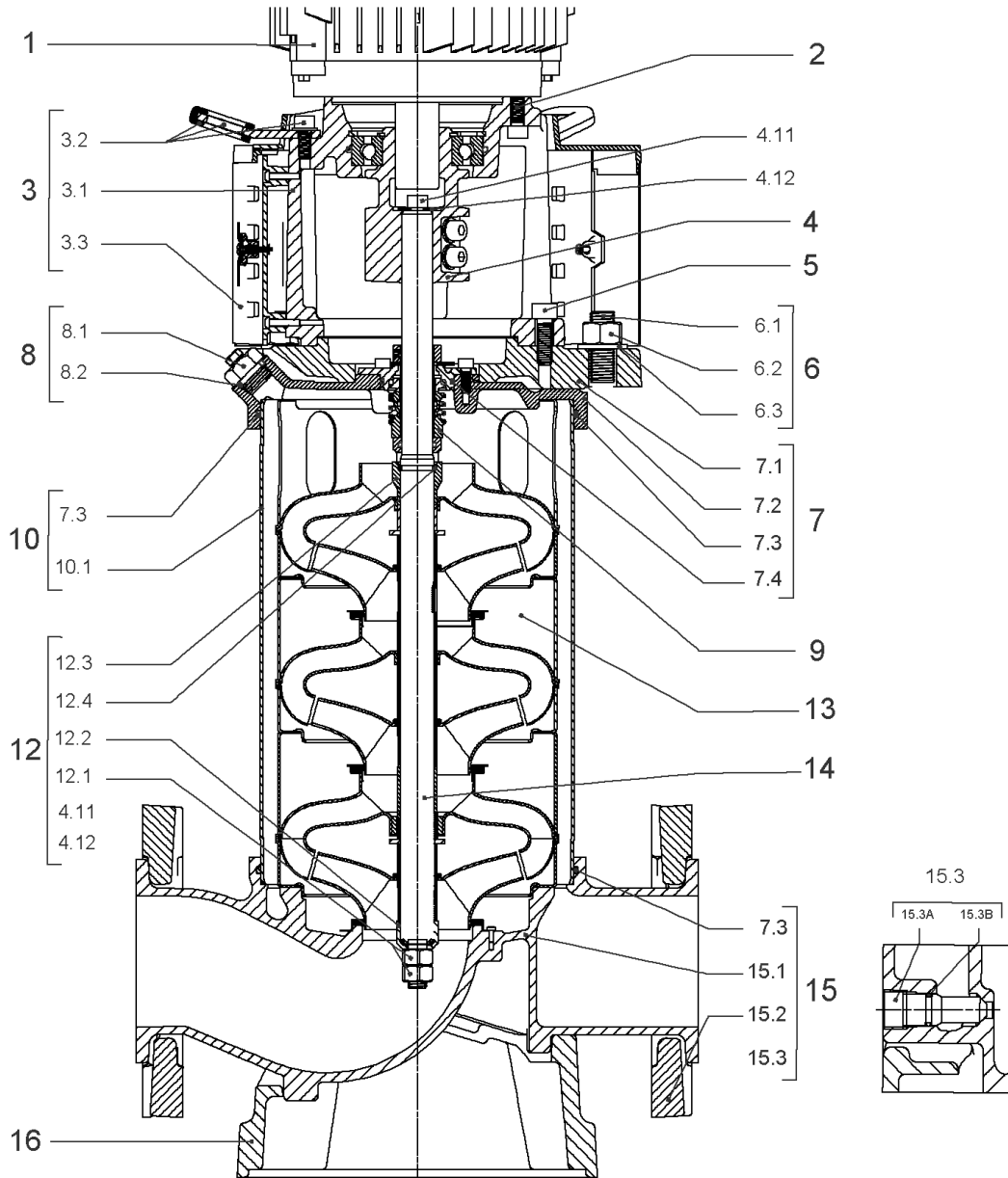
CARTRIDGE HELIX22-36-52 F/E KIT (4143975)

Item	Article no.	Description	Quantity
9.1	4143976	SEAL-KIT-HELIX22-36-52 F/E	1
7.3	4179571	> O-RING HOUSING PIPE HELIX22/36/52 VP.	1
7.4	4179572	> O-RING ID.42.52X2.62 EPDM VP.	1
9.1A	2127447	> M.SEAL.HELIX22-36-52 F/E VP.	1
9.1B	4179574	> O-RING ID.20x2.65 EPDM VP.	1
9.2	4179566	SHAFT SLEEVE D.20/20X60 1.4404 VP.	1
9.3	4179567	RING HOLDER Ø22 1.4301 VP.	1
9.4	4176520	SCREW CH M5x5 A4-70 (3PIECES)	1
9.5	4179568	DRIVE RING D.31/22.1x11 MACH.VP.	1
9.6	4179569	TOOL M.S.CART.HELIX 8" VP.	1
9.7	4179570	SCREW M6X16 ISO4762 8.8 GEOMET(4 PIECES)	1



HYDRAULIC HELIX V 3608

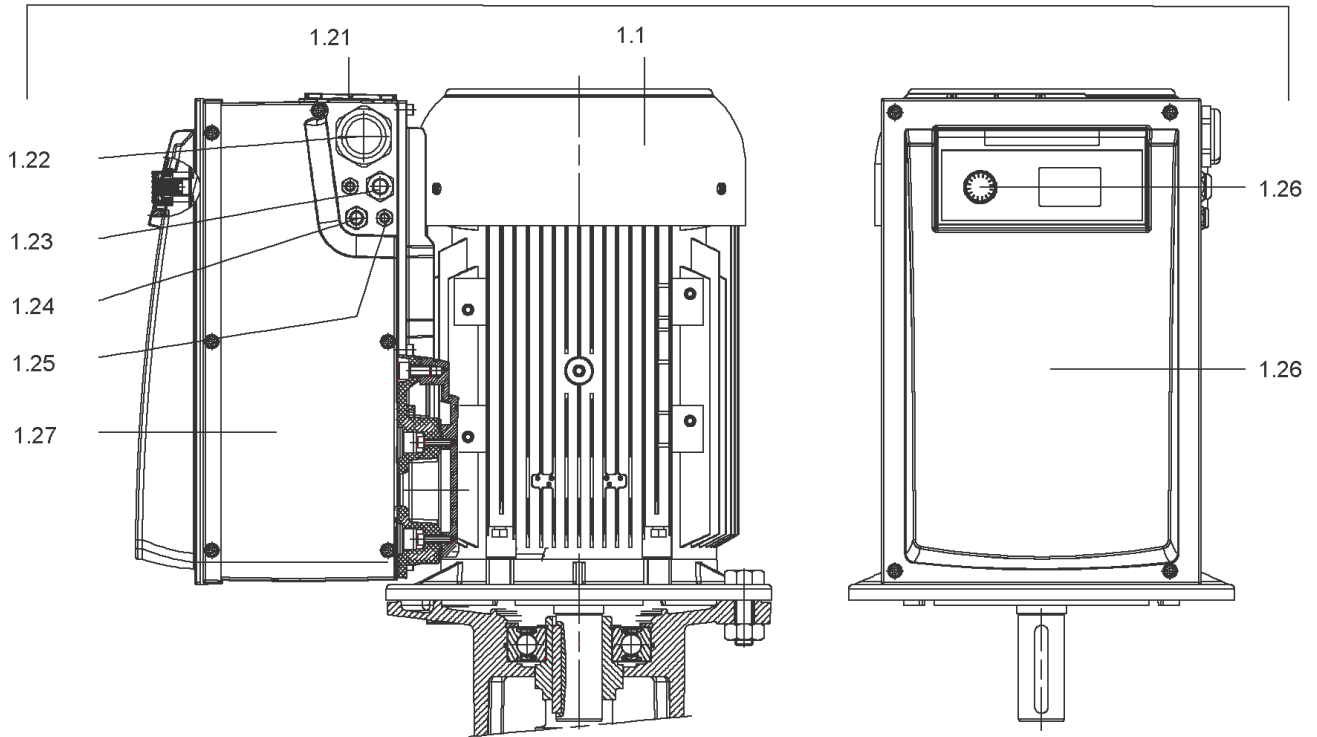
Item	Article no.	Description	Quantity
13.1	4161192	INTERMEDIATE STAGE HELIX V36 1.4301 KIT	1
		> SLEEVE-SPACER-D22XL16,66-316L	1
		> MACH.BEARING-DIFFUSER+NR-M+36-304	1
		> SHAFT-SLEEVE-D26xD22x16-CW	1
		> IMPELLER-H1-M+36-304	1
13.1A	4161200	> NECK RING 1.STAGE HELIX V36/52 KIT	1
		>> NECK-RING-M+36/52	1
		>> HYDRAULIC SUPPORT CAP M+36/52 304	1
		>> SCREW TCL M3X8 A4 POZIDRIV	1
13.2	4161193	INTERMEDIATE STAGE HELIX V36 1.4301 KIT	1
		> MACH.STD-DIFFUSER+NR-M+36-304	1
		> IMPELLER-H4-M+36-304	1
13.3	4161194	UPPER STAGE HELIX 36 1.4301 KIT	1
		> STOP COLLAR OF IMPELLER L20-Ø22-316L	1
		> IMPELLER-H4-M+36-304	1
		> MACH.-RIGID-STD-DISCH.-CHAMBER-M+36-304	1



HELIX VE3608-1/25/E/KS (4198867)

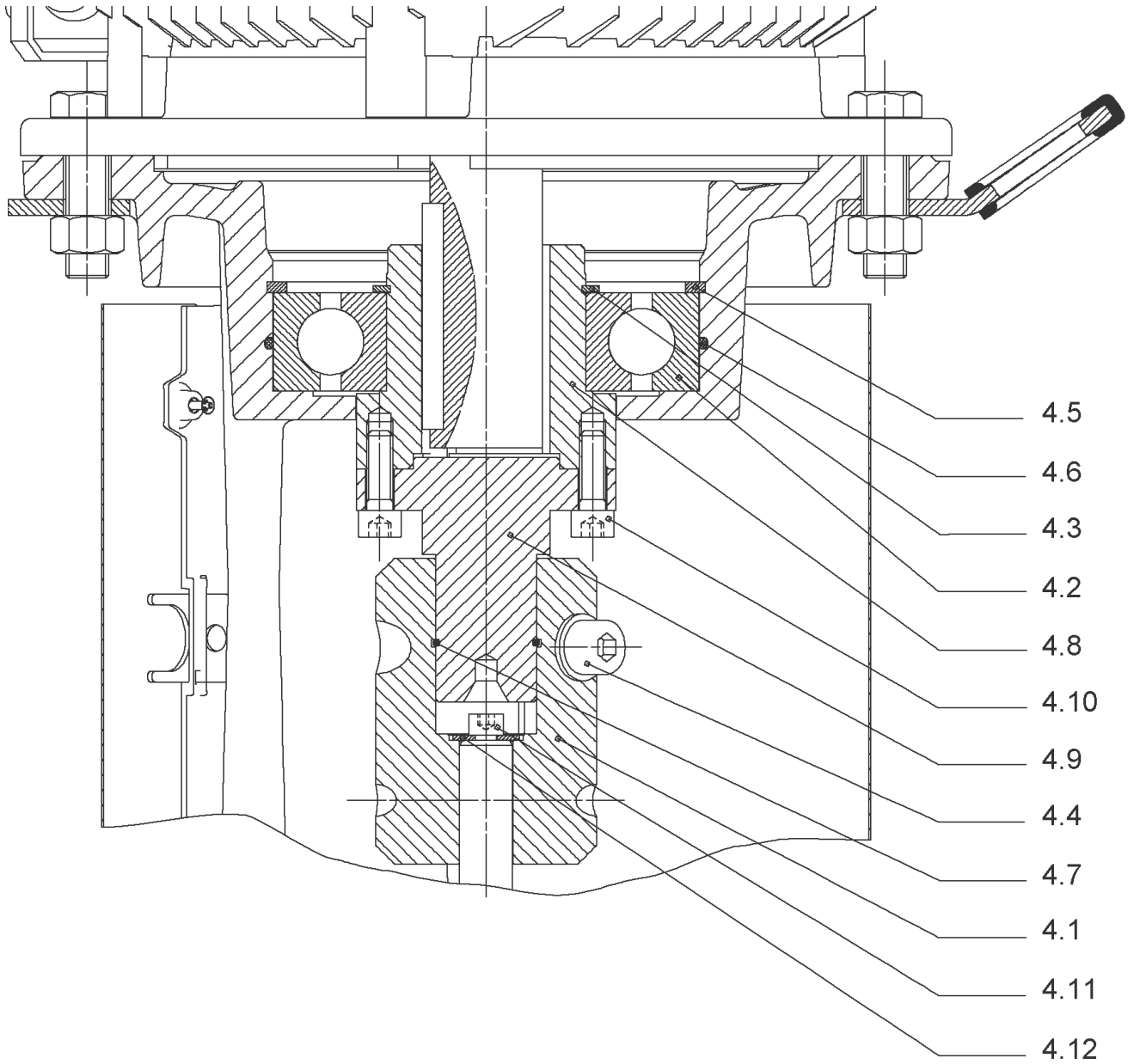
Item	Article no.	Description	Quantity
1	4220029	DRIVE HELIX VE3608-IE4-WEG KIT	1
Note: MOTOR BRAND WEG			
2	4179586	SCREW M16X60 (4 PIECES)	1
3	4161188	LANTERN HELIX V36/52 FF300 BB6313 KIT	1
3.1		> LANTERN FF300 M+ GJL MACHINED+CATA 6313	1
3.2	4179589	> EYELET CPL.FF300 HELIX(4 PIECES)	1
3.3	4143969	> COUPLING PROTECT HELIX FF KIT	1
4	4161190	COUPLING D.20XD.38 FF300 KIT	1
5	4157725	SCREW M10X40 (4 PIECES)	1
6	4181680	STUD BOLT M16X783 KIT	1
6.1		> TIE BOLT M16-783x24x44-1.4057	1
6.2	4179562	> NUT M16 8.8 ISO4032 (4 PIECES)	1
6.3	4097852	> WASHER-CS-16.4-32-2.8-NFE25-511-A2	1
7	4217176	END SHIELD HELIX OPTI 8" EPDM KIT	1
7.1		> upper flange machined + cataphoresis	1
7.2	4217174	> STATIONARY RING HOLDER 8" HELIX OPTI VP.	1
7.3	4179571	> O-RING HOUSING PIPE HELIX22/36/52 VP.	1
7.4	4179572	> O-RING ID.42.52X2.62 EPDM VP.	1
8	4186377	FILING/PURGING PLUG 304 HELIX KIT	1
8.1		> FILLING/VENTING-PLUG-MVI8/10"-304	1
8.2	4032291	> O-RING 17x3 EPDM KTW/WRC	1
9	4143975	CARTRIDGE HELIX22-36-52 F/E KIT	1
10	4181674	HOUSING PIPE D.204X564 1.4301 KIT	1
7.3	4179571	> O-RING HOUSING PIPE HELIX22/36/52 VP.	1
10.1		> HOUSING-PIPE Ø204-M+2210-304	1
12	4161186	SHAFT EQUIPMENT HELIX V36 8" KIT	1
13		HYDRAULIC HELIX V 3608	1
14	4181096	SHAFT D.22X754 1.4057 VP.	1
15	4217909	EQUIPED HOUSING DN65 HELIX OPTI 8" KIT	1
15.1		> pump casing machined DN65	1
15.2	4217907	> HALF FLANGE DN65 HELIX OPTI 8" VP.	1
15.3	4217850	> DRAIN/PRIMING PLUG HELIX OPTI 8" KIT	1
7.3	4179571	> O-RING HOUSING PIPE HELIX22/36/52 VP.	1
16	4217911	BASEPLATE DN65 HELIX OPTI 8" VP.	1

1



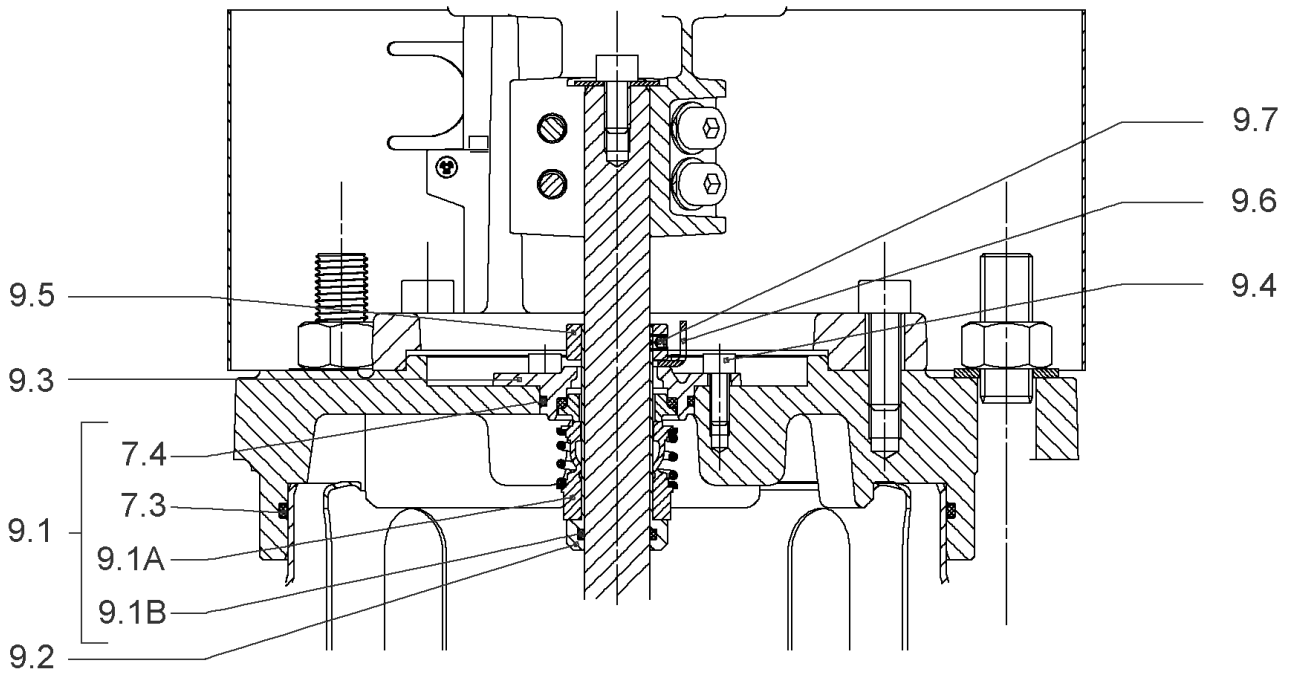
DRIVE HELIX VE3608-IE4-WEG KIT (4220029)

Item	Article no.	Description	Quantity
1.1		M22-2T540P55V1-180F30-N48-ADAPT-IE4-WEG	1
		SPARE PARTS MOTOR:ON REQUEST	1
1.21	2132102	FAN SMALL TL6/7 FF KIT	1
1.25	2132097	CABLE CONNECTION M12 TL6/7 FF VP.	1
1.24	2132098	CABLE CONNECTION M16 TL6/7 FF VP.	1
1.23	2132099	CABLE CONNECTION M20 TL6/7 FF VP.	1
1.22	2132100	CABLE CONNECTION SMALL M40 TL6/7 FF VP.	1
1.27	2132104	COVER SIDE TL6/7 FF CPL.VP.	1
1.26	2132452	MODULE COVER/BUTTON TL6/7 FF VP.	1



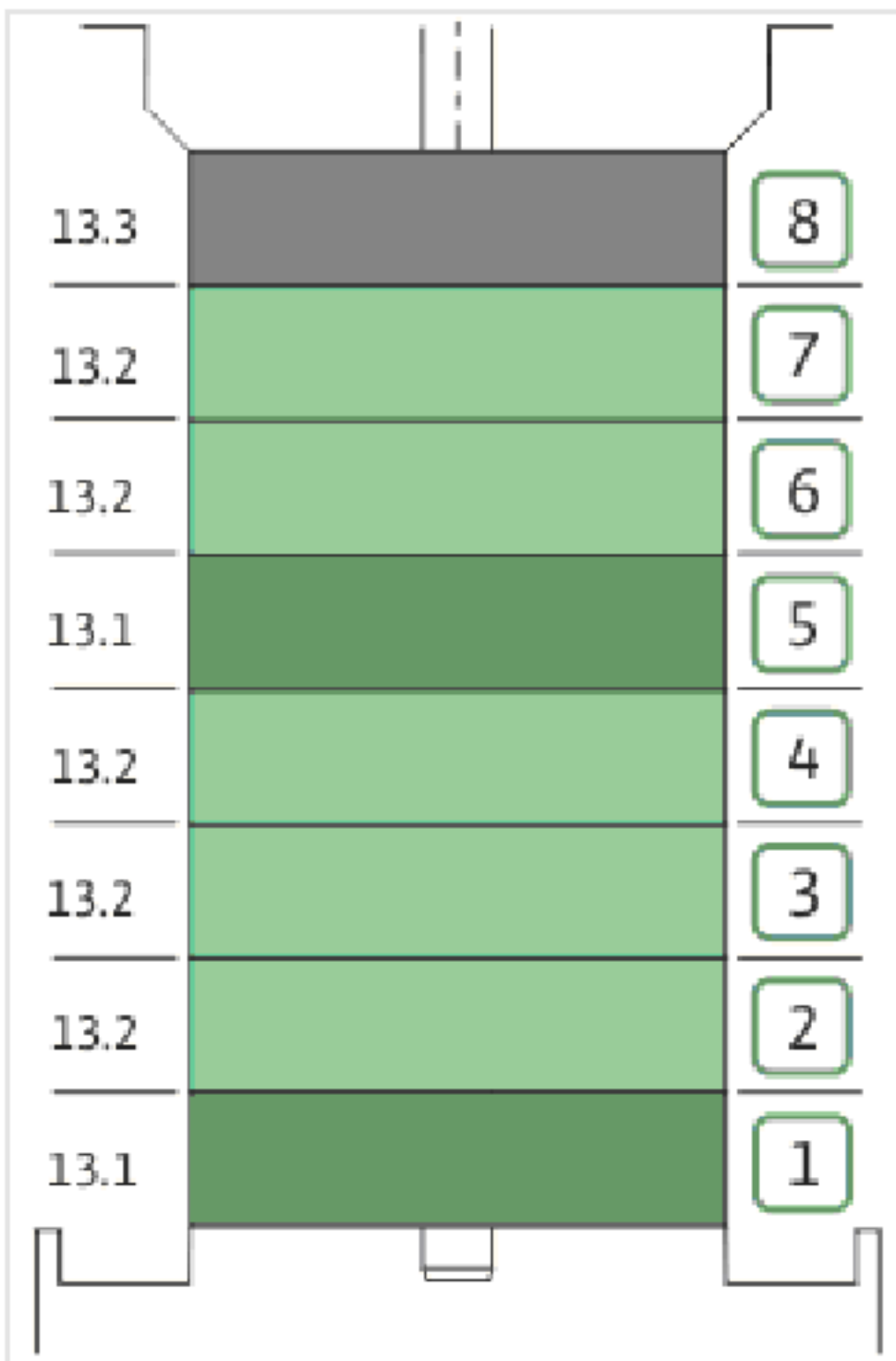
COUPLING D.20XD.38 FF300 KIT (4161190)

Item	Article no.	Description	Quantity
4.1	4179590	COUPLING 2 PARTS D.20XD.38XL115 VP.	1
4.2	2132521	BALL BEARING 6313/2Z-C4(HT)VP.	1
4.3	4032276	CIRCLIP-SHAFT-D65x2,5	1
4.4	2130991	SCREW M12X30 ISO4762 8.8 ZN(4 PIECES)	1
4.5	4233130	CIRCLIP-FOR-BORES-D140 VP.	1
4.6	4233945	O-RING ID.140 VP.	1
4.7	2130992	RETAINING RING D.35xD.2,5 DIN7993 VP.	1
4.8	4179928	HUB D.48xD.65 VP.	1
4.9	2130994	SPACER D.38XD.55 VP.	1
4.10	4094462	SCREWS M10 (4 PIECES)	1
4.11	4233959	SCREW M8x16 VP.	1
4.12		SERRATED LOCK WASHER Ø8.2XØ25X35X2	1



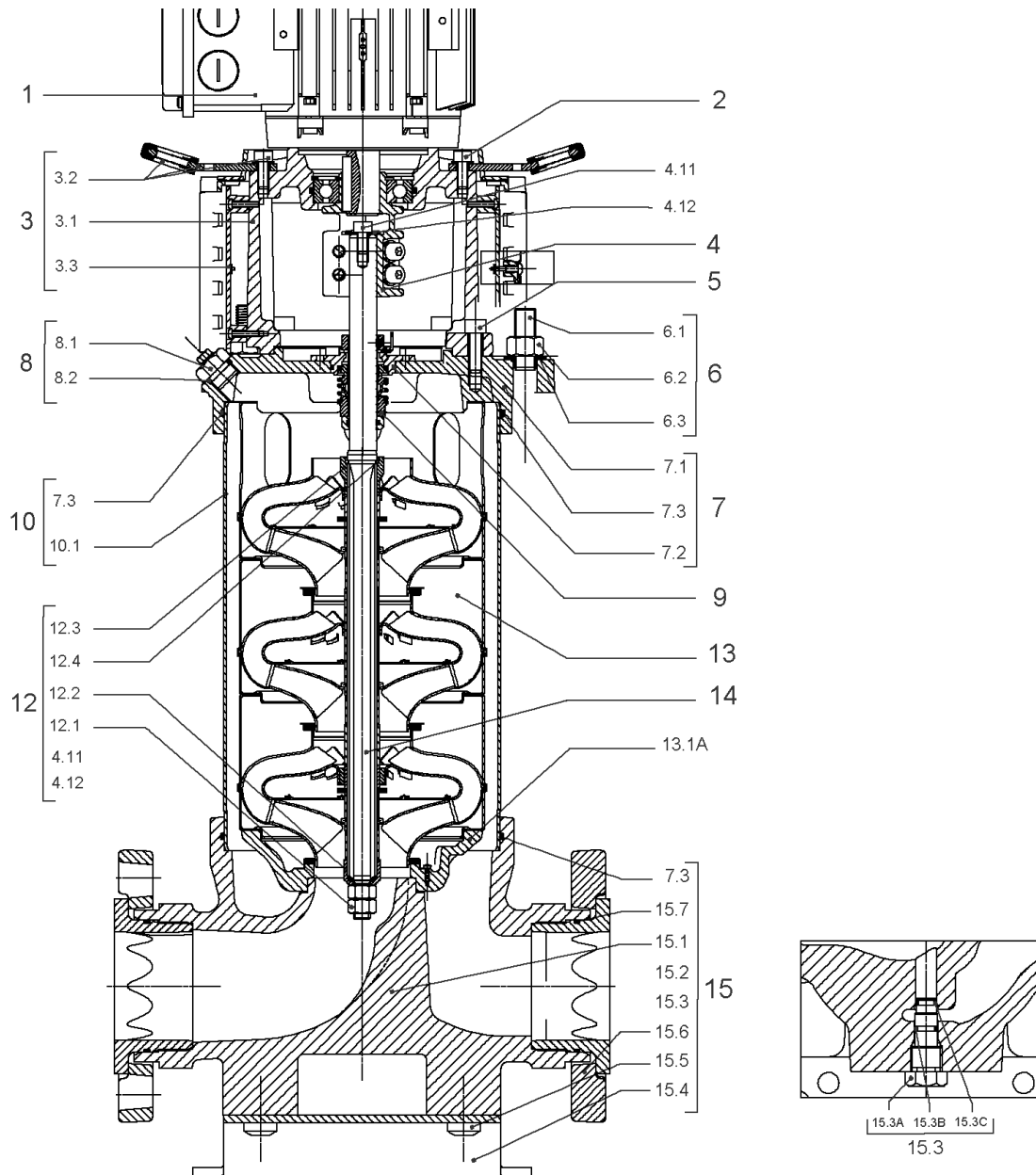
CARTRIDGE HELIX22-36-52 F/E KIT (4143975)

Item	Article no.	Description	Quantity
9.1	4143976	SEAL-KIT-HELIX22-36-52 F/E	1
7.3	4179571	> O-RING HOUSING PIPE HELIX22/36/52 VP.	1
7.4	4179572	> O-RING ID.42.52X2.62 EPDM VP.	1
9.1A	2127447	> M.SEAL.HELIX22-36-52 F/E VP.	1
9.1B	4179574	> O-RING ID.20x2.65 EPDM VP.	1
9.2	4179566	SHAFT SLEEVE D.20/20X60 1.4404 VP.	1
9.3	4179567	RING HOLDER Ø22 1.4301 VP.	1
9.4	4176520	SCREW CH M5x5 A4-70 (3PIECES)	1
9.5	4179568	DRIVE RING D.31/22.1x11 MACH.VP.	1
9.6	4179569	TOOL M.S.CART.HELIX 8" VP.	1
9.7	4179570	SCREW M6X16 ISO4762 8.8 GEOMET(4 PIECES)	1



HYDRAULIC HELIX V 3608

Item	Article no.	Description	Quantity
13.1	4161192	INTERMEDIATE STAGE HELIX V36 1.4301 KIT	1
		> SLEEVE-SPACER-D22XL16,66-316L	1
		> MACH.BEARING-DIFFUSER+NR-M+36-304	1
		> SHAFT-SLEEVE-D26xD22x16-CW	1
		> IMPELLER-H1-M+36-304	1
13.1A	4161200	> NECK RING 1.STAGE HELIX V36/52 KIT	1
		>> NECK-RING-M+36/52	1
		>> HYDRAULIC SUPPORT CAP M+36/52 304	1
		>> SCREW TCL M3X8 A4 POZIDRIV	1
13.2	4161193	INTERMEDIATE STAGE HELIX V36 1.4301 KIT	1
		> MACH.STD-DIFFUSER+NR-M+36-304	1
		> IMPELLER-H4-M+36-304	1
13.3	4161194	UPPER STAGE HELIX 36 1.4301 KIT	1
		> STOP COLLAR OF IMPELLER L20-Ø22-316L	1
		> IMPELLER-H4-M+36-304	1
		> MACH.-RIGID-STD-DISCH.-CHAMBER-M+36-304	1

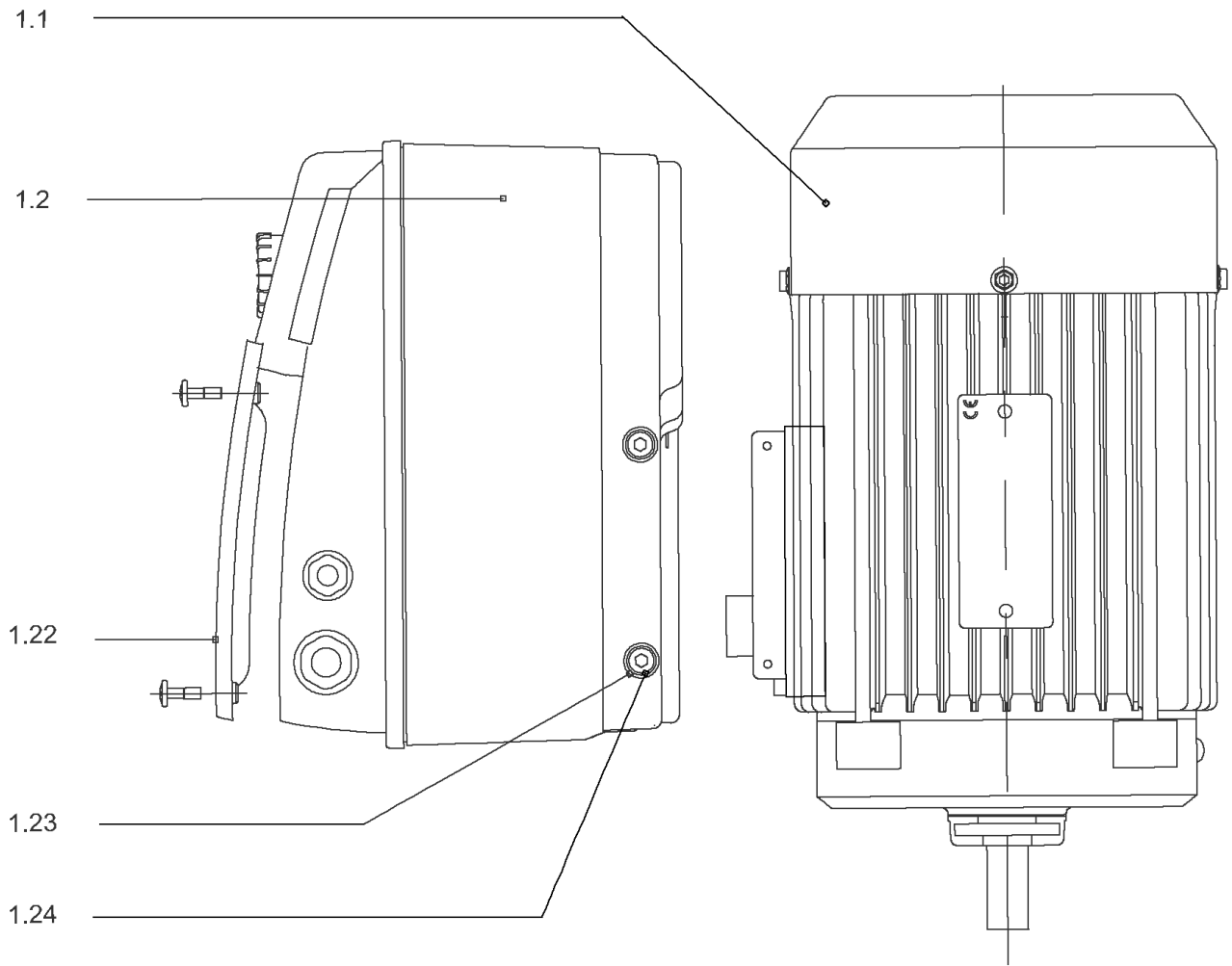


HELIX VE5201-3/16/E/KS (4141896)

Item	Article no.	Description	Quantity
1		DRIVE HELIX-VE5201-IE2-SIE KIT	1
Note: MOTOR BRAND SIEMENS			
1		DRIVE HELIX-VE5201-IE2-ATB KIT	1
Note: MOTOR BRAND ATB			
1		DRIVE HELIX-VE5201-IE4-WE KIT	1
Note: MOTOR BRAND WILO ELEC			
2	4174093	SCREW M12X50 (4 PIECES)	1
3	4161187	LANTERN FF265 HELIX 8" KIT	1
3.1		> LANTERN FF265 M+ GJL MACHINED+CATA	1
3.2	2127605	> EYELET CPL.FF265 HELIX(2 PIECES)	1
3.3	4143969	> COUPLING PROTECT HELIX FF KIT	1
4	4143965	COUPLING D.20XD.28 FF265 KIT	1
5	4157725	SCREW M10X40 (4 PIECES)	1
6	4179563	STUD BOLT M16X198 KIT	1
6.1		> TIE BOLT M16-198x24x44-1.4057	1
6.2	4179562	> NUT M16 8.8 ISO4032 (4 PIECES)	1
6.3	4097852	> WASHER-CS-16.4-32-2.8-NFE25-511-A2	1
7	4179565	END SHIELD HELIX 8" EPDM KIT	1
7.1		> END SHIELD M+ GJL MACHINED+CATA	1
7.2	4179564	> O-RING D.42.52x2.62 EPDM VP.	1
7.3	4179571	> O-RING HOUSING PIPE HELIX22/36/52 VP.	1
8	4186377	FILING/PURGING PLUG 304 HELIX KIT	1
8.1		> FILLING/VENTING-PLUG-MVI8/10"-304	1
8.2	4032291	> O-RING 17x3 EPDM KTW/WRC	1
9	4143973	CARTRIDGE HELIX22-36-52 O/E KIT	1
10	4179575	HOUSING PIPE D.204X130 1.4301 KIT	1
7.3	4179571	> O-RING HOUSING PIPE HELIX22/36/52 VP.	1
10.1		> HOUSING-PIPE Ø204-M+3601/5201-304	1
11	4179576	CENTRALIZER HELIX 8" 5201 VP.	1
12	4164724	SHAFT EQUIPMENT HELIX V52 KIT	1
13		HYDRAULIC HELIX V 5201	1
14	4179579	SHAFTS D.22X304 1.4057 VP.	1
15	4164723	EQUIPED HOUSING PN16 HELIX GJL KIT	1
7.3	4179571	> O-RING HOUSING PIPE HELIX22/36/52 VP.	1

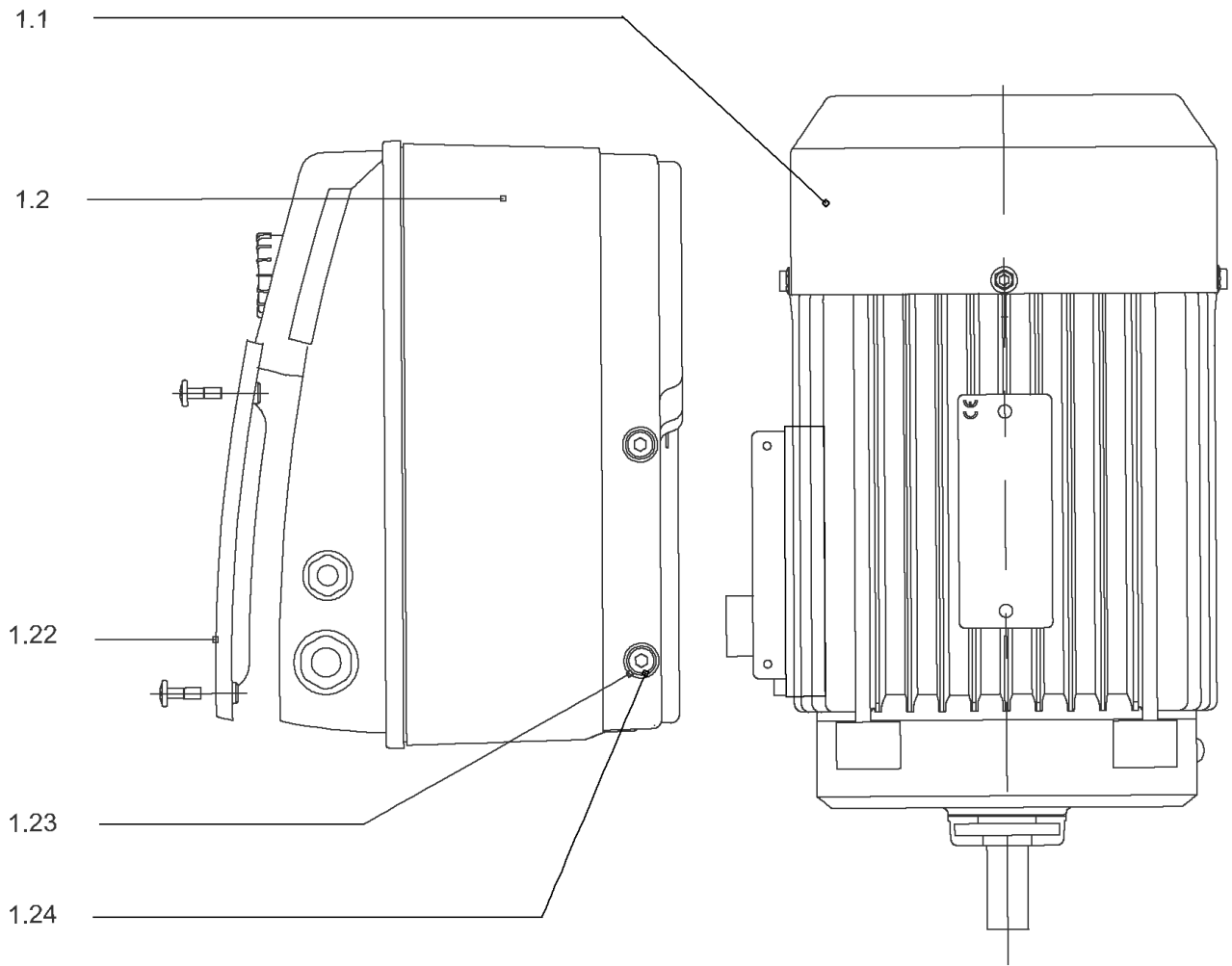
HELIX VE5201-3/16/E/KS (4141896)

Item	Article no.	Description	Quantity
15.1		> PUMP HOUSING SET with COATED PARTS-DN80	1
15.3	4143766	> DRAIN/PRIMING PLUG EPDM HELIX KIT	1
15.3A		>> PRIMING/DRAIN PLUG-304-VERSION 1	1
15.3B	4032293	>> O-RING-10x3-EPDM-KTW/WRC	1
15.3C	4233957	>> O-RING ID.9 EPDM VP.	1
15.4	4221729	> BASE M+ DN50/65/80 VP.	1
15.5		> SCREW TBHC M12x25 ISO7380 ZN	1
15.6		> FLANGE M+ DN80 NF PN16-25 ASME PN16 CATA	1
15.7		> O-RING Ø91.42xØ3 EPDM	1
13.1A	4161200	> NECK RING 1.STAGE HELIX V36/52 KIT	1
		>> NECK-RING-M+36/52	1
		>> HYDRAULIC SUPPORT CAP M+36/52 304	1
		>> SCREW TCL M3X8 A4 POZIDRIV	1



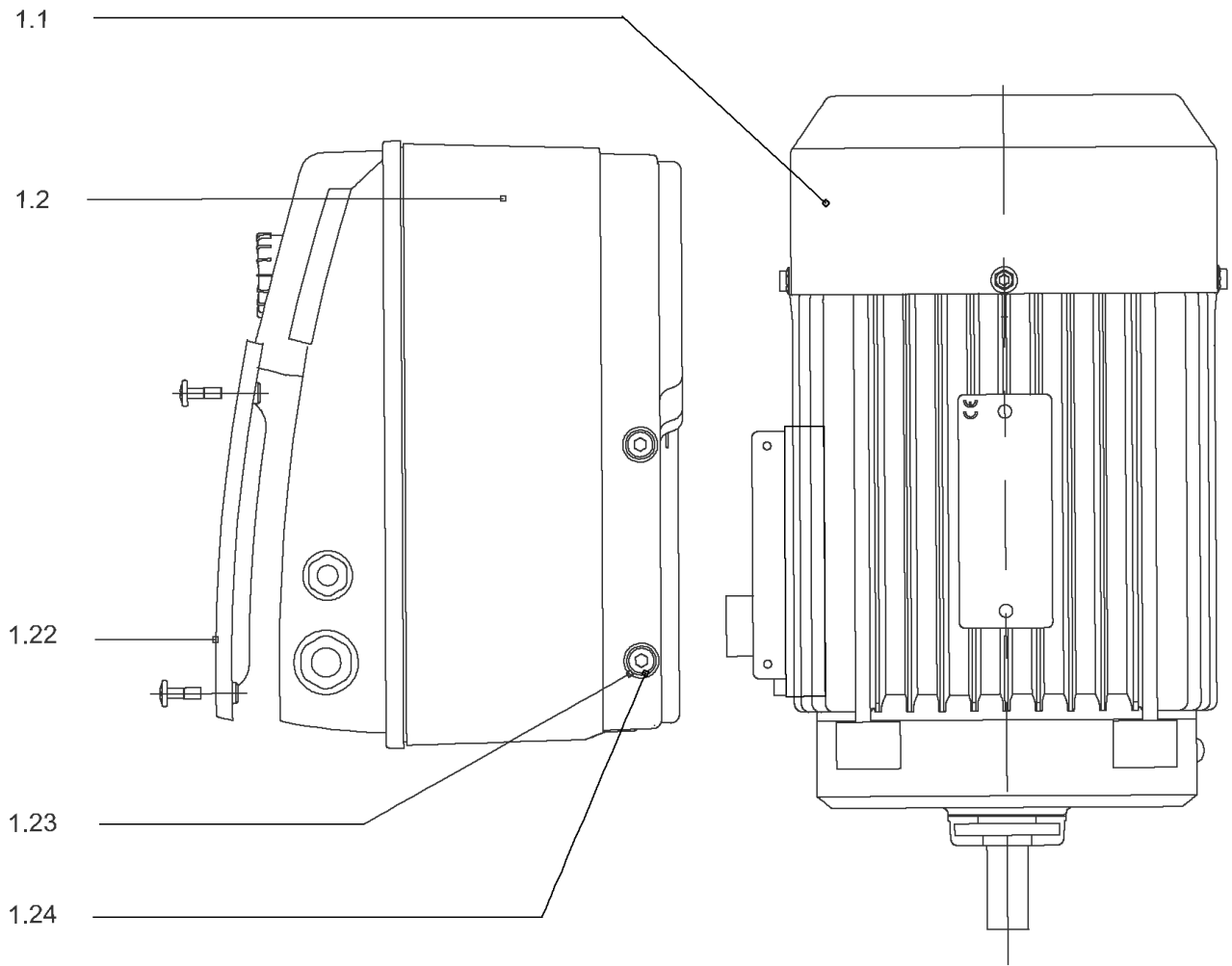
DRIVE HELIX-VE5201-IE2-SIE KIT

Item	Article no.	Description	Quantity
1.1		MOTOR 5,5-2T638P55V1-132-ADAPT IE2 VP.	1
Note: no longer available/nicht mehr lieferbar/n'est plus disponible			
		SPARE PARTS MOTOR:ON REQUEST	1
1.2	4195915	MODULE HELIX-VE5201-IE2-SIE KIT	1
1.22	2111344	> MODULE COVER/GASKET TL5 KIT	1
1.23	4215716	> SCREW M5X16 DIN912 8.8 A2A (4pieces) VP.	1
1.24	2057978	> RONDELLE A5,3 DIN6797 FST ZN (4 PIECES)	1



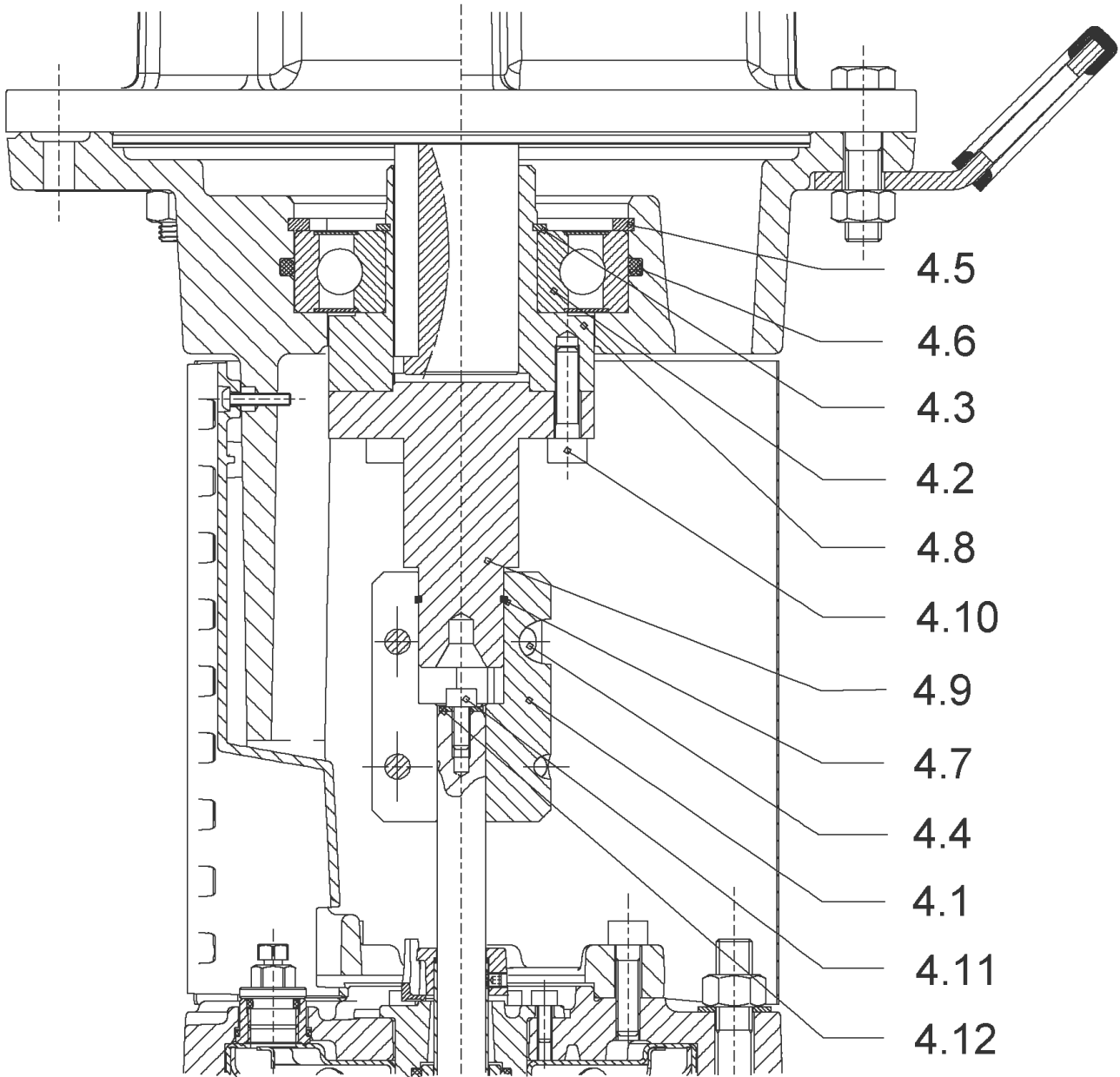
DRIVE HELIX-VE5201-IE2-ATB KIT

Item	Article no.	Description	Quantity
1.1	4185029	MOTOR 5,5/2/132 3~380V 60HZ IE2 ATB VP.	1
		SPARE PARTS MOTOR:ON REQUEST	1
1.2	4186783	MODULE HELIX-VE5201-IE2-ATB KIT	1
1.22	2111344	> MODULE COVER/GASKET TL5 KIT	1
1.23	4215716	> SCREW M5X16 DIN912 8.8 A2A (4pieces) VP.	1
1.24	2057978	> RONDELLE A5,3 DIN6797 FST ZN (4 PIECES)	1



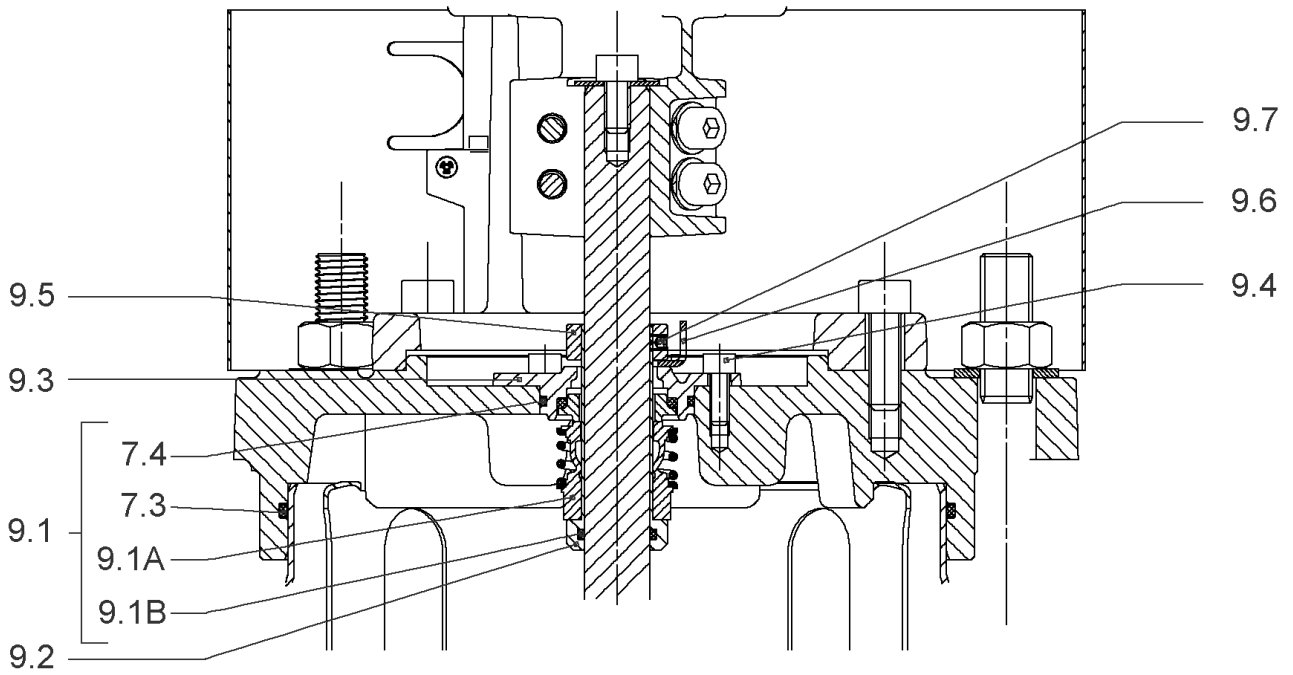
DRIVE HELIX-VE5201-IE4-WE KIT

Item	Article no.	Description	Quantity
1.1	4207930	MO.5.5/2/132F260 3~ 380V 60HZ IE4 WE VP.	1
		SPARE PARTS MOTOR:ON REQUEST	1
1.2	4212636	MODULE HELIX-VE5201-IE4-WE KIT	1
1.22	2111344	> MODULE COVER/GASKET TL5 KIT	1
1.23	4215716	> SCREW M5X16 DIN912 8.8 A2A (4pieces) VP.	1
1.24	2057978	> RONDELLE A5,3 DIN6797 FST ZN (4 PIECES)	1



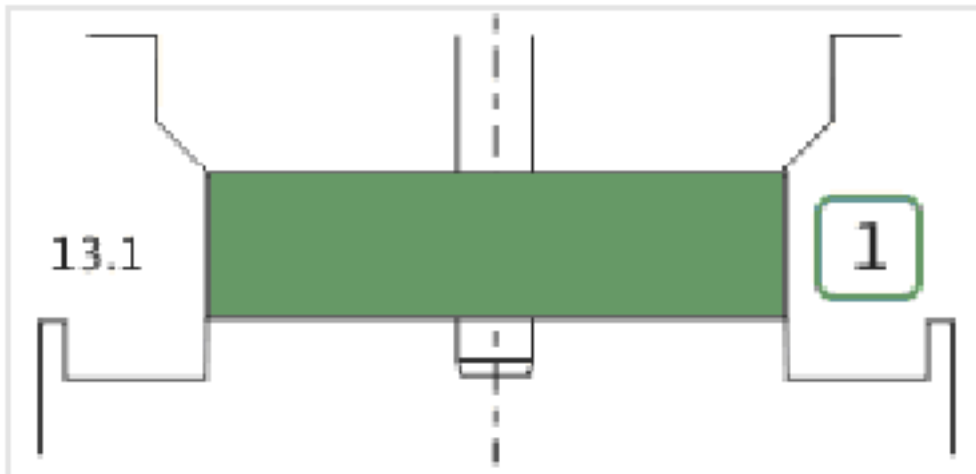
COUPLING D.20XD.28 FF265 KIT (4143965)

Item	Article no.	Description	Quantity
4.1	4179584	COUPLING 2 PARTS D.20XD.28XL83 VP.	1
4.2	2131017	BALL BEARING 6310/ZZ-C4(HT)VP.	1
4.3	4234253	CIRCLIP-FOR-SHAFT-D50x2 VP.	1
4.4	4159707	SCREW M8X30 (4 PIECES)	1
4.5	4234255	CIRCLIPS 110X4 VP.	1
4.6	4233944	O-RING ID.110 VP.	1
4.7	4179585	STOP-RUSH D26xD2 DIN7993 STEEL VP.	1
4.8	2131020	HUB D.38XD.50 VP.	1
4.9	2131021	SPACER D.28XD.45 VP.	1
4.10	4157726	SCREW KIT M8X30 (4 PIECES)	1
4.11	4233959	SCREW M8x16 VP.	1
4.12		SERRATED LOCK WASHER Ø8.2XØ25X35X2	1



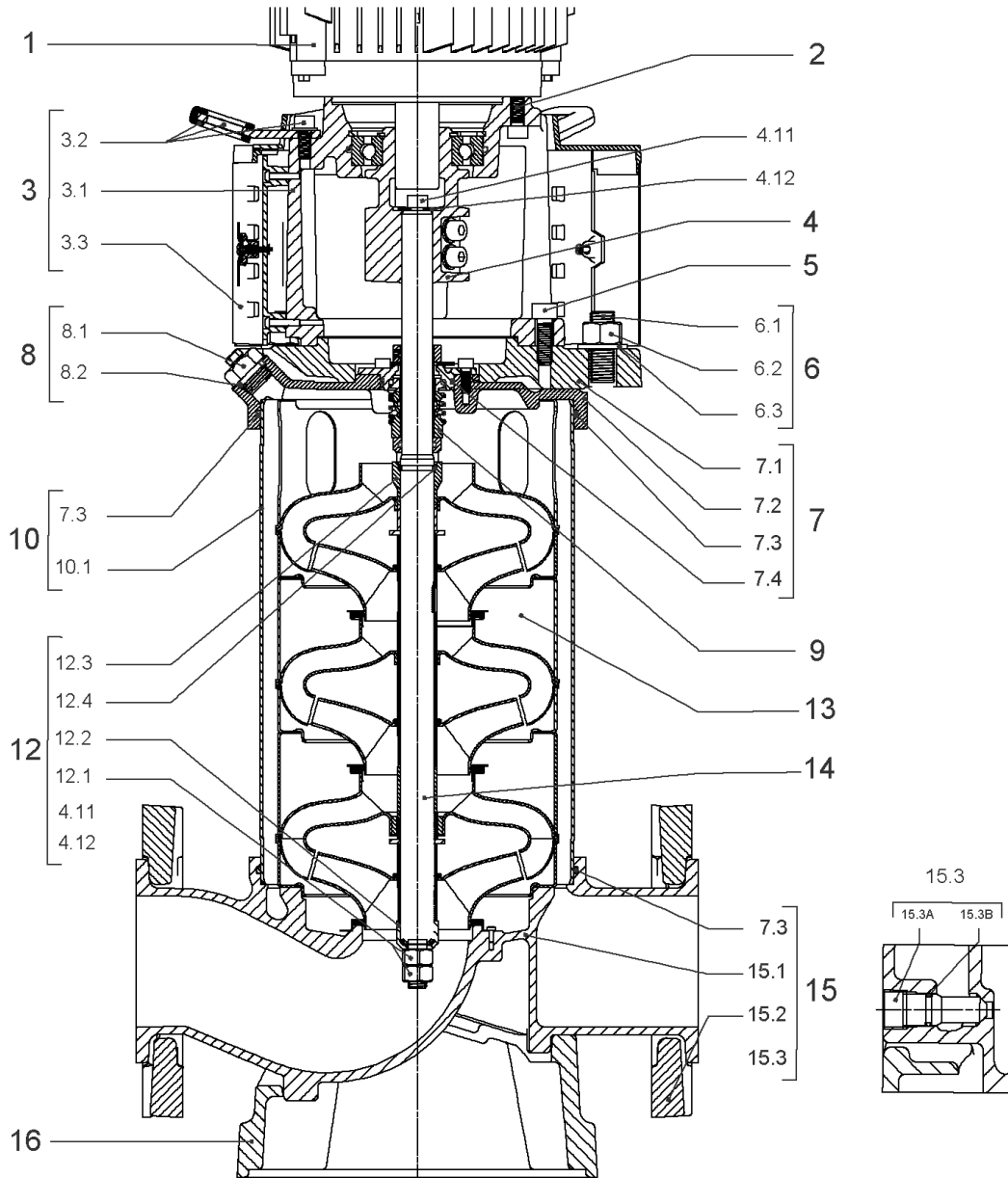
CARTRIDGE HELIX22-36-52 O/E KIT (4143973)

Item	Article no.	Description	Quantity
9.1	4143974	SEAL-KIT-HELIX22-36-52 O/E	1
7.3	4179571	> O-RING HOUSING PIPE HELIX22/36/52 VP.	1
7.4	4179572	> O-RING ID.42.52X2.62 EPDM VP.	1
9.1A	4179573	> M.SEAL.HELIX22-36-52 O/E VP.	1
9.1B	4179574	> O-RING ID.20x2.65 EPDM VP.	1
9.2	4179566	SHAFT SLEEVE D.20/20X60 1.4404 VP.	1
9.3	4179567	RING HOLDER Ø22 1.4301 VP.	1
9.4	4176520	SCREW CH M5x5 A4-70 (3PIECES)	1
9.5	4179568	DRIVE RING D.31/22.1x11 MACH.VP.	1
9.6	4179569	TOOL M.S.CART.HELIX 8" VP.	1
9.7	4179570	SCREW M6X16 ISO4762 8.8 GEOMET(4 PIECES)	1



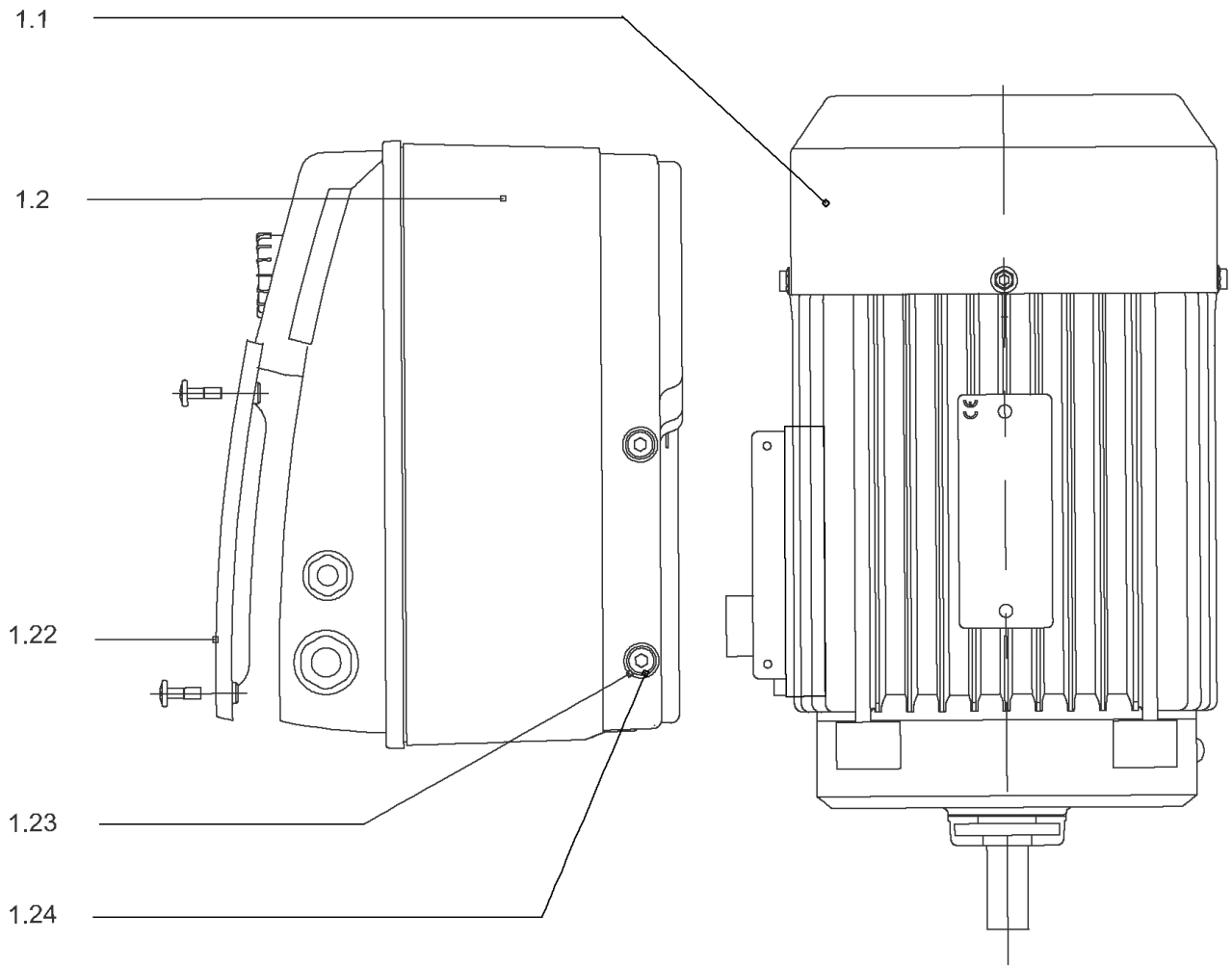
HYDRAULIC HELIX V 5201

Item	Article no.	Description	Quantity
13.1	4164733	UPPER-STAGE HELIX 52 1.4301 KIT	1
		> STOP COLLAR OF IMPELLER L27,6-Ø22-316L	1
		> SHAFT-SLEEVE-D26xD22x16-CW	1
		> SPACER WASHER D22,3XD36 L3-316L	1
		> IMPELLER-H2-M+52-304	1
13.1A	4161200	> NECK RING 1.STAGE HELIX V36/52 KIT	1
		>> NECK-RING-M+36/52	1
		>> HYDRAULIC SUPPORT CAP M+36/52 304	1
		>> SCREW TCL M3X8 A4 POZIDRIV	1
		> MACH.BEARING-DISCHARGE-CHAMBER+NR-M+52-3	1



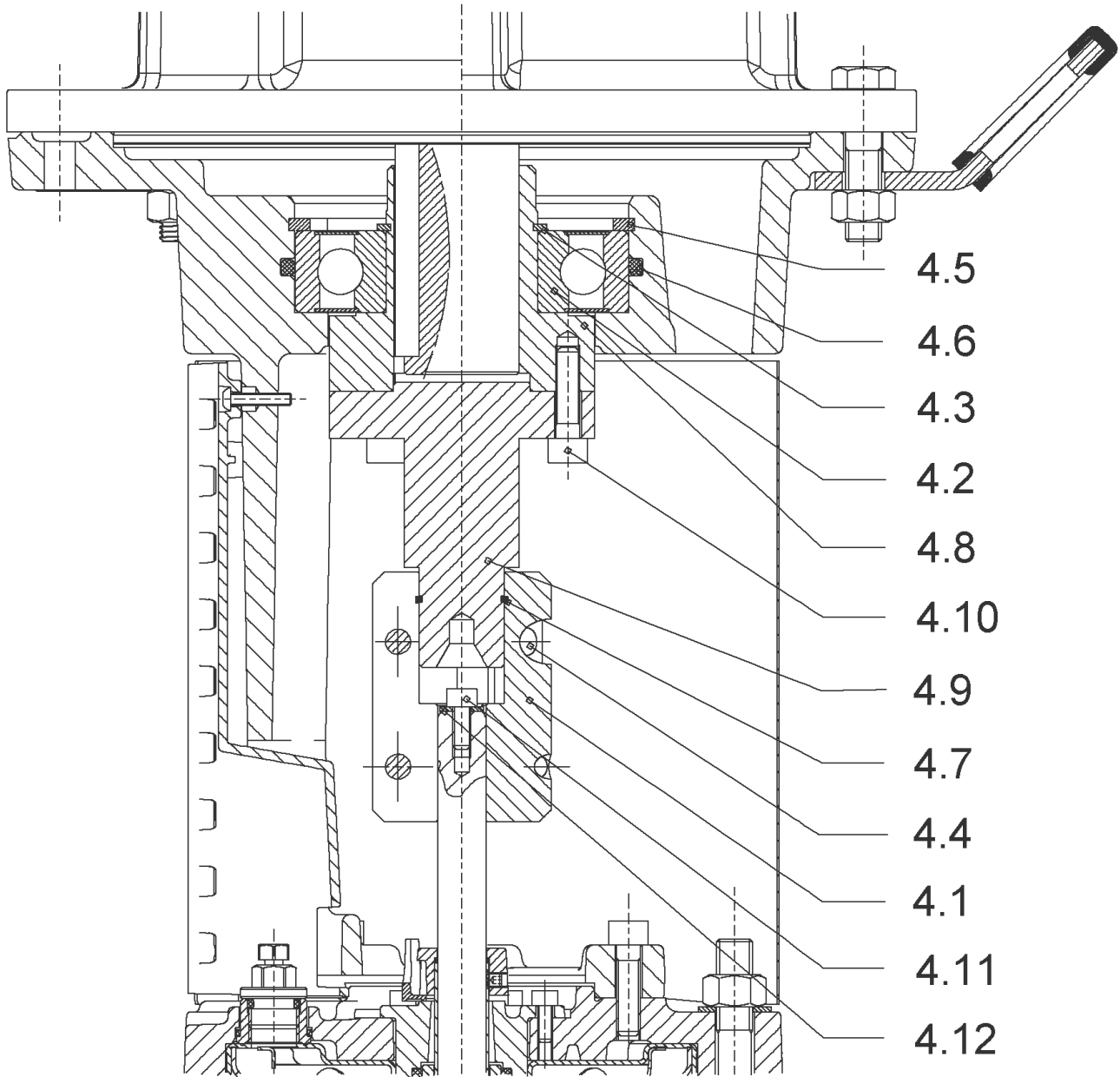
HELIX VE5201-1/16/E/KS (4198868)

Item	Article no.	Description	Quantity
1		DRIVE HELIX-VE5201-IE4-WE KIT	1
Note: MOTOR BRAND WILO ELEC			
2	4174093	SCREW M12X50 (4 PIECES)	1
3	4161187	LANTERN FF265 HELIX 8" KIT	1
3.1		> LANTERN FF265 M+ GJL MACHINED+CATA	1
3.2	2127605	> EYELET CPL.FF265 HELIX(2 PIECES)	1
3.3	4143969	> COUPLING PROTECT HELIX FF KIT	1
4	4143965	COUPLING D.20XD.28 FF265 KIT	1
5	4157725	SCREW M10X40 (4 PIECES)	1
6	4186348	STUD BOLT M16X353 KIT	1
6.1		> TIE BOLT M16-353x24x44-1.4057	1
6.2	4179562	> NUT M16 8.8 ISO4032 (4 PIECES)	1
6.3	4097852	> WASHER-CS-16.4-32-2.8-NFE25-511-A2	1
7	4217176	END SHIELD HELIX OPTI 8" EPDM KIT	1
7.1		> upper flange machined + cataphoresis	1
7.2	4217174	> STATIONARY RING HOLDER 8" HELIX OPTI VP.	1
7.3	4179571	> O-RING HOUSING PIPE HELIX22/36/52 VP.	1
7.4	4179572	> O-RING ID.42.52X2.62 EPDM VP.	1
8	4186377	FILING/PURGING PLUG 304 HELIX KIT	1
8.1		> FILLING/VENTING-PLUG-MVI8/10"-304	1
8.2	4032291	> O-RING 17x3 EPDM KTW/WRC	1
9	4143973	CARTRIDGE HELIX22-36-52 O/E KIT	1
10	4218389	HOUSING PIPE D204 X 114 1.4301 KIT	1
7.3	4179571	> O-RING HOUSING PIPE HELIX22/36/52 VP.	1
10.1		> HOUSING-PIPE Ø204-L114,05-304	1
12	4162804	SHAFT EQUIPMENT KIT NEXIS V52	1
13		HYDRAULIC HELIX V 5201	1
14	4179579	SHAFTS D.22X304 1.4057 VP.	1
15	4218385	EQUIPED HOUSING DN80 HELIX OPTI 8" KIT	1
15.1		> pump casing machined DN80	1
15.2	4218383	> HALF FLANGE DN80 HELIX OPTI 8" VP.	1
15.3	4217850	> DRAIN/PRIMING PLUG HELIX OPTI 8" KIT	1
7.3	4179571	> O-RING HOUSING PIPE HELIX22/36/52 VP.	1
16	4218387	BASEPLATE DN80 HELIX OPTI 8" VP.	1



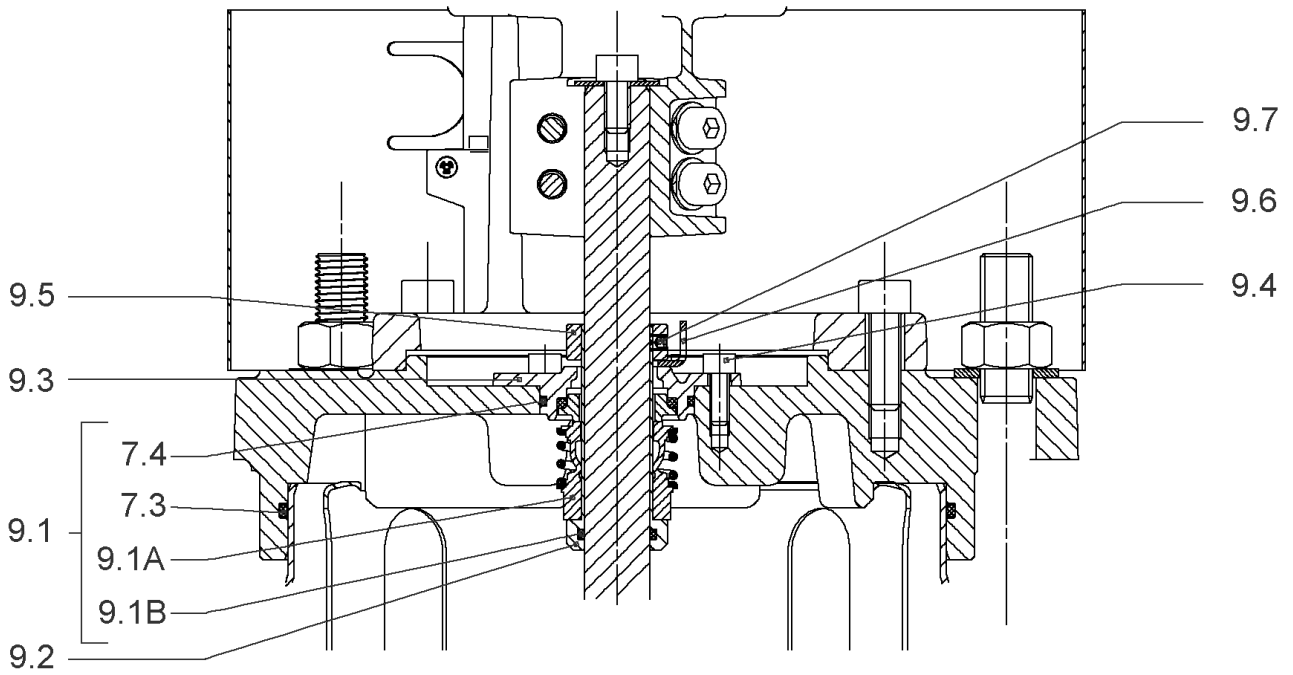
DRIVE HELIX-VE5201-IE4-WE KIT

Item	Article no.	Description	Quantity
1.1	4207930	MO.5.5/2/132F260 3~ 380V 60HZ IE4 WE VP.	1
		SPARE PARTS MOTOR:ON REQUEST	1
1.2	4212636	MODULE HELIX-VE5201-IE4-WE KIT	1
1.22	2111344	> MODULE COVER/GASKET TL5 KIT	1
1.23	4215716	> SCREW M5X16 DIN912 8.8 A2A (4pieces) VP.	1
1.24	2057978	> RONDELLE A5,3 DIN6797 FST ZN (4 PIECES)	1



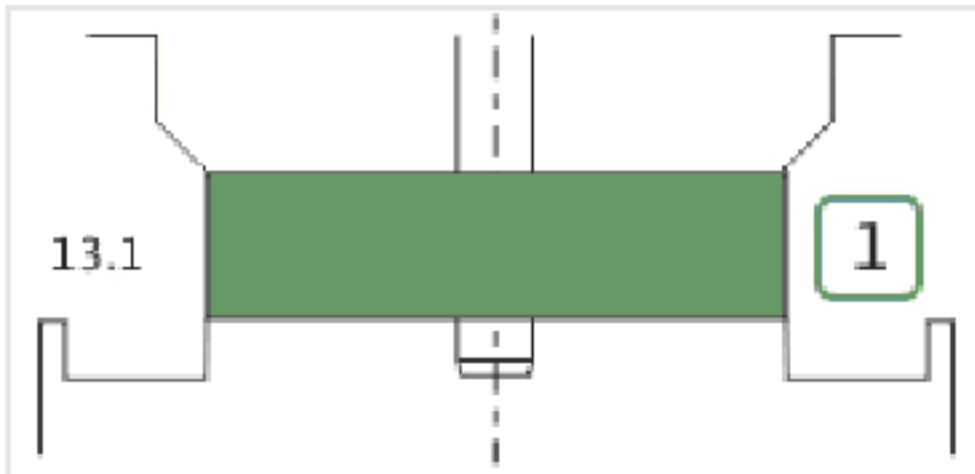
COUPLING D.20XD.28 FF265 KIT (4143965)

Item	Article no.	Description	Quantity
4.1	4179584	COUPLING 2 PARTS D.20XD.28XL83 VP.	1
4.2	2131017	BALL BEARING 6310/ZZ-C4(HT)VP.	1
4.3	4234253	CIRCLIP-FOR-SHAFT-D50x2 VP.	1
4.4	4159707	SCREW M8X30 (4 PIECES)	1
4.5	4234255	CIRCLIPS 110X4 VP.	1
4.6	4233944	O-RING ID.110 VP.	1
4.7	4179585	STOP-RUSH D26xD2 DIN7993 STEEL VP.	1
4.8	2131020	HUB D.38XD.50 VP.	1
4.9	2131021	SPACER D.28XD.45 VP.	1
4.10	4157726	SCREW KIT M8X30 (4 PIECES)	1
4.11	4233959	SCREW M8x16 VP.	1
4.12		SERRATED LOCK WASHER Ø8.2XØ25X35X2	1



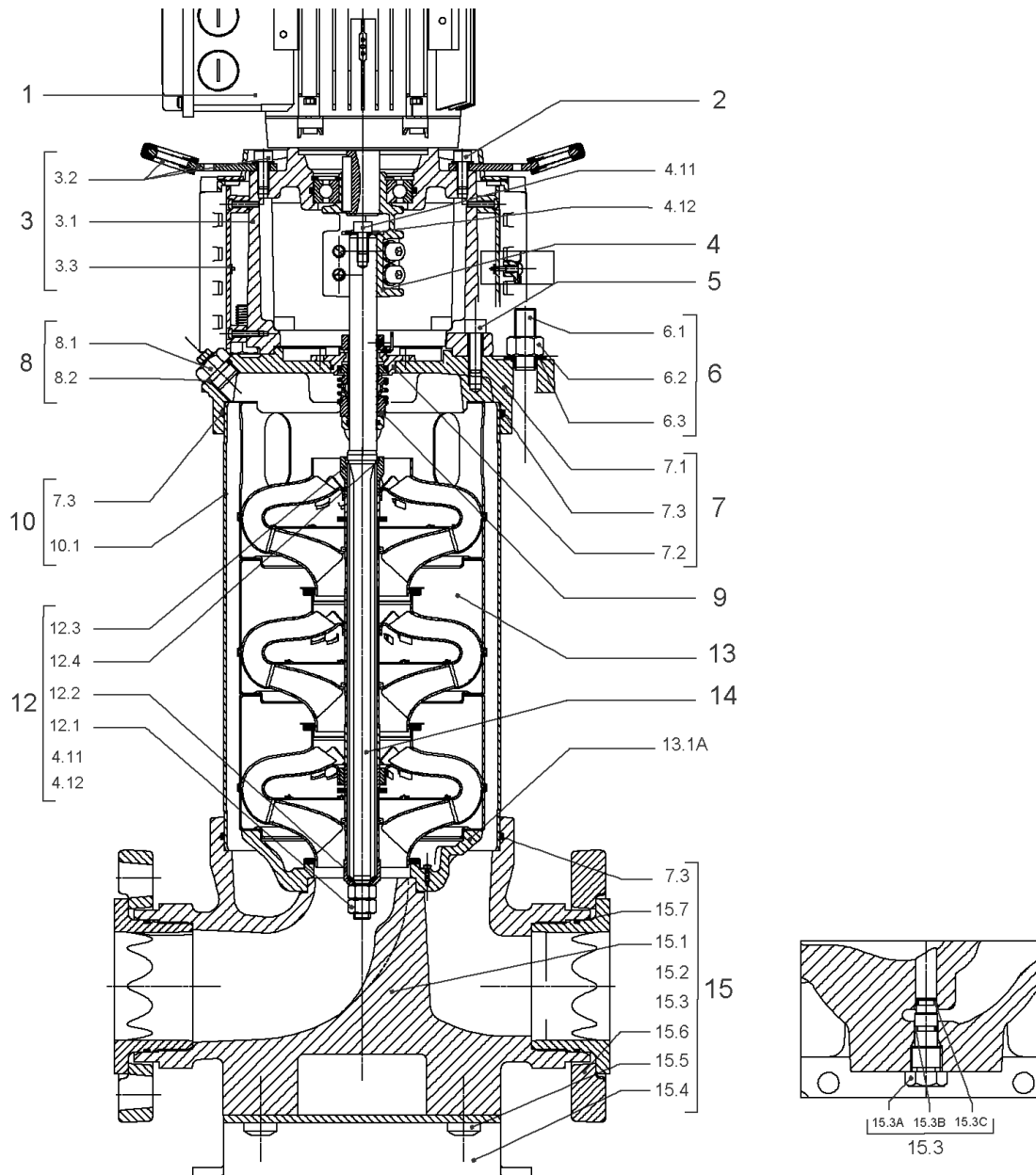
CARTRIDGE HELIX22-36-52 O/E KIT (4143973)

Item	Article no.	Description	Quantity
9.1	4143974	SEAL-KIT-HELIX22-36-52 O/E	1
7.3	4179571	> O-RING HOUSING PIPE HELIX22/36/52 VP.	1
7.4	4179572	> O-RING ID.42.52X2.62 EPDM VP.	1
9.1A	4179573	> M.SEAL.HELIX22-36-52 O/E VP.	1
9.1B	4179574	> O-RING ID.20x2.65 EPDM VP.	1
9.2	4179566	SHAFT SLEEVE D.20/20X60 1.4404 VP.	1
9.3	4179567	RING HOLDER Ø22 1.4301 VP.	1
9.4	4176520	SCREW CH M5x5 A4-70 (3PIECES)	1
9.5	4179568	DRIVE RING D.31/22.1x11 MACH.VP.	1
9.6	4179569	TOOL M.S.CART.HELIX 8" VP.	1
9.7	4179570	SCREW M6X16 ISO4762 8.8 GEOMET(4 PIECES)	1



HYDRAULIC HELIX V 5201

Item	Article no.	Description	Quantity
13.1	4164733	UPPER-STAGE HELIX 52 1.4301 KIT	1
		> STOP COLLAR OF IMPELLER L27,6-Ø22-316L	1
		> SHAFT-SLEEVE-D26xD22x16-CW	1
		> SPACER WASHER D22,3XD36 L3-316L	1
		> IMPELLER-H2-M+52-304	1
13.1A	4161200	> NECK RING 1.STAGE HELIX V36/52 KIT	1
		>> NECK-RING-M+36/52	1
		>> HYDRAULIC SUPPORT CAP M+36/52 304	1
		>> SCREW TCL M3X8 A4 POZIDRIV	1
		> MACH.BEARING-DISCHARGE-CHAMBER+NR-M+52-3	1

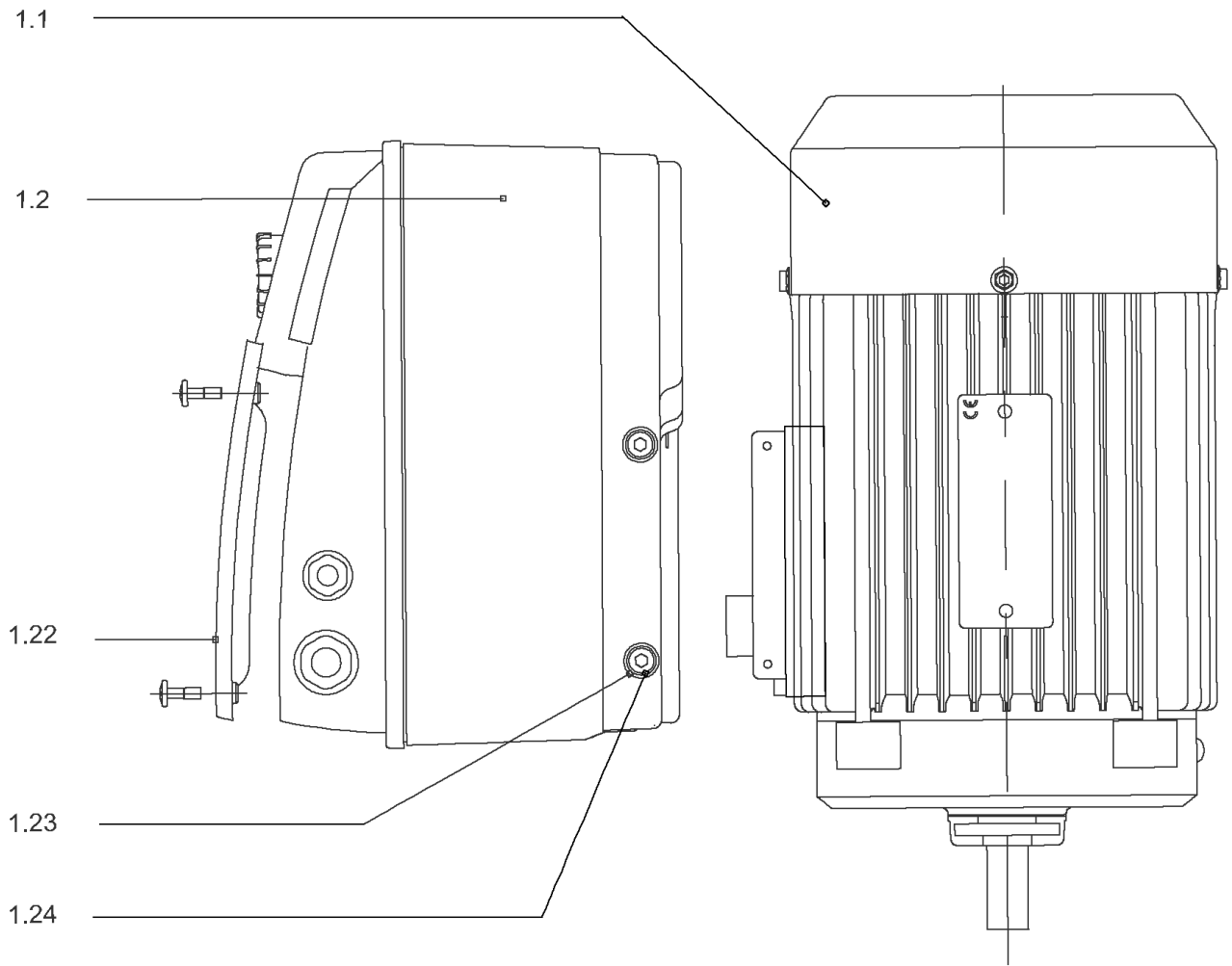


HELIX VE5202-3/16/E/K (4141897)

Item	Article no.	Description	Quantity
1		DRIVE HELIX-VE5202-IE2-SIE KIT	1
Note: MOTOR BRAND SIEMENS			
1		DRIVE HELIX-VE5202-IE2-ATB KIT	1
Note: MOTOR BRAND ATB			
1		DRIVE HELIX-VE5202-IE4-WE KIT	1
Note: MOTOR BRAND WILO ELEC			
2	4174093	SCREW M12X50 (4 PIECES)	1
3	4161187	LANTERN FF265 HELIX 8" KIT	1
3.1		> LANTERN FF265 M+ GJL MACHINED+CATA	1
3.2	2127605	> EYELET CPL.FF265 HELIX(2 PIECES)	1
3.3	4143969	> COUPLING PROTECT HELIX FF KIT	1
4	4143965	COUPLING D.20XD.28 FF265 KIT	1
5	4157725	SCREW M10X40 (4 PIECES)	1
6	4179581	STUD BOLT M16X305.5 KIT	1
6.1		> TIE BOLT M16-305.5x24x44-1.4057	1
6.2	4179562	> NUT M16 8.8 ISO4032 (4 PIECES)	1
6.3	4097852	> WASHER-CS-16.4-32-2.8-NFE25-511-A2	1
7	4179565	END SHIELD HELIX 8" EPDM KIT	1
7.1		> END SHIELD M+ GJL MACHINED+CATA	1
7.2	4179564	> O-RING D.42.52x2.62 EPDM VP.	1
7.3	4179571	> O-RING HOUSING PIPE HELIX22/36/52 VP.	1
8	4186377	FILING/PURGING PLUG 304 HELIX KIT	1
8.1		> FILLING/VENTING-PLUG-MVI8/10"-304	1
8.2	4032291	> O-RING 17x3 EPDM KTW/WRC	1
9	4143973	CARTRIDGE HELIX22-36-52 O/E KIT	1
10	4179582	HOUSING PIPE D.204X230 1.4307 KIT	1
7.3	4179571	> O-RING HOUSING PIPE HELIX22/36/52 VP.	1
10.1		> HOUSING-PIPE Ø204-M+5202-304	1
11	4179583	CENTRALIZER HELIX 8" 52 VP.	1
12	4164724	SHAFT EQUIPMENT HELIX V52 KIT	1
13		HYDRAULIC HELIX V 5202	1
14	2132516	SHAFT D.22X404 1.4301 VP.	1
15	4164723	EQUIPED HOUSING PN16 HELIX GJL KIT	1
7.3	4179571	> O-RING HOUSING PIPE HELIX22/36/52 VP.	1

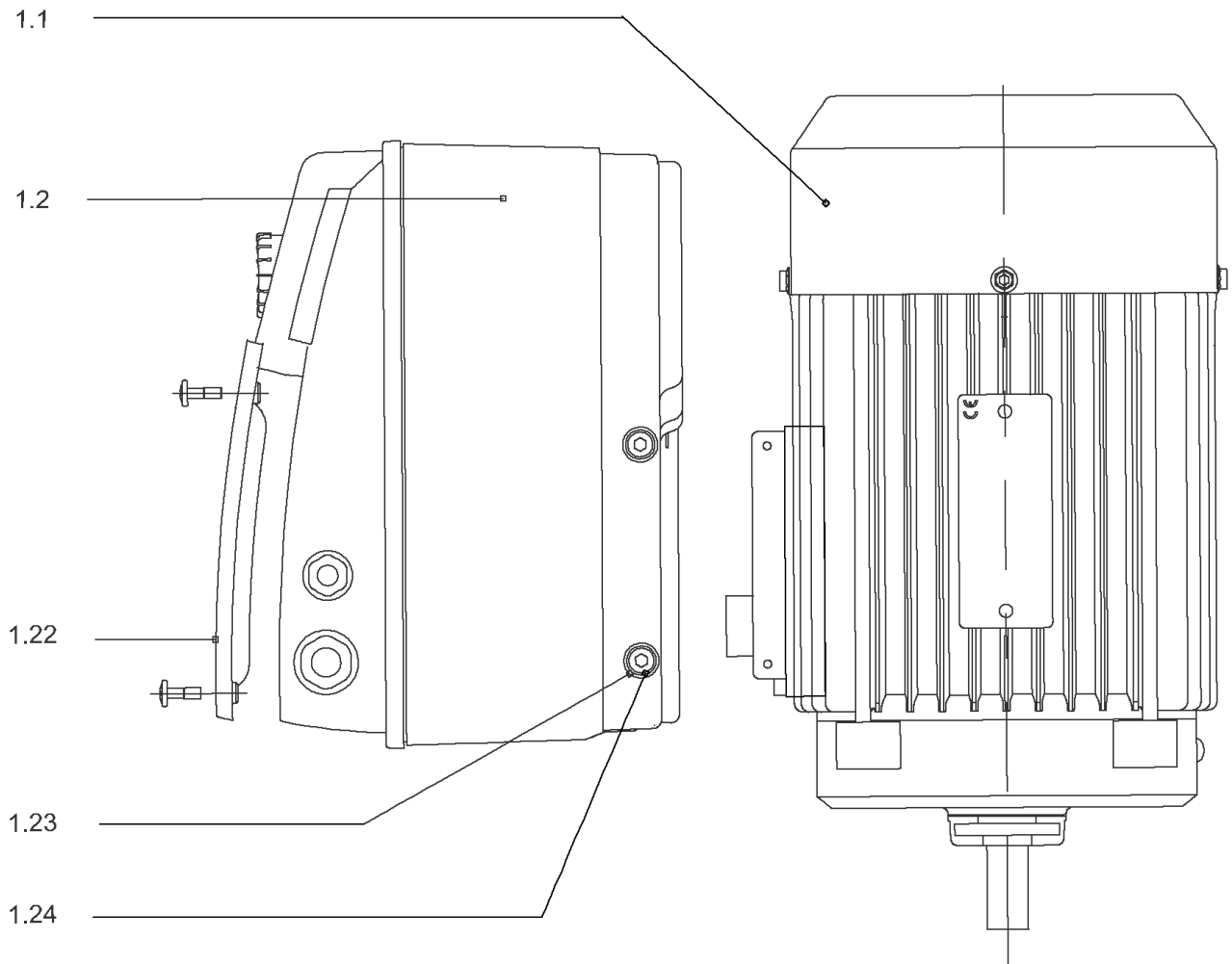
HELIX VE5202-3/16/E/K (4141897)

Item	Article no.	Description	Quantity
15.1		> PUMP HOUSING SET with COATED PARTS-DN80	1
15.3	4143766	> DRAIN/PRIMING PLUG EPDM HELIX KIT	1
15.3A		>> PRIMING/DRAIN PLUG-304-VERSION 1	1
15.3B	4032293	>> O-RING-10x3-EPDM-KTW/WRC	1
15.3C	4233957	>> O-RING ID.9 EPDM VP.	1
15.4	4221729	> BASE M+ DN50/65/80 VP.	1
15.5		> SCREW TBHC M12x25 ISO7380 ZN	1
15.6		> FLANGE M+ DN80 NF PN16-25 ASME PN16 CATA	1
15.7		> O-RING Ø91.42xØ3 EPDM	1
13.1A	4161200	> NECK RING 1.STAGE HELIX V36/52 KIT	1
		>> NECK-RING-M+36/52	1
		>> HYDRAULIC SUPPORT CAP M+36/52 304	1
		>> SCREW TCL M3X8 A4 POZIDRIV	1



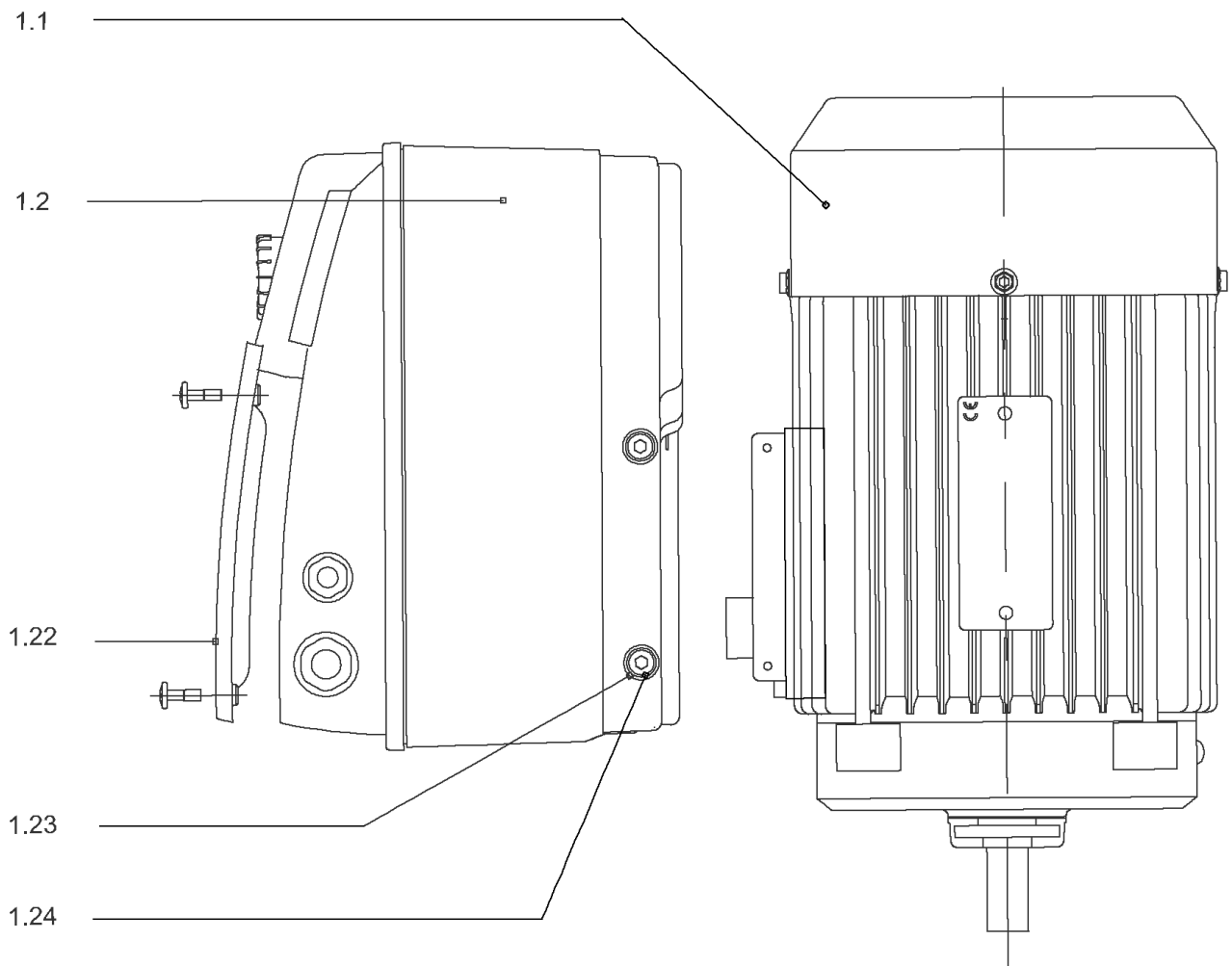
DRIVE HELIX-VE5202-IE2-SIE KIT

Item	Article no.	Description	Quantity
1.1		MOTOR 7,5/2/132 3~400V 50HZ IE2 SIE VP.	1
Note: no longer available/nicht mehr lieferbar/n'est plus disponible			
		SPARE PARTS MOTOR:ON REQUEST	1
1.2	4186779	MODULE HELIX-VE5202-IE2-SIE KIT	1
1.22	2111344	> MODULE COVER/GASKET TL5 KIT	1
1.23	4215716	> SCREW M5X16 DIN912 8.8 A2A (4pieces) VP.	1
1.24	2057978	> RONDELLE A5,3 DIN6797 FST ZN (4 PIECES)	1



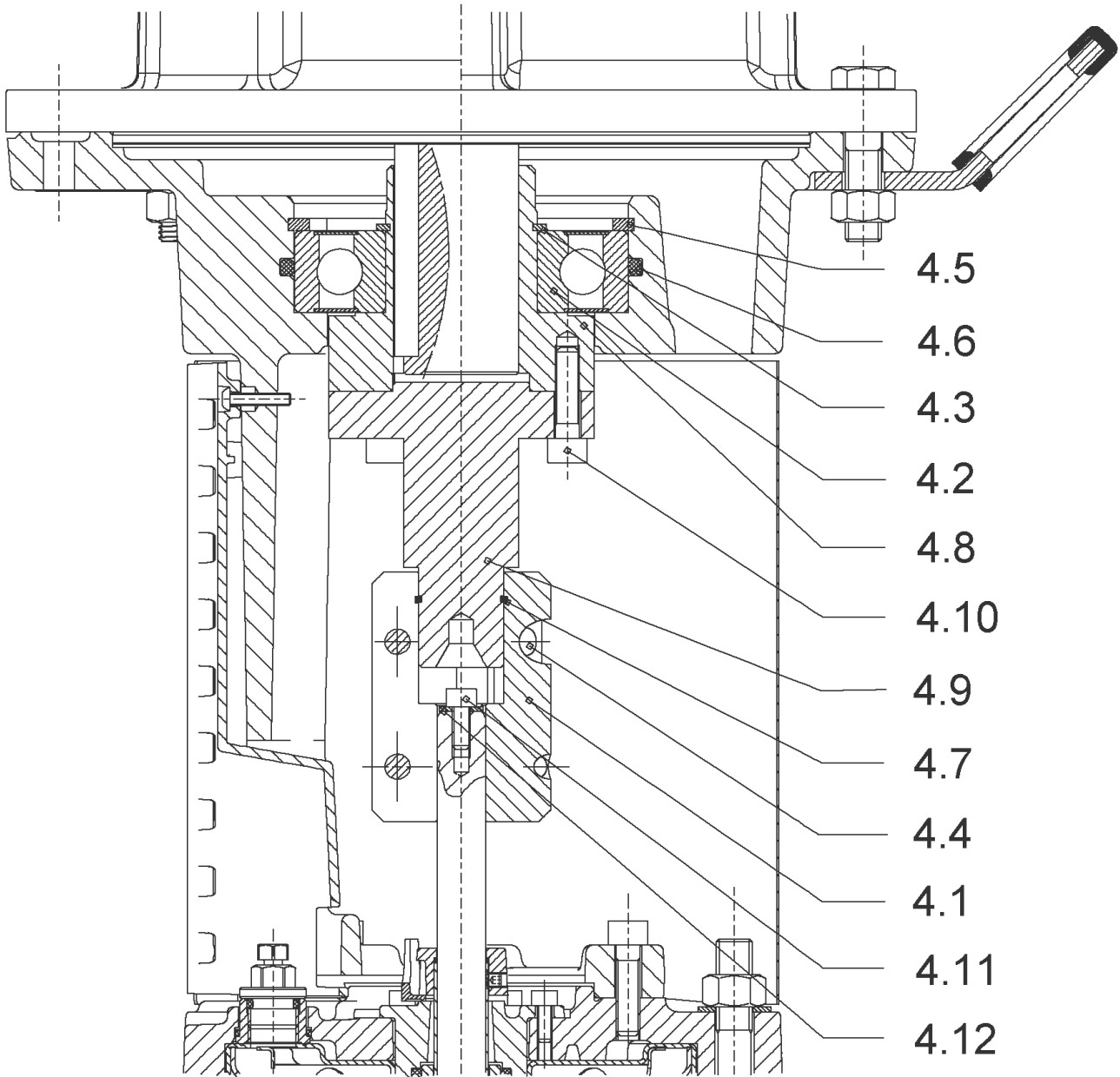
DRIVE HELIX-VE5202-IE2-ATB KIT

Item	Article no.	Description	Quantity
1.1	4233991	MOTOR 7.5/2/132 3~400V 50HZ IE2 ATB VP.	1
Note: MOTOR BRAND ATB			
		SPARE PARTS MOTOR:ON REQUEST	1
1.2	4195917	MODULE HELIX-VE5202-IE2-ATB KIT	1
1.22	2111344	> MODULE COVER/GASKET TL5 KIT	1
1.23	4215716	> SCREW M5X16 DIN912 8.8 A2A (4pieces) VP.	1
1.24	2057978	> RONDELLE A5,3 DIN6797 FST ZN (4 PIECES)	1



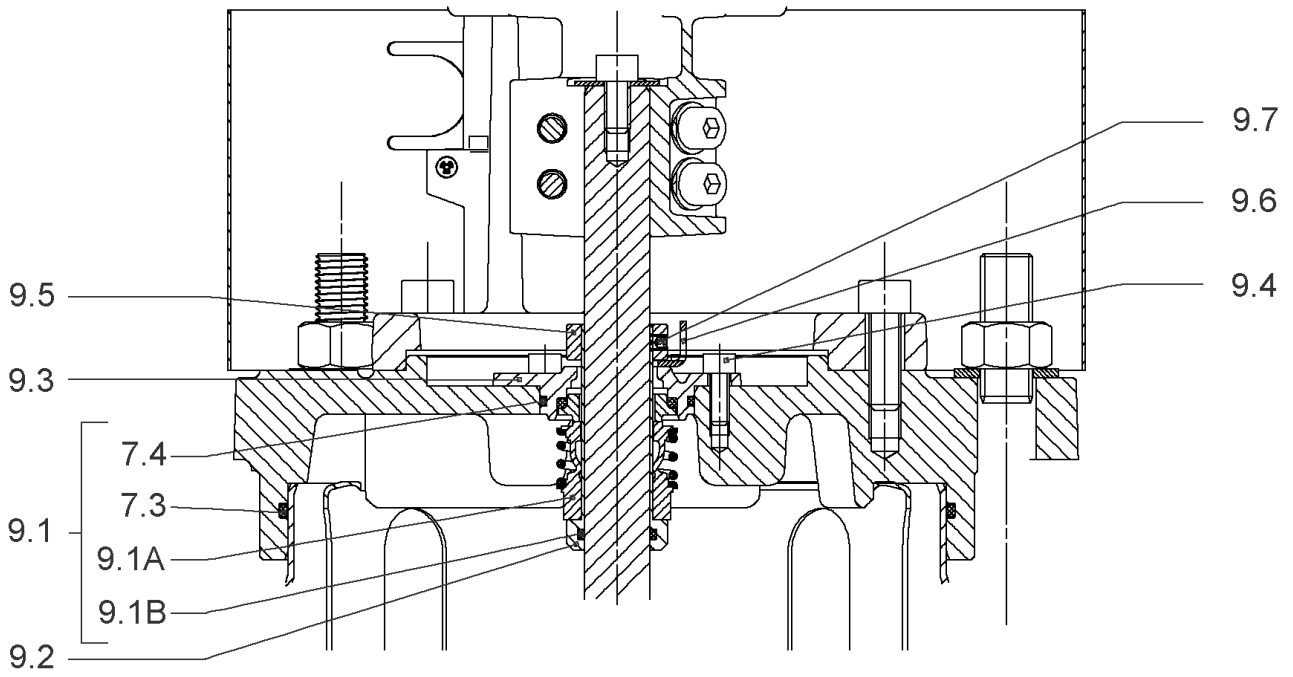
DRIVE HELIX-VE5202-IE4-WE KIT

Item	Article no.	Description	Quantity
1.1	4207934	MOT.7.5/2/132F26 3~ 380V 60HZ IE4 WE VP.	1
		SPARE PARTS MOTOR:ON REQUEST	1
1.2	4212641	MODULE HELIX-VE5202-IE4-WE KIT	1
1.22	2111344	> MODULE COVER/GASKET TL5 KIT	1
1.23	4215716	> SCREW M5X16 DIN912 8.8 A2A (4pieces) VP.	1
1.24	2057978	> RONDELLE A5,3 DIN6797 FST ZN (4 PIECES)	1



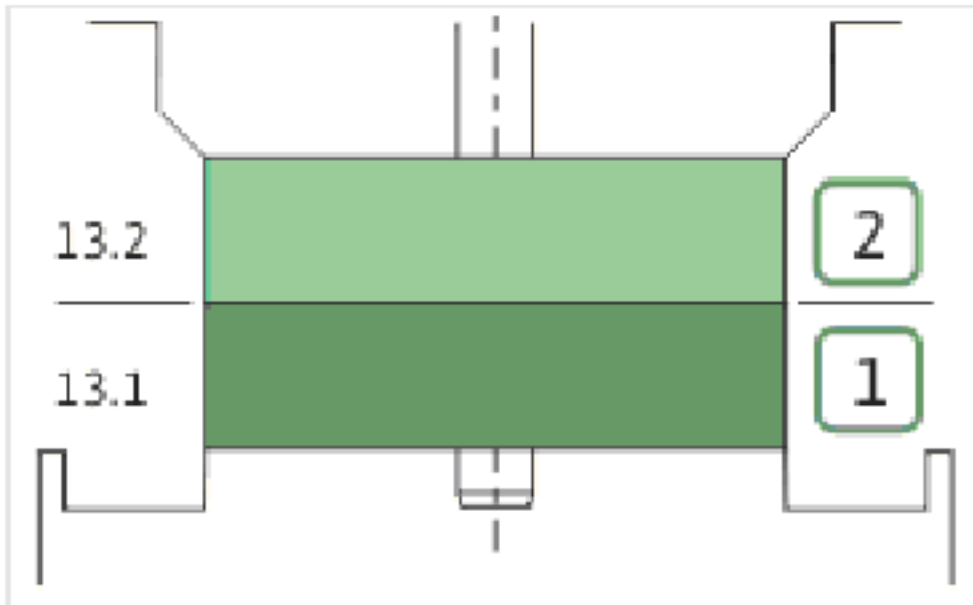
COUPLING D.20XD.28 FF265 KIT (4143965)

Item	Article no.	Description	Quantity
4.1	4179584	COUPLING 2 PARTS D.20XD.28XL83 VP.	1
4.2	2131017	BALL BEARING 6310/ZZ-C4(HT)VP.	1
4.3	4234253	CIRCLIP-FOR-SHAFT-D50x2 VP.	1
4.4	4159707	SCREW M8X30 (4 PIECES)	1
4.5	4234255	CIRCLIPS 110X4 VP.	1
4.6	4233944	O-RING ID.110 VP.	1
4.7	4179585	STOP-RUSH D26xD2 DIN7993 STEEL VP.	1
4.8	2131020	HUB D.38XD.50 VP.	1
4.9	2131021	SPACER D.28XD.45 VP.	1
4.10	4157726	SCREW KIT M8X30 (4 PIECES)	1
4.11	4233959	SCREW M8x16 VP.	1
4.12		SERRATED LOCK WASHER Ø8.2XØ25X35X2	1



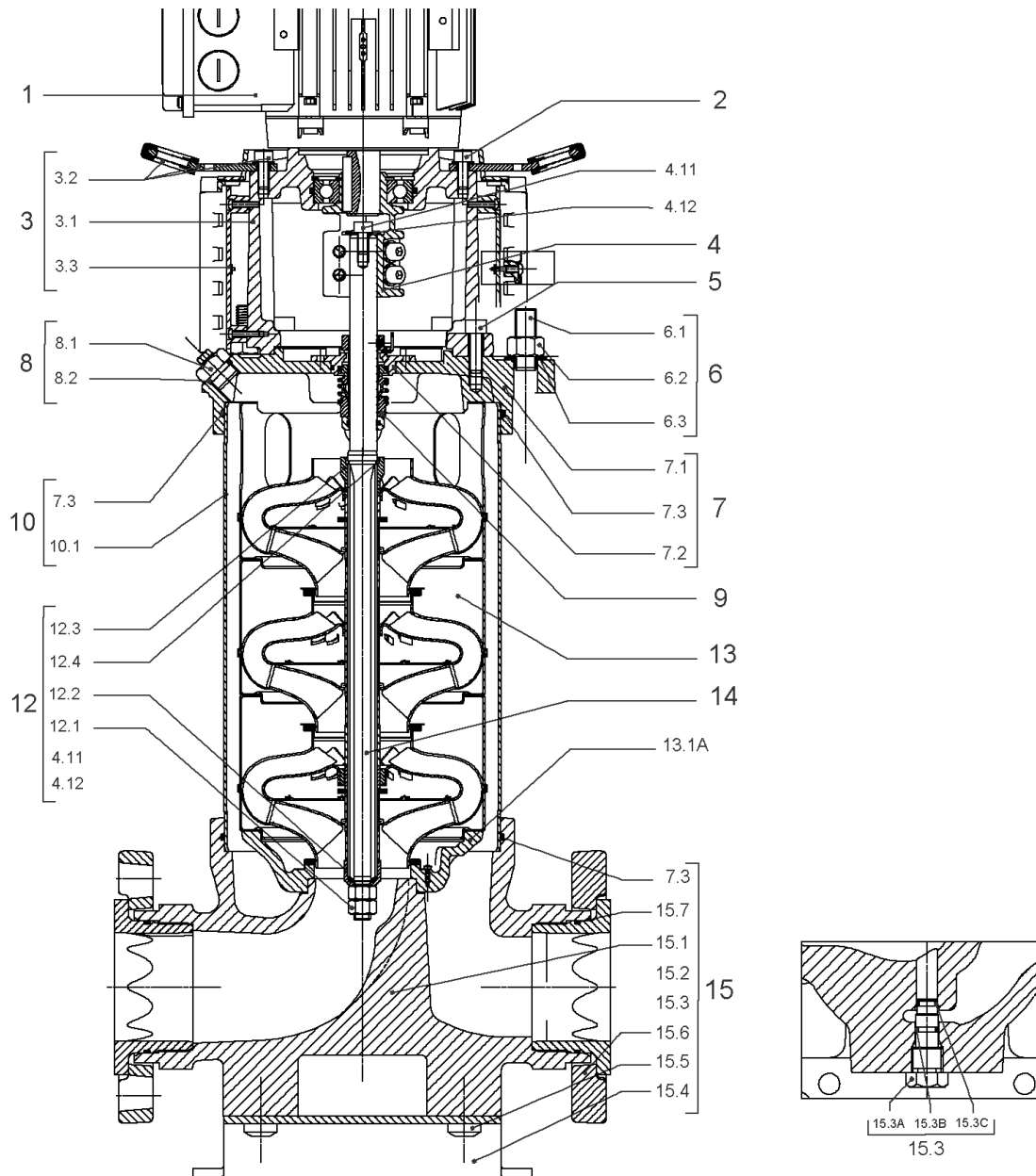
CARTRIDGE HELIX22-36-52 O/E KIT (4143973)

Item	Article no.	Description	Quantity
9.1	4143974	SEAL-KIT-HELIX22-36-52 O/E	1
7.3	4179571	> O-RING HOUSING PIPE HELIX22/36/52 VP.	1
7.4	4179572	> O-RING ID.42.52X2.62 EPDM VP.	1
9.1A	4179573	> M.SEAL.HELIX22-36-52 O/E VP.	1
9.1B	4179574	> O-RING ID.20x2.65 EPDM VP.	1
9.2	4179566	SHAFT SLEEVE D.20/20X60 1.4404 VP.	1
9.3	4179567	RING HOLDER Ø22 1.4301 VP.	1
9.4	4176520	SCREW CH M5x5 A4-70 (3PIECES)	1
9.5	4179568	DRIVE RING D.31/22.1x11 MACH.VP.	1
9.6	4179569	TOOL M.S.CART.HELIX 8" VP.	1
9.7	4179570	SCREW M6X16 ISO4762 8.8 GEOMET(4 PIECES)	1



HYDRAULIC HELIX V 5202

Item	Article no.	Description	Quantity
13.1	4164727	INTERMEDIAIRE STAGE HELIX 52 1.4301 KIT	1
		> SLEEVE-SPACER-D22XL30,42-316L	1
		> MACH.BEARING-DIFFUSER+NR-M+52-304	1
		> SHAFT-SLEEVE-D26xD22x16-CW	1
		> SPACER WASHER D22,3XD36 L3-316L	1
		> IMPELLER-H2-M+52-304	1
13.1A	4161200	> NECK RING 1.STAGE HELIX V36/52 KIT	1
		>> NECK-RING-M+36/52	1
		>> HYDRAULIC SUPPORT CAP M+36/52 304	1
		>> SCREW TCL M3X8 A4 POZIDRIV	1
13.2	4164729	UPPER-STAGE HELIX 52 1.4301 KIT	1
		> STOP COLLAR OF IMPELLER L27,6-Ø22-316L	1
		> SLEEVE-SPACER-D22XL16,66-316L	1
		> SPACER WASHER D22,3XD36 L3-316L	1
		> IMPELLER-H2-M+52-304	1
		> MACH.STD-DISCHARGE-CHAMBER-M+52-304	1

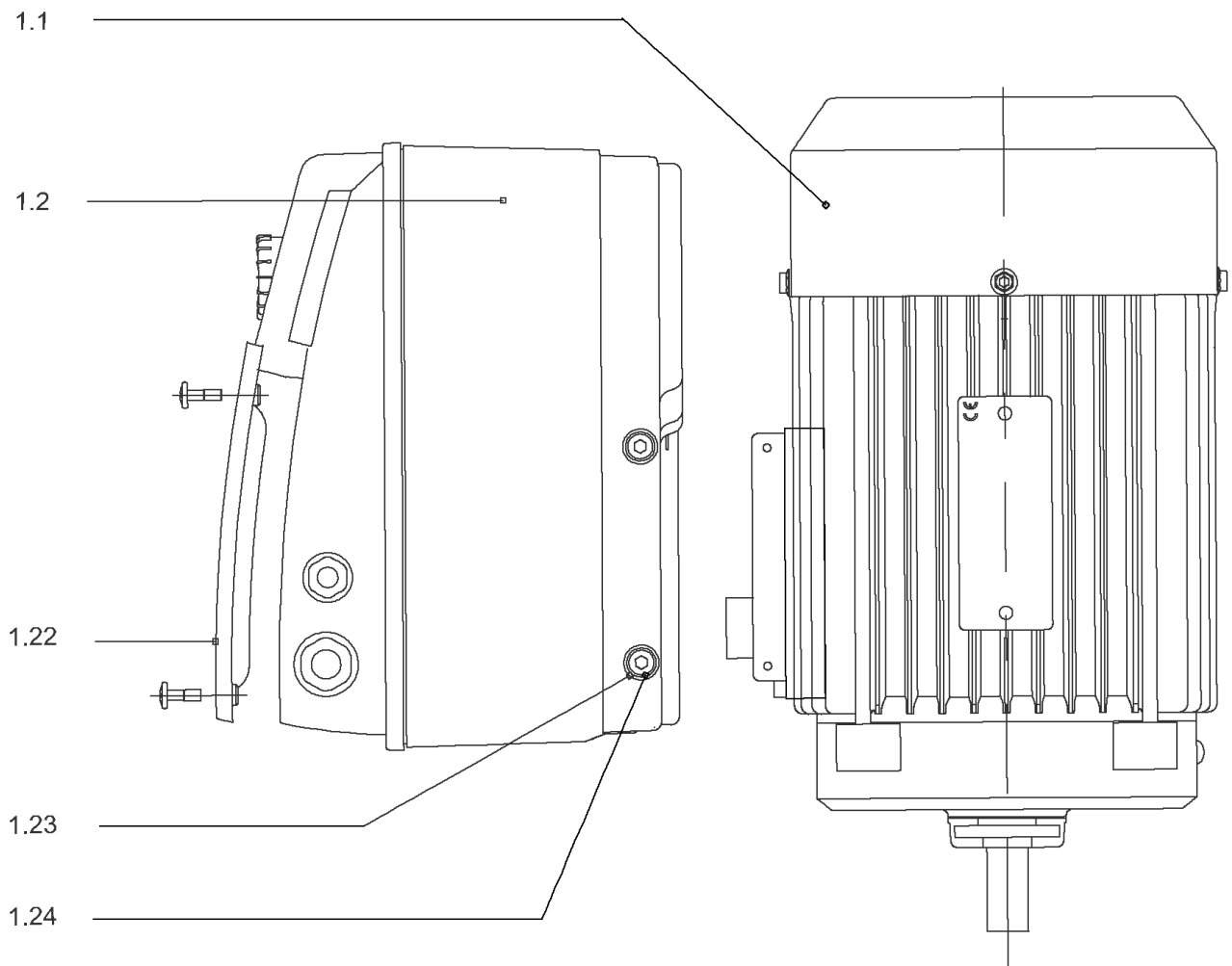


HELIX VE5202-3/16/E/KS (4141905)

Item	Article no.	Description	Quantity
1		DRIVE HELIX-VE5202-IE2-SIE KIT	1
Note: MOTOR BRAND SIEMENS			
1		DRIVE HELIX-VE5202-IE2-ATB KIT	1
Note: MOTOR BRAND ATB			
1		DRIVE HELIX-VE5202-IE4-WE KIT	1
Note: MOTOR BRAND WILO ELEC			
2	4174093	SCREW M12X50 (4 PIECES)	1
3	4161187	LANTERN FF265 HELIX 8" KIT	1
3.1		> LANTERN FF265 M+ GJL MACHINED+CATA	1
3.2	2127605	> EYELET CPL.FF265 HELIX(2 PIECES)	1
3.3	4143969	> COUPLING PROTECT HELIX FF KIT	1
4	4143965	COUPLING D.20XD.28 FF265 KIT	1
5	4157725	SCREW M10X40 (4 PIECES)	1
6	4179581	STUD BOLT M16X305.5 KIT	1
6.1		> TIE BOLT M16-305.5x24x44-1.4057	1
6.2	4179562	> NUT M16 8.8 ISO4032 (4 PIECES)	1
6.3	4097852	> WASHER-CS-16.4-32-2.8-NFE25-511-A2	1
7	4179565	END SHIELD HELIX 8" EPDM KIT	1
7.1		> END SHIELD M+ GJL MACHINED+CATA	1
7.2	4179564	> O-RING D.42.52x2.62 EPDM VP.	1
7.3	4179571	> O-RING HOUSING PIPE HELIX22/36/52 VP.	1
8	4186377	FILING/PURGING PLUG 304 HELIX KIT	1
8.1		> FILLING/VENTING-PLUG-MVI8/10"-304	1
8.2	4032291	> O-RING 17x3 EPDM KTW/WRC	1
9	4143973	CARTRIDGE HELIX22-36-52 O/E KIT	1
10	4179582	HOUSING PIPE D.204X230 1.4307 KIT	1
7.3	4179571	> O-RING HOUSING PIPE HELIX22/36/52 VP.	1
10.1		> HOUSING-PIPE Ø204-M+5202-304	1
11	4179583	CENTRALIZER HELIX 8" 52 VP.	1
12	4164724	SHAFT EQUIPMENT HELIX V52 KIT	1
13		HYDRAULIC HELIX V 5202	1
14	2132516	SHAFT D.22X404 1.4301 VP.	1
15	4164723	EQUIPED HOUSING PN16 HELIX GJL KIT	1
7.3	4179571	> O-RING HOUSING PIPE HELIX22/36/52 VP.	1

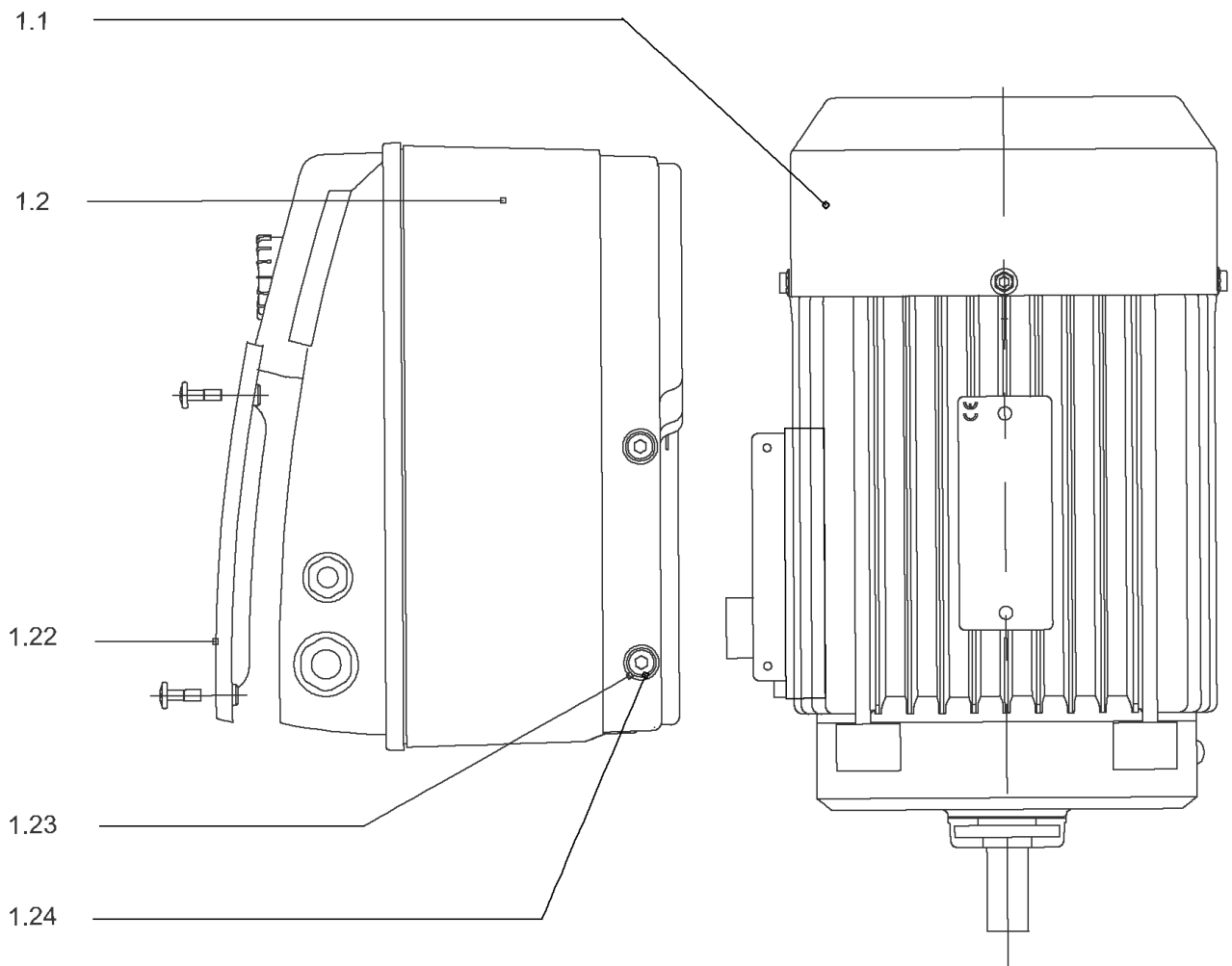
HELIX VE5202-3/16/E/KS (4141905)

Item	Article no.	Description	Quantity
15.1		> PUMP HOUSING SET with COATED PARTS-DN80	1
15.3	4143766	> DRAIN/PRIMING PLUG EPDM HELIX KIT	1
15.3A		>> PRIMING/DRAIN PLUG-304-VERSION 1	1
15.3B	4032293	>> O-RING-10x3-EPDM-KTW/WRC	1
15.3C	4233957	>> O-RING ID.9 EPDM VP.	1
15.4	4221729	> BASE M+ DN50/65/80 VP.	1
15.5		> SCREW TBHC M12x25 ISO7380 ZN	1
15.6		> FLANGE M+ DN80 NF PN16-25 ASME PN16 CATA	1
15.7		> O-RING Ø91.42xØ3 EPDM	1
13.1A	4161200	> NECK RING 1.STAGE HELIX V36/52 KIT	1
		>> NECK-RING-M+36/52	1
		>> HYDRAULIC SUPPORT CAP M+36/52 304	1
		>> SCREW TCL M3X8 A4 POZIDRIV	1



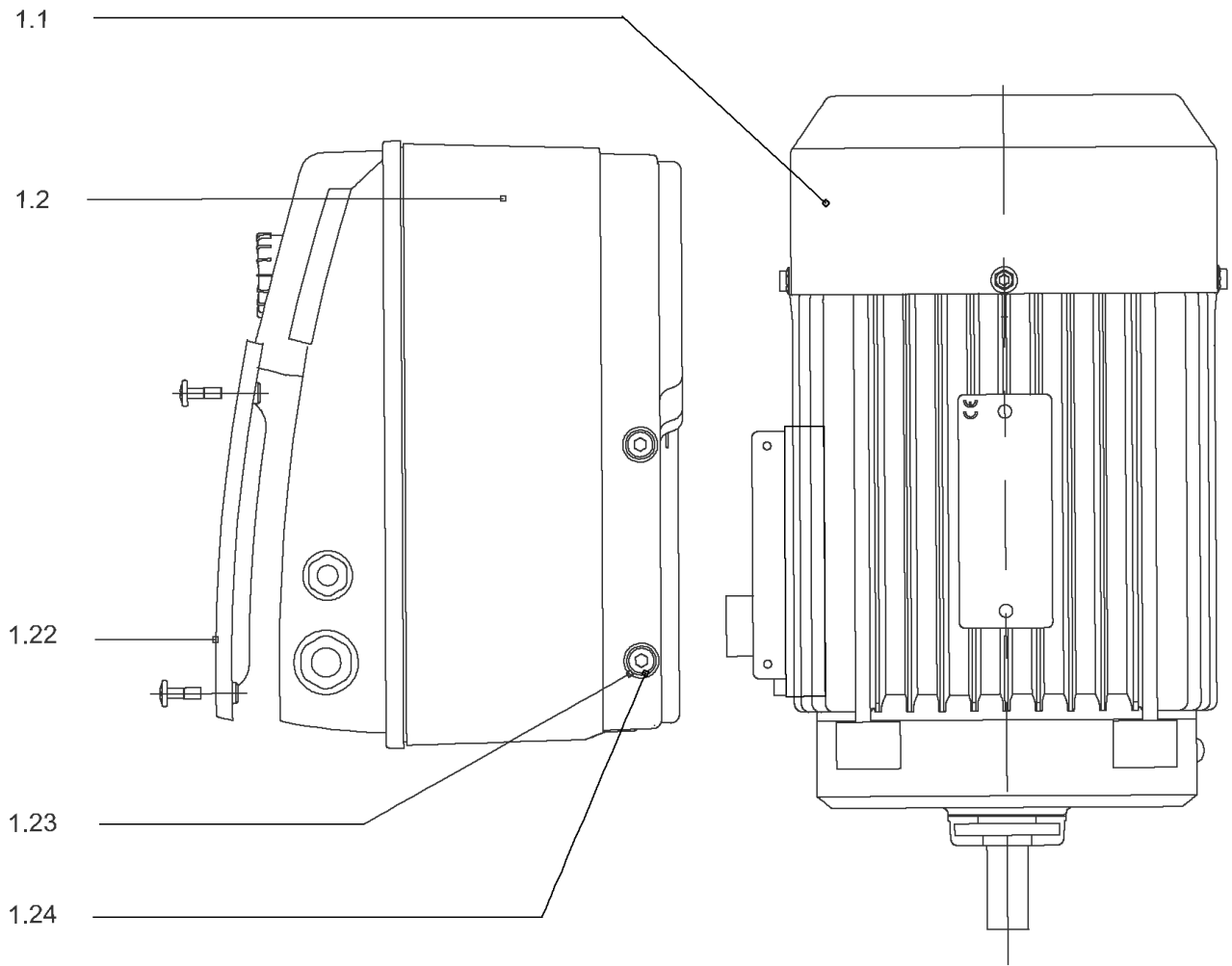
DRIVE HELIX-VE5202-IE2-SIE KIT

Item	Article no.	Description	Quantity
1.1		MOTOR 7,5/2/132 3~400V 50HZ IE2 SIE VP.	1
Note: no longer available/nicht mehr lieferbar/n'est plus disponible			
		SPARE PARTS MOTOR:ON REQUEST	1
1.2	4186779	MODULE HELIX-VE5202-IE2-SIE KIT	1
1.22	2111344	> MODULE COVER/GASKET TL5 KIT	1
1.23	4215716	> SCREW M5X16 DIN912 8.8 A2A (4pieces) VP.	1
1.24	2057978	> RONDELLE A5,3 DIN6797 FST ZN (4 PIECES)	1



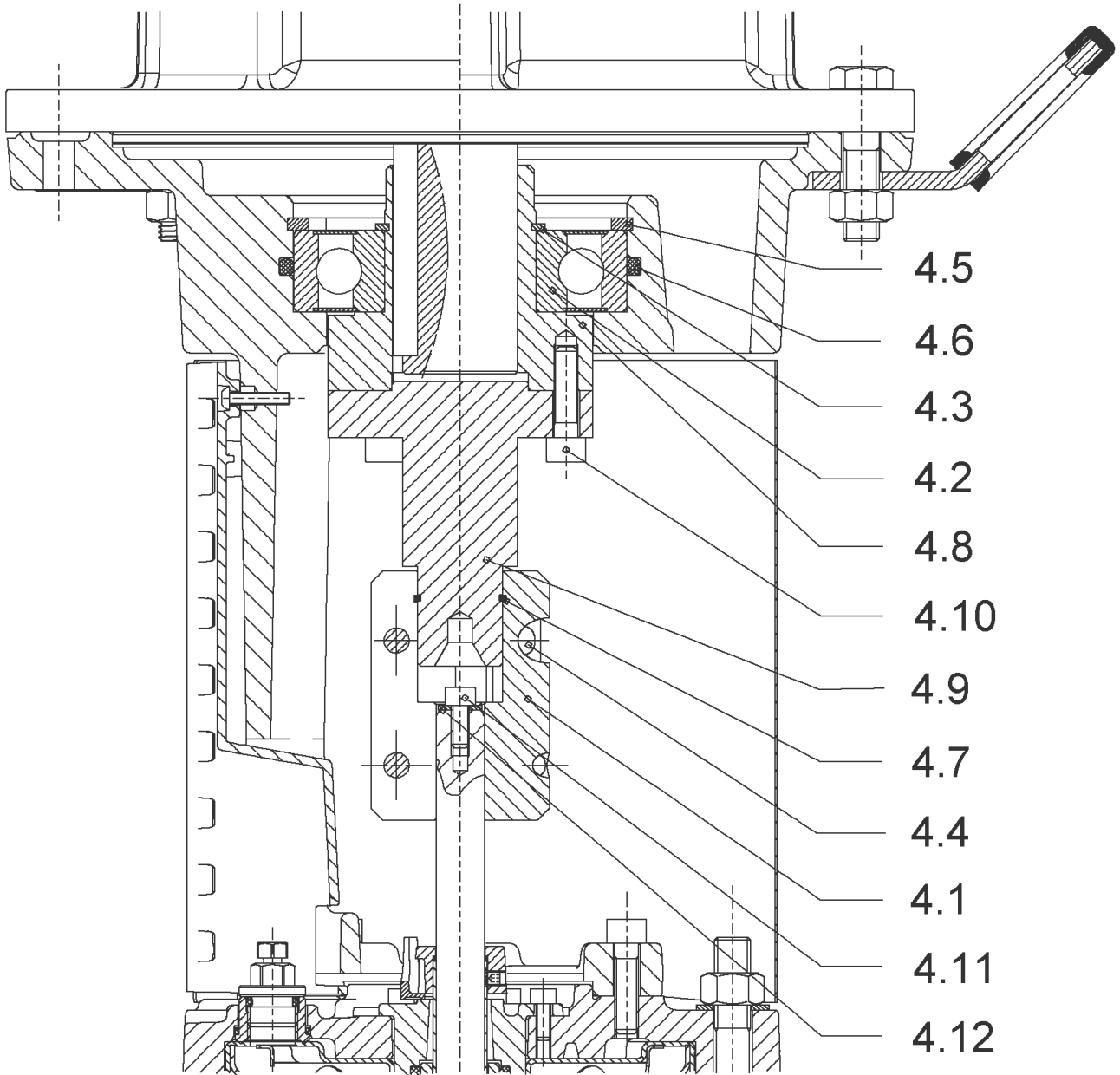
DRIVE HELIX-VE5202-IE2-ATB KIT

Item	Article no.	Description	Quantity
1.1	4233991	MOTOR 7.5/2/132 3~400V 50HZ IE2 ATB VP.	1
Note: MOTOR BRAND ATB			
		SPARE PARTS MOTOR:ON REQUEST	1
1.2	4195917	MODULE HELIX-VE5202-IE2-ATB KIT	1
1.22	2111344	> MODULE COVER/GASKET TL5 KIT	1
1.23	4215716	> SCREW M5X16 DIN912 8.8 A2A (4pieces) VP.	1
1.24	2057978	> RONDELLE A5,3 DIN6797 FST ZN (4 PIECES)	1



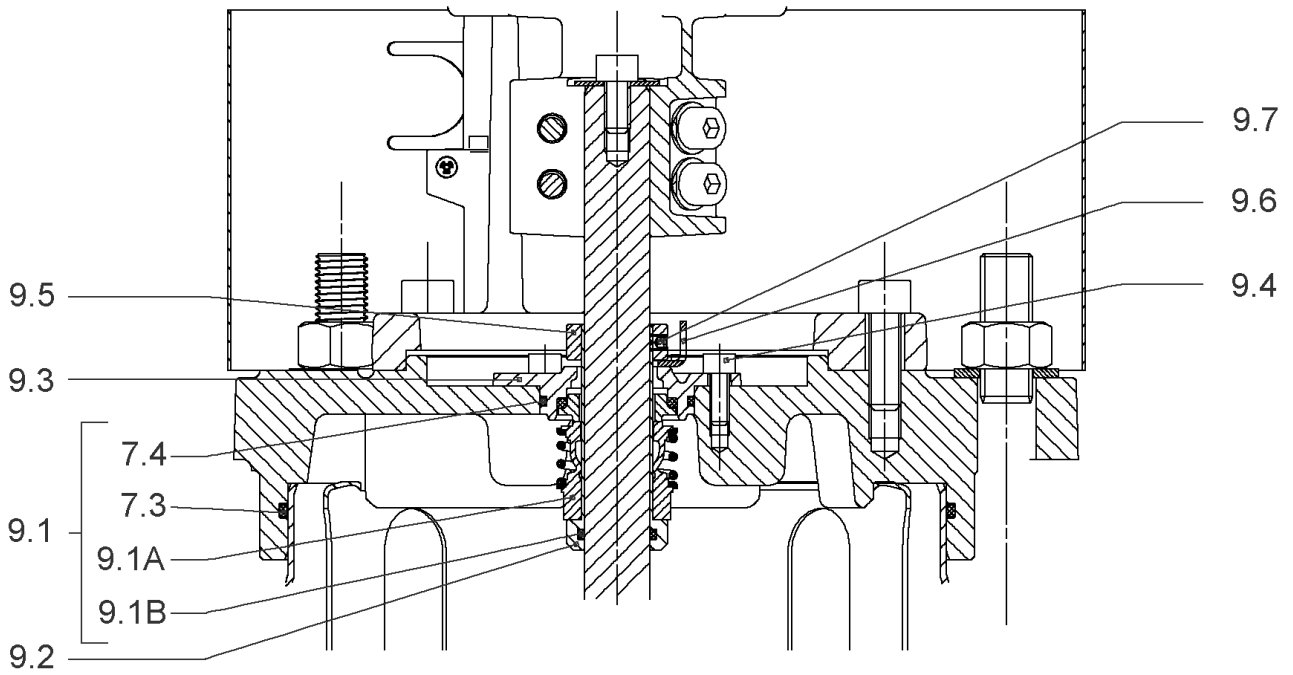
DRIVE HELIX-VE5202-IE4-WE KIT

Item	Article no.	Description	Quantity
1.1	4207934	MOT.7.5/2/132F26 3~ 380V 60HZ IE4 WE VP.	1
		SPARE PARTS MOTOR:ON REQUEST	1
1.2	4212641	MODULE HELIX-VE5202-IE4-WE KIT	1
1.22	2111344	> MODULE COVER/GASKET TL5 KIT	1
1.23	4215716	> SCREW M5X16 DIN912 8.8 A2A (4pieces) VP.	1
1.24	2057978	> RONDELLE A5,3 DIN6797 FST ZN (4 PIECES)	1



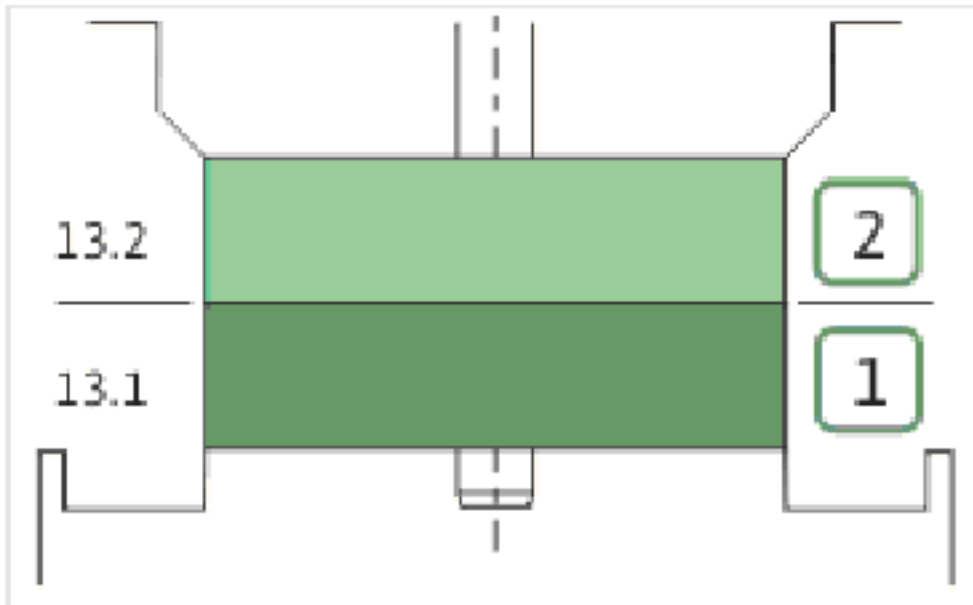
COUPLING D.20XD.28 FF265 KIT (4143965)

Item	Article no.	Description	Quantity
4.1	4179584	COUPLING 2 PARTS D.20XD.28XL83 VP.	1
4.2	2131017	BALL BEARING 6310/ZZ-C4(HT)VP.	1
4.3	4234253	CIRCLIP-FOR-SHAFT-D50x2 VP.	1
4.4	4159707	SCREW M8X30 (4 PIECES)	1
4.5	4234255	CIRCLIPS 110X4 VP.	1
4.6	4233944	O-RING ID.110 VP.	1
4.7	4179585	STOP-RUSH D26xD2 DIN7993 STEEL VP.	1
4.8	2131020	HUB D.38XD.50 VP.	1
4.9	2131021	SPACER D.28XD.45 VP.	1
4.10	4157726	SCREW KIT M8X30 (4 PIECES)	1
4.11	4233959	SCREW M8x16 VP.	1
4.12		SERRATED LOCK WASHER Ø8.2XØ25X35X2	1



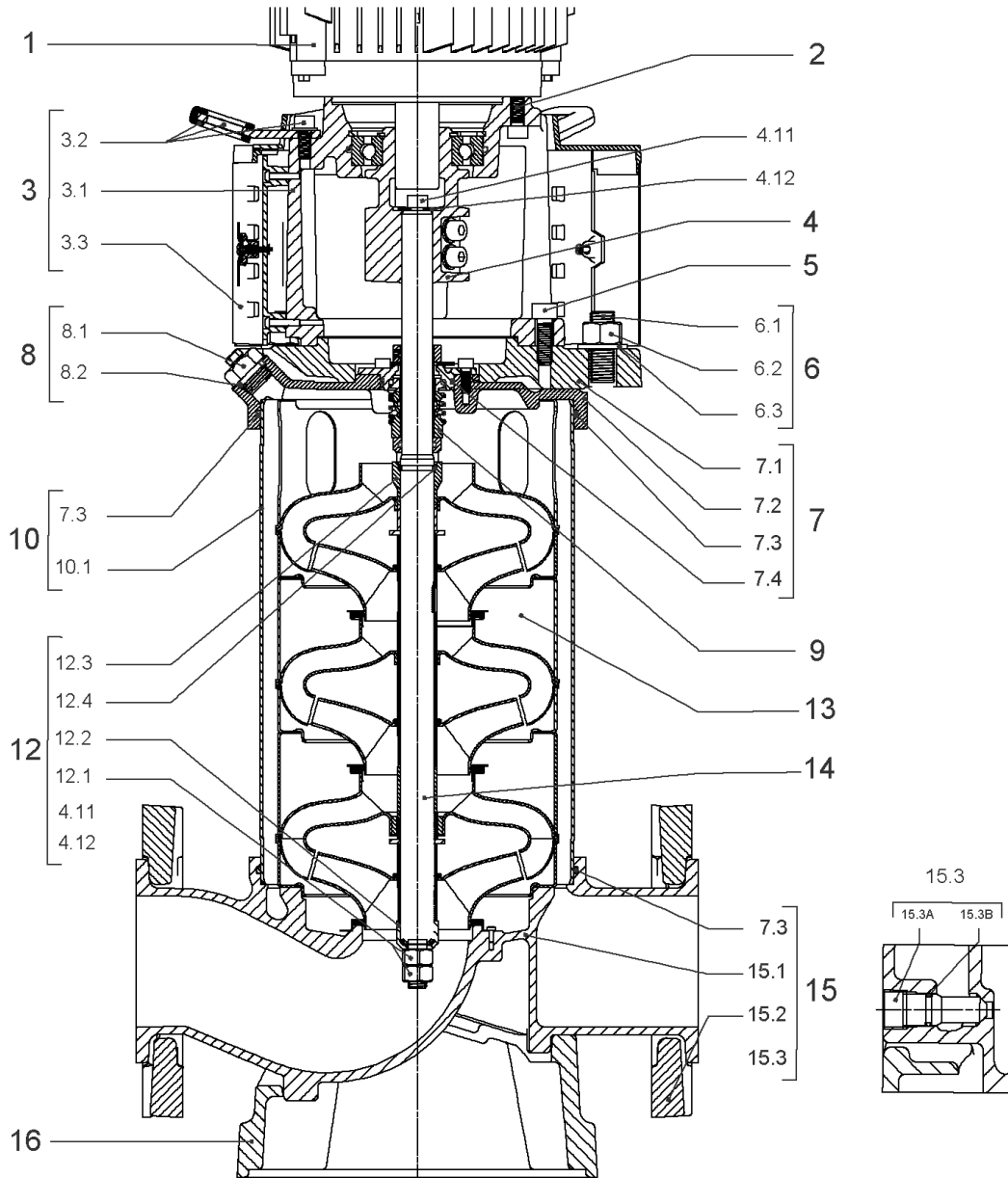
CARTRIDGE HELIX22-36-52 O/E KIT (4143973)

Item	Article no.	Description	Quantity
9.1	4143974	SEAL-KIT-HELIX22-36-52 O/E	1
7.3	4179571	> O-RING HOUSING PIPE HELIX22/36/52 VP.	1
7.4	4179572	> O-RING ID.42.52X2.62 EPDM VP.	1
9.1A	4179573	> M.SEAL.HELIX22-36-52 O/E VP.	1
9.1B	4179574	> O-RING ID.20x2.65 EPDM VP.	1
9.2	4179566	SHAFT SLEEVE D.20/20X60 1.4404 VP.	1
9.3	4179567	RING HOLDER Ø22 1.4301 VP.	1
9.4	4176520	SCREW CH M5x5 A4-70 (3PIECES)	1
9.5	4179568	DRIVE RING D.31/22.1x11 MACH.VP.	1
9.6	4179569	TOOL M.S.CART.HELIX 8" VP.	1
9.7	4179570	SCREW M6X16 ISO4762 8.8 GEOMET(4 PIECES)	1



HYDRAULIC HELIX V 5202

Item	Article no.	Description	Quantity
13.1	4164727	INTERMEDIAIRE STAGE HELIX 52 1.4301 KIT	1
		> SLEEVE-SPACER-D22XL30,42-316L	1
		> MACH.BEARING-DIFFUSER+NR-M+52-304	1
		> SHAFT-SLEEVE-D26xD22x16-CW	1
		> SPACER WASHER D22,3XD36 L3-316L	1
		> IMPELLER-H2-M+52-304	1
13.1A	4161200	> NECK RING 1.STAGE HELIX V36/52 KIT	1
		>> NECK-RING-M+36/52	1
		>> HYDRAULIC SUPPORT CAP M+36/52 304	1
		>> SCREW TCL M3X8 A4 POZIDRIV	1
13.2	4164729	UPPER-STAGE HELIX 52 1.4301 KIT	1
		> STOP COLLAR OF IMPELLER L27,6-Ø22-316L	1
		> SLEEVE-SPACER-D22XL16,66-316L	1
		> SPACER WASHER D22,3XD36 L3-316L	1
		> IMPELLER-H2-M+52-304	1
		> MACH.STD-DISCHARGE-CHAMBER-M+52-304	1



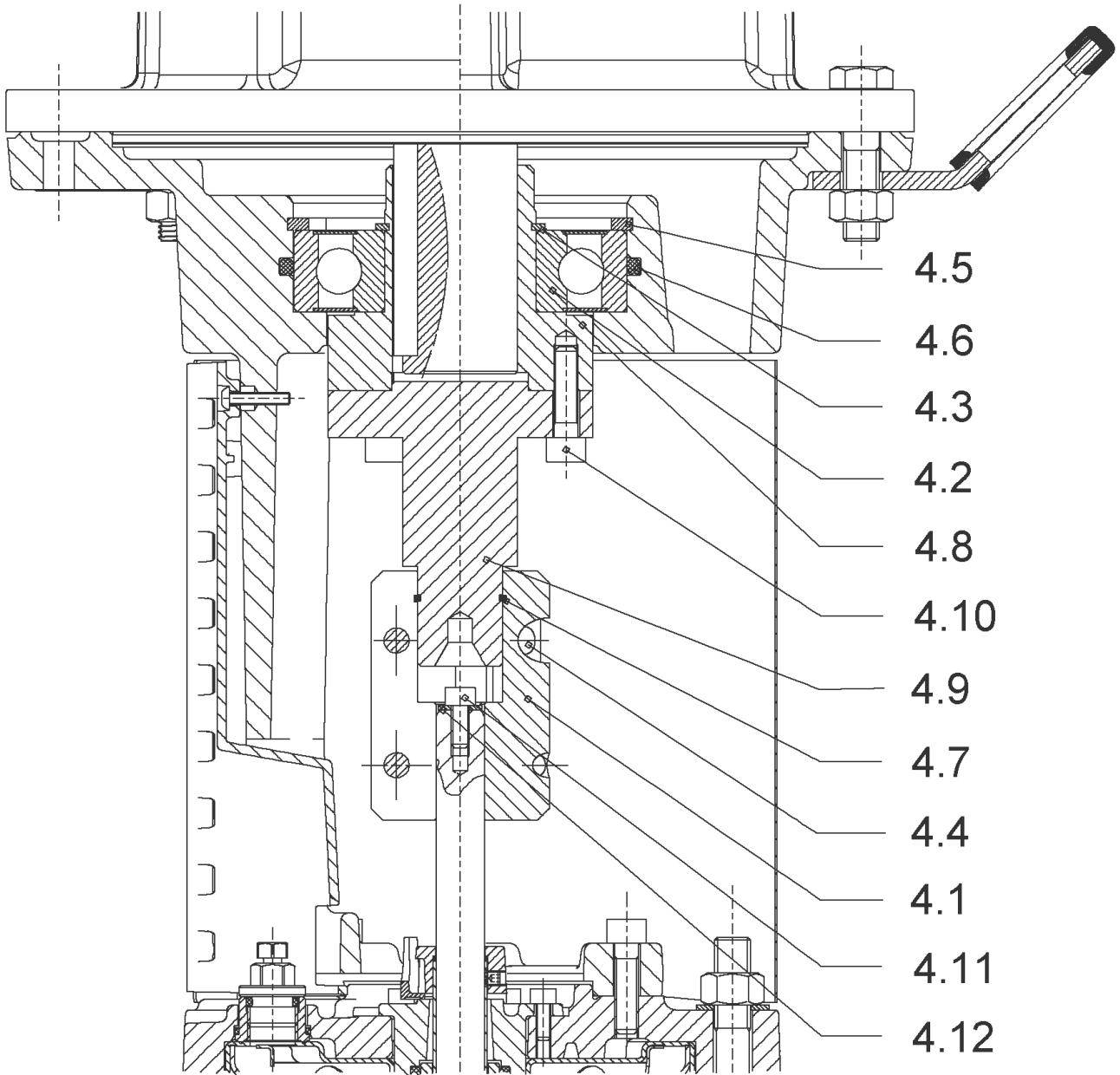
HELIX VE5202-1/16/E/KS (4198869)

Item	Article no.	Description	Quantity
1		DRIVE HELIX-VE5202-IE4-WE KIT	1
Note: MOTOR BRAND WILO ELEC			
2	4174093	SCREW M12X50 (4 PIECES)	1
3	4161187	LANTERN FF265 HELIX 8" KIT	1
3.1		> LANTERN FF265 M+ GJL MACHINED+CATA	1
3.2	2127605	> EYELET CPL.FF265 HELIX(2 PIECES)	1
3.3	4143969	> COUPLING PROTECT HELIX FF KIT	1
4	4143965	COUPLING D.20XD.28 FF265 KIT	1
5	4157725	SCREW M10X40 (4 PIECES)	1
6	4186355	STUD BOLT M16X453 KIT	1
6.1		> TIE BOLT M16-453x24x44-1.4057	1
6.2	4179562	> NUT M16 8.8 ISO4032 (4 PIECES)	1
6.3	4097852	> WASHER-CS-16.4-32-2.8-NFE25-511-A2	1
7	4217176	END SHIELD HELIX OPTI 8" EPDM KIT	1
7.1		> upper flange machined + cataphoresis	1
7.2	4217174	> STATIONARY RING HOLDER 8" HELIX OPTI VP.	1
7.3	4179571	> O-RING HOUSING PIPE HELIX22/36/52 VP.	1
7.4	4179572	> O-RING ID.42.52X2.62 EPDM VP.	1
8	4186377	FILING/PURGING PLUG 304 HELIX KIT	1
8.1		> FILLING/VENTING-PLUG-MVI8/10"-304	1
8.2	4032291	> O-RING 17x3 EPDM KTW/WRC	1
9	4143973	CARTRIDGE HELIX22-36-52 O/E KIT	1
10	4181161	HOUSING PIPE D.204X214 1.4307 KIT	1
10.1		> HOUSING-PIPE Ø204-M+2203-304	1
7.3	4179571	> O-RING HOUSING PIPE HELIX22/36/52 VP.	1
12	4162804	SHAFT EQUIPMENT KIT NEXIS V52	1
13		HYDRAULIC HELIX V 5202	1
14	2132516	SHAFT D.22X404 1.4301 VP.	1
15	4218385	EQUIPED HOUSING DN80 HELIX OPTI 8" KIT	1
15.1		> pump casing machined DN80	1
15.2	4218383	> HALF FLANGE DN80 HELIX OPTI 8" VP.	1
15.3	4217850	> DRAIN/PRIMING PLUG HELIX OPTI 8" KIT	1
7.3	4179571	> O-RING HOUSING PIPE HELIX22/36/52 VP.	1
16	4218387	BASEPLATE DN80 HELIX OPTI 8" VP.	1



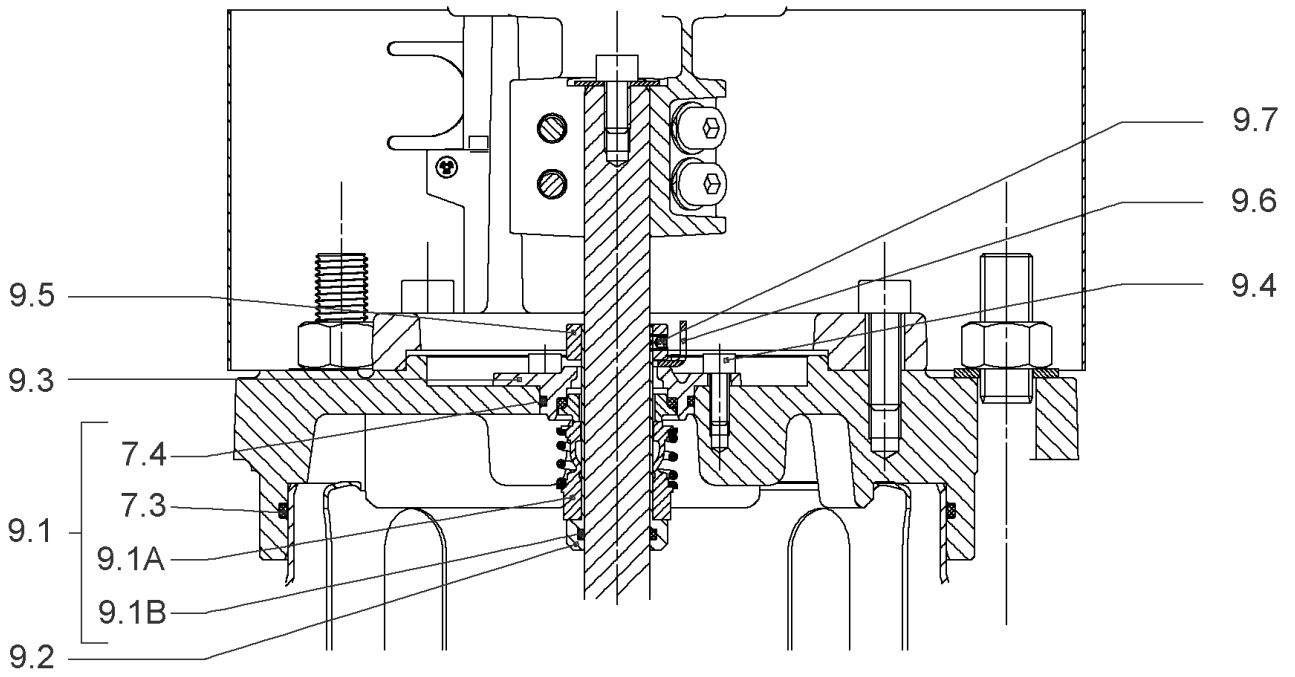
DRIVE HELIX-VE5202-IE4-WE KIT

Item	Article no.	Description	Quantity
1.1	4207934	MOT.7.5/2/132F26 3~ 380V 60HZ IE4 WE VP.	1
		SPARE PARTS MOTOR:ON REQUEST	1
1.2	4212641	MODULE HELIX-VE5202-IE4-WE KIT	1
1.22	2111344	> MODULE COVER/GASKET TL5 KIT	1
1.23	4215716	> SCREW M5X16 DIN912 8.8 A2A (4pieces) VP.	1
1.24	2057978	> RONDELLE A5,3 DIN6797 FST ZN (4 PIECES)	1



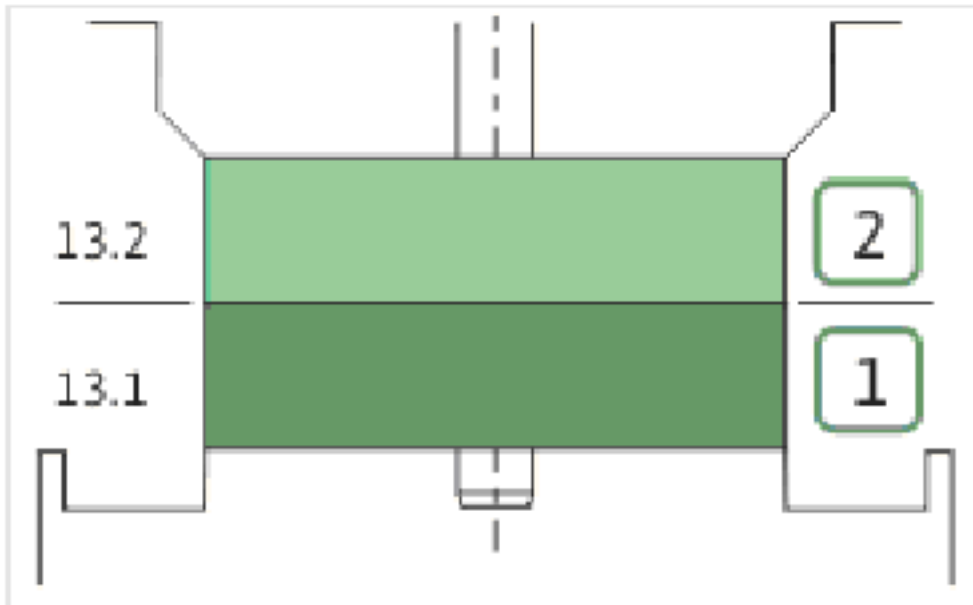
COUPLING D.20XD.28 FF265 KIT (4143965)

Item	Article no.	Description	Quantity
4.1	4179584	COUPLING 2 PARTS D.20XD.28XL83 VP.	1
4.2	2131017	BALL BEARING 6310/ZZ-C4(HT)VP.	1
4.3	4234253	CIRCLIP-FOR-SHAFT-D50x2 VP.	1
4.4	4159707	SCREW M8X30 (4 PIECES)	1
4.5	4234255	CIRCLIPS 110X4 VP.	1
4.6	4233944	O-RING ID.110 VP.	1
4.7	4179585	STOP-RUSH D26xD2 DIN7993 STEEL VP.	1
4.8	2131020	HUB D.38XD.50 VP.	1
4.9	2131021	SPACER D.28XD.45 VP.	1
4.10	4157726	SCREW KIT M8X30 (4 PIECES)	1
4.11	4233959	SCREW M8x16 VP.	1
4.12		SERRATED LOCK WASHER Ø8.2XØ25X35X2	1



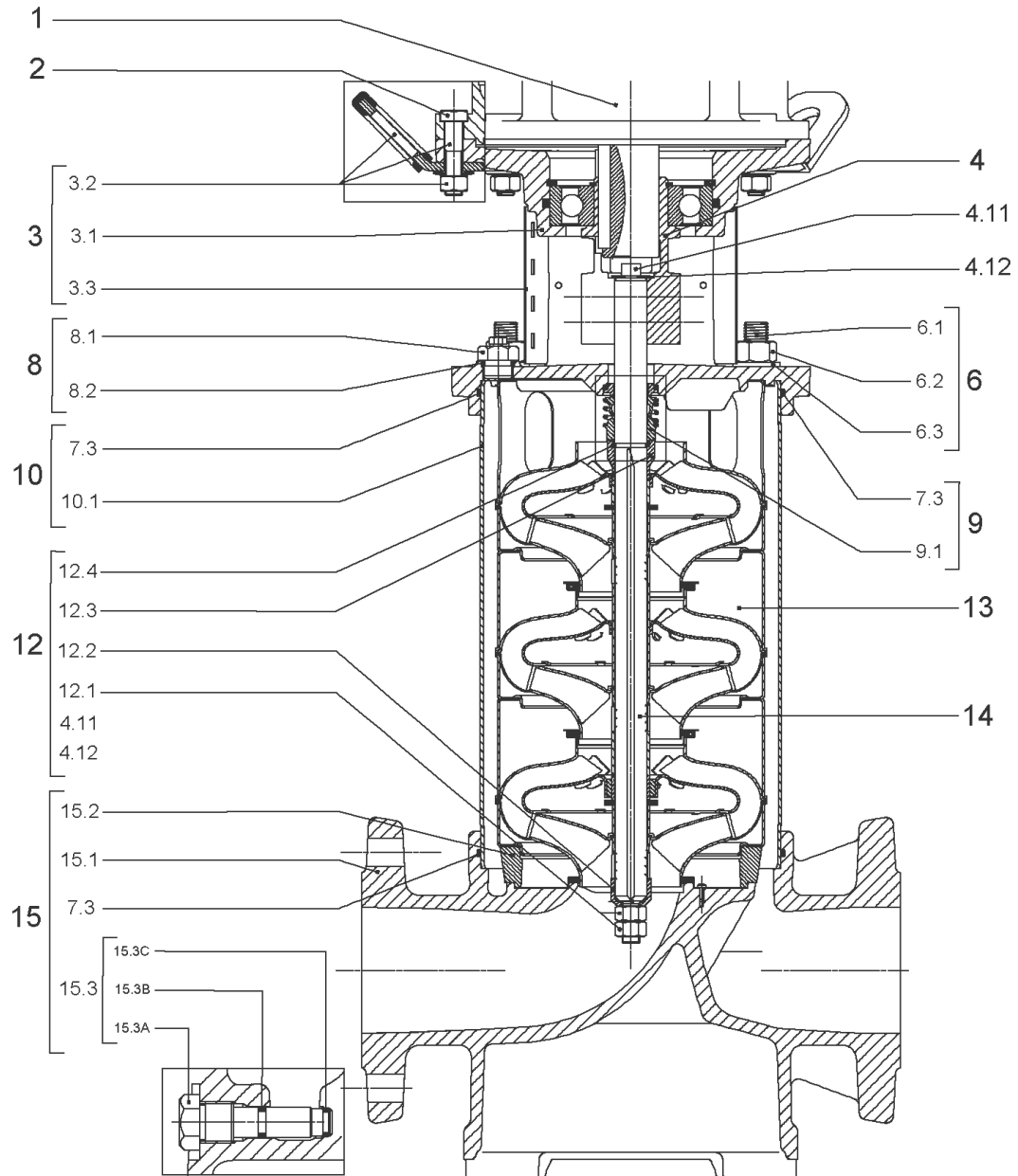
CARTRIDGE HELIX22-36-52 O/E KIT (4143973)

Item	Article no.	Description	Quantity
9.1	4143974	SEAL-KIT-HELIX22-36-52 O/E	1
7.3	4179571	> O-RING HOUSING PIPE HELIX22/36/52 VP.	1
7.4	4179572	> O-RING ID.42.52X2.62 EPDM VP.	1
9.1A	4179573	> M.SEAL.HELIX22-36-52 O/E VP.	1
9.1B	4179574	> O-RING ID.20x2.65 EPDM VP.	1
9.2	4179566	SHAFT SLEEVE D.20/20X60 1.4404 VP.	1
9.3	4179567	RING HOLDER Ø22 1.4301 VP.	1
9.4	4176520	SCREW CH M5x5 A4-70 (3PIECES)	1
9.5	4179568	DRIVE RING D.31/22.1x11 MACH.VP.	1
9.6	4179569	TOOL M.S.CART.HELIX 8" VP.	1
9.7	4179570	SCREW M6X16 ISO4762 8.8 GEOMET(4 PIECES)	1



HYDRAULIC HELIX V 5202

Item	Article no.	Description	Quantity
13.1	4164727	INTERMEDIAIRE STAGE HELIX 52 1.4301 KIT	1
		> SLEEVE-SPACER-D22XL30,42-316L	1
		> MACH.BEARING-DIFFUSER+NR-M+52-304	1
		> SHAFT-SLEEVE-D26xD22x16-CW	1
		> SPACER WASHER D22,3XD36 L3-316L	1
		> IMPELLER-H2-M+52-304	1
13.1A	4161200	> NECK RING 1.STAGE HELIX V36/52 KIT	1
		>> NECK-RING-M+36/52	1
		>> HYDRAULIC SUPPORT CAP M+36/52 304	1
		>> SCREW TCL M3X8 A4 POZIDRIV	1
13.2	4164729	UPPER-STAGE HELIX 52 1.4301 KIT	1
		> STOP COLLAR OF IMPELLER L27,6-Ø22-316L	1
		> SLEEVE-SPACER-D22XL16,66-316L	1
		> SPACER WASHER D22,3XD36 L3-316L	1
		> IMPELLER-H2-M+52-304	1
		> MACH.STD-DISCHARGE-CHAMBER-M+52-304	1

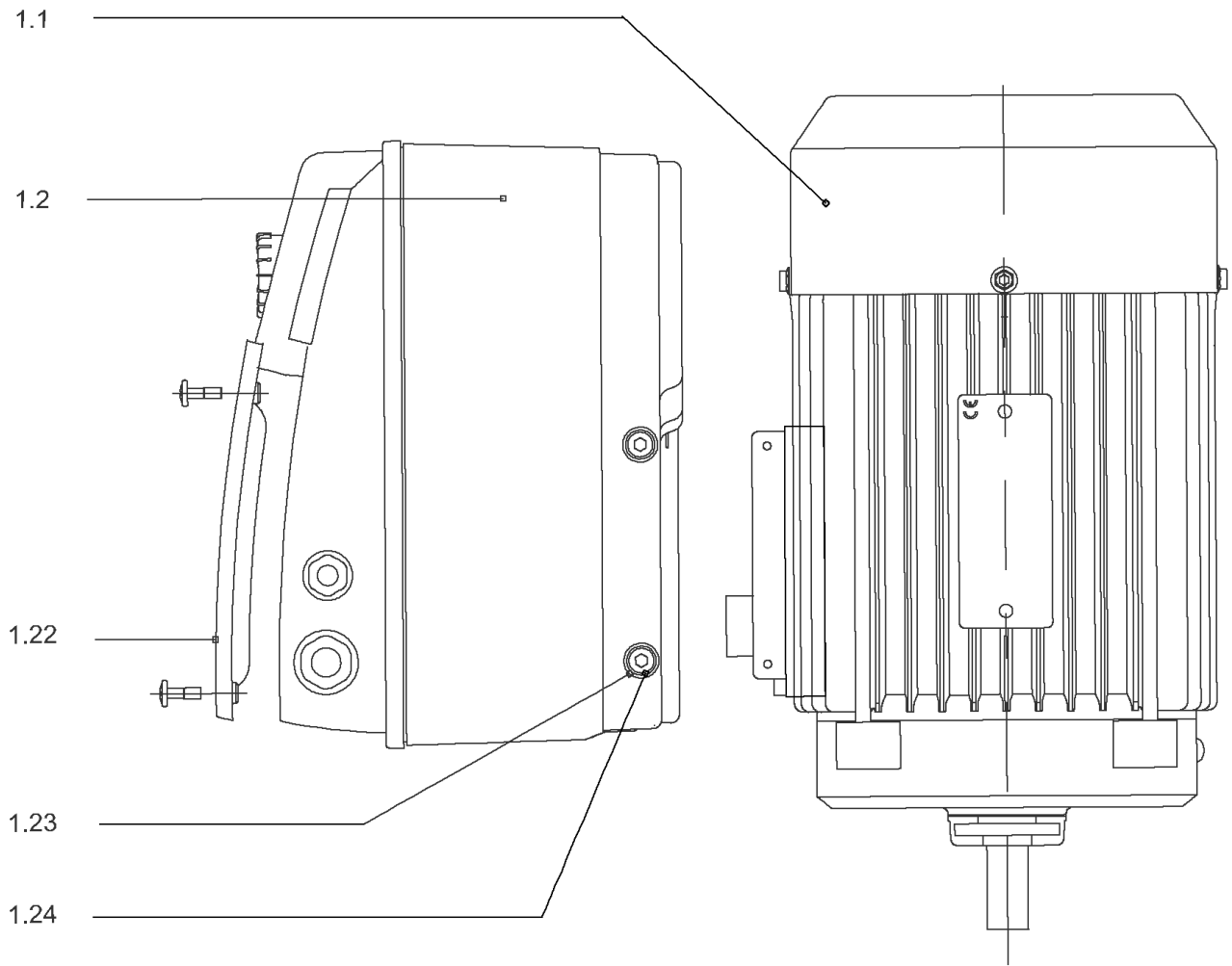


HELIX VE5202-4/16/E/S-FF240 (4183468)

Item	Article no.	Description	Quantity
1		DRIVE HELIX-VE5202-FF240-IE2-ATB KIT	1
Note: MOTOR BRAND ATB			
1		DRIVE HELIX-VE5202-FF240-IE4-WE KIT	1
Note: MOTOR BRAND WILO ELEC			
		SPARE PARTS MOTOR:ON REQUEST	1
2	4174093	SCREW M12X50 (4 PIECES)	1
3	4186358	LANTERN HELIX OPTI 8" FF240 KIT	1
3.1		> M+8_LANTERN_ONE-PIECE_FF240_CATA_DWA	1
3.2	4186346	> EYELET CPL.FF240 HELIX (4 PIECES)	1
3.3	4184853	> COUPLING PROTECTOR FT HELIX 8" KIT	1
4	4186347	COUPLING D.22XD.38 FF240T130 HELIX KIT	1
6	4180018	STUD BOLT M16X267 KIT	1
6.1		> TIE BOLT M16-267x24x44-1.4057	1
6.2	4179562	> NUT M16 8.8 ISO4032 (4 PIECES)	1
6.3	4097852	> WASHER-CS-16.4-32-2.8-NFE25-511-A2	1
8	4186377	FILING/PURGING PLUG 304 HELIX KIT	1
8.1		> FILLING/VENTING-PLUG-MVI8/10"-304	1
8.2	4032291	> O-RING 17x3 EPDM KTW/WRC	1
9	4192148	SEAL-KIT-HELIX22-36-52 FIRST O/E	1
7.3	4179571	> O-RING HOUSING PIPE HELIX22/36/52 VP.	1
9.1	4179573	> M.SEAL.HELIX22-36-52 O/E VP.	1
10	4179582	HOUSING PIPE D.204X230 1.4307 KIT	1
7.3	4179571	> O-RING HOUSING PIPE HELIX22/36/52 VP.	1
10.1		> HOUSING-PIPE Ø204-M+5202-304	1
12	4186386	SHAFT EQUIPMENT HELIX 52 FIRST KIT	1
13		HYDRAULIC HELIX V 5202	1
14	4186344	SHAFT D.22X351 1.4057 VP.	1
15	4186388	EQUIPED HOUSING HELIX FIRST DN80 DWA KIT	1
15.1		> PUMP CASING MONO.GJL M+8" DN80 DWA	1
15.2		> HYD.SUP.M+8" ONE PIECE HOUSING N80 DWA	1
15.3	4106048	> DRAIN/PRIMING PLUG EPDM HELIX FIRST KIT	1
15.3A		>> DRAIN AND PRIMING PLUG-VMI10"-304	1
15.3B	4032293	>> O-RING-10x3-EPDM-KTW/WRC	1
15.3C	4233957	>> O-RING ID.9 EPDM VP.	1

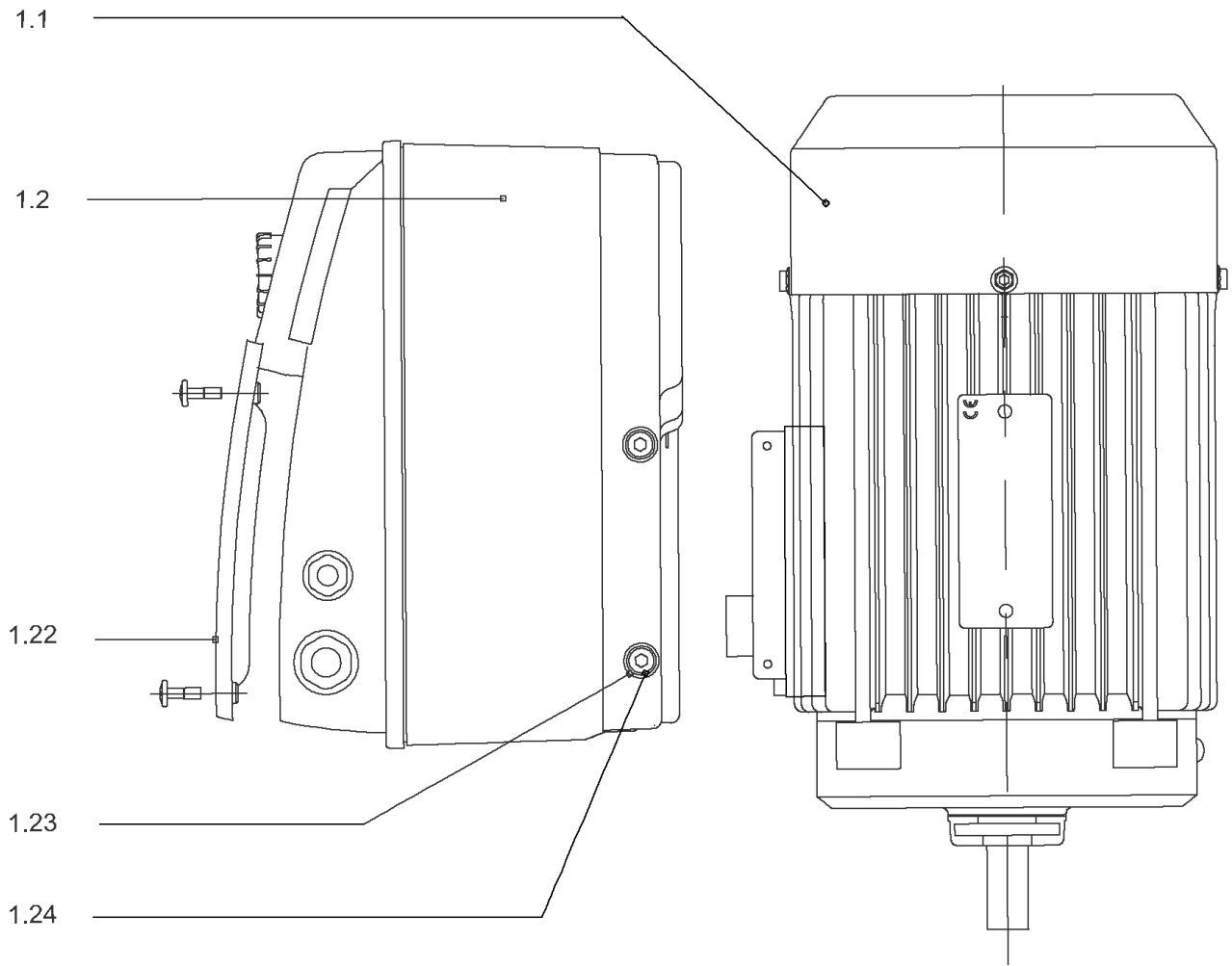
HELIX VE5202-4/16/E/S-FF240 (4183468)

Item	Article no.	Description	Quantity
7.3	4179571	> O-RING HOUSING PIPE HELIX22/36/52 VP.	1
13.1A	4161200	> NECK RING 1.STAGE HELIX V36/52 KIT	1
		>> NECK-RING-M+36/52	1
		>> HYDRAULIC SUPPORT CAP M+36/52 304	1
		>> SCREW TCL M3X8 A4 POZIDRIV	1



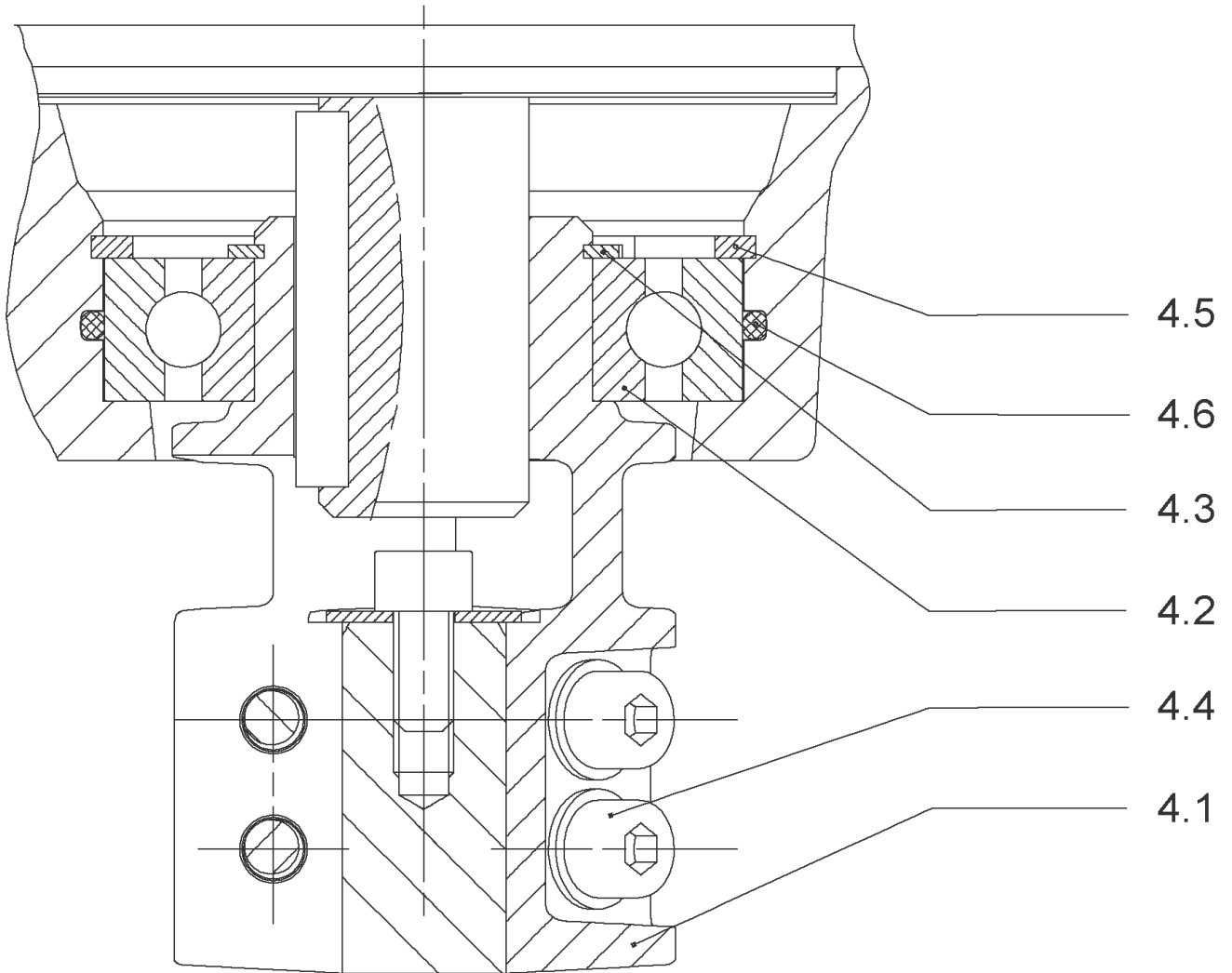
DRIVE HELIX-VE5202-FF240-IE2-ATB KIT

Item	Article no.	Description	Quantity
		M7,5-2T540P55V1-132F24-SU-N38-AD-IE2-ATB	1
Note: no longer available/nicht mehr lieferbar/n'est plus disponible			
		SPARE PARTS MOTOR:ON REQUEST	1
	4195917	MODULE HELIX-VE5202-IE2-ATB KIT	1
1.22	2111344	> MODULE COVER/GASKET TL5 KIT	1
1.23	4215716	> SCREW M5X16 DIN912 8.8 A2A (4pieces) VP.	1
1.24	2057978	> RONDELLE A5,3 DIN6797 FST ZN (4 PIECES)	1



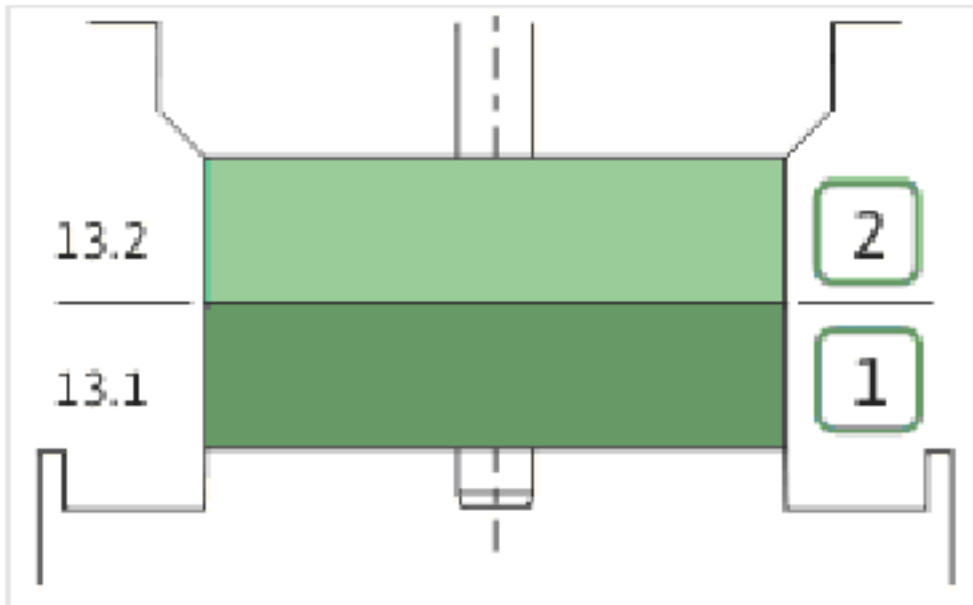
DRIVE HELIX-VE5202-FF240-IE4-WE KIT

Item	Article no.	Description	Quantity
1.1	4207936	MO.7.5/2/132FF240 3~400V 50Hz IE4 WE VP.	1
		SPARE PARTS MOTOR:ON REQUEST	1
1.2	4212641	MODULE HELIX-VE5202-IE4-WE KIT	1
1.22	2111344	> MODULE COVER/GASKET TL5 KIT	1
1.23	4215716	> SCREW M5X16 DIN912 8.8 A2A (4pieces) VP.	1
1.24	2057978	> RONDELLE A5,3 DIN6797 FST ZN (4 PIECES)	1



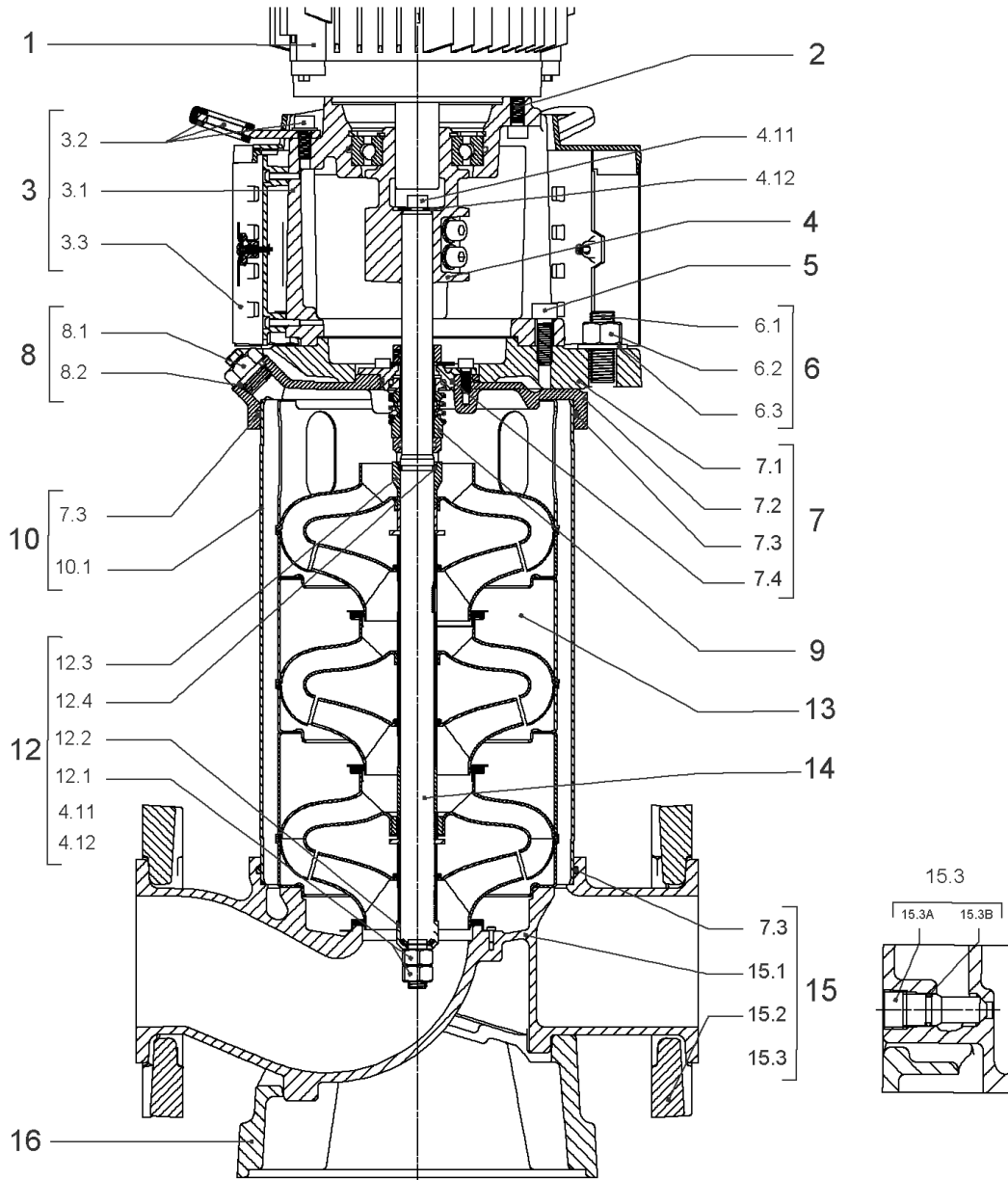
COUPLING D.22XD.38 FF240T130 HELIX KIT (4186347)

Item	Article no.	Description	Quantity
4.1		COUPLING-VMI-D22xD38-FF265-MACHINED	1
4.2	2131017	BALL BEARING 6310/ZZ-C4(HT)VP.	1
4.3	4234253	CIRCLIP-FOR-SHAFT-D50x2 VP.	1
4.4	4157726	SCREW KIT M8X30 (4 PIECES)	1
4.5	4234255	CIRCLIPS 110X4 VP.	1
4.6	4233944	O-RING ID.110 VP.	1
		NOMEL CONTACT WASHER 8x16x1,4 STEEL ZC	1



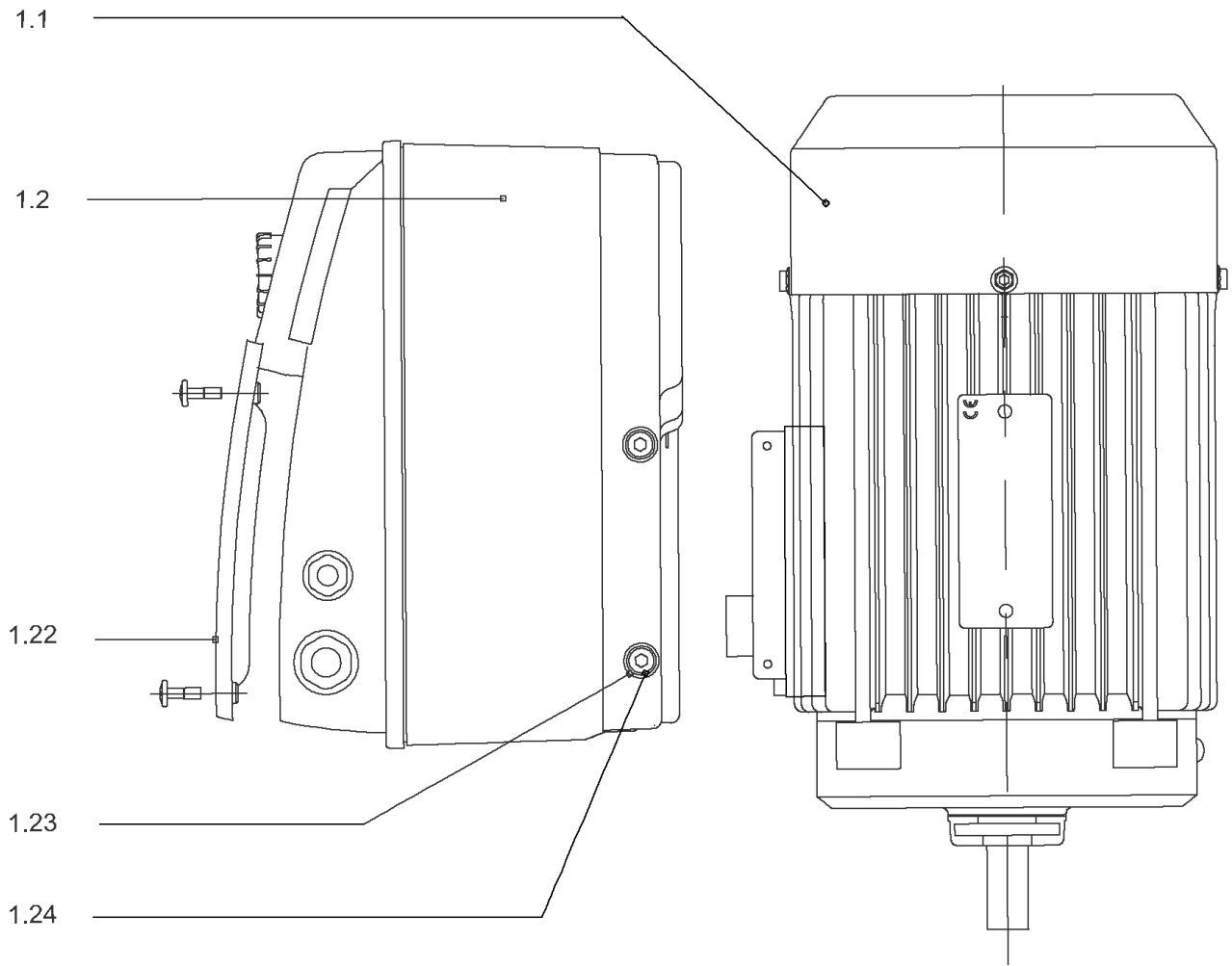
HYDRAULIC HELIX V 5202

Item	Article no.	Description	Quantity
13.1	4164727	INTERMEDIAIRE STAGE HELIX 52 1.4301 KIT	1
		> SLEEVE-SPACER-D22XL30,42-316L	1
		> MACH.BEARING-DIFFUSER+NR-M+52-304	1
		> SHAFT-SLEEVE-D26xD22x16-CW	1
		> SPACER WASHER D22,3XD36 L3-316L	1
		> IMPELLER-H2-M+52-304	1
13.1A	4161200	> NECK RING 1.STAGE HELIX V36/52 KIT	1
		>> NECK-RING-M+36/52	1
		>> HYDRAULIC SUPPORT CAP M+36/52 304	1
		>> SCREW TCL M3X8 A4 POZIDRIV	1
13.2	4164729	UPPER-STAGE HELIX 52 1.4301 KIT	1
		> STOP COLLAR OF IMPELLER L27,6-Ø22-316L	1
		> SLEEVE-SPACER-D22XL16,66-316L	1
		> SPACER WASHER D22,3XD36 L3-316L	1
		> IMPELLER-H2-M+52-304	1
		> MACH.STD-DISCHARGE-CHAMBER-M+52-304	1



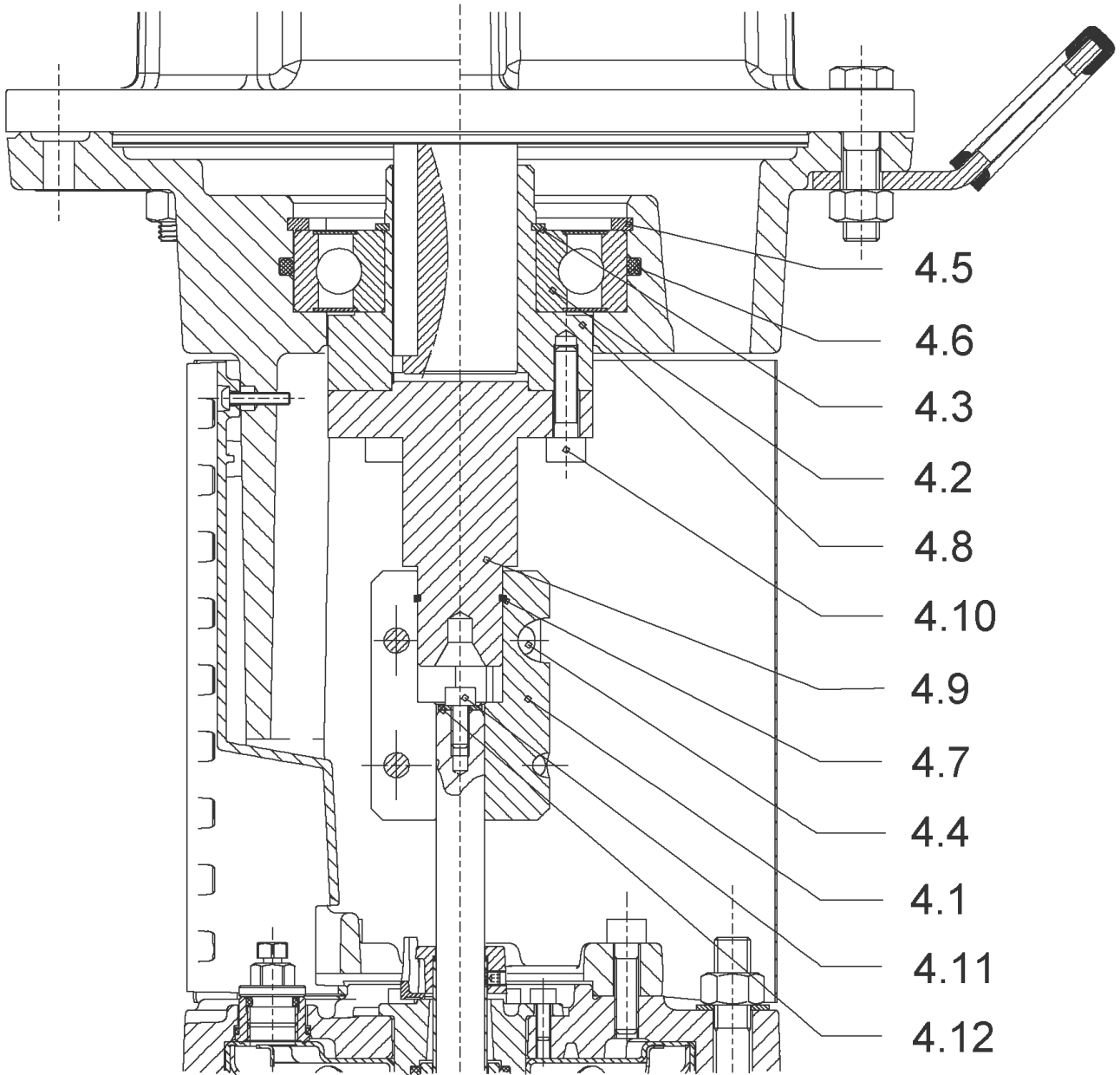
HELIX VE5202-1/16/E/KS/FF240/EC (4215834)

Item	Article no.	Description	Quantity
1		DRIVE HELIX-VE5202-FF240-IE4-WE KIT	1
Note: MOTOR BRAND WILO ELEC			
2	4174093	SCREW M12X50 (4 PIECES)	1
3	4228544	LANTERN HELIX OPTI 8" FF240 KIT	1
3.1		> LANTERN FF240 M+8" JL250 MACHINING+CATA	1
3.2	2127605	> EYELET CPL.FF265 HELIX(2 PIECES)	1
3.3	4143969	> COUPLING PROTECT HELIX FF KIT	1
4	4143965	COUPLING D.20XD.28 FF265 KIT	1
5	4157725	SCREW M10X40 (4 PIECES)	1
6	4186355	STUD BOLT M16X453 KIT	1
6.1		> TIE BOLT M16-453x24x44-1.4057	1
6.2	4179562	> NUT M16 8.8 ISO4032 (4 PIECES)	1
6.3	4097852	> WASHER-CS-16.4-32-2.8-NFE25-511-A2	1
7	4217176	END SHIELD HELIX OPTI 8" EPDM KIT	1
7.1		> upper flange machined + cataphoresis	1
7.2	4217174	> STATIONARY RING HOLDER 8" HELIX OPTI VP.	1
7.3	4179571	> O-RING HOUSING PIPE HELIX22/36/52 VP.	1
7.4	4179572	> O-RING ID.42.52X2.62 EPDM VP.	1
8	4186377	FILING/PURGING PLUG 304 HELIX KIT	1
8.1		> FILLING/VENTING-PLUG-MVI8/10"-304	1
8.2	4032291	> O-RING 17x3 EPDM KTW/WRC	1
9	4143973	CARTRIDGE HELIX22-36-52 O/E KIT	1
10	4181161	HOUSING PIPE D.204X214 1.4307 KIT	1
10.1		> HOUSING-PIPE Ø204-M+2203-304	1
7.3	4179571	> O-RING HOUSING PIPE HELIX22/36/52 VP.	1
12	4162804	SHAFT EQUIPMENT KIT NEXIS V52	1
13		HYDRAULIC HELIX V 5202	1
14	2132516	SHAFT D.22X404 1.4301 VP.	1
15	4218385	EQUIPED HOUSING DN80 HELIX OPTI 8" KIT	1
15.1		> pump casing machined DN80	1
15.2	4218383	> HALF FLANGE DN80 HELIX OPTI 8" VP.	1
15.3	4217850	> DRAIN/PRIMING PLUG HELIX OPTI 8" KIT	1
7.3	4179571	> O-RING HOUSING PIPE HELIX22/36/52 VP.	1
16	4218387	BASEPLATE DN80 HELIX OPTI 8" VP.	1



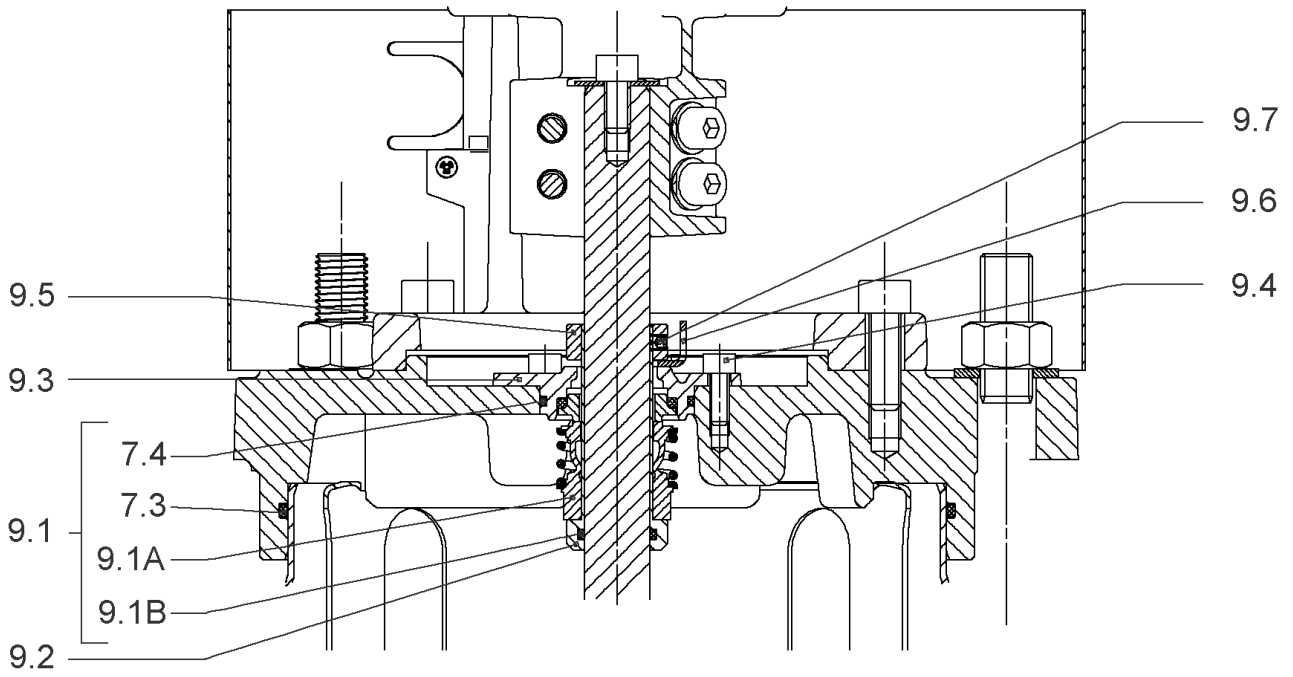
DRIVE HELIX-VE5202-FF240-IE4-WE KIT

Item	Article no.	Description	Quantity
1.1	4207936	MO.7.5/2/132FF240 3~400V 50Hz IE4 WE VP.	1
		SPARE PARTS MOTOR:ON REQUEST	1
1.2	4212641	MODULE HELIX-VE5202-IE4-WE KIT	1
1.22	2111344	> MODULE COVER/GASKET TL5 KIT	1
1.23	4215716	> SCREW M5X16 DIN912 8.8 A2A (4pieces) VP.	1
1.24	2057978	> RONDELLE A5,3 DIN6797 FST ZN (4 PIECES)	1



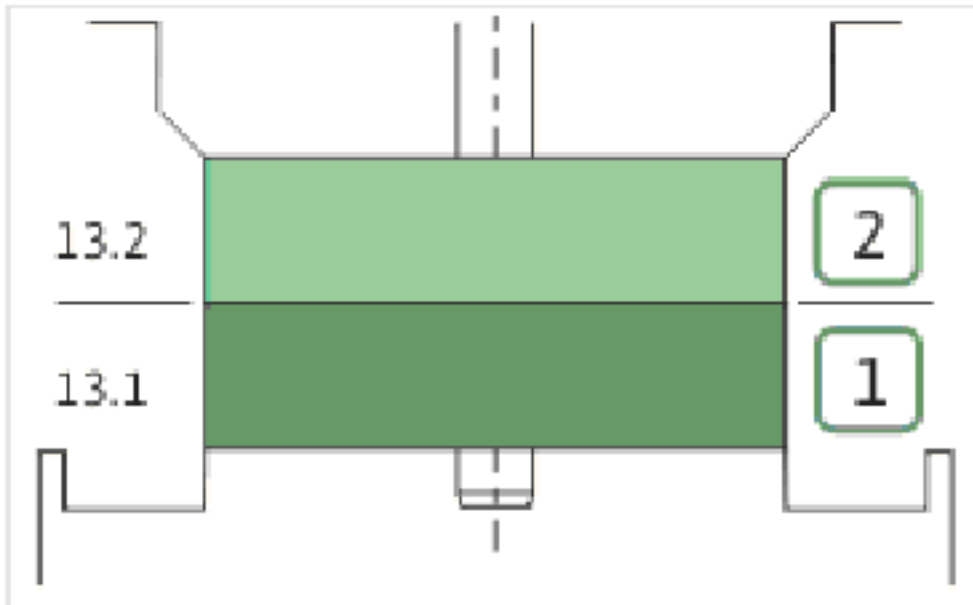
COUPLING D.20XD.28 FF265 KIT (4143965)

Item	Article no.	Description	Quantity
4.1	4179584	COUPLING 2 PARTS D.20XD.28XL83 VP.	1
4.2	2131017	BALL BEARING 6310/ZZ-C4(HT)VP.	1
4.3	4234253	CIRCLIP-FOR-SHAFT-D50x2 VP.	1
4.4	4159707	SCREW M8X30 (4 PIECES)	1
4.5	4234255	CIRCLIPS 110X4 VP.	1
4.6	4233944	O-RING ID.110 VP.	1
4.7	4179585	STOP-RUSH D26xD2 DIN7993 STEEL VP.	1
4.8	2131020	HUB D.38XD.50 VP.	1
4.9	2131021	SPACER D.28XD.45 VP.	1
4.10	4157726	SCREW KIT M8X30 (4 PIECES)	1
4.11	4233959	SCREW M8x16 VP.	1
4.12		SERRATED LOCK WASHER Ø8.2XØ25X35X2	1



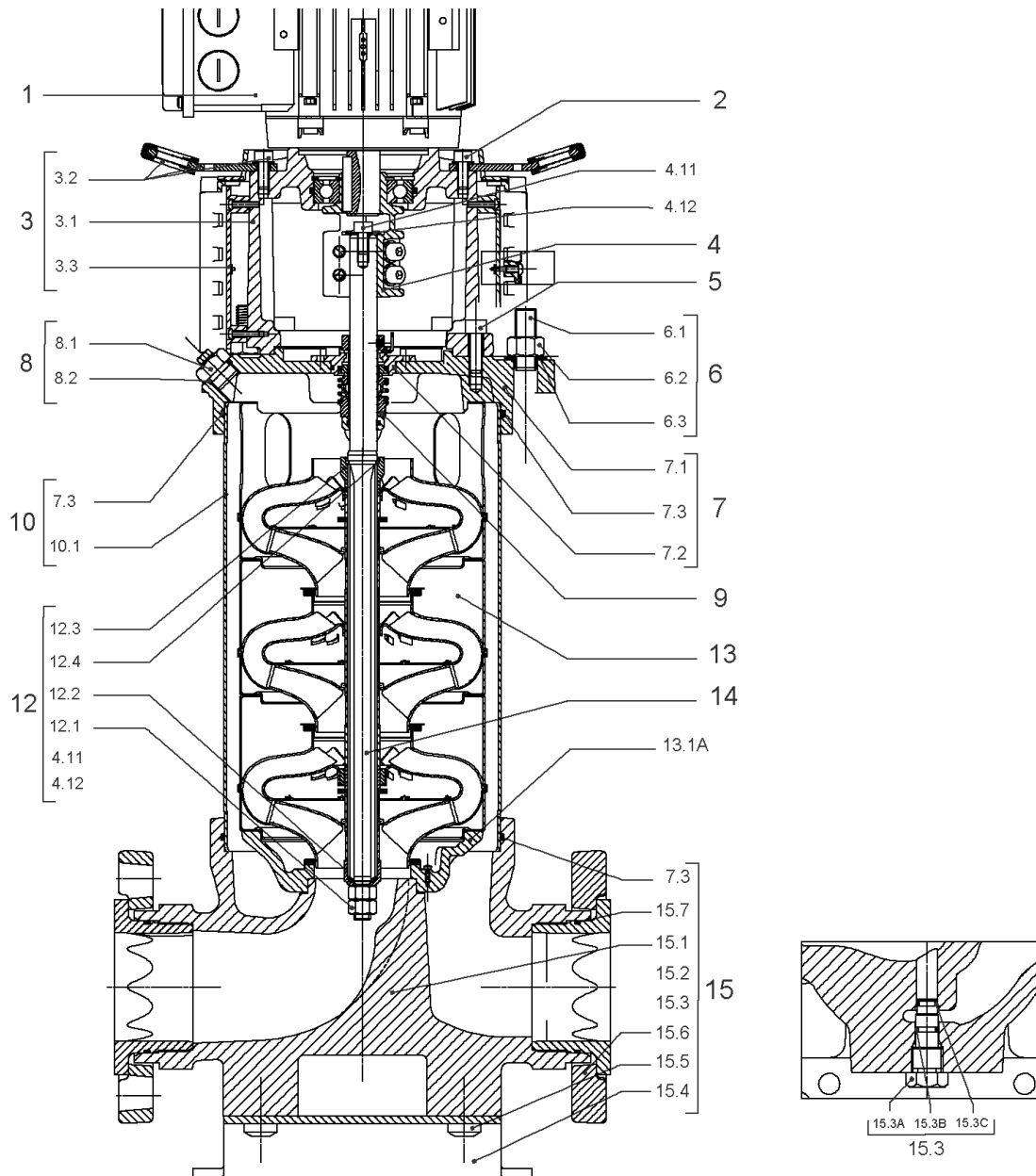
CARTRIDGE HELIX22-36-52 O/E KIT (4143973)

Item	Article no.	Description	Quantity
9.1	4143974	SEAL-KIT-HELIX22-36-52 O/E	1
7.3	4179571	> O-RING HOUSING PIPE HELIX22/36/52 VP.	1
7.4	4179572	> O-RING ID.42.52X2.62 EPDM VP.	1
9.1A	4179573	> M.SEAL.HELIX22-36-52 O/E VP.	1
9.1B	4179574	> O-RING ID.20x2.65 EPDM VP.	1
9.2	4179566	SHAFT SLEEVE D.20/20X60 1.4404 VP.	1
9.3	4179567	RING HOLDER Ø22 1.4301 VP.	1
9.4	4176520	SCREW CH M5x5 A4-70 (3PIECES)	1
9.5	4179568	DRIVE RING D.31/22.1x11 MACH.VP.	1
9.6	4179569	TOOL M.S.CART.HELIX 8" VP.	1
9.7	4179570	SCREW M6X16 ISO4762 8.8 GEOMET(4 PIECES)	1



HYDRAULIC HELIX V 5202

Item	Article no.	Description	Quantity
13.1	4164727	INTERMEDIAIRE STAGE HELIX 52 1.4301 KIT	1
		> SLEEVE-SPACER-D22XL30,42-316L	1
		> MACH.BEARING-DIFFUSER+NR-M+52-304	1
		> SHAFT-SLEEVE-D26xD22x16-CW	1
		> SPACER WASHER D22,3XD36 L3-316L	1
		> IMPELLER-H2-M+52-304	1
13.1A	4161200	> NECK RING 1.STAGE HELIX V36/52 KIT	1
		>> NECK-RING-M+36/52	1
		>> HYDRAULIC SUPPORT CAP M+36/52 304	1
		>> SCREW TCL M3X8 A4 POZIDRIV	1
13.2	4164729	UPPER-STAGE HELIX 52 1.4301 KIT	1
		> STOP COLLAR OF IMPELLER L27,6-Ø22-316L	1
		> SLEEVE-SPACER-D22XL16,66-316L	1
		> SPACER WASHER D22,3XD36 L3-316L	1
		> IMPELLER-H2-M+52-304	1
		> MACH.STD-DISCHARGE-CHAMBER-M+52-304	1



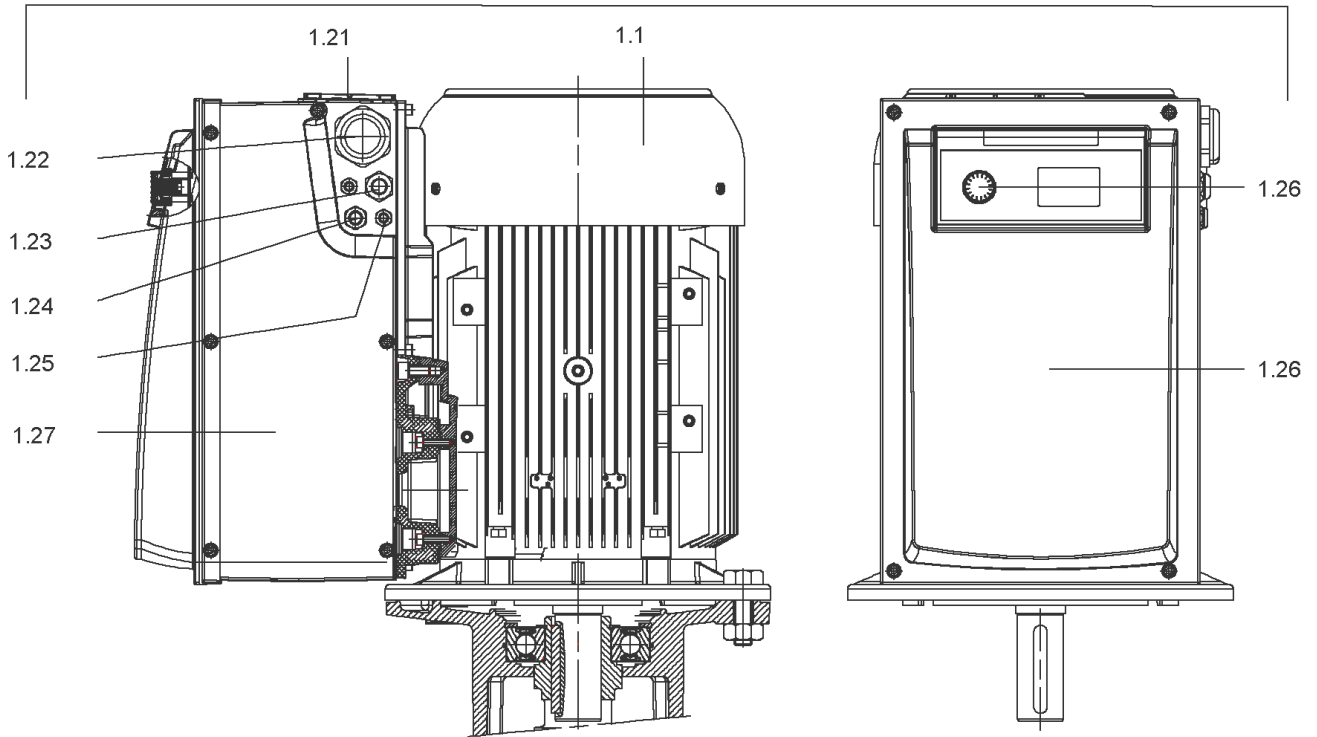
HELIX VE5203-3/16/E/K/2G (4166231)

Item	Article no.	Description	Quantity
1		DRIVE HELIX VE5203-IE2-ARC KIT	1
Note: no longer available/nicht mehr lieferbar/n'est plus disponible			
1	4218538	DRIVE HELIX VE5203-IE4-WEG KIT	1
Note: MOTOR BRAND WEG			
2	4179586	SCREW M16X60 (4 PIECES)	1
3	4157721	LANTERN HELIX 22/36 FF300 BB6312 KIT	1
3.1		> LANTERN FF300 M+ GJL MACHINED+CATA 6312	1
3.2	4179589	> EYELET CPL.FF300 HELIX(4 PIECES)	1
3.3	4143969	> COUPLING PROTECT HELIX FF KIT	1
4	4143966	COUPLING D.20XD.38 FF300 KIT	1
5	4157725	SCREW M10X40 (4 PIECES)	1
6	4179592	STUD BOLT M16X405 KIT	1
6.1		> TIE BOLT M16-405x24x44-1.4057	1
6.2	4179562	> NUT M16 8.8 ISO4032 (4 PIECES)	1
6.3	4097852	> WASHER-CS-16.4-32-2.8-NFE25-511-A2	1
7	4179565	END SHIELD HELIX 8" EPDM KIT	1
7.1		> END SHIELD M+ GJL MACHINED+CATA	1
7.2	4179564	> O-RING D.42.52x2.62 EPDM VP.	1
7.3	4179571	> O-RING HOUSING PIPE HELIX22/36/52 VP.	1
8	4186377	FILING/PURGING PLUG 304 HELIX KIT	1
8.1		> FILLING/VENTING-PLUG-MVI8/10"-304	1
8.2	4032291	> O-RING 17x3 EPDM KTW/WRC	1
9	4143973	CARTRIDGE HELIX22-36-52 O/E KIT	1
10	4179593	HOUSING PIPE D.204X330 1.4307 KIT	1
7.3	4179571	> O-RING HOUSING PIPE HELIX22/36/52 VP.	1
10.1		> HOUSING-PIPE Ø204-M+3604/5203-304	1
11	4179583	CENTRALIZER HELIX 8" 52 VP.	1
12	4164724	SHAFT EQUIPMENT HELIX V52 KIT	1
13		HYDRAULIC HELIX V 5203	1
14	4179599	SHAFTS D.22X504 1.4057 VP.	1
15	4164723	EQUIPED HOUSING PN16 HELIX GJL KIT	1
7.3	4179571	> O-RING HOUSING PIPE HELIX22/36/52 VP.	1
15.1		> PUMP HOUSING SET with COATED PARTS-DN80	1
15.3	4143766	> DRAIN/PRIMING PLUG EPDM HELIX KIT	1

HELIX VE5203-3/16/E/K/2G (4166231)

Item	Article no.	Description	Quantity
15.3A		>> PRIMING/DRAIN PLUG-304-VERSION 1	1
15.3B	4032293	>> O-RING-10x3-EPDM-KTW/WRC	1
15.3C	4233957	>> O-RING ID.9 EPDM VP.	1
15.4	4221729	> BASE M+ DN50/65/80 VP.	1
15.5		> SCREW TBHC M12x25 ISO7380 ZN	1
15.6		> FLANGE M+ DN80 NF PN16-25 ASME PN16 CATA	1
15.7		> O-RING Ø91.42xØ3 EPDM	1
13.1A	4161200	> NECK RING 1.STAGE HELIX V36/52 KIT	1
		>> NECK-RING-M+36/52	1
		>> HYDRAULIC SUPPORT CAP M+36/52 304	1
		>> SCREW TCL M3X8 A4 POZIDRIV	1

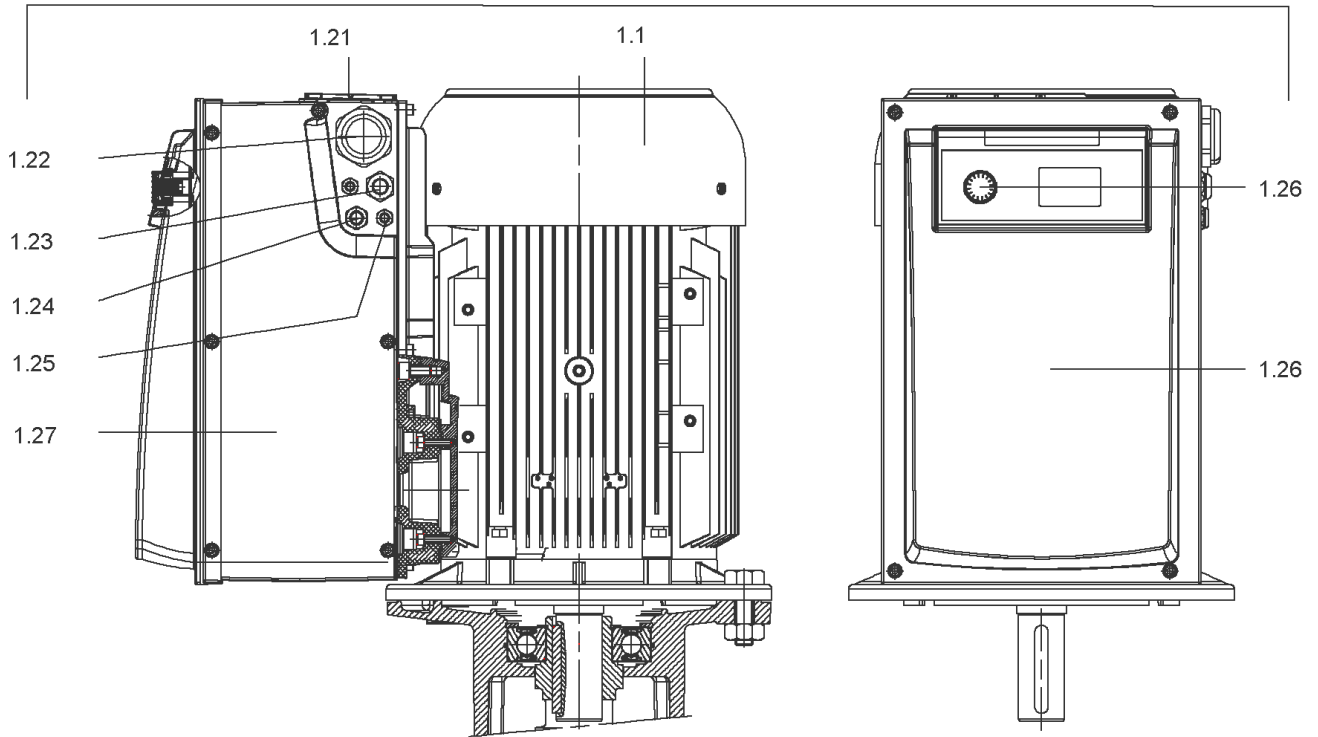
1



DRIVE HELIX VE5203-IE2-ARC KIT

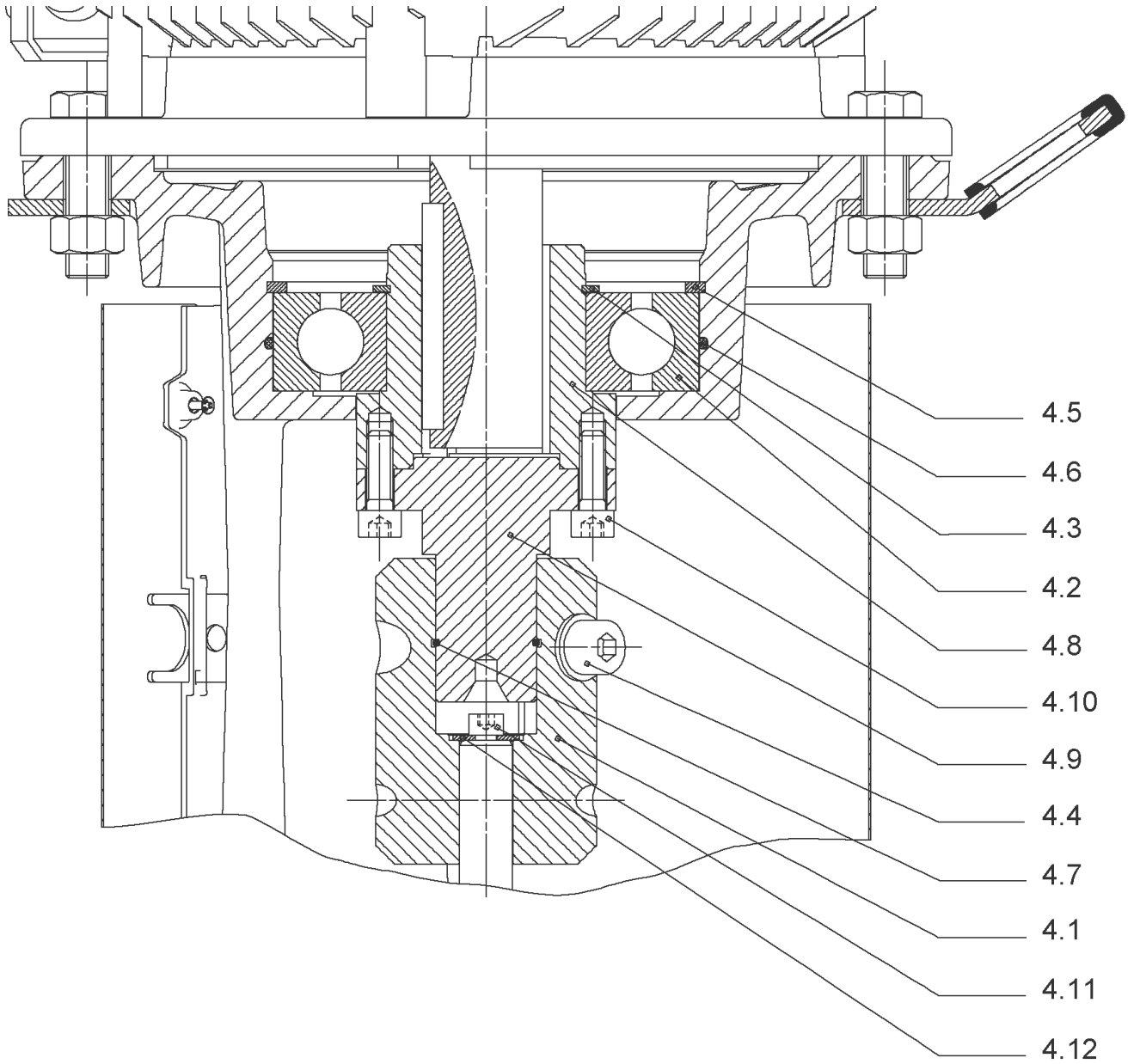
Item	Article no.	Description	Quantity
1.1		M11-2T540P55V1-160F300-N42-IE2	1
		SPARE PARTS MOTOR:ON REQUEST	1
1.21	2132102	FAN SMALL TL6/7 FF KIT	1
1.25	2132097	CABLE CONNECTION M12 TL6/7 FF VP.	1
1.24	2132098	CABLE CONNECTION M16 TL6/7 FF VP.	1
1.23	2132099	CABLE CONNECTION M20 TL6/7 FF VP.	1
1.22	2132100	CABLE CONNECTION SMALL M40 TL6/7 FF VP.	1
1.27	2132104	COVER SIDE TL6/7 FF CPL.VP.	1
1.26	2132452	MODULE COVER/BUTTON TL6/7 FF VP.	1

1



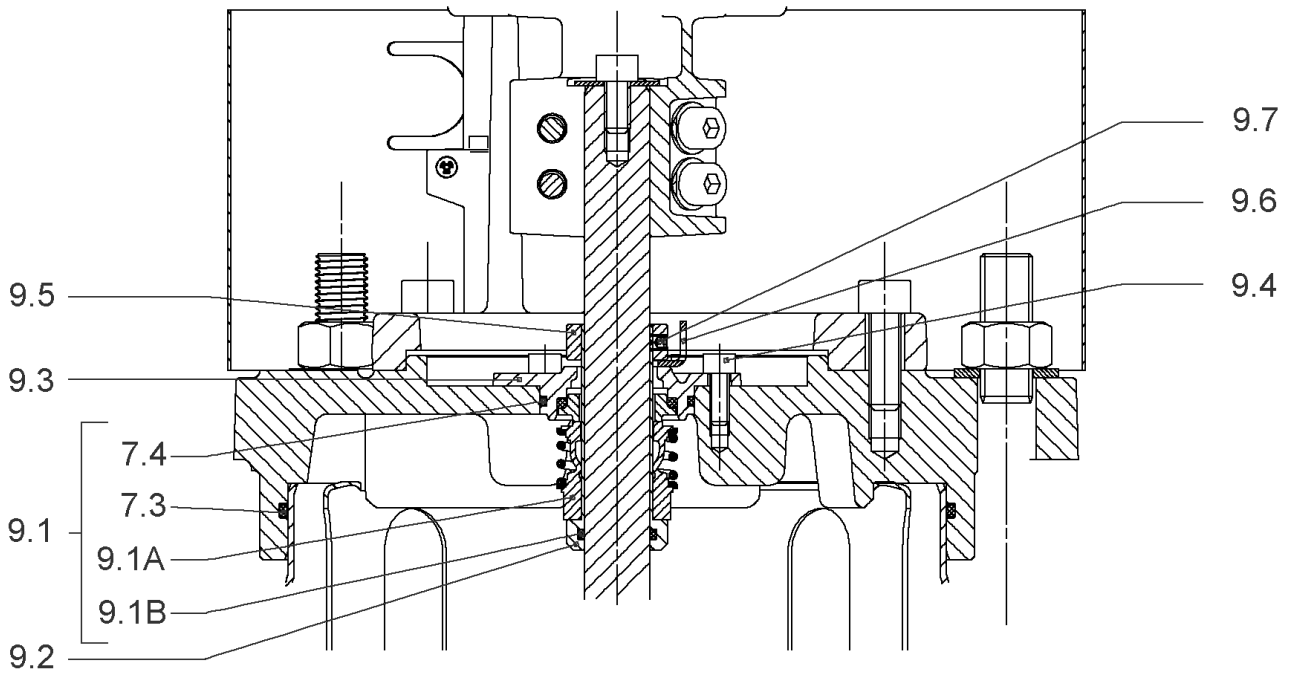
DRIVE HELIX VE5203-IE4-WEG KIT (4218538)

Item	Article no.	Description	Quantity
1.1		M11-2T540P55V1-160F30-N42-ADAPT-IE4-WEG	1
		SPARE PARTS MOTOR:ON REQUEST	1
1.21	2132102	FAN SMALL TL6/7 FF KIT	1
1.25	2132097	CABLE CONNECTION M12 TL6/7 FF VP.	1
1.24	2132098	CABLE CONNECTION M16 TL6/7 FF VP.	1
1.23	2132099	CABLE CONNECTION M20 TL6/7 FF VP.	1
1.22	2132100	CABLE CONNECTION SMALL M40 TL6/7 FF VP.	1
1.27	2132104	COVER SIDE TL6/7 FF CPL.VP.	1
1.26	2132452	MODULE COVER/BUTTON TL6/7 FF VP.	1



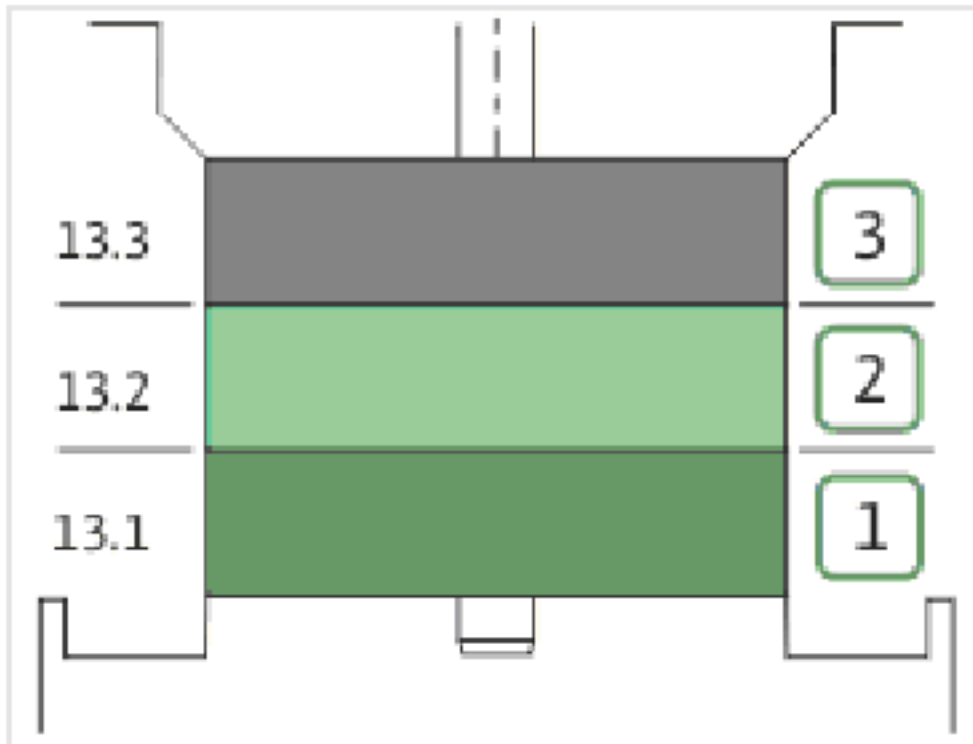
COUPLING D.20XD.38 FF300 KIT (4143966)

Item	Article no.	Description	Quantity
4.1	4179590	COUPLING 2 PARTS D.20XD.38XL115 VP.	1
4.2	2123699	BALL BEARING 6312/2Z-C4 (HT) VP.	1
4.3	63428	CIRCLIP-FOR-SHAFT-D60x2	1
4.4	2130991	SCREW M12X30 ISO4762 8.8 ZN(4 PIECES)	1
4.5	4032277	CIRCLIP-HOLE-130x4	1
4.6	4006725	O-RING ID.132,94x3,53 NBR70SR	1
4.7	2130992	RETAINING RING D.35xD.2,5 DIN7993 VP.	1
4.8	4179591	HUB D.42xD.60 VP.	1
4.9	2130994	SPACER D.38XD.55 VP.	1
4.10	4094462	SCREWS M10 (4 PIECES)	1
4.11	4233959	SCREW M8x16 VP.	1
4.12		SERRATED LOCK WASHER Ø8.2XØ25X35X2	1



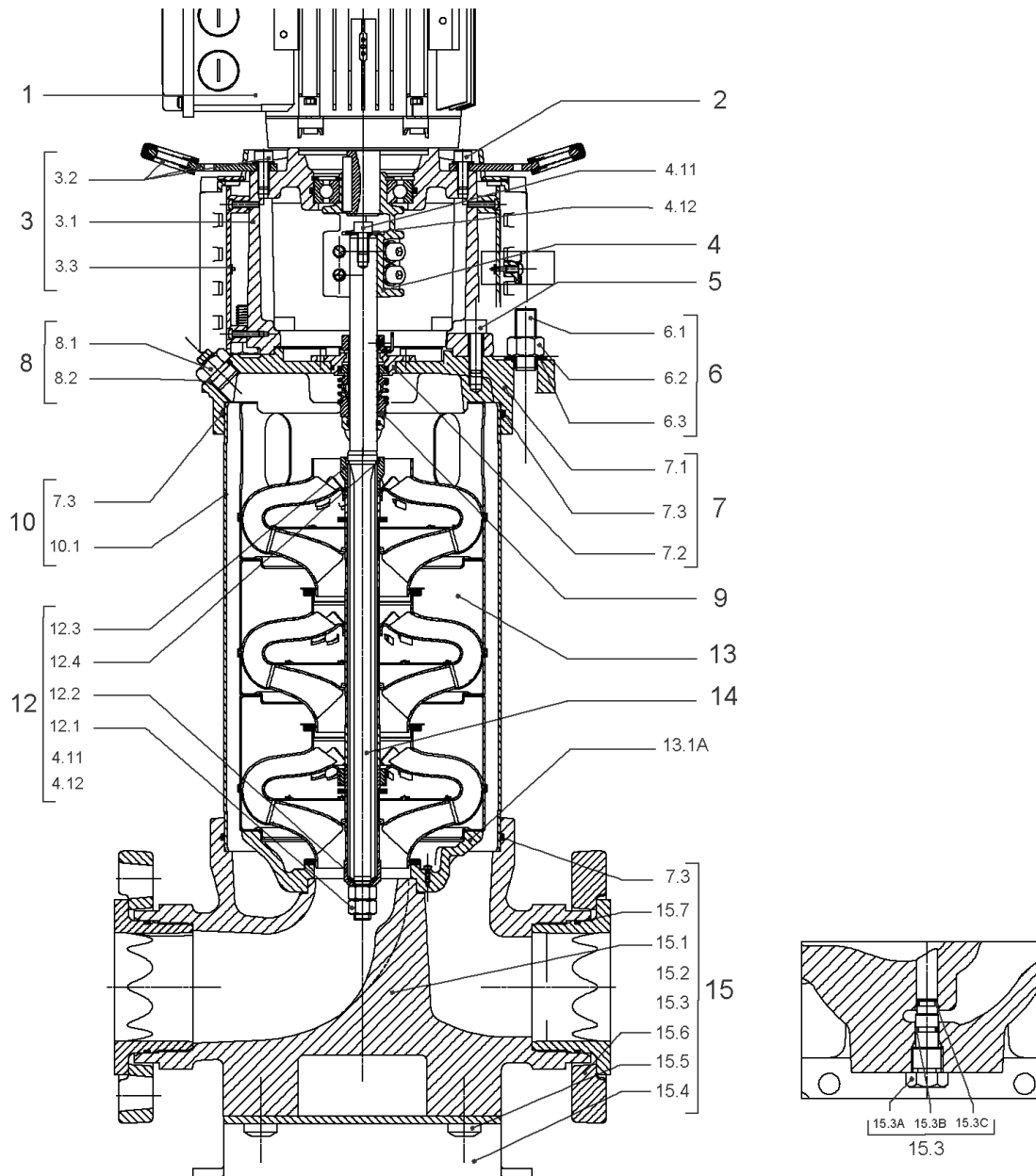
CARTRIDGE HELIX22-36-52 O/E KIT (4143973)

Item	Article no.	Description	Quantity
9.1	4143974	SEAL-KIT-HELIX22-36-52 O/E	1
7.3	4179571	> O-RING HOUSING PIPE HELIX22/36/52 VP.	1
7.4	4179572	> O-RING ID.42.52X2.62 EPDM VP.	1
9.1A	4179573	> M.SEAL.HELIX22-36-52 O/E VP.	1
9.1B	4179574	> O-RING ID.20x2.65 EPDM VP.	1
9.2	4179566	SHAFT SLEEVE D.20/20X60 1.4404 VP.	1
9.3	4179567	RING HOLDER Ø22 1.4301 VP.	1
9.4	4176520	SCREW CH M5x5 A4-70 (3PIECES)	1
9.5	4179568	DRIVE RING D.31/22.1x11 MACH.VP.	1
9.6	4179569	TOOL M.S.CART.HELIX 8" VP.	1
9.7	4179570	SCREW M6X16 ISO4762 8.8 GEOMET(4 PIECES)	1



HYDRAULIC HELIX V 5203

Item	Article no.	Description	Quantity
13.1	4164727	INTERMEDIAIRE STAGE HELIX 52 1.4301 KIT	1
		> SLEEVE-SPACER-D22XL30,42-316L	1
		> MACH.BEARING-DIFFUSER+NR-M+52-304	1
		> SHAFT-SLEEVE-D26xD22x16-CW	1
		> SPACER WASHER D22,3XD36 L3-316L	1
		> IMPELLER-H2-M+52-304	1
13.1A	4161200	> NECK RING 1.STAGE HELIX V36/52 KIT	1
		>> NECK-RING-M+36/52	1
		>> HYDRAULIC SUPPORT CAP M+36/52 304	1
		>> SCREW TCL M3X8 A4 POZIDRIV	1
13.2	4164728	INTERMEDIATE STAGE HELIX 52 1.4301 KIT	1
		> MACH.STD-DIFFUSER+NR-M+52-304	1
		> IMPELLER-H5-M+52-304	1
13.3	4164729	UPPER-STAGE HELIX 52 1.4301 KIT	1
		> STOP COLLAR OF IMPELLER L27,6-Ø22-316L	1
		> SLEEVE-SPACER-D22XL16,66-316L	1
		> SPACER WASHER D22,3XD36 L3-316L	1
		> IMPELLER-H2-M+52-304	1
		> MACH.STD-DISCHARGE-CHAMBER-M+52-304	1



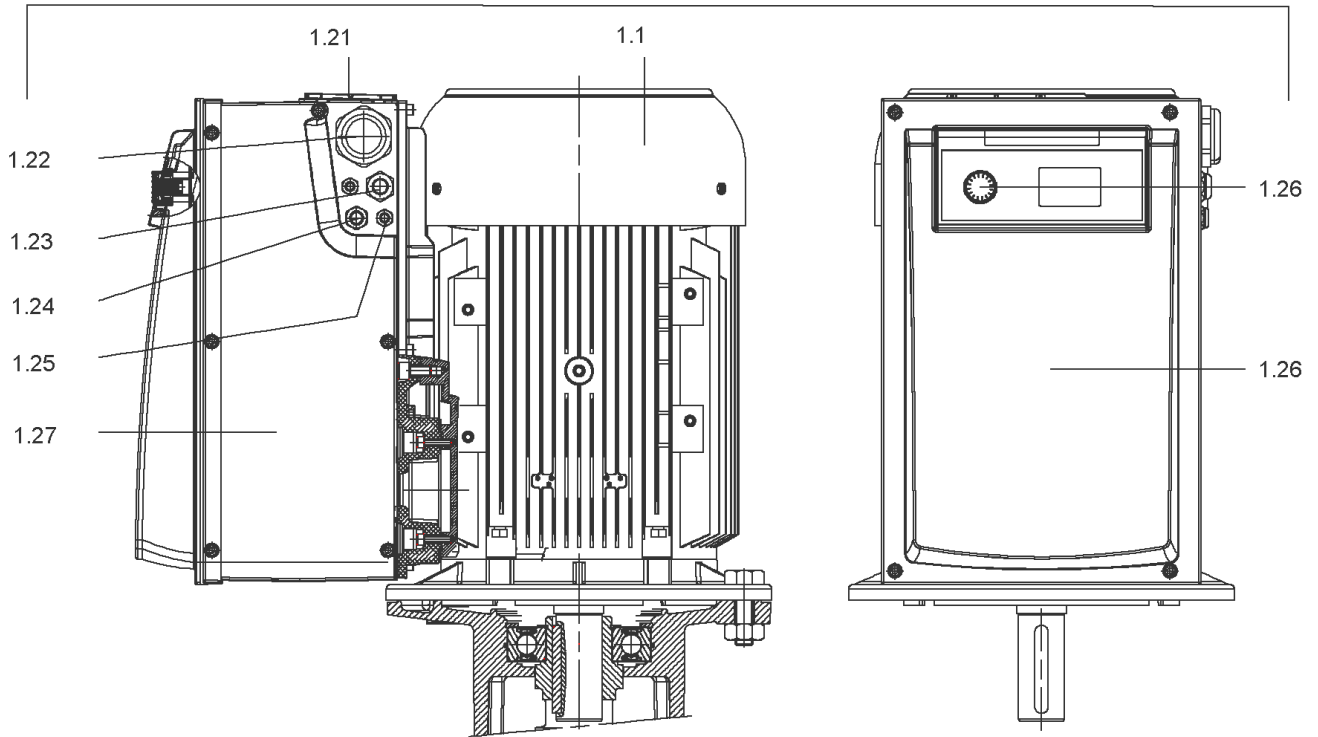
HELIX VE5203-3/16/E/KS/2G (4166238)

Item	Article no.	Description	Quantity
1		DRIVE HELIX VE5203-IE2-ARC KIT	1
Note: no longer available/nicht mehr lieferbar/n'est plus disponible			
1	4218538	DRIVE HELIX VE5203-IE4-WEG KIT	1
Note: MOTOR BRAND WEG			
2	4179586	SCREW M16X60 (4 PIECES)	1
3	4157721	LANTERN HELIX 22/36 FF300 BB6312 KIT	1
3.1		> LANTERN FF300 M+ GJL MACHINED+CATA 6312	1
3.2	4179589	> EYELET CPL.FF300 HELIX(4 PIECES)	1
3.3	4143969	> COUPLING PROTECT HELIX FF KIT	1
4	4143966	COUPLING D.20XD.38 FF300 KIT	1
5	4157725	SCREW M10X40 (4 PIECES)	1
6	4179592	STUD BOLT M16X405 KIT	1
6.1		> TIE BOLT M16-405x24x44-1.4057	1
6.2	4179562	> NUT M16 8.8 ISO4032 (4 PIECES)	1
6.3	4097852	> WASHER-CS-16.4-32-2.8-NFE25-511-A2	1
7	4179565	END SHIELD HELIX 8" EPDM KIT	1
7.1		> END SHIELD M+ GJL MACHINED+CATA	1
7.2	4179564	> O-RING D.42.52x2.62 EPDM VP.	1
7.3	4179571	> O-RING HOUSING PIPE HELIX22/36/52 VP.	1
8	4186377	FILING/PURGING PLUG 304 HELIX KIT	1
8.1		> FILLING/VENTING-PLUG-MVI8/10"-304	1
8.2	4032291	> O-RING 17x3 EPDM KTW/WRC	1
9	4143973	CARTRIDGE HELIX22-36-52 O/E KIT	1
10	4179593	HOUSING PIPE D.204X330 1.4307 KIT	1
7.3	4179571	> O-RING HOUSING PIPE HELIX22/36/52 VP.	1
10.1		> HOUSING-PIPE Ø204-M+3604/5203-304	1
11	4179583	CENTRALIZER HELIX 8" 52 VP.	1
12	4164724	SHAFT EQUIPMENT HELIX V52 KIT	1
13		HYDRAULIC HELIX V 5203	1
14	4179599	SHAFTS D.22X504 1.4057 VP.	1
15	4164723	EQUIPED HOUSING PN16 HELIX GJL KIT	1
7.3	4179571	> O-RING HOUSING PIPE HELIX22/36/52 VP.	1
15.1		> PUMP HOUSING SET with COATED PARTS-DN80	1
15.3	4143766	> DRAIN/PRIMING PLUG EPDM HELIX KIT	1

HELIX VE5203-3/16/E/KS/2G (4166238)

Item	Article no.	Description	Quantity
15.3A		>> PRIMING/DRAIN PLUG-304-VERSION 1	1
15.3B	4032293	>> O-RING-10x3-EPDM-KTW/WRC	1
15.3C	4233957	>> O-RING ID.9 EPDM VP.	1
15.4	4221729	> BASE M+ DN50/65/80 VP.	1
15.5		> SCREW TBHC M12x25 ISO7380 ZN	1
15.6		> FLANGE M+ DN80 NF PN16-25 ASME PN16 CATA	1
15.7		> O-RING Ø91.42xØ3 EPDM	1
13.1A	4161200	> NECK RING 1.STAGE HELIX V36/52 KIT	1
		>> NECK-RING-M+36/52	1
		>> HYDRAULIC SUPPORT CAP M+36/52 304	1
		>> SCREW TCL M3X8 A4 POZIDRIV	1

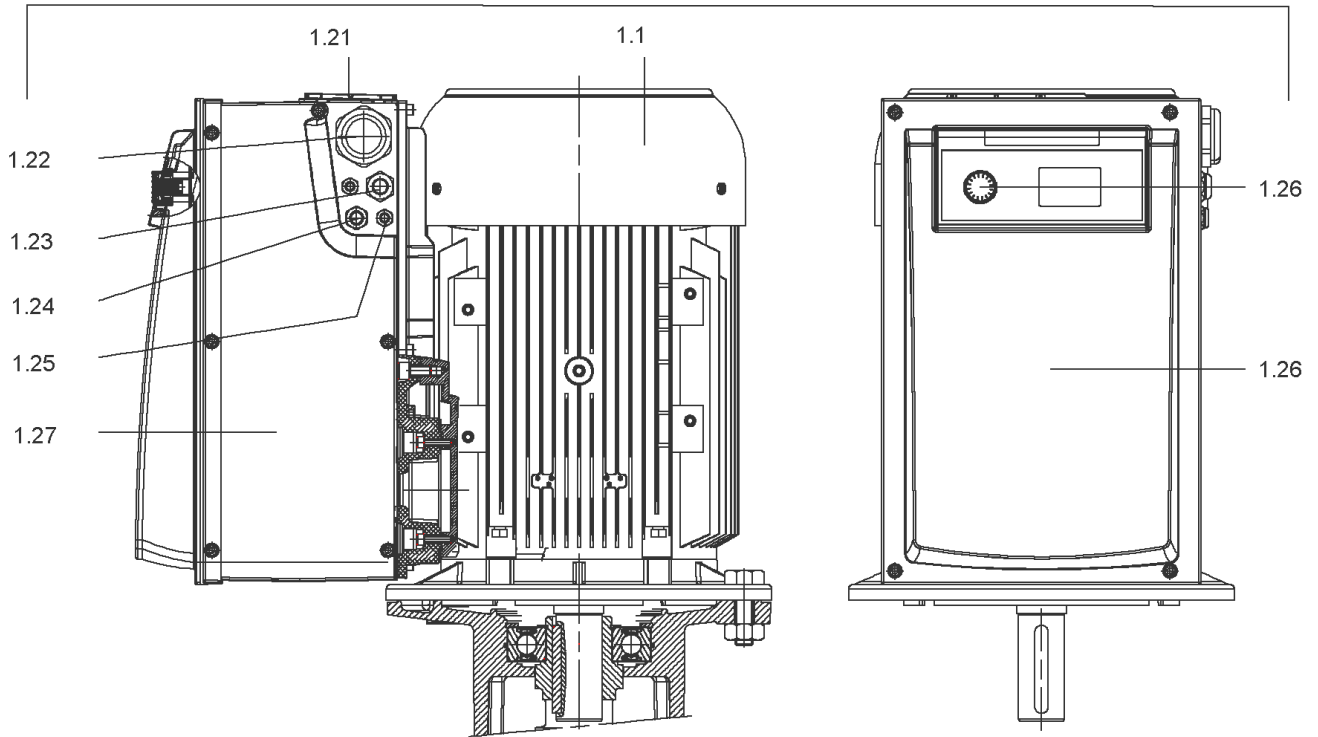
1



DRIVE HELIX VE5203-IE2-ARC KIT

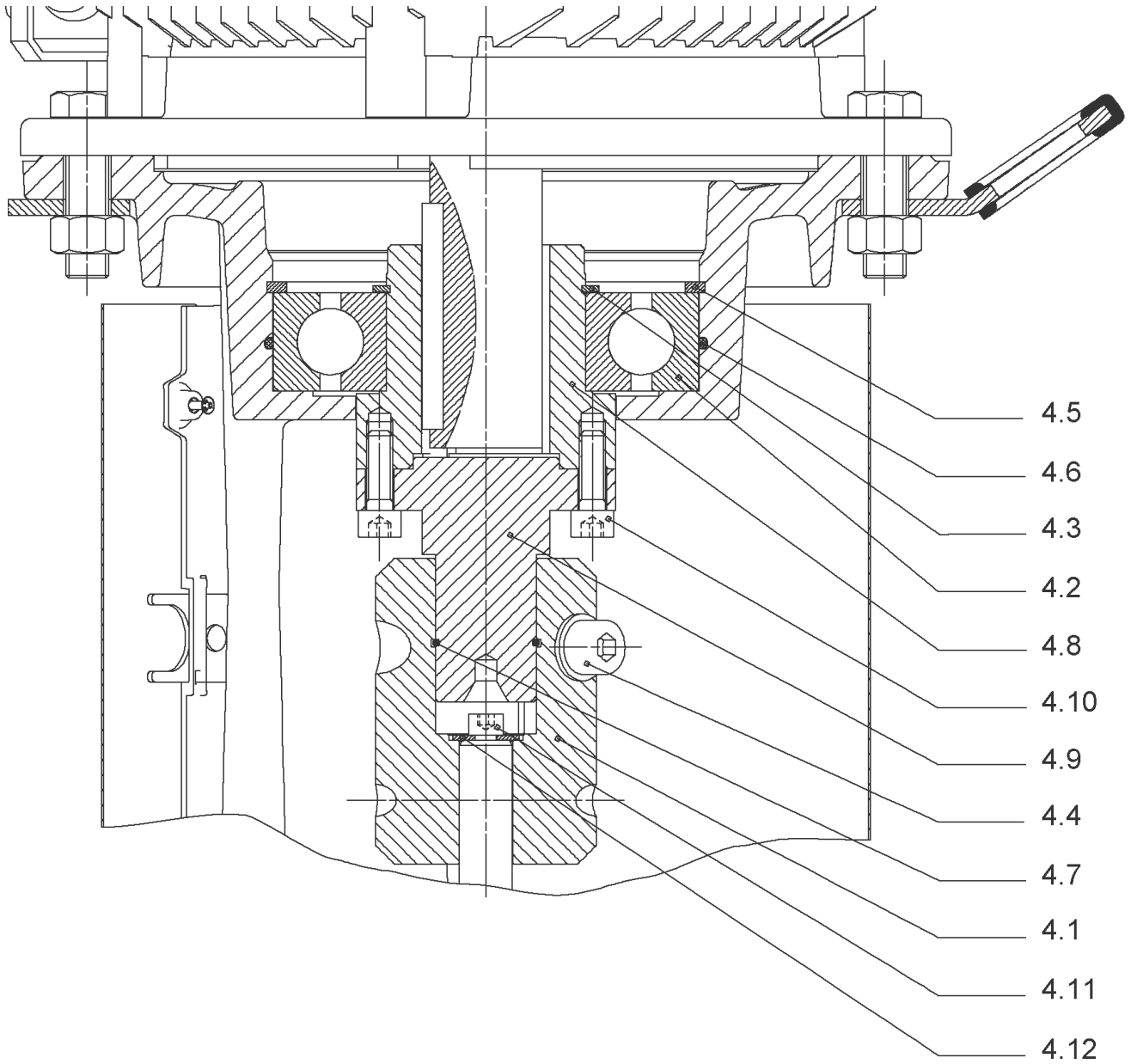
Item	Article no.	Description	Quantity
1.1		M11-2T540P55V1-160F300-N42-IE2	1
		SPARE PARTS MOTOR:ON REQUEST	1
1.21	2132102	FAN SMALL TL6/7 FF KIT	1
1.25	2132097	CABLE CONNECTION M12 TL6/7 FF VP.	1
1.24	2132098	CABLE CONNECTION M16 TL6/7 FF VP.	1
1.23	2132099	CABLE CONNECTION M20 TL6/7 FF VP.	1
1.22	2132100	CABLE CONNECTION SMALL M40 TL6/7 FF VP.	1
1.27	2132104	COVER SIDE TL6/7 FF CPL.VP.	1
1.26	2132452	MODULE COVER/BUTTON TL6/7 FF VP.	1

1



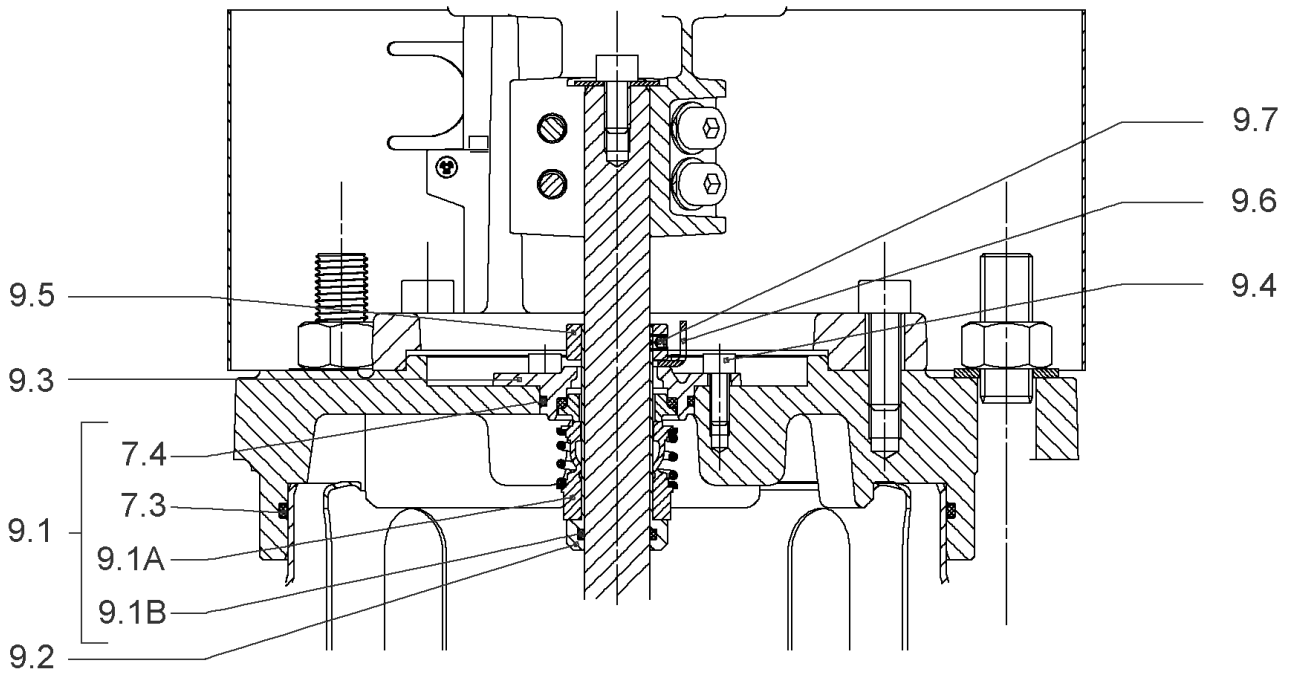
DRIVE HELIX VE5203-IE4-WEG KIT (4218538)

Item	Article no.	Description	Quantity
1.1		M11-2T540P55V1-160F30-N42-ADAPT-IE4-WEG	1
		SPARE PARTS MOTOR:ON REQUEST	1
1.21	2132102	FAN SMALL TL6/7 FF KIT	1
1.25	2132097	CABLE CONNECTION M12 TL6/7 FF VP.	1
1.24	2132098	CABLE CONNECTION M16 TL6/7 FF VP.	1
1.23	2132099	CABLE CONNECTION M20 TL6/7 FF VP.	1
1.22	2132100	CABLE CONNECTION SMALL M40 TL6/7 FF VP.	1
1.27	2132104	COVER SIDE TL6/7 FF CPL.VP.	1
1.26	2132452	MODULE COVER/BUTTON TL6/7 FF VP.	1



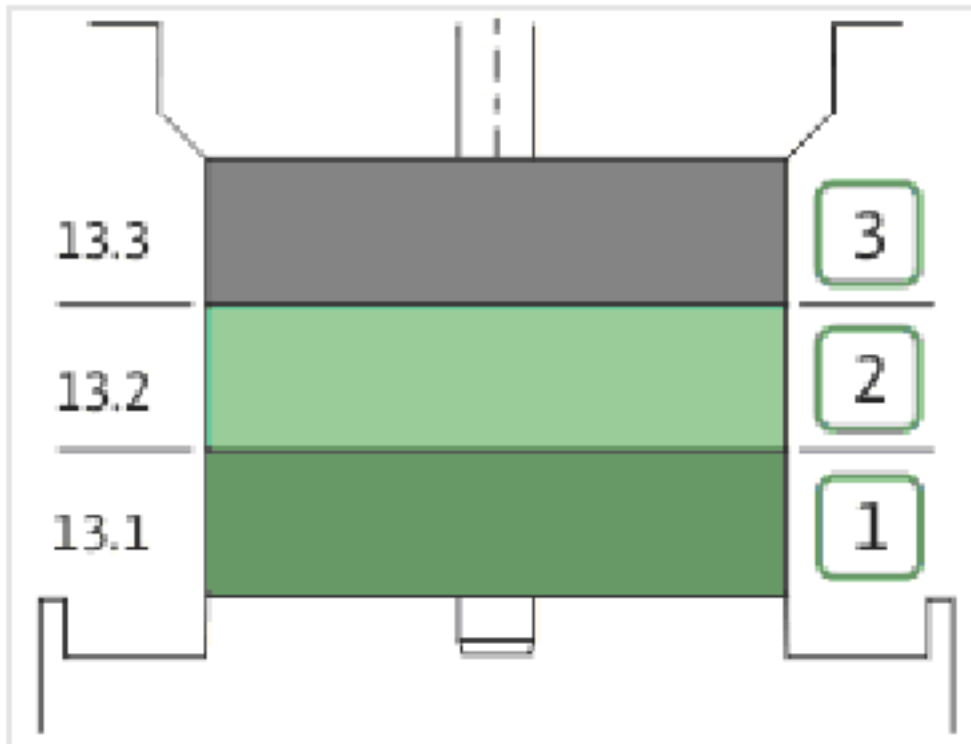
COUPLING D.20XD.38 FF300 KIT (4143966)

Item	Article no.	Description	Quantity
4.1	4179590	COUPLING 2 PARTS D.20XD.38XL115 VP.	1
4.2	2123699	BALL BEARING 6312/2Z-C4 (HT) VP.	1
4.3	63428	CIRCLIP-FOR-SHAFT-D60x2	1
4.4	2130991	SCREW M12X30 ISO4762 8.8 ZN(4 PIECES)	1
4.5	4032277	CIRCLIP-HOLE-130x4	1
4.6	4006725	O-RING ID.132,94x3,53 NBR70SR	1
4.7	2130992	RETAINING RING D.35xD.2,5 DIN7993 VP.	1
4.8	4179591	HUB D.42xD.60 VP.	1
4.9	2130994	SPACER D.38XD.55 VP.	1
4.10	4094462	SCREWS M10 (4 PIECES)	1
4.11	4233959	SCREW M8x16 VP.	1
4.12		SERRATED LOCK WASHER Ø8.2XØ25X35X2	1



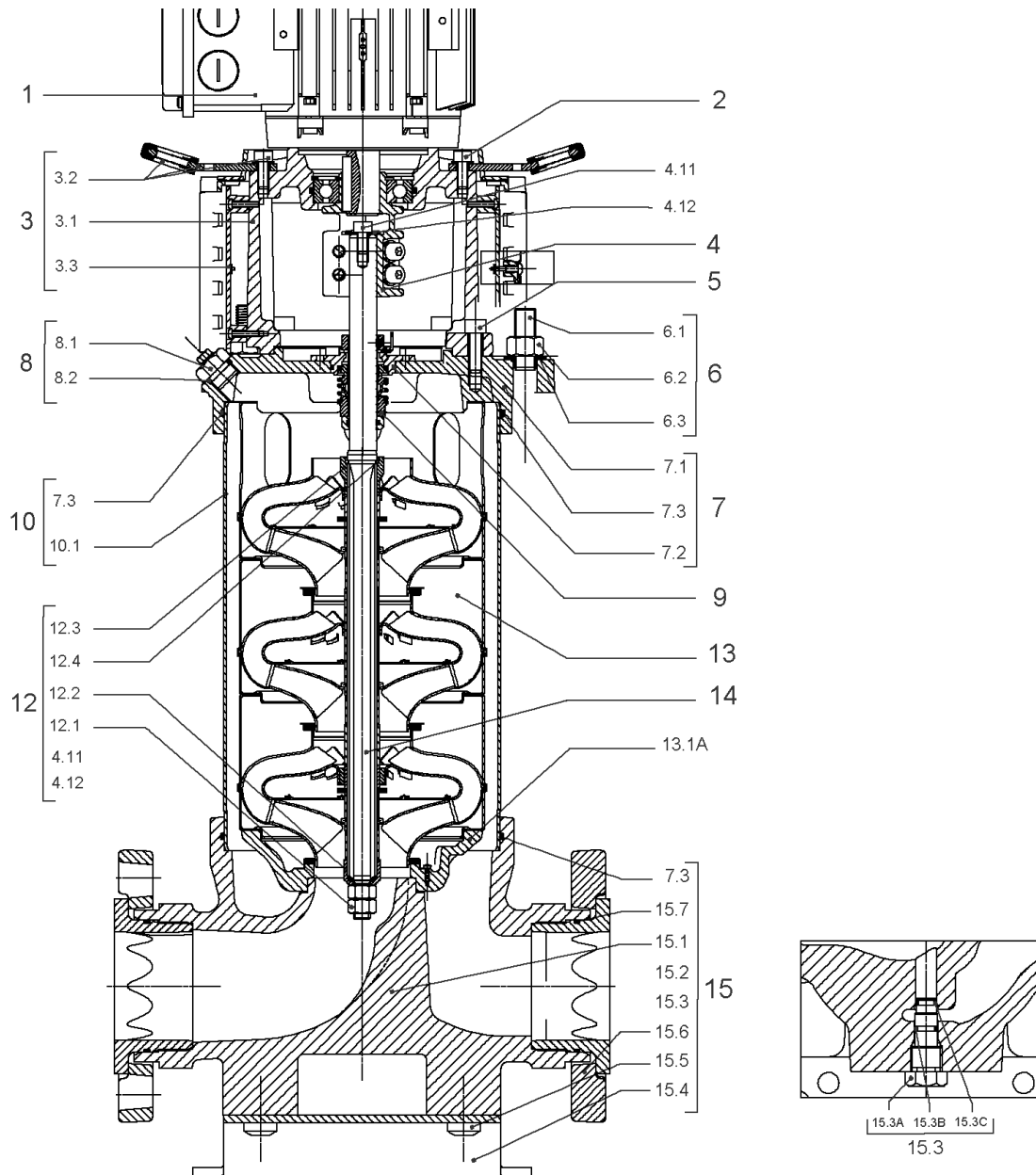
CARTRIDGE HELIX22-36-52 O/E KIT (4143973)

Item	Article no.	Description	Quantity
9.1	4143974	SEAL-KIT-HELIX22-36-52 O/E	1
7.3	4179571	> O-RING HOUSING PIPE HELIX22/36/52 VP.	1
7.4	4179572	> O-RING ID.42.52X2.62 EPDM VP.	1
9.1A	4179573	> M.SEAL.HELIX22-36-52 O/E VP.	1
9.1B	4179574	> O-RING ID.20x2.65 EPDM VP.	1
9.2	4179566	SHAFT SLEEVE D.20/20X60 1.4404 VP.	1
9.3	4179567	RING HOLDER Ø22 1.4301 VP.	1
9.4	4176520	SCREW CH M5x5 A4-70 (3PIECES)	1
9.5	4179568	DRIVE RING D.31/22.1x11 MACH.VP.	1
9.6	4179569	TOOL M.S.CART.HELIX 8" VP.	1
9.7	4179570	SCREW M6X16 ISO4762 8.8 GEOMET(4 PIECES)	1



HYDRAULIC HELIX V 5203

Item	Article no.	Description	Quantity
13.1	4164727	INTERMEDIAIRE STAGE HELIX 52 1.4301 KIT	1
		> SLEEVE-SPACER-D22XL30,42-316L	1
		> MACH.BEARING-DIFFUSER+NR-M+52-304	1
		> SHAFT-SLEEVE-D26xD22x16-CW	1
		> SPACER WASHER D22,3XD36 L3-316L	1
		> IMPELLER-H2-M+52-304	1
13.1A	4161200	> NECK RING 1.STAGE HELIX V36/52 KIT	1
		>> NECK-RING-M+36/52	1
		>> HYDRAULIC SUPPORT CAP M+36/52 304	1
		>> SCREW TCL M3X8 A4 POZIDRIV	1
13.2	4164728	INTERMEDIATE STAGE HELIX 52 1.4301 KIT	1
		> MACH.STD-DIFFUSER+NR-M+52-304	1
		> IMPELLER-H5-M+52-304	1
13.3	4164729	UPPER-STAGE HELIX 52 1.4301 KIT	1
		> STOP COLLAR OF IMPELLER L27,6-Ø22-316L	1
		> SLEEVE-SPACER-D22XL16,66-316L	1
		> SPACER WASHER D22,3XD36 L3-316L	1
		> IMPELLER-H2-M+52-304	1
		> MACH.STD-DISCHARGE-CHAMBER-M+52-304	1



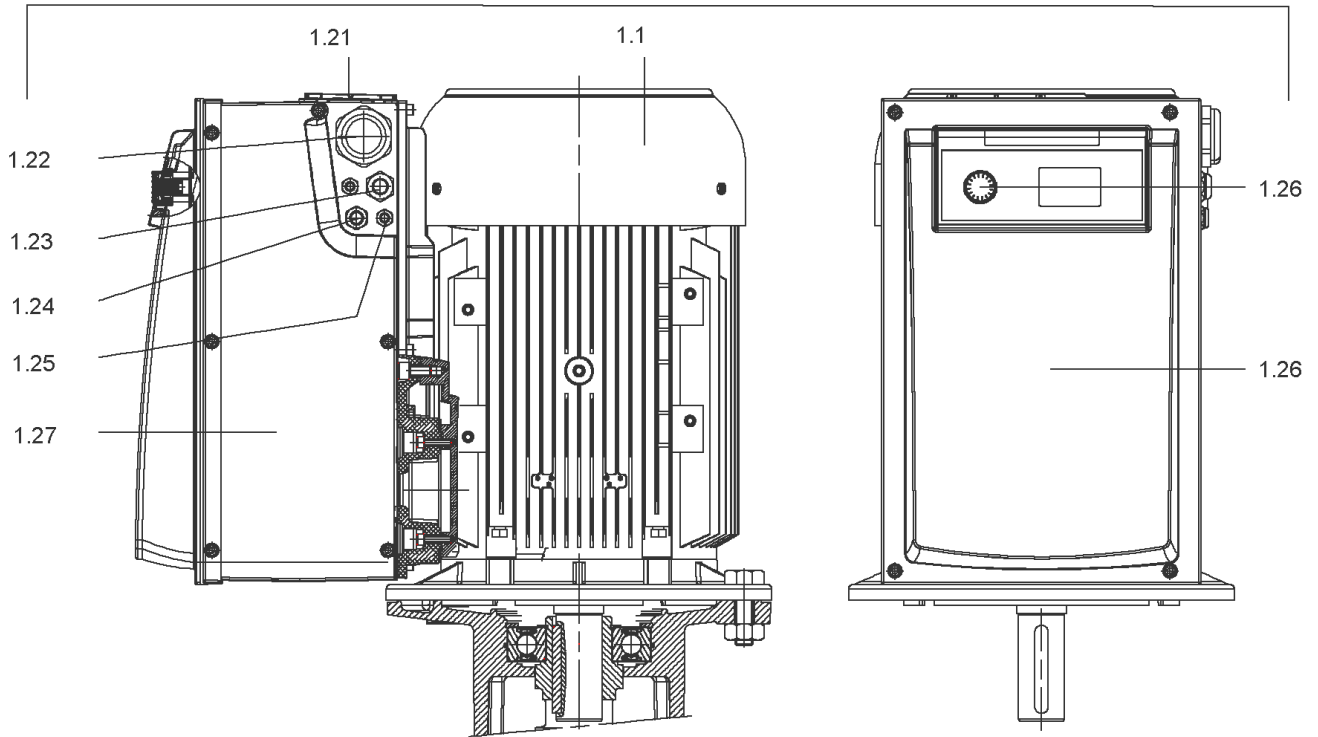
HELIX VE5203-4/16/E/KS/2G (4183469)

Item	Article no.	Description	Quantity
1		DRIVE HELIX VE5203-IE2-ARC KIT	1
Note: no longer available/nicht mehr lieferbar/n'est plus disponible			
1	4218538	DRIVE HELIX VE5203-IE4-WEG KIT	1
Note: MOTOR BRAND WEG			
2	4179586	SCREW M16X60 (4 PIECES)	1
3	4157721	LANTERN HELIX 22/36 FF300 BB6312 KIT	1
3.1		> LANTERN FF300 M+ GJL MACHINED+CATA 6312	1
3.2	4179589	> EYELET CPL.FF300 HELIX(4 PIECES)	1
3.3	4143969	> COUPLING PROTECT HELIX FF KIT	1
4	4143966	COUPLING D.20XD.38 FF300 KIT	1
5	4157725	SCREW M10X40 (4 PIECES)	1
6	4179592	STUD BOLT M16X405 KIT	1
6.1		> TIE BOLT M16-405x24x44-1.4057	1
6.2	4179562	> NUT M16 8.8 ISO4032 (4 PIECES)	1
6.3	4097852	> WASHER-CS-16.4-32-2.8-NFE25-511-A2	1
7	4179565	END SHIELD HELIX 8" EPDM KIT	1
7.1		> END SHIELD M+ GJL MACHINED+CATA	1
7.2	4179564	> O-RING D.42.52x2.62 EPDM VP.	1
7.3	4179571	> O-RING HOUSING PIPE HELIX22/36/52 VP.	1
8	4186377	FILING/PURGING PLUG 304 HELIX KIT	1
8.1		> FILLING/VENTING-PLUG-MVI8/10"-304	1
8.2	4032291	> O-RING 17x3 EPDM KTW/WRC	1
9	4143973	CARTRIDGE HELIX22-36-52 O/E KIT	1
10	4179593	HOUSING PIPE D.204X330 1.4307 KIT	1
7.3	4179571	> O-RING HOUSING PIPE HELIX22/36/52 VP.	1
10.1		> HOUSING-PIPE Ø204-M+3604/5203-304	1
11	4179583	CENTRALIZER HELIX 8" 52 VP.	1
12	4164724	SHAFT EQUIPMENT HELIX V52 KIT	1
13		HYDRAULIC HELIX V 5203	1
14	4179599	SHAFTS D.22X504 1.4057 VP.	1
15	4186388	EQUIPED HOUSING HELIX FIRST DN80 DWA KIT	1
15.1		> PUMP CASING MONO.GJL M+8" DN80 DWA	1
15.2		> HYD.SUP.M+8" ONE PIECE HOUSING N80 DWA	1
15.3	4106048	> DRAIN/PRIMING PLUG EPDM HELIX FIRST KIT	1

HELIX VE5203-4/16/E/KS/2G (4183469)

Item	Article no.	Description	Quantity
15.3A		>> DRAIN AND PRIMING PLUG-VM110"-304	1
15.3B	4032293	>> O-RING-10x3-EPDM-KTW/WRC	1
15.3C	4233957	>> O-RING ID.9 EPDM VP.	1
7.3	4179571	> O-RING HOUSING PIPE HELIX22/36/52 VP.	1
13.1A	4161200	> NECK RING 1.STAGE HELIX V36/52 KIT	1
		>> NECK-RING-M+36/52	1
		>> HYDRAULIC SUPPORT CAP M+36/52 304	1
		>> SCREW TCL M3X8 A4 POZIDRIV	1

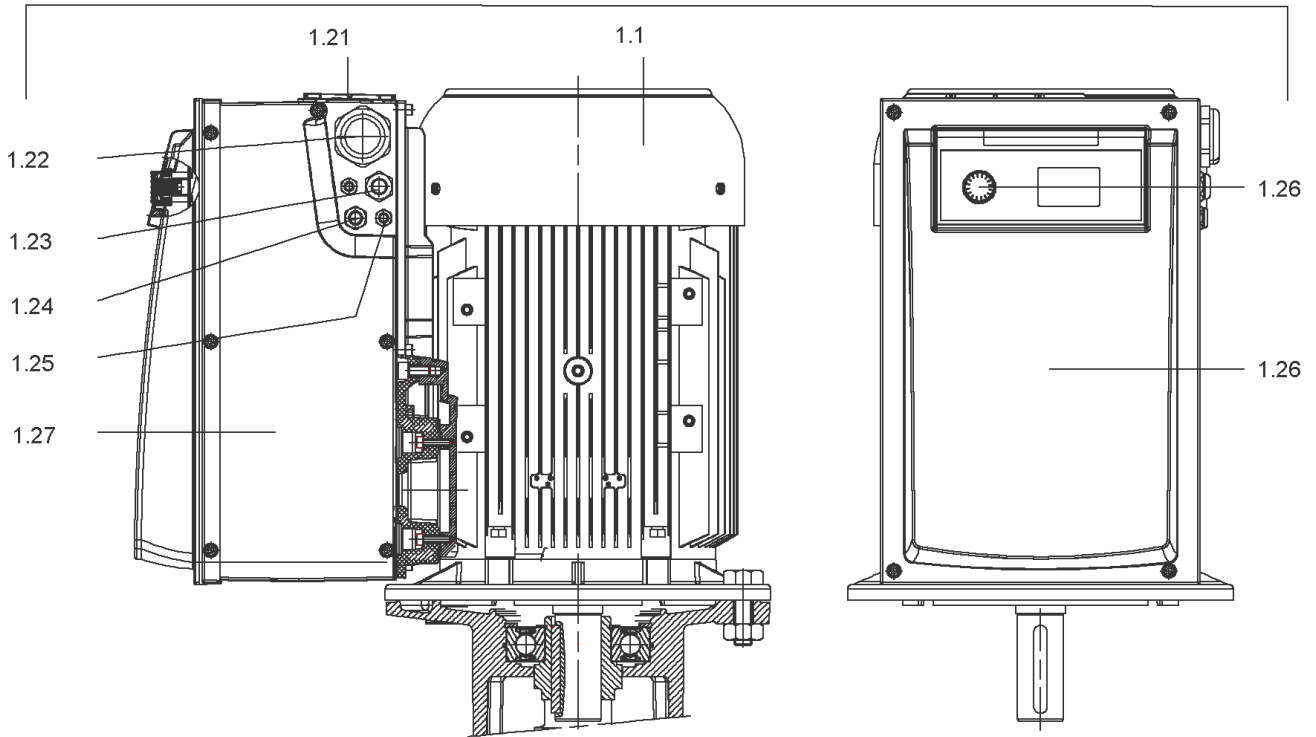
1



DRIVE HELIX VE5203-IE2-ARC KIT

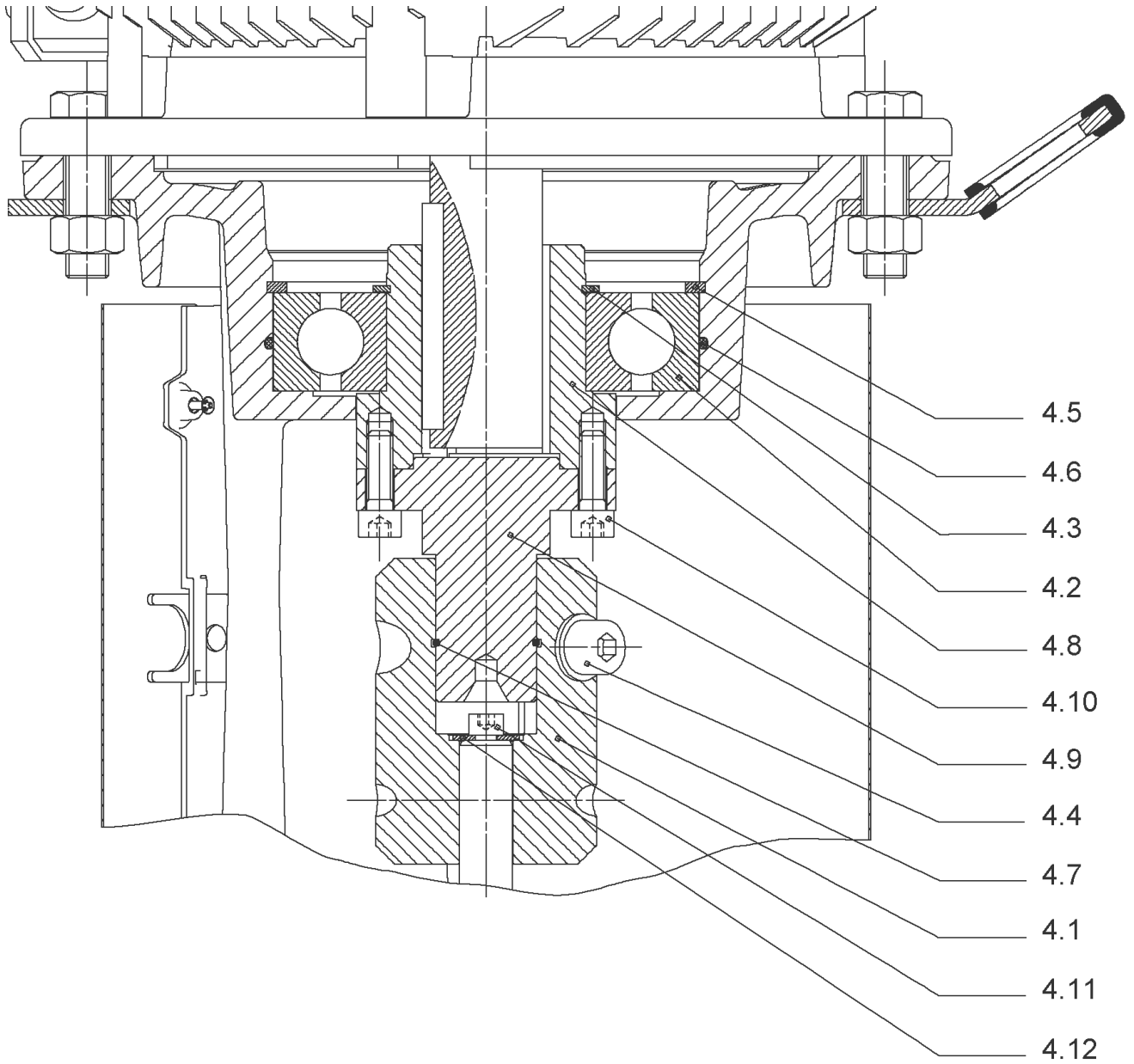
Item	Article no.	Description	Quantity
1.1		M11-2T540P55V1-160F300-N42-IE2	1
		SPARE PARTS MOTOR:ON REQUEST	1
1.21	2132102	FAN SMALL TL6/7 FF KIT	1
1.25	2132097	CABLE CONNECTION M12 TL6/7 FF VP.	1
1.24	2132098	CABLE CONNECTION M16 TL6/7 FF VP.	1
1.23	2132099	CABLE CONNECTION M20 TL6/7 FF VP.	1
1.22	2132100	CABLE CONNECTION SMALL M40 TL6/7 FF VP.	1
1.27	2132104	COVER SIDE TL6/7 FF CPL.VP.	1
1.26	2132452	MODULE COVER/BUTTON TL6/7 FF VP.	1

1



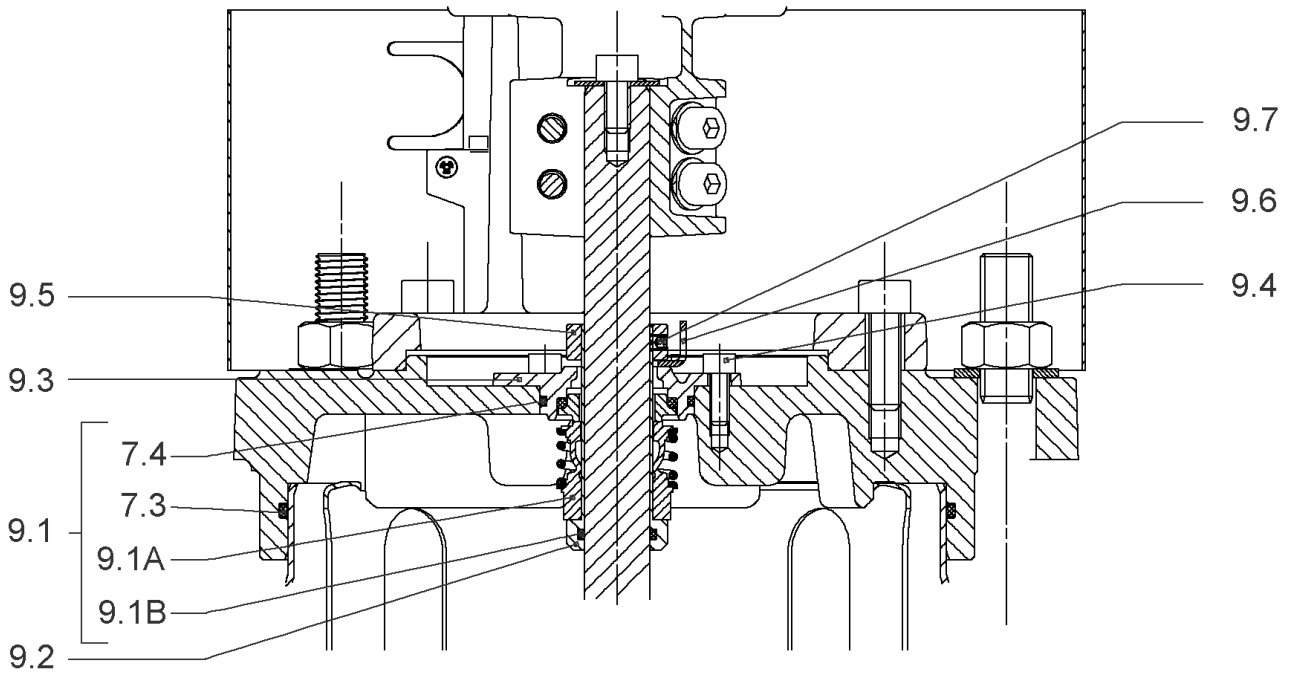
DRIVE HELIX VE5203-IE4-WEG KIT (4218538)

Item	Article no.	Description	Quantity
1.1		M11-2T540P55V1-160F30-N42-ADAPT-IE4-WEG	1
		SPARE PARTS MOTOR:ON REQUEST	1
1.21	2132102	FAN SMALL TL6/7 FF KIT	1
1.25	2132097	CABLE CONNECTION M12 TL6/7 FF VP.	1
1.24	2132098	CABLE CONNECTION M16 TL6/7 FF VP.	1
1.23	2132099	CABLE CONNECTION M20 TL6/7 FF VP.	1
1.22	2132100	CABLE CONNECTION SMALL M40 TL6/7 FF VP.	1
1.27	2132104	COVER SIDE TL6/7 FF CPL.VP.	1
1.26	2132452	MODULE COVER/BUTTON TL6/7 FF VP.	1



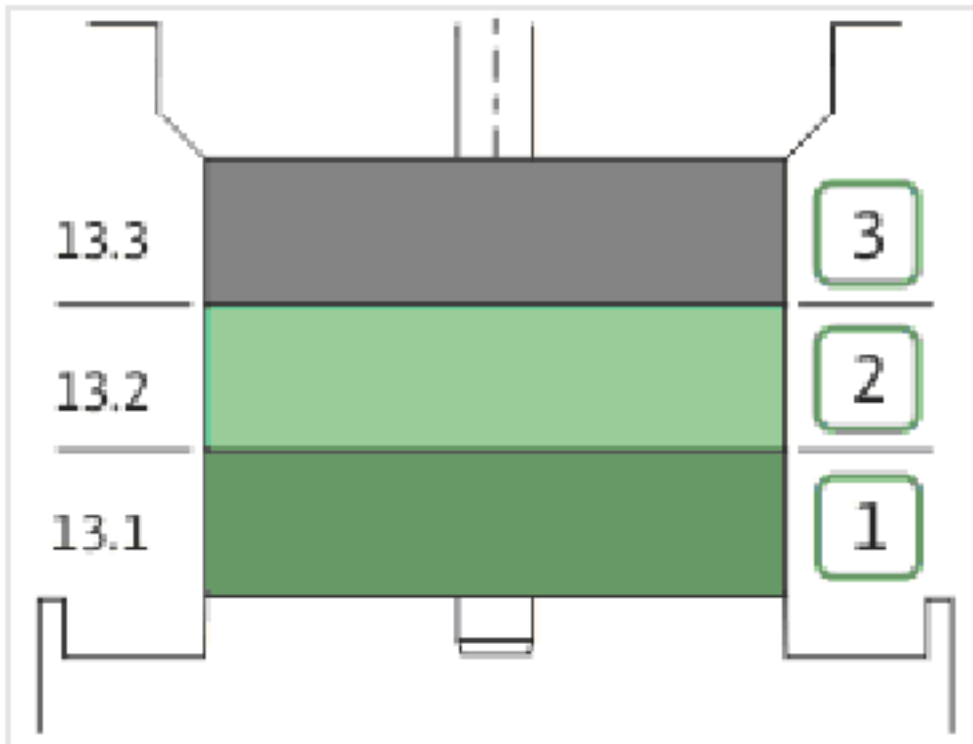
COUPLING D.20XD.38 FF300 KIT (4143966)

Item	Article no.	Description	Quantity
4.1	4179590	COUPLING 2 PARTS D.20XD.38XL115 VP.	1
4.2	2123699	BALL BEARING 6312/2Z-C4 (HT) VP.	1
4.3	63428	CIRCLIP-FOR-SHAFT-D60x2	1
4.4	2130991	SCREW M12X30 ISO4762 8.8 ZN(4 PIECES)	1
4.5	4032277	CIRCLIP-HOLE-130x4	1
4.6	4006725	O-RING ID.132,94x3,53 NBR70SR	1
4.7	2130992	RETAINING RING D.35xD.2,5 DIN7993 VP.	1
4.8	4179591	HUB D.42xD.60 VP.	1
4.9	2130994	SPACER D.38XD.55 VP.	1
4.10	4094462	SCREWS M10 (4 PIECES)	1
4.11	4233959	SCREW M8x16 VP.	1
4.12		SERRATED LOCK WASHER Ø8.2XØ25X35X2	1



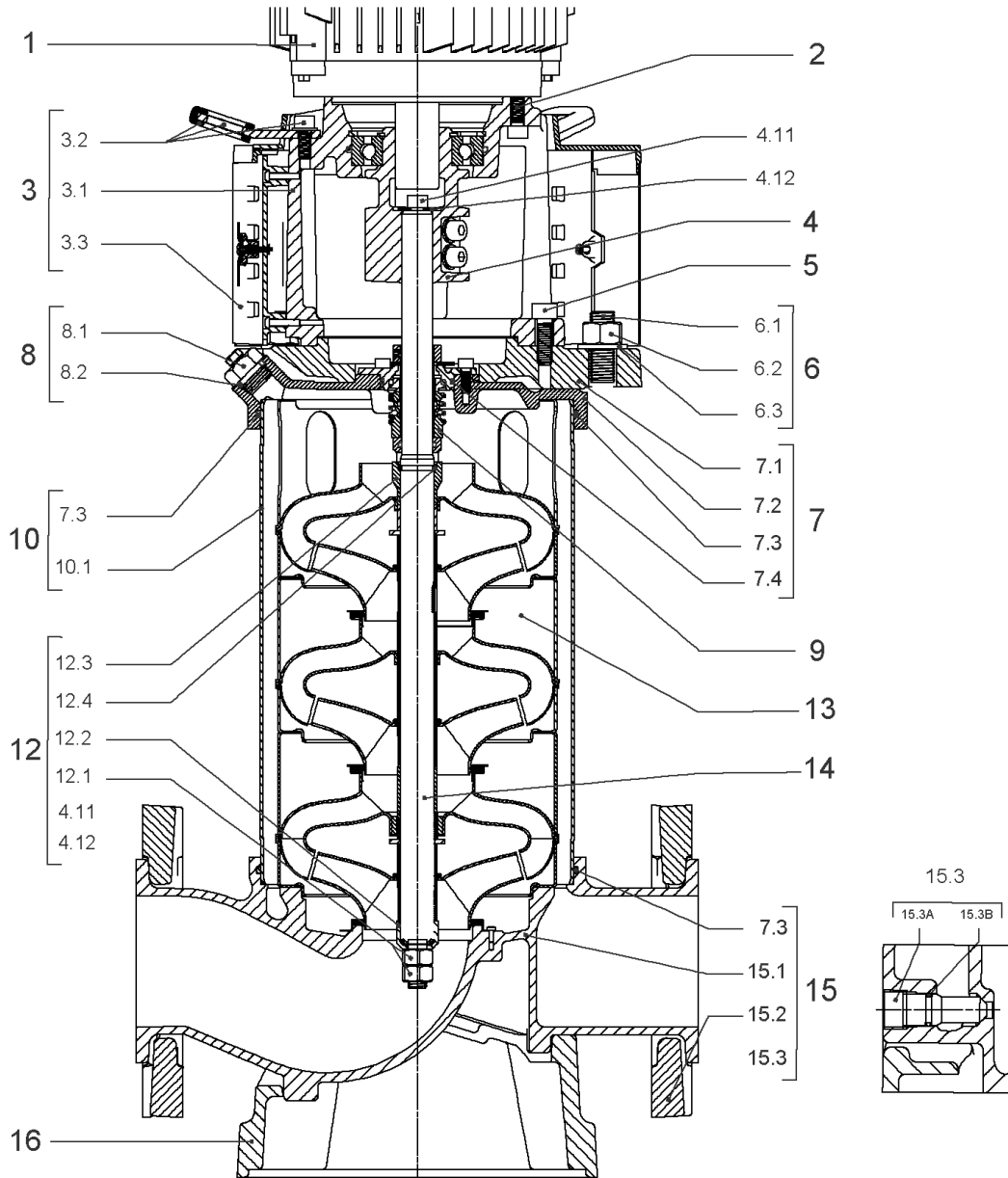
CARTRIDGE HELIX22-36-52 O/E KIT (4143973)

Item	Article no.	Description	Quantity
9.1	4143974	SEAL-KIT-HELIX22-36-52 O/E	1
7.3	4179571	> O-RING HOUSING PIPE HELIX22/36/52 VP.	1
7.4	4179572	> O-RING ID.42.52X2.62 EPDM VP.	1
9.1A	4179573	> M.SEAL.HELIX22-36-52 O/E VP.	1
9.1B	4179574	> O-RING ID.20x2.65 EPDM VP.	1
9.2	4179566	SHAFT SLEEVE D.20/20X60 1.4404 VP.	1
9.3	4179567	RING HOLDER Ø22 1.4301 VP.	1
9.4	4176520	SCREW CH M5x5 A4-70 (3PIECES)	1
9.5	4179568	DRIVE RING D.31/22.1x11 MACH.VP.	1
9.6	4179569	TOOL M.S.CART.HELIX 8" VP.	1
9.7	4179570	SCREW M6X16 ISO4762 8.8 GEOMET(4 PIECES)	1



HYDRAULIC HELIX V 5203

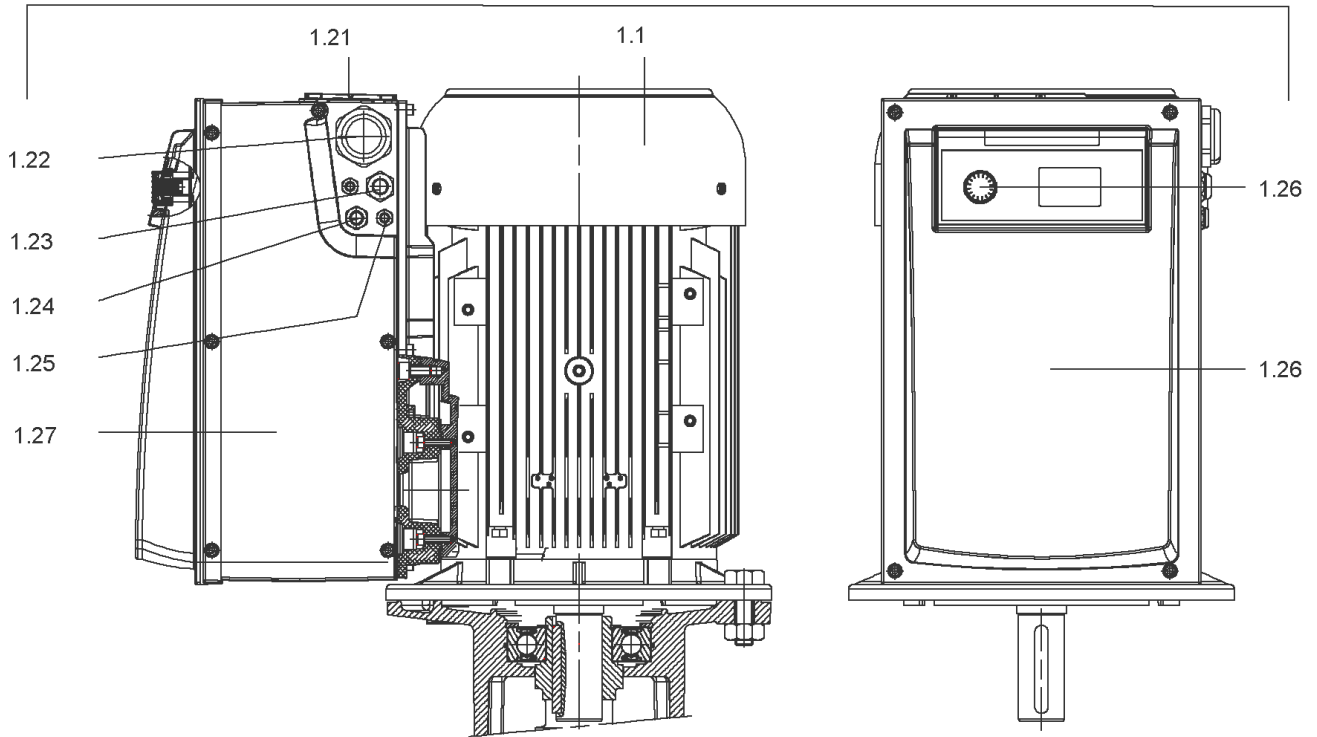
Item	Article no.	Description	Quantity
13.1	4164727	INTERMEDIAIRE STAGE HELIX 52 1.4301 KIT	1
		> SLEEVE-SPACER-D22XL30,42-316L	1
		> MACH.BEARING-DIFFUSER+NR-M+52-304	1
		> SHAFT-SLEEVE-D26xD22x16-CW	1
		> SPACER WASHER D22,3XD36 L3-316L	1
		> IMPELLER-H2-M+52-304	1
13.1A	4161200	> NECK RING 1.STAGE HELIX V36/52 KIT	1
		>> NECK-RING-M+36/52	1
		>> HYDRAULIC SUPPORT CAP M+36/52 304	1
		>> SCREW TCL M3X8 A4 POZIDRIV	1
13.2	4164728	INTERMEDIATE STAGE HELIX 52 1.4301 KIT	1
		> MACH.STD-DIFFUSER+NR-M+52-304	1
		> IMPELLER-H5-M+52-304	1
13.3	4164729	UPPER-STAGE HELIX 52 1.4301 KIT	1
		> STOP COLLAR OF IMPELLER L27,6-Ø22-316L	1
		> SLEEVE-SPACER-D22XL16,66-316L	1
		> SPACER WASHER D22,3XD36 L3-316L	1
		> IMPELLER-H2-M+52-304	1
		> MACH.STD-DISCHARGE-CHAMBER-M+52-304	1



HELIX VE5203-1/16/E/KS (4198870)

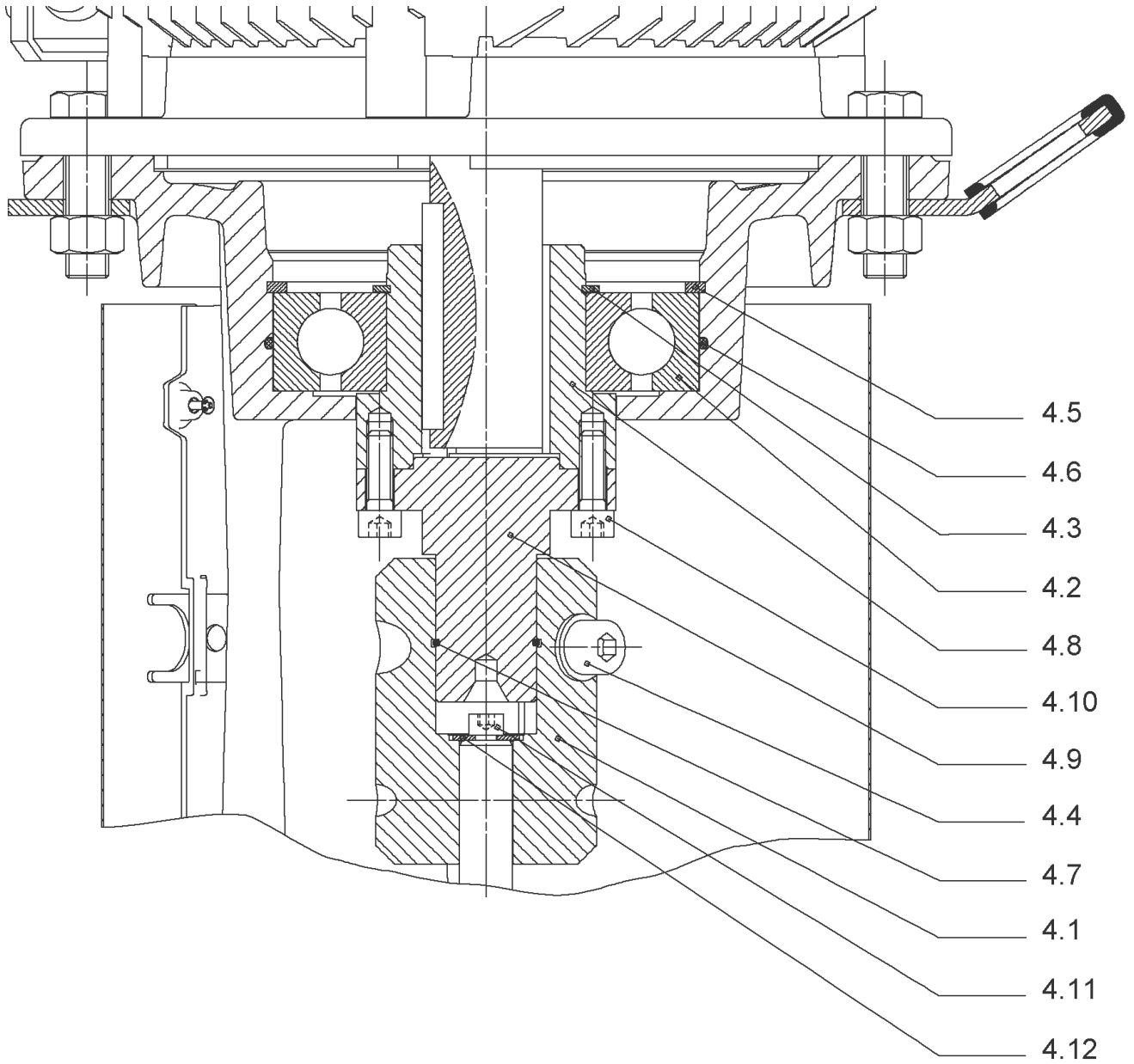
Item	Article no.	Description	Quantity
1	4218538	DRIVE HELIX VE5203-IE4-WEG KIT	1
Note: MOTOR BRAND WEG			
2	4179586	SCREW M16X60 (4 PIECES)	1
3	4157721	LANTERN HELIX 22/36 FF300 BB6312 KIT	1
3.1		> LANTERN FF300 M+ GJL MACHINED+CATA 6312	1
3.2	4179589	> EYELET CPL.FF300 HELIX(4 PIECES)	1
3.3	4143969	> COUPLING PROTECT HELIX FF KIT	1
4	4143966	COUPLING D.20XD.38 FF300 KIT	1
5	4157725	SCREW M10X40 (4 PIECES)	1
6	4217857	STUD BOLT HELIX M16X551 KIT	1
6.1		> TIE BOLT M16-551x24x44-1.4057	1
6.2	4179562	> NUT M16 8.8 ISO4032 (4 PIECES)	1
6.3	4097852	> WASHER-CS-16.4-32-2.8-NFE25-511-A2	1
7	4217176	END SHIELD HELIX OPTI 8" EPDM KIT	1
7.1		> upper flange machined + cataphoresis	1
7.2	4217174	> STATIONARY RING HOLDER 8" HELIX OPTI VP.	1
7.3	4179571	> O-RING HOUSING PIPE HELIX22/36/52 VP.	1
7.4	4179572	> O-RING ID.42.52X2.62 EPDM VP.	1
8	4186377	FILING/PURGING PLUG 304 HELIX KIT	1
8.1		> FILLING/VENTING-PLUG-MVI8/10"-304	1
8.2	4032291	> O-RING 17x3 EPDM KTW/WRC	1
9	4143973	CARTRIDGE HELIX22-36-52 O/E KIT	1
10	4181165	HOUSING PIPE D.204X314 1.4301 KIT	1
7.3	4179571	> O-RING HOUSING PIPE HELIX22/36/52 VP.	1
10.1		> HOUSING-PIPE Ø204-M+2205-304	1
12	4162804	SHAFT EQUIPMENT KIT NEXIS V52	1
13		HYDRAULIC HELIX V 5203	1
14	4179599	SHAFTS D.22X504 1.4057 VP.	1
15	4218385	EQUIPED HOUSING DN80 HELIX OPTI 8" KIT	1
15.1		> pump casing machined DN80	1
15.2	4218383	> HALF FLANGE DN80 HELIX OPTI 8" VP.	1
15.3	4217850	> DRAIN/PRIMING PLUG HELIX OPTI 8" KIT	1
7.3	4179571	> O-RING HOUSING PIPE HELIX22/36/52 VP.	1
16	4218387	BASEPLATE DN80 HELIX OPTI 8" VP.	1

1



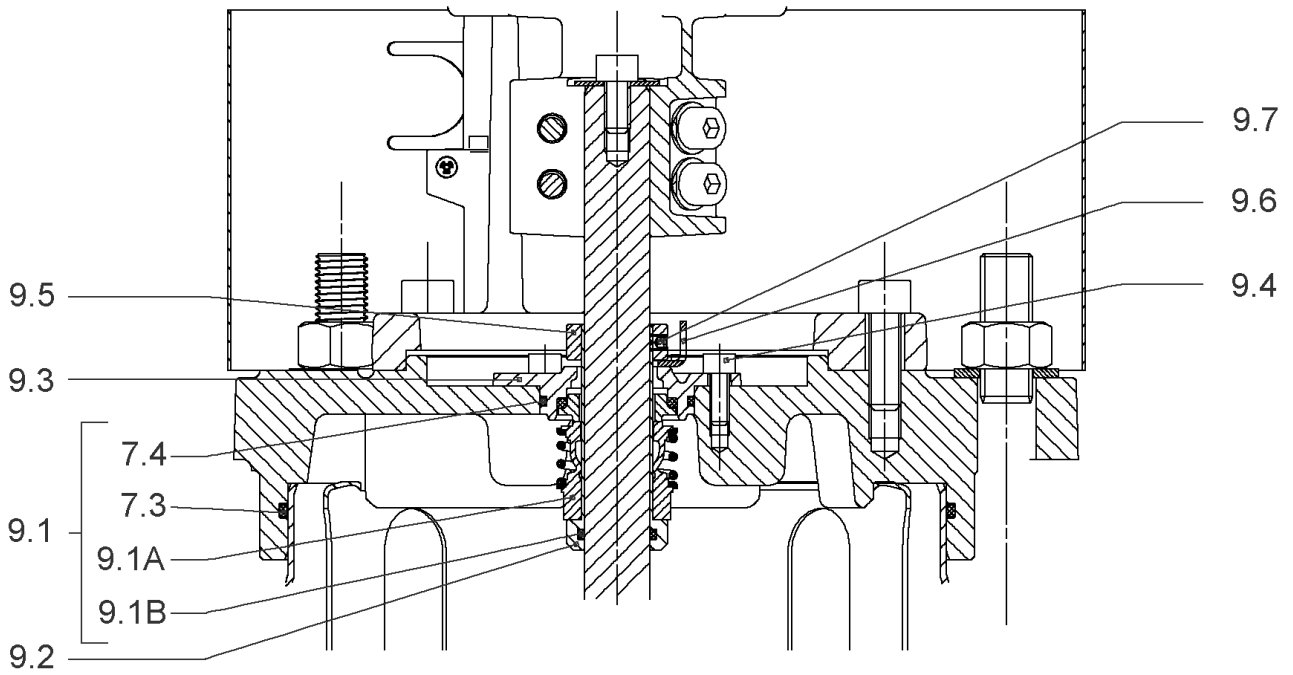
DRIVE HELIX VE5203-IE4-WEG KIT (4218538)

Item	Article no.	Description	Quantity
1.1		M11-2T540P55V1-160F30-N42-ADAPT-IE4-WEG	1
		SPARE PARTS MOTOR:ON REQUEST	1
1.21	2132102	FAN SMALL TL6/7 FF KIT	1
1.25	2132097	CABLE CONNECTION M12 TL6/7 FF VP.	1
1.24	2132098	CABLE CONNECTION M16 TL6/7 FF VP.	1
1.23	2132099	CABLE CONNECTION M20 TL6/7 FF VP.	1
1.22	2132100	CABLE CONNECTION SMALL M40 TL6/7 FF VP.	1
1.27	2132104	COVER SIDE TL6/7 FF CPL.VP.	1
1.26	2132452	MODULE COVER/BUTTON TL6/7 FF VP.	1



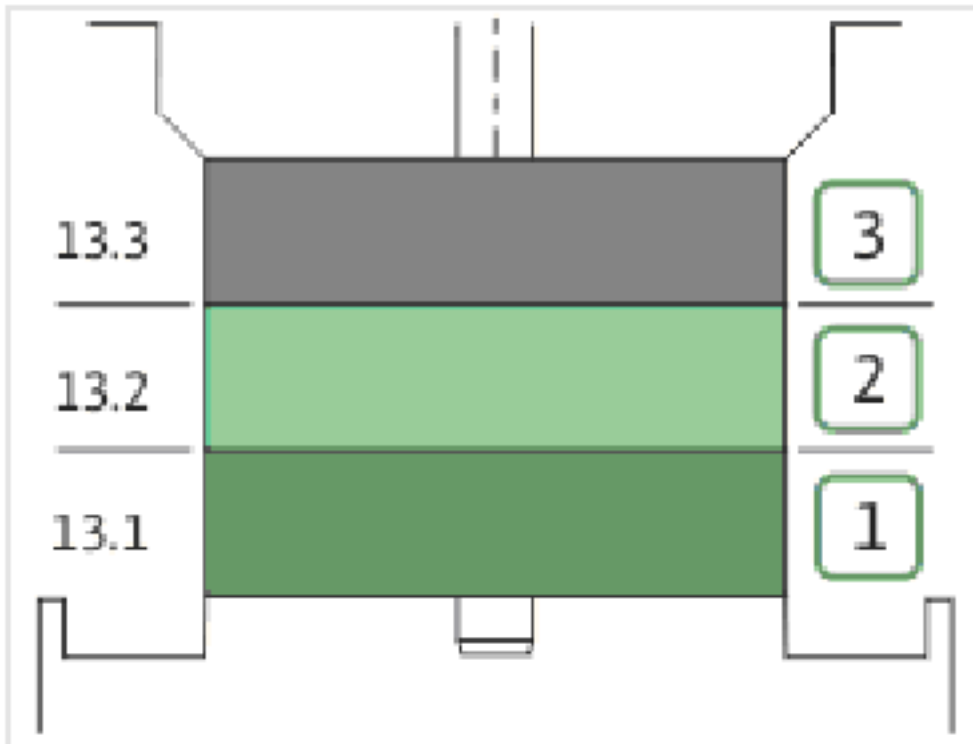
COUPLING D.20XD.38 FF300 KIT (4143966)

Item	Article no.	Description	Quantity
4.1	4179590	COUPLING 2 PARTS D.20XD.38XL115 VP.	1
4.2	2123699	BALL BEARING 6312/2Z-C4 (HT) VP.	1
4.3	63428	CIRCLIP-FOR-SHAFT-D60x2	1
4.4	2130991	SCREW M12X30 ISO4762 8.8 ZN(4 PIECES)	1
4.5	4032277	CIRCLIP-HOLE-130x4	1
4.6	4006725	O-RING ID.132,94x3,53 NBR70SR	1
4.7	2130992	RETAINING RING D.35xD.2,5 DIN7993 VP.	1
4.8	4179591	HUB D.42xD.60 VP.	1
4.9	2130994	SPACER D.38XD.55 VP.	1
4.10	4094462	SCREWS M10 (4 PIECES)	1
4.11	4233959	SCREW M8x16 VP.	1
4.12		SERRATED LOCK WASHER Ø8.2XØ25X35X2	1



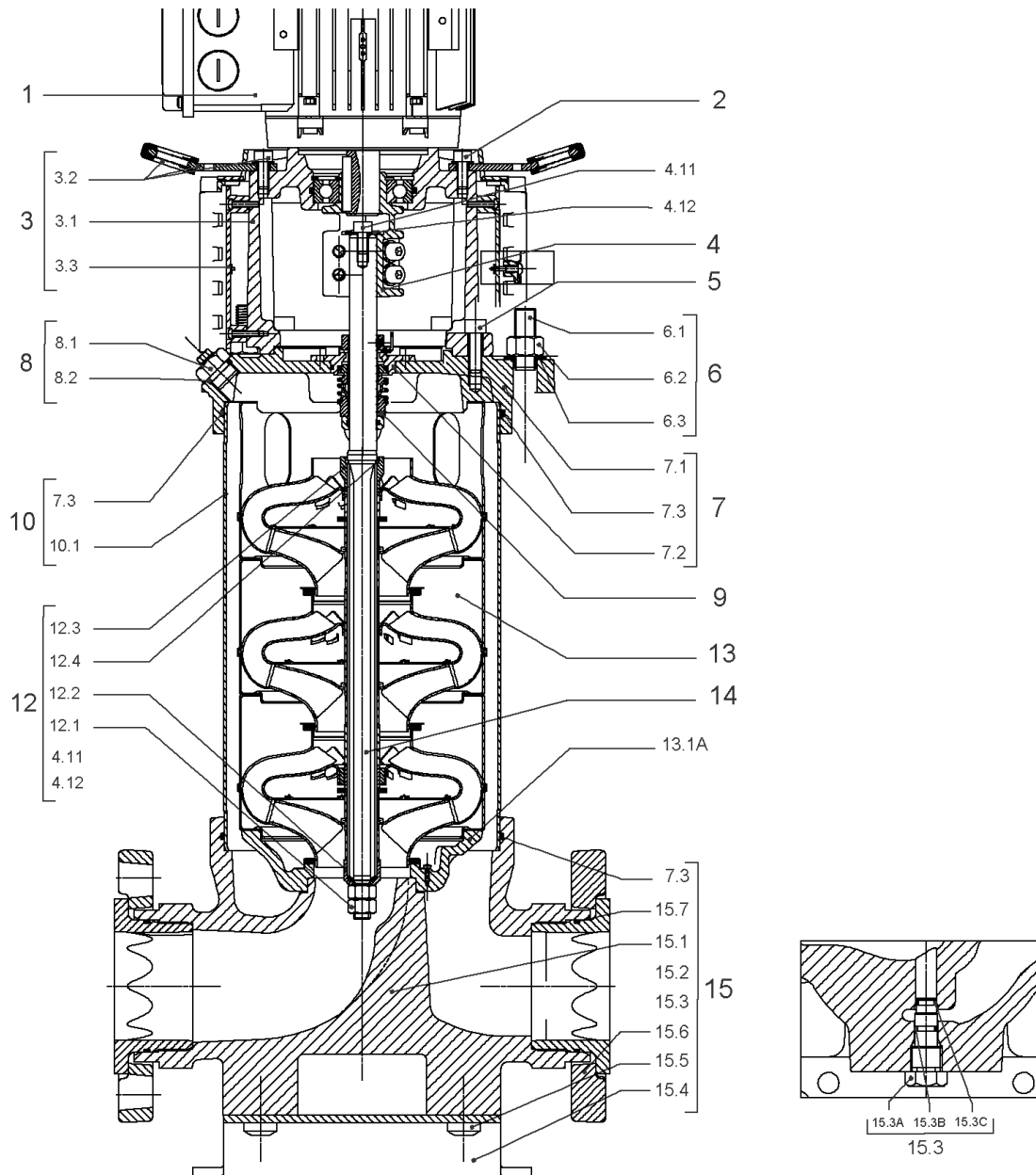
CARTRIDGE HELIX22-36-52 O/E KIT (4143973)

Item	Article no.	Description	Quantity
9.1	4143974	SEAL-KIT-HELIX22-36-52 O/E	1
7.3	4179571	> O-RING HOUSING PIPE HELIX22/36/52 VP.	1
7.4	4179572	> O-RING ID.42.52X2.62 EPDM VP.	1
9.1A	4179573	> M.SEAL.HELIX22-36-52 O/E VP.	1
9.1B	4179574	> O-RING ID.20x2.65 EPDM VP.	1
9.2	4179566	SHAFT SLEEVE D.20/20X60 1.4404 VP.	1
9.3	4179567	RING HOLDER Ø22 1.4301 VP.	1
9.4	4176520	SCREW CH M5x5 A4-70 (3PIECES)	1
9.5	4179568	DRIVE RING D.31/22.1x11 MACH.VP.	1
9.6	4179569	TOOL M.S.CART.HELIX 8" VP.	1
9.7	4179570	SCREW M6X16 ISO4762 8.8 GEOMET(4 PIECES)	1



HYDRAULIC HELIX V 5203

Item	Article no.	Description	Quantity
13.1	4164727	INTERMEDIAIRE STAGE HELIX 52 1.4301 KIT	1
		> SLEEVE-SPACER-D22XL30,42-316L	1
		> MACH.BEARING-DIFFUSER+NR-M+52-304	1
		> SHAFT-SLEEVE-D26xD22x16-CW	1
		> SPACER WASHER D22,3XD36 L3-316L	1
		> IMPELLER-H2-M+52-304	1
13.1A	4161200	> NECK RING 1.STAGE HELIX V36/52 KIT	1
		>> NECK-RING-M+36/52	1
		>> HYDRAULIC SUPPORT CAP M+36/52 304	1
		>> SCREW TCL M3X8 A4 POZIDRIV	1
13.2	4164728	INTERMEDIATE STAGE HELIX 52 1.4301 KIT	1
		> MACH.STD-DIFFUSER+NR-M+52-304	1
		> IMPELLER-H5-M+52-304	1
13.3	4164729	UPPER-STAGE HELIX 52 1.4301 KIT	1
		> STOP COLLAR OF IMPELLER L27,6-Ø22-316L	1
		> SLEEVE-SPACER-D22XL16,66-316L	1
		> SPACER WASHER D22,3XD36 L3-316L	1
		> IMPELLER-H2-M+52-304	1
		> MACH.STD-DISCHARGE-CHAMBER-M+52-304	1



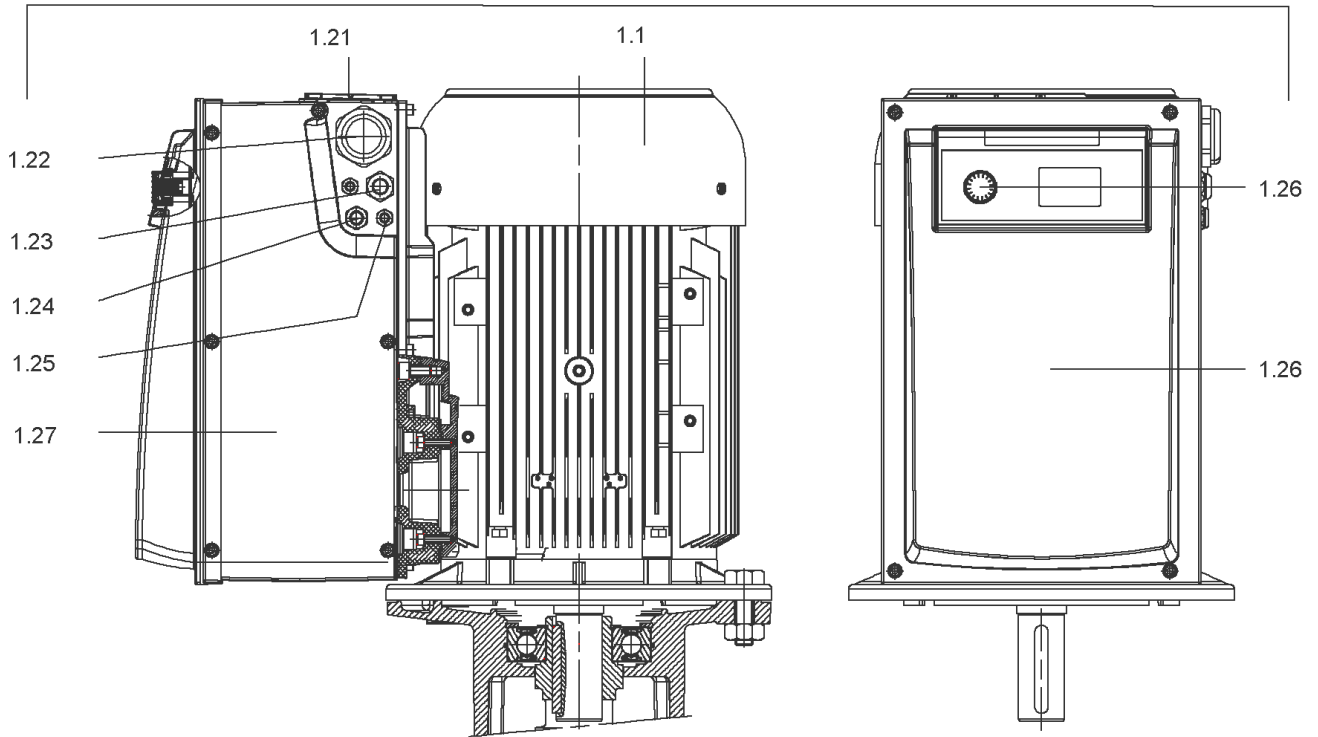
HELIX VE5203-3/25/E/KS (4166234)

Item	Article no.	Description	Quantity
1		DRIVE HELIX VE5203-IE2-ARC KIT	1
Note: no longer available/nicht mehr lieferbar/n'est plus disponible			
1	4218538	DRIVE HELIX VE5203-IE4-WEG KIT	1
Note: MOTOR BRAND WEG			
2	4179586	SCREW M16X60 (4 PIECES)	1
3	4157721	LANTERN HELIX 22/36 FF300 BB6312 KIT	1
3.1		> LANTERN FF300 M+ GJL MACHINED+CATA 6312	1
3.2	4179589	> EYELET CPL.FF300 HELIX(4 PIECES)	1
3.3	4143969	> COUPLING PROTECT HELIX FF KIT	1
4	4143966	COUPLING D.20XD.38 FF300 KIT	1
5	4157725	SCREW M10X40 (4 PIECES)	1
6	4179592	STUD BOLT M16X405 KIT	1
6.1		> TIE BOLT M16-405x24x44-1.4057	1
6.2	4179562	> NUT M16 8.8 ISO4032 (4 PIECES)	1
6.3	4097852	> WASHER-CS-16.4-32-2.8-NFE25-511-A2	1
7	4179565	END SHIELD HELIX 8" EPDM KIT	1
7.1		> END SHIELD M+ GJL MACHINED+CATA	1
7.2	4179564	> O-RING D.42.52x2.62 EPDM VP.	1
7.3	4179571	> O-RING HOUSING PIPE HELIX22/36/52 VP.	1
8	4186377	FILING/PURGING PLUG 304 HELIX KIT	1
8.1		> FILLING/VENTING-PLUG-MVI8/10"-304	1
8.2	4032291	> O-RING 17x3 EPDM KTW/WRC	1
9	4143975	CARTRIDGE HELIX22-36-52 F/E KIT	1
10	4179593	HOUSING PIPE D.204X330 1.4307 KIT	1
7.3	4179571	> O-RING HOUSING PIPE HELIX22/36/52 VP.	1
10.1		> HOUSING-PIPE Ø204-M+3604/5203-304	1
11	4179583	CENTRALIZER HELIX 8" 52 VP.	1
12	4164724	SHAFT EQUIPMENT HELIX V52 KIT	1
13		HYDRAULIC HELIX V 5203	1
14	4179599	SHAFTS D.22X504 1.4057 VP.	1
15	4164723	EQUIPED HOUSING PN16 HELIX GJL KIT	1
7.3	4179571	> O-RING HOUSING PIPE HELIX22/36/52 VP.	1
15.1		> PUMP HOUSING SET with COATED PARTS-DN80	1
15.3	4143766	> DRAIN/PRIMING PLUG EPDM HELIX KIT	1

HELIX VE5203-3/25/E/KS (4166234)

Item	Article no.	Description	Quantity
15.3A		>> PRIMING/DRAIN PLUG-304-VERSION 1	1
15.3B	4032293	>> O-RING-10x3-EPDM-KTW/WRC	1
15.3C	4233957	>> O-RING ID.9 EPDM VP.	1
15.4	4221729	> BASE M+ DN50/65/80 VP.	1
15.5		> SCREW TBHC M12x25 ISO7380 ZN	1
15.6		> FLANGE M+ DN80 NF PN16-25 ASME PN16 CATA	1
15.7		> O-RING Ø91.42xØ3 EPDM	1
13.1A	4161200	> NECK RING 1.STAGE HELIX V36/52 KIT	1
		>> NECK-RING-M+36/52	1
		>> HYDRAULIC SUPPORT CAP M+36/52 304	1
		>> SCREW TCL M3X8 A4 POZIDRIV	1

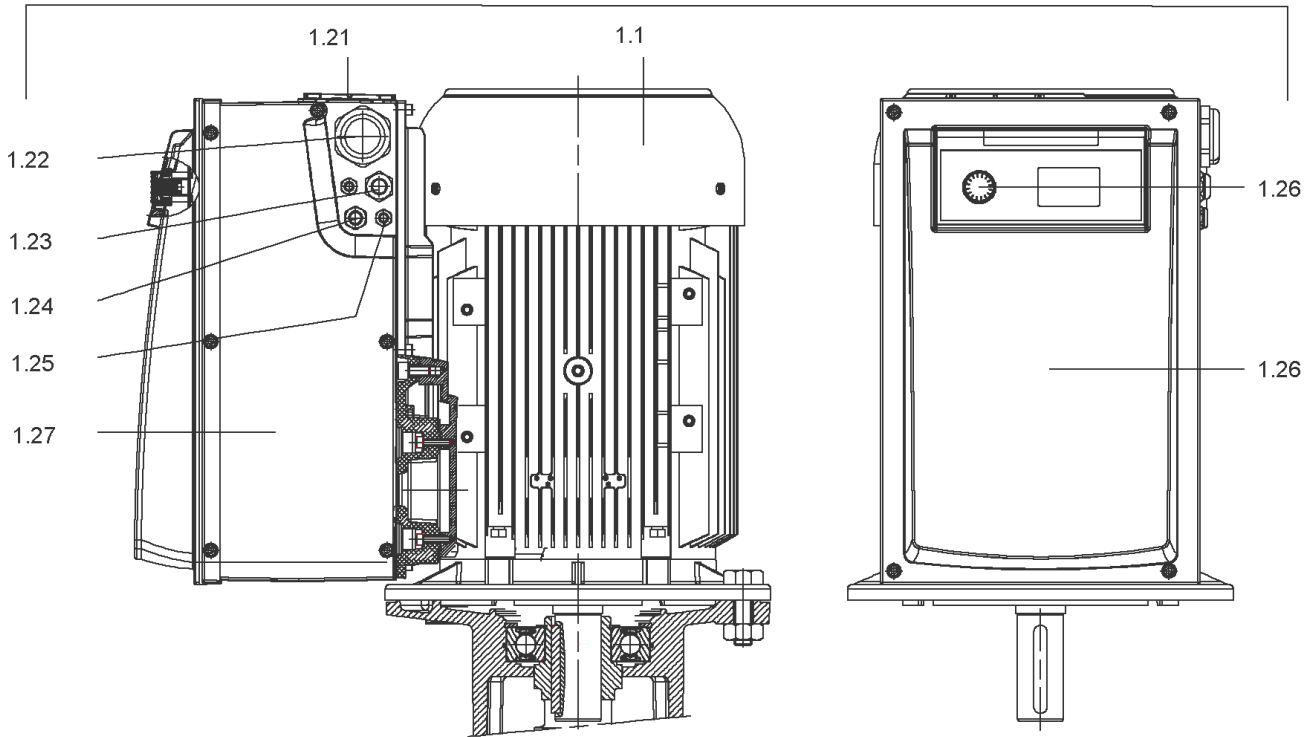
1



DRIVE HELIX VE5203-IE2-ARC KIT

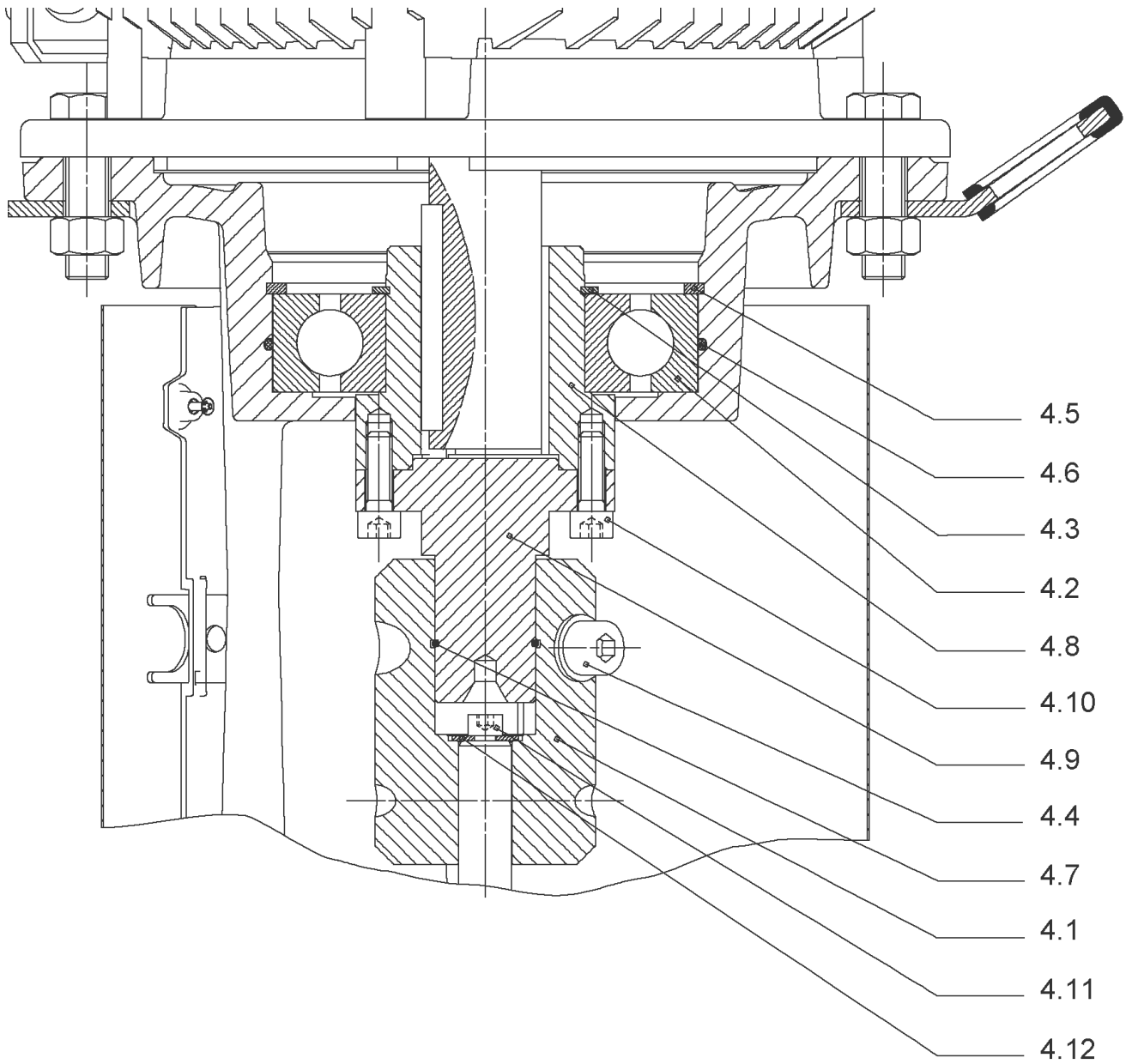
Item	Article no.	Description	Quantity
1.1		M11-2T540P55V1-160F300-N42-IE2	1
		SPARE PARTS MOTOR:ON REQUEST	1
1.21	2132102	FAN SMALL TL6/7 FF KIT	1
1.25	2132097	CABLE CONNECTION M12 TL6/7 FF VP.	1
1.24	2132098	CABLE CONNECTION M16 TL6/7 FF VP.	1
1.23	2132099	CABLE CONNECTION M20 TL6/7 FF VP.	1
1.22	2132100	CABLE CONNECTION SMALL M40 TL6/7 FF VP.	1
1.27	2132104	COVER SIDE TL6/7 FF CPL.VP.	1
1.26	2132452	MODULE COVER/BUTTON TL6/7 FF VP.	1

1



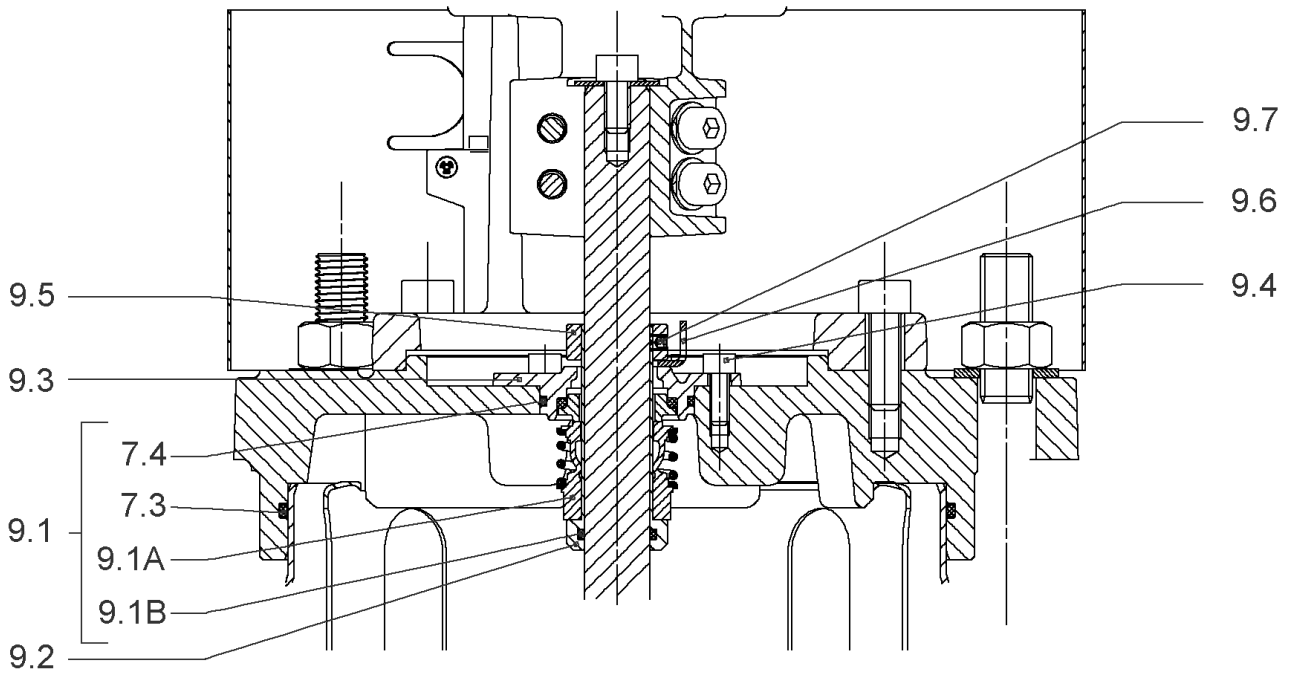
DRIVE HELIX VE5203-IE4-WEG KIT (4218538)

Item	Article no.	Description	Quantity
1.1		M11-2T540P55V1-160F30-N42-ADAPT-IE4-WEG	1
		SPARE PARTS MOTOR:ON REQUEST	1
1.21	2132102	FAN SMALL TL6/7 FF KIT	1
1.25	2132097	CABLE CONNECTION M12 TL6/7 FF VP.	1
1.24	2132098	CABLE CONNECTION M16 TL6/7 FF VP.	1
1.23	2132099	CABLE CONNECTION M20 TL6/7 FF VP.	1
1.22	2132100	CABLE CONNECTION SMALL M40 TL6/7 FF VP.	1
1.27	2132104	COVER SIDE TL6/7 FF CPL.VP.	1
1.26	2132452	MODULE COVER/BUTTON TL6/7 FF VP.	1



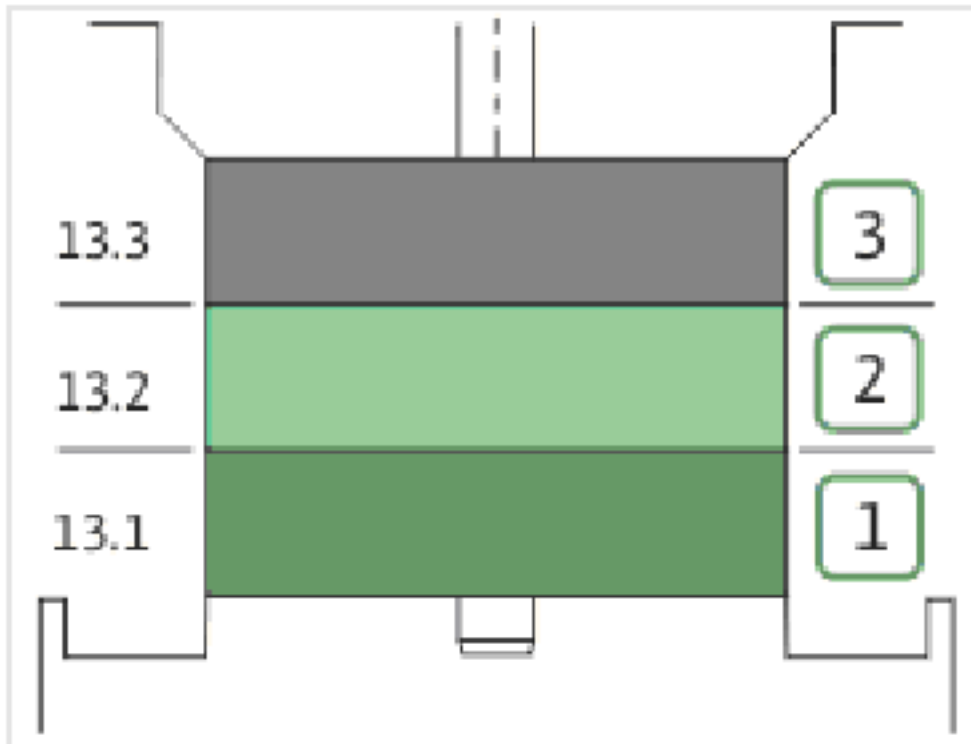
COUPLING D.20XD.38 FF300 KIT (4143966)

Item	Article no.	Description	Quantity
4.1	4179590	COUPLING 2 PARTS D.20XD.38XL115 VP.	1
4.2	2123699	BALL BEARING 6312/2Z-C4 (HT) VP.	1
4.3	63428	CIRCLIP-FOR-SHAFT-D60x2	1
4.4	2130991	SCREW M12X30 ISO4762 8.8 ZN(4 PIECES)	1
4.5	4032277	CIRCLIP-HOLE-130x4	1
4.6	4006725	O-RING ID.132,94x3,53 NBR70SR	1
4.7	2130992	RETAINING RING D.35xD.2,5 DIN7993 VP.	1
4.8	4179591	HUB D.42xD.60 VP.	1
4.9	2130994	SPACER D.38XD.55 VP.	1
4.10	4094462	SCREWS M10 (4 PIECES)	1
4.11	4233959	SCREW M8x16 VP.	1
4.12		SERRATED LOCK WASHER Ø8.2XØ25X35X2	1



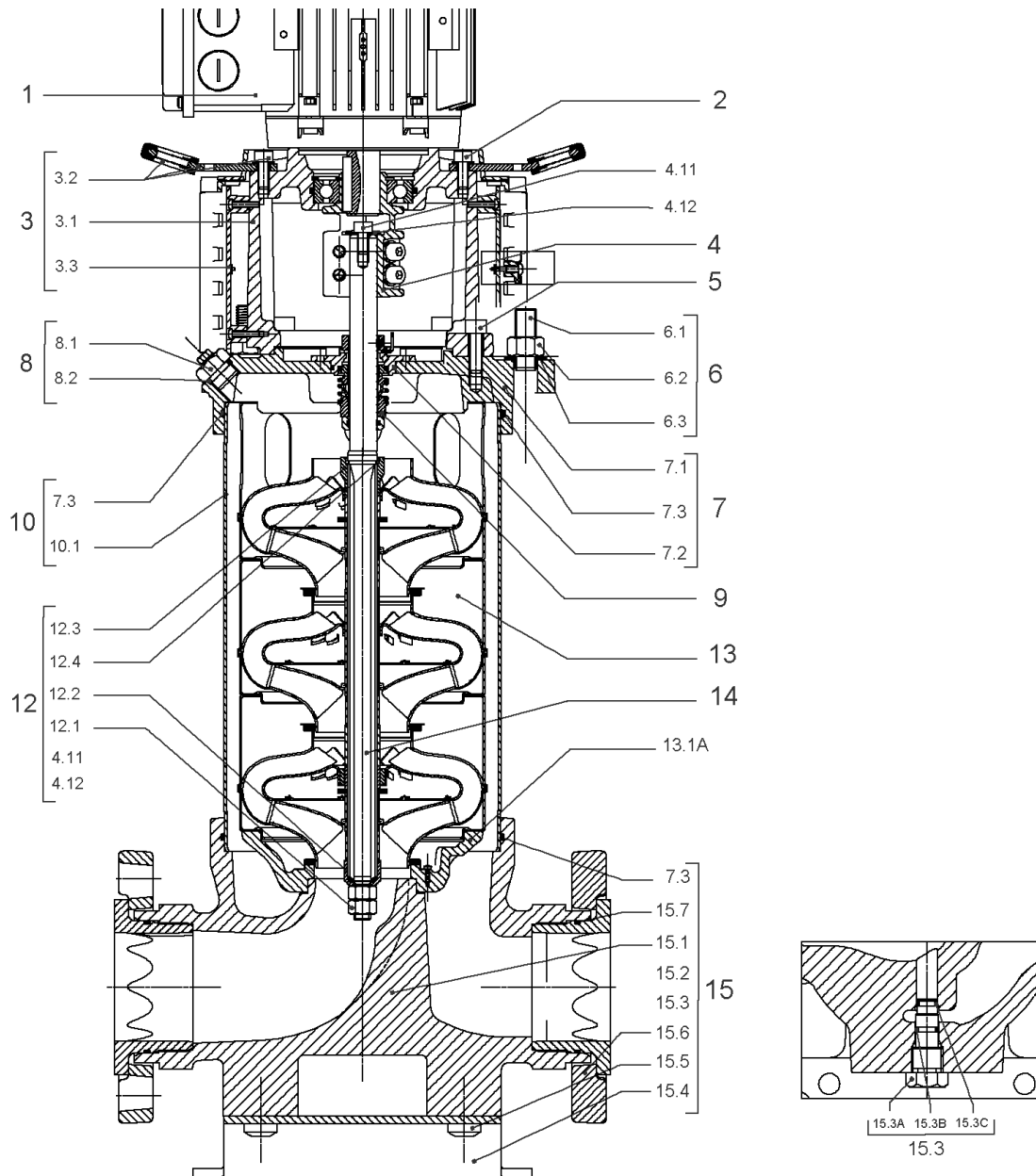
CARTRIDGE HELIX22-36-52 F/E KIT (4143975)

Item	Article no.	Description	Quantity
9.1	4143976	SEAL-KIT-HELIX22-36-52 F/E	1
7.3	4179571	> O-RING HOUSING PIPE HELIX22/36/52 VP.	1
7.4	4179572	> O-RING ID.42.52X2.62 EPDM VP.	1
9.1A	2127447	> M.SEAL.HELIX22-36-52 F/E VP.	1
9.1B	4179574	> O-RING ID.20x2.65 EPDM VP.	1
9.2	4179566	SHAFT SLEEVE D.20/20X60 1.4404 VP.	1
9.3	4179567	RING HOLDER Ø22 1.4301 VP.	1
9.4	4176520	SCREW CH M5x5 A4-70 (3PIECES)	1
9.5	4179568	DRIVE RING D.31/22.1x11 MACH.VP.	1
9.6	4179569	TOOL M.S.CART.HELIX 8" VP.	1
9.7	4179570	SCREW M6X16 ISO4762 8.8 GEOMET(4 PIECES)	1



HYDRAULIC HELIX V 5203

Item	Article no.	Description	Quantity
13.1	4164727	INTERMEDIAIRE STAGE HELIX 52 1.4301 KIT	1
		> SLEEVE-SPACER-D22XL30,42-316L	1
		> MACH.BEARING-DIFFUSER+NR-M+52-304	1
		> SHAFT-SLEEVE-D26xD22x16-CW	1
		> SPACER WASHER D22,3XD36 L3-316L	1
		> IMPELLER-H2-M+52-304	1
13.1A	4161200	> NECK RING 1.STAGE HELIX V36/52 KIT	1
		>> NECK-RING-M+36/52	1
		>> HYDRAULIC SUPPORT CAP M+36/52 304	1
		>> SCREW TCL M3X8 A4 POZIDRIV	1
13.2	4164728	INTERMEDIATE STAGE HELIX 52 1.4301 KIT	1
		> MACH.STD-DIFFUSER+NR-M+52-304	1
		> IMPELLER-H5-M+52-304	1
13.3	4164729	UPPER-STAGE HELIX 52 1.4301 KIT	1
		> STOP COLLAR OF IMPELLER L27,6-Ø22-316L	1
		> SLEEVE-SPACER-D22XL16,66-316L	1
		> SPACER WASHER D22,3XD36 L3-316L	1
		> IMPELLER-H2-M+52-304	1
		> MACH.STD-DISCHARGE-CHAMBER-M+52-304	1



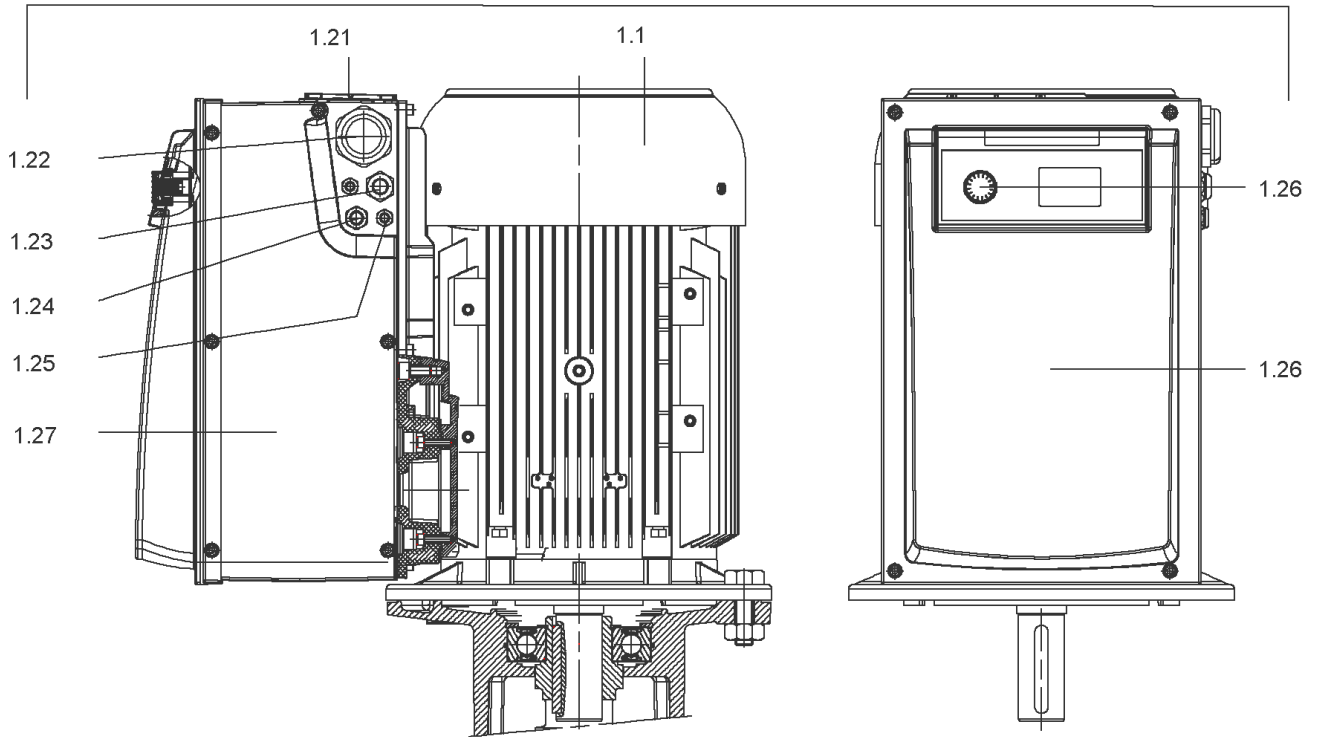
HELIX VE5204-3/16/E/K/2G (4166232)

Item	Article no.	Description	Quantity
1		DRIVE HELIX VE5204-IE2-ARC KIT	1
Note: no longer available/nicht mehr lieferbar/n'est plus disponible			
1	4218533	DRIVE HELIX VE5204-IE4-WEG KIT	1
Note: MOTOR BRAND WEG			
2	4179586	SCREW M16X60 (4 PIECES)	1
3	4157721	LANTERN HELIX 22/36 FF300 BB6312 KIT	1
3.1		> LANTERN FF300 M+ GJL MACHINED+CATA 6312	1
3.2	4179589	> EYELET CPL.FF300 HELIX(4 PIECES)	1
3.3	4143969	> COUPLING PROTECT HELIX FF KIT	1
4	4143966	COUPLING D.20XD.38 FF300 KIT	1
5	4157725	SCREW M10X40 (4 PIECES)	1
6	4179919	STUD BOLT M16X500 KIT	1
6.1		> TIE BOLT M16-500x24x44-1.4057	1
6.2	4179562	> NUT M16 8.8 ISO4032 (4 PIECES)	1
6.3	4097852	> WASHER-CS-16.4-32-2.8-NFE25-511-A2	1
7	4179565	END SHIELD HELIX 8" EPDM KIT	1
7.1		> END SHIELD M+ GJL MACHINED+CATA	1
7.2	4179564	> O-RING D.42.52x2.62 EPDM VP.	1
7.3	4179571	> O-RING HOUSING PIPE HELIX22/36/52 VP.	1
8	4186377	FILING/PURGING PLUG 304 HELIX KIT	1
8.1		> FILLING/VENTING-PLUG-MVI8/10"-304	1
8.2	4032291	> O-RING 17x3 EPDM KTW/WRC	1
9	4143973	CARTRIDGE HELIX22-36-52 O/E KIT	1
10	4179920	HOUSING PIPE D204 X 430 1.4301 KIT	1
7.3	4179571	> O-RING HOUSING PIPE HELIX22/36/52 VP.	1
10.1		> HOUSING-PIPE Ø204-M+5204-304	1
11	4179583	CENTRALIZER HELIX 8" 52 VP.	1
12	4164724	SHAFT EQUIPMENT HELIX V52 KIT	1
13		HYDRAULIC HELIX V 5204	1
14	4180848	SHAFT D.22X604 1.4057 VP.	1
15	4164723	EQUIPED HOUSING PN16 HELIX GJL KIT	1
7.3	4179571	> O-RING HOUSING PIPE HELIX22/36/52 VP.	1
15.1		> PUMP HOUSING SET with COATED PARTS-DN80	1
15.3	4143766	> DRAIN/PRIMING PLUG EPDM HELIX KIT	1

HELIX VE5204-3/16/E/K/2G (4166232)

Item	Article no.	Description	Quantity
15.3A		>> PRIMING/DRAIN PLUG-304-VERSION 1	1
15.3B	4032293	>> O-RING-10x3-EPDM-KTW/WRC	1
15.3C	4233957	>> O-RING ID.9 EPDM VP.	1
15.4	4221729	> BASE M+ DN50/65/80 VP.	1
15.5		> SCREW TBHC M12x25 ISO7380 ZN	1
15.6		> FLANGE M+ DN80 NF PN16-25 ASME PN16 CATA	1
15.7		> O-RING Ø91.42xØ3 EPDM	1
13.1A	4161200	> NECK RING 1.STAGE HELIX V36/52 KIT	1
		>> NECK-RING-M+36/52	1
		>> HYDRAULIC SUPPORT CAP M+36/52 304	1
		>> SCREW TCL M3X8 A4 POZIDRIV	1

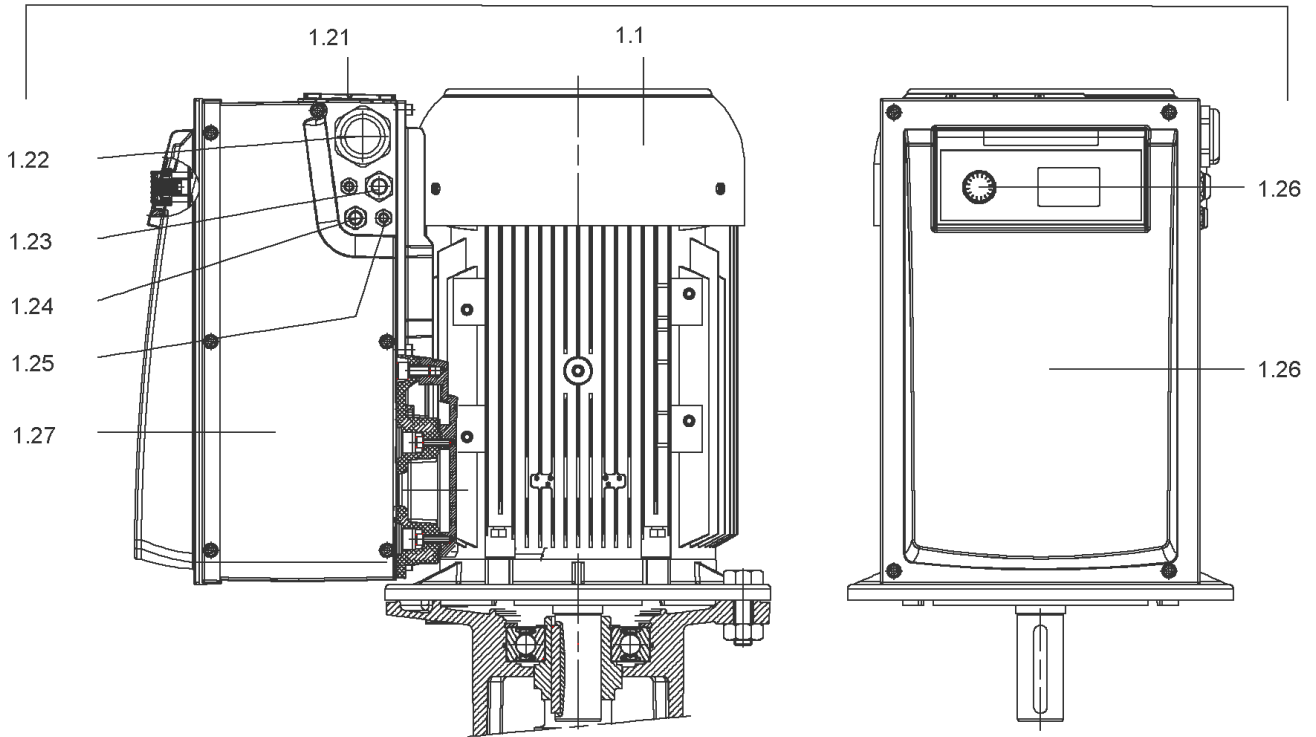
1



DRIVE HELIX VE5204-IE2-ARC KIT

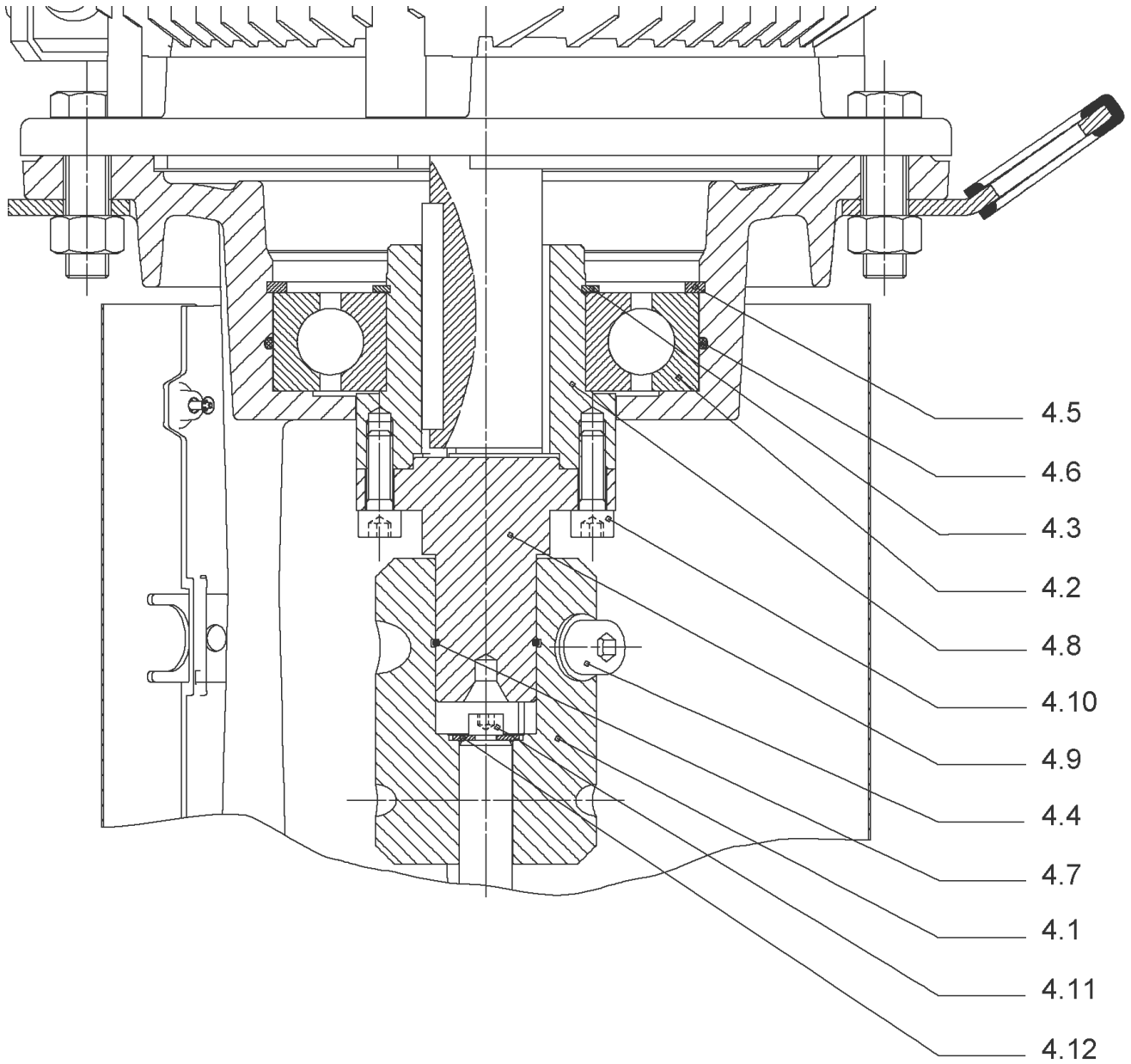
Item	Article no.	Description	Quantity
1.1		M15-2T540P55V1-160F300-N42-IE2	1
		SPARE PARTS MOTOR:ON REQUEST	1
1.21	2132102	FAN SMALL TL6/7 FF KIT	1
1.25	2132097	CABLE CONNECTION M12 TL6/7 FF VP.	1
1.24	2132098	CABLE CONNECTION M16 TL6/7 FF VP.	1
1.23	2132099	CABLE CONNECTION M20 TL6/7 FF VP.	1
1.22	2132100	CABLE CONNECTION SMALL M40 TL6/7 FF VP.	1
1.27	2132104	COVER SIDE TL6/7 FF CPL.VP.	1
1.26	2132452	MODULE COVER/BUTTON TL6/7 FF VP.	1

1



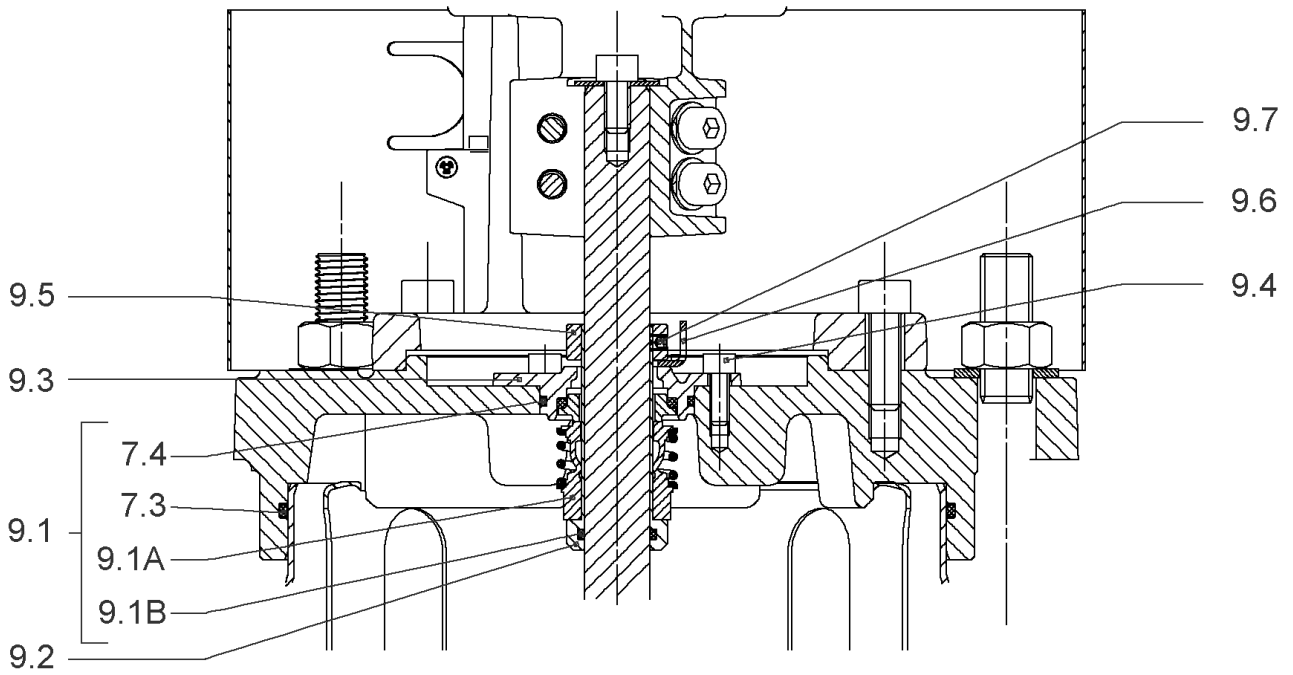
DRIVE HELIX VE5204-IE4-WEG KIT (4218533)

Item	Article no.	Description	Quantity
1.1		M15-2T540P55V1-160F30-N42-ADAPT-IE4-WEG	1
		SPARE PARTS MOTOR:ON REQUEST	1
1.21	2132102	FAN SMALL TL6/7 FF KIT	1
1.25	2132097	CABLE CONNECTION M12 TL6/7 FF VP.	1
1.24	2132098	CABLE CONNECTION M16 TL6/7 FF VP.	1
1.23	2132099	CABLE CONNECTION M20 TL6/7 FF VP.	1
1.22	2132100	CABLE CONNECTION SMALL M40 TL6/7 FF VP.	1
1.27	2132104	COVER SIDE TL6/7 FF CPL.VP.	1
1.26	2132452	MODULE COVER/BUTTON TL6/7 FF VP.	1



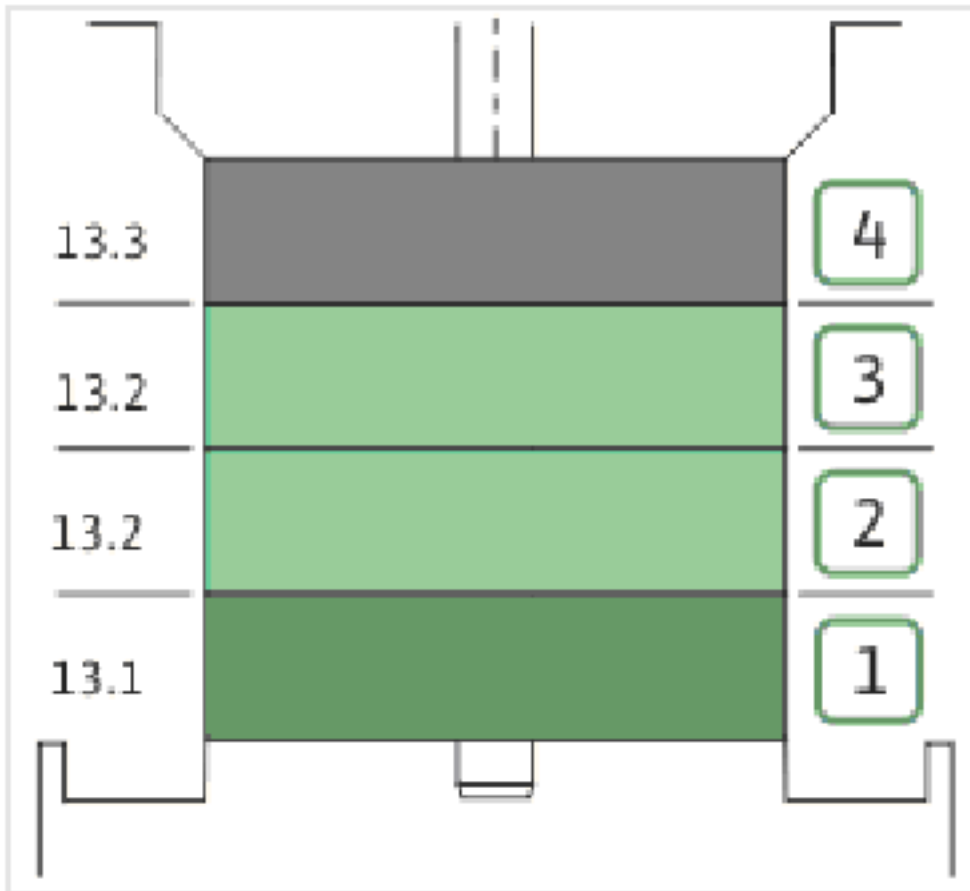
COUPLING D.20XD.38 FF300 KIT (4143966)

Item	Article no.	Description	Quantity
4.1	4179590	COUPLING 2 PARTS D.20XD.38XL115 VP.	1
4.2	2123699	BALL BEARING 6312/2Z-C4 (HT) VP.	1
4.3	63428	CIRCLIP-FOR-SHAFT-D60x2	1
4.4	2130991	SCREW M12X30 ISO4762 8.8 ZN(4 PIECES)	1
4.5	4032277	CIRCLIP-HOLE-130x4	1
4.6	4006725	O-RING ID.132,94x3,53 NBR70SR	1
4.7	2130992	RETAINING RING D.35xD.2,5 DIN7993 VP.	1
4.8	4179591	HUB D.42xD.60 VP.	1
4.9	2130994	SPACER D.38XD.55 VP.	1
4.10	4094462	SCREWS M10 (4 PIECES)	1
4.11	4233959	SCREW M8x16 VP.	1
4.12		SERRATED LOCK WASHER Ø8.2XØ25X35X2	1



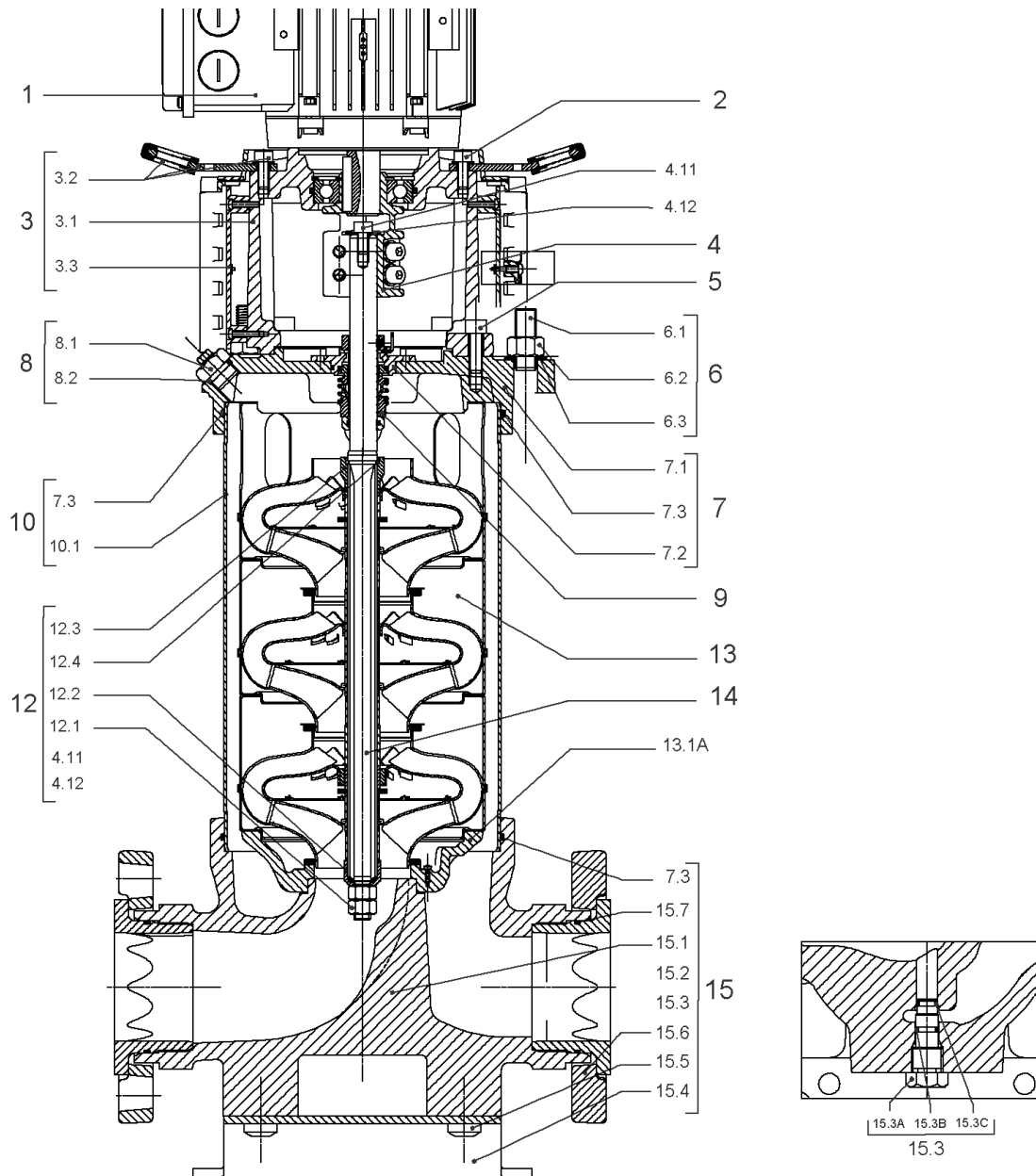
CARTRIDGE HELIX22-36-52 O/E KIT (4143973)

Item	Article no.	Description	Quantity
9.1	4143974	SEAL-KIT-HELIX22-36-52 O/E	1
7.3	4179571	> O-RING HOUSING PIPE HELIX22/36/52 VP.	1
7.4	4179572	> O-RING ID.42.52X2.62 EPDM VP.	1
9.1A	4179573	> M.SEAL.HELIX22-36-52 O/E VP.	1
9.1B	4179574	> O-RING ID.20x2.65 EPDM VP.	1
9.2	4179566	SHAFT SLEEVE D.20/20X60 1.4404 VP.	1
9.3	4179567	RING HOLDER Ø22 1.4301 VP.	1
9.4	4176520	SCREW CH M5x5 A4-70 (3PIECES)	1
9.5	4179568	DRIVE RING D.31/22.1x11 MACH.VP.	1
9.6	4179569	TOOL M.S.CART.HELIX 8" VP.	1
9.7	4179570	SCREW M6X16 ISO4762 8.8 GEOMET(4 PIECES)	1



HYDRAULIC HELIX V 5204

Item	Article no.	Description	Quantity
13.1	4164727	INTERMEDIAIRE STAGE HELIX 52 1.4301 KIT	1
		> SLEEVE-SPACER-D22XL30,42-316L	1
		> MACH.BEARING-DIFFUSER+NR-M+52-304	1
		> SHAFT-SLEEVE-D26xD22x16-CW	1
		> SPACER WASHER D22,3XD36 L3-316L	1
		> IMPELLER-H2-M+52-304	1
13.1A	4161200	> NECK RING 1.STAGE HELIX V36/52 KIT	1
		>> NECK-RING-M+36/52	1
		>> HYDRAULIC SUPPORT CAP M+36/52 304	1
		>> SCREW TCL M3X8 A4 POZIDRIV	1
13.2	4164728	INTERMEDIATE STAGE HELIX 52 1.4301 KIT	1
		> MACH.STD-DIFFUSER+NR-M+52-304	1
		> IMPELLER-H5-M+52-304	1
13.3	4164729	UPPER-STAGE HELIX 52 1.4301 KIT	1
		> STOP COLLAR OF IMPELLER L27,6-Ø22-316L	1
		> SLEEVE-SPACER-D22XL16,66-316L	1
		> SPACER WASHER D22,3XD36 L3-316L	1
		> IMPELLER-H2-M+52-304	1
		> MACH.STD-DISCHARGE-CHAMBER-M+52-304	1



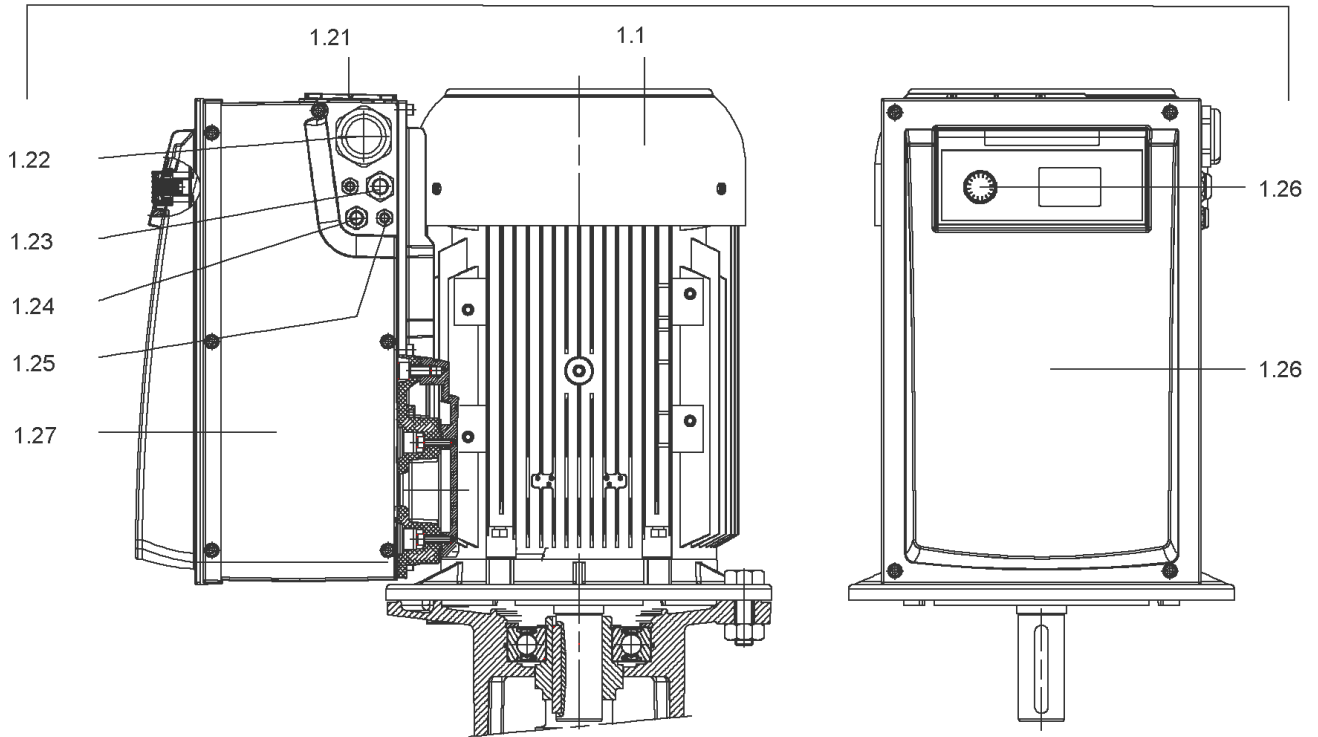
HELIX VE5204-3/16/E/KS/2G (4166239)

Item	Article no.	Description	Quantity
1		DRIVE HELIX VE5204-IE2-ARC KIT	1
Note: no longer available/nicht mehr lieferbar/n'est plus disponible			
1	4218533	DRIVE HELIX VE5204-IE4-WEG KIT	1
Note: MOTOR BRAND WEG			
2	4179586	SCREW M16X60 (4 PIECES)	1
3	4157721	LANTERN HELIX 22/36 FF300 BB6312 KIT	1
3.1		> LANTERN FF300 M+ GJL MACHINED+CATA 6312	1
3.2	4179589	> EYELET CPL.FF300 HELIX(4 PIECES)	1
3.3	4143969	> COUPLING PROTECT HELIX FF KIT	1
4	4143966	COUPLING D.20XD.38 FF300 KIT	1
5	4157725	SCREW M10X40 (4 PIECES)	1
6	4179919	STUD BOLT M16X500 KIT	1
6.1		> TIE BOLT M16-500x24x44-1.4057	1
6.2	4179562	> NUT M16 8.8 ISO4032 (4 PIECES)	1
6.3	4097852	> WASHER-CS-16.4-32-2.8-NFE25-511-A2	1
7	4179565	END SHIELD HELIX 8" EPDM KIT	1
7.1		> END SHIELD M+ GJL MACHINED+CATA	1
7.2	4179564	> O-RING D.42.52x2.62 EPDM VP.	1
7.3	4179571	> O-RING HOUSING PIPE HELIX22/36/52 VP.	1
8	4186377	FILING/PURGING PLUG 304 HELIX KIT	1
8.1		> FILLING/VENTING-PLUG-MVI8/10"-304	1
8.2	4032291	> O-RING 17x3 EPDM KTW/WRC	1
9	4143973	CARTRIDGE HELIX22-36-52 O/E KIT	1
10	4179920	HOUSING PIPE D204 X 430 1.4301 KIT	1
7.3	4179571	> O-RING HOUSING PIPE HELIX22/36/52 VP.	1
10.1		> HOUSING-PIPE Ø204-M+5204-304	1
11	4179583	CENTRALIZER HELIX 8" 52 VP.	1
12	4164724	SHAFT EQUIPMENT HELIX V52 KIT	1
13		HYDRAULIC HELIX V 5204	1
14	4180848	SHAFT D.22X604 1.4057 VP.	1
15	4164723	EQUIPED HOUSING PN16 HELIX GJL KIT	1
7.3	4179571	> O-RING HOUSING PIPE HELIX22/36/52 VP.	1
15.1		> PUMP HOUSING SET with COATED PARTS-DN80	1
15.3	4143766	> DRAIN/PRIMING PLUG EPDM HELIX KIT	1

HELIX VE5204-3/16/E/KS/2G (4166239)

Item	Article no.	Description	Quantity
15.3A		>> PRIMING/DRAIN PLUG-304-VERSION 1	1
15.3B	4032293	>> O-RING-10x3-EPDM-KTW/WRC	1
15.3C	4233957	>> O-RING ID.9 EPDM VP.	1
15.4	4221729	> BASE M+ DN50/65/80 VP.	1
15.5		> SCREW TBHC M12x25 ISO7380 ZN	1
15.6		> FLANGE M+ DN80 NF PN16-25 ASME PN16 CATA	1
15.7		> O-RING Ø91.42xØ3 EPDM	1
13.1A	4161200	> NECK RING 1.STAGE HELIX V36/52 KIT	1
		>> NECK-RING-M+36/52	1
		>> HYDRAULIC SUPPORT CAP M+36/52 304	1
		>> SCREW TCL M3X8 A4 POZIDRIV	1

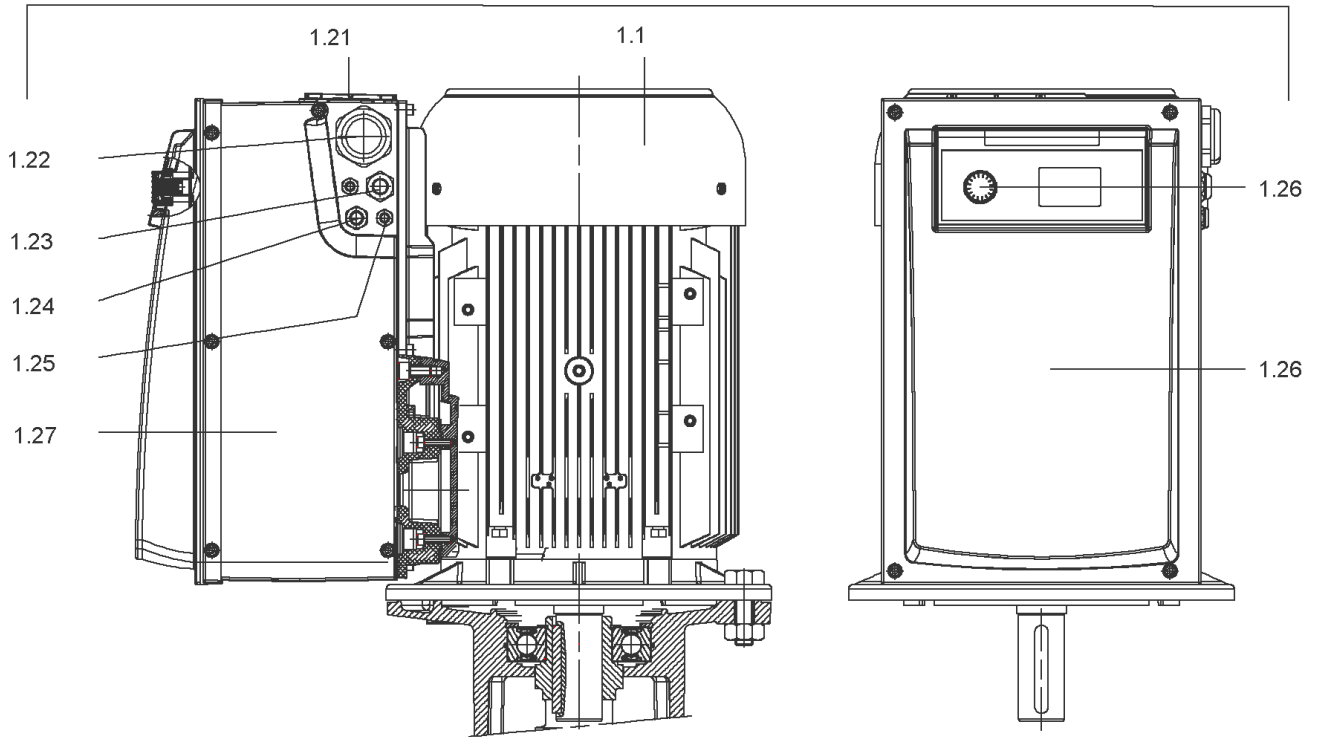
1



DRIVE HELIX VE5204-IE2-ARC KIT

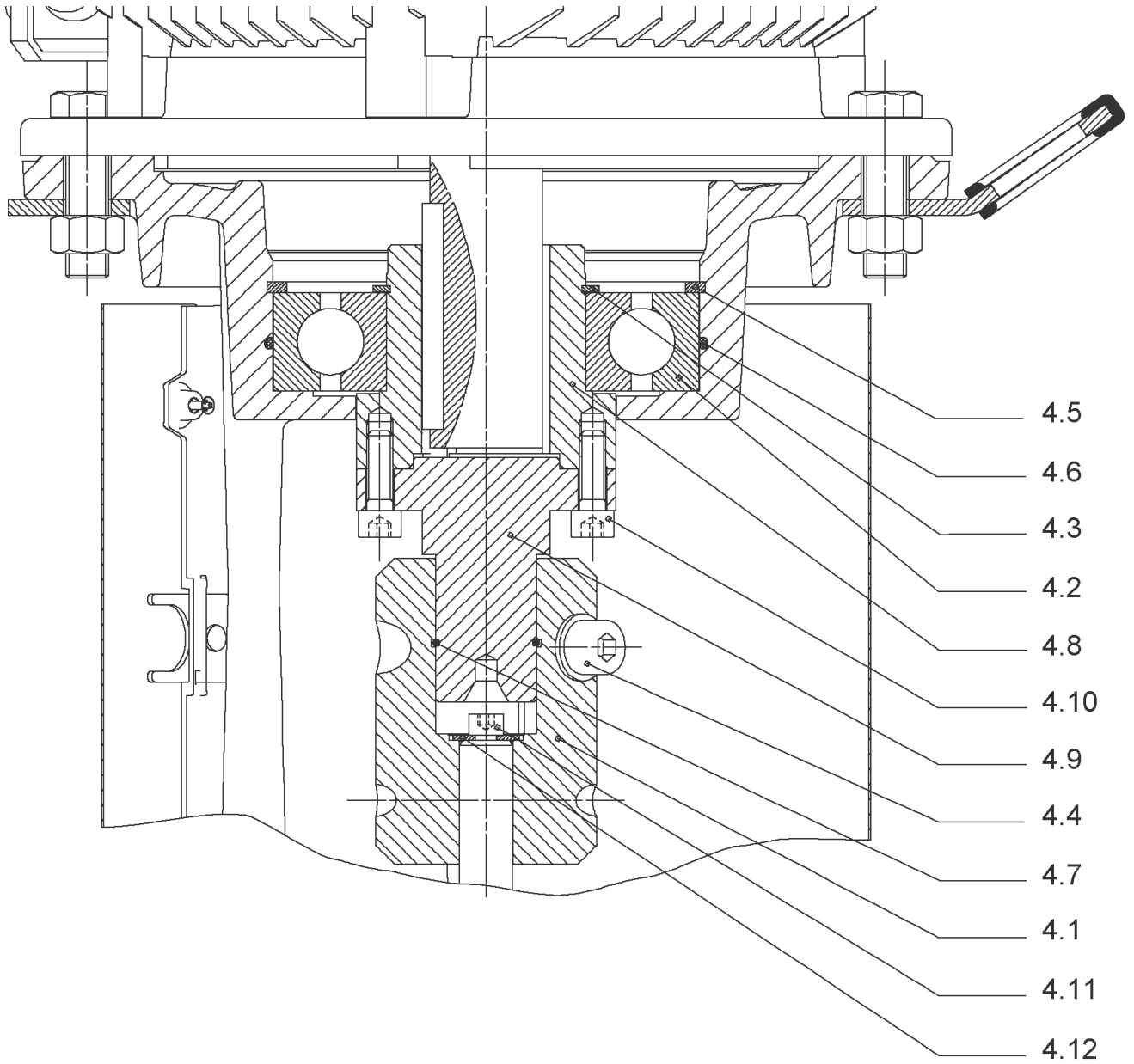
Item	Article no.	Description	Quantity
1.1		M15-2T540P55V1-160F300-N42-IE2	1
		SPARE PARTS MOTOR:ON REQUEST	1
1.21	2132102	FAN SMALL TL6/7 FF KIT	1
1.25	2132097	CABLE CONNECTION M12 TL6/7 FF VP.	1
1.24	2132098	CABLE CONNECTION M16 TL6/7 FF VP.	1
1.23	2132099	CABLE CONNECTION M20 TL6/7 FF VP.	1
1.22	2132100	CABLE CONNECTION SMALL M40 TL6/7 FF VP.	1
1.27	2132104	COVER SIDE TL6/7 FF CPL.VP.	1
1.26	2132452	MODULE COVER/BUTTON TL6/7 FF VP.	1

1



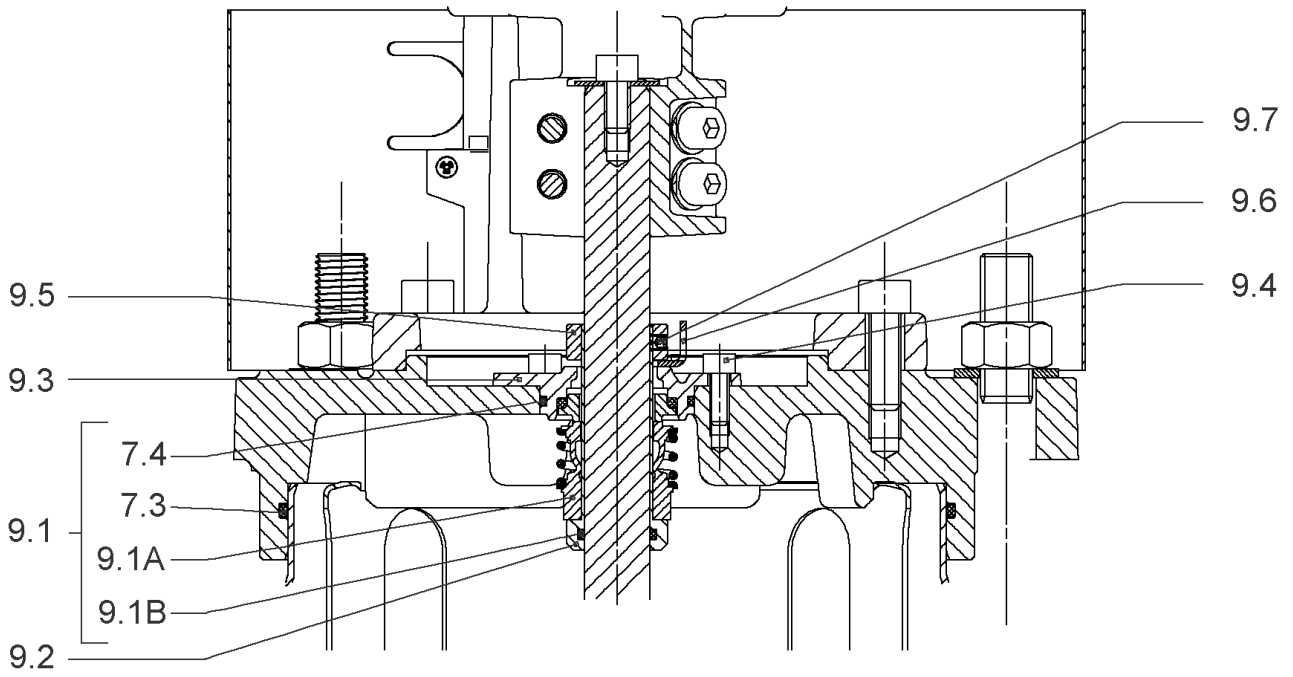
DRIVE HELIX VE5204-IE4-WEG KIT (4218533)

Item	Article no.	Description	Quantity
1.1		M15-2T540P55V1-160F30-N42-ADAPT-IE4-WEG	1
		SPARE PARTS MOTOR:ON REQUEST	1
1.21	2132102	FAN SMALL TL6/7 FF KIT	1
1.25	2132097	CABLE CONNECTION M12 TL6/7 FF VP.	1
1.24	2132098	CABLE CONNECTION M16 TL6/7 FF VP.	1
1.23	2132099	CABLE CONNECTION M20 TL6/7 FF VP.	1
1.22	2132100	CABLE CONNECTION SMALL M40 TL6/7 FF VP.	1
1.27	2132104	COVER SIDE TL6/7 FF CPL.VP.	1
1.26	2132452	MODULE COVER/BUTTON TL6/7 FF VP.	1



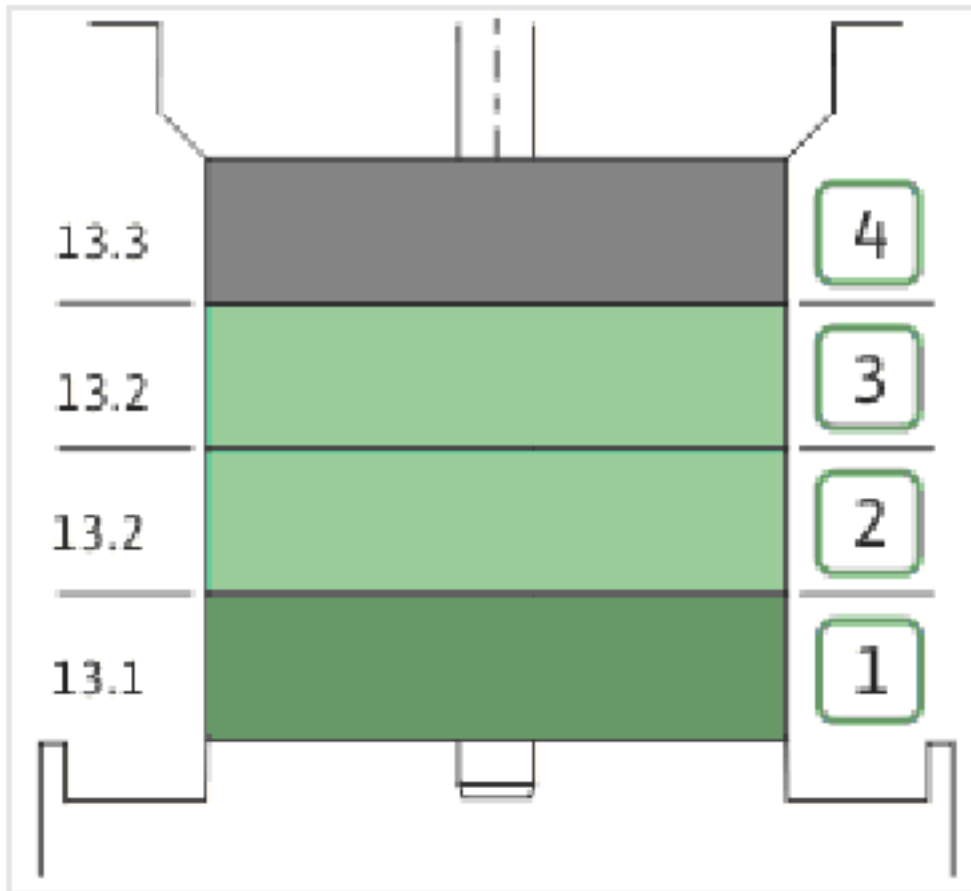
COUPLING D.20XD.38 FF300 KIT (4143966)

Item	Article no.	Description	Quantity
4.1	4179590	COUPLING 2 PARTS D.20XD.38XL115 VP.	1
4.2	2123699	BALL BEARING 6312/2Z-C4 (HT) VP.	1
4.3	63428	CIRCLIP-FOR-SHAFT-D60x2	1
4.4	2130991	SCREW M12X30 ISO4762 8.8 ZN(4 PIECES)	1
4.5	4032277	CIRCLIP-HOLE-130x4	1
4.6	4006725	O-RING ID.132,94x3,53 NBR70SR	1
4.7	2130992	RETAINING RING D.35xD.2,5 DIN7993 VP.	1
4.8	4179591	HUB D.42xD.60 VP.	1
4.9	2130994	SPACER D.38XD.55 VP.	1
4.10	4094462	SCREWS M10 (4 PIECES)	1
4.11	4233959	SCREW M8x16 VP.	1
4.12		SERRATED LOCK WASHER Ø8.2XØ25X35X2	1



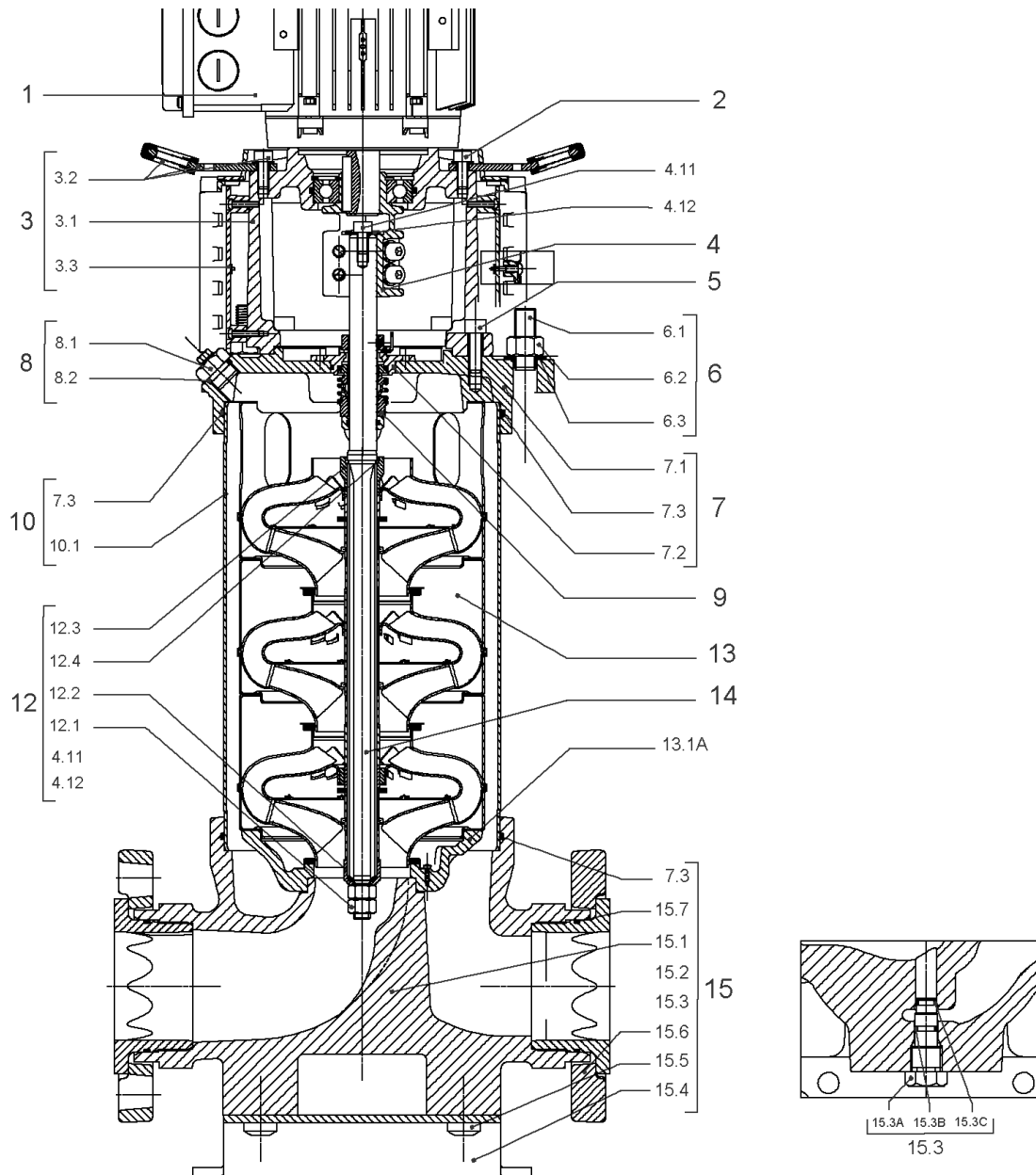
CARTRIDGE HELIX22-36-52 O/E KIT (4143973)

Item	Article no.	Description	Quantity
9.1	4143974	SEAL-KIT-HELIX22-36-52 O/E	1
7.3	4179571	> O-RING HOUSING PIPE HELIX22/36/52 VP.	1
7.4	4179572	> O-RING ID.42.52X2.62 EPDM VP.	1
9.1A	4179573	> M.SEAL.HELIX22-36-52 O/E VP.	1
9.1B	4179574	> O-RING ID.20x2.65 EPDM VP.	1
9.2	4179566	SHAFT SLEEVE D.20/20X60 1.4404 VP.	1
9.3	4179567	RING HOLDER Ø22 1.4301 VP.	1
9.4	4176520	SCREW CH M5x5 A4-70 (3PIECES)	1
9.5	4179568	DRIVE RING D.31/22.1x11 MACH.VP.	1
9.6	4179569	TOOL M.S.CART.HELIX 8" VP.	1
9.7	4179570	SCREW M6X16 ISO4762 8.8 GEOMET(4 PIECES)	1



HYDRAULIC HELIX V 5204

Item	Article no.	Description	Quantity
13.1	4164727	INTERMEDIAIRE STAGE HELIX 52 1.4301 KIT	1
		> SLEEVE-SPACER-D22XL30,42-316L	1
		> MACH.BEARING-DIFFUSER+NR-M+52-304	1
		> SHAFT-SLEEVE-D26xD22x16-CW	1
		> SPACER WASHER D22,3XD36 L3-316L	1
		> IMPELLER-H2-M+52-304	1
13.1A	4161200	> NECK RING 1.STAGE HELIX V36/52 KIT	1
		>> NECK-RING-M+36/52	1
		>> HYDRAULIC SUPPORT CAP M+36/52 304	1
		>> SCREW TCL M3X8 A4 POZIDRIV	1
13.2	4164728	INTERMEDIATE STAGE HELIX 52 1.4301 KIT	1
		> MACH.STD-DIFFUSER+NR-M+52-304	1
		> IMPELLER-H5-M+52-304	1
13.3	4164729	UPPER-STAGE HELIX 52 1.4301 KIT	1
		> STOP COLLAR OF IMPELLER L27,6-Ø22-316L	1
		> SLEEVE-SPACER-D22XL16,66-316L	1
		> SPACER WASHER D22,3XD36 L3-316L	1
		> IMPELLER-H2-M+52-304	1
		> MACH.STD-DISCHARGE-CHAMBER-M+52-304	1



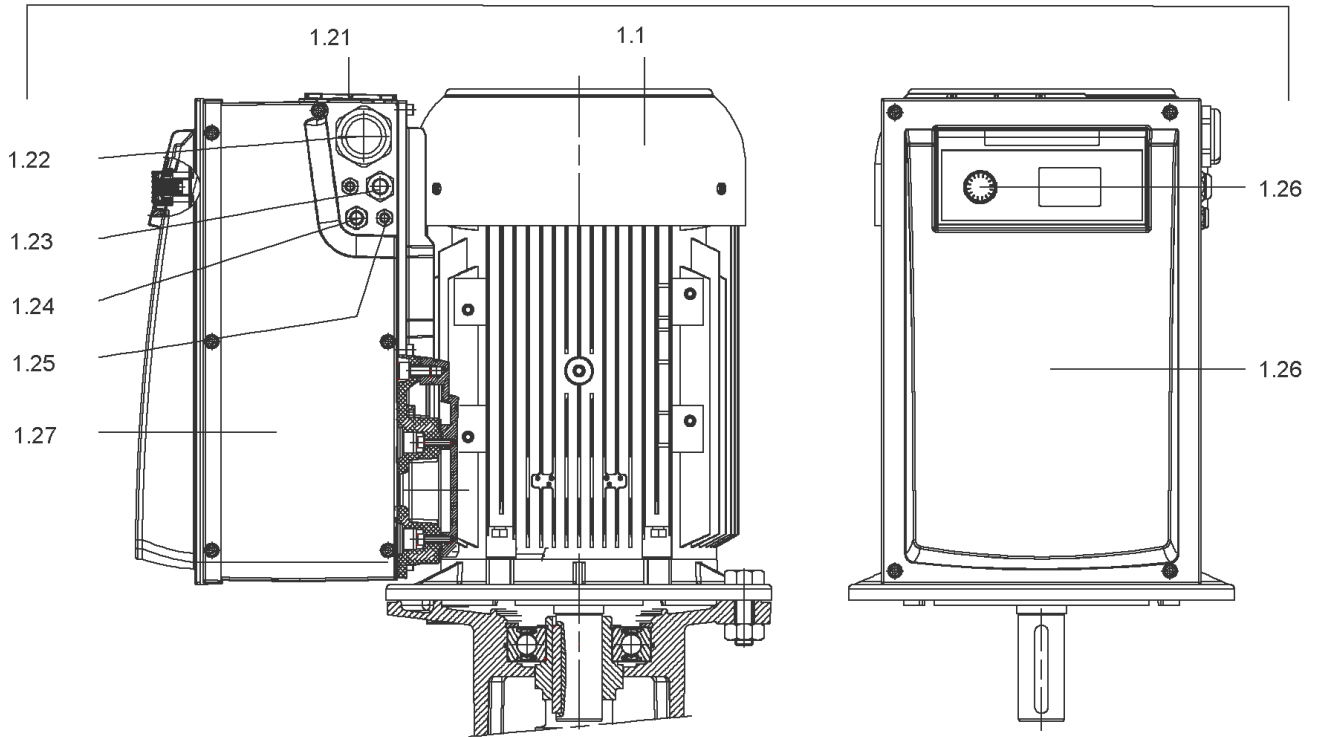
HELIX VE5204-4/16/E/KS/2G (4183470)

Item	Article no.	Description	Quantity
1		DRIVE HELIX VE5204-IE2-ARC KIT	1
Note: no longer available/nicht mehr lieferbar/n'est plus disponible			
1	4218533	DRIVE HELIX VE5204-IE4-WEG KIT	1
Note: MOTOR BRAND WEG			
2	4179586	SCREW M16X60 (4 PIECES)	1
3	4157721	LANTERN HELIX 22/36 FF300 BB6312 KIT	1
3.1		> LANTERN FF300 M+ GJL MACHINED+CATA 6312	1
3.2	4179589	> EYELET CPL.FF300 HELIX(4 PIECES)	1
3.3	4143969	> COUPLING PROTECT HELIX FF KIT	1
4	4143966	COUPLING D.20XD.38 FF300 KIT	1
5	4157725	SCREW M10X40 (4 PIECES)	1
6	4179919	STUD BOLT M16X500 KIT	1
6.1		> TIE BOLT M16-500x24x44-1.4057	1
6.2	4179562	> NUT M16 8.8 ISO4032 (4 PIECES)	1
6.3	4097852	> WASHER-CS-16.4-32-2.8-NFE25-511-A2	1
7	4179565	END SHIELD HELIX 8" EPDM KIT	1
7.1		> END SHIELD M+ GJL MACHINED+CATA	1
7.2	4179564	> O-RING D.42.52x2.62 EPDM VP.	1
7.3	4179571	> O-RING HOUSING PIPE HELIX22/36/52 VP.	1
8	4186377	FILING/PURGING PLUG 304 HELIX KIT	1
8.1		> FILLING/VENTING-PLUG-MVI8/10"-304	1
8.2	4032291	> O-RING 17x3 EPDM KTW/WRC	1
9	4143973	CARTRIDGE HELIX22-36-52 O/E KIT	1
10	4179920	HOUSING PIPE D204 X 430 1.4301 KIT	1
7.3	4179571	> O-RING HOUSING PIPE HELIX22/36/52 VP.	1
10.1		> HOUSING-PIPE Ø204-M+5204-304	1
11	4179583	CENTRALIZER HELIX 8" 52 VP.	1
12	4164724	SHAFT EQUIPMENT HELIX V52 KIT	1
13		HYDRAULIC HELIX V 5204	1
14	4180848	SHAFT D.22X604 1.4057 VP.	1
15	4186388	EQUIPED HOUSING HELIX FIRST DN80 DWA KIT	1
15.1		> PUMP CASING MONO.GJL M+8" DN80 DWA	1
15.2		> HYD.SUP.M+8" ONE PIECE HOUSING N80 DWA	1
15.3	4106048	> DRAIN/PRIMING PLUG EPDM HELIX FIRST KIT	1

HELIX VE5204-4/16/E/KS/2G (4183470)

Item	Article no.	Description	Quantity
15.3A		>> DRAIN AND PRIMING PLUG-VM110"-304	1
15.3B	4032293	>> O-RING-10x3-EPDM-KTW/WRC	1
15.3C	4233957	>> O-RING ID.9 EPDM VP.	1
7.3	4179571	> O-RING HOUSING PIPE HELIX22/36/52 VP.	1
13.1A	4161200	> NECK RING 1.STAGE HELIX V36/52 KIT	1
		>> NECK-RING-M+36/52	1
		>> HYDRAULIC SUPPORT CAP M+36/52 304	1
		>> SCREW TCL M3X8 A4 POZIDRIV	1

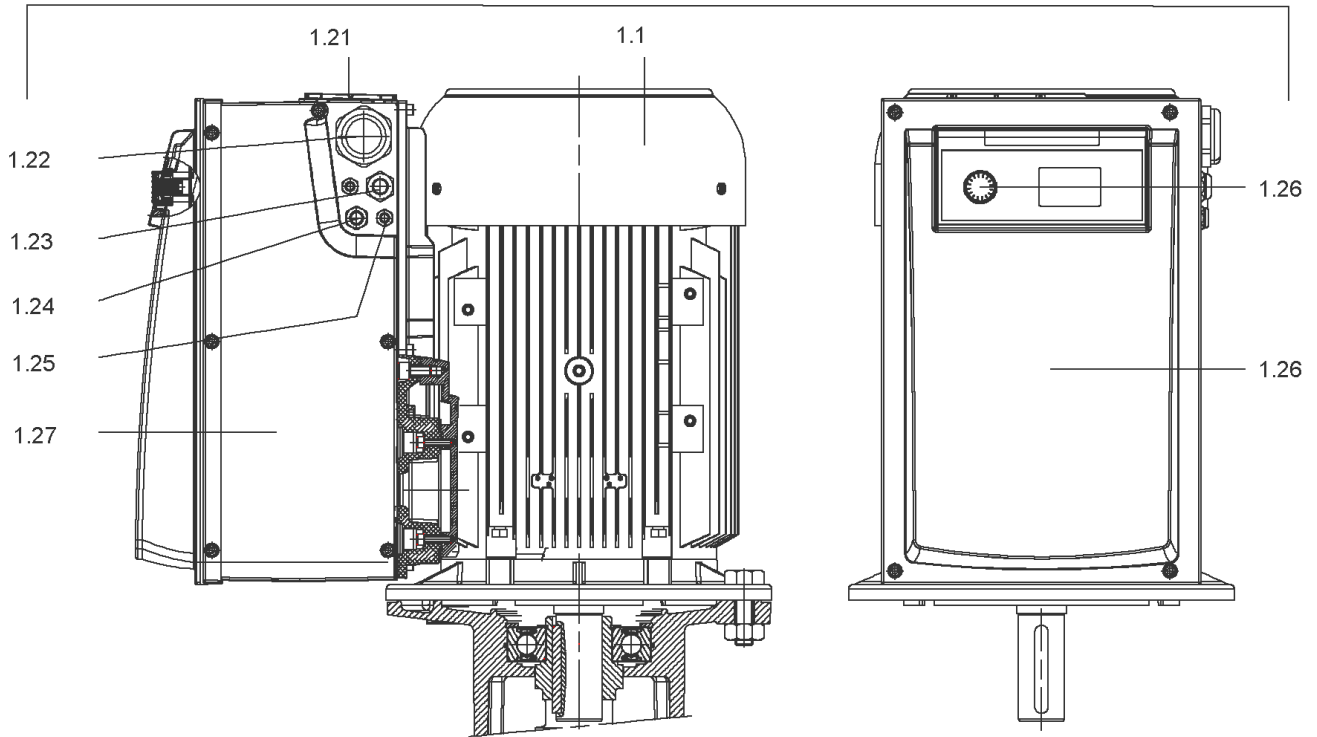
1



DRIVE HELIX VE5204-IE2-ARC KIT

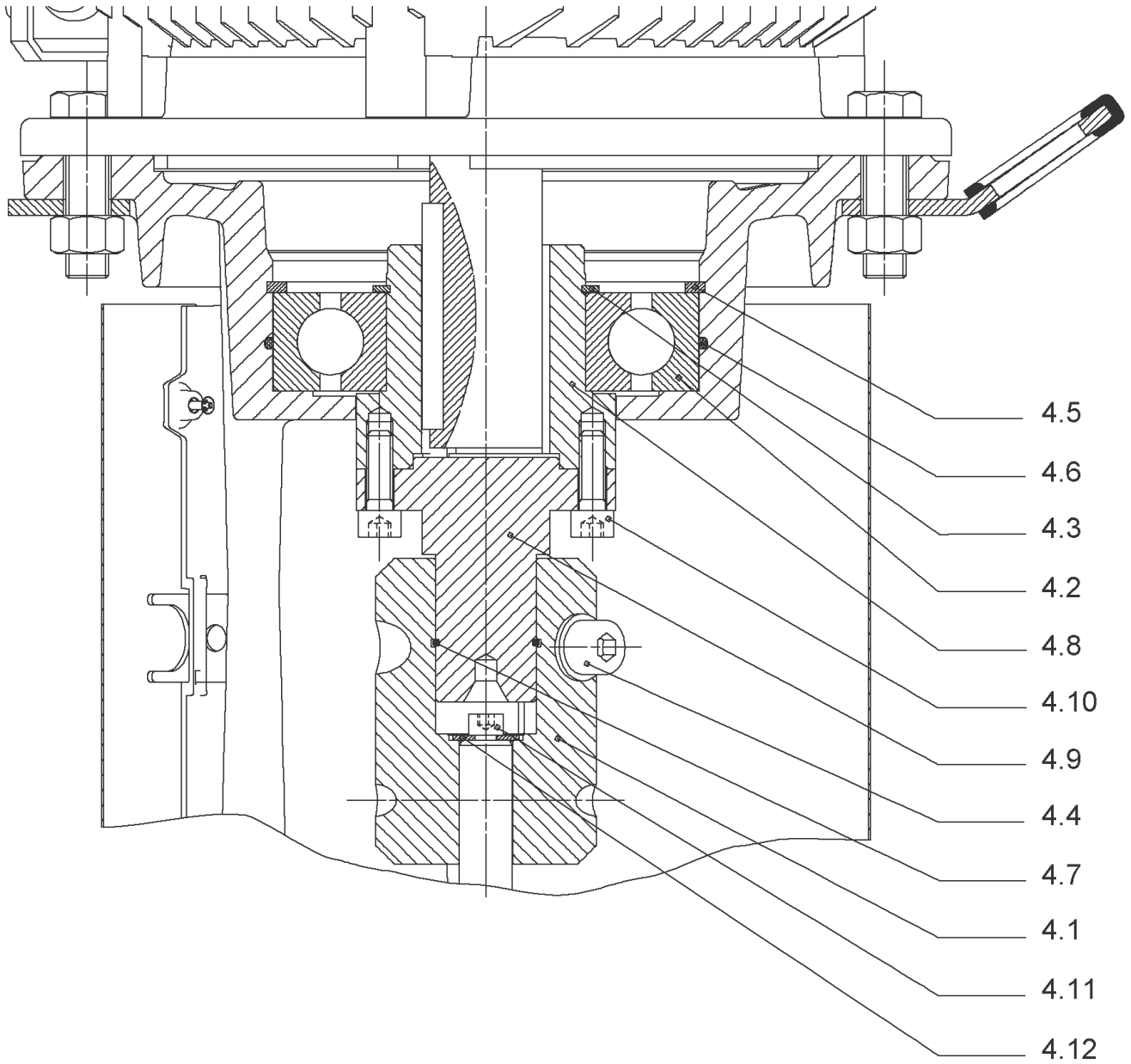
Item	Article no.	Description	Quantity
1.1		M15-2T540P55V1-160F300-N42-IE2	1
		SPARE PARTS MOTOR:ON REQUEST	1
1.21	2132102	FAN SMALL TL6/7 FF KIT	1
1.25	2132097	CABLE CONNECTION M12 TL6/7 FF VP.	1
1.24	2132098	CABLE CONNECTION M16 TL6/7 FF VP.	1
1.23	2132099	CABLE CONNECTION M20 TL6/7 FF VP.	1
1.22	2132100	CABLE CONNECTION SMALL M40 TL6/7 FF VP.	1
1.27	2132104	COVER SIDE TL6/7 FF CPL.VP.	1
1.26	2132452	MODULE COVER/BUTTON TL6/7 FF VP.	1

1



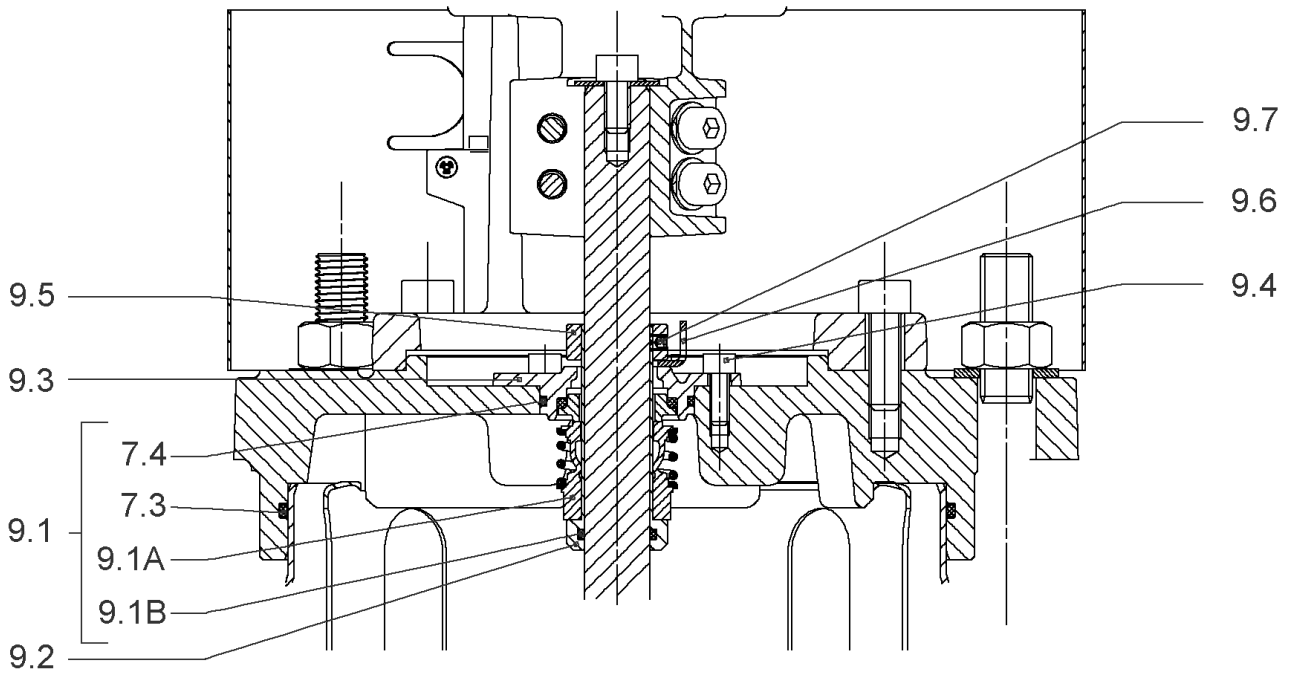
DRIVE HELIX VE5204-IE4-WEG KIT (4218533)

Item	Article no.	Description	Quantity
1.1		M15-2T540P55V1-160F30-N42-ADAPT-IE4-WEG	1
		SPARE PARTS MOTOR:ON REQUEST	1
1.21	2132102	FAN SMALL TL6/7 FF KIT	1
1.25	2132097	CABLE CONNECTION M12 TL6/7 FF VP.	1
1.24	2132098	CABLE CONNECTION M16 TL6/7 FF VP.	1
1.23	2132099	CABLE CONNECTION M20 TL6/7 FF VP.	1
1.22	2132100	CABLE CONNECTION SMALL M40 TL6/7 FF VP.	1
1.27	2132104	COVER SIDE TL6/7 FF CPL.VP.	1
1.26	2132452	MODULE COVER/BUTTON TL6/7 FF VP.	1



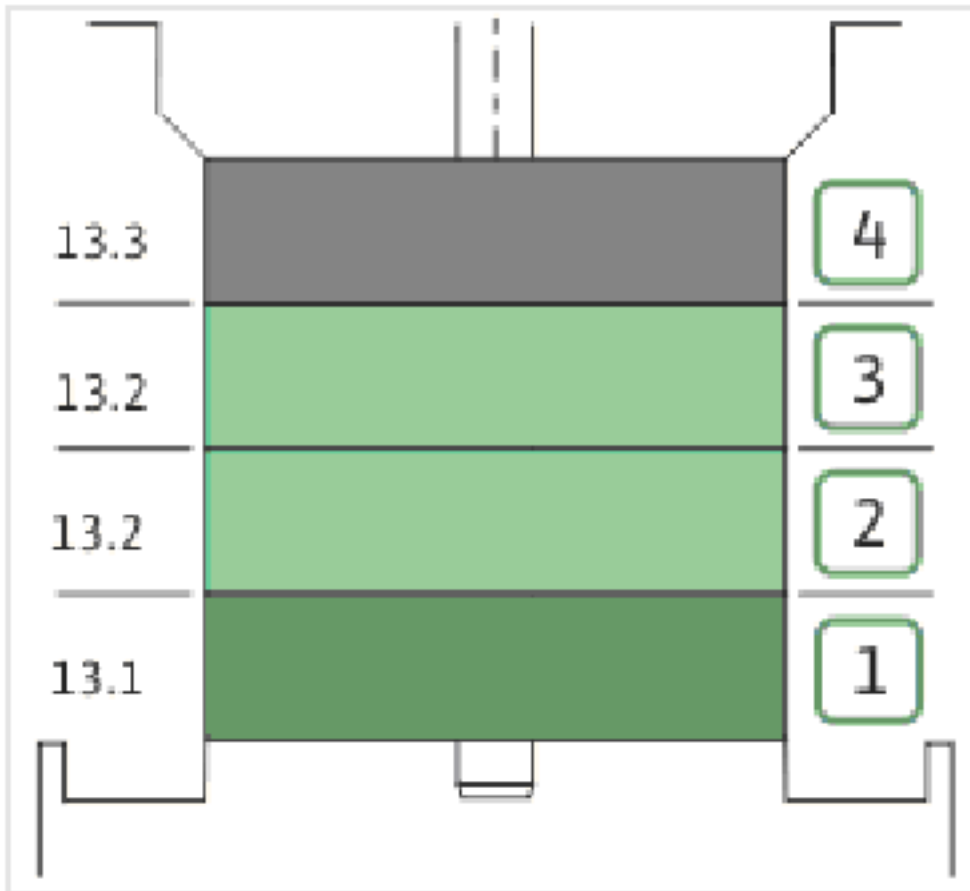
COUPLING D.20XD.38 FF300 KIT (4143966)

Item	Article no.	Description	Quantity
4.1	4179590	COUPLING 2 PARTS D.20XD.38XL115 VP.	1
4.2	2123699	BALL BEARING 6312/2Z-C4 (HT) VP.	1
4.3	63428	CIRCLIP-FOR-SHAFT-D60x2	1
4.4	2130991	SCREW M12X30 ISO4762 8.8 ZN(4 PIECES)	1
4.5	4032277	CIRCLIP-HOLE-130x4	1
4.6	4006725	O-RING ID.132,94x3,53 NBR70SR	1
4.7	2130992	RETAINING RING D.35xD.2,5 DIN7993 VP.	1
4.8	4179591	HUB D.42xD.60 VP.	1
4.9	2130994	SPACER D.38XD.55 VP.	1
4.10	4094462	SCREWS M10 (4 PIECES)	1
4.11	4233959	SCREW M8x16 VP.	1
4.12		SERRATED LOCK WASHER Ø8.2XØ25X35X2	1



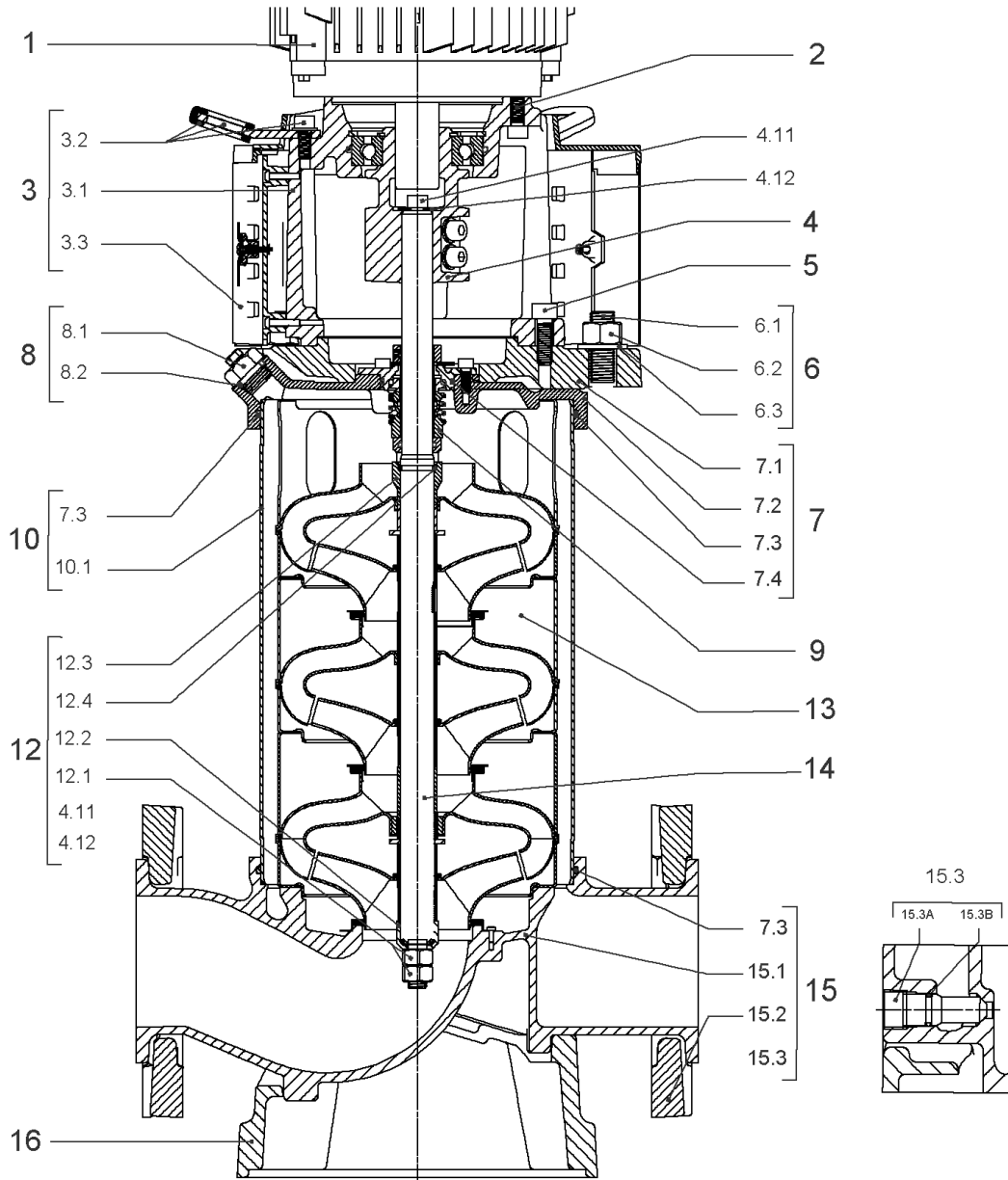
CARTRIDGE HELIX22-36-52 O/E KIT (4143973)

Item	Article no.	Description	Quantity
9.1	4143974	SEAL-KIT-HELIX22-36-52 O/E	1
7.3	4179571	> O-RING HOUSING PIPE HELIX22/36/52 VP.	1
7.4	4179572	> O-RING ID.42.52X2.62 EPDM VP.	1
9.1A	4179573	> M.SEAL.HELIX22-36-52 O/E VP.	1
9.1B	4179574	> O-RING ID.20x2.65 EPDM VP.	1
9.2	4179566	SHAFT SLEEVE D.20/20X60 1.4404 VP.	1
9.3	4179567	RING HOLDER Ø22 1.4301 VP.	1
9.4	4176520	SCREW CH M5x5 A4-70 (3PIECES)	1
9.5	4179568	DRIVE RING D.31/22.1x11 MACH.VP.	1
9.6	4179569	TOOL M.S.CART.HELIX 8" VP.	1
9.7	4179570	SCREW M6X16 ISO4762 8.8 GEOMET(4 PIECES)	1



HYDRAULIC HELIX V 5204

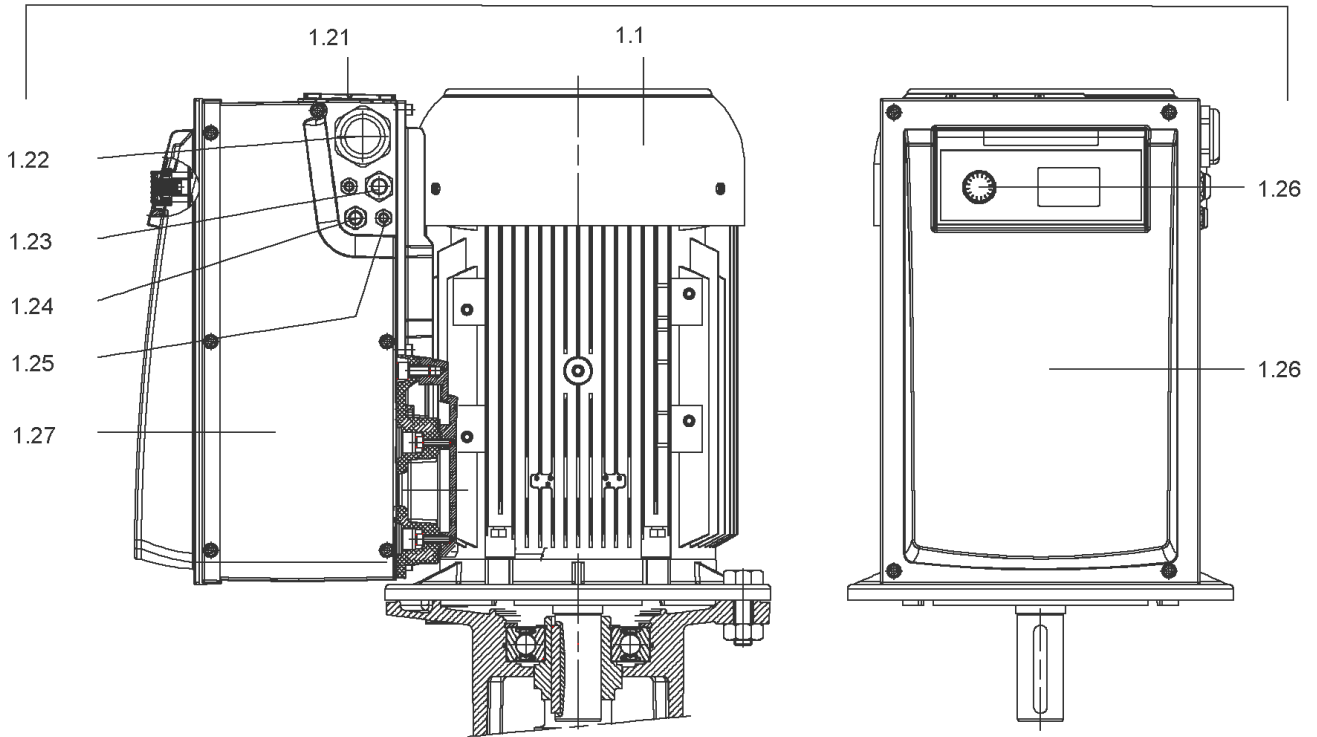
Item	Article no.	Description	Quantity
13.1	4164727	INTERMEDIAIRE STAGE HELIX 52 1.4301 KIT	1
		> SLEEVE-SPACER-D22XL30,42-316L	1
		> MACH.BEARING-DIFFUSER+NR-M+52-304	1
		> SHAFT-SLEEVE-D26xD22x16-CW	1
		> SPACER WASHER D22,3XD36 L3-316L	1
		> IMPELLER-H2-M+52-304	1
13.1A	4161200	> NECK RING 1.STAGE HELIX V36/52 KIT	1
		>> NECK-RING-M+36/52	1
		>> HYDRAULIC SUPPORT CAP M+36/52 304	1
		>> SCREW TCL M3X8 A4 POZIDRIV	1
13.2	4164728	INTERMEDIATE STAGE HELIX 52 1.4301 KIT	1
		> MACH.STD-DIFFUSER+NR-M+52-304	1
		> IMPELLER-H5-M+52-304	1
13.3	4164729	UPPER-STAGE HELIX 52 1.4301 KIT	1
		> STOP COLLAR OF IMPELLER L27,6-Ø22-316L	1
		> SLEEVE-SPACER-D22XL16,66-316L	1
		> SPACER WASHER D22,3XD36 L3-316L	1
		> IMPELLER-H2-M+52-304	1
		> MACH.STD-DISCHARGE-CHAMBER-M+52-304	1



HELIX VE5204-1/16/E/KS (4198871)

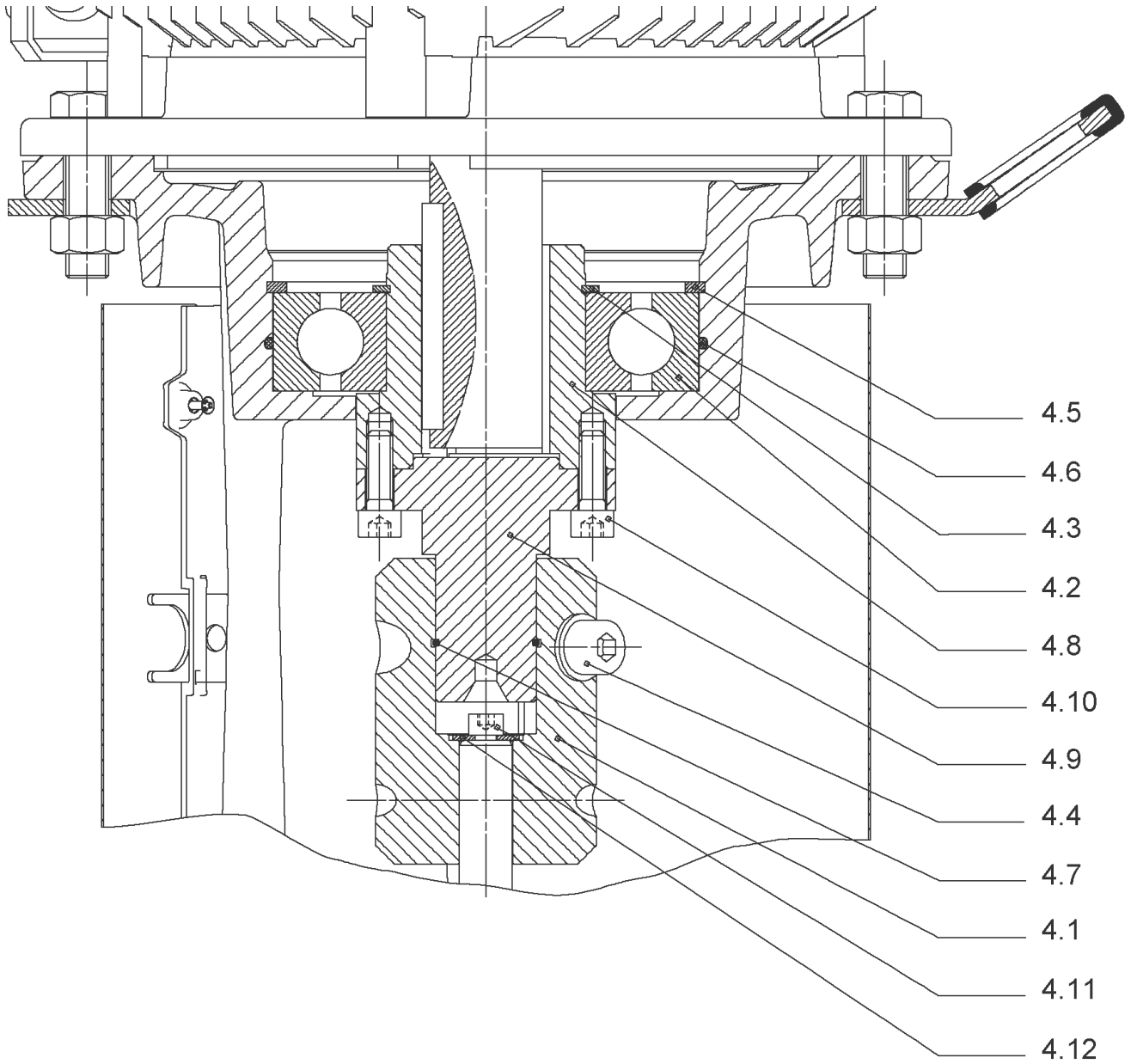
Item	Article no.	Description	Quantity
1	4218533	DRIVE HELIX VE5204-IE4-WEG KIT	1
Note: MOTOR BRAND WEG			
2	4179586	SCREW M16X60 (4 PIECES)	1
3	4157721	LANTERN HELIX 22/36 FF300 BB6312 KIT	1
3.1		> LANTERN FF300 M+ GJL MACHINED+CATA 6312	1
3.2	4179589	> EYELET CPL.FF300 HELIX(4 PIECES)	1
3.3	4143969	> COUPLING PROTECT HELIX FF KIT	1
4	4143966	COUPLING D.20XD.38 FF300 KIT	1
5	4157725	SCREW M10X40 (4 PIECES)	1
6	4181093	STUD BOLT M16X666 KIT	1
6.1		> TIE BOLT M16-666x24x44-1.4057	1
6.2	4179562	> NUT M16 8.8 ISO4032 (4 PIECES)	1
6.3	4097852	> WASHER-CS-16.4-32-2.8-NFE25-511-A2	1
7	4217176	END SHIELD HELIX OPTI 8" EPDM KIT	1
7.1		> upper flange machined + cataphoresis	1
7.2	4217174	> STATIONARY RING HOLDER 8" HELIX OPTI VP.	1
7.3	4179571	> O-RING HOUSING PIPE HELIX22/36/52 VP.	1
7.4	4179572	> O-RING ID.42.52X2.62 EPDM VP.	1
8	4186377	FILING/PURGING PLUG 304 HELIX KIT	1
8.1		> FILLING/VENTING-PLUG-MVI8/10"-304	1
8.2	4032291	> O-RING 17x3 EPDM KTW/WRC	1
9	4143973	CARTRIDGE HELIX22-36-52 O/E KIT	1
10	4181666	HOUSING PIPE D.204X414 1.4307 KIT	1
7.3	4179571	> O-RING HOUSING PIPE HELIX22/36/52 VP.	1
10.1		> HOUSING-PIPE Ø204-M+2207-304	1
12	4162804	SHAFT EQUIPMENT KIT NEXIS V52	1
13		HYDRAULIC HELIX V 5204	1
14	4180848	SHAFT D.22X604 1.4057 VP.	1
15	4218385	EQUIPED HOUSING DN80 HELIX OPTI 8" KIT	1
15.1		> pump casing machined DN80	1
15.2	4218383	> HALF FLANGE DN80 HELIX OPTI 8" VP.	1
15.3	4217850	> DRAIN/PRIMING PLUG HELIX OPTI 8" KIT	1
7.3	4179571	> O-RING HOUSING PIPE HELIX22/36/52 VP.	1
16	4218387	BASEPLATE DN80 HELIX OPTI 8" VP.	1

1



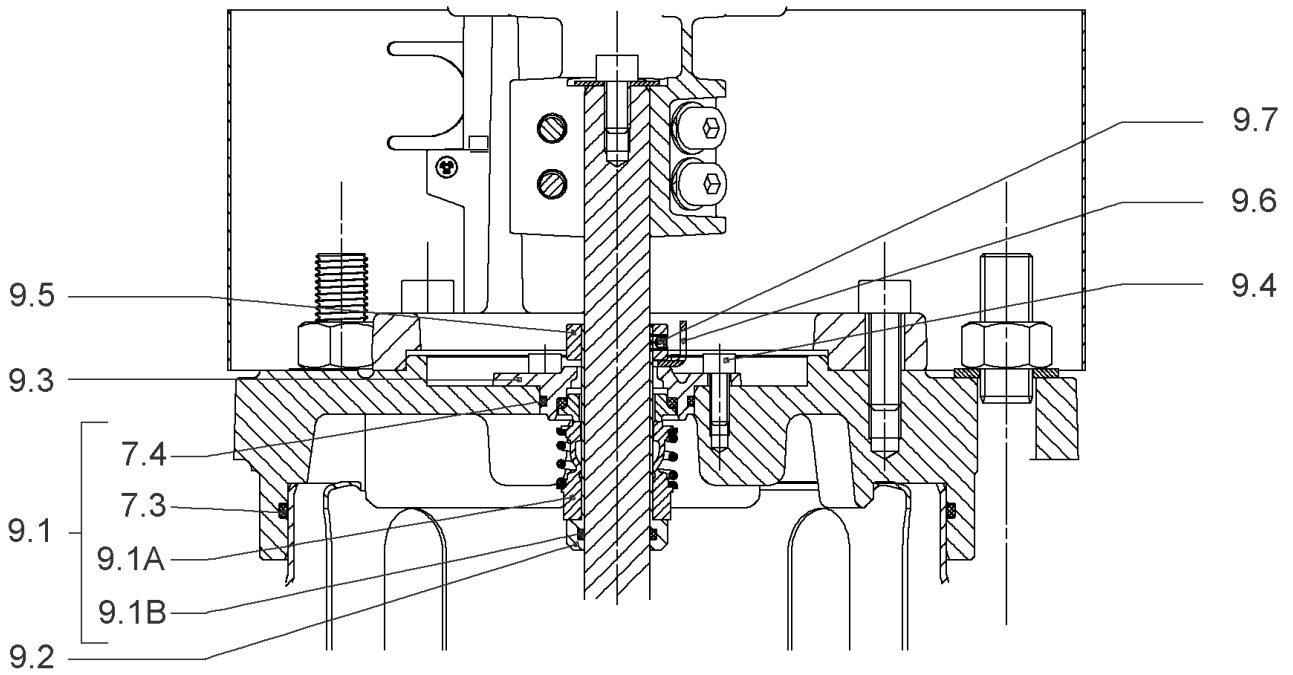
DRIVE HELIX VE5204-IE4-WEG KIT (4218533)

Item	Article no.	Description	Quantity
1.1		M15-2T540P55V1-160F30-N42-ADAPT-IE4-WEG	1
		SPARE PARTS MOTOR:ON REQUEST	1
1.21	2132102	FAN SMALL TL6/7 FF KIT	1
1.25	2132097	CABLE CONNECTION M12 TL6/7 FF VP.	1
1.24	2132098	CABLE CONNECTION M16 TL6/7 FF VP.	1
1.23	2132099	CABLE CONNECTION M20 TL6/7 FF VP.	1
1.22	2132100	CABLE CONNECTION SMALL M40 TL6/7 FF VP.	1
1.27	2132104	COVER SIDE TL6/7 FF CPL.VP.	1
1.26	2132452	MODULE COVER/BUTTON TL6/7 FF VP.	1



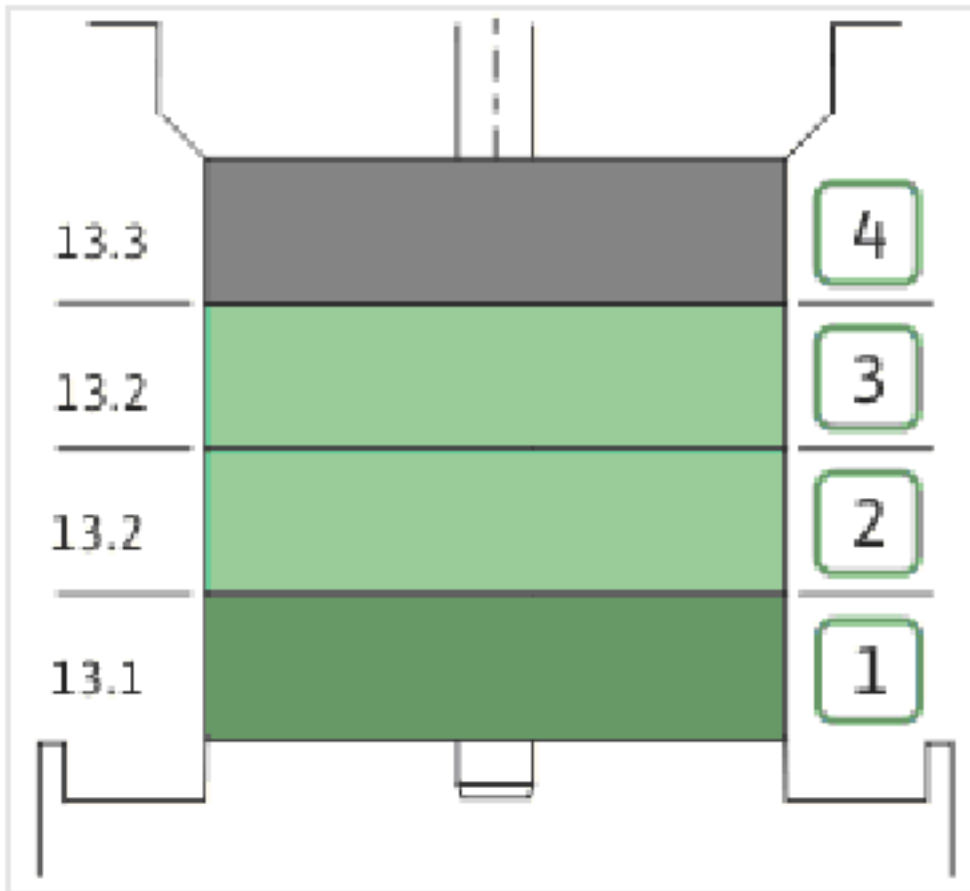
COUPLING D.20XD.38 FF300 KIT (4143966)

Item	Article no.	Description	Quantity
4.1	4179590	COUPLING 2 PARTS D.20XD.38XL115 VP.	1
4.2	2123699	BALL BEARING 6312/2Z-C4 (HT) VP.	1
4.3	63428	CIRCLIP-FOR-SHAFT-D60x2	1
4.4	2130991	SCREW M12X30 ISO4762 8.8 ZN(4 PIECES)	1
4.5	4032277	CIRCLIP-HOLE-130x4	1
4.6	4006725	O-RING ID.132,94x3,53 NBR70SR	1
4.7	2130992	RETAINING RING D.35xD.2,5 DIN7993 VP.	1
4.8	4179591	HUB D.42xD.60 VP.	1
4.9	2130994	SPACER D.38XD.55 VP.	1
4.10	4094462	SCREWS M10 (4 PIECES)	1
4.11	4233959	SCREW M8x16 VP.	1
4.12		SERRATED LOCK WASHER Ø8.2XØ25X35X2	1



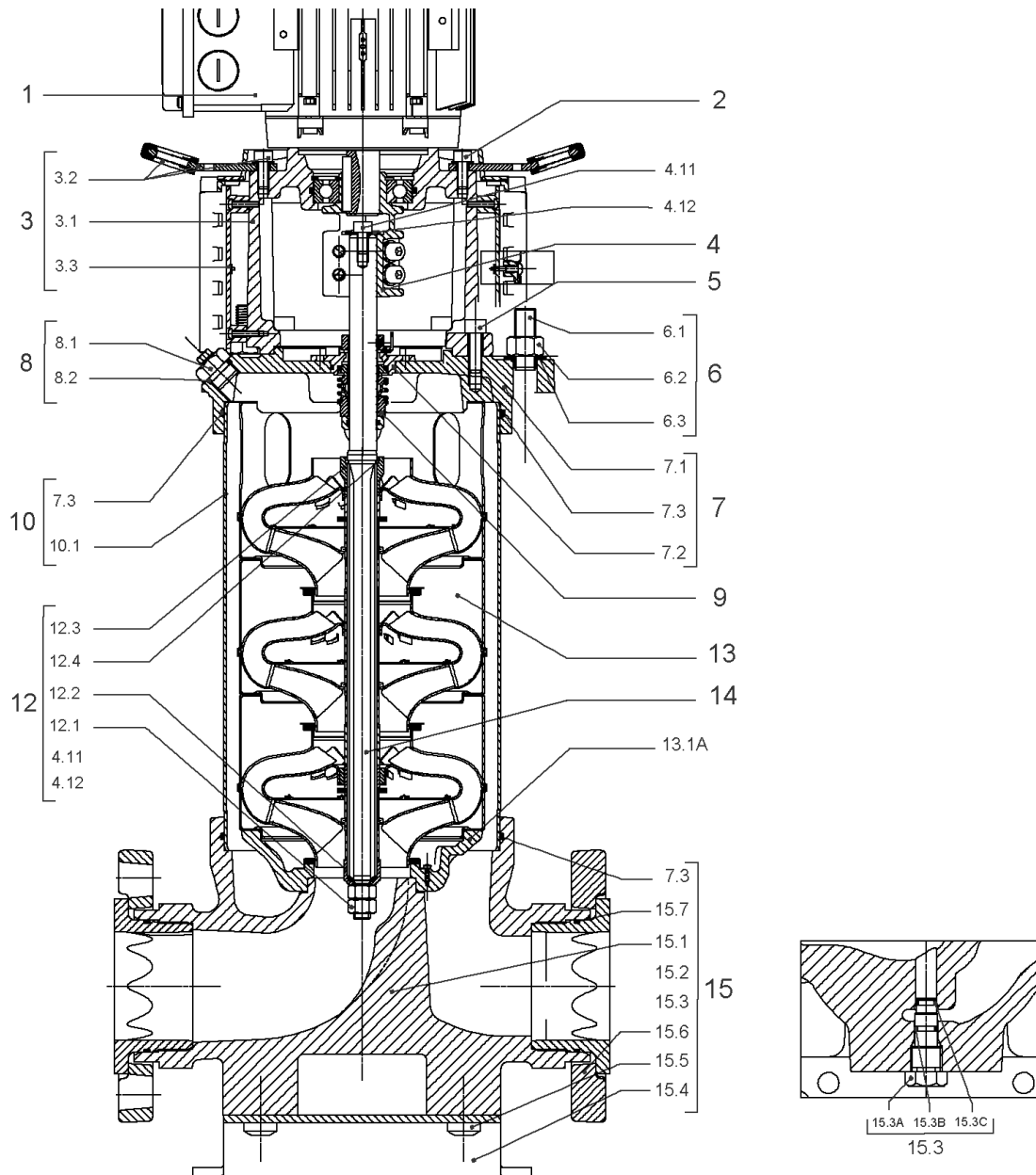
CARTRIDGE HELIX22-36-52 O/E KIT (4143973)

Item	Article no.	Description	Quantity
9.1	4143974	SEAL-KIT-HELIX22-36-52 O/E	1
7.3	4179571	> O-RING HOUSING PIPE HELIX22/36/52 VP.	1
7.4	4179572	> O-RING ID.42.52X2.62 EPDM VP.	1
9.1A	4179573	> M.SEAL.HELIX22-36-52 O/E VP.	1
9.1B	4179574	> O-RING ID.20x2.65 EPDM VP.	1
9.2	4179566	SHAFT SLEEVE D.20/20X60 1.4404 VP.	1
9.3	4179567	RING HOLDER Ø22 1.4301 VP.	1
9.4	4176520	SCREW CH M5x5 A4-70 (3PIECES)	1
9.5	4179568	DRIVE RING D.31/22.1x11 MACH.VP.	1
9.6	4179569	TOOL M.S.CART.HELIX 8" VP.	1
9.7	4179570	SCREW M6X16 ISO4762 8.8 GEOMET(4 PIECES)	1



HYDRAULIC HELIX V 5204

Item	Article no.	Description	Quantity
13.1	4164727	INTERMEDIAIRE STAGE HELIX 52 1.4301 KIT	1
		> SLEEVE-SPACER-D22XL30,42-316L	1
		> MACH.BEARING-DIFFUSER+NR-M+52-304	1
		> SHAFT-SLEEVE-D26xD22x16-CW	1
		> SPACER WASHER D22,3XD36 L3-316L	1
		> IMPELLER-H2-M+52-304	1
13.1A	4161200	> NECK RING 1.STAGE HELIX V36/52 KIT	1
		>> NECK-RING-M+36/52	1
		>> HYDRAULIC SUPPORT CAP M+36/52 304	1
		>> SCREW TCL M3X8 A4 POZIDRIV	1
13.2	4164728	INTERMEDIATE STAGE HELIX 52 1.4301 KIT	1
		> MACH.STD-DIFFUSER+NR-M+52-304	1
		> IMPELLER-H5-M+52-304	1
13.3	4164729	UPPER-STAGE HELIX 52 1.4301 KIT	1
		> STOP COLLAR OF IMPELLER L27,6-Ø22-316L	1
		> SLEEVE-SPACER-D22XL16,66-316L	1
		> SPACER WASHER D22,3XD36 L3-316L	1
		> IMPELLER-H2-M+52-304	1
		> MACH.STD-DISCHARGE-CHAMBER-M+52-304	1



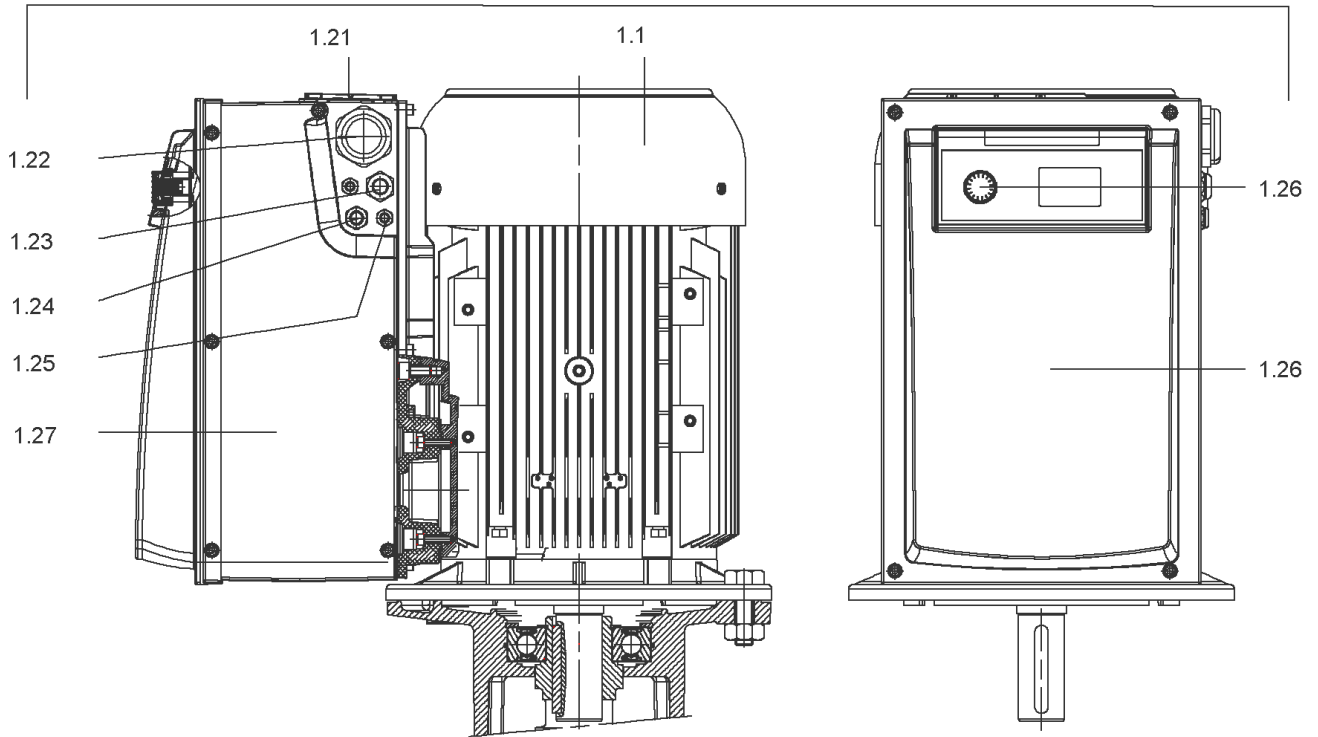
HELIX VE5204-3/25/E/KS (4166235)

Item	Article no.	Description	Quantity
1		DRIVE HELIX VE5204-IE2-ARC KIT	1
Note: no longer available/nicht mehr lieferbar/n'est plus disponible			
1	4218533	DRIVE HELIX VE5204-IE4-WEG KIT	1
Note: MOTOR BRAND WEG			
2	4179586	SCREW M16X60 (4 PIECES)	1
3	4157721	LANTERN HELIX 22/36 FF300 BB6312 KIT	1
3.1		> LANTERN FF300 M+ GJL MACHINED+CATA 6312	1
3.2	4179589	> EYELET CPL.FF300 HELIX(4 PIECES)	1
3.3	4143969	> COUPLING PROTECT HELIX FF KIT	1
4	4143966	COUPLING D.20XD.38 FF300 KIT	1
5	4157725	SCREW M10X40 (4 PIECES)	1
6	4179919	STUD BOLT M16X500 KIT	1
6.1		> TIE BOLT M16-500x24x44-1.4057	1
6.2	4179562	> NUT M16 8.8 ISO4032 (4 PIECES)	1
6.3	4097852	> WASHER-CS-16.4-32-2.8-NFE25-511-A2	1
7	4179565	END SHIELD HELIX 8" EPDM KIT	1
7.1		> END SHIELD M+ GJL MACHINED+CATA	1
7.2	4179564	> O-RING D.42.52x2.62 EPDM VP.	1
7.3	4179571	> O-RING HOUSING PIPE HELIX22/36/52 VP.	1
8	4186377	FILING/PURGING PLUG 304 HELIX KIT	1
8.1		> FILLING/VENTING-PLUG-MVI8/10"-304	1
8.2	4032291	> O-RING 17x3 EPDM KTW/WRC	1
9	4143975	CARTRIDGE HELIX22-36-52 F/E KIT	1
10	4179920	HOUSING PIPE D204 X 430 1.4301 KIT	1
7.3	4179571	> O-RING HOUSING PIPE HELIX22/36/52 VP.	1
10.1		> HOUSING-PIPE Ø204-M+5204-304	1
11	4179583	CENTRALIZER HELIX 8" 52 VP.	1
12	4164724	SHAFT EQUIPMENT HELIX V52 KIT	1
13		HYDRAULIC HELIX V 5204	1
14	4180848	SHAFT D.22X604 1.4057 VP.	1
15	4164723	EQUIPED HOUSING PN16 HELIX GJL KIT	1
7.3	4179571	> O-RING HOUSING PIPE HELIX22/36/52 VP.	1
15.1		> PUMP HOUSING SET with COATED PARTS-DN80	1
15.3	4143766	> DRAIN/PRIMING PLUG EPDM HELIX KIT	1

HELIX VE5204-3/25/E/KS (4166235)

Item	Article no.	Description	Quantity
15.3A		>> PRIMING/DRAIN PLUG-304-VERSION 1	1
15.3B	4032293	>> O-RING-10x3-EPDM-KTW/WRC	1
15.3C	4233957	>> O-RING ID.9 EPDM VP.	1
15.4	4221729	> BASE M+ DN50/65/80 VP.	1
15.5		> SCREW TBHC M12x25 ISO7380 ZN	1
15.6		> FLANGE M+ DN80 NF PN16-25 ASME PN16 CATA	1
15.7		> O-RING Ø91.42xØ3 EPDM	1
13.1A	4161200	> NECK RING 1.STAGE HELIX V36/52 KIT	1
		>> NECK-RING-M+36/52	1
		>> HYDRAULIC SUPPORT CAP M+36/52 304	1
		>> SCREW TCL M3X8 A4 POZIDRIV	1

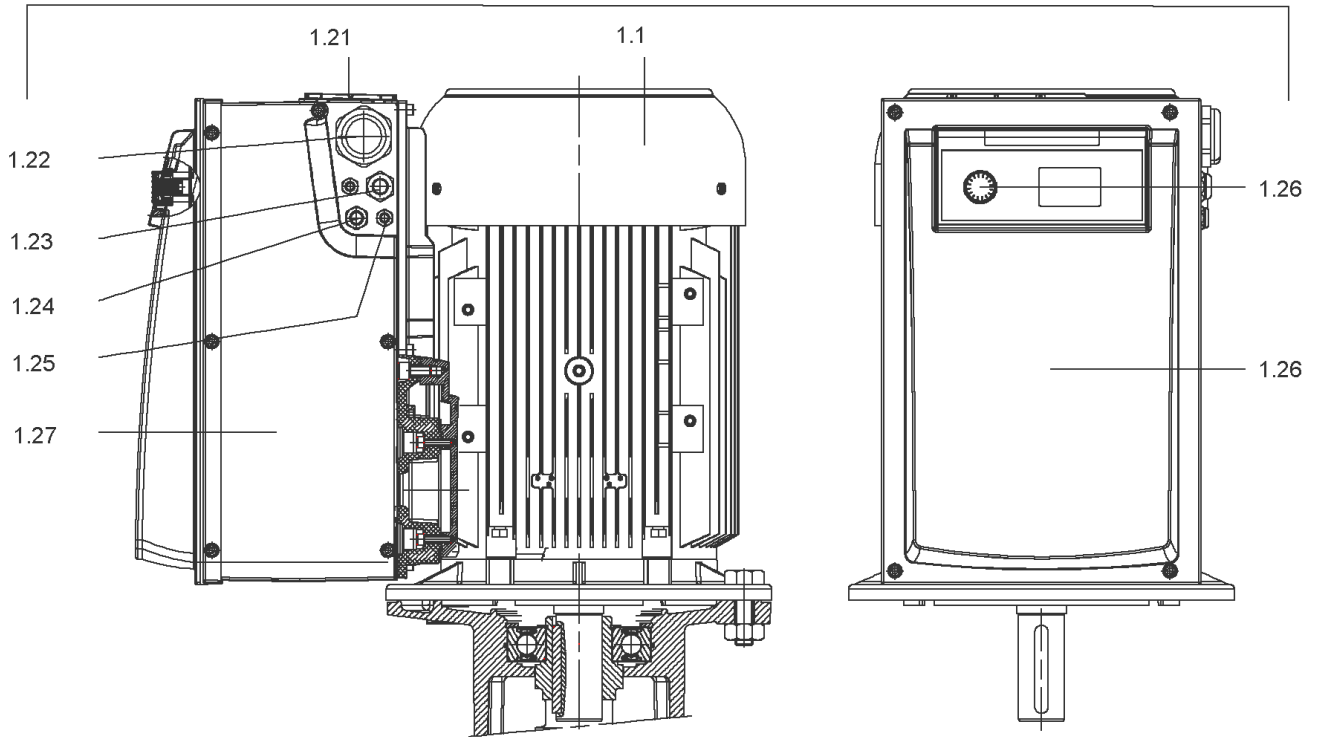
1



DRIVE HELIX VE5204-IE2-ARC KIT

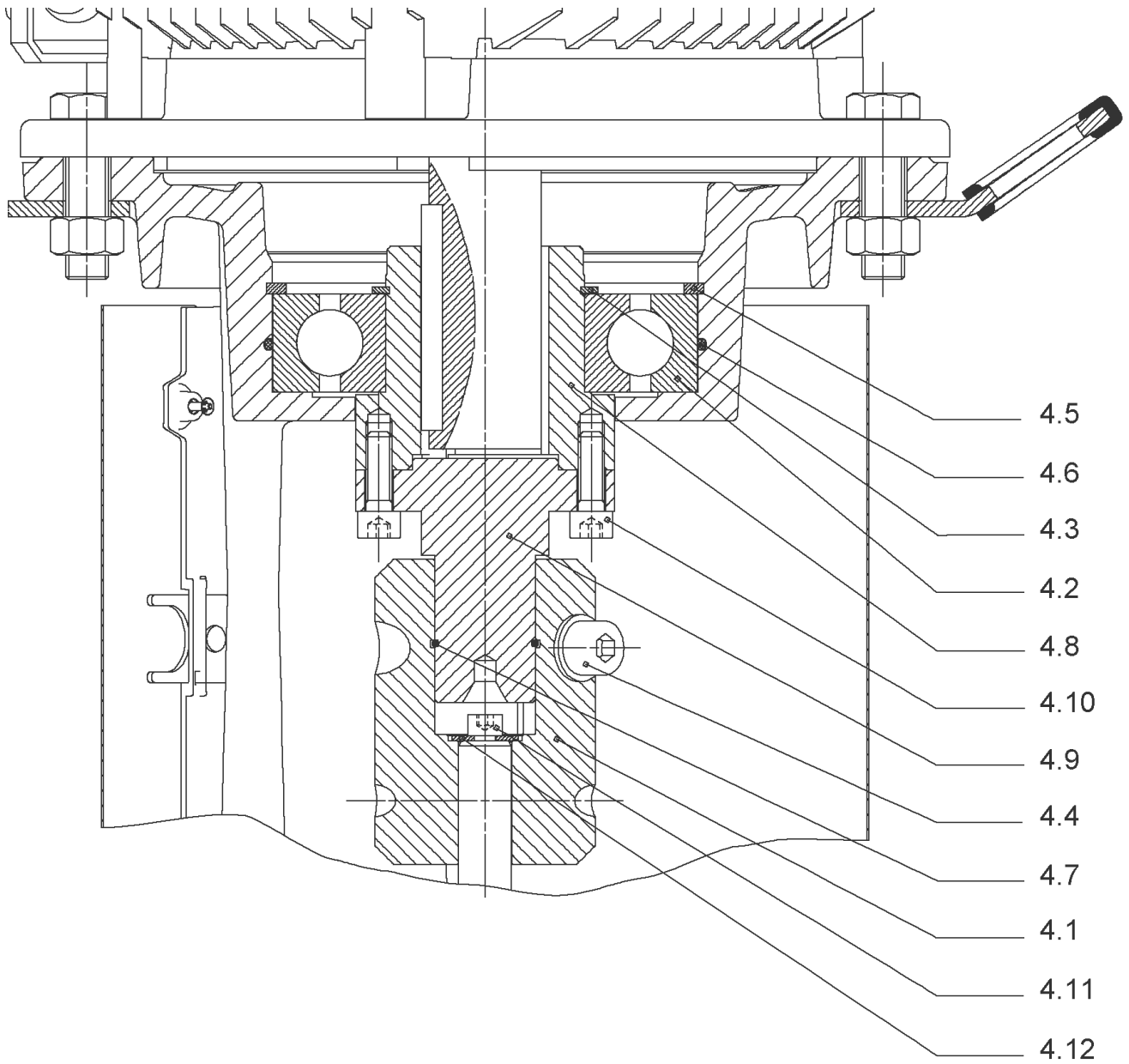
Item	Article no.	Description	Quantity
1.1		M15-2T540P55V1-160F300-N42-IE2	1
		SPARE PARTS MOTOR:ON REQUEST	1
1.21	2132102	FAN SMALL TL6/7 FF KIT	1
1.25	2132097	CABLE CONNECTION M12 TL6/7 FF VP.	1
1.24	2132098	CABLE CONNECTION M16 TL6/7 FF VP.	1
1.23	2132099	CABLE CONNECTION M20 TL6/7 FF VP.	1
1.22	2132100	CABLE CONNECTION SMALL M40 TL6/7 FF VP.	1
1.27	2132104	COVER SIDE TL6/7 FF CPL.VP.	1
1.26	2132452	MODULE COVER/BUTTON TL6/7 FF VP.	1

1



DRIVE HELIX VE5204-IE4-WEG KIT (4218533)

Item	Article no.	Description	Quantity
1.1		M15-2T540P55V1-160F30-N42-ADAPT-IE4-WEG	1
		SPARE PARTS MOTOR:ON REQUEST	1
1.21	2132102	FAN SMALL TL6/7 FF KIT	1
1.25	2132097	CABLE CONNECTION M12 TL6/7 FF VP.	1
1.24	2132098	CABLE CONNECTION M16 TL6/7 FF VP.	1
1.23	2132099	CABLE CONNECTION M20 TL6/7 FF VP.	1
1.22	2132100	CABLE CONNECTION SMALL M40 TL6/7 FF VP.	1
1.27	2132104	COVER SIDE TL6/7 FF CPL.VP.	1
1.26	2132452	MODULE COVER/BUTTON TL6/7 FF VP.	1



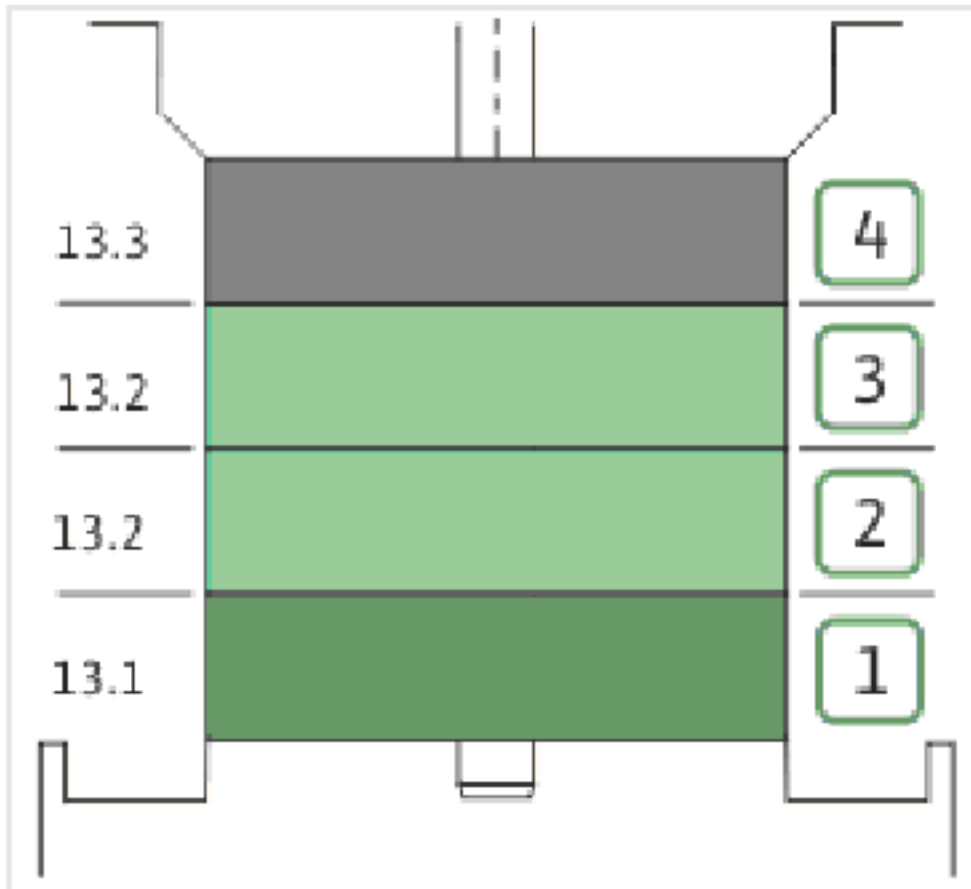
COUPLING D.20XD.38 FF300 KIT (4143966)

Item	Article no.	Description	Quantity
4.1	4179590	COUPLING 2 PARTS D.20XD.38XL115 VP.	1
4.2	2123699	BALL BEARING 6312/2Z-C4 (HT) VP.	1
4.3	63428	CIRCLIP-FOR-SHAFT-D60x2	1
4.4	2130991	SCREW M12X30 ISO4762 8.8 ZN(4 PIECES)	1
4.5	4032277	CIRCLIP-HOLE-130x4	1
4.6	4006725	O-RING ID.132,94x3,53 NBR70SR	1
4.7	2130992	RETAINING RING D.35xD.2,5 DIN7993 VP.	1
4.8	4179591	HUB D.42xD.60 VP.	1
4.9	2130994	SPACER D.38XD.55 VP.	1
4.10	4094462	SCREWS M10 (4 PIECES)	1
4.11	4233959	SCREW M8x16 VP.	1
4.12		SERRATED LOCK WASHER Ø8.2XØ25X35X2	1



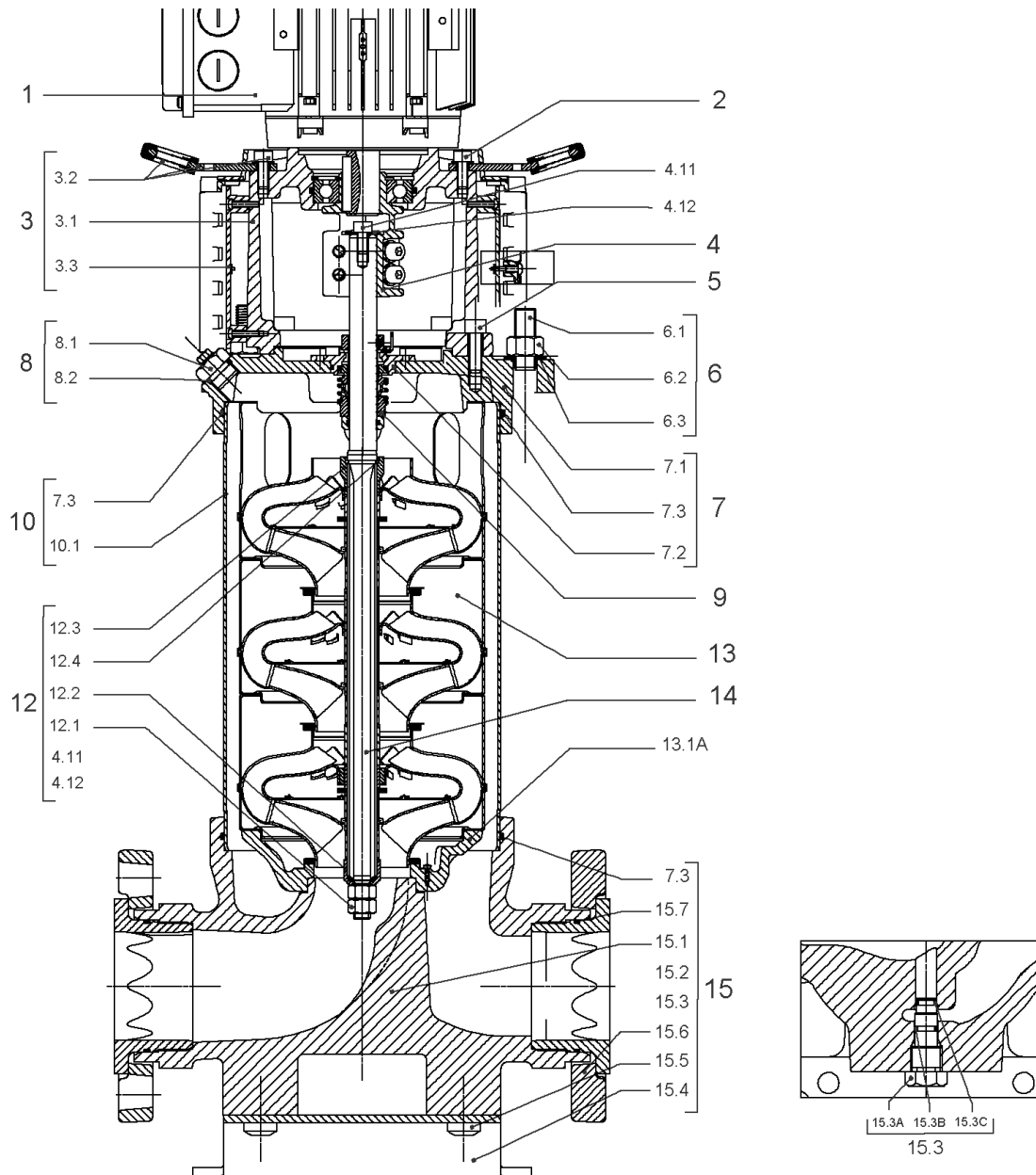
CARTRIDGE HELIX22-36-52 F/E KIT (4143975)

Item	Article no.	Description	Quantity
9.1	4143976	SEAL-KIT-HELIX22-36-52 F/E	1
7.3	4179571	> O-RING HOUSING PIPE HELIX22/36/52 VP.	1
7.4	4179572	> O-RING ID.42.52X2.62 EPDM VP.	1
9.1A	2127447	> M.SEAL.HELIX22-36-52 F/E VP.	1
9.1B	4179574	> O-RING ID.20x2.65 EPDM VP.	1
9.2	4179566	SHAFT SLEEVE D.20/20X60 1.4404 VP.	1
9.3	4179567	RING HOLDER Ø22 1.4301 VP.	1
9.4	4176520	SCREW CH M5x5 A4-70 (3PIECES)	1
9.5	4179568	DRIVE RING D.31/22.1x11 MACH.VP.	1
9.6	4179569	TOOL M.S.CART.HELIX 8" VP.	1
9.7	4179570	SCREW M6X16 ISO4762 8.8 GEOMET(4 PIECES)	1



HYDRAULIC HELIX V 5204

Item	Article no.	Description	Quantity
13.1	4164727	INTERMEDIAIRE STAGE HELIX 52 1.4301 KIT	1
		> SLEEVE-SPACER-D22XL30,42-316L	1
		> MACH.BEARING-DIFFUSER+NR-M+52-304	1
		> SHAFT-SLEEVE-D26xD22x16-CW	1
		> SPACER WASHER D22,3XD36 L3-316L	1
		> IMPELLER-H2-M+52-304	1
13.1A	4161200	> NECK RING 1.STAGE HELIX V36/52 KIT	1
		>> NECK-RING-M+36/52	1
		>> HYDRAULIC SUPPORT CAP M+36/52 304	1
		>> SCREW TCL M3X8 A4 POZIDRIV	1
13.2	4164728	INTERMEDIATE STAGE HELIX 52 1.4301 KIT	1
		> MACH.STD-DIFFUSER+NR-M+52-304	1
		> IMPELLER-H5-M+52-304	1
13.3	4164729	UPPER-STAGE HELIX 52 1.4301 KIT	1
		> STOP COLLAR OF IMPELLER L27,6-Ø22-316L	1
		> SLEEVE-SPACER-D22XL16,66-316L	1
		> SPACER WASHER D22,3XD36 L3-316L	1
		> IMPELLER-H2-M+52-304	1
		> MACH.STD-DISCHARGE-CHAMBER-M+52-304	1



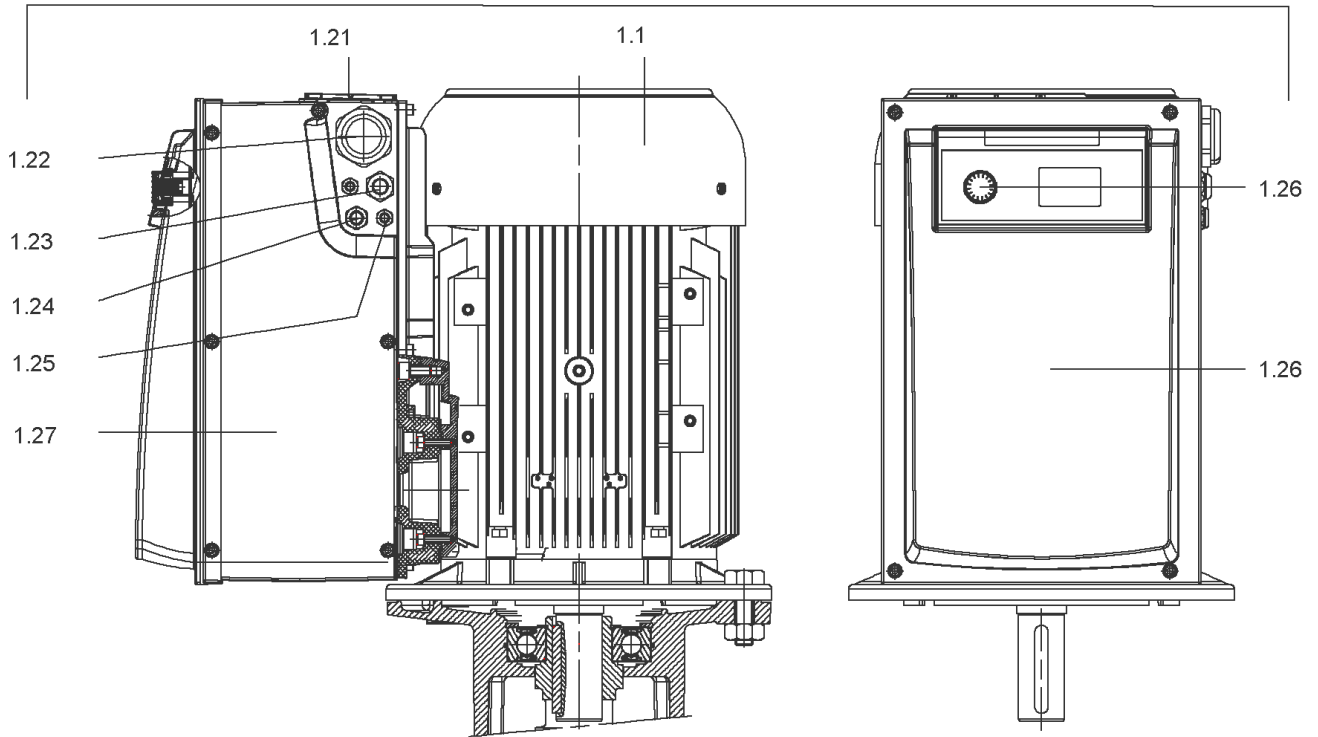
HELIX VE5205-3/16/E/K/2G (4166233)

Item	Article no.	Description	Quantity
1		DRIVE HELIX VE5205-IE2-ARC KIT	1
Note: no longer available/nicht mehr lieferbar/n'est plus disponible			
1	4213695	DRIVE HELIX VE5205-IE4-WEG KIT	1
Note: MOTOR BRAND WEG			
2	4179586	SCREW M16X60 (4 PIECES)	1
3	4157721	LANTERN HELIX 22/36 FF300 BB6312 KIT	1
3.1		> LANTERN FF300 M+ GJL MACHINED+CATA 6312	1
3.2	4179589	> EYELET CPL.FF300 HELIX(4 PIECES)	1
3.3	4143969	> COUPLING PROTECT HELIX FF KIT	1
4	4143966	COUPLING D.20XD.38 FF300 KIT	1
5	4157725	SCREW M10X40 (4 PIECES)	1
6	4179923	STUD BOLT M16X600 KIT	1
6.1		> TIE BOLT M16-600x24x44-1.4057	1
6.2	4179562	> NUT M16 8.8 ISO4032 (4 PIECES)	1
6.3	4097852	> WASHER-CS-16.4-32-2.8-NFE25-511-A2	1
7	4179565	END SHIELD HELIX 8" EPDM KIT	1
7.1		> END SHIELD M+ GJL MACHINED+CATA	1
7.2	4179564	> O-RING D.42.52x2.62 EPDM VP.	1
7.3	4179571	> O-RING HOUSING PIPE HELIX22/36/52 VP.	1
8	4186377	FILING/PURGING PLUG 304 HELIX KIT	1
8.1		> FILLING/VENTING-PLUG-MVI8/10"-304	1
8.2	4032291	> O-RING 17x3 EPDM KTW/WRC	1
9	4143973	CARTRIDGE HELIX22-36-52 O/E KIT	1
10	4179924	HOUSING PIPE D.204X530 1.4301 KIT	1
7.3	4179571	> O-RING HOUSING PIPE HELIX22/36/52 VP.	1
10.1		> HOUSING-PIPE Ø204-M+3607/5205-304	1
11	4179583	CENTRALIZER HELIX 8" 52 VP.	1
12	4164724	SHAFT EQUIPMENT HELIX V52 KIT	1
13		HYDRAULIC HELIX V 5205	1
14	4179926	SHAFTS D.22X704 1.4057 VP.	1
15	4164723	EQUIPED HOUSING PN16 HELIX GJL KIT	1
7.3	4179571	> O-RING HOUSING PIPE HELIX22/36/52 VP.	1
15.1		> PUMP HOUSING SET with COATED PARTS-DN80	1
15.3	4143766	> DRAIN/PRIMING PLUG EPDM HELIX KIT	1

HELIX VE5205-3/16/E/K/2G (4166233)

Item	Article no.	Description	Quantity
15.3A		>> PRIMING/DRAIN PLUG-304-VERSION 1	1
15.3B	4032293	>> O-RING-10x3-EPDM-KTW/WRC	1
15.3C	4233957	>> O-RING ID.9 EPDM VP.	1
15.4	4221729	> BASE M+ DN50/65/80 VP.	1
15.5		> SCREW TBHC M12x25 ISO7380 ZN	1
15.6		> FLANGE M+ DN80 NF PN16-25 ASME PN16 CATA	1
15.7		> O-RING Ø91.42xØ3 EPDM	1
13.1A	4161200	> NECK RING 1.STAGE HELIX V36/52 KIT	1
		>> NECK-RING-M+36/52	1
		>> HYDRAULIC SUPPORT CAP M+36/52 304	1
		>> SCREW TCL M3X8 A4 POZIDRIV	1

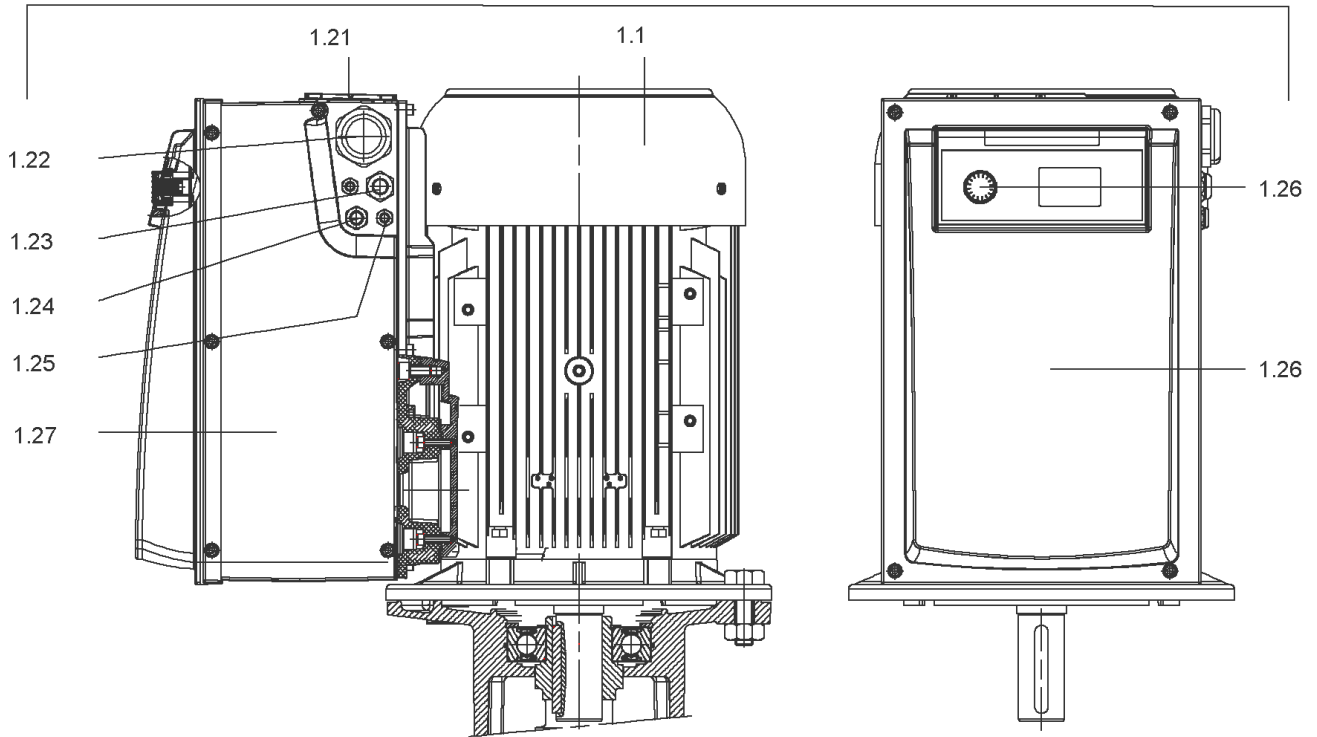
1



DRIVE HELIX VE5205-IE2-ARC KIT

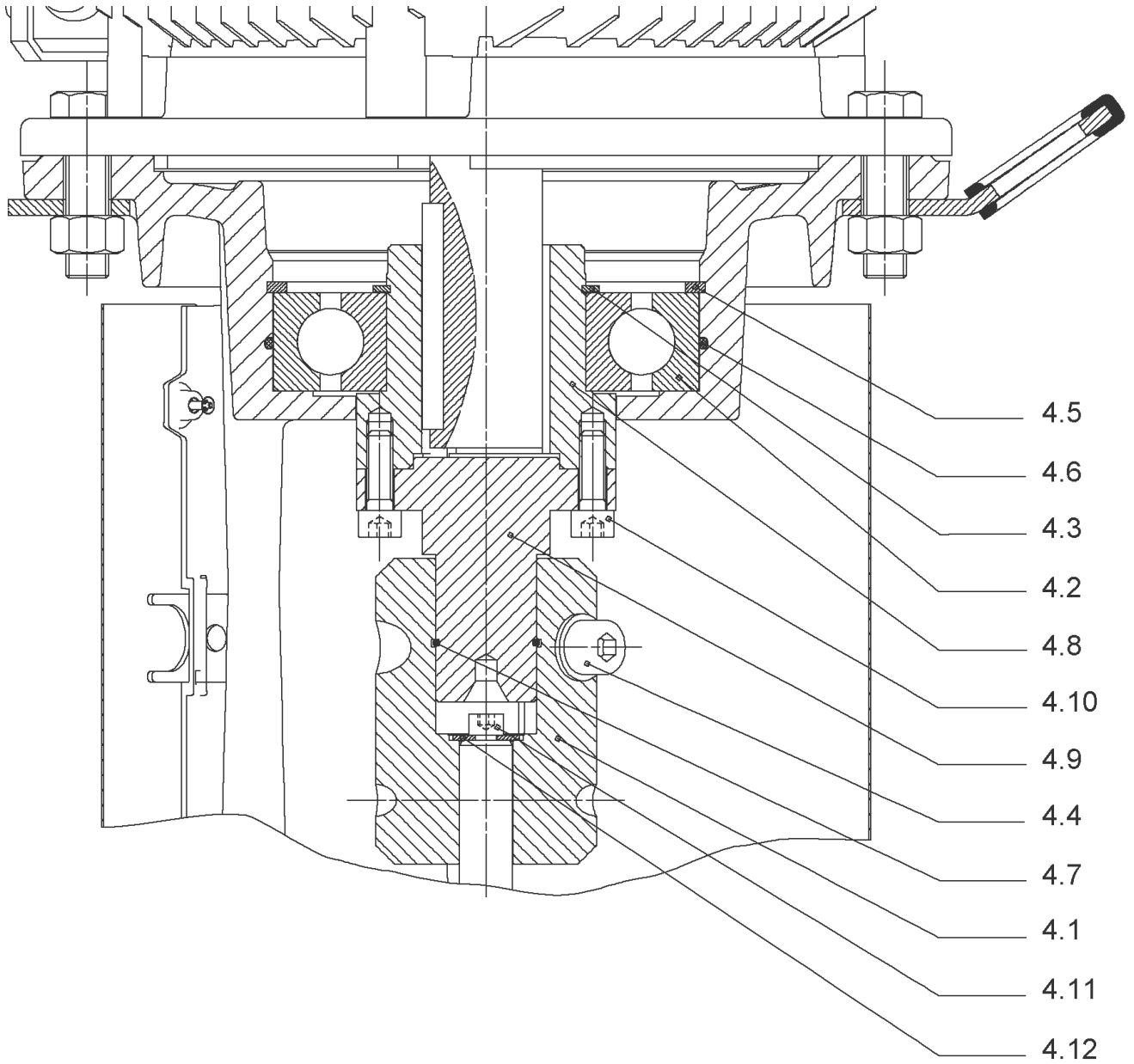
Item	Article no.	Description	Quantity
1.1		M18.5-2T540P55V1-160F300-N42-IE2	1
		SPARE PARTS MOTOR:ON REQUEST	1
1.21	2132103	FAN LARGE TL6/7 FF KIT	1
1.25	2132097	CABLE CONNECTION M12 TL6/7 FF VP.	1
1.24	2132098	CABLE CONNECTION M16 TL6/7 FF VP.	1
1.23	2132099	CABLE CONNECTION M20 TL6/7 FF VP.	1
1.22	2132101	CABLE CONNECTION LARGE M40 TL6/7 FF VP.	1
1.27	2132104	COVER SIDE TL6/7 FF CPL.VP.	1
1.26	2132452	MODULE COVER/BUTTON TL6/7 FF VP.	1

1



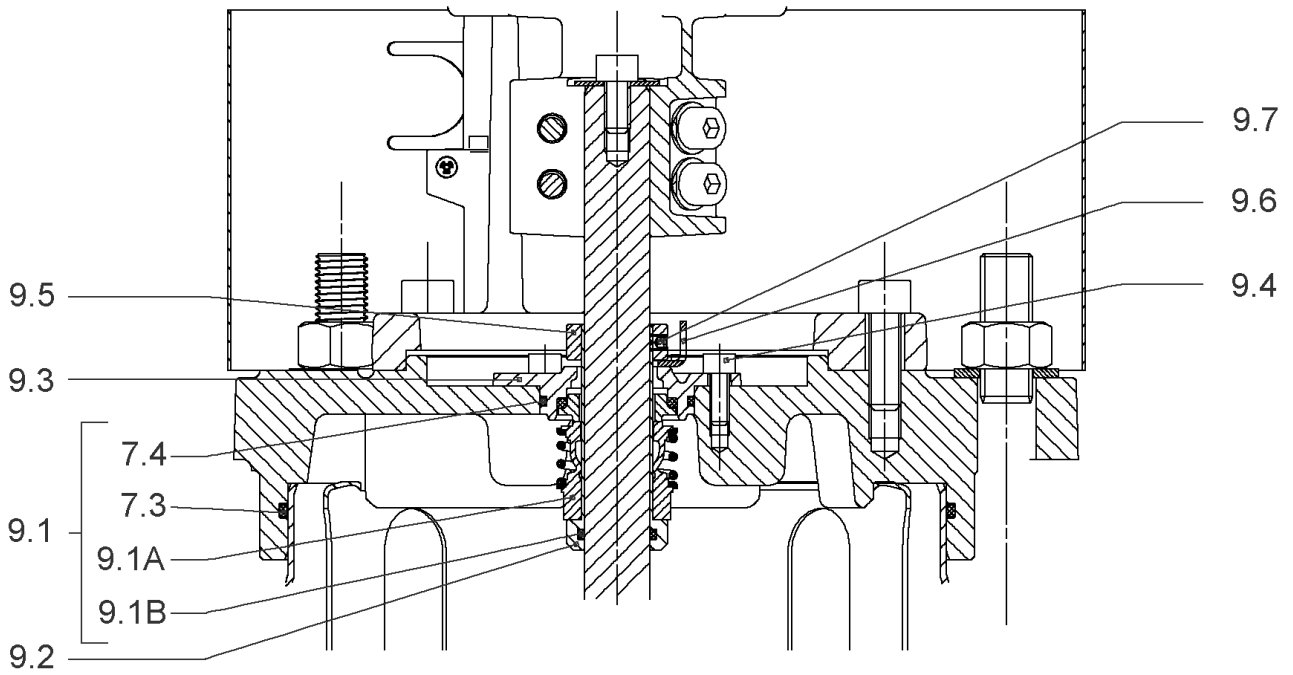
DRIVE HELIX VE5205-IE4-WEG KIT (4213695)

Item	Article no.	Description	Quantity
1.1		M18,5-2T540P55V1-180F30-N42-ADAP-IE4-WEG	1
		SPARE PARTS MOTOR:ON REQUEST	1
1.21	2132102	FAN SMALL TL6/7 FF KIT	1
1.25	2132097	CABLE CONNECTION M12 TL6/7 FF VP.	1
1.24	2132098	CABLE CONNECTION M16 TL6/7 FF VP.	1
1.23	2132099	CABLE CONNECTION M20 TL6/7 FF VP.	1
1.22	2132100	CABLE CONNECTION SMALL M40 TL6/7 FF VP.	1
1.27	2132104	COVER SIDE TL6/7 FF CPL.VP.	1
1.26	2132452	MODULE COVER/BUTTON TL6/7 FF VP.	1



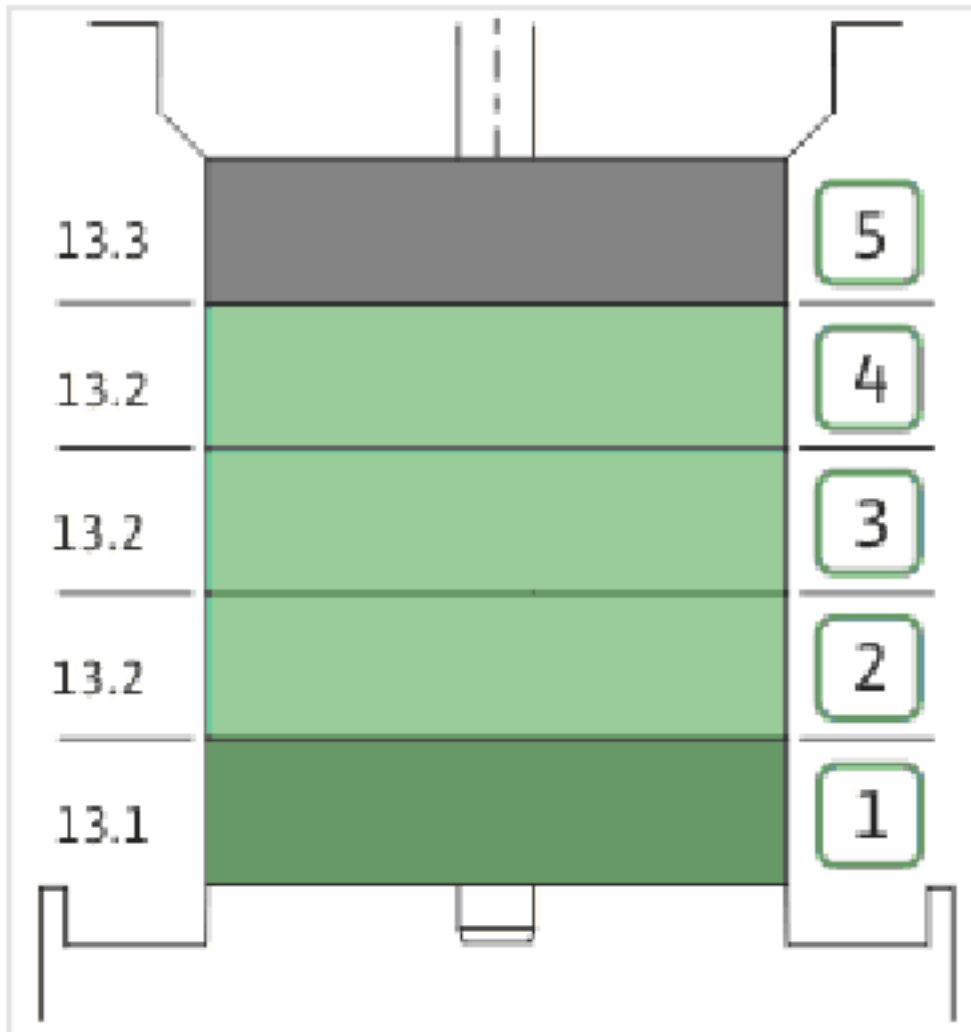
COUPLING D.20XD.38 FF300 KIT (4143966)

Item	Article no.	Description	Quantity
4.1	4179590	COUPLING 2 PARTS D.20XD.38XL115 VP.	1
4.2	2123699	BALL BEARING 6312/2Z-C4 (HT) VP.	1
4.3	63428	CIRCLIP-FOR-SHAFT-D60x2	1
4.4	2130991	SCREW M12X30 ISO4762 8.8 ZN(4 PIECES)	1
4.5	4032277	CIRCLIP-HOLE-130x4	1
4.6	4006725	O-RING ID.132,94x3,53 NBR70SR	1
4.7	2130992	RETAINING RING D.35xD.2,5 DIN7993 VP.	1
4.8	4179591	HUB D.42xD.60 VP.	1
4.9	2130994	SPACER D.38XD.55 VP.	1
4.10	4094462	SCREWS M10 (4 PIECES)	1
4.11	4233959	SCREW M8x16 VP.	1
4.12		SERRATED LOCK WASHER Ø8.2XØ25X35X2	1



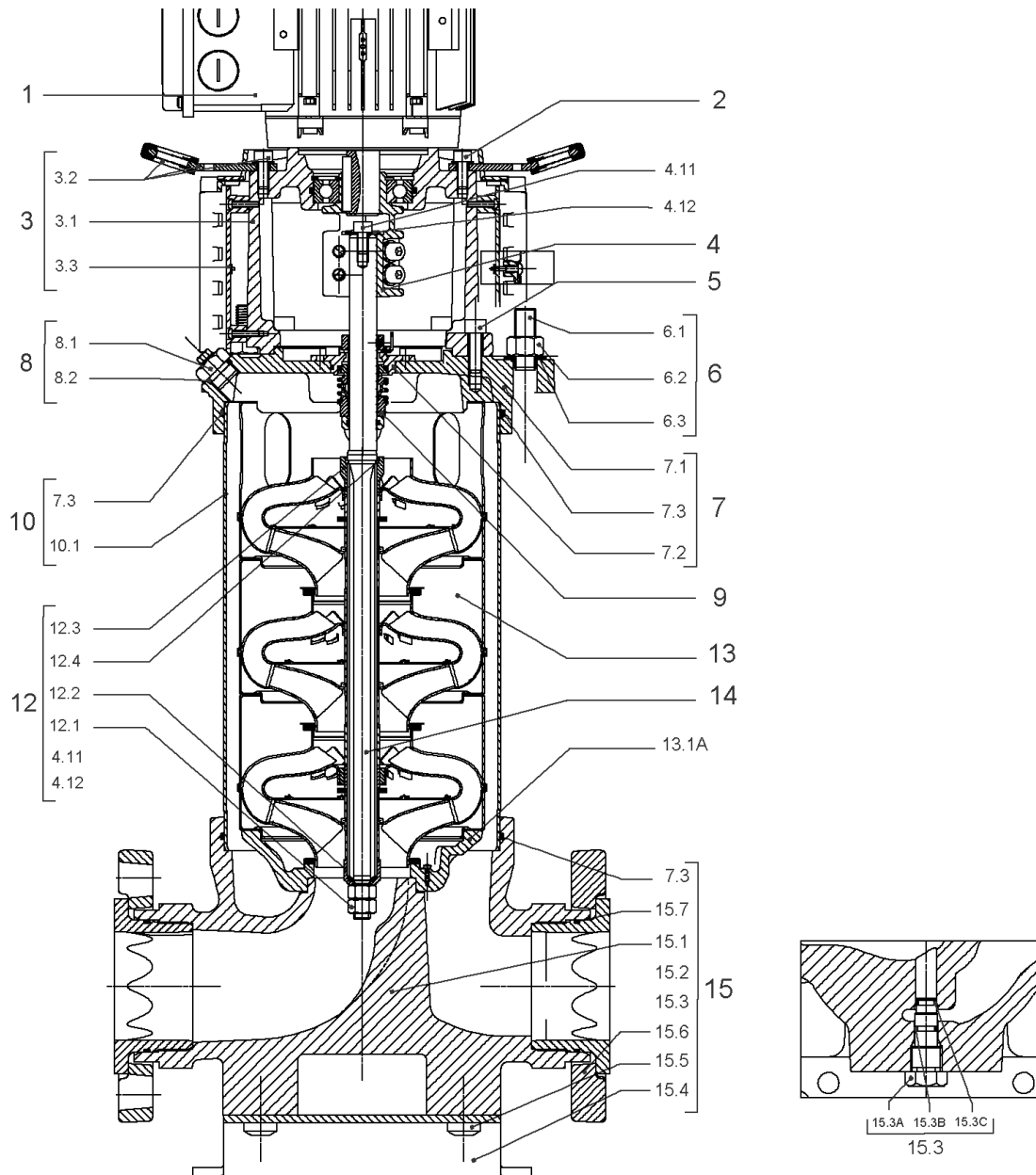
CARTRIDGE HELIX22-36-52 O/E KIT (4143973)

Item	Article no.	Description	Quantity
9.1	4143974	SEAL-KIT-HELIX22-36-52 O/E	1
7.3	4179571	> O-RING HOUSING PIPE HELIX22/36/52 VP.	1
7.4	4179572	> O-RING ID.42.52X2.62 EPDM VP.	1
9.1A	4179573	> M.SEAL.HELIX22-36-52 O/E VP.	1
9.1B	4179574	> O-RING ID.20x2.65 EPDM VP.	1
9.2	4179566	SHAFT SLEEVE D.20/20X60 1.4404 VP.	1
9.3	4179567	RING HOLDER Ø22 1.4301 VP.	1
9.4	4176520	SCREW CH M5x5 A4-70 (3PIECES)	1
9.5	4179568	DRIVE RING D.31/22.1x11 MACH.VP.	1
9.6	4179569	TOOL M.S.CART.HELIX 8" VP.	1
9.7	4179570	SCREW M6X16 ISO4762 8.8 GEOMET(4 PIECES)	1



HYDRAULIC HELIX V 5205

Item	Article no.	Description	Quantity
13.1	4164727	INTERMEDIAIRE STAGE HELIX 52 1.4301 KIT	1
		> SLEEVE-SPACER-D22XL30,42-316L	1
		> MACH.BEARING-DIFFUSER+NR-M+52-304	1
		> SHAFT-SLEEVE-D26xD22x16-CW	1
		> SPACER WASHER D22,3XD36 L3-316L	1
		> IMPELLER-H2-M+52-304	1
13.1A	4161200	> NECK RING 1.STAGE HELIX V36/52 KIT	1
		>> NECK-RING-M+36/52	1
		>> HYDRAULIC SUPPORT CAP M+36/52 304	1
		>> SCREW TCL M3X8 A4 POZIDRIV	1
13.2	4164728	INTERMEDIATE STAGE HELIX 52 1.4301 KIT	1
		> MACH.STD-DIFFUSER+NR-M+52-304	1
		> IMPELLER-H5-M+52-304	1
13.3	4164729	UPPER-STAGE HELIX 52 1.4301 KIT	1
		> STOP COLLAR OF IMPELLER L27,6-Ø22-316L	1
		> SLEEVE-SPACER-D22XL16,66-316L	1
		> SPACER WASHER D22,3XD36 L3-316L	1
		> IMPELLER-H2-M+52-304	1
		> MACH.STD-DISCHARGE-CHAMBER-M+52-304	1



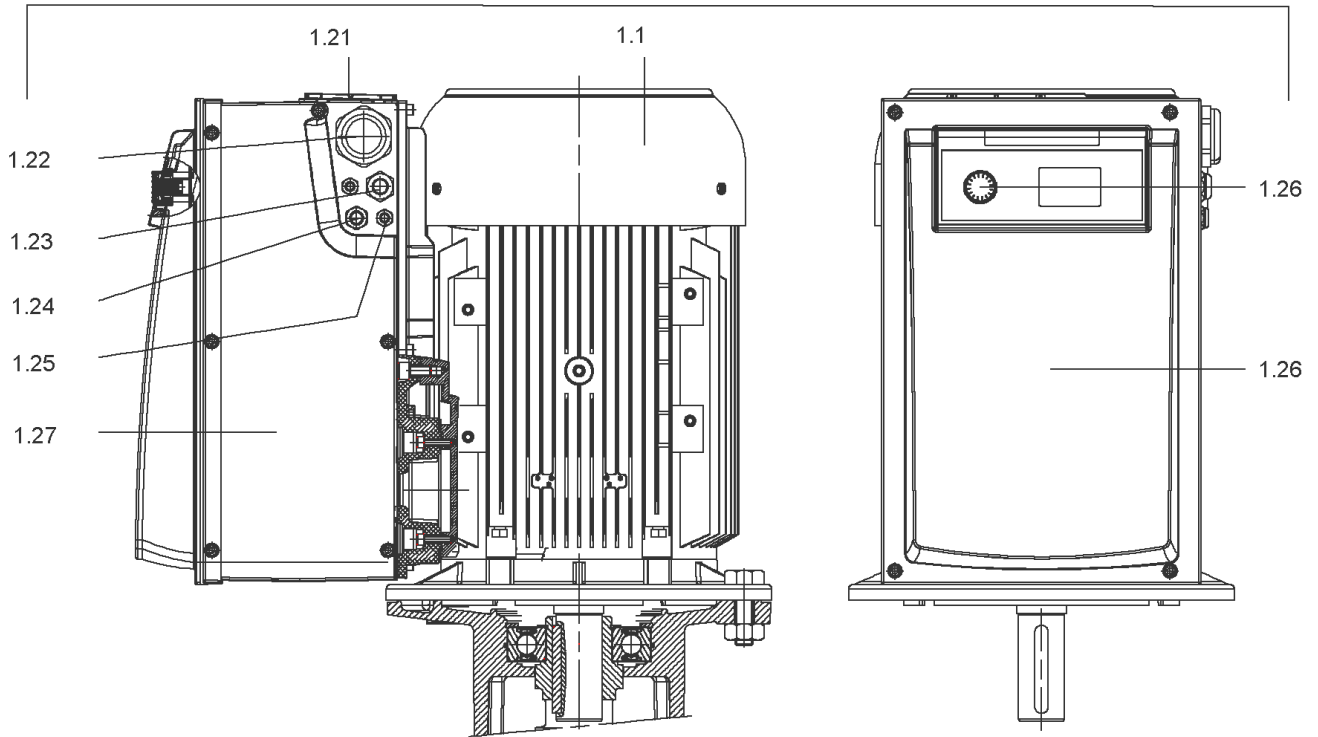
HELIX VE5205-3/16/E/KS/2G (4166240)

Item	Article no.	Description	Quantity
1		DRIVE HELIX VE5205-IE2-ARC KIT	1
Note: no longer available/nicht mehr lieferbar/n'est plus disponible			
1	4213695	DRIVE HELIX VE5205-IE4-WEG KIT	1
Note: MOTOR BRAND WEG			
2	4179586	SCREW M16X60 (4 PIECES)	1
3	4157721	LANTERN HELIX 22/36 FF300 BB6312 KIT	1
3.1		> LANTERN FF300 M+ GJL MACHINED+CATA 6312	1
3.2	4179589	> EYELET CPL.FF300 HELIX(4 PIECES)	1
3.3	4143969	> COUPLING PROTECT HELIX FF KIT	1
4	4143966	COUPLING D.20XD.38 FF300 KIT	1
5	4157725	SCREW M10X40 (4 PIECES)	1
6	4179923	STUD BOLT M16X600 KIT	1
6.1		> TIE BOLT M16-600x24x44-1.4057	1
6.2	4179562	> NUT M16 8.8 ISO4032 (4 PIECES)	1
6.3	4097852	> WASHER-CS-16.4-32-2.8-NFE25-511-A2	1
7	4179565	END SHIELD HELIX 8" EPDM KIT	1
7.1		> END SHIELD M+ GJL MACHINED+CATA	1
7.2	4179564	> O-RING D.42.52x2.62 EPDM VP.	1
7.3	4179571	> O-RING HOUSING PIPE HELIX22/36/52 VP.	1
8	4186377	FILING/PURGING PLUG 304 HELIX KIT	1
8.1		> FILLING/VENTING-PLUG-MVI8/10"-304	1
8.2	4032291	> O-RING 17x3 EPDM KTW/WRC	1
9	4143973	CARTRIDGE HELIX22-36-52 O/E KIT	1
10	4179924	HOUSING PIPE D.204X530 1.4301 KIT	1
7.3	4179571	> O-RING HOUSING PIPE HELIX22/36/52 VP.	1
10.1		> HOUSING-PIPE Ø204-M+3607/5205-304	1
11	4179583	CENTRALIZER HELIX 8" 52 VP.	1
12	4164724	SHAFT EQUIPMENT HELIX V52 KIT	1
13		HYDRAULIC HELIX V 5205	1
14	4179926	SHAFTS D.22X704 1.4057 VP.	1
15	4164723	EQUIPED HOUSING PN16 HELIX GJL KIT	1
7.3	4179571	> O-RING HOUSING PIPE HELIX22/36/52 VP.	1
15.1		> PUMP HOUSING SET with COATED PARTS-DN80	1
15.3	4143766	> DRAIN/PRIMING PLUG EPDM HELIX KIT	1

HELIX VE5205-3/16/E/KS/2G (4166240)

Item	Article no.	Description	Quantity
15.3A		>> PRIMING/DRAIN PLUG-304-VERSION 1	1
15.3B	4032293	>> O-RING-10x3-EPDM-KTW/WRC	1
15.3C	4233957	>> O-RING ID.9 EPDM VP.	1
15.4	4221729	> BASE M+ DN50/65/80 VP.	1
15.5		> SCREW TBHC M12x25 ISO7380 ZN	1
15.6		> FLANGE M+ DN80 NF PN16-25 ASME PN16 CATA	1
15.7		> O-RING Ø91.42xØ3 EPDM	1
13.1A	4161200	> NECK RING 1.STAGE HELIX V36/52 KIT	1
		>> NECK-RING-M+36/52	1
		>> HYDRAULIC SUPPORT CAP M+36/52 304	1
		>> SCREW TCL M3X8 A4 POZIDRIV	1

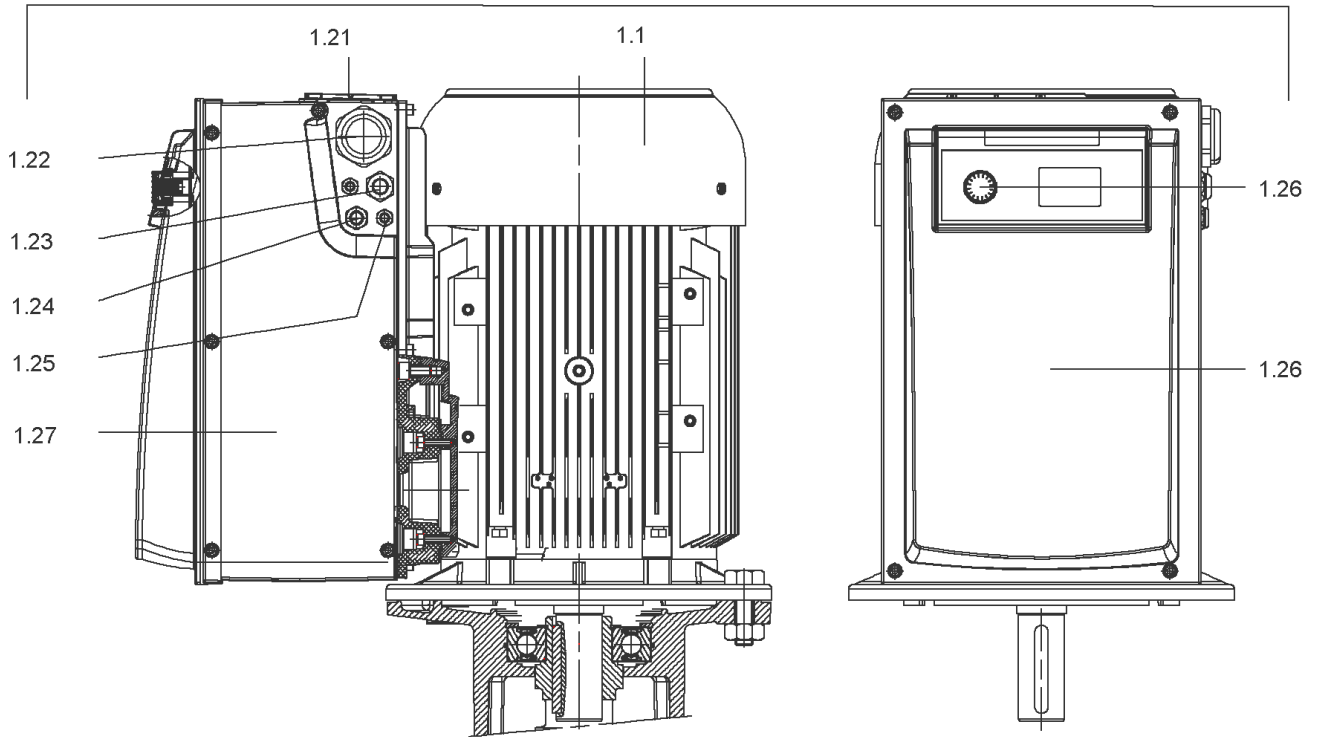
1



DRIVE HELIX VE5205-IE2-ARC KIT

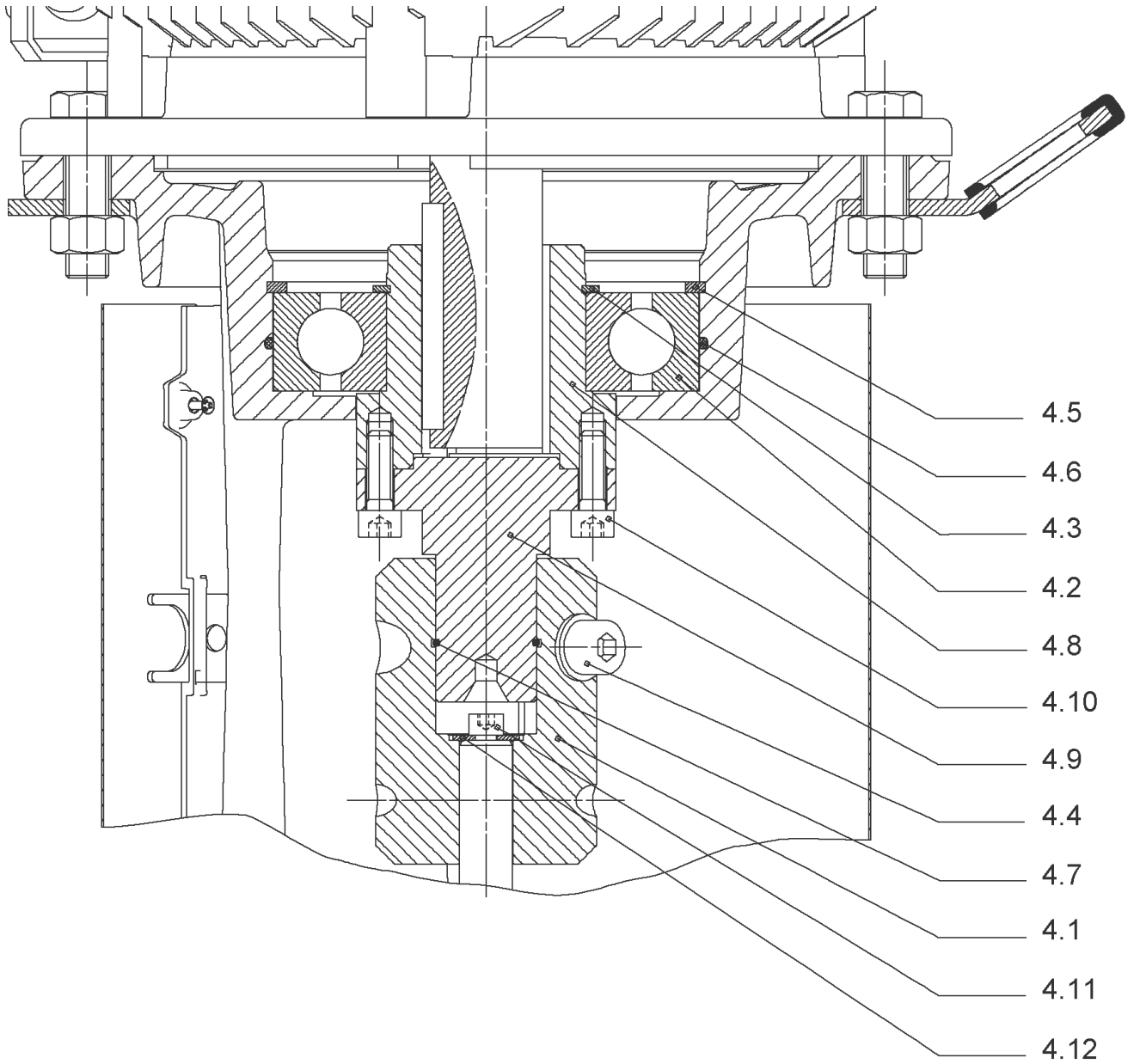
Item	Article no.	Description	Quantity
1.1		M18.5-2T540P55V1-160F300-N42-IE2	1
		SPARE PARTS MOTOR:ON REQUEST	1
1.21	2132103	FAN LARGE TL6/7 FF KIT	1
1.25	2132097	CABLE CONNECTION M12 TL6/7 FF VP.	1
1.24	2132098	CABLE CONNECTION M16 TL6/7 FF VP.	1
1.23	2132099	CABLE CONNECTION M20 TL6/7 FF VP.	1
1.22	2132101	CABLE CONNECTION LARGE M40 TL6/7 FF VP.	1
1.27	2132104	COVER SIDE TL6/7 FF CPL.VP.	1
1.26	2132452	MODULE COVER/BUTTON TL6/7 FF VP.	1

1



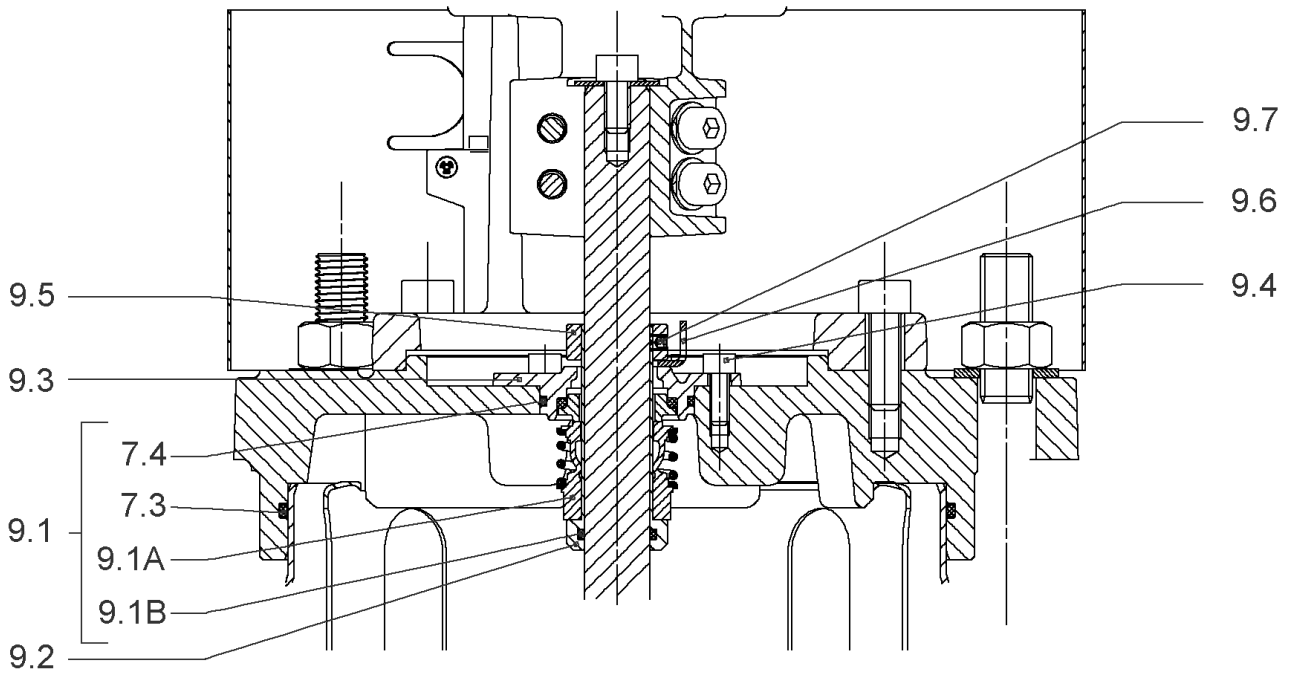
DRIVE HELIX VE5205-IE4-WEG KIT (4213695)

Item	Article no.	Description	Quantity
1.1		M18,5-2T540P55V1-180F30-N42-ADAP-IE4-WEG	1
		SPARE PARTS MOTOR:ON REQUEST	1
1.21	2132102	FAN SMALL TL6/7 FF KIT	1
1.25	2132097	CABLE CONNECTION M12 TL6/7 FF VP.	1
1.24	2132098	CABLE CONNECTION M16 TL6/7 FF VP.	1
1.23	2132099	CABLE CONNECTION M20 TL6/7 FF VP.	1
1.22	2132100	CABLE CONNECTION SMALL M40 TL6/7 FF VP.	1
1.27	2132104	COVER SIDE TL6/7 FF CPL.VP.	1
1.26	2132452	MODULE COVER/BUTTON TL6/7 FF VP.	1



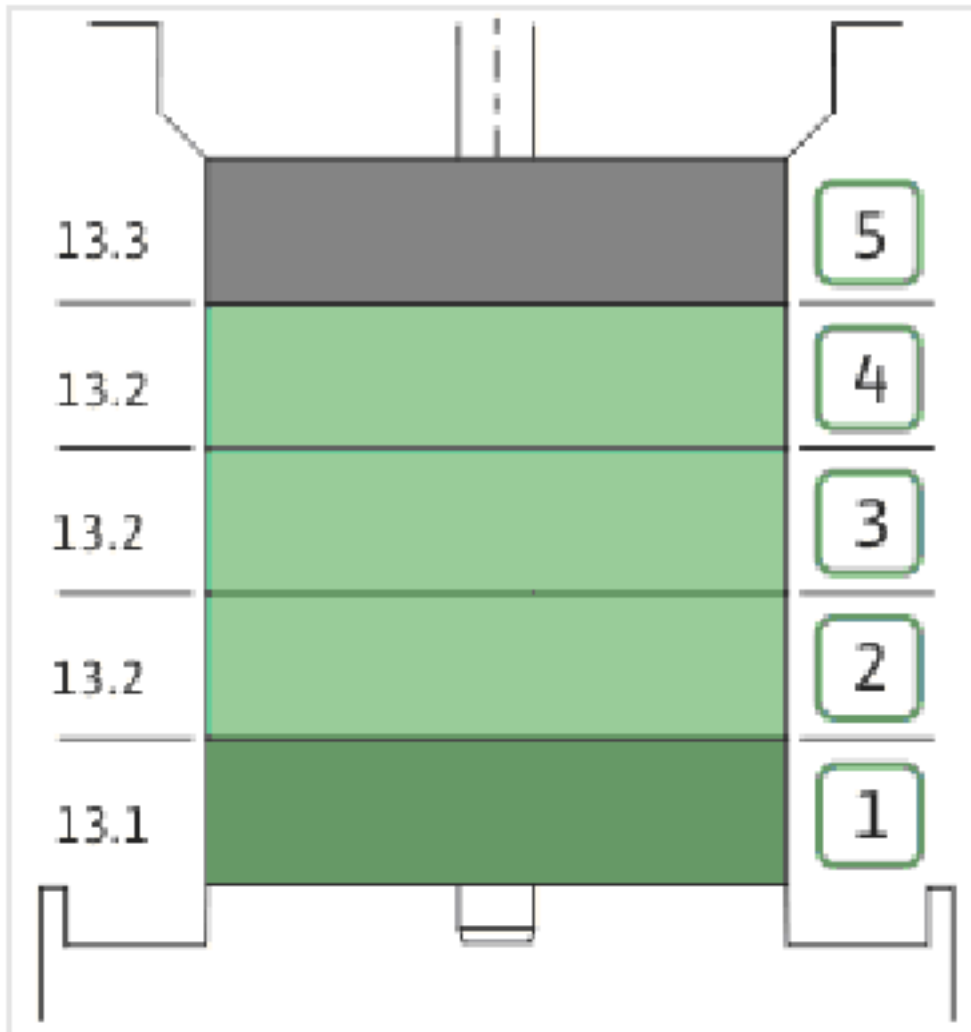
COUPLING D.20XD.38 FF300 KIT (4143966)

Item	Article no.	Description	Quantity
4.1	4179590	COUPLING 2 PARTS D.20XD.38XL115 VP.	1
4.2	2123699	BALL BEARING 6312/2Z-C4 (HT) VP.	1
4.3	63428	CIRCLIP-FOR-SHAFT-D60x2	1
4.4	2130991	SCREW M12X30 ISO4762 8.8 ZN(4 PIECES)	1
4.5	4032277	CIRCLIP-HOLE-130x4	1
4.6	4006725	O-RING ID.132,94x3,53 NBR70SR	1
4.7	2130992	RETAINING RING D.35xD.2,5 DIN7993 VP.	1
4.8	4179591	HUB D.42xD.60 VP.	1
4.9	2130994	SPACER D.38XD.55 VP.	1
4.10	4094462	SCREWS M10 (4 PIECES)	1
4.11	4233959	SCREW M8x16 VP.	1
4.12		SERRATED LOCK WASHER Ø8.2XØ25X35X2	1



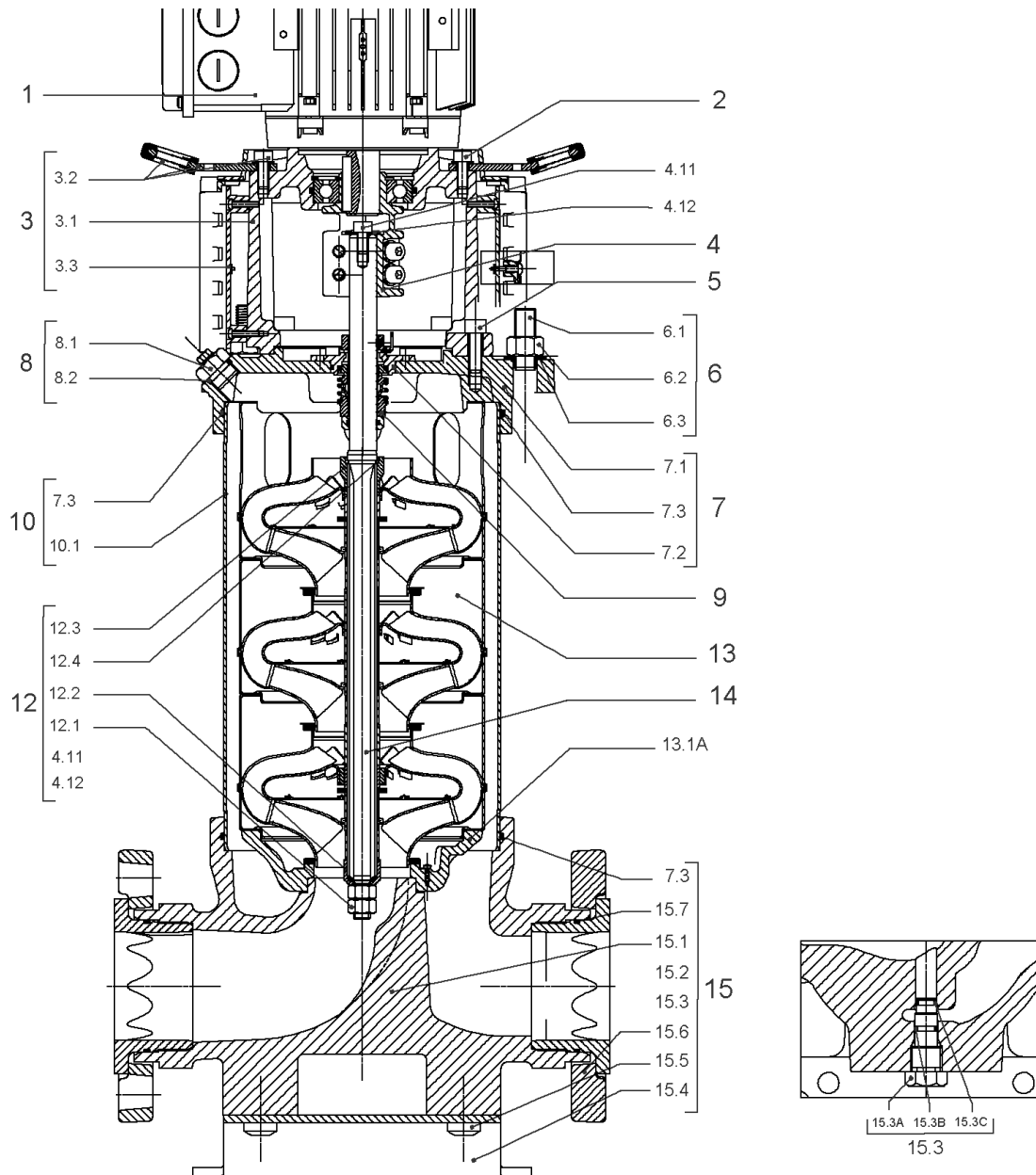
CARTRIDGE HELIX22-36-52 O/E KIT (4143973)

Item	Article no.	Description	Quantity
9.1	4143974	SEAL-KIT-HELIX22-36-52 O/E	1
7.3	4179571	> O-RING HOUSING PIPE HELIX22/36/52 VP.	1
7.4	4179572	> O-RING ID.42.52X2.62 EPDM VP.	1
9.1A	4179573	> M.SEAL.HELIX22-36-52 O/E VP.	1
9.1B	4179574	> O-RING ID.20x2.65 EPDM VP.	1
9.2	4179566	SHAFT SLEEVE D.20/20X60 1.4404 VP.	1
9.3	4179567	RING HOLDER Ø22 1.4301 VP.	1
9.4	4176520	SCREW CH M5x5 A4-70 (3PIECES)	1
9.5	4179568	DRIVE RING D.31/22.1x11 MACH.VP.	1
9.6	4179569	TOOL M.S.CART.HELIX 8" VP.	1
9.7	4179570	SCREW M6X16 ISO4762 8.8 GEOMET(4 PIECES)	1



HYDRAULIC HELIX V 5205

Item	Article no.	Description	Quantity
13.1	4164727	INTERMEDIAIRE STAGE HELIX 52 1.4301 KIT	1
		> SLEEVE-SPACER-D22XL30,42-316L	1
		> MACH.BEARING-DIFFUSER+NR-M+52-304	1
		> SHAFT-SLEEVE-D26xD22x16-CW	1
		> SPACER WASHER D22,3XD36 L3-316L	1
		> IMPELLER-H2-M+52-304	1
13.1A	4161200	> NECK RING 1.STAGE HELIX V36/52 KIT	1
		>> NECK-RING-M+36/52	1
		>> HYDRAULIC SUPPORT CAP M+36/52 304	1
		>> SCREW TCL M3X8 A4 POZIDRIV	1
13.2	4164728	INTERMEDIATE STAGE HELIX 52 1.4301 KIT	1
		> MACH.STD-DIFFUSER+NR-M+52-304	1
		> IMPELLER-H5-M+52-304	1
13.3	4164729	UPPER-STAGE HELIX 52 1.4301 KIT	1
		> STOP COLLAR OF IMPELLER L27,6-Ø22-316L	1
		> SLEEVE-SPACER-D22XL16,66-316L	1
		> SPACER WASHER D22,3XD36 L3-316L	1
		> IMPELLER-H2-M+52-304	1
		> MACH.STD-DISCHARGE-CHAMBER-M+52-304	1



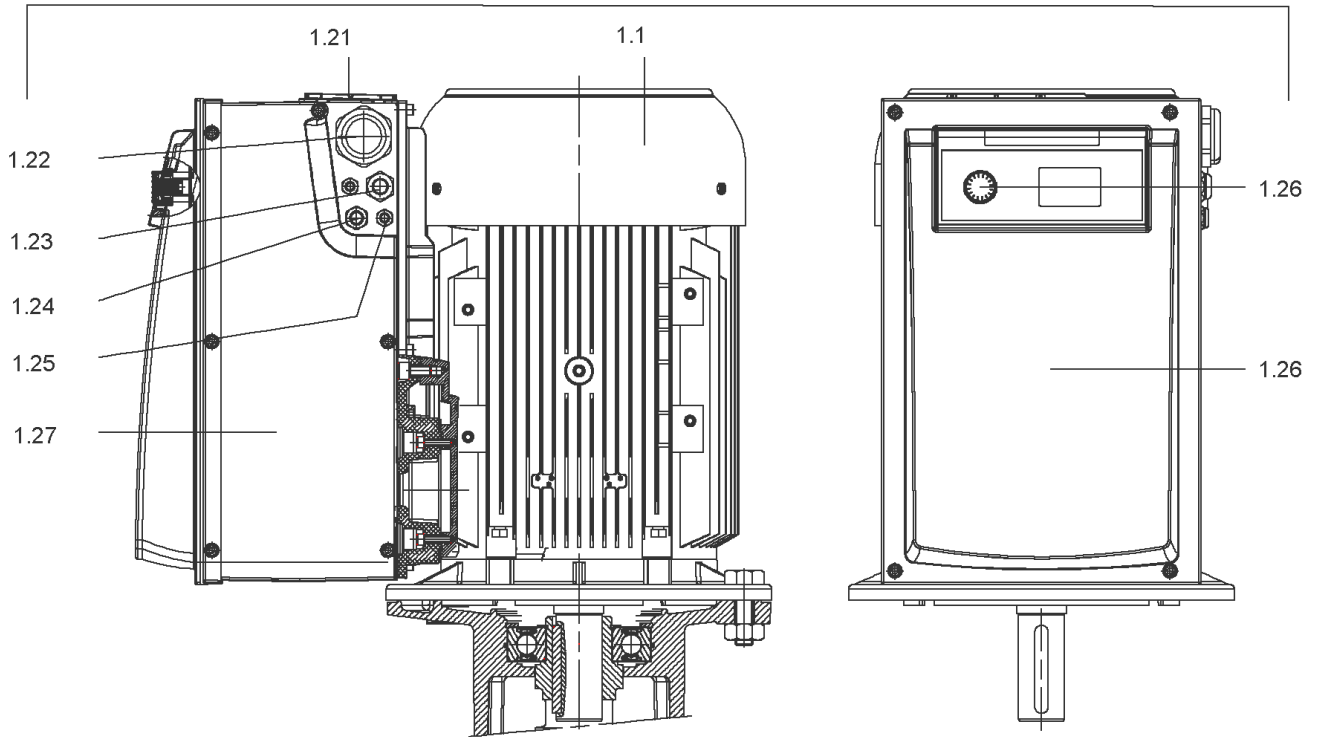
HELIX VE5205-4/16/E/KS/2G (4183471)

Item	Article no.	Description	Quantity
1		DRIVE HELIX VE5205-IE2-ARC KIT	1
Note: no longer available/nicht mehr lieferbar/n'est plus disponible			
1	4213695	DRIVE HELIX VE5205-IE4-WEG KIT	1
Note: MOTOR BRAND WEG			
2	4179586	SCREW M16X60 (4 PIECES)	1
3	4157721	LANTERN HELIX 22/36 FF300 BB6312 KIT	1
3.1		> LANTERN FF300 M+ GJL MACHINED+CATA 6312	1
3.2	4179589	> EYELET CPL.FF300 HELIX(4 PIECES)	1
3.3	4143969	> COUPLING PROTECT HELIX FF KIT	1
4	4143966	COUPLING D.20XD.38 FF300 KIT	1
5	4157725	SCREW M10X40 (4 PIECES)	1
6	4179923	STUD BOLT M16X600 KIT	1
6.1		> TIE BOLT M16-600x24x44-1.4057	1
6.2	4179562	> NUT M16 8.8 ISO4032 (4 PIECES)	1
6.3	4097852	> WASHER-CS-16.4-32-2.8-NFE25-511-A2	1
7	4179565	END SHIELD HELIX 8" EPDM KIT	1
7.1		> END SHIELD M+ GJL MACHINED+CATA	1
7.2	4179564	> O-RING D.42.52x2.62 EPDM VP.	1
7.3	4179571	> O-RING HOUSING PIPE HELIX22/36/52 VP.	1
8	4186377	FILING/PURGING PLUG 304 HELIX KIT	1
8.1		> FILLING/VENTING-PLUG-MVI8/10"-304	1
8.2	4032291	> O-RING 17x3 EPDM KTW/WRC	1
9	4143973	CARTRIDGE HELIX22-36-52 O/E KIT	1
10	4179924	HOUSING PIPE D.204X530 1.4301 KIT	1
7.3	4179571	> O-RING HOUSING PIPE HELIX22/36/52 VP.	1
10.1		> HOUSING-PIPE Ø204-M+3607/5205-304	1
11	4179583	CENTRALIZER HELIX 8" 52 VP.	1
12	4164724	SHAFT EQUIPMENT HELIX V52 KIT	1
13		HYDRAULIC HELIX V 5205	1
14	4179926	SHAFTS D.22X704 1.4057 VP.	1
15	4186388	EQUIPED HOUSING HELIX FIRST DN80 DWA KIT	1
15.1		> PUMP CASING MONO.GJL M+8" DN80 DWA	1
15.2		> HYD.SUP.M+8" ONE PIECE HOUSING N80 DWA	1
15.3	4106048	> DRAIN/PRIMING PLUG EPDM HELIX FIRST KIT	1

HELIX VE5205-4/16/E/KS/2G (4183471)

Item	Article no.	Description	Quantity
15.3A		>> DRAIN AND PRIMING PLUG-VM110"-304	1
15.3B	4032293	>> O-RING-10x3-EPDM-KTW/WRC	1
15.3C	4233957	>> O-RING ID.9 EPDM VP.	1
7.3	4179571	> O-RING HOUSING PIPE HELIX22/36/52 VP.	1
13.1A	4161200	> NECK RING 1.STAGE HELIX V36/52 KIT	1
		>> NECK-RING-M+36/52	1
		>> HYDRAULIC SUPPORT CAP M+36/52 304	1
		>> SCREW TCL M3X8 A4 POZIDRIV	1

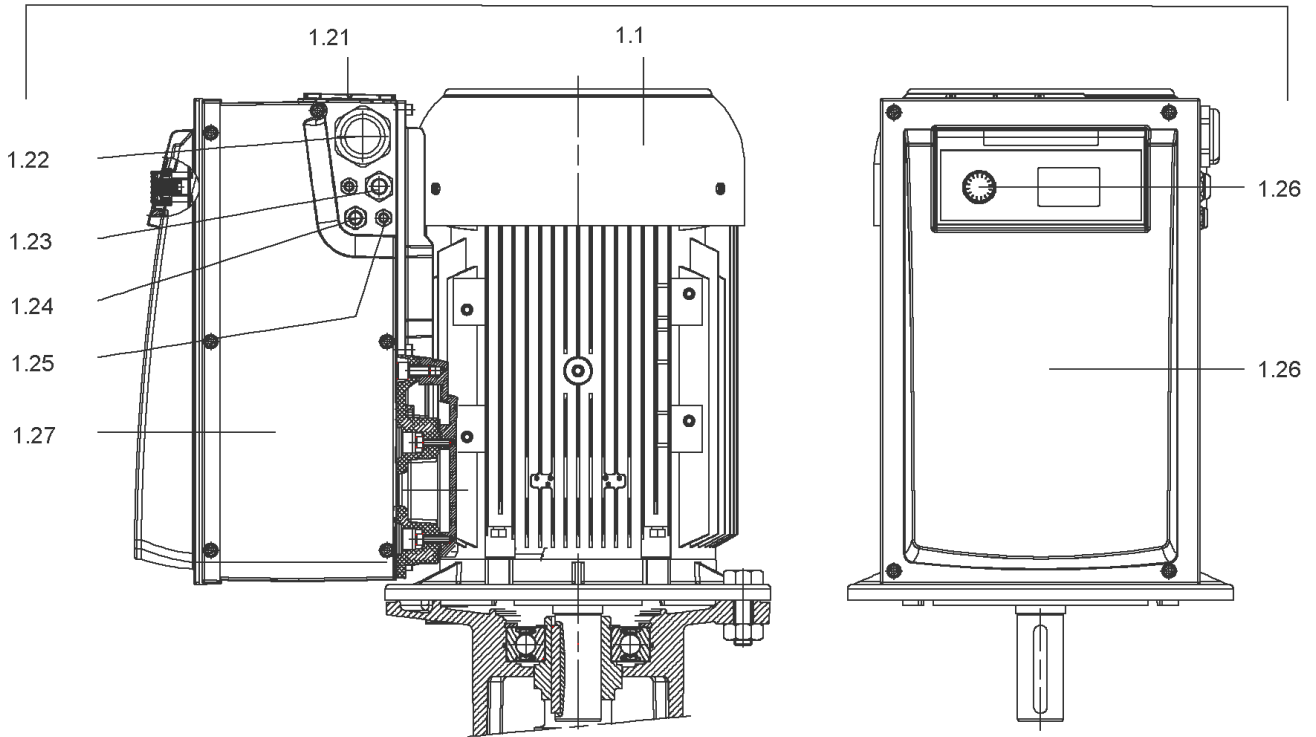
1



DRIVE HELIX VE5205-IE2-ARC KIT

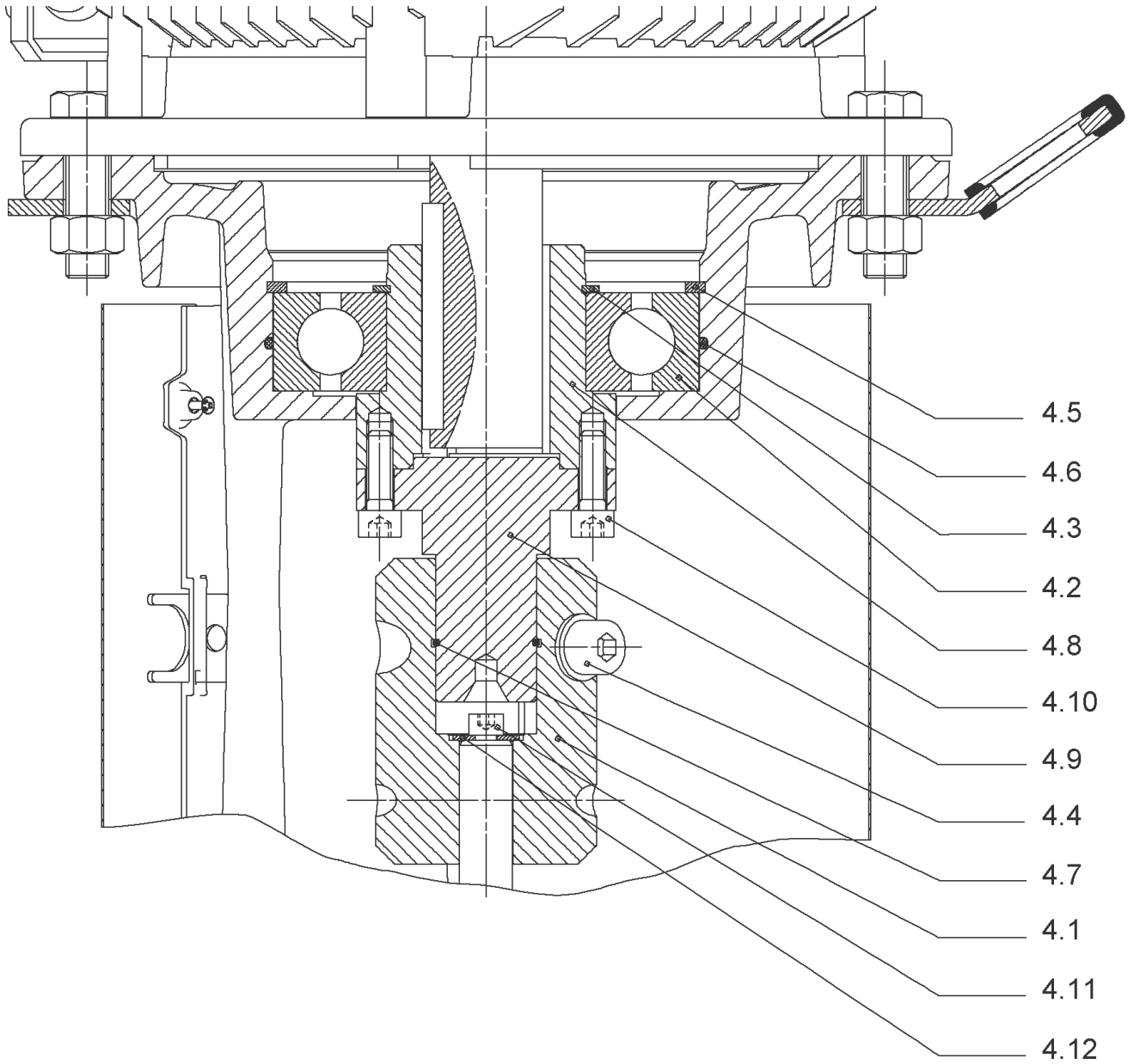
Item	Article no.	Description	Quantity
1.1		M18.5-2T540P55V1-160F300-N42-IE2	1
		SPARE PARTS MOTOR:ON REQUEST	1
1.21	2132103	FAN LARGE TL6/7 FF KIT	1
1.25	2132097	CABLE CONNECTION M12 TL6/7 FF VP.	1
1.24	2132098	CABLE CONNECTION M16 TL6/7 FF VP.	1
1.23	2132099	CABLE CONNECTION M20 TL6/7 FF VP.	1
1.22	2132101	CABLE CONNECTION LARGE M40 TL6/7 FF VP.	1
1.27	2132104	COVER SIDE TL6/7 FF CPL.VP.	1
1.26	2132452	MODULE COVER/BUTTON TL6/7 FF VP.	1

1



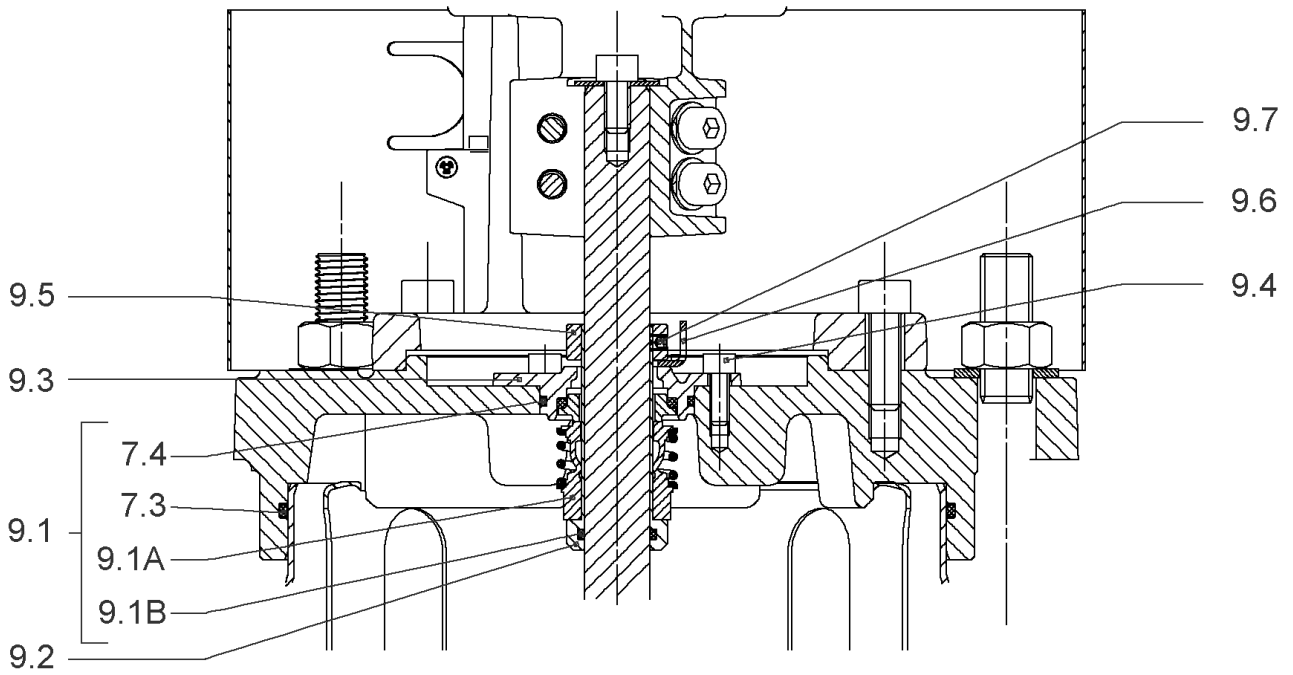
DRIVE HELIX VE5205-IE4-WEG KIT (4213695)

Item	Article no.	Description	Quantity
1.1		M18,5-2T540P55V1-180F30-N42-ADAP-IE4-WEG	1
		SPARE PARTS MOTOR:ON REQUEST	1
1.21	2132102	FAN SMALL TL6/7 FF KIT	1
1.25	2132097	CABLE CONNECTION M12 TL6/7 FF VP.	1
1.24	2132098	CABLE CONNECTION M16 TL6/7 FF VP.	1
1.23	2132099	CABLE CONNECTION M20 TL6/7 FF VP.	1
1.22	2132100	CABLE CONNECTION SMALL M40 TL6/7 FF VP.	1
1.27	2132104	COVER SIDE TL6/7 FF CPL.VP.	1
1.26	2132452	MODULE COVER/BUTTON TL6/7 FF VP.	1



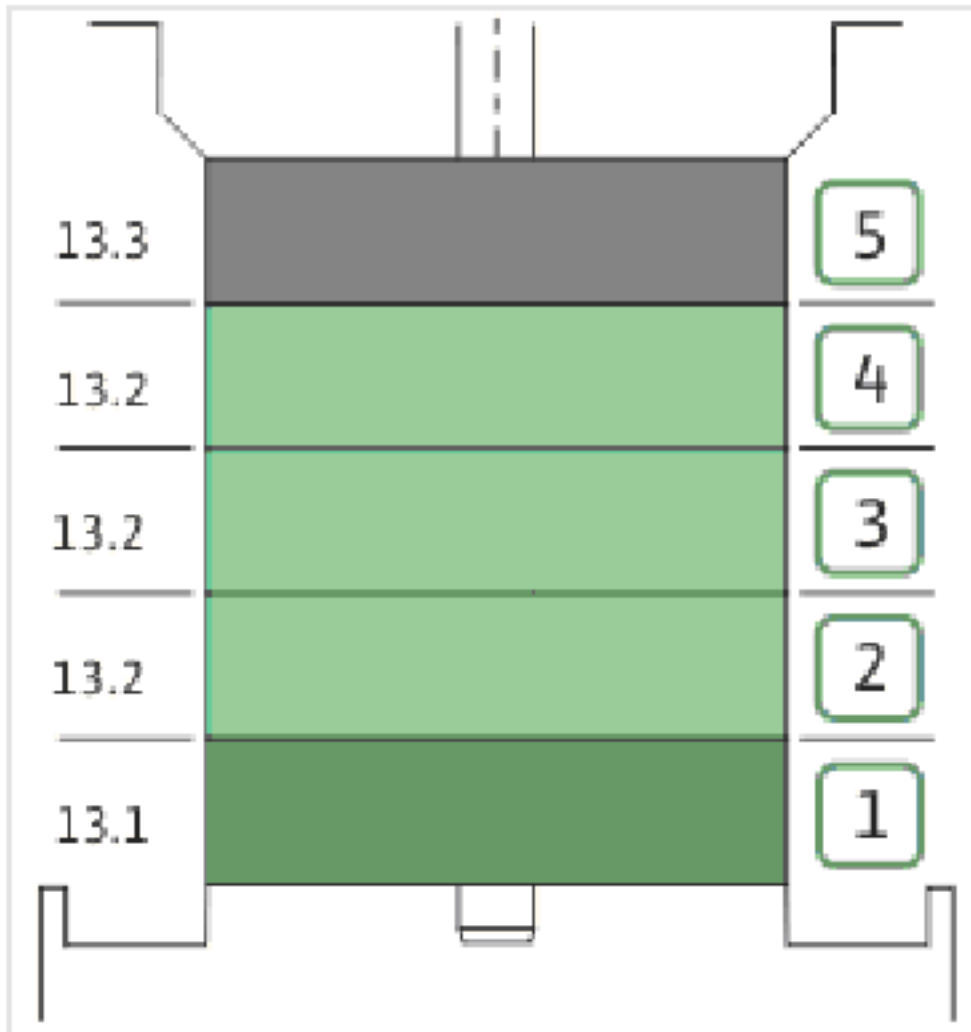
COUPLING D.20XD.38 FF300 KIT (4143966)

Item	Article no.	Description	Quantity
4.1	4179590	COUPLING 2 PARTS D.20XD.38XL115 VP.	1
4.2	2123699	BALL BEARING 6312/2Z-C4 (HT) VP.	1
4.3	63428	CIRCLIP-FOR-SHAFT-D60x2	1
4.4	2130991	SCREW M12X30 ISO4762 8.8 ZN(4 PIECES)	1
4.5	4032277	CIRCLIP-HOLE-130x4	1
4.6	4006725	O-RING ID.132,94x3,53 NBR70SR	1
4.7	2130992	RETAINING RING D.35xD.2,5 DIN7993 VP.	1
4.8	4179591	HUB D.42xD.60 VP.	1
4.9	2130994	SPACER D.38XD.55 VP.	1
4.10	4094462	SCREWS M10 (4 PIECES)	1
4.11	4233959	SCREW M8x16 VP.	1
4.12		SERRATED LOCK WASHER Ø8.2XØ25X35X2	1



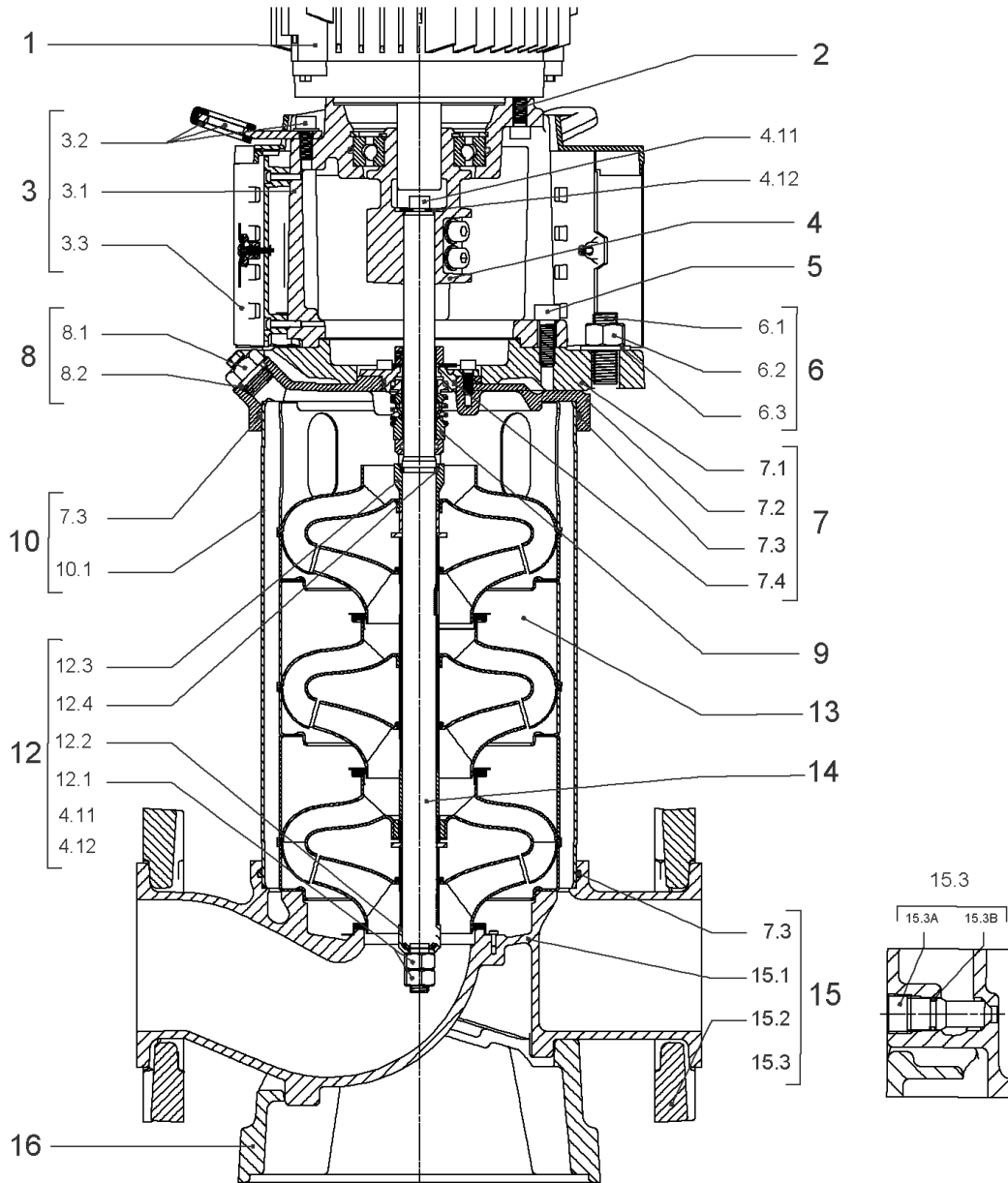
CARTRIDGE HELIX22-36-52 O/E KIT (4143973)

Item	Article no.	Description	Quantity
9.1	4143974	SEAL-KIT-HELIX22-36-52 O/E	1
7.3	4179571	> O-RING HOUSING PIPE HELIX22/36/52 VP.	1
7.4	4179572	> O-RING ID.42.52X2.62 EPDM VP.	1
9.1A	4179573	> M.SEAL.HELIX22-36-52 O/E VP.	1
9.1B	4179574	> O-RING ID.20x2.65 EPDM VP.	1
9.2	4179566	SHAFT SLEEVE D.20/20X60 1.4404 VP.	1
9.3	4179567	RING HOLDER Ø22 1.4301 VP.	1
9.4	4176520	SCREW CH M5x5 A4-70 (3PIECES)	1
9.5	4179568	DRIVE RING D.31/22.1x11 MACH.VP.	1
9.6	4179569	TOOL M.S.CART.HELIX 8" VP.	1
9.7	4179570	SCREW M6X16 ISO4762 8.8 GEOMET(4 PIECES)	1



HYDRAULIC HELIX V 5205

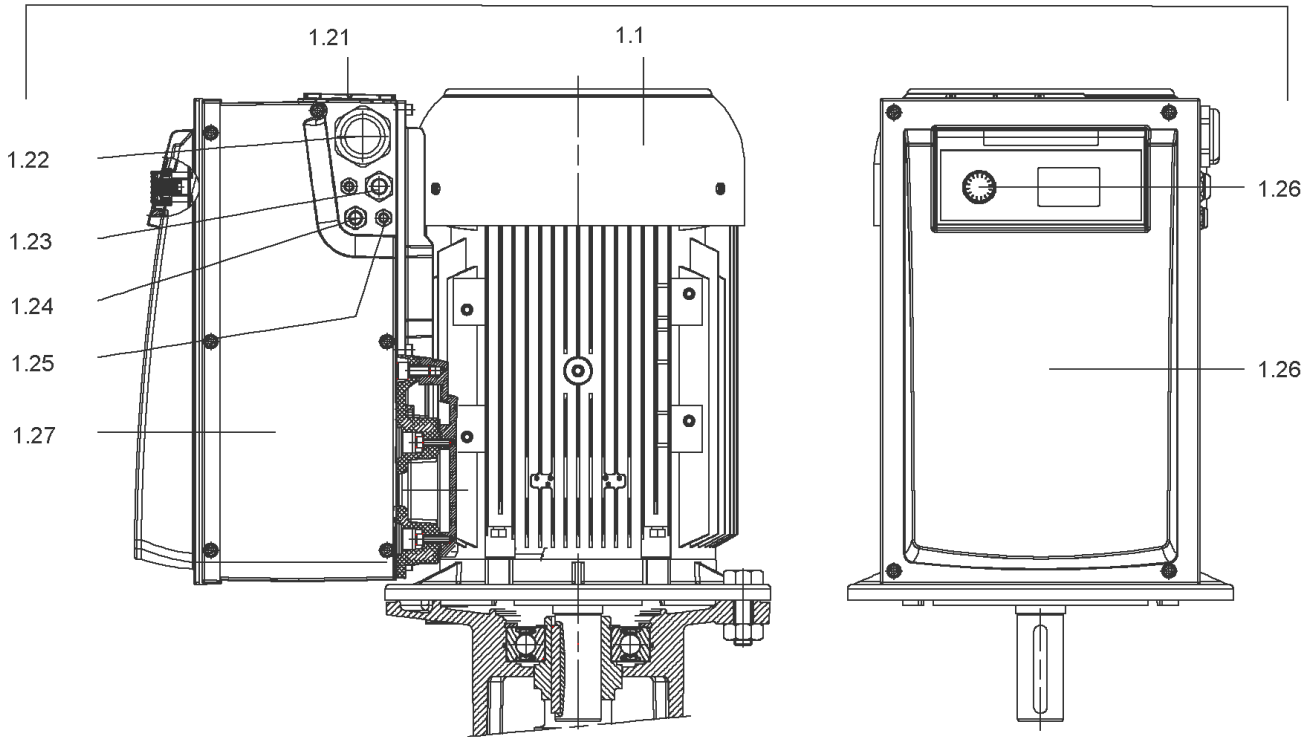
Item	Article no.	Description	Quantity
13.1	4164727	INTERMEDIAIRE STAGE HELIX 52 1.4301 KIT	1
		> SLEEVE-SPACER-D22XL30,42-316L	1
		> MACH.BEARING-DIFFUSER+NR-M+52-304	1
		> SHAFT-SLEEVE-D26xD22x16-CW	1
		> SPACER WASHER D22,3XD36 L3-316L	1
		> IMPELLER-H2-M+52-304	1
13.1A	4161200	> NECK RING 1.STAGE HELIX V36/52 KIT	1
		>> NECK-RING-M+36/52	1
		>> HYDRAULIC SUPPORT CAP M+36/52 304	1
		>> SCREW TCL M3X8 A4 POZIDRIV	1
13.2	4164728	INTERMEDIATE STAGE HELIX 52 1.4301 KIT	1
		> MACH.STD-DIFFUSER+NR-M+52-304	1
		> IMPELLER-H5-M+52-304	1
13.3	4164729	UPPER-STAGE HELIX 52 1.4301 KIT	1
		> STOP COLLAR OF IMPELLER L27,6-Ø22-316L	1
		> SLEEVE-SPACER-D22XL16,66-316L	1
		> SPACER WASHER D22,3XD36 L3-316L	1
		> IMPELLER-H2-M+52-304	1
		> MACH.STD-DISCHARGE-CHAMBER-M+52-304	1



HELIX VE5205-1/16/E/KS (4198872)

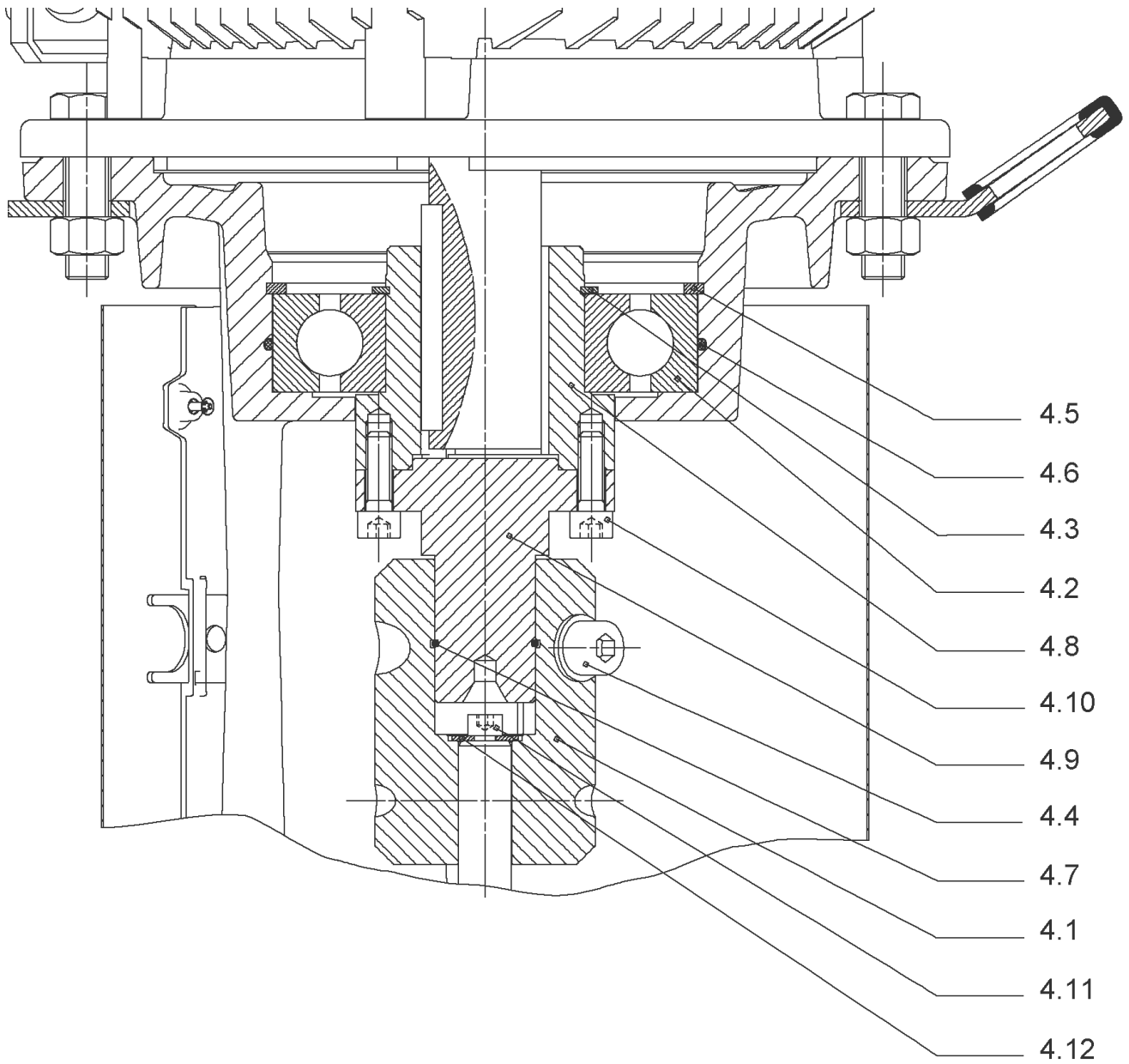
Item	Article no.	Description	Quantity
1	4213695	DRIVE HELIX VE5205-IE4-WEG KIT	1
Note: MOTOR BRAND WEG			
2	4179586	SCREW M16X60 (4 PIECES)	1
3	4157721	LANTERN HELIX 22/36 FF300 BB6312 KIT	1
3.1		> LANTERN FF300 M+ GJL MACHINED+CATA 6312	1
3.2	4179589	> EYELET CPL.FF300 HELIX(4 PIECES)	1
3.3	4143969	> COUPLING PROTECT HELIX FF KIT	1
4	4143966	COUPLING D.20XD.38 FF300 KIT	1
5	4157725	SCREW M10X40 (4 PIECES)	1
6	4217866	STUD BOLT M16X755 KIT	1
6.1		> TIE BOLT M16-755x24x44-1.4057	1
6.2	4179562	> NUT M16 8.8 ISO4032 (4 PIECES)	1
6.3	4097852	> WASHER-CS-16.4-32-2.8-NFE25-511-A2	1
7	4217176	END SHIELD HELIX OPTI 8" EPDM KIT	1
7.1		> upper flange machined + cataphoresis	1
7.2	4217174	> STATIONARY RING HOLDER 8" HELIX OPTI VP.	1
7.3	4179571	> O-RING HOUSING PIPE HELIX22/36/52 VP.	1
7.4	4179572	> O-RING ID.42.52X2.62 EPDM VP.	1
8	4186377	FILING/PURGING PLUG 304 HELIX KIT	1
8.1		> FILLING/VENTING-PLUG-MVI8/10"-304	1
8.2	4032291	> O-RING 17x3 EPDM KTW/WRC	1
9	4143973	CARTRIDGE HELIX22-36-52 O/E KIT	1
10	4181670	HOUSING PIPE D.204X514 1.4301 KIT	1
7.3	4179571	> O-RING HOUSING PIPE HELIX22/36/52 VP.	1
10.1		> HOUSING-PIPE Ø204-M+2209-304	1
12	4164724	SHAFT EQUIPMENT HELIX V52 KIT	1
13		HYDRAULIC HELIX V 5205	1
14	4179926	SHAFTS D.22X704 1.4057 VP.	1
15	4218385	EQUIPED HOUSING DN80 HELIX OPTI 8" KIT	1
15.1		> pump casing machined DN80	1
15.2	4218383	> HALF FLANGE DN80 HELIX OPTI 8" VP.	1
15.3	4217850	> DRAIN/PRIMING PLUG HELIX OPTI 8" KIT	1
7.3	4179571	> O-RING HOUSING PIPE HELIX22/36/52 VP.	1
16	4218387	BASEPLATE DN80 HELIX OPTI 8" VP.	1

1



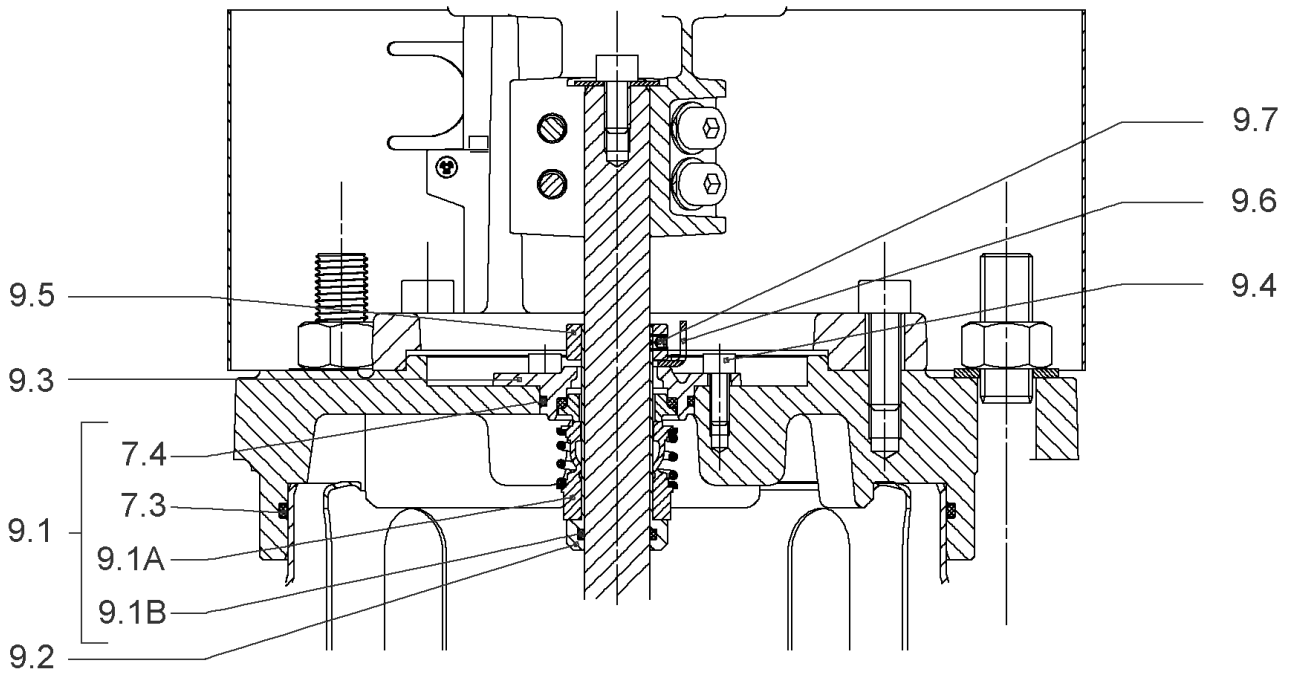
DRIVE HELIX VE5205-IE4-WEG KIT (4213695)

Item	Article no.	Description	Quantity
1.1		M18,5-2T540P55V1-180F30-N42-ADAP-IE4-WEG	1
		SPARE PARTS MOTOR:ON REQUEST	1
1.21	2132102	FAN SMALL TL6/7 FF KIT	1
1.25	2132097	CABLE CONNECTION M12 TL6/7 FF VP.	1
1.24	2132098	CABLE CONNECTION M16 TL6/7 FF VP.	1
1.23	2132099	CABLE CONNECTION M20 TL6/7 FF VP.	1
1.22	2132100	CABLE CONNECTION SMALL M40 TL6/7 FF VP.	1
1.27	2132104	COVER SIDE TL6/7 FF CPL.VP.	1
1.26	2132452	MODULE COVER/BUTTON TL6/7 FF VP.	1



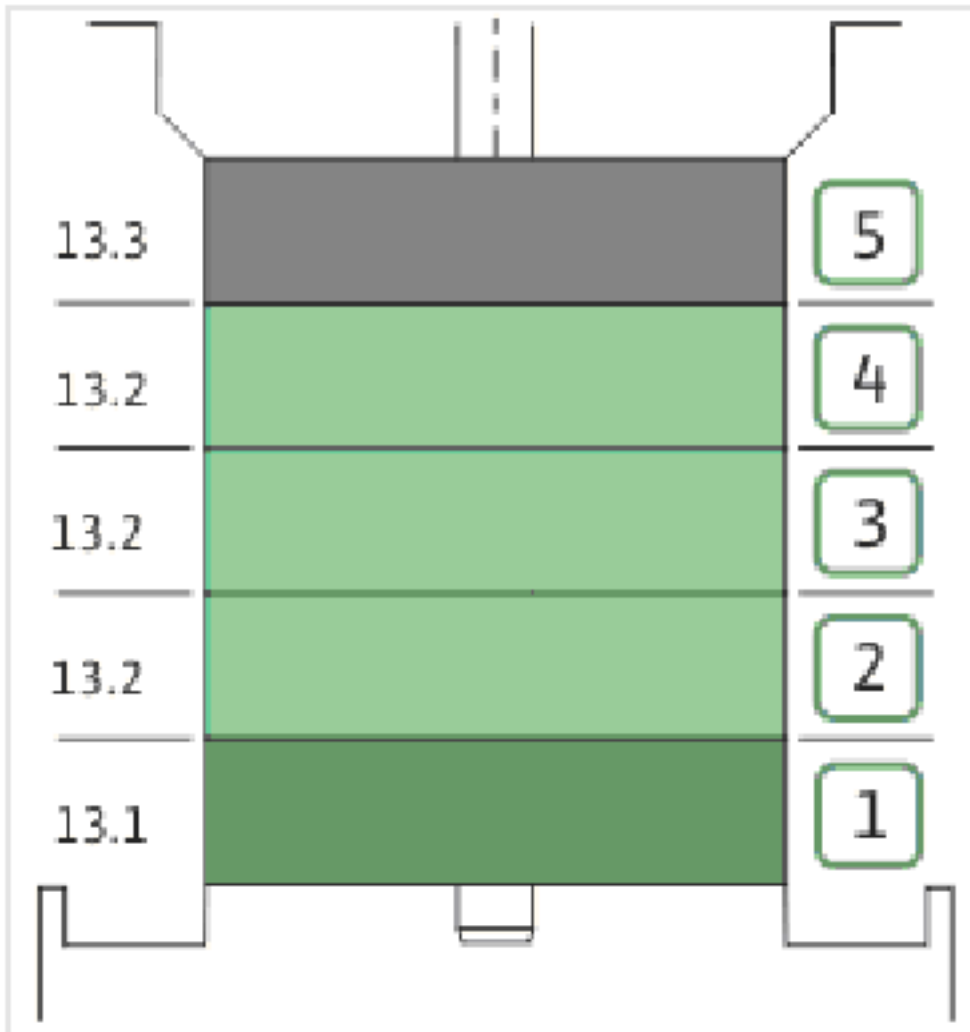
COUPLING D.20XD.38 FF300 KIT (4143966)

Item	Article no.	Description	Quantity
4.1	4179590	COUPLING 2 PARTS D.20XD.38XL115 VP.	1
4.2	2123699	BALL BEARING 6312/2Z-C4 (HT) VP.	1
4.3	63428	CIRCLIP-FOR-SHAFT-D60x2	1
4.4	2130991	SCREW M12X30 ISO4762 8.8 ZN(4 PIECES)	1
4.5	4032277	CIRCLIP-HOLE-130x4	1
4.6	4006725	O-RING ID.132,94x3,53 NBR70SR	1
4.7	2130992	RETAINING RING D.35xD.2,5 DIN7993 VP.	1
4.8	4179591	HUB D.42xD.60 VP.	1
4.9	2130994	SPACER D.38XD.55 VP.	1
4.10	4094462	SCREWS M10 (4 PIECES)	1
4.11	4233959	SCREW M8x16 VP.	1
4.12		SERRATED LOCK WASHER Ø8.2XØ25X35X2	1



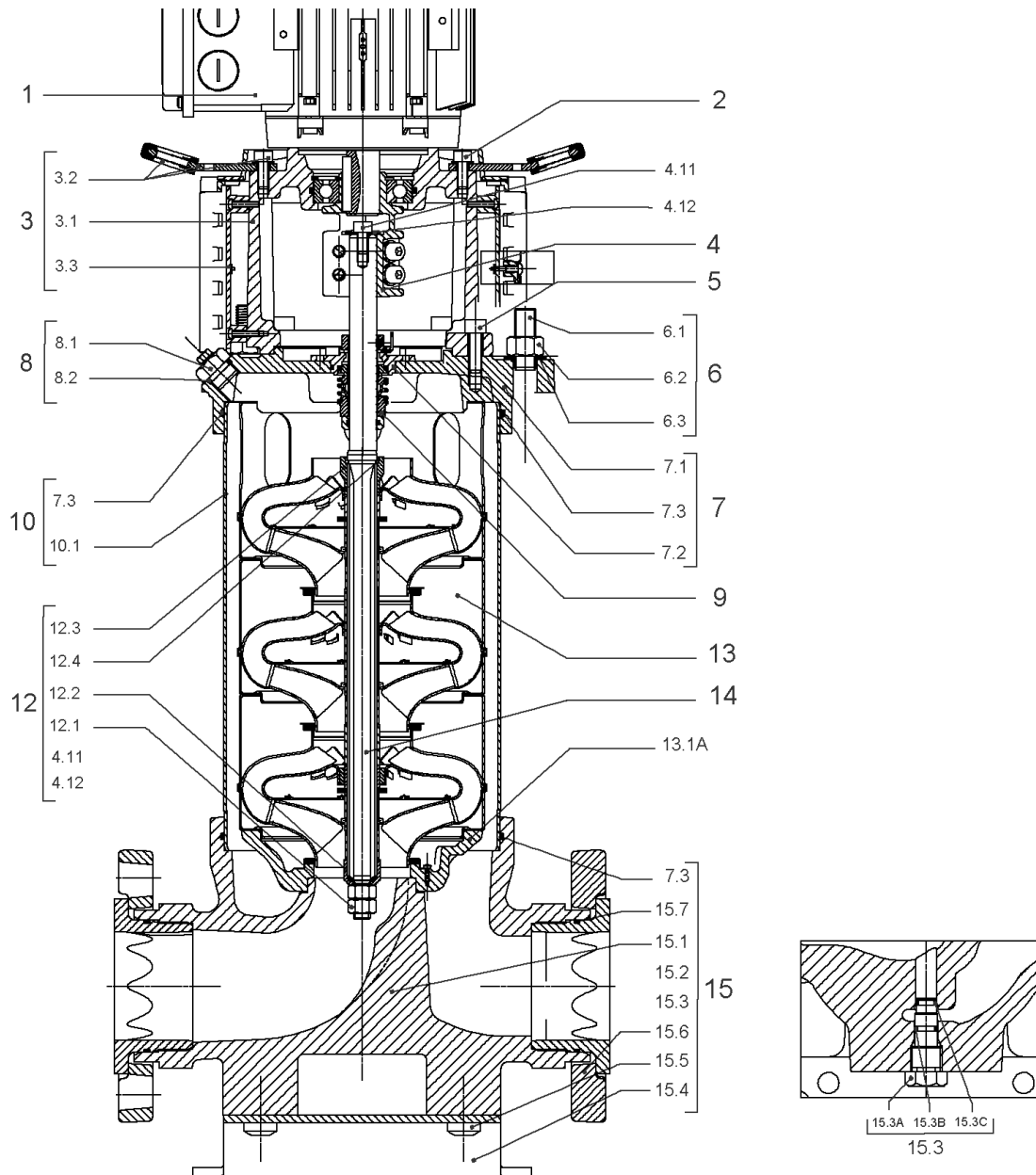
CARTRIDGE HELIX22-36-52 O/E KIT (4143973)

Item	Article no.	Description	Quantity
9.1	4143974	SEAL-KIT-HELIX22-36-52 O/E	1
7.3	4179571	> O-RING HOUSING PIPE HELIX22/36/52 VP.	1
7.4	4179572	> O-RING ID.42.52X2.62 EPDM VP.	1
9.1A	4179573	> M.SEAL.HELIX22-36-52 O/E VP.	1
9.1B	4179574	> O-RING ID.20x2.65 EPDM VP.	1
9.2	4179566	SHAFT SLEEVE D.20/20X60 1.4404 VP.	1
9.3	4179567	RING HOLDER Ø22 1.4301 VP.	1
9.4	4176520	SCREW CH M5x5 A4-70 (3PIECES)	1
9.5	4179568	DRIVE RING D.31/22.1x11 MACH.VP.	1
9.6	4179569	TOOL M.S.CART.HELIX 8" VP.	1
9.7	4179570	SCREW M6X16 ISO4762 8.8 GEOMET(4 PIECES)	1



HYDRAULIC HELIX V 5205

Item	Article no.	Description	Quantity
13.1	4164727	INTERMEDIAIRE STAGE HELIX 52 1.4301 KIT	1
		> SLEEVE-SPACER-D22XL30,42-316L	1
		> MACH.BEARING-DIFFUSER+NR-M+52-304	1
		> SHAFT-SLEEVE-D26xD22x16-CW	1
		> SPACER WASHER D22,3XD36 L3-316L	1
		> IMPELLER-H2-M+52-304	1
13.1A	4161200	> NECK RING 1.STAGE HELIX V36/52 KIT	1
		>> NECK-RING-M+36/52	1
		>> HYDRAULIC SUPPORT CAP M+36/52 304	1
		>> SCREW TCL M3X8 A4 POZIDRIV	1
13.2	4164728	INTERMEDIATE STAGE HELIX 52 1.4301 KIT	1
		> MACH.STD-DIFFUSER+NR-M+52-304	1
		> IMPELLER-H5-M+52-304	1
13.3	4164729	UPPER-STAGE HELIX 52 1.4301 KIT	1
		> STOP COLLAR OF IMPELLER L27,6-Ø22-316L	1
		> SLEEVE-SPACER-D22XL16,66-316L	1
		> SPACER WASHER D22,3XD36 L3-316L	1
		> IMPELLER-H2-M+52-304	1
		> MACH.STD-DISCHARGE-CHAMBER-M+52-304	1



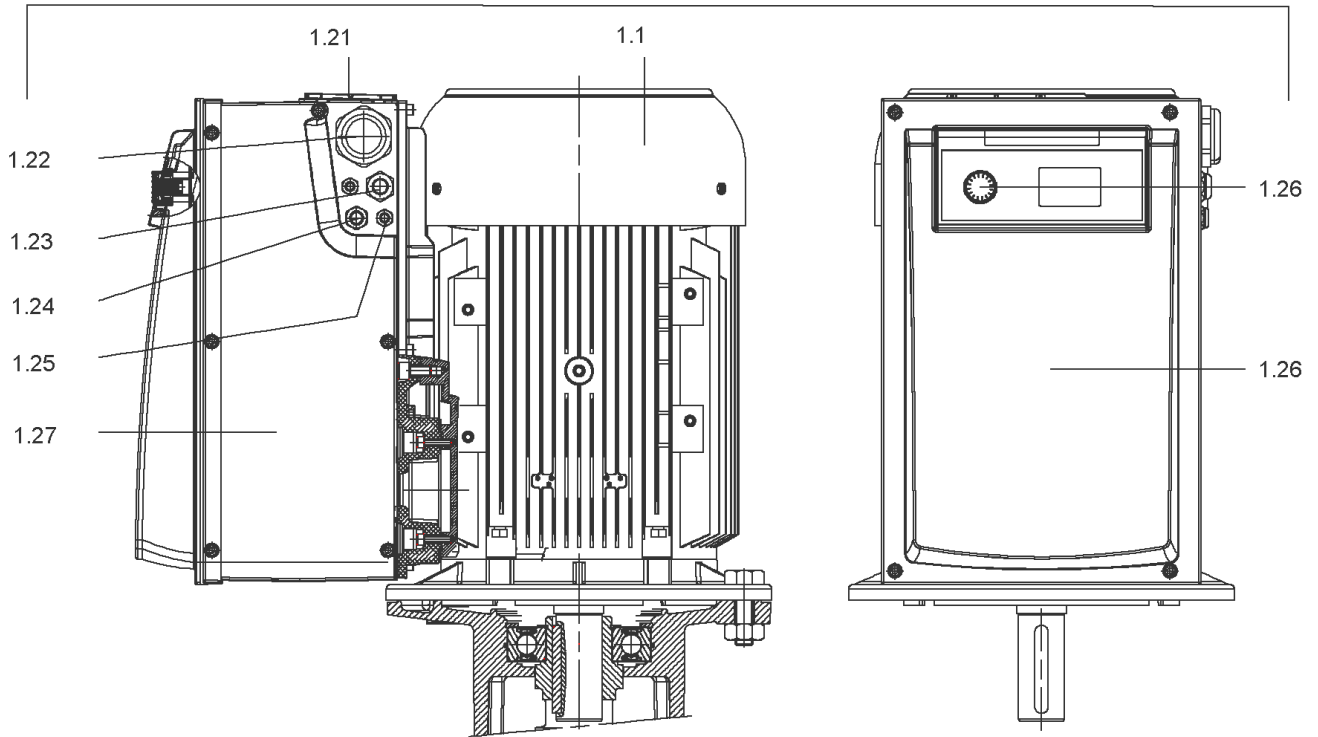
HELIX VE5205-3/25/E/KS (4166236)

Item	Article no.	Description	Quantity
1		DRIVE HELIX VE5205-IE2-ARC KIT	1
Note: no longer available/nicht mehr lieferbar/n'est plus disponible			
1	4213695	DRIVE HELIX VE5205-IE4-WEG KIT	1
Note: MOTOR BRAND WEG			
2	4179586	SCREW M16X60 (4 PIECES)	1
3	4157721	LANTERN HELIX 22/36 FF300 BB6312 KIT	1
3.1		> LANTERN FF300 M+ GJL MACHINED+CATA 6312	1
3.2	4179589	> EYELET CPL.FF300 HELIX(4 PIECES)	1
3.3	4143969	> COUPLING PROTECT HELIX FF KIT	1
4	4143966	COUPLING D.20XD.38 FF300 KIT	1
5	4157725	SCREW M10X40 (4 PIECES)	1
6	4179923	STUD BOLT M16X600 KIT	1
6.1		> TIE BOLT M16-600x24x44-1.4057	1
6.2	4179562	> NUT M16 8.8 ISO4032 (4 PIECES)	1
6.3	4097852	> WASHER-CS-16.4-32-2.8-NFE25-511-A2	1
7	4179565	END SHIELD HELIX 8" EPDM KIT	1
7.1		> END SHIELD M+ GJL MACHINED+CATA	1
7.2	4179564	> O-RING D.42.52x2.62 EPDM VP.	1
7.3	4179571	> O-RING HOUSING PIPE HELIX22/36/52 VP.	1
8	4186377	FILING/PURGING PLUG 304 HELIX KIT	1
8.1		> FILLING/VENTING-PLUG-MVI8/10"-304	1
8.2	4032291	> O-RING 17x3 EPDM KTW/WRC	1
9	4143975	CARTRIDGE HELIX22-36-52 F/E KIT	1
10	4179924	HOUSING PIPE D.204X530 1.4301 KIT	1
7.3	4179571	> O-RING HOUSING PIPE HELIX22/36/52 VP.	1
10.1		> HOUSING-PIPE Ø204-M+3607/5205-304	1
11	4179583	CENTRALIZER HELIX 8" 52 VP.	1
12	4164724	SHAFT EQUIPMENT HELIX V52 KIT	1
13		HYDRAULIC HELIX V 5205	1
14	4179926	SHAFTS D.22X704 1.4057 VP.	1
15	4164723	EQUIPED HOUSING PN16 HELIX GJL KIT	1
7.3	4179571	> O-RING HOUSING PIPE HELIX22/36/52 VP.	1
15.1		> PUMP HOUSING SET with COATED PARTS-DN80	1
15.3	4143766	> DRAIN/PRIMING PLUG EPDM HELIX KIT	1

HELIX VE5205-3/25/E/KS (4166236)

Item	Article no.	Description	Quantity
15.3A		>> PRIMING/DRAIN PLUG-304-VERSION 1	1
15.3B	4032293	>> O-RING-10x3-EPDM-KTW/WRC	1
15.3C	4233957	>> O-RING ID.9 EPDM VP.	1
15.4	4221729	> BASE M+ DN50/65/80 VP.	1
15.5		> SCREW TBHC M12x25 ISO7380 ZN	1
15.6		> FLANGE M+ DN80 NF PN16-25 ASME PN16 CATA	1
15.7		> O-RING Ø91.42xØ3 EPDM	1
13.1A	4161200	> NECK RING 1.STAGE HELIX V36/52 KIT	1
		>> NECK-RING-M+36/52	1
		>> HYDRAULIC SUPPORT CAP M+36/52 304	1
		>> SCREW TCL M3X8 A4 POZIDRIV	1

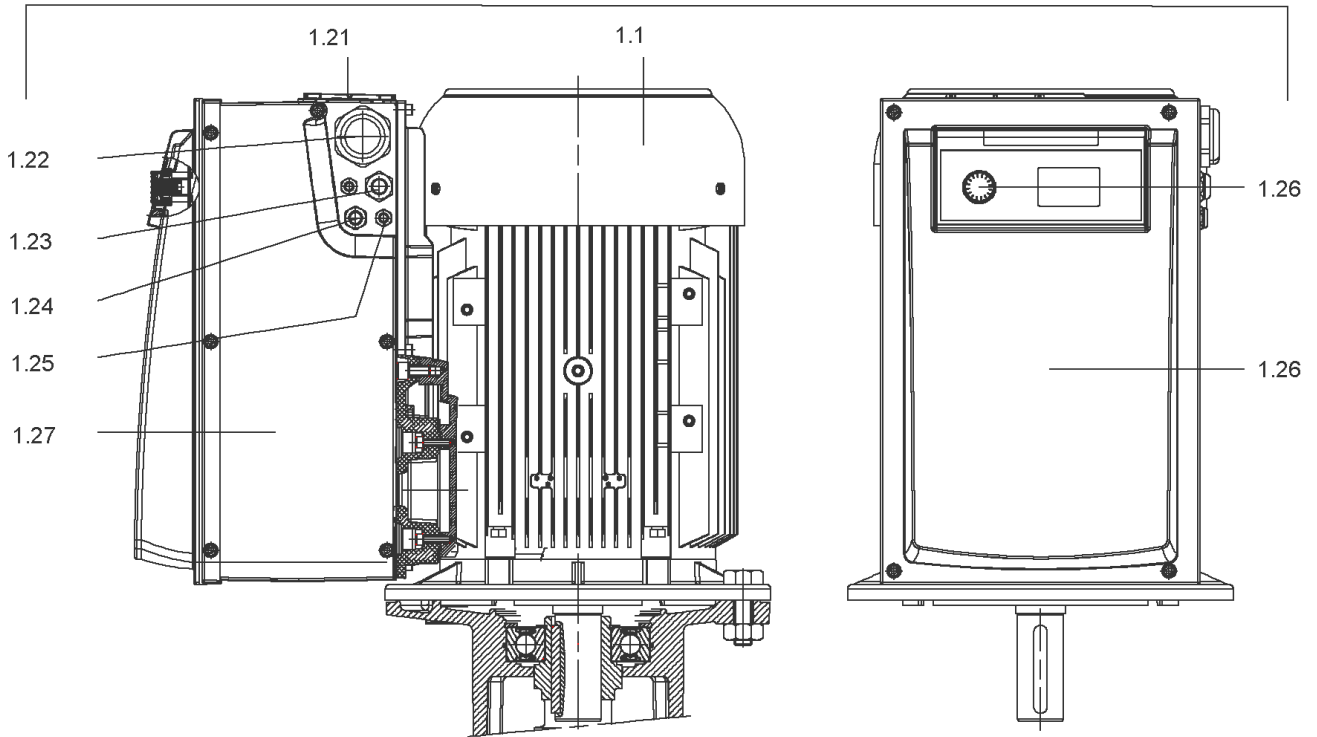
1



DRIVE HELIX VE5205-IE2-ARC KIT

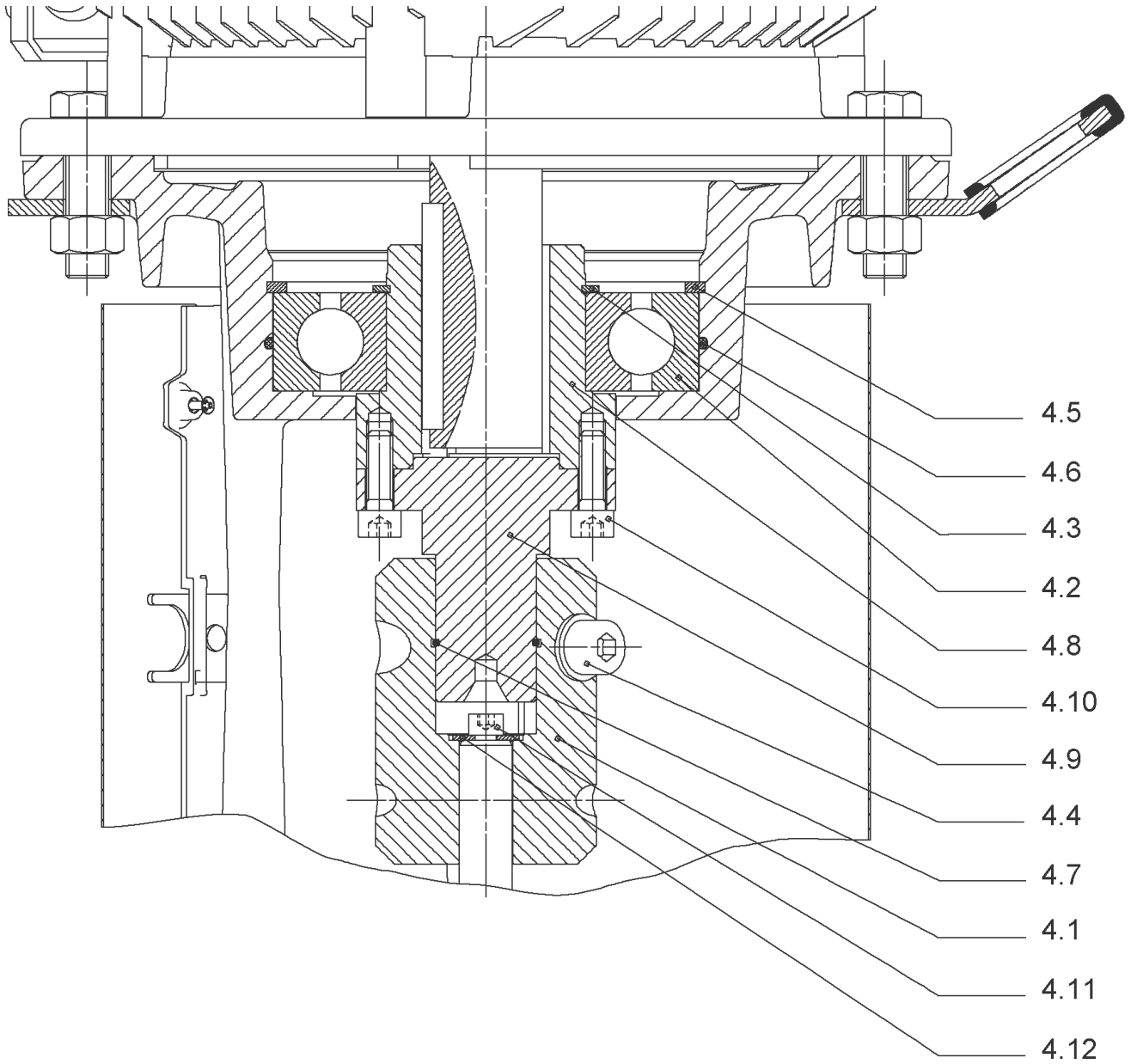
Item	Article no.	Description	Quantity
1.1		M18.5-2T540P55V1-160F300-N42-IE2	1
		SPARE PARTS MOTOR:ON REQUEST	1
1.21	2132103	FAN LARGE TL6/7 FF KIT	1
1.25	2132097	CABLE CONNECTION M12 TL6/7 FF VP.	1
1.24	2132098	CABLE CONNECTION M16 TL6/7 FF VP.	1
1.23	2132099	CABLE CONNECTION M20 TL6/7 FF VP.	1
1.22	2132101	CABLE CONNECTION LARGE M40 TL6/7 FF VP.	1
1.27	2132104	COVER SIDE TL6/7 FF CPL.VP.	1
1.26	2132452	MODULE COVER/BUTTON TL6/7 FF VP.	1

1



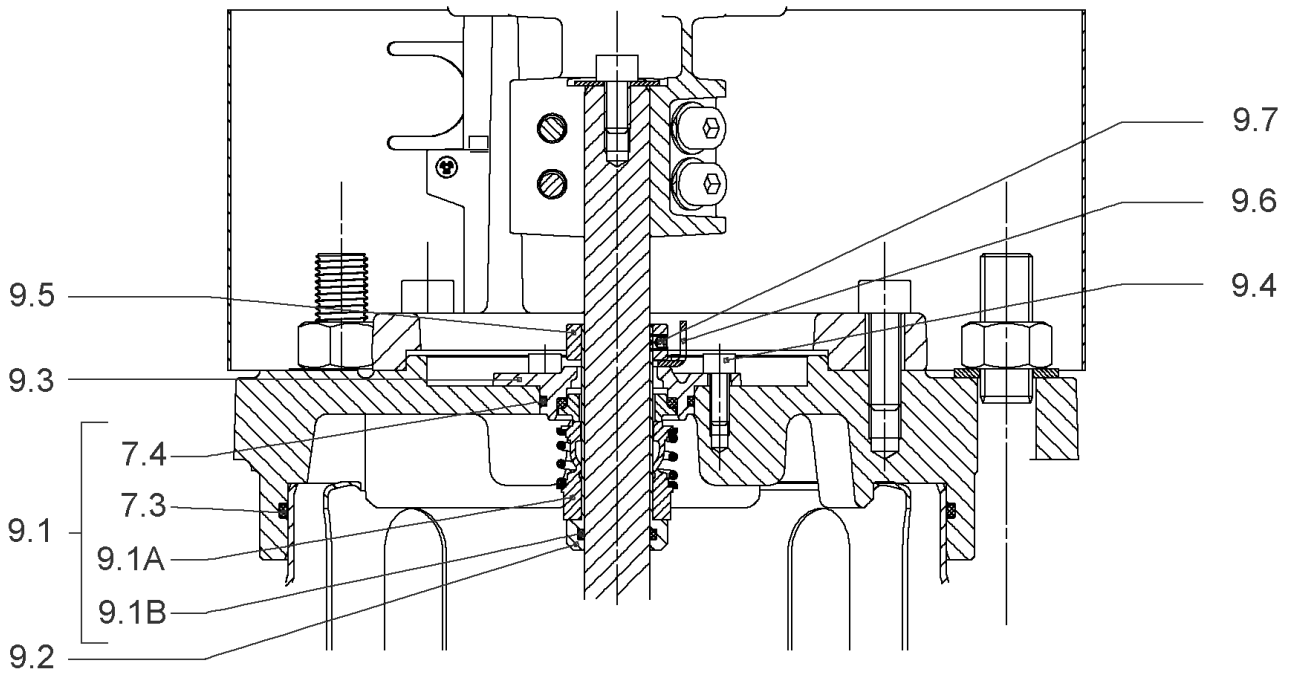
DRIVE HELIX VE5205-IE4-WEG KIT (4213695)

Item	Article no.	Description	Quantity
1.1		M18,5-2T540P55V1-180F30-N42-ADAP-IE4-WEG	1
		SPARE PARTS MOTOR:ON REQUEST	1
1.21	2132102	FAN SMALL TL6/7 FF KIT	1
1.25	2132097	CABLE CONNECTION M12 TL6/7 FF VP.	1
1.24	2132098	CABLE CONNECTION M16 TL6/7 FF VP.	1
1.23	2132099	CABLE CONNECTION M20 TL6/7 FF VP.	1
1.22	2132100	CABLE CONNECTION SMALL M40 TL6/7 FF VP.	1
1.27	2132104	COVER SIDE TL6/7 FF CPL.VP.	1
1.26	2132452	MODULE COVER/BUTTON TL6/7 FF VP.	1



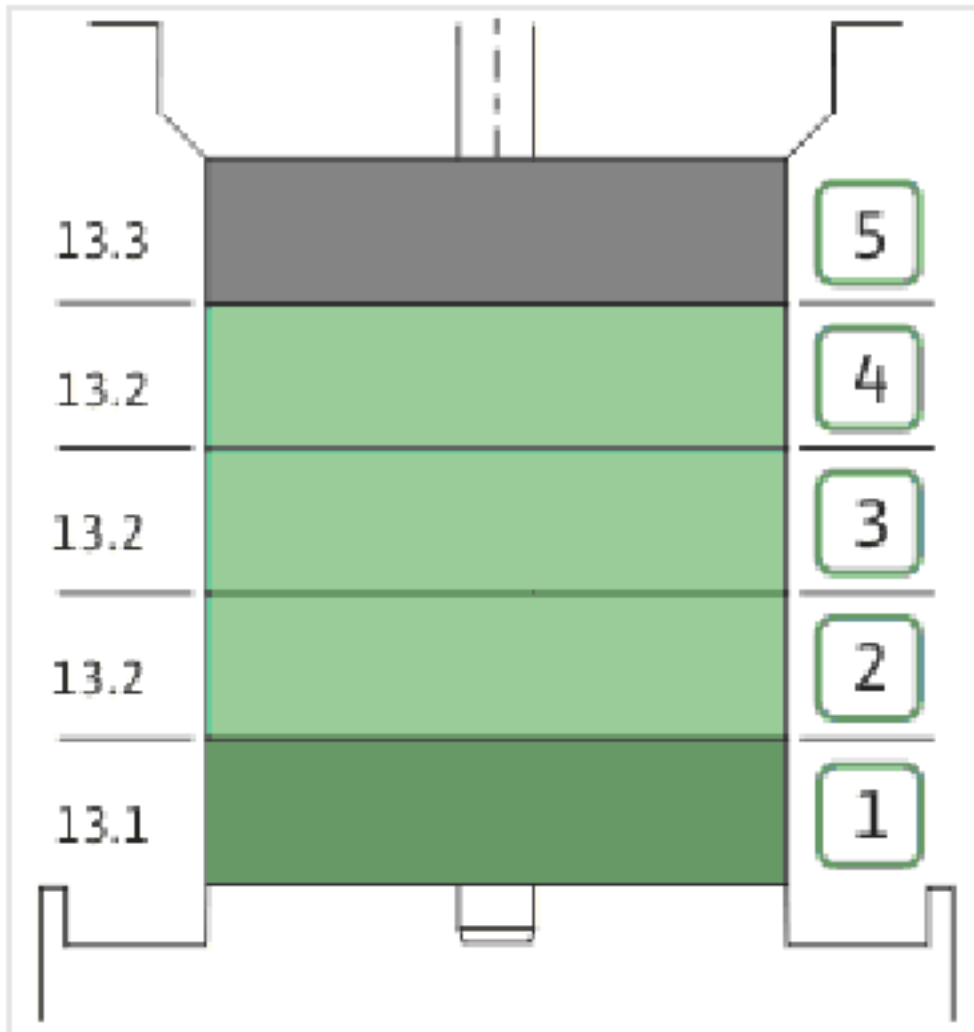
COUPLING D.20XD.38 FF300 KIT (4143966)

Item	Article no.	Description	Quantity
4.1	4179590	COUPLING 2 PARTS D.20XD.38XL115 VP.	1
4.2	2123699	BALL BEARING 6312/2Z-C4 (HT) VP.	1
4.3	63428	CIRCLIP-FOR-SHAFT-D60x2	1
4.4	2130991	SCREW M12X30 ISO4762 8.8 ZN(4 PIECES)	1
4.5	4032277	CIRCLIP-HOLE-130x4	1
4.6	4006725	O-RING ID.132,94x3,53 NBR70SR	1
4.7	2130992	RETAINING RING D.35xD.2,5 DIN7993 VP.	1
4.8	4179591	HUB D.42xD.60 VP.	1
4.9	2130994	SPACER D.38XD.55 VP.	1
4.10	4094462	SCREWS M10 (4 PIECES)	1
4.11	4233959	SCREW M8x16 VP.	1
4.12		SERRATED LOCK WASHER Ø8.2XØ25X35X2	1



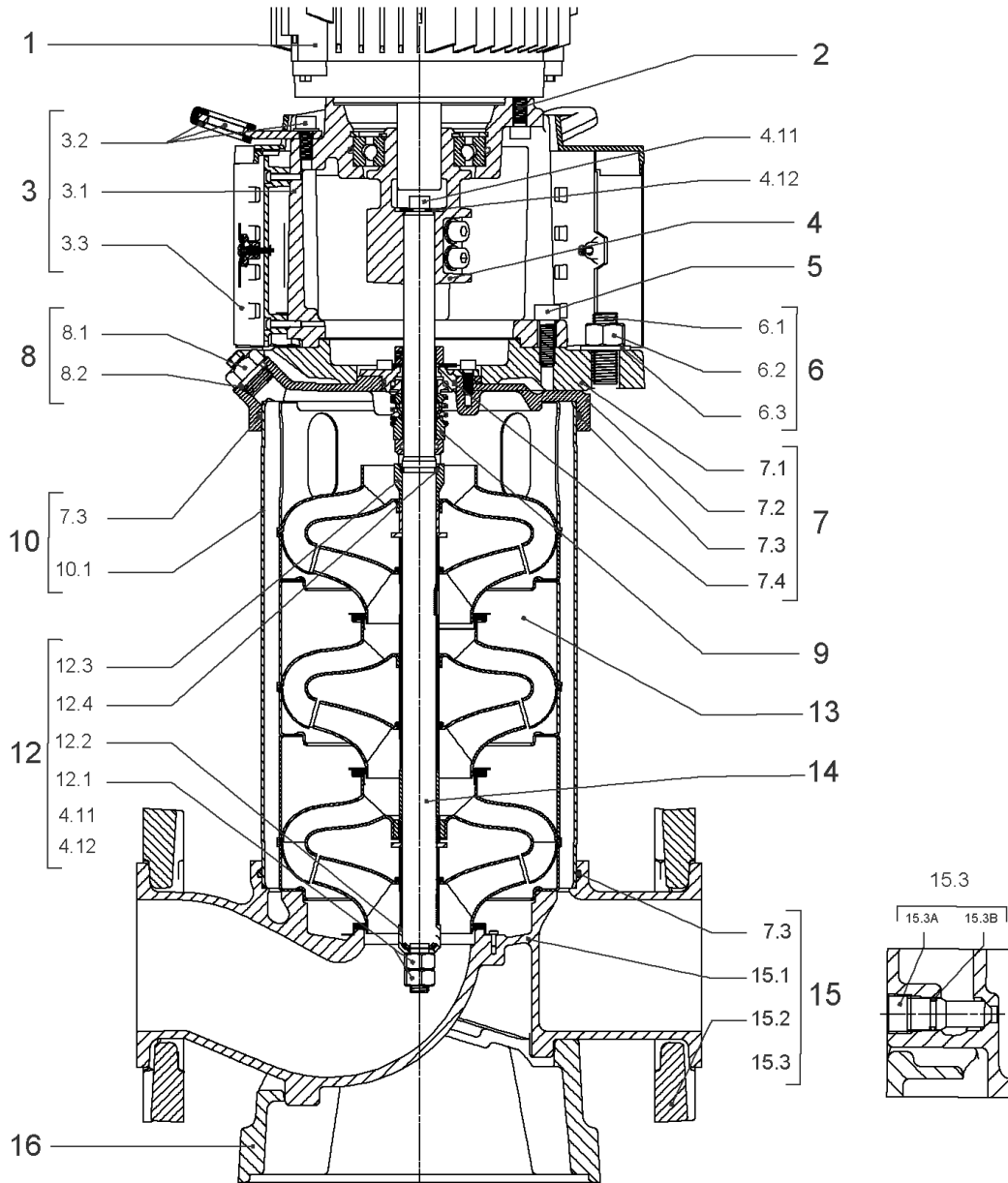
CARTRIDGE HELIX22-36-52 F/E KIT (4143975)

Item	Article no.	Description	Quantity
9.1	4143976	SEAL-KIT-HELIX22-36-52 F/E	1
7.3	4179571	> O-RING HOUSING PIPE HELIX22/36/52 VP.	1
7.4	4179572	> O-RING ID.42.52X2.62 EPDM VP.	1
9.1A	2127447	> M.SEAL.HELIX22-36-52 F/E VP.	1
9.1B	4179574	> O-RING ID.20x2.65 EPDM VP.	1
9.2	4179566	SHAFT SLEEVE D.20/20X60 1.4404 VP.	1
9.3	4179567	RING HOLDER Ø22 1.4301 VP.	1
9.4	4176520	SCREW CH M5x5 A4-70 (3PIECES)	1
9.5	4179568	DRIVE RING D.31/22.1x11 MACH.VP.	1
9.6	4179569	TOOL M.S.CART.HELIX 8" VP.	1
9.7	4179570	SCREW M6X16 ISO4762 8.8 GEOMET(4 PIECES)	1



HYDRAULIC HELIX V 5205

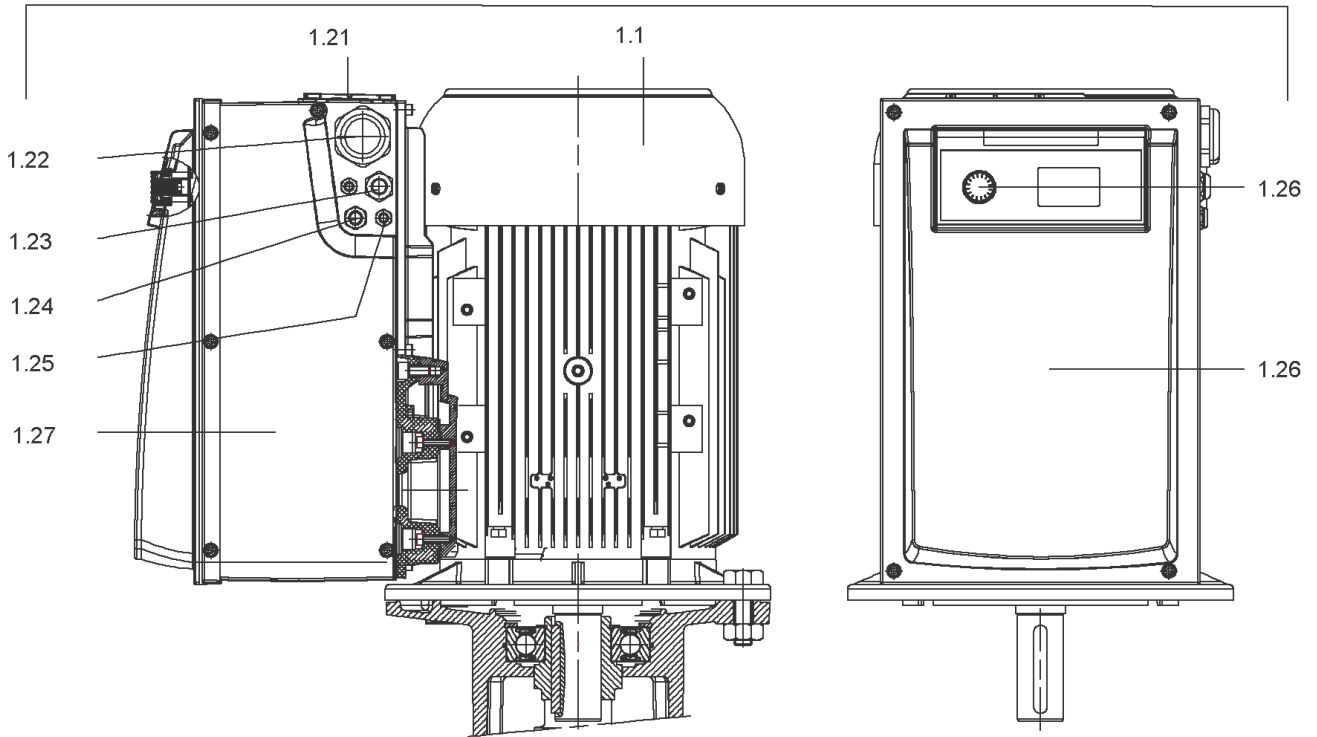
Item	Article no.	Description	Quantity
13.1	4164727	INTERMEDIAIRE STAGE HELIX 52 1.4301 KIT	1
		> SLEEVE-SPACER-D22XL30,42-316L	1
		> MACH.BEARING-DIFFUSER+NR-M+52-304	1
		> SHAFT-SLEEVE-D26xD22x16-CW	1
		> SPACER WASHER D22,3XD36 L3-316L	1
		> IMPELLER-H2-M+52-304	1
13.1A	4161200	> NECK RING 1.STAGE HELIX V36/52 KIT	1
		>> NECK-RING-M+36/52	1
		>> HYDRAULIC SUPPORT CAP M+36/52 304	1
		>> SCREW TCL M3X8 A4 POZIDRIV	1
13.2	4164728	INTERMEDIATE STAGE HELIX 52 1.4301 KIT	1
		> MACH.STD-DIFFUSER+NR-M+52-304	1
		> IMPELLER-H5-M+52-304	1
13.3	4164729	UPPER-STAGE HELIX 52 1.4301 KIT	1
		> STOP COLLAR OF IMPELLER L27,6-Ø22-316L	1
		> SLEEVE-SPACER-D22XL16,66-316L	1
		> SPACER WASHER D22,3XD36 L3-316L	1
		> IMPELLER-H2-M+52-304	1
		> MACH.STD-DISCHARGE-CHAMBER-M+52-304	1



HELIX VE5205-1/25/E/KS (4198873)

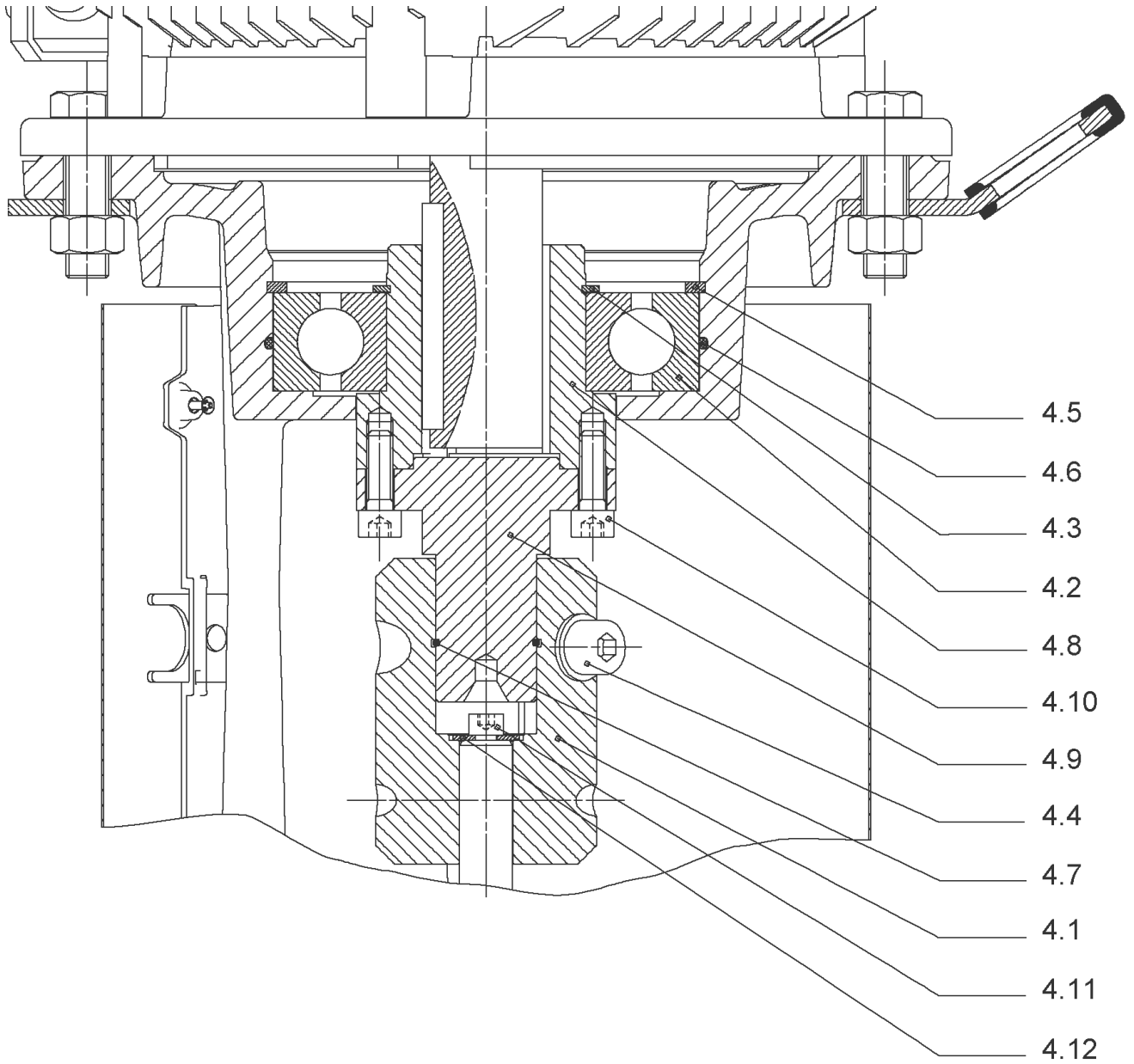
Item	Article no.	Description	Quantity
1	4213695	DRIVE HELIX VE5205-IE4-WEG KIT	1
Note: MOTOR BRAND WEG			
2	4179586	SCREW M16X60 (4 PIECES)	1
3	4157721	LANTERN HELIX 22/36 FF300 BB6312 KIT	1
3.1		> LANTERN FF300 M+ GJL MACHINED+CATA 6312	1
3.2	4179589	> EYELET CPL.FF300 HELIX(4 PIECES)	1
3.3	4143969	> COUPLING PROTECT HELIX FF KIT	1
4	4143966	COUPLING D.20XD.38 FF300 KIT	1
5	4157725	SCREW M10X40 (4 PIECES)	1
6	4217866	STUD BOLT M16X755 KIT	1
6.1		> TIE BOLT M16-755x24x44-1.4057	1
6.2	4179562	> NUT M16 8.8 ISO4032 (4 PIECES)	1
6.3	4097852	> WASHER-CS-16.4-32-2.8-NFE25-511-A2	1
7	4217176	END SHIELD HELIX OPTI 8" EPDM KIT	1
7.1		> upper flange machined + cataphoresis	1
7.2	4217174	> STATIONARY RING HOLDER 8" HELIX OPTI VP.	1
7.3	4179571	> O-RING HOUSING PIPE HELIX22/36/52 VP.	1
7.4	4179572	> O-RING ID.42.52X2.62 EPDM VP.	1
8	4186377	FILING/PURGING PLUG 304 HELIX KIT	1
8.1		> FILLING/VENTING-PLUG-MVI8/10"-304	1
8.2	4032291	> O-RING 17x3 EPDM KTW/WRC	1
9	4143975	CARTRIDGE HELIX22-36-52 F/E KIT	1
10	4181670	HOUSING PIPE D.204X514 1.4301 KIT	1
7.3	4179571	> O-RING HOUSING PIPE HELIX22/36/52 VP.	1
10.1		> HOUSING-PIPE Ø204-M+2209-304	1
12	4164724	SHAFT EQUIPMENT HELIX V52 KIT	1
13		HYDRAULIC HELIX V 5205	1
14	4179926	SHAFTS D.22X704 1.4057 VP.	1
15	4218385	EQUIPED HOUSING DN80 HELIX OPTI 8" KIT	1
15.1		> pump casing machined DN80	1
15.2	4218383	> HALF FLANGE DN80 HELIX OPTI 8" VP.	1
15.3	4217850	> DRAIN/PRIMING PLUG HELIX OPTI 8" KIT	1
7.3	4179571	> O-RING HOUSING PIPE HELIX22/36/52 VP.	1
16	4218387	BASEPLATE DN80 HELIX OPTI 8" VP.	1

1



DRIVE HELIX VE5205-IE4-WEG KIT (4213695)

Item	Article no.	Description	Quantity
1.1		M18,5-2T540P55V1-180F30-N42-ADAP-IE4-WEG	1
		SPARE PARTS MOTOR:ON REQUEST	1
1.21	2132102	FAN SMALL TL6/7 FF KIT	1
1.25	2132097	CABLE CONNECTION M12 TL6/7 FF VP.	1
1.24	2132098	CABLE CONNECTION M16 TL6/7 FF VP.	1
1.23	2132099	CABLE CONNECTION M20 TL6/7 FF VP.	1
1.22	2132100	CABLE CONNECTION SMALL M40 TL6/7 FF VP.	1
1.27	2132104	COVER SIDE TL6/7 FF CPL.VP.	1
1.26	2132452	MODULE COVER/BUTTON TL6/7 FF VP.	1



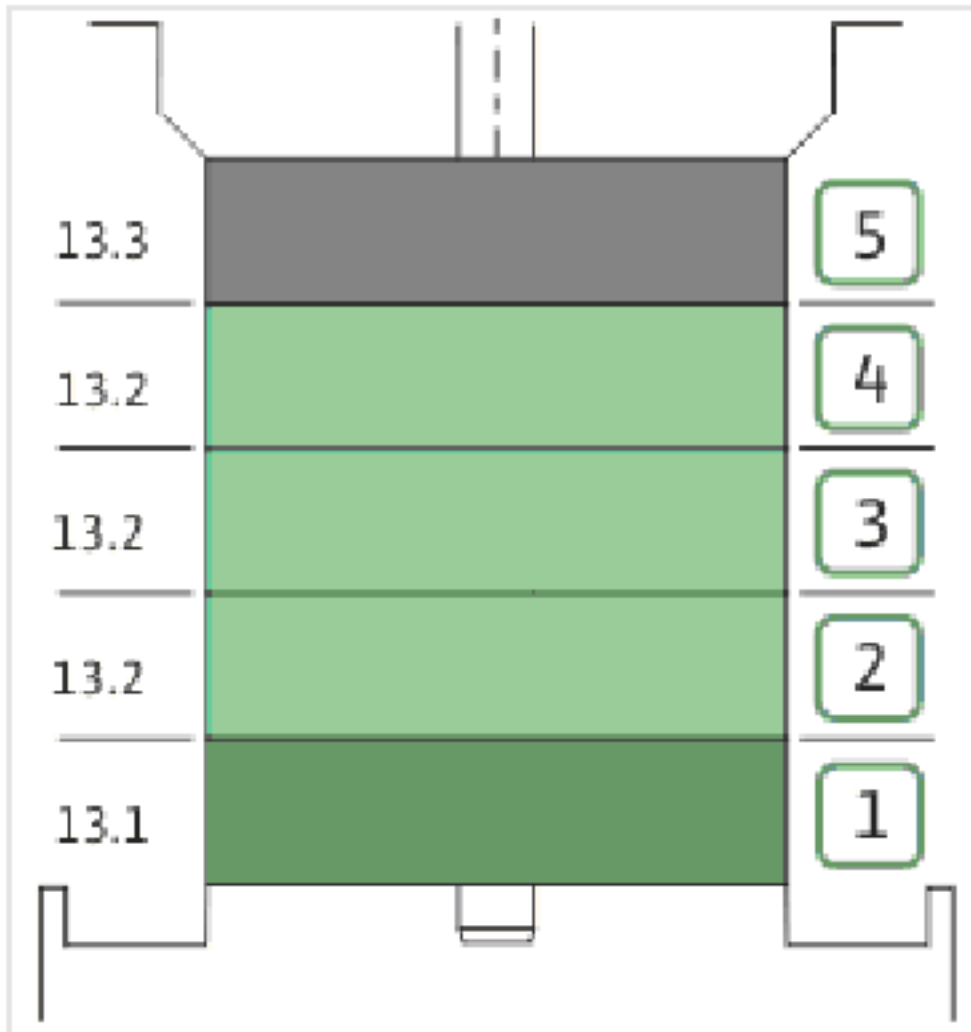
COUPLING D.20XD.38 FF300 KIT (4143966)

Item	Article no.	Description	Quantity
4.1	4179590	COUPLING 2 PARTS D.20XD.38XL115 VP.	1
4.2	2123699	BALL BEARING 6312/2Z-C4 (HT) VP.	1
4.3	63428	CIRCLIP-FOR-SHAFT-D60x2	1
4.4	2130991	SCREW M12X30 ISO4762 8.8 ZN(4 PIECES)	1
4.5	4032277	CIRCLIP-HOLE-130x4	1
4.6	4006725	O-RING ID.132,94x3,53 NBR70SR	1
4.7	2130992	RETAINING RING D.35xD.2,5 DIN7993 VP.	1
4.8	4179591	HUB D.42xD.60 VP.	1
4.9	2130994	SPACER D.38XD.55 VP.	1
4.10	4094462	SCREWS M10 (4 PIECES)	1
4.11	4233959	SCREW M8x16 VP.	1
4.12		SERRATED LOCK WASHER Ø8.2XØ25X35X2	1



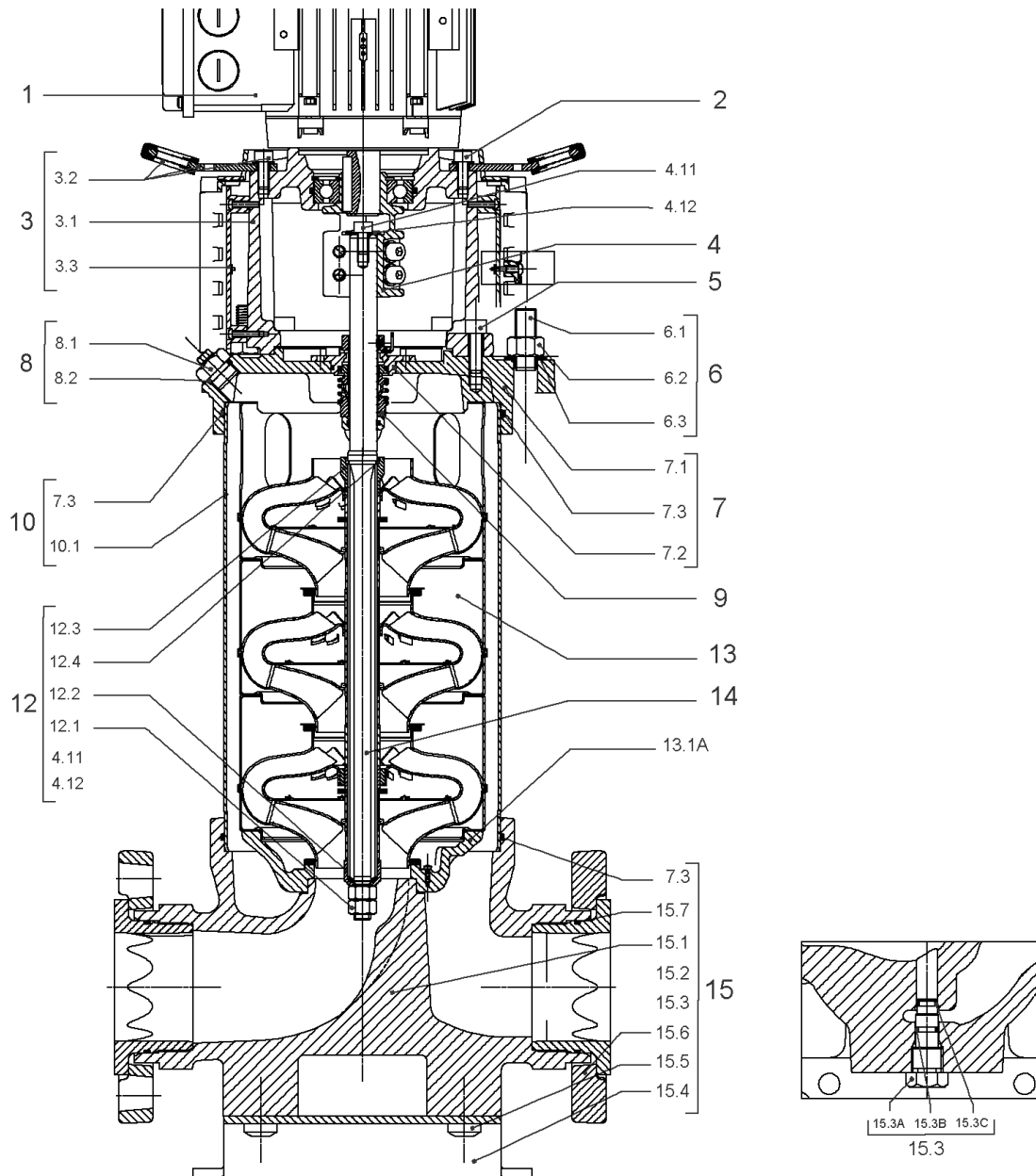
CARTRIDGE HELIX22-36-52 F/E KIT (4143975)

Item	Article no.	Description	Quantity
9.1	4143976	SEAL-KIT-HELIX22-36-52 F/E	1
7.3	4179571	> O-RING HOUSING PIPE HELIX22/36/52 VP.	1
7.4	4179572	> O-RING ID.42.52X2.62 EPDM VP.	1
9.1A	2127447	> M.SEAL.HELIX22-36-52 F/E VP.	1
9.1B	4179574	> O-RING ID.20x2.65 EPDM VP.	1
9.2	4179566	SHAFT SLEEVE D.20/20X60 1.4404 VP.	1
9.3	4179567	RING HOLDER Ø22 1.4301 VP.	1
9.4	4176520	SCREW CH M5x5 A4-70 (3PIECES)	1
9.5	4179568	DRIVE RING D.31/22.1x11 MACH.VP.	1
9.6	4179569	TOOL M.S.CART.HELIX 8" VP.	1
9.7	4179570	SCREW M6X16 ISO4762 8.8 GEOMET(4 PIECES)	1



HYDRAULIC HELIX V 5205

Item	Article no.	Description	Quantity
13.1	4164727	INTERMEDIAIRE STAGE HELIX 52 1.4301 KIT	1
		> SLEEVE-SPACER-D22XL30,42-316L	1
		> MACH.BEARING-DIFFUSER+NR-M+52-304	1
		> SHAFT-SLEEVE-D26xD22x16-CW	1
		> SPACER WASHER D22,3XD36 L3-316L	1
		> IMPELLER-H2-M+52-304	1
13.1A	4161200	> NECK RING 1.STAGE HELIX V36/52 KIT	1
		>> NECK-RING-M+36/52	1
		>> HYDRAULIC SUPPORT CAP M+36/52 304	1
		>> SCREW TCL M3X8 A4 POZIDRIV	1
13.2	4164728	INTERMEDIATE STAGE HELIX 52 1.4301 KIT	1
		> MACH.STD-DIFFUSER+NR-M+52-304	1
		> IMPELLER-H5-M+52-304	1
13.3	4164729	UPPER-STAGE HELIX 52 1.4301 KIT	1
		> STOP COLLAR OF IMPELLER L27,6-Ø22-316L	1
		> SLEEVE-SPACER-D22XL16,66-316L	1
		> SPACER WASHER D22,3XD36 L3-316L	1
		> IMPELLER-H2-M+52-304	1
		> MACH.STD-DISCHARGE-CHAMBER-M+52-304	1



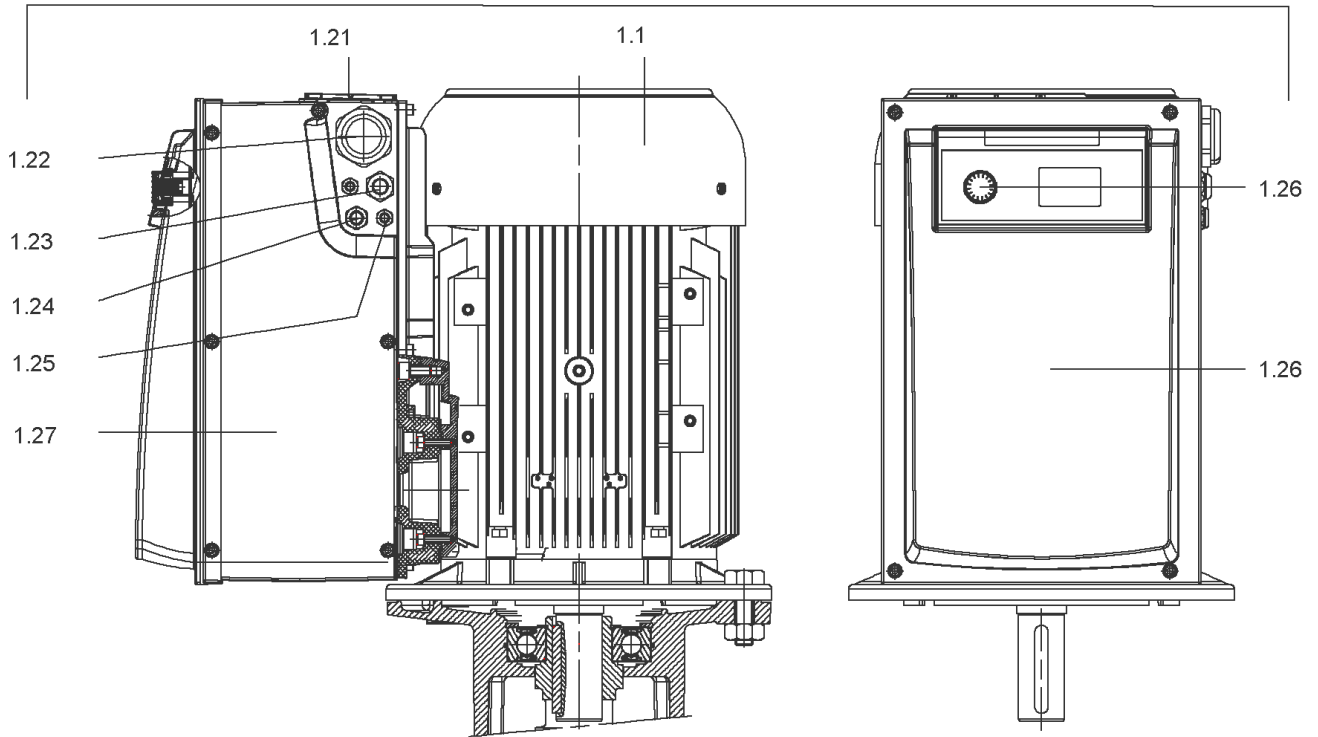
HELIX VE5206-3/25/E/K/2G (4166237)

Item	Article no.	Description	Quantity
1		DRIVE HELIX VE5206-IE2-ARC KIT	1
Note: no longer available/nicht mehr lieferbar/n'est plus disponible			
1	4220030	DRIVE HELIX VE5206-IE4-WEG KIT	1
Note: MOTOR BRAND WEG			
2	4179586	SCREW M16X60 (4 PIECES)	1
3	4157721	LANTERN HELIX 22/36 FF300 BB6312 KIT	1
3.1		> LANTERN FF300 M+ GJL MACHINED+CATA 6312	1
3.2	4179589	> EYELET CPL.FF300 HELIX(4 PIECES)	1
3.3	4143969	> COUPLING PROTECT HELIX FF KIT	1
4	4143966	COUPLING D.20XD.38 FF300 KIT	1
5	4157725	SCREW M10X40 (4 PIECES)	1
6	4179929	STUD BOLT M16X704 KIT	1
6.1		> TIE BOLT M16-704x24x44-1.4057	1
6.2	4179562	> NUT M16 8.8 ISO4032 (4 PIECES)	1
6.3	4097852	> WASHER-CS-16.4-32-2.8-NFE25-511-A2	1
7	4179565	END SHIELD HELIX 8" EPDM KIT	1
7.1		> END SHIELD M+ GJL MACHINED+CATA	1
7.2	4179564	> O-RING D.42.52x2.62 EPDM VP.	1
7.3	4179571	> O-RING HOUSING PIPE HELIX22/36/52 VP.	1
8	4186377	FILING/PURGING PLUG 304 HELIX KIT	1
8.1		> FILLING/VENTING-PLUG-MVI8/10"-304	1
8.2	4032291	> O-RING 17x3 EPDM KTW/WRC	1
9	4143975	CARTRIDGE HELIX22-36-52 F/E KIT	1
10	4179930	HOUSING PIPE D.204X630 1.4301 KIT	1
7.3	4179571	> O-RING HOUSING PIPE HELIX22/36/52 VP.	1
10.1		> HOUSING-PIPE Ø204-M+5206-304	1
11	4179583	CENTRALIZER HELIX 8" 52 VP.	1
12	4164724	SHAFT EQUIPMENT HELIX V52 KIT	1
13		HYDRAULIC HELIX V 5206	1
14	2127503	SHAFT D.22 X 804 HELIX 1.4057 VP.	1
15	4164723	EQUIPED HOUSING PN16 HELIX GJL KIT	1
7.3	4179571	> O-RING HOUSING PIPE HELIX22/36/52 VP.	1
15.1		> PUMP HOUSING SET with COATED PARTS-DN80	1
15.3	4143766	> DRAIN/PRIMING PLUG EPDM HELIX KIT	1

HELIX VE5206-3/25/E/K/2G (4166237)

Item	Article no.	Description	Quantity
15.3A		>> PRIMING/DRAIN PLUG-304-VERSION 1	1
15.3B	4032293	>> O-RING-10x3-EPDM-KTW/WRC	1
15.3C	4233957	>> O-RING ID.9 EPDM VP.	1
15.4	4221729	> BASE M+ DN50/65/80 VP.	1
15.5		> SCREW TBHC M12x25 ISO7380 ZN	1
15.6		> FLANGE M+ DN80 NF PN16-25 ASME PN16 CATA	1
15.7		> O-RING Ø91.42xØ3 EPDM	1
13.1A	4161200	> NECK RING 1.STAGE HELIX V36/52 KIT	1
		>> NECK-RING-M+36/52	1
		>> HYDRAULIC SUPPORT CAP M+36/52 304	1
		>> SCREW TCL M3X8 A4 POZIDRIV	1

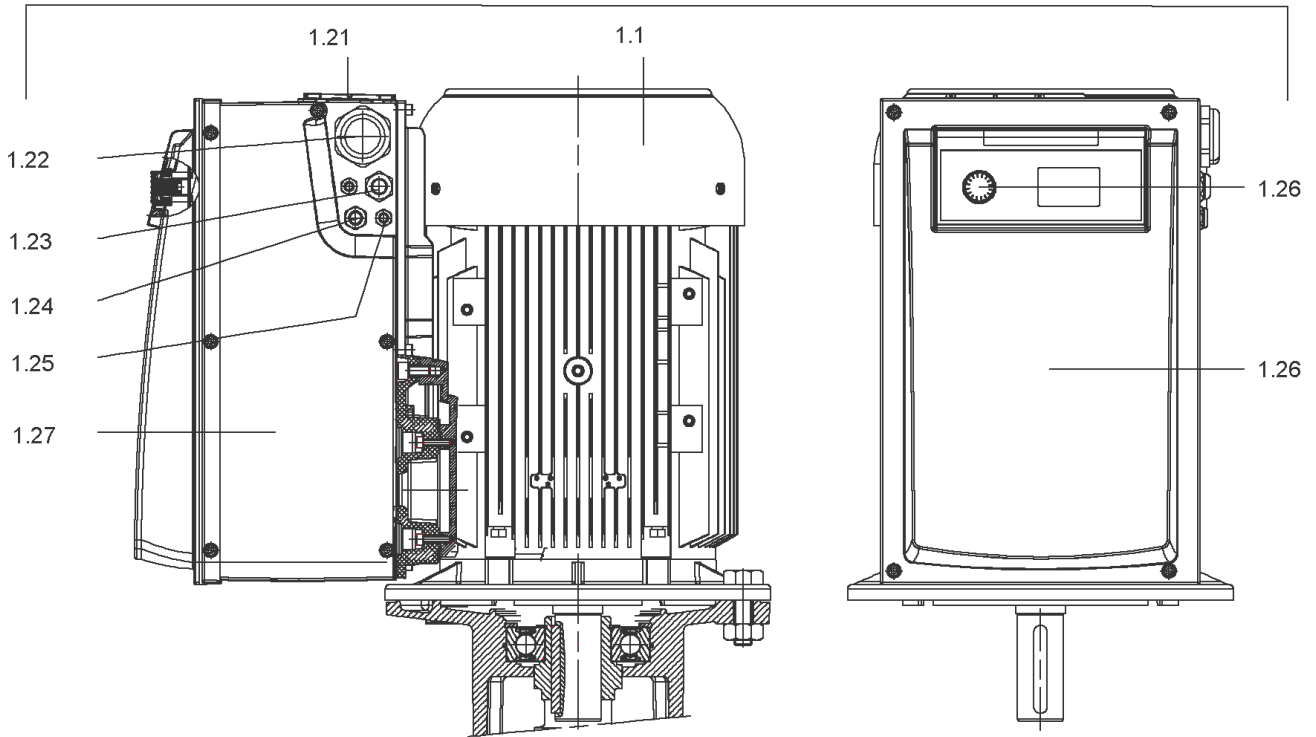
1



DRIVE HELIX VE5206-IE2-ARC KIT

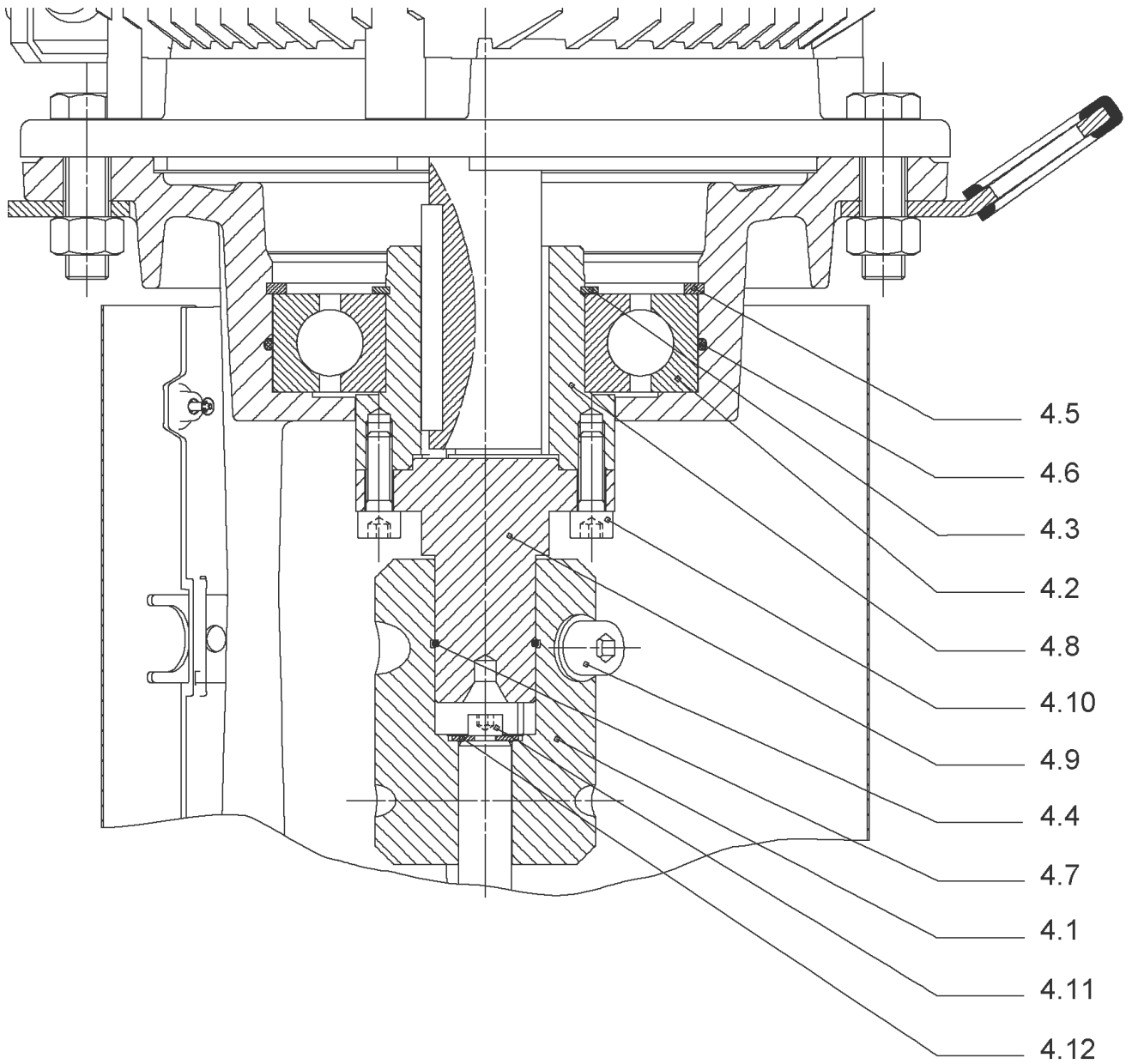
Item	Article no.	Description	Quantity
1.1		M22-2T540P55V1-160F300-N42-IE2	1
		SPARE PARTS MOTOR:ON REQUEST	1
1.21	2132103	FAN LARGE TL6/7 FF KIT	1
1.25	2132097	CABLE CONNECTION M12 TL6/7 FF VP.	1
1.24	2132098	CABLE CONNECTION M16 TL6/7 FF VP.	1
1.23	2132099	CABLE CONNECTION M20 TL6/7 FF VP.	1
1.22	2132101	CABLE CONNECTION LARGE M40 TL6/7 FF VP.	1
1.27	2132104	COVER SIDE TL6/7 FF CPL.VP.	1
1.26	2132452	MODULE COVER/BUTTON TL6/7 FF VP.	1

1



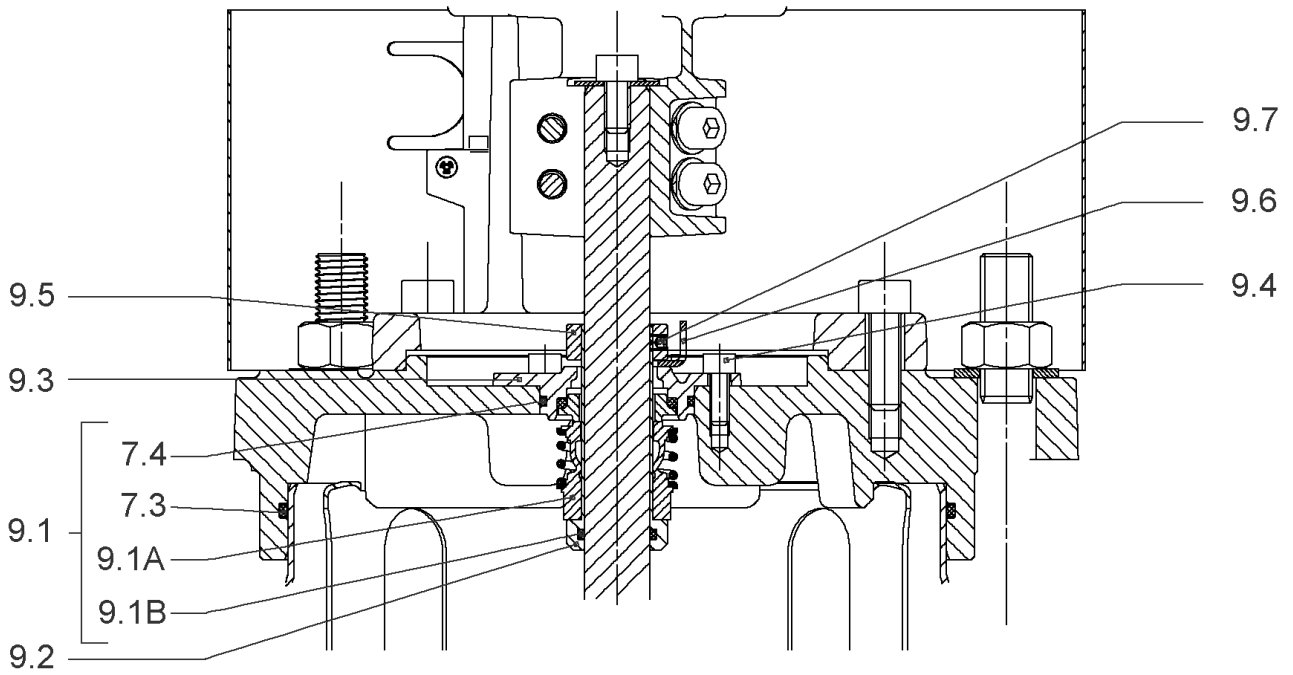
DRIVE HELIX VE5206-IE4-WEG KIT (4220030)

Item	Article no.	Description	Quantity
1.1		M22-2T540P55V1-180F30-N48-ADAPT-IE4-WEG	1
		SPARE PARTS MOTOR:ON REQUEST	1
1.21	2132102	FAN SMALL TL6/7 FF KIT	1
1.25	2132097	CABLE CONNECTION M12 TL6/7 FF VP.	1
1.24	2132098	CABLE CONNECTION M16 TL6/7 FF VP.	1
1.23	2132099	CABLE CONNECTION M20 TL6/7 FF VP.	1
1.22	2132100	CABLE CONNECTION SMALL M40 TL6/7 FF VP.	1
1.27	2132104	COVER SIDE TL6/7 FF CPL.VP.	1
1.26	2132452	MODULE COVER/BUTTON TL6/7 FF VP.	1



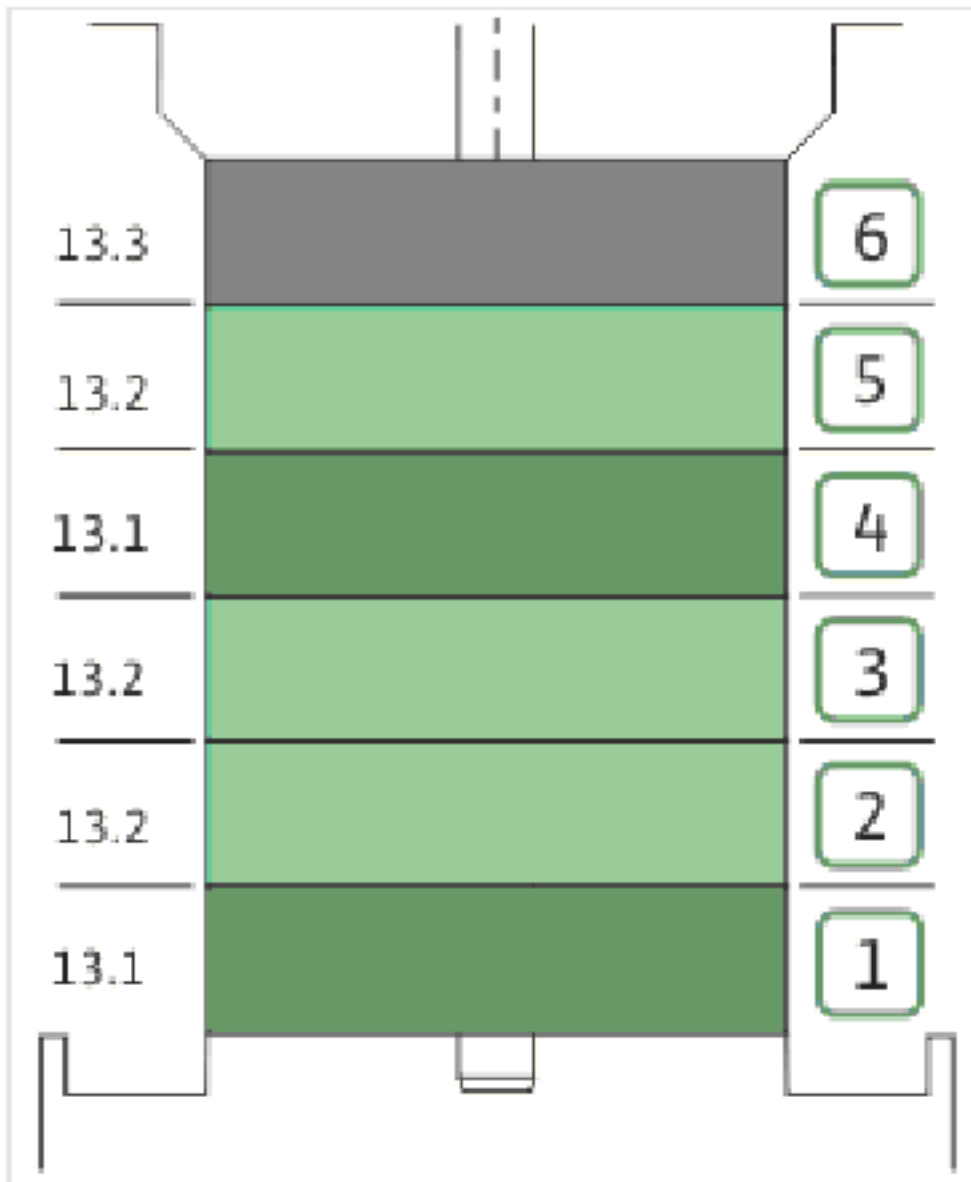
COUPLING D.20XD.38 FF300 KIT (4143966)

Item	Article no.	Description	Quantity
4.1	4179590	COUPLING 2 PARTS D.20XD.38XL115 VP.	1
4.2	2123699	BALL BEARING 6312/2Z-C4 (HT) VP.	1
4.3	63428	CIRCLIP-FOR-SHAFT-D60x2	1
4.4	2130991	SCREW M12X30 ISO4762 8.8 ZN(4 PIECES)	1
4.5	4032277	CIRCLIP-HOLE-130x4	1
4.6	4006725	O-RING ID.132,94x3,53 NBR70SR	1
4.7	2130992	RETAINING RING D.35xD.2,5 DIN7993 VP.	1
4.8	4179591	HUB D.42xD.60 VP.	1
4.9	2130994	SPACER D.38XD.55 VP.	1
4.10	4094462	SCREWS M10 (4 PIECES)	1
4.11	4233959	SCREW M8x16 VP.	1
4.12		SERRATED LOCK WASHER Ø8.2XØ25X35X2	1



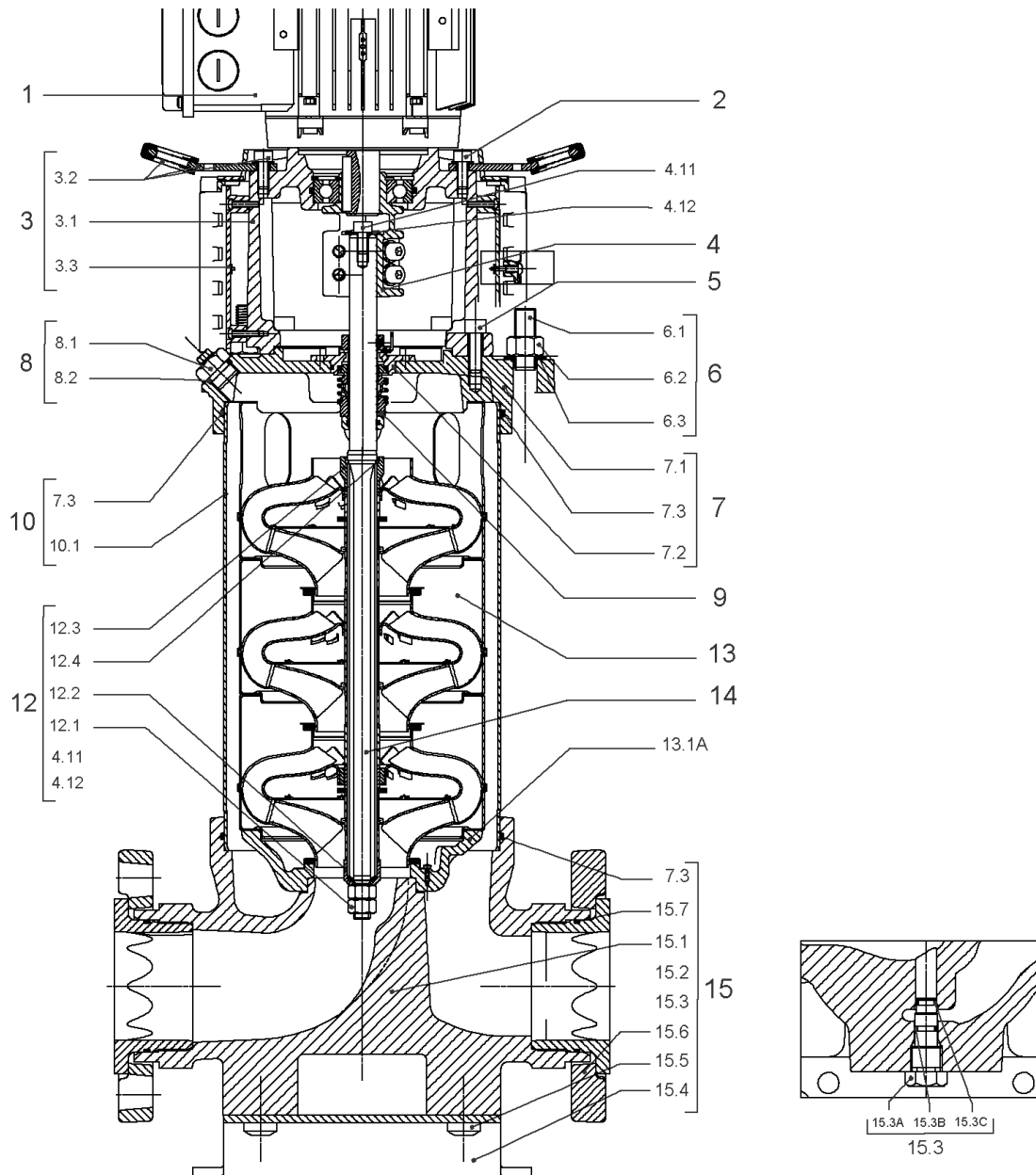
CARTRIDGE HELIX22-36-52 F/E KIT (4143975)

Item	Article no.	Description	Quantity
9.1	4143976	SEAL-KIT-HELIX22-36-52 F/E	1
7.3	4179571	> O-RING HOUSING PIPE HELIX22/36/52 VP.	1
7.4	4179572	> O-RING ID.42.52X2.62 EPDM VP.	1
9.1A	2127447	> M.SEAL.HELIX22-36-52 F/E VP.	1
9.1B	4179574	> O-RING ID.20x2.65 EPDM VP.	1
9.2	4179566	SHAFT SLEEVE D.20/20X60 1.4404 VP.	1
9.3	4179567	RING HOLDER Ø22 1.4301 VP.	1
9.4	4176520	SCREW CH M5x5 A4-70 (3PIECES)	1
9.5	4179568	DRIVE RING D.31/22.1x11 MACH.VP.	1
9.6	4179569	TOOL M.S.CART.HELIX 8" VP.	1
9.7	4179570	SCREW M6X16 ISO4762 8.8 GEOMET(4 PIECES)	1



HYDRAULIC HELIX V 5206

Item	Article no.	Description	Quantity
13.1	4164727	INTERMEDIAIRE STAGE HELIX 52 1.4301 KIT	1
		> SLEEVE-SPACER-D22XL30,42-316L	1
		> MACH.BEARING-DIFFUSER+NR-M+52-304	1
		> SHAFT-SLEEVE-D26xD22x16-CW	1
		> SPACER WASHER D22,3XD36 L3-316L	1
		> IMPELLER-H2-M+52-304	1
13.1A	4161200	> NECK RING 1.STAGE HELIX V36/52 KIT	1
		>> NECK-RING-M+36/52	1
		>> HYDRAULIC SUPPORT CAP M+36/52 304	1
		>> SCREW TCL M3X8 A4 POZIDRIV	1
13.2	4164728	INTERMEDIATE STAGE HELIX 52 1.4301 KIT	1
		> MACH.STD-DIFFUSER+NR-M+52-304	1
		> IMPELLER-H5-M+52-304	1
13.3	4164729	UPPER-STAGE HELIX 52 1.4301 KIT	1
		> STOP COLLAR OF IMPELLER L27,6-Ø22-316L	1
		> SLEEVE-SPACER-D22XL16,66-316L	1
		> SPACER WASHER D22,3XD36 L3-316L	1
		> IMPELLER-H2-M+52-304	1
		> MACH.STD-DISCHARGE-CHAMBER-M+52-304	1



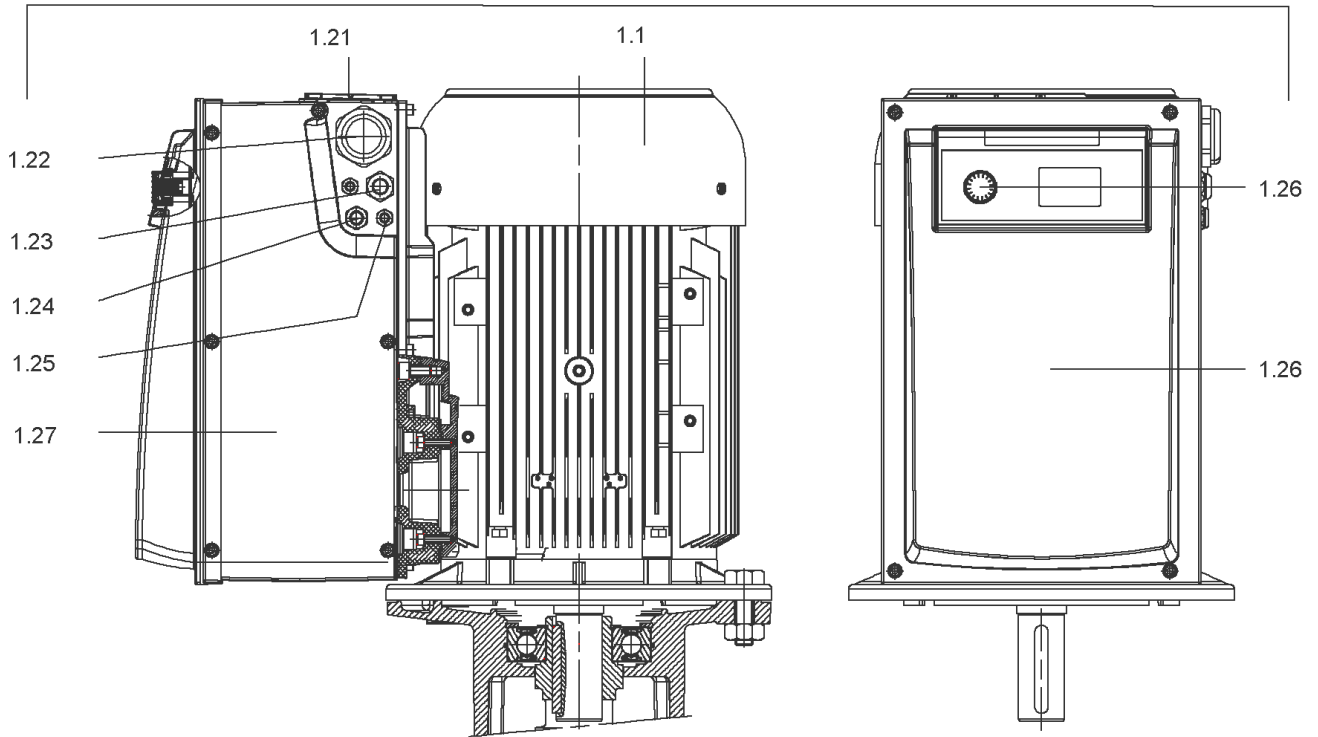
HELIX VE5206-3/25/E/KS/2G (4166241)

Item	Article no.	Description	Quantity
1		DRIVE HELIX VE5206-IE2-ARC KIT	1
Note: no longer available/nicht mehr lieferbar/n'est plus disponible			
1	4220030	DRIVE HELIX VE5206-IE4-WEG KIT	1
Note: MOTOR BRAND WEG			
2	4179586	SCREW M16X60 (4 PIECES)	1
3	4161188	LANTERN HELIX V36/52 FF300 BB6313 KIT	1
3.1		> LANTERN FF300 M+ GJL MACHINED+CATA 6313	1
3.2	4179589	> EYELET CPL.FF300 HELIX(4 PIECES)	1
3.3	4143969	> COUPLING PROTECT HELIX FF KIT	1
4	4161190	COUPLING D.20XD.38 FF300 KIT	1
5	4157725	SCREW M10X40 (4 PIECES)	1
6	4179929	STUD BOLT M16X704 KIT	1
6.1		> TIE BOLT M16-704x24x44-1.4057	1
6.2	4179562	> NUT M16 8.8 ISO4032 (4 PIECES)	1
6.3	4097852	> WASHER-CS-16.4-32-2.8-NFE25-511-A2	1
7	4179565	END SHIELD HELIX 8" EPDM KIT	1
7.1		> END SHIELD M+ GJL MACHINED+CATA	1
7.2	4179564	> O-RING D.42.52x2.62 EPDM VP.	1
7.3	4179571	> O-RING HOUSING PIPE HELIX22/36/52 VP.	1
8	4186377	FILING/PURGING PLUG 304 HELIX KIT	1
8.1		> FILLING/VENTING-PLUG-MVI8/10"-304	1
8.2	4032291	> O-RING 17x3 EPDM KTW/WRC	1
9	4143975	CARTRIDGE HELIX22-36-52 F/E KIT	1
10	4179930	HOUSING PIPE D.204X630 1.4301 KIT	1
7.3	4179571	> O-RING HOUSING PIPE HELIX22/36/52 VP.	1
10.1		> HOUSING-PIPE Ø204-M+5206-304	1
11	4179583	CENTRALIZER HELIX 8" 52 VP.	1
12	4164724	SHAFT EQUIPMENT HELIX V52 KIT	1
13		HYDRAULIC HELIX V 5206	1
14	2127503	SHAFT D.22 X 804 HELIX 1.4057 VP.	1
15	4164723	EQUIPED HOUSING PN16 HELIX GJL KIT	1
7.3	4179571	> O-RING HOUSING PIPE HELIX22/36/52 VP.	1
15.1		> PUMP HOUSING SET with COATED PARTS-DN80	1
15.3	4143766	> DRAIN/PRIMING PLUG EPDM HELIX KIT	1

HELIX VE5206-3/25/E/KS/2G (4166241)

Item	Article no.	Description	Quantity
15.3A		>> PRIMING/DRAIN PLUG-304-VERSION 1	1
15.3B	4032293	>> O-RING-10x3-EPDM-KTW/WRC	1
15.3C	4233957	>> O-RING ID.9 EPDM VP.	1
15.4	4221729	> BASE M+ DN50/65/80 VP.	1
15.5		> SCREW TBHC M12x25 ISO7380 ZN	1
15.6		> FLANGE M+ DN80 NF PN16-25 ASME PN16 CATA	1
15.7		> O-RING Ø91.42xØ3 EPDM	1
13.1A	4161200	> NECK RING 1.STAGE HELIX V36/52 KIT	1
		>> NECK-RING-M+36/52	1
		>> HYDRAULIC SUPPORT CAP M+36/52 304	1
		>> SCREW TCL M3X8 A4 POZIDRIV	1

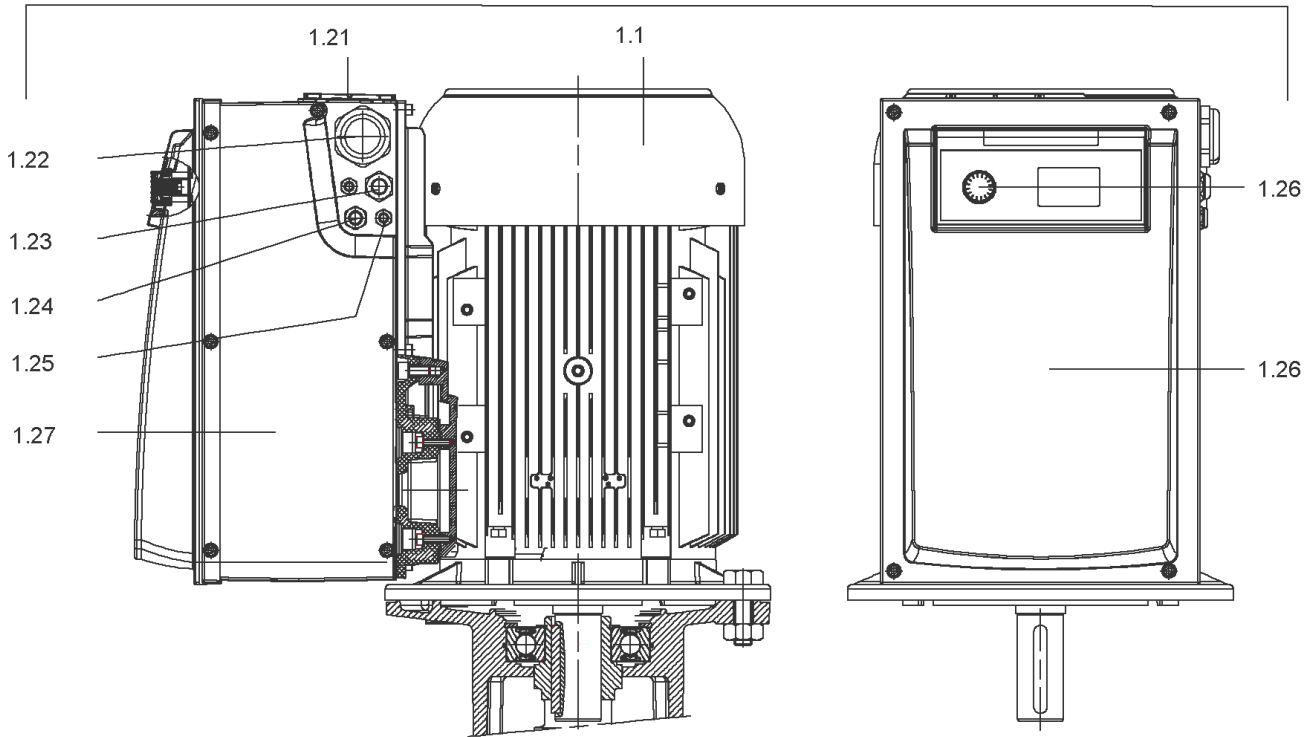
1



DRIVE HELIX VE5206-IE2-ARC KIT

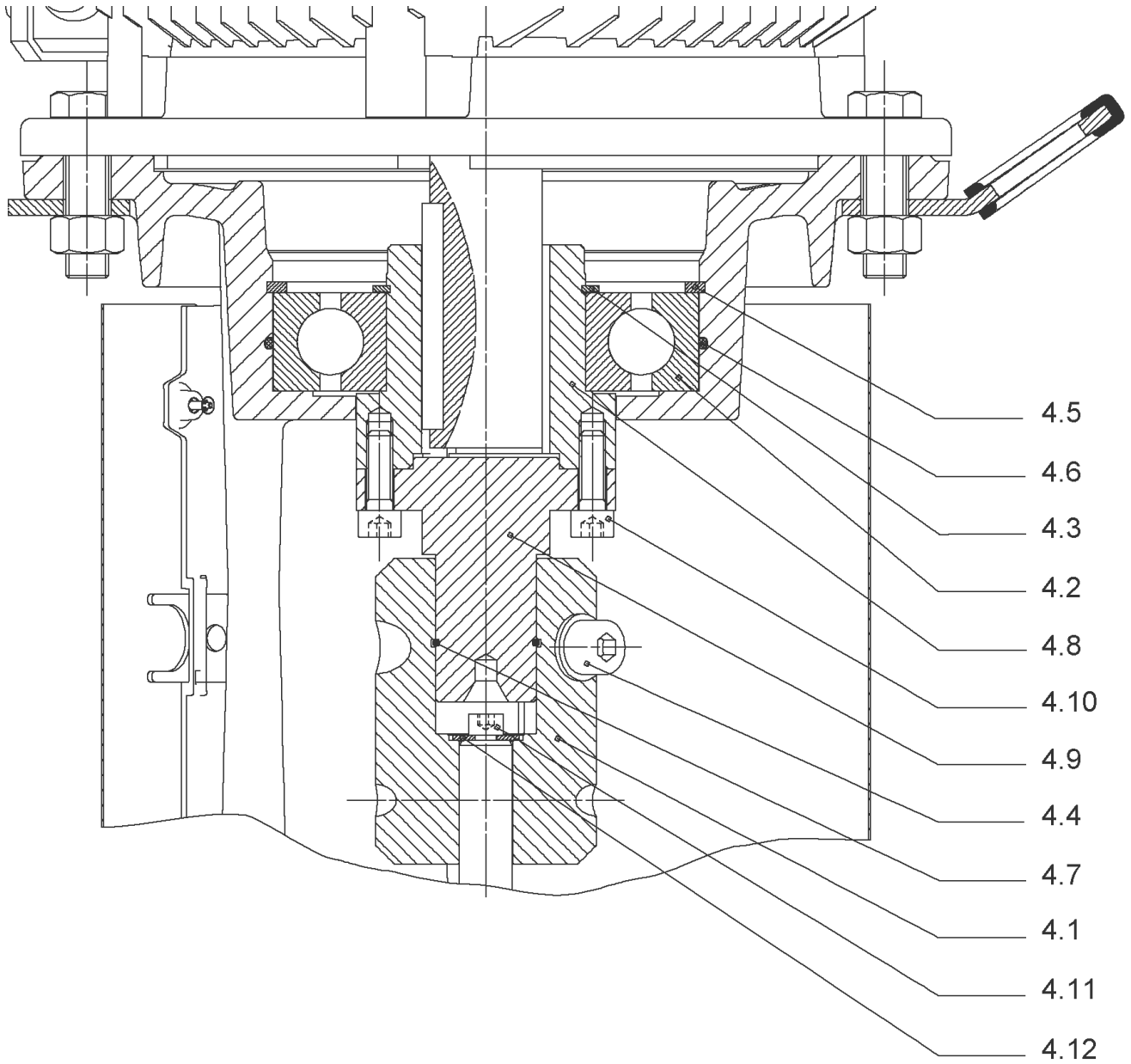
Item	Article no.	Description	Quantity
1.1		M22-2T540P55V1-160F300-N42-IE2	1
		SPARE PARTS MOTOR:ON REQUEST	1
1.21	2132103	FAN LARGE TL6/7 FF KIT	1
1.25	2132097	CABLE CONNECTION M12 TL6/7 FF VP.	1
1.24	2132098	CABLE CONNECTION M16 TL6/7 FF VP.	1
1.23	2132099	CABLE CONNECTION M20 TL6/7 FF VP.	1
1.22	2132101	CABLE CONNECTION LARGE M40 TL6/7 FF VP.	1
1.27	2132104	COVER SIDE TL6/7 FF CPL.VP.	1
1.26	2132452	MODULE COVER/BUTTON TL6/7 FF VP.	1

1



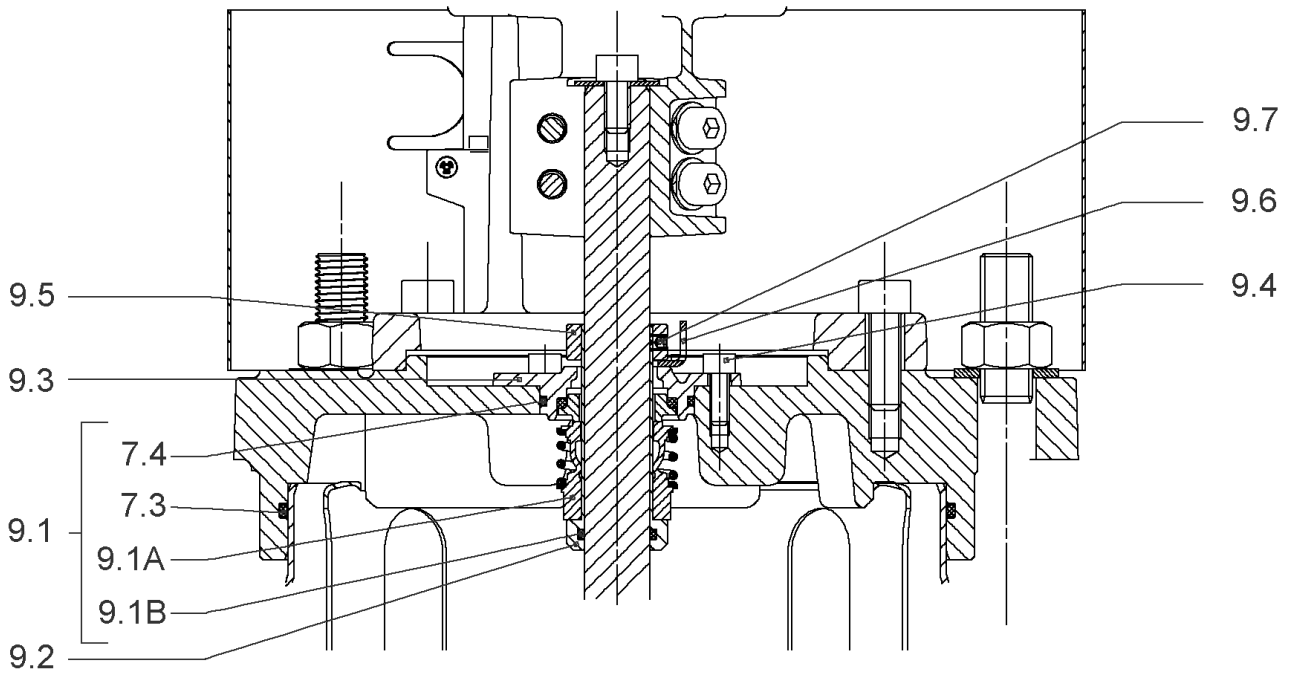
DRIVE HELIX VE5206-IE4-WEG KIT (4220030)

Item	Article no.	Description	Quantity
1.1		M22-2T540P55V1-180F30-N48-ADAPT-IE4-WEG	1
		SPARE PARTS MOTOR:ON REQUEST	1
1.21	2132102	FAN SMALL TL6/7 FF KIT	1
1.25	2132097	CABLE CONNECTION M12 TL6/7 FF VP.	1
1.24	2132098	CABLE CONNECTION M16 TL6/7 FF VP.	1
1.23	2132099	CABLE CONNECTION M20 TL6/7 FF VP.	1
1.22	2132100	CABLE CONNECTION SMALL M40 TL6/7 FF VP.	1
1.27	2132104	COVER SIDE TL6/7 FF CPL.VP.	1
1.26	2132452	MODULE COVER/BUTTON TL6/7 FF VP.	1



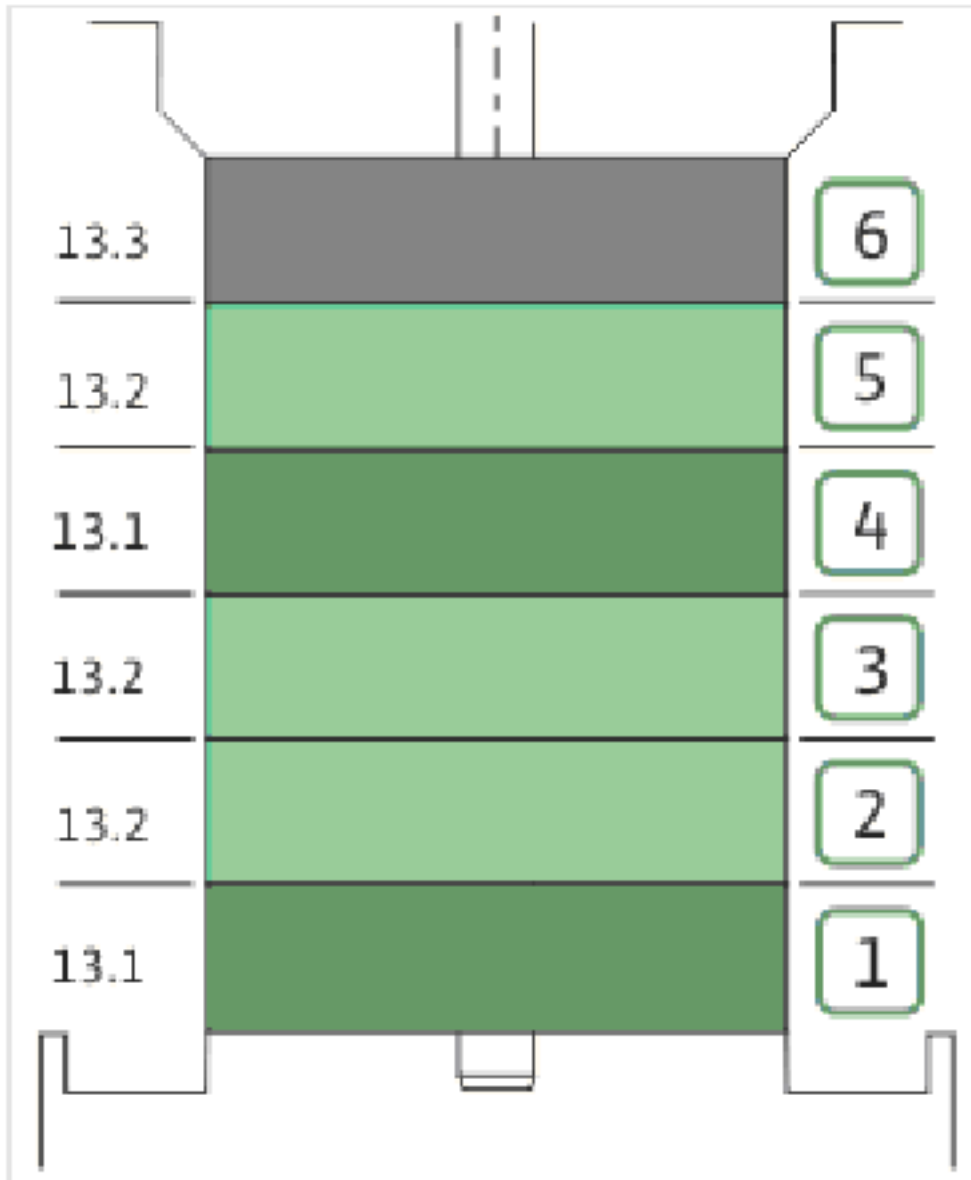
COUPLING D.20XD.38 FF300 KIT (4161190)

Item	Article no.	Description	Quantity
4.1	4179590	COUPLING 2 PARTS D.20XD.38XL115 VP.	1
4.2	2132521	BALL BEARING 6313/2Z-C4(HT)VP.	1
4.3	4032276	CIRCLIP-SHAFT-D65x2,5	1
4.4	2130991	SCREW M12X30 ISO4762 8.8 ZN(4 PIECES)	1
4.5	4233130	CIRCLIP-FOR-BORES-D140 VP.	1
4.6	4233945	O-RING ID.140 VP.	1
4.7	2130992	RETAINING RING D.35xD.2,5 DIN7993 VP.	1
4.8	4179928	HUB D.48xD.65 VP.	1
4.9	2130994	SPACER D.38XD.55 VP.	1
4.10	4094462	SCREWS M10 (4 PIECES)	1
4.11	4233959	SCREW M8x16 VP.	1
4.12		SERRATED LOCK WASHER Ø8.2XØ25X35X2	1



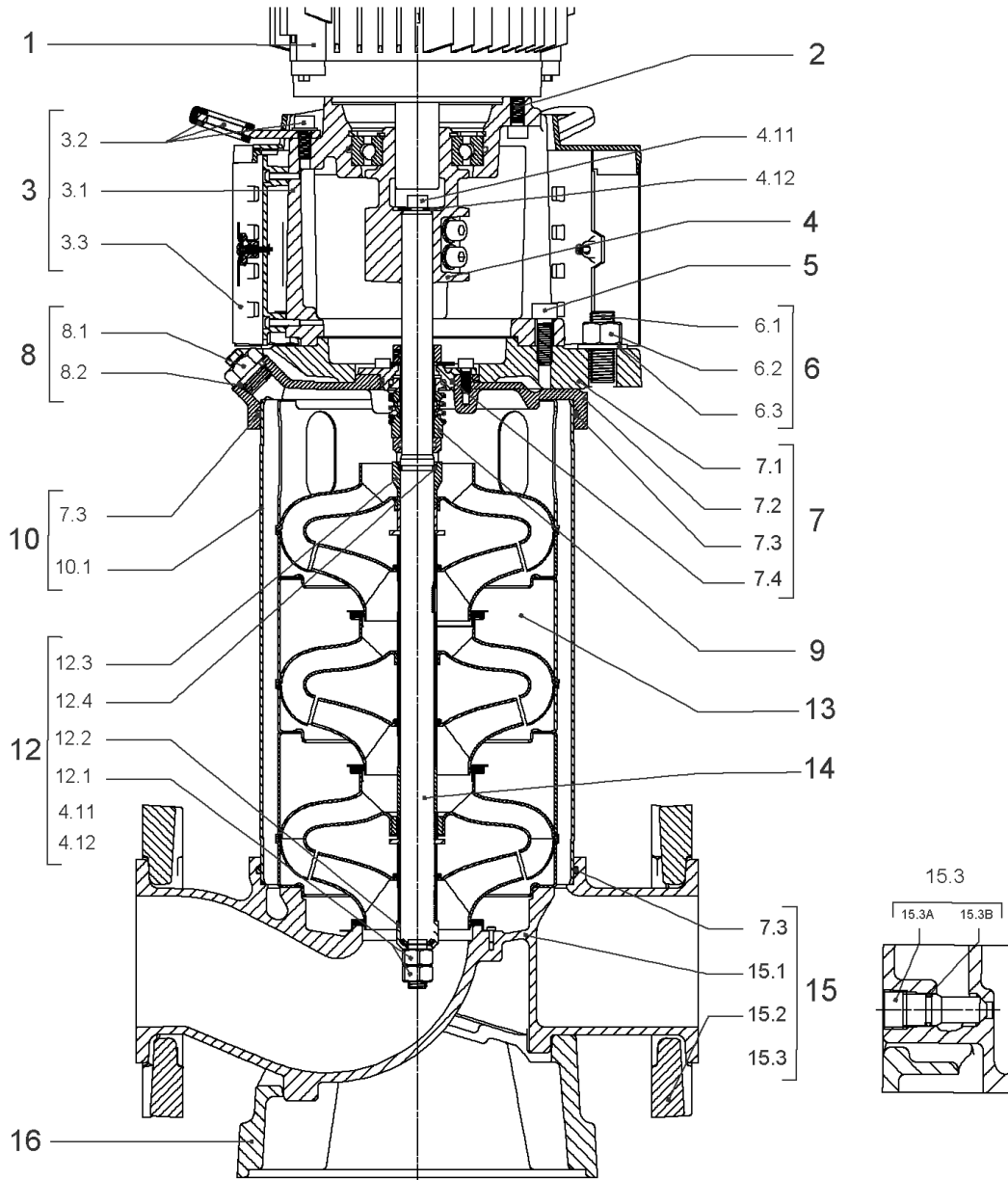
CARTRIDGE HELIX22-36-52 F/E KIT (4143975)

Item	Article no.	Description	Quantity
9.1	4143976	SEAL-KIT-HELIX22-36-52 F/E	1
7.3	4179571	> O-RING HOUSING PIPE HELIX22/36/52 VP.	1
7.4	4179572	> O-RING ID.42.52X2.62 EPDM VP.	1
9.1A	2127447	> M.SEAL.HELIX22-36-52 F/E VP.	1
9.1B	4179574	> O-RING ID.20x2.65 EPDM VP.	1
9.2	4179566	SHAFT SLEEVE D.20/20X60 1.4404 VP.	1
9.3	4179567	RING HOLDER Ø22 1.4301 VP.	1
9.4	4176520	SCREW CH M5x5 A4-70 (3PIECES)	1
9.5	4179568	DRIVE RING D.31/22.1x11 MACH.VP.	1
9.6	4179569	TOOL M.S.CART.HELIX 8" VP.	1
9.7	4179570	SCREW M6X16 ISO4762 8.8 GEOMET(4 PIECES)	1



HYDRAULIC HELIX V 5206

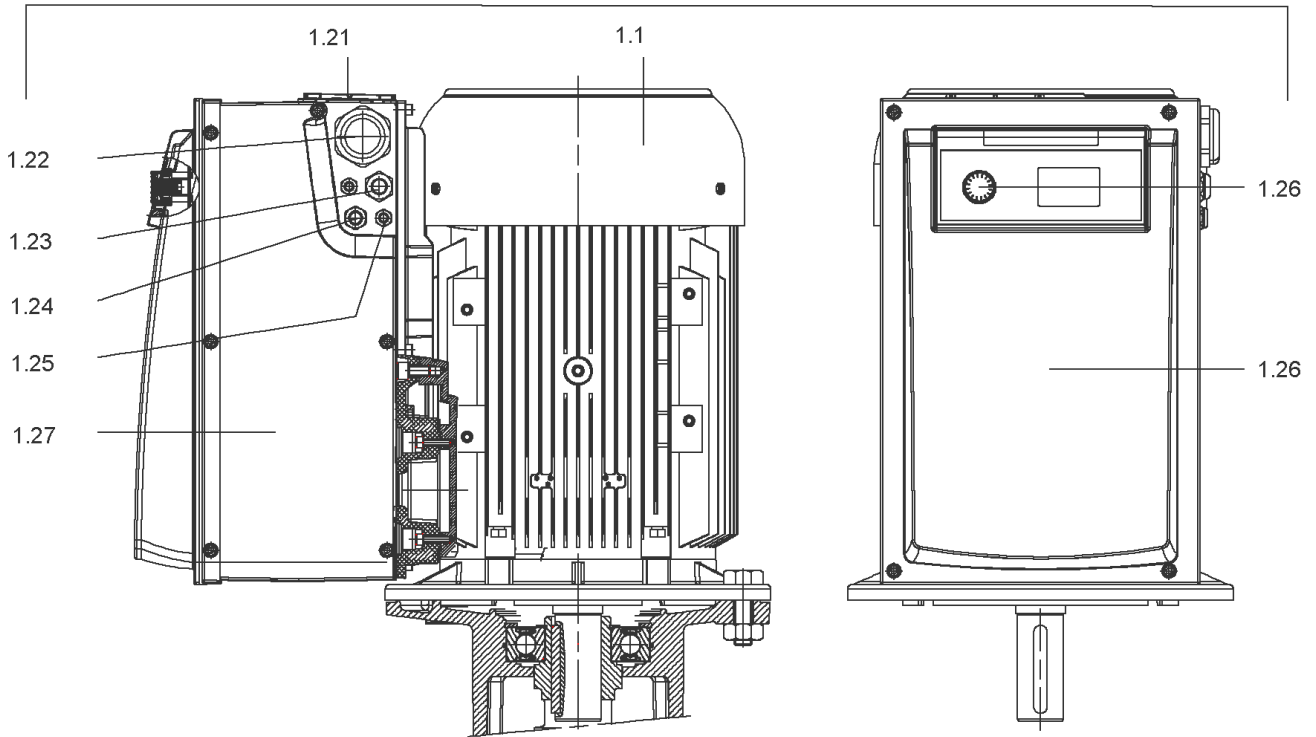
Item	Article no.	Description	Quantity
13.1	4164727	INTERMEDIAIRE STAGE HELIX 52 1.4301 KIT	1
		> SLEEVE-SPACER-D22XL30,42-316L	1
		> MACH.BEARING-DIFFUSER+NR-M+52-304	1
		> SHAFT-SLEEVE-D26xD22x16-CW	1
		> SPACER WASHER D22,3XD36 L3-316L	1
		> IMPELLER-H2-M+52-304	1
13.1A	4161200	> NECK RING 1.STAGE HELIX V36/52 KIT	1
		>> NECK-RING-M+36/52	1
		>> HYDRAULIC SUPPORT CAP M+36/52 304	1
		>> SCREW TCL M3X8 A4 POZIDRIV	1
13.2	4164728	INTERMEDIATE STAGE HELIX 52 1.4301 KIT	1
		> MACH.STD-DIFFUSER+NR-M+52-304	1
		> IMPELLER-H5-M+52-304	1
13.3	4164729	UPPER-STAGE HELIX 52 1.4301 KIT	1
		> STOP COLLAR OF IMPELLER L27,6-Ø22-316L	1
		> SLEEVE-SPACER-D22XL16,66-316L	1
		> SPACER WASHER D22,3XD36 L3-316L	1
		> IMPELLER-H2-M+52-304	1
		> MACH.STD-DISCHARGE-CHAMBER-M+52-304	1



HELIX VE5206-1/25/E/KS (4198874)

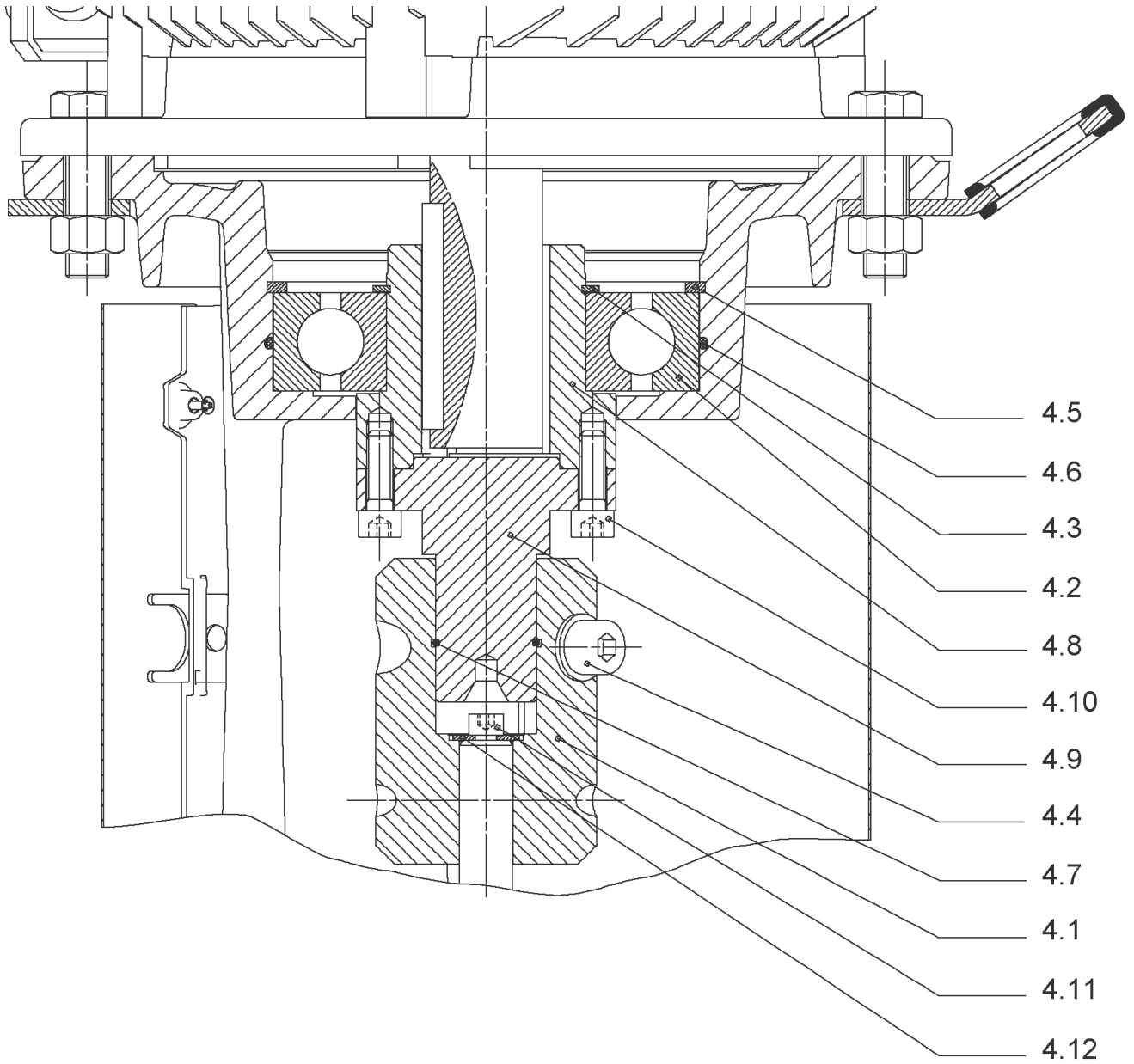
Item	Article no.	Description	Quantity
1	4220030	DRIVE HELIX VE5206-IE4-WEG KIT	1
Note: MOTOR BRAND WEG			
2	4179586	SCREW M16X60 (4 PIECES)	1
3	4161188	LANTERN HELIX V36/52 FF300 BB6313 KIT	1
3.1		> LANTERN FF300 M+ GJL MACHINED+CATA 6313	1
3.2	4179589	> EYELET CPL.FF300 HELIX(4 PIECES)	1
3.3	4143969	> COUPLING PROTECT HELIX FF KIT	1
4	4161190	COUPLING D.20XD.38 FF300 KIT	1
5	4157725	SCREW M10X40 (4 PIECES)	1
6	4181105	STUD BOLT M16X866 KIT	1
6.1		> TIE BOLT M16-866x24x44-1.4057	1
6.2	4179562	> NUT M16 8.8 ISO4032 (4 PIECES)	1
6.3	4097852	> WASHER-CS-16.4-32-2.8-NFE25-511-A2	1
7	4217176	END SHIELD HELIX OPTI 8" EPDM KIT	1
7.1		> upper flange machined + cataphoresis	1
7.2	4217174	> STATIONARY RING HOLDER 8" HELIX OPTI VP.	1
7.3	4179571	> O-RING HOUSING PIPE HELIX22/36/52 VP.	1
7.4	4179572	> O-RING ID.42.52X2.62 EPDM VP.	1
8	4186377	FILING/PURGING PLUG 304 HELIX KIT	1
8.1		> FILLING/VENTING-PLUG-MVI8/10"-304	1
8.2	4032291	> O-RING 17x3 EPDM KTW/WRC	1
9	4143975	CARTRIDGE HELIX22-36-52 F/E KIT	1
10	4181677	HOUSING PIPE D.204X614 1.4301 KIT	1
7.3	4179571	> O-RING HOUSING PIPE HELIX22/36/52 VP.	1
10.1		> HOUSING-PIPE Ø204-M+2211-304	1
12	4164724	SHAFT EQUIPMENT HELIX V52 KIT	1
13		HYDRAULIC HELIX V 5206	1
14	2127503	SHAFT D.22 X 804 HELIX 1.4057 VP.	1
15	4218385	EQUIPED HOUSING DN80 HELIX OPTI 8" KIT	1
15.1		> pump casing machined DN80	1
15.2	4218383	> HALF FLANGE DN80 HELIX OPTI 8" VP.	1
15.3	4217850	> DRAIN/PRIMING PLUG HELIX OPTI 8" KIT	1
7.3	4179571	> O-RING HOUSING PIPE HELIX22/36/52 VP.	1
16	4218387	BASEPLATE DN80 HELIX OPTI 8" VP.	1

1



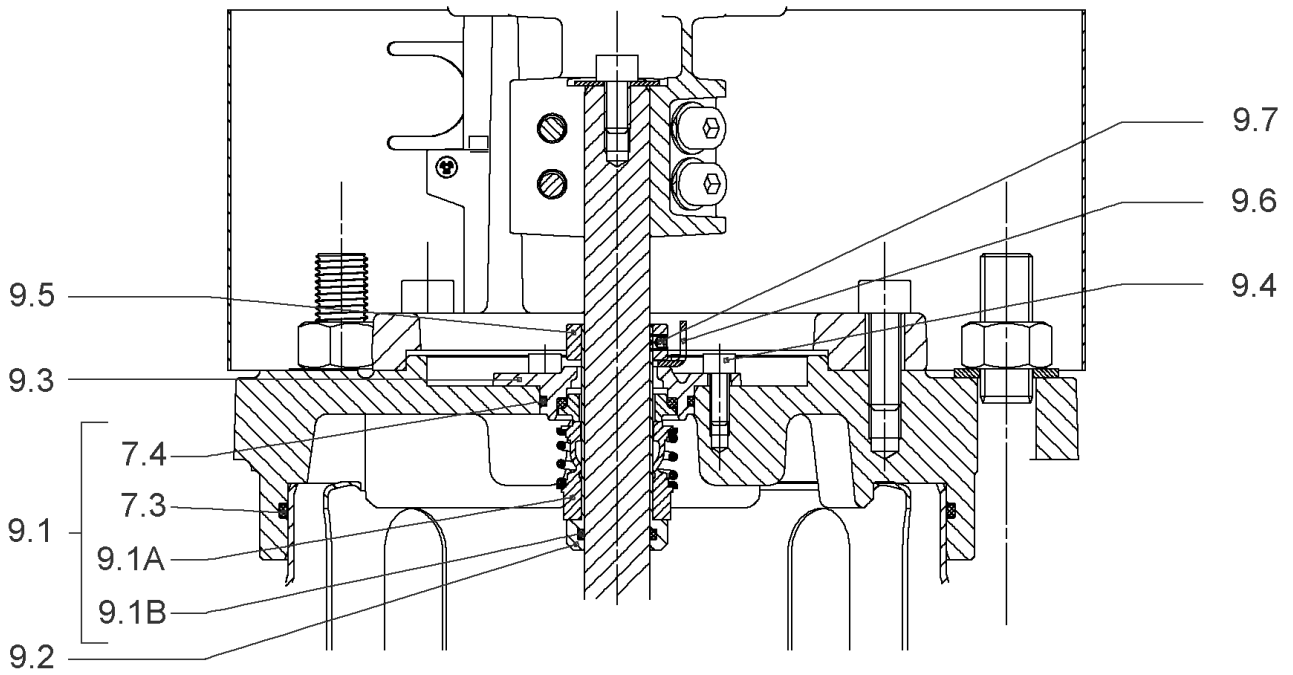
DRIVE HELIX VE5206-IE4-WEG KIT (4220030)

Item	Article no.	Description	Quantity
1.1		M22-2T540P55V1-180F30-N48-ADAPT-IE4-WEG	1
		SPARE PARTS MOTOR:ON REQUEST	1
1.21	2132102	FAN SMALL TL6/7 FF KIT	1
1.25	2132097	CABLE CONNECTION M12 TL6/7 FF VP.	1
1.24	2132098	CABLE CONNECTION M16 TL6/7 FF VP.	1
1.23	2132099	CABLE CONNECTION M20 TL6/7 FF VP.	1
1.22	2132100	CABLE CONNECTION SMALL M40 TL6/7 FF VP.	1
1.27	2132104	COVER SIDE TL6/7 FF CPL.VP.	1
1.26	2132452	MODULE COVER/BUTTON TL6/7 FF VP.	1



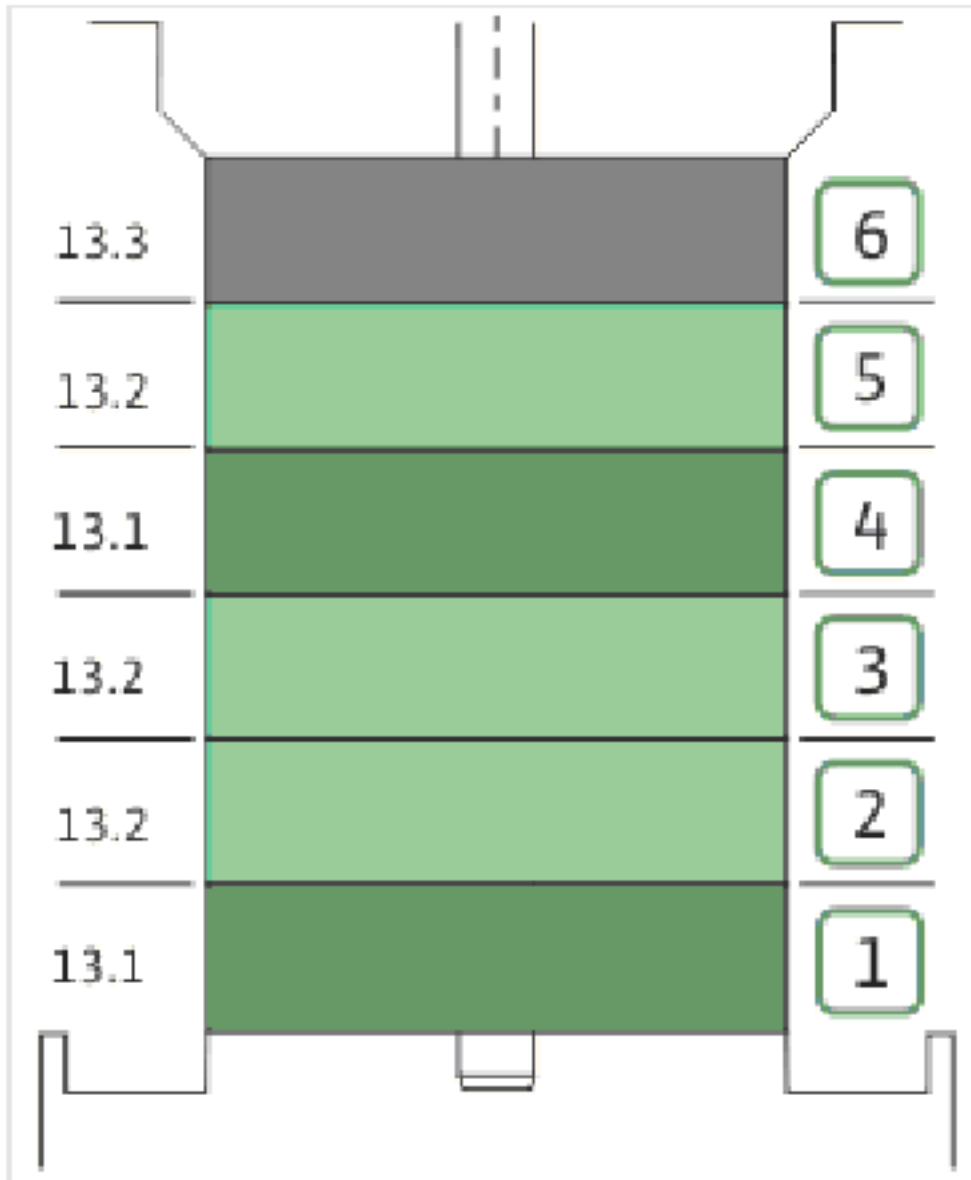
COUPLING D.20XD.38 FF300 KIT (4161190)

Item	Article no.	Description	Quantity
4.1	4179590	COUPLING 2 PARTS D.20XD.38XL115 VP.	1
4.2	2132521	BALL BEARING 6313/2Z-C4(HT)VP.	1
4.3	4032276	CIRCLIP-SHAFT-D65x2,5	1
4.4	2130991	SCREW M12X30 ISO4762 8.8 ZN(4 PIECES)	1
4.5	4233130	CIRCLIP-FOR-BORES-D140 VP.	1
4.6	4233945	O-RING ID.140 VP.	1
4.7	2130992	RETAINING RING D.35xD.2,5 DIN7993 VP.	1
4.8	4179928	HUB D.48xD.65 VP.	1
4.9	2130994	SPACER D.38XD.55 VP.	1
4.10	4094462	SCREWS M10 (4 PIECES)	1
4.11	4233959	SCREW M8x16 VP.	1
4.12		SERRATED LOCK WASHER Ø8.2XØ25X35X2	1



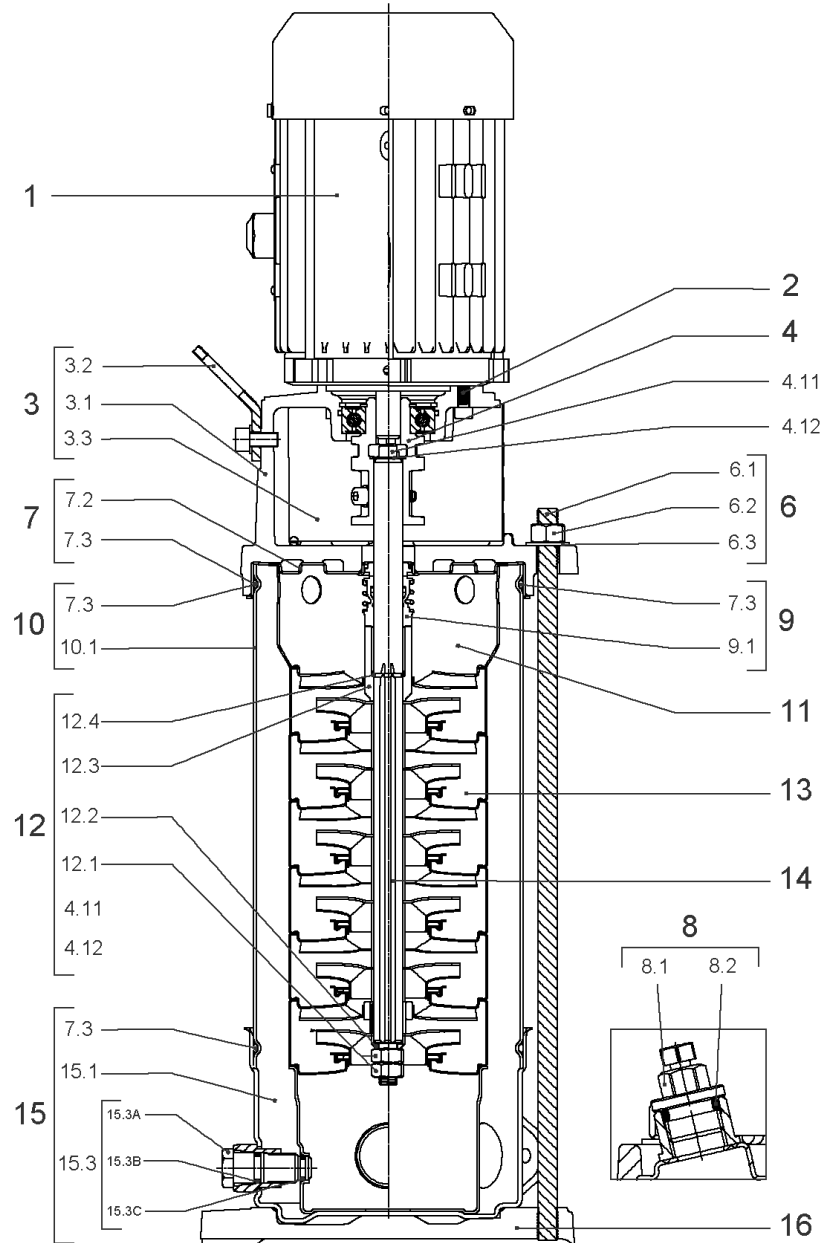
CARTRIDGE HELIX22-36-52 F/E KIT (4143975)

Item	Article no.	Description	Quantity
9.1	4143976	SEAL-KIT-HELIX22-36-52 F/E	1
7.3	4179571	> O-RING HOUSING PIPE HELIX22/36/52 VP.	1
7.4	4179572	> O-RING ID.42.52X2.62 EPDM VP.	1
9.1A	2127447	> M.SEAL.HELIX22-36-52 F/E VP.	1
9.1B	4179574	> O-RING ID.20x2.65 EPDM VP.	1
9.2	4179566	SHAFT SLEEVE D.20/20X60 1.4404 VP.	1
9.3	4179567	RING HOLDER Ø22 1.4301 VP.	1
9.4	4176520	SCREW CH M5x5 A4-70 (3PIECES)	1
9.5	4179568	DRIVE RING D.31/22.1x11 MACH.VP.	1
9.6	4179569	TOOL M.S.CART.HELIX 8" VP.	1
9.7	4179570	SCREW M6X16 ISO4762 8.8 GEOMET(4 PIECES)	1



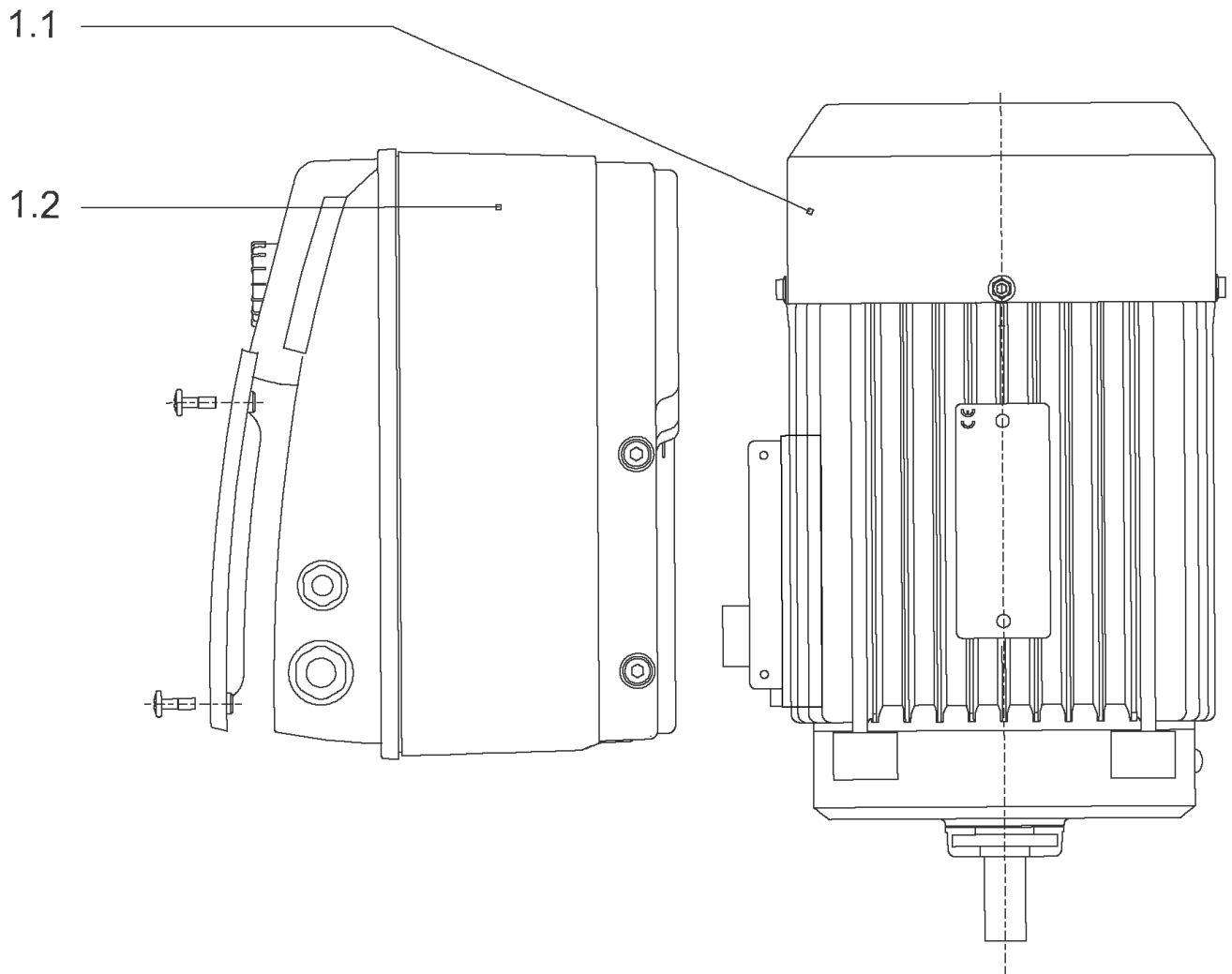
HYDRAULIC HELIX V 5206

Item	Article no.	Description	Quantity
13.1	4164727	INTERMEDIAIRE STAGE HELIX 52 1.4301 KIT	1
		> SLEEVE-SPACER-D22XL30,42-316L	1
		> MACH.BEARING-DIFFUSER+NR-M+52-304	1
		> SHAFT-SLEEVE-D26xD22x16-CW	1
		> SPACER WASHER D22,3XD36 L3-316L	1
		> IMPELLER-H2-M+52-304	1
13.1A	4161200	> NECK RING 1.STAGE HELIX V36/52 KIT	1
		>> NECK-RING-M+36/52	1
		>> HYDRAULIC SUPPORT CAP M+36/52 304	1
		>> SCREW TCL M3X8 A4 POZIDRIV	1
13.2	4164728	INTERMEDIATE STAGE HELIX 52 1.4301 KIT	1
		> MACH.STD-DIFFUSER+NR-M+52-304	1
		> IMPELLER-H5-M+52-304	1
13.3	4164729	UPPER-STAGE HELIX 52 1.4301 KIT	1
		> STOP COLLAR OF IMPELLER L27,6-Ø22-316L	1
		> SLEEVE-SPACER-D22XL16,66-316L	1
		> SPACER WASHER D22,3XD36 L3-316L	1
		> IMPELLER-H2-M+52-304	1
		> MACH.STD-DISCHARGE-CHAMBER-M+52-304	1



HELIX VE208-1/25/E/KS/M13 (4204029)

Item	Article no.	Description	Quantity
1		DRIVE HELIX-VE208-M13-LS KIT	1
Note: MOTOR BRAND LEROY SOMER			
		SPARE PARTS MOTOR:ON REQUEST	1
2	4212716	SCREW M6X20 KIT (4PIECES)	1
3	4172788	LANTERN FT100 HELIX KIT	1
3.1		> LANTERN FT100 M+6" GJL MACHINING+CATA	1
3.2	2127604	> EYELET CPL.FT HELIX(2 PIECES)	1
3.3	4159692	> COUPLING PROTECTOR FT HELIX KIT	1
4	4178578	COUPLING D.12XD.19 FT100 KIT	1
5	4159707	SCREW M8X30 (4 PIECES)	1
6	2018365	STUD BOLT M12X392 KIT	1
7	4210143	STATIONARY RING HOLDER HELIX 6" EPDM	1
7.2	2127607	> STATIONARY RING HOLDER 6" HELIX 1.4301 V	1
7.3	4176513	> O-RING FOR PUMP JACKET VP.	1
7.4	2127603	> O-RING ID.37,6x2,4 EPDM VP.	1
7.5	2127602	> O-RING ID.21,35x2 EPDM VP.	1
8	4159686	FILING/PURGING PLUG HELIX EPDM KIT	1
9	4178597	CARTRIDGE HELIX2-4 F/E KIT	1
10	2127576	HOUSING PIPE D.152x260 1.4301 KIT	1
11	4179315	CENTERING STAGE HELIX V2 1.4307 VP.	1
12	4178567	SHAFT EQUIPMENT HELIX V2/V4 KIT	1
12.1		> NUT-H-M8-STAINLESS-STEEL A4-70	1
12.2		> SHAFT END WASHER Ø8/Ø12 316L	1
12.3		> STOP COLLAR OF IMPELLER L12,6-Ø12-316L	1
12.4		> STOP-RUSH-1/2-D12xd2-M+316	1
13		HYDRAULIC HELIX V 208 1.4307	1
14	4178592	SHAFT D.12X383 1.4301 VP.	1
15	4178593	PUMP HOUSING HELIX DN25 PN25 1.4301 KIT	1
7.3	4176513	> O-RING FOR PUMP JACKET VP.	1
15.1		> BLASTING PPE HOUSING V PN25-DN25-5"-304	1
15.3	4171321	> PRIMING/DRAIN PLUG EPDM HELIX KIT	1
16	4177970	BASEPLATE HELIX V2/4/6 PN25 VP.	1



DRIVE HELIX-VE208-M13-LS KIT

Item	Article no.	Description	Quantity
1.1	4209317	MOT.1.1/2/80F10 3~ 240V 50HZ IE2 LS VP.	1
		SPARE PARTS MOTOR:ON REQUEST	1
1.2	4232968	MODULE HELIX VE 1,1KW M13 KIT	1



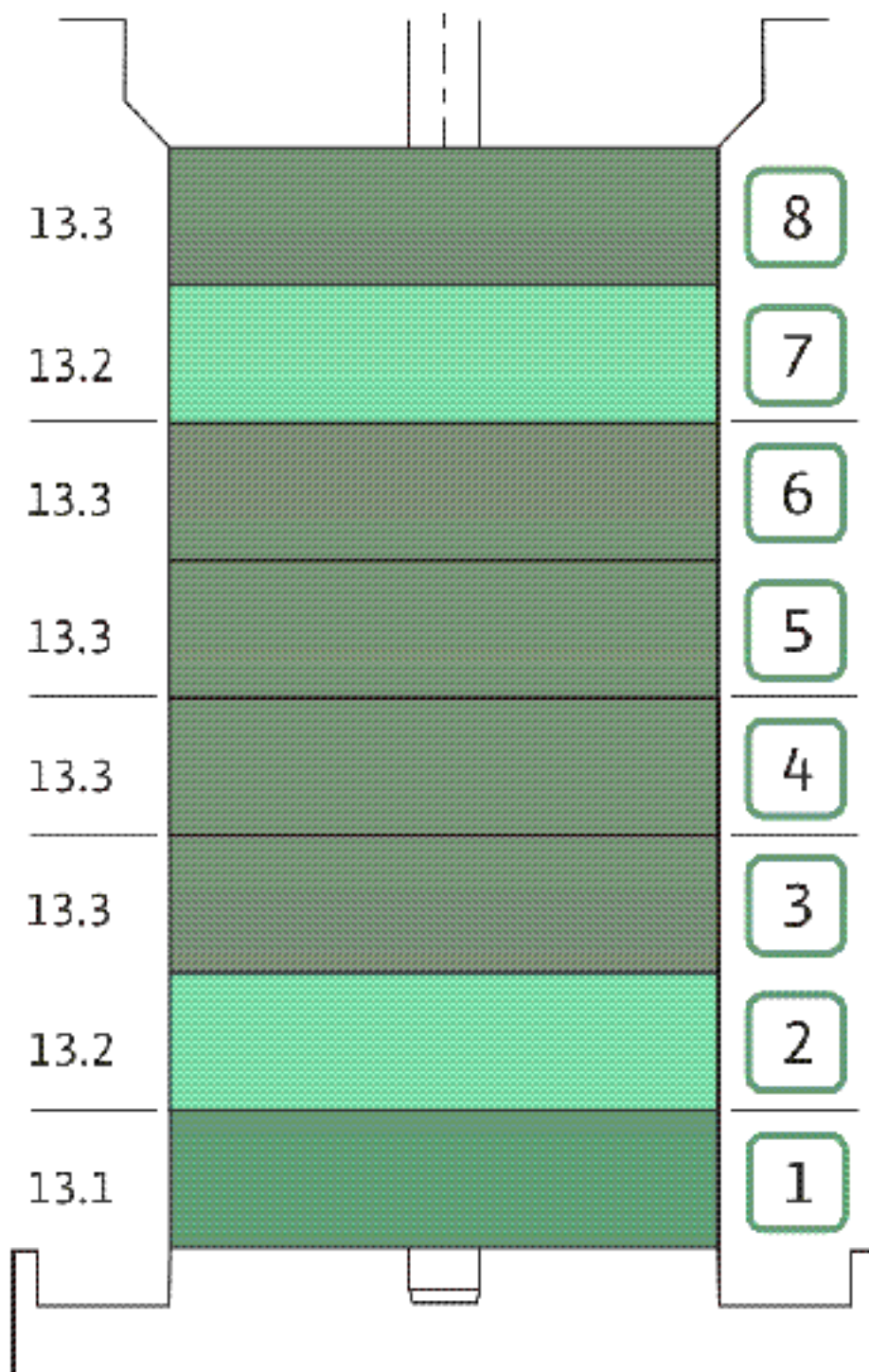
COUPLING D.12XD.19 FT100 KIT (4178578)

Item	Article no.	Description	Quantity
4.1		COUPLING-M+ Ø12XØ19-FT100-MACHINED	1
4.3	4234249	CIRCLIP-FOR-SHAFT-D30x1.5 VP.	1
4.2	2130977	BALL BEARING 6206/ZZ-C3(HT)VP.	1
4.4	4212716	SCREW M6X20 KIT (4PIECES)	1
4.5	4234250	CIRCLIP-D62x2 VP.	1
4.6	4234245	O-RING 63X3 VP.	1
		CONTACT-WASHER-6ETR-6,1x12,2x1,8-STEEL	4



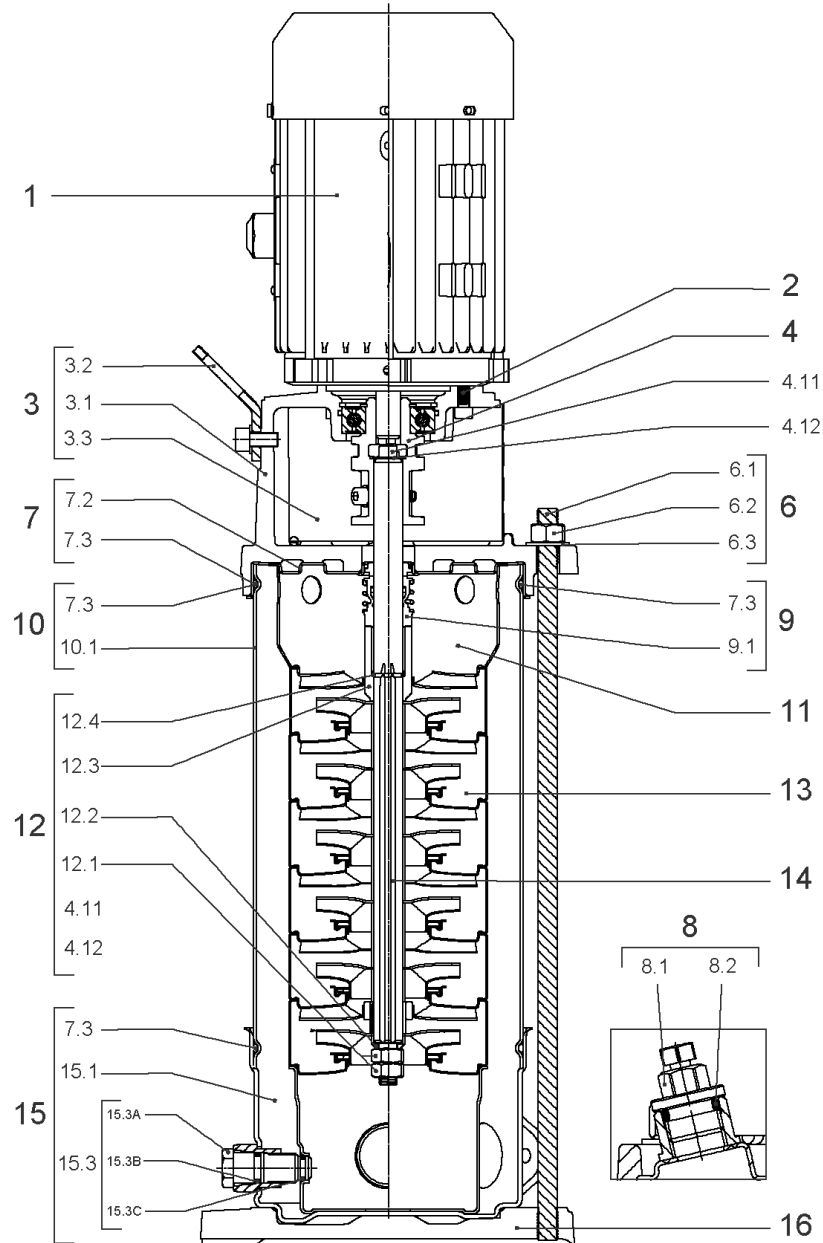
CARTRIDGE HELIX2-4 F/E KIT (4178597)

Item	Article no.	Description	Quantity
9.1	4178594	SEAL-KIT-HELIX2-4 F/E	1
7.3	4176513	> O-RING FOR PUMP JACKET VP.	1
7.4	2127603	> O-RING ID.37,6x2,4 EPDM VP.	1
9.1A	4176521	> MECH.SEAL HELIX2-4-6-10-16 F/E VP.	1
9.1B	4178558	> O-RING ID.12X2 EPDM VP.	1
9.1C	4178558	> O-RING ID.12X2 EPDM VP.	1
9.2	4178596	SHAFT SLEEVE D.18/12X72,2 1.4404 VP.	1
9.3	2130962	RING HOLDER D.18 G606/G6 1.4301 VP.	1
9.4	4176520	SCREW CH M5x5 A4-70 (3PIECES)	1
9.5	4178595	DRIVE RING D.29/15.5x13,2 MACH.VP.	1
9.6	2130964	TOOL M.S.CART.HELIX VP.	1
9.7	2130965	SCREW CHC M5X12 ISO4762 A2.70(4 PIECES)	1



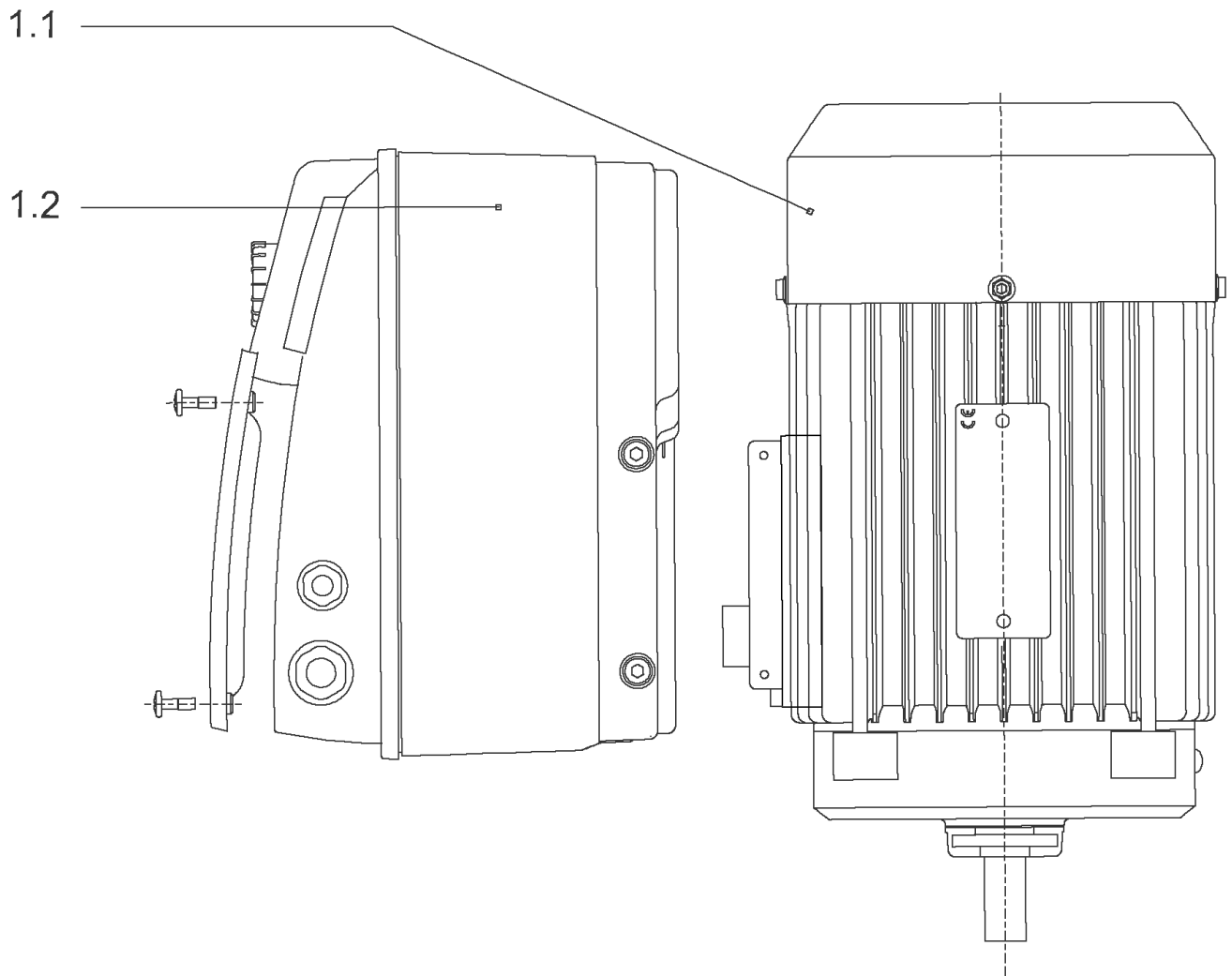
HYDRAULIC HELIX V 208 1.4307

Item	Article no.	Description	Quantity
13.1	4179316	STAGE HELIX 2 1.4301 KIT	1
		> MACH.STG-CASING-WOGV-WNR-M+2-4-304	1
		> IMPELLER-M+2-304	1
13.2	4179317	STAGE BEARING HELIX 2 1.4307 KIT	1
		> MACH.BEARING-STG-CASING-WNR-M+2-304	1
		> IMPELLER-M+2-304	1
		> SHAFT SLEEVE SPACER Ø15,35x10,305-304	1
		> SHAFT-SLEEVE-D12xD16x14-CW	1
13.3	4179319	INTERMEDIATE STAGE HELIX 2 1.4301 KIT	1
		> CORPS-ETG-STD-ACR-AJR-USIN.M+2-304	1
		> IMPELLER-M+2-304	1
		> IMPELLER SPACER Ø12,05X14,85-L24,285-304	1



HELIX VE208-1/25/E/KS/M2 (4204030)

Item	Article no.	Description	Quantity
1		DRIVE HELIX-VE208-M2-LS KIT	1
Note: MOTOR BRAND LEROY SOMER			
		SPARE PARTS MOTOR:ON REQUEST	1
2	4212716	SCREW M6X20 KIT (4PIECES)	1
3	4172788	LANTERN FT100 HELIX KIT	1
3.1		> LANTERN FT100 M+6" GJL MACHINING+CATA	1
3.2	2127604	> EYELET CPL.FT HELIX(2 PIECES)	1
3.3	4159692	> COUPLING PROTECTOR FT HELIX KIT	1
4	4178578	COUPLING D.12XD.19 FT100 KIT	1
5	4159707	SCREW M8X30 (4 PIECES)	1
6	2018365	STUD BOLT M12X392 KIT	1
7	4210143	STATIONARY RING HOLDER HELIX 6" EPDM	1
7.2	2127607	> STATIONARY RING HOLDER 6" HELIX 1.4301 V	1
7.3	4176513	> O-RING FOR PUMP JACKET VP.	1
7.4	2127603	> O-RING ID.37,6x2,4 EPDM VP.	1
7.5	2127602	> O-RING ID.21,35x2 EPDM VP.	1
8	4159686	FILING/PURGING PLUG HELIX EPDM KIT	1
9	4178597	CARTRIDGE HELIX2-4 F/E KIT	1
10	2127576	HOUSING PIPE D.152x260 1.4301 KIT	1
11	4179315	CENTERING STAGE HELIX V2 1.4307 VP.	1
12	4178567	SHAFT EQUIPMENT HELIX V2/V4 KIT	1
12.1		> NUT-H-M8-STAINLESS-STEEL A4-70	1
12.2		> SHAFT END WASHER Ø8/Ø12 316L	1
12.3		> STOP COLLAR OF IMPELLER L12,6-Ø12-316L	1
12.4		> STOP-RUSH-1/2-D12xd2-M+316	1
13		HYDRAULIC HELIX V 208 1.4307	1
14	4178592	SHAFT D.12X383 1.4301 VP.	1
15	4178593	PUMP HOUSING HELIX DN25 PN25 1.4301 KIT	1
7.3	4176513	> O-RING FOR PUMP JACKET VP.	1
15.1		> BLASTING PPE HOUSING V PN25-DN25-5"-304	1
15.3	4171321	> PRIMING/DRAIN PLUG EPDM HELIX KIT	1
16	4177970	BASEPLATE HELIX V2/4/6 PN25 VP.	1



DRIVE HELIX-VE208-M2-LS KIT

Item	Article no.	Description	Quantity
1.1	4209317	MOT.1.1/2/80F10 3~ 240V 50HZ IE2 LS VP.	1
		SPARE PARTS MOTOR:ON REQUEST	1
1.2	4232972	MODULE HELIX VE 1,1KW M2 KIT	1



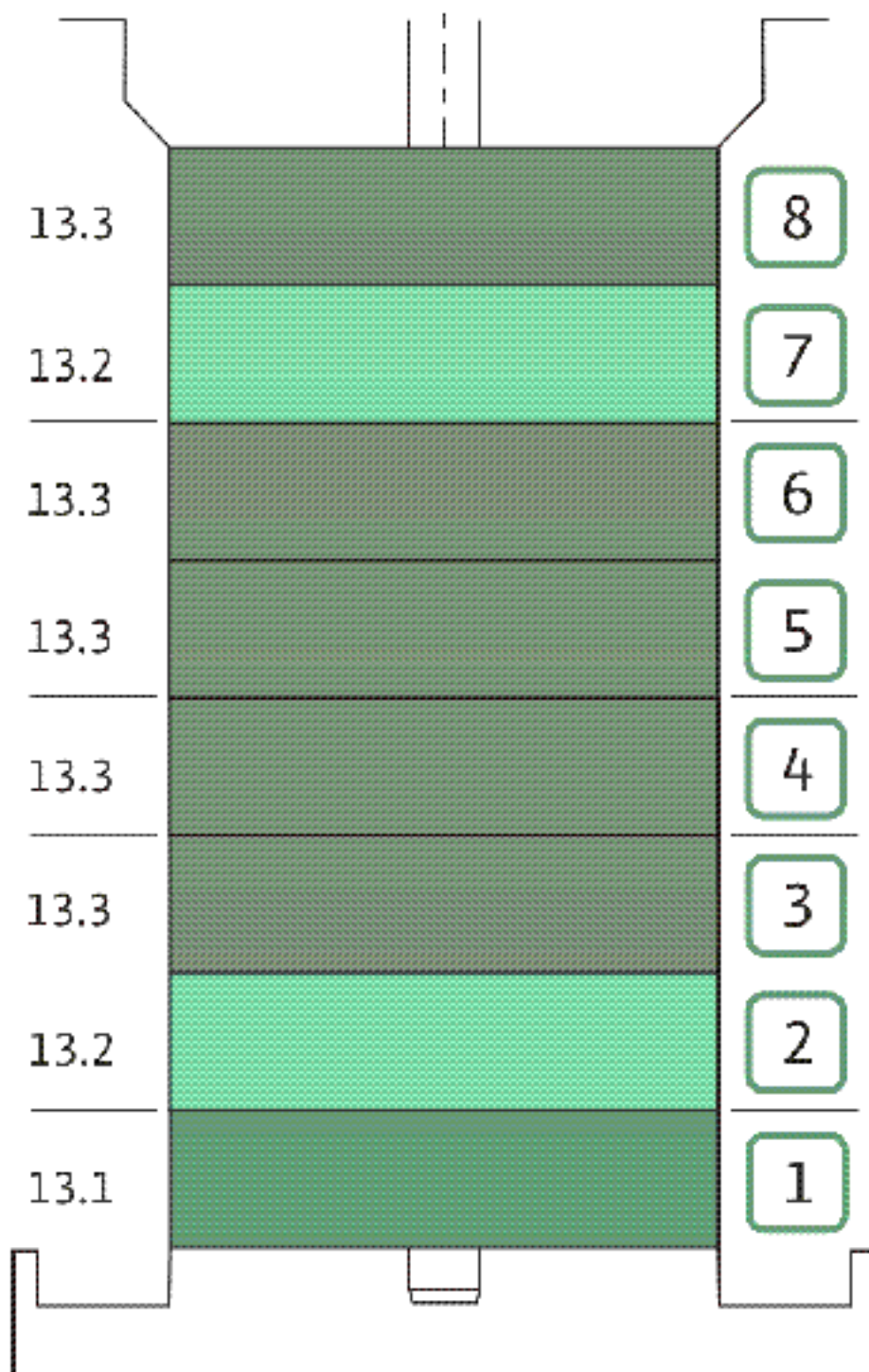
COUPLING D.12XD.19 FT100 KIT (4178578)

Item	Article no.	Description	Quantity
4.1		COUPLING-M+ Ø12XØ19-FT100-MACHINED	1
4.3	4234249	CIRCLIP-FOR-SHAFT-D30x1.5 VP.	1
4.2	2130977	BALL BEARING 6206/ZZ-C3(HT)VP.	1
4.4	4212716	SCREW M6X20 KIT (4PIECES)	1
4.5	4234250	CIRCLIP-D62x2 VP.	1
4.6	4234245	O-RING 63X3 VP.	1
		CONTACT-WASHER-6ETR-6,1x12,2x1,8-STEEL	4



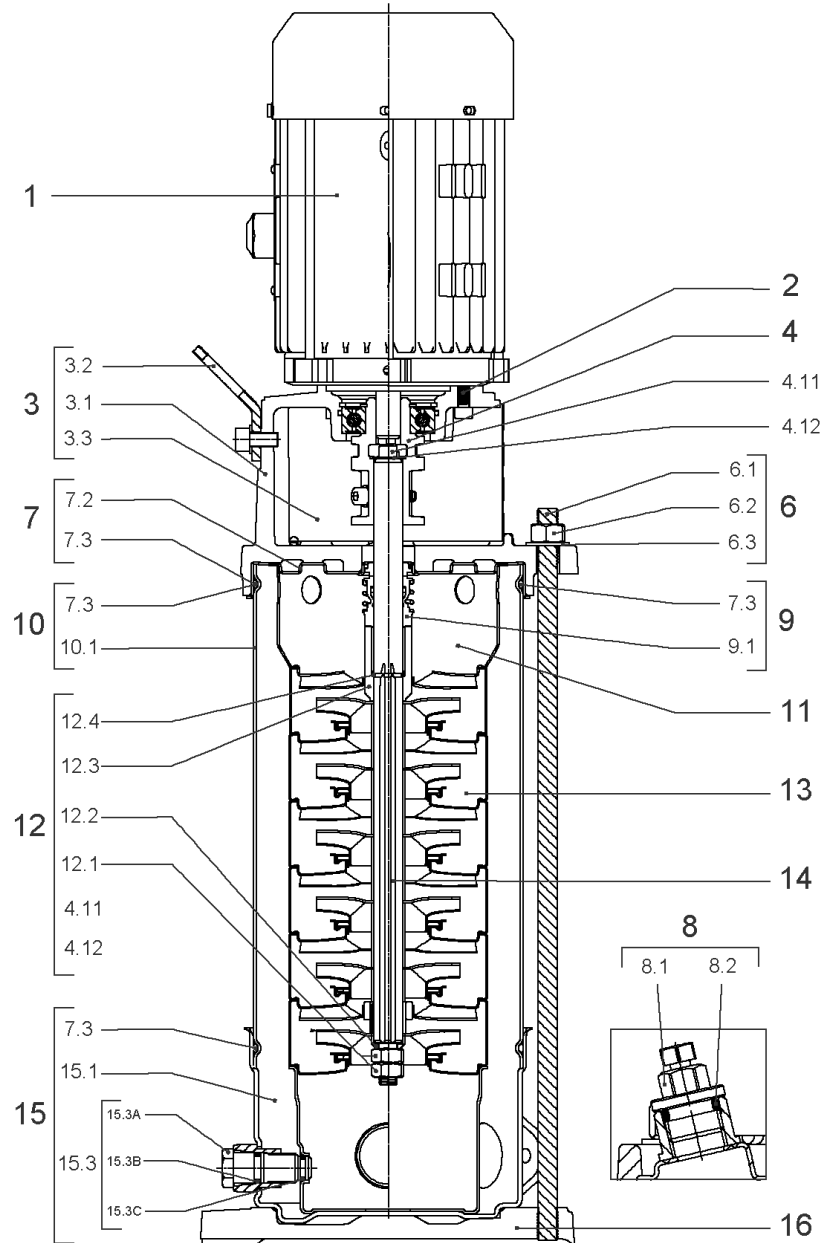
CARTRIDGE HELIX2-4 F/E KIT (4178597)

Item	Article no.	Description	Quantity
9.1	4178594	SEAL-KIT-HELIX2-4 F/E	1
7.3	4176513	> O-RING FOR PUMP JACKET VP.	1
7.4	2127603	> O-RING ID.37,6x2,4 EPDM VP.	1
9.1A	4176521	> MECH.SEAL HELIX2-4-6-10-16 F/E VP.	1
9.1B	4178558	> O-RING ID.12X2 EPDM VP.	1
9.1C	4178558	> O-RING ID.12X2 EPDM VP.	1
9.2	4178596	SHAFT SLEEVE D.18/12X72,2 1.4404 VP.	1
9.3	2130962	RING HOLDER D.18 G606/G6 1.4301 VP.	1
9.4	4176520	SCREW CH M5x5 A4-70 (3PIECES)	1
9.5	4178595	DRIVE RING D.29/15.5x13,2 MACH.VP.	1
9.6	2130964	TOOL M.S.CART.HELIX VP.	1
9.7	2130965	SCREW CHC M5X12 ISO4762 A2.70(4 PIECES)	1



HYDRAULIC HELIX V 208 1.4307

Item	Article no.	Description	Quantity
13.1	4179316	STAGE HELIX 2 1.4301 KIT	1
		> MACH.STG-CASING-WOGV-WNR-M+2-4-304	1
		> IMPELLER-M+2-304	1
13.2	4179317	STAGE BEARING HELIX 2 1.4307 KIT	1
		> MACH.BEARING-STG-CASING-WNR-M+2-304	1
		> IMPELLER-M+2-304	1
		> SHAFT SLEEVE SPACER Ø15,35x10,305-304	1
		> SHAFT-SLEEVE-D12xD16x14-CW	1
13.3	4179319	INTERMEDIATE STAGE HELIX 2 1.4301 KIT	1
		> CORPS-ETG-STD-ACR-AJR-USIN.M+2-304	1
		> IMPELLER-M+2-304	1
		> IMPELLER SPACER Ø12,05X14,85-L24,285-304	1

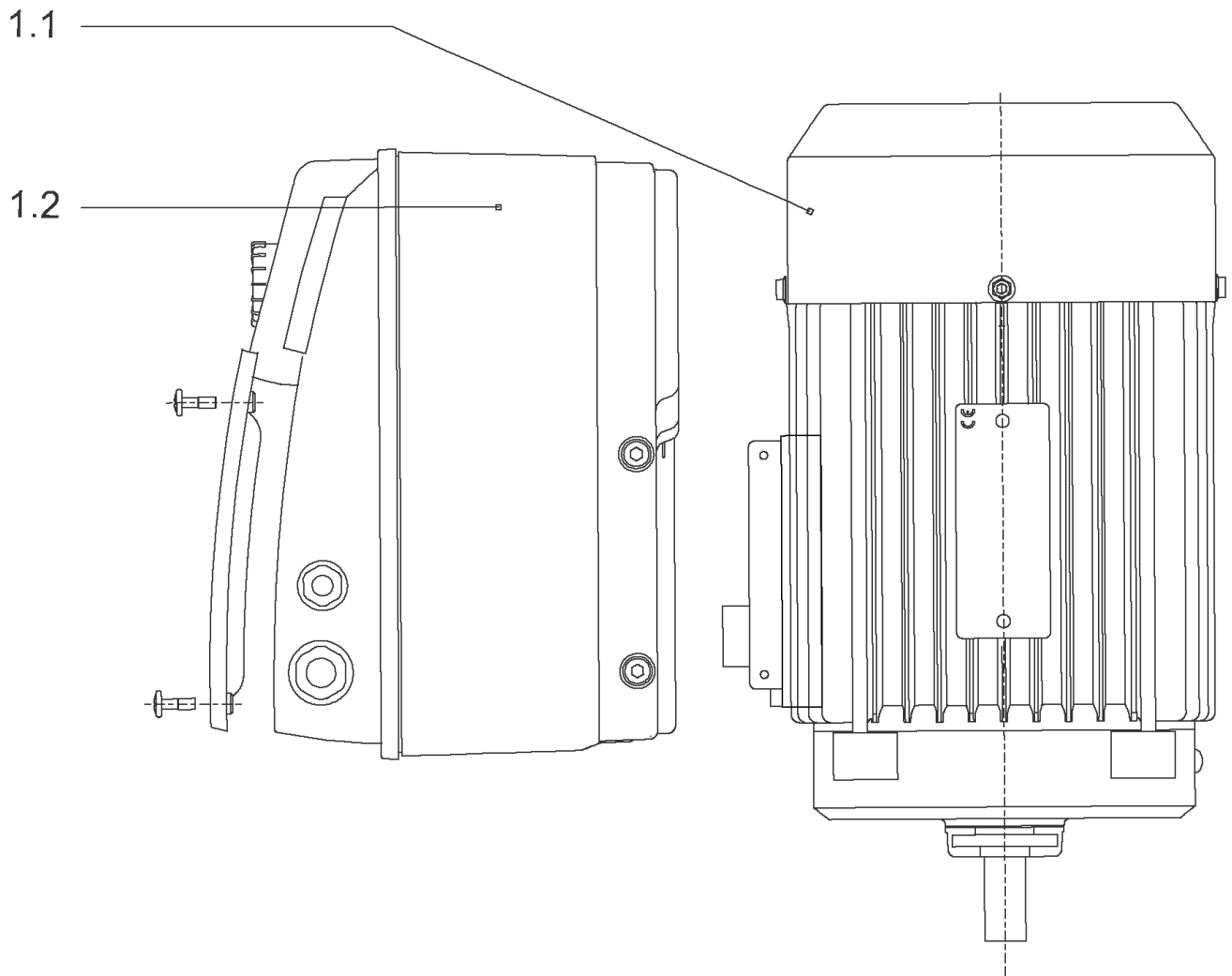


HELIX VE208-1/16/E/S/M13 (4204031)

Item	Article no.	Description	Quantity
1		DRIVE HELIX-VE208-M13-LS KIT	1
Note: MOTOR BRAND LEROY SOMER			
		SPARE PARTS MOTOR:ON REQUEST	1
2	4212716	SCREW M6X20 KIT (4PIECES)	1
3	4213752	LANTERN FT100 HELIX KIT	1
3.1		> LANT-MOT-VMI-ReDTC6"-FT100-MACHINED+CATA	1
3.2	4184852	> EYELET CPL.FT HELIX (2 PIECES)	1
3.3	4213713	> COUPLING PROTECTOR FT85/100 HELIX KIT	1
4	4178578	COUPLING D.12XD.19 FT100 KIT	1
6	2018365	STUD BOLT M12X392 KIT	1
7	4212722	STATIONARY RING HOLDER HELIX D23 ReDTC	1
7.2	4212720	> STATIONARY RING HOLDER HELIX D23 VP.	1
7.3	4176513	> O-RING FOR PUMP JACKET VP.	1
8	4212724	FILING/PURGING PLUG HELIX ReDTC KIT	1
8.1		> FILLING PLUG MVI6"-304	1
8.2	4177800	> O-RING EPDM PLUG HELIX VP.	1
9	4212726	MECH.SEAL HELIX V2/4 O/E ReDTC KIT	1
9.1	4178563	> M.SEAL.HELIX2-4 O/E VP.	1
7.3	4176513	> O-RING FOR PUMP JACKET VP.	1
10	2127576	HOUSING PIPE D.152x260 1.4301 KIT	1
11	4179315	CENTERING STAGE HELIX V2 1.4307 VP.	1
12	4212729	SHAFT EQUIPMENT HELIX V2/4 ReDTC KIT	1
12.1		> NUT-H-M8-STAINLESS-STEEL A4-70	1
12.2		> SHAFT END WASHER Ø8/Ø12 316L	1
12.3		> 1/2-SNAP-RING-2/4M3-316L	1
12.4		> STOP-RUSH-1/2-D12xd2-M+316	1
4.11		> SCREW CHC-M6X14-8.8-ISO4762-GEOMET500A	1
4.12		> WASHER D.24 L6U ZINK	1
13		HYDRAULIC HELIX V 208 1.4307	1
14	4213754	SHAFT D.12X331 HELIX 1.4057 VP.	1
15	4174079	PUMP HOUSING HELIX DN32 PN16 1.4301 KIT	1
7.3	4176513	> O-RING FOR PUMP JACKET VP.	1
15.1		> BLASTING PPE HOUSING V-PN16-DN32-5"-304	1
15.2	4217889	> COUNTER FLANGE-G1"-PN16-GJL KIT	1

HELIX VE208-1/16/E/S/M13 (4204031)

Item	Article no.	Description	Quantity
15.3	4171321	> PRIMING/DRAIN PLUG EPDM HELIX KIT	1
16	4177964	BASEPLATE HELIX V2/4/6 PN16 VP.	1



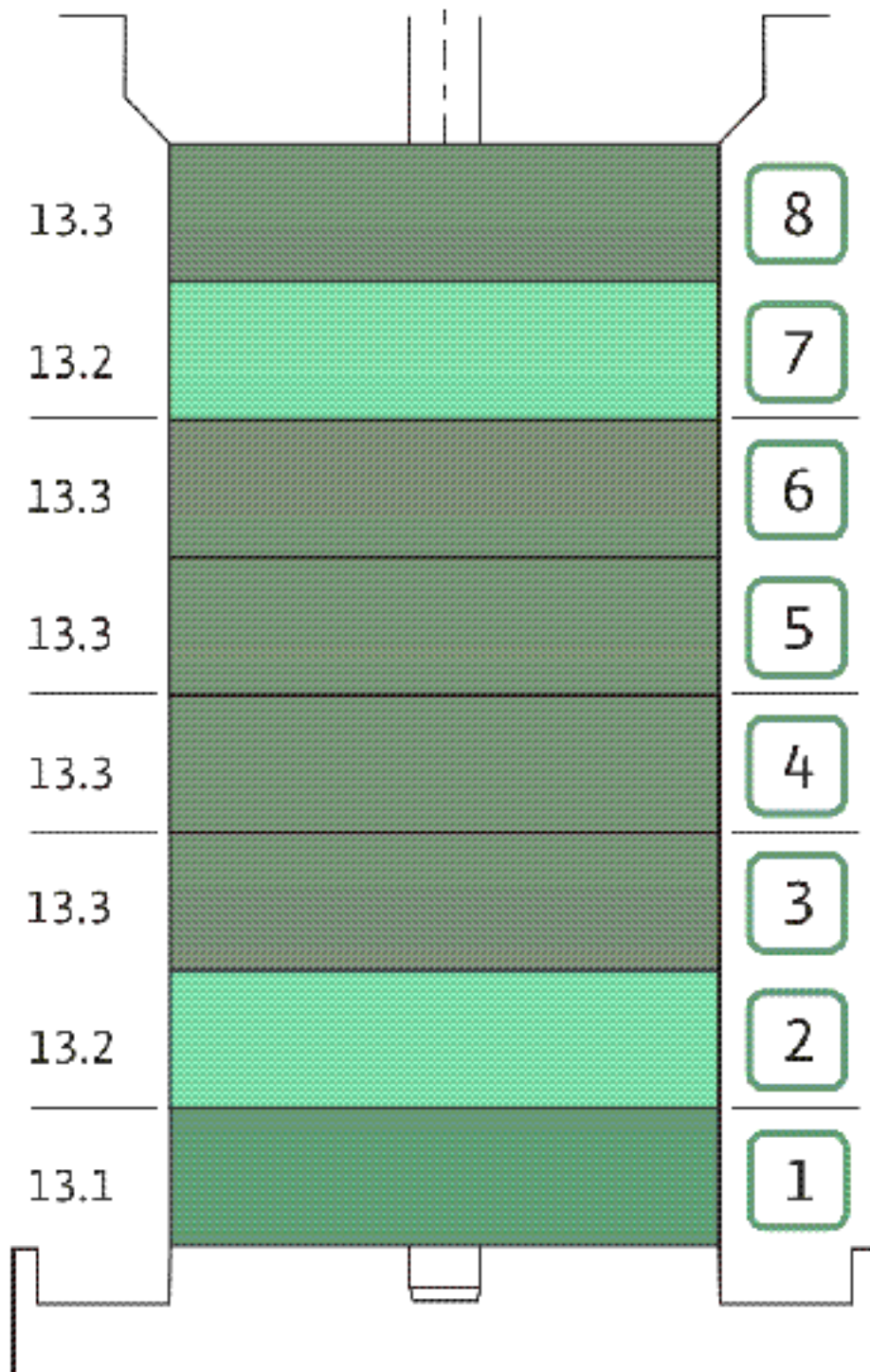
DRIVE HELIX-VE208-M13-LS KIT

Item	Article no.	Description	Quantity
1.1	4209317	MOT.1.1/2/80F10 3~ 240V 50HZ IE2 LS VP.	1
		SPARE PARTS MOTOR:ON REQUEST	1
1.2	4232968	MODULE HELIX VE 1,1KW M13 KIT	1

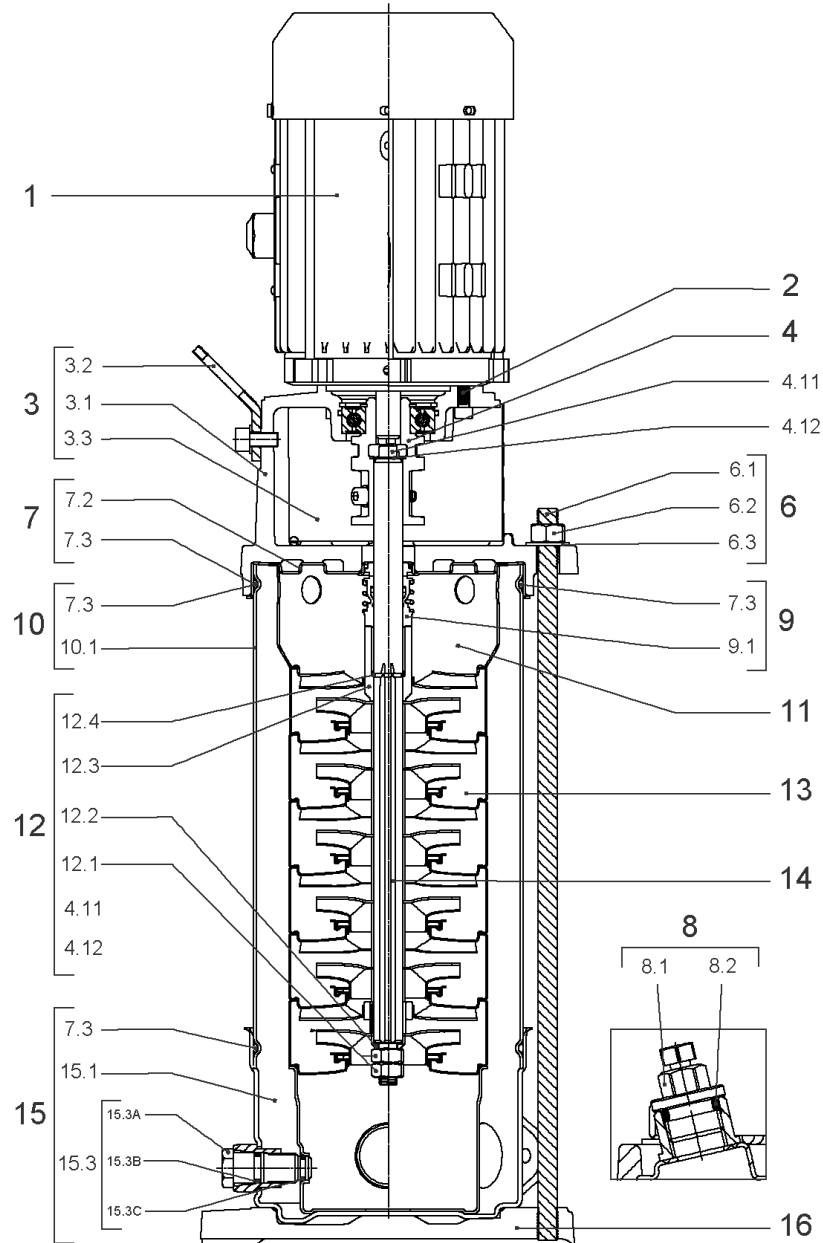


COUPLING D.12XD.19 FT100 KIT (4178578)

Item	Article no.	Description	Quantity
4.1		COUPLING-M+ Ø12XØ19-FT100-MACHINED	1
4.3	4234249	CIRCLIP-FOR-SHAFT-D30x1.5 VP.	1
4.2	2130977	BALL BEARING 6206/ZZ-C3(HT)VP.	1
4.4	4212716	SCREW M6X20 KIT (4PIECES)	1
4.5	4234250	CIRCLIP-D62x2 VP.	1
4.6	4234245	O-RING 63X3 VP.	1
		CONTACT-WASHER-6ETR-6,1x12,2x1,8-STEEL	4



Item	Article no.	Description	Quantity
13.1	4179316	STAGE HELIX 2 1.4301 KIT	1
		> MACH.STG-CASING-WOGV-WNR-M+2-4-304	1
		> IMPELLER-M+2-304	1
13.2	4179317	STAGE BEARING HELIX 2 1.4307 KIT	1
		> MACH.BEARING-STG-CASING-WNR-M+2-304	1
		> IMPELLER-M+2-304	1
		> SHAFT SLEEVE SPACER Ø15,35x10,305-304	1
		> SHAFT-SLEEVE-D12xD16x14-CW	1
13.3	4179319	INTERMEDIATE STAGE HELIX 2 1.4301 KIT	1
		> CORPS-ETG-STD-ACR-AJR-USIN.M+2-304	1
		> IMPELLER-M+2-304	1
		> IMPELLER SPACER Ø12,05X14,85-L24,285-304	1

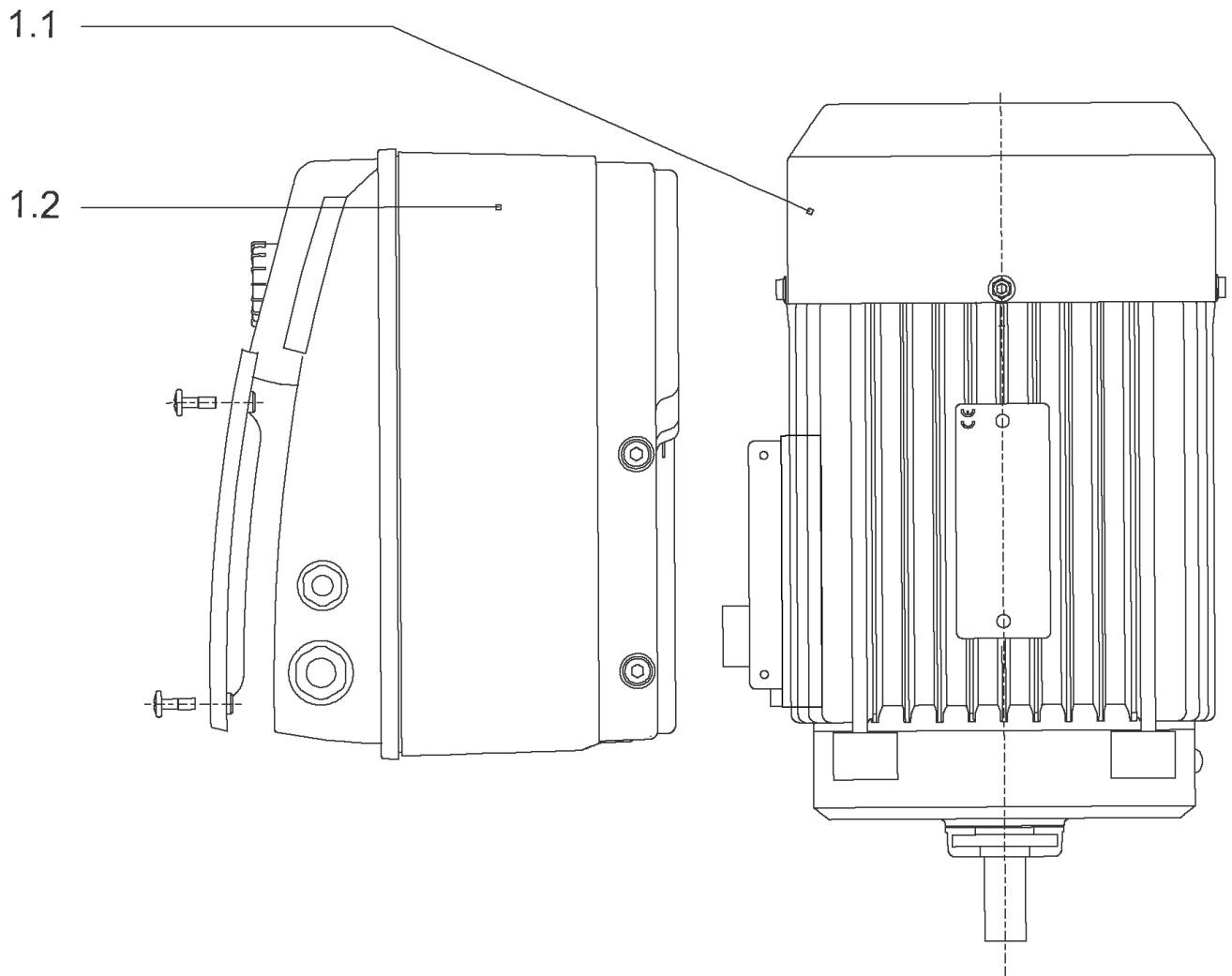


HELIX VE208-1/16/E/S/M2 (4204032)

Item	Article no.	Description	Quantity
1		DRIVE HELIX-VE208-M2-LS KIT	1
Note: MOTOR BRAND LEROY SOMER			
		SPARE PARTS MOTOR:ON REQUEST	1
2	4212716	SCREW M6X20 KIT (4PIECES)	1
3	4213752	LANTERN FT100 HELIX KIT	1
3.1		> LANT-MOT-VMI-ReDTC6"-FT100-MACHINED+CATA	1
3.2	4184852	> EYELET CPL.FT HELIX (2 PIECES)	1
3.3	4213713	> COUPLING PROTECTOR FT85/100 HELIX KIT	1
4	4178578	COUPLING D.12XD.19 FT100 KIT	1
6	2018365	STUD BOLT M12X392 KIT	1
7	4212722	STATIONARY RING HOLDER HELIX D23 ReDTC	1
7.2	4212720	> STATIONARY RING HOLDER HELIX D23 VP.	1
7.3	4176513	> O-RING FOR PUMP JACKET VP.	1
8	4212724	FILING/PURGING PLUG HELIX ReDTC KIT	1
8.1		> FILLING PLUG MVI6"-304	1
8.2	4177800	> O-RING EPDM PLUG HELIX VP.	1
9	4212726	MECH.SEAL HELIX V2/4 O/E ReDTC KIT	1
9.1	4178563	> M.SEAL.HELIX2-4 O/E VP.	1
7.3	4176513	> O-RING FOR PUMP JACKET VP.	1
10	2127576	HOUSING PIPE D.152x260 1.4301 KIT	1
11	4179315	CENTERING STAGE HELIX V2 1.4307 VP.	1
12	4212729	SHAFT EQUIPMENT HELIX V2/4 ReDTC KIT	1
12.1		> NUT-H-M8-STAINLESS-STEEL A4-70	1
12.2		> SHAFT END WASHER Ø8/Ø12 316L	1
12.3		> 1/2-SNAP-RING-2/4M3-316L	1
12.4		> STOP-RUSH-1/2-D12xd2-M+316	1
4.11		> SCREW CHC-M6X14-8.8-ISO4762-GEOMET500A	1
4.12		> WASHER D.24 L6U ZINK	1
13		HYDRAULIC HELIX V 208 1.4307	1
14	4213754	SHAFT D.12X331 HELIX 1.4057 VP.	1
15	4174079	PUMP HOUSING HELIX DN32 PN16 1.4301 KIT	1
7.3	4176513	> O-RING FOR PUMP JACKET VP.	1
15.1		> BLASTING PPE HOUSING V-PN16-DN32-5"-304	1
15.2	4217889	> COUNTER FLANGE-G1"-PN16-GJL KIT	1

HELIX VE208-1/16/E/S/M2 (4204032)

Item	Article no.	Description	Quantity
15.3	4171321	> PRIMING/DRAIN PLUG EPDM HELIX KIT	1
16	4177964	BASEPLATE HELIX V2/4/6 PN16 VP.	1



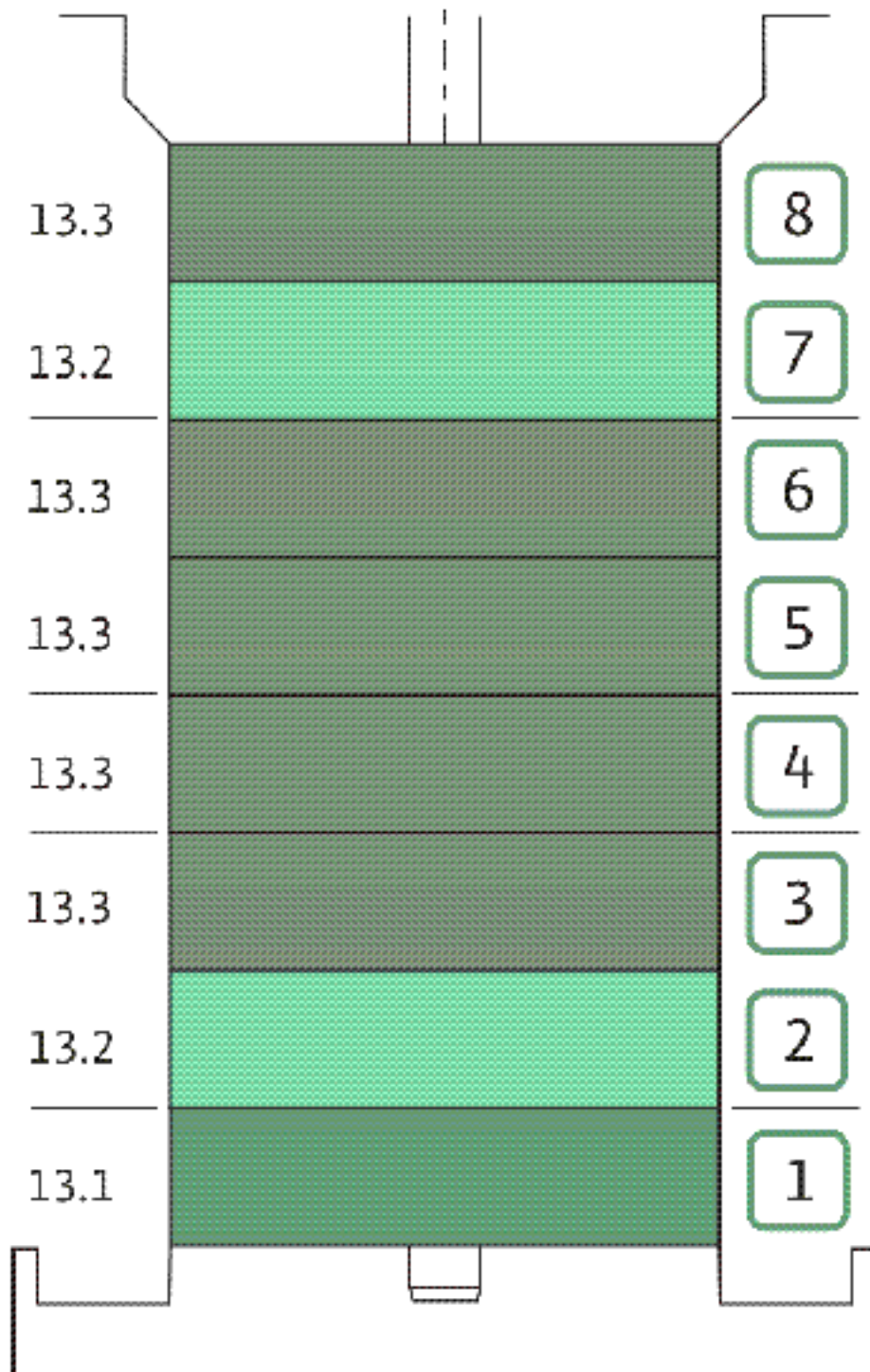
DRIVE HELIX-VE208-M2-LS KIT

Item	Article no.	Description	Quantity
1.1	4209317	MOT.1.1/2/80F10 3~ 240V 50HZ IE2 LS VP.	1
		SPARE PARTS MOTOR:ON REQUEST	1
1.2	4232972	MODULE HELIX VE 1,1KW M2 KIT	1



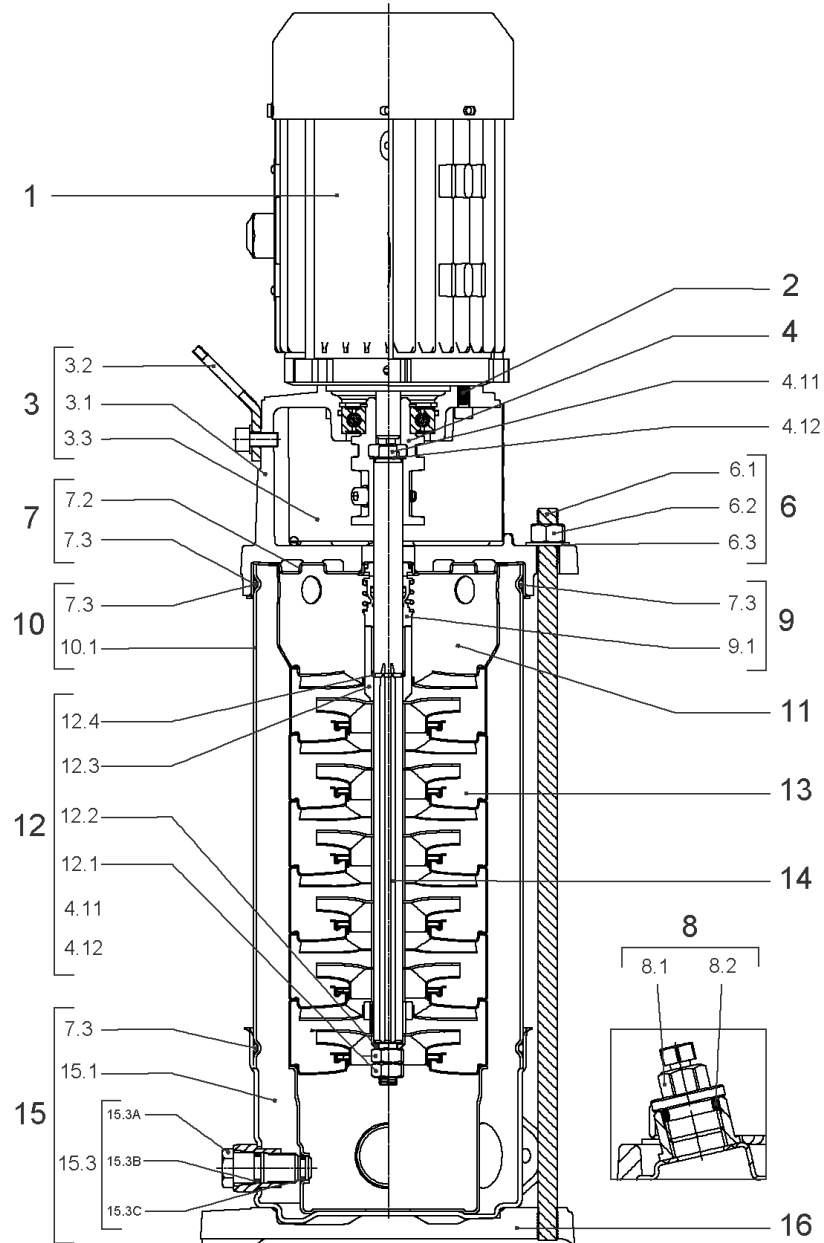
COUPLING D.12XD.19 FT100 KIT (4178578)

Item	Article no.	Description	Quantity
4.1		COUPLING-M+ Ø12XØ19-FT100-MACHINED	1
4.3	4234249	CIRCLIP-FOR-SHAFT-D30x1.5 VP.	1
4.2	2130977	BALL BEARING 6206/ZZ-C3(HT)VP.	1
4.4	4212716	SCREW M6X20 KIT (4PIECES)	1
4.5	4234250	CIRCLIP-D62x2 VP.	1
4.6	4234245	O-RING 63X3 VP.	1
		CONTACT-WASHER-6ETR-6,1x12,2x1,8-STEEL	4



HYDRAULIC HELIX V 208 1.4307

Item	Article no.	Description	Quantity
13.1	4179316	STAGE HELIX 2 1.4301 KIT	1
		> MACH.STG-CASING-WOGV-WNR-M+2-4-304	1
		> IMPELLER-M+2-304	1
13.2	4179317	STAGE BEARING HELIX 2 1.4307 KIT	1
		> MACH.BEARING-STG-CASING-WNR-M+2-304	1
		> IMPELLER-M+2-304	1
		> SHAFT SLEEVE SPACER Ø15,35x10,305-304	1
		> SHAFT-SLEEVE-D12xD16x14-CW	1
13.3	4179319	INTERMEDIATE STAGE HELIX 2 1.4301 KIT	1
		> CORPS-ETG-STD-ACR-AJR-USIN.M+2-304	1
		> IMPELLER-M+2-304	1
		> IMPELLER SPACER Ø12,05X14,85-L24,285-304	1

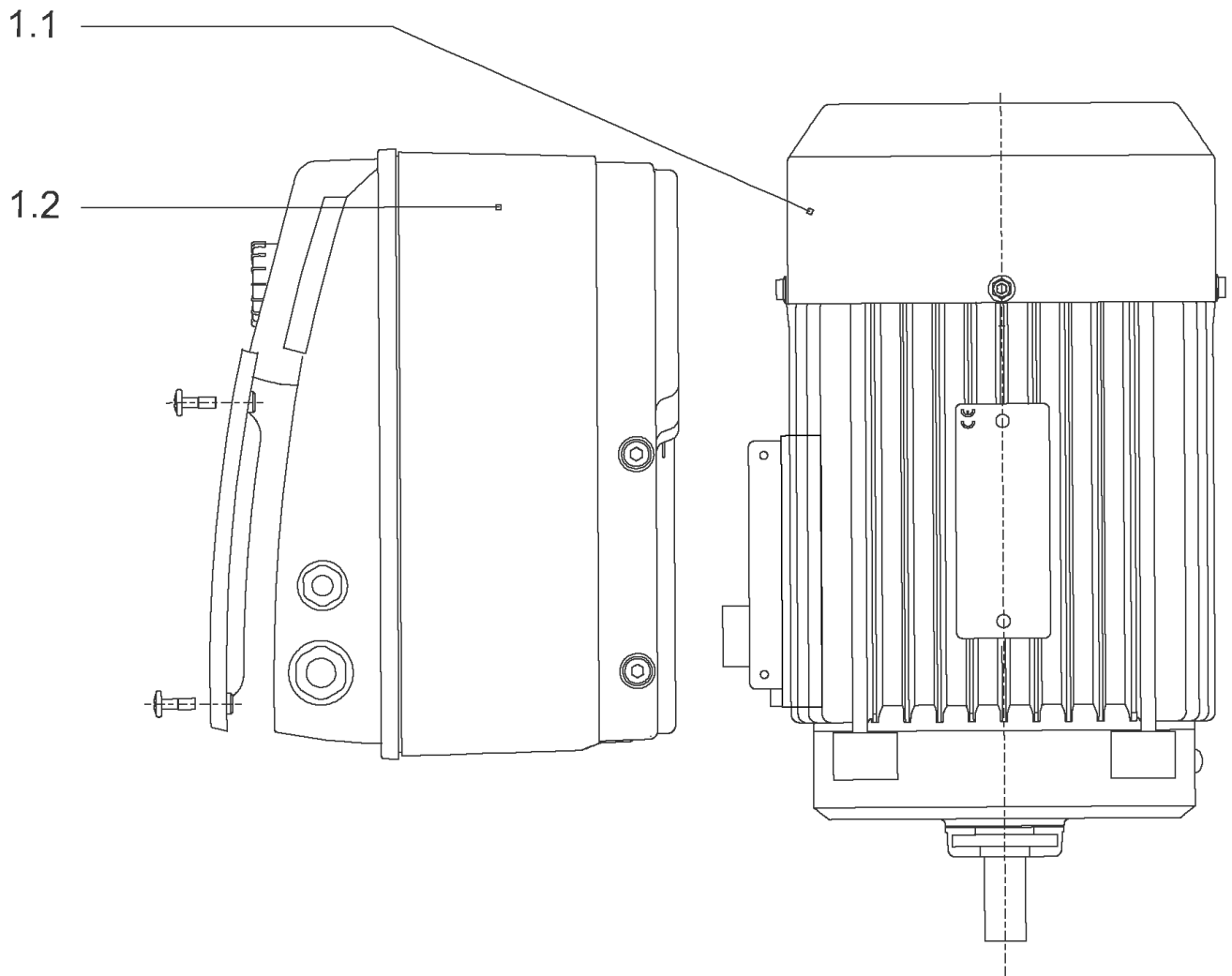


HELIX VE405-1/25/E/KS/M13 (4204033)

Item	Article no.	Description	Quantity
1		DRIVE HELIX-VE405-M13-LS KIT	1
Note: MOTOR BRAND LEROY SOMER			
		SPARE PARTS MOTOR:ON REQUEST	1
2	4212716	SCREW M6X20 KIT (4PIECES)	1
3	4172788	LANTERN FT100 HELIX KIT	1
3.1		> LANTERN FT100 M+6" GJL MACHINING+CATA	1
3.2	2127604	> EYELET CPL.FT HELIX(2 PIECES)	1
3.3	4159692	> COUPLING PROTECTOR FT HELIX KIT	1
4	4178578	COUPLING D.12XD.19 FT100 KIT	1
5	4159707	SCREW M8X30 (4 PIECES)	1
6	4178579	STUD BOLT M12X317 KIT	1
6.1		> TIE BOLT M12-317x18x30-1.4057	1
6.2	2094647	> NUT M12 M12 ISO4032 VP.	1
6.3	2123557	> WASHER CS-12.4-24-1.6-NFE25 (4 PIECES)	1
7	4210143	STATIONARY RING HOLDER HELIX 6" EPDM	1
7.2	2127607	> STATIONARY RING HOLDER 6" HELIX 1.4301 V	1
7.3	4176513	> O-RING FOR PUMP JACKET VP.	1
7.4	2127603	> O-RING ID.37,6x2,4 EPDM VP.	1
7.5	2127602	> O-RING ID.21,35x2 EPDM VP.	1
8	4159686	FILING/PURGING PLUG HELIX EPDM KIT	1
9	4178597	CARTRIDGE HELIX2-4 F/E KIT	1
10	4178580	HOUSING PIPE D.152X184 1.4301 KIT	1
7.3	4176513	> O-RING FOR PUMP JACKET VP.	1
10.1		> HOUSING-PIPE Ø152-M+205/405-304	1
11	4178566	CENTERING STAGE-RETURN HELIX4 1.4307 VP	1
12	4178567	SHAFT EQUIPMENT HELIX V2/V4 KIT	1
12.1		> NUT-H-M8-STAINLESS-STEEL A4-70	1
12.2		> SHAFT END WASHER Ø8/Ø12 316L	1
12.3		> STOP COLLAR OF IMPELLER L12,6-Ø12-316L	1
12.4		> STOP-RUSH-1/2-D12xd2-M+316	1
13		HYDRAULIC HELIX V 405 1.4307	1
14	4178582	SHAFT D.12X308 1.4301 VP.	1
15	4178593	PUMP HOUSING HELIX DN25 PN25 1.4301 KIT	1
7.3	4176513	> O-RING FOR PUMP JACKET VP.	1

HELIX VE405-1/25/E/KS/M13 (4204033)

Item	Article no.	Description	Quantity
15.1		> BLASTING PPE HOUSING V PN25-DN25-5"-304	1
15.3	4171321	> PRIMING/DRAIN PLUG EPDM HELIX KIT	1
16	4177970	BASEPLATE HELIX V2/4/6 PN25 VP.	1



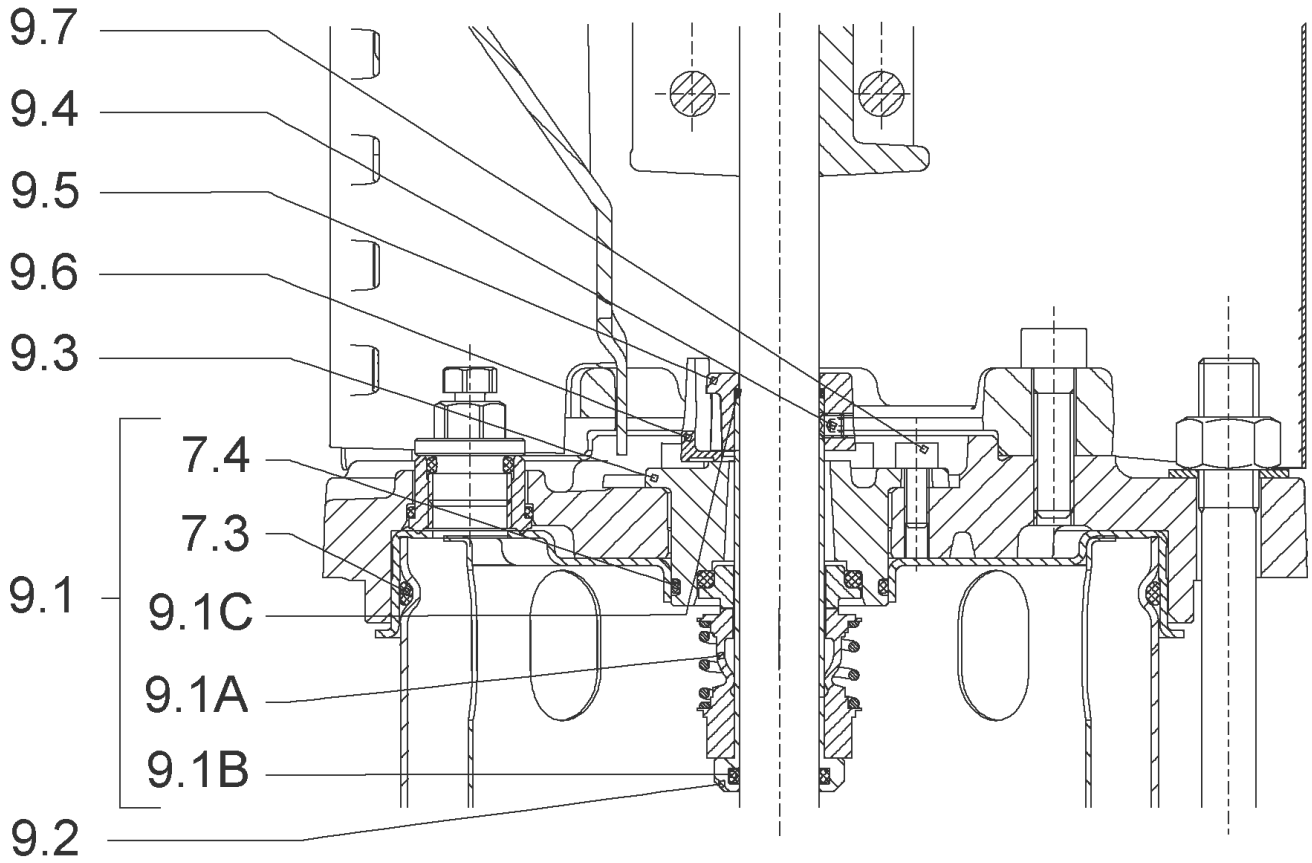
DRIVE HELIX-VE405-M13-LS KIT

Item	Article no.	Description	Quantity
1.1	4209317	MOT.1.1/2/80F10 3~ 240V 50HZ IE2 LS VP.	1
		SPARE PARTS MOTOR:ON REQUEST	1
1.2	4232968	MODULE HELIX VE 1,1KW M13 KIT	1



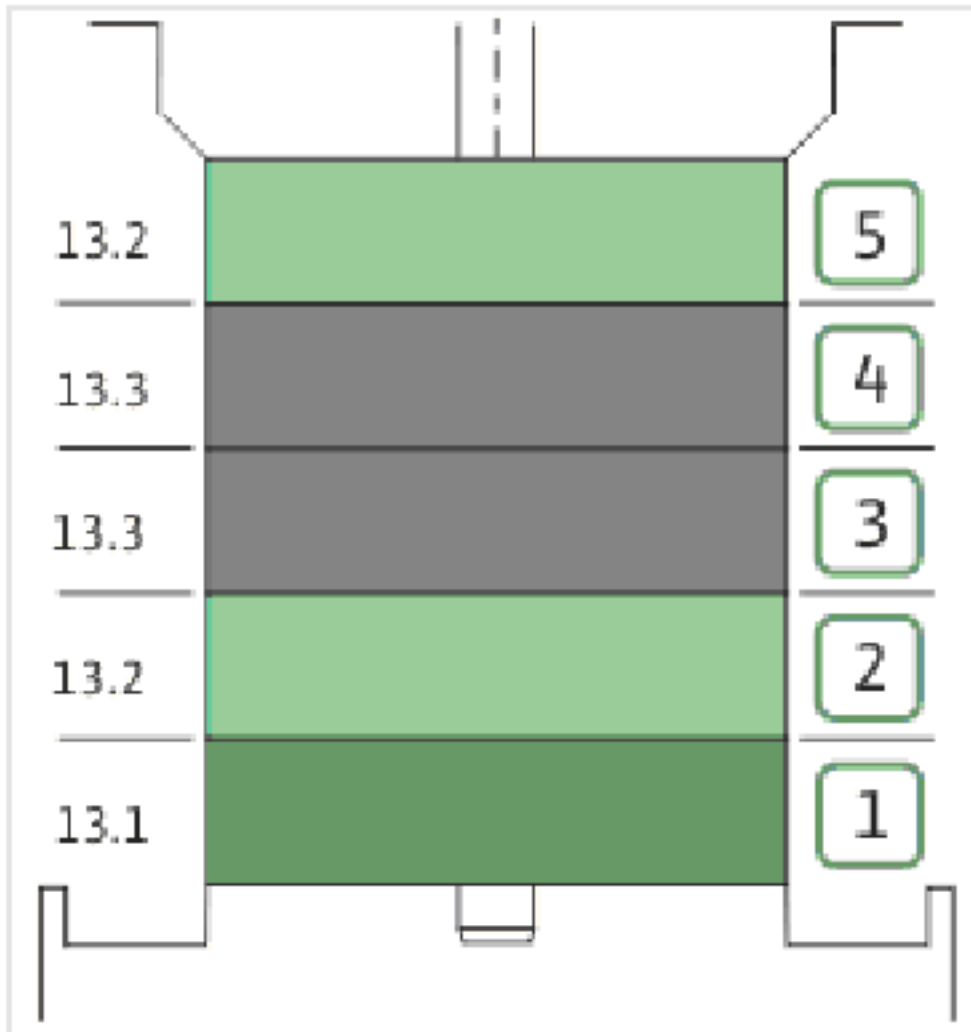
COUPLING D.12XD.19 FT100 KIT (4178578)

Item	Article no.	Description	Quantity
4.1		COUPLING-M+ Ø12XØ19-FT100-MACHINED	1
4.3	4234249	CIRCLIP-FOR-SHAFT-D30x1.5 VP.	1
4.2	2130977	BALL BEARING 6206/ZZ-C3(HT)VP.	1
4.4	4212716	SCREW M6X20 KIT (4PIECES)	1
4.5	4234250	CIRCLIP-D62x2 VP.	1
4.6	4234245	O-RING 63X3 VP.	1
		CONTACT-WASHER-6ETR-6,1x12,2x1,8-STEEL	4



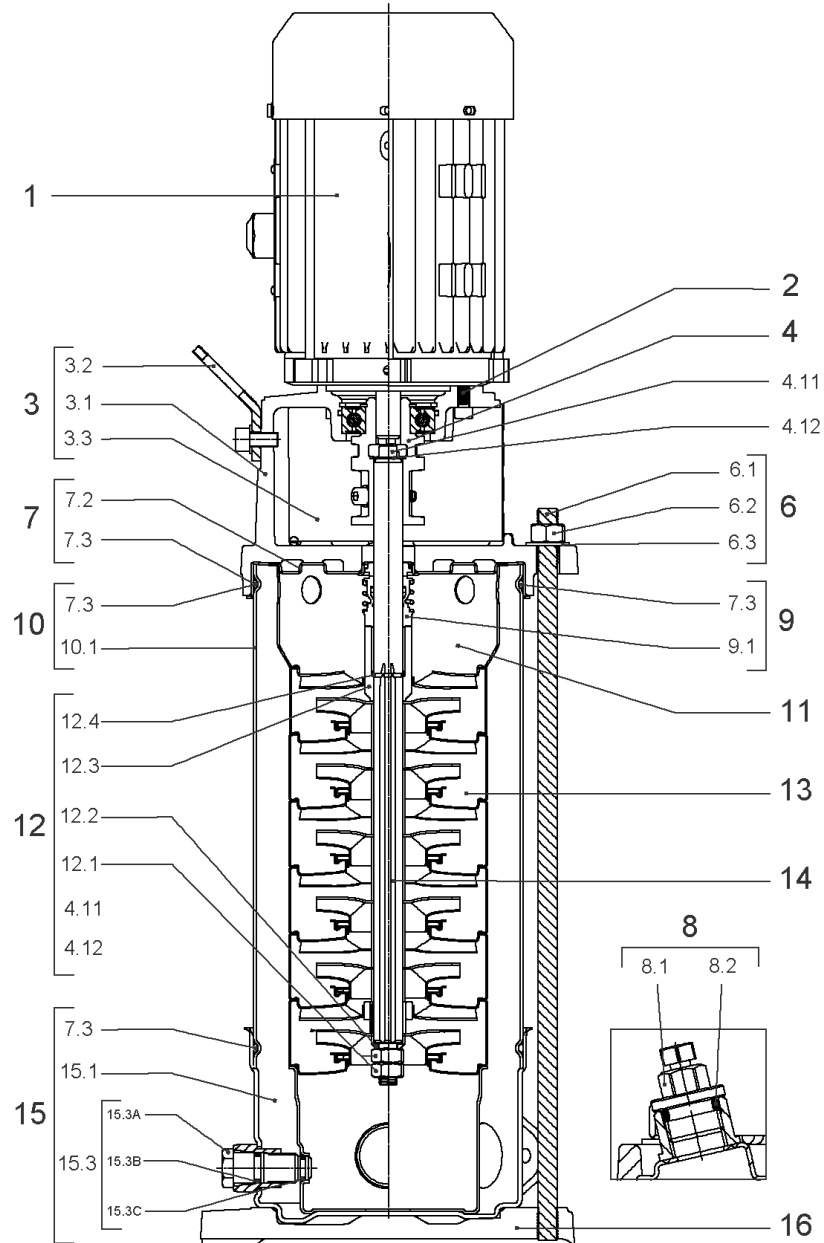
CARTRIDGE HELIX2-4 F/E KIT (4178597)

Item	Article no.	Description	Quantity
9.1	4178594	SEAL-KIT-HELIX2-4 F/E	1
7.3	4176513	> O-RING FOR PUMP JACKET VP.	1
7.4	2127603	> O-RING ID.37,6x2,4 EPDM VP.	1
9.1A	4176521	> MECH.SEAL HELIX2-4-6-10-16 F/E VP.	1
9.1B	4178558	> O-RING ID.12X2 EPDM VP.	1
9.1C	4178558	> O-RING ID.12X2 EPDM VP.	1
9.2	4178596	SHAFT SLEEVE D.18/12X72,2 1.4404 VP.	1
9.3	2130962	RING HOLDER D.18 G606/G6 1.4301 VP.	1
9.4	4176520	SCREW CH M5x5 A4-70 (3PIECES)	1
9.5	4178595	DRIVE RING D.29/15.5x13,2 MACH.VP.	1
9.6	2130964	TOOL M.S.CART.HELIX VP.	1
9.7	2130965	SCREW CHC M5X12 ISO4762 A2.70(4 PIECES)	1



HYDRAULIC HELIX V 405 1.4307

Item	Article no.	Description	Quantity
13.1	4178570	STAGE HELIX 4 1.4301 KIT	1
		> MACH.STG-CASING-WOGV-WNR-M+2-4-304	1
		> IMPELLER-M+4-304	1
13.2	4178569	STAGE BEARING HELIX 4 1.4301 KIT	1
		> MACH.BEARING-STG-CASING-WNR-M+4-304	1
		> IMPELLER-M+4-304	1
		> SHAFT SLEEVE SPACER Ø15,35x10,305-304	1
		> SHAFT-SLEEVE-D12xD16x14-CW	1
13.3	4178574	INTER STAGE HELIX4 1.4301< 15 stages KIT	1
		> MACH.STD-STG-CASING-WGV+NR-M+4-304	1
		> IMPELLER-M+4-304	1
		> IMPELLER SPACER Ø12,05X14,85-L24,285-304	1

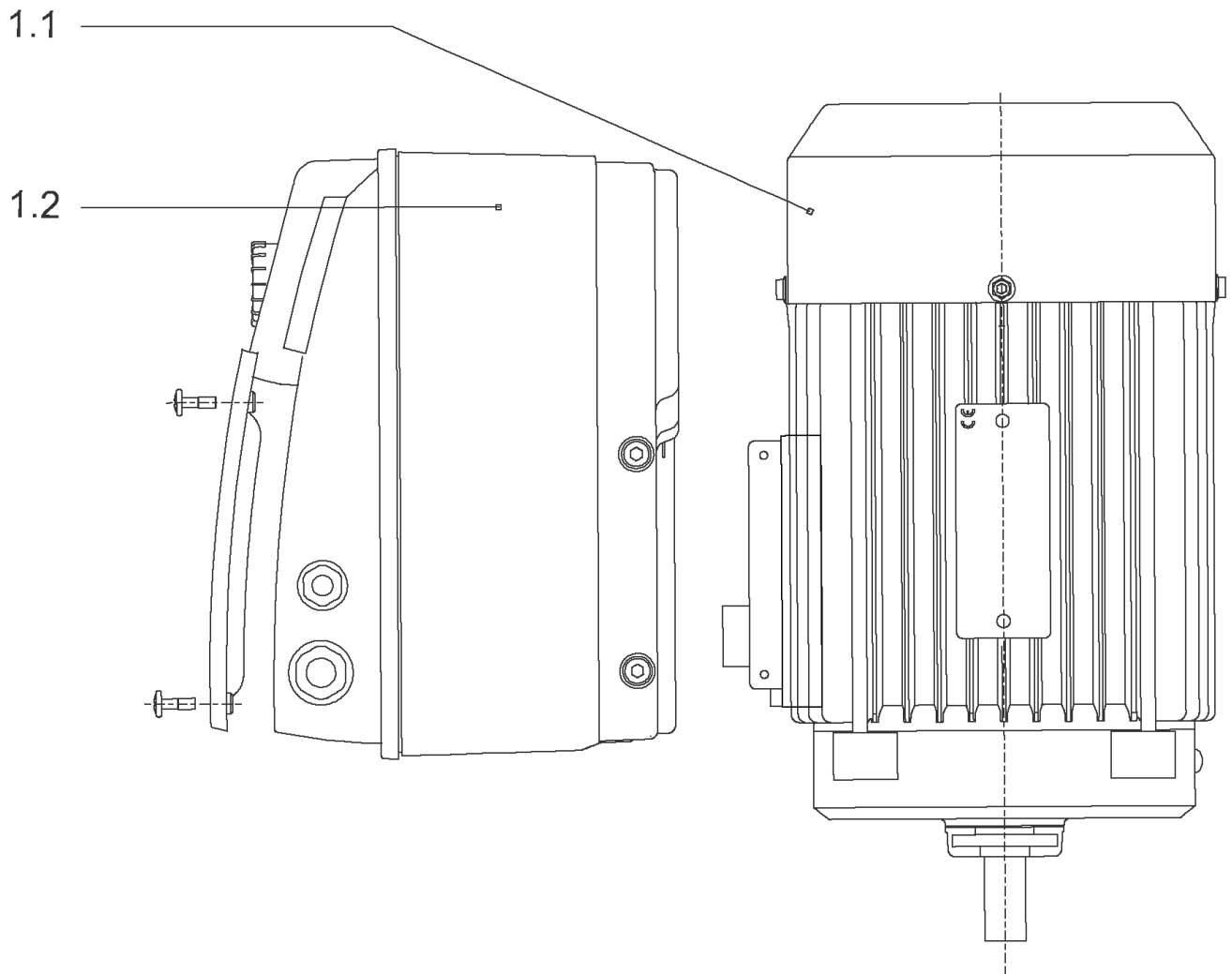


HELIX VE405-1/25/E/KS/M2 (4204034)

Item	Article no.	Description	Quantity
1		DRIVE HELIX-VE405-M2-LS KIT	1
Note: MOTOR BRAND LEROY SOMER			
		SPARE PARTS MOTOR:ON REQUEST	1
2	4212716	SCREW M6X20 KIT (4PIECES)	1
3	4172788	LANTERN FT100 HELIX KIT	1
3.1		> LANTERN FT100 M+6" GJL MACHINING+CATA	1
3.2	2127604	> EYELET CPL.FT HELIX(2 PIECES)	1
3.3	4159692	> COUPLING PROTECTOR FT HELIX KIT	1
4	4178578	COUPLING D.12XD.19 FT100 KIT	1
5	4159707	SCREW M8X30 (4 PIECES)	1
6	4178579	STUD BOLT M12X317 KIT	1
6.1		> TIE BOLT M12-317x18x30-1.4057	1
6.2	2094647	> NUT M12 M12 ISO4032 VP.	1
6.3	2123557	> WASHER CS-12.4-24-1.6-NFE25 (4 PIECES)	1
7	4210143	STATIONARY RING HOLDER HELIX 6" EPDM	1
7.2	2127607	> STATIONARY RING HOLDER 6" HELIX 1.4301 V	1
7.3	4176513	> O-RING FOR PUMP JACKET VP.	1
7.4	2127603	> O-RING ID.37,6x2,4 EPDM VP.	1
7.5	2127602	> O-RING ID.21,35x2 EPDM VP.	1
8	4159686	FILING/PURGING PLUG HELIX EPDM KIT	1
9	4178597	CARTRIDGE HELIX2-4 F/E KIT	1
10	4178580	HOUSING PIPE D.152X184 1.4301 KIT	1
7.3	4176513	> O-RING FOR PUMP JACKET VP.	1
10.1		> HOUSING-PIPE Ø152-M+205/405-304	1
11	4178566	CENTERING STAGE-RETURN HELIX4 1.4307 VP	1
12	4178567	SHAFT EQUIPMENT HELIX V2/V4 KIT	1
12.1		> NUT-H-M8-STAINLESS-STEEL A4-70	1
12.2		> SHAFT END WASHER Ø8/Ø12 316L	1
12.3		> STOP COLLAR OF IMPELLER L12,6-Ø12-316L	1
12.4		> STOP-RUSH-1/2-D12xd2-M+316	1
13		HYDRAULIC HELIX V 405 1.4307	1
14	4178582	SHAFT D.12X308 1.4301 VP.	1
15	4178593	PUMP HOUSING HELIX DN25 PN25 1.4301 KIT	1
7.3	4176513	> O-RING FOR PUMP JACKET VP.	1

HELIX VE405-1/25/E/KS/M2 (4204034)

Item	Article no.	Description	Quantity
15.1		> BLASTING PPE HOUSING V PN25-DN25-5"-304	1
15.3	4171321	> PRIMING/DRAIN PLUG EPDM HELIX KIT	1
16	4177970	BASEPLATE HELIX V2/4/6 PN25 VP.	1



DRIVE HELIX-VE405-M2-LS KIT

Item	Article no.	Description	Quantity
1.1	4209317	MOT.1.1/2/80F10 3~ 240V 50HZ IE2 LS VP.	1
		SPARE PARTS MOTOR:ON REQUEST	1
1.2	4232972	MODULE HELIX VE 1,1KW M2 KIT	1



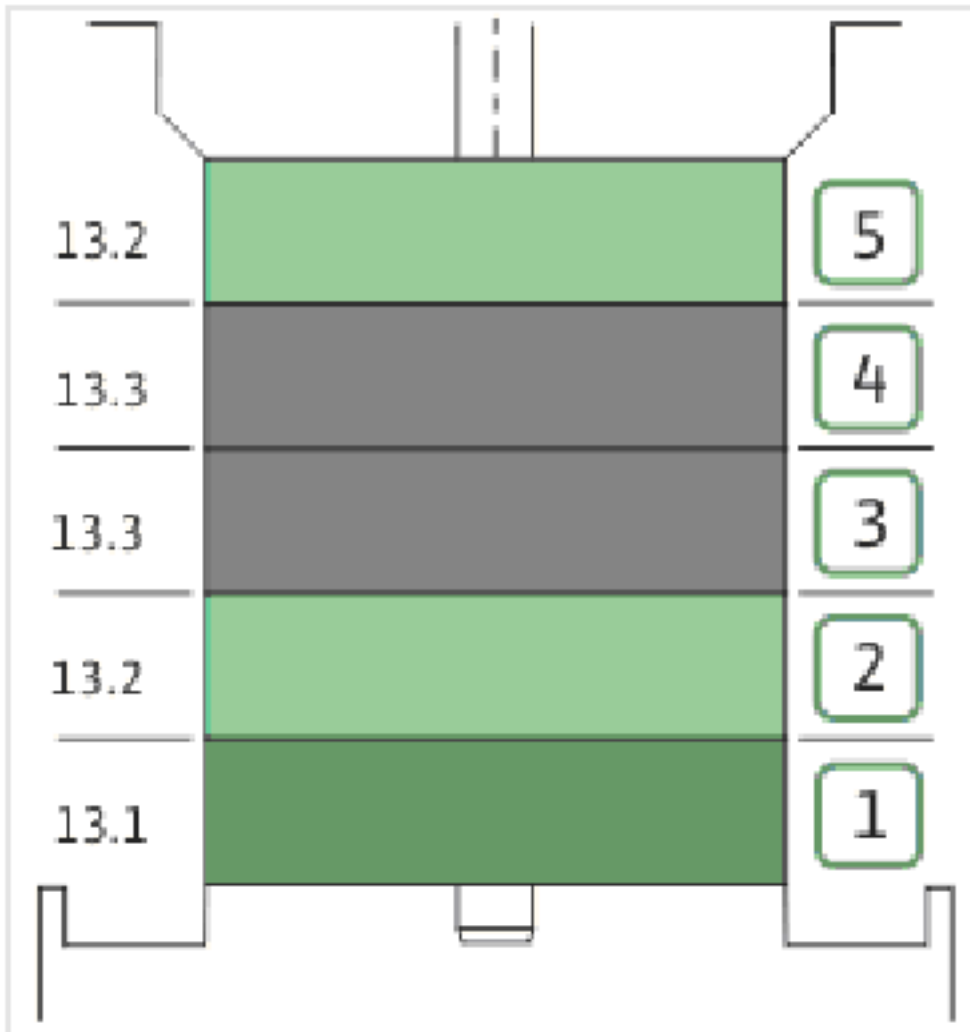
COUPLING D.12XD.19 FT100 KIT (4178578)

Item	Article no.	Description	Quantity
4.1		COUPLING-M+ Ø12XØ19-FT100-MACHINED	1
4.3	4234249	CIRCLIP-FOR-SHAFT-D30x1.5 VP.	1
4.2	2130977	BALL BEARING 6206/ZZ-C3(HT)VP.	1
4.4	4212716	SCREW M6X20 KIT (4PIECES)	1
4.5	4234250	CIRCLIP-D62x2 VP.	1
4.6	4234245	O-RING 63X3 VP.	1
		CONTACT-WASHER-6ETR-6,1x12,2x1,8-STEEL	4



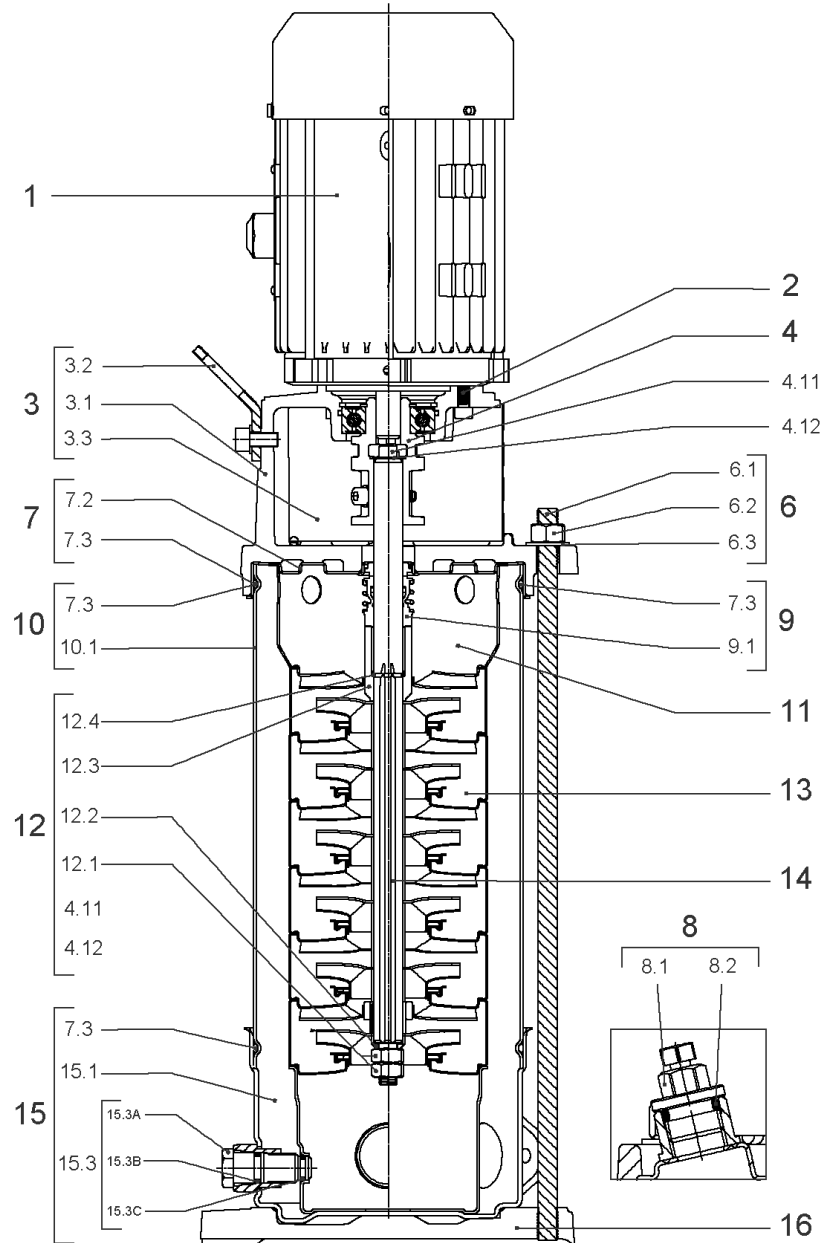
CARTRIDGE HELIX2-4 F/E KIT (4178597)

Item	Article no.	Description	Quantity
9.1	4178594	SEAL-KIT-HELIX2-4 F/E	1
7.3	4176513	> O-RING FOR PUMP JACKET VP.	1
7.4	2127603	> O-RING ID.37,6x2,4 EPDM VP.	1
9.1A	4176521	> MECH.SEAL HELIX2-4-6-10-16 F/E VP.	1
9.1B	4178558	> O-RING ID.12X2 EPDM VP.	1
9.1C	4178558	> O-RING ID.12X2 EPDM VP.	1
9.2	4178596	SHAFT SLEEVE D.18/12X72,2 1.4404 VP.	1
9.3	2130962	RING HOLDER D.18 G606/G6 1.4301 VP.	1
9.4	4176520	SCREW CH M5x5 A4-70 (3PIECES)	1
9.5	4178595	DRIVE RING D.29/15.5x13,2 MACH.VP.	1
9.6	2130964	TOOL M.S.CART.HELIX VP.	1
9.7	2130965	SCREW CHC M5X12 ISO4762 A2.70(4 PIECES)	1



HYDRAULIC HELIX V 405 1.4307

Item	Article no.	Description	Quantity
13.1	4178570	STAGE HELIX 4 1.4301 KIT	1
		> MACH.STG-CASING-WOGV-WNR-M+2-4-304	1
		> IMPELLER-M+4-304	1
13.2	4178569	STAGE BEARING HELIX 4 1.4301 KIT	1
		> MACH.BEARING-STG-CASING-WNR-M+4-304	1
		> IMPELLER-M+4-304	1
		> SHAFT SLEEVE SPACER Ø15,35x10,305-304	1
		> SHAFT-SLEEVE-D12xD16x14-CW	1
13.3	4178574	INTER STAGE HELIX4 1.4301< 15 stages KIT	1
		> MACH.STD-STG-CASING-WGV+NR-M+4-304	1
		> IMPELLER-M+4-304	1
		> IMPELLER SPACER Ø12,05X14,85-L24,285-304	1

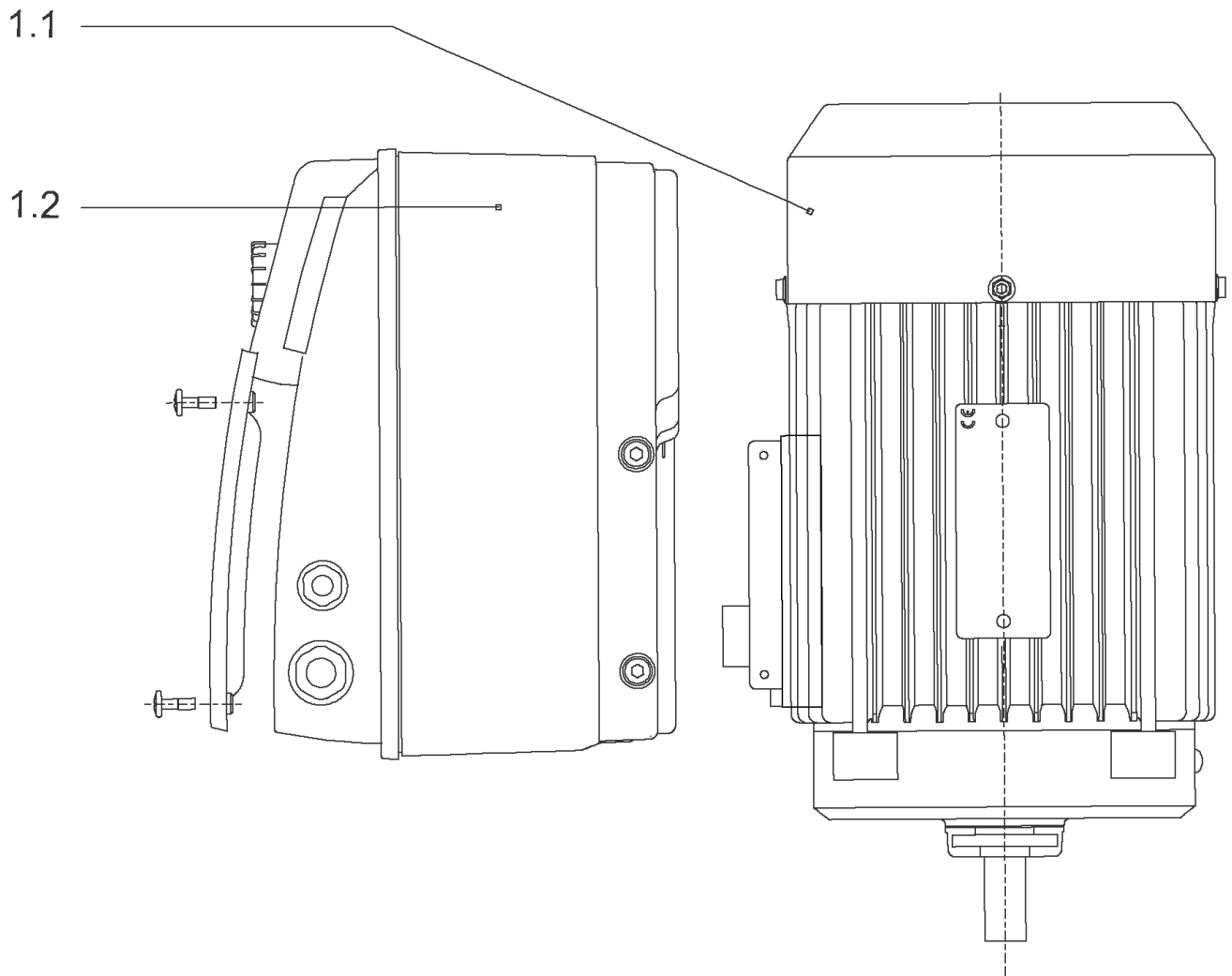


HELIX VE405-1/16/E/S/M13 (4204035)

Item	Article no.	Description	Quantity
1		DRIVE HELIX-VE405-M13-LS KIT	1
Note: MOTOR BRAND LEROY SOMER			
		SPARE PARTS MOTOR:ON REQUEST	1
2	4212716	SCREW M6X20 KIT (4PIECES)	1
3	4213752	LANTERN FT100 HELIX KIT	1
3.1		> LANT-MOT-VMI-ReDTC6"-FT100-MACHINED+CATA	1
3.2	4184852	> EYELET CPL.FT HELIX (2 PIECES)	1
3.3	4213713	> COUPLING PROTECTOR FT85/100 HELIX KIT	1
4	4178578	COUPLING D.12XD.19 FT100 KIT	1
6	4178579	STUD BOLT M12X317 KIT	1
6.1		> TIE BOLT M12-317x18x30-1.4057	1
6.2	2094647	> NUT M12 M12 ISO4032 VP.	1
6.3	2123557	> WASHER CS-12.4-24-1.6-NFE25 (4 PIECES)	1
7	4212722	STATIONARY RING HOLDER HELIX D23 ReDTC	1
7.2	4212720	> STATIONARY RING HOLDER HELIX D23 VP.	1
7.3	4176513	> O-RING FOR PUMP JACKET VP.	1
8	4212724	FILING/PURGING PLUG HELIX ReDTC KIT	1
8.1		> FILLING PLUG MVI6"-304	1
8.2	4177800	> O-RING EPDM PLUG HELIX VP.	1
9	4212726	MECH.SEAL HELIX V2/4 O/E ReDTC KIT	1
9.1	4178563	> M.SEAL.HELIX2-4 O/E VP.	1
7.3	4176513	> O-RING FOR PUMP JACKET VP.	1
10	4178580	HOUSING PIPE D.152X184 1.4301 KIT	1
7.3	4176513	> O-RING FOR PUMP JACKET VP.	1
10.1		> HOUSING-PIPE Ø152-M+205/405-304	1
11	4178566	CENTERING STAGE-RETURN HELIX4 1.4307 VP	1
12	4212729	SHAFT EQUIPMENT HELIX V2/4 ReDTC KIT	1
12.1		> NUT-H-M8-STAINLESS-STEEL A4-70	1
12.2		> SHAFT END WASHER Ø8/Ø12 316L	1
12.3		> 1/2-SNAP-RING-2/4M3-316L	1
12.4		> STOP-RUSH-1/2-D12xd2-M+316	1
4.11		> SCREW CHC-M6X14-8.8-ISO4762-GEOMET500A	1
4.12		> WASHER D.24 L6U ZINK	1
13		HYDRAULIC HELIX V 405 1.4307	1

HELIX VE405-1/16/E/S/M13 (4204035)

Item	Article no.	Description	Quantity
14	4213746	SHAFT D.12X256 HELIX 1.4057 VP.	1
15	4174079	PUMP HOUSING HELIX DN32 PN16 1.4301 KIT	1
7.3	4176513	> O-RING FOR PUMP JACKET VP.	1
15.1		> BLASTING PPE HOUSING V-PN16-DN32-5"-304	1
15.2	4217889	> COUNTER FLANGE-G1"-PN16-GJL KIT	1
15.3	4171321	> PRIMING/DRAIN PLUG EPDM HELIX KIT	1
16	4177964	BASEPLATE HELIX V2/4/6 PN16 VP.	1



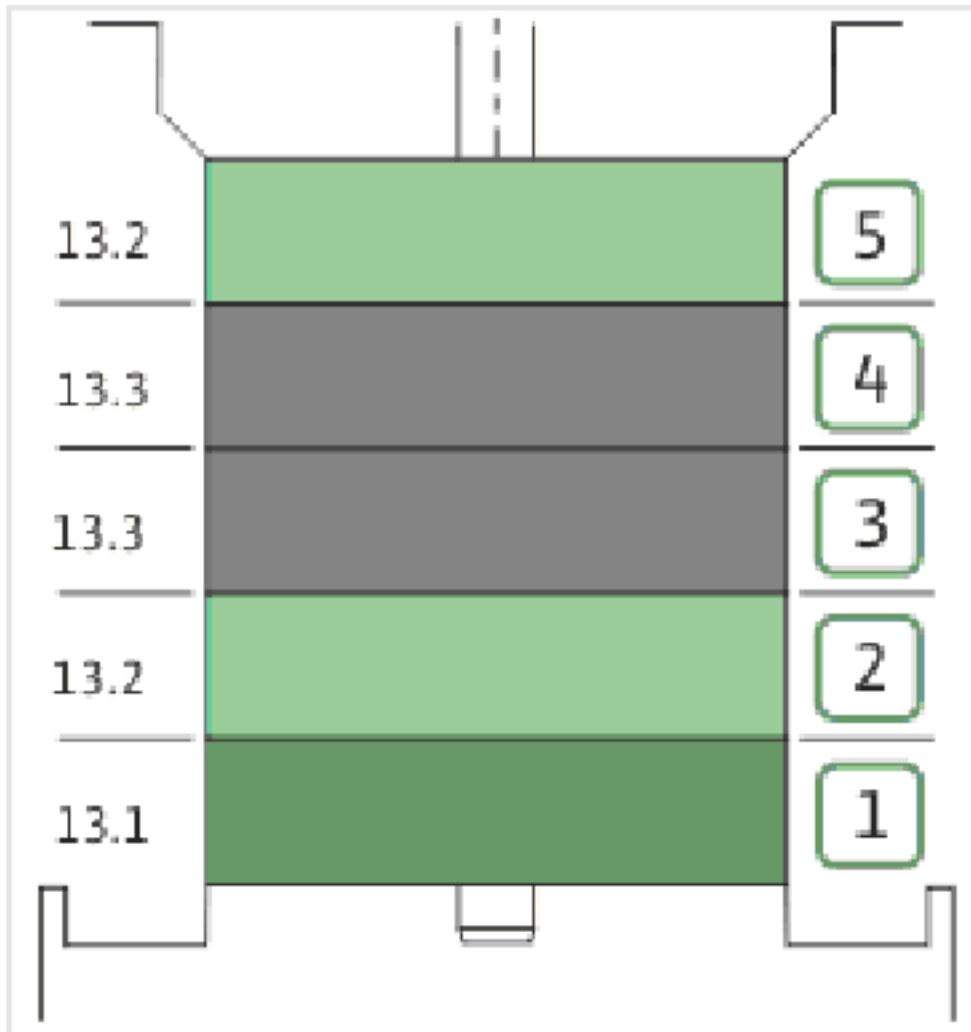
DRIVE HELIX-VE405-M13-LS KIT

Item	Article no.	Description	Quantity
1.1	4209317	MOT.1.1/2/80F10 3~ 240V 50HZ IE2 LS VP.	1
		SPARE PARTS MOTOR:ON REQUEST	1
1.2	4232968	MODULE HELIX VE 1,1KW M13 KIT	1



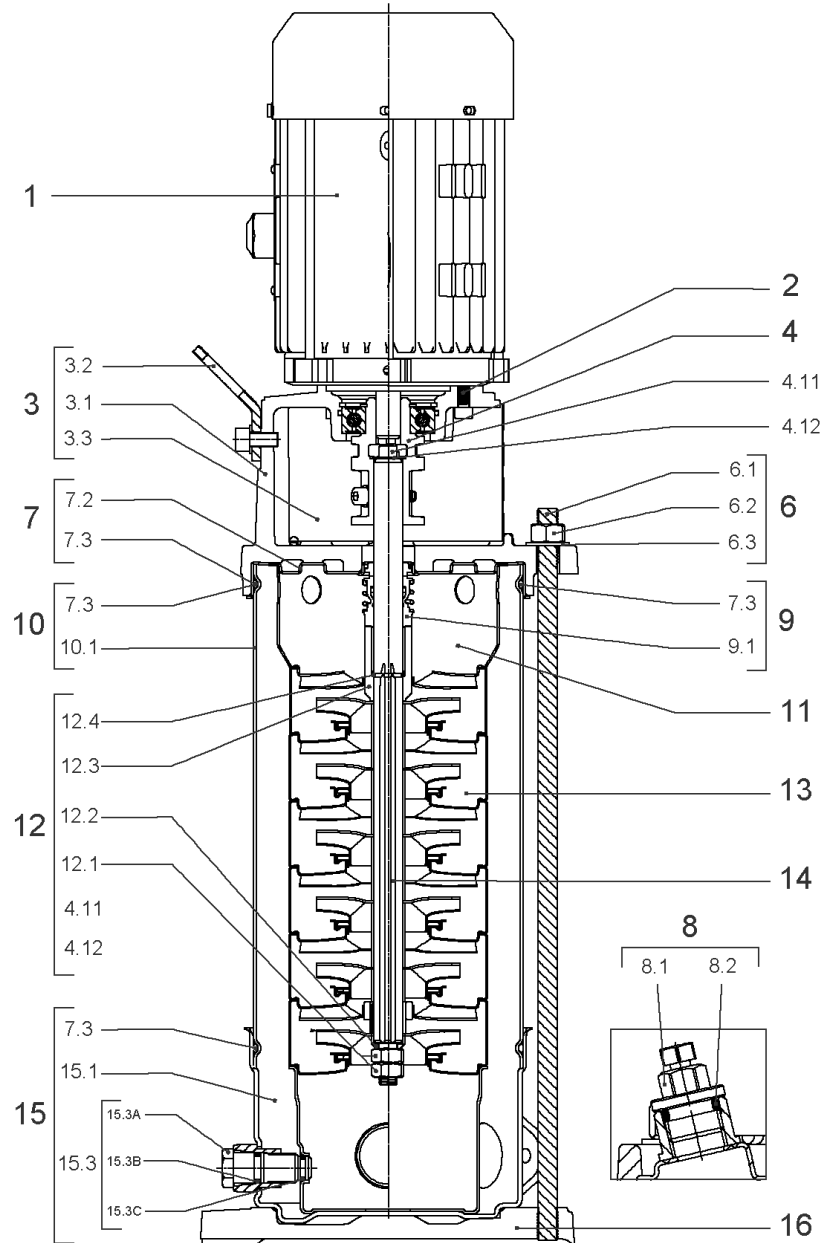
COUPLING D.12XD.19 FT100 KIT (4178578)

Item	Article no.	Description	Quantity
4.1		COUPLING-M+ Ø12XØ19-FT100-MACHINED	1
4.3	4234249	CIRCLIP-FOR-SHAFT-D30x1.5 VP.	1
4.2	2130977	BALL BEARING 6206/ZZ-C3(HT)VP.	1
4.4	4212716	SCREW M6X20 KIT (4PIECES)	1
4.5	4234250	CIRCLIP-D62x2 VP.	1
4.6	4234245	O-RING 63X3 VP.	1
		CONTACT-WASHER-6ETR-6,1x12,2x1,8-STEEL	4



HYDRAULIC HELIX V 405 1.4307

Item	Article no.	Description	Quantity
13.1	4178570	STAGE HELIX 4 1.4301 KIT	1
		> MACH.STG-CASING-WOGV-WNR-M+2-4-304	1
		> IMPELLER-M+4-304	1
13.2	4178569	STAGE BEARING HELIX 4 1.4301 KIT	1
		> MACH.BEARING-STG-CASING-WNR-M+4-304	1
		> IMPELLER-M+4-304	1
		> SHAFT SLEEVE SPACER Ø15,35x10,305-304	1
		> SHAFT-SLEEVE-D12xD16x14-CW	1
13.3	4178574	INTER STAGE HELIX4 1.4301< 15 stages KIT	1
		> MACH.STD-STG-CASING-WGV+NR-M+4-304	1
		> IMPELLER-M+4-304	1
		> IMPELLER SPACER Ø12,05X14,85-L24,285-304	1

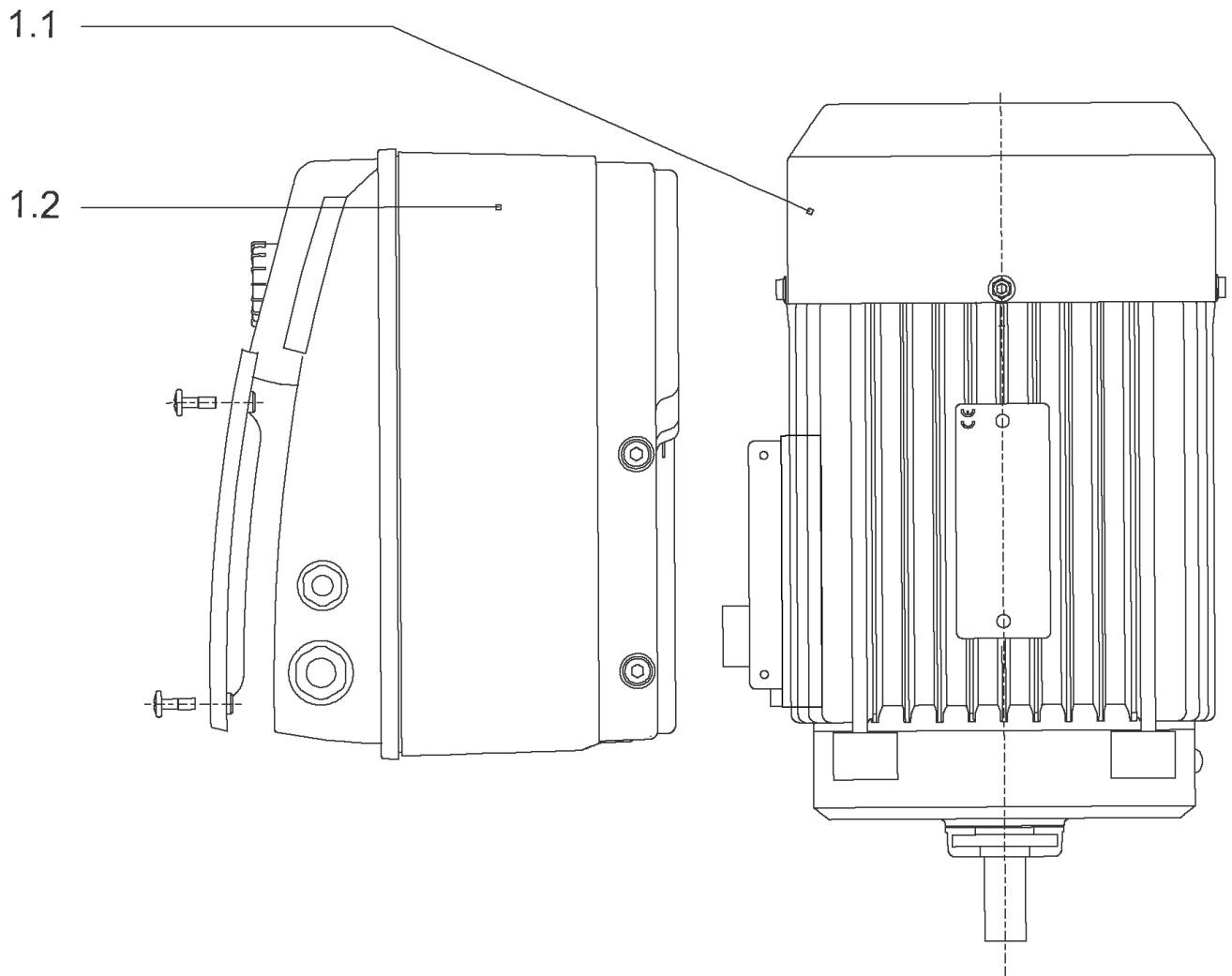


HELIX VE405-1/16/E/S/M2 (4204036)

Item	Article no.	Description	Quantity
1		DRIVE HELIX-VE405-M2-LS KIT	1
Note: MOTOR BRAND LEROY SOMER			
		SPARE PARTS MOTOR:ON REQUEST	1
2	4212716	SCREW M6X20 KIT (4PIECES)	1
3	4213752	LANTERN FT100 HELIX KIT	1
3.1		> LANT-MOT-VMI-ReDTC6"-FT100-MACHINED+CATA	1
3.2	4184852	> EYELET CPL.FT HELIX (2 PIECES)	1
3.3	4213713	> COUPLING PROTECTOR FT85/100 HELIX KIT	1
4	4178578	COUPLING D.12XD.19 FT100 KIT	1
6	4178579	STUD BOLT M12X317 KIT	1
6.1		> TIE BOLT M12-317x18x30-1.4057	1
6.2	2094647	> NUT M12 M12 ISO4032 VP.	1
6.3	2123557	> WASHER CS-12.4-24-1.6-NFE25 (4 PIECES)	1
7	4212722	STATIONARY RING HOLDER HELIX D23 ReDTC	1
7.2	4212720	> STATIONARY RING HOLDER HELIX D23 VP.	1
7.3	4176513	> O-RING FOR PUMP JACKET VP.	1
8	4212724	FILING/PURGING PLUG HELIX ReDTC KIT	1
8.1		> FILLING PLUG MVI6"-304	1
8.2	4177800	> O-RING EPDM PLUG HELIX VP.	1
9	4212726	MECH.SEAL HELIX V2/4 O/E ReDTC KIT	1
9.1	4178563	> M.SEAL.HELIX2-4 O/E VP.	1
7.3	4176513	> O-RING FOR PUMP JACKET VP.	1
10	4178580	HOUSING PIPE D.152X184 1.4301 KIT	1
7.3	4176513	> O-RING FOR PUMP JACKET VP.	1
10.1		> HOUSING-PIPE Ø152-M+205/405-304	1
11	4178566	CENTERING STAGE-RETURN HELIX4 1.4307 VP	1
12	4212729	SHAFT EQUIPMENT HELIX V2/4 ReDTC KIT	1
12.1		> NUT-H-M8-STAINLESS-STEEL A4-70	1
12.2		> SHAFT END WASHER Ø8/Ø12 316L	1
12.3		> 1/2-SNAP-RING-2/4M3-316L	1
12.4		> STOP-RUSH-1/2-D12xd2-M+316	1
4.11		> SCREW CHC-M6X14-8.8-ISO4762-GEOMET500A	1
4.12		> WASHER D.24 L6U ZINK	1
13		HYDRAULIC HELIX V 405 1.4307	1

HELIX VE405-1/16/E/S/M2 (4204036)

Item	Article no.	Description	Quantity
14	4213746	SHAFT D.12X256 HELIX 1.4057 VP.	1
15	4174079	PUMP HOUSING HELIX DN32 PN16 1.4301 KIT	1
7.3	4176513	> O-RING FOR PUMP JACKET VP.	1
15.1		> BLASTING PPE HOUSING V-PN16-DN32-5"-304	1
15.2	4217889	> COUNTER FLANGE-G1"-PN16-GJL KIT	1
15.3	4171321	> PRIMING/DRAIN PLUG EPDM HELIX KIT	1
16	4177964	BASEPLATE HELIX V2/4/6 PN16 VP.	1



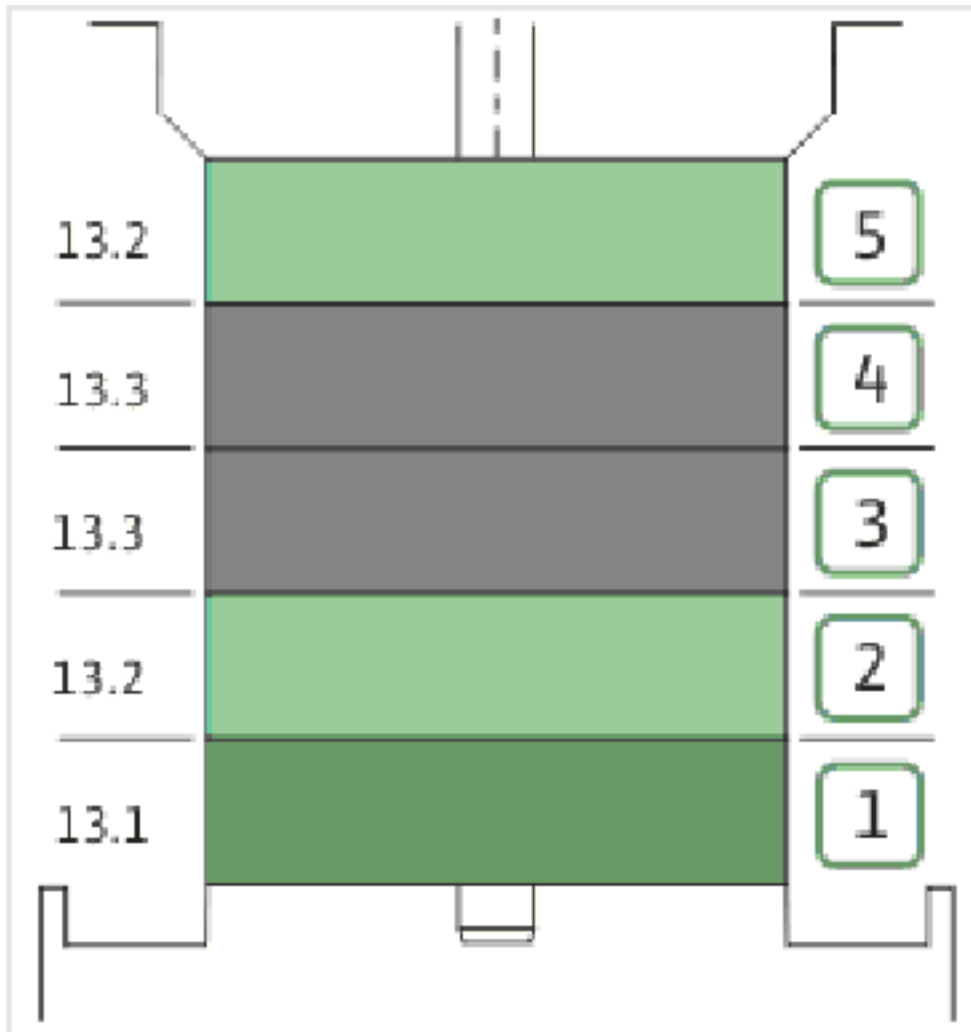
DRIVE HELIX-VE405-M2-LS KIT

Item	Article no.	Description	Quantity
1.1	4209317	MOT.1.1/2/80F10 3~ 240V 50HZ IE2 LS VP.	1
		SPARE PARTS MOTOR:ON REQUEST	1
1.2	4232972	MODULE HELIX VE 1,1KW M2 KIT	1



COUPLING D.12XD.19 FT100 KIT (4178578)

Item	Article no.	Description	Quantity
4.1		COUPLING-M+ Ø12XØ19-FT100-MACHINED	1
4.3	4234249	CIRCLIP-FOR-SHAFT-D30x1.5 VP.	1
4.2	2130977	BALL BEARING 6206/ZZ-C3(HT)VP.	1
4.4	4212716	SCREW M6X20 KIT (4PIECES)	1
4.5	4234250	CIRCLIP-D62x2 VP.	1
4.6	4234245	O-RING 63X3 VP.	1
		CONTACT-WASHER-6ETR-6,1x12,2x1,8-STEEL	4



HYDRAULIC HELIX V 405 1.4307

Item	Article no.	Description	Quantity
13.1	4178570	STAGE HELIX 4 1.4301 KIT	1
		> MACH.STG-CASING-WOGV-WNR-M+2-4-304	1
		> IMPELLER-M+4-304	1
13.2	4178569	STAGE BEARING HELIX 4 1.4301 KIT	1
		> MACH.BEARING-STG-CASING-WNR-M+4-304	1
		> IMPELLER-M+4-304	1
		> SHAFT SLEEVE SPACER Ø15,35x10,305-304	1
		> SHAFT-SLEEVE-D12xD16x14-CW	1
13.3	4178574	INTER STAGE HELIX4 1.4301< 15 stages KIT	1
		> MACH.STD-STG-CASING-WGV+NR-M+4-304	1
		> IMPELLER-M+4-304	1
		> IMPELLER SPACER Ø12,05X14,85-L24,285-304	1