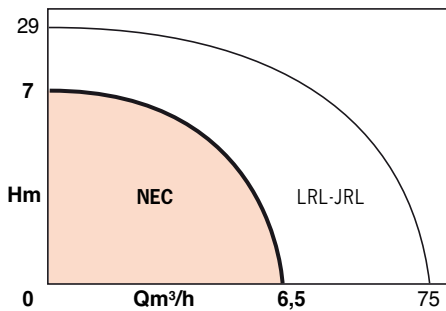


OPERATING LIMITS

Flow rates up to:	6,5 m ³ /h
Head of up to:	7 m
Max. operating pressure:	10 bar
Temperature range:	-8° à +110°C
for domestic hot water.:	≤ +60°C*
ND of connections:	25 ou 32**

* As per D.T.U.
** With EC 33 kit



ADVANTAGES

- Preserves quality of water whatever the type of pipes thanks to the stainless steel casing .
- Single-piece design for direct fitting onto piping by means of 26-34 pipe unions (not supplied).
- Two fitting possibilities with adapters for ND 32.
- Small overall size.
- Simple to install, no problems with alignment.
- Reliable components.
- Corrosion-resistant mechanical seal.
- Extremely silent operation thanks to new motor bearings.
- Suitable for hard water (TH up to 50 °F).

APPLICATIONS

Circulating pumps for:

- domestic hot water distribution systems,
- low-pressure heating systems,
- air conditioning systems, etc

And for all type of pumping for non- aggressive hot or cold water without abrasive particles in suspension.



• NEC 1/2 for 3-phase

• NEC 1/2 for single-phase.

• NEC single-phase - ND25 with NEC 33 kit for ND 32



• NEC 33 adapter kit

DESIGN

• Hydraulic part

- Single cell, centrifugal.
- Volute casing body with "in-line" suction-discharge ports for direct fitting onto piping.
- Tight sealing on shaft feed-through ensured by self-lubricated, maintenance-free mechanical seal.

• Motor

- Ventilated at end of extended stainless steel shaft.
- High starting torque.
- Bearings greased for whole motor service life.
- Silent running.

Rotational speed

NEC 1 : 1450 rpm

NEC 2 : 2850 rpm

Winding single-phase : 230 V
3-phase : 230-400 V

Frequency : 50 Hz

Insulation class : 155 (F)

Protection index : IP 44 (motor)

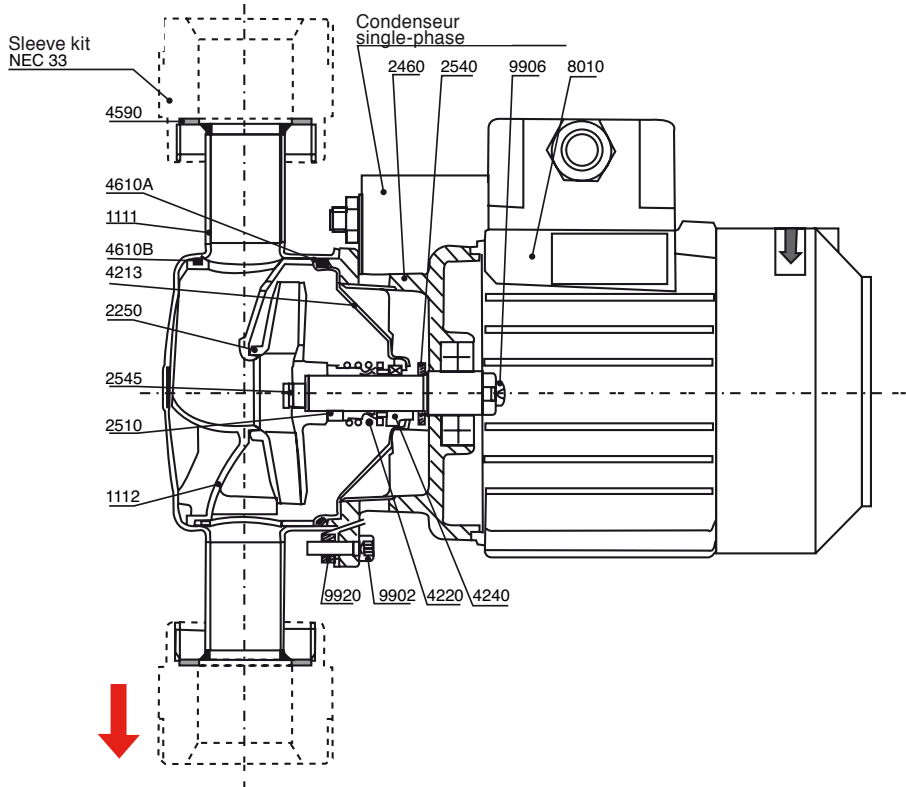
IP 54 (terminal box)

STANDARD CONSTRUCTION

Main parts	Material
Pump casing	Stainless steel 304L
Motor casing	aluminium
Motor shaft	Stainless steel X6 Cr Ni Mo 17.12.2
Impeller	Noryl GFN1630V
Mechanical seal	Ceramic/graphite/E.P.
Casing gasket	Ethylene - Propylene

DRAWING - SCHEMATIC SECTIONAL VIEW

• NEC 1/2-MT-25



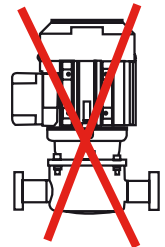
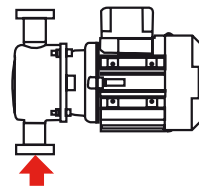
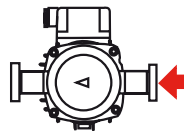
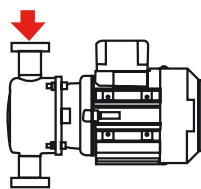
- 1111H - Pump casing
- 1112H - Internal volute casing
- 2460H - Spacer sleeve
- 2510H - Mechanical seal thrust washer
- 2540H - Deflector
- 2545H - Circlip
- 2250H - Impeller
- 4213H - Mechanical seal carrier
- 4220H - Rotating seal ring | mechanical seal
- 4240H - Stationary seal ring | seal

- 4590H - Flat gasket
- 4610A - O-ring
- 4610B - O-ring
- 6545H - Shaft circlip
- 8010H - Motor with extended shaft
- 9902H - Socket head screw
- 9906 - Hexagonal head screw
- 9920 - Special nut

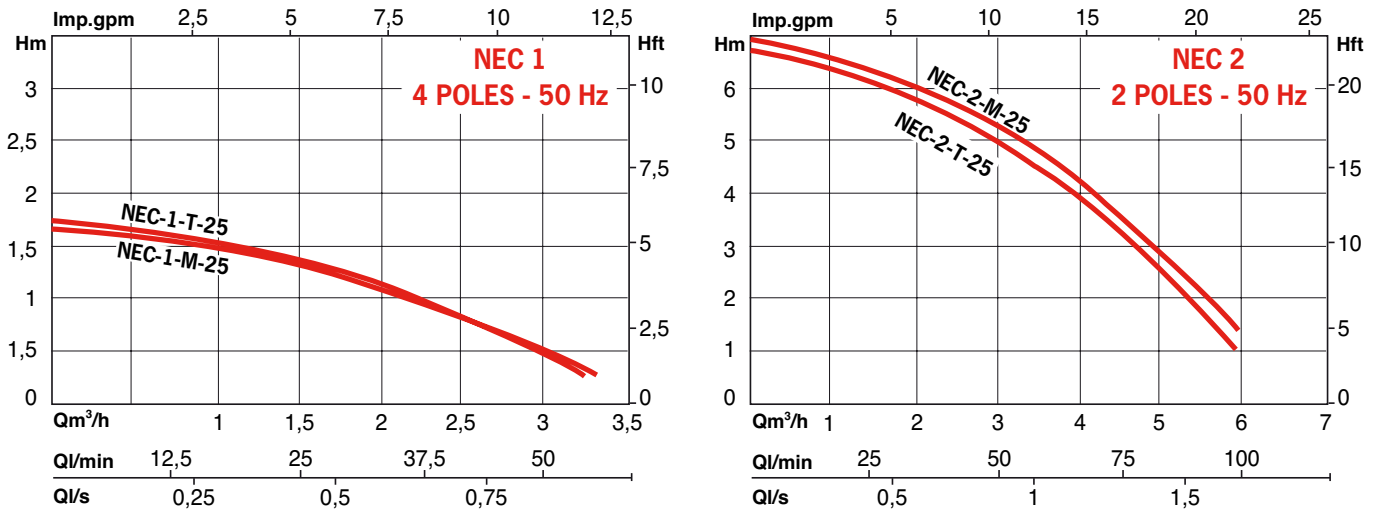
(•) Recommended spare parts

FITTING POSITION

Standard supply

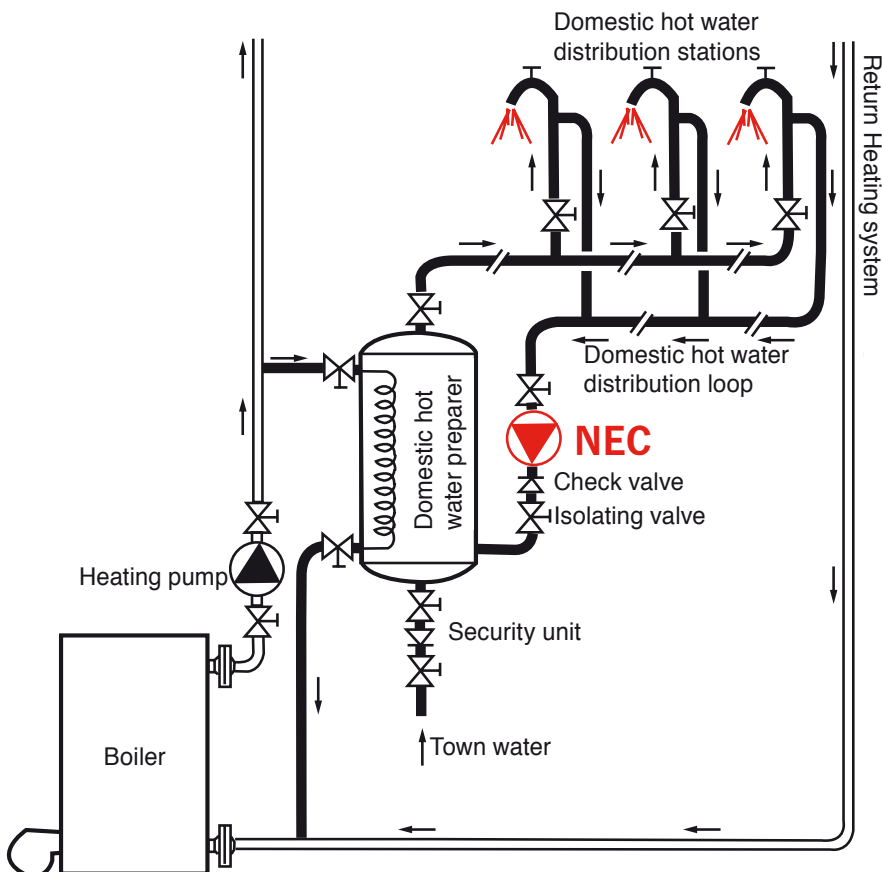


HYDRAULIC PERFORMANCE



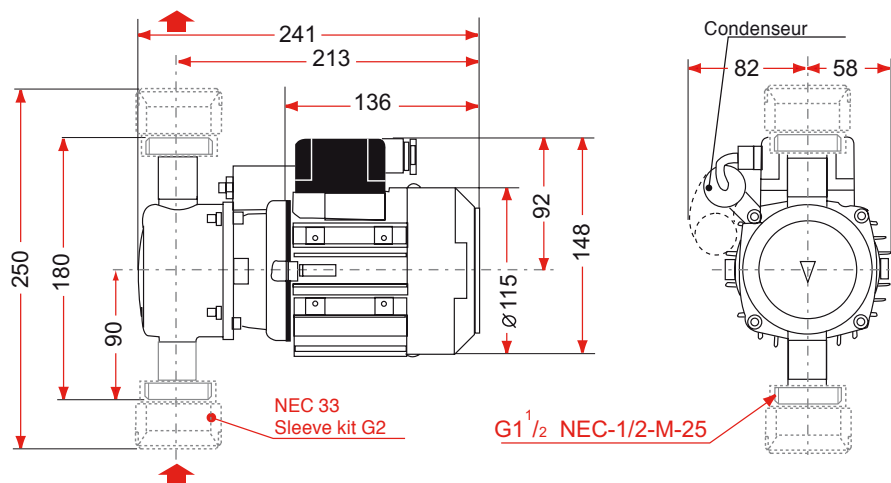
INSTALLATION DIAGRAM

• Pump on return system of domestic hot water (D W) distribution loop



ELECTRICAL DATA AND DIMENSIONS

• NEC SINGLE-PHASE



SPECIFIC FEATURES

a) Electrical features

- Versions: 3-phase 230-400 V (T) or single-phase 230 V (M) - 50 Hz.
- Motor protection by circuit breaker.

b) Fitting

- Direct fitting on piping.
- Motor centreline always horizontal.
- Connection to installation by pipe unions (not supplied).

c) Packaging

- Supplied as standard domestic hot water version with suction port on top and discharge on bottom.
- With two gaskets without pipe unions.

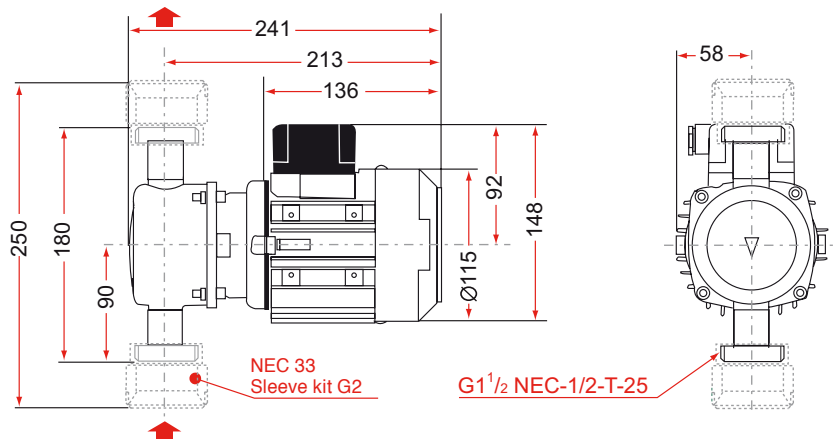
d) Maintenance

- Complete replacement of the set or repair: see recommended spare parts (*) liable to wear.

• NEC 3-PHASE

ACCESSOIRES

- Pipe unions.
- Adapters: NEC 33 kit (for replacement of NEC 33).
- Circuit breaker for motor protection.
- Check valves.
- Isolating valves.



ORDER REFERENCE

Motor

Pump

	P2	P1	Current in A for				Sound Pressure Level	
			max.	Single-ph	3-phase	3-phase	Capa	Mass
	W	W	230 V	230 V	400 V	Mf	dB SPL	kg
NEC-1-T-25	090	067	—	0,50	0,29	—	34,5	4,5
NEC-1-M-25	100	155	1,05	—	—	4,0	40,0	5,5
NEC-2-T-25	120	215	—	0,66	0,38	—	43,5	4,5
NEC-2-M-25	180	240	1,15	—	—	6,3	44,5	5,5