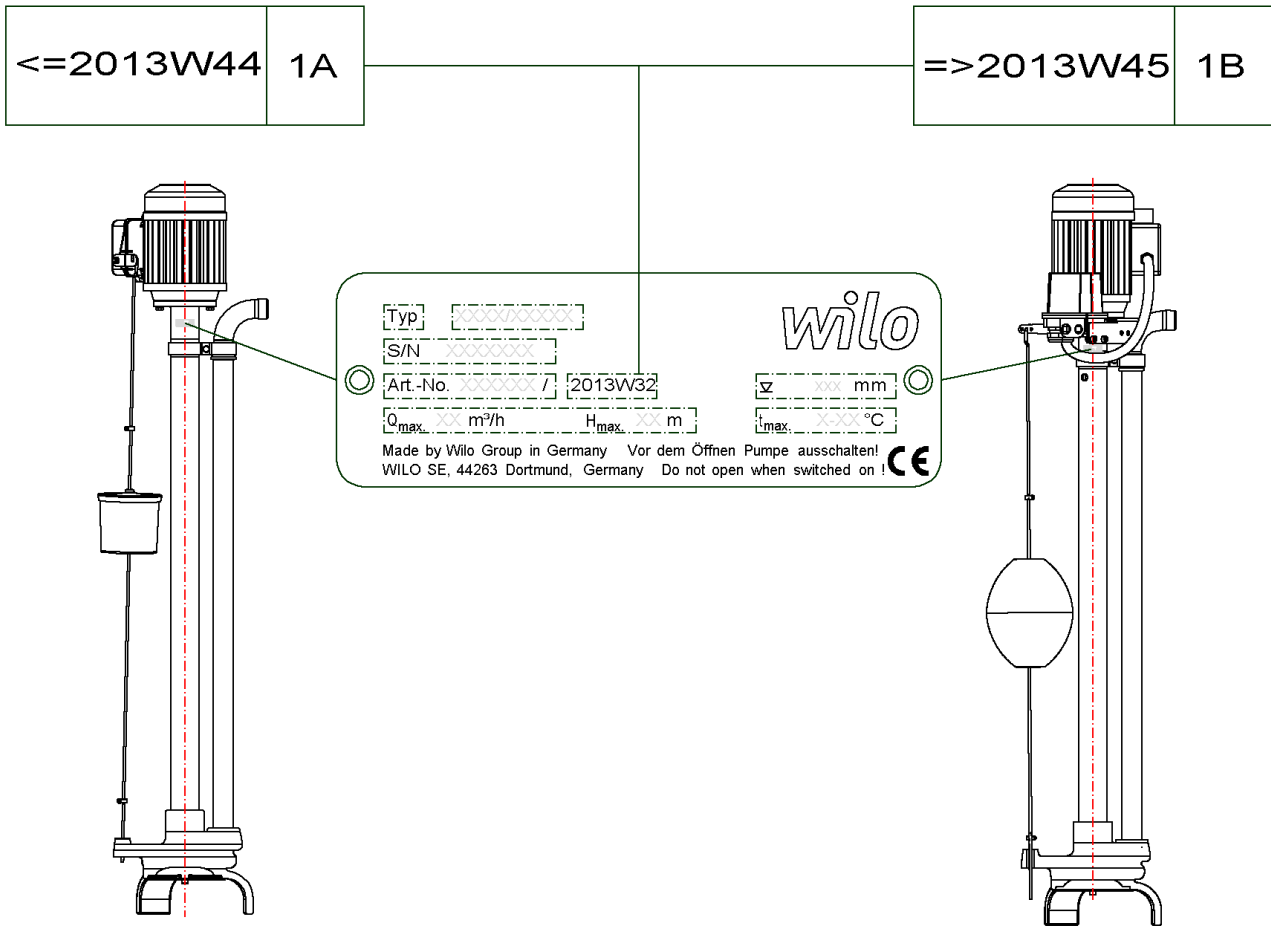




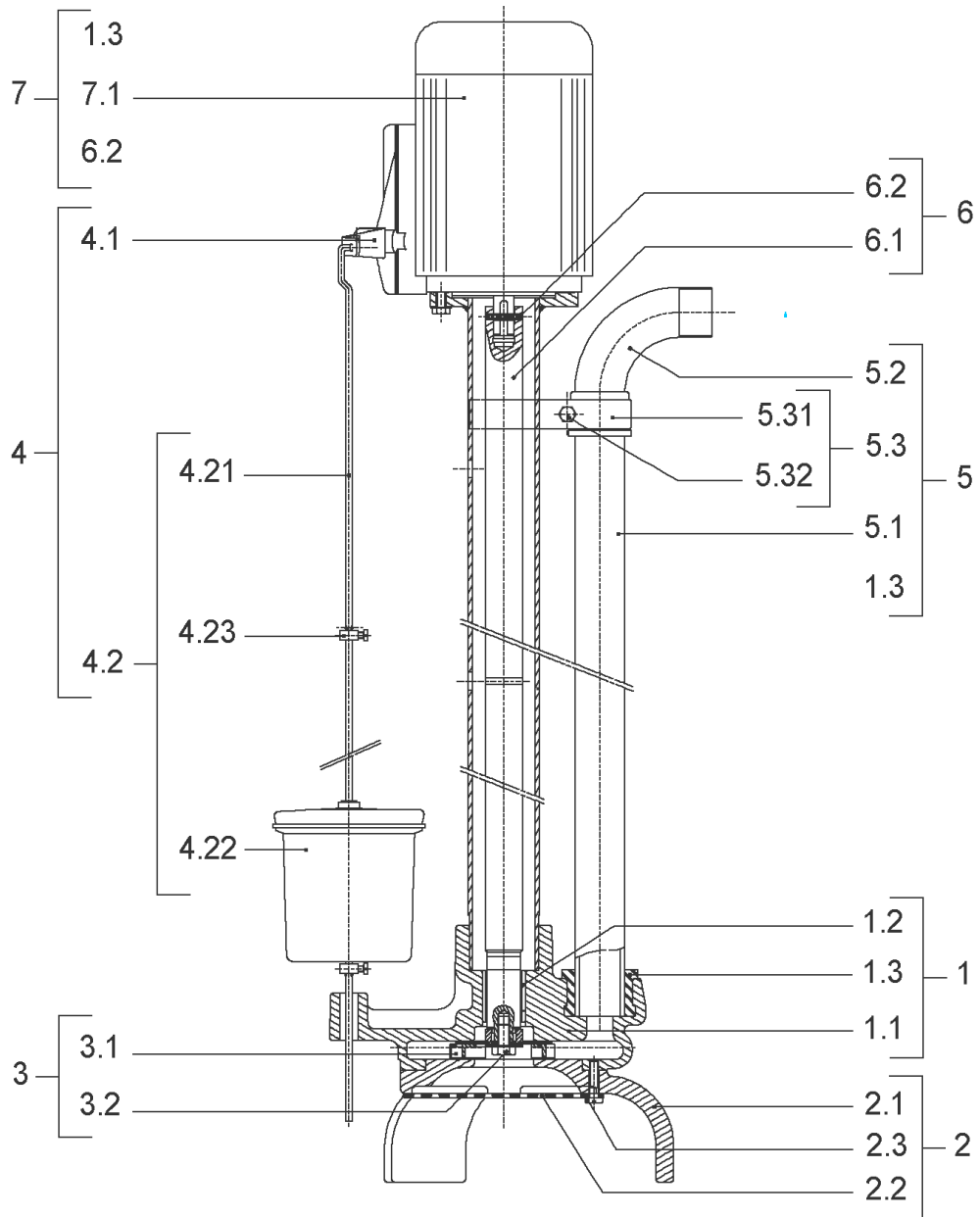
Drain VC

Article no.	Description
2044582	VC32/10 1-230
2044583	VC32/10 3-400
2044584	VC40/20 3-400



VC32/10 1-230 (2044582)

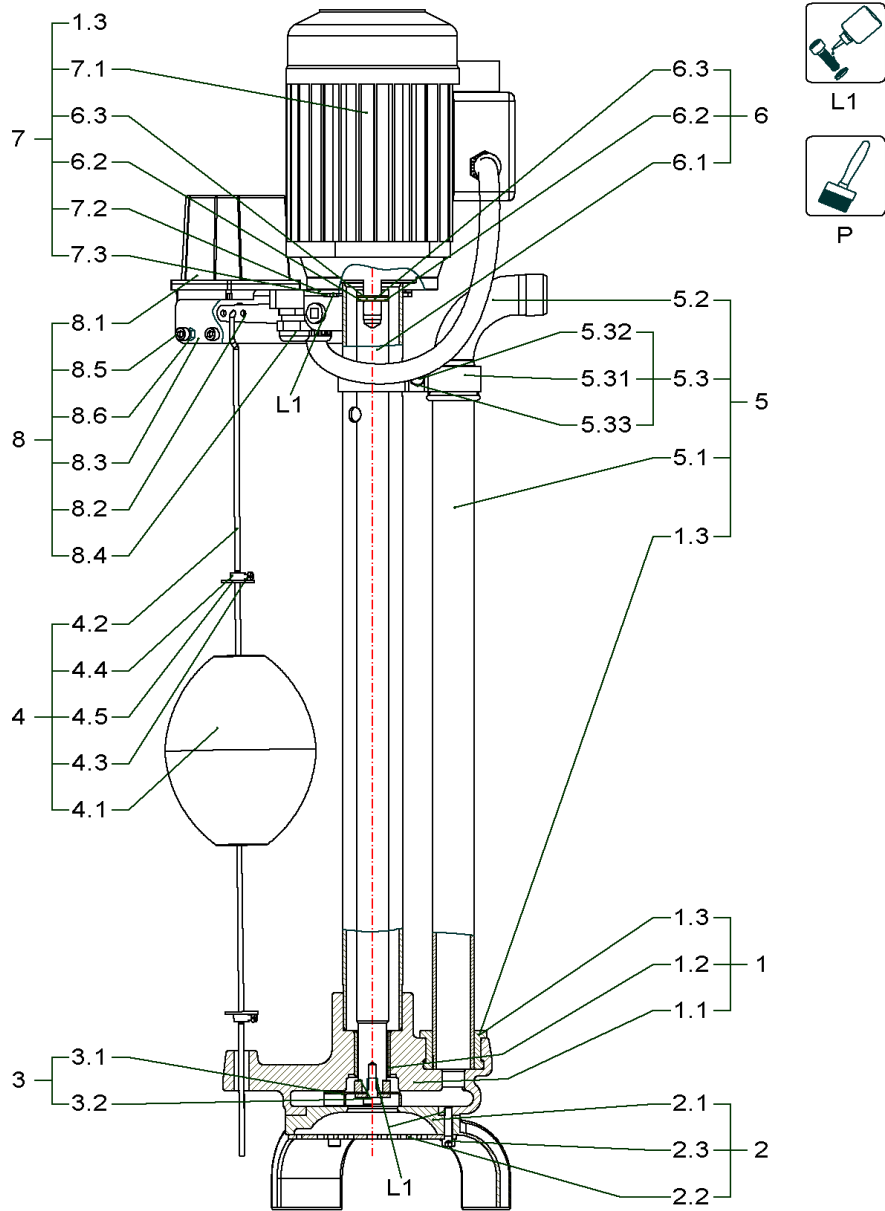
Item	Description	Quantity
1A	VC32/10 1-230 <=2013W45	1
1B	VC32/10 1-230 =>2013W46	1



Item	Article no.	Description	Quantity
1	2086018	PUMP HOUSING TOP VC32 KIT	1
1.1		> CASING-MO-R-1"-PN6-D90-FGL-SP	1
1.2	2086037	> BEARING BUSH RG VC VP.	1
1.3	2086019	> GASKET FOR DISCHARGE PIPE VC32 VP.	1
2	2086020	PUMP HOUSING BOTTOM PART VC32 VP.	1
2.1		> SUCTION-COVER-GV28	1
2.2		> mesh -D135x3 PPE	1
2.3		> screw M6x25 ISO4762 A4-70	1
3	2086016	IMPELLER VC32 KIT	1
3.1		> IMPELLER-RAD-D90-STAINLESS-STEEL-GV28	1
3.2	2086031	> IMPELLER FIXATION VC32 KIT	1
		>> shim ring 17x24x0,2 DIN988 A2	1
		>> shim ring 17x24x0,5 DIN988 A2	1
		>> screw M8x16 ISO4762 A2-70	1
		>> washer 9 DIN440 R A2	1
4	2086010	FLOAT SWITCH VC32 <=2013W45 KIT	1
4.1	2086011	> FLOAT SWITCH VC32 <=2013W45 VP.	1
4.2		> FLOAT VC <=2013W44 KIT	1
Note: Nicht mehr lieferbarNo longer available			
4.21		>> CONTROL-ROD-L1015-GV28-GV50-STAINLESS-ST	1
4.22		>> float D.120x150	1
4.23		>> movable stop f. floating body	1
		>> washer D.26,0/4,5x2,0 PA6.6	2
5	2086017	DISCHARGE PIPE VC32 KIT	1
1.3	2086019	> GASKET FOR DISCHARGE PIPE VC32 VP.	1
5.1		> delivery- pipe 1" VC32/GV28 1.0037	1
5.2	2086032	> ELBOW 90GD.1" GF1-FM VP.	1
5.3	2086033	> FIXING F.DISCHARGE PIPE VC32 KIT	1
5.31		>> STEEL-CLAMP-GV27/28 1.0037	1
5.32		>> screw M6x20 ISO4017 A2-70	1
5.33		>> nut M6 DIN934 A4-80	1
6	2086014	SHAFT VC32 KIT	1
6.1		> PP-SHAFT-D26 L927D14,5/17-VC32/GV28 CPL	1
6.2		> spring dowel pin 4x26 ISO8752 F-St	1

VC32/10 1-230 <=2013W45

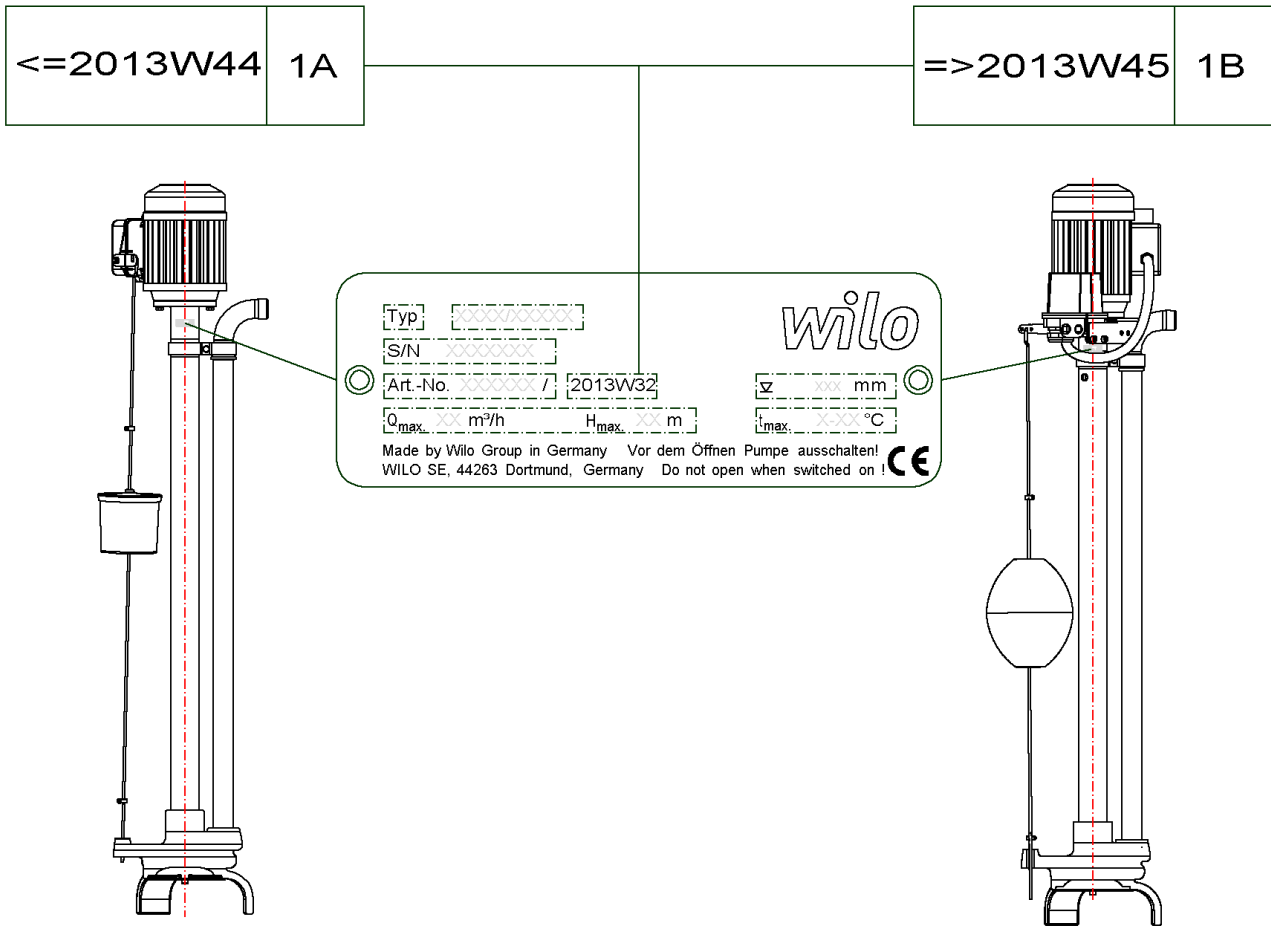
Item	Article no.	Description	Quantity
7	2083788	MOTOR VC32/10-1-230 painted KIT	1
1.3	2086019	> GASKET FOR DISCHARGE PIPE VC32 VP.	1
6.2		> spring dowel pin 4x26 ISO8752 F-St	1
7.1		> MOTOR VC32/10-1-230 PAINTED	1
		SPARE PARTS MOTOR VC32/10-1-230 <=2013	1
	121084499	> BALL BEARING 6204/2Z-C3 (HT) VP.	1
	121084499	> BALL BEARING 6204/2Z-C3 (HT) VP.	1
	2087904	> END SHIELD 0,37/2 1~ ATS.20881337 SERMES	1
	2087907	> END SHIELD 0,37/2 1~ BTS.20881213 SERMES	1
	2087896	> FAN WHEEL 0,37/2 1~ 20882113 SERMES VP.	1
	2087893	> FAN HOOD 0,37/2 1~ 20882213 SERMES VP.	1
		> TERMINAL BOX CPL.VC32/10 1~ SERMES VP.	1



Item	Article no.	Description	Quantity
P	6042255	colour 2K-paint IV80 pantone334C 250ml	1
L1	2096167	Loctite 243 50ml VP.	1
1	2086018	PUMP HOUSING TOP VC32 KIT	1
1.1		> CASING-MO-R-1"-PN6-D90-FGL-SP	1
1.2	2086037	> BEARING BUSH RG VC VP.	1
1.3	2086019	> GASKET FOR DISCHARGE PIPE VC32 VP.	1
2	2086020	PUMP HOUSING BOTTOM PART VC32 VP.	1
2.1		> SUCTION-COVER-GV28	1
2.2		> mesh -D135x3 PPE	1
2.3		> screw M6x25 ISO4762 A4-70	1
3	2086016	IMPELLER VC32 KIT	1
3.1		> IMPELLER-RAD-D90-STAINLESS-STEEL-GV28	1
3.2	2086031	> IMPELLER FIXATION VC32 KIT	1
		>> shim ring 17x24x0,2 DIN988 A2	1
		>> shim ring 17x24x0,5 DIN988 A2	1
		>> screw M8x16 ISO4762 A2-70	1
		>> washer 9 DIN440 R A2	1
4	6070629	Float VC32 KIT	1
4.1		> float D.120x150	1
4.2		> CONTROL-ROD L960 A2	1
4.3		> screw M4x8 DIN84 Ms	2
4.4		> BRASS-THRUST-PLATE-GV27-GV28-GV50	2
4.5		> washer D.26,0/4,5x2,0 PA6.6	2
5	2086017	DISCHARGE PIPE VC32 KIT	1
1.3	2086019	> GASKET FOR DISCHARGE PIPE VC32 VP.	1
5.1		> delivery- pipe 1" VC32/GV28 1.0037	1
5.2	2086032	> ELBOW 90GD.1" GF1-FM VP.	1
5.3	2086033	> FIXING F.DISCHARGE PIPE VC32 KIT	1
5.31		>> STEEL-CLAMP-GV27/28 1.0037	1
5.32		>> screw M6x20 ISO4017 A2-70	1
5.33		>> nut M6 DIN934 A4-80	1
6	6070630	shaft VC32 KIT	1
6.1		> PP-SHAFT-D26 L927D14,5/17-VC32/GV28 CPL	1
6.2		> spring dowel pin 4x26 ISO8752 F-St	1

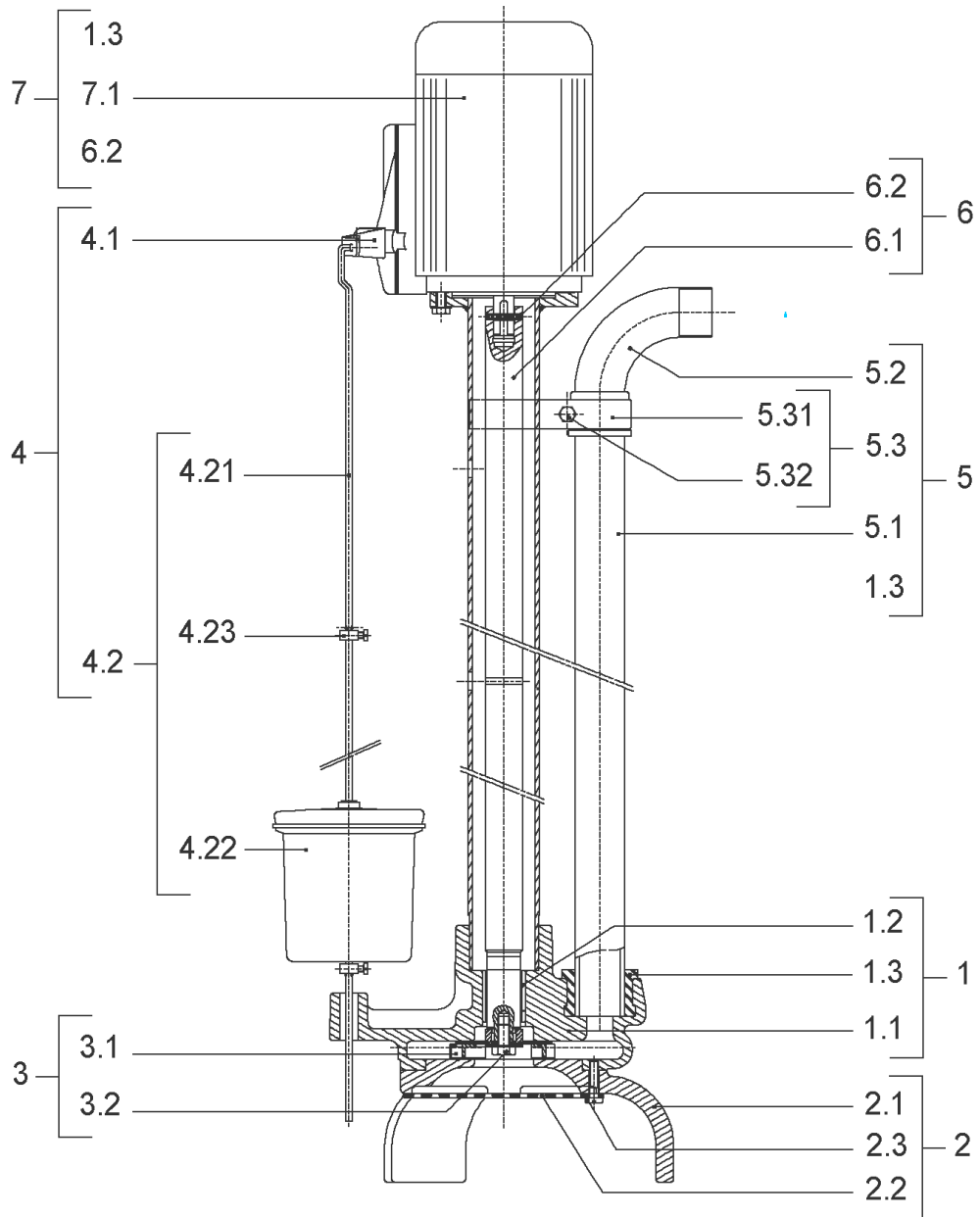
VC32/10 1-230 =>2013W46

Item	Article no.	Description	Quantity
6.3		> spring dowel pin 2,5x26 ISO8752 F-St	1
7	6070631	motor VC32/10-1-230 KIT	1
7.1		> Motor 0,37kW B14 71 2 230V	1
7.2		> washer A6,4 DIN125 A4	4
7.3		> screw M6x25 ISO4762 A4-70	4
6.2		> spring dowel pin 4x26 ISO8752 F-St	1
6.3		> spring dowel pin 2,5x26 ISO8752 F-St	1
1.3		> GASKET-TURONER-GV28	1
		> cable gland M20X1,5 6-12 PA black	2
		> screwed hose connection M20x1,5 16/15 PA	1
		> screwed hose connection M16 16/15 PA6.6	1
		> protecting hose NW16 Kunststoff	
8	6070628	float switch VC 32 KIT	1
8.1		> float switch SW 400V 3pol.	1
8.2		> control lever 1.4301	1
8.3		> ring-holder D.85 1.4301	1
8.4		> cable gland M20X1,5 6-12 PA black	1
8.4		> screwed hose connection M20x1,5 16/15 PA	1
8.5		> screw M6x12 ISO4762 A4-70	2
8.6		> nut M6 DIN985 A2	2



VC32/10 3-400 (2044583)

Item	Description	Quantity
1A	VC32/10 3-400 <=2013W44	1
1B	VC32/10 3-400 =>2013W45	1

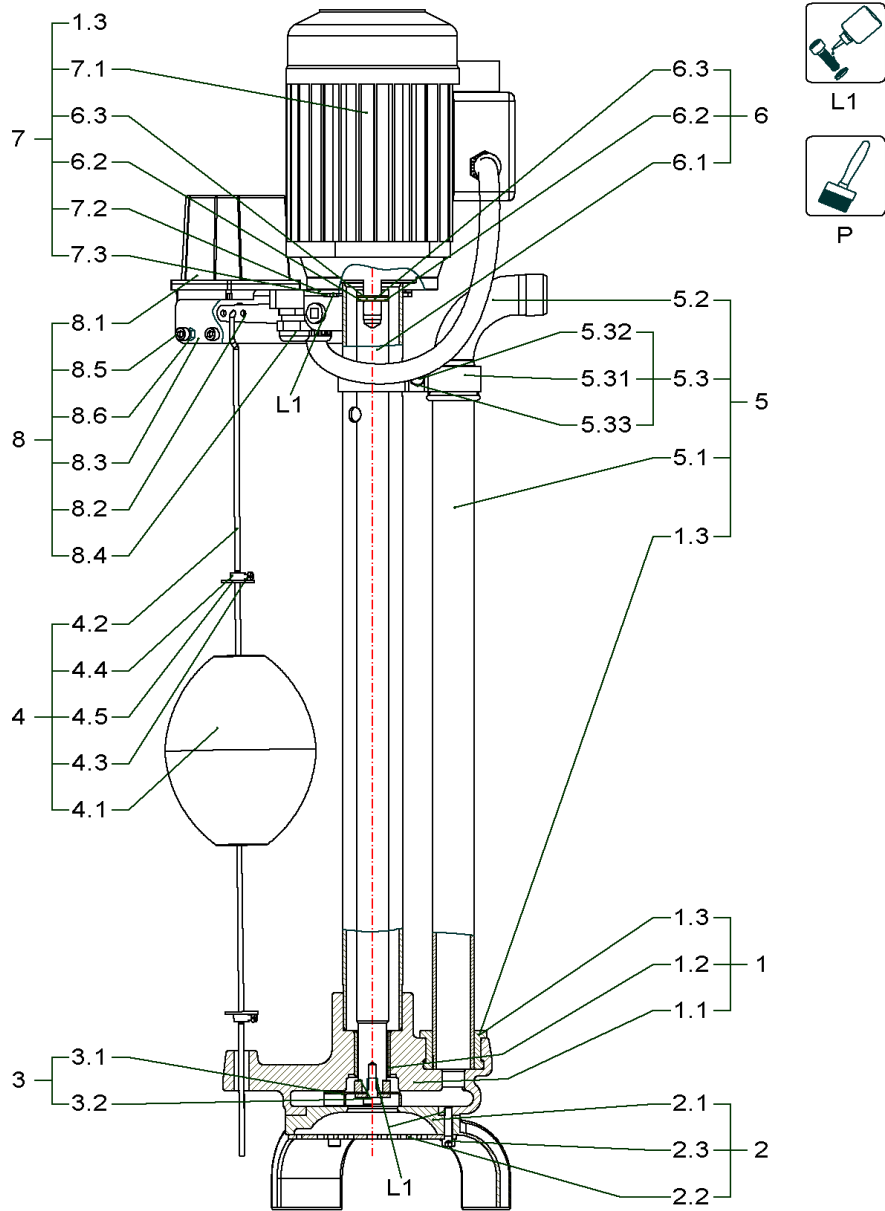


VC32/10 3-400 <=2013W44

Item	Article no.	Description	Quantity
1	2086018	PUMP HOUSING TOP VC32 KIT	1
1.1		> CASING-MO-R-1"-PN6-D90-FGL-SP	1
1.2	2086037	> BEARING BUSH RG VC VP.	1
1.3	2086019	> GASKET FOR DISCHARGE PIPE VC32 VP.	1
2	2086020	PUMP HOUSING BOTTOM PART VC32 VP.	1
Note: Nicht mehr lieferbarNo longer availableNe plus disponible			
2.1		> SUCTION-COVER-GV28	1
2.2		> mesh -D135x3 PPE	1
2.3		> screw M6x25 ISO4762 A4-70	1
3	2086016	IMPELLER VC32 KIT	1
3.1		> IMPELLER-RAD-D90-STAINLESS-STEEL-GV28	1
3.2	2086031	> IMPELLER FIXATION VC32 KIT	1
		>> shim ring 17x24x0,2 DIN988 A2	1
		>> shim ring 17x24x0,5 DIN988 A2	1
		>> screw M8x16 ISO4762 A2-70	1
		>> washer 9 DIN440 R A2	1
4		FLOAT SWITCH VC32 <=2013W45 KIT	1
Note: Nicht mehr lieferbarNo longer available			
4.1	2086011	> FLOAT SWITCH VC32 <=2013W45 VP.	1
4.2		> FLOAT VC <=2013W44 KIT	1
Note: Nicht mehr lieferbarNo longer available			
4.21		>> CONTROL-ROD-L1015-GV28-GV50-STAINLESS-ST	1
4.22		>> float D.120x150	1
4.23		>> movable stop f. floating body	1
		>> washer D.26,0/4,5x2,0 PA6.6	2
5	2086017	DISCHARGE PIPE VC32 KIT	1
1.3	2086019	> GASKET FOR DISCHARGE PIPE VC32 VP.	1
5.1		> delivery- pipe 1" VC32/GV28 1.0037	1
5.2	2086032	> ELBOW 90GD.1" GF1-FM VP.	1
5.3	2086033	> FIXING F.DISCHARGE PIPE VC32 KIT	1
5.31		>> STEEL-CLAMP-GV27/28 1.0037	1
5.32		>> screw M6x20 ISO4017 A2-70	1
5.33		>> nut M6 DIN934 A4-80	1
6	2086014	SHAFT VC32 KIT	1

VC32/10 3-400 <=2013W44

Item	Article no.	Description	Quantity
6.1		> PP-SHAFT-D26 L927D14,5/17-VC32/GV28 CPL	1
6.2		> spring dowel pin 4x26 ISO8752 F-St	1
7	2083787	MOTOR VC32/10-3-400 painted KIT	1
1.3	2086019	> GASKET FOR DISCHARGE PIPE VC32 VP.	1
6.2		> spring dowel pin 4x26 ISO8752 F-St	1
7.1		> MOTOR VC32/10-3-400 PAINTED	1
		SPARE PARTS MOTOR VC32/10-3-400<=2013W44	1
	122097891	> BALL BEARING 6202/2Z-C3 (HT) VP.	1
	122097891	> BALL BEARING 6202/2Z-C3 (HT) VP.	1
	2087905	> END SHIELD 0,37/2 3~ ATS.24855669 SERMES	1
	2087908	> END SHIELD 0,37/2 3~ BTS.24855629 SERMES	1
	2087897	> FAN WHEEL 0,37/2 3~ 24855712 SERMES VP.	1
	2087894	> FAN HOOD 0,37/2 3~ 24855732 SERMES VP.	1
7		alternative	1
7		motor VC32/10-3-400 KIT	1
Note: 6070632 + 6200970 + 6070629			
7.1		> Motor 0,37kW B14 71 2 400V	1
7.2		> washer A6,4 DIN125 A4	4
7.3		> screw M6x25 ISO4762 A4-70	4
6.2		> spring dowel pin 4x26 ISO8752 F-St	1
6.3		> spring dowel pin 2,5x26 ISO8752 F-St	1
1.3		> GASKET-TURONER-GV28	1
		> cable gland M20X1,5 6-12 PA black	1
		> screwed hose connection M20x1,5 16/15 PA	1
		> screwed hose connection M16 16/15 PA6.6	1
		> protecting hose NW16 Kunststoff	



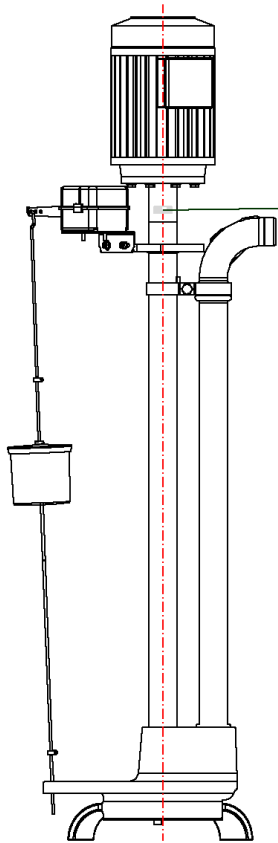
Item	Article no.	Description	Quantity
P	6042255	colour 2K-paint IV80 pantone334C 250ml	1
L1	2096167	Loctite 243 50ml VP.	1
1	2086018	PUMP HOUSING TOP VC32 KIT	1
1.1		> CASING-MO-R-1"-PN6-D90-FGL-SP	1
1.2	2086037	> BEARING BUSH RG VC VP.	1
1.3	2086019	> GASKET FOR DISCHARGE PIPE VC32 VP.	1
2	2086020	PUMP HOUSING BOTTOM PART VC32 VP.	1
2.1		> SUCTION-COVER-GV28	1
2.2		> mesh -D135x3 PPE	1
2.3		> screw M6x25 ISO4762 A4-70	1
3	2086016	IMPELLER VC32 KIT	1
3.1		> IMPELLER-RAD-D90-STAINLESS-STEEL-GV28	1
3.2	2086031	> IMPELLER FIXATION VC32 KIT	1
		>> shim ring 17x24x0,2 DIN988 A2	1
		>> shim ring 17x24x0,5 DIN988 A2	1
		>> screw M8x16 ISO4762 A2-70	1
		>> washer 9 DIN440 R A2	1
4	6070629	Float VC32 KIT	1
4.1		> float D.120x150	1
4.2		> CONTROL-ROD L960 A2	1
4.3		> screw M4x8 DIN84 Ms	2
4.4		> BRASS-THRUST-PLATE-GV27-GV28-GV50	2
4.5		> washer D.26,0/4,5x2,0 PA6.6	2
5	2086017	DISCHARGE PIPE VC32 KIT	1
1.3	2086019	> GASKET FOR DISCHARGE PIPE VC32 VP.	1
5.1		> delivery- pipe 1" VC32/GV28 1.0037	1
5.2	2086032	> ELBOW 90GD.1" GF1-FM VP.	1
5.3	2086033	> FIXING F.DISCHARGE PIPE VC32 KIT	1
5.31		>> STEEL-CLAMP-GV27/28 1.0037	1
5.32		>> screw M6x20 ISO4017 A2-70	1
5.33		>> nut M6 DIN934 A4-80	1
6	6070630	shaft VC32 KIT	1
6.1		> PP-SHAFT-D26 L927D14,5/17-VC32/GV28 CPL	1
6.2		> spring dowel pin 4x26 ISO8752 F-St	1

VC32/10 3-400 =>2013W45

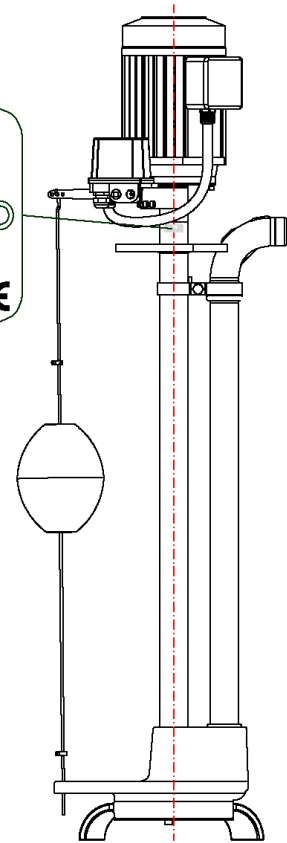
Item	Article no.	Description	Quantity
6.3		> spring dowel pin 2,5x26 ISO8752 F-St	1
7	6070632	motor VC32/10-3-400 KIT	1
7.1		> Motor 0,37kW B14 71 2 400V	1
7.2		> washer A6,4 DIN125 A4	4
7.3		> screw M6x25 ISO4762 A4-70	4
6.2		> spring dowel pin 4x26 ISO8752 F-St	1
6.3		> spring dowel pin 2,5x26 ISO8752 F-St	1
1.3		> GASKET-TURONER-GV28	1
		> cable gland M20X1,5 6-12 PA black	1
		> screwed hose connection M20x1,5 16/15 PA	1
		> screwed hose connection M16 16/15 PA6.6	1
		> protecting hose NW16 Kunststoff	
8	6070628	float switch VC 32 KIT	1
8.1		> float switch SW 400V 3pol.	1
8.2		> control lever 1.4301	1
8.3		> ring-holder D.85 1.4301	1
8.4		> cable gland M20X1,5 6-12 PA black	1
8.4		> screwed hose connection M20x1,5 16/15 PA	1
8.5		> screw M6x12 ISO4762 A4-70	2
8.6		> nut M6 DIN985 A2	2

<=2013W44 1A

=>2013W45 1B

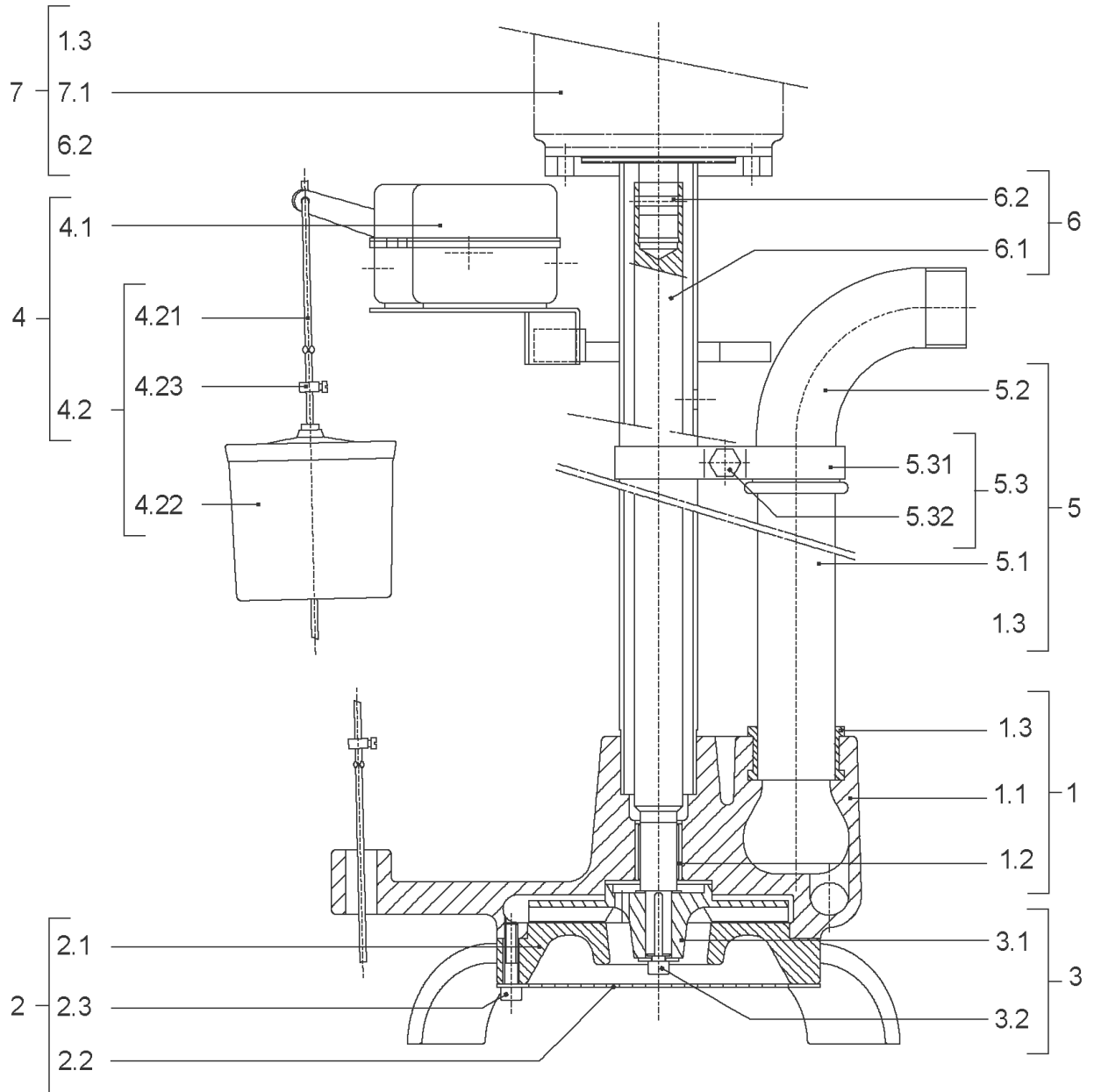


Type		S/N		Art.-No.		∇		mm	
xxxxxx		xxxxxx		2013W32		xxx		mm	
Q _{max.}		m ³ /h		H _{max.}		m		t _{max.}	
xx		m ³ /h		xx		m		xxx	
m ³ /h		m ³ /h		m		m		°C	
Made by Wilo Group in Germany Vor dem Öffnen Pumpe ausschalten! WILO SE, 44263 Dortmund, Germany Do not open when switched on!									



VC40/20 3-400 (2044584)

Item	Description	Quantity
1A	VC40/20 3-400 <=2013W44	1
1B	VC40/20 3-400 =>2013W45	1

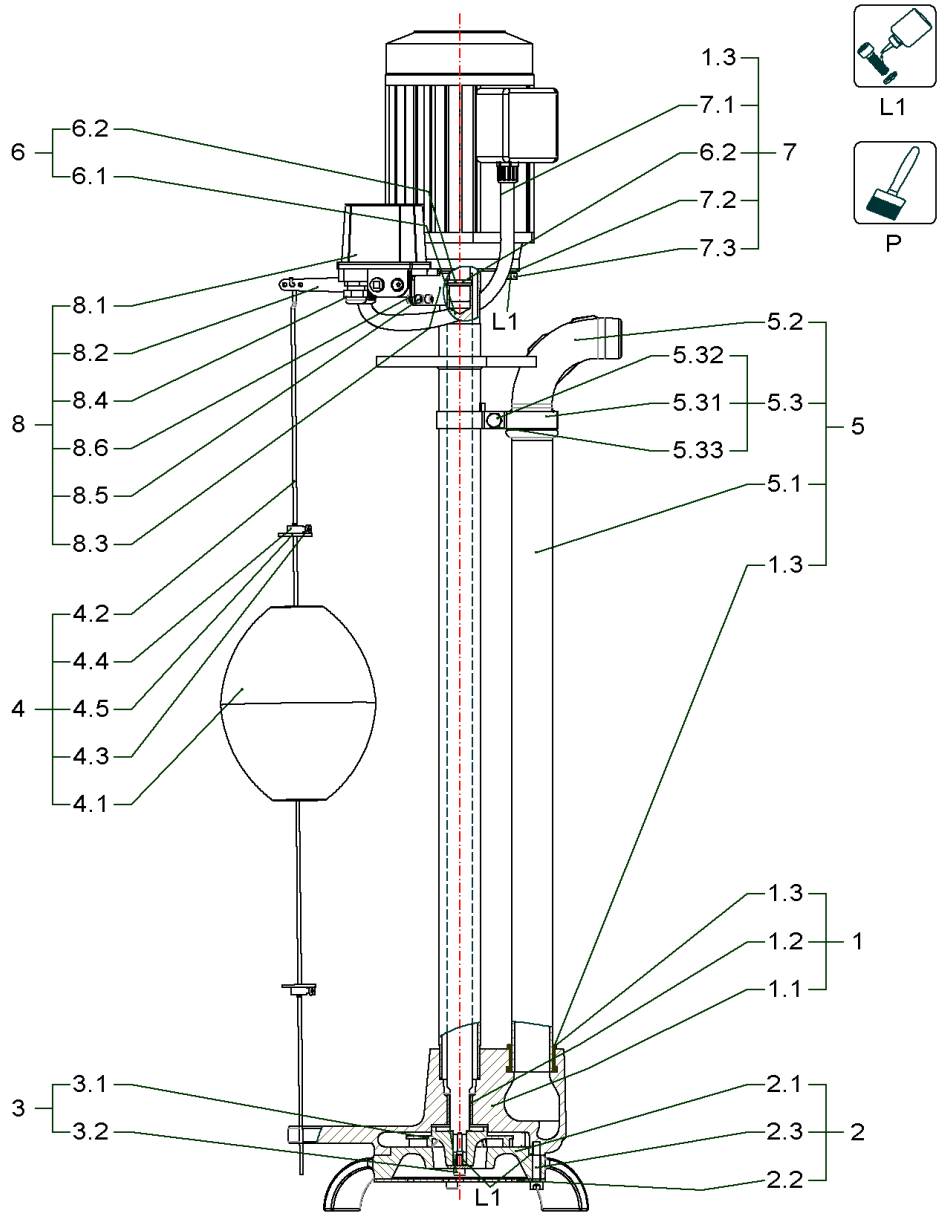


VC40/20 3-400 <=2013W44

Item	Article no.	Description	Quantity
1	2086026	PUMP HOUSING TOP VC40 KIT	1
1.1		> CASING-MO-R-1"1/2-PN6-D125-FGL	1
1.2	2086037	> BEARING BUSH RG VC VP.	1
1.3	2086030	> GASKET FOR DISCHARGE PIPE VC40 VP.	1
2	2086027	PUMP HOUSING BOTTOM PART VC40 VP.	1
Note: Nicht mehr lieferbarNo longer availableNe plus disponible			
2.1		> CAST-IRON-CASING-COVER-GV-50	1
2.2		> mesh D200x3 PPE	1
2.3		> screw M8x40 ISO4762 A2-70	1
3	2086024	IMPELLER VC40 KIT	1
3.1		> IMPELLER-S/O-RADIAL-D125-GV50	1
3.2	2086034	> IMPELLER FIXATION VC40 KIT	1
		>> shim ring 17x24x0,2 DIN988 A2	1
		>> shim ring 17x24x0,5 DIN988 A2	1
		>> screw M8x16 ISO4762 A2-70	1
		>> washer 9 DIN440 R A2	1
		>> KEY-B-5X5X35-112	1
4		FLOAT SWITCH VC40 <=2013W44 KIT	1
Note: Nicht mehr lieferbarNo longer available			
4.1	2086013	> FLOAT SWITCH VC40 <=2013W44 VP.	1
4.2		> FLOAT VC <=2013W44 KIT	1
Note: nicht mehr Lieferbar / no longeravailable / ne plus disponible			
4.21		>> CONTROL-ROD-L1015-GV28-GV50-STAINLESS-ST	1
4.22		>> float D.120x150	1
4.23		>> movable stop f. floating body	1
		>> washer D.26,0/4,5x2,0 PA6.6	2
5	2086025	DISCHARGE PIPE VC40 KIT	1
1.3	2086030	> GASKET FOR DISCHARGE PIPE VC40 VP.	1
5.1		> discharge 1 1/2" VC40/GV50 1.0037	1
5.2	2086035	> ELBOW GD.1"1/2 GF1-FM VP.	1
5.3	2086036	> FIXING F.DISCHARGE PIPE VC40 KIT	1
5.31		>> HALF-FITTING-CLAMP-GV50 VC40/GV50 1.0037	1
5.32		>> screw M10x30 ISO4762 A4-70	1
5.33		>> NUT M10 DIN934 A2	1

VC40/20 3-400 <=2013W44

Item	Article no.	Description	Quantity
6	2086015	SHAFT VC40 KIT	1
6.1		> PP-SHAFT-D30L1047D24,5/16-GV50-111	1
6.2		> spring dowel pin 6x30 DIN1481 F-St	1
7		No longer available	1
Note: 2069503 MOTOR, MOTEUR VC40 SET, KIT			
		SPARE PARTS MOTOR VC40 <=2013W44	1
	121466896	> BALL BEARING 6305/2Z-C3 (HT) VP.	1
	121083998	> BALL BEARING 6205/2Z-C3 (HT) VP.	1
	2087906	> END SHIELD 2,2/2 3~ ATS.24855674 SERMES	1
	2087909	> END SHIELD 2,2/2 3~ BTS.24855637 SERMES	1
	2087899	> TERMINAL BOX CPL.2,2/2 3~ SERMES VP.	1
	2087900	> TERM.BOX COVER 2,2/2 3~ 24855759 SERMES	1
	2087898	> FAN WHEEL 2,2/2 3~ 24855714 SERMES VP.	1
	2087895	> FAN HOOD 2,2/2 3~ 24855740 SERMES VP.	1
7	6070636	motor VC40/20-3-400 KIT	1
7.1		> Motor 2,2kW B14 90 2 400V IE3	1
7.2		> screw M8x25 ISO4762 A4	4
7.3		> WASHER A8,4 DIN125 1.4401	4
6.2		> spring dowel pin 6x30 DIN1481 F-St	1
1.3		> GASKET-TURONER VC40/GV50	1
		> cable gland M20X1,5 6-12 PA black	1
		> screwed hose connection M20x1,5 16/15 PA	2
		> protecting hose NW16 Kunststoff	



Item	Article no.	Description	Quantity
P	6042255	colour 2K-paint IV80 pantone334C 250ml	1
L1	2096167	Loctite 243 50ml VP.	1
1	2086026	PUMP HOUSING TOP VC40 KIT	1
1.1		> CASING-MO-R-1"1/2-PN6-D125-FGL	1
1.2	2086037	> BEARING BUSH RG VC VP.	1
1.3	2086030	> GASKET FOR DISCHARGE PIPE VC40 VP.	1
2	2086027	PUMP HOUSING BOTTOM PART VC40 VP.	1
2.1		> CAST-IRON-CASING-COVER-GV-50	1
2.2		> mesh D200x3 PPE	1
2.3		> screw M8x40 ISO4762 A2-70	1
3	2086024	IMPELLER VC40 KIT	1
3.1		> IMPELLER-S/O-RADIAL-D125-GV50	1
3.2	2086034	> IMPELLER FIXATION VC40 KIT	1
		>> shim ring 17x24x0,2 DIN988 A2	1
		>> shim ring 17x24x0,5 DIN988 A2	1
		>> screw M8x16 ISO4762 A2-70	1
		>> washer 9 DIN440 R A2	1
		>> KEY-B-5X5X35-112	1
4	6070634	Float VC40 KIT	1
4.1		> float D.120x150	1
4.2		> CONTROL-ROD L1045 A2	1
4.3		> screw M4x8 DIN84 Ms	2
4.4		> BRASS-THRUST-PLATE-GV27-GV28-GV50	2
4.5		> washer D.26,0/4,5x2,0 PA6.6	2
5	2086025	DISCHARGE PIPE VC40 KIT	1
1.3	2086030	> GASKET FOR DISCHARGE PIPE VC40 VP.	1
5.1		> discharge 1 1/2" VC40/GV50 1.0037	1
5.2	2086035	> ELBOW GD.1"1/2 GF1-FM VP.	1
5.3	2086036	> FIXING F.DISCHARGE PIPE VC40 KIT	1
5.31		>> HALF-FITTING-CLAMP-GV50 VC40/GV50 1.0037	1
5.32		>> screw M10x30 ISO4762 A4-70	1
5.33		>> NUT M10 DIN934 A2	1
6	6070635	shaft VC40 KIT	1
6.1		> PP-SHAFT-D30L1047D24,5/16-GV50-111	1

VC40/20 3-400 =>2013W45

Item	Article no.	Description	Quantity
6.2		> spring dowel pin 6x30 DIN1481 F-St	1
7	6070636	motor VC40/20-3-400 KIT	1
7.1		> Motor 2,2kW B14 90 2 400V IE3	1
7.2		> screw M8x25 ISO4762 A4	4
7.3		> WASHER A8,4 DIN125 1.4401	4
6.2		> spring dowel pin 6x30 DIN1481 F-St	1
1.3		> GASKET-TURONER VC40/GV50	1
		> cable gland M20X1,5 6-12 PA black	1
		> screwed hose connection M20x1,5 16/15 PA	2
		> protecting hose NW16 Kunststoff	
8	6070633	float switch VC40 KIT	1
8.1		> float switch SW 400V 3pol.	1
8.2		> control lever 1.4301	1
8.3		> ring-holder D.115 1.4301	1
8.4		> cable gland M20X1,5 6-12 PA black	1
8.4		> screwed hose connection M20x1,5 16/15 PA	1
8.5		> screw M6x12 ISO4762 A4-70	2
8.6		> nut M6 DIN985 A2	2