

# Hidrostat

EN

## Submersible Pumps

Hidrostat submersible pumps are equipped with the unique Hidrostat screw-centrifugal hydraulics. They are capable of pumping wastewater and effluent with high solids content. The robust motor is cooled by the liquid in which it is submerged during continuous operation.



# Submersible Pumps operate continuously submerged in the process fluid

Equipped with the Hidrostal screw-centrifugal hydraulics, the submersible pumps are capable of pumping general effluent and process fluid containing large amounts of solids and fibrous material. The pumping of viscous liquids and fluids requiring gentle handling are possible with this type of pump.

## The reliable submersible pump for abrasive or fibrous materials

The submersible motor pumps by Hidrostal are robust, clog-free and low-maintenance. The submersible motors developed and manufactured by Hidrostal fulfil the highest quality and efficiency standards. The mechanical seals manufactured by Hidrostal guarantee a long service life. The modular design combined with the fact that these motors are manufactured in our own facility allows for application specific customization. The submersible pumps directly installed in the sump save space and result in low investment costs. For permanent installations the guide rail mounting arrangement with automatic coupling simplifies installation and retrieval of submerged units. This minimizes the time required for inspection and maintenance. The adjustable entry cone and various material options are available for applications with abrasive and corrosive process fluid.

## Specifications

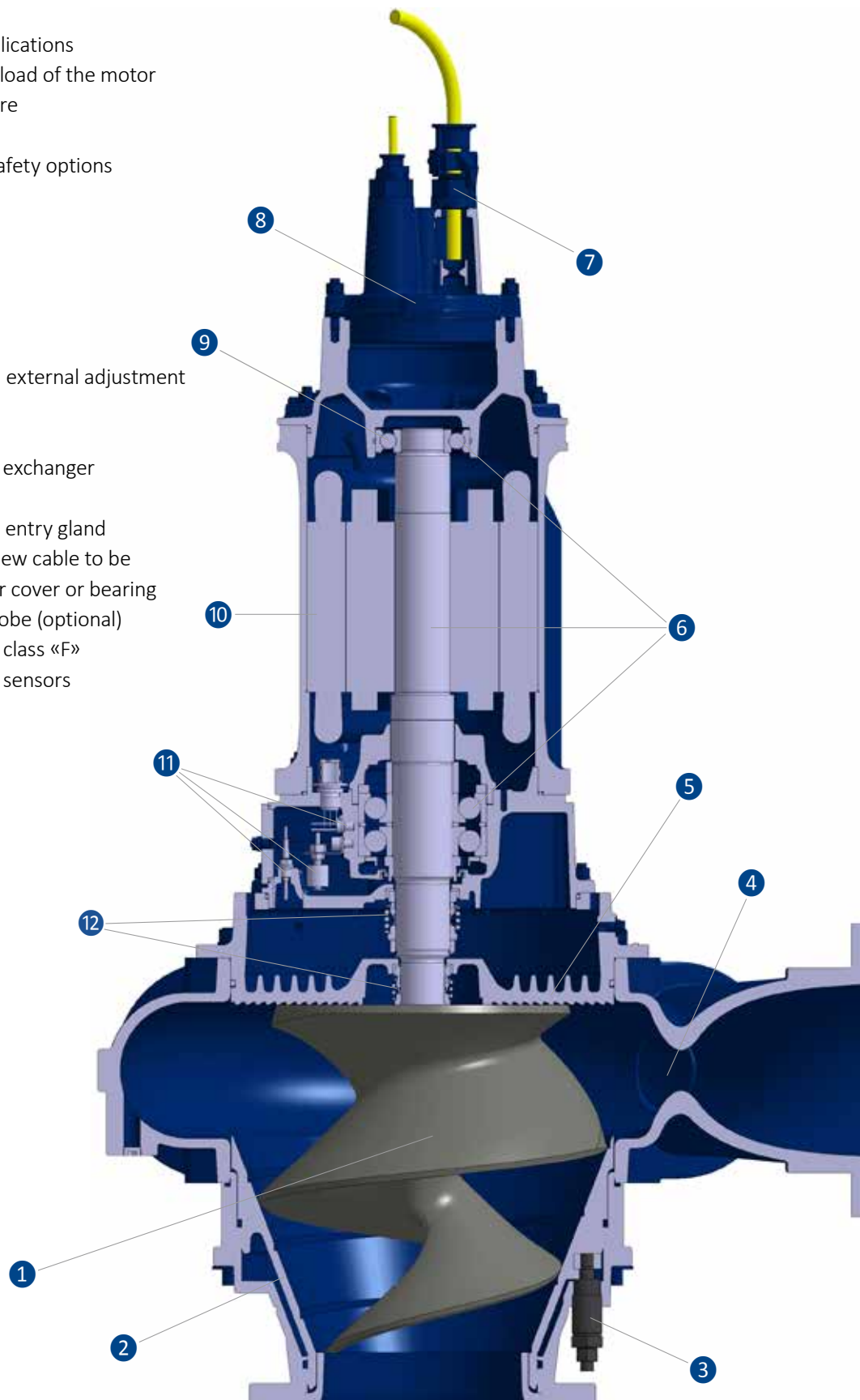
- Discharge Sizes: 50 - 700 mm
- Head: up to 100 m
- Flow: up to 2500 l/s
- Power: 0.55 - 400 kW
- Frequencies: 50 Hz, 60 Hz, VFD
- Materials: Cast Iron, Ductile Iron, Hi-Chrome, Stainless Steel, Duplex



# Product Highlights

- Compact integrated unit
- No exposed rotating shafts or couplings
- Quiet running
- Clog-free hydraulics
- Robust design for demanding applications
- Efficient cooling reduces thermal load of the motor and minimizes surface temperature
- Simple installation and retrieval
- Large variety of monitoring and safety options
- Vertical installation

- 1 Heavy duty impeller
- 2 Replaceable liner with optional external adjustment
- 3 External regulating nuts
- 4 Inspection port
- 5 Finned back cover acts as heat exchanger
- 6 Heavy duty shaft and bearings
- 7 High strength, leak proof cable entry gland
- 8 Separate cable cap permits a new cable to be fitted without disturbing motor cover or bearing
- 9 Upper bearing temperature probe (optional)
- 10 High efficiency dry motor with class «F» insulation with built in thermal sensors
- 11 Various monitoring options
- 12 Tandem mechanical seals



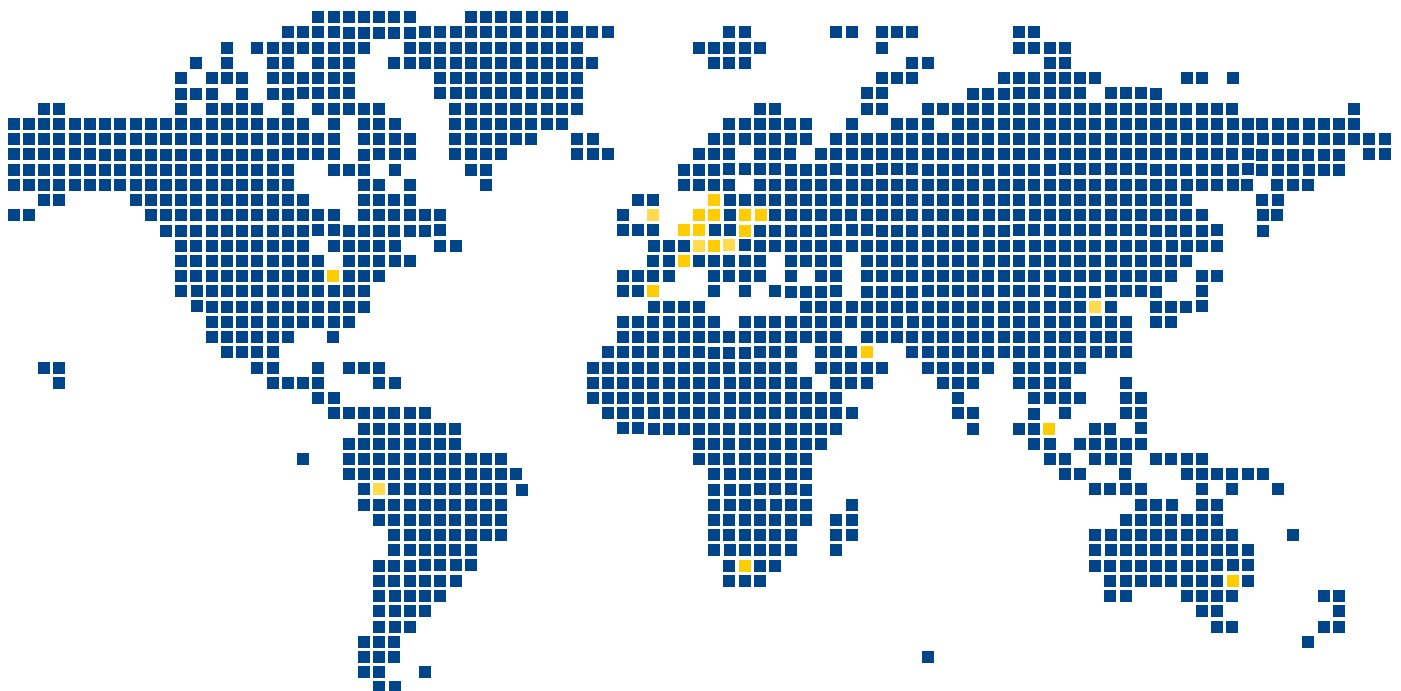
# Hidrostal Pumps

Make a quick and accurate pump selection:  
[www.hidrostal.com/pumpselector.php](http://www.hidrostal.com/pumpselector.php)



Due to their outstanding characteristics, Hidrostal pumps are used in numerous municipal and industrial sectors all around the world. Our pumps are custom-made and are specially tailored to the needs of each location. Our specialists select the suitable material combinations and individually adapt every pump to the local conditions. We ensure with this process that Hidrostal pumps are successful in difficult applications and achieve the best results with respect to performance, energy efficiency and low life-cycle costs.

- clog-free pumping
- high suction capacity
- gentle delivery due to low shear forces
- high efficiency
- stable, steep pump curve
- long service life
- low pulsation
- continuous flow proportional to the speed
- high pressure stability across a wide speed range



[info@hidrostal.com](mailto:info@hidrostal.com)  
[www.hidrostal.com](http://www.hidrostal.com)

