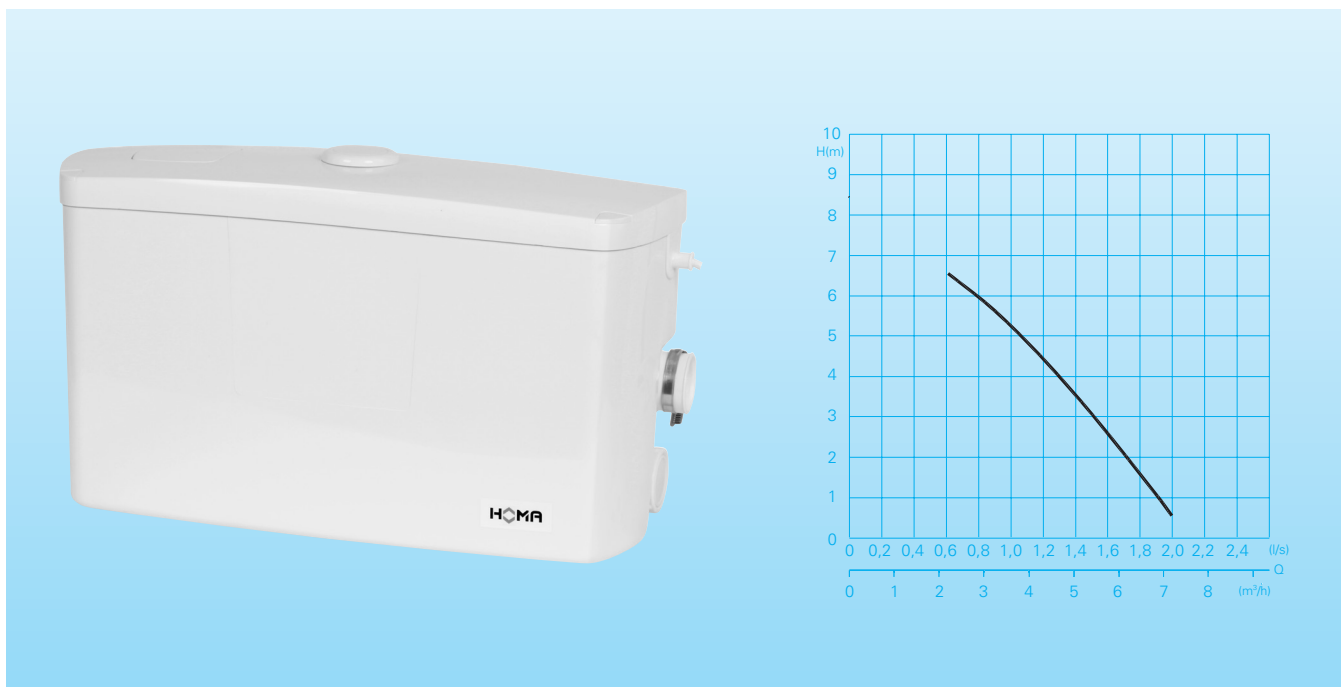


**Compact lifting unit for drainage water with floor mounted collection tank**

**San.iQ one**

**Conveying capacity**



**Application**

Disposal of wastewater from sinks, washing machines, urinals, bidets, showers, bathtubs, dishwashers, sinks, or chemically aggressive water from softening systems (brine up to 15%), condensation from refrigerated counters and air conditioning systems in rooms below the backflow level of the sewer (basement or cellar rooms) or without sufficient slope to the nearest wastewater collection pipe. The San.iQ one is also the ideal solution for subsequent installation of sanitary facilities corresponding DIN EN 12050-2. When a certain water level is reached in the tank, the built-in stainless steel submersible motor pump starts automatically and transports the medium to the next wastewater pipe or sewer. The discharge pipe with 40 mm minimum diameter can be easily installed with minimum construction work. The San.iQ one compact design allows installation directly under the hand basin, where space is at a premium. The new tank design with separate dry area allows easy access in case of service. Optional components such as the potential-free collective fault signal provide additional safety convenience.

**DIN EN 12050-2:** Design tested and monitored.

**Pumped medium:** Domestic drainage water with max. temperature of the pumped medium: 75°C for 5 minutes, chemically aggressive drainage water from households with max. temperature of the pumped medium: 35°C

**Operating mode:** Intermittent operation.

**Design**

Drainage water lifting unit, ready for connection, consisting of:

**Collection tank:** Odour-tight plastic collection tank with separate dry area. Maximum utility volume 11,5 liters. One top inlet DN 40. Two lateral inlets DN 40 with integrated non-return valve, sealing ring. Discharge Ø 40 mm with integrated non-return valve. Air vent with activated carbon filter.

**Pump:** Single-stage stainless steel centrifugal pump with horizontal discharge. Open multi-blade impeller.

**Motor:** Single phase electric motor. Thermal sensor for temperature monitoring in the winding. Insulation class B. Stainless steel motor shaft, prelubricated bearings.

**Shaft seal:** 3 shaft sealing rings.

**Pump Operation Control:** Pneumatic level control with control electronics. Seal monitoring, alarm signal and run-time monitoring.

**Materials**

Collection tank	Plastic (ABS)
Pump housing	Glass fibre reinforced plastic
Impeller	Glass fibre reinforced plastic
Motor housing, motor shaft	highly resistant stainless steel

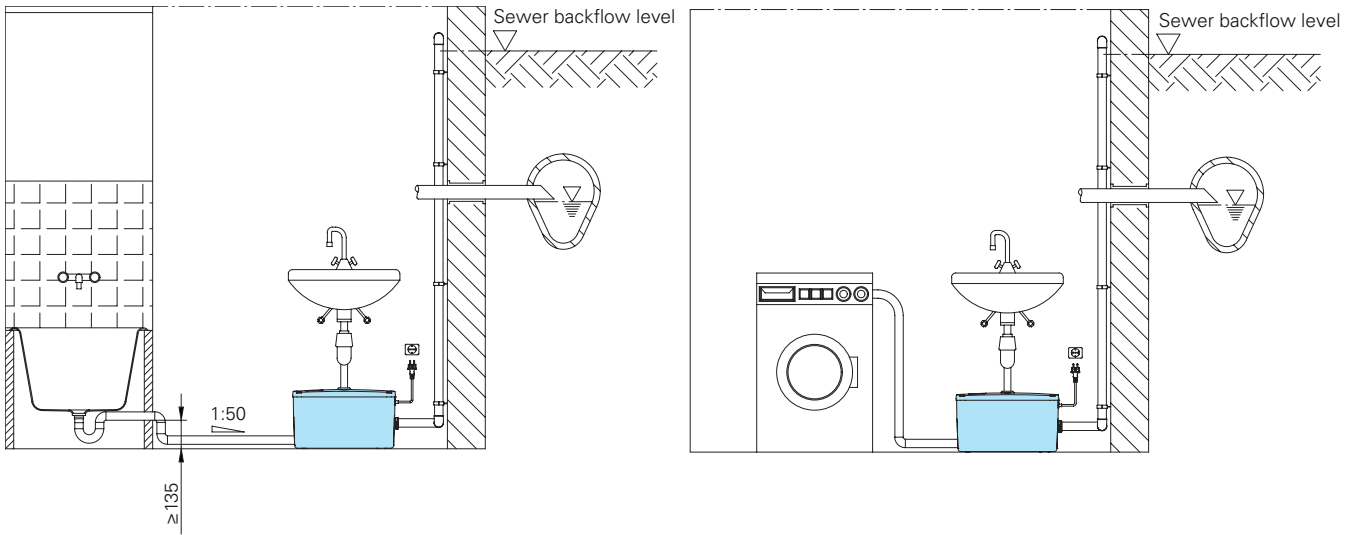
**Technical data**

Motor input P1	650 W
Motor input P2	350W
Voltage	230V/1Ph 50Hz
Rotational speed	2900 rpm
Nominal current	2,8 A
Connecting cable	H 03VV-F3x0,75
Protection rating (complete appliance)	IP 44
Weight	8 kg
Discharge	Ø 40 mm

**Scope of supply**

Tank with pump, flexible connector and connection clamp, 1.4 m of connection cable with mains plug, non-return valves.

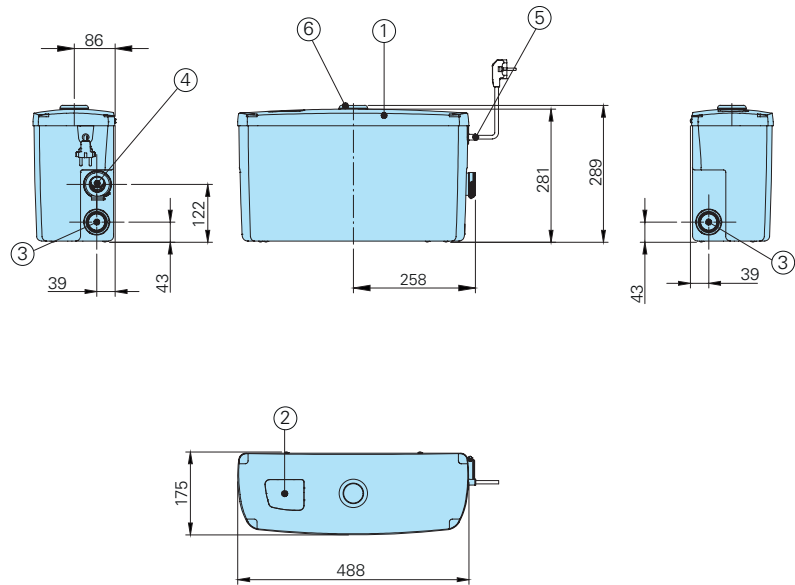
## Installation example



## Accessories

Description	Size	Part no.
Shut-off gate valve, brass	BSP 1" F	2216010
	BSP 1 1/4" F	2216012
	BSP 1 1/2" F	2216015
Bend 90°, galvanized	BSP 1" F/M	2111305
	BSP 1 1/4" F/M	2111405
	BSP 1 1/2" F/M	2111505
Transition screw connection, galvanized	BSP 1" M/F	2114303
	BSP 1 1/4" M/F	2114304
	BSP 1 1/2" M/F	2114305
Potential-free collective fault message		8100372
Alarm device AL3 with water level collecting tank		1586146

## Dimensions (all dimensions in mm)



- ① Tank with cover (screwed)
- ② Air vent with activated carbon filter
- ③ inlet DN40 (ø40)
- ④ Connection for discharge ø40 with integrated non return valve
- ⑤ Cable inlet
- ⑥ Inlet for hand basin DN40 (ø40)



We reserve the right to alter our specifications without notice!