



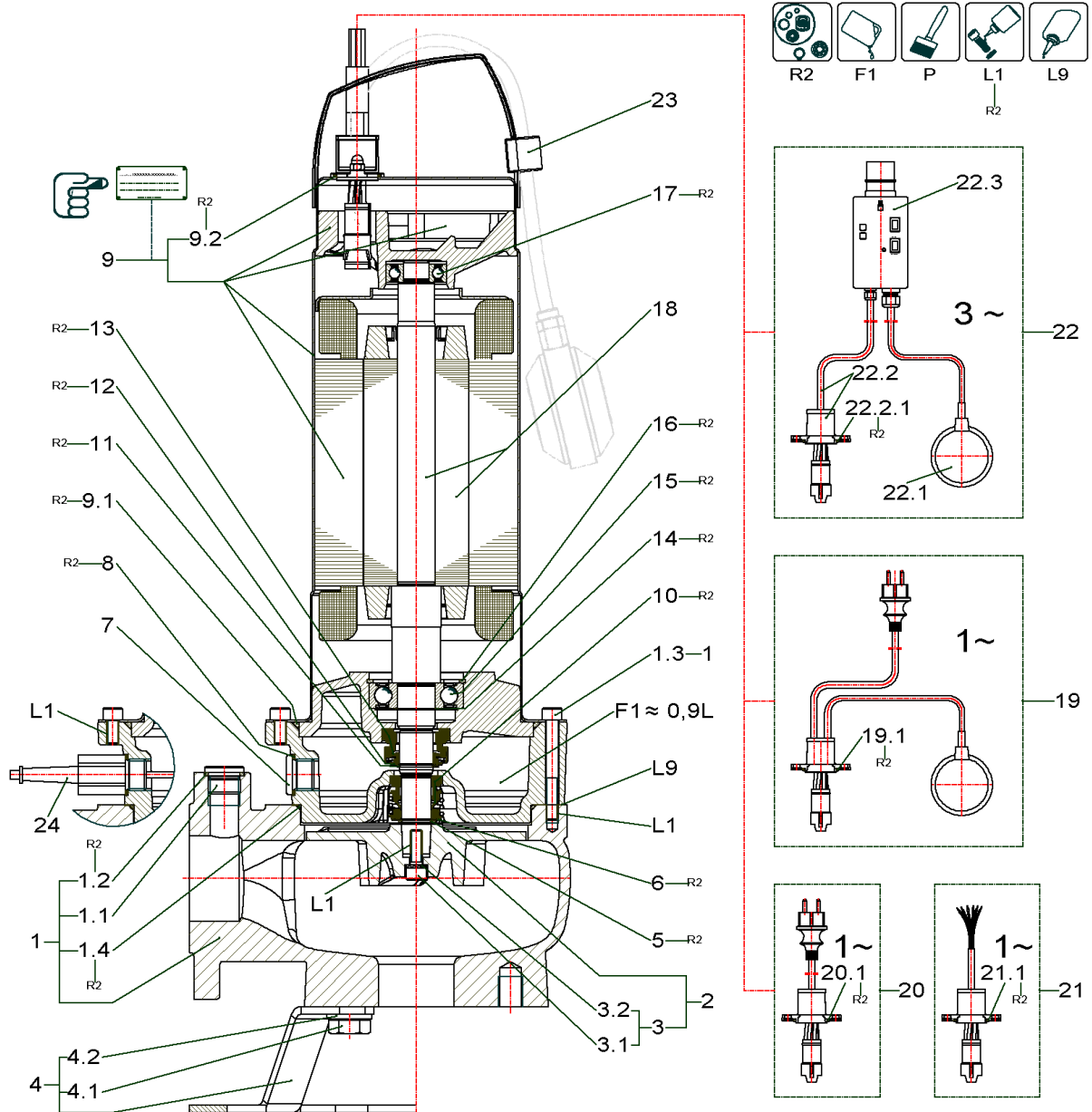
## Rexa FIT Aggregat

Article no.	Description
6064576	FIT V05DA-122/EAD0-2-M0011-523-A
6064578	FIT V05DA-122/EAD0-2-M0011-523-P
6064577	FIT V05DA-122/EAD1-2-T0011-540-A
6064579	FIT V05DA-122/EAD1-2-T0011-540-O
6064580	FIT V05DA-124/EAD0-2-M0011-523-A
6064582	FIT V05DA-124/EAD0-2-M0011-523-P
6064581	FIT V05DA-124/EAD1-2-T0011-540-A
6064583	FIT V05DA-124/EAD1-2-T0011-540-O
6064584	FIT V05DA-126/EAD0-2-M0015-523-A
6064586	FIT V05DA-126/EAD0-2-M0015-523-P
6064585	FIT V05DA-126/EAD1-2-T0015-540-A
6064587	FIT V05DA-126/EAD1-2-T0015-540-O
6064588	FIT V05DA-222/EAD1-2-T0025-540-A
6064589	FIT V05DA-222/EAD1-2-T0025-540-O
6064590	FIT V05DA-224/EAD1-2-T0025-540-A
6064591	FIT V05DA-224/EAD1-2-T0025-540-O
6064592	FIT V05DA-226/EAD1-2-T0039-540-A
6064593	FIT V05DA-226/EAD1-2-T0039-540-O
6064594	FIT V05DA-228/EAD1-2-T0039-540-A
6064595	FIT V05DA-228/EAD1-2-T0039-540-O
6064596	FIT V06DA-212/EAD0-2-M0011-523-A
6064598	FIT V06DA-212/EAD0-2-M0011-523-P
6064597	FIT V06DA-212/EAD1-2-T0011-540-A
6064599	FIT V06DA-212/EAD1-2-T0011-540-O
6064700	FIT V06DA-214/EAD0-2-M0015-523-A
6064702	FIT V06DA-214/EAD0-2-M0015-523-P
6064701	FIT V06DA-214/EAD1-2-T0015-540-A
6064703	FIT V06DA-214/EAD1-2-T0015-540-O
6064704	FIT V06DA-216/EAD1-2-T0025-540-A
6064705	FIT V06DA-216/EAD1-2-T0025-540-O
6064706	FIT V06DA-222/EAD1-2-T0039-540-A
6064707	FIT V06DA-222/EAD1-2-T0039-540-O
6064708	FIT V06DA-224/EAD1-2-T0039-540-A
6064709	FIT V06DA-224/EAD1-2-T0039-540-O

## Rexa FIT Aggregat

Article no.	Description
6064710	FIT V06DA-622/EAD0-4-M0011-523-P
6064711	FIT V06DA-622/EAD1-4-T0011-540-O
6064712	FIT V06DA-623/EAD0-4-M0015-523-P
6064713	FIT V06DA-623/EAD1-4-T0015-540-O
6064714	FIT V06DA-625/EAD0-4-M0015-523-P
6064715	FIT V06DA-625/EAD1-4-T0015-540-O
6064716	FIT V06DA-626/EAD1-4-T0025-540-O
6064717	FIT V06DA-628/EAD1-4-T0025-540-O
6065917	FIT V08DA-422/EAD0-4-M0011-523-A
6065919	FIT V08DA-422/EAD0-4-M0011-523-P
6065918	FIT V08DA-422/EAD1-4-T0011-540-A
6065920	FIT V08DA-422/EAD1-4-T0011-540-O
6065921	FIT V08DA-424/EAD0-4-M0011-523-A
6065923	FIT V08DA-424/EAD0-4-M0011-523-P
6065922	FIT V08DA-424/EAD1-4-T0011-540-A
6065924	FIT V08DA-424/EAD1-4-T0011-540-O
6065925	FIT V08DA-426/EAD0-4-M0015-523-A
6065927	FIT V08DA-426/EAD0-4-M0015-523-P
6065926	FIT V08DA-426/EAD1-4-T0015-540-A
6065928	FIT V08DA-426/EAD1-4-T0015-540-O
6065929	FIT V08DA-428/EAD1-4-T0025-540-O
6065931	FIT V08DA-524/EAD0-4-T0035-540-O
6065932	FIT V08DA-526/EAD0-4-T0035-540-O
6081900	FIT V10DA-422/EAD1-4-T0015-540-O
6081901	FIT V10DA-424/EAD1-4-T0025-540-O
6081902	FIT V10DA-425/EAD1-4-T0025-540-O
6081903	FIT V10DA-426/EAD0-4-T0035-540-O
6081904	FIT V10DA-428/EAD0-4-T0035-540-O
6200779	SUBMERSIBLE SEWAGE PUMP FIT V06.. UNIT
6200778	SUBMERSIBLE SEWAGE PUMP V05.. UNIT
6200922	SUBMERSIBLE SEWAGE PUMP V08.. UNIT

# SUBMERSIBLE SEWAGE PUMP V05.. UNIT (6200778)



**SUBMERSIBLE SEWAGE PUMP V05.. UNIT (6200778)**

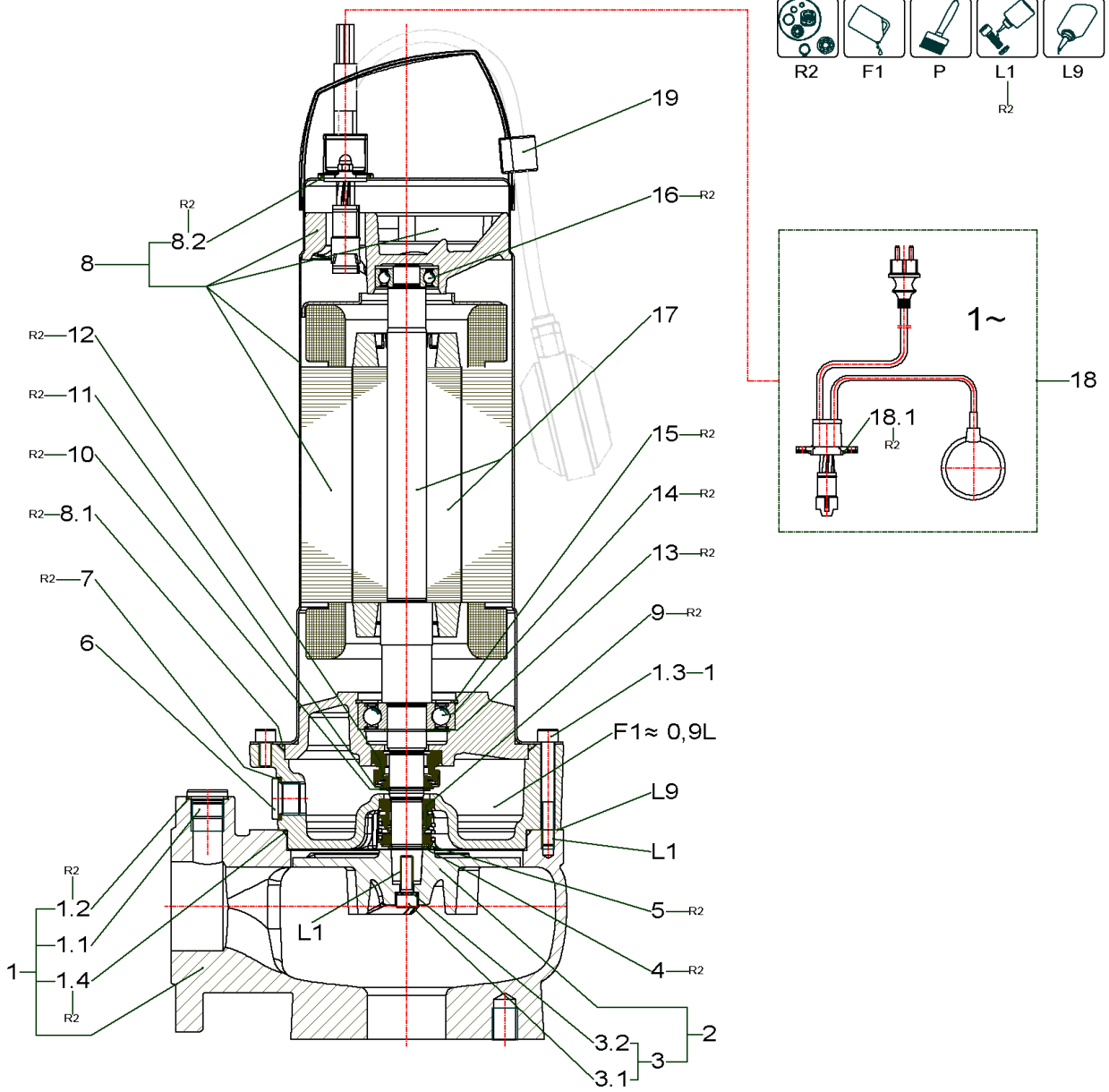
Item	Article no.	Description	Quantity
R2	6065498	Rep.Kit 2 S13.1	1
P	6049684	colour 2K-paint IV80 RAL9011 250ml KIT	1
F1	6025460	medical white oil 1L KIT	1
F1	6025461	medical white oil 5L KIT	1
L1	6080531	Loctite 243 5g flask VP:	1
L9	6080535	Loctite 5203 300ml VP.	1
-----			
1	6065166	pump housing Rexa V05DA-1xx DN50 GG SET	1
1	6065170	pump housing Rexa V05DA-2xx DN50 GG SET	1
1	6065167	pump housing Rexa V05NA-1xx ANSI GG SET	1
1	6065171	pump housing Rexa V05NA-2xx ANSI GG SET	1
1.1		screw plug G1/2 DIN908 A4	1
1.2		joint ring A21/26x1,5 DIN7603 PA(10pc)	1
1.3		screw M8x75 DIN912 A4-70	3
1.4		o-ring ID.150,0x3,0 NBR70	1
2	6065826	impeller Rexa V05xA-122 GG Set SVA	1
2	6065827	impeller Rexa V05xA-124 GG Set SVA	1
2	6065828	impeller Rexa V05xA-126 GG Set SVA	1
2	6065829	impeller Rexa V05xA-222 GG Set SVA	1
2	6065830	impeller Rexa V05xA-224 GG Set SVA	1
2	6067144	impeller Rexa V05xA-225 GG Set SVA	1
2	6065831	impeller Rexa V05xA-226 GG Set SVA	1
2	6065832	impeller Rexa V05xA-228 GG Set SVA	1
3	6067645	impeller fixation 8x25 Geomet KIT	1
3.1		> screw M8x25 DIN912 10.9 Geomet	1
3.2		> screw locking Nord-Lock 13,5/8,7 A4	1
4	6064666	Pump foot DN50/65 KIT	1
4B.1		> screw M16x25 DIN933 A4-70	4
4B.2	6076816	> washer A17 Din125 A4 (20pc)	1
4.1		screw M16x25 DIN933 A4-70	4
4.2		washer A17 Din125 A4 (20pc)	1
5		circlips 20x1,2 DIN471 1.4116	1
6		pressure ring D.32/20,5x1 6050343 A4	1
7	6067638	screw plug G1/2 DIN908 A4 (3pcs)	1

**SUBMERSIBLE SEWAGE PUMP V05.. UNIT (6200778)**

Item	Article no.	Description	Quantity
8	6048832	joint ring A21/26x1,5 DIN7603 PA(10pc)	1
9	6070456	stator-unit S13.1-2/8 1~ KIT	1
9	6070456	stator-unit S13.1-2/8 1~ KIT	1
9	6070454	stator-unit S13.1-2/8 3~ KIT	1
9	6070454	stator-unit S13.1-2/8 3~ KIT	1
9	6070453	stator-unit S13.1-2/10 3~ KIT	1
9	6070452	stator-unit S13.1-2/15 3~ KIT	1
9.1		o-ring ID.150,0x4,0 NBR70	1
9.2		O-RING ID.25X2,2N DIN3771 NBR70	1
10		mechanical shaft seal MG1/20-G60 QPPGG	1
11		CIRCLIPS 22x1,2 DIN471 1.4122	1
12		pressure ring D.34/22,5x1 6050343 A4	1
13		MECHANICAL SEAL BT-AR/22 BXPFF	1
14		circlips 25x1,2 DIN471 FSt	1
15		SRDG BALL BEARING 6305 ZZ	1
16		CIRCLIP 62X2 DIN472 FST	1
17		Rep.Kit 2 P13.1	1
18	6067580	rotor S/P13.1-8/EAD0X2-M VP.	1
18	6067579	rotor S/P13.1-8/EAD1X2-T VP.	1
18	6067577	rotor S/P13.1-10/EAD1X2-T VP.	1
18	6086069	rotor S/P13.1-11/EAD1X2-T VP.	1
18	6067578	rotor P13.1-15/EAD1X2-T VP.	1
-----			
19	6066649	cable 10m H07 3G1/plug/float switch	1
19	6066652	cable 20m H07 3G1/plug/float switch	1
19	6066655	cable 30m H07 3G1/plug/float switch	1
19.1	6067644	O-Ring ID.25X2,2N DIN3771 NBR70 (3pcs)	1
-----			
20	6066650	cable 10m H07 3G1/plug VP.	1
20	6066653	cable 20m H07 3G1/plug	1
20	6066656	cable 30m H07 3G1/plug	1
20.1	6067644	O-Ring ID.25X2,2N DIN3771 NBR70 (3pcs)	1
-----			
21	6066617	cable 10m H07 6G1 VP.	1

**SUBMERSIBLE SEWAGE PUMP V05.. UNIT (6200778)**

Item	Article no.	Description	Quantity
21.1	6067644	O-Ring ID.25X2,2N DIN3771 NBR70 (3pcs)	1
-----			
22	6066658	Cable 10m 6G1/plug 2,-4A/float switch	1
22	6066659	Cable 10m 6G1/plug 4-6A/float switch	1
22.1	6072582	float switch S-PS 10A 250V 10m NO VP	1
22.1	6072583	float switch S-PS 10A 250V 20m NO VP	1
22.1	6035477	float switch S-PS 20m NO+10m Verl.	1
22.1	6043701	float switch S-PS 20m NO+30m Verl.	1
22.2	6066617	cable 10m H07 6G1 VP.	1
22.2	6066618	cable 20m H07 6G1 1,1-5,0kW VP.	1
22.2	6066619	cable 30m H07 6G1 1,1-5,0kW VP.	1
22.2	6066621	cable 20m H07 6G1,5 3,5-3,9kW	1
22.2	6066622	cable 30m H07 6G1,5 3,5-3,9kW VP.	1
22.2	6066623	cable 40m H07 6G1,5 1,1-5,0kW VP.	1
22.2	6066624	cable 50m H07 6G1,5 1,1-5,0kW VP.	1
22.2.1	6067644	O-Ring ID.25X2,2N DIN3771 NBR70 (3pcs)	1
22.3	6072522	MCP 2,4-4,0A-T4-HA-ROT-WSK-CEE16-5PS VP.	1
22.3	6072523	MCP 4,0-6,0A-T4-HA-ROT-WSK-CEE16-5PS VP.	1
22.3	6072524	MCP 6,0-10A-T4-HA-ROT-WSK-CEE16-5PS VP.	1
-----			
23	6067643	cable clip PP-GF30 black VP.	1
24	6042222	pencil electrode G1/2 10m KIT	1
24	6042223	pencil electrode G1/2 20m KIT	1
24	6061070	pencil electrode G1/2 30m KIT	1
24	6061069	Stabelektrode G1/2 40m SET	1
24	6060956	pencil electrode G1/2 55m KIT	1



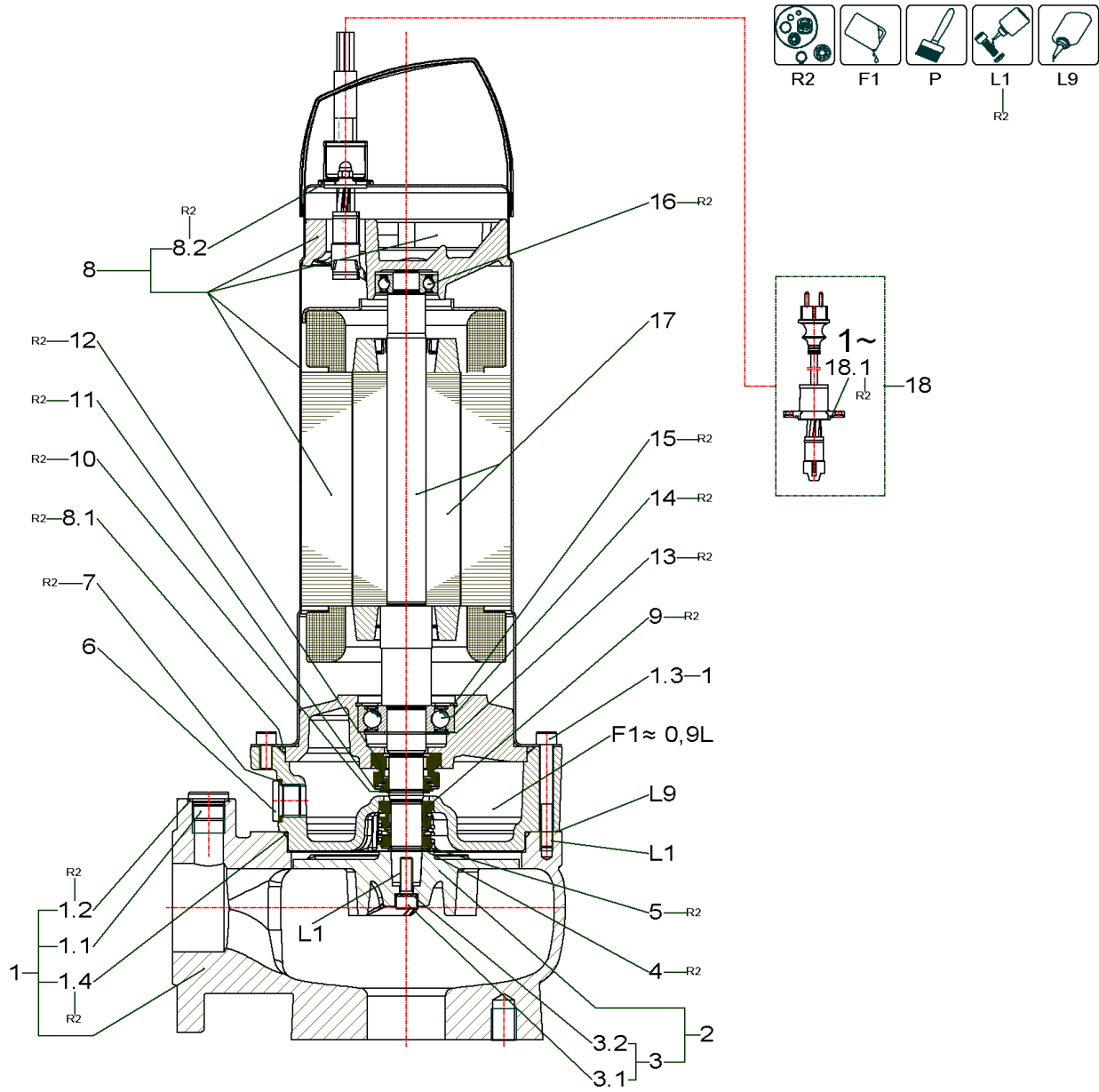


**FIT V05DA-122/EAD0-2-M0011-523-A (6064576)**

Item	Article no.	Description	Quantity
R2	6065498	Rep.Kit 2 S13.1	1
P	6049684	colour 2K-paint IV80 RAL9011 250ml KIT	1
F1	6025460	medical white oil 1L KIT	1
F1	6025461	medical white oil 5L KIT	1
L1	6080531	Loctite 243 5g flask VP:	1
L9	6080535	Loctite 5203 300ml VP.	1
-----			
1	6065166	pump housing Rexa V05DA-1xx DN50 GG SET	1
1.1		screw plug G1/2 DIN908 A4	1
1.2		joint ring A21/26x1,5 DIN7603 PA(10pc)	1
1.3		screw M8x75 DIN912 A4-70	3
1.4		o-ring ID.150,0x3,0 NBR70	1
2	6065826	impeller Rexa V05xA-122 GG Set SVA	1
3	6067645	impeller fixation 8x25 Geomet KIT	1
3.1		> screw M8x25 DIN912 10.9 Geomet	1
3.2		> screw locking Nord-Lock 13,5/8,7 A4	1
3.1		screw M8x25 DIN912 10.9 Geomet	1
3.2		screw locking Nord-Lock 13,5/8,7 A4	1
4		circlips 20x1,2 DIN471 1.4116	1
5		pressure ring D.32/20,5x1 6050343 A4	1
6	6067638	screw plug G1/2 DIN908 A4 (3pcs)	1
7	6048832	joint ring A21/26x1,5 DIN7603 PA(10pc)	1
8	6070456	stator-unit S13.1-2/8 1~ KIT	1
8.1		o-ring ID.150,0x4,0 NBR70	1
8.2		O-RING ID.25X2,2N DIN3771 NBR70	1
9		mechanical shaft seal MG1/20-G60 QPQGG	1
10		CIRCLIPS 22x1,2 DIN471 1.4122	1
11		pressure ring D.34/22,5x1 6050343 A4	1
12		MECHANICAL SEAL BT-AR/22 BXPFF	1
13		circlips 25x1,2 DIN471 FSt	1
14		SRDG BALL BEARING 6305 ZZ	1
15		CIRCLIP 62X2 DIN472 FST	1
16		Rep.Kit 2 P13.1	1
17	6067580	rotor S/P13.1-8/EAD0X2-M VP.	1

**FIT V05DA-122/EAD0-2-M0011-523-A (6064576)**

<b>Item</b>	<b>Article no.</b>	<b>Description</b>	<b>Quantity</b>
18	6066649	cable 10m H07 3G1/plug/float switch	1
18.1	6067644	O-Ring ID.25X2,2N DIN3771 NBR70 (3pcs)	1
19	6067643	cable clip PP-GF30 black VP.	1

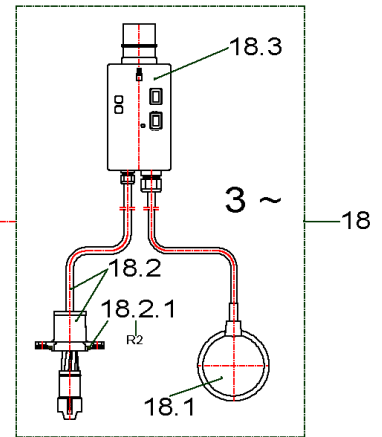
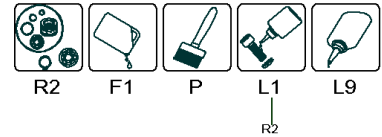
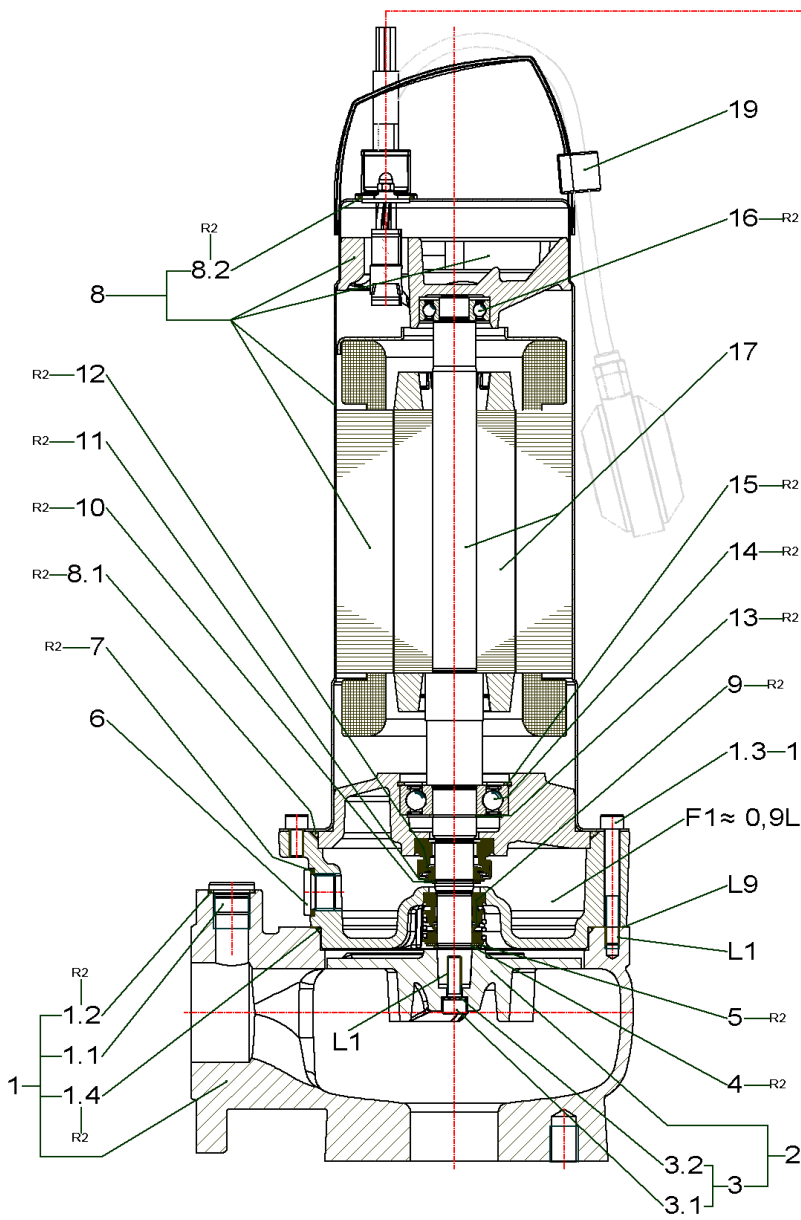


**FIT V05DA-122/EAD0-2-M0011-523-P (6064578)**

Item	Article no.	Description	Quantity
R2	6065498	Rep.Kit 2 S13.1	1
P	6049684	colour 2K-paint IV80 RAL9011 250ml KIT	1
F1	6025460	medical white oil 1L KIT	1
F1	6025461	medical white oil 5L KIT	1
L1	6080531	Loctite 243 5g flask VP:	1
L9	6080535	Loctite 5203 300ml VP.	1
-----			
1	6065166	pump housing Rexa V05DA-1xx DN50 GG SET	1
1.1	6002427	screw plug G1/2 DIN908 A4	1
1.2	6048832	joint ring A21/26x1,5 DIN7603 PA(10pc)	1
1.3		screw M8x75 DIN912 A4-70	3
1.4		o-ring ID.150,0x3,0 NBR70	1
2	6065826	impeller Rexa V05xA-122 GG Set SVA	1
3	6067645	impeller fixation 8x25 Geomet KIT	1
3.1		> screw M8x25 DIN912 10.9 Geomet	1
3.2		> screw locking Nord-Lock 13,5/8,7 A4	1
3.1		screw M8x25 DIN912 10.9 Geomet	1
3.2		screw locking Nord-Lock 13,5/8,7 A4	1
4		circlips 20x1,2 DIN471 1.4116	1
5		pressure ring D.32/20,5x1 6050343 A4	1
6	6067638	screw plug G1/2 DIN908 A4 (3pcs)	1
7	6048832	joint ring A21/26x1,5 DIN7603 PA(10pc)	1
8	6070456	stator-unit S13.1-2/8 1~ KIT	1
8.1		o-ring ID.150,0x4,0 NBR70	1
8.2		O-RING ID.25X2,2N DIN3771 NBR70	1
9		mechanical shaft seal MG1/20-G60 QPFGG	1
10		CIRCLIPS 22x1,2 DIN471 1.4122	1
11		pressure ring D.34/22,5x1 6050343 A4	1
12		MECHANICAL SEAL BT-AR/22 BXPFF	1
13		circlips 25x1,2 DIN471 FSt	1
14		SRDG BALL BEARING 6305 ZZ	1
15		CIRCLIP 62X2 DIN472 FST	1
16		Rep.Kit 2 P13.1	1
17	6067580	rotor S/P13.1-8/EAD0X2-M VP.	1

**FIT V05DA-122/EAD0-2-M0011-523-P (6064578)**

<b>Item</b>	<b>Article no.</b>	<b>Description</b>	<b>Quantity</b>
18	6066650	cable 10m H07 3G1/plug VP.	1
18.1	6067644	O-Ring ID.25X2,2N DIN3771 NBR70 (3pcs)	1



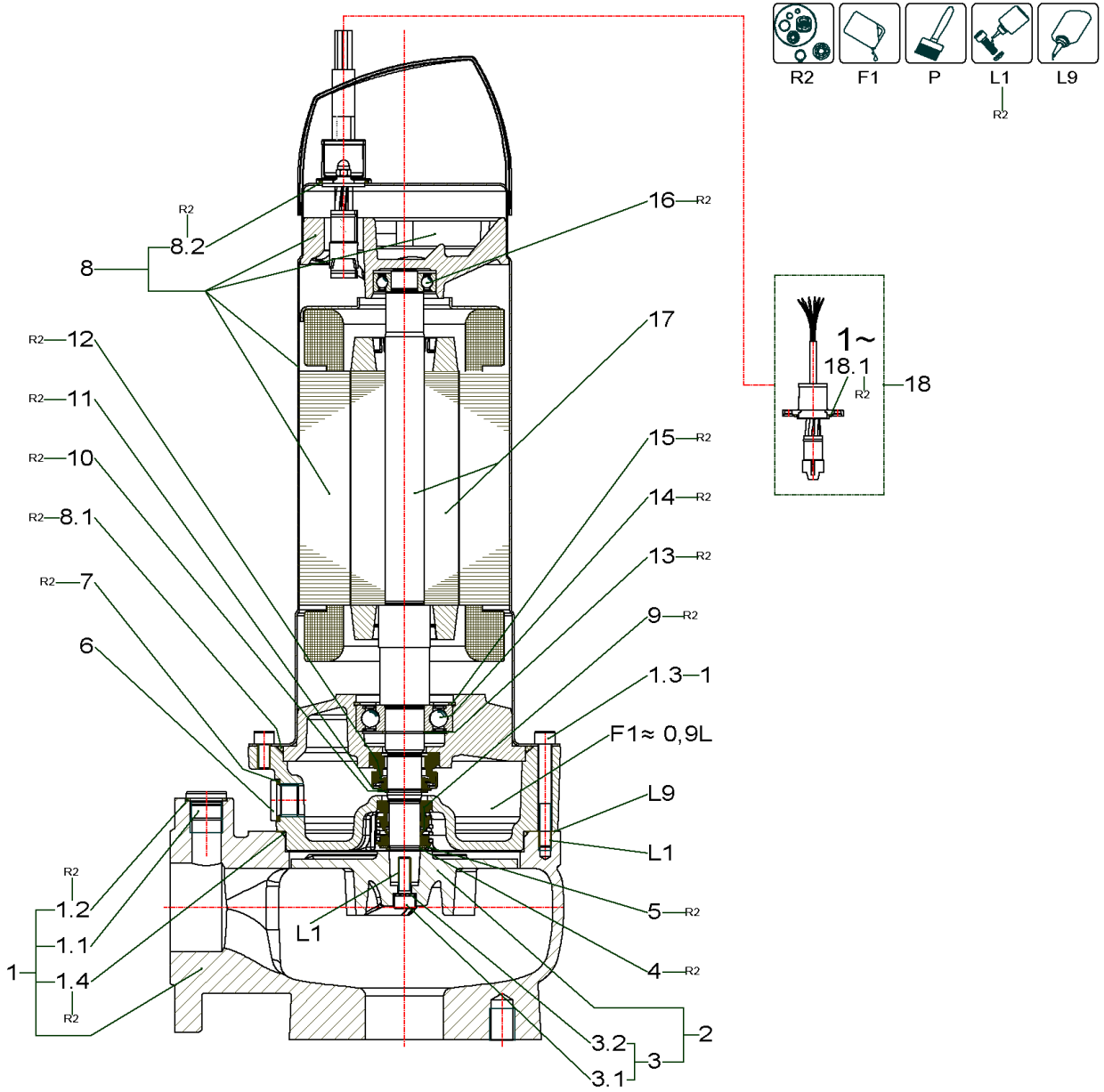
**FIT V05DA-122/EAD1-2-T0011-540-A (6064577)**

Item	Article no.	Description	Quantity
R2	6065498	Rep.Kit 2 S13.1	1
P	6049684	colour 2K-paint IV80 RAL9011 250ml KIT	1
F1	6025460	medical white oil 1L KIT	1
F1	6025461	medical white oil 5L KIT	1
L1	6080531	Loctite 243 5g flask VP:	1
L9	6080535	Loctite 5203 300ml VP.	1
-----			
1	6065166	pump housing Rexa V05DA-1xx DN50 GG SET	1
1.1	6002427	screw plug G1/2 DIN908 A4	1
1.2	6048832	joint ring A21/26x1,5 DIN7603 PA(10pc)	1
1.3		screw M8x75 DIN912 A4-70	3
1.4		o-ring ID.150,0x3,0 NBR70	1
2	6065826	impeller Rexa V05xA-122 GG Set SVA	1
3	6067645	impeller fixation 8x25 Geomet KIT	1
3.1		> screw M8x25 DIN912 10.9 Geomet	1
3.2		> screw locking Nord-Lock 13,5/8,7 A4	1
3.1		screw M8x25 DIN912 10.9 Geomet	1
3.2		screw locking Nord-Lock 13,5/8,7 A4	1
4		circlips 20x1,2 DIN471 1.4116	1
5		pressure ring D.32/20,5x1 6050343 A4	1
6	6067638	screw plug G1/2 DIN908 A4 (3pcs)	1
7	6048832	joint ring A21/26x1,5 DIN7603 PA(10pc)	1
8	6070454	stator-unit S13.1-2/8 3~ KIT	1
8.1		o-ring ID.150,0x4,0 NBR70	1
8.2		O-RING ID.25X2,2N DIN3771 NBR70	1
9		mechanical shaft seal MG1/20-G60 QPQGG	1
10		CIRCLIPS 22x1,2 DIN471 1.4122	1
11		pressure ring D.34/22,5x1 6050343 A4	1
12		MECHANICAL SEAL BT-AR/22 BXPFF	1
13		circlips 25x1,2 DIN471 FSt	1
14		SRDG BALL BEARING 6305 ZZ	1
15		CIRCLIP 62X2 DIN472 FST	1
16		Rep.Kit 2 P13.1	1
17	6067579	rotor S/P13.1-8/EAD1X2-T VP.	1

**FIT V05DA-122/EAD1-2-T0011-540-A (6064577)**

<b>Item</b>	<b>Article no.</b>	<b>Description</b>	<b>Quantity</b>
18	6066658	Cable 10m 6G1/plug 2,-4A/float switch	1
18.1	6072582	float switch S-PS 10A 250V 10m NO VP	1
18.2	6066617	cable 10m H07 6G1 VP.	1
18.2.1	6067644	O-Ring ID.25X2,2N DIN3771 NBR70 (3pcs)	1
18.3	6072522	MCP 2,4-4,0A-T4-HA-ROT-WSK-CEE16-5PS VP.	1
19	6067643	cable clip PP-GF30 black VP.	1

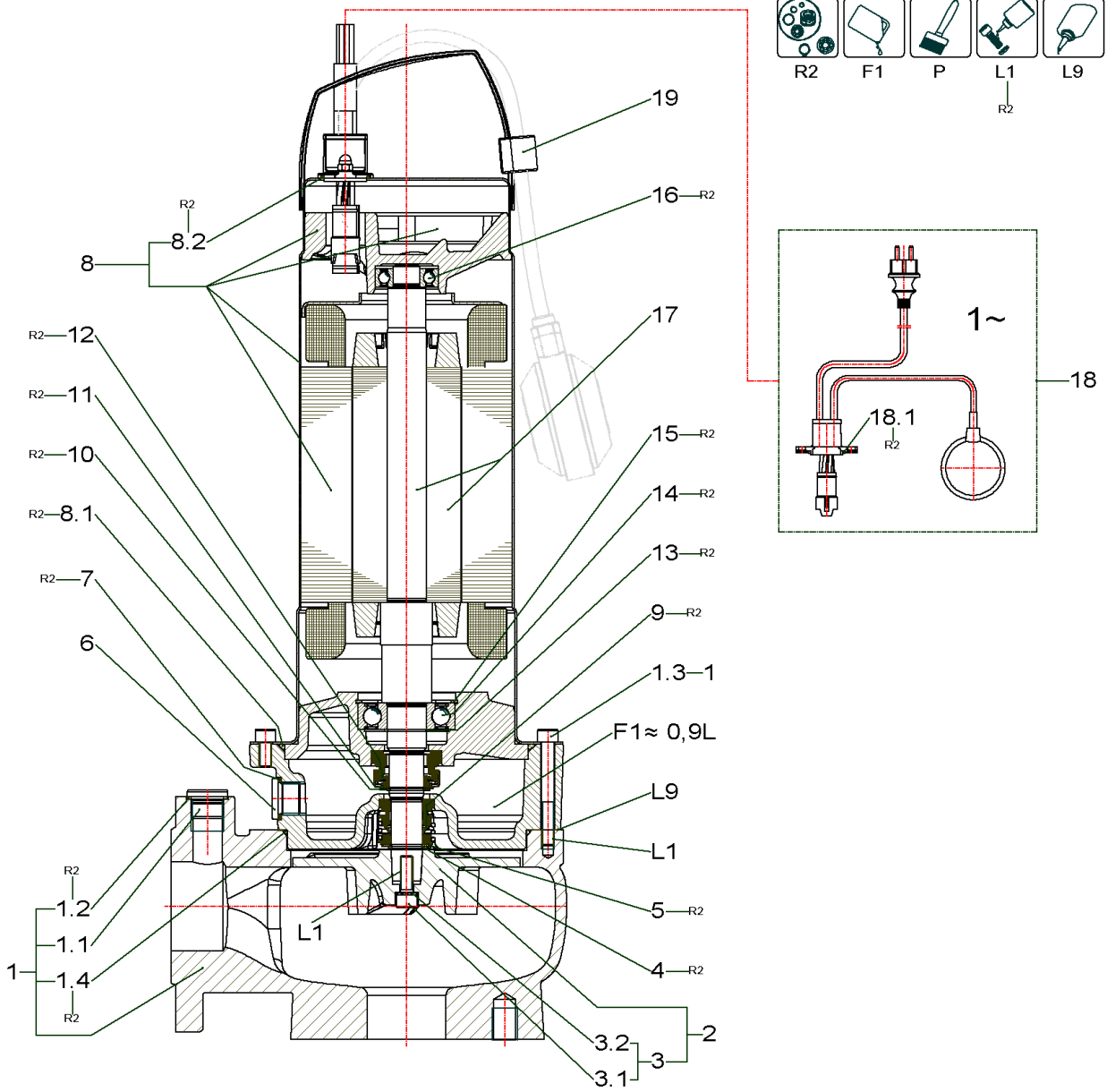




**FIT V05DA-122/EAD1-2-T0011-540-O (6064579)**

Item	Article no.	Description	Quantity
R2	6065498	Rep.Kit 2 S13.1	1
P	6049684	colour 2K-paint IV80 RAL9011 250ml KIT	1
F1	6025460	medical white oil 1L KIT	1
F1	6025461	medical white oil 5L KIT	1
L1	6080531	Loctite 243 5g flask VP:	1
L9	6080535	Loctite 5203 300ml VP.	1
-----			
1	6065166	pump housing Rexa V05DA-1xx DN50 GG SET	1
1.1	6002427	screw plug G1/2 DIN908 A4	1
1.2	6048832	joint ring A21/26x1,5 DIN7603 PA(10pc)	1
1.3		screw M8x75 DIN912 A4-70	3
1.4		o-ring ID.150,0x3,0 NBR70	1
2	6065826	impeller Rexa V05xA-122 GG Set SVA	1
3	6067645	impeller fixation 8x25 Geomet KIT	1
3.1		> screw M8x25 DIN912 10.9 Geomet	1
3.2		> screw locking Nord-Lock 13,5/8,7 A4	1
3.1		screw M8x25 DIN912 10.9 Geomet	1
3.2		screw locking Nord-Lock 13,5/8,7 A4	1
4		circlips 20x1,2 DIN471 1.4116	1
5		pressure ring D.32/20,5x1 6050343 A4	1
6	6067638	screw plug G1/2 DIN908 A4 (3pcs)	1
7	6048832	joint ring A21/26x1,5 DIN7603 PA(10pc)	1
8	6070454	stator-unit S13.1-2/8 3~ KIT	1
8.1		o-ring ID.150,0x4,0 NBR70	1
8.2		O-RING ID.25X2,2N DIN3771 NBR70	1
9		mechanical shaft seal MG1/20-G60 QPFGG	1
10		CIRCLIPS 22x1,2 DIN471 1.4122	1
11		pressure ring D.34/22,5x1 6050343 A4	1
12		MECHANICAL SEAL BT-AR/22 BXPFF	1
13		circlips 25x1,2 DIN471 FSt	1
14		SRDG BALL BEARING 6305 ZZ	1
15		CIRCLIP 62X2 DIN472 FST	1
16		Rep.Kit 2 P13.1	1
17	6067579	rotor S/P13.1-8/EAD1X2-T VP.	1

<b>Item</b>	<b>Article no.</b>	<b>Description</b>	<b>Quantity</b>
18	6066617	cable 10m H07 6G1 VP.	1
18.1	6067644	O-Ring ID.25X2,2N DIN3771 NBR70 (3pcs)	1

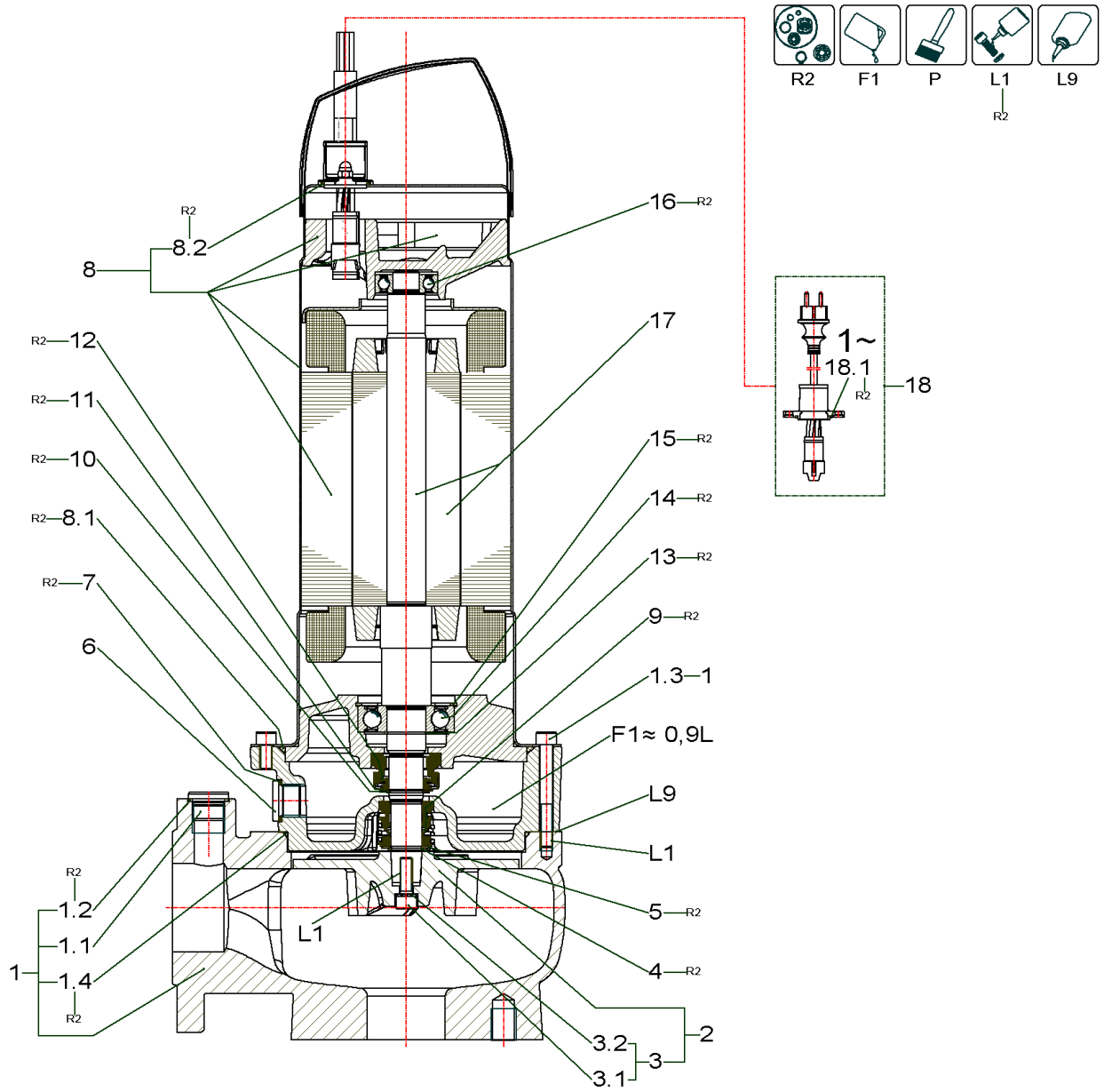


**FIT V05DA-124/EAD0-2-M0011-523-A (6064580)**

Item	Article no.	Description	Quantity
R2	6065498	Rep.Kit 2 S13.1	1
P	6049684	colour 2K-paint IV80 RAL9011 250ml KIT	1
F1	6025460	medical white oil 1L KIT	1
F1	6025461	medical white oil 5L KIT	1
L1	6080531	Loctite 243 5g flask VP:	1
L9	6080535	Loctite 5203 300ml VP.	1
-----			
1	6065166	pump housing Rexa V05DA-1xx DN50 GG SET	1
1.1	6002427	screw plug G1/2 DIN908 A4	1
1.2	6048832	joint ring A21/26x1,5 DIN7603 PA(10pc)	1
1.3		screw M8x75 DIN912 A4-70	3
1.4		o-ring ID.150,0x3,0 NBR70	1
2	6065827	impeller Rexa V05xA-124 GG Set SVA	1
3	6067645	impeller fixation 8x25 Geomet KIT	1
3.1		> screw M8x25 DIN912 10.9 Geomet	1
3.2		> screw locking Nord-Lock 13,5/8,7 A4	1
3.1		screw M8x25 DIN912 10.9 Geomet	1
3.2		screw locking Nord-Lock 13,5/8,7 A4	1
4		circlips 20x1,2 DIN471 1.4116	1
5		pressure ring D.32/20,5x1 6050343 A4	1
6	6067638	screw plug G1/2 DIN908 A4 (3pcs)	1
7	6048832	joint ring A21/26x1,5 DIN7603 PA(10pc)	1
8	6070456	stator-unit S13.1-2/8 1~ KIT	1
8.1		o-ring ID.150,0x4,0 NBR70	1
8.2		O-RING ID.25X2,2N DIN3771 NBR70	1
9		mechanical shaft seal MG1/20-G60 QPQGG	1
10		CIRCLIPS 22x1,2 DIN471 1.4122	1
11		pressure ring D.34/22,5x1 6050343 A4	1
12		MECHANICAL SEAL BT-AR/22 BXPFF	1
13		circlips 25x1,2 DIN471 FSt	1
14		SRDG BALL BEARING 6305 ZZ	1
15		CIRCLIP 62X2 DIN472 FST	1
16		Rep.Kit 2 P13.1	1
17	6067580	rotor S/P13.1-8/EAD0X2-M VP.	1

**FIT V05DA-124/EAD0-2-M0011-523-A (6064580)**

<b>Item</b>	<b>Article no.</b>	<b>Description</b>	<b>Quantity</b>
18	6066649	cable 10m H07 3G1/plug/float switch	1
18.1	6067644	O-Ring ID.25X2,2N DIN3771 NBR70 (3pcs)	1
19	6067643	cable clip PP-GF30 black VP.	1



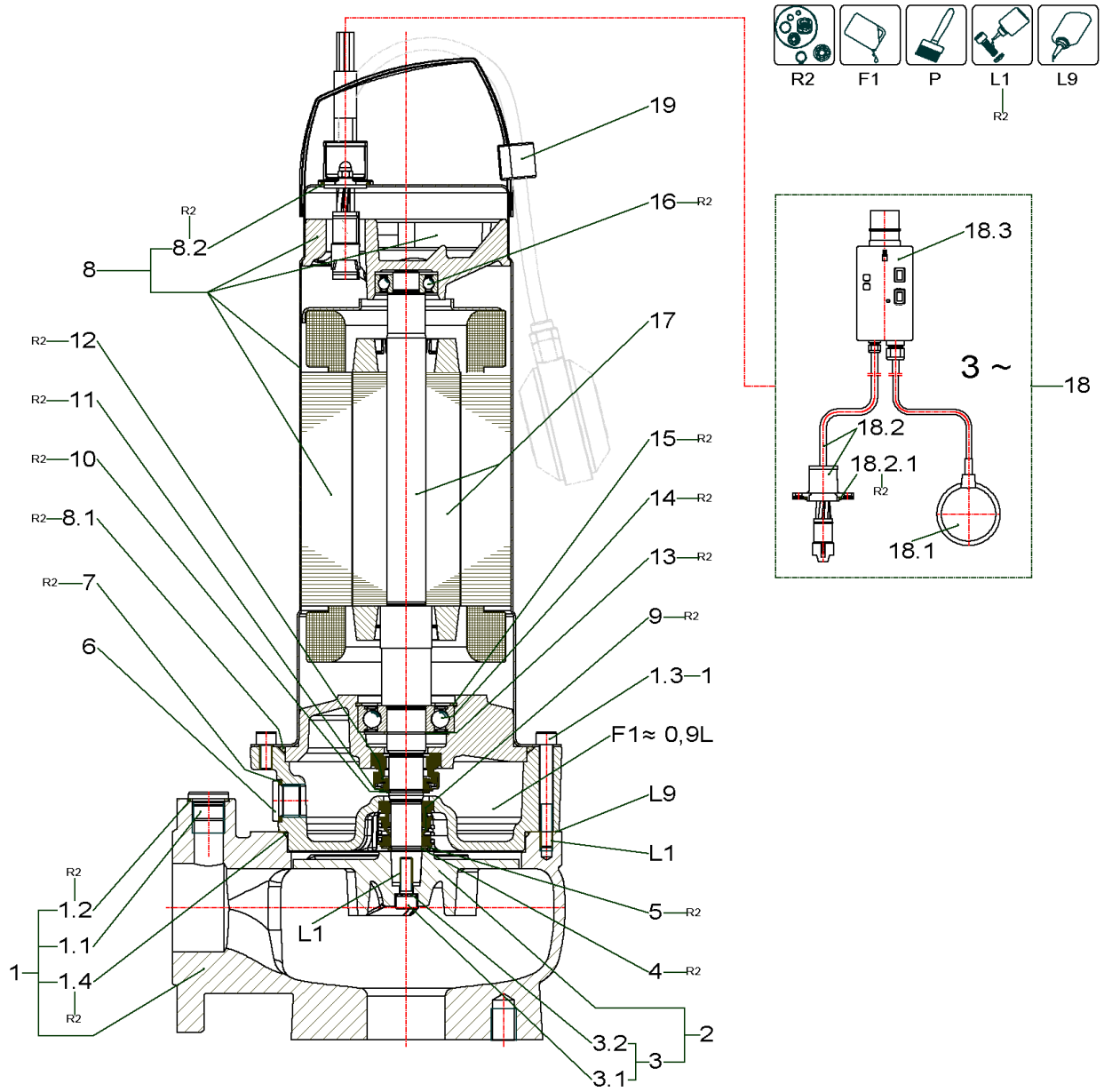
**FIT V05DA-124/EAD0-2-M0011-523-P (6064582)**

Item	Article no.	Description	Quantity
R2	6065498	Rep.Kit 2 S13.1	1
P	6049684	colour 2K-paint IV80 RAL9011 250ml KIT	1
F1	6025460	medical white oil 1L KIT	1
F1	6025461	medical white oil 5L KIT	1
L1	6080531	Loctite 243 5g flask VP:	1
L9	6080535	Loctite 5203 300ml VP.	1
-----			
1	6065166	pump housing Rexa V05DA-1xx DN50 GG SET	1
1.1	6002427	screw plug G1/2 DIN908 A4	1
1.2	6048832	joint ring A21/26x1,5 DIN7603 PA(10pc)	1
1.3		screw M8x75 DIN912 A4-70	3
1.4		o-ring ID.150,0x3,0 NBR70	1
2	6065827	impeller Rexa V05xA-124 GG Set SVA	1
3	6067645	impeller fixation 8x25 Geomet KIT	1
3.1		> screw M8x25 DIN912 10.9 Geomet	1
3.2		> screw locking Nord-Lock 13,5/8,7 A4	1
3.1		screw M8x25 DIN912 10.9 Geomet	1
3.2		screw locking Nord-Lock 13,5/8,7 A4	1
4		circlips 20x1,2 DIN471 1.4116	1
5		pressure ring D.32/20,5x1 6050343 A4	1
6	6067638	screw plug G1/2 DIN908 A4 (3pcs)	1
7	6048832	joint ring A21/26x1,5 DIN7603 PA(10pc)	1
8	6070456	stator-unit S13.1-2/8 1~ KIT	1
8.1		o-ring ID.150,0x4,0 NBR70	1
8.2		O-RING ID.25X2,2N DIN3771 NBR70	1
9		mechanical shaft seal MG1/20-G60 QPQGG	1
10		CIRCLIPS 22x1,2 DIN471 1.4122	1
11		pressure ring D.34/22,5x1 6050343 A4	1
12		MECHANICAL SEAL BT-AR/22 BXPFF	1
13		circlips 25x1,2 DIN471 FSt	1
14		SRDG BALL BEARING 6305 ZZ	1
15		CIRCLIP 62X2 DIN472 FST	1
16		Rep.Kit 2 P13.1	1
17	6067580	rotor S/P13.1-8/EAD0X2-M VP.	1



**FIT V05DA-124/EAD0-2-M0011-523-P (6064582)**

<b>Item</b>	<b>Article no.</b>	<b>Description</b>	<b>Quantity</b>
18	6066650	cable 10m H07 3G1/plug VP.	1
18.1	6067644	O-Ring ID.25X2,2N DIN3771 NBR70 (3pcs)	1

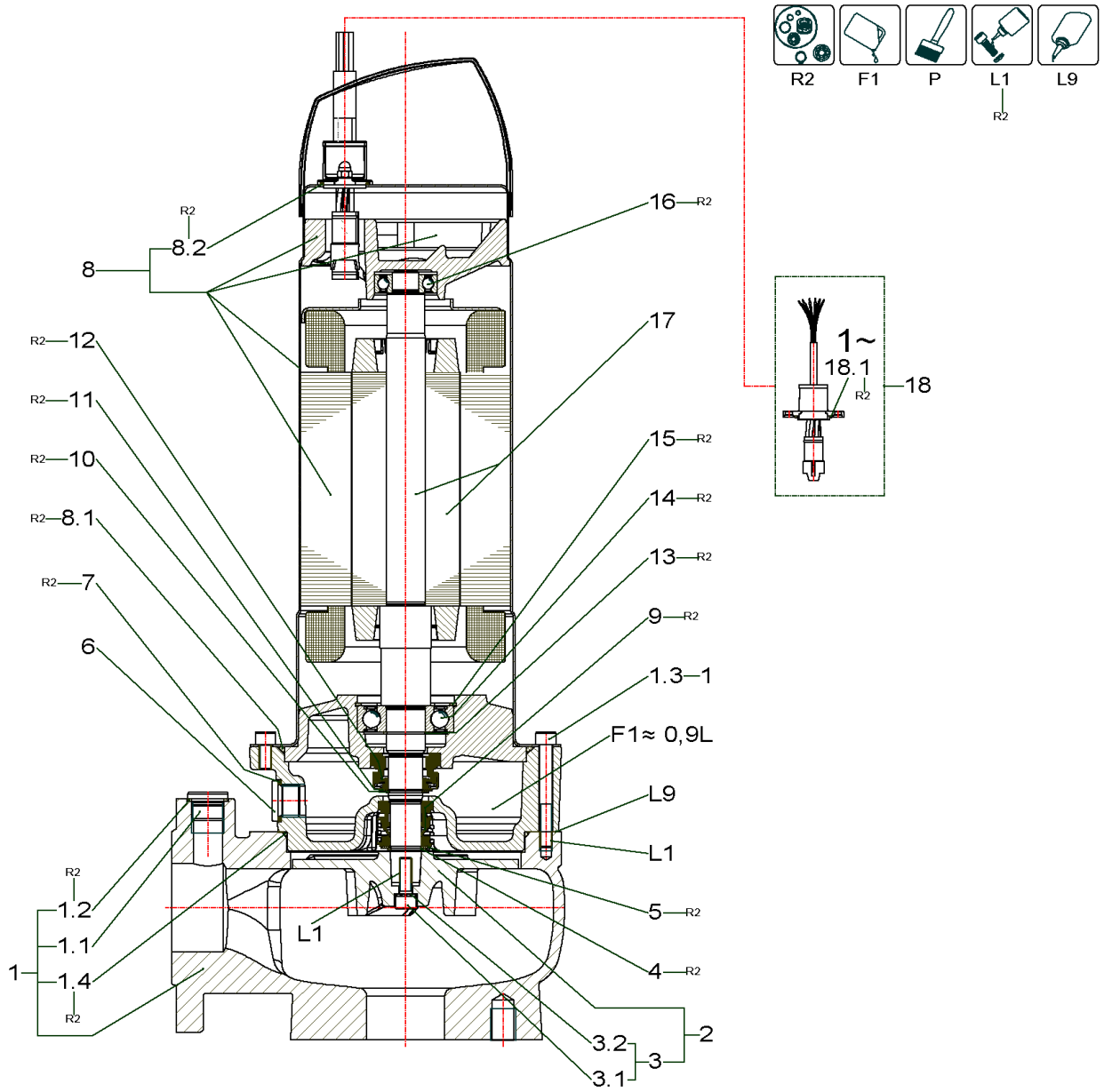


**FIT V05DA-124/EAD1-2-T0011-540-A (6064581)**

Item	Article no.	Description	Quantity
R2	6065498	Rep.Kit 2 S13.1	1
P	6049684	colour 2K-paint IV80 RAL9011 250ml KIT	1
F1	6025460	medical white oil 1L KIT	1
F1	6025461	medical white oil 5L KIT	1
L1	6080531	Loctite 243 5g flask VP:	1
L9	6080535	Loctite 5203 300ml VP.	1
-----			
1	6065166	pump housing Rexa V05DA-1xx DN50 GG SET	1
1.1	6002427	screw plug G1/2 DIN908 A4	1
1.2	6048832	joint ring A21/26x1,5 DIN7603 PA(10pc)	1
1.3		screw M8x75 DIN912 A4-70	3
1.4		o-ring ID.150,0x3,0 NBR70	1
2	6065827	impeller Rexa V05xA-124 GG Set SVA	1
3	6067645	impeller fixation 8x25 Geomet KIT	1
3.1		> screw M8x25 DIN912 10.9 Geomet	1
3.2		> screw locking Nord-Lock 13,5/8,7 A4	1
3.1		screw M8x25 DIN912 10.9 Geomet	1
3.2		screw locking Nord-Lock 13,5/8,7 A4	1
4		circlips 20x1,2 DIN471 1.4116	1
5		pressure ring D.32/20,5x1 6050343 A4	1
6	6067638	screw plug G1/2 DIN908 A4 (3pcs)	1
7	6048832	joint ring A21/26x1,5 DIN7603 PA(10pc)	1
8	6070454	stator-unit S13.1-2/8 3~ KIT	1
8.1		o-ring ID.150,0x4,0 NBR70	1
8.2		O-RING ID.25X2,2N DIN3771 NBR70	1
9		mechanical shaft seal MG1/20-G60 QPQGG	1
10		CIRCLIPS 22x1,2 DIN471 1.4122	1
11		pressure ring D.34/22,5x1 6050343 A4	1
12		MECHANICAL SEAL BT-AR/22 BXPFF	1
13		circlips 25x1,2 DIN471 FSt	1
14		SRDG BALL BEARING 6305 ZZ	1
15		CIRCLIP 62X2 DIN472 FST	1
16		Rep.Kit 2 P13.1	1
17	6067579	rotor S/P13.1-8/EAD1X2-T VP.	1

**FIT V05DA-124/EAD1-2-T0011-540-A (6064581)**

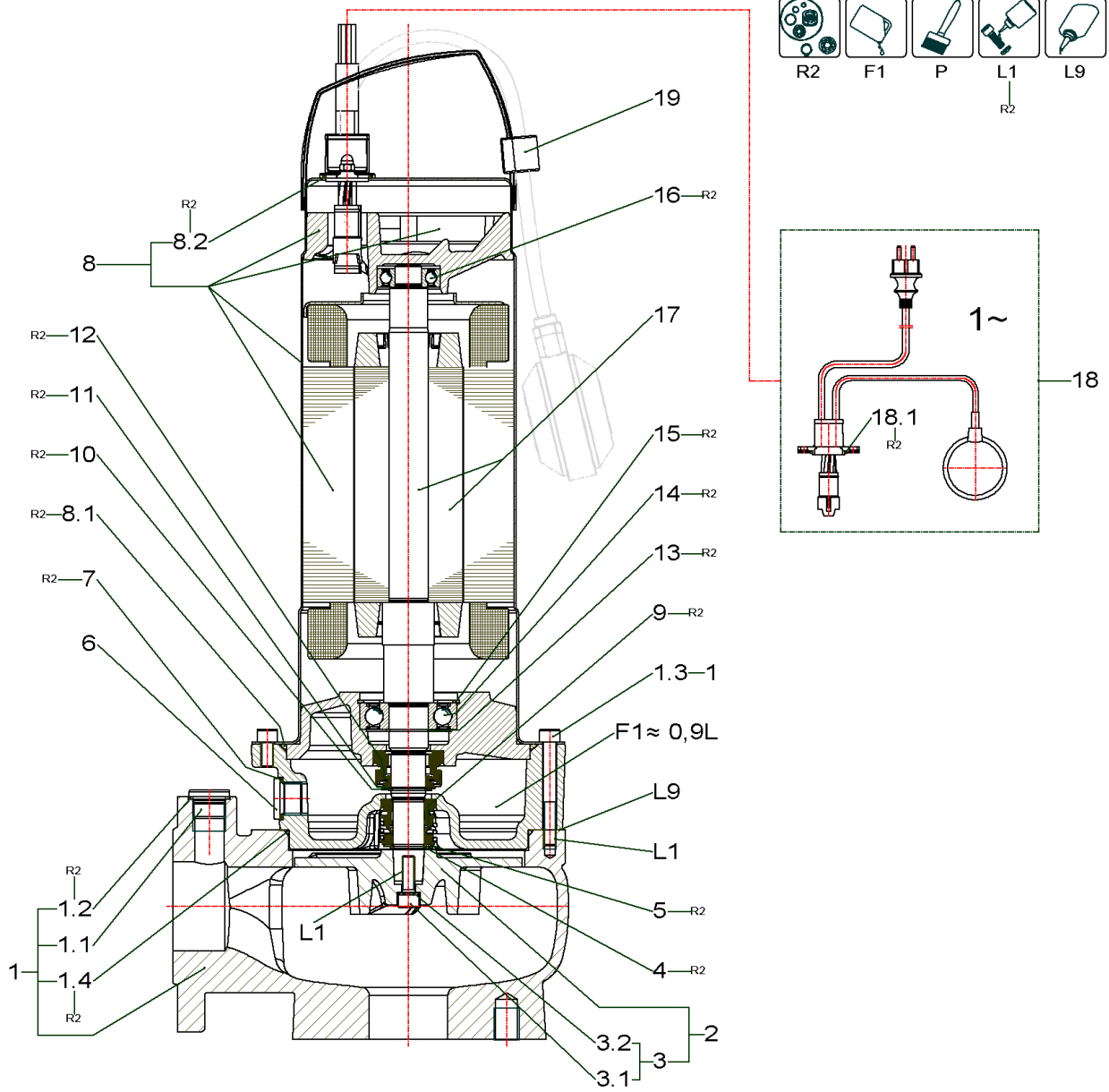
<b>Item</b>	<b>Article no.</b>	<b>Description</b>	<b>Quantity</b>
18	6066658	Cable 10m 6G1/plug 2,-4A/float switch	1
18.1	6072582	float switch S-PS 10A 250V 10m NO VP	1
18.2	6066617	cable 10m H07 6G1 VP.	1
18.2.1	6067644	O-Ring ID.25X2,2N DIN3771 NBR70 (3pcs)	1
18.3	6072522	MCP 2,4-4,0A-T4-HA-ROT-WSK-CEE16-5PS VP.	1
19	6067643	cable clip PP-GF30 black VP.	1



**FIT V05DA-124/EAD1-2-T0011-540-O (6064583)**

Item	Article no.	Description	Quantity
R2	6065498	Rep.Kit 2 S13.1	1
P	6049684	colour 2K-paint IV80 RAL9011 250ml KIT	1
F1	6025460	medical white oil 1L KIT	1
F1	6025461	medical white oil 5L KIT	1
L1	6080531	Loctite 243 5g flask VP:	1
L9	6080535	Loctite 5203 300ml VP.	1
-----			
1	6065166	pump housing Rexa V05DA-1xx DN50 GG SET	1
1.1	6002427	screw plug G1/2 DIN908 A4	1
1.2	6048832	joint ring A21/26x1,5 DIN7603 PA(10pc)	1
1.3		screw M8x75 DIN912 A4-70	3
1.4		o-ring ID.150,0x3,0 NBR70	1
2	6065827	impeller Rexa V05xA-124 GG Set SVA	1
3	6067645	impeller fixation 8x25 Geomet KIT	1
3.1		> screw M8x25 DIN912 10.9 Geomet	1
3.2		> screw locking Nord-Lock 13,5/8,7 A4	1
3.1		screw M8x25 DIN912 10.9 Geomet	1
3.2		screw locking Nord-Lock 13,5/8,7 A4	1
4		circlips 20x1,2 DIN471 1.4116	1
5		pressure ring D.32/20,5x1 6050343 A4	1
6	6067638	screw plug G1/2 DIN908 A4 (3pcs)	1
7	6048832	joint ring A21/26x1,5 DIN7603 PA(10pc)	1
8	6070454	stator-unit S13.1-2/8 3~ KIT	1
8.1		o-ring ID.150,0x4,0 NBR70	1
8.2		O-RING ID.25X2,2N DIN3771 NBR70	1
9		mechanical shaft seal MG1/20-G60 QPQGG	1
10		CIRCLIPS 22x1,2 DIN471 1.4122	1
11		pressure ring D.34/22,5x1 6050343 A4	1
12		MECHANICAL SEAL BT-AR/22 BXPFF	1
13		circlips 25x1,2 DIN471 FSt	1
14		SRDG BALL BEARING 6305 ZZ	1
15		CIRCLIP 62X2 DIN472 FST	1
16		Rep.Kit 2 P13.1	1
17	6067579	rotor S/P13.1-8/EAD1X2-T VP.	1

<b>Item</b>	<b>Article no.</b>	<b>Description</b>	<b>Quantity</b>
18	6066617	cable 10m H07 6G1 VP.	1
18.1	6067644	O-Ring ID.25X2,2N DIN3771 NBR70 (3pcs)	1



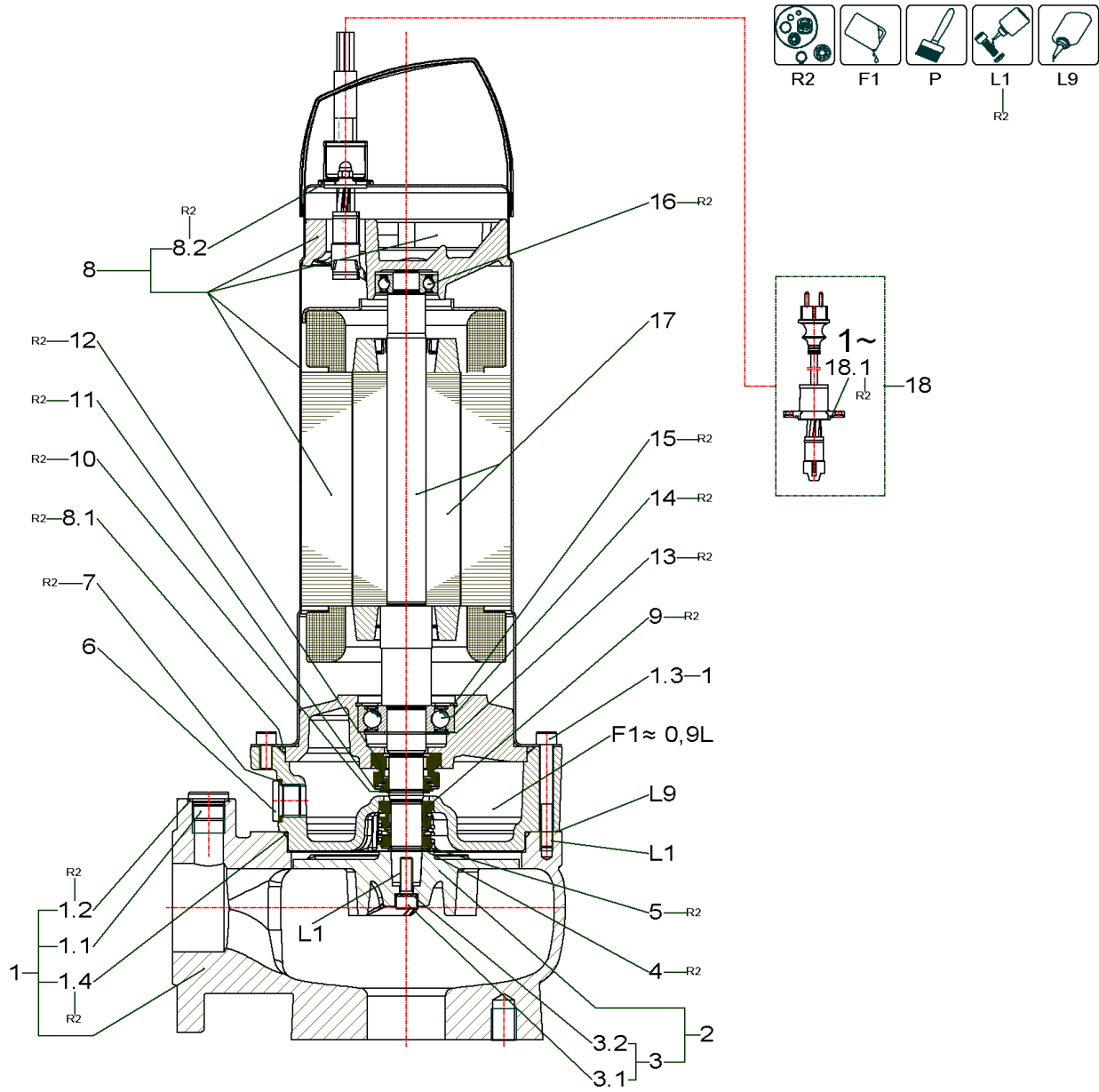


**FIT V05DA-126/EAD0-2-M0015-523-A (6064584)**

Item	Article no.	Description	Quantity
R2	6065498	Rep.Kit 2 S13.1	1
P	6049684	colour 2K-paint IV80 RAL9011 250ml KIT	1
F1	6025460	medical white oil 1L KIT	1
F1	6025461	medical white oil 5L KIT	1
L1	6080531	Loctite 243 5g flask VP:	1
L9	6080535	Loctite 5203 300ml VP.	1
-----			
1	6065166	pump housing Rexa V05DA-1xx DN50 GG SET	1
1.1	6002427	screw plug G1/2 DIN908 A4	1
1.2	6048832	joint ring A21/26x1,5 DIN7603 PA(10pc)	1
1.3		screw M8x75 DIN912 A4-70	3
1.4		o-ring ID.150,0x3,0 NBR70	1
2	6065828	impeller Rexa V05xA-126 GG Set SVA	1
3	6067645	impeller fixation 8x25 Geomet KIT	1
3.1		> screw M8x25 DIN912 10.9 Geomet	1
3.2		> screw locking Nord-Lock 13,5/8,7 A4	1
3.1		screw M8x25 DIN912 10.9 Geomet	1
3.2		screw locking Nord-Lock 13,5/8,7 A4	1
4		circlips 20x1,2 DIN471 1.4116	1
5		pressure ring D.32/20,5x1 6050343 A4	1
6	6067638	screw plug G1/2 DIN908 A4 (3pcs)	1
7	6048832	joint ring A21/26x1,5 DIN7603 PA(10pc)	1
8	6070456	stator-unit S13.1-2/8 1~ KIT	1
8.1		o-ring ID.150,0x4,0 NBR70	1
8.2		O-RING ID.25X2,2N DIN3771 NBR70	1
9		mechanical shaft seal MG1/20-G60 QPQGG	1
10		CIRCLIPS 22x1,2 DIN471 1.4122	1
11		pressure ring D.34/22,5x1 6050343 A4	1
12		MECHANICAL SEAL BT-AR/22 BXPFF	1
13		circlips 25x1,2 DIN471 FSt	1
14		SRDG BALL BEARING 6305 ZZ	1
15		CIRCLIP 62X2 DIN472 FST	1
16		Rep.Kit 2 P13.1	1
17	6067580	rotor S/P13.1-8/EAD0X2-M VP.	1

**FIT V05DA-126/EAD0-2-M0015-523-A (6064584)**

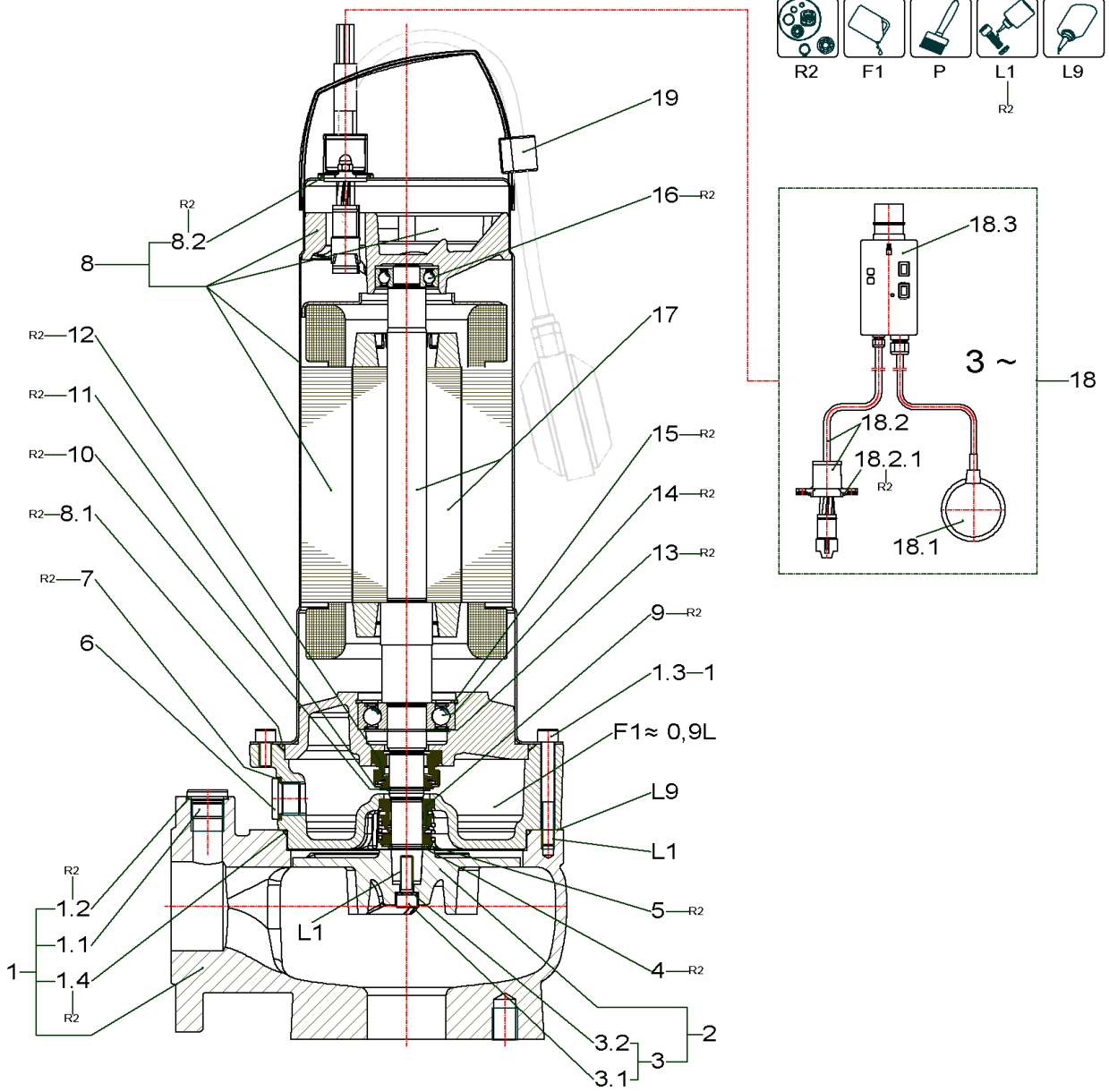
<b>Item</b>	<b>Article no.</b>	<b>Description</b>	<b>Quantity</b>
18	6066649	cable 10m H07 3G1/plug/float switch	1
18.1	6067644	O-Ring ID.25X2,2N DIN3771 NBR70 (3pcs)	1
19	6067643	cable clip PP-GF30 black VP.	1



**FIT V05DA-126/EAD0-2-M0015-523-P (6064586)**

Item	Article no.	Description	Quantity
R2	6065498	Rep.Kit 2 S13.1	1
P	6049684	colour 2K-paint IV80 RAL9011 250ml KIT	1
F1	6025460	medical white oil 1L KIT	1
F1	6025461	medical white oil 5L KIT	1
L1	6080531	Loctite 243 5g flask VP:	1
L9	6080535	Loctite 5203 300ml VP.	1
-----			
1	6065166	pump housing Rexa V05DA-1xx DN50 GG SET	1
1.1	6002427	screw plug G1/2 DIN908 A4	1
1.2	6048832	joint ring A21/26x1,5 DIN7603 PA(10pc)	1
1.3		screw M8x75 DIN912 A4-70	3
1.4		o-ring ID.150,0x3,0 NBR70	1
2	6065828	impeller Rexa V05xA-126 GG Set SVA	1
3	6067645	impeller fixation 8x25 Geomet KIT	1
3.1		> screw M8x25 DIN912 10.9 Geomet	1
3.2		> screw locking Nord-Lock 13,5/8,7 A4	1
3.1		screw M8x25 DIN912 10.9 Geomet	1
3.2		screw locking Nord-Lock 13,5/8,7 A4	1
4		circlips 20x1,2 DIN471 1.4116	1
5		pressure ring D.32/20,5x1 6050343 A4	1
6	6067638	screw plug G1/2 DIN908 A4 (3pcs)	1
7	6048832	joint ring A21/26x1,5 DIN7603 PA(10pc)	1
8	6070456	stator-unit S13.1-2/8 1~ KIT	1
8.1		o-ring ID.150,0x4,0 NBR70	1
8.2		O-RING ID.25X2,2N DIN3771 NBR70	1
9		mechanical shaft seal MG1/20-G60 QPQGG	1
10		CIRCLIPS 22x1,2 DIN471 1.4122	1
11		pressure ring D.34/22,5x1 6050343 A4	1
12		MECHANICAL SEAL BT-AR/22 BXPFF	1
13		circlips 25x1,2 DIN471 FSt	1
14		SRDG BALL BEARING 6305 ZZ	1
15		CIRCLIP 62X2 DIN472 FST	1
16		Rep.Kit 2 P13.1	1
17	6067580	rotor S/P13.1-8/EAD0X2-M VP.	1

<b>Item</b>	<b>Article no.</b>	<b>Description</b>	<b>Quantity</b>
18	6066650	cable 10m H07 3G1/plug VP.	1
18.1	6067644	O-Ring ID.25X2,2N DIN3771 NBR70 (3pcs)	1



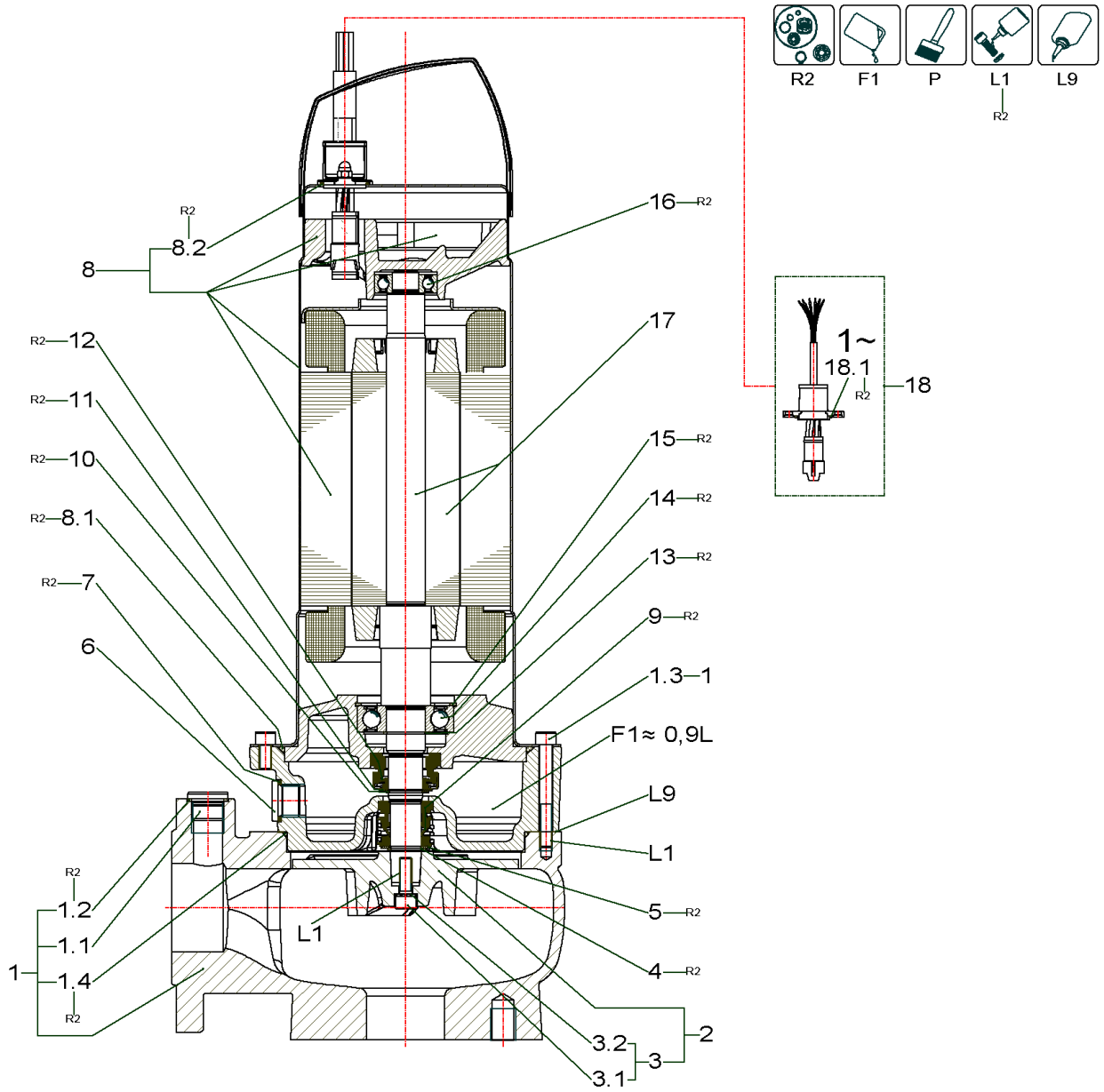
**FIT V05DA-126/EAD1-2-T0015-540-A (6064585)**

Item	Article no.	Description	Quantity
R2	6065498	Rep.Kit 2 S13.1	1
P	6049684	colour 2K-paint IV80 RAL9011 250ml KIT	1
F1	6025460	medical white oil 1L KIT	1
F1	6025461	medical white oil 5L KIT	1
L1	6080531	Loctite 243 5g flask VP:	1
L9	6080535	Loctite 5203 300ml VP.	1
-----			
1	6065166	pump housing Rexa V05DA-1xx DN50 GG SET	1
1.1	6002427	screw plug G1/2 DIN908 A4	1
1.2	6048832	joint ring A21/26x1,5 DIN7603 PA(10pc)	1
1.3		screw M8x75 DIN912 A4-70	3
1.4		o-ring ID.150,0x3,0 NBR70	1
2	6065828	impeller Rexa V05xA-126 GG Set SVA	1
3	6067645	impeller fixation 8x25 Geomet KIT	1
3.1		> screw M8x25 DIN912 10.9 Geomet	1
3.2		> screw locking Nord-Lock 13,5/8,7 A4	1
3.1		screw M8x25 DIN912 10.9 Geomet	1
3.2		screw locking Nord-Lock 13,5/8,7 A4	1
4		circlips 20x1,2 DIN471 1.4116	1
5		pressure ring D.32/20,5x1 6050343 A4	1
6	6067638	screw plug G1/2 DIN908 A4 (3pcs)	1
7	6048832	joint ring A21/26x1,5 DIN7603 PA(10pc)	1
8	6070454	stator-unit S13.1-2/8 3~ KIT	1
8.1		o-ring ID.150,0x4,0 NBR70	1
8.2		O-RING ID.25X2,2N DIN3771 NBR70	1
9		mechanical shaft seal MG1/20-G60 QPFGG	1
10		CIRCLIPS 22x1,2 DIN471 1.4122	1
11		pressure ring D.34/22,5x1 6050343 A4	1
12		MECHANICAL SEAL BT-AR/22 BXPFF	1
13		circlips 25x1,2 DIN471 FSt	1
14		SRDG BALL BEARING 6305 ZZ	1
15		CIRCLIP 62X2 DIN472 FST	1
16		Rep.Kit 2 P13.1	1
17	6067579	rotor S/P13.1-8/EAD1X2-T VP.	1

**FIT V05DA-126/EAD1-2-T0015-540-A (6064585)**

<b>Item</b>	<b>Article no.</b>	<b>Description</b>	<b>Quantity</b>
18	6066658	Cable 10m 6G1/plug 2,-4A/float switch	1
18.1	6072582	float switch S-PS 10A 250V 10m NO VP	1
18.2	6066617	cable 10m H07 6G1 VP.	1
18.2.1	6067644	O-Ring ID.25X2,2N DIN3771 NBR70 (3pcs)	1
18.3	6072522	MCP 2,4-4,0A-T4-HA-ROT-WSK-CEE16-5PS VP.	1
19	6067643	cable clip PP-GF30 black VP.	1



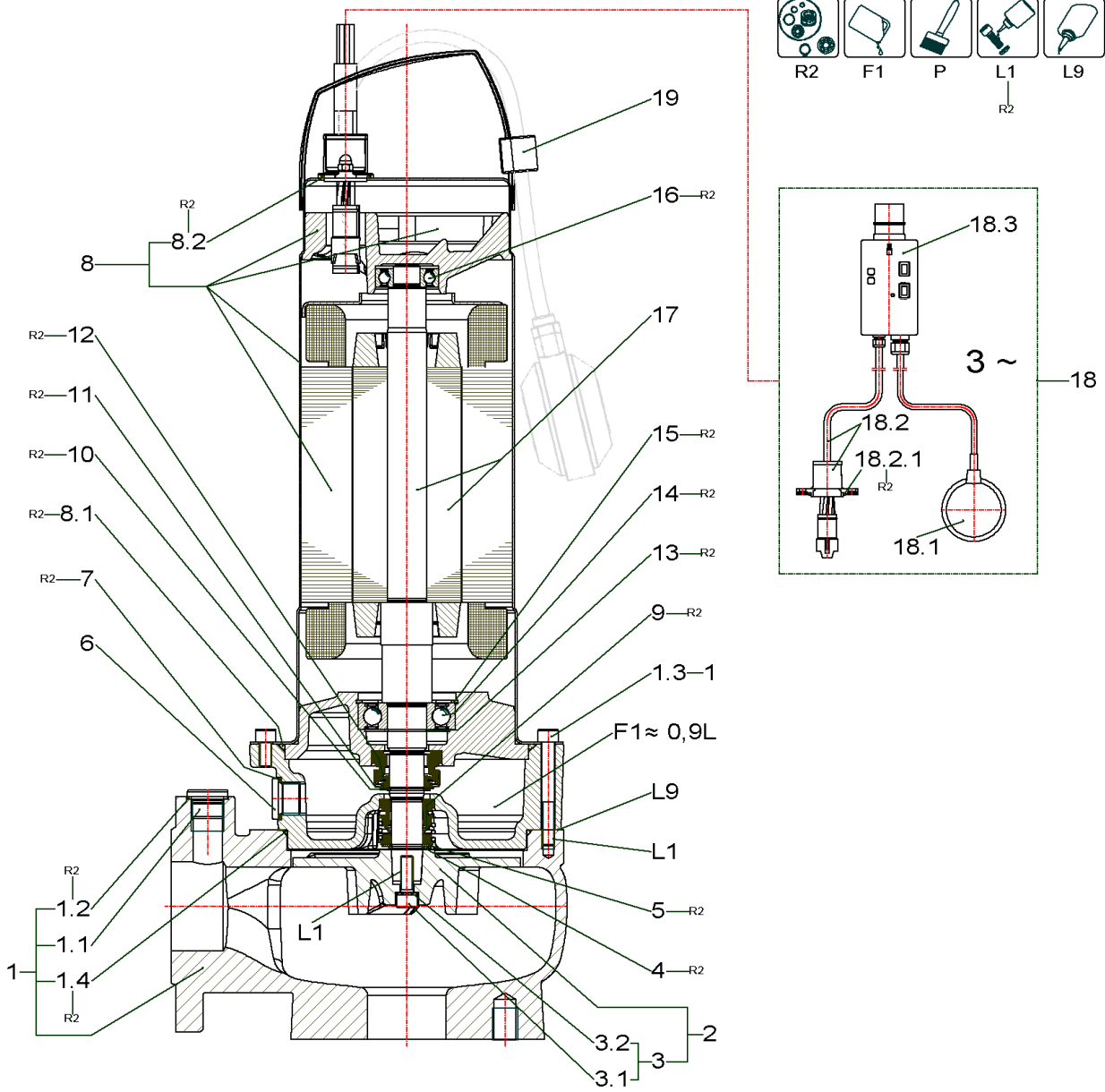


**FIT V05DA-126/EAD1-2-T0015-540-O (6064587)**

Item	Article no.	Description	Quantity
R2	6065498	Rep.Kit 2 S13.1	1
P	6049684	colour 2K-paint IV80 RAL9011 250ml KIT	1
F1	6025460	medical white oil 1L KIT	1
F1	6025461	medical white oil 5L KIT	1
L1	6080531	Loctite 243 5g flask VP:	1
L9	6080535	Loctite 5203 300ml VP.	1
-----			
1	6065166	pump housing Rexa V05DA-1xx DN50 GG SET	1
1.1	6002427	screw plug G1/2 DIN908 A4	1
1.2	6048832	joint ring A21/26x1,5 DIN7603 PA(10pc)	1
1.3		screw M8x75 DIN912 A4-70	3
1.4		o-ring ID.150,0x3,0 NBR70	1
2	6065828	impeller Rexa V05xA-126 GG Set SVA	1
3	6067645	impeller fixation 8x25 Geomet KIT	1
3.1		> screw M8x25 DIN912 10.9 Geomet	1
3.2		> screw locking Nord-Lock 13,5/8,7 A4	1
3.1		screw M8x25 DIN912 10.9 Geomet	1
3.2		screw locking Nord-Lock 13,5/8,7 A4	1
4		circlips 20x1,2 DIN471 1.4116	1
5		pressure ring D.32/20,5x1 6050343 A4	1
6	6067638	screw plug G1/2 DIN908 A4 (3pcs)	1
7	6048832	joint ring A21/26x1,5 DIN7603 PA(10pc)	1
8	6070454	stator-unit S13.1-2/8 3~ KIT	1
8.1		o-ring ID.150,0x4,0 NBR70	1
8.2		O-RING ID.25X2,2N DIN3771 NBR70	1
9		mechanical shaft seal MG1/20-G60 QPFGG	1
10		CIRCLIPS 22x1,2 DIN471 1.4122	1
11		pressure ring D.34/22,5x1 6050343 A4	1
12		MECHANICAL SEAL BT-AR/22 BXPFF	1
13		circlips 25x1,2 DIN471 FSt	1
14		SRDG BALL BEARING 6305 ZZ	1
15		CIRCLIP 62X2 DIN472 FST	1
16		Rep.Kit 2 P13.1	1
17	6067579	rotor S/P13.1-8/EAD1X2-T VP.	1

**FIT V05DA-126/EAD1-2-T0015-540-O (6064587)**

<b>Item</b>	<b>Article no.</b>	<b>Description</b>	<b>Quantity</b>
18	6066617	cable 10m H07 6G1 VP.	1
18.1	6067644	O-Ring ID.25X2,2N DIN3771 NBR70 (3pcs)	1

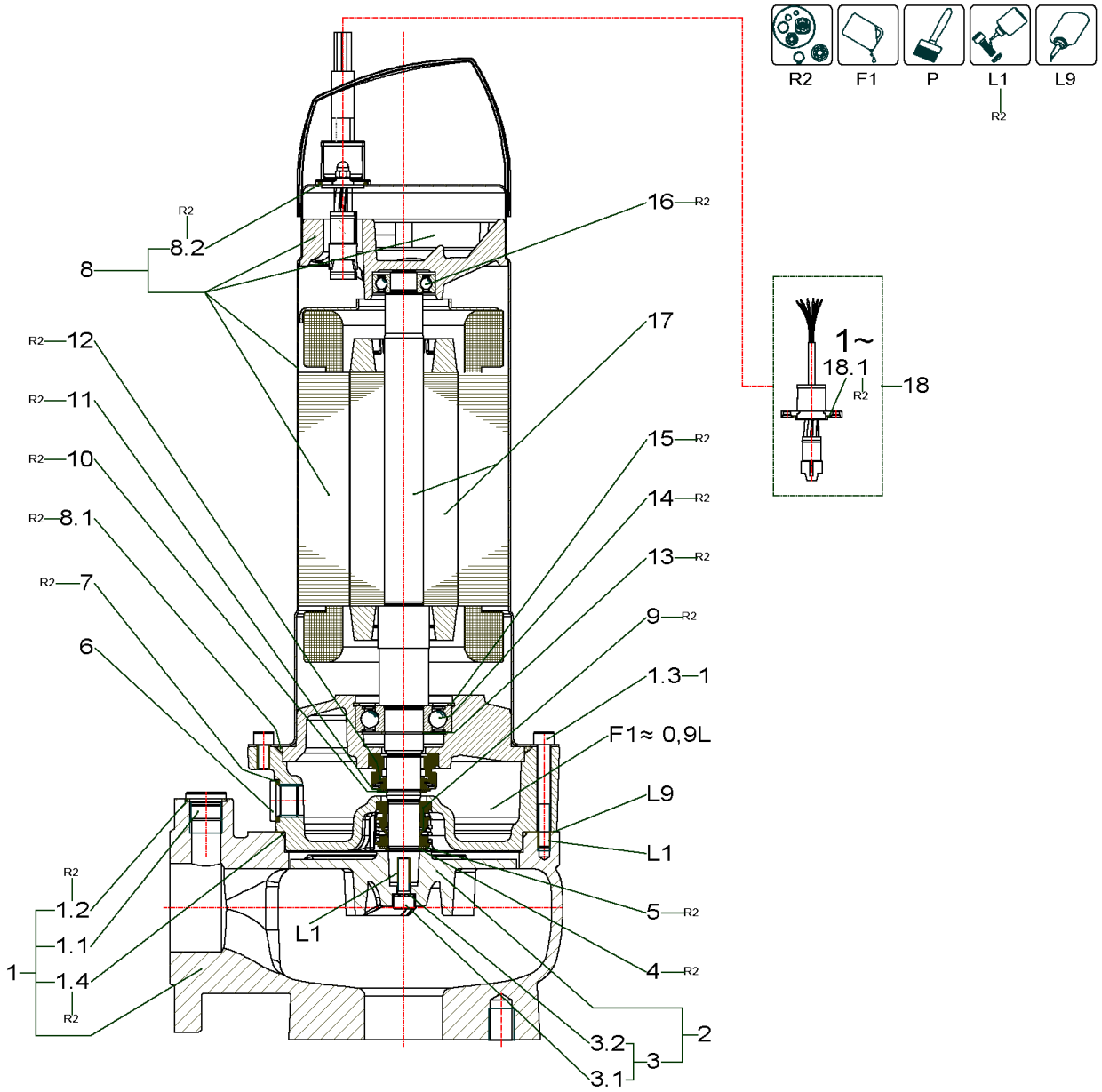


**FIT V05DA-222/EAD1-2-T0025-540-A (6064588)**

Item	Article no.	Description	Quantity
R2	6065498	Rep.Kit 2 S13.1	1
P	6049684	colour 2K-paint IV80 RAL9011 250ml KIT	1
F1	6025460	medical white oil 1L KIT	1
F1	6025461	medical white oil 5L KIT	1
L1	6080531	Loctite 243 5g flask VP:	1
L9	6080535	Loctite 5203 300ml VP.	1
-----			
1	6065170	pump housing Rexa V05DA-2xx DN50 GG SET	1
1.1	6002427	screw plug G1/2 DIN908 A4	1
1.2	6048832	joint ring A21/26x1,5 DIN7603 PA(10pc)	1
1.3		screw M8x75 DIN912 A4-70	3
1.4		o-ring ID.150,0x3,0 NBR70	1
2	6065829	impeller Rexa V05xA-222 GG Set SVA	1
3	6067645	impeller fixation 8x25 Geomet KIT	1
3.1		> screw M8x25 DIN912 10.9 Geomet	1
3.2		> screw locking Nord-Lock 13,5/8,7 A4	1
3.1		screw M8x25 DIN912 10.9 Geomet	1
3.2		screw locking Nord-Lock 13,5/8,7 A4	1
4		circlips 20x1,2 DIN471 1.4116	1
5		pressure ring D.32/20,5x1 6050343 A4	1
6	6067638	screw plug G1/2 DIN908 A4 (3pcs)	1
7	6048832	joint ring A21/26x1,5 DIN7603 PA(10pc)	1
8	6070453	stator-unit S13.1-2/10 3~ KIT	1
8.1		o-ring ID.150,0x4,0 NBR70	1
8.2		O-RING ID.25X2,2N DIN3771 NBR70	1
9		mechanical shaft seal MG1/20-G60 QPFGG	1
10		CIRCLIPS 22x1,2 DIN471 1.4122	1
11		pressure ring D.34/22,5x1 6050343 A4	1
12		MECHANICAL SEAL BT-AR/22 BXPFF	1
13		circlips 25x1,2 DIN471 FSt	1
14		SRDG BALL BEARING 6305 ZZ	1
15		CIRCLIP 62X2 DIN472 FST	1
16		Rep.Kit 2 P13.1	1
17	6067577	rotor S/P13.1-10/EAD1X2-T VP.	1

## FIT V05DA-222/EAD1-2-T0025-540-A (6064588)

Item	Article no.	Description	Quantity
18	6066658	Cable 10m 6G1/plug 2,-4A/float switch	1
18.1	6072582	float switch S-PS 10A 250V 10m NO VP	1
18.2	6066617	cable 10m H07 6G1 VP.	1
18.2.1	6067644	O-Ring ID.25X2,2N DIN3771 NBR70 (3pcs)	1
18.3	6072522	MCP 2,4-4,0A-T4-HA-ROT-WSK-CEE16-5PS VP.	1
19	6067643	cable clip PP-GF30 black VP.	1

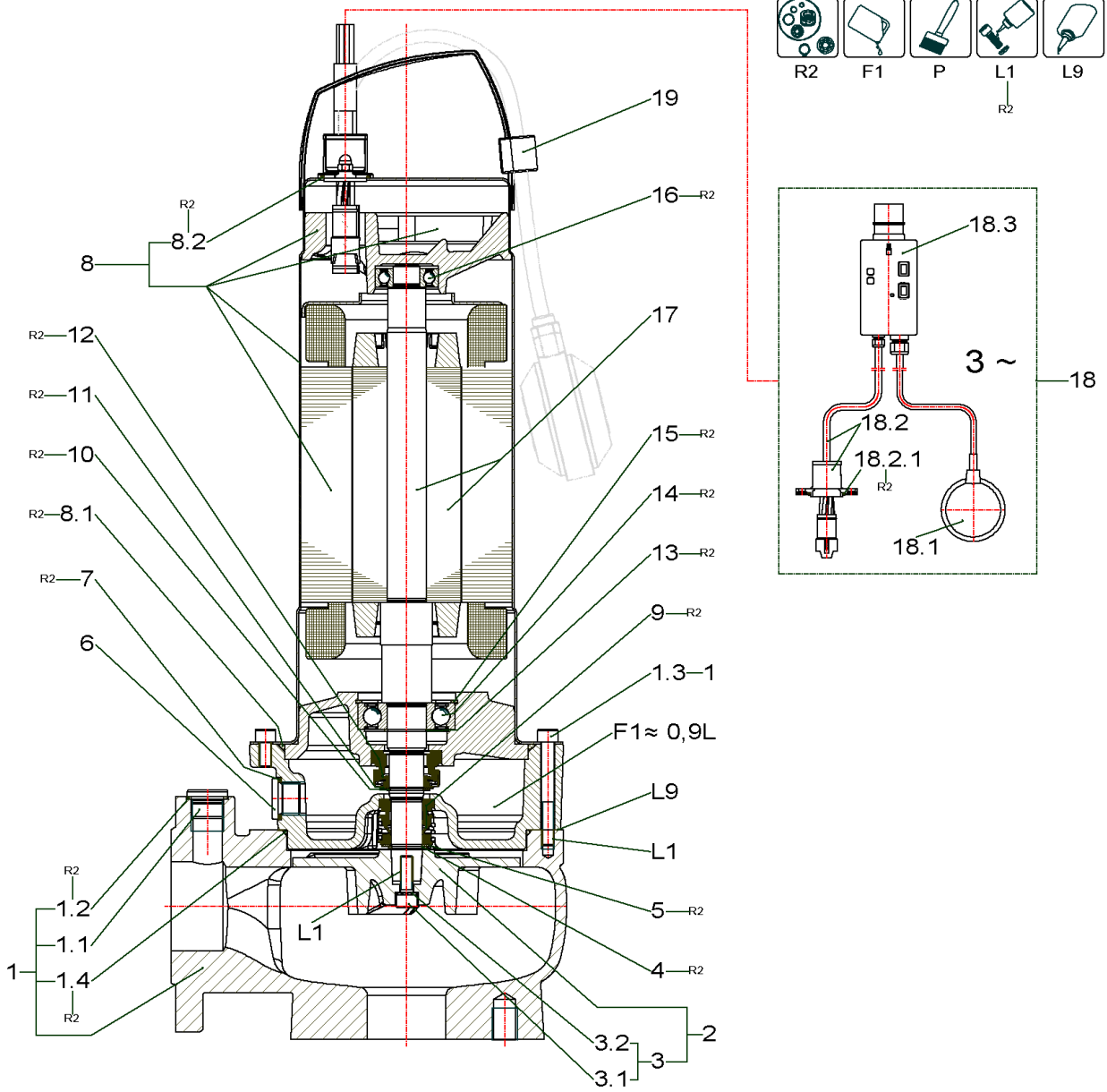


**FIT V05DA-222/EAD1-2-T0025-540-O (6064589)**

Item	Article no.	Description	Quantity
R2	6065498	Rep.Kit 2 S13.1	1
P	6049684	colour 2K-paint IV80 RAL9011 250ml KIT	1
F1	6025460	medical white oil 1L KIT	1
F1	6025461	medical white oil 5L KIT	1
L1	6080531	Loctite 243 5g flask VP:	1
L9	6080535	Loctite 5203 300ml VP.	1
-----			
1	6065170	pump housing Rexa V05DA-2xx DN50 GG SET	1
1.1	6002427	screw plug G1/2 DIN908 A4	1
1.2	6048832	joint ring A21/26x1,5 DIN7603 PA(10pc)	1
1.3		screw M8x75 DIN912 A4-70	3
1.4		o-ring ID.150,0x3,0 NBR70	1
2	6065829	impeller Rexa V05xA-222 GG Set SVA	1
3	6067645	impeller fixation 8x25 Geomet KIT	1
3.1		> screw M8x25 DIN912 10.9 Geomet	1
3.2		> screw locking Nord-Lock 13,5/8,7 A4	1
3.1		screw M8x25 DIN912 10.9 Geomet	1
3.2		screw locking Nord-Lock 13,5/8,7 A4	1
4		circlips 20x1,2 DIN471 1.4116	1
5		pressure ring D.32/20,5x1 6050343 A4	1
6	6067638	screw plug G1/2 DIN908 A4 (3pcs)	1
7	6048832	joint ring A21/26x1,5 DIN7603 PA(10pc)	1
8	6070453	stator-unit S13.1-2/10 3~ KIT	1
8.1		o-ring ID.150,0x4,0 NBR70	1
8.2		O-RING ID.25X2,2N DIN3771 NBR70	1
9		mechanical shaft seal MG1/20-G60 QPFGG	1
10		CIRCLIPS 22x1,2 DIN471 1.4122	1
11		pressure ring D.34/22,5x1 6050343 A4	1
12		MECHANICAL SEAL BT-AR/22 BXPFF	1
13		circlips 25x1,2 DIN471 FSt	1
14		SRDG BALL BEARING 6305 ZZ	1
15		CIRCLIP 62X2 DIN472 FST	1
16		Rep.Kit 2 P13.1	1
17	6067577	rotor S/P13.1-10/EAD1X2-T VP.	1



<b>Item</b>	<b>Article no.</b>	<b>Description</b>	<b>Quantity</b>
18	6066617	cable 10m H07 6G1 VP.	1
18.1	6067644	O-Ring ID.25X2,2N DIN3771 NBR70 (3pcs)	1

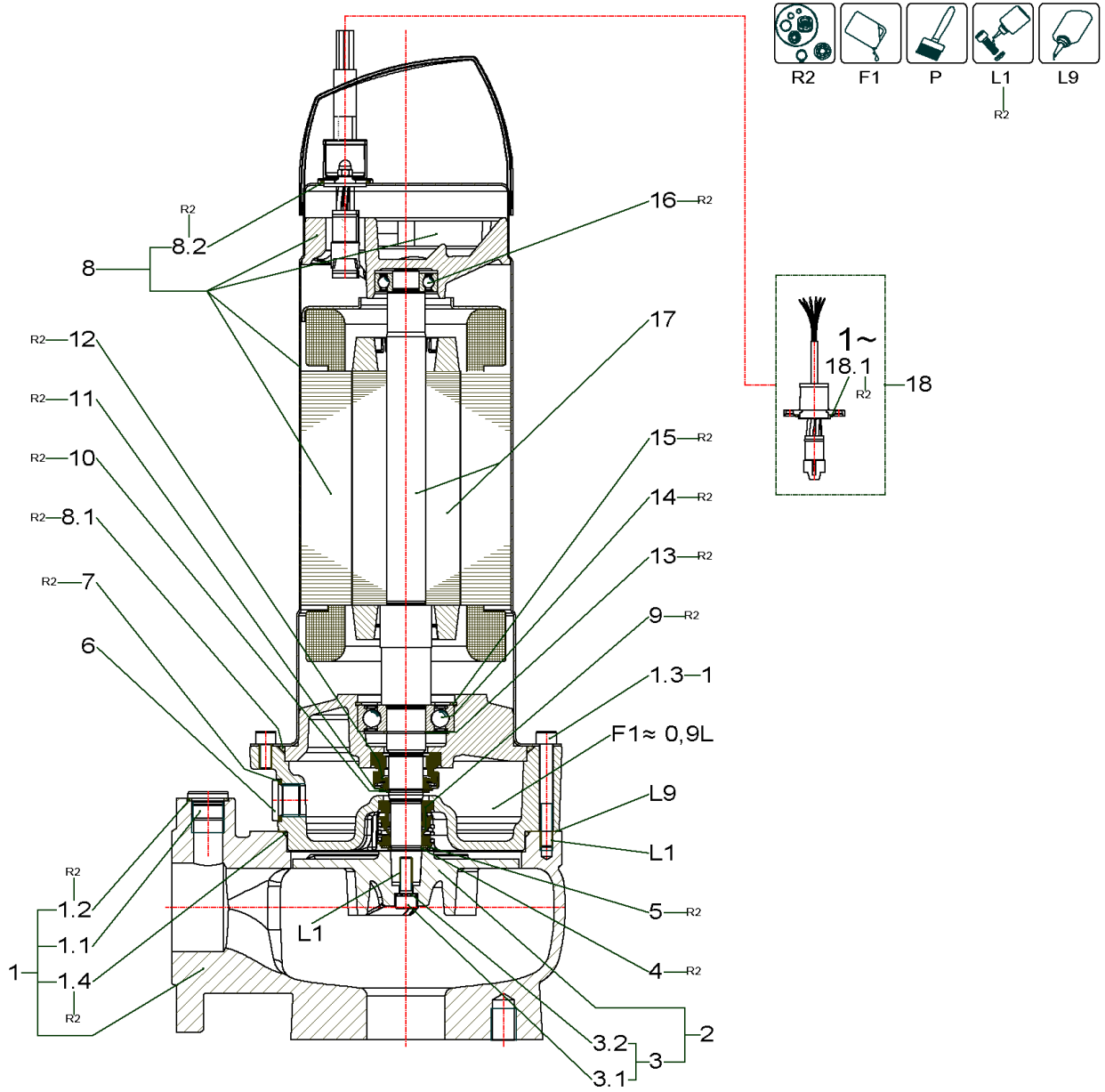


**FIT V05DA-224/EAD1-2-T0025-540-A (6064590)**

Item	Article no.	Description	Quantity
R2	6065498	Rep.Kit 2 S13.1	1
P	6049684	colour 2K-paint IV80 RAL9011 250ml KIT	1
F1	6025460	medical white oil 1L KIT	1
F1	6025461	medical white oil 5L KIT	1
L1	6080531	Loctite 243 5g flask VP:	1
L9	6080535	Loctite 5203 300ml VP.	1
-----			
1	6065170	pump housing Rexa V05DA-2xx DN50 GG SET	1
1.1	6002427	screw plug G1/2 DIN908 A4	1
1.2	6048832	joint ring A21/26x1,5 DIN7603 PA(10pc)	1
1.3		screw M8x75 DIN912 A4-70	3
1.4		o-ring ID.150,0x3,0 NBR70	1
2	6065830	impeller Rexa V05xA-224 GG Set SVA	1
3	6067645	impeller fixation 8x25 Geomet KIT	1
3.1		> screw M8x25 DIN912 10.9 Geomet	1
3.2		> screw locking Nord-Lock 13,5/8,7 A4	1
3.1		screw M8x25 DIN912 10.9 Geomet	1
3.2		screw locking Nord-Lock 13,5/8,7 A4	1
4		circlips 20x1,2 DIN471 1.4116	1
5		pressure ring D.32/20,5x1 6050343 A4	1
6	6067638	screw plug G1/2 DIN908 A4 (3pcs)	1
7	6048832	joint ring A21/26x1,5 DIN7603 PA(10pc)	1
8	6070453	stator-unit S13.1-2/10 3~ KIT	1
8.1		o-ring ID.150,0x4,0 NBR70	1
8.2		O-RING ID.25X2,2N DIN3771 NBR70	1
9		mechanical shaft seal MG1/20-G60 QPQGG	1
10		CIRCLIPS 22x1,2 DIN471 1.4122	1
11		pressure ring D.34/22,5x1 6050343 A4	1
12		MECHANICAL SEAL BT-AR/22 BXPFF	1
13		circlips 25x1,2 DIN471 FSt	1
14		SRDG BALL BEARING 6305 ZZ	1
15		CIRCLIP 62X2 DIN472 FST	1
16		Rep.Kit 2 P13.1	1
17	6067577	rotor S/P13.1-10/EAD1X2-T VP.	1

**FIT V05DA-224/EAD1-2-T0025-540-A (6064590)**

<b>Item</b>	<b>Article no.</b>	<b>Description</b>	<b>Quantity</b>
18	6066658	Cable 10m 6G1/plug 2,-4A/float switch	1
18.1	6072582	float switch S-PS 10A 250V 10m NO VP	1
18.2	6066617	cable 10m H07 6G1 VP.	1
18.2.1	6067644	O-Ring ID.25X2,2N DIN3771 NBR70 (3pcs)	1
18.3	6072522	MCP 2,4-4,0A-T4-HA-ROT-WSK-CEE16-5PS VP.	1
19	6067643	cable clip PP-GF30 black VP.	1

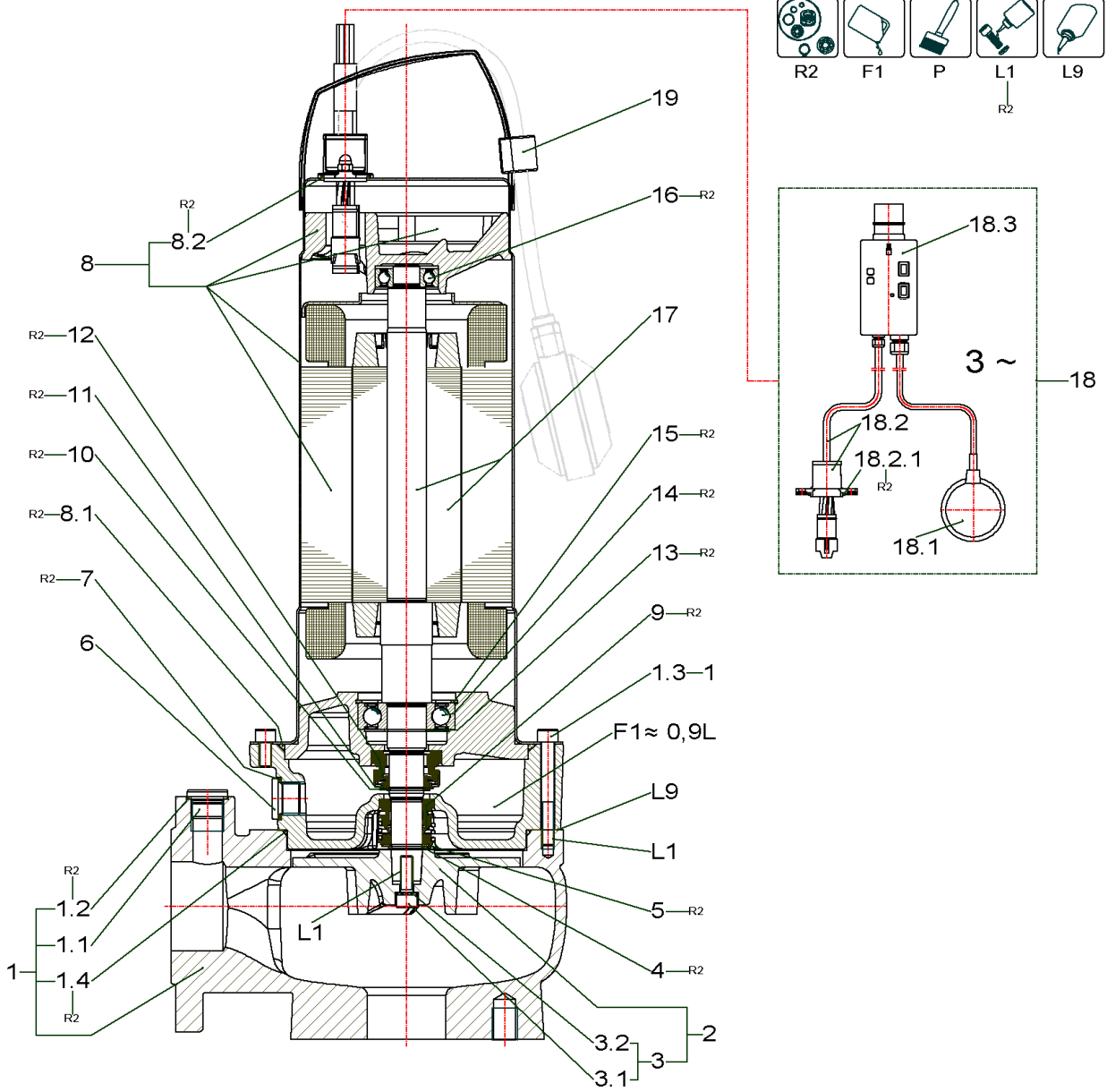


**FIT V05DA-224/EAD1-2-T0025-540-O (6064591)**

Item	Article no.	Description	Quantity
R2	6065498	Rep.Kit 2 S13.1	1
P	6049684	colour 2K-paint IV80 RAL9011 250ml KIT	1
F1	6025460	medical white oil 1L KIT	1
F1	6025461	medical white oil 5L KIT	1
L1	6080531	Loctite 243 5g flask VP:	1
L9	6080535	Loctite 5203 300ml VP.	1
-----			
1	6065170	pump housing Rexa V05DA-2xx DN50 GG SET	1
1.1	6002427	screw plug G1/2 DIN908 A4	1
1.2	6048832	joint ring A21/26x1,5 DIN7603 PA(10pc)	1
1.3		screw M8x75 DIN912 A4-70	3
1.4		o-ring ID.150,0x3,0 NBR70	1
2	6065830	impeller Rexa V05xA-224 GG Set SVA	1
3	6067645	impeller fixation 8x25 Geomet KIT	1
3.1		> screw M8x25 DIN912 10.9 Geomet	1
3.2		> screw locking Nord-Lock 13,5/8,7 A4	1
3.1		screw M8x25 DIN912 10.9 Geomet	1
3.2		screw locking Nord-Lock 13,5/8,7 A4	1
4		circlips 20x1,2 DIN471 1.4116	1
5		pressure ring D.32/20,5x1 6050343 A4	1
6	6067638	screw plug G1/2 DIN908 A4 (3pcs)	1
7	6048832	joint ring A21/26x1,5 DIN7603 PA(10pc)	1
8	6070453	stator-unit S13.1-2/10 3~ KIT	1
8.1		o-ring ID.150,0x4,0 NBR70	1
8.2		O-RING ID.25X2,2N DIN3771 NBR70	1
9		mechanical shaft seal MG1/20-G60 QPQGG	1
10		CIRCLIPS 22x1,2 DIN471 1.4122	1
11		pressure ring D.34/22,5x1 6050343 A4	1
12		MECHANICAL SEAL BT-AR/22 BXPFF	1
13		circlips 25x1,2 DIN471 FSt	1
14		SRDG BALL BEARING 6305 ZZ	1
15		CIRCLIP 62X2 DIN472 FST	1
16		Rep.Kit 2 P13.1	1
17	6067577	rotor S/P13.1-10/EAD1X2-T VP.	1

**FIT V05DA-224/EAD1-2-T0025-540-O (6064591)**

<b>Item</b>	<b>Article no.</b>	<b>Description</b>	<b>Quantity</b>
18	6066617	cable 10m H07 6G1 VP.	1
18.1	6067644	O-Ring ID.25X2,2N DIN3771 NBR70 (3pcs)	1



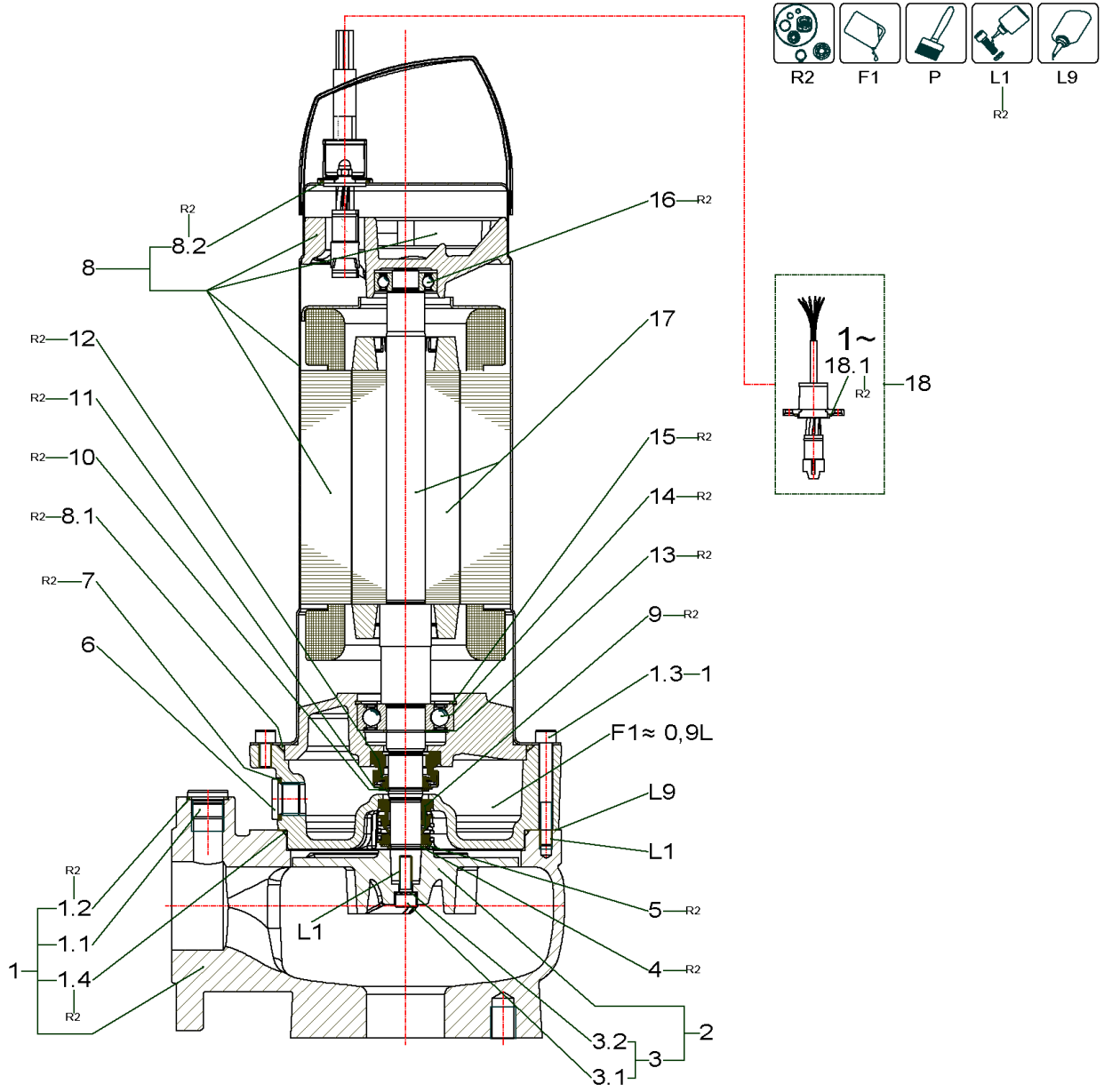


**FIT V05DA-226/EAD1-2-T0039-540-A (6064592)**

Item	Article no.	Description	Quantity
R2	6065498	Rep.Kit 2 S13.1	1
P	6049684	colour 2K-paint IV80 RAL9011 250ml KIT	1
F1	6025460	medical white oil 1L KIT	1
F1	6025461	medical white oil 5L KIT	1
L1	6080531	Loctite 243 5g flask VP:	1
L9	6080535	Loctite 5203 300ml VP.	1
-----			
1	6065170	pump housing Rexa V05DA-2xx DN50 GG SET	1
1.1	6002427	screw plug G1/2 DIN908 A4	1
1.2	6048832	joint ring A21/26x1,5 DIN7603 PA(10pc)	1
1.3		screw M8x75 DIN912 A4-70	3
1.4		o-ring ID.150,0x3,0 NBR70	1
2	6065831	impeller Rexa V05xA-226 GG Set SVA	1
3	6067645	impeller fixation 8x25 Geomet KIT	1
3.1		> screw M8x25 DIN912 10.9 Geomet	1
3.2		> screw locking Nord-Lock 13,5/8,7 A4	1
3.1		screw M8x25 DIN912 10.9 Geomet	1
3.2		screw locking Nord-Lock 13,5/8,7 A4	1
4		circlips 20x1,2 DIN471 1.4116	1
5		pressure ring D.32/20,5x1 6050343 A4	1
6	6067638	screw plug G1/2 DIN908 A4 (3pcs)	1
7	6048832	joint ring A21/26x1,5 DIN7603 PA(10pc)	1
8	6070452	stator-unit S13.1-2/15 3~ KIT	1
8.1		o-ring ID.150,0x4,0 NBR70	1
8.2		O-RING ID.25X2,2N DIN3771 NBR70	1
9		mechanical shaft seal MG1/20-G60 QPFGG	1
10		CIRCLIPS 22x1,2 DIN471 1.4122	1
11		pressure ring D.34/22,5x1 6050343 A4	1
12		MECHANICAL SEAL BT-AR/22 BXPFF	1
13		circlips 25x1,2 DIN471 FSt	1
14		SRDG BALL BEARING 6305 ZZ	1
15		CIRCLIP 62X2 DIN472 FST	1
16		Rep.Kit 2 P13.1	1
17	6067578	rotor P13.1-15/EAD1X2-T VP.	1

**FIT V05DA-226/EAD1-2-T0039-540-A (6064592)**

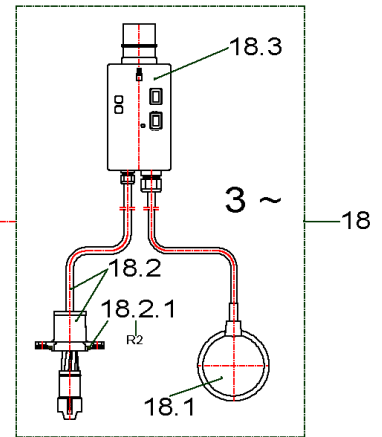
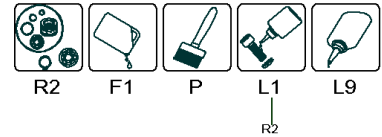
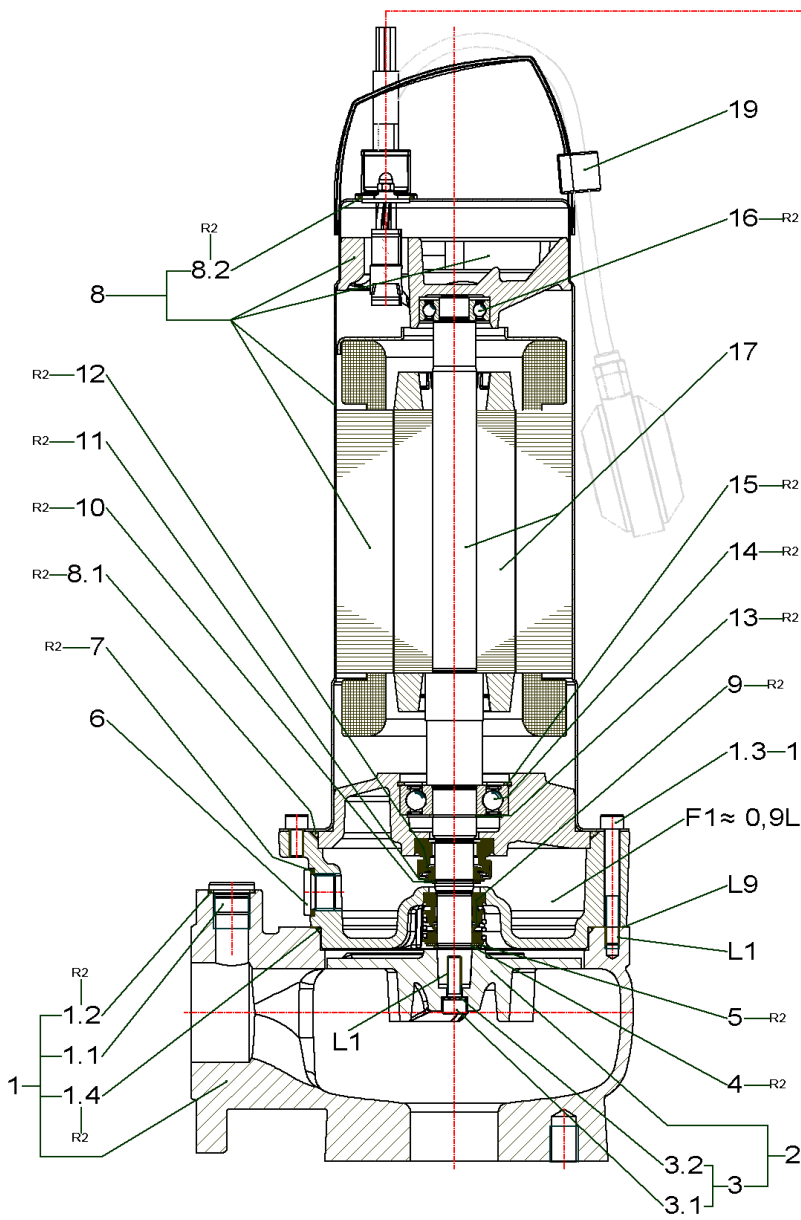
<b>Item</b>	<b>Article no.</b>	<b>Description</b>	<b>Quantity</b>
18	6066658	Cable 10m 6G1/plug 2,-4A/float switch	1
18.1	6072582	float switch S-PS 10A 250V 10m NO VP	1
18.2	6066617	cable 10m H07 6G1 VP.	1
18.2.1	6067644	O-Ring ID.25X2,2N DIN3771 NBR70 (3pcs)	1
18.3	6072522	MCP 2,4-4,0A-T4-HA-ROT-WSK-CEE16-5PS VP.	1
19	6067643	cable clip PP-GF30 black VP.	1



**FIT V05DA-226/EAD1-2-T0039-540-O (6064593)**

Item	Article no.	Description	Quantity
R2	6065498	Rep.Kit 2 S13.1	1
P	6049684	colour 2K-paint IV80 RAL9011 250ml KIT	1
F1	6025460	medical white oil 1L KIT	1
F1	6025461	medical white oil 5L KIT	1
L1	6080531	Loctite 243 5g flask VP:	1
L9	6080535	Loctite 5203 300ml VP.	1
-----			
1	6065170	pump housing Rexa V05DA-2xx DN50 GG SET	1
1.1	6002427	screw plug G1/2 DIN908 A4	1
1.2	6048832	joint ring A21/26x1,5 DIN7603 PA(10pc)	1
1.3		screw M8x75 DIN912 A4-70	3
1.4		o-ring ID.150,0x3,0 NBR70	1
2	6065831	impeller Rexa V05xA-226 GG Set SVA	1
3	6067645	impeller fixation 8x25 Geomet KIT	1
3.1		> screw M8x25 DIN912 10.9 Geomet	1
3.2		> screw locking Nord-Lock 13,5/8,7 A4	1
3.1		screw M8x25 DIN912 10.9 Geomet	1
3.2		screw locking Nord-Lock 13,5/8,7 A4	1
4		circlips 20x1,2 DIN471 1.4116	1
5		pressure ring D.32/20,5x1 6050343 A4	1
6	6067638	screw plug G1/2 DIN908 A4 (3pcs)	1
7	6048832	joint ring A21/26x1,5 DIN7603 PA(10pc)	1
8	6070452	stator-unit S13.1-2/15 3~ KIT	1
8.1		o-ring ID.150,0x4,0 NBR70	1
8.2		O-RING ID.25X2,2N DIN3771 NBR70	1
9		mechanical shaft seal MG1/20-G60 QPFGG	1
10		CIRCLIPS 22x1,2 DIN471 1.4122	1
11		pressure ring D.34/22,5x1 6050343 A4	1
12		MECHANICAL SEAL BT-AR/22 BXPFF	1
13		circlips 25x1,2 DIN471 FSt	1
14		SRDG BALL BEARING 6305 ZZ	1
15		CIRCLIP 62X2 DIN472 FST	1
16		Rep.Kit 2 P13.1	1
17	6067578	rotor P13.1-15/EAD1X2-T VP.	1

Item	Article no.	Description	Quantity
18	6066617	cable 10m H07 6G1 VP.	1
18.1	6067644	O-Ring ID.25X2,2N DIN3771 NBR70 (3pcs)	1



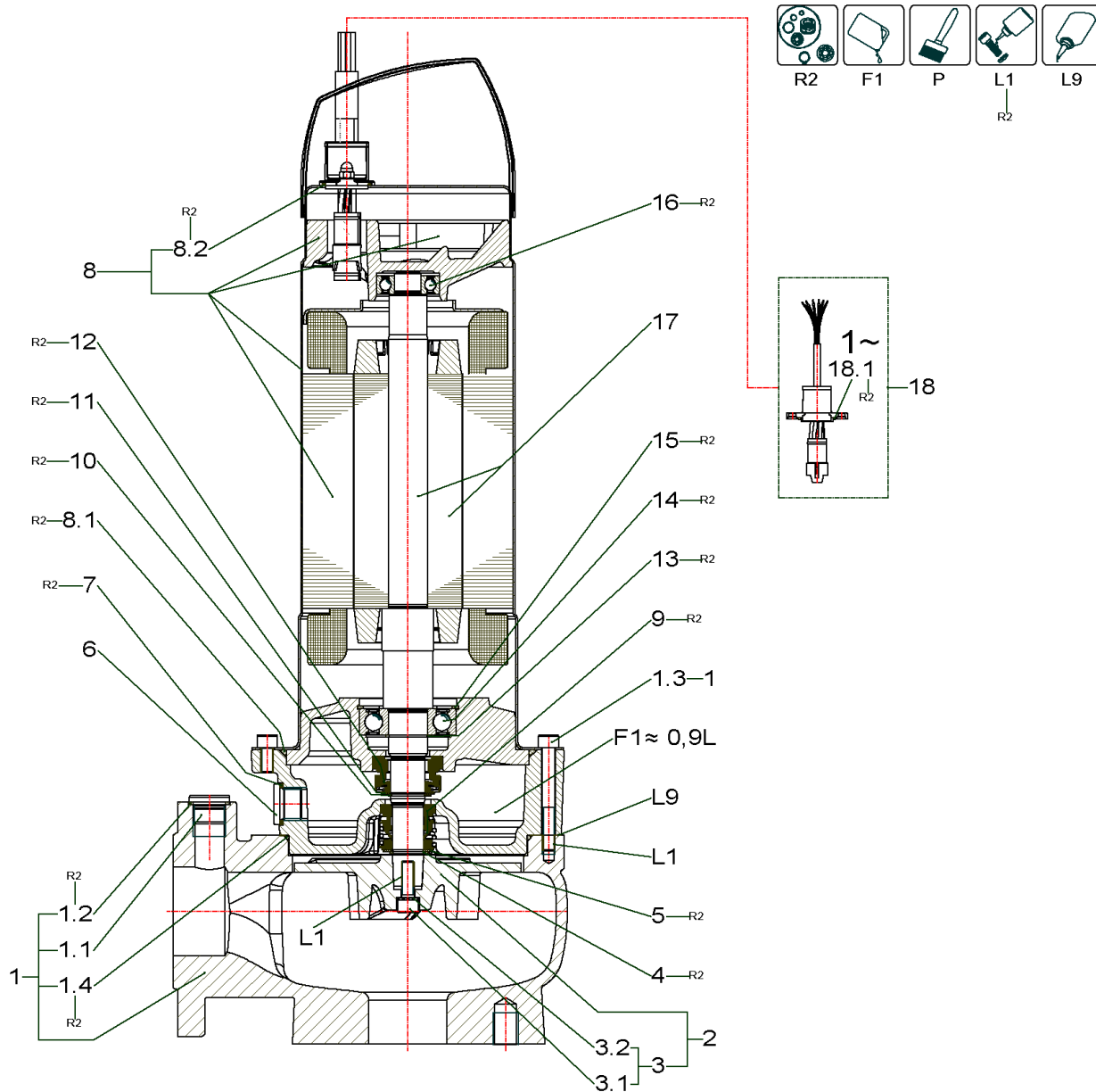
**FIT V05DA-228/EAD1-2-T0039-540-A (6064594)**

Item	Article no.	Description	Quantity
R2	6065498	Rep.Kit 2 S13.1	1
P	6049684	colour 2K-paint IV80 RAL9011 250ml KIT	1
F1	6025460	medical white oil 1L KIT	1
F1	6025461	medical white oil 5L KIT	1
L1	6080531	Loctite 243 5g flask VP:	1
L9	6080535	Loctite 5203 300ml VP.	1
-----			
1	6065170	pump housing Rexa V05DA-2xx DN50 GG SET	1
1.1	6002427	screw plug G1/2 DIN908 A4	1
1.2	6048832	joint ring A21/26x1,5 DIN7603 PA(10pc)	1
1.3		screw M8x75 DIN912 A4-70	3
1.4		o-ring ID.150,0x3,0 NBR70	1
2	6065832	impeller Rexa V05xA-228 GG Set SVA	1
3	6067645	impeller fixation 8x25 Geomet KIT	1
3.1		> screw M8x25 DIN912 10.9 Geomet	1
3.2		> screw locking Nord-Lock 13,5/8,7 A4	1
3.1		screw M8x25 DIN912 10.9 Geomet	1
3.2		screw locking Nord-Lock 13,5/8,7 A4	1
4		circlips 20x1,2 DIN471 1.4116	1
5		pressure ring D.32/20,5x1 6050343 A4	1
6	6067638	screw plug G1/2 DIN908 A4 (3pcs)	1
7	6048832	joint ring A21/26x1,5 DIN7603 PA(10pc)	1
8	6070452	stator-unit S13.1-2/15 3~ KIT	1
8.1		o-ring ID.150,0x4,0 NBR70	1
8.2		O-RING ID.25X2,2N DIN3771 NBR70	1
9		mechanical shaft seal MG1/20-G60 QPFGG	1
10		CIRCLIPS 22x1,2 DIN471 1.4122	1
11		pressure ring D.34/22,5x1 6050343 A4	1
12		MECHANICAL SEAL BT-AR/22 BXPFF	1
13		circlips 25x1,2 DIN471 FSt	1
14		SRDG BALL BEARING 6305 ZZ	1
15		CIRCLIP 62X2 DIN472 FST	1
16		Rep.Kit 2 P13.1	1
17	6067578	rotor P13.1-15/EAD1X2-T VP.	1

**FIT V05DA-228/EAD1-2-T0039-540-A (6064594)**

<b>Item</b>	<b>Article no.</b>	<b>Description</b>	<b>Quantity</b>
18	6066658	Cable 10m 6G1/plug 2,-4A/float switch	1
18.1	6072582	float switch S-PS 10A 250V 10m NO VP	1
18.2	6066617	cable 10m H07 6G1 VP.	1
18.2.1	6067644	O-Ring ID.25X2,2N DIN3771 NBR70 (3pcs)	1
18.3	6072522	MCP 2,4-4,0A-T4-HA-ROT-WSK-CEE16-5PS VP.	1
19	6067643	cable clip PP-GF30 black VP.	1





**FIT V05DA-228/EAD1-2-T0039-540-O (6064595)**

Item	Article no.	Description	Quantity
R2	6065498	Rep.Kit 2 S13.1	1
P	6049684	colour 2K-paint IV80 RAL9011 250ml KIT	1
F1	6025460	medical white oil 1L KIT	1
F1	6025461	medical white oil 5L KIT	1
L1	6080531	Loctite 243 5g flask VP:	1
L9	6080535	Loctite 5203 300ml VP.	1
-----			
1	6065170	pump housing Rexa V05DA-2xx DN50 GG SET	1
1.1	6002427	screw plug G1/2 DIN908 A4	1
1.2	6048832	joint ring A21/26x1,5 DIN7603 PA(10pc)	1
1.3		screw M8x75 DIN912 A4-70	3
1.4		o-ring ID.150,0x3,0 NBR70	1
2	6065832	impeller Rexa V05xA-228 GG Set SVA	1
3	6067645	impeller fixation 8x25 Geomet KIT	1
3.1		> screw M8x25 DIN912 10.9 Geomet	1
3.2		> screw locking Nord-Lock 13,5/8,7 A4	1
3.1		screw M8x25 DIN912 10.9 Geomet	1
3.2		screw locking Nord-Lock 13,5/8,7 A4	1
4		circlips 20x1,2 DIN471 1.4116	1
5		pressure ring D.32/20,5x1 6050343 A4	1
6	6067638	screw plug G1/2 DIN908 A4 (3pcs)	1
7	6048832	joint ring A21/26x1,5 DIN7603 PA(10pc)	1
8	6070452	stator-unit S13.1-2/15 3~ KIT	1
8.1		o-ring ID.150,0x4,0 NBR70	1
8.2		O-RING ID.25X2,2N DIN3771 NBR70	1
9		mechanical shaft seal MG1/20-G60 QPQGG	1
10		CIRCLIPS 22x1,2 DIN471 1.4122	1
11		pressure ring D.34/22,5x1 6050343 A4	1
12		MECHANICAL SEAL BT-AR/22 BXPFF	1
13		circlips 25x1,2 DIN471 FSt	1
14		SRDG BALL BEARING 6305 ZZ	1
15		CIRCLIP 62X2 DIN472 FST	1
16		Rep.Kit 2 P13.1	1
17	6067578	rotor P13.1-15/EAD1X2-T VP.	1

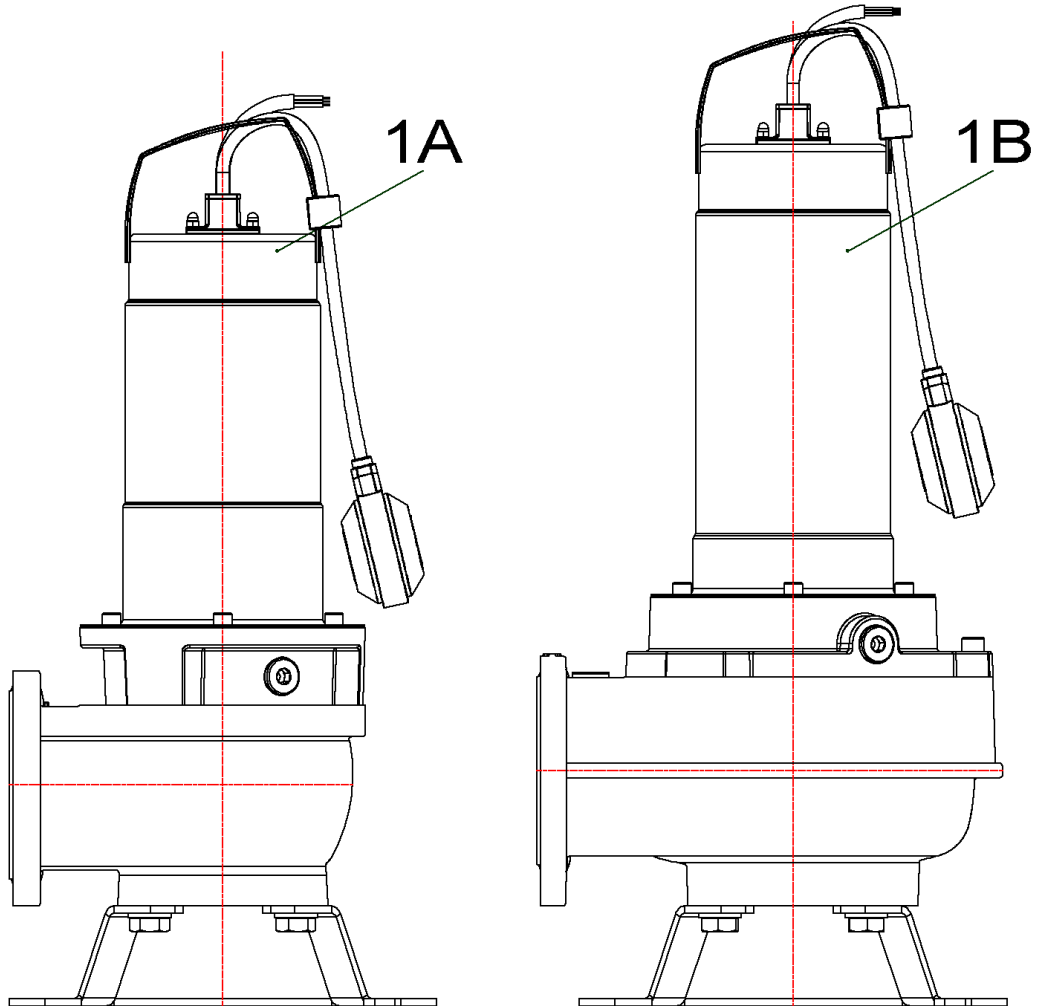
**FIT V05DA-228/EAD1-2-T0039-540-O (6064595)**

<b>Item</b>	<b>Article no.</b>	<b>Description</b>	<b>Quantity</b>
18	6066617	cable 10m H07 6G1 VP.	1
18.1	6067644	O-Ring ID.25X2,2N DIN3771 NBR70 (3pcs)	1

# Rexa FIT

V06xA-2..

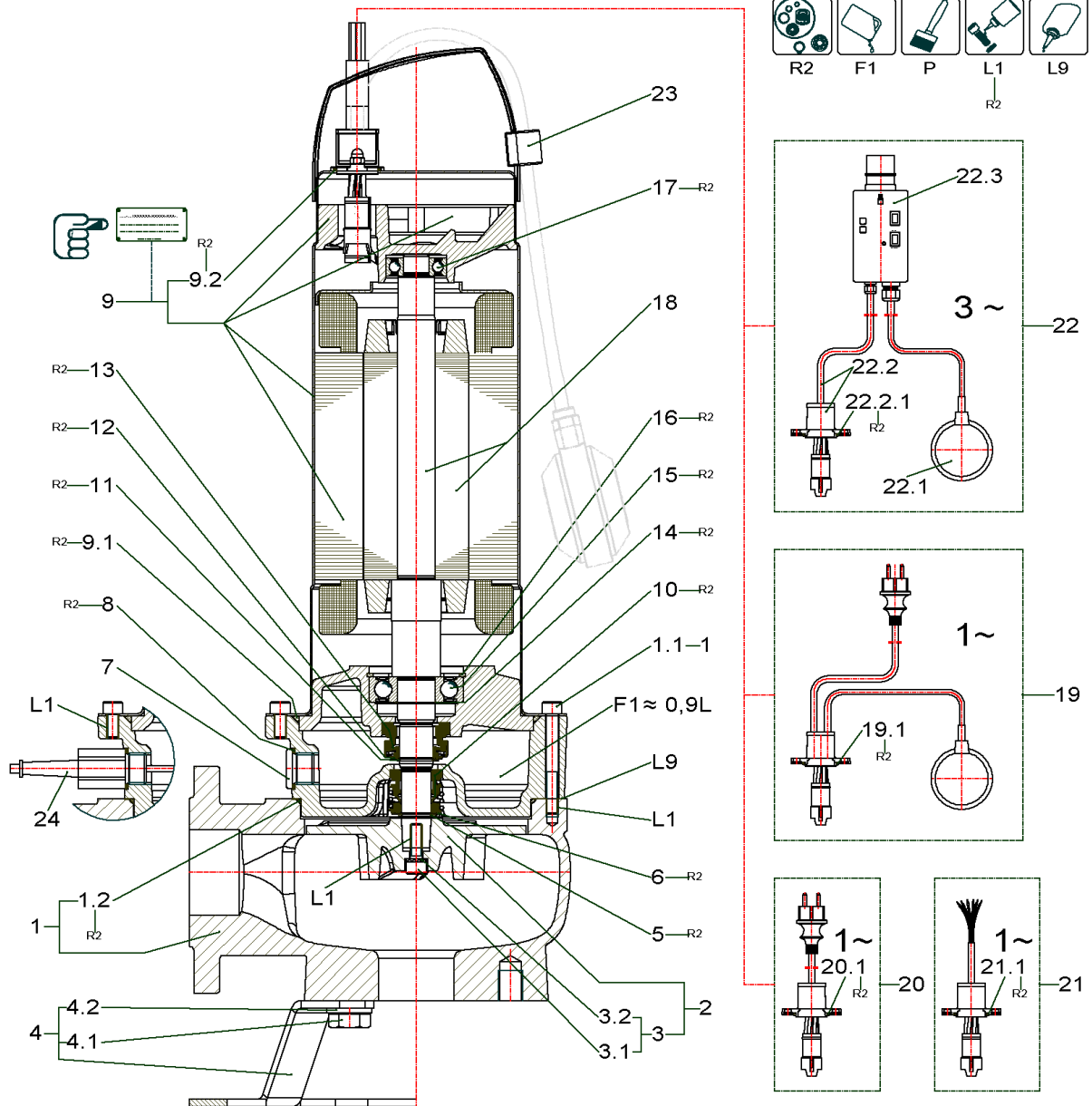
V06xA-6..



**SUBMERSIBLE SEWAGE PUMP FIT V06.. UNIT (6200779)**

<b>Item</b>	<b>Description</b>	<b>Quantity</b>
1A	Rexa FIT V06xA-2.. (configurable pump)	1
1B	Rexa FIT V06xA-6.. (configurable pump)	1

# Rexa FIT V06xA-2.. (configurable pump)



**Rexa FIT V06xA-2.. (configurable pump)**

Item	Article no.	Description	Quantity
R2	6065498	Rep.Kit 2 S13.1	1
P	6049684	colour 2K-paint IV80 RAL9011 250ml KIT	1
F1	6025460	medical white oil 1L KIT	1
F1	6025461	medical white oil 5L KIT	1
L1	6080531	Loctite 243 5g flask VP:	1
L9	6080535	Loctite 5203 300ml VP.	1
-----			
1	6065172	pump housing Rexa V06DA-2xx DN65 GG SET	1
1	6065173	pump housing Rexa V06NA-2xx ANSI GG SET	1
1.1		screw M8x75 DIN912 A4-70	3
1.2		o-ring ID.150,0x3,0 NBR70	1
2	6065833	impeller Rexa V06xA-212 GG Set SVA	1
2	6065834	impeller Rexa V06xA-214 GG Set SVA	1
2	6067145	impeller Rexa V06xA-215 GG Set SVA	1
2	6065835	impeller Rexa V06xA-216 GG Set SVA	1
2	6065836	impeller Rexa V06xA-222 GG Set SVA	1
2	6065837	impeller Rexa V06xA-224 GG Set SVA	1
3	6067645	impeller fixation 8x25 Geomet KIT	1
3.1		> screw M8x25 DIN912 10.9 Geomet	1
3.2		> screw locking Nord-Lock 13,5/8,7 A4	1
4	6064666	Pump foot DN50/65 KIT	1
4B.1		> screw M16x25 DIN933 A4-70	4
4B.2	6076816	> washer A17 Din125 A4 (20pc)	1
4.1		screw M16x25 DIN933 A4-70	4
4.2		washer A17 Din125 A4 (20pc)	1
5		circlips 20x1,2 DIN471 1.4116	1
6		pressure ring D.32/20,5x1 6050343 A4	1
7	6067638	screw plug G1/2 DIN908 A4 (3pcs)	1
8	6048832	joint ring A21/26x1,5 DIN7603 PA(10pc)	1
9	6070456	stator-unit S13.1-2/8 1~ KIT	1
9	6070456	stator-unit S13.1-2/8 1~ KIT	1
9	6070454	stator-unit S13.1-2/8 3~ KIT	1
9	6070454	stator-unit S13.1-2/8 3~ KIT	1
9	6070453	stator-unit S13.1-2/10 3~ KIT	1

**Rexa FIT V06xA-2.. (configurable pump)**

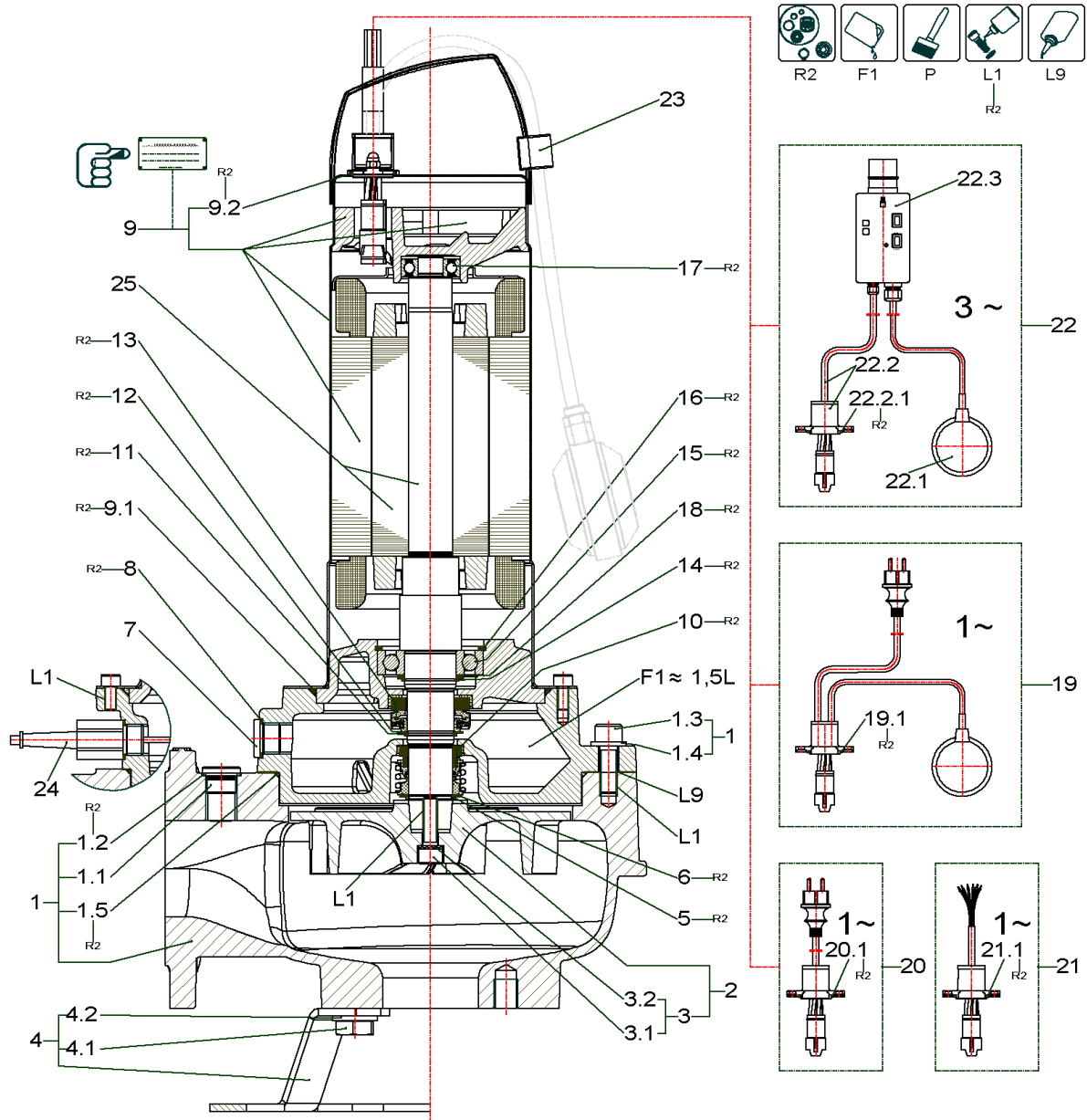
Item	Article no.	Description	Quantity
9	6070452	stator-unit S13.1-2/15 3~ KIT	1
9.1		o-ring ID.150,0x4,0 NBR70	1
9.2		O-RING ID.25X2,2N DIN3771 NBR70	1
10		mechanical shaft seal MG1/20-G60 QQPGG	1
11		CIRCLIPS 22x1,2 DIN471 1.4122	1
12		pressure ring D.34/22,5x1 6050343 A4	1
13		MECHANICAL SEAL BT-AR/22 BXPFF	1
14		circlips 25x1,2 DIN471 FSt	1
15		SRDG BALL BEARING 6305 ZZ	1
16		CIRCLIP 62X2 DIN472 FST	1
17		Rep.Kit 2 P13.1	1
18	6067580	rotor S/P13.1-8/EAD0X2-M VP.	1
18	6067579	rotor S/P13.1-8/EAD1X2-T VP.	1
18	6067577	rotor S/P13.1-10/EAD1X2-T VP.	1
18	6067578	rotor P13.1-15/EAD1X2-T VP.	1
-----			
19	6066649	cable 10m H07 3G1/plug/float switch	1
19	6066652	cable 20m H07 3G1/plug/float switch	1
19	6066655	cable 30m H07 3G1/plug/float switch	1
19.1	6067644	O-Ring ID.25X2,2N DIN3771 NBR70 (3pcs)	1
-----			
20	6066650	cable 10m H07 3G1/plug VP.	1
20	6066653	cable 20m H07 3G1/plug	1
20	6066656	cable 30m H07 3G1/plug	1
20.1	6067644	O-Ring ID.25X2,2N DIN3771 NBR70 (3pcs)	1
-----			
21	6066617	cable 10m H07 6G1 VP.	1
21.1	6067644	O-Ring ID.25X2,2N DIN3771 NBR70 (3pcs)	1
-----			
22	6066658	Cable 10m 6G1/plug 2,-4A/float switch	1
22	6066659	Cable 10m 6G1/plug 4-6A/float switch	1
22.1	6072582	float switch S-PS 10A 250V 10m NO VP	1
22.1	6072583	float switch S-PS 10A 250V 20m NO VP	1
22.1	6043701	float switch S-PS 20m NO+30m Verl.	1



**Rexa FIT V06xA-2.. (configurable pump)**

Item	Article no.	Description	Quantity
22.2	6066617	cable 10m H07 6G1 VP.	1
22.2	6066618	cable 20m H07 6G1 1,1-5,0kW VP.	1
22.2	6066619	cable 30m H07 6G1 1,1-5,0kW VP.	1
22.2	6066621	cable 20m H07 6G1,5 3,5-3,9kW	1
22.2	6066622	cable 30m H07 6G1,5 3,5-3,9kW VP.	1
22.2	6066623	cable 40m H07 6G1,5 1,1-5,0kW VP.	1
22.2	6066624	cable 50m H07 6G1,5 1,1-5,0kW VP.	1
22.2.1	6067644	O-Ring ID.25X2,2N DIN3771 NBR70 (3pcs)	1
22.3	6072522	MCP 2,4-4,0A-T4-HA-ROT-WSK-CEE16-5PS VP.	1
22.3	6072523	MCP 4,0-6,0A-T4-HA-ROT-WSK-CEE16-5PS VP.	1
22.3	6072524	MCP 6,0-10A-T4-HA-ROT-WSK-CEE16-5PS VP.	1
		-----	
23	6067643	cable clip PP-GF30 black VP.	1
24	6042222	pencil electrode G1/2 10m KIT	1
24	6042223	pencil electrode G1/2 20m KIT	1
24	6061070	pencil electrode G1/2 30m KIT	1
24	6061069	Stabelektrode G1/2 40m SET	1
24	6060956	pencil electrode G1/2 55m KIT	1

# Rexa FIT V06xA-6.. (configurable pump)



**Rexa FIT V06xA-6.. (configurable pump)**

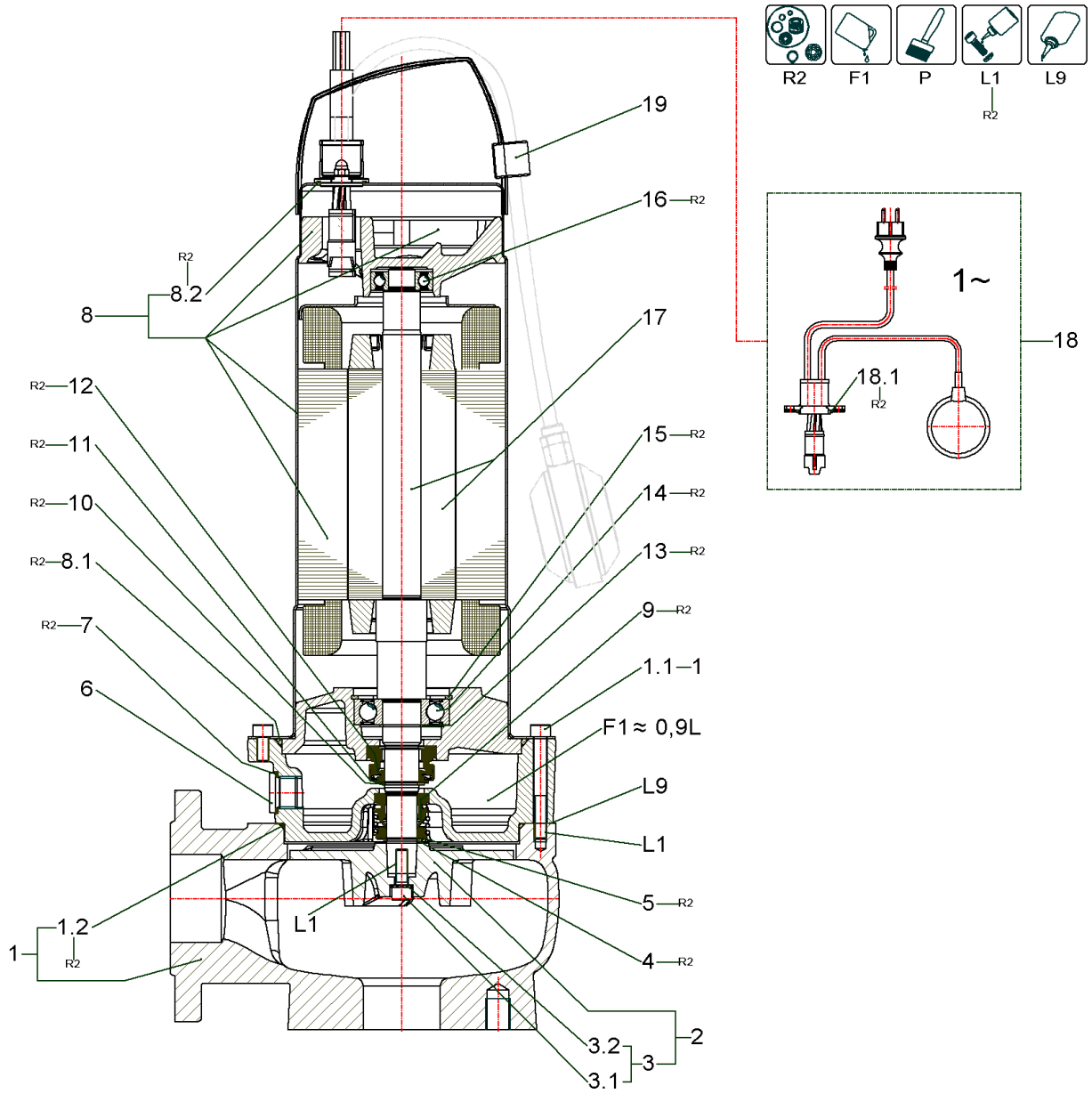
Item	Article no.	Description	Quantity
R2	6065497	Rep.Kit 2 S13.2	1
P	6049684	colour 2K-paint IV80 RAL9011 250ml KIT	1
F1	6025460	medical white oil 1L KIT	1
F1	6025461	medical white oil 5L KIT	1
L1	6080531	Loctite 243 5g flask VP:	1
L9	6080535	Loctite 5203 300ml VP.	1
-----			
1	6065174	pump housing Rexa V06DA-xx6 DN65 GG SET	1
1	6065175	pump housing Rexa V06NA-6xx ANSI GG SET	1
1.1		screw plug G1/2 DIN908 A4	1
1.2		joint ring A21/26x1,5 DIN7603 PA(10pc)	1
1.3		screw M12x35 DIN912 A4	3
1.4		washer A13 DIN125 A4 (20pc)	1
1.5		o-ring ID.203,0x3,0 NBR70	1
2	6065838	impeller Rexa V06xA-622 GG Set SVA	1
2	6065839	impeller Rexa V06xA-623 GG Set SVA	1
2	6065840	impeller Rexa V06xA-625 GG Set SVA	1
2	6065841	impeller V06xA-626 GG kit SVA	1
2	6065842	impeller V06xA-628 GG Set SVA	1
3	6067646	impeller fixation 10x35 Geomet KIT	1
3.1		> screw M10x35 DIN912 10.9 Geomet	1
3.2		> SCREW LOCKING NORD-LOCK 16/10,7 A4	1
4	6064666	Pump foot DN50/65 KIT	1
4B.1		> screw M16x25 DIN933 A4-70	4
4B.2	6076816	> washer A17 Din125 A4 (20pc)	1
4.1		screw M16x25 DIN933 A4-70	4
4.2		washer A17 Din125 A4 (20pc)	1
5		CIRCLIP 30X1,5 DIN471 1.4122	1
6		pressure ring D.42/30,5x1 6050343 A4	1
7	6067638	screw plug G1/2 DIN908 A4 (3pcs)	1
8	6048832	joint ring A21/26x1,5 DIN7603 PA(10pc)	1
9	6070458	stator-unit S13.2-4/11 1~ KIT	1
9	6070458	stator-unit S13.2-4/11 1~ KIT	1
9	6070460	stator-unit S13.2-4/16 3~ KIT	1

**Rexa FIT V06xA-6.. (configurable pump)**

Item	Article no.	Description	Quantity
9	6070450	stator-unit S13.2-4/10 3~ KIT	1
9	6070450	stator-unit S13.2-4/10 3~ KIT	1
9	6070459	stator-unit S13.2-4/13 3~ KIT	1
9.1		o-ring ID.150,0x4,0 NBR70	1
9.2		O-RING ID.25X2,2N DIN3771 NBR70	1
10		mechanical shaft seal MG1/30-G60 QPFGG	1
11		CIRCLIP 32X1,5 DIN471 1.4122	1
12		pressure ring D.44/32,5x1 6050343 A4	1
13		MECHANICAL SEAL BT-AR/32 BXPFF	1
14		circlips 35x1,5 DIN471 FST	1
15		ball bearing 6207 w.2 Dichts. VP.	1
16		circlips 72x2,5 DIN472 FSt	1
17		Rep.Kit 2 P13.1	1
18		washer D.35/45x2,5 DIN988 St	1
-----			
19	6066649	cable 10m H07 3G1/plug/float switch	1
19	6066652	cable 20m H07 3G1/plug/float switch	1
19	6066655	cable 30m H07 3G1/plug/float switch	1
19.1	6067644	O-Ring ID.25X2,2N DIN3771 NBR70 (3pcs)	1
-----			
20	6066650	cable 10m H07 3G1/plug VP.	1
20	6066653	cable 20m H07 3G1/plug	1
20	6066656	cable 30m H07 3G1/plug	1
20.1	6067644	O-Ring ID.25X2,2N DIN3771 NBR70 (3pcs)	1
-----			
21	6066617	cable 10m H07 6G1 VP.	1
21.1	6067644	O-Ring ID.25X2,2N DIN3771 NBR70 (3pcs)	1
-----			
22	6066658	Cable 10m 6G1/plug 2,-4A/float switch	1
22	6066659	Cable 10m 6G1/plug 4-6A/float switch	1
22.1	6072582	float switch S-PS 10A 250V 10m NO VP	1
22.1	6072583	float switch S-PS 10A 250V 20m NO VP	1
22.1	6035477	float switch S-PS 20m NO+10m Verl.	1
22.1	6043701	float switch S-PS 20m NO+30m Verl.	1

**Rexa FIT V06xA-6.. (configurable pump)**

Item	Article no.	Description	Quantity
22.2	6066617	cable 10m H07 6G1 VP.	1
22.2	6066618	cable 20m H07 6G1 1,1-5,0kW VP.	1
22.2	6066619	cable 30m H07 6G1 1,1-5,0kW VP.	1
22.2	6066621	cable 20m H07 6G1,5 3,5-3,9kW	1
22.2	6066622	cable 30m H07 6G1,5 3,5-3,9kW VP.	1
22.2	6066623	cable 40m H07 6G1,5 1,1-5,0kW VP.	1
22.2	6066624	cable 50m H07 6G1,5 1,1-5,0kW VP.	1
22.2.1	6067644	O-Ring ID.25X2,2N DIN3771 NBR70 (3pcs)	1
22.3	6072522	MCP 2,4-4,0A-T4-HA-ROT-WSK-CEE16-5PS VP.	1
22.3	6072523	MCP 4,0-6,0A-T4-HA-ROT-WSK-CEE16-5PS VP.	1
22.3	6072524	MCP 6,0-10A-T4-HA-ROT-WSK-CEE16-5PS VP.	1
-----			
23	6067643	cable clip PP-GF30 black VP.	1
24	6042222	pencil electrode G1/2 10m KIT	1
24	6042223	pencil electrode G1/2 20m KIT	1
24	6061070	pencil electrode G1/2 30m KIT	1
24	6061069	Stabelektrode G1/2 40m SET	1
24	6060956	pencil electrode G1/2 55m KIT	1
25	6067576	rotor P13.2-11/EAD0X4-M VP.	1
25	6067575	rotor P13.2-10/EAD1X4-T VP.	1
25	6067574	rotor P13.2-13/EAD1X4-T VP.	1
25	6067573	rotor P13.2-16/EAD1X4-T VP.	1

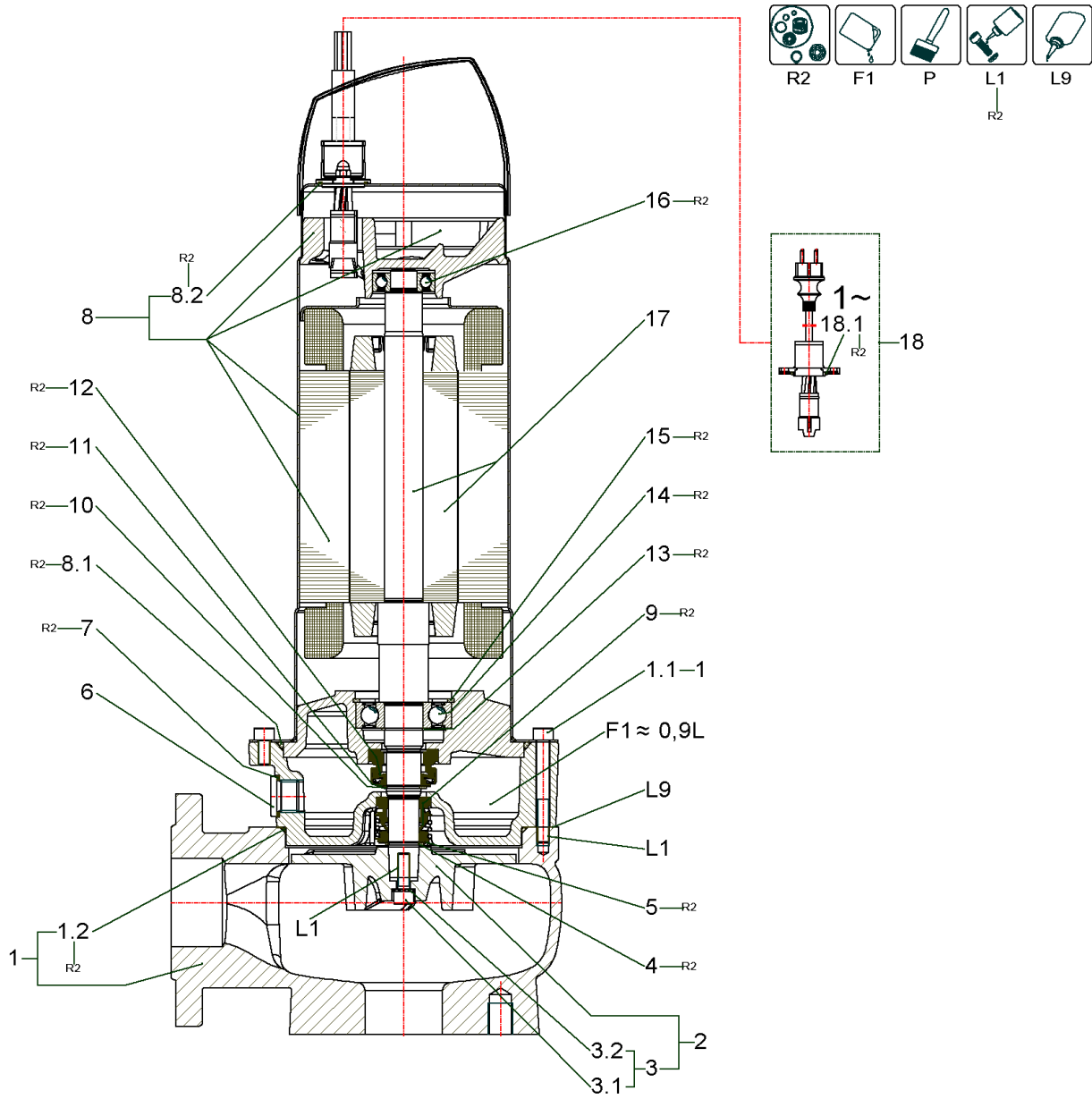


**FIT V06DA-212/EAD0-2-M0011-523-A (6064596)**

Item	Article no.	Description	Quantity
R2	6065498	Rep.Kit 2 S13.1	1
P	6049684	colour 2K-paint IV80 RAL9011 250ml KIT	1
F1	6025460	medical white oil 1L KIT	1
F1	6025461	medical white oil 5L KIT	1
L1	6080531	Loctite 243 5g flask VP:	1
L9	6080535	Loctite 5203 300ml VP.	1
-----			
1	6065172	pump housing Rexa V06DA-2xx DN65 GG SET	1
1.1		screw M8x75 DIN912 A4-70	3
1.2		o-ring ID.150,0x3,0 NBR70	1
2	6065833	impeller Rexa V06xA-212 GG Set SVA	1
3	6067645	impeller fixation 8x25 Geomet KIT	1
3.1		> screw M8x25 DIN912 10.9 Geomet	1
3.2		> screw locking Nord-Lock 13,5/8,7 A4	1
3.1		screw M8x25 DIN912 10.9 Geomet	1
3.2		screw locking Nord-Lock 13,5/8,7 A4	1
4		circlips 20x1,2 DIN471 1.4116	1
5		pressure ring D.32/20,5x1 6050343 A4	1
6	6067638	screw plug G1/2 DIN908 A4 (3pcs)	1
7	6048832	joint ring A21/26x1,5 DIN7603 PA(10pc)	1
8	6070456	stator-unit S13.1-2/8 1~ KIT	1
8.1		o-ring ID.150,0x4,0 NBR70	1
8.2		O-RING ID.25X2,2N DIN3771 NBR70	1
9		mechanical shaft seal MG1/20-G60 QPFGG	1
10		CIRCLIPS 22x1,2 DIN471 1.4122	1
11		pressure ring D.34/22,5x1 6050343 A4	1
12		MECHANICAL SEAL BT-AR/22 BXPFF	1
13		circlips 25x1,2 DIN471 FSt	1
14		SRDG BALL BEARING 6305 ZZ	1
15		CIRCLIP 62X2 DIN472 FST	1
16		Rep.Kit 2 P13.1	1
17	6067580	rotor S/P13.1-8/EAD0X2-M VP.	1
18	6066649	cable 10m H07 3G1/plug/float switch	1
18.1	6067644	O-Ring ID.25X2,2N DIN3771 NBR70 (3pcs)	1

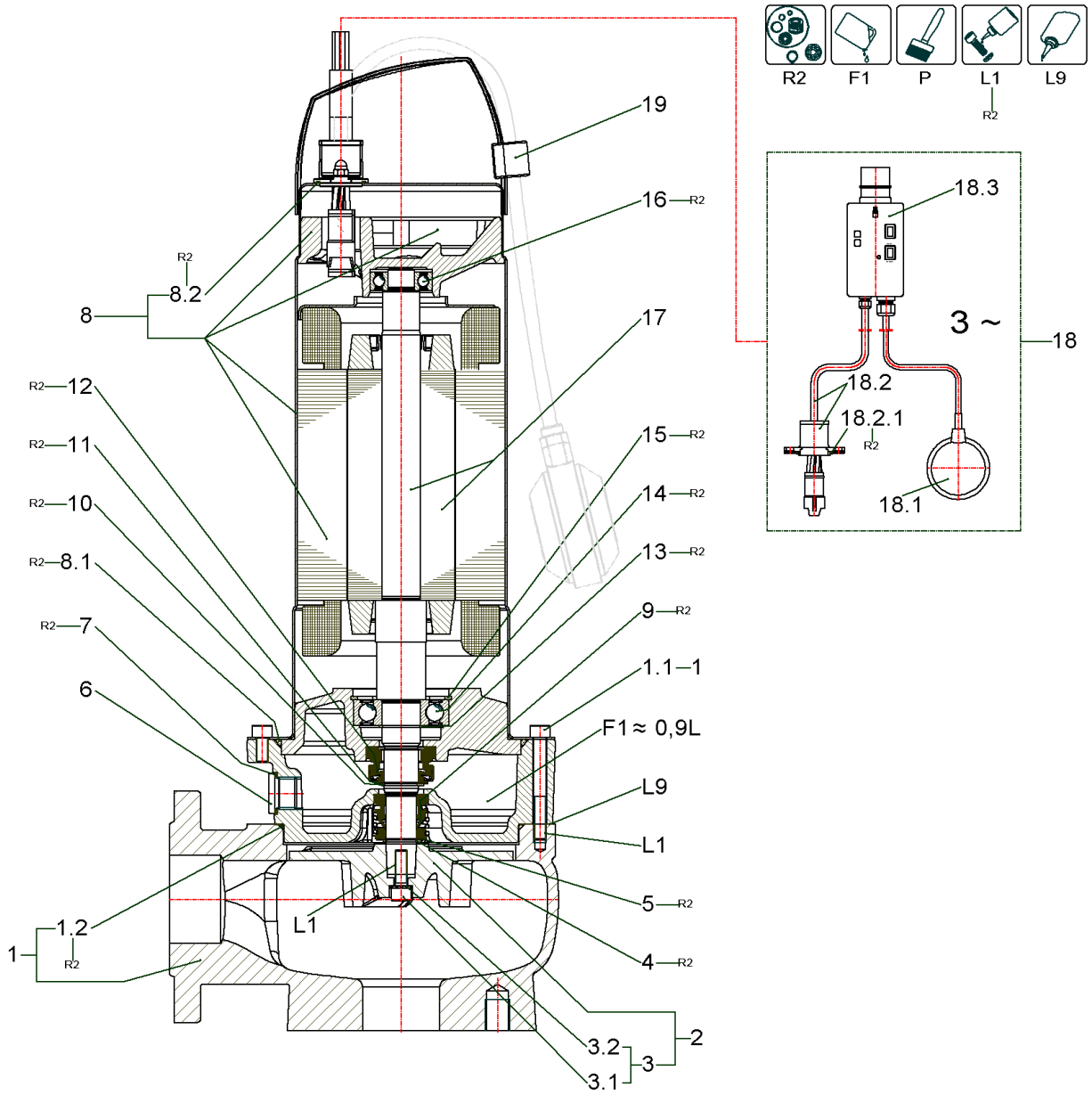
<b>Item</b>	<b>Article no.</b>	<b>Description</b>	<b>Quantity</b>
19	6067643	cable clip PP-GF30 black VP.	1





**FIT V06DA-212/EAD0-2-M0011-523-P (6064598)**

Item	Article no.	Description	Quantity
R2	6065498	Rep.Kit 2 S13.1	1
P	6049684	colour 2K-paint IV80 RAL9011 250ml KIT	1
F1	6025460	medical white oil 1L KIT	1
F1	6025461	medical white oil 5L KIT	1
L1	6080531	Loctite 243 5g flask VP:	1
L9	6080535	Loctite 5203 300ml VP.	1
-----			
1	6065172	pump housing Rexa V06DA-2xx DN65 GG SET	1
1.1		screw M8x75 DIN912 A4-70	3
1.2		o-ring ID.150,0x3,0 NBR70	1
2	6065833	impeller Rexa V06xA-212 GG Set SVA	1
3	6067645	impeller fixation 8x25 Geomet KIT	1
3.1		> screw M8x25 DIN912 10.9 Geomet	1
3.2		> screw locking Nord-Lock 13,5/8,7 A4	1
3.1		screw M8x25 DIN912 10.9 Geomet	1
3.2		screw locking Nord-Lock 13,5/8,7 A4	1
4		circlips 20x1,2 DIN471 1.4116	1
5		pressure ring D.32/20,5x1 6050343 A4	1
6	6067638	screw plug G1/2 DIN908 A4 (3pcs)	1
7	6048832	joint ring A21/26x1,5 DIN7603 PA(10pc)	1
8	6070456	stator-unit S13.1-2/8 1~ KIT	1
8.1		o-ring ID.150,0x4,0 NBR70	1
8.2		O-RING ID.25X2,2N DIN3771 NBR70	1
9		mechanical shaft seal MG1/20-G60 QPFGG	1
10		CIRCLIPS 22x1,2 DIN471 1.4122	1
11		pressure ring D.34/22,5x1 6050343 A4	1
12		MECHANICAL SEAL BT-AR/22 BXPFF	1
13		circlips 25x1,2 DIN471 FSt	1
14		SRDG BALL BEARING 6305 ZZ	1
15		CIRCLIP 62X2 DIN472 FST	1
16		Rep.Kit 2 P13.1	1
18	6066650	cable 10m H07 3G1/plug VP.	1
17	6067580	rotor S/P13.1-8/EAD0X2-M VP.	1
18.1	6067644	O-Ring ID.25X2,2N DIN3771 NBR70 (3pcs)	1

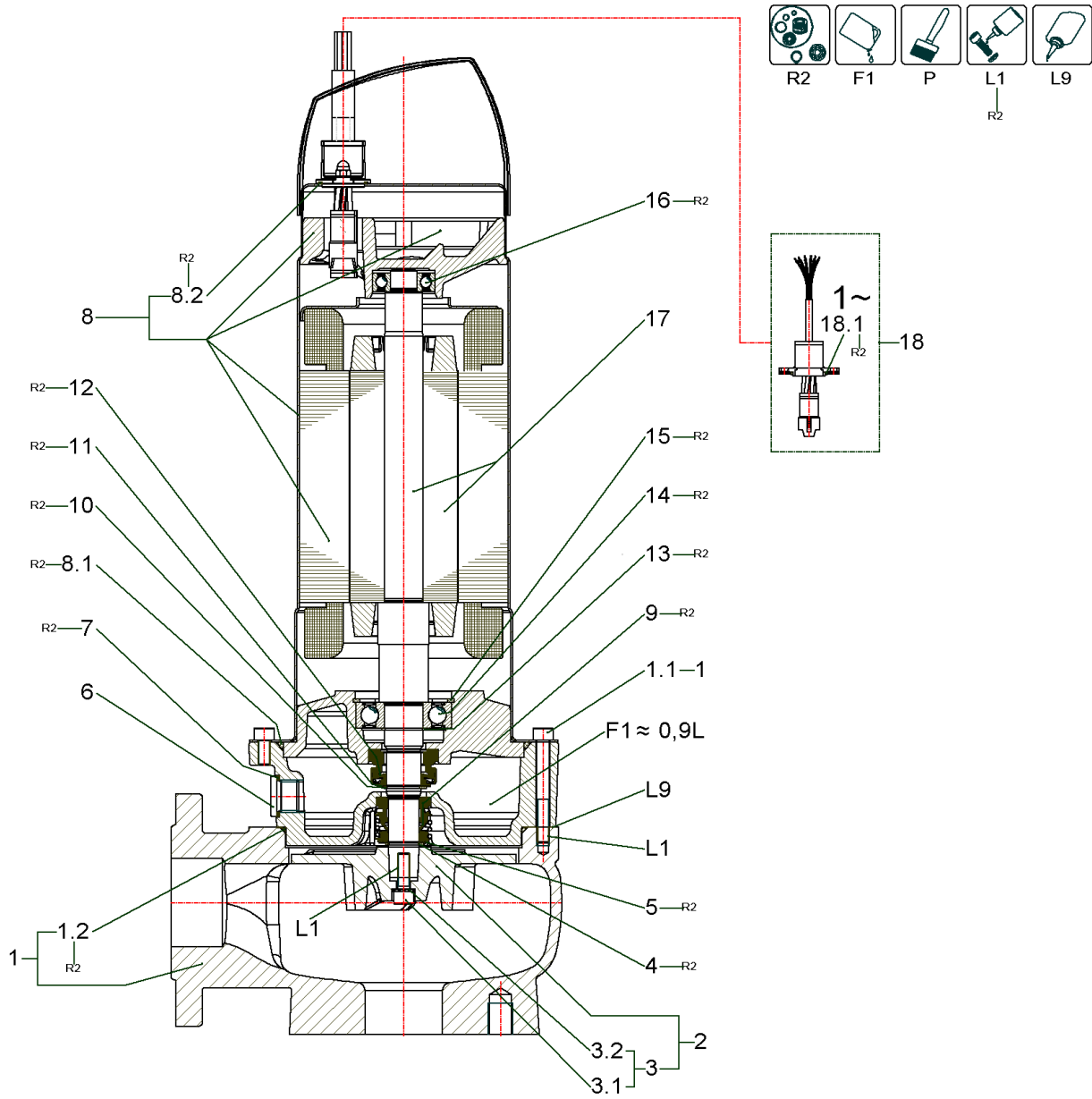


**FIT V06DA-212/EAD1-2-T0011-540-A (6064597)**

Item	Article no.	Description	Quantity
R2	6065498	Rep.Kit 2 S13.1	1
P	6049684	colour 2K-paint IV80 RAL9011 250ml KIT	1
F1	6025460	medical white oil 1L KIT	1
F1	6025461	medical white oil 5L KIT	1
L1	6080531	Loctite 243 5g flask VP:	1
L9	6080535	Loctite 5203 300ml VP.	1
-----			
1	6065172	pump housing Rexa V06DA-2xx DN65 GG SET	1
1.1		screw M8x75 DIN912 A4-70	3
1.2		o-ring ID.150,0x3,0 NBR70	1
2	6065833	impeller Rexa V06xA-212 GG Set SVA	1
3	6067645	impeller fixation 8x25 Geomet KIT	1
3.1		> screw M8x25 DIN912 10.9 Geomet	1
3.2		> screw locking Nord-Lock 13,5/8,7 A4	1
3.1		screw M8x25 DIN912 10.9 Geomet	1
3.2		screw locking Nord-Lock 13,5/8,7 A4	1
4		circlips 20x1,2 DIN471 1.4116	1
5		pressure ring D.32/20,5x1 6050343 A4	1
6	6067638	screw plug G1/2 DIN908 A4 (3pcs)	1
7	6048832	joint ring A21/26x1,5 DIN7603 PA(10pc)	1
8	6070454	stator-unit S13.1-2/8 3~ KIT	1
8.1		o-ring ID.150,0x4,0 NBR70	1
8.2		O-RING ID.25X2,2N DIN3771 NBR70	1
9		mechanical shaft seal MG1/20-G60 QPFGG	1
10		CIRCLIPS 22x1,2 DIN471 1.4122	1
11		pressure ring D.34/22,5x1 6050343 A4	1
12		MECHANICAL SEAL BT-AR/22 BXPFF	1
13		circlips 25x1,2 DIN471 FSt	1
14		SRDG BALL BEARING 6305 ZZ	1
15		CIRCLIP 62X2 DIN472 FST	1
16		Rep.Kit 2 P13.1	1
17	6067579	rotor S/P13.1-8/EAD1X2-T VP.	1
18	6066649	cable 10m H07 3G1/plug/float switch	1
18.1	6072582	float switch S-PS 10A 250V 10m NO VP	1

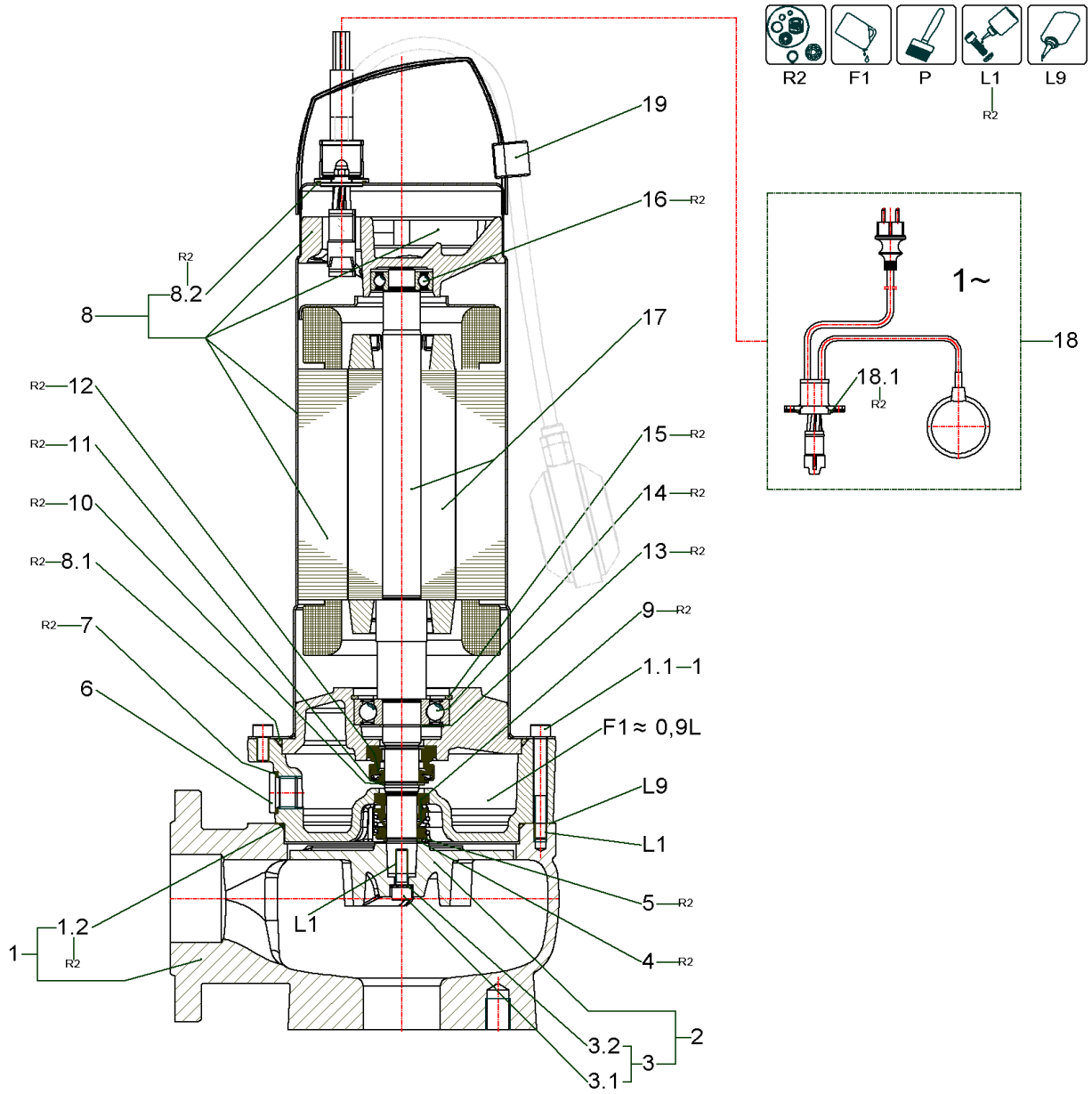
**FIT V06DA-212/EAD1-2-T0011-540-A (6064597)**

<b>Item</b>	<b>Article no.</b>	<b>Description</b>	<b>Quantity</b>
18.2	6066617	cable 10m H07 6G1 VP.	1
18.2.1	6067644	O-Ring ID.25X2,2N DIN3771 NBR70 (3pcs)	1
18.3	6072522	MCP 2,4-4,0A-T4-HA-ROT-WSK-CEE16-5PS VP.	1
19	6067643	cable clip PP-GF30 black VP.	1



**FIT V06DA-212/EAD1-2-T0011-540-O (6064599)**

Item	Article no.	Description	Quantity
R2	6065498	Rep.Kit 2 S13.1	1
P	6049684	colour 2K-paint IV80 RAL9011 250ml KIT	1
F1	6025460	medical white oil 1L KIT	1
F1	6025461	medical white oil 5L KIT	1
L1	6080531	Loctite 243 5g flask VP:	1
L9	6080535	Loctite 5203 300ml VP.	1
-----			
1	6065172	pump housing Rexa V06DA-2xx DN65 GG SET	1
1.1		screw M8x75 DIN912 A4-70	3
1.2		o-ring ID.150,0x3,0 NBR70	1
2	6065833	impeller Rexa V06xA-212 GG Set SVA	1
3	6067645	impeller fixation 8x25 Geomet KIT	1
3.1		> screw M8x25 DIN912 10.9 Geomet	1
3.2		> screw locking Nord-Lock 13,5/8,7 A4	1
3.1		screw M8x25 DIN912 10.9 Geomet	1
3.2		screw locking Nord-Lock 13,5/8,7 A4	1
4		circlips 20x1,2 DIN471 1.4116	1
5		pressure ring D.32/20,5x1 6050343 A4	1
6	6067638	screw plug G1/2 DIN908 A4 (3pcs)	1
7	6048832	joint ring A21/26x1,5 DIN7603 PA(10pc)	1
8	6070454	stator-unit S13.1-2/8 3~ KIT	1
8.1		o-ring ID.150,0x4,0 NBR70	1
8.2		O-RING ID.25X2,2N DIN3771 NBR70	1
9		mechanical shaft seal MG1/20-G60 QPFGG	1
10		CIRCLIPS 22x1,2 DIN471 1.4122	1
11		pressure ring D.34/22,5x1 6050343 A4	1
12		MECHANICAL SEAL BT-AR/22 BXPFF	1
13		circlips 25x1,2 DIN471 FSt	1
14		SRDG BALL BEARING 6305 ZZ	1
15		CIRCLIP 62X2 DIN472 FST	1
16		Rep.Kit 2 P13.1	1
17	6067579	rotor S/P13.1-8/EAD1X2-T VP.	1
18	6066617	cable 10m H07 6G1 VP.	1
18.1	6067644	O-Ring ID.25X2,2N DIN3771 NBR70 (3pcs)	1

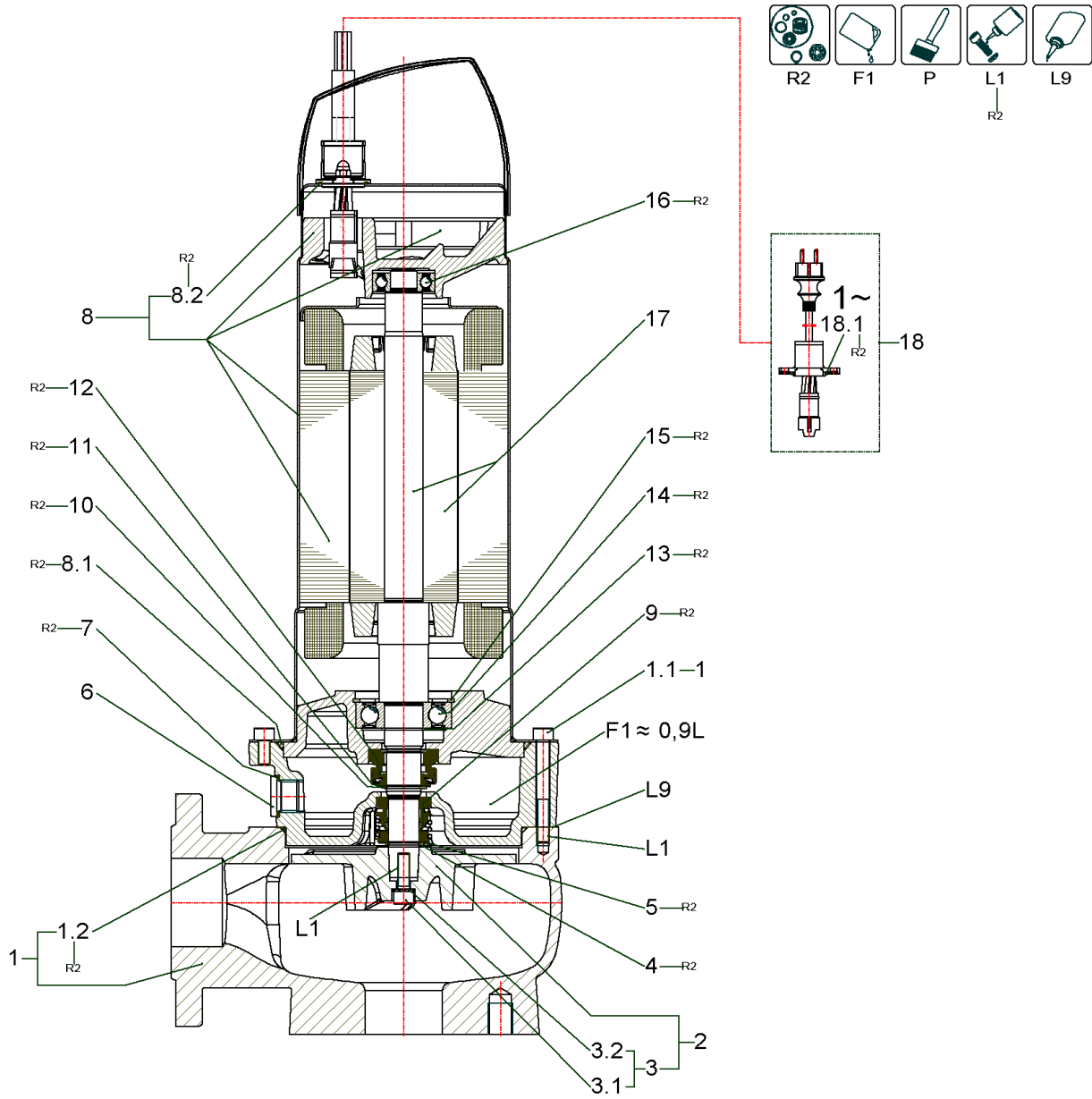




**FIT V06DA-214/EAD0-2-M0015-523-A (6064700)**

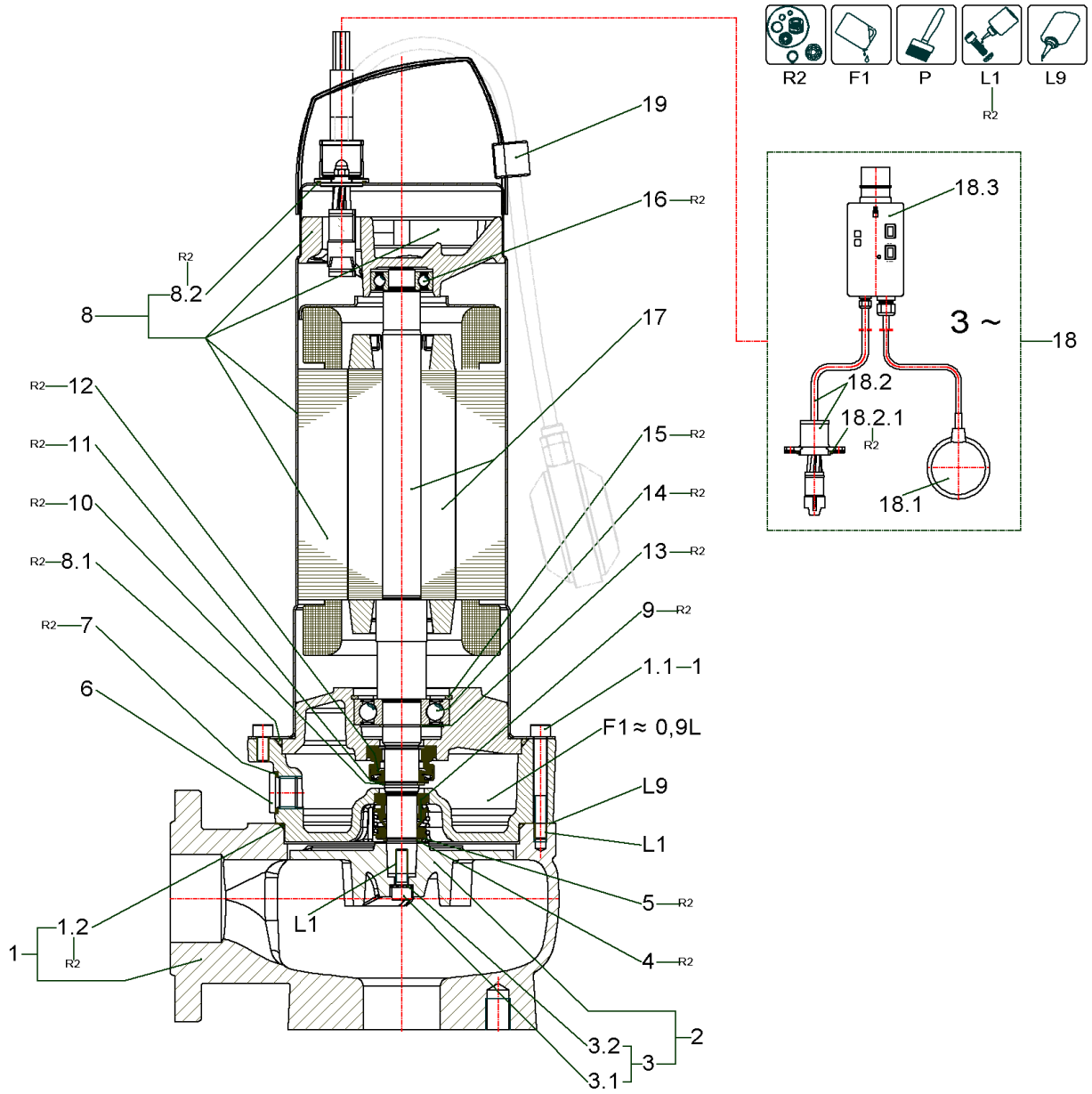
Item	Article no.	Description	Quantity
R2	6065498	Rep.Kit 2 S13.1	1
P	6049684	colour 2K-paint IV80 RAL9011 250ml KIT	1
F1	6025460	medical white oil 1L KIT	1
F1	6025461	medical white oil 5L KIT	1
L1	6080531	Loctite 243 5g flask VP:	1
L9	6080535	Loctite 5203 300ml VP.	1
-----			
1	6065172	pump housing Rexa V06DA-2xx DN65 GG SET	1
1.1		screw M8x75 DIN912 A4-70	3
1.2		o-ring ID.150,0x3,0 NBR70	1
2	6065834	impeller Rexa V06xA-214 GG Set SVA	1
3	6067645	impeller fixation 8x25 Geomet KIT	1
3.1		> screw M8x25 DIN912 10.9 Geomet	1
3.2		> screw locking Nord-Lock 13,5/8,7 A4	1
3.1		screw M8x25 DIN912 10.9 Geomet	1
3.2		screw locking Nord-Lock 13,5/8,7 A4	1
4		circlips 20x1,2 DIN471 1.4116	1
5		pressure ring D.32/20,5x1 6050343 A4	1
6	6067638	screw plug G1/2 DIN908 A4 (3pcs)	1
7	6048832	joint ring A21/26x1,5 DIN7603 PA(10pc)	1
8	6070456	stator-unit S13.1-2/8 1~ KIT	1
8.1		o-ring ID.150,0x4,0 NBR70	1
8.2		O-RING ID.25X2,2N DIN3771 NBR70	1
9		mechanical shaft seal MG1/20-G60 QPFGG	1
10		CIRCLIPS 22x1,2 DIN471 1.4122	1
11		pressure ring D.34/22,5x1 6050343 A4	1
12		MECHANICAL SEAL BT-AR/22 BXPFF	1
13		circlips 25x1,2 DIN471 FSt	1
14		SRDG BALL BEARING 6305 ZZ	1
15		CIRCLIP 62X2 DIN472 FST	1
16		Rep.Kit 2 P13.1	1
17	6067580	rotor S/P13.1-8/EAD0X2-M VP.	1
18	6066649	cable 10m H07 3G1/plug/float switch	1
18.1	6067644	O-Ring ID.25X2,2N DIN3771 NBR70 (3pcs)	1

<b>Item</b>	<b>Article no.</b>	<b>Description</b>	<b>Quantity</b>
19	6067643	cable clip PP-GF30 black VP.	1



**FIT V06DA-214/EAD0-2-M0015-523-P (6064702)**

Item	Article no.	Description	Quantity
R2	6065498	Rep.Kit 2 S13.1	1
P	6049684	colour 2K-paint IV80 RAL9011 250ml KIT	1
F1	6025460	medical white oil 1L KIT	1
F1	6025461	medical white oil 5L KIT	1
L1	6080531	Loctite 243 5g flask VP:	1
L9	6080535	Loctite 5203 300ml VP.	1
-----			
1	6065172	pump housing Rexa V06DA-2xx DN65 GG SET	1
1.1		screw M8x75 DIN912 A4-70	3
1.2		o-ring ID.150,0x3,0 NBR70	1
2	6065834	impeller Rexa V06xA-214 GG Set SVA	1
3	6067645	impeller fixation 8x25 Geomet KIT	1
3.1		> screw M8x25 DIN912 10.9 Geomet	1
3.2		> screw locking Nord-Lock 13,5/8,7 A4	1
3.1		screw M8x25 DIN912 10.9 Geomet	1
3.2		screw locking Nord-Lock 13,5/8,7 A4	1
4		circlips 20x1,2 DIN471 1.4116	1
5		pressure ring D.32/20,5x1 6050343 A4	1
6	6067638	screw plug G1/2 DIN908 A4 (3pcs)	1
7	6048832	joint ring A21/26x1,5 DIN7603 PA(10pc)	1
8	6070456	stator-unit S13.1-2/8 1~ KIT	1
8.1		o-ring ID.150,0x4,0 NBR70	1
8.2		O-RING ID.25X2,2N DIN3771 NBR70	1
9		mechanical shaft seal MG1/20-G60 QPFGG	1
10		CIRCLIPS 22x1,2 DIN471 1.4122	1
11		pressure ring D.34/22,5x1 6050343 A4	1
12		MECHANICAL SEAL BT-AR/22 BXPFF	1
13		circlips 25x1,2 DIN471 FSt	1
14		SRDG BALL BEARING 6305 ZZ	1
15		CIRCLIP 62X2 DIN472 FST	1
16		Rep.Kit 2 P13.1	1
17	6067580	rotor S/P13.1-8/EAD0X2-M VP.	1
18	6066650	cable 10m H07 3G1/plug VP.	1
18.1	6067644	O-Ring ID.25X2,2N DIN3771 NBR70 (3pcs)	1

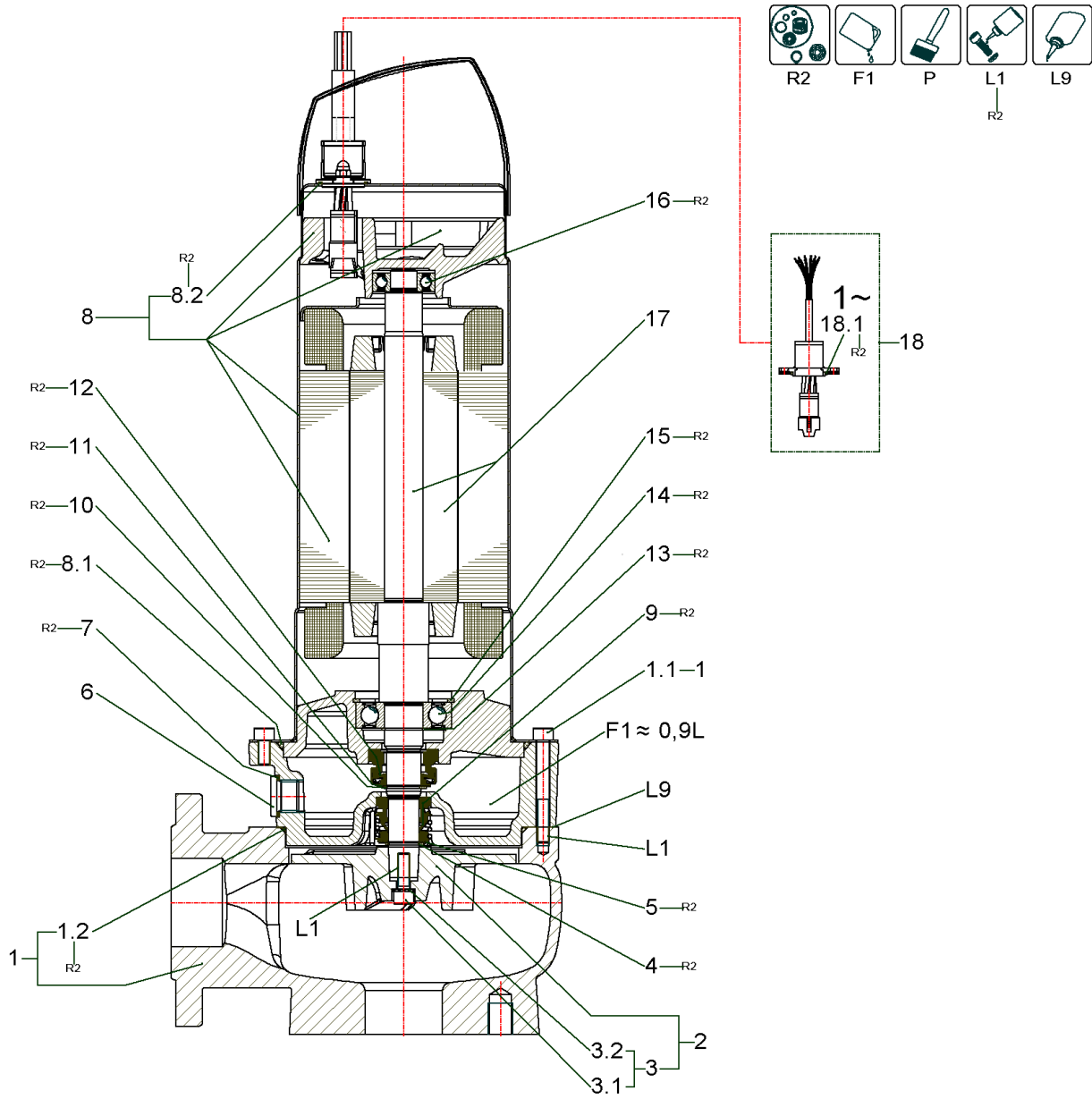


**FIT V06DA-214/EAD1-2-T0015-540-A (6064701)**

Item	Article no.	Description	Quantity
R2	6065498	Rep.Kit 2 S13.1	1
P	6049684	colour 2K-paint IV80 RAL9011 250ml KIT	1
F1	6025460	medical white oil 1L KIT	1
F1	6025461	medical white oil 5L KIT	1
L1	6080531	Loctite 243 5g flask VP:	1
L9	6080535	Loctite 5203 300ml VP.	1
-----			
1	6065172	pump housing Rexa V06DA-2xx DN65 GG SET	1
1.1		screw M8x75 DIN912 A4-70	3
1.2		o-ring ID.150,0x3,0 NBR70	1
2	6065834	impeller Rexa V06xA-214 GG Set SVA	1
3	6067645	impeller fixation 8x25 Geomet KIT	1
3.1		> screw M8x25 DIN912 10.9 Geomet	1
3.2		> screw locking Nord-Lock 13,5/8,7 A4	1
3.1		screw M8x25 DIN912 10.9 Geomet	1
3.2		screw locking Nord-Lock 13,5/8,7 A4	1
4		circlips 20x1,2 DIN471 1.4116	1
5		pressure ring D.32/20,5x1 6050343 A4	1
6	6067638	screw plug G1/2 DIN908 A4 (3pcs)	1
7	6048832	joint ring A21/26x1,5 DIN7603 PA(10pc)	1
8	6070454	stator-unit S13.1-2/8 3~ KIT	1
8.1		o-ring ID.150,0x4,0 NBR70	1
8.2		O-RING ID.25X2,2N DIN3771 NBR70	1
9		mechanical shaft seal MG1/20-G60 QPFGG	1
10		CIRCLIPS 22x1,2 DIN471 1.4122	1
11		pressure ring D.34/22,5x1 6050343 A4	1
12		MECHANICAL SEAL BT-AR/22 BXPFF	1
13		circlips 25x1,2 DIN471 FSt	1
14		SRDG BALL BEARING 6305 ZZ	1
15		CIRCLIP 62X2 DIN472 FST	1
16		Rep.Kit 2 P13.1	1
17	6067579	rotor S/P13.1-8/EAD1X2-T VP.	1
18	6066658	Cable 10m 6G1/plug 2,-4A/float switch	1
18.1	6072582	float switch S-PS 10A 250V 10m NO VP	1

**FIT V06DA-214/EAD1-2-T0015-540-A (6064701)**

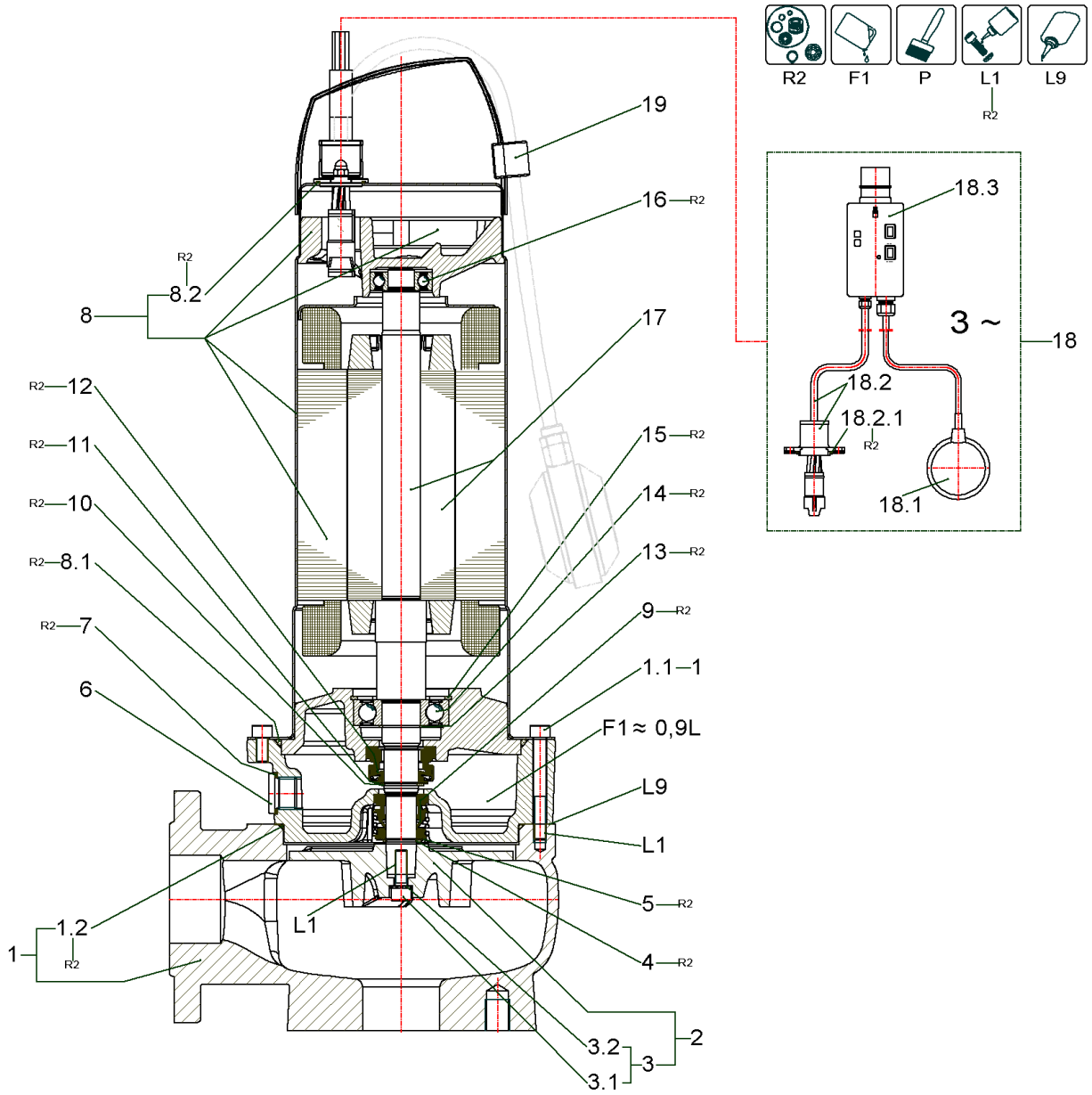
<b>Item</b>	<b>Article no.</b>	<b>Description</b>	<b>Quantity</b>
18.2	6066617	cable 10m H07 6G1 VP.	1
18.2.1	6067644	O-Ring ID.25X2,2N DIN3771 NBR70 (3pcs)	1
18.3	6072522	MCP 2,4-4,0A-T4-HA-ROT-WSK-CEE16-5PS VP.	1
19	6067643	cable clip PP-GF30 black VP.	1





**FIT V06DA-214/EAD1-2-T0015-540-O (6064703)**

Item	Article no.	Description	Quantity
R2	6065498	Rep.Kit 2 S13.1	1
P	6049684	colour 2K-paint IV80 RAL9011 250ml KIT	1
F1	6025460	medical white oil 1L KIT	1
F1	6025461	medical white oil 5L KIT	1
L1	6080531	Loctite 243 5g flask VP:	1
L9	6080535	Loctite 5203 300ml VP.	1
-----			
1	6065172	pump housing Rexa V06DA-2xx DN65 GG SET	1
1.1		screw M8x75 DIN912 A4-70	3
1.2		o-ring ID.150,0x3,0 NBR70	1
2	6065834	impeller Rexa V06xA-214 GG Set SVA	1
3	6067645	impeller fixation 8x25 Geomet KIT	1
3.1		> screw M8x25 DIN912 10.9 Geomet	1
3.2		> screw locking Nord-Lock 13,5/8,7 A4	1
3.1		screw M8x25 DIN912 10.9 Geomet	1
3.2		screw locking Nord-Lock 13,5/8,7 A4	1
4		circlips 20x1,2 DIN471 1.4116	1
5		pressure ring D.32/20,5x1 6050343 A4	1
6	6067638	screw plug G1/2 DIN908 A4 (3pcs)	1
7	6048832	joint ring A21/26x1,5 DIN7603 PA(10pc)	1
8	6070454	stator-unit S13.1-2/8 3~ KIT	1
8.1		o-ring ID.150,0x4,0 NBR70	1
8.2		O-RING ID.25X2,2N DIN3771 NBR70	1
9		mechanical shaft seal MG1/20-G60 QPFGG	1
10		CIRCLIPS 22x1,2 DIN471 1.4122	1
11		pressure ring D.34/22,5x1 6050343 A4	1
12		MECHANICAL SEAL BT-AR/22 BXPFF	1
13		circlips 25x1,2 DIN471 FSt	1
14		SRDG BALL BEARING 6305 ZZ	1
15		CIRCLIP 62X2 DIN472 FST	1
16		Rep.Kit 2 P13.1	1
17	6067579	rotor S/P13.1-8/EAD1X2-T VP.	1
18	6066617	cable 10m H07 6G1 VP.	1
18.1	6067644	O-Ring ID.25X2,2N DIN3771 NBR70 (3pcs)	1

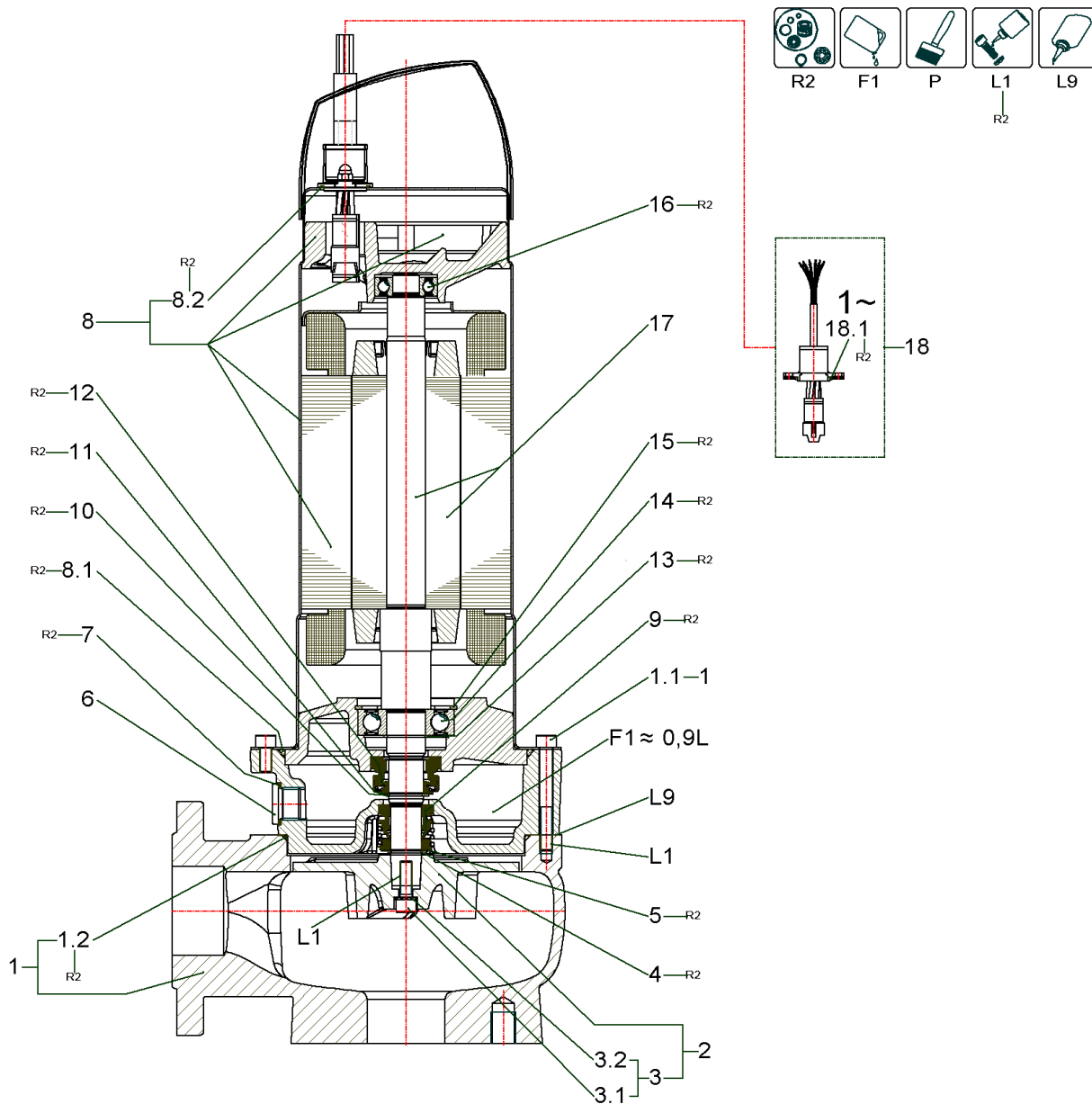


**FIT V06DA-216/EAD1-2-T0025-540-A (6064704)**

Item	Article no.	Description	Quantity
R2	6065498	Rep.Kit 2 S13.1	1
P	6049684	colour 2K-paint IV80 RAL9011 250ml KIT	1
F1	6025460	medical white oil 1L KIT	1
F1	6025461	medical white oil 5L KIT	1
L1	6080531	Loctite 243 5g flask VP:	1
L9	6080535	Loctite 5203 300ml VP.	1
-----			
1	6065172	pump housing Rexa V06DA-2xx DN65 GG SET	1
1.1		screw M8x75 DIN912 A4-70	3
1.2		o-ring ID.150,0x3,0 NBR70	1
2	6065835	impeller Rexa V06xA-216 GG Set SVA	1
3	6067645	impeller fixation 8x25 Geomet KIT	1
3.1		> screw M8x25 DIN912 10.9 Geomet	1
3.2		> screw locking Nord-Lock 13,5/8,7 A4	1
3.1		screw M8x25 DIN912 10.9 Geomet	1
3.2		screw locking Nord-Lock 13,5/8,7 A4	1
4		circlips 20x1,2 DIN471 1.4116	1
5		pressure ring D.32/20,5x1 6050343 A4	1
6	6067638	screw plug G1/2 DIN908 A4 (3pcs)	1
7	6048832	joint ring A21/26x1,5 DIN7603 PA(10pc)	1
8	6070453	stator-unit S13.1-2/10 3~ KIT	1
8.1		o-ring ID.150,0x4,0 NBR70	1
8.2		O-RING ID.25X2,2N DIN3771 NBR70	1
9		mechanical shaft seal MG1/20-G60 QPFGG	1
10		CIRCLIPS 22x1,2 DIN471 1.4122	1
11		pressure ring D.34/22,5x1 6050343 A4	1
12		MECHANICAL SEAL BT-AR/22 BXPFF	1
13		circlips 25x1,2 DIN471 FSt	1
14		SRDG BALL BEARING 6305 ZZ	1
15		CIRCLIP 62X2 DIN472 FST	1
16		Rep.Kit 2 P13.1	1
17	6067577	rotor S/P13.1-10/EAD1X2-T VP.	1
18	6066658	Cable 10m 6G1/plug 2,-4A/float switch	1
18.1	6072582	float switch S-PS 10A 250V 10m NO VP	1

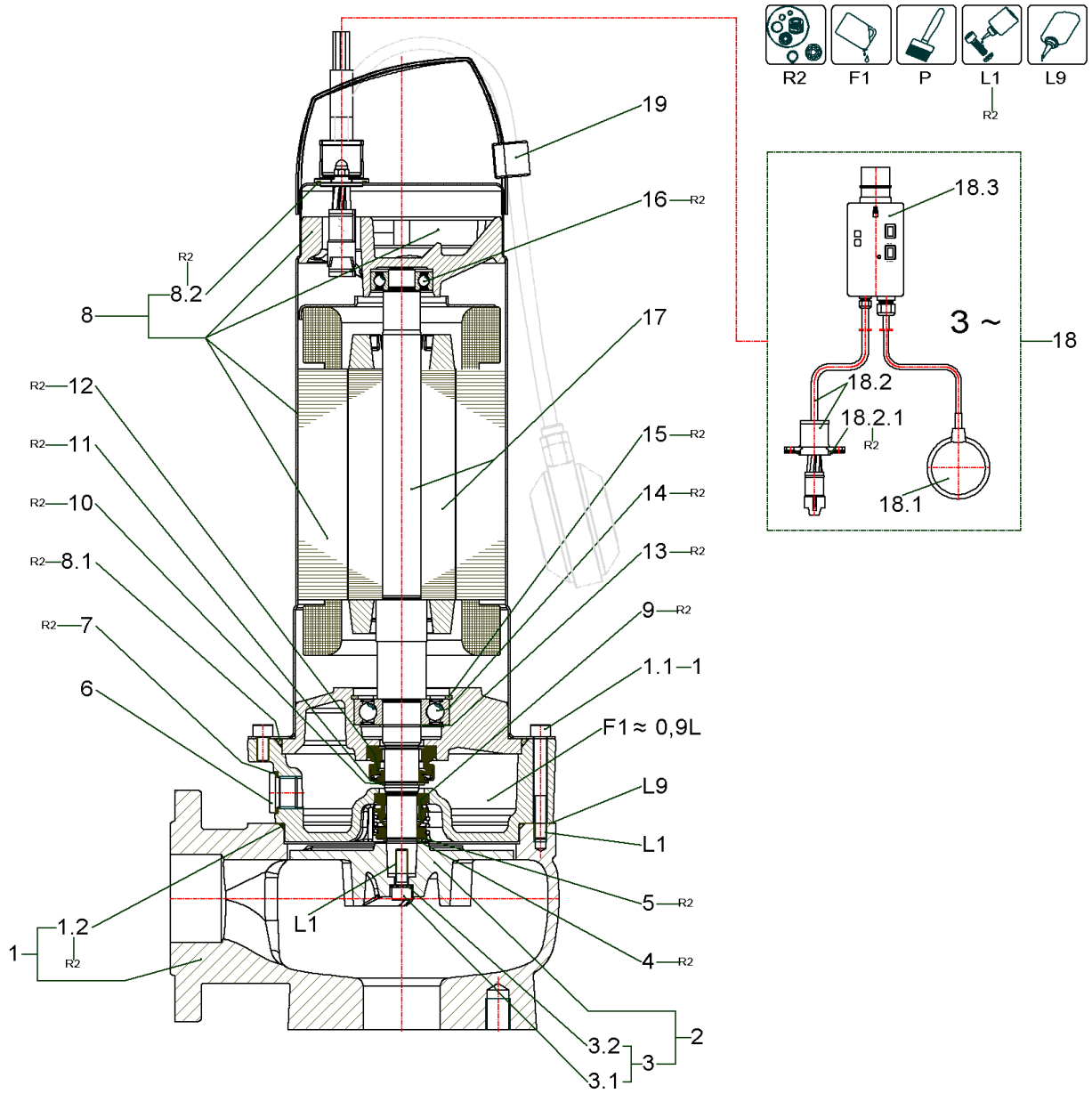
**FIT V06DA-216/EAD1-2-T0025-540-A (6064704)**

<b>Item</b>	<b>Article no.</b>	<b>Description</b>	<b>Quantity</b>
18.2	6066617	cable 10m H07 6G1 VP.	1
18.2.1	6067644	O-Ring ID.25X2,2N DIN3771 NBR70 (3pcs)	1
18.3	6072522	MCP 2,4-4,0A-T4-HA-ROT-WSK-CEE16-5PS VP.	1
19	6067643	cable clip PP-GF30 black VP.	1



**FIT V06DA-216/EAD1-2-T0025-540-O (6064705)**

Item	Article no.	Description	Quantity
R2	6065498	Rep.Kit 2 S13.1	1
P	6049684	colour 2K-paint IV80 RAL9011 250ml KIT	1
F1	6025460	medical white oil 1L KIT	1
F1	6025461	medical white oil 5L KIT	1
L1	6080531	Loctite 243 5g flask VP:	1
L9	6080535	Loctite 5203 300ml VP.	1
-----			
1	6065172	pump housing Rexa V06DA-2xx DN65 GG SET	1
1.1		screw M8x75 DIN912 A4-70	3
1.2		o-ring ID.150,0x3,0 NBR70	1
2	6065835	impeller Rexa V06xA-216 GG Set SVA	1
3	6067645	impeller fixation 8x25 Geomet KIT	1
3.1		> screw M8x25 DIN912 10.9 Geomet	1
3.2		> screw locking Nord-Lock 13,5/8,7 A4	1
3.1		screw M8x25 DIN912 10.9 Geomet	1
3.2		screw locking Nord-Lock 13,5/8,7 A4	1
4		circlips 20x1,2 DIN471 1.4116	1
5		pressure ring D.32/20,5x1 6050343 A4	1
6	6067638	screw plug G1/2 DIN908 A4 (3pcs)	1
7	6048832	joint ring A21/26x1,5 DIN7603 PA(10pc)	1
8	6070453	stator-unit S13.1-2/10 3~ KIT	1
8.1		o-ring ID.150,0x4,0 NBR70	1
8.2		O-RING ID.25X2,2N DIN3771 NBR70	1
9		mechanical shaft seal MG1/20-G60 QPFGG	1
10		CIRCLIPS 22x1,2 DIN471 1.4122	1
11		pressure ring D.34/22,5x1 6050343 A4	1
12		MECHANICAL SEAL BT-AR/22 BXPFF	1
13		circlips 25x1,2 DIN471 FSt	1
14		SRDG BALL BEARING 6305 ZZ	1
15		CIRCLIP 62X2 DIN472 FST	1
16		Rep.Kit 2 P13.1	1
17	6067577	rotor S/P13.1-10/EAD1X2-T VP.	1
18	6066617	cable 10m H07 6G1 VP.	1
18.1	6067644	O-Ring ID.25X2,2N DIN3771 NBR70 (3pcs)	1



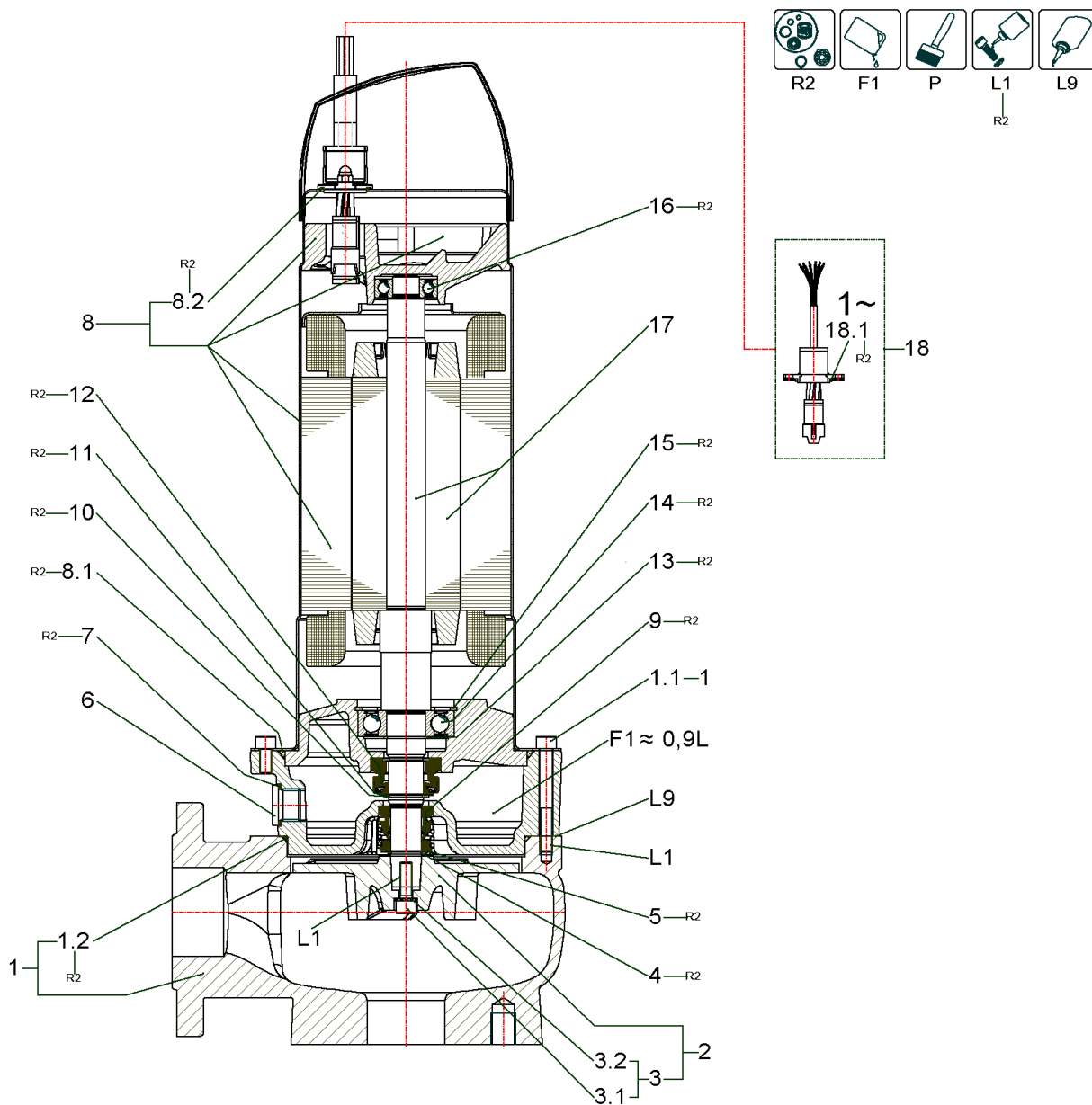
**FIT V06DA-222/EAD1-2-T0039-540-A (6064706)**

Item	Article no.	Description	Quantity
R2	6065498	Rep.Kit 2 S13.1	1
P	6049684	colour 2K-paint IV80 RAL9011 250ml KIT	1
F1	6025460	medical white oil 1L KIT	1
F1	6025461	medical white oil 5L KIT	1
L1	6080531	Loctite 243 5g flask VP:	1
L9	6080535	Loctite 5203 300ml VP.	1
-----			
1	6065172	pump housing Rexa V06DA-2xx DN65 GG SET	1
1.1		screw M8x75 DIN912 A4-70	3
1.2		o-ring ID.150,0x3,0 NBR70	1
2	6065836	impeller Rexa V06xA-222 GG Set SVA	1
3	6067645	impeller fixation 8x25 Geomet KIT	1
3.1		> screw M8x25 DIN912 10.9 Geomet	1
3.2		> screw locking Nord-Lock 13,5/8,7 A4	1
3.1		screw M8x25 DIN912 10.9 Geomet	1
3.2		screw locking Nord-Lock 13,5/8,7 A4	1
4		circlips 20x1,2 DIN471 1.4116	1
5		pressure ring D.32/20,5x1 6050343 A4	1
6	6067638	screw plug G1/2 DIN908 A4 (3pcs)	1
7	6048832	joint ring A21/26x1,5 DIN7603 PA(10pc)	1
8	6070452	stator-unit S13.1-2/15 3~ KIT	1
8.1		o-ring ID.150,0x4,0 NBR70	1
8.2		O-RING ID.25X2,2N DIN3771 NBR70	1
9		mechanical shaft seal MG1/20-G60 QPQGG	1
10		CIRCLIPS 22x1,2 DIN471 1.4122	1
11		pressure ring D.34/22,5x1 6050343 A4	1
12		MECHANICAL SEAL BT-AR/22 BXPFF	1
13		circlips 25x1,2 DIN471 FSt	1
14		SRDG BALL BEARING 6305 ZZ	1
15		CIRCLIP 62X2 DIN472 FST	1
16		Rep.Kit 2 P13.1	1
17	6067578	rotor P13.1-15/EAD1X2-T VP.	1
18	6066658	Cable 10m 6G1/plug 2,-4A/float switch	1
18.1	6072582	float switch S-PS 10A 250V 10m NO VP	1



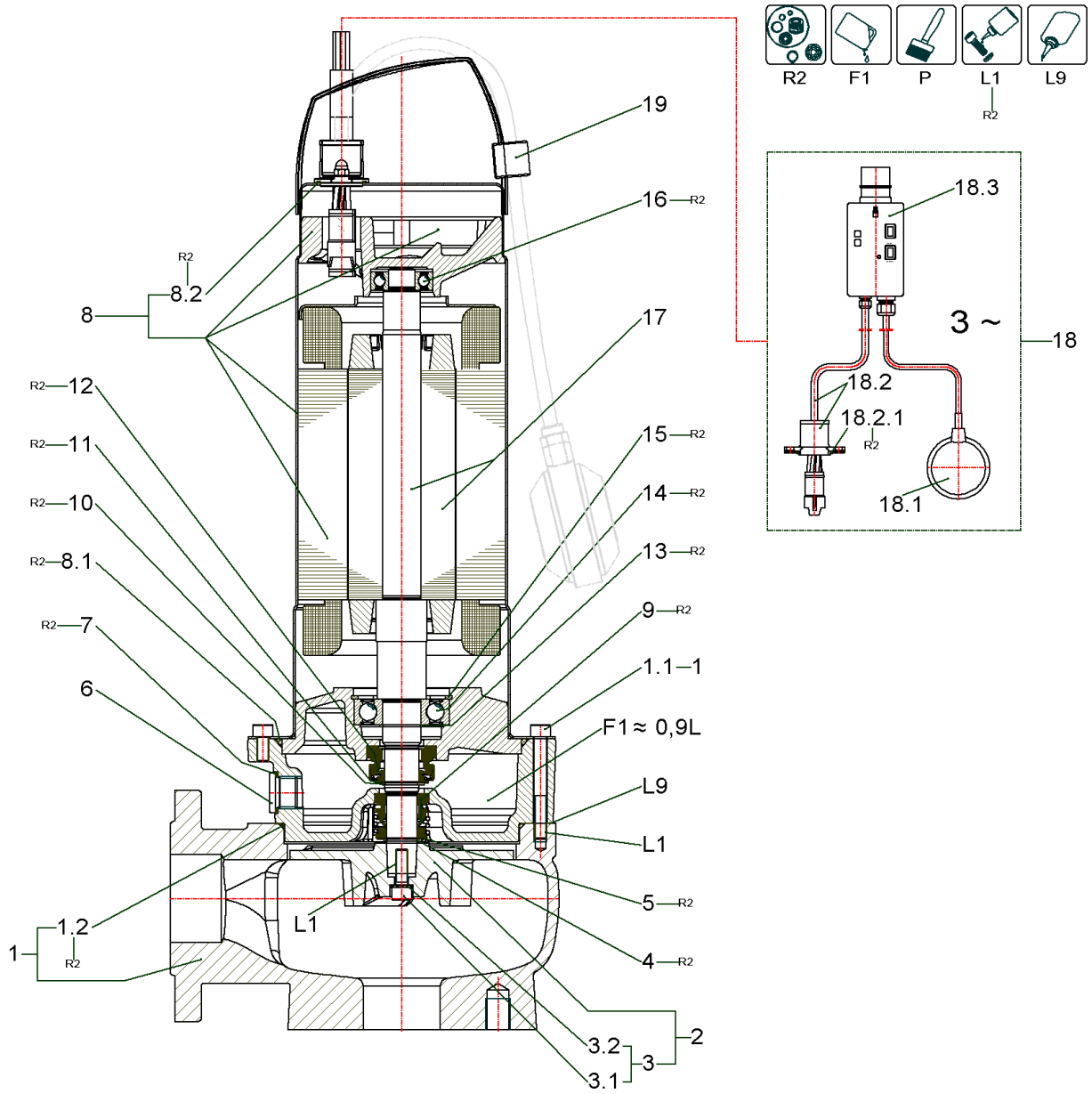
**FIT V06DA-222/EAD1-2-T0039-540-A (6064706)**

<b>Item</b>	<b>Article no.</b>	<b>Description</b>	<b>Quantity</b>
18.2	6066617	cable 10m H07 6G1 VP.	1
18.2.1	6067644	O-Ring ID.25X2,2N DIN3771 NBR70 (3pcs)	1
18.3	6072522	MCP 2,4-4,0A-T4-HA-ROT-WSK-CEE16-5PS VP.	1
19	6067643	cable clip PP-GF30 black VP.	1



**FIT V06DA-222/EAD1-2-T0039-540-O (6064707)**

Item	Article no.	Description	Quantity
R2	6065498	Rep.Kit 2 S13.1	1
P	6049684	colour 2K-paint IV80 RAL9011 250ml KIT	1
F1	6025460	medical white oil 1L KIT	1
F1	6025461	medical white oil 5L KIT	1
L1	6080531	Loctite 243 5g flask VP:	1
L9	6080535	Loctite 5203 300ml VP.	1
-----			
1	6065172	pump housing Rexa V06DA-2xx DN65 GG SET	1
1.1		screw M8x75 DIN912 A4-70	3
1.2		o-ring ID.150,0x3,0 NBR70	1
2	6065836	impeller Rexa V06xA-222 GG Set SVA	1
3	6067645	impeller fixation 8x25 Geomet KIT	1
3.1		> screw M8x25 DIN912 10.9 Geomet	1
3.2		> screw locking Nord-Lock 13,5/8,7 A4	1
3.1		screw M8x25 DIN912 10.9 Geomet	1
3.2		screw locking Nord-Lock 13,5/8,7 A4	1
4		circlips 20x1,2 DIN471 1.4116	1
5		pressure ring D.32/20,5x1 6050343 A4	1
6	6067638	screw plug G1/2 DIN908 A4 (3pcs)	1
7	6048832	joint ring A21/26x1,5 DIN7603 PA(10pc)	1
8	6070452	stator-unit S13.1-2/15 3~ KIT	1
8.1		o-ring ID.150,0x4,0 NBR70	1
8.2		O-RING ID.25X2,2N DIN3771 NBR70	1
9		mechanical shaft seal MG1/20-G60 QPFGG	1
10		CIRCLIPS 22x1,2 DIN471 1.4122	1
11		pressure ring D.34/22,5x1 6050343 A4	1
12		MECHANICAL SEAL BT-AR/22 BXPFF	1
13		circlips 25x1,2 DIN471 FSt	1
14		SRDG BALL BEARING 6305 ZZ	1
15		CIRCLIP 62X2 DIN472 FST	1
16		Rep.Kit 2 P13.1	1
17	6067578	rotor P13.1-15/EAD1X2-T VP.	1
18	6066617	cable 10m H07 6G1 VP.	1
18.1	6067644	O-Ring ID.25X2,2N DIN3771 NBR70 (3pcs)	1

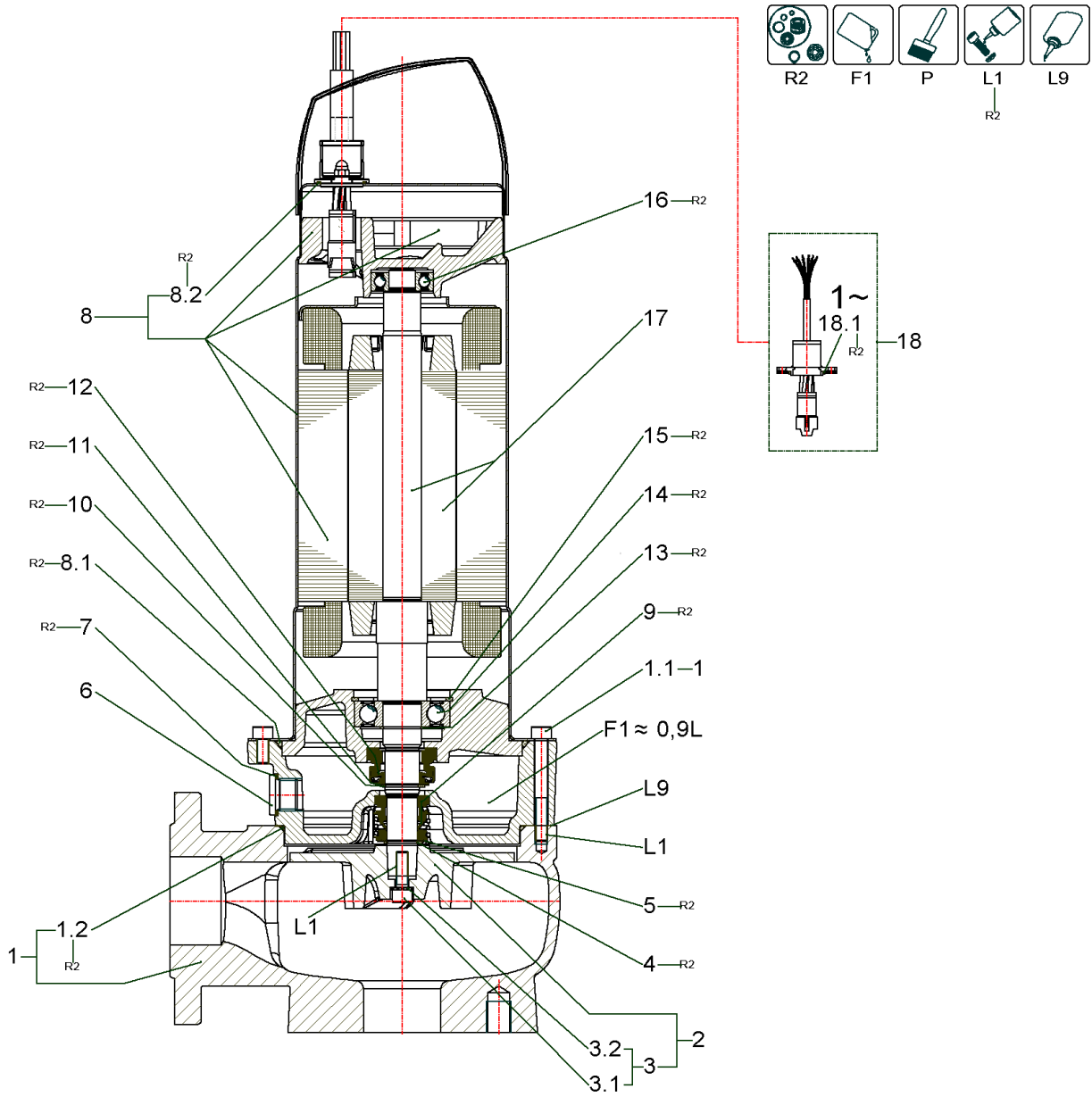


**FIT V06DA-224/EAD1-2-T0039-540-A (6064708)**

Item	Article no.	Description	Quantity
R2	6065498	Rep.Kit 2 S13.1	1
P	6049684	colour 2K-paint IV80 RAL9011 250ml KIT	1
F1	6025460	medical white oil 1L KIT	1
F1	6025461	medical white oil 5L KIT	1
L1	6080531	Loctite 243 5g flask VP:	1
L9	6080535	Loctite 5203 300ml VP.	1
-----			
1	6065172	pump housing Rexa V06DA-2xx DN65 GG SET	1
1.1		screw M8x75 DIN912 A4-70	3
1.2		o-ring ID.150,0x3,0 NBR70	1
2	6065837	impeller Rexa V06xA-224 GG Set SVA	1
3	6067645	impeller fixation 8x25 Geomet KIT	1
3.1		> screw M8x25 DIN912 10.9 Geomet	1
3.2		> screw locking Nord-Lock 13,5/8,7 A4	1
3.1		screw M8x25 DIN912 10.9 Geomet	1
3.2		screw locking Nord-Lock 13,5/8,7 A4	1
4		circlips 20x1,2 DIN471 1.4116	1
5		pressure ring D.32/20,5x1 6050343 A4	1
6	6067638	screw plug G1/2 DIN908 A4 (3pcs)	1
7	6048832	joint ring A21/26x1,5 DIN7603 PA(10pc)	1
8	6070452	stator-unit S13.1-2/15 3~ KIT	1
8.1		o-ring ID.150,0x4,0 NBR70	1
8.2		O-RING ID.25X2,2N DIN3771 NBR70	1
9		mechanical shaft seal MG1/20-G60 QPFGG	1
10		CIRCLIPS 22x1,2 DIN471 1.4122	1
11		pressure ring D.34/22,5x1 6050343 A4	1
12		MECHANICAL SEAL BT-AR/22 BXPFF	1
13		circlips 25x1,2 DIN471 FSt	1
14		SRDG BALL BEARING 6305 ZZ	1
15		CIRCLIP 62X2 DIN472 FST	1
16		Rep.Kit 2 P13.1	1
17	6067578	rotor P13.1-15/EAD1X2-T VP.	1
18	6066658	Cable 10m 6G1/plug 2,-4A/float switch	1
18.1	6072582	float switch S-PS 10A 250V 10m NO VP	1

**FIT V06DA-224/EAD1-2-T0039-540-A (6064708)**

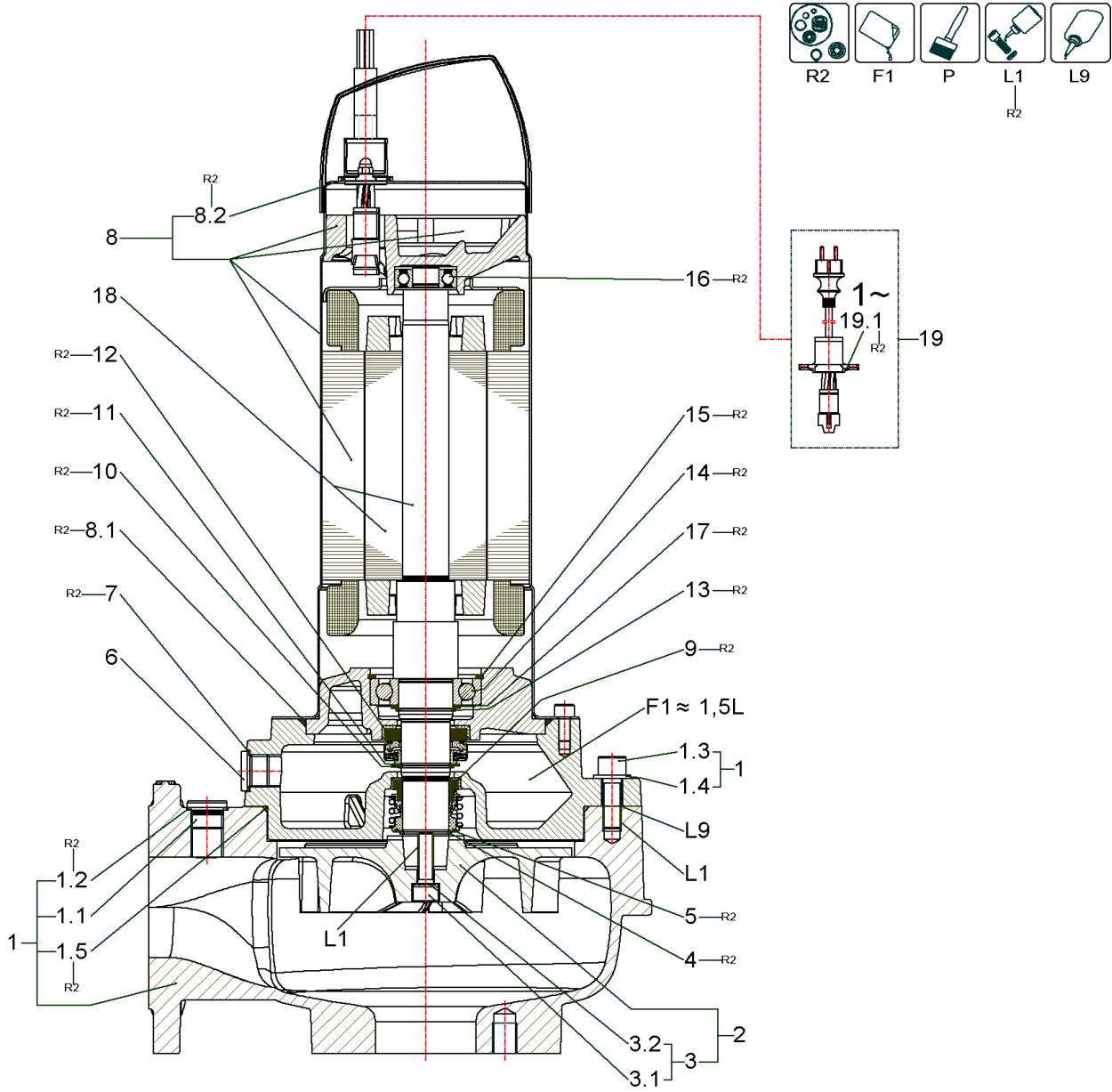
<b>Item</b>	<b>Article no.</b>	<b>Description</b>	<b>Quantity</b>
18.2	6066617	cable 10m H07 6G1 VP.	1
18.2.1	6067644	O-Ring ID.25X2,2N DIN3771 NBR70 (3pcs)	1
18.3	6072522	MCP 2,4-4,0A-T4-HA-ROT-WSK-CEE16-5PS VP.	1
19	6067643	cable clip PP-GF30 black VP.	1



**FIT V06DA-224/EAD1-2-T0039-540-O (6064709)**

Item	Article no.	Description	Quantity
R2	6065498	Rep.Kit 2 S13.1	1
P	6049684	colour 2K-paint IV80 RAL9011 250ml KIT	1
F1	6025460	medical white oil 1L KIT	1
F1	6025461	medical white oil 5L KIT	1
L1	6080531	Loctite 243 5g flask VP:	1
L9	6080535	Loctite 5203 300ml VP.	1
-----			
1	6065172	pump housing Rexa V06DA-2xx DN65 GG SET	1
1.1		screw M8x75 DIN912 A4-70	3
1.2		o-ring ID.150,0x3,0 NBR70	1
2	6065837	impeller Rexa V06xA-224 GG Set SVA	1
3	6067645	impeller fixation 8x25 Geomet KIT	1
3.1		> screw M8x25 DIN912 10.9 Geomet	1
3.2		> screw locking Nord-Lock 13,5/8,7 A4	1
3.1		screw M8x25 DIN912 10.9 Geomet	1
3.2		screw locking Nord-Lock 13,5/8,7 A4	1
4		circlips 20x1,2 DIN471 1.4116	1
5		pressure ring D.32/20,5x1 6050343 A4	1
6	6067638	screw plug G1/2 DIN908 A4 (3pcs)	1
7	6048832	joint ring A21/26x1,5 DIN7603 PA(10pc)	1
8	6070452	stator-unit S13.1-2/15 3~ KIT	1
8.1		o-ring ID.150,0x4,0 NBR70	1
8.2		O-RING ID.25X2,2N DIN3771 NBR70	1
9		mechanical shaft seal MG1/20-G60 QPFGG	1
10		CIRCLIPS 22x1,2 DIN471 1.4122	1
11		pressure ring D.34/22,5x1 6050343 A4	1
12		MECHANICAL SEAL BT-AR/22 BXPFF	1
13		circlips 25x1,2 DIN471 FSt	1
14		SRDG BALL BEARING 6305 ZZ	1
15		CIRCLIP 62X2 DIN472 FST	1
16		Rep.Kit 2 P13.1	1
17	6067578	rotor P13.1-15/EAD1X2-T VP.	1
18	6066617	cable 10m H07 6G1 VP.	1
18.1	6067644	O-Ring ID.25X2,2N DIN3771 NBR70 (3pcs)	1



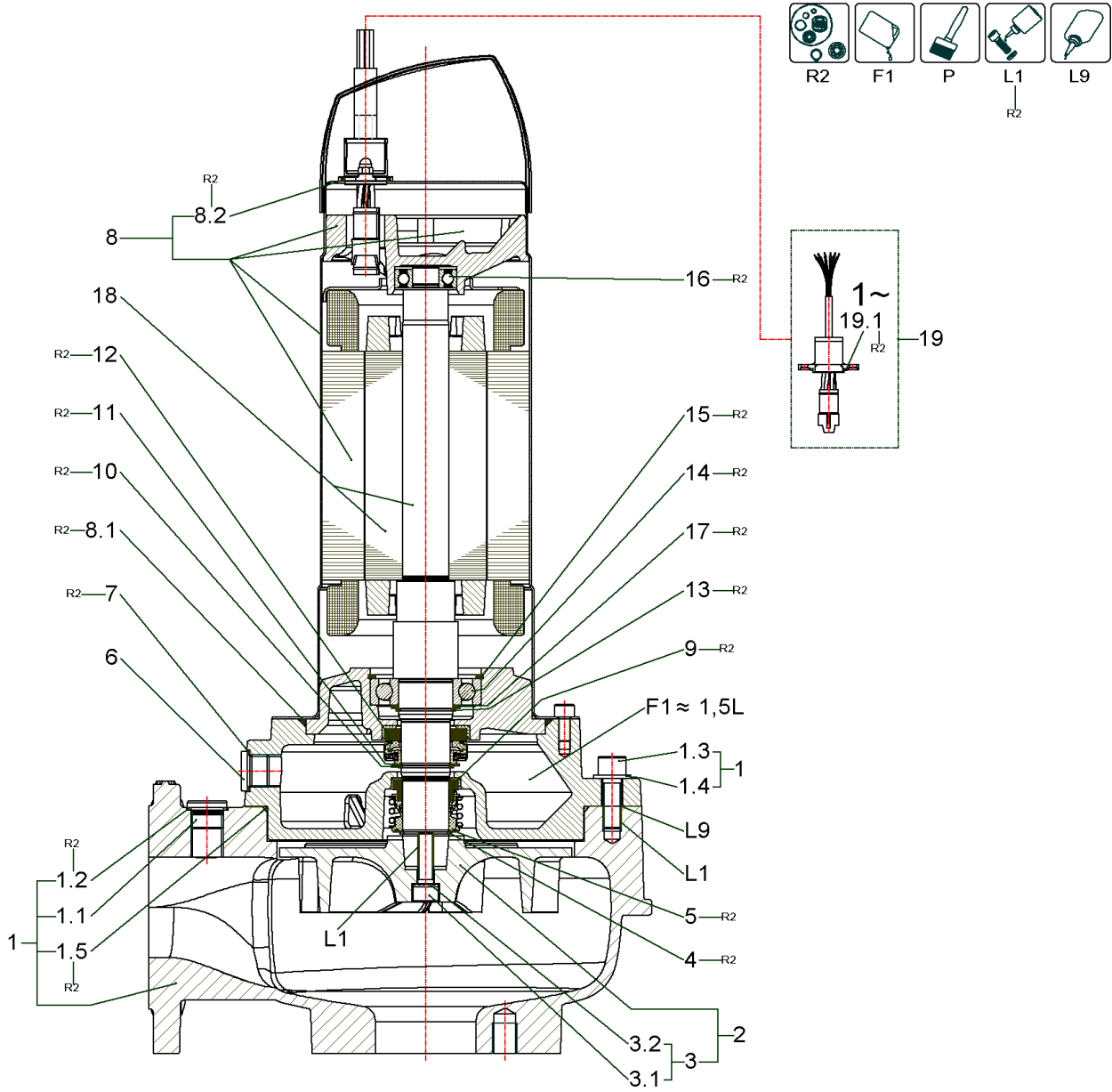


**FIT V06DA-622/EAD0-4-M0011-523-P (6064710)**

Item	Article no.	Description	Quantity
R2	6065497	Rep.Kit 2 S13.2	1
P	6049684	colour 2K-paint IV80 RAL9011 250ml KIT	1
F1	6025460	medical white oil 1L KIT	1
F1	6025461	medical white oil 5L KIT	1
L1	6080531	Loctite 243 5g flask VP:	1
L9	6080535	Loctite 5203 300ml VP.	1
-----			
1	6065174	pump housing Rexa V06DA-xx6 DN65 GG SET	1
1.1		screw plug G1/2 DIN908 A4	1
1.2		joint ring A21/26x1,5 DIN7603 PA(10pc)	1
1.3		screw M12x35 DIN912 A4	1
1.4		washer A13 DIN125 A4 (20pc)	1
1.5		o-ring ID.203,0x3,0 NBR70	1
2	6065838	impeller Rexa V06xA-622 GG Set SVA	1
3	6067646	impeller fixation 10x35 Geomet KIT	1
3.1		> screw M10x35 DIN912 10.9 Geomet	1
3.2		> SCREW LOCKING NORD-LOCK 16/10,7 A4	1
3.1		screw M10x35 DIN912 10.9 Geomet	1
3.2		SCREW LOCKING NORD-LOCK 16/10,7 A4	1
4		CIRCLIP 30X1,5 DIN471 1.4122	1
5		pressure ring D.42/30,5x1 6050343 A4	1
6	6067638	screw plug G1/2 DIN908 A4 (3pcs)	1
7	6048832	joint ring A21/26x1,5 DIN7603 PA(10pc)	1
8	6070458	stator-unit S13.2-4/11 1~ KIT	1
8.1		o-ring ID.150,0x4,0 NBR70	1
8.2		O-RING ID.25X2,2N DIN3771 NBR70	1
9		mechanical shaft seal MG1/30-G60 QQPGG	1
10		CIRCLIP 32X1,5 DIN471 1.4122	1
11		pressure ring D.44/32,5x1 6050343 A4	1
12		MECHANICAL SEAL BT-AR/32 BXPFF	1
13		circlips 35x1,5 DIN471 FST	1
14		ball bearing 6207 w.2 Dichts. VP.	1
15		circlips 72x2,5 DIN472 FSt	1
16		Rep.Kit 2 P13.1	1

**FIT V06DA-622/EAD0-4-M0011-523-P (6064710)**

<b>Item</b>	<b>Article no.</b>	<b>Description</b>	<b>Quantity</b>
17		washer D.35/45x2,5 DIN988 St	1
18	6067576	rotor P13.2-11/EAD0X4-M VP.	1
19	6066650	cable 10m H07 3G1/plug VP.	1
19.1	6067644	O-Ring ID.25X2,2N DIN3771 NBR70 (3pcs)	1

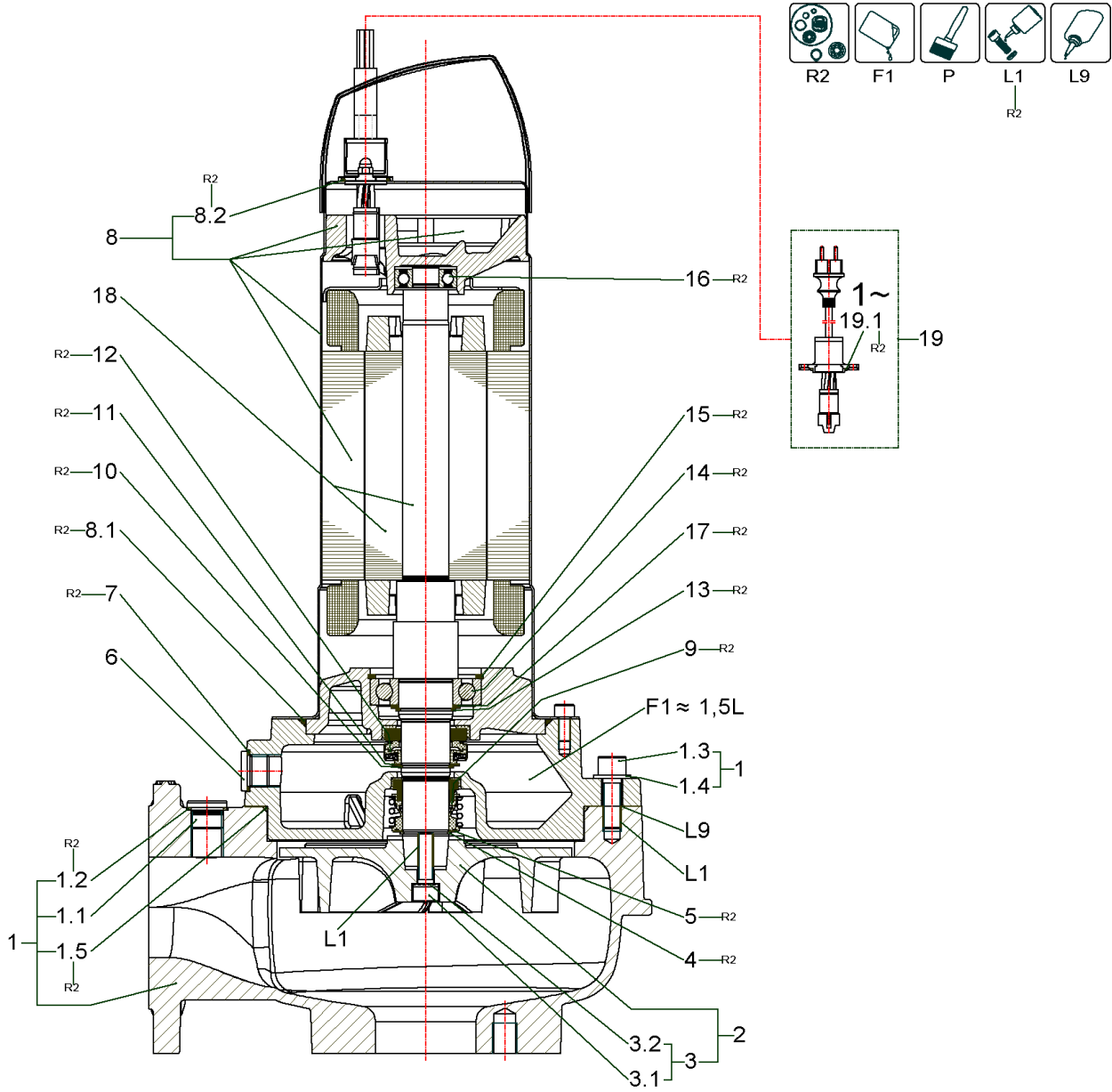


**FIT V06DA-622/EAD1-4-T0011-540-O (6064711)**

Item	Article no.	Description	Quantity
R2	6065497	Rep.Kit 2 S13.2	1
P	6049684	colour 2K-paint IV80 RAL9011 250ml KIT	1
F1	6025460	medical white oil 1L KIT	1
F1	6025461	medical white oil 5L KIT	1
L1	6080531	Loctite 243 5g flask VP:	1
L9	6080535	Loctite 5203 300ml VP.	1
-----			
1	6065174	pump housing Rexa V06DA-xx6 DN65 GG SET	1
1.1		screw plug G1/2 DIN908 A4	1
1.2		joint ring A21/26x1,5 DIN7603 PA(10pc)	1
1.3		screw M12x35 DIN912 A4	1
1.4		washer A13 DIN125 A4 (20pc)	1
1.5		o-ring ID.203,0x3,0 NBR70	1
2	6065838	impeller Rexa V06xA-622 GG Set SVA	1
3	6067646	impeller fixation 10x35 Geomet KIT	1
3.1		> screw M10x35 DIN912 10.9 Geomet	1
3.2		> SCREW LOCKING NORD-LOCK 16/10,7 A4	1
3.1		screw M10x35 DIN912 10.9 Geomet	1
3.2		SCREW LOCKING NORD-LOCK 16/10,7 A4	1
4		CIRCLIP 30X1,5 DIN471 1.4122	1
5		pressure ring D.42/30,5x1 6050343 A4	1
6	6067638	screw plug G1/2 DIN908 A4 (3pcs)	1
7	6048832	joint ring A21/26x1,5 DIN7603 PA(10pc)	1
8	6070450	stator-unit S13.2-4/10 3~ KIT	1
8.1		o-ring ID.150,0x4,0 NBR70	1
8.2		O-RING ID.25X2,2N DIN3771 NBR70	1
9		mechanical shaft seal MG1/30-G60 QQPGG	1
10		CIRCLIP 32X1,5 DIN471 1.4122	1
11		pressure ring D.44/32,5x1 6050343 A4	1
12		MECHANICAL SEAL BT-AR/32 BXPFF	1
13		circlips 35x1,5 DIN471 FST	1
14		ball bearing 6207 w.2 Dichtschr. VP.	1
15		circlips 72x2,5 DIN472 FSt	1
16		Rep.Kit 2 P13.1	1

**FIT V06DA-622/EAD1-4-T0011-540-O (6064711)**

<b>Item</b>	<b>Article no.</b>	<b>Description</b>	<b>Quantity</b>
17		washer D.35/45x2,5 DIN988 St	1
18	6067575	rotor P13.2-10/EAD1X4-T VP.	1
19	6066617	cable 10m H07 6G1 VP.	1
19.1	6067644	O-Ring ID.25X2,2N DIN3771 NBR70 (3pcs)	1



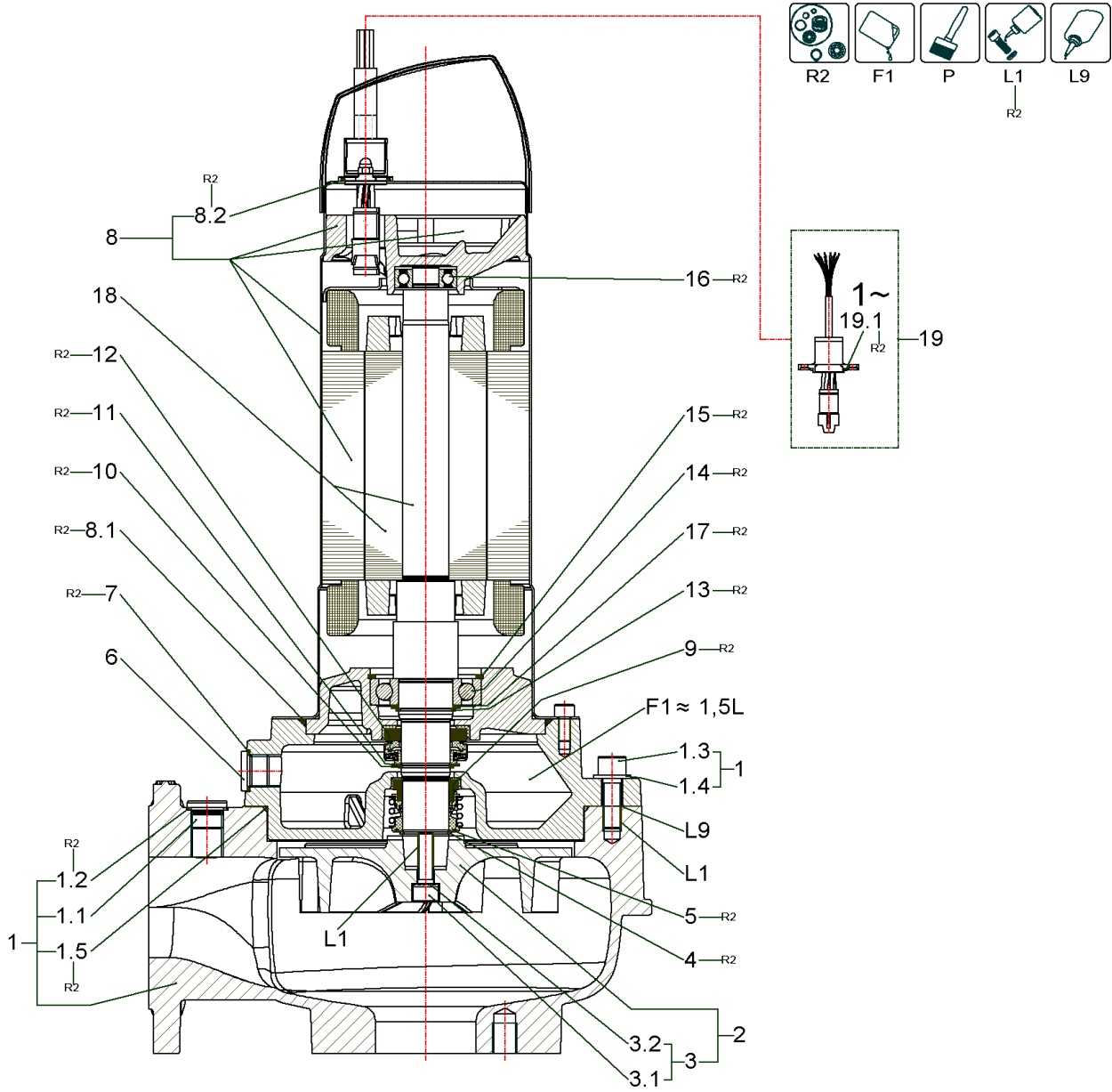
**FIT V06DA-623/EAD0-4-M0015-523-P (6064712)**

Item	Article no.	Description	Quantity
R2	6065497	Rep.Kit 2 S13.2	1
P	6049684	colour 2K-paint IV80 RAL9011 250ml KIT	1
F1	6025460	medical white oil 1L KIT	1
F1	6025461	medical white oil 5L KIT	1
L1	6080531	Loctite 243 5g flask VP:	1
L9	6080535	Loctite 5203 300ml VP.	1
-----			
1	6065174	pump housing Rexa V06DA-xx6 DN65 GG SET	1
1.1		screw plug G1/2 DIN908 A4	1
1.2		joint ring A21/26x1,5 DIN7603 PA(10pc)	1
1.3		screw M12x35 DIN912 A4	1
1.4		washer A13 DIN125 A4 (20pc)	1
1.5		o-ring ID.203,0x3,0 NBR70	1
2	6065839	impeller Rexa V06xA-623 GG Set SVA	1
3	6067646	impeller fixation 10x35 Geomet KIT	1
3.1		> screw M10x35 DIN912 10.9 Geomet	1
3.2		> SCREW LOCKING NORD-LOCK 16/10,7 A4	1
3.1		screw M10x35 DIN912 10.9 Geomet	1
3.2		SCREW LOCKING NORD-LOCK 16/10,7 A4	1
4		CIRCLIP 30X1,5 DIN471 1.4122	1
5		pressure ring D.42/30,5x1 6050343 A4	1
6	6067638	screw plug G1/2 DIN908 A4 (3pcs)	1
7	6048832	joint ring A21/26x1,5 DIN7603 PA(10pc)	1
8	6070458	stator-unit S13.2-4/11 1~ KIT	1
8.1		o-ring ID.150,0x4,0 NBR70	1
8.2		O-RING ID.25X2,2N DIN3771 NBR70	1
9		mechanical shaft seal MG1/30-G60 QQPGG	1
10		CIRCLIP 32X1,5 DIN471 1.4122	1
11		pressure ring D.44/32,5x1 6050343 A4	1
12		MECHANICAL SEAL BT-AR/32 BXPFF	1
13		circlips 35x1,5 DIN471 FST	1
14		ball bearing 6207 w.2 Dichtschr. VP.	1
15		circlips 72x2,5 DIN472 FSt	1
16		Rep.Kit 2 P13.1	1



**FIT V06DA-623/EAD0-4-M0015-523-P (6064712)**

<b>Item</b>	<b>Article no.</b>	<b>Description</b>	<b>Quantity</b>
17		washer D.35/45x2,5 DIN988 St	1
18	6067576	rotor P13.2-11/EAD0X4-M VP.	1
19	6066650	cable 10m H07 3G1/plug VP.	1
19.1	6067644	O-Ring ID.25X2,2N DIN3771 NBR70 (3pcs)	1

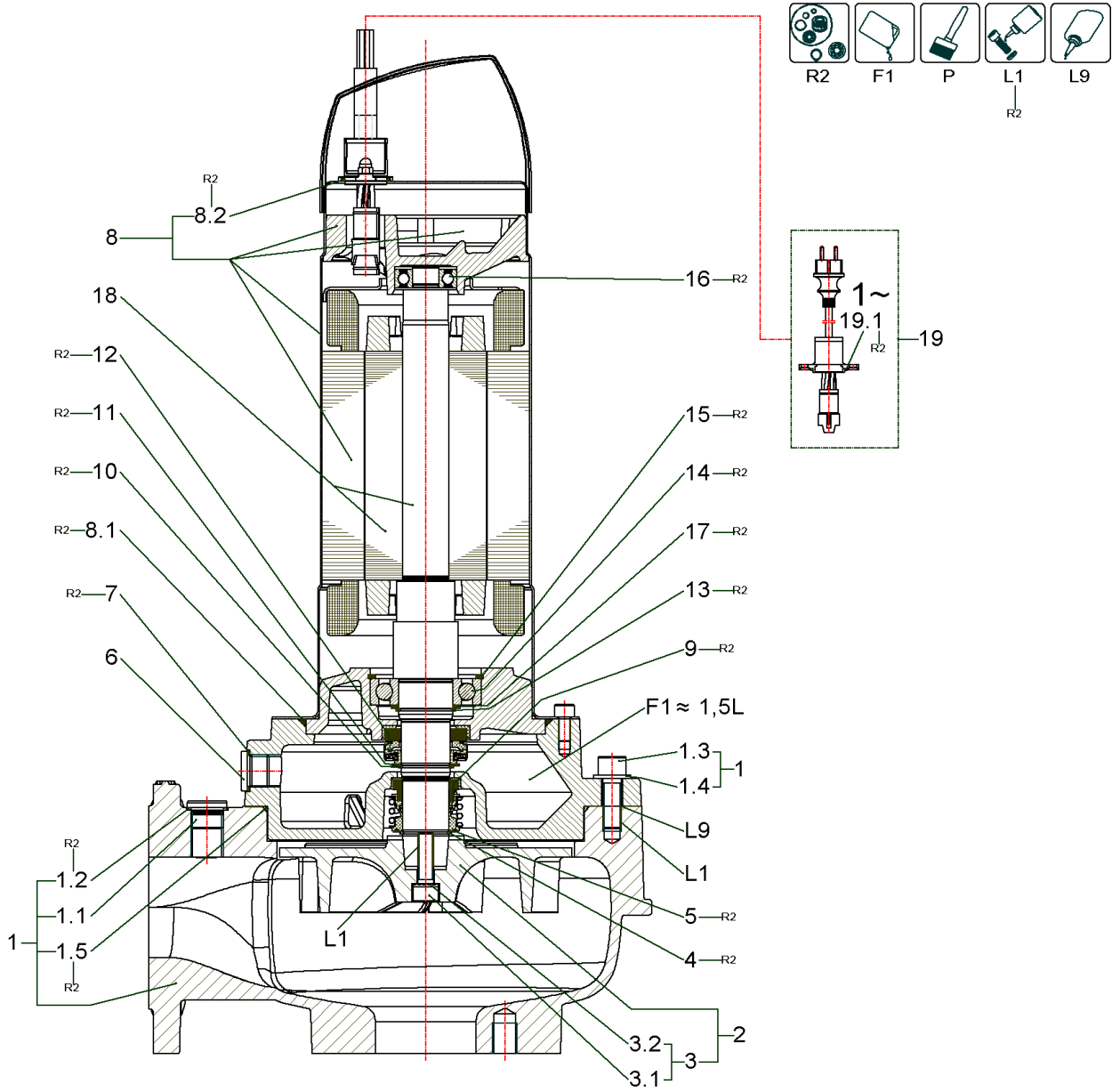


**FIT V06DA-623/EAD1-4-T0015-540-O (6064713)**

Item	Article no.	Description	Quantity
R2	6065497	Rep.Kit 2 S13.2	1
P	6049684	colour 2K-paint IV80 RAL9011 250ml KIT	1
F1	6025460	medical white oil 1L KIT	1
F1	6025461	medical white oil 5L KIT	1
L1	6080531	Loctite 243 5g flask VP:	1
L9	6080535	Loctite 5203 300ml VP.	1
-----			
1	6065174	pump housing Rexa V06DA-xx6 DN65 GG SET	1
1.1		screw plug G1/2 DIN908 A4	1
1.2		joint ring A21/26x1,5 DIN7603 PA(10pc)	1
1.3		screw M12x35 DIN912 A4	1
1.4		washer A13 DIN125 A4 (20pc)	1
1.5		o-ring ID.203,0x3,0 NBR70	1
2	6065839	impeller Rexa V06xA-623 GG Set SVA	1
3	6067646	impeller fixation 10x35 Geomet KIT	1
3.1		> screw M10x35 DIN912 10.9 Geomet	1
3.2		> SCREW LOCKING NORD-LOCK 16/10,7 A4	1
3.1		screw M10x35 DIN912 10.9 Geomet	1
3.2		SCREW LOCKING NORD-LOCK 16/10,7 A4	1
4		CIRCLIP 30X1,5 DIN471 1.4122	1
5		pressure ring D.42/30,5x1 6050343 A4	1
6	6067638	screw plug G1/2 DIN908 A4 (3pcs)	1
7	6048832	joint ring A21/26x1,5 DIN7603 PA(10pc)	1
8	6070450	stator-unit S13.2-4/10 3~ KIT	1
8.1		o-ring ID.150,0x4,0 NBR70	1
8.2		O-RING ID.25X2,2N DIN3771 NBR70	1
9		mechanical shaft seal MG1/30-G60 QQPGG	1
10		CIRCLIP 32X1,5 DIN471 1.4122	1
11		pressure ring D.44/32,5x1 6050343 A4	1
12		MECHANICAL SEAL BT-AR/32 BXPFF	1
13		circlips 35x1,5 DIN471 FST	1
14		ball bearing 6207 w.2 Dichtschr. VP.	1
15		circlips 72x2,5 DIN472 FSt	1
16		Rep.Kit 2 P13.1	1

**FIT V06DA-623/EAD1-4-T0015-540-O (6064713)**

<b>Item</b>	<b>Article no.</b>	<b>Description</b>	<b>Quantity</b>
17		washer D.35/45x2,5 DIN988 St	1
18	6067575	rotor P13.2-10/EAD1X4-T VP.	1
19	6066617	cable 10m H07 6G1 VP.	1
19.1	6067644	O-Ring ID.25X2,2N DIN3771 NBR70 (3pcs)	1

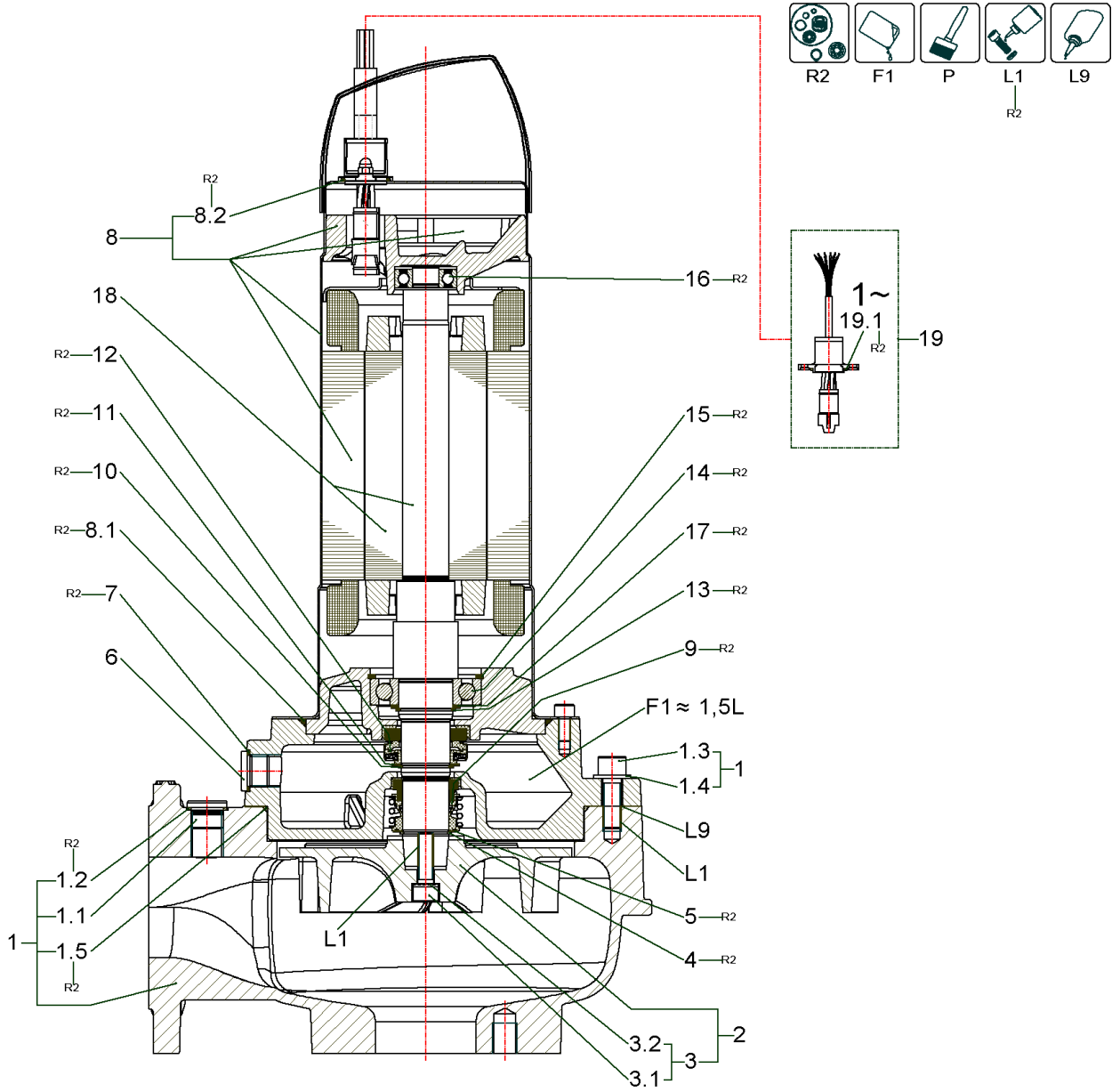


**FIT V06DA-625/EAD0-4-M0015-523-P (6064714)**

Item	Article no.	Description	Quantity
R2	6065497	Rep.Kit 2 S13.2	1
P	6049684	colour 2K-paint IV80 RAL9011 250ml KIT	1
F1	6025460	medical white oil 1L KIT	1
F1	6025461	medical white oil 5L KIT	1
L1	6080531	Loctite 243 5g flask VP:	1
L9	6080535	Loctite 5203 300ml VP.	1
-----			
1	6065174	pump housing Rexa V06DA-xx6 DN65 GG SET	1
1.1		screw plug G1/2 DIN908 A4	1
1.2		joint ring A21/26x1,5 DIN7603 PA(10pc)	1
1.3		screw M12x35 DIN912 A4	1
1.4		washer A13 DIN125 A4 (20pc)	1
1.5		o-ring ID.203,0x3,0 NBR70	1
2	6065840	impeller Rexa V06xA-625 GG Set SVA	1
3	6067646	impeller fixation 10x35 Geomet KIT	1
3.1		> screw M10x35 DIN912 10.9 Geomet	1
3.2		> SCREW LOCKING NORD-LOCK 16/10,7 A4	1
3.1		screw M10x35 DIN912 10.9 Geomet	1
3.2		SCREW LOCKING NORD-LOCK 16/10,7 A4	1
4		CIRCLIP 30X1,5 DIN471 1.4122	1
5		pressure ring D.42/30,5x1 6050343 A4	1
6	6067638	screw plug G1/2 DIN908 A4 (3pcs)	1
7	6048832	joint ring A21/26x1,5 DIN7603 PA(10pc)	1
8	6070458	stator-unit S13.2-4/11 1~ KIT	1
8.1		o-ring ID.150,0x4,0 NBR70	1
8.2		O-RING ID.25X2,2N DIN3771 NBR70	1
9		mechanical shaft seal MG1/30-G60 QQPGG	1
10		CIRCLIP 32X1,5 DIN471 1.4122	1
11		pressure ring D.44/32,5x1 6050343 A4	1
12		MECHANICAL SEAL BT-AR/32 BXPFF	1
13		circlips 35x1,5 DIN471 FST	1
14		ball bearing 6207 w.2 Dichtschr. VP.	1
15		circlips 72x2,5 DIN472 FSt	1
16		Rep.Kit 2 P13.1	1

**FIT V06DA-625/EAD0-4-M0015-523-P (6064714)**

<b>Item</b>	<b>Article no.</b>	<b>Description</b>	<b>Quantity</b>
17		washer D.35/45x2,5 DIN988 St	1
18	6067576	rotor P13.2-11/EAD0X4-M VP.	1
19	6066650	cable 10m H07 3G1/plug VP.	1
19.1	6067644	O-Ring ID.25X2,2N DIN3771 NBR70 (3pcs)	1



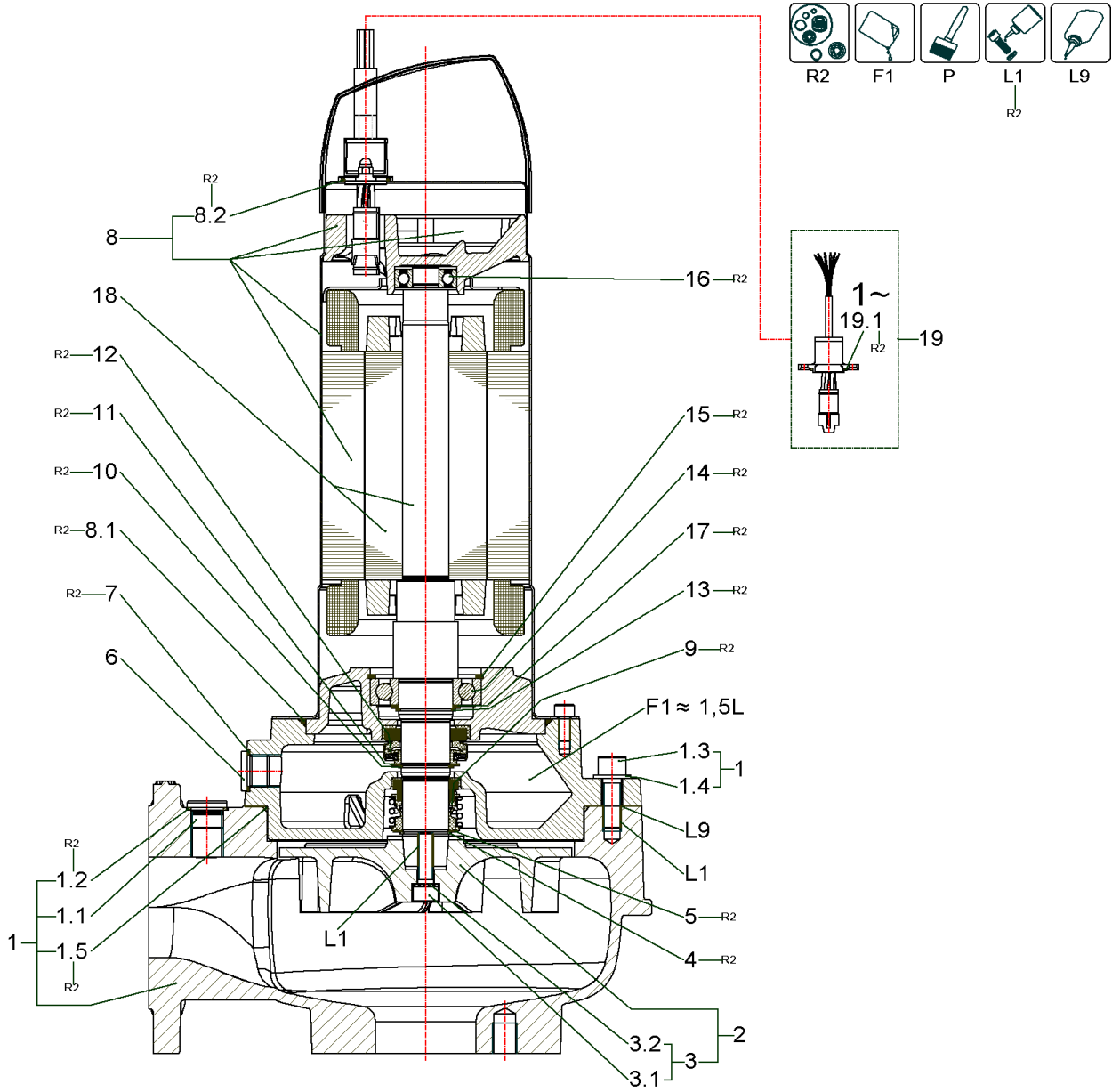


**FIT V06DA-625/EAD1-4-T0015-540-O (6064715)**

Item	Article no.	Description	Quantity
R2	6065497	Rep.Kit 2 S13.2	1
P	6049684	colour 2K-paint IV80 RAL9011 250ml KIT	1
F1	6025460	medical white oil 1L KIT	1
F1	6025461	medical white oil 5L KIT	1
L1	6080531	Loctite 243 5g flask VP:	1
L9	6080535	Loctite 5203 300ml VP.	1
-----			
1	6065174	pump housing Rexa V06DA-xx6 DN65 GG SET	1
1.1		screw plug G1/2 DIN908 A4	1
1.2		joint ring A21/26x1,5 DIN7603 PA(10pc)	1
1.3		screw M12x35 DIN912 A4	1
1.4		washer A13 DIN125 A4 (20pc)	1
1.5		o-ring ID.203,0x3,0 NBR70	1
2	6065840	impeller Rexa V06xA-625 GG Set SVA	1
3	6067646	impeller fixation 10x35 Geomet KIT	1
3.1		> screw M10x35 DIN912 10.9 Geomet	1
3.2		> SCREW LOCKING NORD-LOCK 16/10,7 A4	1
3.1		screw M10x35 DIN912 10.9 Geomet	1
3.2		SCREW LOCKING NORD-LOCK 16/10,7 A4	1
4		CIRCLIP 30X1,5 DIN471 1.4122	1
5		pressure ring D.42/30,5x1 6050343 A4	1
6	6067638	screw plug G1/2 DIN908 A4 (3pcs)	1
7	6048832	joint ring A21/26x1,5 DIN7603 PA(10pc)	1
8	6070450	stator-unit S13.2-4/10 3~ KIT	1
8.1		o-ring ID.150,0x4,0 NBR70	1
8.2		O-RING ID.25X2,2N DIN3771 NBR70	1
9		mechanical shaft seal MG1/30-G60 QQPGG	1
10		CIRCLIP 32X1,5 DIN471 1.4122	1
11		pressure ring D.44/32,5x1 6050343 A4	1
12		MECHANICAL SEAL BT-AR/32 BXPFF	1
13		circlips 35x1,5 DIN471 FST	1
14		ball bearing 6207 w.2 Dichtschr. VP.	1
15		circlips 72x2,5 DIN472 FSt	1
16		Rep.Kit 2 P13.1	1

**FIT V06DA-625/EAD1-4-T0015-540-O (6064715)**

<b>Item</b>	<b>Article no.</b>	<b>Description</b>	<b>Quantity</b>
17		washer D.35/45x2,5 DIN988 St	1
18	6067575	rotor P13.2-10/EAD1X4-T VP.	1
19	6066617	cable 10m H07 6G1 VP.	1
19.1	6067644	O-Ring ID.25X2,2N DIN3771 NBR70 (3pcs)	1

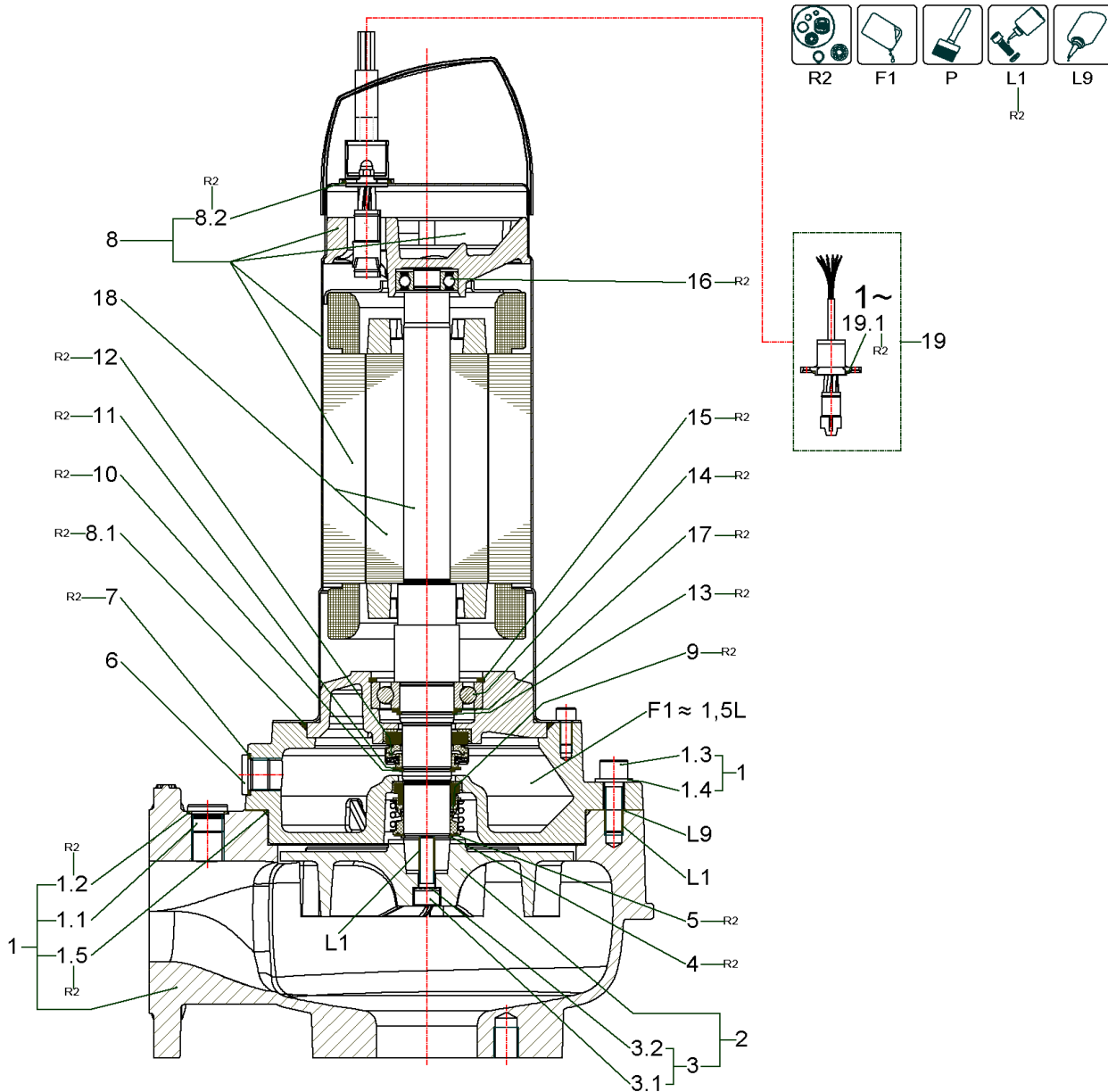


**FIT V06DA-626/EAD1-4-T0025-540-O (6064716)**

Item	Article no.	Description	Quantity
R2	6065497	Rep.Kit 2 S13.2	1
P	6049684	colour 2K-paint IV80 RAL9011 250ml KIT	1
F1	6025460	medical white oil 1L KIT	1
F1	6025461	medical white oil 5L KIT	1
L1	6080531	Loctite 243 5g flask VP:	1
L9	6080535	Loctite 5203 300ml VP.	1
-----			
1	6065174	pump housing Rexa V06DA-xx6 DN65 GG SET	1
1.1		screw plug G1/2 DIN908 A4	1
1.2		joint ring A21/26x1,5 DIN7603 PA(10pc)	1
1.3		screw M12x35 DIN912 A4	1
1.4		washer A13 DIN125 A4 (20pc)	1
1.5		o-ring ID.203,0x3,0 NBR70	1
2	6065841	impeller V06xA-626 GG kit SVA	1
3	6067646	impeller fixation 10x35 Geomet KIT	1
3.1		> screw M10x35 DIN912 10.9 Geomet	1
3.2		> SCREW LOCKING NORD-LOCK 16/10,7 A4	1
3.1		screw M10x35 DIN912 10.9 Geomet	1
3.2		SCREW LOCKING NORD-LOCK 16/10,7 A4	1
4		CIRCLIP 30X1,5 DIN471 1.4122	1
5		pressure ring D.42/30,5x1 6050343 A4	1
6	6067638	screw plug G1/2 DIN908 A4 (3pcs)	1
7	6048832	joint ring A21/26x1,5 DIN7603 PA(10pc)	1
8	6070459	stator-unit S13.2-4/13 3~ KIT	1
8.1		o-ring ID.150,0x4,0 NBR70	1
8.2		O-RING ID.25X2,2N DIN3771 NBR70	1
9		mechanical shaft seal MG1/30-G60 QPPGG	1
10		CIRCLIP 32X1,5 DIN471 1.4122	1
11		pressure ring D.44/32,5x1 6050343 A4	1
12		MECHANICAL SEAL BT-AR/32 BXPFF	1
13		circlips 35x1,5 DIN471 FST	1
14		ball bearing 6207 w.2 Dichtschr. VP.	1
15		circlips 72x2,5 DIN472 FSt	1
16		Rep.Kit 2 P13.1	1

**FIT V06DA-626/EAD1-4-T0025-540-O (6064716)**

<b>Item</b>	<b>Article no.</b>	<b>Description</b>	<b>Quantity</b>
17		washer D.35/45x2,5 DIN988 St	1
18	6067574	rotor P13.2-13/EAD1X4-T VP.	1
19	6066617	cable 10m H07 6G1 VP.	1
19.1	6067644	O-Ring ID.25X2,2N DIN3771 NBR70 (3pcs)	1



**FIT V06DA-628/EAD1-4-T0025-540-O (6064717)**

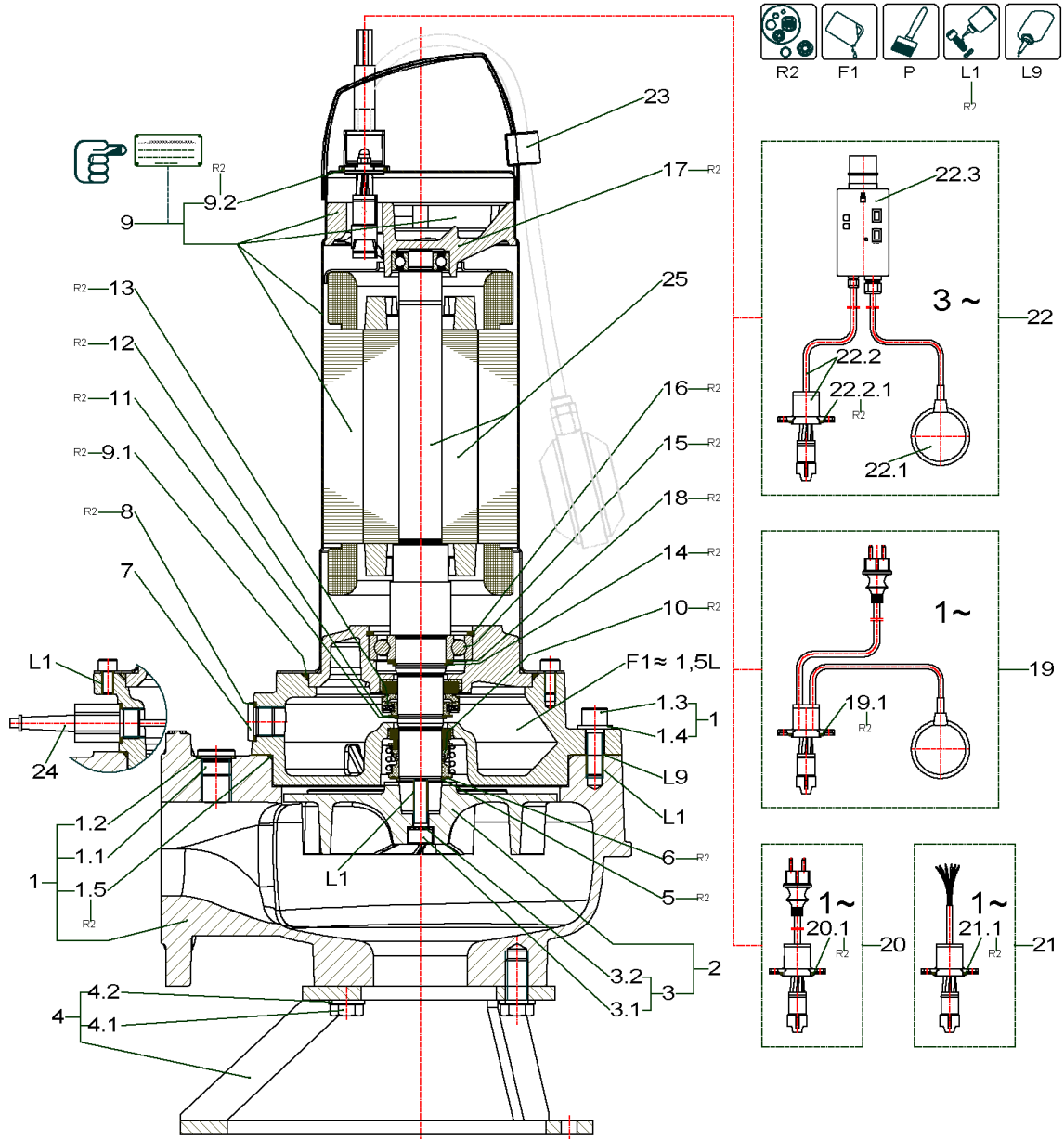
Item	Article no.	Description	Quantity
R2	6065497	Rep.Kit 2 S13.2	1
P	6049684	colour 2K-paint IV80 RAL9011 250ml KIT	1
F1	6025460	medical white oil 1L KIT	1
F1	6025461	medical white oil 5L KIT	1
L1	6080531	Loctite 243 5g flask VP:	1
L9	6080535	Loctite 5203 300ml VP.	1
-----			
1	6065174	pump housing Rexa V06DA-xx6 DN65 GG SET	1
1.1		screw plug G1/2 DIN908 A4	1
1.2		joint ring A21/26x1,5 DIN7603 PA(10pc)	1
1.3		screw M12x35 DIN912 A4	1
1.4		washer A13 DIN125 A4 (20pc)	1
1.5		o-ring ID.203,0x3,0 NBR70	1
2	6065842	impeller V06xA-628 GG Set SVA	1
3	6067646	impeller fixation 10x35 Geomet KIT	1
3.1		> screw M10x35 DIN912 10.9 Geomet	1
3.2		> SCREW LOCKING NORD-LOCK 16/10,7 A4	1
3.1		screw M10x35 DIN912 10.9 Geomet	1
3.2		SCREW LOCKING NORD-LOCK 16/10,7 A4	1
4		CIRCLIP 30X1,5 DIN471 1.4122	1
5		pressure ring D.42/30,5x1 6050343 A4	1
6	6067638	screw plug G1/2 DIN908 A4 (3pcs)	1
7	6048832	joint ring A21/26x1,5 DIN7603 PA(10pc)	1
8	6070459	stator-unit S13.2-4/13 3~ KIT	1
8.1		o-ring ID.150,0x4,0 NBR70	1
8.2		O-RING ID.25X2,2N DIN3771 NBR70	1
9		mechanical shaft seal MG1/30-G60 QQPGG	1
10		CIRCLIP 32X1,5 DIN471 1.4122	1
11		pressure ring D.44/32,5x1 6050343 A4	1
12		MECHANICAL SEAL BT-AR/32 BXPFF	1
13		circlips 35x1,5 DIN471 FST	1
14		ball bearing 6207 w.2 Dichtschr. VP.	1
15		circlips 72x2,5 DIN472 FSt	1
16		Rep.Kit 2 P13.1	1

**FIT V06DA-628/EAD1-4-T0025-540-O (6064717)**

<b>Item</b>	<b>Article no.</b>	<b>Description</b>	<b>Quantity</b>
17		washer D.35/45x2,5 DIN988 St	1
18	6067574	rotor P13.2-13/EAD1X4-T VP.	1
19	6066617	cable 10m H07 6G1 VP.	1
19.1	6067644	O-Ring ID.25X2,2N DIN3771 NBR70 (3pcs)	1



# SUBMERSIBLE SEWAGE PUMP V08.. UNIT (6200922)



**SUBMERSIBLE SEWAGE PUMP V08.. UNIT (6200922)**

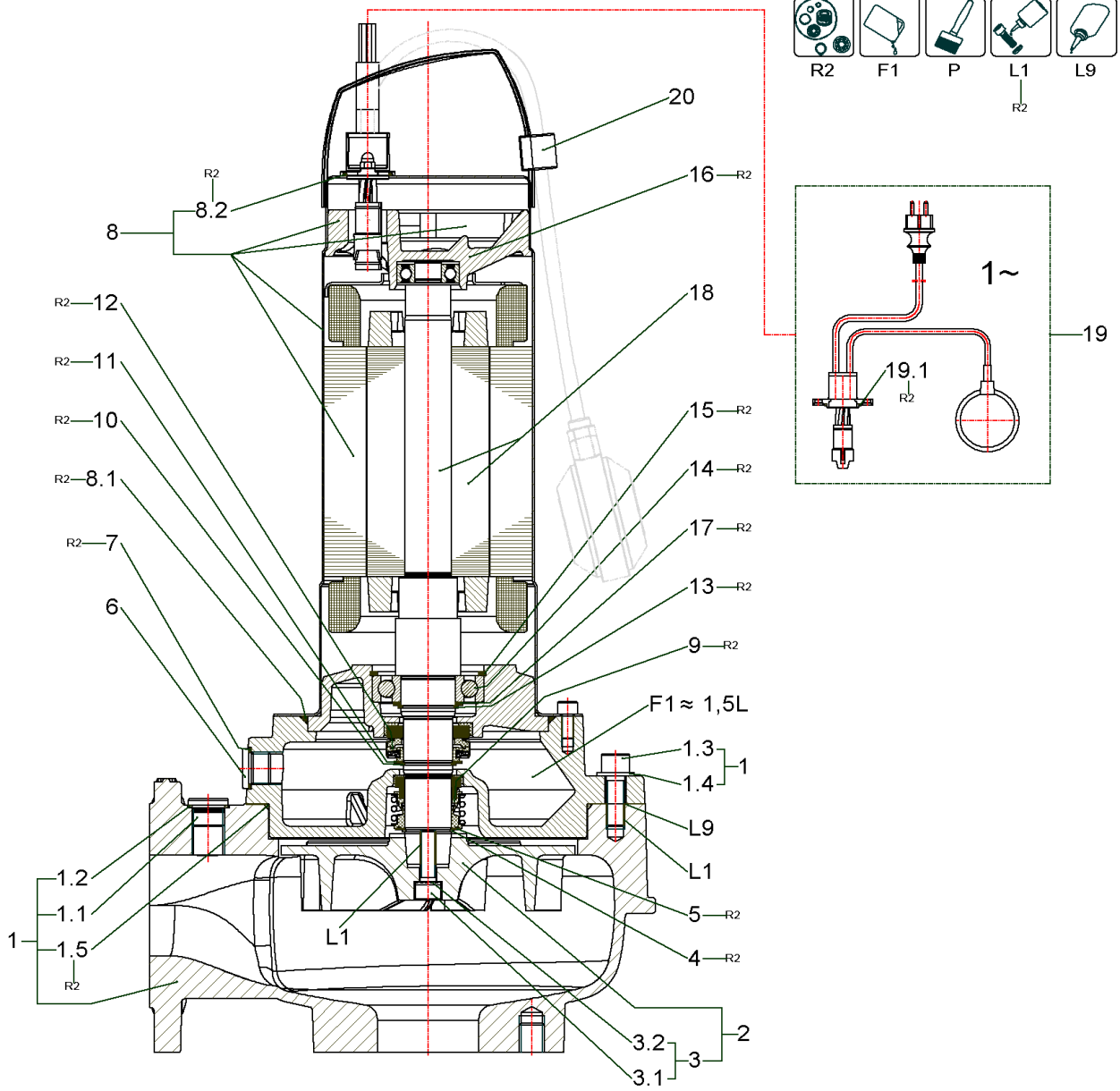
Item	Article no.	Description	Quantity
R2	6065497	Rep.Kit 2 S13.2	1
P	6049684	colour 2K-paint IV80 RAL9011 250ml KIT	1
F1	6025460	medical white oil 1L KIT	1
F1	6025461	medical white oil 5L KIT	1
L1	6080531	Loctite 243 5g flask VP:	1
L9	6080535	Loctite 5203 300ml VP.	1
-----			
1	6066945	pump housing Rexa V08Dx-4xx DN80 GG KIT	1
1	6066946	pump housing Rexa V08Nx-4xx ANSI GG KIT	1
1	6066948	pump housing Rexa V08Dx-5xx DN80 GG KIT	1
1	6066947	pump housing Rexa V08Nx-5xx ANSI GG KIT	1
1.1		screw plug G1/2 DIN908 A4	1
1.2		joint ring A21/26x1,5 DIN7603 PA(10pc)	1
1.3		screw M12x35 DIN912 A4	3
1.4		washer A13 DIN125 A4 (20pc)	1
1.5		o-ring ID.203,0x3,0 NBR70	1
2	6066940	impeller Rexa V08xA-422 GG Set SVA	1
2	6066941	impeller Rexa V08xA-423 GG Set SVA	1
2	6066942	impeller Rexa V08xA-424 GG Set SVA	1
2	6066943	impeller Rexa V08xA-426 GG Set SVA	1
2	6066944	impeller Rexa V08xA-428 GG Set SVA	1
2	6066937	impeller Rexa V08xA-522 GG Set SVA	1
2	6066938	impeller Rexa V08xA-524 GG Set SVA	1
2	6066939	impeller Rexa V08xA-526 GG Set SVA	1
3	6067646	impeller fixation 10x35 Geomet KIT	1
3.1		> screw M10x35 DIN912 10.9 Geomet	1
3.2		> SCREW LOCKING NORD-LOCK 16/10,7 A4	1
4	6065949	Pump foot DN80/100 KIT	1
4.1		> Screw M16x35 ISO4017 A4-70	4
4.2	6076816	> washer A17 Din125 A4 (20pc)	1
4.1		screw M16x25 DIN933 A4-70	4
4.2		washer A17 Din125 A4 (20pc)	1
4	6065953	Pump foot DN80/100 1.4571 KIT	1
4.1		Screw M16x35 ISO4017 A4-70	4

**SUBMERSIBLE SEWAGE PUMP V08.. UNIT (6200922)**

Item	Article no.	Description	Quantity
4.2		washer A17 Din125 A4 (20pc)	1
5		CIRCLIP 30X1,5 DIN471 1.4122	1
6		pressure ring D.42/30,5x1 6050343 A4	1
7	6067638	screw plug G1/2 DIN908 A4 (3pcs)	1
8	6048832	joint ring A21/26x1,5 DIN7603 PA(10pc)	1
9	6070458	stator-unit S13.2-4/11 1~ KIT	1
9	6070458	stator-unit S13.2-4/11 1~ KIT	1
9	6070460	stator-unit S13.2-4/16 3~ KIT	1
9	6070450	stator-unit S13.2-4/10 3~ KIT	1
9	6070450	stator-unit S13.2-4/10 3~ KIT	1
9	6070459	stator-unit S13.2-4/13 3~ KIT	1
9.1		o-ring ID.150,0x4,0 NBR70	1
9.2		O-RING ID.25X2,2N DIN3771 NBR70	1
10		mechanical shaft seal MG1/30-G60 QQPGG	1
11		CIRCLIP 32X1,5 DIN471 1.4122	1
12		pressure ring D.44/32,5x1 6050343 A4	1
13		MECHANICAL SEAL BT-AR/32 BXPFF	1
14		circlips 35x1,5 DIN471 FST	1
15		ball bearing 6207 w.2 Dichtschr. VP.	1
16		circlips 72x2,5 DIN472 FSt	1
17		Rep.Kit 2 P13.1	1
18		washer D.35/45x2,5 DIN988 St	1
-----			
19	6066649	cable 10m H07 3G1/plug/float switch	1
19	6066652	cable 20m H07 3G1/plug/float switch	1
19	6066655	cable 30m H07 3G1/plug/float switch	1
19.1	6067644	O-Ring ID.25X2,2N DIN3771 NBR70 (3pcs)	1
-----			
20	6066650	cable 10m H07 3G1/plug VP.	1
20	6066653	cable 20m H07 3G1/plug	1
20	6066656	cable 30m H07 3G1/plug	1
20.1	6067644	O-Ring ID.25X2,2N DIN3771 NBR70 (3pcs)	1
-----			
21	6066617	cable 10m H07 6G1 VP.	1

**SUBMERSIBLE SEWAGE PUMP V08.. UNIT (6200922)**

Item	Article no.	Description	Quantity
21.1	6067644	O-Ring ID.25X2,2N DIN3771 NBR70 (3pcs)	1
		-----	
22	6066658	Cable 10m 6G1/plug 2,-4A/float switch	1
22	6066659	Cable 10m 6G1/plug 4-6A/float switch	1
22.1	6072582	float switch S-PS 10A 250V 10m NO VP	1
22.1	6072583	float switch S-PS 10A 250V 20m NO VP	1
22.1	6035477	float switch S-PS 20m NO+10m Verl.	1
22.1	6043701	float switch S-PS 20m NO+30m Verl.	1
22.2	6066618	cable 20m H07 6G1 1,1-5,0kW VP.	1
22.2	6066619	cable 30m H07 6G1 1,1-5,0kW VP.	1
22.2	6066621	cable 20m H07 6G1,5 3,5-3,9kW	1
22.2	6066622	cable 30m H07 6G1,5 3,5-3,9kW VP.	1
22.2	6066623	cable 40m H07 6G1,5 1,1-5,0kW VP.	1
22.2	6066624	cable 50m H07 6G1,5 1,1-5,0kW VP.	1
22.2.1	6067644	O-Ring ID.25X2,2N DIN3771 NBR70 (3pcs)	1
22.3	6072522	MCP 2,4-4,0A-T4-HA-ROT-WSK-CEE16-5PS VP.	1
22.3	6072523	MCP 4,0-6,0A-T4-HA-ROT-WSK-CEE16-5PS VP.	1
22.3	6072524	MCP 6,0-10A-T4-HA-ROT-WSK-CEE16-5PS VP.	1
		-----	
23	6067643	cable clip PP-GF30 black VP.	1
24	6042222	pencil electrode G1/2 10m KIT	1
24	6042223	pencil electrode G1/2 20m KIT	1
24	6061070	pencil electrode G1/2 30m KIT	1
24	6061069	Stabelektrode G1/2 40m SET	1
24	6060956	pencil electrode G1/2 55m KIT	1
25	6067576	rotor P13.2-11/EAD0X4-M VP.	1
25	6067575	rotor P13.2-10/EAD1X4-T VP.	1
25	6067574	rotor P13.2-13/EAD1X4-T VP.	1
25	6067573	rotor P13.2-16/EAD1X4-T VP.	1

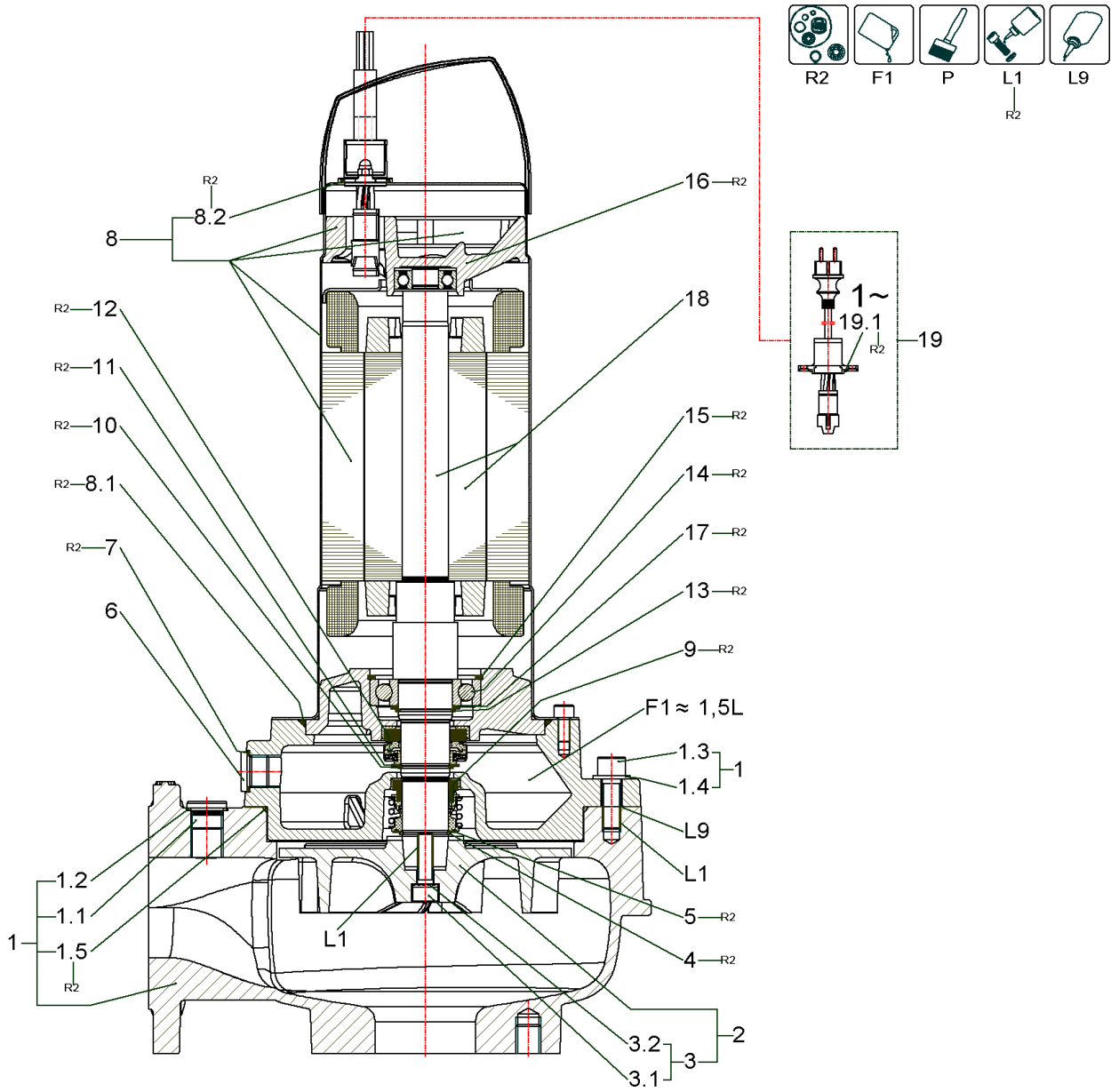


**FIT V08DA-422/EAD0-4-M0011-523-A (6065917)**

Item	Article no.	Description	Quantity
R2	6065497	Rep.Kit 2 S13.2	1
P	6049684	colour 2K-paint IV80 RAL9011 250ml KIT	1
F1	6025460	medical white oil 1L KIT	1
F1	6025461	medical white oil 5L KIT	1
L1	6080531	Loctite 243 5g flask VP:	1
L9	6080535	Loctite 5203 300ml VP.	1
-----			
1	6066945	pump housing Rexa V08Dx-4xx DN80 GG KIT	1
1.1		screw plug G1/2 DIN908 A4	1
1.2		joint ring A21/26x1,5 DIN7603 PA(10pc)	1
1.3		screw M12x35 DIN912 A4	1
1.4		washer A13 DIN125 A4 (20pc)	1
1.5		o-ring ID.203,0x3,0 NBR70	1
2	6066940	impeller Rexa V08xA-422 GG Set SVA	1
3	6067646	impeller fixation 10x35 Geomet KIT	1
3.1		> screw M10x35 DIN912 10.9 Geomet	1
3.2		> SCREW LOCKING NORD-LOCK 16/10,7 A4	1
3.1		screw M10x35 DIN912 10.9 Geomet	1
3.2		SCREW LOCKING NORD-LOCK 16/10,7 A4	1
4		CIRCLIP 30X1,5 DIN471 1.4122	1
5		pressure ring D.42/30,5x1 6050343 A4	1
6	6067638	screw plug G1/2 DIN908 A4 (3pcs)	1
7	6048832	joint ring A21/26x1,5 DIN7603 PA(10pc)	1
8	6070458	stator-unit S13.2-4/11 1~ KIT	1
8.1		o-ring ID.150,0x4,0 NBR70	1
8.2		O-RING ID.25X2,2N DIN3771 NBR70	1
9		mechanical shaft seal MG1/30-G60 QPPGG	1
10		CIRCLIP 32X1,5 DIN471 1.4122	1
11		pressure ring D.44/32,5x1 6050343 A4	1
12		MECHANICAL SEAL BT-AR/32 BXPFF	1
13		circlips 35x1,5 DIN471 FST	1
14		ball bearing 6207 w.2 Dichtschr. VP.	1
15		circlips 72x2,5 DIN472 FSt	1
16		Rep.Kit 2 P13.1	1

## FIT V08DA-422/EAD0-4-M0011-523-A (6065917)

Item	Article no.	Description	Quantity
17		washer D.35/45x2,5 DIN988 St	1
18	6067576	rotor P13.2-11/EAD0X4-M VP.	1
19	6066649	cable 10m H07 3G1/plug/float switch	1
19.1	6067644	O-Ring ID.25X2,2N DIN3771 NBR70 (3pcs)	1
20	6067643	cable clip PP-GF30 black VP.	1



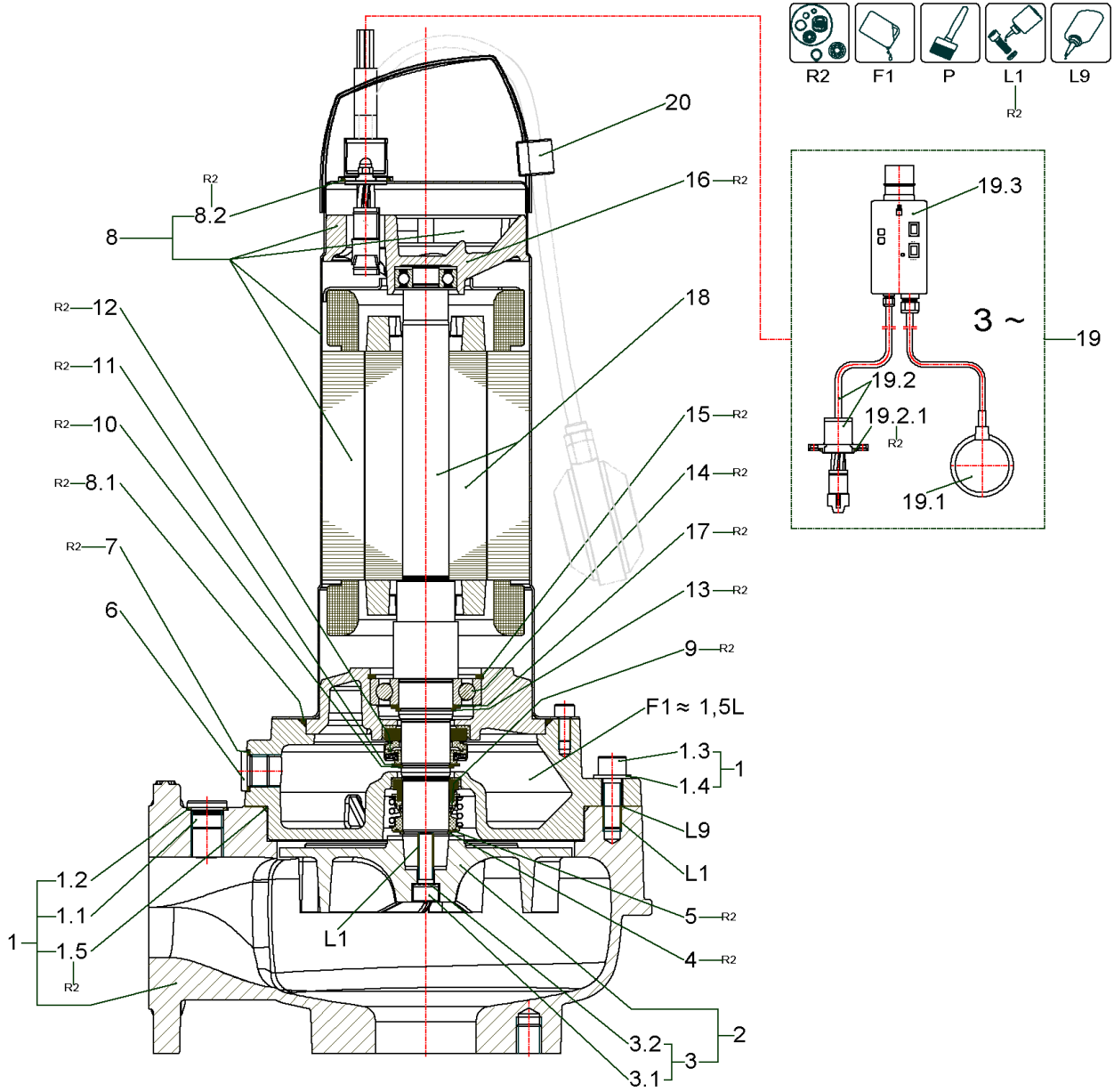


**FIT V08DA-422/EAD0-4-M0011-523-P (6065919)**

Item	Article no.	Description	Quantity
R2	6065497	Rep.Kit 2 S13.2	1
P	6049684	colour 2K-paint IV80 RAL9011 250ml KIT	1
F1	6025460	medical white oil 1L KIT	1
F1	6025461	medical white oil 5L KIT	1
L1	6080531	Loctite 243 5g flask VP:	1
L9	6080535	Loctite 5203 300ml VP.	1
-----			
1	6066945	pump housing Rexa V08Dx-4xx DN80 GG KIT	1
1.1		screw plug G1/2 DIN908 A4	1
1.2		joint ring A21/26x1,5 DIN7603 PA(10pc)	1
1.3		screw M12x35 DIN912 A4	1
1.4		washer A13 DIN125 A4 (20pc)	1
1.5		o-ring ID.203,0x3,0 NBR70	1
2	6066940	impeller Rexa V08xA-422 GG Set SVA	1
3	6067646	impeller fixation 10x35 Geomet KIT	1
3.1		> screw M10x35 DIN912 10.9 Geomet	1
3.2		> SCREW LOCKING NORD-LOCK 16/10,7 A4	1
3.1		screw M10x35 DIN912 10.9 Geomet	1
3.2		SCREW LOCKING NORD-LOCK 16/10,7 A4	1
4		CIRCLIP 30X1,5 DIN471 1.4122	1
5		pressure ring D.42/30,5x1 6050343 A4	1
6	6067638	screw plug G1/2 DIN908 A4 (3pcs)	1
7	6048832	joint ring A21/26x1,5 DIN7603 PA(10pc)	1
8	6070458	stator-unit S13.2-4/11 1~ KIT	1
8.1		o-ring ID.150,0x4,0 NBR70	1
8.2		O-RING ID.25X2,2N DIN3771 NBR70	1
9		mechanical shaft seal MG1/30-G60 QQPGG	1
10		CIRCLIP 32X1,5 DIN471 1.4122	1
11		pressure ring D.44/32,5x1 6050343 A4	1
12		MECHANICAL SEAL BT-AR/32 BXPFF	1
13		circlips 35x1,5 DIN471 FST	1
14		ball bearing 6207 w.2 Dichtschr. VP.	1
15		circlips 72x2,5 DIN472 FSt	1
16		Rep.Kit 2 P13.1	1

**FIT V08DA-422/EAD0-4-M0011-523-P (6065919)**

<b>Item</b>	<b>Article no.</b>	<b>Description</b>	<b>Quantity</b>
17		washer D.35/45x2,5 DIN988 St	1
18	6067576	rotor P13.2-11/EAD0X4-M VP.	1
19	6066650	cable 10m H07 3G1/plug VP.	1
19.1	6067644	O-Ring ID.25X2,2N DIN3771 NBR70 (3pcs)	1

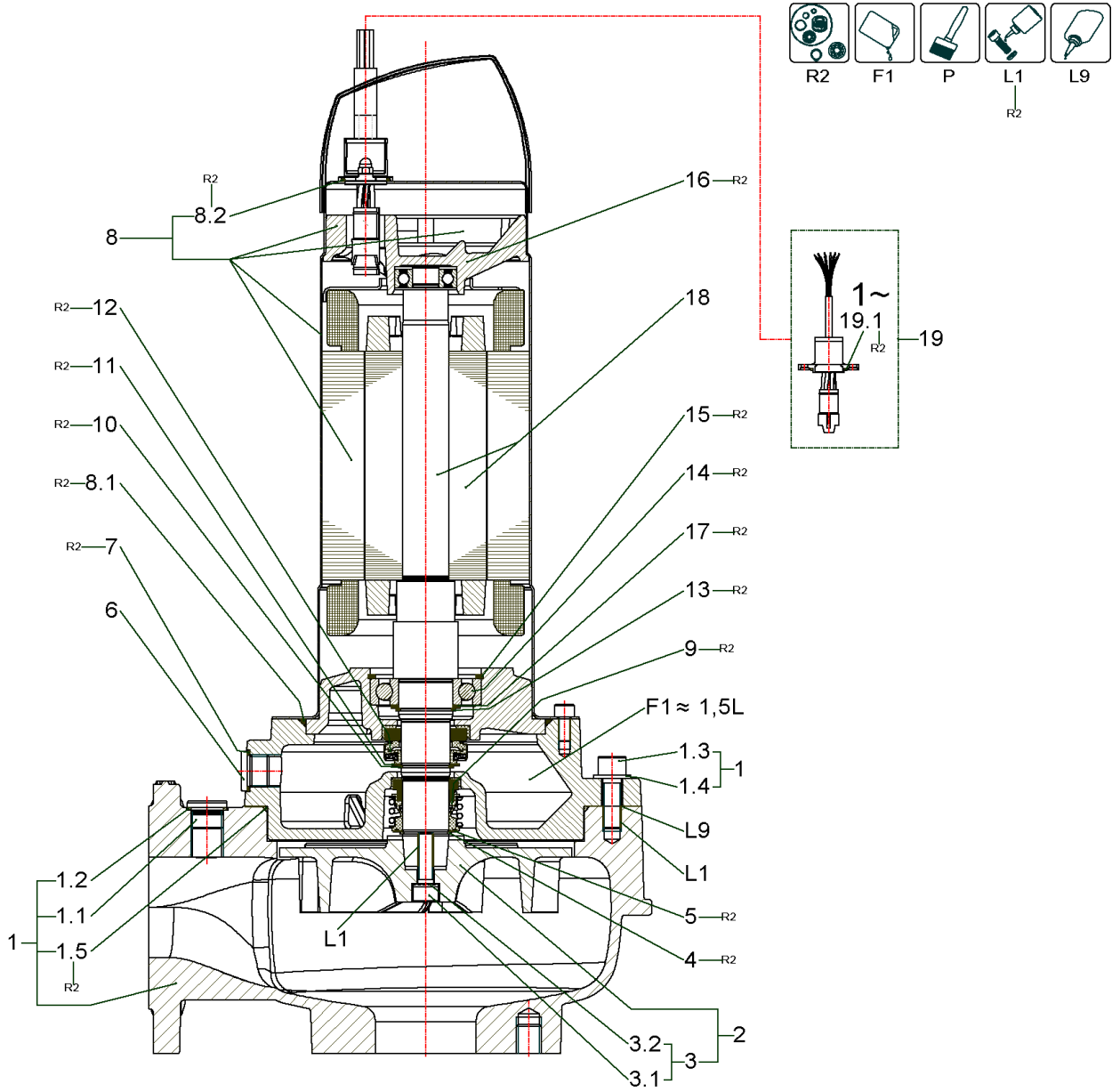


**FIT V08DA-422/EAD1-4-T0011-540-A (6065918)**

Item	Article no.	Description	Quantity
R2	6065497	Rep.Kit 2 S13.2	1
P	6049684	colour 2K-paint IV80 RAL9011 250ml KIT	1
F1	6025460	medical white oil 1L KIT	1
F1	6025461	medical white oil 5L KIT	1
L1	6080531	Loctite 243 5g flask VP:	1
L9	6080535	Loctite 5203 300ml VP.	1
-----			
1	6066945	pump housing Rexa V08Dx-4xx DN80 GG KIT	1
1.1		screw plug G1/2 DIN908 A4	1
1.2		joint ring A21/26x1,5 DIN7603 PA(10pc)	1
1.3		screw M12x35 DIN912 A4	1
1.4		washer A13 DIN125 A4 (20pc)	1
1.5		o-ring ID.203,0x3,0 NBR70	1
2	6066940	impeller Rexa V08xA-422 GG Set SVA	1
3	6067646	impeller fixation 10x35 Geomet KIT	1
3.1		> screw M10x35 DIN912 10.9 Geomet	1
3.2		> SCREW LOCKING NORD-LOCK 16/10,7 A4	1
3.1		screw M10x35 DIN912 10.9 Geomet	1
3.2		SCREW LOCKING NORD-LOCK 16/10,7 A4	1
4		CIRCLIP 30X1,5 DIN471 1.4122	1
5		pressure ring D.42/30,5x1 6050343 A4	1
6	6067638	screw plug G1/2 DIN908 A4 (3pcs)	1
7	6048832	joint ring A21/26x1,5 DIN7603 PA(10pc)	1
8	6070450	stator-unit S13.2-4/10 3~ KIT	1
8.1		o-ring ID.150,0x4,0 NBR70	1
8.2		O-RING ID.25X2,2N DIN3771 NBR70	1
9		mechanical shaft seal MG1/30-G60 QQPGG	1
10		CIRCLIP 32X1,5 DIN471 1.4122	1
11		pressure ring D.44/32,5x1 6050343 A4	1
12		MECHANICAL SEAL BT-AR/32 BXPFF	1
13		circlips 35x1,5 DIN471 FST	1
14		ball bearing 6207 w.2 Dichtschr. VP.	1
15		circlips 72x2,5 DIN472 FSt	1
16		Rep.Kit 2 P13.1	1

**FIT V08DA-422/EAD1-4-T0011-540-A (6065918)**

<b>Item</b>	<b>Article no.</b>	<b>Description</b>	<b>Quantity</b>
17		washer D.35/45x2,5 DIN988 St	1
18	6067575	rotor P13.2-10/EAD1X4-T VP.	1
19	6066658	Cable 10m 6G1/plug 2,-4A/float switch	1
19.1	6072582	float switch S-PS 10A 250V 10m NO VP	1
19.2	6066618	cable 20m H07 6G1 1,1-5,0kW VP.	1
19.2.1	6067644	O-Ring ID.25X2,2N DIN3771 NBR70 (3pcs)	1
19.3	6072522	MCP 2,4-4,0A-T4-HA-ROT-WSK-CEE16-5PS VP.	1
20	6067643	cable clip PP-GF30 black VP.	1



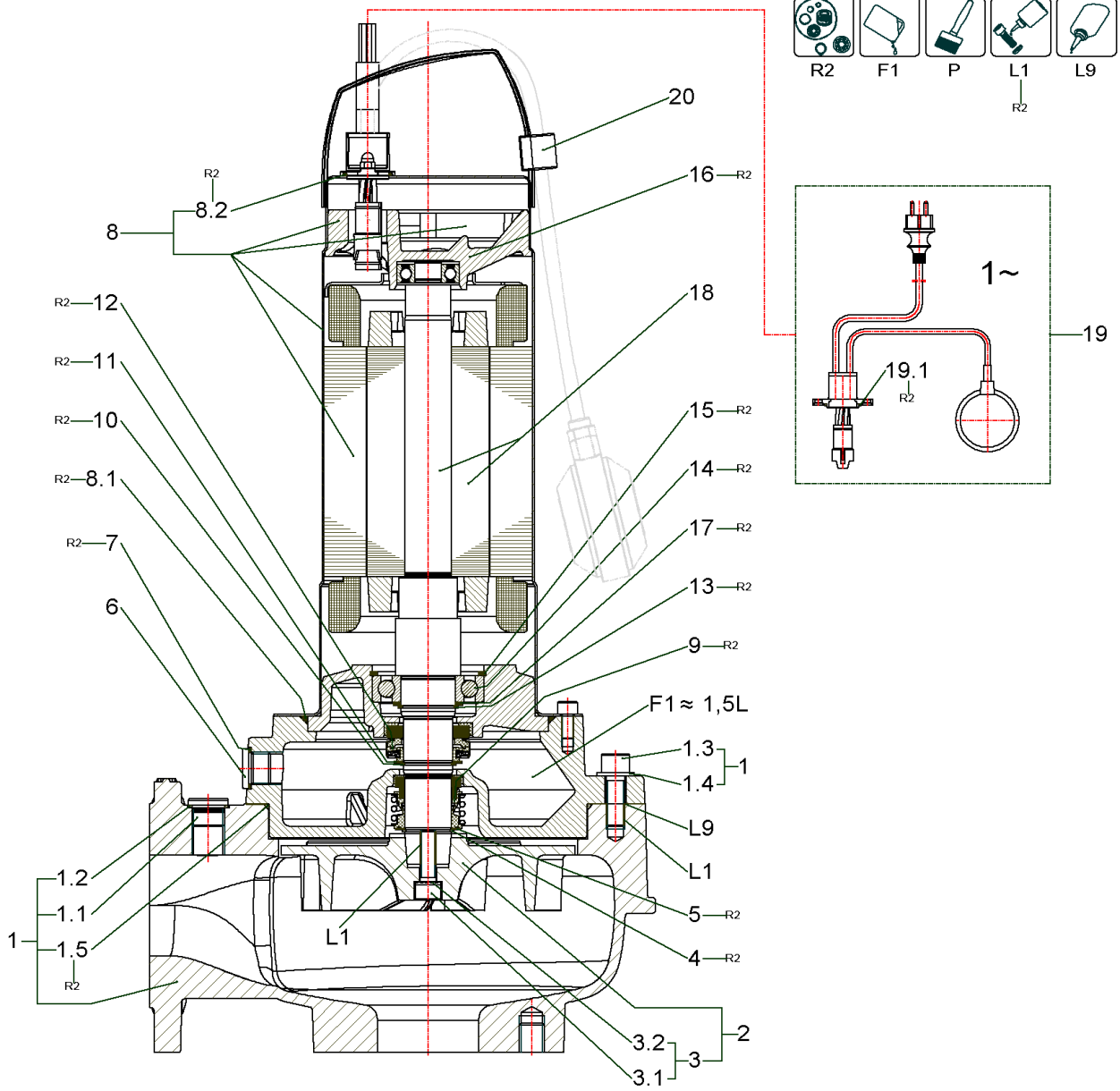
**FIT V08DA-422/EAD1-4-T0011-540-O (6065920)**

Item	Article no.	Description	Quantity
R2	6065497	Rep.Kit 2 S13.2	1
P	6049684	colour 2K-paint IV80 RAL9011 250ml KIT	1
F1	6025460	medical white oil 1L KIT	1
F1	6025461	medical white oil 5L KIT	1
L1	6080531	Loctite 243 5g flask VP:	1
L9	6080535	Loctite 5203 300ml VP.	1
-----			
1	6066945	pump housing Rexa V08Dx-4xx DN80 GG KIT	1
1.1		screw plug G1/2 DIN908 A4	1
1.2		joint ring A21/26x1,5 DIN7603 PA(10pc)	1
1.3		screw M12x35 DIN912 A4	1
1.4		washer A13 DIN125 A4 (20pc)	1
1.5		o-ring ID.203,0x3,0 NBR70	1
2	6066940	impeller Rexa V08xA-422 GG Set SVA	1
3	6067646	impeller fixation 10x35 Geomet KIT	1
3.1		> screw M10x35 DIN912 10.9 Geomet	1
3.2		> SCREW LOCKING NORD-LOCK 16/10,7 A4	1
3.1		screw M10x35 DIN912 10.9 Geomet	1
3.2		SCREW LOCKING NORD-LOCK 16/10,7 A4	1
4		CIRCLIP 30X1,5 DIN471 1.4122	1
5		pressure ring D.42/30,5x1 6050343 A4	1
6	6067638	screw plug G1/2 DIN908 A4 (3pcs)	1
7	6048832	joint ring A21/26x1,5 DIN7603 PA(10pc)	1
8	6070450	stator-unit S13.2-4/10 3~ KIT	1
8.1		o-ring ID.150,0x4,0 NBR70	1
8.2		O-RING ID.25X2,2N DIN3771 NBR70	1
9		mechanical shaft seal MG1/30-G60 QQPGG	1
10		CIRCLIP 32X1,5 DIN471 1.4122	1
11		pressure ring D.44/32,5x1 6050343 A4	1
12		MECHANICAL SEAL BT-AR/32 BXPFF	1
13		circlips 35x1,5 DIN471 FST	1
14		ball bearing 6207 w.2 Dichtschr. VP.	1
15		circlips 72x2,5 DIN472 FSt	1
16		Rep.Kit 2 P13.1	1

**FIT V08DA-422/EAD1-4-T0011-540-O (6065920)**

<b>Item</b>	<b>Article no.</b>	<b>Description</b>	<b>Quantity</b>
17		washer D.35/45x2,5 DIN988 St	1
18	6067575	rotor P13.2-10/EAD1X4-T VP.	1
19	6066617	cable 10m H07 6G1 VP.	1
19.1	6067644	O-Ring ID.25X2,2N DIN3771 NBR70 (3pcs)	1

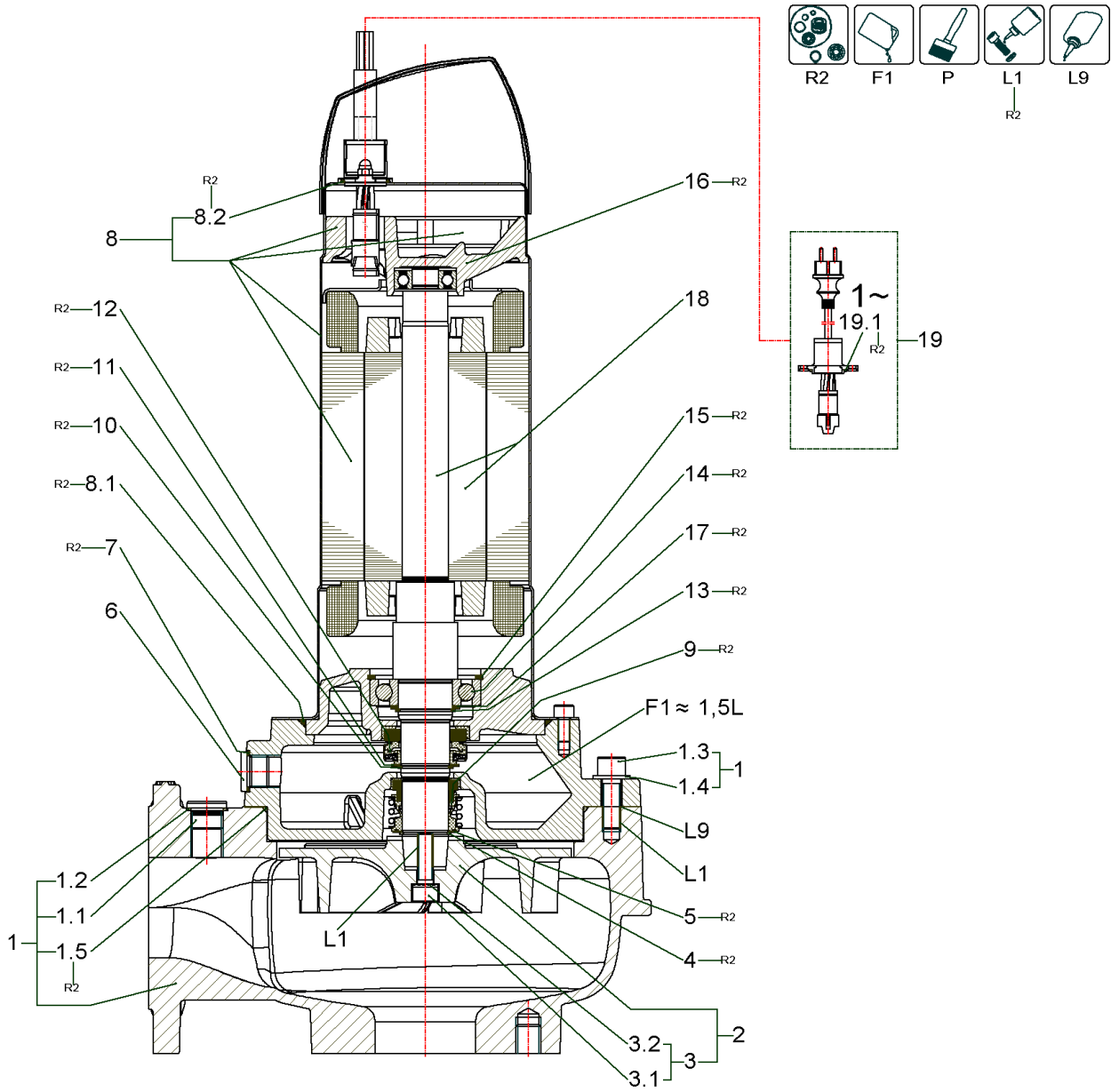




Item	Article no.	Description	Quantity
R2	6065497	Rep.Kit 2 S13.2	1
P	6049684	colour 2K-paint IV80 RAL9011 250ml KIT	1
F1	6025460	medical white oil 1L KIT	1
F1	6025461	medical white oil 5L KIT	1
L1	6080531	Loctite 243 5g flask VP:	1
L9	6080535	Loctite 5203 300ml VP.	1
-----			
1	6066945	pump housing Rexa V08Dx-4xx DN80 GG KIT	1
1.1		screw plug G1/2 DIN908 A4	1
1.2		joint ring A21/26x1,5 DIN7603 PA(10pc)	1
1.3		screw M12x35 DIN912 A4	1
1.4		washer A13 DIN125 A4 (20pc)	1
1.5		o-ring ID.203,0x3,0 NBR70	1
2	6066942	impeller Rexa V08xA-424 GG Set SVA	1
3	6067646	impeller fixation 10x35 Geomet KIT	1
3.1		> screw M10x35 DIN912 10.9 Geomet	1
3.2		> SCREW LOCKING NORD-LOCK 16/10,7 A4	1
3.1		screw M10x35 DIN912 10.9 Geomet	1
3.2		SCREW LOCKING NORD-LOCK 16/10,7 A4	1
4		CIRCLIP 30X1,5 DIN471 1.4122	1
5		pressure ring D.42/30,5x1 6050343 A4	1
6	6067638	screw plug G1/2 DIN908 A4 (3pcs)	1
7	6048832	joint ring A21/26x1,5 DIN7603 PA(10pc)	1
8	6070458	stator-unit S13.2-4/11 1~ KIT	1
8.1		o-ring ID.150,0x4,0 NBR70	1
8.2		O-RING ID.25X2,2N DIN3771 NBR70	1
9		mechanical shaft seal MG1/30-G60 QQPGG	1
10		CIRCLIP 32X1,5 DIN471 1.4122	1
11		pressure ring D.44/32,5x1 6050343 A4	1
12		MECHANICAL SEAL BT-AR/32 BXPFF	1
13		circlips 35x1,5 DIN471 FST	1
14		ball bearing 6207 w.2 Dichtschr. VP.	1
15		circlips 72x2,5 DIN472 FSt	1
16		Rep.Kit 2 P13.1	1

**FIT V08DA-424/EAD0-4-M0011-523-A (6065921)**

<b>Item</b>	<b>Article no.</b>	<b>Description</b>	<b>Quantity</b>
17		washer D.35/45x2,5 DIN988 St	1
18	6067576	rotor P13.2-11/EAD0X4-M VP.	1
19	6066649	cable 10m H07 3G1/plug/float switch	1
19.1	6067644	O-Ring ID.25X2,2N DIN3771 NBR70 (3pcs)	1
20	6067643	cable clip PP-GF30 black VP.	1

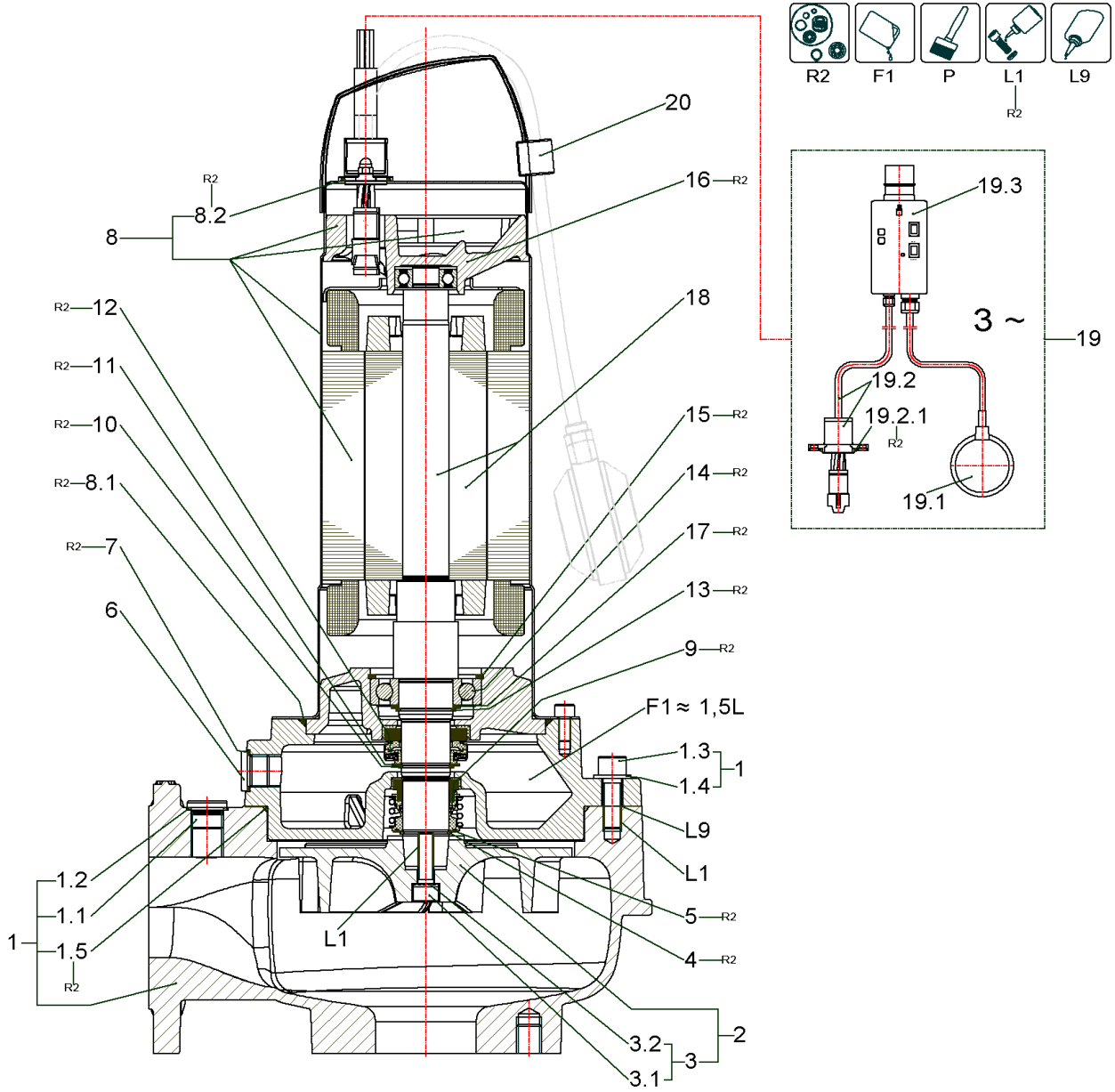


**FIT V08DA-424/EAD0-4-M0011-523-P (6065923)**

Item	Article no.	Description	Quantity
R2	6065497	Rep.Kit 2 S13.2	1
P	6049684	colour 2K-paint IV80 RAL9011 250ml KIT	1
F1	6025460	medical white oil 1L KIT	1
F1	6025461	medical white oil 5L KIT	1
L1	6080531	Loctite 243 5g flask VP:	1
L9	6080535	Loctite 5203 300ml VP.	1
-----			
1	6066945	pump housing Rexa V08Dx-4xx DN80 GG KIT	1
1.1		screw plug G1/2 DIN908 A4	1
1.2		joint ring A21/26x1,5 DIN7603 PA(10pc)	1
1.3		screw M12x35 DIN912 A4	1
1.4		washer A13 DIN125 A4 (20pc)	1
1.5		o-ring ID.203,0x3,0 NBR70	1
2	6066942	impeller Rexa V08xA-424 GG Set SVA	1
3	6067646	impeller fixation 10x35 Geomet KIT	1
3.1		> screw M10x35 DIN912 10.9 Geomet	1
3.2		> SCREW LOCKING NORD-LOCK 16/10,7 A4	1
3.1		screw M10x35 DIN912 10.9 Geomet	1
3.2		SCREW LOCKING NORD-LOCK 16/10,7 A4	1
4		CIRCLIP 30X1,5 DIN471 1.4122	1
5		pressure ring D.42/30,5x1 6050343 A4	1
6	6067638	screw plug G1/2 DIN908 A4 (3pcs)	1
7	6048832	joint ring A21/26x1,5 DIN7603 PA(10pc)	1
8	6070458	stator-unit S13.2-4/11 1~ KIT	1
8.1		o-ring ID.150,0x4,0 NBR70	1
8.2		O-RING ID.25X2,2N DIN3771 NBR70	1
9		mechanical shaft seal MG1/30-G60 QQPGG	1
10		CIRCLIP 32X1,5 DIN471 1.4122	1
11		pressure ring D.44/32,5x1 6050343 A4	1
12		MECHANICAL SEAL BT-AR/32 BXPFF	1
13		circlips 35x1,5 DIN471 FST	1
14		ball bearing 6207 w.2 Dichtschr. VP.	1
15		circlips 72x2,5 DIN472 FSt	1
16		Rep.Kit 2 P13.1	1

**FIT V08DA-424/EAD0-4-M0011-523-P (6065923)**

<b>Item</b>	<b>Article no.</b>	<b>Description</b>	<b>Quantity</b>
17		washer D.35/45x2,5 DIN988 St	1
18	6067576	rotor P13.2-11/EAD0X4-M VP.	1
19	6066650	cable 10m H07 3G1/plug VP.	1
19.1	6067644	O-Ring ID.25X2,2N DIN3771 NBR70 (3pcs)	1



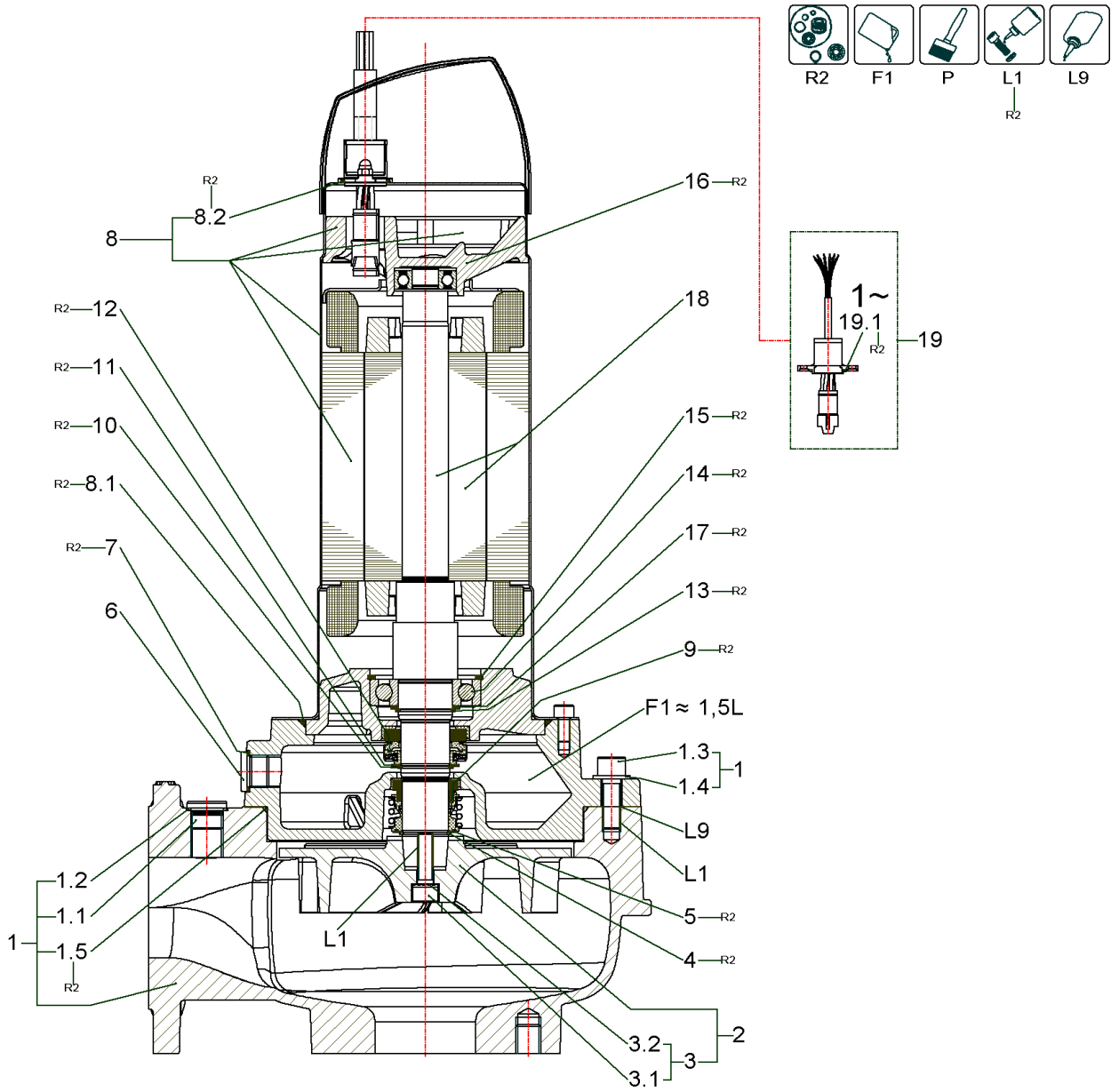
**FIT V08DA-424/EAD1-4-T0011-540-A (6065922)**

Item	Article no.	Description	Quantity
R2	6065497	Rep.Kit 2 S13.2	1
P	6049684	colour 2K-paint IV80 RAL9011 250ml KIT	1
F1	6025460	medical white oil 1L KIT	1
F1	6025461	medical white oil 5L KIT	1
L1	6080531	Loctite 243 5g flask VP:	1
L9	6080535	Loctite 5203 300ml VP.	1
-----			
1	6066945	pump housing Rexa V08Dx-4xx DN80 GG KIT	1
1.1		screw plug G1/2 DIN908 A4	1
1.2		joint ring A21/26x1,5 DIN7603 PA(10pc)	1
1.3		screw M12x35 DIN912 A4	1
1.4		washer A13 DIN125 A4 (20pc)	1
1.5		o-ring ID.203,0x3,0 NBR70	1
2	6066942	impeller Rexa V08xA-424 GG Set SVA	1
3	6067646	impeller fixation 10x35 Geomet KIT	1
3.1		> screw M10x35 DIN912 10.9 Geomet	1
3.2		> SCREW LOCKING NORD-LOCK 16/10,7 A4	1
3.1		screw M10x35 DIN912 10.9 Geomet	1
3.2		SCREW LOCKING NORD-LOCK 16/10,7 A4	1
4		CIRCLIP 30X1,5 DIN471 1.4122	1
5		pressure ring D.42/30,5x1 6050343 A4	1
6	6067638	screw plug G1/2 DIN908 A4 (3pcs)	1
7	6048832	joint ring A21/26x1,5 DIN7603 PA(10pc)	1
8	6070450	stator-unit S13.2-4/10 3~ KIT	1
8.1		o-ring ID.150,0x4,0 NBR70	1
8.2		O-RING ID.25X2,2N DIN3771 NBR70	1
9		mechanical shaft seal MG1/30-G60 QQPGG	1
10		CIRCLIP 32X1,5 DIN471 1.4122	1
11		pressure ring D.44/32,5x1 6050343 A4	1
12		MECHANICAL SEAL BT-AR/32 BXPFF	1
13		circlips 35x1,5 DIN471 FST	1
14		ball bearing 6207 w.2 Dichtschr. VP.	1
15		circlips 72x2,5 DIN472 FSt	1
16		Rep.Kit 2 P13.1	1



**FIT V08DA-424/EAD1-4-T0011-540-A (6065922)**

<b>Item</b>	<b>Article no.</b>	<b>Description</b>	<b>Quantity</b>
17		washer D.35/45x2,5 DIN988 St	1
18	6067575	rotor P13.2-10/EAD1X4-T VP.	1
19	6066658	Cable 10m 6G1/plug 2,-4A/float switch	1
19.1	6072582	float switch S-PS 10A 250V 10m NO VP	1
19.2	6066618	cable 20m H07 6G1 1,1-5,0kW VP.	1
19.2.1	6067644	O-Ring ID.25X2,2N DIN3771 NBR70 (3pcs)	1
19.3	6072522	MCP 2,4-4,0A-T4-HA-ROT-WSK-CEE16-5PS VP.	1
20	6067643	cable clip PP-GF30 black VP.	1

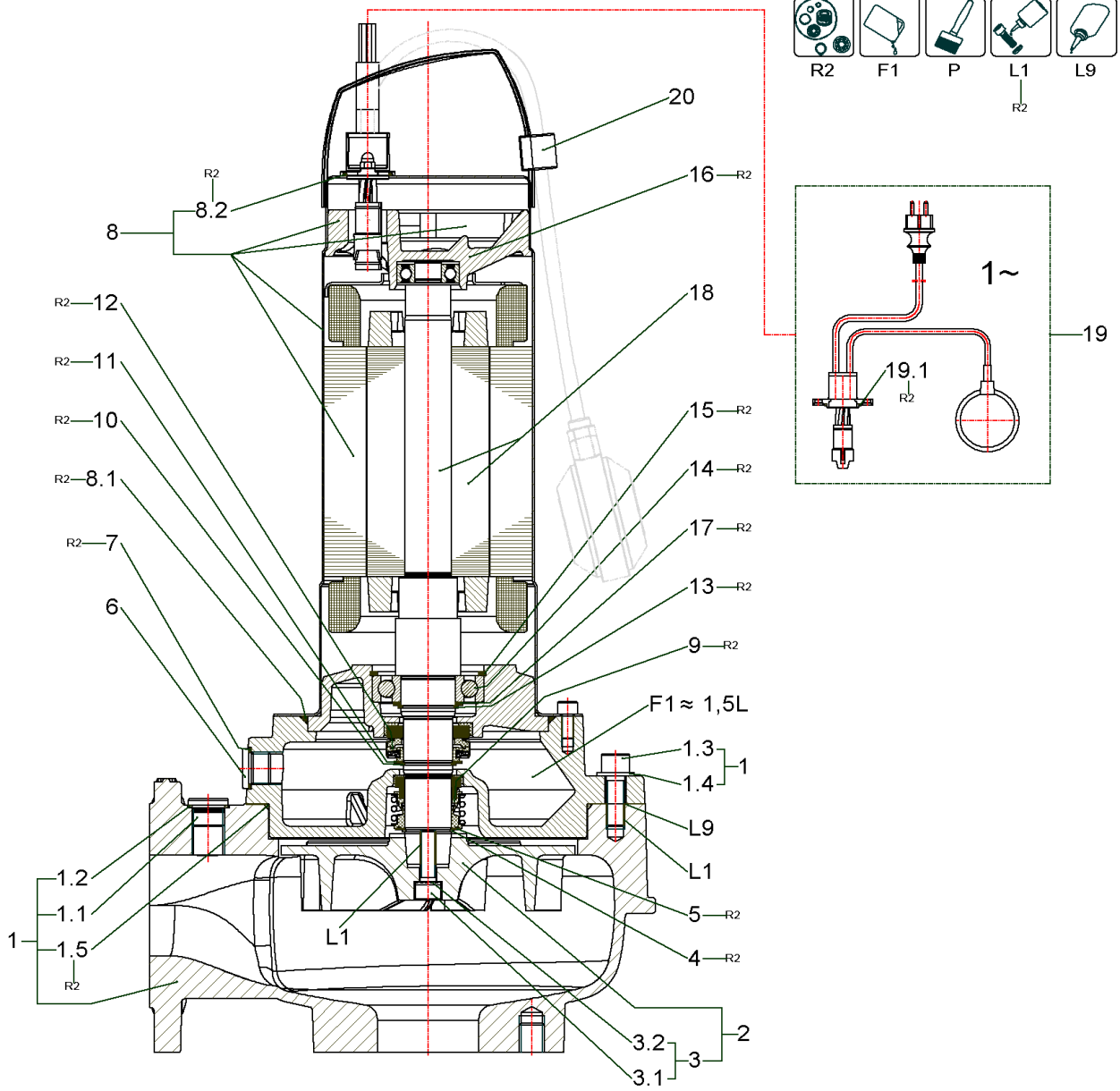


**FIT V08DA-424/EAD1-4-T0011-540-O (6065924)**

Item	Article no.	Description	Quantity
R2	6065497	Rep.Kit 2 S13.2	1
P	6049684	colour 2K-paint IV80 RAL9011 250ml KIT	1
F1	6025460	medical white oil 1L KIT	1
F1	6025461	medical white oil 5L KIT	1
L1	6080531	Loctite 243 5g flask VP:	1
L9	6080535	Loctite 5203 300ml VP.	1
-----			
1	6066945	pump housing Rexa V08Dx-4xx DN80 GG KIT	1
1.1		screw plug G1/2 DIN908 A4	1
1.2		joint ring A21/26x1,5 DIN7603 PA(10pc)	1
1.3		screw M12x35 DIN912 A4	1
1.4		washer A13 DIN125 A4 (20pc)	1
1.5		o-ring ID.203,0x3,0 NBR70	1
2	6066942	impeller Rexa V08xA-424 GG Set SVA	1
3	6067646	impeller fixation 10x35 Geomet KIT	1
3.1		> screw M10x35 DIN912 10.9 Geomet	1
3.2		> SCREW LOCKING NORD-LOCK 16/10,7 A4	1
3.1		screw M10x35 DIN912 10.9 Geomet	1
3.2		SCREW LOCKING NORD-LOCK 16/10,7 A4	1
4		CIRCLIP 30X1,5 DIN471 1.4122	1
5		pressure ring D.42/30,5x1 6050343 A4	1
6	6067638	screw plug G1/2 DIN908 A4 (3pcs)	1
7	6048832	joint ring A21/26x1,5 DIN7603 PA(10pc)	1
8	6070450	stator-unit S13.2-4/10 3~ KIT	1
8.1		o-ring ID.150,0x4,0 NBR70	1
8.2		O-RING ID.25X2,2N DIN3771 NBR70	1
9		mechanical shaft seal MG1/30-G60 QQPGG	1
10		CIRCLIP 32X1,5 DIN471 1.4122	1
11		pressure ring D.44/32,5x1 6050343 A4	1
12		MECHANICAL SEAL BT-AR/32 BXPFF	1
13		circlips 35x1,5 DIN471 FST	1
14		ball bearing 6207 w.2 Dichtschr. VP.	1
15		circlips 72x2,5 DIN472 FSt	1
16		Rep.Kit 2 P13.1	1

**FIT V08DA-424/EAD1-4-T0011-540-O (6065924)**

<b>Item</b>	<b>Article no.</b>	<b>Description</b>	<b>Quantity</b>
17		washer D.35/45x2,5 DIN988 St	1
18	6067575	rotor P13.2-10/EAD1X4-T VP.	1
19	6066617	cable 10m H07 6G1 VP.	1
19.1	6067644	O-Ring ID.25X2,2N DIN3771 NBR70 (3pcs)	1

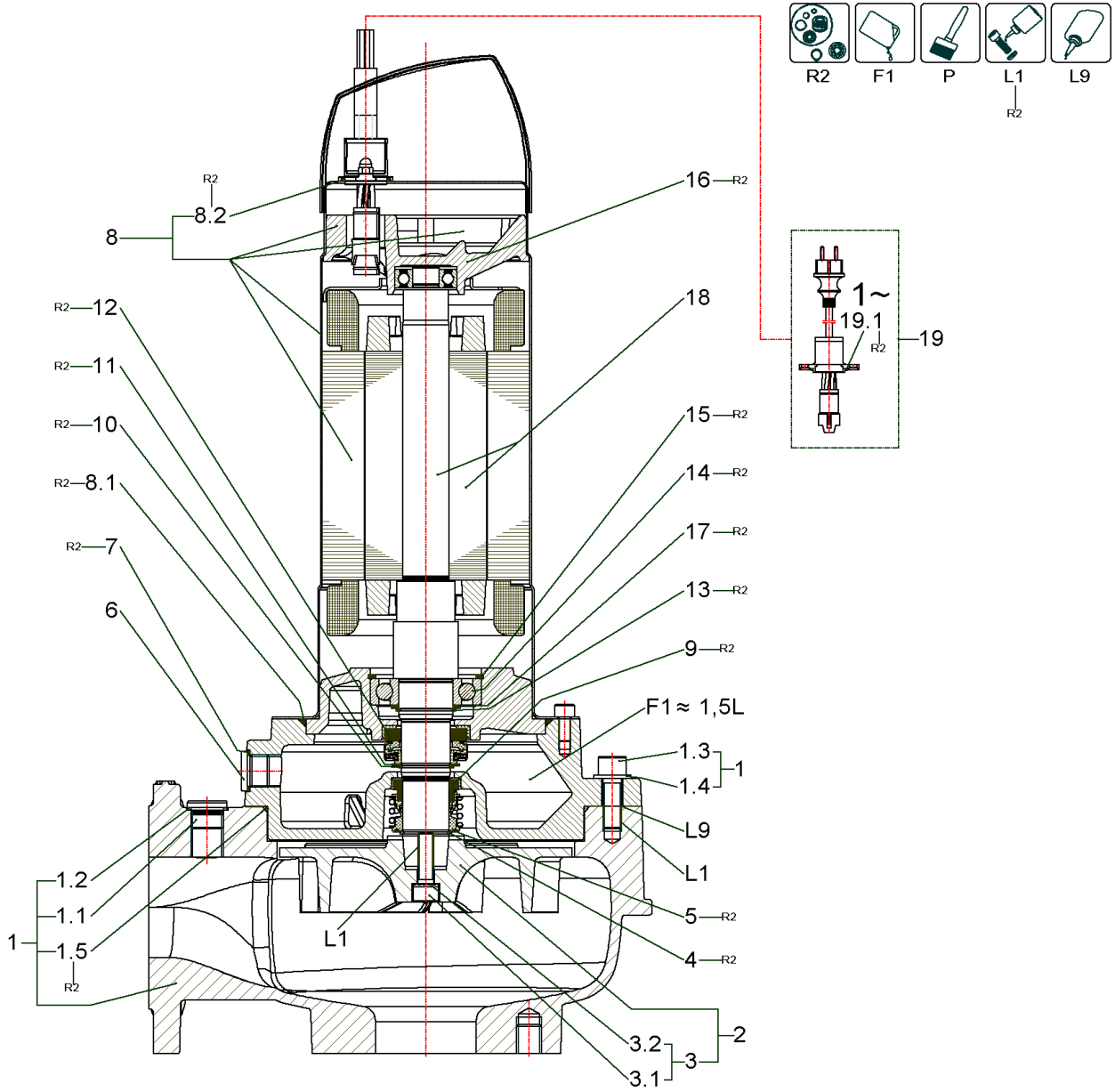


**FIT V08DA-426/EAD0-4-M0015-523-A (6065925)**

Item	Article no.	Description	Quantity
R2	6065497	Rep.Kit 2 S13.2	1
P	6049684	colour 2K-paint IV80 RAL9011 250ml KIT	1
F1	6025460	medical white oil 1L KIT	1
F1	6025461	medical white oil 5L KIT	1
L1	6080531	Loctite 243 5g flask VP:	1
L9	6080535	Loctite 5203 300ml VP.	1
-----			
1	6066945	pump housing Rexa V08Dx-4xx DN80 GG KIT	1
1.1		screw plug G1/2 DIN908 A4	1
1.2		joint ring A21/26x1,5 DIN7603 PA(10pc)	1
1.3		screw M12x35 DIN912 A4	1
1.4		washer A13 DIN125 A4 (20pc)	1
1.5		o-ring ID.203,0x3,0 NBR70	1
2	6066943	impeller Rexa V08xA-426 GG Set SVA	1
3	6067646	impeller fixation 10x35 Geomet KIT	1
3.1		> screw M10x35 DIN912 10.9 Geomet	1
3.2		> SCREW LOCKING NORD-LOCK 16/10,7 A4	1
3.1		screw M10x35 DIN912 10.9 Geomet	1
3.2		SCREW LOCKING NORD-LOCK 16/10,7 A4	1
4		CIRCLIP 30X1,5 DIN471 1.4122	1
5		pressure ring D.42/30,5x1 6050343 A4	1
6	6067638	screw plug G1/2 DIN908 A4 (3pcs)	1
7	6048832	joint ring A21/26x1,5 DIN7603 PA(10pc)	1
8	6070458	stator-unit S13.2-4/11 1~ KIT	1
8.1		o-ring ID.150,0x4,0 NBR70	1
8.2		O-RING ID.25X2,2N DIN3771 NBR70	1
9		mechanical shaft seal MG1/30-G60 QQPGG	1
10		CIRCLIP 32X1,5 DIN471 1.4122	1
11		pressure ring D.44/32,5x1 6050343 A4	1
12		MECHANICAL SEAL BT-AR/32 BXPFF	1
13		circlips 35x1,5 DIN471 FST	1
14		ball bearing 6207 w.2 Dichtschr. VP.	1
15		circlips 72x2,5 DIN472 FSt	1
16		Rep.Kit 2 P13.1	1

## FIT V08DA-426/EAD0-4-M0015-523-A (6065925)

Item	Article no.	Description	Quantity
17		washer D.35/45x2,5 DIN988 St	1
18	6067576	rotor P13.2-11/EAD0X4-M VP.	1
19	6066649	cable 10m H07 3G1/plug/float switch	1
19.1	6067644	O-Ring ID.25X2,2N DIN3771 NBR70 (3pcs)	1
20	6067643	cable clip PP-GF30 black VP.	1



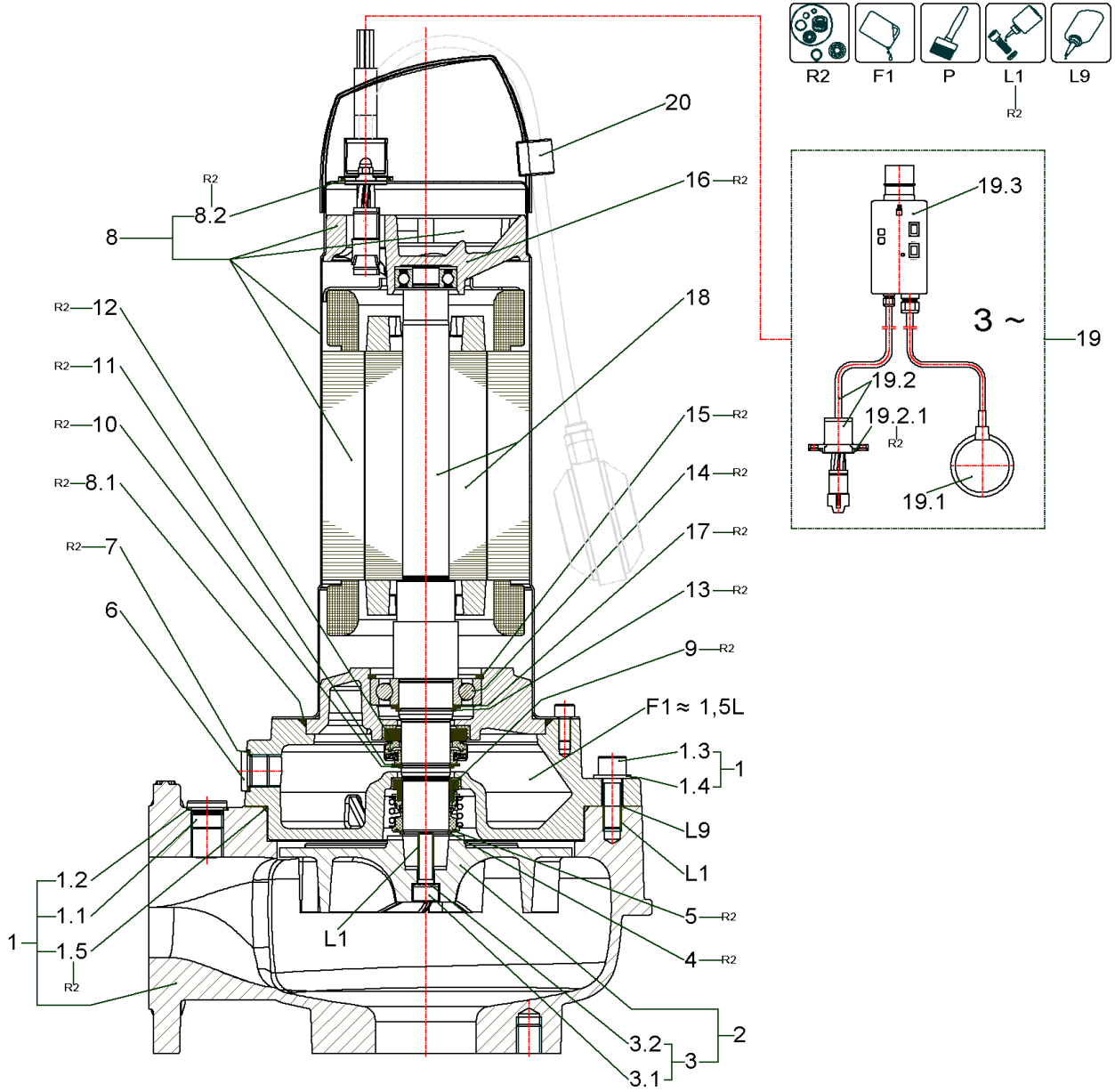


**FIT V08DA-426/EAD0-4-M0015-523-P (6065927)**

Item	Article no.	Description	Quantity
R2	6065497	Rep.Kit 2 S13.2	1
P	6049684	colour 2K-paint IV80 RAL9011 250ml KIT	1
F1	6025460	medical white oil 1L KIT	1
F1	6025461	medical white oil 5L KIT	1
L1	6080531	Loctite 243 5g flask VP:	1
L9	6080535	Loctite 5203 300ml VP.	1
-----			
1	6066945	pump housing Rexa V08Dx-4xx DN80 GG KIT	1
1.1		screw plug G1/2 DIN908 A4	1
1.2		joint ring A21/26x1,5 DIN7603 PA(10pc)	1
1.3		screw M12x35 DIN912 A4	1
1.4		washer A13 DIN125 A4 (20pc)	1
1.5		o-ring ID.203,0x3,0 NBR70	1
2	6066943	impeller Rexa V08xA-426 GG Set SVA	1
3	6067646	impeller fixation 10x35 Geomet KIT	1
3.1		> screw M10x35 DIN912 10.9 Geomet	1
3.2		> SCREW LOCKING NORD-LOCK 16/10,7 A4	1
3.1		screw M10x35 DIN912 10.9 Geomet	1
3.2		SCREW LOCKING NORD-LOCK 16/10,7 A4	1
4		CIRCLIP 30X1,5 DIN471 1.4122	1
5		pressure ring D.42/30,5x1 6050343 A4	1
6	6067638	screw plug G1/2 DIN908 A4 (3pcs)	1
7	6048832	joint ring A21/26x1,5 DIN7603 PA(10pc)	1
8	6070458	stator-unit S13.2-4/11 1~ KIT	1
8.1		o-ring ID.150,0x4,0 NBR70	1
8.2		O-RING ID.25X2,2N DIN3771 NBR70	1
9		mechanical shaft seal MG1/30-G60 QPPGG	1
10		CIRCLIP 32X1,5 DIN471 1.4122	1
11		pressure ring D.44/32,5x1 6050343 A4	1
12		MECHANICAL SEAL BT-AR/32 BXPFF	1
13		circlips 35x1,5 DIN471 FST	1
14		ball bearing 6207 w.2 Dichtschr. VP.	1
15		circlips 72x2,5 DIN472 FSt	1
16		Rep.Kit 2 P13.1	1

**FIT V08DA-426/EAD0-4-M0015-523-P (6065927)**

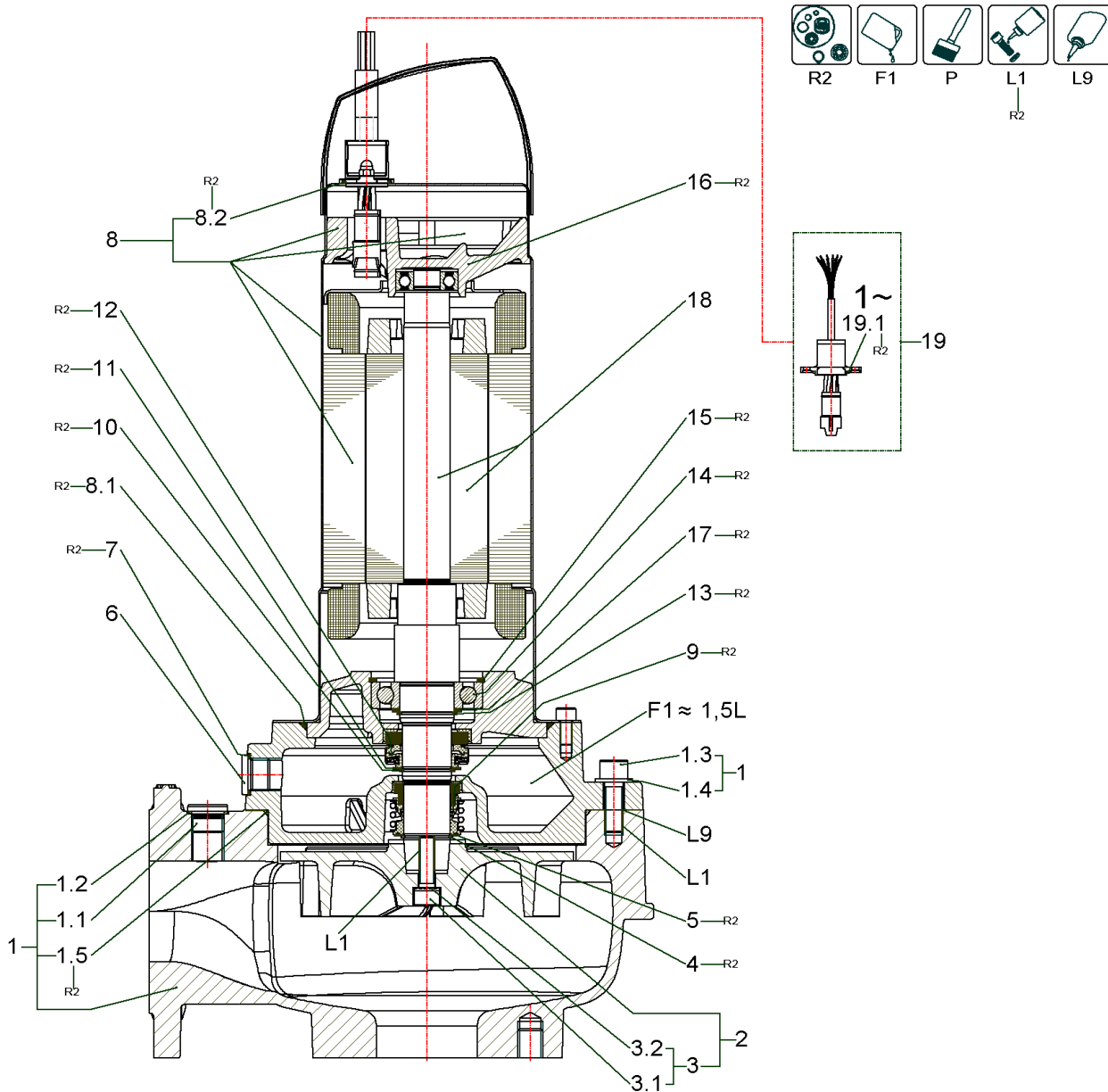
<b>Item</b>	<b>Article no.</b>	<b>Description</b>	<b>Quantity</b>
17		washer D.35/45x2,5 DIN988 St	1
18	6067576	rotor P13.2-11/EAD0X4-M VP.	1
19	6066650	cable 10m H07 3G1/plug VP.	1
19.1	6067644	O-Ring ID.25X2,2N DIN3771 NBR70 (3pcs)	1



Item	Article no.	Description	Quantity
R2	6065497	Rep.Kit 2 S13.2	1
P	6049684	colour 2K-paint IV80 RAL9011 250ml KIT	1
F1	6025460	medical white oil 1L KIT	1
F1	6025461	medical white oil 5L KIT	1
L1	6080531	Loctite 243 5g flask VP:	1
L9	6080535	Loctite 5203 300ml VP.	1
-----			
1	6066945	pump housing Rexa V08Dx-4xx DN80 GG KIT	1
1.1		screw plug G1/2 DIN908 A4	1
1.2		joint ring A21/26x1,5 DIN7603 PA(10pc)	1
1.3		screw M12x35 DIN912 A4	1
1.4		washer A13 DIN125 A4 (20pc)	1
1.5		o-ring ID.203,0x3,0 NBR70	1
2	6066943	impeller Rexa V08xA-426 GG Set SVA	1
3	6067646	impeller fixation 10x35 Geomet KIT	1
3.1		> screw M10x35 DIN912 10.9 Geomet	1
3.2		> SCREW LOCKING NORD-LOCK 16/10,7 A4	1
3.1		screw M10x35 DIN912 10.9 Geomet	1
3.2		SCREW LOCKING NORD-LOCK 16/10,7 A4	1
4		CIRCLIP 30X1,5 DIN471 1.4122	1
5		pressure ring D.42/30,5x1 6050343 A4	1
6	6067638	screw plug G1/2 DIN908 A4 (3pcs)	1
7	6048832	joint ring A21/26x1,5 DIN7603 PA(10pc)	1
8	6070450	stator-unit S13.2-4/10 3~ KIT	1
8.1		o-ring ID.150,0x4,0 NBR70	1
8.2		O-RING ID.25X2,2N DIN3771 NBR70	1
9		mechanical shaft seal MG1/30-G60 QQPGG	1
10		CIRCLIP 32X1,5 DIN471 1.4122	1
11		pressure ring D.44/32,5x1 6050343 A4	1
12		MECHANICAL SEAL BT-AR/32 BXPFF	1
13		circlips 35x1,5 DIN471 FST	1
14		ball bearing 6207 w.2 Dichtschr. VP.	1
15		circlips 72x2,5 DIN472 FSt	1
16		Rep.Kit 2 P13.1	1

**FIT V08DA-426/EAD1-4-T0015-540-A (6065926)**

<b>Item</b>	<b>Article no.</b>	<b>Description</b>	<b>Quantity</b>
17		washer D.35/45x2,5 DIN988 St	1
18	6067575	rotor P13.2-10/EAD1X4-T VP.	1
19	6066658	Cable 10m 6G1/plug 2,-4A/float switch	1
19.1	6072582	float switch S-PS 10A 250V 10m NO VP	1
19.2	6066617	cable 10m H07 6G1 VP.	1
19.2.1	6067644	O-Ring ID.25X2,2N DIN3771 NBR70 (3pcs)	1
19.3	6072522	MCP 2,4-4,0A-T4-HA-ROT-WSK-CEE16-5PS VP.	1
20	6067643	cable clip PP-GF30 black VP.	1

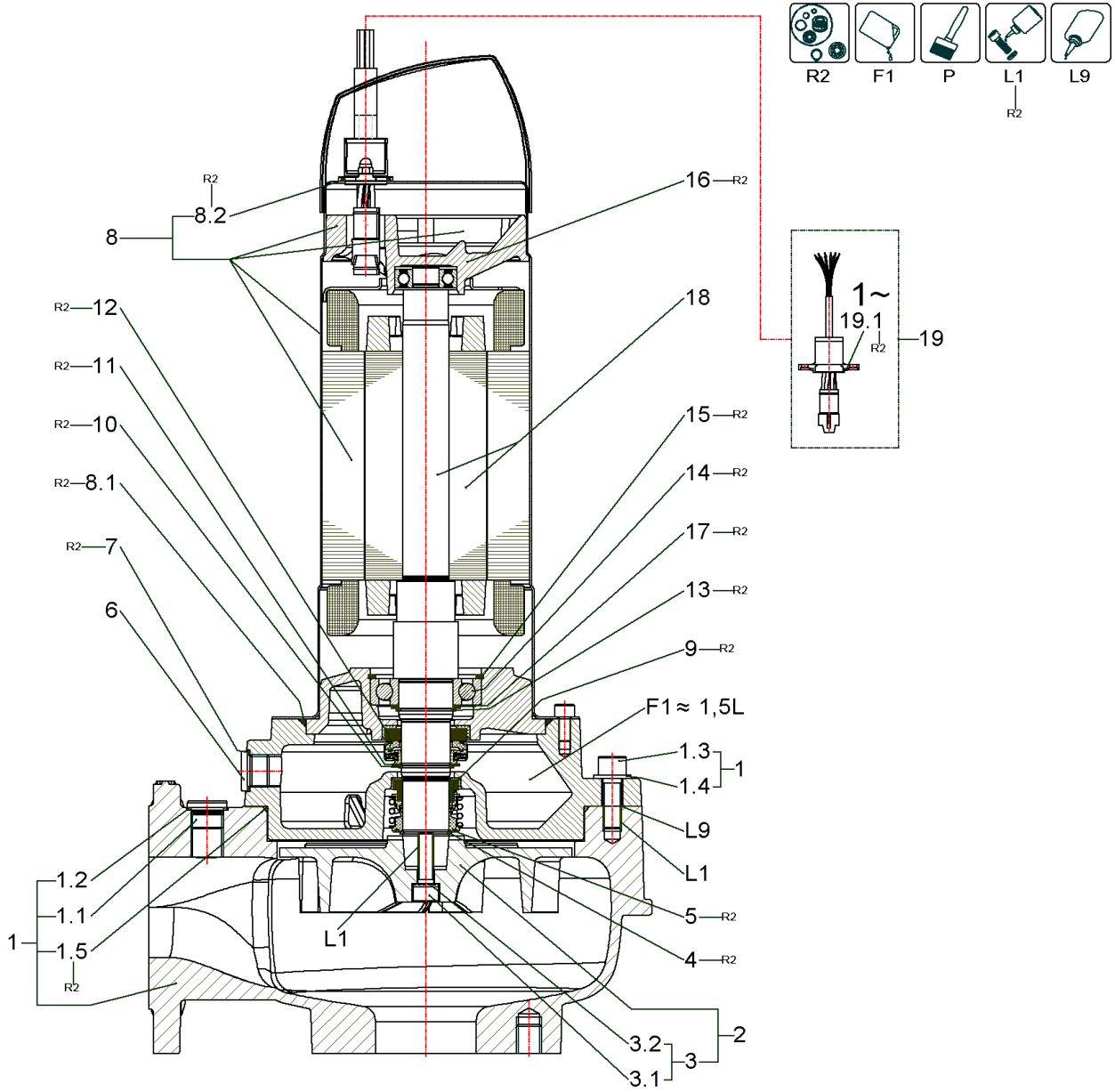


Item	Article no.	Description	Quantity
R2	6065497	Rep.Kit 2 S13.2	1
P	6049684	colour 2K-paint IV80 RAL9011 250ml KIT	1
F1	6025460	medical white oil 1L KIT	1
F1	6025461	medical white oil 5L KIT	1
L1	6080531	Loctite 243 5g flask VP:	1
L9	6080535	Loctite 5203 300ml VP.	1
-----			
1	6066945	pump housing Rexa V08Dx-4xx DN80 GG KIT	1
1.1		screw plug G1/2 DIN908 A4	1
1.2		joint ring A21/26x1,5 DIN7603 PA(10pc)	1
1.3		screw M12x35 DIN912 A4	1
1.4		washer A13 DIN125 A4 (20pc)	1
1.5		o-ring ID.203,0x3,0 NBR70	1
2	6066943	impeller Rexa V08xA-426 GG Set SVA	1
3	6067646	impeller fixation 10x35 Geomet KIT	1
3.1		> screw M10x35 DIN912 10.9 Geomet	1
3.2		> SCREW LOCKING NORD-LOCK 16/10,7 A4	1
3.1		screw M10x35 DIN912 10.9 Geomet	1
3.2		SCREW LOCKING NORD-LOCK 16/10,7 A4	1
4		CIRCLIP 30X1,5 DIN471 1.4122	1
5		pressure ring D.42/30,5x1 6050343 A4	1
6	6067638	screw plug G1/2 DIN908 A4 (3pcs)	1
7	6048832	joint ring A21/26x1,5 DIN7603 PA(10pc)	1
8	6070450	stator-unit S13.2-4/10 3~ KIT	1
8.1		o-ring ID.150,0x4,0 NBR70	1
8.2		O-RING ID.25X2,2N DIN3771 NBR70	1
9		mechanical shaft seal MG1/30-G60 QQPGG	1
10		CIRCLIP 32X1,5 DIN471 1.4122	1
11		pressure ring D.44/32,5x1 6050343 A4	1
12		MECHANICAL SEAL BT-AR/32 BXPFF	1
13		circlips 35x1,5 DIN471 FST	1
14		ball bearing 6207 w.2 Dichtschr. VP.	1
15		circlips 72x2,5 DIN472 FSt	1
16		Rep.Kit 2 P13.1	1

**FIT V08DA-426/EAD1-4-T0015-540-O (6065928)**

<b>Item</b>	<b>Article no.</b>	<b>Description</b>	<b>Quantity</b>
17		washer D.35/45x2,5 DIN988 St	1
18	6067575	rotor P13.2-10/EAD1X4-T VP.	1
19	6066617	cable 10m H07 6G1 VP.	1
19.1	6067644	O-Ring ID.25X2,2N DIN3771 NBR70 (3pcs)	1



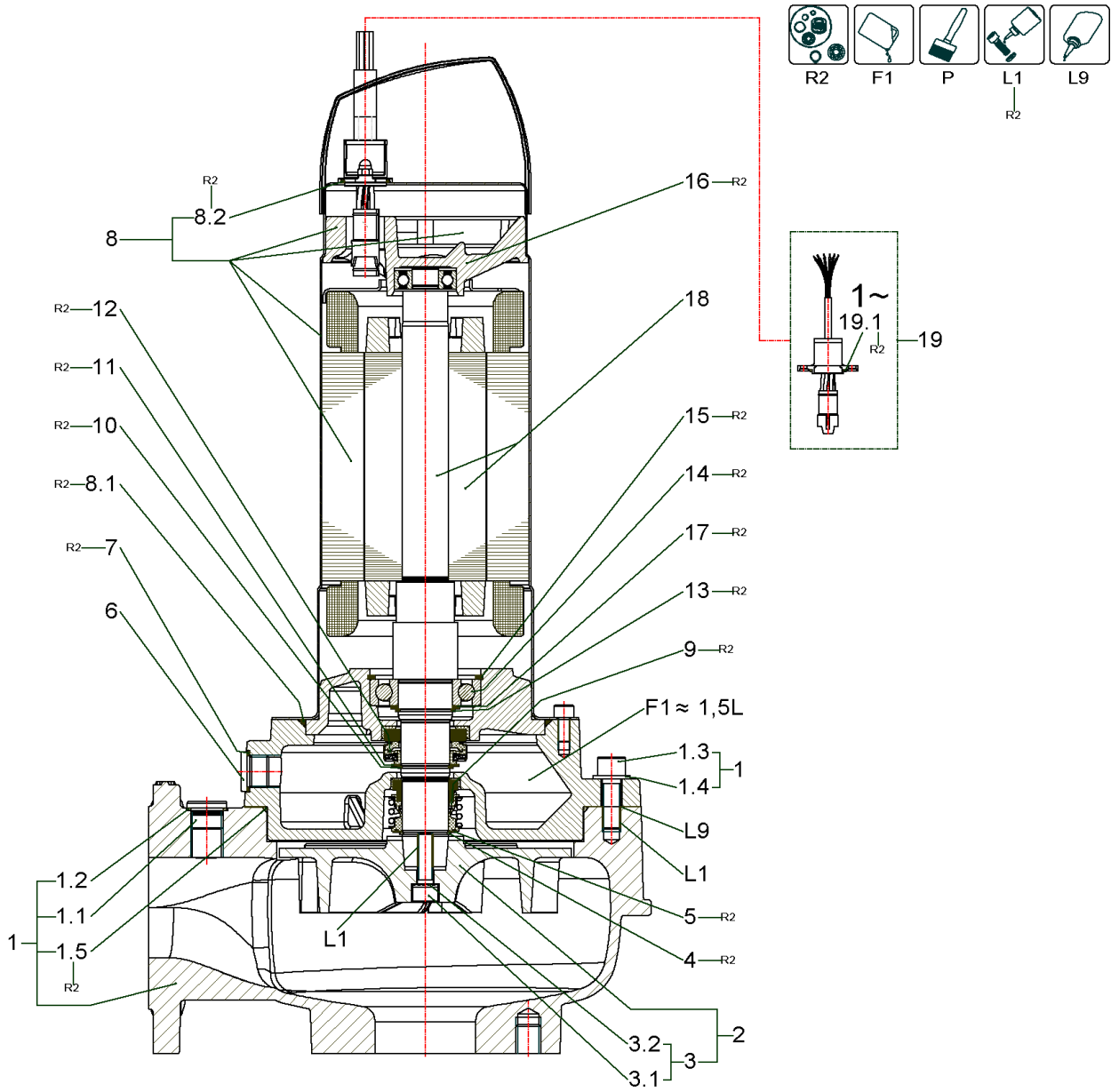


**FIT V08DA-428/EAD1-4-T0025-540-O (6065929)**

Item	Article no.	Description	Quantity
R2	6065497	Rep.Kit 2 S13.2	1
P	6049684	colour 2K-paint IV80 RAL9011 250ml KIT	1
F1	6025460	medical white oil 1L KIT	1
F1	6025461	medical white oil 5L KIT	1
L1	6080531	Loctite 243 5g flask VP:	1
L9	6080535	Loctite 5203 300ml VP.	1
-----			
1	6066945	pump housing Rexa V08Dx-4xx DN80 GG KIT	1
1.1		screw plug G1/2 DIN908 A4	1
1.2		joint ring A21/26x1,5 DIN7603 PA(10pc)	1
1.3		screw M12x35 DIN912 A4	1
1.4		washer A13 DIN125 A4 (20pc)	1
1.5		o-ring ID.203,0x3,0 NBR70	1
2	6066944	impeller Rexa V08xA-428 GG Set SVA	1
3	6067646	impeller fixation 10x35 Geomet KIT	1
3.1		> screw M10x35 DIN912 10.9 Geomet	1
3.2		> SCREW LOCKING NORD-LOCK 16/10,7 A4	1
3.1		screw M10x35 DIN912 10.9 Geomet	1
3.2		SCREW LOCKING NORD-LOCK 16/10,7 A4	1
4		CIRCLIP 30X1,5 DIN471 1.4122	1
5		pressure ring D.42/30,5x1 6050343 A4	1
6	6067638	screw plug G1/2 DIN908 A4 (3pcs)	1
7	6048832	joint ring A21/26x1,5 DIN7603 PA(10pc)	1
8	6070459	stator-unit S13.2-4/13 3~ KIT	1
8.1		o-ring ID.150,0x4,0 NBR70	1
8.2		O-RING ID.25X2,2N DIN3771 NBR70	1
9		mechanical shaft seal MG1/30-G60 QQPGG	1
10		CIRCLIP 32X1,5 DIN471 1.4122	1
11		pressure ring D.44/32,5x1 6050343 A4	1
12		MECHANICAL SEAL BT-AR/32 BXPFF	1
13		circlips 35x1,5 DIN471 FST	1
14		ball bearing 6207 w.2 Dichtschr. VP.	1
15		circlips 72x2,5 DIN472 FSt	1
16		Rep.Kit 2 P13.1	1

**FIT V08DA-428/EAD1-4-T0025-540-O (6065929)**

<b>Item</b>	<b>Article no.</b>	<b>Description</b>	<b>Quantity</b>
17		washer D.35/45x2,5 DIN988 St	1
18	6067574	rotor P13.2-13/EAD1X4-T VP.	1
19	6066617	cable 10m H07 6G1 VP.	1
19.1	6067644	O-Ring ID.25X2,2N DIN3771 NBR70 (3pcs)	1

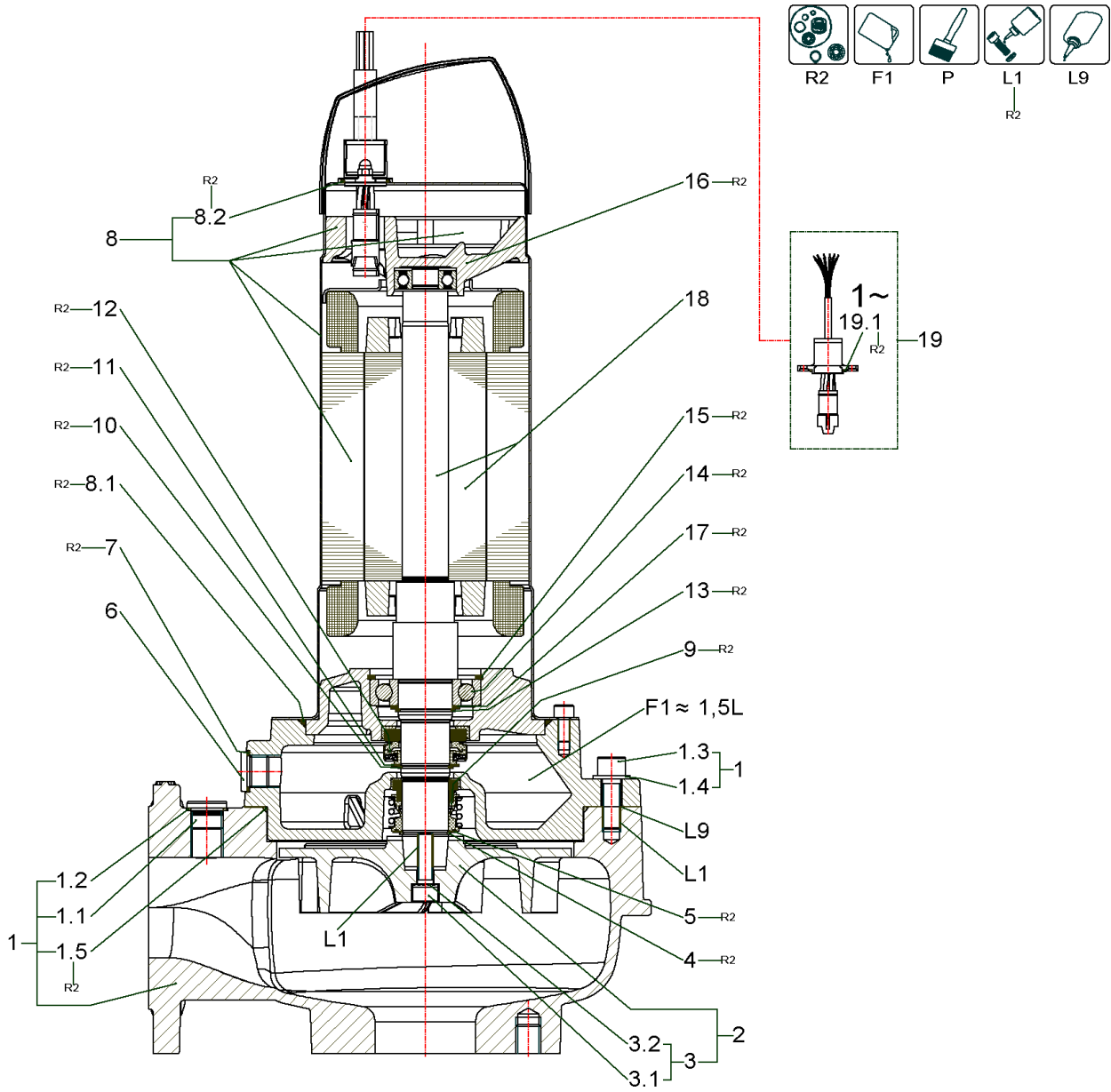


**FIT V08DA-524/EAD0-4-T0035-540-O (6065931)**

Item	Article no.	Description	Quantity
R2	6065497	Rep.Kit 2 S13.2	1
P	6049684	colour 2K-paint IV80 RAL9011 250ml KIT	1
F1	6025460	medical white oil 1L KIT	1
F1	6025461	medical white oil 5L KIT	1
L1	6080531	Loctite 243 5g flask VP:	1
L9	6080535	Loctite 5203 300ml VP.	1
-----			
1	6066948	pump housing Rexa V08Dx-5xx DN80 GG KIT	1
1.1		screw plug G1/2 DIN908 A4	1
1.2		joint ring A21/26x1,5 DIN7603 PA(10pc)	1
1.3		screw M12x35 DIN912 A4	1
1.4		washer A13 DIN125 A4 (20pc)	1
1.5		o-ring ID.203,0x3,0 NBR70	1
2	6066938	impeller Rexa V08xA-524 GG Set SVA	1
3	6067646	impeller fixation 10x35 Geomet KIT	1
3.1		> screw M10x35 DIN912 10.9 Geomet	1
3.2		> SCREW LOCKING NORD-LOCK 16/10,7 A4	1
3.1		screw M10x35 DIN912 10.9 Geomet	1
3.2		SCREW LOCKING NORD-LOCK 16/10,7 A4	1
4		CIRCLIP 30X1,5 DIN471 1.4122	1
5		pressure ring D.42/30,5x1 6050343 A4	1
6	6067638	screw plug G1/2 DIN908 A4 (3pcs)	1
7	6048832	joint ring A21/26x1,5 DIN7603 PA(10pc)	1
8	6070460	stator-unit S13.2-4/16 3~ KIT	1
8.1		o-ring ID.150,0x4,0 NBR70	1
8.2		O-RING ID.25X2,2N DIN3771 NBR70	1
9		mechanical shaft seal MG1/30-G60 QQPGG	1
10		CIRCLIP 32X1,5 DIN471 1.4122	1
11		pressure ring D.44/32,5x1 6050343 A4	1
12		MECHANICAL SEAL BT-AR/32 BXPFF	1
13		circlips 35x1,5 DIN471 FST	1
14		ball bearing 6207 w.2 Dichtschr. VP.	1
15		circlips 72x2,5 DIN472 FSt	1
16		Rep.Kit 2 P13.1	1

**FIT V08DA-524/EAD0-4-T0035-540-O (6065931)**

<b>Item</b>	<b>Article no.</b>	<b>Description</b>	<b>Quantity</b>
17		washer D.35/45x2,5 DIN988 St	1
18	6067573	rotor P13.2-16/EAD1X4-T VP.	1
19	6066617	cable 10m H07 6G1 VP.	1
19.1	6067644	O-Ring ID.25X2,2N DIN3771 NBR70 (3pcs)	1



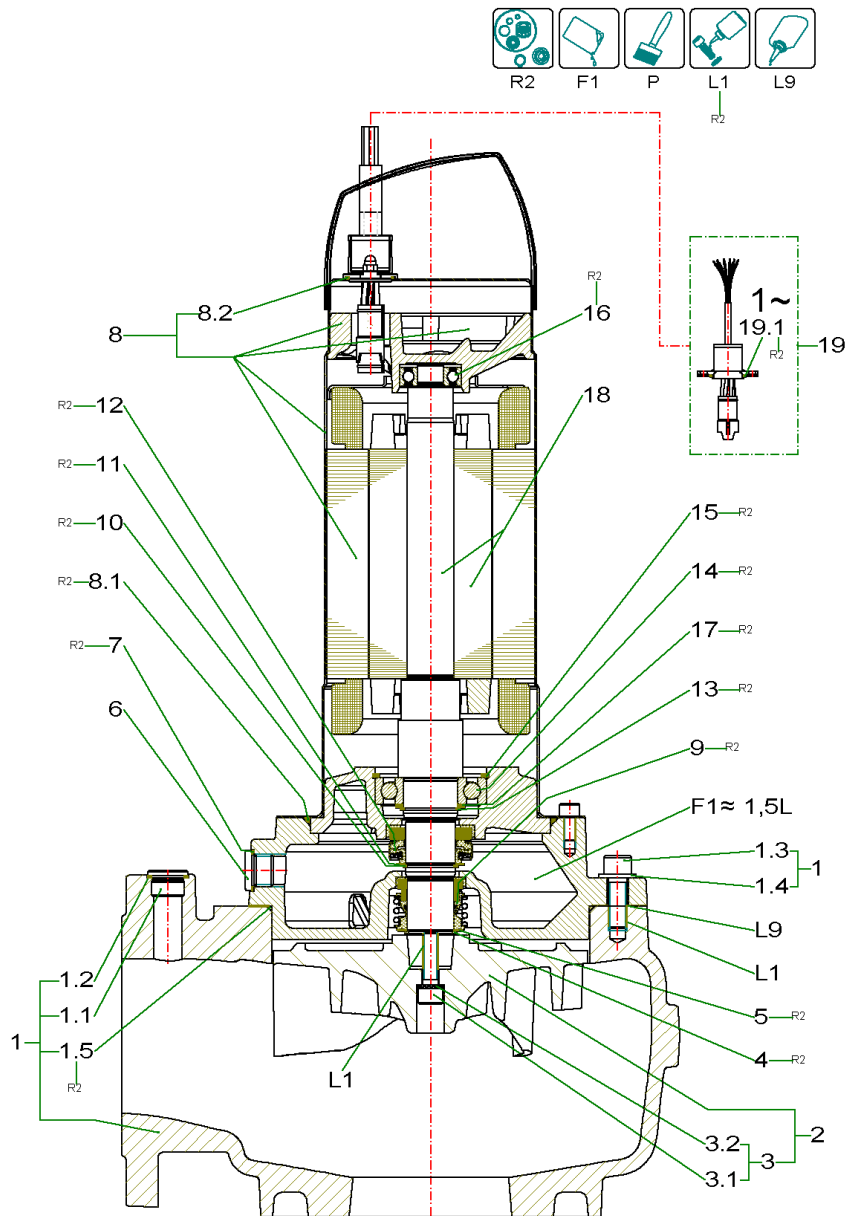
**FIT V08DA-526/EAD0-4-T0035-540-O (6065932)**

Item	Article no.	Description	Quantity
R2	6065497	Rep.Kit 2 S13.2	1
P	6049684	colour 2K-paint IV80 RAL9011 250ml KIT	1
F1	6025460	medical white oil 1L KIT	1
F1	6025461	medical white oil 5L KIT	1
L1	6080531	Loctite 243 5g flask VP:	1
L9	6080535	Loctite 5203 300ml VP.	1
-----			
1	6066948	pump housing Rexa V08Dx-5xx DN80 GG KIT	1
1.1		screw plug G1/2 DIN908 A4	1
1.2		joint ring A21/26x1,5 DIN7603 PA(10pc)	1
1.3		screw M12x35 DIN912 A4	1
1.4		washer A13 DIN125 A4 (20pc)	1
1.5		o-ring ID.203,0x3,0 NBR70	1
2	6066939	impeller Rexa V08xA-526 GG Set SVA	1
3	6067646	impeller fixation 10x35 Geomet KIT	1
3.1		> screw M10x35 DIN912 10.9 Geomet	1
3.2		> SCREW LOCKING NORD-LOCK 16/10,7 A4	1
3.1		screw M10x35 DIN912 10.9 Geomet	1
3.2		SCREW LOCKING NORD-LOCK 16/10,7 A4	1
4		CIRCLIP 30X1,5 DIN471 1.4122	1
5		pressure ring D.42/30,5x1 6050343 A4	1
6	6067638	screw plug G1/2 DIN908 A4 (3pcs)	1
7	6048832	joint ring A21/26x1,5 DIN7603 PA(10pc)	1
8	6070460	stator-unit S13.2-4/16 3~ KIT	1
8.1		o-ring ID.150,0x4,0 NBR70	1
8.2		O-RING ID.25X2,2N DIN3771 NBR70	1
9		mechanical shaft seal MG1/30-G60 QPPGG	1
10		CIRCLIP 32X1,5 DIN471 1.4122	1
11		pressure ring D.44/32,5x1 6050343 A4	1
12		MECHANICAL SEAL BT-AR/32 BXPFF	1
13		circlips 35x1,5 DIN471 FST	1
14		ball bearing 6207 w.2 Dichtschr. VP.	1
15		circlips 72x2,5 DIN472 FSt	1
16		Rep.Kit 2 P13.1	1



**FIT V08DA-526/EAD0-4-T0035-540-O (6065932)**

<b>Item</b>	<b>Article no.</b>	<b>Description</b>	<b>Quantity</b>
17		washer D.35/45x2,5 DIN988 St	1
18	6067573	rotor P13.2-16/EAD1X4-T VP.	1
19	6066617	cable 10m H07 6G1 VP.	1
19.1	6067644	O-Ring ID.25X2,2N DIN3771 NBR70 (3pcs)	1

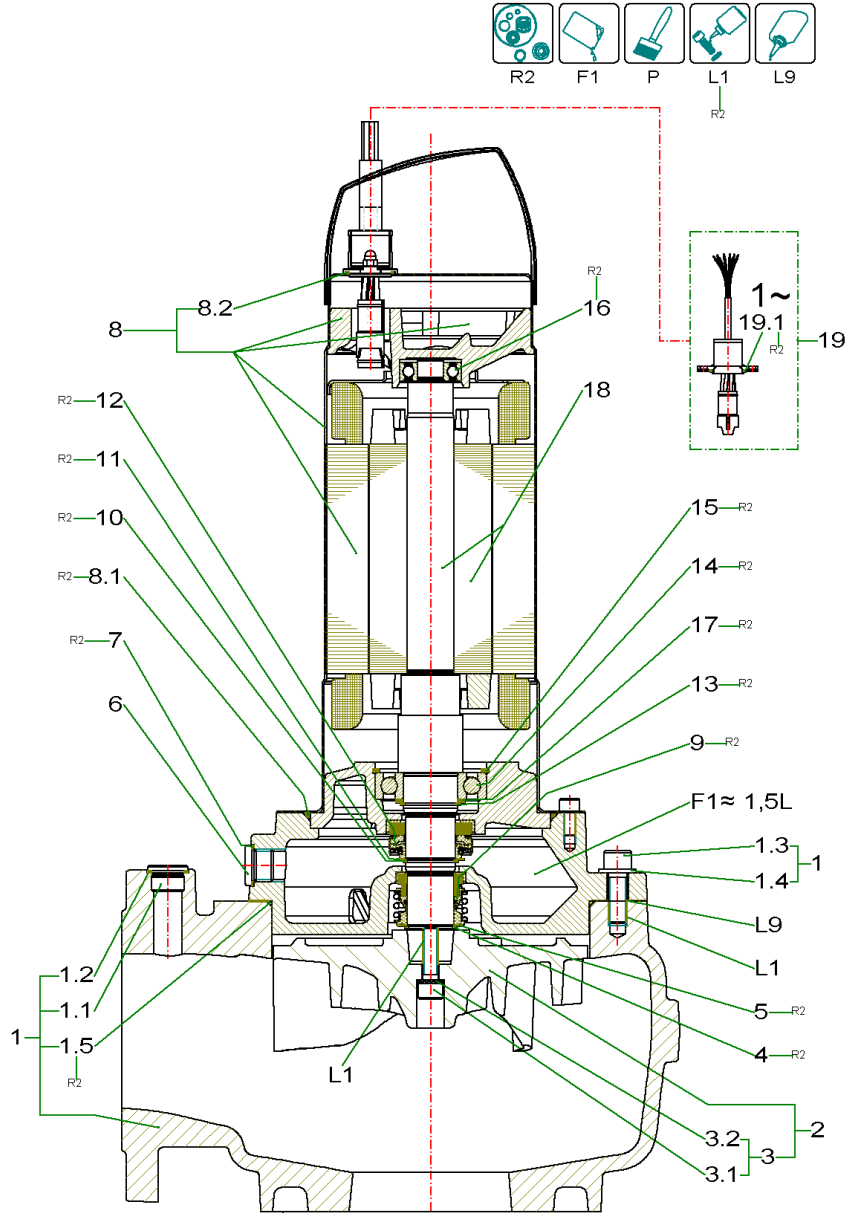


**FIT V10DA-422/EAD1-4-T0015-540-O (6081900)**

Item	Article no.	Description	Quantity
R2	6065497	Rep.Kit 2 S13.2	1
P	6049684	colour 2K-paint IV80 RAL9011 250ml KIT	1
F1	6025460	medical white oil 1L KIT	1
F1	6025461	medical white oil 5L KIT	1
L1	6080531	Loctite 243 5g flask VP:	1
L9	6080535	Loctite 5203 300ml VP.	1
-----			
1	6082673	pump housing Rexa V10Dx-4xx DN100 GGKIT	1
		> pump housing Q100 6052671 GG	1
1.1	6067638	>> screw plug G1/2 DIN908 A4 (3pcs)	1
1.2	6048832	>> joint ring A21/26x1,5 DIN7603 PA(10pc)	1
1.4	6074494	> washer A13 DIN125 A4 (20pc)	1
1.3	6078300	> screw M12x35 DIN912 A4 (10pc)	1
1.5		> o-ring ID.203,0x3,0 NBR70	1
1.1		screw plug G1/2 DIN908 A4	1
1.2		joint ring A21/26x1,5 DIN7603 PA(10pc)	1
1.3		screw M12x35 DIN912 A4	1
1.4		washer A13 DIN125 A4 (20pc)	1
1.5		o-ring ID.203,0x3,0 NBR70	1
2	6082597	Impeller Rexa V10xA-422 GG Set SVA	1
3	6067646	impeller fixation 10x35 Geomet KIT	1
3.1		> screw M10x35 DIN912 10.9 Geomet	1
3.2		> SCREW LOCKING NORD-LOCK 16/10,7 A4	1
3.1		screw M10x35 DIN912 10.9 Geomet	1
3.2		SCREW LOCKING NORD-LOCK 16/10,7 A4	1
4		CIRCLIP 30X1,5 DIN471 1.4122	1
5		pressure ring D.42/30,5x1 6050343 A4	1
6	6067638	screw plug G1/2 DIN908 A4 (3pcs)	1
7	6048832	joint ring A21/26x1,5 DIN7603 PA(10pc)	1
8	6070450	stator-unit S13.2-4/10 3~ KIT	1
8.1		o-ring ID.150,0x4,0 NBR70	1
8.2		O-RING ID.25X2,2N DIN3771 NBR70	1
9		mechanical shaft seal MG1/30-G60 QQPGG	1
10		CIRCLIP 32X1,5 DIN471 1.4122	1

**FIT V10DA-422/EAD1-4-T0015-540-O (6081900)**

Item	Article no.	Description	Quantity
11		pressure ring D.44/32,5x1 6050343 A4	1
12		MECHANICAL SEAL BT-AR/32 BXPFF	1
13		circlips 35x1,5 DIN471 FST	1
14		ball bearing 6207 w.2 Dichtsch. VP.	1
15		circlips 72x2,5 DIN472 FSt	1
16		Rep.Kit 2 S13.2	1
17		washer D.35/45x2,5 DIN988 St	1
18	6067575	rotor P13.2-10/EAD1X4-T VP.	1
19	6066617	cable 10m H07 6G1 VP.	1
19.1	6067644	O-Ring ID.25X2,2N DIN3771 NBR70 (3pcs)	1

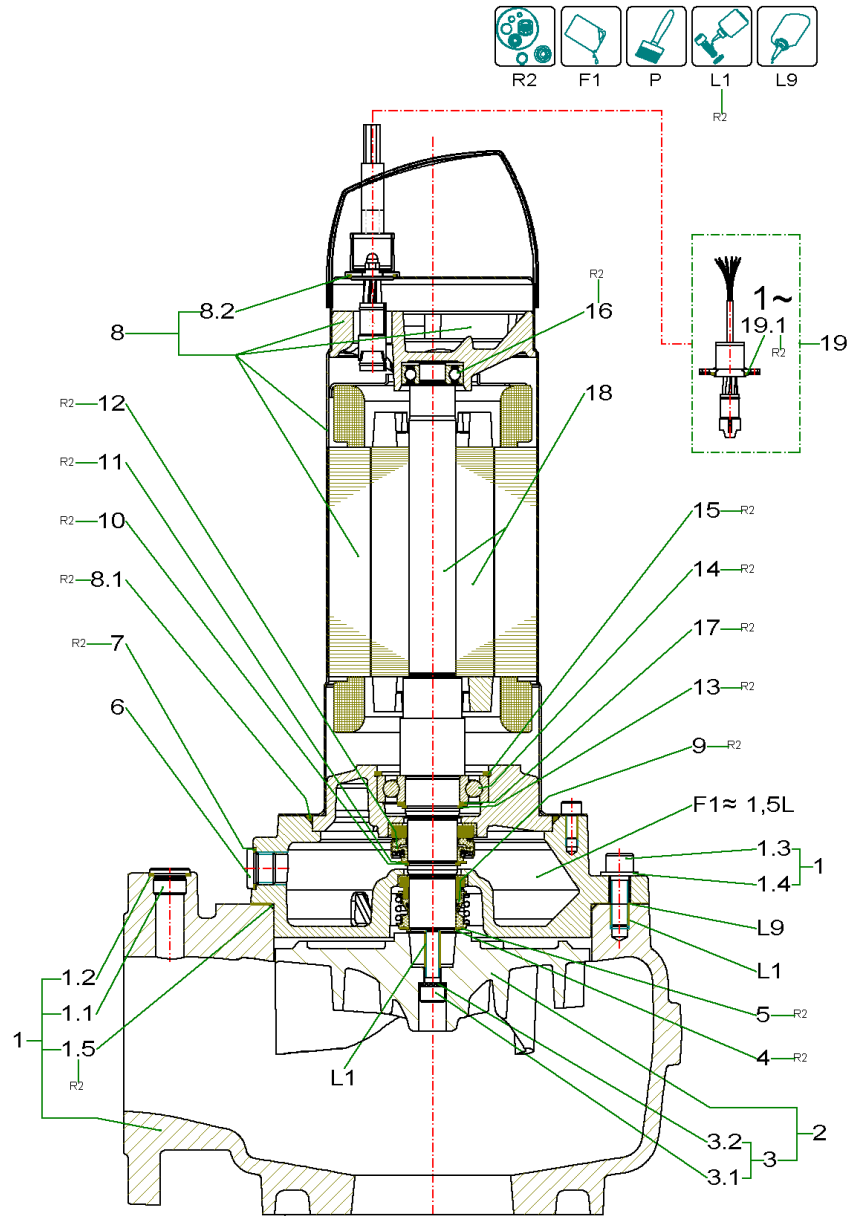


**FIT V10DA-424/EAD1-4-T0025-540-O (6081901)**

Item	Article no.	Description	Quantity
R2	6065497	Rep.Kit 2 S13.2	1
P	6049684	colour 2K-paint IV80 RAL9011 250ml KIT	1
F1	6025460	medical white oil 1L KIT	1
F1	6025461	medical white oil 5L KIT	1
L1	6080531	Loctite 243 5g flask VP:	1
L9	6080535	Loctite 5203 300ml VP.	1
-----			
1	6082673	pump housing Rexa V10Dx-4xx DN100 GGKIT	1
		> pump housing Q100 6052671 GG	1
1.1	6067638	>> screw plug G1/2 DIN908 A4 (3pcs)	1
1.2	6048832	>> joint ring A21/26x1,5 DIN7603 PA(10pc)	1
1.4	6074494	> washer A13 DIN125 A4 (20pc)	1
1.3	6078300	> screw M12x35 DIN912 A4 (10pc)	1
1.5		> o-ring ID.203,0x3,0 NBR70	1
1.1		screw plug G1/2 DIN908 A4	1
1.2		joint ring A21/26x1,5 DIN7603 PA(10pc)	1
1.3		screw M12x35 DIN912 A4	1
1.4		washer A13 DIN125 A4 (20pc)	1
1.5		o-ring ID.203,0x3,0 NBR70	1
2	6082596	Impeller Rexa V10xA-424 GG Set SVA	1
3	6067646	impeller fixation 10x35 Geomet KIT	1
3.1		> screw M10x35 DIN912 10.9 Geomet	1
3.2		> SCREW LOCKING NORD-LOCK 16/10,7 A4	1
3.1		screw M10x35 DIN912 10.9 Geomet	1
3.2		SCREW LOCKING NORD-LOCK 16/10,7 A4	1
4		CIRCLIP 30X1,5 DIN471 1.4122	1
5		pressure ring D.42/30,5x1 6050343 A4	1
6	6067638	screw plug G1/2 DIN908 A4 (3pcs)	1
7	6048832	joint ring A21/26x1,5 DIN7603 PA(10pc)	1
8	6070459	stator-unit S13.2-4/13 3~ KIT	1
8.1		o-ring ID.150,0x4,0 NBR70	1
8.2		O-RING ID.25X2,2N DIN3771 NBR70	1
9		mechanical shaft seal MG1/30-G60 QQPGG	1
10		CIRCLIP 32X1,5 DIN471 1.4122	1

**FIT V10DA-424/EAD1-4-T0025-540-O (6081901)**

Item	Article no.	Description	Quantity
11		pressure ring D.44/32,5x1 6050343 A4	1
12		MECHANICAL SEAL BT-AR/32 BXPFF	1
13		circlips 35x1,5 DIN471 FST	1
14		ball bearing 6207 w.2 Dichtsch. VP.	1
15		circlips 72x2,5 DIN472 FSt	1
16		Rep.Kit 2 S13.2	1
17		washer D.35/45x2,5 DIN988 St	1
18	6067574	rotor P13.2-13/EAD1X4-T VP.	1
19	6066617	cable 10m H07 6G1 VP.	1
19.1	6067644	O-Ring ID.25X2,2N DIN3771 NBR70 (3pcs)	1



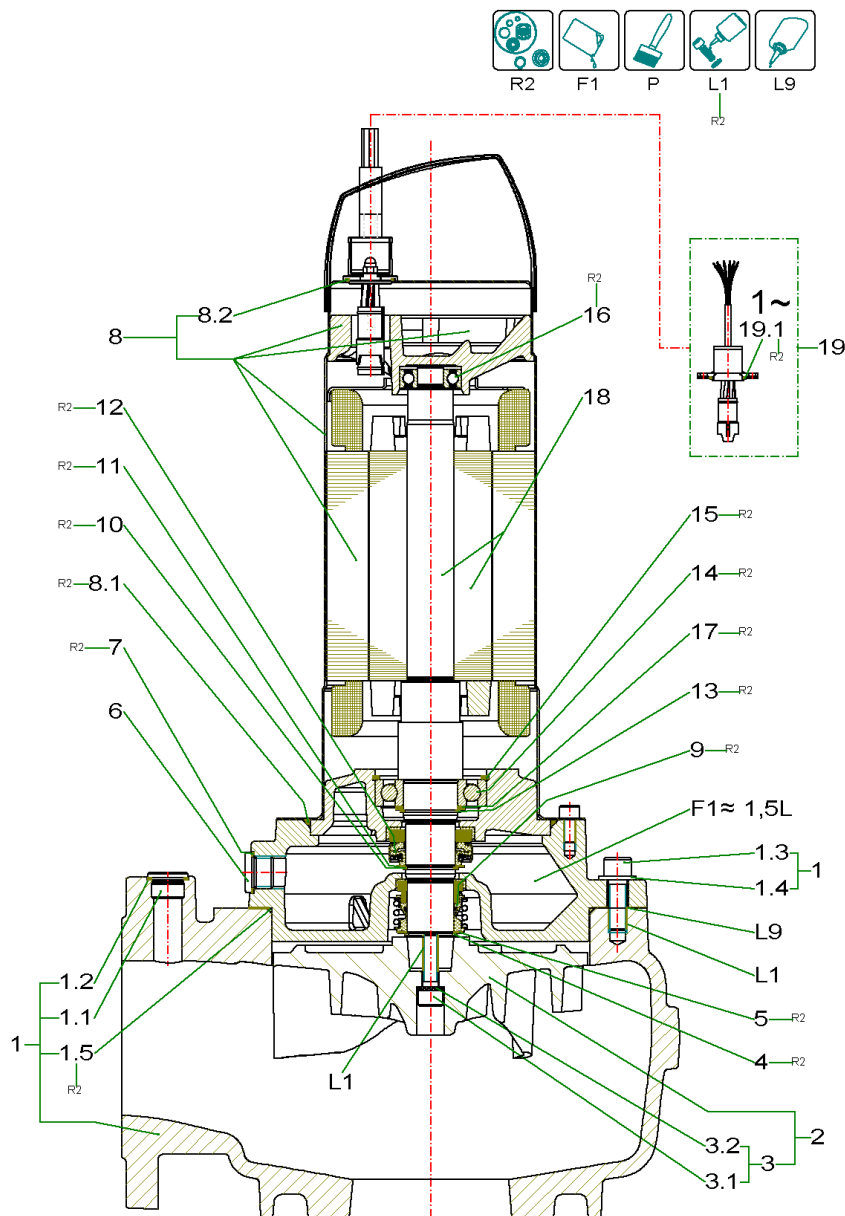


**FIT V10DA-425/EAD1-4-T0025-540-O (6081902)**

Item	Article no.	Description	Quantity
R2	6065497	Rep.Kit 2 S13.2	1
P	6049684	colour 2K-paint IV80 RAL9011 250ml KIT	1
F1	6025460	medical white oil 1L KIT	1
F1	6025461	medical white oil 5L KIT	1
L1	6080531	Loctite 243 5g flask VP:	1
L9	6080535	Loctite 5203 300ml VP.	1
-----			
1	6082673	pump housing Rexa V10Dx-4xx DN100 GGKIT	1
		> pump housing Q100 6052671 GG	1
1.1	6067638	>> screw plug G1/2 DIN908 A4 (3pcs)	1
1.2	6048832	>> joint ring A21/26x1,5 DIN7603 PA(10pc)	1
1.4	6074494	> washer A13 DIN125 A4 (20pc)	1
1.3	6078300	> screw M12x35 DIN912 A4 (10pc)	1
1.5		> o-ring ID.203,0x3,0 NBR70	1
1.1		screw plug G1/2 DIN908 A4	1
1.2		joint ring A21/26x1,5 DIN7603 PA(10pc)	1
1.3		screw M12x35 DIN912 A4	1
1.4		washer A13 DIN125 A4 (20pc)	1
1.5		o-ring ID.203,0x3,0 NBR70	1
2	6082595	Impeller Rexa V10xA-425 GG Set SVA	1
3	6067646	impeller fixation 10x35 Geomet KIT	1
3.1		> screw M10x35 DIN912 10.9 Geomet	1
3.2		> SCREW LOCKING NORD-LOCK 16/10,7 A4	1
3.1		screw M10x35 DIN912 10.9 Geomet	1
3.2		SCREW LOCKING NORD-LOCK 16/10,7 A4	1
4		CIRCLIP 30X1,5 DIN471 1.4122	1
5		pressure ring D.42/30,5x1 6050343 A4	1
6	6067638	screw plug G1/2 DIN908 A4 (3pcs)	1
7	6048832	joint ring A21/26x1,5 DIN7603 PA(10pc)	1
8	6070459	stator-unit S13.2-4/13 3~ KIT	1
8.1		o-ring ID.150,0x4,0 NBR70	1
8.2		O-RING ID.25X2,2N DIN3771 NBR70	1
9		mechanical shaft seal MG1/30-G60 QQPGG	1
10		CIRCLIP 32X1,5 DIN471 1.4122	1

**FIT V10DA-425/EAD1-4-T0025-540-O (6081902)**

<b>Item</b>	<b>Article no.</b>	<b>Description</b>	<b>Quantity</b>
11		pressure ring D.44/32,5x1 6050343 A4	1
12		MECHANICAL SEAL BT-AR/32 BXPFF	1
13		circlips 35x1,5 DIN471 FST	1
14		ball bearing 6207 w.2 Dichtsch. VP.	1
15		circlips 72x2,5 DIN472 FSt	1
16		Rep.Kit 2 S13.2	1
17		washer D.35/45x2,5 DIN988 St	1
18	6067574	rotor P13.2-13/EAD1X4-T VP.	1
19	6066617	cable 10m H07 6G1 VP.	1
19.1	6067644	O-Ring ID.25X2,2N DIN3771 NBR70 (3pcs)	1

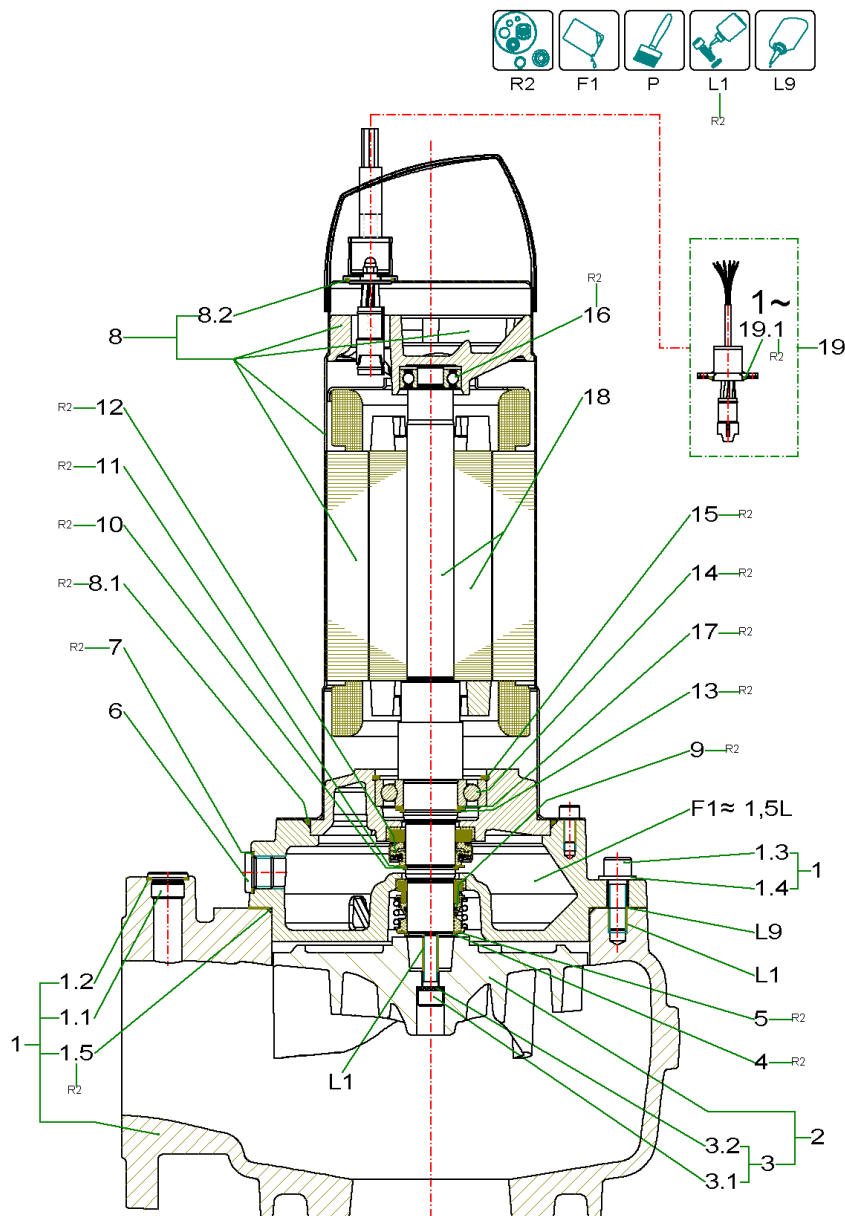


**FIT V10DA-426/EAD0-4-T0035-540-O (6081903)**

Item	Article no.	Description	Quantity
R2	6065497	Rep.Kit 2 S13.2	1
P	6049684	colour 2K-paint IV80 RAL9011 250ml KIT	1
F1	6025460	medical white oil 1L KIT	1
F1	6025461	medical white oil 5L KIT	1
L1	6080531	Loctite 243 5g flask VP:	1
L9	6080535	Loctite 5203 300ml VP.	1
-----			
1	6082673	pump housing Rexa V10Dx-4xx DN100 GGKIT	1
		> pump housing Q100 6052671 GG	1
1.1	6067638	>> screw plug G1/2 DIN908 A4 (3pcs)	1
1.2	6048832	>> joint ring A21/26x1,5 DIN7603 PA(10pc)	1
1.4	6074494	> washer A13 DIN125 A4 (20pc)	1
1.3	6078300	> screw M12x35 DIN912 A4 (10pc)	1
1.5		> o-ring ID.203,0x3,0 NBR70	1
1.1		screw plug G1/2 DIN908 A4	1
1.2		joint ring A21/26x1,5 DIN7603 PA(10pc)	1
1.3		screw M12x35 DIN912 A4	1
1.4		washer A13 DIN125 A4 (20pc)	1
1.5		o-ring ID.203,0x3,0 NBR70	1
2	6082594	Impeller Rexa V10xA-426 GG Set SVA	1
3	6067646	impeller fixation 10x35 Geomet KIT	1
3.1		> screw M10x35 DIN912 10.9 Geomet	1
3.2		> SCREW LOCKING NORD-LOCK 16/10,7 A4	1
3.1		screw M10x35 DIN912 10.9 Geomet	1
3.2		SCREW LOCKING NORD-LOCK 16/10,7 A4	1
4		CIRCLIP 30X1,5 DIN471 1.4122	1
5		pressure ring D.42/30,5x1 6050343 A4	1
6	6067638	screw plug G1/2 DIN908 A4 (3pcs)	1
7	6048832	joint ring A21/26x1,5 DIN7603 PA(10pc)	1
8	6070460	stator-unit S13.2-4/16 3~ KIT	1
8.1		o-ring ID.150,0x4,0 NBR70	1
8.2		O-RING ID.25X2,2N DIN3771 NBR70	1
9		mechanical shaft seal MG1/30-G60 QQPGG	1
10		CIRCLIP 32X1,5 DIN471 1.4122	1

**FIT V10DA-426/EAD0-4-T0035-540-O (6081903)**

Item	Article no.	Description	Quantity
11		pressure ring D.44/32,5x1 6050343 A4	1
12		MECHANICAL SEAL BT-AR/32 BXPFF	1
13		circlips 35x1,5 DIN471 FST	1
14		ball bearing 6207 w.2 Dichtsch. VP.	1
15		circlips 72x2,5 DIN472 FSt	1
16		Rep.Kit 2 S13.2	1
17		washer D.35/45x2,5 DIN988 St	1
18	6067573	rotor P13.2-16/EAD1X4-T VP.	1
19	6066617	cable 10m H07 6G1 VP.	1
19.1	6067644	O-Ring ID.25X2,2N DIN3771 NBR70 (3pcs)	1



**FIT V10DA-428/EAD0-4-T0035-540-O (6081904)**

Item	Article no.	Description	Quantity
R2	6065497	Rep.Kit 2 S13.2	1
P	6049684	colour 2K-paint IV80 RAL9011 250ml KIT	1
F1	6025460	medical white oil 1L KIT	1
F1	6025461	medical white oil 5L KIT	1
L1	6080531	Loctite 243 5g flask VP:	1
L9	6080535	Loctite 5203 300ml VP.	1
-----			
1	6082673	pump housing Rexa V10Dx-4xx DN100 GGKIT	1
		> pump housing Q100 6052671 GG	1
1.1	6067638	>> screw plug G1/2 DIN908 A4 (3pcs)	1
1.2	6048832	>> joint ring A21/26x1,5 DIN7603 PA(10pc)	1
1.4	6074494	> washer A13 DIN125 A4 (20pc)	1
1.3	6078300	> screw M12x35 DIN912 A4 (10pc)	1
1.5		> o-ring ID.203,0x3,0 NBR70	1
1.1		screw plug G1/2 DIN908 A4	1
1.2		joint ring A21/26x1,5 DIN7603 PA(10pc)	1
1.3		screw M12x35 DIN912 A4	1
1.4		washer A13 DIN125 A4 (20pc)	1
1.5		o-ring ID.203,0x3,0 NBR70	1
2	6082593	Impeller Rexa V10xA-428 GG Set SVA	1
3	6067646	impeller fixation 10x35 Geomet KIT	1
3.1		> screw M10x35 DIN912 10.9 Geomet	1
3.2		> SCREW LOCKING NORD-LOCK 16/10,7 A4	1
3.1		screw M10x35 DIN912 10.9 Geomet	1
3.2		SCREW LOCKING NORD-LOCK 16/10,7 A4	1
4		CIRCLIP 30X1,5 DIN471 1.4122	1
5		pressure ring D.42/30,5x1 6050343 A4	1
6	6067638	screw plug G1/2 DIN908 A4 (3pcs)	1
7	6048832	joint ring A21/26x1,5 DIN7603 PA(10pc)	1
8	6070460	stator-unit S13.2-4/16 3~ KIT	1
8.1		o-ring ID.150,0x4,0 NBR70	1
8.2		O-RING ID.25X2,2N DIN3771 NBR70	1
9		mechanical shaft seal MG1/30-G60 QQPGG	1
10		CIRCLIP 32X1,5 DIN471 1.4122	1

**FIT V10DA-428/EAD0-4-T0035-540-O (6081904)**

Item	Article no.	Description	Quantity
11		pressure ring D.44/32,5x1 6050343 A4	1
12		MECHANICAL SEAL BT-AR/32 BXPFF	1
13		circlips 35x1,5 DIN471 FST	1
14		ball bearing 6207 w.2 Dichtsch. VP.	1
15		circlips 72x2,5 DIN472 FSt	1
16		Rep.Kit 2 S13.2	1
17		washer D.35/45x2,5 DIN988 St	1
18	6067573	rotor P13.2-16/EAD1X4-T VP.	1
19	6066617	cable 10m H07 6G1 VP.	1
19.1	6067644	O-Ring ID.25X2,2N DIN3771 NBR70 (3pcs)	1