

Thermal Oil / Hot Water Pump

# Etabloc SYT

Fixed Speed / Variable Speed  
50 Hz / 60 Hz

## Type Series Booklet



## **Legal information/Copyright**

Type Series Booklet Etabloc SYT

All rights reserved. The contents provided herein must neither be distributed, copied, reproduced, edited or processed for any other purpose, nor otherwise transmitted, published or made available to a third party without the manufacturer's express written consent.

Subject to technical modification without prior notice.

© KSB SE & Co. KGaA, Frankenthal 15/09/2022

## Contents

<b>Centrifugal Pumps with Shaft Seal.....</b>	<b>4</b>
Thermal Oil Pumps / Hot Water Pumps .....	4
Etabloc SYT .....	4
Main applications.....	4
Fluids handled .....	4
Further information on fluids handled.....	4
Related documents .....	4
Operating data.....	4
Design details .....	5
Designation .....	7
Materials.....	8
Coating and preservation .....	8
Product benefits .....	8
Acceptance tests and warranty .....	8
Overview of product features / selection tables .....	9
Overview of variants .....	9
Overview of fluids handled .....	10
Overview of functions for variable speed version .....	11
Pressure and temperature limits .....	13
Technical data .....	13
Etabloc SYT .....	13
Selection charts .....	14
Etabloc SYT (fixed speed version), n = 2900 rpm .....	14
Etabloc SYT (fixed speed version), n = 1450 rpm .....	14
Etabloc SYT (fixed speed version), n = 3500 rpm .....	15
Etabloc SYT (fixed speed version), n = 1750 rpm .....	15
Dimensions and connections .....	16
Pump set (fixed speed version), n = 2900 rpm / 3500 rpm.....	16
Pump set (fixed speed version), n = 1450 rpm / 1750 rpm.....	20
Connections.....	23
Flange design .....	24
Installation types.....	24
Scope of supply .....	25
General assembly drawings.....	26
Etabloc SYT exploded view.....	26

## Centrifugal Pumps with Shaft Seal

### Thermal Oil Pumps / Hot Water Pumps

## Etabloc SYT



### Main applications

- Heat transfer systems
- Hot water circulation

### Fluids handled

- High-temperature hot water
- Thermal oil, mineral
- Thermal oil, synthetic

### Further information on fluids handled

Overview of fluids handled (⇒ Page 10)

### Related documents

Table 1: Information/documents

Document	Reference number
Characteristic curves booklet (50 Hz) Fixed speed version	1311.45
Characteristic curves booklet (60 Hz) Fixed speed version	1311.46
Type series booklet KSB SuPremE	4075.53
Type series booklet PumpDrive 2 / PumpDrive 2 Eco	4074.5

### Operating data

Table 2: Operating properties in standard applications

Characteristic	Value	Value	
		50 Hz	60 Hz
Flow rate	Q [m <sup>3</sup> /h]	≤ 280	≤ 337
Head	H [m]	≤ 68	≤ 99
Fluid temperature	T [°C]	≥ -30	≥ -30
Thermal oil (mineral / synthetic)		≤ +350	≤ +350
Fluid temperature		≤ +180	≤ +180
Hot water			
Operating pressure	p [bar]	≤ 16	≤ 16

Table 3: Operating properties in marine applications, to DNV GL

Characteristic	Value	Value		
		Class I <sup>(1)</sup>	Class II <sup>(2)</sup>	Class III <sup>(3)</sup>
Steam				
Design pressure	p [bar]	> 16	≤ 16	≤ 7
Design temperature	T [°C]	> 300	≤ 300	≤ 170
Thermal oil				
Design pressure	p [bar]	> 16	≤ 16	≤ 7
Design temperature	T [°C]	> 300	≤ 300	≤ 150
Fuel oil, lubricating oil, combustible hydraulic oil				
Design pressure	p [bar]	> 16	≤ 16	≤ 7
Design temperature	T [°C]	> 150	≤ 150	≤ 60
Other fluids <sup>4)</sup>				
Design pressure	p [bar]	> 40	≤ 40	≤ 16
Design temperature	T [°C]	> 300	≤ 300	≤ 200

Loading pipes for flammable liquids on offshore supply vessels belong to the same piping class as the fuel. Class II piping suffices outside of category A engine rooms.

Pipes for toxic or corrosive fluids belong to piping class I.

Loading pipes for chemicals or liquefied gases are not specified in the table.

<sup>1</sup> At least one condition must be met for class I piping (design pressure or design temperature).

<sup>2</sup> Both conditions must be met for class II piping (design pressure and design temperature).

<sup>3</sup> Both conditions must be met for class III piping (design pressure and design temperature).

<sup>4</sup> Cargo oil pipes on oil tankers and open pipe outlets (drains, overflows, ventilation, boiler drain pipes, etc.), irrespective of pressure and temperature, belong to class III.

## Design details

### Design

- Volute casing pump
- Horizontal installation
- Vertical installation
- Back pull-out design
- Single-stage
- Ratings to EN 733
- Fixed speed version (without PumpDrive 2 / PumpDrive 2 Eco / PumpDrive R) / variable speed version (with PumpDrive 2 / PumpDrive 2 Eco / PumpDrive R)

### Pump casing

- Radially split volute casing
- Replaceable casing wear rings
- Volute casing with integrally cast pump feet

### Drive (fixed speed version)

#### Standard design:

- KSB/Siemens surface-cooled IEC frame three-phase squirrel-cage motor
- Efficiency class IE2 (size 71/80) / IE3 (from size 90) to IEC 60034-30
- Rated voltage (50 Hz) 230 V / 400 V  $\leq$  2.20 kW
- Rated voltage (50 Hz) 400 V / 690 V  $\geq$  3.00 kW
- Rated voltage (60 Hz) - / 460 V  $\leq$  2.20 kW
- Rated voltage (60 Hz) 460 V / -  $\geq$  3.00 kW
- Type of construction IM V1
- Enclosure IP55
- Duty type: continuous duty S1
- Thermal class F with temperature sensor, 1 PTC thermistor (size 80/90) / 3 PTC thermistors (from size 100)

#### Explosion-proof design:

- KSB surface-cooled IEC three-phase current squirrel-cage motor
- Efficiency class IE2 / IE3 to IEC 60034-30
- Rated voltage (50 Hz) 230 V / 400 V  $\leq$  2.50 kW
- Rated voltage (50 Hz) 400 V / 690 V  $\geq$  3.30 kW
- Rated voltage (60 Hz) - / 460 V  $\leq$  2.50 kW
- Rated voltage (60 Hz) 460 V / -  $\geq$  3.30 kW
- Type of construction IM V1
- Enclosure IP55
- Duty type: continuous duty S1
- II 3G Ex ec IIC T3 Gc
- II 2G Ex eb IIC T3 Gb
- II 2G Ex db (eb) IIB T4 Gb
- II 2G Ex db (eb) IIC T4 Gb

### Drive (variable speed version)

KSB SuPremE motor:

- Surface-cooled KSB SuPremE motor, IEC-compatible, magnetless synchronous reluctance motor<sup>5)</sup> (PumpDrive required)
- Efficiency class IE4 / IE5 to IEC TS 60034-30-2:2016
- Mounting points to EN 50347:2001
- Envelope dimensions to DIN VDE 42673-4:2011-07
- Type of construction IM V1
- Enclosure IP55
- Duty type: continuous duty S1
- Thermal class F with temperature sensor, 3 PTC thermistors
- Shaft centreline height 71 to 225 mm
- Rated power 0.55 kW to 45 kW
- Rated speed 1500 rpm or 3000 rpm
- Frequency 50 Hz / 60 Hz (PumpDrive input)
- Voltage 380 V to 480 V (PumpDrive input)

#### KSB SuPremE X1:

- With terminal box for connecting to PumpDrive 2 or PumpDrive R for mounting on walls and in control cabinets

#### KSB SuPremE X2:

- Equipped for being fitted with a motor-mounted PumpDrive 2

#### PumpDrive 2 / PumpDrive 2 Eco:

- Self-cooling frequency inverter of modular design for the continuously variable speed control of asynchronous motors and synchronous reluctance motors by means of analog standard signals, a field bus or the control panel
- Identical design of frequency inverter for the mounting types motor mounting (only for fluid temperature  $\leq$  110 °C), wall mounting and cabinet mounting
- Mains voltage 3~ 380 V AC -10 % to 480 V AC +10 %
- Mains frequency 50 Hz to 60 Hz  $\pm$  2 %

#### PumpDrive R:

- Self-cooling frequency inverter of modular design for the continuously variable speed control of asynchronous motors and synchronous reluctance motors, such as KSB SuPremE motors or permanent magnet synchronous motors, by means of analog standard signals, a field bus or the control panel
- Identical design of frequency inverter for the mounting types wall mounting and cabinet mounting
- Mains voltage 3~ 380 V AC -10 % to 480 V AC +10 %
- Extended mains voltage range (on request)
- Mains frequency 50 Hz to 60 Hz  $\pm$  2 %
- Extended power range with a nominal power of 110 kW (standard) or 1400 kW (on request)

### Shaft seal

- KSB single mechanical seal
- To EN 12756

### Impeller type

- Closed radial impeller with multiply curved vanes

<sup>5)</sup> Motor sizes 0.55 kW / 0.75 kW with 1500 rpm are designed with permanent magnets.

### **Bearings**

- Product-lubricated carbon plain bearings
- Grease-lubricated radial ball bearings in the motor housing

### **Static sealing elements**

- Between volute casing and discharge cover
- Between discharge cover and bearing housing
- Between bearing housing and seal cover

**Designation**
**Table 4:** Designation example

Position																																				
1	2	3	4	5	6	7	8	9	10	11	12	13	14	15	16	17	18	19	20	21	22	23	24	25	26	27	28	29	30	31	32	33	34	35	36	37
E	T	B	Y	0	5	0	-	0	3	2	-	1	6	0	-	5	G	S	D	B	0	8	A	2	1	1	0	0	2	-	-	B	P	D	2	E
See name plate and data sheet																							See data sheet						-							

**Table 5:** Designation key

Position	Code	Description
1-4	Pump type	
	ETBY	Etabloc SYT
5-16	Size, e.g.	
	050	Nominal suction nozzle diameter [mm]
	032	Nominal discharge nozzle diameter [mm]
	160	Nominal impeller diameter [mm]
17	Pump casing material	
	S	Nodular cast iron EN-GJS-400-15
18	Impeller material	
	C	Stainless steel 1.4408 / A743CF8M
	G	Cast iron EN-GJL-250 / A48CL35
19	Design	
	D	DNV GL (BT3)
	S	Standard
	X	Non-standard (BT3D, BT3)
20	Casing cover	
	D	Casing cover for Etabloc SYT (dead-end arrangement)
21	Shaft seal type	
	B	Dead-end arrangement, only for Etabloc SYT
22-23	Seal code, single mechanical seal	
	08	AQ1V7GG NU028M0-4EYS
24	Scope of supply	
	A	Pump only (Fig. 0)
	D	Pump, motor
25	Shaft unit	
	2	Shaft unit 25
26-29	Motor rating P <sub>N</sub> [kW]	
	0075	7,50
	...	...
	1320	132,00
30	Number of motor poles	
31-32	Explosion protection	
	ex	With explosion-proof motor
	--	Without explosion-proof motor
33	Product generation	
	B	Etabloc SYT 2014
34-37	Design	
	-	Fixed speed version, without PumpDrive
	PD2	Variable speed version, with PumpDrive 2
	PD2E	Variable speed version, with PumpDrive 2 Eco

## Materials

**Table 6:** Overview of available materials

Part No. (⇒ Page 26)	Description	Material
102	Volute casing	Nodular cast iron EN-GJS-400-15 / 536 Gr. 60-40-18
161	Casing cover	Nodular cast iron EN-GJS-400-15 / 536 Gr. 60-40-18
210	Shaft	Chrome steel 1.4021 + QT800
230	Impeller	Grey cast iron EN-GJL-250 / A 48 CL 35B Chrome steel 1.4408 / A 743 Gr. CF8M
310	Plain bearing	Carbon
341	Drive lantern	Grey cast iron EN-GJL-250 / A 48 CL 35B
350	Bearing housing	Nodular cast iron EN-GJS-400-15 / 536 Gr. 60-40-18
411.10/.15	Sealing elements	BU9593/ HDR
502.01	Casing wear ring, suction side	Grey cast iron EN-GJL-250 / CI
502.02	Casing wear ring, discharge side	Grey cast iron EN-GJL-250 / CI
902	Studs	8.8/ 5.8
903	Plug	Steel
920	Nut	8 + A2A/ 8 + B633 SC1 TP
920	Impeller nut	8 A4/ AISI316

## Coating and preservation

- Coating and preservation to KSB standard

## Product benefits

- Designed to deliver reliable operation with mineral and synthetic thermal oils up to 350 °C
- Maximum operating reliability ensured by KSB mechanical seal with multi-spring arrangement and reliable venting during pump operation
- Safety barriers: Special contour ensures reliable removal of leakage at the mechanical seal; confined sealing elements and effective heat barrier
- Individual requirements are met with maximum efficiency, and operating costs are reduced: impeller trimming, variable speed operation / intelligent control by KSB frequency inverters and KSB motors up to IE5, maximum hydraulic pump efficiency and low NSPHreq
- Wide range of applications through compliance with EN PN16 and ASME, ATEX-compliant version, carbon plain bearings, marine version to DNV GL and fan impeller for efficient cooling
- Great ease of maintenance due to casing wear rings and back pull-out design enabling the casing to remain in the piping during maintenance.

## Acceptance tests and warranty

The following acceptance tests may be performed at a surcharge:

- **Materials testing**
  - Test report 2.2
- **Final inspection**
  - Inspection certificate 3.1 to EN 10204
- **Hydraulic test**
  - The duty point of each pump is guaranteed according to ISO 9906/2B or ISO 9906/3B.
  - NPSH test
- Other inspections/tests on request

## Warranties

- Warranties are given within the scope of the valid delivery conditions.



Overview of product features / selection tables

Overview of variants

Other designs on request

Table 7: Overview of Etanorm SYT / Etabloc SYT / Etaline SYT variants

Design	102 / Volute casing	230 / Impeller	Mechanical seal	T [°C]	Main applications											
					Chemical industry / pharmaceutical industry	Plastic processing	Timber industry / paper industry / cardboard industry	Soap industry / laundry agent industry	Food industry	Textile industry	Mineral oil industry	Bitumen industry / tar processing industry	Metal processing industry	Aluminium industry		
SG08	Nodular cast iron EN-GJS-400-15/ 536 Gr. 60-40-18	Grey cast iron EN-GJL-250/ A 48 Cl. 35B	Mech. seal AQ1V7GG	$\geq -30 - \leq +180^{6) / 350^{7)}$	X	X	X	X	X	X	X	X	X	X	X	
SC08	Nodular cast iron EN-GJS-400-15/ 536 Gr. 60-40-18	Chrome steel 1.4408/ A 743 Gr. CF8M	Mech. seal AQ1V7GG	$\geq -30 - \leq +180^{6) / 350^{7)}$	X	X	X	X	X	X	X	X	X	X	X	

1172.51/04-EN

<sup>6</sup> High-temperature hot water

<sup>7</sup> Thermal oil

**Overview of fluids handled**
**Table 8:** Excerpt from the overview of fluids handled with associated material variants

Fluid handled	Application limits <sup>8)</sup>	Materials		Shaft seal
		Casing/impeller		Single mechanical seal
		Nodular cast iron/ grey cast iron	Nodular cast iron/ stainless steel	AQ1V7GG
		SG	SC	Code 08
High-temperature hot water <sup>9)</sup>	t ≤ +180 °C	<b>X</b>		<b>X</b>
	p ≤ 16 bar			
Thermal oil on mineral oil basis	t ≤ -30 to +350 °C	<b>X</b>		<b>X</b>
	p ≤ 16 bar			
Thermal oil on synthetic basis, vaporisation pressure ≤ 1 bar at operating temperature <sup>10)</sup>	t ≤ -30 to +350 °C	<b>X</b>		<b>X</b>
	p ≤ 16 bar			

<sup>8)</sup> The inlet pressure must not fall below atmospheric pressure.

<sup>9)</sup> Low-salt and fully desalinated water to VdTÜV technical instruction leaflet / AGFW technical instruction leaflet TCN 1466 (VdTÜV) 5/15 (AGFW), edition 02.89

<sup>10)</sup> For vaporisation pressure > 1 bar use an Etanorm SYT pump.

**Overview of functions for variable speed version**
**Table 9:** Overview of functions

Functions / firmware	PumpDrive 2	PumpDrive 2 Eco
<b>Protective functions</b>		
Thermal motor protection	X	X
Mains voltage monitoring	X	X
Phase failure, motor side	X	X
Short-circuit monitoring, motor side (phase to phase and phase to earth)	X	X
Dynamic overload protection by speed limitation (i <sup>2</sup> t control)	X	X
Resonant frequency suppression	X	X
Broken wire detection (live zero)	X	X
Protection against dry running and hydraulic blockage (sensorless due to learning function)	X	X
Dry running protection (external control signal)	X	X
Operating point estimation and characteristic curve control	X	X
<b>Open-loop control</b>		
Open-loop control mode	X	X
<b>Closed-loop control</b>		
Closed-loop control mode via integrated PID controller	X	X
Pressure control / differential pressure control ( $\Delta p$ const)	X	X
Pressure control / differential pressure control with dynamic pressure compensation ( $\Delta p$ var)	X	X
Flow rate control	X	X
Sensorless differential pressure control ( $\Delta p$ const) in a single-pump configuration	X	X
Sensorless differential pressure control with dynamic pressure compensation ( $\Delta p$ var) in a single-pump configuration	X	X
Sensorless flow rate control	X	X
Level control	X	X
Temperature control	X	X
Alternative setpoint	X	-
<b>Operation and monitoring (display)</b>		
Measured value display (pressure, head, speed, electric power, motor voltage, motor current, torque)	X	X
Fault history	X	X
Operating hours counter	X	X
Fault reporting via relay	X	X
<b>Frequency inverter functions</b>		
Programmable start ramps and stop ramps	X	X
Field-oriented control (vector control), V/f control	X	X
Configurable motor control method (asynchronous motor, KSB SuPremE)	X	X
Automatic motor adaptation (AMA)	X	X
Motor standstill heater	X	X
Manual-0-automatic mode	X	X
External OFF	X	X
External minimum speed	X	X
Sleep mode (stand-by mode)	X	X
Energy savings meter	X	-
<b>Pump functions</b>		
Flow rate estimation	X	X
M12 module with PumpMeter bus connection	X	X
M12 module for dual-pump configuration	X	X
M12 module for multiple pump configuration with up to 6 pumps	X	X
Functional check run	X	X
Deragging	X	X
Integrated dual-pump configuration (1x100 % with redundant pump or 2x50 % without redundant pump)	X	X
Multiple pump configuration with up to 6 pumps	X	X
Waste water function: start-up at maximum speed	X	-
Waste water function: rinsing function	X	-
<b>Operation</b>		

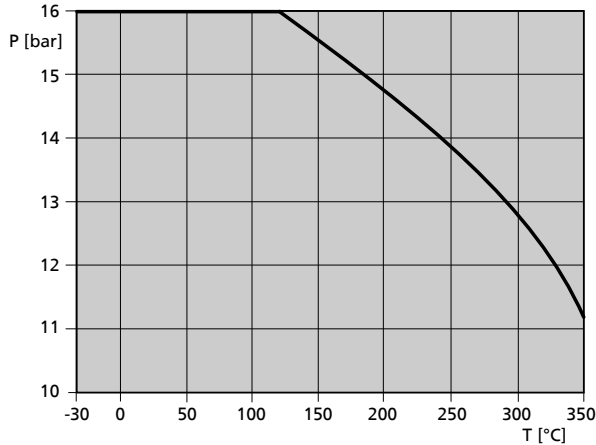
Functions / firmware	PumpDrive 2	PumpDrive 2 Eco
Control panel	X	X <sup>11)</sup>
Commissioning wizard	X	X <sup>12)</sup>
Favourites list	X	-
Service interface	X	X

<sup>11</sup> Some functions can only be parameterised and/or displayed using the KSB ServiceTool (see operating manual).

<sup>12</sup> Only available via KSB ServiceTool or app

**Pressure and temperature limits**
**Test pressure limits and temperature limits**
**Table 10: Test pressure limits and temperature limits depending on the material**

Material	Fluid temperature	Test pressure <sup>13)</sup>
	[°C]	[bar]
S	-30 to +350	≤ 25

**In-service pressure limits and temperature limits**

**Fig. 1: Operating pressure limits and temperature limits**
**Technical data**
**Etabloc SYT**
**Table 11: Technical data**

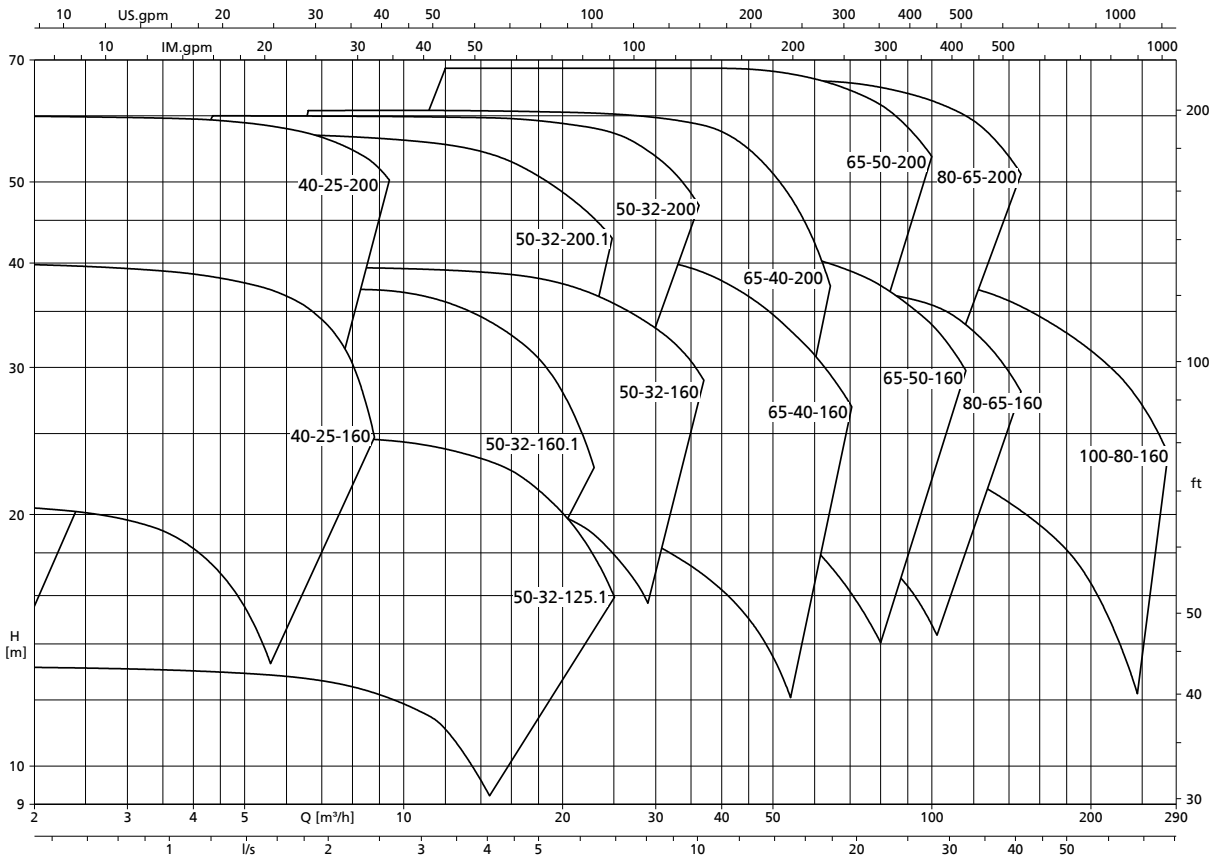
Etabloc SYT	Shaft unit	Impeller				Speed limit	
		Outlet	Inlet	Nominal diameter		Max.	Min.
			Diameter	Max.	Min.		
		[mm]				[rpm]	
040-025-160	25	6,0	45,2	169	130	3600	800
040-025-200	25	6,0	45,2	209	160	3600	800
050-032-125.1	25	6,6	52,4	139	104	3600	800
050-032-160	25	8,5	60,6	174	136	3600	800
050-032-160.1	25	5,7	52,7	170	136	4400	800
050-032-200	25	7,0	62,9	209	170	3700	800
050-032-200.1	25	5,6	54,0	204	170	3800	800
065-040-160	25	13,0	70,0	174	128	4400	800
065-040-200	25	9,4	69,4	209	165	3700	800
065-050-160	25	16,9	86,9	174	128	4400	800
065-050-200	25	13,8	83,1	219	170	3600	800
080-065-160	25	21,0	92,0	174	132	3900	800
080-065-200	25	17,0	99,7	219	175	3600	800
100-080-160	25	31,6	124,0	174	138	3600	800

1172.51/04-EN

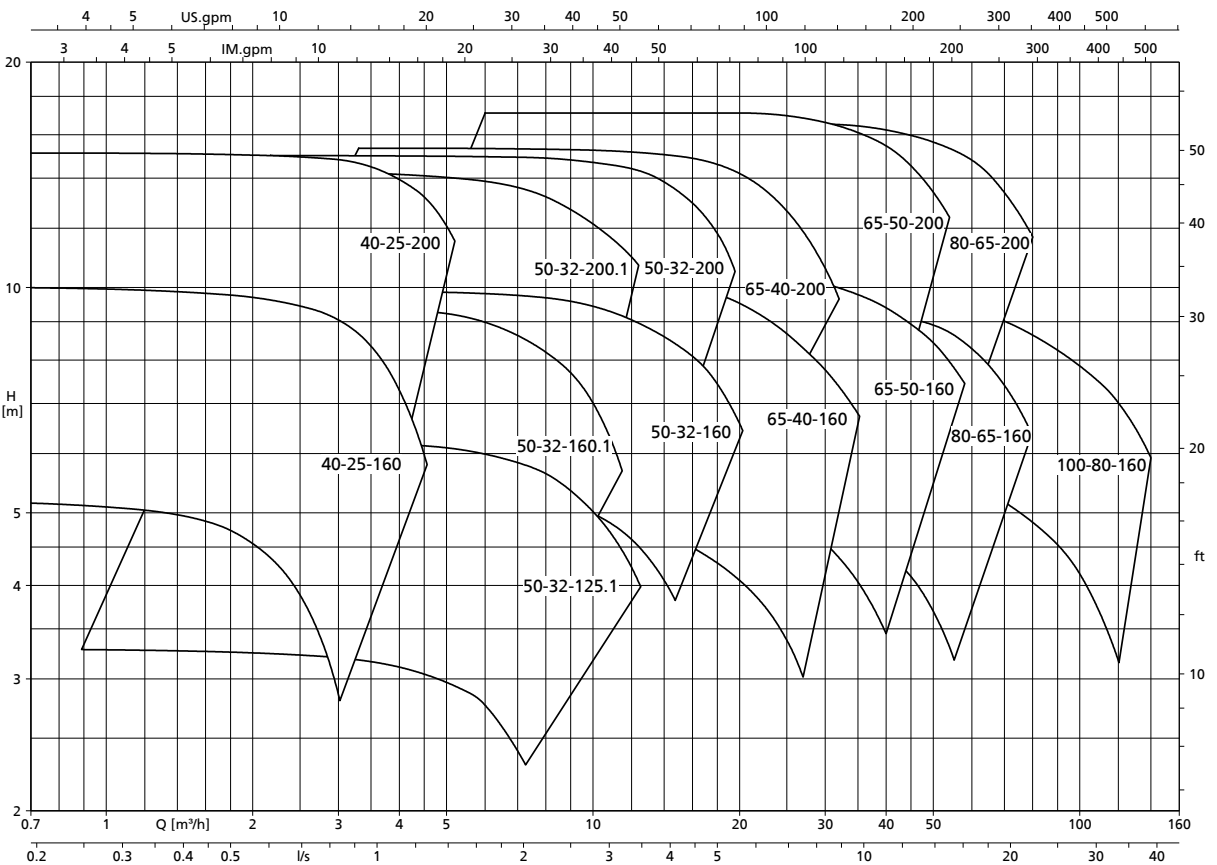
<sup>13</sup> The casing components are checked for leakage by means of internal pressure tests to AN 1897/75-03D00 with water.

Selection charts

Etabloc SYT (fixed speed version), n = 2900 rpm

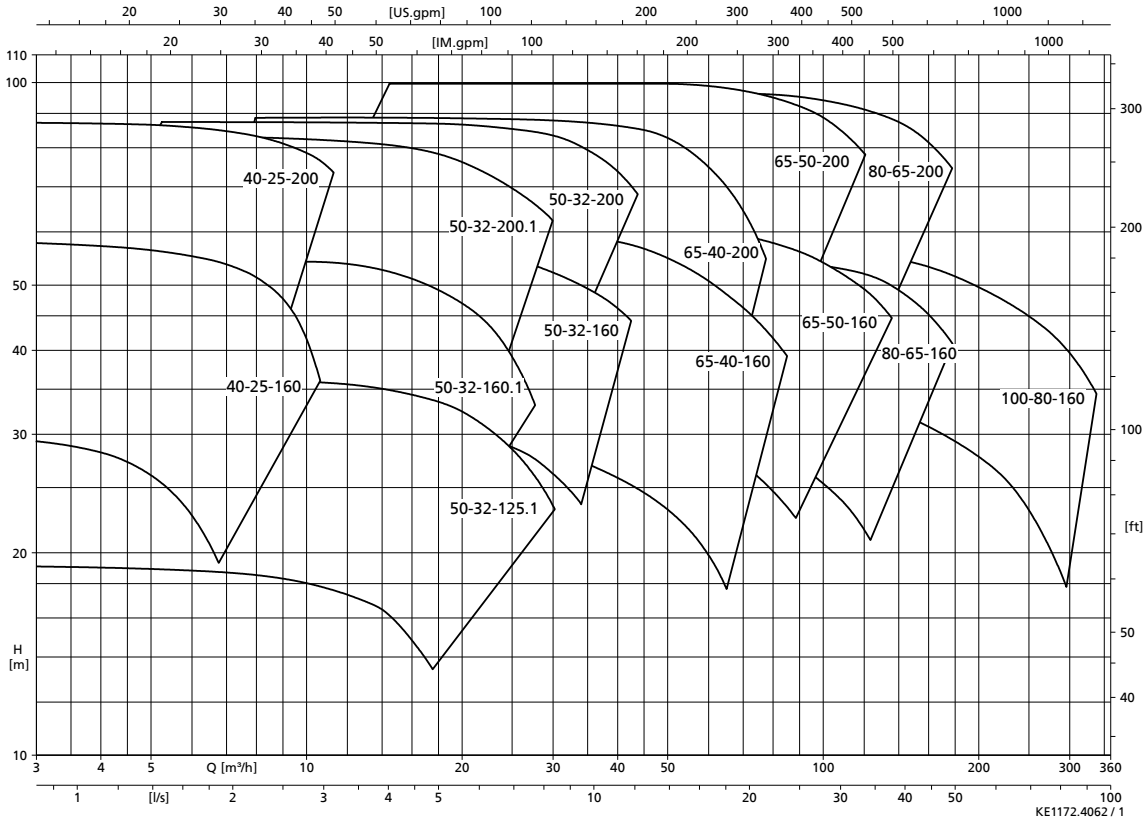


Etabloc SYT (fixed speed version), n = 1450 rpm

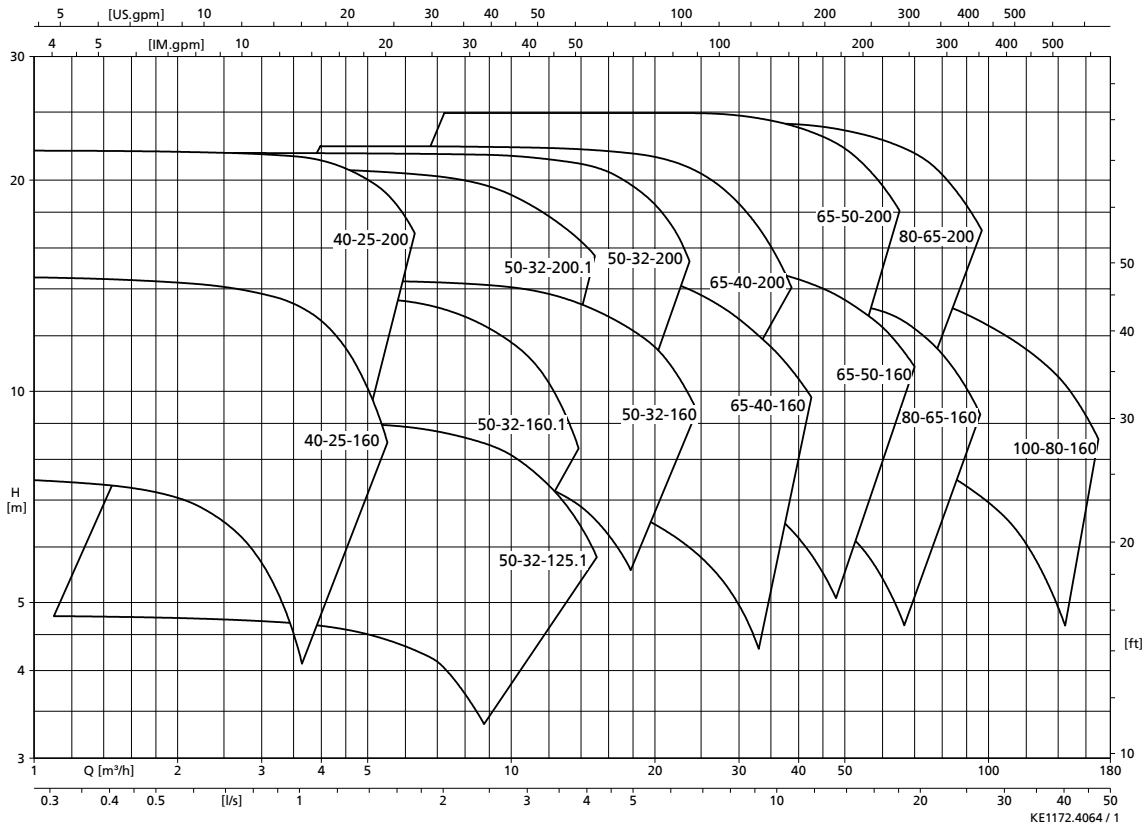


1172.51/04-EN

**Etabloc SYT (fixed speed version), n = 3500 rpm**



**Etabloc SYT (fixed speed version), n = 1750 rpm**



1172.51/04-EN

Dimensions and connections

Pump set (fixed speed version),  $n = 2900 \text{ rpm} / 3500 \text{ rpm}$

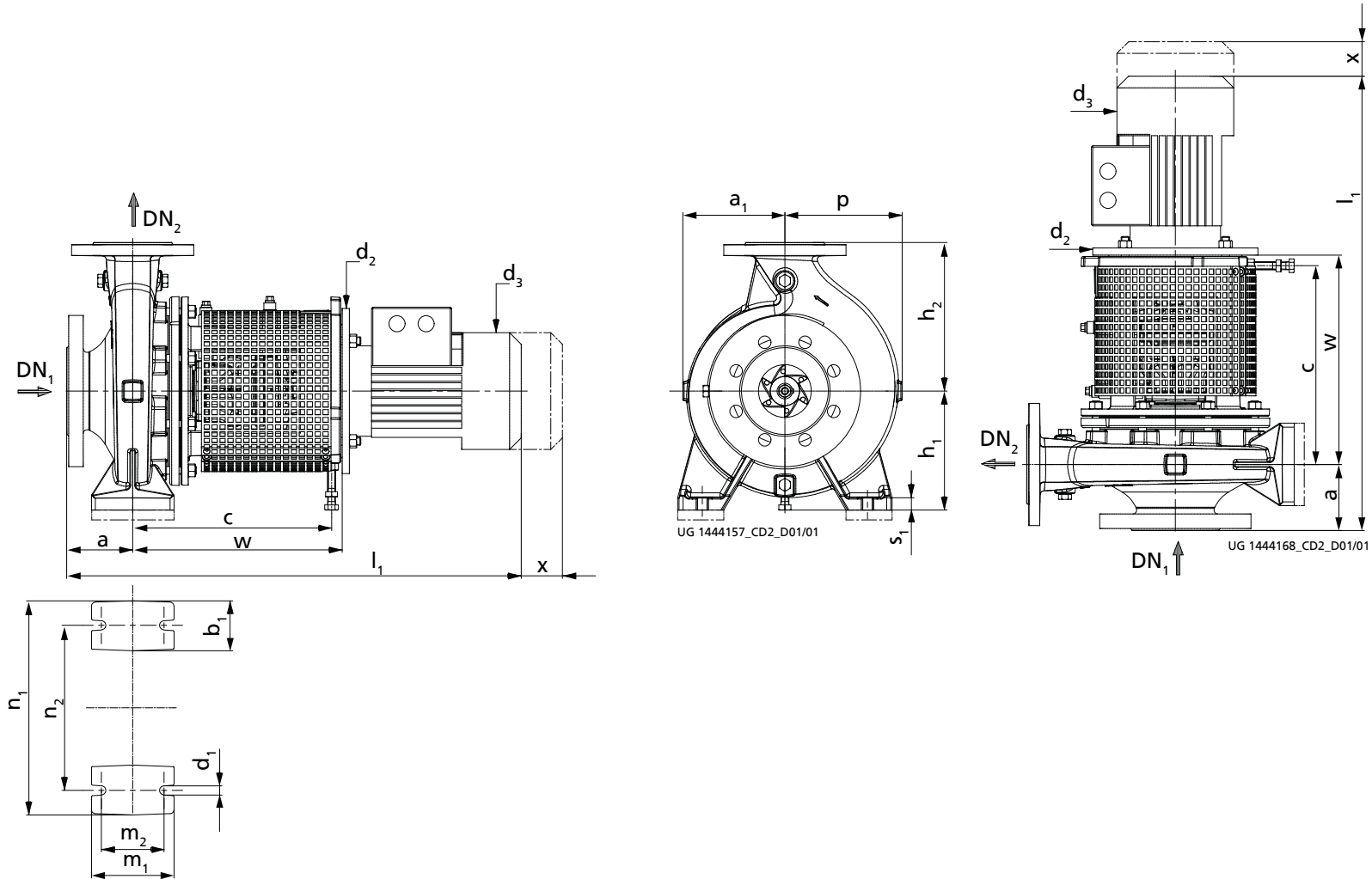


Fig. 2: Dimensions of Etabloc SYT,  $n = 2900 \text{ rpm} / n = 3500 \text{ rpm}$



Table 12: Dimensions

Etabloc SYT n = 2900 rpm n = 3500 rpm	Motor	P		I <sub>N</sub>	DN <sub>1</sub>	DN <sub>2</sub>	a	a <sub>1</sub>	b <sub>1</sub>	c	d <sub>1</sub>	d <sub>2</sub>	d <sub>3</sub>	h <sub>1</sub>	h <sub>2</sub>	l <sub>1</sub>	m <sub>1</sub>	m <sub>2</sub>	n <sub>1</sub>	n <sub>2</sub>	p	s <sub>1</sub>	w	x
		50 Hz	60 Hz	400 V																				
				50 Hz																				
		[kW]	[kW]	[~A]																				
[mm]																								
040-025-160	80M	0,75	-	1,75	40	25	80	118	50	301	14	200	162	132	160	657	100	70	240	190	118	15	322	100
040-025-160	80M	1,10	1,27	2,41	40	25	80	118	50	301	14	200	162	132	160	671	100	70	240	190	118	15	322	100
040-025-160	90S	1,50	1,75	3,15	40	25	80	118	50	301	14	200	190	132	160	684	100	70	240	190	118	15	322	100
040-025-160	90L	2,20	2,55	4,46	40	25	80	118	50	301	14	200	190	132	160	710	100	70	240	190	118	15	322	100
040-025-160	100L	-	3,45	6,09	40	25	80	118	50	301	14	250	213	132	160	744	100	70	240	190	118	15	317	100
040-025-160	112M	-	4,55	7,82	40	25	80	118	50	301	14	250	234	132	160	768	100	70	240	190	118	15	317	100
040-025-200	90S	1,50	-	3,15	40	25	80	142	50	301	14	200	190	160	180	684	100	70	240	190	142	15	322	100
040-025-200	90L	2,20	-	4,46	40	25	80	142	50	301	14	200	190	160	180	710	100	70	240	190	142	15	322	100
040-025-200	100L	3,00	3,45	6,09	40	25	80	142	50	301	14	250	213	160	180	744	100	70	240	190	142	15	317	100
040-025-200	112M	4,00	4,55	7,82	40	25	80	142	50	301	14	250	234	160	180	768	100	70	240	190	142	15	317	100
040-025-200	132S	5,50	6,30	10,49	40	25	80	142	50	324	14	300	266	160	180	833	100	70	240	190	142	15	340	100
040-025-200	132S	-	8,60	14,12	40	25	80	142	50	324	14	300	266	160	180	833	100	70	240	190	142	15	340	100
050-032-125.1	80M	0,75	-	1,75	50	32	80	116	50	301	14	200	162	112 <sup>14)</sup>	140	657	100	70	190	140	116	15	322	100
050-032-125.1	80M	1,10	-	2,41	50	32	80	116	50	301	14	200	162	112 <sup>14)</sup>	140	671	100	70	190	140	116	15	322	100
050-032-125.1	90S	1,50	-	3,15	50	32	80	116	50	301	14	200	190	112 <sup>14)</sup>	140	684	100	70	190	140	116	15	322	100
050-032-125.1	90L	2,20	-	4,46	50	32	80	116	50	301	14	200	190	112 <sup>14)</sup>	140	710	100	70	190	140	116	15	322	100
050-032-125.1	100L	-	3,45	6,09	50	32	80	116	50	301	14	250	213	112 <sup>14)</sup>	140	744	100	70	190	140	116	15	317	100
050-032-125.1	112M	-	4,55	7,82	50	32	80	116	50	301	14	250	234	112 <sup>14)</sup>	140	768	100	70	190	140	116	15	317	100
050-032-125.1	132S	-	6,30	10,49	50	32	80	116	50	324	14	300	266	112 <sup>15)</sup>	140	833	100	70	190	140	116	15	340	100
050-032-160	90L	2,20	-	4,46	50	32	80	118	50	301	14	200	190	132	160	710	100	70	240	190	128	15	322	100
050-032-160	100L	3,00	3,45	6,09	50	32	80	118	50	301	14	250	213	132	160	744	100	70	240	190	128	15	317	100
050-032-160	112M	4,00	4,55	7,82	50	32	80	118	50	301	14	250	234	132	160	768	100	70	240	190	128	15	317	100
050-032-160	132S	-	6,30	10,49	50	32	80	118	50	324	14	300	266	132 <sup>14)</sup>	160	833	100	70	240	190	128	15	340	100
050-032-160	132S	-	8,60	14,12	50	32	80	118	50	324	14	300	266	132 <sup>14)</sup>	160	833	100	70	240	190	128	15	340	100
050-032-160.1	90S	1,50	-	3,15	50	32	80	116	50	301	14	200	190	132	160	684	100	70	240	190	121	15	322	100
050-032-160.1	90L	2,20	2,55	4,46	50	32	80	116	50	301	14	200	190	132	160	710	100	70	240	190	121	15	322	100
050-032-160.1	100L	3,00	3,45	6,09	50	32	80	116	50	301	14	250	213	132	160	744	100	70	240	190	121	15	317	100
050-032-160.1	112M	4,00	4,55	7,82	50	32	80	116	50	301	14	250	234	132	160	768	100	70	240	190	121	15	317	100
050-032-160.1	132S	-	6,30	10,49	50	32	80	116	50	324	14	300	266	132 <sup>14)</sup>	160	833	100	70	240	190	121	15	340	100
050-032-160.1	132S	-	8,60	14,12	50	32	80	116	50	324	14	300	266	132 <sup>14)</sup>	160	833	100	70	240	190	121	15	340	100

<sup>14</sup> Pump feet shimmed 20 mm<sup>15</sup> Pump feet shimmed 40 mm

Etabloc SYT n = 2900 rpm n = 3500 rpm	Motor	P			I <sub>N</sub>	DN <sub>1</sub>	DN <sub>2</sub>	a	a <sub>1</sub>	b <sub>1</sub>	c	d <sub>1</sub>	d <sub>2</sub>	d <sub>3</sub>	h <sub>1</sub>	h <sub>2</sub>	l <sub>1</sub>	m <sub>1</sub>	m <sub>2</sub>	n <sub>1</sub>	n <sub>2</sub>	p	s <sub>1</sub>	w	x
		50 Hz	60 Hz	400 V																					
				50 Hz																					
		[kW]	[kW]	[~A]	[mm]																				
050-032-160.1	160M	-	12,6	20,41	50	32	80	116	50	356	14	300	325	132 <sup>16)</sup>	160	1000	100	70	240	190	121	15	374	100	
050-032-200	112M	4,00	-	7,82	50	32	80	142	50	301	14	250	234	160	180	768	100	70	240	190	143	18	317	100	
050-032-200	132S	5,50	-	10,49	50	32	80	142	50	324	14	300	266	160	180	833	100	70	240	190	143	18	340	100	
050-032-200	132S	7,50	8,60	14,12	50	32	80	142	50	324	14	300	266	160	180	833	100	70	240	190	143	18	340	100	
050-032-200	160M	11,0	12,6	20,41	50	32	80	142	50	356	14	350	325	160 <sup>14)</sup>	180	1000	100	70	240	190	143	18	374	100	
050-032-200	160M	-	17,3	27,25	50	32	80	142	50	356	14	350	325	160 <sup>14)</sup>	180	1000	100	70	240	190	143	18	374	100	
050-032-200.1	100L	3,00	-	6,09	50	32	80	142	50	301	14	250	213	160	180	744	100	70	240	190	142	18	317	100	
050-032-200.1	112M	4,00	-	7,82	50	32	80	142	50	301	14	250	234	160	180	768	100	70	240	190	142	18	317	100	
050-032-200.1	132S	5,50	6,30	10,49	50	32	80	142	50	324	14	300	266	160	180	833	100	70	240	190	142	18	340	100	
050-032-200.1	132S	7,50	8,60	14,12	50	32	80	142	50	324	14	300	266	160	180	833	100	70	240	190	142	18	340	100	
050-032-200.1	160M	-	12,6	20,41	50	32	80	142	50	356	14	350	325	160 <sup>14)</sup>	180	1000	100	70	240	190	142	18	374	100	
050-032-200.1	160M	-	17,3	27,25	50	32	80	142	50	356	14	350	325	160 <sup>14)</sup>	180	1000	100	70	240	190	142	18	374	100	
065-040-160	100L	3,00	-	6,09	65	40	80	119	50	301	14	250	213	132	160	744	100	70	240	190	134	15	317	100	
065-040-160	112M	4,00	-	7,82	65	40	80	119	50	301	14	250	234	132	160	768	100	70	240	190	134	15	317	100	
065-040-160	132S	5,50	6,30	10,49	65	40	80	119	50	324	14	300	266	132 <sup>14)</sup>	160	833	100	70	240	190	134	15	340	100	
065-040-160	132S	7,50	8,60	14,12	65	40	80	119	50	324	14	300	266	132 <sup>14)</sup>	160	833	100	70	240	190	134	15	340	100	
065-040-160	160M	-	12,6	20,41	65	40	80	119	50	356	14	350	325	132 <sup>17)</sup>	160	1000	100	70	240	190	134	15	374	100	
065-040-160	160M	-	17,3	27,25	65	40	80	119	50	356	14	350	325	132 <sup>17)</sup>	160	1000	100	70	240	190	134	15	374	100	
065-040-200	132S	5,50	-	10,49	65	40	100	142	50	324	14	300	266	160	180	853	100	70	265	212	155	18	340	100	
065-040-200	132S	7,50	-	14,12	65	40	100	142	50	324	14	300	266	160	180	853	100	70	265	212	155	18	340	100	
065-040-200	160M	11,0	12,6	20,41	65	40	100	142	50	356	14	350	325	160 <sup>14)</sup>	180	1020	100	70	265	212	155	18	374	100	
065-040-200	160M	15,0	17,3	27,25	65	40	100	142	50	356	14	350	325	160 <sup>14)</sup>	180	1020	100	70	265	212	155	18	374	100	
065-040-200	160L	18,5	21,3	33,38	65	40	100	142	50	356	14	350	325	160 <sup>14)</sup>	180	1026	100	70	265	212	155	18	374	100	
065-040-200	180M	22,0	24,5	39,52	65	40	100	142	50	356	14	350	370	160 <sup>14)</sup>	180	1084	100	70	265	212	155	18	374	100	
065-050-160	132S	5,50	-	10,49	65	50	100	128	50	324	14	300	266	160	180	853	100	70	265	212	149	18	340	100	
065-050-160	132S	7,50	-	14,12	65	50	100	128	50	324	14	300	266	160	180	853	100	70	265	212	149	18	340	100	
065-050-160	160M	11,0	12,6	20,41	65	50	100	128	50	356	14	350	325	160 <sup>14)</sup>	180	1020	100	70	265	212	149	18	374	100	
065-050-160	160M	-	17,3	27,25	65	50	100	128	50	356	14	350	325	160 <sup>14)</sup>	180	1020	100	70	265	212	149	18	374	100	
065-050-160	160L	-	21,3	33,38	65	50	100	128	50	356	14	350	325	160 <sup>14)</sup>	180	1026	100	70	265	212	149	18	374	100	
065-050-160	180M	-	24,5	39,52	65	50	100	128	50	356	14	350	370	160 <sup>14)</sup>	180	1084	100	70	265	212	149	18	374	100	
065-050-200	160M	11,0	-	20,41	65	50	100	144	50	356	14	350	325	160 <sup>14)</sup>	200	1020	100	70	265	212	163	18	374	100	

<sup>16</sup> Pump feet shimmed 50 mm<sup>17</sup> Pump feet shimmed 30 mm

Etabloc SYT n = 2900 rpm n = 3500 rpm	Motor	P			I <sub>N</sub>	DN <sub>1</sub>	DN <sub>2</sub>	a	a <sub>1</sub>	b <sub>1</sub>	c	d <sub>1</sub>	d <sub>2</sub>	d <sub>3</sub>	h <sub>1</sub>	h <sub>2</sub>	l <sub>1</sub>	m <sub>1</sub>	m <sub>2</sub>	n <sub>1</sub>	n <sub>2</sub>	p	s <sub>1</sub>	w	x
		50 Hz	60 Hz	400 V																					
				50 Hz																					
		[kW]	[kW]	[~A]	[mm]																				
065-050-200	160M	15,0	-	27,25	65	50	100	144	50	356	14	350	325	160 <sup>14)</sup>	200	1020	100	70	265	212	163	18	374	100	
065-050-200	160L	18,5	-	33,38	65	50	100	144	50	356	14	350	325	160 <sup>14)</sup>	200	1026	100	70	265	212	163	18	374	100	
065-050-200	180M	22,0	24,5	39,52	65	50	100	144	50	356	14	350	370	160 <sup>14)</sup>	200	1084	100	70	265	212	163	18	374	100	
080-065-160	132S	7,50	-	14,12	80	65	100	132	65	324	14	300	266	160	200	853	125	95	280	212	160	18	340	100	
080-065-160	160M	11,0	-	20,41	80	65	100	132	65	356	14	350	325	160 <sup>14)</sup>	200	1020	125	95	280	212	160	18	374	100	
080-065-160	160M	15,0	17,3	27,25	80	65	100	132	65	356	14	350	325	160 <sup>14)</sup>	200	1020	125	95	280	212	160	18	374	100	
080-065-160	160L	-	21,3	33,38	80	65	100	132	65	356	14	350	325	160 <sup>14)</sup>	200	1026	125	95	280	212	160	18	374	100	
080-065-160	180M	-	24,5	39,52	80	65	100	132	65	356	14	350	370	160 <sup>14)</sup>	200	1084	125	95	280	212	160	18	374	100	
080-065-200	160M	15,0	-	27,25	80	65	100	155	65	356	14	350	325	180	225	1020	125	95	320	250	178	18	374	140	
080-065-200	160L	18,5	-	33,38	80	65	100	155	65	356	14	350	325	180	225	1026	125	95	320	250	178	18	374	140	
080-065-200	180M	22,0	24,5	39,52	80	65	100	155	65	356	14	350	370	180	225	1084	125	95	320	250	178	18	374	140	
100-080-160	160M	15,0	-	27,25	100	80	125	138	65	356	14	350	325	180	225	1045	125	95	320	250	174	18	374	140	
100-080-160	160L	18,5	-	33,38	100	80	125	138	65	356	14	350	325	180	225	1051	125	95	320	250	174	18	374	140	
100-080-160	180M	22,0	24,5	39,52	100	80	125	138	65	356	14	350	370	180	225	1109	125	95	320	250	174	18	374	140	

Pump set (fixed speed version),  $n = 1450 \text{ rpm} / 1750 \text{ rpm}$

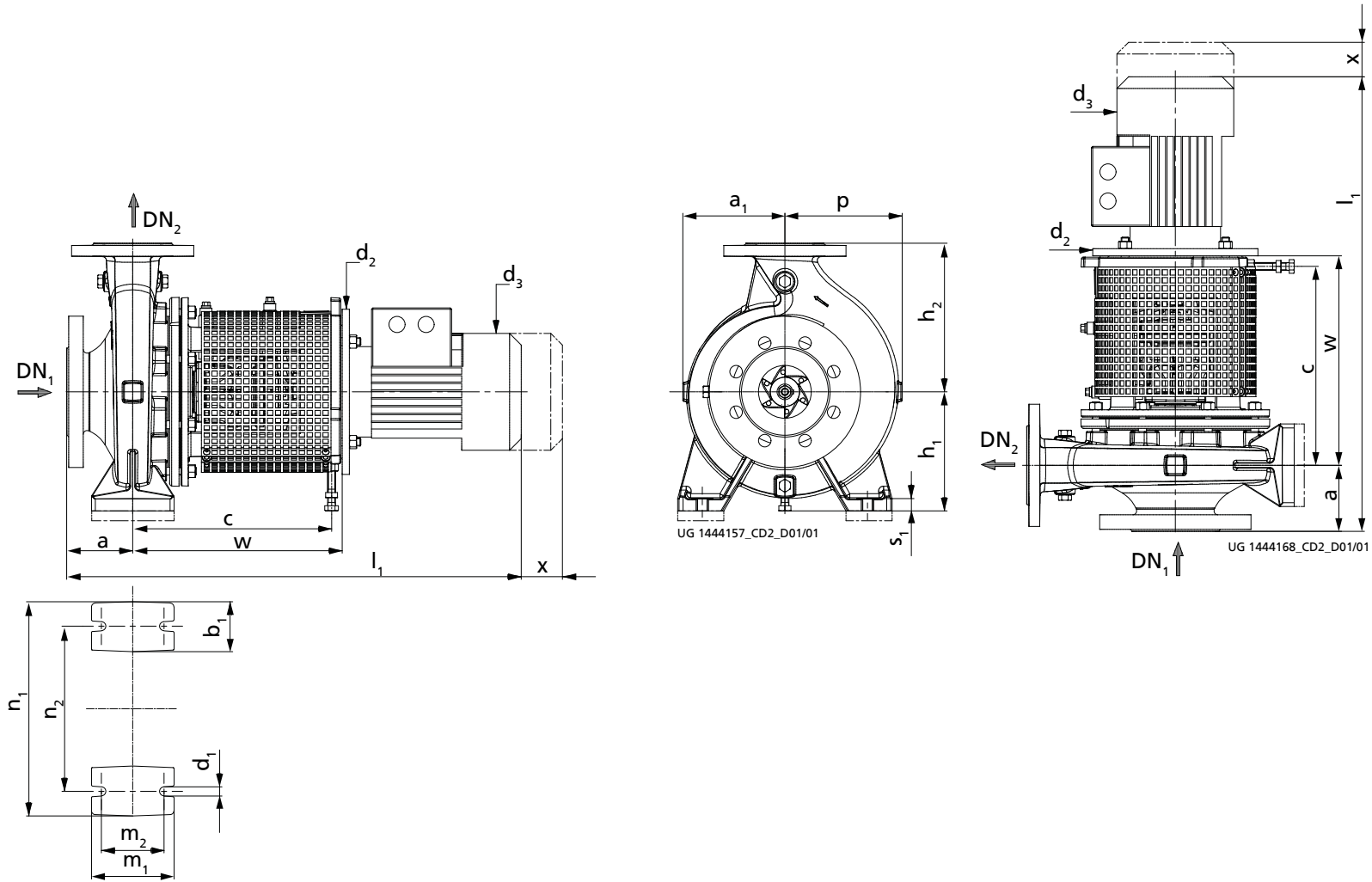


Fig. 3: Dimensions of Etabloc SYT,  $n = 1450 \text{ rpm} / n = 1750 \text{ rpm}$

Table 13: Dimensions

Etabloc SYT n = 1450 rpm n = 1750 rpm	Motor	P			I <sub>N</sub>	DN <sub>1</sub>	DN <sub>2</sub>	a	a <sub>1</sub>	b <sub>1</sub>	c	d <sub>1</sub>	d <sub>2</sub>	d <sub>3</sub>	h <sub>1</sub>	h <sub>2</sub>	l <sub>1</sub>	m <sub>1</sub>	m <sub>2</sub>	n <sub>1</sub>	n <sub>2</sub>	p	s <sub>1</sub>	w	x
		50 Hz	60 Hz	400 V																					
				50 Hz																					
		[kW]	[kW]	[~A]	[mm]																				
040-025-160	80M	-	0,63	1,46	40	25	80	118	50	301	14	200	162	132	160	657	100	70	240	190	118	15	322	100	
040-025-160	90S	1,10	1,27	2,51	40	25	80	118	50	301	14	200	190	132	160	684	100	70	240	190	118	15	322	100	
040-025-200	80M	0,55	0,63	1,46	40	25	80	142	50	301	14	200	162	160	180	657	100	70	240	190	142	15	322	100	
040-025-200	80M	-	0,86	1,67	40	25	80	142	50	301	14	200	162	160	180	657	100	70	240	190	142	15	322	100	
040-025-200	90S	-	1,27	2,51	40	25	80	142	50	301	14	200	190	160	180	684	100	70	240	190	142	15	322	100	
050-032-125.1	80M	0,55	0,63	1,46	50	32	80	116	50	301	14	200	162	112 <sup>18)</sup>	140	657	100	70	190	140	116	15	322	100	
050-032-125.1	90S	1,10	1,27	2,51	50	32	80	116	50	301	14	200	190	112 <sup>18)</sup>	140	684	100	70	190	140	116	15	322	100	
050-032-160	80M	0,55	0,63	1,46	50	32	80	118	50	301	14	200	162	132	160	657	100	70	240	190	128	15	322	100	
050-032-160	80M	0,75	0,86	1,67	50	32	80	118	50	301	14	200	162	132	160	657	100	70	240	190	128	15	322	100	
050-032-160	90S	-	1,27	2,51	50	32	80	118	50	301	14	200	190	132	160	684	100	70	240	190	128	15	322	100	
050-032-160.1	80M	0,55	0,63	1,46	50	32	80	116	50	301	14	200	162	132	160	657	100	70	240	190	121	15	322	100	
050-032-160.1	80M	-	0,86	1,67	50	32	80	116	50	301	14	200	162	132	160	657	100	70	240	190	121	15	322	100	
050-032-200	80M	0,55	-	1,46	50	32	80	142	50	301	14	200	162	160	180	657	100	70	240	190	143	18	322	100	
050-032-200	80M	0,75	-	1,67	50	32	80	142	50	301	14	200	162	160	180	657	100	70	240	190	143	18	322	100	
050-032-200	90S	1,10	1,27	2,51	50	32	80	142	50	301	14	200	190	160	180	684	100	70	240	190	143	18	322	100	
050-032-200	90L	-	1,75	3,32	50	32	80	142	50	301	14	200	190	160	180	710	100	70	240	190	143	18	322	100	
050-032-200	100L	-	2,55	4,67	50	32	80	142	50	301	14	250	213	160	180	744	100	70	240	190	143	18	317	100	
050-032-200.1	80M	0,55	0,63	1,46	50	32	80	142	50	301	14	200	162	160	180	657	100	70	240	190	142	18	322	100	
050-032-200.1	80M	0,75	0,86	1,67	50	32	80	142	50	301	14	200	162	160	180	657	100	70	240	190	142	18	322	100	
050-032-200.1	90S	-	1,27	2,51	50	32	80	142	50	301	14	200	190	160	180	684	100	70	240	190	142	18	322	100	
050-032-200.1	90L	-	1,75	3,32	50	32	80	142	50	301	14	200	190	160	180	710	100	70	240	190	142	18	322	100	
065-040-160	80M	0,55	-	1,46	65	40	80	119	50	301	14	200	162	132	160	657	100	70	240	190	134	15	322	100	
065-040-160	80M	0,75	0,86	1,67	65	40	80	119	50	301	14	200	162	132	160	657	100	70	240	190	134	15	322	100	
065-040-160	90S	1,10	1,27	2,51	65	40	80	119	50	301	14	200	190	132	160	684	100	70	240	190	134	15	322	100	
065-040-160	90L	-	1,75	3,32	65	40	80	119	50	301	14	200	190	132	160	710	100	70	240	190	134	15	322	100	
065-040-160	100L	-	2,55	4,67	65	40	80	119	50	301	14	250	213	132	160	744	100	70	240	190	134	15	317	100	
065-040-200	80M	0,75	-	1,67	65	40	100	142	50	301	14	200	162	160	180	677	100	70	265	212	155	18	322	100	
065-040-200	90S	1,10	-	2,51	65	40	100	142	50	301	14	200	190	160	180	704	100	70	265	212	155	18	322	100	
065-040-200	90L	1,50	1,75	3,32	65	40	100	142	50	301	14	200	190	160	180	730	100	70	265	212	155	18	322	100	
065-040-200	100L	-	2,55	4,67	65	40	100	142	50	301	14	250	213	160	180	764	100	70	265	212	155	18	317	100	
065-040-200	100L	-	3,45	6,18	65	40	100	142	50	301	14	250	213	160	180	799	100	70	265	212	155	18	317	100	
065-050-160	80M	0,75	-	1,67	65	50	100	128	50	301	14	200	162	160	180	677	100	70	265	212	149	18	322	100	

<sup>18</sup> Pump feet shimmed 20 mm

Etabloc SYT n = 1450 rpm n = 1750 rpm	Motor	P			I <sub>N</sub>	DN <sub>1</sub>	DN <sub>2</sub>	a	a <sub>1</sub>	b <sub>1</sub>	c	d <sub>1</sub>	d <sub>2</sub>	d <sub>3</sub>	h <sub>1</sub>	h <sub>2</sub>	l <sub>1</sub>	m <sub>1</sub>	m <sub>2</sub>	n <sub>1</sub>	n <sub>2</sub>	p	s <sub>1</sub>	w	x
		50 Hz	60 Hz	400 V																					
		[kW]	[kW]	[~A]	[mm]																				
065-050-160	90S	1,10	1,27	2,51	65	50	100	128	50	301	14	200	190	160	180	704	100	70	265	212	149	18	322	100	
065-050-160	90L	1,50	1,75	3,32	65	50	100	128	50	301	14	200	190	160	180	730	100	70	265	212	149	18	322	100	
065-050-160	100L	-	2,55	4,67	65	50	100	128	50	301	14	250	213	160	180	764	100	70	265	212	149	18	317	100	
065-050-160	100L	-	3,45	6,18	65	50	100	128	50	301	14	250	213	160	180	799	100	70	265	212	149	18	317	100	
065-050-200	90L	1,50	-	3,32	65	50	100	144	50	301	14	200	190	160	200	730	100	70	265	212	163	18	322	100	
065-050-200	100L	2,20	2,55	4,67	65	50	100	144	50	301	14	250	213	160	200	764	100	70	265	212	163	18	317	100	
065-050-200	100L	3,00	3,45	6,18	65	50	100	144	50	301	14	250	213	160	200	799	100	70	265	212	163	18	317	100	
065-050-200	112M	-	4,55	8,23	65	50	100	144	50	301	14	250	234	160	200	788	100	70	265	212	163	18	317	100	
065-050-200	132S	-	6,30	11,32	65	50	100	144	50	324	14	300	266	160	200	853	100	70	265	212	163	18	340	100	
080-065-160	90S	1,10	-	2,51	80	65	100	132	65	301	14	200	190	160	200	704	125	95	280	212	160	18	322	100	
080-065-160	90L	1,50	1,75	3,32	80	65	100	132	65	301	14	200	190	160	200	730	125	95	280	212	160	18	322	100	
080-065-160	100L	2,20	2,55	4,67	80	65	100	132	65	301	14	250	213	160	200	764	125	95	280	212	160	18	317	100	
080-065-160	100L	-	3,45	6,18	80	65	100	132	65	301	14	250	213	160	200	799	125	95	280	212	160	18	317	100	
080-065-160	112M	-	4,55	8,23	80	65	100	132	65	301	14	250	234	160	200	788	125	95	280	212	160	18	317	100	
080-065-160	132S	-	6,30	11,32	80	65	100	132	65	324	14	300	266	160	200	853	125	95	280	212	160	18	340	100	
080-065-200	100L	2,20	-	4,67	80	65	100	155	65	301	14	250	213	180	225	764	125	95	320	250	178	18	317	140	
080-065-200	100L	3,00	3,45	6,18	80	65	100	155	65	301	14	250	213	180	225	799	125	95	320	250	178	18	317	140	
080-065-200	112M	4,00	4,55	8,23	80	65	100	155	65	301	14	250	234	180	225	788	125	95	320	250	178	18	317	140	
080-065-200	132S	-	6,30	11,32	80	65	100	155	65	324	14	300	266	180	225	853	125	95	320	250	178	18	340	140	
080-065-200	132M	-	8,60	14,70	80	65	100	155	65	324	14	300	298	180	225	881	125	95	320	250	178	18	340	140	
100-080-160	90L	1,50	-	3,32	100	80	125	138	65	301	14	200	190	180	225	755	125	95	320	250	174	18	322	140	
100-080-160	100L	2,20	-	4,67	100	80	125	138	65	301	14	250	213	180	225	789	125	95	320	250	174	18	317	140	
100-080-160	100L	3,00	3,45	6,18	100	80	125	138	65	301	14	250	213	180	225	824	125	95	320	250	174	18	317	140	
100-080-160	112M	-	4,55	8,23	100	80	125	138	65	301	14	250	234	180	225	813	125	95	320	250	174	18	317	140	
100-080-160	132S	-	6,30	11,32	100	80	125	138	65	324	14	300	266	180	225	878	125	95	320	250	174	18	340	140	

Connections

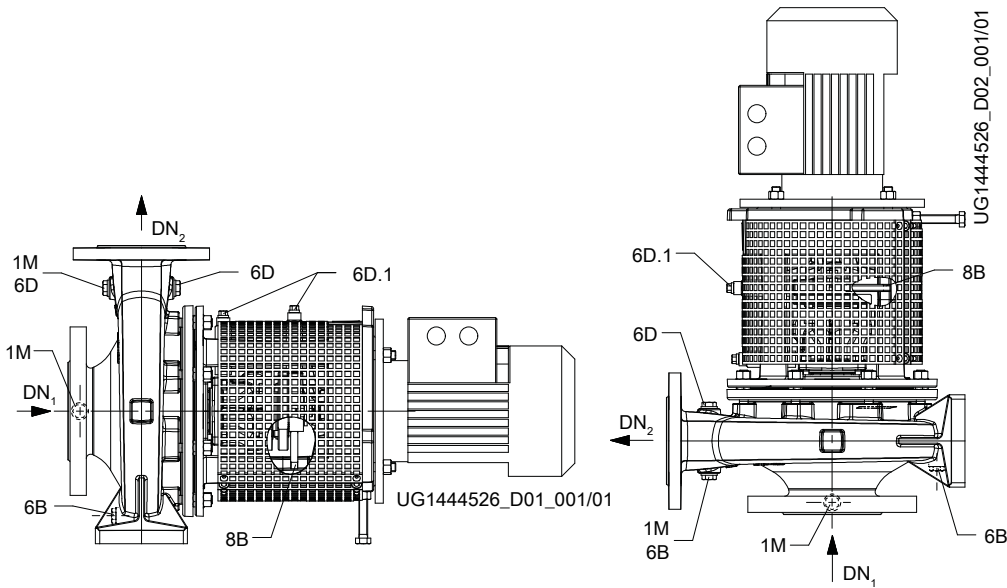


Fig. 4: Etabloc SYT connections by installation type

Table 14: Connections

Connection	Description	Configuration	Position
1M	Connection for pressure gauge	Drilled and closed	Suction flange / discharge flange
6B	Fluid drain	Drilled and closed	Volute casing
6D, 6D.1	Fluid priming and venting	Drilled and closed	Volute casing / bearing housing
8B	Leakage drain	Drilled	Seal cover

Table 15: Etabloc SYT connections

Etabloc SYT	Connection		
	Volute casing	Bearing housing / seal cover	
	1M, 6B, 6D	6D.1	8B
040-025-160	G 1/4	G 1/8	R 1/8
040-025-200	G 1/4	G 1/8	R 1/8
050-032-125.1	G 1/4	G 1/8	R 1/8
050-032-160	G 1/4	G 1/8	R 1/8
050-032-160.1	G 1/4	G 1/8	R 1/8
050-032-200	G 1/4	G 1/8	R 1/8
050-032-200.1	G 1/4	G 1/8	R 1/8
065-040-160	G 1/4	G 1/8	R 1/8
065-040-200	G 1/4	G 1/8	R 1/8
065-050-160	G 1/4	G 1/8	R 1/8
065-050-200	G 1/4	G 1/8	R 1/8
080-065-160	G 3/8	G 1/8	R 1/8
080-065-200	G 3/8	G 1/8	R 1/8
100-080-160	G 3/8	G 1/8	R 1/8

### Flange design

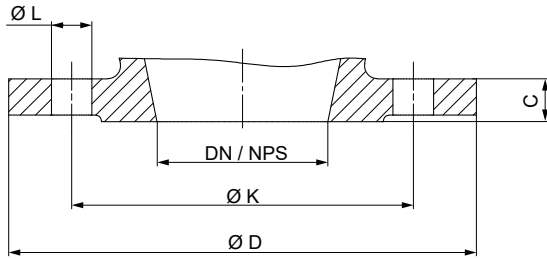


Fig. 5: Flange dimensions of Etabloc SYT

Table 16: Flange dimensions of Etabloc SYT

DN / NPS	Standard					
	EN 1092-2			ASME B 16.1		
	PN 16			Class 125		
	Ø K	Ø D	Number and Ø of holes (Ø L)	Ø K	Ø D	Number and Ø of holes (Ø L)
[mm]						
25 / NPS 1	85	115	4 × Ø14	79,2	115	4 × Ø15,7
32 / NPS 1 1/4	100	140	4 × Ø19	88,9	140	4 × Ø15,7
40 / NPS 1 1/2	110	150	4 × Ø19	98,6	150	4 × Ø15,7
50 / NPS 2	125	165	4 × Ø19	120,7	165	4 × Ø19,1
65 / NPS 2 1/2	145	185	4 × Ø19	139,7	185	4 × Ø19,1
80 <sup>19)</sup> / NPS 3	160	200 / 229 <sup>20)</sup>	8 × Ø19	152,4	200 / 229 <sup>20)</sup>	4 × Ø19,1
100 / NPS 4	180	230	8 × Ø19	190,5	230	8 × Ø19,1

Table 17: NPS for DN 80 flange drilled to ASME table

Etabloc SYT	Bearing housing	Material	
		SG / SC	
		DN 1	DN 2
		ASME 125	ASME 125
080-065-160	25	NPS 4	NPS 2 1/2
080-065-200	25	NPS 4	NPS 2 1/2

Table 18: Flange design by material

Material	Standard	Nominal size	Pressure class
S	EN 1092-2	DN 25 - DN 100	PN 16
	Drilled to ASME B16.1 <sup>21)</sup>	DN 25 - DN 100	Class 125

### Installation types

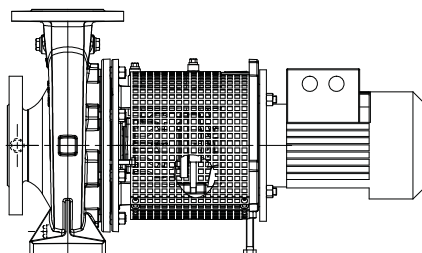


Fig. 6: Horizontal installation, Etabloc SYT

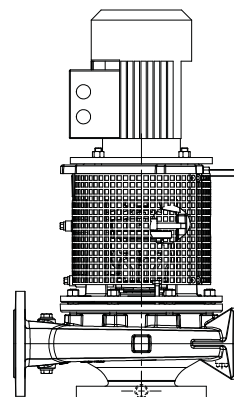


Fig. 7: Vertical installation, Etabloc SYT

<sup>19</sup> DN 80 flange NPS 3 drilled to NPS 4 (Etabloc SYT 080-065-160 / 080-065-200), see "NPS for DN 80 flange drilled to ASME" table.

<sup>20</sup> Suction-side DN 80 flange (Etabloc SYT 080-065-160 / 080-065-200), see "NPS for DN 80 flange drilled to ASME" table.

<sup>21</sup> DN 80 machined like DN 100



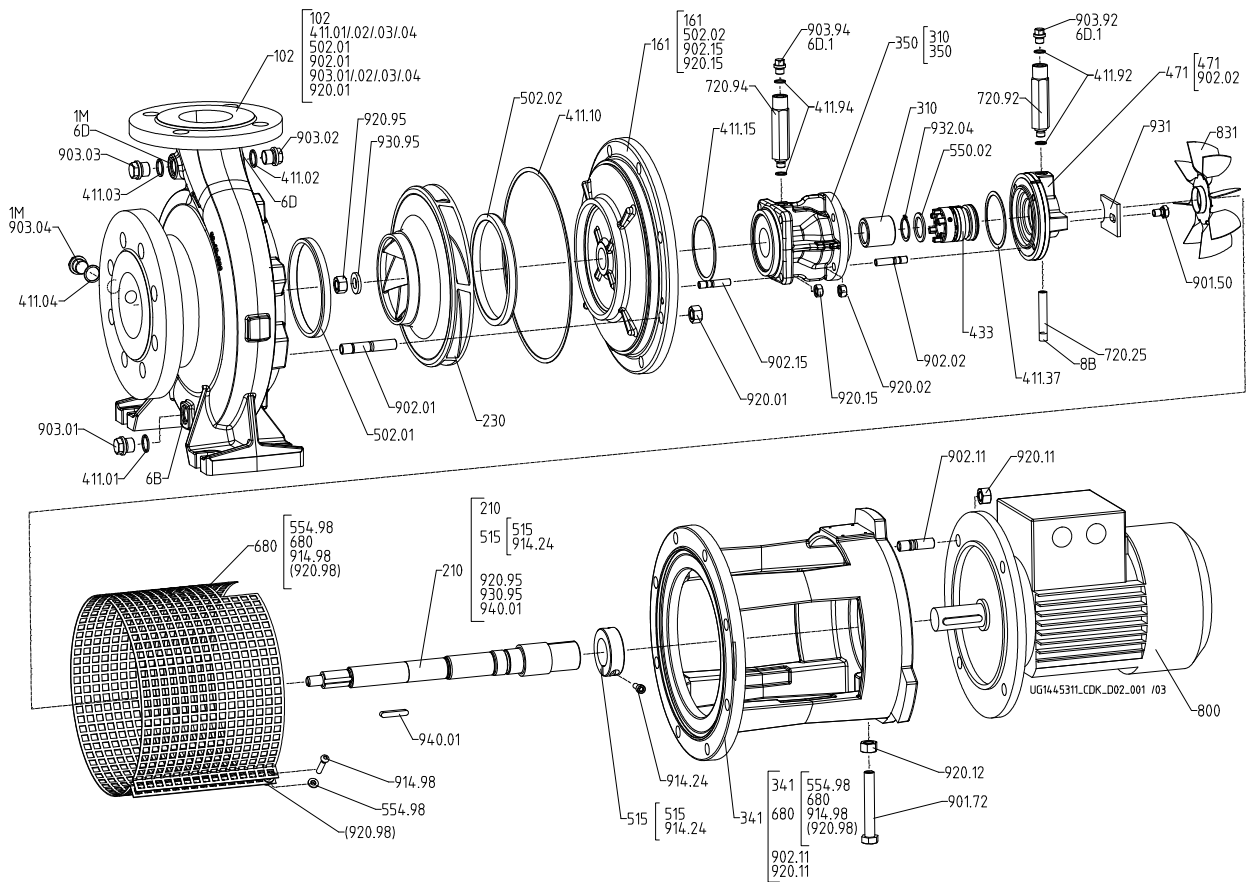
### Scope of supply

Depending on the model, the following items are included in the scope of supply:

- Pump
- Drive

General assembly drawings

Etabloc SYT exploded view



**Fig. 8:** Etabloc SYT exploded view  
[ Supplied in packaging units only  
( ) Not available as individual spare part

**Table 19:** List of components

Part No.	Description	Part No.	Description
102	Volute casing	720.25/.92/.94	Fitting
161	Casing cover	800	Motor
210	Shaft	831	Fan impeller
230	Impeller	901.50/.72	Hexagon head bolt
310	Plain bearing	902.01/.02/.11/.15	Stud
341	Drive lantern	903.01/.02/.03/.04/.92/.94	Screw plug
350	Bearing housing	914.24	Hexagon socket head cap screw
411.01/.02/.03/.04/.10/.15/.37/.92/.94	Joint ring	914.98	Pan head screw
433	Mechanical seal	920.01/.02/.11/.12/.15/.95	Hexagon nut
471	Seal cover	920.98	Blind rivet nut
502.01/.02	Casing wear ring	930.95	Nord-Lock bolt securing element
515	Taper lock ring	931	Lock washer
550.02	Disc	932.04	Circlip
554.98	Lock washer	940.01	Key
680	Guard		

## Glossary

### Back pull-out design

The complete back pull-out unit can be pulled out without having to remove the pump casing from the piping.

### IE2

Efficiency class to IEC 60034-30: 2 = High Efficiency (IE = International Efficiency)

### IE3

Efficiency class to IEC 60034-30: 3 = Premium Efficiency (IE = International Efficiency)

### IE4

Efficiency class to IEC TS 60034-30-2:2016 = Super Premium Efficiency (IE = International Efficiency)

### IE5

Efficiency class to IEC TS 60034-30-2:2016 = Ultra Premium Efficiency (IE = International Efficiency)

### Mech. seal

Mechanical seal







**KSB SE & Co. KGaA**  
Johann-Klein-Straße 9 • 67227 Frankenthal (Germany)  
Tel. +49 6233 86-0  
[www.ksb.com](http://www.ksb.com)