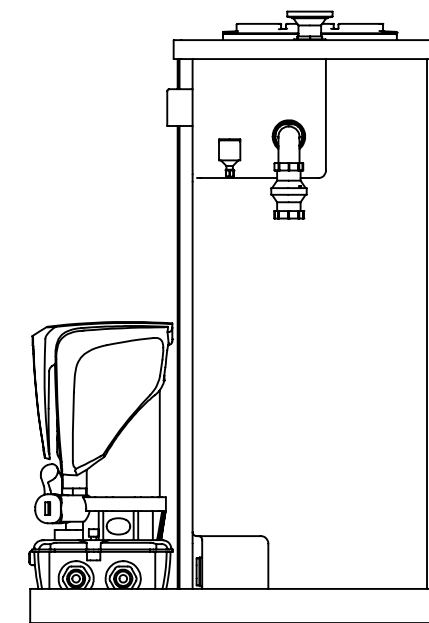
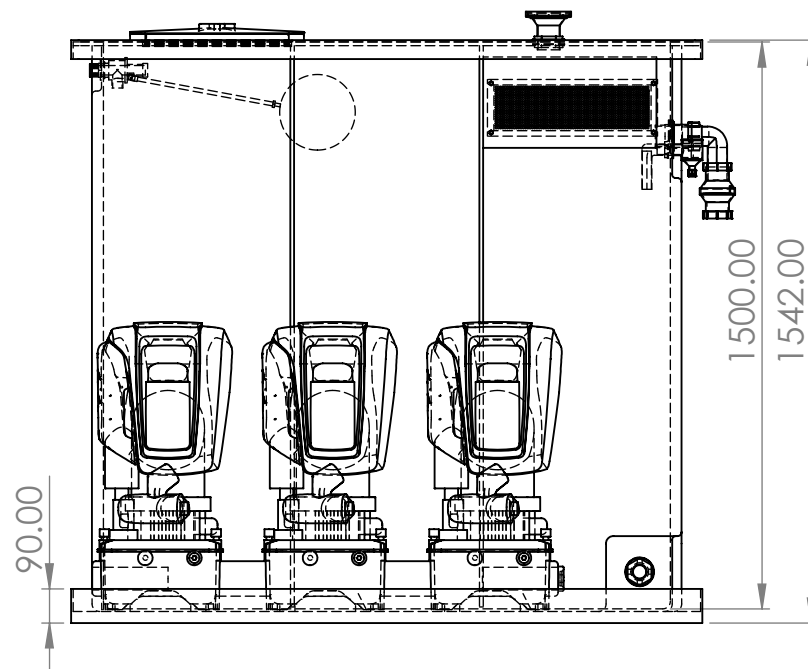
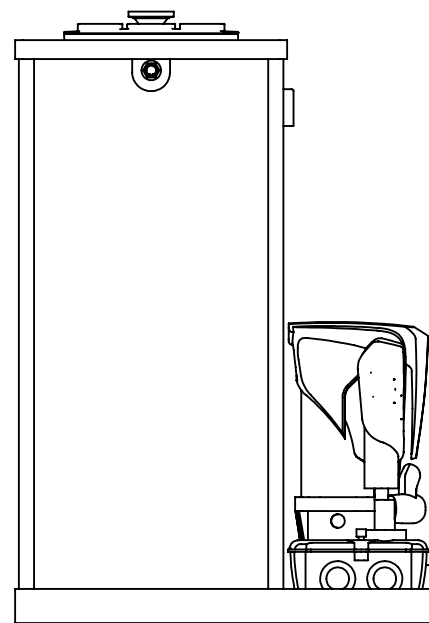
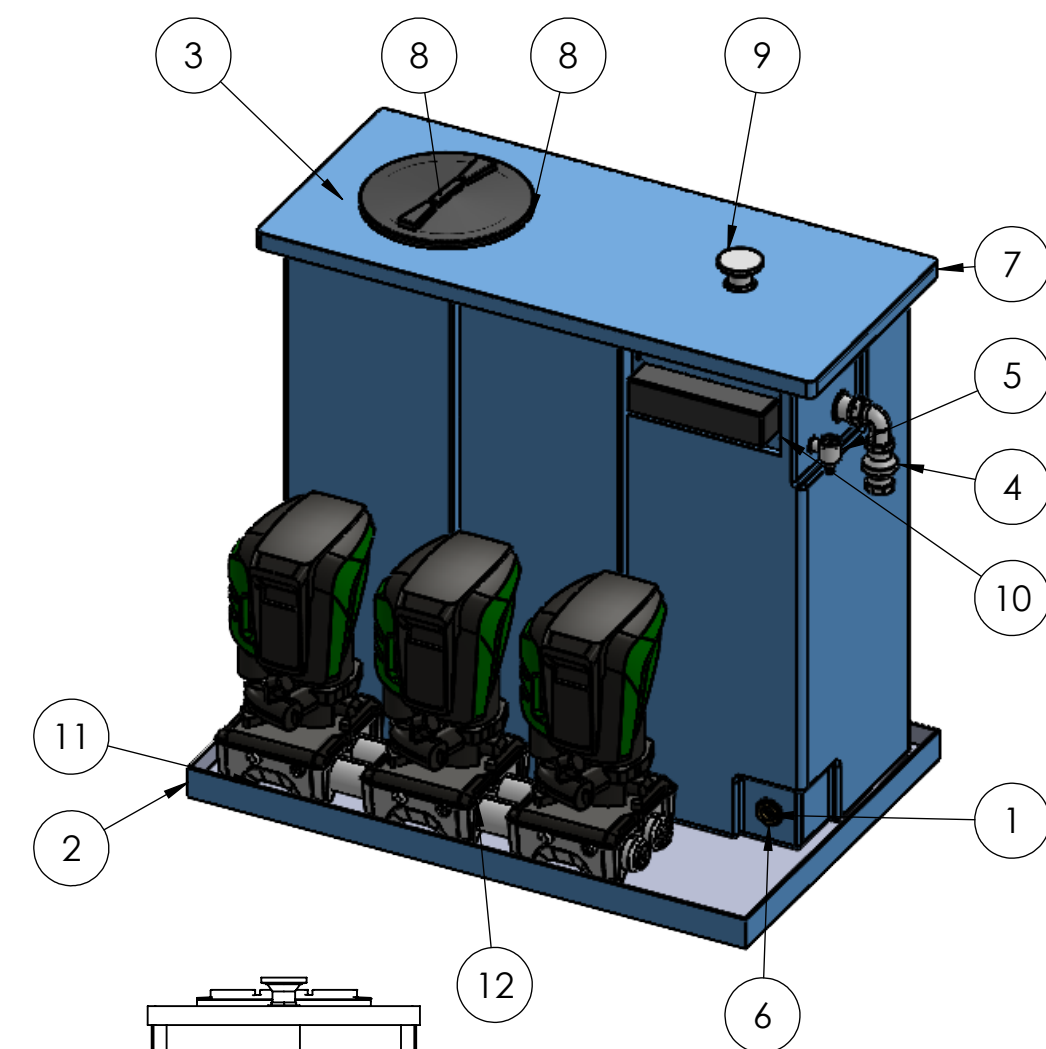
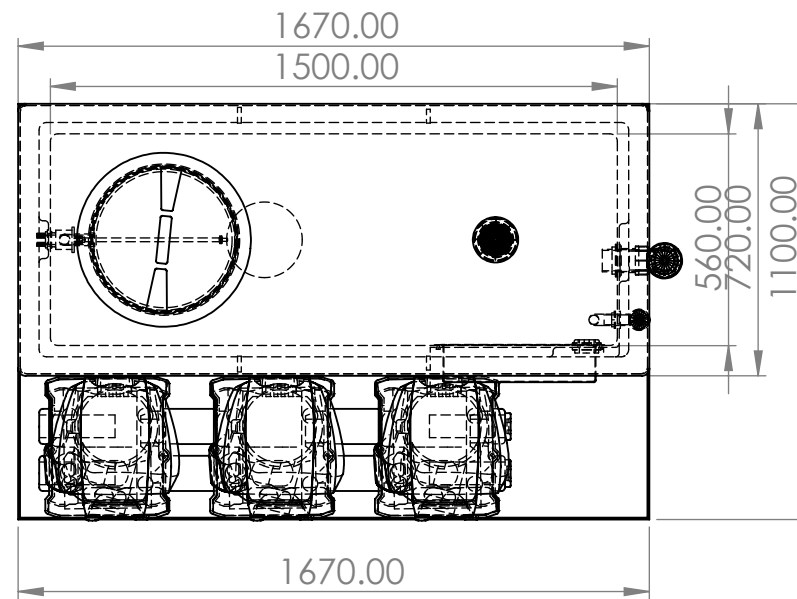


ITEM NO.	PART NUMBER	DESCRIPTION	QTY.
1	DAB1260 Tank	Int Dims L/W/H 1500 x 560 x 1500mm	1
2	DAB Condense Tray	Ext Dims L/W/H 1670 x 100 x 90mm	1
3	25mm Equilibrium Valve	Complete with copper float	1
4	2 Inch Screened Overflow		1
5	22mm Warning Pipe		1
6	1.25 Inch Brass Essex Tank Connector		1
7	DAB1260 Preins Lid	Ext Dims L/W/H 1670 x 720 x 50mm	1
8	400 Round Hatch414		1
9	Screened Lid Vent		1
10	400x95ABWEIR		1
11	60198333_STP.stp		1
12	60195100_60199035_60199039_STP.stp		3

## DAB1260AB + Eesybox Max 3



All Provisions are shown in standard locations

If required differently Please amend prior to order

I am signing to approve this drawing to progress my order into the build program

I accept that I cannot cancel this order following my signature of approval

Name	Signature	Drawing approval date

