




	Page
<b>- SPECIFICATIONS</b> <sup>①</sup>	<b>200</b>
PERFORMANCE RANGE and SELECTION CHART	201
TYPE KEY and CURVE SPECIFICATIONS	202
PERFORMANCE CURVE AGA 0.60	203
PERFORMANCE CURVE AGA 0.75	204
PERFORMANCE CURVE AGA 1.00	205
PERFORMANCE CURVE AGA 1.50	206
PERFORMANCE CURVE AGA 2.00	207
PERFORMANCE CURVE AGA 3.00	208
PERFORMANCE CURVE AGC 1.50	209
PERFORMANCE CURVE AGC 2.00	210
PERFORMANCE CURVE AGC 3.00	211
<b>- CONSTRUCTIONS</b>	<b>300</b>
SECTIONAL VIEW	300
MECHANICAL SEAL	301
BEARINGS	301
<b>- DIMENSIONS and WEIGHT</b>	<b>400</b>
PUMP	400
PACKING	401
<b>- TECHNICAL DATA</b>	<b>500</b>
MOTOR DATA	500
NOISE DATA	500

① click INDEX to jump CORRESPONDING SECTION

② click  to go back to INDEX

**SPECIFICATION**

50Hz

Rev. M

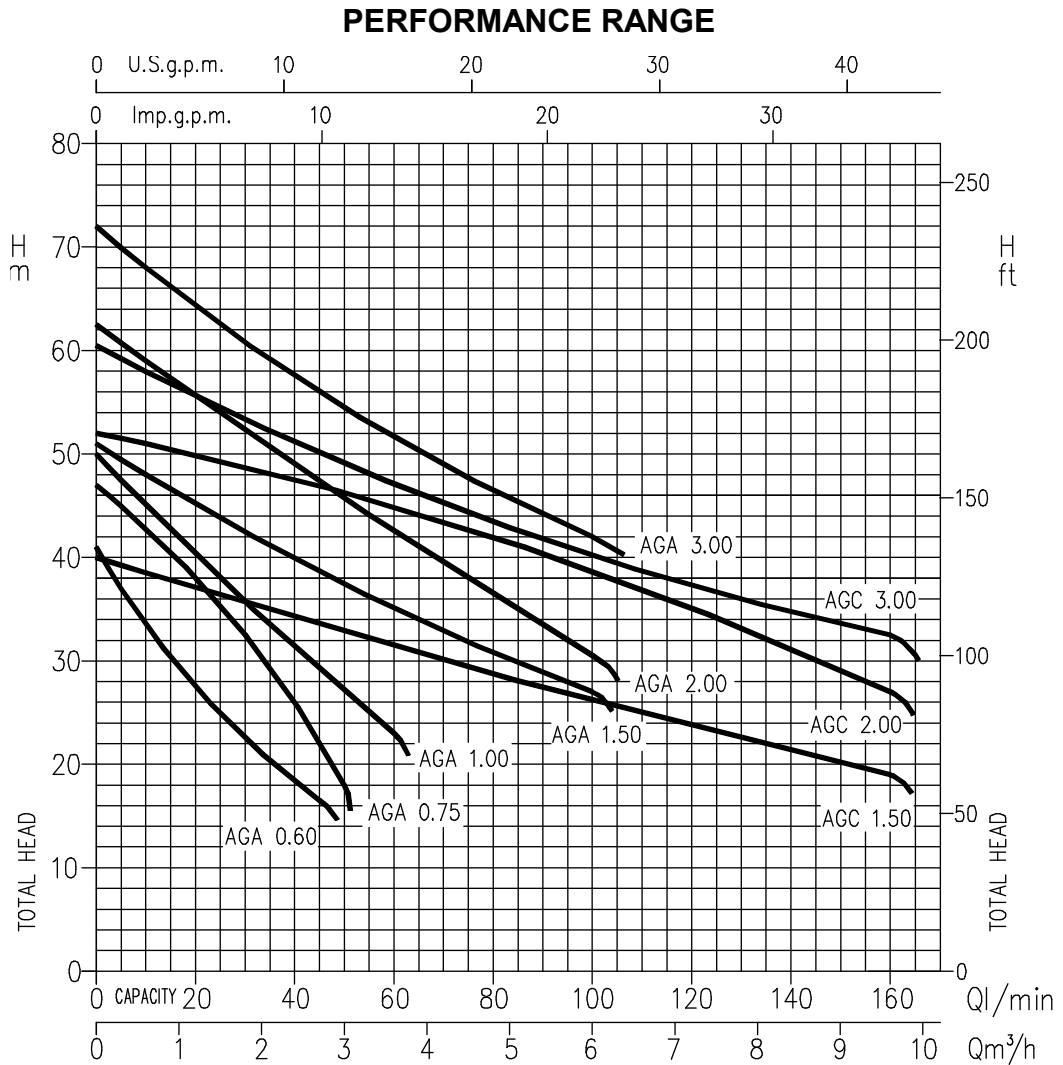
<b>PUMP</b>		
Liquid Handled	Type of liquid	Clean water
	Temperature [°C]	min. +5 max. +45
Maximum working pressure	[MPa]	0.6 (AGA 0.60-0.75-1.00) 1.0 (AGA 1.50-2.00-3.00; all AGC)
Maximum suction depth	[m]	8
Construction	Impeller	Closed centrifugal type
	Shaft seal type	Mechanical seal
	Bearing	Sealed ball bearing
Pipe Connection	Suction	G 1 (AGA 0.60-0.75-1.00) UNI ISO 228
		G 1½ (AGA 1.50-2.00-3.00; all AGC) UNI ISO 228
	Discharge	G 1 UNI ISO 228
Material	Casing	Cast iron
	Impeller	PPE+PS glass fibre reinforced (AGA 0.60-0.75-1.00)
		Brass (AGA 1.50-2.00-3.00; all AGC)
	Shaft seal	Ceramic/Carbon/NBR
	Casing cover	AISI 304 (AGA 0.60-0.75-1.00)
		Cast iron built-in on the motor bracket (AGA 1.50-2.00-3.00; all AGC)
	Shaft	AISI 303 (wet extension)
	Bracket	Aluminium (AGA 0.60-0.75-1.00)
Cast iron (AGA 1.50-2.00-3.00; all AGC)		
Ejector	PPE+PS glass fibre reinforced	
Diffuser	PPE+PS glass fibre reinforced	
Applicable standard of test		ISO 9906:2012 – Grade 3B

<b>MOTOR</b>		
Type	Electric - TEFC	
	Single Phase	Three Phase
Efficiency level (Reg. 1781/2019)	-	IE3
No. of Poles	2	
Rotation speed [min <sup>-1</sup> ]	≈ 2800	
Insulation Class	F	
Protection degree (CEI EN 60034-5)	IP 44	
Power rating	[kW]	0.44÷1.5
	[HP]	0.6÷2
Frequency [Hz]	50	
Voltage [V]	230 ±10%	230/400 ±10%
Capacitor	Built in	-
Over load protection	Built in	Provided by the user
Casing material	Aluminium	
Base material / Motor support	Plastic foot /Cast iron	
Dimensions of cable entry	PG11 - PG13.5 – M16x1.5 – M20x1.5 (see dimensions page 400)	

SELECTION CHART

50Hz

Rev. M



**SELECTION CHART**

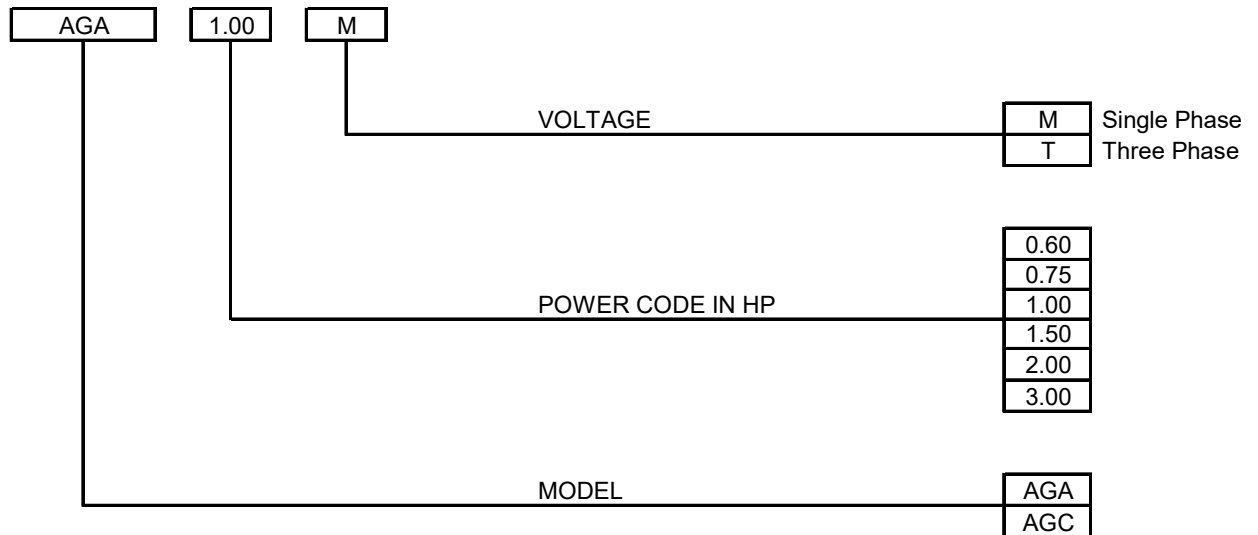
Type pumps		Power		Q=Capacity													
Single Phase	Three Phase	[kW]	[HP]	l/min	0	5	10	20	30	45	50	60	80	100	130	160	
				m³/h	0	0.3	0.6	1.2	1.8	2.7	3.0	3.6	4.8	6	7.8	9.6	
H=Total manometric head in meters																	
AGA 0.60 M	AGA 0.60 T	0.44	0.6	41.5	37	33.4	27.1	22	16.5	-	-	-	-	-	-	-	
AGA 0.75 M	AGA 0.75 T	0.55	0.75	47	45	42.8	37.9	32	21.9	18	-	-	-	-	-	-	
AGA 1.00 M	AGA 1.00 T	0.75	1	50	47.5	45	40.3	35.7	29.1	27	23	-	-	-	-	-	
AGA 1.50 M	AGA 1.50 T	1.1	1.5	51	-	48	45.1	42.4	38.6	37.4	35.1	30.8	27	-	-	-	
AGA 2.00 M	AGA 2.00 T	1.5	2	62.5	-	59	55.6	52.2	47.3	45.7	42.5	36.4	30.5	-	-	-	
-	AGA 3.00 T	2.2	3	72	-	68	64.3	60.8	55.9	54.4	51.6	46.4	42	-	-	-	
AGC 1.50 M	AGC 1.50 T	1.1	1.5	40	-	38.5	37	35.6	33.5	32.7	31.4	28.7	26.1	22.4	19	-	
AGC 2.00 M	AGC 2.00 T	1.5	2	52	-	51	49.9	48.8	46.9	46.3	44.9	42	38.7	33.2	27	-	
-	AGC 3.00 T	2.2	3	60.5	-	58	55.6	53.3	50.1	49.1	47.1	43.4	40.2	35.9	32.5	-	

**TYPE KEY and CURVE SPECIFICATIONS**

50Hz

Rev. M

**TYPE KEY**



**PERFORMANCE CURVE SPECIFICATIONS**

The specifications below qualify the curves shown on the following pages.

Tolerances according to ISO 9906:2012 – Grade 3B

The curves refer to effective speed of asynchronous motors at 50 Hz, 2 poles.

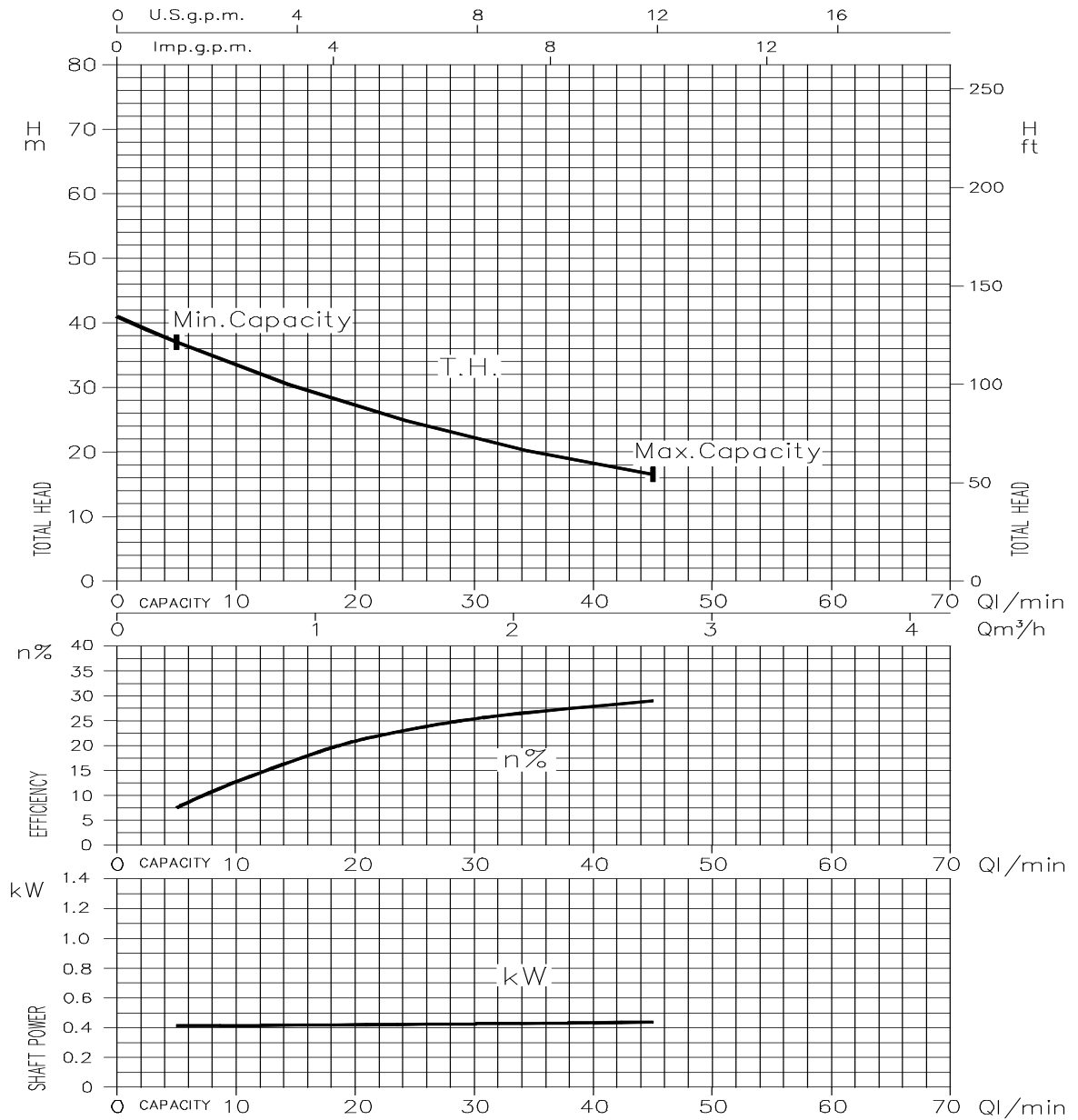
Measurements were carried out with clean water at 20°C of temperature and with a kinematic viscosity of  $\nu = 1 \text{ mm}^2/\text{s}$  (1 cSt)

In order to avoid the risk of over-heating, the pumps should not be used at a flow rate below 10% of best efficiency point.

Symbols explanation:

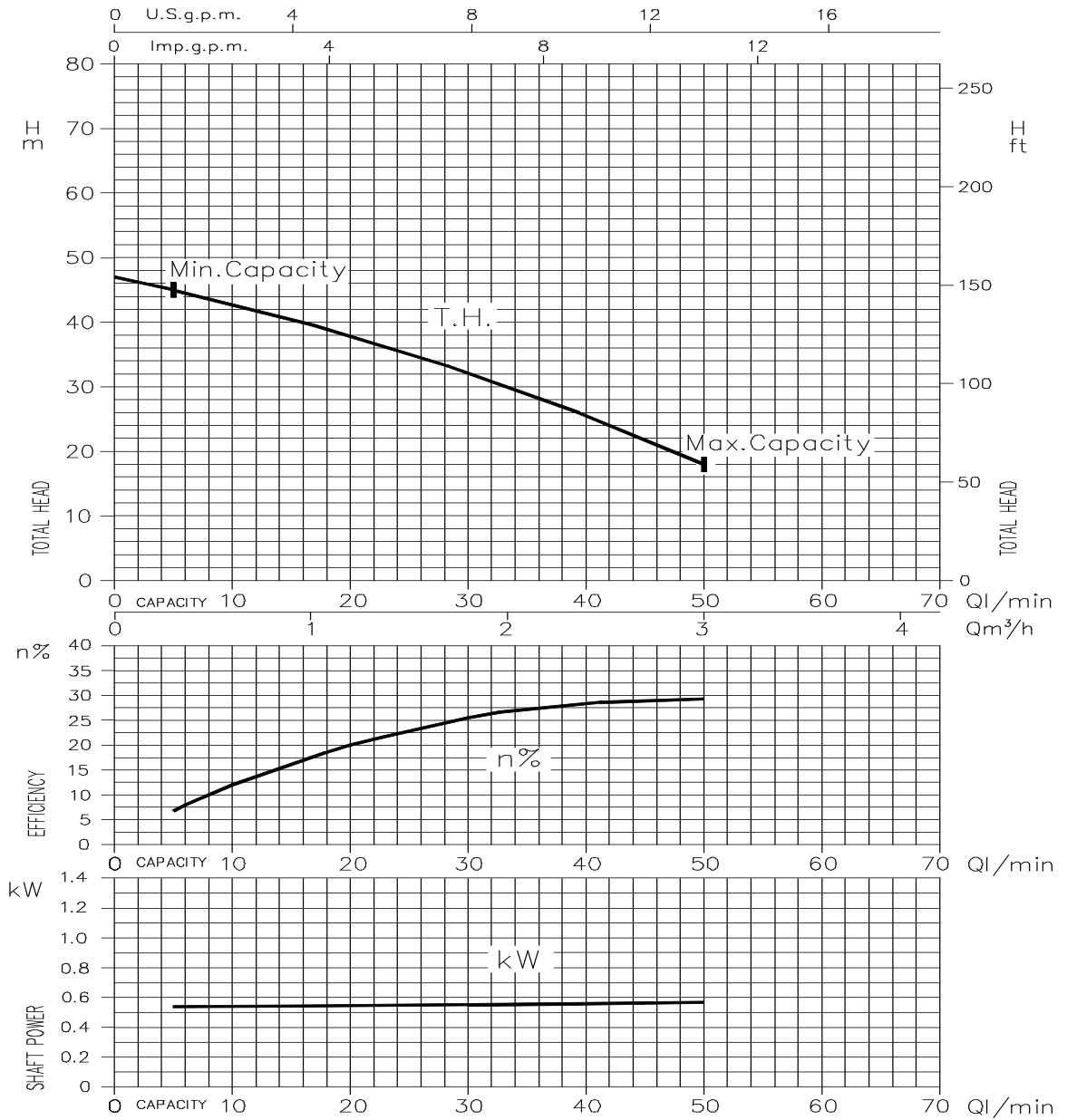
- Q = volume flow rate
- H = total head
- P<sub>2</sub> = pump power input (shaft power)
- $\eta$  = pump efficiency

AGA 0.60 (0.45 kW) - Impeller diameter = 130 mm



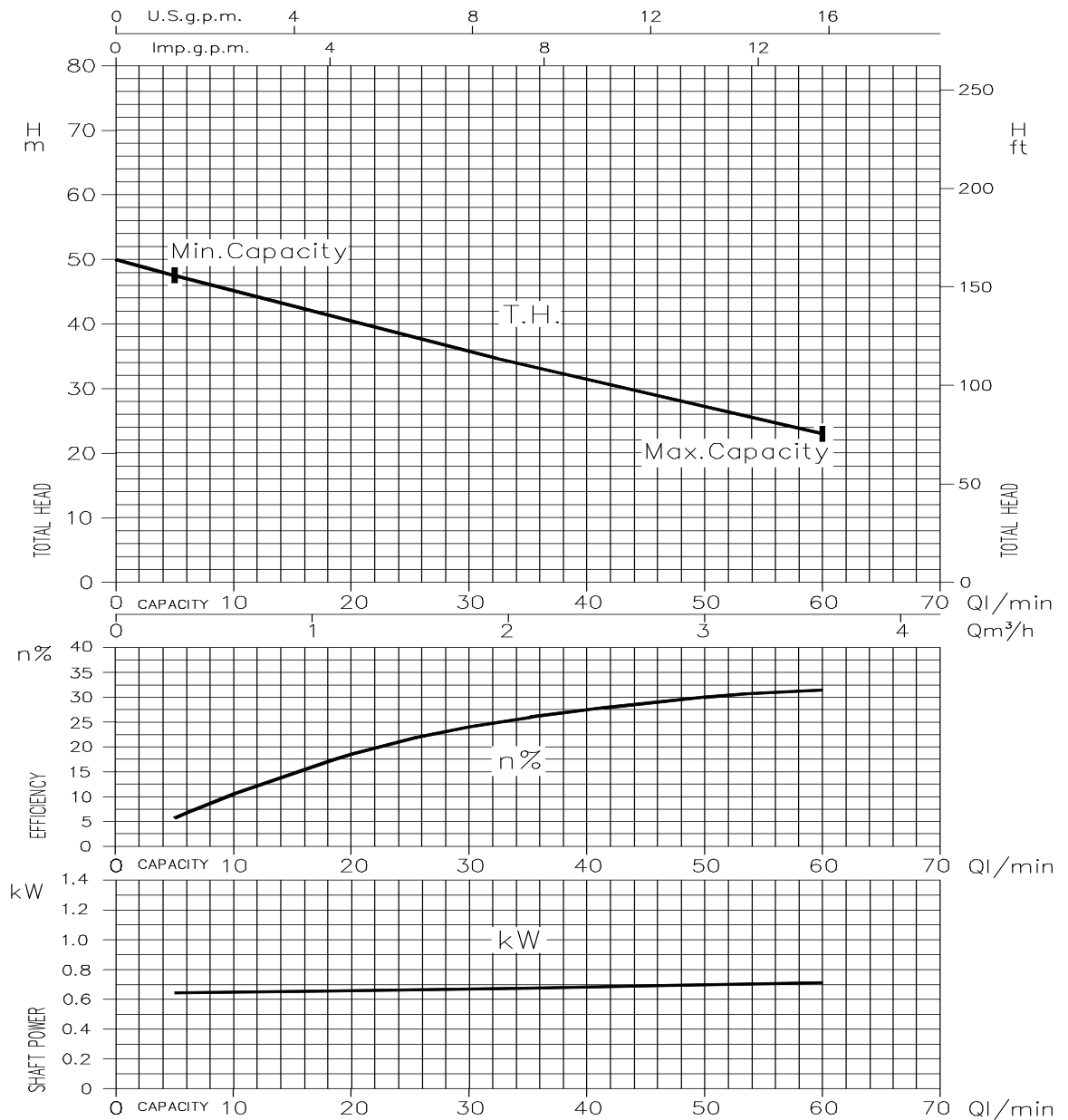
Rotation speed  $\approx 2800 \text{ min}^{-1}$   
 Test standard: ISO 9906:2012 – Grade 3B

AGA 0.75 (0.55 kW) - Impeller diameter = 130 mm



Rotation speed  $\approx 2800 \text{ min}^{-1}$   
 Test standard: ISO 9906:2012 – Grade 3B

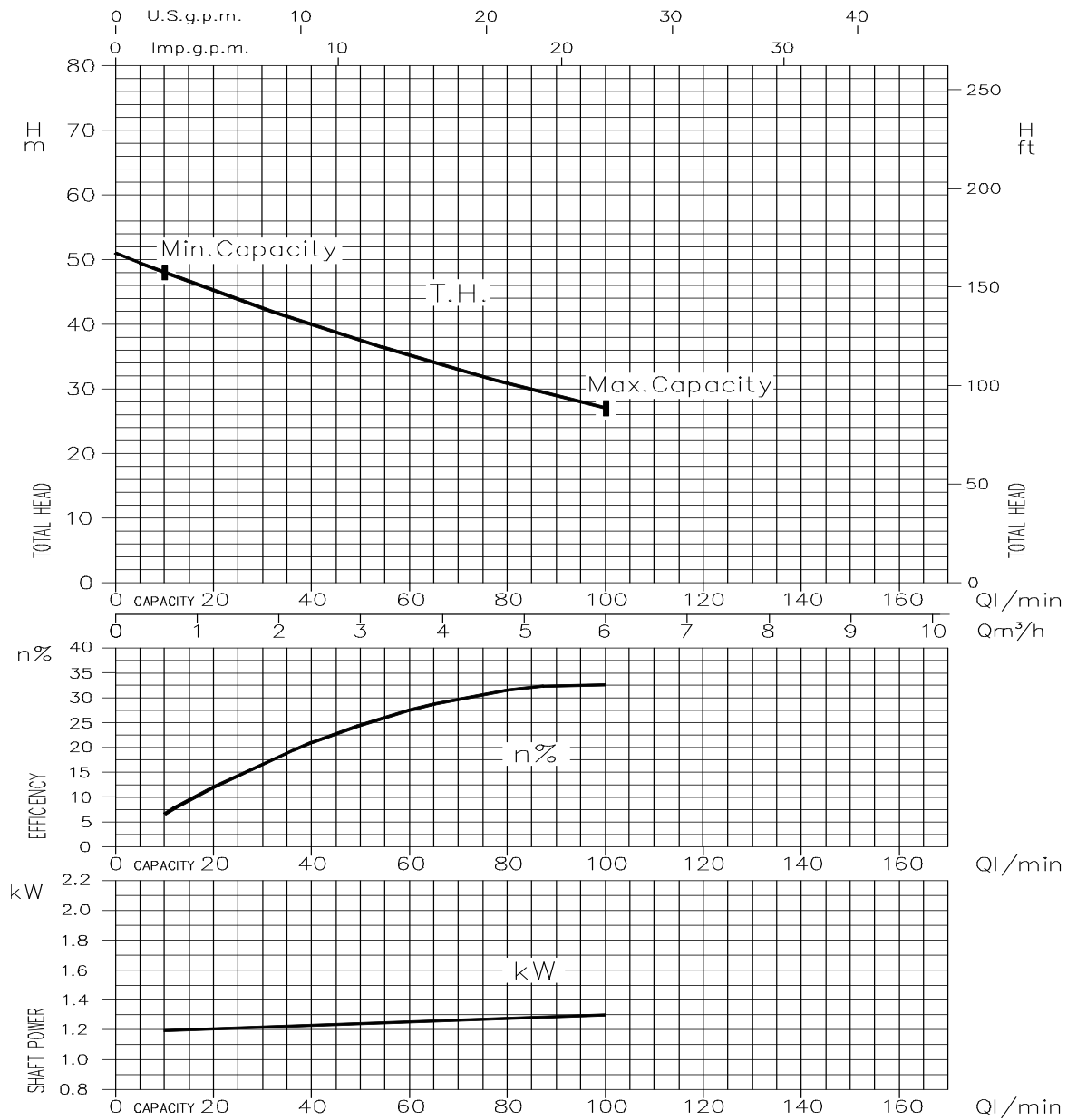
AGA 1.00 (0.75 kW) - Impeller diameter = 130 mm



Rotation speed  $\approx 2800 \text{ min}^{-1}$   
 Test standard: ISO 9906:2012 – Grade 3B

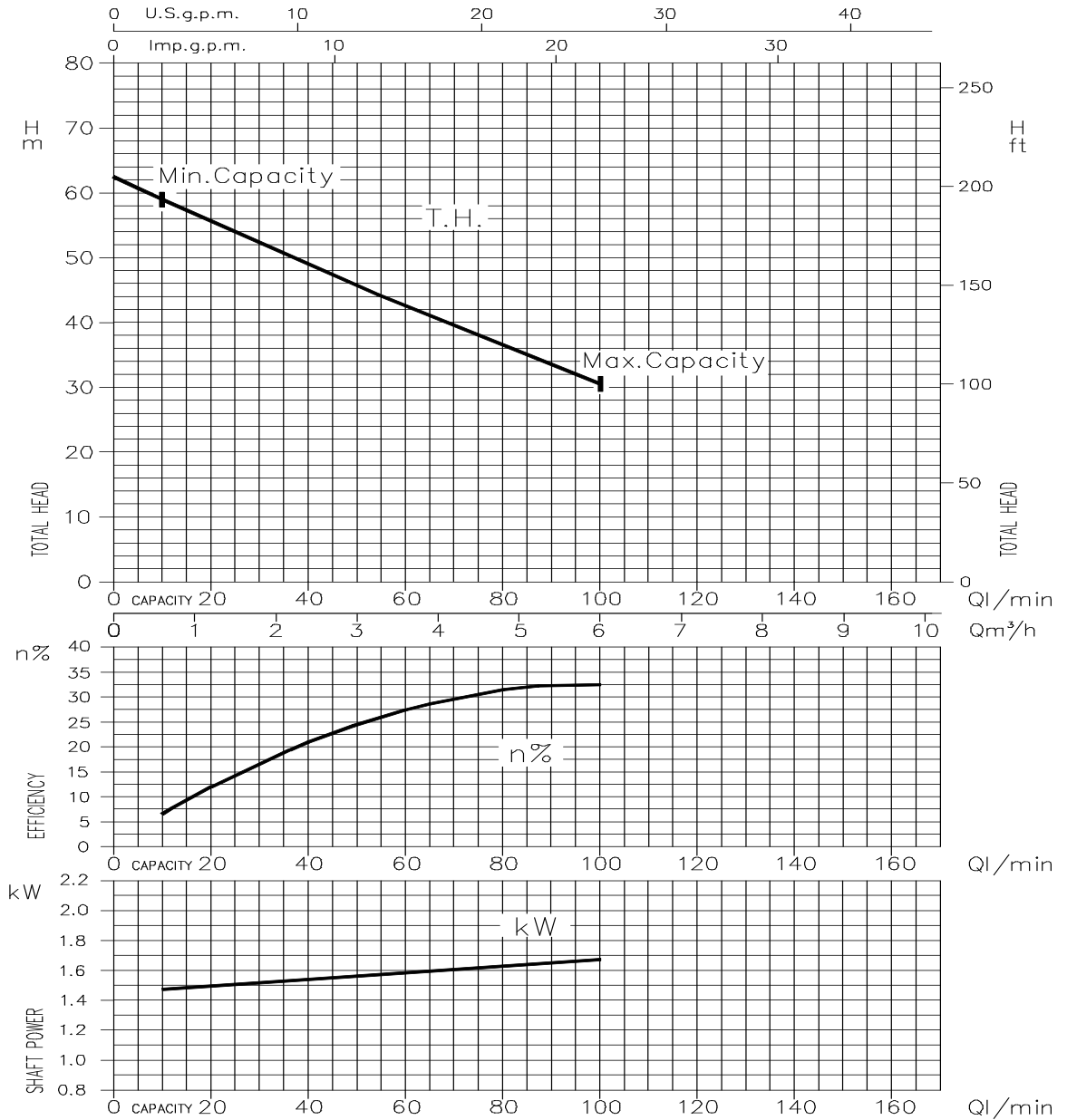


AGA 1.50 (1.1 kW) - Impeller diameter = 143 mm



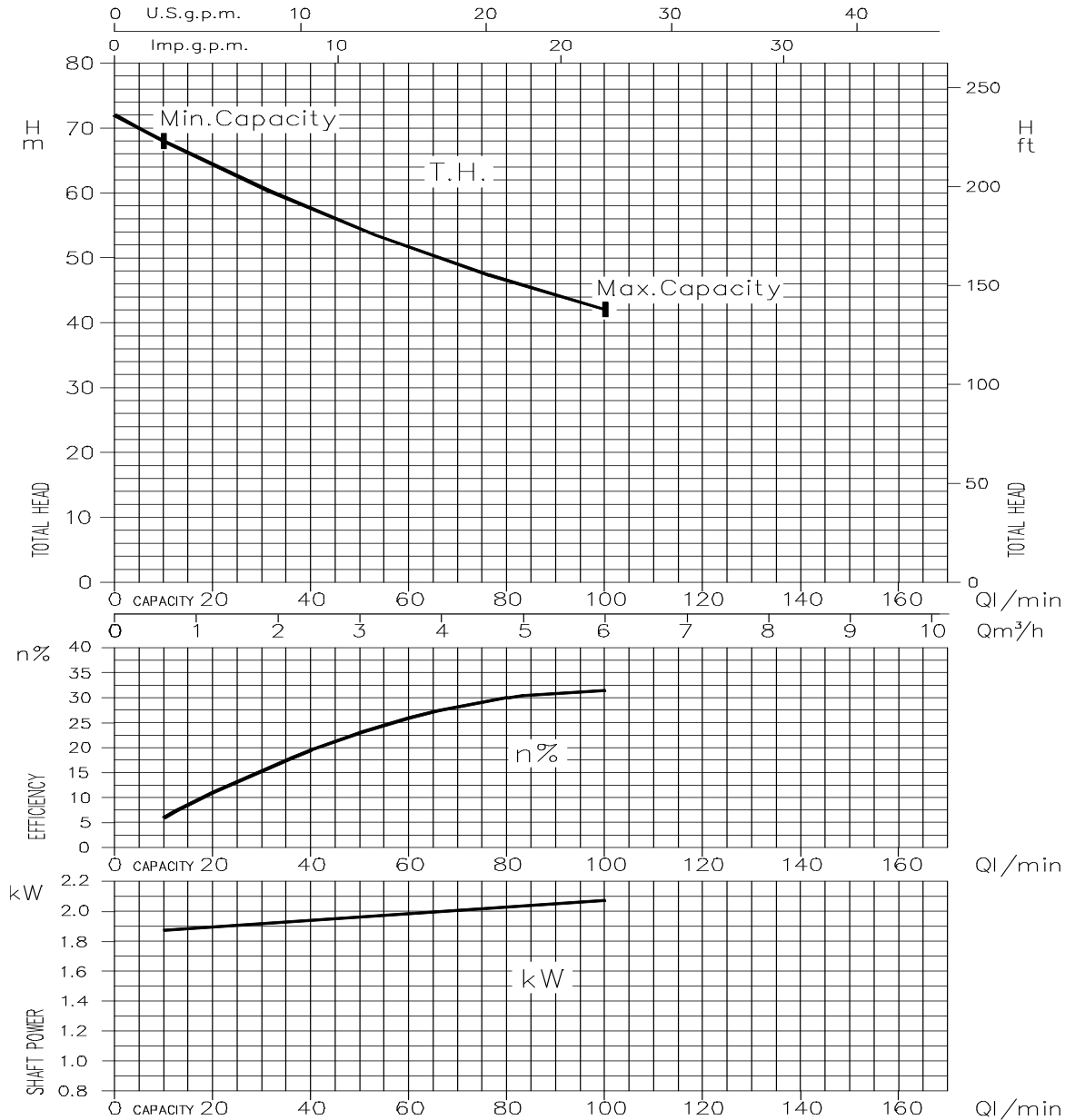
Rotation speed  $\approx 2850 \text{ min}^{-1}$   
 Test standard: ISO 9906:2012 – Grade 3B

AGA 2.00 (1.5 kW) - Impeller diameter = 157 mm



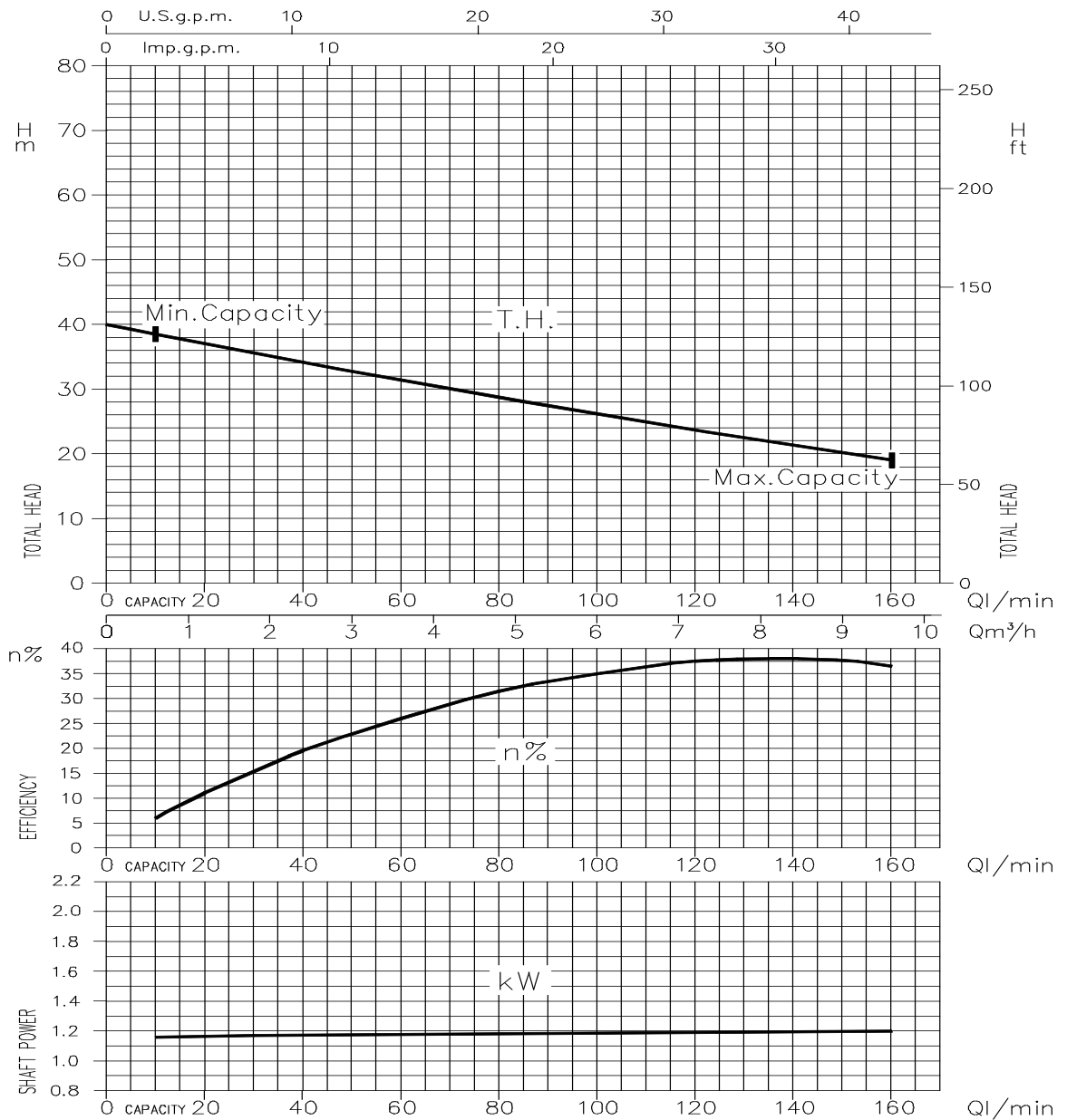
Rotation speed  $\approx 2850 \text{ min}^{-1}$   
 Test standard: ISO 9906:2012 – Grade 3B

AGA 3.00 (2.2 kW) - Impeller diameter = 164 mm



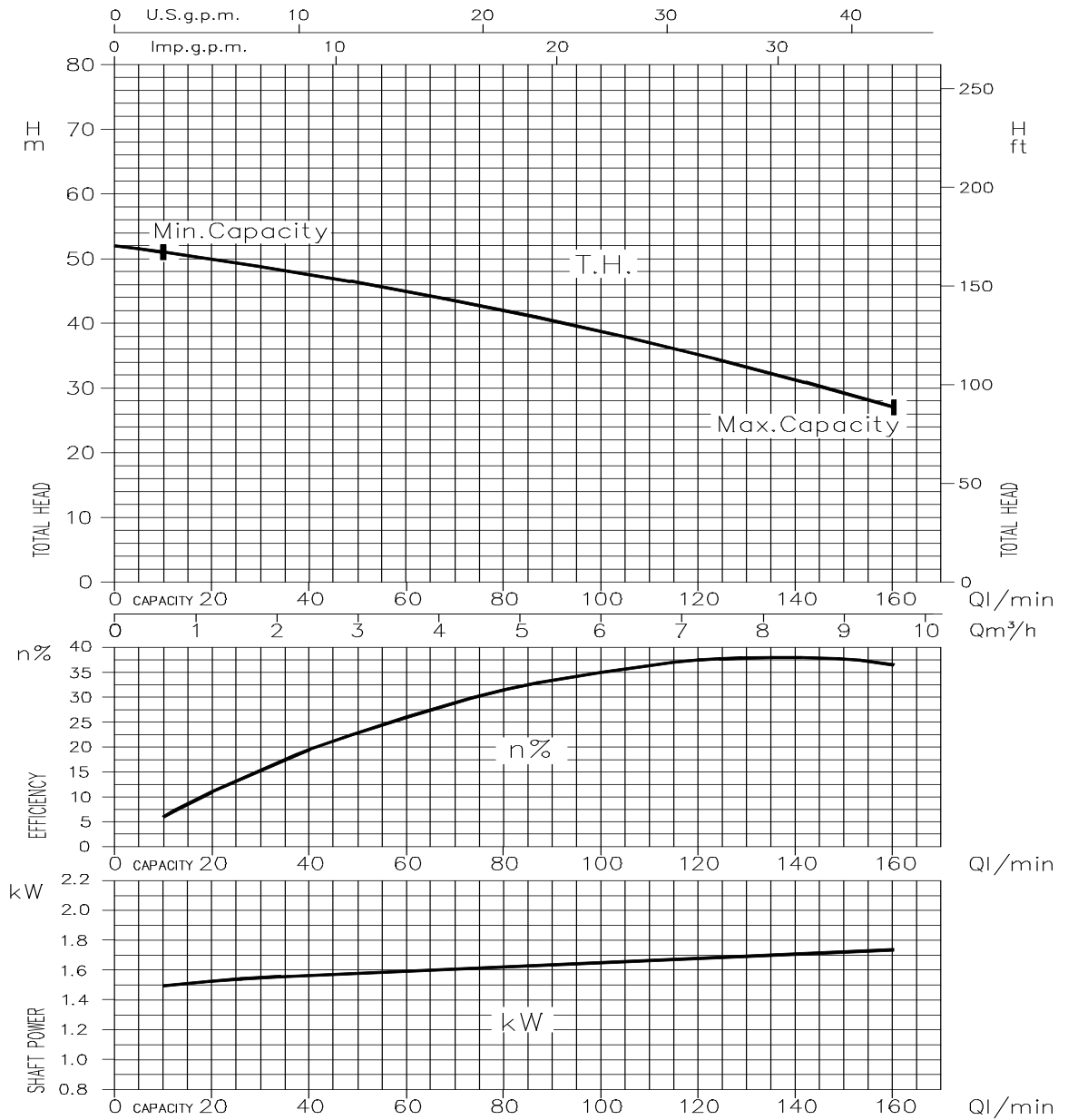
Rotation speed ≈ 2850 min<sup>-1</sup>  
 Test standard: ISO 9906:2012 – Grade 3B

AGC 1.50 (1.1 kW) - Impeller diameter = 143 mm



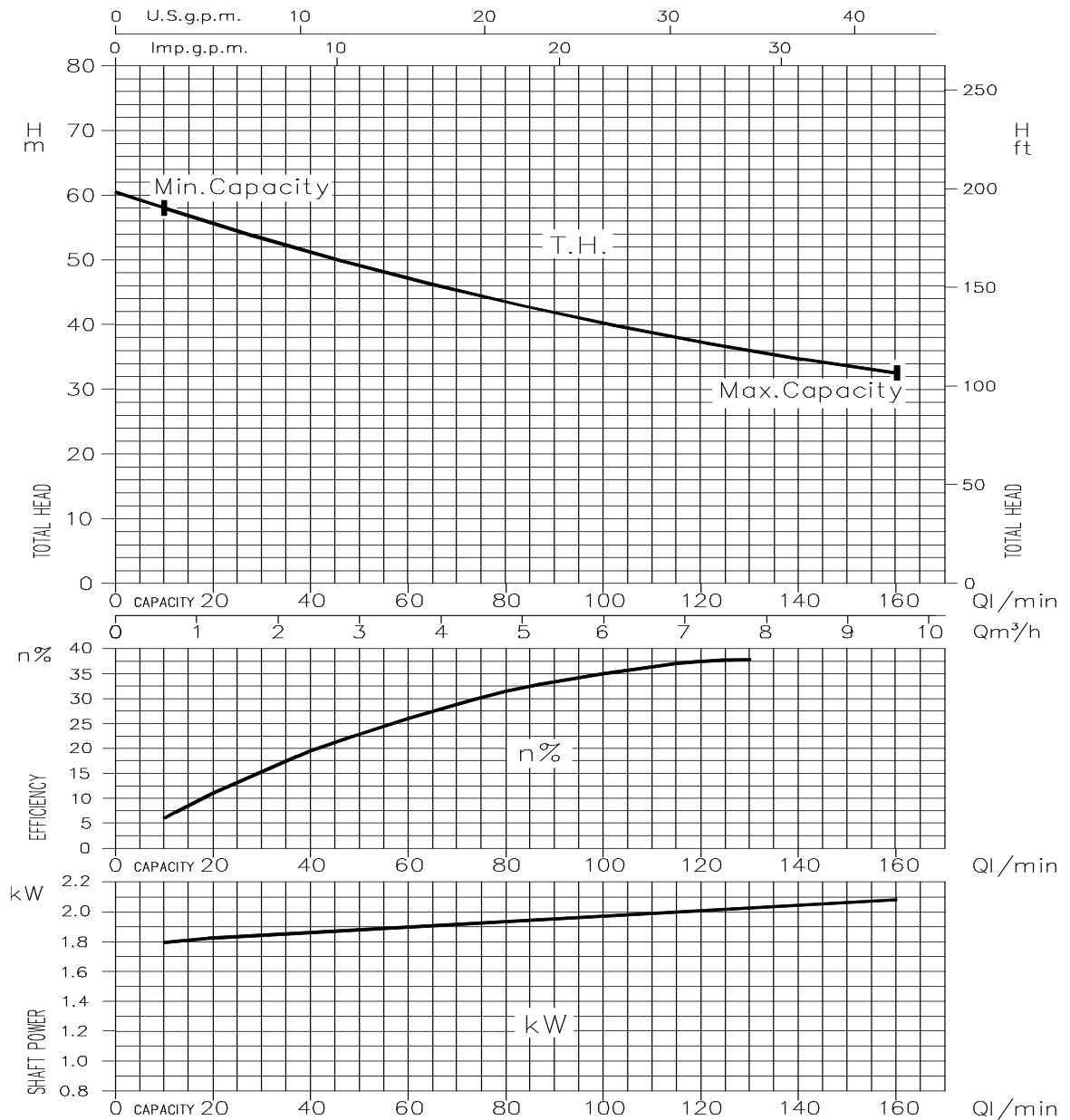
Rotation speed ≈ 2850 min<sup>-1</sup>  
 Test standard: ISO 9906:2012 – Grade 3B

AGC 2.00 (1.5 kW) - Impeller diameter = 157 mm



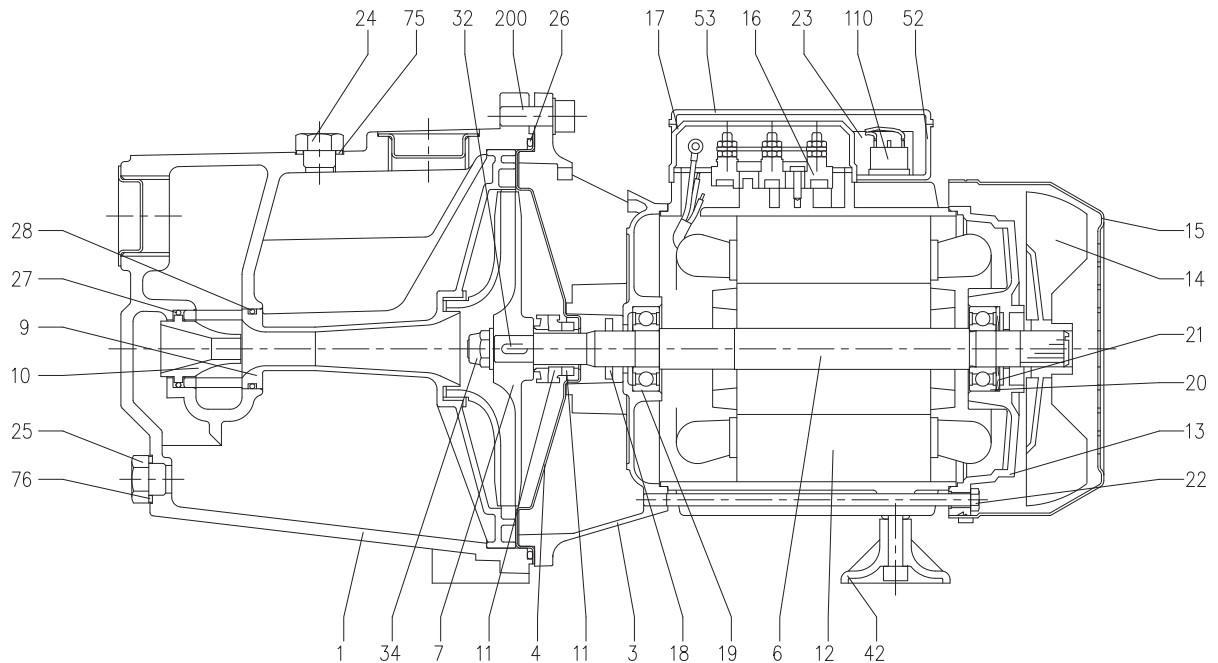
Rotation speed  $\approx 2850 \text{ min}^{-1}$   
 Test standard: ISO 9906:2012 – Grade 3B

AGC 3.00 (2.2 kW) - Impeller diameter = 164 mm



Rotation speed  $\approx 2850 \text{ min}^{-1}$   
 Test standard: ISO 9906:2012 – Grade 3B

SECTIONAL VIEW



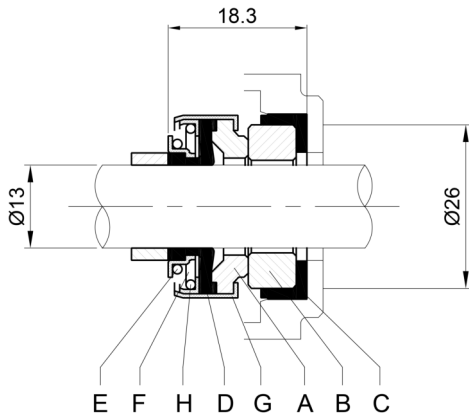
N°	PART NAME	MATERIAL	Q.TY
1	Casing	Cast iron	1
3	Motor bracket [1]	-	1
4	Casing cover [2]	AISI 304	1
6	Shaft with rotor	AISI 303 (wet extension)	1
7	Impeller [3]		1
9	Diffuser + Venturi tube	PPE+PS glass fibre reinforced	1
10	Venturi nozzle	PPE+PS glass fibre reinforced	1
11	Mechanical seal [4]	Carbon/Ceramic/NBR	1
12	Motor frame with stator	-	1
13	Motor cover	Aluminium	1
14	Fan	PA	1
15	Fan cover	Fe P04 Zincate	1
16	Terminal board	-	1
17	Terminal box cover [5]	Aluminium	1
18	Splash ring	NBR	1
19	Pump side ball bearing	-	1
20	Fan side ball bearing	-	1

N°	PART NAME	MATERIAL
21	Adjusting ring	Steel C70
22	Tie rod	Fe 42 Zincate
23	Capacitor [6]	-
24	Priming plug	Brass
25	Drain plug	Brass
26	O-ring	NBR
27	O-ring	NBR
28	O-ring	NBR
32	Key	AISI 316
34	Impeller nut [7]	AISI 304
42	Foot	PP
52	Capacitor box [8]	ABS class V-0
53	Capacitor box cover [9]	ABS class V-0
75	Washer	Aluminium
76	Washer	Aluminium
110	Protector [8]	-
200	Screw	Zn Steel Cl. 8.8 ISO 898-1

- [1] Material: Cast iron for version AGA1.50 - AGA 2.00 - AGA 3.00 - AGC 1.50 - AGC 2.00 - AGC 3.00  
Aluminium for version AGA 0.60 - AGA 0.75 - AGA 1.00
- [2] Only for version AGA 0.60 - AGA 0.75 - AGA 1.00
- [3] Material: PPE+PS glass fibre reinforced for version AGA 0.60 - AGA 0.75 - AGA 1.00  
Brass for version AGA 1.50 - AGA 2.00 - AGA 3.00 - AGC 1.50 - AGC 2.00 - AGC 3.00
- [4] See constructions mechanical seal page 301
- [5] Only for three phase
- [6] Only for single phase
- [7] Only for version with impeller in Brass
- [8] Only for version single phase AGA 1.50 - AGA 2.00 - AGC 1.50 - AGC 2.00
- [9] With gasket in NBR only for version single phase AGA 0.60 - AGA 0.75 - AGA 1.00

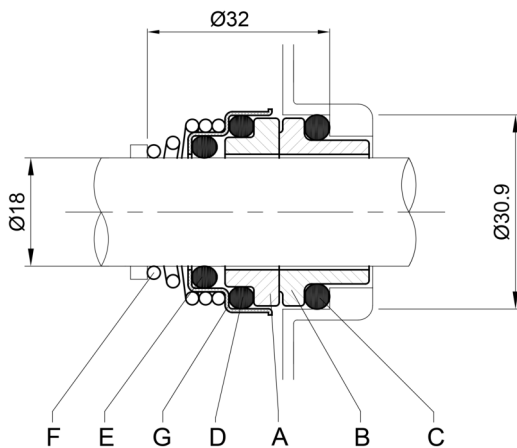
MECHANICAL SEAL

UP TO 0.75 kW



REF	PART NAME	MATERIAL
A	Rotary seal ring	Carbon graphite
B	Stationary seal ring	Ceramic
C	Gasket	NBR
D	Bellows	NBR
E	O-Ring	AISI 304
F	Self-driving spring	AISI 304
G	Frame	AISI 304
H	Retainer ring	AISI 304

1.1 kW AND ABOVE



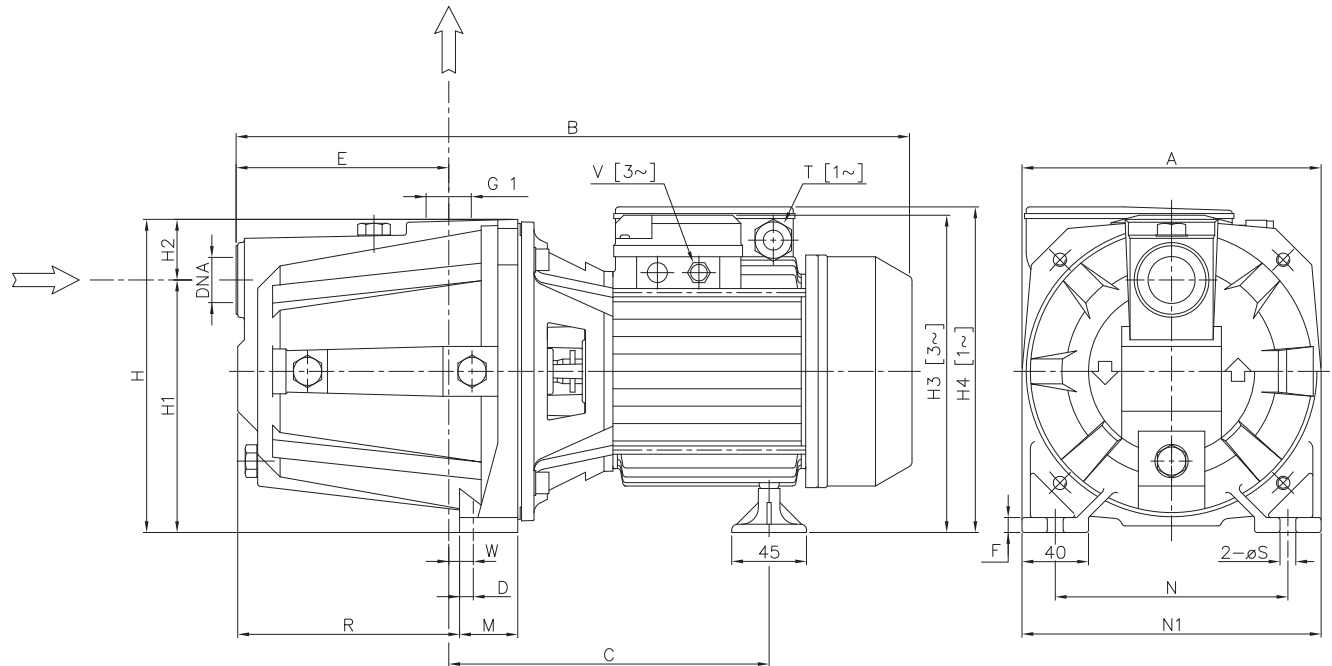
REF	PART NAME	MATERIAL
A	Rotary seal ring	Ceramic
B	Stationary seal ring	Carbon graphite
C	O-Ring	NBR
D	O-Ring	NBR
E	O-Ring	NBR
F	Self-driving spring	AISI 316
G	Frame	AISI 304

BEARINGS

Type pumps		Ball Bearing	
Single Phase	Three Phase	Pump side S.Phase / T.Phase	Fan side S.Phase / T.Phase
AGA 0.60 M	AGA 0.60 T	6202 2RSH / 2DW C3	6202 2RSH / 2DW C3
AGA 0.75 M	AGA 0.75 T	6202 2RSH / 2DW C3	6202 2RSH / 2DW C3
AGA 1.00 M	AGA 1.00 T	6202-ZZ C3	6202-ZZ C3
AGA 1.50 M	AGA 1.50 T	6204-ZZ C3	6203-ZZ C3
AGA 2.00 M	AGA 2.00 T	6204-ZZ C3	6203-ZZ C3
-	AGA 3.00 T	6204-ZZ C3	6203-ZZ C3
AGC 1.50 M	AGC 1.50 T	6204-ZZ C3	6203-ZZ C3
AGC 2.00 M	AGC 2.00 T	6204-ZZ C3	6203-ZZ C3
-	AGC 3.00 T	6204-ZZ C3	6203-ZZ C3



PUMP

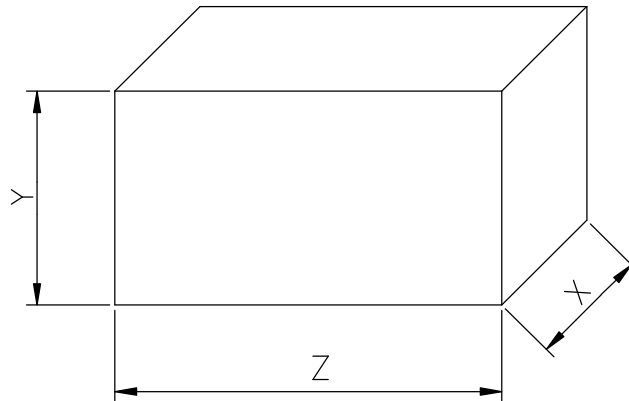


Pump type	Dimensions [mm]																		Weight [kgf]			
	A	B	C	D	E	F	H	H1	H2	[3~] H3	[1~] H4	M	N	N1	R	[1~] T	[3~] V	W		S	DNA	
AGA 0.60 M	180	405	195	10.3	127	9	185	152	33	-	199	40	140	180	128.5	PG11	-	11.8	9.5	G 1	12	
AGA 0.60 T	180	405	195	10.3	127	9	185	152	33	197.5	-	40	140	180	128.5	-	PG11	-	11.8	9.5	G 1	12.8
AGA 0.75 M	180	405	195	10.3	127	9	185	152	33	-	199	40	140	180	128.5	PG11	-	11.8	9.5	G 1	12.5	
AGA 0.75 T	180	405	195	10.3	127	9	185	152	33	197.5	-	40	140	180	128.5	-	PG11	-	11.8	9.5	G 1	12.4
AGA 1.00 M	180	405	195	10.3	127	9	185	152	33	-	199	40	140	180	128.5	PG11	-	11.8	9.5	G 1	13.8	
AGA 1.00 T	180	405	195	10.3	127	9	185	152	33	197.5	-	40	140	180	128.5	-	M16x1.5	-	11.8	9.5	G 1	14.8
AGA 1.50 M	220	508	244	10	157	10	223	170	53	-	247	48	175	220	167.5	PG13.5	-	15.5	9	G 1 1/2	25.5	
AGA 1.50 T	220	520	244	10	157	10	223	170	53	229	-	48	175	220	167.5	-	M20x1.5	-	15.5	9	G 1 1/2	26.5
AGA 2.00 M	220	508	244	10	157	10	223	170	53	-	247	48	175	220	167.5	PG13.5	-	15.5	9	G 1 1/2	26.6	
AGA 2.00 T	220	520	244	10	157	10	223	170	53	229	-	48	175	220	167.5	-	M20x1.5	-	15.5	9	G 1 1/2	28.6
AGA 3.00 T	220	521	244	10	157	10	223	170	53	229	-	48	175	220	167.5	-	M20x1.5	-	15.5	9	G 1 1/2	29.9
AGC 1.50 M	220	508	244	10	157	10	223	170	53	-	247	48	175	220	167.5	PG13.5	-	15.5	9	G 1 1/2	25.5	
AGC 1.50 T	220	520	244	10	157	10	223	170	53	229	-	48	175	220	167.5	-	M20x1.5	-	15.5	9	G 1 1/2	28.3
AGC 2.00 M	220	508	244	10	157	10	223	170	53	-	247	48	175	220	167.5	PG13.5	-	15.5	9	G 1 1/2	26.6	
AGC 2.00 T	220	521	244	10	157	10	223	170	53	229	-	48	175	220	167.5	-	M20x1.5	-	15.5	9	G 1 1/2	29.5
AGC 3.00 T	220	521	244	10	157	10	223	170	53	229	-	48	175	220	167.5	-	M20x1.5	-	15.5	9	G 1 1/2	29.9

[1 ~] Single phase

[3 ~] Three phase

## PACKING



Type pumps		Packing [mm]			Weight [kgf]	
Single Phase	Three Phase	X	Y	Z	[1~]	[3~]
AGA 0.60 M	AGA 0.60 T	205	250	445	12.7	13.5
AGA 0.75 M	AGA 0.75 T	205	250	445	13.3	13.2
AGA 1.00 M	AGA 1.00 T	205	250	445	14.6	15.6
AGA 1.50 M	AGA 1.50 T	232	275	547	26.4	27.3
AGA 2.00 M	AGA 2.00 T	232	275	547	27.7	29.7
-	AGA 3.00 T	232	275	547	-	30.8
AGC 1.50 M	AGC 1.50 T	232	275	547	26.4	29.2
AGC 2.00 M	AGC 2.00 T	232	275	547	27.7	30.6
-	AGC 3.00 T	232	275	547	-	30.8

MOTOR DATA

Pump type		Power		Efficiency		Capacitor		Efficiency (% load)			Input		Full load current			Locked rotor current		
Single Phase	Three Phase	[kW]	[HP]	Single Phase	Three Phase	Single Phase [µF]	[V]	Three phase η %			Single Phase	Three Phase	[A]			[A]		
								50%	75%	100%			230 V	230 V	400 V	230 V	230 V	400 V
AGA 0.60 M	AGA 0.60 T	0.45	0.6	-	IE3	12.5	450	75.1	78.5	78.0	0.7	0.71	3.1	2.4	1.4	10.2	12.7	7.3
AGA 0.75 M	AGA 0.75 T	0.55	0.75	-	IE3	14	450	75.1	78.5	78.0	0.92	0.71	4.0	2.4	1.4	13.5	12.7	7.3
AGA 1.00 M	AGA 1.00 T	0.75	1	-	IE3	20	450	80.9	82.3	82.1	1.15	0.91	5.5	3.0	1.7	17.5	19.7	11.4
AGA 1.50 M	AGA 1.50 T	1.1	1.5	-	IE3	40	450	83.5	84.3	84.6	1.65	1.77	8.1	5.8	3.3	43.0	47.4	27.4
AGA 2.00 M	AGA 2.00 T	1.5	2	-	IE3	40	450	83.5	84.3	84.6	2.1	2.06	9.8	6.2	3.6	43.0	47.4	27.4
-	AGA 3.00 T	2.2	3	-	IE3	-	-	86.2	87.0	86.0	-	2.55	-	8.2	4.7	-	66.6	38.4
AGC 1.50 M	AGC 1.50 T	1.1	1.5	-	IE3	40	450	83.5	84.3	84.6	1.8	1.77	8.6	5.8	3.3	43.0	47.4	27.4
AGC 2.00 M	AGC 2.00 T	1.5	2	-	IE3	40	450	84.2	86.8	86.9	2.3	2.23	10.5	7.6	4.4	43.0	66.6	38.4
-	AGC 3.00 T	2.2	3	-	IE3	-	-	86.2	87.0	86.0	-	2.55	-	8.2	4.7	-	66.6	38.4

NOISE DATA

Pump type		Power		L <sub>pA</sub> - dB(A) *
Single Phase	Three Phase	[kW]	[HP]	
AGA 0.60 M	AGA 0.60 T	0.45	0.6	71
AGA 0.75 M	AGA 0.75 T	0.55	0.75	
AGA 1.00 M	AGA 1.00 T	0.75	1	
AGA 1.50 M	AGA 1.50 T	1.1	1.5	76
AGA 2.00 M	AGA 2.00 T	1.5	2	
-	AGA 3.00 T	2.2	3	
AGC 1.50 M	AGC 1.50 T	1.1	1.5	
AGC 2.00 M	AGC 2.00 T	1.5	2	
-	AGC 3.00 T	2.2	3	

\* Mean value of several measures at 1m distance around the pump.  
Tolerance ± 2.5 dB.