



Helix V52

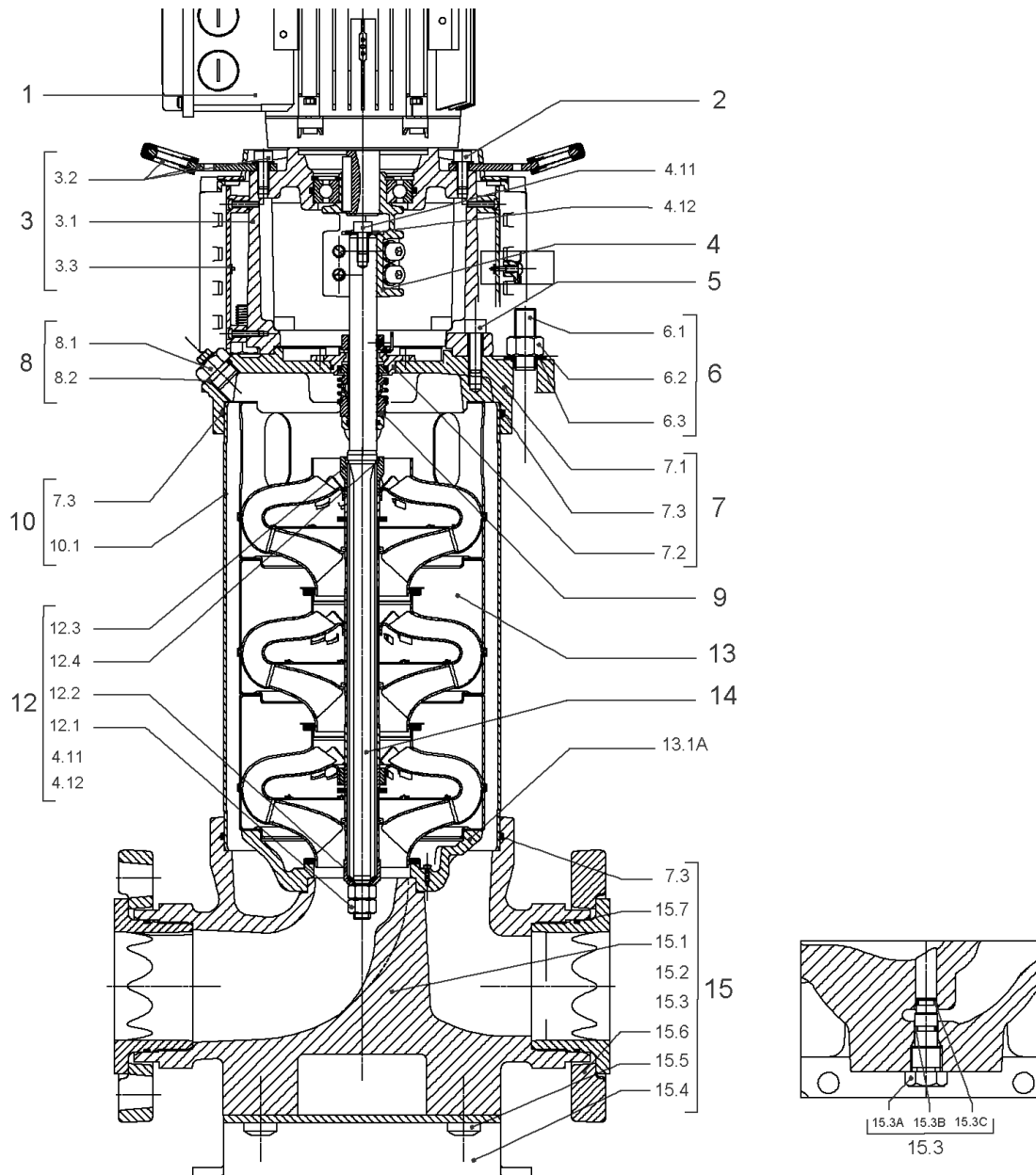
Article no.	Description
4198493	HELIX V5201-1/16/E/KS/400-50
4150901	HELIX V5201-2/16/V/KS/400-50
4141795	HELIX V5201-3/16/E/K/400-50
4141883	HELIX V5201-3/16/E/KS/400-50
4198492	HELIX V5201/1-1/16/E/KS/400-50
4150900	HELIX V5201/1-2/16/V/KS/400-50
4141794	HELIX V5201/1-3/16/E/KS/400-50
4198495	HELIX V5202-1/16/E/KS/400-50
4150903	HELIX V5202-2/16/V/KS/400-50
4141798	HELIX V5202-3/16/E/K/400-50
4141886	HELIX V5202-3/16/E/KS/400-50
4183429	HELIX V5202-4/16/E/S/400-50-FF240
4198494	HELIX V5202/2-1/16/E/KS/400-50
4150902	HELIX V5202/2-2/16/V/KS/400-50
4141796	HELIX V5202/2-3/16/E/K/400-50
4141884	HELIX V5202/2-3/16/E/KS/400-50
4183428	HELIX V5202/2-4/16/E/S/400-50
4198497	HELIX V5203-1/16/E/KS/400-50
4150905	HELIX V5203-2/16/V/KS/400-50
4150911	HELIX V5203-2/25/V/KS/400-50
4141801	HELIX V5203-3/16/E/K/400-50
4141889	HELIX V5203-3/16/E/KS/400-50
4141810	HELIX V5203-3/25/E/KS/400-50
4183431	HELIX V5203-4/16/E/S/400-50-FF240
4198496	HELIX V5203/2-1/16/E/KS/400-50
4150904	HELIX V5203/2-2/16/V/KS/400-50
4150910	HELIX V5203/2-2/25/V/KS/400-50
4141799	HELIX V5203/2-3/16/E/K/400-50
4141887	HELIX V5203/2-3/16/E/KS/400-50
4141808	HELIX V5203/2-3/25/E/KS/400-50
4183430	HELIX V5203/2-4/16/E/S/400-50-FF240
4198499	HELIX V5204-1/16/E/KS/400-50
4150907	HELIX V5204-2/16/V/KS/400-50
4150913	HELIX V5204-2/25/V/KS/400-50

Helix V52

Article no.	Description
4141804	HELIX V5204-3/16/E/K/400-50
4141892	HELIX V5204-3/16/E/KS/400-50
4141813	HELIX V5204-3/25/E/KS/400-50
4183433	HELIX V5204-4/16/E/KS/400-50
4198498	HELIX V5204/2-1/16/E/KS/400-50
4150906	HELIX V5204/2-2/16/V/KS/400-50
4150912	HELIX V5204/2-2/25/V/KS/400-50
4141802	HELIX V5204/2-3/16/E/K/400-50
4141890	HELIX V5204/2-3/16/E/KS/400-50
4141811	HELIX V5204/2-3/25/E/KS/400-50
4183432	HELIX V5204/2-4/16/E/KS/400-50
4198501	HELIX V5205-1/16/E/KS/400-50
4198502	HELIX V5205-1/25/E/KS/400-50
4150909	HELIX V5205-2/16/V/KS/400-50
4150915	HELIX V5205-2/25/V/KS/400-50
4141807	HELIX V5205-3/16/E/K/400-50
4141895	HELIX V5205-3/16/E/KS/400-50
4141816	HELIX V5205-3/25/E/KS/400-50
4183435	HELIX V5205-4/16/E/KS/400-50
4198500	HELIX V5205/2-1/16/E/KS/400-50
4150908	HELIX V5205/2-2/16/V/KS/400-50
4150914	HELIX V5205/2-2/25/V/KS/400-50
4141805	HELIX V5205/2-3/16/E/K/400-50
4141893	HELIX V5205/2-3/16/E/KS/400-50
4141814	HELIX V5205/2-3/25/E/KS/400-50
4183434	HELIX V5205/2-4/16/E/KS/400-50
4198505	HELIX V5206-1/25/E/KS/400-50
4150918	HELIX V5206-2/25/V/KS/400-50
4141819	HELIX V5206-3/25/E/KS/400-50
4198503	HELIX V5206/2-1/16/E/KS/400-50
4198504	HELIX V5206/2-1/25/E/KS/400-50
4150916	HELIX V5206/2-2/16/V/KS/400-50
4150917	HELIX V5206/2-2/25/V/KS/400-50
4143665	HELIX V5206/2-3/16/E/K/400-50

Helix V52

Article no.	Description
4143674	HELIX V5206/2-3/16/E/KS/400-50
4141817	HELIX V5206/2-3/25/E/KS/400-50
4198507	HELIX V5207-1/25/E/KS/400-50
4150920	HELIX V5207-2/25/V/KS/400-50
4141822	HELIX V5207-3/25/E/KS/400-50
4198506	HELIX V5207/2-1/25/E/KS/400-50
4150919	HELIX V5207/2-2/25/V/KS/400-50
4141820	HELIX V5207/2-3/25/E/KS/400-50
4198509	HELIX V5208-1/25/E/KS/400-50
4150922	HELIX V5208-2/25/V/KS/400-50
4141825	HELIX V5208-3/25/E/KS/400-50
4198508	HELIX V5208/2-1/25/E/KS/400-50
4150921	HELIX V5208/2-2/25/V/KS/400-50
4141823	HELIX V5208/2-3/25/E/KS/400-50
4165847	HELIX V5209-2/30/V/KS/400-50
4165810	HELIX V5209-3/30/E/KS/400-50
4198510	HELIX V5209/2-1/25/E/KS/400-50
4150923	HELIX V5209/2-2/25/V/KS/400-50
4141826	HELIX V5209/2-3/25/E/KS/400-50
4165853	HELIX V5210-2/30/V/KS/400-50
4165816	HELIX V5210-3/30/E/K/400-50
4196064	HELIX V5210-3/30/E/KS/400-50
4165850	HELIX V5210/2-2/30/V/KS/400-50
4165813	HELIX V5210/2-3/30/E/KS/400-50

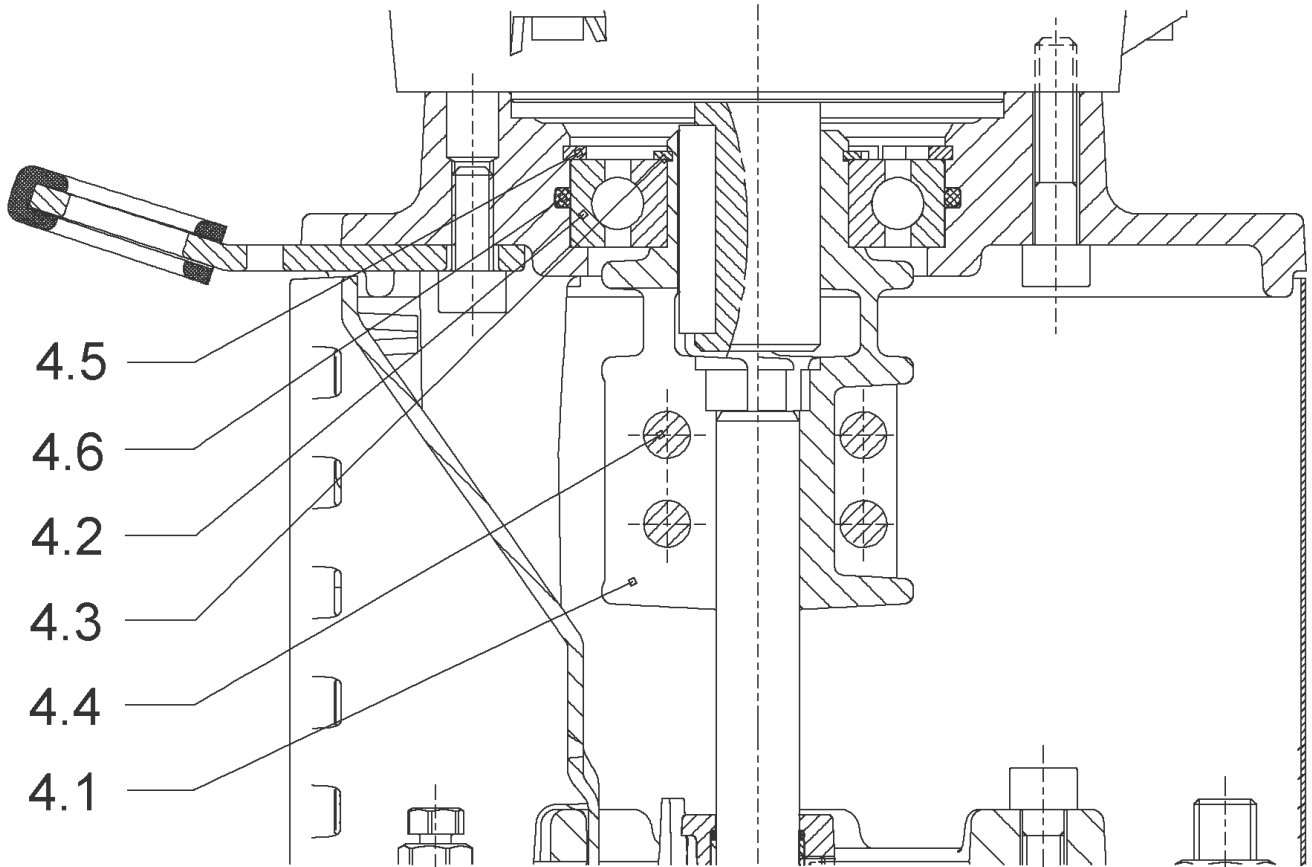


HELIX V5201/1-3/16/E/KS/400-50 (4141794)

Item	Article no.	Description	Quantity
1	4169944	MOTOR 3/2/100 3~230/400V 50HZ IE3 VP.	1
		SPARE PARTS MOTOR:ON REQUEST	1
2	4159707	SCREW M8X30 (4 PIECES)	1
3	4157719	LANTERN HELIX 22/36 FT130 KIT	1
3.1		> LANTERN FT130 M+ GJL MACHINED+CATA	1
3.2	4179561	> EYELET CPL.FT HELIX(2 PIECES)	1
3.3	4143968	> COUPLING PROTECT HELIX FT KIT	1
4	4143964	COUPLING D.20XD.28 FT130 KIT	1
5	4094462	SCREWS M10 (4 PIECES)	1
6	4179563	STUD BOLT M16X198 KIT	1
6.1		> TIE BOLT M16-198x24x44-1.4057	1
6.2	4179562	> NUT M16 8.8 ISO4032 (4 PIECES)	1
6.3	4097852	> WASHER-CS-16.4-32-2.8-NFE25-511-A2	1
7	4179565	END SHIELD HELIX 8" EPDM KIT	1
7.1		> END SHIELD M+ GJL MACHINED+CATA	1
7.2	4179564	> O-RING D.42.52x2.62 EPDM VP.	1
7.3	4179571	> O-RING HOUSING PIPE HELIX22/36/52 VP.	1
8	4143765	FILING/PURGING PLUG 316L HELIX KIT	1
8.1		> FILLING/VENTING-PLUG-VMI8/10-316L	1
8.2	4032291	> O-RING 17x3 EPDM KTW/WRC	1
9	4143973	CARTRIDGE HELIX22-36-52 O/E KIT	1
10	4179575	HOUSING PIPE D.204X130 1.4301 KIT	1
7.3	4179571	> O-RING HOUSING PIPE HELIX22/36/52 VP.	1
10.1		> HOUSING-PIPE Ø204-M+3601/5201-304	1
12	4164724	SHAFT EQUIPMENT HELIX V52 KIT	1
13		HYDRAULIC HELIX V 5201-1	1
14	4179579	SHAFTS D.22X304 1.4057 VP.	1
15	4164723	EQUIPED HOUSING PN16 HELIX GJL KIT	1
7.3	4179571	> O-RING HOUSING PIPE HELIX22/36/52 VP.	1
15.1		> PUMP HOUSING SET with COATED PARTS-DN80	1
15.3	4143766	> DRAIN/PRIMING PLUG EPDM HELIX KIT	1
15.3A		>> PRIMING/DRAIN PLUG-304-VERSION 1	1
15.3B	4032293	>> O-RING-10x3-EPDM-KTW/WRC	1
15.3C	4233957	>> O-RING ID.9 EPDM VP.	1

HELIX V5201/1-3/16/E/KS/400-50 (4141794)

Item	Article no.	Description	Quantity
15.4	4221729	> BASE M+ DN50/65/80 VP.	1
15.5		> SCREW TBHC M12x25 ISO7380 ZN	1
15.6		> FLANGE M+ DN80 NF PN16-25 ASME PN16 CATA	1
15.7		> O-RING Ø91.42xØ3 EPDM	1
13.1A	4161200	> NECK RING 1.STAGE HELIX V36/52 KIT	1
		>> NECK-RING-M+36/52	1
		>> HYDRAULIC SUPPORT CAP M+36/52 304	1
		>> SCREW TCL M3X8 A4 POZIDRIV	1



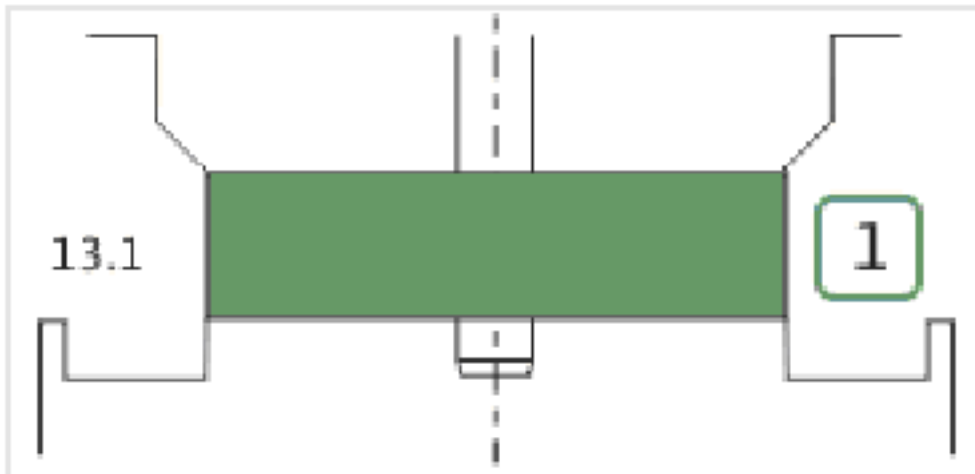
COUPLING D.20XD.28 FT130 KIT (4143964)

Item	Article no.	Description	Quantity
4.1		COUPLING M+ Ø20XØ28-FT130 MACHINED	1
4.2	2131022	BALL BEARING 6209/ZZ-C3(HT)VP.	1
4.3	4233930	CIRCLIP-FOR-BORES-D45x1,75 VP.	1
4.4	4157726	SCREW KIT M8X30 (4 PIECES)	1
4.5	4234252	CIRCLIPS 85X3 VP.	1
4.6	4234243	O-RING 85X3 VP.	1
		NOMEL CONTACT WASHER 8x16x1,4 STEEL ZC	1



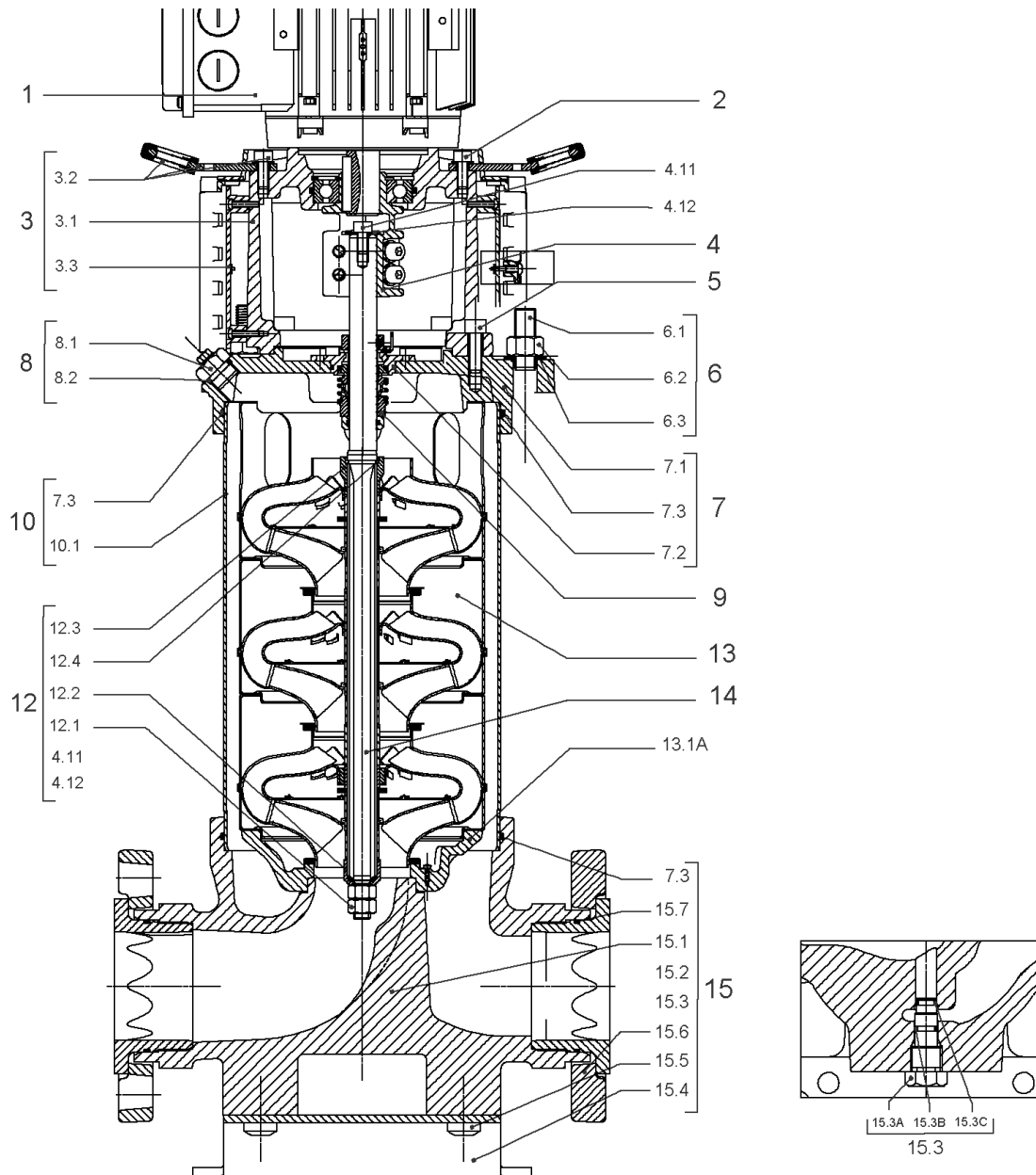
CARTRIDGE HELIX22-36-52 O/E KIT (4143973)

Item	Article no.	Description	Quantity
9.1	4143974	SEAL-KIT-HELIX22-36-52 O/E	1
7.3	4179571	> O-RING HOUSING PIPE HELIX22/36/52 VP.	1
7.4	4179572	> O-RING ID.42.52X2.62 EPDM VP.	1
9.1A	4179573	> M.SEAL.HELIX22-36-52 O/E VP.	1
9.1B	4179574	> O-RING ID.20x2.65 EPDM VP.	1
9.2	4179566	SHAFT SLEEVE D.20/20X60 1.4404 VP.	1
9.3	4179567	RING HOLDER Ø22 1.4301 VP.	1
9.4	4176520	SCREW CH M5x5 A4-70 (3PIECES)	1
9.5	4179568	DRIVE RING D.31/22.1x11 MACH.VP.	1
9.6	4179569	TOOL M.S.CART.HELIX 8" VP.	1
9.7	4179570	SCREW M6X16 ISO4762 8.8 GEOMET(4 PIECES)	1



HYDRAULIC HELIX V 5201-1

Item	Article no.	Description	Quantity
13.1	4164734	UPPER-STAGE HELIX 52 1.4301 KIT	1
		> STOP COLLAR OF IMPELLER L27,6-Ø22-316L	1
		> SHAFT-SLEEVE-D26xD22x16-CW	1
		> SPACER WASHER D22,3XD36 L3-316L	1
		> REDUCED-IMPELLER-H2-M+52-304	1
13.1A	4161200	> NECK RING 1.STAGE HELIX V36/52 KIT	1
		>> NECK-RING-M+36/52	1
		>> HYDRAULIC SUPPORT CAP M+36/52 304	1
		>> SCREW TCL M3X8 A4 POZIDRIV	1
		> MACH.BEARING-DISCHARGE-CHAMBER+NR-M+52-3	1

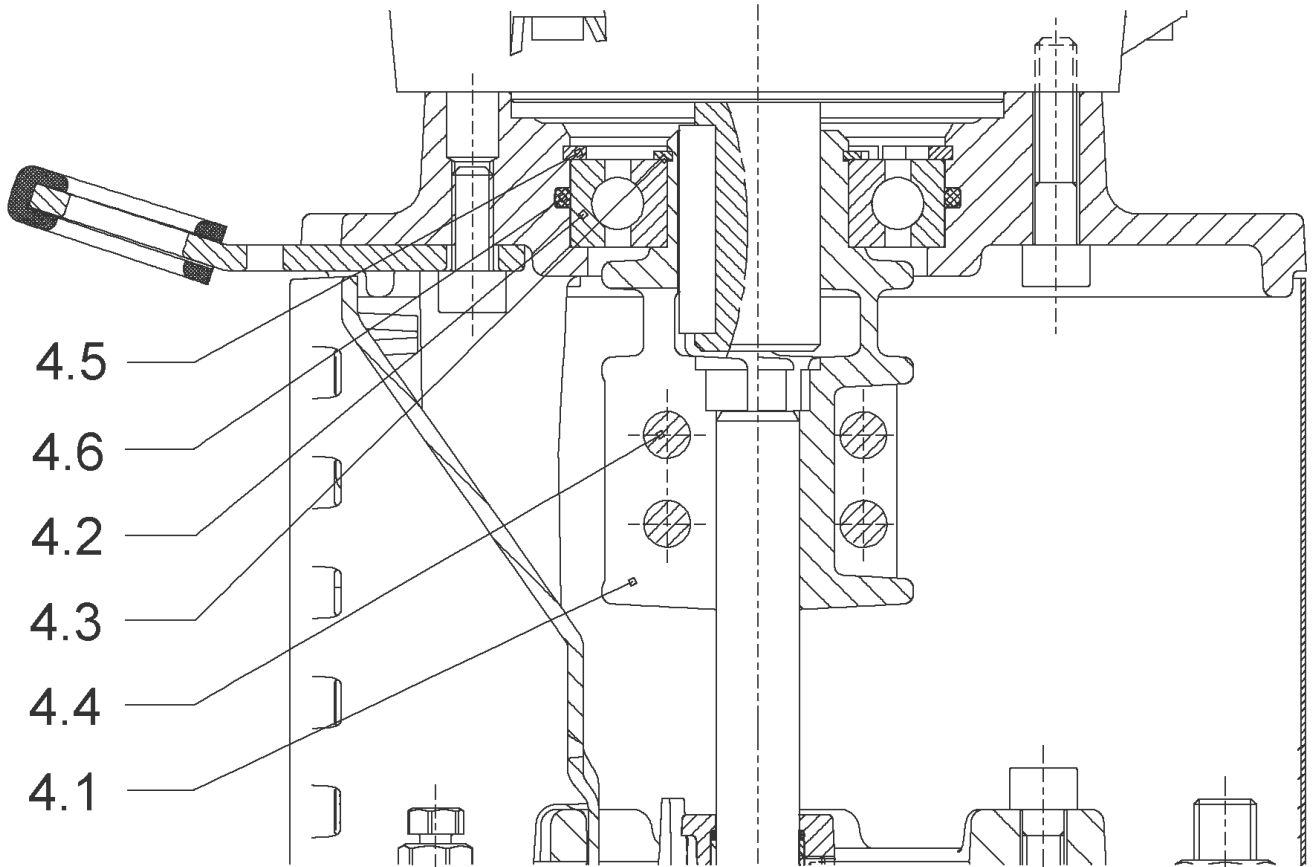


HELIX V5201-3/16/E/K/400-50 (4141795)

Item	Article no.	Description	Quantity
1	4169945	MO.4/2 3~230/400(460)V 50(60)HZ IE3 VP.	1
		SPARE PARTS MOTOR:ON REQUEST	1
2	4159707	SCREW M8X30 (4 PIECES)	1
3	4157719	LANTERN HELIX 22/36 FT130 KIT	1
3.1		> LANTERN FT130 M+ GJL MACHINED+CATA	1
3.2	4179561	> EYELET CPL.FT HELIX(2 PIECES)	1
3.3	4143968	> COUPLING PROTECT HELIX FT KIT	1
4	4143964	COUPLING D.20XD.28 FT130 KIT	1
5	4094462	SCREWS M10 (4 PIECES)	1
6	4179563	STUD BOLT M16X198 KIT	1
6.1		> TIE BOLT M16-198x24x44-1.4057	1
6.2	4179562	> NUT M16 8.8 ISO4032 (4 PIECES)	1
6.3	4097852	> WASHER-CS-16.4-32-2.8-NFE25-511-A2	1
7	4179565	END SHIELD HELIX 8" EPDM KIT	1
7.1		> END SHIELD M+ GJL MACHINED+CATA	1
7.2	4179564	> O-RING D.42.52x2.62 EPDM VP.	1
7.3	4179571	> O-RING HOUSING PIPE HELIX22/36/52 VP.	1
8	4143765	FILING/PURGING PLUG 316L HELIX KIT	1
8.1		> FILLING/VENTING-PLUG-VMI8/10-316L	1
8.2	4032291	> O-RING 17x3 EPDM KTW/WRC	1
9	4143973	CARTRIDGE HELIX22-36-52 O/E KIT	1
10	4179575	HOUSING PIPE D.204X130 1.4301 KIT	1
7.3	4179571	> O-RING HOUSING PIPE HELIX22/36/52 VP.	1
10.1		> HOUSING-PIPE Ø204-M+3601/5201-304	1
12	4164724	SHAFT EQUIPMENT HELIX V52 KIT	1
13		HYDRAULIC HELIX V 5201	1
14	4179579	SHAFTS D.22X304 1.4057 VP.	1
15	4164723	EQUIPED HOUSING PN16 HELIX GJL KIT	1
7.3	4179571	> O-RING HOUSING PIPE HELIX22/36/52 VP.	1
15.1		> PUMP HOUSING SET with COATED PARTS-DN80	1
15.3	4143766	> DRAIN/PRIMING PLUG EPDM HELIX KIT	1
15.3A		>> PRIMING/DRAIN PLUG-304-VERSION 1	1
15.3B	4032293	>> O-RING-10x3-EPDM-KTW/WRC	1
15.3C	4233957	>> O-RING ID.9 EPDM VP.	1

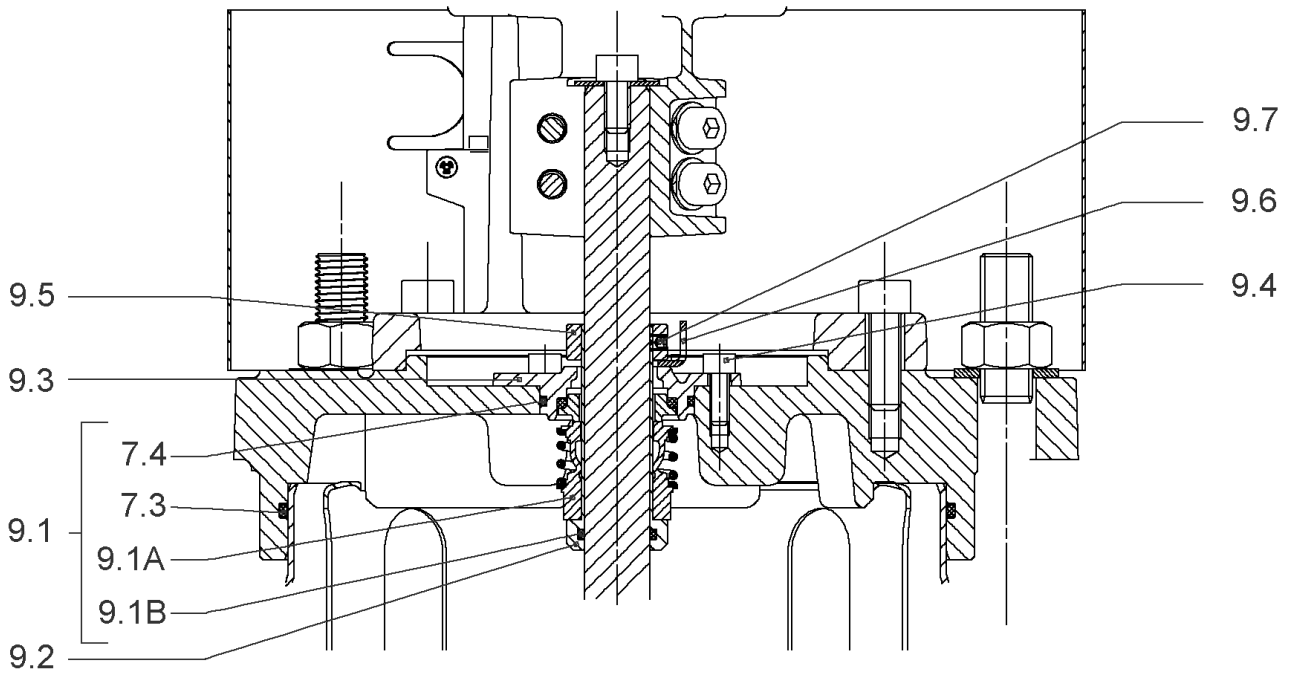
HELIX V5201-3/16/E/K/400-50 (4141795)

Item	Article no.	Description	Quantity
15.4	4221729	> BASE M+ DN50/65/80 VP.	1
15.5		> SCREW TBHC M12x25 ISO7380 ZN	1
15.6		> FLANGE M+ DN80 NF PN16-25 ASME PN16 CATA	1
15.7		> O-RING Ø91.42xØ3 EPDM	1
13.1A	4161200	> NECK RING 1.STAGE HELIX V36/52 KIT	1
		>> NECK-RING-M+36/52	1
		>> HYDRAULIC SUPPORT CAP M+36/52 304	1
		>> SCREW TCL M3X8 A4 POZIDRIV	1



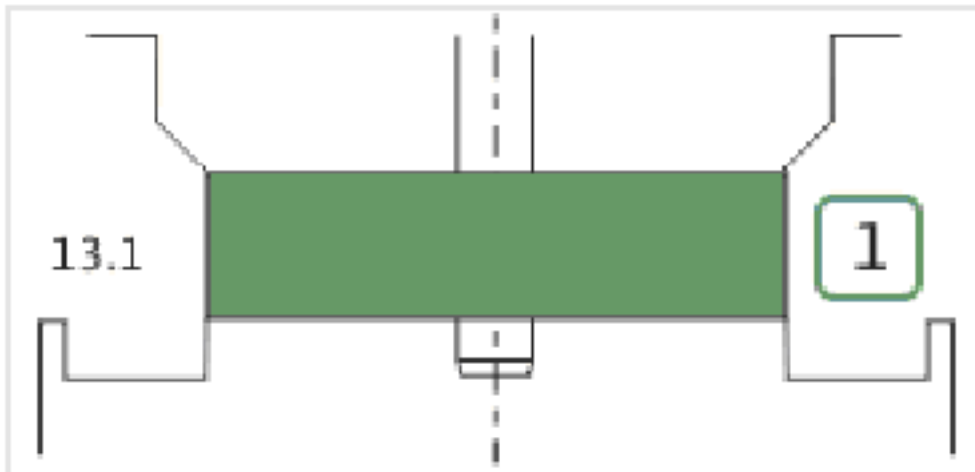
COUPLING D.20XD.28 FT130 KIT (4143964)

Item	Article no.	Description	Quantity
4.1		COUPLING M+ Ø20XØ28-FT130 MACHINED	1
4.2	2131022	BALL BEARING 6209/ZZ-C3(HT)VP.	1
4.3	4233930	CIRCLIP-FOR-BORES-D45x1,75 VP.	1
4.4	4157726	SCREW KIT M8X30 (4 PIECES)	1
4.5	4234252	CIRCLIPS 85X3 VP.	1
4.6	4234243	O-RING 85X3 VP.	1
		NOMEL CONTACT WASHER 8x16x1,4 STEEL ZC	1



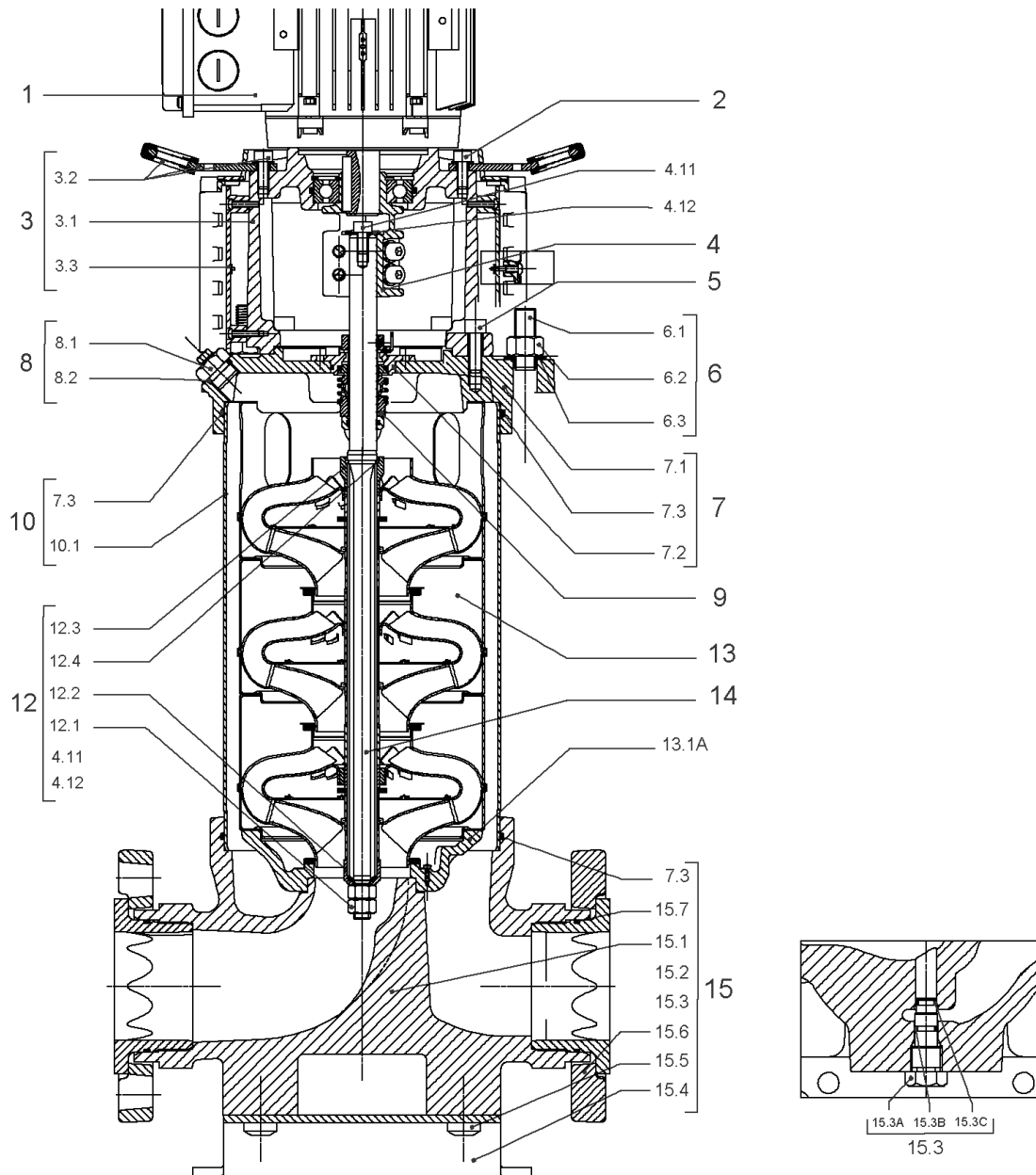
CARTRIDGE HELIX22-36-52 O/E KIT (4143973)

Item	Article no.	Description	Quantity
9.1	4143974	SEAL-KIT-HELIX22-36-52 O/E	1
7.3	4179571	> O-RING HOUSING PIPE HELIX22/36/52 VP.	1
7.4	4179572	> O-RING ID.42.52X2.62 EPDM VP.	1
9.1A	4179573	> M.SEAL.HELIX22-36-52 O/E VP.	1
9.1B	4179574	> O-RING ID.20x2.65 EPDM VP.	1
9.2	4179566	SHAFT SLEEVE D.20/20X60 1.4404 VP.	1
9.3	4179567	RING HOLDER Ø22 1.4301 VP.	1
9.4	4176520	SCREW CH M5x5 A4-70 (3PIECES)	1
9.5	4179568	DRIVE RING D.31/22.1x11 MACH.VP.	1
9.6	4179569	TOOL M.S.CART.HELIX 8" VP.	1
9.7	4179570	SCREW M6X16 ISO4762 8.8 GEOMET(4 PIECES)	1



HYDRAULIC HELIX V 5201

Item	Article no.	Description	Quantity
13.1	4164733	UPPER-STAGE HELIX 52 1.4301 KIT	1
		> STOP COLLAR OF IMPELLER L27,6-Ø22-316L	1
		> SHAFT-SLEEVE-D26xD22x16-CW	1
		> SPACER WASHER D22,3xD36 L3-316L	1
		> IMPELLER-H2-M+52-304	1
13.1A	4161200	> NECK RING 1.STAGE HELIX V36/52 KIT	1
		>> NECK-RING-M+36/52	1
		>> HYDRAULIC SUPPORT CAP M+36/52 304	1
		>> SCREW TCL M3X8 A4 POZIDRIV	1
		> MACH.BEARING-DISCHARGE-CHAMBER+NR-M+52-3	1

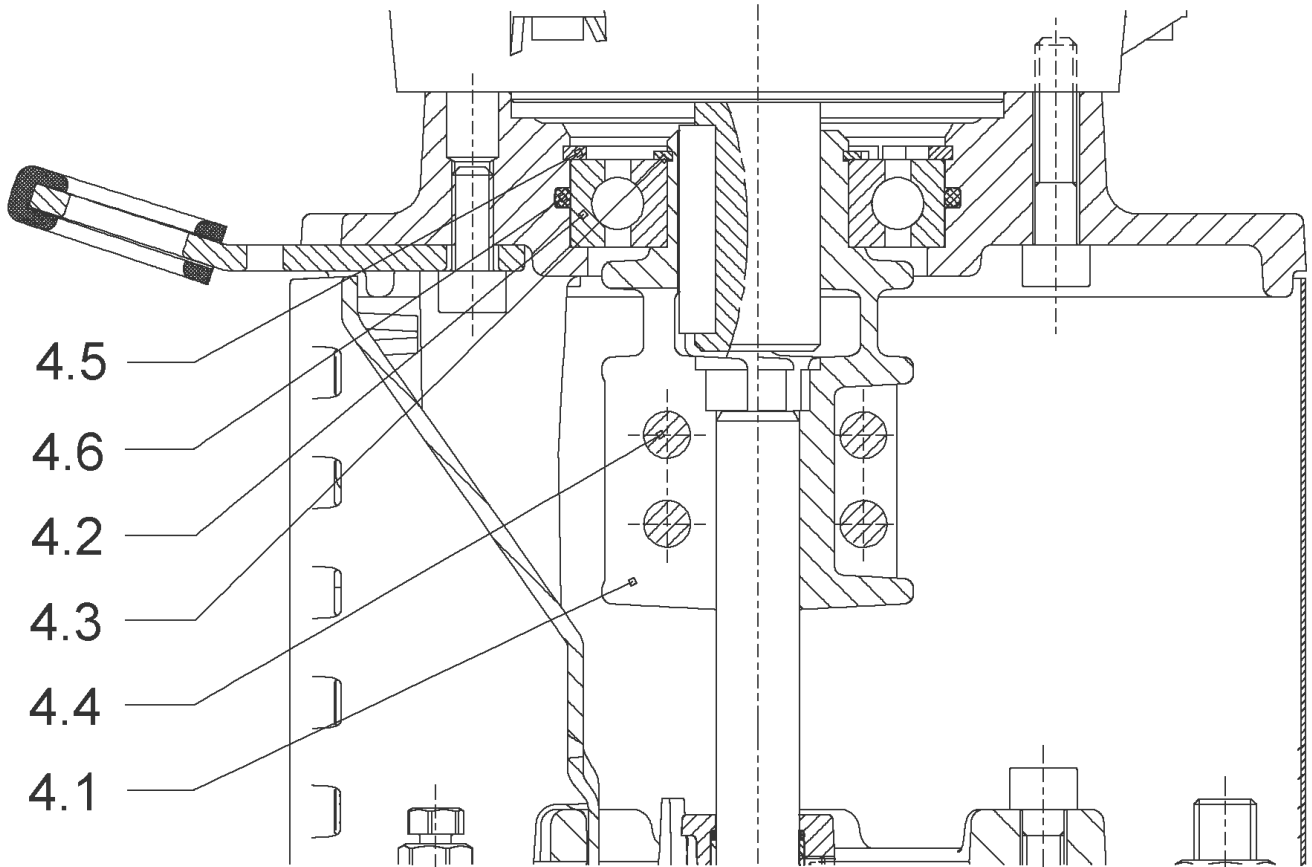


HELIX V5202/2-3/16/E/K/400-50 (4141796)

Item	Article no.	Description	Quantity
1	4169947	MO 5,5/2/112 3~400V50Hz 460V60Hz IE3 VP.	1
		SPARE PARTS MOTOR:ON REQUEST	1
2	4159707	SCREW M8X30 (4 PIECES)	1
3	4157719	LANTERN HELIX 22/36 FT130 KIT	1
3.1		> LANTERN FT130 M+ GJL MACHINED+CATA	1
3.2	4179561	> EYELET CPL.FT HELIX(2 PIECES)	1
3.3	4143968	> COUPLING PROTECT HELIX FT KIT	1
4	4143964	COUPLING D.20XD.28 FT130 KIT	1
5	4094462	SCREWS M10 (4 PIECES)	1
6	4179581	STUD BOLT M16X305.5 KIT	1
6.1		> TIE BOLT M16-305.5x24x44-1.4057	1
6.2	4179562	> NUT M16 8.8 ISO4032 (4 PIECES)	1
6.3	4097852	> WASHER-CS-16.4-32-2.8-NFE25-511-A2	1
7	4179565	END SHIELD HELIX 8" EPDM KIT	1
7.1		> END SHIELD M+ GJL MACHINED+CATA	1
7.2	4179564	> O-RING D.42.52x2.62 EPDM VP.	1
7.3	4179571	> O-RING HOUSING PIPE HELIX22/36/52 VP.	1
8	4143765	FILING/PURGING PLUG 316L HELIX KIT	1
8.1		> FILLING/VENTING-PLUG-VMI8/10-316L	1
8.2	4032291	> O-RING 17x3 EPDM KTW/WRC	1
9	4143973	CARTRIDGE HELIX22-36-52 O/E KIT	1
10	4179582	HOUSING PIPE D.204X230 1.4307 KIT	1
7.3	4179571	> O-RING HOUSING PIPE HELIX22/36/52 VP.	1
10.1		> HOUSING-PIPE Ø204-M+5202-304	1
12	4164724	SHAFT EQUIPMENT HELIX V52 KIT	1
13		HYDRAULIC HELIX V 5202/2	1
14	2132516	SHAFT D.22X404 1.4301 VP.	1
15	4164723	EQUIPED HOUSING PN16 HELIX GJL KIT	1
7.3	4179571	> O-RING HOUSING PIPE HELIX22/36/52 VP.	1
15.1		> PUMP HOUSING SET with COATED PARTS-DN80	1
15.3	4143766	> DRAIN/PRIMING PLUG EPDM HELIX KIT	1
15.3A		>> PRIMING/DRAIN PLUG-304-VERSION 1	1
15.3B	4032293	>> O-RING-10x3-EPDM-KTW/WRC	1
15.3C	4233957	>> O-RING ID.9 EPDM VP.	1

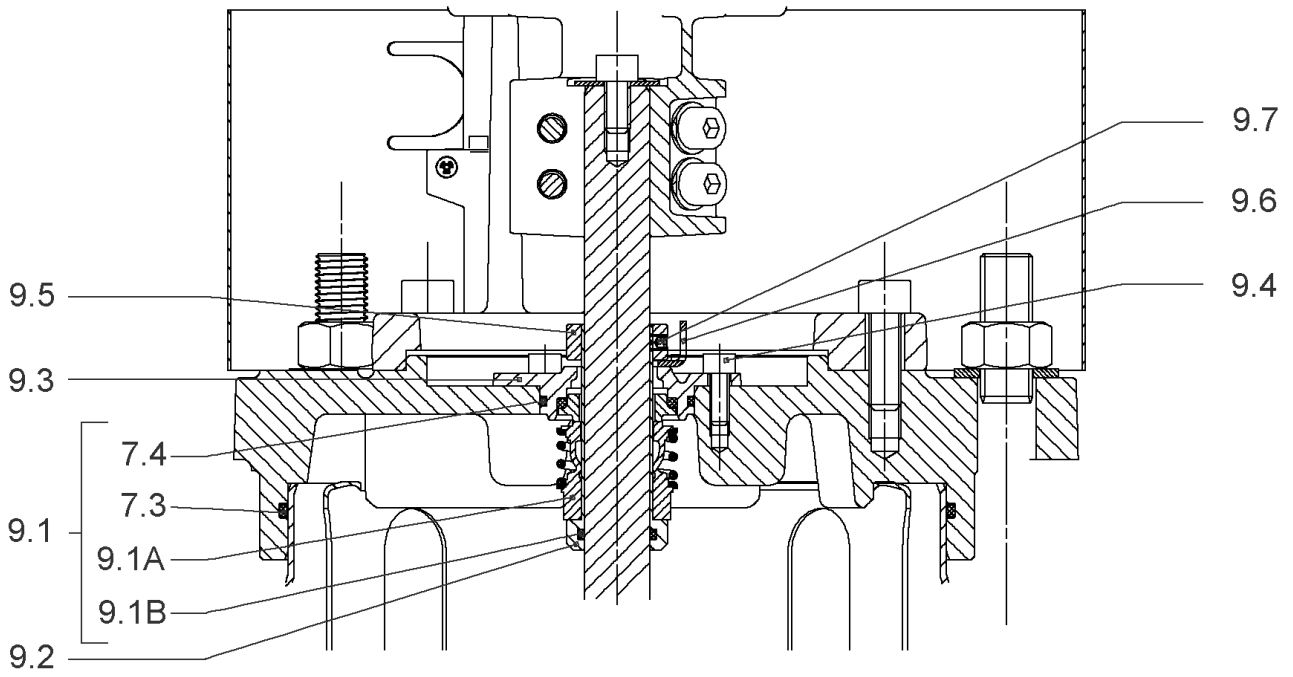
HELIX V5202/2-3/16/E/K/400-50 (4141796)

Item	Article no.	Description	Quantity
15.4	4221729	> BASE M+ DN50/65/80 VP.	1
15.5		> SCREW TBHC M12x25 ISO7380 ZN	1
15.6		> FLANGE M+ DN80 NF PN16-25 ASME PN16 CATA	1
15.7		> O-RING Ø91.42xØ3 EPDM	1
13.1A	4161200	> NECK RING 1.STAGE HELIX V36/52 KIT	1
		>> NECK-RING-M+36/52	1
		>> HYDRAULIC SUPPORT CAP M+36/52 304	1
		>> SCREW TCL M3X8 A4 POZIDRIV	1



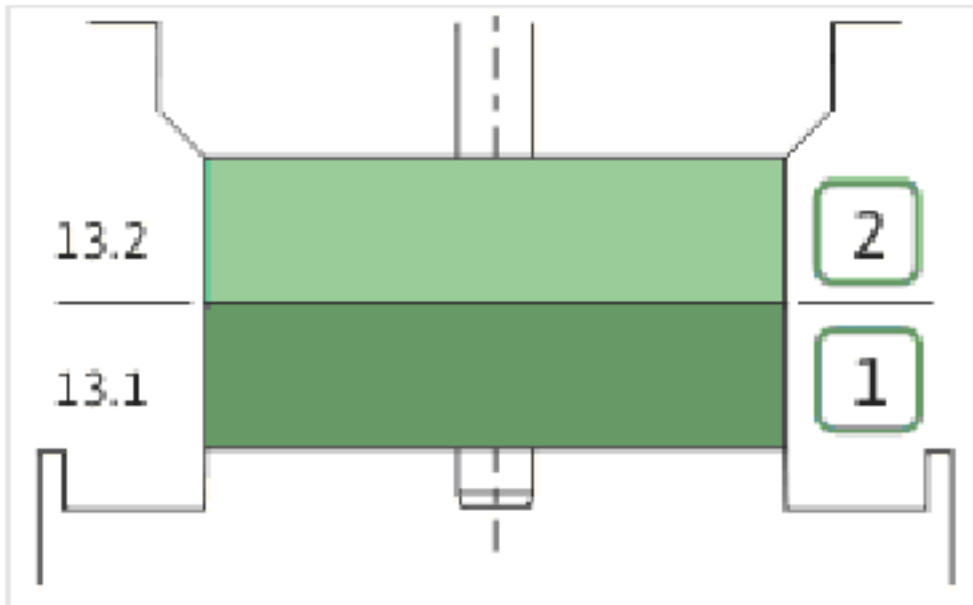
COUPLING D.20XD.28 FT130 KIT (4143964)

Item	Article no.	Description	Quantity
4.1		COUPLING M+ Ø20XØ28-FT130 MACHINED	1
4.2	2131022	BALL BEARING 6209/ZZ-C3(HT)VP.	1
4.3	4233930	CIRCLIP-FOR-BORES-D45x1,75 VP.	1
4.4	4157726	SCREW KIT M8X30 (4 PIECES)	1
4.5	4234252	CIRCLIPS 85X3 VP.	1
4.6	4234243	O-RING 85X3 VP.	1
		NOMEL CONTACT WASHER 8x16x1,4 STEEL ZC	1



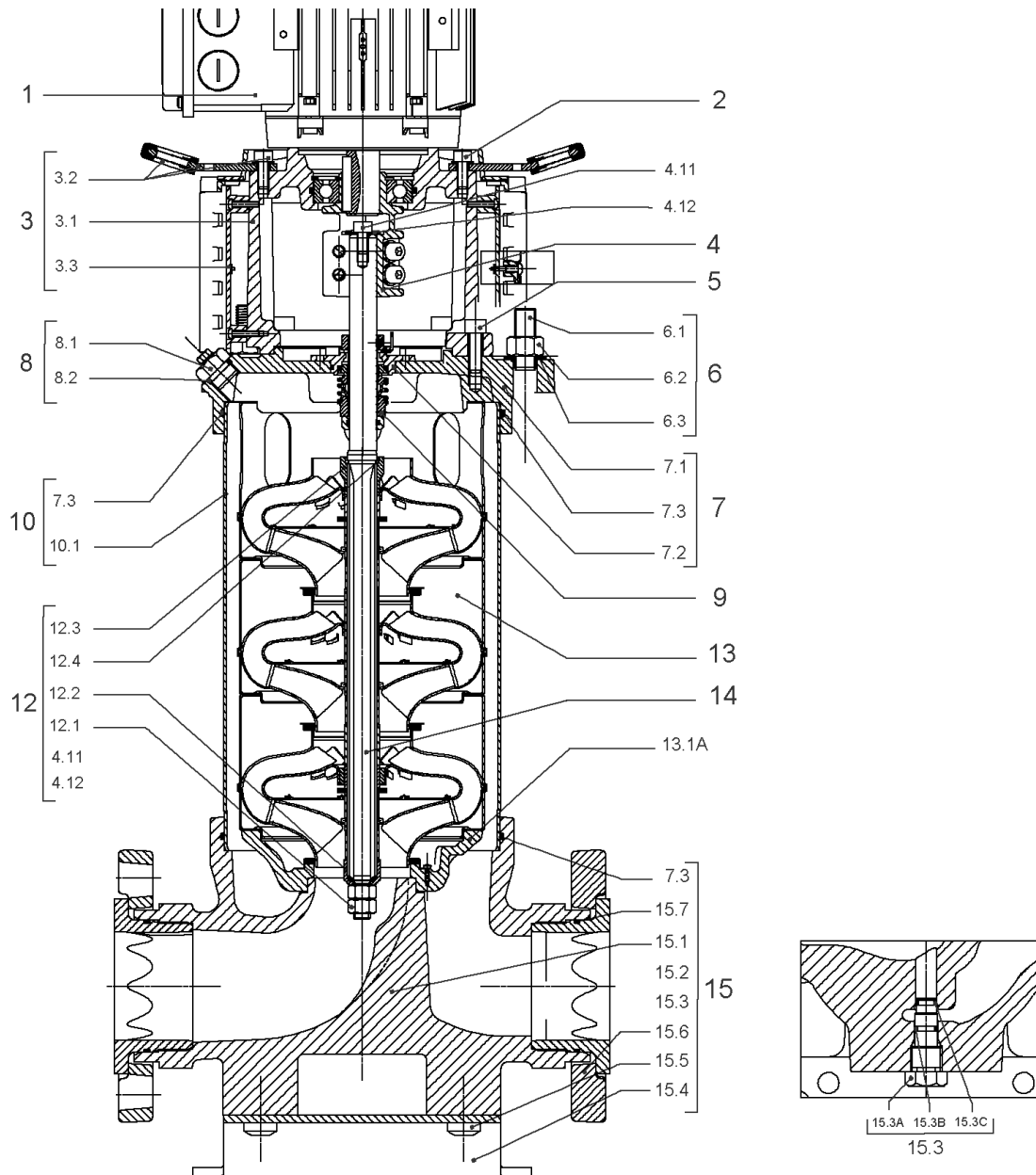
CARTRIDGE HELIX22-36-52 O/E KIT (4143973)

Item	Article no.	Description	Quantity
9.1	4143974	SEAL-KIT-HELIX22-36-52 O/E	1
7.3	4179571	> O-RING HOUSING PIPE HELIX22/36/52 VP.	1
7.4	4179572	> O-RING ID.42.52X2.62 EPDM VP.	1
9.1A	4179573	> M.SEAL.HELIX22-36-52 O/E VP.	1
9.1B	4179574	> O-RING ID.20x2.65 EPDM VP.	1
9.2	4179566	SHAFT SLEEVE D.20/20X60 1.4404 VP.	1
9.3	4179567	RING HOLDER Ø22 1.4301 VP.	1
9.4	4176520	SCREW CH M5x5 A4-70 (3PIECES)	1
9.5	4179568	DRIVE RING D.31/22.1x11 MACH.VP.	1
9.6	4179569	TOOL M.S.CART.HELIX 8" VP.	1
9.7	4179570	SCREW M6X16 ISO4762 8.8 GEOMET(4 PIECES)	1



HYDRAULIC HELIX V 5202/2

Item	Article no.	Description	Quantity
13.1	4164732	INTERMEDIAIRE STAGE HELIX 52 1.4301 KIT	1
		> SLEEVE-SPACER-D22XL30,42-316L	1
		> MACH.BEARING-DIFFUSER+NR-M+52-304	1
		> SHAFT-SLEEVE-D26xD22x16-CW	1
		> SPACER WASHER D22,3XD36 L3-316L	1
		> REDUCED-IMPELLER-H2-M+52-304	1
13.1A	4161200	> NECK RING 1.STAGE HELIX V36/52 KIT	1
		>> NECK-RING-M+36/52	1
		>> HYDRAULIC SUPPORT CAP M+36/52 304	1
		>> SCREW TCL M3X8 A4 POZIDRIV	1
13.2	4164731	UPPER-STAGE HELIX 52 1.4301 KIT	1
		> STOP COLLAR OF IMPELLER L27,6-Ø22-316L	1
		> SLEEVE-SPACER-D22XL16,66-316L	1
		> SPACER WASHER D22,3XD36 L3-316L	1
		> REDUCED-IMPELLER-H2-M+52-304	1
		> MACH.STD-DISCHARGE-CHAMBER-M+52-304	1

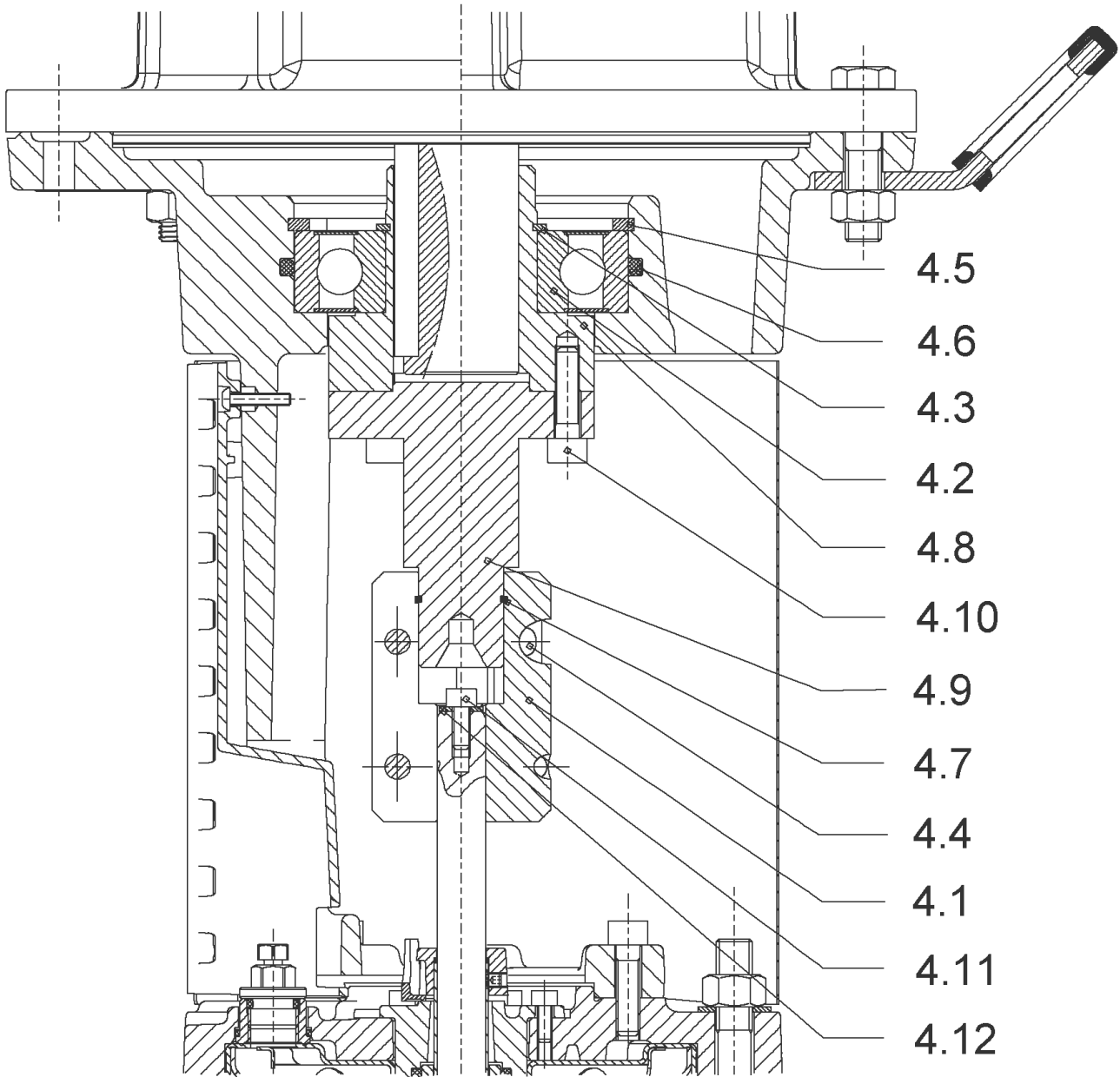


HELIX V5202-3/16/E/K/400-50 (4141798)

Item	Article no.	Description	Quantity
1	4195450	MOTOR 7,5/2/* 3~400V 50HZ IE3 VP.	1
		SPARE PARTS MOTOR:ON REQUEST	1
2	4174093	SCREW M12X50 (4 PIECES)	1
3	4161187	LANTERN FF265 HELIX 8" KIT	1
3.1		> LANTERN FF265 M+ GJL MACHINED+CATA	1
3.2	2127605	> EYELET CPL.FF265 HELIX(2 PIECES)	1
3.3	4143969	> COUPLING PROTECT HELIX FF KIT	1
4	4143965	COUPLING D.20XD.28 FF265 KIT	1
5	4157725	SCREW M10X40 (4 PIECES)	1
6	4179581	STUD BOLT M16X305.5 KIT	1
6.1		> TIE BOLT M16-305.5x24x44-1.4057	1
6.2	4179562	> NUT M16 8.8 ISO4032 (4 PIECES)	1
6.3	4097852	> WASHER-CS-16.4-32-2.8-NFE25-511-A2	1
7	4179565	END SHIELD HELIX 8" EPDM KIT	1
7.1		> END SHIELD M+ GJL MACHINED+CATA	1
7.2	4179564	> O-RING D.42.52x2.62 EPDM VP.	1
7.3	4179571	> O-RING HOUSING PIPE HELIX22/36/52 VP.	1
8	4143765	FILING/PURGING PLUG 316L HELIX KIT	1
8.1		> FILLING/VENTING-PLUG-VMI8/10-316L	1
8.2	4032291	> O-RING 17x3 EPDM KTW/WRC	1
9	4143973	CARTRIDGE HELIX22-36-52 O/E KIT	1
10	4179582	HOUSING PIPE D.204X230 1.4307 KIT	1
7.3	4179571	> O-RING HOUSING PIPE HELIX22/36/52 VP.	1
10.1		> HOUSING-PIPE Ø204-M+5202-304	1
12	4164724	SHAFT EQUIPMENT HELIX V52 KIT	1
13		HYDRAULIC HELIX V 5202	1
14	2132516	SHAFT D.22X404 1.4301 VP.	1
15	4164723	EQUIPED HOUSING PN16 HELIX GJL KIT	1
7.3	4179571	> O-RING HOUSING PIPE HELIX22/36/52 VP.	1
15.1		> PUMP HOUSING SET with COATED PARTS-DN80	1
15.3	4143766	> DRAIN/PRIMING PLUG EPDM HELIX KIT	1
15.3A		>> PRIMING/DRAIN PLUG-304-VERSION 1	1
15.3B	4032293	>> O-RING-10x3-EPDM-KTW/WRC	1
15.3C	4233957	>> O-RING ID.9 EPDM VP.	1

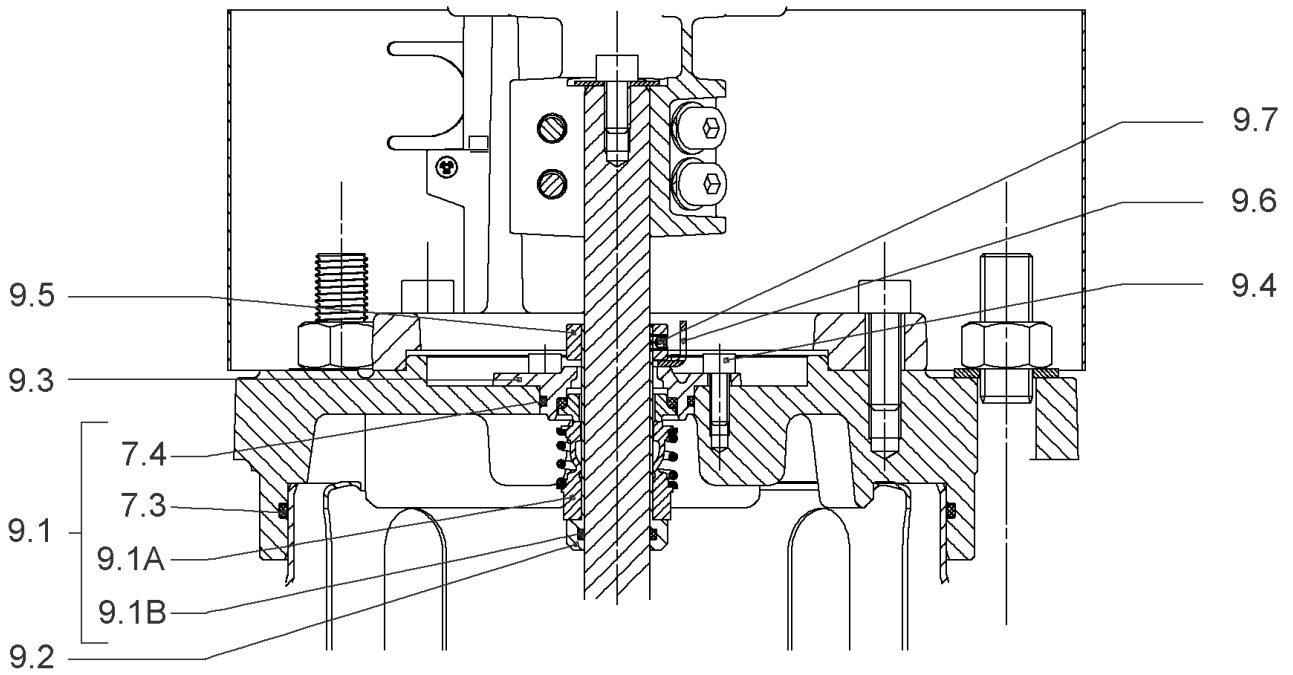
HELIX V5202-3/16/E/K/400-50 (4141798)

Item	Article no.	Description	Quantity
15.4	4221729	> BASE M+ DN50/65/80 VP.	1
15.5		> SCREW TBHC M12x25 ISO7380 ZN	1
15.6		> FLANGE M+ DN80 NF PN16-25 ASME PN16 CATA	1
15.7		> O-RING Ø91.42xØ3 EPDM	1
13.1A	4161200	> NECK RING 1.STAGE HELIX V36/52 KIT	1
		>> NECK-RING-M+36/52	1
		>> HYDRAULIC SUPPORT CAP M+36/52 304	1
		>> SCREW TCL M3X8 A4 POZIDRIV	1



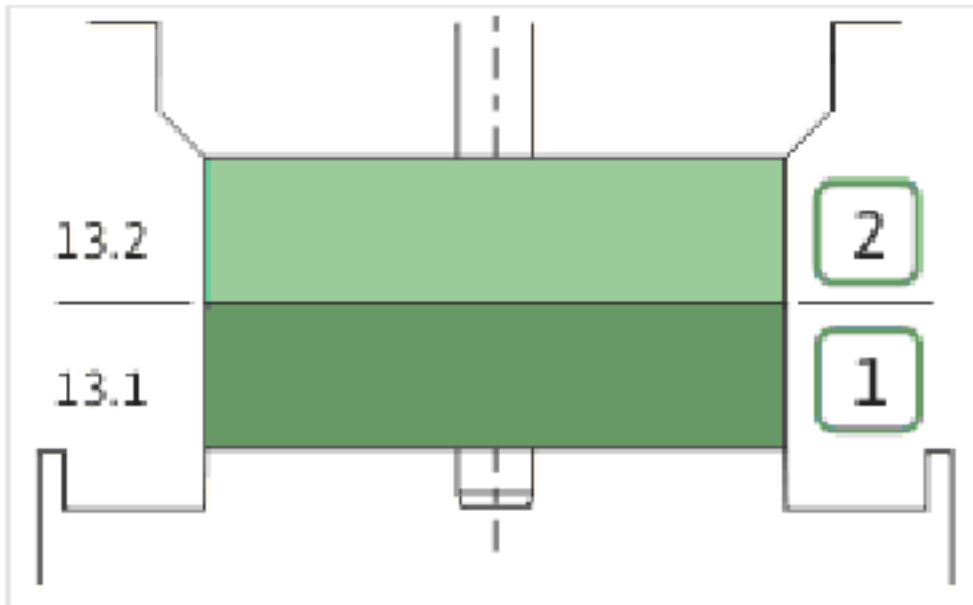
COUPLING D.20XD.28 FF265 KIT (4143965)

Item	Article no.	Description	Quantity
4.1	4179584	COUPLING 2 PARTS D.20XD.28XL83 VP.	1
4.2	2131017	BALL BEARING 6310/ZZ-C4(HT)VP.	1
4.3	4234253	CIRCLIP-FOR-SHAFT-D50x2 VP.	1
4.4	4159707	SCREW M8X30 (4 PIECES)	1
4.5	4234255	CIRCLIPS 110X4 VP.	1
4.6	4233944	O-RING ID.110 VP.	1
4.7	4179585	STOP-RUSH D26xD2 DIN7993 STEEL VP.	1
4.8	2131020	HUB D.38XD.50 VP.	1
4.9	2131021	SPACER D.28XD.45 VP.	1
4.10	4157726	SCREW KIT M8X30 (4 PIECES)	1
4.11	4233959	SCREW M8x16 VP.	1
4.12		SERRATED LOCK WASHER Ø8.2XØ25X35X2	1



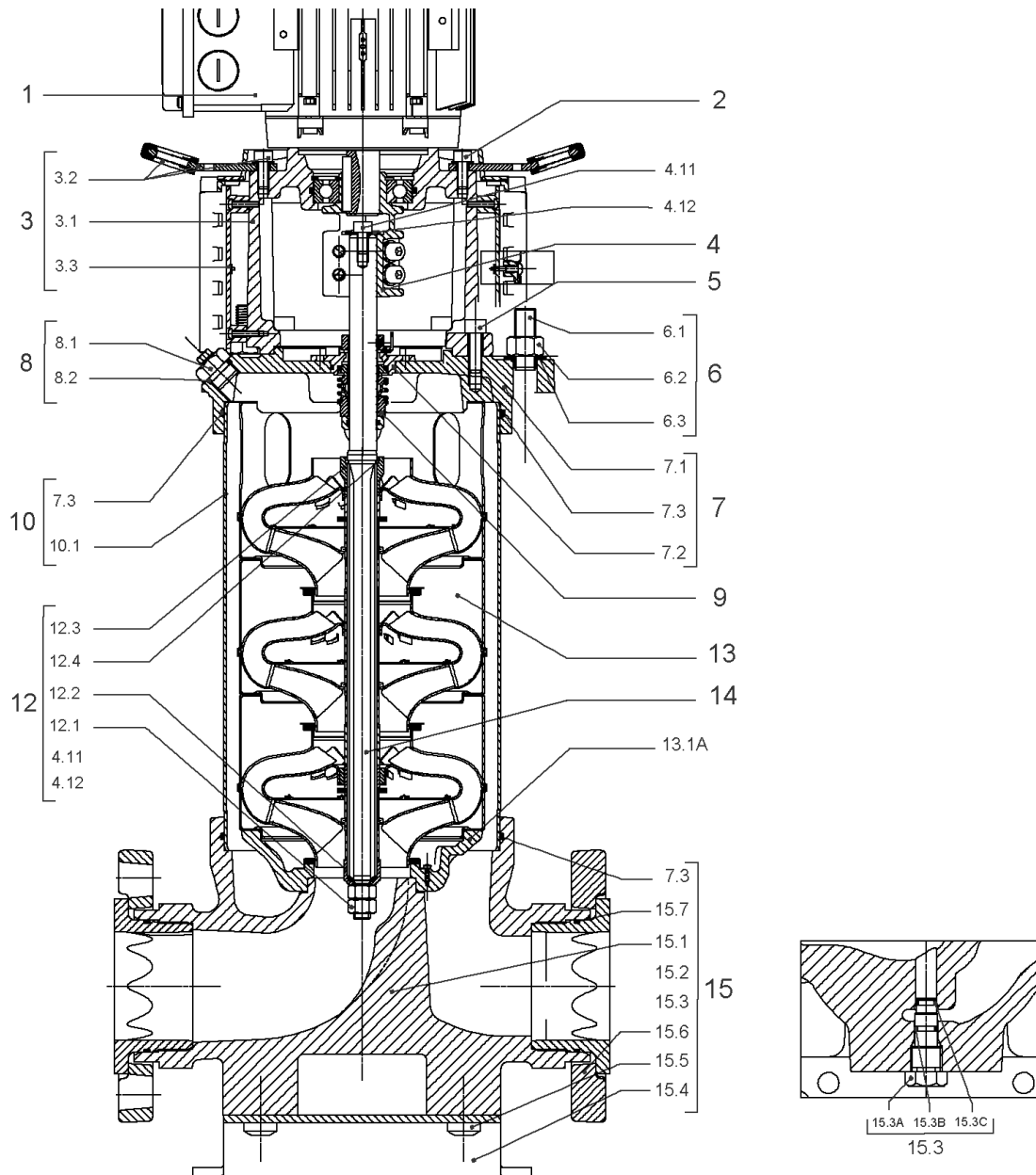
CARTRIDGE HELIX22-36-52 O/E KIT (4143973)

Item	Article no.	Description	Quantity
9.1	4143974	SEAL-KIT-HELIX22-36-52 O/E	1
7.3	4179571	> O-RING HOUSING PIPE HELIX22/36/52 VP.	1
7.4	4179572	> O-RING ID.42.52X2.62 EPDM VP.	1
9.1A	4179573	> M.SEAL.HELIX22-36-52 O/E VP.	1
9.1B	4179574	> O-RING ID.20x2.65 EPDM VP.	1
9.2	4179566	SHAFT SLEEVE D.20/20X60 1.4404 VP.	1
9.3	4179567	RING HOLDER Ø22 1.4301 VP.	1
9.4	4176520	SCREW CH M5x5 A4-70 (3PIECES)	1
9.5	4179568	DRIVE RING D.31/22.1x11 MACH.VP.	1
9.6	4179569	TOOL M.S.CART.HELIX 8" VP.	1
9.7	4179570	SCREW M6X16 ISO4762 8.8 GEOMET(4 PIECES)	1



HYDRAULIC HELIX V 5202

Item	Article no.	Description	Quantity
13.1	4164727	INTERMEDIAIRE STAGE HELIX 52 1.4301 KIT	1
		> SLEEVE-SPACER-D22XL30,42-316L	1
		> MACH.BEARING-DIFFUSER+NR-M+52-304	1
		> SHAFT-SLEEVE-D26xD22x16-CW	1
		> SPACER WASHER D22,3XD36 L3-316L	1
		> IMPELLER-H2-M+52-304	1
13.1A	4161200	> NECK RING 1.STAGE HELIX V36/52 KIT	1
		>> NECK-RING-M+36/52	1
		>> HYDRAULIC SUPPORT CAP M+36/52 304	1
		>> SCREW TCL M3X8 A4 POZIDRIV	1
13.2	4164729	UPPER-STAGE HELIX 52 1.4301 KIT	1
		> STOP COLLAR OF IMPELLER L27,6-Ø22-316L	1
		> SLEEVE-SPACER-D22XL16,66-316L	1
		> SPACER WASHER D22,3XD36 L3-316L	1
		> IMPELLER-H2-M+52-304	1
		> MACH.STD-DISCHARGE-CHAMBER-M+52-304	1

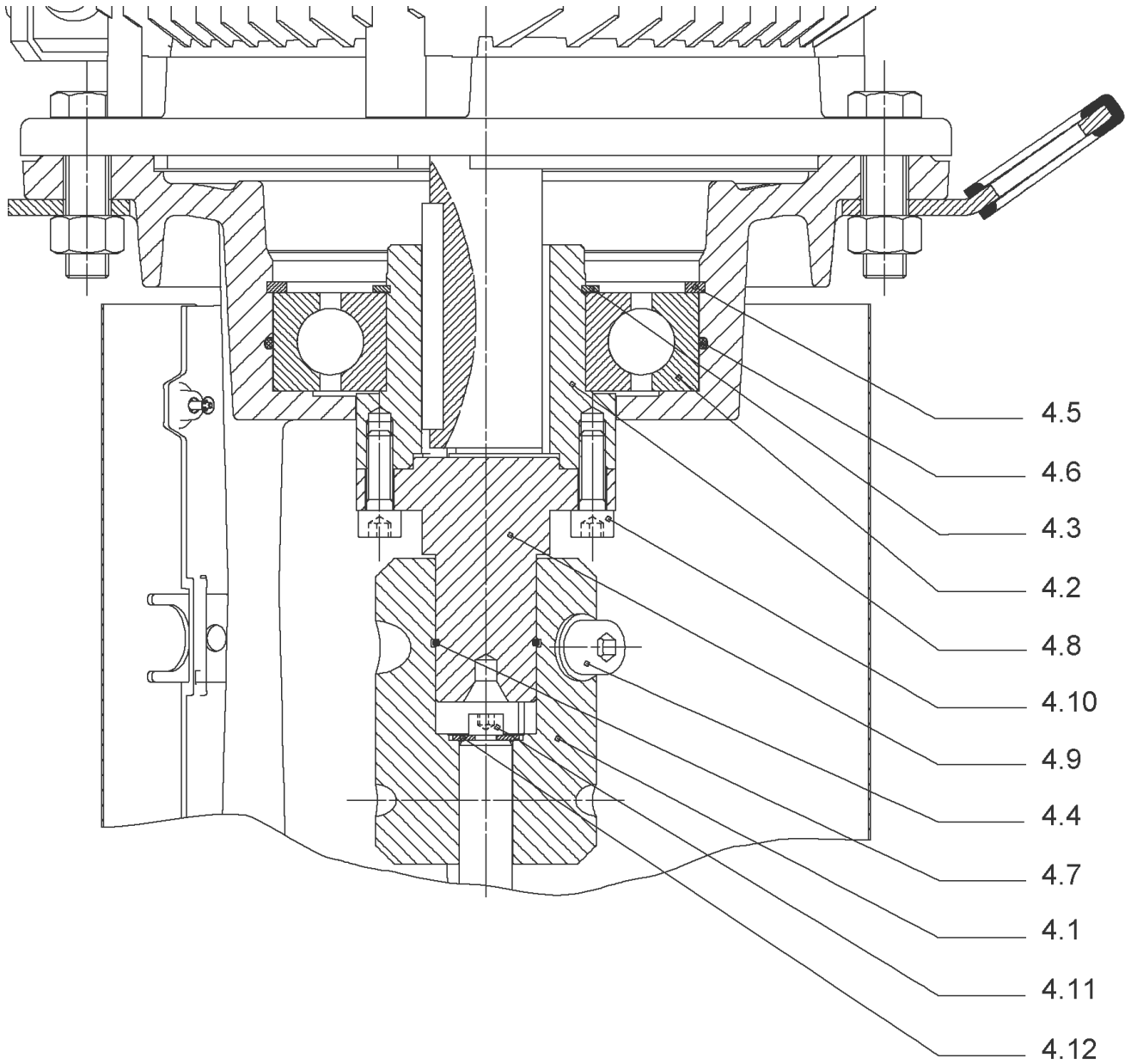


HELIX V5203/2-3/16/E/K/400-50 (4141799)

Item	Article no.	Description	Quantity
1	4199884	MOTOR 11/2/160 3~400V 50HZ VP.	1
		SPARE PARTS MOTOR:ON REQUEST	1
2	4179586	SCREW M16X60 (4 PIECES)	1
3	4157721	LANTERN HELIX 22/36 FF300 BB6312 KIT	1
3.1		> LANTERN FF300 M+ GJL MACHINED+CATA 6312	1
3.2	4179589	> EYELET CPL.FF300 HELIX(4 PIECES)	1
3.3	4143969	> COUPLING PROTECT HELIX FF KIT	1
4	4143966	COUPLING D.20XD.38 FF300 KIT	1
5	4157725	SCREW M10X40 (4 PIECES)	1
6	4179592	STUD BOLT M16X405 KIT	1
6.1		> TIE BOLT M16-405x24x44-1.4057	1
6.2	4179562	> NUT M16 8.8 ISO4032 (4 PIECES)	1
6.3	4097852	> WASHER-CS-16.4-32-2.8-NFE25-511-A2	1
7	4179565	END SHIELD HELIX 8" EPDM KIT	1
7.1		> END SHIELD M+ GJL MACHINED+CATA	1
7.2	4179564	> O-RING D.42.52x2.62 EPDM VP.	1
7.3	4179571	> O-RING HOUSING PIPE HELIX22/36/52 VP.	1
8	4143765	FILING/PURGING PLUG 316L HELIX KIT	1
8.1		> FILLING/VENTING-PLUG-VMI8/10-316L	1
8.2	4032291	> O-RING 17x3 EPDM KTW/WRC	1
9	4143973	CARTRIDGE HELIX22-36-52 O/E KIT	1
10	4179593	HOUSING PIPE D.204X330 1.4307 KIT	1
7.3	4179571	> O-RING HOUSING PIPE HELIX22/36/52 VP.	1
10.1		> HOUSING-PIPE Ø204-M+3604/5203-304	1
11	4179583	CENTRALIZER HELIX 8" 52 VP.	1
12	4164724	SHAFT EQUIPMENT HELIX V52 KIT	1
13		HYDRAULIC HELIX V 5203/2	1
14	4179599	SHAFTS D.22X504 1.4057 VP.	1
15	4164723	EQUIPED HOUSING PN16 HELIX GJL KIT	1
7.3	4179571	> O-RING HOUSING PIPE HELIX22/36/52 VP.	1
15.1		> PUMP HOUSING SET with COATED PARTS-DN80	1
15.3	4143766	> DRAIN/PRIMING PLUG EPDM HELIX KIT	1
15.3A		>> PRIMING/DRAIN PLUG-304-VERSION 1	1
15.3B	4032293	>> O-RING-10x3-EPDM-KTW/WRC	1

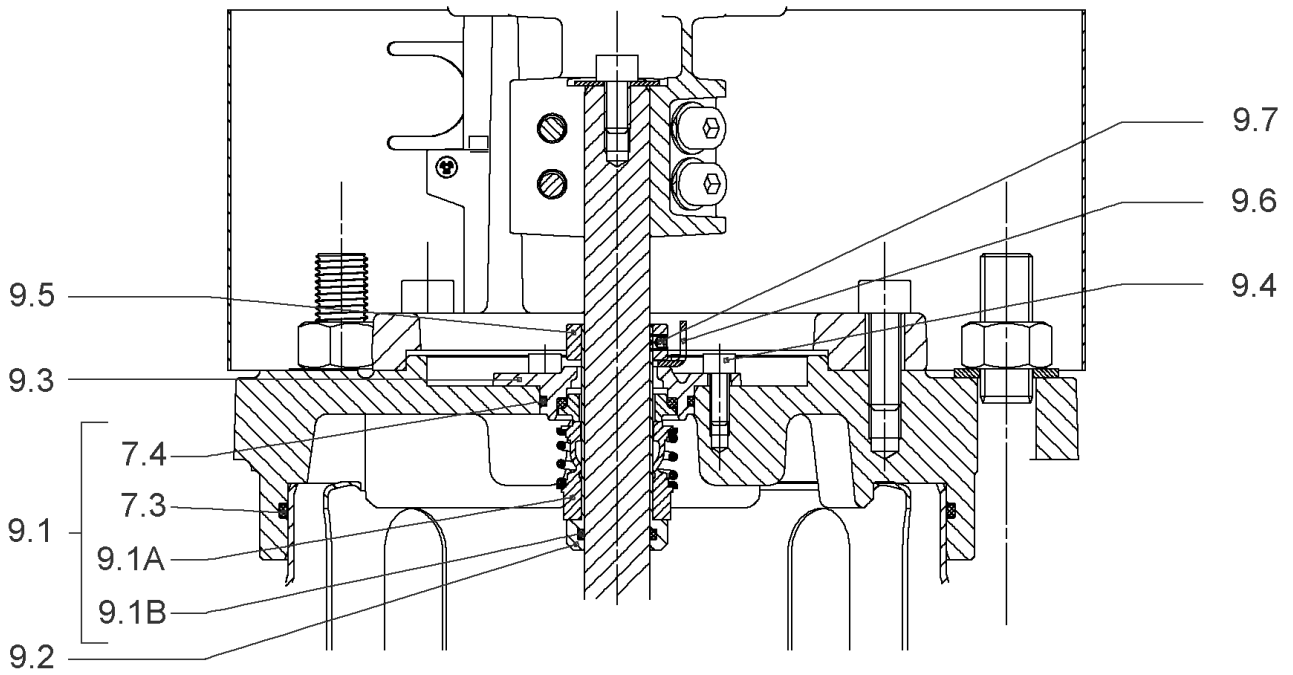
HELIX V5203/2-3/16/E/K/400-50 (4141799)

Item	Article no.	Description	Quantity
15.3C	4233957	>> O-RING ID.9 EPDM VP.	1
15.4	4221729	> BASE M+ DN50/65/80 VP.	1
15.5		> SCREW TBHC M12x25 ISO7380 ZN	1
15.6		> FLANGE M+ DN80 NF PN16-25 ASME PN16 CATA	1
15.7		> O-RING Ø91.42xØ3 EPDM	1
13.1A	4161200	> NECK RING 1.STAGE HELIX V36/52 KIT	1
		>> NECK-RING-M+36/52	1
		>> HYDRAULIC SUPPORT CAP M+36/52 304	1
		>> SCREW TCL M3X8 A4 POZIDRIV	1



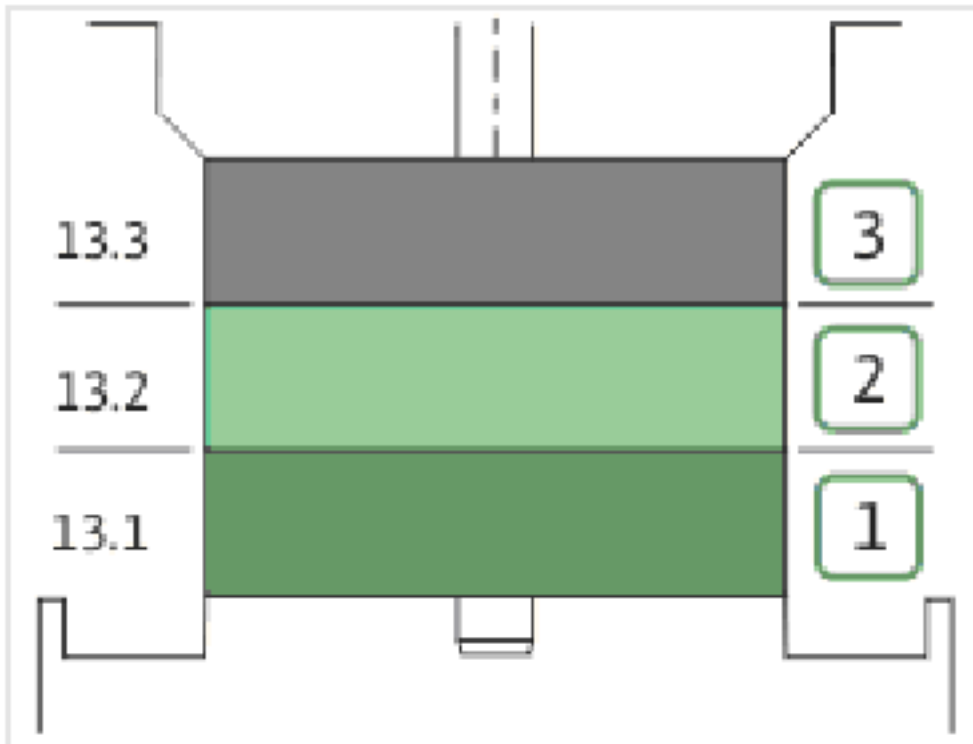
COUPLING D.20XD.38 FF300 KIT (4143966)

Item	Article no.	Description	Quantity
4.1	4179590	COUPLING 2 PARTS D.20XD.38XL115 VP.	1
4.2	2123699	BALL BEARING 6312/2Z-C4 (HT) VP.	1
4.3	63428	CIRCLIP-FOR-SHAFT-D60x2	1
4.4	2130991	SCREW M12X30 ISO4762 8.8 ZN(4 PIECES)	1
4.5	4032277	CIRCLIP-HOLE-130x4	1
4.6	4006725	O-RING ID.132,94x3,53 NBR70SR	1
4.7	2130992	RETAINING RING D.35xD.2,5 DIN7993 VP.	1
4.8	4179591	HUB D.42xD.60 VP.	1
4.9	2130994	SPACER D.38XD.55 VP.	1
4.10	4094462	SCREWS M10 (4 PIECES)	1
4.11	4233959	SCREW M8x16 VP.	1
4.12		SERRATED LOCK WASHER Ø8.2XØ25X35X2	1



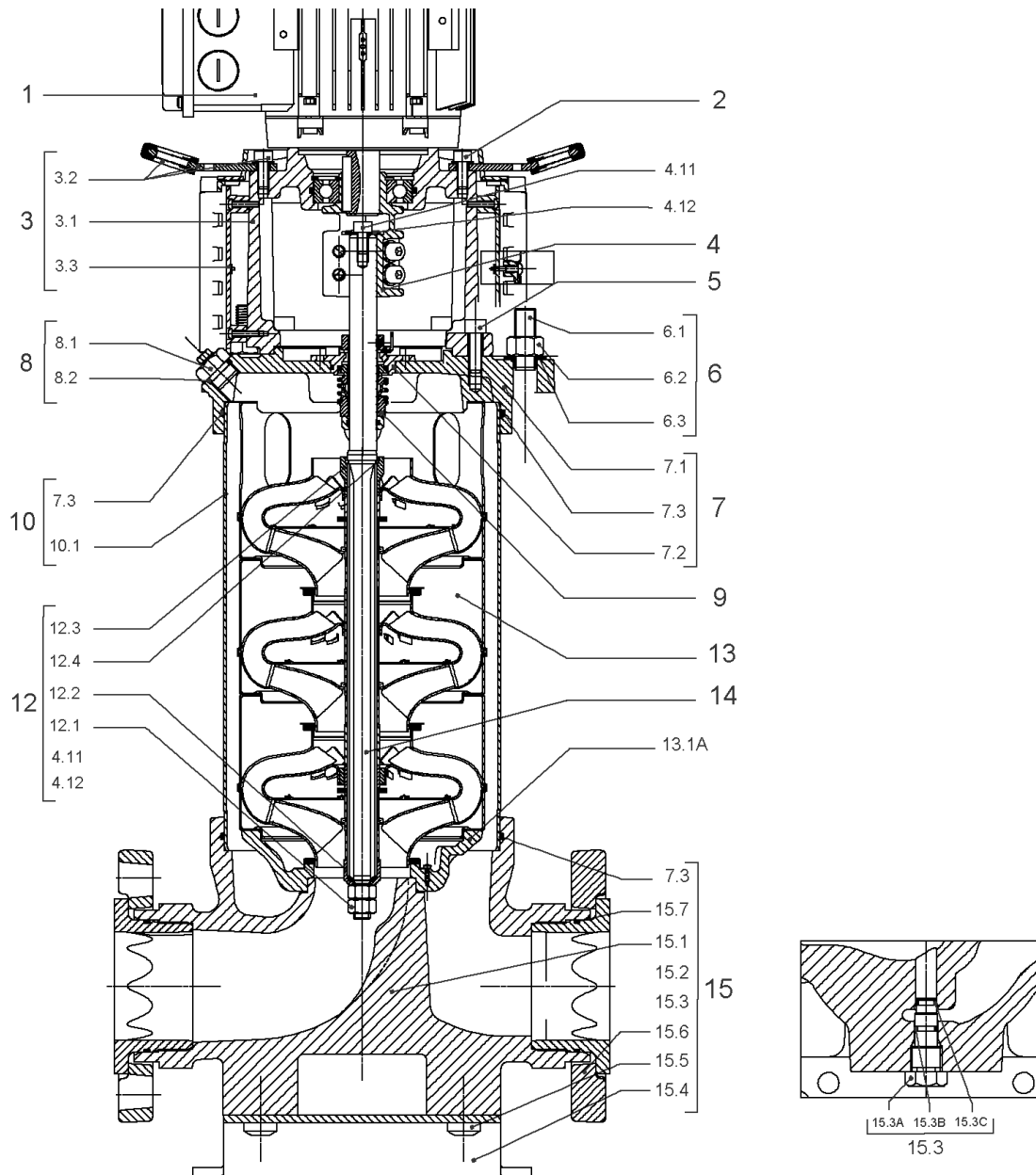
CARTRIDGE HELIX22-36-52 O/E KIT (4143973)

Item	Article no.	Description	Quantity
9.1	4143974	SEAL-KIT-HELIX22-36-52 O/E	1
7.3	4179571	> O-RING HOUSING PIPE HELIX22/36/52 VP.	1
7.4	4179572	> O-RING ID.42.52X2.62 EPDM VP.	1
9.1A	4179573	> M.SEAL.HELIX22-36-52 O/E VP.	1
9.1B	4179574	> O-RING ID.20x2.65 EPDM VP.	1
9.2	4179566	SHAFT SLEEVE D.20/20X60 1.4404 VP.	1
9.3	4179567	RING HOLDER Ø22 1.4301 VP.	1
9.4	4176520	SCREW CH M5x5 A4-70 (3PIECES)	1
9.5	4179568	DRIVE RING D.31/22.1x11 MACH.VP.	1
9.6	4179569	TOOL M.S.CART.HELIX 8" VP.	1
9.7	4179570	SCREW M6X16 ISO4762 8.8 GEOMET(4 PIECES)	1



HYDRAULIC HELIX V 5203/2

Item	Article no.	Description	Quantity
13.1	4164727	INTERMEDIAIRE STAGE HELIX 52 1.4301 KIT	1
		> SLEEVE-SPACER-D22XL30,42-316L	1
		> MACH.BEARING-DIFFUSER+NR-M+52-304	1
		> SHAFT-SLEEVE-D26xD22x16-CW	1
		> SPACER WASHER D22,3XD36 L3-316L	1
		> IMPELLER-H2-M+52-304	1
13.1A	4161200	> NECK RING 1.STAGE HELIX V36/52 KIT	1
		>> NECK-RING-M+36/52	1
		>> HYDRAULIC SUPPORT CAP M+36/52 304	1
		>> SCREW TCL M3X8 A4 POZIDRIV	1
13.2	4164730	INTERMEDIATE STAGE HELIX 52 1.4301 KIT	1
		> MACH.STD-DIFFUSER+NR-M+52-304	1
		> REDUCED-IMPELLER-H5-M+52-304	1
13.3	4164731	UPPER-STAGE HELIX 52 1.4301 KIT	1
		> STOP COLLAR OF IMPELLER L27,6-Ø22-316L	1
		> SLEEVE-SPACER-D22XL16,66-316L	1
		> SPACER WASHER D22,3XD36 L3-316L	1
		> REDUCED-IMPELLER-H2-M+52-304	1
		> MACH.STD-DISCHARGE-CHAMBER-M+52-304	1

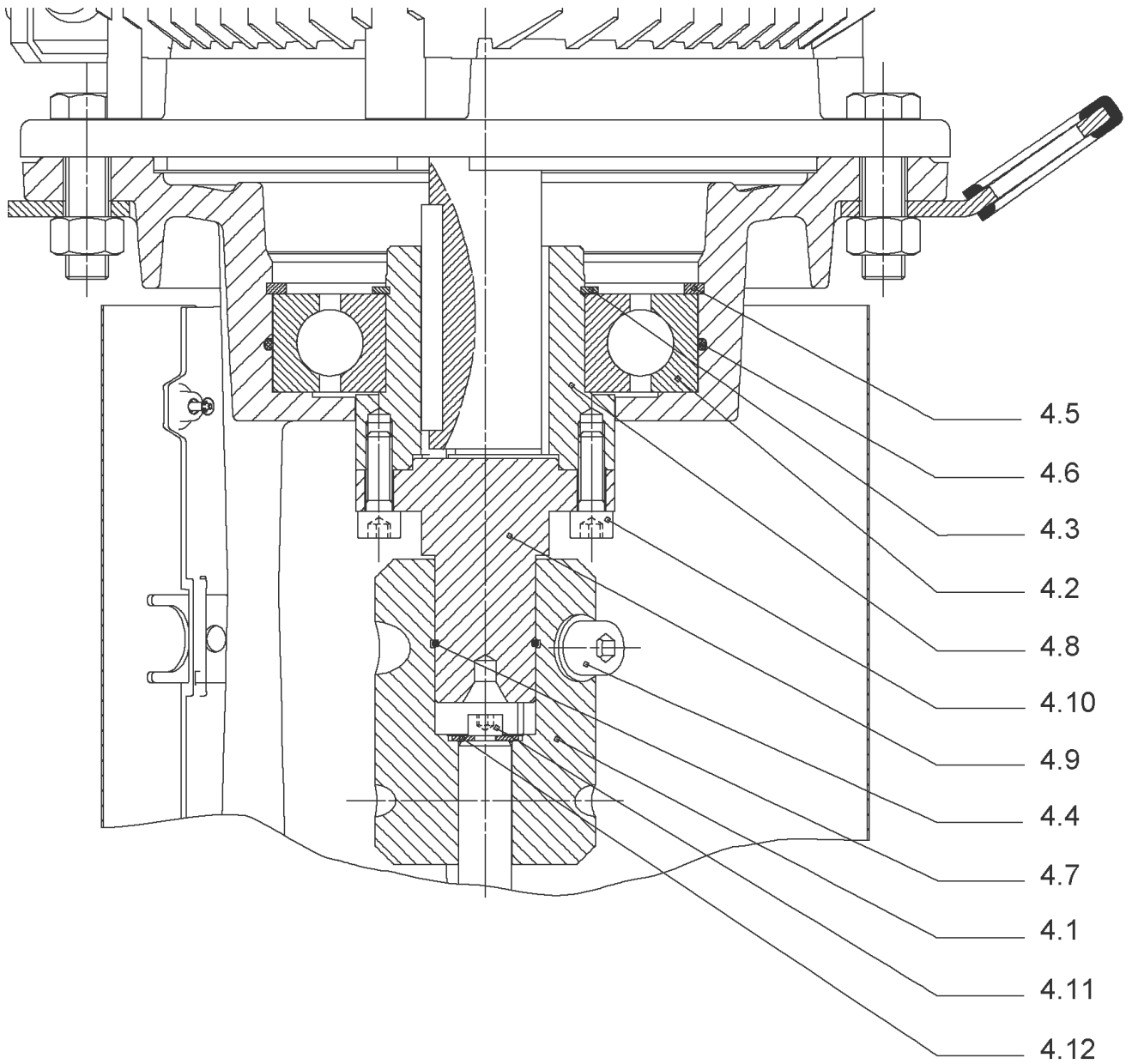


HELIX V5203-3/16/E/K/400-50 (4141801)

Item	Article no.	Description	Quantity
1	4199884	MOTOR 11/2/160 3~400V 50HZ VP.	1
		SPARE PARTS MOTOR:ON REQUEST	1
2	4179586	SCREW M16X60 (4 PIECES)	1
3	4157721	LANTERN HELIX 22/36 FF300 BB6312 KIT	1
3.1		> LANTERN FF300 M+ GJL MACHINED+CATA 6312	1
3.2	4179589	> EYELET CPL.FF300 HELIX(4 PIECES)	1
3.3	4143969	> COUPLING PROTECT HELIX FF KIT	1
4	4143966	COUPLING D.20XD.38 FF300 KIT	1
5	4157725	SCREW M10X40 (4 PIECES)	1
6	4179592	STUD BOLT M16X405 KIT	1
6.1		> TIE BOLT M16-405x24x44-1.4057	1
6.2	4179562	> NUT M16 8.8 ISO4032 (4 PIECES)	1
6.3	4097852	> WASHER-CS-16.4-32-2.8-NFE25-511-A2	1
7	4179565	END SHIELD HELIX 8" EPDM KIT	1
7.1		> END SHIELD M+ GJL MACHINED+CATA	1
7.2	4179564	> O-RING D.42.52x2.62 EPDM VP.	1
7.3	4179571	> O-RING HOUSING PIPE HELIX22/36/52 VP.	1
8	4143765	FILING/PURGING PLUG 316L HELIX KIT	1
8.1		> FILLING/VENTING-PLUG-VMI8/10-316L	1
8.2	4032291	> O-RING 17x3 EPDM KTW/WRC	1
9	4143973	CARTRIDGE HELIX22-36-52 O/E KIT	1
10	4179593	HOUSING PIPE D.204X330 1.4307 KIT	1
7.3	4179571	> O-RING HOUSING PIPE HELIX22/36/52 VP.	1
10.1		> HOUSING-PIPE Ø204-M+3604/5203-304	1
12	4164724	SHAFT EQUIPMENT HELIX V52 KIT	1
13		HYDRAULIC HELIX V 5203	1
14	4179599	SHAFTS D.22X504 1.4057 VP.	1
15	4164723	EQUIPED HOUSING PN16 HELIX GJL KIT	1
7.3	4179571	> O-RING HOUSING PIPE HELIX22/36/52 VP.	1
15.1		> PUMP HOUSING SET with COATED PARTS-DN80	1
15.3	4143766	> DRAIN/PRIMING PLUG EPDM HELIX KIT	1
15.3A		>> PRIMING/DRAIN PLUG-304-VERSION 1	1
15.3B	4032293	>> O-RING-10x3-EPDM-KTW/WRC	1
15.3C	4233957	>> O-RING ID.9 EPDM VP.	1

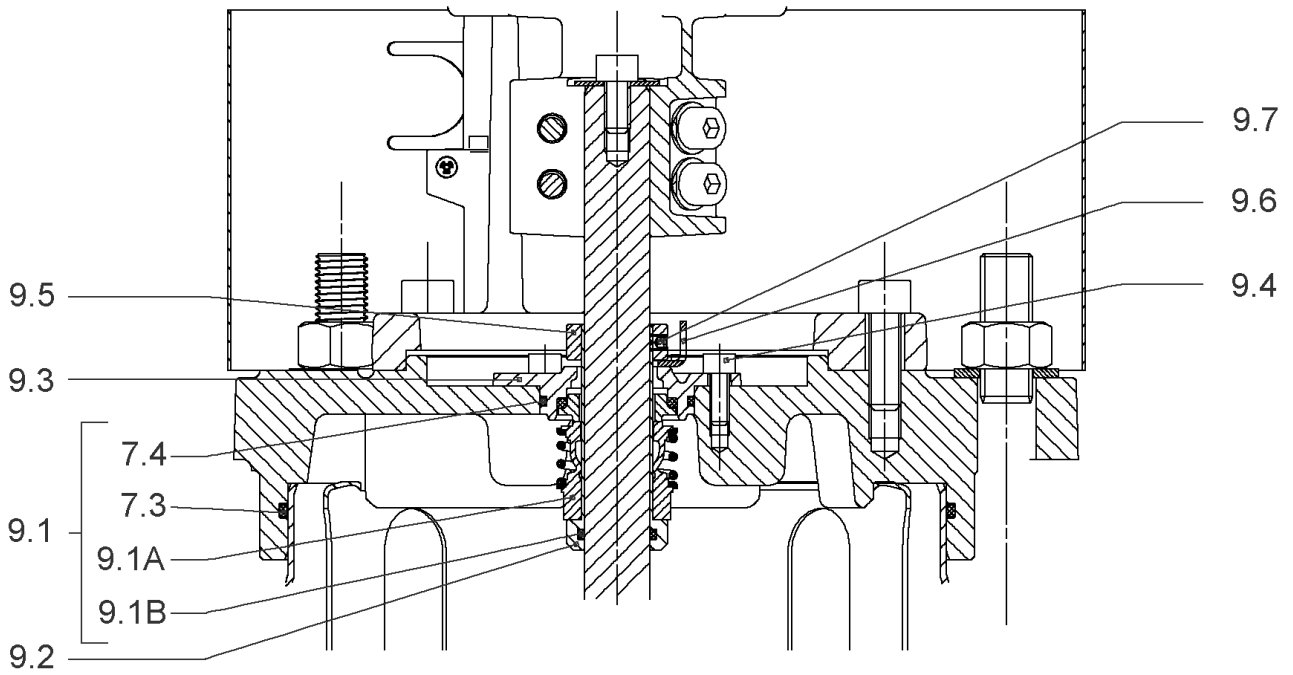
HELIX V5203-3/16/E/K/400-50 (4141801)

Item	Article no.	Description	Quantity
15.4	4221729	> BASE M+ DN50/65/80 VP.	1
15.5		> SCREW TBHC M12x25 ISO7380 ZN	1
15.6		> FLANGE M+ DN80 NF PN16-25 ASME PN16 CATA	1
15.7		> O-RING Ø91.42xØ3 EPDM	1
13.1A	4161200	> NECK RING 1.STAGE HELIX V36/52 KIT	1
		>> NECK-RING-M+36/52	1
		>> HYDRAULIC SUPPORT CAP M+36/52 304	1
		>> SCREW TCL M3X8 A4 POZIDRIV	1



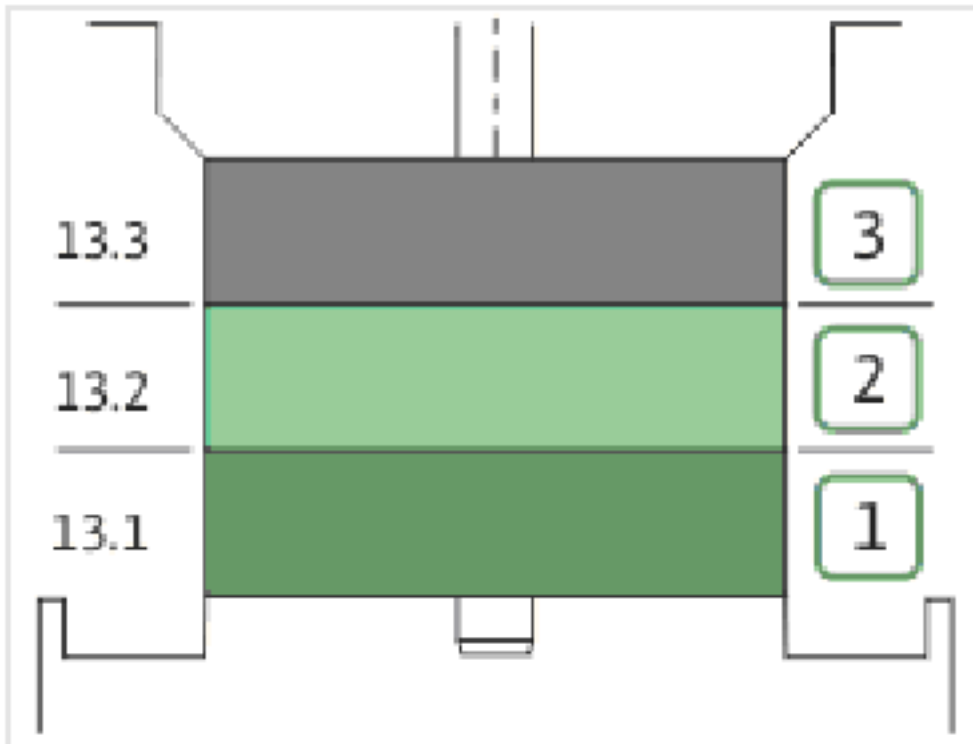
COUPLING D.20XD.38 FF300 KIT (4143966)

Item	Article no.	Description	Quantity
4.1	4179590	COUPLING 2 PARTS D.20XD.38XL115 VP.	1
4.2	2123699	BALL BEARING 6312/2Z-C4 (HT) VP.	1
4.3	63428	CIRCLIP-FOR-SHAFT-D60x2	1
4.4	2130991	SCREW M12X30 ISO4762 8.8 ZN(4 PIECES)	1
4.5	4032277	CIRCLIP-HOLE-130x4	1
4.6	4006725	O-RING ID.132,94x3,53 NBR70SR	1
4.7	2130992	RETAINING RING D.35xD.2,5 DIN7993 VP.	1
4.8	4179591	HUB D.42xD.60 VP.	1
4.9	2130994	SPACER D.38XD.55 VP.	1
4.10	4094462	SCREWS M10 (4 PIECES)	1
4.11	4233959	SCREW M8x16 VP.	1
4.12		SERRATED LOCK WASHER Ø8.2XØ25X35X2	1



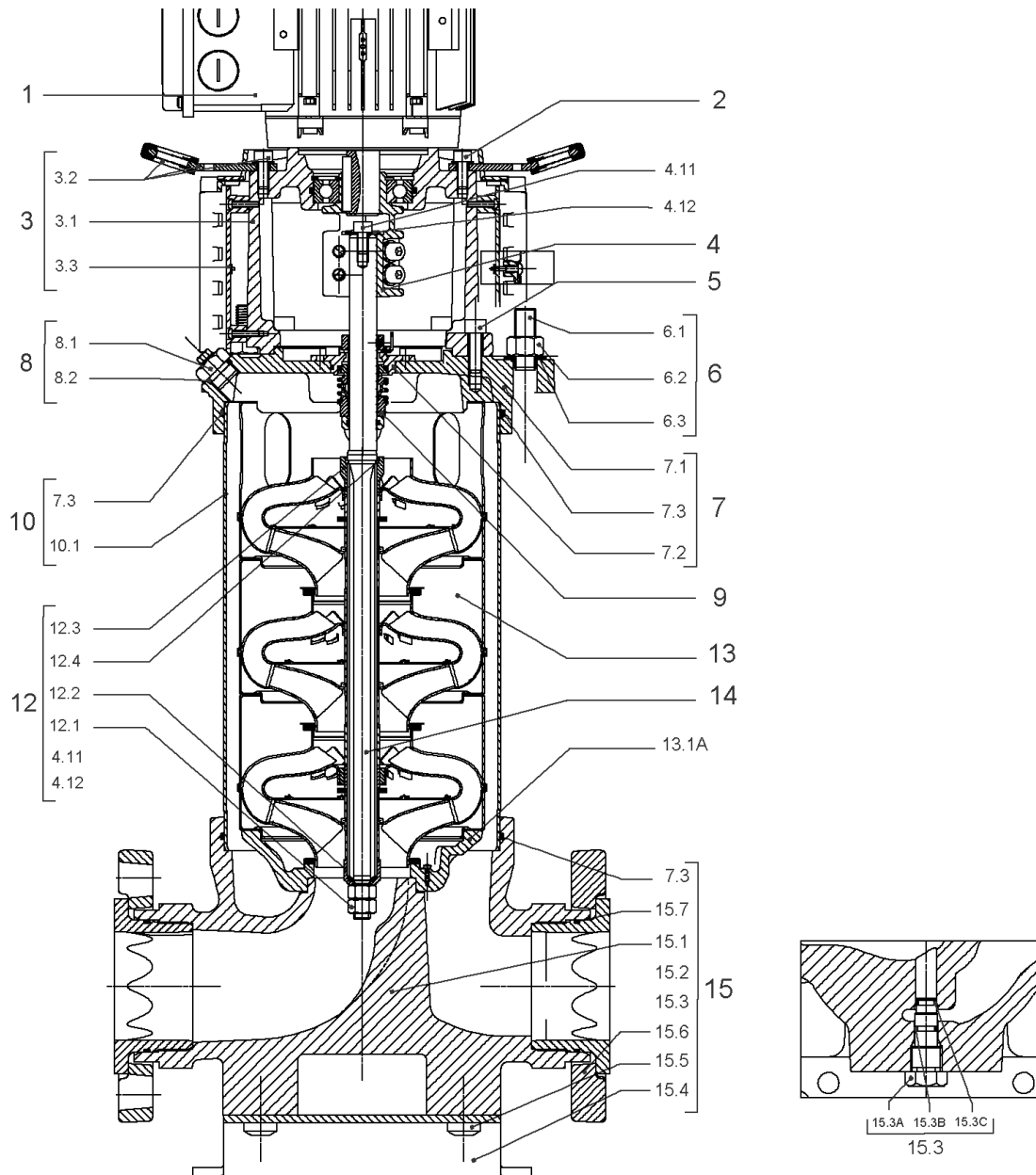
CARTRIDGE HELIX22-36-52 O/E KIT (4143973)

Item	Article no.	Description	Quantity
9.1	4143974	SEAL-KIT-HELIX22-36-52 O/E	1
7.3	4179571	> O-RING HOUSING PIPE HELIX22/36/52 VP.	1
7.4	4179572	> O-RING ID.42.52X2.62 EPDM VP.	1
9.1A	4179573	> M.SEAL.HELIX22-36-52 O/E VP.	1
9.1B	4179574	> O-RING ID.20x2.65 EPDM VP.	1
9.2	4179566	SHAFT SLEEVE D.20/20X60 1.4404 VP.	1
9.3	4179567	RING HOLDER Ø22 1.4301 VP.	1
9.4	4176520	SCREW CH M5x5 A4-70 (3PIECES)	1
9.5	4179568	DRIVE RING D.31/22.1x11 MACH.VP.	1
9.6	4179569	TOOL M.S.CART.HELIX 8" VP.	1
9.7	4179570	SCREW M6X16 ISO4762 8.8 GEOMET(4 PIECES)	1



HYDRAULIC HELIX V 5203

Item	Article no.	Description	Quantity
13.1	4164727	INTERMEDIAIRE STAGE HELIX 52 1.4301 KIT	1
		> SLEEVE-SPACER-D22XL30,42-316L	1
		> MACH.BEARING-DIFFUSER+NR-M+52-304	1
		> SHAFT-SLEEVE-D26xD22x16-CW	1
		> SPACER WASHER D22,3XD36 L3-316L	1
		> IMPELLER-H2-M+52-304	1
13.1A	4161200	> NECK RING 1.STAGE HELIX V36/52 KIT	1
		>> NECK-RING-M+36/52	1
		>> HYDRAULIC SUPPORT CAP M+36/52 304	1
		>> SCREW TCL M3X8 A4 POZIDRIV	1
13.2	4164728	INTERMEDIATE STAGE HELIX 52 1.4301 KIT	1
		> MACH.STD-DIFFUSER+NR-M+52-304	1
		> IMPELLER-H5-M+52-304	1
13.3	4164729	UPPER-STAGE HELIX 52 1.4301 KIT	1
		> STOP COLLAR OF IMPELLER L27,6-Ø22-316L	1
		> SLEEVE-SPACER-D22XL16,66-316L	1
		> SPACER WASHER D22,3XD36 L3-316L	1
		> IMPELLER-H2-M+52-304	1
		> MACH.STD-DISCHARGE-CHAMBER-M+52-304	1

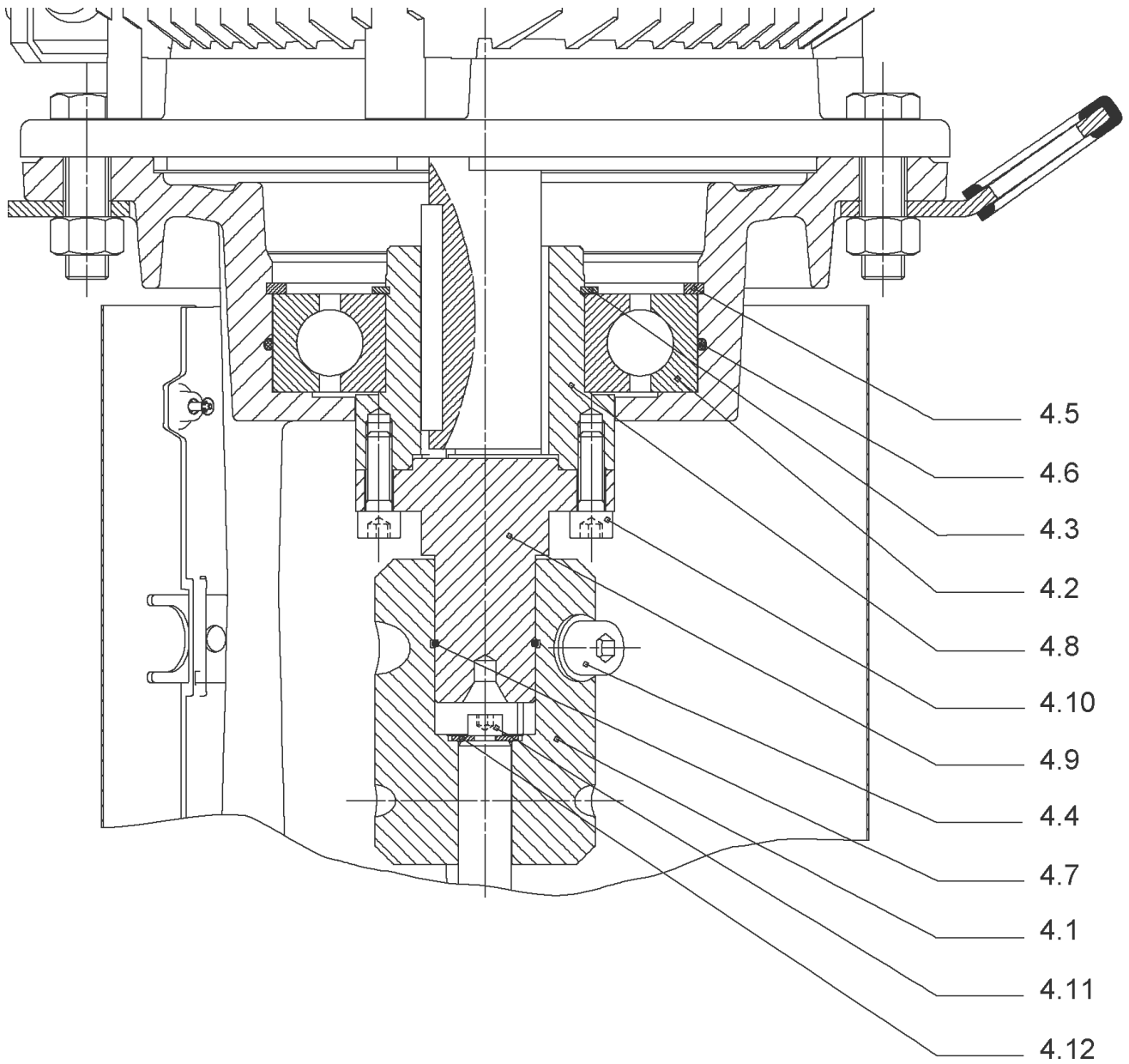


HELIX V5204/2-3/16/E/K/400-50 (4141802)

Item	Article no.	Description	Quantity
1	4199884	MOTOR 11/2/160 3~400V 50HZ VP.	1
		SPARE PARTS MOTOR:ON REQUEST	1
2	4179586	SCREW M16X60 (4 PIECES)	1
3	4157721	LANTERN HELIX 22/36 FF300 BB6312 KIT	1
3.1		> LANTERN FF300 M+ GJL MACHINED+CATA 6312	1
3.2	4179589	> EYELET CPL.FF300 HELIX(4 PIECES)	1
3.3	4143969	> COUPLING PROTECT HELIX FF KIT	1
4	4143966	COUPLING D.20XD.38 FF300 KIT	1
5	4157725	SCREW M10X40 (4 PIECES)	1
6	4179919	STUD BOLT M16X500 KIT	1
6.1		> TIE BOLT M16-500x24x44-1.4057	1
6.2	4179562	> NUT M16 8.8 ISO4032 (4 PIECES)	1
6.3	4097852	> WASHER-CS-16.4-32-2.8-NFE25-511-A2	1
7	4179565	END SHIELD HELIX 8" EPDM KIT	1
7.1		> END SHIELD M+ GJL MACHINED+CATA	1
7.2	4179564	> O-RING D.42.52x2.62 EPDM VP.	1
7.3	4179571	> O-RING HOUSING PIPE HELIX22/36/52 VP.	1
8	4143765	FILING/PURGING PLUG 316L HELIX KIT	1
8.1		> FILLING/VENTING-PLUG-VMI8/10-316L	1
8.2	4032291	> O-RING 17x3 EPDM KTW/WRC	1
9	4143973	CARTRIDGE HELIX22-36-52 O/E KIT	1
10	4179920	HOUSING PIPE D204 X 430 1.4301 KIT	1
7.3	4179571	> O-RING HOUSING PIPE HELIX22/36/52 VP.	1
10.1		> HOUSING-PIPE Ø204-M+5204-304	1
12	4164724	SHAFT EQUIPMENT HELIX V52 KIT	1
13		HYDRAULIC HELIX V 5204-2	1
14	4180848	SHAFT D.22X604 1.4057 VP.	1
15	4164723	EQUIPED HOUSING PN16 HELIX GJL KIT	1
7.3	4179571	> O-RING HOUSING PIPE HELIX22/36/52 VP.	1
15.1		> PUMP HOUSING SET with COATED PARTS-DN80	1
15.3	4143766	> DRAIN/PRIMING PLUG EPDM HELIX KIT	1
15.3A		>> PRIMING/DRAIN PLUG-304-VERSION 1	1
15.3B	4032293	>> O-RING-10x3-EPDM-KTW/WRC	1
15.3C	4233957	>> O-RING ID.9 EPDM VP.	1

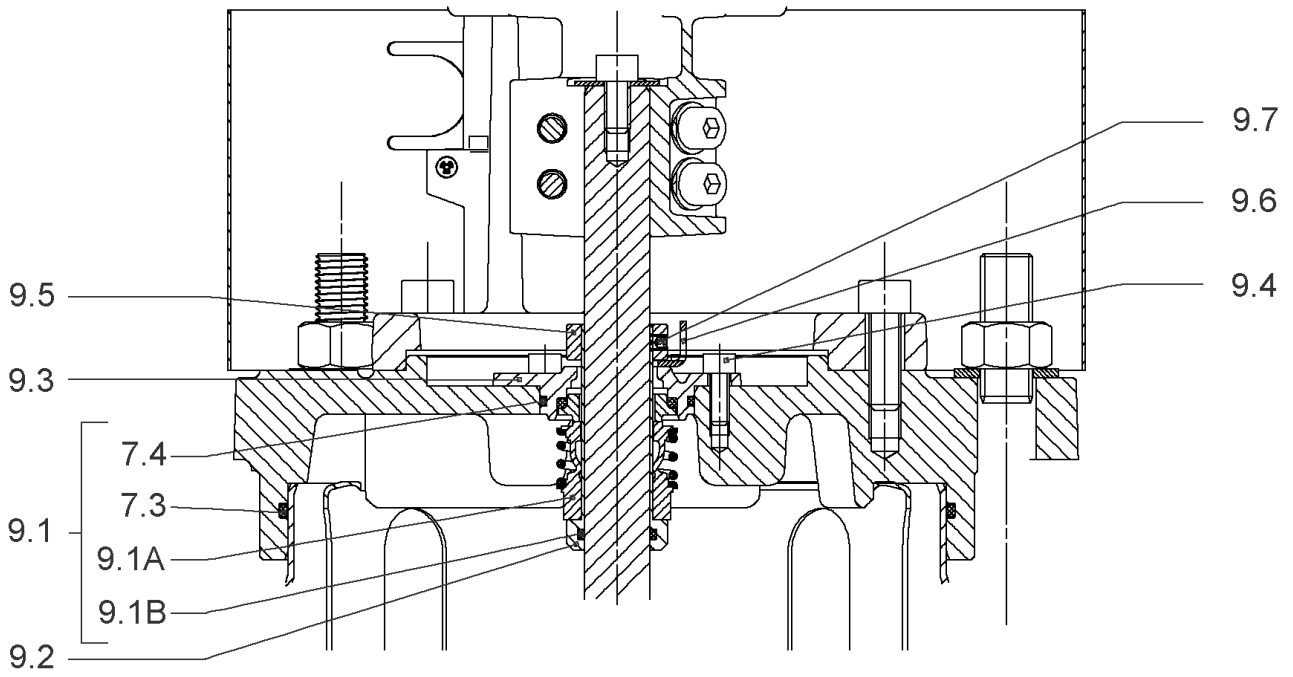
HELIX V5204/2-3/16/E/K/400-50 (4141802)

Item	Article no.	Description	Quantity
15.4	4221729	> BASE M+ DN50/65/80 VP.	1
15.5		> SCREW TBHC M12x25 ISO7380 ZN	1
15.6		> FLANGE M+ DN80 NF PN16-25 ASME PN16 CATA	1
15.7		> O-RING Ø91.42xØ3 EPDM	1
13.1A	4161200	> NECK RING 1.STAGE HELIX V36/52 KIT	1
		>> NECK-RING-M+36/52	1
		>> HYDRAULIC SUPPORT CAP M+36/52 304	1
		>> SCREW TCL M3X8 A4 POZIDRIV	1



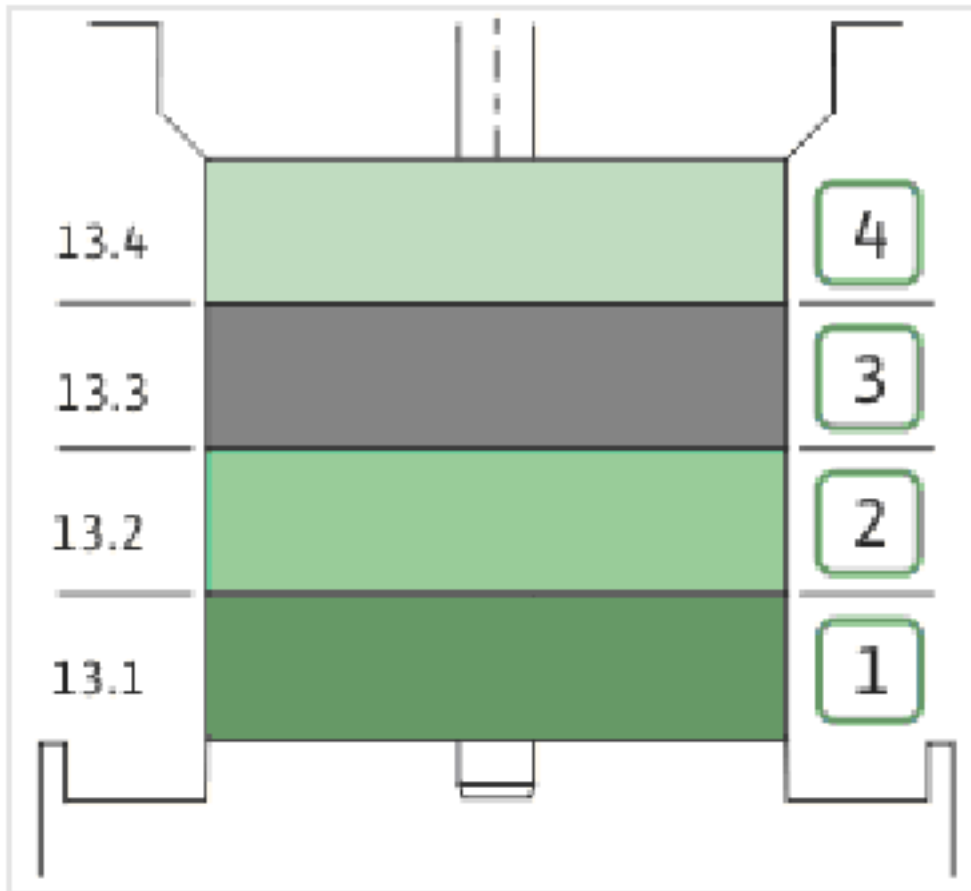
COUPLING D.20XD.38 FF300 KIT (4143966)

Item	Article no.	Description	Quantity
4.1	4179590	COUPLING 2 PARTS D.20XD.38XL115 VP.	1
4.2	2123699	BALL BEARING 6312/2Z-C4 (HT) VP.	1
4.3	63428	CIRCLIP-FOR-SHAFT-D60x2	1
4.4	2130991	SCREW M12X30 ISO4762 8.8 ZN(4 PIECES)	1
4.5	4032277	CIRCLIP-HOLE-130x4	1
4.6	4006725	O-RING ID.132,94x3,53 NBR70SR	1
4.7	2130992	RETAINING RING D.35xD.2,5 DIN7993 VP.	1
4.8	4179591	HUB D.42xD.60 VP.	1
4.9	2130994	SPACER D.38XD.55 VP.	1
4.10	4094462	SCREWS M10 (4 PIECES)	1
4.11	4233959	SCREW M8x16 VP.	1
4.12		SERRATED LOCK WASHER Ø8.2XØ25X35X2	1



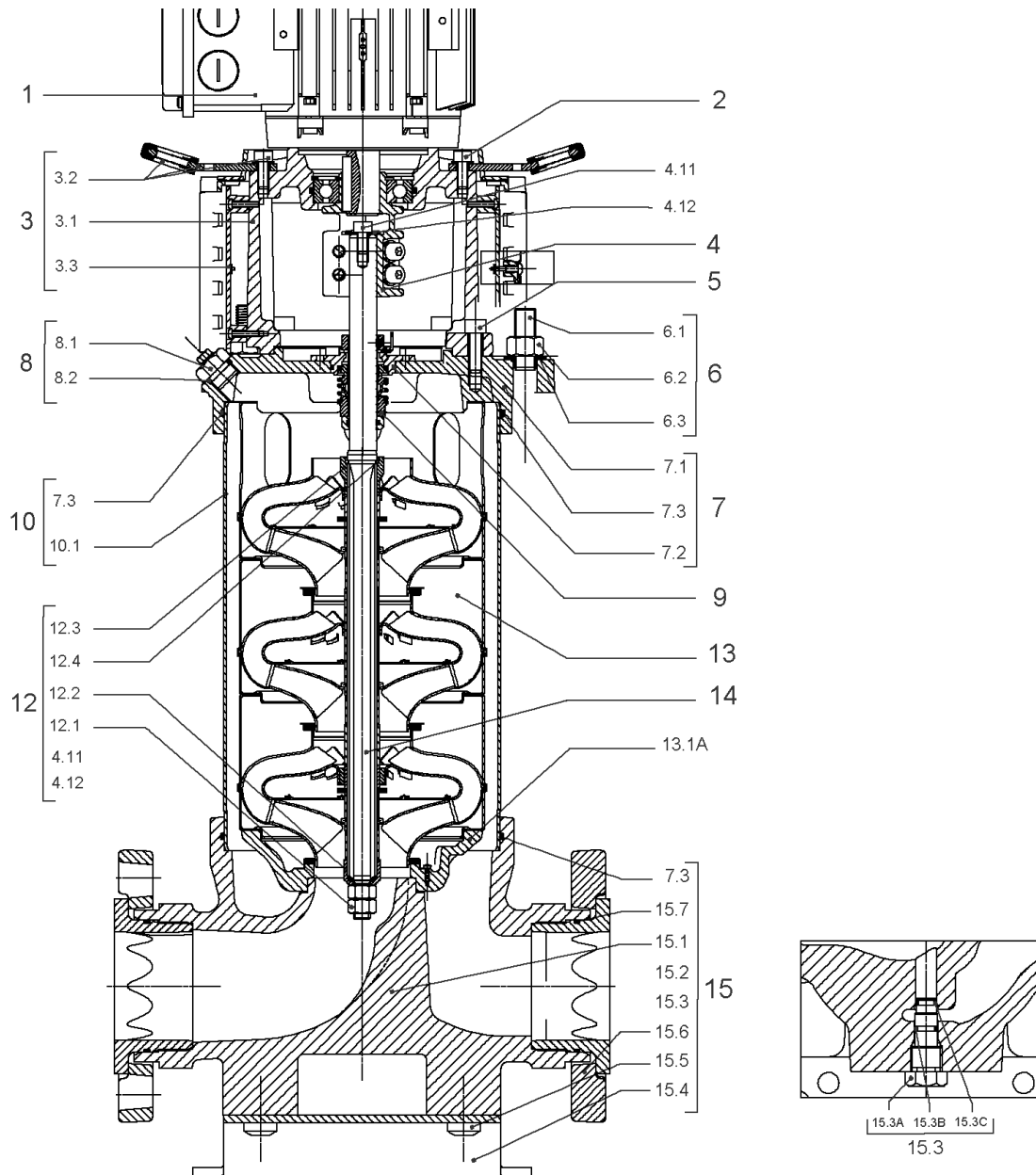
CARTRIDGE HELIX22-36-52 O/E KIT (4143973)

Item	Article no.	Description	Quantity
9.1	4143974	SEAL-KIT-HELIX22-36-52 O/E	1
7.3	4179571	> O-RING HOUSING PIPE HELIX22/36/52 VP.	1
7.4	4179572	> O-RING ID.42.52X2.62 EPDM VP.	1
9.1A	4179573	> M.SEAL.HELIX22-36-52 O/E VP.	1
9.1B	4179574	> O-RING ID.20x2.65 EPDM VP.	1
9.2	4179566	SHAFT SLEEVE D.20/20X60 1.4404 VP.	1
9.3	4179567	RING HOLDER Ø22 1.4301 VP.	1
9.4	4176520	SCREW CH M5x5 A4-70 (3PIECES)	1
9.5	4179568	DRIVE RING D.31/22.1x11 MACH.VP.	1
9.6	4179569	TOOL M.S.CART.HELIX 8" VP.	1
9.7	4179570	SCREW M6X16 ISO4762 8.8 GEOMET(4 PIECES)	1



HYDRAULIC HELIX V 5204-2

Item	Article no.	Description	Quantity
13.1	4164727	INTERMEDIAIRE STAGE HELIX 52 1.4301 KIT	1
		> SLEEVE-SPACER-D22XL30,42-316L	1
		> MACH.BEARING-DIFFUSER+NR-M+52-304	1
		> SHAFT-SLEEVE-D26xD22x16-CW	1
		> SPACER WASHER D22,3XD36 L3-316L	1
		> IMPELLER-H2-M+52-304	1
13.1A	4161200	> NECK RING 1.STAGE HELIX V36/52 KIT	1
		>> NECK-RING-M+36/52	1
		>> HYDRAULIC SUPPORT CAP M+36/52 304	1
		>> SCREW TCL M3X8 A4 POZIDRIV	1
13.2	4164728	INTERMEDIATE STAGE HELIX 52 1.4301 KIT	1
		> MACH.STD-DIFFUSER+NR-M+52-304	1
		> IMPELLER-H5-M+52-304	1
13.3	4164730	INTERMEDIATE STAGE HELIX 52 1.4301 KIT	1
		> MACH.STD-DIFFUSER+NR-M+52-304	1
		> REDUCED-IMPELLER-H5-M+52-304	1
13.4	4164731	UPPER-STAGE HELIX 52 1.4301 KIT	1
		> STOP COLLAR OF IMPELLER L27,6-Ø22-316L	1
		> SLEEVE-SPACER-D22XL16,66-316L	1
		> SPACER WASHER D22,3XD36 L3-316L	1
		> REDUCED-IMPELLER-H2-M+52-304	1
		> MACH.STD-DISCHARGE-CHAMBER-M+52-304	1

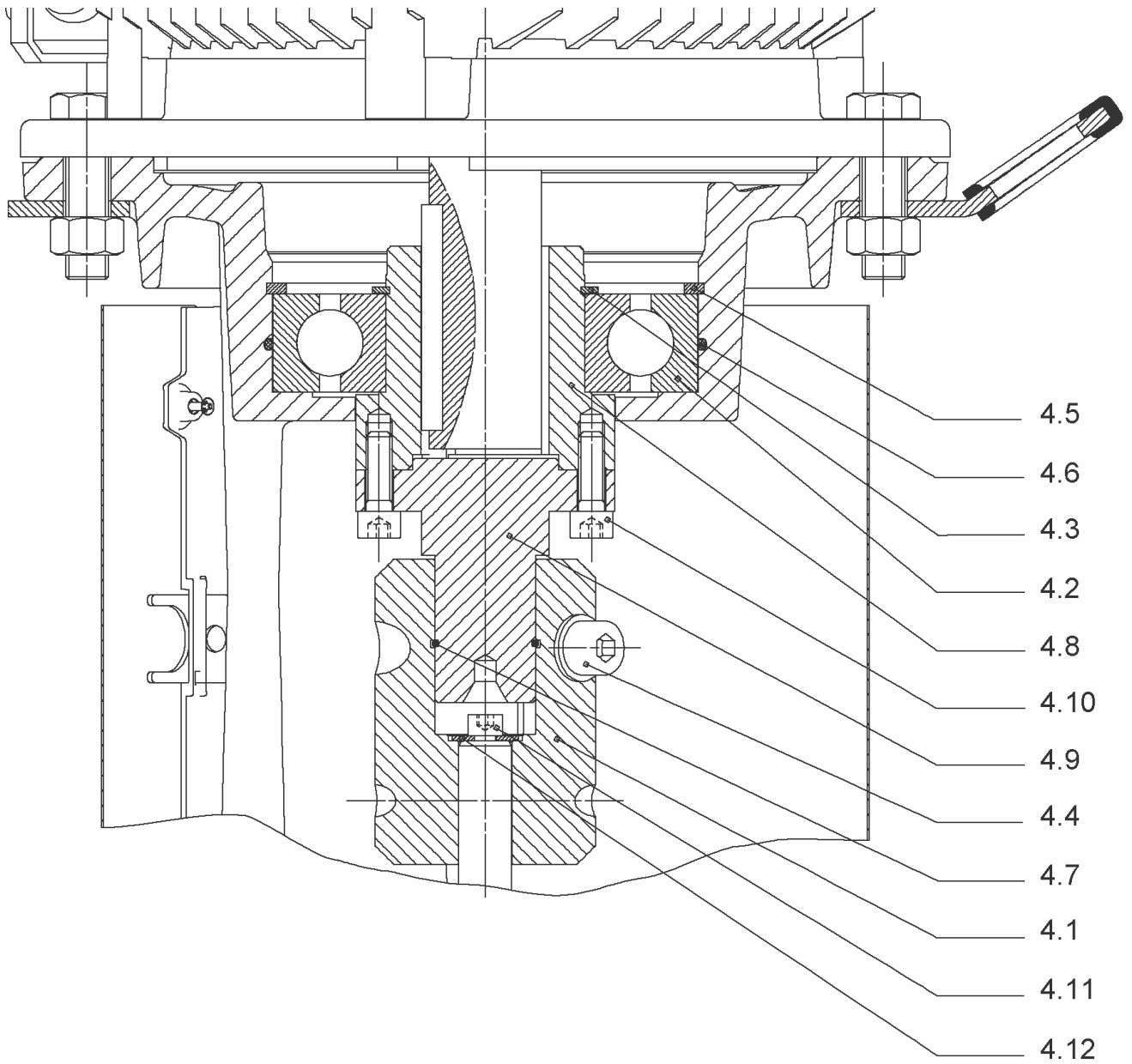


HELIX V5204-3/16/E/K/400-50 (4141804)

Item	Article no.	Description	Quantity
1	4199884	MOTOR 11/2/160 3~400V 50HZ VP.	1
		SPARE PARTS MOTOR:ON REQUEST	1
2	4179586	SCREW M16X60 (4 PIECES)	1
3	4157721	LANTERN HELIX 22/36 FF300 BB6312 KIT	1
3.1		> LANTERN FF300 M+ GJL MACHINED+CATA 6312	1
3.2	4179589	> EYELET CPL.FF300 HELIX(4 PIECES)	1
3.3	4143969	> COUPLING PROTECT HELIX FF KIT	1
4	4143966	COUPLING D.20XD.38 FF300 KIT	1
5	4157725	SCREW M10X40 (4 PIECES)	1
6	4179919	STUD BOLT M16X500 KIT	1
6.1		> TIE BOLT M16-500x24x44-1.4057	1
6.2	4179562	> NUT M16 8.8 ISO4032 (4 PIECES)	1
6.3	4097852	> WASHER-CS-16.4-32-2.8-NFE25-511-A2	1
7	4179565	END SHIELD HELIX 8" EPDM KIT	1
7.1		> END SHIELD M+ GJL MACHINED+CATA	1
7.2	4179564	> O-RING D.42.52x2.62 EPDM VP.	1
7.3	4179571	> O-RING HOUSING PIPE HELIX22/36/52 VP.	1
8	4143765	FILING/PURGING PLUG 316L HELIX KIT	1
8.1		> FILLING/VENTING-PLUG-VM18/10-316L	1
8.2	4032291	> O-RING 17x3 EPDM KTW/WRC	1
9	4143973	CARTRIDGE HELIX22-36-52 O/E KIT	1
10	4179920	HOUSING PIPE D204 X 430 1.4301 KIT	1
7.3	4179571	> O-RING HOUSING PIPE HELIX22/36/52 VP.	1
10.1		> HOUSING-PIPE Ø204-M+5204-304	1
12	4164724	SHAFT EQUIPMENT HELIX V52 KIT	1
13		HYDRAULIC HELIX V 5204	1
14	4180848	SHAFT D.22X604 1.4057 VP.	1
15	4164723	EQUIPED HOUSING PN16 HELIX GJL KIT	1
7.3	4179571	> O-RING HOUSING PIPE HELIX22/36/52 VP.	1
15.1		> PUMP HOUSING SET with COATED PARTS-DN80	1
15.3	4143766	> DRAIN/PRIMING PLUG EPDM HELIX KIT	1
15.3A		>> PRIMING/DRAIN PLUG-304-VERSION 1	1
15.3B	4032293	>> O-RING-10x3-EPDM-KTW/WRC	1
15.3C	4233957	>> O-RING ID.9 EPDM VP.	1

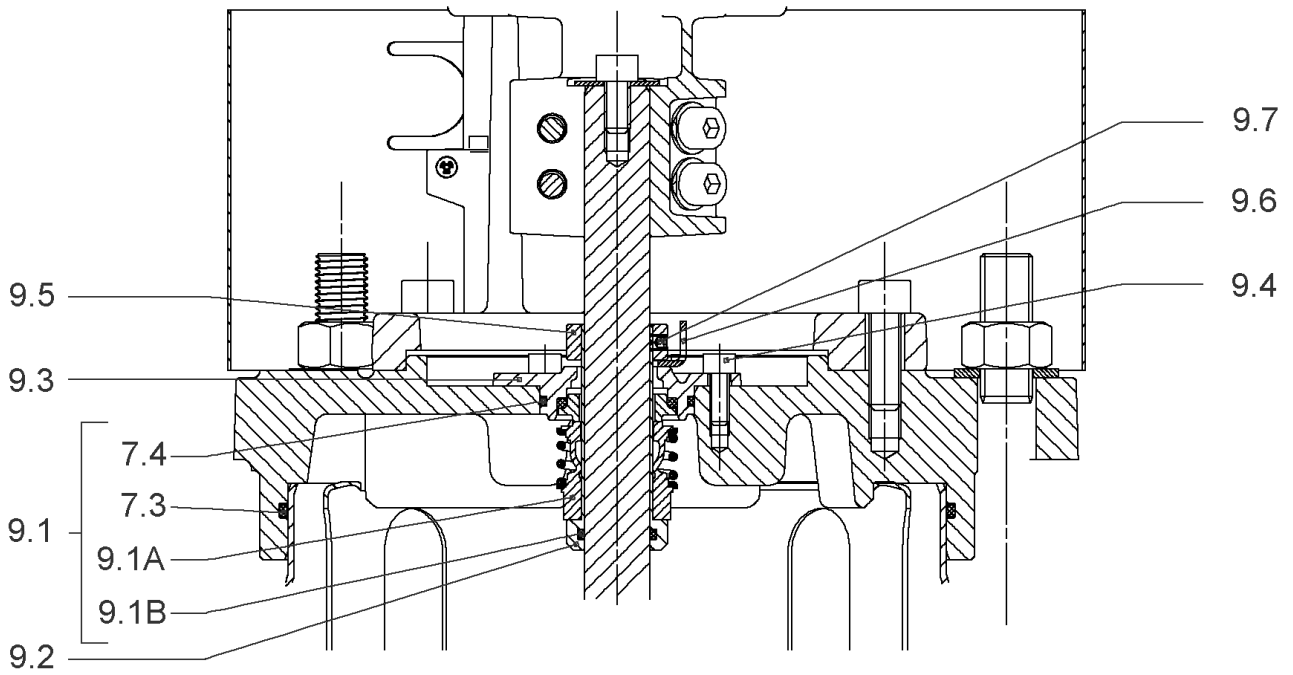
HELIX V5204-3/16/E/K/400-50 (4141804)

Item	Article no.	Description	Quantity
15.4	4221729	> BASE M+ DN50/65/80 VP.	1
15.5		> SCREW TBHC M12x25 ISO7380 ZN	1
15.6		> FLANGE M+ DN80 NF PN16-25 ASME PN16 CATA	1
15.7		> O-RING Ø91.42xØ3 EPDM	1
13.1A	4161200	> NECK RING 1.STAGE HELIX V36/52 KIT	1
		>> NECK-RING-M+36/52	1
		>> HYDRAULIC SUPPORT CAP M+36/52 304	1
		>> SCREW TCL M3X8 A4 POZIDRIV	1



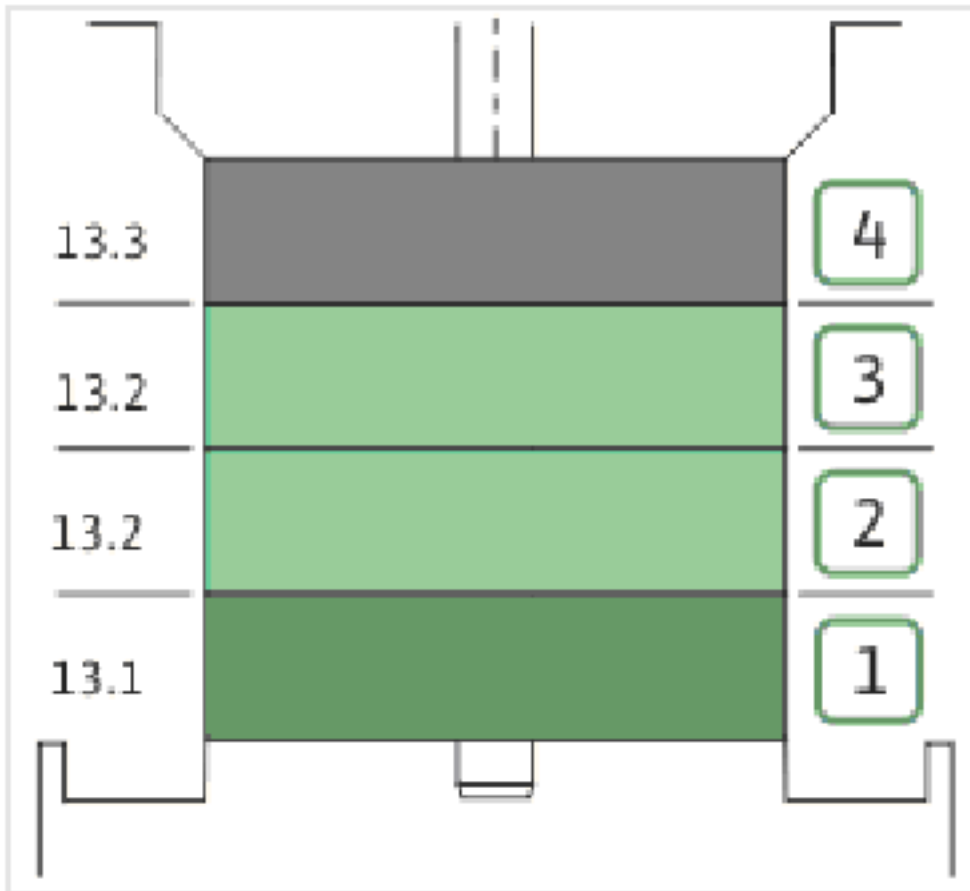
COUPLING D.20XD.38 FF300 KIT (4143966)

Item	Article no.	Description	Quantity
4.1	4179590	COUPLING 2 PARTS D.20XD.38XL115 VP.	1
4.2	2123699	BALL BEARING 6312/2Z-C4 (HT) VP.	1
4.3	63428	CIRCLIP-FOR-SHAFT-D60x2	1
4.4	2130991	SCREW M12X30 ISO4762 8.8 ZN(4 PIECES)	1
4.5	4032277	CIRCLIP-HOLE-130x4	1
4.6	4006725	O-RING ID.132,94x3,53 NBR70SR	1
4.7	2130992	RETAINING RING D.35xD.2,5 DIN7993 VP.	1
4.8	4179591	HUB D.42xD.60 VP.	1
4.9	2130994	SPACER D.38XD.55 VP.	1
4.10	4094462	SCREWS M10 (4 PIECES)	1
4.11	4233959	SCREW M8x16 VP.	1
4.12		SERRATED LOCK WASHER Ø8.2XØ25X35X2	1



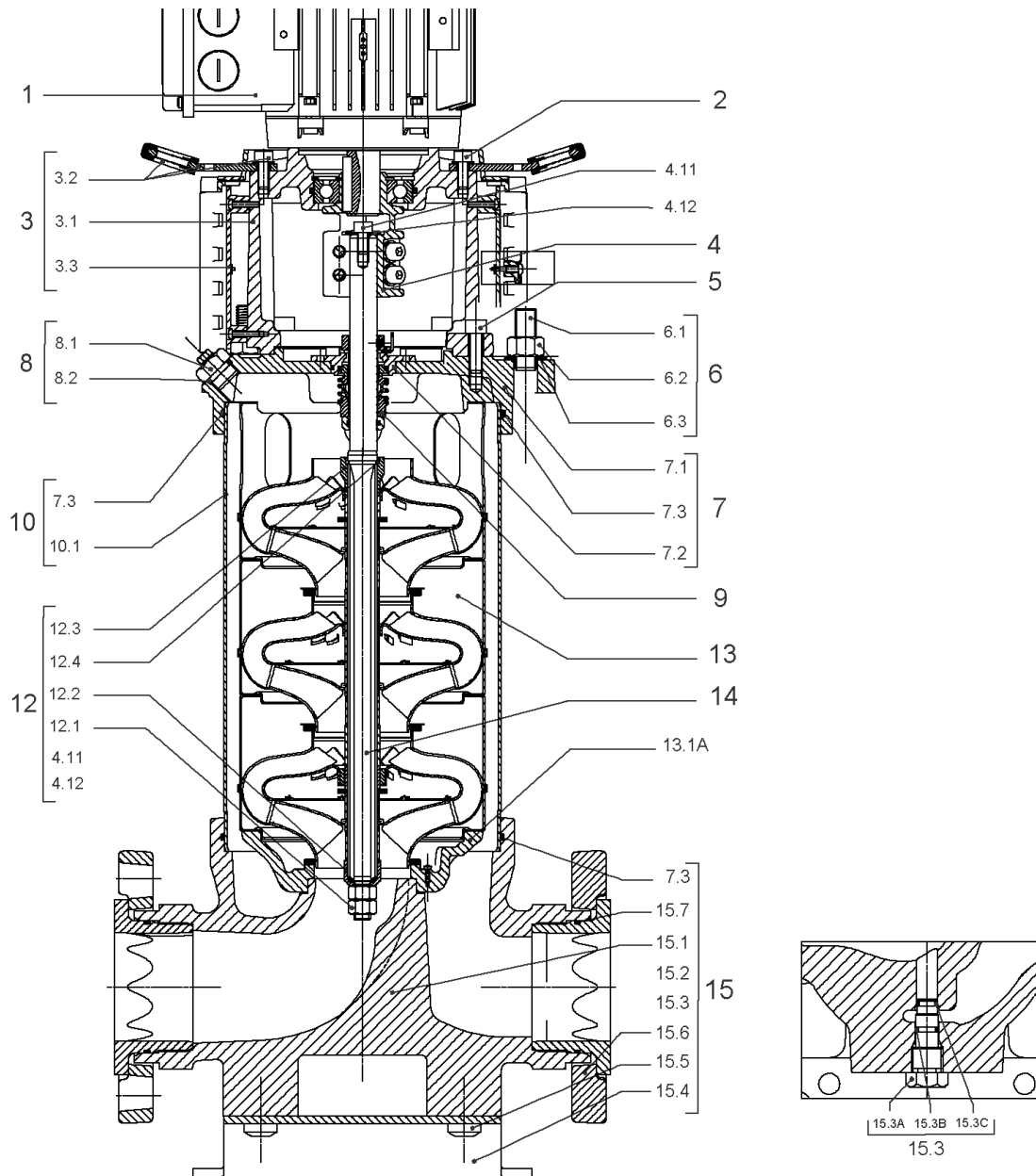
CARTRIDGE HELIX22-36-52 O/E KIT (4143973)

Item	Article no.	Description	Quantity
9.1	4143974	SEAL-KIT-HELIX22-36-52 O/E	1
7.3	4179571	> O-RING HOUSING PIPE HELIX22/36/52 VP.	1
7.4	4179572	> O-RING ID.42.52X2.62 EPDM VP.	1
9.1A	4179573	> M.SEAL.HELIX22-36-52 O/E VP.	1
9.1B	4179574	> O-RING ID.20x2.65 EPDM VP.	1
9.2	4179566	SHAFT SLEEVE D.20/20X60 1.4404 VP.	1
9.3	4179567	RING HOLDER Ø22 1.4301 VP.	1
9.4	4176520	SCREW CH M5x5 A4-70 (3PIECES)	1
9.5	4179568	DRIVE RING D.31/22.1x11 MACH.VP.	1
9.6	4179569	TOOL M.S.CART.HELIX 8" VP.	1
9.7	4179570	SCREW M6X16 ISO4762 8.8 GEOMET(4 PIECES)	1



HYDRAULIC HELIX V 5204

Item	Article no.	Description	Quantity
13.1	4164727	INTERMEDIAIRE STAGE HELIX 52 1.4301 KIT	1
		> SLEEVE-SPACER-D22XL30,42-316L	1
		> MACH.BEARING-DIFFUSER+NR-M+52-304	1
		> SHAFT-SLEEVE-D26xD22x16-CW	1
		> SPACER WASHER D22,3XD36 L3-316L	1
		> IMPELLER-H2-M+52-304	1
13.1A	4161200	> NECK RING 1.STAGE HELIX V36/52 KIT	1
		>> NECK-RING-M+36/52	1
		>> HYDRAULIC SUPPORT CAP M+36/52 304	1
		>> SCREW TCL M3X8 A4 POZIDRIV	1
13.2	4164728	INTERMEDIATE STAGE HELIX 52 1.4301 KIT	1
		> MACH.STD-DIFFUSER+NR-M+52-304	1
		> IMPELLER-H5-M+52-304	1
13.3	4164729	UPPER-STAGE HELIX 52 1.4301 KIT	1
		> STOP COLLAR OF IMPELLER L27,6-Ø22-316L	1
		> SLEEVE-SPACER-D22XL16,66-316L	1
		> SPACER WASHER D22,3XD36 L3-316L	1
		> IMPELLER-H2-M+52-304	1
		> MACH.STD-DISCHARGE-CHAMBER-M+52-304	1

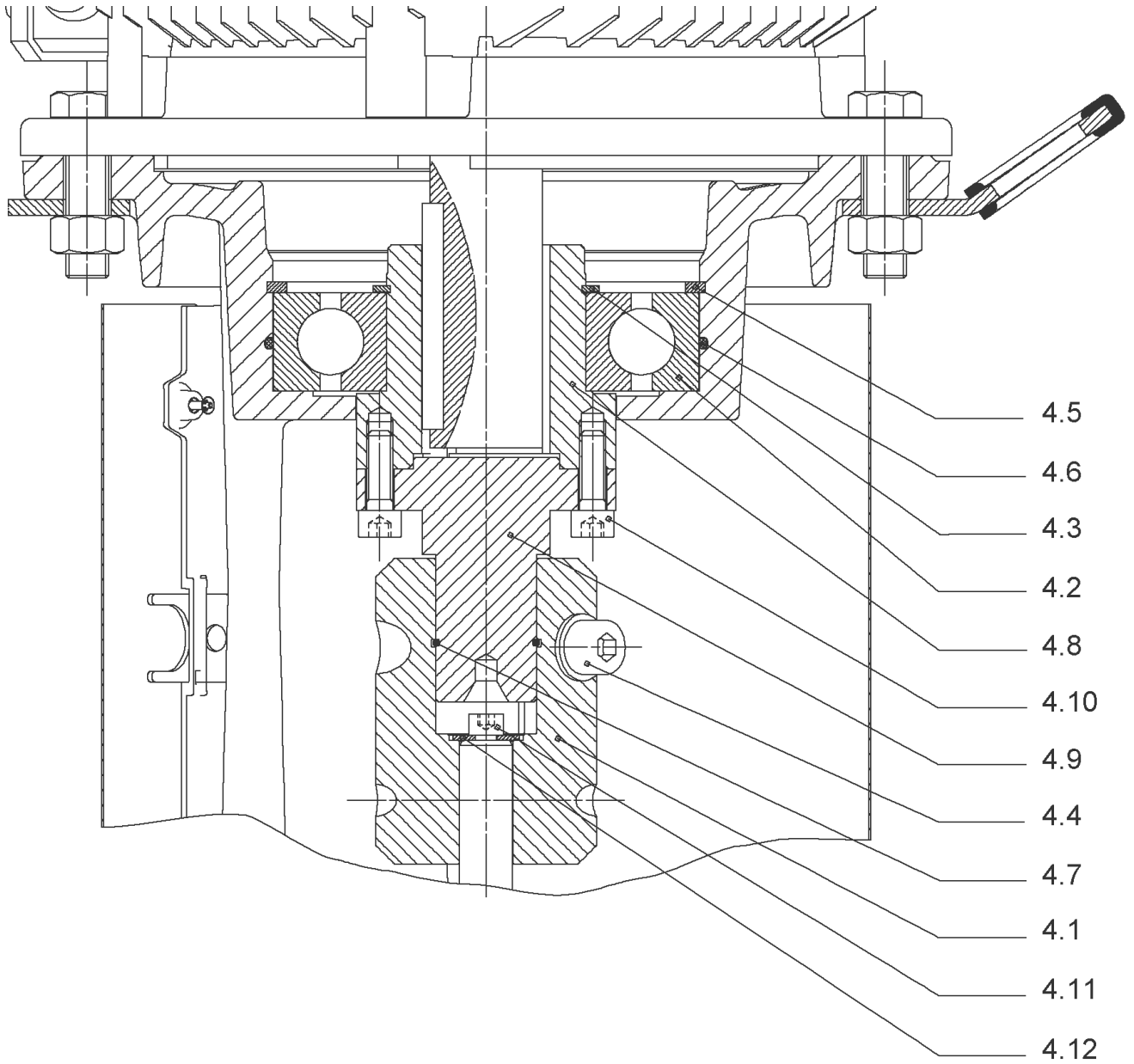


HELIX V5205/2-3/16/E/K/400-50 (4141805)

Item	Article no.	Description	Quantity
1	4195488	MOTOR 18.5/2/160 3~400V 50HZ ARC VP.	1
		SPARE PARTS MOTOR:ON REQUEST	1
2	4179586	SCREW M16X60 (4 PIECES)	1
3	4157721	LANTERN HELIX 22/36 FF300 BB6312 KIT	1
3.1		> LANTERN FF300 M+ GJL MACHINED+CATA 6312	1
3.2	4179589	> EYELET CPL.FF300 HELIX(4 PIECES)	1
3.3	4143969	> COUPLING PROTECT HELIX FF KIT	1
4	4143966	COUPLING D.20XD.38 FF300 KIT	1
5	4157725	SCREW M10X40 (4 PIECES)	1
6	4179923	STUD BOLT M16X600 KIT	1
6.1		> TIE BOLT M16-600x24x44-1.4057	1
6.2	4179562	> NUT M16 8.8 ISO4032 (4 PIECES)	1
6.3	4097852	> WASHER-CS-16.4-32-2.8-NFE25-511-A2	1
7	4179565	END SHIELD HELIX 8" EPDM KIT	1
7.1		> END SHIELD M+ GJL MACHINED+CATA	1
7.2	4179564	> O-RING D.42.52x2.62 EPDM VP.	1
7.3	4179571	> O-RING HOUSING PIPE HELIX22/36/52 VP.	1
8	4143765	FILING/PURGING PLUG 316L HELIX KIT	1
8.1		> FILLING/VENTING-PLUG-VMI8/10-316L	1
8.2	4032291	> O-RING 17x3 EPDM KTW/WRC	1
9	4143973	CARTRIDGE HELIX22-36-52 O/E KIT	1
10	4179924	HOUSING PIPE D.204X530 1.4301 KIT	1
7.3	4179571	> O-RING HOUSING PIPE HELIX22/36/52 VP.	1
10.1		> HOUSING-PIPE Ø204-M+3607/5205-304	1
12	4164724	SHAFT EQUIPMENT HELIX V52 KIT	1
13		HYDRAULIC HELIX V 5205-2	1
14	4179926	SHAFTS D.22X704 1.4057 VP.	1
15	4164723	EQUIPED HOUSING PN16 HELIX GJL KIT	1
7.3	4179571	> O-RING HOUSING PIPE HELIX22/36/52 VP.	1
15.1		> PUMP HOUSING SET with COATED PARTS-DN80	1
15.3	4143766	> DRAIN/PRIMING PLUG EPDM HELIX KIT	1
15.3A		>> PRIMING/DRAIN PLUG-304-VERSION 1	1
15.3B	4032293	>> O-RING-10x3-EPDM-KTW/WRC	1
15.3C	4233957	>> O-RING ID.9 EPDM VP.	1

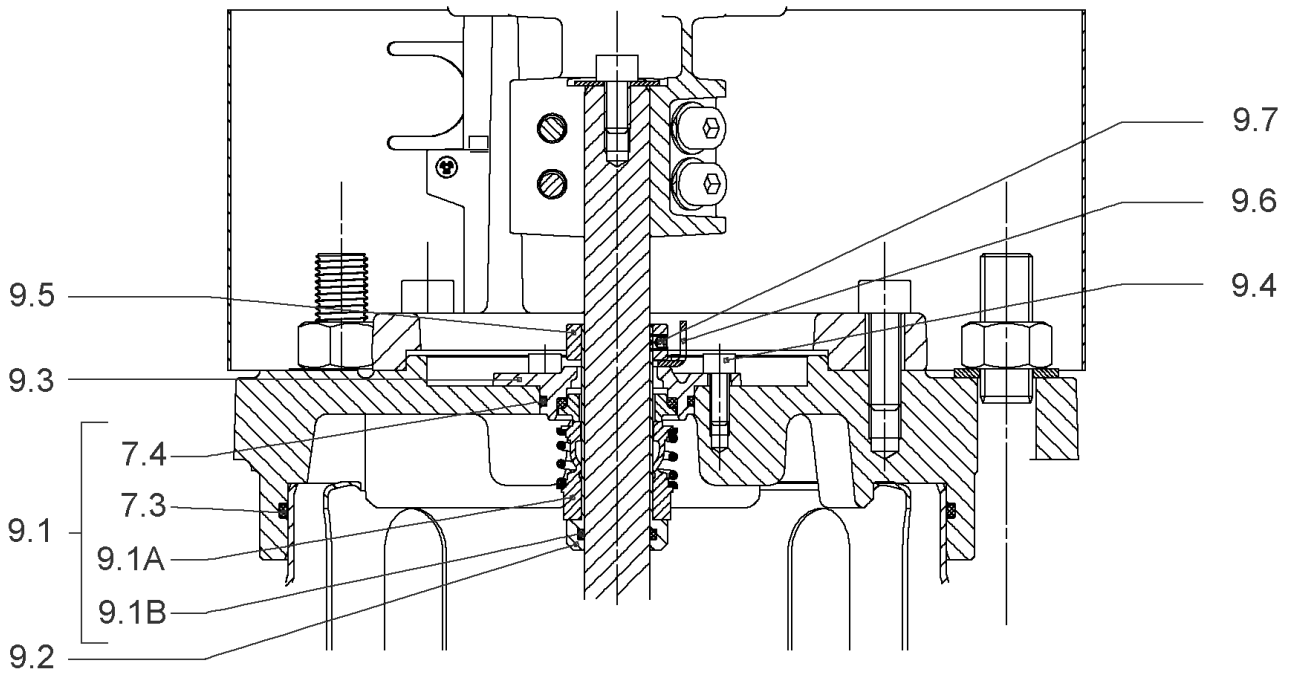
HELIX V5205/2-3/16/E/K/400-50 (4141805)

Item	Article no.	Description	Quantity
15.4	4221729	> BASE M+ DN50/65/80 VP.	1
15.5		> SCREW TBHC M12x25 ISO7380 ZN	1
15.6		> FLANGE M+ DN80 NF PN16-25 ASME PN16 CATA	1
15.7		> O-RING Ø91.42xØ3 EPDM	1
13.1A	4161200	> NECK RING 1.STAGE HELIX V36/52 KIT	1
		>> NECK-RING-M+36/52	1
		>> HYDRAULIC SUPPORT CAP M+36/52 304	1
		>> SCREW TCL M3X8 A4 POZIDRIV	1



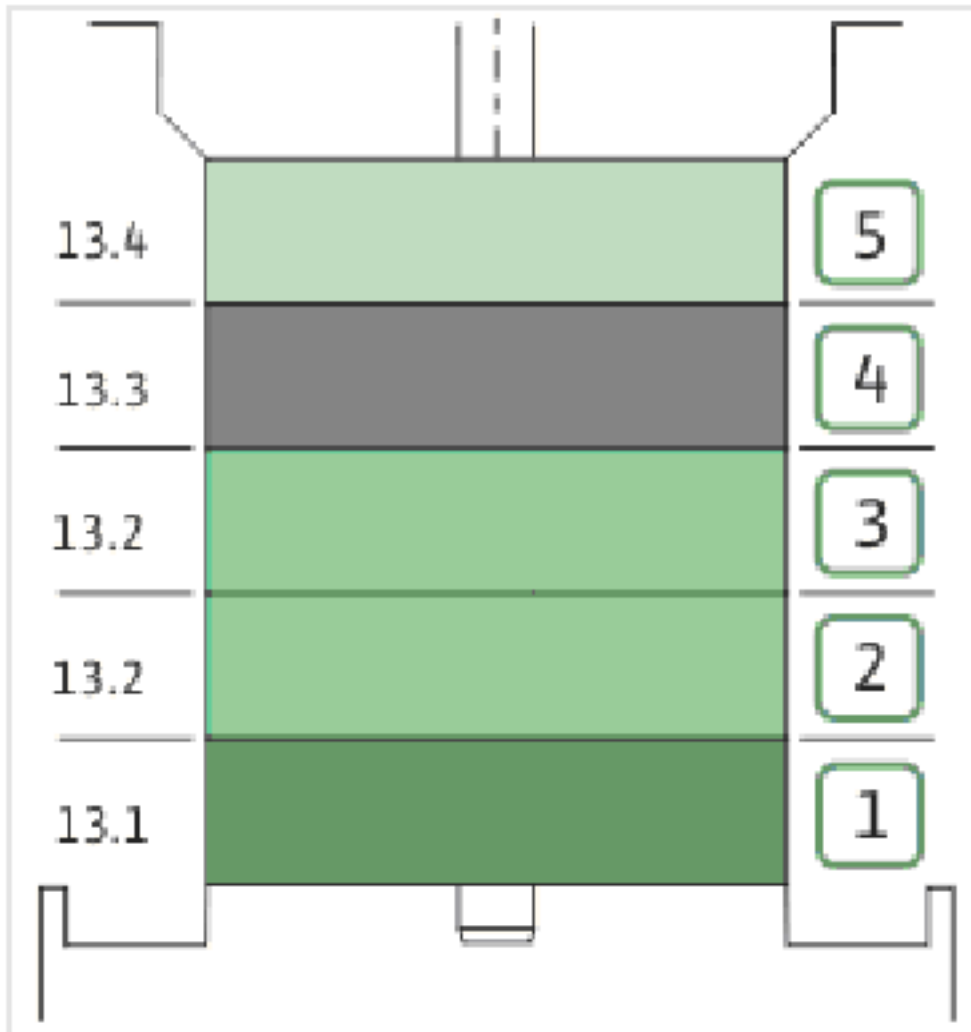
COUPLING D.20XD.38 FF300 KIT (4143966)

Item	Article no.	Description	Quantity
4.1	4179590	COUPLING 2 PARTS D.20XD.38XL115 VP.	1
4.2	2123699	BALL BEARING 6312/2Z-C4 (HT) VP.	1
4.3	63428	CIRCLIP-FOR-SHAFT-D60x2	1
4.4	2130991	SCREW M12X30 ISO4762 8.8 ZN(4 PIECES)	1
4.5	4032277	CIRCLIP-HOLE-130x4	1
4.6	4006725	O-RING ID.132,94x3,53 NBR70SR	1
4.7	2130992	RETAINING RING D.35xD.2,5 DIN7993 VP.	1
4.8	4179591	HUB D.42xD.60 VP.	1
4.9	2130994	SPACER D.38XD.55 VP.	1
4.10	4094462	SCREWS M10 (4 PIECES)	1
4.11	4233959	SCREW M8x16 VP.	1
4.12		SERRATED LOCK WASHER Ø8.2XØ25X35X2	1



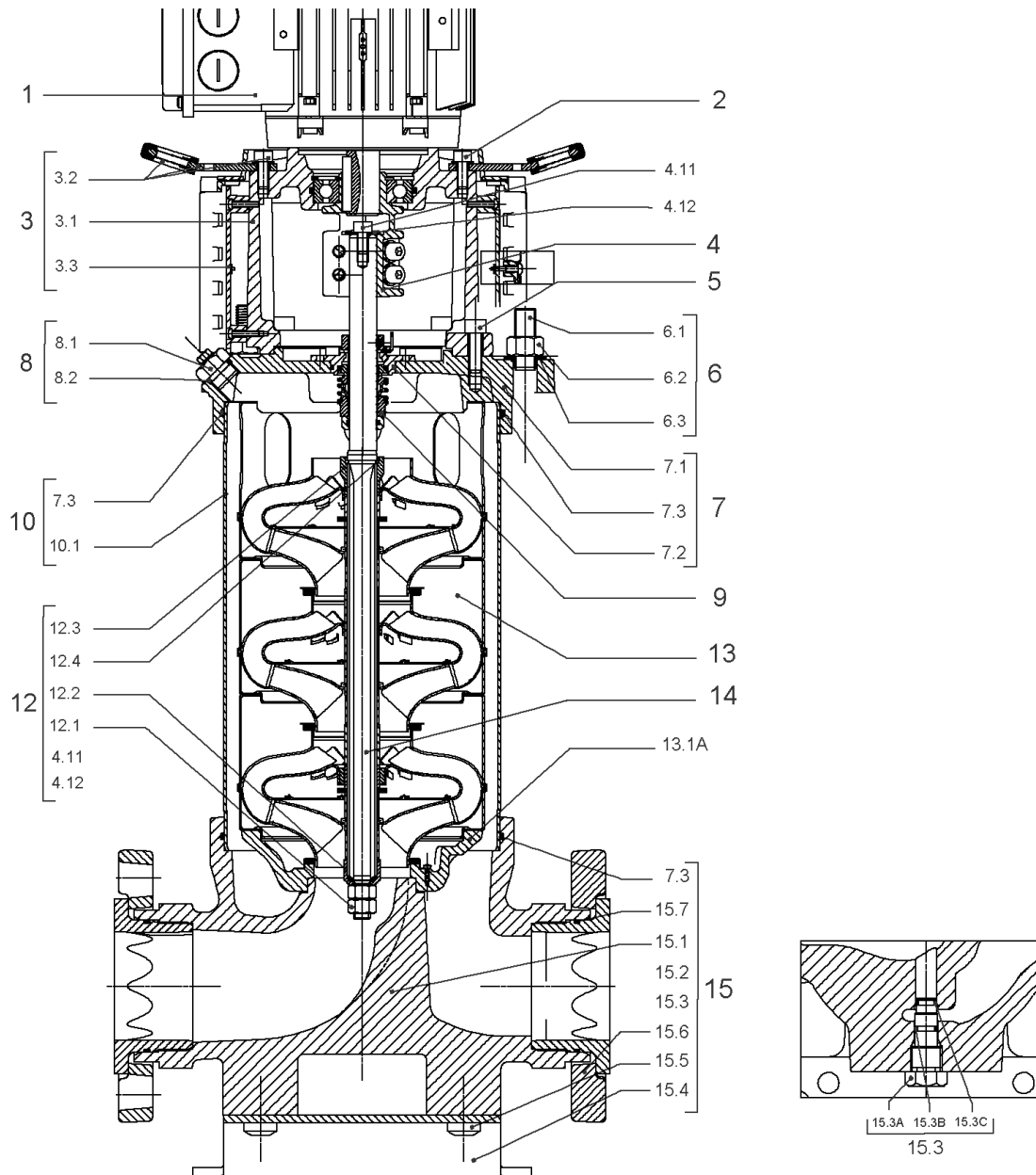
CARTRIDGE HELIX22-36-52 O/E KIT (4143973)

Item	Article no.	Description	Quantity
9.1	4143974	SEAL-KIT-HELIX22-36-52 O/E	1
7.3	4179571	> O-RING HOUSING PIPE HELIX22/36/52 VP.	1
7.4	4179572	> O-RING ID.42.52X2.62 EPDM VP.	1
9.1A	4179573	> M.SEAL.HELIX22-36-52 O/E VP.	1
9.1B	4179574	> O-RING ID.20x2.65 EPDM VP.	1
9.2	4179566	SHAFT SLEEVE D.20/20X60 1.4404 VP.	1
9.3	4179567	RING HOLDER Ø22 1.4301 VP.	1
9.4	4176520	SCREW CH M5x5 A4-70 (3PIECES)	1
9.5	4179568	DRIVE RING D.31/22.1x11 MACH.VP.	1
9.6	4179569	TOOL M.S.CART.HELIX 8" VP.	1
9.7	4179570	SCREW M6X16 ISO4762 8.8 GEOMET(4 PIECES)	1



HYDRAULIC HELIX V 5205-2

Item	Article no.	Description	Quantity
13.1	4164727	INTERMEDIAIRE STAGE HELIX 52 1.4301 KIT	1
		> SLEEVE-SPACER-D22XL30,42-316L	1
		> MACH.BEARING-DIFFUSER+NR-M+52-304	1
		> SHAFT-SLEEVE-D26xD22x16-CW	1
		> SPACER WASHER D22,3XD36 L3-316L	1
		> IMPELLER-H2-M+52-304	1
13.1A	4161200	> NECK RING 1.STAGE HELIX V36/52 KIT	1
		>> NECK-RING-M+36/52	1
		>> HYDRAULIC SUPPORT CAP M+36/52 304	1
		>> SCREW TCL M3X8 A4 POZIDRIV	1
13.2	4164728	INTERMEDIATE STAGE HELIX 52 1.4301 KIT	1
		> MACH.STD-DIFFUSER+NR-M+52-304	1
		> IMPELLER-H5-M+52-304	1
13.3	4164730	INTERMEDIATE STAGE HELIX 52 1.4301 KIT	1
		> MACH.STD-DIFFUSER+NR-M+52-304	1
		> REDUCED-IMPELLER-H5-M+52-304	1
13.4	4164731	UPPER-STAGE HELIX 52 1.4301 KIT	1
		> STOP COLLAR OF IMPELLER L27,6-Ø22-316L	1
		> SLEEVE-SPACER-D22XL16,66-316L	1
		> SPACER WASHER D22,3XD36 L3-316L	1
		> REDUCED-IMPELLER-H2-M+52-304	1
		> MACH.STD-DISCHARGE-CHAMBER-M+52-304	1

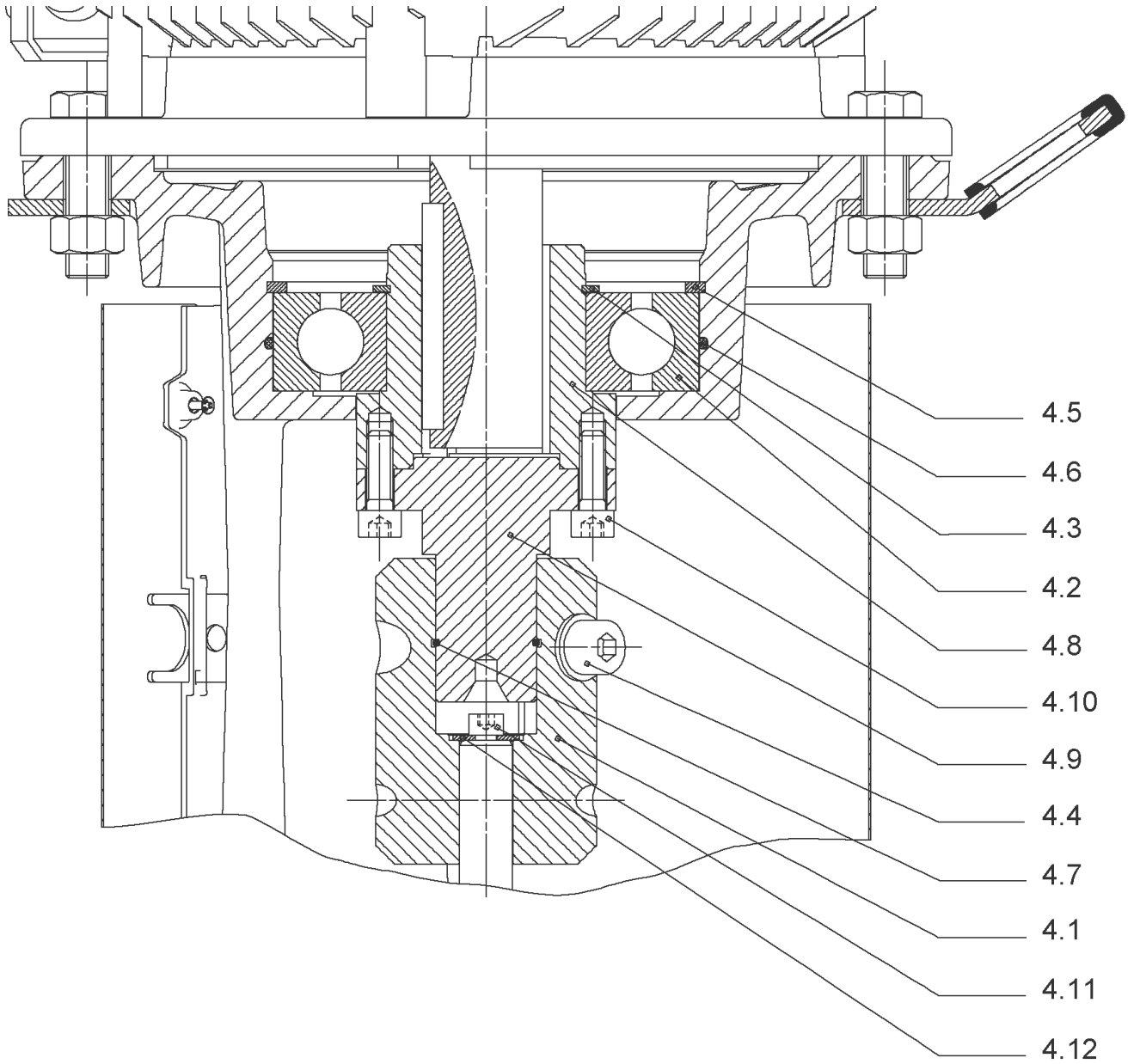


HELIX V5205-3/16/E/K/400-50 (4141807)

Item	Article no.	Description	Quantity
1	4195488	MOTOR 18.5/2/160 3~400V 50HZ ARC VP.	1
		SPARE PARTS MOTOR:ON REQUEST	1
2	4179586	SCREW M16X60 (4 PIECES)	1
3	4157721	LANTERN HELIX 22/36 FF300 BB6312 KIT	1
3.1		> LANTERN FF300 M+ GJL MACHINED+CATA 6312	1
3.2	4179589	> EYELET CPL.FF300 HELIX(4 PIECES)	1
3.3	4143969	> COUPLING PROTECT HELIX FF KIT	1
4	4143966	COUPLING D.20XD.38 FF300 KIT	1
5	4157725	SCREW M10X40 (4 PIECES)	1
6	4179923	STUD BOLT M16X600 KIT	1
6.1		> TIE BOLT M16-600x24x44-1.4057	1
6.2	4179562	> NUT M16 8.8 ISO4032 (4 PIECES)	1
6.3	4097852	> WASHER-CS-16.4-32-2.8-NFE25-511-A2	1
7	4179565	END SHIELD HELIX 8" EPDM KIT	1
7.1		> END SHIELD M+ GJL MACHINED+CATA	1
7.2	4179564	> O-RING D.42.52x2.62 EPDM VP.	1
7.3	4179571	> O-RING HOUSING PIPE HELIX22/36/52 VP.	1
8	4143765	FILING/PURGING PLUG 316L HELIX KIT	1
8.1		> FILLING/VENTING-PLUG-VMI8/10-316L	1
8.2	4032291	> O-RING 17x3 EPDM KTW/WRC	1
9	4143973	CARTRIDGE HELIX22-36-52 O/E KIT	1
10	4179924	HOUSING PIPE D.204X530 1.4301 KIT	1
7.3	4179571	> O-RING HOUSING PIPE HELIX22/36/52 VP.	1
10.1		> HOUSING-PIPE Ø204-M+3607/5205-304	1
12	4164724	SHAFT EQUIPMENT HELIX V52 KIT	1
13		HYDRAULIC HELIX V 5205	1
14	4179926	SHAFTS D.22X704 1.4057 VP.	1
15	4164723	EQUIPED HOUSING PN16 HELIX GJL KIT	1
7.3	4179571	> O-RING HOUSING PIPE HELIX22/36/52 VP.	1
15.1		> PUMP HOUSING SET with COATED PARTS-DN80	1
15.3	4143766	> DRAIN/PRIMING PLUG EPDM HELIX KIT	1
15.3A		>> PRIMING/DRAIN PLUG-304-VERSION 1	1
15.3B	4032293	>> O-RING-10x3-EPDM-KTW/WRC	1
15.3C	4233957	>> O-RING ID.9 EPDM VP.	1

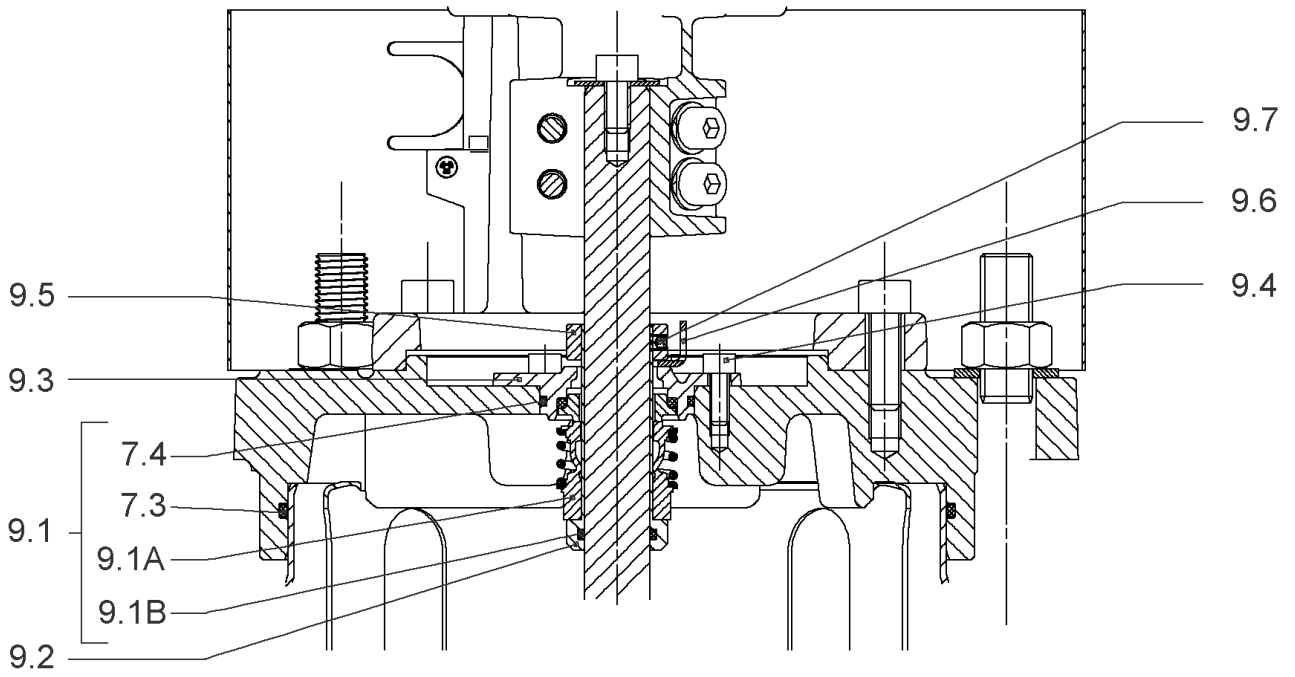
HELIX V5205-3/16/E/K/400-50 (4141807)

Item	Article no.	Description	Quantity
15.4	4221729	> BASE M+ DN50/65/80 VP.	1
15.5		> SCREW TBHC M12x25 ISO7380 ZN	1
15.6		> FLANGE M+ DN80 NF PN16-25 ASME PN16 CATA	1
15.7		> O-RING Ø91.42xØ3 EPDM	1
13.1A	4161200	> NECK RING 1.STAGE HELIX V36/52 KIT	1
		>> NECK-RING-M+36/52	1
		>> HYDRAULIC SUPPORT CAP M+36/52 304	1
		>> SCREW TCL M3X8 A4 POZIDRIV	1



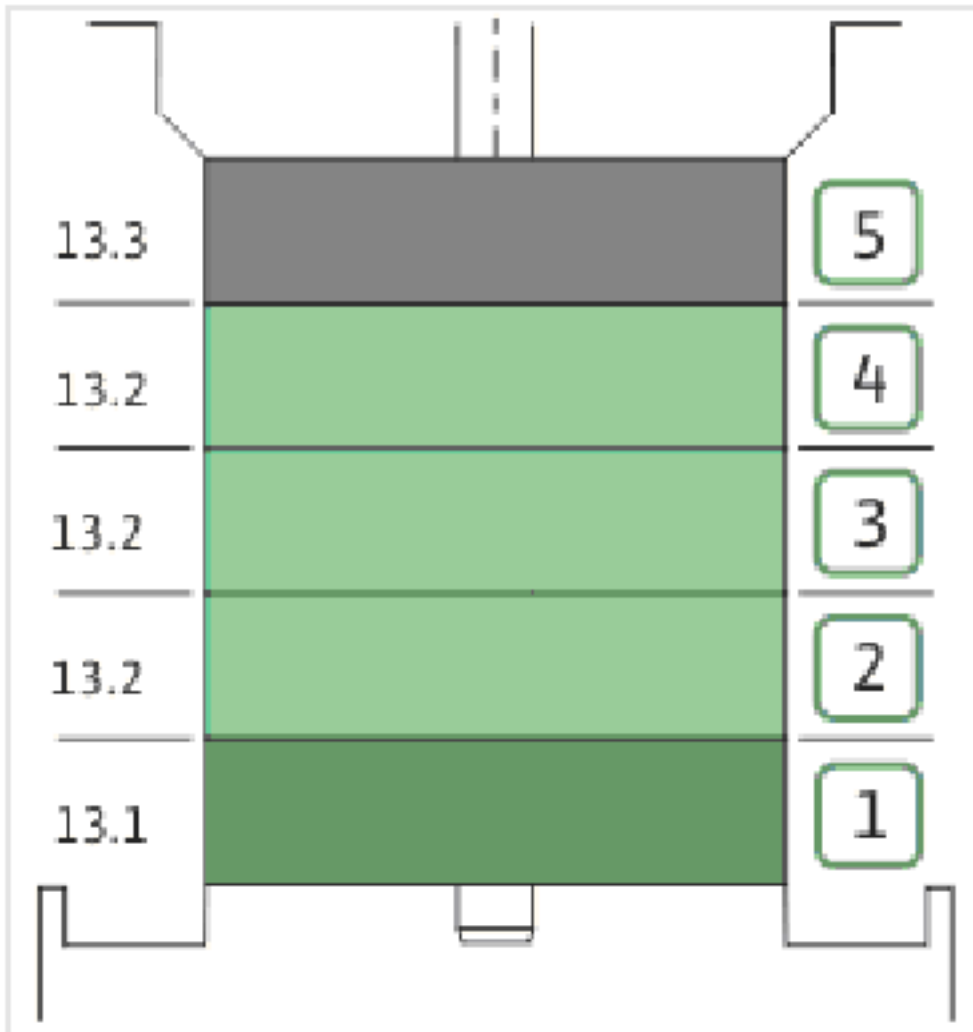
COUPLING D.20XD.38 FF300 KIT (4143966)

Item	Article no.	Description	Quantity
4.1	4179590	COUPLING 2 PARTS D.20XD.38XL115 VP.	1
4.2	2123699	BALL BEARING 6312/2Z-C4 (HT) VP.	1
4.3	63428	CIRCLIP-FOR-SHAFT-D60x2	1
4.4	2130991	SCREW M12X30 ISO4762 8.8 ZN(4 PIECES)	1
4.5	4032277	CIRCLIP-HOLE-130x4	1
4.6	4006725	O-RING ID.132,94x3,53 NBR70SR	1
4.7	2130992	RETAINING RING D.35xD.2,5 DIN7993 VP.	1
4.8	4179591	HUB D.42xD.60 VP.	1
4.9	2130994	SPACER D.38XD.55 VP.	1
4.10	4094462	SCREWS M10 (4 PIECES)	1
4.11	4233959	SCREW M8x16 VP.	1
4.12		SERRATED LOCK WASHER Ø8.2XØ25X35X2	1



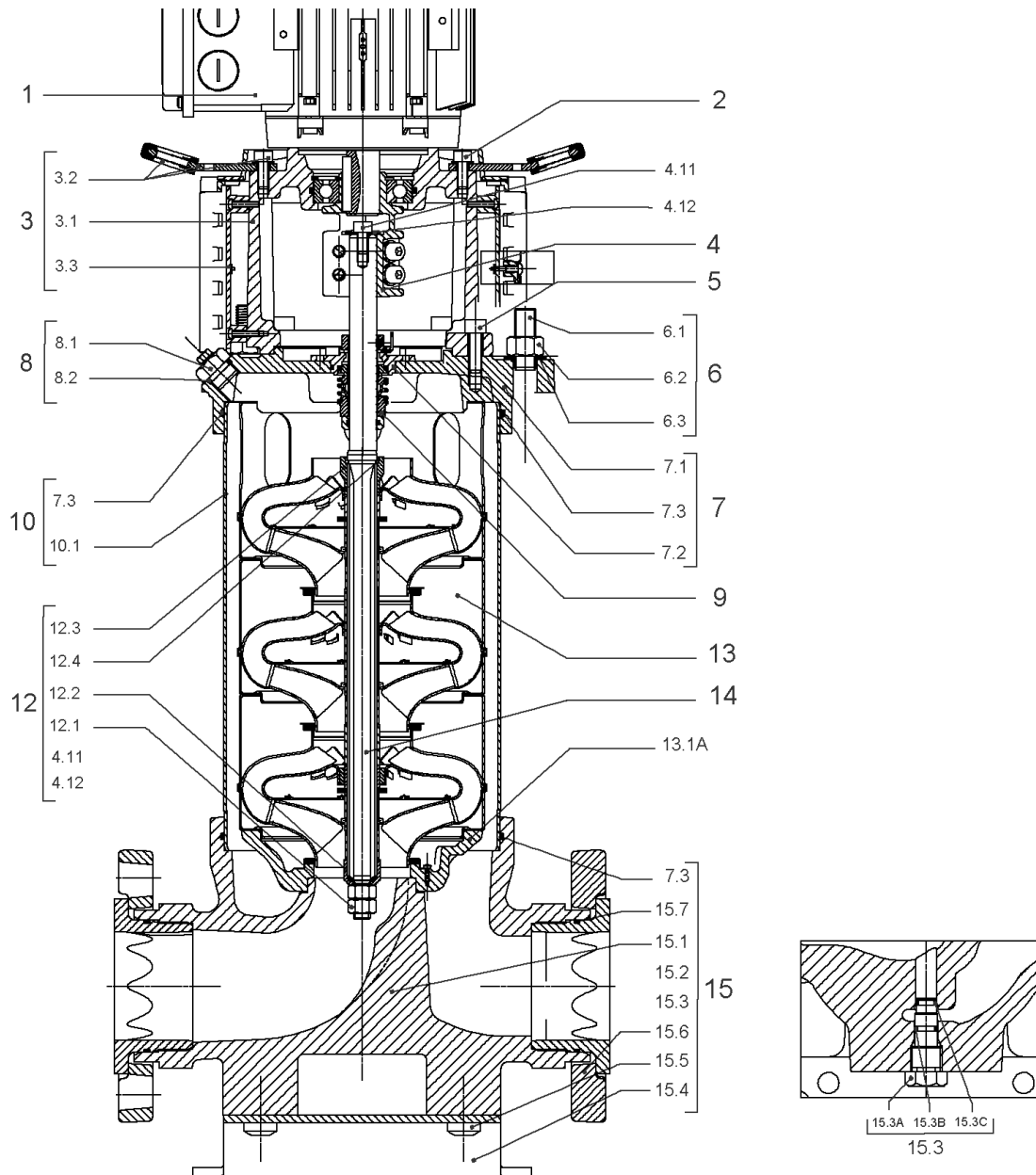
CARTRIDGE HELIX22-36-52 O/E KIT (4143973)

Item	Article no.	Description	Quantity
9.1	4143974	SEAL-KIT-HELIX22-36-52 O/E	1
7.3	4179571	> O-RING HOUSING PIPE HELIX22/36/52 VP.	1
7.4	4179572	> O-RING ID.42.52X2.62 EPDM VP.	1
9.1A	4179573	> M.SEAL.HELIX22-36-52 O/E VP.	1
9.1B	4179574	> O-RING ID.20x2.65 EPDM VP.	1
9.2	4179566	SHAFT SLEEVE D.20/20X60 1.4404 VP.	1
9.3	4179567	RING HOLDER Ø22 1.4301 VP.	1
9.4	4176520	SCREW CH M5x5 A4-70 (3PIECES)	1
9.5	4179568	DRIVE RING D.31/22.1x11 MACH.VP.	1
9.6	4179569	TOOL M.S.CART.HELIX 8" VP.	1
9.7	4179570	SCREW M6X16 ISO4762 8.8 GEOMET(4 PIECES)	1



HYDRAULIC HELIX V 5205

Item	Article no.	Description	Quantity
13.1	4164727	INTERMEDIAIRE STAGE HELIX 52 1.4301 KIT	1
		> SLEEVE-SPACER-D22XL30,42-316L	1
		> MACH.BEARING-DIFFUSER+NR-M+52-304	1
		> SHAFT-SLEEVE-D26xD22x16-CW	1
		> SPACER WASHER D22,3XD36 L3-316L	1
		> IMPELLER-H2-M+52-304	1
13.1A	4161200	> NECK RING 1.STAGE HELIX V36/52 KIT	1
		>> NECK-RING-M+36/52	1
		>> HYDRAULIC SUPPORT CAP M+36/52 304	1
		>> SCREW TCL M3X8 A4 POZIDRIV	1
13.2	4164728	INTERMEDIATE STAGE HELIX 52 1.4301 KIT	1
		> MACH.STD-DIFFUSER+NR-M+52-304	1
		> IMPELLER-H5-M+52-304	1
13.3	4164729	UPPER-STAGE HELIX 52 1.4301 KIT	1
		> STOP COLLAR OF IMPELLER L27,6-Ø22-316L	1
		> SLEEVE-SPACER-D22XL16,66-316L	1
		> SPACER WASHER D22,3XD36 L3-316L	1
		> IMPELLER-H2-M+52-304	1
		> MACH.STD-DISCHARGE-CHAMBER-M+52-304	1

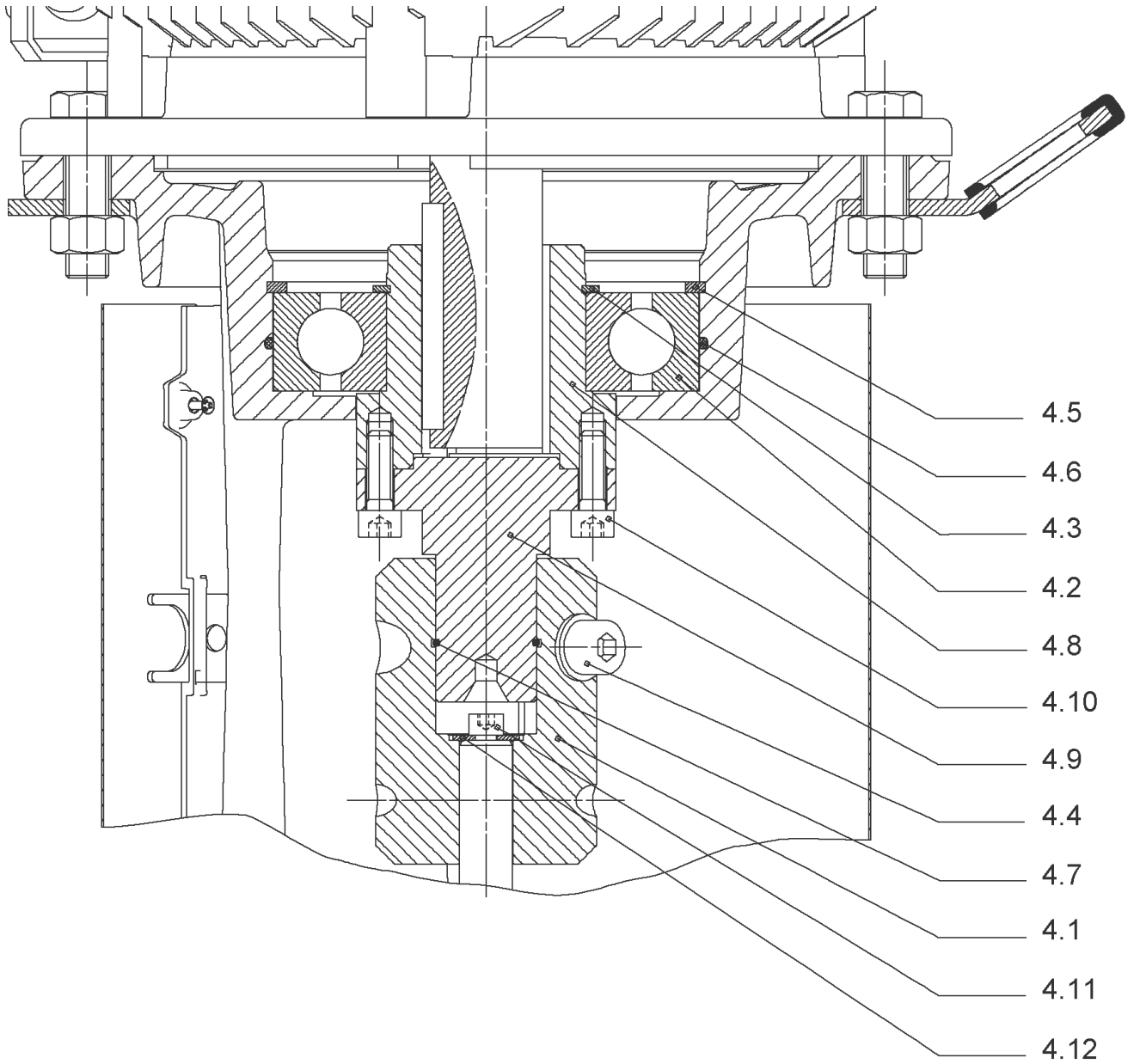


HELIX V5203/2-3/25/E/KS/400-50 (4141808)

Item	Article no.	Description	Quantity
1	4199884	MOTOR 11/2/160 3~400V 50HZ VP.	1
		SPARE PARTS MOTOR:ON REQUEST	1
2	4179586	SCREW M16X60 (4 PIECES)	1
3	4157721	LANTERN HELIX 22/36 FF300 BB6312 KIT	1
3.1		> LANTERN FF300 M+ GJL MACHINED+CATA 6312	1
3.2	4179589	> EYELET CPL.FF300 HELIX(4 PIECES)	1
3.3	4143969	> COUPLING PROTECT HELIX FF KIT	1
4	4143966	COUPLING D.20XD.38 FF300 KIT	1
5	4157725	SCREW M10X40 (4 PIECES)	1
6	4179592	STUD BOLT M16X405 KIT	1
6.1		> TIE BOLT M16-405x24x44-1.4057	1
6.2	4179562	> NUT M16 8.8 ISO4032 (4 PIECES)	1
6.3	4097852	> WASHER-CS-16.4-32-2.8-NFE25-511-A2	1
7	4179565	END SHIELD HELIX 8" EPDM KIT	1
7.1		> END SHIELD M+ GJL MACHINED+CATA	1
7.2	4179564	> O-RING D.42.52x2.62 EPDM VP.	1
7.3	4179571	> O-RING HOUSING PIPE HELIX22/36/52 VP.	1
8	4143765	FILING/PURGING PLUG 316L HELIX KIT	1
8.1		> FILLING/VENTING-PLUG-VMI8/10-316L	1
8.2	4032291	> O-RING 17x3 EPDM KTW/WRC	1
9	4143975	CARTRIDGE HELIX22-36-52 F/E KIT	1
10	4179593	HOUSING PIPE D.204X330 1.4307 KIT	1
7.3	4179571	> O-RING HOUSING PIPE HELIX22/36/52 VP.	1
10.1		> HOUSING-PIPE Ø204-M+3604/5203-304	1
12	4164724	SHAFT EQUIPMENT HELIX V52 KIT	1
13		HYDRAULIC HELIX V 5203/2	1
14	4179599	SHAFTS D.22X504 1.4057 VP.	1
15	4164723	EQUIPED HOUSING PN16 HELIX GJL KIT	1
7.3	4179571	> O-RING HOUSING PIPE HELIX22/36/52 VP.	1
15.1		> PUMP HOUSING SET with COATED PARTS-DN80	1
15.3	4143766	> DRAIN/PRIMING PLUG EPDM HELIX KIT	1
15.3A		>> PRIMING/DRAIN PLUG-304-VERSION 1	1
15.3B	4032293	>> O-RING-10x3-EPDM-KTW/WRC	1
15.3C	4233957	>> O-RING ID.9 EPDM VP.	1

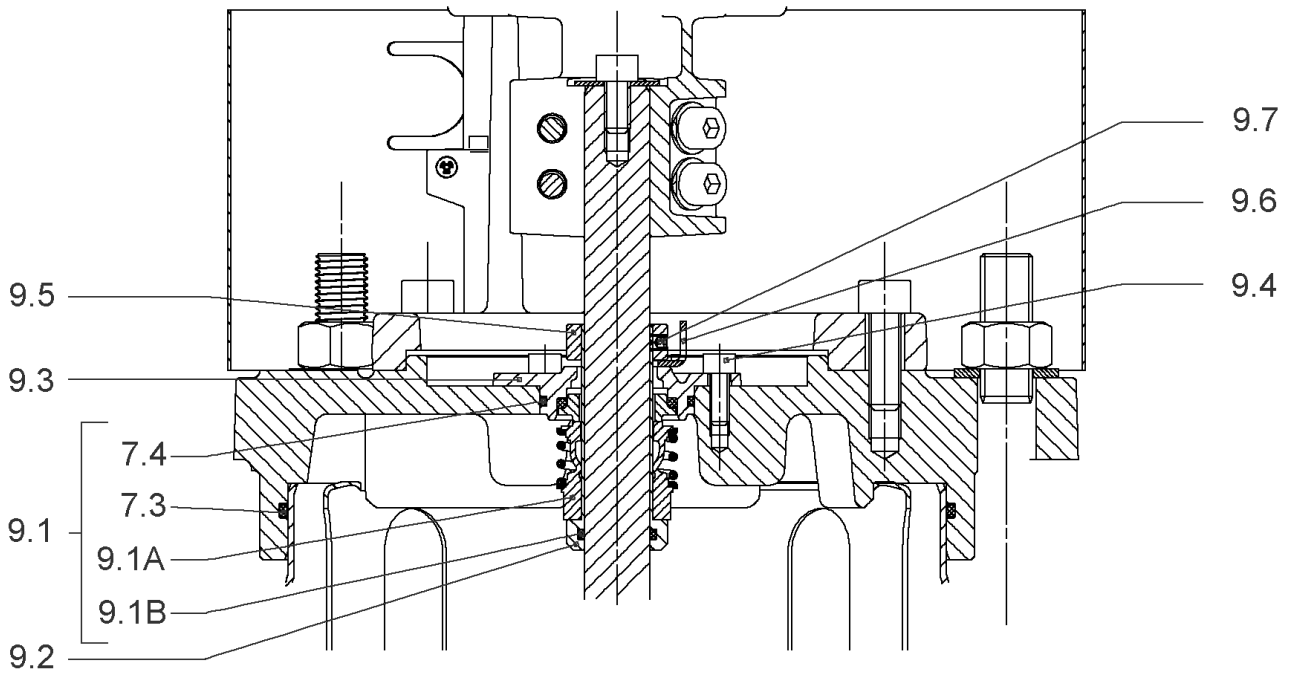
HELIX V5203/2-3/25/E/KS/400-50 (4141808)

Item	Article no.	Description	Quantity
15.4	4221729	> BASE M+ DN50/65/80 VP.	1
15.5		> SCREW TBHC M12x25 ISO7380 ZN	1
15.6		> FLANGE M+ DN80 NF PN16-25 ASME PN16 CATA	1
15.7		> O-RING Ø91.42xØ3 EPDM	1
13.1A	4161200	> NECK RING 1.STAGE HELIX V36/52 KIT	1
		>> NECK-RING-M+36/52	1
		>> HYDRAULIC SUPPORT CAP M+36/52 304	1
		>> SCREW TCL M3X8 A4 POZIDRIV	1



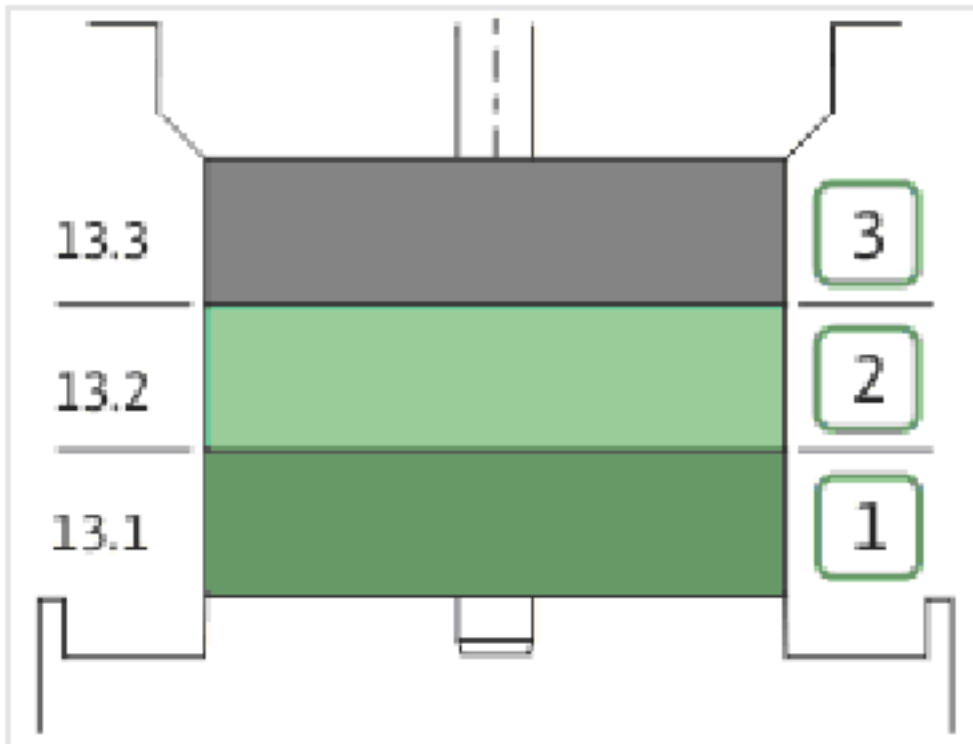
COUPLING D.20XD.38 FF300 KIT (4143966)

Item	Article no.	Description	Quantity
4.1	4179590	COUPLING 2 PARTS D.20XD.38XL115 VP.	1
4.2	2123699	BALL BEARING 6312/2Z-C4 (HT) VP.	1
4.3	63428	CIRCLIP-FOR-SHAFT-D60x2	1
4.4	2130991	SCREW M12X30 ISO4762 8.8 ZN(4 PIECES)	1
4.5	4032277	CIRCLIP-HOLE-130x4	1
4.6	4006725	O-RING ID.132,94x3,53 NBR70SR	1
4.7	2130992	RETAINING RING D.35xD.2,5 DIN7993 VP.	1
4.8	4179591	HUB D.42xD.60 VP.	1
4.9	2130994	SPACER D.38XD.55 VP.	1
4.10	4094462	SCREWS M10 (4 PIECES)	1
4.11	4233959	SCREW M8x16 VP.	1
4.12		SERRATED LOCK WASHER Ø8.2XØ25X35X2	1



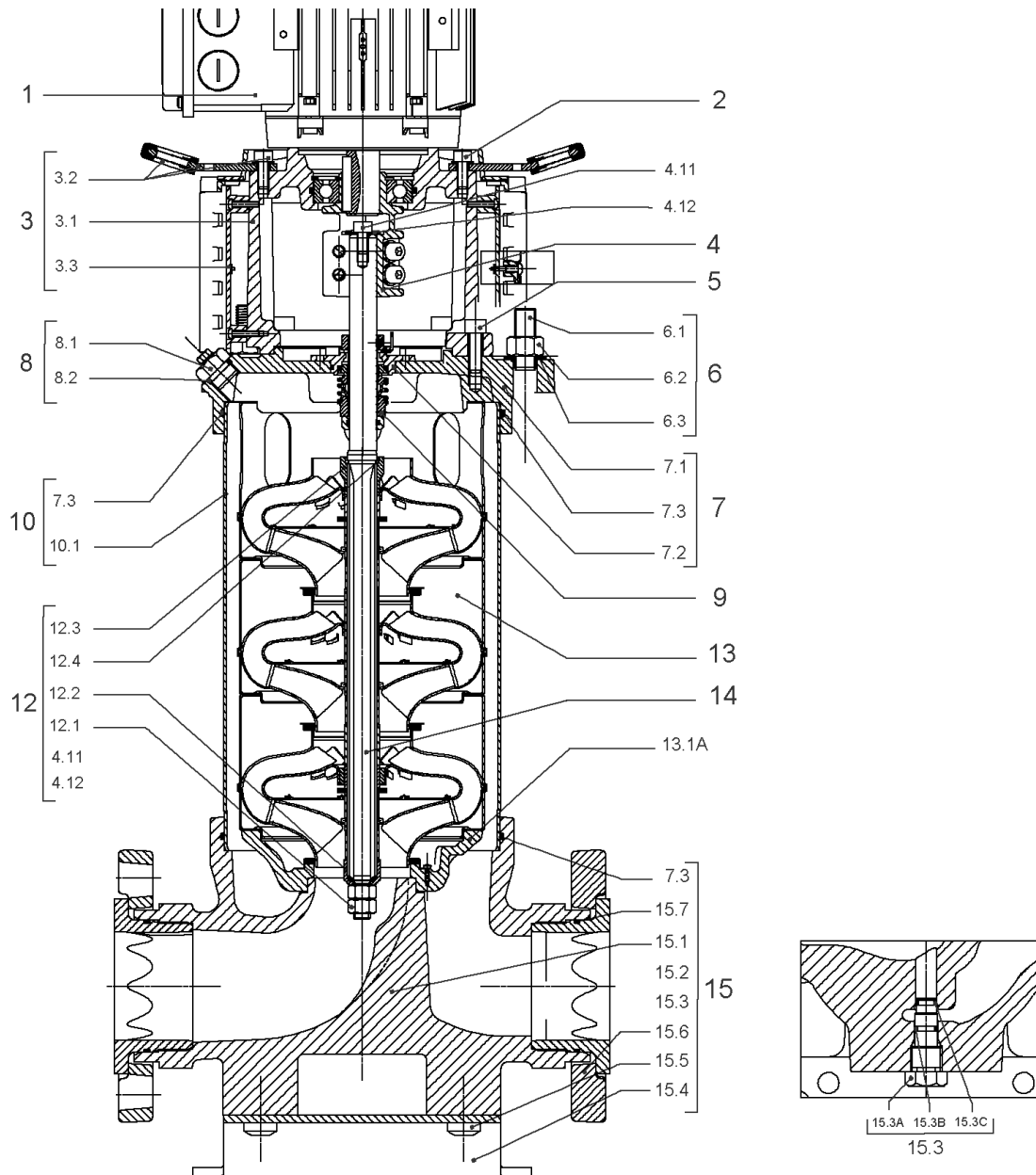
CARTRIDGE HELIX22-36-52 F/E KIT (4143975)

Item	Article no.	Description	Quantity
9.1	4143976	SEAL-KIT-HELIX22-36-52 F/E	1
7.3	4179571	> O-RING HOUSING PIPE HELIX22/36/52 VP.	1
7.4	4179572	> O-RING ID.42.52X2.62 EPDM VP.	1
9.1A	2127447	> M.SEAL.HELIX22-36-52 F/E VP.	1
9.1B	4179574	> O-RING ID.20x2.65 EPDM VP.	1
9.2	4179566	SHAFT SLEEVE D.20/20X60 1.4404 VP.	1
9.3	4179567	RING HOLDER Ø22 1.4301 VP.	1
9.4	4176520	SCREW CH M5x5 A4-70 (3PIECES)	1
9.5	4179568	DRIVE RING D.31/22.1x11 MACH.VP.	1
9.6	4179569	TOOL M.S.CART.HELIX 8" VP.	1
9.7	4179570	SCREW M6X16 ISO4762 8.8 GEOMET(4 PIECES)	1



HYDRAULIC HELIX V 5203/2

Item	Article no.	Description	Quantity
13.1	4164727	INTERMEDIAIRE STAGE HELIX 52 1.4301 KIT	1
		> SLEEVE-SPACER-D22XL30,42-316L	1
		> MACH.BEARING-DIFFUSER+NR-M+52-304	1
		> SHAFT-SLEEVE-D26xD22x16-CW	1
		> SPACER WASHER D22,3XD36 L3-316L	1
		> IMPELLER-H2-M+52-304	1
13.1A	4161200	> NECK RING 1.STAGE HELIX V36/52 KIT	1
		>> NECK-RING-M+36/52	1
		>> HYDRAULIC SUPPORT CAP M+36/52 304	1
		>> SCREW TCL M3X8 A4 POZIDRIV	1
13.2	4164730	INTERMEDIATE STAGE HELIX 52 1.4301 KIT	1
		> MACH.STD-DIFFUSER+NR-M+52-304	1
		> REDUCED-IMPELLER-H5-M+52-304	1
13.3	4164731	UPPER-STAGE HELIX 52 1.4301 KIT	1
		> STOP COLLAR OF IMPELLER L27,6-Ø22-316L	1
		> SLEEVE-SPACER-D22XL16,66-316L	1
		> SPACER WASHER D22,3XD36 L3-316L	1
		> REDUCED-IMPELLER-H2-M+52-304	1
		> MACH.STD-DISCHARGE-CHAMBER-M+52-304	1

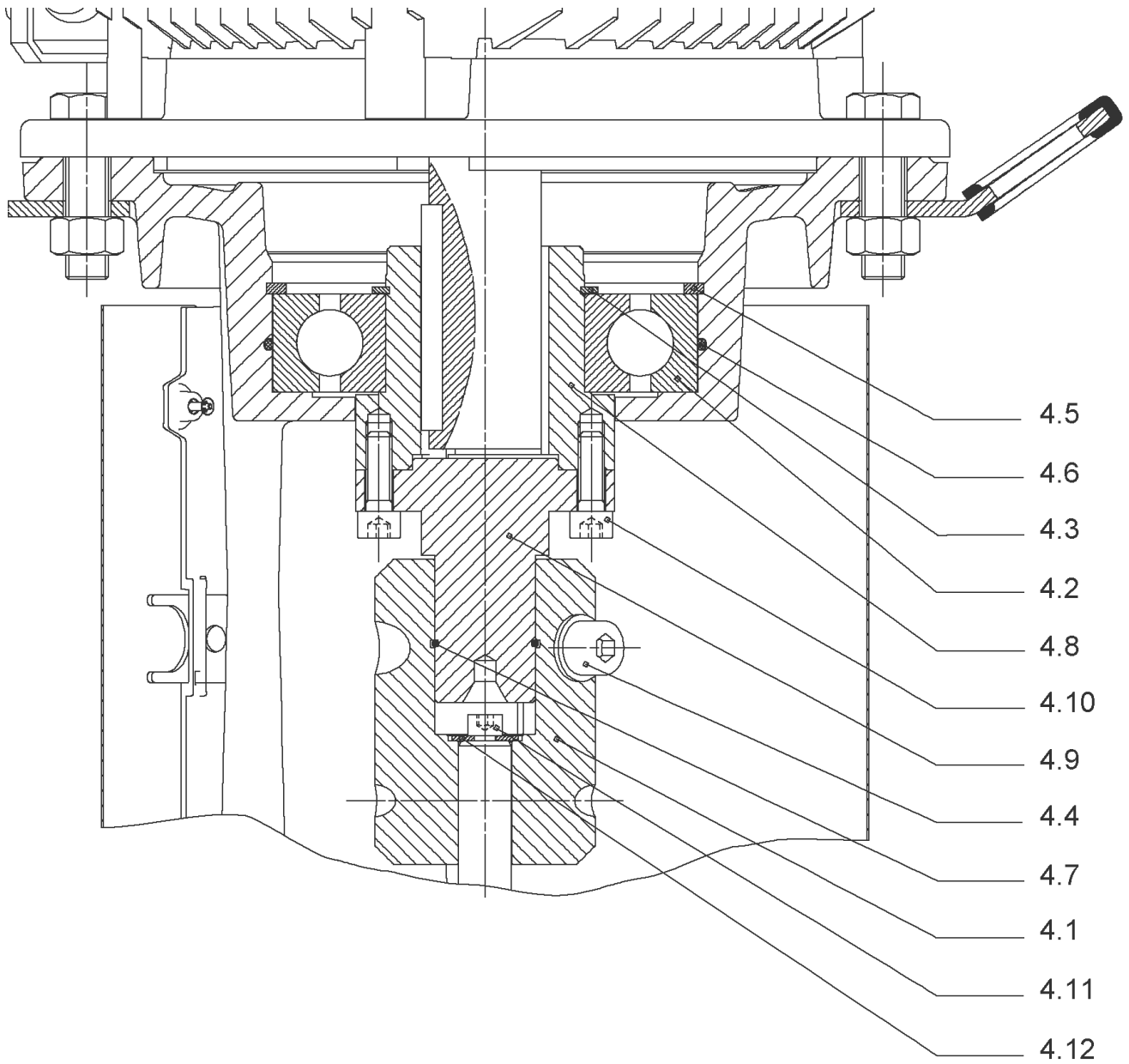


HELIX V5203-3/25/E/KS/400-50 (4141810)

Item	Article no.	Description	Quantity
1	4199884	MOTOR 11/2/160 3~400V 50HZ VP.	1
		SPARE PARTS MOTOR:ON REQUEST	1
2	4179586	SCREW M16X60 (4 PIECES)	1
3	4157721	LANTERN HELIX 22/36 FF300 BB6312 KIT	1
3.1		> LANTERN FF300 M+ GJL MACHINED+CATA 6312	1
3.2	4179589	> EYELET CPL.FF300 HELIX(4 PIECES)	1
3.3	4143969	> COUPLING PROTECT HELIX FF KIT	1
4	4143966	COUPLING D.20XD.38 FF300 KIT	1
5	4157725	SCREW M10X40 (4 PIECES)	1
6	4179592	STUD BOLT M16X405 KIT	1
6.1		> TIE BOLT M16-405x24x44-1.4057	1
6.2	4179562	> NUT M16 8.8 ISO4032 (4 PIECES)	1
6.3	4097852	> WASHER-CS-16.4-32-2.8-NFE25-511-A2	1
7	4179565	END SHIELD HELIX 8" EPDM KIT	1
7.1		> END SHIELD M+ GJL MACHINED+CATA	1
7.2	4179564	> O-RING D.42.52x2.62 EPDM VP.	1
7.3	4179571	> O-RING HOUSING PIPE HELIX22/36/52 VP.	1
8	4143765	FILING/PURGING PLUG 316L HELIX KIT	1
8.1		> FILLING/VENTING-PLUG-VM18/10-316L	1
8.2	4032291	> O-RING 17x3 EPDM KTW/WRC	1
9	4143975	CARTRIDGE HELIX22-36-52 F/E KIT	1
10	4179593	HOUSING PIPE D.204X330 1.4307 KIT	1
7.3	4179571	> O-RING HOUSING PIPE HELIX22/36/52 VP.	1
10.1		> HOUSING-PIPE Ø204-M+3604/5203-304	1
12	4164724	SHAFT EQUIPMENT HELIX V52 KIT	1
13		HYDRAULIC HELIX V 5203	1
14	4179599	SHAFTS D.22X504 1.4057 VP.	1
15	4164723	EQUIPED HOUSING PN16 HELIX GJL KIT	1
7.3	4179571	> O-RING HOUSING PIPE HELIX22/36/52 VP.	1
15.1		> PUMP HOUSING SET with COATED PARTS-DN80	1
15.3	4143766	> DRAIN/PRIMING PLUG EPDM HELIX KIT	1
15.3A		>> PRIMING/DRAIN PLUG-304-VERSION 1	1
15.3B	4032293	>> O-RING-10x3-EPDM-KTW/WRC	1
15.3C	4233957	>> O-RING ID.9 EPDM VP.	1

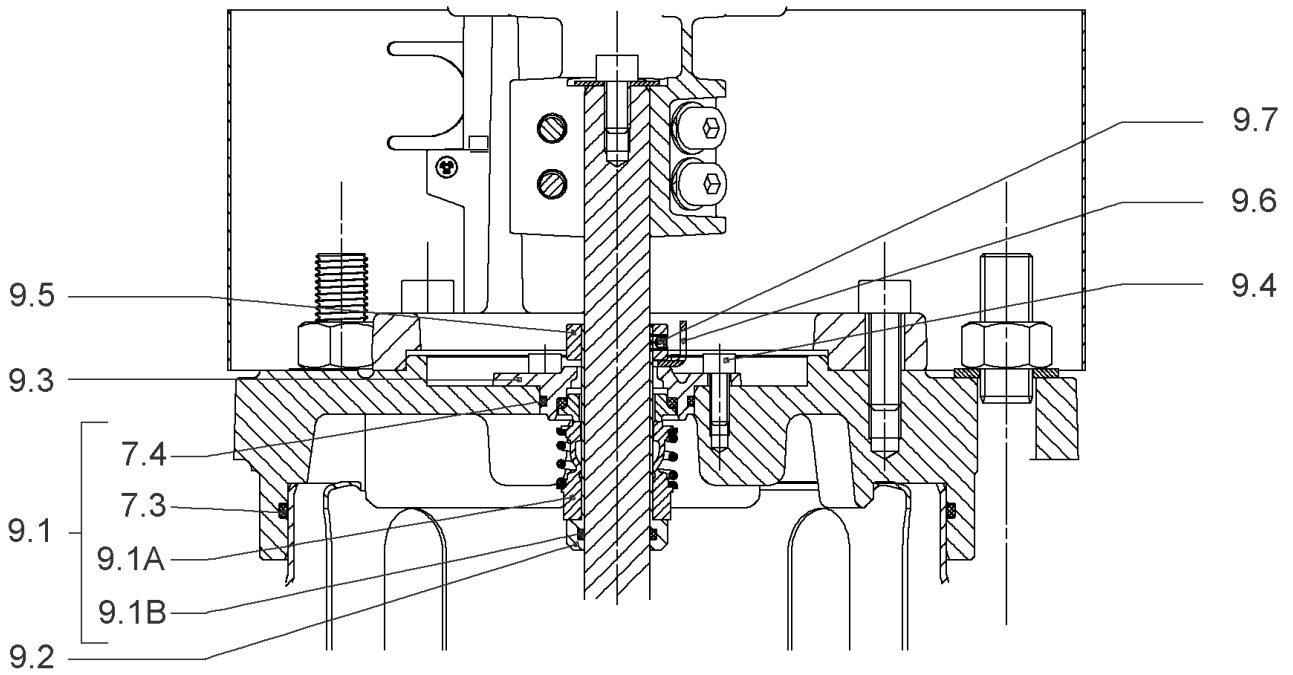
HELIX V5203-3/25/E/KS/400-50 (4141810)

Item	Article no.	Description	Quantity
15.4	4221729	> BASE M+ DN50/65/80 VP.	1
15.5		> SCREW TBHC M12x25 ISO7380 ZN	1
15.6		> FLANGE M+ DN80 NF PN16-25 ASME PN16 CATA	1
15.7		> O-RING Ø91.42xØ3 EPDM	1
13.1A	4161200	> NECK RING 1.STAGE HELIX V36/52 KIT	1
		>> NECK-RING-M+36/52	1
		>> HYDRAULIC SUPPORT CAP M+36/52 304	1
		>> SCREW TCL M3X8 A4 POZIDRIV	1



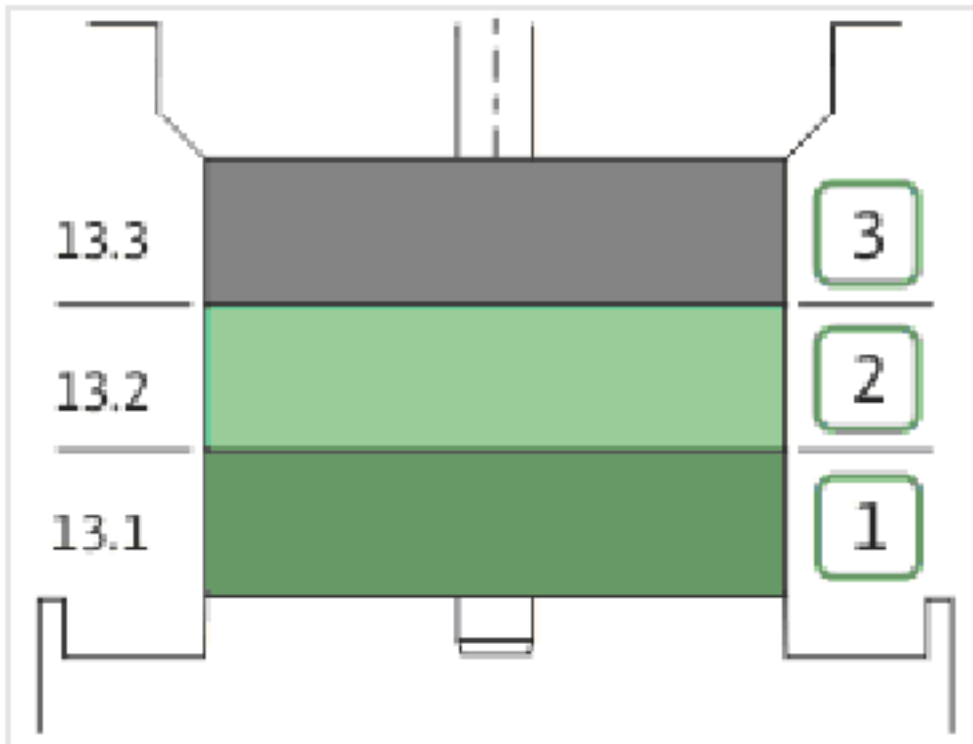
COUPLING D.20XD.38 FF300 KIT (4143966)

Item	Article no.	Description	Quantity
4.1	4179590	COUPLING 2 PARTS D.20XD.38XL115 VP.	1
4.2	2123699	BALL BEARING 6312/2Z-C4 (HT) VP.	1
4.3	63428	CIRCLIP-FOR-SHAFT-D60x2	1
4.4	2130991	SCREW M12X30 ISO4762 8.8 ZN(4 PIECES)	1
4.5	4032277	CIRCLIP-HOLE-130x4	1
4.6	4006725	O-RING ID.132,94x3,53 NBR70SR	1
4.7	2130992	RETAINING RING D.35xD.2,5 DIN7993 VP.	1
4.8	4179591	HUB D.42xD.60 VP.	1
4.9	2130994	SPACER D.38XD.55 VP.	1
4.10	4094462	SCREWS M10 (4 PIECES)	1
4.11	4233959	SCREW M8x16 VP.	1
4.12		SERRATED LOCK WASHER Ø8.2XØ25X35X2	1



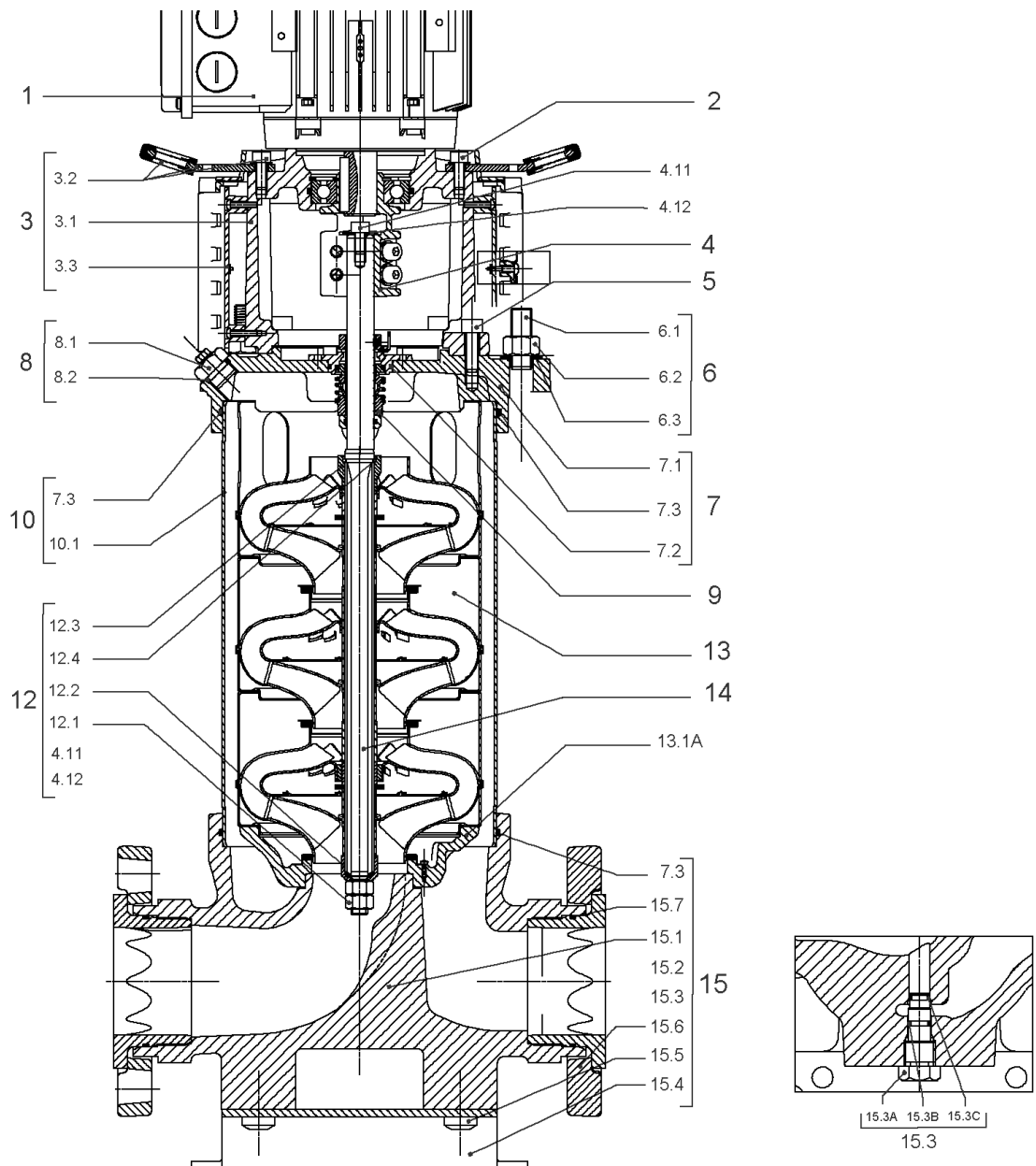
CARTRIDGE HELIX22-36-52 F/E KIT (4143975)

Item	Article no.	Description	Quantity
9.1	4143976	SEAL-KIT-HELIX22-36-52 F/E	1
7.3	4179571	> O-RING HOUSING PIPE HELIX22/36/52 VP.	1
7.4	4179572	> O-RING ID.42.52X2.62 EPDM VP.	1
9.1A	2127447	> M.SEAL.HELIX22-36-52 F/E VP.	1
9.1B	4179574	> O-RING ID.20x2.65 EPDM VP.	1
9.2	4179566	SHAFT SLEEVE D.20/20X60 1.4404 VP.	1
9.3	4179567	RING HOLDER Ø22 1.4301 VP.	1
9.4	4176520	SCREW CH M5x5 A4-70 (3PIECES)	1
9.5	4179568	DRIVE RING D.31/22.1x11 MACH.VP.	1
9.6	4179569	TOOL M.S.CART.HELIX 8" VP.	1
9.7	4179570	SCREW M6X16 ISO4762 8.8 GEOMET(4 PIECES)	1



HYDRAULIC HELIX V 5203

Item	Article no.	Description	Quantity
13.1	4164727	INTERMEDIAIRE STAGE HELIX 52 1.4301 KIT	1
		> SLEEVE-SPACER-D22XL30,42-316L	1
		> MACH.BEARING-DIFFUSER+NR-M+52-304	1
		> SHAFT-SLEEVE-D26xD22x16-CW	1
		> SPACER WASHER D22,3XD36 L3-316L	1
		> IMPELLER-H2-M+52-304	1
13.1A	4161200	> NECK RING 1.STAGE HELIX V36/52 KIT	1
		>> NECK-RING-M+36/52	1
		>> HYDRAULIC SUPPORT CAP M+36/52 304	1
		>> SCREW TCL M3X8 A4 POZIDRIV	1
13.2	4164728	INTERMEDIATE STAGE HELIX 52 1.4301 KIT	1
		> MACH.STD-DIFFUSER+NR-M+52-304	1
		> IMPELLER-H5-M+52-304	1
13.3	4164729	UPPER-STAGE HELIX 52 1.4301 KIT	1
		> STOP COLLAR OF IMPELLER L27,6-Ø22-316L	1
		> SLEEVE-SPACER-D22XL16,66-316L	1
		> SPACER WASHER D22,3XD36 L3-316L	1
		> IMPELLER-H2-M+52-304	1
		> MACH.STD-DISCHARGE-CHAMBER-M+52-304	1

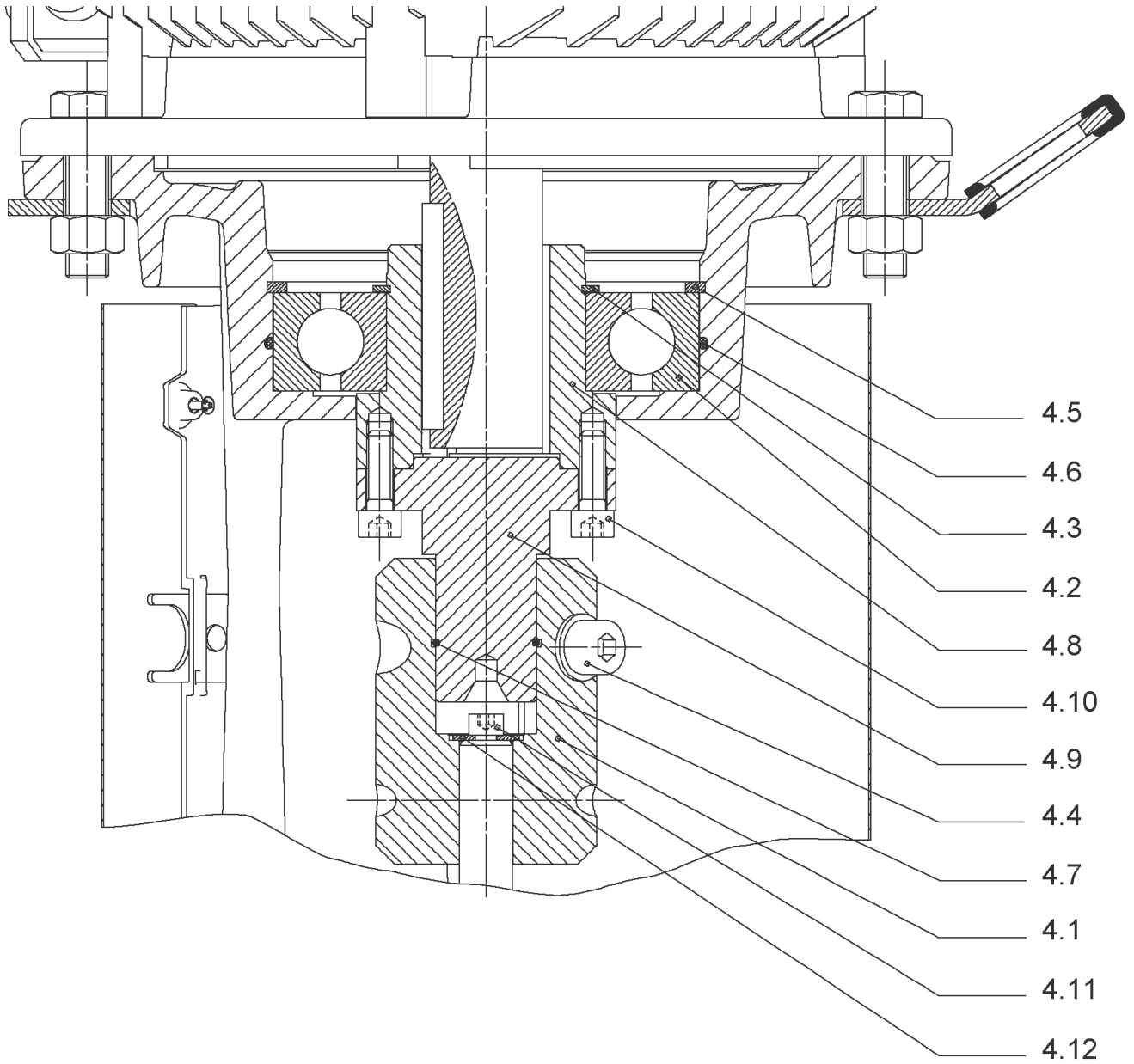


HELIX V5204/2-3/25/E/KS/400-50 (4141811)

Item	Article no.	Description	Quantity
1	4199884	MOTOR 11/2/160 3~400V 50HZ VP.	1
		SPARE PARTS MOTOR:ON REQUEST	1
2	4179586	SCREW M16X60 (4 PIECES)	1
3	4157721	LANTERN HELIX 22/36 FF300 BB6312 KIT	1
3.1		> LANTERN FF300 M+ GJL MACHINED+CATA 6312	1
3.2	4179589	> EYELET CPL.FF300 HELIX(4 PIECES)	1
3.3	4143969	> COUPLING PROTECT HELIX FF KIT	1
4	4143966	COUPLING D.20XD.38 FF300 KIT	1
5	4157725	SCREW M10X40 (4 PIECES)	1
6	4179919	STUD BOLT M16X500 KIT	1
6.1		> TIE BOLT M16-500x24x44-1.4057	1
6.2	4179562	> NUT M16 8.8 ISO4032 (4 PIECES)	1
6.3	4097852	> WASHER-CS-16.4-32-2.8-NFE25-511-A2	1
7	4179565	END SHIELD HELIX 8" EPDM KIT	1
7.1		> END SHIELD M+ GJL MACHINED+CATA	1
7.2	4179564	> O-RING D.42.52x2.62 EPDM VP.	1
7.3	4179571	> O-RING HOUSING PIPE HELIX22/36/52 VP.	1
8	4143765	FILING/PURGING PLUG 316L HELIX KIT	1
8.1		> FILLING/VENTING-PLUG-VM18/10-316L	1
8.2	4032291	> O-RING 17x3 EPDM KTW/WRC	1
9	4143975	CARTRIDGE HELIX22-36-52 F/E KIT	1
10	4179920	HOUSING PIPE D204 X 430 1.4301 KIT	1
7.3	4179571	> O-RING HOUSING PIPE HELIX22/36/52 VP.	1
10.1		> HOUSING-PIPE Ø204-M+5204-304	1
12	4164724	SHAFT EQUIPMENT HELIX V52 KIT	1
13		HYDRAULIC HELIX V 5204-2	1
14	4180848	SHAFT D.22X604 1.4057 VP.	1
15	4164723	EQUIPED HOUSING PN16 HELIX GJL KIT	1
7.3	4179571	> O-RING HOUSING PIPE HELIX22/36/52 VP.	1
15.1		> PUMP HOUSING SET with COATED PARTS-DN80	1
15.3	4143766	> DRAIN/PRIMING PLUG EPDM HELIX KIT	1
15.3A		>> PRIMING/DRAIN PLUG-304-VERSION 1	1
15.3B	4032293	>> O-RING-10x3-EPDM-KTW/WRC	1
15.3C	4233957	>> O-RING ID.9 EPDM VP.	1

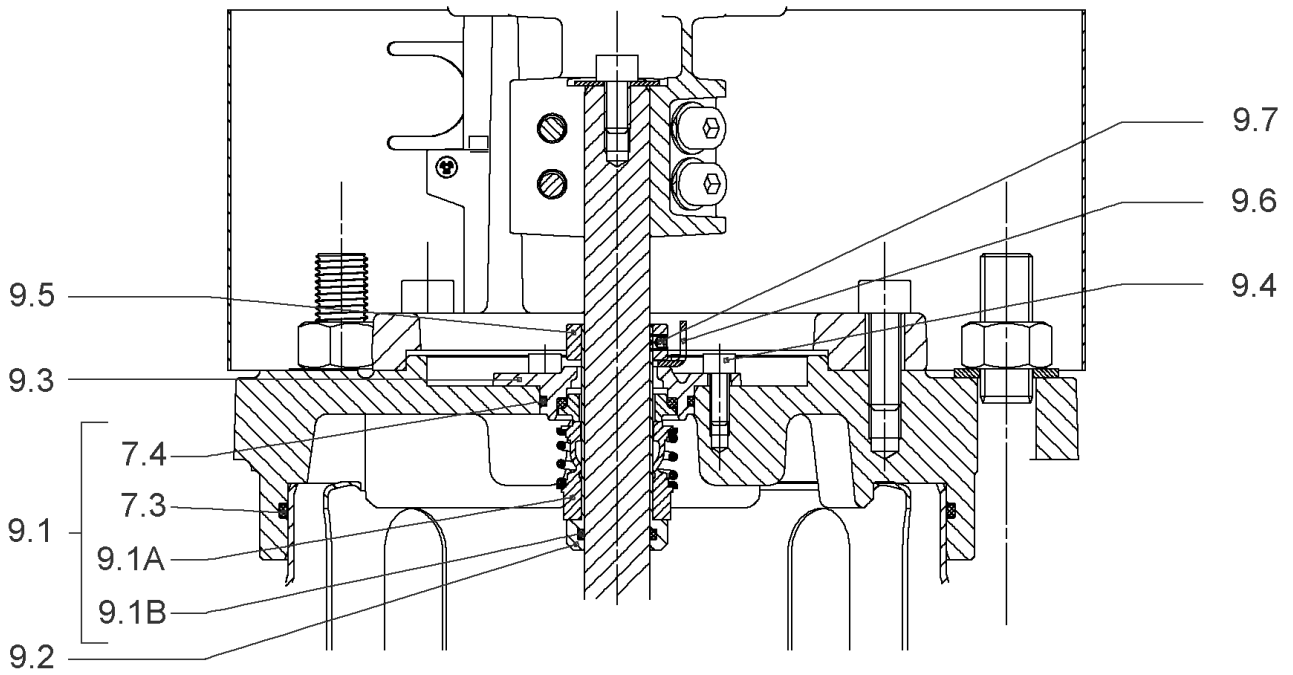
HELIX V5204/2-3/25/E/KS/400-50 (4141811)

Item	Article no.	Description	Quantity
15.4	4221729	> BASE M+ DN50/65/80 VP.	1
15.5		> SCREW TBHC M12x25 ISO7380 ZN	1
15.6		> FLANGE M+ DN80 NF PN16-25 ASME PN16 CATA	1
15.7		> O-RING Ø91.42xØ3 EPDM	1
13.1A	4161200	> NECK RING 1.STAGE HELIX V36/52 KIT	1
		>> NECK-RING-M+36/52	1
		>> HYDRAULIC SUPPORT CAP M+36/52 304	1
		>> SCREW TCL M3X8 A4 POZIDRIV	1



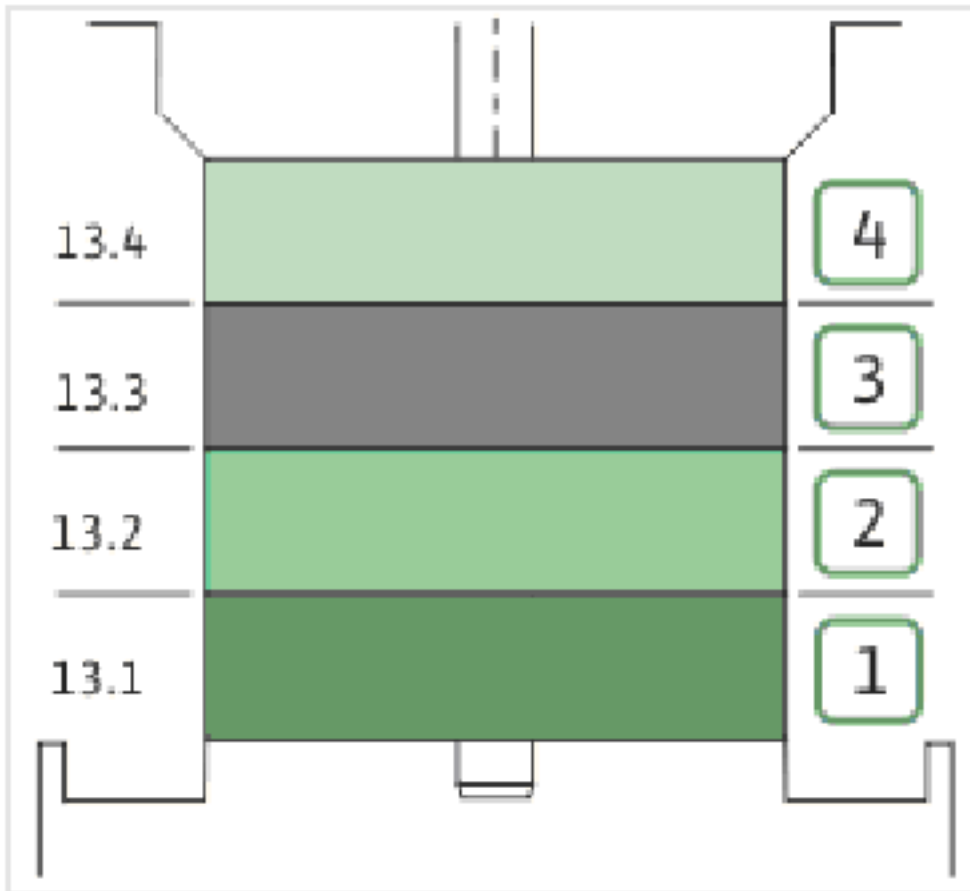
COUPLING D.20XD.38 FF300 KIT (4143966)

Item	Article no.	Description	Quantity
4.1	4179590	COUPLING 2 PARTS D.20XD.38XL115 VP.	1
4.2	2123699	BALL BEARING 6312/2Z-C4 (HT) VP.	1
4.3	63428	CIRCLIP-FOR-SHAFT-D60x2	1
4.4	2130991	SCREW M12X30 ISO4762 8.8 ZN(4 PIECES)	1
4.5	4032277	CIRCLIP-HOLE-130x4	1
4.6	4006725	O-RING ID.132,94x3,53 NBR70SR	1
4.7	2130992	RETAINING RING D.35xD.2,5 DIN7993 VP.	1
4.8	4179591	HUB D.42xD.60 VP.	1
4.9	2130994	SPACER D.38XD.55 VP.	1
4.10	4094462	SCREWS M10 (4 PIECES)	1
4.11	4233959	SCREW M8x16 VP.	1
4.12		SERRATED LOCK WASHER Ø8.2XØ25X35X2	1



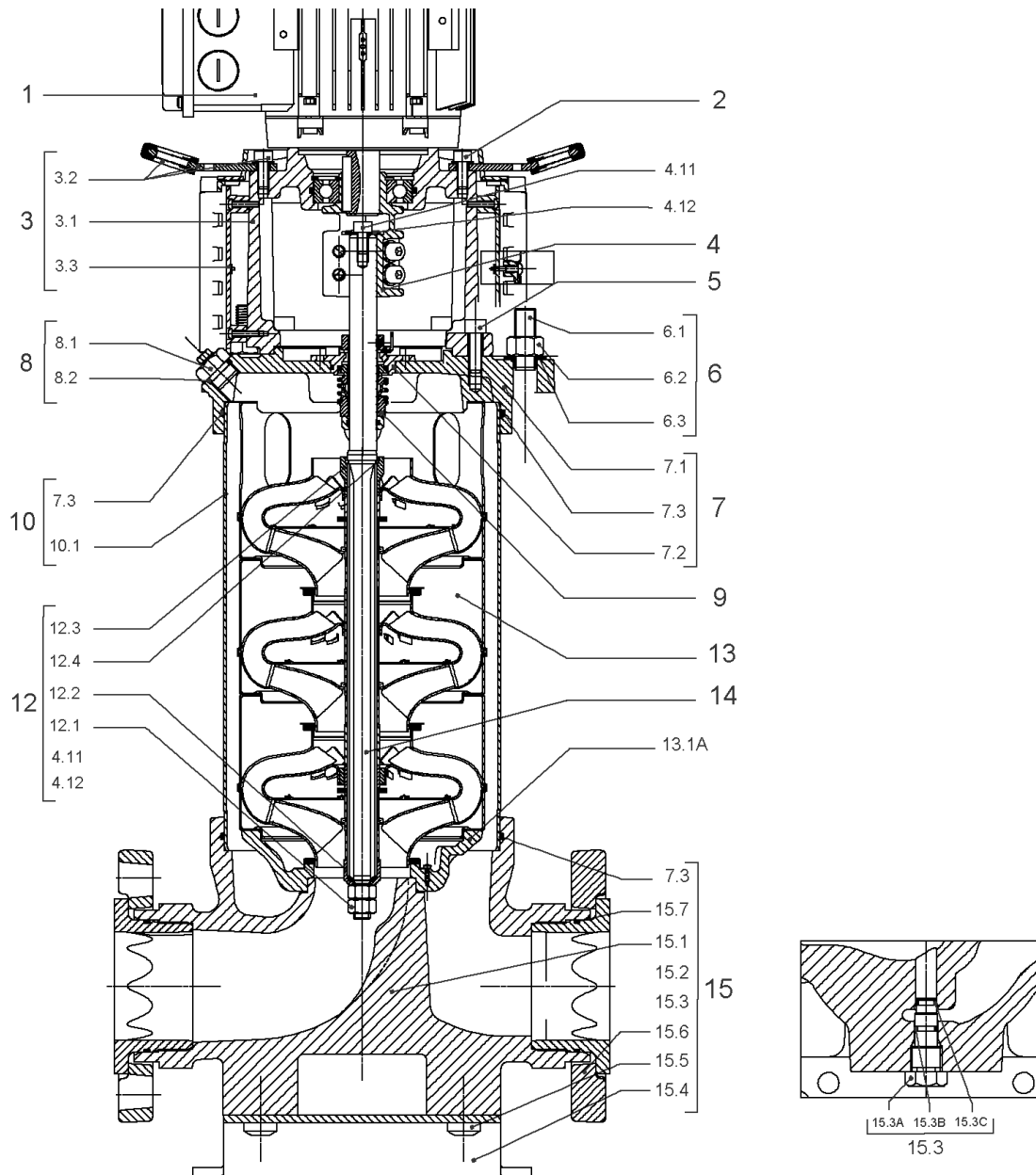
CARTRIDGE HELIX22-36-52 F/E KIT (4143975)

Item	Article no.	Description	Quantity
9.1	4143976	SEAL-KIT-HELIX22-36-52 F/E	1
7.3	4179571	> O-RING HOUSING PIPE HELIX22/36/52 VP.	1
7.4	4179572	> O-RING ID.42.52X2.62 EPDM VP.	1
9.1A	2127447	> M.SEAL.HELIX22-36-52 F/E VP.	1
9.1B	4179574	> O-RING ID.20x2.65 EPDM VP.	1
9.2	4179566	SHAFT SLEEVE D.20/20X60 1.4404 VP.	1
9.3	4179567	RING HOLDER Ø22 1.4301 VP.	1
9.4	4176520	SCREW CH M5x5 A4-70 (3PIECES)	1
9.5	4179568	DRIVE RING D.31/22.1x11 MACH.VP.	1
9.6	4179569	TOOL M.S.CART.HELIX 8" VP.	1
9.7	4179570	SCREW M6X16 ISO4762 8.8 GEOMET(4 PIECES)	1



HYDRAULIC HELIX V 5204-2

Item	Article no.	Description	Quantity
13.1	4164727	INTERMEDIAIRE STAGE HELIX 52 1.4301 KIT	1
		> SLEEVE-SPACER-D22XL30,42-316L	1
		> MACH.BEARING-DIFFUSER+NR-M+52-304	1
		> SHAFT-SLEEVE-D26xD22x16-CW	1
		> SPACER WASHER D22,3XD36 L3-316L	1
		> IMPELLER-H2-M+52-304	1
13.1A	4161200	> NECK RING 1.STAGE HELIX V36/52 KIT	1
		>> NECK-RING-M+36/52	1
		>> HYDRAULIC SUPPORT CAP M+36/52 304	1
		>> SCREW TCL M3X8 A4 POZIDRIV	1
13.2	4164728	INTERMEDIATE STAGE HELIX 52 1.4301 KIT	1
		> MACH.STD-DIFFUSER+NR-M+52-304	1
		> IMPELLER-H5-M+52-304	1
13.3	4164730	INTERMEDIATE STAGE HELIX 52 1.4301 KIT	1
		> MACH.STD-DIFFUSER+NR-M+52-304	1
		> REDUCED-IMPELLER-H5-M+52-304	1
13.4	4164731	UPPER-STAGE HELIX 52 1.4301 KIT	1
		> STOP COLLAR OF IMPELLER L27,6-Ø22-316L	1
		> SLEEVE-SPACER-D22XL16,66-316L	1
		> SPACER WASHER D22,3XD36 L3-316L	1
		> REDUCED-IMPELLER-H2-M+52-304	1
		> MACH.STD-DISCHARGE-CHAMBER-M+52-304	1

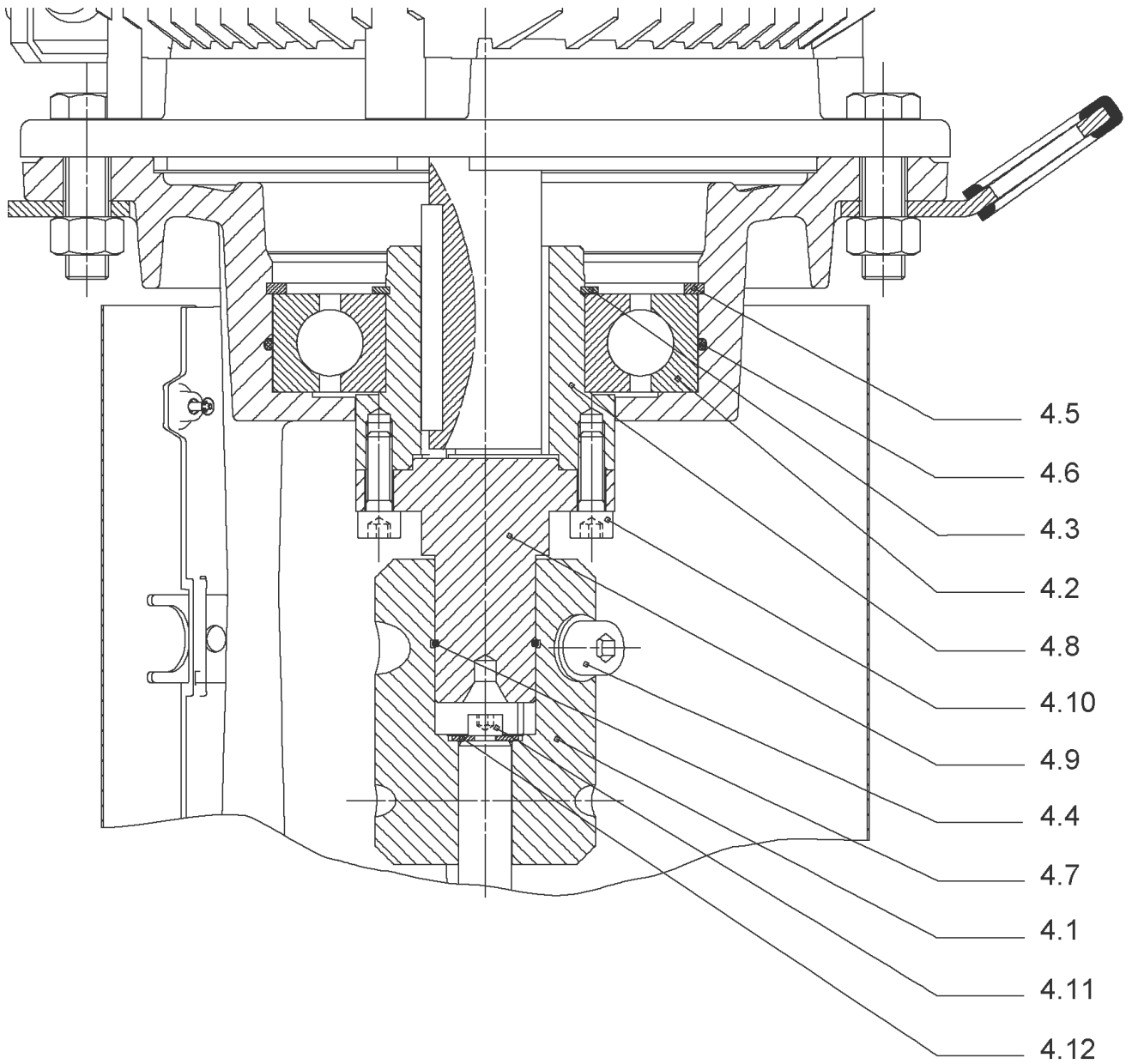


HELIX V5204-3/25/E/KS/400-50 (4141813)

Item	Article no.	Description	Quantity
1	4199884	MOTOR 11/2/160 3~400V 50HZ VP.	1
		SPARE PARTS MOTOR:ON REQUEST	1
2	4179586	SCREW M16X60 (4 PIECES)	1
3	4157721	LANTERN HELIX 22/36 FF300 BB6312 KIT	1
3.1		> LANTERN FF300 M+ GJL MACHINED+CATA 6312	1
3.2	4179589	> EYELET CPL.FF300 HELIX(4 PIECES)	1
3.3	4143969	> COUPLING PROTECT HELIX FF KIT	1
4	4143966	COUPLING D.20XD.38 FF300 KIT	1
5	4157725	SCREW M10X40 (4 PIECES)	1
6	4179919	STUD BOLT M16X500 KIT	1
6.1		> TIE BOLT M16-500x24x44-1.4057	1
6.2	4179562	> NUT M16 8.8 ISO4032 (4 PIECES)	1
6.3	4097852	> WASHER-CS-16.4-32-2.8-NFE25-511-A2	1
7	4179565	END SHIELD HELIX 8" EPDM KIT	1
7.1		> END SHIELD M+ GJL MACHINED+CATA	1
7.2	4179564	> O-RING D.42.52x2.62 EPDM VP.	1
7.3	4179571	> O-RING HOUSING PIPE HELIX22/36/52 VP.	1
8	4143765	FILING/PURGING PLUG 316L HELIX KIT	1
8.1		> FILLING/VENTING-PLUG-VM18/10-316L	1
8.2	4032291	> O-RING 17x3 EPDM KTW/WRC	1
9	4143975	CARTRIDGE HELIX22-36-52 F/E KIT	1
10	4179920	HOUSING PIPE D204 X 430 1.4301 KIT	1
7.3	4179571	> O-RING HOUSING PIPE HELIX22/36/52 VP.	1
10.1		> HOUSING-PIPE Ø204-M+5204-304	1
12	4164724	SHAFT EQUIPMENT HELIX V52 KIT	1
13		HYDRAULIC HELIX V 5204	1
14	4180848	SHAFT D.22X604 1.4057 VP.	1
15	4164723	EQUIPED HOUSING PN16 HELIX GJL KIT	1
7.3	4179571	> O-RING HOUSING PIPE HELIX22/36/52 VP.	1
15.1		> PUMP HOUSING SET with COATED PARTS-DN80	1
15.3	4143766	> DRAIN/PRIMING PLUG EPDM HELIX KIT	1
15.3A		>> PRIMING/DRAIN PLUG-304-VERSION 1	1
15.3B	4032293	>> O-RING-10x3-EPDM-KTW/WRC	1
15.3C	4233957	>> O-RING ID.9 EPDM VP.	1

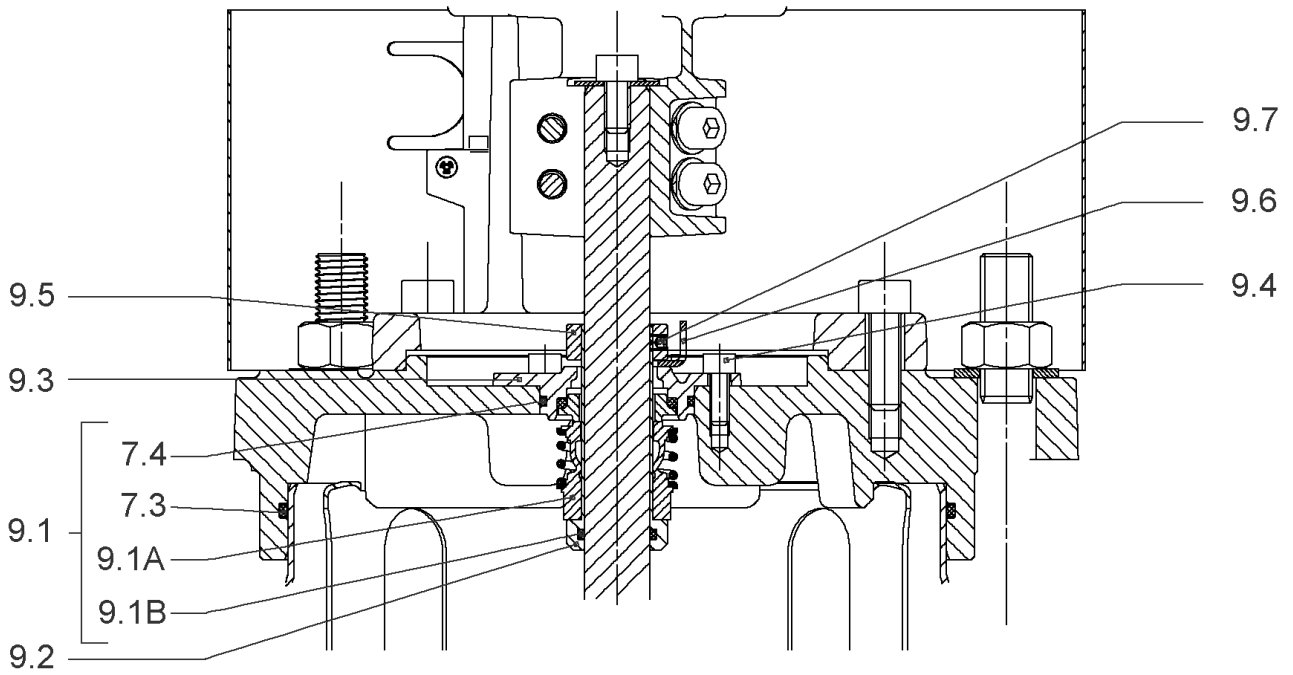
HELIX V5204-3/25/E/KS/400-50 (4141813)

Item	Article no.	Description	Quantity
15.4	4221729	> BASE M+ DN50/65/80 VP.	1
15.5		> SCREW TBHC M12x25 ISO7380 ZN	1
15.6		> FLANGE M+ DN80 NF PN16-25 ASME PN16 CATA	1
15.7		> O-RING Ø91.42xØ3 EPDM	1
13.1A	4161200	> NECK RING 1.STAGE HELIX V36/52 KIT	1
		>> NECK-RING-M+36/52	1
		>> HYDRAULIC SUPPORT CAP M+36/52 304	1
		>> SCREW TCL M3X8 A4 POZIDRIV	1



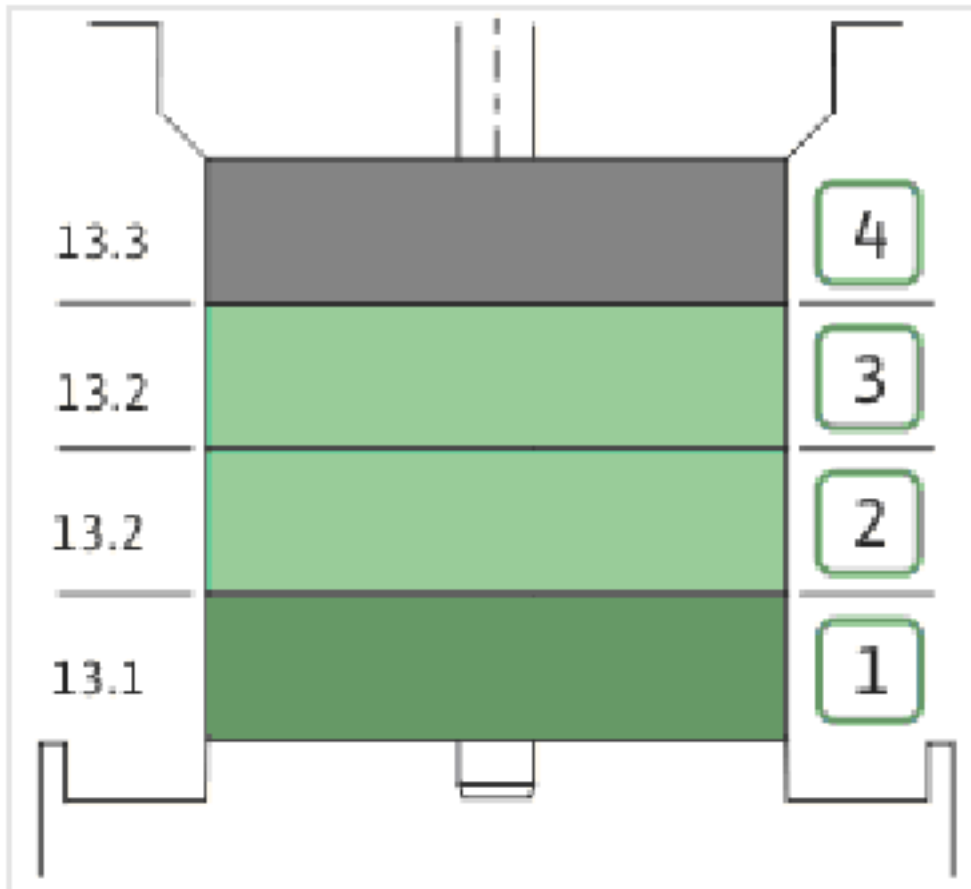
COUPLING D.20XD.38 FF300 KIT (4143966)

Item	Article no.	Description	Quantity
4.1	4179590	COUPLING 2 PARTS D.20XD.38XL115 VP.	1
4.2	2123699	BALL BEARING 6312/2Z-C4 (HT) VP.	1
4.3	63428	CIRCLIP-FOR-SHAFT-D60x2	1
4.4	2130991	SCREW M12X30 ISO4762 8.8 ZN(4 PIECES)	1
4.5	4032277	CIRCLIP-HOLE-130x4	1
4.6	4006725	O-RING ID.132,94x3,53 NBR70SR	1
4.7	2130992	RETAINING RING D.35xD.2,5 DIN7993 VP.	1
4.8	4179591	HUB D.42xD.60 VP.	1
4.9	2130994	SPACER D.38XD.55 VP.	1
4.10	4094462	SCREWS M10 (4 PIECES)	1
4.11	4233959	SCREW M8x16 VP.	1
4.12		SERRATED LOCK WASHER Ø8.2XØ25X35X2	1



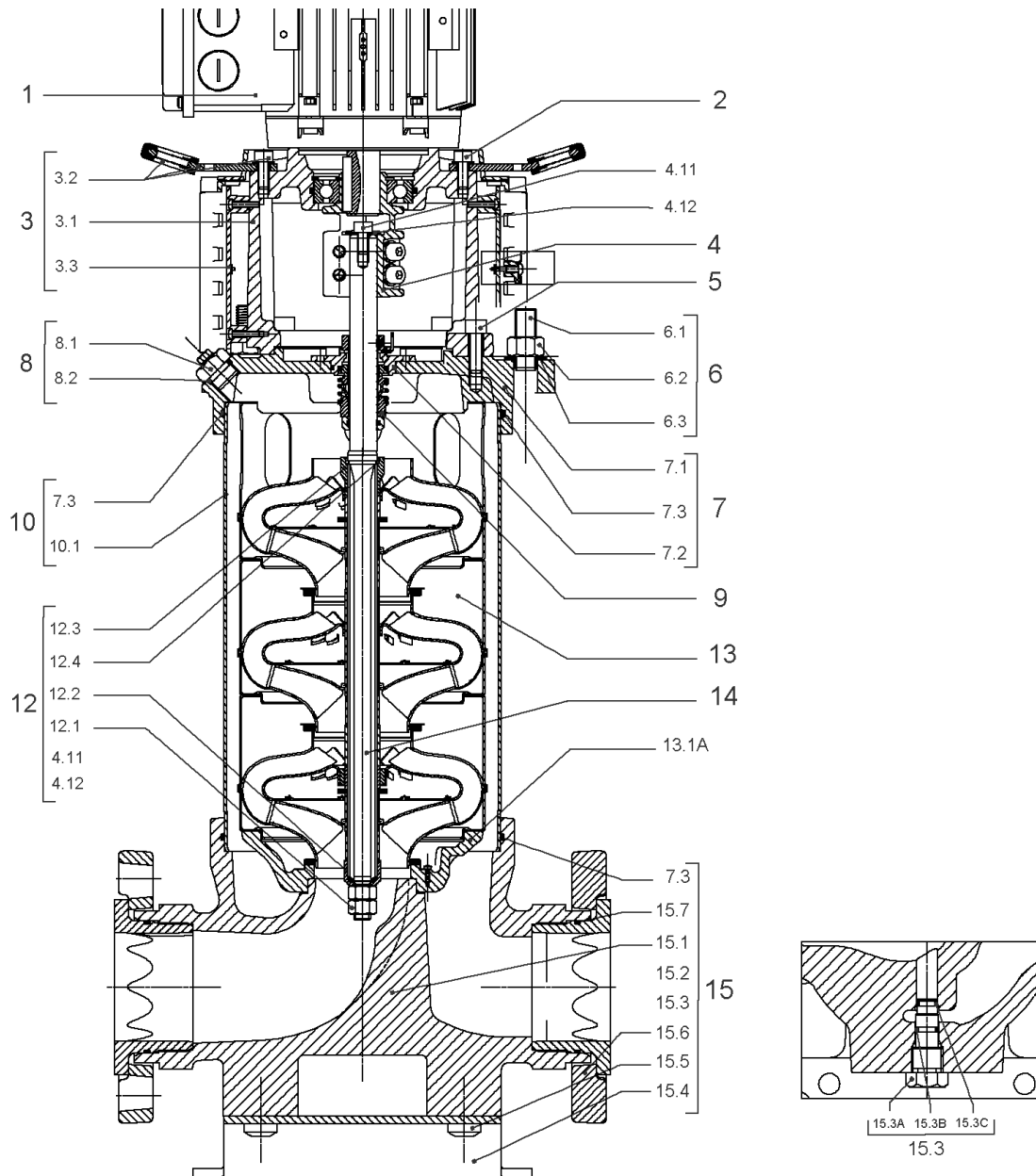
CARTRIDGE HELIX22-36-52 F/E KIT (4143975)

Item	Article no.	Description	Quantity
9.1	4143976	SEAL-KIT-HELIX22-36-52 F/E	1
7.3	4179571	> O-RING HOUSING PIPE HELIX22/36/52 VP.	1
7.4	4179572	> O-RING ID.42.52X2.62 EPDM VP.	1
9.1A	2127447	> M.SEAL.HELI22-36-52 F/E VP.	1
9.1B	4179574	> O-RING ID.20x2.65 EPDM VP.	1
9.2	4179566	SHAFT SLEEVE D.20/20X60 1.4404 VP.	1
9.3	4179567	RING HOLDER Ø22 1.4301 VP.	1
9.4	4176520	SCREW CH M5x5 A4-70 (3PIECES)	1
9.5	4179568	DRIVE RING D.31/22.1x11 MACH.VP.	1
9.6	4179569	TOOL M.S.CART.HELI2 8" VP.	1
9.7	4179570	SCREW M6X16 ISO4762 8.8 GEOMET(4 PIECES)	1



HYDRAULIC HELIX V 5204

Item	Article no.	Description	Quantity
13.1	4164727	INTERMEDIAIRE STAGE HELIX 52 1.4301 KIT	1
		> SLEEVE-SPACER-D22XL30,42-316L	1
		> MACH.BEARING-DIFFUSER+NR-M+52-304	1
		> SHAFT-SLEEVE-D26xD22x16-CW	1
		> SPACER WASHER D22,3XD36 L3-316L	1
		> IMPELLER-H2-M+52-304	1
13.1A	4161200	> NECK RING 1.STAGE HELIX V36/52 KIT	1
		>> NECK-RING-M+36/52	1
		>> HYDRAULIC SUPPORT CAP M+36/52 304	1
		>> SCREW TCL M3X8 A4 POZIDRIV	1
13.2	4164728	INTERMEDIATE STAGE HELIX 52 1.4301 KIT	1
		> MACH.STD-DIFFUSER+NR-M+52-304	1
		> IMPELLER-H5-M+52-304	1
13.3	4164729	UPPER-STAGE HELIX 52 1.4301 KIT	1
		> STOP COLLAR OF IMPELLER L27,6-Ø22-316L	1
		> SLEEVE-SPACER-D22XL16,66-316L	1
		> SPACER WASHER D22,3XD36 L3-316L	1
		> IMPELLER-H2-M+52-304	1
		> MACH.STD-DISCHARGE-CHAMBER-M+52-304	1

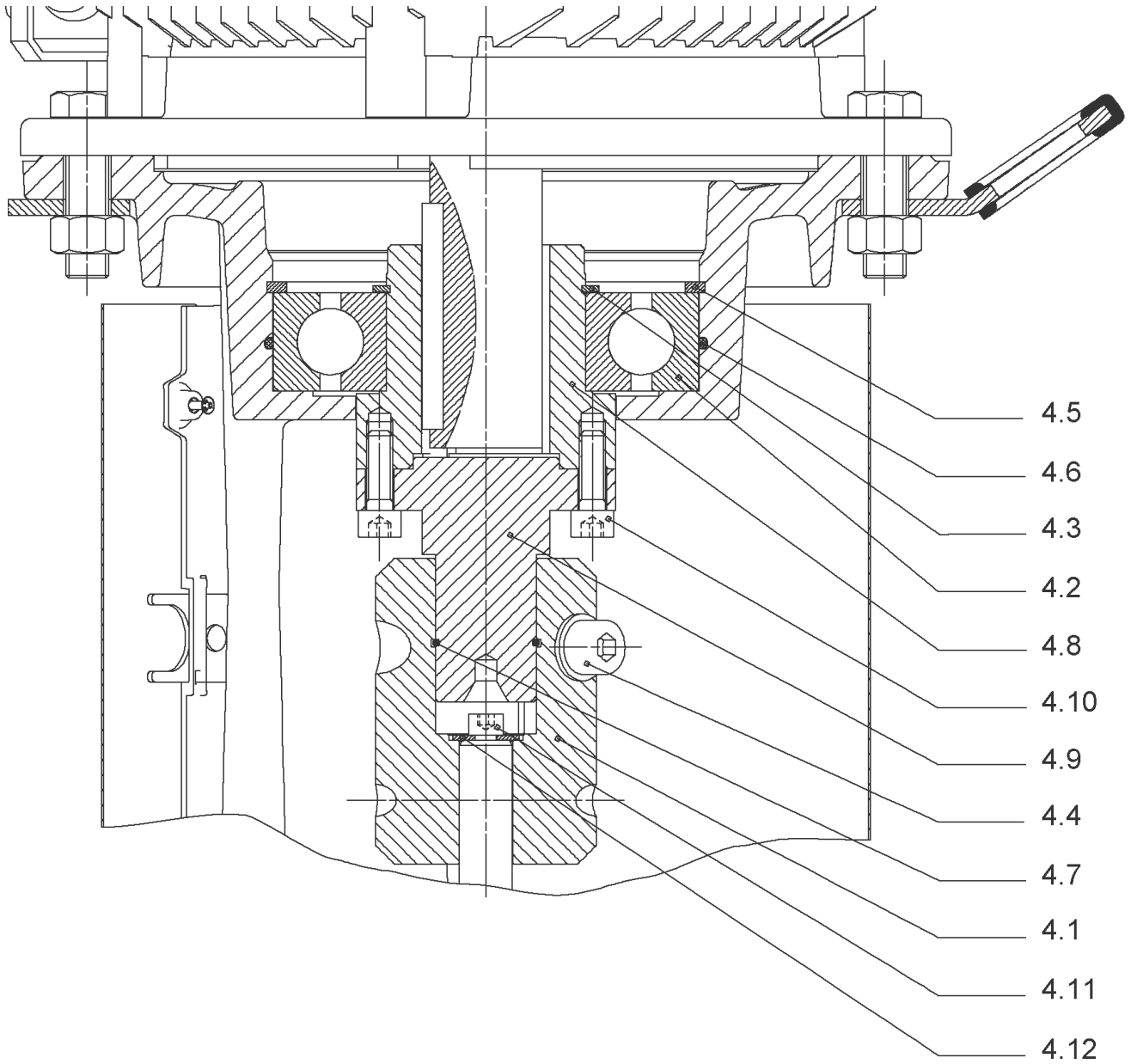


HELIX V5205/2-3/25/E/KS/400-50 (4141814)

Item	Article no.	Description	Quantity
1	4195488	MOTOR 18.5/2/160 3~400V 50HZ ARC VP.	1
		SPARE PARTS MOTOR:ON REQUEST	1
2	4179586	SCREW M16X60 (4 PIECES)	1
3	4157721	LANTERN HELIX 22/36 FF300 BB6312 KIT	1
3.1		> LANTERN FF300 M+ GJL MACHINED+CATA 6312	1
3.2	4179589	> EYELET CPL.FF300 HELIX(4 PIECES)	1
3.3	4143969	> COUPLING PROTECT HELIX FF KIT	1
4	4143966	COUPLING D.20XD.38 FF300 KIT	1
5	4157725	SCREW M10X40 (4 PIECES)	1
6	4179923	STUD BOLT M16X600 KIT	1
6.1		> TIE BOLT M16-600x24x44-1.4057	1
6.2	4179562	> NUT M16 8.8 ISO4032 (4 PIECES)	1
6.3	4097852	> WASHER-CS-16.4-32-2.8-NFE25-511-A2	1
7	4179565	END SHIELD HELIX 8" EPDM KIT	1
7.1		> END SHIELD M+ GJL MACHINED+CATA	1
7.2	4179564	> O-RING D.42.52x2.62 EPDM VP.	1
7.3	4179571	> O-RING HOUSING PIPE HELIX22/36/52 VP.	1
8	4143765	FILING/PURGING PLUG 316L HELIX KIT	1
8.1		> FILLING/VENTING-PLUG-VMI8/10-316L	1
8.2	4032291	> O-RING 17x3 EPDM KTW/WRC	1
9	4143975	CARTRIDGE HELIX22-36-52 F/E KIT	1
10	4179924	HOUSING PIPE D.204X530 1.4301 KIT	1
7.3	4179571	> O-RING HOUSING PIPE HELIX22/36/52 VP.	1
10.1		> HOUSING-PIPE Ø204-M+3607/5205-304	1
12	4164724	SHAFT EQUIPMENT HELIX V52 KIT	1
13		HYDRAULIC HELIX V 5205-2	1
14	4179926	SHAFTS D.22X704 1.4057 VP.	1
15	4164723	EQUIPED HOUSING PN16 HELIX GJL KIT	1
7.3	4179571	> O-RING HOUSING PIPE HELIX22/36/52 VP.	1
15.1		> PUMP HOUSING SET with COATED PARTS-DN80	1
15.3	4143766	> DRAIN/PRIMING PLUG EPDM HELIX KIT	1
15.3A		>> PRIMING/DRAIN PLUG-304-VERSION 1	1
15.3B	4032293	>> O-RING-10x3-EPDM-KTW/WRC	1
15.3C	4233957	>> O-RING ID.9 EPDM VP.	1

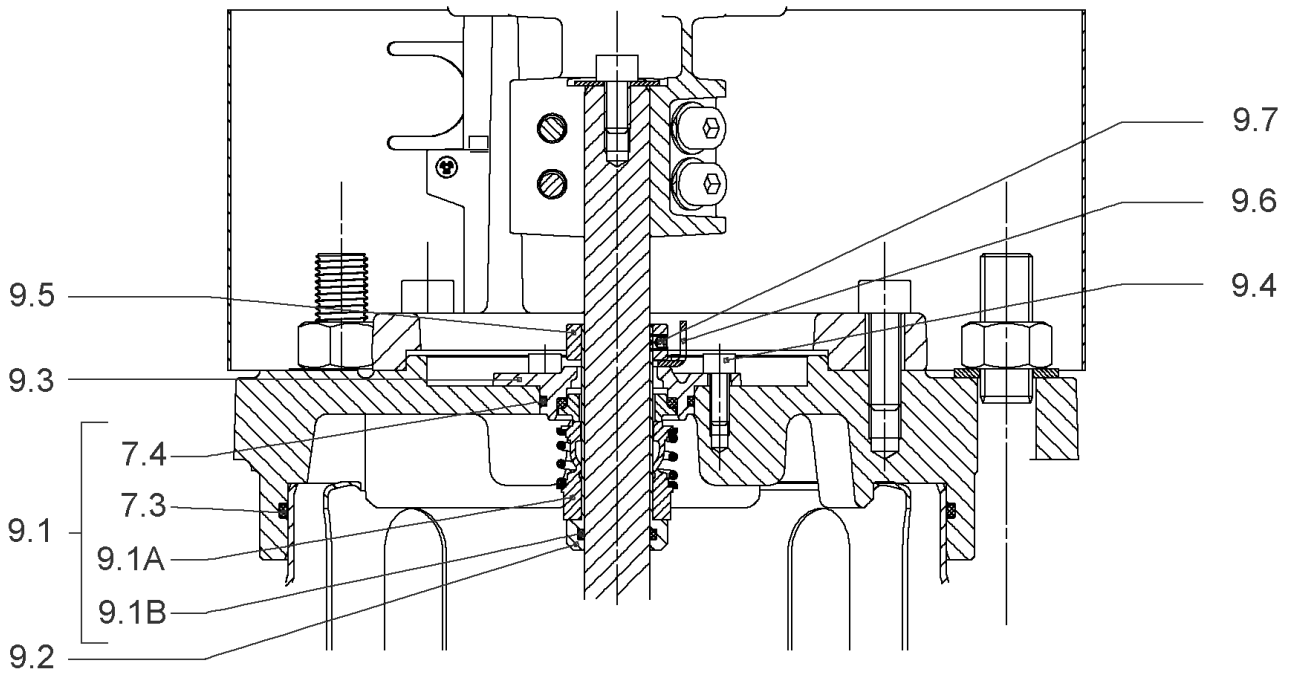
HELIX V5205/2-3/25/E/KS/400-50 (4141814)

Item	Article no.	Description	Quantity
15.4	4221729	> BASE M+ DN50/65/80 VP.	1
15.5		> SCREW TBHC M12x25 ISO7380 ZN	1
15.6		> FLANGE M+ DN80 NF PN16-25 ASME PN16 CATA	1
15.7		> O-RING Ø91.42xØ3 EPDM	1
13.1A	4161200	> NECK RING 1.STAGE HELIX V36/52 KIT	1
		>> NECK-RING-M+36/52	1
		>> HYDRAULIC SUPPORT CAP M+36/52 304	1
		>> SCREW TCL M3X8 A4 POZIDRIV	1



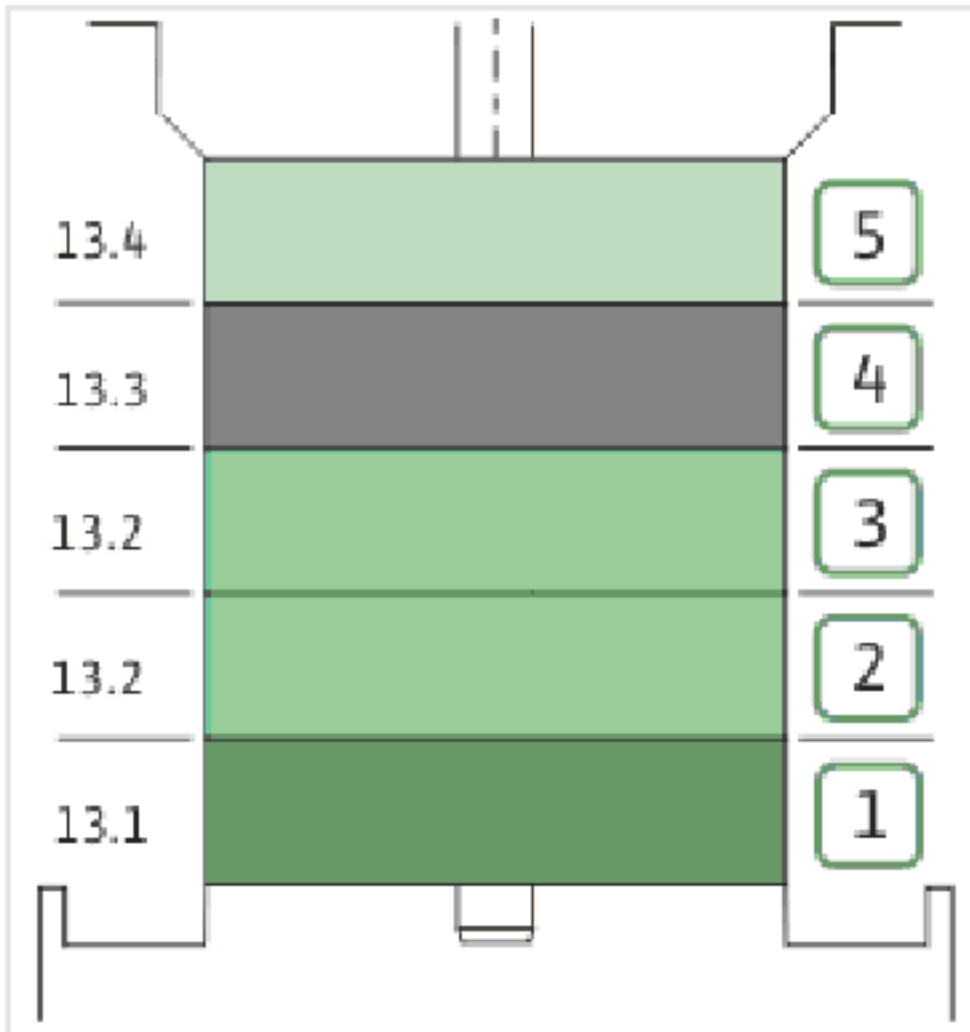
COUPLING D.20XD.38 FF300 KIT (4143966)

Item	Article no.	Description	Quantity
4.1	4179590	COUPLING 2 PARTS D.20XD.38XL115 VP.	1
4.2	2123699	BALL BEARING 6312/2Z-C4 (HT) VP.	1
4.3	63428	CIRCLIP-FOR-SHAFT-D60x2	1
4.4	2130991	SCREW M12X30 ISO4762 8.8 ZN(4 PIECES)	1
4.5	4032277	CIRCLIP-HOLE-130x4	1
4.6	4006725	O-RING ID.132,94x3,53 NBR70SR	1
4.7	2130992	RETAINING RING D.35xD.2,5 DIN7993 VP.	1
4.8	4179591	HUB D.42xD.60 VP.	1
4.9	2130994	SPACER D.38XD.55 VP.	1
4.10	4094462	SCREWS M10 (4 PIECES)	1
4.11	4233959	SCREW M8x16 VP.	1
4.12		SERRATED LOCK WASHER Ø8.2XØ25X35X2	1



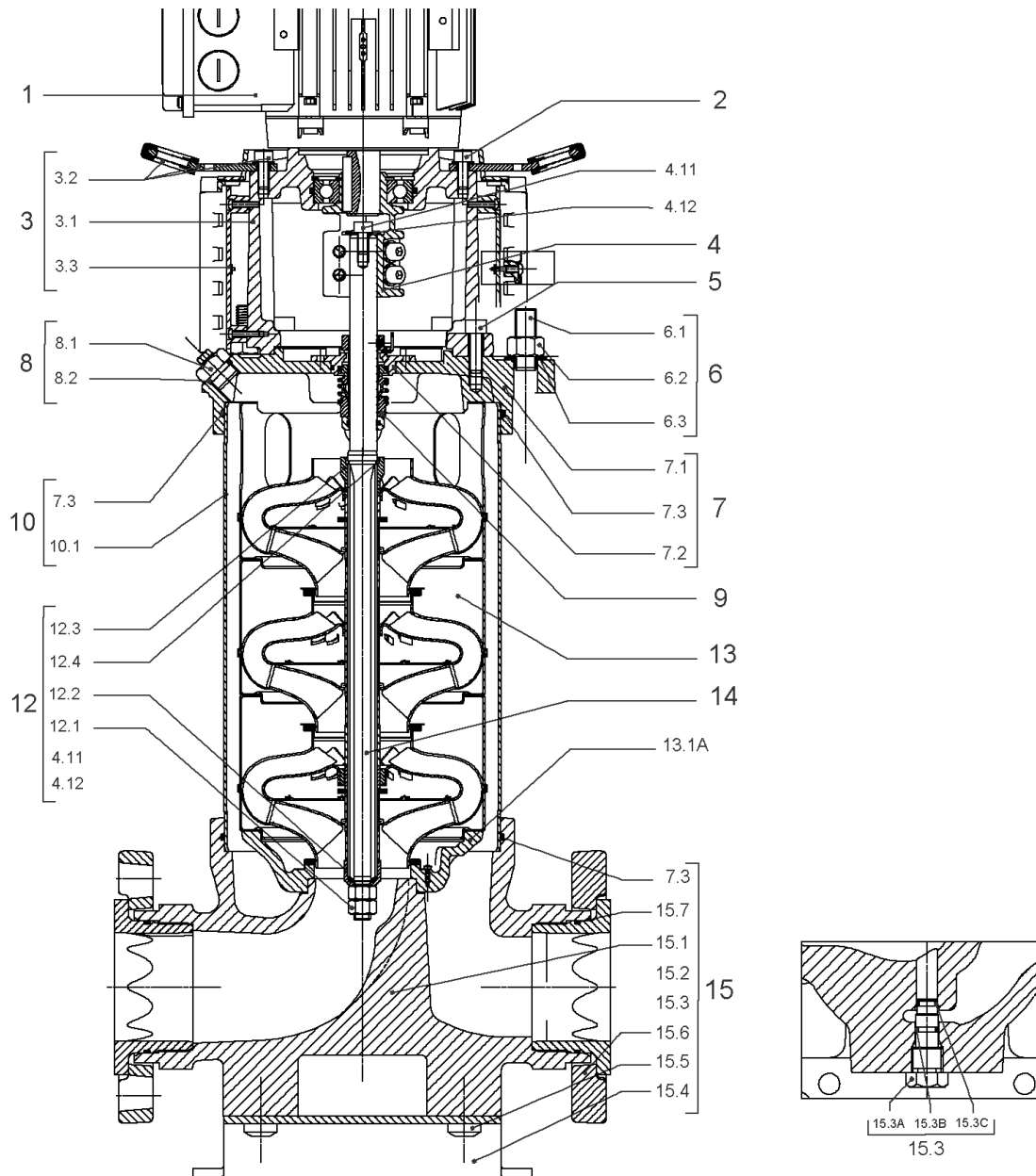
CARTRIDGE HELIX22-36-52 F/E KIT (4143975)

Item	Article no.	Description	Quantity
9.1	4143976	SEAL-KIT-HELIX22-36-52 F/E	1
7.3	4179571	> O-RING HOUSING PIPE HELIX22/36/52 VP.	1
7.4	4179572	> O-RING ID.42.52X2.62 EPDM VP.	1
9.1A	2127447	> M.SEAL.HELIX22-36-52 F/E VP.	1
9.1B	4179574	> O-RING ID.20x2.65 EPDM VP.	1
9.2	4179566	SHAFT SLEEVE D.20/20X60 1.4404 VP.	1
9.3	4179567	RING HOLDER Ø22 1.4301 VP.	1
9.4	4176520	SCREW CH M5x5 A4-70 (3PIECES)	1
9.5	4179568	DRIVE RING D.31/22.1x11 MACH.VP.	1
9.6	4179569	TOOL M.S.CART.HELIX 8" VP.	1
9.7	4179570	SCREW M6X16 ISO4762 8.8 GEOMET(4 PIECES)	1



HYDRAULIC HELIX V 5205-2

Item	Article no.	Description	Quantity
13.1	4164727	INTERMEDIAIRE STAGE HELIX 52 1.4301 KIT	1
		> SLEEVE-SPACER-D22XL30,42-316L	1
		> MACH.BEARING-DIFFUSER+NR-M+52-304	1
		> SHAFT-SLEEVE-D26xD22x16-CW	1
		> SPACER WASHER D22,3XD36 L3-316L	1
		> IMPELLER-H2-M+52-304	1
13.1A	4161200	> NECK RING 1.STAGE HELIX V36/52 KIT	1
		>> NECK-RING-M+36/52	1
		>> HYDRAULIC SUPPORT CAP M+36/52 304	1
		>> SCREW TCL M3X8 A4 POZIDRIV	1
13.2	4164728	INTERMEDIATE STAGE HELIX 52 1.4301 KIT	1
		> MACH.STD-DIFFUSER+NR-M+52-304	1
		> IMPELLER-H5-M+52-304	1
13.3	4164730	INTERMEDIATE STAGE HELIX 52 1.4301 KIT	1
		> MACH.STD-DIFFUSER+NR-M+52-304	1
		> REDUCED-IMPELLER-H5-M+52-304	1
13.4	4164731	UPPER-STAGE HELIX 52 1.4301 KIT	1
		> STOP COLLAR OF IMPELLER L27,6-Ø22-316L	1
		> SLEEVE-SPACER-D22XL16,66-316L	1
		> SPACER WASHER D22,3XD36 L3-316L	1
		> REDUCED-IMPELLER-H2-M+52-304	1
		> MACH.STD-DISCHARGE-CHAMBER-M+52-304	1

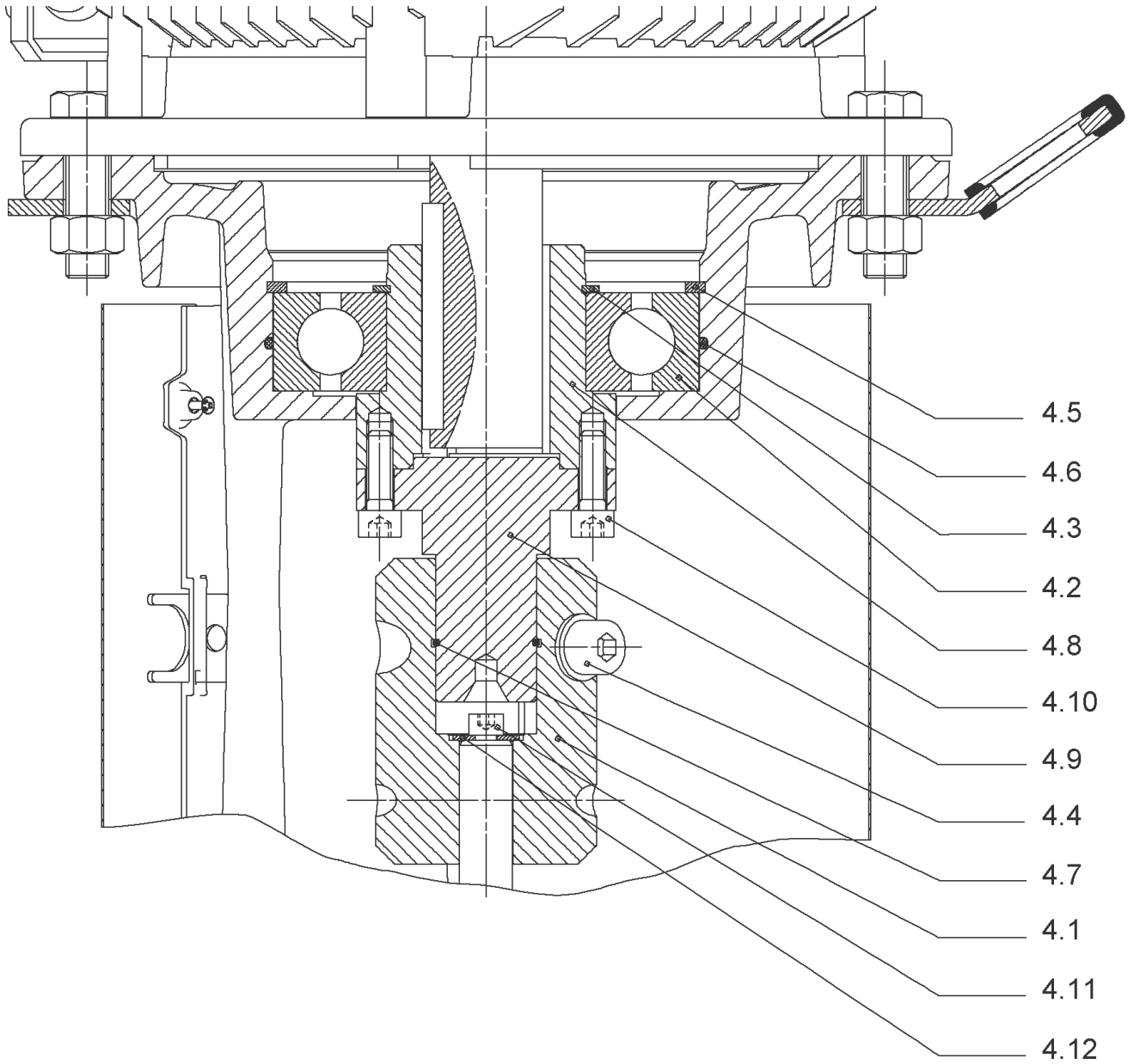


HELIX V5205-3/25/E/KS/400-50 (4141816)

Item	Article no.	Description	Quantity
1	4195488	MOTOR 18.5/2/160 3~400V 50HZ ARC VP.	1
		SPARE PARTS MOTOR:ON REQUEST	1
2	4179586	SCREW M16X60 (4 PIECES)	1
3	4157721	LANTERN HELIX 22/36 FF300 BB6312 KIT	1
3.1		> LANTERN FF300 M+ GJL MACHINED+CATA 6312	1
3.2	4179589	> EYELET CPL.FF300 HELIX(4 PIECES)	1
3.3	4143969	> COUPLING PROTECT HELIX FF KIT	1
4	4143966	COUPLING D.20XD.38 FF300 KIT	1
5	4157725	SCREW M10X40 (4 PIECES)	1
6	4179923	STUD BOLT M16X600 KIT	1
6.1		> TIE BOLT M16-600x24x44-1.4057	1
6.2	4179562	> NUT M16 8.8 ISO4032 (4 PIECES)	1
6.3	4097852	> WASHER-CS-16.4-32-2.8-NFE25-511-A2	1
7	4179565	END SHIELD HELIX 8" EPDM KIT	1
7.1		> END SHIELD M+ GJL MACHINED+CATA	1
7.2	4179564	> O-RING D.42.52x2.62 EPDM VP.	1
7.3	4179571	> O-RING HOUSING PIPE HELIX22/36/52 VP.	1
8	4143765	FILING/PURGING PLUG 316L HELIX KIT	1
8.1		> FILLING/VENTING-PLUG-VMI8/10-316L	1
8.2	4032291	> O-RING 17x3 EPDM KTW/WRC	1
9	4143975	CARTRIDGE HELIX22-36-52 F/E KIT	1
10	4179924	HOUSING PIPE D.204X530 1.4301 KIT	1
7.3	4179571	> O-RING HOUSING PIPE HELIX22/36/52 VP.	1
10.1		> HOUSING-PIPE Ø204-M+3607/5205-304	1
12	4164724	SHAFT EQUIPMENT HELIX V52 KIT	1
13		HYDRAULIC HELIX V 5205	1
14	4179926	SHAFTS D.22X704 1.4057 VP.	1
15	4164723	EQUIPED HOUSING PN16 HELIX GJL KIT	1
7.3	4179571	> O-RING HOUSING PIPE HELIX22/36/52 VP.	1
15.1		> PUMP HOUSING SET with COATED PARTS-DN80	1
15.3	4143766	> DRAIN/PRIMING PLUG EPDM HELIX KIT	1
15.3A		>> PRIMING/DRAIN PLUG-304-VERSION 1	1
15.3B	4032293	>> O-RING-10x3-EPDM-KTW/WRC	1
15.3C	4233957	>> O-RING ID.9 EPDM VP.	1

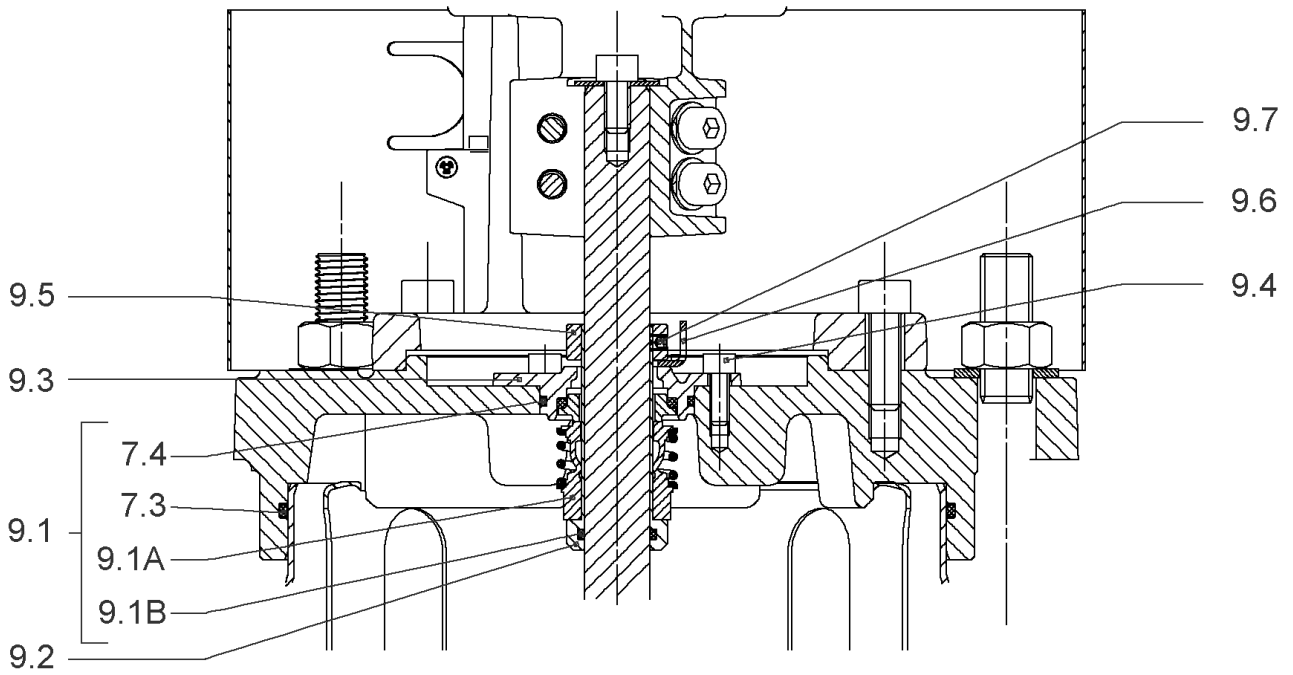
HELIX V5205-3/25/E/KS/400-50 (4141816)

Item	Article no.	Description	Quantity
15.4	4221729	> BASE M+ DN50/65/80 VP.	1
15.5		> SCREW TBHC M12x25 ISO7380 ZN	1
15.6		> FLANGE M+ DN80 NF PN16-25 ASME PN16 CATA	1
15.7		> O-RING Ø91.42xØ3 EPDM	1
13.1A	4161200	> NECK RING 1.STAGE HELIX V36/52 KIT	1
		>> NECK-RING-M+36/52	1
		>> HYDRAULIC SUPPORT CAP M+36/52 304	1
		>> SCREW TCL M3X8 A4 POZIDRIV	1



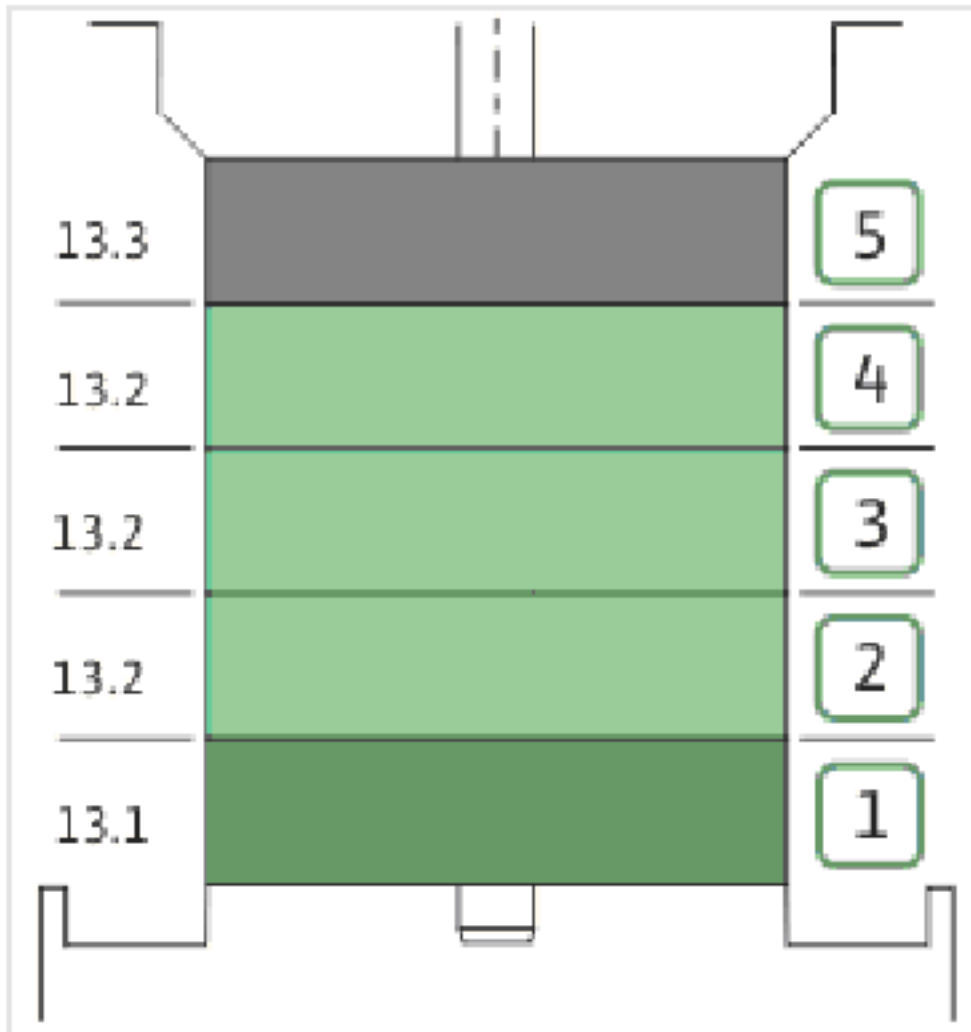
COUPLING D.20XD.38 FF300 KIT (4143966)

Item	Article no.	Description	Quantity
4.1	4179590	COUPLING 2 PARTS D.20XD.38XL115 VP.	1
4.2	2123699	BALL BEARING 6312/2Z-C4 (HT) VP.	1
4.3	63428	CIRCLIP-FOR-SHAFT-D60x2	1
4.4	2130991	SCREW M12X30 ISO4762 8.8 ZN(4 PIECES)	1
4.5	4032277	CIRCLIP-HOLE-130x4	1
4.6	4006725	O-RING ID.132,94x3,53 NBR70SR	1
4.7	2130992	RETAINING RING D.35xD.2,5 DIN7993 VP.	1
4.8	4179591	HUB D.42xD.60 VP.	1
4.9	2130994	SPACER D.38XD.55 VP.	1
4.10	4094462	SCREWS M10 (4 PIECES)	1
4.11	4233959	SCREW M8x16 VP.	1
4.12		SERRATED LOCK WASHER Ø8.2XØ25X35X2	1



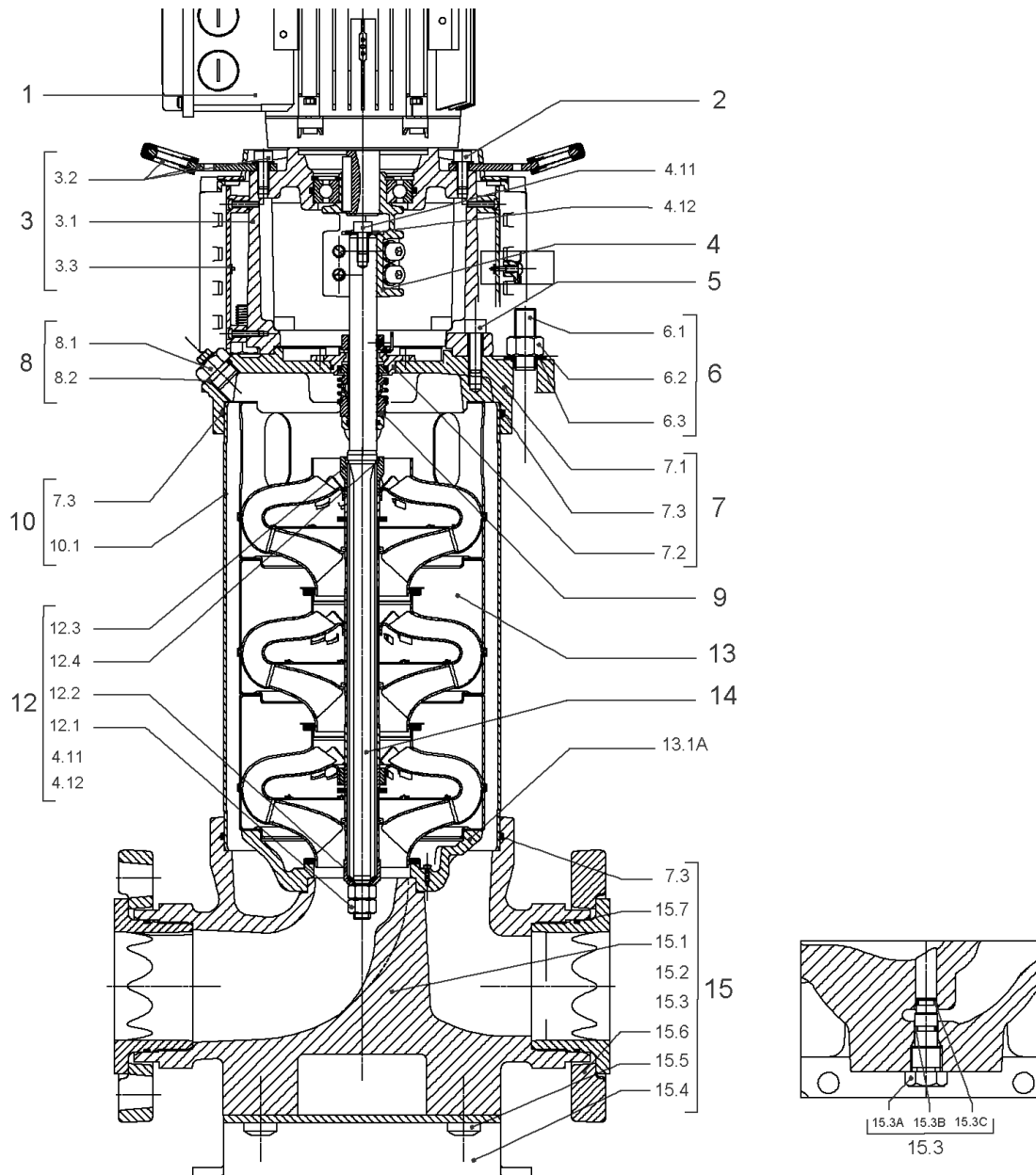
CARTRIDGE HELIX22-36-52 F/E KIT (4143975)

Item	Article no.	Description	Quantity
9.1	4143976	SEAL-KIT-HELIX22-36-52 F/E	1
7.3	4179571	> O-RING HOUSING PIPE HELIX22/36/52 VP.	1
7.4	4179572	> O-RING ID.42.52X2.62 EPDM VP.	1
9.1A	2127447	> M.SEAL.HELIX22-36-52 F/E VP.	1
9.1B	4179574	> O-RING ID.20x2.65 EPDM VP.	1
9.2	4179566	SHAFT SLEEVE D.20/20X60 1.4404 VP.	1
9.3	4179567	RING HOLDER Ø22 1.4301 VP.	1
9.4	4176520	SCREW CH M5x5 A4-70 (3PIECES)	1
9.5	4179568	DRIVE RING D.31/22.1x11 MACH.VP.	1
9.6	4179569	TOOL M.S.CART.HELIX 8" VP.	1
9.7	4179570	SCREW M6X16 ISO4762 8.8 GEOMET(4 PIECES)	1



HYDRAULIC HELIX V 5205

Item	Article no.	Description	Quantity
13.1	4164727	INTERMEDIAIRE STAGE HELIX 52 1.4301 KIT	1
		> SLEEVE-SPACER-D22XL30,42-316L	1
		> MACH.BEARING-DIFFUSER+NR-M+52-304	1
		> SHAFT-SLEEVE-D26xD22x16-CW	1
		> SPACER WASHER D22,3XD36 L3-316L	1
		> IMPELLER-H2-M+52-304	1
13.1A	4161200	> NECK RING 1.STAGE HELIX V36/52 KIT	1
		>> NECK-RING-M+36/52	1
		>> HYDRAULIC SUPPORT CAP M+36/52 304	1
		>> SCREW TCL M3X8 A4 POZIDRIV	1
13.2	4164728	INTERMEDIATE STAGE HELIX 52 1.4301 KIT	1
		> MACH.STD-DIFFUSER+NR-M+52-304	1
		> IMPELLER-H5-M+52-304	1
13.3	4164729	UPPER-STAGE HELIX 52 1.4301 KIT	1
		> STOP COLLAR OF IMPELLER L27,6-Ø22-316L	1
		> SLEEVE-SPACER-D22XL16,66-316L	1
		> SPACER WASHER D22,3XD36 L3-316L	1
		> IMPELLER-H2-M+52-304	1
		> MACH.STD-DISCHARGE-CHAMBER-M+52-304	1

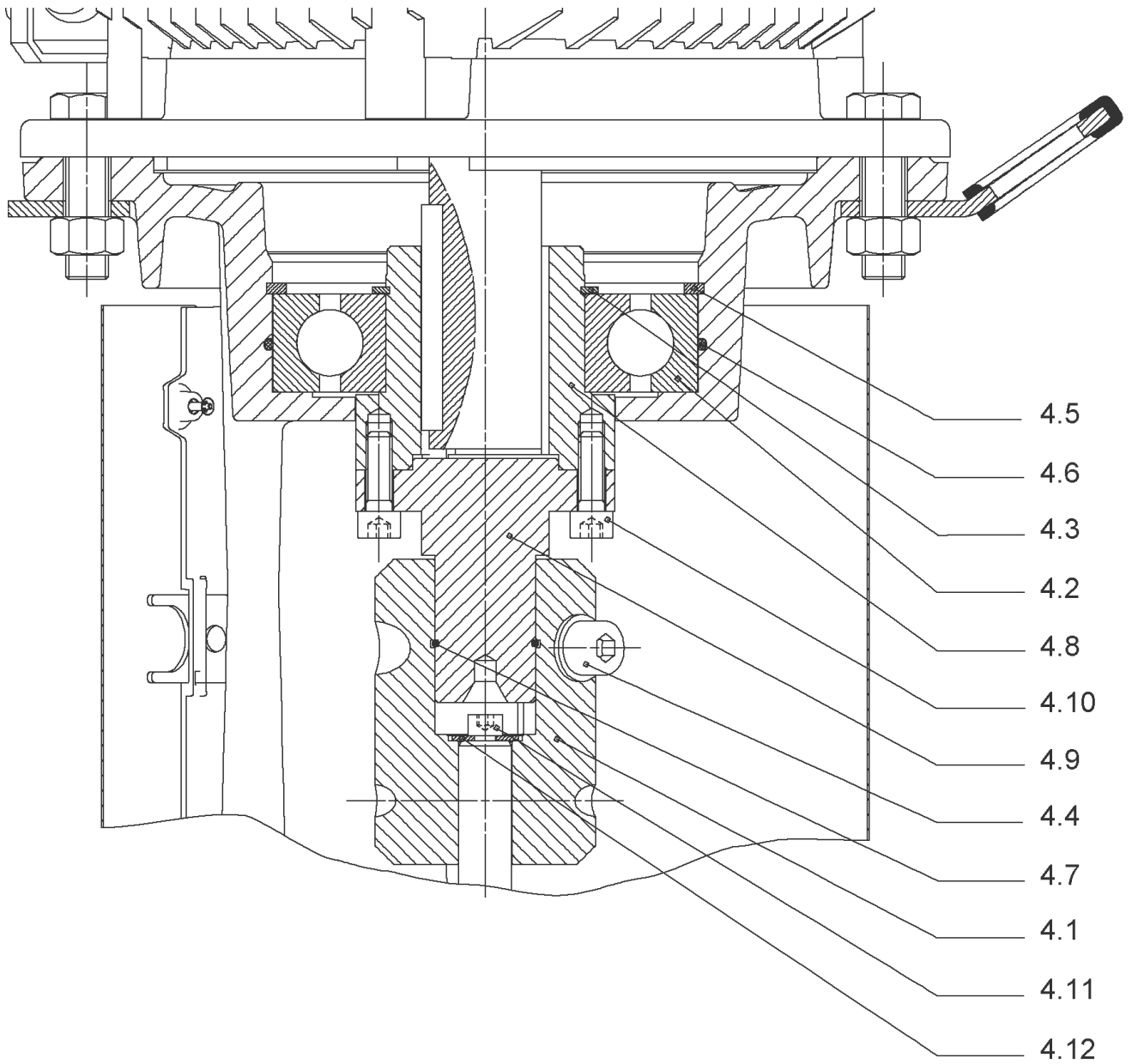


HELIX V5206/2-3/25/E/KS/400-50 (4141817)

Item	Article no.	Description	Quantity
1	4195490	MOTOR 22/2/180 3~400V 50HZ VP.	1
		SPARE PARTS MOTOR:ON REQUEST	1
2	4179586	SCREW M16X60 (4 PIECES)	1
3	4161188	LANTERN HELIX V36/52 FF300 BB6313 KIT	1
3.1		> LANTERN FF300 M+ GJL MACHINED+CATA 6313	1
3.2	4179589	> EYELET CPL.FF300 HELIX(4 PIECES)	1
3.3	4143969	> COUPLING PROTECT HELIX FF KIT	1
4	4161190	COUPLING D.20XD.38 FF300 KIT	1
5	4157725	SCREW M10X40 (4 PIECES)	1
6	4179929	STUD BOLT M16X704 KIT	1
6.1		> TIE BOLT M16-704x24x44-1.4057	1
6.2	4179562	> NUT M16 8.8 ISO4032 (4 PIECES)	1
6.3	4097852	> WASHER-CS-16.4-32-2.8-NFE25-511-A2	1
7	4179565	END SHIELD HELIX 8" EPDM KIT	1
7.1		> END SHIELD M+ GJL MACHINED+CATA	1
7.2	4179564	> O-RING D.42.52x2.62 EPDM VP.	1
7.3	4179571	> O-RING HOUSING PIPE HELIX22/36/52 VP.	1
8	4143765	FILING/PURGING PLUG 316L HELIX KIT	1
8.1		> FILLING/VENTING-PLUG-VMI8/10-316L	1
8.2	4032291	> O-RING 17x3 EPDM KTW/WRC	1
9	4143975	CARTRIDGE HELIX22-36-52 F/E KIT	1
10	4179930	HOUSING PIPE D.204X630 1.4301 KIT	1
7.3	4179571	> O-RING HOUSING PIPE HELIX22/36/52 VP.	1
10.1		> HOUSING-PIPE Ø204-M+5206-304	1
12	4164724	SHAFT EQUIPMENT HELIX V52 KIT	1
13		HYDRAULIC HELIX V 5206-2	1
14	2127503	SHAFT D.22 X 804 HELIX 1.4057 VP.	1
15	4164723	EQUIPED HOUSING PN16 HELIX GJL KIT	1
7.3	4179571	> O-RING HOUSING PIPE HELIX22/36/52 VP.	1
15.1		> PUMP HOUSING SET with COATED PARTS-DN80	1
15.3	4143766	> DRAIN/PRIMING PLUG EPDM HELIX KIT	1
15.3A		>> PRIMING/DRAIN PLUG-304-VERSION 1	1
15.3B	4032293	>> O-RING-10x3-EPDM-KTW/WRC	1
15.3C	4233957	>> O-RING ID.9 EPDM VP.	1

HELIX V5206/2-3/25/E/KS/400-50 (4141817)

Item	Article no.	Description	Quantity
15.4	4221729	> BASE M+ DN50/65/80 VP.	1
15.5		> SCREW TBHC M12x25 ISO7380 ZN	1
15.6		> FLANGE M+ DN80 NF PN16-25 ASME PN16 CATA	1
15.7		> O-RING Ø91.42xØ3 EPDM	1
13.1A	4161200	> NECK RING 1.STAGE HELIX V36/52 KIT	1
		>> NECK-RING-M+36/52	1
		>> HYDRAULIC SUPPORT CAP M+36/52 304	1
		>> SCREW TCL M3X8 A4 POZIDRIV	1



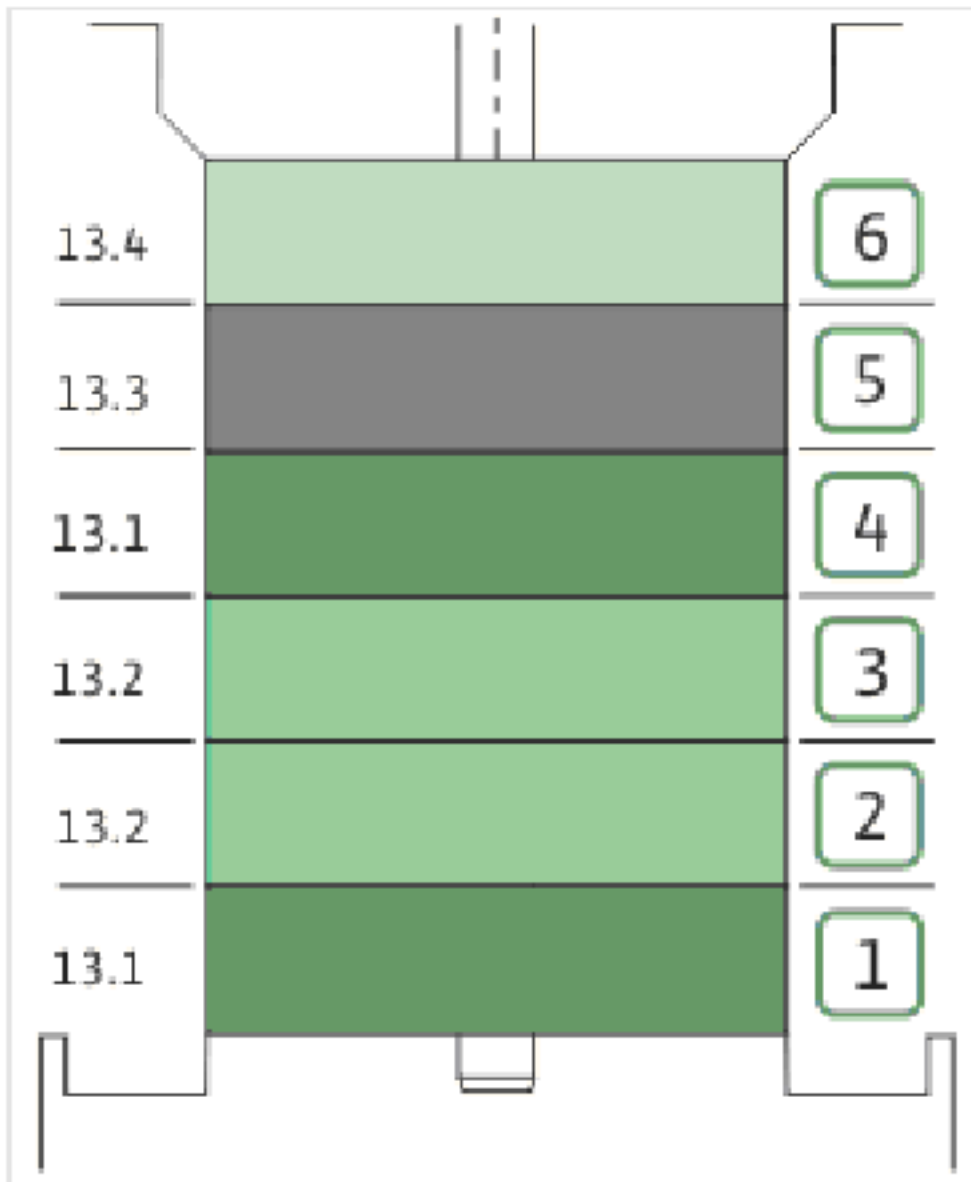
COUPLING D.20XD.38 FF300 KIT (4161190)

Item	Article no.	Description	Quantity
4.1	4179590	COUPLING 2 PARTS D.20XD.38XL115 VP.	1
4.2	2132521	BALL BEARING 6313/2Z-C4(HT)VP.	1
4.3	4032276	CIRCLIP-SHAFT-D65x2,5	1
4.4	2130991	SCREW M12X30 ISO4762 8.8 ZN(4 PIECES)	1
4.5	4233130	CIRCLIP-FOR-BORES-D140 VP.	1
4.6	4233945	O-RING ID.140 VP.	1
4.7	2130992	RETAINING RING D.35xD.2,5 DIN7993 VP.	1
4.8	4179928	HUB D.48xD.65 VP.	1
4.9	2130994	SPACER D.38XD.55 VP.	1
4.10	4094462	SCREWS M10 (4 PIECES)	1
4.11	4233959	SCREW M8x16 VP.	1
4.12		SERRATED LOCK WASHER Ø8.2XØ25X35X2	1



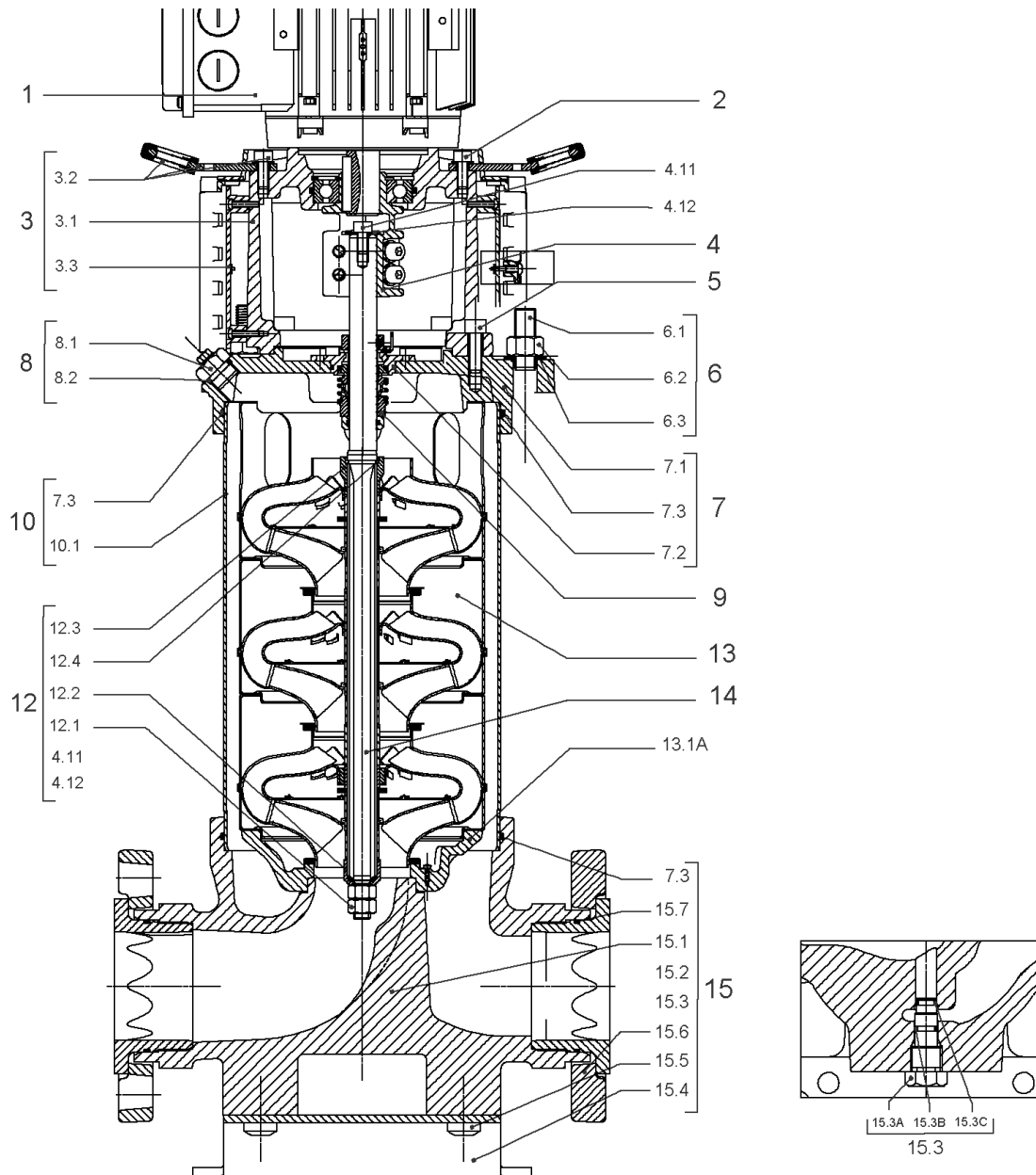
CARTRIDGE HELIX22-36-52 F/E KIT (4143975)

Item	Article no.	Description	Quantity
9.1	4143976	SEAL-KIT-HELIX22-36-52 F/E	1
7.3	4179571	> O-RING HOUSING PIPE HELIX22/36/52 VP.	1
7.4	4179572	> O-RING ID.42.52X2.62 EPDM VP.	1
9.1A	2127447	> M.SEAL.HELIX22-36-52 F/E VP.	1
9.1B	4179574	> O-RING ID.20x2.65 EPDM VP.	1
9.2	4179566	SHAFT SLEEVE D.20/20X60 1.4404 VP.	1
9.3	4179567	RING HOLDER Ø22 1.4301 VP.	1
9.4	4176520	SCREW CH M5x5 A4-70 (3PIECES)	1
9.5	4179568	DRIVE RING D.31/22.1x11 MACH.VP.	1
9.6	4179569	TOOL M.S.CART.HELIX 8" VP.	1
9.7	4179570	SCREW M6X16 ISO4762 8.8 GEOMET(4 PIECES)	1



HYDRAULIC HELIX V 5206-2

Item	Article no.	Description	Quantity
13.1	4164727	INTERMEDIAIRE STAGE HELIX 52 1.4301 KIT	1
		> SLEEVE-SPACER-D22XL30,42-316L	1
		> MACH.BEARING-DIFFUSER+NR-M+52-304	1
		> SHAFT-SLEEVE-D26xD22x16-CW	1
		> SPACER WASHER D22,3XD36 L3-316L	1
		> IMPELLER-H2-M+52-304	1
13.1A	4161200	> NECK RING 1.STAGE HELIX V36/52 KIT	1
		>> NECK-RING-M+36/52	1
		>> HYDRAULIC SUPPORT CAP M+36/52 304	1
		>> SCREW TCL M3X8 A4 POZIDRIV	1
13.2	4164728	INTERMEDIATE STAGE HELIX 52 1.4301 KIT	1
		> MACH.STD-DIFFUSER+NR-M+52-304	1
		> IMPELLER-H5-M+52-304	1
13.3	4164730	INTERMEDIATE STAGE HELIX 52 1.4301 KIT	1
		> MACH.STD-DIFFUSER+NR-M+52-304	1
		> REDUCED-IMPELLER-H5-M+52-304	1
13.4	4164731	UPPER-STAGE HELIX 52 1.4301 KIT	1
		> STOP COLLAR OF IMPELLER L27,6-Ø22-316L	1
		> SLEEVE-SPACER-D22XL16,66-316L	1
		> SPACER WASHER D22,3XD36 L3-316L	1
		> REDUCED-IMPELLER-H2-M+52-304	1
		> MACH.STD-DISCHARGE-CHAMBER-M+52-304	1

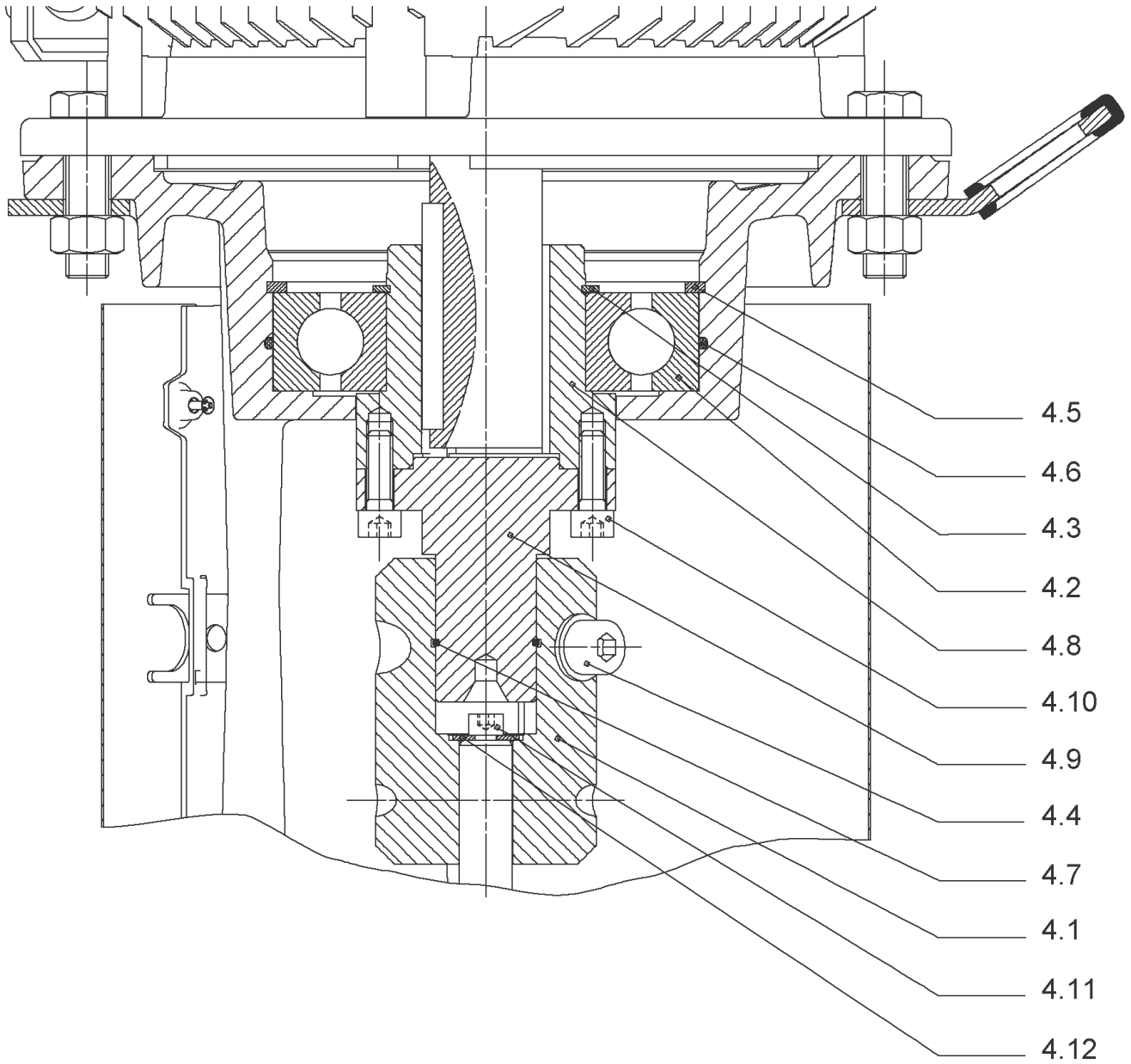


HELIX V5206-3/25/E/KS/400-50 (4141819)

Item	Article no.	Description	Quantity
1	4195490	MOTOR 22/2/180 3~400V 50HZ VP.	1
		SPARE PARTS MOTOR:ON REQUEST	1
2	4179586	SCREW M16X60 (4 PIECES)	1
3	4161188	LANTERN HELIX V36/52 FF300 BB6313 KIT	1
3.1		> LANTERN FF300 M+ GJL MACHINED+CATA 6313	1
3.2	4179589	> EYELET CPL.FF300 HELIX(4 PIECES)	1
3.3	4143969	> COUPLING PROTECT HELIX FF KIT	1
4	4161190	COUPLING D.20XD.38 FF300 KIT	1
5	4157725	SCREW M10X40 (4 PIECES)	1
6	4179929	STUD BOLT M16X704 KIT	1
6.1		> TIE BOLT M16-704x24x44-1.4057	1
6.2	4179562	> NUT M16 8.8 ISO4032 (4 PIECES)	1
6.3	4097852	> WASHER-CS-16.4-32-2.8-NFE25-511-A2	1
7	4179565	END SHIELD HELIX 8" EPDM KIT	1
7.1		> END SHIELD M+ GJL MACHINED+CATA	1
7.2	4179564	> O-RING D.42.52x2.62 EPDM VP.	1
7.3	4179571	> O-RING HOUSING PIPE HELIX22/36/52 VP.	1
8	4143765	FILING/PURGING PLUG 316L HELIX KIT	1
8.1		> FILLING/VENTING-PLUG-VMI8/10-316L	1
8.2	4032291	> O-RING 17x3 EPDM KTW/WRC	1
9	4143975	CARTRIDGE HELIX22-36-52 F/E KIT	1
10	4179930	HOUSING PIPE D.204X630 1.4301 KIT	1
7.3	4179571	> O-RING HOUSING PIPE HELIX22/36/52 VP.	1
10.1		> HOUSING-PIPE Ø204-M+5206-304	1
12	4164724	SHAFT EQUIPMENT HELIX V52 KIT	1
13		HYDRAULIC HELIX V 5206	1
14	2127503	SHAFT D.22 X 804 HELIX 1.4057 VP.	1
15	4164723	EQUIPED HOUSING PN16 HELIX GJL KIT	1
7.3	4179571	> O-RING HOUSING PIPE HELIX22/36/52 VP.	1
15.1		> PUMP HOUSING SET with COATED PARTS-DN80	1
15.3	4143766	> DRAIN/PRIMING PLUG EPDM HELIX KIT	1
15.3A		>> PRIMING/DRAIN PLUG-304-VERSION 1	1
15.3B	4032293	>> O-RING-10x3-EPDM-KTW/WRC	1
15.3C	4233957	>> O-RING ID.9 EPDM VP.	1

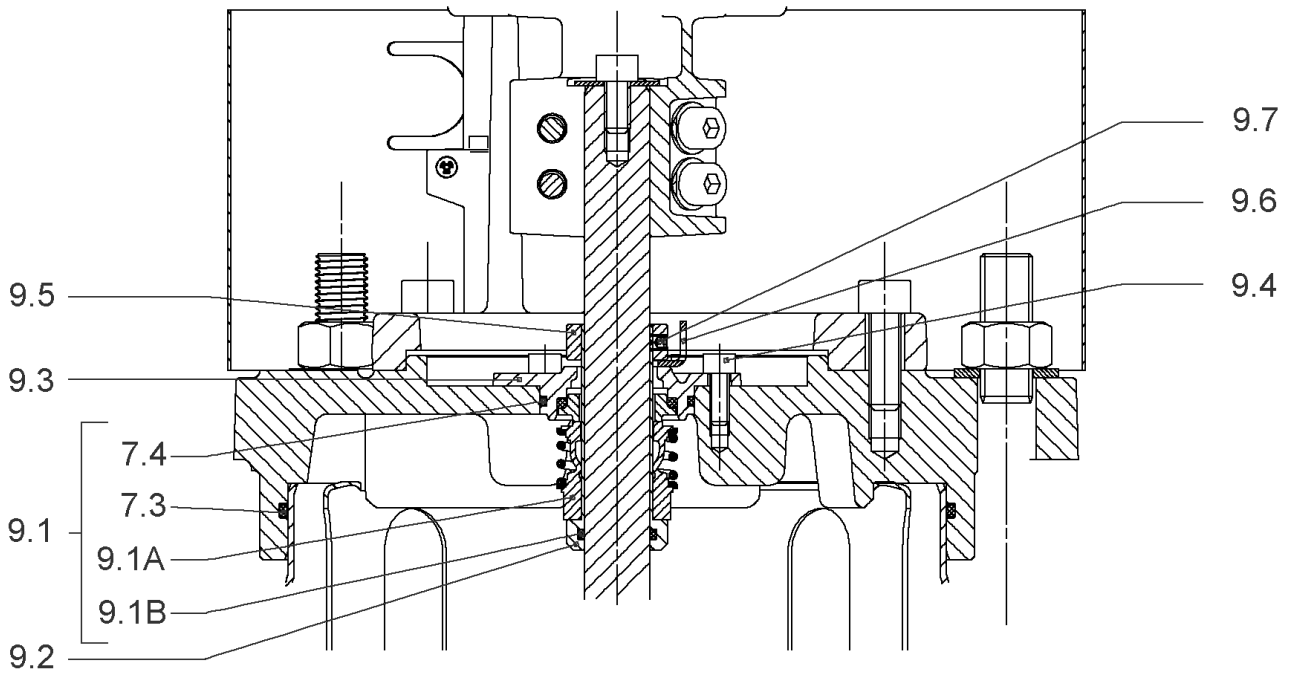
HELIX V5206-3/25/E/KS/400-50 (4141819)

Item	Article no.	Description	Quantity
15.4	4221729	> BASE M+ DN50/65/80 VP.	1
15.5		> SCREW TBHC M12x25 ISO7380 ZN	1
15.6		> FLANGE M+ DN80 NF PN16-25 ASME PN16 CATA	1
15.7		> O-RING Ø91.42xØ3 EPDM	1
13.1A	4161200	> NECK RING 1.STAGE HELIX V36/52 KIT	1
		>> NECK-RING-M+36/52	1
		>> HYDRAULIC SUPPORT CAP M+36/52 304	1
		>> SCREW TCL M3X8 A4 POZIDRIV	1



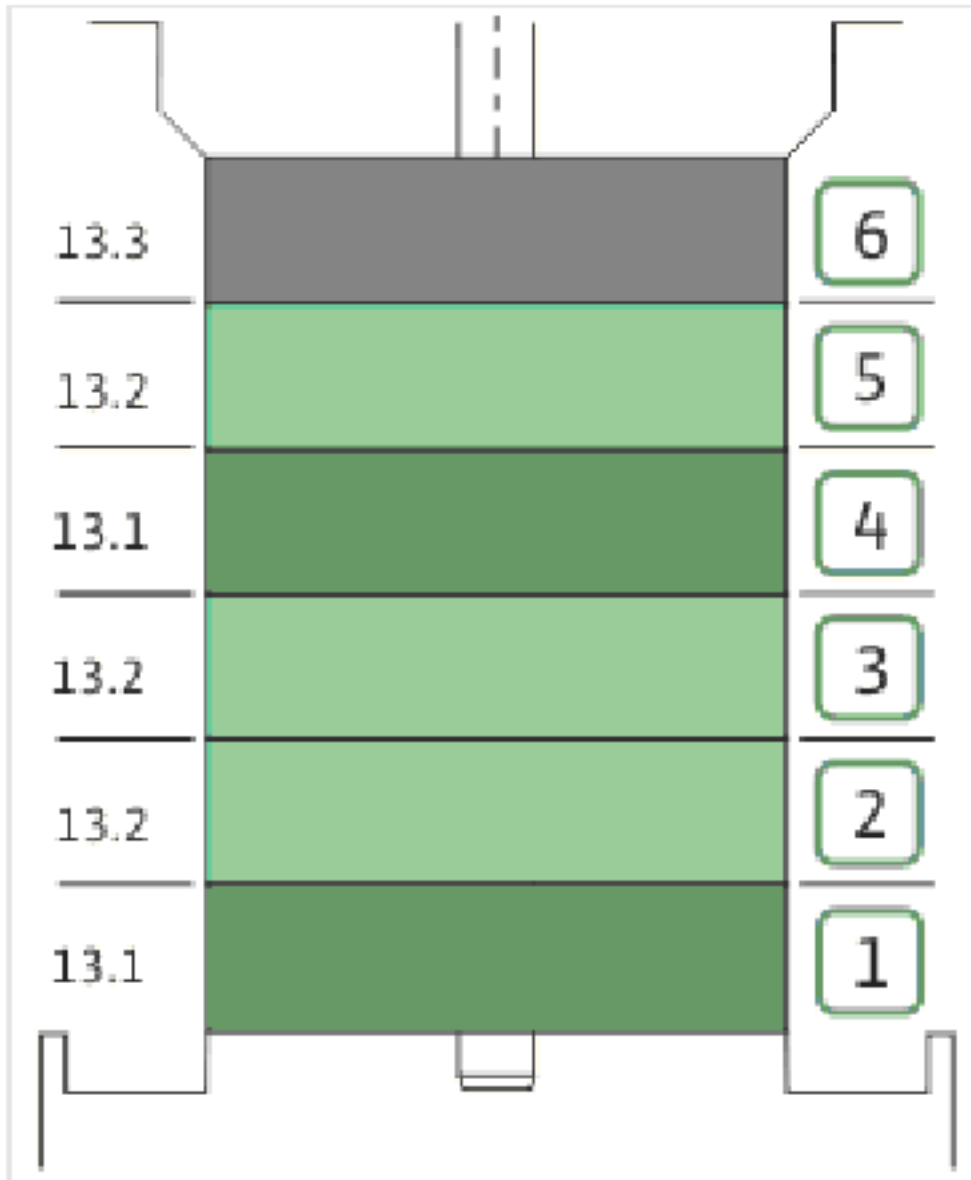
COUPLING D.20XD.38 FF300 KIT (4161190)

Item	Article no.	Description	Quantity
4.1	4179590	COUPLING 2 PARTS D.20XD.38XL115 VP.	1
4.2	2132521	BALL BEARING 6313/2Z-C4(HT)VP.	1
4.3	4032276	CIRCLIP-SHAFT-D65x2,5	1
4.4	2130991	SCREW M12X30 ISO4762 8.8 ZN(4 PIECES)	1
4.5	4233130	CIRCLIP-FOR-BORES-D140 VP.	1
4.6	4233945	O-RING ID.140 VP.	1
4.7	2130992	RETAINING RING D.35xD.2,5 DIN7993 VP.	1
4.8	4179928	HUB D.48xD.65 VP.	1
4.9	2130994	SPACER D.38XD.55 VP.	1
4.10	4094462	SCREWS M10 (4 PIECES)	1
4.11	4233959	SCREW M8x16 VP.	1
4.12		SERRATED LOCK WASHER Ø8.2XØ25X35X2	1



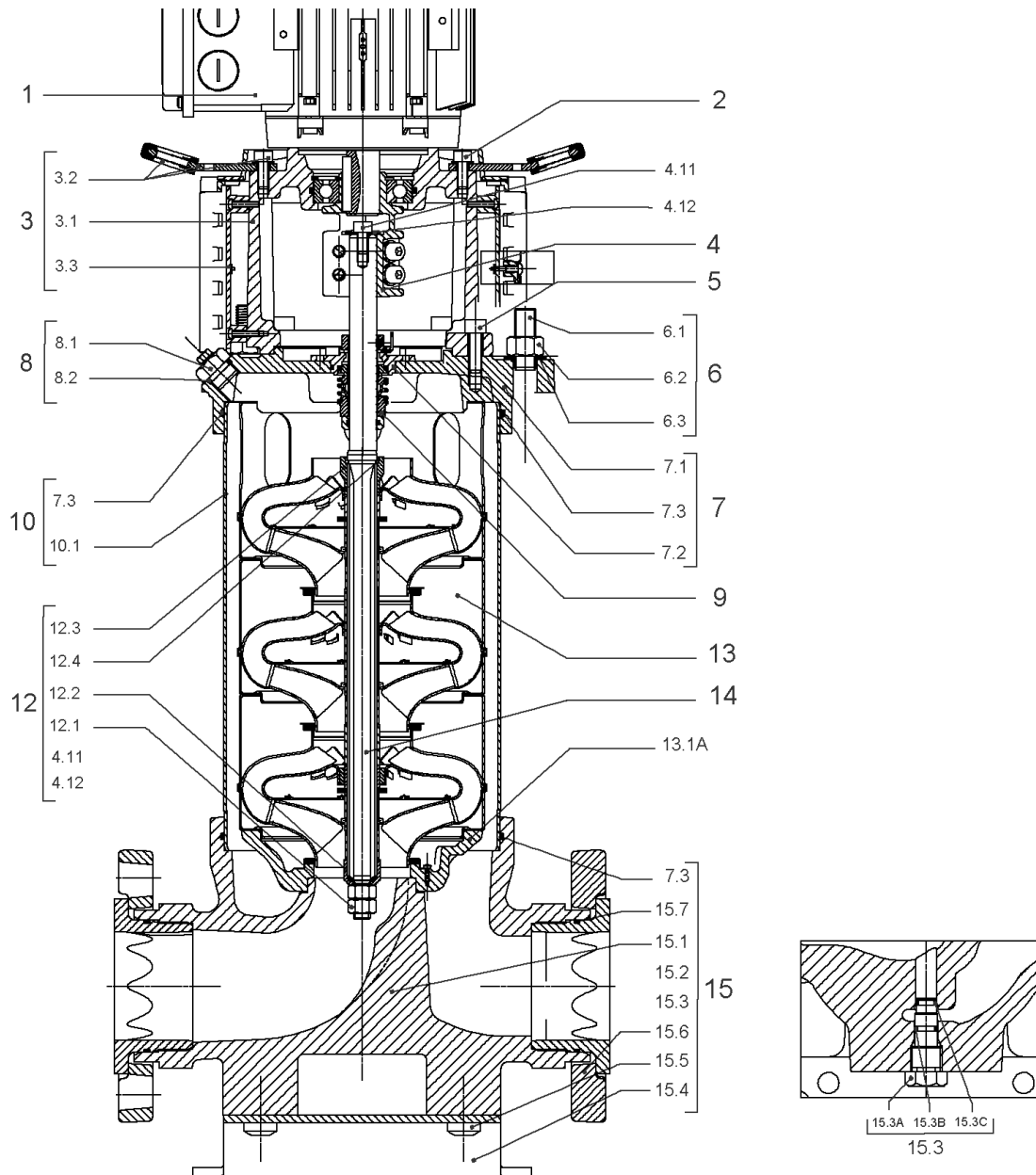
CARTRIDGE HELIX22-36-52 F/E KIT (4143975)

Item	Article no.	Description	Quantity
9.1	4143976	SEAL-KIT-HELIX22-36-52 F/E	1
7.3	4179571	> O-RING HOUSING PIPE HELIX22/36/52 VP.	1
7.4	4179572	> O-RING ID.42.52X2.62 EPDM VP.	1
9.1A	2127447	> M.SEAL.HELIX22-36-52 F/E VP.	1
9.1B	4179574	> O-RING ID.20x2.65 EPDM VP.	1
9.2	4179566	SHAFT SLEEVE D.20/20X60 1.4404 VP.	1
9.3	4179567	RING HOLDER Ø22 1.4301 VP.	1
9.4	4176520	SCREW CH M5x5 A4-70 (3PIECES)	1
9.5	4179568	DRIVE RING D.31/22.1x11 MACH.VP.	1
9.6	4179569	TOOL M.S.CART.HELIX 8" VP.	1
9.7	4179570	SCREW M6X16 ISO4762 8.8 GEOMET(4 PIECES)	1



HYDRAULIC HELIX V 5206

Item	Article no.	Description	Quantity
13.1	4164727	INTERMEDIAIRE STAGE HELIX 52 1.4301 KIT	1
		> SLEEVE-SPACER-D22XL30,42-316L	1
		> MACH.BEARING-DIFFUSER+NR-M+52-304	1
		> SHAFT-SLEEVE-D26xD22x16-CW	1
		> SPACER WASHER D22,3XD36 L3-316L	1
		> IMPELLER-H2-M+52-304	1
13.1A	4161200	> NECK RING 1.STAGE HELIX V36/52 KIT	1
		>> NECK-RING-M+36/52	1
		>> HYDRAULIC SUPPORT CAP M+36/52 304	1
		>> SCREW TCL M3X8 A4 POZIDRIV	1
13.2	4164728	INTERMEDIATE STAGE HELIX 52 1.4301 KIT	1
		> MACH.STD-DIFFUSER+NR-M+52-304	1
		> IMPELLER-H5-M+52-304	1
13.3	4164729	UPPER-STAGE HELIX 52 1.4301 KIT	1
		> STOP COLLAR OF IMPELLER L27,6-Ø22-316L	1
		> SLEEVE-SPACER-D22XL16,66-316L	1
		> SPACER WASHER D22,3XD36 L3-316L	1
		> IMPELLER-H2-M+52-304	1
		> MACH.STD-DISCHARGE-CHAMBER-M+52-304	1

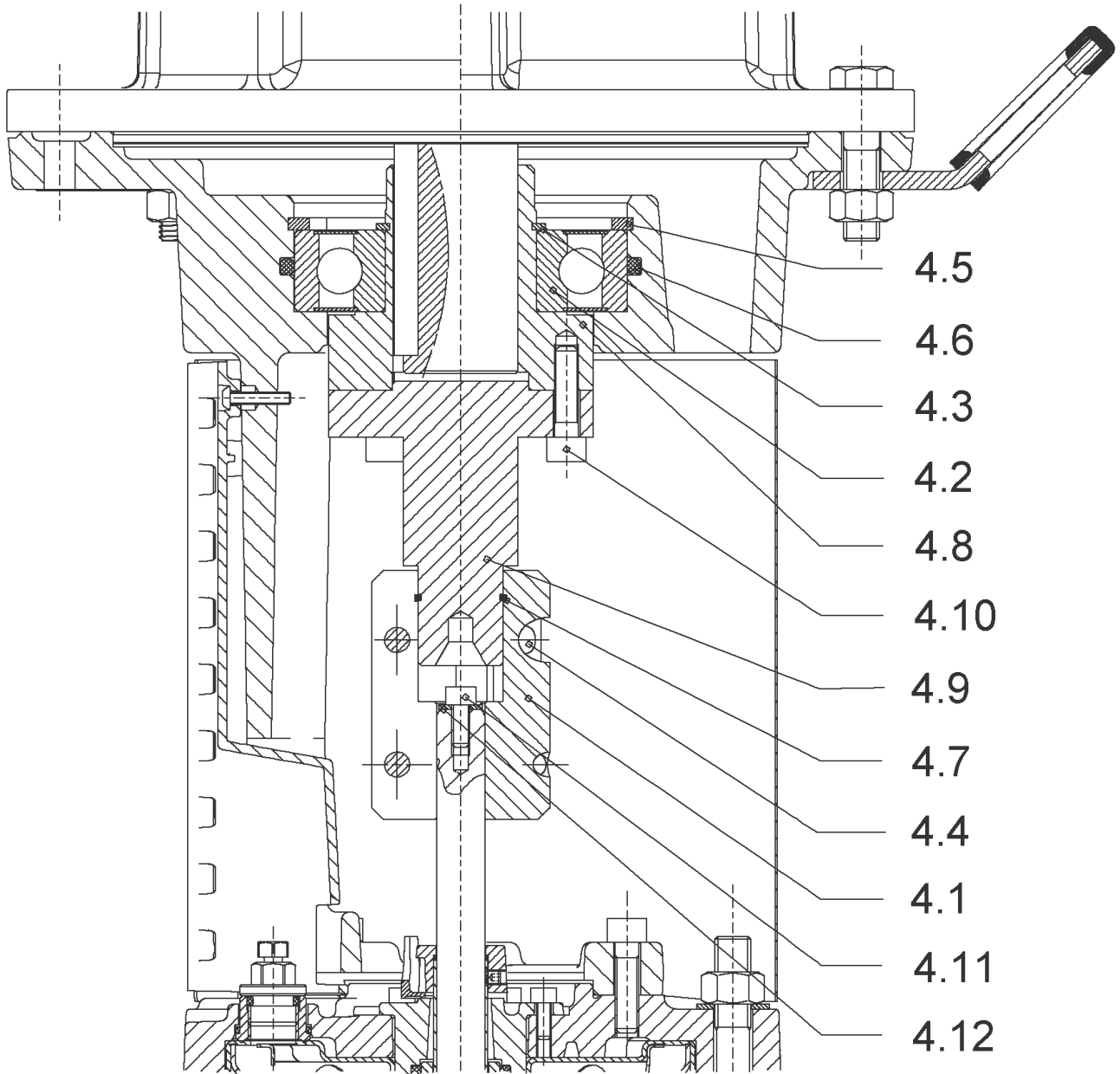


HELIX V5207/2-3/25/E/KS/400-50 (4141820)

Item	Article no.	Description	Quantity
1	4195491	MOTOR 30/2/200 3~400V 50HZ IE3 VP.	1
		SPARE PARTS MOTOR:ON REQUEST	1
2	4179586	SCREW M16X60 (4 PIECES)	1
3	4161189	LANTERN HELIX V36 FF350 BB6315 KIT	1
3.1		> LANTERN FF350 M+ GJL MACHINED+CATA 6315	1
3.2	4179938	> EYELET CPL.FF350 HELIX(4 PIECES)	1
3.3	4143969	> COUPLING PROTECT HELIX FF KIT	1
4	4161191	COUPLING HELIX V36/52 FF350 RLT6315 KIT	1
5	4157725	SCREW M10X40 (4 PIECES)	1
6	4179940	STUD BOLT M16X796 KIT	1
6.1		> TIE BOLT M16-796x24x44-1.4057	1
6.2	4179562	> NUT M16 8.8 ISO4032 (4 PIECES)	1
6.3	4097852	> WASHER-CS-16.4-32-2.8-NFE25-511-A2	1
7	4179565	END SHIELD HELIX 8" EPDM KIT	1
7.1		> END SHIELD M+ GJL MACHINED+CATA	1
7.2	4179564	> O-RING D.42.52x2.62 EPDM VP.	1
7.3	4179571	> O-RING HOUSING PIPE HELIX22/36/52 VP.	1
8	4143765	FILING/PURGING PLUG 316L HELIX KIT	1
8.1		> FILLING/VENTING-PLUG-VMI8/10-316L	1
8.2	4032291	> O-RING 17x3 EPDM KTW/WRC	1
9	4143975	CARTRIDGE HELIX22-36-52 F/E KIT	1
10	4179933	HOUSING PIPE D.204X730 1.4301 KIT	1
7.3	4179571	> O-RING HOUSING PIPE HELIX22/36/52 VP.	1
10.1		> HOUSING-PIPE Ø204-M+3610/5207-304	1
12	4164724	SHAFT EQUIPMENT HELIX V52 KIT	1
13		HYDRAULIC HELIX V 5207-2	1
14	4179932	SHAFTS D.22X904 1.4057 VP.	1
15	4164723	EQUIPED HOUSING PN16 HELIX GJL KIT	1
7.3	4179571	> O-RING HOUSING PIPE HELIX22/36/52 VP.	1
15.1		> PUMP HOUSING SET with COATED PARTS-DN80	1
15.3	4143766	> DRAIN/PRIMING PLUG EPDM HELIX KIT	1
15.3A		>> PRIMING/DRAIN PLUG-304-VERSION 1	1
15.3B	4032293	>> O-RING-10x3-EPDM-KTW/WRC	1
15.3C	4233957	>> O-RING ID.9 EPDM VP.	1

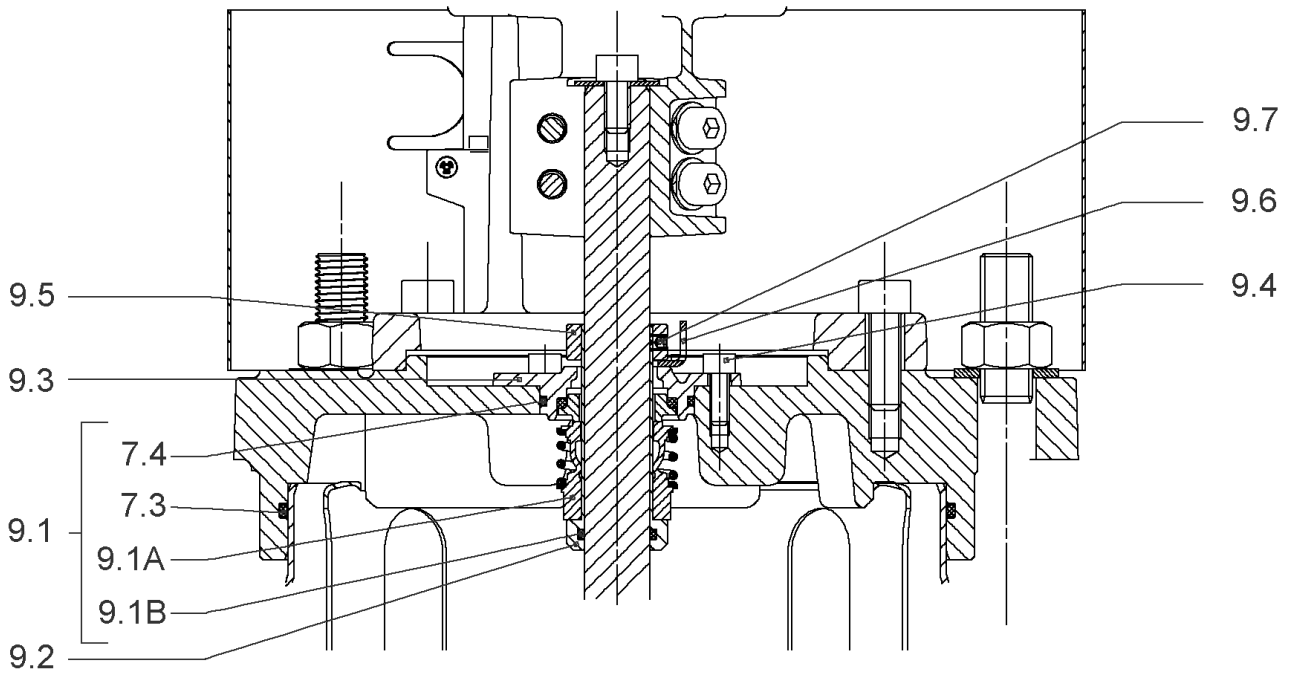
HELIX V5207/2-3/25/E/KS/400-50 (4141820)

Item	Article no.	Description	Quantity
15.4	4221729	> BASE M+ DN50/65/80 VP.	1
15.5		> SCREW TBHC M12x25 ISO7380 ZN	1
15.6		> FLANGE M+ DN80 NF PN16-25 ASME PN16 CATA	1
15.7		> O-RING Ø91.42xØ3 EPDM	1
13.1A	4161200	> NECK RING 1.STAGE HELIX V36/52 KIT	1
		>> NECK-RING-M+36/52	1
		>> HYDRAULIC SUPPORT CAP M+36/52 304	1
		>> SCREW TCL M3X8 A4 POZIDRIV	1



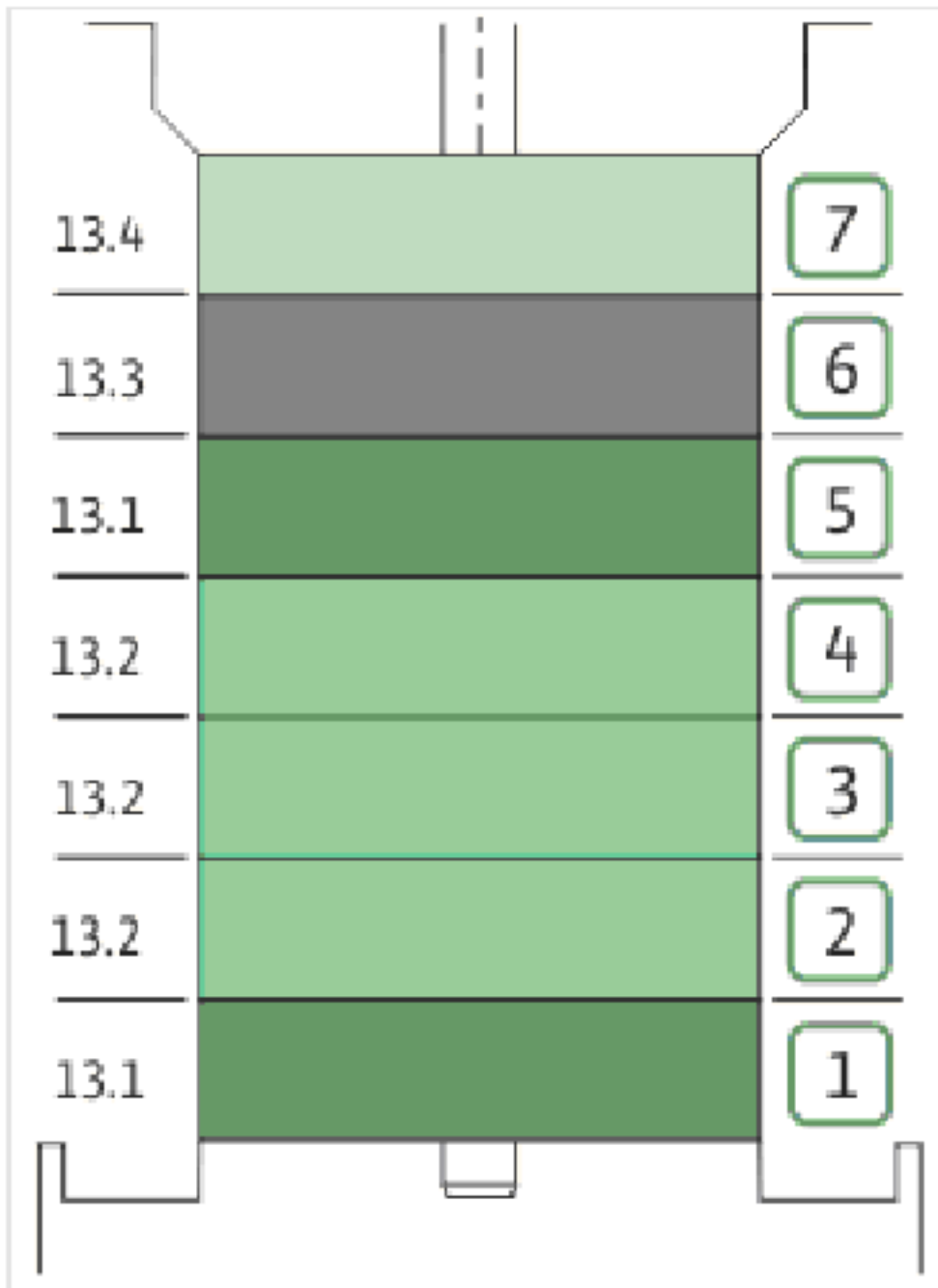
COUPLING HELIX V36/52 FF350 RLT6315 KIT (4161191)

Item	Article no.	Description	Quantity
4.1	4179935	COUPLING 2 PARTS D.20XD.38XL115 VP.	1
4.2	2114423	BALL BEARING 6315C4-ZZ-HT VP.	1
4.3	2119916	CIRCLIP D75X2.5 VP.	1
4.4	4179934	SCREW M12X30 (8 PIECES)	1
4.5	2119917	CIRCLIP D160X4 VP.	1
4.6	2119918	O-RING Ø158.34X3.53 NBR 70SH.VP.	1
4.7	2130992	RETAINING RING D.35xD.2,5 DIN7993 VP.	1
4.8	4179937	HUB D.55XD.75 VP.	1
4.9	4179936	SPACER D.38XD.65 VP.	1
4.10	2130991	SCREW M12X30 ISO4762 8.8 ZN(4 PIECES)	1
4.11	4233959	SCREW M8x16 VP.	1
4.12		SERRATED LOCK WASHER Ø8.2XØ25X35X2	1



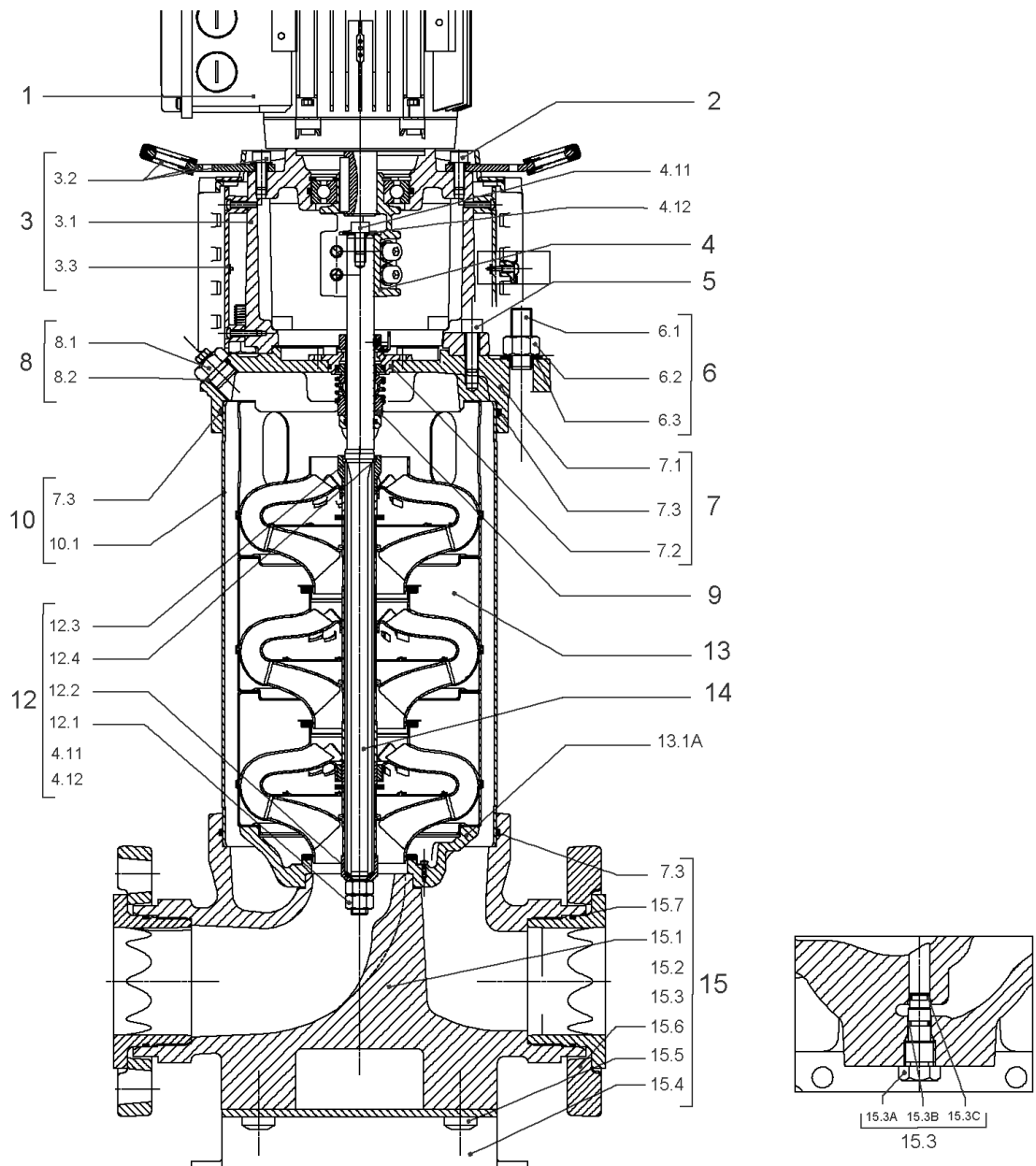
CARTRIDGE HELIX22-36-52 F/E KIT (4143975)

Item	Article no.	Description	Quantity
9.1	4143976	SEAL-KIT-HELIX22-36-52 F/E	1
7.3	4179571	> O-RING HOUSING PIPE HELIX22/36/52 VP.	1
7.4	4179572	> O-RING ID.42.52X2.62 EPDM VP.	1
9.1A	2127447	> M.SEAL.HELIX22-36-52 F/E VP.	1
9.1B	4179574	> O-RING ID.20x2.65 EPDM VP.	1
9.2	4179566	SHAFT SLEEVE D.20/20X60 1.4404 VP.	1
9.3	4179567	RING HOLDER Ø22 1.4301 VP.	1
9.4	4176520	SCREW CH M5x5 A4-70 (3PIECES)	1
9.5	4179568	DRIVE RING D.31/22.1x11 MACH.VP.	1
9.6	4179569	TOOL M.S.CART.HELIX 8" VP.	1
9.7	4179570	SCREW M6X16 ISO4762 8.8 GEOMET(4 PIECES)	1



HYDRAULIC HELIX V 5207-2

Item	Article no.	Description	Quantity
13.1	4164727	INTERMEDIAIRE STAGE HELIX 52 1.4301 KIT	1
		> SLEEVE-SPACER-D22XL30,42-316L	1
		> MACH.BEARING-DIFFUSER+NR-M+52-304	1
		> SHAFT-SLEEVE-D26xD22x16-CW	1
		> SPACER WASHER D22,3XD36 L3-316L	1
		> IMPELLER-H2-M+52-304	1
13.1A	4161200	> NECK RING 1.STAGE HELIX V36/52 KIT	1
		>> NECK-RING-M+36/52	1
		>> HYDRAULIC SUPPORT CAP M+36/52 304	1
		>> SCREW TCL M3X8 A4 POZIDRIV	1
13.2	4164728	INTERMEDIATE STAGE HELIX 52 1.4301 KIT	1
		> MACH.STD-DIFFUSER+NR-M+52-304	1
		> IMPELLER-H5-M+52-304	1
13.3	4164730	INTERMEDIATE STAGE HELIX 52 1.4301 KIT	1
		> MACH.STD-DIFFUSER+NR-M+52-304	1
		> REDUCED-IMPELLER-H5-M+52-304	1
13.4	4164731	UPPER-STAGE HELIX 52 1.4301 KIT	1
		> STOP COLLAR OF IMPELLER L27,6-Ø22-316L	1
		> SLEEVE-SPACER-D22XL16,66-316L	1
		> SPACER WASHER D22,3XD36 L3-316L	1
		> REDUCED-IMPELLER-H2-M+52-304	1
		> MACH.STD-DISCHARGE-CHAMBER-M+52-304	1

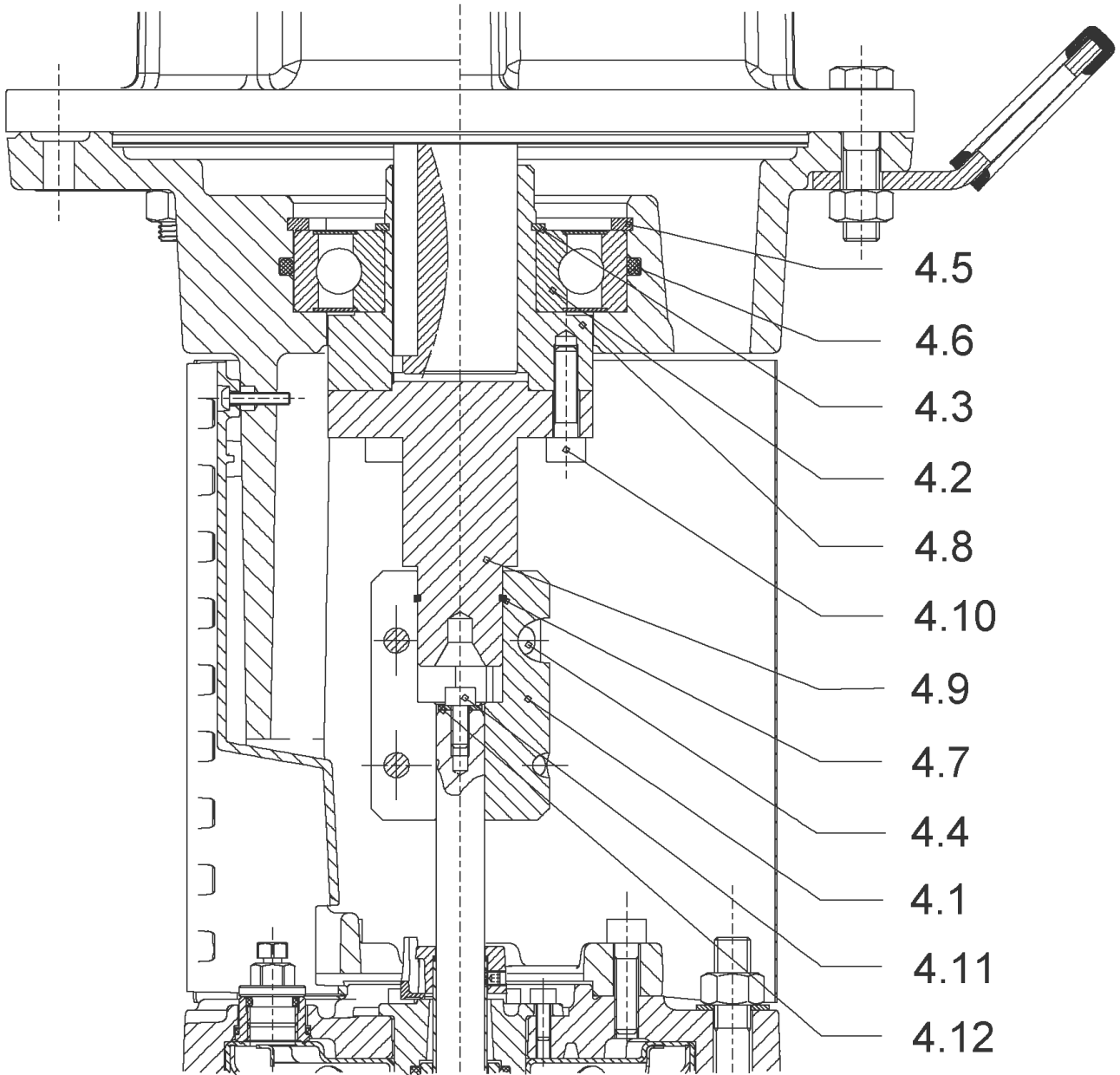


HELIX V5207-3/25/E/KS/400-50 (4141822)

Item	Article no.	Description	Quantity
1	4195491	MOTOR 30/2/200 3~400V 50HZ IE3 VP.	1
		SPARE PARTS MOTOR:ON REQUEST	1
2	4179586	SCREW M16X60 (4 PIECES)	1
3	4161189	LANTERN HELIX V36 FF350 BB6315 KIT	1
3.1		> LANTERN FF350 M+ GJL MACHINED+CATA 6315	1
3.2	4179938	> EYELET CPL.FF350 HELIX(4 PIECES)	1
3.3	4143969	> COUPLING PROTECT HELIX FF KIT	1
4	4161191	COUPLING HELIX V36/52 FF350 RLT6315 KIT	1
5	4157725	SCREW M10X40 (4 PIECES)	1
6	4179940	STUD BOLT M16X796 KIT	1
6.1		> TIE BOLT M16-796x24x44-1.4057	1
6.2	4179562	> NUT M16 8.8 ISO4032 (4 PIECES)	1
6.3	4097852	> WASHER-CS-16.4-32-2.8-NFE25-511-A2	1
7	4179565	END SHIELD HELIX 8" EPDM KIT	1
7.1		> END SHIELD M+ GJL MACHINED+CATA	1
7.2	4179564	> O-RING D.42.52x2.62 EPDM VP.	1
7.3	4179571	> O-RING HOUSING PIPE HELIX22/36/52 VP.	1
8	4143765	FILING/PURGING PLUG 316L HELIX KIT	1
8.1		> FILLING/VENTING-PLUG-VMI8/10-316L	1
8.2	4032291	> O-RING 17x3 EPDM KTW/WRC	1
9	4143975	CARTRIDGE HELIX22-36-52 F/E KIT	1
10	4179933	HOUSING PIPE D.204X730 1.4301 KIT	1
7.3	4179571	> O-RING HOUSING PIPE HELIX22/36/52 VP.	1
10.1		> HOUSING-PIPE Ø204-M+3610/5207-304	1
12	4164724	SHAFT EQUIPMENT HELIX V52 KIT	1
13		HYDRAULIC HELIX V 5207	1
14	4179932	SHAFTS D.22X904 1.4057 VP.	1
15	4164723	EQUIPED HOUSING PN16 HELIX GJL KIT	1
7.3	4179571	> O-RING HOUSING PIPE HELIX22/36/52 VP.	1
15.1		> PUMP HOUSING SET with COATED PARTS-DN80	1
15.3	4143766	> DRAIN/PRIMING PLUG EPDM HELIX KIT	1
15.3A		>> PRIMING/DRAIN PLUG-304-VERSION 1	1
15.3B	4032293	>> O-RING-10x3-EPDM-KTW/WRC	1
15.3C	4233957	>> O-RING ID.9 EPDM VP.	1

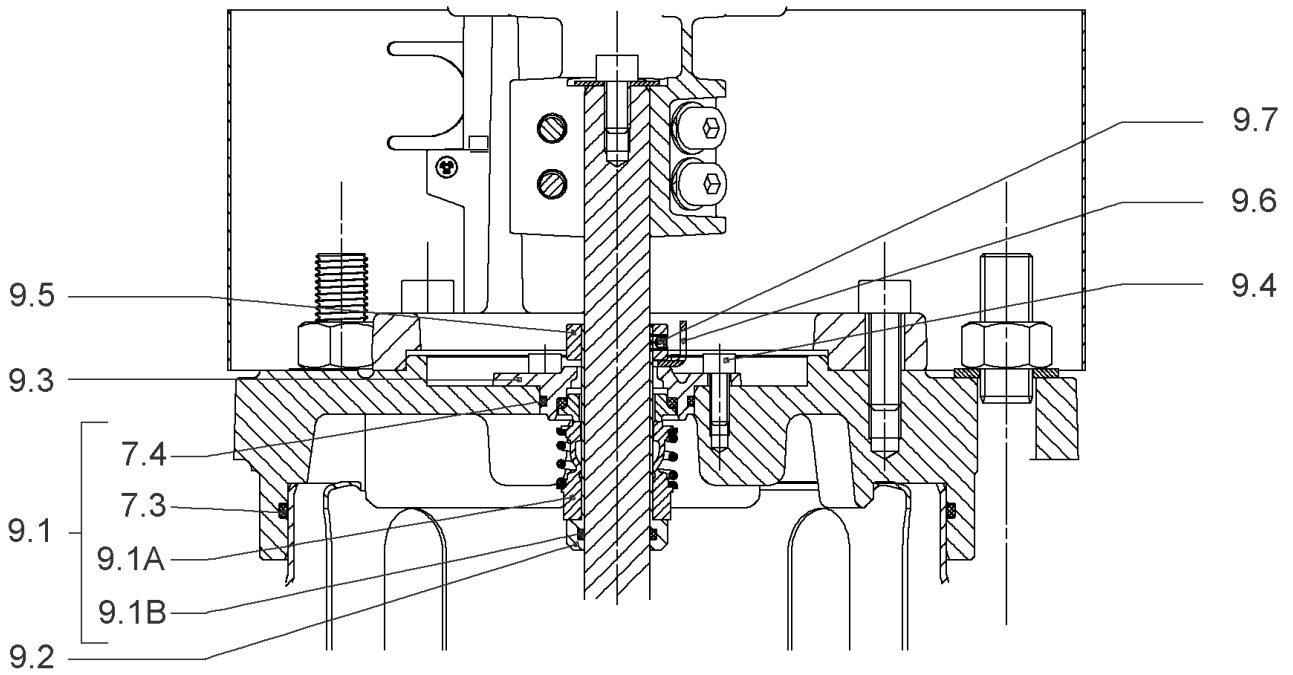
HELIX V5207-3/25/E/KS/400-50 (4141822)

Item	Article no.	Description	Quantity
15.4	4221729	> BASE M+ DN50/65/80 VP.	1
15.5		> SCREW TBHC M12x25 ISO7380 ZN	1
15.6		> FLANGE M+ DN80 NF PN16-25 ASME PN16 CATA	1
15.7		> O-RING Ø91.42xØ3 EPDM	1
13.1A	4161200	> NECK RING 1.STAGE HELIX V36/52 KIT	1
		>> NECK-RING-M+36/52	1
		>> HYDRAULIC SUPPORT CAP M+36/52 304	1
		>> SCREW TCL M3X8 A4 POZIDRIV	1



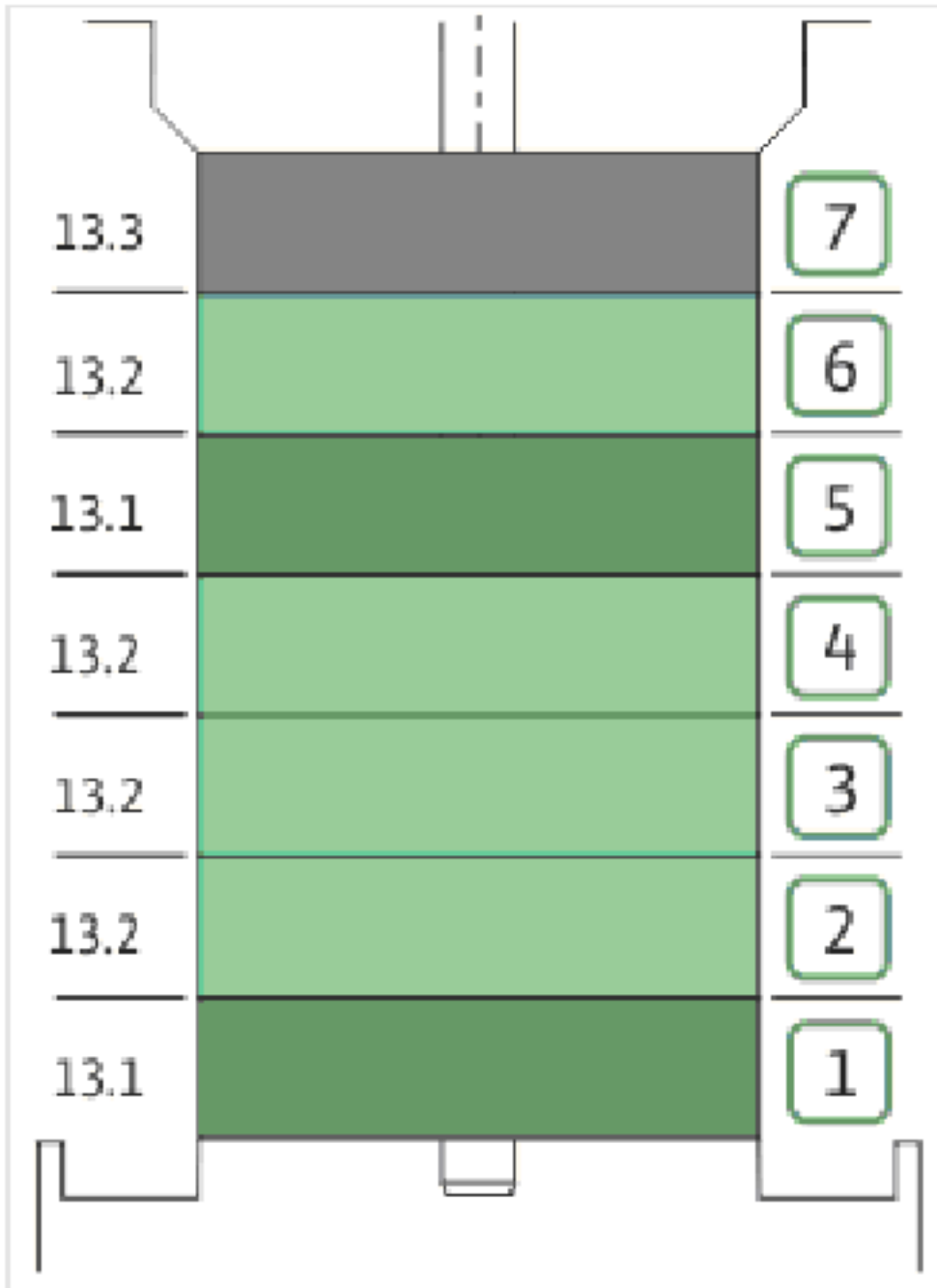
COUPLING HELIX V36/52 FF350 RLT6315 KIT (4161191)

Item	Article no.	Description	Quantity
4.1	4179935	COUPLING 2 PARTS D.20XD.38XL115 VP.	1
4.2	2114423	BALL BEARING 6315C4-ZZ-HT VP.	1
4.3	2119916	CIRCLIP D75X2.5 VP.	1
4.4	4179934	SCREW M12X30 (8 PIECES)	1
4.5	2119917	CIRCLIP D160X4 VP.	1
4.6	2119918	O-RING Ø158.34X3.53 NBR 70SH.VP.	1
4.7	2130992	RETAINING RING D.35xD.2,5 DIN7993 VP.	1
4.8	4179937	HUB D.55XD.75 VP.	1
4.9	4179936	SPACER D.38XD.65 VP.	1
4.10	2130991	SCREW M12X30 ISO4762 8.8 ZN(4 PIECES)	1
4.11	4233959	SCREW M8x16 VP.	1
4.12		SERRATED LOCK WASHER Ø8.2XØ25X35X2	1



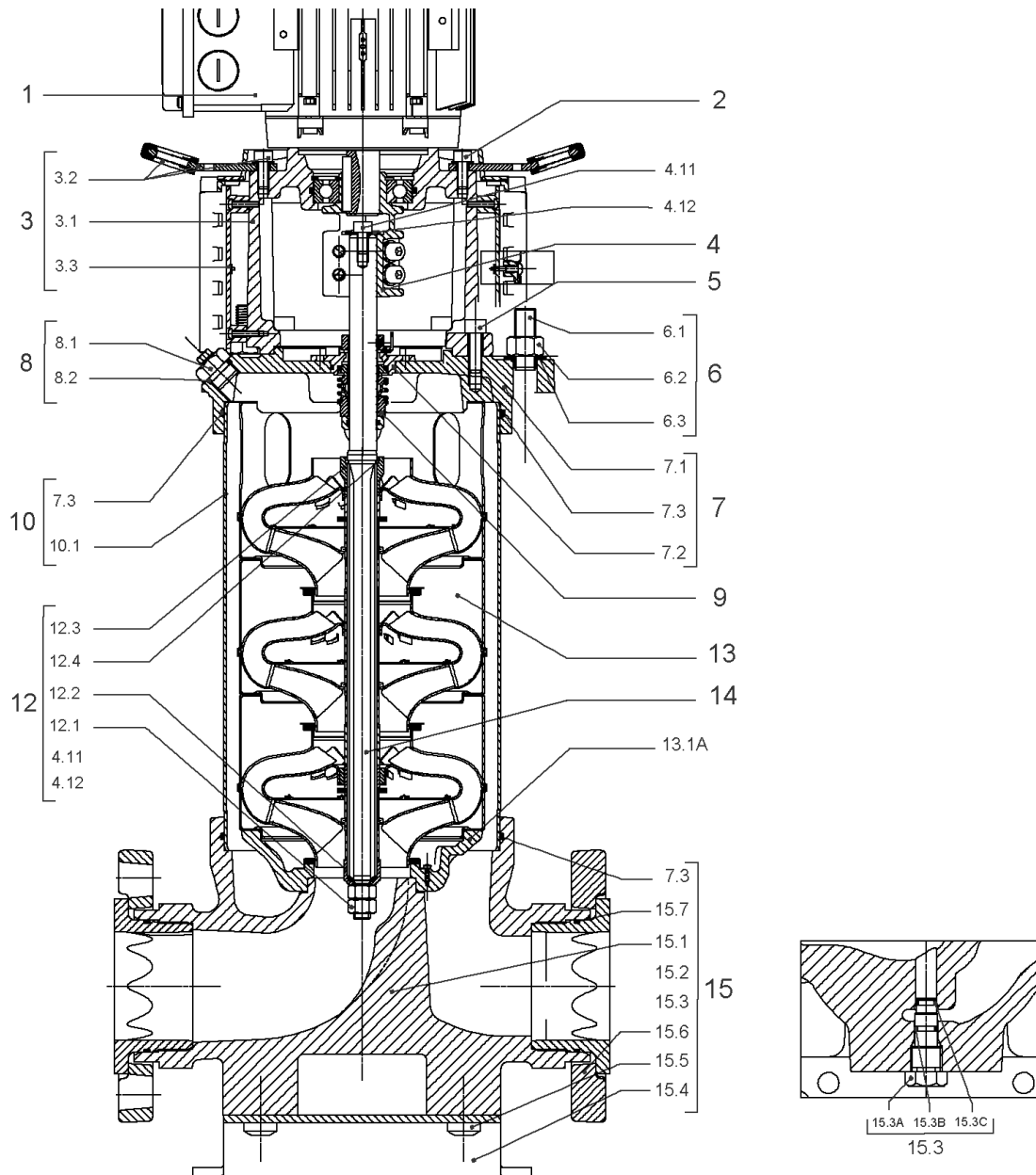
CARTRIDGE HELIX22-36-52 F/E KIT (4143975)

Item	Article no.	Description	Quantity
9.1	4143976	SEAL-KIT-HELIX22-36-52 F/E	1
7.3	4179571	> O-RING HOUSING PIPE HELIX22/36/52 VP.	1
7.4	4179572	> O-RING ID.42.52X2.62 EPDM VP.	1
9.1A	2127447	> M.SEAL.HELIX22-36-52 F/E VP.	1
9.1B	4179574	> O-RING ID.20x2.65 EPDM VP.	1
9.2	4179566	SHAFT SLEEVE D.20/20X60 1.4404 VP.	1
9.3	4179567	RING HOLDER Ø22 1.4301 VP.	1
9.4	4176520	SCREW CH M5x5 A4-70 (3PIECES)	1
9.5	4179568	DRIVE RING D.31/22.1x11 MACH.VP.	1
9.6	4179569	TOOL M.S.CART.HELIX 8" VP.	1
9.7	4179570	SCREW M6X16 ISO4762 8.8 GEOMET(4 PIECES)	1



HYDRAULIC HELIX V 5207

Item	Article no.	Description	Quantity
13.1	4164727	INTERMEDIAIRE STAGE HELIX 52 1.4301 KIT	1
		> SLEEVE-SPACER-D22XL30,42-316L	1
		> MACH.BEARING-DIFFUSER+NR-M+52-304	1
		> SHAFT-SLEEVE-D26xD22x16-CW	1
		> SPACER WASHER D22,3XD36 L3-316L	1
		> IMPELLER-H2-M+52-304	1
13.1A	4161200	> NECK RING 1.STAGE HELIX V36/52 KIT	1
		>> NECK-RING-M+36/52	1
		>> HYDRAULIC SUPPORT CAP M+36/52 304	1
		>> SCREW TCL M3X8 A4 POZIDRIV	1
13.2	4164728	INTERMEDIATE STAGE HELIX 52 1.4301 KIT	1
		> MACH.STD-DIFFUSER+NR-M+52-304	1
		> IMPELLER-H5-M+52-304	1
13.3	4164729	UPPER-STAGE HELIX 52 1.4301 KIT	1
		> STOP COLLAR OF IMPELLER L27,6-Ø22-316L	1
		> SLEEVE-SPACER-D22XL16,66-316L	1
		> SPACER WASHER D22,3XD36 L3-316L	1
		> IMPELLER-H2-M+52-304	1
		> MACH.STD-DISCHARGE-CHAMBER-M+52-304	1

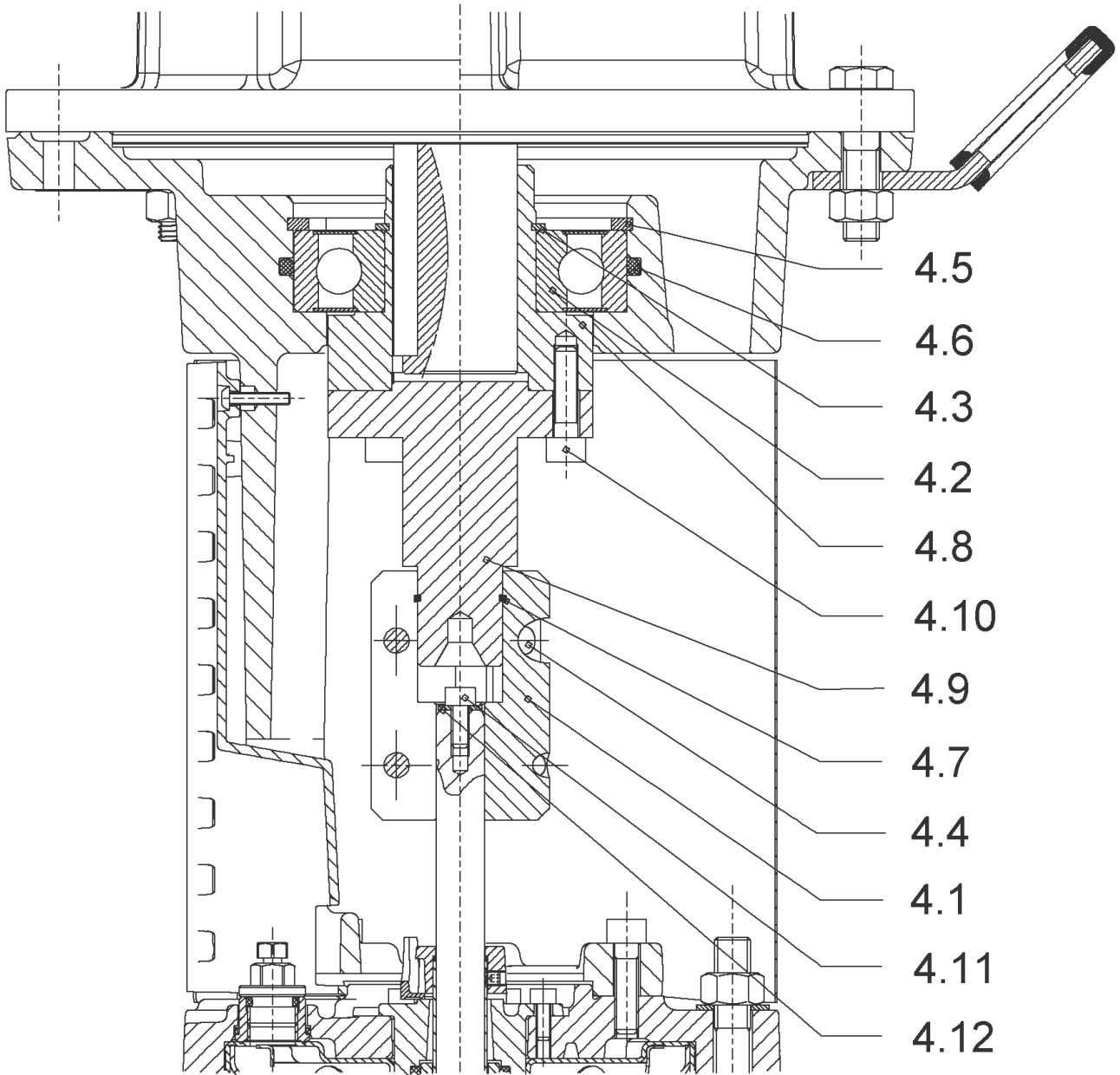


HELIX V5208/2-3/25/E/KS/400-50 (4141823)

Item	Article no.	Description	Quantity
1	4195491	MOTOR 30/2/200 3~400V 50HZ IE3 VP.	1
		SPARE PARTS MOTOR:ON REQUEST	1
2	4179586	SCREW M16X60 (4 PIECES)	1
3	4161189	LANTERN HELIX V36 FF350 BB6315 KIT	1
3.1		> LANTERN FF350 M+ GJL MACHINED+CATA 6315	1
3.2	4179938	> EYELET CPL.FF350 HELIX(4 PIECES)	1
3.3	4143969	> COUPLING PROTECT HELIX FF KIT	1
4	4161191	COUPLING HELIX V36/52 FF350 RLT6315 KIT	1
5	4157725	SCREW M10X40 (4 PIECES)	1
6	4179944	STUD BOLT M16X900 KIT	1
6.1		> TIE BOLT M16-900x24x44-1.4057	1
6.2	4179562	> NUT M16 8.8 ISO4032 (4 PIECES)	1
6.3	4097852	> WASHER-CS-16.4-32-2.8-NFE25-511-A2	1
7	4179565	END SHIELD HELIX 8" EPDM KIT	1
7.1		> END SHIELD M+ GJL MACHINED+CATA	1
7.2	4179564	> O-RING D.42.52x2.62 EPDM VP.	1
7.3	4179571	> O-RING HOUSING PIPE HELIX22/36/52 VP.	1
8	4143765	FILING/PURGING PLUG 316L HELIX KIT	1
8.1		> FILLING/VENTING-PLUG-VMI8/10-316L	1
8.2	4032291	> O-RING 17x3 EPDM KTW/WRC	1
9	4143975	CARTRIDGE HELIX22-36-52 F/E KIT	1
10	4179945	HOUSING PIPE D.204X830 1.4301 KIT	1
7.3	4179571	> O-RING HOUSING PIPE HELIX22/36/52 VP.	1
10.1		> HOUSING-PIPE Ø204-M+5208-304	1
12	4164724	SHAFT EQUIPMENT HELIX V52 KIT	1
13		HYDRAULIC HELIX V 5208-2	1
14	4179947	SHAFTS D.22X1004 1.4057 VP.	1
15	4164723	EQUIPED HOUSING PN16 HELIX GJL KIT	1
7.3	4179571	> O-RING HOUSING PIPE HELIX22/36/52 VP.	1
15.1		> PUMP HOUSING SET with COATED PARTS-DN80	1
15.3	4143766	> DRAIN/PRIMING PLUG EPDM HELIX KIT	1
15.3A		>> PRIMING/DRAIN PLUG-304-VERSION 1	1
15.3B	4032293	>> O-RING-10x3-EPDM-KTW/WRC	1
15.3C	4233957	>> O-RING ID.9 EPDM VP.	1

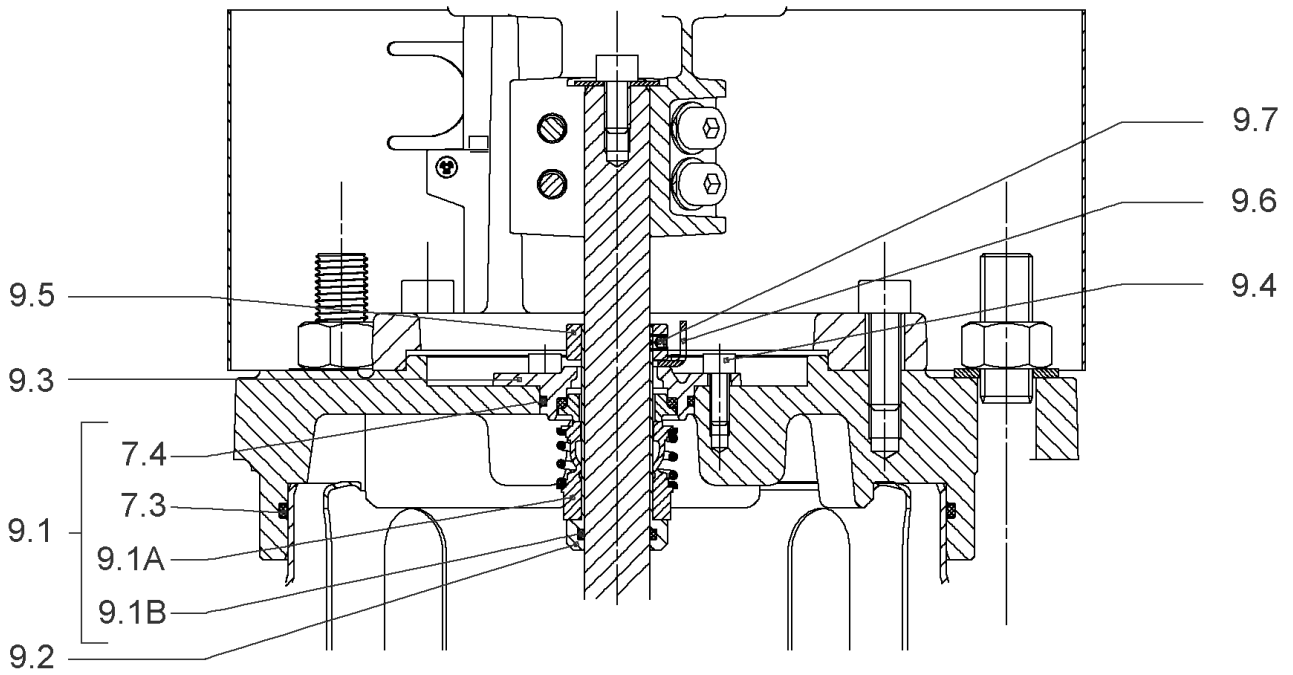
HELIX V5208/2-3/25/E/KS/400-50 (4141823)

Item	Article no.	Description	Quantity
15.4	4221729	> BASE M+ DN50/65/80 VP.	1
15.5		> SCREW TBHC M12x25 ISO7380 ZN	1
15.6		> FLANGE M+ DN80 NF PN16-25 ASME PN16 CATA	1
15.7		> O-RING Ø91.42xØ3 EPDM	1
13.1A	4161200	> NECK RING 1.STAGE HELIX V36/52 KIT	1
		>> NECK-RING-M+36/52	1
		>> HYDRAULIC SUPPORT CAP M+36/52 304	1
		>> SCREW TCL M3X8 A4 POZIDRIV	1



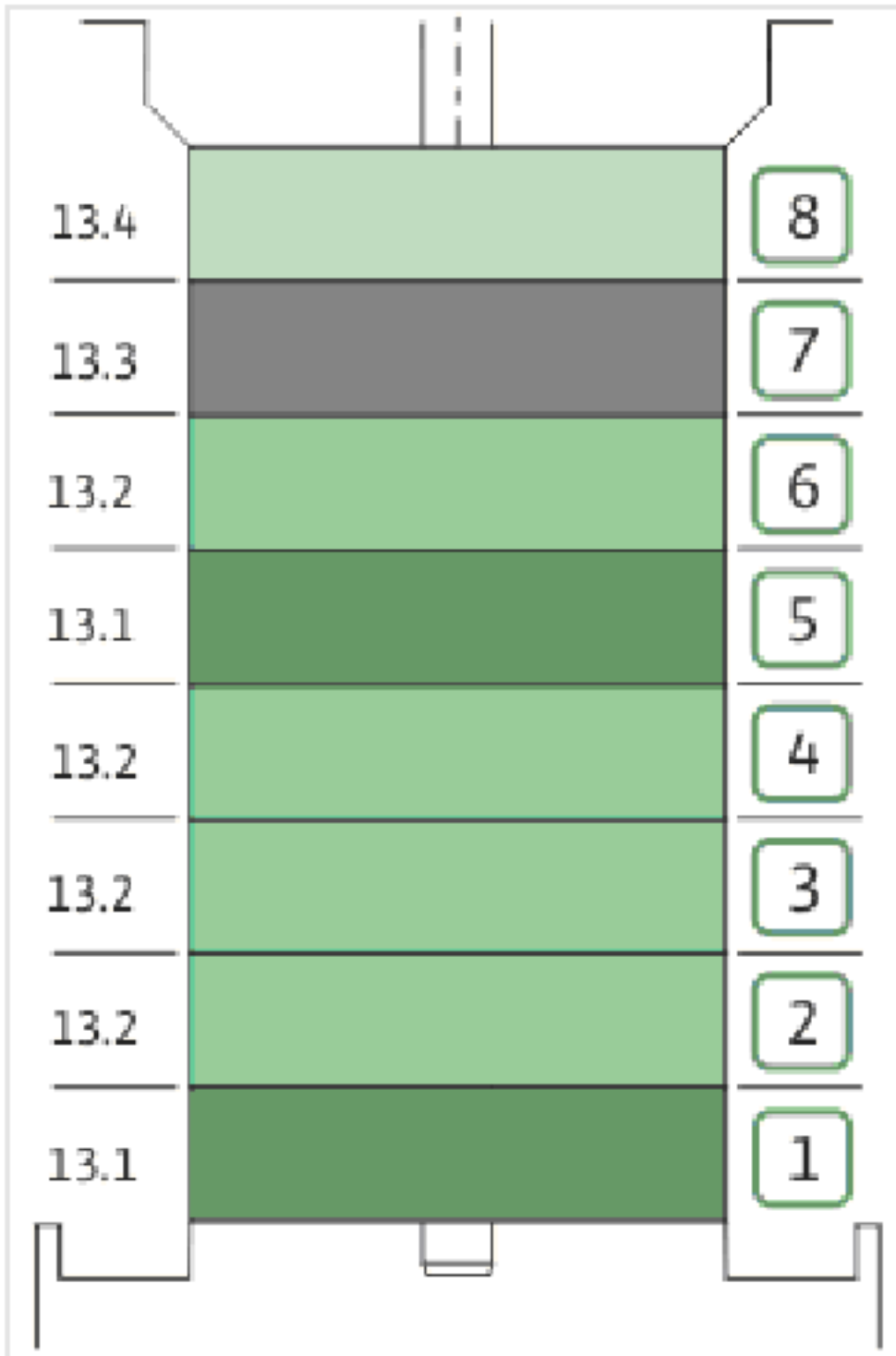
COUPLING HELIX V36/52 FF350 RLT6315 KIT (4161191)

Item	Article no.	Description	Quantity
4.1	4179935	COUPLING 2 PARTS D.20XD.38XL115 VP.	1
4.2	2114423	BALL BEARING 6315C4-ZZ-HT VP.	1
4.3	2119916	CIRCLIP D75X2.5 VP.	1
4.4	4179934	SCREW M12X30 (8 PIECES)	1
4.5	2119917	CIRCLIP D160X4 VP.	1
4.6	2119918	O-RING Ø158.34X3.53 NBR 70SH.VP.	1
4.7	2130992	RETAINING RING D.35xD.2,5 DIN7993 VP.	1
4.8	4179937	HUB D.55XD.75 VP.	1
4.9	4179936	SPACER D.38XD.65 VP.	1
4.10	2130991	SCREW M12X30 ISO4762 8.8 ZN(4 PIECES)	1
4.11	4233959	SCREW M8x16 VP.	1
4.12		SERRATED LOCK WASHER Ø8.2XØ25X35X2	1



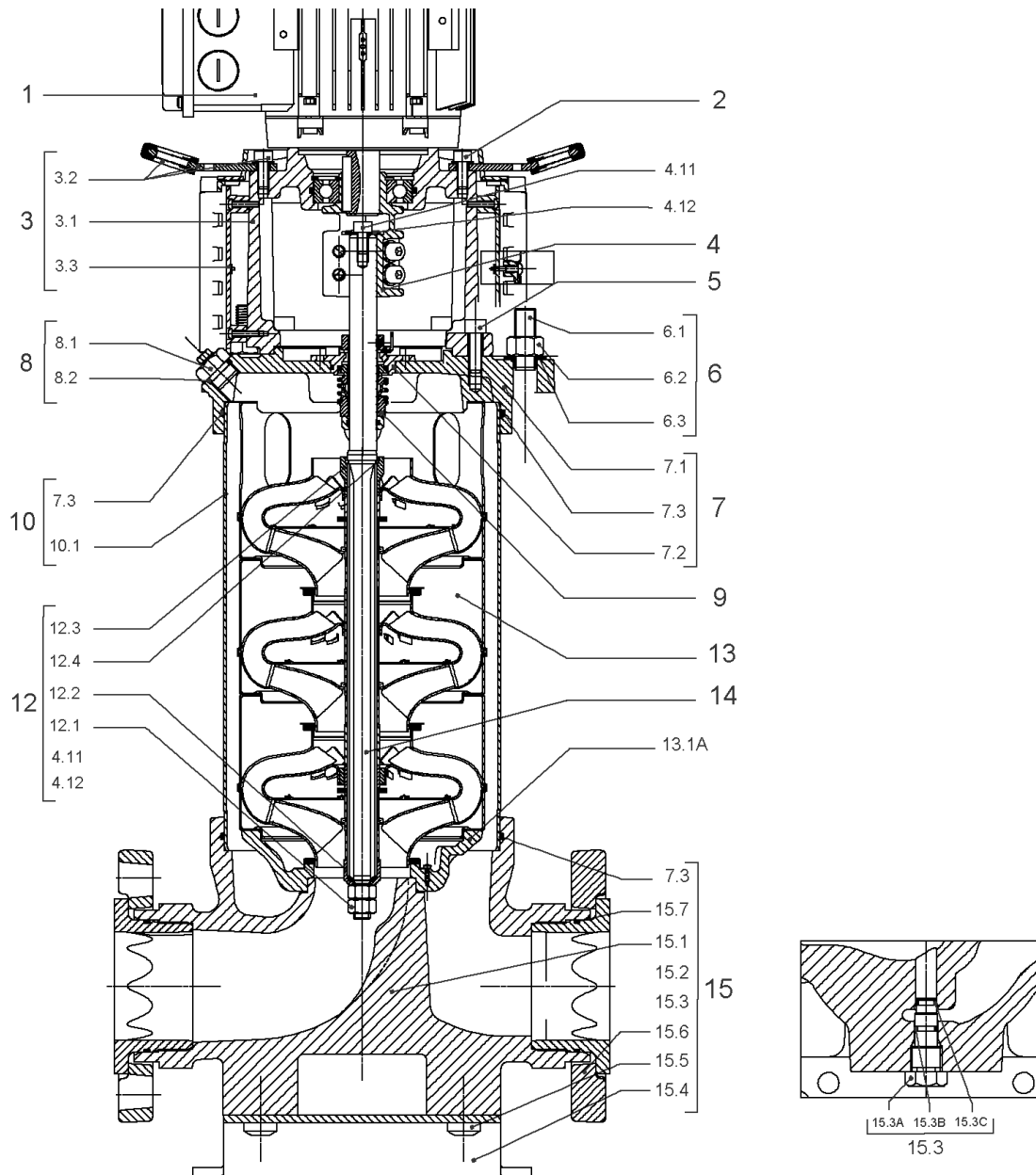
CARTRIDGE HELIX22-36-52 F/E KIT (4143975)

Item	Article no.	Description	Quantity
9.1	4143976	SEAL-KIT-HELIX22-36-52 F/E	1
7.3	4179571	> O-RING HOUSING PIPE HELIX22/36/52 VP.	1
7.4	4179572	> O-RING ID.42.52X2.62 EPDM VP.	1
9.1A	2127447	> M.SEAL.HELIX22-36-52 F/E VP.	1
9.1B	4179574	> O-RING ID.20x2.65 EPDM VP.	1
9.2	4179566	SHAFT SLEEVE D.20/20X60 1.4404 VP.	1
9.3	4179567	RING HOLDER Ø22 1.4301 VP.	1
9.4	4176520	SCREW CH M5x5 A4-70 (3PIECES)	1
9.5	4179568	DRIVE RING D.31/22.1x11 MACH.VP.	1
9.6	4179569	TOOL M.S.CART.HELIX 8" VP.	1
9.7	4179570	SCREW M6X16 ISO4762 8.8 GEOMET(4 PIECES)	1



HYDRAULIC HELIX V 5208-2

Item	Article no.	Description	Quantity
13.1	4164727	INTERMEDIAIRE STAGE HELIX 52 1.4301 KIT	1
		> SLEEVE-SPACER-D22XL30,42-316L	1
		> MACH.BEARING-DIFFUSER+NR-M+52-304	1
		> SHAFT-SLEEVE-D26xD22x16-CW	1
		> SPACER WASHER D22,3XD36 L3-316L	1
		> IMPELLER-H2-M+52-304	1
13.1A	4161200	> NECK RING 1.STAGE HELIX V36/52 KIT	1
		>> NECK-RING-M+36/52	1
		>> HYDRAULIC SUPPORT CAP M+36/52 304	1
		>> SCREW TCL M3X8 A4 POZIDRIV	1
13.2	4164728	INTERMEDIATE STAGE HELIX 52 1.4301 KIT	1
		> MACH.STD-DIFFUSER+NR-M+52-304	1
		> IMPELLER-H5-M+52-304	1
13.3	4164730	INTERMEDIATE STAGE HELIX 52 1.4301 KIT	1
		> MACH.STD-DIFFUSER+NR-M+52-304	1
		> REDUCED-IMPELLER-H5-M+52-304	1
13.4	4164731	UPPER-STAGE HELIX 52 1.4301 KIT	1
		> STOP COLLAR OF IMPELLER L27,6-Ø22-316L	1
		> SLEEVE-SPACER-D22XL16,66-316L	1
		> SPACER WASHER D22,3XD36 L3-316L	1
		> REDUCED-IMPELLER-H2-M+52-304	1
		> MACH.STD-DISCHARGE-CHAMBER-M+52-304	1

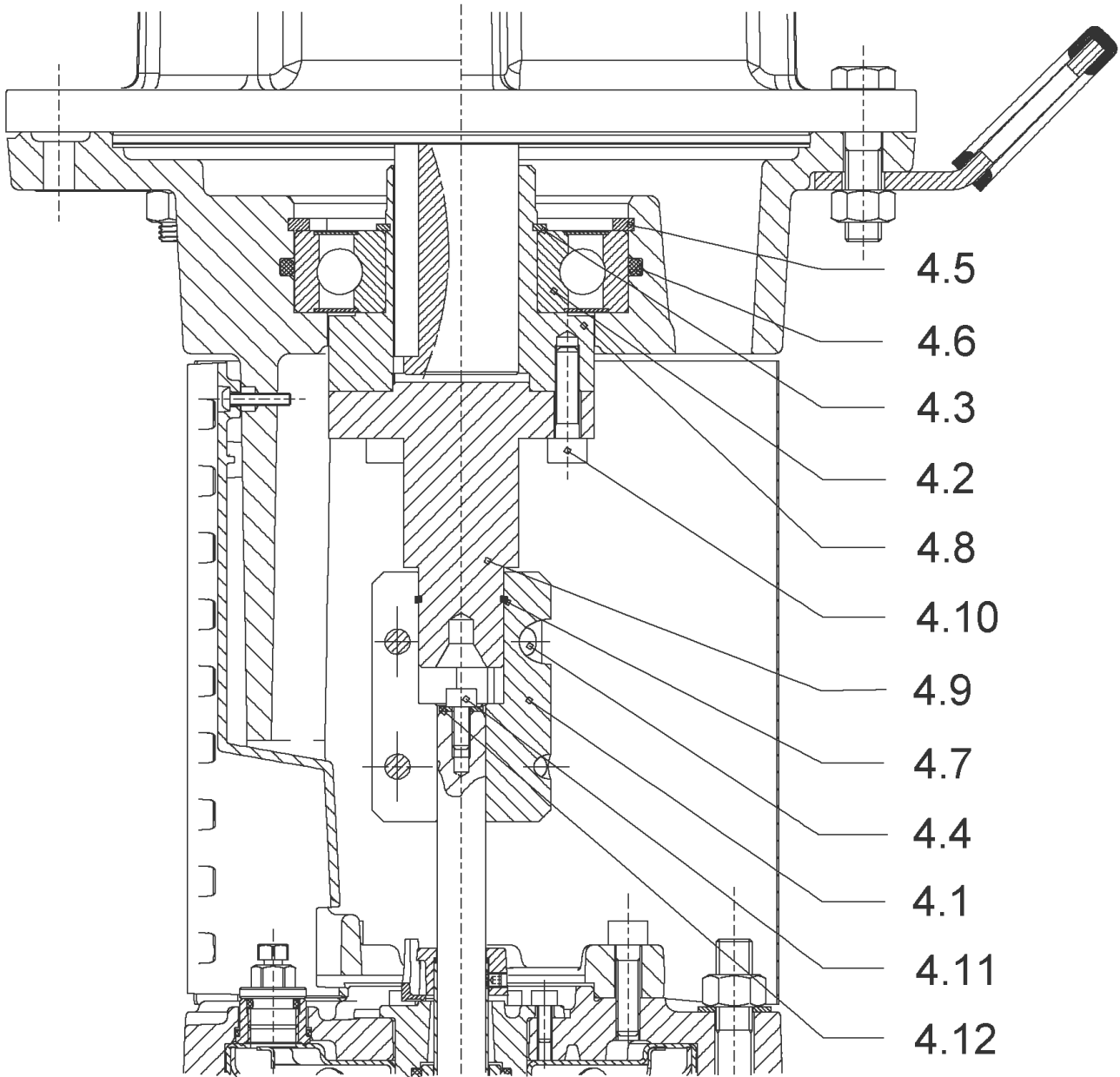


HELIX V5208-3/25/E/KS/400-50 (4141825)

Item	Article no.	Description	Quantity
1	4195491	MOTOR 30/2/200 3~400V 50HZ IE3 VP.	1
		SPARE PARTS MOTOR:ON REQUEST	1
2	4179586	SCREW M16X60 (4 PIECES)	1
3	4161189	LANTERN HELIX V36 FF350 BB6315 KIT	1
3.1		> LANTERN FF350 M+ GJL MACHINED+CATA 6315	1
3.2	4179938	> EYELET CPL.FF350 HELIX(4 PIECES)	1
3.3	4143969	> COUPLING PROTECT HELIX FF KIT	1
4	4161191	COUPLING HELIX V36/52 FF350 RLT6315 KIT	1
5	4157725	SCREW M10X40 (4 PIECES)	1
6	4179944	STUD BOLT M16X900 KIT	1
6.1		> TIE BOLT M16-900x24x44-1.4057	1
6.2	4179562	> NUT M16 8.8 ISO4032 (4 PIECES)	1
6.3	4097852	> WASHER-CS-16.4-32-2.8-NFE25-511-A2	1
7	4179565	END SHIELD HELIX 8" EPDM KIT	1
7.1		> END SHIELD M+ GJL MACHINED+CATA	1
7.2	4179564	> O-RING D.42.52x2.62 EPDM VP.	1
7.3	4179571	> O-RING HOUSING PIPE HELIX22/36/52 VP.	1
8	4143765	FILING/PURGING PLUG 316L HELIX KIT	1
8.1		> FILLING/VENTING-PLUG-VMI8/10-316L	1
8.2	4032291	> O-RING 17x3 EPDM KTW/WRC	1
9	4143975	CARTRIDGE HELIX22-36-52 F/E KIT	1
10	4179945	HOUSING PIPE D.204X830 1.4301 KIT	1
7.3	4179571	> O-RING HOUSING PIPE HELIX22/36/52 VP.	1
10.1		> HOUSING-PIPE Ø204-M+5208-304	1
12	4164724	SHAFT EQUIPMENT HELIX V52 KIT	1
13		HYDRAULIC HELIX V 5208	1
14	4179947	SHAFTS D.22X1004 1.4057 VP.	1
15	4164723	EQUIPED HOUSING PN16 HELIX GJL KIT	1
7.3	4179571	> O-RING HOUSING PIPE HELIX22/36/52 VP.	1
15.1		> PUMP HOUSING SET with COATED PARTS-DN80	1
15.3	4143766	> DRAIN/PRIMING PLUG EPDM HELIX KIT	1
15.3A		>> PRIMING/DRAIN PLUG-304-VERSION 1	1
15.3B	4032293	>> O-RING-10x3-EPDM-KTW/WRC	1
15.3C	4233957	>> O-RING ID.9 EPDM VP.	1

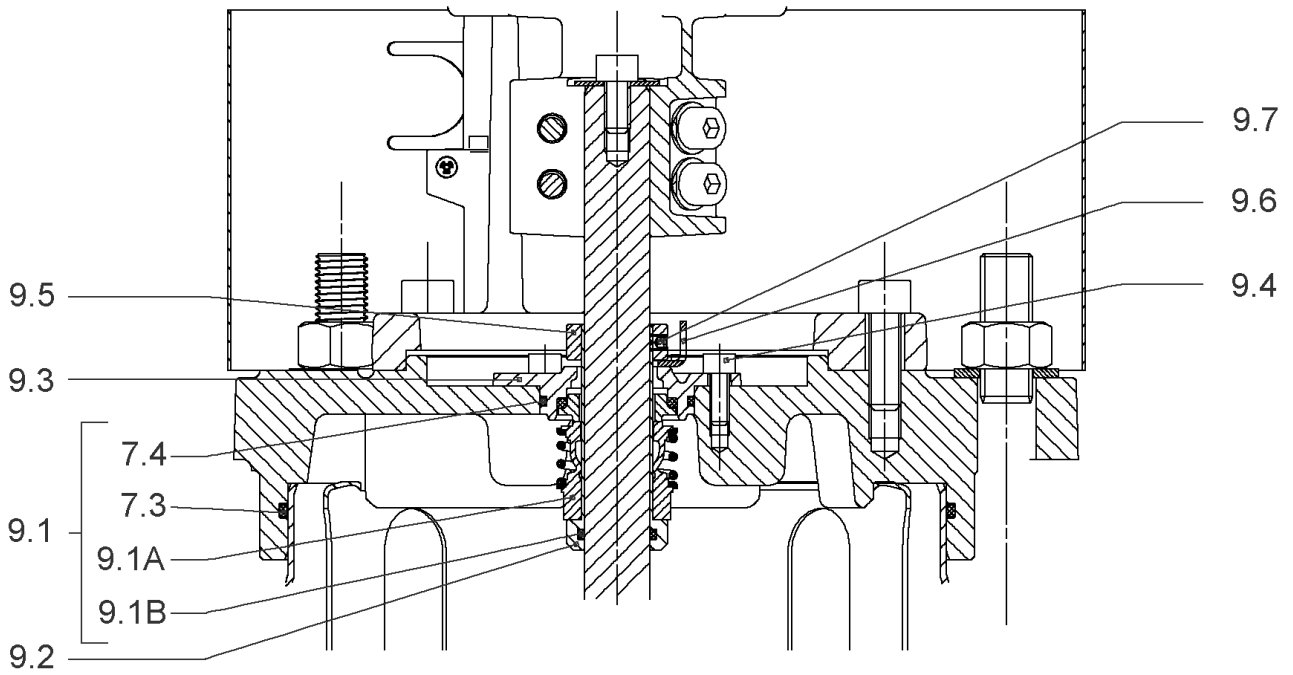
HELIX V5208-3/25/E/KS/400-50 (4141825)

Item	Article no.	Description	Quantity
15.4	4221729	> BASE M+ DN50/65/80 VP.	1
15.5		> SCREW TBHC M12x25 ISO7380 ZN	1
15.6		> FLANGE M+ DN80 NF PN16-25 ASME PN16 CATA	1
15.7		> O-RING Ø91.42xØ3 EPDM	1
13.1A	4161200	> NECK RING 1.STAGE HELIX V36/52 KIT	1
		>> NECK-RING-M+36/52	1
		>> HYDRAULIC SUPPORT CAP M+36/52 304	1
		>> SCREW TCL M3X8 A4 POZIDRIV	1



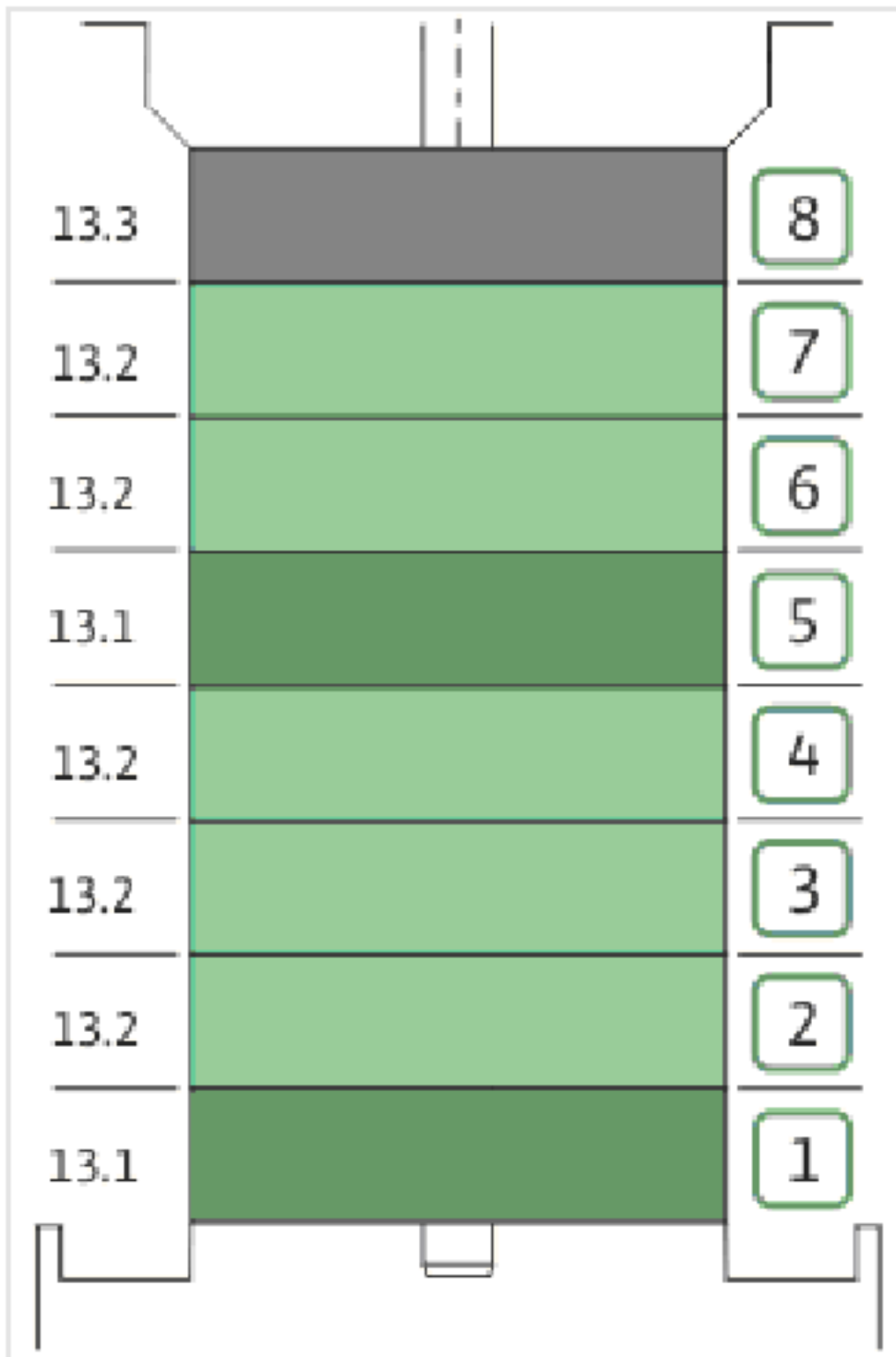
COUPLING HELIX V36/52 FF350 RLT6315 KIT (4161191)

Item	Article no.	Description	Quantity
4.1	4179935	COUPLING 2 PARTS D.20XD.38XL115 VP.	1
4.2	2114423	BALL BEARING 6315C4-ZZ-HT VP.	1
4.3	2119916	CIRCLIP D75X2.5 VP.	1
4.4	4179934	SCREW M12X30 (8 PIECES)	1
4.5	2119917	CIRCLIP D160X4 VP.	1
4.6	2119918	O-RING Ø158.34X3.53 NBR 70SH.VP.	1
4.7	2130992	RETAINING RING D.35xD.2,5 DIN7993 VP.	1
4.8	4179937	HUB D.55XD.75 VP.	1
4.9	4179936	SPACER D.38XD.65 VP.	1
4.10	2130991	SCREW M12X30 ISO4762 8.8 ZN(4 PIECES)	1
4.11	4233959	SCREW M8x16 VP.	1
4.12		SERRATED LOCK WASHER Ø8.2XØ25X35X2	1



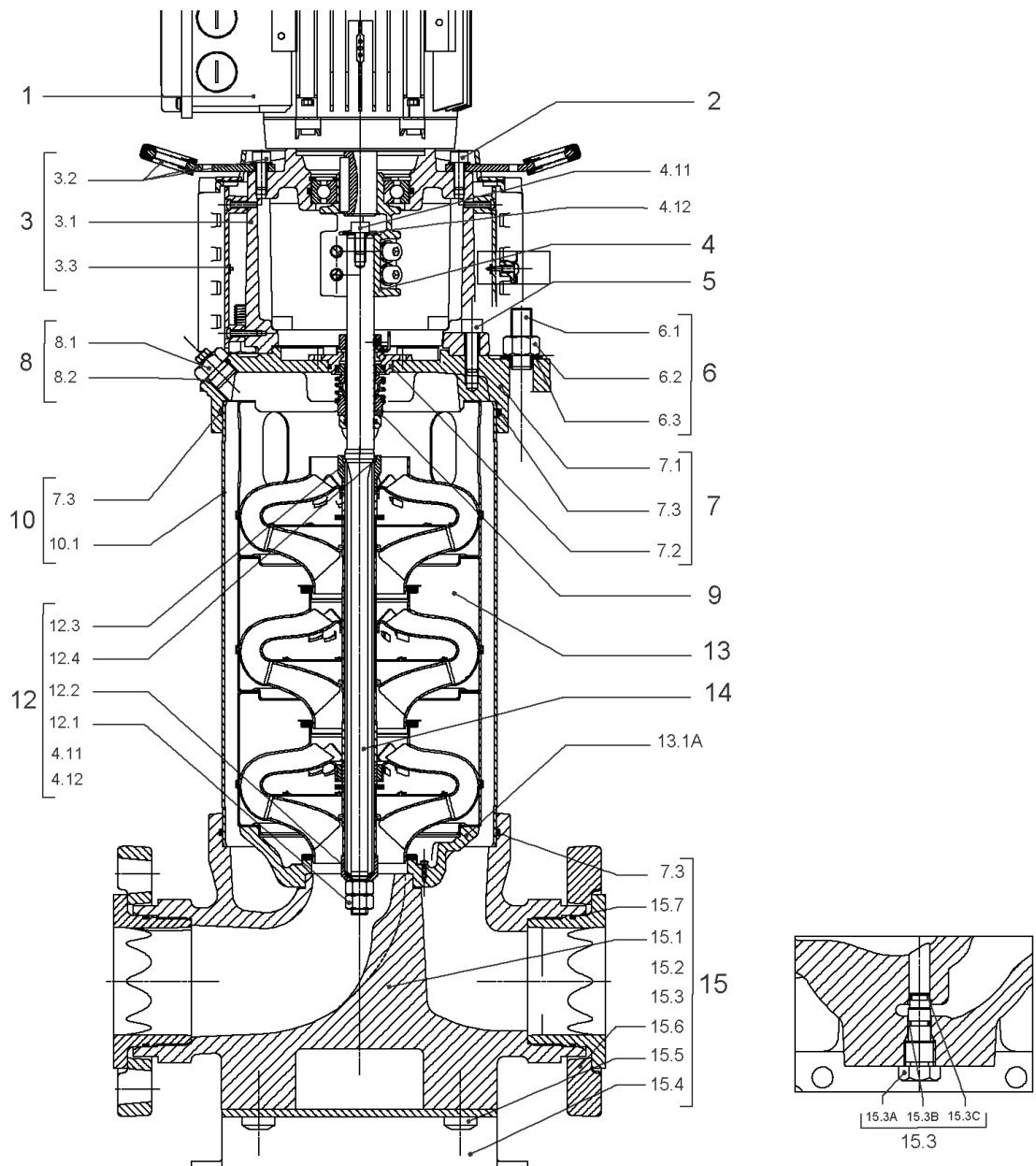
CARTRIDGE HELIX22-36-52 F/E KIT (4143975)

Item	Article no.	Description	Quantity
9.1	4143976	SEAL-KIT-HELIX22-36-52 F/E	1
7.3	4179571	> O-RING HOUSING PIPE HELIX22/36/52 VP.	1
7.4	4179572	> O-RING ID.42.52X2.62 EPDM VP.	1
9.1A	2127447	> M.SEAL.HELIX22-36-52 F/E VP.	1
9.1B	4179574	> O-RING ID.20x2.65 EPDM VP.	1
9.2	4179566	SHAFT SLEEVE D.20/20X60 1.4404 VP.	1
9.3	4179567	RING HOLDER Ø22 1.4301 VP.	1
9.4	4176520	SCREW CH M5x5 A4-70 (3PIECES)	1
9.5	4179568	DRIVE RING D.31/22.1x11 MACH.VP.	1
9.6	4179569	TOOL M.S.CART.HELIX 8" VP.	1
9.7	4179570	SCREW M6X16 ISO4762 8.8 GEOMET(4 PIECES)	1



HYDRAULIC HELIX V 5208

Item	Article no.	Description	Quantity
13.1	4164727	INTERMEDIAIRE STAGE HELIX 52 1.4301 KIT	1
		> SLEEVE-SPACER-D22XL30,42-316L	1
		> MACH.BEARING-DIFFUSER+NR-M+52-304	1
		> SHAFT-SLEEVE-D26xD22x16-CW	1
		> SPACER WASHER D22,3XD36 L3-316L	1
		> IMPELLER-H2-M+52-304	1
13.1A	4161200	> NECK RING 1.STAGE HELIX V36/52 KIT	1
		>> NECK-RING-M+36/52	1
		>> HYDRAULIC SUPPORT CAP M+36/52 304	1
		>> SCREW TCL M3X8 A4 POZIDRIV	1
13.2	4164728	INTERMEDIATE STAGE HELIX 52 1.4301 KIT	1
		> MACH.STD-DIFFUSER+NR-M+52-304	1
		> IMPELLER-H5-M+52-304	1
13.3	4164729	UPPER-STAGE HELIX 52 1.4301 KIT	1
		> STOP COLLAR OF IMPELLER L27,6-Ø22-316L	1
		> SLEEVE-SPACER-D22XL16,66-316L	1
		> SPACER WASHER D22,3XD36 L3-316L	1
		> IMPELLER-H2-M+52-304	1
		> MACH.STD-DISCHARGE-CHAMBER-M+52-304	1



HELIX V5209/2-3/25/E/KS/400-50 (4141826)

Item	Article no.	Description	Quantity
1	4195492	MOTOR 37/2/200 3~400V 50HZ IE3 VP.	1
		SPARE PARTS MOTOR:ON REQUEST	1
2	4179586	SCREW M16X60 (4 PIECES)	1
3	4164725	LANTERN HELIX 36/52 FF350 BB6216 KIT	1
3.1		> LANT.FF350 M+ GJL MACHIN.+CATA 7216-6216	1
3.2	4179938	> EYELET CPL.FF350 HELIX(4 PIECES)	1
3.3	4143969	> COUPLING PROTECT HELIX FF KIT	1
4	4164726	COUPLING HELIX D.20XD.38 2KUL.KIT	1
5	4157725	SCREW M10X40 (4 PIECES)	1
6	4179954	STUD BOLT M16X1000 KIT	1
6.1		> TIE BOLT M16-1000x24x44-1.4057	1
6.2	4179562	> NUT M16 8.8 ISO4032 (4 PIECES)	1
6.3	4097852	> WASHER-CS-16.4-32-2.8-NFE25-511-A2	1
7	4179565	END SHIELD HELIX 8" EPDM KIT	1
7.1		> END SHIELD M+ GJL MACHINED+CATA	1
7.2	4179564	> O-RING D.42.52x2.62 EPDM VP.	1
7.3	4179571	> O-RING HOUSING PIPE HELIX22/36/52 VP.	1
8	4143765	FILING/PURGING PLUG 316L HELIX KIT	1
8.1		> FILLING/VENTING-PLUG-VMI8/10-316L	1
8.2	4032291	> O-RING 17x3 EPDM KTW/WRC	1
9	4143975	CARTRIDGE HELIX22-36-52 F/E KIT	1
10	4179955	HOUSING PIPE D.204X930 1.4301 KIT	1
7.3	4179571	> O-RING HOUSING PIPE HELIX22/36/52 VP.	1
10.1		> HOUSING-PIPE Ø204-M+5209-304	1
12	4164724	SHAFT EQUIPMENT HELIX V52 KIT	1
13		HYDRAULIC HELIX V 5209-2	1
14	4179957	SHAFTS D.22X1104 1.4057 VP.	1
15	4164723	EQUIPED HOUSING PN16 HELIX GJL KIT	1
7.3	4179571	> O-RING HOUSING PIPE HELIX22/36/52 VP.	1
15.1		> PUMP HOUSING SET with COATED PARTS-DN80	1
15.3	4143766	> DRAIN/PRIMING PLUG EPDM HELIX KIT	1
15.3A		>> PRIMING/DRAIN PLUG-304-VERSION 1	1
15.3B	4032293	>> O-RING-10x3-EPDM-KTW/WRC	1
15.3C	4233957	>> O-RING ID.9 EPDM VP.	1

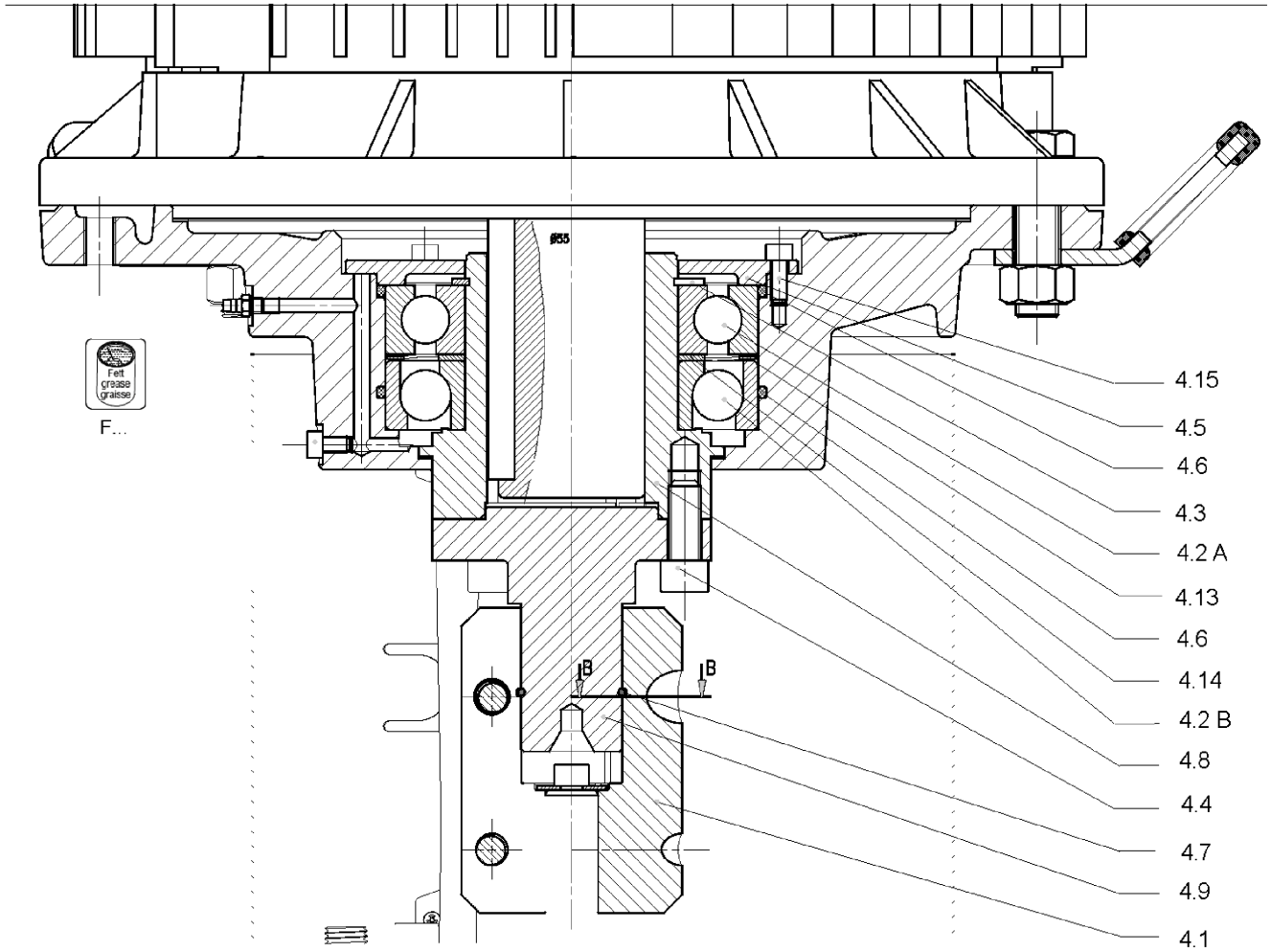
HELIX V5209/2-3/25/E/KS/400-50 (4141826)

Item	Article no.	Description	Quantity
15.4	4221729	> BASE M+ DN50/65/80 VP.	1
15.5		> SCREW TBHC M12x25 ISO7380 ZN	1
15.6		> FLANGE M+ DN80 NF PN16-25 ASME PN16 CATA	1
15.7		> O-RING Ø91.42xØ3 EPDM	1
13.1A	4161200	> NECK RING 1.STAGE HELIX V36/52 KIT	1
		>> NECK-RING-M+36/52	1
		>> HYDRAULIC SUPPORT CAP M+36/52 304	1
		>> SCREW TCL M3X8 A4 POZIDRIV	1

MOTEUR A BRIDE 55FF350 **

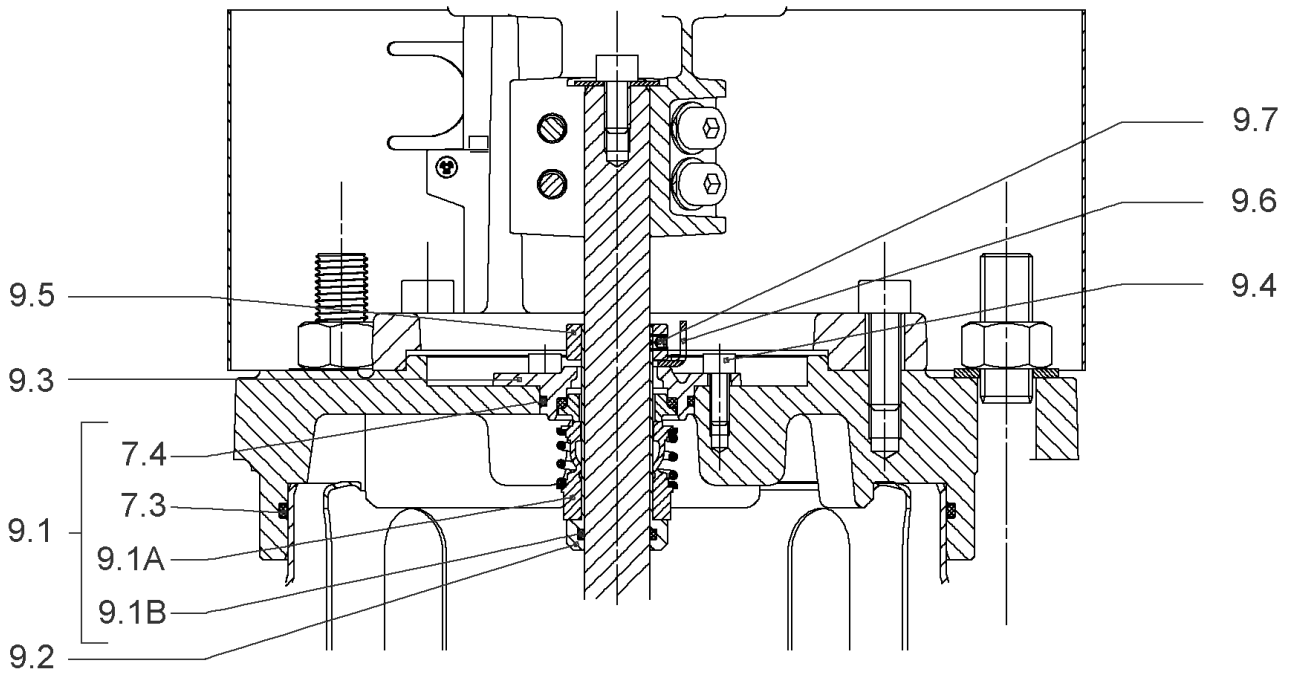
FLANGE MOTOR 55FF350 **

** VERSION 2 ROULEMENTS / ** 2 BALL BEARING VERSION



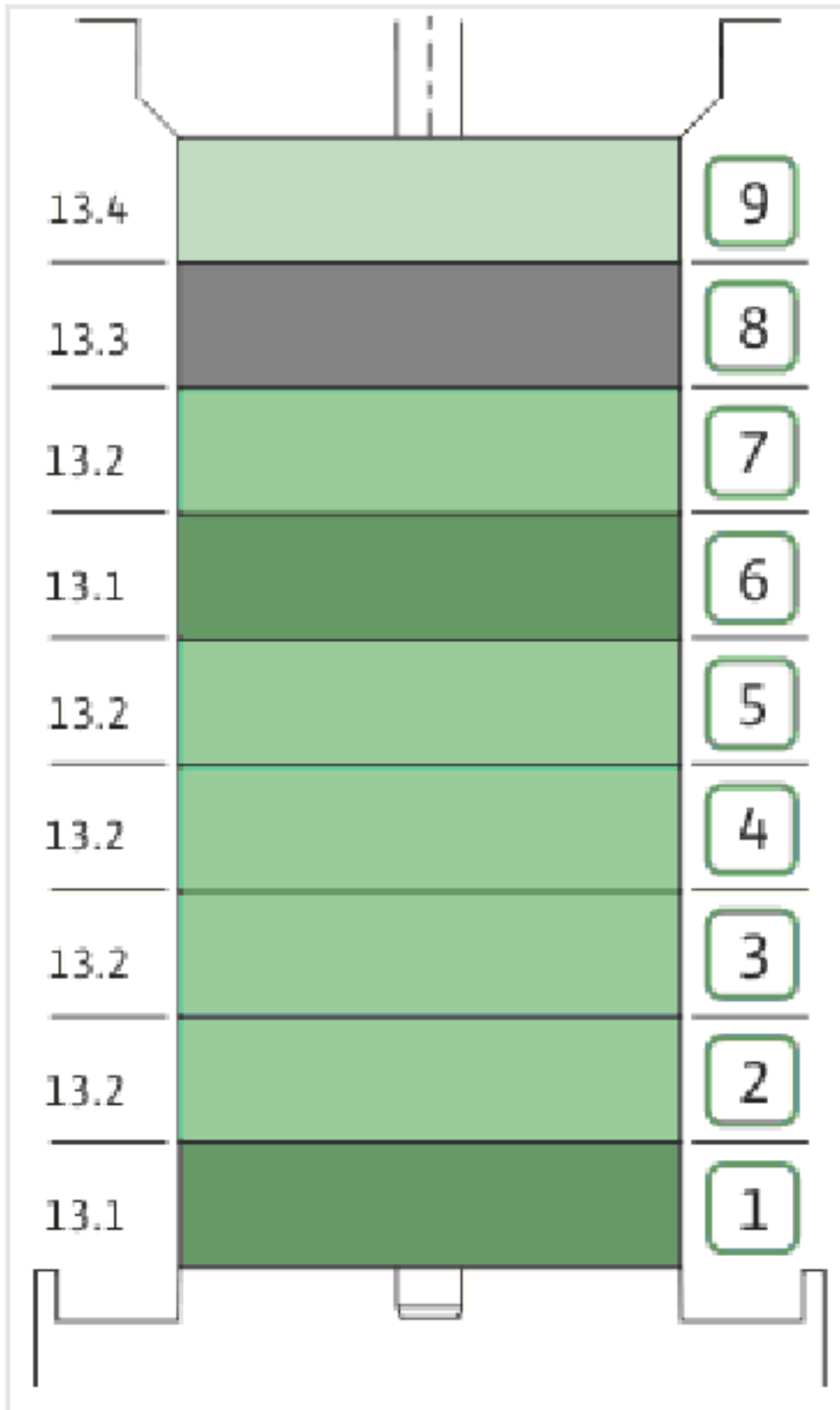
COUPLING HELIX D.20XD.38 2KUL.KIT (4164726)

Item	Article no.	Description	Quantity
4.1	4179935	COUPLING 2 PARTS D.20XD.38XL115 VP.	1
4.2A	4179950	BALL BEARING 7216-BEP-VP.	1
4.2B	4179949	BALL BEARING OPEN 6216 C3 VP.	1
4.3	4055234	CIRCLIP-FOR-SHAFT-D80X2.5-AC.PARK.	1
4.4	4179934	SCREW M12X30 (8 PIECES)	1
4.5		COVER HOUSING BALL BEARING FF350 7216	1
4.6	4233945	O-RING ID.140 VP.	1
4.7	2130992	RETAINING RING D.35xD.2,5 DIN7993 VP.	1
4.8	4179953	HUB D.55XD.80 VP.	1
4.9	4179936	SPACER D.38XD.65 VP.	1
4.10	2130991	SCREW M12X30 ISO4762 8.8 ZN(4 PIECES)	1
4.11	4233959	SCREW M8x16 VP.	1
4.12		SERRATED LOCK WASHER Ø8.2XØ25X35X2	1
4.13	4179951	WASHER INNER-BEARINGD.80XD.100x2.5E24VP.	1
4.14	4179952	CURV.SPRING WASH.A139B126E1-6216/6313VP.	1
4.15		SCREW M6X16 ISO4762 8.8 GEOMET 500B	1



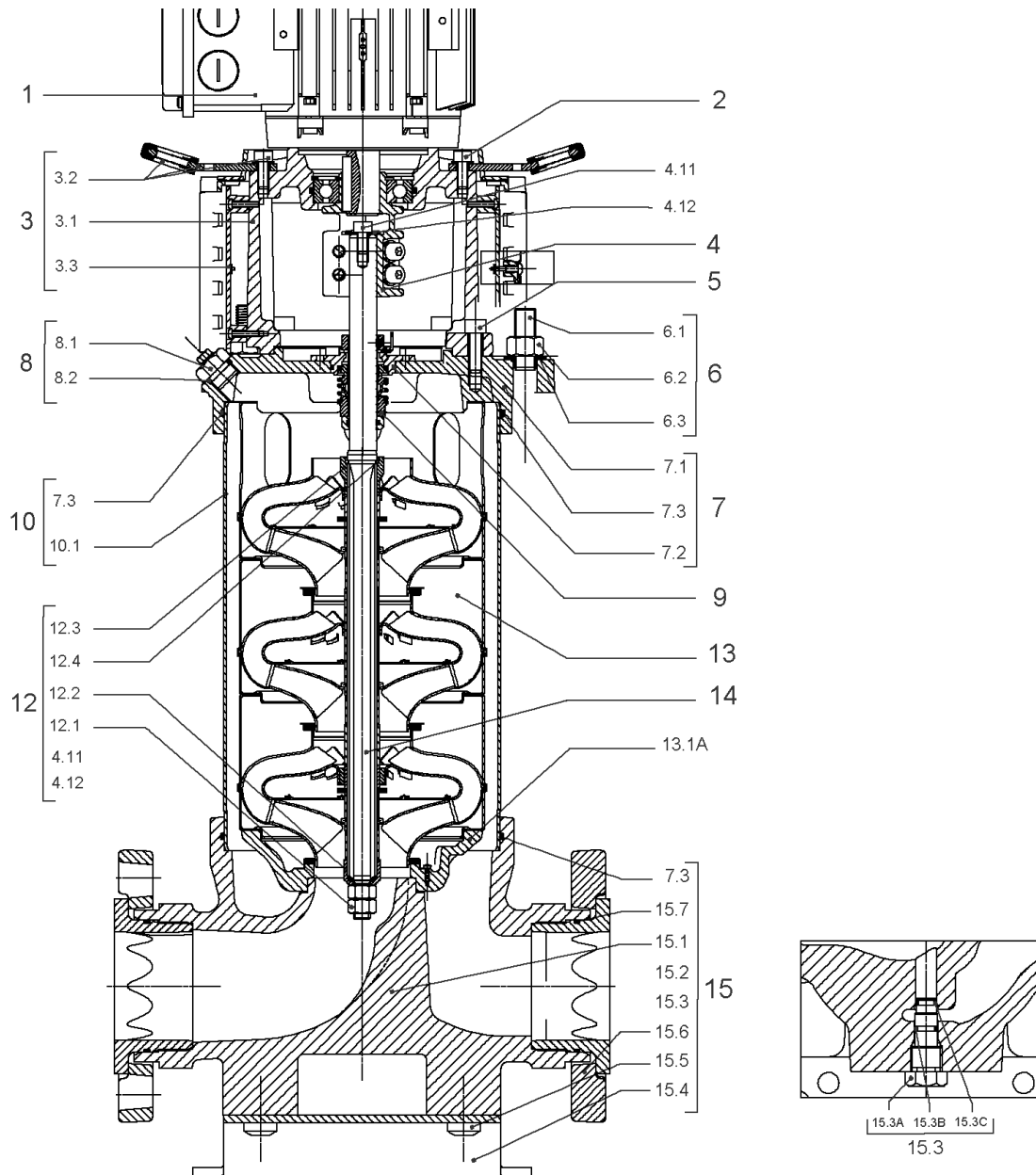
CARTRIDGE HELIX22-36-52 F/E KIT (4143975)

Item	Article no.	Description	Quantity
9.1	4143976	SEAL-KIT-HELIX22-36-52 F/E	1
7.3	4179571	> O-RING HOUSING PIPE HELIX22/36/52 VP.	1
7.4	4179572	> O-RING ID.42.52X2.62 EPDM VP.	1
9.1A	2127447	> M.SEAL.HELIX22-36-52 F/E VP.	1
9.1B	4179574	> O-RING ID.20x2.65 EPDM VP.	1
9.2	4179566	SHAFT SLEEVE D.20/20X60 1.4404 VP.	1
9.3	4179567	RING HOLDER Ø22 1.4301 VP.	1
9.4	4176520	SCREW CH M5x5 A4-70 (3PIECES)	1
9.5	4179568	DRIVE RING D.31/22.1x11 MACH.VP.	1
9.6	4179569	TOOL M.S.CART.HELIX 8" VP.	1
9.7	4179570	SCREW M6X16 ISO4762 8.8 GEOMET(4 PIECES)	1



HYDRAULIC HELIX V 5209-2

Item	Article no.	Description	Quantity
13.1	4164727	INTERMEDIAIRE STAGE HELIX 52 1.4301 KIT	1
		> SLEEVE-SPACER-D22XL30,42-316L	1
		> MACH.BEARING-DIFFUSER+NR-M+52-304	1
		> SHAFT-SLEEVE-D26xD22x16-CW	1
		> SPACER WASHER D22,3XD36 L3-316L	1
		> IMPELLER-H2-M+52-304	1
13.1A	4161200	> NECK RING 1.STAGE HELIX V36/52 KIT	1
		>> NECK-RING-M+36/52	1
		>> HYDRAULIC SUPPORT CAP M+36/52 304	1
		>> SCREW TCL M3X8 A4 POZIDRIV	1
13.2	4164728	INTERMEDIATE STAGE HELIX 52 1.4301 KIT	1
		> MACH.STD-DIFFUSER+NR-M+52-304	1
		> IMPELLER-H5-M+52-304	1
13.3	4164730	INTERMEDIATE STAGE HELIX 52 1.4301 KIT	1
		> MACH.STD-DIFFUSER+NR-M+52-304	1
		> REDUCED-IMPELLER-H5-M+52-304	1
13.4	4164731	UPPER-STAGE HELIX 52 1.4301 KIT	1
		> STOP COLLAR OF IMPELLER L27,6-Ø22-316L	1
		> SLEEVE-SPACER-D22XL16,66-316L	1
		> SPACER WASHER D22,3XD36 L3-316L	1
		> REDUCED-IMPELLER-H2-M+52-304	1
		> MACH.STD-DISCHARGE-CHAMBER-M+52-304	1

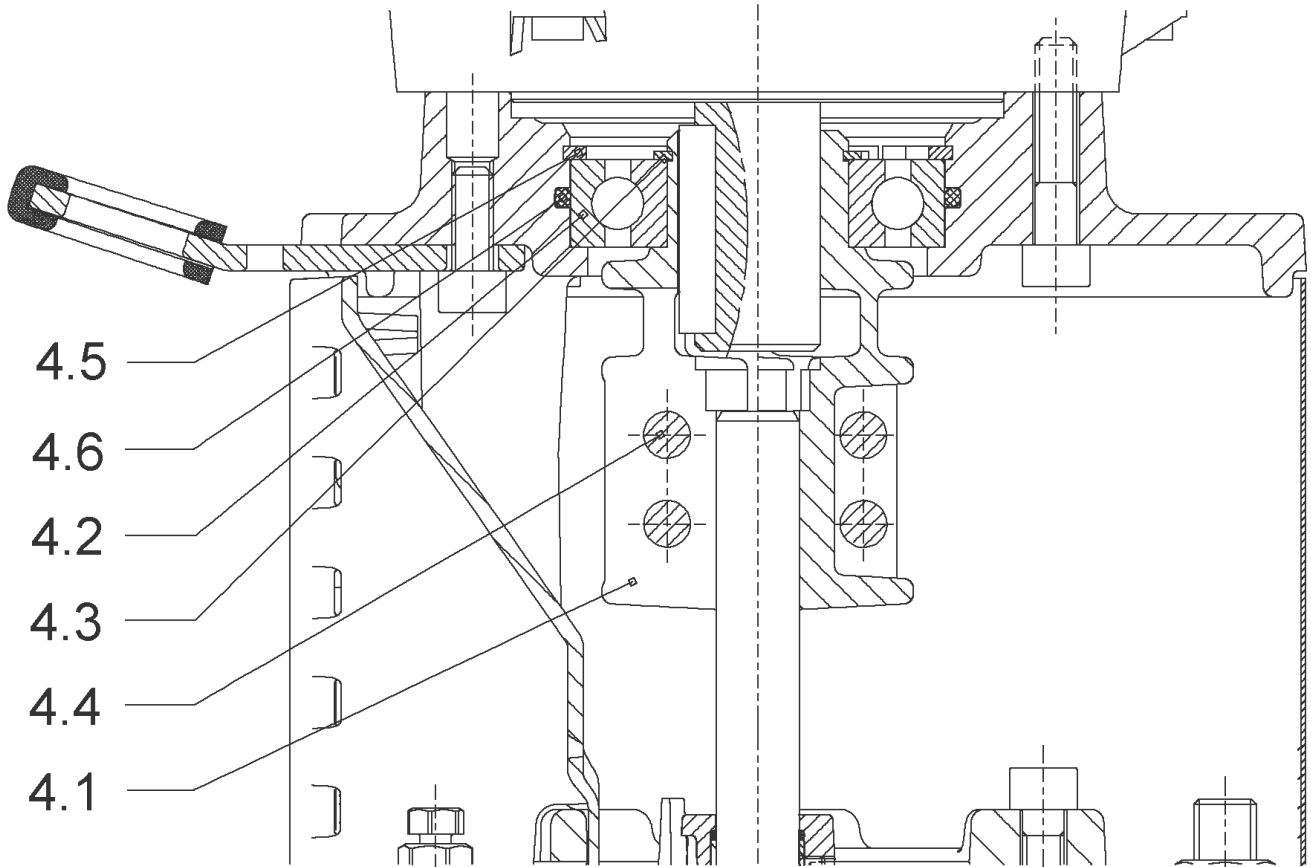


HELIX V5201-3/16/E/KS/400-50 (4141883)

Item	Article no.	Description	Quantity
1	4169945	MO.4/2 3~230/400(460)V 50(60)HZ IE3 VP.	1
		SPARE PARTS MOTOR:ON REQUEST	1
2	4159707	SCREW M8X30 (4 PIECES)	1
3	4157719	LANTERN HELIX 22/36 FT130 KIT	1
3.1		> LANTERN FT130 M+ GJL MACHINED+CATA	1
3.2	4179561	> EYELET CPL.FT HELIX(2 PIECES)	1
3.3	4143968	> COUPLING PROTECT HELIX FT KIT	1
4	4143964	COUPLING D.20XD.28 FT130 KIT	1
5	4094462	SCREWS M10 (4 PIECES)	1
6	4179563	STUD BOLT M16X198 KIT	1
6.1		> TIE BOLT M16-198x24x44-1.4057	1
6.2	4179562	> NUT M16 8.8 ISO4032 (4 PIECES)	1
6.3	4097852	> WASHER-CS-16.4-32-2.8-NFE25-511-A2	1
7	4179565	END SHIELD HELIX 8" EPDM KIT	1
7.1		> END SHIELD M+ GJL MACHINED+CATA	1
7.2	4179564	> O-RING D.42.52x2.62 EPDM VP.	1
7.3	4179571	> O-RING HOUSING PIPE HELIX22/36/52 VP.	1
8	4143765	FILING/PURGING PLUG 316L HELIX KIT	1
8.1		> FILLING/VENTING-PLUG-VMI8/10-316L	1
8.2	4032291	> O-RING 17x3 EPDM KTW/WRC	1
9	4143973	CARTRIDGE HELIX22-36-52 O/E KIT	1
10	4179575	HOUSING PIPE D.204X130 1.4301 KIT	1
7.3	4179571	> O-RING HOUSING PIPE HELIX22/36/52 VP.	1
10.1		> HOUSING-PIPE Ø204-M+3601/5201-304	1
12	4164724	SHAFT EQUIPMENT HELIX V52 KIT	1
13		HYDRAULIC HELIX V 5201	1
14	4179579	SHAFTS D.22X304 1.4057 VP.	1
15	4164723	EQUIPED HOUSING PN16 HELIX GJL KIT	1
7.3	4179571	> O-RING HOUSING PIPE HELIX22/36/52 VP.	1
15.1		> PUMP HOUSING SET with COATED PARTS-DN80	1
15.3	4143766	> DRAIN/PRIMING PLUG EPDM HELIX KIT	1
15.3A		>> PRIMING/DRAIN PLUG-304-VERSION 1	1
15.3B	4032293	>> O-RING-10x3-EPDM-KTW/WRC	1
15.3C	4233957	>> O-RING ID.9 EPDM VP.	1

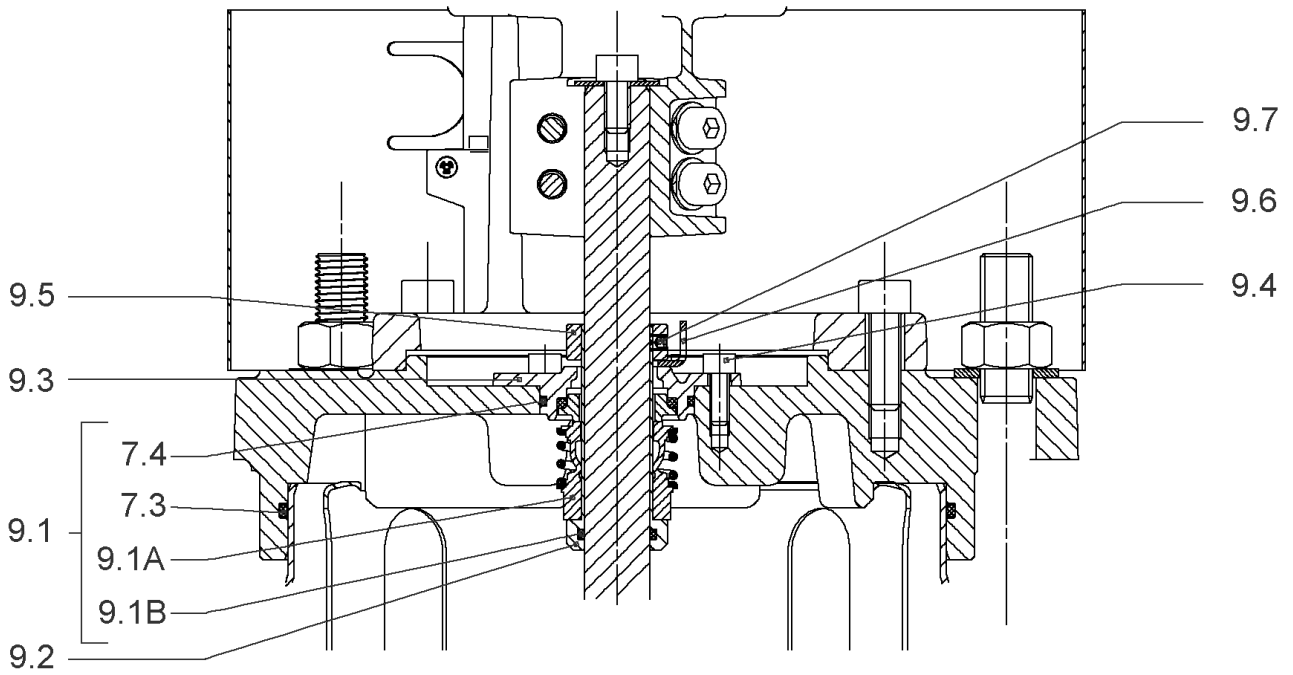
HELIX V5201-3/16/E/KS/400-50 (4141883)

Item	Article no.	Description	Quantity
15.4	4221729	> BASE M+ DN50/65/80 VP.	1
15.5		> SCREW TBHC M12x25 ISO7380 ZN	1
15.6		> FLANGE M+ DN80 NF PN16-25 ASME PN16 CATA	1
15.7		> O-RING Ø91.42xØ3 EPDM	1
13.1A	4161200	> NECK RING 1.STAGE HELIX V36/52 KIT	1
		>> NECK-RING-M+36/52	1
		>> HYDRAULIC SUPPORT CAP M+36/52 304	1
		>> SCREW TCL M3X8 A4 POZIDRIV	1



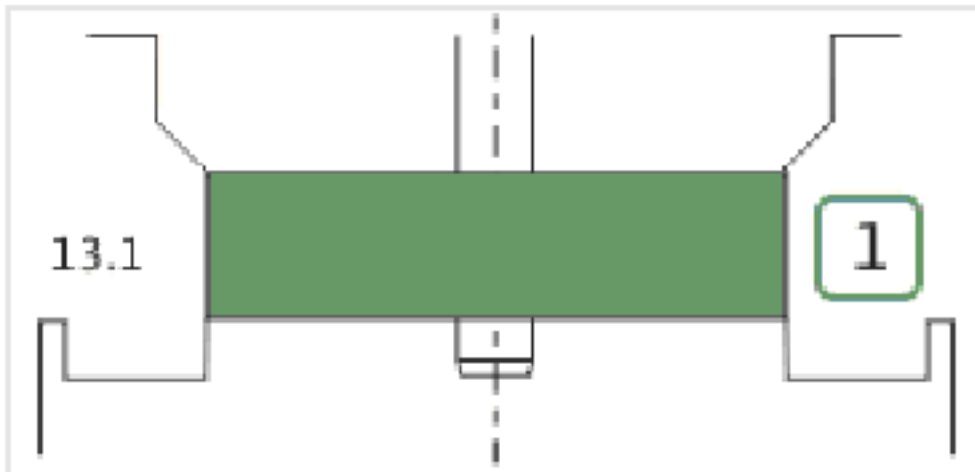
COUPLING D.20XD.28 FT130 KIT (4143964)

Item	Article no.	Description	Quantity
4.1		COUPLING M+ Ø20XØ28-FT130 MACHINED	1
4.2	2131022	BALL BEARING 6209/ZZ-C3(HT)VP.	1
4.3	4233930	CIRCLIP-FOR-BORES-D45x1,75 VP.	1
4.4	4157726	SCREW KIT M8X30 (4 PIECES)	1
4.5	4234252	CIRCLIPS 85X3 VP.	1
4.6	4234243	O-RING 85X3 VP.	1
		NOMEL CONTACT WASHER 8x16x1,4 STEEL ZC	1



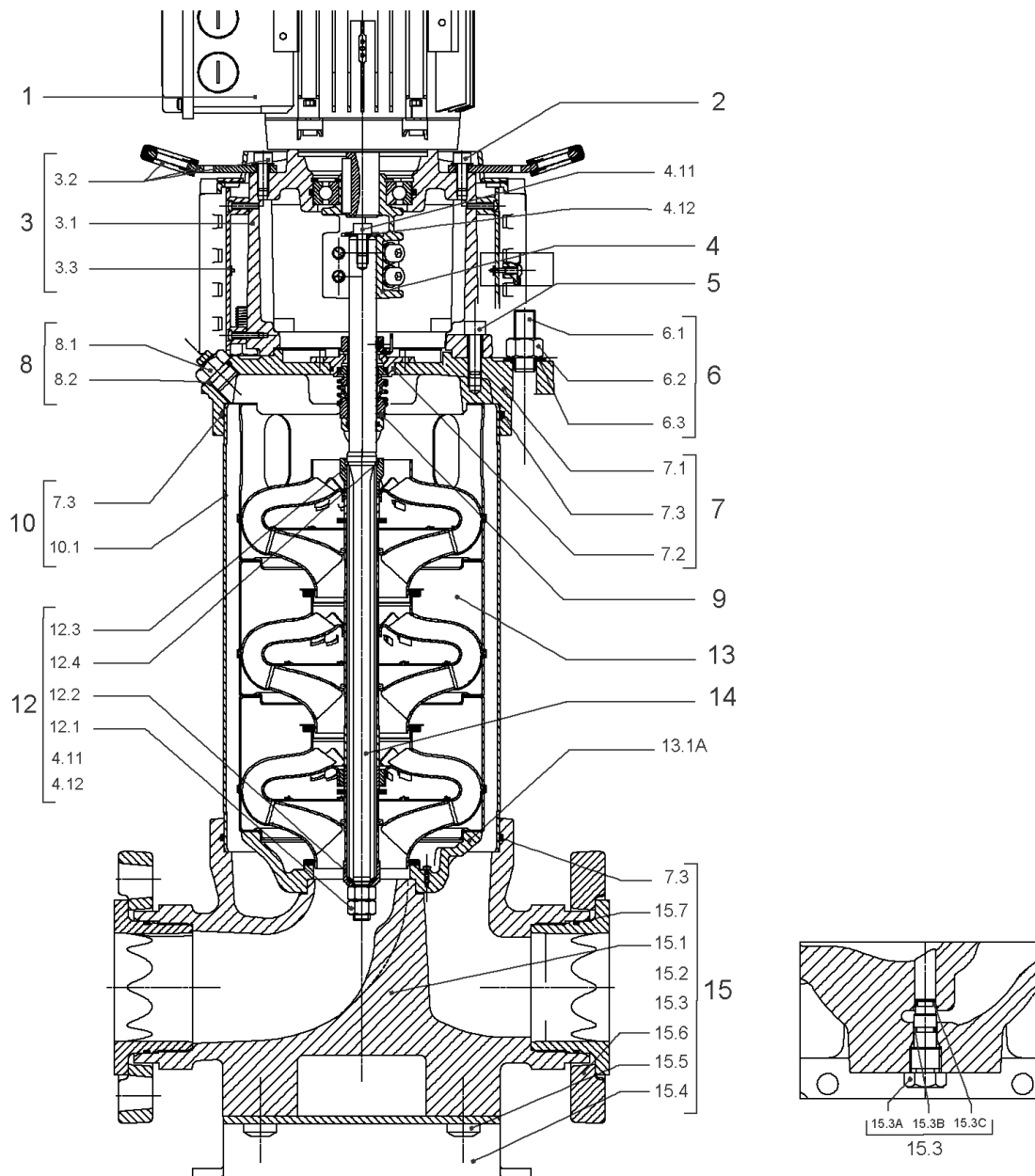
CARTRIDGE HELIX22-36-52 O/E KIT (4143973)

Item	Article no.	Description	Quantity
9.1	4143974	SEAL-KIT-HELIX22-36-52 O/E	1
7.3	4179571	> O-RING HOUSING PIPE HELIX22/36/52 VP.	1
7.4	4179572	> O-RING ID.42.52X2.62 EPDM VP.	1
9.1A	4179573	> M.SEAL.HELIX22-36-52 O/E VP.	1
9.1B	4179574	> O-RING ID.20x2.65 EPDM VP.	1
9.2	4179566	SHAFT SLEEVE D.20/20X60 1.4404 VP.	1
9.3	4179567	RING HOLDER Ø22 1.4301 VP.	1
9.4	4176520	SCREW CH M5x5 A4-70 (3PIECES)	1
9.5	4179568	DRIVE RING D.31/22.1x11 MACH.VP.	1
9.6	4179569	TOOL M.S.CART.HELIX 8" VP.	1
9.7	4179570	SCREW M6X16 ISO4762 8.8 GEOMET(4 PIECES)	1



HYDRAULIC HELIX V 5201

Item	Article no.	Description	Quantity
13.1	4164733	UPPER-STAGE HELIX 52 1.4301 KIT	1
		> STOP COLLAR OF IMPELLER L27,6-Ø22-316L	1
		> SHAFT-SLEEVE-D26xD22x16-CW	1
		> SPACER WASHER D22,3XD36 L3-316L	1
		> IMPELLER-H2-M+52-304	1
13.1A	4161200	> NECK RING 1.STAGE HELIX V36/52 KIT	1
		>> NECK-RING-M+36/52	1
		>> HYDRAULIC SUPPORT CAP M+36/52 304	1
		>> SCREW TCL M3X8 A4 POZIDRIV	1
		> MACH.BEARING-DISCHARGE-CHAMBER+NR-M+52-3	1

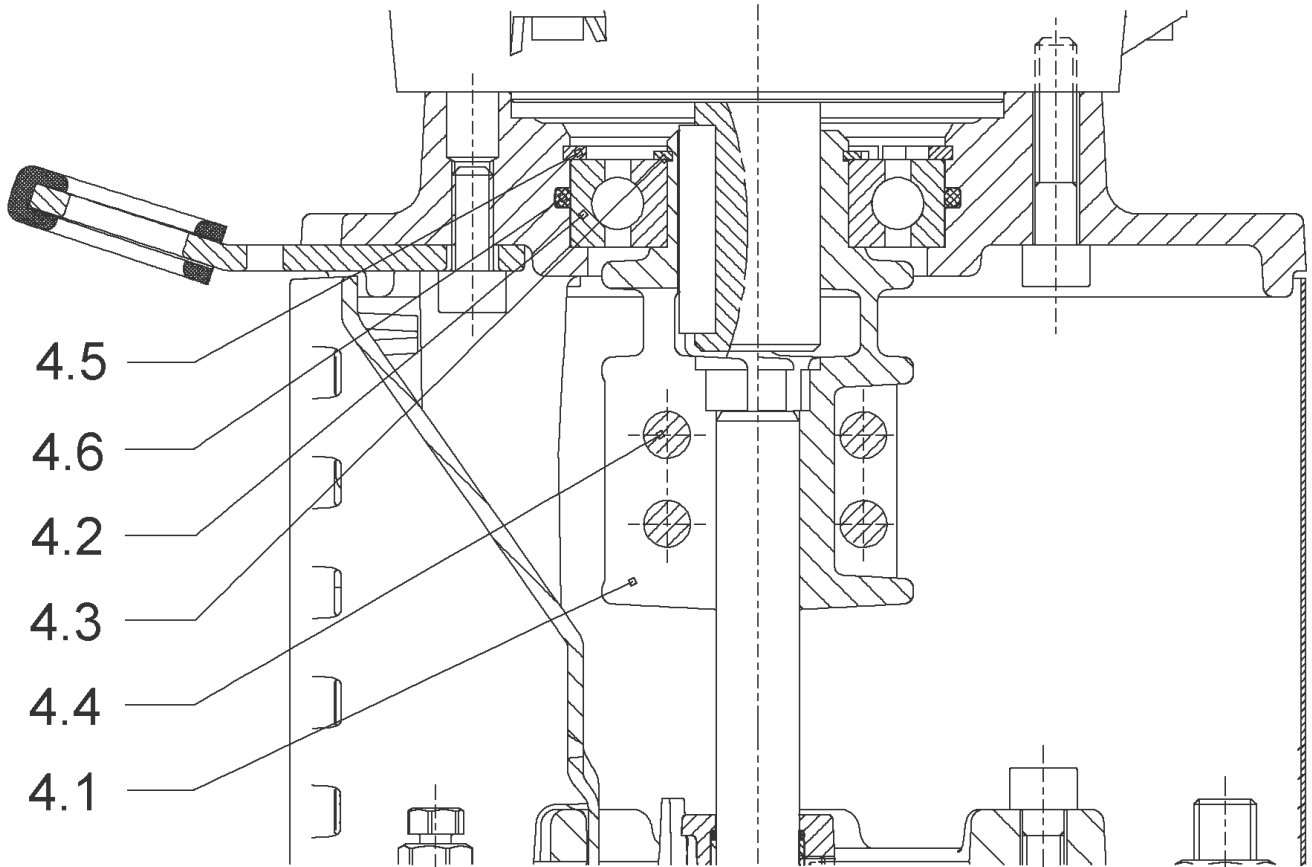


HELIX V5202/2-3/16/E/KS/400-50 (4141884)

Item	Article no.	Description	Quantity
1	4169947	MO 5,5/2/112 3~400V50Hz 460V60Hz IE3 VP.	1
		SPARE PARTS MOTOR:ON REQUEST	1
2	4159707	SCREW M8X30 (4 PIECES)	1
3	4157719	LANTERN HELIX 22/36 FT130 KIT	1
3.1		> LANTERN FT130 M+ GJL MACHINED+CATA	1
3.2	4179561	> EYELET CPL.FT HELIX(2 PIECES)	1
3.3	4143968	> COUPLING PROTECT HELIX FT KIT	1
4	4143964	COUPLING D.20XD.28 FT130 KIT	1
5	4094462	SCREWS M10 (4 PIECES)	1
6	4179581	STUD BOLT M16X305.5 KIT	1
6.1		> TIE BOLT M16-305.5x24x44-1.4057	1
6.2	4179562	> NUT M16 8.8 ISO4032 (4 PIECES)	1
6.3	4097852	> WASHER-CS-16.4-32-2.8-NFE25-511-A2	1
7	4179565	END SHIELD HELIX 8" EPDM KIT	1
7.1		> END SHIELD M+ GJL MACHINED+CATA	1
7.2	4179564	> O-RING D.42.52x2.62 EPDM VP.	1
7.3	4179571	> O-RING HOUSING PIPE HELIX22/36/52 VP.	1
8	4143765	FILING/PURGING PLUG 316L HELIX KIT	1
8.1		> FILLING/VENTING-PLUG-VMI8/10-316L	1
8.2	4032291	> O-RING 17x3 EPDM KTW/WRC	1
9	4143973	CARTRIDGE HELIX22-36-52 O/E KIT	1
10	4179582	HOUSING PIPE D.204X230 1.4307 KIT	1
7.3	4179571	> O-RING HOUSING PIPE HELIX22/36/52 VP.	1
10.1		> HOUSING-PIPE Ø204-M+5202-304	1
12	4164724	SHAFT EQUIPMENT HELIX V52 KIT	1
13		HYDRAULIC HELIX V 5202/2	1
14	2132516	SHAFT D.22X404 1.4301 VP.	1
15	4164723	EQUIPED HOUSING PN16 HELIX GJL KIT	1
7.3	4179571	> O-RING HOUSING PIPE HELIX22/36/52 VP.	1
15.1		> PUMP HOUSING SET with COATED PARTS-DN80	1
15.3	4143766	> DRAIN/PRIMING PLUG EPDM HELIX KIT	1
15.3A		>> PRIMING/DRAIN PLUG-304-VERSION 1	1
15.3B	4032293	>> O-RING-10x3-EPDM-KTW/WRC	1
15.3C	4233957	>> O-RING ID.9 EPDM VP.	1

HELIX V5202/2-3/16/E/KS/400-50 (4141884)

Item	Article no.	Description	Quantity
15.4	4221729	> BASE M+ DN50/65/80 VP.	1
15.5		> SCREW TBHC M12x25 ISO7380 ZN	1
15.6		> FLANGE M+ DN80 NF PN16-25 ASME PN16 CATA	1
15.7		> O-RING Ø91.42xØ3 EPDM	1
13.1A	4161200	> NECK RING 1.STAGE HELIX V36/52 KIT	1
		>> NECK-RING-M+36/52	1
		>> HYDRAULIC SUPPORT CAP M+36/52 304	1
		>> SCREW TCL M3X8 A4 POZIDRIV	1



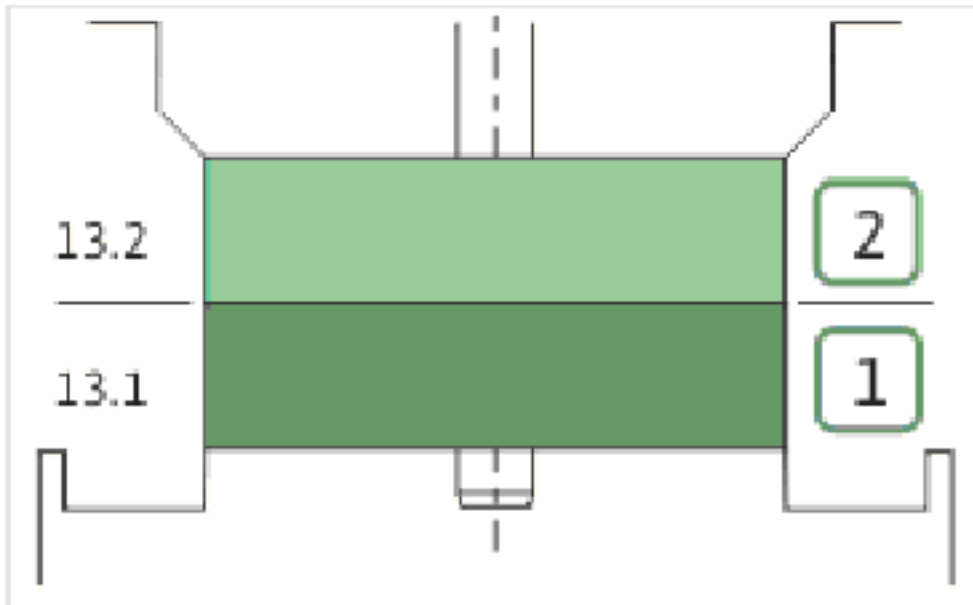
COUPLING D.20XD.28 FT130 KIT (4143964)

Item	Article no.	Description	Quantity
4.1		COUPLING M+ Ø20XØ28-FT130 MACHINED	1
4.2	2131022	BALL BEARING 6209/ZZ-C3(HT)VP.	1
4.3	4233930	CIRCLIP-FOR-BORES-D45x1,75 VP.	1
4.4	4157726	SCREW KIT M8X30 (4 PIECES)	1
4.5	4234252	CIRCLIPS 85X3 VP.	1
4.6	4234243	O-RING 85X3 VP.	1
		NOMEL CONTACT WASHER 8x16x1,4 STEEL ZC	1



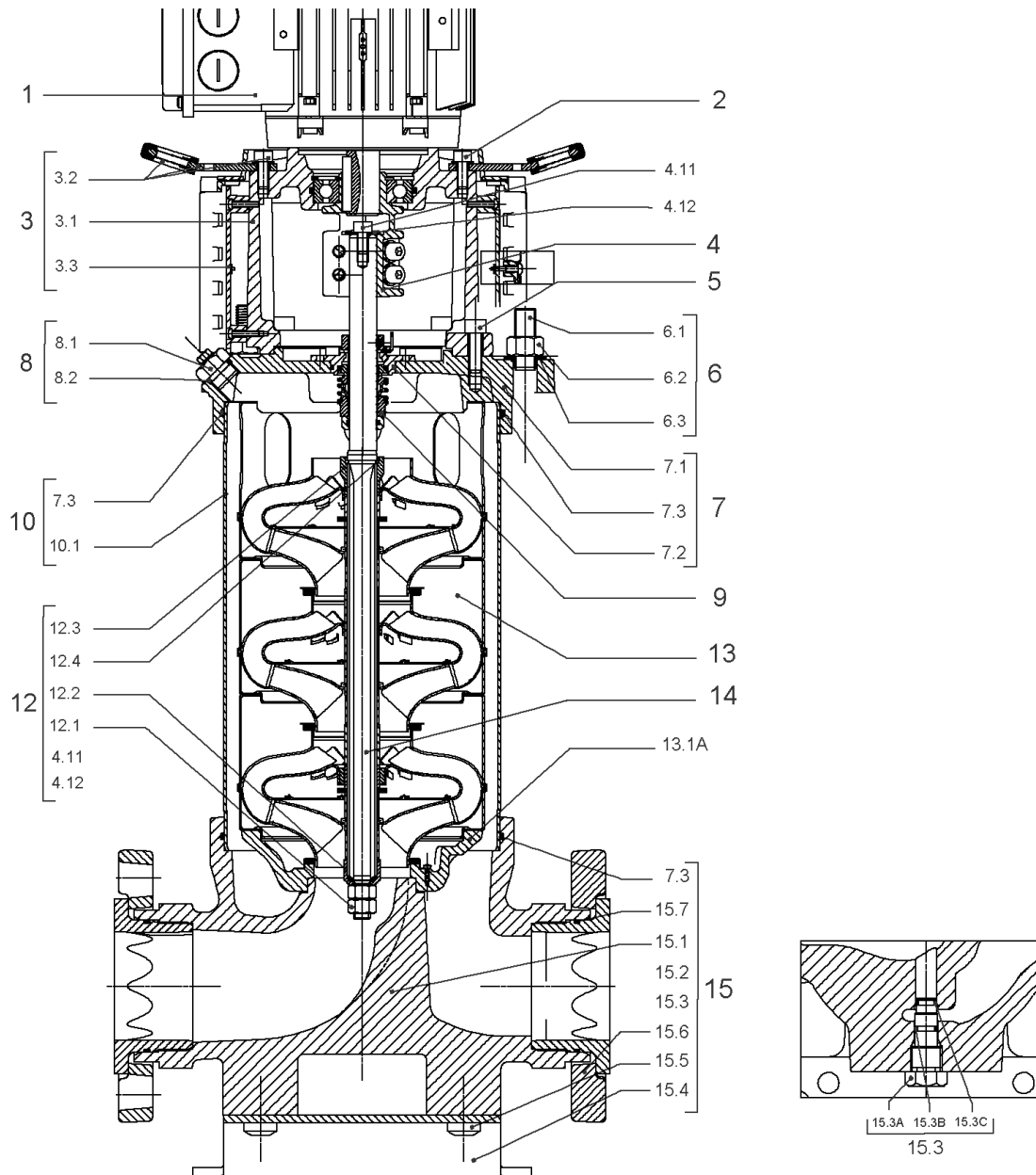
CARTRIDGE HELIX22-36-52 O/E KIT (4143973)

Item	Article no.	Description	Quantity
9.1	4143974	SEAL-KIT-HELIX22-36-52 O/E	1
7.3	4179571	> O-RING HOUSING PIPE HELIX22/36/52 VP.	1
7.4	4179572	> O-RING ID.42.52X2.62 EPDM VP.	1
9.1A	4179573	> M.SEAL.HELIX22-36-52 O/E VP.	1
9.1B	4179574	> O-RING ID.20x2.65 EPDM VP.	1
9.2	4179566	SHAFT SLEEVE D.20/20X60 1.4404 VP.	1
9.3	4179567	RING HOLDER Ø22 1.4301 VP.	1
9.4	4176520	SCREW CH M5x5 A4-70 (3PIECES)	1
9.5	4179568	DRIVE RING D.31/22.1x11 MACH.VP.	1
9.6	4179569	TOOL M.S.CART.HELIX 8" VP.	1
9.7	4179570	SCREW M6X16 ISO4762 8.8 GEOMET(4 PIECES)	1



HYDRAULIC HELIX V 5202/2

Item	Article no.	Description	Quantity
13.1	4164732	INTERMEDIAIRE STAGE HELIX 52 1.4301 KIT	1
		> SLEEVE-SPACER-D22XL30,42-316L	1
		> MACH.BEARING-DIFFUSER+NR-M+52-304	1
		> SHAFT-SLEEVE-D26xD22x16-CW	1
		> SPACER WASHER D22,3XD36 L3-316L	1
		> REDUCED-IMPELLER-H2-M+52-304	1
13.1A	4161200	> NECK RING 1.STAGE HELIX V36/52 KIT	1
		>> NECK-RING-M+36/52	1
		>> HYDRAULIC SUPPORT CAP M+36/52 304	1
		>> SCREW TCL M3X8 A4 POZIDRIV	1
13.2	4164731	UPPER-STAGE HELIX 52 1.4301 KIT	1
		> STOP COLLAR OF IMPELLER L27,6-Ø22-316L	1
		> SLEEVE-SPACER-D22XL16,66-316L	1
		> SPACER WASHER D22,3XD36 L3-316L	1
		> REDUCED-IMPELLER-H2-M+52-304	1
		> MACH.STD-DISCHARGE-CHAMBER-M+52-304	1



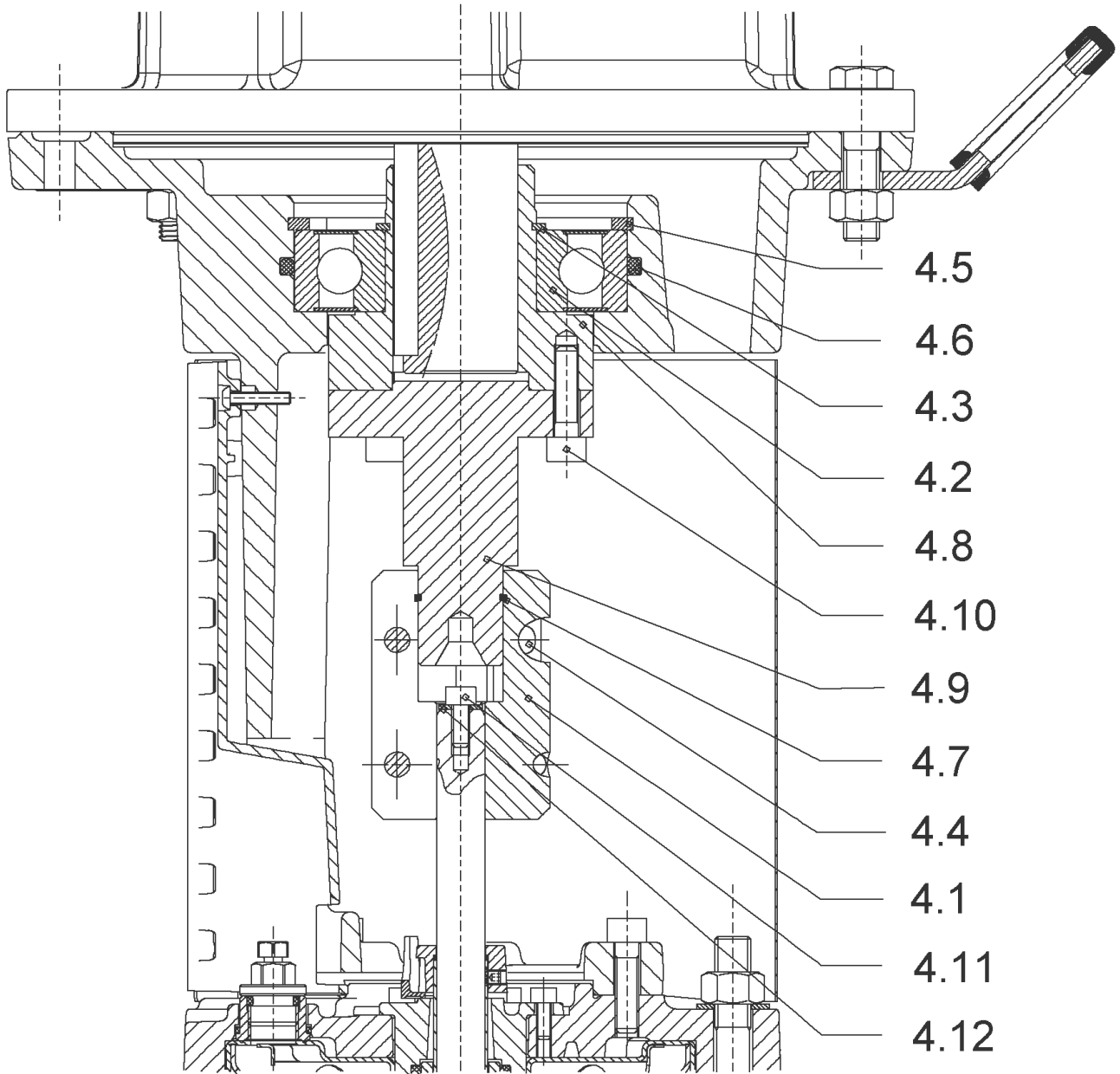
HELIX V5202-3/16/E/KS/400-50 (4141886)

Item	Article no.	Description	Quantity
1	4195450	MOTOR 7,5/2/* 3~400V 50HZ IE3 VP.	1
		SPARE PARTS MOTOR:ON REQUEST	1
2	4174093	SCREW M12X50 (4 PIECES)	1
3	4161187	LANTERN FF265 HELIX 8" KIT	1
3.1		> LANTERN FF265 M+ GJL MACHINED+CATA	1
3.2	2127605	> EYELET CPL.FF265 HELIX(2 PIECES)	1
3.3	4143969	> COUPLING PROTECT HELIX FF KIT	1
4	4143965	COUPLING D.20XD.28 FF265 KIT	1
5	4157725	SCREW M10X40 (4 PIECES)	1
6	4179581	STUD BOLT M16X305.5 KIT	1
6.1		> TIE BOLT M16-305.5x24x44-1.4057	1
6.2	4179562	> NUT M16 8.8 ISO4032 (4 PIECES)	1
6.3	4097852	> WASHER-CS-16.4-32-2.8-NFE25-511-A2	1
7	4179565	END SHIELD HELIX 8" EPDM KIT	1
7.1		> END SHIELD M+ GJL MACHINED+CATA	1
7.2	4179564	> O-RING D.42.52x2.62 EPDM VP.	1
7.3	4179571	> O-RING HOUSING PIPE HELIX22/36/52 VP.	1
8	4143765	FILING/PURGING PLUG 316L HELIX KIT	1
8.1		> FILLING/VENTING-PLUG-VMI8/10-316L	1
8.2	4032291	> O-RING 17x3 EPDM KTW/WRC	1
9	4143973	CARTRIDGE HELIX22-36-52 O/E KIT	1
10	4179582	HOUSING PIPE D.204X230 1.4307 KIT	1
7.3	4179571	> O-RING HOUSING PIPE HELIX22/36/52 VP.	1
10.1		> HOUSING-PIPE Ø204-M+5202-304	1
12	4164724	SHAFT EQUIPMENT HELIX V52 KIT	1
13		HYDRAULIC HELIX V 5202	1
14	2132516	SHAFT D.22X404 1.4301 VP.	1
15	4164723	EQUIPED HOUSING PN16 HELIX GJL KIT	1
7.3	4179571	> O-RING HOUSING PIPE HELIX22/36/52 VP.	1
15.1		> PUMP HOUSING SET with COATED PARTS-DN80	1
15.3	4143766	> DRAIN/PRIMING PLUG EPDM HELIX KIT	1
15.3A		>> PRIMING/DRAIN PLUG-304-VERSION 1	1
15.3B	4032293	>> O-RING-10x3-EPDM-KTW/WRC	1
15.3C	4233957	>> O-RING ID.9 EPDM VP.	1

HELIX V5202-3/16/E/KS/400-50 (4141886)

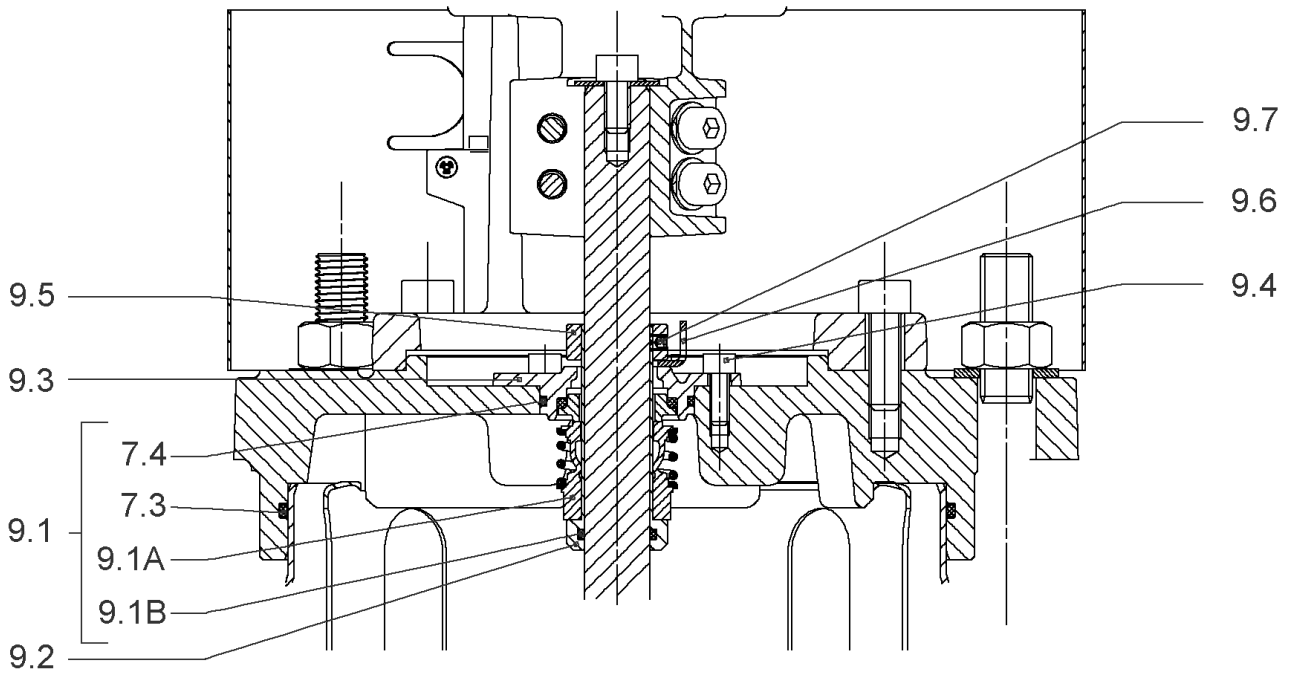
Item	Article no.	Description	Quantity
15.4	4221729	> BASE M+ DN50/65/80 VP.	1
15.5		> SCREW TBHC M12x25 ISO7380 ZN	1
15.6		> FLANGE M+ DN80 NF PN16-25 ASME PN16 CATA	1
15.7		> O-RING Ø91.42xØ3 EPDM	1
13.1A	4161200	> NECK RING 1.STAGE HELIX V36/52 KIT	1
		>> NECK-RING-M+36/52	1
		>> HYDRAULIC SUPPORT CAP M+36/52 304	1
		>> SCREW TCL M3X8 A4 POZIDRIV	1

COUPLING D.20XD.28 FF265 KIT (4143965)



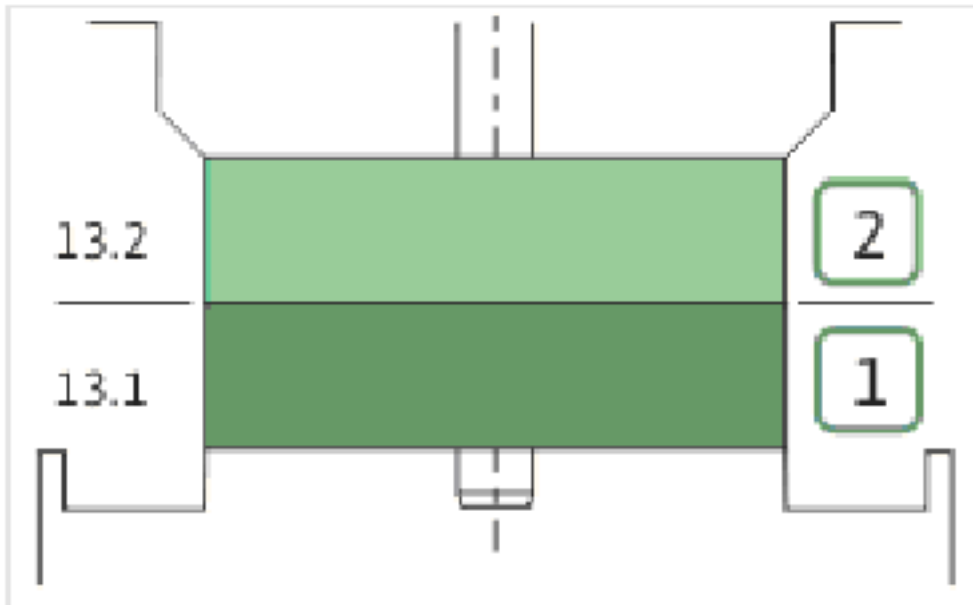
COUPLING D.20XD.28 FF265 KIT (4143965)

Item	Article no.	Description	Quantity
4.1	4179584	COUPLING 2 PARTS D.20XD.28XL83 VP.	1
4.2	2131017	BALL BEARING 6310/ZZ-C4(HT)VP.	1
4.3	4234253	CIRCLIP-FOR-SHAFT-D50x2 VP.	1
4.4	4159707	SCREW M8X30 (4 PIECES)	1
4.5	4234255	CIRCLIPS 110X4 VP.	1
4.6	4233944	O-RING ID.110 VP.	1
4.7	4179585	STOP-RUSH D26xD2 DIN7993 STEEL VP.	1
4.8	2131020	HUB D.38XD.50 VP.	1
4.9	2131021	SPACER D.28XD.45 VP.	1
4.10	4157726	SCREW KIT M8X30 (4 PIECES)	1
4.11	4233959	SCREW M8x16 VP.	1
4.12		SERRATED LOCK WASHER Ø8.2XØ25X35X2	1



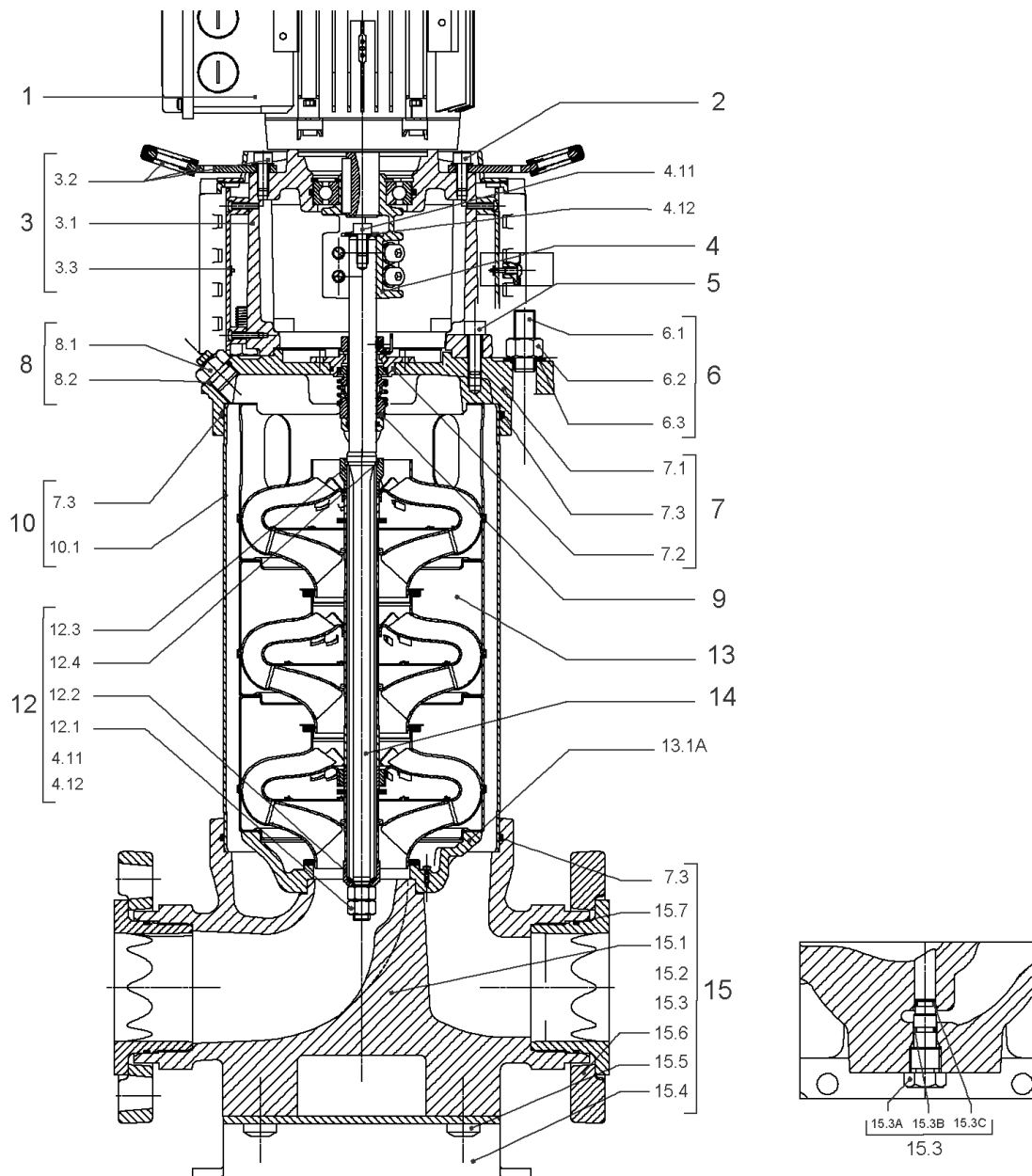
CARTRIDGE HELIX22-36-52 O/E KIT (4143973)

Item	Article no.	Description	Quantity
9.1	4143974	SEAL-KIT-HELIX22-36-52 O/E	1
7.3	4179571	> O-RING HOUSING PIPE HELIX22/36/52 VP.	1
7.4	4179572	> O-RING ID.42.52X2.62 EPDM VP.	1
9.1A	4179573	> M.SEAL.HELIX22-36-52 O/E VP.	1
9.1B	4179574	> O-RING ID.20x2.65 EPDM VP.	1
9.2	4179566	SHAFT SLEEVE D.20/20X60 1.4404 VP.	1
9.3	4179567	RING HOLDER Ø22 1.4301 VP.	1
9.4	4176520	SCREW CH M5x5 A4-70 (3PIECES)	1
9.5	4179568	DRIVE RING D.31/22.1x11 MACH.VP.	1
9.6	4179569	TOOL M.S.CART.HELIX 8" VP.	1
9.7	4179570	SCREW M6X16 ISO4762 8.8 GEOMET(4 PIECES)	1



HYDRAULIC HELIX V 5202

Item	Article no.	Description	Quantity
13.1	4164727	INTERMEDIAIRE STAGE HELIX 52 1.4301 KIT	1
		> SLEEVE-SPACER-D22XL30,42-316L	1
		> MACH.BEARING-DIFFUSER+NR-M+52-304	1
		> SHAFT-SLEEVE-D26xD22x16-CW	1
		> SPACER WASHER D22,3XD36 L3-316L	1
		> IMPELLER-H2-M+52-304	1
13.1A	4161200	> NECK RING 1.STAGE HELIX V36/52 KIT	1
		>> NECK-RING-M+36/52	1
		>> HYDRAULIC SUPPORT CAP M+36/52 304	1
		>> SCREW TCL M3X8 A4 POZIDRIV	1
13.2	4164729	UPPER-STAGE HELIX 52 1.4301 KIT	1
		> STOP COLLAR OF IMPELLER L27,6-Ø22-316L	1
		> SLEEVE-SPACER-D22XL16,66-316L	1
		> SPACER WASHER D22,3XD36 L3-316L	1
		> IMPELLER-H2-M+52-304	1
		> MACH.STD-DISCHARGE-CHAMBER-M+52-304	1



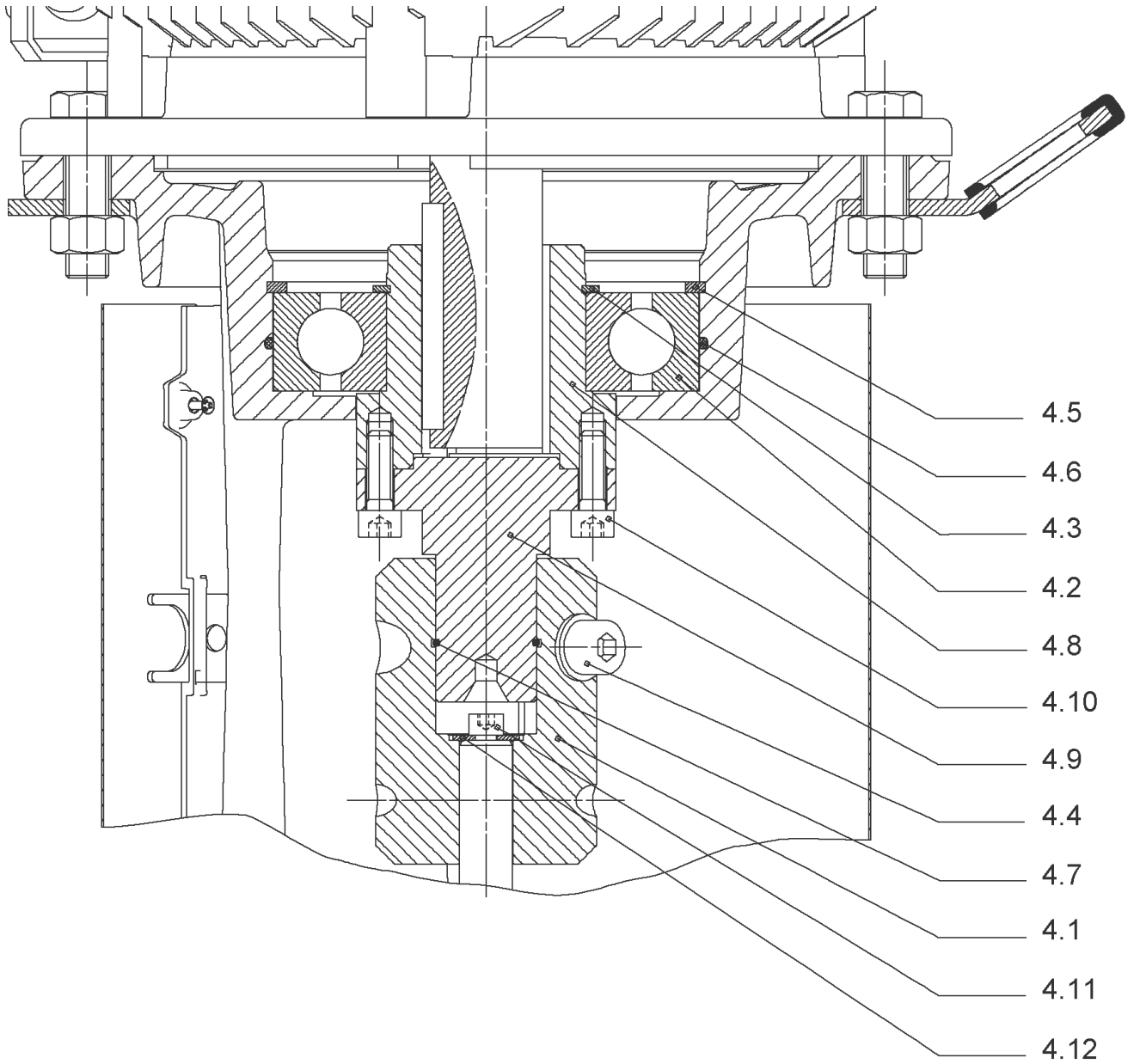
HELIX V5203/2-3/16/E/KS/400-50 (4141887)

Item	Article no.	Description	Quantity
1	4199884	MOTOR 11/2/160 3~400V 50HZ VP.	1
		SPARE PARTS MOTOR:ON REQUEST	1
2	4179586	SCREW M16X60 (4 PIECES)	1
3	4157721	LANTERN HELIX 22/36 FF300 BB6312 KIT	1
3.1		> LANTERN FF300 M+ GJL MACHINED+CATA 6312	1
3.2	4179589	> EYELET CPL.FF300 HELIX(4 PIECES)	1
3.3	4143969	> COUPLING PROTECT HELIX FF KIT	1
4	4143966	COUPLING D.20XD.38 FF300 KIT	1
5	4157725	SCREW M10X40 (4 PIECES)	1
6	4179592	STUD BOLT M16X405 KIT	1
6.1		> TIE BOLT M16-405x24x44-1.4057	1
6.2	4179562	> NUT M16 8.8 ISO4032 (4 PIECES)	1
6.3	4097852	> WASHER-CS-16.4-32-2.8-NFE25-511-A2	1
7	4179565	END SHIELD HELIX 8" EPDM KIT	1
7.1		> END SHIELD M+ GJL MACHINED+CATA	1
7.2	4179564	> O-RING D.42.52x2.62 EPDM VP.	1
7.3	4179571	> O-RING HOUSING PIPE HELIX22/36/52 VP.	1
8	4143765	FILING/PURGING PLUG 316L HELIX KIT	1
8.1		> FILLING/VENTING-PLUG-VMI8/10-316L	1
8.2	4032291	> O-RING 17x3 EPDM KTW/WRC	1
9	4143973	CARTRIDGE HELIX22-36-52 O/E KIT	1
10	4179593	HOUSING PIPE D.204X330 1.4307 KIT	1
7.3	4179571	> O-RING HOUSING PIPE HELIX22/36/52 VP.	1
10.1		> HOUSING-PIPE Ø204-M+3604/5203-304	1
11	4179583	CENTRALIZER HELIX 8" 52 VP.	1
12	4164724	SHAFT EQUIPMENT HELIX V52 KIT	1
13		HYDRAULIC HELIX V 5203/2	1
14	4179599	SHAFTS D.22X504 1.4057 VP.	1
15	4164723	EQUIPED HOUSING PN16 HELIX GJL KIT	1
7.3	4179571	> O-RING HOUSING PIPE HELIX22/36/52 VP.	1
15.1		> PUMP HOUSING SET with COATED PARTS-DN80	1
15.3	4143766	> DRAIN/PRIMING PLUG EPDM HELIX KIT	1
15.3A		>> PRIMING/DRAIN PLUG-304-VERSION 1	1
15.3B	4032293	>> O-RING-10x3-EPDM-KTW/WRC	1

HELIX V5203/2-3/16/E/KS/400-50 (4141887)

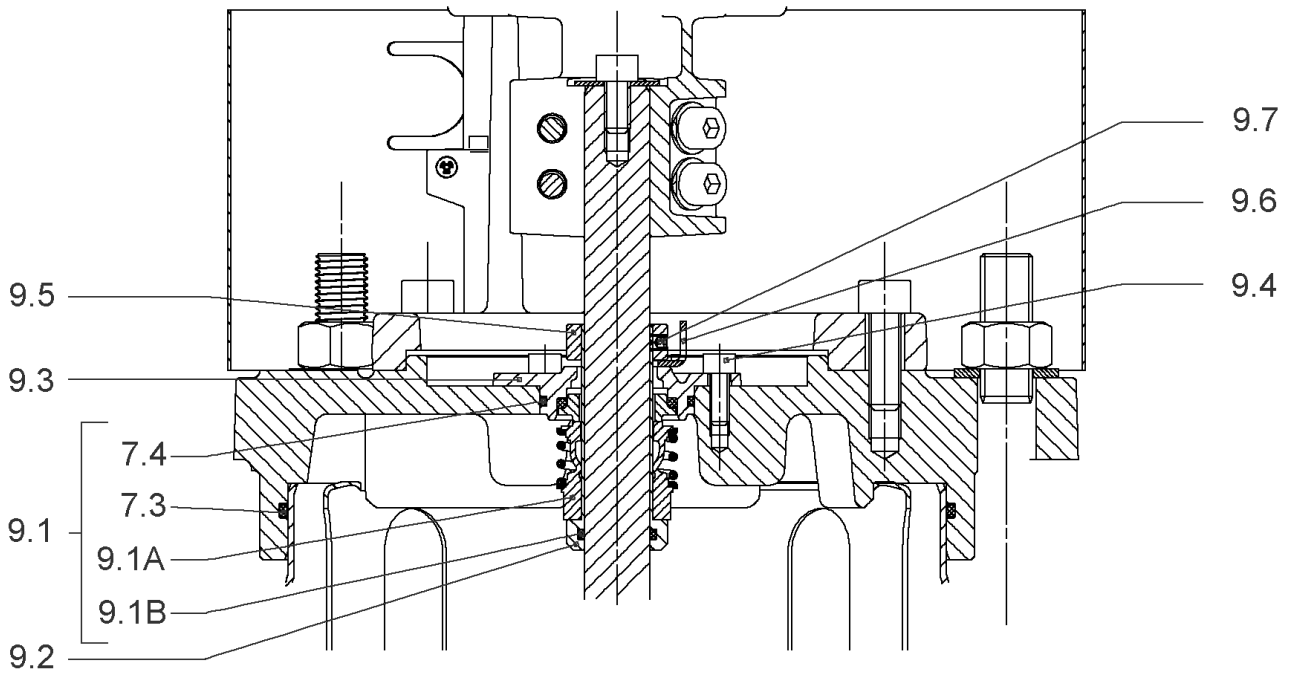
Item	Article no.	Description	Quantity
15.3C	4233957	>> O-RING ID.9 EPDM VP.	1
15.4	4221729	> BASE M+ DN50/65/80 VP.	1
15.5		> SCREW TBHC M12x25 ISO7380 ZN	1
15.6		> FLANGE M+ DN80 NF PN16-25 ASME PN16 CATA	1
15.7		> O-RING Ø91.42xØ3 EPDM	1
13.1A	4161200	> NECK RING 1.STAGE HELIX V36/52 KIT	1
		>> NECK-RING-M+36/52	1
		>> HYDRAULIC SUPPORT CAP M+36/52 304	1
		>> SCREW TCL M3X8 A4 POZIDRIV	1

COUPLING D.20XD.38 FF300 KIT (4143966)



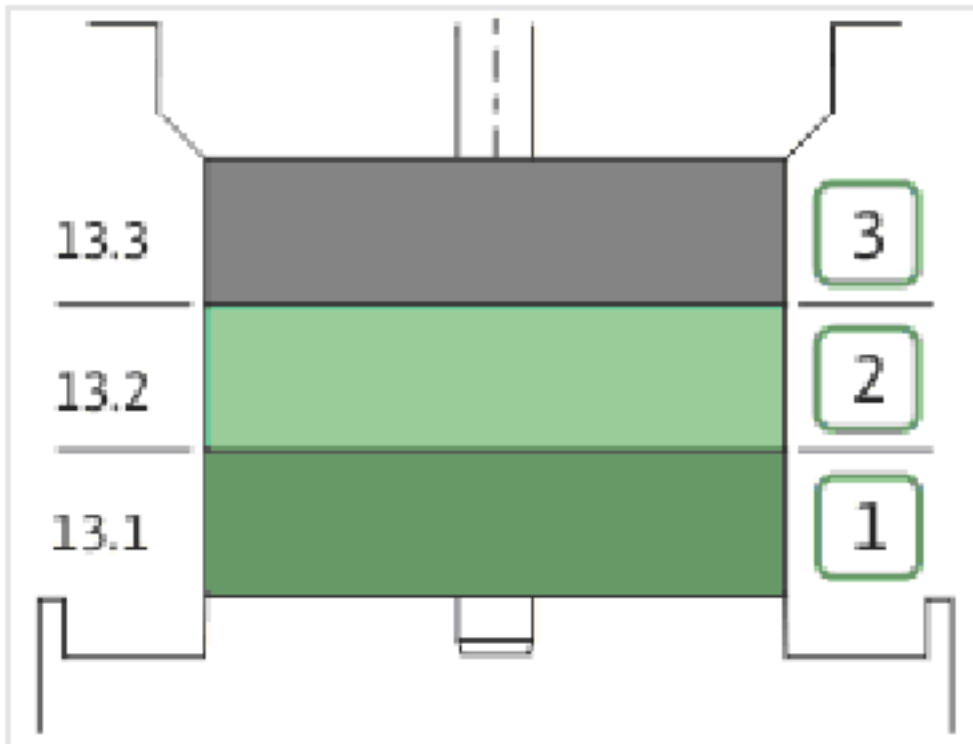
COUPLING D.20XD.38 FF300 KIT (4143966)

Item	Article no.	Description	Quantity
4.1	4179590	COUPLING 2 PARTS D.20XD.38XL115 VP.	1
4.2	2123699	BALL BEARING 6312/2Z-C4 (HT) VP.	1
4.3	63428	CIRCLIP-FOR-SHAFT-D60x2	1
4.4	2130991	SCREW M12X30 ISO4762 8.8 ZN(4 PIECES)	1
4.5	4032277	CIRCLIP-HOLE-130x4	1
4.6	4006725	O-RING ID.132,94x3,53 NBR70SR	1
4.7	2130992	RETAINING RING D.35xD.2,5 DIN7993 VP.	1
4.8	4179591	HUB D.42xD.60 VP.	1
4.9	2130994	SPACER D.38XD.55 VP.	1
4.10	4094462	SCREWS M10 (4 PIECES)	1
4.11	4233959	SCREW M8x16 VP.	1
4.12		SERRATED LOCK WASHER Ø8.2XØ25X35X2	1



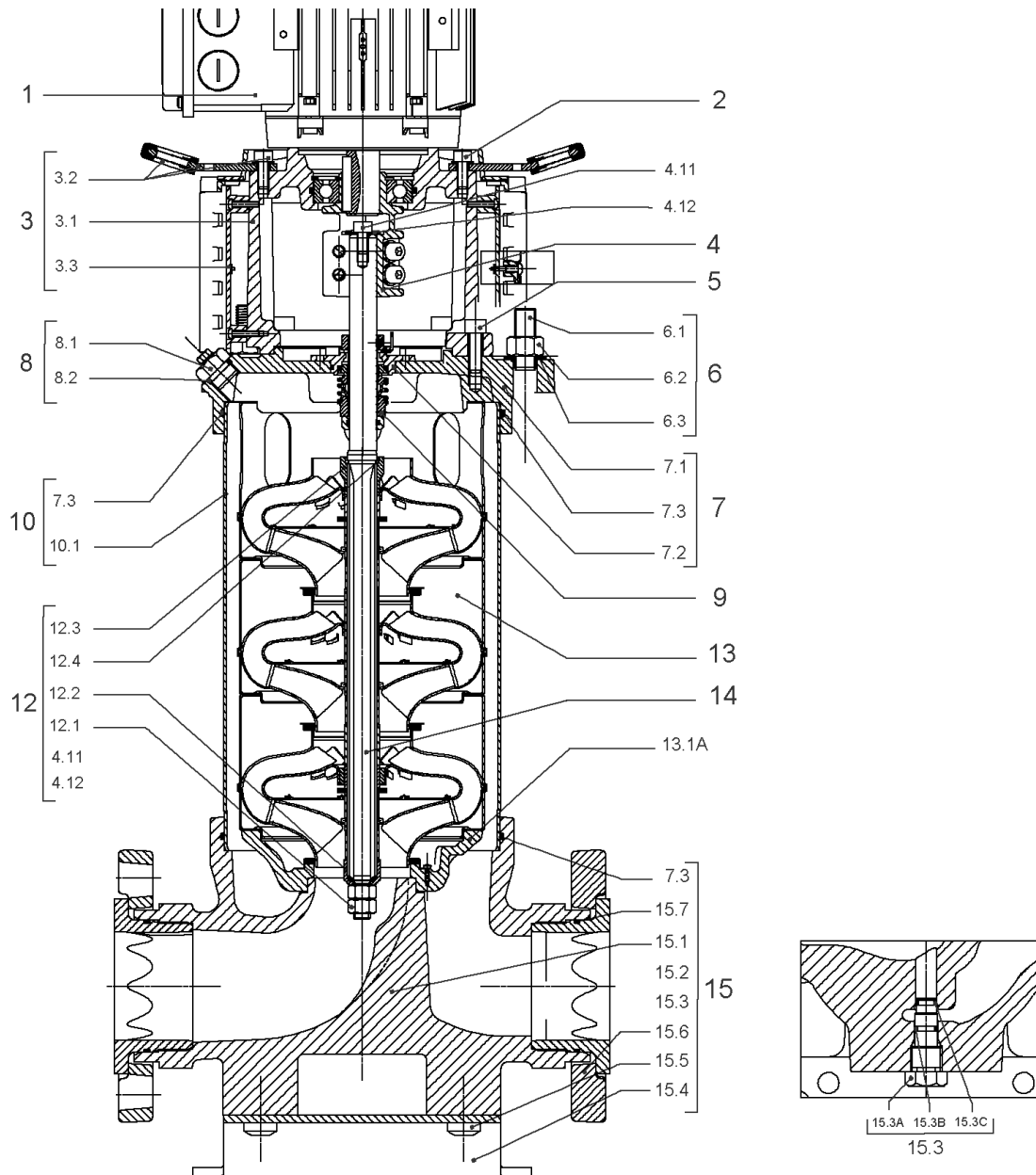
CARTRIDGE HELIX22-36-52 O/E KIT (4143973)

Item	Article no.	Description	Quantity
9.1	4143974	SEAL-KIT-HELIX22-36-52 O/E	1
7.3	4179571	> O-RING HOUSING PIPE HELIX22/36/52 VP.	1
7.4	4179572	> O-RING ID.42.52X2.62 EPDM VP.	1
9.1A	4179573	> M.SEAL.HELIX22-36-52 O/E VP.	1
9.1B	4179574	> O-RING ID.20x2.65 EPDM VP.	1
9.2	4179566	SHAFT SLEEVE D.20/20X60 1.4404 VP.	1
9.3	4179567	RING HOLDER Ø22 1.4301 VP.	1
9.4	4176520	SCREW CH M5x5 A4-70 (3PIECES)	1
9.5	4179568	DRIVE RING D.31/22.1x11 MACH.VP.	1
9.6	4179569	TOOL M.S.CART.HELIX 8" VP.	1
9.7	4179570	SCREW M6X16 ISO4762 8.8 GEOMET(4 PIECES)	1



HYDRAULIC HELIX V 5203/2

Item	Article no.	Description	Quantity
13.1	4164727	INTERMEDIAIRE STAGE HELIX 52 1.4301 KIT	1
		> SLEEVE-SPACER-D22XL30,42-316L	1
		> MACH.BEARING-DIFFUSER+NR-M+52-304	1
		> SHAFT-SLEEVE-D26xD22x16-CW	1
		> SPACER WASHER D22,3XD36 L3-316L	1
		> IMPELLER-H2-M+52-304	1
13.1A	4161200	> NECK RING 1.STAGE HELIX V36/52 KIT	1
		>> NECK-RING-M+36/52	1
		>> HYDRAULIC SUPPORT CAP M+36/52 304	1
		>> SCREW TCL M3X8 A4 POZIDRIV	1
13.2	4164730	INTERMEDIATE STAGE HELIX 52 1.4301 KIT	1
		> MACH.STD-DIFFUSER+NR-M+52-304	1
		> REDUCED-IMPELLER-H5-M+52-304	1
13.3	4164731	UPPER-STAGE HELIX 52 1.4301 KIT	1
		> STOP COLLAR OF IMPELLER L27,6-Ø22-316L	1
		> SLEEVE-SPACER-D22XL16,66-316L	1
		> SPACER WASHER D22,3XD36 L3-316L	1
		> REDUCED-IMPELLER-H2-M+52-304	1
		> MACH.STD-DISCHARGE-CHAMBER-M+52-304	1



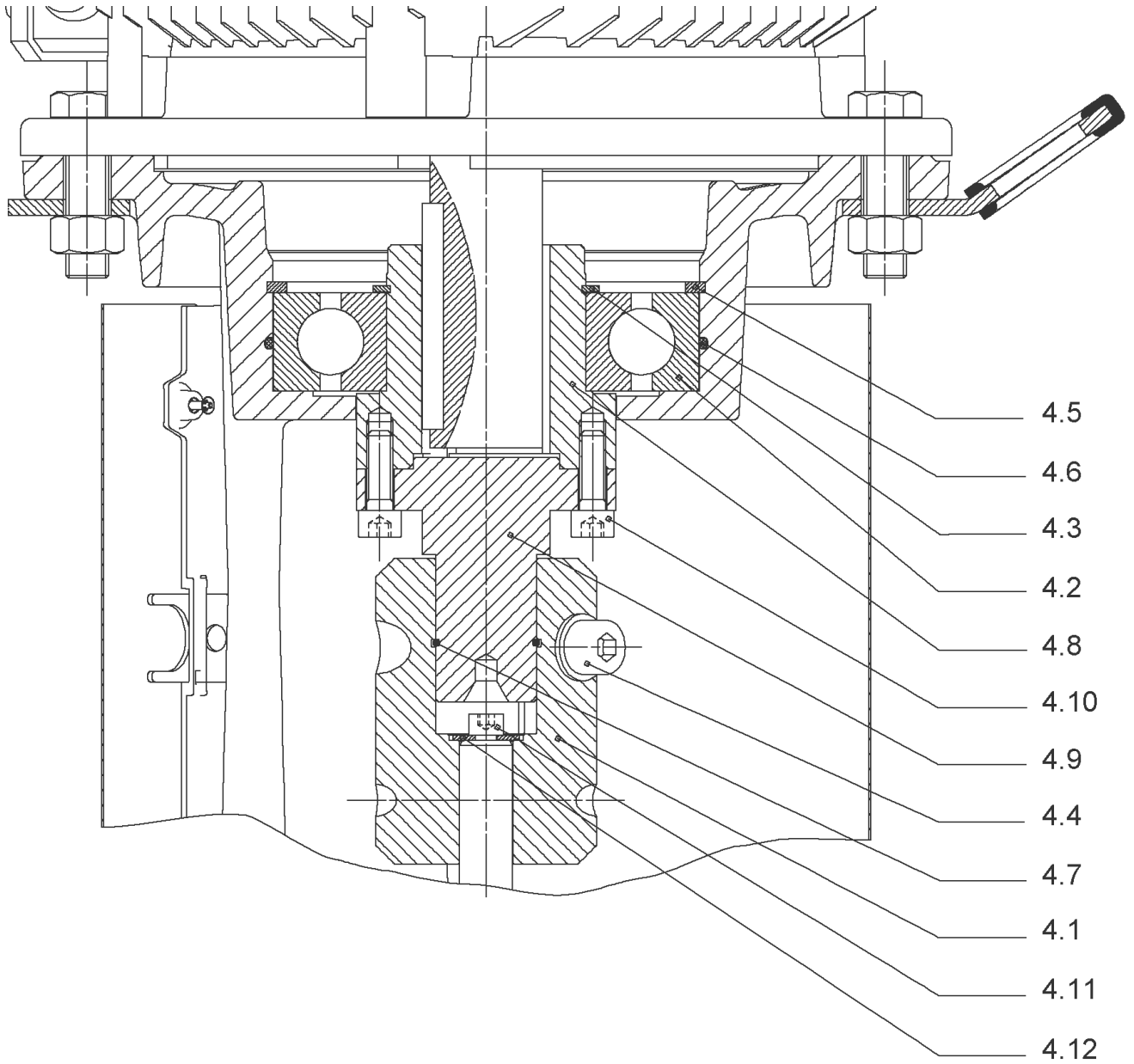
HELIX V5203-3/16/E/KS/400-50 (4141889)

Item	Article no.	Description	Quantity
1	4199884	MOTOR 11/2/160 3~400V 50HZ VP.	1
		SPARE PARTS MOTOR:ON REQUEST	1
2	4179586	SCREW M16X60 (4 PIECES)	1
3	4157721	LANTERN HELIX 22/36 FF300 BB6312 KIT	1
3.1		> LANTERN FF300 M+ GJL MACHINED+CATA 6312	1
3.2	4179589	> EYELET CPL.FF300 HELIX(4 PIECES)	1
3.3	4143969	> COUPLING PROTECT HELIX FF KIT	1
4	4143966	COUPLING D.20XD.38 FF300 KIT	1
5	4157725	SCREW M10X40 (4 PIECES)	1
6	4179592	STUD BOLT M16X405 KIT	1
6.1		> TIE BOLT M16-405x24x44-1.4057	1
6.2	4179562	> NUT M16 8.8 ISO4032 (4 PIECES)	1
6.3	4097852	> WASHER-CS-16.4-32-2.8-NFE25-511-A2	1
7	4179565	END SHIELD HELIX 8" EPDM KIT	1
7.1		> END SHIELD M+ GJL MACHINED+CATA	1
7.2	4179564	> O-RING D.42.52x2.62 EPDM VP.	1
7.3	4179571	> O-RING HOUSING PIPE HELIX22/36/52 VP.	1
8	4143765	FILING/PURGING PLUG 316L HELIX KIT	1
8.1		> FILLING/VENTING-PLUG-VMI8/10-316L	1
8.2	4032291	> O-RING 17x3 EPDM KTW/WRC	1
9	4143973	CARTRIDGE HELIX22-36-52 O/E KIT	1
10	4179593	HOUSING PIPE D.204X330 1.4307 KIT	1
7.3	4179571	> O-RING HOUSING PIPE HELIX22/36/52 VP.	1
10.1		> HOUSING-PIPE Ø204-M+3604/5203-304	1
12	4164724	SHAFT EQUIPMENT HELIX V52 KIT	1
13		HYDRAULIC HELIX V 5203	1
14	4179599	SHAFTS D.22X504 1.4057 VP.	1
15	4164723	EQUIPED HOUSING PN16 HELIX GJL KIT	1
7.3	4179571	> O-RING HOUSING PIPE HELIX22/36/52 VP.	1
15.1		> PUMP HOUSING SET with COATED PARTS-DN80	1
15.3	4143766	> DRAIN/PRIMING PLUG EPDM HELIX KIT	1
15.3A		>> PRIMING/DRAIN PLUG-304-VERSION 1	1
15.3B	4032293	>> O-RING-10x3-EPDM-KTW/WRC	1
15.3C	4233957	>> O-RING ID.9 EPDM VP.	1

HELIX V5203-3/16/E/KS/400-50 (4141889)

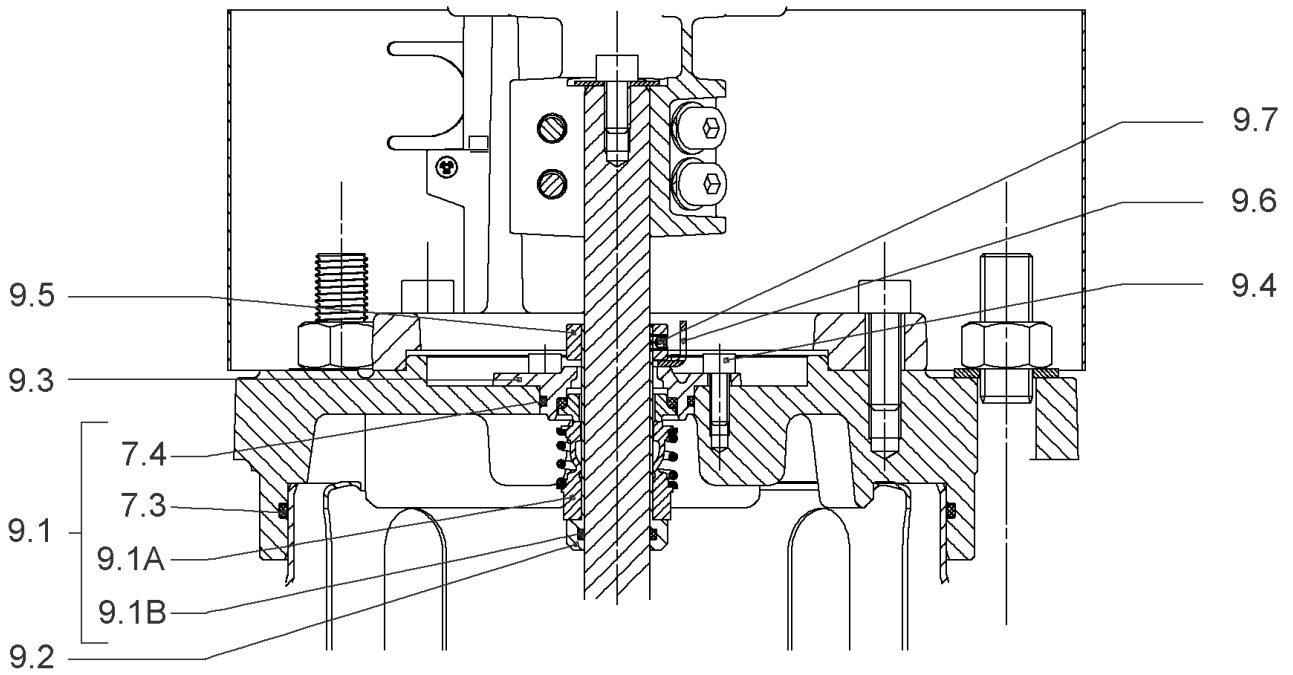
Item	Article no.	Description	Quantity
15.4	4221729	> BASE M+ DN50/65/80 VP.	1
15.5		> SCREW TBHC M12x25 ISO7380 ZN	1
15.6		> FLANGE M+ DN80 NF PN16-25 ASME PN16 CATA	1
15.7		> O-RING Ø91.42xØ3 EPDM	1
13.1A	4161200	> NECK RING 1.STAGE HELIX V36/52 KIT	1
		>> NECK-RING-M+36/52	1
		>> HYDRAULIC SUPPORT CAP M+36/52 304	1
		>> SCREW TCL M3X8 A4 POZIDRIV	1

COUPLING D.20XD.38 FF300 KIT (4143966)



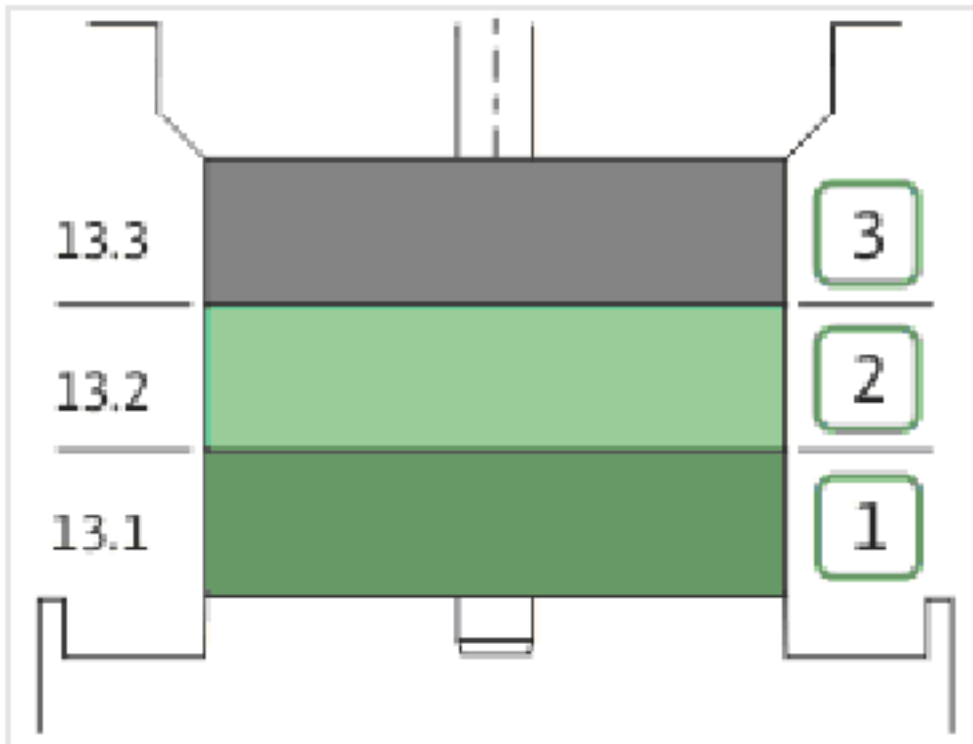
COUPLING D.20XD.38 FF300 KIT (4143966)

Item	Article no.	Description	Quantity
4.1	4179590	COUPLING 2 PARTS D.20XD.38XL115 VP.	1
4.2	2123699	BALL BEARING 6312/2Z-C4 (HT) VP.	1
4.3	63428	CIRCLIP-FOR-SHAFT-D60x2	1
4.4	2130991	SCREW M12X30 ISO4762 8.8 ZN(4 PIECES)	1
4.5	4032277	CIRCLIP-HOLE-130x4	1
4.6	4006725	O-RING ID.132,94x3,53 NBR70SR	1
4.7	2130992	RETAINING RING D.35xD.2,5 DIN7993 VP.	1
4.8	4179591	HUB D.42xD.60 VP.	1
4.9	2130994	SPACER D.38XD.55 VP.	1
4.10	4094462	SCREWS M10 (4 PIECES)	1
4.11	4233959	SCREW M8x16 VP.	1
4.12		SERRATED LOCK WASHER Ø8.2XØ25X35X2	1



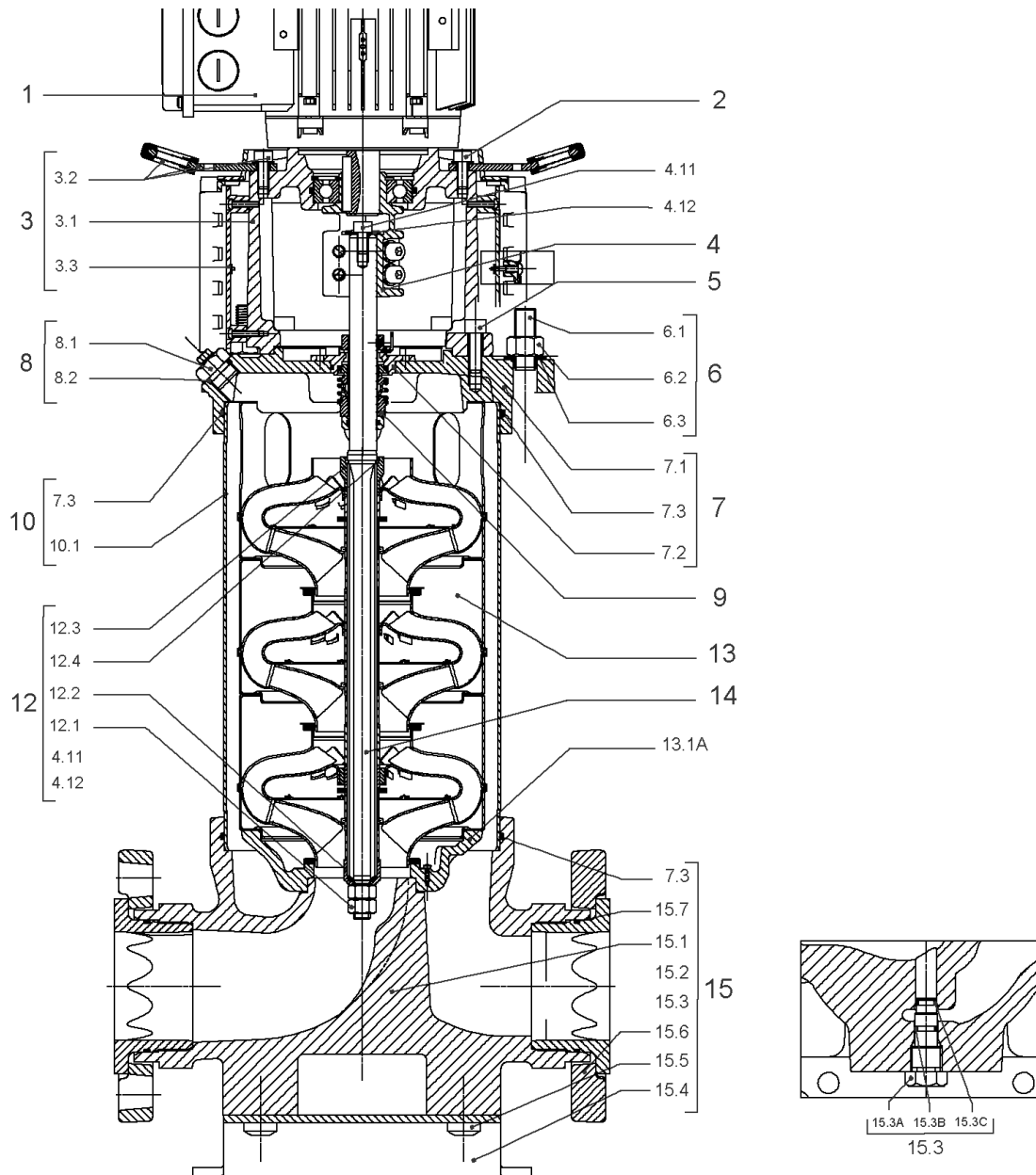
CARTRIDGE HELIX22-36-52 O/E KIT (4143973)

Item	Article no.	Description	Quantity
9.1	4143974	SEAL-KIT-HELIX22-36-52 O/E	1
7.3	4179571	> O-RING HOUSING PIPE HELIX22/36/52 VP.	1
7.4	4179572	> O-RING ID.42.52X2.62 EPDM VP.	1
9.1A	4179573	> M.SEAL.HELIX22-36-52 O/E VP.	1
9.1B	4179574	> O-RING ID.20x2.65 EPDM VP.	1
9.2	4179566	SHAFT SLEEVE D.20/20X60 1.4404 VP.	1
9.3	4179567	RING HOLDER Ø22 1.4301 VP.	1
9.4	4176520	SCREW CH M5x5 A4-70 (3PIECES)	1
9.5	4179568	DRIVE RING D.31/22.1x11 MACH.VP.	1
9.6	4179569	TOOL M.S.CART.HELIX 8" VP.	1
9.7	4179570	SCREW M6X16 ISO4762 8.8 GEOMET(4 PIECES)	1



HYDRAULIC HELIX V 5203

Item	Article no.	Description	Quantity
13.1	4164727	INTERMEDIAIRE STAGE HELIX 52 1.4301 KIT	1
		> SLEEVE-SPACER-D22XL30,42-316L	1
		> MACH.BEARING-DIFFUSER+NR-M+52-304	1
		> SHAFT-SLEEVE-D26xD22x16-CW	1
		> SPACER WASHER D22,3XD36 L3-316L	1
		> IMPELLER-H2-M+52-304	1
13.1A	4161200	> NECK RING 1.STAGE HELIX V36/52 KIT	1
		>> NECK-RING-M+36/52	1
		>> HYDRAULIC SUPPORT CAP M+36/52 304	1
		>> SCREW TCL M3X8 A4 POZIDRIV	1
13.2	4164728	INTERMEDIATE STAGE HELIX 52 1.4301 KIT	1
		> MACH.STD-DIFFUSER+NR-M+52-304	1
		> IMPELLER-H5-M+52-304	1
13.3	4164729	UPPER-STAGE HELIX 52 1.4301 KIT	1
		> STOP COLLAR OF IMPELLER L27,6-Ø22-316L	1
		> SLEEVE-SPACER-D22XL16,66-316L	1
		> SPACER WASHER D22,3XD36 L3-316L	1
		> IMPELLER-H2-M+52-304	1
		> MACH.STD-DISCHARGE-CHAMBER-M+52-304	1

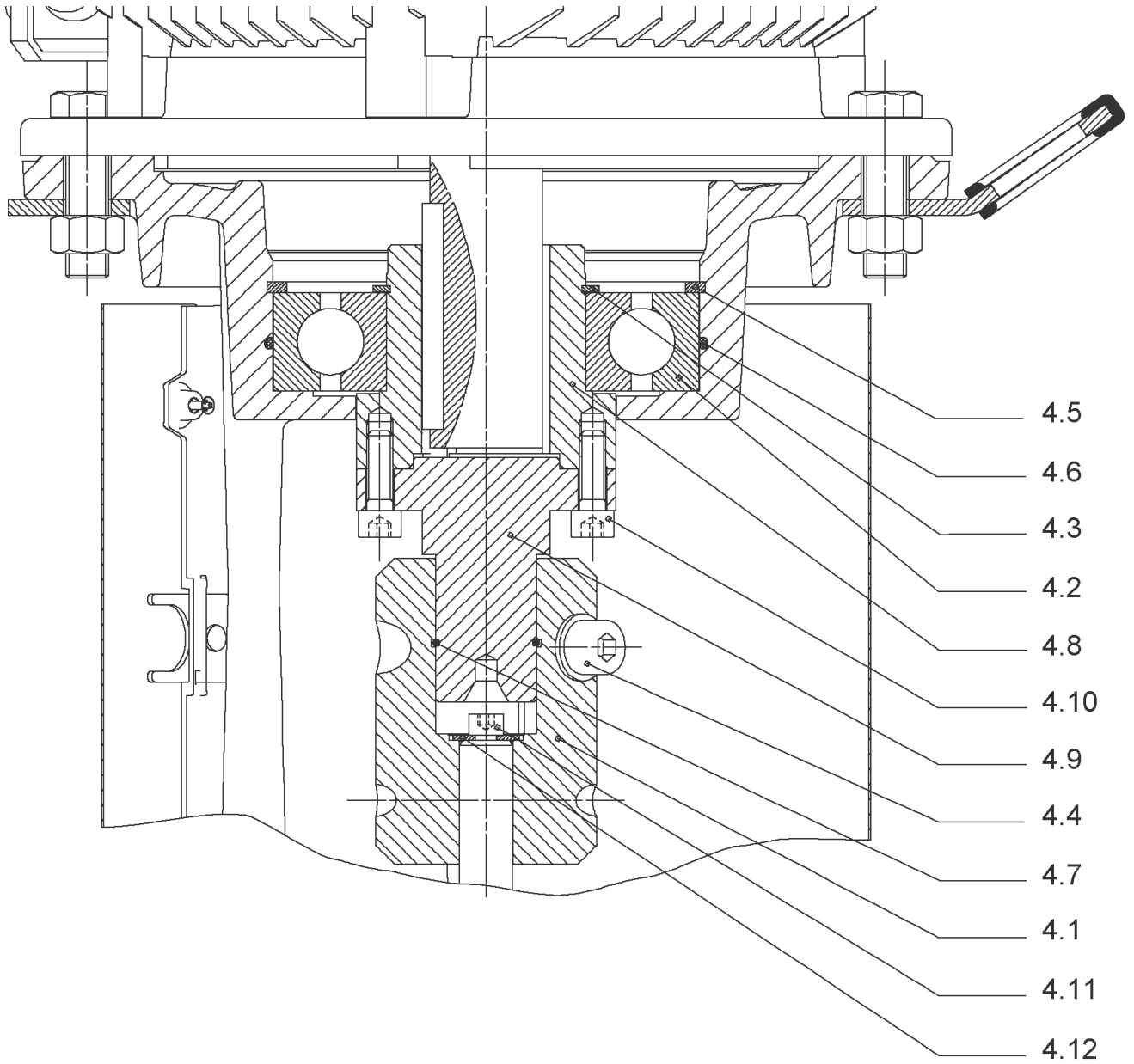


HELIX V5204/2-3/16/E/KS/400-50 (4141890)

Item	Article no.	Description	Quantity
1	4199884	MOTOR 11/2/160 3~400V 50HZ VP.	1
		SPARE PARTS MOTOR:ON REQUEST	1
2	4179586	SCREW M16X60 (4 PIECES)	1
3	4157721	LANTERN HELIX 22/36 FF300 BB6312 KIT	1
3.1		> LANTERN FF300 M+ GJL MACHINED+CATA 6312	1
3.2	4179589	> EYELET CPL.FF300 HELIX(4 PIECES)	1
3.3	4143969	> COUPLING PROTECT HELIX FF KIT	1
4	4143966	COUPLING D.20XD.38 FF300 KIT	1
5	4157725	SCREW M10X40 (4 PIECES)	1
6	4179919	STUD BOLT M16X500 KIT	1
6.1		> TIE BOLT M16-500x24x44-1.4057	1
6.2	4179562	> NUT M16 8.8 ISO4032 (4 PIECES)	1
6.3	4097852	> WASHER-CS-16.4-32-2.8-NFE25-511-A2	1
7	4179565	END SHIELD HELIX 8" EPDM KIT	1
7.1		> END SHIELD M+ GJL MACHINED+CATA	1
7.2	4179564	> O-RING D.42.52x2.62 EPDM VP.	1
7.3	4179571	> O-RING HOUSING PIPE HELIX22/36/52 VP.	1
8	4143765	FILING/PURGING PLUG 316L HELIX KIT	1
8.1		> FILLING/VENTING-PLUG-VMI8/10-316L	1
8.2	4032291	> O-RING 17x3 EPDM KTW/WRC	1
9	4143973	CARTRIDGE HELIX22-36-52 O/E KIT	1
10	4179920	HOUSING PIPE D204 X 430 1.4301 KIT	1
7.3	4179571	> O-RING HOUSING PIPE HELIX22/36/52 VP.	1
10.1		> HOUSING-PIPE Ø204-M+5204-304	1
12	4164724	SHAFT EQUIPMENT HELIX V52 KIT	1
13		HYDRAULIC HELIX V 5204-2	1
14	4180848	SHAFT D.22X604 1.4057 VP.	1
15	4164723	EQUIPED HOUSING PN16 HELIX GJL KIT	1
7.3	4179571	> O-RING HOUSING PIPE HELIX22/36/52 VP.	1
15.1		> PUMP HOUSING SET with COATED PARTS-DN80	1
15.3	4143766	> DRAIN/PRIMING PLUG EPDM HELIX KIT	1
15.3A		>> PRIMING/DRAIN PLUG-304-VERSION 1	1
15.3B	4032293	>> O-RING-10x3-EPDM-KTW/WRC	1
15.3C	4233957	>> O-RING ID.9 EPDM VP.	1

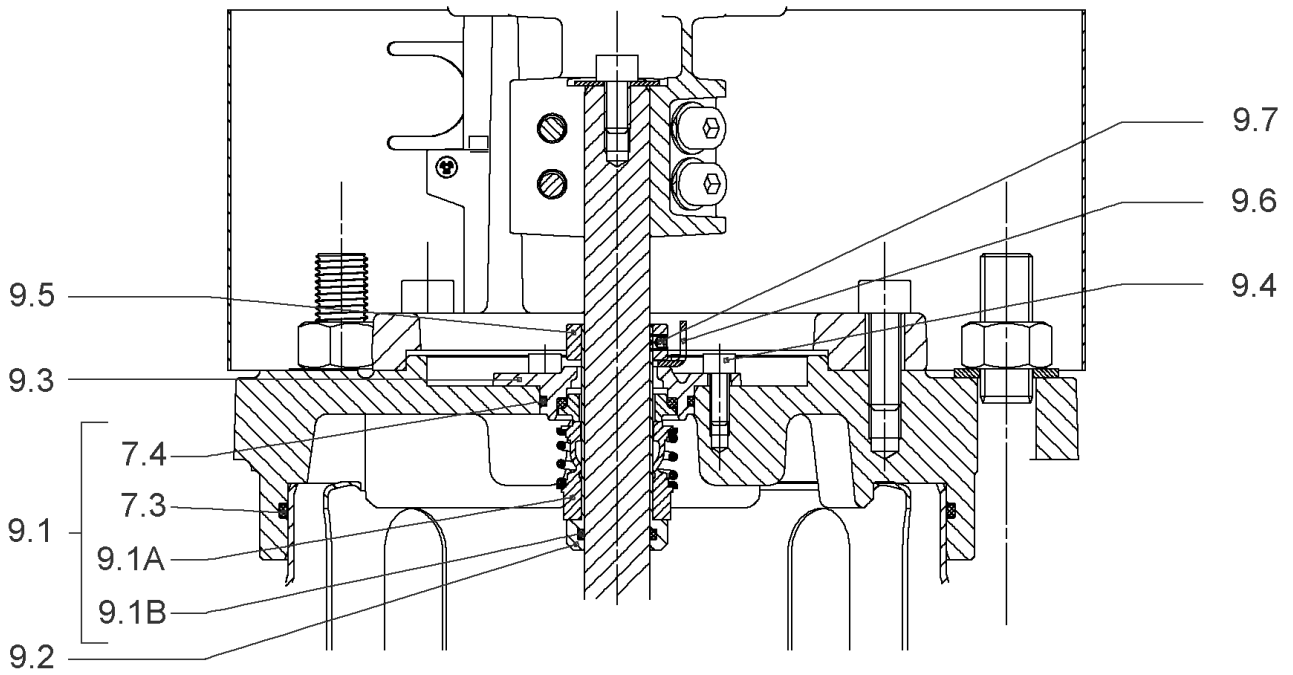
HELIX V5204/2-3/16/E/KS/400-50 (4141890)

Item	Article no.	Description	Quantity
15.4	4221729	> BASE M+ DN50/65/80 VP.	1
15.5		> SCREW TBHC M12x25 ISO7380 ZN	1
15.6		> FLANGE M+ DN80 NF PN16-25 ASME PN16 CATA	1
15.7		> O-RING Ø91.42xØ3 EPDM	1
13.1A	4161200	> NECK RING 1.STAGE HELIX V36/52 KIT	1
		>> NECK-RING-M+36/52	1
		>> HYDRAULIC SUPPORT CAP M+36/52 304	1
		>> SCREW TCL M3X8 A4 POZIDRIV	1



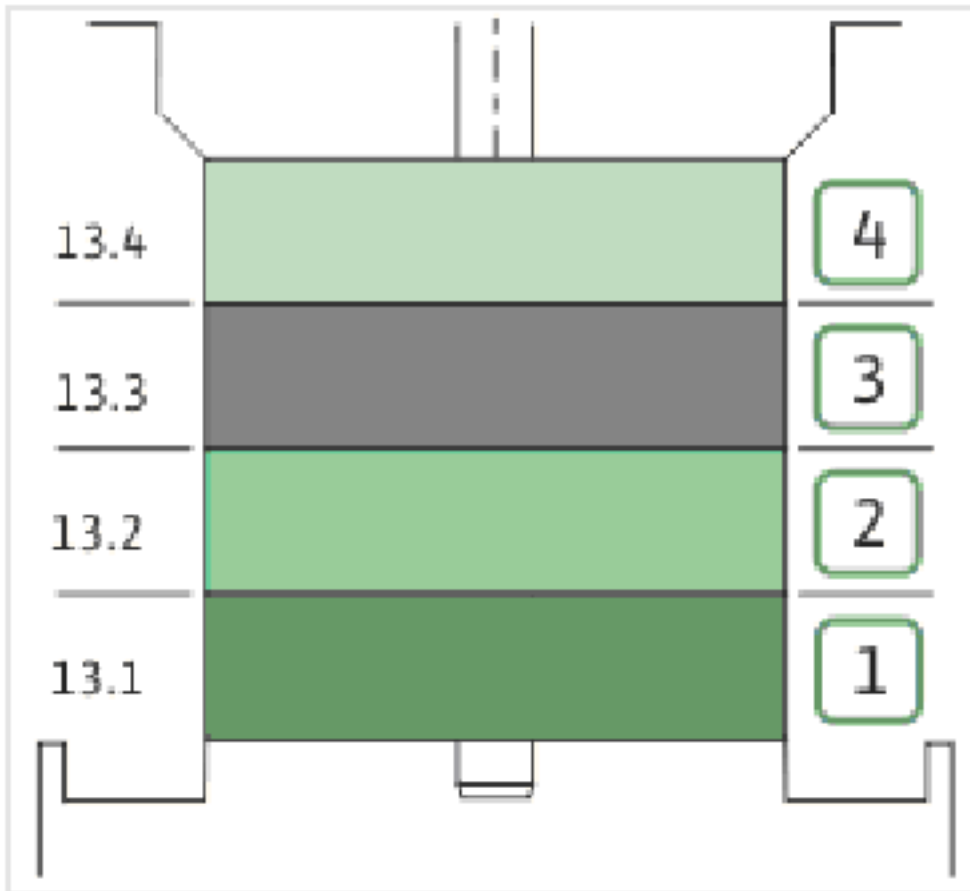
COUPLING D.20XD.38 FF300 KIT (4143966)

Item	Article no.	Description	Quantity
4.1	4179590	COUPLING 2 PARTS D.20XD.38XL115 VP.	1
4.2	2123699	BALL BEARING 6312/2Z-C4 (HT) VP.	1
4.3	63428	CIRCLIP-FOR-SHAFT-D60x2	1
4.4	2130991	SCREW M12X30 ISO4762 8.8 ZN(4 PIECES)	1
4.5	4032277	CIRCLIP-HOLE-130x4	1
4.6	4006725	O-RING ID.132,94x3,53 NBR70SR	1
4.7	2130992	RETAINING RING D.35xD.2,5 DIN7993 VP.	1
4.8	4179591	HUB D.42xD.60 VP.	1
4.9	2130994	SPACER D.38XD.55 VP.	1
4.10	4094462	SCREWS M10 (4 PIECES)	1
4.11	4233959	SCREW M8x16 VP.	1
4.12		SERRATED LOCK WASHER Ø8.2XØ25X35X2	1



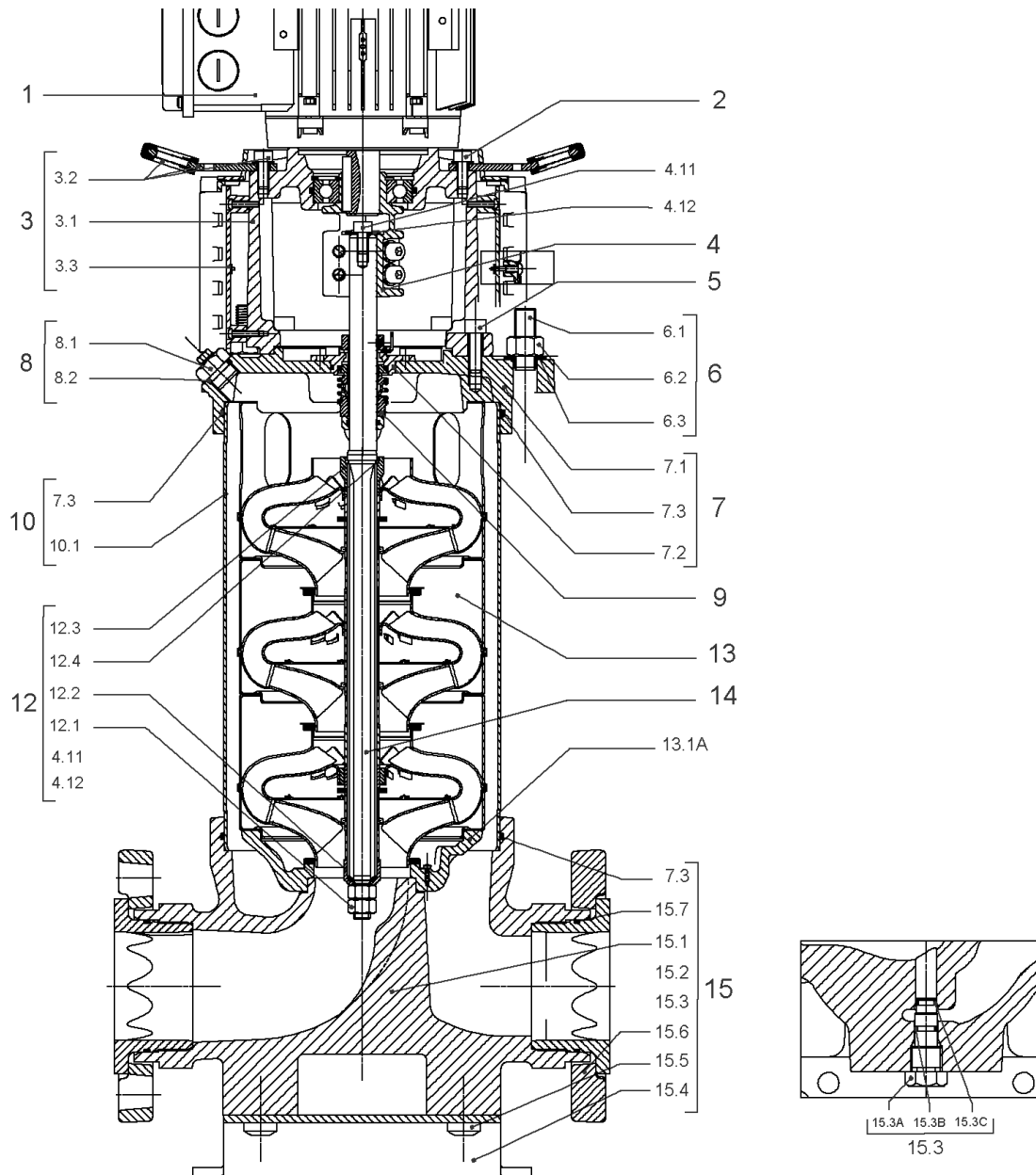
CARTRIDGE HELIX22-36-52 O/E KIT (4143973)

Item	Article no.	Description	Quantity
9.1	4143974	SEAL-KIT-HELIX22-36-52 O/E	1
7.3	4179571	> O-RING HOUSING PIPE HELIX22/36/52 VP.	1
7.4	4179572	> O-RING ID.42.52X2.62 EPDM VP.	1
9.1A	4179573	> M.SEAL.HELIX22-36-52 O/E VP.	1
9.1B	4179574	> O-RING ID.20x2.65 EPDM VP.	1
9.2	4179566	SHAFT SLEEVE D.20/20X60 1.4404 VP.	1
9.3	4179567	RING HOLDER Ø22 1.4301 VP.	1
9.4	4176520	SCREW CH M5x5 A4-70 (3PIECES)	1
9.5	4179568	DRIVE RING D.31/22.1x11 MACH.VP.	1
9.6	4179569	TOOL M.S.CART.HELIX 8" VP.	1
9.7	4179570	SCREW M6X16 ISO4762 8.8 GEOMET(4 PIECES)	1



HYDRAULIC HELIX V 5204-2

Item	Article no.	Description	Quantity
13.1	4164727	INTERMEDIAIRE STAGE HELIX 52 1.4301 KIT	1
		> SLEEVE-SPACER-D22XL30,42-316L	1
		> MACH.BEARING-DIFFUSER+NR-M+52-304	1
		> SHAFT-SLEEVE-D26xD22x16-CW	1
		> SPACER WASHER D22,3XD36 L3-316L	1
		> IMPELLER-H2-M+52-304	1
13.1A	4161200	> NECK RING 1.STAGE HELIX V36/52 KIT	1
		>> NECK-RING-M+36/52	1
		>> HYDRAULIC SUPPORT CAP M+36/52 304	1
		>> SCREW TCL M3X8 A4 POZIDRIV	1
13.2	4164728	INTERMEDIATE STAGE HELIX 52 1.4301 KIT	1
		> MACH.STD-DIFFUSER+NR-M+52-304	1
		> IMPELLER-H5-M+52-304	1
13.3	4164730	INTERMEDIATE STAGE HELIX 52 1.4301 KIT	1
		> MACH.STD-DIFFUSER+NR-M+52-304	1
		> REDUCED-IMPELLER-H5-M+52-304	1
13.4	4164731	UPPER-STAGE HELIX 52 1.4301 KIT	1
		> STOP COLLAR OF IMPELLER L27,6-Ø22-316L	1
		> SLEEVE-SPACER-D22XL16,66-316L	1
		> SPACER WASHER D22,3XD36 L3-316L	1
		> REDUCED-IMPELLER-H2-M+52-304	1
		> MACH.STD-DISCHARGE-CHAMBER-M+52-304	1

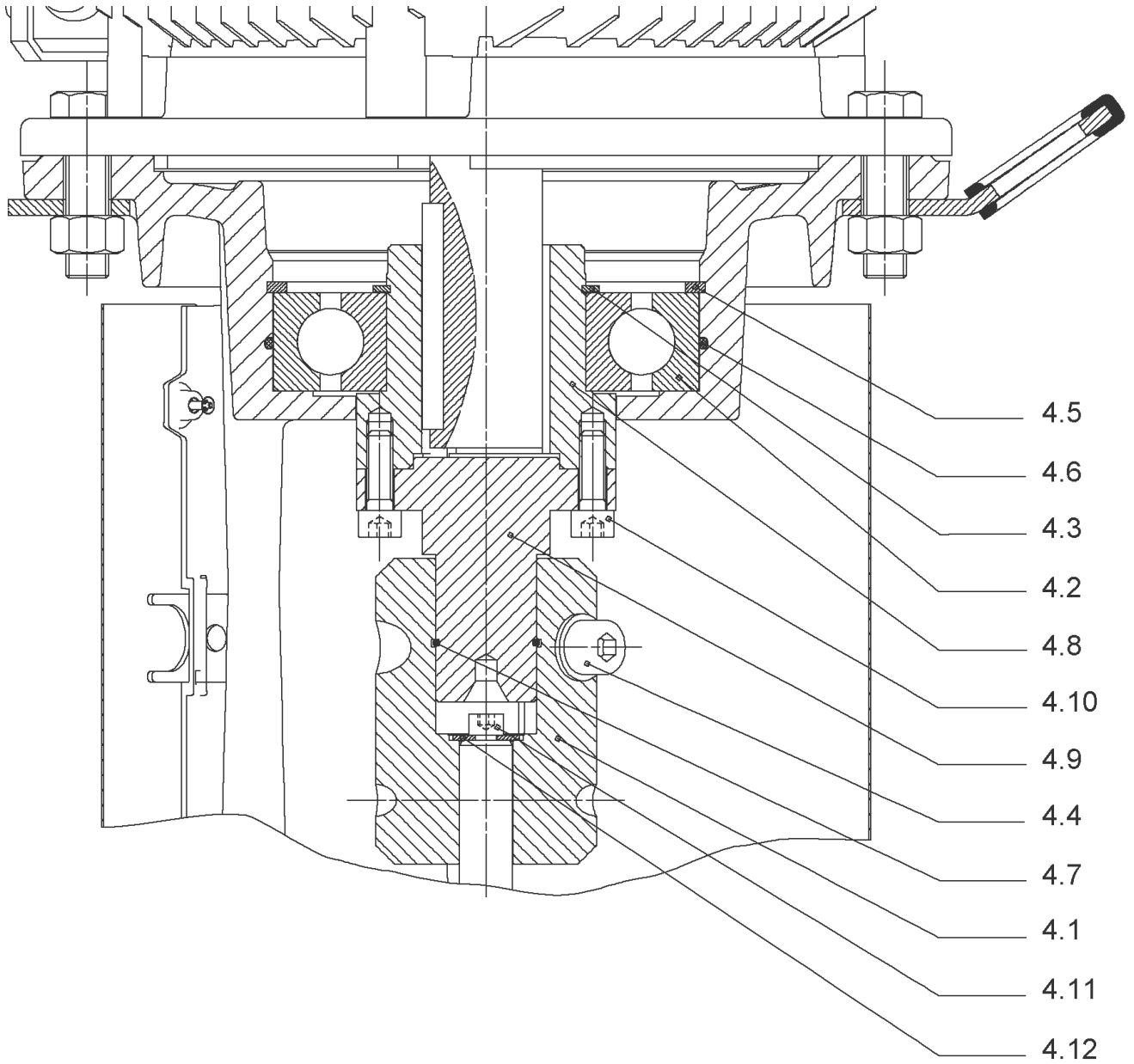


HELIX V5204-3/16/E/KS/400-50 (4141892)

Item	Article no.	Description	Quantity
1	4199884	MOTOR 11/2/160 3~400V 50HZ VP.	1
		SPARE PARTS MOTOR:ON REQUEST	1
2	4179586	SCREW M16X60 (4 PIECES)	1
3	4157721	LANTERN HELIX 22/36 FF300 BB6312 KIT	1
3.1		> LANTERN FF300 M+ GJL MACHINED+CATA 6312	1
3.2	4179589	> EYELET CPL.FF300 HELIX(4 PIECES)	1
3.3	4143969	> COUPLING PROTECT HELIX FF KIT	1
4	4143966	COUPLING D.20XD.38 FF300 KIT	1
5	4157725	SCREW M10X40 (4 PIECES)	1
6	4179919	STUD BOLT M16X500 KIT	1
6.1		> TIE BOLT M16-500x24x44-1.4057	1
6.2	4179562	> NUT M16 8.8 ISO4032 (4 PIECES)	1
6.3	4097852	> WASHER-CS-16.4-32-2.8-NFE25-511-A2	1
7	4179565	END SHIELD HELIX 8" EPDM KIT	1
7.1		> END SHIELD M+ GJL MACHINED+CATA	1
7.2	4179564	> O-RING D.42.52x2.62 EPDM VP.	1
7.3	4179571	> O-RING HOUSING PIPE HELIX22/36/52 VP.	1
8	4143765	FILING/PURGING PLUG 316L HELIX KIT	1
8.1		> FILLING/VENTING-PLUG-VMI8/10-316L	1
8.2	4032291	> O-RING 17x3 EPDM KTW/WRC	1
9	4143973	CARTRIDGE HELIX22-36-52 O/E KIT	1
10	4179920	HOUSING PIPE D204 X 430 1.4301 KIT	1
7.3	4179571	> O-RING HOUSING PIPE HELIX22/36/52 VP.	1
10.1		> HOUSING-PIPE Ø204-M+5204-304	1
12	4164724	SHAFT EQUIPMENT HELIX V52 KIT	1
13		HYDRAULIC HELIX V 5204	1
14	4180848	SHAFT D.22X604 1.4057 VP.	1
15	4164723	EQUIPED HOUSING PN16 HELIX GJL KIT	1
7.3	4179571	> O-RING HOUSING PIPE HELIX22/36/52 VP.	1
15.1		> PUMP HOUSING SET with COATED PARTS-DN80	1
15.3	4143766	> DRAIN/PRIMING PLUG EPDM HELIX KIT	1
15.3A		>> PRIMING/DRAIN PLUG-304-VERSION 1	1
15.3B	4032293	>> O-RING-10x3-EPDM-KTW/WRC	1
15.3C	4233957	>> O-RING ID.9 EPDM VP.	1

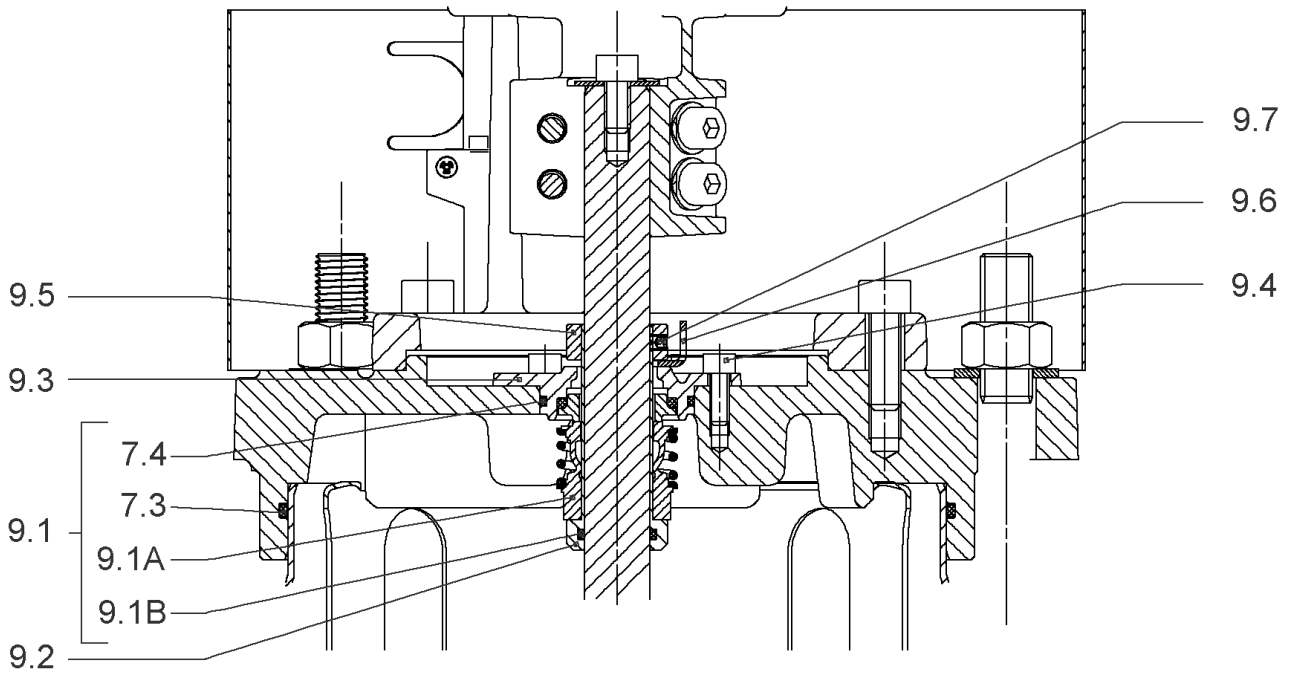
HELIX V5204-3/16/E/KS/400-50 (4141892)

Item	Article no.	Description	Quantity
15.4	4221729	> BASE M+ DN50/65/80 VP.	1
15.5		> SCREW TBHC M12x25 ISO7380 ZN	1
15.6		> FLANGE M+ DN80 NF PN16-25 ASME PN16 CATA	1
15.7		> O-RING Ø91.42xØ3 EPDM	1
13.1A	4161200	> NECK RING 1.STAGE HELIX V36/52 KIT	1
		>> NECK-RING-M+36/52	1
		>> HYDRAULIC SUPPORT CAP M+36/52 304	1
		>> SCREW TCL M3X8 A4 POZIDRIV	1



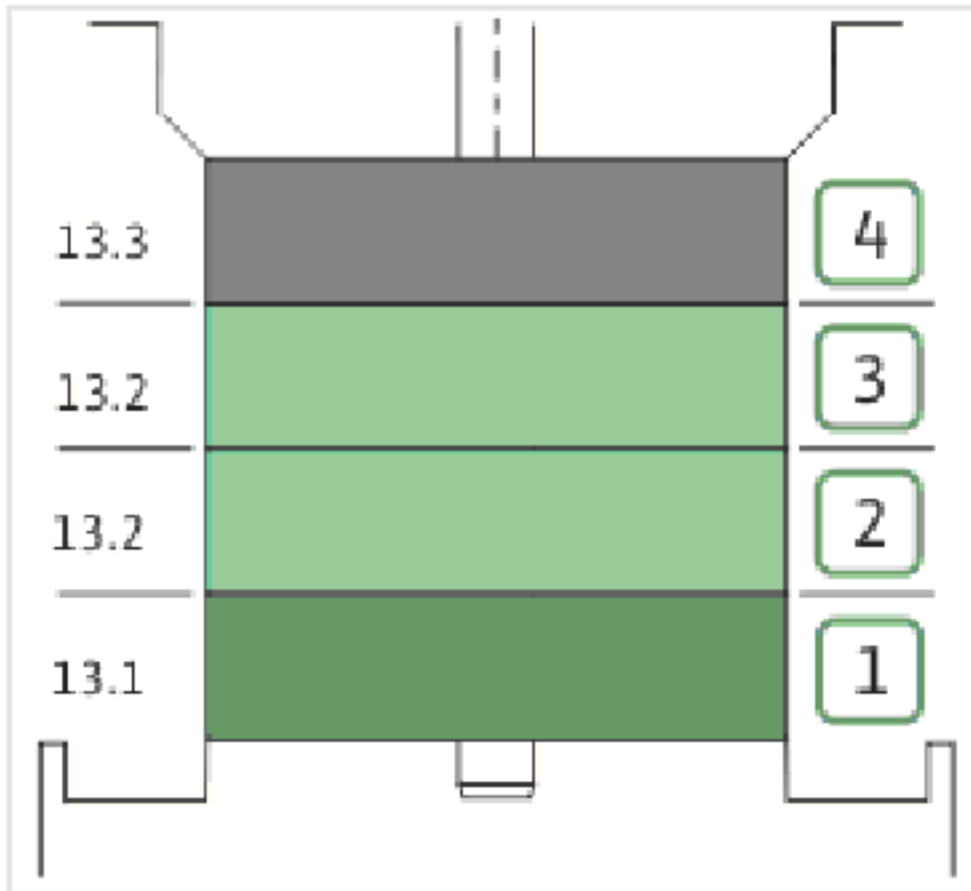
COUPLING D.20XD.38 FF300 KIT (4143966)

Item	Article no.	Description	Quantity
4.1	4179590	COUPLING 2 PARTS D.20XD.38XL115 VP.	1
4.2	2123699	BALL BEARING 6312/2Z-C4 (HT) VP.	1
4.3	63428	CIRCLIP-FOR-SHAFT-D60x2	1
4.4	2130991	SCREW M12X30 ISO4762 8.8 ZN(4 PIECES)	1
4.5	4032277	CIRCLIP-HOLE-130x4	1
4.6	4006725	O-RING ID.132,94x3,53 NBR70SR	1
4.7	2130992	RETAINING RING D.35xD.2,5 DIN7993 VP.	1
4.8	4179591	HUB D.42xD.60 VP.	1
4.9	2130994	SPACER D.38XD.55 VP.	1
4.10	4094462	SCREWS M10 (4 PIECES)	1
4.11	4233959	SCREW M8x16 VP.	1
4.12		SERRATED LOCK WASHER Ø8.2XØ25X35X2	1



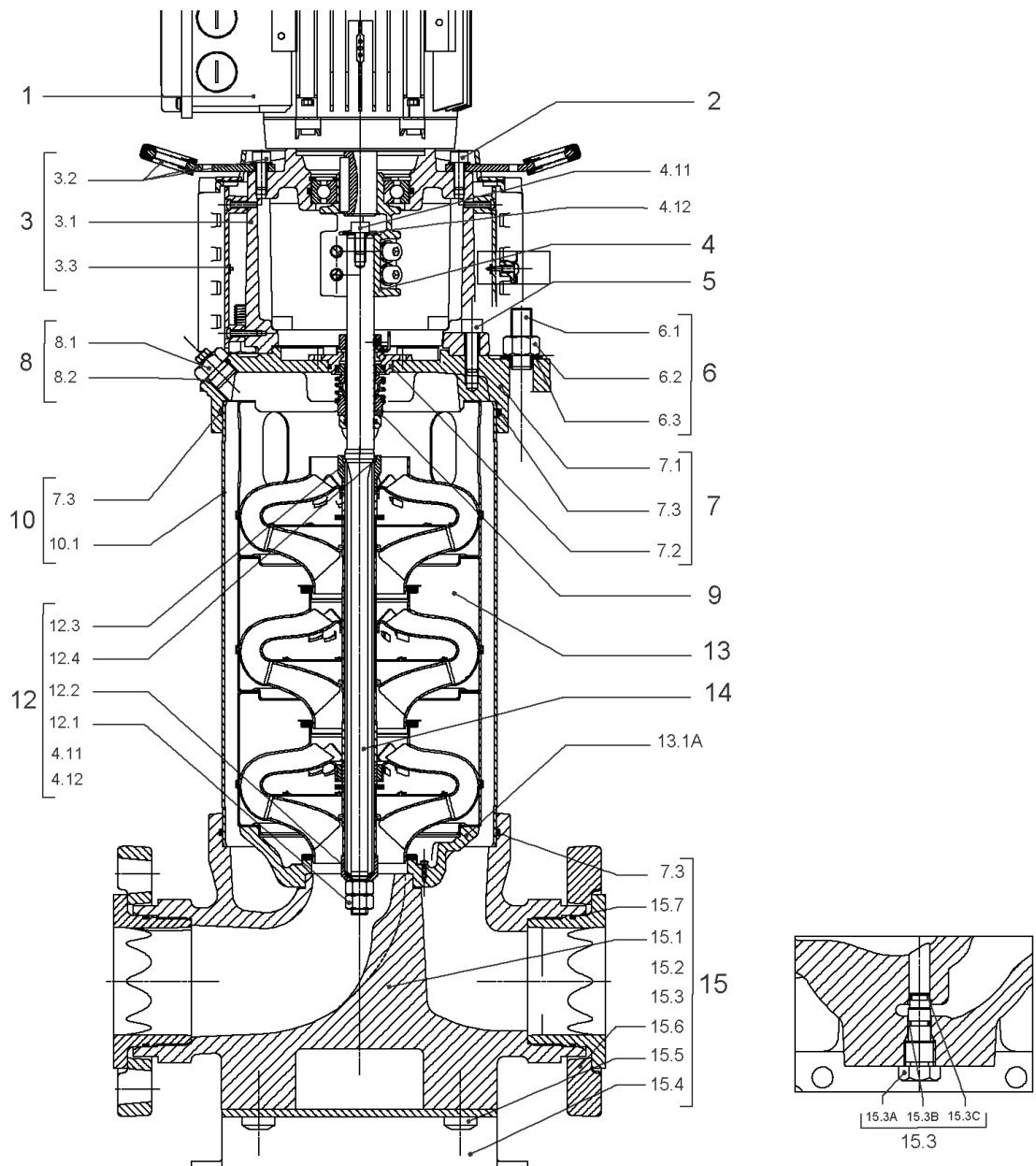
CARTRIDGE HELIX22-36-52 O/E KIT (4143973)

Item	Article no.	Description	Quantity
9.1	4143974	SEAL-KIT-HELIX22-36-52 O/E	1
7.3	4179571	> O-RING HOUSING PIPE HELIX22/36/52 VP.	1
7.4	4179572	> O-RING ID.42.52X2.62 EPDM VP.	1
9.1A	4179573	> M.SEAL.HELIX22-36-52 O/E VP.	1
9.1B	4179574	> O-RING ID.20x2.65 EPDM VP.	1
9.2	4179566	SHAFT SLEEVE D.20/20X60 1.4404 VP.	1
9.3	4179567	RING HOLDER Ø22 1.4301 VP.	1
9.4	4176520	SCREW CH M5x5 A4-70 (3PIECES)	1
9.5	4179568	DRIVE RING D.31/22.1x11 MACH.VP.	1
9.6	4179569	TOOL M.S.CART.HELIX 8" VP.	1
9.7	4179570	SCREW M6X16 ISO4762 8.8 GEOMET(4 PIECES)	1



HYDRAULIC HELIX V 5204

Item	Article no.	Description	Quantity
13.1	4164727	INTERMEDIAIRE STAGE HELIX 52 1.4301 KIT	1
		> SLEEVE-SPACER-D22XL30,42-316L	1
		> MACH.BEARING-DIFFUSER+NR-M+52-304	1
		> SHAFT-SLEEVE-D26xD22x16-CW	1
		> SPACER WASHER D22,3XD36 L3-316L	1
		> IMPELLER-H2-M+52-304	1
13.1A	4161200	> NECK RING 1.STAGE HELIX V36/52 KIT	1
		>> NECK-RING-M+36/52	1
		>> HYDRAULIC SUPPORT CAP M+36/52 304	1
		>> SCREW TCL M3X8 A4 POZIDRIV	1
13.2	4164728	INTERMEDIATE STAGE HELIX 52 1.4301 KIT	1
		> MACH.STD-DIFFUSER+NR-M+52-304	1
		> IMPELLER-H5-M+52-304	1
13.3	4164729	UPPER-STAGE HELIX 52 1.4301 KIT	1
		> STOP COLLAR OF IMPELLER L27,6-Ø22-316L	1
		> SLEEVE-SPACER-D22XL16,66-316L	1
		> SPACER WASHER D22,3XD36 L3-316L	1
		> IMPELLER-H2-M+52-304	1
		> MACH.STD-DISCHARGE-CHAMBER-M+52-304	1

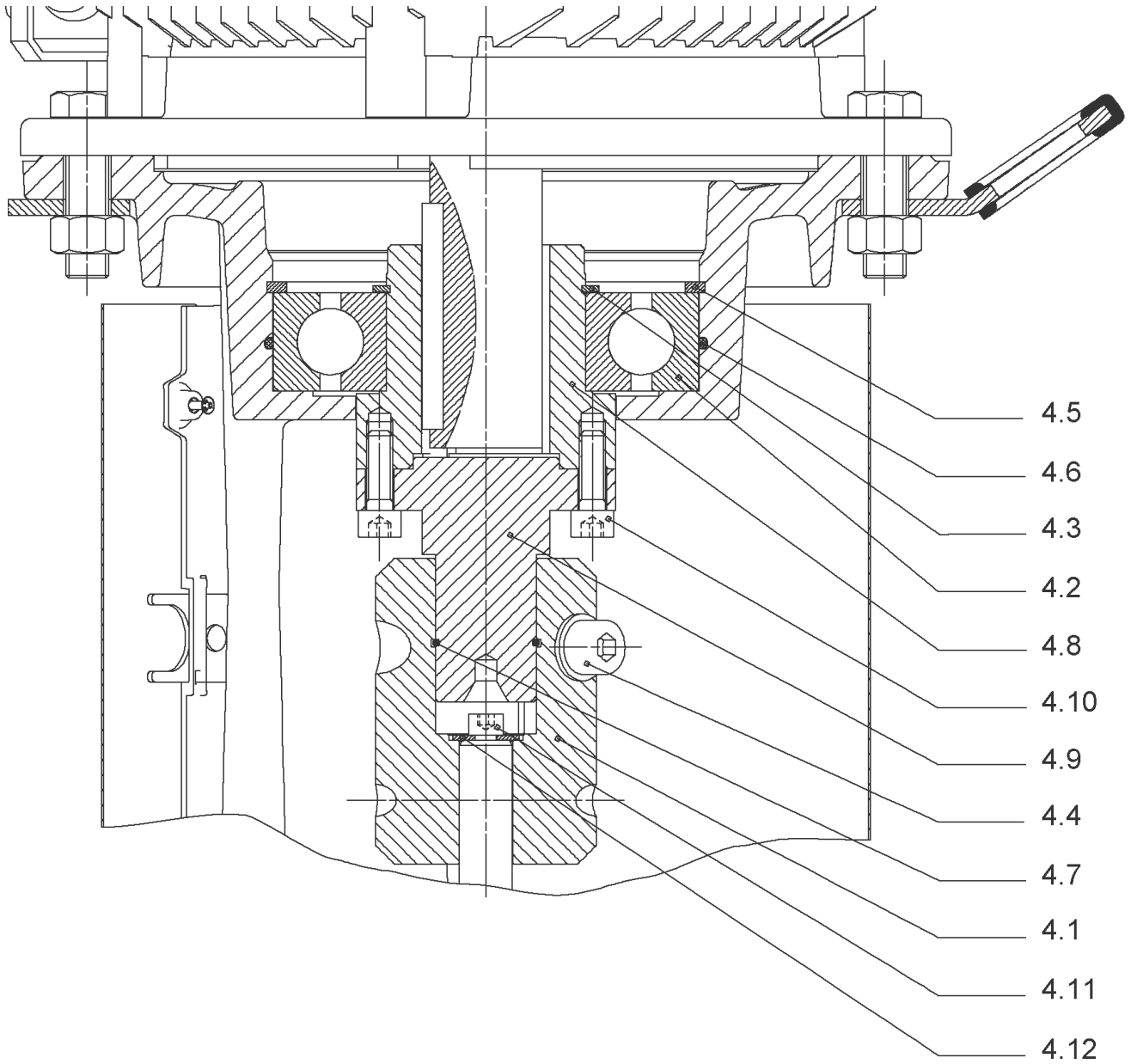


HELIX V5205/2-3/16/E/KS/400-50 (4141893)

Item	Article no.	Description	Quantity
1	4195488	MOTOR 18.5/2/160 3~400V 50HZ ARC VP.	1
		SPARE PARTS MOTOR:ON REQUEST	1
2	4179586	SCREW M16X60 (4 PIECES)	1
3	4157721	LANTERN HELIX 22/36 FF300 BB6312 KIT	1
3.1		> LANTERN FF300 M+ GJL MACHINED+CATA 6312	1
3.2	4179589	> EYELET CPL.FF300 HELIX(4 PIECES)	1
3.3	4143969	> COUPLING PROTECT HELIX FF KIT	1
4	4143966	COUPLING D.20XD.38 FF300 KIT	1
5	4157725	SCREW M10X40 (4 PIECES)	1
6	4179923	STUD BOLT M16X600 KIT	1
6.1		> TIE BOLT M16-600x24x44-1.4057	1
6.2	4179562	> NUT M16 8.8 ISO4032 (4 PIECES)	1
6.3	4097852	> WASHER-CS-16.4-32-2.8-NFE25-511-A2	1
7	4179565	END SHIELD HELIX 8" EPDM KIT	1
7.1		> END SHIELD M+ GJL MACHINED+CATA	1
7.2	4179564	> O-RING D.42.52x2.62 EPDM VP.	1
7.3	4179571	> O-RING HOUSING PIPE HELIX22/36/52 VP.	1
8	4143765	FILING/PURGING PLUG 316L HELIX KIT	1
8.1		> FILLING/VENTING-PLUG-VMI8/10-316L	1
8.2	4032291	> O-RING 17x3 EPDM KTW/WRC	1
9	4143973	CARTRIDGE HELIX22-36-52 O/E KIT	1
10	4179924	HOUSING PIPE D.204X530 1.4301 KIT	1
7.3	4179571	> O-RING HOUSING PIPE HELIX22/36/52 VP.	1
10.1		> HOUSING-PIPE Ø204-M+3607/5205-304	1
12	4164724	SHAFT EQUIPMENT HELIX V52 KIT	1
13		HYDRAULIC HELIX V 5205-2	1
14	4179926	SHAFTS D.22X704 1.4057 VP.	1
15	4164723	EQUIPED HOUSING PN16 HELIX GJL KIT	1
7.3	4179571	> O-RING HOUSING PIPE HELIX22/36/52 VP.	1
15.1		> PUMP HOUSING SET with COATED PARTS-DN80	1
15.3	4143766	> DRAIN/PRIMING PLUG EPDM HELIX KIT	1
15.3A		>> PRIMING/DRAIN PLUG-304-VERSION 1	1
15.3B	4032293	>> O-RING-10x3-EPDM-KTW/WRC	1
15.3C	4233957	>> O-RING ID.9 EPDM VP.	1

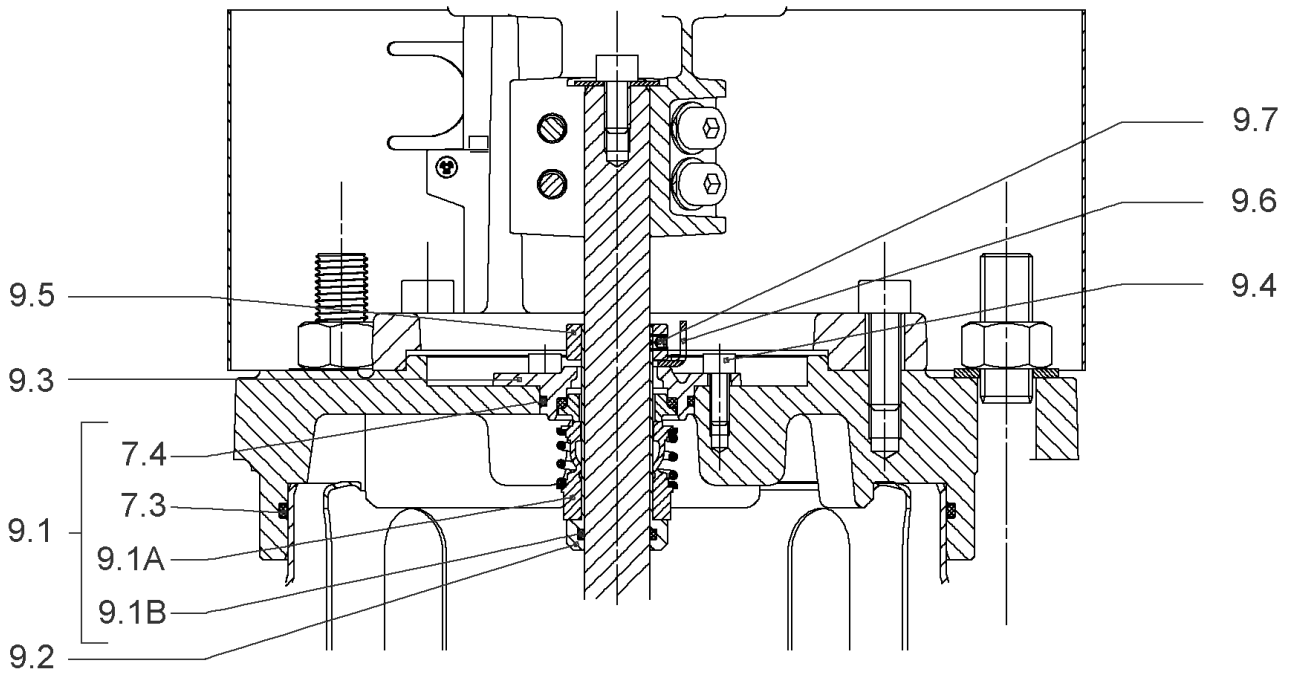
HELIX V5205/2-3/16/E/KS/400-50 (4141893)

Item	Article no.	Description	Quantity
15.4	4221729	> BASE M+ DN50/65/80 VP.	1
15.5		> SCREW TBHC M12x25 ISO7380 ZN	1
15.6		> FLANGE M+ DN80 NF PN16-25 ASME PN16 CATA	1
15.7		> O-RING Ø91.42xØ3 EPDM	1
13.1A	4161200	> NECK RING 1.STAGE HELIX V36/52 KIT	1
		>> NECK-RING-M+36/52	1
		>> HYDRAULIC SUPPORT CAP M+36/52 304	1
		>> SCREW TCL M3X8 A4 POZIDRIV	1



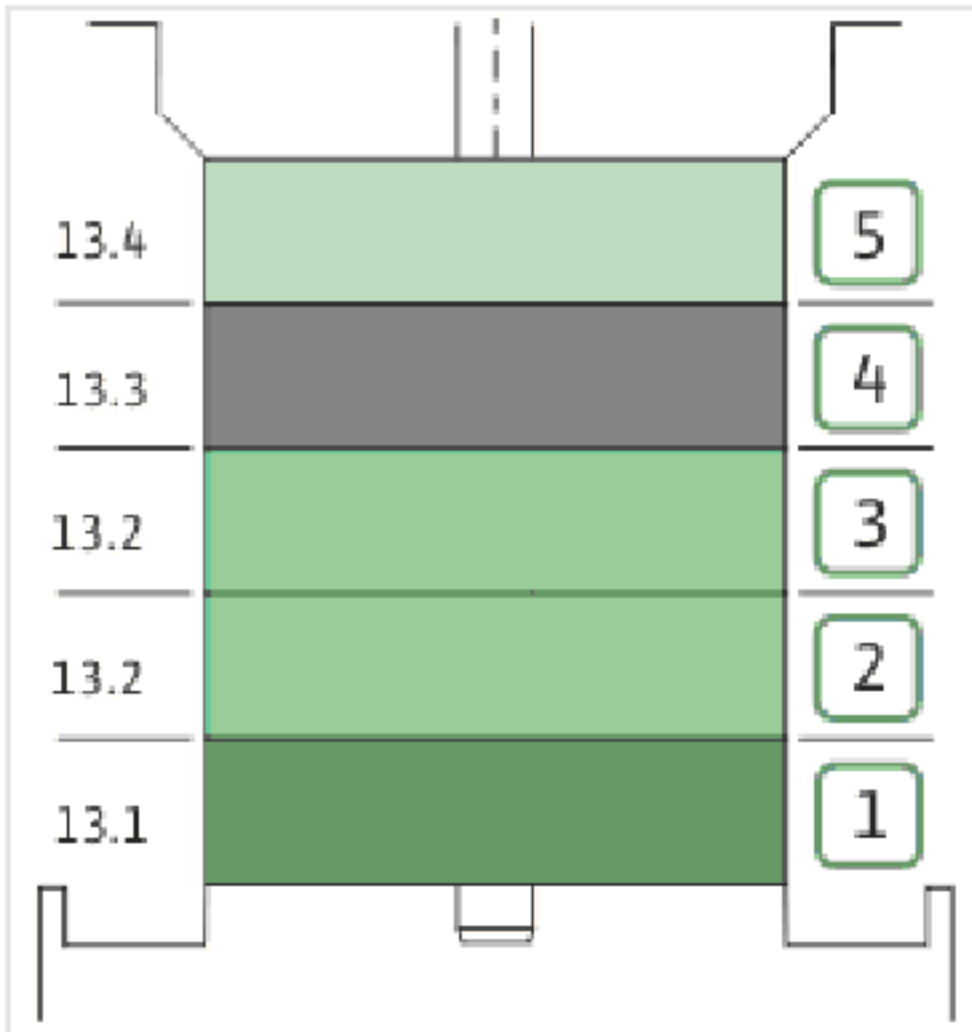
COUPLING D.20XD.38 FF300 KIT (4143966)

Item	Article no.	Description	Quantity
4.1	4179590	COUPLING 2 PARTS D.20XD.38XL115 VP.	1
4.2	2123699	BALL BEARING 6312/2Z-C4 (HT) VP.	1
4.3	63428	CIRCLIP-FOR-SHAFT-D60x2	1
4.4	2130991	SCREW M12X30 ISO4762 8.8 ZN(4 PIECES)	1
4.5	4032277	CIRCLIP-HOLE-130x4	1
4.6	4006725	O-RING ID.132,94x3,53 NBR70SR	1
4.7	2130992	RETAINING RING D.35xD.2,5 DIN7993 VP.	1
4.8	4179591	HUB D.42xD.60 VP.	1
4.9	2130994	SPACER D.38XD.55 VP.	1
4.10	4094462	SCREWS M10 (4 PIECES)	1
4.11	4233959	SCREW M8x16 VP.	1
4.12		SERRATED LOCK WASHER Ø8.2XØ25X35X2	1



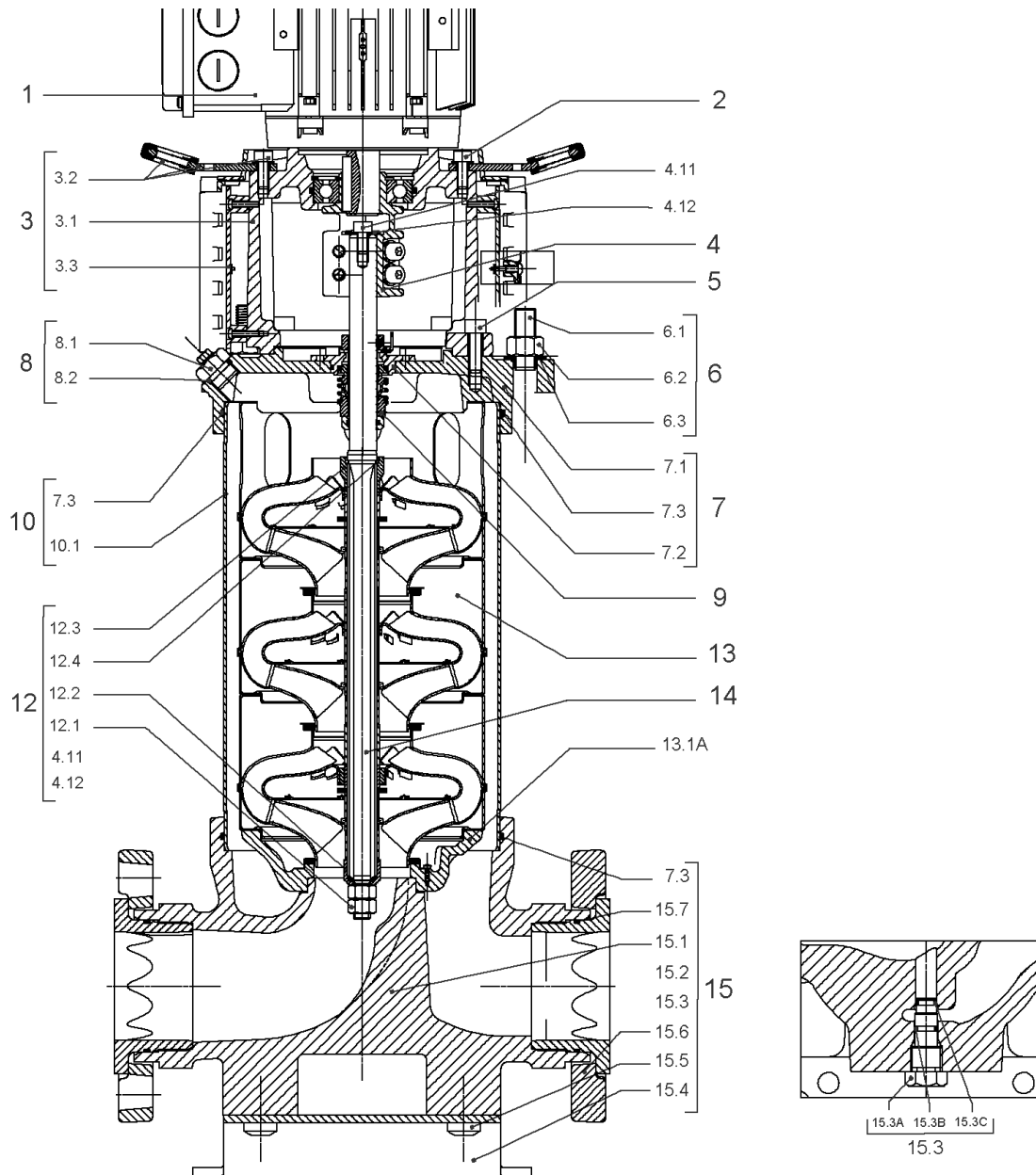
CARTRIDGE HELIX22-36-52 O/E KIT (4143973)

Item	Article no.	Description	Quantity
9.1	4143974	SEAL-KIT-HELIX22-36-52 O/E	1
7.3	4179571	> O-RING HOUSING PIPE HELIX22/36/52 VP.	1
7.4	4179572	> O-RING ID.42.52X2.62 EPDM VP.	1
9.1A	4179573	> M.SEAL.HELIX22-36-52 O/E VP.	1
9.1B	4179574	> O-RING ID.20x2.65 EPDM VP.	1
9.2	4179566	SHAFT SLEEVE D.20/20X60 1.4404 VP.	1
9.3	4179567	RING HOLDER Ø22 1.4301 VP.	1
9.4	4176520	SCREW CH M5x5 A4-70 (3PIECES)	1
9.5	4179568	DRIVE RING D.31/22.1x11 MACH.VP.	1
9.6	4179569	TOOL M.S.CART.HELIX 8" VP.	1
9.7	4179570	SCREW M6X16 ISO4762 8.8 GEOMET(4 PIECES)	1



HYDRAULIC HELIX V 5205-2

Item	Article no.	Description	Quantity
13.1	4164727	INTERMEDIAIRE STAGE HELIX 52 1.4301 KIT	1
		> SLEEVE-SPACER-D22XL30,42-316L	1
		> MACH.BEARING-DIFFUSER+NR-M+52-304	1
		> SHAFT-SLEEVE-D26xD22x16-CW	1
		> SPACER WASHER D22,3XD36 L3-316L	1
		> IMPELLER-H2-M+52-304	1
13.1A	4161200	> NECK RING 1.STAGE HELIX V36/52 KIT	1
		>> NECK-RING-M+36/52	1
		>> HYDRAULIC SUPPORT CAP M+36/52 304	1
		>> SCREW TCL M3X8 A4 POZIDRIV	1
13.2	4164728	INTERMEDIATE STAGE HELIX 52 1.4301 KIT	1
		> MACH.STD-DIFFUSER+NR-M+52-304	1
		> IMPELLER-H5-M+52-304	1
13.3	4164730	INTERMEDIATE STAGE HELIX 52 1.4301 KIT	1
		> MACH.STD-DIFFUSER+NR-M+52-304	1
		> REDUCED-IMPELLER-H5-M+52-304	1
13.4	4164731	UPPER-STAGE HELIX 52 1.4301 KIT	1
		> STOP COLLAR OF IMPELLER L27,6-Ø22-316L	1
		> SLEEVE-SPACER-D22XL16,66-316L	1
		> SPACER WASHER D22,3XD36 L3-316L	1
		> REDUCED-IMPELLER-H2-M+52-304	1
		> MACH.STD-DISCHARGE-CHAMBER-M+52-304	1

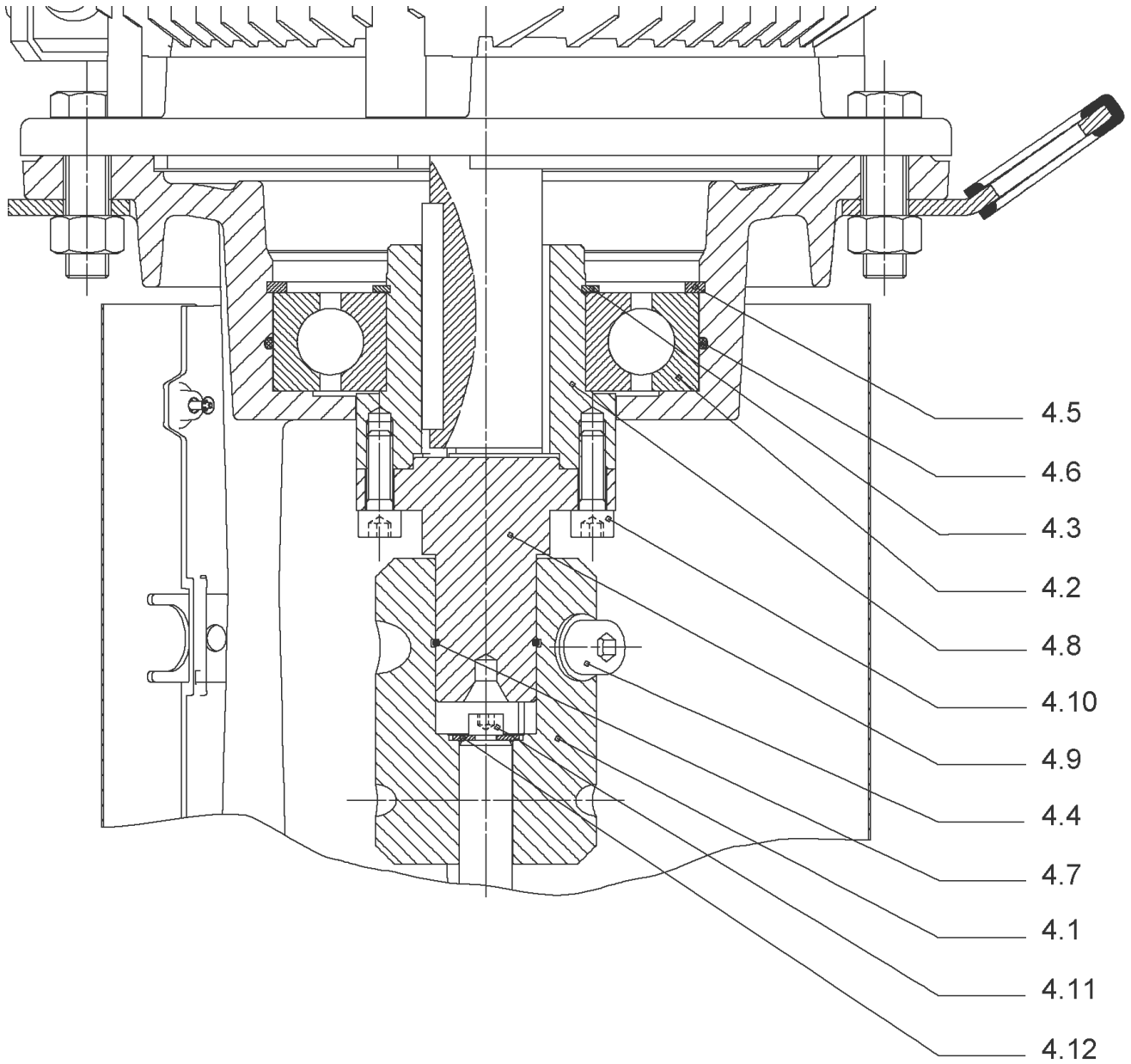


HELIX V5205-3/16/E/KS/400-50 (4141895)

Item	Article no.	Description	Quantity
1	4195488	MOTOR 18.5/2/160 3~400V 50HZ ARC VP.	1
		SPARE PARTS MOTOR:ON REQUEST	1
2	4179586	SCREW M16X60 (4 PIECES)	1
3	4157721	LANTERN HELIX 22/36 FF300 BB6312 KIT	1
3.1		> LANTERN FF300 M+ GJL MACHINED+CATA 6312	1
3.2	4179589	> EYELET CPL.FF300 HELIX(4 PIECES)	1
3.3	4143969	> COUPLING PROTECT HELIX FF KIT	1
4	4143966	COUPLING D.20XD.38 FF300 KIT	1
5	4157725	SCREW M10X40 (4 PIECES)	1
6	4179923	STUD BOLT M16X600 KIT	1
6.1		> TIE BOLT M16-600x24x44-1.4057	1
6.2	4179562	> NUT M16 8.8 ISO4032 (4 PIECES)	1
6.3	4097852	> WASHER-CS-16.4-32-2.8-NFE25-511-A2	1
7	4179565	END SHIELD HELIX 8" EPDM KIT	1
7.1		> END SHIELD M+ GJL MACHINED+CATA	1
7.2	4179564	> O-RING D.42.52x2.62 EPDM VP.	1
7.3	4179571	> O-RING HOUSING PIPE HELIX22/36/52 VP.	1
8	4143765	FILING/PURGING PLUG 316L HELIX KIT	1
8.1		> FILLING/VENTING-PLUG-VMI8/10-316L	1
8.2	4032291	> O-RING 17x3 EPDM KTW/WRC	1
9	4143973	CARTRIDGE HELIX22-36-52 O/E KIT	1
10	4179924	HOUSING PIPE D.204X530 1.4301 KIT	1
7.3	4179571	> O-RING HOUSING PIPE HELIX22/36/52 VP.	1
10.1		> HOUSING-PIPE Ø204-M+3607/5205-304	1
12	4164724	SHAFT EQUIPMENT HELIX V52 KIT	1
13		HYDRAULIC HELIX V 5205	1
14	4179926	SHAFTS D.22X704 1.4057 VP.	1
15	4164723	EQUIPED HOUSING PN16 HELIX GJL KIT	1
7.3	4179571	> O-RING HOUSING PIPE HELIX22/36/52 VP.	1
15.1		> PUMP HOUSING SET with COATED PARTS-DN80	1
15.3	4143766	> DRAIN/PRIMING PLUG EPDM HELIX KIT	1
15.3A		>> PRIMING/DRAIN PLUG-304-VERSION 1	1
15.3B	4032293	>> O-RING-10x3-EPDM-KTW/WRC	1
15.3C	4233957	>> O-RING ID.9 EPDM VP.	1

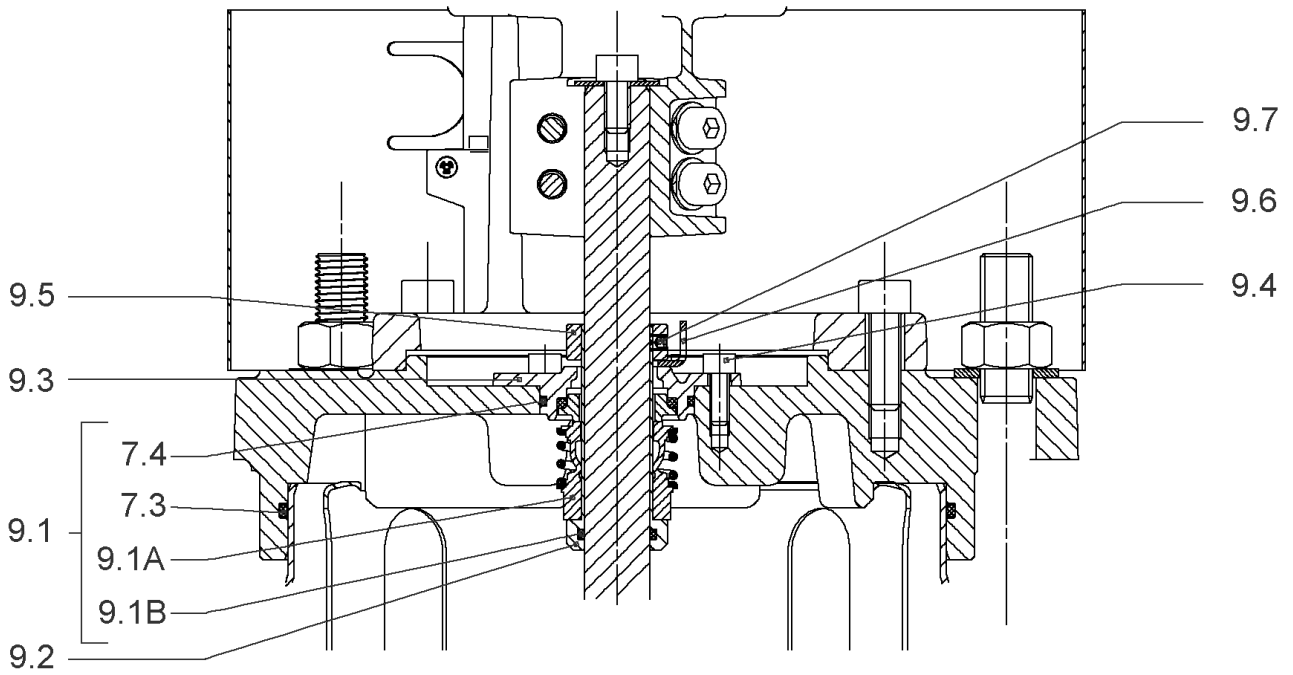
HELIX V5205-3/16/E/KS/400-50 (4141895)

Item	Article no.	Description	Quantity
15.4	4221729	> BASE M+ DN50/65/80 VP.	1
15.5		> SCREW TBHC M12x25 ISO7380 ZN	1
15.6		> FLANGE M+ DN80 NF PN16-25 ASME PN16 CATA	1
15.7		> O-RING Ø91.42xØ3 EPDM	1
13.1A	4161200	> NECK RING 1.STAGE HELIX V36/52 KIT	1
		>> NECK-RING-M+36/52	1
		>> HYDRAULIC SUPPORT CAP M+36/52 304	1
		>> SCREW TCL M3X8 A4 POZIDRIV	1



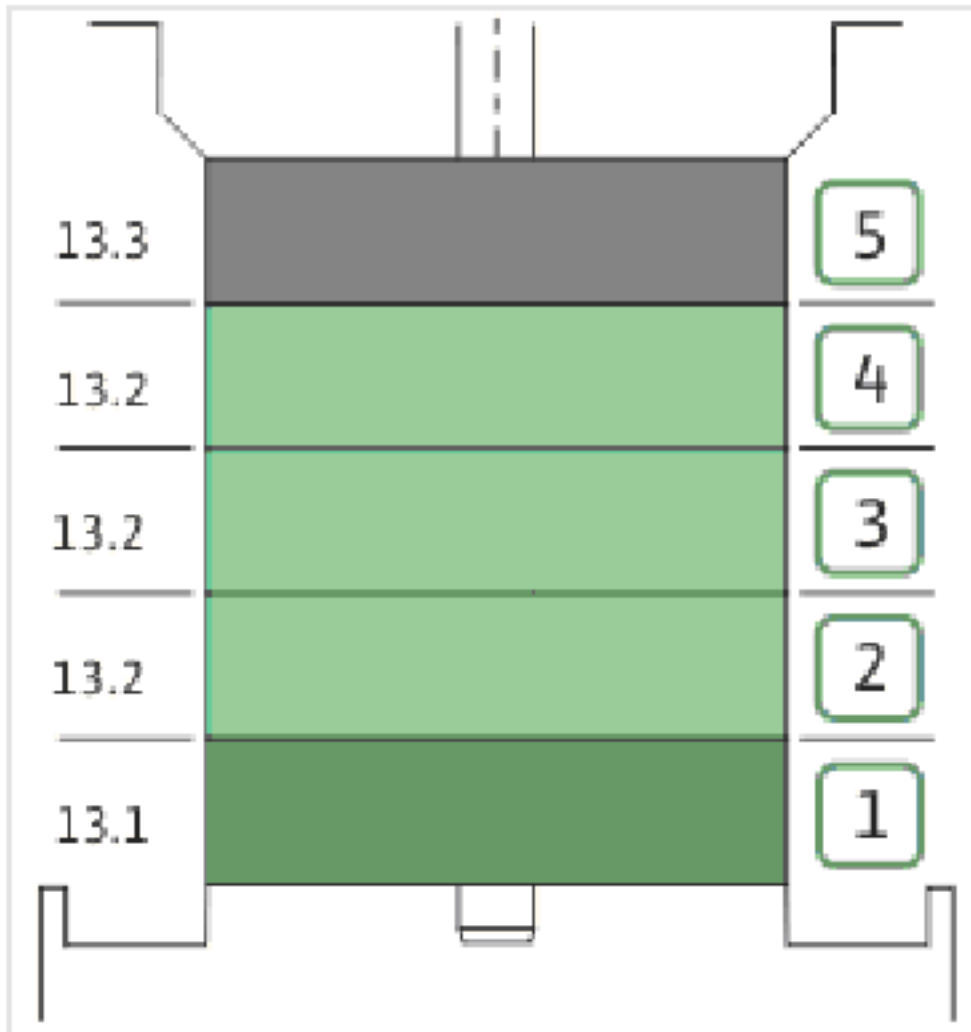
COUPLING D.20XD.38 FF300 KIT (4143966)

Item	Article no.	Description	Quantity
4.1	4179590	COUPLING 2 PARTS D.20XD.38XL115 VP.	1
4.2	2123699	BALL BEARING 6312/2Z-C4 (HT) VP.	1
4.3	63428	CIRCLIP-FOR-SHAFT-D60x2	1
4.4	2130991	SCREW M12X30 ISO4762 8.8 ZN(4 PIECES)	1
4.5	4032277	CIRCLIP-HOLE-130x4	1
4.6	4006725	O-RING ID.132,94x3,53 NBR70SR	1
4.7	2130992	RETAINING RING D.35xD.2,5 DIN7993 VP.	1
4.8	4179591	HUB D.42xD.60 VP.	1
4.9	2130994	SPACER D.38XD.55 VP.	1
4.10	4094462	SCREWS M10 (4 PIECES)	1
4.11	4233959	SCREW M8x16 VP.	1
4.12		SERRATED LOCK WASHER Ø8.2XØ25X35X2	1



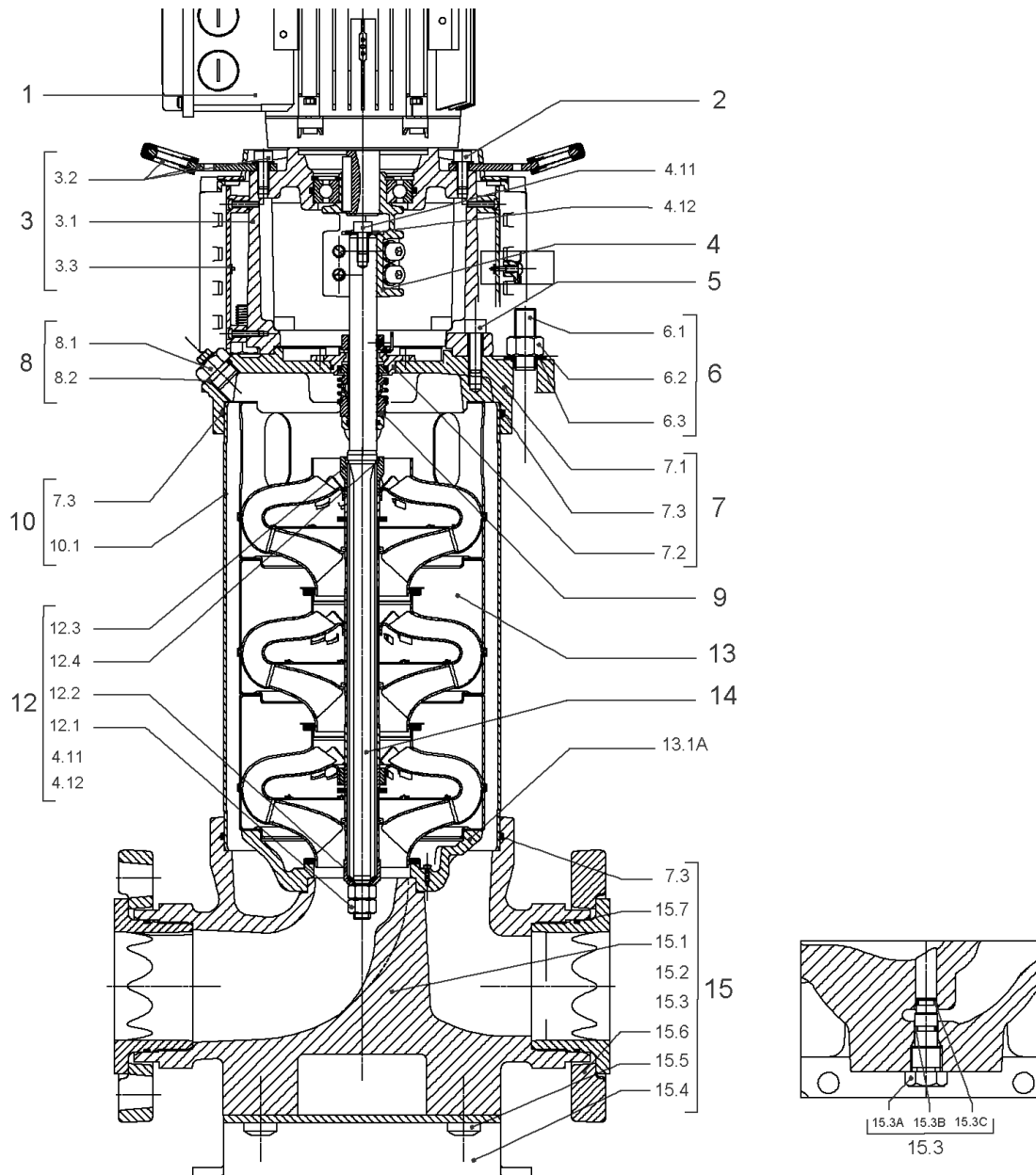
CARTRIDGE HELIX22-36-52 O/E KIT (4143973)

Item	Article no.	Description	Quantity
9.1	4143974	SEAL-KIT-HELIX22-36-52 O/E	1
7.3	4179571	> O-RING HOUSING PIPE HELIX22/36/52 VP.	1
7.4	4179572	> O-RING ID.42.52X2.62 EPDM VP.	1
9.1A	4179573	> M.SEAL.HELIX22-36-52 O/E VP.	1
9.1B	4179574	> O-RING ID.20x2.65 EPDM VP.	1
9.2	4179566	SHAFT SLEEVE D.20/20X60 1.4404 VP.	1
9.3	4179567	RING HOLDER Ø22 1.4301 VP.	1
9.4	4176520	SCREW CH M5x5 A4-70 (3PIECES)	1
9.5	4179568	DRIVE RING D.31/22.1x11 MACH.VP.	1
9.6	4179569	TOOL M.S.CART.HELIX 8" VP.	1
9.7	4179570	SCREW M6X16 ISO4762 8.8 GEOMET(4 PIECES)	1



HYDRAULIC HELIX V 5205

Item	Article no.	Description	Quantity
13.1	4164727	INTERMEDIAIRE STAGE HELIX 52 1.4301 KIT	1
		> SLEEVE-SPACER-D22XL30,42-316L	1
		> MACH.BEARING-DIFFUSER+NR-M+52-304	1
		> SHAFT-SLEEVE-D26xD22x16-CW	1
		> SPACER WASHER D22,3XD36 L3-316L	1
		> IMPELLER-H2-M+52-304	1
13.1A	4161200	> NECK RING 1.STAGE HELIX V36/52 KIT	1
		>> NECK-RING-M+36/52	1
		>> HYDRAULIC SUPPORT CAP M+36/52 304	1
		>> SCREW TCL M3X8 A4 POZIDRIV	1
13.2	4164728	INTERMEDIATE STAGE HELIX 52 1.4301 KIT	1
		> MACH.STD-DIFFUSER+NR-M+52-304	1
		> IMPELLER-H5-M+52-304	1
13.3	4164729	UPPER-STAGE HELIX 52 1.4301 KIT	1
		> STOP COLLAR OF IMPELLER L27,6-Ø22-316L	1
		> SLEEVE-SPACER-D22XL16,66-316L	1
		> SPACER WASHER D22,3XD36 L3-316L	1
		> IMPELLER-H2-M+52-304	1
		> MACH.STD-DISCHARGE-CHAMBER-M+52-304	1



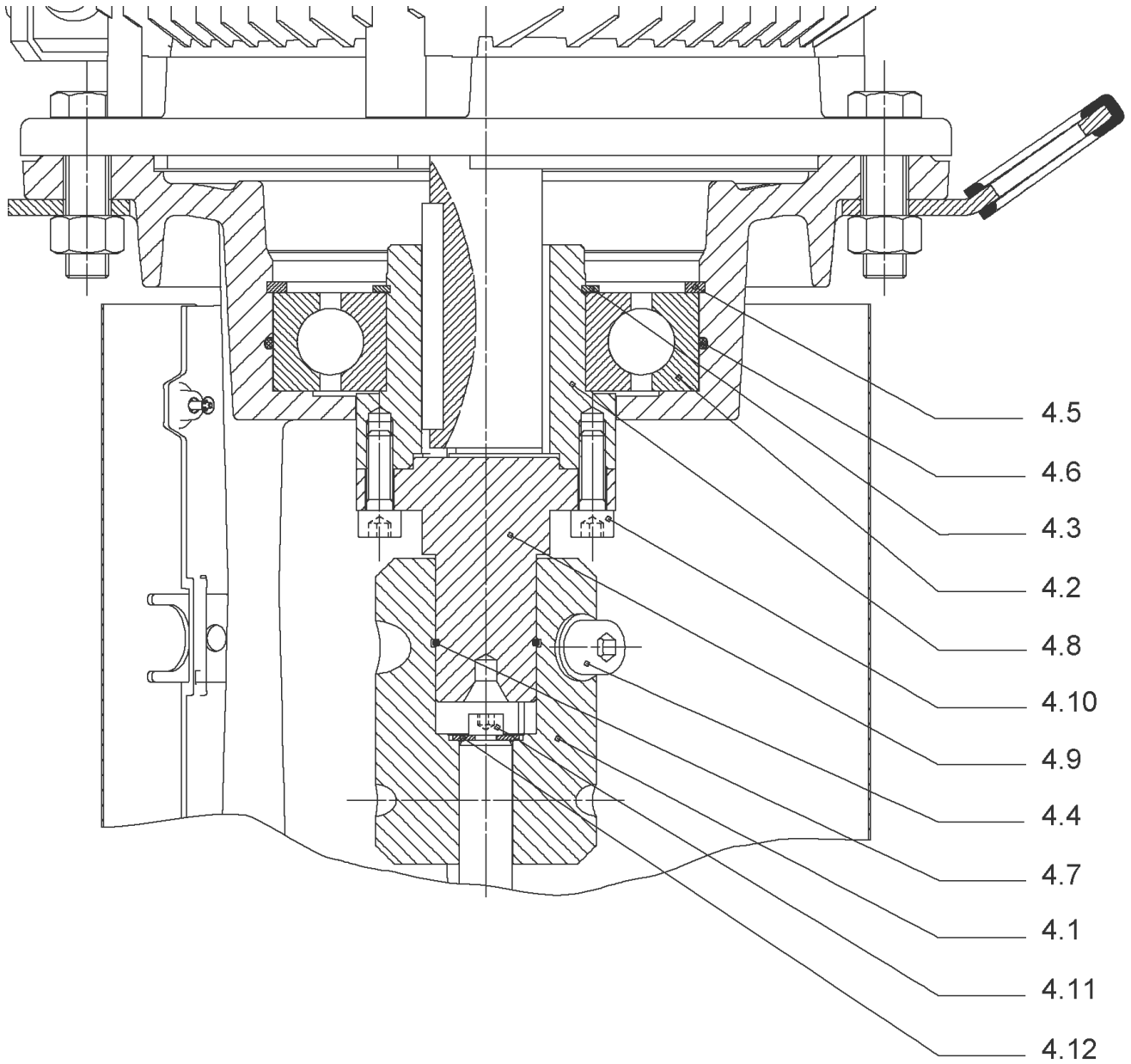
HELIX V5206/2-3/16/E/K/400-50 (4143665)

Item	Article no.	Description	Quantity
1	4195490	MOTOR 22/2/180 3~400V 50HZ VP.	1
		SPARE PARTS MOTOR:ON REQUEST	1
2	4179586	SCREW M16X60 (4 PIECES)	1
3	4161188	LANTERN HELIX V36/52 FF300 BB6313 KIT	1
3.1		> LANTERN FF300 M+ GJL MACHINED+CATA 6313	1
3.2	4179589	> EYELET CPL.FF300 HELIX(4 PIECES)	1
3.3	4143969	> COUPLING PROTECT HELIX FF KIT	1
4	4161190	COUPLING D.20XD.38 FF300 KIT	1
5	4157725	SCREW M10X40 (4 PIECES)	1
6	4179929	STUD BOLT M16X704 KIT	1
6.1		> TIE BOLT M16-704x24x44-1.4057	1
6.2	4179562	> NUT M16 8.8 ISO4032 (4 PIECES)	1
6.3	4097852	> WASHER-CS-16.4-32-2.8-NFE25-511-A2	1
7	4179565	END SHIELD HELIX 8" EPDM KIT	1
7.1		> END SHIELD M+ GJL MACHINED+CATA	1
7.2	4179564	> O-RING D.42.52x2.62 EPDM VP.	1
7.3	4179571	> O-RING HOUSING PIPE HELIX22/36/52 VP.	1
8	4143765	FILING/PURGING PLUG 316L HELIX KIT	1
8.1		> FILLING/VENTING-PLUG-VMI8/10-316L	1
8.2	4032291	> O-RING 17x3 EPDM KTW/WRC	1
9	4143973	CARTRIDGE HELIX22-36-52 O/E KIT	1
10	4179930	HOUSING PIPE D.204X630 1.4301 KIT	1
7.3	4179571	> O-RING HOUSING PIPE HELIX22/36/52 VP.	1
10.1		> HOUSING-PIPE Ø204-M+5206-304	1
12	4164724	SHAFT EQUIPMENT HELIX V52 KIT	1
13		HYDRAULIC HELIX V 5206-2	1
14	2127503	SHAFT D.22 X 804 HELIX 1.4057 VP.	1
15	4164723	EQUIPED HOUSING PN16 HELIX GJL KIT	1
7.3	4179571	> O-RING HOUSING PIPE HELIX22/36/52 VP.	1
15.1		> PUMP HOUSING SET with COATED PARTS-DN80	1
15.3	4143766	> DRAIN/PRIMING PLUG EPDM HELIX KIT	1
15.3A		>> PRIMING/DRAIN PLUG-304-VERSION 1	1
15.3B	4032293	>> O-RING-10x3-EPDM-KTW/WRC	1
15.3C	4233957	>> O-RING ID.9 EPDM VP.	1

HELIX V5206/2-3/16/E/K/400-50 (4143665)

Item	Article no.	Description	Quantity
15.4	4221729	> BASE M+ DN50/65/80 VP.	1
15.5		> SCREW TBHC M12x25 ISO7380 ZN	1
15.6		> FLANGE M+ DN80 NF PN16-25 ASME PN16 CATA	1
15.7		> O-RING Ø91.42xØ3 EPDM	1
13.1A	4161200	> NECK RING 1.STAGE HELIX V36/52 KIT	1
		>> NECK-RING-M+36/52	1
		>> HYDRAULIC SUPPORT CAP M+36/52 304	1
		>> SCREW TCL M3X8 A4 POZIDRIV	1

COUPLING D.20XD.38 FF300 KIT (4161190)



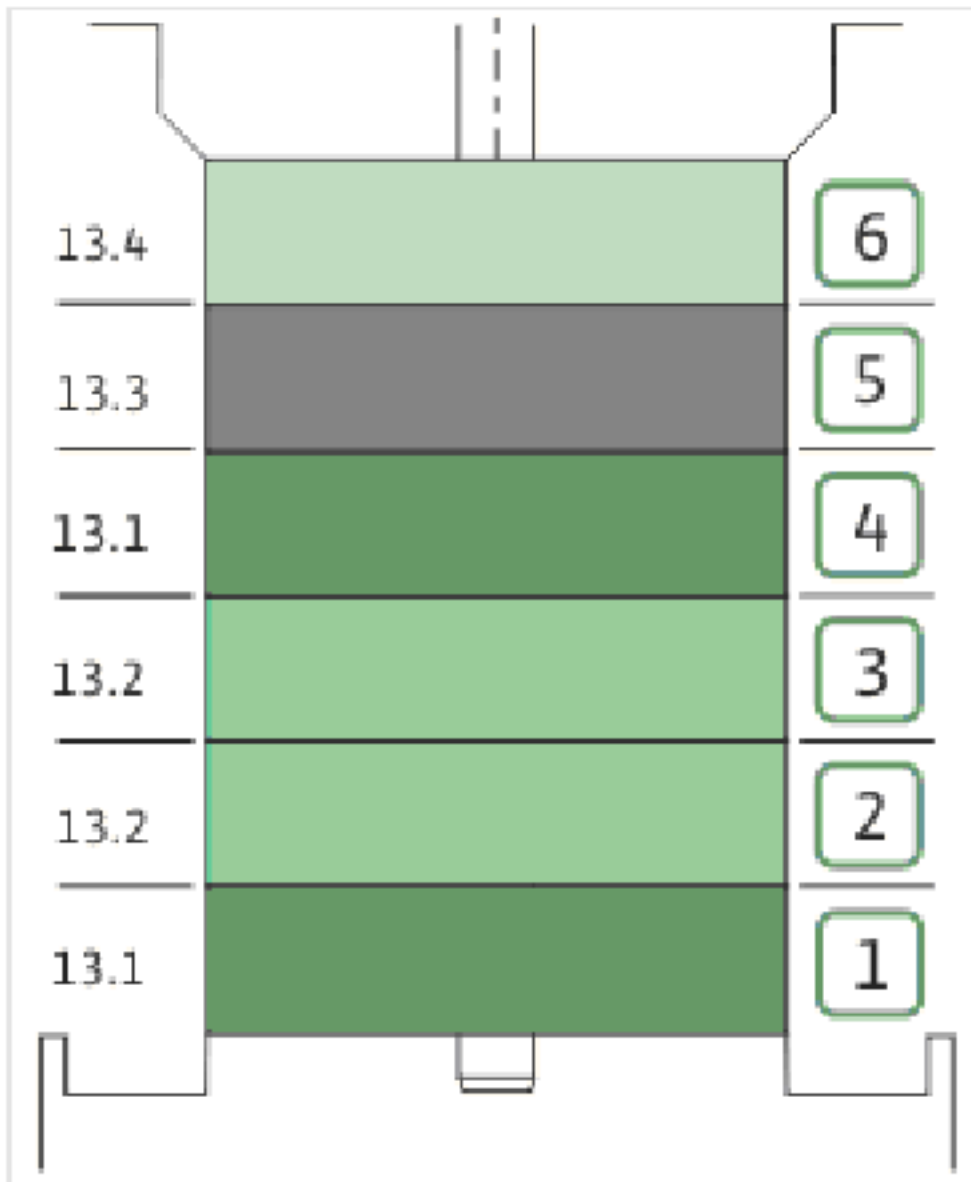
COUPLING D.20XD.38 FF300 KIT (4161190)

Item	Article no.	Description	Quantity
4.1	4179590	COUPLING 2 PARTS D.20XD.38XL115 VP.	1
4.2	2132521	BALL BEARING 6313/2Z-C4(HT)VP.	1
4.3	4032276	CIRCLIP-SHAFT-D65x2,5	1
4.4	2130991	SCREW M12X30 ISO4762 8.8 ZN(4 PIECES)	1
4.5	4233130	CIRCLIP-FOR-BORES-D140 VP.	1
4.6	4233945	O-RING ID.140 VP.	1
4.7	2130992	RETAINING RING D.35xD.2,5 DIN7993 VP.	1
4.8	4179928	HUB D.48xD.65 VP.	1
4.9	2130994	SPACER D.38XD.55 VP.	1
4.10	4094462	SCREWS M10 (4 PIECES)	1
4.11	4233959	SCREW M8x16 VP.	1
4.12		SERRATED LOCK WASHER Ø8.2XØ25X35X2	1



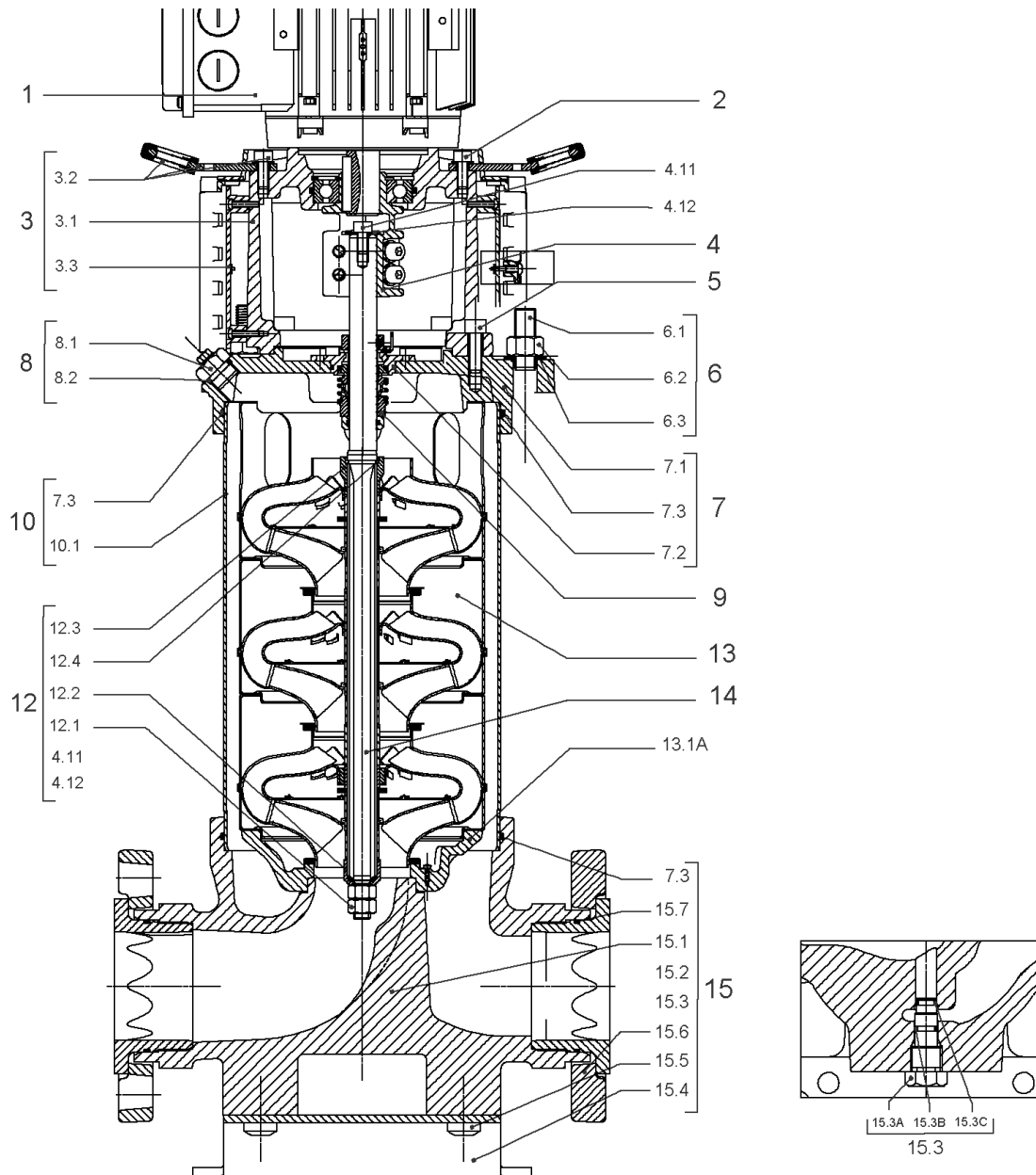
CARTRIDGE HELIX22-36-52 O/E KIT (4143973)

Item	Article no.	Description	Quantity
9.1	4143974	SEAL-KIT-HELIX22-36-52 O/E	1
7.3	4179571	> O-RING HOUSING PIPE HELIX22/36/52 VP.	1
7.4	4179572	> O-RING ID.42.52X2.62 EPDM VP.	1
9.1A	4179573	> M.SEAL.HELIX22-36-52 O/E VP.	1
9.1B	4179574	> O-RING ID.20x2.65 EPDM VP.	1
9.2	4179566	SHAFT SLEEVE D.20/20X60 1.4404 VP.	1
9.3	4179567	RING HOLDER Ø22 1.4301 VP.	1
9.4	4176520	SCREW CH M5x5 A4-70 (3PIECES)	1
9.5	4179568	DRIVE RING D.31/22.1x11 MACH.VP.	1
9.6	4179569	TOOL M.S.CART.HELIX 8" VP.	1
9.7	4179570	SCREW M6X16 ISO4762 8.8 GEOMET(4 PIECES)	1



HYDRAULIC HELIX V 5206-2

Item	Article no.	Description	Quantity
13.1	4164727	INTERMEDIAIRE STAGE HELIX 52 1.4301 KIT	1
		> SLEEVE-SPACER-D22XL30,42-316L	1
		> MACH.BEARING-DIFFUSER+NR-M+52-304	1
		> SHAFT-SLEEVE-D26xD22x16-CW	1
		> SPACER WASHER D22,3XD36 L3-316L	1
		> IMPELLER-H2-M+52-304	1
13.1A	4161200	> NECK RING 1.STAGE HELIX V36/52 KIT	1
		>> NECK-RING-M+36/52	1
		>> HYDRAULIC SUPPORT CAP M+36/52 304	1
		>> SCREW TCL M3X8 A4 POZIDRIV	1
13.2	4164728	INTERMEDIATE STAGE HELIX 52 1.4301 KIT	1
		> MACH.STD-DIFFUSER+NR-M+52-304	1
		> IMPELLER-H5-M+52-304	1
13.3	4164730	INTERMEDIATE STAGE HELIX 52 1.4301 KIT	1
		> MACH.STD-DIFFUSER+NR-M+52-304	1
		> REDUCED-IMPELLER-H5-M+52-304	1
13.4	4164731	UPPER-STAGE HELIX 52 1.4301 KIT	1
		> STOP COLLAR OF IMPELLER L27,6-Ø22-316L	1
		> SLEEVE-SPACER-D22XL16,66-316L	1
		> SPACER WASHER D22,3XD36 L3-316L	1
		> REDUCED-IMPELLER-H2-M+52-304	1
		> MACH.STD-DISCHARGE-CHAMBER-M+52-304	1



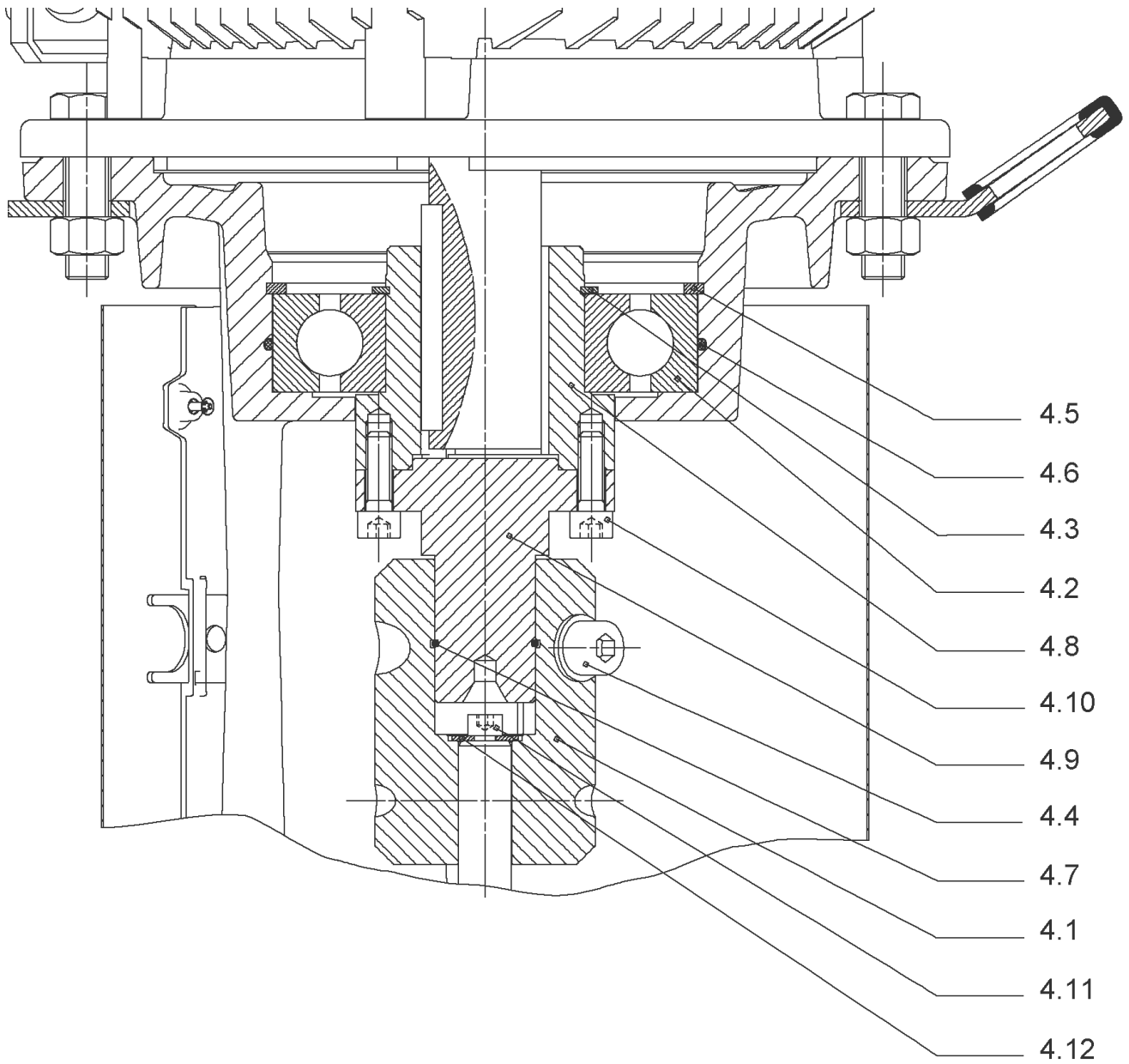
HELIX V5206/2-3/16/E/KS/400-50 (4143674)

Item	Article no.	Description	Quantity
1	4195490	MOTOR 22/2/180 3~400V 50HZ VP.	1
		SPARE PARTS MOTOR:ON REQUEST	1
2	4179586	SCREW M16X60 (4 PIECES)	1
3	4161188	LANTERN HELIX V36/52 FF300 BB6313 KIT	1
3.1		> LANTERN FF300 M+ GJL MACHINED+CATA 6313	1
3.2	4179589	> EYELET CPL.FF300 HELIX(4 PIECES)	1
3.3	4143969	> COUPLING PROTECT HELIX FF KIT	1
4	4161190	COUPLING D.20XD.38 FF300 KIT	1
5	4157725	SCREW M10X40 (4 PIECES)	1
6	4179929	STUD BOLT M16X704 KIT	1
6.1		> TIE BOLT M16-704x24x44-1.4057	1
6.2	4179562	> NUT M16 8.8 ISO4032 (4 PIECES)	1
6.3	4097852	> WASHER-CS-16.4-32-2.8-NFE25-511-A2	1
7	4179565	END SHIELD HELIX 8" EPDM KIT	1
7.1		> END SHIELD M+ GJL MACHINED+CATA	1
7.2	4179564	> O-RING D.42.52x2.62 EPDM VP.	1
7.3	4179571	> O-RING HOUSING PIPE HELIX22/36/52 VP.	1
8	4143765	FILING/PURGING PLUG 316L HELIX KIT	1
8.1		> FILLING/VENTING-PLUG-VMI8/10-316L	1
8.2	4032291	> O-RING 17x3 EPDM KTW/WRC	1
9	4143973	CARTRIDGE HELIX22-36-52 O/E KIT	1
10	4179930	HOUSING PIPE D.204X630 1.4301 KIT	1
7.3	4179571	> O-RING HOUSING PIPE HELIX22/36/52 VP.	1
10.1		> HOUSING-PIPE Ø204-M+5206-304	1
12	4164724	SHAFT EQUIPMENT HELIX V52 KIT	1
13		HYDRAULIC HELIX V 5206-2	1
14	2127503	SHAFT D.22 X 804 HELIX 1.4057 VP.	1
15	4164723	EQUIPED HOUSING PN16 HELIX GJL KIT	1
7.3	4179571	> O-RING HOUSING PIPE HELIX22/36/52 VP.	1
15.1		> PUMP HOUSING SET with COATED PARTS-DN80	1
15.3	4143766	> DRAIN/PRIMING PLUG EPDM HELIX KIT	1
15.3A		>> PRIMING/DRAIN PLUG-304-VERSION 1	1
15.3B	4032293	>> O-RING-10x3-EPDM-KTW/WRC	1
15.3C	4233957	>> O-RING ID.9 EPDM VP.	1

HELIX V5206/2-3/16/E/KS/400-50 (4143674)

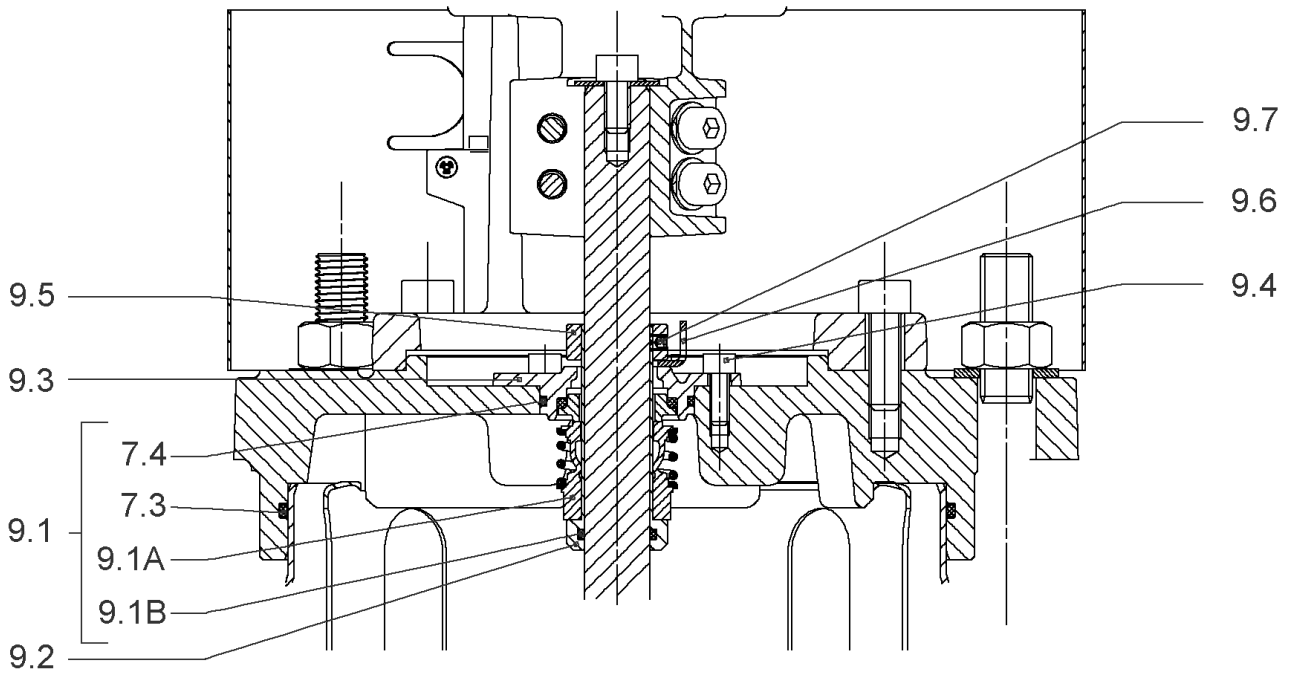
Item	Article no.	Description	Quantity
15.4	4221729	> BASE M+ DN50/65/80 VP.	1
15.5		> SCREW TBHC M12x25 ISO7380 ZN	1
15.6		> FLANGE M+ DN80 NF PN16-25 ASME PN16 CATA	1
15.7		> O-RING Ø91.42xØ3 EPDM	1
13.1A	4161200	> NECK RING 1.STAGE HELIX V36/52 KIT	1
		>> NECK-RING-M+36/52	1
		>> HYDRAULIC SUPPORT CAP M+36/52 304	1
		>> SCREW TCL M3X8 A4 POZIDRIV	1

COUPLING D.20XD.38 FF300 KIT (4161190)



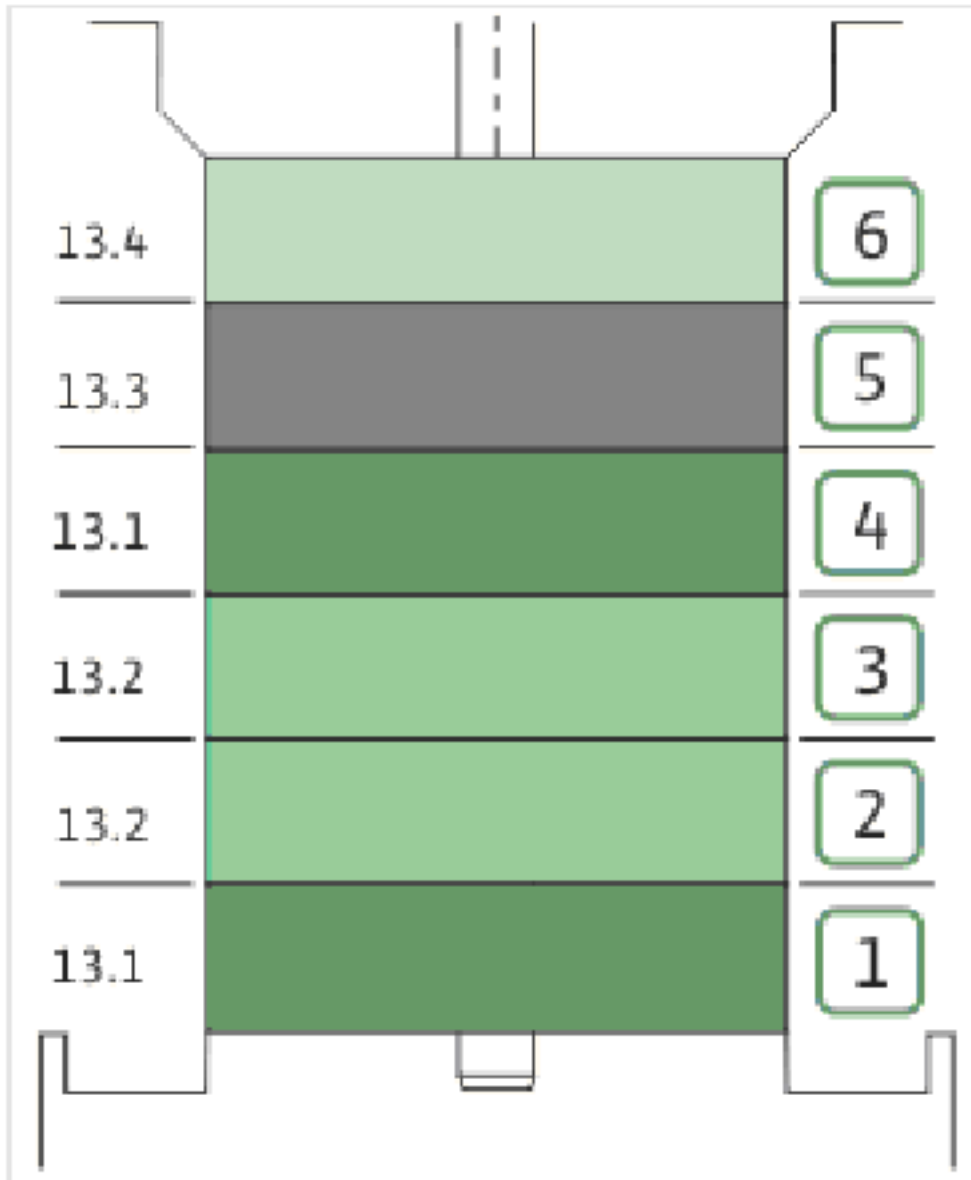
COUPLING D.20XD.38 FF300 KIT (4161190)

Item	Article no.	Description	Quantity
4.1	4179590	COUPLING 2 PARTS D.20XD.38XL115 VP.	1
4.2	2132521	BALL BEARING 6313/2Z-C4(HT)VP.	1
4.3	4032276	CIRCLIP-SHAFT-D65x2,5	1
4.4	2130991	SCREW M12X30 ISO4762 8.8 ZN(4 PIECES)	1
4.5	4233130	CIRCLIP-FOR-BORES-D140 VP.	1
4.6	4233945	O-RING ID.140 VP.	1
4.7	2130992	RETAINING RING D.35xD.2,5 DIN7993 VP.	1
4.8	4179928	HUB D.48xD.65 VP.	1
4.9	2130994	SPACER D.38XD.55 VP.	1
4.10	4094462	SCREWS M10 (4 PIECES)	1
4.11	4233959	SCREW M8x16 VP.	1
4.12		SERRATED LOCK WASHER Ø8.2XØ25X35X2	1



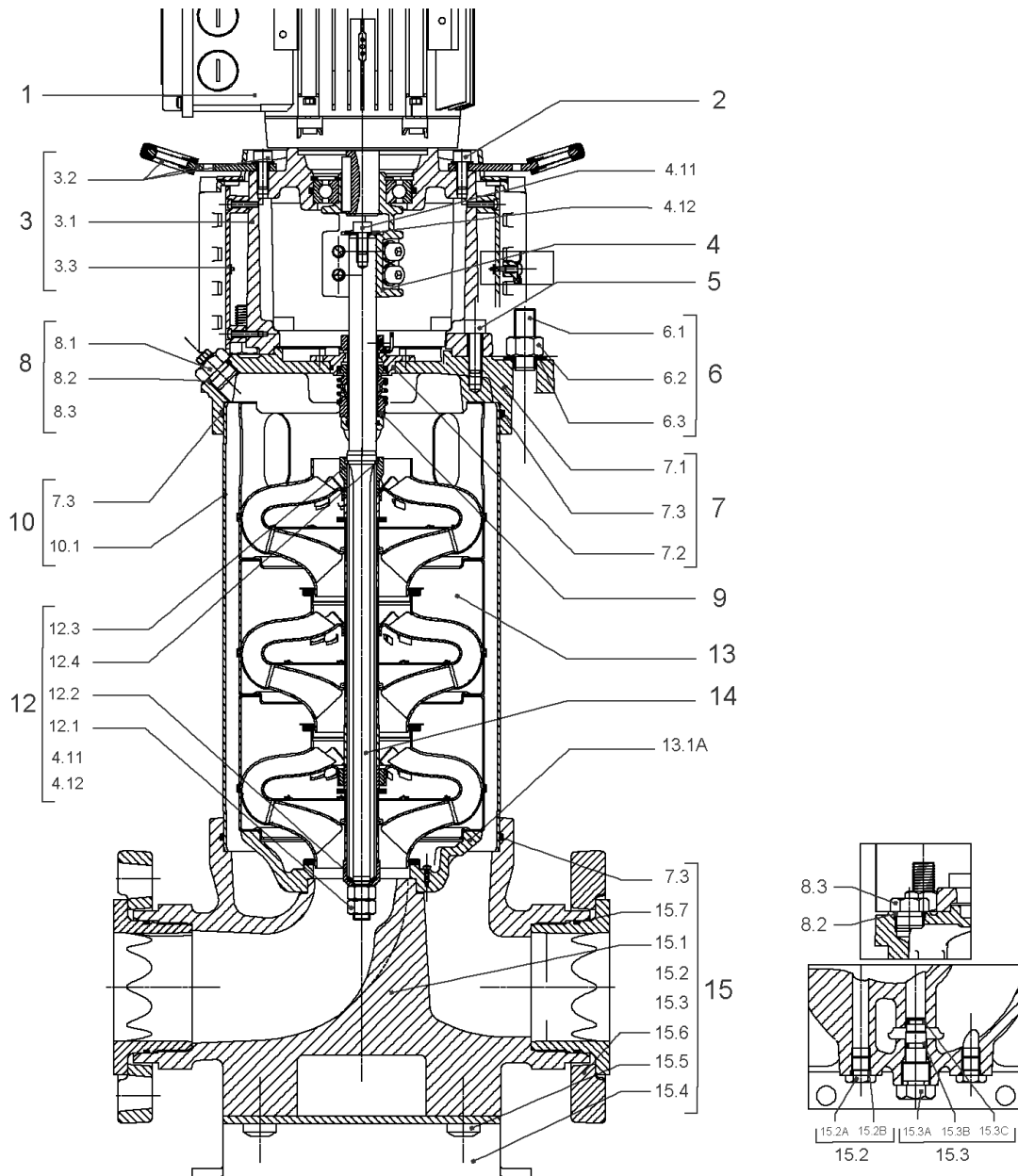
CARTRIDGE HELIX22-36-52 O/E KIT (4143973)

Item	Article no.	Description	Quantity
9.1	4143974	SEAL-KIT-HELIX22-36-52 O/E	1
7.3	4179571	> O-RING HOUSING PIPE HELIX22/36/52 VP.	1
7.4	4179572	> O-RING ID.42.52X2.62 EPDM VP.	1
9.1A	4179573	> M.SEAL.HELIX22-36-52 O/E VP.	1
9.1B	4179574	> O-RING ID.20x2.65 EPDM VP.	1
9.2	4179566	SHAFT SLEEVE D.20/20X60 1.4404 VP.	1
9.3	4179567	RING HOLDER Ø22 1.4301 VP.	1
9.4	4176520	SCREW CH M5x5 A4-70 (3PIECES)	1
9.5	4179568	DRIVE RING D.31/22.1x11 MACH.VP.	1
9.6	4179569	TOOL M.S.CART.HELIX 8" VP.	1
9.7	4179570	SCREW M6X16 ISO4762 8.8 GEOMET(4 PIECES)	1



HYDRAULIC HELIX V 5206-2

Item	Article no.	Description	Quantity
13.1	4164727	INTERMEDIAIRE STAGE HELIX 52 1.4301 KIT	1
		> SLEEVE-SPACER-D22XL30,42-316L	1
		> MACH.BEARING-DIFFUSER+NR-M+52-304	1
		> SHAFT-SLEEVE-D26xD22x16-CW	1
		> SPACER WASHER D22,3XD36 L3-316L	1
		> IMPELLER-H2-M+52-304	1
13.1A	4161200	> NECK RING 1.STAGE HELIX V36/52 KIT	1
		>> NECK-RING-M+36/52	1
		>> HYDRAULIC SUPPORT CAP M+36/52 304	1
		>> SCREW TCL M3X8 A4 POZIDRIV	1
13.2	4164728	INTERMEDIATE STAGE HELIX 52 1.4301 KIT	1
		> MACH.STD-DIFFUSER+NR-M+52-304	1
		> IMPELLER-H5-M+52-304	1
13.3	4164730	INTERMEDIATE STAGE HELIX 52 1.4301 KIT	1
		> MACH.STD-DIFFUSER+NR-M+52-304	1
		> REDUCED-IMPELLER-H5-M+52-304	1
13.4	4164731	UPPER-STAGE HELIX 52 1.4301 KIT	1
		> STOP COLLAR OF IMPELLER L27,6-Ø22-316L	1
		> SLEEVE-SPACER-D22XL16,66-316L	1
		> SPACER WASHER D22,3XD36 L3-316L	1
		> REDUCED-IMPELLER-H2-M+52-304	1
		> MACH.STD-DISCHARGE-CHAMBER-M+52-304	1

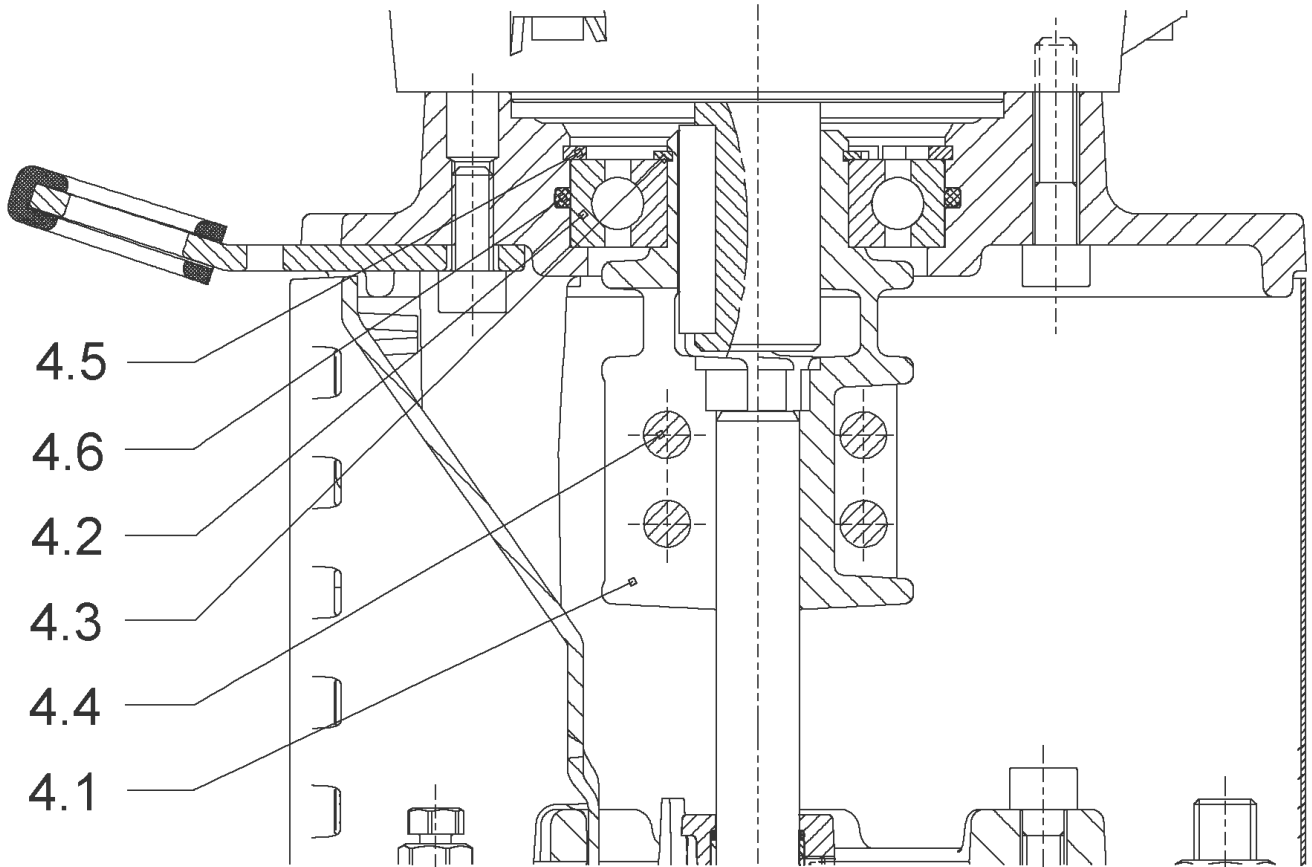


HELIX V5201/1-2/16/V/KS/400-50 (4150900)

Item	Article no.	Description	Quantity
1	4169944	MOTOR 3/2/100 3~230/400V 50HZ IE3 VP.	1
		SPARE PARTS MOTOR:ON REQUEST	1
2	4159707	SCREW M8X30 (4 PIECES)	1
3	4157719	LANTERN HELIX 22/36 FT130 KIT	1
3.1		> LANTERN FT130 M+ GJL MACHINED+CATA	1
3.2	4179561	> EYELET CPL.FT HELIX(2 PIECES)	1
3.3	4143968	> COUPLING PROTECT HELIX FT KIT	1
4	4143964	COUPLING D.20XD.28 FT130 KIT	1
5	4094462	SCREWS M10 (4 PIECES)	1
6	4179563	STUD BOLT M16X198 KIT	1
6.1		> TIE BOLT M16-198x24x44-1.4057	1
6.2	4179562	> NUT M16 8.8 ISO4032 (4 PIECES)	1
6.3	4097852	> WASHER-CS-16.4-32-2.8-NFE25-511-A2	1
7	4179959	END SHIELD HELIX 8" FKM 1.4404 KIT	1
7.1		> END SHIELD HELIX 316L MACHINED	1
7.2	4179958	> O-RING-ID.42.52X2.62 VITON VP.	1
7.3	2107767	> O-RING ID.202,80x3,53 VITON VP.	1
8	4161256	FILING/PURGING PLUG FKM KIT	1
8.1		> FILLING/VENTING-PLUG-VM18/10-316L	1
8.2		> FILLING AND VENTING PLUG M+8" 316L	1
8.3		> GASKET-17x3-VITON	1
9	4158204	CARTRIDGE HELIX22-36-52 O/V KIT	1
10	4179939	HOUSING PIPE D.204X130 1.4404 KIT	1
7.3	2107767	> O-RING ID.202,80x3,53 VITON VP.	1
10.1		> HOUSING-PIPE Ø204-M+3601/5201-316L	1
12	4164724	SHAFT EQUIPMENT HELIX V52 KIT	1
13		HYDRAULIC HELIX V 5201-1	1
14	4180014	SHAFTS D.22X304 1.4404 VP.	1
15	4164769	EQUIPED HOUSING HELIX 52 1.4409 KIT	1
7.3	2107767	> O-RING ID.202,80x3,53 VITON VP.	1
15.1		> PUMP HOUSING M+ DN80 316L MACHINED	1
15.1		> GASKET HOLDER M+ DN80 316L MACHINED	1
15.1		> HYDRAULIC SUPPORT M+ DN80 316L MACHINED	1
15.2	4158195	> PLUG PRESSURE CONNECTION G1/4"316L KIT	1

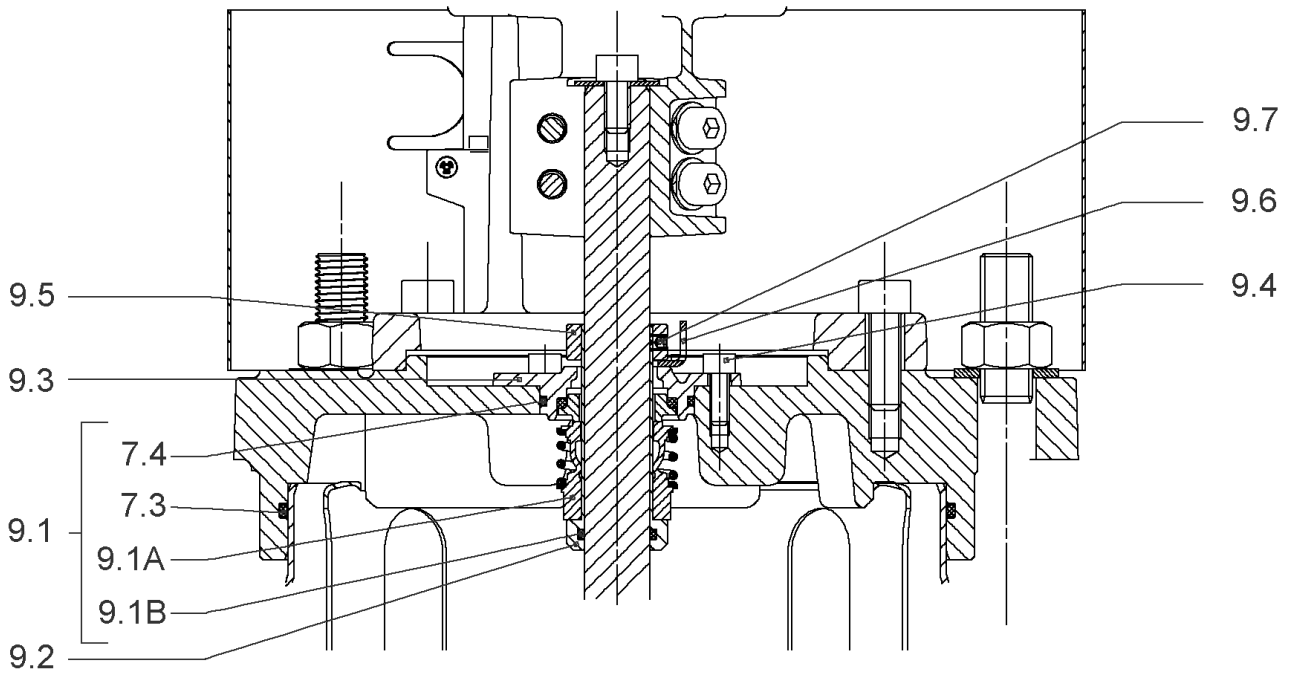
HELIX V5201/1-2/16/V/KS/400-50 (4150900)

Item	Article no.	Description	Quantity
15.2A		>> PLUG PRESSURE CONNECTION - G1/4" - 316L	1
15.2B	2107769	>> O-RING ID.9,9x2,62 VITON VP.	1
15.3	4158196	> DRAIN/PRIMING PLUG VITON HELIX KIT	1
15.3A		>> DRAIN-AND-PRIMING-PLUG-VM18"-316L	1
15.3B	4032294	>> GASKET-10x3-VITON	1
15.3C	2107768	>> O-RING ID.8,9x2,7 VITON VP.	1
15.4	4143749	> BASE M+ DN50/65/80-304	1
15.5		> SCREW TBHC M12x25 ISO7380 ZN	1
15.6		> FLANGE M+ DN80 NF PN16-25 ASME PN16 CATA	1
15.7		> O-RING Ø91.42xØ3 VITON	1
13.1A	4161268	> NECK RING 1.STAGE HELIX 36 316 KIT	1
		>> NECK-RING-M+36/52	1
		>> HYDRAULIC SUPPORT CAP M+36/52 316	1
		>> SCREW TCL M3X8 A4 POZIDRIV	1



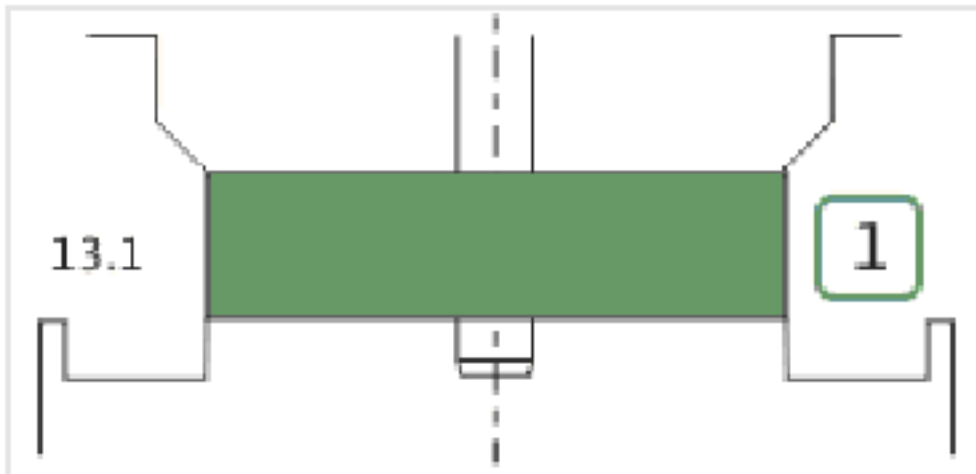
COUPLING D.20XD.28 FT130 KIT (4143964)

Item	Article no.	Description	Quantity
4.1		COUPLING M+ Ø20XØ28-FT130 MACHINED	1
4.2	2131022	BALL BEARING 6209/ZZ-C3(HT)VP.	1
4.3	4233930	CIRCLIP-FOR-BORES-D45x1,75 VP.	1
4.4	4157726	SCREW KIT M8X30 (4 PIECES)	1
4.5	4234252	CIRCLIPS 85X3 VP.	1
4.6	4234243	O-RING 85X3 VP.	1
		NOMEL CONTACT WASHER 8x16x1,4 STEEL ZC	1



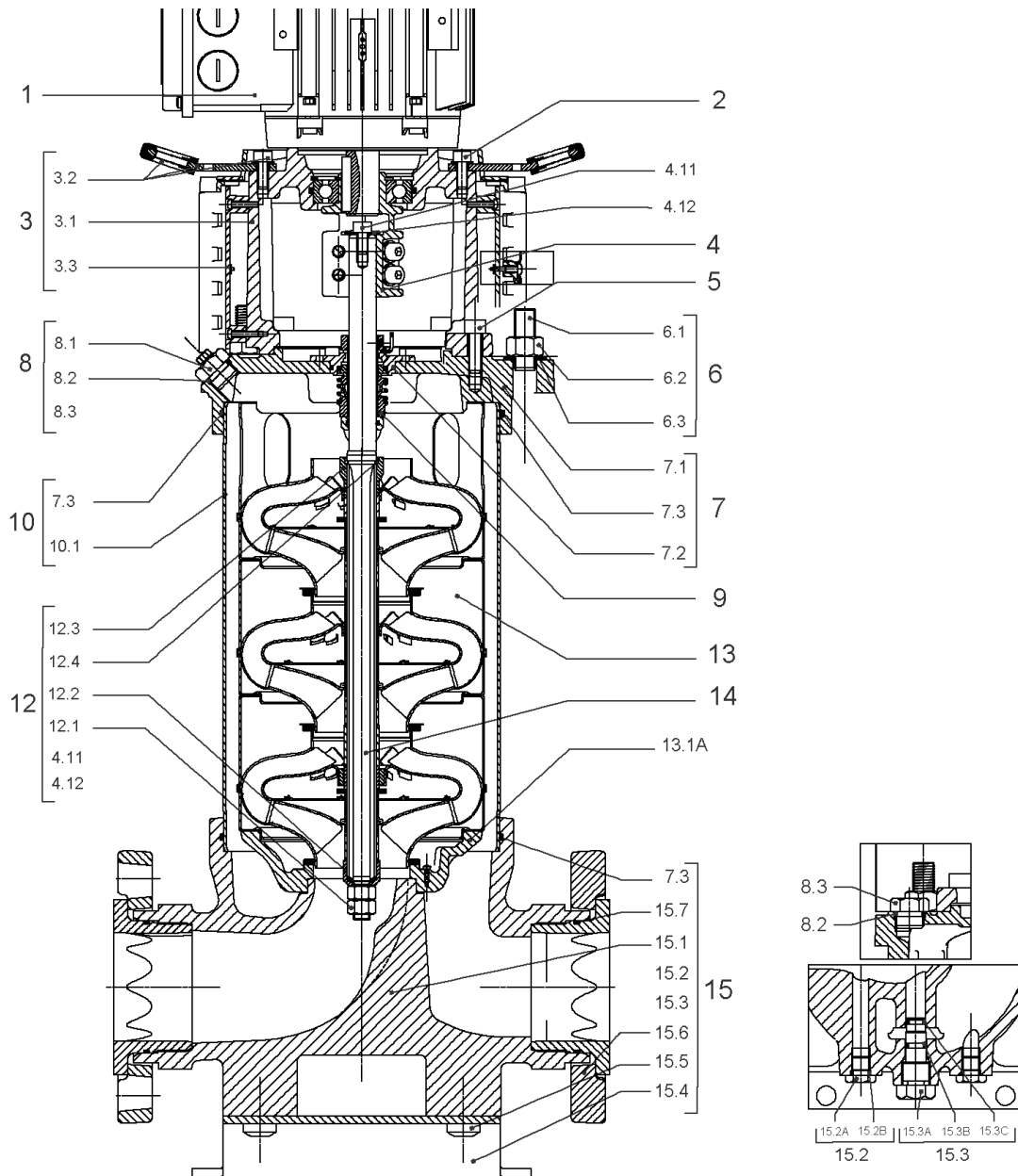
CARTRIDGE HELIX22-36-52 O/V KIT (4158204)

Item	Article no.	Description	Quantity
9.1	4158203	SEAL-KIT-HELIX22-36-52 O/V	1
7.3	2107767	> O-RING ID.202,80x3,53 VITON VP.	1
7.4	4179958	> O-RING-ID.42.52X2.62 VITON VP.	1
9.1A	2127454	> M.SEAL.HELIX22-36-52 O/V VP.	1
9.1B	4179960	> O-RING ID.20x2.65 FKM VP.	1
9.2	4179566	SHAFT SLEEVE D.20/20X60 1.4404 VP.	1
9.3	4179567	RING HOLDER Ø22 1.4301 VP.	1
9.4	4176520	SCREW CH M5x5 A4-70 (3PIECES)	1
9.5	4179568	DRIVE RING D.31/22.1x11 MACH.VP.	1
9.6	4179569	TOOL M.S.CART.HELIX 8" VP.	1
9.7	4179570	SCREW M6X16 ISO4762 8.8 GEOMET(4 PIECES)	1



HYDRAULIC HELIX V 5201-1

Item	Article no.	Description	Quantity
13.1	4164777	UPPER STAGE HELIX 52 1.4404 KIT	1
		> STOP COLLAR OF IMPELLER L27,6-Ø22-316L	1
		> SHAFT-SLEEVE-D26xD22x16-CW	1
		> SPACER WASHER D22,3XD36 L3-316L	1
		> REDUCED-IMPELLER-H2-M+52-316	1
		> MACH.BEARING-DISCHARGE-CHAMBER+NR-M+52-3	1
13.1A	4161268	> NECK RING 1.STAGE HELIX 36 316 KIT	1
		>> NECK-RING-M+36/52	1
		>> HYDRAULIC SUPPORT CAP M+36/52 316	1
		>> SCREW TCL M3X8 A4 POZIDRIV	1

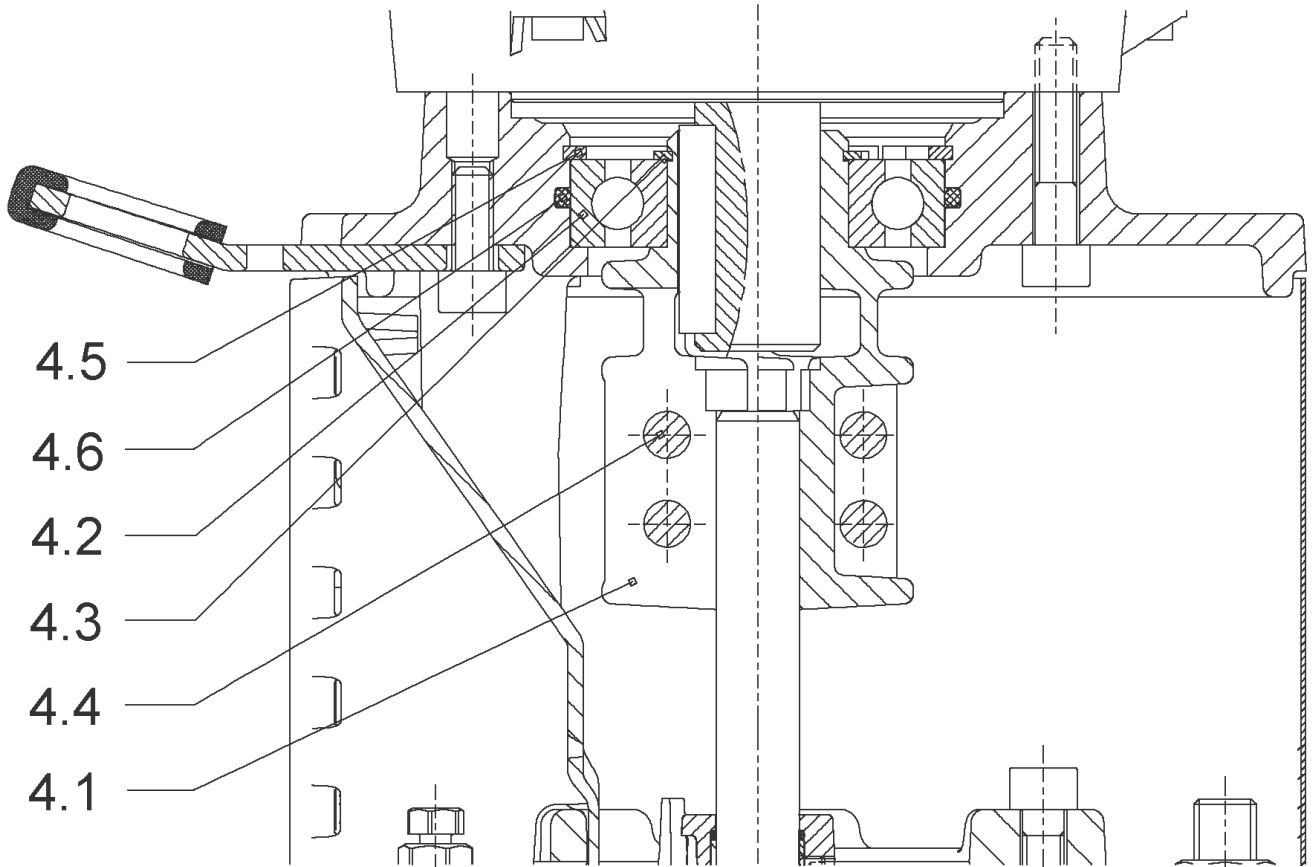


HELIX V5201-2/16/V/KS/400-50 (4150901)

Item	Article no.	Description	Quantity
1	4169945	MO.4/2 3~230/400(460)V 50(60)HZ IE3 VP.	1
		SPARE PARTS MOTOR:ON REQUEST	1
2	4159707	SCREW M8X30 (4 PIECES)	1
3	4157719	LANTERN HELIX 22/36 FT130 KIT	1
3.1		> LANTERN FT130 M+ GJL MACHINED+CATA	1
3.2	4179561	> EYELET CPL.FT HELIX(2 PIECES)	1
3.3	4143968	> COUPLING PROTECT HELIX FT KIT	1
4	4143964	COUPLING D.20XD.28 FT130 KIT	1
5	4094462	SCREWS M10 (4 PIECES)	1
6	4179563	STUD BOLT M16X198 KIT	1
6.1		> TIE BOLT M16-198x24x44-1.4057	1
6.2	4179562	> NUT M16 8.8 ISO4032 (4 PIECES)	1
6.3	4097852	> WASHER-CS-16.4-32-2.8-NFE25-511-A2	1
7	4179959	END SHIELD HELIX 8" FKM 1.4404 KIT	1
7.1		> END SHIELD HELIX 316L MACHINED	1
7.2	4179958	> O-RING-ID.42.52X2.62 VITON VP.	1
7.3	2107767	> O-RING ID.202,80x3,53 VITON VP.	1
8	4161256	FILING/PURGING PLUG FKM KIT	1
8.1		> FILLING/VENTING-PLUG-VM18/10-316L	1
8.2		> FILLING AND VENTING PLUG M+8" 316L	1
8.3		> GASKET-17x3-VITON	1
9	4158204	CARTRIDGE HELIX22-36-52 O/V KIT	1
10	4179939	HOUSING PIPE D.204X130 1.4404 KIT	1
7.3	2107767	> O-RING ID.202,80x3,53 VITON VP.	1
10.1		> HOUSING-PIPE Ø204-M+3601/5201-316L	1
12	4164724	SHAFT EQUIPMENT HELIX V52 KIT	1
13		HYDRAULIC HELIX V 5201	1
14	4180014	SHAFTS D.22X304 1.4404 VP.	1
15	4164769	EQUIPED HOUSING HELIX 52 1.4409 KIT	1
7.3	2107767	> O-RING ID.202,80x3,53 VITON VP.	1
15.1		> PUMP HOUSING M+ DN80 316L MACHINED	1
15.1		> GASKET HOLDER M+ DN80 316L MACHINED	1
15.1		> HYDRAULIC SUPPORT M+ DN80 316L MACHINED	1
15.2	4158195	> PLUG PRESSURE CONNECTION G1/4"316L KIT	1

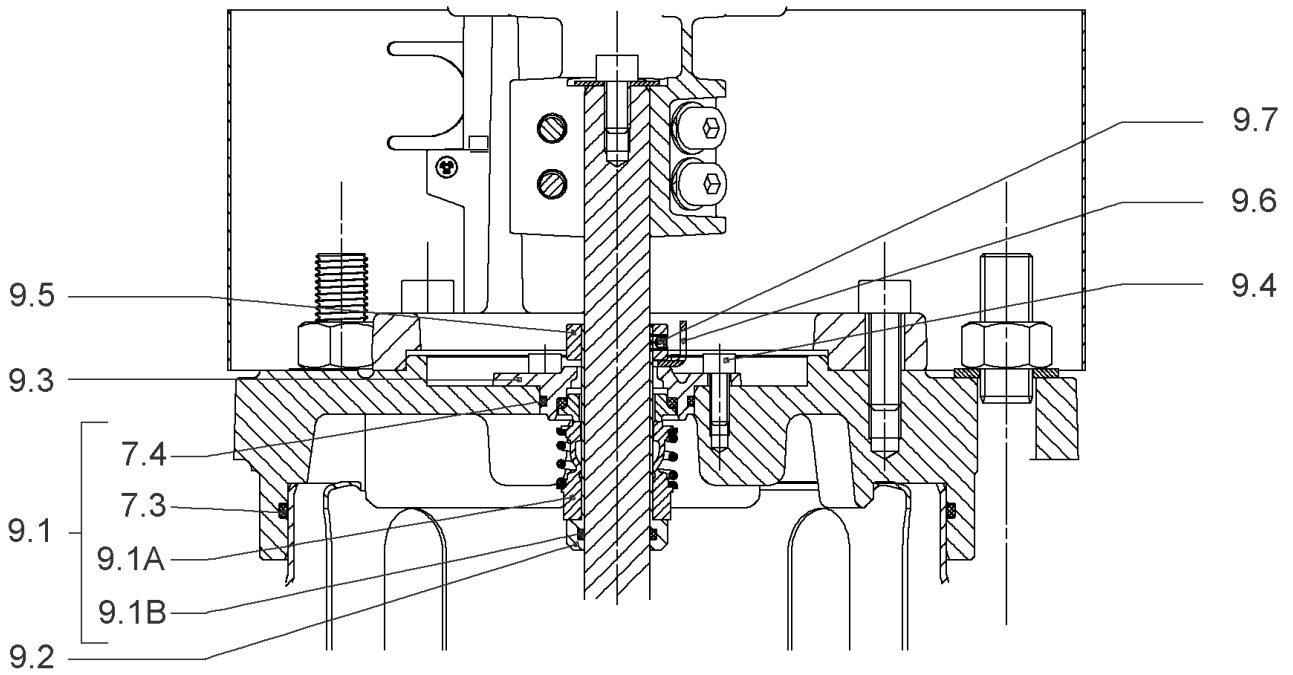
HELIX V5201-2/16/V/KS/400-50 (4150901)

Item	Article no.	Description	Quantity
15.2A		>> PLUG PRESSURE CONNECTION - G1/4" - 316L	1
15.2B	2107769	>> O-RING ID.9,9x2,62 VITON VP.	1
15.3	4158196	> DRAIN/PRIMING PLUG VITON HELIX KIT	1
15.3A		>> DRAIN-AND-PRIMING-PLUG-VM18"-316L	1
15.3B	4032294	>> GASKET-10x3-VITON	1
15.3C	2107768	>> O-RING ID.8,9x2,7 VITON VP.	1
15.4	4143749	> BASE M+ DN50/65/80-304	1
15.5		> SCREW TBHC M12x25 ISO7380 ZN	1
15.6		> FLANGE M+ DN80 NF PN16-25 ASME PN16 CATA	1
15.7		> O-RING Ø91.42xØ3 VITON	1
13.1A	4161268	> NECK RING 1.STAGE HELIX 36 316 KIT	1
		>> NECK-RING-M+36/52	1
		>> HYDRAULIC SUPPORT CAP M+36/52 316	1
		>> SCREW TCL M3X8 A4 POZIDRIV	1



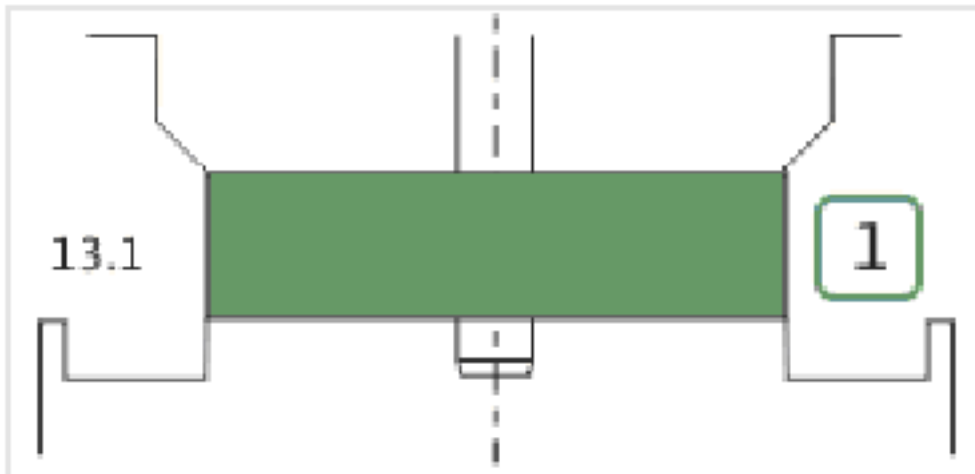
COUPLING D.20XD.28 FT130 KIT (4143964)

Item	Article no.	Description	Quantity
4.1		COUPLING M+ Ø20XØ28-FT130 MACHINED	1
4.2	2131022	BALL BEARING 6209/ZZ-C3(HT)VP.	1
4.3	4233930	CIRCLIP-FOR-BORES-D45x1,75 VP.	1
4.4	4157726	SCREW KIT M8X30 (4 PIECES)	1
4.5	4234252	CIRCLIPS 85X3 VP.	1
4.6	4234243	O-RING 85X3 VP.	1
		NOMEL CONTACT WASHER 8x16x1,4 STEEL ZC	1



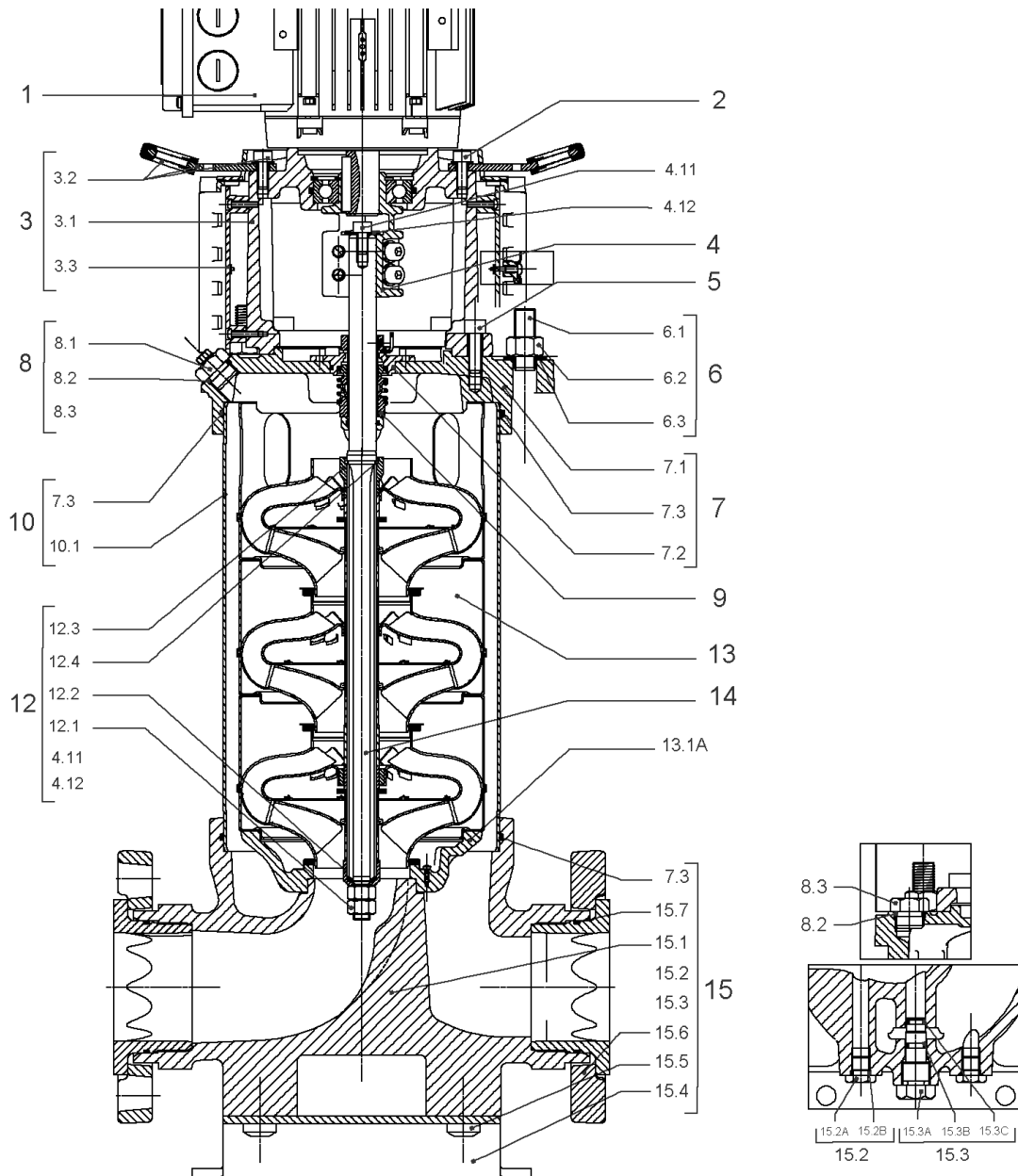
CARTRIDGE HELIX22-36-52 O/V KIT (4158204)

Item	Article no.	Description	Quantity
9.1	4158203	SEAL-KIT-HELIX22-36-52 O/V	1
7.3	2107767	> O-RING ID.202,80x3,53 VITON VP.	1
7.4	4179958	> O-RING-ID.42.52X2.62 VITON VP.	1
9.1A	2127454	> M.SEAL.HELIX22-36-52 O/V VP.	1
9.1B	4179960	> O-RING ID.20x2.65 FKM VP.	1
9.2	4179566	SHAFT SLEEVE D.20/20X60 1.4404 VP.	1
9.3	4179567	RING HOLDER Ø22 1.4301 VP.	1
9.4	4176520	SCREW CH M5x5 A4-70 (3PIECES)	1
9.5	4179568	DRIVE RING D.31/22.1x11 MACH.VP.	1
9.6	4179569	TOOL M.S.CART.HELIX 8" VP.	1
9.7	4179570	SCREW M6X16 ISO4762 8.8 GEOMET(4 PIECES)	1



HYDRAULIC HELIX V 5201

Item	Article no.	Description	Quantity
13.1	4164776	UPPER STAGE HELIX 52 1.4404 KIT	1
		> STOP COLLAR OF IMPELLER L27,6-Ø22-316L	1
		> SHAFT-SLEEVE-D26xD22x16-CW	1
		> SPACER WASHER D22,3XD36 L3-316L	1
		> IMPELLER-H2-M+52-316	1
		> MACH.BEARING-DISCHARGE-CHAMBER+NR-M+52-3	1
13.1A	4161268	> NECK RING 1.STAGE HELIX 36 316 KIT	1
		>> NECK-RING-M+36/52	1
		>> HYDRAULIC SUPPORT CAP M+36/52 316	1
		>> SCREW TCL M3X8 A4 POZIDRIV	1

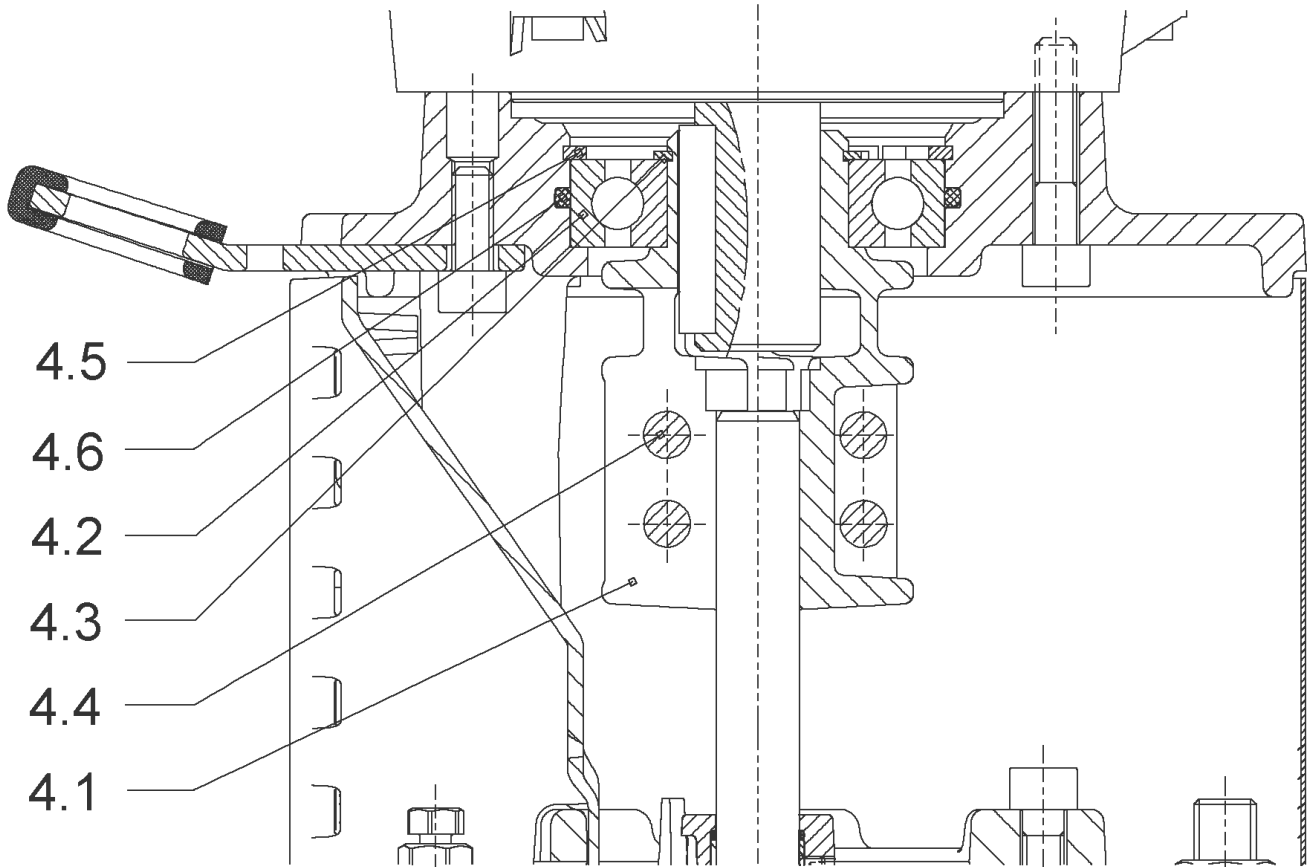


HELIX V5202/2-2/16/V/KS/400-50 (4150902)

Item	Article no.	Description	Quantity
1	4169947	MO 5,5/2/112 3~400V50Hz 460V60Hz IE3 VP.	1
		SPARE PARTS MOTOR:ON REQUEST	1
2	4159707	SCREW M8X30 (4 PIECES)	1
3	4157719	LANTERN HELIX 22/36 FT130 KIT	1
3.1		> LANTERN FT130 M+ GJL MACHINED+CATA	1
3.2	4179561	> EYELET CPL.FT HELIX(2 PIECES)	1
3.3	4143968	> COUPLING PROTECT HELIX FT KIT	1
4	4143964	COUPLING D.20XD.28 FT130 KIT	1
5	4094462	SCREWS M10 (4 PIECES)	1
6	4179581	STUD BOLT M16X305.5 KIT	1
6.1		> TIE BOLT M16-305.5x24x44-1.4057	1
6.2	4179562	> NUT M16 8.8 ISO4032 (4 PIECES)	1
6.3	4097852	> WASHER-CS-16.4-32-2.8-NFE25-511-A2	1
7	4179959	END SHIELD HELIX 8" FKM 1.4404 KIT	1
7.1		> END SHIELD HELIX 316L MACHINED	1
7.2	4179958	> O-RING-ID.42.52X2.62 VITON VP.	1
7.3	2107767	> O-RING ID.202,80x3,53 VITON VP.	1
8	4161256	FILING/PURGING PLUG FKM KIT	1
8.1		> FILLING/VENTING-PLUG-VM18/10-316L	1
8.2		> FILLING AND VENTING PLUG M+8" 316L	1
8.3		> GASKET-17x3-VITON	1
9	4158204	CARTRIDGE HELIX22-36-52 O/V KIT	1
10	4179594	HOUSING PIPE D.204X230 1.4404 KIT	1
7.3	2107767	> O-RING ID.202,80x3,53 VITON VP.	1
10.1		> HOUSING-PIPE Ø204-M+5202-316L	1
12	4164724	SHAFT EQUIPMENT HELIX V52 KIT	1
13		HYDRAULIC HELIX V 5202-2	1
14	4179966	SHAFTS D.22X404 1.4404 VP.	1
15	4164769	EQUIPED HOUSING HELIX 52 1.4409 KIT	1
7.3	2107767	> O-RING ID.202,80x3,53 VITON VP.	1
15.1		> PUMP HOUSING M+ DN80 316L MACHINED	1
15.1		> GASKET HOLDER M+ DN80 316L MACHINED	1
15.1		> HYDRAULIC SUPPORT M+ DN80 316L MACHINED	1
15.2	4158195	> PLUG PRESSURE CONNECTION G1/4"316L KIT	1

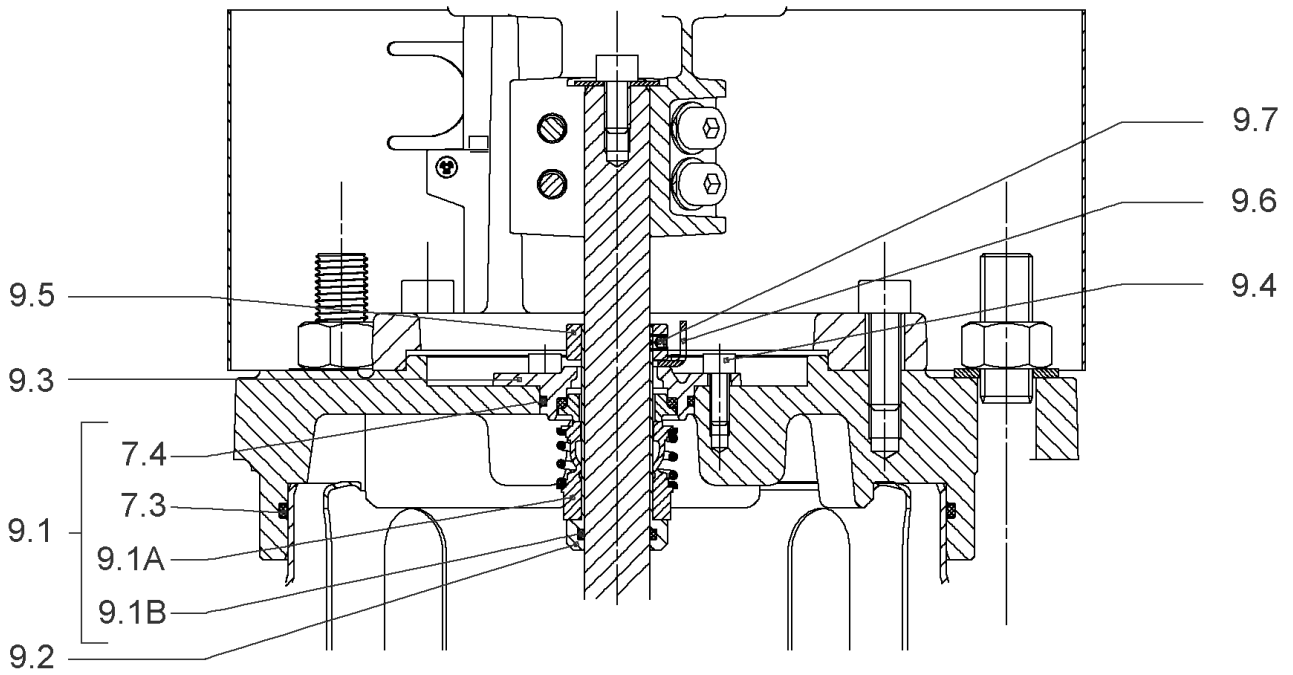
HELIX V5202/2-2/16/V/KS/400-50 (4150902)

Item	Article no.	Description	Quantity
15.2A		>> PLUG PRESSURE CONNECTION - G1/4" - 316L	1
15.2B	2107769	>> O-RING ID.9,9x2,62 VITON VP.	1
15.3	4158196	> DRAIN/PRIMING PLUG VITON HELIX KIT	1
15.3A		>> DRAIN-AND-PRIMING-PLUG-VM18"-316L	1
15.3B	4032294	>> GASKET-10x3-VITON	1
15.3C	2107768	>> O-RING ID.8,9x2,7 VITON VP.	1
15.4	4143749	> BASE M+ DN50/65/80-304	1
15.5		> SCREW TBHC M12x25 ISO7380 ZN	1
15.6		> FLANGE M+ DN80 NF PN16-25 ASME PN16 CATA	1
15.7		> O-RING Ø91.42xØ3 VITON	1
13.1A	4161268	> NECK RING 1.STAGE HELIX 36 316 KIT	1
		>> NECK-RING-M+36/52	1
		>> HYDRAULIC SUPPORT CAP M+36/52 316	1
		>> SCREW TCL M3X8 A4 POZIDRIV	1



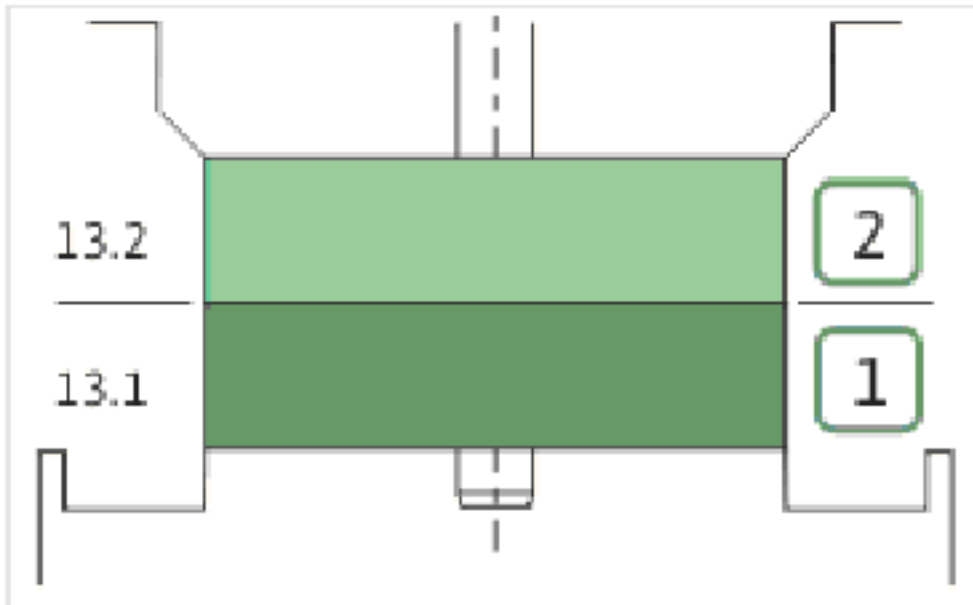
COUPLING D.20XD.28 FT130 KIT (4143964)

Item	Article no.	Description	Quantity
4.1		COUPLING M+ Ø20XØ28-FT130 MACHINED	1
4.2	2131022	BALL BEARING 6209/ZZ-C3(HT)VP.	1
4.3	4233930	CIRCLIP-FOR-BORES-D45x1,75 VP.	1
4.4	4157726	SCREW KIT M8X30 (4 PIECES)	1
4.5	4234252	CIRCLIPS 85X3 VP.	1
4.6	4234243	O-RING 85X3 VP.	1
		NOMEL CONTACT WASHER 8x16x1,4 STEEL ZC	1



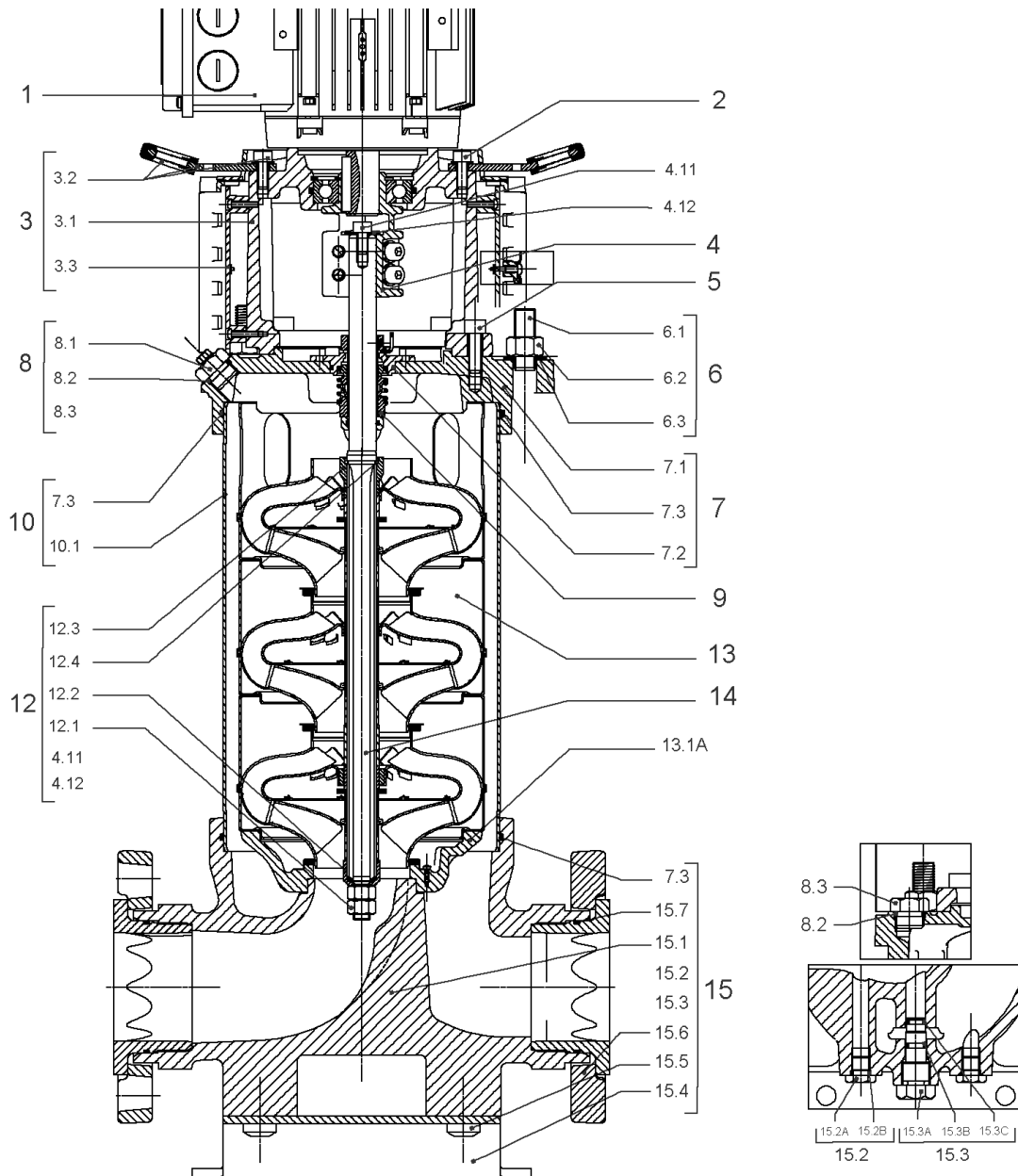
CARTRIDGE HELIX22-36-52 O/V KIT (4158204)

Item	Article no.	Description	Quantity
9.1	4158203	SEAL-KIT-HELIX22-36-52 O/V	1
7.3	2107767	> O-RING ID.202,80x3,53 VITON VP.	1
7.4	4179958	> O-RING-ID.42.52X2.62 VITON VP.	1
9.1A	2127454	> M.SEAL.HELIX22-36-52 O/V VP.	1
9.1B	4179960	> O-RING ID.20x2.65 FKM VP.	1
9.2	4179566	SHAFT SLEEVE D.20/20X60 1.4404 VP.	1
9.3	4179567	RING HOLDER Ø22 1.4301 VP.	1
9.4	4176520	SCREW CH M5x5 A4-70 (3PIECES)	1
9.5	4179568	DRIVE RING D.31/22.1x11 MACH.VP.	1
9.6	4179569	TOOL M.S.CART.HELIX 8" VP.	1
9.7	4179570	SCREW M6X16 ISO4762 8.8 GEOMET(4 PIECES)	1



HYDRAULIC HELIX V 5202-2

Item	Article no.	Description	Quantity
13.1	4164775	INTERMEDIATE STAGE HELIX 52 1.4404 KIT	1
		> SLEEVE-SPACER-D22XL30,42-316L	1
		> MACH.BEARING-DIFFUSER+NR-M+52-316	1
		> SHAFT-SLEEVE-D26xD22x16-CW	1
		> SPACER WASHER D22,3XD36 L3-316L	1
		> REDUCED-IMPELLER-H2-M+52-316	1
13.2	4164774	UPPER STAGE HELIX 52 1.4404 KIT	1
		> STOP COLLAR OF IMPELLER L27,6-Ø22-316L	1
		> SLEEVE-SPACER-D22XL16,66-316L	1
		> SPACER WASHER D22,3XD36 L3-316L	1
		> REDUCED-IMPELLER-H2-M+52-316	1
		> MACH.STD-DISCHARGE-CHAMBER-M+52-316	1

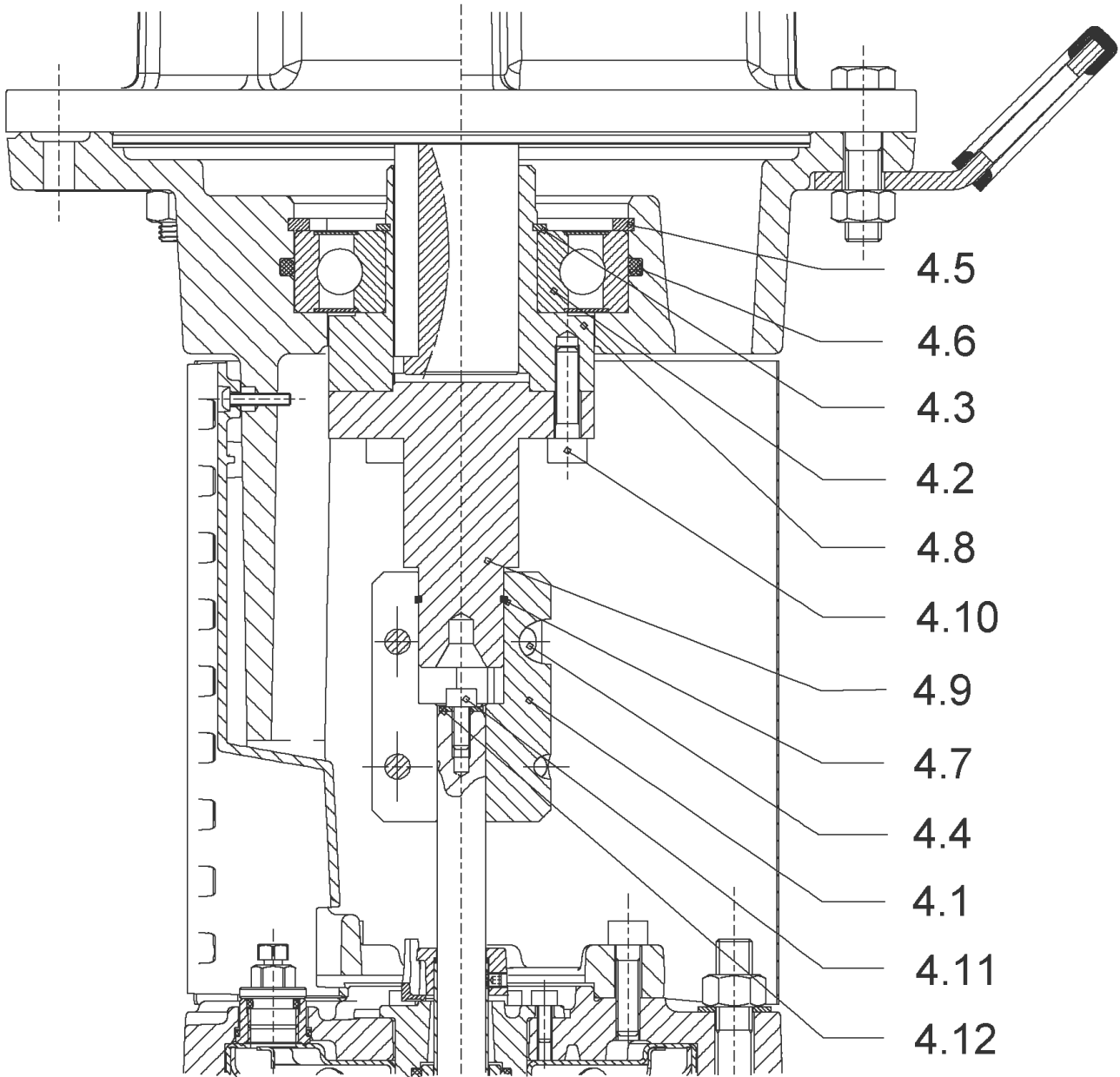


HELIX V5202-2/16/V/KS/400-50 (4150903)

Item	Article no.	Description	Quantity
1	4195450	MOTOR 7,5/2/* 3~400V 50HZ IE3 VP.	1
		SPARE PARTS MOTOR:ON REQUEST	1
2	4174093	SCREW M12X50 (4 PIECES)	1
3	4161187	LANTERN FF265 HELIX 8" KIT	1
3.1		> LANTERN FF265 M+ GJL MACHINED+CATA	1
3.2	2127605	> EYELET CPL.FF265 HELIX(2 PIECES)	1
3.3	4143969	> COUPLING PROTECT HELIX FF KIT	1
4	4143965	COUPLING D.20XD.28 FF265 KIT	1
5	4157725	SCREW M10X40 (4 PIECES)	1
6	4179581	STUD BOLT M16X305.5 KIT	1
6.1		> TIE BOLT M16-305.5x24x44-1.4057	1
6.2	4179562	> NUT M16 8.8 ISO4032 (4 PIECES)	1
6.3	4097852	> WASHER-CS-16.4-32-2.8-NFE25-511-A2	1
7	4179959	END SHIELD HELIX 8" FKM 1.4404 KIT	1
7.1		> END SHIELD HELIX 316L MACHINED	1
7.2	4179958	> O-RING-ID.42.52X2.62 VITON VP.	1
7.3	2107767	> O-RING ID.202,80x3,53 VITON VP.	1
8	4161256	FILING/PURGING PLUG FKM KIT	1
8.1		> FILLING/VENTING-PLUG-VM18/10-316L	1
8.2		> FILLING AND VENTING PLUG M+8" 316L	1
8.3		> GASKET-17x3-VITON	1
9	4158204	CARTRIDGE HELIX22-36-52 O/V KIT	1
10	4179594	HOUSING PIPE D.204X230 1.4404 KIT	1
7.3	2107767	> O-RING ID.202,80x3,53 VITON VP.	1
10.1		> HOUSING-PIPE Ø204-M+5202-316L	1
12	4164724	SHAFT EQUIPMENT HELIX V52 KIT	1
13		HYDRAULIC HELIX V 5202	1
14	4179966	SHAFTS D.22X404 1.4404 VP.	1
15	4164769	EQUIPED HOUSING HELIX 52 1.4409 KIT	1
7.3	2107767	> O-RING ID.202,80x3,53 VITON VP.	1
15.1		> PUMP HOUSING M+ DN80 316L MACHINED	1
15.1		> GASKET HOLDER M+ DN80 316L MACHINED	1
15.1		> HYDRAULIC SUPPORT M+ DN80 316L MACHINED	1
15.2	4158195	> PLUG PRESSURE CONNECTION G1/4"316L KIT	1

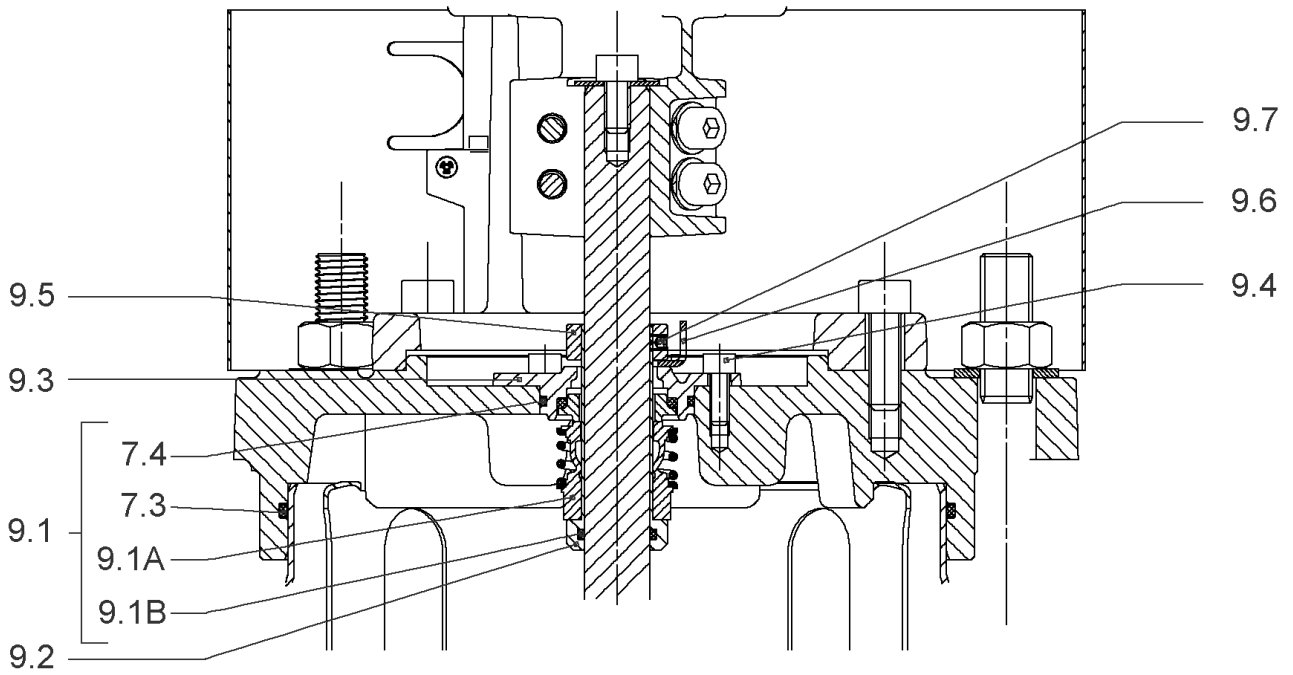
HELIX V5202-2/16/V/KS/400-50 (4150903)

Item	Article no.	Description	Quantity
15.2A		>> PLUG PRESSURE CONNECTION - G1/4" - 316L	1
15.2B	2107769	>> O-RING ID.9,9x2,62 VITON VP.	1
15.3	4158196	> DRAIN/PRIMING PLUG VITON HELIX KIT	1
15.3A		>> DRAIN-AND-PRIMING-PLUG-VM18"-316L	1
15.3B	4032294	>> GASKET-10x3-VITON	1
15.3C	2107768	>> O-RING ID.8,9x2,7 VITON VP.	1
15.4	4143749	> BASE M+ DN50/65/80-304	1
15.5		> SCREW TBHC M12x25 ISO7380 ZN	1
15.6		> FLANGE M+ DN80 NF PN16-25 ASME PN16 CATA	1
15.7		> O-RING Ø91.42xØ3 VITON	1
13.1A	4161268	> NECK RING 1.STAGE HELIX 36 316 KIT	1
		>> NECK-RING-M+36/52	1
		>> HYDRAULIC SUPPORT CAP M+36/52 316	1
		>> SCREW TCL M3X8 A4 POZIDRIV	1



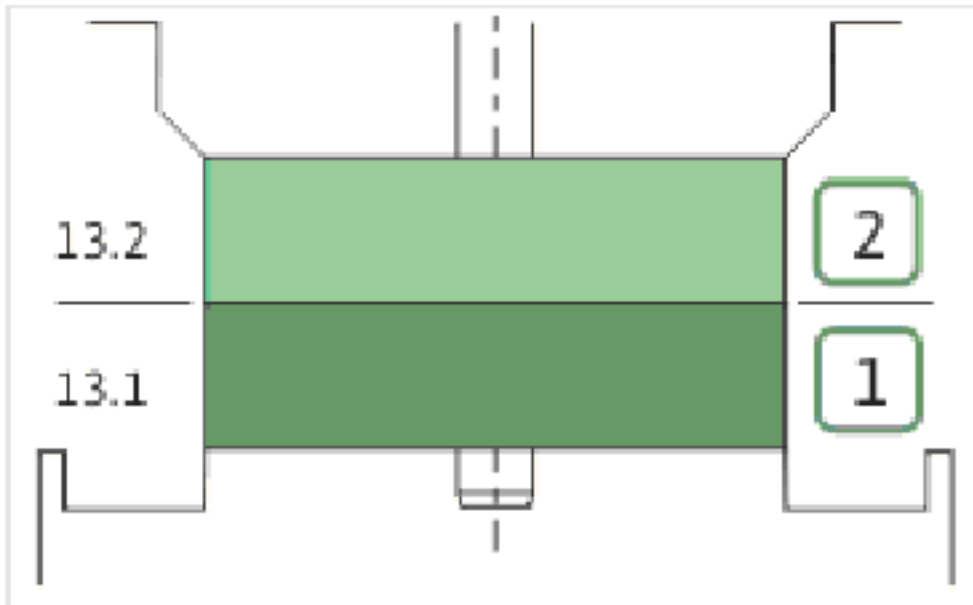
COUPLING D.20XD.28 FF265 KIT (4143965)

Item	Article no.	Description	Quantity
4.1	4179584	COUPLING 2 PARTS D.20XD.28XL83 VP.	1
4.2	2131017	BALL BEARING 6310/ZZ-C4(HT)VP.	1
4.3	4234253	CIRCLIP-FOR-SHAFT-D50x2 VP.	1
4.4	4159707	SCREW M8X30 (4 PIECES)	1
4.5	4234255	CIRCLIPS 110X4 VP.	1
4.6	4233944	O-RING ID.110 VP.	1
4.7	4179585	STOP-RUSH D26xD2 DIN7993 STEEL VP.	1
4.8	2131020	HUB D.38XD.50 VP.	1
4.9	2131021	SPACER D.28XD.45 VP.	1
4.10	4157726	SCREW KIT M8X30 (4 PIECES)	1
4.11	4233959	SCREW M8x16 VP.	1
4.12		SERRATED LOCK WASHER Ø8.2XØ25X35X2	1



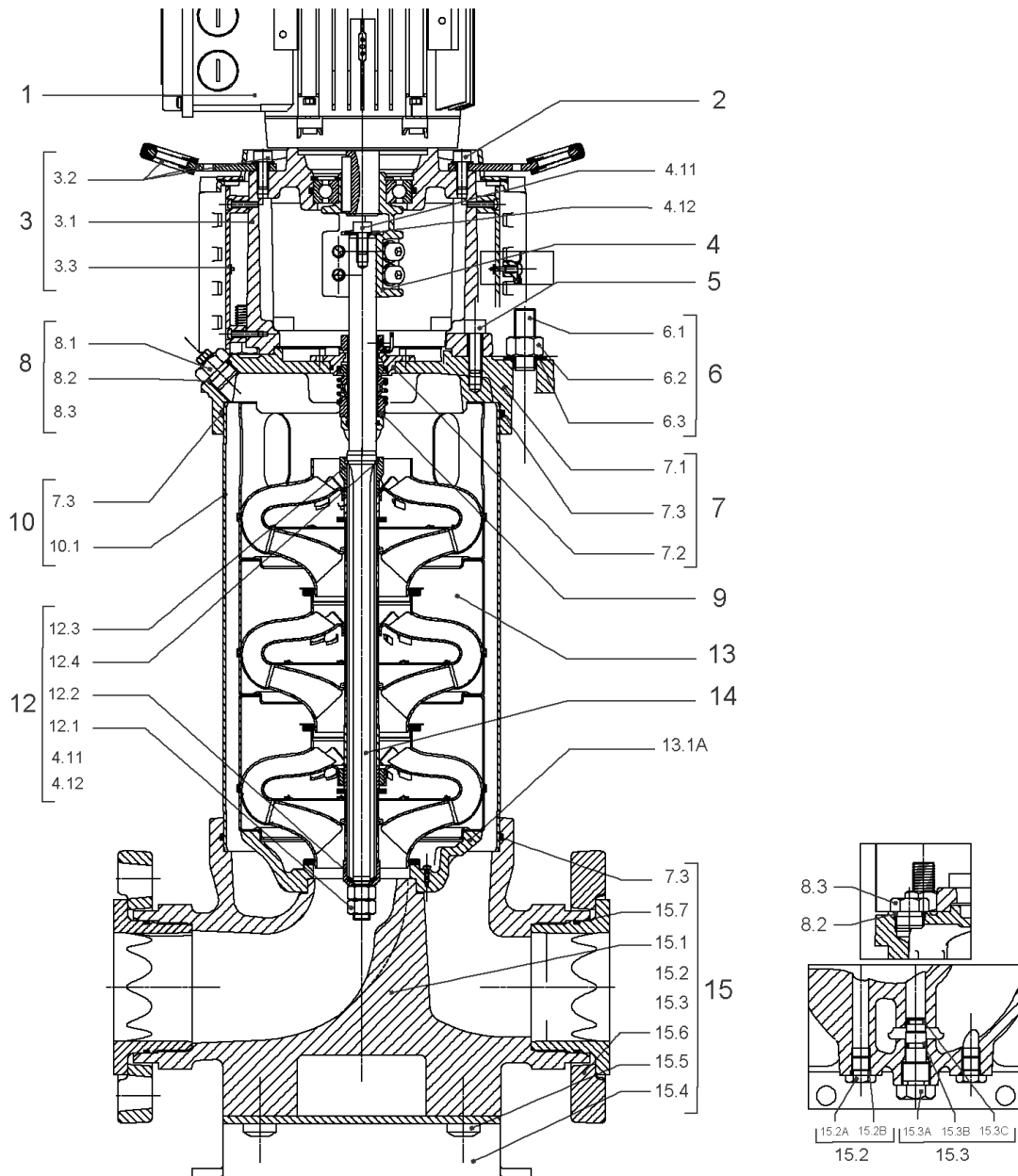
CARTRIDGE HELIX22-36-52 O/V KIT (4158204)

Item	Article no.	Description	Quantity
9.1	4158203	SEAL-KIT-HELIX22-36-52 O/V	1
7.3	2107767	> O-RING ID.202,80x3,53 VITON VP.	1
7.4	4179958	> O-RING-ID.42.52X2.62 VITON VP.	1
9.1A	2127454	> M.SEAL.HELIX22-36-52 O/V VP.	1
9.1B	4179960	> O-RING ID.20x2.65 FKM VP.	1
9.2	4179566	SHAFT SLEEVE D.20/20X60 1.4404 VP.	1
9.3	4179567	RING HOLDER Ø22 1.4301 VP.	1
9.4	4176520	SCREW CH M5x5 A4-70 (3PIECES)	1
9.5	4179568	DRIVE RING D.31/22.1x11 MACH.VP.	1
9.6	4179569	TOOL M.S.CART.HELIX 8" VP.	1
9.7	4179570	SCREW M6X16 ISO4762 8.8 GEOMET(4 PIECES)	1



HYDRAULIC HELIX V 5202

Item	Article no.	Description	Quantity
13.1	4164770	INTERMEDIATE STAGE HELIX 52 1.4404 KIT	1
		> SLEEVE-SPACER-D22XL30,42-316L	1
		> MACH.BEARING-DIFFUSER+NR-M+52-316	1
		> SHAFT-SLEEVE-D26xD22x16-CW	1
		> SPACER WASHER D22,3XD36 L3-316L	1
		> IMPELLER-H2-M+52-316	1
13.2	4164772	UPPER STAGE HELIX 52 1.4404 KIT	1
		> STOP COLLAR OF IMPELLER L27,6-Ø22-316L	1
		> SLEEVE-SPACER-D22XL16,66-316L	1
		> SPACER WASHER D22,3XD36 L3-316L	1
		> IMPELLER-H2-M+52-316	1
		> MACH.STD-DISCHARGE-CHAMBER-M+52-316	1



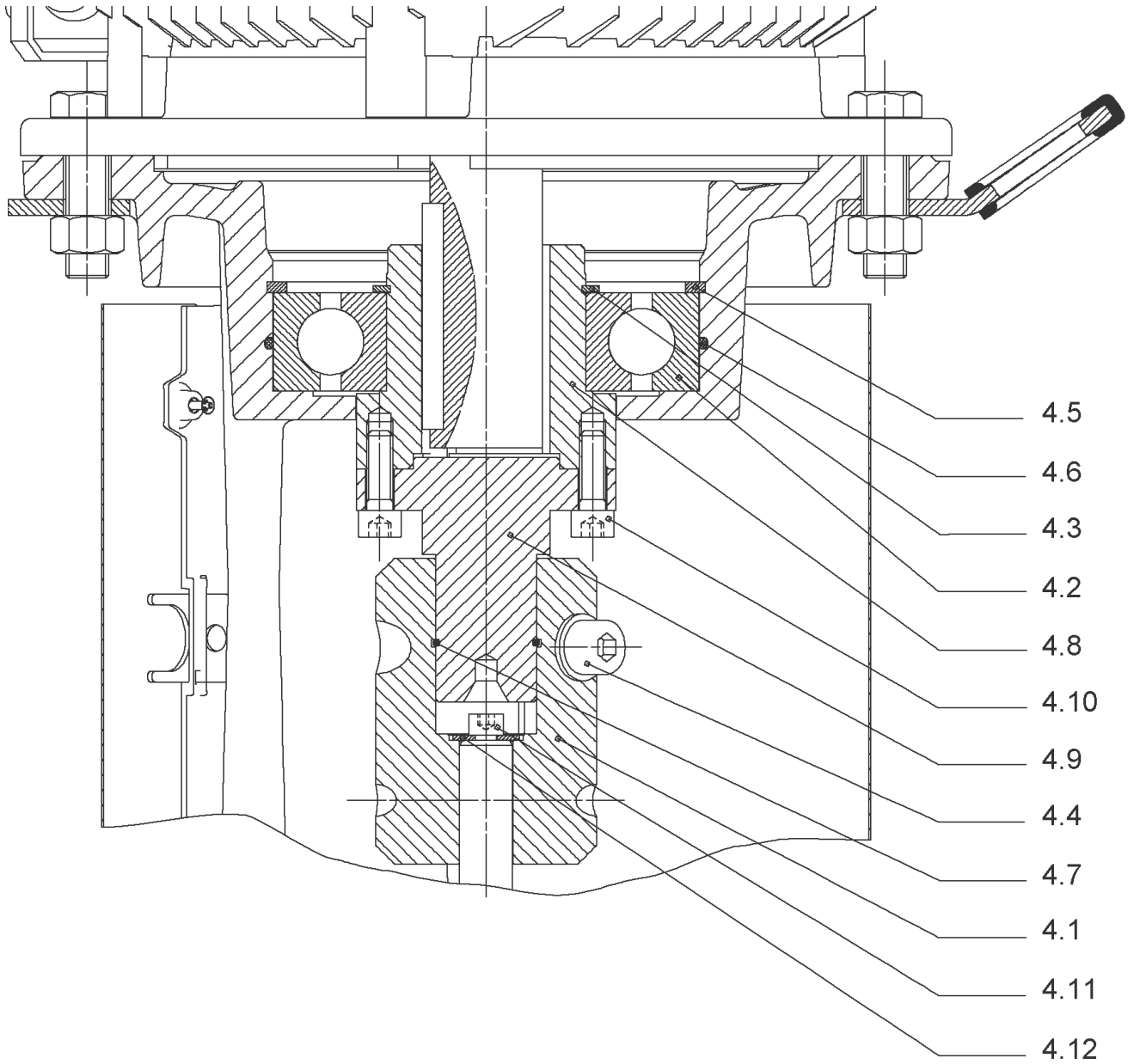
HELIX V5203/2-2/16/V/KS/400-50 (4150904)

Item	Article no.	Description	Quantity
1	4199884	MOTOR 11/2/160 3~400V 50HZ VP.	1
		SPARE PARTS MOTOR:ON REQUEST	1
2	4179586	SCREW M16X60 (4 PIECES)	1
3	4157721	LANTERN HELIX 22/36 FF300 BB6312 KIT	1
3.1		> LANTERN FF300 M+ GJL MACHINED+CATA 6312	1
3.2	4179589	> EYELET CPL.FF300 HELIX(4 PIECES)	1
3.3	4143969	> COUPLING PROTECT HELIX FF KIT	1
4	4143966	COUPLING D.20XD.38 FF300 KIT	1
5	4157725	SCREW M10X40 (4 PIECES)	1
6	4179592	STUD BOLT M16X405 KIT	1
6.1		> TIE BOLT M16-405x24x44-1.4057	1
6.2	4179562	> NUT M16 8.8 ISO4032 (4 PIECES)	1
6.3	4097852	> WASHER-CS-16.4-32-2.8-NFE25-511-A2	1
7	4179959	END SHIELD HELIX 8" FKM 1.4404 KIT	1
7.1		> END SHIELD HELIX 316L MACHINED	1
7.2	4179958	> O-RING-ID.42.52X2.62 VITON VP.	1
7.3	2107767	> O-RING ID.202,80x3,53 VITON VP.	1
8	4161256	FILING/PURGING PLUG FKM KIT	1
8.1		> FILLING/VENTING-PLUG-VM18/10-316L	1
8.2		> FILLING AND VENTING PLUG M+8" 316L	1
8.3		> GASKET-17x3-VITON	1
9	4158204	CARTRIDGE HELIX22-36-52 O/V KIT	1
10	4179968	HOUSING PIPE D.204X330 1.4404 KIT	1
7.3	2107767	> O-RING ID.202,80x3,53 VITON VP.	1
10.1		> HOUSING-PIPE Ø204-M+3604/5203-316L	1
12	4164724	SHAFT EQUIPMENT HELIX V52 KIT	1
13		HYDRAULIC HELIX V 5203-2	1
14	4179596	SHAFTS D.22X504 1.4404 VP.	1
15	4164769	EQUIPED HOUSING HELIX 52 1.4409 KIT	1
7.3	2107767	> O-RING ID.202,80x3,53 VITON VP.	1
15.1		> PUMP HOUSING M+ DN80 316L MACHINED	1
15.1		> GASKET HOLDER M+ DN80 316L MACHINED	1
15.1		> HYDRAULIC SUPPORT M+ DN80 316L MACHINED	1
15.2	4158195	> PLUG PRESSURE CONNECTION G1/4"316L KIT	1

HELIX V5203/2-2/16/V/KS/400-50 (4150904)

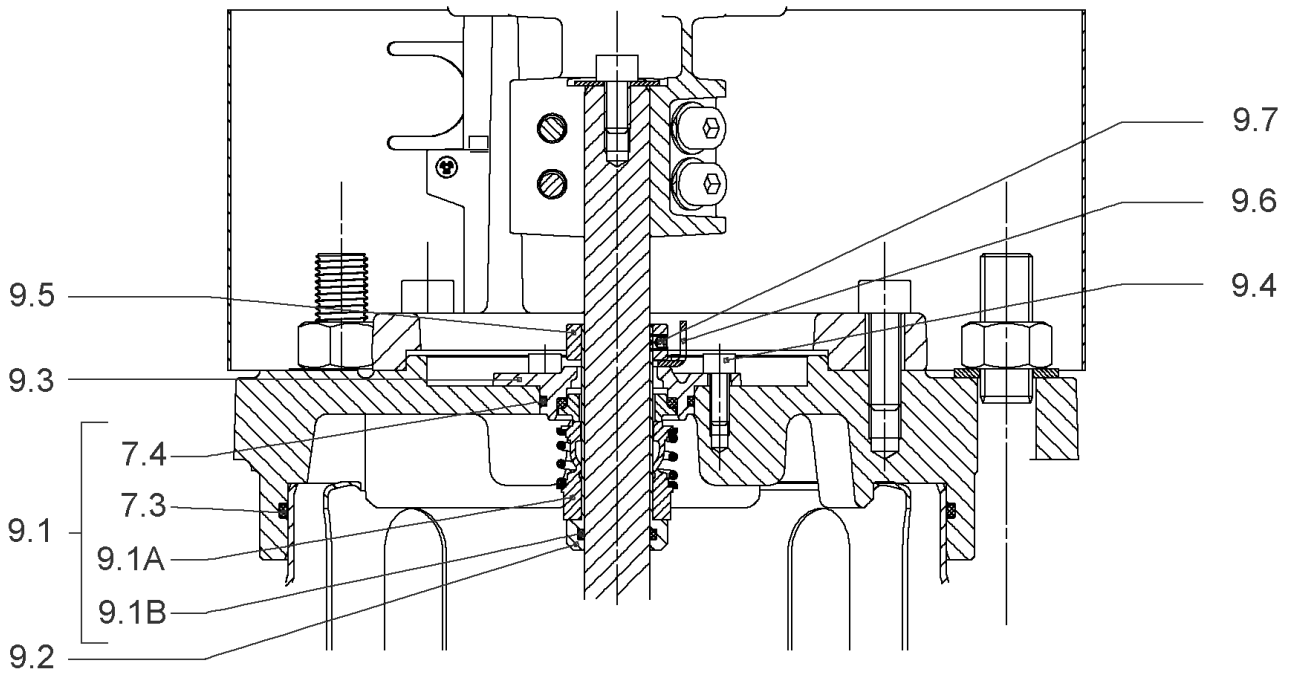
Item	Article no.	Description	Quantity
15.2A		>> PLUG PRESSURE CONNECTION - G1/4" - 316L	1
15.2B	2107769	>> O-RING ID.9,9x2,62 VITON VP.	1
15.3	4158196	> DRAIN/PRIMING PLUG VITON HELIX KIT	1
15.3A		>> DRAIN-AND-PRIMING-PLUG-VM18"-316L	1
15.3B	4032294	>> GASKET-10x3-VITON	1
15.3C	2107768	>> O-RING ID.8,9x2,7 VITON VP.	1
15.4	4143749	> BASE M+ DN50/65/80-304	1
15.5		> SCREW TBHC M12x25 ISO7380 ZN	1
15.6		> FLANGE M+ DN80 NF PN16-25 ASME PN16 CATA	1
15.7		> O-RING Ø91.42xØ3 VITON	1
13.1A	4161268	> NECK RING 1.STAGE HELIX 36 316 KIT	1
		>> NECK-RING-M+36/52	1
		>> HYDRAULIC SUPPORT CAP M+36/52 316	1
		>> SCREW TCL M3X8 A4 POZIDRIV	1

COUPLING D.20XD.38 FF300 KIT (4143966)



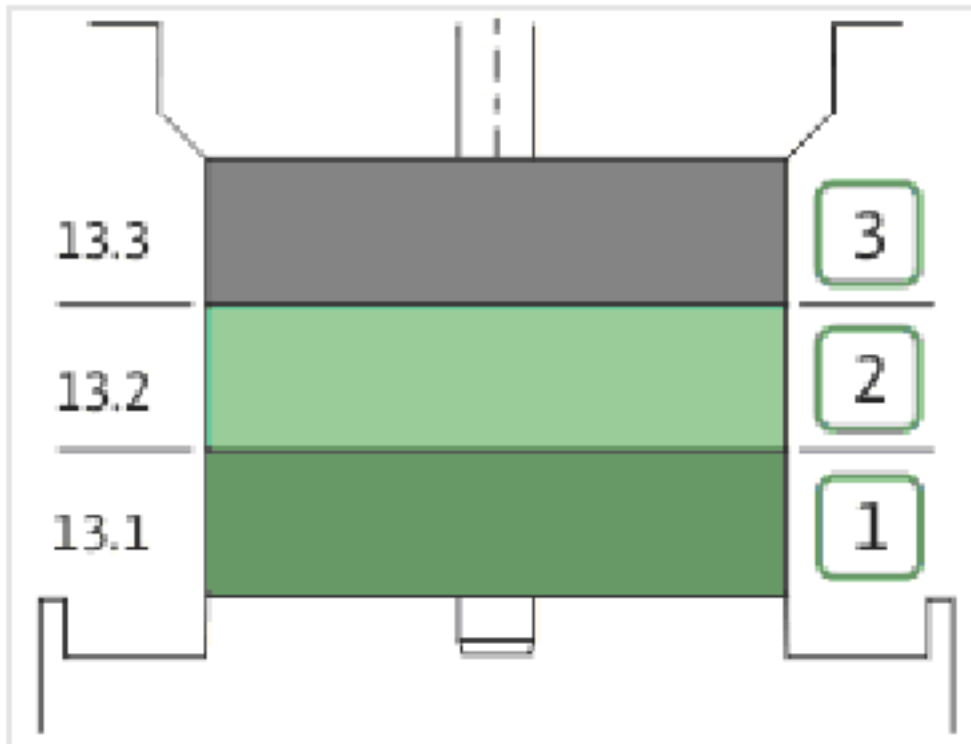
COUPLING D.20XD.38 FF300 KIT (4143966)

Item	Article no.	Description	Quantity
4.1	4179590	COUPLING 2 PARTS D.20XD.38XL115 VP.	1
4.2	2123699	BALL BEARING 6312/2Z-C4 (HT) VP.	1
4.3	63428	CIRCLIP-FOR-SHAFT-D60x2	1
4.4	2130991	SCREW M12X30 ISO4762 8.8 ZN(4 PIECES)	1
4.5	4032277	CIRCLIP-HOLE-130x4	1
4.6	4006725	O-RING ID.132,94x3,53 NBR70SR	1
4.7	2130992	RETAINING RING D.35xD.2,5 DIN7993 VP.	1
4.8	4179591	HUB D.42xD.60 VP.	1
4.9	2130994	SPACER D.38XD.55 VP.	1
4.10	4094462	SCREWS M10 (4 PIECES)	1
4.11	4233959	SCREW M8x16 VP.	1
4.12		SERRATED LOCK WASHER Ø8.2XØ25X35X2	1



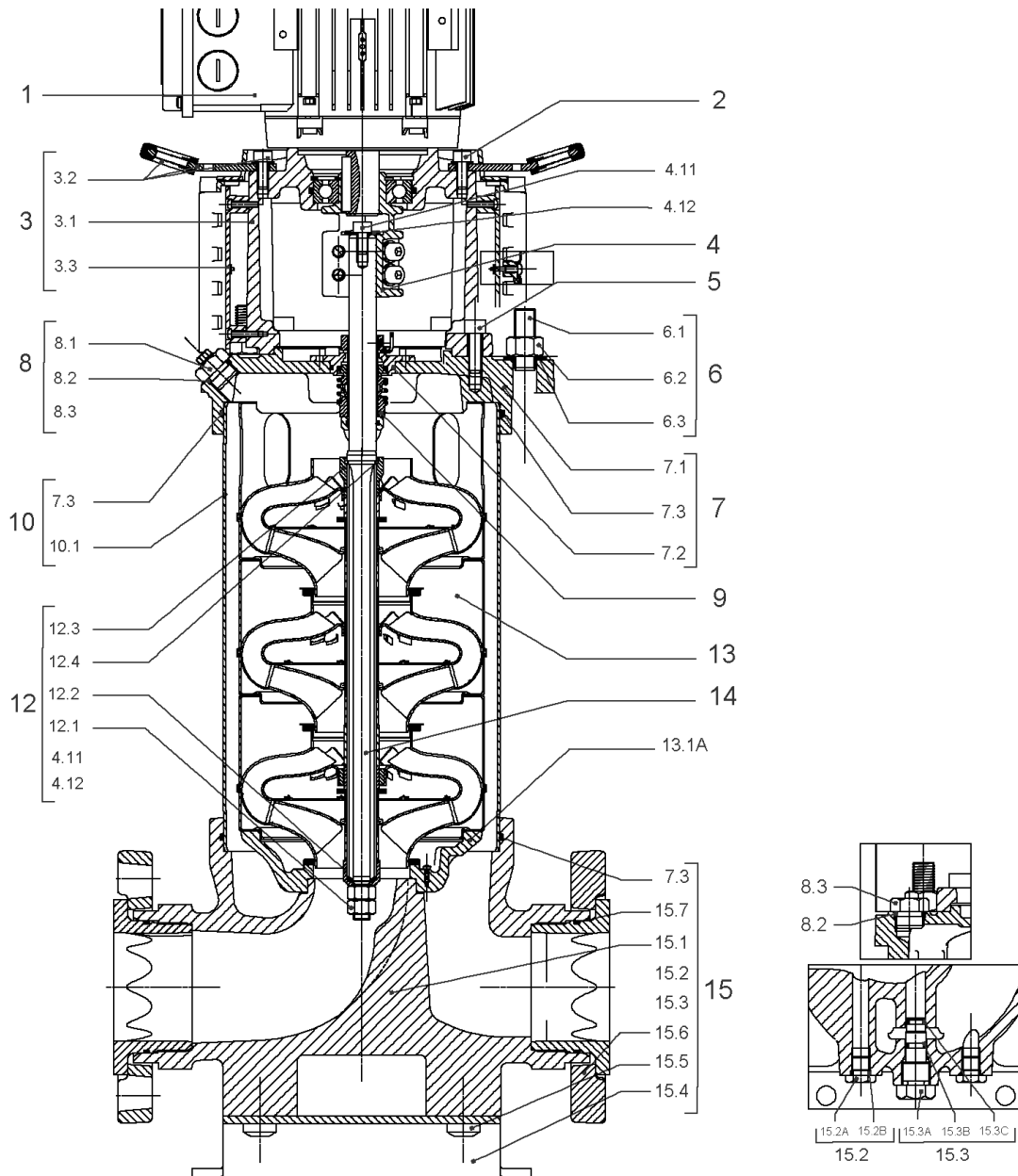
CARTRIDGE HELIX22-36-52 O/V KIT (4158204)

Item	Article no.	Description	Quantity
9.1	4158203	SEAL-KIT-HELIX22-36-52 O/V	1
7.3	2107767	> O-RING ID.202,80x3,53 VITON VP.	1
7.4	4179958	> O-RING-ID.42.52X2.62 VITON VP.	1
9.1A	2127454	> M.SEAL.HELIX22-36-52 O/V VP.	1
9.1B	4179960	> O-RING ID.20x2.65 FKM VP.	1
9.2	4179566	SHAFT SLEEVE D.20/20X60 1.4404 VP.	1
9.3	4179567	RING HOLDER Ø22 1.4301 VP.	1
9.4	4176520	SCREW CH M5x5 A4-70 (3PIECES)	1
9.5	4179568	DRIVE RING D.31/22.1x11 MACH.VP.	1
9.6	4179569	TOOL M.S.CART.HELIX 8" VP.	1
9.7	4179570	SCREW M6X16 ISO4762 8.8 GEOMET(4 PIECES)	1



HYDRAULIC HELIX V 5203-2

Item	Article no.	Description	Quantity
13.1	4164770	INTERMEDIATE STAGE HELIX 52 1.4404 KIT	1
		> SLEEVE-SPACER-D22XL30,42-316L	1
		> MACH.BEARING-DIFFUSER+NR-M+52-316	1
		> SHAFT-SLEEVE-D26xD22x16-CW	1
		> SPACER WASHER D22,3XD36 L3-316L	1
		> IMPELLER-H2-M+52-316	1
13.2	4164773	INTERMEDIATE STAGE HELIX 52 1.4404 KIT	1
		> MACH.STD-DIFFUSER+NR-M+52-316	1
		> REDUCED-IMPELLER-H5-M+52-316	1
13.3	4164774	UPPER STAGE HELIX 52 1.4404 KIT	1
		> STOP COLLAR OF IMPELLER L27,6-Ø22-316L	1
		> SLEEVE-SPACER-D22XL16,66-316L	1
		> SPACER WASHER D22,3XD36 L3-316L	1
		> REDUCED-IMPELLER-H2-M+52-316	1
		> MACH.STD-DISCHARGE-CHAMBER-M+52-316	1

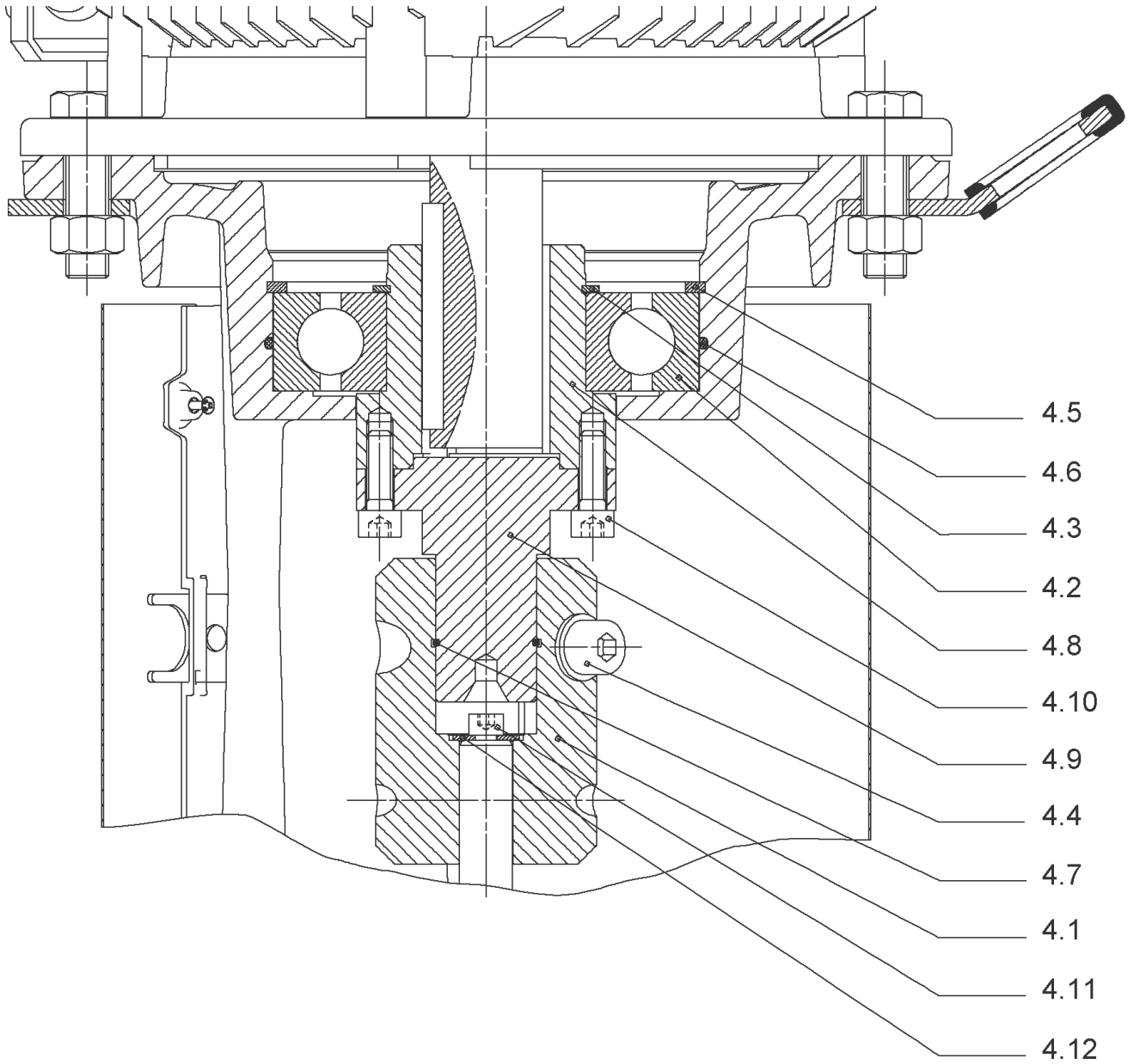


HELIX V5203-2/16/V/KS/400-50 (4150905)

Item	Article no.	Description	Quantity
1	4199884	MOTOR 11/2/160 3~400V 50HZ VP.	1
		SPARE PARTS MOTOR:ON REQUEST	1
2	4179586	SCREW M16X60 (4 PIECES)	1
3	4157721	LANTERN HELIX 22/36 FF300 BB6312 KIT	1
3.1		> LANTERN FF300 M+ GJL MACHINED+CATA 6312	1
3.2	4179589	> EYELET CPL.FF300 HELIX(4 PIECES)	1
3.3	4143969	> COUPLING PROTECT HELIX FF KIT	1
4	4143966	COUPLING D.20XD.38 FF300 KIT	1
5	4157725	SCREW M10X40 (4 PIECES)	1
6	4179592	STUD BOLT M16X405 KIT	1
6.1		> TIE BOLT M16-405x24x44-1.4057	1
6.2	4179562	> NUT M16 8.8 ISO4032 (4 PIECES)	1
6.3	4097852	> WASHER-CS-16.4-32-2.8-NFE25-511-A2	1
7	4179959	END SHIELD HELIX 8" FKM 1.4404 KIT	1
7.1		> END SHIELD HELIX 316L MACHINED	1
7.2	4179958	> O-RING-ID.42.52X2.62 VITON VP.	1
7.3	2107767	> O-RING ID.202,80x3,53 VITON VP.	1
8	4161256	FILING/PURGING PLUG FKM KIT	1
8.1		> FILLING/VENTING-PLUG-VM18/10-316L	1
8.2		> FILLING AND VENTING PLUG M+8" 316L	1
8.3		> GASKET-17x3-VITON	1
9	4158204	CARTRIDGE HELIX22-36-52 O/V KIT	1
10	4179968	HOUSING PIPE D.204X330 1.4404 KIT	1
7.3	2107767	> O-RING ID.202,80x3,53 VITON VP.	1
10.1		> HOUSING-PIPE Ø204-M+3604/5203-316L	1
12	4164724	SHAFT EQUIPMENT HELIX V52 KIT	1
13		HYDRAULIC HELIX V 5203	1
14	4179596	SHAFTS D.22X504 1.4404 VP.	1
15	4164769	EQUIPED HOUSING HELIX 52 1.4409 KIT	1
7.3	2107767	> O-RING ID.202,80x3,53 VITON VP.	1
15.1		> PUMP HOUSING M+ DN80 316L MACHINED	1
15.1		> GASKET HOLDER M+ DN80 316L MACHINED	1
15.1		> HYDRAULIC SUPPORT M+ DN80 316L MACHINED	1
15.2	4158195	> PLUG PRESSURE CONNECTION G1/4"316L KIT	1

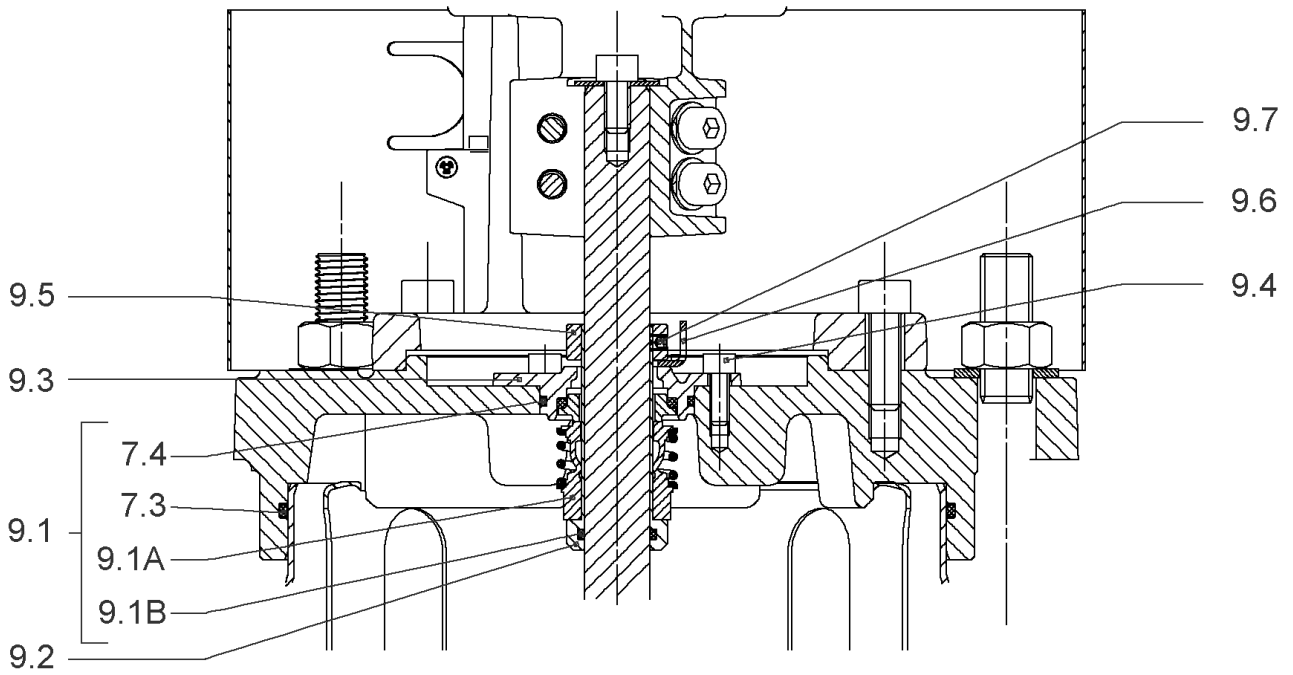
HELIX V5203-2/16/V/KS/400-50 (4150905)

Item	Article no.	Description	Quantity
15.2A		>> PLUG PRESSURE CONNECTION - G1/4" - 316L	1
15.2B	2107769	>> O-RING ID.9,9x2,62 VITON VP.	1
15.3	4158196	> DRAIN/PRIMING PLUG VITON HELIX KIT	1
15.3A		>> DRAIN-AND-PRIMING-PLUG-VM18"-316L	1
15.3B	4032294	>> GASKET-10x3-VITON	1
15.3C	2107768	>> O-RING ID.8,9x2,7 VITON VP.	1
15.4	4143749	> BASE M+ DN50/65/80-304	1
15.5		> SCREW TBHC M12x25 ISO7380 ZN	1
15.6		> FLANGE M+ DN80 NF PN16-25 ASME PN16 CATA	1
15.7		> O-RING Ø91.42xØ3 VITON	1
13.1A	4161268	> NECK RING 1.STAGE HELIX 36 316 KIT	1
		>> NECK-RING-M+36/52	1
		>> HYDRAULIC SUPPORT CAP M+36/52 316	1
		>> SCREW TCL M3X8 A4 POZIDRIV	1



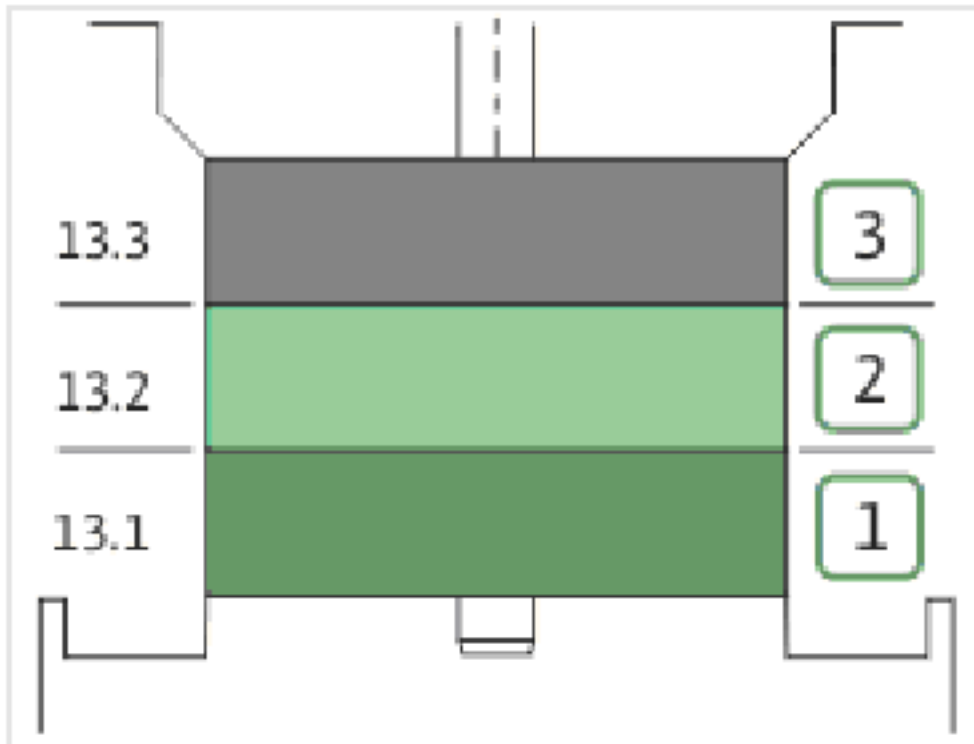
COUPLING D.20XD.38 FF300 KIT (4143966)

Item	Article no.	Description	Quantity
4.1	4179590	COUPLING 2 PARTS D.20XD.38XL115 VP.	1
4.2	2123699	BALL BEARING 6312/2Z-C4 (HT) VP.	1
4.3	63428	CIRCLIP-FOR-SHAFT-D60x2	1
4.4	2130991	SCREW M12X30 ISO4762 8.8 ZN(4 PIECES)	1
4.5	4032277	CIRCLIP-HOLE-130x4	1
4.6	4006725	O-RING ID.132,94x3,53 NBR70SR	1
4.7	2130992	RETAINING RING D.35xD.2,5 DIN7993 VP.	1
4.8	4179591	HUB D.42xD.60 VP.	1
4.9	2130994	SPACER D.38XD.55 VP.	1
4.10	4094462	SCREWS M10 (4 PIECES)	1
4.11	4233959	SCREW M8x16 VP.	1
4.12		SERRATED LOCK WASHER Ø8.2XØ25X35X2	1



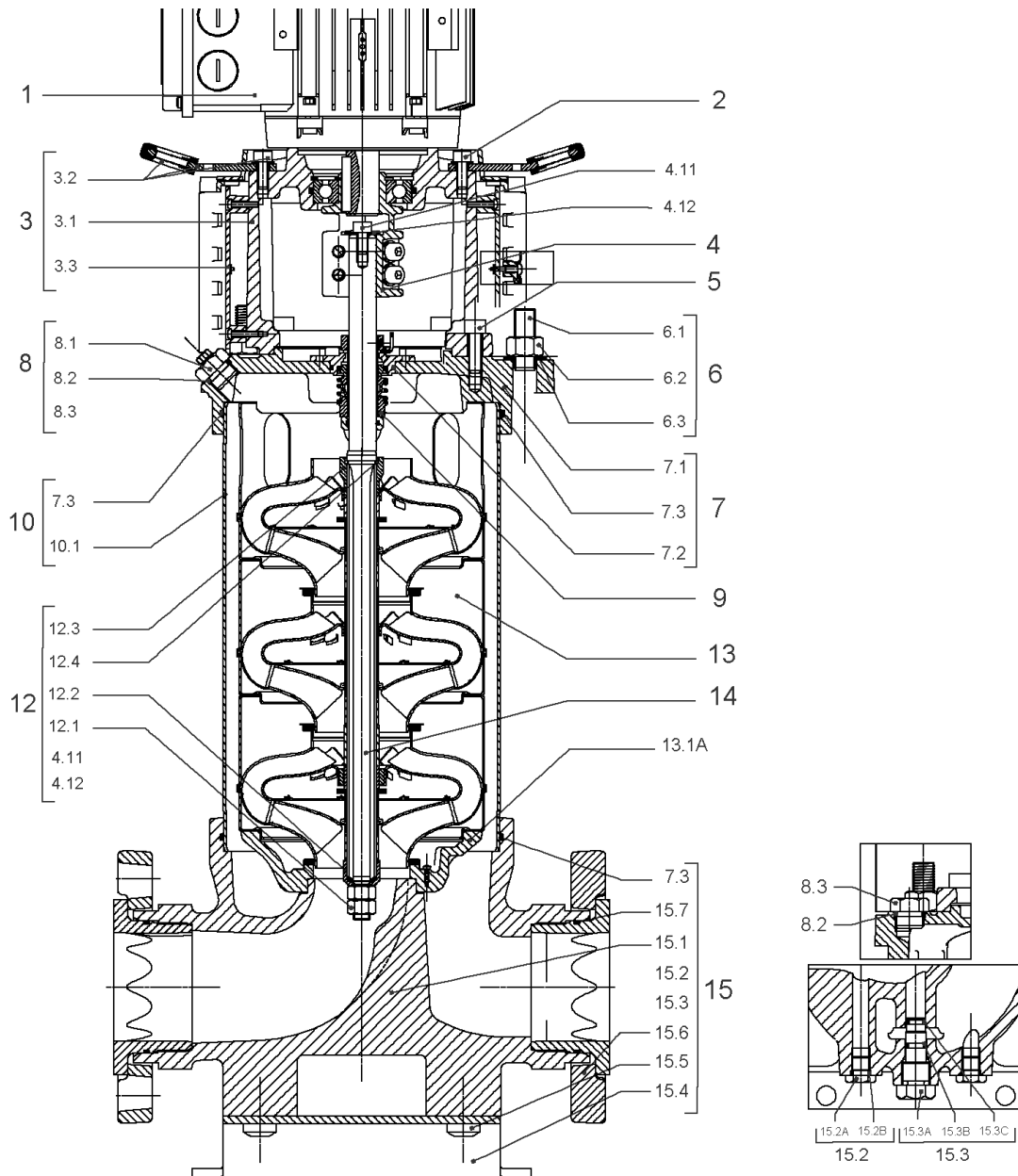
CARTRIDGE HELIX22-36-52 O/V KIT (4158204)

Item	Article no.	Description	Quantity
9.1	4158203	SEAL-KIT-HELIX22-36-52 O/V	1
7.3	2107767	> O-RING ID.202,80x3,53 VITON VP.	1
7.4	4179958	> O-RING-ID.42.52X2.62 VITON VP.	1
9.1A	2127454	> M.SEAL.HELIX22-36-52 O/V VP.	1
9.1B	4179960	> O-RING ID.20x2.65 FKM VP.	1
9.2	4179566	SHAFT SLEEVE D.20/20X60 1.4404 VP.	1
9.3	4179567	RING HOLDER Ø22 1.4301 VP.	1
9.4	4176520	SCREW CH M5x5 A4-70 (3PIECES)	1
9.5	4179568	DRIVE RING D.31/22.1x11 MACH.VP.	1
9.6	4179569	TOOL M.S.CART.HELIX 8" VP.	1
9.7	4179570	SCREW M6X16 ISO4762 8.8 GEOMET(4 PIECES)	1



HYDRAULIC HELIX V 5203

Item	Article no.	Description	Quantity
13.1	4164770	INTERMEDIATE STAGE HELIX 52 1.4404 KIT	1
		> SLEEVE-SPACER-D22XL30,42-316L	1
		> MACH.BEARING-DIFFUSER+NR-M+52-316	1
		> SHAFT-SLEEVE-D26xD22x16-CW	1
		> SPACER WASHER D22,3XD36 L3-316L	1
		> IMPELLER-H2-M+52-316	1
13.2	4164771	INTERMEDIATE STAGE HELIX 52 1.4404 KIT	1
		> MACH.STD-DIFFUSER+NR-M+52-316	1
		> IMPELLER-H5-M+52-316	1
13.3	4164772	UPPER STAGE HELIX 52 1.4404 KIT	1
		> STOP COLLAR OF IMPELLER L27,6-Ø22-316L	1
		> SLEEVE-SPACER-D22XL16,66-316L	1
		> SPACER WASHER D22,3XD36 L3-316L	1
		> IMPELLER-H2-M+52-316	1
		> MACH.STD-DISCHARGE-CHAMBER-M+52-316	1

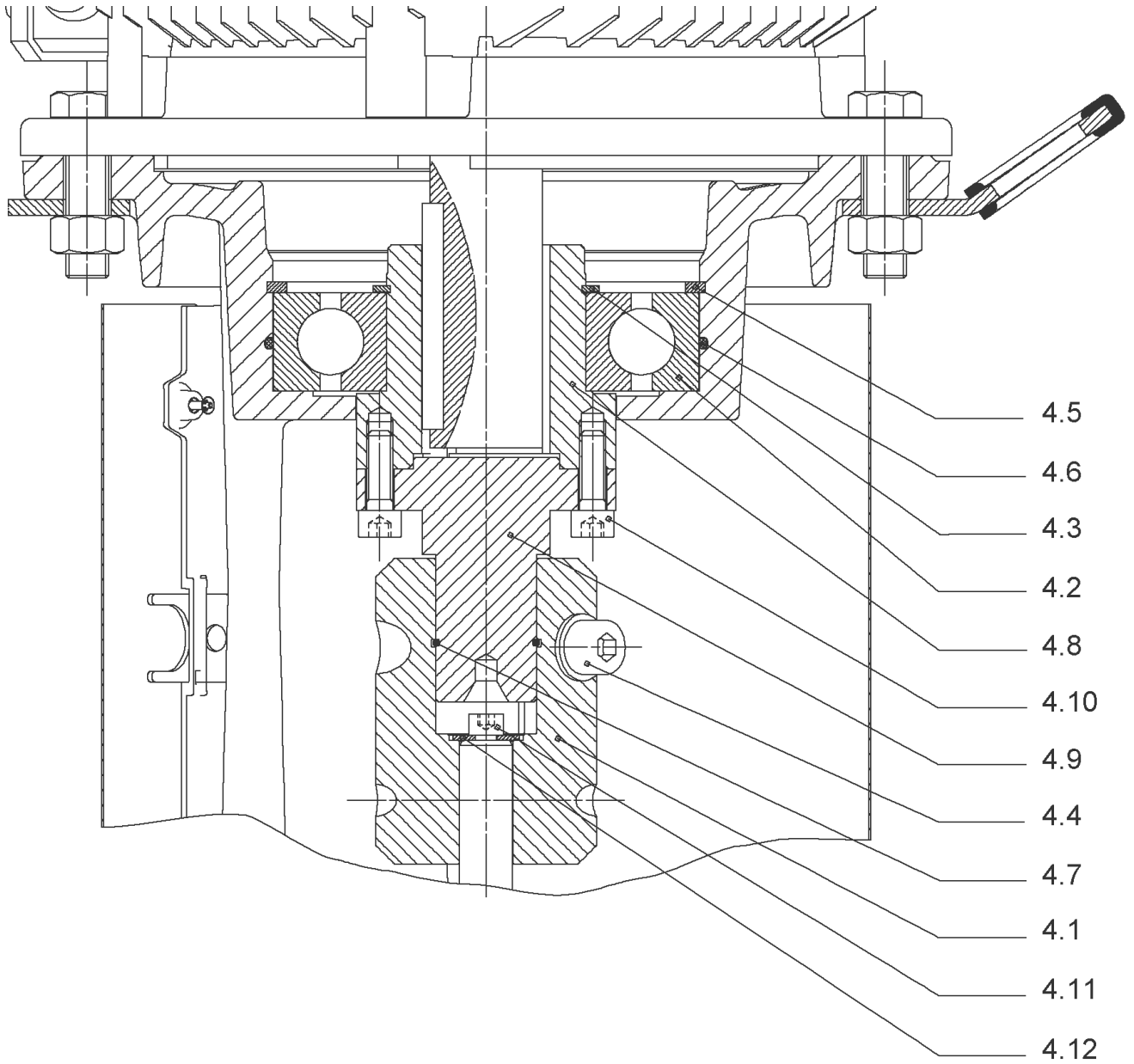


HELIX V5204/2-2/16/V/KS/400-50 (4150906)

Item	Article no.	Description	Quantity
1	4199884	MOTOR 11/2/160 3~400V 50HZ VP.	1
		SPARE PARTS MOTOR:ON REQUEST	1
2	4179586	SCREW M16X60 (4 PIECES)	1
3	4157721	LANTERN HELIX 22/36 FF300 BB6312 KIT	1
3.1		> LANTERN FF300 M+ GJL MACHINED+CATA 6312	1
3.2	4179589	> EYELET CPL.FF300 HELIX(4 PIECES)	1
3.3	4143969	> COUPLING PROTECT HELIX FF KIT	1
4	4143966	COUPLING D.20XD.38 FF300 KIT	1
5	4157725	SCREW M10X40 (4 PIECES)	1
6	4179919	STUD BOLT M16X500 KIT	1
6.1		> TIE BOLT M16-500x24x44-1.4057	1
6.2	4179562	> NUT M16 8.8 ISO4032 (4 PIECES)	1
6.3	4097852	> WASHER-CS-16.4-32-2.8-NFE25-511-A2	1
7	4179959	END SHIELD HELIX 8" FKM 1.4404 KIT	1
7.1		> END SHIELD HELIX 316L MACHINED	1
7.2	4179958	> O-RING-ID.42.52X2.62 VITON VP.	1
7.3	2107767	> O-RING ID.202,80x3,53 VITON VP.	1
8	4161256	FILING/PURGING PLUG FKM KIT	1
8.1		> FILLING/VENTING-PLUG-VM18/10-316L	1
8.2		> FILLING AND VENTING PLUG M+8" 316L	1
8.3		> GASKET-17x3-VITON	1
9	4158204	CARTRIDGE HELIX22-36-52 O/V KIT	1
10	4179971	HOUSING PIPE D.204X430 1.4404 KIT	1
7.3	2107767	> O-RING ID.202,80x3,53 VITON VP.	1
10.1		> HOUSING-PIPE Ø204-M+5204-316L	1
12	4164724	SHAFT EQUIPMENT HELIX V52 KIT	1
13		HYDRAULIC HELIX V 5204-2	1
14	4179973	SHAFTS D.22X604 1.4462 VP.	1
15	4164769	EQUIPED HOUSING HELIX 52 1.4409 KIT	1
7.3	2107767	> O-RING ID.202,80x3,53 VITON VP.	1
15.1		> PUMP HOUSING M+ DN80 316L MACHINED	1
15.1		> GASKET HOLDER M+ DN80 316L MACHINED	1
15.1		> HYDRAULIC SUPPORT M+ DN80 316L MACHINED	1
15.2	4158195	> PLUG PRESSURE CONNECTION G1/4"316L KIT	1

HELIX V5204/2-2/16/V/KS/400-50 (4150906)

Item	Article no.	Description	Quantity
15.2A		>> PLUG PRESSURE CONNECTION - G1/4" - 316L	1
15.2B	2107769	>> O-RING ID.9,9x2,62 VITON VP.	1
15.3	4158196	> DRAIN/PRIMING PLUG VITON HELIX KIT	1
15.3A		>> DRAIN-AND-PRIMING-PLUG-VM18"-316L	1
15.3B	4032294	>> GASKET-10x3-VITON	1
15.3C	2107768	>> O-RING ID.8,9x2,7 VITON VP.	1
15.4	4143749	> BASE M+ DN50/65/80-304	1
15.5		> SCREW TBHC M12x25 ISO7380 ZN	1
15.6		> FLANGE M+ DN80 NF PN16-25 ASME PN16 CATA	1
15.7		> O-RING Ø91.42xØ3 VITON	1
13.1A	4161268	> NECK RING 1.STAGE HELIX 36 316 KIT	1
		>> NECK-RING-M+36/52	1
		>> HYDRAULIC SUPPORT CAP M+36/52 316	1
		>> SCREW TCL M3X8 A4 POZIDRIV	1



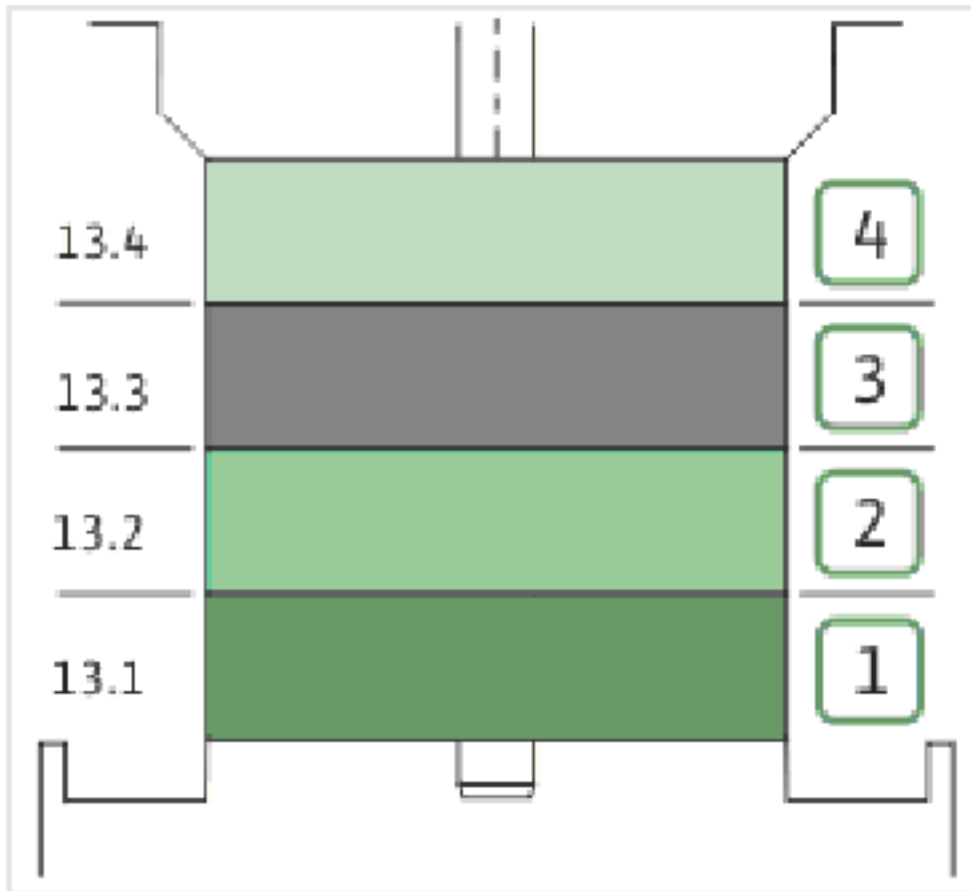
COUPLING D.20XD.38 FF300 KIT (4143966)

Item	Article no.	Description	Quantity
4.1	4179590	COUPLING 2 PARTS D.20XD.38XL115 VP.	1
4.2	2123699	BALL BEARING 6312/2Z-C4 (HT) VP.	1
4.3	63428	CIRCLIP-FOR-SHAFT-D60x2	1
4.4	2130991	SCREW M12X30 ISO4762 8.8 ZN(4 PIECES)	1
4.5	4032277	CIRCLIP-HOLE-130x4	1
4.6	4006725	O-RING ID.132,94x3,53 NBR70SR	1
4.7	2130992	RETAINING RING D.35xD.2,5 DIN7993 VP.	1
4.8	4179591	HUB D.42xD.60 VP.	1
4.9	2130994	SPACER D.38XD.55 VP.	1
4.10	4094462	SCREWS M10 (4 PIECES)	1
4.11	4233959	SCREW M8x16 VP.	1
4.12		SERRATED LOCK WASHER Ø8.2XØ25X35X2	1



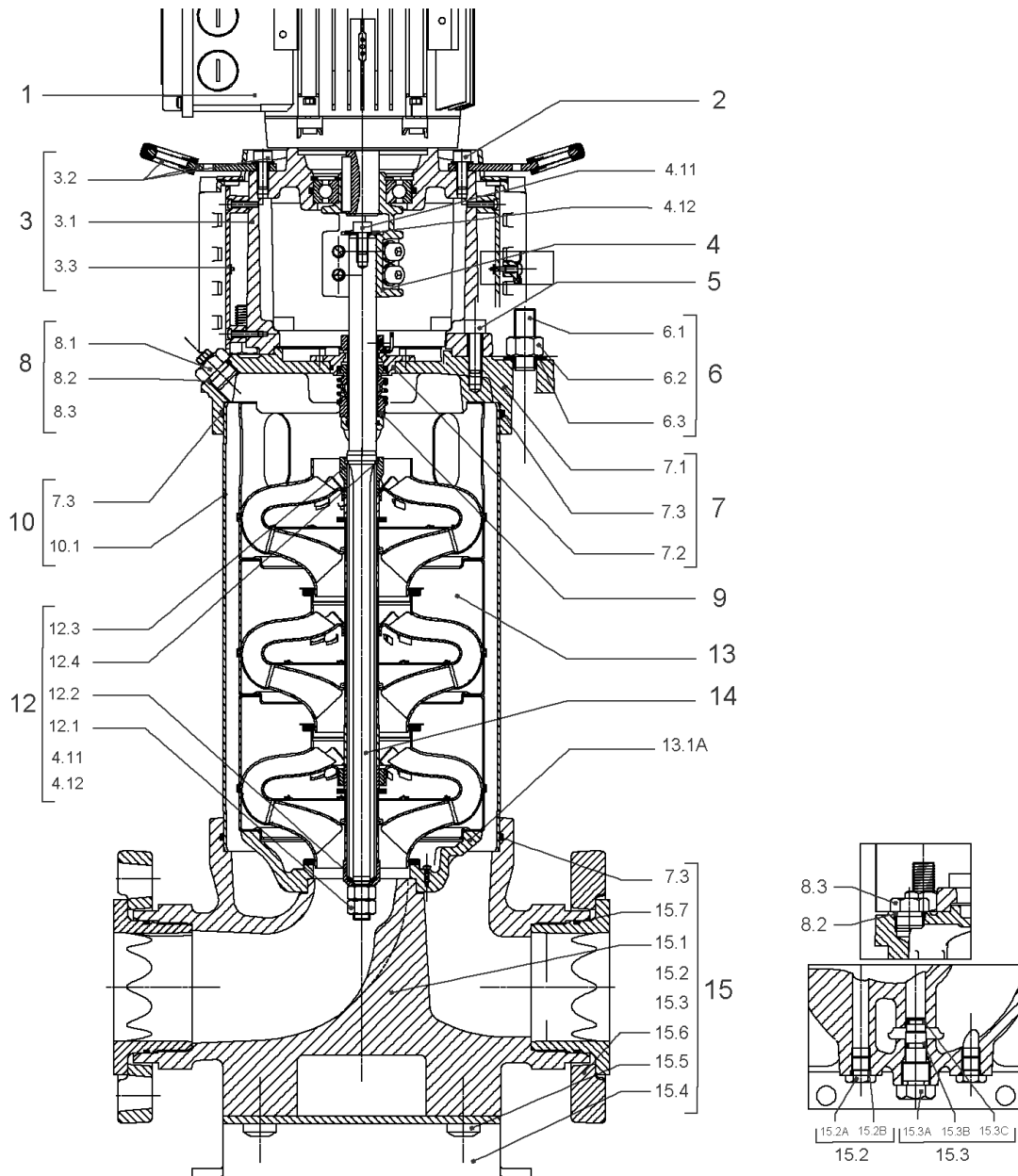
CARTRIDGE HELIX22-36-52 O/V KIT (4158204)

Item	Article no.	Description	Quantity
9.1	4158203	SEAL-KIT-HELIX22-36-52 O/V	1
7.3	2107767	> O-RING ID.202,80x3,53 VITON VP.	1
7.4	4179958	> O-RING-ID.42.52X2.62 VITON VP.	1
9.1A	2127454	> M.SEAL.HELIX22-36-52 O/V VP.	1
9.1B	4179960	> O-RING ID.20x2.65 FKM VP.	1
9.2	4179566	SHAFT SLEEVE D.20/20X60 1.4404 VP.	1
9.3	4179567	RING HOLDER Ø22 1.4301 VP.	1
9.4	4176520	SCREW CH M5x5 A4-70 (3PIECES)	1
9.5	4179568	DRIVE RING D.31/22.1x11 MACH.VP.	1
9.6	4179569	TOOL M.S.CART.HELIX 8" VP.	1
9.7	4179570	SCREW M6X16 ISO4762 8.8 GEOMET(4 PIECES)	1



HYDRAULIC HELIX V 5204-2

Item	Article no.	Description	Quantity
13.1	4164770	INTERMEDIATE STAGE HELIX 52 1.4404 KIT	1
		> SLEEVE-SPACER-D22XL30,42-316L	1
		> MACH.BEARING-DIFFUSER+NR-M+52-316	1
		> SHAFT-SLEEVE-D26xD22x16-CW	1
		> SPACER WASHER D22,3XD36 L3-316L	1
		> IMPELLER-H2-M+52-316	1
13.2	4164771	INTERMEDIATE STAGE HELIX 52 1.4404 KIT	1
		> MACH.STD-DIFFUSER+NR-M+52-316	1
		> IMPELLER-H5-M+52-316	1
13.3	4164773	INTERMEDIATE STAGE HELIX 52 1.4404 KIT	1
		> MACH.STD-DIFFUSER+NR-M+52-316	1
		> REDUCED-IMPELLER-H5-M+52-316	1
13.4	4164774	UPPER STAGE HELIX 52 1.4404 KIT	1
		> STOP COLLAR OF IMPELLER L27,6-Ø22-316L	1
		> SLEEVE-SPACER-D22XL16,66-316L	1
		> SPACER WASHER D22,3XD36 L3-316L	1
		> REDUCED-IMPELLER-H2-M+52-316	1
		> MACH.STD-DISCHARGE-CHAMBER-M+52-316	1

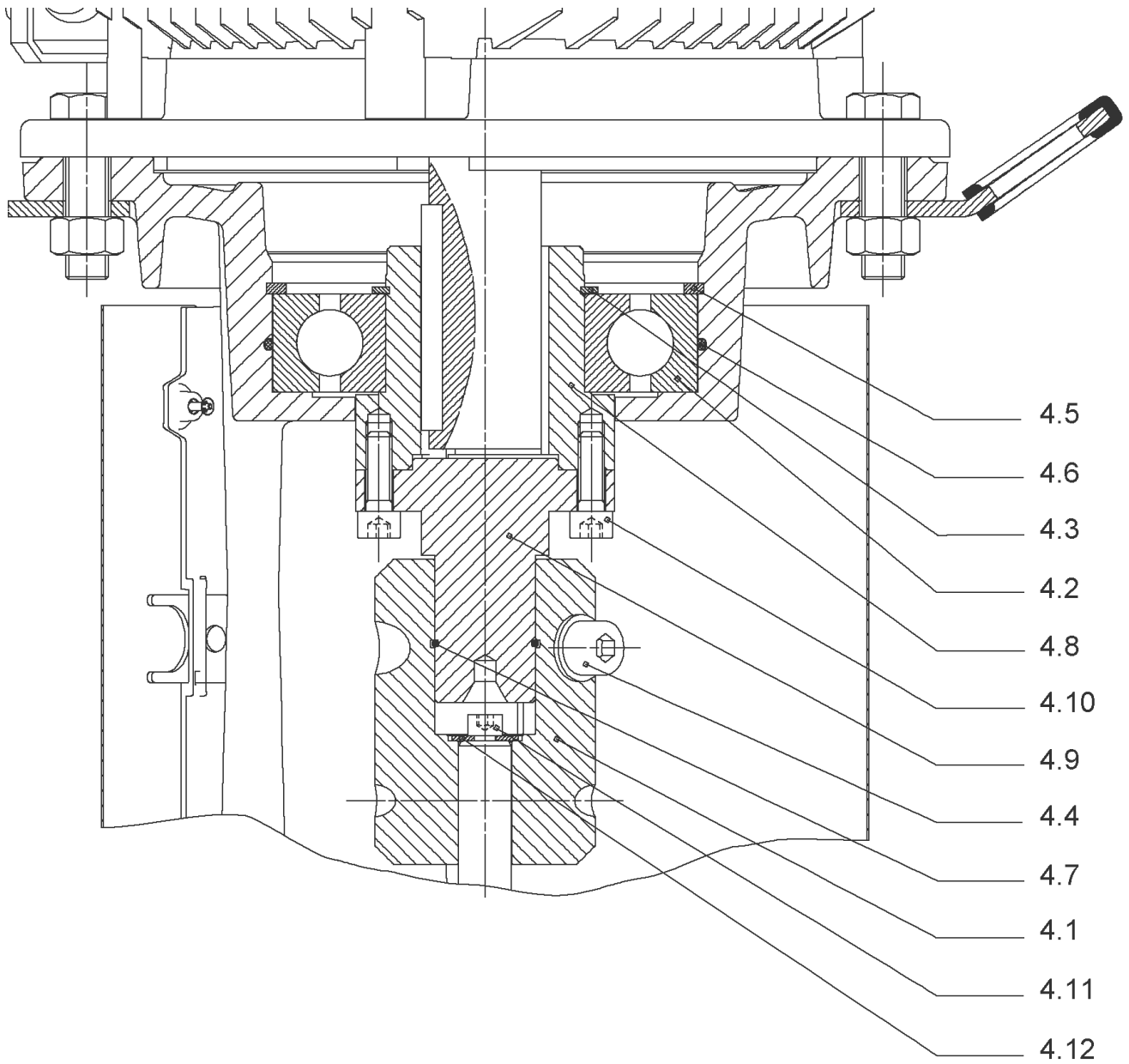


HELIX V5204-2/16/V/KS/400-50 (4150907)

Item	Article no.	Description	Quantity
1	4199884	MOTOR 11/2/160 3~400V 50HZ VP.	1
		SPARE PARTS MOTOR:ON REQUEST	1
2	4179586	SCREW M16X60 (4 PIECES)	1
3	4157721	LANTERN HELIX 22/36 FF300 BB6312 KIT	1
3.1		> LANTERN FF300 M+ GJL MACHINED+CATA 6312	1
3.2	4179589	> EYELET CPL.FF300 HELIX(4 PIECES)	1
3.3	4143969	> COUPLING PROTECT HELIX FF KIT	1
4	4143966	COUPLING D.20XD.38 FF300 KIT	1
5	4157725	SCREW M10X40 (4 PIECES)	1
6	4179919	STUD BOLT M16X500 KIT	1
6.1		> TIE BOLT M16-500x24x44-1.4057	1
6.2	4179562	> NUT M16 8.8 ISO4032 (4 PIECES)	1
6.3	4097852	> WASHER-CS-16.4-32-2.8-NFE25-511-A2	1
7	4179959	END SHIELD HELIX 8" FKM 1.4404 KIT	1
7.1		> END SHIELD HELIX 316L MACHINED	1
7.2	4179958	> O-RING-ID.42.52X2.62 VITON VP.	1
7.3	2107767	> O-RING ID.202,80x3,53 VITON VP.	1
8	4161256	FILING/PURGING PLUG FKM KIT	1
8.1		> FILLING/VENTING-PLUG-VM18/10-316L	1
8.2		> FILLING AND VENTING PLUG M+8" 316L	1
8.3		> GASKET-17x3-VITON	1
9	4158204	CARTRIDGE HELIX22-36-52 O/V KIT	1
10	4179971	HOUSING PIPE D.204X430 1.4404 KIT	1
7.3	2107767	> O-RING ID.202,80x3,53 VITON VP.	1
10.1		> HOUSING-PIPE Ø204-M+5204-316L	1
12	4164724	SHAFT EQUIPMENT HELIX V52 KIT	1
13		HYDRAULIC HELIX V 5204	1
14	4179973	SHAFTS D.22X604 1.4462 VP.	1
15	4164769	EQUIPED HOUSING HELIX 52 1.4409 KIT	1
7.3	2107767	> O-RING ID.202,80x3,53 VITON VP.	1
15.1		> PUMP HOUSING M+ DN80 316L MACHINED	1
15.1		> GASKET HOLDER M+ DN80 316L MACHINED	1
15.1		> HYDRAULIC SUPPORT M+ DN80 316L MACHINED	1
15.2	4158195	> PLUG PRESSURE CONNECTION G1/4"316L KIT	1

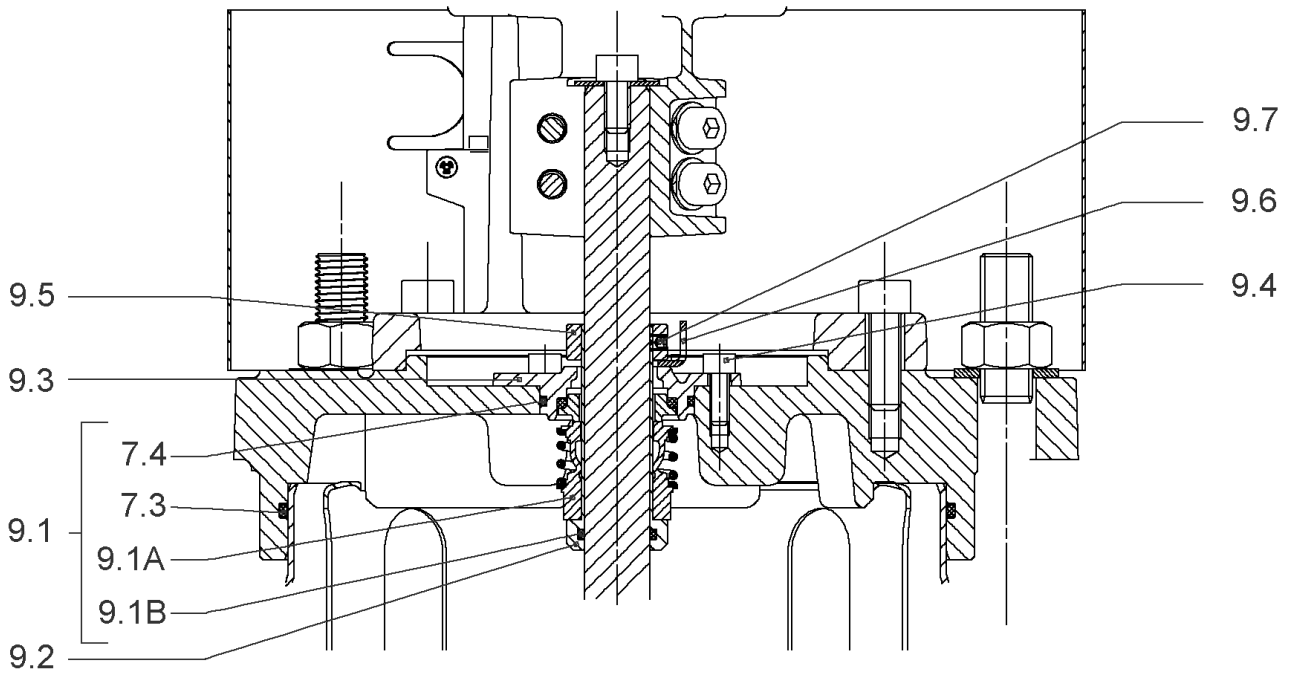
HELIX V5204-2/16/V/KS/400-50 (4150907)

Item	Article no.	Description	Quantity
15.2A		>> PLUG PRESSURE CONNECTION - G1/4" - 316L	1
15.2B	2107769	>> O-RING ID.9,9x2,62 VITON VP.	1
15.3	4158196	> DRAIN/PRIMING PLUG VITON HELIX KIT	1
15.3A		>> DRAIN-AND-PRIMING-PLUG-VM18"-316L	1
15.3B	4032294	>> GASKET-10x3-VITON	1
15.3C	2107768	>> O-RING ID.8,9x2,7 VITON VP.	1
15.4	4143749	> BASE M+ DN50/65/80-304	1
15.5		> SCREW TBHC M12x25 ISO7380 ZN	1
15.6		> FLANGE M+ DN80 NF PN16-25 ASME PN16 CATA	1
15.7		> O-RING Ø91.42xØ3 VITON	1
13.1A	4161268	> NECK RING 1.STAGE HELIX 36 316 KIT	1
		>> NECK-RING-M+36/52	1
		>> HYDRAULIC SUPPORT CAP M+36/52 316	1
		>> SCREW TCL M3X8 A4 POZIDRIV	1



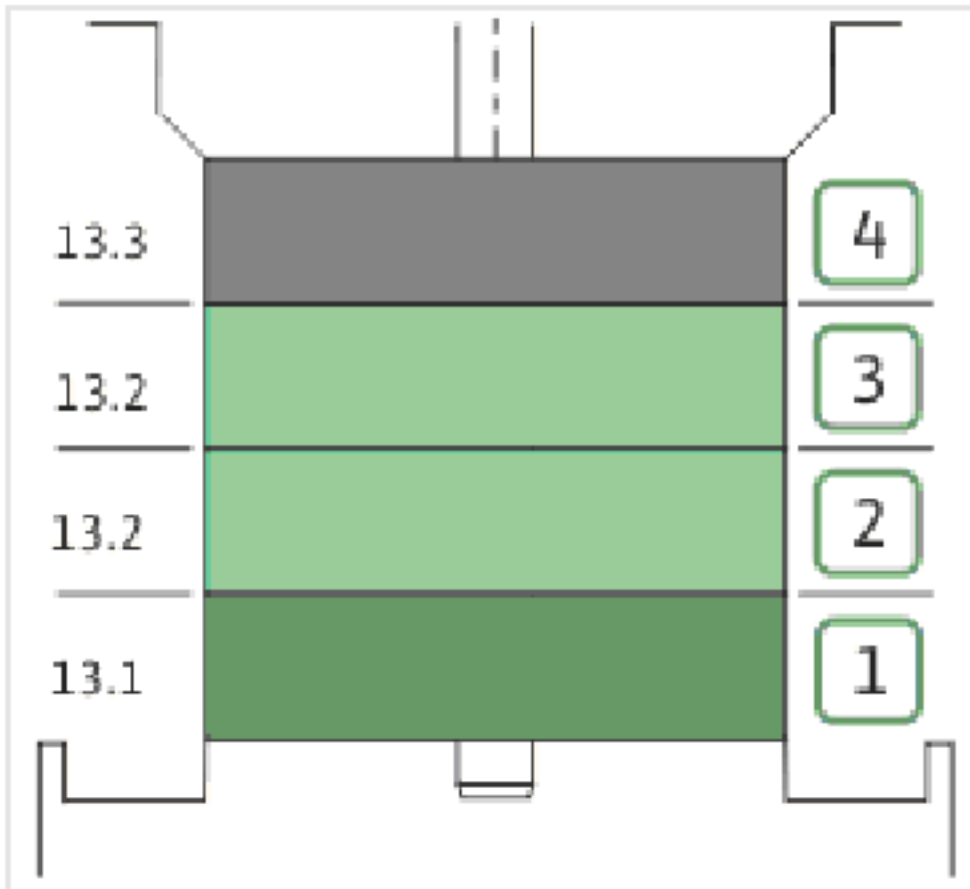
COUPLING D.20XD.38 FF300 KIT (4143966)

Item	Article no.	Description	Quantity
4.1	4179590	COUPLING 2 PARTS D.20XD.38XL115 VP.	1
4.2	2123699	BALL BEARING 6312/2Z-C4 (HT) VP.	1
4.3	63428	CIRCLIP-FOR-SHAFT-D60x2	1
4.4	2130991	SCREW M12X30 ISO4762 8.8 ZN(4 PIECES)	1
4.5	4032277	CIRCLIP-HOLE-130x4	1
4.6	4006725	O-RING ID.132,94x3,53 NBR70SR	1
4.7	2130992	RETAINING RING D.35xD.2,5 DIN7993 VP.	1
4.8	4179591	HUB D.42xD.60 VP.	1
4.9	2130994	SPACER D.38XD.55 VP.	1
4.10	4094462	SCREWS M10 (4 PIECES)	1
4.11	4233959	SCREW M8x16 VP.	1
4.12		SERRATED LOCK WASHER Ø8.2XØ25X35X2	1



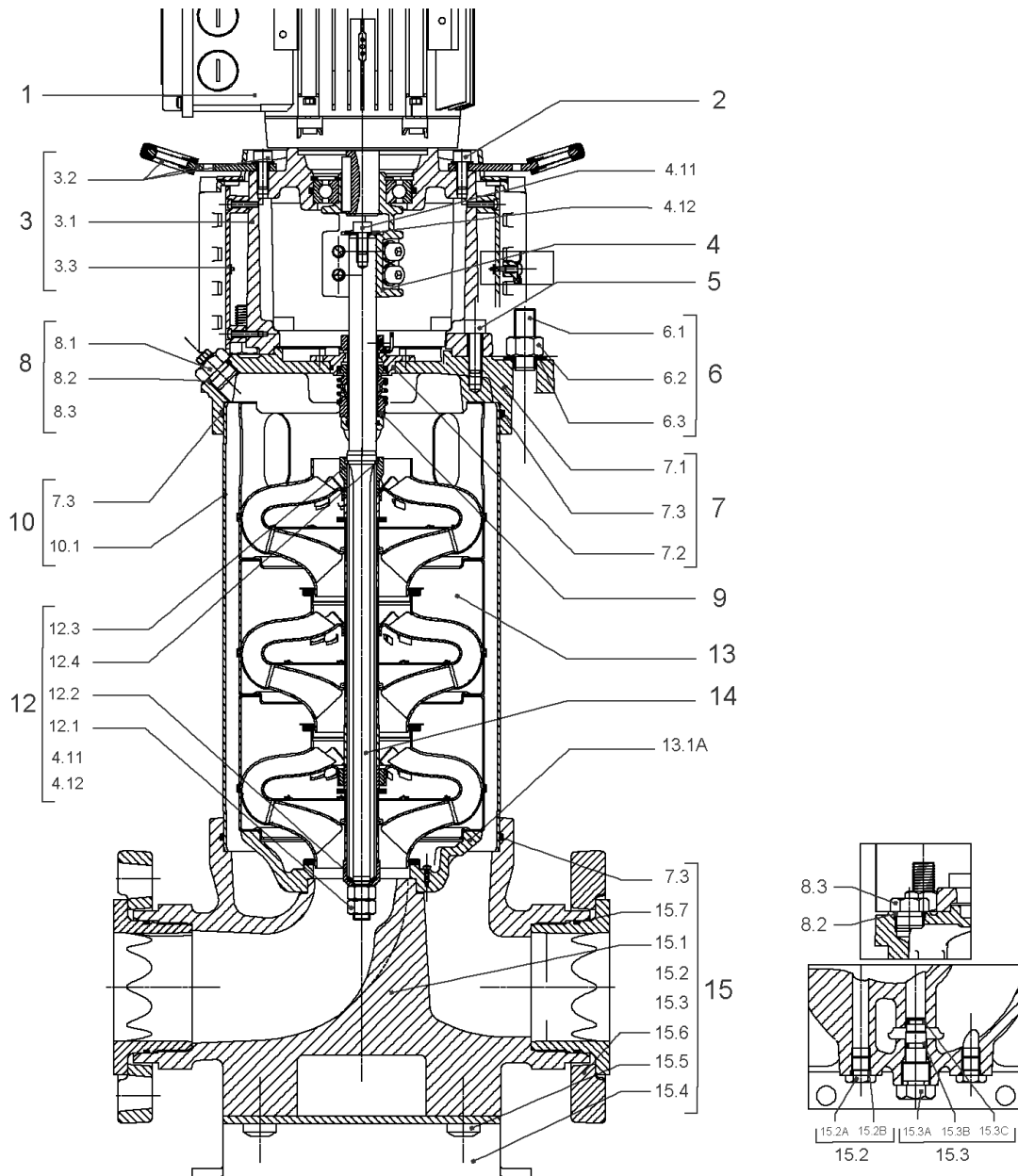
CARTRIDGE HELIX22-36-52 O/V KIT (4158204)

Item	Article no.	Description	Quantity
9.1	4158203	SEAL-KIT-HELIX22-36-52 O/V	1
7.3	2107767	> O-RING ID.202,80x3,53 VITON VP.	1
7.4	4179958	> O-RING-ID.42.52X2.62 VITON VP.	1
9.1A	2127454	> M.SEAL.HELIX22-36-52 O/V VP.	1
9.1B	4179960	> O-RING ID.20x2.65 FKM VP.	1
9.2	4179566	SHAFT SLEEVE D.20/20X60 1.4404 VP.	1
9.3	4179567	RING HOLDER Ø22 1.4301 VP.	1
9.4	4176520	SCREW CH M5x5 A4-70 (3PIECES)	1
9.5	4179568	DRIVE RING D.31/22.1x11 MACH.VP.	1
9.6	4179569	TOOL M.S.CART.HELIX 8" VP.	1
9.7	4179570	SCREW M6X16 ISO4762 8.8 GEOMET(4 PIECES)	1



HYDRAULIC HELIX V 5204

Item	Article no.	Description	Quantity
13.1	4164770	INTERMEDIATE STAGE HELIX 52 1.4404 KIT	1
		> SLEEVE-SPACER-D22XL30,42-316L	1
		> MACH.BEARING-DIFFUSER+NR-M+52-316	1
		> SHAFT-SLEEVE-D26xD22x16-CW	1
		> SPACER WASHER D22,3XD36 L3-316L	1
		> IMPELLER-H2-M+52-316	1
13.2	4164771	INTERMEDIATE STAGE HELIX 52 1.4404 KIT	1
		> MACH.STD-DIFFUSER+NR-M+52-316	1
		> IMPELLER-H5-M+52-316	1
13.3	4164772	UPPER STAGE HELIX 52 1.4404 KIT	1
		> STOP COLLAR OF IMPELLER L27,6-Ø22-316L	1
		> SLEEVE-SPACER-D22XL16,66-316L	1
		> SPACER WASHER D22,3XD36 L3-316L	1
		> IMPELLER-H2-M+52-316	1
		> MACH.STD-DISCHARGE-CHAMBER-M+52-316	1

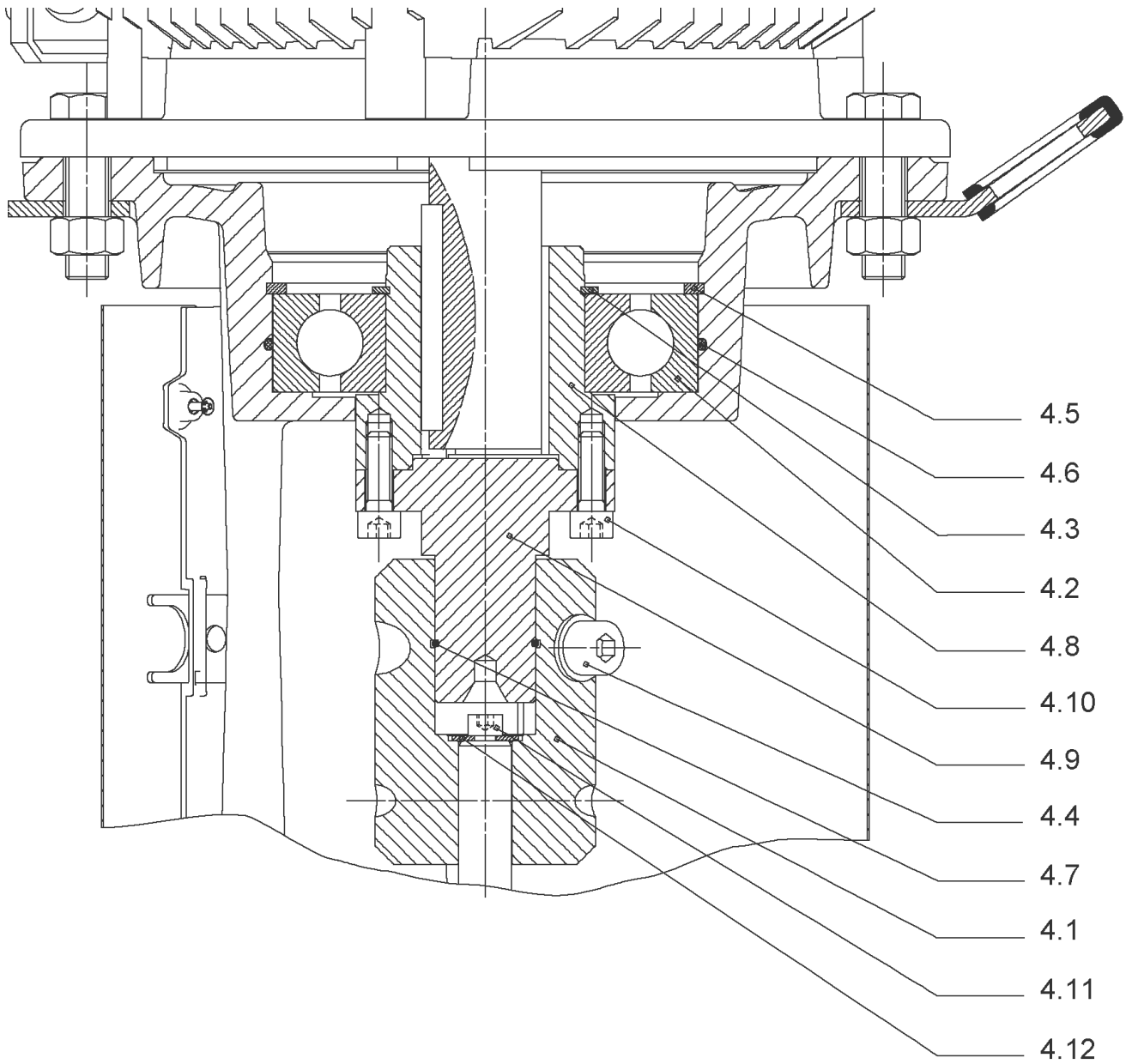


HELIX V5205/2-2/16/V/KS/400-50 (4150908)

Item	Article no.	Description	Quantity
1	4195488	MOTOR 18.5/2/160 3~400V 50HZ ARC VP.	1
		SPARE PARTS MOTOR:ON REQUEST	1
2	4179586	SCREW M16X60 (4 PIECES)	1
3	4157721	LANTERN HELIX 22/36 FF300 BB6312 KIT	1
3.1		> LANTERN FF300 M+ GJL MACHINED+CATA 6312	1
3.2	4179589	> EYELET CPL.FF300 HELIX(4 PIECES)	1
3.3	4143969	> COUPLING PROTECT HELIX FF KIT	1
4	4143966	COUPLING D.20XD.38 FF300 KIT	1
5	4157725	SCREW M10X40 (4 PIECES)	1
6	4179923	STUD BOLT M16X600 KIT	1
6.1		> TIE BOLT M16-600x24x44-1.4057	1
6.2	4179562	> NUT M16 8.8 ISO4032 (4 PIECES)	1
6.3	4097852	> WASHER-CS-16.4-32-2.8-NFE25-511-A2	1
7	4179959	END SHIELD HELIX 8" FKM 1.4404 KIT	1
7.1		> END SHIELD HELIX 316L MACHINED	1
7.2	4179958	> O-RING-ID.42.52X2.62 VITON VP.	1
7.3	2107767	> O-RING ID.202,80x3,53 VITON VP.	1
8	4161256	FILING/PURGING PLUG FKM KIT	1
8.1		> FILLING/VENTING-PLUG-VM18/10-316L	1
8.2		> FILLING AND VENTING PLUG M+8" 316L	1
8.3		> GASKET-17x3-VITON	1
9	4158204	CARTRIDGE HELIX22-36-52 O/V KIT	1
10	4179975	HOUSING PIPE D.204X530 1.4404 KIT	1
7.3	2107767	> O-RING ID.202,80x3,53 VITON VP.	1
10.1		> HOUSING-PIPE Ø204-M+3607/5205-316L	1
12	4164724	SHAFT EQUIPMENT HELIX V52 KIT	1
13		HYDRAULIC HELIX V 5205-2	1
14	4179977	SHAFTS D.22X704 1.4462 VP.	1
15	4164769	EQUIPED HOUSING HELIX 52 1.4409 KIT	1
7.3	2107767	> O-RING ID.202,80x3,53 VITON VP.	1
15.1		> PUMP HOUSING M+ DN80 316L MACHINED	1
15.1		> GASKET HOLDER M+ DN80 316L MACHINED	1
15.1		> HYDRAULIC SUPPORT M+ DN80 316L MACHINED	1
15.2	4158195	> PLUG PRESSURE CONNECTION G1/4"316L KIT	1

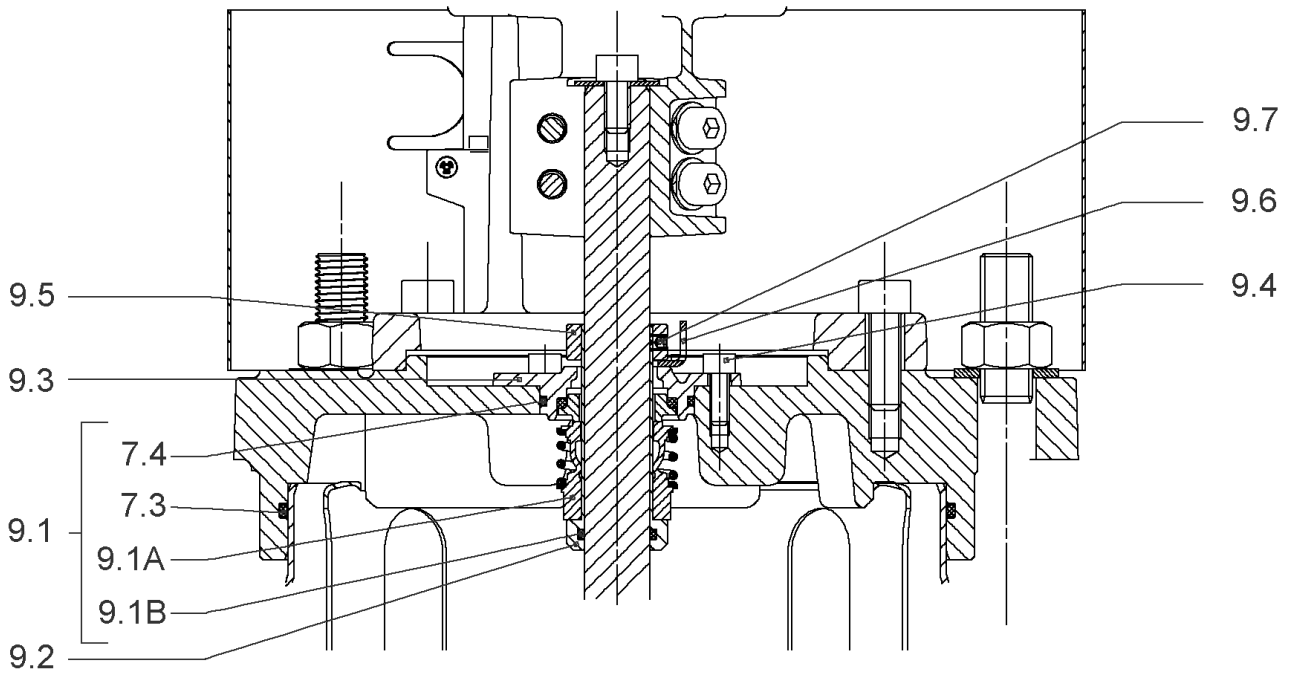
HELIX V5205/2-2/16/V/KS/400-50 (4150908)

Item	Article no.	Description	Quantity
15.2A		>> PLUG PRESSURE CONNECTION - G1/4" - 316L	1
15.2B	2107769	>> O-RING ID.9,9x2,62 VITON VP.	1
15.3	4158196	> DRAIN/PRIMING PLUG VITON HELIX KIT	1
15.3A		>> DRAIN-AND-PRIMING-PLUG-VM18"-316L	1
15.3B	4032294	>> GASKET-10x3-VITON	1
15.3C	2107768	>> O-RING ID.8,9x2,7 VITON VP.	1
15.4	4143749	> BASE M+ DN50/65/80-304	1
15.5		> SCREW TBHC M12x25 ISO7380 ZN	1
15.6		> FLANGE M+ DN80 NF PN16-25 ASME PN16 CATA	1
15.7		> O-RING Ø91.42xØ3 VITON	1
13.1A	4161268	> NECK RING 1.STAGE HELIX 36 316 KIT	1
		>> NECK-RING-M+36/52	1
		>> HYDRAULIC SUPPORT CAP M+36/52 316	1
		>> SCREW TCL M3X8 A4 POZIDRIV	1



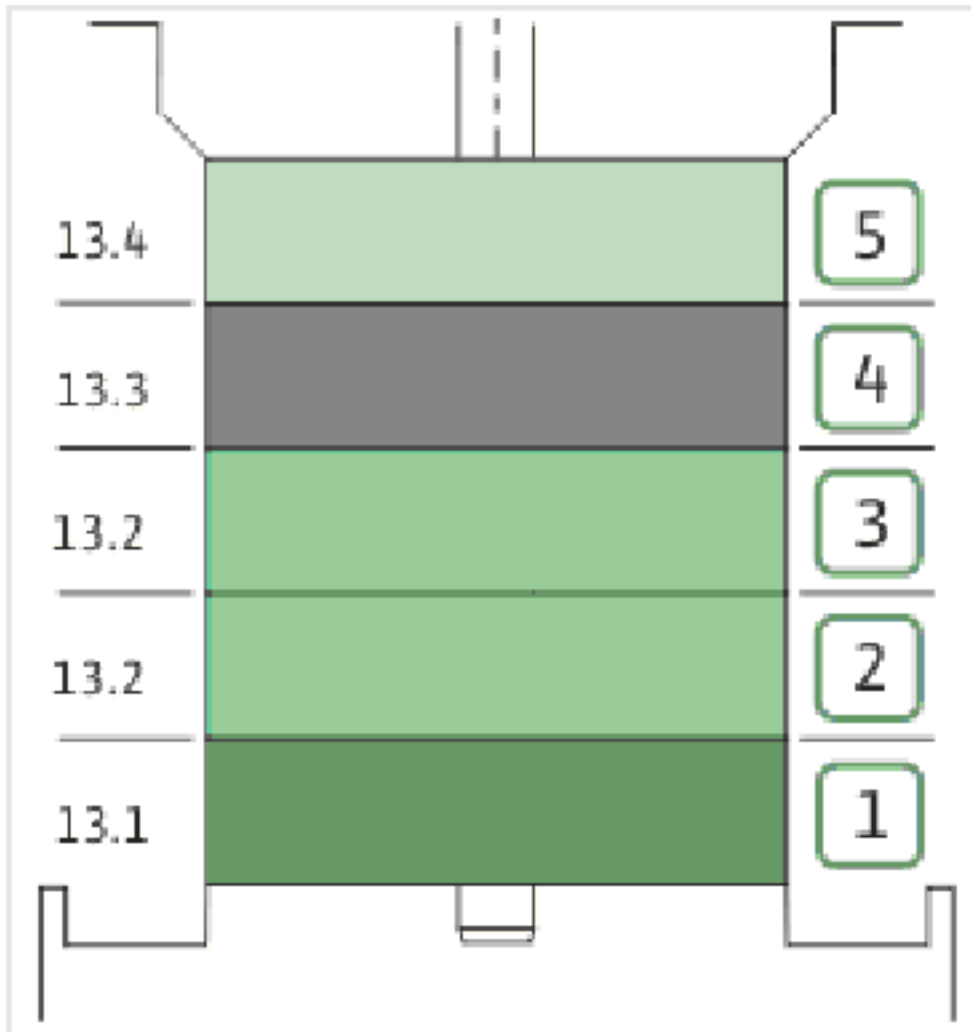
COUPLING D.20XD.38 FF300 KIT (4143966)

Item	Article no.	Description	Quantity
4.1	4179590	COUPLING 2 PARTS D.20XD.38XL115 VP.	1
4.2	2123699	BALL BEARING 6312/2Z-C4 (HT) VP.	1
4.3	63428	CIRCLIP-FOR-SHAFT-D60x2	1
4.4	2130991	SCREW M12X30 ISO4762 8.8 ZN(4 PIECES)	1
4.5	4032277	CIRCLIP-HOLE-130x4	1
4.6	4006725	O-RING ID.132,94x3,53 NBR70SR	1
4.7	2130992	RETAINING RING D.35xD.2,5 DIN7993 VP.	1
4.8	4179591	HUB D.42xD.60 VP.	1
4.9	2130994	SPACER D.38XD.55 VP.	1
4.10	4094462	SCREWS M10 (4 PIECES)	1
4.11	4233959	SCREW M8x16 VP.	1
4.12		SERRATED LOCK WASHER Ø8.2XØ25X35X2	1



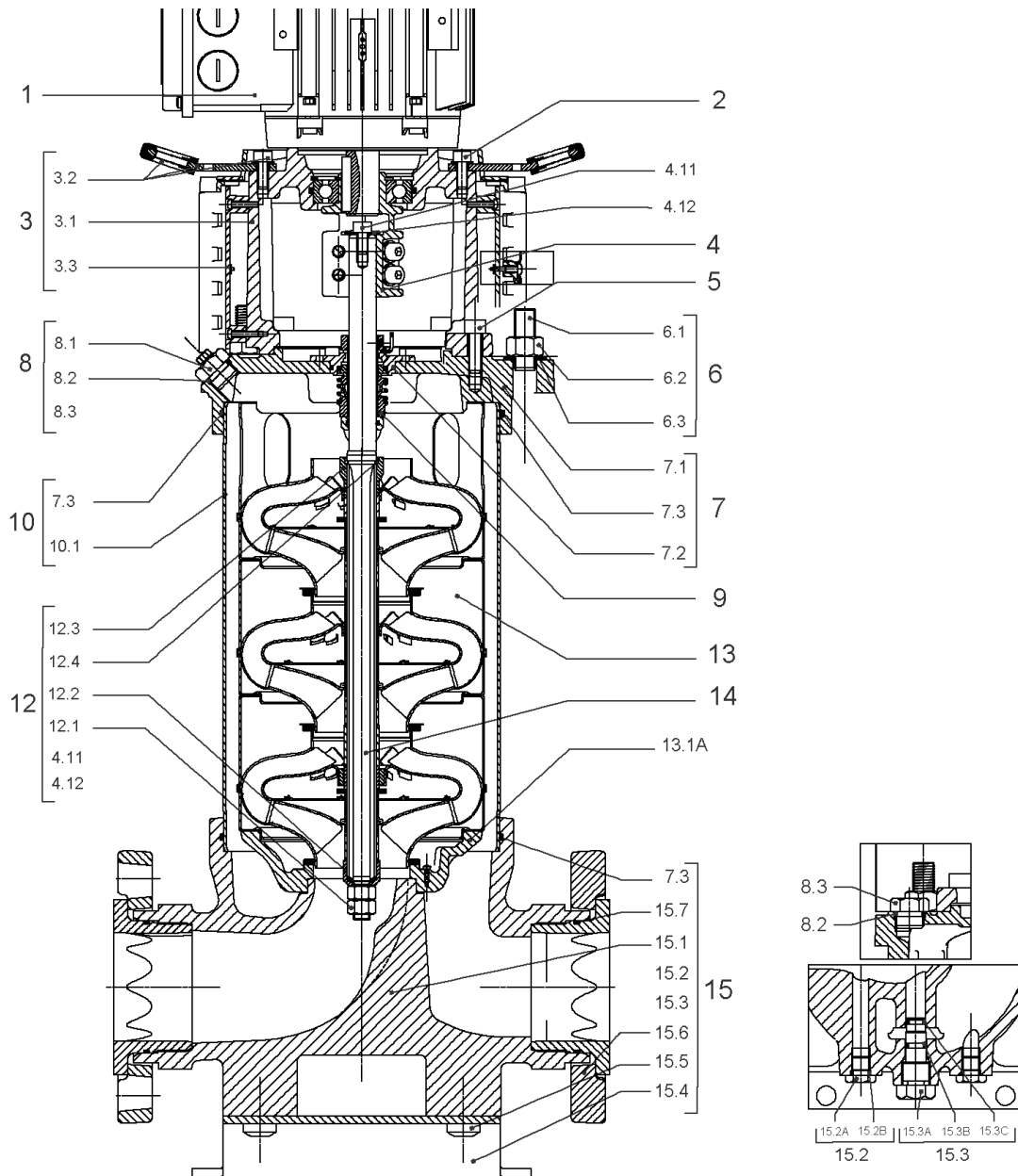
CARTRIDGE HELIX22-36-52 O/V KIT (4158204)

Item	Article no.	Description	Quantity
9.1	4158203	SEAL-KIT-HELIX22-36-52 O/V	1
7.3	2107767	> O-RING ID.202,80x3,53 VITON VP.	1
7.4	4179958	> O-RING-ID.42.52X2.62 VITON VP.	1
9.1A	2127454	> M.SEAL.HELIX22-36-52 O/V VP.	1
9.1B	4179960	> O-RING ID.20x2.65 FKM VP.	1
9.2	4179566	SHAFT SLEEVE D.20/20X60 1.4404 VP.	1
9.3	4179567	RING HOLDER Ø22 1.4301 VP.	1
9.4	4176520	SCREW CH M5x5 A4-70 (3PIECES)	1
9.5	4179568	DRIVE RING D.31/22.1x11 MACH.VP.	1
9.6	4179569	TOOL M.S.CART.HELIX 8" VP.	1
9.7	4179570	SCREW M6X16 ISO4762 8.8 GEOMET(4 PIECES)	1



HYDRAULIC HELIX V 5205-2

Item	Article no.	Description	Quantity
13.1	4164770	INTERMEDIATE STAGE HELIX 52 1.4404 KIT	1
		> SLEEVE-SPACER-D22XL30,42-316L	1
		> MACH.BEARING-DIFFUSER+NR-M+52-316	1
		> SHAFT-SLEEVE-D26xD22x16-CW	1
		> SPACER WASHER D22,3XD36 L3-316L	1
		> IMPELLER-H2-M+52-316	1
13.2	4164771	INTERMEDIATE STAGE HELIX 52 1.4404 KIT	1
		> MACH.STD-DIFFUSER+NR-M+52-316	1
		> IMPELLER-H5-M+52-316	1
13.3	4164773	INTERMEDIATE STAGE HELIX 52 1.4404 KIT	1
		> MACH.STD-DIFFUSER+NR-M+52-316	1
		> REDUCED-IMPELLER-H5-M+52-316	1
13.4	4164774	UPPER STAGE HELIX 52 1.4404 KIT	1
		> STOP COLLAR OF IMPELLER L27,6-Ø22-316L	1
		> SLEEVE-SPACER-D22XL16,66-316L	1
		> SPACER WASHER D22,3XD36 L3-316L	1
		> REDUCED-IMPELLER-H2-M+52-316	1
		> MACH.STD-DISCHARGE-CHAMBER-M+52-316	1

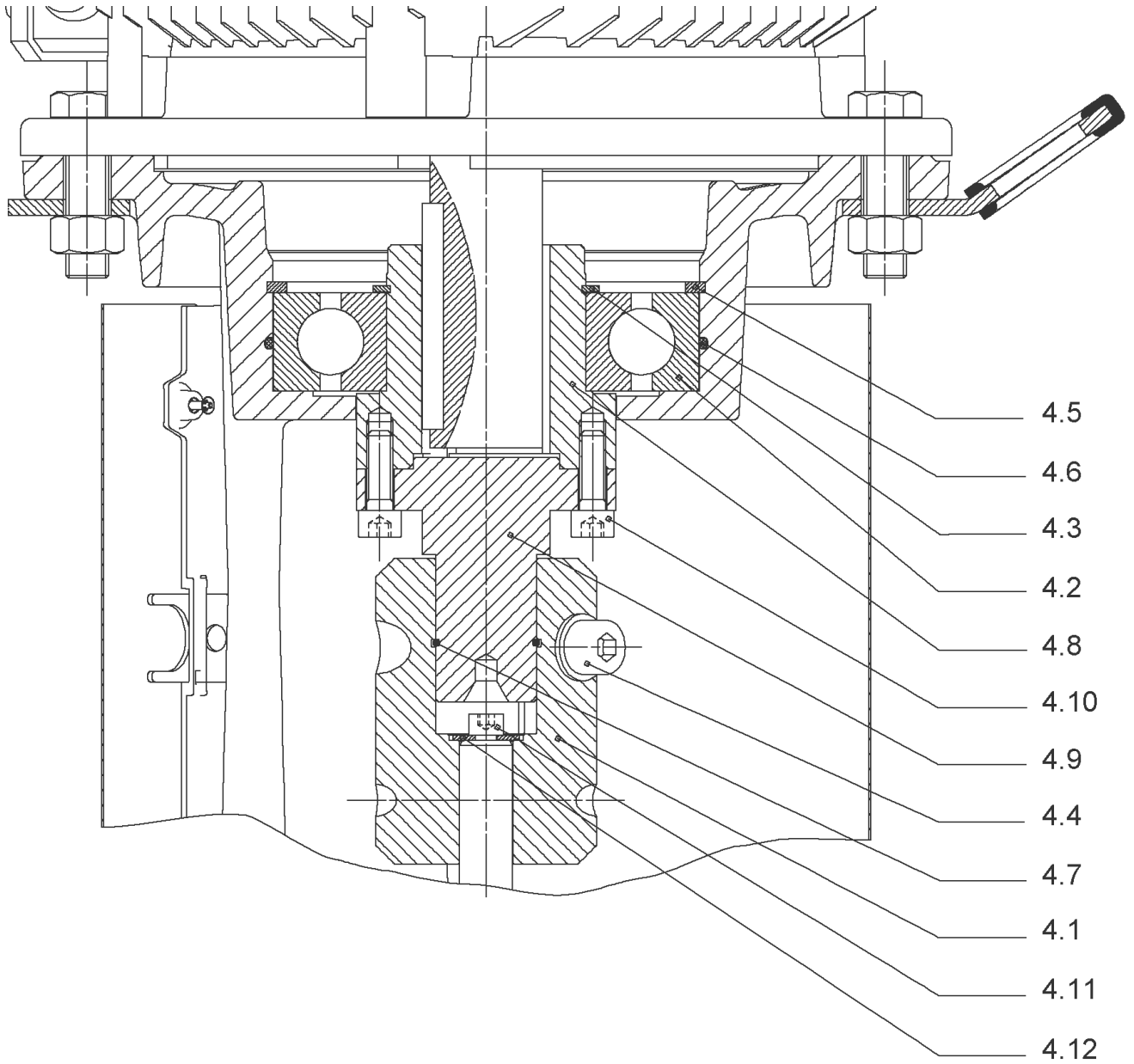


HELIX V5205-2/16/V/KS/400-50 (4150909)

Item	Article no.	Description	Quantity
1	4195488	MOTOR 18.5/2/160 3~400V 50HZ ARC VP.	1
		SPARE PARTS MOTOR:ON REQUEST	1
2	4179586	SCREW M16X60 (4 PIECES)	1
3	4157721	LANTERN HELIX 22/36 FF300 BB6312 KIT	1
3.1		> LANTERN FF300 M+ GJL MACHINED+CATA 6312	1
3.2	4179589	> EYELET CPL.FF300 HELIX(4 PIECES)	1
3.3	4143969	> COUPLING PROTECT HELIX FF KIT	1
4	4143966	COUPLING D.20XD.38 FF300 KIT	1
5	4157725	SCREW M10X40 (4 PIECES)	1
6	4179923	STUD BOLT M16X600 KIT	1
6.1		> TIE BOLT M16-600x24x44-1.4057	1
6.2	4179562	> NUT M16 8.8 ISO4032 (4 PIECES)	1
6.3	4097852	> WASHER-CS-16.4-32-2.8-NFE25-511-A2	1
7	4179959	END SHIELD HELIX 8" FKM 1.4404 KIT	1
7.1		> END SHIELD HELIX 316L MACHINED	1
7.2	4179958	> O-RING-ID.42.52X2.62 VITON VP.	1
7.3	2107767	> O-RING ID.202,80x3,53 VITON VP.	1
8	4161256	FILING/PURGING PLUG FKM KIT	1
8.1		> FILLING/VENTING-PLUG-VM18/10-316L	1
8.2		> FILLING AND VENTING PLUG M+8" 316L	1
8.3		> GASKET-17x3-VITON	1
9	4158204	CARTRIDGE HELIX22-36-52 O/V KIT	1
10	4179975	HOUSING PIPE D.204X530 1.4404 KIT	1
7.3	2107767	> O-RING ID.202,80x3,53 VITON VP.	1
10.1		> HOUSING-PIPE Ø204-M+3607/5205-316L	1
12	4164724	SHAFT EQUIPMENT HELIX V52 KIT	1
13		HYDRAULIC HELIX V 5205	1
14	4179977	SHAFTS D.22X704 1.4462 VP.	1
15	4164769	EQUIPED HOUSING HELIX 52 1.4409 KIT	1
7.3	2107767	> O-RING ID.202,80x3,53 VITON VP.	1
15.1		> PUMP HOUSING M+ DN80 316L MACHINED	1
15.1		> GASKET HOLDER M+ DN80 316L MACHINED	1
15.1		> HYDRAULIC SUPPORT M+ DN80 316L MACHINED	1
15.2	4158195	> PLUG PRESSURE CONNECTION G1/4"316L KIT	1

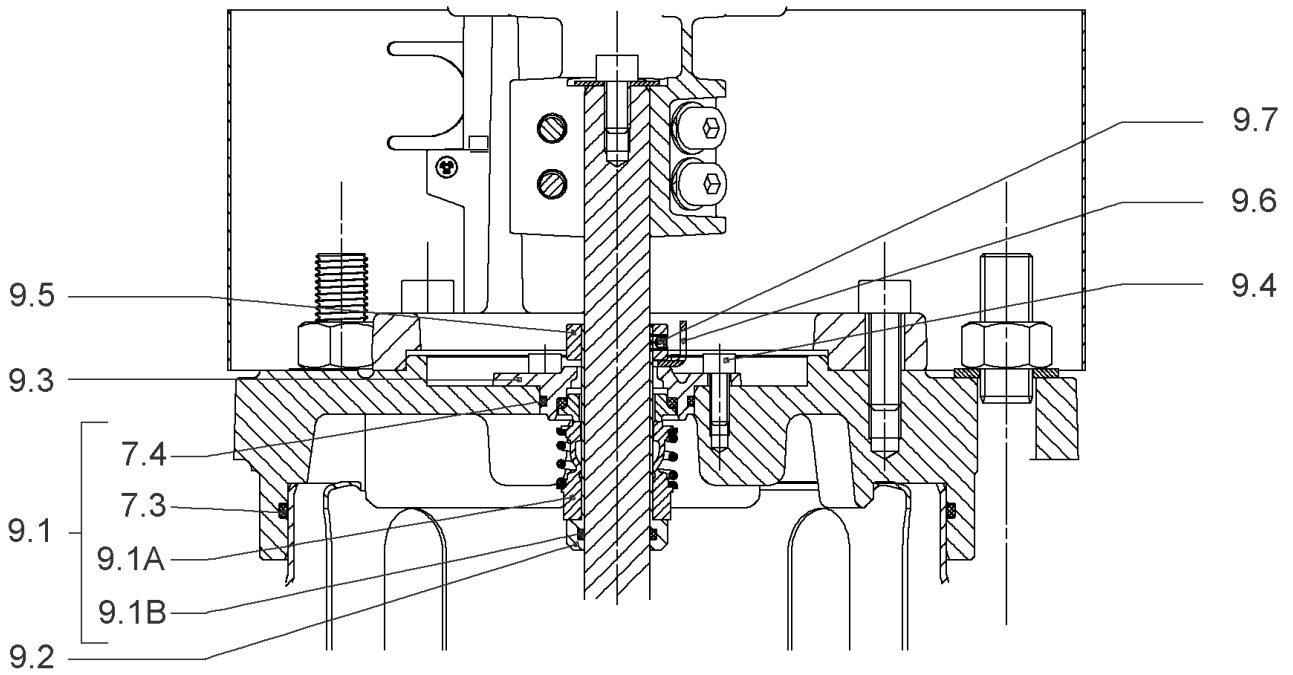
HELIX V5205-2/16/V/KS/400-50 (4150909)

Item	Article no.	Description	Quantity
15.2A		>> PLUG PRESSURE CONNECTION - G1/4" - 316L	1
15.2B	2107769	>> O-RING ID.9,9x2,62 VITON VP.	1
15.3	4158196	> DRAIN/PRIMING PLUG VITON HELIX KIT	1
15.3A		>> DRAIN-AND-PRIMING-PLUG-VM18"-316L	1
15.3B	4032294	>> GASKET-10x3-VITON	1
15.3C	2107768	>> O-RING ID.8,9x2,7 VITON VP.	1
15.4	4143749	> BASE M+ DN50/65/80-304	1
15.5		> SCREW TBHC M12x25 ISO7380 ZN	1
15.6		> FLANGE M+ DN80 NF PN16-25 ASME PN16 CATA	1
15.7		> O-RING Ø91.42xØ3 VITON	1
13.1A	4161268	> NECK RING 1.STAGE HELIX 36 316 KIT	1
		>> NECK-RING-M+36/52	1
		>> HYDRAULIC SUPPORT CAP M+36/52 316	1
		>> SCREW TCL M3X8 A4 POZIDRIV	1



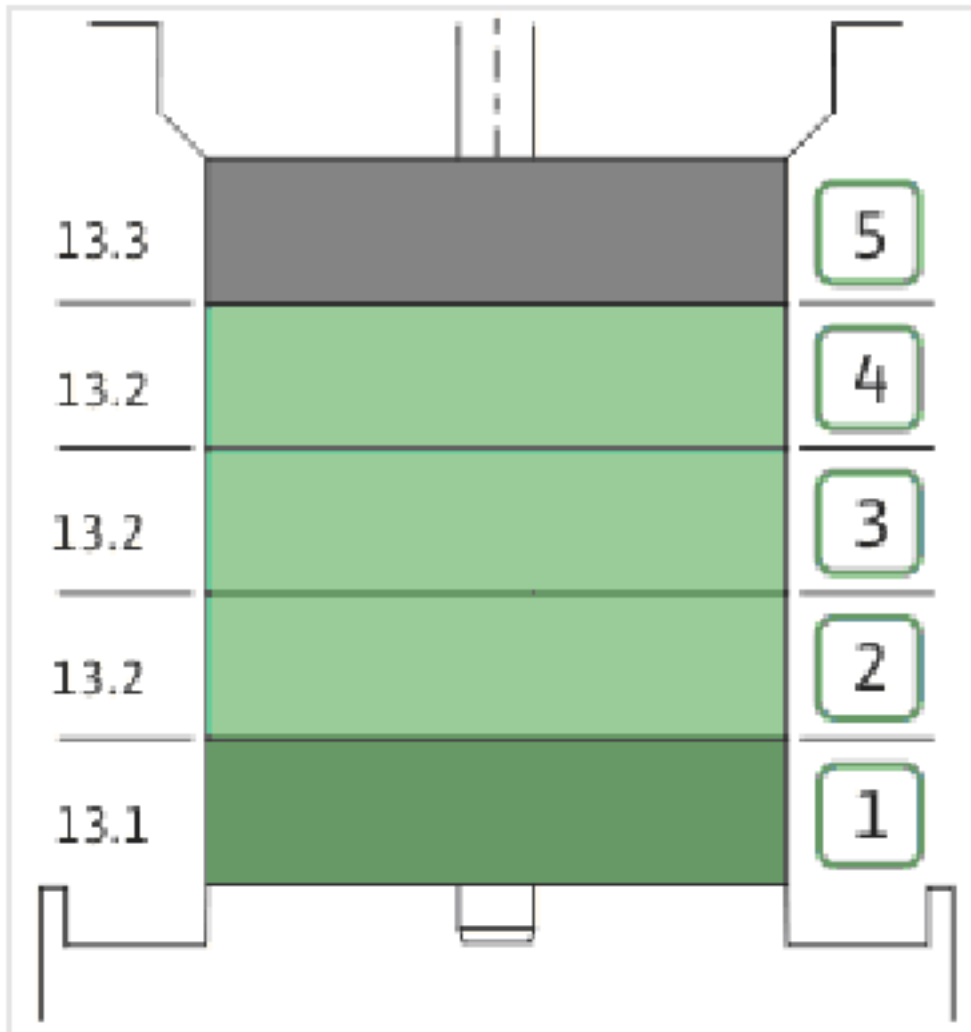
COUPLING D.20XD.38 FF300 KIT (4143966)

Item	Article no.	Description	Quantity
4.1	4179590	COUPLING 2 PARTS D.20XD.38XL115 VP.	1
4.2	2123699	BALL BEARING 6312/2Z-C4 (HT) VP.	1
4.3	63428	CIRCLIP-FOR-SHAFT-D60x2	1
4.4	2130991	SCREW M12X30 ISO4762 8.8 ZN(4 PIECES)	1
4.5	4032277	CIRCLIP-HOLE-130x4	1
4.6	4006725	O-RING ID.132,94x3,53 NBR70SR	1
4.7	2130992	RETAINING RING D.35xD.2,5 DIN7993 VP.	1
4.8	4179591	HUB D.42xD.60 VP.	1
4.9	2130994	SPACER D.38XD.55 VP.	1
4.10	4094462	SCREWS M10 (4 PIECES)	1
4.11	4233959	SCREW M8x16 VP.	1
4.12		SERRATED LOCK WASHER Ø8.2XØ25X35X2	1



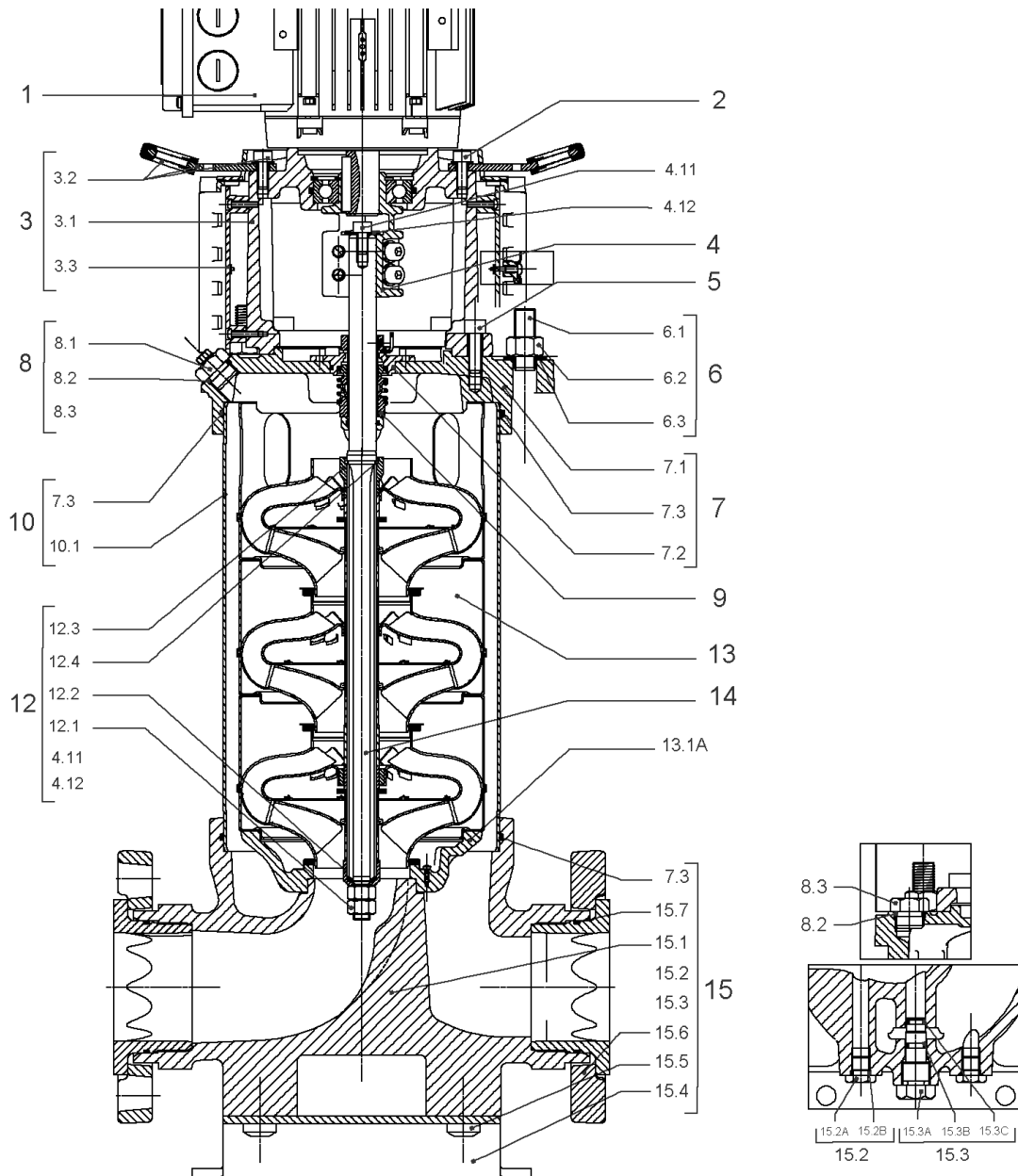
CARTRIDGE HELIX22-36-52 O/V KIT (4158204)

Item	Article no.	Description	Quantity
9.1	4158203	SEAL-KIT-HELIX22-36-52 O/V	1
7.3	2107767	> O-RING ID.202,80x3,53 VITON VP.	1
7.4	4179958	> O-RING-ID.42.52X2.62 VITON VP.	1
9.1A	2127454	> M.SEAL.HELIX22-36-52 O/V VP.	1
9.1B	4179960	> O-RING ID.20x2.65 FKM VP.	1
9.2	4179566	SHAFT SLEEVE D.20/20X60 1.4404 VP.	1
9.3	4179567	RING HOLDER Ø22 1.4301 VP.	1
9.4	4176520	SCREW CH M5x5 A4-70 (3PIECES)	1
9.5	4179568	DRIVE RING D.31/22.1x11 MACH.VP.	1
9.6	4179569	TOOL M.S.CART.HELIX 8" VP.	1
9.7	4179570	SCREW M6X16 ISO4762 8.8 GEOMET(4 PIECES)	1



HYDRAULIC HELIX V 5205

Item	Article no.	Description	Quantity
13.1	4164770	INTERMEDIATE STAGE HELIX 52 1.4404 KIT	1
		> SLEEVE-SPACER-D22XL30,42-316L	1
		> MACH.BEARING-DIFFUSER+NR-M+52-316	1
		> SHAFT-SLEEVE-D26xD22x16-CW	1
		> SPACER WASHER D22,3XD36 L3-316L	1
		> IMPELLER-H2-M+52-316	1
13.2	4164771	INTERMEDIATE STAGE HELIX 52 1.4404 KIT	1
		> MACH.STD-DIFFUSER+NR-M+52-316	1
		> IMPELLER-H5-M+52-316	1
13.3	4164772	UPPER STAGE HELIX 52 1.4404 KIT	1
		> STOP COLLAR OF IMPELLER L27,6-Ø22-316L	1
		> SLEEVE-SPACER-D22XL16,66-316L	1
		> SPACER WASHER D22,3XD36 L3-316L	1
		> IMPELLER-H2-M+52-316	1
		> MACH.STD-DISCHARGE-CHAMBER-M+52-316	1

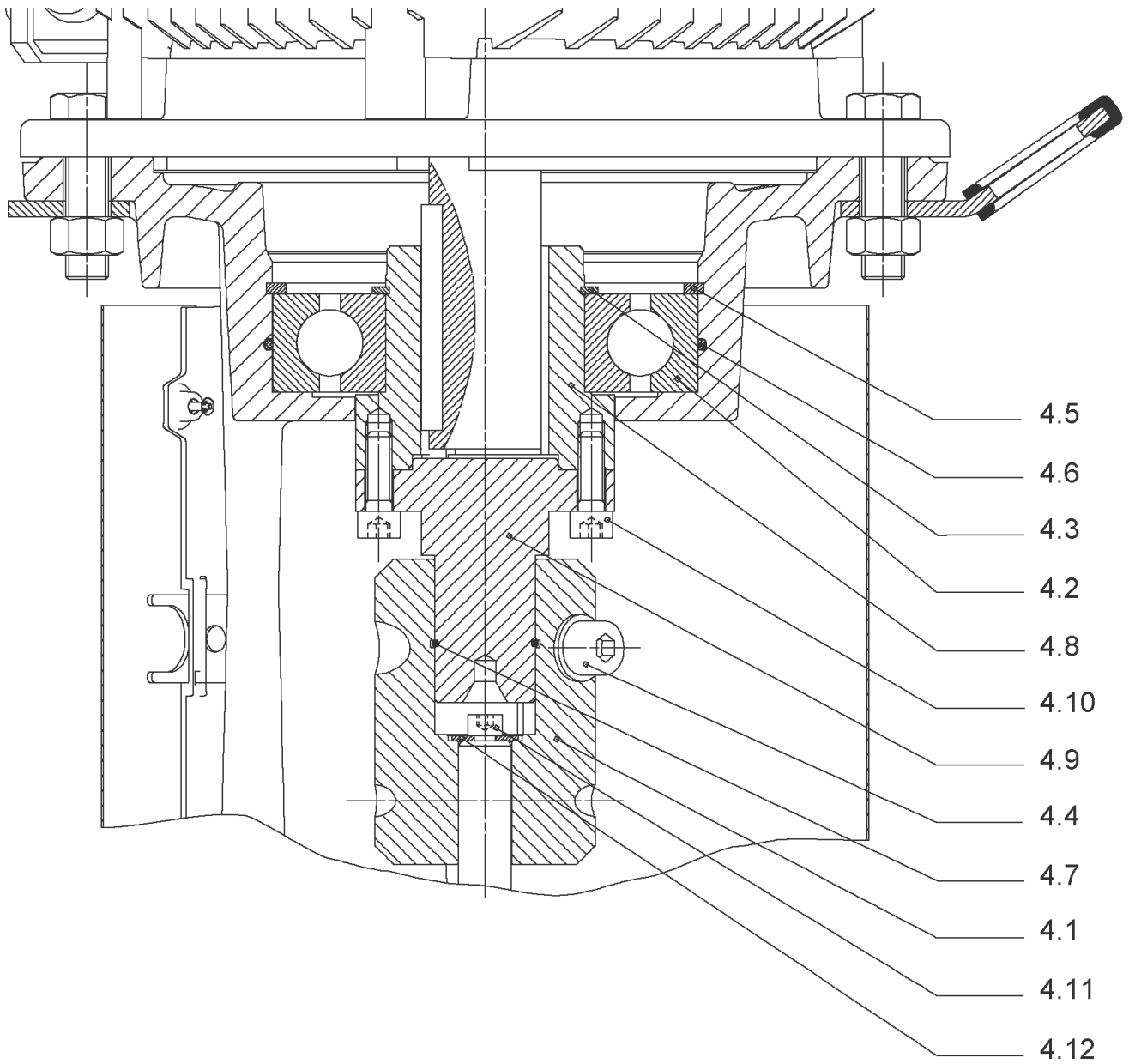


HELIX V5203/2-2/25/V/KS/400-50 (4150910)

Item	Article no.	Description	Quantity
1	4199884	MOTOR 11/2/160 3~400V 50HZ VP.	1
		SPARE PARTS MOTOR:ON REQUEST	1
2	4179586	SCREW M16X60 (4 PIECES)	1
3	4157721	LANTERN HELIX 22/36 FF300 BB6312 KIT	1
3.1		> LANTERN FF300 M+ GJL MACHINED+CATA 6312	1
3.2	4179589	> EYELET CPL.FF300 HELIX(4 PIECES)	1
3.3	4143969	> COUPLING PROTECT HELIX FF KIT	1
4	4143966	COUPLING D.20XD.38 FF300 KIT	1
5	4157725	SCREW M10X40 (4 PIECES)	1
6	4179592	STUD BOLT M16X405 KIT	1
6.1		> TIE BOLT M16-405x24x44-1.4057	1
6.2	4179562	> NUT M16 8.8 ISO4032 (4 PIECES)	1
6.3	4097852	> WASHER-CS-16.4-32-2.8-NFE25-511-A2	1
7	4179959	END SHIELD HELIX 8" FKM 1.4404 KIT	1
7.1		> END SHIELD HELIX 316L MACHINED	1
7.2	4179958	> O-RING-ID.42.52X2.62 VITON VP.	1
7.3	2107767	> O-RING ID.202,80x3,53 VITON VP.	1
8	4161256	FILING/PURGING PLUG FKM KIT	1
8.1		> FILLING/VENTING-PLUG-VM18/10-316L	1
8.2		> FILLING AND VENTING PLUG M+8" 316L	1
8.3		> GASKET-17x3-VITON	1
9	4158206	CARTRIDGE HELIX22-36-52 F/V KIT	1
10	4179968	HOUSING PIPE D.204X330 1.4404 KIT	1
7.3	2107767	> O-RING ID.202,80x3,53 VITON VP.	1
10.1		> HOUSING-PIPE Ø204-M+3604/5203-316L	1
12	4164724	SHAFT EQUIPMENT HELIX V52 KIT	1
13		HYDRAULIC HELIX V 5203-2	1
14	4179596	SHAFTS D.22X504 1.4404 VP.	1
15	4164769	EQUIPED HOUSING HELIX 52 1.4409 KIT	1
7.3	2107767	> O-RING ID.202,80x3,53 VITON VP.	1
15.1		> PUMP HOUSING M+ DN80 316L MACHINED	1
15.1		> GASKET HOLDER M+ DN80 316L MACHINED	1
15.1		> HYDRAULIC SUPPORT M+ DN80 316L MACHINED	1
15.2	4158195	> PLUG PRESSURE CONNECTION G1/4"316L KIT	1

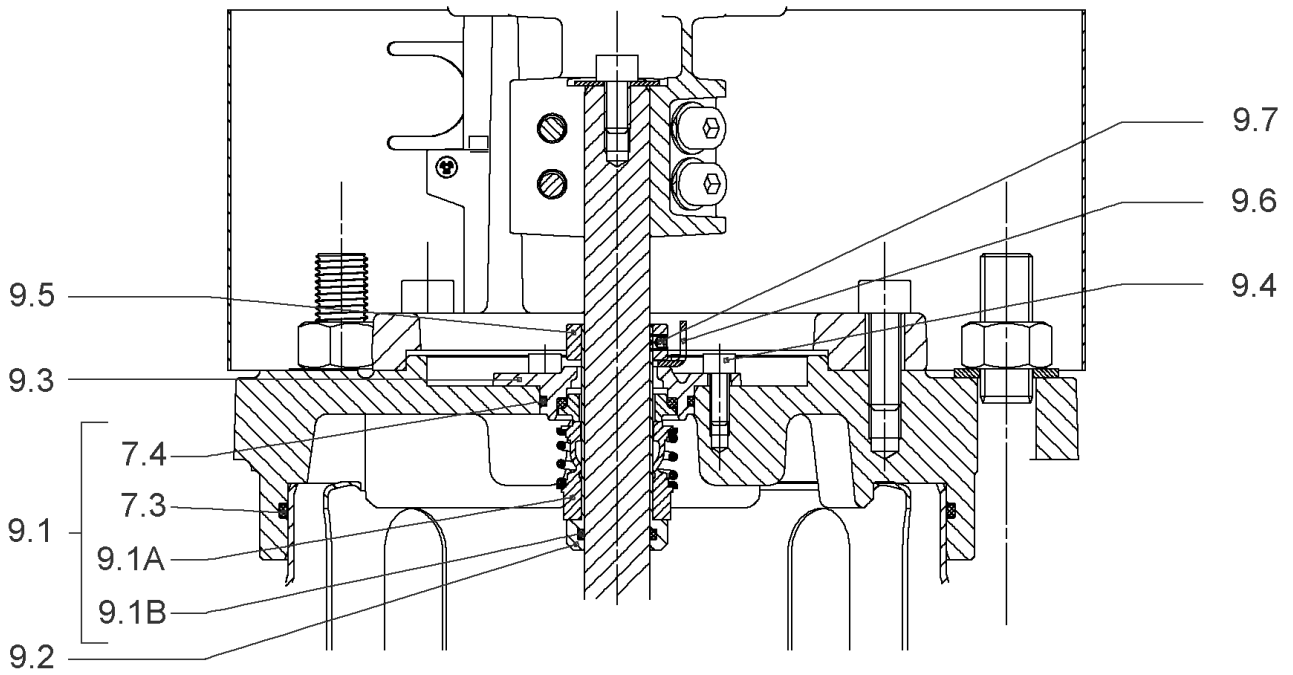
HELIX V5203/2-2/25/V/KS/400-50 (4150910)

Item	Article no.	Description	Quantity
15.2A		>> PLUG PRESSURE CONNECTION - G1/4" - 316L	1
15.2B	2107769	>> O-RING ID.9,9x2,62 VITON VP.	1
15.3	4158196	> DRAIN/PRIMING PLUG VITON HELIX KIT	1
15.3A		>> DRAIN-AND-PRIMING-PLUG-VM18"-316L	1
15.3B	4032294	>> GASKET-10x3-VITON	1
15.3C	2107768	>> O-RING ID.8,9x2,7 VITON VP.	1
15.4	4143749	> BASE M+ DN50/65/80-304	1
15.5		> SCREW TBHC M12x25 ISO7380 ZN	1
15.6		> FLANGE M+ DN80 NF PN16-25 ASME PN16 CATA	1
15.7		> O-RING Ø91.42xØ3 VITON	1
13.1A	4161268	> NECK RING 1.STAGE HELIX 36 316 KIT	1
		>> NECK-RING-M+36/52	1
		>> HYDRAULIC SUPPORT CAP M+36/52 316	1
		>> SCREW TCL M3X8 A4 POZIDRIV	1



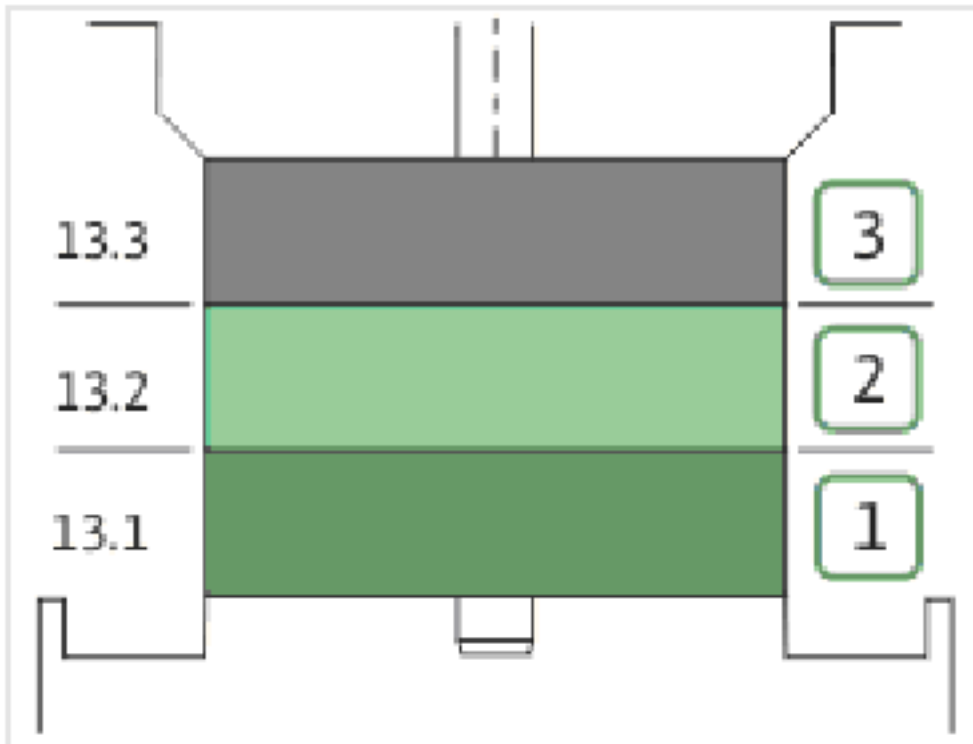
COUPLING D.20XD.38 FF300 KIT (4143966)

Item	Article no.	Description	Quantity
4.1	4179590	COUPLING 2 PARTS D.20XD.38XL115 VP.	1
4.2	2123699	BALL BEARING 6312/2Z-C4 (HT) VP.	1
4.3	63428	CIRCLIP-FOR-SHAFT-D60x2	1
4.4	2130991	SCREW M12X30 ISO4762 8.8 ZN(4 PIECES)	1
4.5	4032277	CIRCLIP-HOLE-130x4	1
4.6	4006725	O-RING ID.132,94x3,53 NBR70SR	1
4.7	2130992	RETAINING RING D.35xD.2,5 DIN7993 VP.	1
4.8	4179591	HUB D.42xD.60 VP.	1
4.9	2130994	SPACER D.38XD.55 VP.	1
4.10	4094462	SCREWS M10 (4 PIECES)	1
4.11	4233959	SCREW M8x16 VP.	1
4.12		SERRATED LOCK WASHER Ø8.2XØ25X35X2	1



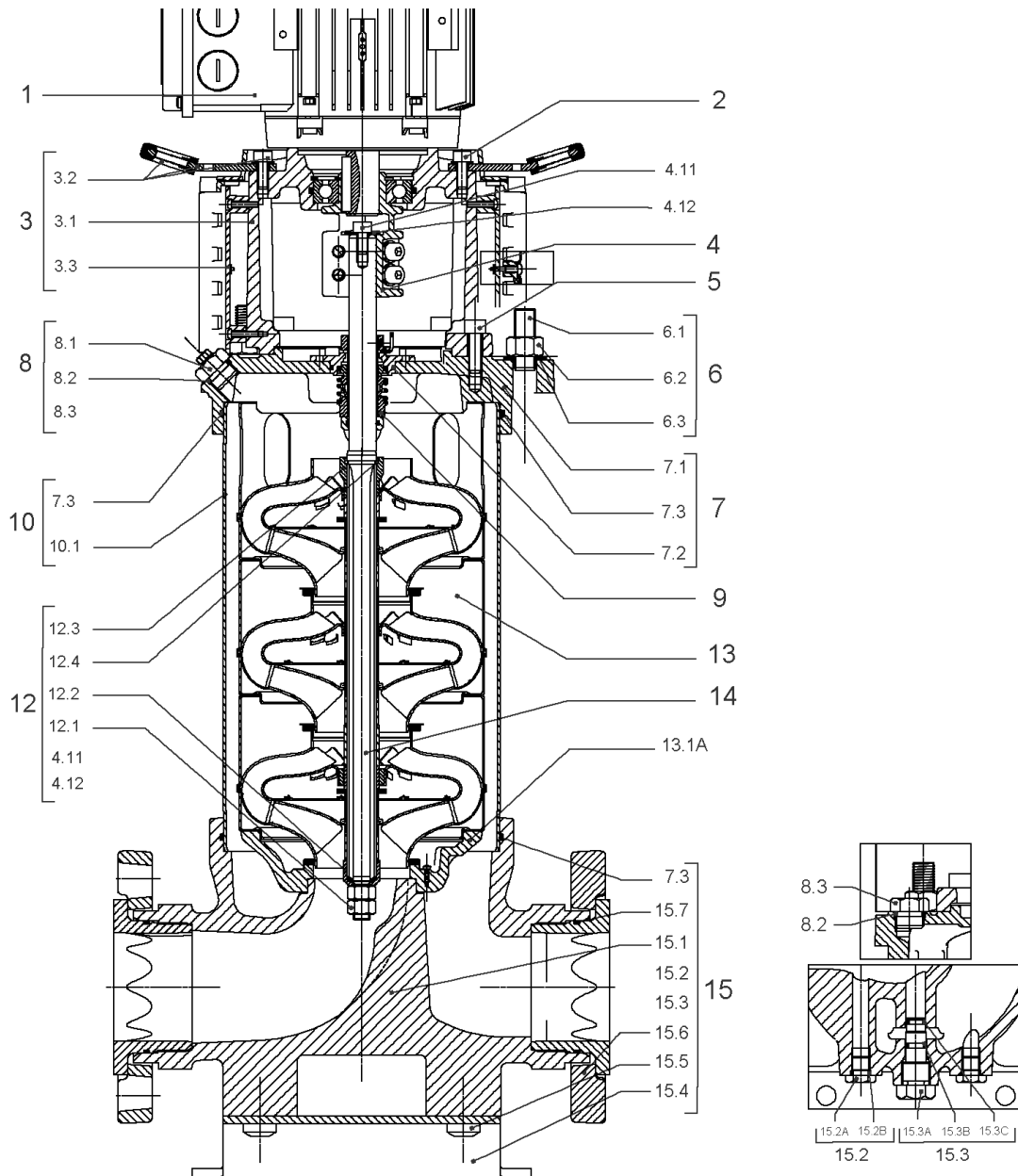
CARTRIDGE HELIX22-36-52 F/V KIT (4158206)

Item	Article no.	Description	Quantity
9.1	4158205	SEAL-KIT-HELIX22-36-52 F/V	1
7.3	2107767	> O-RING ID.202,80x3,53 VITON VP.	1
7.4	4179958	> O-RING-ID.42.52X2.62 VITON VP.	1
9.1A	4179982	> M.SEAL.HELIX22-36-52 F/V VP.	1
9.1B	4179960	> O-RING ID.20x2.65 FKM VP.	1
9.2	4179566	SHAFT SLEEVE D.20/20X60 1.4404 VP.	1
9.3	4179567	RING HOLDER Ø22 1.4301 VP.	1
9.4	4176520	SCREW CH M5x5 A4-70 (3PIECES)	1
9.5	4179568	DRIVE RING D.31/22.1x11 MACH.VP.	1
9.6	4179569	TOOL M.S.CART.HELIX 8" VP.	1
9.7	4179570	SCREW M6X16 ISO4762 8.8 GEOMET(4 PIECES)	1



HYDRAULIC HELIX V 5203-2

Item	Article no.	Description	Quantity
13.1	4164770	INTERMEDIATE STAGE HELIX 52 1.4404 KIT	1
		> SLEEVE-SPACER-D22XL30,42-316L	1
		> MACH.BEARING-DIFFUSER+NR-M+52-316	1
		> SHAFT-SLEEVE-D26xD22x16-CW	1
		> SPACER WASHER D22,3XD36 L3-316L	1
		> IMPELLER-H2-M+52-316	1
13.2	4164773	INTERMEDIATE STAGE HELIX 52 1.4404 KIT	1
		> MACH.STD-DIFFUSER+NR-M+52-316	1
		> REDUCED-IMPELLER-H5-M+52-316	1
13.3	4164774	UPPER STAGE HELIX 52 1.4404 KIT	1
		> STOP COLLAR OF IMPELLER L27,6-Ø22-316L	1
		> SLEEVE-SPACER-D22XL16,66-316L	1
		> SPACER WASHER D22,3XD36 L3-316L	1
		> REDUCED-IMPELLER-H2-M+52-316	1
		> MACH.STD-DISCHARGE-CHAMBER-M+52-316	1

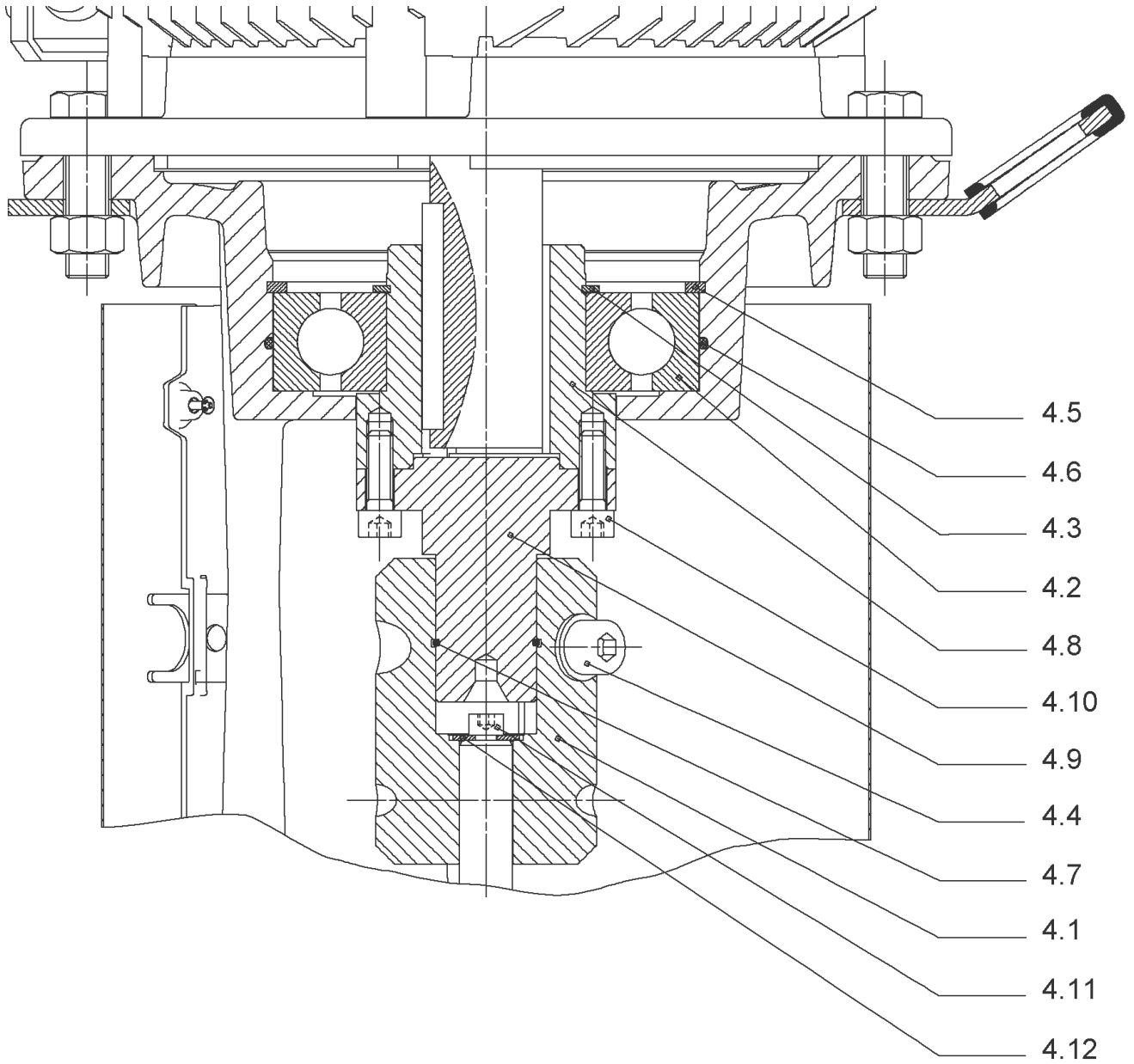


HELIX V5203-2/25/V/KS/400-50 (4150911)

Item	Article no.	Description	Quantity
1	4199884	MOTOR 11/2/160 3~400V 50HZ VP.	1
		SPARE PARTS MOTOR:ON REQUEST	1
2	4179586	SCREW M16X60 (4 PIECES)	1
3	4157721	LANTERN HELIX 22/36 FF300 BB6312 KIT	1
3.1		> LANTERN FF300 M+ GJL MACHINED+CATA 6312	1
3.2	4179589	> EYELET CPL.FF300 HELIX(4 PIECES)	1
3.3	4143969	> COUPLING PROTECT HELIX FF KIT	1
4	4143966	COUPLING D.20XD.38 FF300 KIT	1
5	4157725	SCREW M10X40 (4 PIECES)	1
6	4179592	STUD BOLT M16X405 KIT	1
6.1		> TIE BOLT M16-405x24x44-1.4057	1
6.2	4179562	> NUT M16 8.8 ISO4032 (4 PIECES)	1
6.3	4097852	> WASHER-CS-16.4-32-2.8-NFE25-511-A2	1
7	4179959	END SHIELD HELIX 8" FKM 1.4404 KIT	1
7.1		> END SHIELD HELIX 316L MACHINED	1
7.2	4179958	> O-RING-ID.42.52X2.62 VITON VP.	1
7.3	2107767	> O-RING ID.202,80x3,53 VITON VP.	1
8	4161256	FILING/PURGING PLUG FKM KIT	1
8.1		> FILLING/VENTING-PLUG-VM18/10-316L	1
8.2		> FILLING AND VENTING PLUG M+8" 316L	1
8.3		> GASKET-17x3-VITON	1
9	4158206	CARTRIDGE HELIX22-36-52 F/V KIT	1
10	4179968	HOUSING PIPE D.204X330 1.4404 KIT	1
7.3	2107767	> O-RING ID.202,80x3,53 VITON VP.	1
10.1		> HOUSING-PIPE Ø204-M+3604/5203-316L	1
12	4164724	SHAFT EQUIPMENT HELIX V52 KIT	1
13		HYDRAULIC HELIX V 5203	1
14	4179596	SHAFTS D.22X504 1.4404 VP.	1
15	4164769	EQUIPED HOUSING HELIX 52 1.4409 KIT	1
7.3	2107767	> O-RING ID.202,80x3,53 VITON VP.	1
15.1		> PUMP HOUSING M+ DN80 316L MACHINED	1
15.1		> GASKET HOLDER M+ DN80 316L MACHINED	1
15.1		> HYDRAULIC SUPPORT M+ DN80 316L MACHINED	1
15.2	4158195	> PLUG PRESSURE CONNECTION G1/4"316L KIT	1

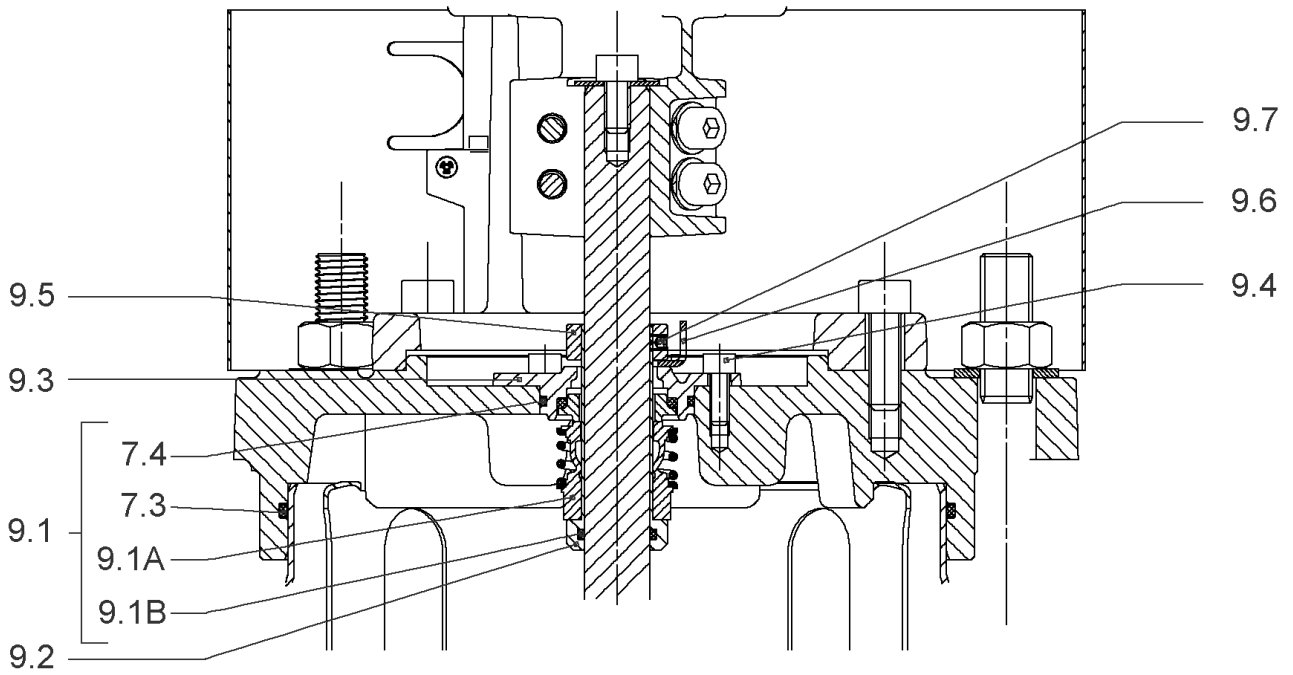
HELIX V5203-2/25/V/KS/400-50 (4150911)

Item	Article no.	Description	Quantity
15.2A		>> PLUG PRESSURE CONNECTION - G1/4" - 316L	1
15.2B	2107769	>> O-RING ID.9,9x2,62 VITON VP.	1
15.3	4158196	> DRAIN/PRIMING PLUG VITON HELIX KIT	1
15.3A		>> DRAIN-AND-PRIMING-PLUG-VM18"-316L	1
15.3B	4032294	>> GASKET-10x3-VITON	1
15.3C	2107768	>> O-RING ID.8,9x2,7 VITON VP.	1
15.4	4143749	> BASE M+ DN50/65/80-304	1
15.5		> SCREW TBHC M12x25 ISO7380 ZN	1
15.6		> FLANGE M+ DN80 NF PN16-25 ASME PN16 CATA	1
15.7		> O-RING Ø91.42xØ3 VITON	1
13.1A	4161268	> NECK RING 1.STAGE HELIX 36 316 KIT	1
		>> NECK-RING-M+36/52	1
		>> HYDRAULIC SUPPORT CAP M+36/52 316	1
		>> SCREW TCL M3X8 A4 POZIDRIV	1



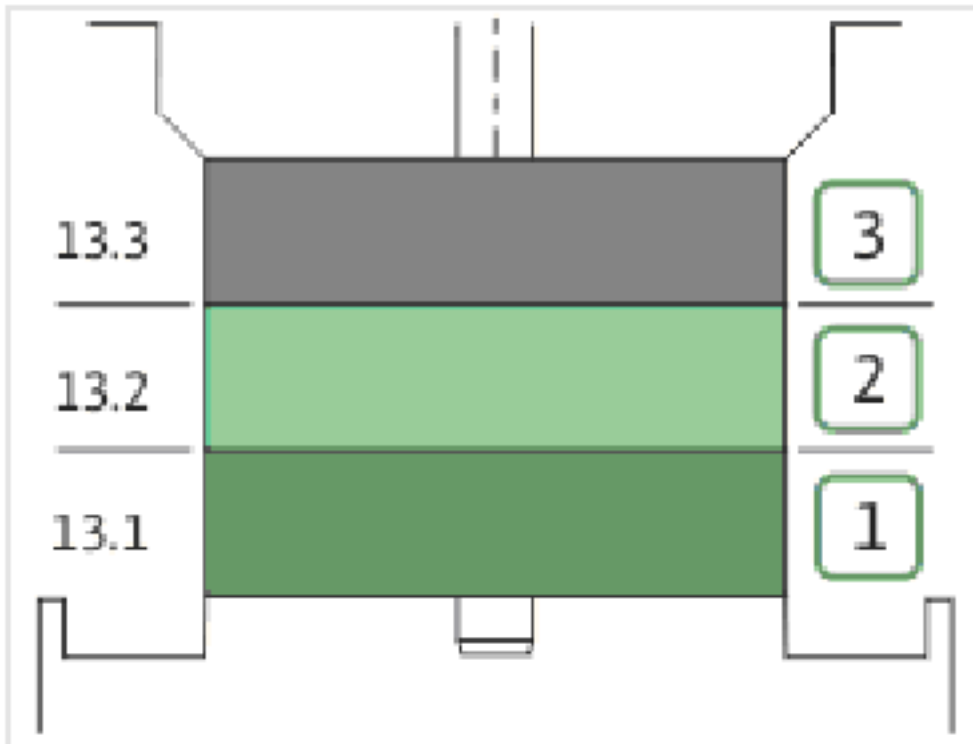
COUPLING D.20XD.38 FF300 KIT (4143966)

Item	Article no.	Description	Quantity
4.1	4179590	COUPLING 2 PARTS D.20XD.38XL115 VP.	1
4.2	2123699	BALL BEARING 6312/2Z-C4 (HT) VP.	1
4.3	63428	CIRCLIP-FOR-SHAFT-D60x2	1
4.4	2130991	SCREW M12X30 ISO4762 8.8 ZN(4 PIECES)	1
4.5	4032277	CIRCLIP-HOLE-130x4	1
4.6	4006725	O-RING ID.132,94x3,53 NBR70SR	1
4.7	2130992	RETAINING RING D.35xD.2,5 DIN7993 VP.	1
4.8	4179591	HUB D.42xD.60 VP.	1
4.9	2130994	SPACER D.38XD.55 VP.	1
4.10	4094462	SCREWS M10 (4 PIECES)	1
4.11	4233959	SCREW M8x16 VP.	1
4.12		SERRATED LOCK WASHER Ø8.2XØ25X35X2	1



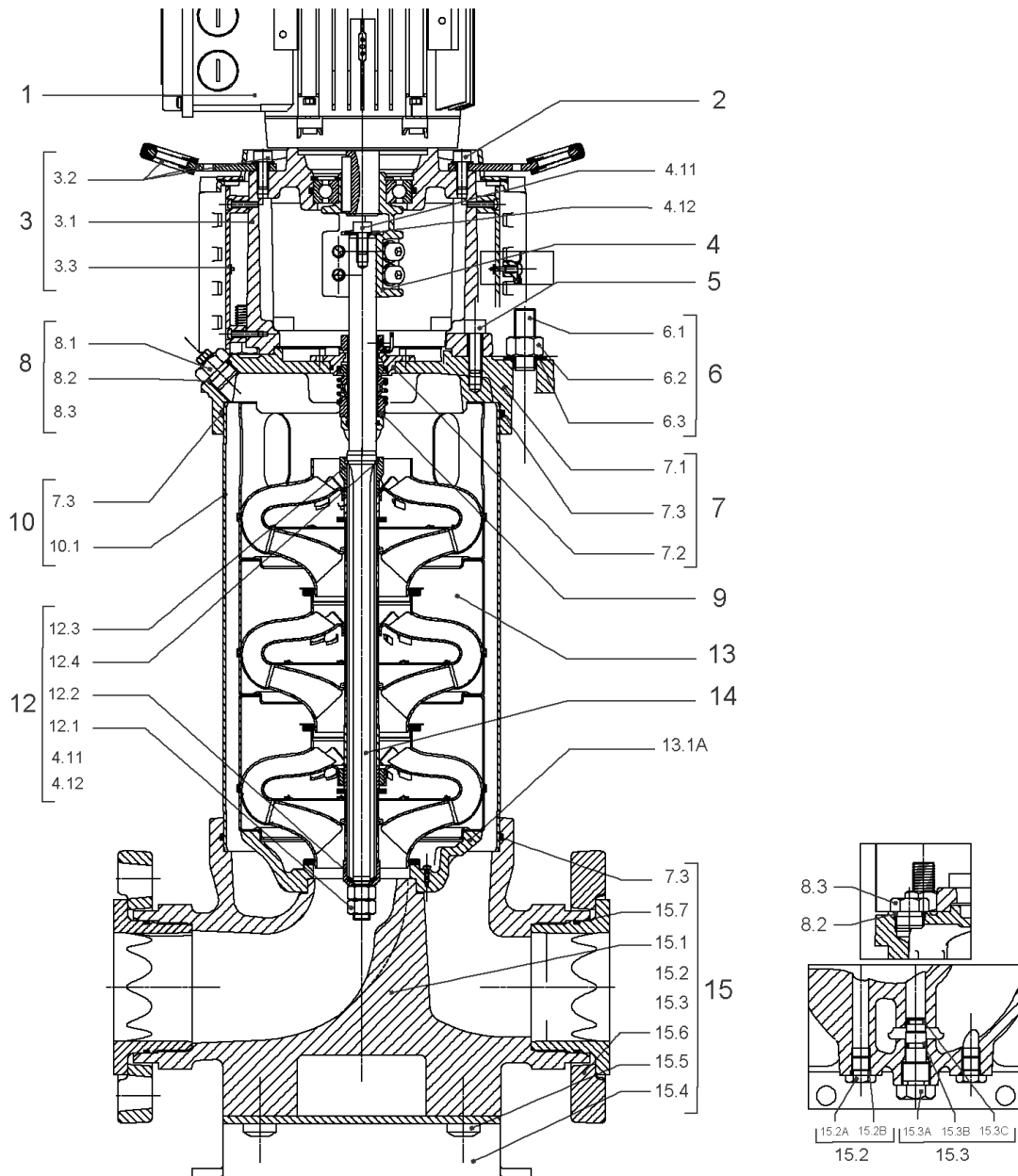
CARTRIDGE HELIX22-36-52 F/V KIT (4158206)

Item	Article no.	Description	Quantity
9.1	4158205	SEAL-KIT-HELIX22-36-52 F/V	1
7.3	2107767	> O-RING ID.202,80x3,53 VITON VP.	1
7.4	4179958	> O-RING-ID.42.52X2.62 VITON VP.	1
9.1A	4179982	> M.SEAL.HELIX22-36-52 F/V VP.	1
9.1B	4179960	> O-RING ID.20x2.65 FKM VP.	1
9.2	4179566	SHAFT SLEEVE D.20/20X60 1.4404 VP.	1
9.3	4179567	RING HOLDER Ø22 1.4301 VP.	1
9.4	4176520	SCREW CH M5x5 A4-70 (3PIECES)	1
9.5	4179568	DRIVE RING D.31/22.1x11 MACH.VP.	1
9.6	4179569	TOOL M.S.CART.HELIX 8" VP.	1
9.7	4179570	SCREW M6X16 ISO4762 8.8 GEOMET(4 PIECES)	1



HYDRAULIC HELIX V 5203

Item	Article no.	Description	Quantity
13.1	4164770	INTERMEDIATE STAGE HELIX 52 1.4404 KIT	1
		> SLEEVE-SPACER-D22XL30,42-316L	1
		> MACH.BEARING-DIFFUSER+NR-M+52-316	1
		> SHAFT-SLEEVE-D26xD22x16-CW	1
		> SPACER WASHER D22,3XD36 L3-316L	1
		> IMPELLER-H2-M+52-316	1
13.2	4164771	INTERMEDIATE STAGE HELIX 52 1.4404 KIT	1
		> MACH.STD-DIFFUSER+NR-M+52-316	1
		> IMPELLER-H5-M+52-316	1
13.3	4164772	UPPER STAGE HELIX 52 1.4404 KIT	1
		> STOP COLLAR OF IMPELLER L27,6-Ø22-316L	1
		> SLEEVE-SPACER-D22XL16,66-316L	1
		> SPACER WASHER D22,3XD36 L3-316L	1
		> IMPELLER-H2-M+52-316	1
		> MACH.STD-DISCHARGE-CHAMBER-M+52-316	1

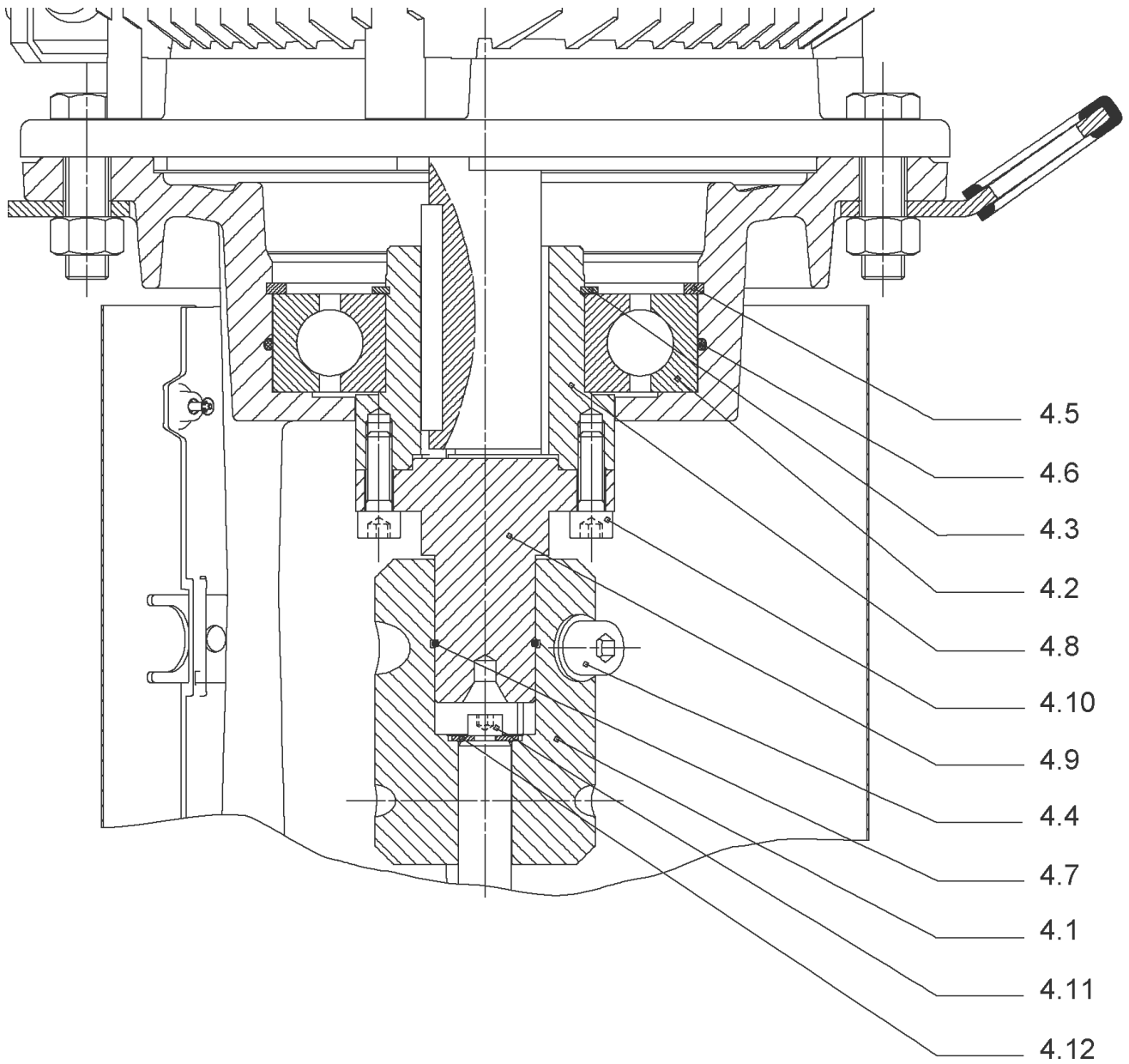


HELIX V5204/2-2/25/V/KS/400-50 (4150912)

Item	Article no.	Description	Quantity
1	4199884	MOTOR 11/2/160 3~400V 50HZ VP.	1
		SPARE PARTS MOTOR:ON REQUEST	1
2	4179586	SCREW M16X60 (4 PIECES)	1
3	4157721	LANTERN HELIX 22/36 FF300 BB6312 KIT	1
3.1		> LANTERN FF300 M+ GJL MACHINED+CATA 6312	1
3.2	4179589	> EYELET CPL.FF300 HELIX(4 PIECES)	1
3.3	4143969	> COUPLING PROTECT HELIX FF KIT	1
4	4143966	COUPLING D.20XD.38 FF300 KIT	1
5	4157725	SCREW M10X40 (4 PIECES)	1
6	4179919	STUD BOLT M16X500 KIT	1
6.1		> TIE BOLT M16-500x24x44-1.4057	1
6.2	4179562	> NUT M16 8.8 ISO4032 (4 PIECES)	1
6.3	4097852	> WASHER-CS-16.4-32-2.8-NFE25-511-A2	1
7	4179959	END SHIELD HELIX 8" FKM 1.4404 KIT	1
7.1		> END SHIELD HELIX 316L MACHINED	1
7.2	4179958	> O-RING-ID.42.52X2.62 VITON VP.	1
7.3	2107767	> O-RING ID.202,80x3,53 VITON VP.	1
8	4161256	FILING/PURGING PLUG FKM KIT	1
8.1		> FILLING/VENTING-PLUG-VM18/10-316L	1
8.2		> FILLING AND VENTING PLUG M+8" 316L	1
8.3		> GASKET-17x3-VITON	1
9	4158206	CARTRIDGE HELIX22-36-52 F/V KIT	1
10	4179971	HOUSING PIPE D.204X430 1.4404 KIT	1
7.3	2107767	> O-RING ID.202,80x3,53 VITON VP.	1
10.1		> HOUSING-PIPE Ø204-M+5204-316L	1
12	4164724	SHAFT EQUIPMENT HELIX V52 KIT	1
13		HYDRAULIC HELIX V 5204-2	1
14	4179973	SHAFTS D.22X604 1.4462 VP.	1
15	4164769	EQUIPED HOUSING HELIX 52 1.4409 KIT	1
7.3	2107767	> O-RING ID.202,80x3,53 VITON VP.	1
15.1		> PUMP HOUSING M+ DN80 316L MACHINED	1
15.1		> GASKET HOLDER M+ DN80 316L MACHINED	1
15.1		> HYDRAULIC SUPPORT M+ DN80 316L MACHINED	1
15.2	4158195	> PLUG PRESSURE CONNECTION G1/4"316L KIT	1

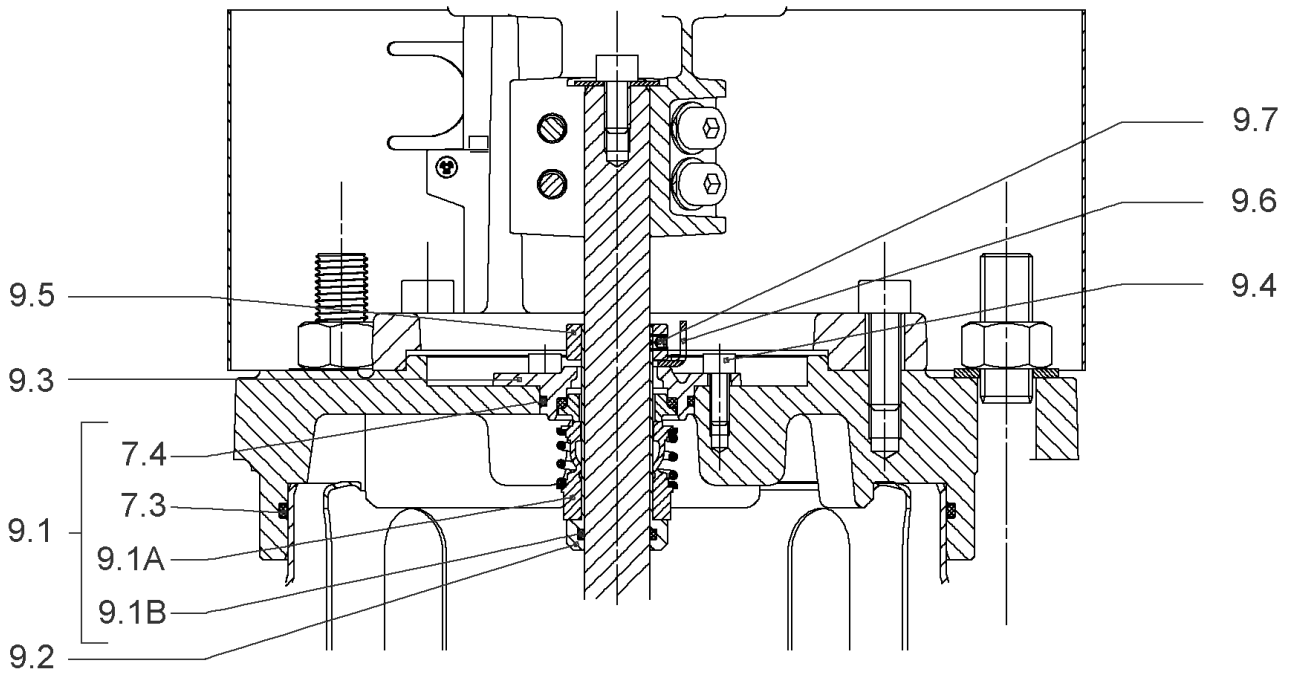
HELIX V5204/2-2/25/V/KS/400-50 (4150912)

Item	Article no.	Description	Quantity
15.2A		>> PLUG PRESSURE CONNECTION - G1/4" - 316L	1
15.2B	2107769	>> O-RING ID.9,9x2,62 VITON VP.	1
15.3	4158196	> DRAIN/PRIMING PLUG VITON HELIX KIT	1
15.3A		>> DRAIN-AND-PRIMING-PLUG-VM18"-316L	1
15.3B	4032294	>> GASKET-10x3-VITON	1
15.3C	2107768	>> O-RING ID.8,9x2,7 VITON VP.	1
15.4	4143749	> BASE M+ DN50/65/80-304	1
15.5		> SCREW TBHC M12x25 ISO7380 ZN	1
15.6		> FLANGE M+ DN80 NF PN16-25 ASME PN16 CATA	1
15.7		> O-RING Ø91.42xØ3 VITON	1
13.1A	4161268	> NECK RING 1.STAGE HELIX 36 316 KIT	1
		>> NECK-RING-M+36/52	1
		>> HYDRAULIC SUPPORT CAP M+36/52 316	1
		>> SCREW TCL M3X8 A4 POZIDRIV	1



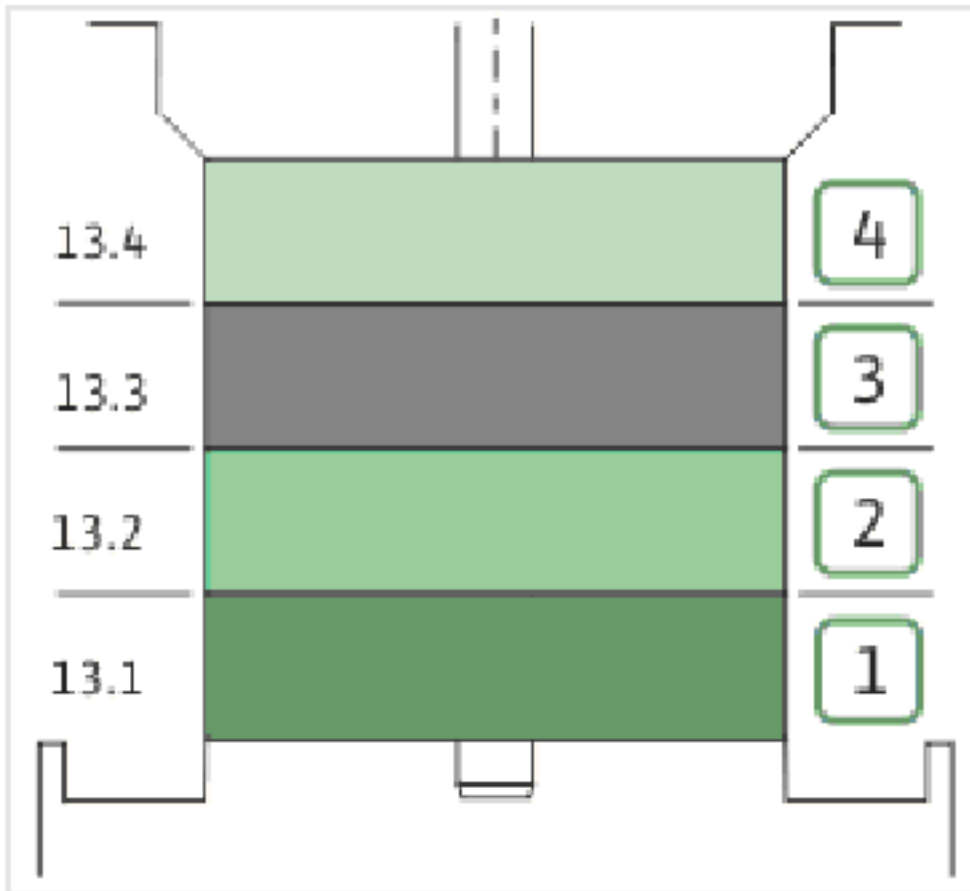
COUPLING D.20XD.38 FF300 KIT (4143966)

Item	Article no.	Description	Quantity
4.1	4179590	COUPLING 2 PARTS D.20XD.38XL115 VP.	1
4.2	2123699	BALL BEARING 6312/2Z-C4 (HT) VP.	1
4.3	63428	CIRCLIP-FOR-SHAFT-D60x2	1
4.4	2130991	SCREW M12X30 ISO4762 8.8 ZN(4 PIECES)	1
4.5	4032277	CIRCLIP-HOLE-130x4	1
4.6	4006725	O-RING ID.132,94x3,53 NBR70SR	1
4.7	2130992	RETAINING RING D.35xD.2,5 DIN7993 VP.	1
4.8	4179591	HUB D.42xD.60 VP.	1
4.9	2130994	SPACER D.38XD.55 VP.	1
4.10	4094462	SCREWS M10 (4 PIECES)	1
4.11	4233959	SCREW M8x16 VP.	1
4.12		SERRATED LOCK WASHER Ø8.2XØ25X35X2	1



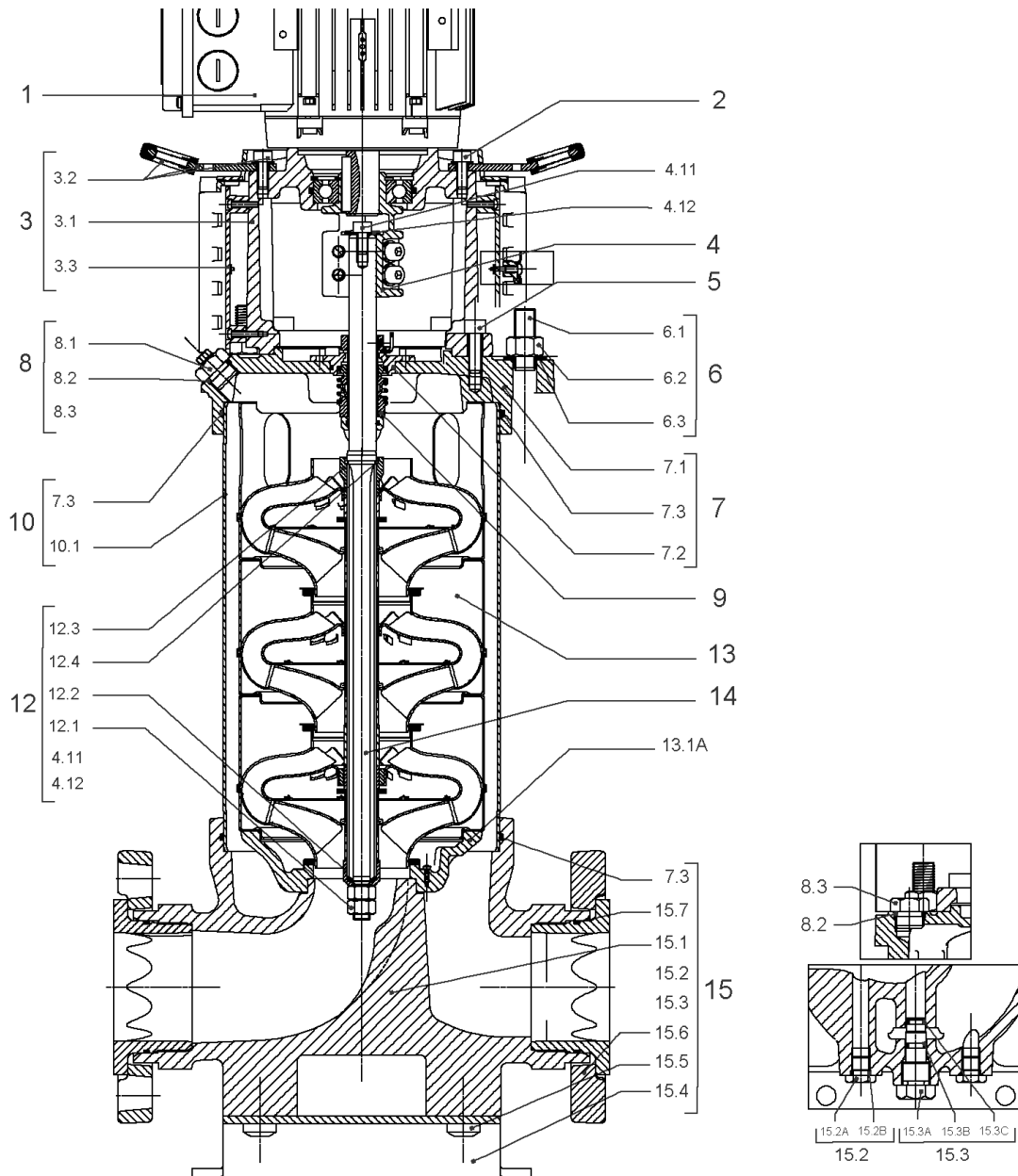
CARTRIDGE HELIX22-36-52 F/V KIT (4158206)

Item	Article no.	Description	Quantity
9.1	4158205	SEAL-KIT-HELIX22-36-52 F/V	1
7.3	2107767	> O-RING ID.202,80x3,53 VITON VP.	1
7.4	4179958	> O-RING-ID.42.52X2.62 VITON VP.	1
9.1A	4179982	> M.SEAL.HELIX22-36-52 F/V VP.	1
9.1B	4179960	> O-RING ID.20x2.65 FKM VP.	1
9.2	4179566	SHAFT SLEEVE D.20/20X60 1.4404 VP.	1
9.3	4179567	RING HOLDER Ø22 1.4301 VP.	1
9.4	4176520	SCREW CH M5x5 A4-70 (3PIECES)	1
9.5	4179568	DRIVE RING D.31/22.1x11 MACH.VP.	1
9.6	4179569	TOOL M.S.CART.HELIX 8" VP.	1
9.7	4179570	SCREW M6X16 ISO4762 8.8 GEOMET(4 PIECES)	1



HYDRAULIC HELIX V 5204-2

Item	Article no.	Description	Quantity
13.1	4164770	INTERMEDIATE STAGE HELIX 52 1.4404 KIT	1
		> SLEEVE-SPACER-D22XL30,42-316L	1
		> MACH.BEARING-DIFFUSER+NR-M+52-316	1
		> SHAFT-SLEEVE-D26xD22x16-CW	1
		> SPACER WASHER D22,3XD36 L3-316L	1
		> IMPELLER-H2-M+52-316	1
13.2	4164771	INTERMEDIATE STAGE HELIX 52 1.4404 KIT	1
		> MACH.STD-DIFFUSER+NR-M+52-316	1
		> IMPELLER-H5-M+52-316	1
13.3	4164773	INTERMEDIATE STAGE HELIX 52 1.4404 KIT	1
		> MACH.STD-DIFFUSER+NR-M+52-316	1
		> REDUCED-IMPELLER-H5-M+52-316	1
13.4	4164774	UPPER STAGE HELIX 52 1.4404 KIT	1
		> STOP COLLAR OF IMPELLER L27,6-Ø22-316L	1
		> SLEEVE-SPACER-D22XL16,66-316L	1
		> SPACER WASHER D22,3XD36 L3-316L	1
		> REDUCED-IMPELLER-H2-M+52-316	1
		> MACH.STD-DISCHARGE-CHAMBER-M+52-316	1



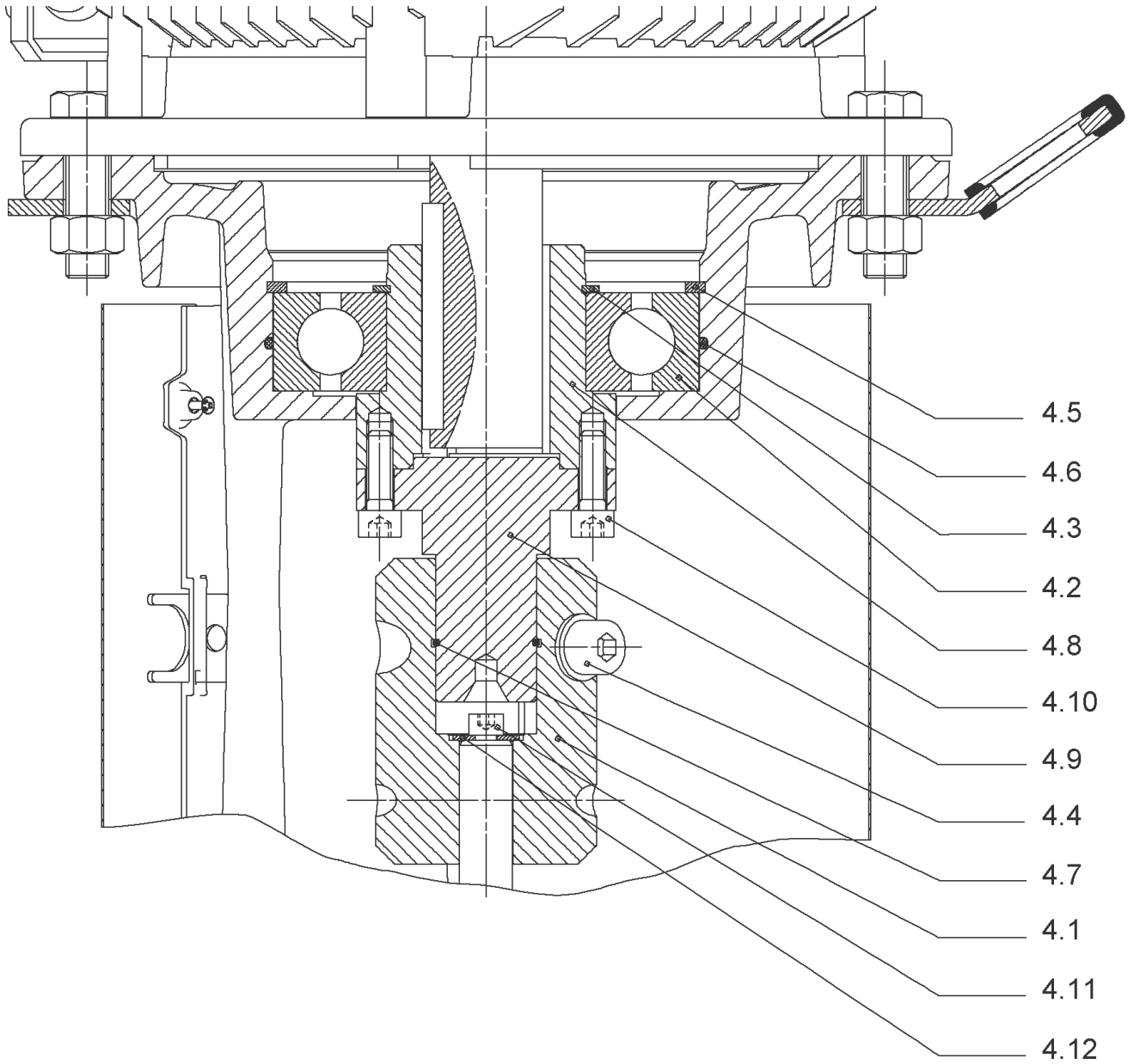
HELIX V5204-2/25/V/KS/400-50 (4150913)

Item	Article no.	Description	Quantity
1	4199884	MOTOR 11/2/160 3~400V 50HZ VP.	1
		SPARE PARTS MOTOR:ON REQUEST	1
2	4179586	SCREW M16X60 (4 PIECES)	1
3	4157721	LANTERN HELIX 22/36 FF300 BB6312 KIT	1
3.1		> LANTERN FF300 M+ GJL MACHINED+CATA 6312	1
3.2	4179589	> EYELET CPL.FF300 HELIX(4 PIECES)	1
3.3	4143969	> COUPLING PROTECT HELIX FF KIT	1
4	4143966	COUPLING D.20XD.38 FF300 KIT	1
5	4157725	SCREW M10X40 (4 PIECES)	1
6	4179919	STUD BOLT M16X500 KIT	1
6.1		> TIE BOLT M16-500x24x44-1.4057	1
6.2	4179562	> NUT M16 8.8 ISO4032 (4 PIECES)	1
6.3	4097852	> WASHER-CS-16.4-32-2.8-NFE25-511-A2	1
7	4179959	END SHIELD HELIX 8" FKM 1.4404 KIT	1
7.1		> END SHIELD HELIX 316L MACHINED	1
7.2	4179958	> O-RING-ID.42.52X2.62 VITON VP.	1
7.3	2107767	> O-RING ID.202,80x3,53 VITON VP.	1
8	4161256	FILING/PURGING PLUG FKM KIT	1
8.1		> FILLING/VENTING-PLUG-VM18/10-316L	1
8.2		> FILLING AND VENTING PLUG M+8" 316L	1
8.3		> GASKET-17x3-VITON	1
9	4158206	CARTRIDGE HELIX22-36-52 F/V KIT	1
10	4179971	HOUSING PIPE D.204X430 1.4404 KIT	1
7.3	2107767	> O-RING ID.202,80x3,53 VITON VP.	1
10.1		> HOUSING-PIPE Ø204-M+5204-316L	1
12	4164724	SHAFT EQUIPMENT HELIX V52 KIT	1
13		HYDRAULIC HELIX V 5204	1
14	4179973	SHAFTS D.22X604 1.4462 VP.	1
15	4164769	EQUIPED HOUSING HELIX 52 1.4409 KIT	1
7.3	2107767	> O-RING ID.202,80x3,53 VITON VP.	1
15.1		> PUMP HOUSING M+ DN80 316L MACHINED	1
15.1		> GASKET HOLDER M+ DN80 316L MACHINED	1
15.1		> HYDRAULIC SUPPORT M+ DN80 316L MACHINED	1
15.2	4158195	> PLUG PRESSURE CONNECTION G1/4"316L KIT	1

HELIX V5204-2/25/V/KS/400-50 (4150913)

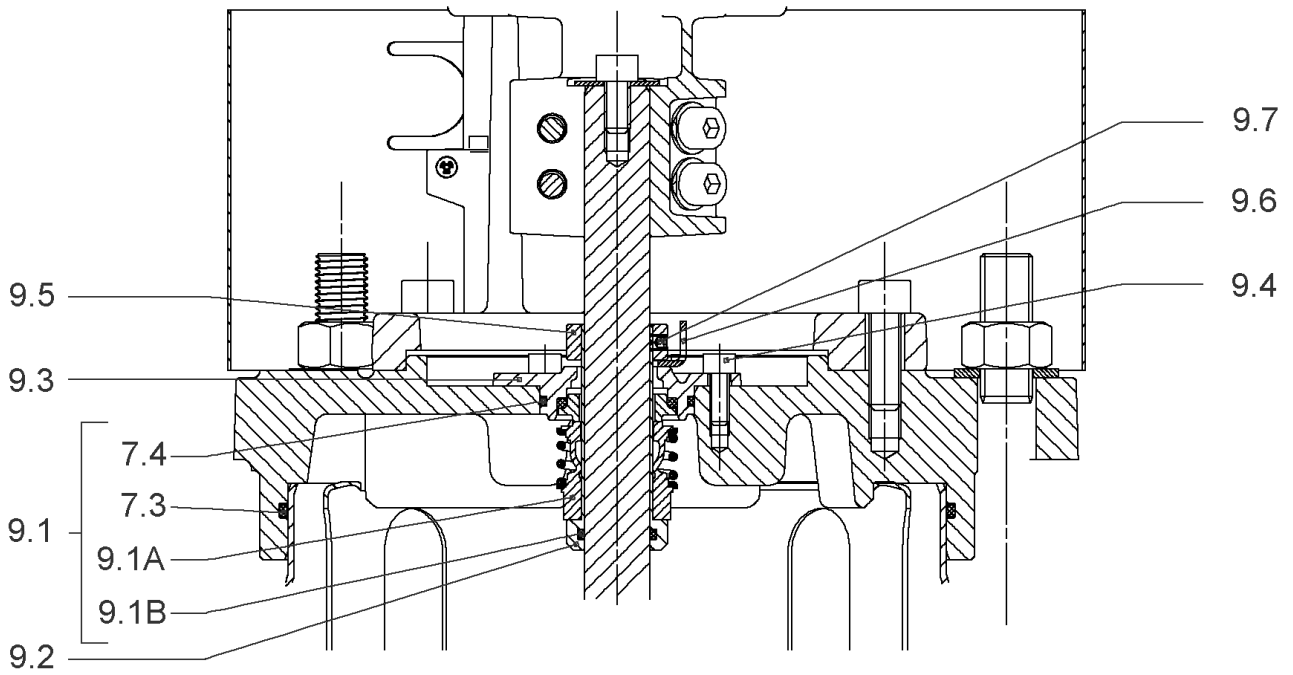
Item	Article no.	Description	Quantity
15.2A		>> PLUG PRESSURE CONNECTION - G1/4" - 316L	1
15.2B	2107769	>> O-RING ID.9,9x2,62 VITON VP.	1
15.3	4158196	> DRAIN/PRIMING PLUG VITON HELIX KIT	1
15.3A		>> DRAIN-AND-PRIMING-PLUG-VM18"-316L	1
15.3B	4032294	>> GASKET-10x3-VITON	1
15.3C	2107768	>> O-RING ID.8,9x2,7 VITON VP.	1
15.4	4143749	> BASE M+ DN50/65/80-304	1
15.5		> SCREW TBHC M12x25 ISO7380 ZN	1
15.6		> FLANGE M+ DN80 NF PN16-25 ASME PN16 CATA	1
15.7		> O-RING Ø91.42xØ3 VITON	1
13.1A	4161268	> NECK RING 1.STAGE HELIX 36 316 KIT	1
		>> NECK-RING-M+36/52	1
		>> HYDRAULIC SUPPORT CAP M+36/52 316	1
		>> SCREW TCL M3X8 A4 POZIDRIV	1

COUPLING D.20XD.38 FF300 KIT (4143966)



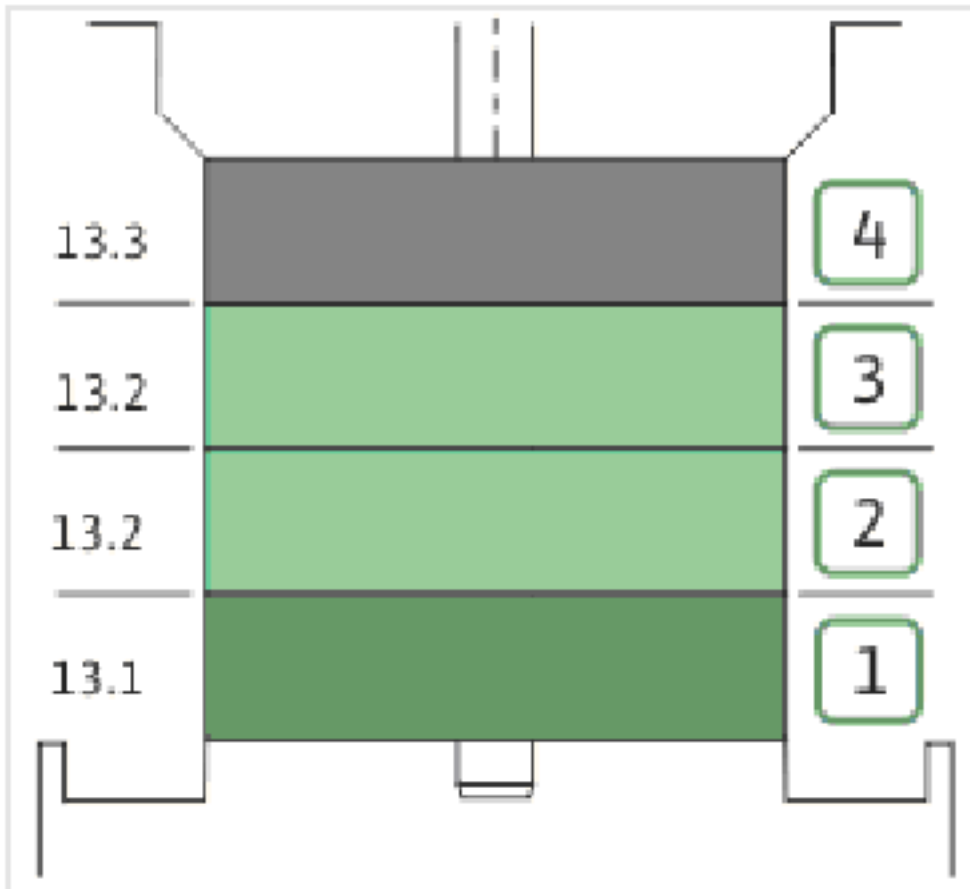
COUPLING D.20XD.38 FF300 KIT (4143966)

Item	Article no.	Description	Quantity
4.1	4179590	COUPLING 2 PARTS D.20XD.38XL115 VP.	1
4.2	2123699	BALL BEARING 6312/2Z-C4 (HT) VP.	1
4.3	63428	CIRCLIP-FOR-SHAFT-D60x2	1
4.4	2130991	SCREW M12X30 ISO4762 8.8 ZN(4 PIECES)	1
4.5	4032277	CIRCLIP-HOLE-130x4	1
4.6	4006725	O-RING ID.132,94x3,53 NBR70SR	1
4.7	2130992	RETAINING RING D.35xD.2,5 DIN7993 VP.	1
4.8	4179591	HUB D.42xD.60 VP.	1
4.9	2130994	SPACER D.38XD.55 VP.	1
4.10	4094462	SCREWS M10 (4 PIECES)	1
4.11	4233959	SCREW M8x16 VP.	1
4.12		SERRATED LOCK WASHER Ø8.2XØ25X35X2	1



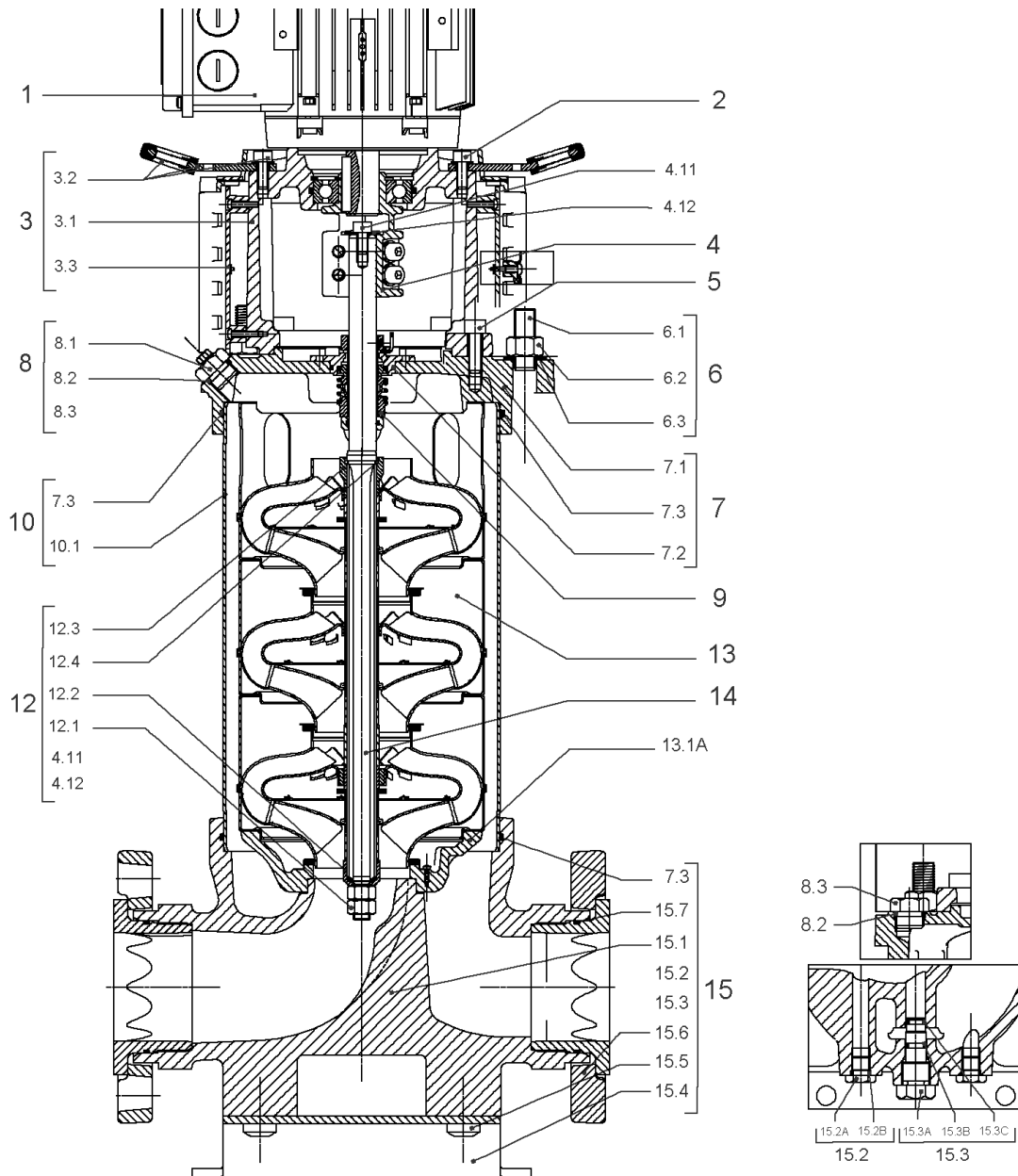
CARTRIDGE HELIX22-36-52 F/V KIT (4158206)

Item	Article no.	Description	Quantity
9.1	4158205	SEAL-KIT-HELIX22-36-52 F/V	1
7.3	2107767	> O-RING ID.202,80x3,53 VITON VP.	1
7.4	4179958	> O-RING-ID.42.52X2.62 VITON VP.	1
9.1A	4179982	> M.SEAL.HELIX22-36-52 F/V VP.	1
9.1B	4179960	> O-RING ID.20x2.65 FKM VP.	1
9.2	4179566	SHAFT SLEEVE D.20/20X60 1.4404 VP.	1
9.3	4179567	RING HOLDER Ø22 1.4301 VP.	1
9.4	4176520	SCREW CH M5x5 A4-70 (3PIECES)	1
9.5	4179568	DRIVE RING D.31/22.1x11 MACH.VP.	1
9.6	4179569	TOOL M.S.CART.HELIX 8" VP.	1
9.7	4179570	SCREW M6X16 ISO4762 8.8 GEOMET(4 PIECES)	1



HYDRAULIC HELIX V 5204

Item	Article no.	Description	Quantity
13.1	4164770	INTERMEDIATE STAGE HELIX 52 1.4404 KIT	1
		> SLEEVE-SPACER-D22XL30,42-316L	1
		> MACH.BEARING-DIFFUSER+NR-M+52-316	1
		> SHAFT-SLEEVE-D26xD22x16-CW	1
		> SPACER WASHER D22,3XD36 L3-316L	1
		> IMPELLER-H2-M+52-316	1
13.2	4164771	INTERMEDIATE STAGE HELIX 52 1.4404 KIT	1
		> MACH.STD-DIFFUSER+NR-M+52-316	1
		> IMPELLER-H5-M+52-316	1
13.3	4164772	UPPER STAGE HELIX 52 1.4404 KIT	1
		> STOP COLLAR OF IMPELLER L27,6-Ø22-316L	1
		> SLEEVE-SPACER-D22XL16,66-316L	1
		> SPACER WASHER D22,3XD36 L3-316L	1
		> IMPELLER-H2-M+52-316	1
		> MACH.STD-DISCHARGE-CHAMBER-M+52-316	1



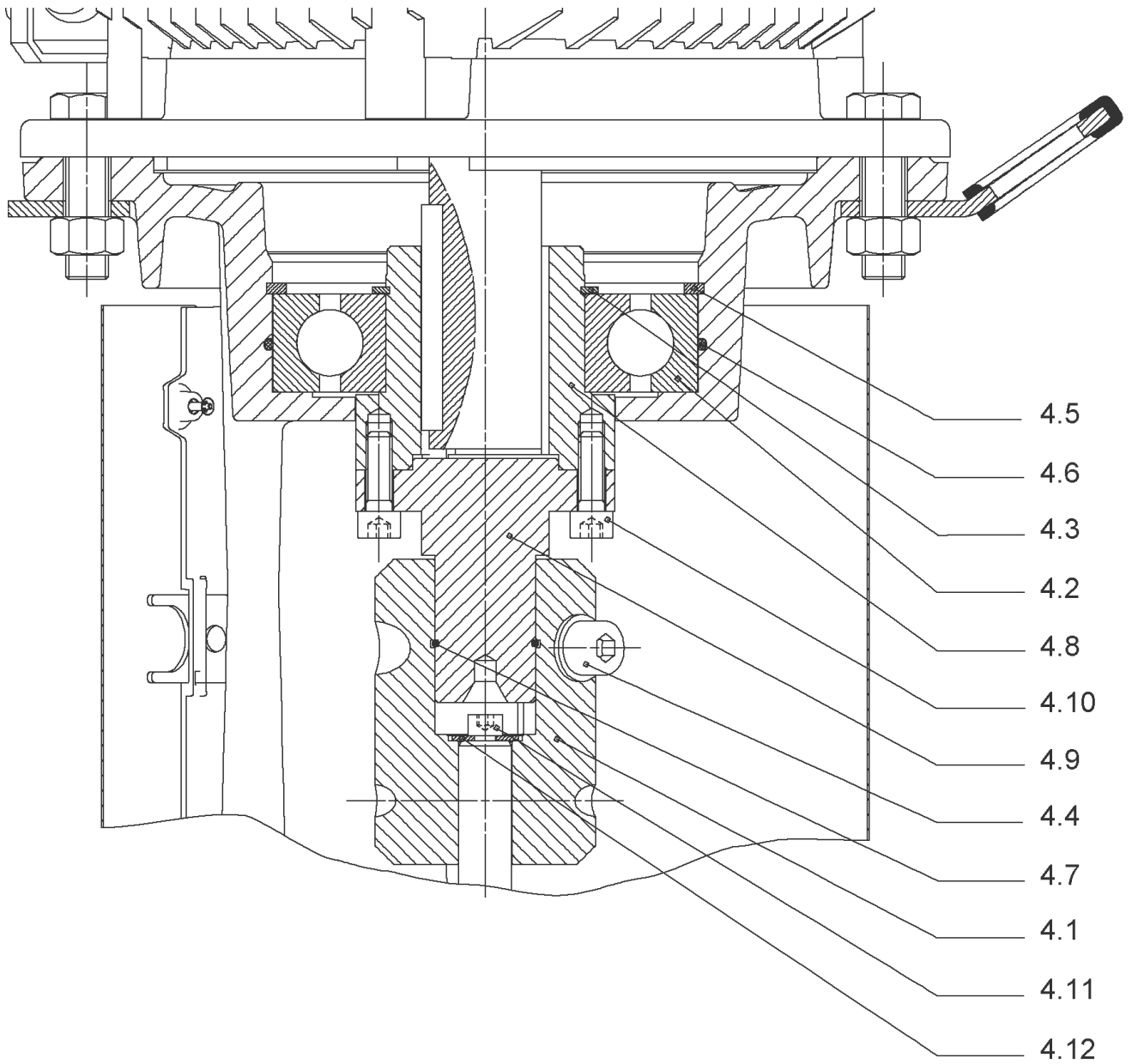
HELIX V5205/2-2/25/V/KS/400-50 (4150914)

Item	Article no.	Description	Quantity
1	4195488	MOTOR 18.5/2/160 3~400V 50HZ ARC VP.	1
		SPARE PARTS MOTOR:ON REQUEST	1
2	4179586	SCREW M16X60 (4 PIECES)	1
3	4157721	LANTERN HELIX 22/36 FF300 BB6312 KIT	1
3.1		> LANTERN FF300 M+ GJL MACHINED+CATA 6312	1
3.2	4179589	> EYELET CPL.FF300 HELIX(4 PIECES)	1
3.3	4143969	> COUPLING PROTECT HELIX FF KIT	1
4	4143966	COUPLING D.20XD.38 FF300 KIT	1
5	4157725	SCREW M10X40 (4 PIECES)	1
6	4179923	STUD BOLT M16X600 KIT	1
6.1		> TIE BOLT M16-600x24x44-1.4057	1
6.2	4179562	> NUT M16 8.8 ISO4032 (4 PIECES)	1
6.3	4097852	> WASHER-CS-16.4-32-2.8-NFE25-511-A2	1
7	4179959	END SHIELD HELIX 8" FKM 1.4404 KIT	1
7.1		> END SHIELD HELIX 316L MACHINED	1
7.2	4179958	> O-RING-ID.42.52X2.62 VITON VP.	1
7.3	2107767	> O-RING ID.202,80x3,53 VITON VP.	1
8	4161256	FILING/PURGING PLUG FKM KIT	1
8.1		> FILLING/VENTING-PLUG-VM18/10-316L	1
8.2		> FILLING AND VENTING PLUG M+8" 316L	1
8.3		> GASKET-17x3-VITON	1
9	4158206	CARTRIDGE HELIX22-36-52 F/V KIT	1
10	4179975	HOUSING PIPE D.204X530 1.4404 KIT	1
7.3	2107767	> O-RING ID.202,80x3,53 VITON VP.	1
10.1		> HOUSING-PIPE Ø204-M+3607/5205-316L	1
12	4164724	SHAFT EQUIPMENT HELIX V52 KIT	1
13		HYDRAULIC HELIX V 5205-2	1
14	4179977	SHAFTS D.22X704 1.4462 VP.	1
15	4164769	EQUIPED HOUSING HELIX 52 1.4409 KIT	1
7.3	2107767	> O-RING ID.202,80x3,53 VITON VP.	1
15.1		> PUMP HOUSING M+ DN80 316L MACHINED	1
15.1		> GASKET HOLDER M+ DN80 316L MACHINED	1
15.1		> HYDRAULIC SUPPORT M+ DN80 316L MACHINED	1
15.2	4158195	> PLUG PRESSURE CONNECTION G1/4"316L KIT	1

HELIX V5205/2-2/25/V/KS/400-50 (4150914)

Item	Article no.	Description	Quantity
15.2A		>> PLUG PRESSURE CONNECTION - G1/4" - 316L	1
15.2B	2107769	>> O-RING ID.9,9x2,62 VITON VP.	1
15.3	4158196	> DRAIN/PRIMING PLUG VITON HELIX KIT	1
15.3A		>> DRAIN-AND-PRIMING-PLUG-VM18"-316L	1
15.3B	4032294	>> GASKET-10x3-VITON	1
15.3C	2107768	>> O-RING ID.8,9x2,7 VITON VP.	1
15.4	4143749	> BASE M+ DN50/65/80-304	1
15.5		> SCREW TBHC M12x25 ISO7380 ZN	1
15.6		> FLANGE M+ DN80 NF PN16-25 ASME PN16 CATA	1
15.7		> O-RING Ø91.42xØ3 VITON	1
13.1A	4161268	> NECK RING 1.STAGE HELIX 36 316 KIT	1
		>> NECK-RING-M+36/52	1
		>> HYDRAULIC SUPPORT CAP M+36/52 316	1
		>> SCREW TCL M3X8 A4 POZIDRIV	1

COUPLING D.20XD.38 FF300 KIT (4143966)



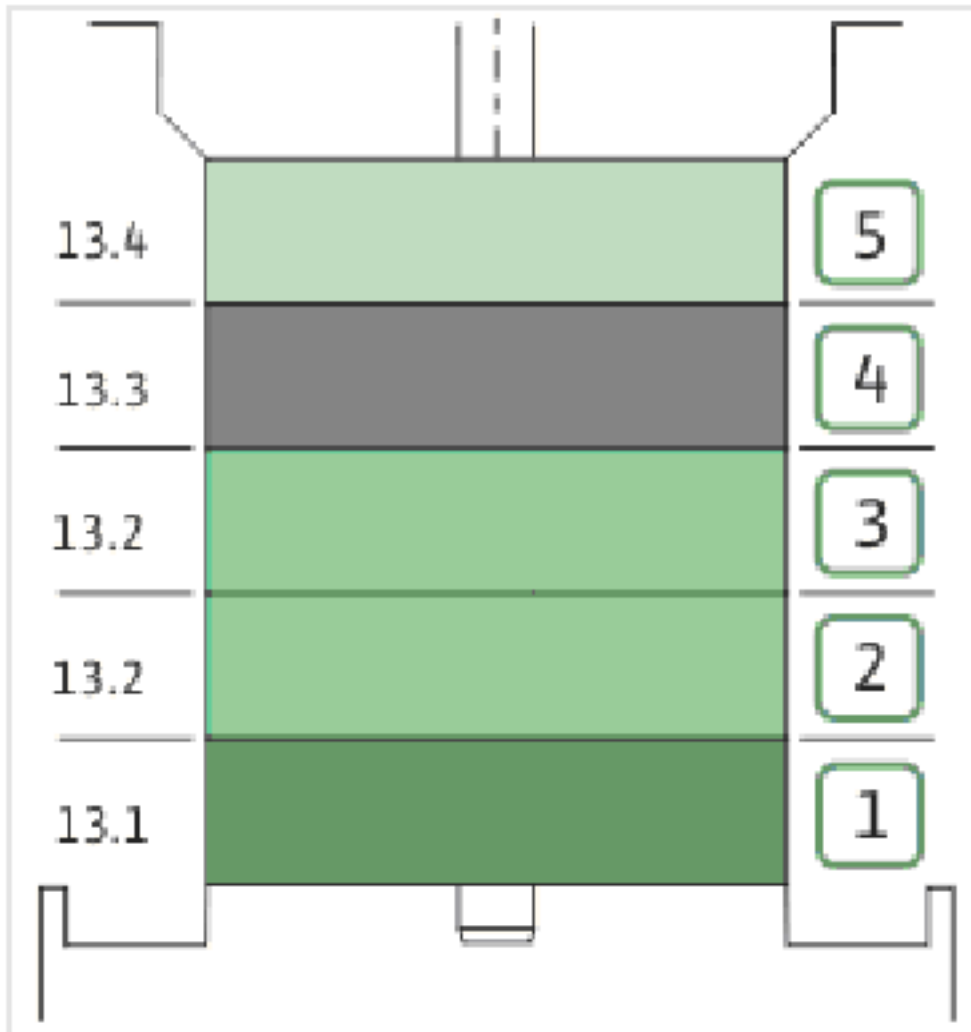
COUPLING D.20XD.38 FF300 KIT (4143966)

Item	Article no.	Description	Quantity
4.1	4179590	COUPLING 2 PARTS D.20XD.38XL115 VP.	1
4.2	2123699	BALL BEARING 6312/2Z-C4 (HT) VP.	1
4.3	63428	CIRCLIP-FOR-SHAFT-D60x2	1
4.4	2130991	SCREW M12X30 ISO4762 8.8 ZN(4 PIECES)	1
4.5	4032277	CIRCLIP-HOLE-130x4	1
4.6	4006725	O-RING ID.132,94x3,53 NBR70SR	1
4.7	2130992	RETAINING RING D.35xD.2,5 DIN7993 VP.	1
4.8	4179591	HUB D.42xD.60 VP.	1
4.9	2130994	SPACER D.38XD.55 VP.	1
4.10	4094462	SCREWS M10 (4 PIECES)	1
4.11	4233959	SCREW M8x16 VP.	1
4.12		SERRATED LOCK WASHER Ø8.2XØ25X35X2	1



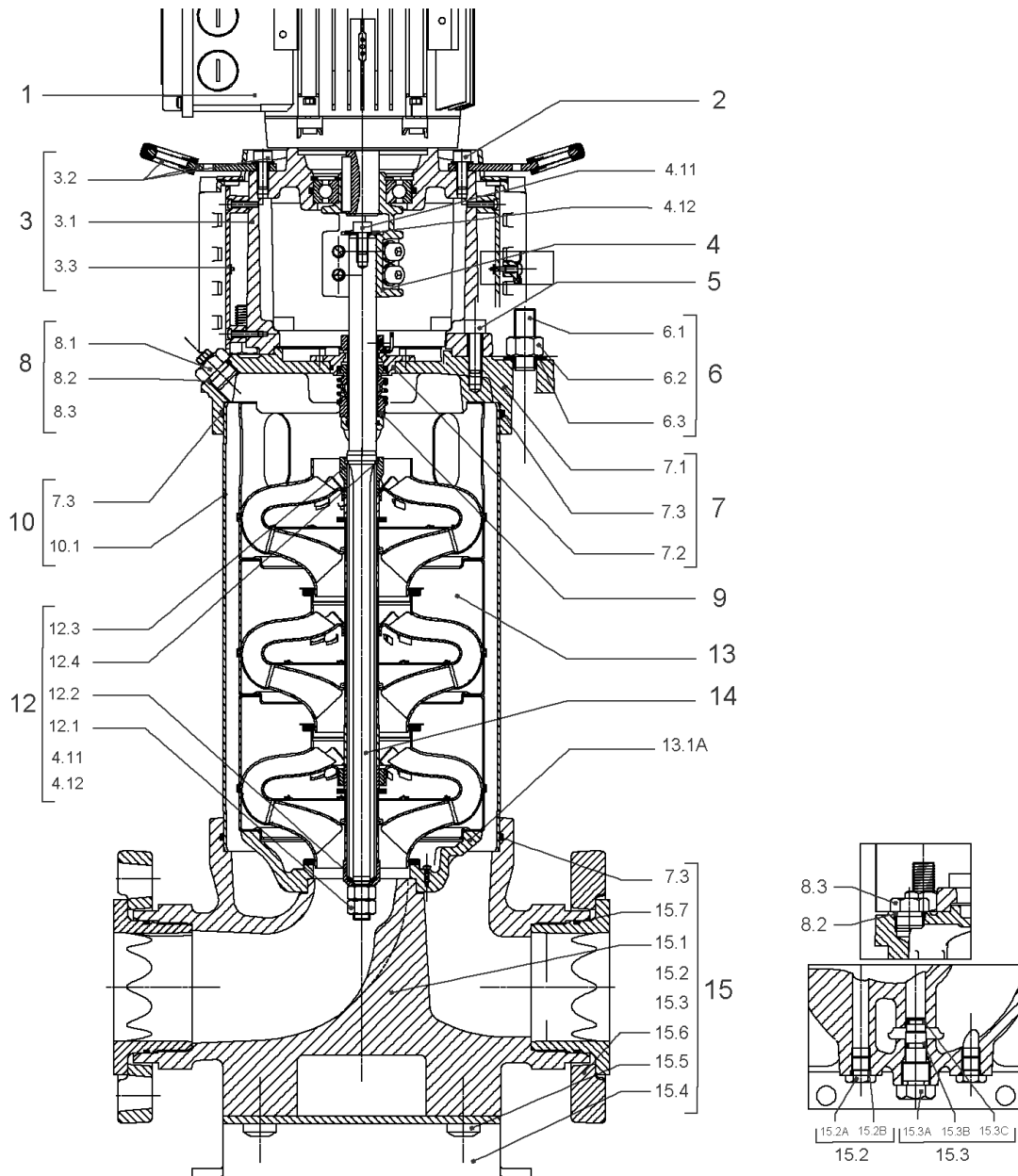
CARTRIDGE HELIX22-36-52 F/V KIT (4158206)

Item	Article no.	Description	Quantity
9.1	4158205	SEAL-KIT-HELIX22-36-52 F/V	1
7.3	2107767	> O-RING ID.202,80x3,53 VITON VP.	1
7.4	4179958	> O-RING-ID.42.52X2.62 VITON VP.	1
9.1A	4179982	> M.SEAL.HELIX22-36-52 F/V VP.	1
9.1B	4179960	> O-RING ID.20x2.65 FKM VP.	1
9.2	4179566	SHAFT SLEEVE D.20/20X60 1.4404 VP.	1
9.3	4179567	RING HOLDER Ø22 1.4301 VP.	1
9.4	4176520	SCREW CH M5x5 A4-70 (3PIECES)	1
9.5	4179568	DRIVE RING D.31/22.1x11 MACH.VP.	1
9.6	4179569	TOOL M.S.CART.HELIX 8" VP.	1
9.7	4179570	SCREW M6X16 ISO4762 8.8 GEOMET(4 PIECES)	1



HYDRAULIC HELIX V 5205-2

Item	Article no.	Description	Quantity
13.1	4164770	INTERMEDIATE STAGE HELIX 52 1.4404 KIT	1
		> SLEEVE-SPACER-D22XL30,42-316L	1
		> MACH.BEARING-DIFFUSER+NR-M+52-316	1
		> SHAFT-SLEEVE-D26xD22x16-CW	1
		> SPACER WASHER D22,3XD36 L3-316L	1
		> IMPELLER-H2-M+52-316	1
13.2	4164771	INTERMEDIATE STAGE HELIX 52 1.4404 KIT	1
		> MACH.STD-DIFFUSER+NR-M+52-316	1
		> IMPELLER-H5-M+52-316	1
13.3	4164773	INTERMEDIATE STAGE HELIX 52 1.4404 KIT	1
		> MACH.STD-DIFFUSER+NR-M+52-316	1
		> REDUCED-IMPELLER-H5-M+52-316	1
13.4	4164774	UPPER STAGE HELIX 52 1.4404 KIT	1
		> STOP COLLAR OF IMPELLER L27,6-Ø22-316L	1
		> SLEEVE-SPACER-D22XL16,66-316L	1
		> SPACER WASHER D22,3XD36 L3-316L	1
		> REDUCED-IMPELLER-H2-M+52-316	1
		> MACH.STD-DISCHARGE-CHAMBER-M+52-316	1

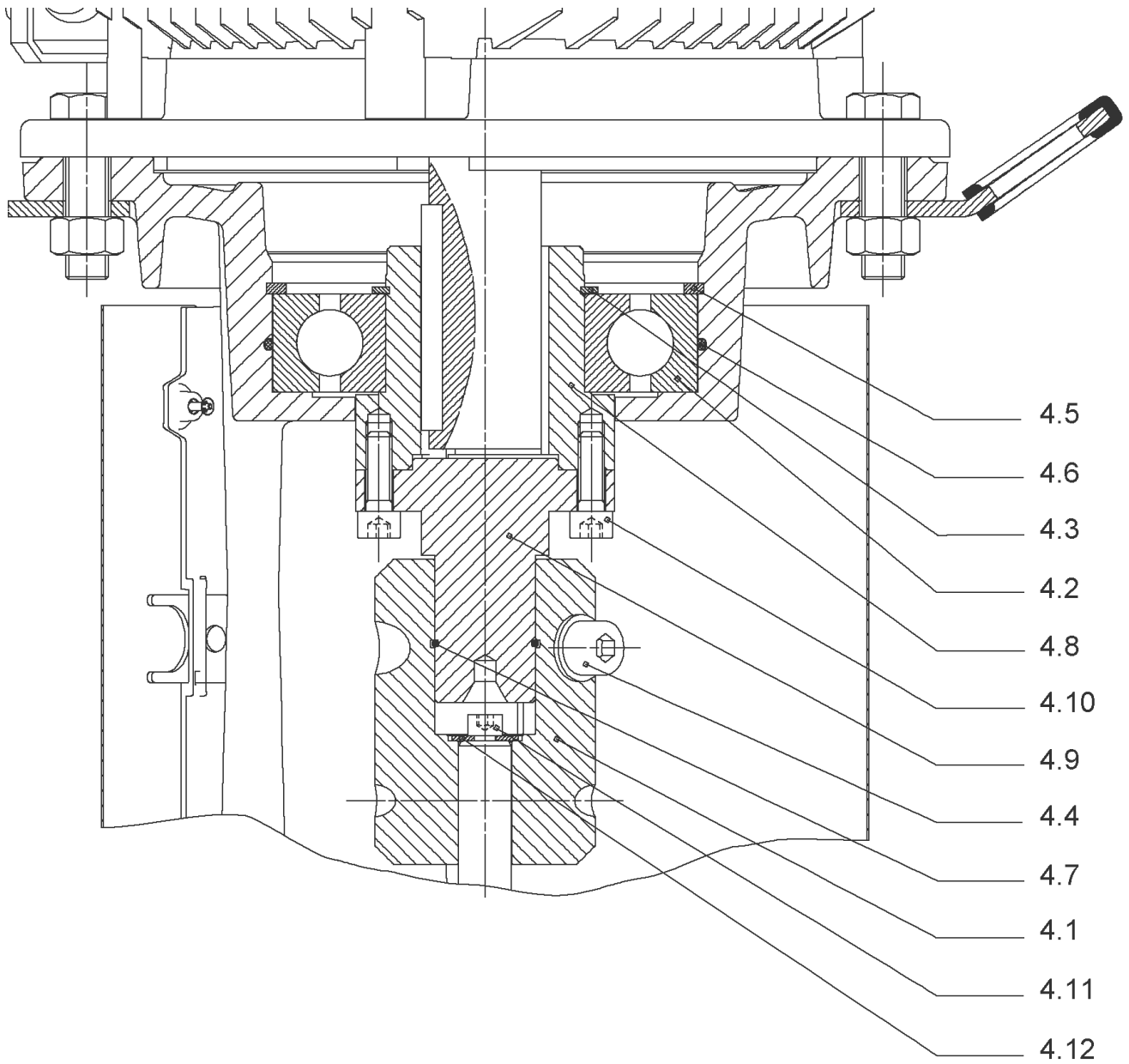


HELIX V5205-2/25/V/KS/400-50 (4150915)

Item	Article no.	Description	Quantity
1	4195488	MOTOR 18.5/2/160 3~400V 50HZ ARC VP.	1
		SPARE PARTS MOTOR:ON REQUEST	1
2	4179586	SCREW M16X60 (4 PIECES)	1
3	4157721	LANTERN HELIX 22/36 FF300 BB6312 KIT	1
3.1		> LANTERN FF300 M+ GJL MACHINED+CATA 6312	1
3.2	4179589	> EYELET CPL.FF300 HELIX(4 PIECES)	1
3.3	4143969	> COUPLING PROTECT HELIX FF KIT	1
4	4143966	COUPLING D.20XD.38 FF300 KIT	1
5	4157725	SCREW M10X40 (4 PIECES)	1
6	4179923	STUD BOLT M16X600 KIT	1
6.1		> TIE BOLT M16-600x24x44-1.4057	1
6.2	4179562	> NUT M16 8.8 ISO4032 (4 PIECES)	1
6.3	4097852	> WASHER-CS-16.4-32-2.8-NFE25-511-A2	1
7	4179959	END SHIELD HELIX 8" FKM 1.4404 KIT	1
7.1		> END SHIELD HELIX 316L MACHINED	1
7.2	4179958	> O-RING-ID.42.52X2.62 VITON VP.	1
7.3	2107767	> O-RING ID.202,80x3,53 VITON VP.	1
8	4161256	FILING/PURGING PLUG FKM KIT	1
8.1		> FILLING/VENTING-PLUG-VM18/10-316L	1
8.2		> FILLING AND VENTING PLUG M+8" 316L	1
8.3		> GASKET-17x3-VITON	1
9	4158206	CARTRIDGE HELIX22-36-52 F/V KIT	1
10	4179975	HOUSING PIPE D.204X530 1.4404 KIT	1
7.3	2107767	> O-RING ID.202,80x3,53 VITON VP.	1
10.1		> HOUSING-PIPE Ø204-M+3607/5205-316L	1
12	4164724	SHAFT EQUIPMENT HELIX V52 KIT	1
13		HYDRAULIC HELIX V 5205	1
14	4179977	SHAFTS D.22X704 1.4462 VP.	1
15	4164769	EQUIPED HOUSING HELIX 52 1.4409 KIT	1
7.3	2107767	> O-RING ID.202,80x3,53 VITON VP.	1
15.1		> PUMP HOUSING M+ DN80 316L MACHINED	1
15.1		> GASKET HOLDER M+ DN80 316L MACHINED	1
15.1		> HYDRAULIC SUPPORT M+ DN80 316L MACHINED	1
15.2	4158195	> PLUG PRESSURE CONNECTION G1/4"316L KIT	1

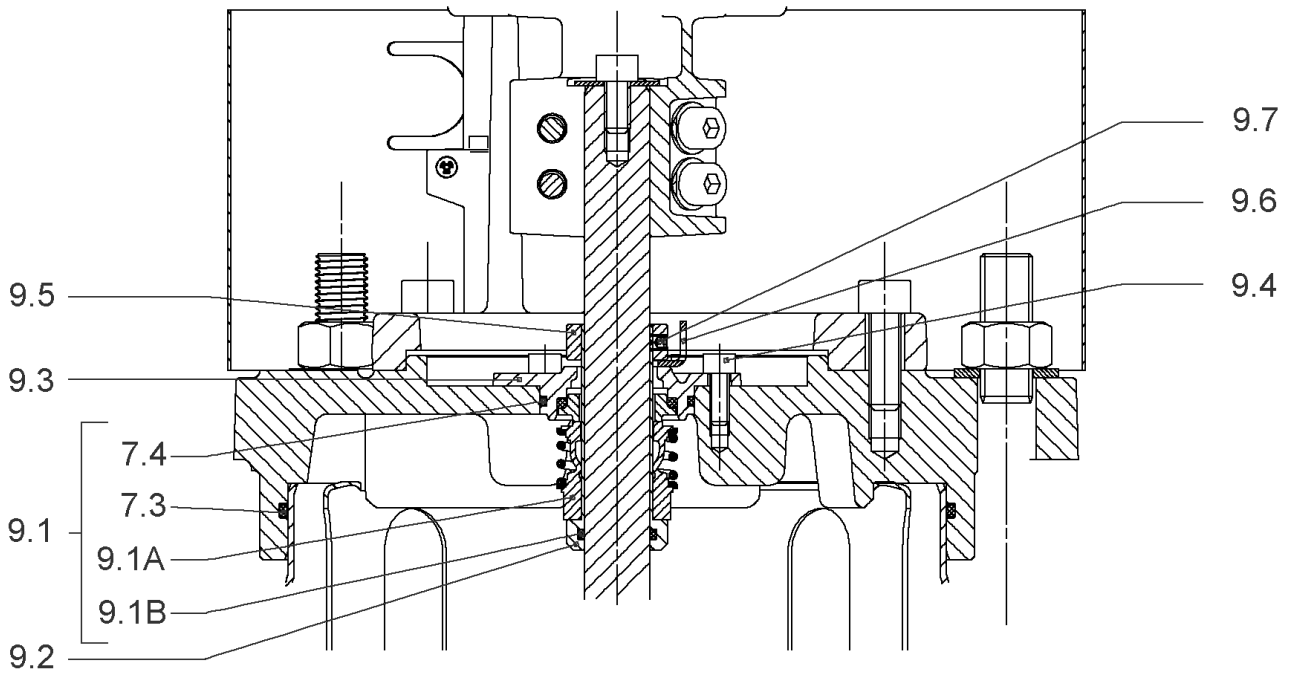
HELIX V5205-2/25/V/KS/400-50 (4150915)

Item	Article no.	Description	Quantity
15.2A		>> PLUG PRESSURE CONNECTION - G1/4" - 316L	1
15.2B	2107769	>> O-RING ID.9,9x2,62 VITON VP.	1
15.3	4158196	> DRAIN/PRIMING PLUG VITON HELIX KIT	1
15.3A		>> DRAIN-AND-PRIMING-PLUG-VM18"-316L	1
15.3B	4032294	>> GASKET-10x3-VITON	1
15.3C	2107768	>> O-RING ID.8,9x2,7 VITON VP.	1
15.4	4143749	> BASE M+ DN50/65/80-304	1
15.5		> SCREW TBHC M12x25 ISO7380 ZN	1
15.6		> FLANGE M+ DN80 NF PN16-25 ASME PN16 CATA	1
15.7		> O-RING Ø91.42xØ3 VITON	1
13.1A	4161268	> NECK RING 1.STAGE HELIX 36 316 KIT	1
		>> NECK-RING-M+36/52	1
		>> HYDRAULIC SUPPORT CAP M+36/52 316	1
		>> SCREW TCL M3X8 A4 POZIDRIV	1



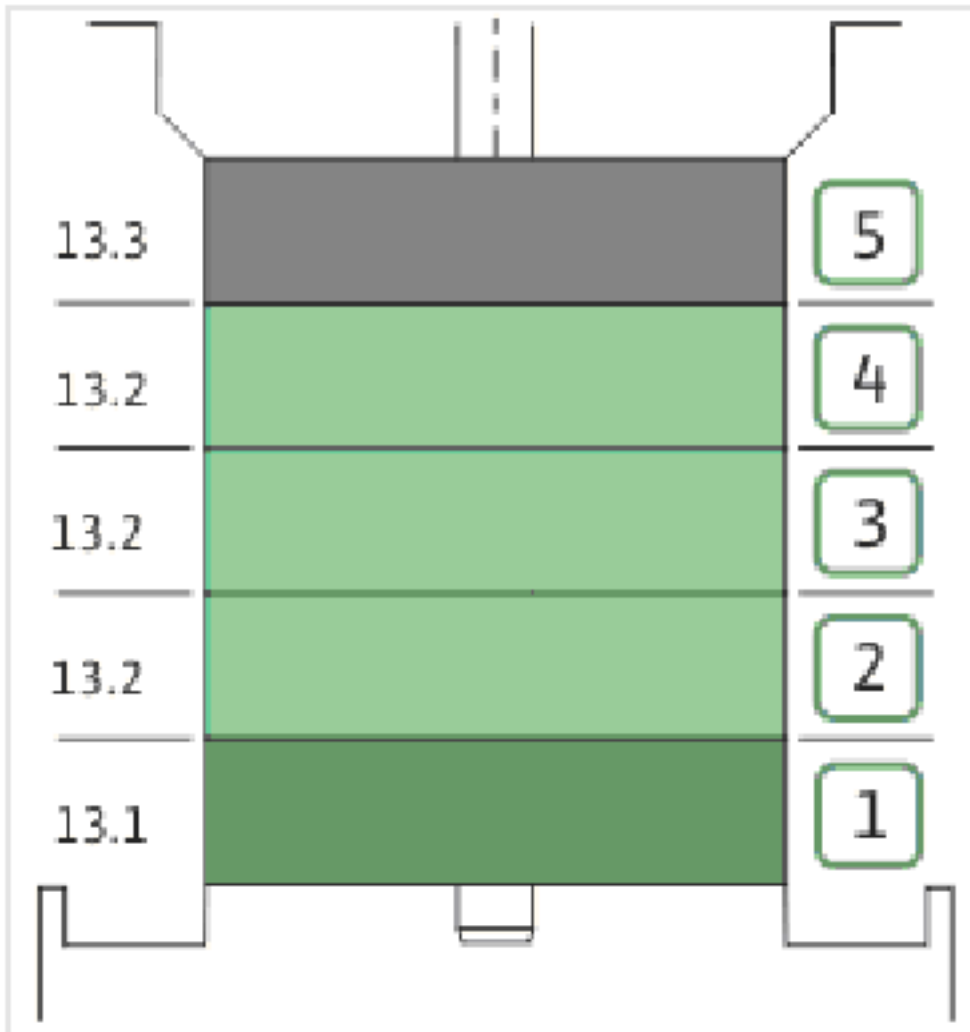
COUPLING D.20XD.38 FF300 KIT (4143966)

Item	Article no.	Description	Quantity
4.1	4179590	COUPLING 2 PARTS D.20XD.38XL115 VP.	1
4.2	2123699	BALL BEARING 6312/2Z-C4 (HT) VP.	1
4.3	63428	CIRCLIP-FOR-SHAFT-D60x2	1
4.4	2130991	SCREW M12X30 ISO4762 8.8 ZN(4 PIECES)	1
4.5	4032277	CIRCLIP-HOLE-130x4	1
4.6	4006725	O-RING ID.132,94x3,53 NBR70SR	1
4.7	2130992	RETAINING RING D.35xD.2,5 DIN7993 VP.	1
4.8	4179591	HUB D.42xD.60 VP.	1
4.9	2130994	SPACER D.38XD.55 VP.	1
4.10	4094462	SCREWS M10 (4 PIECES)	1
4.11	4233959	SCREW M8x16 VP.	1
4.12		SERRATED LOCK WASHER Ø8.2XØ25X35X2	1



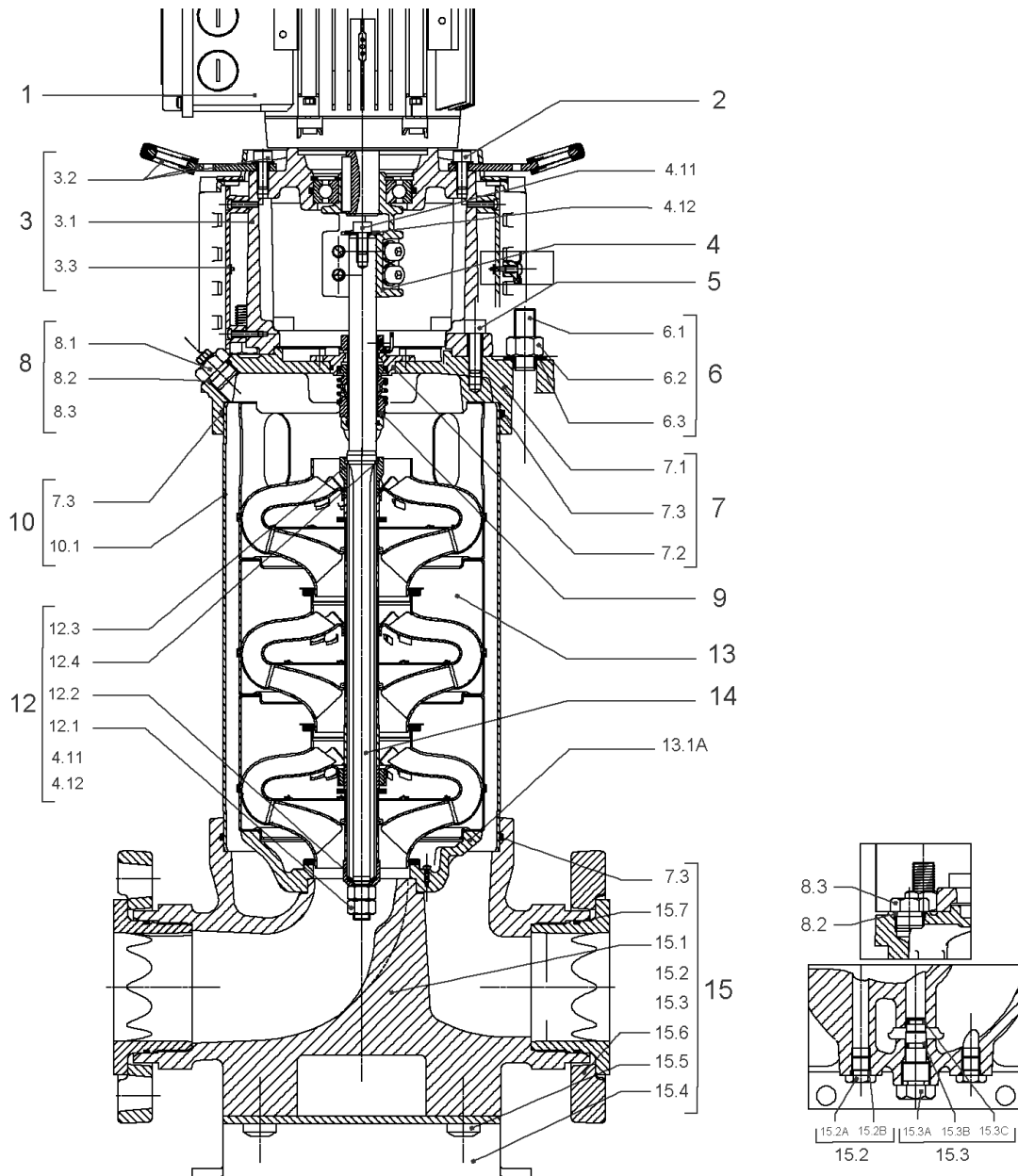
CARTRIDGE HELIX22-36-52 F/V KIT (4158206)

Item	Article no.	Description	Quantity
9.1	4158205	SEAL-KIT-HELIX22-36-52 F/V	1
7.3	2107767	> O-RING ID.202,80x3,53 VITON VP.	1
7.4	4179958	> O-RING-ID.42.52X2.62 VITON VP.	1
9.1A	4179982	> M.SEAL.HELIX22-36-52 F/V VP.	1
9.1B	4179960	> O-RING ID.20x2.65 FKM VP.	1
9.2	4179566	SHAFT SLEEVE D.20/20X60 1.4404 VP.	1
9.3	4179567	RING HOLDER Ø22 1.4301 VP.	1
9.4	4176520	SCREW CH M5x5 A4-70 (3PIECES)	1
9.5	4179568	DRIVE RING D.31/22.1x11 MACH.VP.	1
9.6	4179569	TOOL M.S.CART.HELIX 8" VP.	1
9.7	4179570	SCREW M6X16 ISO4762 8.8 GEOMET(4 PIECES)	1



HYDRAULIC HELIX V 5205

Item	Article no.	Description	Quantity
13.1	4164770	INTERMEDIATE STAGE HELIX 52 1.4404 KIT	1
		> SLEEVE-SPACER-D22XL30,42-316L	1
		> MACH.BEARING-DIFFUSER+NR-M+52-316	1
		> SHAFT-SLEEVE-D26xD22x16-CW	1
		> SPACER WASHER D22,3XD36 L3-316L	1
		> IMPELLER-H2-M+52-316	1
13.2	4164771	INTERMEDIATE STAGE HELIX 52 1.4404 KIT	1
		> MACH.STD-DIFFUSER+NR-M+52-316	1
		> IMPELLER-H5-M+52-316	1
13.3	4164772	UPPER STAGE HELIX 52 1.4404 KIT	1
		> STOP COLLAR OF IMPELLER L27,6-Ø22-316L	1
		> SLEEVE-SPACER-D22XL16,66-316L	1
		> SPACER WASHER D22,3XD36 L3-316L	1
		> IMPELLER-H2-M+52-316	1
		> MACH.STD-DISCHARGE-CHAMBER-M+52-316	1



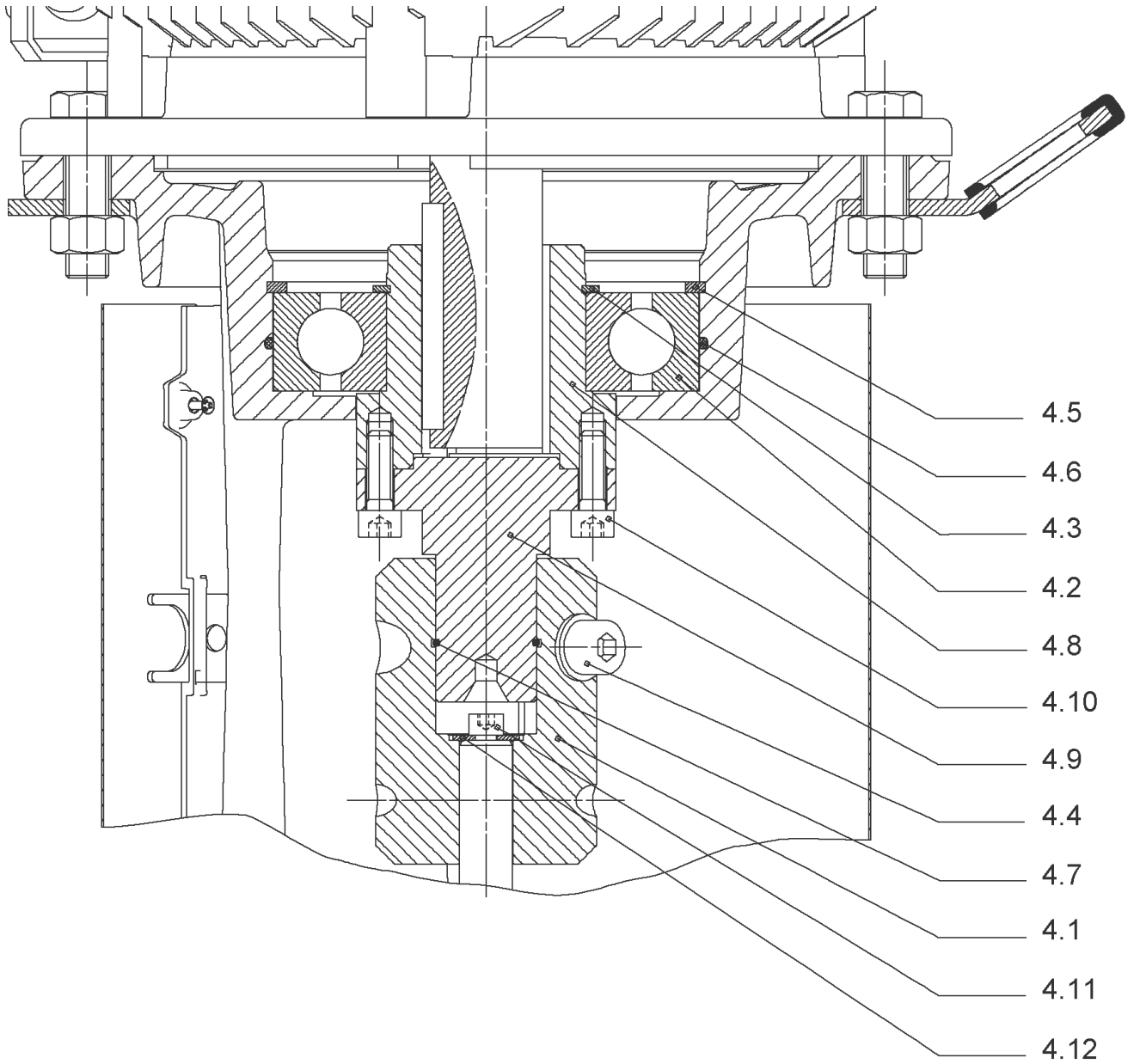
HELIX V5206/2-2/16/V/KS/400-50 (4150916)

Item	Article no.	Description	Quantity
1	4195490	MOTOR 22/2/180 3~400V 50HZ VP.	1
		SPARE PARTS MOTOR:ON REQUEST	1
2	4179586	SCREW M16X60 (4 PIECES)	1
3	4161188	LANTERN HELIX V36/52 FF300 BB6313 KIT	1
3.1		> LANTERN FF300 M+ GJL MACHINED+CATA 6313	1
3.2	4179589	> EYELET CPL.FF300 HELIX(4 PIECES)	1
3.3	4143969	> COUPLING PROTECT HELIX FF KIT	1
4	4161190	COUPLING D.20XD.38 FF300 KIT	1
5	4157725	SCREW M10X40 (4 PIECES)	1
6	4179929	STUD BOLT M16X704 KIT	1
6.1		> TIE BOLT M16-704x24x44-1.4057	1
6.2	4179562	> NUT M16 8.8 ISO4032 (4 PIECES)	1
6.3	4097852	> WASHER-CS-16.4-32-2.8-NFE25-511-A2	1
7	4179959	END SHIELD HELIX 8" FKM 1.4404 KIT	1
7.1		> END SHIELD HELIX 316L MACHINED	1
7.2	4179958	> O-RING-ID.42.52X2.62 VITON VP.	1
7.3	2107767	> O-RING ID.202,80x3,53 VITON VP.	1
8	4161256	FILING/PURGING PLUG FKM KIT	1
8.1		> FILLING/VENTING-PLUG-VM18/10-316L	1
8.2		> FILLING AND VENTING PLUG M+8" 316L	1
8.3		> GASKET-17x3-VITON	1
9	4158204	CARTRIDGE HELIX22-36-52 O/V KIT	1
10	4179979	HOUSING PIPE D.204X630 1.4404 KIT	1
7.3	2107767	> O-RING ID.202,80x3,53 VITON VP.	1
10.1		> HOUSING-PIPE Ø204-M+5206-316L	1
12	4164724	SHAFT EQUIPMENT HELIX V52 KIT	1
13		HYDRAULIC HELIX V 5206-2	1
14	4179981	SHAFTS D.22X804 1.4462 VP.	1
15	4164769	EQUIPED HOUSING HELIX 52 1.4409 KIT	1
7.3	2107767	> O-RING ID.202,80x3,53 VITON VP.	1
15.1		> PUMP HOUSING M+ DN80 316L MACHINED	1
15.1		> GASKET HOLDER M+ DN80 316L MACHINED	1
15.1		> HYDRAULIC SUPPORT M+ DN80 316L MACHINED	1
15.2	4158195	> PLUG PRESSURE CONNECTION G1/4"316L KIT	1

HELIX V5206/2-2/16/V/KS/400-50 (4150916)

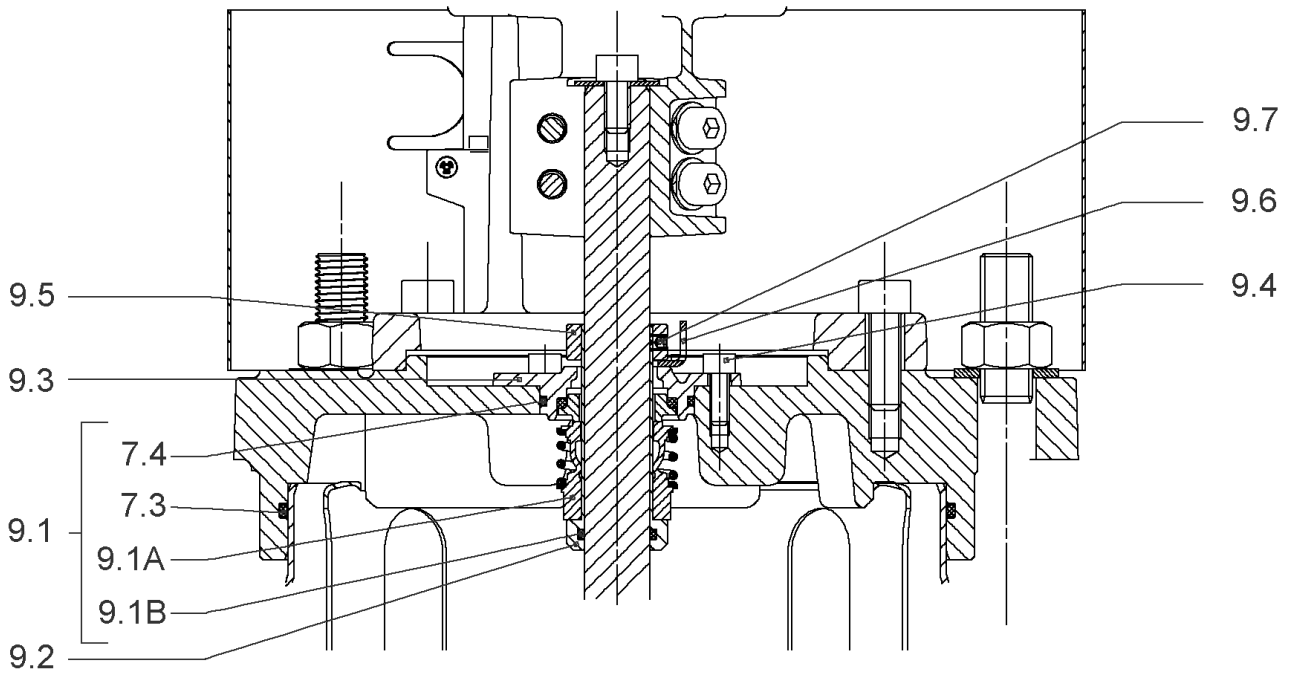
Item	Article no.	Description	Quantity
15.2A		>> PLUG PRESSURE CONNECTION - G1/4" - 316L	1
15.2B	2107769	>> O-RING ID.9,9x2,62 VITON VP.	1
15.3	4158196	> DRAIN/PRIMING PLUG VITON HELIX KIT	1
15.3A		>> DRAIN-AND-PRIMING-PLUG-VM18"-316L	1
15.3B	4032294	>> GASKET-10x3-VITON	1
15.3C	2107768	>> O-RING ID.8,9x2,7 VITON VP.	1
15.4	4143749	> BASE M+ DN50/65/80-304	1
15.5		> SCREW TBHC M12x25 ISO7380 ZN	1
15.6		> FLANGE M+ DN80 NF PN16-25 ASME PN16 CATA	1
15.7		> O-RING Ø91.42xØ3 VITON	1
13.1A	4161268	> NECK RING 1.STAGE HELIX 36 316 KIT	1
		>> NECK-RING-M+36/52	1
		>> HYDRAULIC SUPPORT CAP M+36/52 316	1
		>> SCREW TCL M3X8 A4 POZIDRIV	1

COUPLING D.20XD.38 FF300 KIT (4161190)



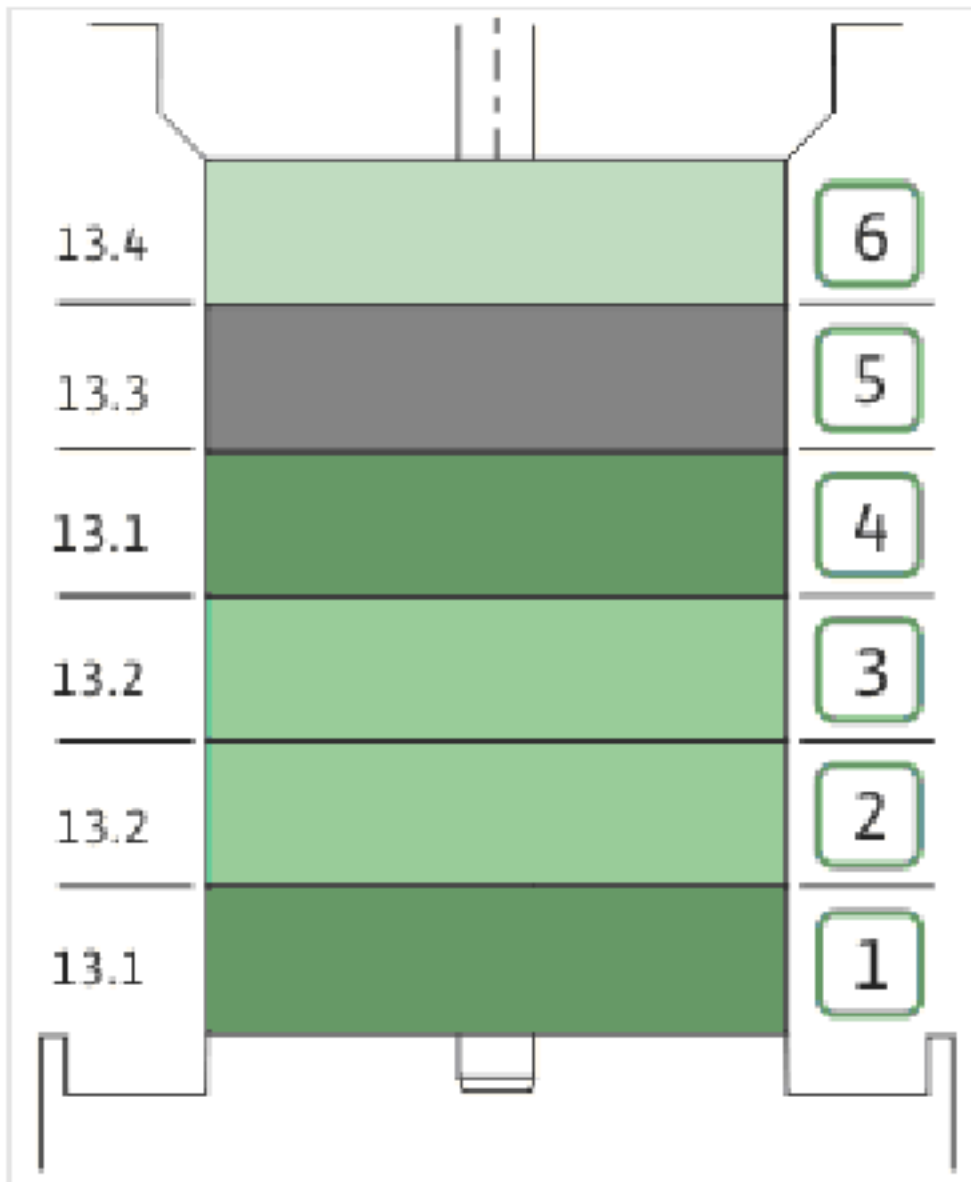
COUPLING D.20XD.38 FF300 KIT (4161190)

Item	Article no.	Description	Quantity
4.1	4179590	COUPLING 2 PARTS D.20XD.38XL115 VP.	1
4.2	2132521	BALL BEARING 6313/2Z-C4(HT)VP.	1
4.3	4032276	CIRCLIP-SHAFT-D65x2,5	1
4.4	2130991	SCREW M12X30 ISO4762 8.8 ZN(4 PIECES)	1
4.5	4233130	CIRCLIP-FOR-BORES-D140 VP.	1
4.6	4233945	O-RING ID.140 VP.	1
4.7	2130992	RETAINING RING D.35xD.2,5 DIN7993 VP.	1
4.8	4179928	HUB D.48xD.65 VP.	1
4.9	2130994	SPACER D.38XD.55 VP.	1
4.10	4094462	SCREWS M10 (4 PIECES)	1
4.11	4233959	SCREW M8x16 VP.	1
4.12		SERRATED LOCK WASHER Ø8.2XØ25X35X2	1



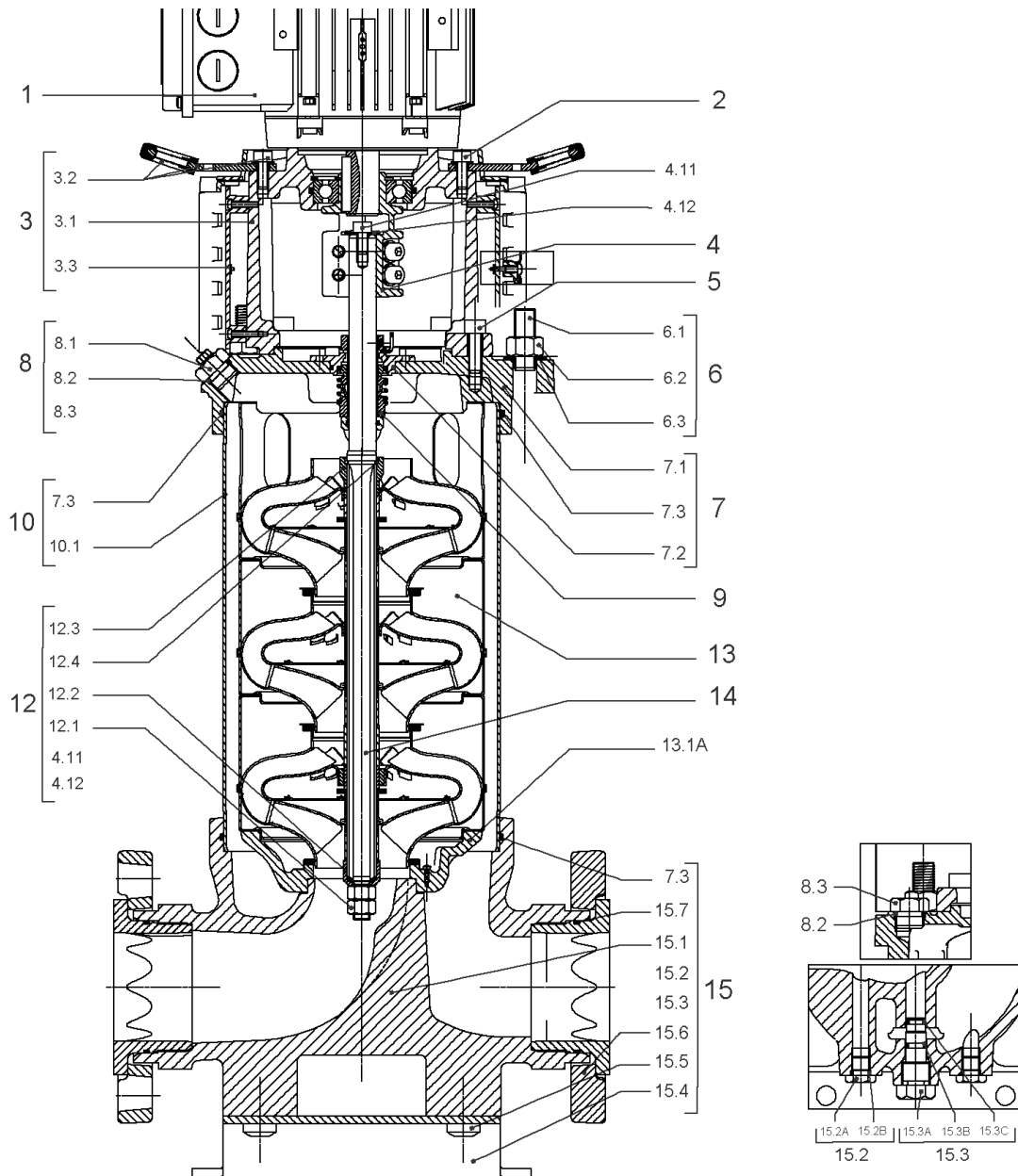
CARTRIDGE HELIX22-36-52 O/V KIT (4158204)

Item	Article no.	Description	Quantity
9.1	4158203	SEAL-KIT-HELIX22-36-52 O/V	1
7.3	2107767	> O-RING ID.202,80x3,53 VITON VP.	1
7.4	4179958	> O-RING-ID.42.52X2.62 VITON VP.	1
9.1A	2127454	> M.SEAL.HELIX22-36-52 O/V VP.	1
9.1B	4179960	> O-RING ID.20x2.65 FKM VP.	1
9.2	4179566	SHAFT SLEEVE D.20/20X60 1.4404 VP.	1
9.3	4179567	RING HOLDER Ø22 1.4301 VP.	1
9.4	4176520	SCREW CH M5x5 A4-70 (3PIECES)	1
9.5	4179568	DRIVE RING D.31/22.1x11 MACH.VP.	1
9.6	4179569	TOOL M.S.CART.HELIX 8" VP.	1
9.7	4179570	SCREW M6X16 ISO4762 8.8 GEOMET(4 PIECES)	1



HYDRAULIC HELIX V 5206-2

Item	Article no.	Description	Quantity
13.1	4164770	INTERMEDIATE STAGE HELIX 52 1.4404 KIT	1
		> SLEEVE-SPACER-D22XL30,42-316L	1
		> MACH.BEARING-DIFFUSER+NR-M+52-316	1
		> SHAFT-SLEEVE-D26xD22x16-CW	1
		> SPACER WASHER D22,3XD36 L3-316L	1
		> IMPELLER-H2-M+52-316	1
13.2	4164771	INTERMEDIATE STAGE HELIX 52 1.4404 KIT	1
		> MACH.STD-DIFFUSER+NR-M+52-316	1
		> IMPELLER-H5-M+52-316	1
13.3	4164773	INTERMEDIATE STAGE HELIX 52 1.4404 KIT	1
		> MACH.STD-DIFFUSER+NR-M+52-316	1
		> REDUCED-IMPELLER-H5-M+52-316	1
13.4	4164774	UPPER STAGE HELIX 52 1.4404 KIT	1
		> STOP COLLAR OF IMPELLER L27,6-Ø22-316L	1
		> SLEEVE-SPACER-D22XL16,66-316L	1
		> SPACER WASHER D22,3XD36 L3-316L	1
		> REDUCED-IMPELLER-H2-M+52-316	1
		> MACH.STD-DISCHARGE-CHAMBER-M+52-316	1



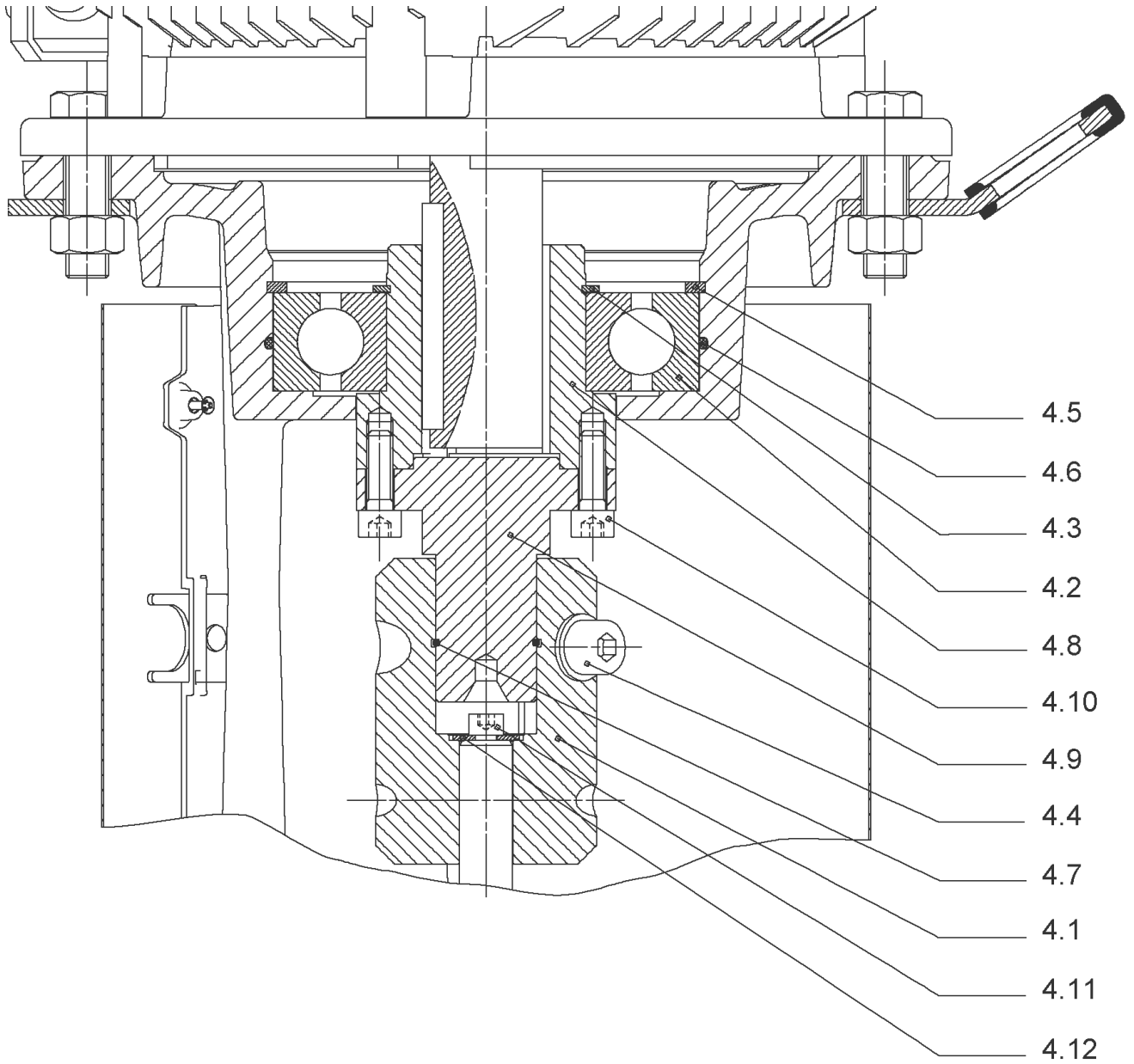
HELIX V5206/2-2/25/V/KS/400-50 (4150917)

Item	Article no.	Description	Quantity
1	4195490	MOTOR 22/2/180 3~400V 50HZ VP.	1
		SPARE PARTS MOTOR:ON REQUEST	1
2	4179586	SCREW M16X60 (4 PIECES)	1
3	4161188	LANTERN HELIX V36/52 FF300 BB6313 KIT	1
3.1		> LANTERN FF300 M+ GJL MACHINED+CATA 6313	1
3.2	4179589	> EYELET CPL.FF300 HELIX(4 PIECES)	1
3.3	4143969	> COUPLING PROTECT HELIX FF KIT	1
4	4161190	COUPLING D.20XD.38 FF300 KIT	1
5	4157725	SCREW M10X40 (4 PIECES)	1
6	4179929	STUD BOLT M16X704 KIT	1
6.1		> TIE BOLT M16-704x24x44-1.4057	1
6.2	4179562	> NUT M16 8.8 ISO4032 (4 PIECES)	1
6.3	4097852	> WASHER-CS-16.4-32-2.8-NFE25-511-A2	1
7	4179959	END SHIELD HELIX 8" FKM 1.4404 KIT	1
7.1		> END SHIELD HELIX 316L MACHINED	1
7.2	4179958	> O-RING-ID.42.52X2.62 VITON VP.	1
7.3	2107767	> O-RING ID.202,80x3,53 VITON VP.	1
8	4161256	FILING/PURGING PLUG FKM KIT	1
8.1		> FILLING/VENTING-PLUG-VM18/10-316L	1
8.2		> FILLING AND VENTING PLUG M+8" 316L	1
8.3		> GASKET-17x3-VITON	1
9	4158206	CARTRIDGE HELIX22-36-52 F/V KIT	1
10	4179979	HOUSING PIPE D.204X630 1.4404 KIT	1
7.3	2107767	> O-RING ID.202,80x3,53 VITON VP.	1
10.1		> HOUSING-PIPE Ø204-M+5206-316L	1
12	4164724	SHAFT EQUIPMENT HELIX V52 KIT	1
13		HYDRAULIC HELIX V 5206-2	1
14	4179981	SHAFTS D.22X804 1.4462 VP.	1
15	4164769	EQUIPED HOUSING HELIX 52 1.4409 KIT	1
7.3	2107767	> O-RING ID.202,80x3,53 VITON VP.	1
15.1		> PUMP HOUSING M+ DN80 316L MACHINED	1
15.1		> GASKET HOLDER M+ DN80 316L MACHINED	1
15.1		> HYDRAULIC SUPPORT M+ DN80 316L MACHINED	1
15.2	4158195	> PLUG PRESSURE CONNECTION G1/4"316L KIT	1

HELIX V5206/2-2/25/V/KS/400-50 (4150917)

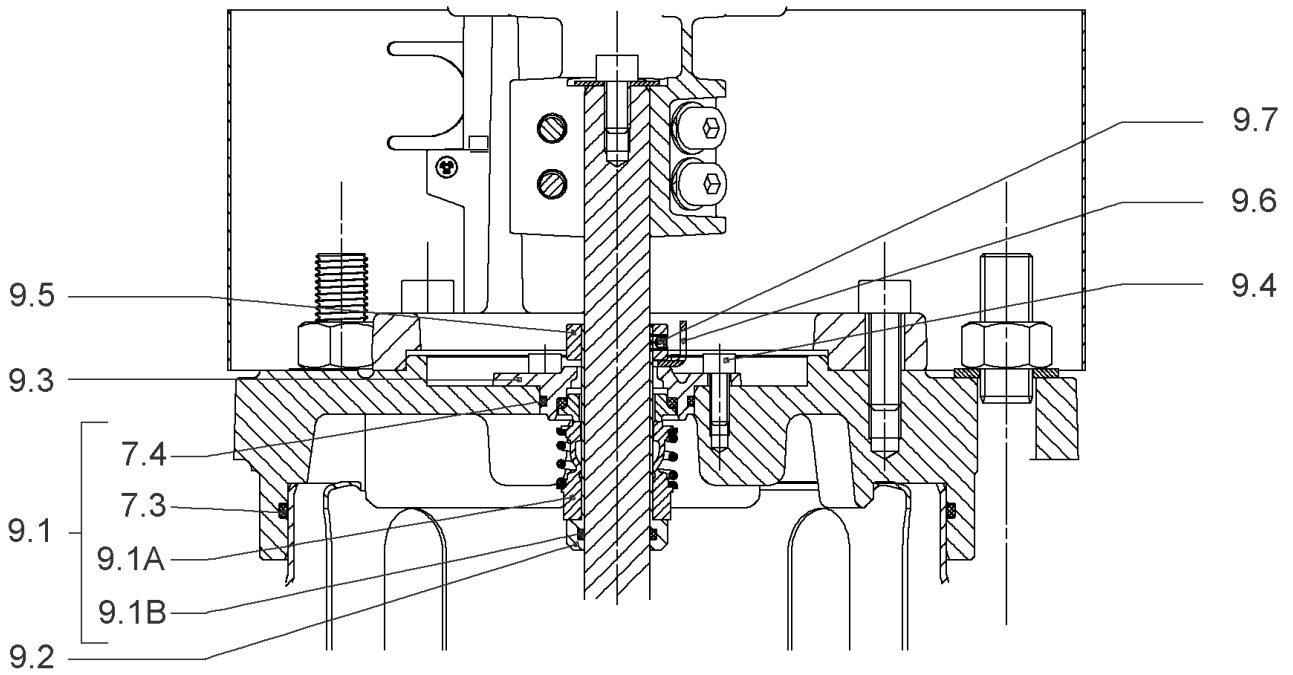
Item	Article no.	Description	Quantity
15.2A		>> PLUG PRESSURE CONNECTION - G1/4" - 316L	1
15.2B	2107769	>> O-RING ID.9,9x2,62 VITON VP.	1
15.3	4158196	> DRAIN/PRIMING PLUG VITON HELIX KIT	1
15.3A		>> DRAIN-AND-PRIMING-PLUG-VM18"-316L	1
15.3B	4032294	>> GASKET-10x3-VITON	1
15.3C	2107768	>> O-RING ID.8,9x2,7 VITON VP.	1
15.4	4143749	> BASE M+ DN50/65/80-304	1
15.5		> SCREW TBHC M12x25 ISO7380 ZN	1
15.6		> FLANGE M+ DN80 NF PN16-25 ASME PN16 CATA	1
15.7		> O-RING Ø91.42xØ3 VITON	1
13.1A	4161268	> NECK RING 1.STAGE HELIX 36 316 KIT	1
		>> NECK-RING-M+36/52	1
		>> HYDRAULIC SUPPORT CAP M+36/52 316	1
		>> SCREW TCL M3X8 A4 POZIDRIV	1

COUPLING D.20XD.38 FF300 KIT (4161190)



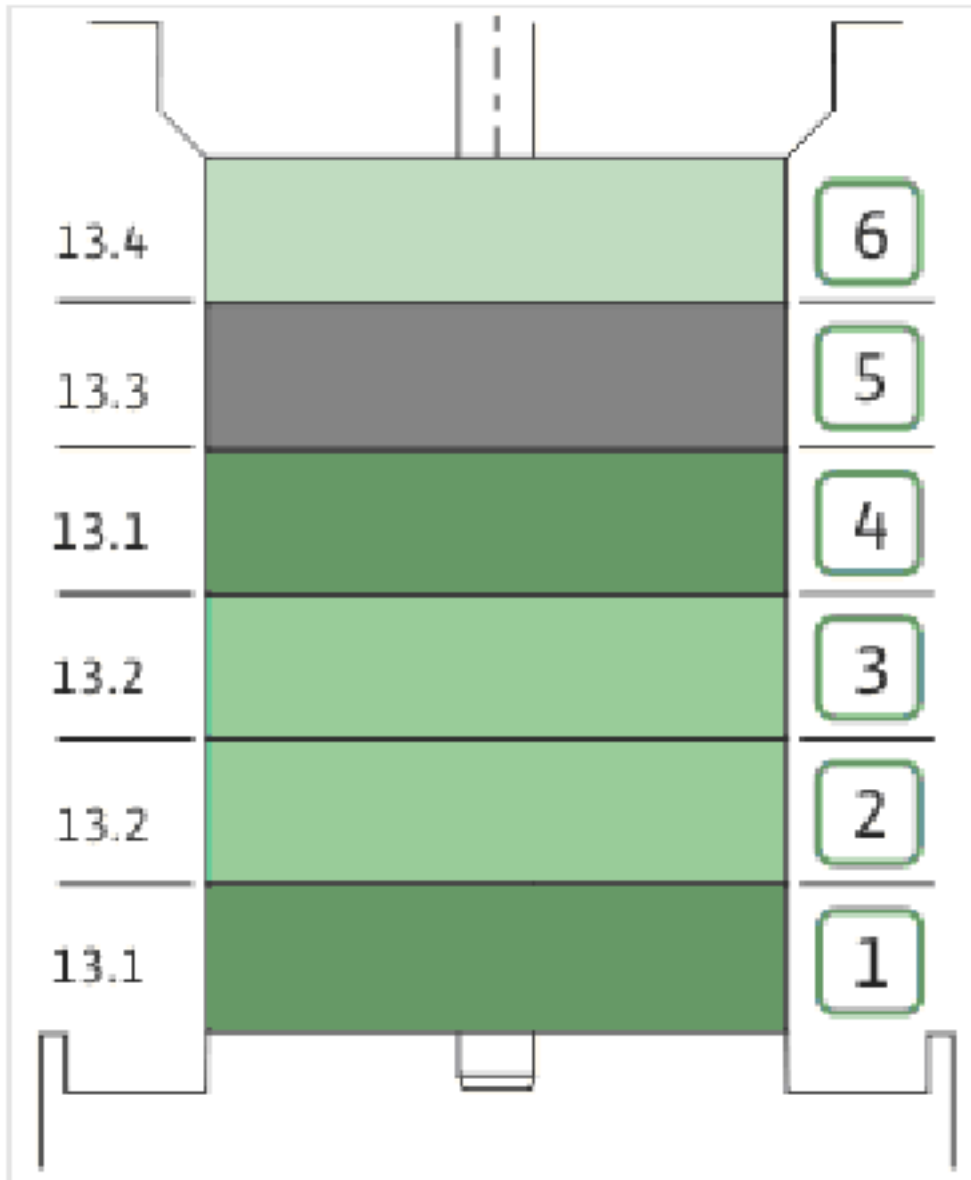
COUPLING D.20XD.38 FF300 KIT (4161190)

Item	Article no.	Description	Quantity
4.1	4179590	COUPLING 2 PARTS D.20XD.38XL115 VP.	1
4.2	2132521	BALL BEARING 6313/2Z-C4(HT)VP.	1
4.3	4032276	CIRCLIP-SHAFT-D65x2,5	1
4.4	2130991	SCREW M12X30 ISO4762 8.8 ZN(4 PIECES)	1
4.5	4233130	CIRCLIP-FOR-BORES-D140 VP.	1
4.6	4233945	O-RING ID.140 VP.	1
4.7	2130992	RETAINING RING D.35xD.2,5 DIN7993 VP.	1
4.8	4179928	HUB D.48xD.65 VP.	1
4.9	2130994	SPACER D.38XD.55 VP.	1
4.10	4094462	SCREWS M10 (4 PIECES)	1
4.11	4233959	SCREW M8x16 VP.	1
4.12		SERRATED LOCK WASHER Ø8.2XØ25X35X2	1



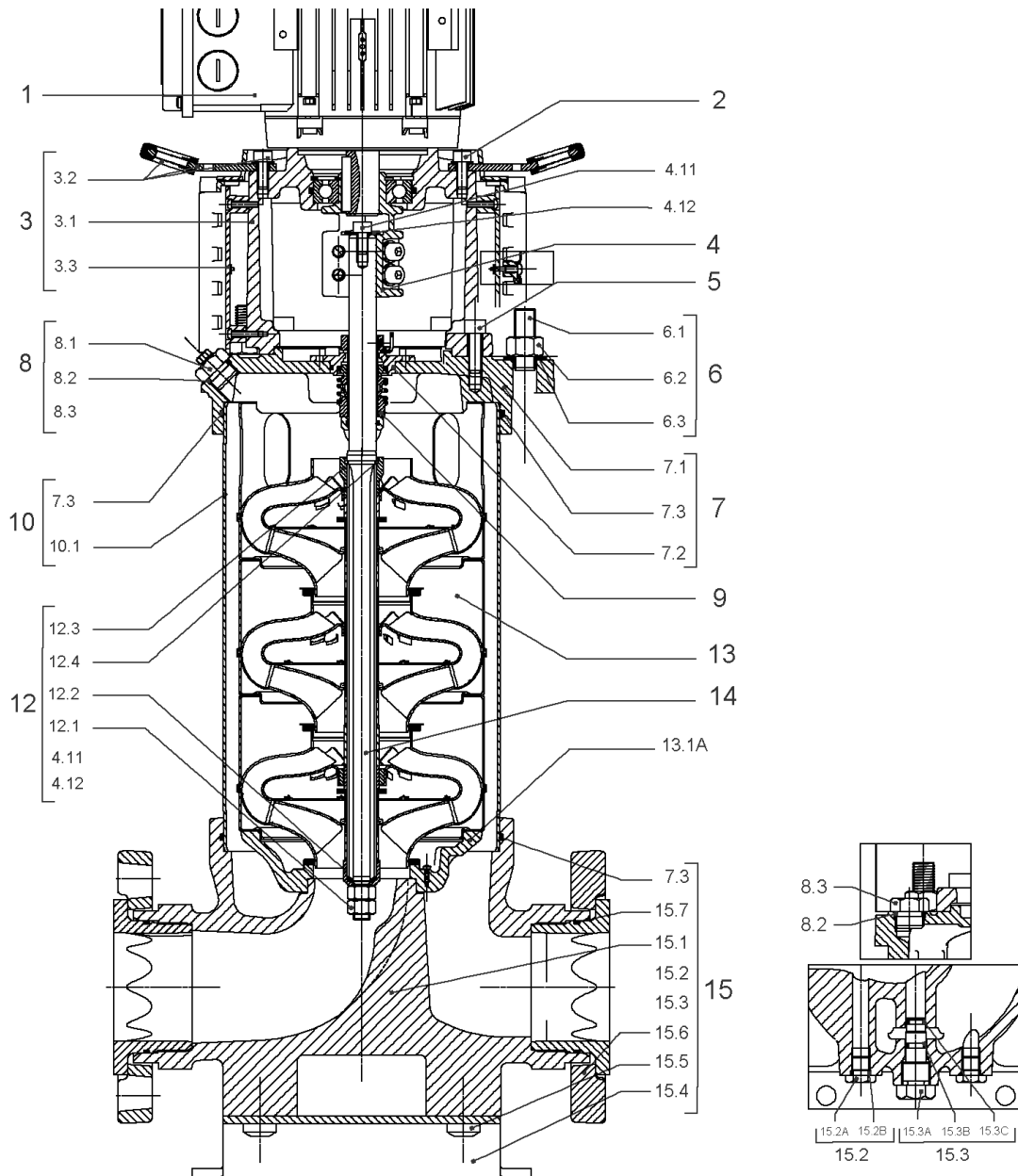
CARTRIDGE HELIX22-36-52 F/V KIT (4158206)

Item	Article no.	Description	Quantity
9.1	4158205	SEAL-KIT-HELIX22-36-52 F/V	1
7.3	2107767	> O-RING ID.202,80x3,53 VITON VP.	1
7.4	4179958	> O-RING-ID.42.52X2.62 VITON VP.	1
9.1A	4179982	> M.SEAL.HELIX22-36-52 F/V VP.	1
9.1B	4179960	> O-RING ID.20x2.65 FKM VP.	1
9.2	4179566	SHAFT SLEEVE D.20/20X60 1.4404 VP.	1
9.3	4179567	RING HOLDER Ø22 1.4301 VP.	1
9.4	4176520	SCREW CH M5x5 A4-70 (3PIECES)	1
9.5	4179568	DRIVE RING D.31/22.1x11 MACH.VP.	1
9.6	4179569	TOOL M.S.CART.HELIX 8" VP.	1
9.7	4179570	SCREW M6X16 ISO4762 8.8 GEOMET(4 PIECES)	1



HYDRAULIC HELIX V 5206-2

Item	Article no.	Description	Quantity
13.1	4164770	INTERMEDIATE STAGE HELIX 52 1.4404 KIT	1
		> SLEEVE-SPACER-D22XL30,42-316L	1
		> MACH.BEARING-DIFFUSER+NR-M+52-316	1
		> SHAFT-SLEEVE-D26xD22x16-CW	1
		> SPACER WASHER D22,3XD36 L3-316L	1
		> IMPELLER-H2-M+52-316	1
13.2	4164771	INTERMEDIATE STAGE HELIX 52 1.4404 KIT	1
		> MACH.STD-DIFFUSER+NR-M+52-316	1
		> IMPELLER-H5-M+52-316	1
13.3	4164773	INTERMEDIATE STAGE HELIX 52 1.4404 KIT	1
		> MACH.STD-DIFFUSER+NR-M+52-316	1
		> REDUCED-IMPELLER-H5-M+52-316	1
13.4	4164774	UPPER STAGE HELIX 52 1.4404 KIT	1
		> STOP COLLAR OF IMPELLER L27,6-Ø22-316L	1
		> SLEEVE-SPACER-D22XL16,66-316L	1
		> SPACER WASHER D22,3XD36 L3-316L	1
		> REDUCED-IMPELLER-H2-M+52-316	1
		> MACH.STD-DISCHARGE-CHAMBER-M+52-316	1



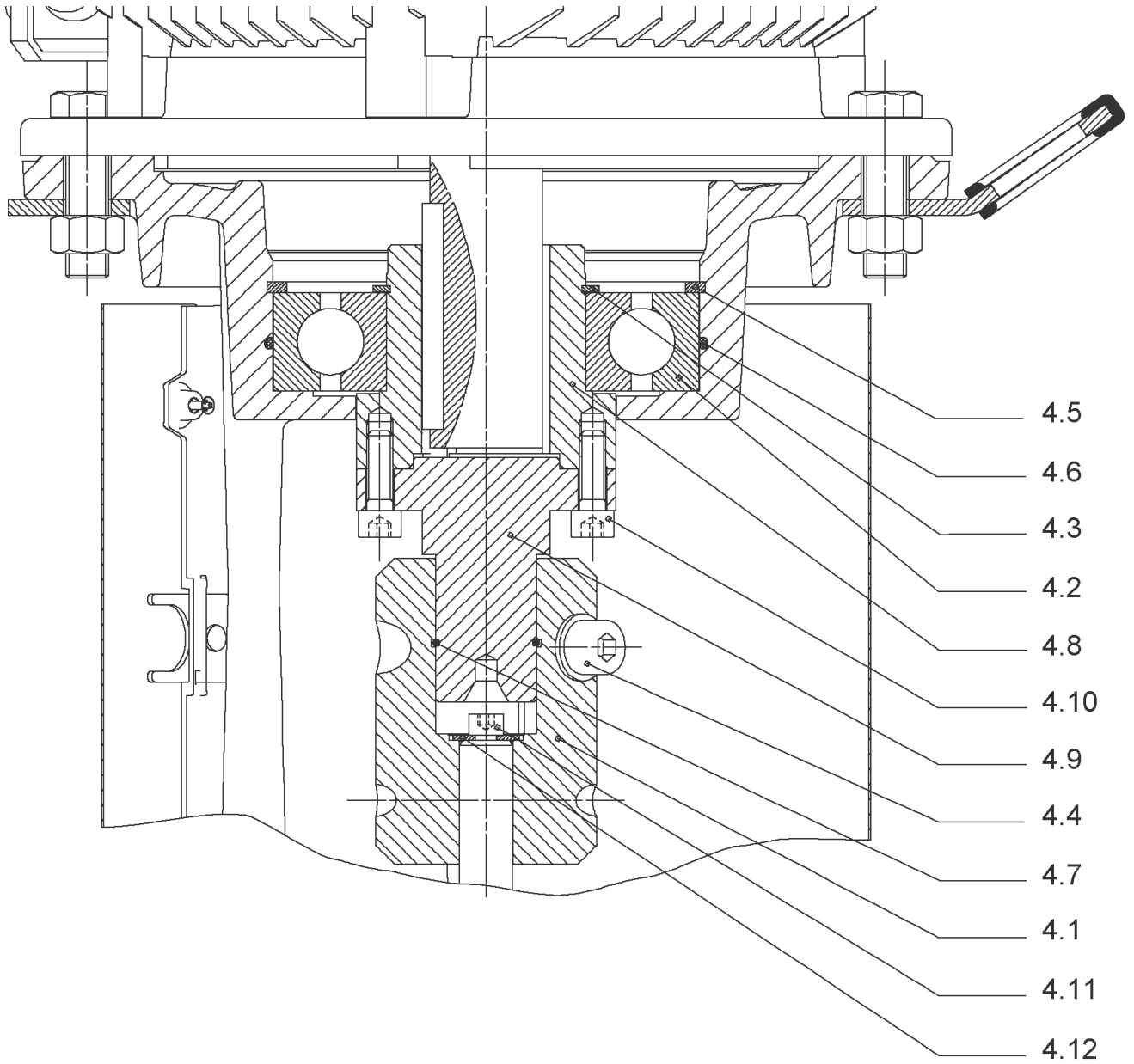
HELIX V5206-2/25/V/KS/400-50 (4150918)

Item	Article no.	Description	Quantity
1	4195490	MOTOR 22/2/180 3~400V 50HZ VP.	1
		SPARE PARTS MOTOR:ON REQUEST	1
2	4179586	SCREW M16X60 (4 PIECES)	1
3	4161188	LANTERN HELIX V36/52 FF300 BB6313 KIT	1
3.1		> LANTERN FF300 M+ GJL MACHINED+CATA 6313	1
3.2	4179589	> EYELET CPL.FF300 HELIX(4 PIECES)	1
3.3	4143969	> COUPLING PROTECT HELIX FF KIT	1
4	4161190	COUPLING D.20XD.38 FF300 KIT	1
5	4157725	SCREW M10X40 (4 PIECES)	1
6	4179929	STUD BOLT M16X704 KIT	1
6.1		> TIE BOLT M16-704x24x44-1.4057	1
6.2	4179562	> NUT M16 8.8 ISO4032 (4 PIECES)	1
6.3	4097852	> WASHER-CS-16.4-32-2.8-NFE25-511-A2	1
7	4179959	END SHIELD HELIX 8" FKM 1.4404 KIT	1
7.1		> END SHIELD HELIX 316L MACHINED	1
7.2	4179958	> O-RING-ID.42.52X2.62 VITON VP.	1
7.3	2107767	> O-RING ID.202,80x3,53 VITON VP.	1
8	4161256	FILING/PURGING PLUG FKM KIT	1
8.1		> FILLING/VENTING-PLUG-VM18/10-316L	1
8.2		> FILLING AND VENTING PLUG M+8" 316L	1
8.3		> GASKET-17x3-VITON	1
9	4158206	CARTRIDGE HELIX22-36-52 F/V KIT	1
10	4179979	HOUSING PIPE D.204X630 1.4404 KIT	1
7.3	2107767	> O-RING ID.202,80x3,53 VITON VP.	1
10.1		> HOUSING-PIPE Ø204-M+5206-316L	1
12	4164724	SHAFT EQUIPMENT HELIX V52 KIT	1
13		HYDRAULIC HELIX V 5206	1
14	4179981	SHAFTS D.22X804 1.4462 VP.	1
15	4164769	EQUIPED HOUSING HELIX 52 1.4409 KIT	1
7.3	2107767	> O-RING ID.202,80x3,53 VITON VP.	1
15.1		> PUMP HOUSING M+ DN80 316L MACHINED	1
15.1		> GASKET HOLDER M+ DN80 316L MACHINED	1
15.1		> HYDRAULIC SUPPORT M+ DN80 316L MACHINED	1
15.2	4158195	> PLUG PRESSURE CONNECTION G1/4"316L KIT	1

HELIX V5206-2/25/V/KS/400-50 (4150918)

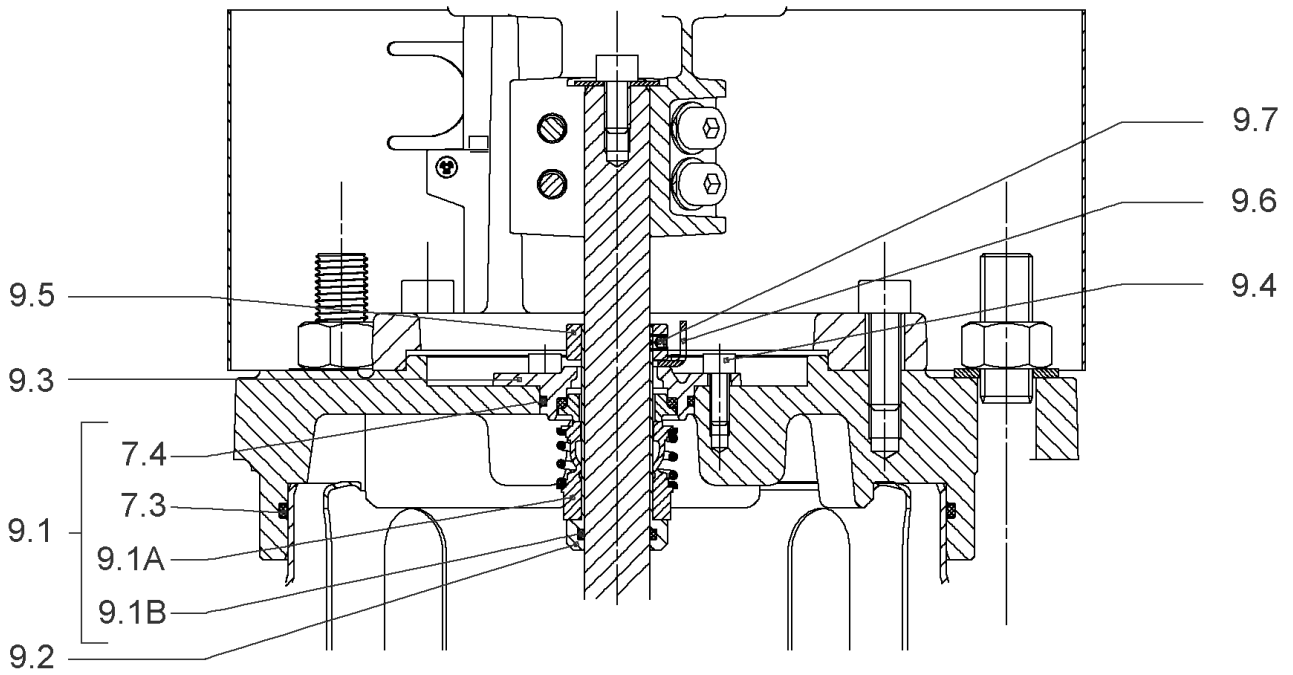
Item	Article no.	Description	Quantity
15.2A		>> PLUG PRESSURE CONNECTION - G1/4" - 316L	1
15.2B	2107769	>> O-RING ID.9,9x2,62 VITON VP.	1
15.3	4158196	> DRAIN/PRIMING PLUG VITON HELIX KIT	1
15.3A		>> DRAIN-AND-PRIMING-PLUG-VM18"-316L	1
15.3B	4032294	>> GASKET-10x3-VITON	1
15.3C	2107768	>> O-RING ID.8,9x2,7 VITON VP.	1
15.4	4143749	> BASE M+ DN50/65/80-304	1
15.5		> SCREW TBHC M12x25 ISO7380 ZN	1
15.6		> FLANGE M+ DN80 NF PN16-25 ASME PN16 CATA	1
15.7		> O-RING Ø91.42xØ3 VITON	1
13.1A	4161268	> NECK RING 1.STAGE HELIX 36 316 KIT	1
		>> NECK-RING-M+36/52	1
		>> HYDRAULIC SUPPORT CAP M+36/52 316	1
		>> SCREW TCL M3X8 A4 POZIDRIV	1

COUPLING D.20XD.38 FF300 KIT (4161190)



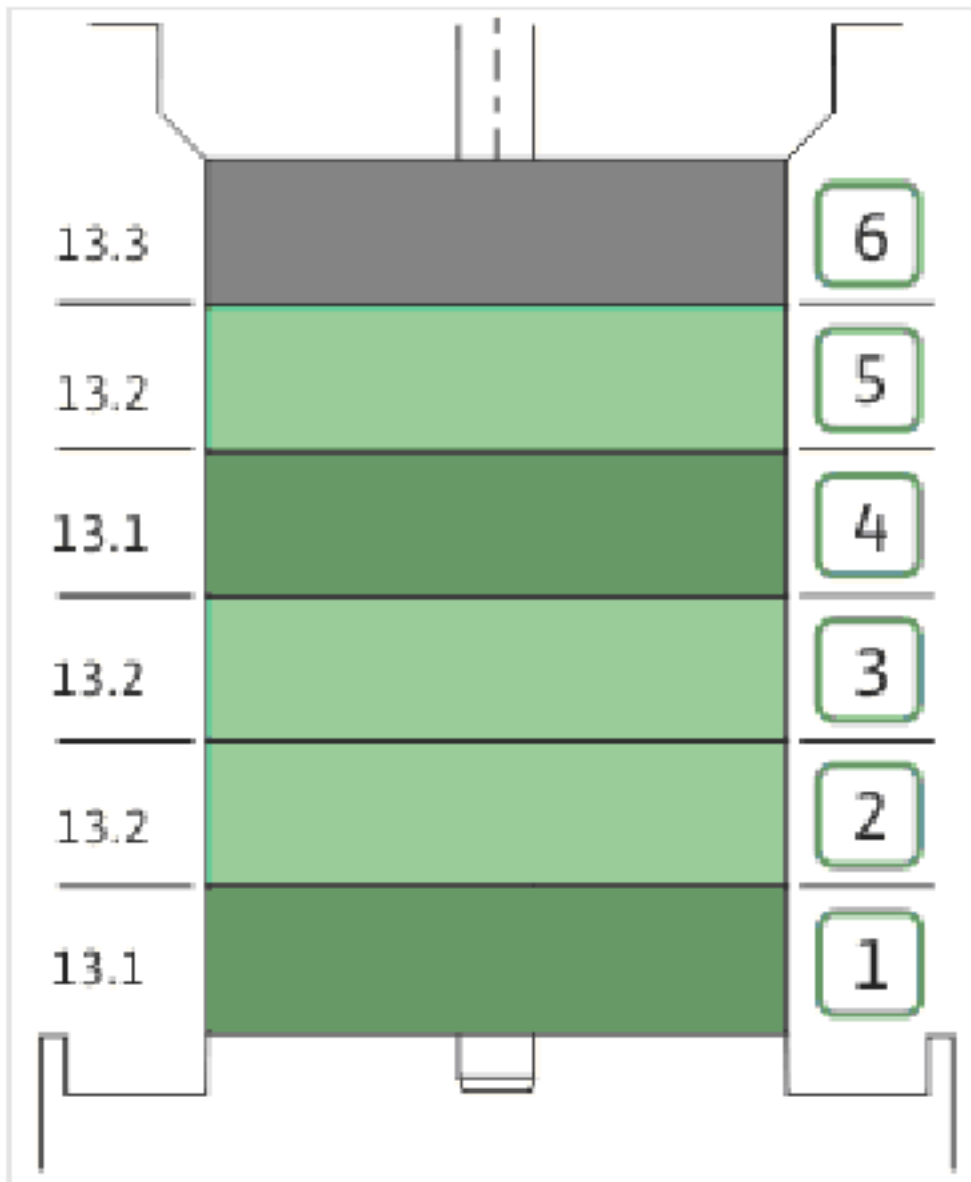
COUPLING D.20XD.38 FF300 KIT (4161190)

Item	Article no.	Description	Quantity
4.1	4179590	COUPLING 2 PARTS D.20XD.38XL115 VP.	1
4.2	2132521	BALL BEARING 6313/2Z-C4(HT)VP.	1
4.3	4032276	CIRCLIP-SHAFT-D65x2,5	1
4.4	2130991	SCREW M12X30 ISO4762 8.8 ZN(4 PIECES)	1
4.5	4233130	CIRCLIP-FOR-BORES-D140 VP.	1
4.6	4233945	O-RING ID.140 VP.	1
4.7	2130992	RETAINING RING D.35xD.2,5 DIN7993 VP.	1
4.8	4179928	HUB D.48xD.65 VP.	1
4.9	2130994	SPACER D.38XD.55 VP.	1
4.10	4094462	SCREWS M10 (4 PIECES)	1
4.11	4233959	SCREW M8x16 VP.	1
4.12		SERRATED LOCK WASHER Ø8.2XØ25X35X2	1



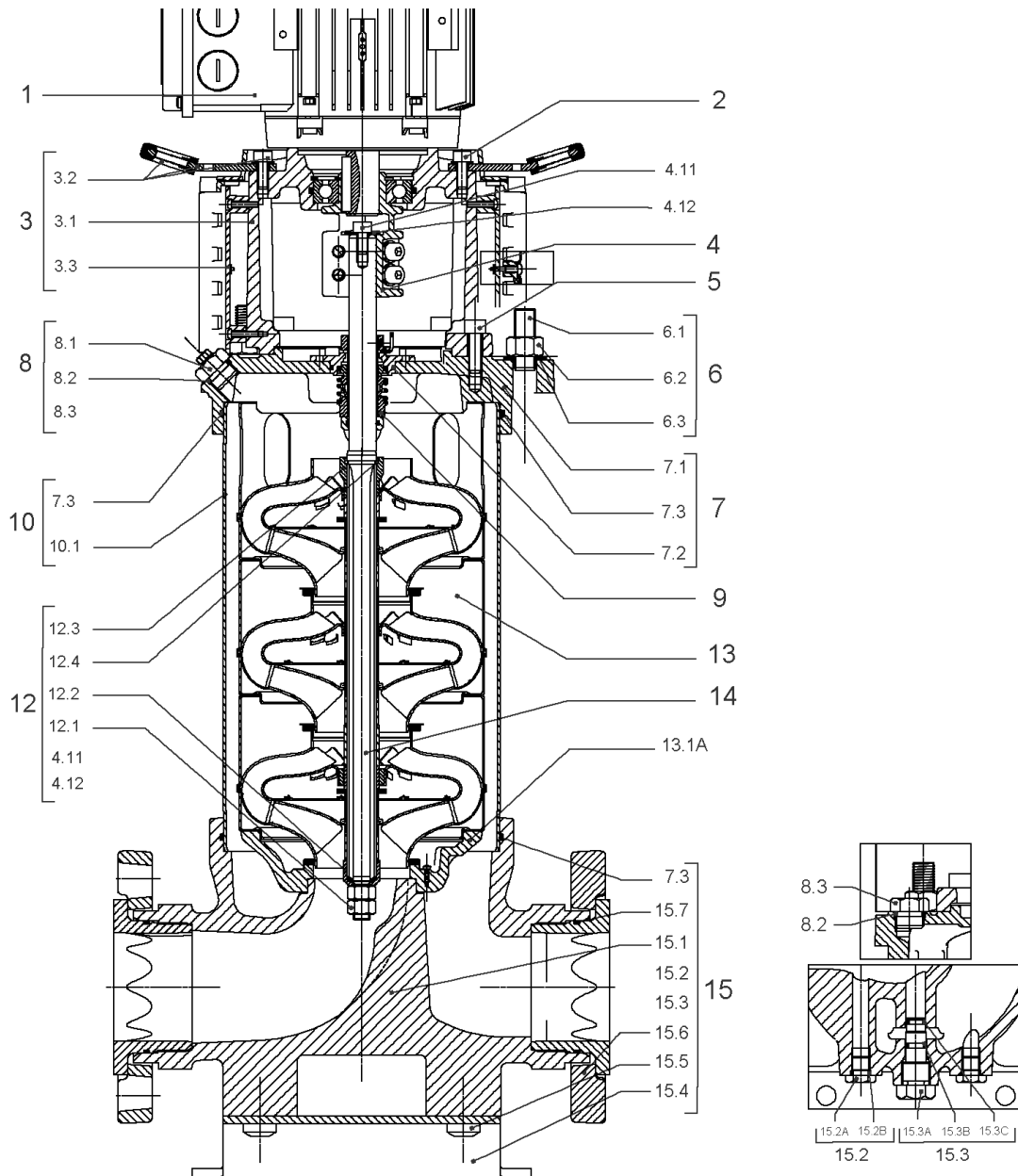
CARTRIDGE HELIX22-36-52 F/V KIT (4158206)

Item	Article no.	Description	Quantity
9.1	4158205	SEAL-KIT-HELIX22-36-52 F/V	1
7.3	2107767	> O-RING ID.202,80x3,53 VITON VP.	1
7.4	4179958	> O-RING-ID.42.52X2.62 VITON VP.	1
9.1A	4179982	> M.SEAL.HELIX22-36-52 F/V VP.	1
9.1B	4179960	> O-RING ID.20x2.65 FKM VP.	1
9.2	4179566	SHAFT SLEEVE D.20/20X60 1.4404 VP.	1
9.3	4179567	RING HOLDER Ø22 1.4301 VP.	1
9.4	4176520	SCREW CH M5x5 A4-70 (3PIECES)	1
9.5	4179568	DRIVE RING D.31/22.1x11 MACH.VP.	1
9.6	4179569	TOOL M.S.CART.HELIX 8" VP.	1
9.7	4179570	SCREW M6X16 ISO4762 8.8 GEOMET(4 PIECES)	1



HYDRAULIC HELIX V 5206

Item	Article no.	Description	Quantity
13.1	4164770	INTERMEDIATE STAGE HELIX 52 1.4404 KIT	1
		> SLEEVE-SPACER-D22XL30,42-316L	1
		> MACH.BEARING-DIFFUSER+NR-M+52-316	1
		> SHAFT-SLEEVE-D26xD22x16-CW	1
		> SPACER WASHER D22,3XD36 L3-316L	1
		> IMPELLER-H2-M+52-316	1
13.2	4164771	INTERMEDIATE STAGE HELIX 52 1.4404 KIT	1
		> MACH.STD-DIFFUSER+NR-M+52-316	1
		> IMPELLER-H5-M+52-316	1
13.3	4164772	UPPER STAGE HELIX 52 1.4404 KIT	1
		> STOP COLLAR OF IMPELLER L27,6-Ø22-316L	1
		> SLEEVE-SPACER-D22XL16,66-316L	1
		> SPACER WASHER D22,3XD36 L3-316L	1
		> IMPELLER-H2-M+52-316	1
		> MACH.STD-DISCHARGE-CHAMBER-M+52-316	1

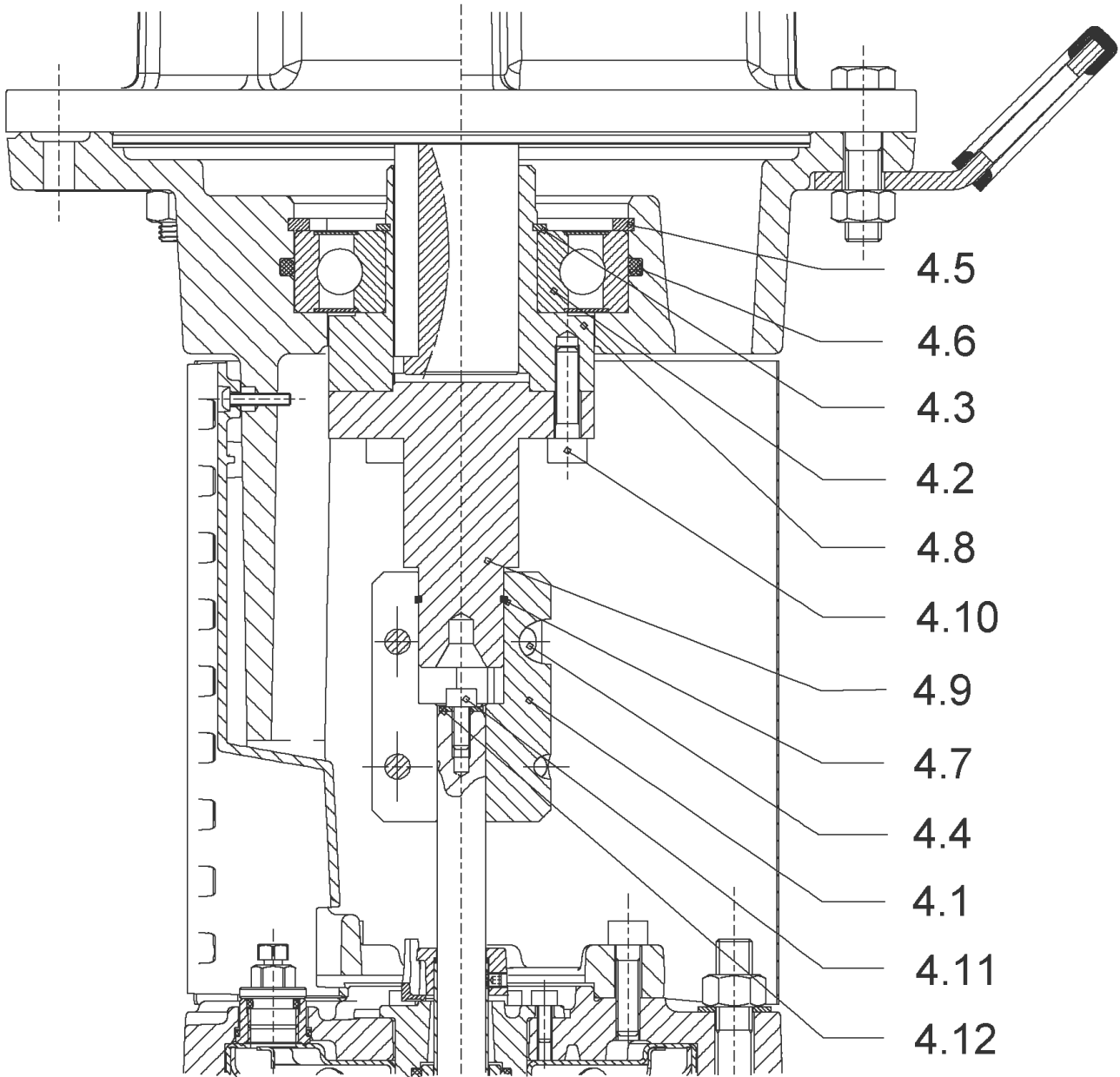


HELIX V5207/2-2/25/V/KS/400-50 (4150919)

Item	Article no.	Description	Quantity
1	4195491	MOTOR 30/2/200 3~400V 50HZ IE3 VP.	1
		SPARE PARTS MOTOR:ON REQUEST	1
2	4179586	SCREW M16X60 (4 PIECES)	1
3	4161189	LANTERN HELIX V36 FF350 BB6315 KIT	1
3.1		> LANTERN FF350 M+ GJL MACHINED+CATA 6315	1
3.2	4179938	> EYELET CPL.FF350 HELIX(4 PIECES)	1
3.3	4143969	> COUPLING PROTECT HELIX FF KIT	1
4	4161191	COUPLING HELIX V36/52 FF350 RLT6315 KIT	1
5	4157725	SCREW M10X40 (4 PIECES)	1
6	4179940	STUD BOLT M16X796 KIT	1
6.1		> TIE BOLT M16-796x24x44-1.4057	1
6.2	4179562	> NUT M16 8.8 ISO4032 (4 PIECES)	1
6.3	4097852	> WASHER-CS-16.4-32-2.8-NFE25-511-A2	1
7	4179959	END SHIELD HELIX 8" FKM 1.4404 KIT	1
7.1		> END SHIELD HELIX 316L MACHINED	1
7.2	4179958	> O-RING-ID.42.52X2.62 VITON VP.	1
7.3	2107767	> O-RING ID.202,80x3,53 VITON VP.	1
8	4161256	FILING/PURGING PLUG FKM KIT	1
8.1		> FILLING/VENTING-PLUG-VM18/10-316L	1
8.2		> FILLING AND VENTING PLUG M+8" 316L	1
8.3		> GASKET-17x3-VITON	1
9	4158206	CARTRIDGE HELIX22-36-52 F/V KIT	1
10	4179984	HOUSING PIPE D.204X730 1.4404 KIT	1
7.3	2107767	> O-RING ID.202,80x3,53 VITON VP.	1
10.1		> HOUSING-PIPE Ø204-M+3610/5207-316L	1
12	4164724	SHAFT EQUIPMENT HELIX V52 KIT	1
13		HYDRAULIC HELIX V 5207-2	1
14	4179986	SHAFTS D.22X904 1.4462 VP.	1
15	4164769	EQUIPED HOUSING HELIX 52 1.4409 KIT	1
7.3	2107767	> O-RING ID.202,80x3,53 VITON VP.	1
15.1		> PUMP HOUSING M+ DN80 316L MACHINED	1
15.1		> GASKET HOLDER M+ DN80 316L MACHINED	1
15.1		> HYDRAULIC SUPPORT M+ DN80 316L MACHINED	1
15.2	4158195	> PLUG PRESSURE CONNECTION G1/4"316L KIT	1

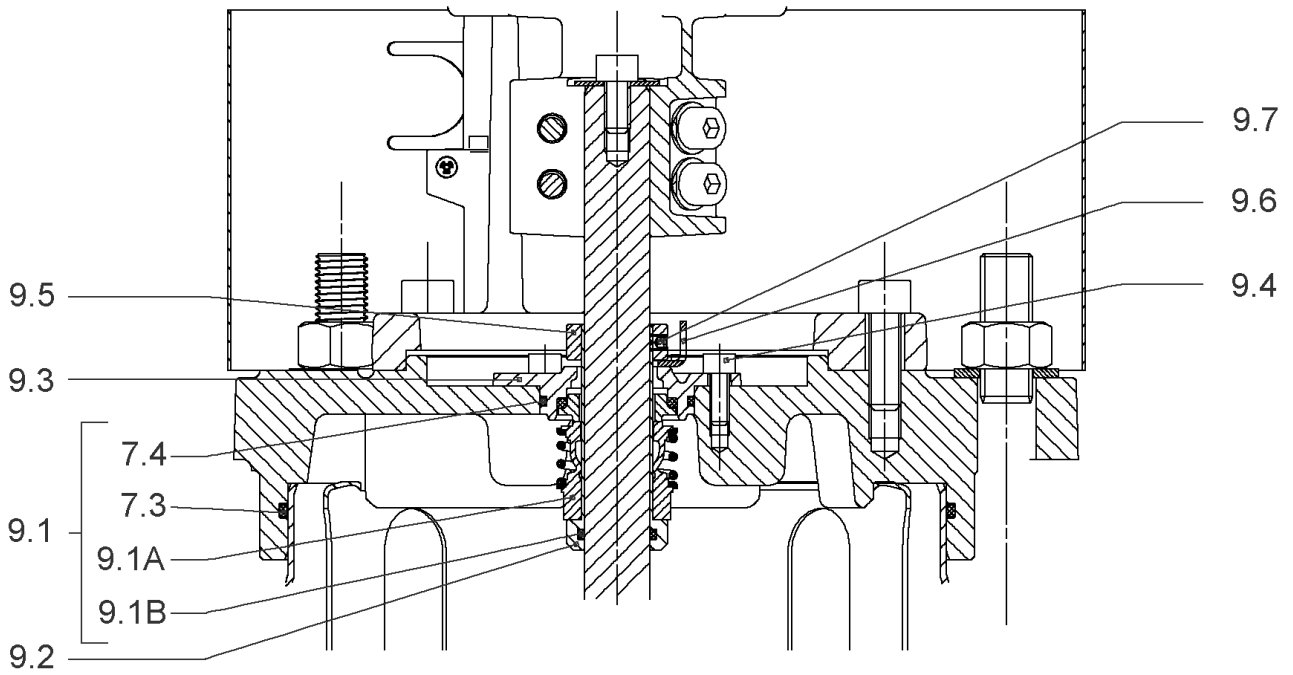
HELIX V5207/2-2/25/V/KS/400-50 (4150919)

Item	Article no.	Description	Quantity
15.2A		>> PLUG PRESSURE CONNECTION - G1/4" - 316L	1
15.2B	2107769	>> O-RING ID.9,9x2,62 VITON VP.	1
15.3	4158196	> DRAIN/PRIMING PLUG VITON HELIX KIT	1
15.3A		>> DRAIN-AND-PRIMING-PLUG-VM18"-316L	1
15.3B	4032294	>> GASKET-10x3-VITON	1
15.3C	2107768	>> O-RING ID.8,9x2,7 VITON VP.	1
15.4	4143749	> BASE M+ DN50/65/80-304	1
15.5		> SCREW TBHC M12x25 ISO7380 ZN	1
15.6		> FLANGE M+ DN80 NF PN16-25 ASME PN16 CATA	1
15.7		> O-RING Ø91.42xØ3 VITON	1
13.1A	4161268	> NECK RING 1.STAGE HELIX 36 316 KIT	1
		>> NECK-RING-M+36/52	1
		>> HYDRAULIC SUPPORT CAP M+36/52 316	1
		>> SCREW TCL M3X8 A4 POZIDRIV	1



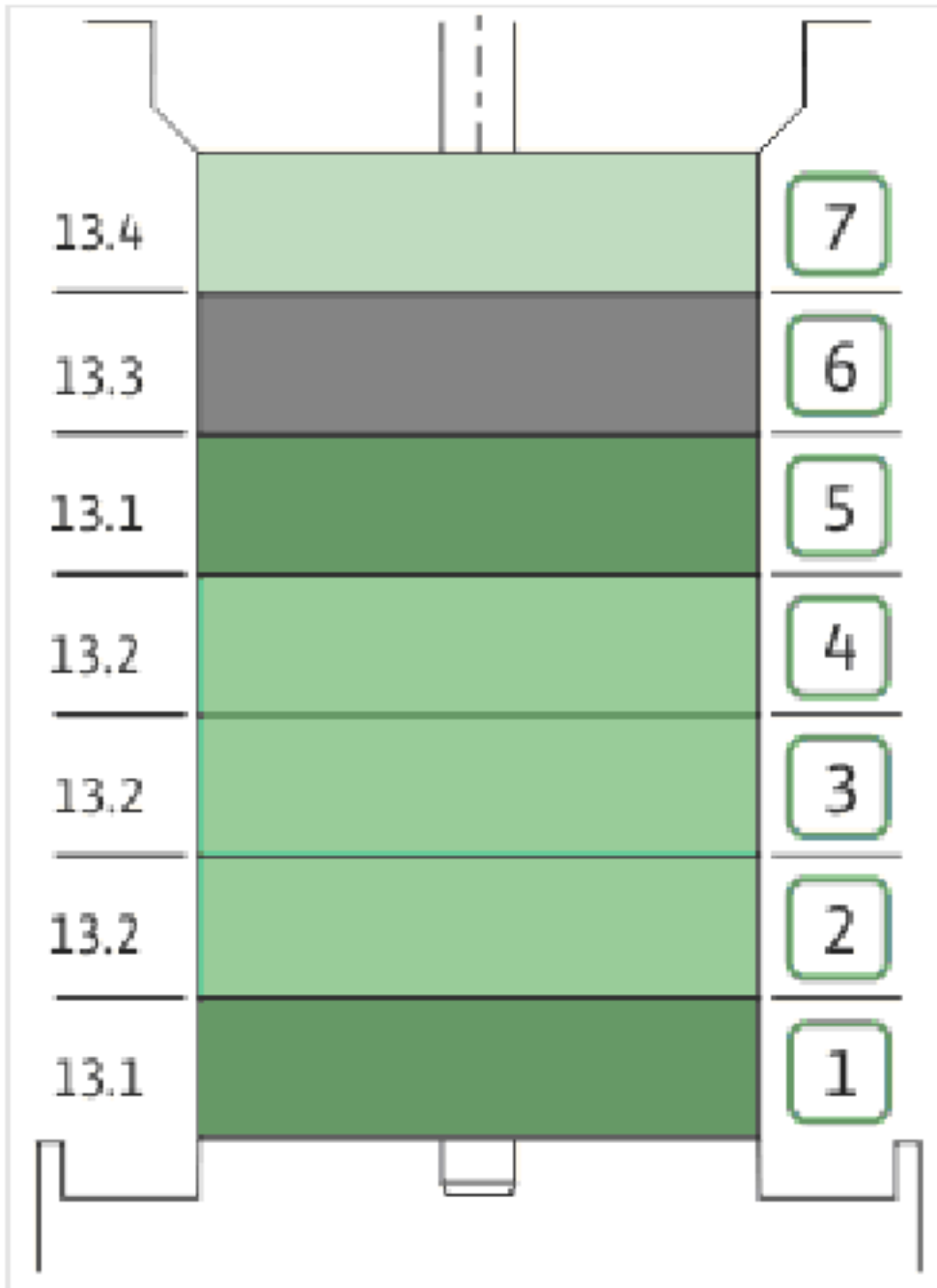
COUPLING HELIX V36/52 FF350 RLT6315 KIT (4161191)

Item	Article no.	Description	Quantity
4.1	4179935	COUPLING 2 PARTS D.20XD.38XL115 VP.	1
4.2	2114423	BALL BEARING 6315C4-ZZ-HT VP.	1
4.3	2119916	CIRCLIP D75X2.5 VP.	1
4.4	4179934	SCREW M12X30 (8 PIECES)	1
4.5	2119917	CIRCLIP D160X4 VP.	1
4.6	2119918	O-RING Ø158.34X3.53 NBR 70SH.VP.	1
4.7	2130992	RETAINING RING D.35xD.2,5 DIN7993 VP.	1
4.8	4179937	HUB D.55XD.75 VP.	1
4.9	4179936	SPACER D.38XD.65 VP.	1
4.10	2130991	SCREW M12X30 ISO4762 8.8 ZN(4 PIECES)	1
4.11	4233959	SCREW M8x16 VP.	1
4.12		SERRATED LOCK WASHER Ø8.2XØ25X35X2	1



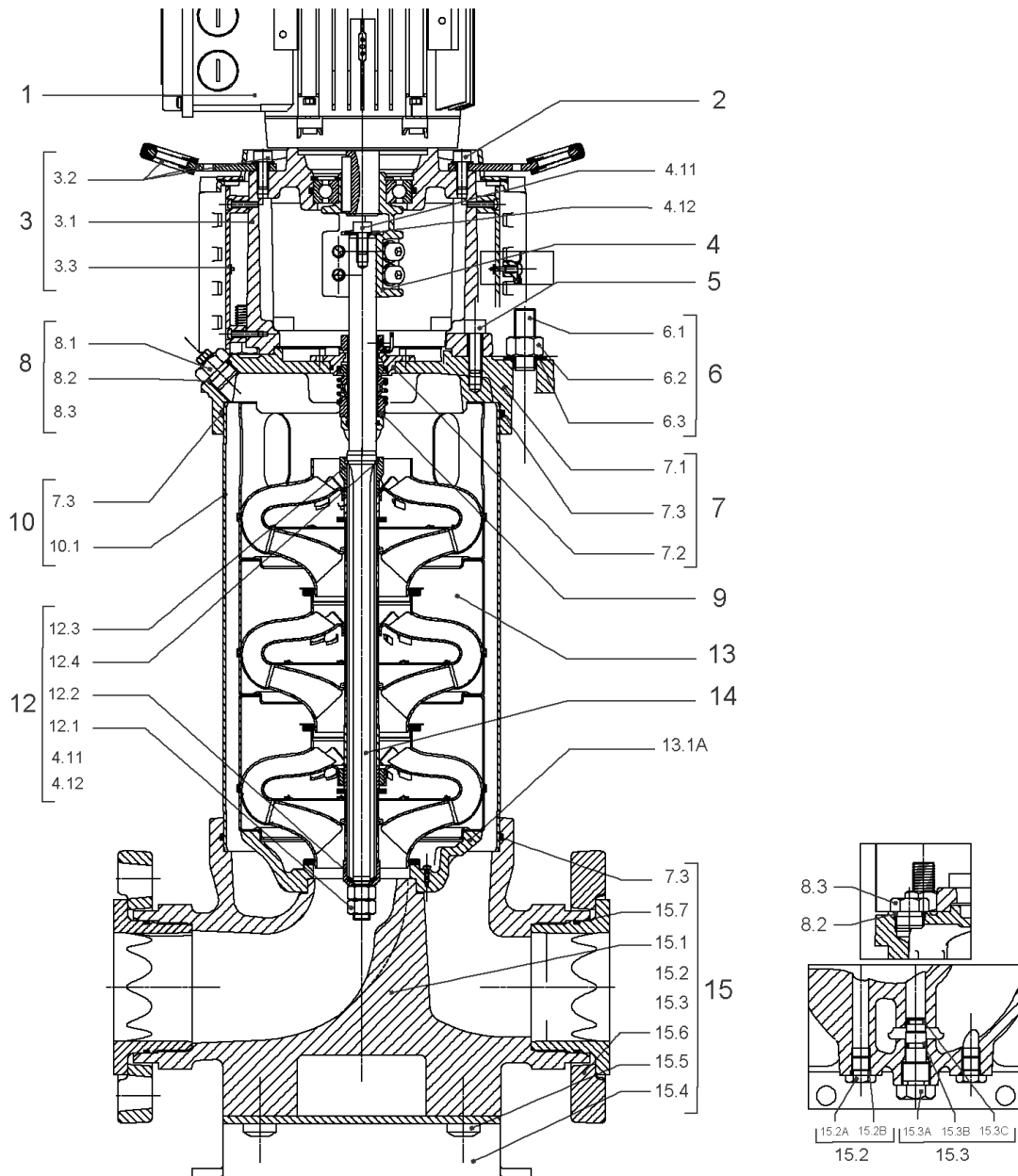
CARTRIDGE HELIX22-36-52 F/V KIT (4158206)

Item	Article no.	Description	Quantity
9.1	4158205	SEAL-KIT-HELIX22-36-52 F/V	1
7.3	2107767	> O-RING ID.202,80x3,53 VITON VP.	1
7.4	4179958	> O-RING-ID.42.52X2.62 VITON VP.	1
9.1A	4179982	> M.SEAL.HELIX22-36-52 F/V VP.	1
9.1B	4179960	> O-RING ID.20x2.65 FKM VP.	1
9.2	4179566	SHAFT SLEEVE D.20/20X60 1.4404 VP.	1
9.3	4179567	RING HOLDER Ø22 1.4301 VP.	1
9.4	4176520	SCREW CH M5x5 A4-70 (3PIECES)	1
9.5	4179568	DRIVE RING D.31/22.1x11 MACH.VP.	1
9.6	4179569	TOOL M.S.CART.HELIX 8" VP.	1
9.7	4179570	SCREW M6X16 ISO4762 8.8 GEOMET(4 PIECES)	1



HYDRAULIC HELIX V 5207-2

Item	Article no.	Description	Quantity
13.1	4164770	INTERMEDIATE STAGE HELIX 52 1.4404 KIT	1
		> SLEEVE-SPACER-D22XL30,42-316L	1
		> MACH.BEARING-DIFFUSER+NR-M+52-316	1
		> SHAFT-SLEEVE-D26xD22x16-CW	1
		> SPACER WASHER D22,3XD36 L3-316L	1
		> IMPELLER-H2-M+52-316	1
13.2	4164771	INTERMEDIATE STAGE HELIX 52 1.4404 KIT	1
		> MACH.STD-DIFFUSER+NR-M+52-316	1
		> IMPELLER-H5-M+52-316	1
13.3	4164773	INTERMEDIATE STAGE HELIX 52 1.4404 KIT	1
		> MACH.STD-DIFFUSER+NR-M+52-316	1
		> REDUCED-IMPELLER-H5-M+52-316	1
13.4	4164774	UPPER STAGE HELIX 52 1.4404 KIT	1
		> STOP COLLAR OF IMPELLER L27,6-Ø22-316L	1
		> SLEEVE-SPACER-D22XL16,66-316L	1
		> SPACER WASHER D22,3XD36 L3-316L	1
		> REDUCED-IMPELLER-H2-M+52-316	1
		> MACH.STD-DISCHARGE-CHAMBER-M+52-316	1

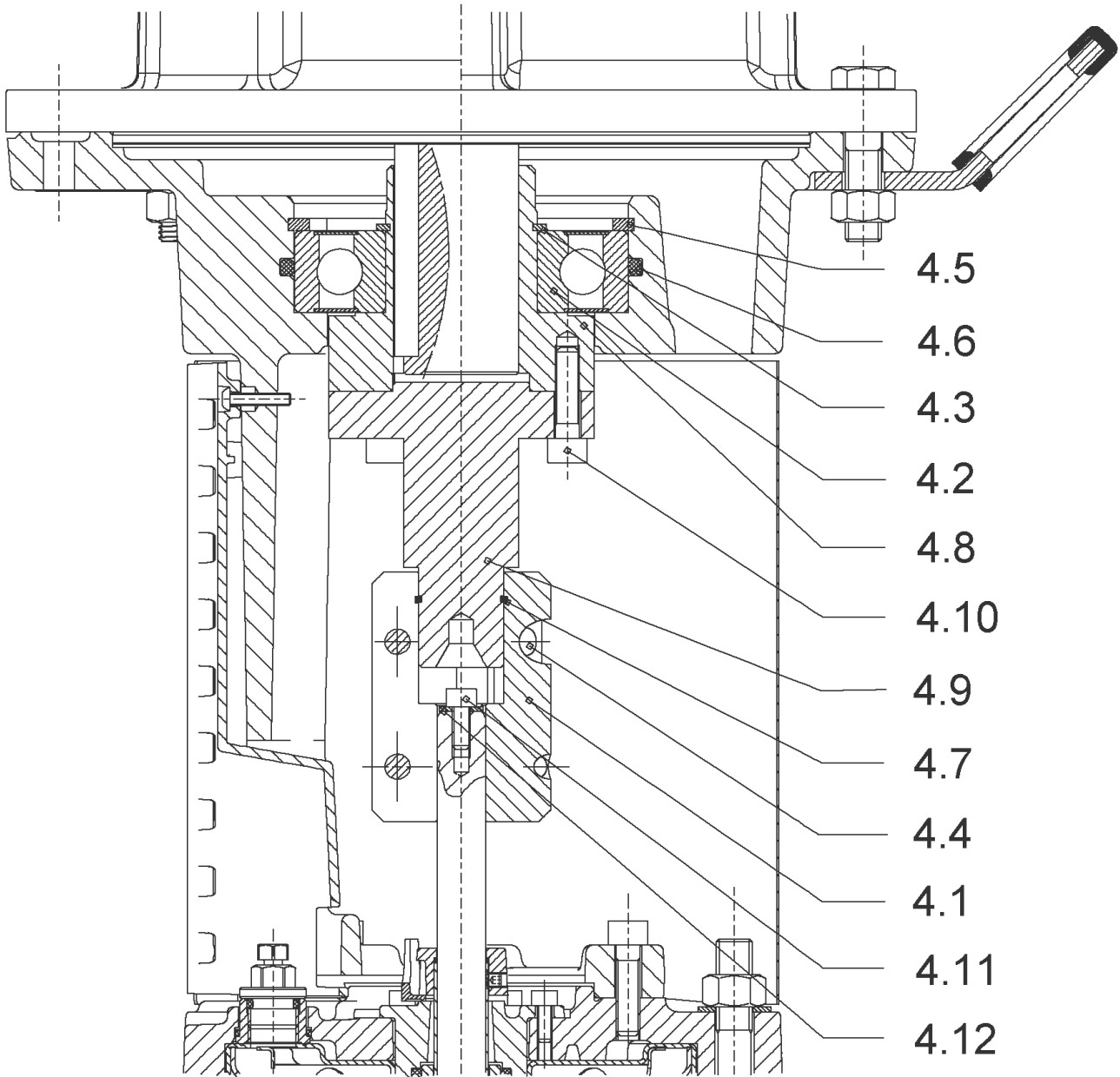


HELIX V5207-2/25/V/KS/400-50 (4150920)

Item	Article no.	Description	Quantity
1	4195491	MOTOR 30/2/200 3~400V 50HZ IE3 VP.	1
		SPARE PARTS MOTOR:ON REQUEST	1
2	4179586	SCREW M16X60 (4 PIECES)	1
3	4161189	LANTERN HELIX V36 FF350 BB6315 KIT	1
3.1		> LANTERN FF350 M+ GJL MACHINED+CATA 6315	1
3.2	4179938	> EYELET CPL.FF350 HELIX(4 PIECES)	1
3.3	4143969	> COUPLING PROTECT HELIX FF KIT	1
4	4161191	COUPLING HELIX V36/52 FF350 RLT6315 KIT	1
5	4157725	SCREW M10X40 (4 PIECES)	1
6	4179940	STUD BOLT M16X796 KIT	1
6.1		> TIE BOLT M16-796x24x44-1.4057	1
6.2	4179562	> NUT M16 8.8 ISO4032 (4 PIECES)	1
6.3	4097852	> WASHER-CS-16.4-32-2.8-NFE25-511-A2	1
7	4179959	END SHIELD HELIX 8" FKM 1.4404 KIT	1
7.1		> END SHIELD HELIX 316L MACHINED	1
7.2	4179958	> O-RING-ID.42.52X2.62 VITON VP.	1
7.3	2107767	> O-RING ID.202,80x3,53 VITON VP.	1
8	4161256	FILING/PURGING PLUG FKM KIT	1
8.1		> FILLING/VENTING-PLUG-VM18/10-316L	1
8.2		> FILLING AND VENTING PLUG M+8" 316L	1
8.3		> GASKET-17x3-VITON	1
9	4158206	CARTRIDGE HELIX22-36-52 F/V KIT	1
10	4179984	HOUSING PIPE D.204X730 1.4404 KIT	1
7.3	2107767	> O-RING ID.202,80x3,53 VITON VP.	1
10.1		> HOUSING-PIPE Ø204-M+3610/5207-316L	1
12	4164724	SHAFT EQUIPMENT HELIX V52 KIT	1
13		HYDRAULIC HELIX V 5207	1
14	4179986	SHAFTS D.22X904 1.4462 VP.	1
15	4164769	EQUIPED HOUSING HELIX 52 1.4409 KIT	1
7.3	2107767	> O-RING ID.202,80x3,53 VITON VP.	1
15.1		> PUMP HOUSING M+ DN80 316L MACHINED	1
15.1		> GASKET HOLDER M+ DN80 316L MACHINED	1
15.1		> HYDRAULIC SUPPORT M+ DN80 316L MACHINED	1
15.2	4158195	> PLUG PRESSURE CONNECTION G1/4"316L KIT	1

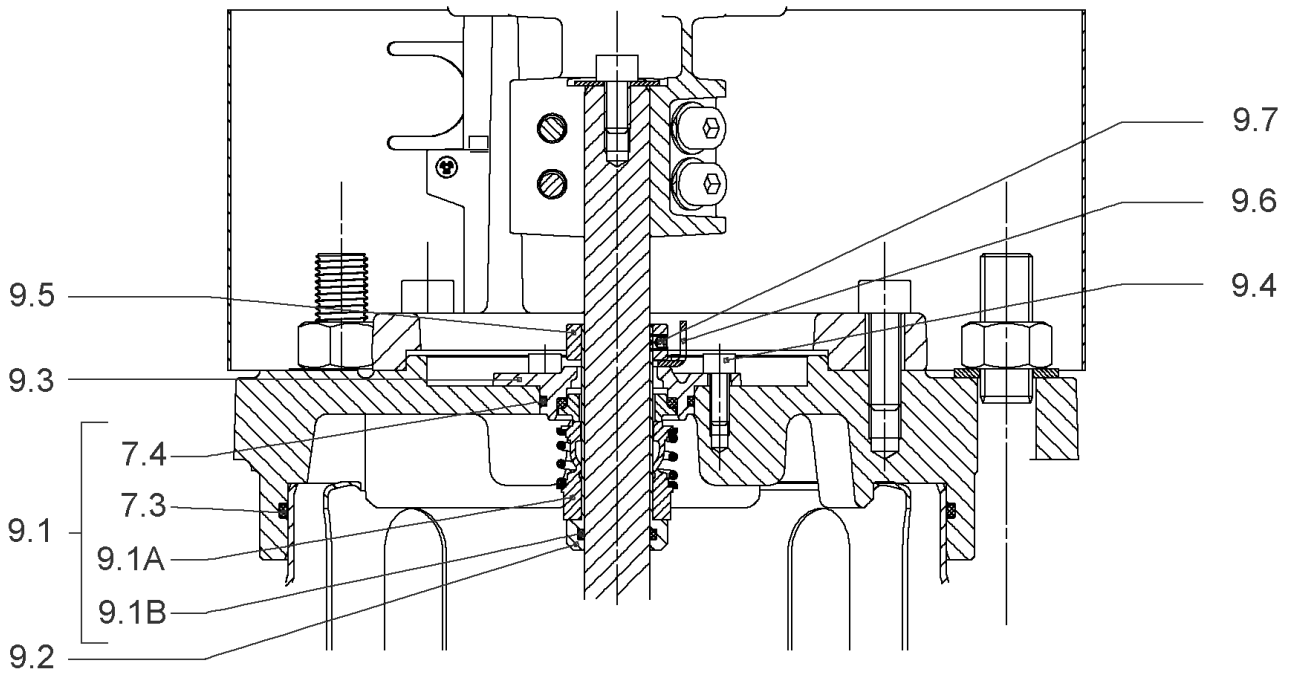
HELIX V5207-2/25/V/KS/400-50 (4150920)

Item	Article no.	Description	Quantity
15.2A		>> PLUG PRESSURE CONNECTION - G1/4" - 316L	1
15.2B	2107769	>> O-RING ID.9,9x2,62 VITON VP.	1
15.3	4158196	> DRAIN/PRIMING PLUG VITON HELIX KIT	1
15.3A		>> DRAIN-AND-PRIMING-PLUG-VM18"-316L	1
15.3B	4032294	>> GASKET-10x3-VITON	1
15.3C	2107768	>> O-RING ID.8,9x2,7 VITON VP.	1
15.4	4143749	> BASE M+ DN50/65/80-304	1
15.5		> SCREW TBHC M12x25 ISO7380 ZN	1
15.6		> FLANGE M+ DN80 NF PN16-25 ASME PN16 CATA	1
15.7		> O-RING Ø91.42xØ3 VITON	1
13.1A	4161268	> NECK RING 1.STAGE HELIX 36 316 KIT	1
		>> NECK-RING-M+36/52	1
		>> HYDRAULIC SUPPORT CAP M+36/52 316	1
		>> SCREW TCL M3X8 A4 POZIDRIV	1



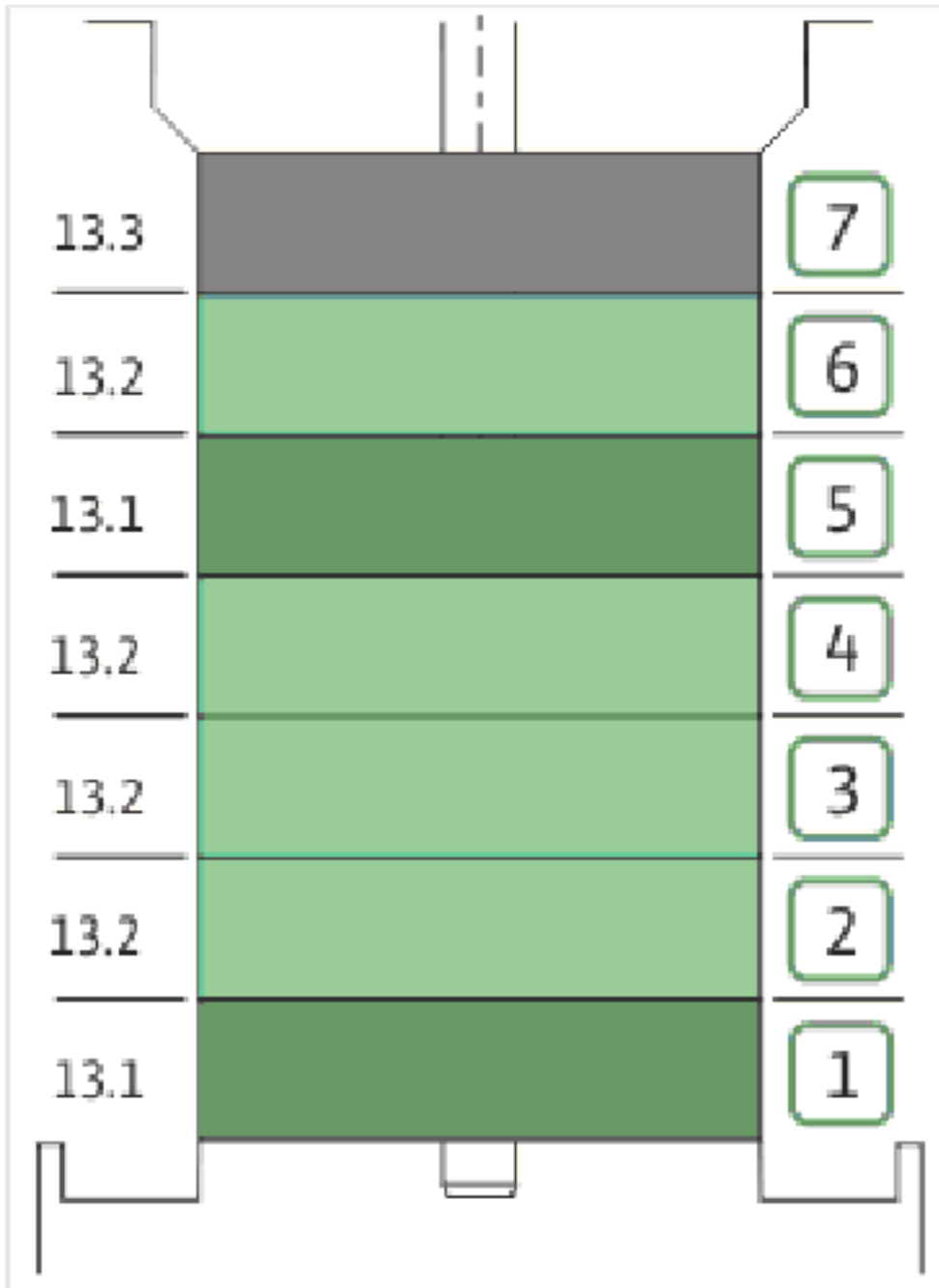
COUPLING HELIX V36/52 FF350 RLT6315 KIT (4161191)

Item	Article no.	Description	Quantity
4.1	4179935	COUPLING 2 PARTS D.20XD.38XL115 VP.	1
4.2	2114423	BALL BEARING 6315C4-ZZ-HT VP.	1
4.3	2119916	CIRCLIP D75X2.5 VP.	1
4.4	4179934	SCREW M12X30 (8 PIECES)	1
4.5	2119917	CIRCLIP D160X4 VP.	1
4.6	2119918	O-RING Ø158.34X3.53 NBR 70SH.VP.	1
4.7	2130992	RETAINING RING D.35xD.2,5 DIN7993 VP.	1
4.8	4179937	HUB D.55XD.75 VP.	1
4.9	4179936	SPACER D.38XD.65 VP.	1
4.10	2130991	SCREW M12X30 ISO4762 8.8 ZN(4 PIECES)	1
4.11	4233959	SCREW M8x16 VP.	1
4.12		SERRATED LOCK WASHER Ø8.2XØ25X35X2	1



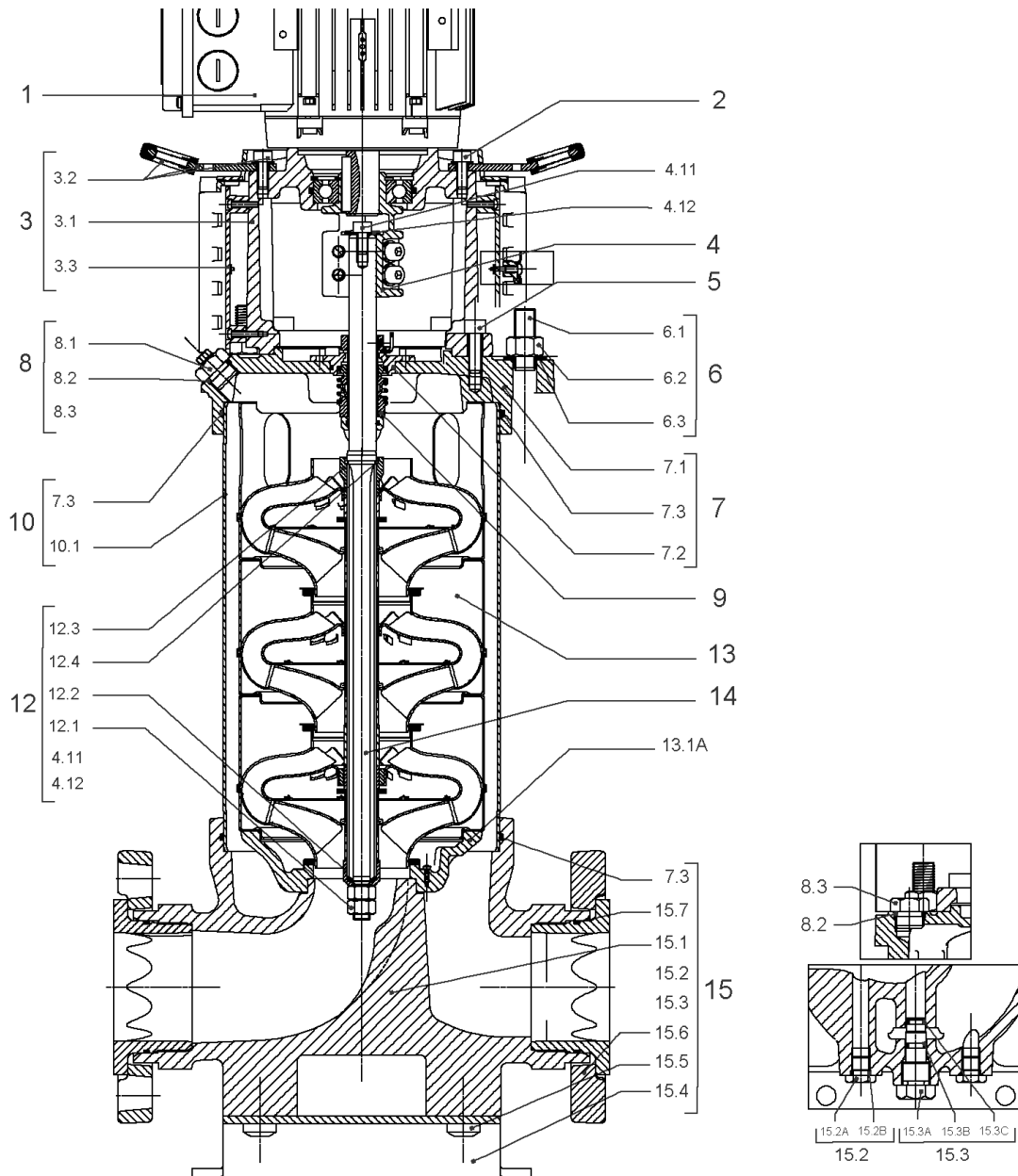
CARTRIDGE HELIX22-36-52 F/V KIT (4158206)

Item	Article no.	Description	Quantity
9.1	4158205	SEAL-KIT-HELIX22-36-52 F/V	1
7.3	2107767	> O-RING ID.202,80x3,53 VITON VP.	1
7.4	4179958	> O-RING-ID.42.52X2.62 VITON VP.	1
9.1A	4179982	> M.SEAL.HELIX22-36-52 F/V VP.	1
9.1B	4179960	> O-RING ID.20x2.65 FKM VP.	1
9.2	4179566	SHAFT SLEEVE D.20/20X60 1.4404 VP.	1
9.3	4179567	RING HOLDER Ø22 1.4301 VP.	1
9.4	4176520	SCREW CH M5x5 A4-70 (3PIECES)	1
9.5	4179568	DRIVE RING D.31/22.1x11 MACH.VP.	1
9.6	4179569	TOOL M.S.CART.HELIX 8" VP.	1
9.7	4179570	SCREW M6X16 ISO4762 8.8 GEOMET(4 PIECES)	1



HYDRAULIC HELIX V 5207

Item	Article no.	Description	Quantity
13.1	4164770	INTERMEDIATE STAGE HELIX 52 1.4404 KIT	1
		> SLEEVE-SPACER-D22XL30,42-316L	1
		> MACH.BEARING-DIFFUSER+NR-M+52-316	1
		> SHAFT-SLEEVE-D26xD22x16-CW	1
		> SPACER WASHER D22,3XD36 L3-316L	1
		> IMPELLER-H2-M+52-316	1
13.2	4164771	INTERMEDIATE STAGE HELIX 52 1.4404 KIT	1
		> MACH.STD-DIFFUSER+NR-M+52-316	1
		> IMPELLER-H5-M+52-316	1
13.3	4164772	UPPER STAGE HELIX 52 1.4404 KIT	1
		> STOP COLLAR OF IMPELLER L27,6-Ø22-316L	1
		> SLEEVE-SPACER-D22XL16,66-316L	1
		> SPACER WASHER D22,3XD36 L3-316L	1
		> IMPELLER-H2-M+52-316	1
		> MACH.STD-DISCHARGE-CHAMBER-M+52-316	1

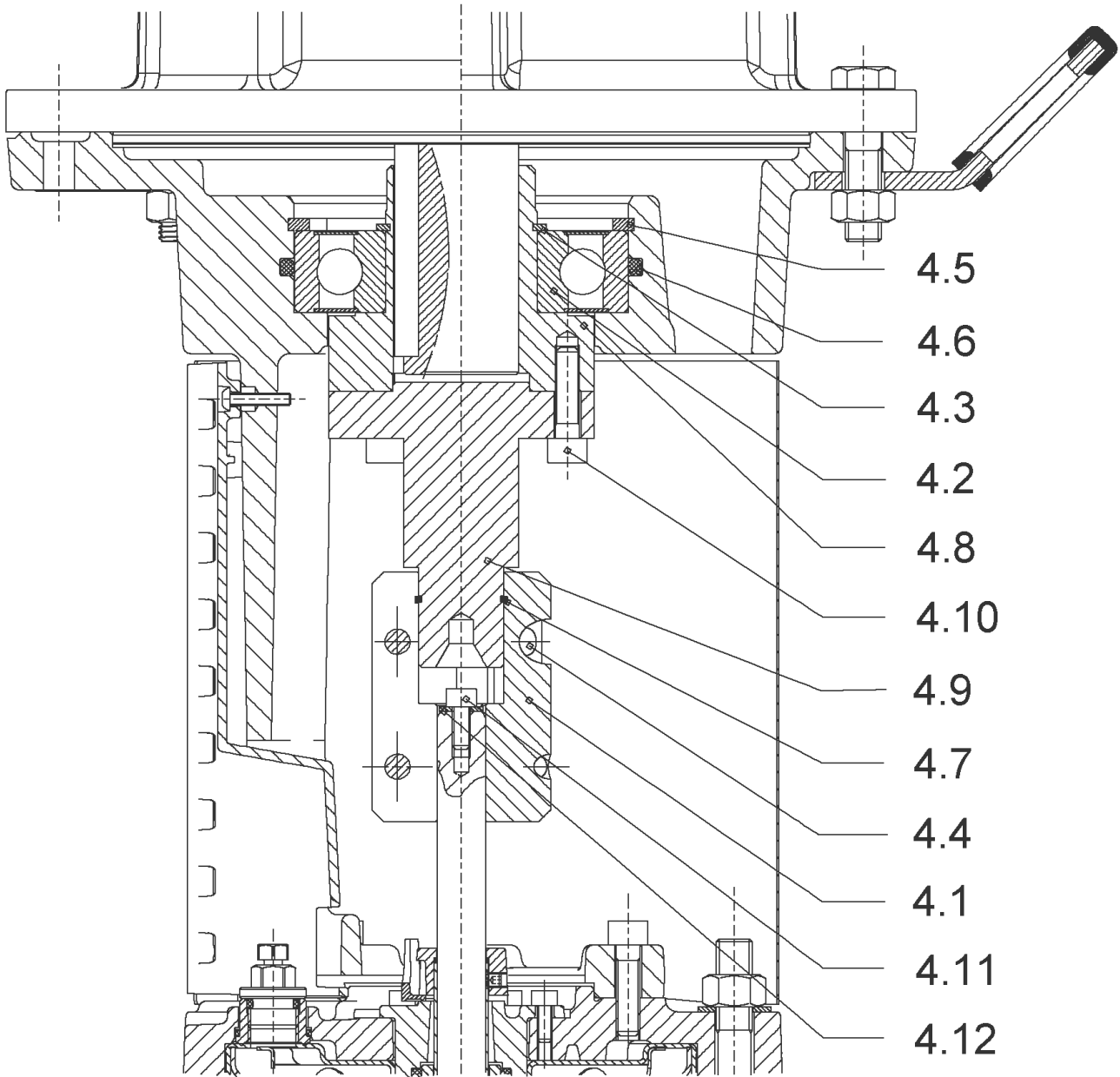


HELIX V5208/2-2/25/V/KS/400-50 (4150921)

Item	Article no.	Description	Quantity
1	4195491	MOTOR 30/2/200 3~400V 50HZ IE3 VP.	1
		SPARE PARTS MOTOR:ON REQUEST	1
2	4179586	SCREW M16X60 (4 PIECES)	1
3	4161189	LANTERN HELIX V36 FF350 BB6315 KIT	1
3.1		> LANTERN FF350 M+ GJL MACHINED+CATA 6315	1
3.2	4179938	> EYELET CPL.FF350 HELIX(4 PIECES)	1
3.3	4143969	> COUPLING PROTECT HELIX FF KIT	1
4	4161191	COUPLING HELIX V36/52 FF350 RLT6315 KIT	1
5	4157725	SCREW M10X40 (4 PIECES)	1
6	4179944	STUD BOLT M16X900 KIT	1
6.1		> TIE BOLT M16-900x24x44-1.4057	1
6.2	4179562	> NUT M16 8.8 ISO4032 (4 PIECES)	1
6.3	4097852	> WASHER-CS-16.4-32-2.8-NFE25-511-A2	1
7	4179959	END SHIELD HELIX 8" FKM 1.4404 KIT	1
7.1		> END SHIELD HELIX 316L MACHINED	1
7.2	4179958	> O-RING-ID.42.52X2.62 VITON VP.	1
7.3	2107767	> O-RING ID.202,80x3,53 VITON VP.	1
8	4161256	FILING/PURGING PLUG FKM KIT	1
8.1		> FILLING/VENTING-PLUG-VM18/10-316L	1
8.2		> FILLING AND VENTING PLUG M+8" 316L	1
8.3		> GASKET-17x3-VITON	1
9	4158206	CARTRIDGE HELIX22-36-52 F/V KIT	1
10	4179988	HOUSING PIPE D.204X830 1.4404 KIT	1
7.3	2107767	> O-RING ID.202,80x3,53 VITON VP.	1
10.1		> HOUSING-PIPE Ø204-M+5208-316L	1
12	4164724	SHAFT EQUIPMENT HELIX V52 KIT	1
13		HYDRAULIC HELIX V 5208-2	1
14	4179990	SHAFT D.22X1004 1.4462 VP.	1
15	4164769	EQUIPED HOUSING HELIX 52 1.4409 KIT	1
7.3	2107767	> O-RING ID.202,80x3,53 VITON VP.	1
15.1		> PUMP HOUSING M+ DN80 316L MACHINED	1
15.1		> GASKET HOLDER M+ DN80 316L MACHINED	1
15.1		> HYDRAULIC SUPPORT M+ DN80 316L MACHINED	1
15.2	4158195	> PLUG PRESSURE CONNECTION G1/4"316L KIT	1

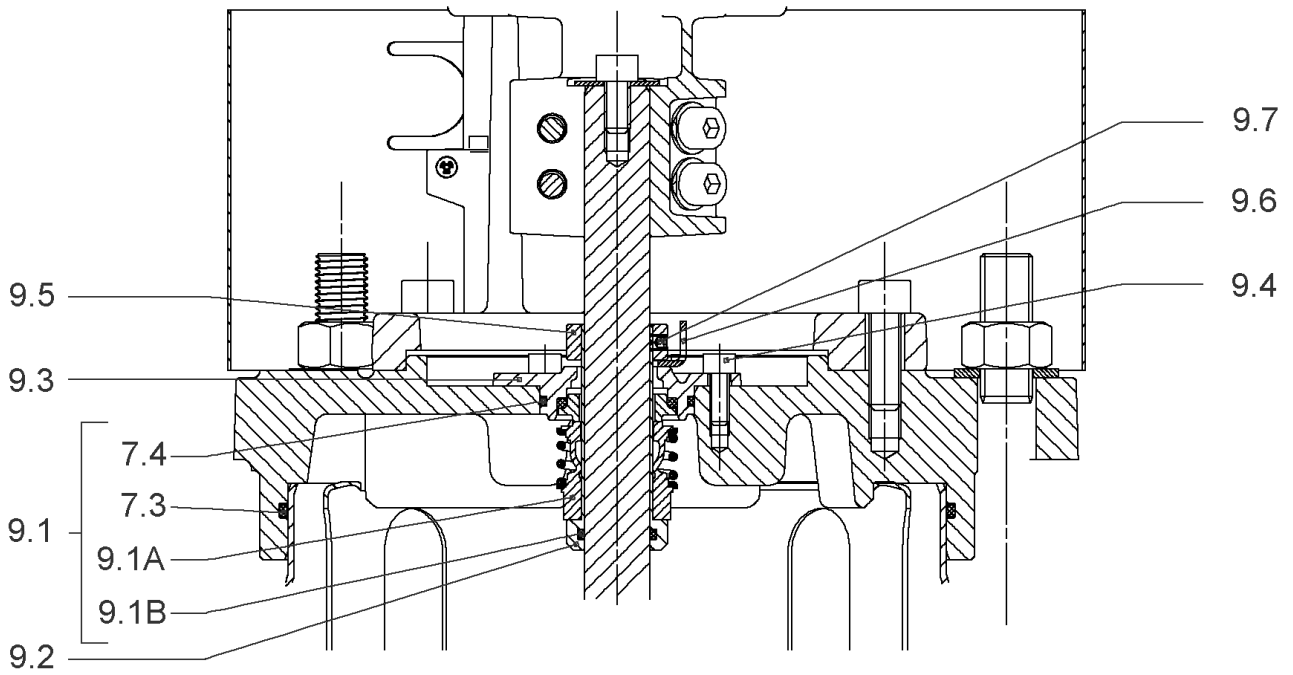
HELIX V5208/2-2/25/V/KS/400-50 (4150921)

Item	Article no.	Description	Quantity
15.2A		>> PLUG PRESSURE CONNECTION - G1/4" - 316L	1
15.2B	2107769	>> O-RING ID.9,9x2,62 VITON VP.	1
15.3	4158196	> DRAIN/PRIMING PLUG VITON HELIX KIT	1
15.3A		>> DRAIN-AND-PRIMING-PLUG-VM18"-316L	1
15.3B	4032294	>> GASKET-10x3-VITON	1
15.3C	2107768	>> O-RING ID.8,9x2,7 VITON VP.	1
15.4	4143749	> BASE M+ DN50/65/80-304	1
15.5		> SCREW TBHC M12x25 ISO7380 ZN	1
15.6		> FLANGE M+ DN80 NF PN16-25 ASME PN16 CATA	1
15.7		> O-RING Ø91.42xØ3 VITON	1
13.1A	4161268	> NECK RING 1.STAGE HELIX 36 316 KIT	1
		>> NECK-RING-M+36/52	1
		>> HYDRAULIC SUPPORT CAP M+36/52 316	1
		>> SCREW TCL M3X8 A4 POZIDRIV	1



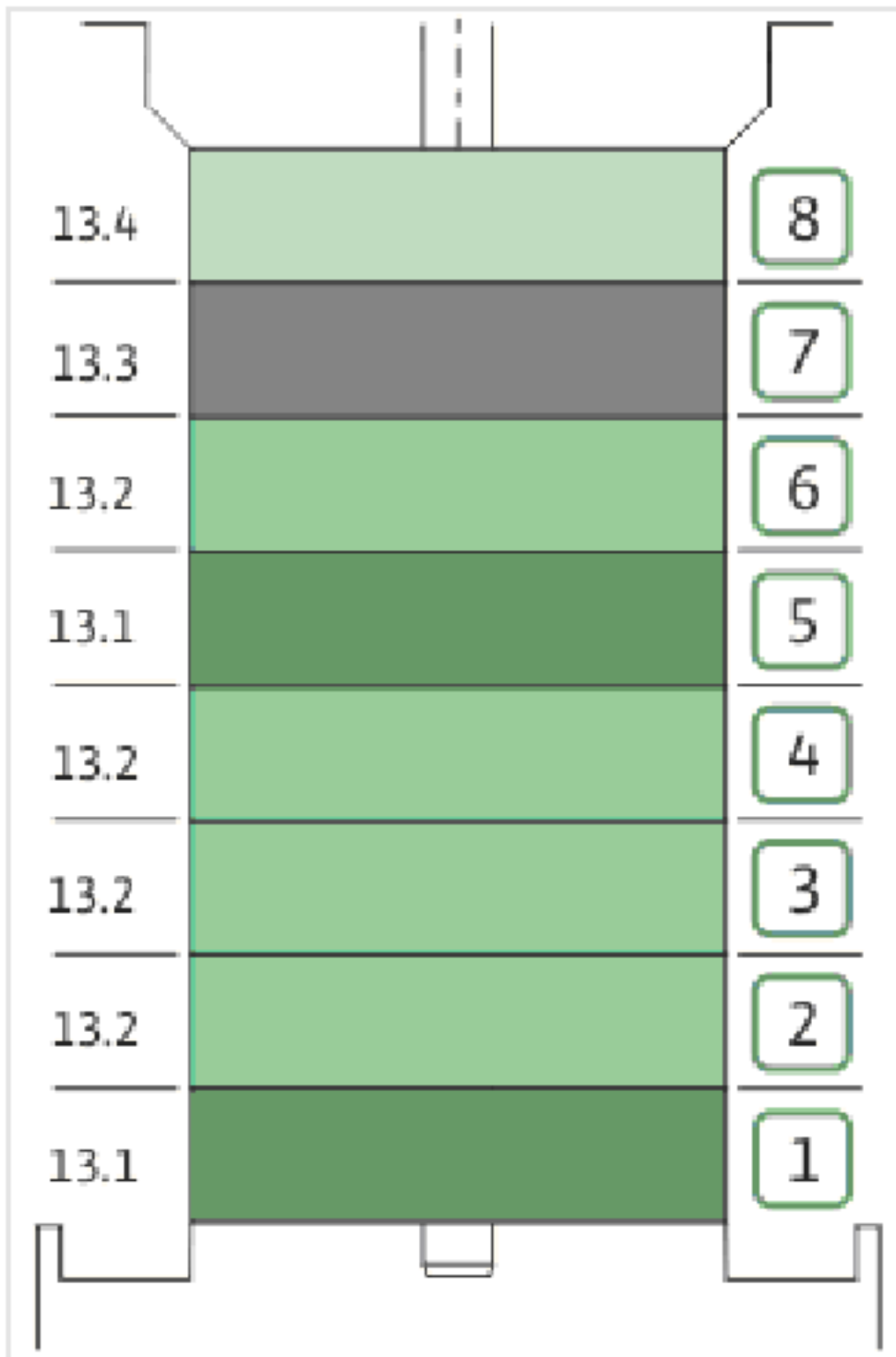
COUPLING HELIX V36/52 FF350 RLT6315 KIT (4161191)

Item	Article no.	Description	Quantity
4.1	4179935	COUPLING 2 PARTS D.20XD.38XL115 VP.	1
4.2	2114423	BALL BEARING 6315C4-ZZ-HT VP.	1
4.3	2119916	CIRCLIP D75X2.5 VP.	1
4.4	4179934	SCREW M12X30 (8 PIECES)	1
4.5	2119917	CIRCLIP D160X4 VP.	1
4.6	2119918	O-RING Ø158.34X3.53 NBR 70SH.VP.	1
4.7	2130992	RETAINING RING D.35xD.2,5 DIN7993 VP.	1
4.8	4179937	HUB D.55XD.75 VP.	1
4.9	4179936	SPACER D.38XD.65 VP.	1
4.10	2130991	SCREW M12X30 ISO4762 8.8 ZN(4 PIECES)	1
4.11	4233959	SCREW M8x16 VP.	1
4.12		SERRATED LOCK WASHER Ø8.2XØ25X35X2	1



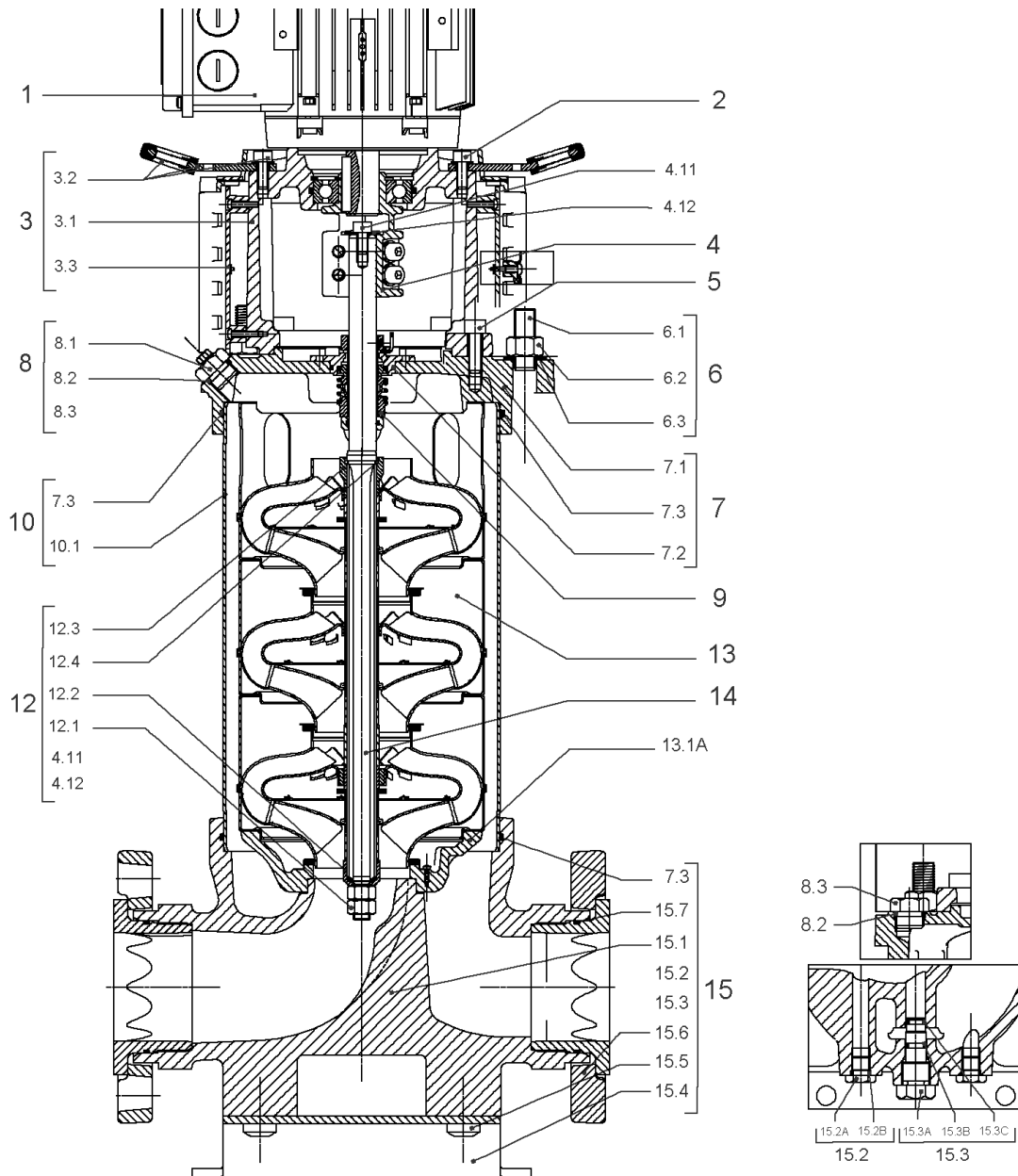
CARTRIDGE HELIX22-36-52 F/V KIT (4158206)

Item	Article no.	Description	Quantity
9.1	4158205	SEAL-KIT-HELIX22-36-52 F/V	1
7.3	2107767	> O-RING ID.202,80x3,53 VITON VP.	1
7.4	4179958	> O-RING-ID.42.52X2.62 VITON VP.	1
9.1A	4179982	> M.SEAL.HELIX22-36-52 F/V VP.	1
9.1B	4179960	> O-RING ID.20x2.65 FKM VP.	1
9.2	4179566	SHAFT SLEEVE D.20/20X60 1.4404 VP.	1
9.3	4179567	RING HOLDER Ø22 1.4301 VP.	1
9.4	4176520	SCREW CH M5x5 A4-70 (3PIECES)	1
9.5	4179568	DRIVE RING D.31/22.1x11 MACH.VP.	1
9.6	4179569	TOOL M.S.CART.HELIX 8" VP.	1
9.7	4179570	SCREW M6X16 ISO4762 8.8 GEOMET(4 PIECES)	1



HYDRAULIC HELIX V 5208-2

Item	Article no.	Description	Quantity
13.1	4164770	INTERMEDIATE STAGE HELIX 52 1.4404 KIT	1
		> SLEEVE-SPACER-D22XL30,42-316L	1
		> MACH.BEARING-DIFFUSER+NR-M+52-316	1
		> SHAFT-SLEEVE-D26xD22x16-CW	1
		> SPACER WASHER D22,3XD36 L3-316L	1
		> IMPELLER-H2-M+52-316	1
13.2	4164771	INTERMEDIATE STAGE HELIX 52 1.4404 KIT	1
		> MACH.STD-DIFFUSER+NR-M+52-316	1
		> IMPELLER-H5-M+52-316	1
13.3	4164773	INTERMEDIATE STAGE HELIX 52 1.4404 KIT	1
		> MACH.STD-DIFFUSER+NR-M+52-316	1
		> REDUCED-IMPELLER-H5-M+52-316	1
13.4	4164774	UPPER STAGE HELIX 52 1.4404 KIT	1
		> STOP COLLAR OF IMPELLER L27,6-Ø22-316L	1
		> SLEEVE-SPACER-D22XL16,66-316L	1
		> SPACER WASHER D22,3XD36 L3-316L	1
		> REDUCED-IMPELLER-H2-M+52-316	1
		> MACH.STD-DISCHARGE-CHAMBER-M+52-316	1

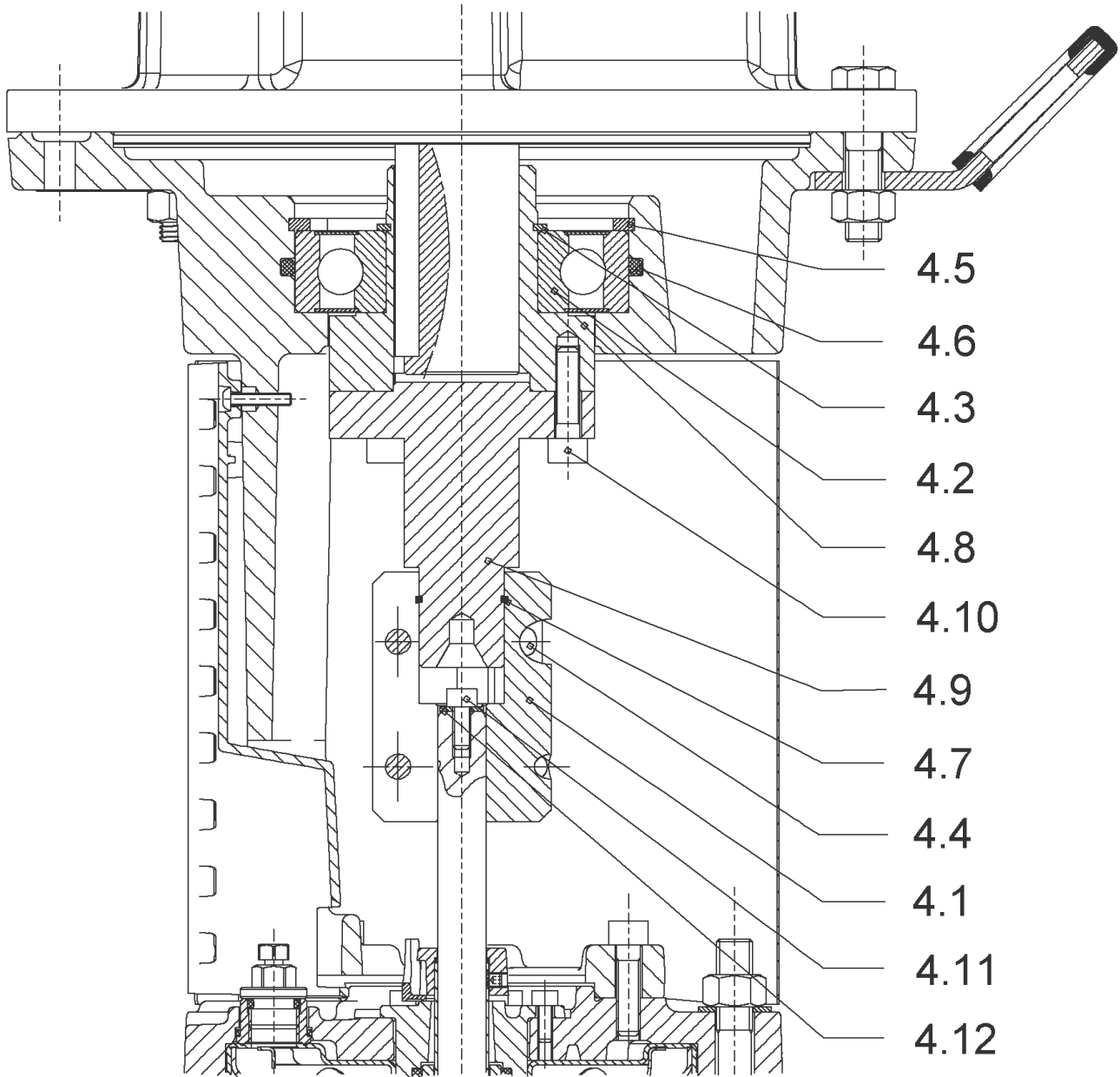


HELIX V5208-2/25/V/KS/400-50 (4150922)

Item	Article no.	Description	Quantity
1	4195491	MOTOR 30/2/200 3~400V 50HZ IE3 VP.	1
		SPARE PARTS MOTOR:ON REQUEST	1
2	4179586	SCREW M16X60 (4 PIECES)	1
3	4161189	LANTERN HELIX V36 FF350 BB6315 KIT	1
3.1		> LANTERN FF350 M+ GJL MACHINED+CATA 6315	1
3.2	4179938	> EYELET CPL.FF350 HELIX(4 PIECES)	1
3.3	4143969	> COUPLING PROTECT HELIX FF KIT	1
4	4161191	COUPLING HELIX V36/52 FF350 RLT6315 KIT	1
5	4157725	SCREW M10X40 (4 PIECES)	1
6	4179944	STUD BOLT M16X900 KIT	1
6.1		> TIE BOLT M16-900x24x44-1.4057	1
6.2	4179562	> NUT M16 8.8 ISO4032 (4 PIECES)	1
6.3	4097852	> WASHER-CS-16.4-32-2.8-NFE25-511-A2	1
7	4179959	END SHIELD HELIX 8" FKM 1.4404 KIT	1
7.1		> END SHIELD HELIX 316L MACHINED	1
7.2	4179958	> O-RING-ID.42.52X2.62 VITON VP.	1
7.3	2107767	> O-RING ID.202,80x3,53 VITON VP.	1
8	4161256	FILING/PURGING PLUG FKM KIT	1
8.1		> FILLING/VENTING-PLUG-VMI8/10-316L	1
8.2		> FILLING AND VENTING PLUG M+8" 316L	1
8.3		> GASKET-17x3-VITON	1
9	4158206	CARTRIDGE HELIX22-36-52 F/V KIT	1
10	4179988	HOUSING PIPE D.204X830 1.4404 KIT	1
7.3	2107767	> O-RING ID.202,80x3,53 VITON VP.	1
10.1		> HOUSING-PIPE Ø204-M+5208-316L	1
12	4164724	SHAFT EQUIPMENT HELIX V52 KIT	1
13		HYDRAULIC HELIX V 5208	1
14	4179990	SHAFT D.22X1004 1.4462 VP.	1
15	4164769	EQUIPED HOUSING HELIX 52 1.4409 KIT	1
7.3	2107767	> O-RING ID.202,80x3,53 VITON VP.	1
15.1		> PUMP HOUSING M+ DN80 316L MACHINED	1
15.1		> GASKET HOLDER M+ DN80 316L MACHINED	1
15.1		> HYDRAULIC SUPPORT M+ DN80 316L MACHINED	1
15.2	4158195	> PLUG PRESSURE CONNECTION G1/4"316L KIT	1

HELIX V5208-2/25/V/KS/400-50 (4150922)

Item	Article no.	Description	Quantity
15.2A		>> PLUG PRESSURE CONNECTION - G1/4" - 316L	1
15.2B	2107769	>> O-RING ID.9,9x2,62 VITON VP.	1
15.3	4158196	> DRAIN/PRIMING PLUG VITON HELIX KIT	1
15.3A		>> DRAIN-AND-PRIMING-PLUG-VM18"-316L	1
15.3B	4032294	>> GASKET-10x3-VITON	1
15.3C	2107768	>> O-RING ID.8,9x2,7 VITON VP.	1
15.4	4143749	> BASE M+ DN50/65/80-304	1
15.5		> SCREW TBHC M12x25 ISO7380 ZN	1
15.6		> FLANGE M+ DN80 NF PN16-25 ASME PN16 CATA	1
15.7		> O-RING Ø91.42xØ3 VITON	1
13.1A	4161268	> NECK RING 1.STAGE HELIX 36 316 KIT	1
		>> NECK-RING-M+36/52	1
		>> HYDRAULIC SUPPORT CAP M+36/52 316	1
		>> SCREW TCL M3X8 A4 POZIDRIV	1



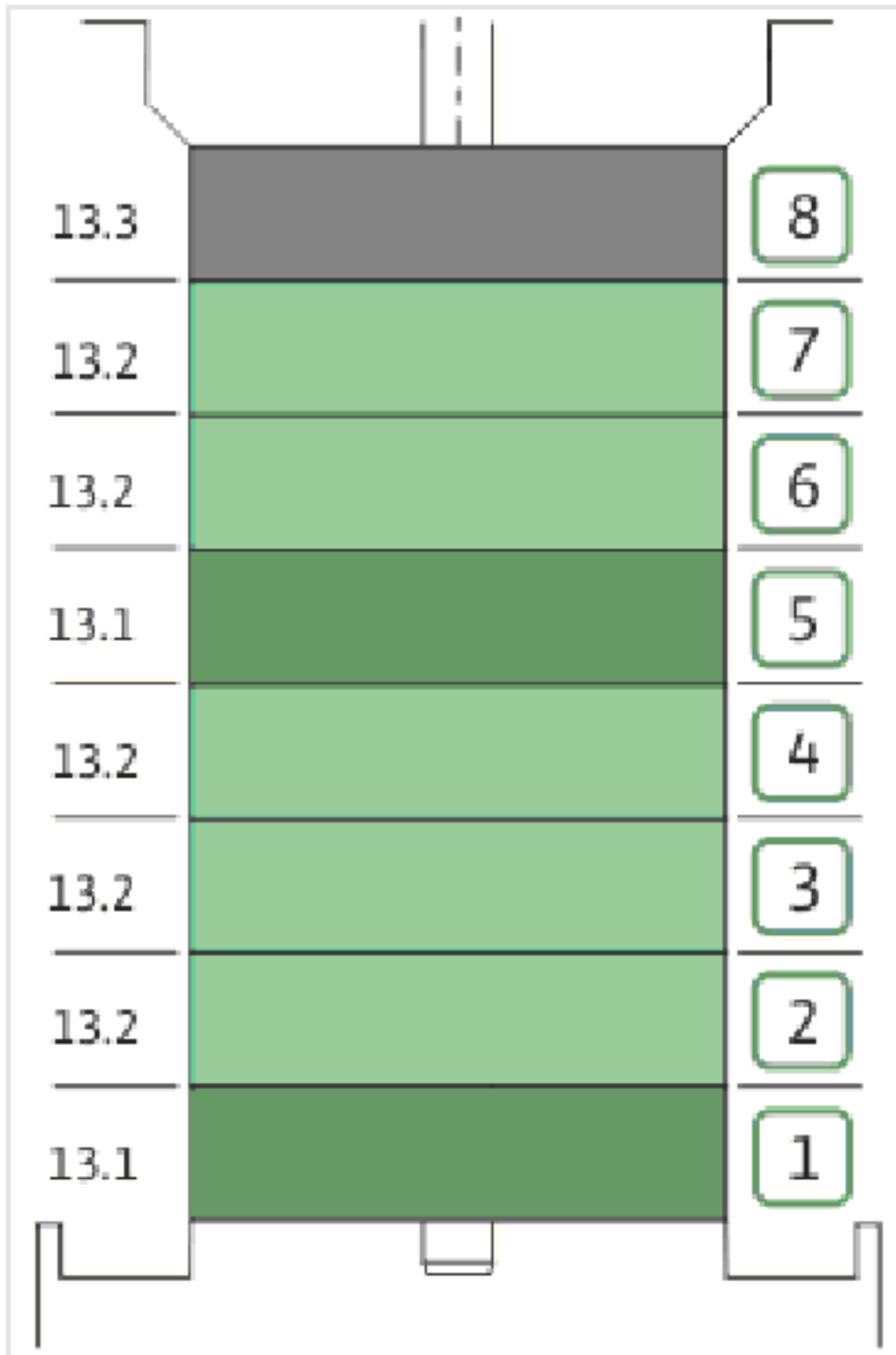
COUPLING HELIX V36/52 FF350 RLT6315 KIT (4161191)

Item	Article no.	Description	Quantity
4.1	4179935	COUPLING 2 PARTS D.20XD.38XL115 VP.	1
4.2	2114423	BALL BEARING 6315C4-ZZ-HT VP.	1
4.3	2119916	CIRCLIP D75X2.5 VP.	1
4.4	4179934	SCREW M12X30 (8 PIECES)	1
4.5	2119917	CIRCLIP D160X4 VP.	1
4.6	2119918	O-RING Ø158.34X3.53 NBR 70SH.VP.	1
4.7	2130992	RETAINING RING D.35xD.2,5 DIN7993 VP.	1
4.8	4179937	HUB D.55XD.75 VP.	1
4.9	4179936	SPACER D.38XD.65 VP.	1
4.10	2130991	SCREW M12X30 ISO4762 8.8 ZN(4 PIECES)	1
4.11	4233959	SCREW M8x16 VP.	1
4.12		SERRATED LOCK WASHER Ø8.2XØ25X35X2	1



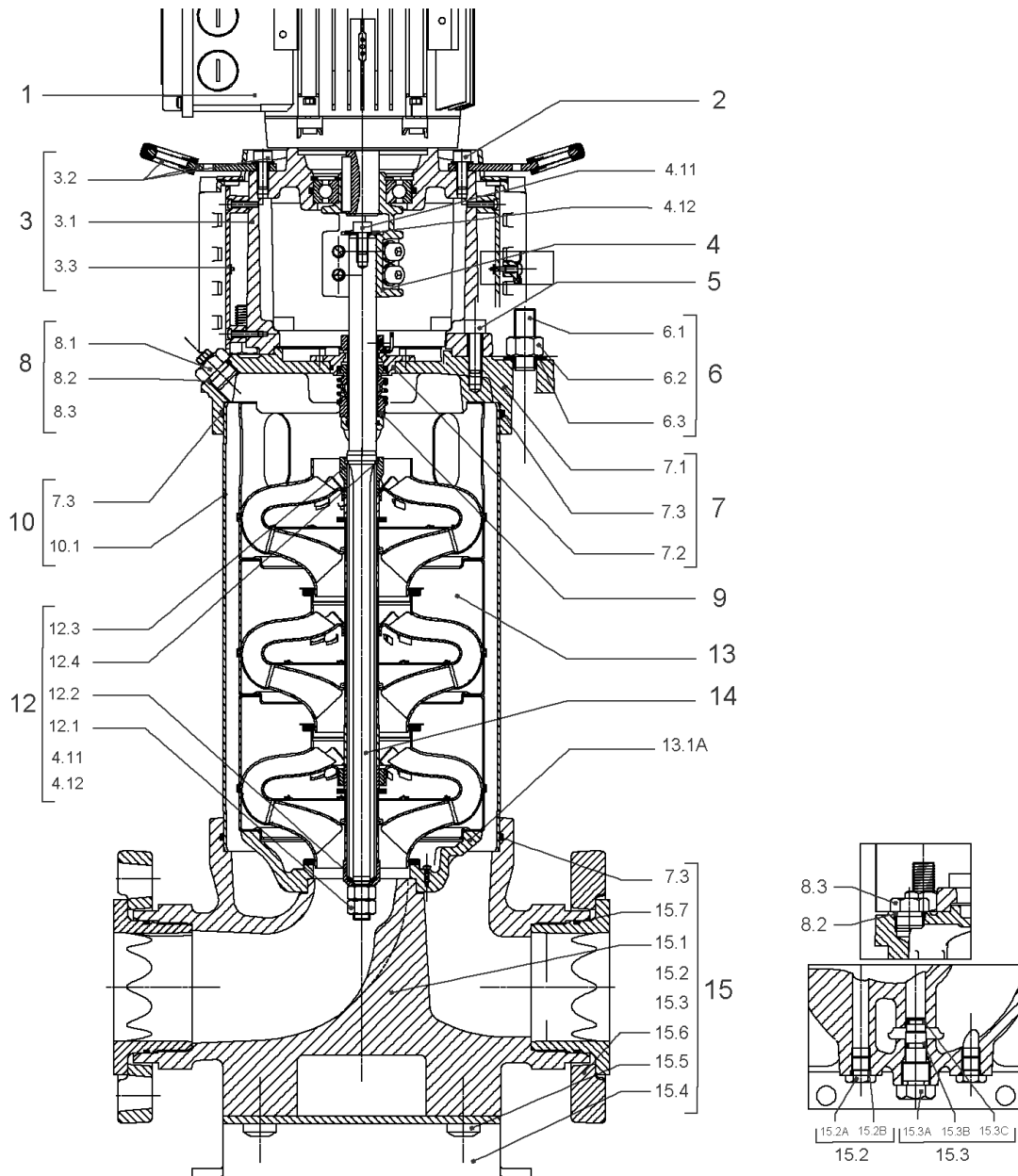
CARTRIDGE HELIX22-36-52 F/V KIT (4158206)

Item	Article no.	Description	Quantity
9.1	4158205	SEAL-KIT-HELIX22-36-52 F/V	1
7.3	2107767	> O-RING ID.202,80x3,53 VITON VP.	1
7.4	4179958	> O-RING-ID.42.52X2.62 VITON VP.	1
9.1A	4179982	> M.SEAL.HELIX22-36-52 F/V VP.	1
9.1B	4179960	> O-RING ID.20x2.65 FKM VP.	1
9.2	4179566	SHAFT SLEEVE D.20/20X60 1.4404 VP.	1
9.3	4179567	RING HOLDER Ø22 1.4301 VP.	1
9.4	4176520	SCREW CH M5x5 A4-70 (3PIECES)	1
9.5	4179568	DRIVE RING D.31/22.1x11 MACH.VP.	1
9.6	4179569	TOOL M.S.CART.HELIX 8" VP.	1
9.7	4179570	SCREW M6X16 ISO4762 8.8 GEOMET(4 PIECES)	1



HYDRAULIC HELIX V 5208

Item	Article no.	Description	Quantity
13.1	4164770	INTERMEDIATE STAGE HELIX 52 1.4404 KIT	1
		> SLEEVE-SPACER-D22XL30,42-316L	1
		> MACH.BEARING-DIFFUSER+NR-M+52-316	1
		> SHAFT-SLEEVE-D26xD22x16-CW	1
		> SPACER WASHER D22,3XD36 L3-316L	1
		> IMPELLER-H2-M+52-316	1
13.2	4164771	INTERMEDIATE STAGE HELIX 52 1.4404 KIT	1
		> MACH.STD-DIFFUSER+NR-M+52-316	1
		> IMPELLER-H5-M+52-316	1
13.3	4164772	UPPER STAGE HELIX 52 1.4404 KIT	1
		> STOP COLLAR OF IMPELLER L27,6-Ø22-316L	1
		> SLEEVE-SPACER-D22XL16,66-316L	1
		> SPACER WASHER D22,3XD36 L3-316L	1
		> IMPELLER-H2-M+52-316	1
		> MACH.STD-DISCHARGE-CHAMBER-M+52-316	1



HELIX V5209/2-2/25/V/KS/400-50 (4150923)

Item	Article no.	Description	Quantity
1	4195492	MOTOR 37/2/200 3~400V 50HZ IE3 VP.	1
		SPARE PARTS MOTOR:ON REQUEST	1
2	4179586	SCREW M16X60 (4 PIECES)	1
3	4164725	LANTERN HELIX 36/52 FF350 BB6216 KIT	1
3.1		> LANT.FF350 M+ GJL MACHIN.+CATA 7216-6216	1
3.2	4179938	> EYELET CPL.FF350 HELIX(4 PIECES)	1
3.3	4143969	> COUPLING PROTECT HELIX FF KIT	1
4	4164726	COUPLING HELIX D.20XD.38 2KUL.KIT	1
5	4157725	SCREW M10X40 (4 PIECES)	1
6	4179954	STUD BOLT M16X1000 KIT	1
6.1		> TIE BOLT M16-1000x24x44-1.4057	1
6.2	4179562	> NUT M16 8.8 ISO4032 (4 PIECES)	1
6.3	4097852	> WASHER-CS-16.4-32-2.8-NFE25-511-A2	1
7	4179959	END SHIELD HELIX 8" FKM 1.4404 KIT	1
7.1		> END SHIELD HELIX 316L MACHINED	1
7.2	4179958	> O-RING-ID.42.52X2.62 VITON VP.	1
7.3	2107767	> O-RING ID.202,80x3,53 VITON VP.	1
8	4161256	FILING/PURGING PLUG FKM KIT	1
8.1		> FILLING/VENTING-PLUG-VM18/10-316L	1
8.2		> FILLING AND VENTING PLUG M+8" 316L	1
8.3		> GASKET-17x3-VITON	1
9	4158206	CARTRIDGE HELIX22-36-52 F/V KIT	1
10	4179992	HOUSING PIPE D.204X930 1.4404 KIT	1
7.3	2107767	> O-RING ID.202,80x3,53 VITON VP.	1
10.1		> HOUSING-PIPE Ø204-M+5209-316L	1
12	4164724	SHAFT EQUIPMENT HELIX V52 KIT	1
13		HYDRAULIC HELIX V 5209-2	1
14	4179994	SHAFTS D.22X1104 1.4462 VP.	1
15	4164769	EQUIPED HOUSING HELIX 52 1.4409 KIT	1
7.3	2107767	> O-RING ID.202,80x3,53 VITON VP.	1
15.1		> PUMP HOUSING M+ DN80 316L MACHINED	1
15.1		> GASKET HOLDER M+ DN80 316L MACHINED	1
15.1		> HYDRAULIC SUPPORT M+ DN80 316L MACHINED	1
15.2	4158195	> PLUG PRESSURE CONNECTION G1/4"316L KIT	1

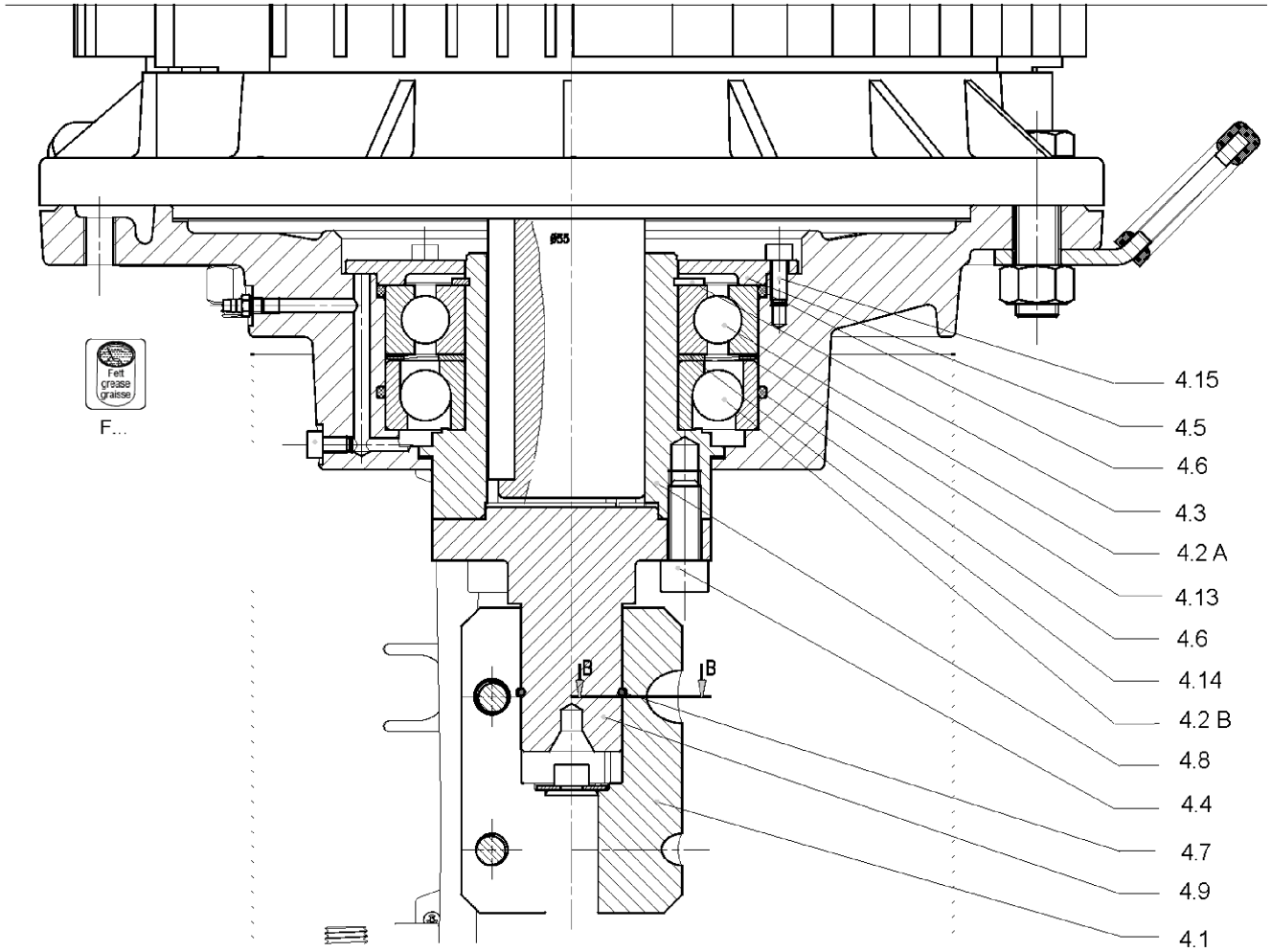
HELIX V5209/2-2/25/V/KS/400-50 (4150923)

Item	Article no.	Description	Quantity
15.2A		>> PLUG PRESSURE CONNECTION - G1/4" - 316L	1
15.2B	2107769	>> O-RING ID.9,9x2,62 VITON VP.	1
15.3	4158196	> DRAIN/PRIMING PLUG VITON HELIX KIT	1
15.3A		>> DRAIN-AND-PRIMING-PLUG-VM18"-316L	1
15.3B	4032294	>> GASKET-10x3-VITON	1
15.3C	2107768	>> O-RING ID.8,9x2,7 VITON VP.	1
15.4	4143749	> BASE M+ DN50/65/80-304	1
15.5		> SCREW TBHC M12x25 ISO7380 ZN	1
15.6		> FLANGE M+ DN80 NF PN16-25 ASME PN16 CATA	1
15.7		> O-RING Ø91.42xØ3 VITON	1
13.1A	4161268	> NECK RING 1.STAGE HELIX 36 316 KIT	1
		>> NECK-RING-M+36/52	1
		>> HYDRAULIC SUPPORT CAP M+36/52 316	1
		>> SCREW TCL M3X8 A4 POZIDRIV	1

MOTEUR A BRIDE 55FF350 **

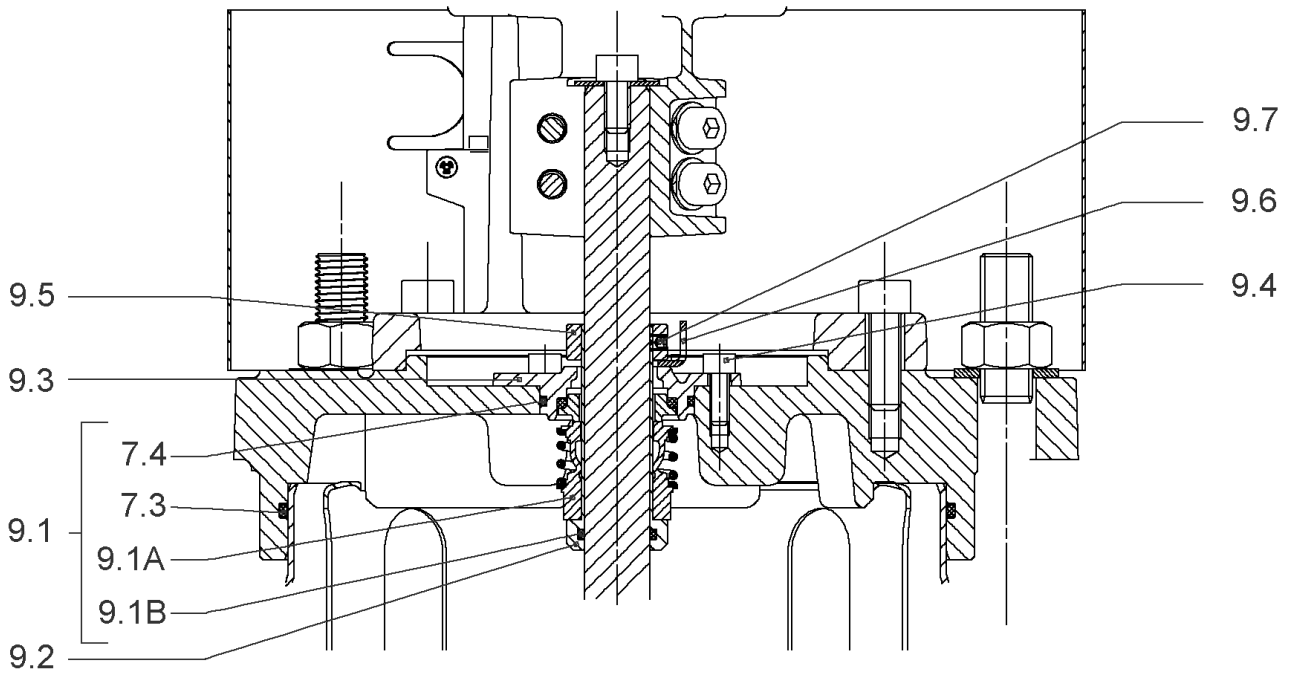
FLANGE MOTOR 55FF350 **

** VERSION 2 ROULEMENTS / ** 2 BALL BEARING VERSION



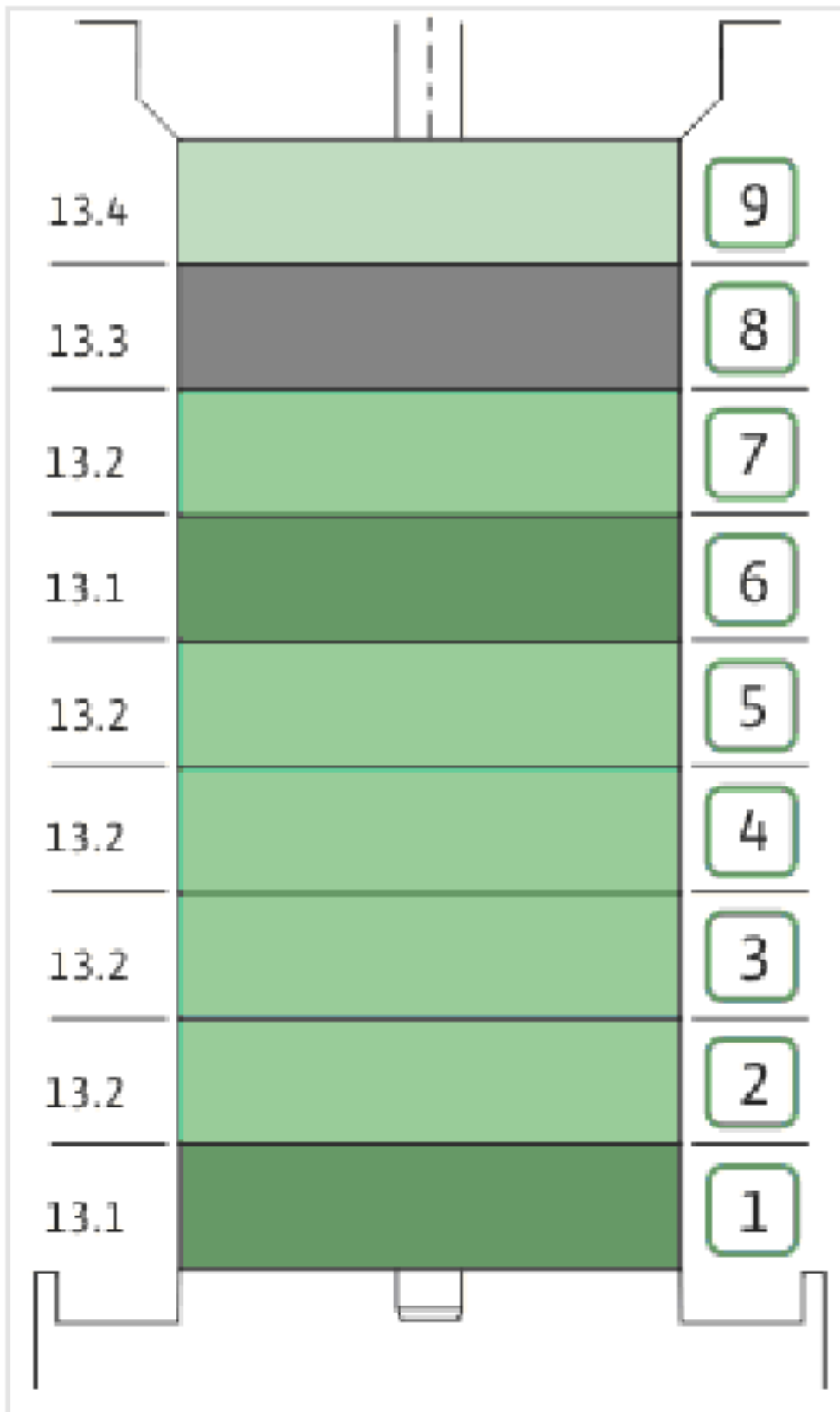
COUPLING HELIX D.20XD.38 2KUL.KIT (4164726)

Item	Article no.	Description	Quantity
4.1	4179935	COUPLING 2 PARTS D.20XD.38XL115 VP.	1
4.2A	4179950	BALL BEARING 7216-BEP-VP.	1
4.2B	4179949	BALL BEARING OPEN 6216 C3 VP.	1
4.3	4055234	CIRCLIP-FOR-SHAFT-D80X2.5-AC.PARK.	1
4.4	4179934	SCREW M12X30 (8 PIECES)	1
4.5		COVER HOUSING BALL BEARING FF350 7216	1
4.6	4233945	O-RING ID.140 VP.	1
4.7	2130992	RETAINING RING D.35xD.2,5 DIN7993 VP.	1
4.8	4179953	HUB D.55XD.80 VP.	1
4.9	4179936	SPACER D.38XD.65 VP.	1
4.10	2130991	SCREW M12X30 ISO4762 8.8 ZN(4 PIECES)	1
4.11	4233959	SCREW M8x16 VP.	1
4.12		SERRATED LOCK WASHER Ø8.2XØ25X35X2	1
4.13	4179951	WASHER INNER-BEARINGD.80XD.100x2.5E24VP.	1
4.14	4179952	CURV.SPRING WASH.A139B126E1-6216/6313VP.	1
4.15		SCREW M6X16 ISO4762 8.8 GEOMET 500B	1



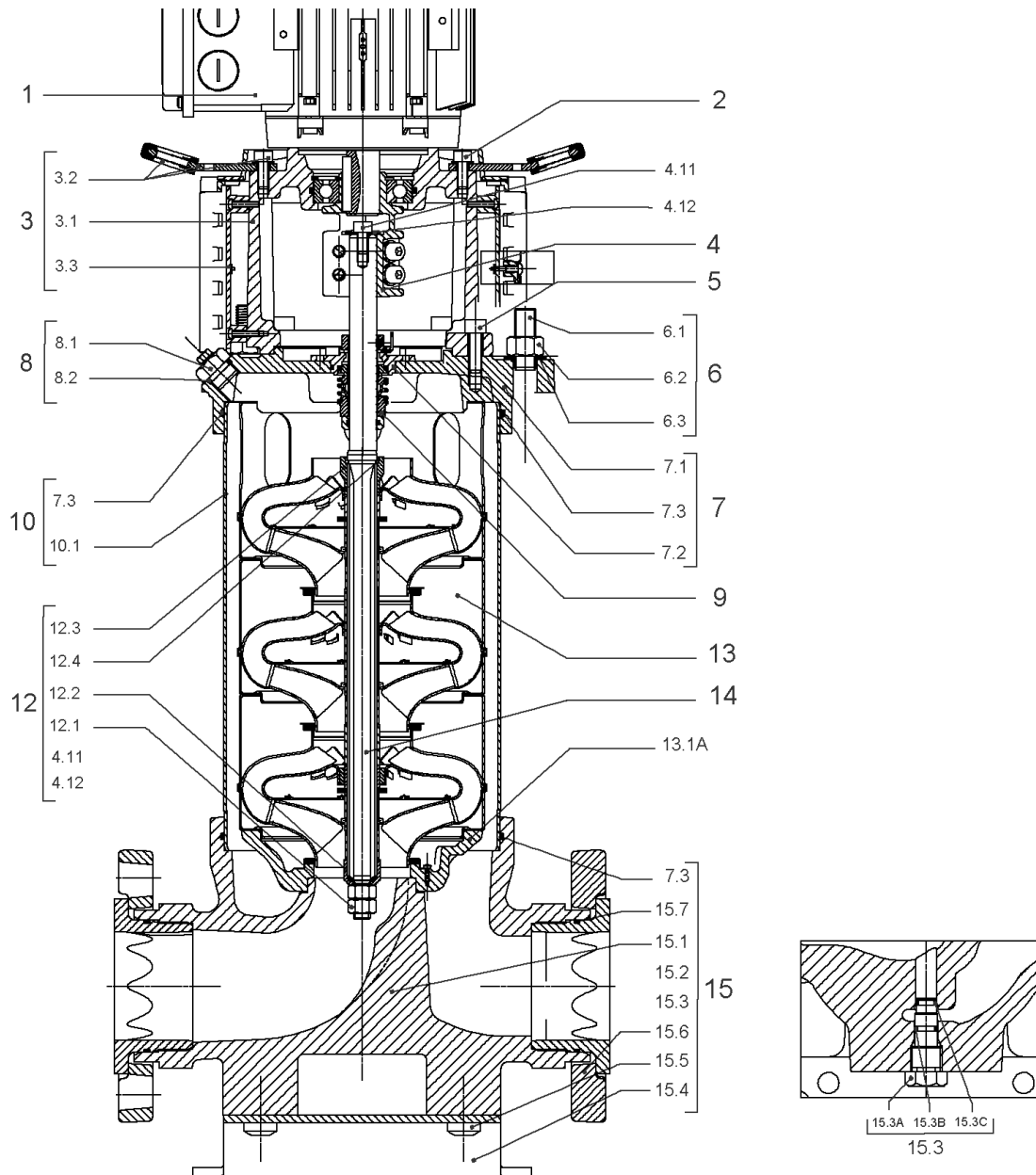
CARTRIDGE HELIX22-36-52 F/V KIT (4158206)

Item	Article no.	Description	Quantity
9.1	4158205	SEAL-KIT-HELIX22-36-52 F/V	1
7.3	2107767	> O-RING ID.202,80x3,53 VITON VP.	1
7.4	4179958	> O-RING-ID.42.52X2.62 VITON VP.	1
9.1A	4179982	> M.SEAL.HELIX22-36-52 F/V VP.	1
9.1B	4179960	> O-RING ID.20x2.65 FKM VP.	1
9.2	4179566	SHAFT SLEEVE D.20/20X60 1.4404 VP.	1
9.3	4179567	RING HOLDER Ø22 1.4301 VP.	1
9.4	4176520	SCREW CH M5x5 A4-70 (3PIECES)	1
9.5	4179568	DRIVE RING D.31/22.1x11 MACH.VP.	1
9.6	4179569	TOOL M.S.CART.HELIX 8" VP.	1
9.7	4179570	SCREW M6X16 ISO4762 8.8 GEOMET(4 PIECES)	1



HYDRAULIC HELIX V 5209-2

Item	Article no.	Description	Quantity
13.1	4164770	INTERMEDIATE STAGE HELIX 52 1.4404 KIT	1
		> SLEEVE-SPACER-D22XL30,42-316L	1
		> MACH.BEARING-DIFFUSER+NR-M+52-316	1
		> SHAFT-SLEEVE-D26xD22x16-CW	1
		> SPACER WASHER D22,3XD36 L3-316L	1
		> IMPELLER-H2-M+52-316	1
13.2	4164771	INTERMEDIATE STAGE HELIX 52 1.4404 KIT	1
		> MACH.STD-DIFFUSER+NR-M+52-316	1
		> IMPELLER-H5-M+52-316	1
13.3	4164773	INTERMEDIATE STAGE HELIX 52 1.4404 KIT	1
		> MACH.STD-DIFFUSER+NR-M+52-316	1
		> REDUCED-IMPELLER-H5-M+52-316	1
13.4	4164774	UPPER STAGE HELIX 52 1.4404 KIT	1
		> STOP COLLAR OF IMPELLER L27,6-Ø22-316L	1
		> SLEEVE-SPACER-D22XL16,66-316L	1
		> SPACER WASHER D22,3XD36 L3-316L	1
		> REDUCED-IMPELLER-H2-M+52-316	1
		> MACH.STD-DISCHARGE-CHAMBER-M+52-316	1



HELIX V5209-3/30/E/KS/400-50 (4165810)

Item	Article no.	Description	Quantity
1	4195492	MOTOR 37/2/200 3~400V 50HZ IE3 VP.	1
		SPARE PARTS MOTOR:ON REQUEST	1
2	4179586	SCREW M16X60 (4 PIECES)	1
3	4164725	LANTERN HELIX 36/52 FF350 BB6216 KIT	1
3.1		> LANT.FF350 M+ GJL MACHIN.+CATA 7216-6216	1
3.2	4179938	> EYELET CPL.FF350 HELIX(4 PIECES)	1
3.3	4143969	> COUPLING PROTECT HELIX FF KIT	1
4	4164726	COUPLING HELIX D.20XD.38 2KUL.KIT	1
5	4157725	SCREW M10X40 (4 PIECES)	1
6	4179954	STUD BOLT M16X1000 KIT	1
6.1		> TIE BOLT M16-1000x24x44-1.4057	1
6.2	4179562	> NUT M16 8.8 ISO4032 (4 PIECES)	1
6.3	4097852	> WASHER-CS-16.4-32-2.8-NFE25-511-A2	1
7	4179565	END SHIELD HELIX 8" EPDM KIT	1
7.1		> END SHIELD M+ GJL MACHINED+CATA	1
7.2	4179564	> O-RING D.42.52x2.62 EPDM VP.	1
7.3	4179571	> O-RING HOUSING PIPE HELIX22/36/52 VP.	1
8	4143765	FILING/PURGING PLUG 316L HELIX KIT	1
8.1		> FILLING/VENTING-PLUG-VMI8/10-316L	1
8.2	4032291	> O-RING 17x3 EPDM KTW/WRC	1
9	4180008	CARTRIDGE HELIX22-36-52 T/E KIT	1
10	4179955	HOUSING PIPE D.204X930 1.4301 KIT	1
7.3	4179571	> O-RING HOUSING PIPE HELIX22/36/52 VP.	1
10.1		> HOUSING-PIPE Ø204-M+5209-304	1
12	4164724	SHAFT EQUIPMENT HELIX V52 KIT	1
13		HYDRAULIC HELIX V 5209	1
14	4179957	SHAFTS D.22X1104 1.4057 VP.	1
15	4164723	EQUIPED HOUSING PN16 HELIX GJL KIT	1
7.3	4179571	> O-RING HOUSING PIPE HELIX22/36/52 VP.	1
15.1		> PUMP HOUSING SET with COATED PARTS-DN80	1
15.3	4143766	> DRAIN/PRIMING PLUG EPDM HELIX KIT	1
15.3A		>> PRIMING/DRAIN PLUG-304-VERSION 1	1
15.3B	4032293	>> O-RING-10x3-EPDM-KTW/WRC	1
15.3C	4233957	>> O-RING ID.9 EPDM VP.	1

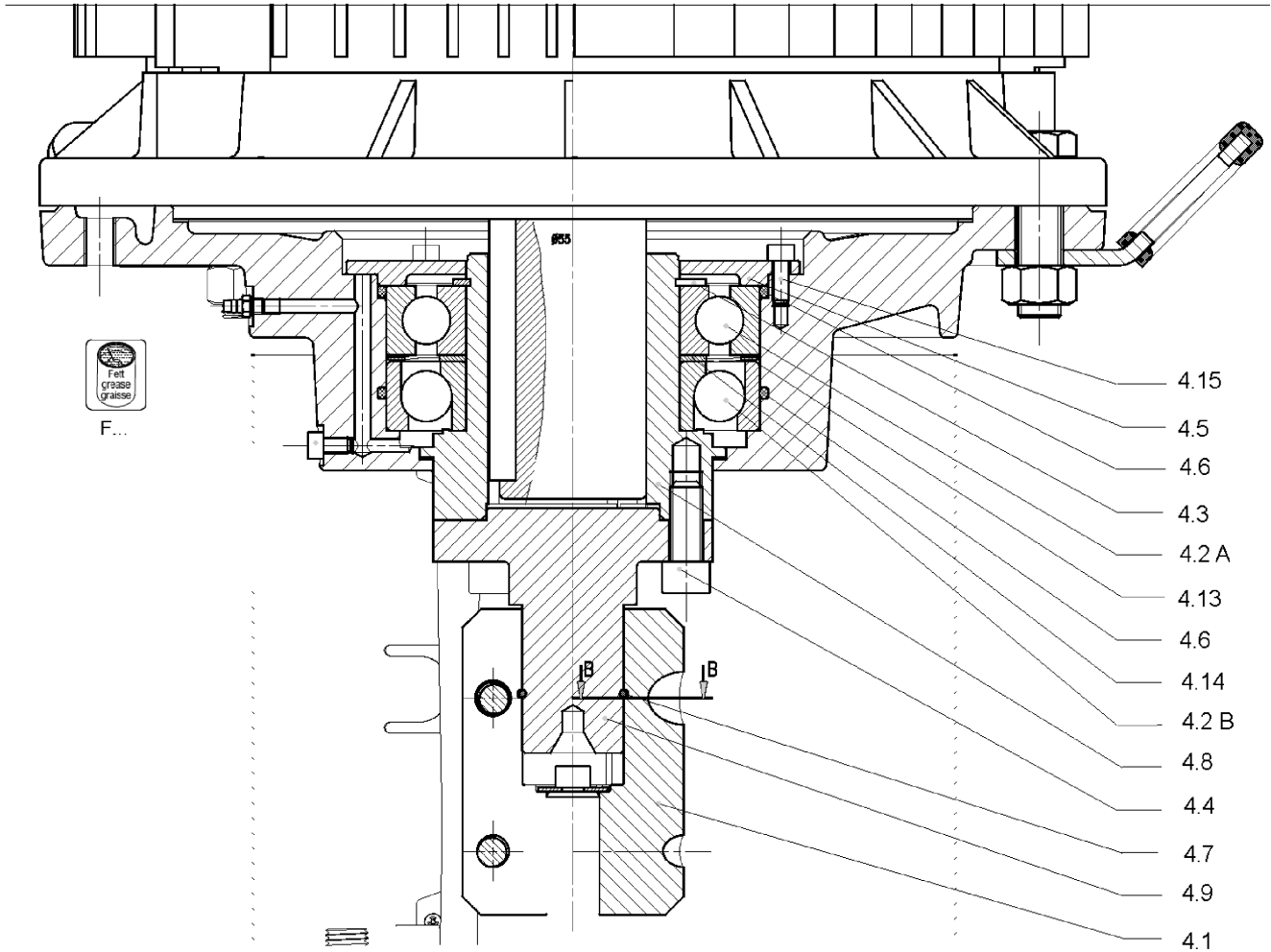
HELIX V5209-3/30/E/KS/400-50 (4165810)

Item	Article no.	Description	Quantity
15.4	4221729	> BASE M+ DN50/65/80 VP.	1
15.5		> SCREW TBHC M12x25 ISO7380 ZN	1
15.6		> FLANGE M+ DN80 NF PN16-25 ASME PN16 CATA	1
15.7		> O-RING Ø91.42xØ3 EPDM	1
13.1A	4161200	> NECK RING 1.STAGE HELIX V36/52 KIT	1
		>> NECK-RING-M+36/52	1
		>> HYDRAULIC SUPPORT CAP M+36/52 304	1
		>> SCREW TCL M3X8 A4 POZIDRIV	1

MOTEUR A BRIDE 55FF350 **

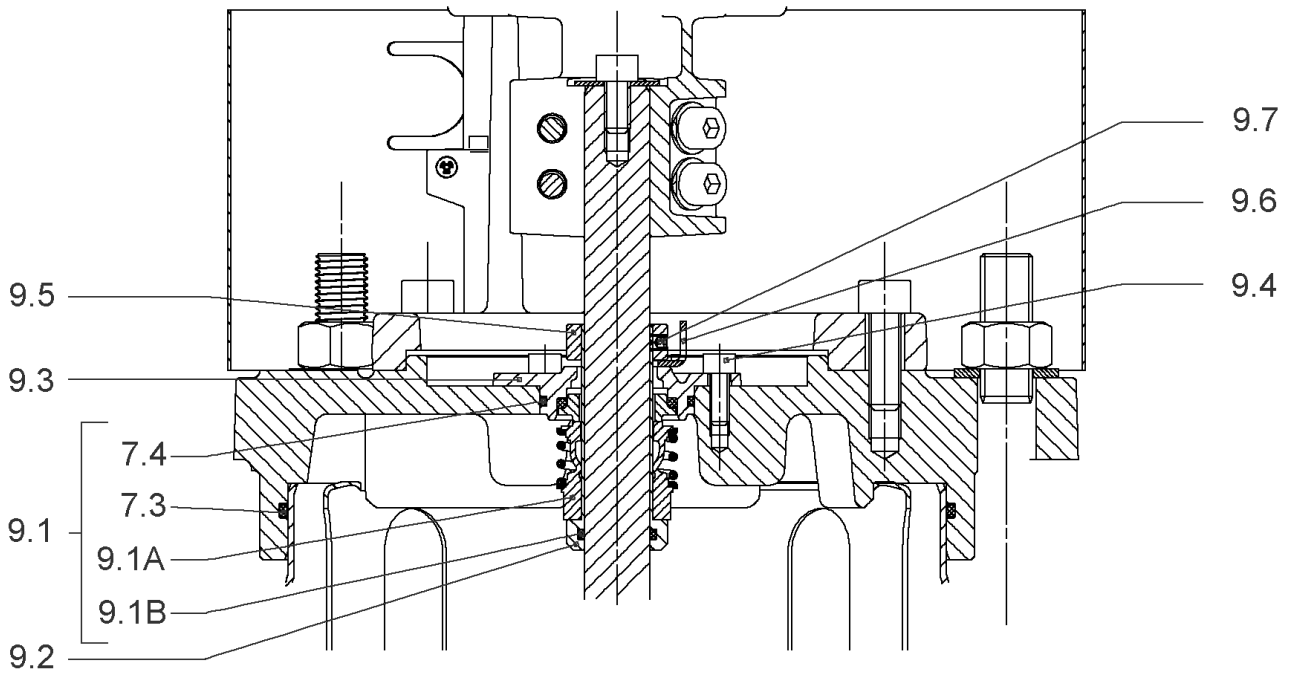
FLANGE MOTOR 55FF350 **

** VERSION 2 ROUEMENTS / ** 2 BALL BEARING VERSION



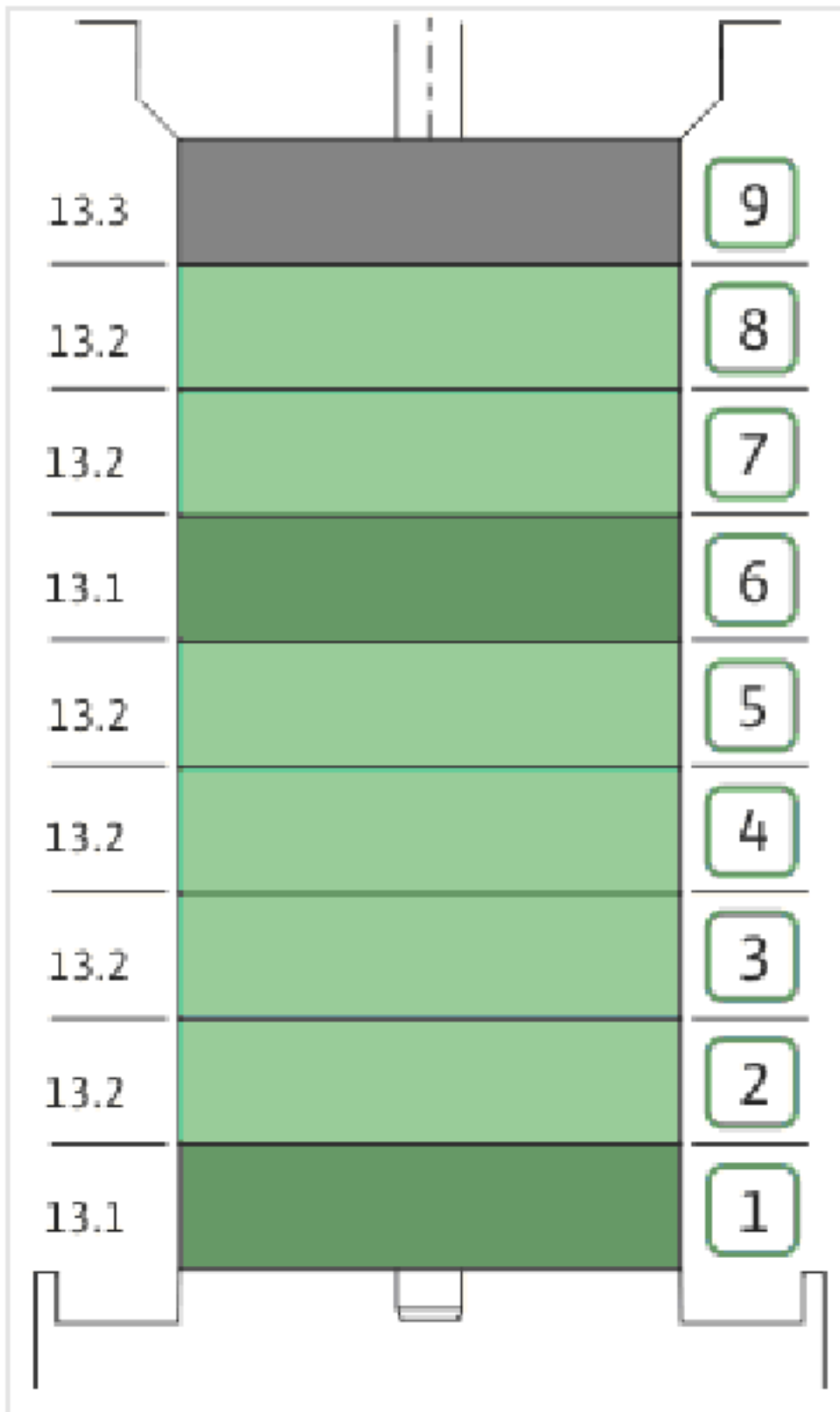
COUPLING HELIX D.20XD.38 2KUL.KIT (4164726)

Item	Article no.	Description	Quantity
4.1	4179935	COUPLING 2 PARTS D.20XD.38XL115 VP.	1
4.2A	4179950	BALL BEARING 7216-BEP-VP.	1
4.2B	4179949	BALL BEARING OPEN 6216 C3 VP.	1
4.3	4055234	CIRCLIP-FOR-SHAFT-D80X2.5-AC.PARK.	1
4.4	4179934	SCREW M12X30 (8 PIECES)	1
4.5		COVER HOUSING BALL BEARING FF350 7216	1
4.6	4233945	O-RING ID.140 VP.	1
4.7	2130992	RETAINING RING D.35xD.2,5 DIN7993 VP.	1
4.8	4179953	HUB D.55XD.80 VP.	1
4.9	4179936	SPACER D.38XD.65 VP.	1
4.10	2130991	SCREW M12X30 ISO4762 8.8 ZN(4 PIECES)	1
4.11	4233959	SCREW M8x16 VP.	1
4.12		SERRATED LOCK WASHER Ø8.2XØ25X35X2	1
4.13	4179951	WASHER INNER-BEARINGD.80XD.100x2.5E24VP.	1
4.14	4179952	CURV.SPRING WASH.A139B126E1-6216/6313VP.	1
4.15		SCREW M6X16 ISO4762 8.8 GEOMET 500B	1



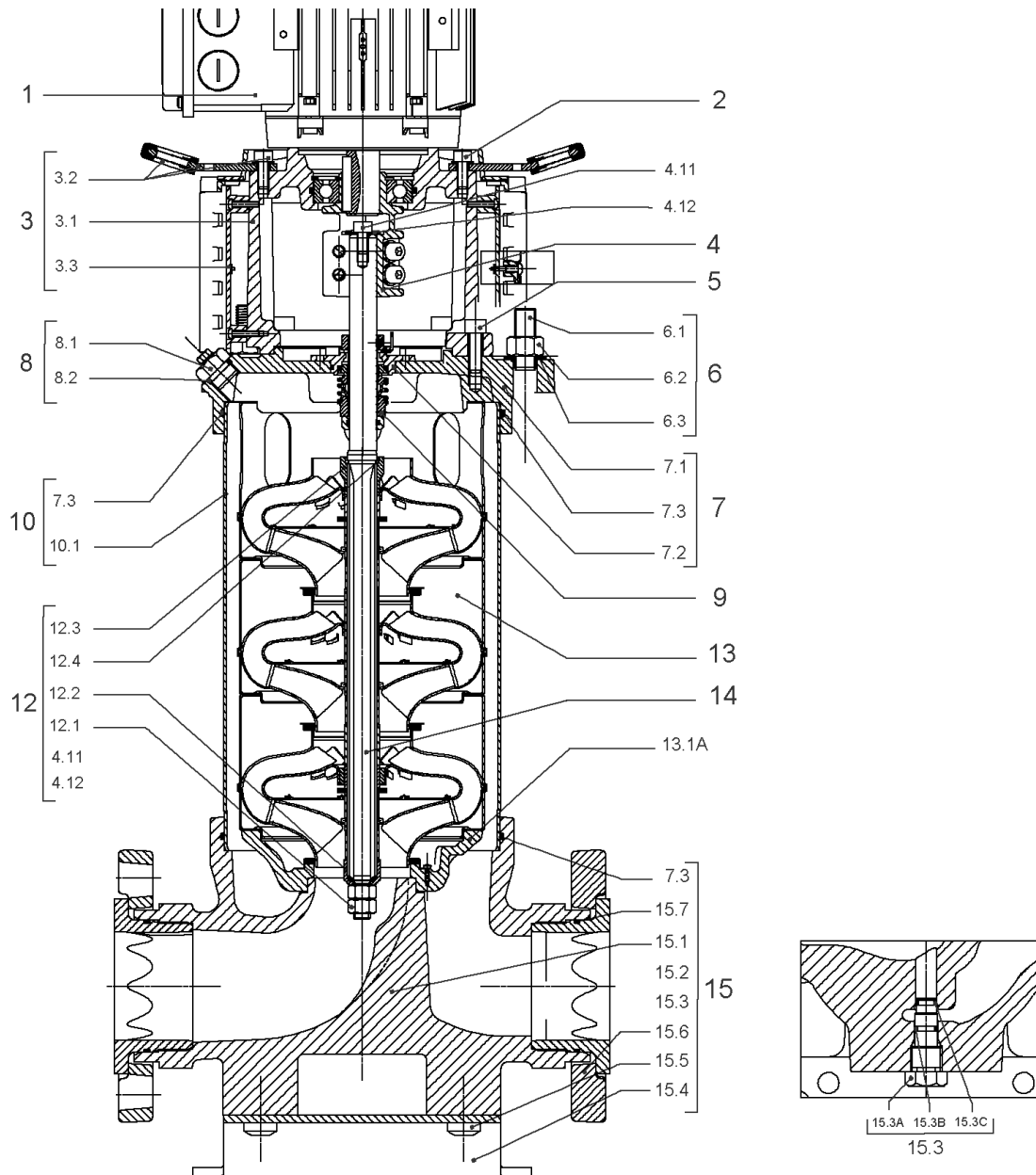
CARTRIDGE HELIX22-36-52 T/E KIT (4180008)

Item	Article no.	Description	Quantity
9.1	4180007	SEAL-KIT-HELIX22-36-52 T/E	1
7.3	4179571	> O-RING HOUSING PIPE HELIX22/36/52 VP.	1
7.4	4179572	> O-RING ID.42.52X2.62 EPDM VP.	1
9.1A	4180006	> M.SEAL.HELIX22-36-52 T/E VP.	1
9.1B	4179574	> O-RING ID.20x2.65 EPDM VP.	1
9.2	4180005	SHAFT SLEEVE D.22/20X71 1.4404 VP.	1
9.3	4180004	RING HOLDER 30B VP.	1
9.4	4176520	SCREW CH M5x5 A4-70 (3PIECES)	1
9.5	4179568	DRIVE RING D.31/22.1x11 MACH.VP.	1
9.6	4179569	TOOL M.S.CART.HELIX 8" VP.	1
9.7	4179570	SCREW M6X16 ISO4762 8.8 GEOMET(4 PIECES)	1



HYDRAULIC HELIX V 5209

Item	Article no.	Description	Quantity
13.1	4164727	INTERMEDIAIRE STAGE HELIX 52 1.4301 KIT	1
		> SLEEVE-SPACER-D22XL30,42-316L	1
		> MACH.BEARING-DIFFUSER+NR-M+52-304	1
		> SHAFT-SLEEVE-D26xD22x16-CW	1
		> SPACER WASHER D22,3XD36 L3-316L	1
		> IMPELLER-H2-M+52-304	1
13.1A	4161200	> NECK RING 1.STAGE HELIX V36/52 KIT	1
		>> NECK-RING-M+36/52	1
		>> HYDRAULIC SUPPORT CAP M+36/52 304	1
		>> SCREW TCL M3X8 A4 POZIDRIV	1
13.2	4164728	INTERMEDIATE STAGE HELIX 52 1.4301 KIT	1
		> MACH.STD-DIFFUSER+NR-M+52-304	1
		> IMPELLER-H5-M+52-304	1
13.3	4164729	UPPER-STAGE HELIX 52 1.4301 KIT	1
		> STOP COLLAR OF IMPELLER L27,6-Ø22-316L	1
		> SLEEVE-SPACER-D22XL16,66-316L	1
		> SPACER WASHER D22,3XD36 L3-316L	1
		> IMPELLER-H2-M+52-304	1
		> MACH.STD-DISCHARGE-CHAMBER-M+52-304	1



HELIX V5210/2-3/30/E/KS/400-50 (4165813)

Item	Article no.	Description	Quantity
1	4195492	MOTOR 37/2/200 3~400V 50HZ IE3 VP.	1
		SPARE PARTS MOTOR:ON REQUEST	1
2	4179586	SCREW M16X60 (4 PIECES)	1
3	4164725	LANTERN HELIX 36/52 FF350 BB6216 KIT	1
3.1		> LANT.FF350 M+ GJL MACHIN.+CATA 7216-6216	1
3.2	4179938	> EYELET CPL.FF350 HELIX(4 PIECES)	1
3.3	4143969	> COUPLING PROTECT HELIX FF KIT	1
4	4164726	COUPLING HELIX D.20XD.38 2KUL.KIT	1
5	4157725	SCREW M10X40 (4 PIECES)	1
6	4179999	STUD BOLT M16X1100 KIT	1
6.1		> TIE BOLT M16-1100x24x44-1.4057	1
6.2	4179562	> NUT M16 8.8 ISO4032 (4 PIECES)	1
6.3	4097852	> WASHER-CS-16.4-32-2.8-NFE25-511-A2	1
7	4179565	END SHIELD HELIX 8" EPDM KIT	1
7.1		> END SHIELD M+ GJL MACHINED+CATA	1
7.2	4179564	> O-RING D.42.52x2.62 EPDM VP.	1
7.3	4179571	> O-RING HOUSING PIPE HELIX22/36/52 VP.	1
8	4143765	FILING/PURGING PLUG 316L HELIX KIT	1
8.1		> FILLING/VENTING-PLUG-VMI8/10-316L	1
8.2	4032291	> O-RING 17x3 EPDM KTW/WRC	1
9	4180008	CARTRIDGE HELIX22-36-52 T/E KIT	1
10	4180010	HOUSING PIPE D.204 X1030 1.4301 KIT	1
7.3	4179571	> O-RING HOUSING PIPE HELIX22/36/52 VP.	1
10.1		> HOUSING-PIPE Ø204-M+5210-304	1
12	4164724	SHAFT EQUIPMENT HELIX V52 KIT	1
13		HYDRAULIC HELIX V 5210-2	1
14	4180012	SHAFTS D.22X1204 1.4057 VP.	1
15	4164723	EQUIPED HOUSING PN16 HELIX GJL KIT	1
7.3	4179571	> O-RING HOUSING PIPE HELIX22/36/52 VP.	1
15.1		> PUMP HOUSING SET with COATED PARTS-DN80	1
15.3	4143766	> DRAIN/PRIMING PLUG EPDM HELIX KIT	1
15.3A		>> PRIMING/DRAIN PLUG-304-VERSION 1	1
15.3B	4032293	>> O-RING-10x3-EPDM-KTW/WRC	1
15.3C	4233957	>> O-RING ID.9 EPDM VP.	1

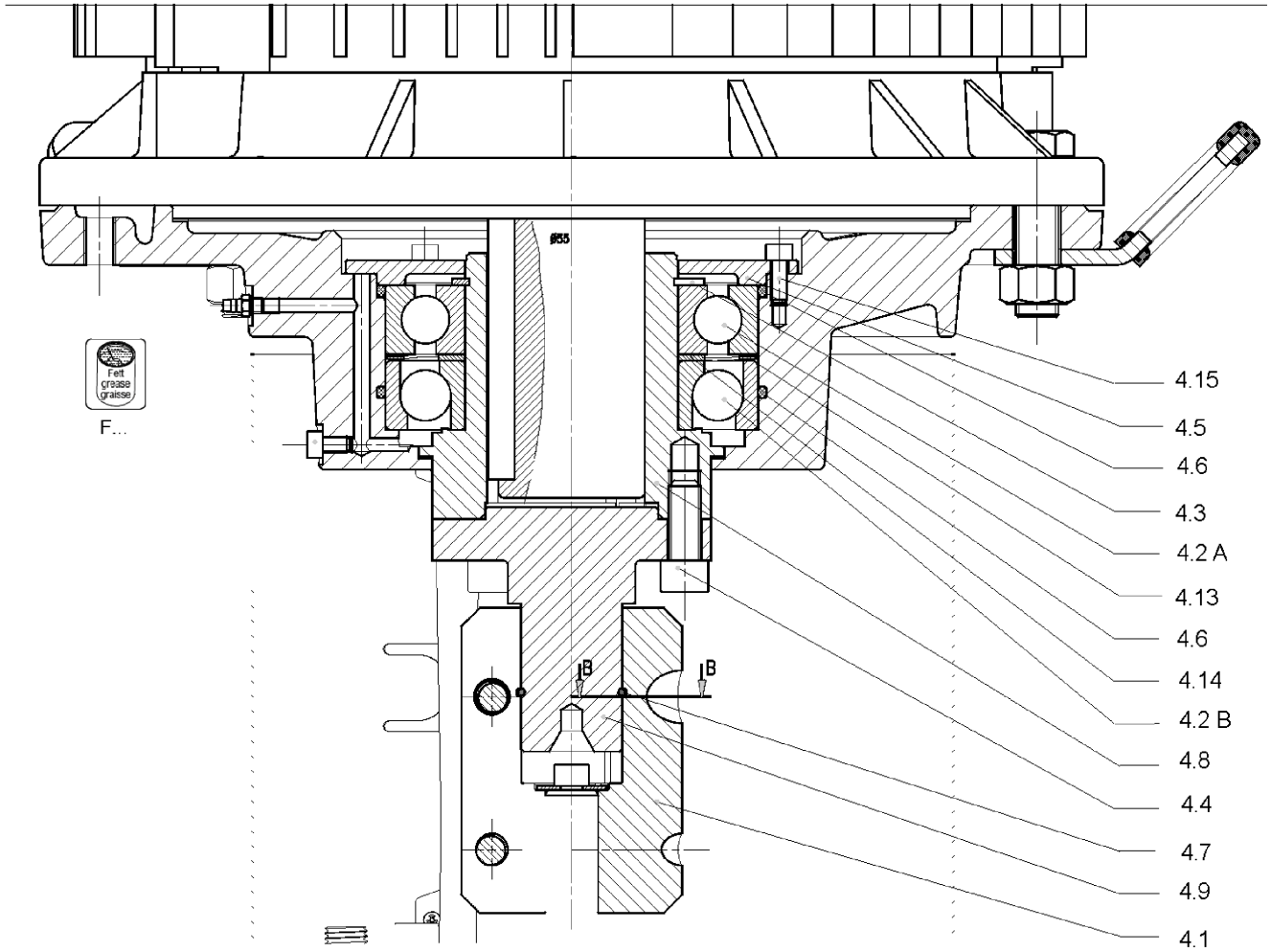
HELIX V5210/2-3/30/E/KS/400-50 (4165813)

Item	Article no.	Description	Quantity
15.4	4221729	> BASE M+ DN50/65/80 VP.	1
15.5		> SCREW TBHC M12x25 ISO7380 ZN	1
15.6		> FLANGE M+ DN80 NF PN16-25 ASME PN16 CATA	1
15.7		> O-RING Ø91.42xØ3 EPDM	1
13.1A	4161200	> NECK RING 1.STAGE HELIX V36/52 KIT	1
		>> NECK-RING-M+36/52	1
		>> HYDRAULIC SUPPORT CAP M+36/52 304	1
		>> SCREW TCL M3X8 A4 POZIDRIV	1

MOTEUR A BRIDE 55FF350 **

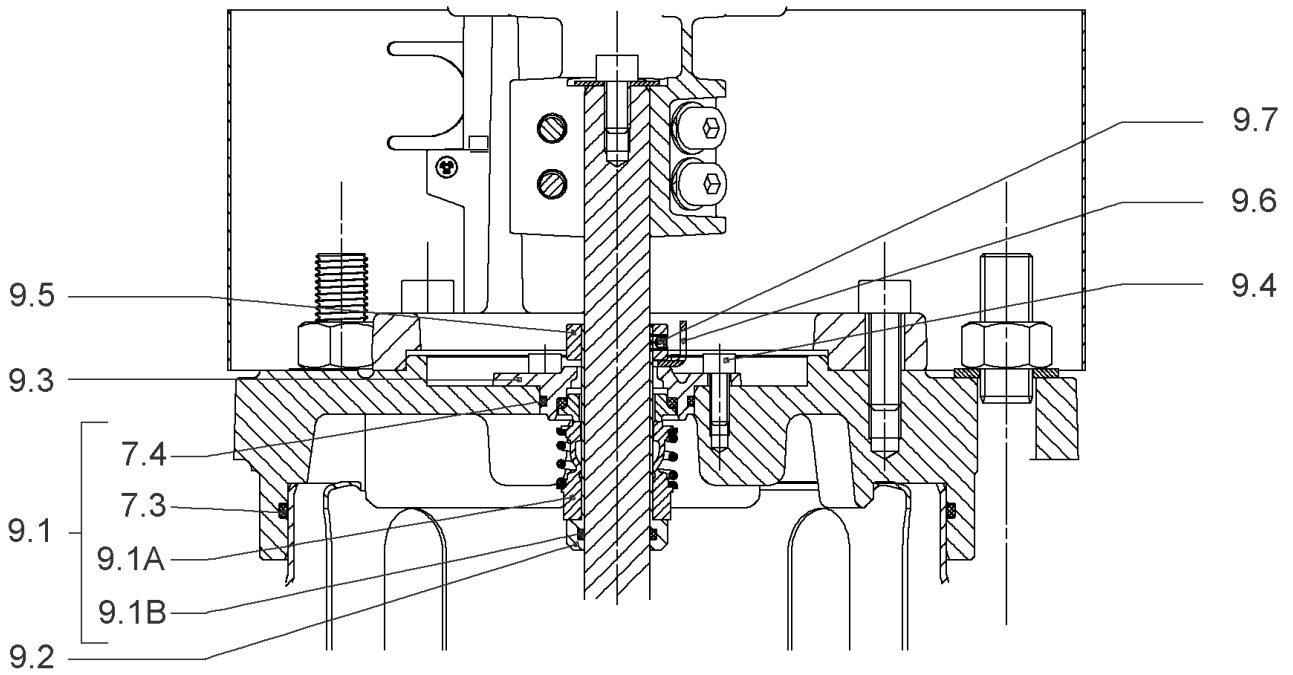
FLANGE MOTOR 55FF350 **

** VERSION 2 ROULEMENTS / ** 2 BALL BEARING VERSION



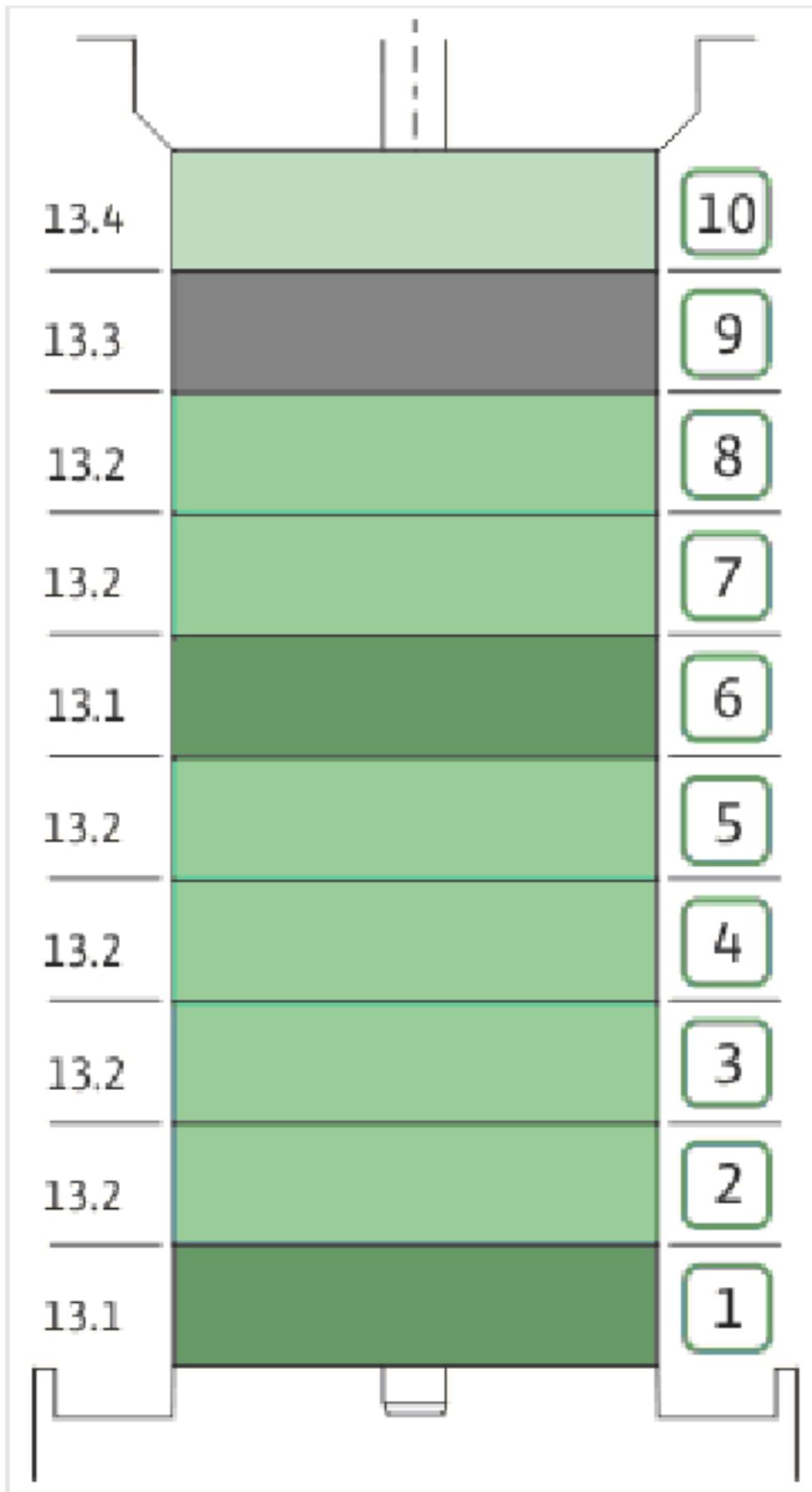
COUPLING HELIX D.20XD.38 2KUL.KIT (4164726)

Item	Article no.	Description	Quantity
4.1	4179935	COUPLING 2 PARTS D.20XD.38XL115 VP.	1
4.2A	4179950	BALL BEARING 7216-BEP-VP.	1
4.2B	4179949	BALL BEARING OPEN 6216 C3 VP.	1
4.3	4055234	CIRCLIP-FOR-SHAFT-D80X2.5-AC.PARK.	1
4.4	4179934	SCREW M12X30 (8 PIECES)	1
4.5		COVER HOUSING BALL BEARING FF350 7216	1
4.6	4233945	O-RING ID.140 VP.	1
4.7	2130992	RETAINING RING D.35xD.2,5 DIN7993 VP.	1
4.8	4179953	HUB D.55XD.80 VP.	1
4.9	4179936	SPACER D.38XD.65 VP.	1
4.10	2130991	SCREW M12X30 ISO4762 8.8 ZN(4 PIECES)	1
4.11	4233959	SCREW M8x16 VP.	1
4.12		SERRATED LOCK WASHER Ø8.2XØ25X35X2	1
4.13	4179951	WASHER INNER-BEARINGD.80XD.100x2.5E24VP.	1
4.14	4179952	CURV.SPRING WASH.A139B126E1-6216/6313VP.	1
4.15		SCREW M6X16 ISO4762 8.8 GEOMET 500B	1



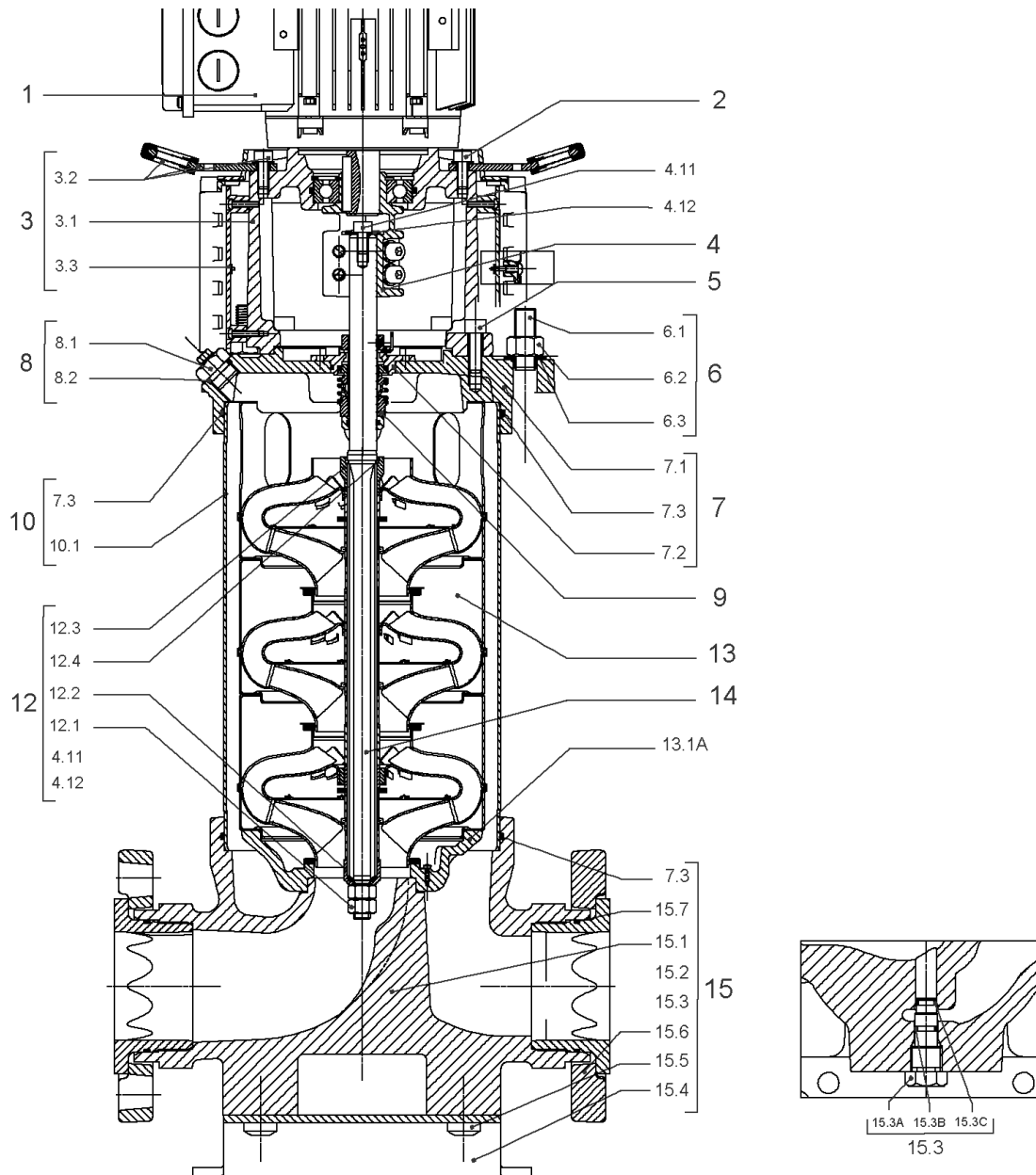
CARTRIDGE HELIX22-36-52 T/E KIT (4180008)

Item	Article no.	Description	Quantity
9.1	4180007	SEAL-KIT-HELIX22-36-52 T/E	1
7.3	4179571	> O-RING HOUSING PIPE HELIX22/36/52 VP.	1
7.4	4179572	> O-RING ID.42.52X2.62 EPDM VP.	1
9.1A	4180006	> M.SEAL.HELIX22-36-52 T/E VP.	1
9.1B	4179574	> O-RING ID.20x2.65 EPDM VP.	1
9.2	4180005	SHAFT SLEEVE D.22/20X71 1.4404 VP.	1
9.3	4180004	RING HOLDER 30B VP.	1
9.4	4176520	SCREW CH M5x5 A4-70 (3PIECES)	1
9.5	4179568	DRIVE RING D.31/22.1x11 MACH.VP.	1
9.6	4179569	TOOL M.S.CART.HELIX 8" VP.	1
9.7	4179570	SCREW M6X16 ISO4762 8.8 GEOMET(4 PIECES)	1



HYDRAULIC HELIX V 5210-2

Item	Article no.	Description	Quantity
13.1	4164727	INTERMEDIAIRE STAGE HELIX 52 1.4301 KIT	1
		> SLEEVE-SPACER-D22XL30,42-316L	1
		> MACH.BEARING-DIFFUSER+NR-M+52-304	1
		> SHAFT-SLEEVE-D26xD22x16-CW	1
		> SPACER WASHER D22,3XD36 L3-316L	1
		> IMPELLER-H2-M+52-304	1
13.1A	4161200	> NECK RING 1.STAGE HELIX V36/52 KIT	1
		>> NECK-RING-M+36/52	1
		>> HYDRAULIC SUPPORT CAP M+36/52 304	1
		>> SCREW TCL M3X8 A4 POZIDRIV	1
13.2	4164728	INTERMEDIATE STAGE HELIX 52 1.4301 KIT	1
		> MACH.STD-DIFFUSER+NR-M+52-304	1
		> IMPELLER-H5-M+52-304	1
13.3	4164730	INTERMEDIATE STAGE HELIX 52 1.4301 KIT	1
		> MACH.STD-DIFFUSER+NR-M+52-304	1
		> REDUCED-IMPELLER-H5-M+52-304	1
13.4	4164731	UPPER-STAGE HELIX 52 1.4301 KIT	1
		> STOP COLLAR OF IMPELLER L27,6-Ø22-316L	1
		> SLEEVE-SPACER-D22XL16,66-316L	1
		> SPACER WASHER D22,3XD36 L3-316L	1
		> REDUCED-IMPELLER-H2-M+52-304	1
		> MACH.STD-DISCHARGE-CHAMBER-M+52-304	1



HELIX V5210-3/30/E/K/400-50 (4165816)

Item	Article no.	Description	Quantity
1	4195492	MOTOR 37/2/200 3~400V 50HZ IE3 VP.	1
		SPARE PARTS MOTOR:ON REQUEST	1
2	4179586	SCREW M16X60 (4 PIECES)	1
3	4164725	LANTERN HELIX 36/52 FF350 BB6216 KIT	1
3.1		> LANT.FF350 M+ GJL MACHIN.+CATA 7216-6216	1
3.2	4179938	> EYELET CPL.FF350 HELIX(4 PIECES)	1
3.3	4143969	> COUPLING PROTECT HELIX FF KIT	1
4	4164726	COUPLING HELIX D.20XD.38 2KUL.KIT	1
5	4157725	SCREW M10X40 (4 PIECES)	1
6	4179999	STUD BOLT M16X1100 KIT	1
6.1		> TIE BOLT M16-1100x24x44-1.4057	1
6.2	4179562	> NUT M16 8.8 ISO4032 (4 PIECES)	1
6.3	4097852	> WASHER-CS-16.4-32-2.8-NFE25-511-A2	1
7	4179565	END SHIELD HELIX 8" EPDM KIT	1
7.1		> END SHIELD M+ GJL MACHINED+CATA	1
7.2	4179564	> O-RING D.42.52x2.62 EPDM VP.	1
7.3	4179571	> O-RING HOUSING PIPE HELIX22/36/52 VP.	1
8	4143765	FILING/PURGING PLUG 316L HELIX KIT	1
8.1		> FILLING/VENTING-PLUG-VM18/10-316L	1
8.2	4032291	> O-RING 17x3 EPDM KTW/WRC	1
9	4180008	CARTRIDGE HELIX22-36-52 T/E KIT	1
10	4180010	HOUSING PIPE D.204 X1030 1.4301 KIT	1
7.3	4179571	> O-RING HOUSING PIPE HELIX22/36/52 VP.	1
10.1		> HOUSING-PIPE Ø204-M+5210-304	1
12	4164724	SHAFT EQUIPMENT HELIX V52 KIT	1
13		HYDRAULIC HELIX V 5210	1
14	4180012	SHAFTS D.22X1204 1.4057 VP.	1
15	4164723	EQUIPED HOUSING PN16 HELIX GJL KIT	1
7.3	4179571	> O-RING HOUSING PIPE HELIX22/36/52 VP.	1
15.1		> PUMP HOUSING SET with COATED PARTS-DN80	1
15.3	4143766	> DRAIN/PRIMING PLUG EPDM HELIX KIT	1
15.3A		>> PRIMING/DRAIN PLUG-304-VERSION 1	1
15.3B	4032293	>> O-RING-10x3-EPDM-KTW/WRC	1
15.3C	4233957	>> O-RING ID.9 EPDM VP.	1

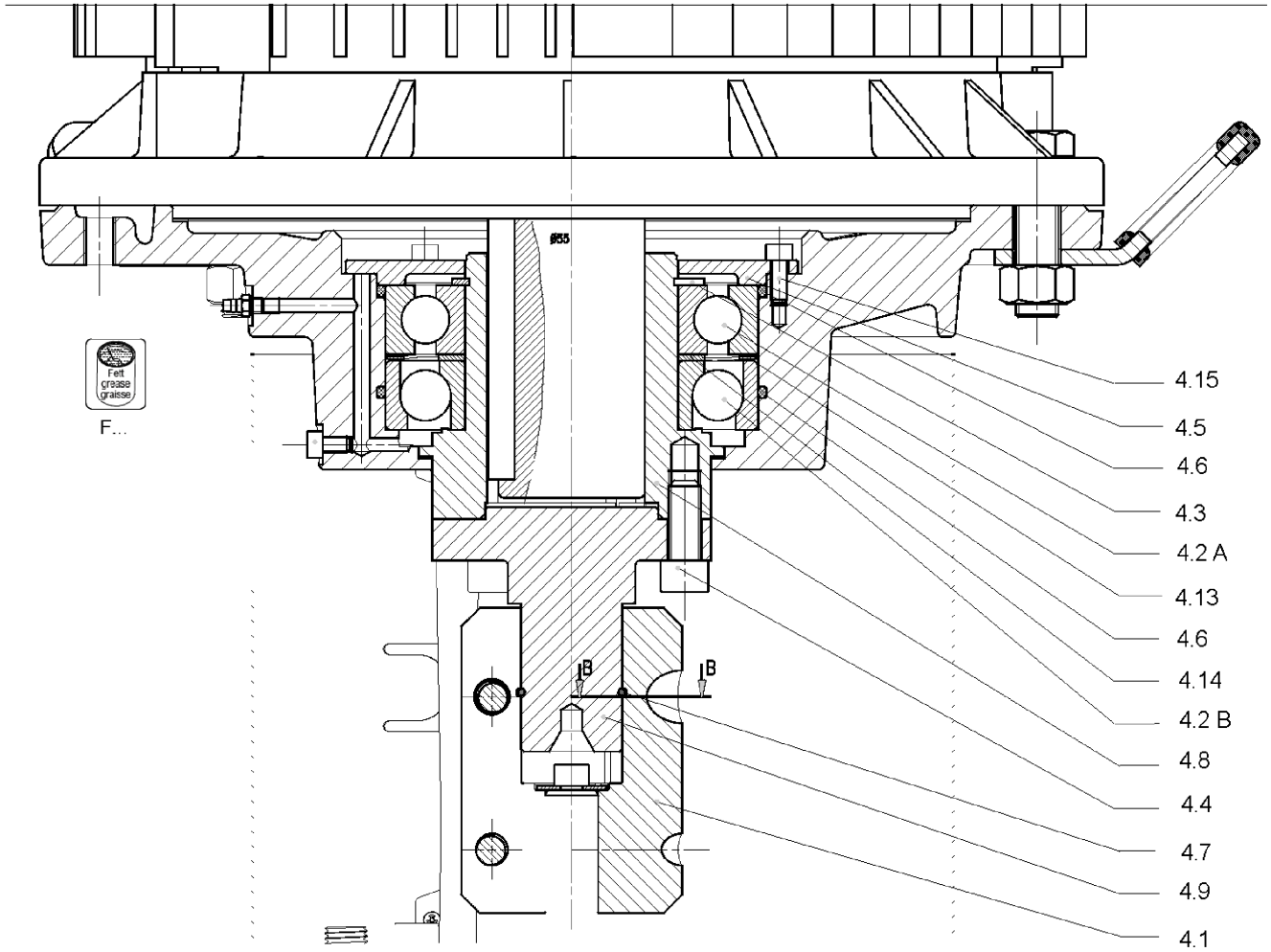
HELIX V5210-3/30/E/K/400-50 (4165816)

Item	Article no.	Description	Quantity
15.4	4221729	> BASE M+ DN50/65/80 VP.	1
15.5		> SCREW TBHC M12x25 ISO7380 ZN	1
15.6		> FLANGE M+ DN80 NF PN16-25 ASME PN16 CATA	1
15.7		> O-RING Ø91.42xØ3 EPDM	1
13.1A	4161200	> NECK RING 1.STAGE HELIX V36/52 KIT	1
		>> NECK-RING-M+36/52	1
		>> HYDRAULIC SUPPORT CAP M+36/52 304	1
		>> SCREW TCL M3X8 A4 POZIDRIV	1

MOTEUR A BRIDE 55FF350 **

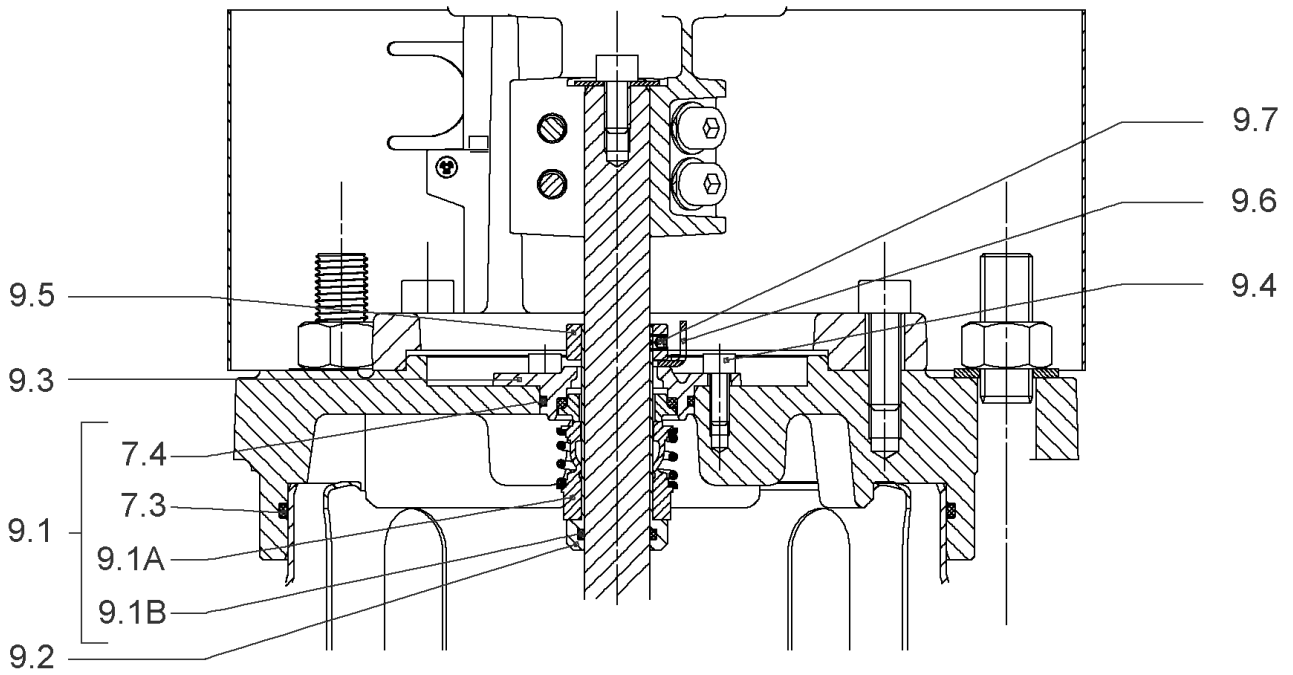
FLANGE MOTOR 55FF350 **

** VERSION 2 ROULEMENTS / ** 2 BALL BEARING VERSION



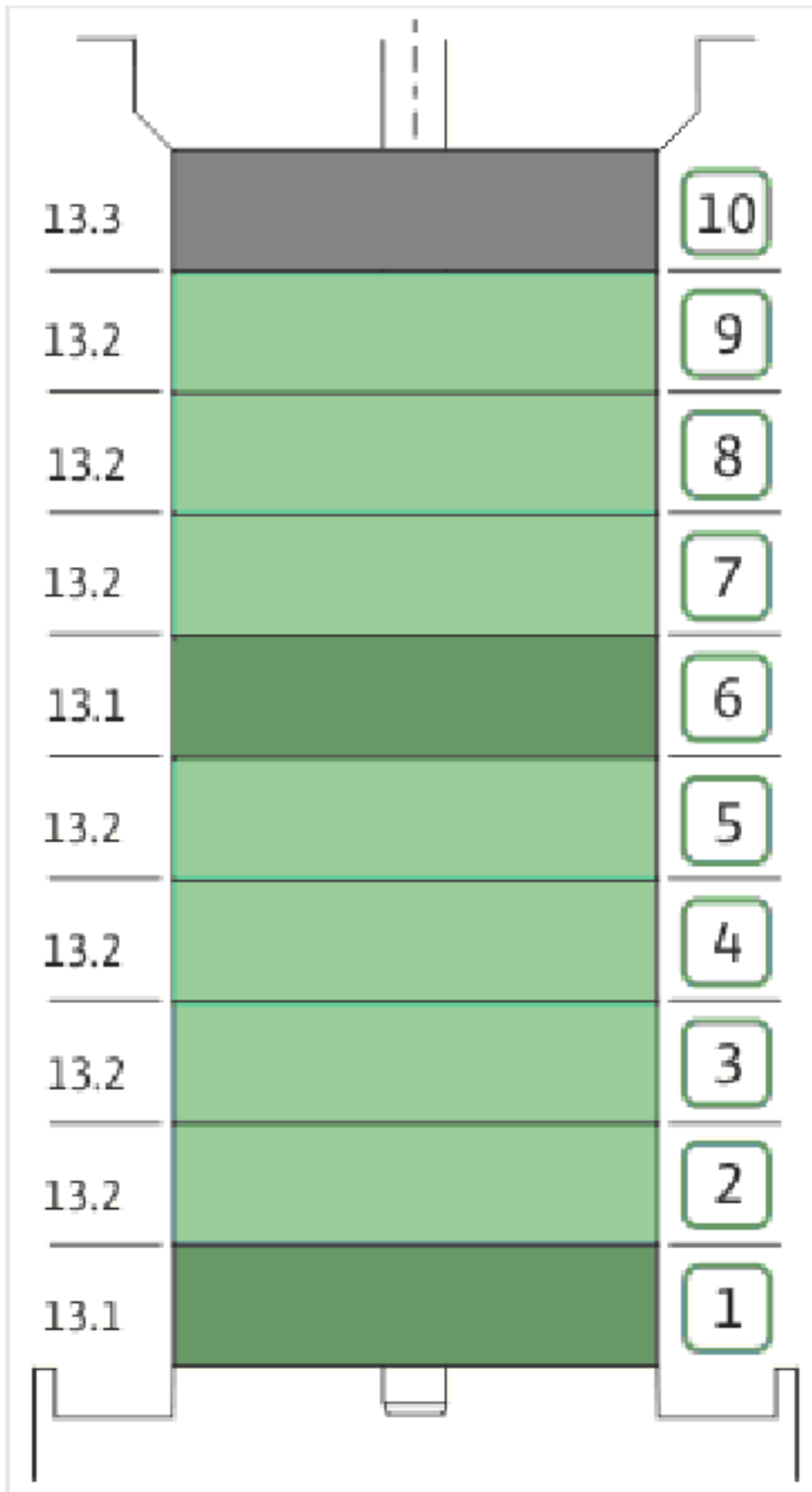
COUPLING HELIX D.20XD.38 2KUL.KIT (4164726)

Item	Article no.	Description	Quantity
4.1	4179935	COUPLING 2 PARTS D.20XD.38XL115 VP.	1
4.2A	4179950	BALL BEARING 7216-BEP-VP.	1
4.2B	4179949	BALL BEARING OPEN 6216 C3 VP.	1
4.3	4055234	CIRCLIP-FOR-SHAFT-D80X2.5-AC.PARK.	1
4.4	4179934	SCREW M12X30 (8 PIECES)	1
4.5		COVER HOUSING BALL BEARING FF350 7216	1
4.6	4233945	O-RING ID.140 VP.	1
4.7	2130992	RETAINING RING D.35xD.2,5 DIN7993 VP.	1
4.8	4179953	HUB D.55XD.80 VP.	1
4.9	4179936	SPACER D.38XD.65 VP.	1
4.10	2130991	SCREW M12X30 ISO4762 8.8 ZN(4 PIECES)	1
4.11	4233959	SCREW M8x16 VP.	1
4.12		SERRATED LOCK WASHER Ø8.2XØ25X35X2	1
4.13	4179951	WASHER INNER-BEARINGD.80XD.100x2.5E24VP.	1
4.14	4179952	CURV.SPRING WASH.A139B126E1-6216/6313VP.	1
4.15		SCREW M6X16 ISO4762 8.8 GEOMET 500B	1



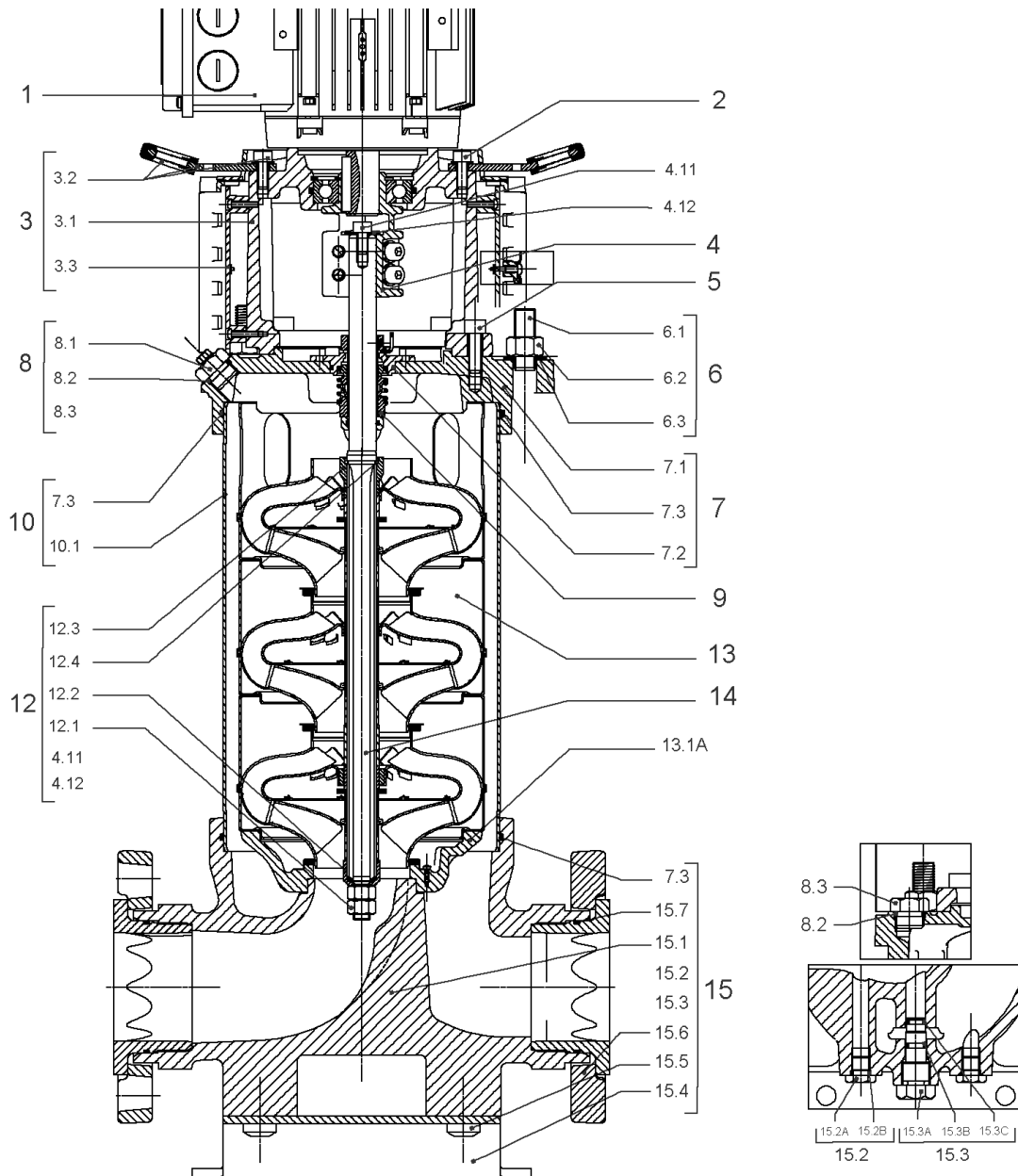
CARTRIDGE HELIX22-36-52 T/E KIT (4180008)

Item	Article no.	Description	Quantity
9.1	4180007	SEAL-KIT-HELIX22-36-52 T/E	1
7.3	4179571	> O-RING HOUSING PIPE HELIX22/36/52 VP.	1
7.4	4179572	> O-RING ID.42.52X2.62 EPDM VP.	1
9.1A	4180006	> M.SEAL.HELIX22-36-52 T/E VP.	1
9.1B	4179574	> O-RING ID.20x2.65 EPDM VP.	1
9.2	4180005	SHAFT SLEEVE D.22/20X71 1.4404 VP.	1
9.3	4180004	RING HOLDER 30B VP.	1
9.4	4176520	SCREW CH M5x5 A4-70 (3PIECES)	1
9.5	4179568	DRIVE RING D.31/22.1x11 MACH.VP.	1
9.6	4179569	TOOL M.S.CART.HELIX 8" VP.	1
9.7	4179570	SCREW M6X16 ISO4762 8.8 GEOMET(4 PIECES)	1



HYDRAULIC HELIX V 5210

Item	Article no.	Description	Quantity
13.1	4164727	INTERMEDIAIRE STAGE HELIX 52 1.4301 KIT	1
		> SLEEVE-SPACER-D22XL30,42-316L	1
		> MACH.BEARING-DIFFUSER+NR-M+52-304	1
		> SHAFT-SLEEVE-D26xD22x16-CW	1
		> SPACER WASHER D22,3XD36 L3-316L	1
		> IMPELLER-H2-M+52-304	1
13.1A	4161200	> NECK RING 1.STAGE HELIX V36/52 KIT	1
		>> NECK-RING-M+36/52	1
		>> HYDRAULIC SUPPORT CAP M+36/52 304	1
		>> SCREW TCL M3X8 A4 POZIDRIV	1
13.2	4164728	INTERMEDIATE STAGE HELIX 52 1.4301 KIT	1
		> MACH.STD-DIFFUSER+NR-M+52-304	1
		> IMPELLER-H5-M+52-304	1
13.3	4164729	UPPER-STAGE HELIX 52 1.4301 KIT	1
		> STOP COLLAR OF IMPELLER L27,6-Ø22-316L	1
		> SLEEVE-SPACER-D22XL16,66-316L	1
		> SPACER WASHER D22,3XD36 L3-316L	1
		> IMPELLER-H2-M+52-304	1
		> MACH.STD-DISCHARGE-CHAMBER-M+52-304	1



HELIX V5209-2/30/V/KS/400-50 (4165847)

Item	Article no.	Description	Quantity
1	4195492	MOTOR 37/2/200 3~400V 50HZ IE3 VP.	1
		SPARE PARTS MOTOR:ON REQUEST	1
2	4179586	SCREW M16X60 (4 PIECES)	1
3	4164725	LANTERN HELIX 36/52 FF350 BB6216 KIT	1
3.1		> LANT.FF350 M+ GJL MACHIN.+CATA 7216-6216	1
3.2	4179938	> EYELET CPL.FF350 HELIX(4 PIECES)	1
3.3	4143969	> COUPLING PROTECT HELIX FF KIT	1
4	4164726	COUPLING HELIX D.20XD.38 2KUL.KIT	1
5	4157725	SCREW M10X40 (4 PIECES)	1
6	4179954	STUD BOLT M16X1000 KIT	1
6.1		> TIE BOLT M16-1000x24x44-1.4057	1
6.2	4179562	> NUT M16 8.8 ISO4032 (4 PIECES)	1
6.3	4097852	> WASHER-CS-16.4-32-2.8-NFE25-511-A2	1
7	4179959	END SHIELD HELIX 8" FKM 1.4404 KIT	1
7.1		> END SHIELD HELIX 316L MACHINED	1
7.2	4179958	> O-RING-ID.42.52X2.62 VITON VP.	1
7.3	2107767	> O-RING ID.202,80x3,53 VITON VP.	1
8	4161256	FILING/PURGING PLUG FKM KIT	1
8.1		> FILLING/VENTING-PLUG-VM18/10-316L	1
8.2		> FILLING AND VENTING PLUG M+8" 316L	1
8.3		> GASKET-17x3-VITON	1
9	4179997	CARTRIDGE HELIX22-36-52 T/V KIT	1
10	4179992	HOUSING PIPE D.204X930 1.4404 KIT	1
7.3	2107767	> O-RING ID.202,80x3,53 VITON VP.	1
10.1		> HOUSING-PIPE Ø204-M+5209-316L	1
12	4164724	SHAFT EQUIPMENT HELIX V52 KIT	1
13		HYDRAULIC HELIX V 5209	1
14	4179994	SHAFTS D.22X1104 1.4462 VP.	1
15	4164769	EQUIPED HOUSING HELIX 52 1.4409 KIT	1
7.3	2107767	> O-RING ID.202,80x3,53 VITON VP.	1
15.1		> PUMP HOUSING M+ DN80 316L MACHINED	1
15.1		> GASKET HOLDER M+ DN80 316L MACHINED	1
15.1		> HYDRAULIC SUPPORT M+ DN80 316L MACHINED	1
15.2	4158195	> PLUG PRESSURE CONNECTION G1/4"316L KIT	1

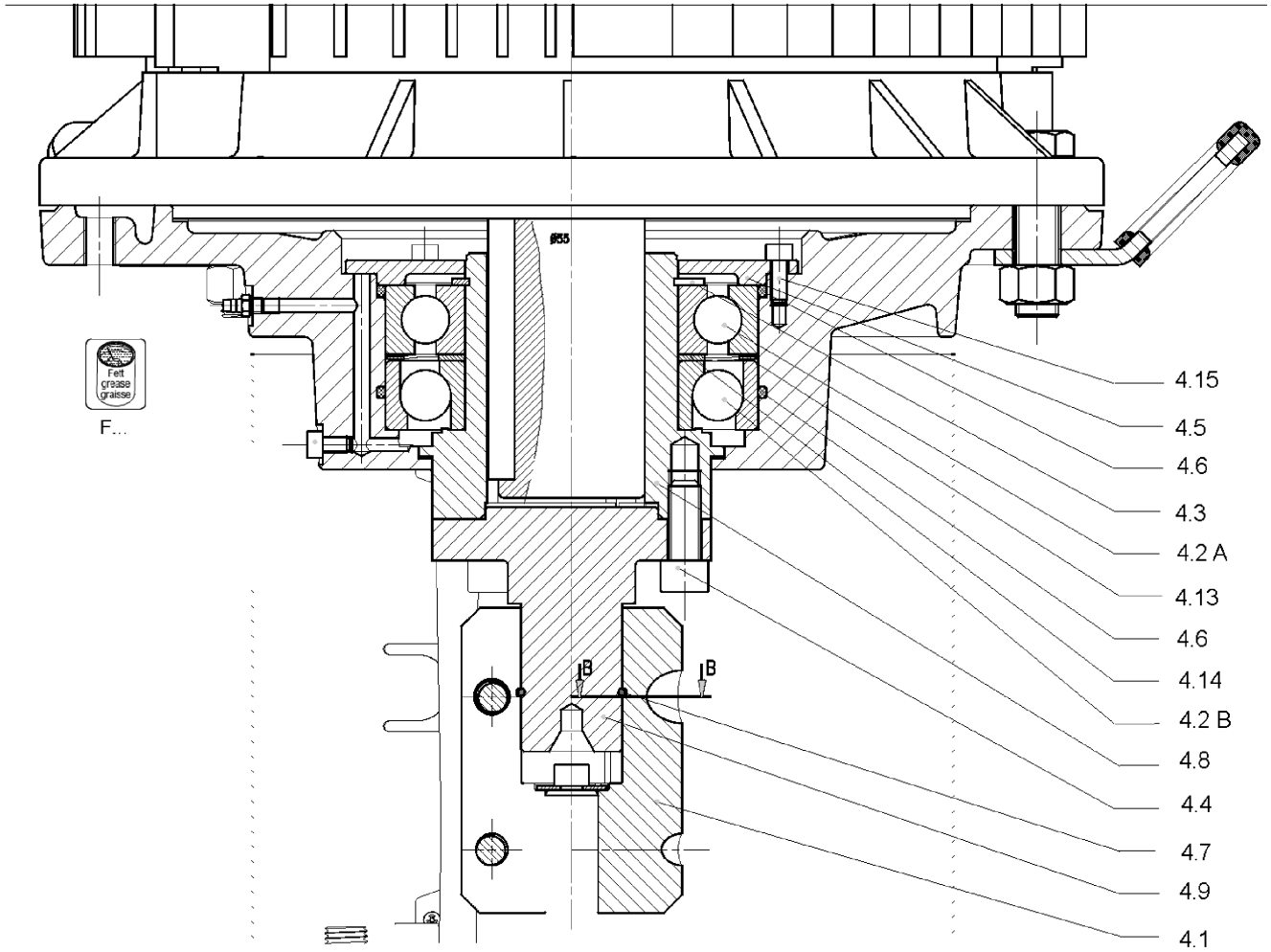
HELIX V5209-2/30/V/KS/400-50 (4165847)

Item	Article no.	Description	Quantity
15.2A		>> PLUG PRESSURE CONNECTION - G1/4" - 316L	1
15.2B	2107769	>> O-RING ID.9,9x2,62 VITON VP.	1
15.3	4158196	> DRAIN/PRIMING PLUG VITON HELIX KIT	1
15.3A		>> DRAIN-AND-PRIMING-PLUG-VM18"-316L	1
15.3B	4032294	>> GASKET-10x3-VITON	1
15.3C	2107768	>> O-RING ID.8,9x2,7 VITON VP.	1
15.4	4143749	> BASE M+ DN50/65/80-304	1
15.5		> SCREW TBHC M12x25 ISO7380 ZN	1
15.6		> FLANGE M+ DN80 NF PN16-25 ASME PN16 CATA	1
15.7		> O-RING Ø91.42xØ3 VITON	1
13.1A	4161268	> NECK RING 1.STAGE HELIX 36 316 KIT	1
		>> NECK-RING-M+36/52	1
		>> HYDRAULIC SUPPORT CAP M+36/52 316	1
		>> SCREW TCL M3X8 A4 POZIDRIV	1

MOTEUR A BRIDE 55FF350 **

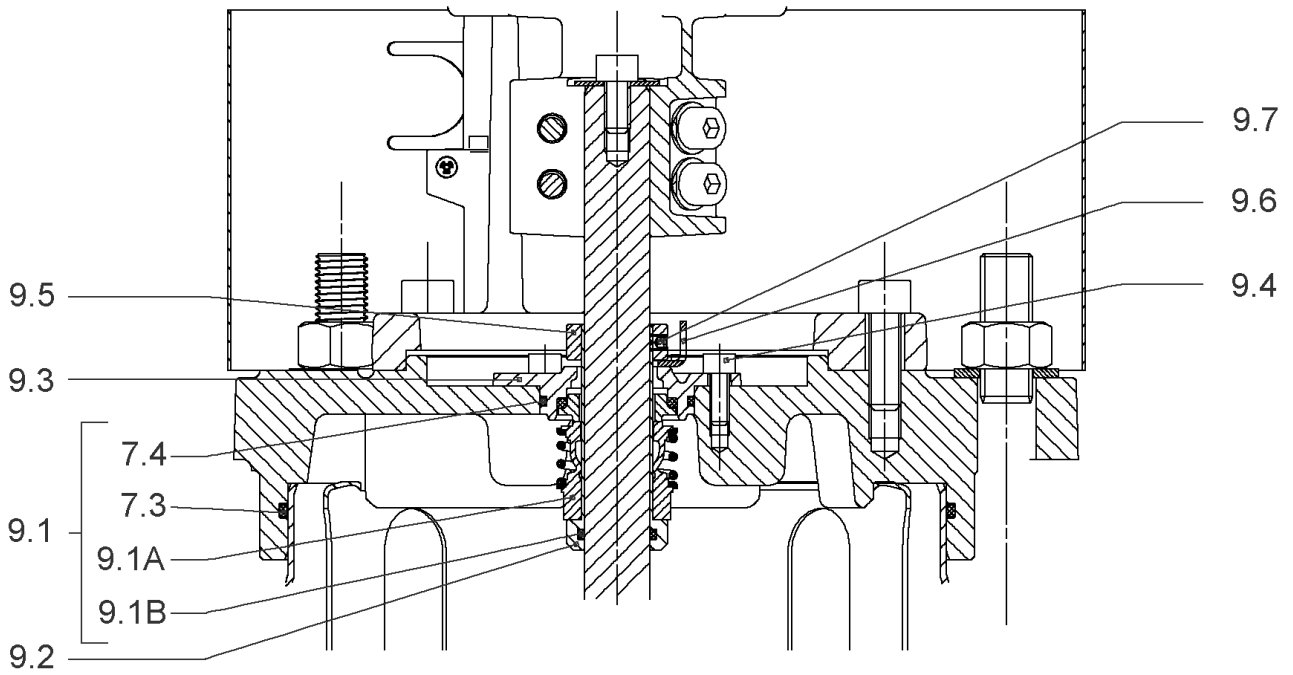
FLANGE MOTOR 55FF350 **

** VERSION 2 ROULEMENTS / ** 2 BALL BEARING VERSION



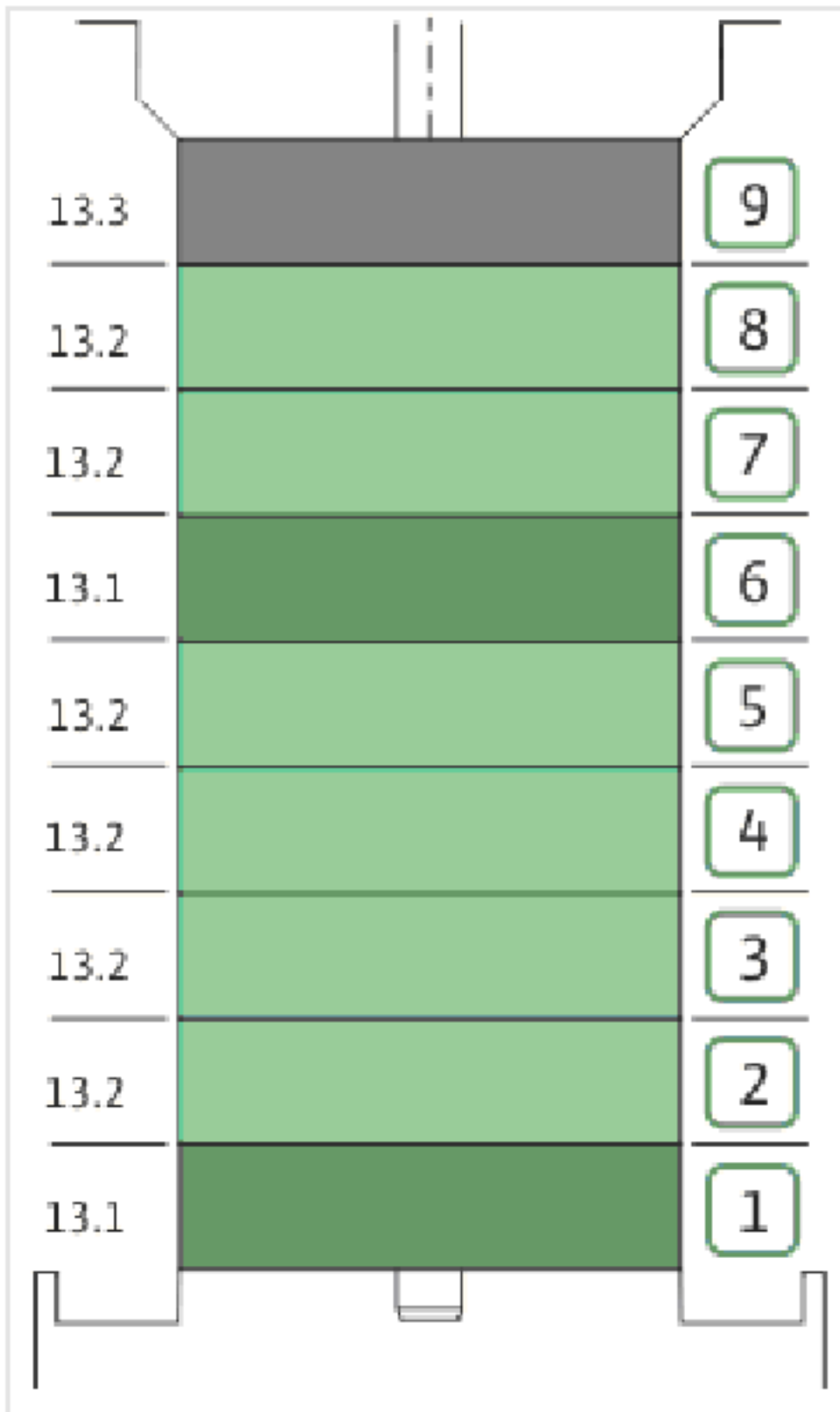
COUPLING HELIX D.20XD.38 2KUL.KIT (4164726)

Item	Article no.	Description	Quantity
4.1	4179935	COUPLING 2 PARTS D.20XD.38XL115 VP.	1
4.2A	4179950	BALL BEARING 7216-BEP-VP.	1
4.2B	4179949	BALL BEARING OPEN 6216 C3 VP.	1
4.3	4055234	CIRCLIP-FOR-SHAFT-D80X2.5-AC.PARK.	1
4.4	4179934	SCREW M12X30 (8 PIECES)	1
4.5		COVER HOUSING BALL BEARING FF350 7216	1
4.6	4233945	O-RING ID.140 VP.	1
4.7	2130992	RETAINING RING D.35xD.2,5 DIN7993 VP.	1
4.8	4179953	HUB D.55XD.80 VP.	1
4.9	4179936	SPACER D.38XD.65 VP.	1
4.10	2130991	SCREW M12X30 ISO4762 8.8 ZN(4 PIECES)	1
4.11	4233959	SCREW M8x16 VP.	1
4.12		SERRATED LOCK WASHER Ø8.2XØ25X35X2	1
4.13	4179951	WASHER INNER-BEARINGD.80XD.100x2.5E24VP.	1
4.14	4179952	CURV.SPRING WASH.A139B126E1-6216/6313VP.	1
4.15		SCREW M6X16 ISO4762 8.8 GEOMET 500B	1



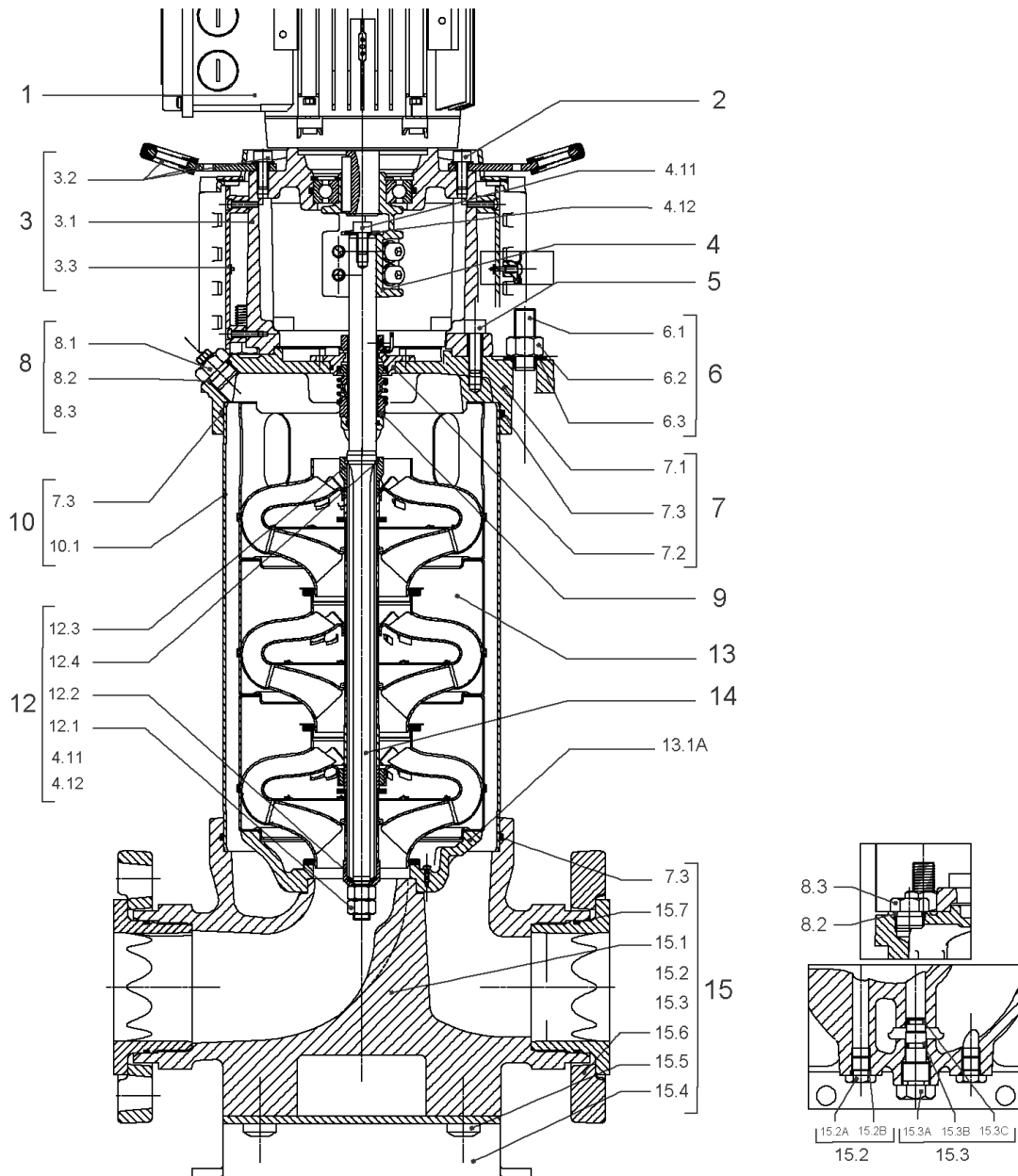
CARTRIDGE HELIX22-36-52 T/V KIT (4179997)

Item	Article no.	Description	Quantity
9.1	4179996	SEAL-KIT-HELIX22-36-52 T/V	1
7.3	2107767	> O-RING ID.202,80x3,53 VITON VP.	1
7.4	4179958	> O-RING-ID.42.52X2.62 VITON VP.	1
9.1A	4179995	> M.SEAL.HELIX22-36-52 T/V VP.	1
9.1B	4179960	> O-RING ID.20x2.65 FKM VP.	1
9.2	4180005	SHAFT SLEEVE D.22/20X71 1.4404 VP.	1
9.3	4180004	RING HOLDER 30B VP.	1
9.4	4176520	SCREW CH M5x5 A4-70 (3PIECES)	1
9.5	4179568	DRIVE RING D.31/22.1x11 MACH.VP.	1
9.6	4179569	TOOL M.S.CART.HELIX 8" VP.	1
9.7	4179570	SCREW M6X16 ISO4762 8.8 GEOMET(4 PIECES)	1



HYDRAULIC HELIX V 5209

Item	Article no.	Description	Quantity
13.1	4164770	INTERMEDIATE STAGE HELIX 52 1.4404 KIT	1
		> SLEEVE-SPACER-D22XL30,42-316L	1
		> MACH.BEARING-DIFFUSER+NR-M+52-316	1
		> SHAFT-SLEEVE-D26xD22x16-CW	1
		> SPACER WASHER D22,3XD36 L3-316L	1
		> IMPELLER-H2-M+52-316	1
13.2	4164771	INTERMEDIATE STAGE HELIX 52 1.4404 KIT	1
		> MACH.STD-DIFFUSER+NR-M+52-316	1
		> IMPELLER-H5-M+52-316	1
13.3	4164772	UPPER STAGE HELIX 52 1.4404 KIT	1
		> STOP COLLAR OF IMPELLER L27,6-Ø22-316L	1
		> SLEEVE-SPACER-D22XL16,66-316L	1
		> SPACER WASHER D22,3XD36 L3-316L	1
		> IMPELLER-H2-M+52-316	1
		> MACH.STD-DISCHARGE-CHAMBER-M+52-316	1



HELIX V5210/2-2/30/V/KS/400-50 (4165850)

Item	Article no.	Description	Quantity
1	4195492	MOTOR 37/2/200 3~400V 50HZ IE3 VP.	1
		SPARE PARTS MOTOR:ON REQUEST	1
2	4179586	SCREW M16X60 (4 PIECES)	1
3	4164725	LANTERN HELIX 36/52 FF350 BB6216 KIT	1
3.1		> LANT.FF350 M+ GJL MACHIN.+CATA 7216-6216	1
3.2	4179938	> EYELET CPL.FF350 HELIX(4 PIECES)	1
3.3	4143969	> COUPLING PROTECT HELIX FF KIT	1
4	4164726	COUPLING HELIX D.20XD.38 2KUL.KIT	1
5	4157725	SCREW M10X40 (4 PIECES)	1
6	4179999	STUD BOLT M16X1100 KIT	1
6.1		> TIE BOLT M16-1100x24x44-1.4057	1
6.2	4179562	> NUT M16 8.8 ISO4032 (4 PIECES)	1
6.3	4097852	> WASHER-CS-16.4-32-2.8-NFE25-511-A2	1
7	4179959	END SHIELD HELIX 8" FKM 1.4404 KIT	1
7.1		> END SHIELD HELIX 316L MACHINED	1
7.2	4179958	> O-RING-ID.42.52X2.62 VITON VP.	1
7.3	2107767	> O-RING ID.202,80x3,53 VITON VP.	1
8	4161256	FILING/PURGING PLUG FKM KIT	1
8.1		> FILLING/VENTING-PLUG-VM18/10-316L	1
8.2		> FILLING AND VENTING PLUG M+8" 316L	1
8.3		> GASKET-17x3-VITON	1
9	4179997	CARTRIDGE HELIX22-36-52 T/V KIT	1
10	4180000	HOUSING PIPE D.204X1030 1.4404 KIT	1
7.3	2107767	> O-RING ID.202,80x3,53 VITON VP.	1
10.1		> HOUSING-PIPE Ø204-M+5210-316L	1
12	4164724	SHAFT EQUIPMENT HELIX V52 KIT	1
13		HYDRAULIC HELIX V 5210 -2	1
14	4180002	SHAFTS D.22X1204 1.4462 VP.	1
15	4164769	EQUIPED HOUSING HELIX 52 1.4409 KIT	1
7.3	2107767	> O-RING ID.202,80x3,53 VITON VP.	1
15.1		> PUMP HOUSING M+ DN80 316L MACHINED	1
15.1		> GASKET HOLDER M+ DN80 316L MACHINED	1
15.1		> HYDRAULIC SUPPORT M+ DN80 316L MACHINED	1
15.2	4158195	> PLUG PRESSURE CONNECTION G1/4"316L KIT	1

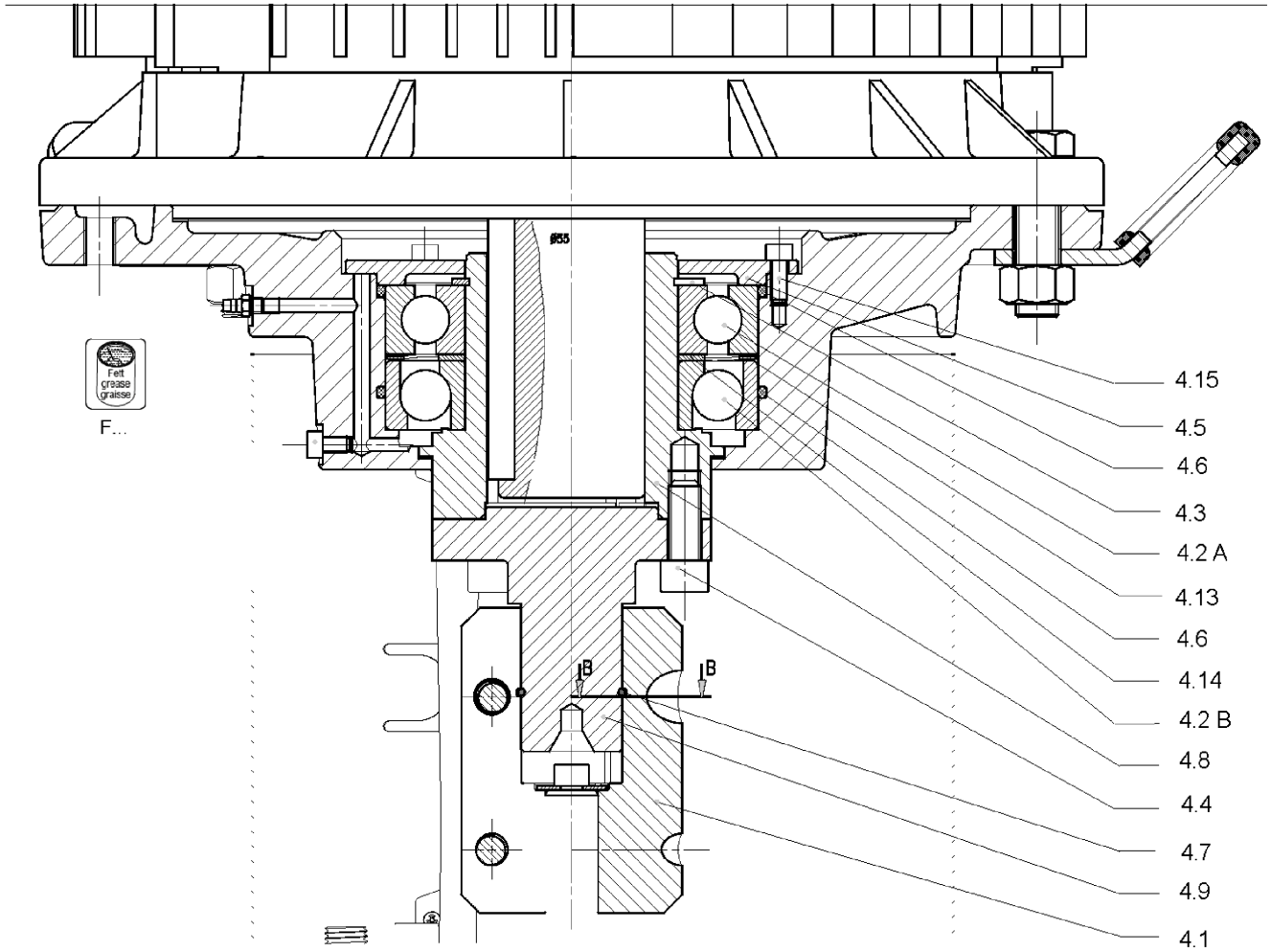
HELIX V5210/2-2/30/V/KS/400-50 (4165850)

Item	Article no.	Description	Quantity
15.2A		>> PLUG PRESSURE CONNECTION - G1/4" - 316L	1
15.2B	2107769	>> O-RING ID.9,9x2,62 VITON VP.	1
15.3	4158196	> DRAIN/PRIMING PLUG VITON HELIX KIT	1
15.3A		>> DRAIN-AND-PRIMING-PLUG-VM18"-316L	1
15.3B	4032294	>> GASKET-10x3-VITON	1
15.3C	2107768	>> O-RING ID.8,9x2,7 VITON VP.	1
15.4	4143749	> BASE M+ DN50/65/80-304	1
15.5		> SCREW TBHC M12x25 ISO7380 ZN	1
15.6		> FLANGE M+ DN80 NF PN16-25 ASME PN16 CATA	1
15.7		> O-RING Ø91.42xØ3 VITON	1
13.1A	4161268	> NECK RING 1.STAGE HELIX 36 316 KIT	1
		>> NECK-RING-M+36/52	1
		>> HYDRAULIC SUPPORT CAP M+36/52 316	1
		>> SCREW TCL M3X8 A4 POZIDRIV	1

MOTEUR A BRIDE 55FF350 **

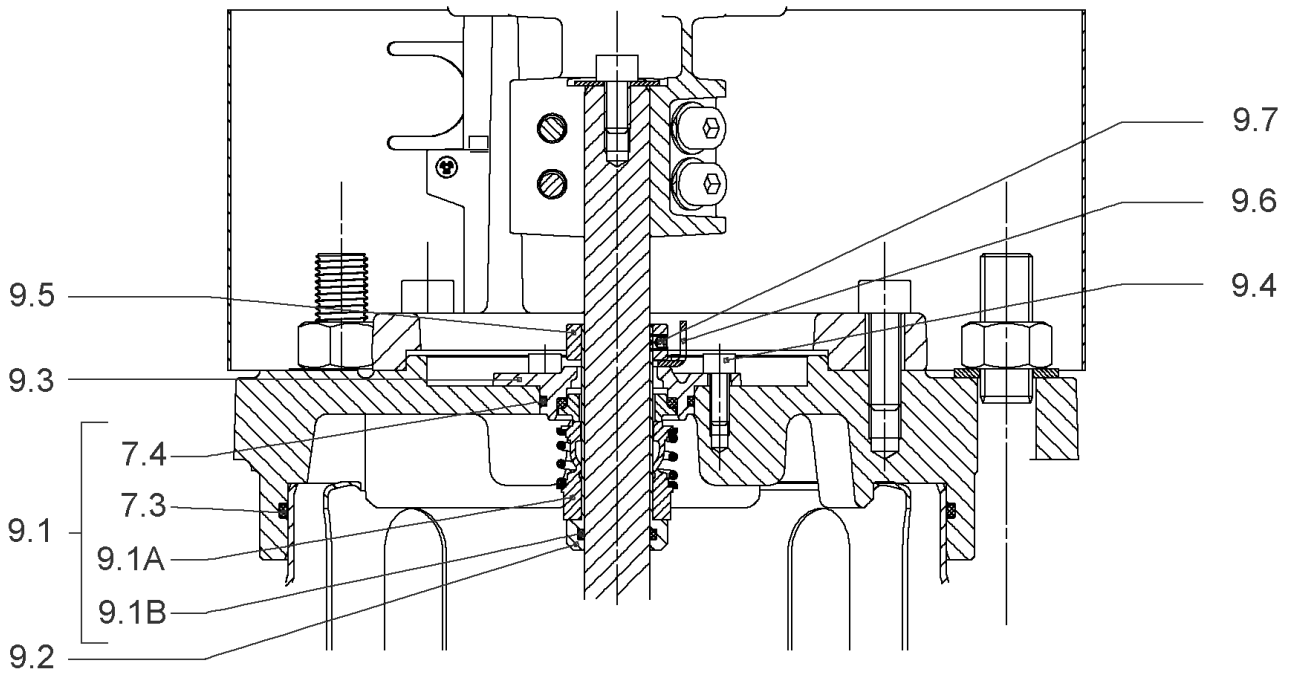
FLANGE MOTOR 55FF350 **

** VERSION 2 ROULEMENTS / ** 2 BALL BEARING VERSION



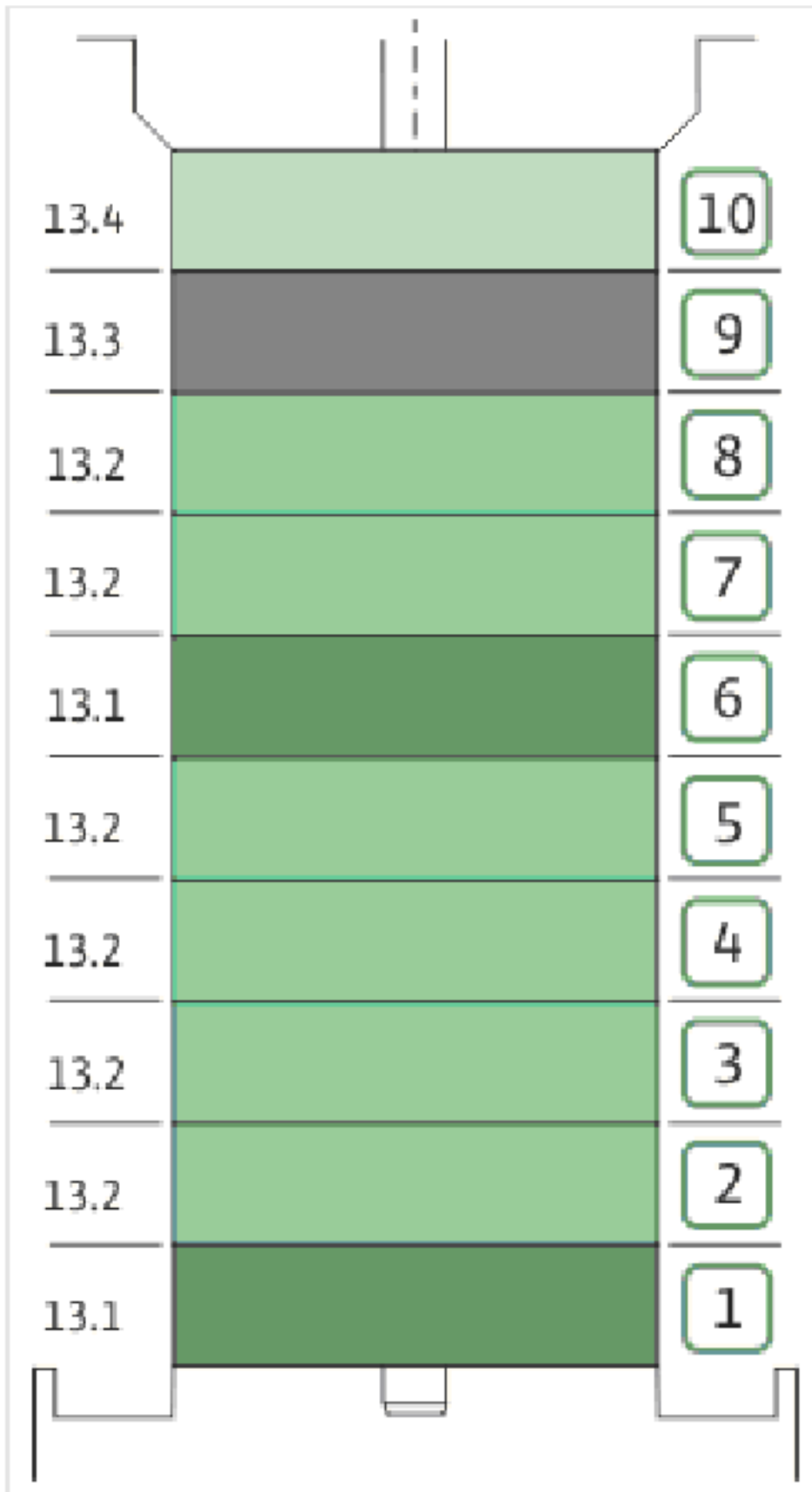
COUPLING HELIX D.20XD.38 2KUL.KIT (4164726)

Item	Article no.	Description	Quantity
4.1	4179935	COUPLING 2 PARTS D.20XD.38XL115 VP.	1
4.2A	4179950	BALL BEARING 7216-BEP-VP.	1
4.2B	4179949	BALL BEARING OPEN 6216 C3 VP.	1
4.3	4055234	CIRCLIP-FOR-SHAFT-D80X2.5-AC.PARK.	1
4.4	4179934	SCREW M12X30 (8 PIECES)	1
4.5		COVER HOUSING BALL BEARING FF350 7216	1
4.6	4233945	O-RING ID.140 VP.	1
4.7	2130992	RETAINING RING D.35xD.2,5 DIN7993 VP.	1
4.8	4179953	HUB D.55XD.80 VP.	1
4.9	4179936	SPACER D.38XD.65 VP.	1
4.10	2130991	SCREW M12X30 ISO4762 8.8 ZN(4 PIECES)	1
4.11	4233959	SCREW M8x16 VP.	1
4.12		SERRATED LOCK WASHER Ø8.2XØ25X35X2	1
4.13	4179951	WASHER INNER-BEARINGD.80XD.100x2.5E24VP.	1
4.14	4179952	CURV.SPRING WASH.A139B126E1-6216/6313VP.	1
4.15		SCREW M6X16 ISO4762 8.8 GEOMET 500B	1



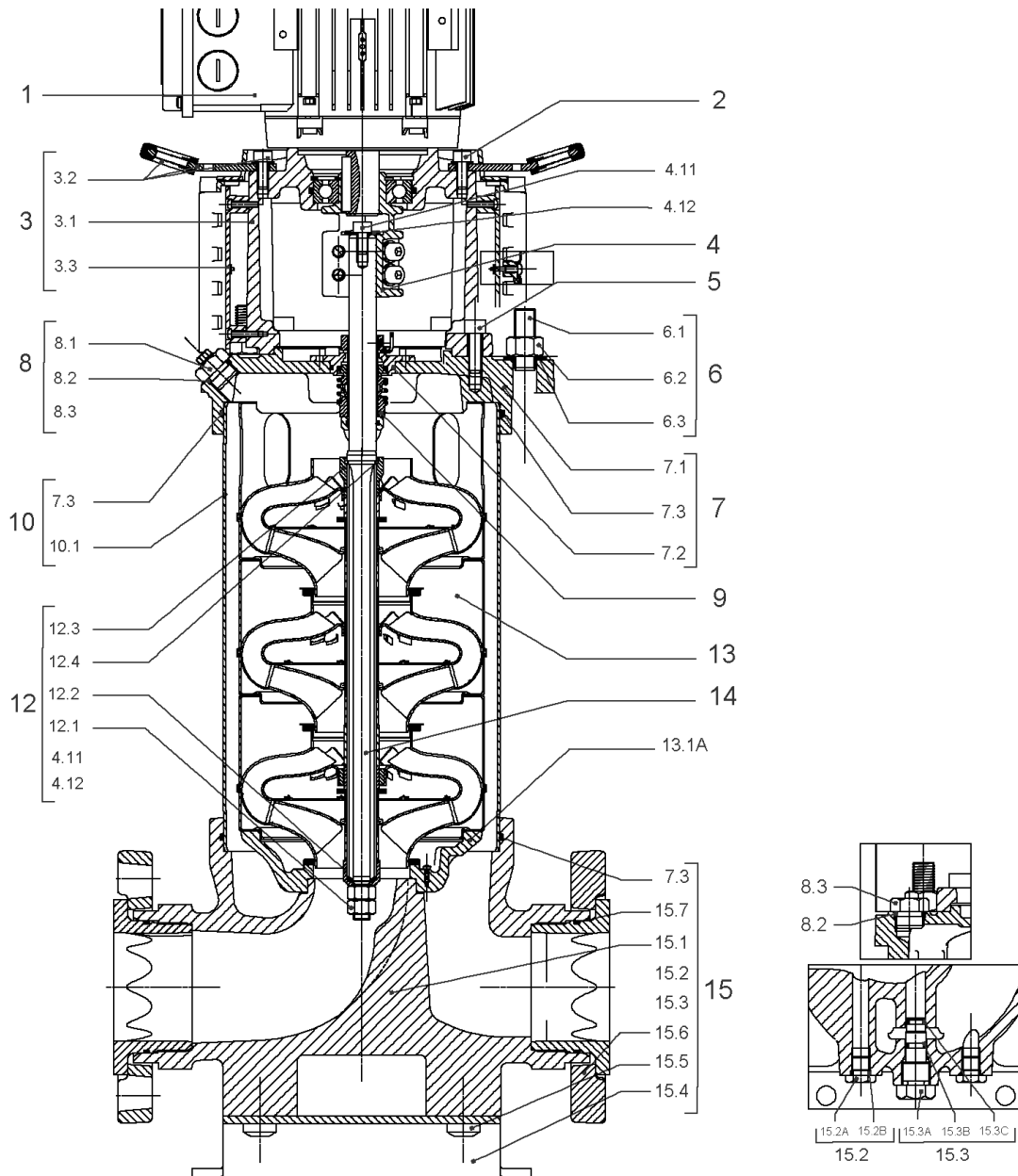
CARTRIDGE HELIX22-36-52 T/V KIT (4179997)

Item	Article no.	Description	Quantity
9.1	4179996	SEAL-KIT-HELIX22-36-52 T/V	1
7.3	2107767	> O-RING ID.202,80x3,53 VITON VP.	1
7.4	4179958	> O-RING-ID.42.52X2.62 VITON VP.	1
9.1A	4179995	> M.SEAL.HELIX22-36-52 T/V VP.	1
9.1B	4179960	> O-RING ID.20x2.65 FKM VP.	1
9.2	4180005	SHAFT SLEEVE D.22/20X71 1.4404 VP.	1
9.3	4180004	RING HOLDER 30B VP.	1
9.4	4176520	SCREW CH M5x5 A4-70 (3PIECES)	1
9.5	4179568	DRIVE RING D.31/22.1x11 MACH.VP.	1
9.6	4179569	TOOL M.S.CART.HELIX 8" VP.	1
9.7	4179570	SCREW M6X16 ISO4762 8.8 GEOMET(4 PIECES)	1



HYDRAULIC HELIX V 5210 -2

Item	Article no.	Description	Quantity
13.1	4164770	INTERMEDIATE STAGE HELIX 52 1.4404 KIT	1
		> SLEEVE-SPACER-D22XL30,42-316L	1
		> MACH.BEARING-DIFFUSER+NR-M+52-316	1
		> SHAFT-SLEEVE-D26xD22x16-CW	1
		> SPACER WASHER D22,3XD36 L3-316L	1
		> IMPELLER-H2-M+52-316	1
13.2	4164771	INTERMEDIATE STAGE HELIX 52 1.4404 KIT	1
		> MACH.STD-DIFFUSER+NR-M+52-316	1
		> IMPELLER-H5-M+52-316	1
13.3	4164773	INTERMEDIATE STAGE HELIX 52 1.4404 KIT	1
		> MACH.STD-DIFFUSER+NR-M+52-316	1
		> REDUCED-IMPELLER-H5-M+52-316	1
13.4	4164774	UPPER STAGE HELIX 52 1.4404 KIT	1
		> STOP COLLAR OF IMPELLER L27,6-Ø22-316L	1
		> SLEEVE-SPACER-D22XL16,66-316L	1
		> SPACER WASHER D22,3XD36 L3-316L	1
		> REDUCED-IMPELLER-H2-M+52-316	1
		> MACH.STD-DISCHARGE-CHAMBER-M+52-316	1



HELIX V5210-2/30/V/KS/400-50 (4165853)

Item	Article no.	Description	Quantity
1	4195492	MOTOR 37/2/200 3~400V 50HZ IE3 VP.	1
		SPARE PARTS MOTOR:ON REQUEST	1
2	4179586	SCREW M16X60 (4 PIECES)	1
3	4164725	LANTERN HELIX 36/52 FF350 BB6216 KIT	1
3.1		> LANT.FF350 M+ GJL MACHIN.+CATA 7216-6216	1
3.2	4179938	> EYELET CPL.FF350 HELIX(4 PIECES)	1
3.3	4143969	> COUPLING PROTECT HELIX FF KIT	1
4	4164726	COUPLING HELIX D.20XD.38 2KUL.KIT	1
5	4157725	SCREW M10X40 (4 PIECES)	1
6	4179999	STUD BOLT M16X1100 KIT	1
6.1		> TIE BOLT M16-1100x24x44-1.4057	1
6.2	4179562	> NUT M16 8.8 ISO4032 (4 PIECES)	1
6.3	4097852	> WASHER-CS-16.4-32-2.8-NFE25-511-A2	1
7	4179959	END SHIELD HELIX 8" FKM 1.4404 KIT	1
7.1		> END SHIELD HELIX 316L MACHINED	1
7.2	4179958	> O-RING-ID.42.52X2.62 VITON VP.	1
7.3	2107767	> O-RING ID.202,80x3,53 VITON VP.	1
8	4161256	FILING/PURGING PLUG FKM KIT	1
8.1		> FILLING/VENTING-PLUG-VM18/10-316L	1
8.2		> FILLING AND VENTING PLUG M+8" 316L	1
8.3		> GASKET-17x3-VITON	1
9	4179997	CARTRIDGE HELIX22-36-52 T/V KIT	1
10	4180000	HOUSING PIPE D.204X1030 1.4404 KIT	1
7.3	2107767	> O-RING ID.202,80x3,53 VITON VP.	1
10.1		> HOUSING-PIPE Ø204-M+5210-316L	1
12	4164724	SHAFT EQUIPMENT HELIX V52 KIT	1
13		HYDRAULIC HELIX V 5210	1
14	4180002	SHAFTS D.22X1204 1.4462 VP.	1
15	4164769	EQUIPED HOUSING HELIX 52 1.4409 KIT	1
7.3	2107767	> O-RING ID.202,80x3,53 VITON VP.	1
15.1		> PUMP HOUSING M+ DN80 316L MACHINED	1
15.1		> GASKET HOLDER M+ DN80 316L MACHINED	1
15.1		> HYDRAULIC SUPPORT M+ DN80 316L MACHINED	1
15.2	4158195	> PLUG PRESSURE CONNECTION G1/4"316L KIT	1

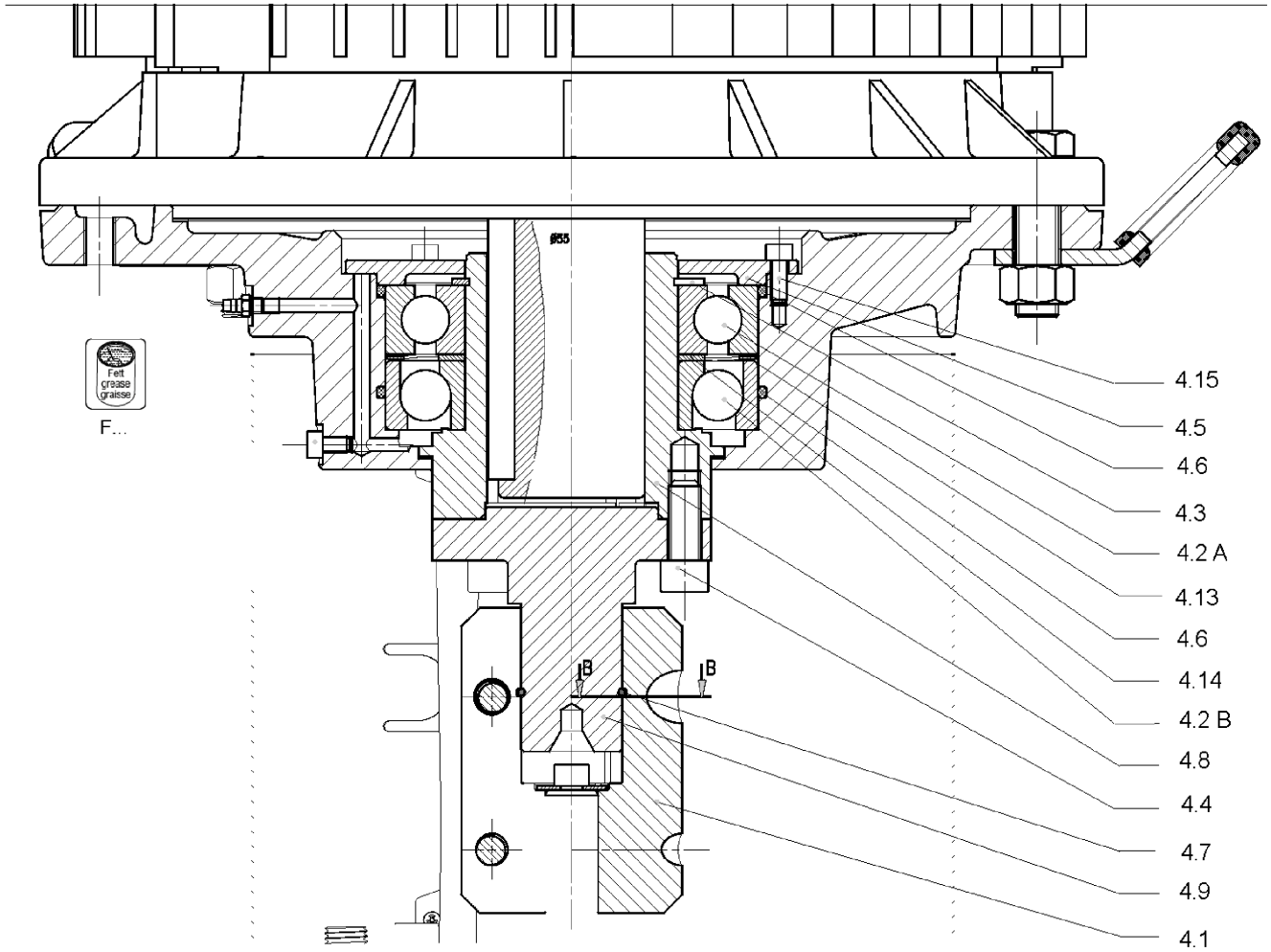
HELIX V5210-2/30/V/KS/400-50 (4165853)

Item	Article no.	Description	Quantity
15.2A		>> PLUG PRESSURE CONNECTION - G1/4" - 316L	1
15.2B	2107769	>> O-RING ID.9,9x2,62 VITON VP.	1
15.3	4158196	> DRAIN/PRIMING PLUG VITON HELIX KIT	1
15.3A		>> DRAIN-AND-PRIMING-PLUG-VM18"-316L	1
15.3B	4032294	>> GASKET-10x3-VITON	1
15.3C	2107768	>> O-RING ID.8,9x2,7 VITON VP.	1
15.4	4143749	> BASE M+ DN50/65/80-304	1
15.5		> SCREW TBHC M12x25 ISO7380 ZN	1
15.6		> FLANGE M+ DN80 NF PN16-25 ASME PN16 CATA	1
15.7		> O-RING Ø91.42xØ3 VITON	1
13.1A	4161268	> NECK RING 1.STAGE HELIX 36 316 KIT	1
		>> NECK-RING-M+36/52	1
		>> HYDRAULIC SUPPORT CAP M+36/52 316	1
		>> SCREW TCL M3X8 A4 POZIDRIV	1

MOTEUR A BRIDE 55FF350 **

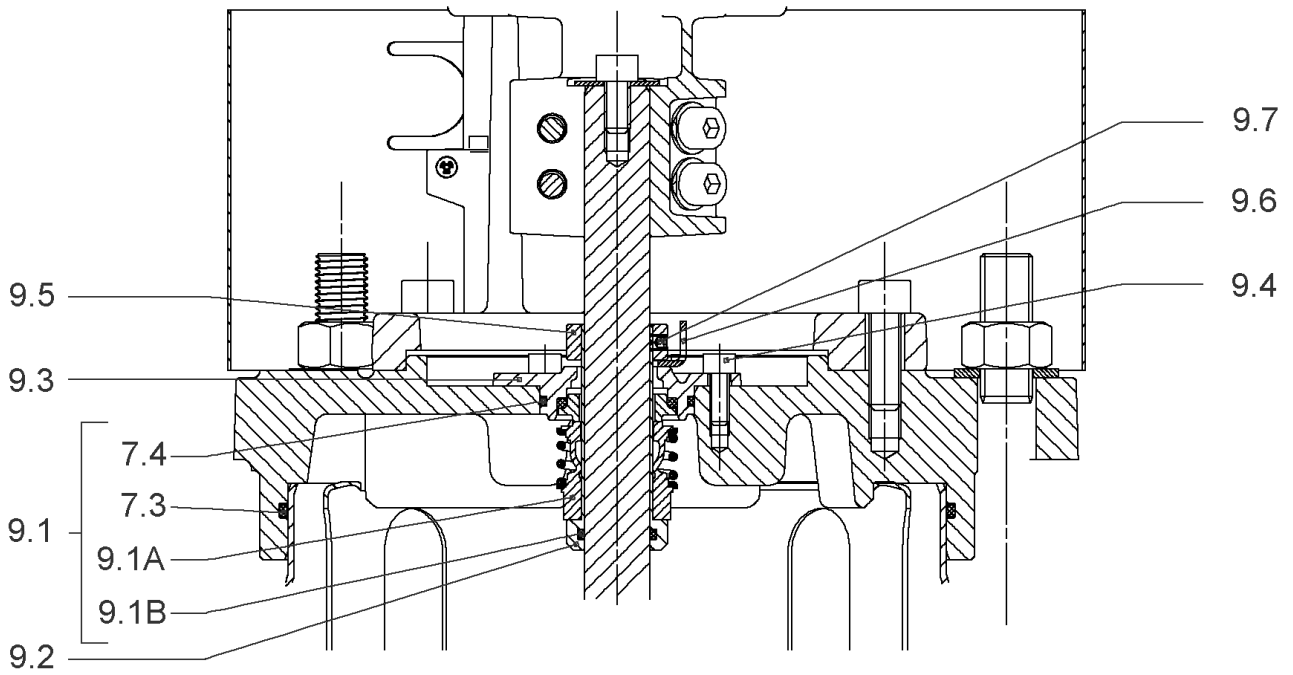
FLANGE MOTOR 55FF350 **

** VERSION 2 ROULEMENTS / ** 2 BALL BEARING VERSION



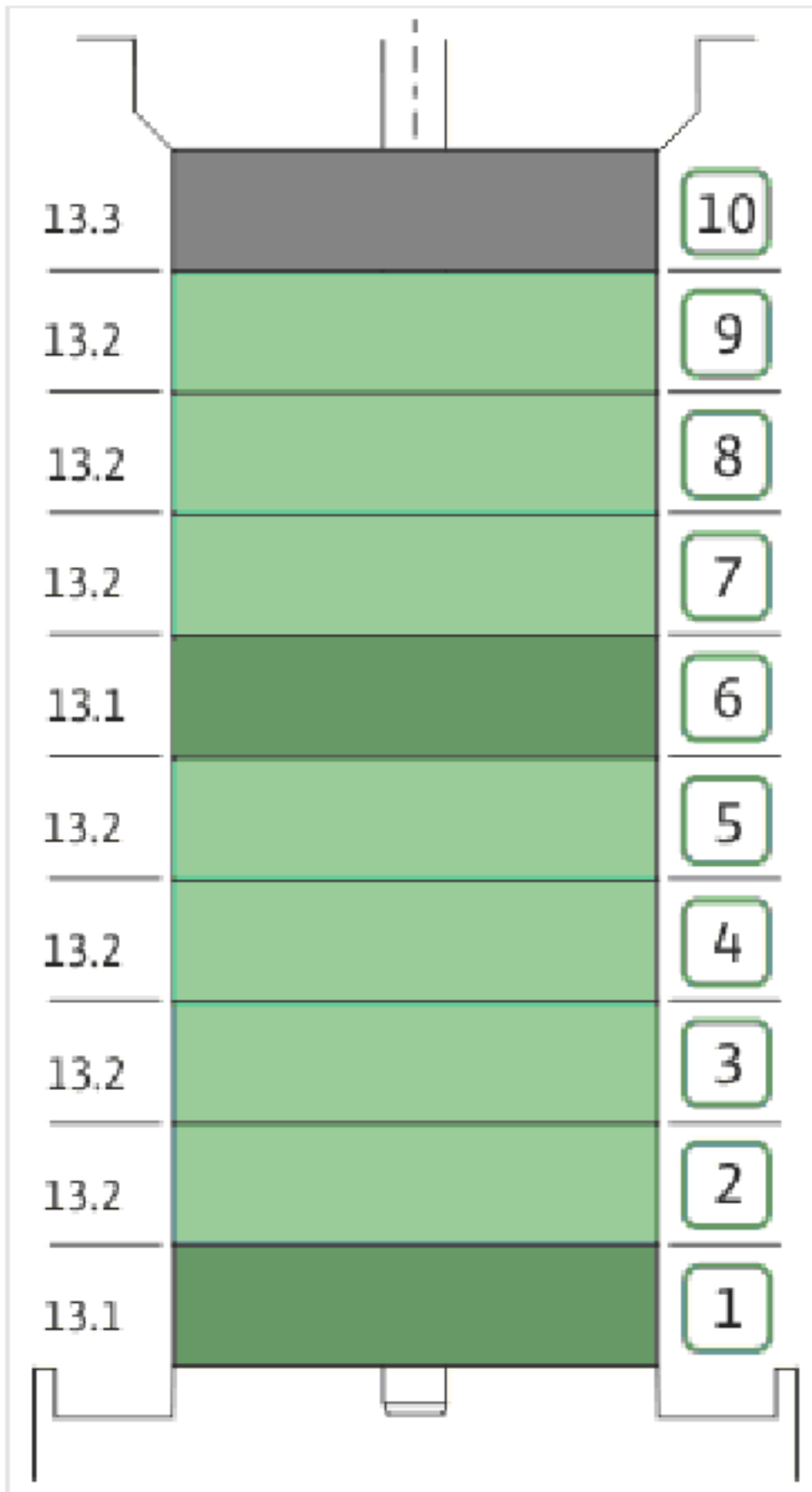
COUPLING HELIX D.20XD.38 2KUL.KIT (4164726)

Item	Article no.	Description	Quantity
4.1	4179935	COUPLING 2 PARTS D.20XD.38XL115 VP.	1
4.2A	4179950	BALL BEARING 7216-BEP-VP.	1
4.2B	4179949	BALL BEARING OPEN 6216 C3 VP.	1
4.3	4055234	CIRCLIP-FOR-SHAFT-D80X2.5-AC.PARK.	1
4.4	4179934	SCREW M12X30 (8 PIECES)	1
4.5		COVER HOUSING BALL BEARING FF350 7216	1
4.6	4233945	O-RING ID.140 VP.	1
4.7	2130992	RETAINING RING D.35xD.2,5 DIN7993 VP.	1
4.8	4179953	HUB D.55XD.80 VP.	1
4.9	4179936	SPACER D.38XD.65 VP.	1
4.10	2130991	SCREW M12X30 ISO4762 8.8 ZN(4 PIECES)	1
4.11	4233959	SCREW M8x16 VP.	1
4.12		SERRATED LOCK WASHER Ø8.2XØ25X35X2	1
4.13	4179951	WASHER INNER-BEARINGD.80XD.100x2.5E24VP.	1
4.14	4179952	CURV.SPRING WASH.A139B126E1-6216/6313VP.	1
4.15		SCREW M6X16 ISO4762 8.8 GEOMET 500B	1



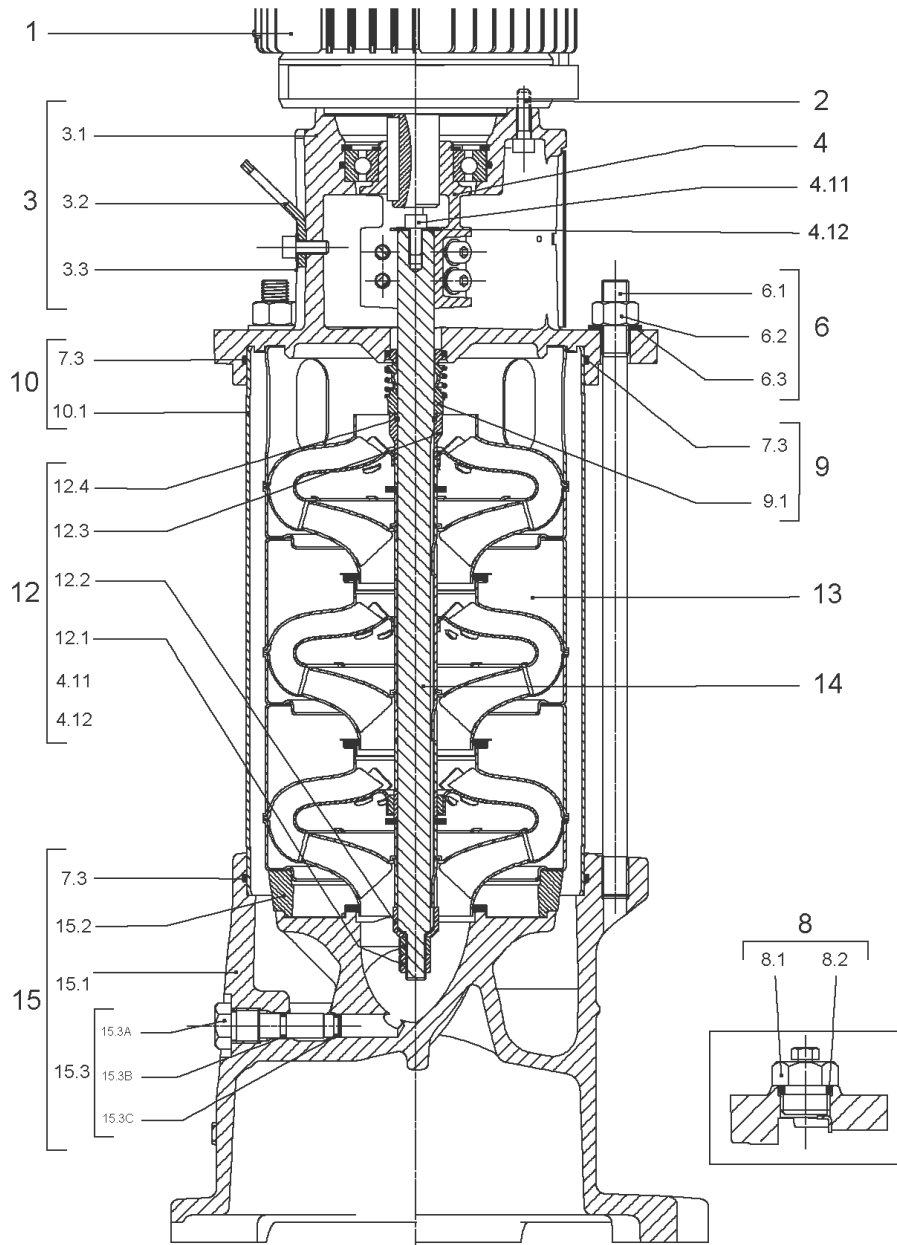
CARTRIDGE HELIX22-36-52 T/V KIT (4179997)

Item	Article no.	Description	Quantity
9.1	4179996	SEAL-KIT-HELIX22-36-52 T/V	1
7.3	2107767	> O-RING ID.202,80x3,53 VITON VP.	1
7.4	4179958	> O-RING-ID.42.52X2.62 VITON VP.	1
9.1A	4179995	> M.SEAL.HELIX22-36-52 T/V VP.	1
9.1B	4179960	> O-RING ID.20x2.65 FKM VP.	1
9.2	4180005	SHAFT SLEEVE D.22/20X71 1.4404 VP.	1
9.3	4180004	RING HOLDER 30B VP.	1
9.4	4176520	SCREW CH M5x5 A4-70 (3PIECES)	1
9.5	4179568	DRIVE RING D.31/22.1x11 MACH.VP.	1
9.6	4179569	TOOL M.S.CART.HELIX 8" VP.	1
9.7	4179570	SCREW M6X16 ISO4762 8.8 GEOMET(4 PIECES)	1



HYDRAULIC HELIX V 5210

Item	Article no.	Description	Quantity
13.1	4164770	INTERMEDIATE STAGE HELIX 52 1.4404 KIT	1
		> SLEEVE-SPACER-D22XL30,42-316L	1
		> MACH.BEARING-DIFFUSER+NR-M+52-316	1
		> SHAFT-SLEEVE-D26xD22x16-CW	1
		> SPACER WASHER D22,3XD36 L3-316L	1
		> IMPELLER-H2-M+52-316	1
13.2	4164771	INTERMEDIATE STAGE HELIX 52 1.4404 KIT	1
		> MACH.STD-DIFFUSER+NR-M+52-316	1
		> IMPELLER-H5-M+52-316	1
13.3	4164772	UPPER STAGE HELIX 52 1.4404 KIT	1
		> STOP COLLAR OF IMPELLER L27,6-Ø22-316L	1
		> SLEEVE-SPACER-D22XL16,66-316L	1
		> SPACER WASHER D22,3XD36 L3-316L	1
		> IMPELLER-H2-M+52-316	1
		> MACH.STD-DISCHARGE-CHAMBER-M+52-316	1

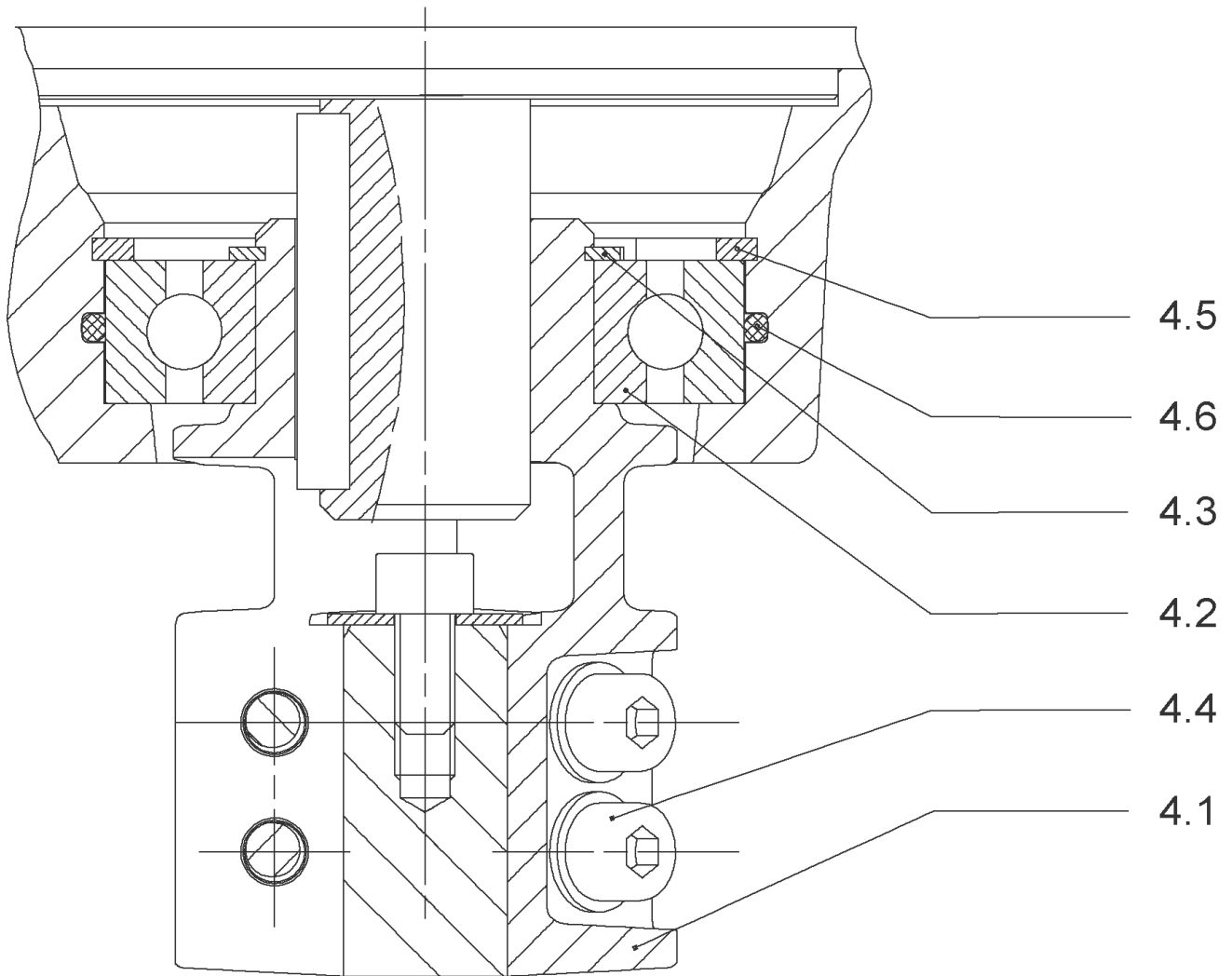


HELIX V5202/2-4/16/E/S/400-50 (4183428)

Item	Article no.	Description	Quantity
1	4169947	MO 5,5/2/112 3~400V50Hz 460V60Hz IE3 VP.	1
		SPARE PARTS MOTOR:ON REQUEST	1
2	4159707	SCREW M8X30 (4 PIECES)	1
3	4186356	LANTERN HELIX OPTI 8" FT130 KIT	1
3.1		> M+8_LANTERN_ONE-PIECE_FT130_CATA_DWA	1
3.2	4184852	> EYELET CPL.FT HELIX (2 PIECES)	1
3.3	4184853	> COUPLING PROTECTOR FT HELIX 8" KIT	1
4	4184854	COUPLING D.22XD.28 FT130 HELIX KIT	1
6	4180018	STUD BOLT M16X267 KIT	1
6.1		> TIE BOLT M16-267x24x44-1.4057	1
6.2	4179562	> NUT M16 8.8 ISO4032 (4 PIECES)	1
6.3	4097852	> WASHER-CS-16.4-32-2.8-NFE25-511-A2	1
8	4186377	FILING/PURGING PLUG 304 HELIX KIT	1
8.1		> FILLING/VENTING-PLUG-MVI8/10"-304	1
8.2	4032291	> O-RING 17x3 EPDM KTW/WRC	1
9	4192148	SEAL-KIT-HELIX22-36-52 FIRST O/E	1
7.3	4179571	> O-RING HOUSING PIPE HELIX22/36/52 VP.	1
9.1	4179573	> M.SEAL.HELIX22-36-52 O/E VP.	1
10	4179582	HOUSING PIPE D.204X230 1.4307 KIT	1
7.3	4179571	> O-RING HOUSING PIPE HELIX22/36/52 VP.	1
10.1		> HOUSING-PIPE Ø204-M+5202-304	1
12	4186386	SHAFT EQUIPMENT HELIX 52 FIRST KIT	1
13		HYDRAULIC HELIX V 5202/2	1
14	4186344	SHAFT D.22X351 1.4057 VP.	1
15	4186388	EQUIPED HOUSING HELIX FIRST DN80 DWA KIT	1
15.1		> PUMP CASING MONO.GJL M+8" DN80 DWA	1
15.2		> HYD.SUP.M+8" ONE PIECE HOUSING N80 DWA	1
15.3	4106048	> DRAIN/PRIMING PLUG EPDM HELIX FIRST KIT	1
15.3A		>> DRAIN AND PRIMING PLUG-VMI10"-304	1
15.3B	4032293	>> O-RING-10x3-EPDM-KTW/WRC	1
15.3C	4233957	>> O-RING ID.9 EPDM VP.	1
7.3	4179571	> O-RING HOUSING PIPE HELIX22/36/52 VP.	1
13.1A	4161200	> NECK RING 1.STAGE HELIX V36/52 KIT	1
		>> NECK-RING-M+36/52	1

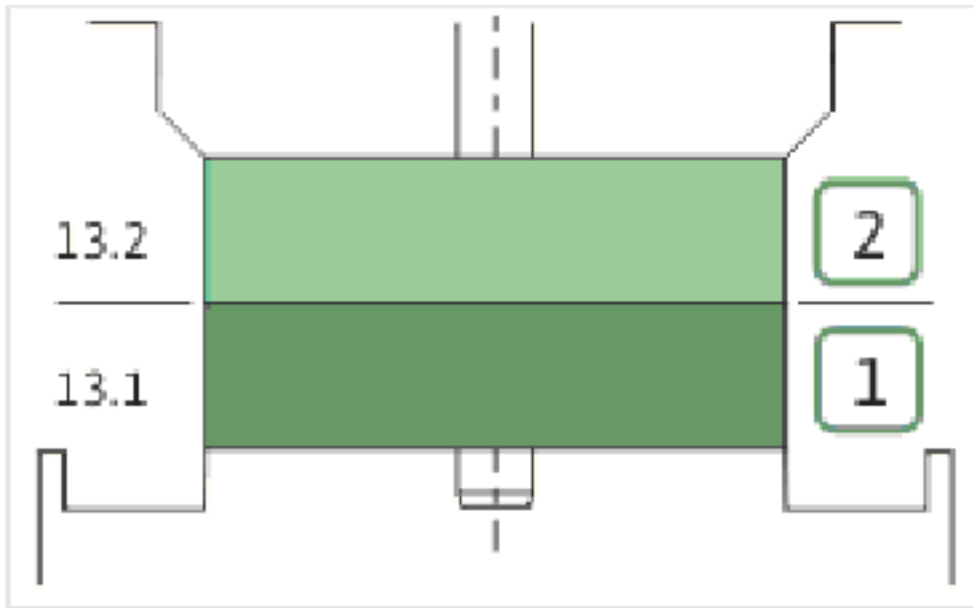
HELIX V5202/2-4/16/E/S/400-50 (4183428)

Item	Article no.	Description	Quantity
		>> HYDRAULIC SUPPORT CAP M+36/52 304	1
		>> SCREW TCL M3X8 A4 POZIDRIV	1



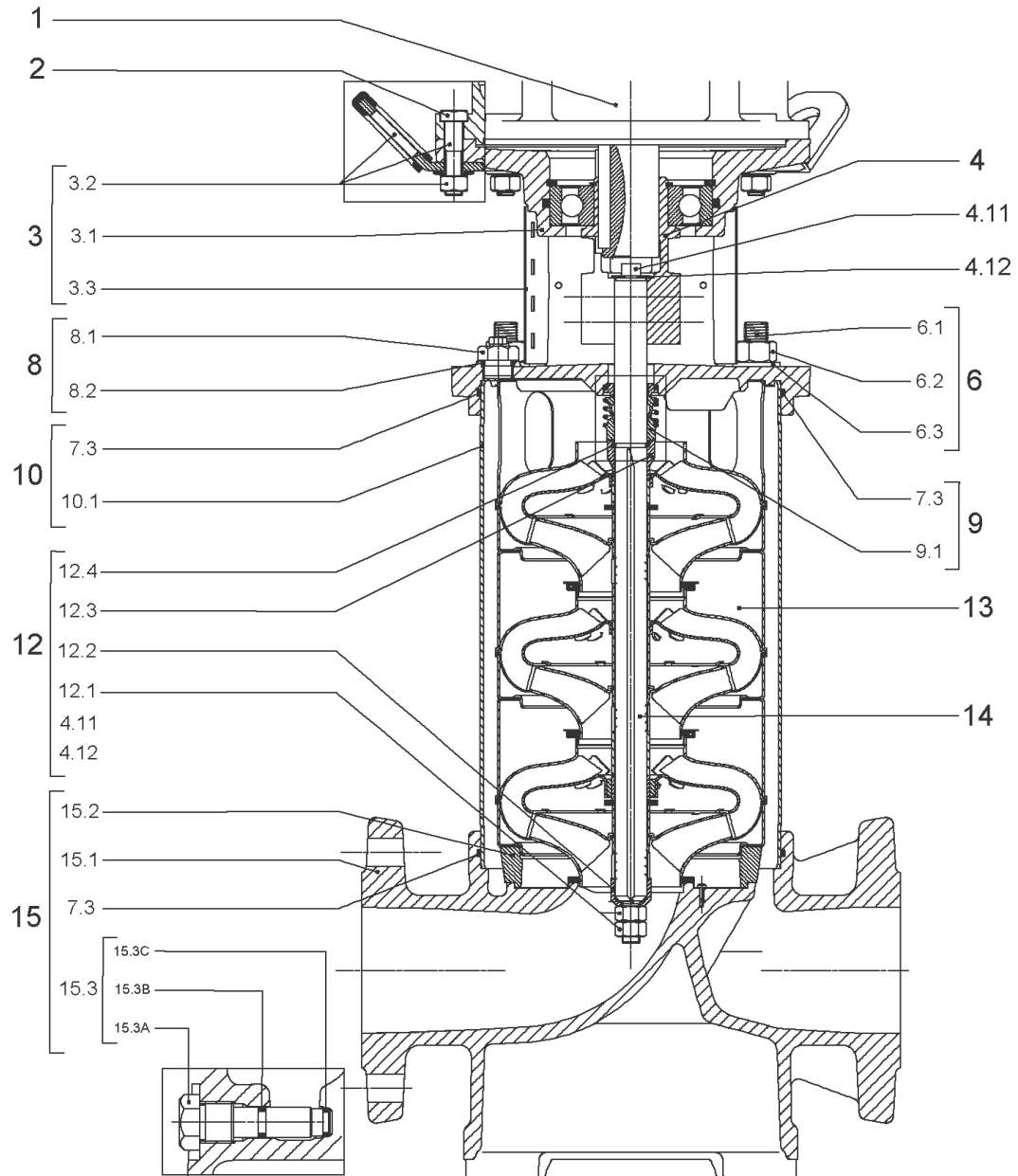
COUPLING D.22XD.28 FT130 HELIX KIT (4184854)

Item	Article no.	Description	Quantity
4.1		COUPLING-VMI-Ø22xØ28-FT130-MACHINED	1
4.2	2131022	BALL BEARING 6209/ZZ-C3(HT)VP.	1
4.3	4233930	CIRCLIP-FOR-BORES-D45x1,75 VP.	1
4.4	4157726	SCREW KIT M8X30 (4 PIECES)	1
4.5	4234252	CIRCLIPS 85X3 VP.	1
4.6	4234243	O-RING 85X3 VP.	1
		NOMEL CONTACT WASHER 8x16x1,4 STEEL ZC	1



HYDRAULIC HELIX V 5202/2

Item	Article no.	Description	Quantity
13.1	4164732	INTERMEDIAIRE STAGE HELIX 52 1.4301 KIT	1
		> SLEEVE-SPACER-D22XL30,42-316L	1
		> MACH.BEARING-DIFFUSER+NR-M+52-304	1
		> SHAFT-SLEEVE-D26xD22x16-CW	1
		> SPACER WASHER D22,3XD36 L3-316L	1
		> REDUCED-IMPELLER-H2-M+52-304	1
13.1A	4161200	> NECK RING 1.STAGE HELIX V36/52 KIT	1
		>> NECK-RING-M+36/52	1
		>> HYDRAULIC SUPPORT CAP M+36/52 304	1
		>> SCREW TCL M3X8 A4 POZIDRIV	1
13.2	4164731	UPPER-STAGE HELIX 52 1.4301 KIT	1
		> STOP COLLAR OF IMPELLER L27,6-Ø22-316L	1
		> SLEEVE-SPACER-D22XL16,66-316L	1
		> SPACER WASHER D22,3XD36 L3-316L	1
		> REDUCED-IMPELLER-H2-M+52-304	1
		> MACH.STD-DISCHARGE-CHAMBER-M+52-304	1



HELIX V5202-4/16/E/S/400-50-FF240 (4183429)

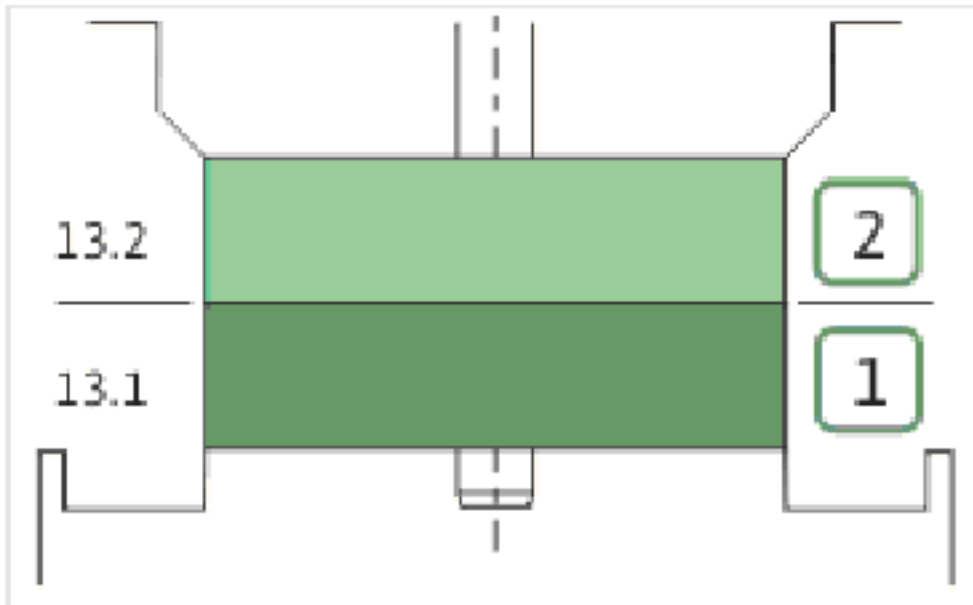
Item	Article no.	Description	Quantity
1	4195512	MOTOR 7,5/2/112 3~400V 50HZ IE3 VP.	1
		SPARE PARTS MOTOR:ON REQUEST	1
2	4174093	SCREW M12X50 (4 PIECES)	1
3	4186358	LANTERN HELIX OPTI 8" FF240 KIT	1
3.1		> M+8_LANTERN_ONE-PIECE_FF240_CATA_DWA	1
3.2	4186346	> EYELET CPL.FF240 HELIX (4 PIECES)	1
3.3	4184853	> COUPLING PROTECTOR FT HELIX 8" KIT	1
4	4186347	COUPLING D.22XD.38 FF240T130 HELIX KIT	1
6	4180018	STUD BOLT M16X267 KIT	1
6.1		> TIE BOLT M16-267x24x44-1.4057	1
6.2	4179562	> NUT M16 8.8 ISO4032 (4 PIECES)	1
6.3	4097852	> WASHER-CS-16.4-32-2.8-NFE25-511-A2	1
8	4186377	FILING/PURGING PLUG 304 HELIX KIT	1
8.1		> FILLING/VENTING-PLUG-MVI8/10"-304	1
8.2	4032291	> O-RING 17x3 EPDM KTW/WRC	1
9	4192148	SEAL-KIT-HELIX22-36-52 FIRST O/E	1
7.3	4179571	> O-RING HOUSING PIPE HELIX22/36/52 VP.	1
9.1	4179573	> M.SEAL.HELIX22-36-52 O/E VP.	1
10	4179582	HOUSING PIPE D.204X230 1.4307 KIT	1
7.3	4179571	> O-RING HOUSING PIPE HELIX22/36/52 VP.	1
10.1		> HOUSING-PIPE Ø204-M+5202-304	1
12	4186386	SHAFT EQUIPMENT HELIX 52 FIRST KIT	1
13		HYDRAULIC HELIX V 5202	1
14	4186344	SHAFT D.22X351 1.4057 VP.	1
15	4186388	EQUIPED HOUSING HELIX FIRST DN80 DWA KIT	1
15.1		> PUMP CASING MONO.GJL M+8" DN80 DWA	1
15.2		> HYD.SUP.M+8" ONE PIECE HOUSING N80 DWA	1
15.3	4106048	> DRAIN/PRIMING PLUG EPDM HELIX FIRST KIT	1
15.3A		>> DRAIN AND PRIMING PLUG-VMI10"-304	1
15.3B	4032293	>> O-RING-10x3-EPDM-KTW/WRC	1
15.3C	4233957	>> O-RING ID.9 EPDM VP.	1
7.3	4179571	> O-RING HOUSING PIPE HELIX22/36/52 VP.	1
13.1A	4161200	> NECK RING 1.STAGE HELIX V36/52 KIT	1
		>> NECK-RING-M+36/52	1

Item	Article no.	Description	Quantity
		>> HYDRAULIC SUPPORT CAP M+36/52 304	1
		>> SCREW TCL M3X8 A4 POZIDRIV	1



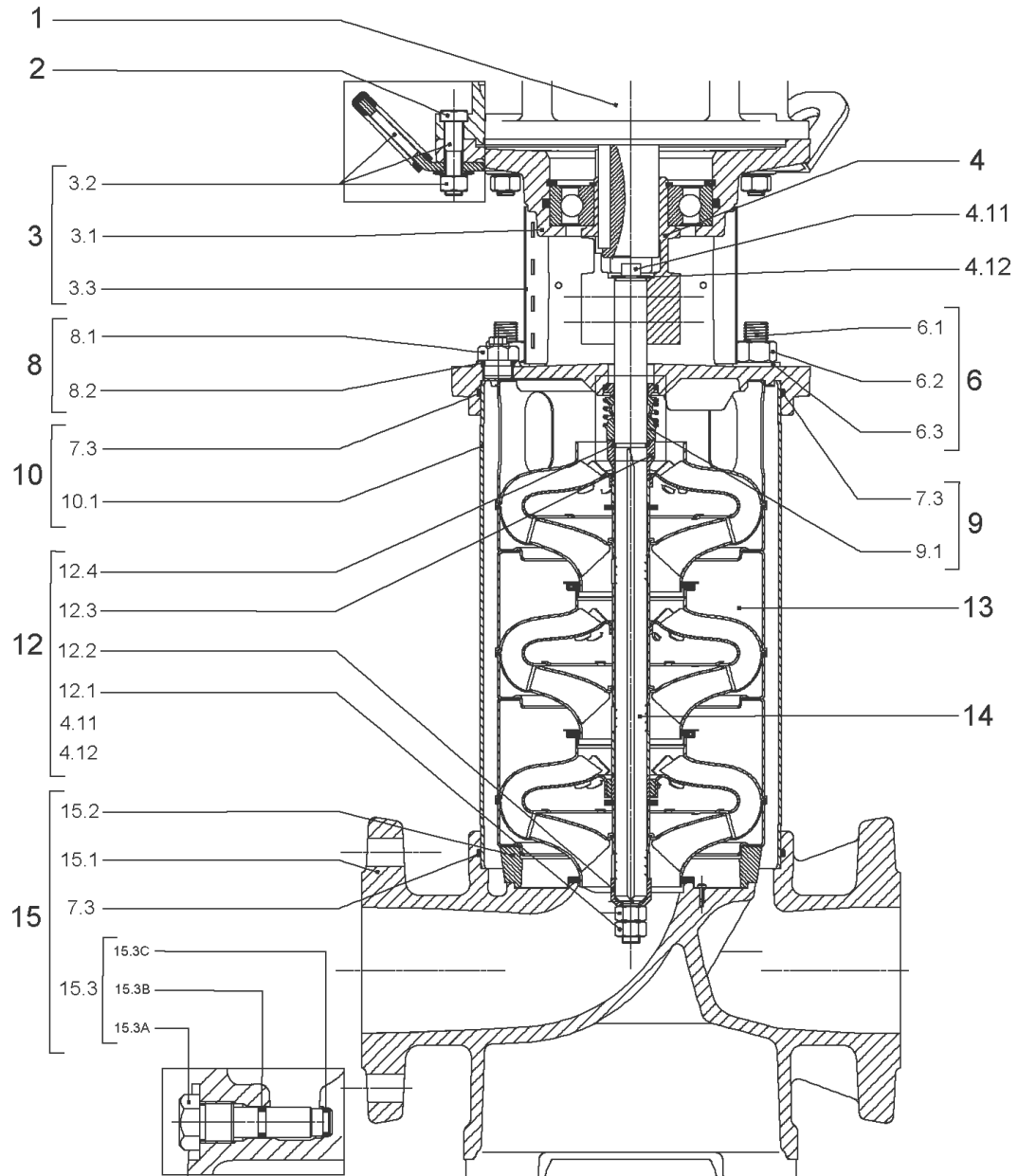
COUPLING D.22XD.38 FF240T130 HELIX KIT (4186347)

Item	Article no.	Description	Quantity
4.1		COUPLING-VMI-D22xD38-FF265-MACHINED	1
4.2	2131017	BALL BEARING 6310/ZZ-C4(HT)VP.	1
4.3	4234253	CIRCLIP-FOR-SHAFT-D50x2 VP.	1
4.4	4157726	SCREW KIT M8X30 (4 PIECES)	1
4.5	4234255	CIRCLIPS 110X4 VP.	1
4.6	4233944	O-RING ID.110 VP.	1
		NOMEL CONTACT WASHER 8x16x1,4 STEEL ZC	1



HYDRAULIC HELIX V 5202

Item	Article no.	Description	Quantity
13.1	4164727	INTERMEDIAIRE STAGE HELIX 52 1.4301 KIT	1
		> SLEEVE-SPACER-D22XL30,42-316L	1
		> MACH.BEARING-DIFFUSER+NR-M+52-304	1
		> SHAFT-SLEEVE-D26xD22x16-CW	1
		> SPACER WASHER D22,3XD36 L3-316L	1
		> IMPELLER-H2-M+52-304	1
13.1A	4161200	> NECK RING 1.STAGE HELIX V36/52 KIT	1
		>> NECK-RING-M+36/52	1
		>> HYDRAULIC SUPPORT CAP M+36/52 304	1
		>> SCREW TCL M3X8 A4 POZIDRIV	1
13.2	4164729	UPPER-STAGE HELIX 52 1.4301 KIT	1
		> STOP COLLAR OF IMPELLER L27,6-Ø22-316L	1
		> SLEEVE-SPACER-D22XL16,66-316L	1
		> SPACER WASHER D22,3XD36 L3-316L	1
		> IMPELLER-H2-M+52-304	1
		> MACH.STD-DISCHARGE-CHAMBER-M+52-304	1



HELIX V5203/2-4/16/E/S/400-50-FF240 (4183430)

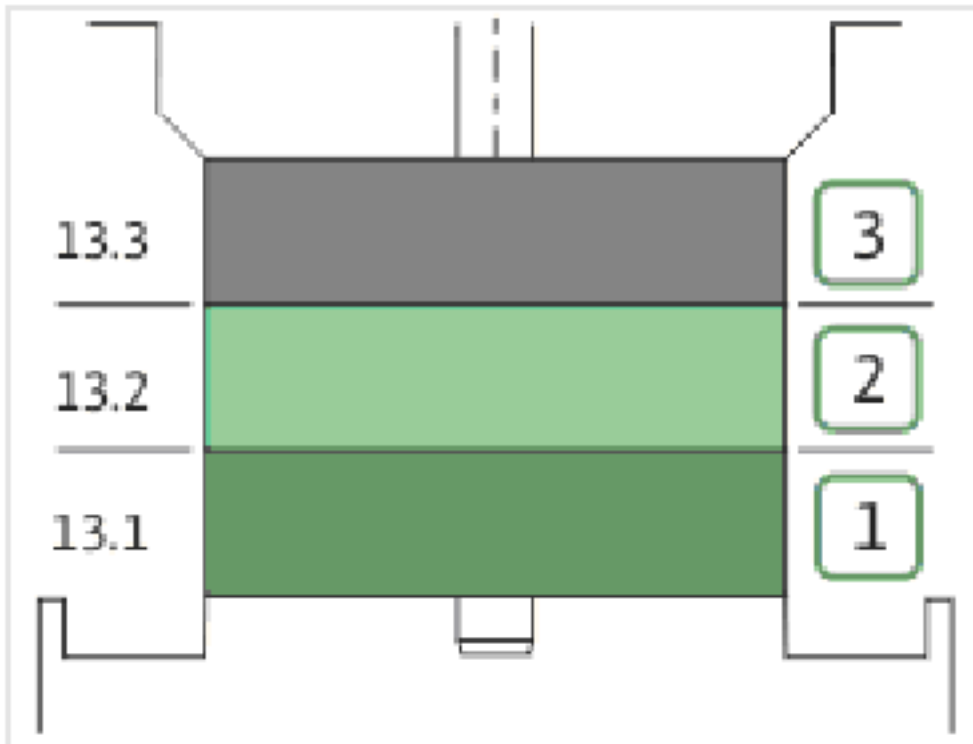
Item	Article no.	Description	Quantity
1	4195485	MOTOR 11/2/132 3~400V 50HZ IE3 VP.	1
		SPARE PARTS MOTOR:ON REQUEST	1
2	4174093	SCREW M12X50 (4 PIECES)	1
3	4186358	LANTERN HELIX OPTI 8" FF240 KIT	1
3.1		> M+8_LANTERN_ONE-PIECE_FF240_CATA_DWA	1
3.2	4186346	> EYELET CPL.FF240 HELIX (4 PIECES)	1
3.3	4184853	> COUPLING PROTECTOR FT HELIX 8" KIT	1
4	4186347	COUPLING D.22XD.38 FF240T130 HELIX KIT	1
6	4186380	STUD BOLT M16X371 KIT	1
6.1		> TIE BOLT M16-371x24x44-1.4057	1
6.2	4179562	> NUT M16 8.8 ISO4032 (4 PIECES)	1
6.3	4097852	> WASHER-CS-16.4-32-2.8-NFE25-511-A2	1
8	4186377	FILING/PURGING PLUG 304 HELIX KIT	1
8.1		> FILLING/VENTING-PLUG-MVI8/10"-304	1
8.2	4032291	> O-RING 17x3 EPDM KTW/WRC	1
9	4192148	SEAL-KIT-HELIX22-36-52 FIRST O/E	1
7.3	4179571	> O-RING HOUSING PIPE HELIX22/36/52 VP.	1
9.1	4179573	> M.SEAL.HELIX22-36-52 O/E VP.	1
10	4179593	HOUSING PIPE D.204X330 1.4307 KIT	1
7.3	4179571	> O-RING HOUSING PIPE HELIX22/36/52 VP.	1
10.1		> HOUSING-PIPE Ø204-M+3604/5203-304	1
12	4186386	SHAFT EQUIPMENT HELIX 52 FIRST KIT	1
13		HYDRAULIC HELIX V 5203/2	1
14	4186350	SHAFT D.22X451 1.4057 VP.	1
15	4186388	EQUIPED HOUSING HELIX FIRST DN80 DWA KIT	1
15.1		> PUMP CASING MONO.GJL M+8" DN80 DWA	1
15.2		> HYD.SUP.M+8" ONE PIECE HOUSING N80 DWA	1
15.3	4106048	> DRAIN/PRIMING PLUG EPDM HELIX FIRST KIT	1
15.3A		>> DRAIN AND PRIMING PLUG-VMI10"-304	1
15.3B	4032293	>> O-RING-10x3-EPDM-KTW/WRC	1
15.3C	4233957	>> O-RING ID.9 EPDM VP.	1
7.3	4179571	> O-RING HOUSING PIPE HELIX22/36/52 VP.	1
13.1A	4161200	> NECK RING 1.STAGE HELIX V36/52 KIT	1
		>> NECK-RING-M+36/52	1

Item	Article no.	Description	Quantity
		>> HYDRAULIC SUPPORT CAP M+36/52 304	1
		>> SCREW TCL M3X8 A4 POZIDRIV	1



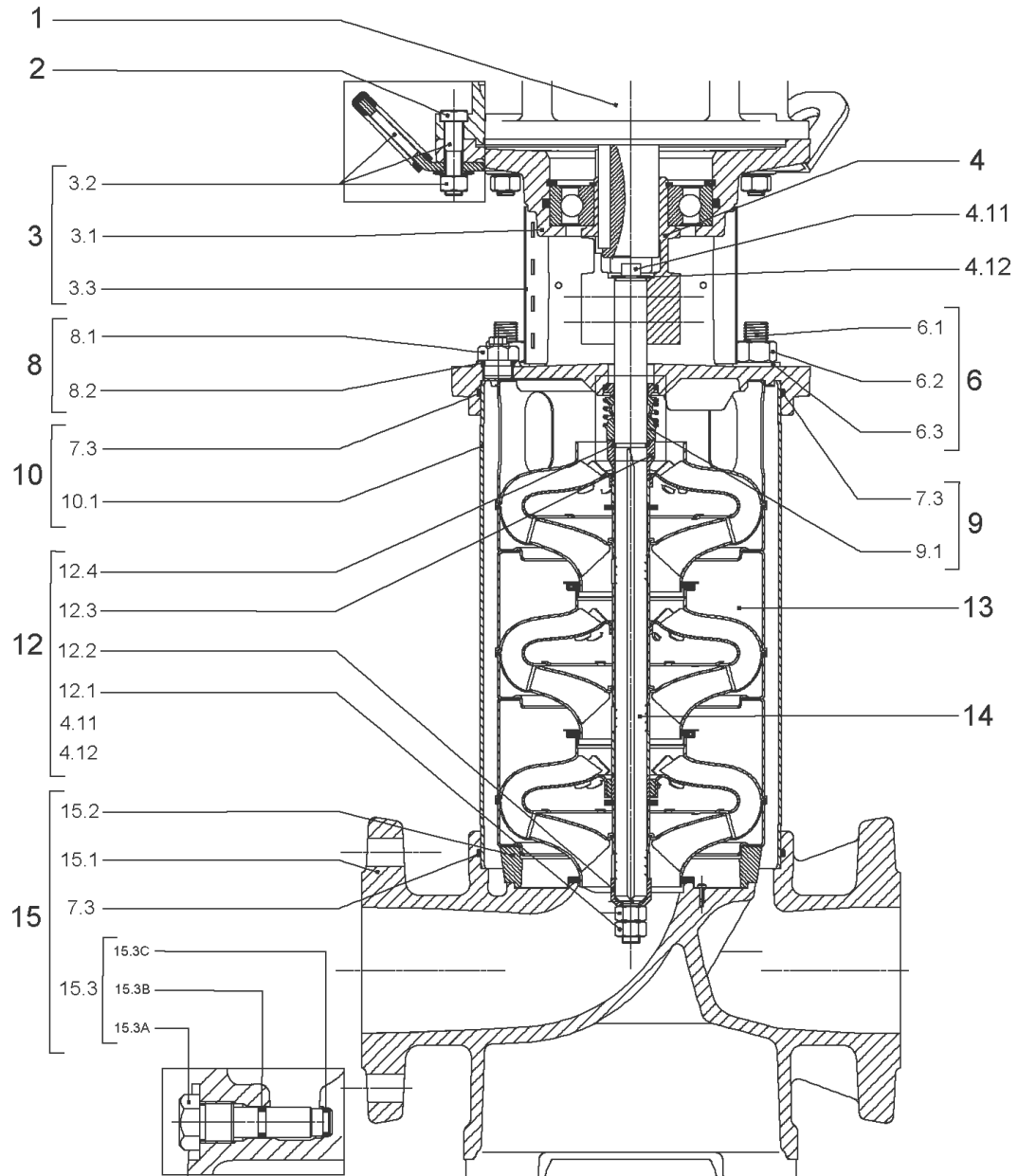
COUPLING D.22XD.38 FF240T130 HELIX KIT (4186347)

Item	Article no.	Description	Quantity
4.1		COUPLING-VMI-D22xD38-FF265-MACHINED	1
4.2	2131017	BALL BEARING 6310/ZZ-C4(HT)VP.	1
4.3	4234253	CIRCLIP-FOR-SHAFT-D50x2 VP.	1
4.4	4157726	SCREW KIT M8X30 (4 PIECES)	1
4.5	4234255	CIRCLIPS 110X4 VP.	1
4.6	4233944	O-RING ID.110 VP.	1
		NOMEL CONTACT WASHER 8x16x1,4 STEEL ZC	1



HYDRAULIC HELIX V 5203/2

Item	Article no.	Description	Quantity
13.1	4164727	INTERMEDIAIRE STAGE HELIX 52 1.4301 KIT	1
		> SLEEVE-SPACER-D22XL30,42-316L	1
		> MACH.BEARING-DIFFUSER+NR-M+52-304	1
		> SHAFT-SLEEVE-D26xD22x16-CW	1
		> SPACER WASHER D22,3XD36 L3-316L	1
		> IMPELLER-H2-M+52-304	1
13.1A	4161200	> NECK RING 1.STAGE HELIX V36/52 KIT	1
		>> NECK-RING-M+36/52	1
		>> HYDRAULIC SUPPORT CAP M+36/52 304	1
		>> SCREW TCL M3X8 A4 POZIDRIV	1
13.2	4164730	INTERMEDIATE STAGE HELIX 52 1.4301 KIT	1
		> MACH.STD-DIFFUSER+NR-M+52-304	1
		> REDUCED-IMPELLER-H5-M+52-304	1
13.3	4164731	UPPER-STAGE HELIX 52 1.4301 KIT	1
		> STOP COLLAR OF IMPELLER L27,6-Ø22-316L	1
		> SLEEVE-SPACER-D22XL16,66-316L	1
		> SPACER WASHER D22,3XD36 L3-316L	1
		> REDUCED-IMPELLER-H2-M+52-304	1
		> MACH.STD-DISCHARGE-CHAMBER-M+52-304	1



HELIX V5203-4/16/E/S/400-50-FF240 (4183431)

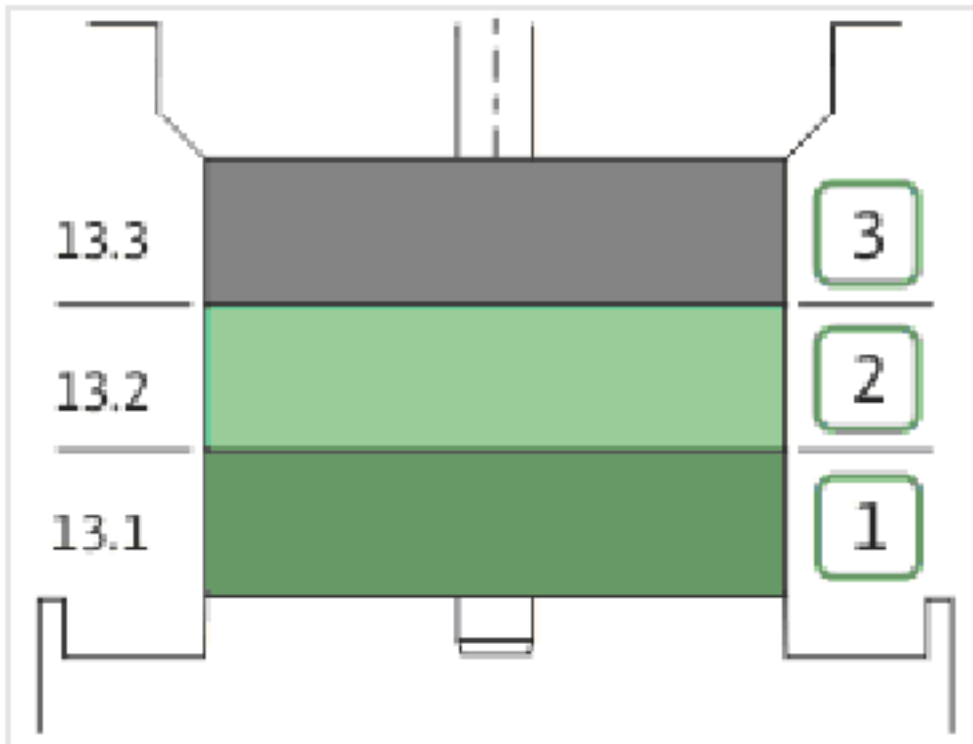
Item	Article no.	Description	Quantity
1	4195485	MOTOR 11/2/132 3~400V 50HZ IE3 VP.	1
		SPARE PARTS MOTOR:ON REQUEST	1
2	4174093	SCREW M12X50 (4 PIECES)	1
3	4186358	LANTERN HELIX OPTI 8" FF240 KIT	1
3.1		> M+8_LANTERN_ONE-PIECE_FF240_CATA_DWA	1
3.2	4186346	> EYELET CPL.FF240 HELIX (4 PIECES)	1
3.3	4184853	> COUPLING PROTECTOR FT HELIX 8" KIT	1
4	4186347	COUPLING D.22XD.38 FF240T130 HELIX KIT	1
6	4186380	STUD BOLT M16X371 KIT	1
6.1		> TIE BOLT M16-371x24x44-1.4057	1
6.2	4179562	> NUT M16 8.8 ISO4032 (4 PIECES)	1
6.3	4097852	> WASHER-CS-16.4-32-2.8-NFE25-511-A2	1
8	4186377	FILING/PURGING PLUG 304 HELIX KIT	1
8.1		> FILLING/VENTING-PLUG-MVI8/10"-304	1
8.2	4032291	> O-RING 17x3 EPDM KTW/WRC	1
9	4192148	SEAL-KIT-HELIX22-36-52 FIRST O/E	1
7.3	4179571	> O-RING HOUSING PIPE HELIX22/36/52 VP.	1
9.1	4179573	> M.SEAL.HELIX22-36-52 O/E VP.	1
10	4179593	HOUSING PIPE D.204X330 1.4307 KIT	1
7.3	4179571	> O-RING HOUSING PIPE HELIX22/36/52 VP.	1
10.1		> HOUSING-PIPE Ø204-M+3604/5203-304	1
12	4186386	SHAFT EQUIPMENT HELIX 52 FIRST KIT	1
13		HYDRAULIC HELIX V 5203	1
14	4186350	SHAFT D.22X451 1.4057 VP.	1
15	4186388	EQUIPED HOUSING HELIX FIRST DN80 DWA KIT	1
15.1		> PUMP CASING MONO.GJL M+8" DN80 DWA	1
15.2		> HYD.SUP.M+8" ONE PIECE HOUSING N80 DWA	1
15.3	4106048	> DRAIN/PRIMING PLUG EPDM HELIX FIRST KIT	1
15.3A		>> DRAIN AND PRIMING PLUG-VMI10"-304	1
15.3B	4032293	>> O-RING-10x3-EPDM-KTW/WRC	1
15.3C	4233957	>> O-RING ID.9 EPDM VP.	1
7.3	4179571	> O-RING HOUSING PIPE HELIX22/36/52 VP.	1
13.1A	4161200	> NECK RING 1.STAGE HELIX V36/52 KIT	1
		>> NECK-RING-M+36/52	1

Item	Article no.	Description	Quantity
		>> HYDRAULIC SUPPORT CAP M+36/52 304	1
		>> SCREW TCL M3X8 A4 POZIDRIV	1



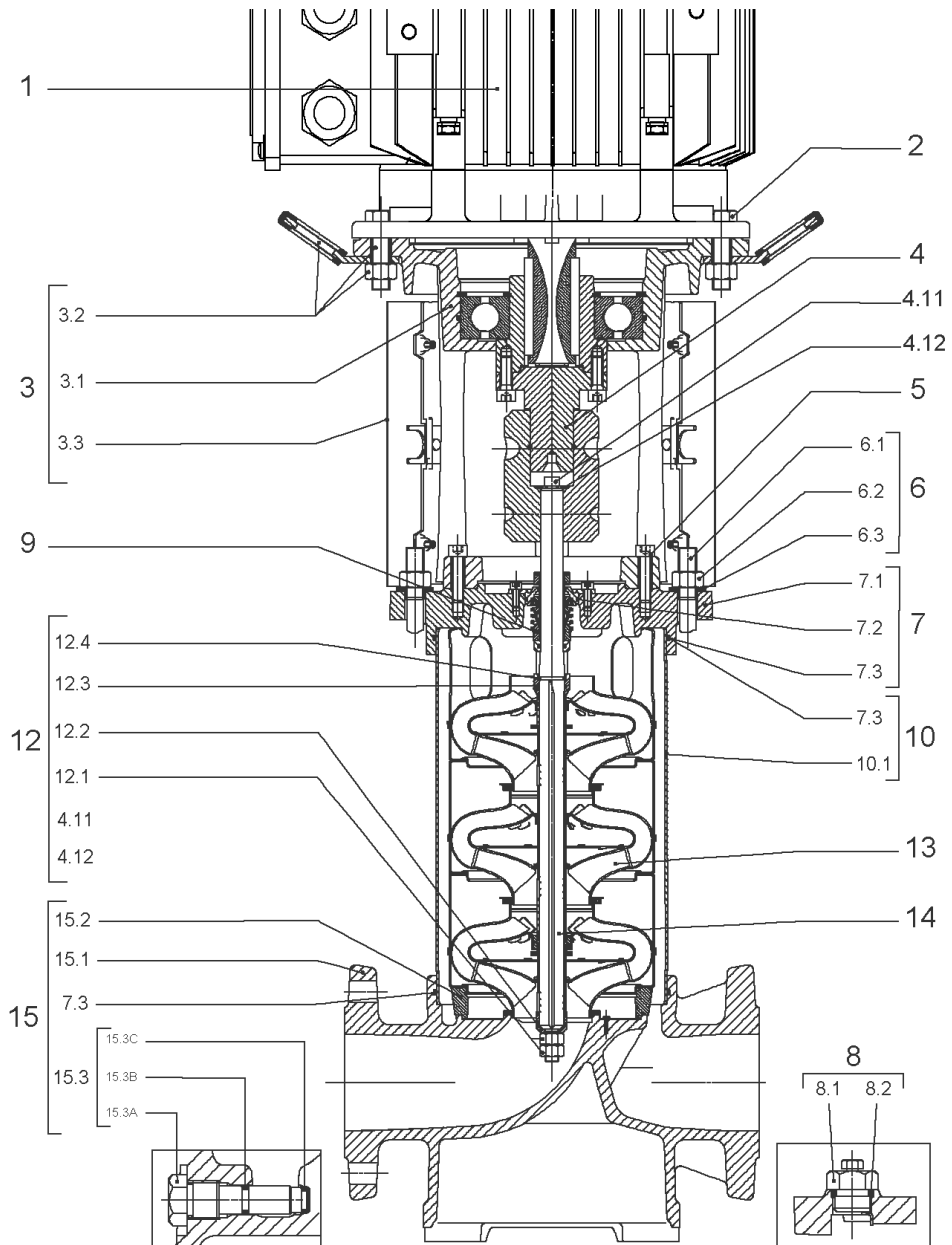
COUPLING D.22XD.38 FF240T130 HELIX KIT (4186347)

Item	Article no.	Description	Quantity
4.1		COUPLING-VMI-D22xD38-FF265-MACHINED	1
4.2	2131017	BALL BEARING 6310/ZZ-C4(HT)VP.	1
4.3	4234253	CIRCLIP-FOR-SHAFT-D50x2 VP.	1
4.4	4157726	SCREW KIT M8X30 (4 PIECES)	1
4.5	4234255	CIRCLIPS 110X4 VP.	1
4.6	4233944	O-RING ID.110 VP.	1
		NOMEL CONTACT WASHER 8x16x1,4 STEEL ZC	1



HYDRAULIC HELIX V 5203

Item	Article no.	Description	Quantity
13.1	4164727	INTERMEDIAIRE STAGE HELIX 52 1.4301 KIT	1
		> SLEEVE-SPACER-D22XL30,42-316L	1
		> MACH.BEARING-DIFFUSER+NR-M+52-304	1
		> SHAFT-SLEEVE-D26xD22x16-CW	1
		> SPACER WASHER D22,3XD36 L3-316L	1
		> IMPELLER-H2-M+52-304	1
13.1A	4161200	> NECK RING 1.STAGE HELIX V36/52 KIT	1
		>> NECK-RING-M+36/52	1
		>> HYDRAULIC SUPPORT CAP M+36/52 304	1
		>> SCREW TCL M3X8 A4 POZIDRIV	1
13.2	4164728	INTERMEDIATE STAGE HELIX 52 1.4301 KIT	1
		> MACH.STD-DIFFUSER+NR-M+52-304	1
		> IMPELLER-H5-M+52-304	1
13.3	4164729	UPPER-STAGE HELIX 52 1.4301 KIT	1
		> STOP COLLAR OF IMPELLER L27,6-Ø22-316L	1
		> SLEEVE-SPACER-D22XL16,66-316L	1
		> SPACER WASHER D22,3XD36 L3-316L	1
		> IMPELLER-H2-M+52-304	1
		> MACH.STD-DISCHARGE-CHAMBER-M+52-304	1

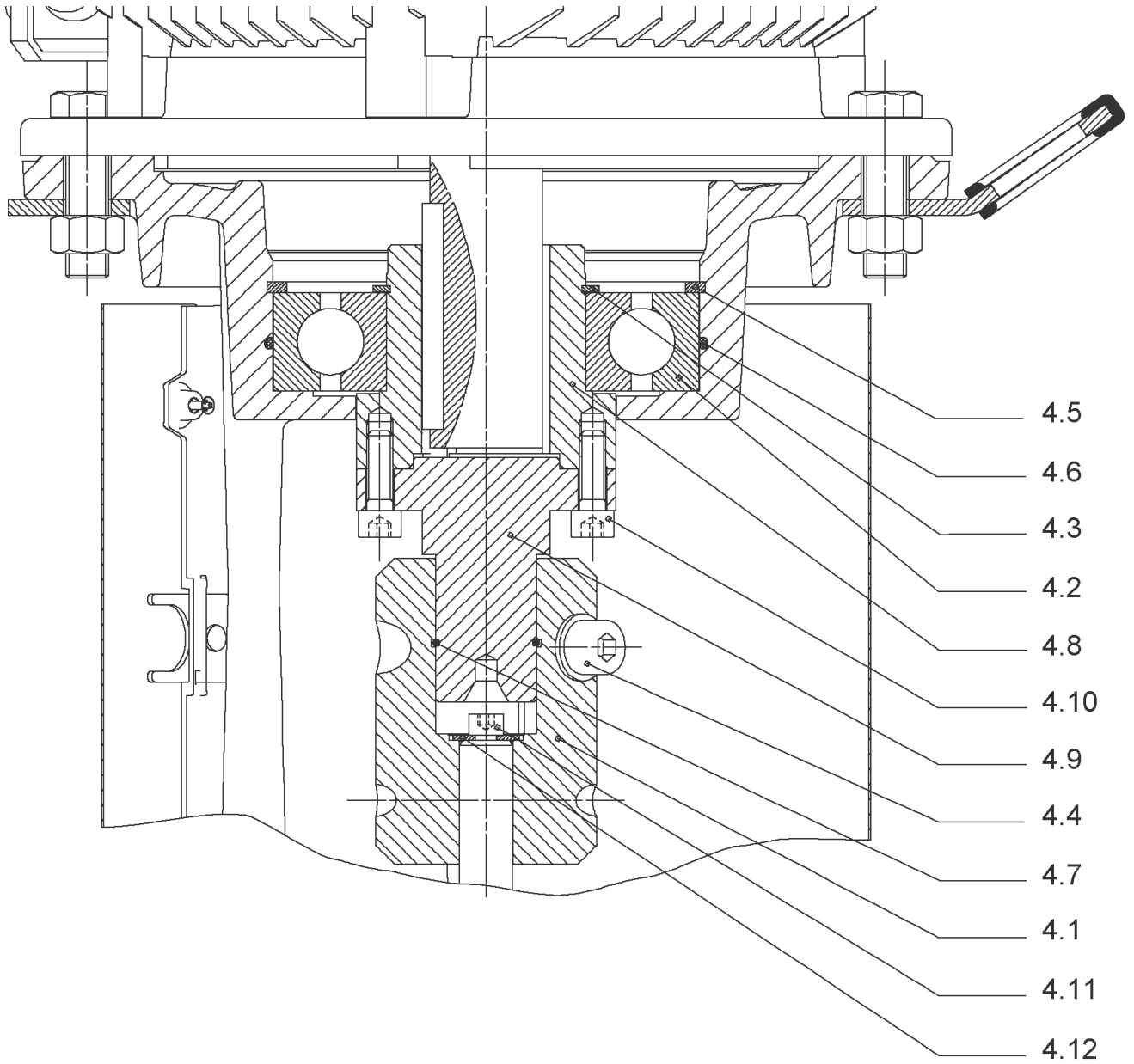


HELIX V5204/2-4/16/E/KS/400-50 (4183432)

Item	Article no.	Description	Quantity
1	4199884	MOTOR 11/2/160 3~400V 50HZ VP.	1
		SPARE PARTS MOTOR:ON REQUEST	1
2	4179586	SCREW M16X60 (4 PIECES)	1
3	4157721	LANTERN HELIX 22/36 FF300 BB6312 KIT	1
3.1		> LANTERN FF300 M+ GJL MACHINED+CATA 6312	1
3.2	4179589	> EYELET CPL.FF300 HELIX(4 PIECES)	1
3.3	4143969	> COUPLING PROTECT HELIX FF KIT	1
4	4143966	COUPLING D.20XD.38 FF300 KIT	1
5	4157725	SCREW M10X40 (4 PIECES)	1
6	4179919	STUD BOLT M16X500 KIT	1
6.1		> TIE BOLT M16-500x24x44-1.4057	1
6.2	4179562	> NUT M16 8.8 ISO4032 (4 PIECES)	1
6.3	4097852	> WASHER-CS-16.4-32-2.8-NFE25-511-A2	1
7	4179565	END SHIELD HELIX 8" EPDM KIT	1
7.1		> END SHIELD M+ GJL MACHINED+CATA	1
7.2	4179564	> O-RING D.42.52x2.62 EPDM VP.	1
7.3	4179571	> O-RING HOUSING PIPE HELIX22/36/52 VP.	1
8	4186377	FILING/PURGING PLUG 304 HELIX KIT	1
8.1		> FILLING/VENTING-PLUG-MVI8/10"-304	1
8.2	4032291	> O-RING 17x3 EPDM KTW/WRC	1
9	4143973	CARTRIDGE HELIX22-36-52 O/E KIT	1
10	4179920	HOUSING PIPE D204 X 430 1.4301 KIT	1
7.3	4179571	> O-RING HOUSING PIPE HELIX22/36/52 VP.	1
10.1		> HOUSING-PIPE Ø204-M+5204-304	1
12	4164724	SHAFT EQUIPMENT HELIX V52 KIT	1
13		HYDRAULIC HELIX V 5204-2	1
14	4180848	SHAFT D.22X604 1.4057 VP.	1
15	4186388	EQUIPED HOUSING HELIX FIRST DN80 DWA KIT	1
15.1		> PUMP CASING MONO.GJL M+8" DN80 DWA	1
15.2		> HYD.SUP.M+8" ONE PIECE HOUSING N80 DWA	1
15.3	4106048	> DRAIN/PRIMING PLUG EPDM HELIX FIRST KIT	1
15.3A		>> DRAIN AND PRIMING PLUG-VMI10"-304	1
15.3B	4032293	>> O-RING-10x3-EPDM-KTW/WRC	1
15.3C	4233957	>> O-RING ID.9 EPDM VP.	1

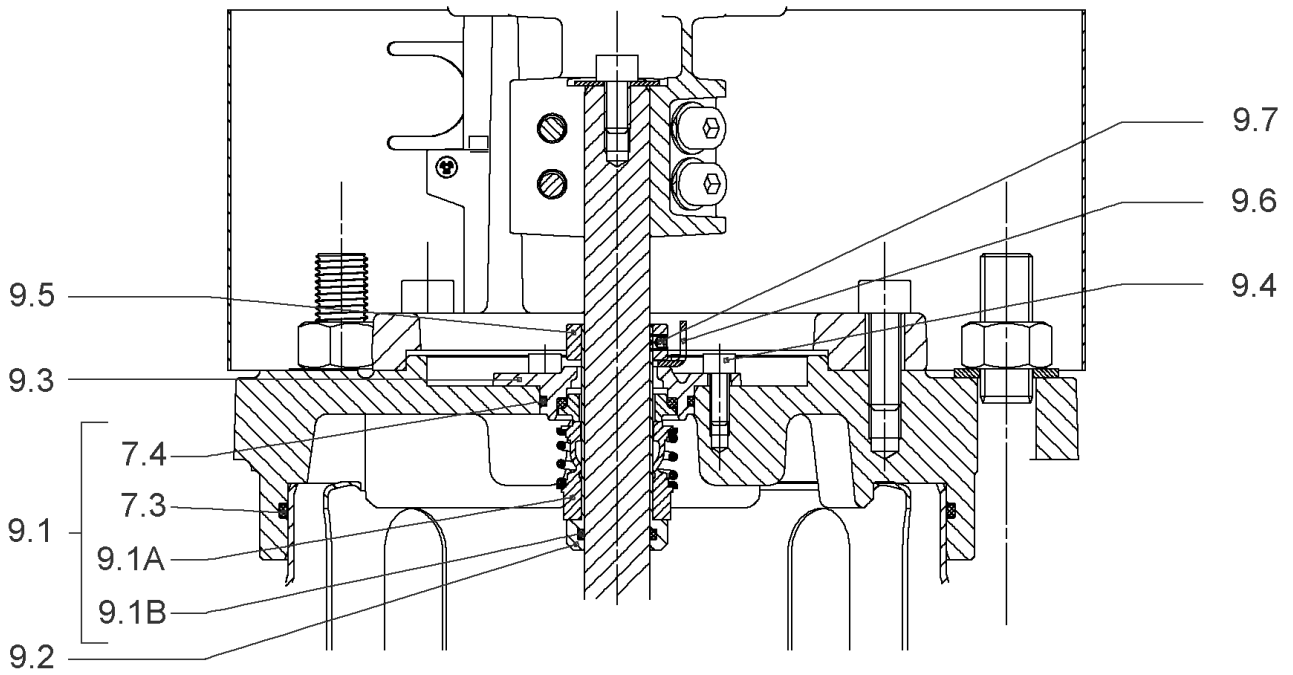
HELIX V5204/2-4/16/E/KS/400-50 (4183432)

Item	Article no.	Description	Quantity
7.3	4179571	> O-RING HOUSING PIPE HELIX22/36/52 VP.	1
13.1A	4161200	> NECK RING 1.STAGE HELIX V36/52 KIT	1
		>> NECK-RING-M+36/52	1
		>> HYDRAULIC SUPPORT CAP M+36/52 304	1
		>> SCREW TCL M3X8 A4 POZIDRIV	1



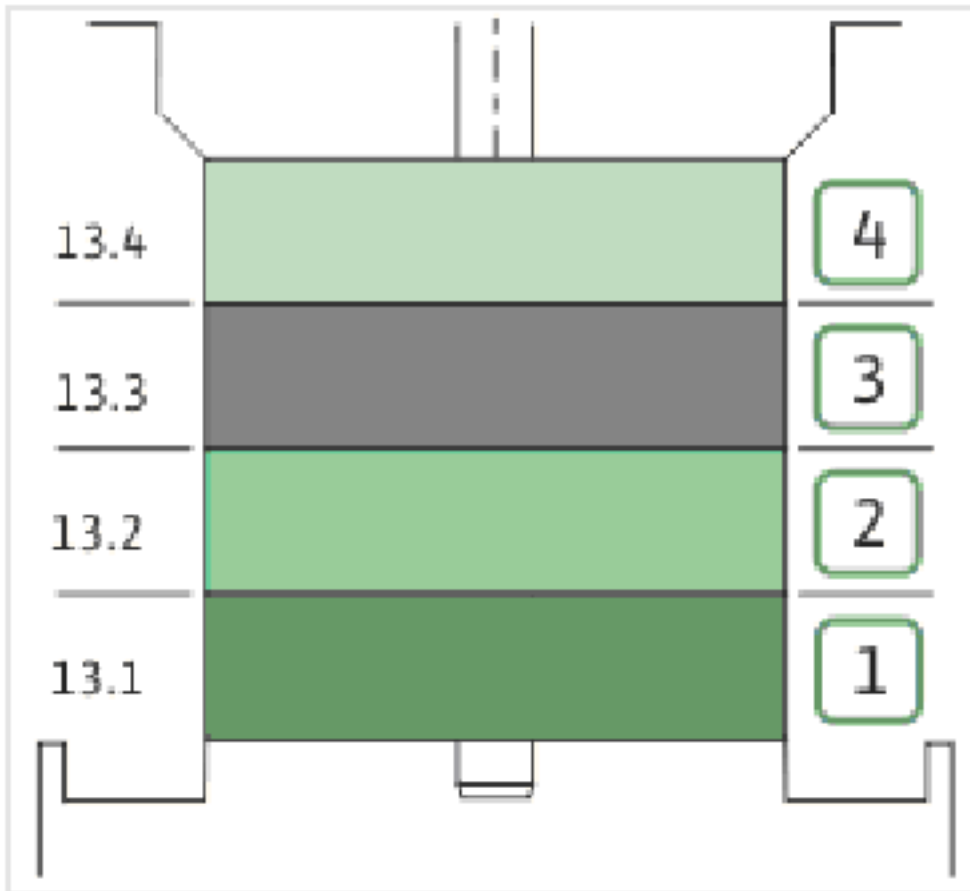
COUPLING D.20XD.38 FF300 KIT (4143966)

Item	Article no.	Description	Quantity
4.1	4179590	COUPLING 2 PARTS D.20XD.38XL115 VP.	1
4.2	2123699	BALL BEARING 6312/2Z-C4 (HT) VP.	1
4.3	63428	CIRCLIP-FOR-SHAFT-D60x2	1
4.4	2130991	SCREW M12X30 ISO4762 8.8 ZN(4 PIECES)	1
4.5	4032277	CIRCLIP-HOLE-130x4	1
4.6	4006725	O-RING ID.132,94x3,53 NBR70SR	1
4.7	2130992	RETAINING RING D.35xD.2,5 DIN7993 VP.	1
4.8	4179591	HUB D.42xD.60 VP.	1
4.9	2130994	SPACER D.38XD.55 VP.	1
4.10	4094462	SCREWS M10 (4 PIECES)	1
4.11	4233959	SCREW M8x16 VP.	1
4.12		SERRATED LOCK WASHER Ø8.2XØ25X35X2	1



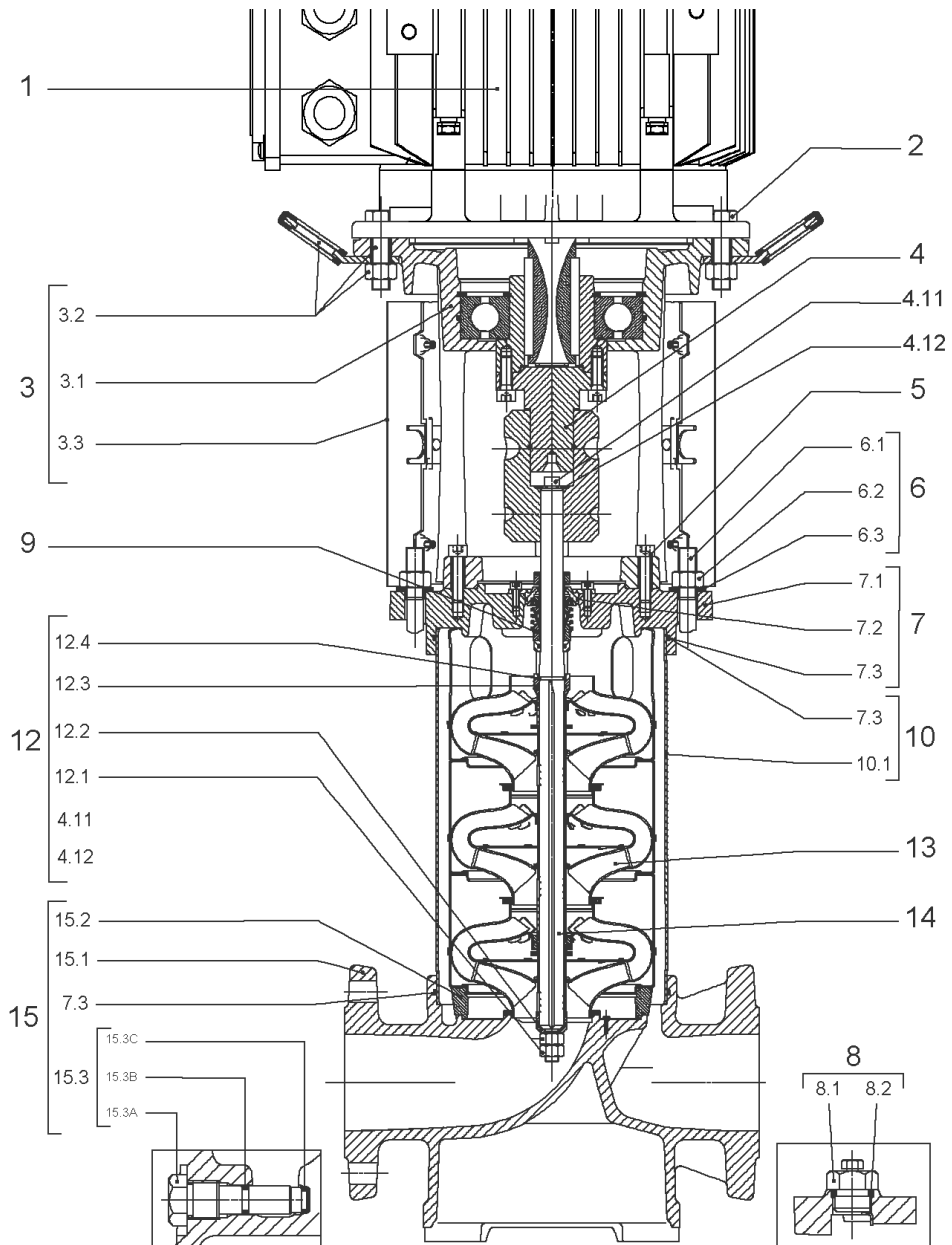
CARTRIDGE HELIX22-36-52 O/E KIT (4143973)

Item	Article no.	Description	Quantity
9.1	4143974	SEAL-KIT-HELIX22-36-52 O/E	1
7.3	4179571	> O-RING HOUSING PIPE HELIX22/36/52 VP.	1
7.4	4179572	> O-RING ID.42.52X2.62 EPDM VP.	1
9.1A	4179573	> M.SEAL.HELIX22-36-52 O/E VP.	1
9.1B	4179574	> O-RING ID.20x2.65 EPDM VP.	1
9.2	4179566	SHAFT SLEEVE D.20/20X60 1.4404 VP.	1
9.3	4179567	RING HOLDER Ø22 1.4301 VP.	1
9.4	4176520	SCREW CH M5x5 A4-70 (3PIECES)	1
9.5	4179568	DRIVE RING D.31/22.1x11 MACH.VP.	1
9.6	4179569	TOOL M.S.CART.HELIX 8" VP.	1
9.7	4179570	SCREW M6X16 ISO4762 8.8 GEOMET(4 PIECES)	1



HYDRAULIC HELIX V 5204-2

Item	Article no.	Description	Quantity
13.1	4164727	INTERMEDIAIRE STAGE HELIX 52 1.4301 KIT	1
		> SLEEVE-SPACER-D22XL30,42-316L	1
		> MACH.BEARING-DIFFUSER+NR-M+52-304	1
		> SHAFT-SLEEVE-D26xD22x16-CW	1
		> SPACER WASHER D22,3XD36 L3-316L	1
		> IMPELLER-H2-M+52-304	1
13.1A	4161200	> NECK RING 1.STAGE HELIX V36/52 KIT	1
		>> NECK-RING-M+36/52	1
		>> HYDRAULIC SUPPORT CAP M+36/52 304	1
		>> SCREW TCL M3X8 A4 POZIDRIV	1
13.2	4164728	INTERMEDIATE STAGE HELIX 52 1.4301 KIT	1
		> MACH.STD-DIFFUSER+NR-M+52-304	1
		> IMPELLER-H5-M+52-304	1
13.3	4164730	INTERMEDIATE STAGE HELIX 52 1.4301 KIT	1
		> MACH.STD-DIFFUSER+NR-M+52-304	1
		> REDUCED-IMPELLER-H5-M+52-304	1
13.4	4164731	UPPER-STAGE HELIX 52 1.4301 KIT	1
		> STOP COLLAR OF IMPELLER L27,6-Ø22-316L	1
		> SLEEVE-SPACER-D22XL16,66-316L	1
		> SPACER WASHER D22,3XD36 L3-316L	1
		> REDUCED-IMPELLER-H2-M+52-304	1
		> MACH.STD-DISCHARGE-CHAMBER-M+52-304	1

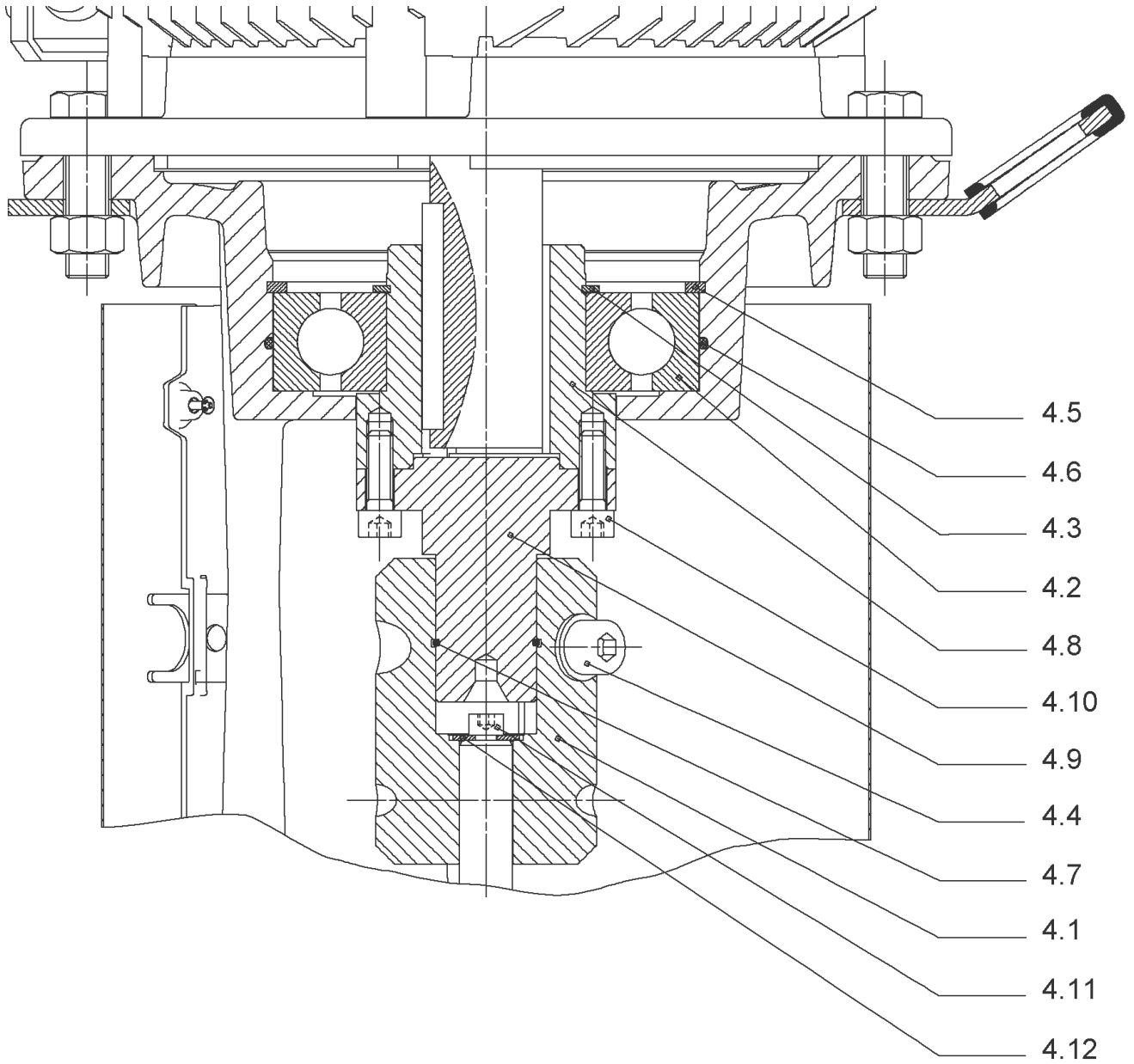


HELIX V5204-4/16/E/KS/400-50 (4183433)

Item	Article no.	Description	Quantity
1	4199884	MOTOR 11/2/160 3~400V 50HZ VP.	1
		SPARE PARTS MOTOR:ON REQUEST	1
2	4179586	SCREW M16X60 (4 PIECES)	1
3	4157721	LANTERN HELIX 22/36 FF300 BB6312 KIT	1
3.1		> LANTERN FF300 M+ GJL MACHINED+CATA 6312	1
3.2	4179589	> EYELET CPL.FF300 HELIX(4 PIECES)	1
3.3	4143969	> COUPLING PROTECT HELIX FF KIT	1
4	4143966	COUPLING D.20XD.38 FF300 KIT	1
5	4157725	SCREW M10X40 (4 PIECES)	1
6	4179919	STUD BOLT M16X500 KIT	1
6.1		> TIE BOLT M16-500x24x44-1.4057	1
6.2	4179562	> NUT M16 8.8 ISO4032 (4 PIECES)	1
6.3	4097852	> WASHER-CS-16.4-32-2.8-NFE25-511-A2	1
7	4179565	END SHIELD HELIX 8" EPDM KIT	1
7.1		> END SHIELD M+ GJL MACHINED+CATA	1
7.2	4179564	> O-RING D.42.52x2.62 EPDM VP.	1
7.3	4179571	> O-RING HOUSING PIPE HELIX22/36/52 VP.	1
8	4186377	FILING/PURGING PLUG 304 HELIX KIT	1
8.1		> FILLING/VENTING-PLUG-MVI8/10"-304	1
8.2	4032291	> O-RING 17x3 EPDM KTW/WRC	1
9	4143973	CARTRIDGE HELIX22-36-52 O/E KIT	1
10	4179920	HOUSING PIPE D204 X 430 1.4301 KIT	1
7.3	4179571	> O-RING HOUSING PIPE HELIX22/36/52 VP.	1
10.1		> HOUSING-PIPE Ø204-M+5204-304	1
12	4164724	SHAFT EQUIPMENT HELIX V52 KIT	1
13		HYDRAULIC HELIX V 5204	1
14	4180848	SHAFT D.22X604 1.4057 VP.	1
15	4186388	EQUIPED HOUSING HELIX FIRST DN80 DWA KIT	1
15.1		> PUMP CASING MONO.GJL M+8" DN80 DWA	1
15.2		> HYD.SUP.M+8" ONE PIECE HOUSING N80 DWA	1
15.3	4106048	> DRAIN/PRIMING PLUG EPDM HELIX FIRST KIT	1
15.3A		>> DRAIN AND PRIMING PLUG-VMI10"-304	1
15.3B	4032293	>> O-RING-10x3-EPDM-KTW/WRC	1
15.3C	4233957	>> O-RING ID.9 EPDM VP.	1

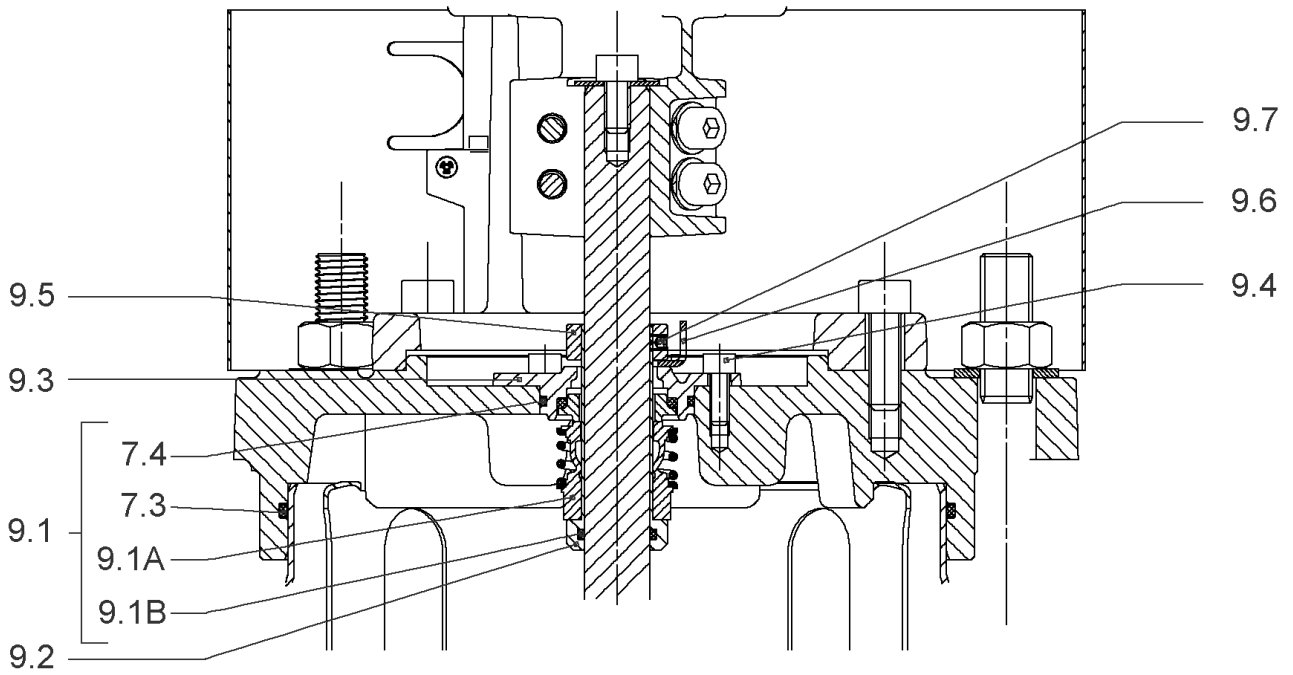
HELIX V5204-4/16/E/KS/400-50 (4183433)

Item	Article no.	Description	Quantity
7.3	4179571	> O-RING HOUSING PIPE HELIX22/36/52 VP.	1
13.1A	4161200	> NECK RING 1.STAGE HELIX V36/52 KIT	1
		>> NECK-RING-M+36/52	1
		>> HYDRAULIC SUPPORT CAP M+36/52 304	1
		>> SCREW TCL M3X8 A4 POZIDRIV	1



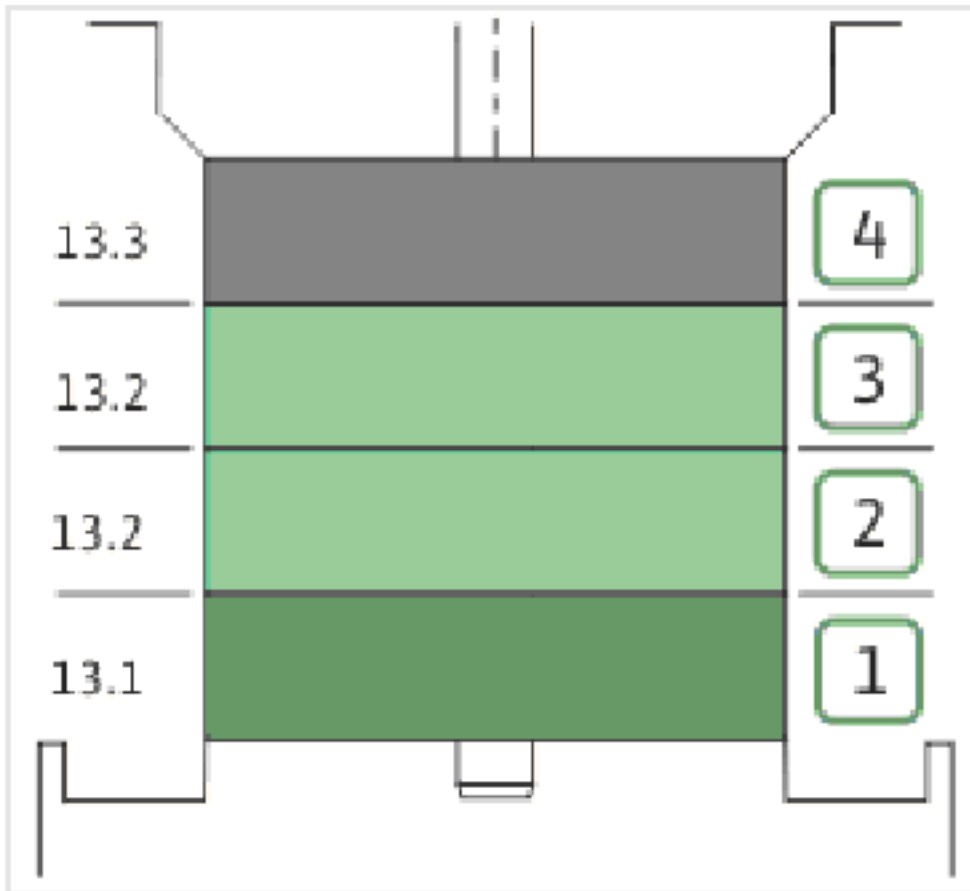
COUPLING D.20XD.38 FF300 KIT (4143966)

Item	Article no.	Description	Quantity
4.1	4179590	COUPLING 2 PARTS D.20XD.38XL115 VP.	1
4.2	2123699	BALL BEARING 6312/2Z-C4 (HT) VP.	1
4.3	63428	CIRCLIP-FOR-SHAFT-D60x2	1
4.4	2130991	SCREW M12X30 ISO4762 8.8 ZN(4 PIECES)	1
4.5	4032277	CIRCLIP-HOLE-130x4	1
4.6	4006725	O-RING ID.132,94x3,53 NBR70SR	1
4.7	2130992	RETAINING RING D.35xD.2,5 DIN7993 VP.	1
4.8	4179591	HUB D.42xD.60 VP.	1
4.9	2130994	SPACER D.38XD.55 VP.	1
4.10	4094462	SCREWS M10 (4 PIECES)	1
4.11	4233959	SCREW M8x16 VP.	1
4.12		SERRATED LOCK WASHER Ø8.2XØ25X35X2	1



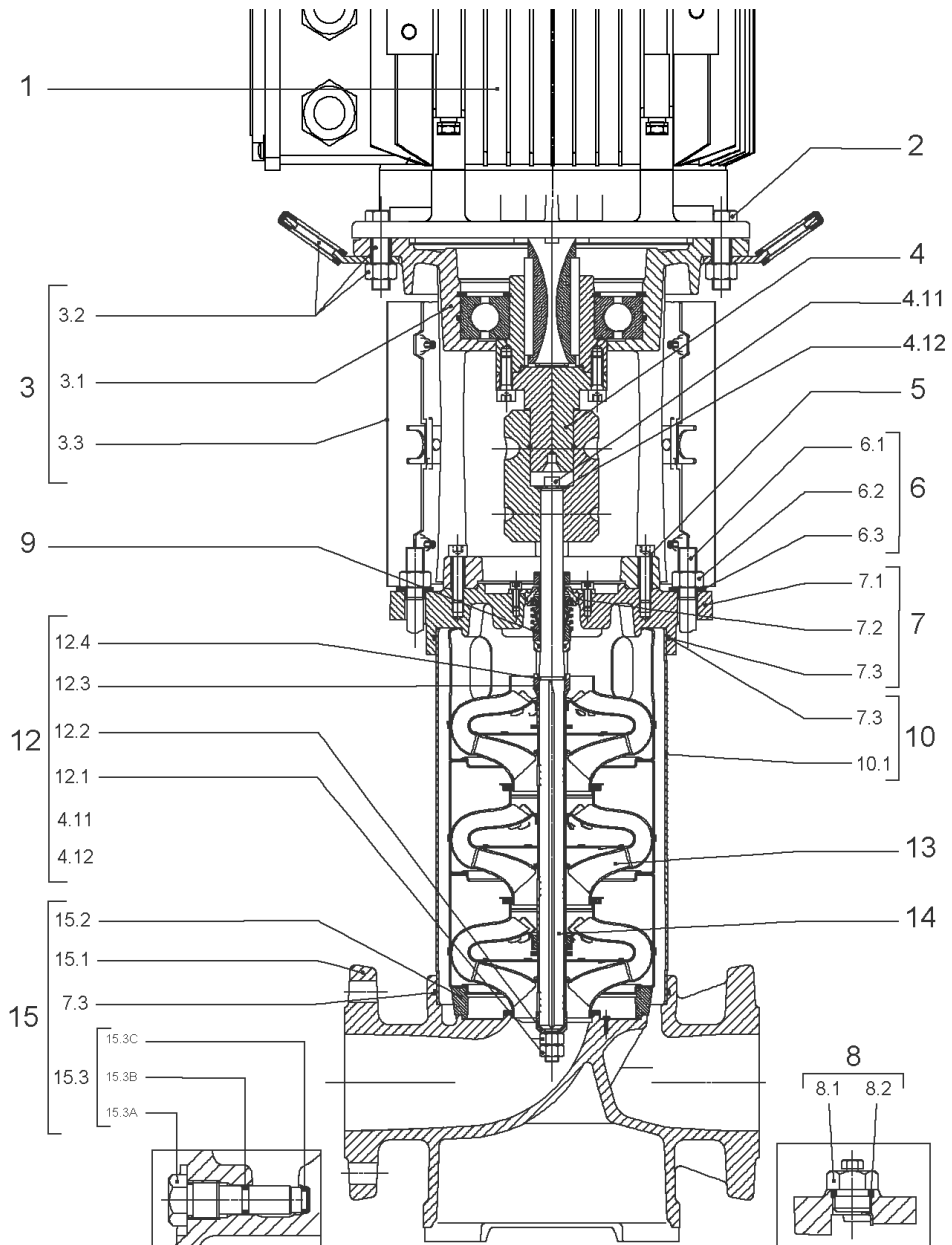
CARTRIDGE HELIX22-36-52 O/E KIT (4143973)

Item	Article no.	Description	Quantity
9.1	4143974	SEAL-KIT-HELIX22-36-52 O/E	1
7.3	4179571	> O-RING HOUSING PIPE HELIX22/36/52 VP.	1
7.4	4179572	> O-RING ID.42.52X2.62 EPDM VP.	1
9.1A	4179573	> M.SEAL.HELIX22-36-52 O/E VP.	1
9.1B	4179574	> O-RING ID.20x2.65 EPDM VP.	1
9.2	4179566	SHAFT SLEEVE D.20/20X60 1.4404 VP.	1
9.3	4179567	RING HOLDER Ø22 1.4301 VP.	1
9.4	4176520	SCREW CH M5x5 A4-70 (3PIECES)	1
9.5	4179568	DRIVE RING D.31/22.1x11 MACH.VP.	1
9.6	4179569	TOOL M.S.CART.HELIX 8" VP.	1
9.7	4179570	SCREW M6X16 ISO4762 8.8 GEOMET(4 PIECES)	1



HYDRAULIC HELIX V 5204

Item	Article no.	Description	Quantity
13.1	4164727	INTERMEDIAIRE STAGE HELIX 52 1.4301 KIT	1
		> SLEEVE-SPACER-D22XL30,42-316L	1
		> MACH.BEARING-DIFFUSER+NR-M+52-304	1
		> SHAFT-SLEEVE-D26xD22x16-CW	1
		> SPACER WASHER D22,3XD36 L3-316L	1
		> IMPELLER-H2-M+52-304	1
13.1A	4161200	> NECK RING 1.STAGE HELIX V36/52 KIT	1
		>> NECK-RING-M+36/52	1
		>> HYDRAULIC SUPPORT CAP M+36/52 304	1
		>> SCREW TCL M3X8 A4 POZIDRIV	1
13.2	4164728	INTERMEDIATE STAGE HELIX 52 1.4301 KIT	1
		> MACH.STD-DIFFUSER+NR-M+52-304	1
		> IMPELLER-H5-M+52-304	1
13.3	4164729	UPPER-STAGE HELIX 52 1.4301 KIT	1
		> STOP COLLAR OF IMPELLER L27,6-Ø22-316L	1
		> SLEEVE-SPACER-D22XL16,66-316L	1
		> SPACER WASHER D22,3XD36 L3-316L	1
		> IMPELLER-H2-M+52-304	1
		> MACH.STD-DISCHARGE-CHAMBER-M+52-304	1

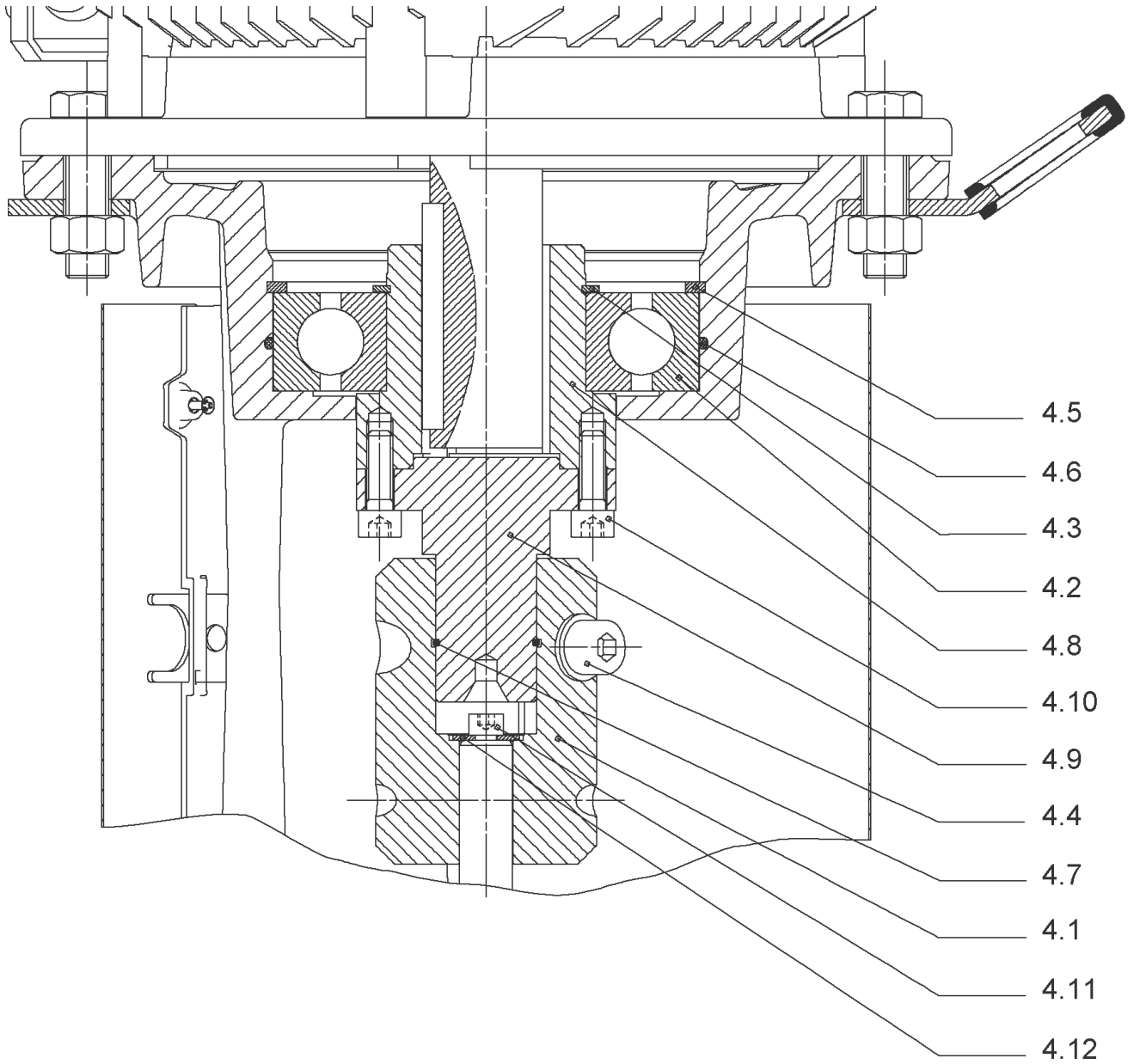


HELIX V5205/2-4/16/E/KS/400-50 (4183434)

Item	Article no.	Description	Quantity
1	4195488	MOTOR 18.5/2/160 3~400V 50HZ ARC VP.	1
		SPARE PARTS MOTOR:ON REQUEST	1
2	4179586	SCREW M16X60 (4 PIECES)	1
3	4157721	LANTERN HELIX 22/36 FF300 BB6312 KIT	1
3.1		> LANTERN FF300 M+ GJL MACHINED+CATA 6312	1
3.2	4179589	> EYELET CPL.FF300 HELIX(4 PIECES)	1
3.3	4143969	> COUPLING PROTECT HELIX FF KIT	1
4	4143966	COUPLING D.20XD.38 FF300 KIT	1
5	4157725	SCREW M10X40 (4 PIECES)	1
6	4179923	STUD BOLT M16X600 KIT	1
6.1		> TIE BOLT M16-600x24x44-1.4057	1
6.2	4179562	> NUT M16 8.8 ISO4032 (4 PIECES)	1
6.3	4097852	> WASHER-CS-16.4-32-2.8-NFE25-511-A2	1
7	4179565	END SHIELD HELIX 8" EPDM KIT	1
7.1		> END SHIELD M+ GJL MACHINED+CATA	1
7.2	4179564	> O-RING D.42.52x2.62 EPDM VP.	1
7.3	4179571	> O-RING HOUSING PIPE HELIX22/36/52 VP.	1
8	4186377	FILING/PURGING PLUG 304 HELIX KIT	1
8.1		> FILLING/VENTING-PLUG-MVI8/10"-304	1
8.2	4032291	> O-RING 17x3 EPDM KTW/WRC	1
9	4143973	CARTRIDGE HELIX22-36-52 O/E KIT	1
10	4179924	HOUSING PIPE D.204X530 1.4301 KIT	1
7.3	4179571	> O-RING HOUSING PIPE HELIX22/36/52 VP.	1
10.1		> HOUSING-PIPE Ø204-M+3607/5205-304	1
12	4164724	SHAFT EQUIPMENT HELIX V52 KIT	1
13		HYDRAULIC HELIX V 5205-2	1
14	4179926	SHAFTS D.22X704 1.4057 VP.	1
15	4186388	EQUIPED HOUSING HELIX FIRST DN80 DWA KIT	1
15.1		> PUMP CASING MONO.GJL M+8" DN80 DWA	1
15.2		> HYD.SUP.M+8" ONE PIECE HOUSING N80 DWA	1
15.3	4106048	> DRAIN/PRIMING PLUG EPDM HELIX FIRST KIT	1
15.3A		>> DRAIN AND PRIMING PLUG-VMI10"-304	1
15.3B	4032293	>> O-RING-10x3-EPDM-KTW/WRC	1
15.3C	4233957	>> O-RING ID.9 EPDM VP.	1

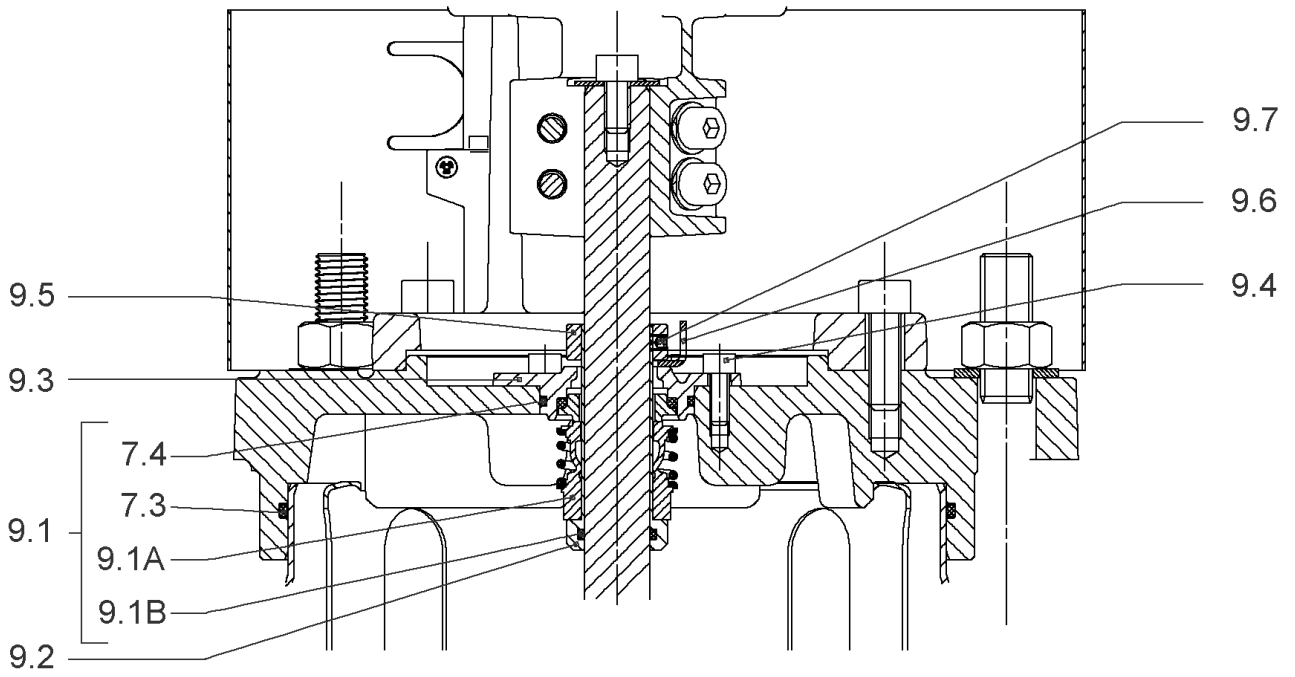
HELIX V5205/2-4/16/E/KS/400-50 (4183434)

Item	Article no.	Description	Quantity
7.3	4179571	> O-RING HOUSING PIPE HELIX22/36/52 VP.	1
13.1A	4161200	> NECK RING 1.STAGE HELIX V36/52 KIT	1
		>> NECK-RING-M+36/52	1
		>> HYDRAULIC SUPPORT CAP M+36/52 304	1
		>> SCREW TCL M3X8 A4 POZIDRIV	1



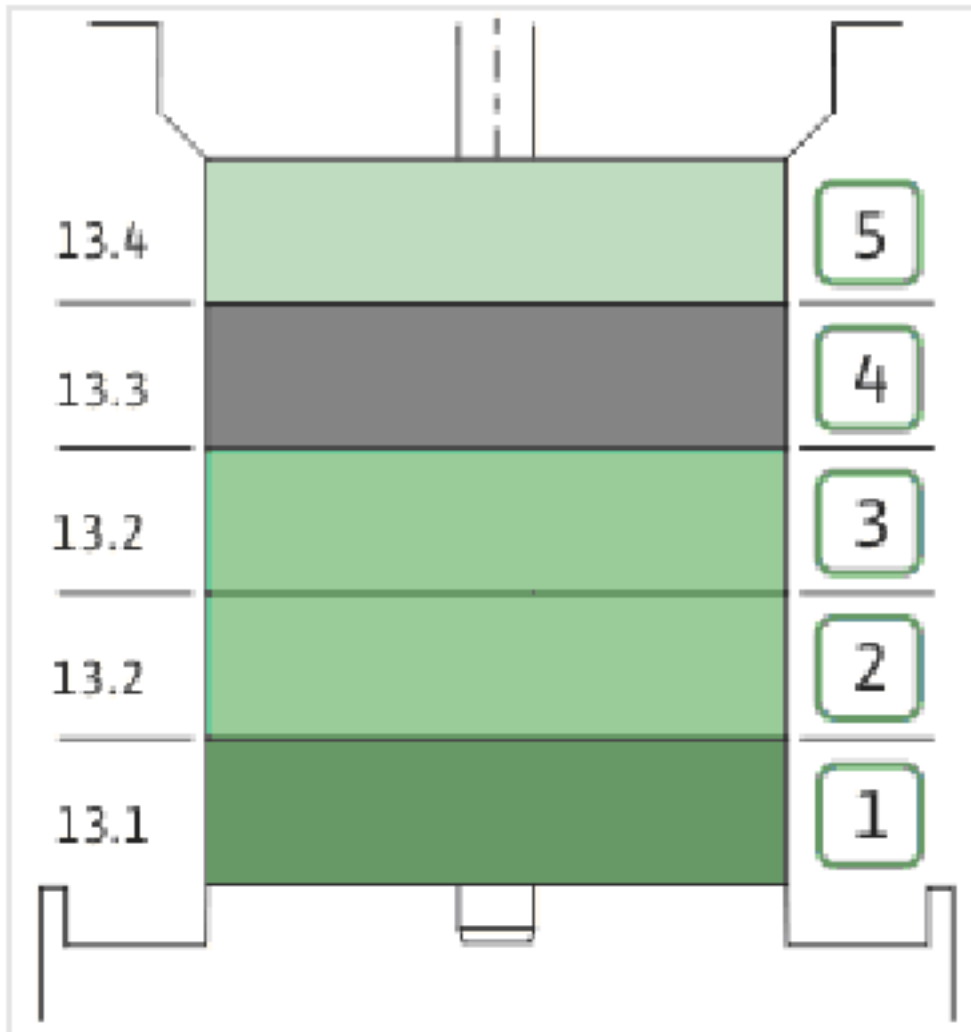
COUPLING D.20XD.38 FF300 KIT (4143966)

Item	Article no.	Description	Quantity
4.1	4179590	COUPLING 2 PARTS D.20XD.38XL115 VP.	1
4.2	2123699	BALL BEARING 6312/2Z-C4 (HT) VP.	1
4.3	63428	CIRCLIP-FOR-SHAFT-D60x2	1
4.4	2130991	SCREW M12X30 ISO4762 8.8 ZN(4 PIECES)	1
4.5	4032277	CIRCLIP-HOLE-130x4	1
4.6	4006725	O-RING ID.132,94x3,53 NBR70SR	1
4.7	2130992	RETAINING RING D.35xD.2,5 DIN7993 VP.	1
4.8	4179591	HUB D.42xD.60 VP.	1
4.9	2130994	SPACER D.38XD.55 VP.	1
4.10	4094462	SCREWS M10 (4 PIECES)	1
4.11	4233959	SCREW M8x16 VP.	1
4.12		SERRATED LOCK WASHER Ø8.2XØ25X35X2	1



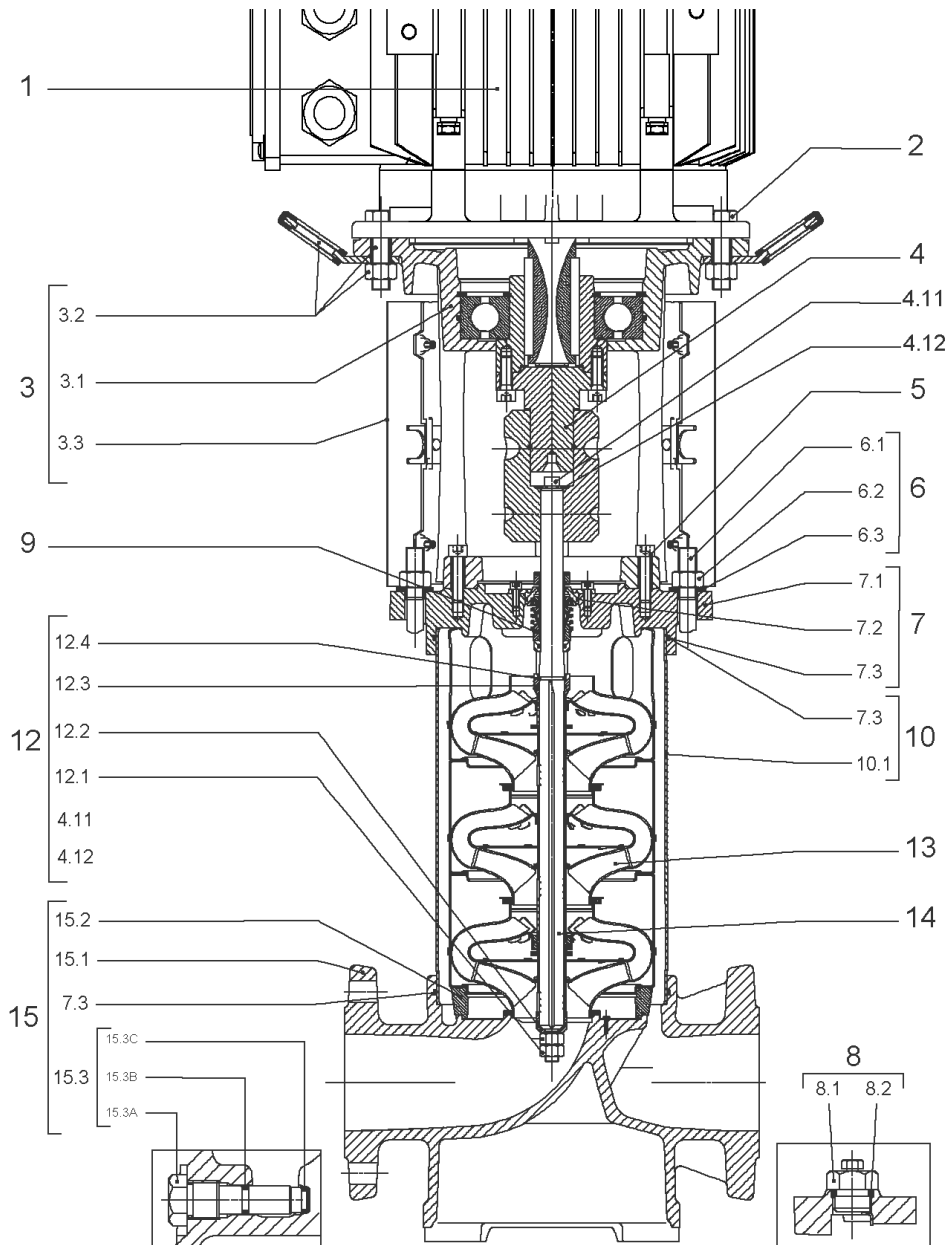
CARTRIDGE HELIX22-36-52 O/E KIT (4143973)

Item	Article no.	Description	Quantity
9.1	4143974	SEAL-KIT-HELIX22-36-52 O/E	1
7.3	4179571	> O-RING HOUSING PIPE HELIX22/36/52 VP.	1
7.4	4179572	> O-RING ID.42.52X2.62 EPDM VP.	1
9.1A	4179573	> M.SEAL.HELIX22-36-52 O/E VP.	1
9.1B	4179574	> O-RING ID.20x2.65 EPDM VP.	1
9.2	4179566	SHAFT SLEEVE D.20/20X60 1.4404 VP.	1
9.3	4179567	RING HOLDER Ø22 1.4301 VP.	1
9.4	4176520	SCREW CH M5x5 A4-70 (3PIECES)	1
9.5	4179568	DRIVE RING D.31/22.1x11 MACH.VP.	1
9.6	4179569	TOOL M.S.CART.HELIX 8" VP.	1
9.7	4179570	SCREW M6X16 ISO4762 8.8 GEOMET(4 PIECES)	1



HYDRAULIC HELIX V 5205-2

Item	Article no.	Description	Quantity
13.1	4164727	INTERMEDIAIRE STAGE HELIX 52 1.4301 KIT	1
		> SLEEVE-SPACER-D22XL30,42-316L	1
		> MACH.BEARING-DIFFUSER+NR-M+52-304	1
		> SHAFT-SLEEVE-D26xD22x16-CW	1
		> SPACER WASHER D22,3XD36 L3-316L	1
		> IMPELLER-H2-M+52-304	1
13.1A	4161200	> NECK RING 1.STAGE HELIX V36/52 KIT	1
		>> NECK-RING-M+36/52	1
		>> HYDRAULIC SUPPORT CAP M+36/52 304	1
		>> SCREW TCL M3X8 A4 POZIDRIV	1
13.2	4164728	INTERMEDIATE STAGE HELIX 52 1.4301 KIT	1
		> MACH.STD-DIFFUSER+NR-M+52-304	1
		> IMPELLER-H5-M+52-304	1
13.3	4164730	INTERMEDIATE STAGE HELIX 52 1.4301 KIT	1
		> MACH.STD-DIFFUSER+NR-M+52-304	1
		> REDUCED-IMPELLER-H5-M+52-304	1
13.4	4164731	UPPER-STAGE HELIX 52 1.4301 KIT	1
		> STOP COLLAR OF IMPELLER L27,6-Ø22-316L	1
		> SLEEVE-SPACER-D22XL16,66-316L	1
		> SPACER WASHER D22,3XD36 L3-316L	1
		> REDUCED-IMPELLER-H2-M+52-304	1
		> MACH.STD-DISCHARGE-CHAMBER-M+52-304	1

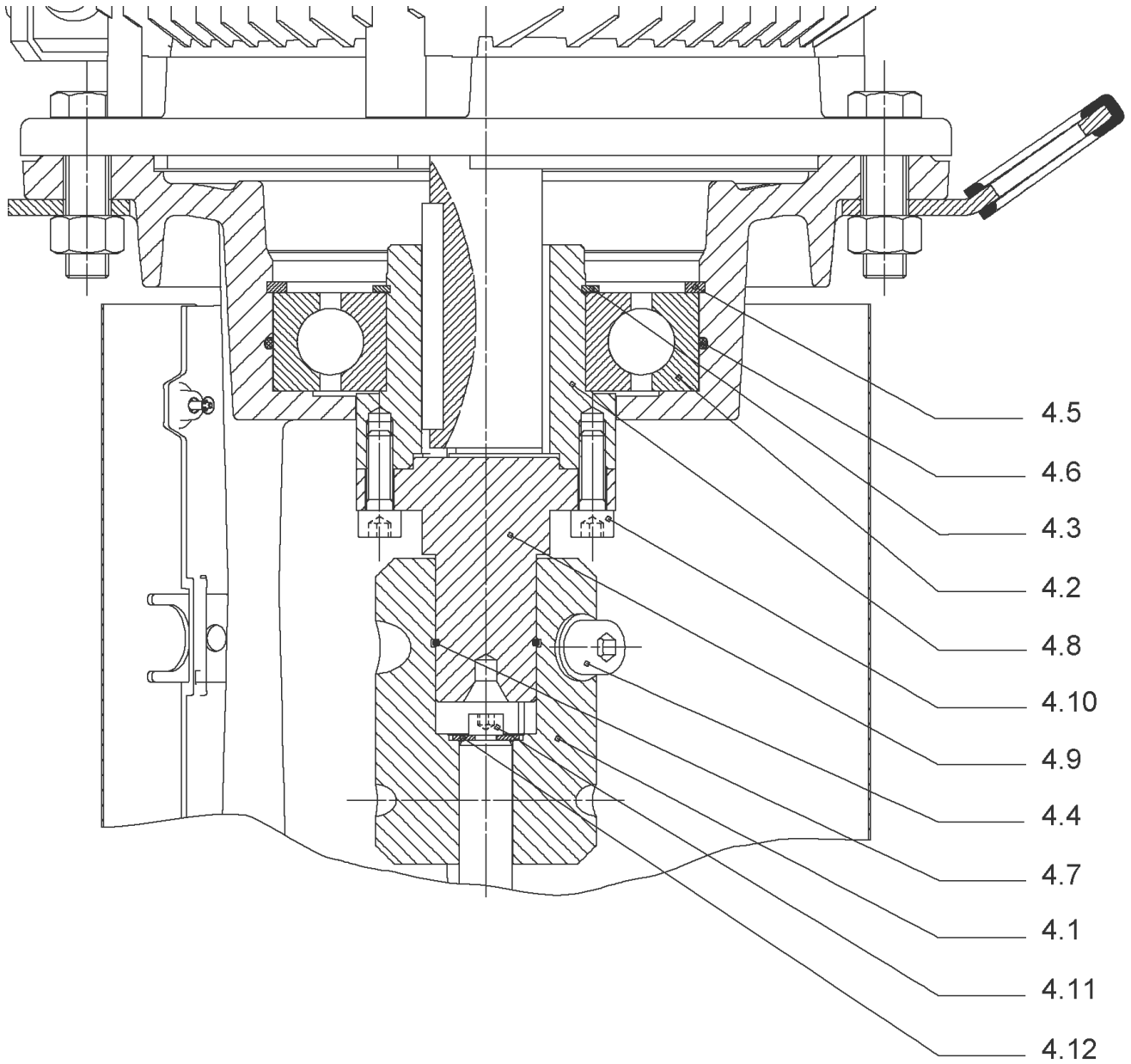


HELIX V5205-4/16/E/KS/400-50 (4183435)

Item	Article no.	Description	Quantity
1	4195488	MOTOR 18.5/2/160 3~400V 50HZ ARC VP.	1
		SPARE PARTS MOTOR:ON REQUEST	1
2	4179586	SCREW M16X60 (4 PIECES)	1
3	4157721	LANTERN HELIX 22/36 FF300 BB6312 KIT	1
3.1		> LANTERN FF300 M+ GJL MACHINED+CATA 6312	1
3.2	4179589	> EYELET CPL.FF300 HELIX(4 PIECES)	1
3.3	4143969	> COUPLING PROTECT HELIX FF KIT	1
4	4143966	COUPLING D.20XD.38 FF300 KIT	1
5	4157725	SCREW M10X40 (4 PIECES)	1
6	4179923	STUD BOLT M16X600 KIT	1
6.1		> TIE BOLT M16-600x24x44-1.4057	1
6.2	4179562	> NUT M16 8.8 ISO4032 (4 PIECES)	1
6.3	4097852	> WASHER-CS-16.4-32-2.8-NFE25-511-A2	1
7	4179565	END SHIELD HELIX 8" EPDM KIT	1
7.1		> END SHIELD M+ GJL MACHINED+CATA	1
7.2	4179564	> O-RING D.42.52x2.62 EPDM VP.	1
7.3	4179571	> O-RING HOUSING PIPE HELIX22/36/52 VP.	1
8	4186377	FILING/PURGING PLUG 304 HELIX KIT	1
8.1		> FILLING/VENTING-PLUG-MVI8/10"-304	1
8.2	4032291	> O-RING 17x3 EPDM KTW/WRC	1
9	4143973	CARTRIDGE HELIX22-36-52 O/E KIT	1
10	4179924	HOUSING PIPE D.204X530 1.4301 KIT	1
7.3	4179571	> O-RING HOUSING PIPE HELIX22/36/52 VP.	1
10.1		> HOUSING-PIPE Ø204-M+3607/5205-304	1
12	4164724	SHAFT EQUIPMENT HELIX V52 KIT	1
13		HYDRAULIC HELIX V 5205	1
14	4179926	SHAFTS D.22X704 1.4057 VP.	1
15	4186388	EQUIPED HOUSING HELIX FIRST DN80 DWA KIT	1
15.1		> PUMP CASING MONO.GJL M+8" DN80 DWA	1
15.2		> HYD.SUP.M+8" ONE PIECE HOUSING N80 DWA	1
15.3	4106048	> DRAIN/PRIMING PLUG EPDM HELIX FIRST KIT	1
15.3A		>> DRAIN AND PRIMING PLUG-VMI10"-304	1
15.3B	4032293	>> O-RING-10x3-EPDM-KTW/WRC	1
15.3C	4233957	>> O-RING ID.9 EPDM VP.	1

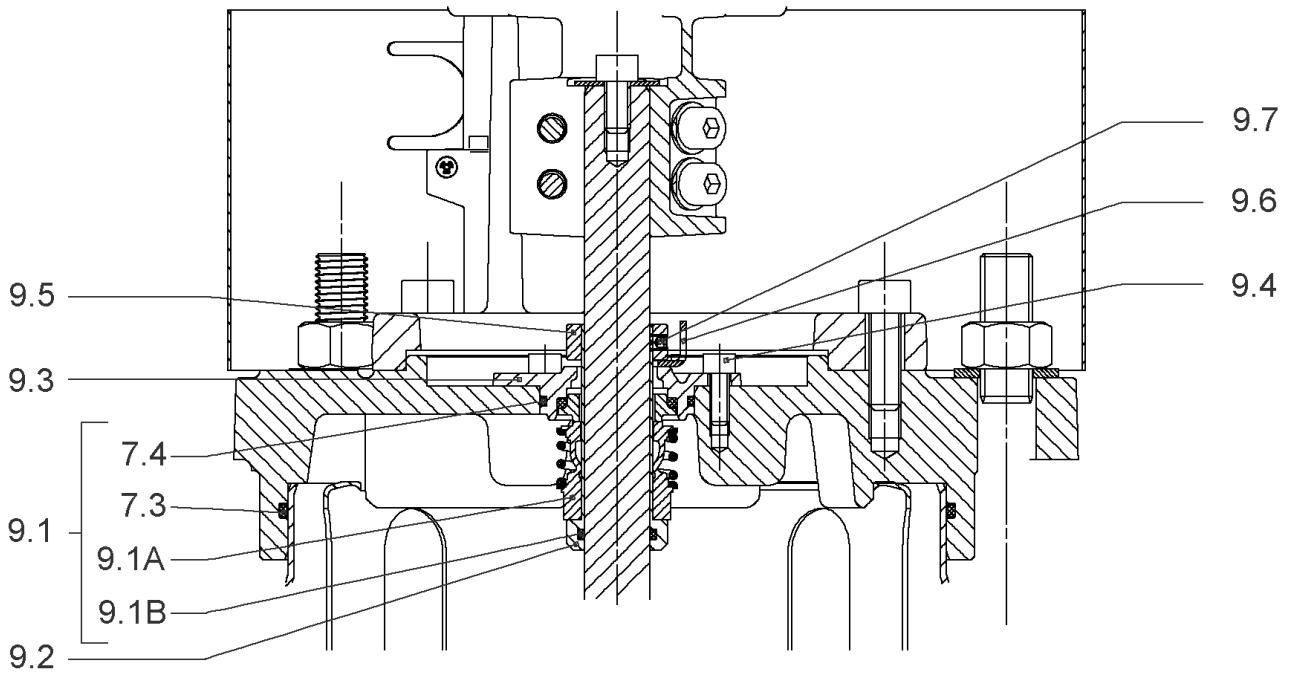
HELIX V5205-4/16/E/KS/400-50 (4183435)

Item	Article no.	Description	Quantity
7.3	4179571	> O-RING HOUSING PIPE HELIX22/36/52 VP.	1
13.1A	4161200	> NECK RING 1.STAGE HELIX V36/52 KIT	1
		>> NECK-RING-M+36/52	1
		>> HYDRAULIC SUPPORT CAP M+36/52 304	1
		>> SCREW TCL M3X8 A4 POZIDRIV	1



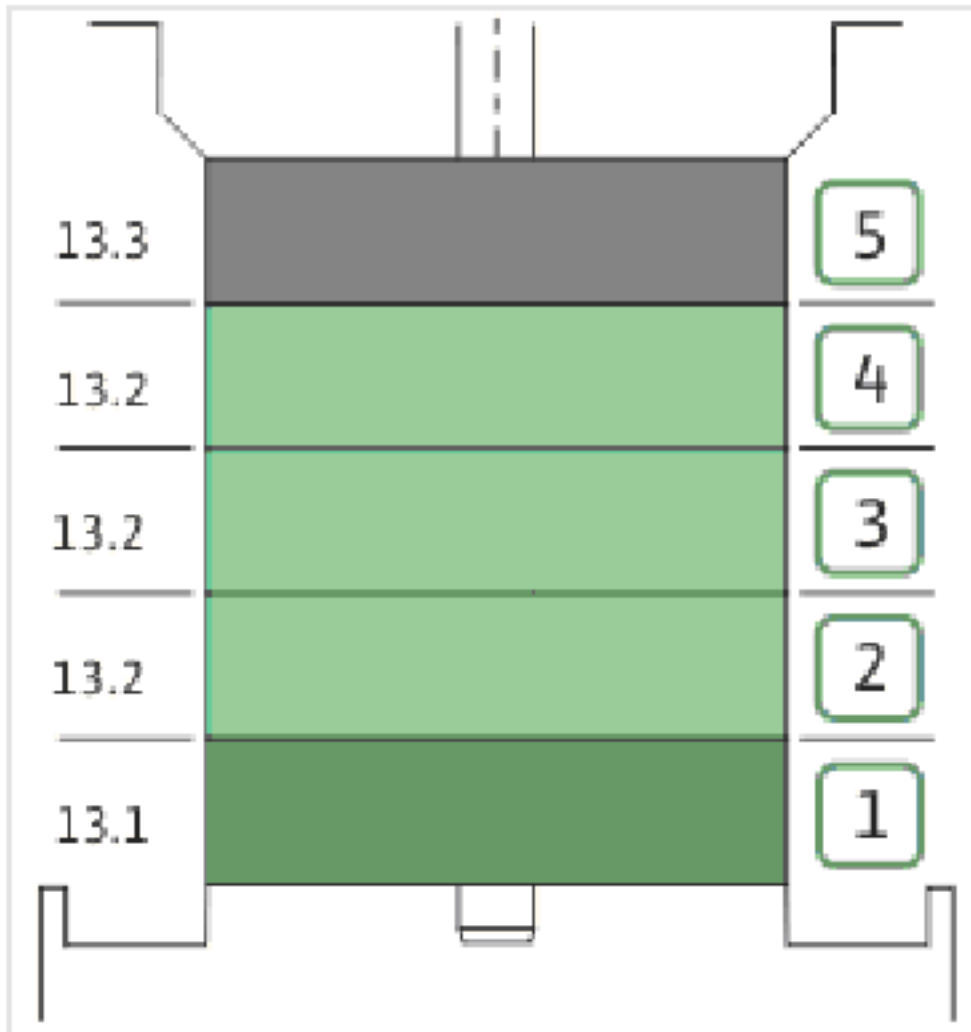
COUPLING D.20XD.38 FF300 KIT (4143966)

Item	Article no.	Description	Quantity
4.1	4179590	COUPLING 2 PARTS D.20XD.38XL115 VP.	1
4.2	2123699	BALL BEARING 6312/2Z-C4 (HT) VP.	1
4.3	63428	CIRCLIP-FOR-SHAFT-D60x2	1
4.4	2130991	SCREW M12X30 ISO4762 8.8 ZN(4 PIECES)	1
4.5	4032277	CIRCLIP-HOLE-130x4	1
4.6	4006725	O-RING ID.132,94x3,53 NBR70SR	1
4.7	2130992	RETAINING RING D.35xD.2,5 DIN7993 VP.	1
4.8	4179591	HUB D.42xD.60 VP.	1
4.9	2130994	SPACER D.38XD.55 VP.	1
4.10	4094462	SCREWS M10 (4 PIECES)	1
4.11	4233959	SCREW M8x16 VP.	1
4.12		SERRATED LOCK WASHER Ø8.2XØ25X35X2	1



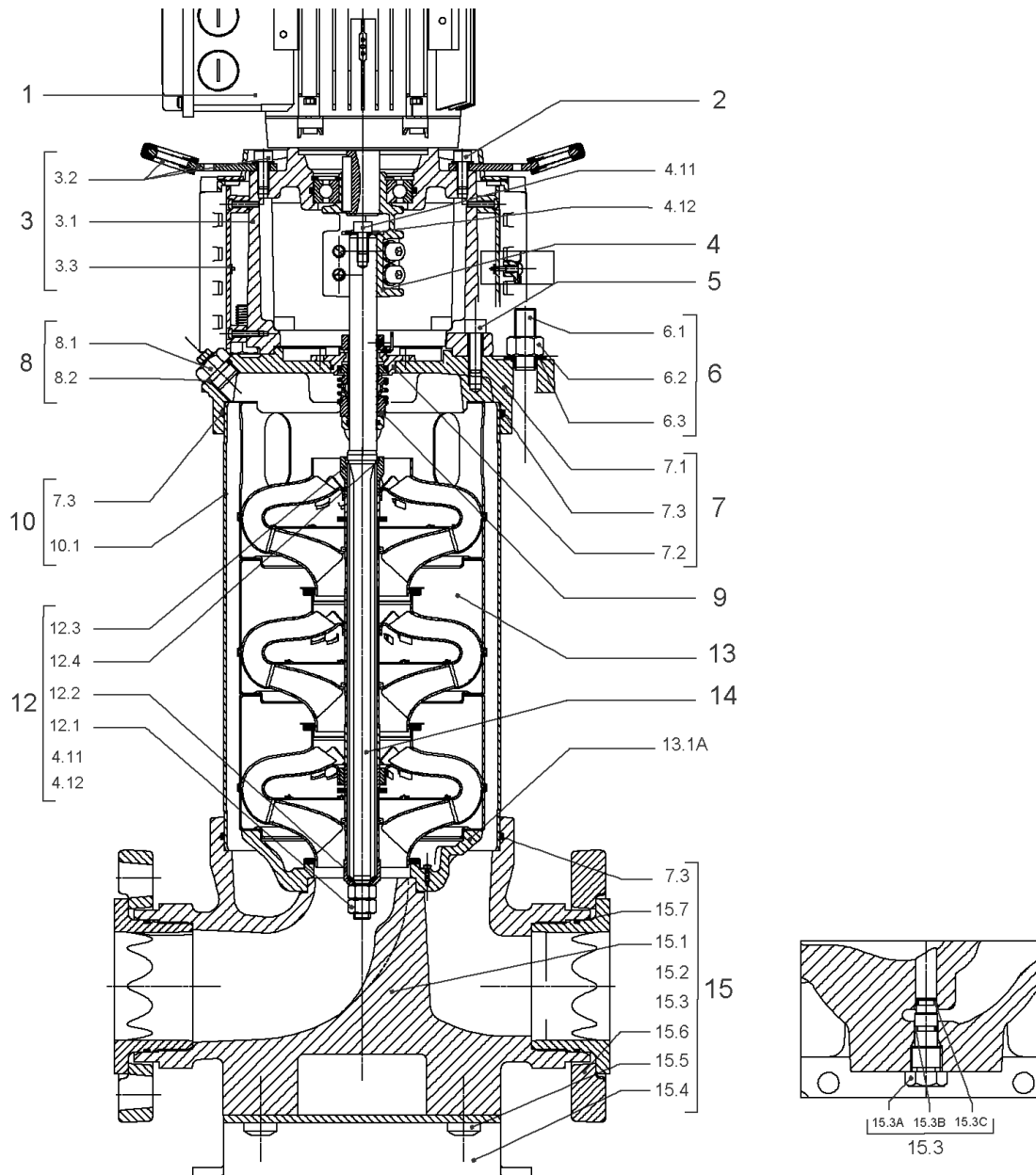
CARTRIDGE HELIX22-36-52 O/E KIT (4143973)

Item	Article no.	Description	Quantity
9.1	4143974	SEAL-KIT-HELIX22-36-52 O/E	1
7.3	4179571	> O-RING HOUSING PIPE HELIX22/36/52 VP.	1
7.4	4179572	> O-RING ID.42.52X2.62 EPDM VP.	1
9.1A	4179573	> M.SEAL.HELIX22-36-52 O/E VP.	1
9.1B	4179574	> O-RING ID.20x2.65 EPDM VP.	1
9.2	4179566	SHAFT SLEEVE D.20/20X60 1.4404 VP.	1
9.3	4179567	RING HOLDER Ø22 1.4301 VP.	1
9.4	4176520	SCREW CH M5x5 A4-70 (3PIECES)	1
9.5	4179568	DRIVE RING D.31/22.1x11 MACH.VP.	1
9.6	4179569	TOOL M.S.CART.HELIX 8" VP.	1
9.7	4179570	SCREW M6X16 ISO4762 8.8 GEOMET(4 PIECES)	1



HYDRAULIC HELIX V 5205

Item	Article no.	Description	Quantity
13.1	4164727	INTERMEDIAIRE STAGE HELIX 52 1.4301 KIT	1
		> SLEEVE-SPACER-D22XL30,42-316L	1
		> MACH.BEARING-DIFFUSER+NR-M+52-304	1
		> SHAFT-SLEEVE-D26xD22x16-CW	1
		> SPACER WASHER D22,3XD36 L3-316L	1
		> IMPELLER-H2-M+52-304	1
13.1A	4161200	> NECK RING 1.STAGE HELIX V36/52 KIT	1
		>> NECK-RING-M+36/52	1
		>> HYDRAULIC SUPPORT CAP M+36/52 304	1
		>> SCREW TCL M3X8 A4 POZIDRIV	1
13.2	4164728	INTERMEDIATE STAGE HELIX 52 1.4301 KIT	1
		> MACH.STD-DIFFUSER+NR-M+52-304	1
		> IMPELLER-H5-M+52-304	1
13.3	4164729	UPPER-STAGE HELIX 52 1.4301 KIT	1
		> STOP COLLAR OF IMPELLER L27,6-Ø22-316L	1
		> SLEEVE-SPACER-D22XL16,66-316L	1
		> SPACER WASHER D22,3XD36 L3-316L	1
		> IMPELLER-H2-M+52-304	1
		> MACH.STD-DISCHARGE-CHAMBER-M+52-304	1



HELIX V5210-3/30/E/KS/400-50 (4196064)

Item	Article no.	Description	Quantity
1	4195492	MOTOR 37/2/200 3~400V 50HZ IE3 VP.	1
		SPARE PARTS MOTOR:ON REQUEST	1
2	4179586	SCREW M16X60 (4 PIECES)	1
3	4164725	LANTERN HELIX 36/52 FF350 BB6216 KIT	1
3.1		> LANT.FF350 M+ GJL MACHIN.+CATA 7216-6216	1
3.2	4179938	> EYELET CPL.FF350 HELIX(4 PIECES)	1
3.3	4143969	> COUPLING PROTECT HELIX FF KIT	1
4	4164726	COUPLING HELIX D.20XD.38 2KUL.KIT	1
5	4157725	SCREW M10X40 (4 PIECES)	1
6	4179999	STUD BOLT M16X1100 KIT	1
6.1		> TIE BOLT M16-1100x24x44-1.4057	1
6.2	4179562	> NUT M16 8.8 ISO4032 (4 PIECES)	1
6.3	4097852	> WASHER-CS-16.4-32-2.8-NFE25-511-A2	1
7	4179565	END SHIELD HELIX 8" EPDM KIT	1
7.1		> END SHIELD M+ GJL MACHINED+CATA	1
7.2	4179564	> O-RING D.42.52x2.62 EPDM VP.	1
7.3	4179571	> O-RING HOUSING PIPE HELIX22/36/52 VP.	1
8	4143765	FILING/PURGING PLUG 316L HELIX KIT	1
8.1		> FILLING/VENTING-PLUG-VMI8/10-316L	1
8.2	4032291	> O-RING 17x3 EPDM KTW/WRC	1
9	4180008	CARTRIDGE HELIX22-36-52 T/E KIT	1
10	4180010	HOUSING PIPE D.204 X1030 1.4301 KIT	1
7.3	4179571	> O-RING HOUSING PIPE HELIX22/36/52 VP.	1
10.1		> HOUSING-PIPE Ø204-M+5210-304	1
12	4164724	SHAFT EQUIPMENT HELIX V52 KIT	1
13		HYDRAULIC HELIX V 5210	1
14	4180012	SHAFTS D.22X1204 1.4057 VP.	1
15	4164723	EQUIPED HOUSING PN16 HELIX GJL KIT	1
7.3	4179571	> O-RING HOUSING PIPE HELIX22/36/52 VP.	1
15.1		> PUMP HOUSING SET with COATED PARTS-DN80	1
15.3	4143766	> DRAIN/PRIMING PLUG EPDM HELIX KIT	1
15.3A		>> PRIMING/DRAIN PLUG-304-VERSION 1	1
15.3B	4032293	>> O-RING-10x3-EPDM-KTW/WRC	1
15.3C	4233957	>> O-RING ID.9 EPDM VP.	1

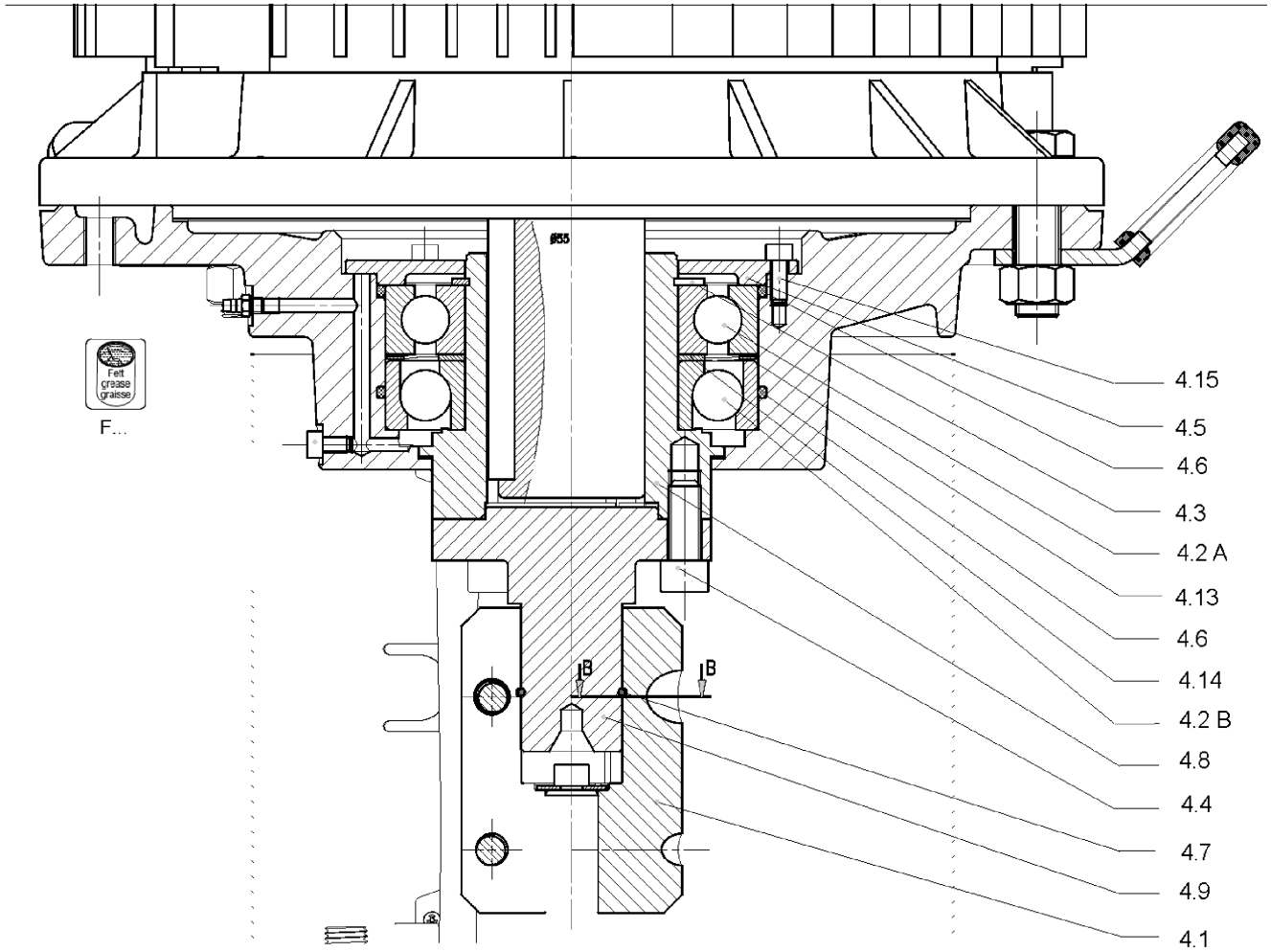
HELIX V5210-3/30/E/KS/400-50 (4196064)

Item	Article no.	Description	Quantity
15.4	4221729	> BASE M+ DN50/65/80 VP.	1
15.5		> SCREW TBHC M12x25 ISO7380 ZN	1
15.6		> FLANGE M+ DN80 NF PN16-25 ASME PN16 CATA	1
15.7		> O-RING Ø91.42xØ3 EPDM	1
13.1A	4161200	> NECK RING 1.STAGE HELIX V36/52 KIT	1
		>> NECK-RING-M+36/52	1
		>> HYDRAULIC SUPPORT CAP M+36/52 304	1
		>> SCREW TCL M3X8 A4 POZIDRIV	1

MOTEUR A BRIDE 55FF350 **

FLANGE MOTOR 55FF350 **

** VERSION 2 ROULEMENTS / ** 2 BALL BEARING VERSION



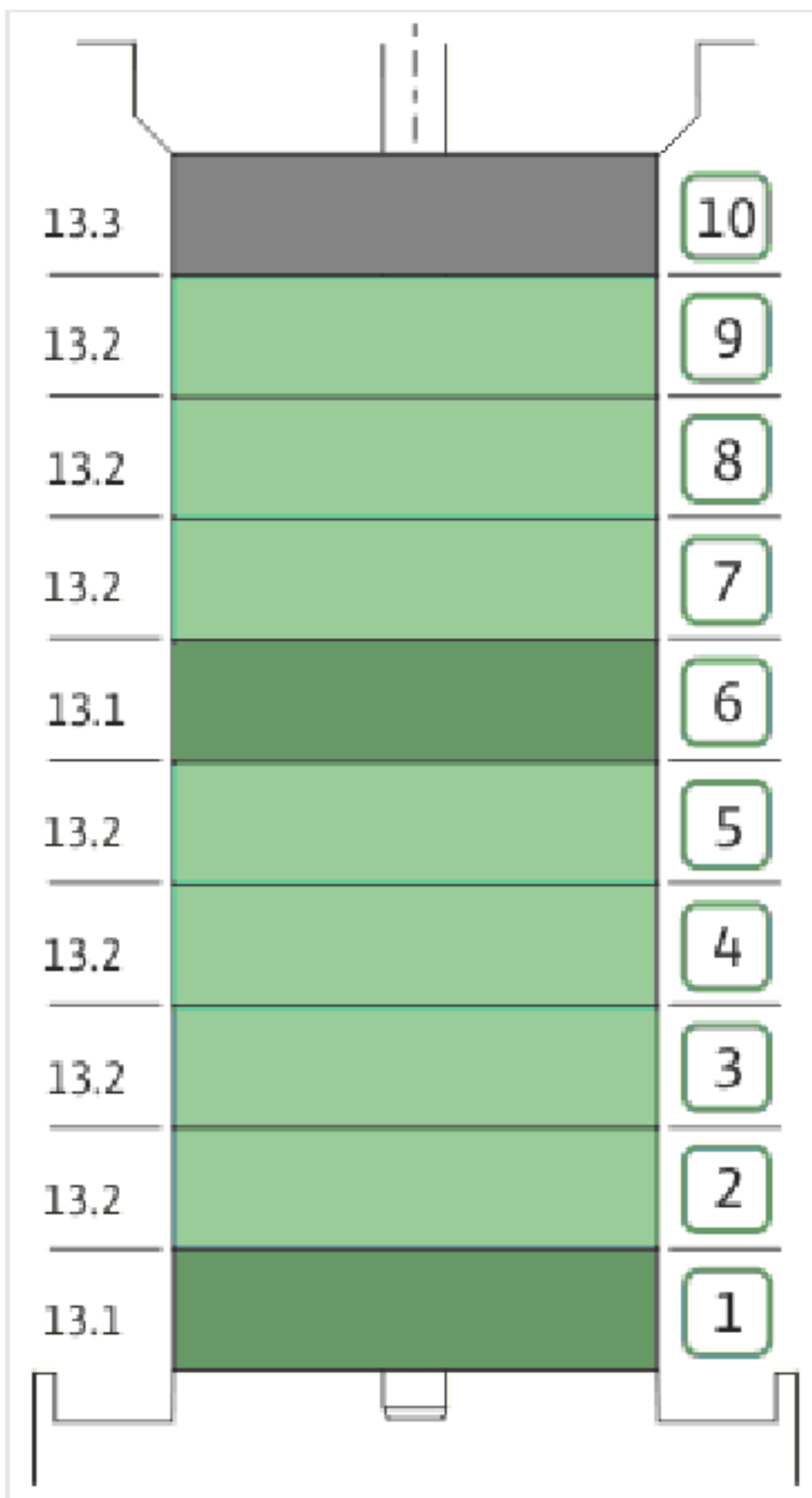
COUPLING HELIX D.20XD.38 2KUL.KIT (4164726)

Item	Article no.	Description	Quantity
4.1	4179935	COUPLING 2 PARTS D.20XD.38XL115 VP.	1
4.2A	4179950	BALL BEARING 7216-BEP-VP.	1
4.2B	4179949	BALL BEARING OPEN 6216 C3 VP.	1
4.3	4055234	CIRCLIP-FOR-SHAFT-D80X2.5-AC.PARK.	1
4.4	4179934	SCREW M12X30 (8 PIECES)	1
4.5		COVER HOUSING BALL BEARING FF350 7216	1
4.6	4233945	O-RING ID.140 VP.	1
4.7	2130992	RETAINING RING D.35xD.2,5 DIN7993 VP.	1
4.8	4179953	HUB D.55XD.80 VP.	1
4.9	4179936	SPACER D.38XD.65 VP.	1
4.10	2130991	SCREW M12X30 ISO4762 8.8 ZN(4 PIECES)	1
4.11	4233959	SCREW M8x16 VP.	1
4.12		SERRATED LOCK WASHER Ø8.2XØ25X35X2	1
4.13	4179951	WASHER INNER-BEARINGD.80XD.100x2.5E24VP.	1
4.14	4179952	CURV.SPRING WASH.A139B126E1-6216/6313VP.	1
4.15		SCREW M6X16 ISO4762 8.8 GEOMET 500B	1



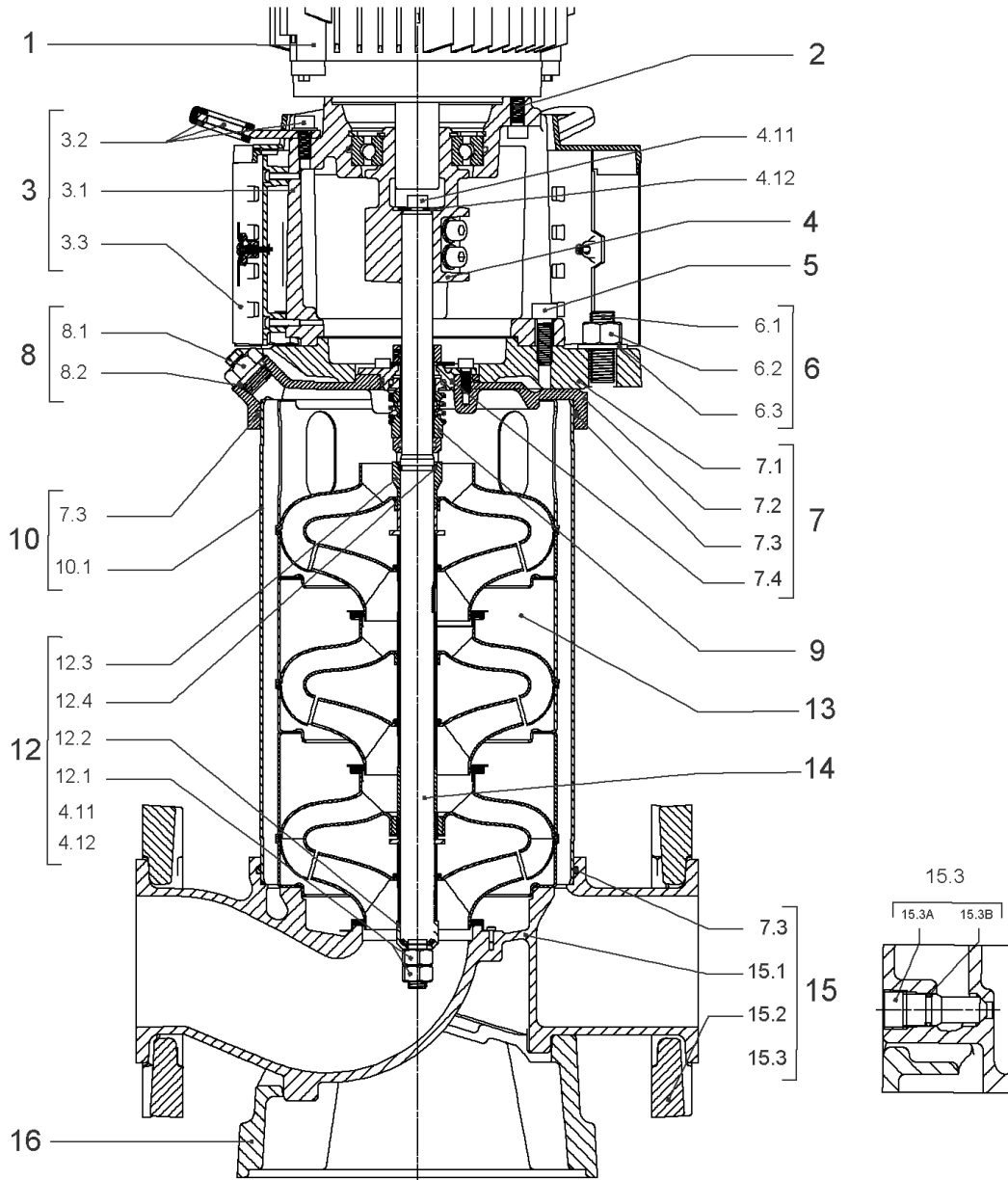
CARTRIDGE HELIX22-36-52 T/E KIT (4180008)

Item	Article no.	Description	Quantity
9.1	4180007	SEAL-KIT-HELIX22-36-52 T/E	1
7.3	4179571	> O-RING HOUSING PIPE HELIX22/36/52 VP.	1
7.4	4179572	> O-RING ID.42.52X2.62 EPDM VP.	1
9.1A	4180006	> M.SEAL.HELIX22-36-52 T/E VP.	1
9.1B	4179574	> O-RING ID.20x2.65 EPDM VP.	1
9.2	4180005	SHAFT SLEEVE D.22/20X71 1.4404 VP.	1
9.3	4180004	RING HOLDER 30B VP.	1
9.4	4176520	SCREW CH M5x5 A4-70 (3PIECES)	1
9.5	4179568	DRIVE RING D.31/22.1x11 MACH.VP.	1
9.6	4179569	TOOL M.S.CART.HELIX 8" VP.	1
9.7	4179570	SCREW M6X16 ISO4762 8.8 GEOMET(4 PIECES)	1



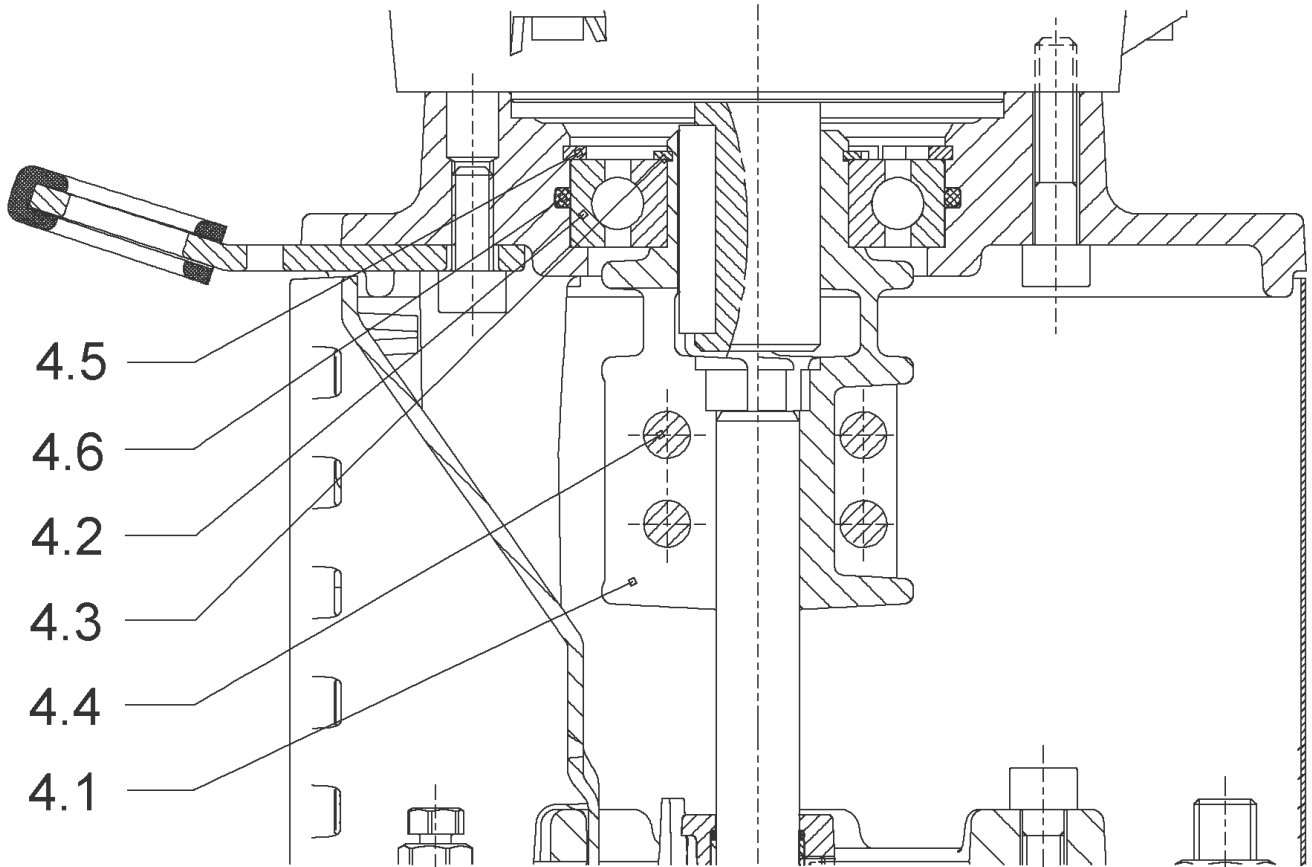
HYDRAULIC HELIX V 5210

Item	Article no.	Description	Quantity
13.1	4164727	INTERMEDIAIRE STAGE HELIX 52 1.4301 KIT	1
		> SLEEVE-SPACER-D22XL30,42-316L	1
		> MACH.BEARING-DIFFUSER+NR-M+52-304	1
		> SHAFT-SLEEVE-D26xD22x16-CW	1
		> SPACER WASHER D22,3XD36 L3-316L	1
		> IMPELLER-H2-M+52-304	1
13.1A	4161200	> NECK RING 1.STAGE HELIX V36/52 KIT	1
		>> NECK-RING-M+36/52	1
		>> HYDRAULIC SUPPORT CAP M+36/52 304	1
		>> SCREW TCL M3X8 A4 POZIDRIV	1
13.2	4164728	INTERMEDIATE STAGE HELIX 52 1.4301 KIT	1
		> MACH.STD-DIFFUSER+NR-M+52-304	1
		> IMPELLER-H5-M+52-304	1
13.3	4164729	UPPER-STAGE HELIX 52 1.4301 KIT	1
		> STOP COLLAR OF IMPELLER L27,6-Ø22-316L	1
		> SLEEVE-SPACER-D22XL16,66-316L	1
		> SPACER WASHER D22,3XD36 L3-316L	1
		> IMPELLER-H2-M+52-304	1
		> MACH.STD-DISCHARGE-CHAMBER-M+52-304	1



HELIX V5201/1-1/16/E/KS/400-50 (4198492)

Item	Article no.	Description	Quantity
1	4169944	MOTOR 3/2/100 3~230/400V 50HZ IE3 VP.	1
		SPARE PARTS MOTOR:ON REQUEST	1
2	4159707	SCREW M8X30 (4 PIECES)	1
3	4157719	LANTERN HELIX 22/36 FT130 KIT	1
3.1		> LANTERN FT130 M+ GJL MACHINED+CATA	1
3.2	4179561	> EYELET CPL.FT HELIX(2 PIECES)	1
3.3	4143968	> COUPLING PROTECT HELIX FT KIT	1
4	4143964	COUPLING D.20XD.28 FT130 KIT	1
5	4094462	SCREWS M10 (4 PIECES)	1
6	4186348	STUD BOLT M16X353 KIT	1
6.1		> TIE BOLT M16-353x24x44-1.4057	1
6.2	4179562	> NUT M16 8.8 ISO4032 (4 PIECES)	1
6.3	4097852	> WASHER-CS-16.4-32-2.8-NFE25-511-A2	1
7	4217176	END SHIELD HELIX OPTI 8" EPDM KIT	1
7.1		> upper flange machined + cataphoresis	1
7.2	4217174	> STATIONARY RING HOLDER 8" HELIX OPTI VP.	1
7.3	4179571	> O-RING HOUSING PIPE HELIX22/36/52 VP.	1
7.4	4179572	> O-RING ID.42.52X2.62 EPDM VP.	1
8	4186377	FILING/PURGING PLUG 304 HELIX KIT	1
8.1		> FILLING/VENTING-PLUG-MVI8/10"-304	1
8.2	4032291	> O-RING 17x3 EPDM KTW/WRC	1
9	4143973	CARTRIDGE HELIX22-36-52 O/E KIT	1
10	4218389	HOUSING PIPE D204 X 114 1.4301 KIT	1
7.3	4179571	> O-RING HOUSING PIPE HELIX22/36/52 VP.	1
10.1		> HOUSING-PIPE Ø204-L114,05-304	1
12	4164724	SHAFT EQUIPMENT HELIX V52 KIT	1
13		HYDRAULIC HELIX V 5201-1	1
14	4179579	SHAFTS D.22X304 1.4057 VP.	1
15	4218385	EQUIPED HOUSING DN80 HELIX OPTI 8" KIT	1
15.1		> pump casing machined DN80	1
15.2	4218383	> HALF FLANGE DN80 HELIX OPTI 8" VP.	1
15.3	4217850	> DRAIN/PRIMING PLUG HELIX OPTI 8" KIT	1
7.3	4179571	> O-RING HOUSING PIPE HELIX22/36/52 VP.	1
16	4218387	BASEPLATE DN80 HELIX OPTI 8" VP.	1



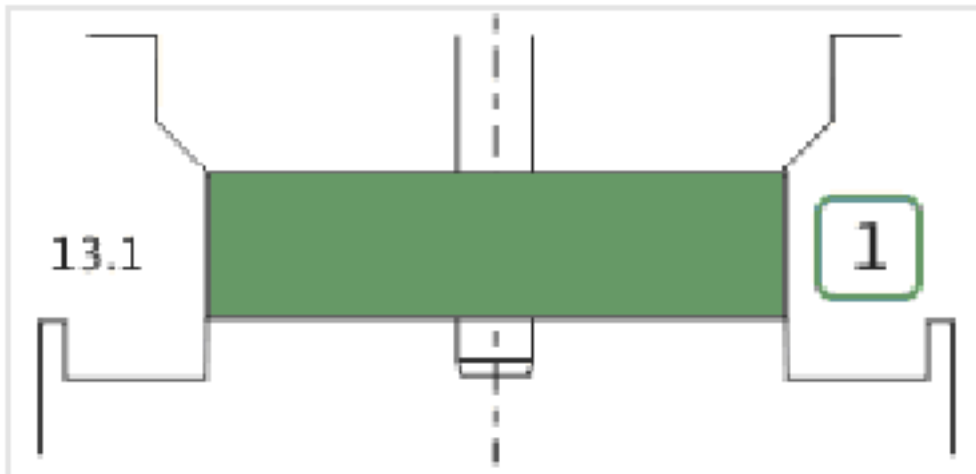
COUPLING D.20XD.28 FT130 KIT (4143964)

Item	Article no.	Description	Quantity
4.1		COUPLING M+ Ø20XØ28-FT130 MACHINED	1
4.2	2131022	BALL BEARING 6209/ZZ-C3(HT)VP.	1
4.3	4233930	CIRCLIP-FOR-BORES-D45x1,75 VP.	1
4.4	4157726	SCREW KIT M8X30 (4 PIECES)	1
4.5	4234252	CIRCLIPS 85X3 VP.	1
4.6	4234243	O-RING 85X3 VP.	1
		NOMEL CONTACT WASHER 8x16x1,4 STEEL ZC	1



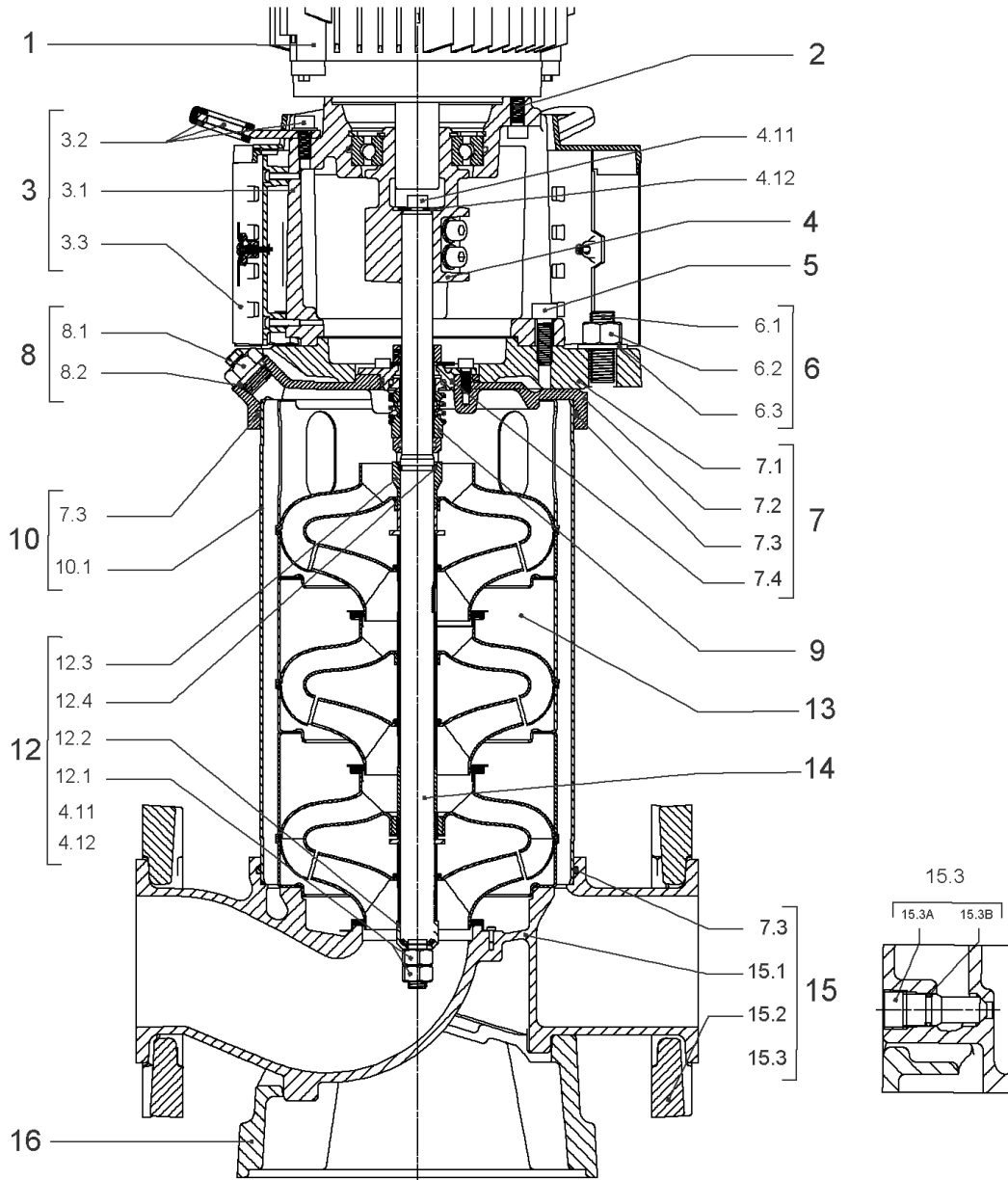
CARTRIDGE HELIX22-36-52 O/E KIT (4143973)

Item	Article no.	Description	Quantity
9.1	4143974	SEAL-KIT-HELIX22-36-52 O/E	1
7.3	4179571	> O-RING HOUSING PIPE HELIX22/36/52 VP.	1
7.4	4179572	> O-RING ID.42.52X2.62 EPDM VP.	1
9.1A	4179573	> M.SEAL.HELIX22-36-52 O/E VP.	1
9.1B	4179574	> O-RING ID.20x2.65 EPDM VP.	1
9.2	4179566	SHAFT SLEEVE D.20/20X60 1.4404 VP.	1
9.3	4179567	RING HOLDER Ø22 1.4301 VP.	1
9.4	4176520	SCREW CH M5x5 A4-70 (3PIECES)	1
9.5	4179568	DRIVE RING D.31/22.1x11 MACH.VP.	1
9.6	4179569	TOOL M.S.CART.HELIX 8" VP.	1
9.7	4179570	SCREW M6X16 ISO4762 8.8 GEOMET(4 PIECES)	1



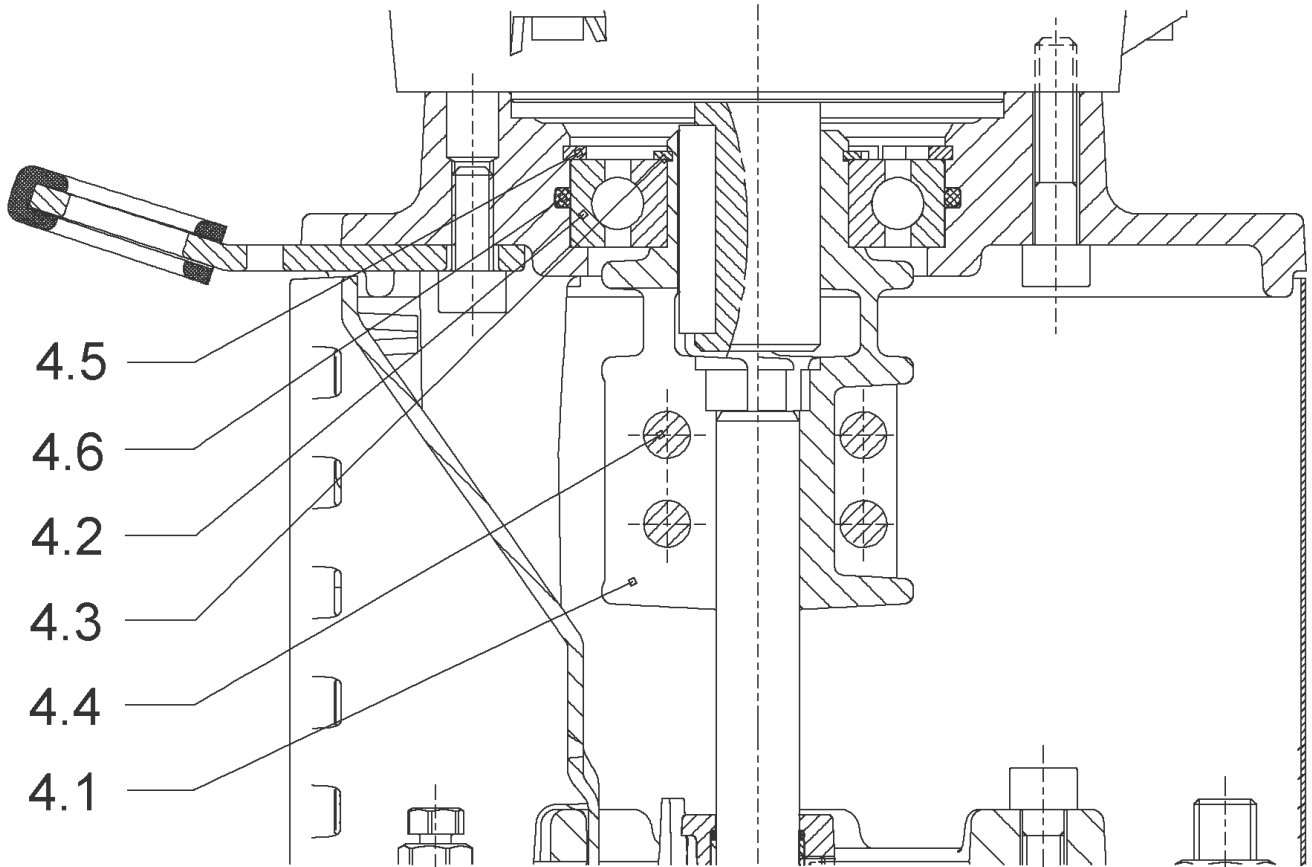
HYDRAULIC HELIX V 5201-1

Item	Article no.	Description	Quantity
13.1	4164734	UPPER-STAGE HELIX 52 1.4301 KIT	1
		> STOP COLLAR OF IMPELLER L27,6-Ø22-316L	1
		> SHAFT-SLEEVE-D26xD22x16-CW	1
		> SPACER WASHER D22,3XD36 L3-316L	1
		> REDUCED-IMPELLER-H2-M+52-304	1
13.1A	4161200	> NECK RING 1.STAGE HELIX V36/52 KIT	1
		>> NECK-RING-M+36/52	1
		>> HYDRAULIC SUPPORT CAP M+36/52 304	1
		>> SCREW TCL M3X8 A4 POZIDRIV	1
		> MACH.BEARING-DISCHARGE-CHAMBER+NR-M+52-3	1



HELIX V5201-1/16/E/KS/400-50 (4198493)

Item	Article no.	Description	Quantity
1	4169945	MO.4/2 3~230/400(460)V 50(60)HZ IE3 VP.	1
		SPARE PARTS MOTOR:ON REQUEST	1
2	4159707	SCREW M8X30 (4 PIECES)	1
3	4157719	LANTERN HELIX 22/36 FT130 KIT	1
3.1		> LANTERN FT130 M+ GJL MACHINED+CATA	1
3.2	4179561	> EYELET CPL.FT HELIX(2 PIECES)	1
3.3	4143968	> COUPLING PROTECT HELIX FT KIT	1
4	4143964	COUPLING D.20XD.28 FT130 KIT	1
5	4094462	SCREWS M10 (4 PIECES)	1
6	4186348	STUD BOLT M16X353 KIT	1
6.1		> TIE BOLT M16-353x24x44-1.4057	1
6.2	4179562	> NUT M16 8.8 ISO4032 (4 PIECES)	1
6.3	4097852	> WASHER-CS-16.4-32-2.8-NFE25-511-A2	1
7	4217176	END SHIELD HELIX OPTI 8" EPDM KIT	1
7.1		> upper flange machined + cataphoresis	1
7.2	4217174	> STATIONARY RING HOLDER 8" HELIX OPTI VP.	1
7.3	4179571	> O-RING HOUSING PIPE HELIX22/36/52 VP.	1
7.4	4179572	> O-RING ID.42.52X2.62 EPDM VP.	1
8	4186377	FILING/PURGING PLUG 304 HELIX KIT	1
8.1		> FILLING/VENTING-PLUG-MVI8/10"-304	1
8.2	4032291	> O-RING 17x3 EPDM KTW/WRC	1
9	4143973	CARTRIDGE HELIX22-36-52 O/E KIT	1
10	4218389	HOUSING PIPE D204 X 114 1.4301 KIT	1
7.3	4179571	> O-RING HOUSING PIPE HELIX22/36/52 VP.	1
10.1		> HOUSING-PIPE Ø204-L114,05-304	1
12	4164724	SHAFT EQUIPMENT HELIX V52 KIT	1
13		HYDRAULIC HELIX V 5201	1
14	4179579	SHAFTS D.22X304 1.4057 VP.	1
15	4218385	EQUIPED HOUSING DN80 HELIX OPTI 8" KIT	1
15.1		> pump casing machined DN80	1
15.2	4218383	> HALF FLANGE DN80 HELIX OPTI 8" VP.	1
15.3	4217850	> DRAIN/PRIMING PLUG HELIX OPTI 8" KIT	1
7.3	4179571	> O-RING HOUSING PIPE HELIX22/36/52 VP.	1
16	4218387	BASEPLATE DN80 HELIX OPTI 8" VP.	1



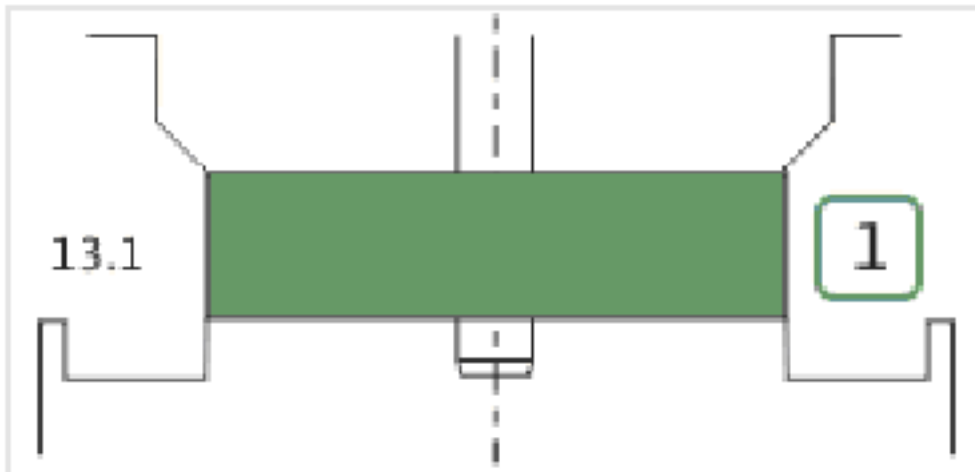
COUPLING D.20XD.28 FT130 KIT (4143964)

Item	Article no.	Description	Quantity
4.1		COUPLING M+ Ø20XØ28-FT130 MACHINED	1
4.2	2131022	BALL BEARING 6209/ZZ-C3(HT)VP.	1
4.3	4233930	CIRCLIP-FOR-BORES-D45x1,75 VP.	1
4.4	4157726	SCREW KIT M8X30 (4 PIECES)	1
4.5	4234252	CIRCLIPS 85X3 VP.	1
4.6	4234243	O-RING 85X3 VP.	1
		NOMEL CONTACT WASHER 8x16x1,4 STEEL ZC	1



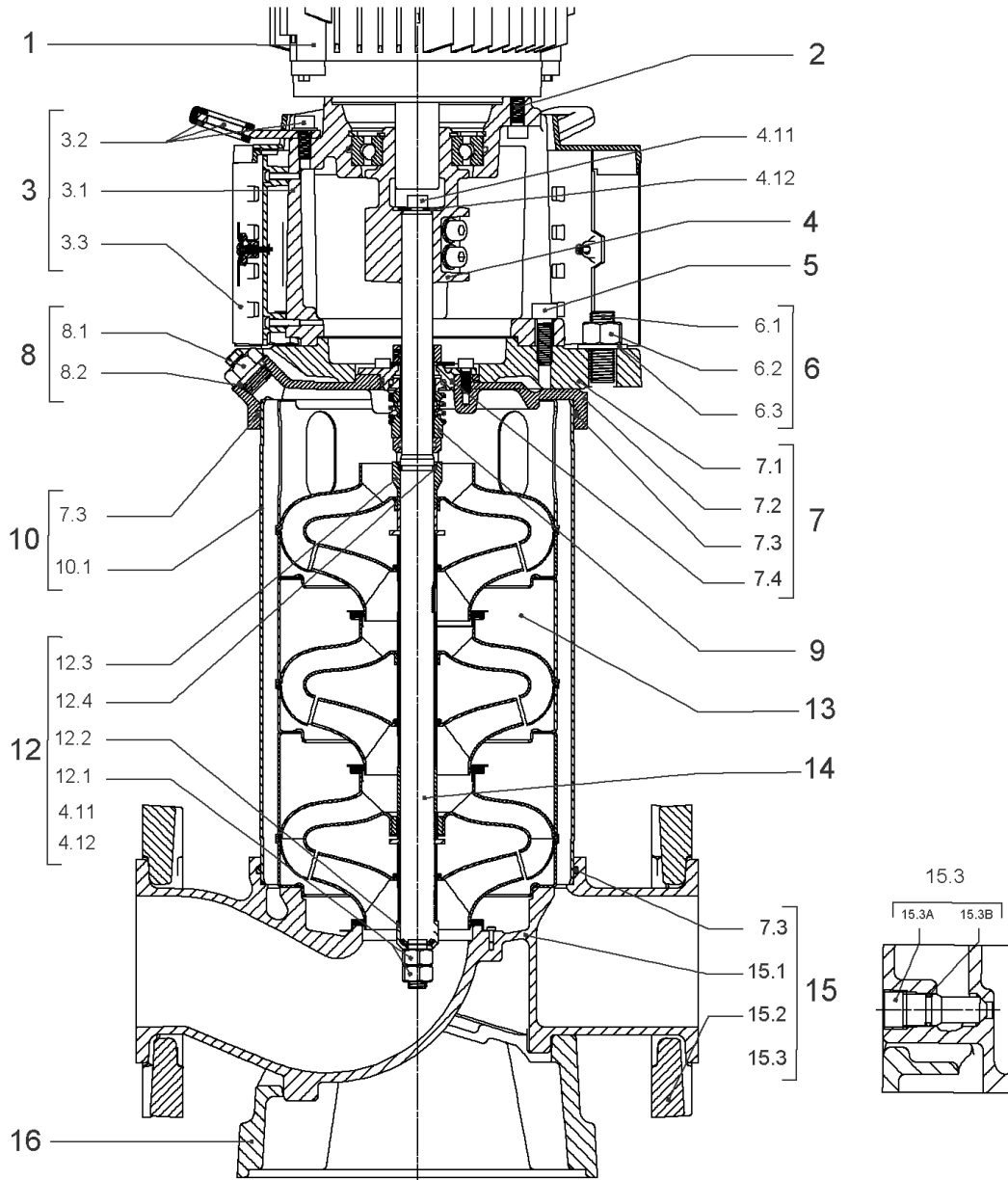
CARTRIDGE HELIX22-36-52 O/E KIT (4143973)

Item	Article no.	Description	Quantity
9.1	4143974	SEAL-KIT-HELIX22-36-52 O/E	1
7.3	4179571	> O-RING HOUSING PIPE HELIX22/36/52 VP.	1
7.4	4179572	> O-RING ID.42.52X2.62 EPDM VP.	1
9.1A	4179573	> M.SEAL.HELIX22-36-52 O/E VP.	1
9.1B	4179574	> O-RING ID.20x2.65 EPDM VP.	1
9.2	4179566	SHAFT SLEEVE D.20/20X60 1.4404 VP.	1
9.3	4179567	RING HOLDER Ø22 1.4301 VP.	1
9.4	4176520	SCREW CH M5x5 A4-70 (3PIECES)	1
9.5	4179568	DRIVE RING D.31/22.1x11 MACH.VP.	1
9.6	4179569	TOOL M.S.CART.HELIX 8" VP.	1
9.7	4179570	SCREW M6X16 ISO4762 8.8 GEOMET(4 PIECES)	1



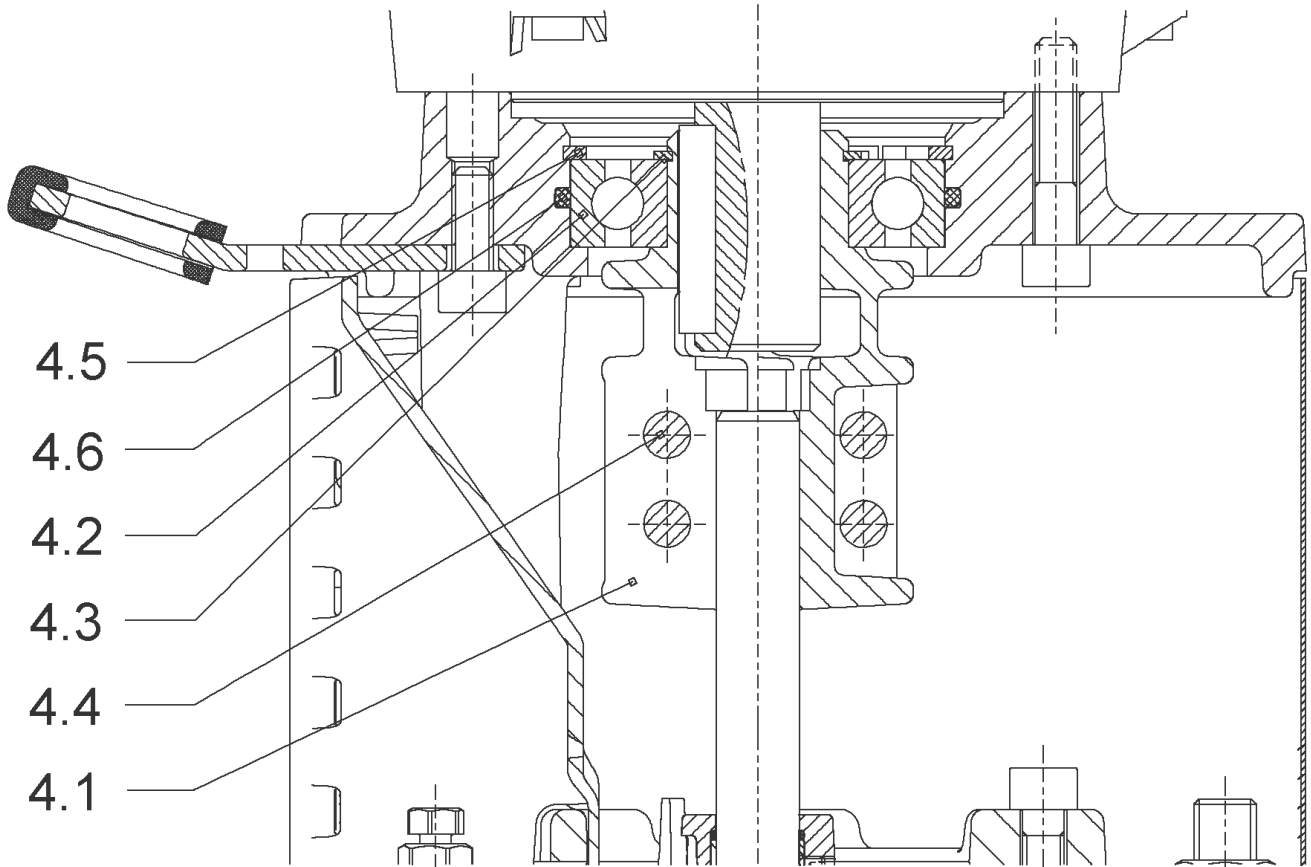
HYDRAULIC HELIX V 5201

Item	Article no.	Description	Quantity
13.1	4164733	UPPER-STAGE HELIX 52 1.4301 KIT	1
		> STOP COLLAR OF IMPELLER L27,6-Ø22-316L	1
		> SHAFT-SLEEVE-D26xD22x16-CW	1
		> SPACER WASHER D22,3xD36 L3-316L	1
		> IMPELLER-H2-M+52-304	1
13.1A	4161200	> NECK RING 1.STAGE HELIX V36/52 KIT	1
		>> NECK-RING-M+36/52	1
		>> HYDRAULIC SUPPORT CAP M+36/52 304	1
		>> SCREW TCL M3X8 A4 POZIDRIV	1
		> MACH.BEARING-DISCHARGE-CHAMBER+NR-M+52-3	1



HELIX V5202/2-1/16/E/KS/400-50 (4198494)

Item	Article no.	Description	Quantity
1	4169947	MO 5,5/2/112 3~400V50Hz 460V60Hz IE3 VP.	1
		SPARE PARTS MOTOR:ON REQUEST	1
2	4159707	SCREW M8X30 (4 PIECES)	1
3	4157719	LANTERN HELIX 22/36 FT130 KIT	1
3.1		> LANTERN FT130 M+ GJL MACHINED+CATA	1
3.2	4179561	> EYELET CPL.FT HELIX(2 PIECES)	1
3.3	4143968	> COUPLING PROTECT HELIX FT KIT	1
4	4143964	COUPLING D.20XD.28 FT130 KIT	1
5	4094462	SCREWS M10 (4 PIECES)	1
6	4186355	STUD BOLT M16X453 KIT	1
6.1		> TIE BOLT M16-453x24x44-1.4057	1
6.2	4179562	> NUT M16 8.8 ISO4032 (4 PIECES)	1
6.3	4097852	> WASHER-CS-16.4-32-2.8-NFE25-511-A2	1
7	4217176	END SHIELD HELIX OPTI 8" EPDM KIT	1
7.1		> upper flange machined + cataphoresis	1
7.2	4217174	> STATIONARY RING HOLDER 8" HELIX OPTI VP.	1
7.3	4179571	> O-RING HOUSING PIPE HELIX22/36/52 VP.	1
7.4	4179572	> O-RING ID.42.52X2.62 EPDM VP.	1
8	4186377	FILING/PURGING PLUG 304 HELIX KIT	1
8.1		> FILLING/VENTING-PLUG-MVI8/10"-304	1
8.2	4032291	> O-RING 17x3 EPDM KTW/WRC	1
9	4143973	CARTRIDGE HELIX22-36-52 O/E KIT	1
10	4181161	HOUSING PIPE D.204X214 1.4307 KIT	1
10.1		> HOUSING-PIPE Ø204-M+2203-304	1
7.3	4179571	> O-RING HOUSING PIPE HELIX22/36/52 VP.	1
12	4164724	SHAFT EQUIPMENT HELIX V52 KIT	1
13		HYDRAULIC HELIX V 5202/2	1
14	2132516	SHAFT D.22X404 1.4301 VP.	1
15	4218385	EQUIPED HOUSING DN80 HELIX OPTI 8" KIT	1
15.1		> pump casing machined DN80	1
15.2	4218383	> HALF FLANGE DN80 HELIX OPTI 8" VP.	1
15.3	4217850	> DRAIN/PRIMING PLUG HELIX OPTI 8" KIT	1
7.3	4179571	> O-RING HOUSING PIPE HELIX22/36/52 VP.	1
16	4218387	BASEPLATE DN80 HELIX OPTI 8" VP.	1



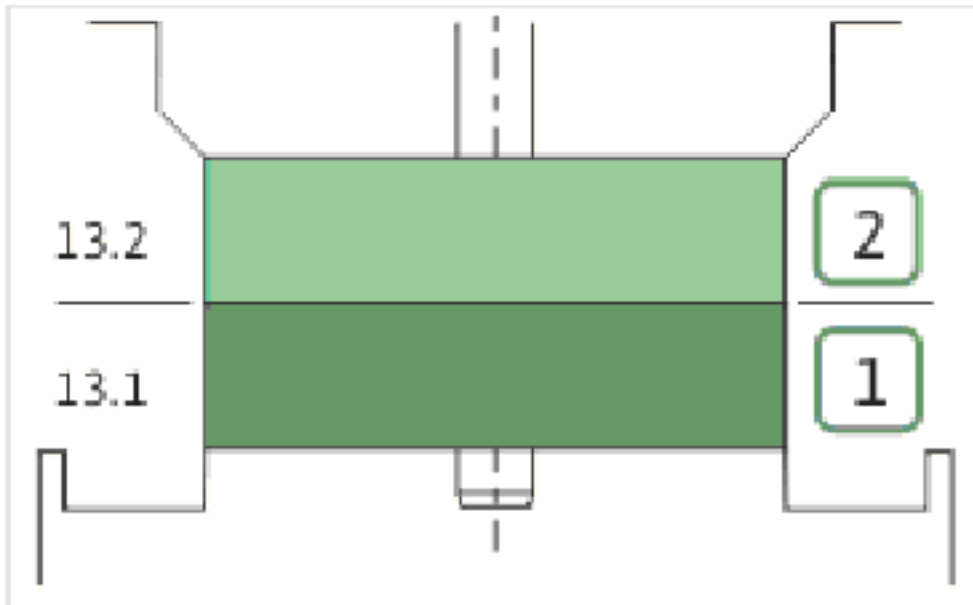
COUPLING D.20XD.28 FT130 KIT (4143964)

Item	Article no.	Description	Quantity
4.1		COUPLING M+ Ø20XØ28-FT130 MACHINED	1
4.2	2131022	BALL BEARING 6209/ZZ-C3(HT)VP.	1
4.3	4233930	CIRCLIP-FOR-BORES-D45x1,75 VP.	1
4.4	4157726	SCREW KIT M8X30 (4 PIECES)	1
4.5	4234252	CIRCLIPS 85X3 VP.	1
4.6	4234243	O-RING 85X3 VP.	1
		NOMEL CONTACT WASHER 8x16x1,4 STEEL ZC	1



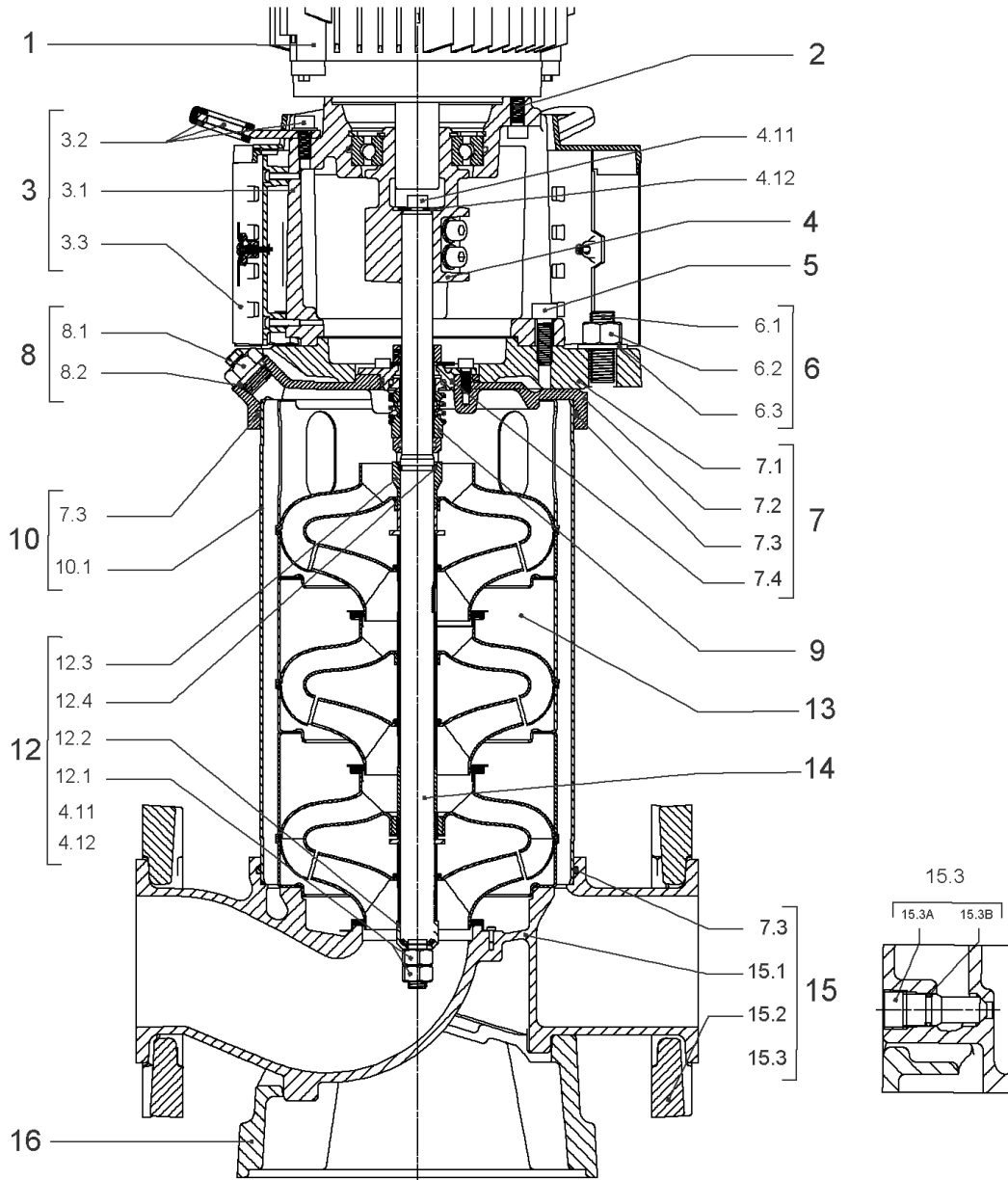
CARTRIDGE HELIX22-36-52 O/E KIT (4143973)

Item	Article no.	Description	Quantity
9.1	4143974	SEAL-KIT-HELIX22-36-52 O/E	1
7.3	4179571	> O-RING HOUSING PIPE HELIX22/36/52 VP.	1
7.4	4179572	> O-RING ID.42.52X2.62 EPDM VP.	1
9.1A	4179573	> M.SEAL.HELIX22-36-52 O/E VP.	1
9.1B	4179574	> O-RING ID.20x2.65 EPDM VP.	1
9.2	4179566	SHAFT SLEEVE D.20/20X60 1.4404 VP.	1
9.3	4179567	RING HOLDER Ø22 1.4301 VP.	1
9.4	4176520	SCREW CH M5x5 A4-70 (3PIECES)	1
9.5	4179568	DRIVE RING D.31/22.1x11 MACH.VP.	1
9.6	4179569	TOOL M.S.CART.HELIX 8" VP.	1
9.7	4179570	SCREW M6X16 ISO4762 8.8 GEOMET(4 PIECES)	1



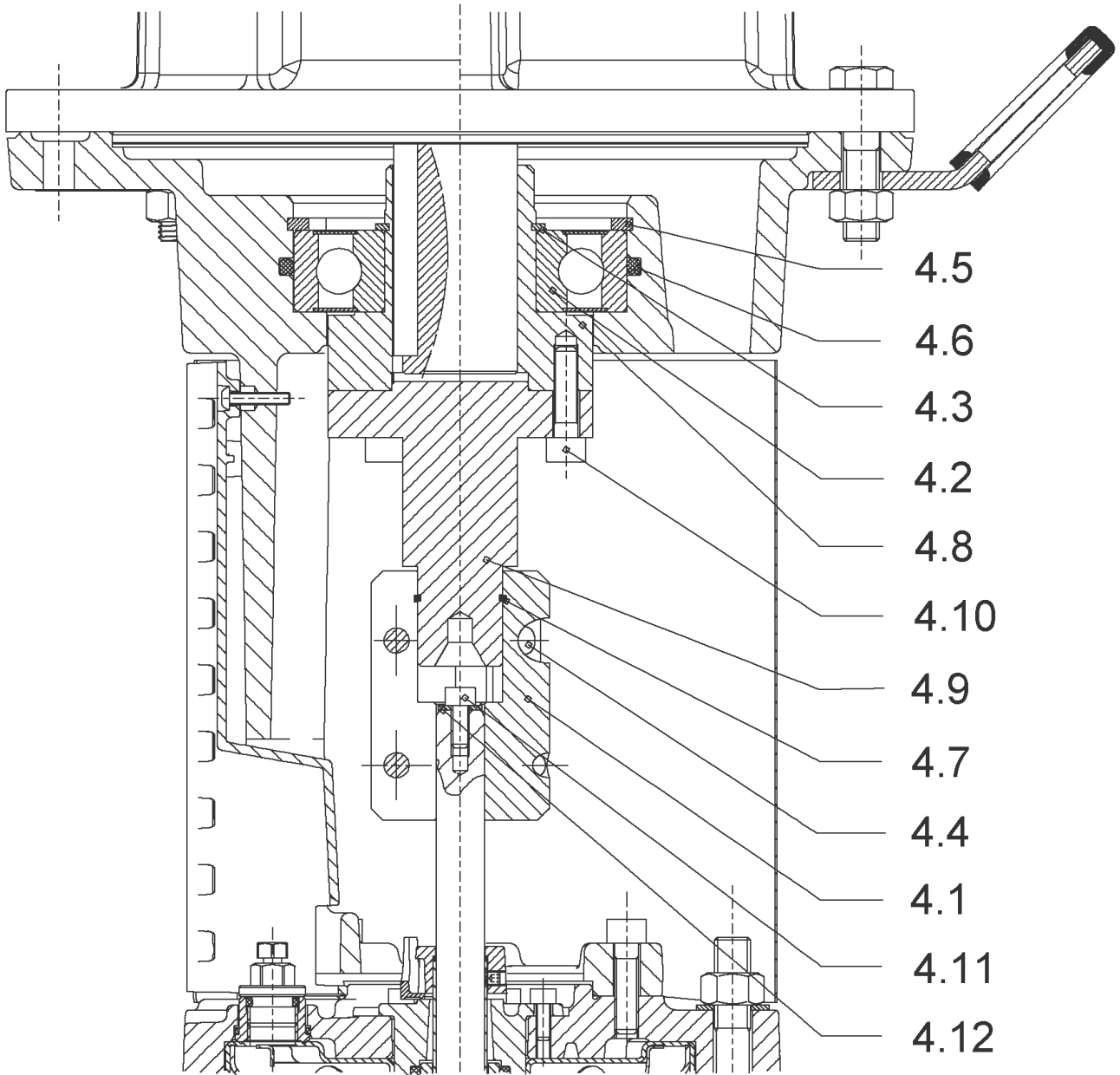
HYDRAULIC HELIX V 5202/2

Item	Article no.	Description	Quantity
13.1	4164732	INTERMEDIAIRE STAGE HELIX 52 1.4301 KIT	1
		> SLEEVE-SPACER-D22XL30,42-316L	1
		> MACH.BEARING-DIFFUSER+NR-M+52-304	1
		> SHAFT-SLEEVE-D26xD22x16-CW	1
		> SPACER WASHER D22,3XD36 L3-316L	1
		> REDUCED-IMPELLER-H2-M+52-304	1
13.1A	4161200	> NECK RING 1.STAGE HELIX V36/52 KIT	1
		>> NECK-RING-M+36/52	1
		>> HYDRAULIC SUPPORT CAP M+36/52 304	1
		>> SCREW TCL M3X8 A4 POZIDRIV	1
13.2	4164731	UPPER-STAGE HELIX 52 1.4301 KIT	1
		> STOP COLLAR OF IMPELLER L27,6-Ø22-316L	1
		> SLEEVE-SPACER-D22XL16,66-316L	1
		> SPACER WASHER D22,3XD36 L3-316L	1
		> REDUCED-IMPELLER-H2-M+52-304	1
		> MACH.STD-DISCHARGE-CHAMBER-M+52-304	1



HELIX V5202-1/16/E/KS/400-50 (4198495)

Item	Article no.	Description	Quantity
1	4195450	MOTOR 7,5/2/* 3~400V 50HZ IE3 VP.	1
		SPARE PARTS MOTOR:ON REQUEST	1
2	4159704	SCREW KIT M12X50 (4 PIECES)	1
3	4161187	LANTERN FF265 HELIX 8" KIT	1
3.1		> LANTERN FF265 M+ GJL MACHINED+CATA	1
3.2	2127605	> EYELET CPL.FF265 HELIX(2 PIECES)	1
3.3	4143969	> COUPLING PROTECT HELIX FF KIT	1
4	4143965	COUPLING D.20XD.28 FF265 KIT	1
5	4157725	SCREW M10X40 (4 PIECES)	1
6	4186355	STUD BOLT M16X453 KIT	1
6.1		> TIE BOLT M16-453x24x44-1.4057	1
6.2	4179562	> NUT M16 8.8 ISO4032 (4 PIECES)	1
6.3	4097852	> WASHER-CS-16.4-32-2.8-NFE25-511-A2	1
7	4217176	END SHIELD HELIX OPTI 8" EPDM KIT	1
7.1		> upper flange machined + cataphoresis	1
7.2	4217174	> STATIONARY RING HOLDER 8" HELIX OPTI VP.	1
7.3	4179571	> O-RING HOUSING PIPE HELIX22/36/52 VP.	1
7.4	4179572	> O-RING ID.42.52X2.62 EPDM VP.	1
8	4186377	FILING/PURGING PLUG 304 HELIX KIT	1
8.1		> FILLING/VENTING-PLUG-MVI8/10"-304	1
8.2	4032291	> O-RING 17x3 EPDM KTW/WRC	1
9	4143973	CARTRIDGE HELIX22-36-52 O/E KIT	1
10	4181161	HOUSING PIPE D.204X214 1.4307 KIT	1
10.1		> HOUSING-PIPE Ø204-M+2203-304	1
7.3	4179571	> O-RING HOUSING PIPE HELIX22/36/52 VP.	1
12	4164724	SHAFT EQUIPMENT HELIX V52 KIT	1
13		HYDRAULIC HELIX V 5202	1
14	2132516	SHAFT D.22X404 1.4301 VP.	1
15	4218385	EQUIPED HOUSING DN80 HELIX OPTI 8" KIT	1
15.1		> pump casing machined DN80	1
15.2	4218383	> HALF FLANGE DN80 HELIX OPTI 8" VP.	1
15.3	4217850	> DRAIN/PRIMING PLUG HELIX OPTI 8" KIT	1
7.3	4179571	> O-RING HOUSING PIPE HELIX22/36/52 VP.	1
16	4218387	BASEPLATE DN80 HELIX OPTI 8" VP.	1



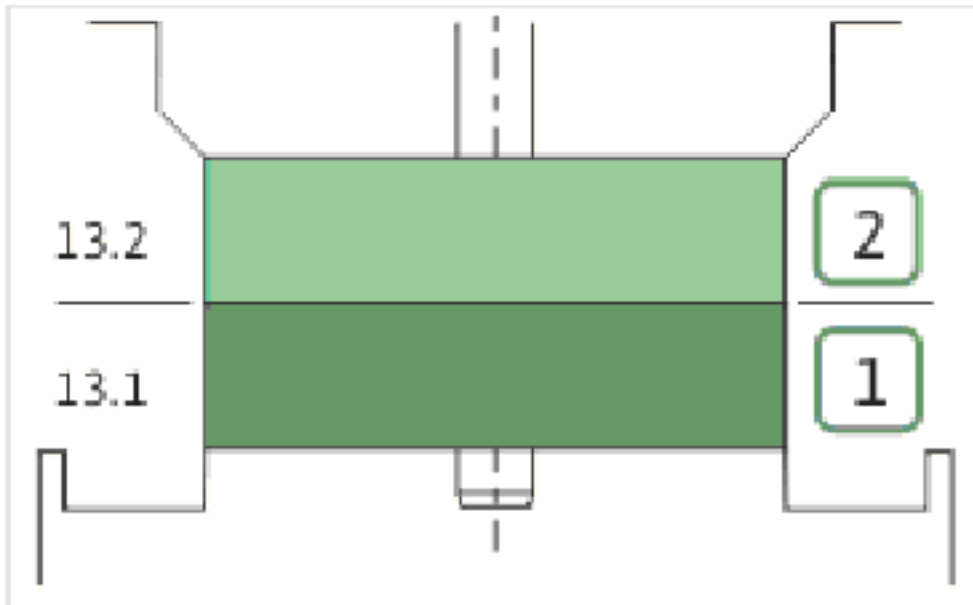
COUPLING D.20XD.28 FF265 KIT (4143965)

Item	Article no.	Description	Quantity
4.1	4179584	COUPLING 2 PARTS D.20XD.28XL83 VP.	1
4.2	2131017	BALL BEARING 6310/ZZ-C4(HT)VP.	1
4.3	4234253	CIRCLIP-FOR-SHAFT-D50x2 VP.	1
4.4	4159707	SCREW M8X30 (4 PIECES)	1
4.5	4234255	CIRCLIPS 110X4 VP.	1
4.6	4233944	O-RING ID.110 VP.	1
4.7	4179585	STOP-RUSH D26xD2 DIN7993 STEEL VP.	1
4.8	2131020	HUB D.38XD.50 VP.	1
4.9	2131021	SPACER D.28XD.45 VP.	1
4.10	4157726	SCREW KIT M8X30 (4 PIECES)	1
4.11	4233959	SCREW M8x16 VP.	1
4.12		SERRATED LOCK WASHER Ø8.2XØ25X35X2	1



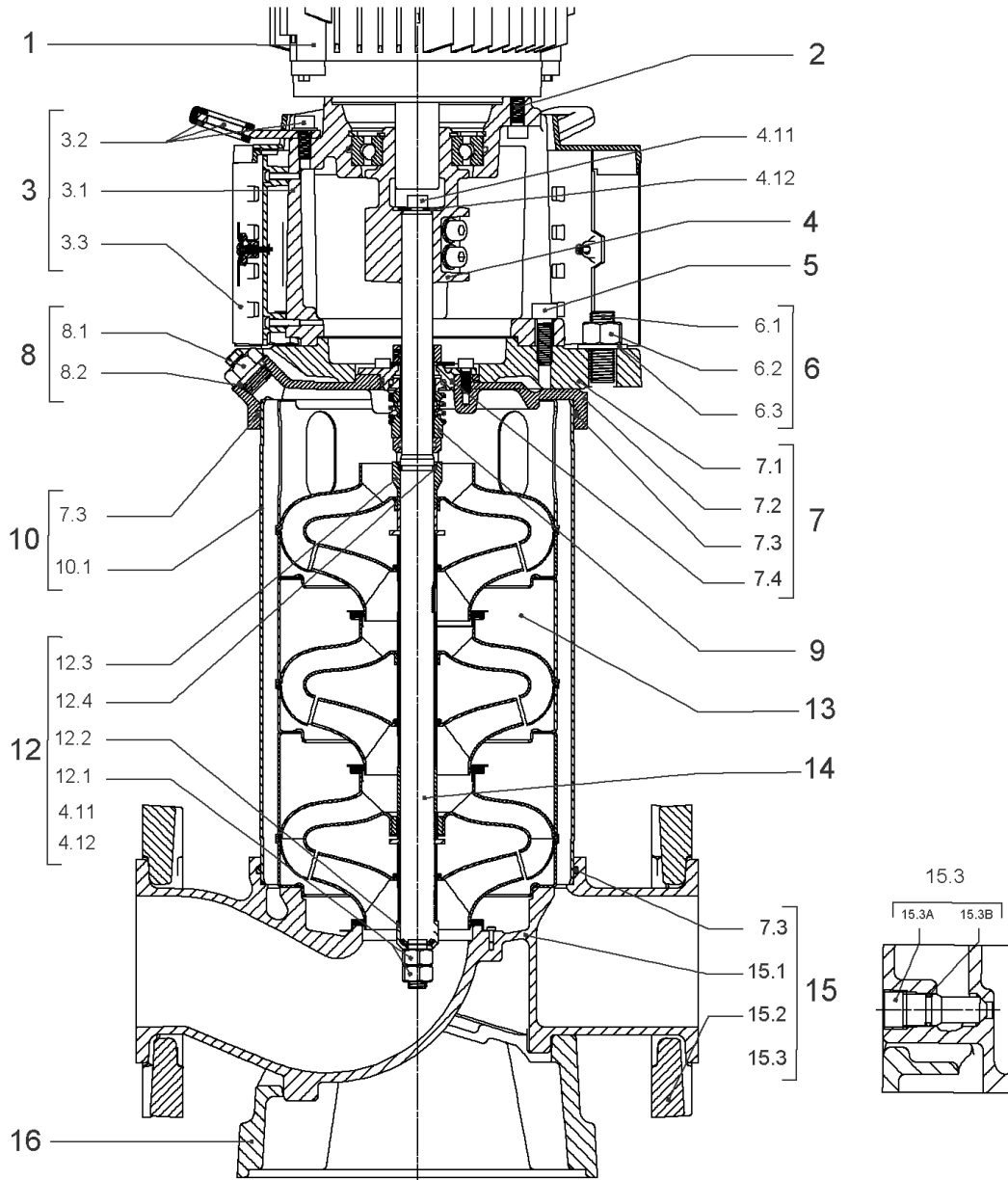
CARTRIDGE HELIX22-36-52 O/E KIT (4143973)

Item	Article no.	Description	Quantity
9.1	4143974	SEAL-KIT-HELIX22-36-52 O/E	1
7.3	4179571	> O-RING HOUSING PIPE HELIX22/36/52 VP.	1
7.4	4179572	> O-RING ID.42.52X2.62 EPDM VP.	1
9.1A	4179573	> M.SEAL.HELIX22-36-52 O/E VP.	1
9.1B	4179574	> O-RING ID.20x2.65 EPDM VP.	1
9.2	4179566	SHAFT SLEEVE D.20/20X60 1.4404 VP.	1
9.3	4179567	RING HOLDER Ø22 1.4301 VP.	1
9.4	4176520	SCREW CH M5x5 A4-70 (3PIECES)	1
9.5	4179568	DRIVE RING D.31/22.1x11 MACH.VP.	1
9.6	4179569	TOOL M.S.CART.HELIX 8" VP.	1
9.7	4179570	SCREW M6X16 ISO4762 8.8 GEOMET(4 PIECES)	1



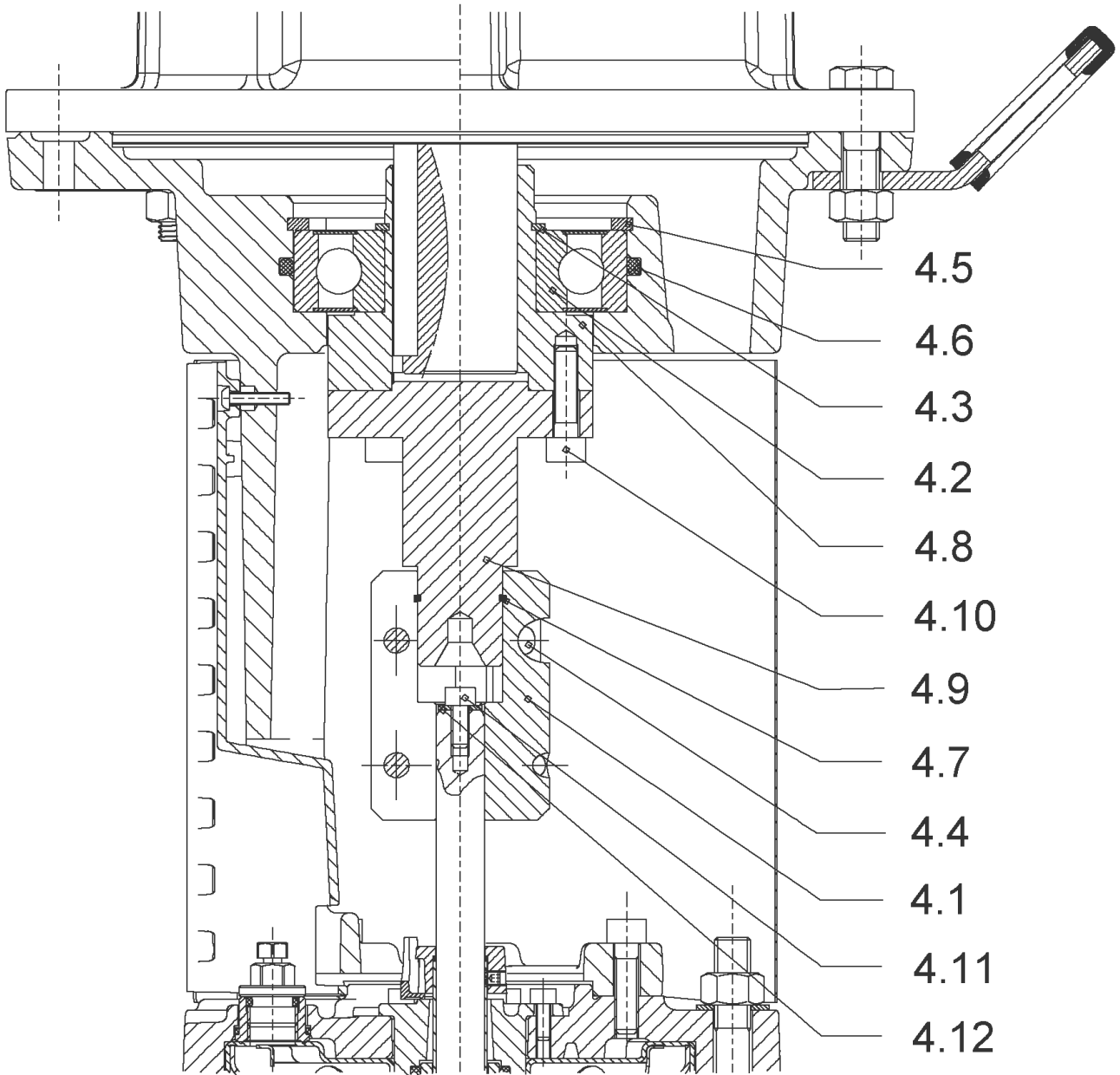
HYDRAULIC HELIX V 5202

Item	Article no.	Description	Quantity
13.1	4164727	INTERMEDIAIRE STAGE HELIX 52 1.4301 KIT	1
		> SLEEVE-SPACER-D22XL30,42-316L	1
		> MACH.BEARING-DIFFUSER+NR-M+52-304	1
		> SHAFT-SLEEVE-D26xD22x16-CW	1
		> SPACER WASHER D22,3XD36 L3-316L	1
		> IMPELLER-H2-M+52-304	1
13.1A	4161200	> NECK RING 1.STAGE HELIX V36/52 KIT	1
		>> NECK-RING-M+36/52	1
		>> HYDRAULIC SUPPORT CAP M+36/52 304	1
		>> SCREW TCL M3X8 A4 POZIDRIV	1
13.2	4164729	UPPER-STAGE HELIX 52 1.4301 KIT	1
		> STOP COLLAR OF IMPELLER L27,6-Ø22-316L	1
		> SLEEVE-SPACER-D22XL16,66-316L	1
		> SPACER WASHER D22,3XD36 L3-316L	1
		> IMPELLER-H2-M+52-304	1
		> MACH.STD-DISCHARGE-CHAMBER-M+52-304	1



HELIX V5203/2-1/16/E/KS/400-50 (4198496)

Item	Article no.	Description	Quantity
1	4195486	MO. 11/2/132 3~400V50HZ 460V60HZ IE3 VP.	1
		SPARE PARTS MOTOR:ON REQUEST	1
2	4159704	SCREW KIT M12X50 (4 PIECES)	1
3	4161187	LANTERN FF265 HELIX 8" KIT	1
3.1		> LANTERN FF265 M+ GJL MACHINED+CATA	1
3.2	2127605	> EYELET CPL.FF265 HELIX(2 PIECES)	1
3.3	4143969	> COUPLING PROTECT HELIX FF KIT	1
4	4143965	COUPLING D.20XD.28 FF265 KIT	1
5	4157725	SCREW M10X40 (4 PIECES)	1
6	4217857	STUD BOLT HELIX M16X551 KIT	1
6.1		> TIE BOLT M16-551x24x44-1.4057	1
6.2	4179562	> NUT M16 8.8 ISO4032 (4 PIECES)	1
6.3	4097852	> WASHER-CS-16.4-32-2.8-NFE25-511-A2	1
7	4217176	END SHIELD HELIX OPTI 8" EPDM KIT	1
7.1		> upper flange machined + cataphoresis	1
7.2	4217174	> STATIONARY RING HOLDER 8" HELIX OPTI VP.	1
7.3	4179571	> O-RING HOUSING PIPE HELIX22/36/52 VP.	1
7.4	4179572	> O-RING ID.42.52X2.62 EPDM VP.	1
8	4186377	FILING/PURGING PLUG 304 HELIX KIT	1
8.1		> FILLING/VENTING-PLUG-MVI8/10"-304	1
8.2	4032291	> O-RING 17x3 EPDM KTW/WRC	1
9	4143973	CARTRIDGE HELIX22-36-52 O/E KIT	1
10	4181165	HOUSING PIPE D.204X314 1.4301 KIT	1
7.3	4179571	> O-RING HOUSING PIPE HELIX22/36/52 VP.	1
10.1		> HOUSING-PIPE Ø204-M+2205-304	1
12	4164724	SHAFT EQUIPMENT HELIX V52 KIT	1
13		HYDRAULIC HELIX V 5203/2	1
14	4179599	SHAFTS D.22X504 1.4057 VP.	1
15	4218385	EQUIPED HOUSING DN80 HELIX OPTI 8" KIT	1
15.1		> pump casing machined DN80	1
15.2	4218383	> HALF FLANGE DN80 HELIX OPTI 8" VP.	1
15.3	4217850	> DRAIN/PRIMING PLUG HELIX OPTI 8" KIT	1
7.3	4179571	> O-RING HOUSING PIPE HELIX22/36/52 VP.	1
16	4218387	BASEPLATE DN80 HELIX OPTI 8" VP.	1



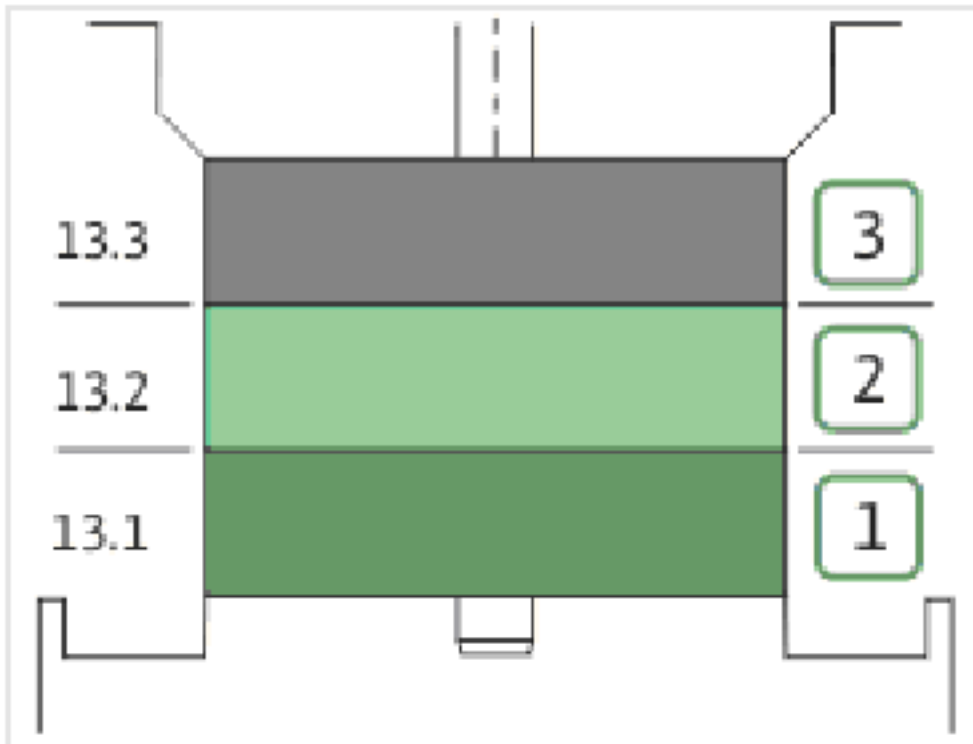
COUPLING D.20XD.28 FF265 KIT (4143965)

Item	Article no.	Description	Quantity
4.1	4179584	COUPLING 2 PARTS D.20XD.28XL83 VP.	1
4.2	2131017	BALL BEARING 6310/ZZ-C4(HT)VP.	1
4.3	4234253	CIRCLIP-FOR-SHAFT-D50x2 VP.	1
4.4	4159707	SCREW M8X30 (4 PIECES)	1
4.5	4234255	CIRCLIPS 110X4 VP.	1
4.6	4233944	O-RING ID.110 VP.	1
4.7	4179585	STOP-RUSH D26xD2 DIN7993 STEEL VP.	1
4.8	2131020	HUB D.38XD.50 VP.	1
4.9	2131021	SPACER D.28XD.45 VP.	1
4.10	4157726	SCREW KIT M8X30 (4 PIECES)	1
4.11	4233959	SCREW M8x16 VP.	1
4.12		SERRATED LOCK WASHER Ø8.2XØ25X35X2	1



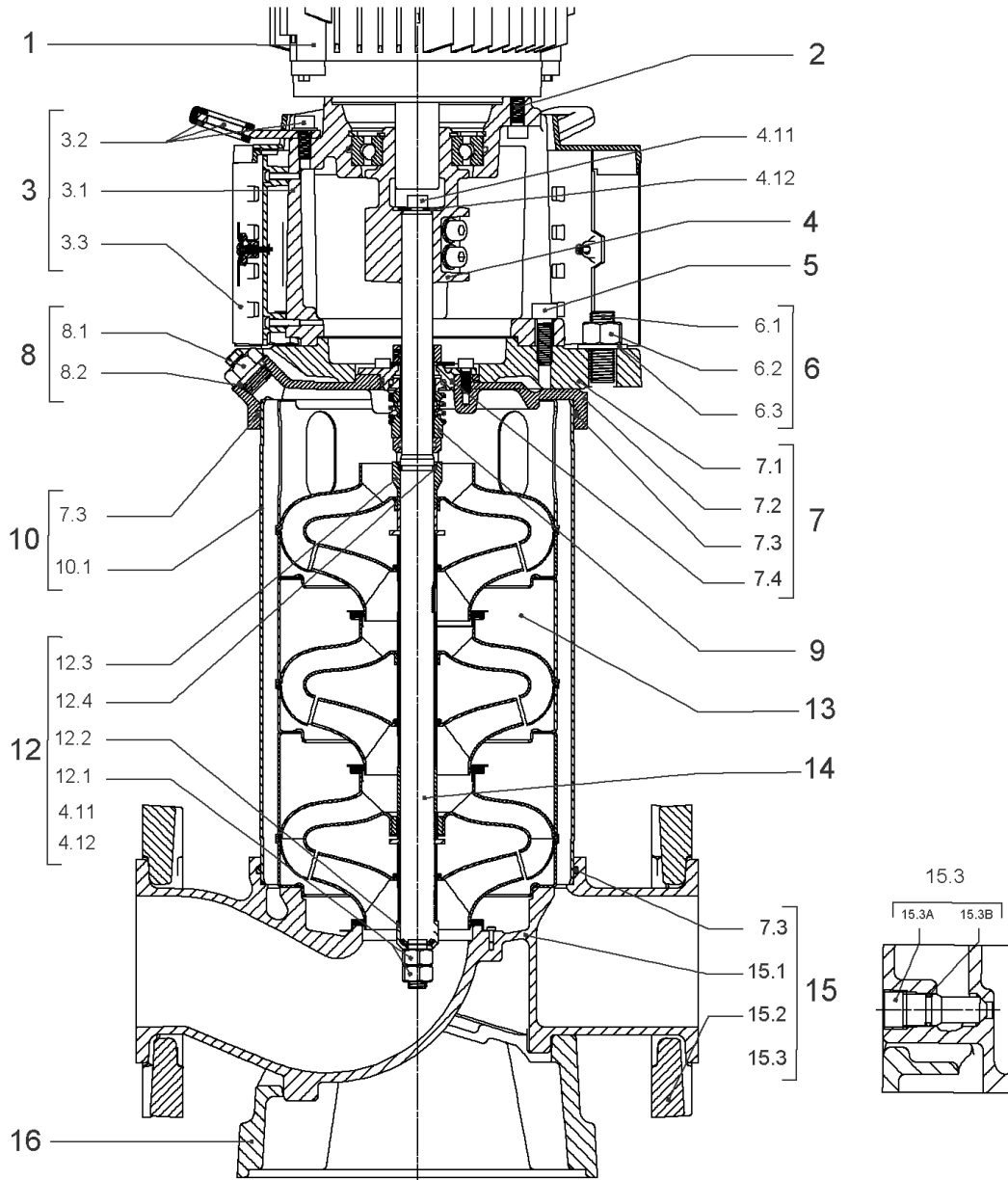
CARTRIDGE HELIX22-36-52 O/E KIT (4143973)

Item	Article no.	Description	Quantity
9.1	4143974	SEAL-KIT-HELIX22-36-52 O/E	1
7.3	4179571	> O-RING HOUSING PIPE HELIX22/36/52 VP.	1
7.4	4179572	> O-RING ID.42.52X2.62 EPDM VP.	1
9.1A	4179573	> M.SEAL.HELIX22-36-52 O/E VP.	1
9.1B	4179574	> O-RING ID.20x2.65 EPDM VP.	1
9.2	4179566	SHAFT SLEEVE D.20/20X60 1.4404 VP.	1
9.3	4179567	RING HOLDER Ø22 1.4301 VP.	1
9.4	4176520	SCREW CH M5x5 A4-70 (3PIECES)	1
9.5	4179568	DRIVE RING D.31/22.1x11 MACH.VP.	1
9.6	4179569	TOOL M.S.CART.HELIX 8" VP.	1
9.7	4179570	SCREW M6X16 ISO4762 8.8 GEOMET(4 PIECES)	1



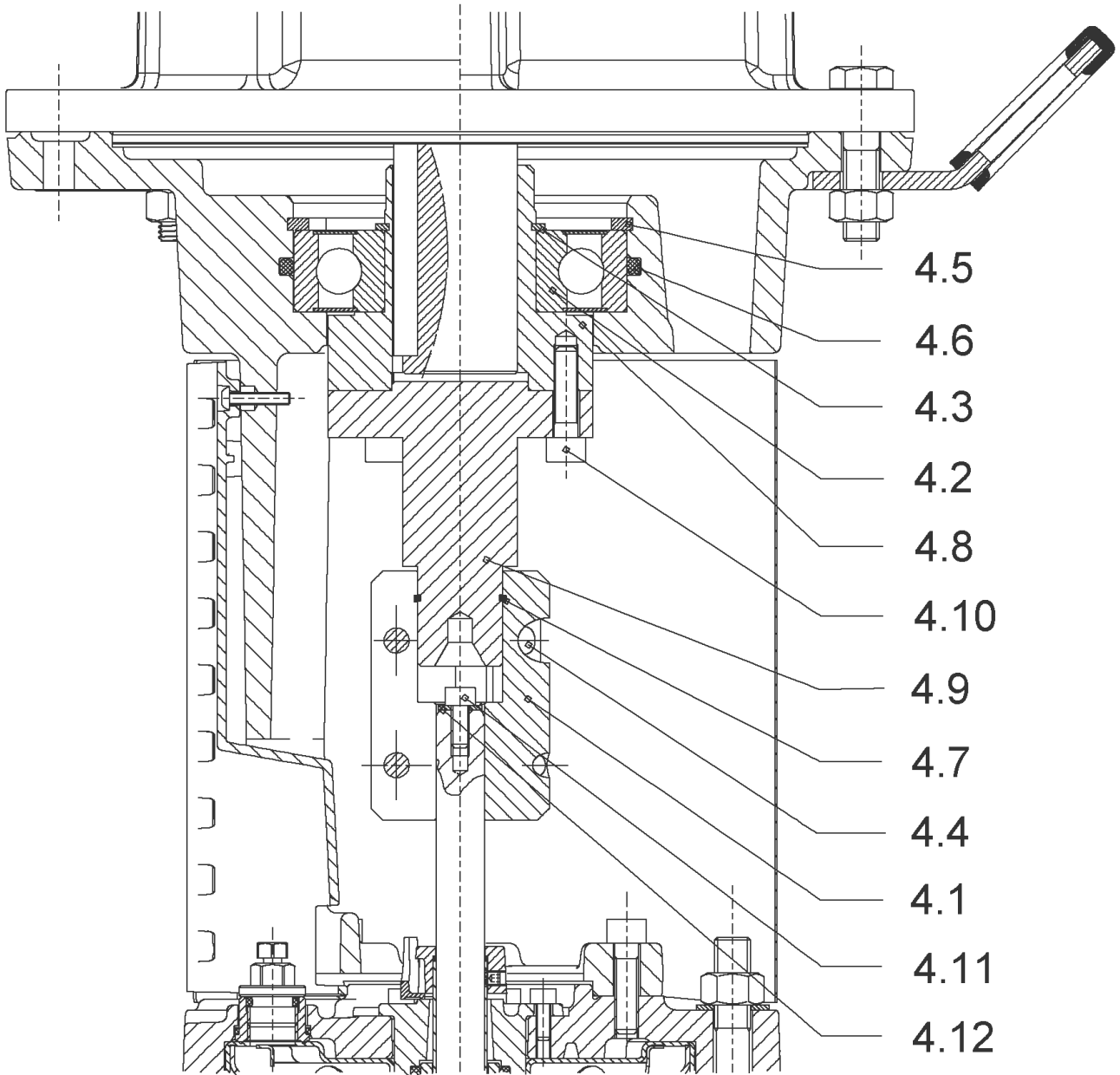
HYDRAULIC HELIX V 5203/2

Item	Article no.	Description	Quantity
13.1	4164727	INTERMEDIAIRE STAGE HELIX 52 1.4301 KIT	1
		> SLEEVE-SPACER-D22XL30,42-316L	1
		> MACH.BEARING-DIFFUSER+NR-M+52-304	1
		> SHAFT-SLEEVE-D26xD22x16-CW	1
		> SPACER WASHER D22,3XD36 L3-316L	1
		> IMPELLER-H2-M+52-304	1
13.1A	4161200	> NECK RING 1.STAGE HELIX V36/52 KIT	1
		>> NECK-RING-M+36/52	1
		>> HYDRAULIC SUPPORT CAP M+36/52 304	1
		>> SCREW TCL M3X8 A4 POZIDRIV	1
13.2	4164730	INTERMEDIATE STAGE HELIX 52 1.4301 KIT	1
		> MACH.STD-DIFFUSER+NR-M+52-304	1
		> REDUCED-IMPELLER-H5-M+52-304	1
13.3	4164731	UPPER-STAGE HELIX 52 1.4301 KIT	1
		> STOP COLLAR OF IMPELLER L27,6-Ø22-316L	1
		> SLEEVE-SPACER-D22XL16,66-316L	1
		> SPACER WASHER D22,3XD36 L3-316L	1
		> REDUCED-IMPELLER-H2-M+52-304	1
		> MACH.STD-DISCHARGE-CHAMBER-M+52-304	1



HELIX V5203-1/16/E/KS/400-50 (4198497)

Item	Article no.	Description	Quantity
1	4195486	MO. 11/2/132 3~400V50HZ 460V60HZ IE3 VP.	1
		SPARE PARTS MOTOR:ON REQUEST	1
2	4159704	SCREW KIT M12X50 (4 PIECES)	1
3	4161187	LANTERN FF265 HELIX 8" KIT	1
3.1		> LANTERN FF265 M+ GJL MACHINED+CATA	1
3.2	2127605	> EYELET CPL.FF265 HELIX(2 PIECES)	1
3.3	4143969	> COUPLING PROTECT HELIX FF KIT	1
4	4143965	COUPLING D.20XD.28 FF265 KIT	1
5	4157725	SCREW M10X40 (4 PIECES)	1
6	4217857	STUD BOLT HELIX M16X551 KIT	1
6.1		> TIE BOLT M16-551x24x44-1.4057	1
6.2	4179562	> NUT M16 8.8 ISO4032 (4 PIECES)	1
6.3	4097852	> WASHER-CS-16.4-32-2.8-NFE25-511-A2	1
7	4217176	END SHIELD HELIX OPTI 8" EPDM KIT	1
7.1		> upper flange machined + cataphoresis	1
7.2	4217174	> STATIONARY RING HOLDER 8" HELIX OPTI VP.	1
7.3	4179571	> O-RING HOUSING PIPE HELIX22/36/52 VP.	1
7.4	4179572	> O-RING ID.42.52X2.62 EPDM VP.	1
8	4186377	FILING/PURGING PLUG 304 HELIX KIT	1
8.1		> FILLING/VENTING-PLUG-MVI8/10"-304	1
8.2	4032291	> O-RING 17x3 EPDM KTW/WRC	1
9	4143973	CARTRIDGE HELIX22-36-52 O/E KIT	1
10	4181165	HOUSING PIPE D.204X314 1.4301 KIT	1
7.3	4179571	> O-RING HOUSING PIPE HELIX22/36/52 VP.	1
10.1		> HOUSING-PIPE Ø204-M+2205-304	1
12	4164724	SHAFT EQUIPMENT HELIX V52 KIT	1
13		HYDRAULIC HELIX V 5203	1
14	4179599	SHAFTS D.22X504 1.4057 VP.	1
15	4218385	EQUIPED HOUSING DN80 HELIX OPTI 8" KIT	1
15.1		> pump casing machined DN80	1
15.2	4218383	> HALF FLANGE DN80 HELIX OPTI 8" VP.	1
15.3	4217850	> DRAIN/PRIMING PLUG HELIX OPTI 8" KIT	1
7.3	4179571	> O-RING HOUSING PIPE HELIX22/36/52 VP.	1
16	4218387	BASEPLATE DN80 HELIX OPTI 8" VP.	1



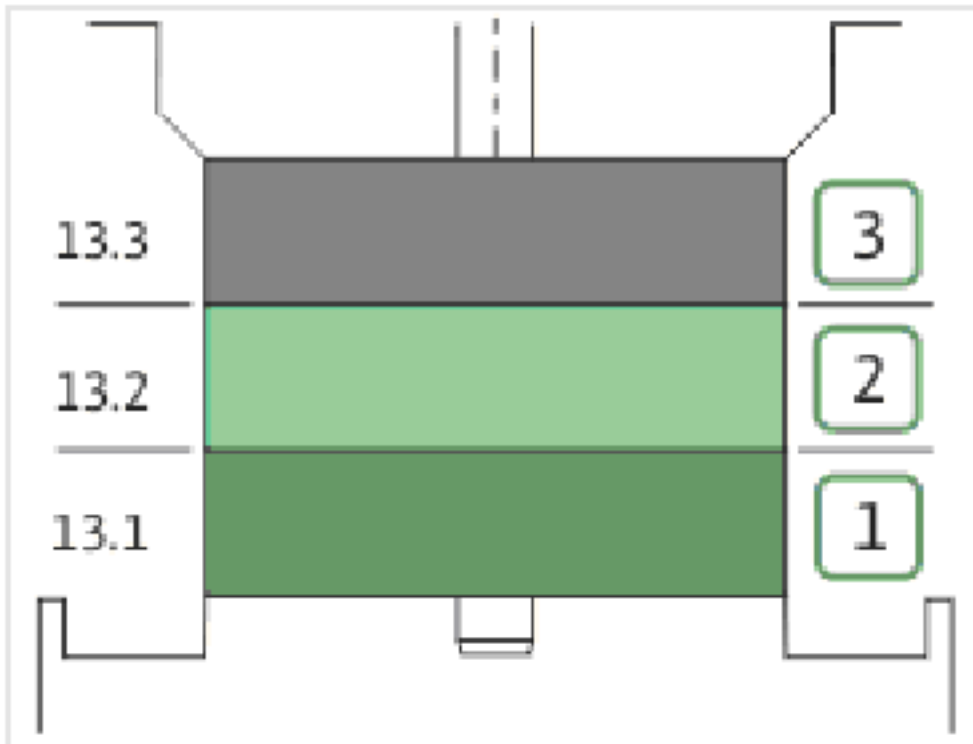
COUPLING D.20XD.28 FF265 KIT (4143965)

Item	Article no.	Description	Quantity
4.1	4179584	COUPLING 2 PARTS D.20XD.28XL83 VP.	1
4.2	2131017	BALL BEARING 6310/ZZ-C4(HT)VP.	1
4.3	4234253	CIRCLIP-FOR-SHAFT-D50x2 VP.	1
4.4	4159707	SCREW M8X30 (4 PIECES)	1
4.5	4234255	CIRCLIPS 110X4 VP.	1
4.6	4233944	O-RING ID.110 VP.	1
4.7	4179585	STOP-RUSH D26xD2 DIN7993 STEEL VP.	1
4.8	2131020	HUB D.38XD.50 VP.	1
4.9	2131021	SPACER D.28XD.45 VP.	1
4.10	4157726	SCREW KIT M8X30 (4 PIECES)	1
4.11	4233959	SCREW M8x16 VP.	1
4.12		SERRATED LOCK WASHER Ø8.2XØ25X35X2	1



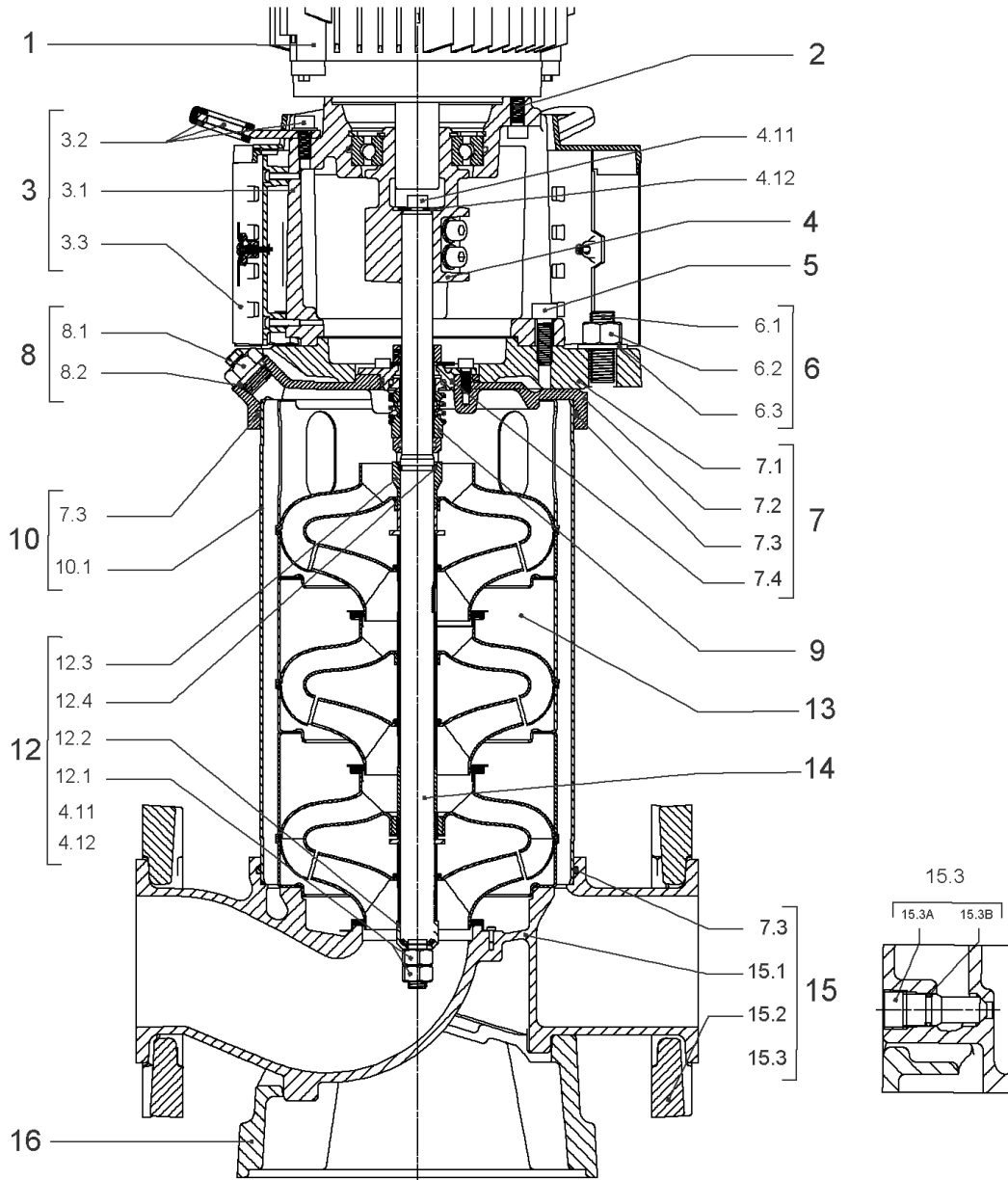
CARTRIDGE HELIX22-36-52 O/E KIT (4143973)

Item	Article no.	Description	Quantity
9.1	4143974	SEAL-KIT-HELIX22-36-52 O/E	1
7.3	4179571	> O-RING HOUSING PIPE HELIX22/36/52 VP.	1
7.4	4179572	> O-RING ID.42.52X2.62 EPDM VP.	1
9.1A	4179573	> M.SEAL.HELIX22-36-52 O/E VP.	1
9.1B	4179574	> O-RING ID.20x2.65 EPDM VP.	1
9.2	4179566	SHAFT SLEEVE D.20/20X60 1.4404 VP.	1
9.3	4179567	RING HOLDER Ø22 1.4301 VP.	1
9.4	4176520	SCREW CH M5x5 A4-70 (3PIECES)	1
9.5	4179568	DRIVE RING D.31/22.1x11 MACH.VP.	1
9.6	4179569	TOOL M.S.CART.HELIX 8" VP.	1
9.7	4179570	SCREW M6X16 ISO4762 8.8 GEOMET(4 PIECES)	1



HYDRAULIC HELIX V 5203

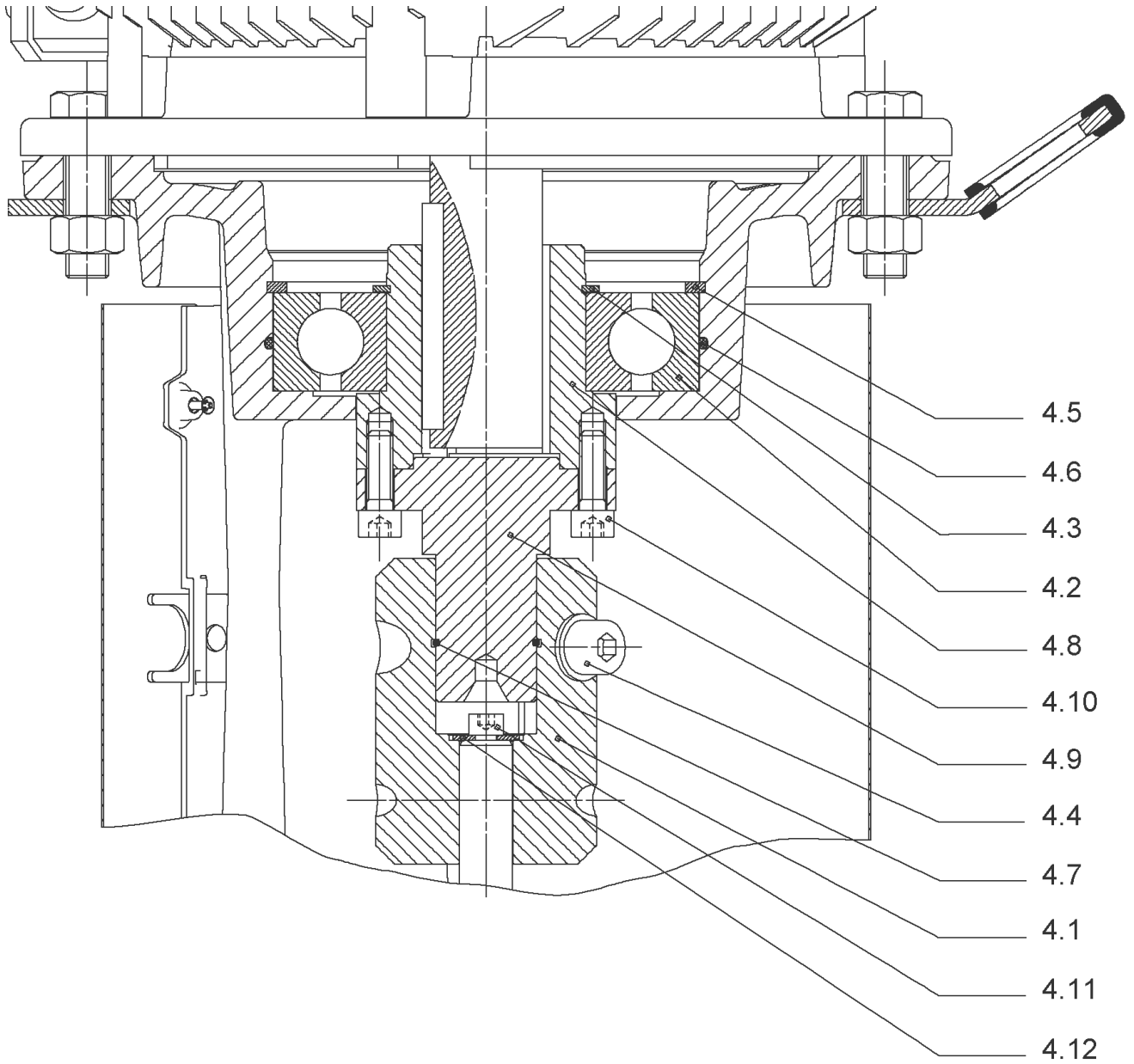
Item	Article no.	Description	Quantity
13.1	4164727	INTERMEDIAIRE STAGE HELIX 52 1.4301 KIT	1
		> SLEEVE-SPACER-D22XL30,42-316L	1
		> MACH.BEARING-DIFFUSER+NR-M+52-304	1
		> SHAFT-SLEEVE-D26xD22x16-CW	1
		> SPACER WASHER D22,3XD36 L3-316L	1
		> IMPELLER-H2-M+52-304	1
13.1A	4161200	> NECK RING 1.STAGE HELIX V36/52 KIT	1
		>> NECK-RING-M+36/52	1
		>> HYDRAULIC SUPPORT CAP M+36/52 304	1
		>> SCREW TCL M3X8 A4 POZIDRIV	1
13.2	4164728	INTERMEDIATE STAGE HELIX 52 1.4301 KIT	1
		> MACH.STD-DIFFUSER+NR-M+52-304	1
		> IMPELLER-H5-M+52-304	1
13.3	4164729	UPPER-STAGE HELIX 52 1.4301 KIT	1
		> STOP COLLAR OF IMPELLER L27,6-Ø22-316L	1
		> SLEEVE-SPACER-D22XL16,66-316L	1
		> SPACER WASHER D22,3XD36 L3-316L	1
		> IMPELLER-H2-M+52-304	1
		> MACH.STD-DISCHARGE-CHAMBER-M+52-304	1



HELIX V5204/2-1/16/E/KS/400-50 (4198498)

Item	Article no.	Description	Quantity
1	4195487	MOTOR 15/2/160 3~400V 50HZ VP.	1
		SPARE PARTS MOTOR:ON REQUEST	1
2	4179586	SCREW M16X60 (4 PIECES)	1
3	4157721	LANTERN HELIX 22/36 FF300 BB6312 KIT	1
3.1		> LANTERN FF300 M+ GJL MACHINED+CATA 6312	1
3.2	4179589	> EYELET CPL.FF300 HELIX(4 PIECES)	1
3.3	4143969	> COUPLING PROTECT HELIX FF KIT	1
4	4143966	COUPLING D.20XD.38 FF300 KIT	1
5	4157725	SCREW M10X40 (4 PIECES)	1
6	4181093	STUD BOLT M16X666 KIT	1
6.1		> TIE BOLT M16-666x24x44-1.4057	1
6.2	4179562	> NUT M16 8.8 ISO4032 (4 PIECES)	1
6.3	4097852	> WASHER-CS-16.4-32-2.8-NFE25-511-A2	1
7	4217176	END SHIELD HELIX OPTI 8" EPDM KIT	1
7.1		> upper flange machined + cataphoresis	1
7.2	4217174	> STATIONARY RING HOLDER 8" HELIX OPTI VP.	1
7.3	4179571	> O-RING HOUSING PIPE HELIX22/36/52 VP.	1
7.4	4179572	> O-RING ID.42.52X2.62 EPDM VP.	1
8	4186377	FILING/PURGING PLUG 304 HELIX KIT	1
8.1		> FILLING/VENTING-PLUG-MVI8/10"-304	1
8.2	4032291	> O-RING 17x3 EPDM KTW/WRC	1
9	4143973	CARTRIDGE HELIX22-36-52 O/E KIT	1
10	4181666	HOUSING PIPE D.204X414 1.4307 KIT	1
7.3	4179571	> O-RING HOUSING PIPE HELIX22/36/52 VP.	1
10.1		> HOUSING-PIPE Ø204-M+2207-304	1
12	4164724	SHAFT EQUIPMENT HELIX V52 KIT	1
13		HYDRAULIC HELIX V 5204-2	1
14	4180848	SHAFT D.22X604 1.4057 VP.	1
15	4218385	EQUIPED HOUSING DN80 HELIX OPTI 8" KIT	1
15.1		> pump casing machined DN80	1
15.2	4218383	> HALF FLANGE DN80 HELIX OPTI 8" VP.	1
15.3	4217850	> DRAIN/PRIMING PLUG HELIX OPTI 8" KIT	1
7.3	4179571	> O-RING HOUSING PIPE HELIX22/36/52 VP.	1
16	4218387	BASEPLATE DN80 HELIX OPTI 8" VP.	1

COUPLING D.20XD.38 FF300 KIT (4143966)



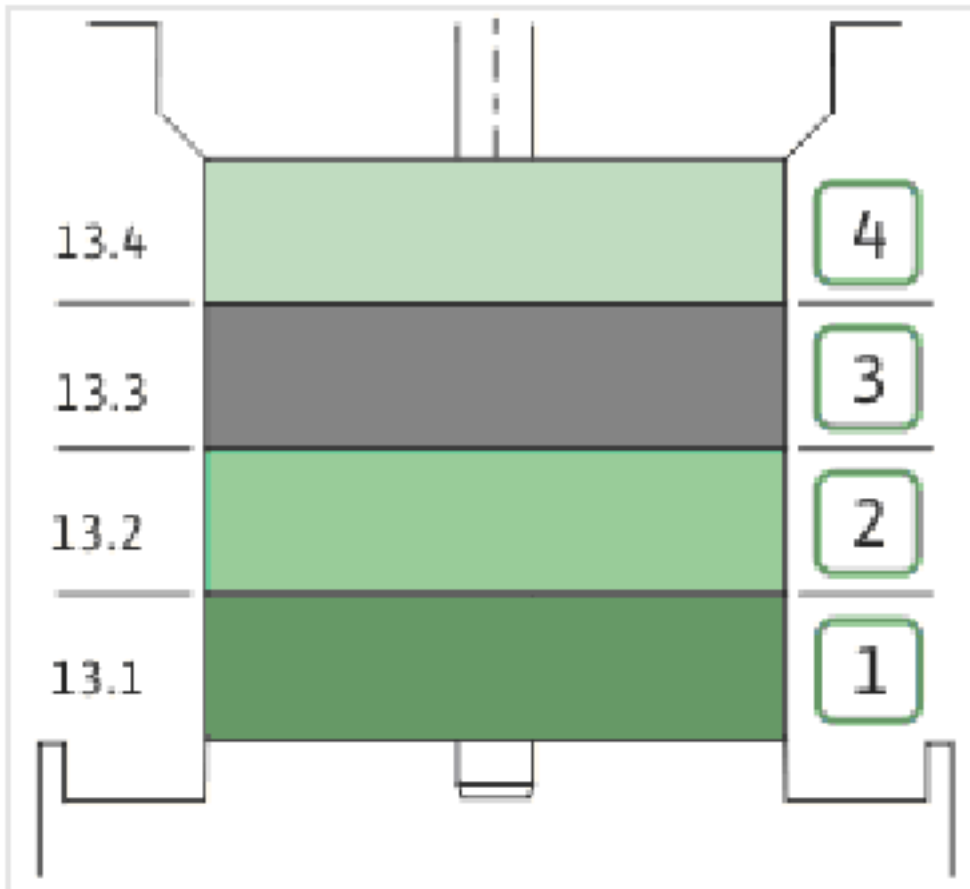
COUPLING D.20XD.38 FF300 KIT (4143966)

Item	Article no.	Description	Quantity
4.1	4179590	COUPLING 2 PARTS D.20XD.38XL115 VP.	1
4.2	2123699	BALL BEARING 6312/2Z-C4 (HT) VP.	1
4.3	63428	CIRCLIP-FOR-SHAFT-D60x2	1
4.4	2130991	SCREW M12X30 ISO4762 8.8 ZN(4 PIECES)	1
4.5	4032277	CIRCLIP-HOLE-130x4	1
4.6	4006725	O-RING ID.132,94x3,53 NBR70SR	1
4.7	2130992	RETAINING RING D.35xD.2,5 DIN7993 VP.	1
4.8	4179591	HUB D.42xD.60 VP.	1
4.9	2130994	SPACER D.38XD.55 VP.	1
4.10	4094462	SCREWS M10 (4 PIECES)	1
4.11	4233959	SCREW M8x16 VP.	1
4.12		SERRATED LOCK WASHER Ø8.2XØ25X35X2	1



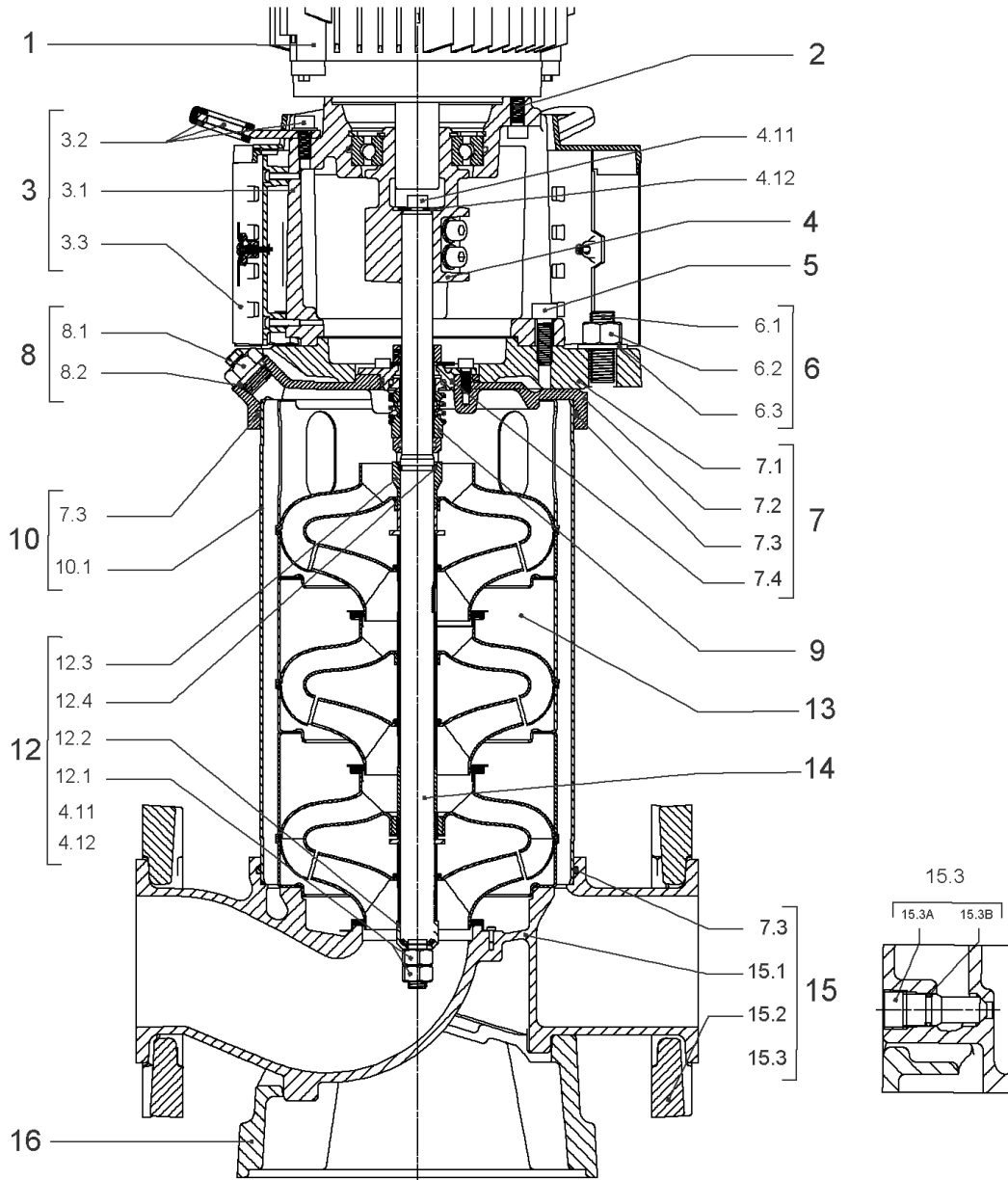
CARTRIDGE HELIX22-36-52 O/E KIT (4143973)

Item	Article no.	Description	Quantity
9.1	4143974	SEAL-KIT-HELIX22-36-52 O/E	1
7.3	4179571	> O-RING HOUSING PIPE HELIX22/36/52 VP.	1
7.4	4179572	> O-RING ID.42.52X2.62 EPDM VP.	1
9.1A	4179573	> M.SEAL.HELIX22-36-52 O/E VP.	1
9.1B	4179574	> O-RING ID.20x2.65 EPDM VP.	1
9.2	4179566	SHAFT SLEEVE D.20/20X60 1.4404 VP.	1
9.3	4179567	RING HOLDER Ø22 1.4301 VP.	1
9.4	4176520	SCREW CH M5x5 A4-70 (3PIECES)	1
9.5	4179568	DRIVE RING D.31/22.1x11 MACH.VP.	1
9.6	4179569	TOOL M.S.CART.HELIX 8" VP.	1
9.7	4179570	SCREW M6X16 ISO4762 8.8 GEOMET(4 PIECES)	1



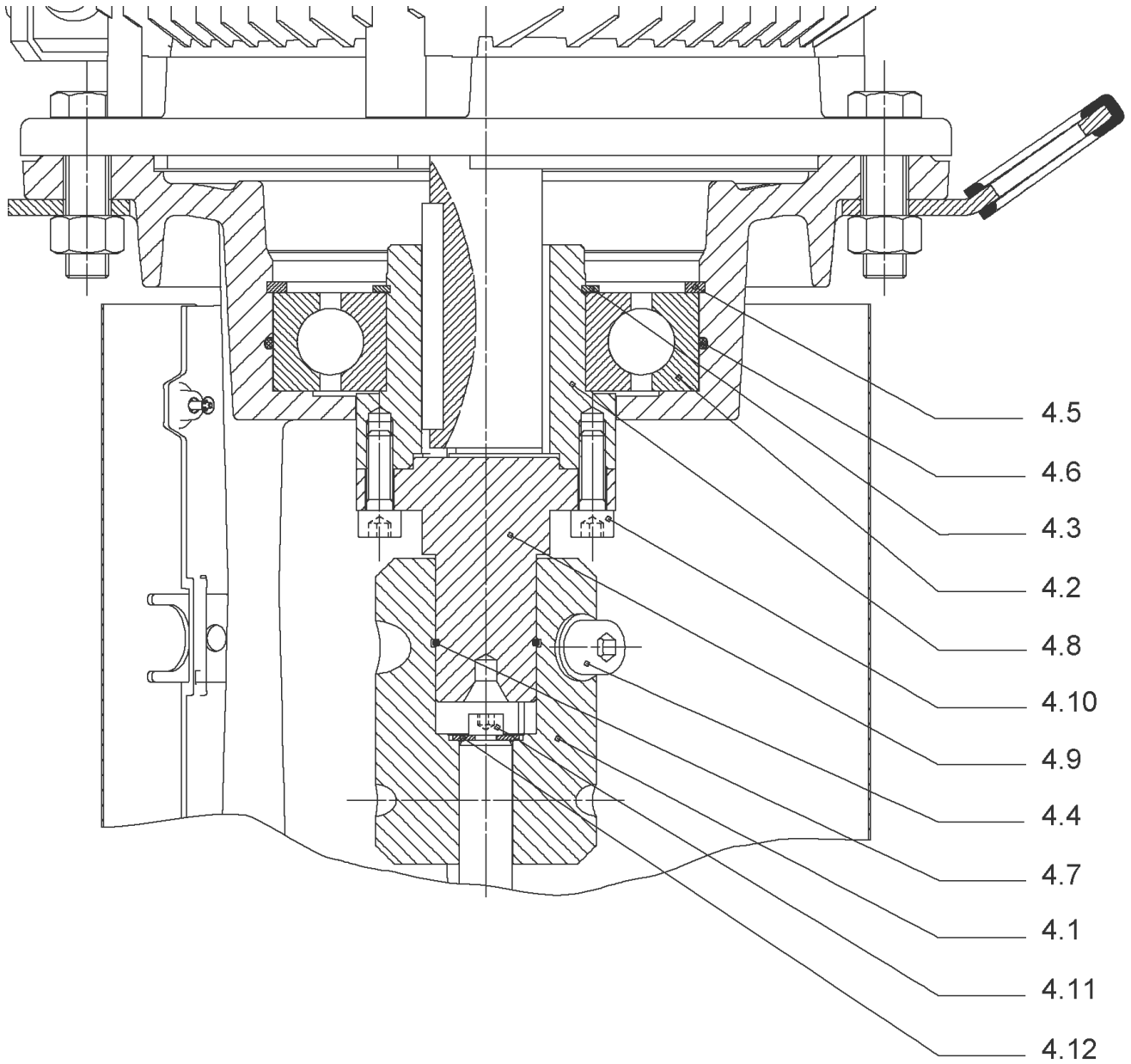
HYDRAULIC HELIX V 5204-2

Item	Article no.	Description	Quantity
13.1	4164727	INTERMEDIAIRE STAGE HELIX 52 1.4301 KIT	1
		> SLEEVE-SPACER-D22XL30,42-316L	1
		> MACH.BEARING-DIFFUSER+NR-M+52-304	1
		> SHAFT-SLEEVE-D26xD22x16-CW	1
		> SPACER WASHER D22,3XD36 L3-316L	1
		> IMPELLER-H2-M+52-304	1
13.1A	4161200	> NECK RING 1.STAGE HELIX V36/52 KIT	1
		>> NECK-RING-M+36/52	1
		>> HYDRAULIC SUPPORT CAP M+36/52 304	1
		>> SCREW TCL M3X8 A4 POZIDRIV	1
13.2	4164728	INTERMEDIATE STAGE HELIX 52 1.4301 KIT	1
		> MACH.STD-DIFFUSER+NR-M+52-304	1
		> IMPELLER-H5-M+52-304	1
13.3	4164730	INTERMEDIATE STAGE HELIX 52 1.4301 KIT	1
		> MACH.STD-DIFFUSER+NR-M+52-304	1
		> REDUCED-IMPELLER-H5-M+52-304	1
13.4	4164731	UPPER-STAGE HELIX 52 1.4301 KIT	1
		> STOP COLLAR OF IMPELLER L27,6-Ø22-316L	1
		> SLEEVE-SPACER-D22XL16,66-316L	1
		> SPACER WASHER D22,3XD36 L3-316L	1
		> REDUCED-IMPELLER-H2-M+52-304	1
		> MACH.STD-DISCHARGE-CHAMBER-M+52-304	1



HELIX V5204-1/16/E/KS/400-50 (4198499)

Item	Article no.	Description	Quantity
1	4195487	MOTOR 15/2/160 3~400V 50HZ VP.	1
		SPARE PARTS MOTOR:ON REQUEST	1
2	4179586	SCREW M16X60 (4 PIECES)	1
3	4157721	LANTERN HELIX 22/36 FF300 BB6312 KIT	1
3.1		> LANTERN FF300 M+ GJL MACHINED+CATA 6312	1
3.2	4179589	> EYELET CPL.FF300 HELIX(4 PIECES)	1
3.3	4143969	> COUPLING PROTECT HELIX FF KIT	1
4	4143966	COUPLING D.20XD.38 FF300 KIT	1
5	4157725	SCREW M10X40 (4 PIECES)	1
6	4181093	STUD BOLT M16X666 KIT	1
6.1		> TIE BOLT M16-666x24x44-1.4057	1
6.2	4179562	> NUT M16 8.8 ISO4032 (4 PIECES)	1
6.3	4097852	> WASHER-CS-16.4-32-2.8-NFE25-511-A2	1
7	4217176	END SHIELD HELIX OPTI 8" EPDM KIT	1
7.1		> upper flange machined + cataphoresis	1
7.2	4217174	> STATIONARY RING HOLDER 8" HELIX OPTI VP.	1
7.3	4179571	> O-RING HOUSING PIPE HELIX22/36/52 VP.	1
7.4	4179572	> O-RING ID.42.52X2.62 EPDM VP.	1
8	4186377	FILING/PURGING PLUG 304 HELIX KIT	1
8.1		> FILLING/VENTING-PLUG-MVI8/10"-304	1
8.2	4032291	> O-RING 17x3 EPDM KTW/WRC	1
9	4143973	CARTRIDGE HELIX22-36-52 O/E KIT	1
10	4181666	HOUSING PIPE D.204X414 1.4307 KIT	1
7.3	4179571	> O-RING HOUSING PIPE HELIX22/36/52 VP.	1
10.1		> HOUSING-PIPE Ø204-M+2207-304	1
12	4164724	SHAFT EQUIPMENT HELIX V52 KIT	1
13		HYDRAULIC HELIX V 5204	1
14	4180848	SHAFT D.22X604 1.4057 VP.	1
15	4218385	EQUIPED HOUSING DN80 HELIX OPTI 8" KIT	1
15.1		> pump casing machined DN80	1
15.2	4218383	> HALF FLANGE DN80 HELIX OPTI 8" VP.	1
15.3	4217850	> DRAIN/PRIMING PLUG HELIX OPTI 8" KIT	1
7.3	4179571	> O-RING HOUSING PIPE HELIX22/36/52 VP.	1
16	4218387	BASEPLATE DN80 HELIX OPTI 8" VP.	1



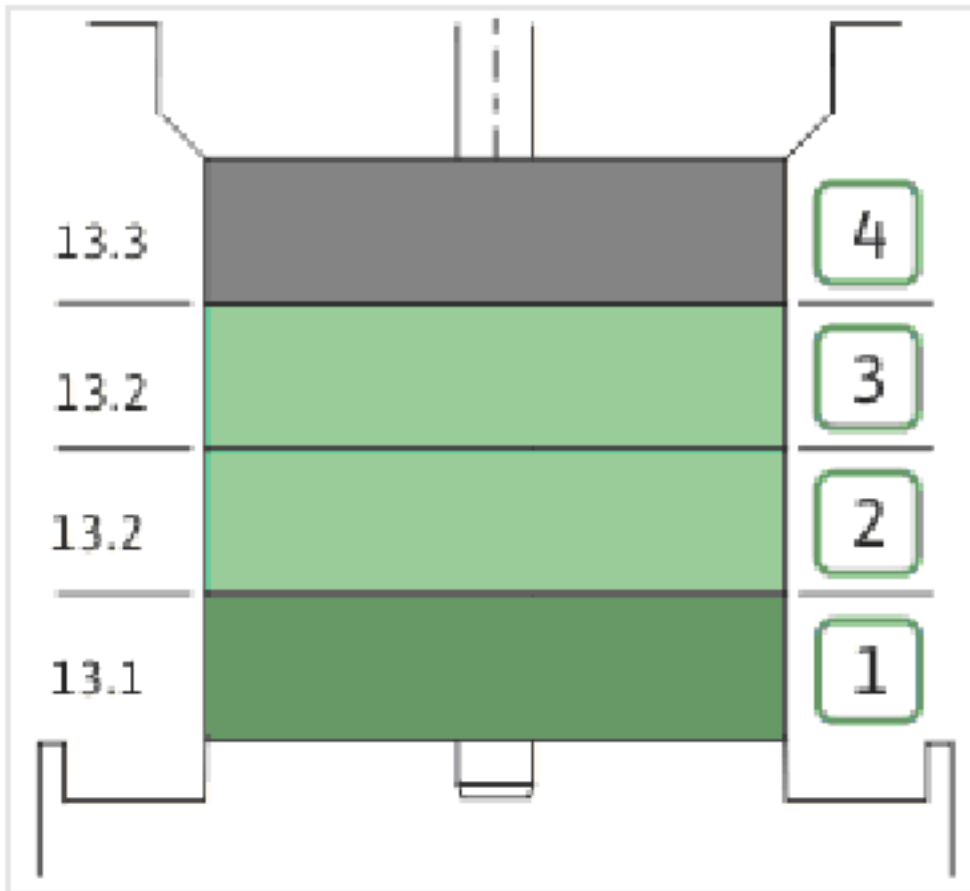
COUPLING D.20XD.38 FF300 KIT (4143966)

Item	Article no.	Description	Quantity
4.1	4179590	COUPLING 2 PARTS D.20XD.38XL115 VP.	1
4.2	2123699	BALL BEARING 6312/2Z-C4 (HT) VP.	1
4.3	63428	CIRCLIP-FOR-SHAFT-D60x2	1
4.4	2130991	SCREW M12X30 ISO4762 8.8 ZN(4 PIECES)	1
4.5	4032277	CIRCLIP-HOLE-130x4	1
4.6	4006725	O-RING ID.132,94x3,53 NBR70SR	1
4.7	2130992	RETAINING RING D.35xD.2,5 DIN7993 VP.	1
4.8	4179591	HUB D.42xD.60 VP.	1
4.9	2130994	SPACER D.38XD.55 VP.	1
4.10	4094462	SCREWS M10 (4 PIECES)	1
4.11	4233959	SCREW M8x16 VP.	1
4.12		SERRATED LOCK WASHER Ø8.2XØ25X35X2	1



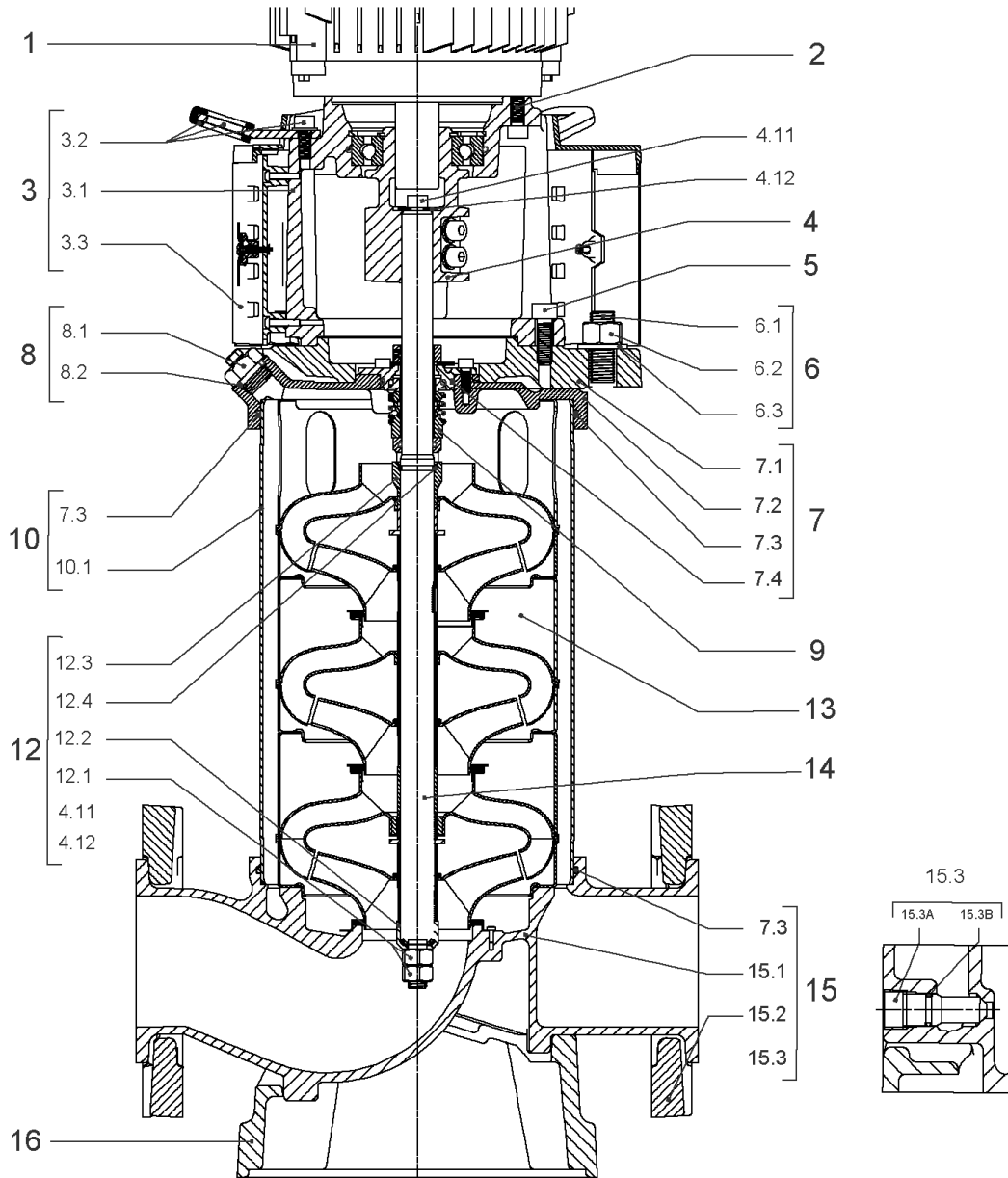
CARTRIDGE HELIX22-36-52 O/E KIT (4143973)

Item	Article no.	Description	Quantity
9.1	4143974	SEAL-KIT-HELIX22-36-52 O/E	1
7.3	4179571	> O-RING HOUSING PIPE HELIX22/36/52 VP.	1
7.4	4179572	> O-RING ID.42.52X2.62 EPDM VP.	1
9.1A	4179573	> M.SEAL.HELIX22-36-52 O/E VP.	1
9.1B	4179574	> O-RING ID.20x2.65 EPDM VP.	1
9.2	4179566	SHAFT SLEEVE D.20/20X60 1.4404 VP.	1
9.3	4179567	RING HOLDER Ø22 1.4301 VP.	1
9.4	4176520	SCREW CH M5x5 A4-70 (3PIECES)	1
9.5	4179568	DRIVE RING D.31/22.1x11 MACH.VP.	1
9.6	4179569	TOOL M.S.CART.HELIX 8" VP.	1
9.7	4179570	SCREW M6X16 ISO4762 8.8 GEOMET(4 PIECES)	1



HYDRAULIC HELIX V 5204

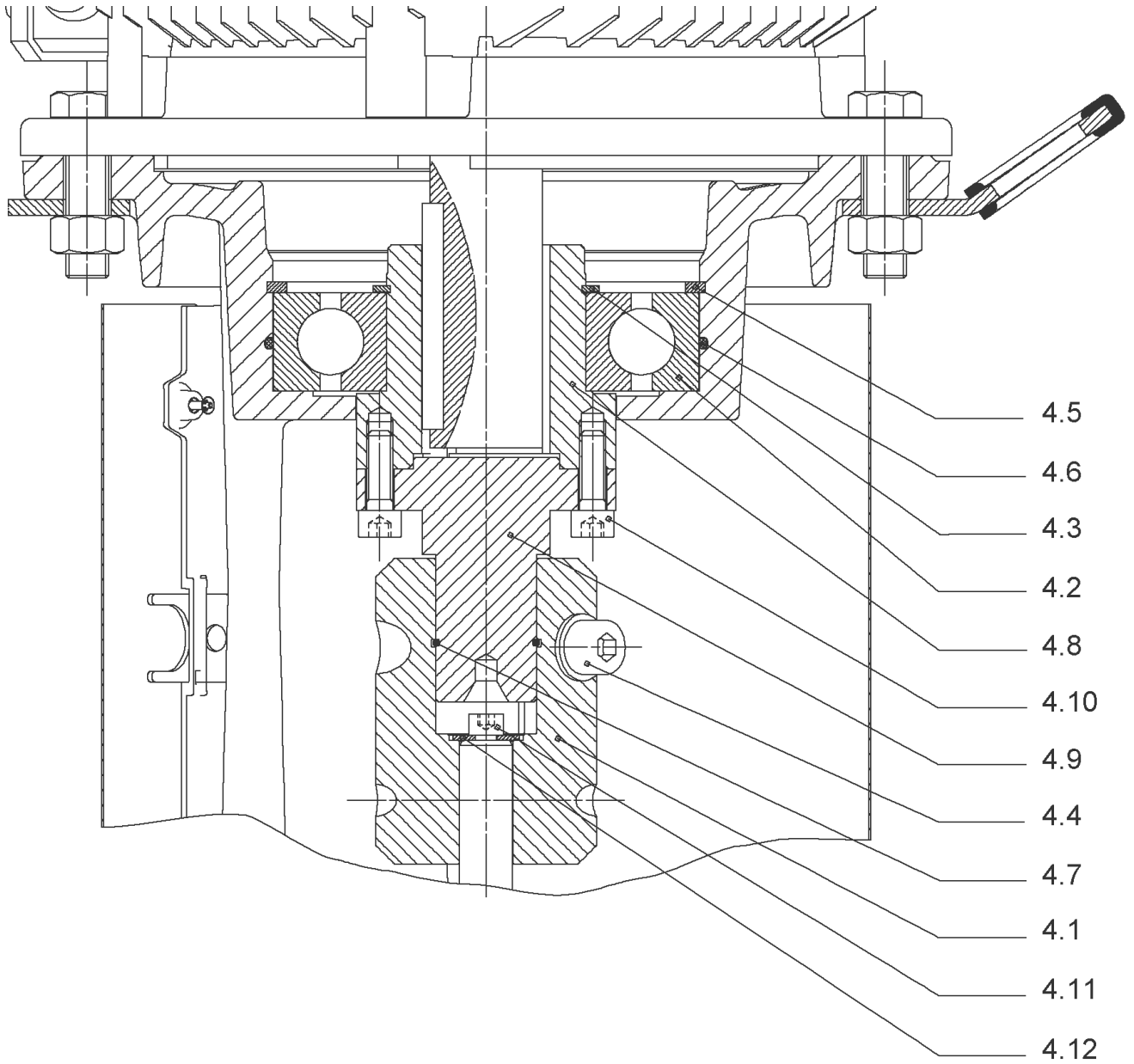
Item	Article no.	Description	Quantity
13.1	4164727	INTERMEDIAIRE STAGE HELIX 52 1.4301 KIT	1
		> SLEEVE-SPACER-D22XL30,42-316L	1
		> MACH.BEARING-DIFFUSER+NR-M+52-304	1
		> SHAFT-SLEEVE-D26xD22x16-CW	1
		> SPACER WASHER D22,3XD36 L3-316L	1
		> IMPELLER-H2-M+52-304	1
13.1A	4161200	> NECK RING 1.STAGE HELIX V36/52 KIT	1
		>> NECK-RING-M+36/52	1
		>> HYDRAULIC SUPPORT CAP M+36/52 304	1
		>> SCREW TCL M3X8 A4 POZIDRIV	1
13.2	4164728	INTERMEDIATE STAGE HELIX 52 1.4301 KIT	1
		> MACH.STD-DIFFUSER+NR-M+52-304	1
		> IMPELLER-H5-M+52-304	1
13.3	4164729	UPPER-STAGE HELIX 52 1.4301 KIT	1
		> STOP COLLAR OF IMPELLER L27,6-Ø22-316L	1
		> SLEEVE-SPACER-D22XL16,66-316L	1
		> SPACER WASHER D22,3XD36 L3-316L	1
		> IMPELLER-H2-M+52-304	1
		> MACH.STD-DISCHARGE-CHAMBER-M+52-304	1



HELIX V5205/2-1/16/E/KS/400-50 (4198500)

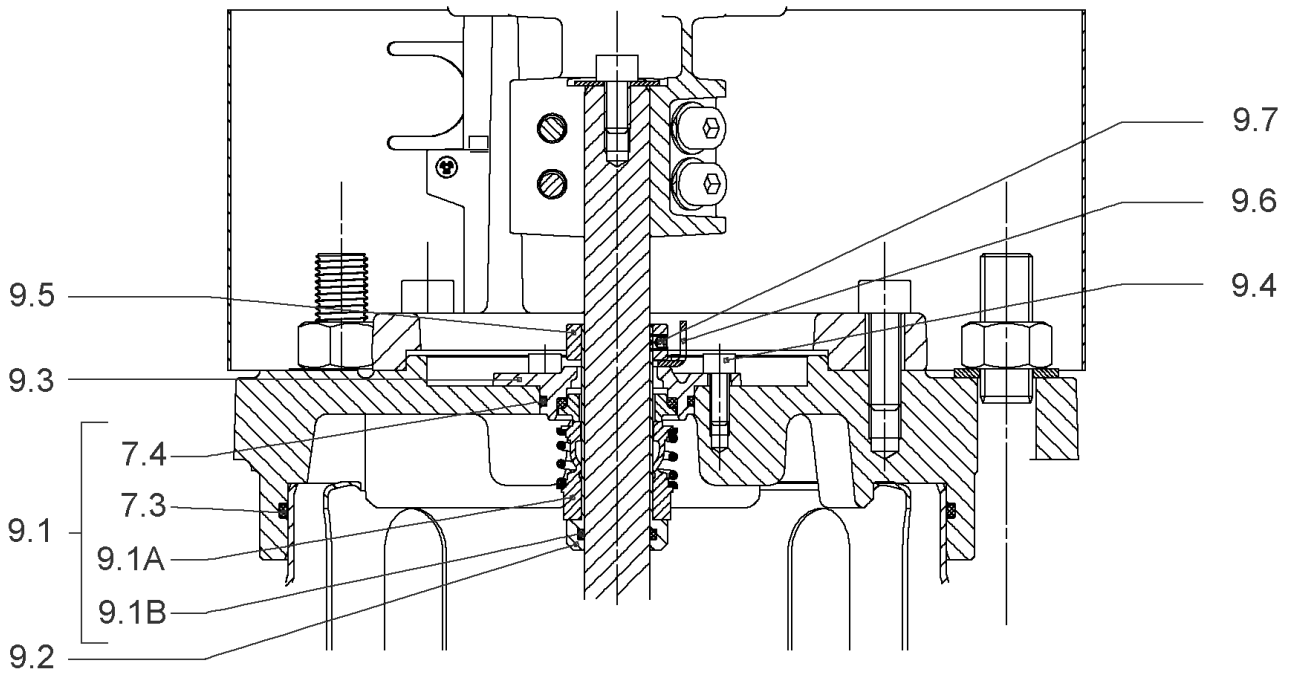
Item	Article no.	Description	Quantity
1	4195488	MOTOR 18.5/2/160 3~400V 50HZ ARC VP.	1
		SPARE PARTS MOTOR:ON REQUEST	1
2	4179586	SCREW M16X60 (4 PIECES)	1
3	4157721	LANTERN HELIX 22/36 FF300 BB6312 KIT	1
3.1		> LANTERN FF300 M+ GJL MACHINED+CATA 6312	1
3.2	4179589	> EYELET CPL.FF300 HELIX(4 PIECES)	1
3.3	4143969	> COUPLING PROTECT HELIX FF KIT	1
4	4143966	COUPLING D.20XD.38 FF300 KIT	1
5	4157725	SCREW M10X40 (4 PIECES)	1
6	4217866	STUD BOLT M16X755 KIT	1
6.1		> TIE BOLT M16-755x24x44-1.4057	1
6.2	4179562	> NUT M16 8.8 ISO4032 (4 PIECES)	1
6.3	4097852	> WASHER-CS-16.4-32-2.8-NFE25-511-A2	1
7	4217176	END SHIELD HELIX OPTI 8" EPDM KIT	1
7.1		> upper flange machined + cataphoresis	1
7.2	4217174	> STATIONARY RING HOLDER 8" HELIX OPTI VP.	1
7.3	4179571	> O-RING HOUSING PIPE HELIX22/36/52 VP.	1
7.4	4179572	> O-RING ID.42.52X2.62 EPDM VP.	1
8	4186377	FILING/PURGING PLUG 304 HELIX KIT	1
8.1		> FILLING/VENTING-PLUG-MVI8/10"-304	1
8.2	4032291	> O-RING 17x3 EPDM KTW/WRC	1
9	4143973	CARTRIDGE HELIX22-36-52 O/E KIT	1
10	4181670	HOUSING PIPE D.204X514 1.4301 KIT	1
7.3	4179571	> O-RING HOUSING PIPE HELIX22/36/52 VP.	1
10.1		> HOUSING-PIPE Ø204-M+2209-304	1
12	4164724	SHAFT EQUIPMENT HELIX V52 KIT	1
13		HYDRAULIC HELIX V 5205-2	1
14	4179926	SHAFTS D.22X704 1.4057 VP.	1
15	4218385	EQUIPED HOUSING DN80 HELIX OPTI 8" KIT	1
15.1		> pump casing machined DN80	1
15.2	4218383	> HALF FLANGE DN80 HELIX OPTI 8" VP.	1
15.3	4217850	> DRAIN/PRIMING PLUG HELIX OPTI 8" KIT	1
7.3	4179571	> O-RING HOUSING PIPE HELIX22/36/52 VP.	1
16	4218387	BASEPLATE DN80 HELIX OPTI 8" VP.	1

COUPLING D.20XD.38 FF300 KIT (4143966)



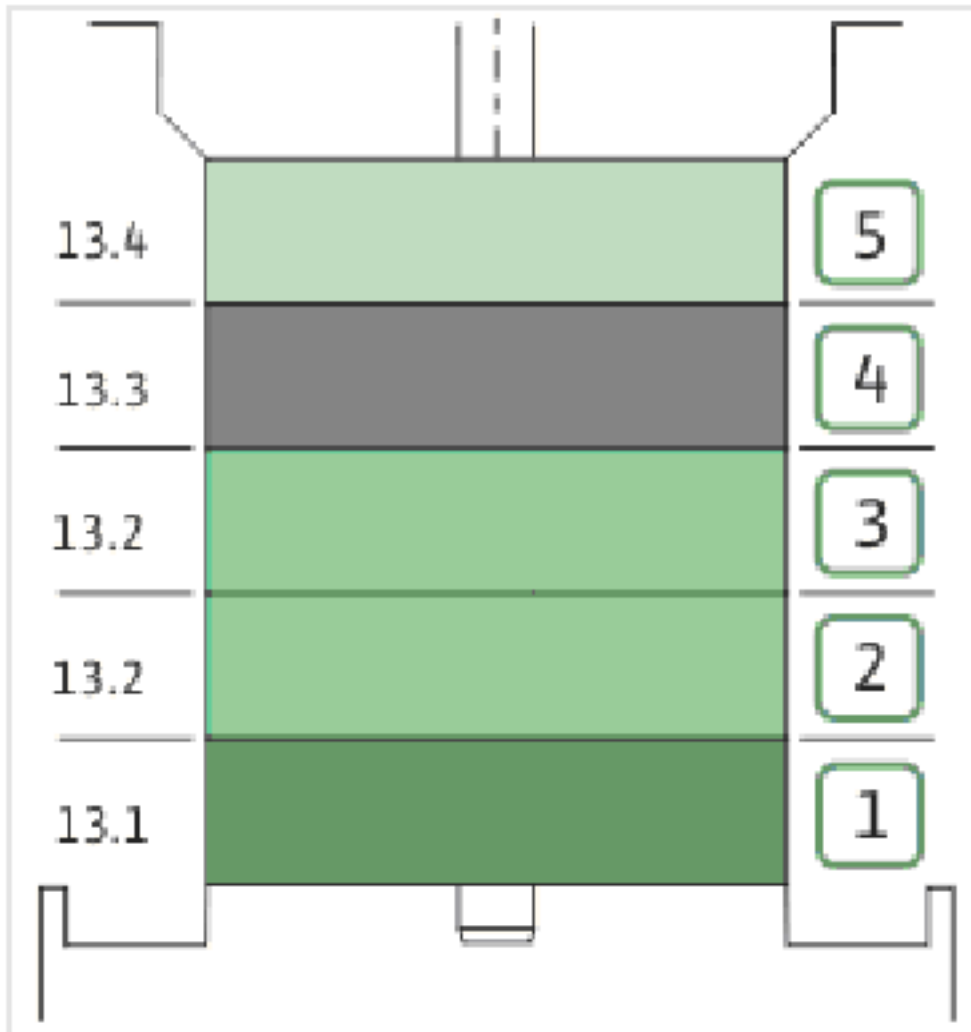
COUPLING D.20XD.38 FF300 KIT (4143966)

Item	Article no.	Description	Quantity
4.1	4179590	COUPLING 2 PARTS D.20XD.38XL115 VP.	1
4.2	2123699	BALL BEARING 6312/2Z-C4 (HT) VP.	1
4.3	63428	CIRCLIP-FOR-SHAFT-D60x2	1
4.4	2130991	SCREW M12X30 ISO4762 8.8 ZN(4 PIECES)	1
4.5	4032277	CIRCLIP-HOLE-130x4	1
4.6	4006725	O-RING ID.132,94x3,53 NBR70SR	1
4.7	2130992	RETAINING RING D.35xD.2,5 DIN7993 VP.	1
4.8	4179591	HUB D.42xD.60 VP.	1
4.9	2130994	SPACER D.38XD.55 VP.	1
4.10	4094462	SCREWS M10 (4 PIECES)	1
4.11	4233959	SCREW M8x16 VP.	1
4.12		SERRATED LOCK WASHER Ø8.2XØ25X35X2	1



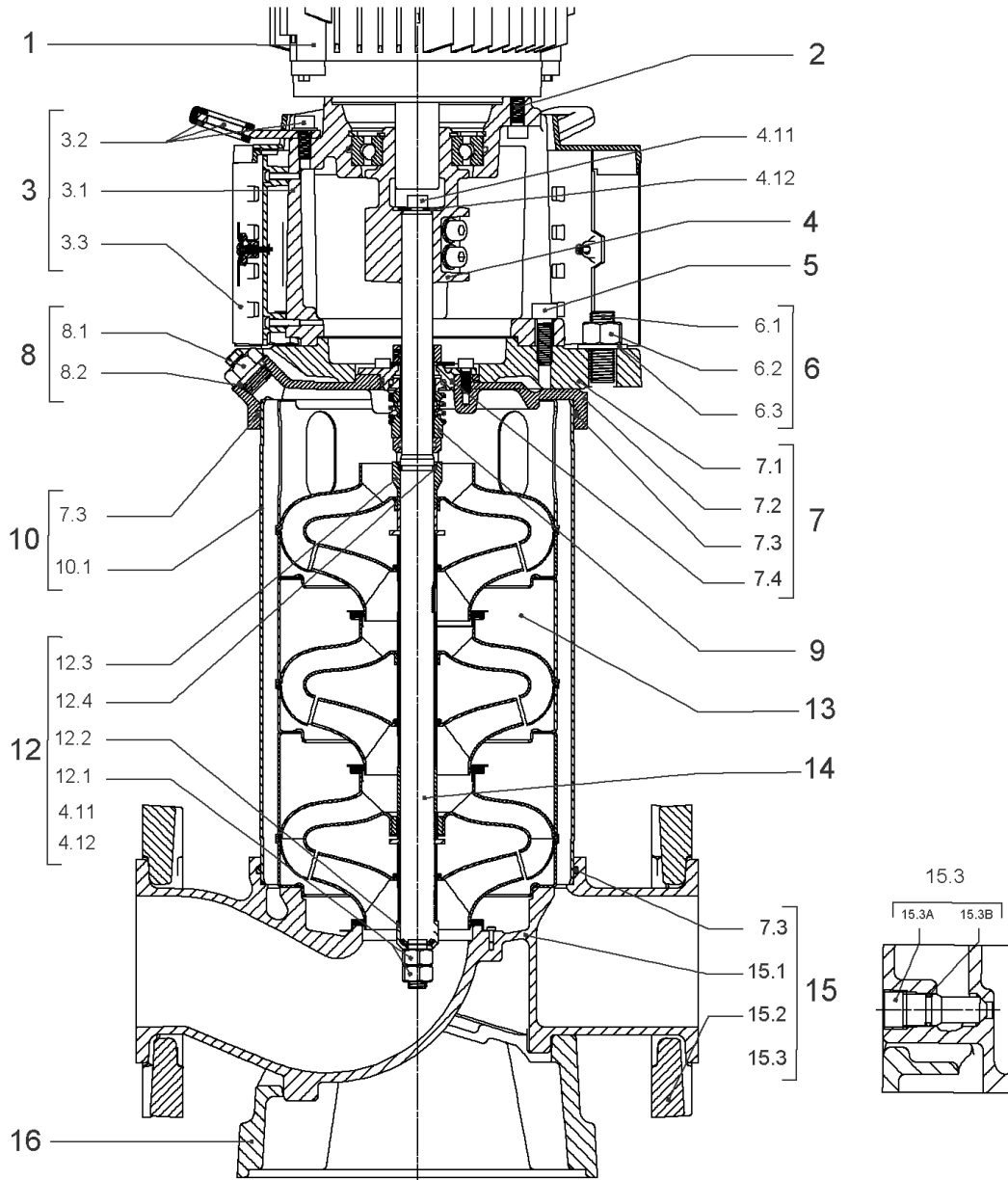
CARTRIDGE HELIX22-36-52 O/E KIT (4143973)

Item	Article no.	Description	Quantity
9.1	4143974	SEAL-KIT-HELIX22-36-52 O/E	1
7.3	4179571	> O-RING HOUSING PIPE HELIX22/36/52 VP.	1
7.4	4179572	> O-RING ID.42.52X2.62 EPDM VP.	1
9.1A	4179573	> M.SEAL.HELIX22-36-52 O/E VP.	1
9.1B	4179574	> O-RING ID.20x2.65 EPDM VP.	1
9.2	4179566	SHAFT SLEEVE D.20/20X60 1.4404 VP.	1
9.3	4179567	RING HOLDER Ø22 1.4301 VP.	1
9.4	4176520	SCREW CH M5x5 A4-70 (3PIECES)	1
9.5	4179568	DRIVE RING D.31/22.1x11 MACH.VP.	1
9.6	4179569	TOOL M.S.CART.HELIX 8" VP.	1
9.7	4179570	SCREW M6X16 ISO4762 8.8 GEOMET(4 PIECES)	1



HYDRAULIC HELIX V 5205-2

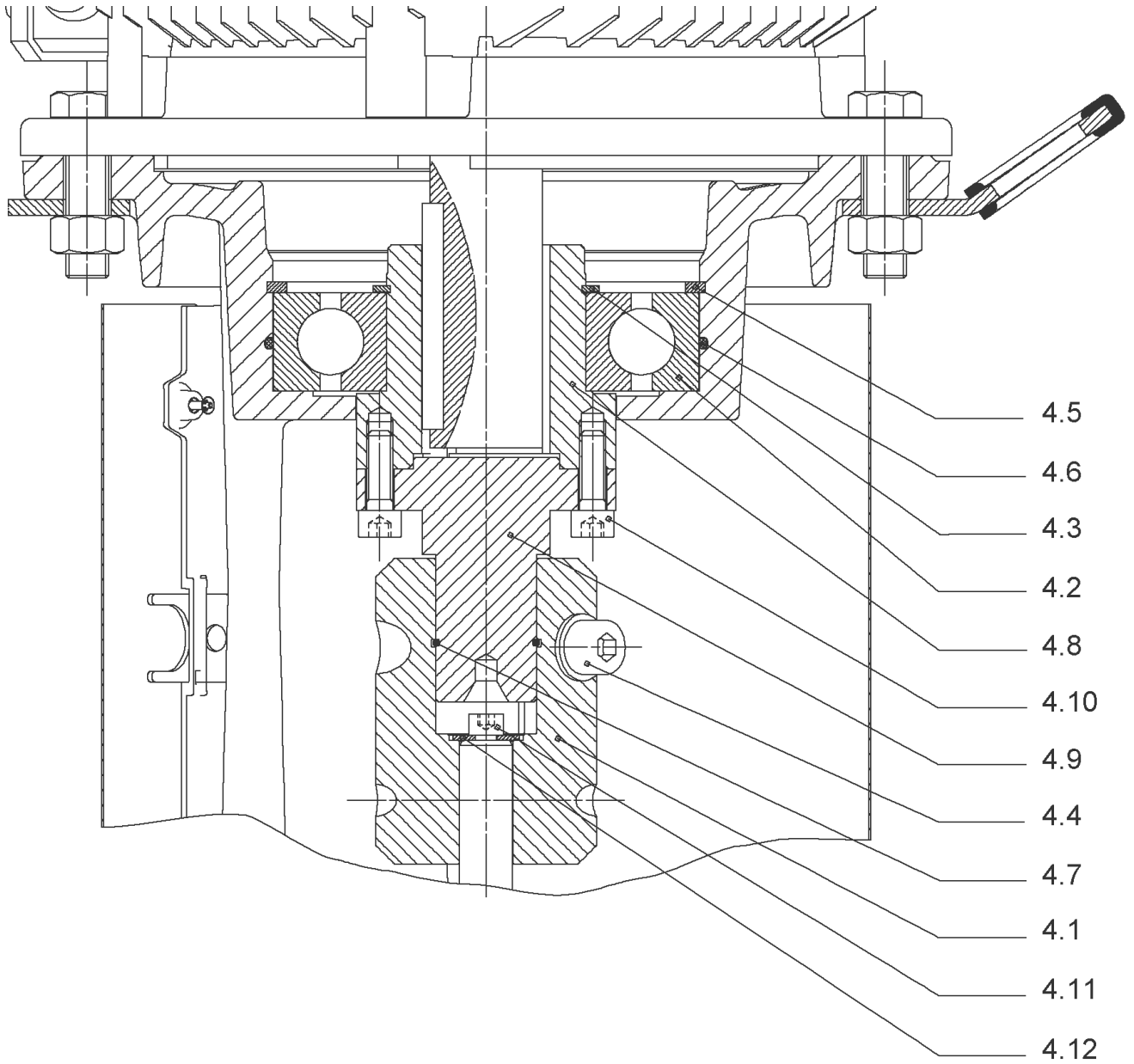
Item	Article no.	Description	Quantity
13.1	4164727	INTERMEDIAIRE STAGE HELIX 52 1.4301 KIT	1
		> SLEEVE-SPACER-D22XL30,42-316L	1
		> MACH.BEARING-DIFFUSER+NR-M+52-304	1
		> SHAFT-SLEEVE-D26xD22x16-CW	1
		> SPACER WASHER D22,3XD36 L3-316L	1
		> IMPELLER-H2-M+52-304	1
13.1A	4161200	> NECK RING 1.STAGE HELIX V36/52 KIT	1
		>> NECK-RING-M+36/52	1
		>> HYDRAULIC SUPPORT CAP M+36/52 304	1
		>> SCREW TCL M3X8 A4 POZIDRIV	1
13.2	4164728	INTERMEDIATE STAGE HELIX 52 1.4301 KIT	1
		> MACH.STD-DIFFUSER+NR-M+52-304	1
		> IMPELLER-H5-M+52-304	1
13.3	4164730	INTERMEDIATE STAGE HELIX 52 1.4301 KIT	1
		> MACH.STD-DIFFUSER+NR-M+52-304	1
		> REDUCED-IMPELLER-H5-M+52-304	1
13.4	4164731	UPPER-STAGE HELIX 52 1.4301 KIT	1
		> STOP COLLAR OF IMPELLER L27,6-Ø22-316L	1
		> SLEEVE-SPACER-D22XL16,66-316L	1
		> SPACER WASHER D22,3XD36 L3-316L	1
		> REDUCED-IMPELLER-H2-M+52-304	1
		> MACH.STD-DISCHARGE-CHAMBER-M+52-304	1



HELIX V5205-1/16/E/KS/400-50 (4198501)

Item	Article no.	Description	Quantity
1	4195488	MOTOR 18.5/2/160 3~400V 50HZ ARC VP.	1
		SPARE PARTS MOTOR:ON REQUEST	1
2	4179586	SCREW M16X60 (4 PIECES)	1
3	4157721	LANTERN HELIX 22/36 FF300 BB6312 KIT	1
3.1		> LANTERN FF300 M+ GJL MACHINED+CATA 6312	1
3.2	4179589	> EYELET CPL.FF300 HELIX(4 PIECES)	1
3.3	4143969	> COUPLING PROTECT HELIX FF KIT	1
4	4143966	COUPLING D.20XD.38 FF300 KIT	1
5	4157725	SCREW M10X40 (4 PIECES)	1
6	4217866	STUD BOLT M16X755 KIT	1
6.1		> TIE BOLT M16-755x24x44-1.4057	1
6.2	4179562	> NUT M16 8.8 ISO4032 (4 PIECES)	1
6.3	4097852	> WASHER-CS-16.4-32-2.8-NFE25-511-A2	1
7	4217176	END SHIELD HELIX OPTI 8" EPDM KIT	1
7.1		> upper flange machined + cataphoresis	1
7.2	4217174	> STATIONARY RING HOLDER 8" HELIX OPTI VP.	1
7.3	4179571	> O-RING HOUSING PIPE HELIX22/36/52 VP.	1
7.4	4179572	> O-RING ID.42.52X2.62 EPDM VP.	1
8	4186377	FILING/PURGING PLUG 304 HELIX KIT	1
8.1		> FILLING/VENTING-PLUG-MVI8/10"-304	1
8.2	4032291	> O-RING 17x3 EPDM KTW/WRC	1
9	4143973	CARTRIDGE HELIX22-36-52 O/E KIT	1
10	4181670	HOUSING PIPE D.204X514 1.4301 KIT	1
7.3	4179571	> O-RING HOUSING PIPE HELIX22/36/52 VP.	1
10.1		> HOUSING-PIPE Ø204-M+2209-304	1
12	4164724	SHAFT EQUIPMENT HELIX V52 KIT	1
13		HYDRAULIC HELIX V 5205	1
14	4179926	SHAFTS D.22X704 1.4057 VP.	1
15	4218385	EQUIPED HOUSING DN80 HELIX OPTI 8" KIT	1
15.1		> pump casing machined DN80	1
15.2	4218383	> HALF FLANGE DN80 HELIX OPTI 8" VP.	1
15.3	4217850	> DRAIN/PRIMING PLUG HELIX OPTI 8" KIT	1
7.3	4179571	> O-RING HOUSING PIPE HELIX22/36/52 VP.	1
16	4218387	BASEPLATE DN80 HELIX OPTI 8" VP.	1

COUPLING D.20XD.38 FF300 KIT (4143966)



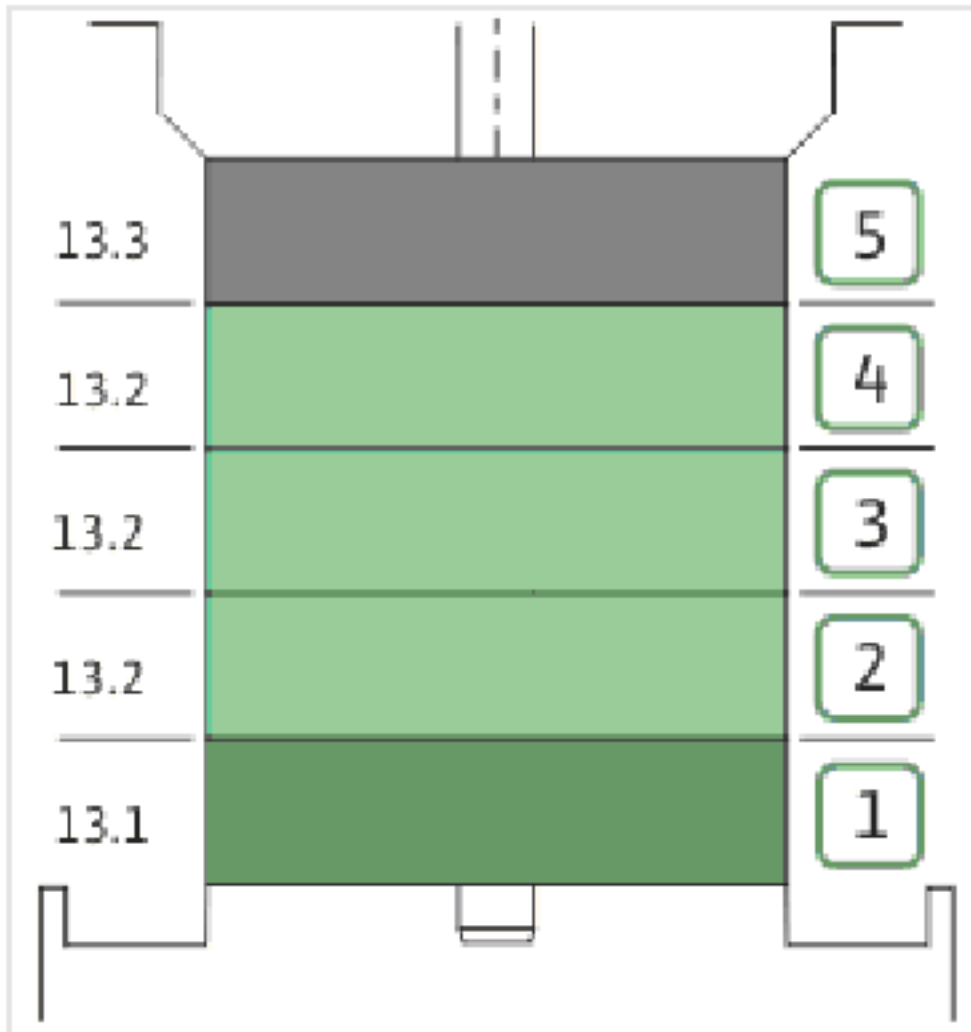
COUPLING D.20XD.38 FF300 KIT (4143966)

Item	Article no.	Description	Quantity
4.1	4179590	COUPLING 2 PARTS D.20XD.38XL115 VP.	1
4.2	2123699	BALL BEARING 6312/2Z-C4 (HT) VP.	1
4.3	63428	CIRCLIP-FOR-SHAFT-D60x2	1
4.4	2130991	SCREW M12X30 ISO4762 8.8 ZN(4 PIECES)	1
4.5	4032277	CIRCLIP-HOLE-130x4	1
4.6	4006725	O-RING ID.132,94x3,53 NBR70SR	1
4.7	2130992	RETAINING RING D.35xD.2,5 DIN7993 VP.	1
4.8	4179591	HUB D.42xD.60 VP.	1
4.9	2130994	SPACER D.38XD.55 VP.	1
4.10	4094462	SCREWS M10 (4 PIECES)	1
4.11	4233959	SCREW M8x16 VP.	1
4.12		SERRATED LOCK WASHER Ø8.2XØ25X35X2	1



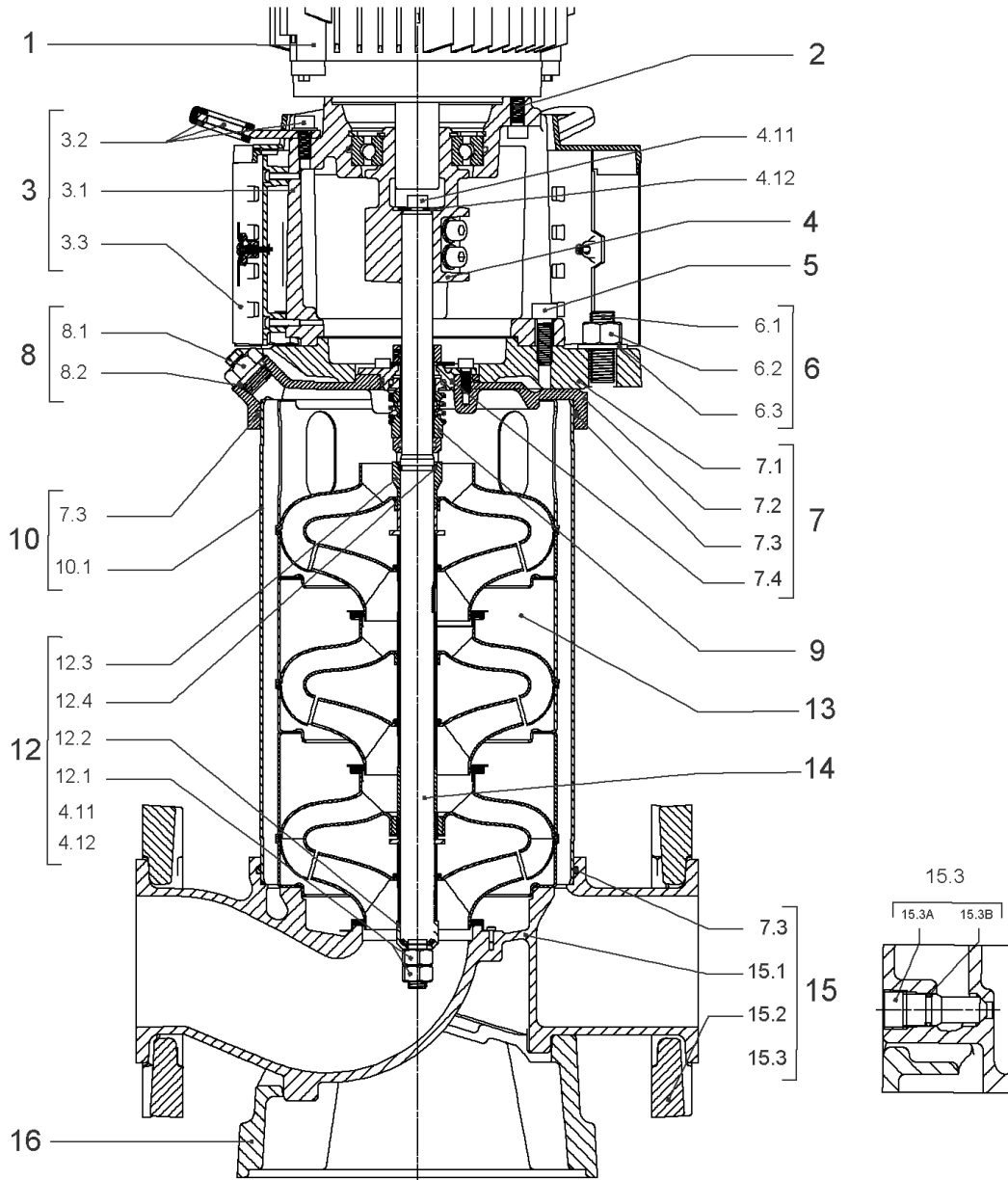
CARTRIDGE HELIX22-36-52 O/E KIT (4143973)

Item	Article no.	Description	Quantity
9.1	4143974	SEAL-KIT-HELIX22-36-52 O/E	1
7.3	4179571	> O-RING HOUSING PIPE HELIX22/36/52 VP.	1
7.4	4179572	> O-RING ID.42.52X2.62 EPDM VP.	1
9.1A	4179573	> M.SEAL.HELIX22-36-52 O/E VP.	1
9.1B	4179574	> O-RING ID.20x2.65 EPDM VP.	1
9.2	4179566	SHAFT SLEEVE D.20/20X60 1.4404 VP.	1
9.3	4179567	RING HOLDER Ø22 1.4301 VP.	1
9.4	4176520	SCREW CH M5x5 A4-70 (3PIECES)	1
9.5	4179568	DRIVE RING D.31/22.1x11 MACH.VP.	1
9.6	4179569	TOOL M.S.CART.HELIX 8" VP.	1
9.7	4179570	SCREW M6X16 ISO4762 8.8 GEOMET(4 PIECES)	1



HYDRAULIC HELIX V 5205

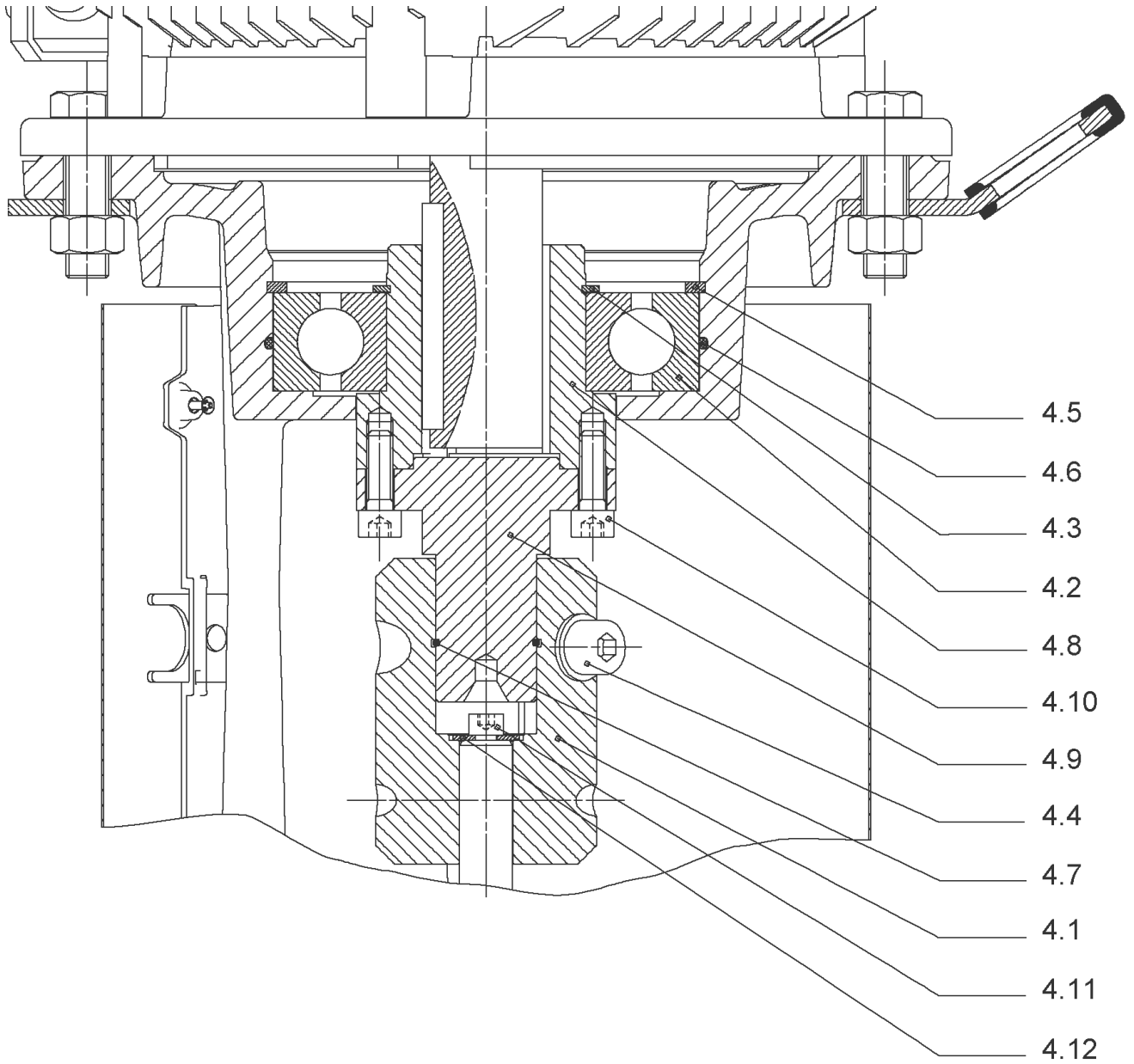
Item	Article no.	Description	Quantity
13.1	4164727	INTERMEDIAIRE STAGE HELIX 52 1.4301 KIT	1
		> SLEEVE-SPACER-D22XL30,42-316L	1
		> MACH.BEARING-DIFFUSER+NR-M+52-304	1
		> SHAFT-SLEEVE-D26xD22x16-CW	1
		> SPACER WASHER D22,3XD36 L3-316L	1
		> IMPELLER-H2-M+52-304	1
13.1A	4161200	> NECK RING 1.STAGE HELIX V36/52 KIT	1
		>> NECK-RING-M+36/52	1
		>> HYDRAULIC SUPPORT CAP M+36/52 304	1
		>> SCREW TCL M3X8 A4 POZIDRIV	1
13.2	4164728	INTERMEDIATE STAGE HELIX 52 1.4301 KIT	1
		> MACH.STD-DIFFUSER+NR-M+52-304	1
		> IMPELLER-H5-M+52-304	1
13.3	4164729	UPPER-STAGE HELIX 52 1.4301 KIT	1
		> STOP COLLAR OF IMPELLER L27,6-Ø22-316L	1
		> SLEEVE-SPACER-D22XL16,66-316L	1
		> SPACER WASHER D22,3XD36 L3-316L	1
		> IMPELLER-H2-M+52-304	1
		> MACH.STD-DISCHARGE-CHAMBER-M+52-304	1



HELIX V5205-1/25/E/KS/400-50 (4198502)

Item	Article no.	Description	Quantity
1	4195488	MOTOR 18.5/2/160 3~400V 50HZ ARC VP.	1
		SPARE PARTS MOTOR:ON REQUEST	1
2	4179586	SCREW M16X60 (4 PIECES)	1
3	4157721	LANTERN HELIX 22/36 FF300 BB6312 KIT	1
3.1		> LANTERN FF300 M+ GJL MACHINED+CATA 6312	1
3.2	4179589	> EYELET CPL.FF300 HELIX(4 PIECES)	1
3.3	4143969	> COUPLING PROTECT HELIX FF KIT	1
4	4143966	COUPLING D.20XD.38 FF300 KIT	1
5	4157725	SCREW M10X40 (4 PIECES)	1
6	4217866	STUD BOLT M16X755 KIT	1
6.1		> TIE BOLT M16-755x24x44-1.4057	1
6.2	4179562	> NUT M16 8.8 ISO4032 (4 PIECES)	1
6.3	4097852	> WASHER-CS-16.4-32-2.8-NFE25-511-A2	1
7	4217176	END SHIELD HELIX OPTI 8" EPDM KIT	1
7.1		> upper flange machined + cataphoresis	1
7.2	4217174	> STATIONARY RING HOLDER 8" HELIX OPTI VP.	1
7.3	4179571	> O-RING HOUSING PIPE HELIX22/36/52 VP.	1
7.4	4179572	> O-RING ID.42.52X2.62 EPDM VP.	1
8	4186377	FILING/PURGING PLUG 304 HELIX KIT	1
8.1		> FILLING/VENTING-PLUG-MVI8/10"-304	1
8.2	4032291	> O-RING 17x3 EPDM KTW/WRC	1
9	4143975	CARTRIDGE HELIX22-36-52 F/E KIT	1
10	4181670	HOUSING PIPE D.204X514 1.4301 KIT	1
7.3	4179571	> O-RING HOUSING PIPE HELIX22/36/52 VP.	1
10.1		> HOUSING-PIPE Ø204-M+2209-304	1
12	4164724	SHAFT EQUIPMENT HELIX V52 KIT	1
13		HYDRAULIC HELIX V 5205	1
14	4179926	SHAFTS D.22X704 1.4057 VP.	1
15	4218385	EQUIPED HOUSING DN80 HELIX OPTI 8" KIT	1
15.1		> pump casing machined DN80	1
15.2	4218383	> HALF FLANGE DN80 HELIX OPTI 8" VP.	1
15.3	4217850	> DRAIN/PRIMING PLUG HELIX OPTI 8" KIT	1
7.3	4179571	> O-RING HOUSING PIPE HELIX22/36/52 VP.	1
16	4218387	BASEPLATE DN80 HELIX OPTI 8" VP.	1

COUPLING D.20XD.38 FF300 KIT (4143966)



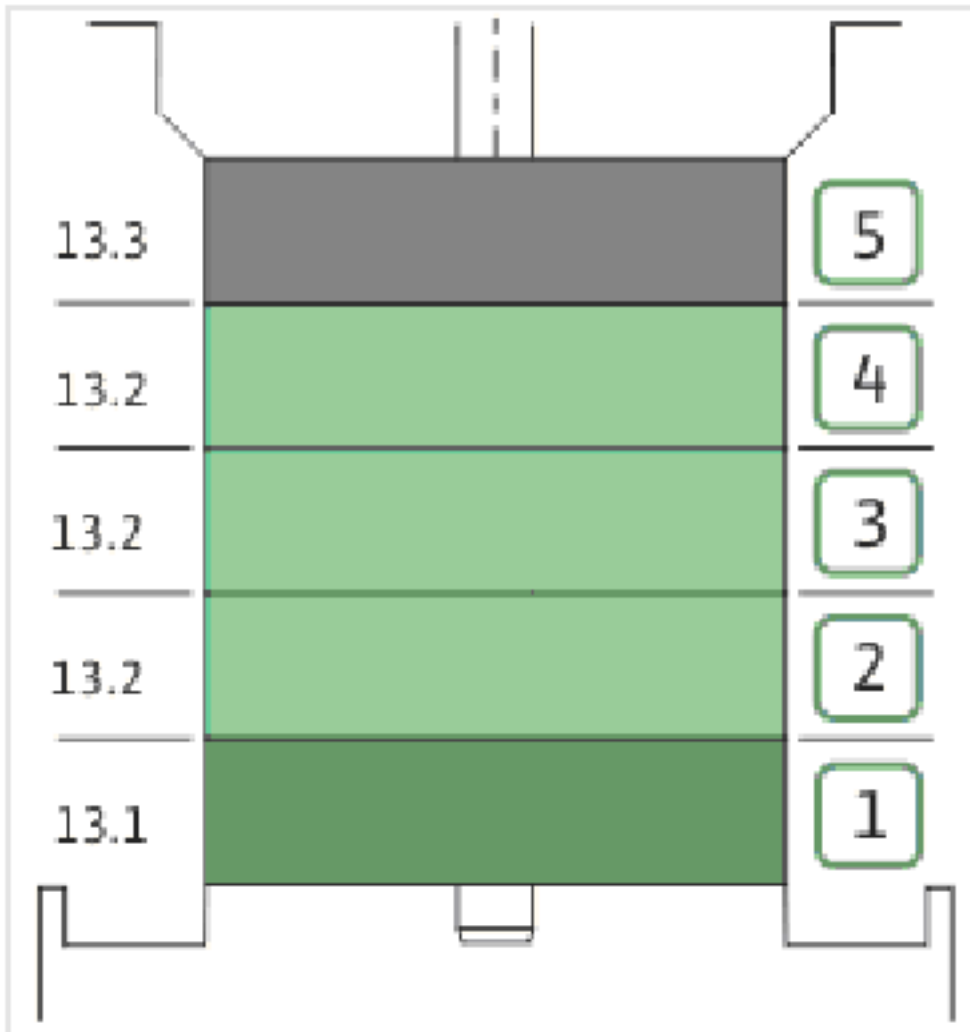
COUPLING D.20XD.38 FF300 KIT (4143966)

Item	Article no.	Description	Quantity
4.1	4179590	COUPLING 2 PARTS D.20XD.38XL115 VP.	1
4.2	2123699	BALL BEARING 6312/2Z-C4 (HT) VP.	1
4.3	63428	CIRCLIP-FOR-SHAFT-D60x2	1
4.4	2130991	SCREW M12X30 ISO4762 8.8 ZN(4 PIECES)	1
4.5	4032277	CIRCLIP-HOLE-130x4	1
4.6	4006725	O-RING ID.132,94x3,53 NBR70SR	1
4.7	2130992	RETAINING RING D.35xD.2,5 DIN7993 VP.	1
4.8	4179591	HUB D.42xD.60 VP.	1
4.9	2130994	SPACER D.38XD.55 VP.	1
4.10	4094462	SCREWS M10 (4 PIECES)	1
4.11	4233959	SCREW M8x16 VP.	1
4.12		SERRATED LOCK WASHER Ø8.2XØ25X35X2	1



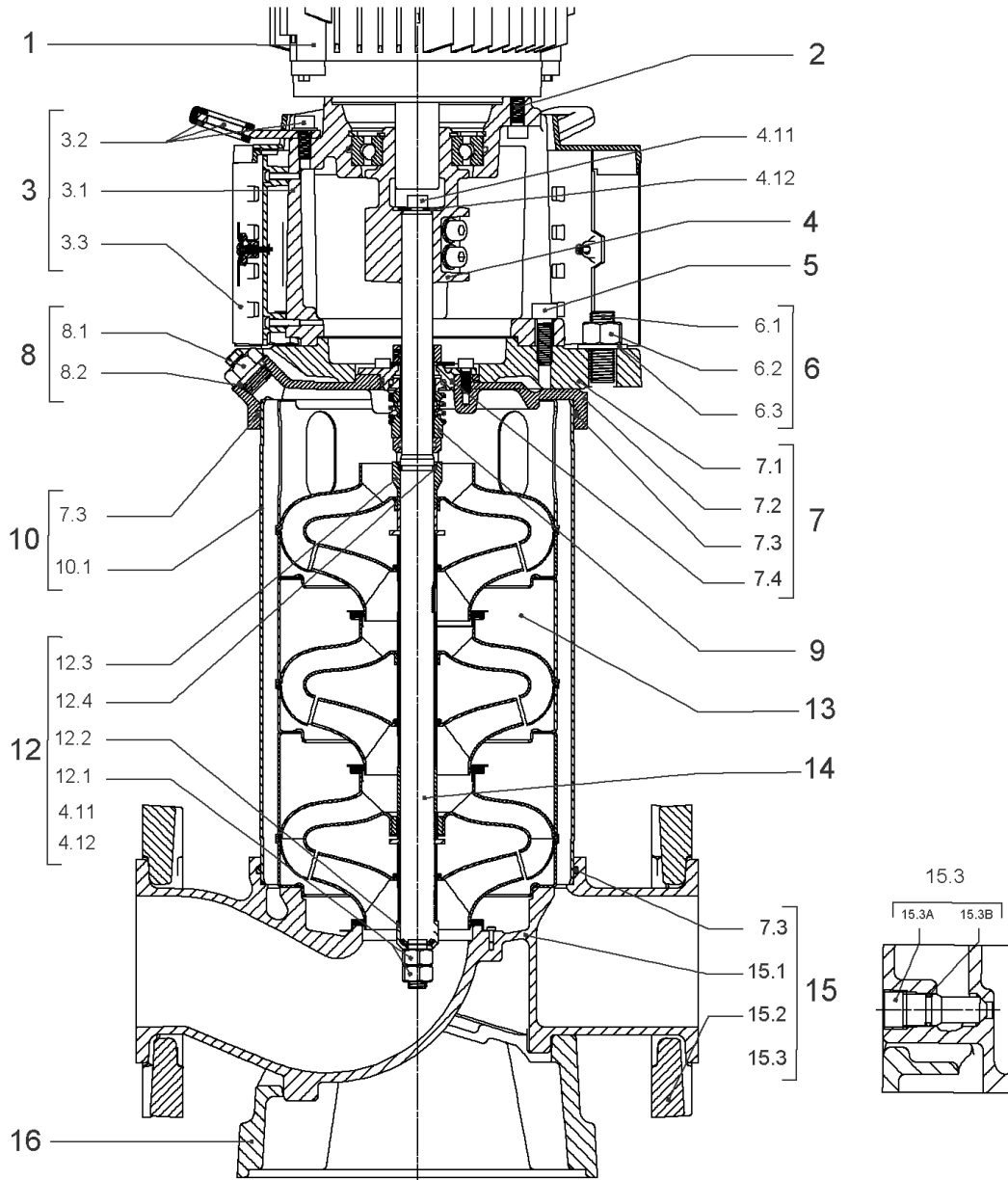
CARTRIDGE HELIX22-36-52 F/E KIT (4143975)

Item	Article no.	Description	Quantity
9.1	4143976	SEAL-KIT-HELIX22-36-52 F/E	1
7.3	4179571	> O-RING HOUSING PIPE HELIX22/36/52 VP.	1
7.4	4179572	> O-RING ID.42.52X2.62 EPDM VP.	1
9.1A	2127447	> M.SEAL.HELIX22-36-52 F/E VP.	1
9.1B	4179574	> O-RING ID.20x2.65 EPDM VP.	1
9.2	4179566	SHAFT SLEEVE D.20/20X60 1.4404 VP.	1
9.3	4179567	RING HOLDER Ø22 1.4301 VP.	1
9.4	4176520	SCREW CH M5x5 A4-70 (3PIECES)	1
9.5	4179568	DRIVE RING D.31/22.1x11 MACH.VP.	1
9.6	4179569	TOOL M.S.CART.HELIX 8" VP.	1
9.7	4179570	SCREW M6X16 ISO4762 8.8 GEOMET(4 PIECES)	1



HYDRAULIC HELIX V 5205

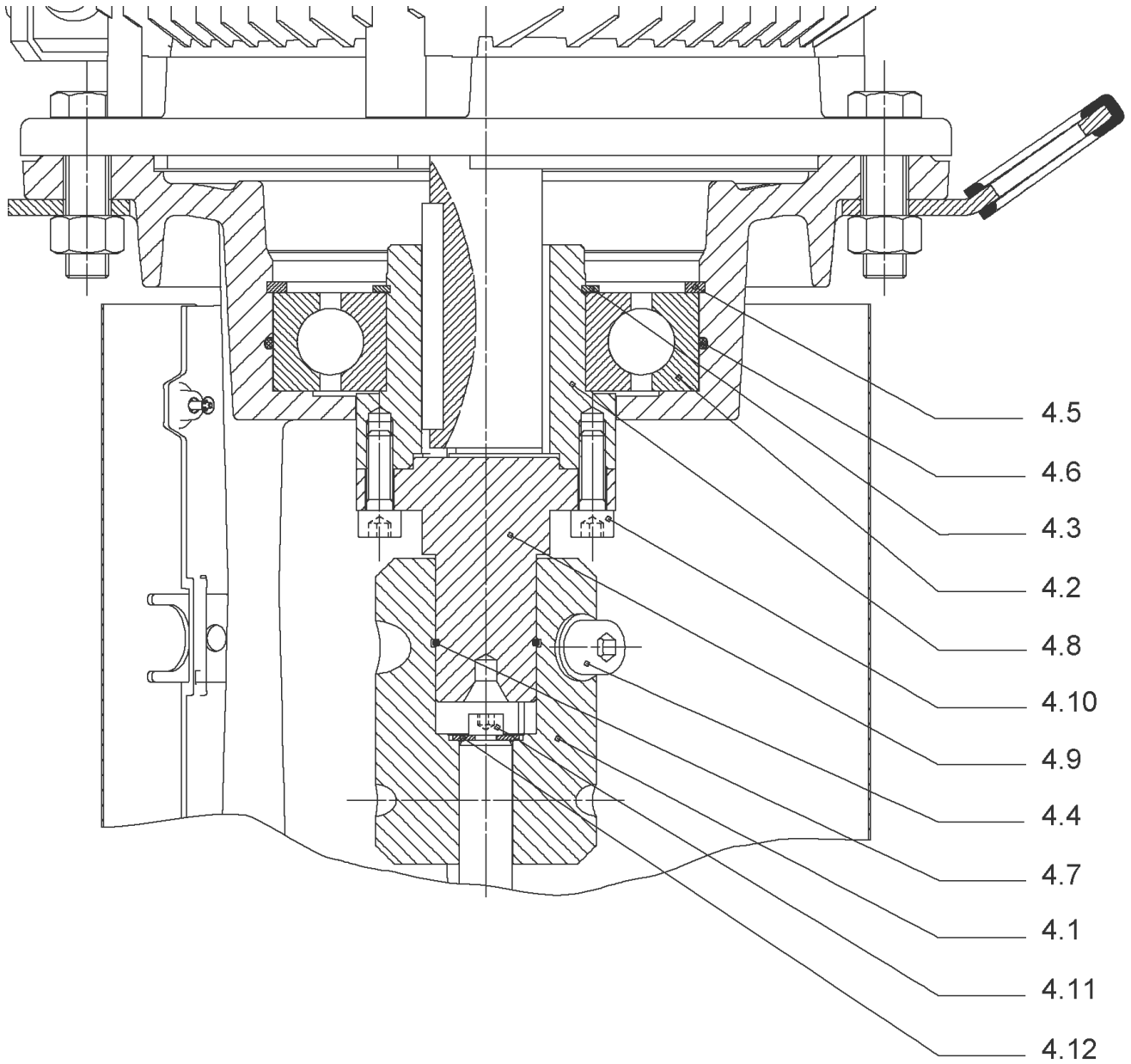
Item	Article no.	Description	Quantity
13.1	4164727	INTERMEDIAIRE STAGE HELIX 52 1.4301 KIT	1
		> SLEEVE-SPACER-D22XL30,42-316L	1
		> MACH.BEARING-DIFFUSER+NR-M+52-304	1
		> SHAFT-SLEEVE-D26xD22x16-CW	1
		> SPACER WASHER D22,3XD36 L3-316L	1
		> IMPELLER-H2-M+52-304	1
13.1A	4161200	> NECK RING 1.STAGE HELIX V36/52 KIT	1
		>> NECK-RING-M+36/52	1
		>> HYDRAULIC SUPPORT CAP M+36/52 304	1
		>> SCREW TCL M3X8 A4 POZIDRIV	1
13.2	4164728	INTERMEDIATE STAGE HELIX 52 1.4301 KIT	1
		> MACH.STD-DIFFUSER+NR-M+52-304	1
		> IMPELLER-H5-M+52-304	1
13.3	4164729	UPPER-STAGE HELIX 52 1.4301 KIT	1
		> STOP COLLAR OF IMPELLER L27,6-Ø22-316L	1
		> SLEEVE-SPACER-D22XL16,66-316L	1
		> SPACER WASHER D22,3XD36 L3-316L	1
		> IMPELLER-H2-M+52-304	1
		> MACH.STD-DISCHARGE-CHAMBER-M+52-304	1



HELIX V5206/2-1/16/E/KS/400-50 (4198503)

Item	Article no.	Description	Quantity
1	4195489	MOTOR 22/2/160 3~400V 50HZ IE3 VP.	1
		SPARE PARTS MOTOR:ON REQUEST	1
2	4179586	SCREW M16X60 (4 PIECES)	1
3	4161188	LANTERN HELIX V36/52 FF300 BB6313 KIT	1
3.1		> LANTERN FF300 M+ GJL MACHINED+CATA 6313	1
3.2	4179589	> EYELET CPL.FF300 HELIX(4 PIECES)	1
3.3	4143969	> COUPLING PROTECT HELIX FF KIT	1
4	4161190	COUPLING D.20XD.38 FF300 KIT	1
5	4157725	SCREW M10X40 (4 PIECES)	1
6	4181105	STUD BOLT M16X866 KIT	1
6.1		> TIE BOLT M16-866x24x44-1.4057	1
6.2	4179562	> NUT M16 8.8 ISO4032 (4 PIECES)	1
6.3	4097852	> WASHER-CS-16.4-32-2.8-NFE25-511-A2	1
7	4217176	END SHIELD HELIX OPTI 8" EPDM KIT	1
7.1		> upper flange machined + cataphoresis	1
7.2	4217174	> STATIONARY RING HOLDER 8" HELIX OPTI VP.	1
7.3	4179571	> O-RING HOUSING PIPE HELIX22/36/52 VP.	1
7.4	4179572	> O-RING ID.42.52X2.62 EPDM VP.	1
8	4186377	FILING/PURGING PLUG 304 HELIX KIT	1
8.1		> FILLING/VENTING-PLUG-MVI8/10"-304	1
8.2	4032291	> O-RING 17x3 EPDM KTW/WRC	1
9	4143973	CARTRIDGE HELIX22-36-52 O/E KIT	1
10	4181677	HOUSING PIPE D.204X614 1.4301 KIT	1
7.3	4179571	> O-RING HOUSING PIPE HELIX22/36/52 VP.	1
10.1		> HOUSING-PIPE Ø204-M+2211-304	1
12	4164724	SHAFT EQUIPMENT HELIX V52 KIT	1
13		HYDRAULIC HELIX V 5206-2	1
14	2127503	SHAFT D.22 X 804 HELIX 1.4057 VP.	1
15	4218385	EQUIPED HOUSING DN80 HELIX OPTI 8" KIT	1
15.1		> pump casing machined DN80	1
15.2	4218383	> HALF FLANGE DN80 HELIX OPTI 8" VP.	1
15.3	4217850	> DRAIN/PRIMING PLUG HELIX OPTI 8" KIT	1
7.3	4179571	> O-RING HOUSING PIPE HELIX22/36/52 VP.	1
16	4218387	BASEPLATE DN80 HELIX OPTI 8" VP.	1

COUPLING D.20XD.38 FF300 KIT (4161190)



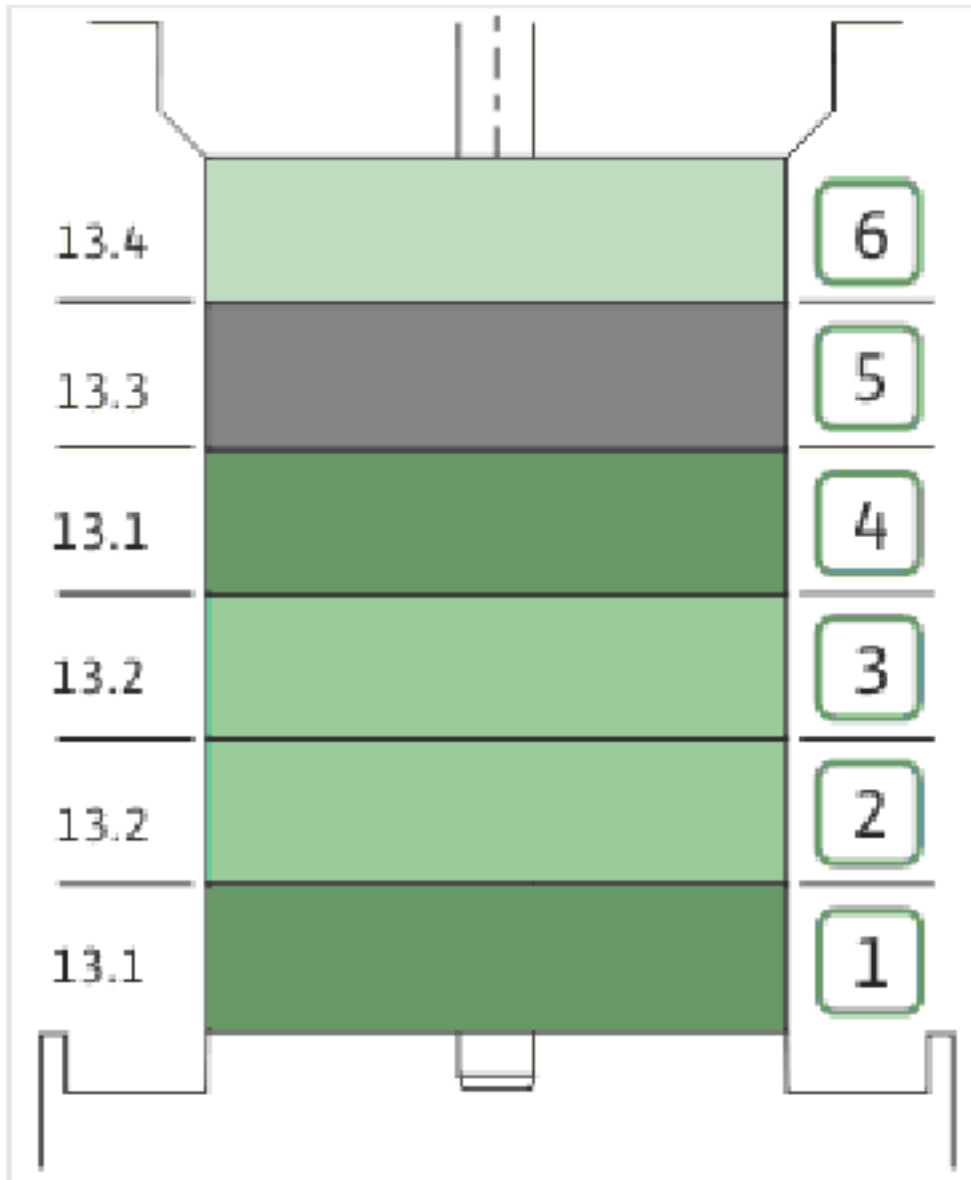
COUPLING D.20XD.38 FF300 KIT (4161190)

Item	Article no.	Description	Quantity
4.1	4179590	COUPLING 2 PARTS D.20XD.38XL115 VP.	1
4.2	2132521	BALL BEARING 6313/2Z-C4(HT)VP.	1
4.3	4032276	CIRCLIP-SHAFT-D65x2,5	1
4.4	2130991	SCREW M12X30 ISO4762 8.8 ZN(4 PIECES)	1
4.5	4233130	CIRCLIP-FOR-BORES-D140 VP.	1
4.6	4233945	O-RING ID.140 VP.	1
4.7	2130992	RETAINING RING D.35xD.2,5 DIN7993 VP.	1
4.8	4179928	HUB D.48xD.65 VP.	1
4.9	2130994	SPACER D.38XD.55 VP.	1
4.10	4094462	SCREWS M10 (4 PIECES)	1
4.11	4233959	SCREW M8x16 VP.	1
4.12		SERRATED LOCK WASHER Ø8.2XØ25X35X2	1



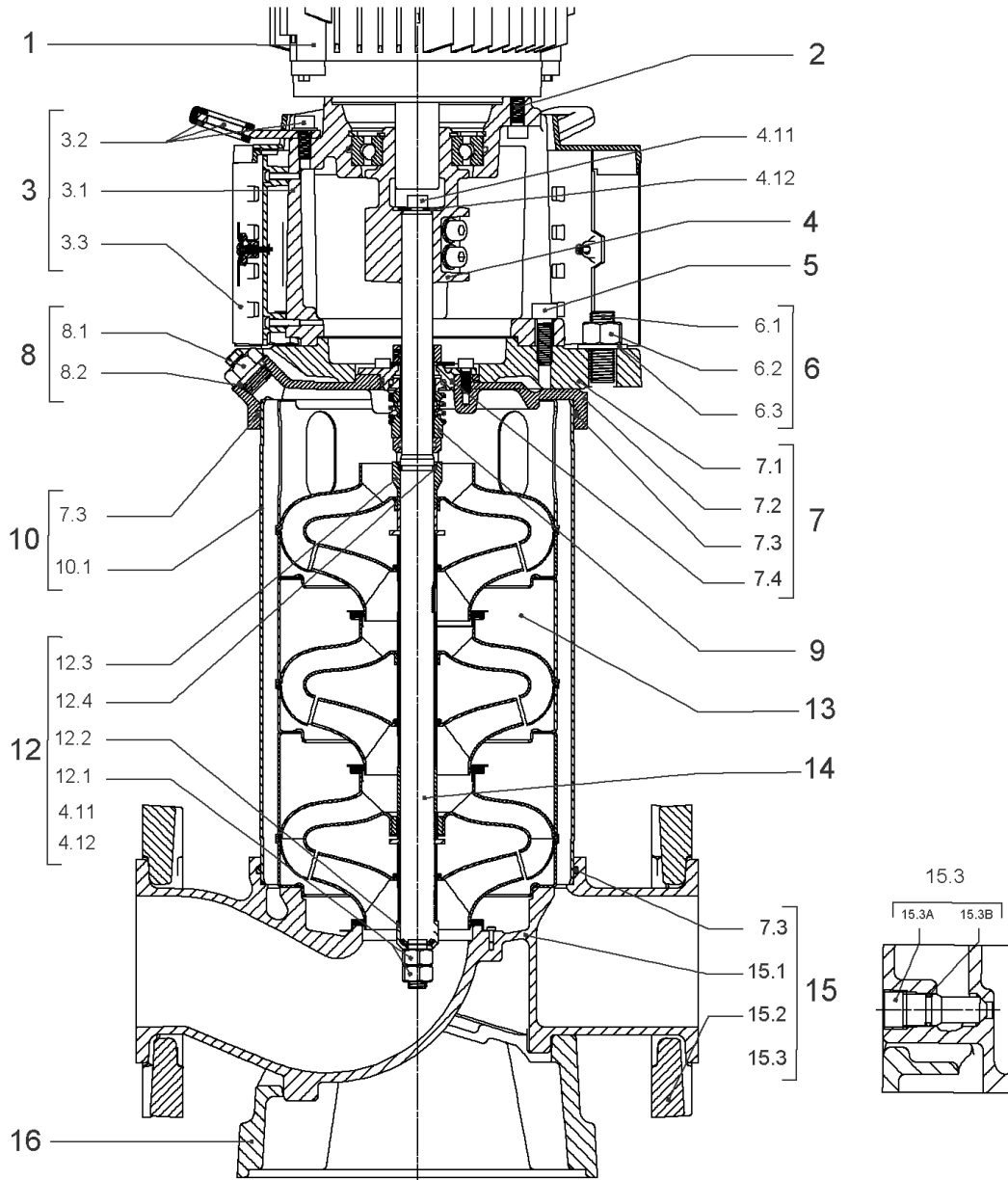
CARTRIDGE HELIX22-36-52 O/E KIT (4143973)

Item	Article no.	Description	Quantity
9.1	4143974	SEAL-KIT-HELIX22-36-52 O/E	1
7.3	4179571	> O-RING HOUSING PIPE HELIX22/36/52 VP.	1
7.4	4179572	> O-RING ID.42.52X2.62 EPDM VP.	1
9.1A	4179573	> M.SEAL.HELIX22-36-52 O/E VP.	1
9.1B	4179574	> O-RING ID.20x2.65 EPDM VP.	1
9.2	4179566	SHAFT SLEEVE D.20/20X60 1.4404 VP.	1
9.3	4179567	RING HOLDER Ø22 1.4301 VP.	1
9.4	4176520	SCREW CH M5x5 A4-70 (3PIECES)	1
9.5	4179568	DRIVE RING D.31/22.1x11 MACH.VP.	1
9.6	4179569	TOOL M.S.CART.HELIX 8" VP.	1
9.7	4179570	SCREW M6X16 ISO4762 8.8 GEOMET(4 PIECES)	1



HYDRAULIC HELIX V 5206-2

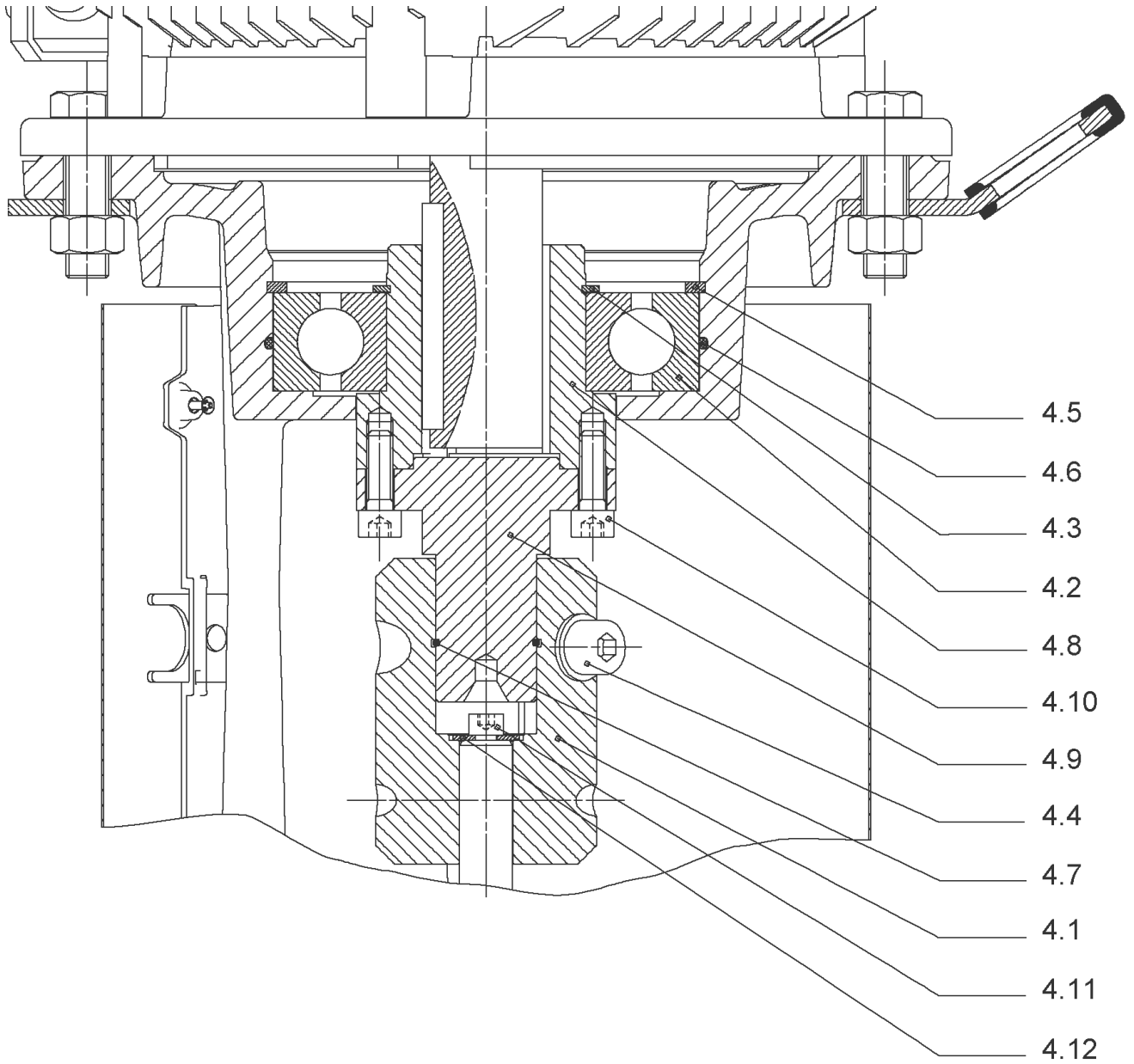
Item	Article no.	Description	Quantity
13.1	4164727	INTERMEDIAIRE STAGE HELIX 52 1.4301 KIT	1
		> SLEEVE-SPACER-D22XL30,42-316L	1
		> MACH.BEARING-DIFFUSER+NR-M+52-304	1
		> SHAFT-SLEEVE-D26xD22x16-CW	1
		> SPACER WASHER D22,3XD36 L3-316L	1
		> IMPELLER-H2-M+52-304	1
13.1A	4161200	> NECK RING 1.STAGE HELIX V36/52 KIT	1
		>> NECK-RING-M+36/52	1
		>> HYDRAULIC SUPPORT CAP M+36/52 304	1
		>> SCREW TCL M3X8 A4 POZIDRIV	1
13.2	4164728	INTERMEDIATE STAGE HELIX 52 1.4301 KIT	1
		> MACH.STD-DIFFUSER+NR-M+52-304	1
		> IMPELLER-H5-M+52-304	1
13.3	4164730	INTERMEDIATE STAGE HELIX 52 1.4301 KIT	1
		> MACH.STD-DIFFUSER+NR-M+52-304	1
		> REDUCED-IMPELLER-H5-M+52-304	1
13.4	4164731	UPPER-STAGE HELIX 52 1.4301 KIT	1
		> STOP COLLAR OF IMPELLER L27,6-Ø22-316L	1
		> SLEEVE-SPACER-D22XL16,66-316L	1
		> SPACER WASHER D22,3XD36 L3-316L	1
		> REDUCED-IMPELLER-H2-M+52-304	1
		> MACH.STD-DISCHARGE-CHAMBER-M+52-304	1



HELIX V5206/2-1/25/E/KS/400-50 (4198504)

Item	Article no.	Description	Quantity
1	4195489	MOTOR 22/2/160 3~400V 50HZ IE3 VP.	1
		SPARE PARTS MOTOR:ON REQUEST	1
2	4179586	SCREW M16X60 (4 PIECES)	1
3	4161188	LANTERN HELIX V36/52 FF300 BB6313 KIT	1
3.1		> LANTERN FF300 M+ GJL MACHINED+CATA 6313	1
3.2	4179589	> EYELET CPL.FF300 HELIX(4 PIECES)	1
3.3	4143969	> COUPLING PROTECT HELIX FF KIT	1
4	4161190	COUPLING D.20XD.38 FF300 KIT	1
5	4157725	SCREW M10X40 (4 PIECES)	1
6	4181105	STUD BOLT M16X866 KIT	1
6.1		> TIE BOLT M16-866x24x44-1.4057	1
6.2	4179562	> NUT M16 8.8 ISO4032 (4 PIECES)	1
6.3	4097852	> WASHER-CS-16.4-32-2.8-NFE25-511-A2	1
7	4217176	END SHIELD HELIX OPTI 8" EPDM KIT	1
7.1		> upper flange machined + cataphoresis	1
7.2	4217174	> STATIONARY RING HOLDER 8" HELIX OPTI VP.	1
7.3	4179571	> O-RING HOUSING PIPE HELIX22/36/52 VP.	1
7.4	4179572	> O-RING ID.42.52X2.62 EPDM VP.	1
8	4186377	FILING/PURGING PLUG 304 HELIX KIT	1
8.1		> FILLING/VENTING-PLUG-MVI8/10"-304	1
8.2	4032291	> O-RING 17x3 EPDM KTW/WRC	1
9	4143975	CARTRIDGE HELIX22-36-52 F/E KIT	1
10	4181677	HOUSING PIPE D.204X614 1.4301 KIT	1
7.3	4179571	> O-RING HOUSING PIPE HELIX22/36/52 VP.	1
10.1		> HOUSING-PIPE Ø204-M+2211-304	1
12	4164724	SHAFT EQUIPMENT HELIX V52 KIT	1
13		HYDRAULIC HELIX V 5206-2	1
14	2127503	SHAFT D.22 X 804 HELIX 1.4057 VP.	1
15	4218385	EQUIPED HOUSING DN80 HELIX OPTI 8" KIT	1
15.1		> pump casing machined DN80	1
15.2	4218383	> HALF FLANGE DN80 HELIX OPTI 8" VP.	1
15.3	4217850	> DRAIN/PRIMING PLUG HELIX OPTI 8" KIT	1
7.3	4179571	> O-RING HOUSING PIPE HELIX22/36/52 VP.	1
16	4218387	BASEPLATE DN80 HELIX OPTI 8" VP.	1

COUPLING D.20XD.38 FF300 KIT (4161190)



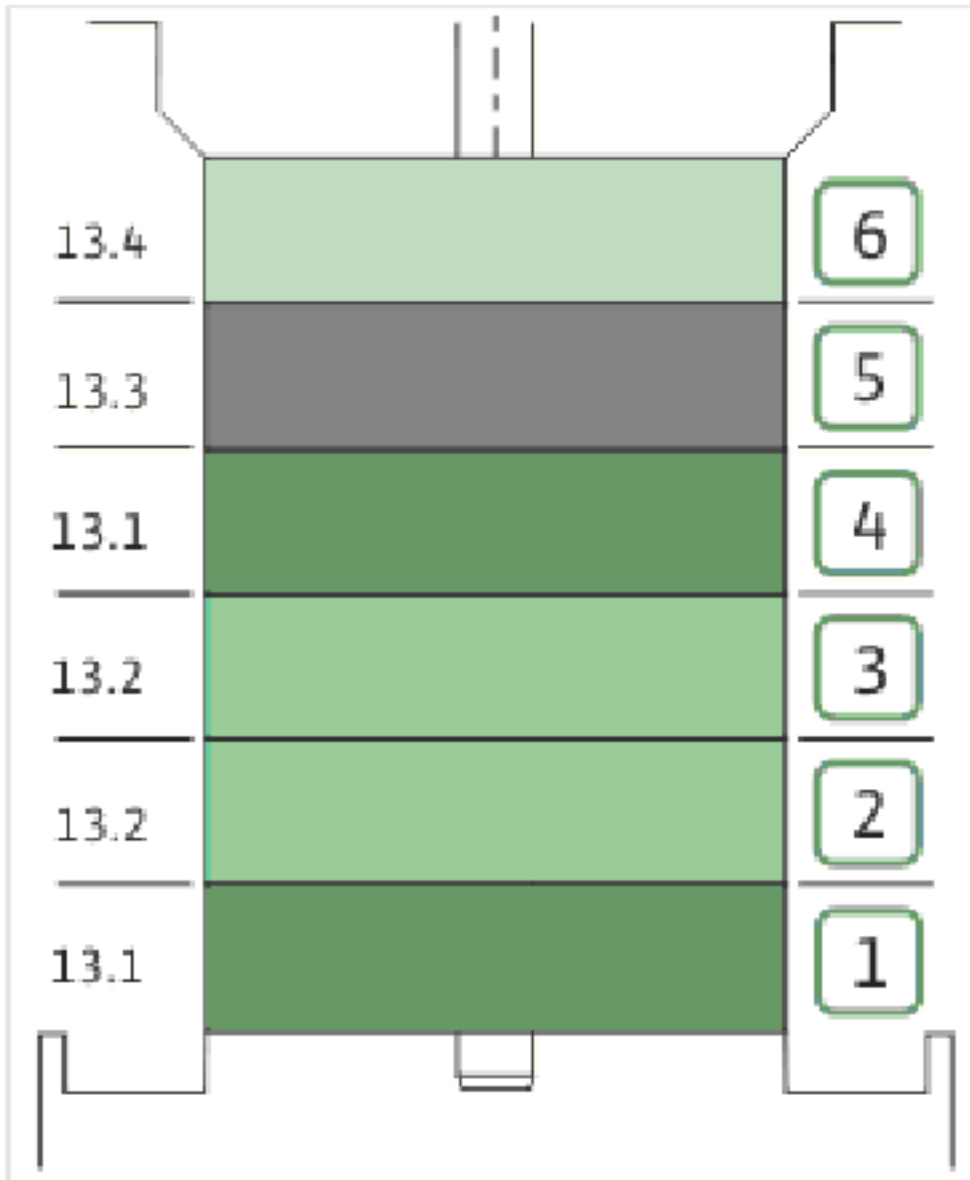
COUPLING D.20XD.38 FF300 KIT (4161190)

Item	Article no.	Description	Quantity
4.1	4179590	COUPLING 2 PARTS D.20XD.38XL115 VP.	1
4.2	2132521	BALL BEARING 6313/2Z-C4(HT)VP.	1
4.3	4032276	CIRCLIP-SHAFT-D65x2,5	1
4.4	2130991	SCREW M12X30 ISO4762 8.8 ZN(4 PIECES)	1
4.5	4233130	CIRCLIP-FOR-BORES-D140 VP.	1
4.6	4233945	O-RING ID.140 VP.	1
4.7	2130992	RETAINING RING D.35xD.2,5 DIN7993 VP.	1
4.8	4179928	HUB D.48xD.65 VP.	1
4.9	2130994	SPACER D.38XD.55 VP.	1
4.10	4094462	SCREWS M10 (4 PIECES)	1
4.11	4233959	SCREW M8x16 VP.	1
4.12		SERRATED LOCK WASHER Ø8.2XØ25X35X2	1



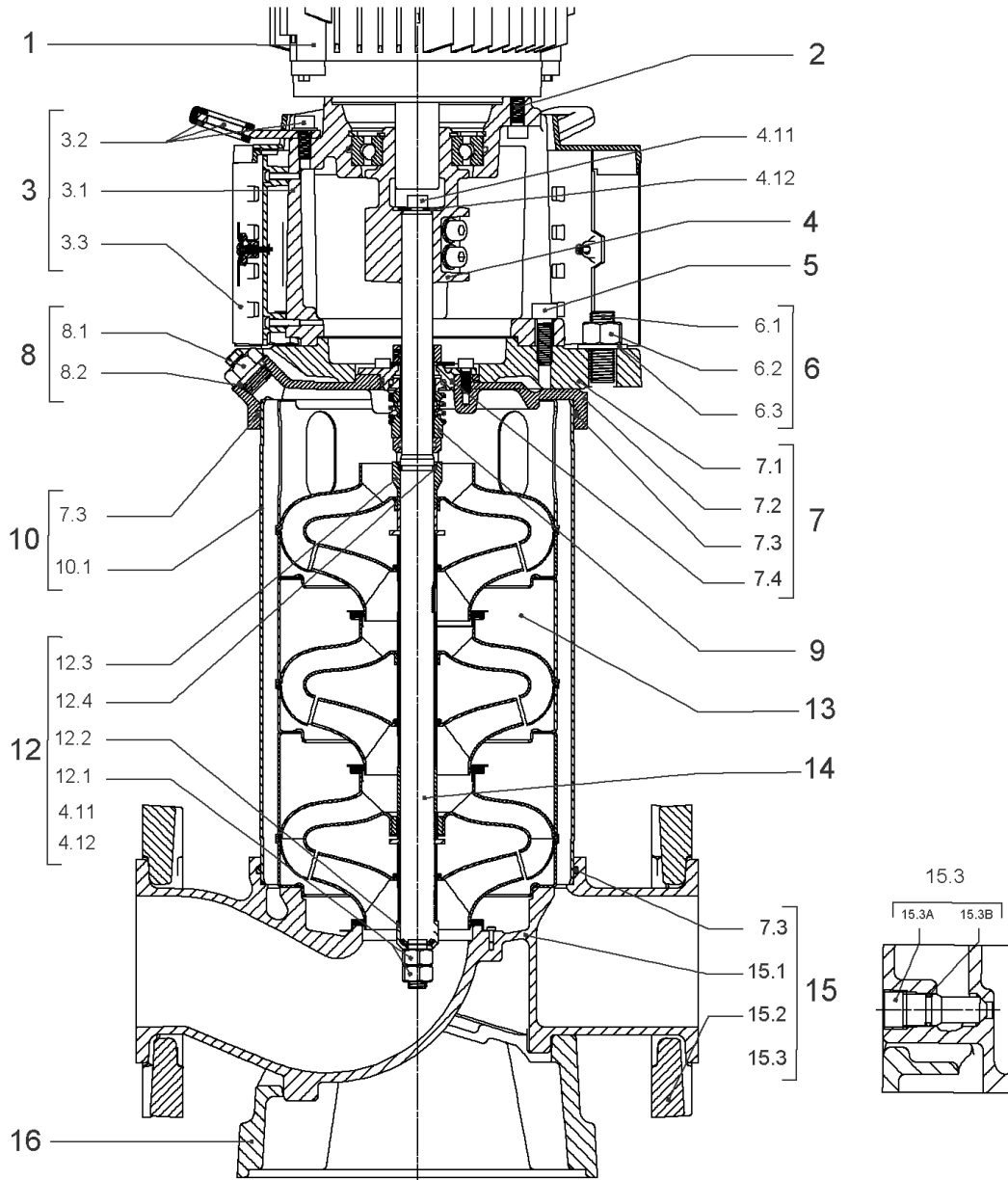
CARTRIDGE HELIX22-36-52 F/E KIT (4143975)

Item	Article no.	Description	Quantity
9.1	4143976	SEAL-KIT-HELIX22-36-52 F/E	1
7.3	4179571	> O-RING HOUSING PIPE HELIX22/36/52 VP.	1
7.4	4179572	> O-RING ID.42.52X2.62 EPDM VP.	1
9.1A	2127447	> M.SEAL.HELIX22-36-52 F/E VP.	1
9.1B	4179574	> O-RING ID.20x2.65 EPDM VP.	1
9.2	4179566	SHAFT SLEEVE D.20/20X60 1.4404 VP.	1
9.3	4179567	RING HOLDER Ø22 1.4301 VP.	1
9.4	4176520	SCREW CH M5x5 A4-70 (3PIECES)	1
9.5	4179568	DRIVE RING D.31/22.1x11 MACH.VP.	1
9.6	4179569	TOOL M.S.CART.HELIX 8" VP.	1
9.7	4179570	SCREW M6X16 ISO4762 8.8 GEOMET(4 PIECES)	1



HYDRAULIC HELIX V 5206-2

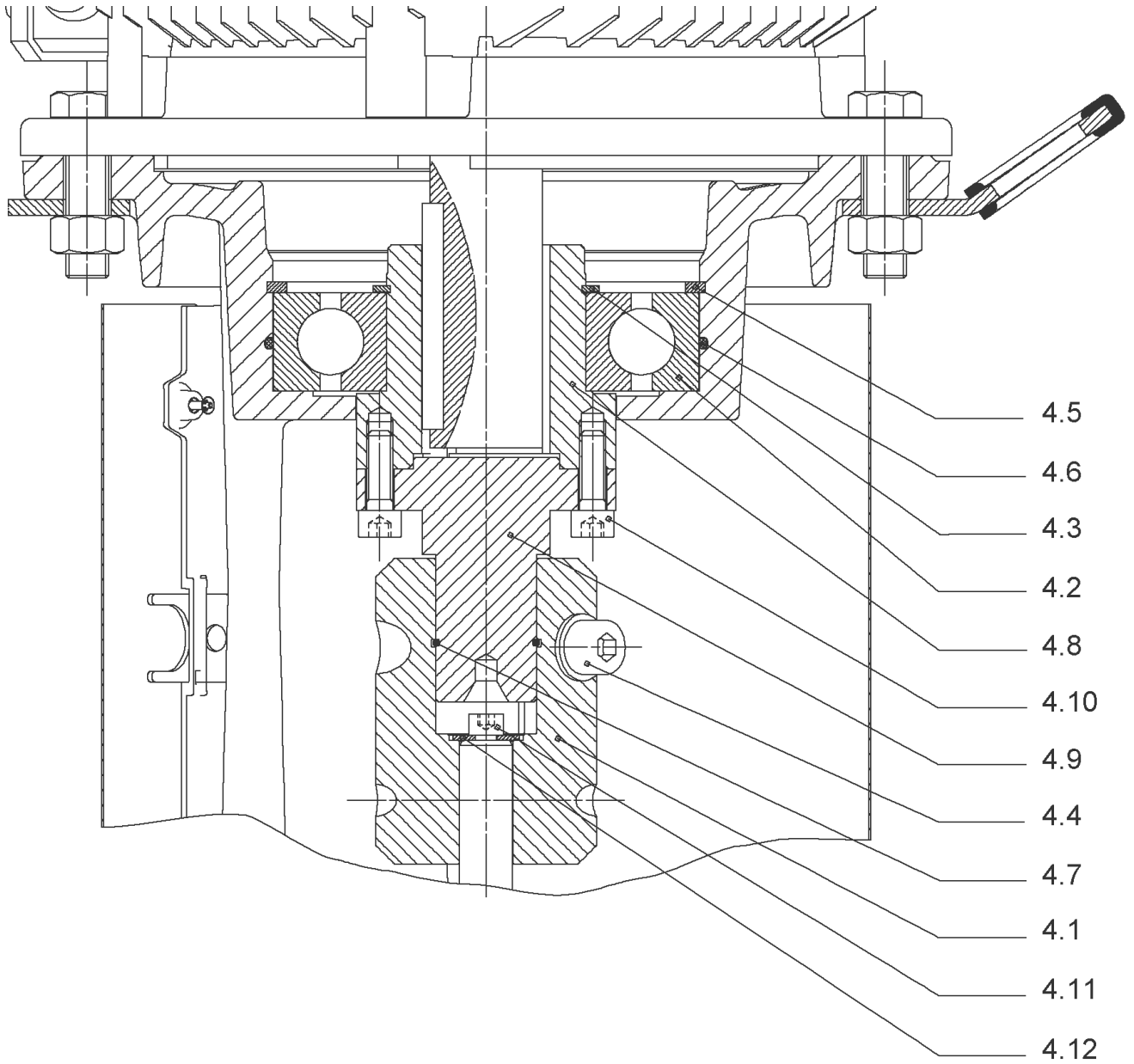
Item	Article no.	Description	Quantity
13.1	4164727	INTERMEDIAIRE STAGE HELIX 52 1.4301 KIT	1
		> SLEEVE-SPACER-D22XL30,42-316L	1
		> MACH.BEARING-DIFFUSER+NR-M+52-304	1
		> SHAFT-SLEEVE-D26xD22x16-CW	1
		> SPACER WASHER D22,3XD36 L3-316L	1
		> IMPELLER-H2-M+52-304	1
13.1A	4161200	> NECK RING 1.STAGE HELIX V36/52 KIT	1
		>> NECK-RING-M+36/52	1
		>> HYDRAULIC SUPPORT CAP M+36/52 304	1
		>> SCREW TCL M3X8 A4 POZIDRIV	1
13.2	4164728	INTERMEDIATE STAGE HELIX 52 1.4301 KIT	1
		> MACH.STD-DIFFUSER+NR-M+52-304	1
		> IMPELLER-H5-M+52-304	1
13.3	4164730	INTERMEDIATE STAGE HELIX 52 1.4301 KIT	1
		> MACH.STD-DIFFUSER+NR-M+52-304	1
		> REDUCED-IMPELLER-H5-M+52-304	1
13.4	4164731	UPPER-STAGE HELIX 52 1.4301 KIT	1
		> STOP COLLAR OF IMPELLER L27,6-Ø22-316L	1
		> SLEEVE-SPACER-D22XL16,66-316L	1
		> SPACER WASHER D22,3XD36 L3-316L	1
		> REDUCED-IMPELLER-H2-M+52-304	1
		> MACH.STD-DISCHARGE-CHAMBER-M+52-304	1



HELIX V5206-1/25/E/KS/400-50 (4198505)

Item	Article no.	Description	Quantity
1	4195489	MOTOR 22/2/160 3~400V 50HZ IE3 VP.	1
		SPARE PARTS MOTOR:ON REQUEST	1
2	4179586	SCREW M16X60 (4 PIECES)	1
3	4161188	LANTERN HELIX V36/52 FF300 BB6313 KIT	1
3.1		> LANTERN FF300 M+ GJL MACHINED+CATA 6313	1
3.2	4179589	> EYELET CPL.FF300 HELIX(4 PIECES)	1
3.3	4143969	> COUPLING PROTECT HELIX FF KIT	1
4	4161190	COUPLING D.20XD.38 FF300 KIT	1
5	4157725	SCREW M10X40 (4 PIECES)	1
6	4181105	STUD BOLT M16X866 KIT	1
6.1		> TIE BOLT M16-866x24x44-1.4057	1
6.2	4179562	> NUT M16 8.8 ISO4032 (4 PIECES)	1
6.3	4097852	> WASHER-CS-16.4-32-2.8-NFE25-511-A2	1
7	4217176	END SHIELD HELIX OPTI 8" EPDM KIT	1
7.1		> upper flange machined + cataphoresis	1
7.2	4217174	> STATIONARY RING HOLDER 8" HELIX OPTI VP.	1
7.3	4179571	> O-RING HOUSING PIPE HELIX22/36/52 VP.	1
7.4	4179572	> O-RING ID.42.52X2.62 EPDM VP.	1
8	4186377	FILING/PURGING PLUG 304 HELIX KIT	1
8.1		> FILLING/VENTING-PLUG-MVI8/10"-304	1
8.2	4032291	> O-RING 17x3 EPDM KTW/WRC	1
9	4143975	CARTRIDGE HELIX22-36-52 F/E KIT	1
10	4181677	HOUSING PIPE D.204X614 1.4301 KIT	1
7.3	4179571	> O-RING HOUSING PIPE HELIX22/36/52 VP.	1
10.1		> HOUSING-PIPE Ø204-M+2211-304	1
12	4164724	SHAFT EQUIPMENT HELIX V52 KIT	1
13		HYDRAULIC HELIX V 5206	1
14	2127503	SHAFT D.22 X 804 HELIX 1.4057 VP.	1
15	4218385	EQUIPED HOUSING DN80 HELIX OPTI 8" KIT	1
15.1		> pump casing machined DN80	1
15.2	4218383	> HALF FLANGE DN80 HELIX OPTI 8" VP.	1
15.3	4217850	> DRAIN/PRIMING PLUG HELIX OPTI 8" KIT	1
7.3	4179571	> O-RING HOUSING PIPE HELIX22/36/52 VP.	1
16	4218387	BASEPLATE DN80 HELIX OPTI 8" VP.	1

COUPLING D.20XD.38 FF300 KIT (4161190)



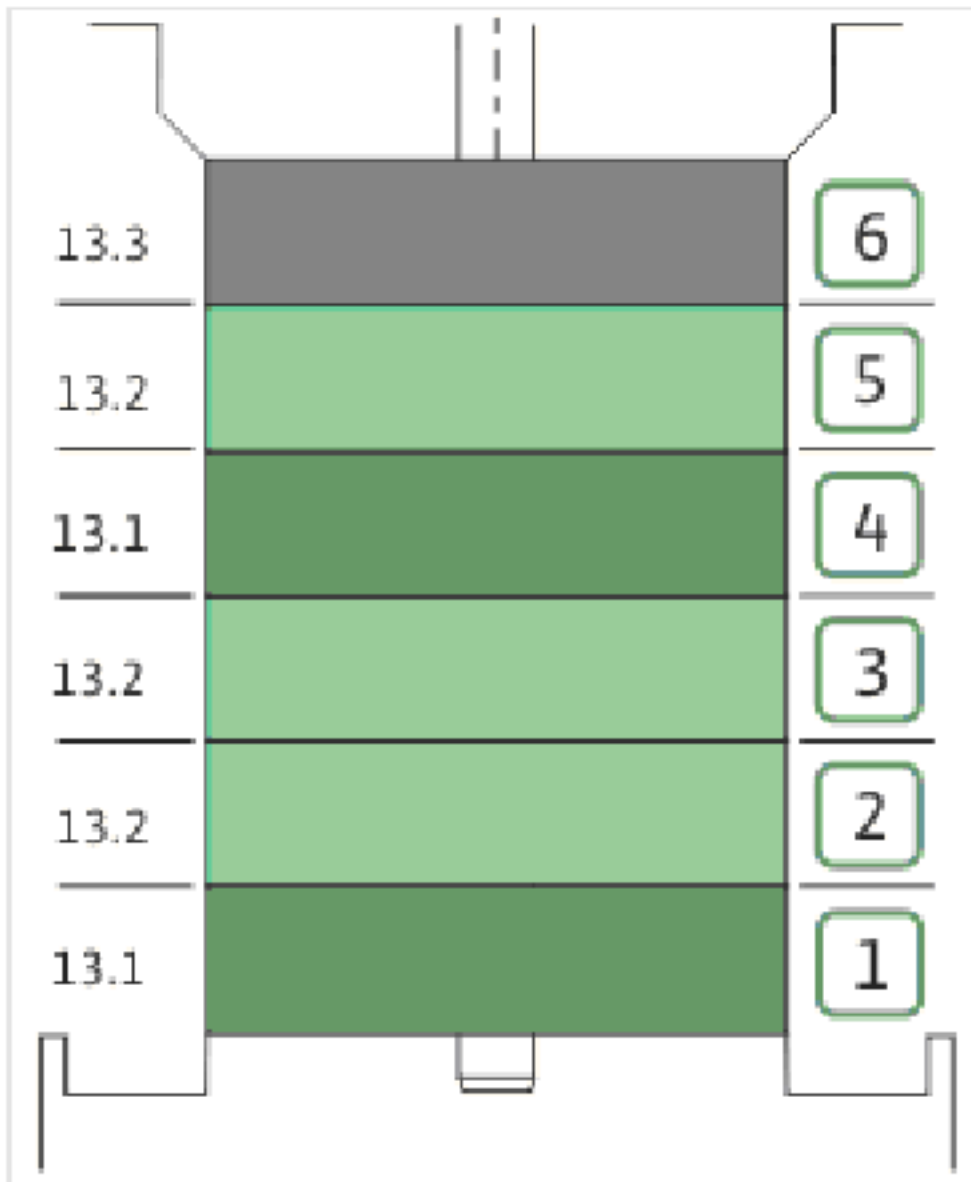
COUPLING D.20XD.38 FF300 KIT (4161190)

Item	Article no.	Description	Quantity
4.1	4179590	COUPLING 2 PARTS D.20XD.38XL115 VP.	1
4.2	2132521	BALL BEARING 6313/2Z-C4(HT)VP.	1
4.3	4032276	CIRCLIP-SHAFT-D65x2,5	1
4.4	2130991	SCREW M12X30 ISO4762 8.8 ZN(4 PIECES)	1
4.5	4233130	CIRCLIP-FOR-BORES-D140 VP.	1
4.6	4233945	O-RING ID.140 VP.	1
4.7	2130992	RETAINING RING D.35xD.2,5 DIN7993 VP.	1
4.8	4179928	HUB D.48xD.65 VP.	1
4.9	2130994	SPACER D.38XD.55 VP.	1
4.10	4094462	SCREWS M10 (4 PIECES)	1
4.11	4233959	SCREW M8x16 VP.	1
4.12		SERRATED LOCK WASHER Ø8.2XØ25X35X2	1



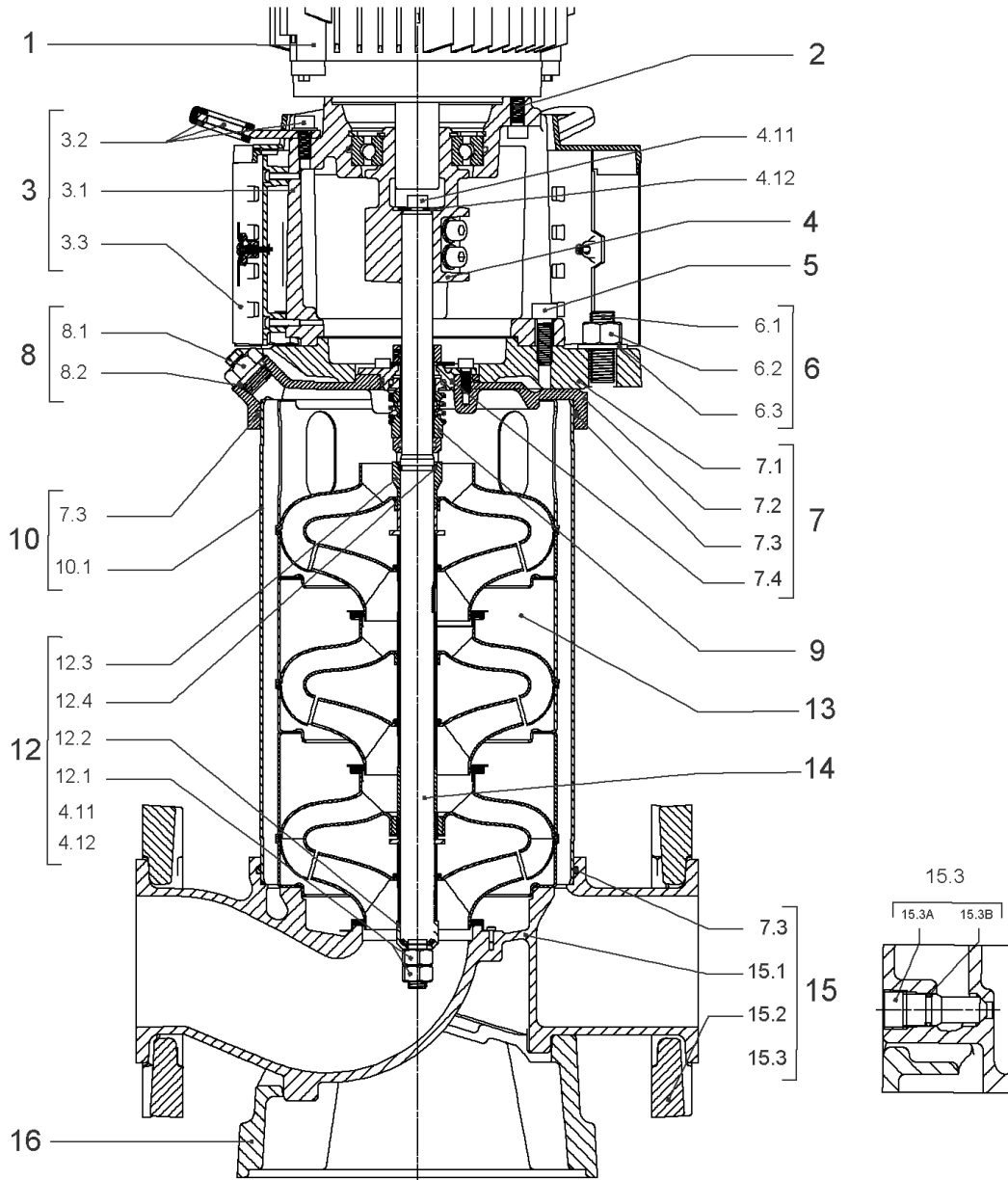
CARTRIDGE HELIX22-36-52 F/E KIT (4143975)

Item	Article no.	Description	Quantity
9.1	4143976	SEAL-KIT-HELIX22-36-52 F/E	1
7.3	4179571	> O-RING HOUSING PIPE HELIX22/36/52 VP.	1
7.4	4179572	> O-RING ID.42.52X2.62 EPDM VP.	1
9.1A	2127447	> M.SEAL.HELIX22-36-52 F/E VP.	1
9.1B	4179574	> O-RING ID.20x2.65 EPDM VP.	1
9.2	4179566	SHAFT SLEEVE D.20/20X60 1.4404 VP.	1
9.3	4179567	RING HOLDER Ø22 1.4301 VP.	1
9.4	4176520	SCREW CH M5x5 A4-70 (3PIECES)	1
9.5	4179568	DRIVE RING D.31/22.1x11 MACH.VP.	1
9.6	4179569	TOOL M.S.CART.HELIX 8" VP.	1
9.7	4179570	SCREW M6X16 ISO4762 8.8 GEOMET(4 PIECES)	1



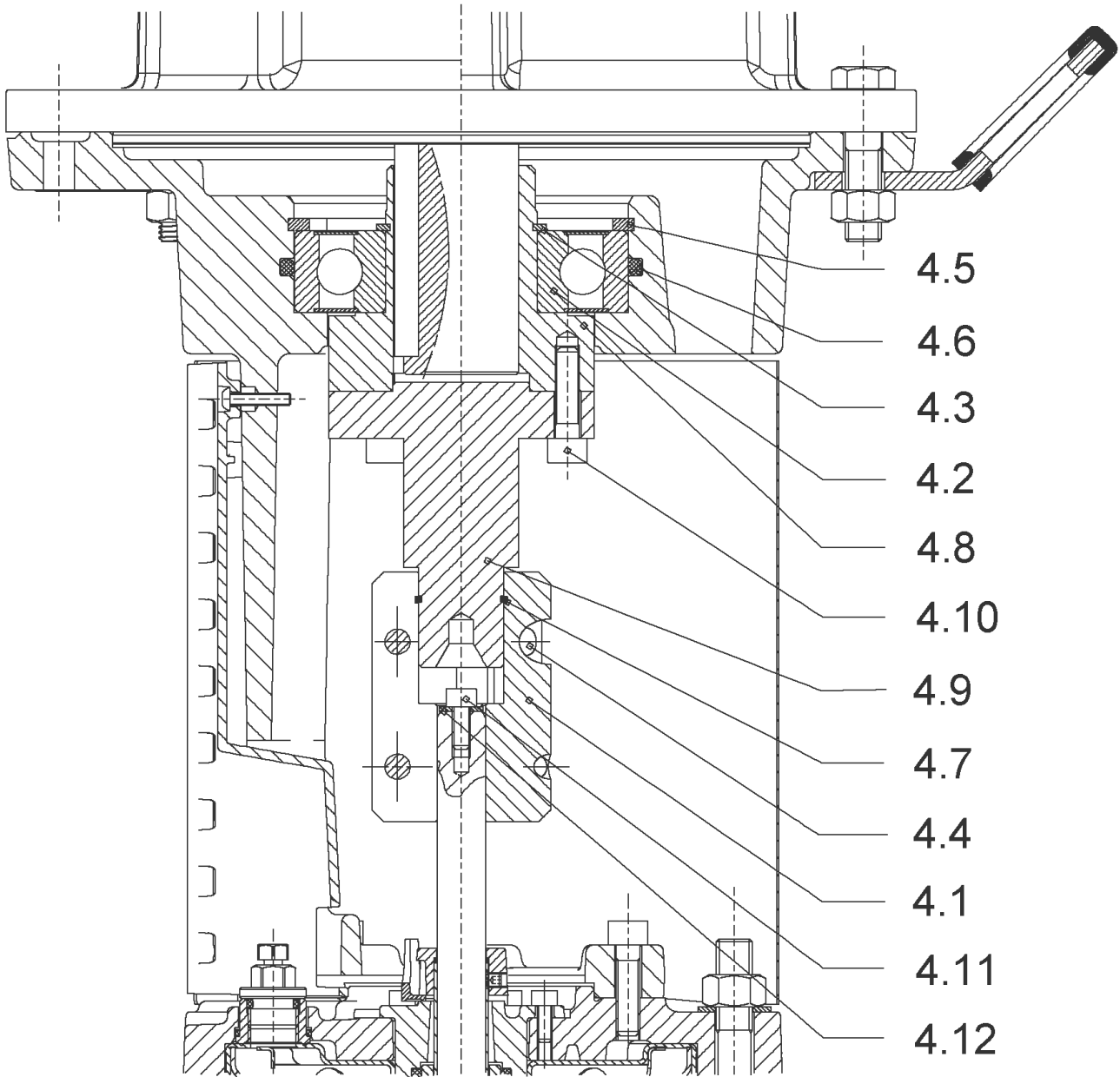
HYDRAULIC HELIX V 5206

Item	Article no.	Description	Quantity
13.1	4164727	INTERMEDIAIRE STAGE HELIX 52 1.4301 KIT	1
		> SLEEVE-SPACER-D22XL30,42-316L	1
		> MACH.BEARING-DIFFUSER+NR-M+52-304	1
		> SHAFT-SLEEVE-D26xD22x16-CW	1
		> SPACER WASHER D22,3XD36 L3-316L	1
		> IMPELLER-H2-M+52-304	1
13.1A	4161200	> NECK RING 1.STAGE HELIX V36/52 KIT	1
		>> NECK-RING-M+36/52	1
		>> HYDRAULIC SUPPORT CAP M+36/52 304	1
		>> SCREW TCL M3X8 A4 POZIDRIV	1
13.2	4164728	INTERMEDIATE STAGE HELIX 52 1.4301 KIT	1
		> MACH.STD-DIFFUSER+NR-M+52-304	1
		> IMPELLER-H5-M+52-304	1
13.3	4164729	UPPER-STAGE HELIX 52 1.4301 KIT	1
		> STOP COLLAR OF IMPELLER L27,6-Ø22-316L	1
		> SLEEVE-SPACER-D22XL16,66-316L	1
		> SPACER WASHER D22,3XD36 L3-316L	1
		> IMPELLER-H2-M+52-304	1
		> MACH.STD-DISCHARGE-CHAMBER-M+52-304	1



HELIX V5207/2-1/25/E/KS/400-50 (4198506)

Item	Article no.	Description	Quantity
1	4195491	MOTOR 30/2/200 3~400V 50HZ IE3 VP.	1
		SPARE PARTS MOTOR:ON REQUEST	1
2	4179586	SCREW M16X60 (4 PIECES)	1
3	4161189	LANTERN HELIX V36 FF350 BB6315 KIT	1
3.1		> LANTERN FF350 M+ GJL MACHINED+CATA 6315	1
3.2	4179938	> EYELET CPL.FF350 HELIX(4 PIECES)	1
3.3	4143969	> COUPLING PROTECT HELIX FF KIT	1
4	4161191	COUPLING HELIX V36/52 FF350 RLT6315 KIT	1
5	4157725	SCREW M10X40 (4 PIECES)	1
6	4218396	STUD BOLT M16X958 KIT	1
6.1		> TIE BOLT M16-958x24x44-1.4057	1
6.2	4179562	> NUT M16 8.8 ISO4032 (4 PIECES)	1
6.3	4097852	> WASHER-CS-16.4-32-2.8-NFE25-511-A2	1
7	4217176	END SHIELD HELIX OPTI 8" EPDM KIT	1
7.1		> upper flange machined + cataphoresis	1
7.2	4217174	> STATIONARY RING HOLDER 8" HELIX OPTI VP.	1
7.3	4179571	> O-RING HOUSING PIPE HELIX22/36/52 VP.	1
7.4	4179572	> O-RING ID.42.52X2.62 EPDM VP.	1
8	4186377	FILING/PURGING PLUG 304 HELIX KIT	1
8.1		> FILLING/VENTING-PLUG-MVI8/10"-304	1
8.2	4032291	> O-RING 17x3 EPDM KTW/WRC	1
9	4143975	CARTRIDGE HELIX22-36-52 F/E KIT	1
10	4181681	HOUSING PIPE D.204X714 1.4301 KIT	1
7.3	4179571	> O-RING HOUSING PIPE HELIX22/36/52 VP.	1
10.1		> HOUSING-PIPE Ø204-M+2213-304	1
12	4164724	SHAFT EQUIPMENT HELIX V52 KIT	1
13		HYDRAULIC HELIX V 5207-2	1
14	4179932	SHAFTS D.22X904 1.4057 VP.	1
15	4218385	EQUIPED HOUSING DN80 HELIX OPTI 8" KIT	1
15.1		> pump casing machined DN80	1
15.2	4218383	> HALF FLANGE DN80 HELIX OPTI 8" VP.	1
15.3	4217850	> DRAIN/PRIMING PLUG HELIX OPTI 8" KIT	1
7.3	4179571	> O-RING HOUSING PIPE HELIX22/36/52 VP.	1
16	4218387	BASEPLATE DN80 HELIX OPTI 8" VP.	1



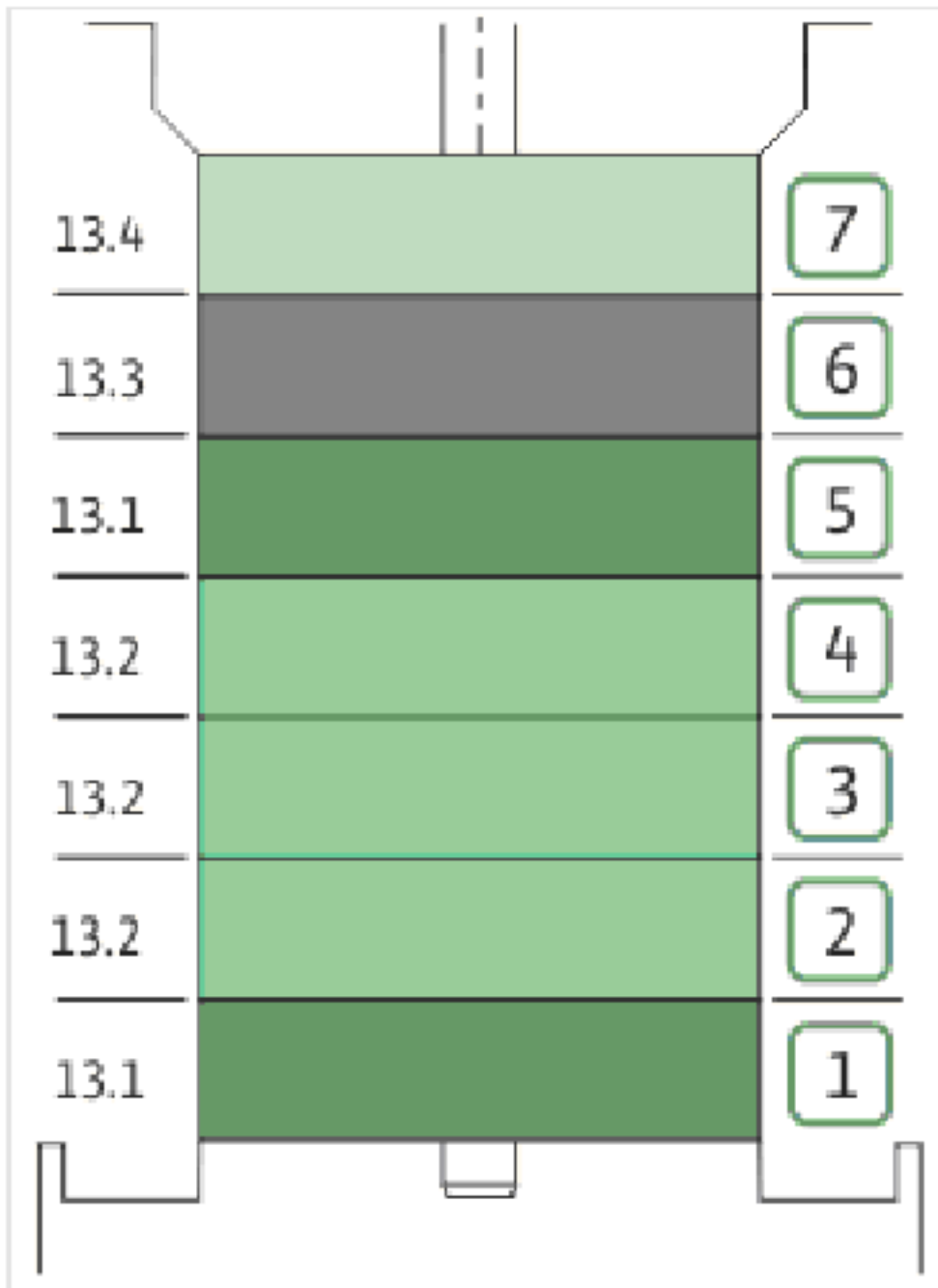
COUPLING HELIX V36/52 FF350 RLT6315 KIT (4161191)

Item	Article no.	Description	Quantity
4.1	4179935	COUPLING 2 PARTS D.20XD.38XL115 VP.	1
4.2	2114423	BALL BEARING 6315C4-ZZ-HT VP.	1
4.3	2119916	CIRCLIP D75X2.5 VP.	1
4.4	4179934	SCREW M12X30 (8 PIECES)	1
4.5	2119917	CIRCLIP D160X4 VP.	1
4.6	2119918	O-RING Ø158.34X3.53 NBR 70SH.VP.	1
4.7	2130992	RETAINING RING D.35xD.2,5 DIN7993 VP.	1
4.8	4179937	HUB D.55XD.75 VP.	1
4.9	4179936	SPACER D.38XD.65 VP.	1
4.10	2130991	SCREW M12X30 ISO4762 8.8 ZN(4 PIECES)	1
4.11	4233959	SCREW M8x16 VP.	1
4.12		SERRATED LOCK WASHER Ø8.2XØ25X35X2	1



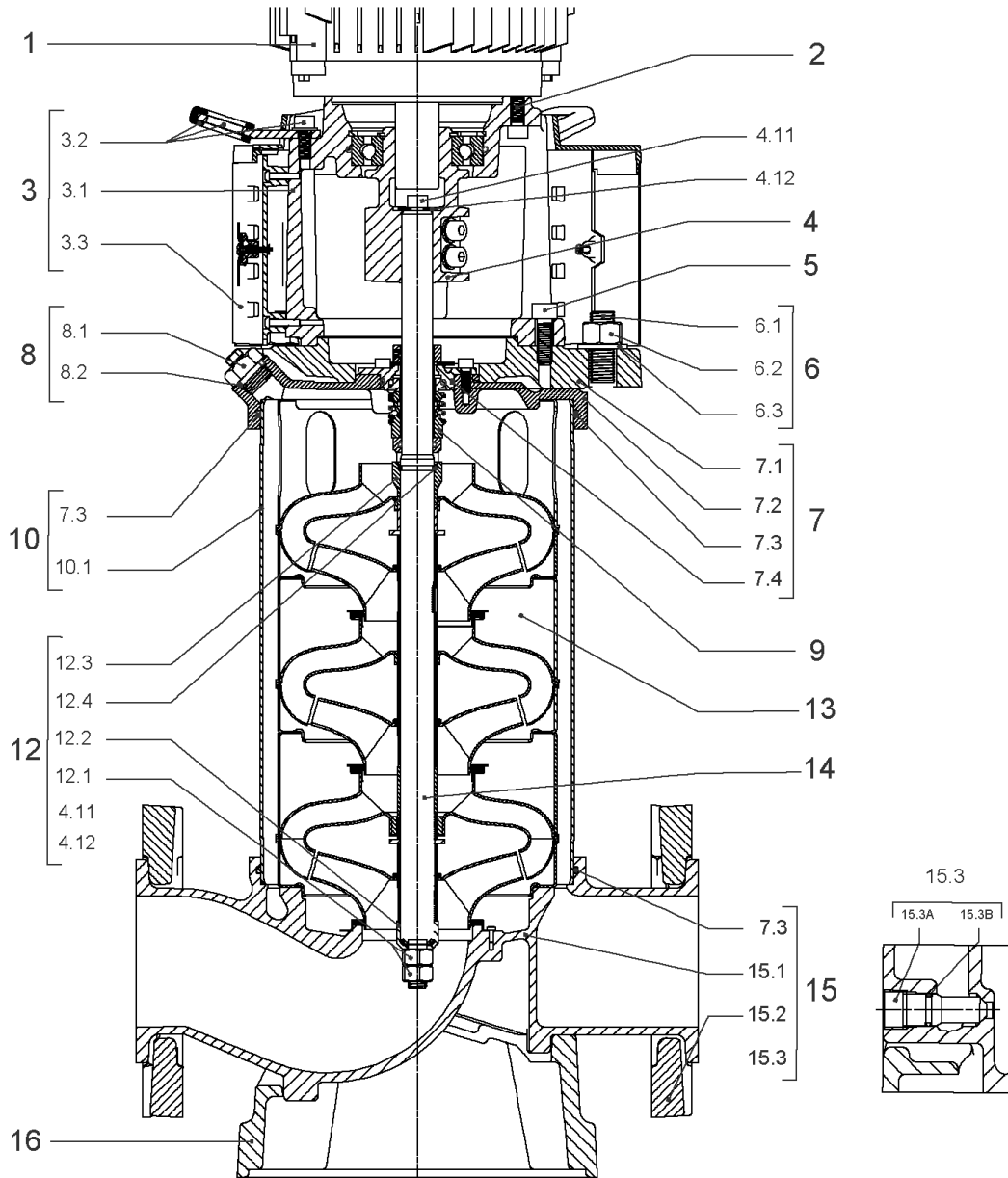
CARTRIDGE HELIX22-36-52 F/E KIT (4143975)

Item	Article no.	Description	Quantity
9.1	4143976	SEAL-KIT-HELIX22-36-52 F/E	1
7.3	4179571	> O-RING HOUSING PIPE HELIX22/36/52 VP.	1
7.4	4179572	> O-RING ID.42.52X2.62 EPDM VP.	1
9.1A	2127447	> M.SEAL.HELIX22-36-52 F/E VP.	1
9.1B	4179574	> O-RING ID.20x2.65 EPDM VP.	1
9.2	4179566	SHAFT SLEEVE D.20/20X60 1.4404 VP.	1
9.3	4179567	RING HOLDER Ø22 1.4301 VP.	1
9.4	4176520	SCREW CH M5x5 A4-70 (3PIECES)	1
9.5	4179568	DRIVE RING D.31/22.1x11 MACH.VP.	1
9.6	4179569	TOOL M.S.CART.HELIX 8" VP.	1
9.7	4179570	SCREW M6X16 ISO4762 8.8 GEOMET(4 PIECES)	1



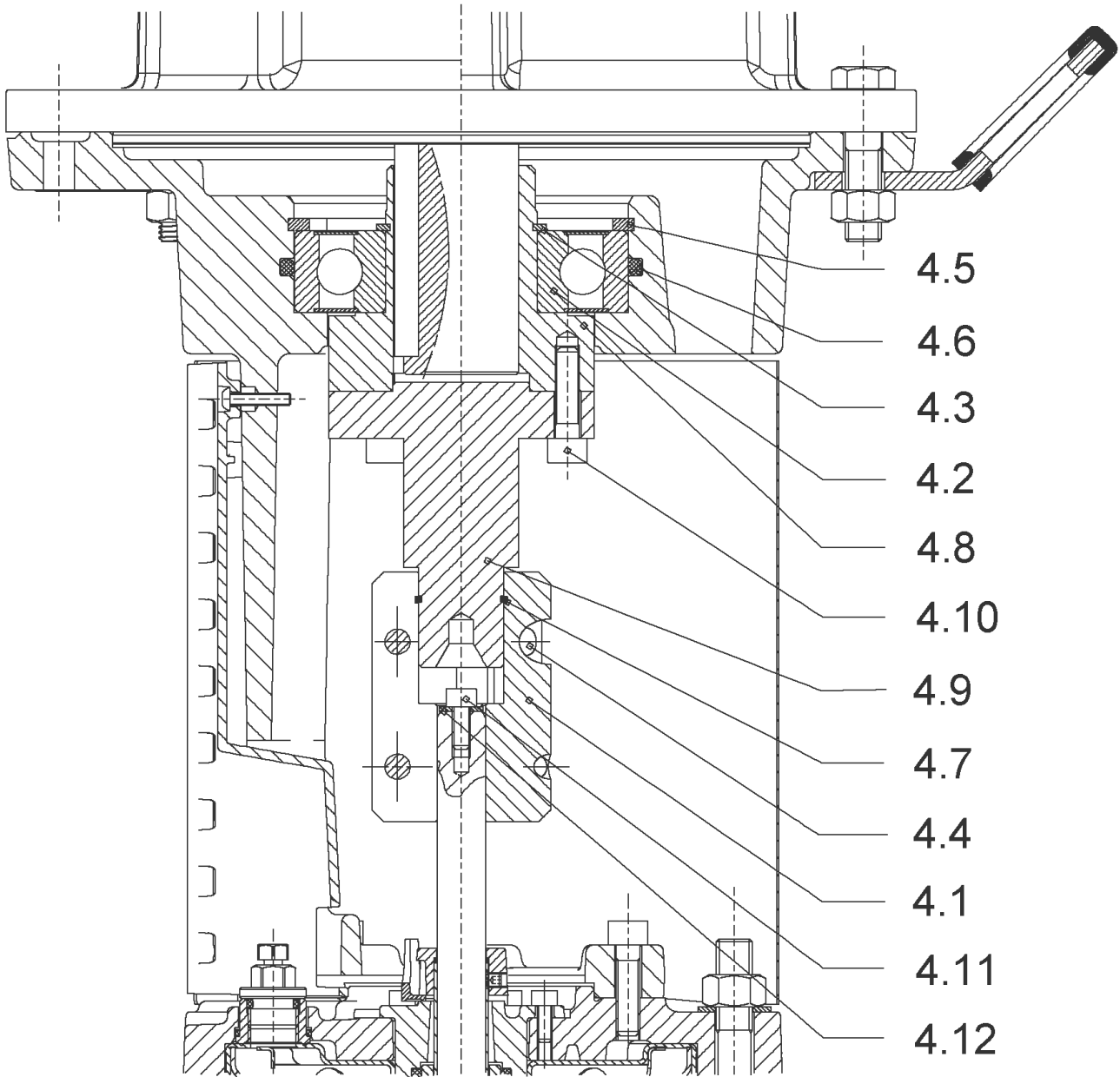
HYDRAULIC HELIX V 5207-2

Item	Article no.	Description	Quantity
13.1	4164727	INTERMEDIAIRE STAGE HELIX 52 1.4301 KIT	1
		> SLEEVE-SPACER-D22XL30,42-316L	1
		> MACH.BEARING-DIFFUSER+NR-M+52-304	1
		> SHAFT-SLEEVE-D26xD22x16-CW	1
		> SPACER WASHER D22,3XD36 L3-316L	1
		> IMPELLER-H2-M+52-304	1
13.1A	4161200	> NECK RING 1.STAGE HELIX V36/52 KIT	1
		>> NECK-RING-M+36/52	1
		>> HYDRAULIC SUPPORT CAP M+36/52 304	1
		>> SCREW TCL M3X8 A4 POZIDRIV	1
13.2	4164728	INTERMEDIATE STAGE HELIX 52 1.4301 KIT	1
		> MACH.STD-DIFFUSER+NR-M+52-304	1
		> IMPELLER-H5-M+52-304	1
13.3	4164730	INTERMEDIATE STAGE HELIX 52 1.4301 KIT	1
		> MACH.STD-DIFFUSER+NR-M+52-304	1
		> REDUCED-IMPELLER-H5-M+52-304	1
13.4	4164731	UPPER-STAGE HELIX 52 1.4301 KIT	1
		> STOP COLLAR OF IMPELLER L27,6-Ø22-316L	1
		> SLEEVE-SPACER-D22XL16,66-316L	1
		> SPACER WASHER D22,3XD36 L3-316L	1
		> REDUCED-IMPELLER-H2-M+52-304	1
		> MACH.STD-DISCHARGE-CHAMBER-M+52-304	1



HELIX V5207-1/25/E/KS/400-50 (4198507)

Item	Article no.	Description	Quantity
1	4195491	MOTOR 30/2/200 3~400V 50HZ IE3 VP.	1
		SPARE PARTS MOTOR:ON REQUEST	1
2	4179586	SCREW M16X60 (4 PIECES)	1
3	4161189	LANTERN HELIX V36 FF350 BB6315 KIT	1
3.1		> LANTERN FF350 M+ GJL MACHINED+CATA 6315	1
3.2	4179938	> EYELET CPL.FF350 HELIX(4 PIECES)	1
3.3	4143969	> COUPLING PROTECT HELIX FF KIT	1
4	4161191	COUPLING HELIX V36/52 FF350 RLT6315 KIT	1
5	4157725	SCREW M10X40 (4 PIECES)	1
6	4218396	STUD BOLT M16X958 KIT	1
6.1		> TIE BOLT M16-958x24x44-1.4057	1
6.2	4179562	> NUT M16 8.8 ISO4032 (4 PIECES)	1
6.3	4097852	> WASHER-CS-16.4-32-2.8-NFE25-511-A2	1
7	4217176	END SHIELD HELIX OPTI 8" EPDM KIT	1
7.1		> upper flange machined + cataphoresis	1
7.2	4217174	> STATIONARY RING HOLDER 8" HELIX OPTI VP.	1
7.3	4179571	> O-RING HOUSING PIPE HELIX22/36/52 VP.	1
7.4	4179572	> O-RING ID.42.52X2.62 EPDM VP.	1
8	4186377	FILING/PURGING PLUG 304 HELIX KIT	1
8.1		> FILLING/VENTING-PLUG-MVI8/10"-304	1
8.2	4032291	> O-RING 17x3 EPDM KTW/WRC	1
9	4143975	CARTRIDGE HELIX22-36-52 F/E KIT	1
10	4181681	HOUSING PIPE D.204X714 1.4301 KIT	1
7.3	4179571	> O-RING HOUSING PIPE HELIX22/36/52 VP.	1
10.1		> HOUSING-PIPE Ø204-M+2213-304	1
12	4164724	SHAFT EQUIPMENT HELIX V52 KIT	1
13		HYDRAULIC HELIX V 5207	1
14	4179932	SHAFTS D.22X904 1.4057 VP.	1
15	4218385	EQUIPED HOUSING DN80 HELIX OPTI 8" KIT	1
15.1		> pump casing machined DN80	1
15.2	4218383	> HALF FLANGE DN80 HELIX OPTI 8" VP.	1
15.3	4217850	> DRAIN/PRIMING PLUG HELIX OPTI 8" KIT	1
7.3	4179571	> O-RING HOUSING PIPE HELIX22/36/52 VP.	1
16	4218387	BASEPLATE DN80 HELIX OPTI 8" VP.	1



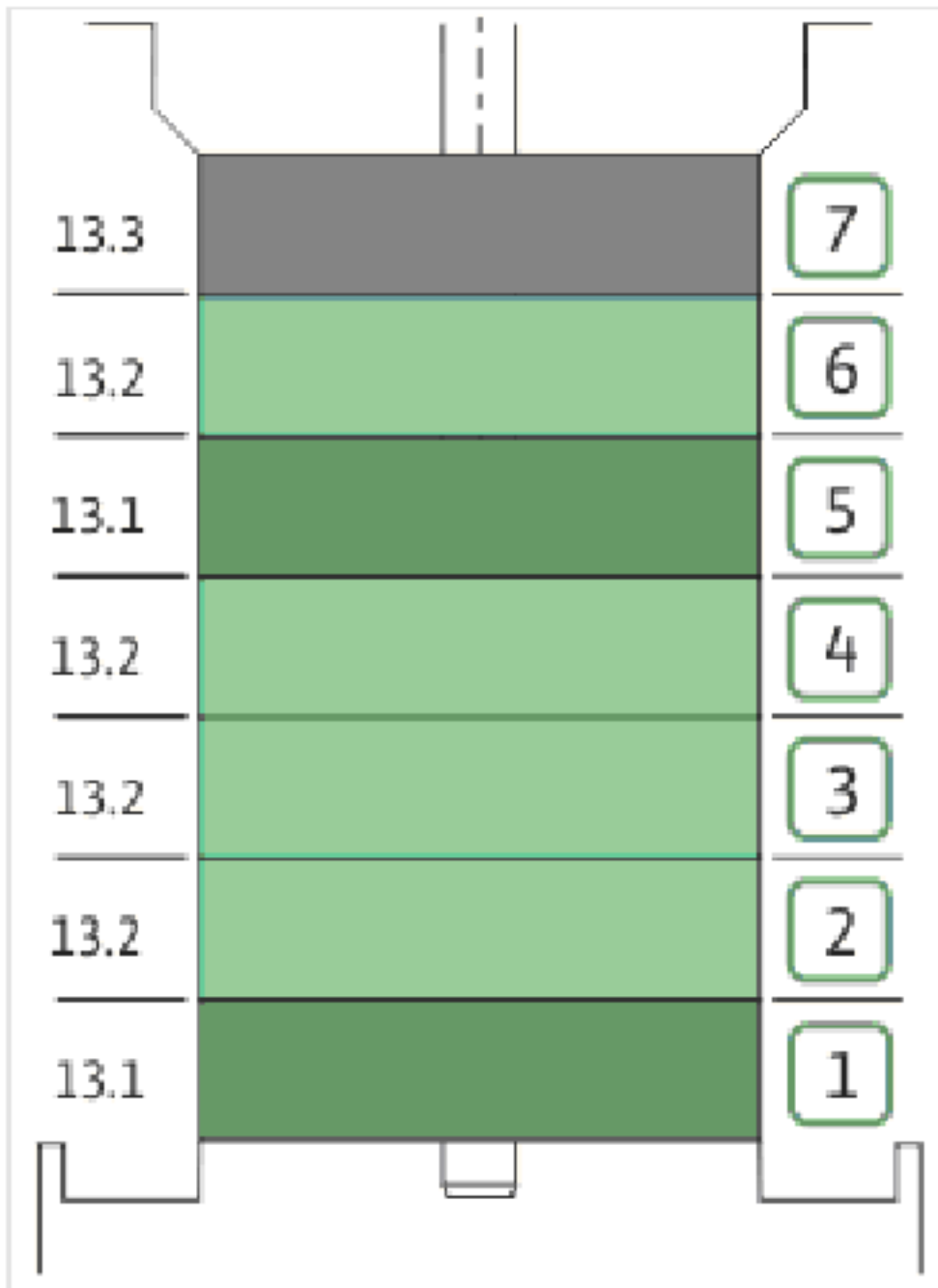
COUPLING HELIX V36/52 FF350 RLT6315 KIT (4161191)

Item	Article no.	Description	Quantity
4.1	4179935	COUPLING 2 PARTS D.20XD.38XL115 VP.	1
4.2	2114423	BALL BEARING 6315C4-ZZ-HT VP.	1
4.3	2119916	CIRCLIP D75X2.5 VP.	1
4.4	4179934	SCREW M12X30 (8 PIECES)	1
4.5	2119917	CIRCLIP D160X4 VP.	1
4.6	2119918	O-RING Ø158.34X3.53 NBR 70SH.VP.	1
4.7	2130992	RETAINING RING D.35xD.2,5 DIN7993 VP.	1
4.8	4179937	HUB D.55XD.75 VP.	1
4.9	4179936	SPACER D.38XD.65 VP.	1
4.10	2130991	SCREW M12X30 ISO4762 8.8 ZN(4 PIECES)	1
4.11	4233959	SCREW M8x16 VP.	1
4.12		SERRATED LOCK WASHER Ø8.2XØ25X35X2	1



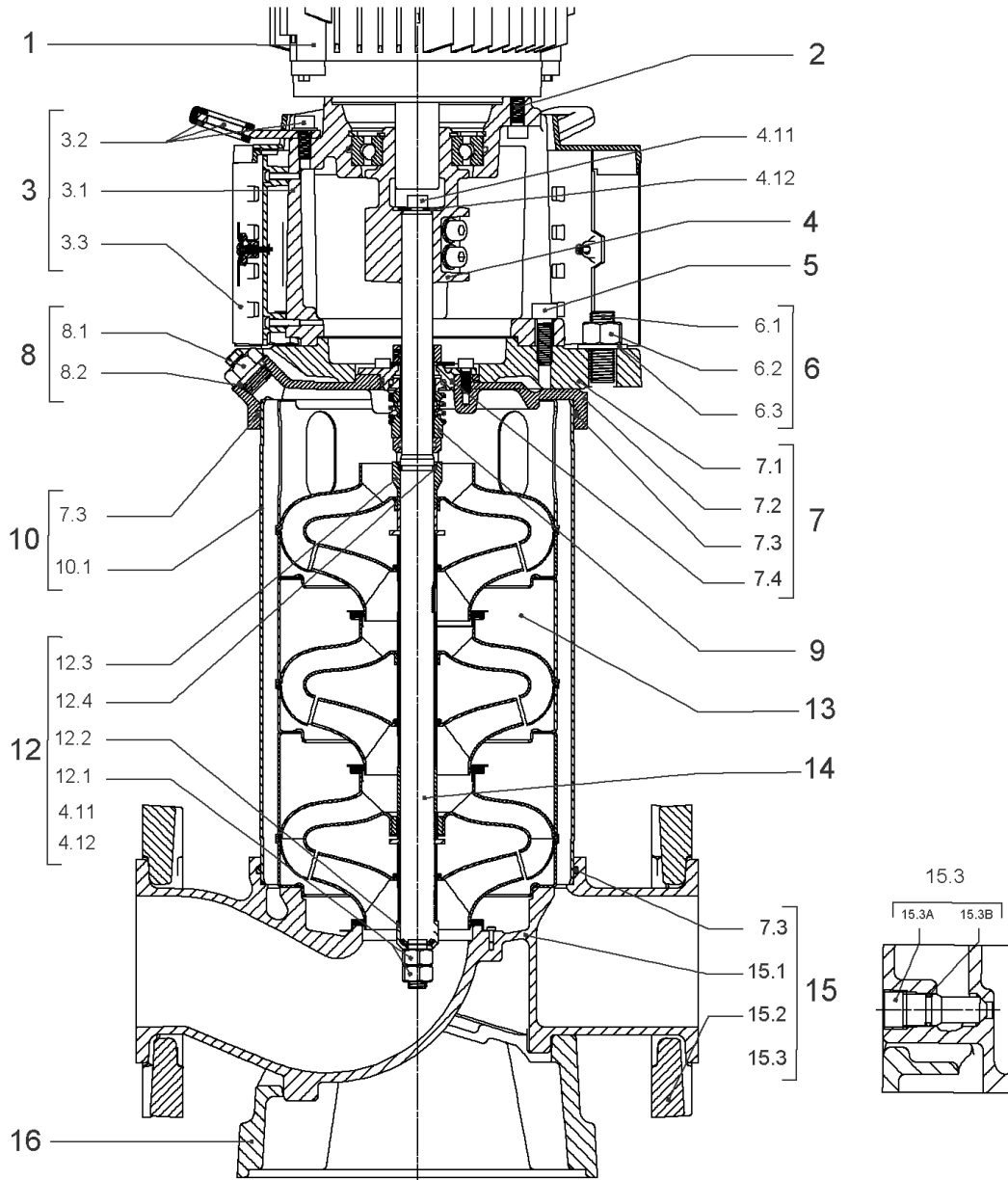
CARTRIDGE HELIX22-36-52 F/E KIT (4143975)

Item	Article no.	Description	Quantity
9.1	4143976	SEAL-KIT-HELIX22-36-52 F/E	1
7.3	4179571	> O-RING HOUSING PIPE HELIX22/36/52 VP.	1
7.4	4179572	> O-RING ID.42.52X2.62 EPDM VP.	1
9.1A	2127447	> M.SEAL.HELIX22-36-52 F/E VP.	1
9.1B	4179574	> O-RING ID.20x2.65 EPDM VP.	1
9.2	4179566	SHAFT SLEEVE D.20/20X60 1.4404 VP.	1
9.3	4179567	RING HOLDER Ø22 1.4301 VP.	1
9.4	4176520	SCREW CH M5x5 A4-70 (3PIECES)	1
9.5	4179568	DRIVE RING D.31/22.1x11 MACH.VP.	1
9.6	4179569	TOOL M.S.CART.HELIX 8" VP.	1
9.7	4179570	SCREW M6X16 ISO4762 8.8 GEOMET(4 PIECES)	1



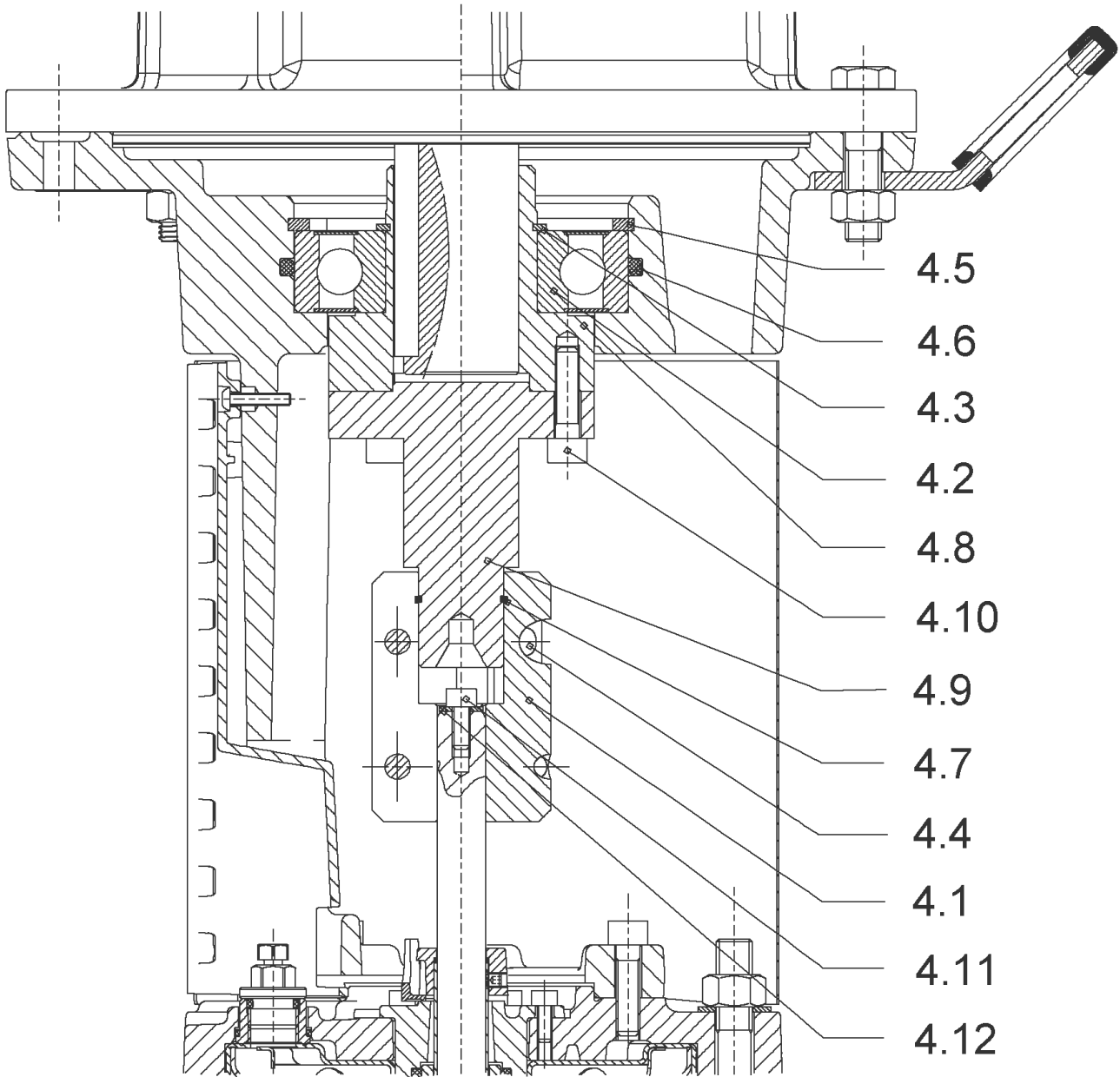
HYDRAULIC HELIX V 5207

Item	Article no.	Description	Quantity
13.1	4164727	INTERMEDIAIRE STAGE HELIX 52 1.4301 KIT	1
		> SLEEVE-SPACER-D22XL30,42-316L	1
		> MACH.BEARING-DIFFUSER+NR-M+52-304	1
		> SHAFT-SLEEVE-D26xD22x16-CW	1
		> SPACER WASHER D22,3XD36 L3-316L	1
		> IMPELLER-H2-M+52-304	1
13.1A	4161200	> NECK RING 1.STAGE HELIX V36/52 KIT	1
		>> NECK-RING-M+36/52	1
		>> HYDRAULIC SUPPORT CAP M+36/52 304	1
		>> SCREW TCL M3X8 A4 POZIDRIV	1
13.2	4164728	INTERMEDIATE STAGE HELIX 52 1.4301 KIT	1
		> MACH.STD-DIFFUSER+NR-M+52-304	1
		> IMPELLER-H5-M+52-304	1
13.3	4164729	UPPER-STAGE HELIX 52 1.4301 KIT	1
		> STOP COLLAR OF IMPELLER L27,6-Ø22-316L	1
		> SLEEVE-SPACER-D22XL16,66-316L	1
		> SPACER WASHER D22,3XD36 L3-316L	1
		> IMPELLER-H2-M+52-304	1
		> MACH.STD-DISCHARGE-CHAMBER-M+52-304	1



HELIX V5208/2-1/25/E/KS/400-50 (4198508)

Item	Article no.	Description	Quantity
1	4195491	MOTOR 30/2/200 3~400V 50HZ IE3 VP.	1
		SPARE PARTS MOTOR:ON REQUEST	1
2	4179586	SCREW M16X60 (4 PIECES)	1
3	4161189	LANTERN HELIX V36 FF350 BB6315 KIT	1
3.1		> LANTERN FF350 M+ GJL MACHINED+CATA 6315	1
3.2	4179938	> EYELET CPL.FF350 HELIX(4 PIECES)	1
3.3	4143969	> COUPLING PROTECT HELIX FF KIT	1
4	4161191	COUPLING HELIX V36/52 FF350 RLT6315 KIT	1
5	4157725	SCREW M10X40 (4 PIECES)	1
6	4218401	STUD BOLT M16X1058 KIT	1
6.1		> TIE BOLT M16-1058x24x44-1.4057	1
6.2	4179562	> NUT M16 8.8 ISO4032 (4 PIECES)	1
6.3	4097852	> WASHER-CS-16.4-32-2.8-NFE25-511-A2	1
7	4217176	END SHIELD HELIX OPTI 8" EPDM KIT	1
7.1		> upper flange machined + cataphoresis	1
7.2	4217174	> STATIONARY RING HOLDER 8" HELIX OPTI VP.	1
7.3	4179571	> O-RING HOUSING PIPE HELIX22/36/52 VP.	1
7.4	4179572	> O-RING ID.42.52X2.62 EPDM VP.	1
8	4186377	FILING/PURGING PLUG 304 HELIX KIT	1
8.1		> FILLING/VENTING-PLUG-MVI8/10"-304	1
8.2	4032291	> O-RING 17x3 EPDM KTW/WRC	1
9	4143975	CARTRIDGE HELIX22-36-52 F/E KIT	1
10	4181688	HOUSING PIPE D.204X814 1.4301 KIT	1
7.3	4179571	> O-RING HOUSING PIPE HELIX22/36/52 VP.	1
10.1		> HOUSING-PIPE Ø204-M+2215-304	1
12	4164724	SHAFT EQUIPMENT HELIX V52 KIT	1
13		HYDRAULIC HELIX V 5208-2	1
14	4179947	SHAFTS D.22X1004 1.4057 VP.	1
15	4218385	EQUIPED HOUSING DN80 HELIX OPTI 8" KIT	1
15.1		> pump casing machined DN80	1
15.2	4218383	> HALF FLANGE DN80 HELIX OPTI 8" VP.	1
15.3	4217850	> DRAIN/PRIMING PLUG HELIX OPTI 8" KIT	1
7.3	4179571	> O-RING HOUSING PIPE HELIX22/36/52 VP.	1
16	4218387	BASEPLATE DN80 HELIX OPTI 8" VP.	1



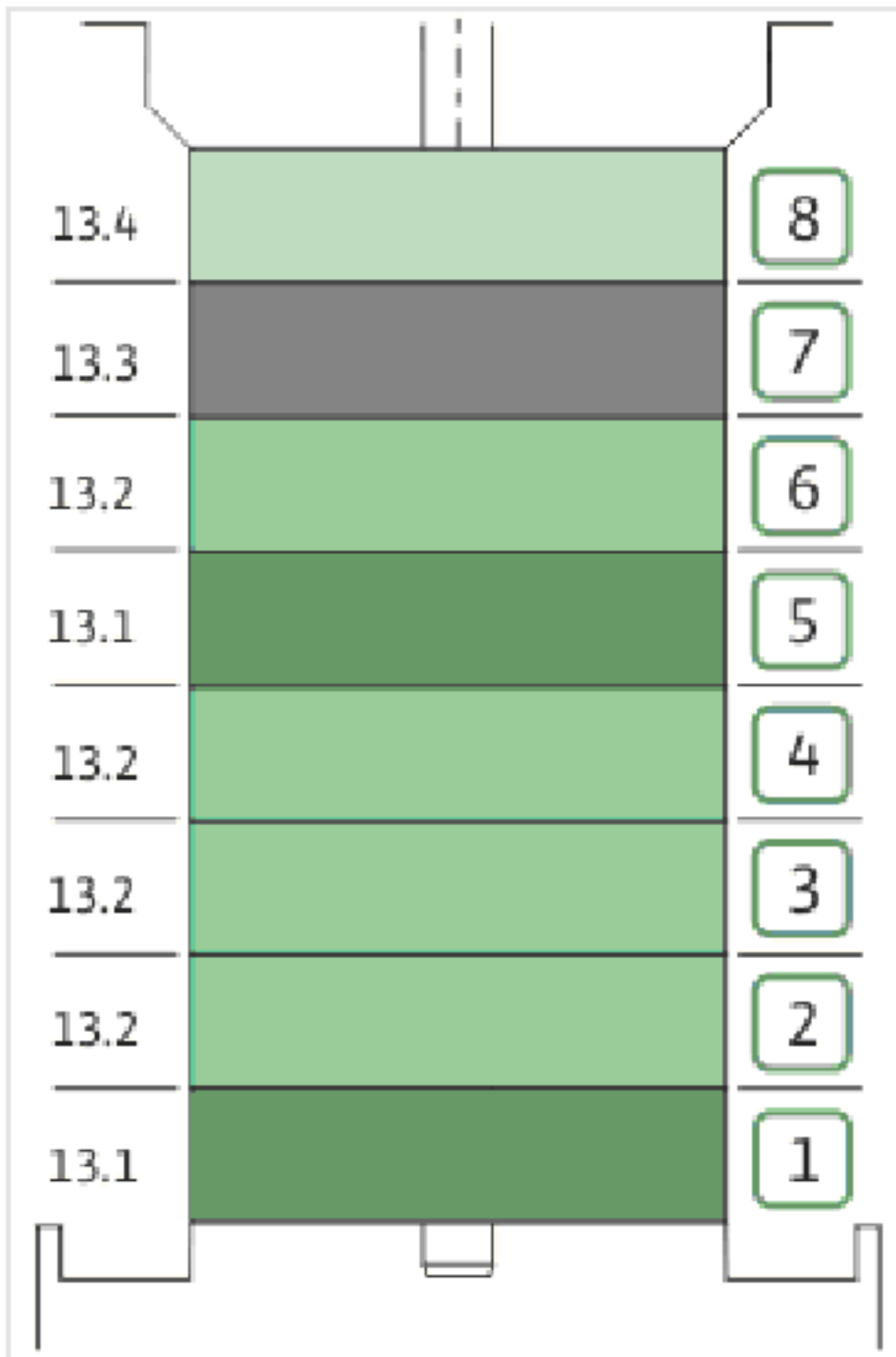
COUPLING HELIX V36/52 FF350 RLT6315 KIT (4161191)

Item	Article no.	Description	Quantity
4.1	4179935	COUPLING 2 PARTS D.20XD.38XL115 VP.	1
4.2	2114423	BALL BEARING 6315C4-ZZ-HT VP.	1
4.3	2119916	CIRCLIP D75X2.5 VP.	1
4.4	4179934	SCREW M12X30 (8 PIECES)	1
4.5	2119917	CIRCLIP D160X4 VP.	1
4.6	2119918	O-RING Ø158.34X3.53 NBR 70SH.VP.	1
4.7	2130992	RETAINING RING D.35xD.2,5 DIN7993 VP.	1
4.8	4179937	HUB D.55XD.75 VP.	1
4.9	4179936	SPACER D.38XD.65 VP.	1
4.10	2130991	SCREW M12X30 ISO4762 8.8 ZN(4 PIECES)	1
4.11	4233959	SCREW M8x16 VP.	1
4.12		SERRATED LOCK WASHER Ø8.2XØ25X35X2	1



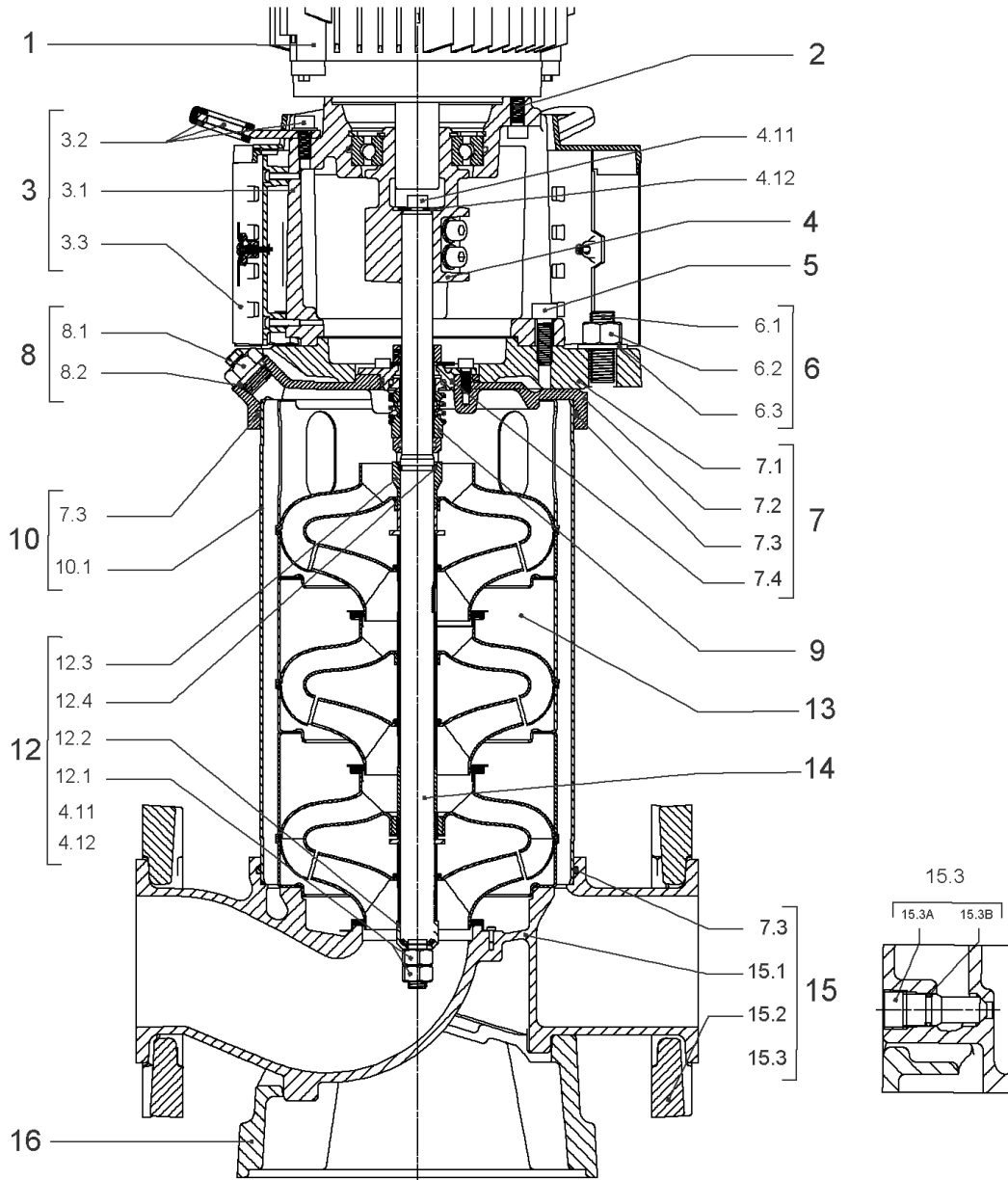
CARTRIDGE HELIX22-36-52 F/E KIT (4143975)

Item	Article no.	Description	Quantity
9.1	4143976	SEAL-KIT-HELIX22-36-52 F/E	1
7.3	4179571	> O-RING HOUSING PIPE HELIX22/36/52 VP.	1
7.4	4179572	> O-RING ID.42.52X2.62 EPDM VP.	1
9.1A	2127447	> M.SEAL.HELIX22-36-52 F/E VP.	1
9.1B	4179574	> O-RING ID.20x2.65 EPDM VP.	1
9.2	4179566	SHAFT SLEEVE D.20/20X60 1.4404 VP.	1
9.3	4179567	RING HOLDER Ø22 1.4301 VP.	1
9.4	4176520	SCREW CH M5x5 A4-70 (3PIECES)	1
9.5	4179568	DRIVE RING D.31/22.1x11 MACH.VP.	1
9.6	4179569	TOOL M.S.CART.HELIX 8" VP.	1
9.7	4179570	SCREW M6X16 ISO4762 8.8 GEOMET(4 PIECES)	1



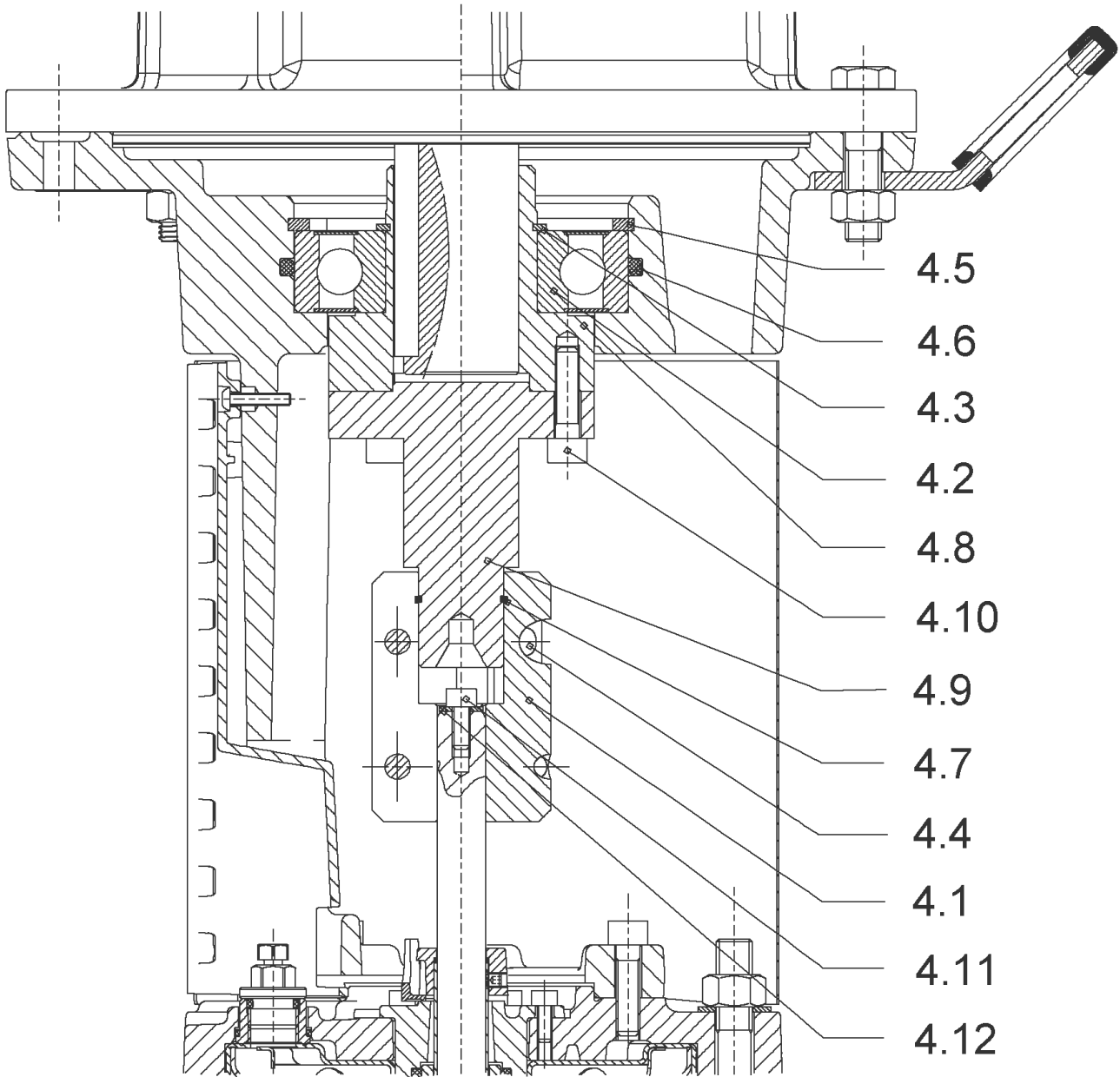
HYDRAULIC HELIX V 5208-2

Item	Article no.	Description	Quantity
13.1	4164727	INTERMEDIAIRE STAGE HELIX 52 1.4301 KIT	1
		> SLEEVE-SPACER-D22XL30,42-316L	1
		> MACH.BEARING-DIFFUSER+NR-M+52-304	1
		> SHAFT-SLEEVE-D26xD22x16-CW	1
		> SPACER WASHER D22,3XD36 L3-316L	1
		> IMPELLER-H2-M+52-304	1
13.1A	4161200	> NECK RING 1.STAGE HELIX V36/52 KIT	1
		>> NECK-RING-M+36/52	1
		>> HYDRAULIC SUPPORT CAP M+36/52 304	1
		>> SCREW TCL M3X8 A4 POZIDRIV	1
13.2	4164728	INTERMEDIATE STAGE HELIX 52 1.4301 KIT	1
		> MACH.STD-DIFFUSER+NR-M+52-304	1
		> IMPELLER-H5-M+52-304	1
13.3	4164730	INTERMEDIATE STAGE HELIX 52 1.4301 KIT	1
		> MACH.STD-DIFFUSER+NR-M+52-304	1
		> REDUCED-IMPELLER-H5-M+52-304	1
13.4	4164731	UPPER-STAGE HELIX 52 1.4301 KIT	1
		> STOP COLLAR OF IMPELLER L27,6-Ø22-316L	1
		> SLEEVE-SPACER-D22XL16,66-316L	1
		> SPACER WASHER D22,3XD36 L3-316L	1
		> REDUCED-IMPELLER-H2-M+52-304	1
		> MACH.STD-DISCHARGE-CHAMBER-M+52-304	1



HELIX V5208-1/25/E/KS/400-50 (4198509)

Item	Article no.	Description	Quantity
1	4195491	MOTOR 30/2/200 3~400V 50HZ IE3 VP.	1
		SPARE PARTS MOTOR:ON REQUEST	1
2	4179586	SCREW M16X60 (4 PIECES)	1
3	4161189	LANTERN HELIX V36 FF350 BB6315 KIT	1
3.1		> LANTERN FF350 M+ GJL MACHINED+CATA 6315	1
3.2	4179938	> EYELET CPL.FF350 HELIX(4 PIECES)	1
3.3	4143969	> COUPLING PROTECT HELIX FF KIT	1
4	4161191	COUPLING HELIX V36/52 FF350 RLT6315 KIT	1
5	4157725	SCREW M10X40 (4 PIECES)	1
6	4218401	STUD BOLT M16X1058 KIT	1
6.1		> TIE BOLT M16-1058x24x44-1.4057	1
6.2	4179562	> NUT M16 8.8 ISO4032 (4 PIECES)	1
6.3	4097852	> WASHER-CS-16.4-32-2.8-NFE25-511-A2	1
7	4217176	END SHIELD HELIX OPTI 8" EPDM KIT	1
7.1		> upper flange machined + cataphoresis	1
7.2	4217174	> STATIONARY RING HOLDER 8" HELIX OPTI VP.	1
7.3	4179571	> O-RING HOUSING PIPE HELIX22/36/52 VP.	1
7.4	4179572	> O-RING ID.42.52X2.62 EPDM VP.	1
8	4186377	FILING/PURGING PLUG 304 HELIX KIT	1
8.1		> FILLING/VENTING-PLUG-MVI8/10"-304	1
8.2	4032291	> O-RING 17x3 EPDM KTW/WRC	1
9	4143975	CARTRIDGE HELIX22-36-52 F/E KIT	1
10	4181688	HOUSING PIPE D.204X814 1.4301 KIT	1
7.3	4179571	> O-RING HOUSING PIPE HELIX22/36/52 VP.	1
10.1		> HOUSING-PIPE Ø204-M+2215-304	1
12	4164724	SHAFT EQUIPMENT HELIX V52 KIT	1
13		HYDRAULIC HELIX V 5208	1
14	4179947	SHAFTS D.22X1004 1.4057 VP.	1
15	4218385	EQUIPED HOUSING DN80 HELIX OPTI 8" KIT	1
15.1		> pump casing machined DN80	1
15.2	4218383	> HALF FLANGE DN80 HELIX OPTI 8" VP.	1
15.3	4217850	> DRAIN/PRIMING PLUG HELIX OPTI 8" KIT	1
7.3	4179571	> O-RING HOUSING PIPE HELIX22/36/52 VP.	1
16	4218387	BASEPLATE DN80 HELIX OPTI 8" VP.	1



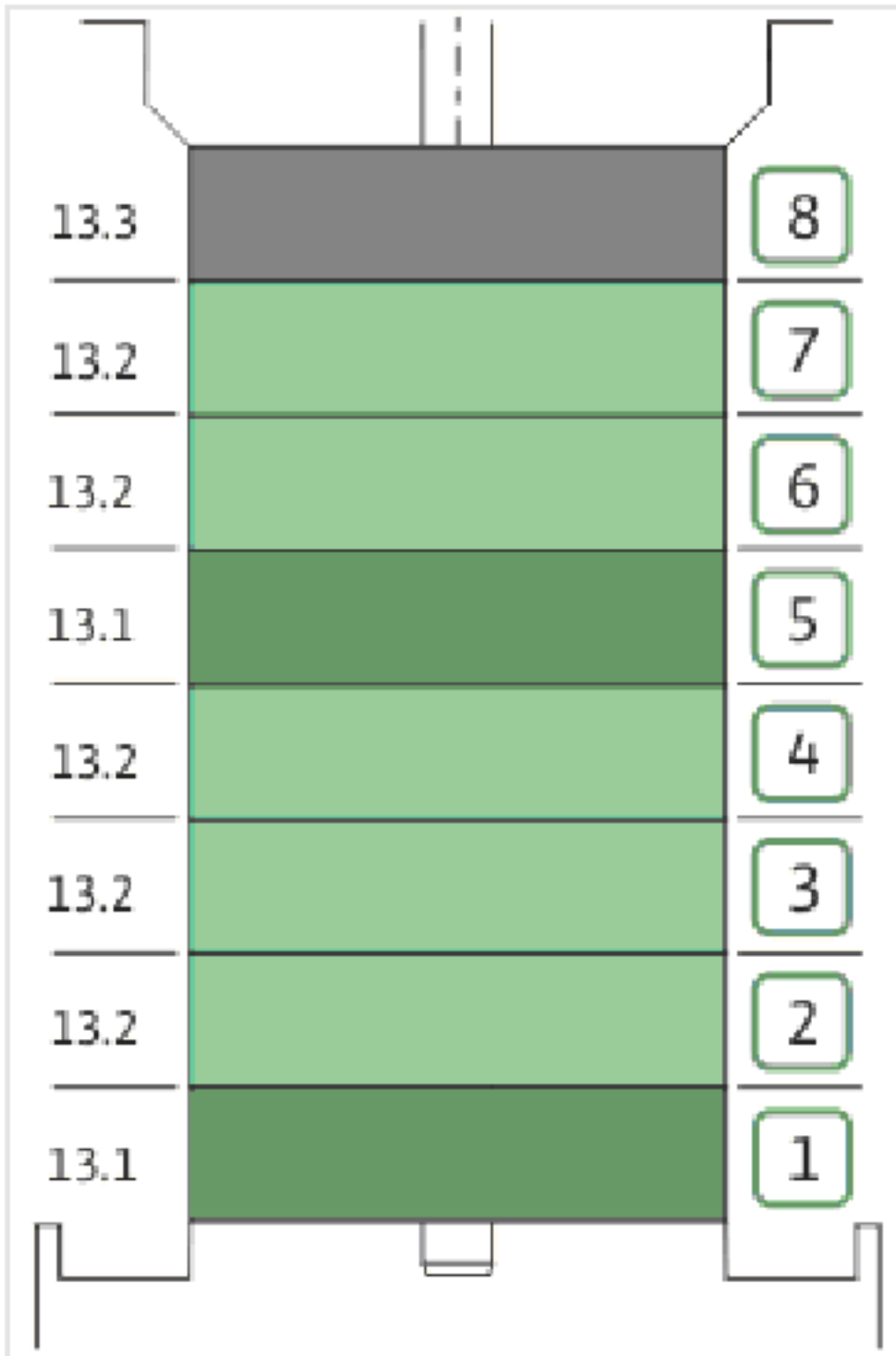
COUPLING HELIX V36/52 FF350 RLT6315 KIT (4161191)

Item	Article no.	Description	Quantity
4.1	4179935	COUPLING 2 PARTS D.20XD.38XL115 VP.	1
4.2	2114423	BALL BEARING 6315C4-ZZ-HT VP.	1
4.3	2119916	CIRCLIP D75X2.5 VP.	1
4.4	4179934	SCREW M12X30 (8 PIECES)	1
4.5	2119917	CIRCLIP D160X4 VP.	1
4.6	2119918	O-RING Ø158.34X3.53 NBR 70SH.VP.	1
4.7	2130992	RETAINING RING D.35xD.2,5 DIN7993 VP.	1
4.8	4179937	HUB D.55XD.75 VP.	1
4.9	4179936	SPACER D.38XD.65 VP.	1
4.10	2130991	SCREW M12X30 ISO4762 8.8 ZN(4 PIECES)	1
4.11	4233959	SCREW M8x16 VP.	1
4.12		SERRATED LOCK WASHER Ø8.2XØ25X35X2	1



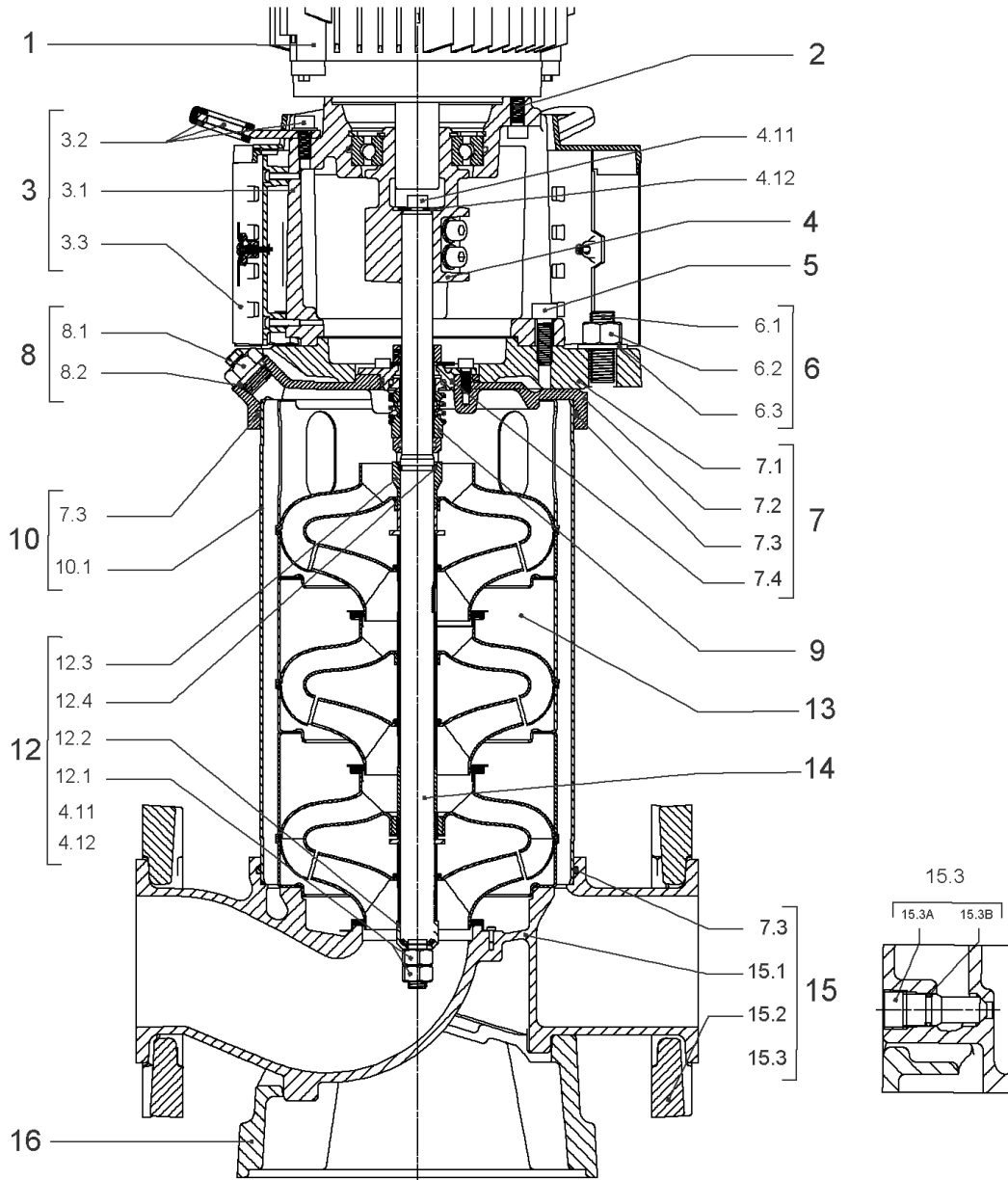
CARTRIDGE HELIX22-36-52 F/E KIT (4143975)

Item	Article no.	Description	Quantity
9.1	4143976	SEAL-KIT-HELIX22-36-52 F/E	1
7.3	4179571	> O-RING HOUSING PIPE HELIX22/36/52 VP.	1
7.4	4179572	> O-RING ID.42.52X2.62 EPDM VP.	1
9.1A	2127447	> M.SEAL.HELIX22-36-52 F/E VP.	1
9.1B	4179574	> O-RING ID.20x2.65 EPDM VP.	1
9.2	4179566	SHAFT SLEEVE D.20/20X60 1.4404 VP.	1
9.3	4179567	RING HOLDER Ø22 1.4301 VP.	1
9.4	4176520	SCREW CH M5x5 A4-70 (3PIECES)	1
9.5	4179568	DRIVE RING D.31/22.1x11 MACH.VP.	1
9.6	4179569	TOOL M.S.CART.HELIX 8" VP.	1
9.7	4179570	SCREW M6X16 ISO4762 8.8 GEOMET(4 PIECES)	1



HYDRAULIC HELIX V 5208

Item	Article no.	Description	Quantity
13.1	4164727	INTERMEDIAIRE STAGE HELIX 52 1.4301 KIT	1
		> SLEEVE-SPACER-D22XL30,42-316L	1
		> MACH.BEARING-DIFFUSER+NR-M+52-304	1
		> SHAFT-SLEEVE-D26xD22x16-CW	1
		> SPACER WASHER D22,3XD36 L3-316L	1
		> IMPELLER-H2-M+52-304	1
13.1A	4161200	> NECK RING 1.STAGE HELIX V36/52 KIT	1
		>> NECK-RING-M+36/52	1
		>> HYDRAULIC SUPPORT CAP M+36/52 304	1
		>> SCREW TCL M3X8 A4 POZIDRIV	1
13.2	4164728	INTERMEDIATE STAGE HELIX 52 1.4301 KIT	1
		> MACH.STD-DIFFUSER+NR-M+52-304	1
		> IMPELLER-H5-M+52-304	1
13.3	4164729	UPPER-STAGE HELIX 52 1.4301 KIT	1
		> STOP COLLAR OF IMPELLER L27,6-Ø22-316L	1
		> SLEEVE-SPACER-D22XL16,66-316L	1
		> SPACER WASHER D22,3XD36 L3-316L	1
		> IMPELLER-H2-M+52-304	1
		> MACH.STD-DISCHARGE-CHAMBER-M+52-304	1



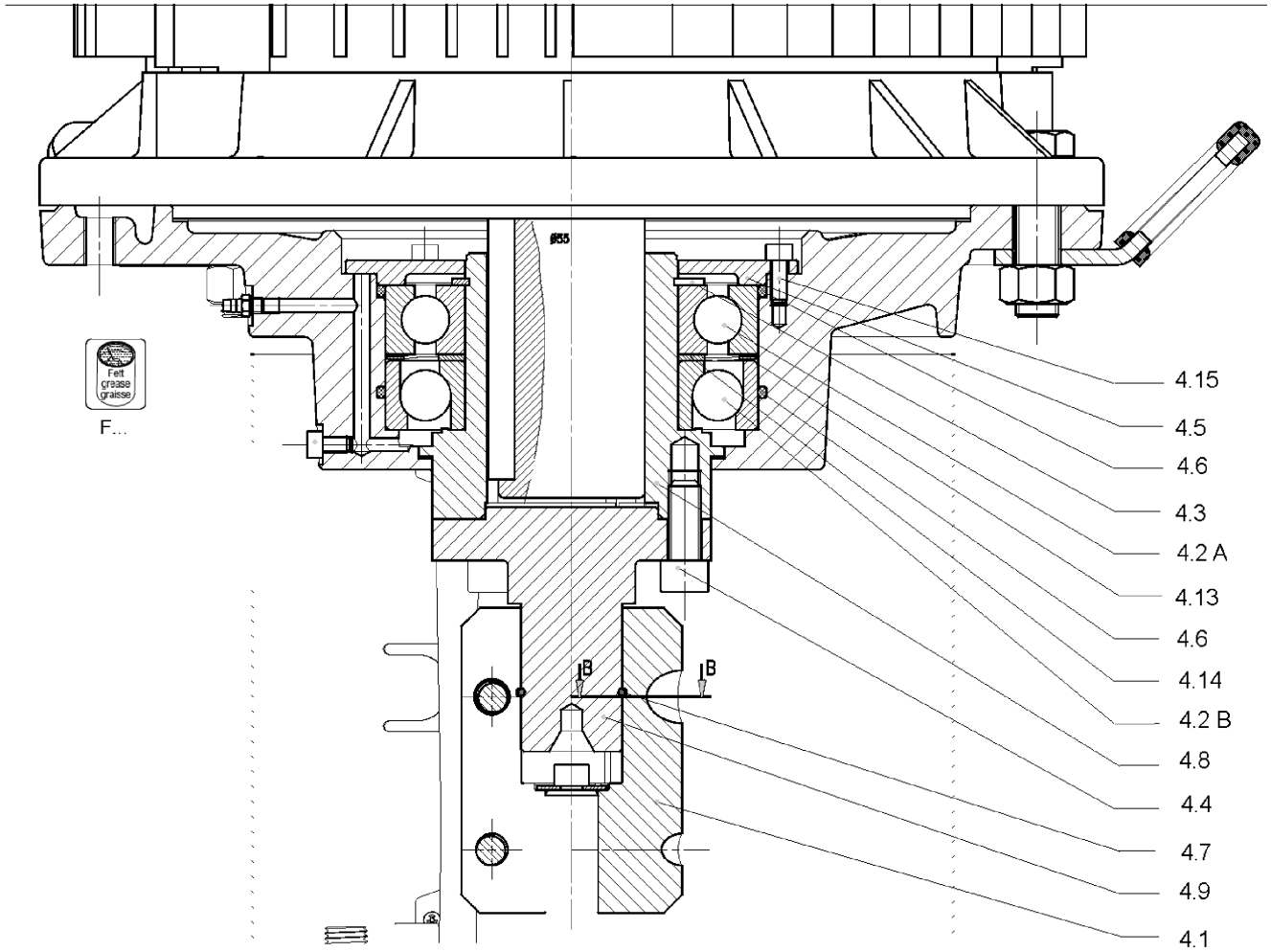
HELIX V5209/2-1/25/E/KS/400-50 (4198510)

Item	Article no.	Description	Quantity
1	4195492	MOTOR 37/2/200 3~400V 50HZ IE3 VP.	1
		SPARE PARTS MOTOR:ON REQUEST	1
2	4179586	SCREW M16X60 (4 PIECES)	1
3	4164725	LANTERN HELIX 36/52 FF350 BB6216 KIT	1
3.1		> LANT.FF350 M+ GJL MACHIN.+CATA 7216-6216	1
3.2	4179938	> EYELET CPL.FF350 HELIX(4 PIECES)	1
3.3	4143969	> COUPLING PROTECT HELIX FF KIT	1
4	4164726	COUPLING HELIX D.20XD.38 2KUL.KIT	1
5	4157725	SCREW M10X40 (4 PIECES)	1
6	4218405	STUD BOLT M16X1158 KIT	1
6.1		> TIE BOLT M16-1158x24x44-1.4057	1
6.2	4179562	> NUT M16 8.8 ISO4032 (4 PIECES)	1
6.3	4097852	> WASHER-CS-16.4-32-2.8-NFE25-511-A2	1
7	4217176	END SHIELD HELIX OPTI 8" EPDM KIT	1
7.1		> upper flange machined + cataphoresis	1
7.2	4217174	> STATIONARY RING HOLDER 8" HELIX OPTI VP.	1
7.3	4179571	> O-RING HOUSING PIPE HELIX22/36/52 VP.	1
7.4	4179572	> O-RING ID.42.52X2.62 EPDM VP.	1
8	4186377	FILING/PURGING PLUG 304 HELIX KIT	1
8.1		> FILLING/VENTING-PLUG-MVI8/10"-304	1
8.2	4032291	> O-RING 17x3 EPDM KTW/WRC	1
9	4143975	CARTRIDGE HELIX22-36-52 F/E KIT	1
10	4218407	HOUSING PIPE D204X914 1.4301 KIT	1
7.3	4179571	> O-RING HOUSING PIPE HELIX22/36/52 VP.	1
10.1		> HOUSING-PIPE Ø204-L914,37-304	1
12	4164724	SHAFT EQUIPMENT HELIX V52 KIT	1
13		HYDRAULIC HELIX V 5209-2	1
14	4179957	SHAFTS D.22X1104 1.4057 VP.	1
15	4218385	EQUIPED HOUSING DN80 HELIX OPTI 8" KIT	1
15.1		> pump casing machined DN80	1
15.2	4218383	> HALF FLANGE DN80 HELIX OPTI 8" VP.	1
15.3	4217850	> DRAIN/PRIMING PLUG HELIX OPTI 8" KIT	1
7.3	4179571	> O-RING HOUSING PIPE HELIX22/36/52 VP.	1
16	4218387	BASEPLATE DN80 HELIX OPTI 8" VP.	1

MOTEUR A BRIDE 55FF350 **

FLANGE MOTOR 55FF350 **

** VERSION 2 ROULEMENTS / ** 2 BALL BEARING VERSION



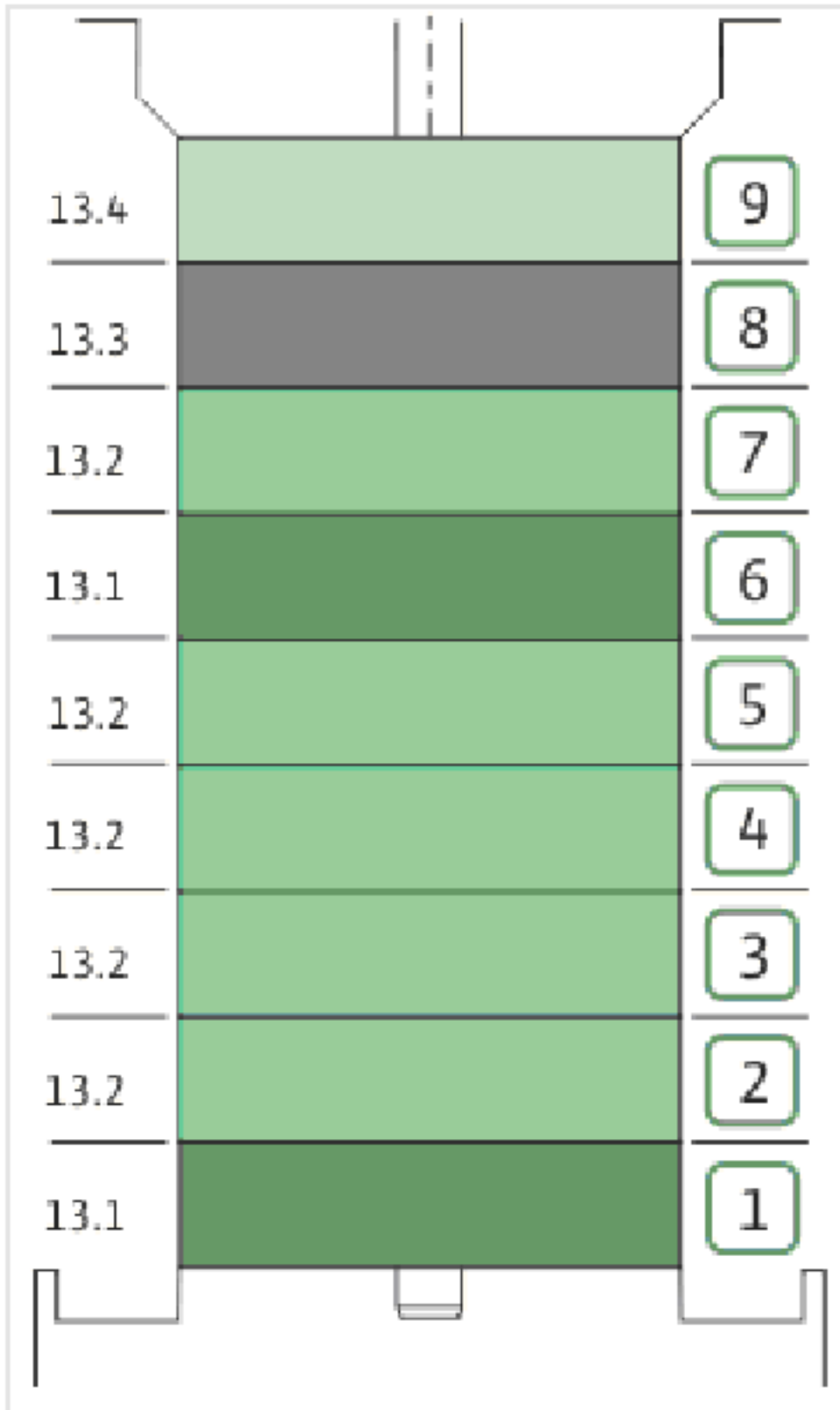
COUPLING HELIX D.20XD.38 2KUL.KIT (4164726)

Item	Article no.	Description	Quantity
4.1	4179935	COUPLING 2 PARTS D.20XD.38XL115 VP.	1
4.2A	4179950	BALL BEARING 7216-BEP-VP.	1
4.2B	4179949	BALL BEARING OPEN 6216 C3 VP.	1
4.3	4055234	CIRCLIP-FOR-SHAFT-D80X2.5-AC.PARK.	1
4.4	4179934	SCREW M12X30 (8 PIECES)	1
4.5		COVER HOUSING BALL BEARING FF350 7216	1
4.6	4233945	O-RING ID.140 VP.	1
4.7	2130992	RETAINING RING D.35xD.2,5 DIN7993 VP.	1
4.8	4179953	HUB D.55XD.80 VP.	1
4.9	4179936	SPACER D.38XD.65 VP.	1
4.10	2130991	SCREW M12X30 ISO4762 8.8 ZN(4 PIECES)	1
4.11	4233959	SCREW M8x16 VP.	1
4.12		SERRATED LOCK WASHER Ø8.2XØ25X35X2	1
4.13	4179951	WASHER INNER-BEARINGD.80XD.100x2.5E24VP.	1
4.14	4179952	CURV.SPRING WASH.A139B126E1-6216/6313VP.	1
4.15		SCREW M6X16 ISO4762 8.8 GEOMET 500B	1



CARTRIDGE HELIX22-36-52 F/E KIT (4143975)

Item	Article no.	Description	Quantity
9.1	4143976	SEAL-KIT-HELIX22-36-52 F/E	1
7.3	4179571	> O-RING HOUSING PIPE HELIX22/36/52 VP.	1
7.4	4179572	> O-RING ID.42.52X2.62 EPDM VP.	1
9.1A	2127447	> M.SEAL.HELIX22-36-52 F/E VP.	1
9.1B	4179574	> O-RING ID.20x2.65 EPDM VP.	1
9.2	4179566	SHAFT SLEEVE D.20/20X60 1.4404 VP.	1
9.3	4179567	RING HOLDER Ø22 1.4301 VP.	1
9.4	4176520	SCREW CH M5x5 A4-70 (3PIECES)	1
9.5	4179568	DRIVE RING D.31/22.1x11 MACH.VP.	1
9.6	4179569	TOOL M.S.CART.HELIX 8" VP.	1
9.7	4179570	SCREW M6X16 ISO4762 8.8 GEOMET(4 PIECES)	1



HYDRAULIC HELIX V 5209-2

Item	Article no.	Description	Quantity
13.1	4164727	INTERMEDIAIRE STAGE HELIX 52 1.4301 KIT	1
		> SLEEVE-SPACER-D22XL30,42-316L	1
		> MACH.BEARING-DIFFUSER+NR-M+52-304	1
		> SHAFT-SLEEVE-D26xD22x16-CW	1
		> SPACER WASHER D22,3XD36 L3-316L	1
		> IMPELLER-H2-M+52-304	1
13.1A	4161200	> NECK RING 1.STAGE HELIX V36/52 KIT	1
		>> NECK-RING-M+36/52	1
		>> HYDRAULIC SUPPORT CAP M+36/52 304	1
		>> SCREW TCL M3X8 A4 POZIDRIV	1
13.2	4164728	INTERMEDIATE STAGE HELIX 52 1.4301 KIT	1
		> MACH.STD-DIFFUSER+NR-M+52-304	1
		> IMPELLER-H5-M+52-304	1
13.3	4164730	INTERMEDIATE STAGE HELIX 52 1.4301 KIT	1
		> MACH.STD-DIFFUSER+NR-M+52-304	1
		> REDUCED-IMPELLER-H5-M+52-304	1
13.4	4164731	UPPER-STAGE HELIX 52 1.4301 KIT	1
		> STOP COLLAR OF IMPELLER L27,6-Ø22-316L	1
		> SLEEVE-SPACER-D22XL16,66-316L	1
		> SPACER WASHER D22,3XD36 L3-316L	1
		> REDUCED-IMPELLER-H2-M+52-304	1
		> MACH.STD-DISCHARGE-CHAMBER-M+52-304	1