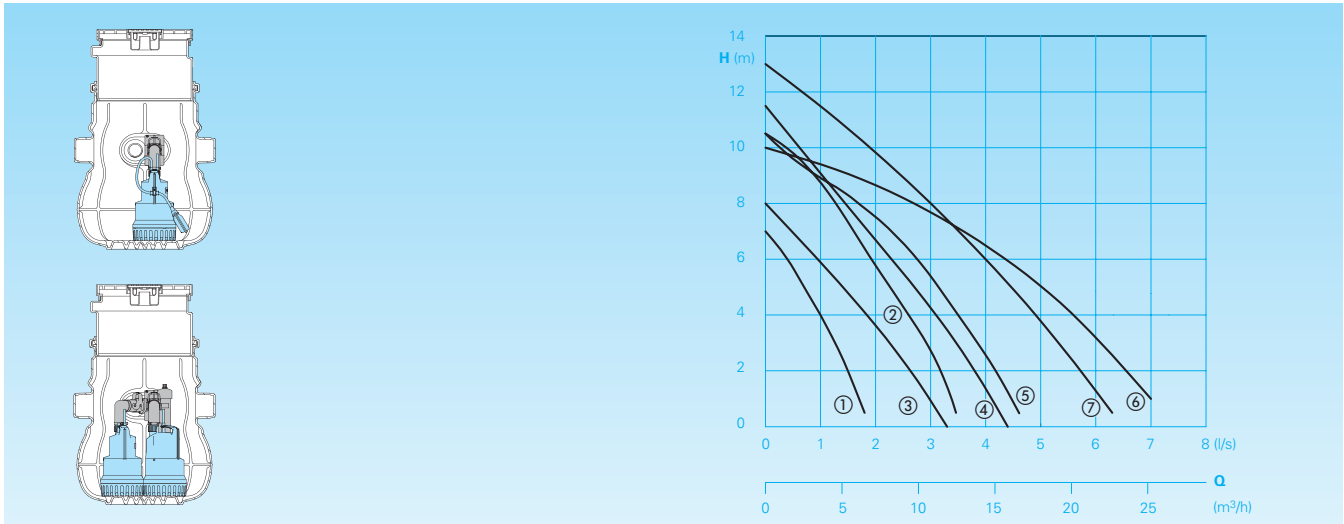


**Drainage water-lifting unit
 with under-floor-collection tank.**

Saniquick UF100 / UFT100

Conveying capacities



Application

Automatic disposal of domestic drainage water below the sewer level in flooded areas. For removal of domestic drainage water from hand basins, washing machines, showers or bath and cellar draining in rooms. Installation as a collecting tank for rainwater in cellars, basements, baths and garages.

DIN EN 12050-2: Design tested and monitored.

Installation: Collecting tank for under-floor installation with adjustable access cover.

Pumped medium: Clear and drainage water. Max. temperature of pumped medium: 35°C, for brief periods up to 60°C.

Design

Single- or twin lifting unit with drainage water collection tank for floor installation consisting of:

Collection tank: Plastic tank fixed to prevent lifting, tank volume 120 l, useable volume 66 l, with 3 inlets DN 100. Connecting piece DN 70 for air vent and cable duct. Frame with adjustable height to adapt the cover plate to the floor level. Odour tight cover plate with floor drain. The cover plate can be used as a gutter or a tile frame. Both frame and plate are adjustable in height and capable of being turned for adjustment to the floor level and direction of tiles after the tiles have been laid. Discharge connector and pipe for the pump are fitted in the tank, including a non-return valve in the pipework. Shaft extension up to max. 500 mm via commercially available KG pipe (DN400) possible.

Technical data

Curve No.	Pump type	UF	UFT	Motor input		Nominal current (A)	Weight (kg)
				P ₁ (kW)	P ₂ (kW)		
①	C140 WA	x	x	0,32	0,17	1,4	4,1
①	CH140 WA	x	x	0,32	0,17	1,4	4,1
②	C150 WA	x	x	0,75	0,38	3,5	6,0
②	CH150 WA	x	x	0,75	0,38	3,5	6,0
③	C250 W(A)	x	x	0,55	0,26	2,5	5,1
③	CH250 W(A)	x	x	0,55	0,26	2,5	5,1
④	C260 W(A)	x	x	0,90	0,48	4,0	6,1
④	CH260 W(A)	x	x	0,90	0,48	4,0	6,1
⑤	TCV 408 WA	x		1,10	0,80	4,9	7,1
⑥	TP28 V V W(A)	x		1,10	0,90	5,6	22,0
⑥	TP28 V 11/2 W(A)	x	x	1,10	0,90	5,6	22,0
⑥	TP28 V 11/2 D(A)	x	x	1,10	0,90	2,2	22,0
⑦	TP28 M 10/2 W(A)	x	x	1,00	0,70	4,7	22,0
⑦	TP28 M 10/2 D(A)	x	x	1,00	0,70	1,8	22,0

Rotational speed: 2850 / 2900 rpm | **Model W:** 230V/1Ph 50Hz | **Model D:** 400V/3Ph 50Hz

Discharge: G1 1/4 | **Model A:** with automatic float switch HOMA-Nivomatik

Can be used in areas at risk of groundwater, the water level can be up to 3 m above the top edge of the tank.

Pumps/Motors: One or two single-stage drainage water submersible pumps. Open multi-channel impeller, open single-channel impeller (TP28M) or Vortex impeller (TP 28 V) free passage 10- 28 mm Ø. Fully submersible motor. Insulation class B/F, protection rating IPX8.

Pump selection: The single unit (UF) is switched on and off by means of float switch, WA/DA version is required. The double unit (UFT) is switched by control box.

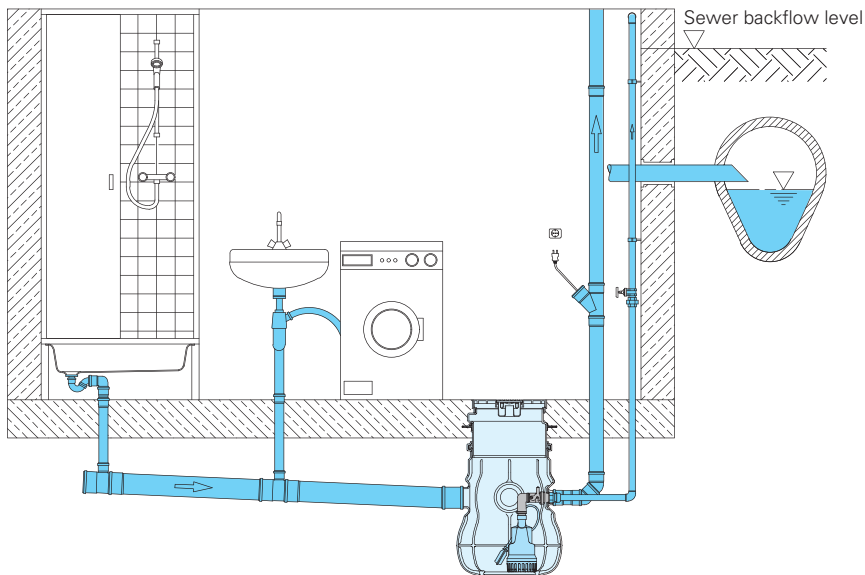
Control box (only UFT): Electronic control box PCM for control and monitoring of all important functions. Pneumatic level control with pressure operation. Auto-change over after each pump cycle.

Operation of both pumps at high flow. In the event of failure automatic change over to the second pump. Motor protection relay. Optical failure alarm. Acoustic alarm by buzzer. Volt free contact for remote signal. Configuration possible via free HOMAApp. Communication between HOMAApp and control via Bluetooth.

Materials

Collecting tank	Polyethylen
Installation kit	PP GF
Elastomers	NBR

Installation example (Saniquick UF100)



Scope of supply

Saniquick UF100

Plastic collecting tank with compensating frame, tileable cover plate and installation kit.

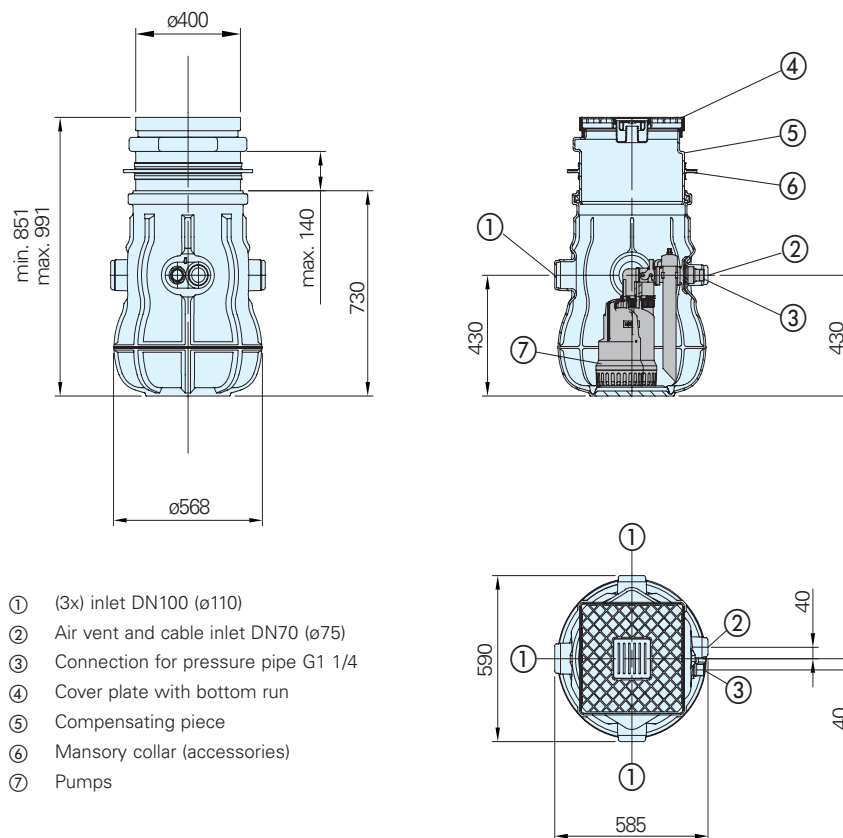
Part No: 9804017

Drainage water pumps for Saniquick UF100

Pump type	P ₁ (kW)	Part no.
C140 WA	0,32	9110219
CH140 WA	0,32	9110220
C150 WA	0,75	9110229
CH150 WA	0,75	9110230
C250 WA	0,55	9110365
C260 WA	0,90	9110390
CH250 WA	0,55	9240398
CH260 WA	0,90	9240392
TCV 408 WA	1,10	9500017.01
TP28 V WA	1,1	95000127
TP28 V 11/2 WA	1,1	9211283.02
TP28 V 11/2 DA	1,1	9211293.02
TP28 M 10/2 WA	1,0	9211281.02
TP28 M 10/2 DA	1,0	9211291.02

Dimensions (all dimensions in mm)

Saniquick UFT100



Saniquick UFT100

Collecting tank with compensating frame and tileable cover plate, 2 pumps with non-return valve and piping, 10 m connection cable, PCM control box with pneumatic level control and alarm function.

Type	Part no.
Saniquick UFT100- C140	9804060
Saniquick UFT100- CH140	9804061
Saniquick UFT100- C150	9804062
Saniquick UFT100- CH150	9804063
Saniquick UFT100- C250	9804064
Saniquick UFT100- CH250	9804065
Saniquick UFT100- C260	9804066
Saniquick UFT100- CH260	9804067
Saniquick UFT100- TP28V/W	9804068
Saniquick UFT100- TP28V D	9804069
Saniquick UFT100- TP28M W	9804070
Saniquick UFT100- TP28M D	9804071

Accessories Saniquick UF & UFT

Description	Part no.
Masonry collar	2209400
Thin bead sealing	2214012
AL3 float switch with alarm unit and holder	1586148
ALLWS alarm unit	1586214
Pipe aerator with filter cartridge DN70 / DN 100	8001010



We reserve the right to alter our specifications without notice!